

Uputstvo za upotrebu (EN)

COOLER MASTER kućište MasterCase H500P Mesh MCM-H500P-MGNN-S11



Tehnoteka je online destinacija za upoređivanje cena i karakteristika bele tehnike, potrošačke elektronike i IT uređaja kod trgovinskih lanaca i internet prodavnica u Srbiji. Naša stranica vam omogućava da istražite najnovije informacije, detaljne karakteristike i konkurentne cene proizvoda.

Posetite nas i uživajte u ekskluzivnom iskustvu pametne kupovine klikom na link:

<https://tehnoteka.rs/p/cooler-master-kuciste-mastercase-h500p-mesh-mcm-h500p-mgnn-s11-akcija-cena/>



Make It Yours.

MASTERCASE H500P MESH ARGB/ MESH WHITE ARGB

User manual / English

عربي / التثبيت دليل

Инструкция за експлоатация / Български

安装说明 / 简体中文

安裝說明 / 繁體中文

Užívateľská príručka / Čeština

Handuch / Deutsch

Εγχειρίδιο χρήσης / Ελληνικά

Manual de Usuario / Español

Manuel de l'utilisateur / Français

Felhasználói kézikönyv / Magyar

فارسی / راهنمای کاربری

Manuale d'uso / Italiano

ユーザーズマニュアル / 日本語

Handleiding / Nederlands

설치 안내 / 한국어

Instrukcja Użytkownika / Polski

Manual do Usuário / Português













Руководство пользователя / русский

Uputstvo za korišćenje / Srpski

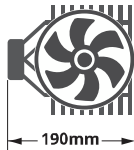
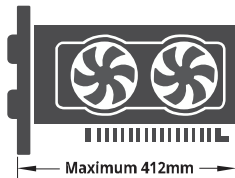
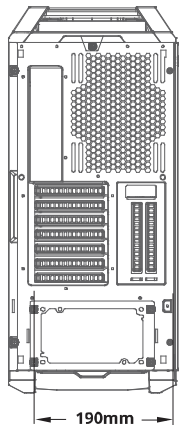
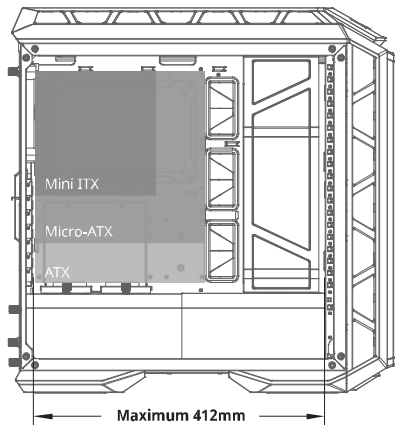
Kullanım Kılavuzu / Türkçe

Panduan Pengguna / Bahasa Indonesia

1. PACKAGE CONTENT

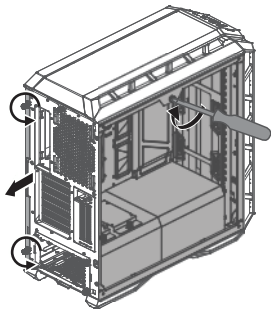
Item	Pics	Name	Q'ty	Used for
01		Ø5*10 Screw	8	Top Fan
02		#6 - 32*29 Screw	8	Front Fan
03		Stand-off Socket	1	Motherboard Tray
04		3 to 1 Fan Splitter	1	Connect multiple fans to motherboard * Pre-Installed
05		#6 - 32*10 Screw	2	Lock HDD Bracket
06		#6 - 32*5 Screw	15	PSU / Top Fan Bracket / Motherboard Tray
07		M3*4 Screw	8	2.5" SSD
08		Top Fan Bracket	1	Front Fan / 360mm Radiator
09		Cable Tie	10	Cable Management
10		Cleaning Cloth	1	Cleaning Glass
11		ARGB Controller	1	Enable light effect for fans(no motherboard)
12		3 to 2 ARGB Splitter	1	Connect Fans LEDs to Motherboard/ARGB controller * Pre-Installed

2. COMPATIBILITY

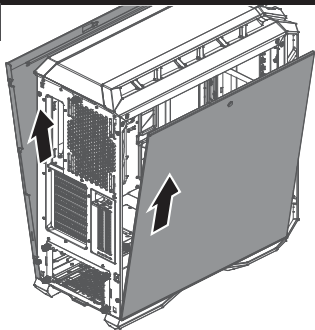


3. MOTHERBOARD INSTALLATION

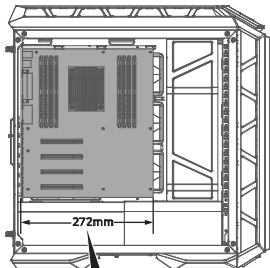
1



2

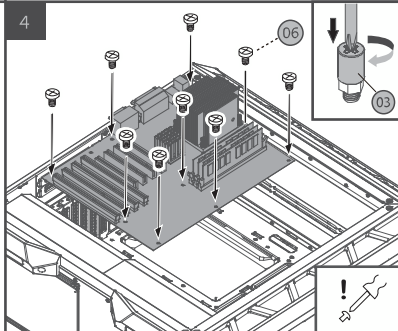


3

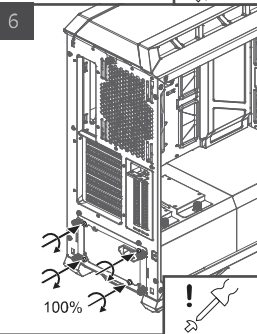
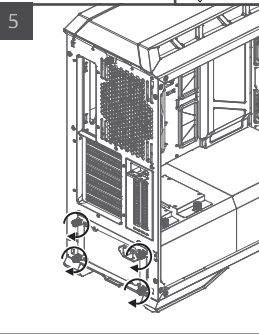
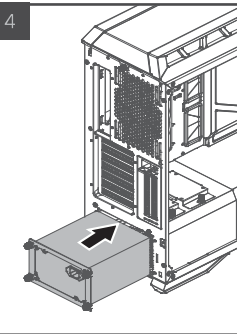
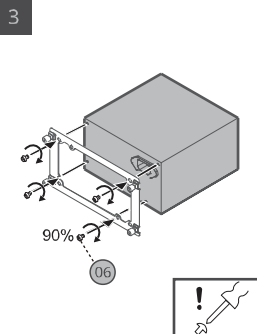
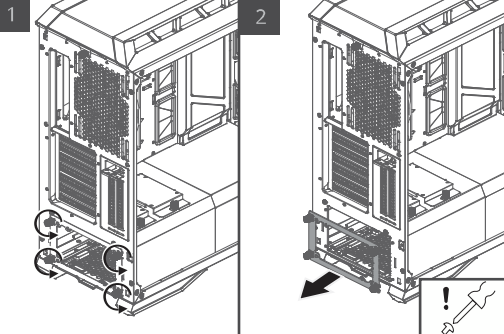


Maximum motherboard size

4



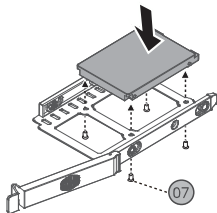
4. POWER SUPPLY INSTALLATION



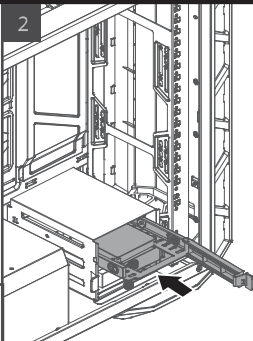
5. HARD DRIVE INSTALLATION

1

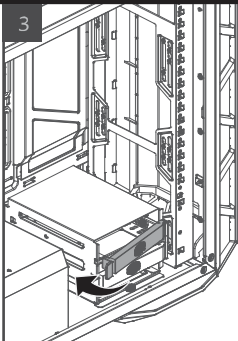
A. 2.5" HDD / SSD



2

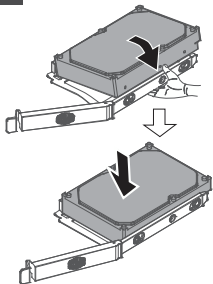


3

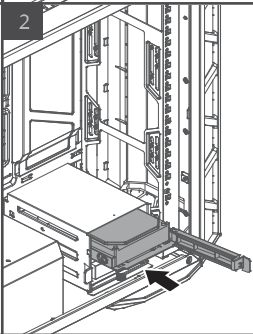


1

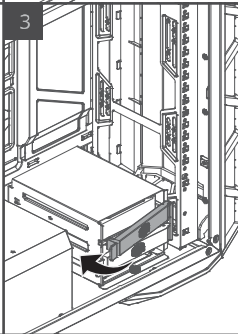
B. 3.5" HDD



2

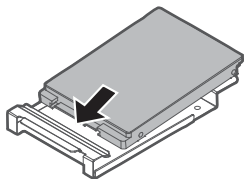


3

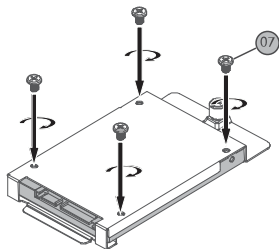


1

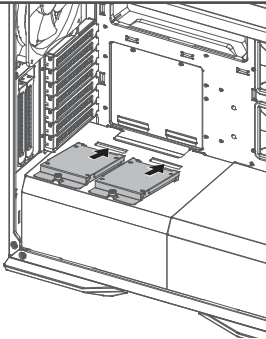
C.2.5" HDD / SSD



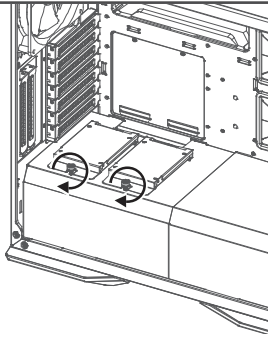
OR

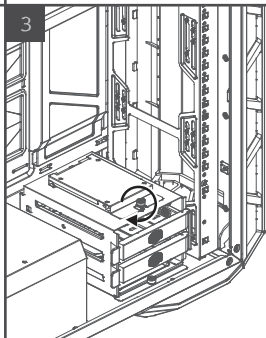
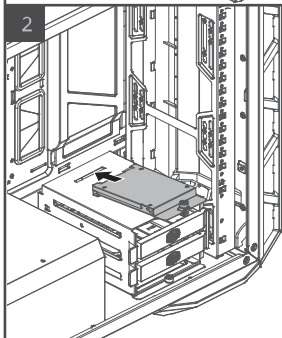
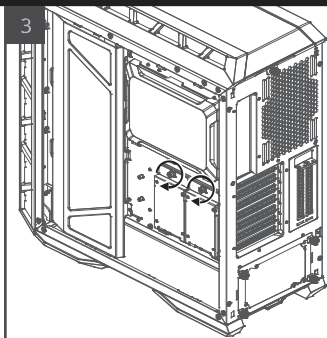
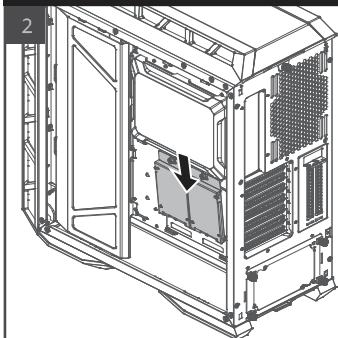


2

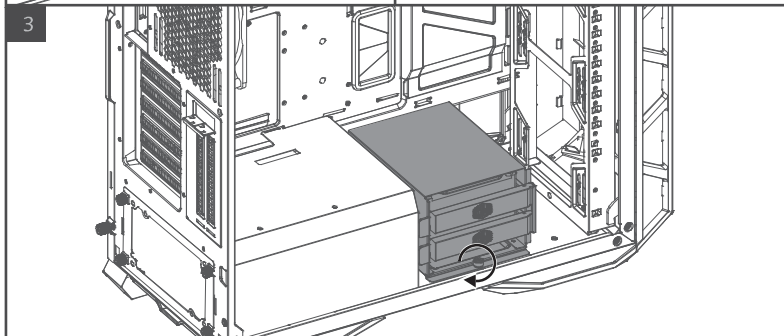
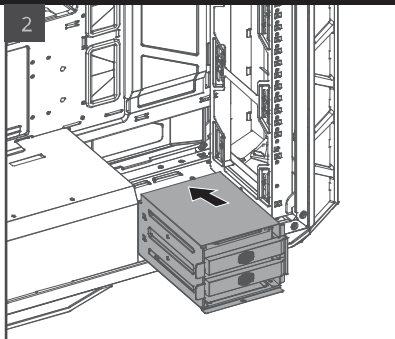
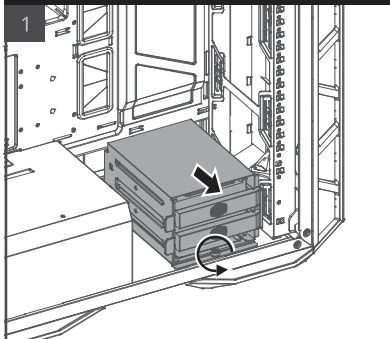


3

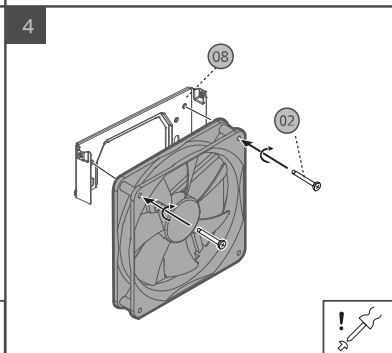
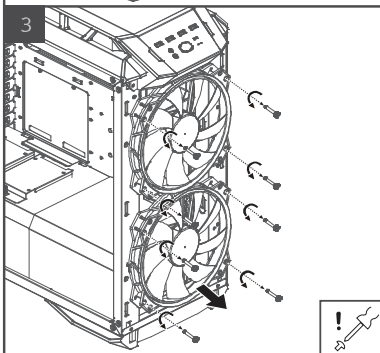
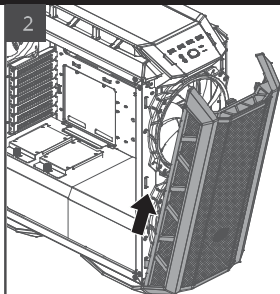
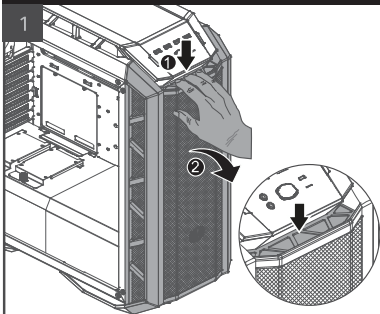


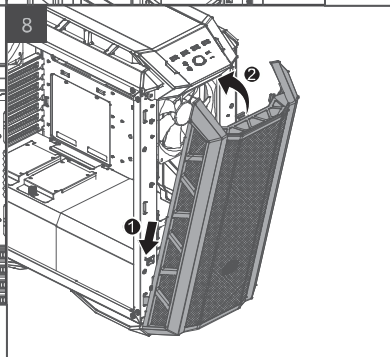
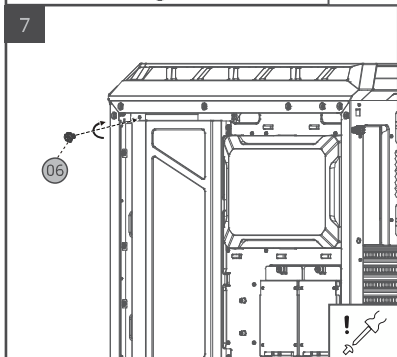
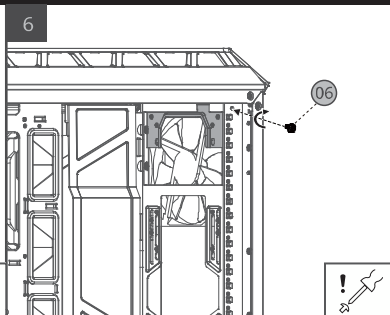
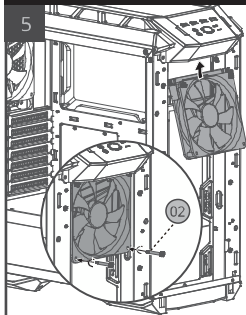


6. HARD DRIVE CAGE ADJUSTMENT



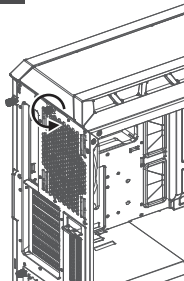
7. FRONT FAN INSTALLATION



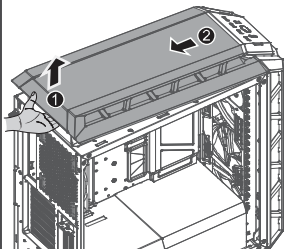


8. TOP FAN INSTALLATION

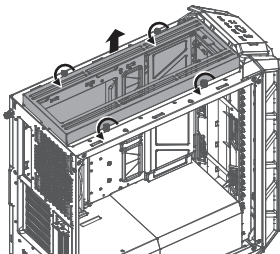
A1



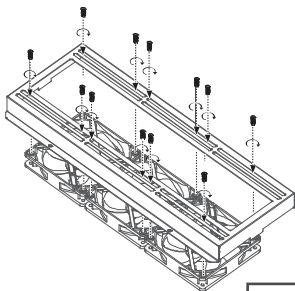
A2



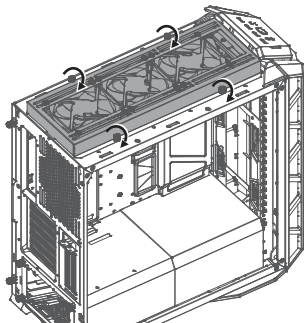
A3



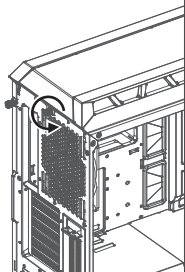
A4



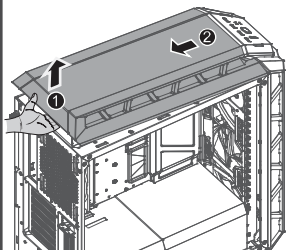
A5



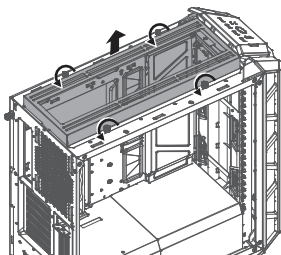
B1



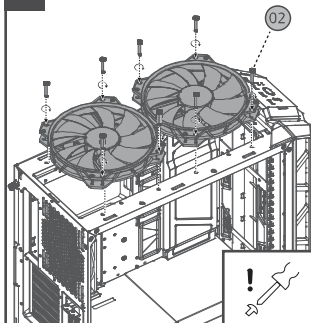
B2



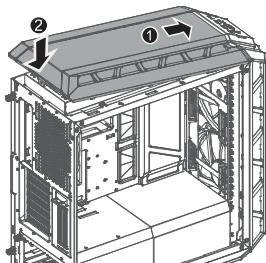
B3



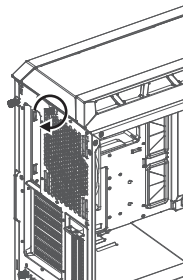
B4



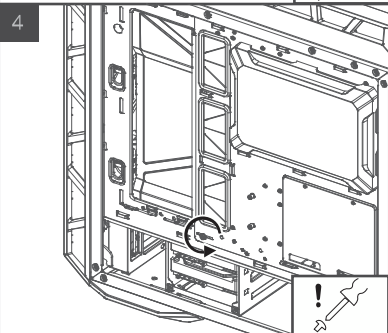
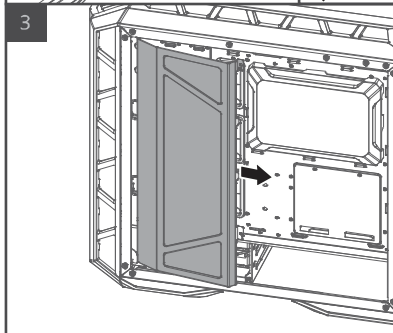
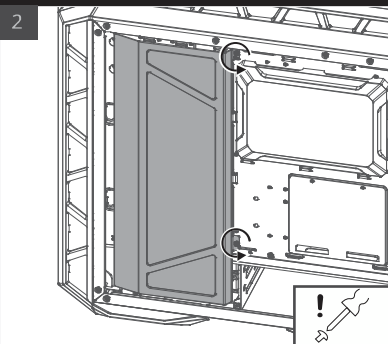
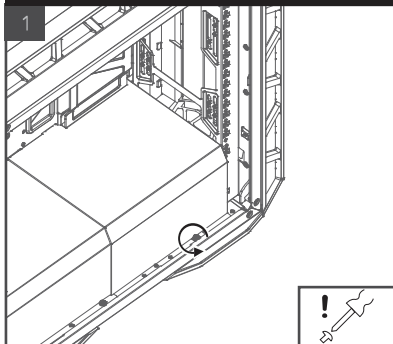
B5

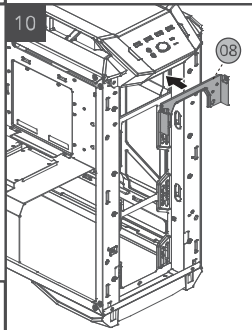
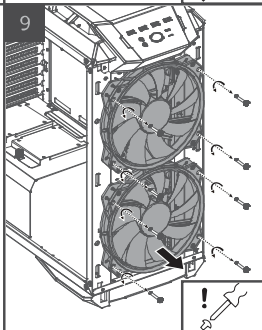
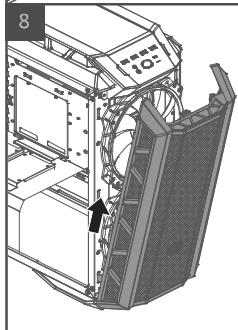
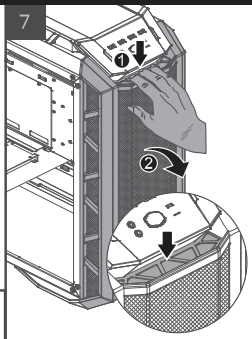
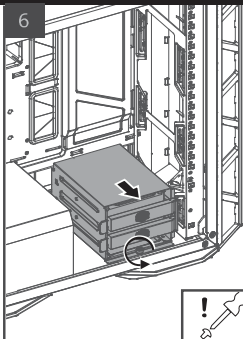
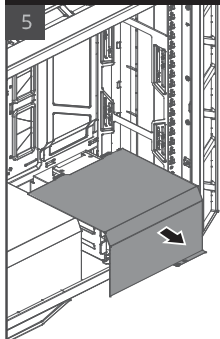


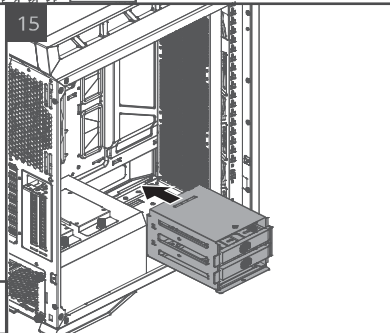
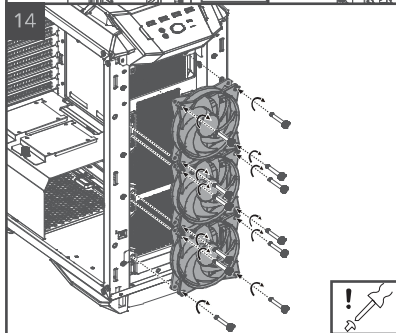
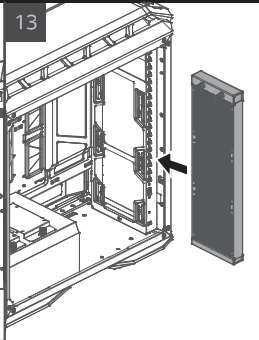
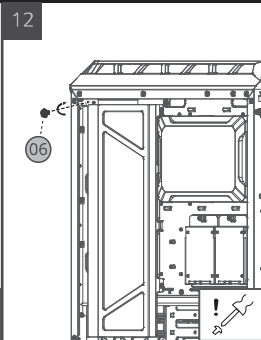
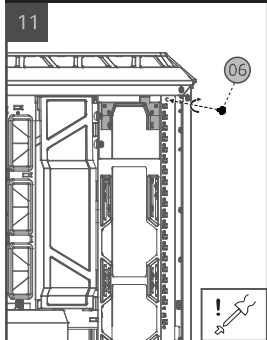
B6

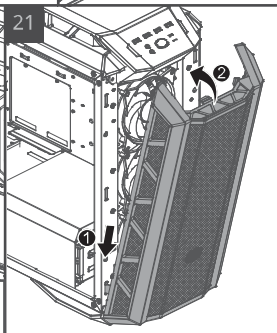
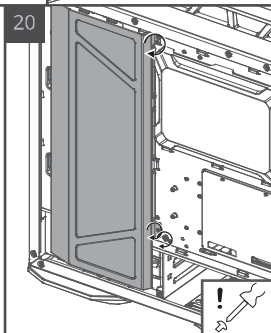
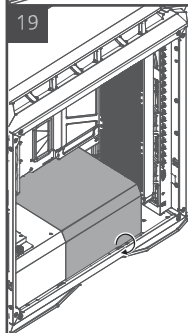
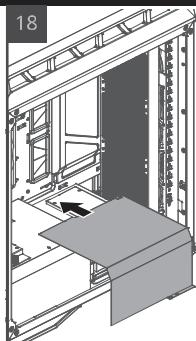
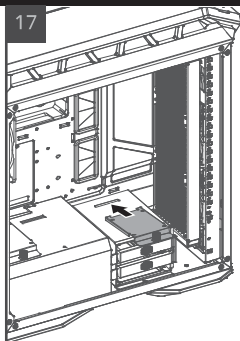
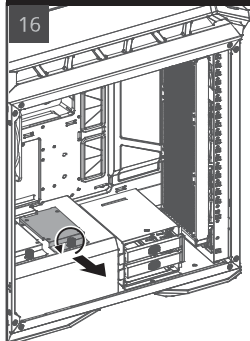


9. FRONT RADIATOR INSTALLATION



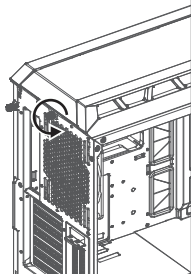




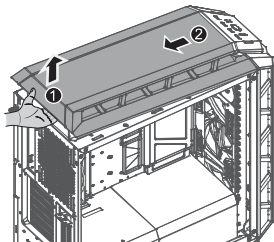


10. TOP RADIATOR INSTALLATION

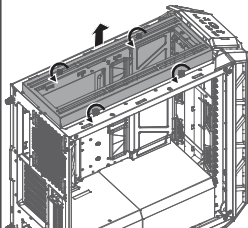
1



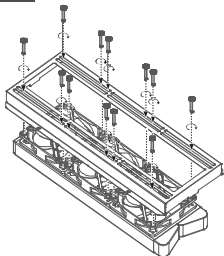
2



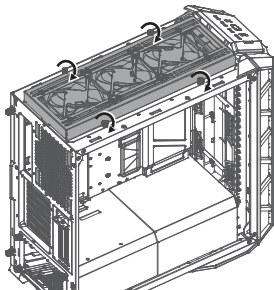
3



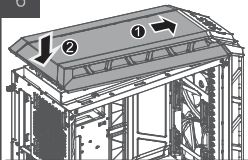
4



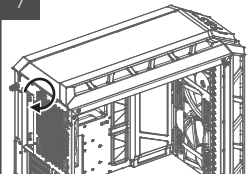
5



6

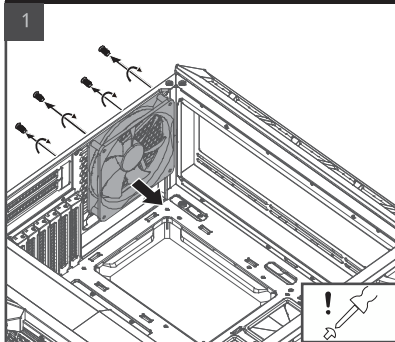


7

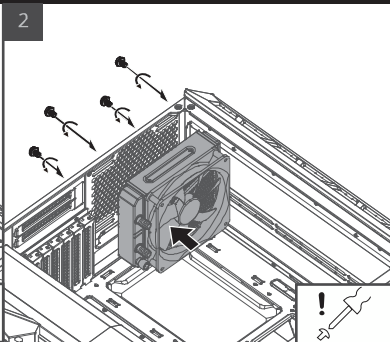


11. REAR RADIATOR INSTALLATION

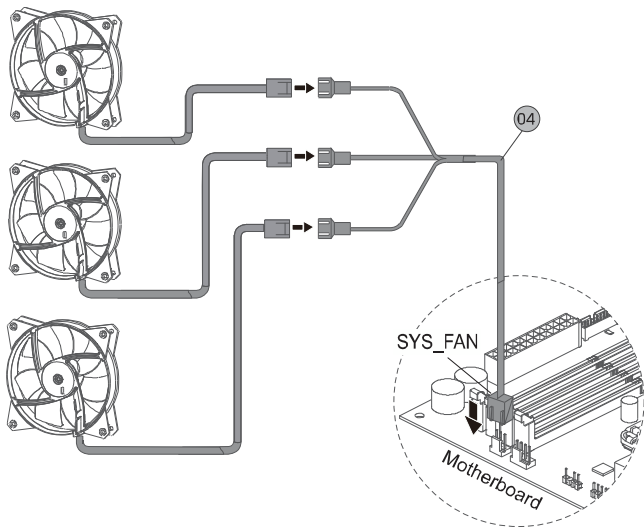
1



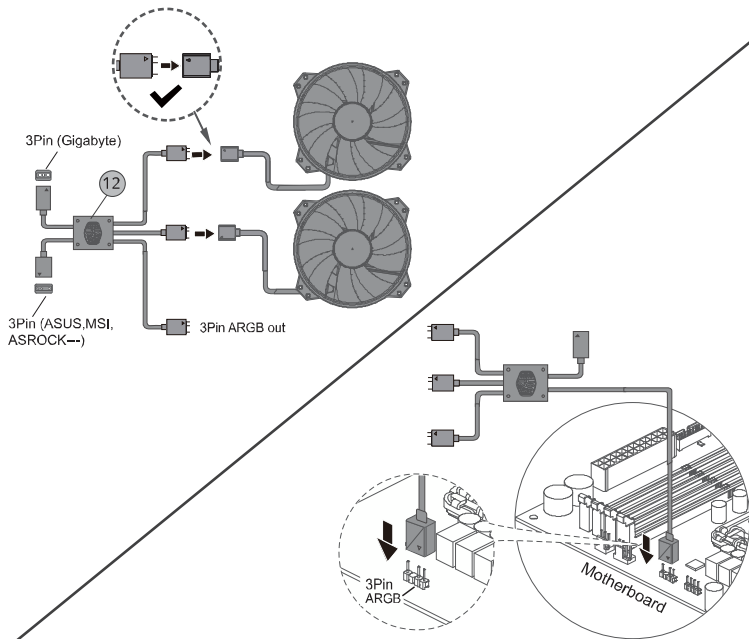
2



12. FAN CONNECTION

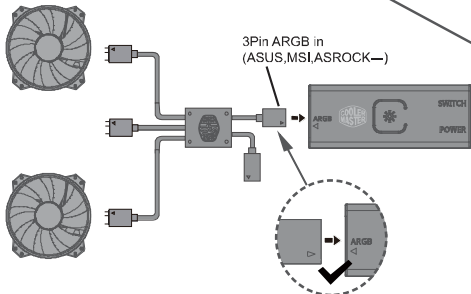
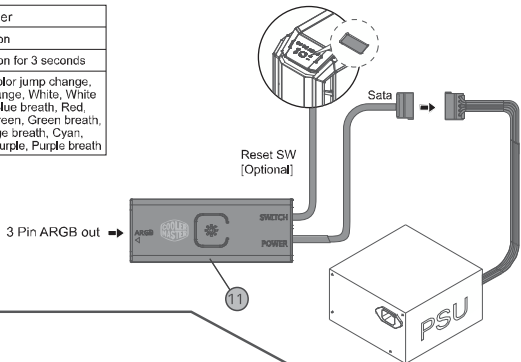


13. ARGB FAN CONNECTION



14. ARGB CONTROLLER INSTALLATION

ARGB Controller	
Turn On	Press the button
Turn Off	Press the button for 3 seconds
Lighting Modes	Color cycle, Color jump change, Color flash change, White, White breath, Blue, Blue breath, Red, Red breath, Green, Green breath, Orange, Orange breath, Cyan, Cyan breath, Purple, Purple breath



English (EN)

1. Package content
2. Compatibility
3. Motherboard installation
4. Power supply installation
5. Hard drive installation
6. Hard drive cage adjustment
7. Front fan installation
8. Top fan installation
9. Front radiator installation
10. Top radiator installation
11. Rear radiator installation
12. Fan Connection
13. ARGB Fan Connection
14. ARGB Controller Installation

German (DE)

1. Lieferumfang
2. Kompatibilität
3. Installation der Hauptplatine
4. Installation des Netzteils
5. Installation der Festplatte
6. Festplattenkäfig anpassen
7. Installation von Front-Lüfter
8. Installation von Top-Lüfter
9. Installation eines Front-Radiators
10. Installation eines Top-Radiators
11. Installation eines Heck-Radiators
12. Lüfter-Anschluss
13. ARGB Lüfter-Anschluss
14. Montage des ARGB Controllers

Spanish (ES)

1. Contenido de la confección
2. Compatibilidad
3. Instalación tarjeta madre
4. Instalación alimentador
5. Instalación Hard Drive
6. Regulación cesto para Hard Drive
7. Instalación ventilador frontal
8. Instalación ventilador Superior
9. Instalación Radiador Frontal
10. Instalación Radiador Superior
11. Instalación Radiador Posterior
12. Conexión ventilador
13. Conexión ventilador ARGB
14. Instalación del controlador ARGB

French (FR)

1. Contenu de l'emballage
2. Compatibilité
3. Installation de la carte mère
4. Installation de l'alimentation
5. Installation du disque dur
6. Réglage de la cage pour disque dur
7. Installation du ventilateur frontal
8. Installation du ventilateur supérieur
9. Installation du radiateur frontal
10. Installation du radiateur supérieur
11. Installation du radiateur arrière
12. Connexion du ventilateur
13. Connexion du ventilateur ARGB
14. Installation du contrôleur ARGB

Italian (IT)

1. Contenuto della confezione
2. Compatibilità
3. Installazione scheda madre
4. Installazione alimentatore
5. Installazione Hard Drive
6. Regolazione cestello per Hard Drive
7. Installazione ventola frontale
8. Installazione ventola Superiore
9. Installazione Radiatore Frontale
10. Installazione Radiatore Superiore
11. Installazione Radiatore Posteriore
12. Connessione ventola
13. Connessione ventola ARGB
14. Installazione Controller ARGB

Polish (PL)

1. Zawartość opakowania
2. Zgodność
3. Montaż płyty głównej
4. Montaż zasilacza
5. Montaż dysku twardego
6. Regulacja zatoki dysku HDD
7. Montaż wentylatora z przodu
8. Montaż wentylatora z góry
9. Montaż chłodnicy z przodu
10. Montaż chłodnicy z góry
11. Montaż chłodnicy z tyłu
12. Podłączenie wentylatora
13. Podłączenie wentylatora ARGB
14. Instalacja kontrolera ARGB

Russian (RU)

1. Содержание комплекта
2. Совместимость
3. Установка материнской платы
4. Установка блока питания
5. Установка жесткого диска
6. Регулировка положения корзины HDD
7. Установка переднего вентилятора
8. Установка верхнего вентилятора
9. Монтаж радиатора на передней панели
10. Монтаж радиатора на верхней панели
11. Монтаж радиатора на задней панели
12. Подключение вентилятора
13. Подключение RGB вентилятора
14. Установка контроллера RGB

Japanese (JA)

1. パッケージ内容
2. パーツ互換性
3. マザーボードの取り付け
4. 電源ユニットの取り付け
5. ストレージデバイスの取り付け
6. HDDケースの位置調整
7. フロントファンの取り付け
8. トップファンの取り付け
9. 水冷ラジエータの取り付け(フロント)
10. 水冷ラジエータの取り付け(トップ)
11. 水冷ラジエータの取り付け(リア)
12. ファン接続
13. RGBファン接続
14. RGBコントローラーの取り付け

Chinese (CHT)

1. 包裝內含物品明細
2. 相容性
3. 主機板安裝指南
4. 電源供應器安裝指南
5. 硬碟安裝指南
6. 硬碟架調整方式
7. 前方風扇安裝指南
8. 上方風扇安裝指南
9. 前方水冷排安裝指南
10. 上方水冷排安裝指南
11. 後方水冷排安裝指南
12. 風扇連接指南
13. ARGB風扇連接指南
14. ΔRGB控制器安裝指南

Chinese (CHS)

1. 包装内含物品清单
2. 兼容性
3. 主板安装指南
4. 电源安装指南
5. 硬盘安装指南
6. 硬盘架调整方式
7. 前方风扇安装指南
8. 上方风扇安装指南
9. 前方水冷排安装指南
10. 上方水冷排安装指南
11. 后方水冷排安装指南
12. 风扇连接指南
13. ARGB风扇连接指南
14. ΔRGB控制器安装指南

Bulgaria (BG)

1. Съдържание
2. съвместимост
3. монтаж на дънна платка
4. монтаж на захранващ блок
5. монтаж на твърд диск
6. регулиране на отделениято за твърд диск
7. монтаж на преден вентилатор
8. монтаж на горен вентилатор
9. монтаж на преден радиатор
10. монтаж на горен радиатор
11. монтаж на заден радиатор
12. Конектор за вентилатор
13. Конектор за ARGB вентилатор
14. Монтиране на ARGB контролер

Czech (CS)

1. balení obsahuje
2. kompatibilita
3. instalace základní desky
4. instalace napájecího zdroje
5. instalace pevného disku
6. Přizpůsobitelný držák na HDD
7. instalace předního větráku
8. instalace vrchního větráku
9. instalace vodního chlazení zepředu
10. instalace vodního chlazení zvrchu
11. instalace vodního chlazení zezadu
12. Konektor ventilátoru
13. Konektor ARGB ventilátoru
14. Zapojení ovladače ARGB

Greek (EL)

1. Περιεχόμενα συσκευασίας
2. Συμβατότητα
3. Εγκατάσταση μητρικής πλακέτας
4. Εγκατάσταση τροφοδοτικού
5. Εγκατάσταση σκληρού δίσκου
6. Προσαρμογή case σκληρών δίσκων
7. Εγκατάσταση μπροστινού ανεμιστήρα
8. Εγκατάσταση επάνω ανεμιστήρα
9. Εγκατάσταση μπροστινού ψυγείου
10. Εγκατάσταση επάνω ψυγείου
11. Εγκατάσταση πίσω ψυγείου
12. Σύνδεση ανεμιστήρα
13. Σύνδεση ARGB ανεμιστήρα
14. Εγκατάσταση ARGB Controller

Hungarian (HU)

1. A csomag tartalma
2. kompatibilitás
3. alaplap beszerelés
4. tápegység beszerelés
5. merevlemez beszerelés
6. merevlemez keret állítás
7. elülső ventilátor állítás
8. felső ventilátor beszerelés
9. elülső radiátor beszerelés
10. felső radiátor beszerelés
11. hátsó radiátor beszerelés
12. Ventilátor Csatlakozás
13. ARGB Ventilátor Csatlakozás
14. ARGB vezérlő telepítése

Dutch (NL)

1. Verpakkingsinhoud
2. Compatibiliteit
3. Moederbord installatie
4. Voeding installatie
5. Harde schijf installatie
6. Aanpassen harde schijf kooi
7. Fan installatie voorkant
8. Fan installatie bovenkant
9. Radiator installatie voorkant
10. Radiator installatie bovenkant
11. Radiator installatie achterkant
12. Fan aansluiting
13. ARGB fan aansluiting
14. ARGB Controller Installatie

Portugal (PT)

1. Conteúdo da embalagem
2. Compatibilidade
3. Instalação da motherboard
4. Instalação da fonte de alimentação
5. Instalação do disco rígido
6. Ajuste da cage dos discos rígidos
7. Instalação da ventoinha frontal
8. Instalação da ventoinha no topo
9. Instalação do radiador na frontal
10. Instalação do radiador no topo
11. Instalação do radiador na traseira
12. Conexão da ventoinha
13. Conexão da ventoinha ARGB
14. Instalação do Controlador ARGB

Serbian (SR)

1. Sadržaj pakovanja
2. kompatibilnost
3. instalacija matične ploče
4. instalacija napajanja
5. instalacija hard diska
6. podešavanje kaveza za hard disk
7. instalacija prednjeg ventilatora
8. instalacija gornjeg ventilatora
9. instalacija prednjeg radijatora
10. instalacija gornjeg radijatora
11. instalacija zadnjeg radijatora
12. Konektor ventilatora
13. Konektor ARGB ventilatora
14. Instalacija ARGB kontrolera

Turkish (TR)

1. Paket İçeriği
2. Uyumluluk
3. Anakart Kurulumu
4. Güç Kaynağı Kurulumu
5. Sabit Disk Kurulumu
6. Sabit Disk Kazak Ayarlaması
7. Ön Fanın Takılması
8. Üst Fanın Takılması
9. Ön Radyatör Kurulumu
10. Üst Radyatör Kurulumu
11. Arka Radyatör Kurulumu
12. Fan bağlantısı
13. ARGB fan bağlantısı
14. ARGB kontrolcü montajı

Korean (KR)

1. 구성품 내용
2. 호환성
3. 메인보드 설치
4. 파워 서플라이 설치
5. HDD/SDD 설치
6. HDD Cage 위치 변경
7. 전면 팬 설치
8. 상단 팬 설치
9. 전면 라디에이터 설치
10. 상단 라디에이터 설치
11. 후면 라디에이터 설치
12. 팬 연결
13. ARGB 팬 연결
14. ARGB 컨트롤러 설치

Indonesian (ID)

1. Isi Paket
2. Kompatibilitas
3. Instalasi Motherboard
4. Instalasi Power Supply
5. Instalasi Hard Disk
6. Pengaturan Sangkar Hard Disk
7. Instalasi Kipas Depan
8. Instalasi Kipas Atas
9. Instalasi Radiator Depan
10. Instalasi Radiator Atas
11. Instalasi Radiator Belakang
12. Instalasi Pengontrol
13. ARGB Kipas Koneksi
14. Instalasi Pengontrol ARGB

Farsi (FA)

1. محتويات
2. سازگارى
3. نصب مادربرد
4. نصب منبع تغذيه
5. نصب هارد درايو
6. تنظيم محفظه هارد درايو
7. نصب فن جلو
8. نصب فن بالا
9. نصب رادياتور جلو
10. نصب رادياتور بالا
11. نصب رادياتور پشت
12. اتصال فن
13. اتصال فن ARGB
14. نصب كنترلر كنده ARGB

Arabic (AR)

1. محتوى الطرد
2. التوافق
3. تركيب اللوحة الام
4. تركيب التيار الكهربائي
5. تركيب القرص الصلب
6. القرص الصلب قفص تعديل
7. تركيب مروحة أمامية
8. تركيب مروحة علوية
9. تركيب الجهة المشعاع
10. تركيب الا على المشعاع
11. تركيب الخلفي المشعاع
12. صلة مروحة
13. صلة مروحة ARGB
14. تركيب إضاءة ARGB

WARRANTY INFORMATION

English (EN)

Cooler Master guarantees that this device is free of defect in material and workmanship, and provides a two-year limited hardware warranty for the device commencing from the date of purchase. Please keep your receipt for proof of purchase.

This product is designed for computer usage only. Using this device in any other capacity voids the warranty. If you are not familiar with computer hardware installation, please ask for professional assistance.

The warranty offered covers normal use. Defect or damage that result from improper operation, storage, misuse or abuse, accident or neglect, which are not the fault of Cooler Master, are excluded from warranty coverage.

Note: the warranty is voided by removal or alternation of product or parts identification labels.

*All OEM/bulk packaging product come with one year limited warranty

*In case of conflict between the warranty provided by the country of point of sale and this manual, the warranty of the actual country of point of sale shall be the prevailing document.

*In case of malfunction of electronic components or need of accessories purchase during the warranty period, please return to the original store of purchase.

Türkçe (TR)

Cooler Master bu cihazda malzeme ve işçilik hatası bulunmadığını garanti eder ve cihaz için satın alma tarihinden başlayan iki yıla sınırlı bir donanım garantisini verir. Alımı belgelemek için lütfen makbuzunuzu saklayın.

Bu ürün yalnızca bilgisayar kullanımı için tasarlanmıştır. Bu cihazın başka bir kapsamda kullanılması garantiyi geçersiz kılar. Bilgisayar donanımı montajını bilmiyorsanız, lütfen profesyonel yardım talep edin.

Verilen garanti normal kullanım içindir. Cooler Master'ın hatası olmayan uygunsuz kullanım, depolama, yanlış kullanım veya kötü kullanım, kaza ya da ihmalden kaynaklanan arıza ya da hasarlar garanti kapsamının dışındadır.

Dikkat: Ürün ya da parça tanıma etiketlerinin sökülmesi ya da değiştirilmesi garantiyi geçersiz kılar.

* Tüm OEM/ambalajsız ürünler bir yıl sınırlı garanti ile gelir

* Garanti verilen ülkedeki satış noktası ve bu kullanma kılavuzu arasında bir çelişki olursa, satış noktasının bulunduğu ülkedeki garanti hükümleri öncelik taşır.

* Elektronik bileşenlerin arızalanması ya da garanti süresinde aksesuarların satın alınması gerekirse, lütfen ürünü satın aldığınız mağazaya başvurunuz.

简体中文 (ZHS)

Cooler Master 保证本设备之材质及功能无瑕疵，并提供本设备二年之硬件有限保固服务，自购买日算起。请把您的收据放在安全之处，以免 Cooler Master 要求您提供本证明。本产品专为计算机设计。一旦将本设备用于其它用途，则保固无效。若您不熟悉硬件安装程序，请寻求专家之协助。保固服务仅适用于正常使用下之故障情形。若本公司发现设备毁损之原因为滥用、改造、误用、疏忽、电压供应错误、空气及水污染意外和自然灾害，则保固无效。

注意: 重贴或条形码遭毁损而无法辨识保固期限者，则不在此限。

- *所有OEM及工业包装的产品皆保固一年。
- *如果销售国家所提供的保固与本说明互有冲突时，应以实际销售国家之保固为准。
- *保固期内遇有电子零件故障或配件购买需求，请洽原购买商店。

繁體中文 (ZHT)

Cooler Master 保證本設備之材質及做工無瑕疵，並提供本設備二年之硬體有限保固服務，自購買日算起。請把您的收據放在安全之處，以免 Cooler Master 要求您提供本證明。本產品專為電腦設計。一旦將本設備用於其他用途，則保固無效。若您不熟悉硬體安裝程式，請尋求專家之協助。保固服務僅適用於正常使用下之故障情形。若本公司發現設備毀損之原因為濫用、改造、誤用、疏忽、電壓供應錯誤、空氣及水污染意外和自然灾害，則保固無效。

注意: 重貼或條碼遭毀損而無法辨識保固期限者，則不在此限。

- *所有OEM及工業包裝的產品皆保固一年。
- *如果銷售國家所提供的保固與本說明互有衝突時，應以實際銷售國家之保固為準。
- *保固期內遇有電子零件故障或配件購買需求，請洽原購買商店。

部件名称	有毒有害物质或元素					
	铅 (Pb)	汞 (Hg)	镉 (Cd)	六价铬 [Cr(VI)]	多溴联苯 (PBB)	多溴二苯醚 (PBDE)
机箱组	×	○	○	○	○	○
面板组	×	○	○	○	○	○
I/O模组	×	○	○	○	○	○
风扇	×	○	○	○	○	○
零件包	×	○	○	○	○	○
电源	×	○	○	○	○	○

本表格依据SJ/T 11364的规定编制。

○: 表示该有害物质在该部件所有均质材料中的含量均在GB/T 26572规定的限量要求以下。

×: 表示该有害物质至少在该部件的某一均质材料中的含量超出GB/T 26572规定的限量要求。

Note: The form is only applied to China law.

Cooler Master Products: Limited Warranty

This document describes the warranty terms for all Cooler Master product sold in Australia

For Australia only:

Our goods come with guarantees that cannot be excluded under the Australian Consumer Law. You are entitled to a replacement or refund for a major failure and for compensation for any other reasonably foreseeable loss or damage. You are also entitled to have the goods repaired or replaced if the goods fail to be of acceptable quality and the failure does not amount to a major failure. (Cooler Master Technology Inc., 8F., No. 788-1, Zhongxing Rd., Zhonghe Dist., New Taipei City 23586, Taiwan (R.O.C.).)

Telephone: +886-2-2225-3517 (standard international call charges apply.)

Who the Warranty Protects:

This Warranty is valid to the original purchaser only.

What the warranty protects:

This warranty is valid only for the Cooler Master Products distributed by authorized dealer(s) in Australia. Please contact Cooler Master for warranty information and services:

- Cooler Master Support: account.coolermaster.com

What Is and Is Not Covered

It is important to note that our warranty is not an unconditional guarantee for the duration of the Program. Any replaced parts become the property of Cooler Master. The Program does not apply to the software component of a product or a product which has been damaged due to accident, misuse, abuse, improper installation, usage not in accordance with product specifications and instructions, natural or personal disaster, or unauthorized alterations, repairs or modifications.

The Program does not cover any events such as below:

- Any damages unrelated to manufacturing defects.
- Any unsuitable environment or use of the product in Cooler Master Opinion.
- Any product which has been modified without official permission from Cooler Master, or on which the serial number or warranty sticker has been defaced, modified, or removed.

Damage, deterioration or malfunction resulting from:

- Accident, abuse, misuse, neglect, fire, water, lightning, or other acts of nature, commercial or industrial use, unauthorized product modification or failure to follow instructions included with the product.
- Third party products using Cooler Master Components will not be covered by warranty. See your vendor or the manufacturer for information about servicing.
- Repair or attempted repair by anyone not authorized by Cooler Master, Inc.
- Any shipment damages (claims must be made with the carrier).
- Unauthorized repairs to a Cooler Master product will void the warranty offered by the Program. Cooler Master reserves the right to refuse to service any product which has been altered, modified or repaired by non-Cooler Master Service personnel.
- Cooler Master does not warrant that this product will meet your requirements. It is your responsibility to determine the suitability of this product for your purpose.
- Removal or installation charges.
- You are responsible for the cost of shipping the product to Cooler Master. Cooler Master pays the cost of returning a product to you.
- Cooler Master reserves the right to replace the product with a service product at their sole discretion at any time.
- Product malfunction or damage resulting from liquids or moisture.
- All accessories that malfunction due to physical damage such as: USB cables, extension cables, adapter cables, adapters, power cords, screws, retention brackets, ear cups, and all other similar accessories.

Limitation of implied warranties:

THERE ARE NO WARRANTIES, EXPRESS OR IMPLIED, WHICH EXTEND BEYOND THE DESCRIPTION CONTAINED HEREIN INCLUDING THE IMPLIED WARRANTY OF MERCHANTABILITY AND FITNESS FOR A PARTICULAR PURPOSE.

Exclusion of damages

COOLER MASTER'S LIABILITY IS LIMITED TO THE COST OF REPAIR OR REPLACEMENT OF THE PRODUCT. COOLER MASTER SHALL NOT BE LIABLE FOR:

- DAMAGE TO OTHER PROPERTY CAUSED BY ANY DEFECT IN THE PRODUCT, DAMAGES BASED UPON INCONVENIENCE, LOSS OF USE OF THE PRODUCT, LOSS OF TIME, LOSS OF PROFITS, LOSS OF BUSINESS OPPORTUNITY, LOSS OF GOODWILL, INTERFERENCE WITH BUSINESS RELATIONSHIPS OR OTHER COMMERCIAL LOSS, EVEN IF ADVISED OF THEIR POSSIBILITY OF SUCH DAMAGES.

- ANY OTHER DAMAGES, WHETHER INCIDENTAL, CONSEQUENTIAL OR OTHERWISE
- ANY CLAIM AGAINST THE CUSTOMER BY ANY OTHER PARTY

Warranty Information:

If the goods is found with reasonable defect within the period of (refer to Table A,) starting on the first day of purchase (with proof of invoice), this is what you must do, to claim the warranty from the above address.

Procedures:

1. Consumers should return to the shop where he/she has bought the goods, After confirming with the shop with a valid invoice, they may approach the distributor for RMA claim.
2. After confirmed by the distributor that the goods was damaged due to natural causes, replacement and repair will be done by distributor (including brand new or refurbished goods)
3. All faulty goods must return to the distributor, expenses for returning the faulty goods will be covered by the consumer, and distributor will cover the cost involved in the transporting of parts or repaired goods to the consumer.

Regarding all the expenses incurred in making the claim, and this is how you would claim:

1. Within the valid warranty date, starting from the first day of issuing invoice, Retail shops will assist in confirmation with distributor for the consumer for the following.

A. If the damage was caused by the consumer, then the consumer should cover all expenses in fixing the product, if the product still can't be fixed, we would suggest consumer in buying a brand new product.

B. Product defect caused under natural use, expenses will be covered by the distributor.

2. Faulty products with expired warranty dates, we would suggest consumer to purchase a brand new products, without undergoing for repairs.

Table A:

Cooler Master Products

Please check your user manual for the exact warranty period terms for products that are not shown below.

For more warranty information, please visit our official website: <http://www.coolermaster.com/service/warranty.html>

Chassis

Product Name	Warranty Term
All Chassis Series (Only Electronic Parts)	2 year
C+P (Chassis + PSU)	1 year

(EN) Limited warranty period: <http://www.coolermaster.com/service/warranty.html>
(AR) المحدود الضمان فترة : <http://www.coolermaster.com/service/warranty.html>
(BG) Период на ограничена гаранция: <http://www.coolermaster.com/service/warranty.html>
(CS) Období omezené záruky: <http://www.coolermaster.com/service/warranty.html>
(DA) Begrænset garanti: <http://www.coolermaster.com/service/warranty.html>
(DE) Beschränkter Garantiezeitraum: <http://www.coolermaster.com/service/warranty.html>
(EL) Περίοδος περιορισμένης εγγύησης: <http://www.coolermaster.com/service/warranty.html>
(ES) Período de garantía limitada: <http://www.coolermaster.com/service/warranty.html>
(FA) مدت زمان گارانتی : <http://www.coolermaster.com/service/warranty.html>
(FI) Rajoitettu takuujakso: <http://www.coolermaster.com/service/warranty.html>
(FR) Période de garantie limitée: <http://www.coolermaster.com/service/warranty.html>
(HU) Korlátozott jótállási időszak: <http://www.coolermaster.com/service/warranty.html>
(HR) Razdoblje ograničenog jamstva: <http://www.coolermaster.com/service/warranty.html>
(ID) Masa garansi terbatas: <http://www.coolermaster.com/service/warranty.html>
(IT) Período di garanzia limitata: <http://www.coolermaster.com/service/warranty.html>
(JA) 限定保証期間 : <http://www.coolermaster.com/service/warranty.html>
(KO) 제한 보증 기간 : <http://www.coolermaster.com/service/warranty.html>
(KK) Кенілдік мезгімі: <http://www.coolermaster.com/service/warranty.html>
(NL) Beperkte garantieperiode: <http://www.coolermaster.com/service/warranty.html>
(NO) Garantiperiode, begrenset garanti: <http://www.coolermaster.com/service/warranty.html>
(PL) Okres ograniczonej gwarancji: <http://www.coolermaster.com/service/warranty.html>
(PT) Período de garantia limitada: <http://www.coolermaster.com/service/warranty.html>
(RU) Ограниченный гарантийный срок: <http://www.coolermaster.com/service/warranty.html>
(SR) Period ograničene garancije: <http://www.coolermaster.com/service/warranty.html>
(SV) Begränsad garantiperiod: <http://www.coolermaster.com/service/warranty.html>
(TR) Sınırlı garanti süresi: <http://www.coolermaster.com/service/warranty.html>
(UK) Обмежений гарантійний термін: <http://www.coolermaster.com/service/warranty.html>
(ZH) 有限保固期間 : <http://www.coolermaster.com/service/warranty.html>



Make It Yours.

Asia Pacific - Cooler Master Technology Inc.
8F., No. 788-1, Zhongzheng Rd., Zhonghe Dist.,
New Taipei City 23586, Taiwan (R.O.C.).
Tel: +886-2-2225-3517

China - Cooler Master China
Room 2062, Floor 6, No. 421, Weiqing Rd.,
Jinshan District, Shanghai City, China
Tel: +86-21-51872177

Europe - Cooler Master Europe B.V.
Lodewijkstraat 1b, 5652AC Eindhoven, The Netherlands
Tel: +31-(0)40-702-0900

North America - Cooler Master NA
2929 E Imperial Hwy., Suite #110, Brea, CA 92821, USA
Tel: +1-888-624-5099

South America
E-mail: Soporte_Latam@coolermaster.com.tw



CoolerMaster website
For the most updated information,
Please visit our official website:
www.coolermaster.com



Technical Support
account.coolermaster.com

512003130-GP Ver 1.0: 2019/10

The color and specification are subject to be changed without further notification.
Please visit our website for updated information: www.coolermaster.com

©2019 Cooler Master Technology Inc. All Rights Reserved. All trademarks are registered to their respective owners.

Ovaj dokument je originalno proizveden i objavljen od strane proizvođača, brenda Cooler Master, i preuzet je sa njihove zvanične stranice. S obzirom na ovu činjenicu, Tehnoteka ističe da ne preuzima odgovornost za tačnost, celovitost ili pouzdanost informacija, podataka, mišljenja, saveta ili izjava sadržanih u ovom dokumentu.

Napominjemo da Tehnoteka nema ovlašćenje da izvrši bilo kakve izmene ili dopune na ovom dokumentu, stoga nismo odgovorni za eventualne greške, propuste ili netačnosti koje se mogu naći unutar njega. Tehnoteka ne odgovara za štetu nanесenu korisnicima pri upotrebi netačnih podataka. Ukoliko imate dodatna pitanja o proizvodu, ljubazno vas molimo da kontaktirate direktno proizvođača kako biste dobili sve detaljne informacije.

Za najnovije informacije o ceni, dostupnim akcijama i tehničkim karakteristikama proizvoda koji se pominje u ovom dokumentu, molimo posetite našu stranicu klikom na sledeći link:

<https://tehnoteka.rs/p/cooler-master-kuciste-mastercase-h500p-mesh-mcm-h500p-mgnn-s11-akcija-cena/>