

Uputstvo za upotrebu (EN)

COOLER MASTER kućište MasterBox TD500 Mesh White
MCB-D500D-WGNN-S01



Tehnoteka je online destinacija za upoređivanje cena i karakteristika bele tehnike, potrošačke elektronike i IT uređaja kod trgovinskih lanaca i internet prodavnica u Srbiji. Naša stranica vam omogućava da istražite najnovije informacije, detaljne karakteristike i konkurentne cene proizvoda.

Posetite nas i uživajte u ekskluzivnom iskustvu pametne kupovine klikom na link:

<https://tehnoteka.rs/p/cooler-master-kuciste-masterbox-td500-mesh-white-mcb-d500d-wgnn-s01-akcija-cena/>

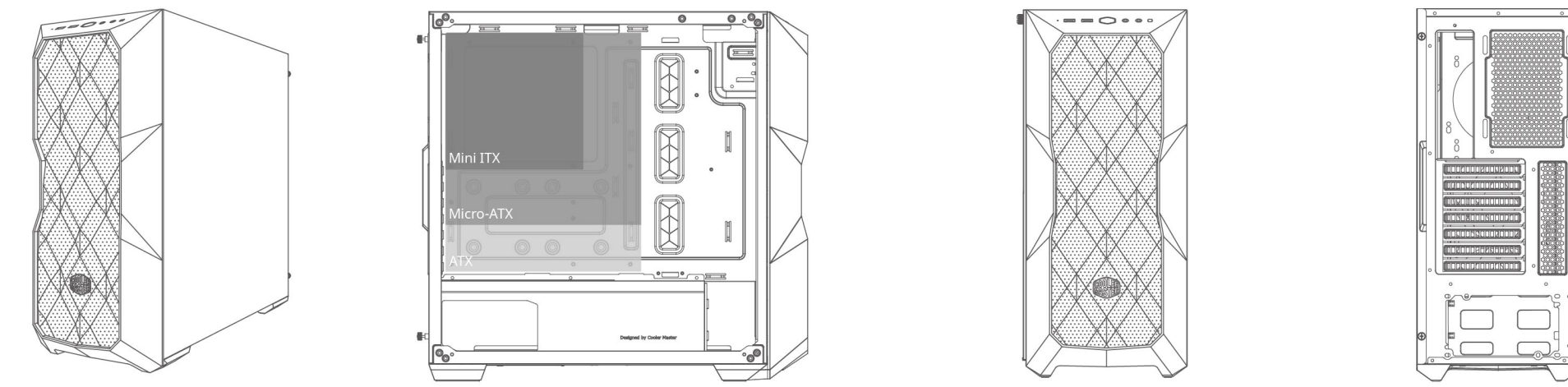


Make It Yours.

MASTERBOX TD500 MESH

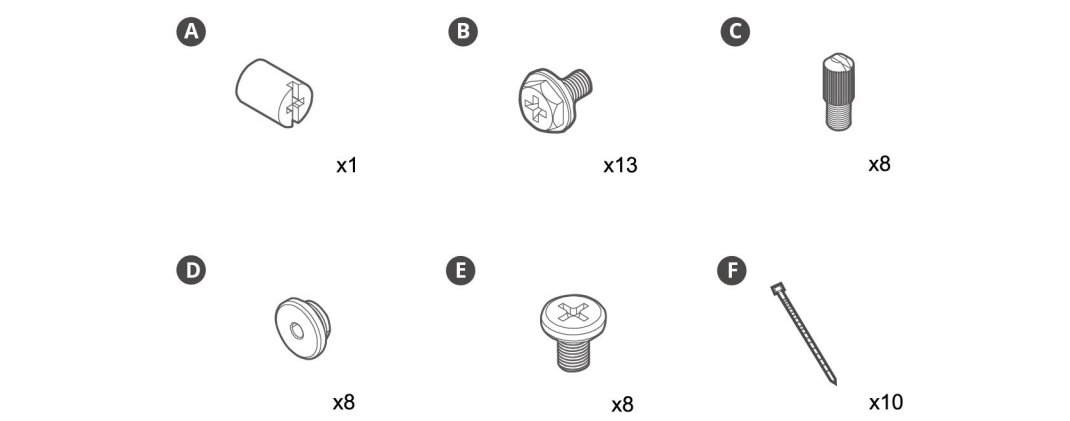
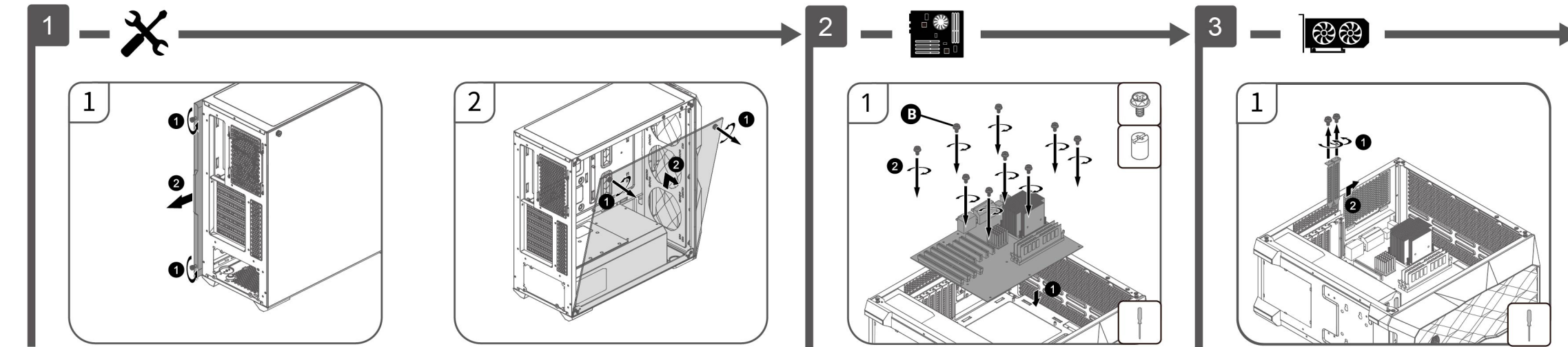
EN Package Content
AR حزمة المحتوى
BG Съдържание на пакета
CHS 零件包
CHT 零件包
CS Obsah balení

HU A csomag tartalma
ID Isi Paket
IT Contenuto della scatola
JP パッケージ内容物
KR 구성품
NL Verpakingsinhoud

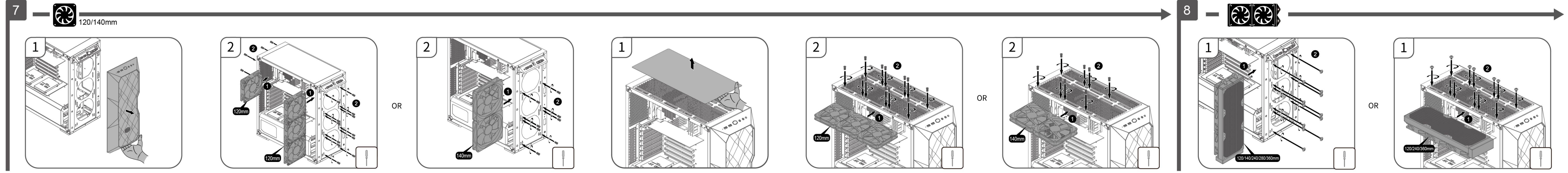
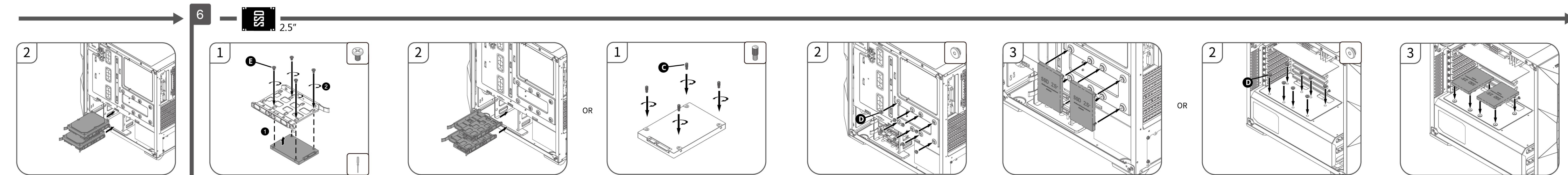
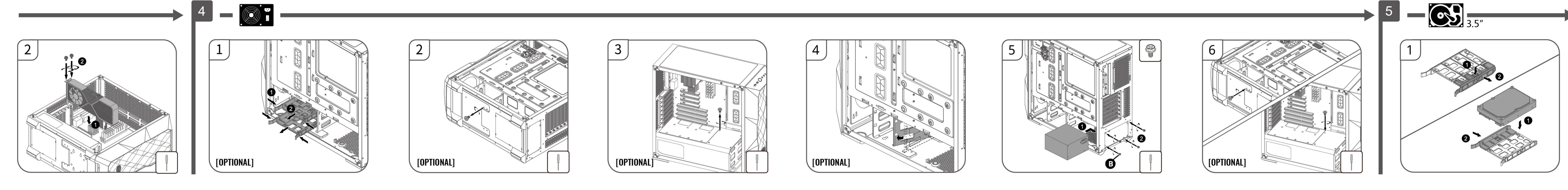


DE Verpackungsinhalt
EL Περιεχόμενα Συσκευασίας
ES Contenido Paquete
FR Contenu de l'emballage
FA محتویات

PL Zawartość opakowania
PT Conteúdo da embalagem
RU Комплектация
SR Saržaj pakovanja
TR Paket içeriği



512004670-GP V1.0 2021-06



Warranty information

English (EN)

Cooler Master guarantees that this device is free of defect in material and workmanship, and provides a two-year limited hardware warranty for the device commencing from the date of purchase. Please keep your receipt for proof of purchase. This product is designed for computer use only. Using this device in any other capacity voids the warranty. If you are not familiar with computer hardware installation, please ask for professional assistance. The warranty offered covers normal use. Defect or damage that result from improper operation, storage, misuse or abuse, accident or neglect, which are not the fault of Cooler Master, are excluded from warranty coverage. Note: the warranty is voided by removal or alteration of product or parts identification labels. *All OEM/bulk packaging product come with one year limited warranty. *In case of conflict between the warranty provided by the country of point of sale and this manual, the warranty of the actual country of point of sale shall be the prevailing document. *In case of malfunction of electronic components or need of accessories purchase during the warranty period, please return to the original store of purchase.

簡體中文 (ZH)

Cooler Master 保證本設備之材料與工藝無瑕疵，並提供本設備二年之零件有限保固服務。自購買日起算，請將您的收據放在安全之處，以做為 Cooler Master 要求您提供本證明。本產品專為電腦設計，一旦將本設備用於其它用途，則保固失效。若您不熟悉硬體安裝程序，請尋求專家之協助。保固服務只適用於正常使用下之故障情形。若本公司發現該設備損壞之原因為濫用、改裝、誤用、疏忽、電壓供應錯誤、空氣及水污染意外和自然災害，則保固失效。注意：當您移除產品包裝或更改產品標識時，保固將失效。*所有 OEM 及工業包裝之產品皆保固一年。*如果銷售國家所提供的保固與本說明書有衝突時，應以實際銷售國家之保固為準。*保固期內遇有電子零件故障或配件購買需求，請洽原購買商店。

Türkçe (TR)

Cooler Master bu cihazda malzeme ve işçilik hatası bulunmadığını garanti eder ve cihaz için satın alma tarihinden başlayan iki yıla süreli bir donanım garantisi verir. Alımı belgelemek için lütfen makbuzunuzu saklayın. Bu ürün yalnızca bilgisayar kullanımını için tasarlanmıştır. Bu cihazın başka bir kapsamda kullanılmasını garantiyi geçersiz kılar. Bilgisayar donanımı montajını bilmiyorsanız, lütfen profesyonel yardım talep edin. Ürünün garanti normal kullanım içindir. Cooler Master'ın hatası olmayan uygunsuz kullanım, depolama, yanlış kullanım veya kötü kullanım, kaza ya da ihmalden kaynaklanan arıza ya da hasarlar garanti kapsamının dışındadır. Dikkat: Ürün ya da parça tanıtma etiketlerinin sökülmesi ya da değiştirilmesi garantiyi geçersiz kılar. *1. Tüm OEM/ambalajsız ürünler bir yıl süreli garanti ile gelir. *2. Garanti verilen ülkedeki satış noktası ve bu kullanma kılavuzunda aranızda bir çelişki olursa, satış noktasının bulunduğu ülkedeki garanti hükümleri önceliklidir. *3. Elektronik bileşenlerin arızalanması ya da garanti süresinde aksesuarların satın alınması gerekirse, lütfen ürünü satın aldığımız mağazaya başvurunuz.

Cooler Master Products: Limited Warranty. This document describes the warranty terms for all Cooler Master product sold in Australia. For Australia only. Our goods come with guarantees that cannot be excluded under the Australian Consumer Law. You are entitled to a replacement or refund for a major failure and for compensation for any other reasonably foreseeable loss or damage. You are also entitled to have the goods repaired or replaced if the goods fail to be of acceptable quality and the failure does not amount to a major failure. *Cooler Master Technology Inc., 8F, No. 788-1, Zhongzheng Rd., Zhonghe Dist., New Taipei City 23666, Taiwan (R.O.C.). Telephone: +86-2-2222-3517 (standard international call charges apply).

Limitation of implied warranties: THESE ARE NO WARRANTIES, EXPRESS OR IMPLIED, WHICH EXTEND BEYOND THE DESCRIPTION CONTAINED HEREIN INCLUDING THE IMPLIED WARRANTY OF MERCHANTABILITY AND FITNESS FOR A PARTICULAR PURPOSE. Exclusion of damages: COOLER MASTER'S LIABILITY IS LIMITED TO THE COST OF REPAIR OR REPLACEMENT OF THE PRODUCT. COOLER MASTER SHALL NOT BE LIABLE FOR DAMAGE TO OTHER PROPERTY CAUSED BY ANY DEFECT IN THE PRODUCT. DAMAGES BASED UPON INCONVENIENCE, LOSS OF USE OF THE PRODUCT, LOSS OF TIME, LOSS OF PROFITS, LOSS OF BUSINESS OPPORTUNITY, LOSS OF GOODWILL, INTERFERENCE WITH BUSINESS RELATIONSHIPS OR OTHER COMMERCIAL LOSS, EVEN IF ADVISED OF THEIR POSSIBILITY OF SUCH DAMAGES. *ANY OTHER DAMAGES, WHETHER INCIDENTAL, CONSEQUENTIAL OR OTHERWISE. *ANY CLAIM AGAINST THE CUSTOMER BY ANY OTHER PARTY. Warranty Information: If a goods is found with a reasonable defect within the period of (refer to Table A.) starting on the first day of purchase (with proof of purchase), this is what you must do, to claim the warranty from the above address. Procedures: 1. Consumers should return to the shop where he/she has bought the goods. After confirming with the shop with a valid invoice, they may approach the distributor for RMA claim. 2. After confirmed by the distributor that the goods was damaged due to natural causes, replacement and repair will be done by distributor (including brand new or refurbished goods)... expenses for returning the faulty goods will be covered by the consumer, and distributor will cover the cost involved in the transporting of parts or repaired goods to the consumer.

Ovaj dokument je originalno proizveden i objavljen od strane proizvođača, brenda Cooler Master, i preuzet je sa njihove zvanične stranice. S obzirom na ovu činjenicu, Tehnoteka ističe da ne preuzima odgovornost za tačnost, celovitost ili pouzdanost informacija, podataka, mišljenja, saveta ili izjava sadržanih u ovom dokumentu.

Napominjemo da Tehnoteka nema ovlašćenje da izvrši bilo kakve izmene ili dopune na ovom dokumentu, stoga nismo odgovorni za eventualne greške, propuste ili netačnosti koje se mogu naći unutar njega. Tehnoteka ne odgovara za štetu nanесenu korisnicima pri upotrebi netačnih podataka. Ukoliko imate dodatna pitanja o proizvodu, ljubazno vas molimo da kontaktirate direktno proizvođača kako biste dobili sve detaljne informacije.

Za najnovije informacije o ceni, dostupnim akcijama i tehničkim karakteristikama proizvoda koji se pominje u ovom dokumentu, molimo posetite našu stranicu klikom na sledeći link:

<https://tehnoteka.rs/p/cooler-master-kuciste-masterbox-td500-mesh-white-mcb-d500d-wgmn-s01-akcija-cena/>