

## Uputstvo za upotrebu (EN)

COOLER MASTER kućište MasterBox TD500 Mesh Black  
MCB-D500D-KGNN-S01



Tehnoteka je online destinacija za upoređivanje cena i karakteristika bele tehnike, potrošačke elektronike i IT uređaja kod trgovinskih lanaca i internet prodavnica u Srbiji. Naša stranica vam omogućava da istražite najnovije informacije, detaljne karakteristike i konkurentne cene proizvoda.

Posetite nas i uživajte u ekskluzivnom iskustvu pametne kupovine klikom na link:

<https://tehnoteka.rs/p/cooler-master-kuciste-masterbox-td500-mesh-black-mcb-d500d-kgnn-s01-akcija-cena/>

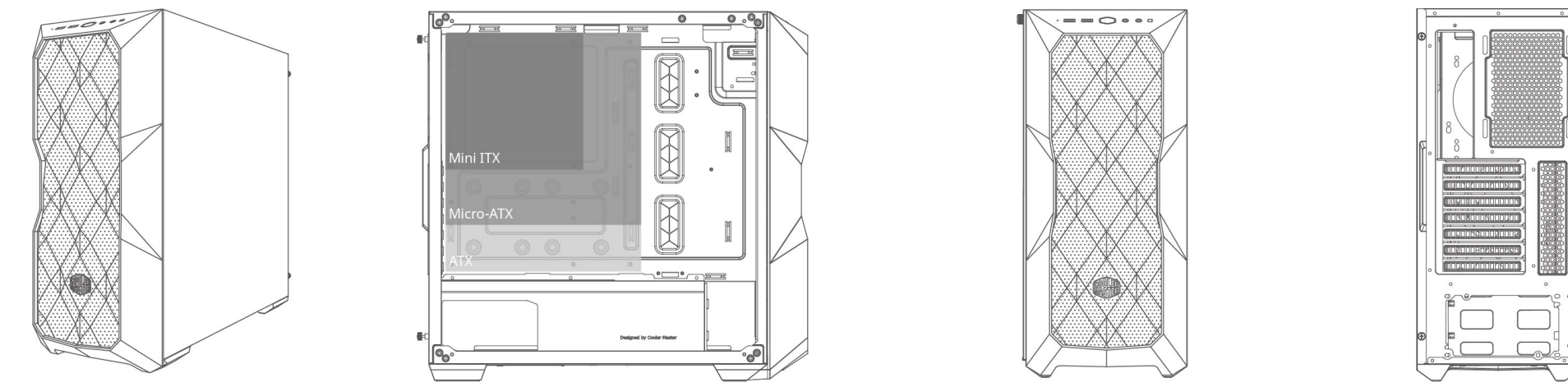


Make It Yours.

# MASTERBOX TD500 MESH

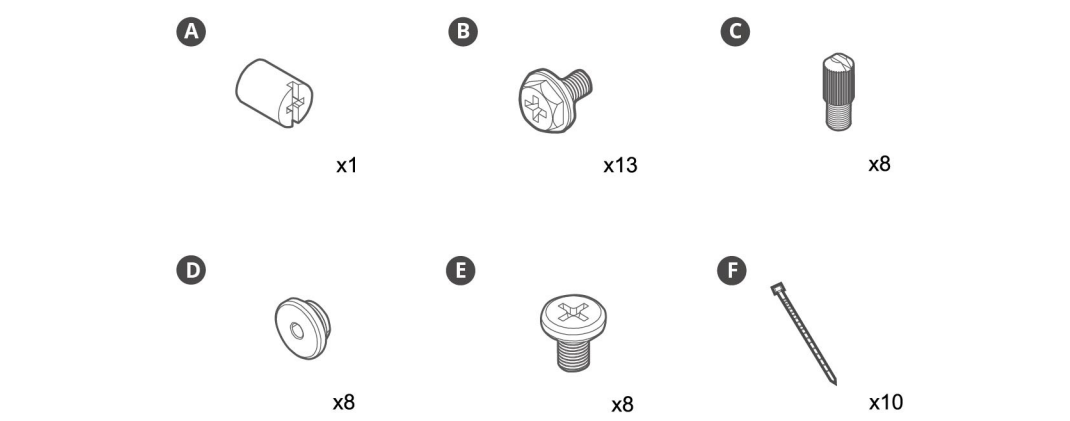
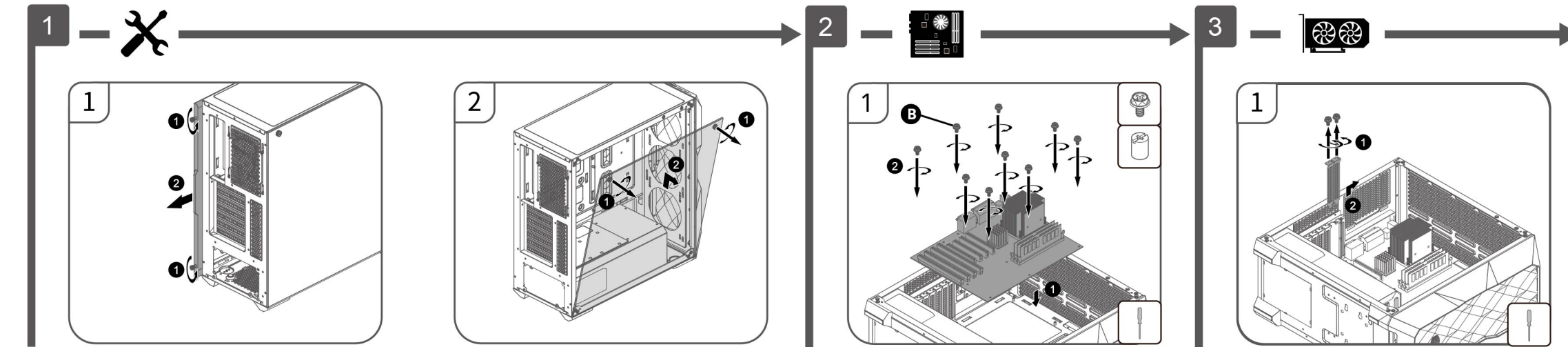
EN Package Content  
AR حزمة المحتوى  
BG Съдържание на пакета  
CHS 零件包  
CHT 零件包  
CS Obsah balení

HU A csomag tartalma  
ID Isi Paket  
IT Contenuto della scatola  
JP パッケージ内容物  
KR 구성품  
NL Verpakking inhoud

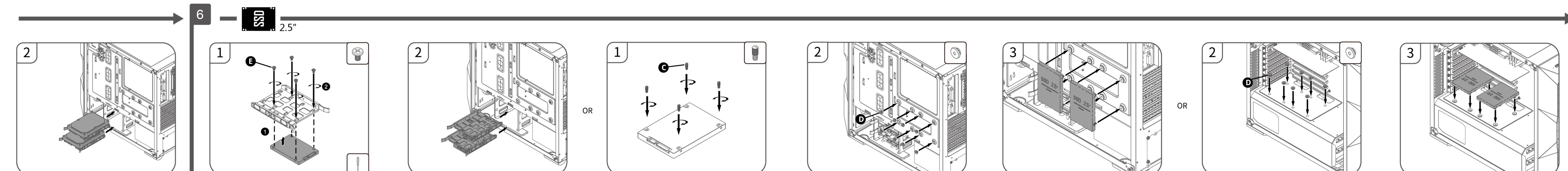
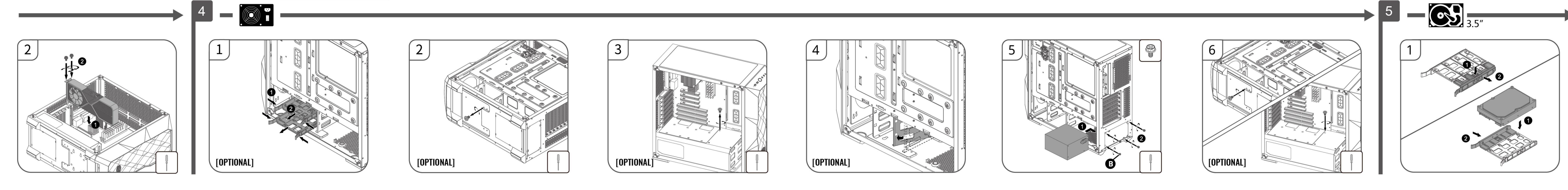


DE Verpackungsinhalt  
EL Περιεχόμενα Συσκευασίας  
ES Contenido Paquete  
FR Contenu de l'emballage  
FA محتویات

PL Zawartość opakowania  
PT Conteúdo da embalagem  
RU Комплектация  
SR Saržaj pakovanja  
TR Paket içeriği



512004670-GP V1.0 2021-06



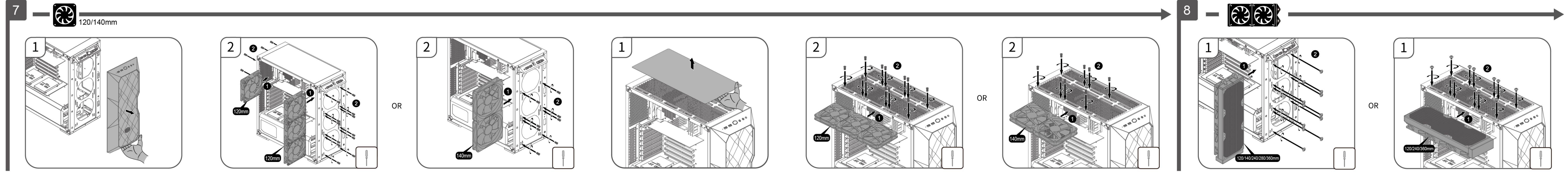
■ Asia Pacific - Cooler Master Technology Inc.  
#F, No. 788-1, Zhongzheng Rd., Zhonghe Dist., New Taipei  
City 23586, Taiwan (R.O.C.)  
Tel: +86 2-2222-3171

■ China - Cooler Master China  
Room 2062, Floor 6, No. 421, Weiqing Rd., Jinshan  
District, Shanghai City, China  
Tel: +86 21-51871171

■ Europe - Cooler Master Europe B.V.  
Lodewijkstraat 1b, 5652AC Eindhoven, The Netherlands  
Tel: +31-(0)40-624-6990

■ North America - Cooler Master NA  
2120 E. Imperial Hwy Ste #110, Brea, CA 92821, USA  
Tel: +1-888-624-5999

■ South America  
Email: Support\_Latam@coolermaster.com.br



7 120/140mm  
OR  
9  
OR

## Warranty information

**English (EN)**  
Cooler Master guarantees that this device is free of defect in material and workmanship, and provides a two-year limited hardware warranty for the device commencing from the date of purchase. Please keep your receipt for proof of purchase.  
This product is designed for computer usage only. Using this device in any other capacity voids the warranty. If you are not familiar with computer hardware installation, please ask for professional assistance.  
The warranty offered covers normal use. Defect or damage that result from improper operation, storage, misuse or abuse, accident or neglect, which are not the fault of Cooler Master, are excluded from warranty coverage.  
Note: the warranty is voided by removal or alteration of product or parts identification labels.  
\*All OEM/bulk packaging product come with one year limited warranty  
\*In case of conflict between the warranty provided by the country of point of sale and this manual, the warranty of the actual country of point of sale shall be the prevailing document.  
\*In case of malfunction of electronic components or need of accessories purchase during the warranty period, please return to the original store of purchase.

**繁体中文 (ZH-TW)**  
Cooler Master 保證本設備之材料與工藝無瑕疵，並提供本設備二年之零件有限保固服務。自購買日起算，請將您的收據放在安全之處，以做為 Cooler Master 要求提供保固本產品之產品證明。本產品專為電腦設計，一旦將本設備用於其它用途，則保固失效。若您不熟悉硬體安裝程序，請尋求專家之協助。保固服務只適用於正常使用下之故障情形。若本公司發現該設備損壞之原因為濫用、改裝、誤用、疏忽、電壓供應錯誤、空氣及水污染意外和自然災害，則保固失效。  
注意：當產品包裝拆封後，保固服務將從保固期限中扣除，則不在此限。  
\*所有 OEM 及工業包裝之產品皆保固一年。  
\*如果銷售國家所保固之保固與本說明書有所衝突，應以實際銷售國家之保固為準。  
\*保固期內遇有電子零件故障或配件購買需求，請洽原購買商店。

**簡體中文 (ZH-S)**  
Cooler Master 保證本設備之材料與工藝無瑕疵，並提供本設備二年之零件有限保固服務。自購買日起算，請將您的收據放在安全之處，以做為 Cooler Master 要求提供保固本產品之產品證明。本產品專為電腦設計，一旦將本設備用於其它用途，則保固失效。若您不熟悉硬體安裝程序，請尋求專家之協助。保固服務只適用於正常使用下之故障情形。若本公司發現該設備損壞之原因為濫用、改裝、誤用、疏忽、電壓供應錯誤、空氣及水污染意外和自然災害，則保固失效。  
注意：當產品包裝拆封後，保固服務將從保固期限中扣除，則不在此限。  
\*所有 OEM 及工業包裝之產品皆保固一年。  
\*如果銷售國家所保固之保固與本說明書有所衝突，應以實際銷售國家之保固為準。  
\*保固期內遇有電子零件故障或配件購買需求，請洽原購買商店。

**Chinese (ZH-CN)**  
Cooler Master 保证本设备之材料及工艺无瑕疵，并提供本设备二年之零件有限保修服务。自购买日起算，请您的收据放在安全之处，以做为 Cooler Master 要求提供保固本产品之产品证明。本产品专为电脑设计，一旦将本设备用于其它用途，则保固失效。若您不熟悉硬件安装程序，请咨询专家之协助。保固服务只适用于正常使用下之故障情形。若本公司发现该设备损坏之原因为滥用、改组、误用、疏忽、电压供应错误、空气及水污染意外和自然灾害，则保固失效。  
注意：当产品包装拆封后，保固服务将从保固期限中扣除，则不在此限。  
\*所有 OEM 及工业包装的产品皆保固一年。  
\*如果销售国家所提供的保固与本说明有所冲突，应以实际销售国家之保固为准。  
\*保固期内遇有电子零件故障或配件购买需求，请洽原购买商店。

**Türkçe (TR)**  
Cooler Master bu cihazda malzeme ve işçilik hatası bulunmadığını garanti eder ve cihaz için satın alma tarihinden başlayan iki yıla süreli bir donanım garantisini verir. Alımı belgelemek için lütfen makbuzunuzu saklayın. Bu ürün yalnızca bilgisayar kullanımını için tasarlanmıştır. Bu cihazın başka bir kapsamda kullanılmasını garantiyi geçersiz kılar. Bilgisayar donanımı montajını bilmiyorsanız, lütfen profesyonel yardım talep edin.  
Herkes garanti normal kullanım içinidir. Cooler Master'ın hatası olmayan uygunsuz kullanım, depolama, yanlış kullanım veya kötü kullanım, kaza ya da ihmalden kaynaklanan arıza ya da hasarlar garanti kapsamının dışındadır.  
Dikkat: Ürün ya da parça tanıtma etiketlerinin sökülmesi ya da değiştirilmesi garantiyi geçersiz kılar.  
\*1. Tüm OEM/ambalajsız ürünler bir yıl süreli garanti ile gelir.  
\*2. Garanti verilen ülkedeki satış noktası ve bu kullandığınız kılavuzda arasında bir çelişki olursa, satış noktasının bulunduğu ülkedeki garanti hükümleri önceliklidir.  
\*3. Elektronik bileşenlerin arızalanması ya da garanti süresinde aksesuarların satın alınması gerekirse, lütfen ürünü satın aldığımız mağazaya başvurunuz.

部件名称	有毒有害物质或元素					
	铅 (Pb)	汞 (Hg)	镉 (Cd)	六价铬 (Cr(VI))	多溴联苯 (PBBs)	多溴二苯醚 (PBDEs)
机箱组	×	○	○	○	○	○
散热器	×	○	○	○	○	○
V/C散热器	×	○	○	○	○	○
风扇	×	○	○	○	○	○
零件包	×	○	○	○	○	○
电源	×	○	○	○	○	○

本表格在表 11 及 13 中的规定限制：  
○ 表示该有害物质在该部件所有均质材料中的含量均在 GB/T 26572 规定的限量要求以下；  
× 表示该有害物质至少在该部件的某一均质材料中的含量超出 GB/T 26572 规定的限量要求。  
Note: The form is only applied to China law.

Limitation of implied warranties:  
THESE ARE NO WARRANTIES, EXPRESS OR IMPLIED, WHICH EXTEND BEYOND THE DESCRIPTION CONTAINED HEREIN INCLUDING THE IMPLIED WARRANTY OF MERCHANTABILITY AND FITNESS FOR A PARTICULAR PURPOSE.  
Exclusion of damages:  
COOLER MASTER'S LIABILITY IS LIMITED TO THE COST OF REPAIR OR REPLACEMENT OF THE PRODUCT. COOLER MASTER SHALL NOT BE LIABLE FOR DAMAGE TO OTHER PROPERTY CAUSED BY ANY DEFECT IN THE PRODUCT. DAMAGES BASED UPON INCONVENIENCE, LOSS OF USE OF THE PRODUCT, LOSS OF TIME, LOSS OF PROFITS, LOSS OF BUSINESS OPPORTUNITY, LOSS OF GOODWILL, INTERFERENCE WITH BUSINESS RELATIONSHIPS OR OTHER COMMERCIAL LOSS, EVEN IF ADVISED OF THEIR POSSIBILITY OF SUCH DAMAGES.  
\*ANY OTHER DAMAGES, WHETHER INCIDENTAL, CONSEQUENTIAL OR OTHERWISE.  
\*ANY CLAIM AGAINST THE CUSTOMER BY ANY OTHER PARTY.  
Warranty Information:  
If a goods is found with reasonable defect within the period of (refer to Table A.) starting on the first day of purchase (with proof of invoice), this is what you must do, to claim the warranty from the above address.  
Procedures:  
1. Consumers should return to the shop where he/she has bought the goods. After confirming with the shop with a valid invoice, they may approach the distributor for RMA claim.  
2. After confirmed by the distributor that the goods was damaged due to natural causes, replacement and repair will be done by distributor (including brand new or refurbished goods).... expenses for returning the faulty goods will be covered by the consumer, and distributor will cover the cost involved in the transporting of parts or repaired goods to the consumer.

Ovaj dokument je originalno proizveden i objavljen od strane proizvođača, brenda Cooler Master, i preuzet je sa njihove zvanične stranice. S obzirom na ovu činjenicu, Tehnoteka ističe da ne preuzima odgovornost za tačnost, celovitost ili pouzdanost informacija, podataka, mišljenja, saveta ili izjava sadržanih u ovom dokumentu.

Napominjemo da Tehnoteka nema ovlašćenje da izvrši bilo kakve izmene ili dopune na ovom dokumentu, stoga nismo odgovorni za eventualne greške, propuste ili netačnosti koje se mogu naći unutar njega. Tehnoteka ne odgovara za štetu nanесenu korisnicima pri upotrebi netačnih podataka. Ukoliko imate dodatna pitanja o proizvodu, ljubazno vas molimo da kontaktirate direktno proizvođača kako biste dobili sve detaljne informacije.

Za najnovije informacije o ceni, dostupnim akcijama i tehničkim karakteristikama proizvoda koji se pominje u ovom dokumentu, molimo posetite našu stranicu klikom na sledeći link:

<https://tehnoteka.rs/p/cooler-master-kuciste-masterbox-td500-mesh-black-mcb-d500d-kgnn-s01-akcija-cena/>