

Informacije o proizvodu (EN)

Be Quiet napajanje Straight Power 11 1200W

be quiet![®]



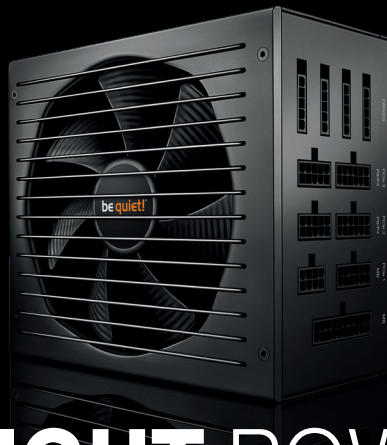
Tehnoteka je online destinacija za upoređivanje cena i karakteristika bele tehnike, potrošačke elektronike i IT uređaja kod trgovinskih lanaca i internet prodavnica u Srbiji. Naša stranica vam omogućava da istražite najnovije informacije, detaljne karakteristike i konkurentne cene proizvoda.

Posetite nas i uživajte u ekskluzivnom iskustvu pametne kupovine klikom na link:

<https://tehnoteka.rs/p/be-quiet-napajanje-straight-power-11-1200w-akcija-cena/>

GERMANY'S NO. 1*
PSU MANUFACTURER

be quiet!®



STRAIGHT POWER 11

Platinum

WORLD CLASS QUIET AND EFFICIENCY

1200W • 1000W • 850W • 750W • 650W • 550W

IDEAL APPLICATIONS

Extremely silent PC builds
Advanced multi-GPU gaming
Multimedia and home theater systems
3D graphics, photo and video editing

HIGHLIGHTS

80 PLUS® Platinum efficiency of up to 94,1%
Virtually inaudible Silent Wings 3 135mm fan
Wire-free design inside the PSU
Convenient modular cable management

World Class Quiet and Efficiency

The be quiet! Straight Power 11 Platinum series provides a new level of silent performance for systems that demand whisperquiet operation without the slightest compromise in power quality. The 80 PLUS Platinum label proves the focus on efficiency of this latest generation of the Straight Power series. These all go to make the Straight Power 11 series more silent and efficient than ever and clearly the best choice when building new systems or as an upgrade to existing systems.

Highlights »

- 80 PLUS Platinum certification with an outstanding efficiency of up to 94,1%
- Big funnel-shaped fan opening of the PSU case for high airflow intake
- Wire-free on the DC side for enhanced cooling and longevity of components
- Modular cables for maximum build flexibility
- Advanced stability and voltage regulation thanks to LLC, SR and DC-to-DC
- Four high-performance 12V-rails
- Multi-GPU support with up to six PCIe connectors
- Japanese 105°C-rated capacitors ensure stability and reliability
- Power signal stability unmatched in its class
- ErP and Energy Star 7.0 ready
- 5-year manufacturer's warranty
- Product conception, design and quality control in Germany



*According to the yearly PC Games Hardware's „Manufacturer of the year“ election (2006-2020) and market data from GfK (2007-2020)

STRAIGHT POWER 11

Platinum

WORLD CLASS QUIET AND EFFICIENCY

be quiet!®

Technical Data »

		1200W	1000W	850W	750W	650W	550W
IN GENERAL	Model	1200W	1000W	850W	750W	650W	550W
	Article no.	BN310	BN309	BN308	BN307	BN306	BN305
	EAN code	4260052187418	4260052187401	4260052187395	4260052187388	4260052187371	4260052187364
	Voltage (Vac) / Frequency (Hz)	100-240 / 50-60	100-240 / 50-60	100-240 / 50-60	100-240 / 50-60	100-240 / 50-60	100-240 / 50-60
	Dimensions (L x W x H)	170 x 150 x 86	170 x 150 x 86	170 x 150 x 86	160 x 150 x 86	160 x 150 x 86	160 x 150 x 86
	ATX 12V 2.51 / EPS 12V 2.92	✓ / ✓	✓ / ✓	✓ / ✓	✓ / ✓	✓ / ✓	✓ / -
	Wire-free (DC-side)	✓	✓	✓	✓	✓	✓
	Silent Wings 3 fan (mm)	135	135	135	135	135	135
	Noise level (dB(A)) at 20 / 50 / 100% load	9.4 / 11.5 / 32.9	7.8 / 8.0 / 28.1	7.7 / 7.9 / 22.0	8.6 / 9.3 / 20.8	8.9 / 9.6 / 16.8	9.0 / 9.6 / 14.9
	12V-rails	4	4	4	4	4	4
	PFC	active	active	active	active	active	active
	Efficiency (%) at 230V	80 PLUS® Platinum / 93,9%	80 PLUS® Platinum / 94,1%	80 PLUS® Platinum / 94%	80 PLUS® Platinum / 93,7%	80 PLUS® Platinum / 93,7%	80 PLUS® Platinum / 93,8%
	Energy Star 7.0 compatible	✓	✓	✓	✓	✓	✓
	ErP ready / Power in stand-by (W)	✓ / 0.16	✓ / 0.16	✓ / 0.16	✓ / 0.16	✓ / 0.16	✓ / 0.16
	OCP, OVP, UVP, SCP, OPP, OTP	✓	✓	✓	✓	✓	✓
Lifetime of PSU at 25°C (h)	100,000	100,000	100,000	100,000	100,000	100,000	
CABLES	No. of cables	11	11	11	10	9	8
	Maximum cable length (cm)	115	115	115	115	115	115
	Length of ATX-connection cable (cm)	60	60	60	60	60	60
	Full cable management	✓	✓	✓	✓	✓	✓
	Sleeved cables	✓	✓	✓	✓	✓	✓
CONNECTORS	ATX motherboard (20+4-pin)	✓	✓	✓	✓	✓	✓
	PCI express (6+2-pin)	6	6	4	4	4	2
	P8-/P4-connector	1x P4+4 / 1x P8	1x P4+4 / 1x P8	1x P4+4 / 1x P8	2x P4+4 / 1x P8	2x P4+4 / 1x P8	1x P4+4
	S-ATA	11	11	11	11	9	9
	P-ATA	4	4	4	4	3	3

Output Data »

AC Input		100 - 240Vac 50 - 60Hz 8 - 4A							
DC Output		3.3V	5V	12V1	12V2	12V3	12V4	-12V	5VSB
550W	Max. Current	22A	22A	18A	18A	20A	20A	0.3A	3A
	Max. Combined Power	110W		45.8A				3.6W	15W
		550W							

AC Input		100 - 240Vac 50 - 60Hz 10 - 5A							
DC Output		3.3V	5V	12V1	12V2	12V3	12V4	-12V	5VSB
850W	Max. Current	25A	25A	21A	21A	26A	26A	0.5A	3A
	Max. Combined Power	150W		70.8A				6W	15W
		850W							

AC Input		100 - 240Vac 50 - 60Hz 8 - 4A							
DC Output		3.3V	5V	12V1	12V2	12V3	12V4	-12V	5VSB
650W	Max. Current	24A	24A	18A	18A	22A	22A	0.3A	3A
	Max. Combined Power	120W		54.1A				3.6W	15W
		650W							

AC Input		100 - 240Vac 50 - 60Hz 13 - 6.5A							
DC Output		3.3V	5V	12V1	12V2	12V3	12V4	-12V	5VSB
1000W	Max. Current	25A	25A	22A	22A	30A	30A	0.5A	3A
	Max. Combined Power	150W		83.3A				6W	15W
		1000W							

AC Input		100 - 240Vac 50 - 60Hz 10 - 5A							
DC Output		3.3V	5V	12V1	12V2	12V3	12V4	-12V	5VSB
750W	Max. Current	25A	25A	20A	20A	24A	24A	0.3A	3A
	Max. Combined Power	130W		62.5A				3.6W	15W
		750W							

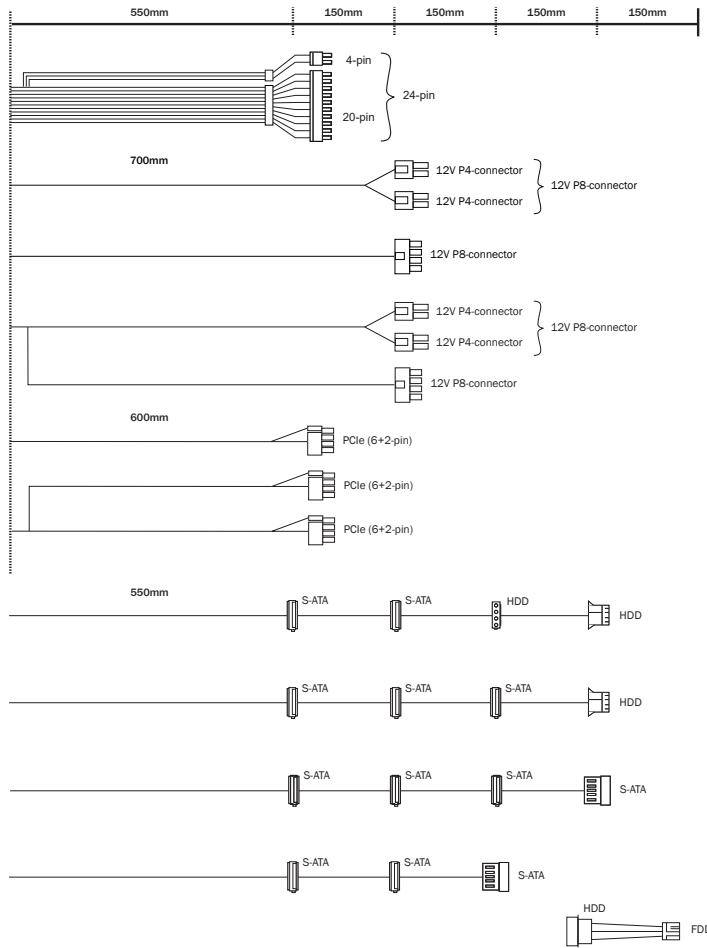
AC Input		100 - 240Vac 50 - 60Hz 15 - 7.5A							
DC Output		3.3V	5V	12V1	12V2	12V3	12V4	-12V	5VSB
1200W	Max. Current	25A	25A	24A	24A	38A	38A	0.5A	3A
	Max. Combined Power	150W		100A				6W	15W
		1200W							

STRAIGHT POWER 11

Platinum

WORLD CLASS QUIET AND EFFICIENCY

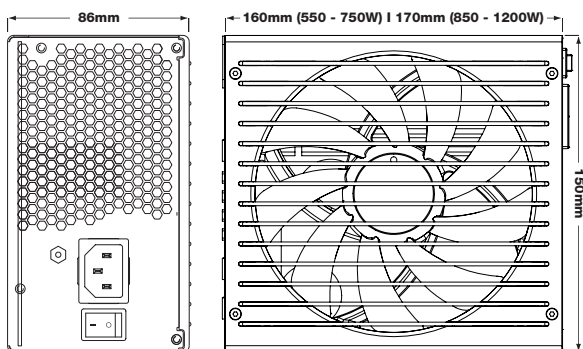
Cables »



Cable length to first connector

	1200W	1000W	850W	750W	650W	550W
24-pin ATX	600mm	600mm	600mm	600mm	600mm	600mm
12V P8	700mm	700mm	700mm	700mm	700mm	700mm
12V P4	700mm	700mm	700mm	-	-	-
PCIe (6+2-pin)	-	-	-	700mm	700mm	-
S-ATA	600mm 3x	600mm 3x	600mm 1x	600mm 2x	600mm 2x	-
HDD	550mm 2x	550mm 2x	550mm 2x	550mm 2x	550mm	550mm
FDD	-	-	-	-	550mm	550mm
Other	550mm	550mm	550mm	550mm	550mm	550mm
Other	550mm	550mm	550mm	550mm	-	-

Dimensions (mm) »



Certifications »

Contact »

be quiet! Headquarters
Listan GmbH
Wilhelm-Bergner-Straße 11c
21509 Glinde
Germany

Service hotline: +49 40 7367 686 44
e-mail: service@bequiet.com
Visit the contact section on bequiet.com
for the right regional service information.

Ovaj dokument je originalno proizveden i objavljen od strane proizvođača, brenda Be quiet!, i preuzet je sa njihove zvanične stranice. S obzirom na ovu činjenicu, Tehnoteka ističe da ne preuzima odgovornost za tačnost, celovitost ili pouzdanost informacija, podataka, mišljenja, saveta ili izjava sadržanih u ovom dokumentu.

Napominjemo da Tehnoteka nema ovlašćenje da izvrši bilo kakve izmene ili dopune na ovom dokumentu, stoga nismo odgovorni za eventualne greške, propuste ili netačnosti koje se mogu naći unutar njega. Tehnoteka ne odgovara za štetu nanесenu korisnicima pri upotrebi netačnih podataka. Ukoliko imate dodatna pitanja o proizvodu, ljubazno vas molimo da kontaktirate direktno proizvođača kako biste dobili sve detaljne informacije.

Za najnovije informacije o ceni, dostupnim akcijama i tehničkim karakteristikama proizvoda koji se pominje u ovom dokumentu, molimo posetite našu stranicu klikom na sledeći link:

<https://tehnoteka.rs/p/be-quiet-napajanje-straight-power-11-1200w-akcija-cena/>