

Informacije o proizvodu (EN)

Be Quiet napajanje Dark Power PRO 13 1000W

be quiet![®]



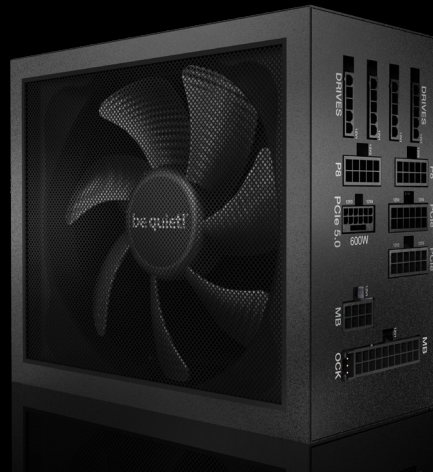
Tehnoteka je online destinacija za upoređivanje cena i karakteristika bele tehnike, potrošačke elektronike i IT uređaja kod trgovinskih lanaca i internet prodavnica u Srbiji. Naša stranica vam omogućava da istražite najnovije informacije, detaljne karakteristike i konkurentne cene proizvoda.

Posetite nas i uživajte u ekskluzivnom iskustvu pametne kupovine klikom na link:

<https://tehnoteka.rs/p/be-quiet-napajanje-dark-power-pro-13-1000w-akcija-cena/>

DEVELOPED
IN GERMANY

be quiet!®



DARK POWER 13

NO COMPROMISE SILENCE AND PERFORMANCE

1000W • 850W • 750W

IDEAL APPLICATIONS

Advanced, high-resolution gaming with latest graphics cards
Overclocked next-gen systems
Media creation and render workstations

HIGHLIGHTS

Highest efficiency available (80 PLUS® Titanium)
Fulfills all ATX 3.0 specifications
Full compatibility with both PCIe 5.0 and PCIe 6+2 GPUs
Frameless Silent Wings fan for virtually inaudible operation

No Compromise Silence And Performance

The be quiet! Dark Power 13 offers 80 PLUS® Titanium efficiency, virtually inaudible operation, and ATX 3.0 compliance for next-gen GPU compatibility.

Highlights

- 80 PLUS Titanium efficiency (up to 95.8%)
- ATX 3.0 PSU with full support for PCIe 5.0 GPUs and GPUs with 6+2 pin connector
- Handles massive power excursions
- Improved and patented frameless Silent Wings fan for virtually inaudible operation
- Full mesh front with funnel shape air inlet upholds the high air circulation abilities
- Overclocking key switches between four 12V rails and one massive 12V rail
- Active Rectifier + full bridge LLC technology provides unmatched signal stability and extremely high efficiency at all loads
- One PCIe 5.0 12VHPWR 600W and 4 PCIe 6+2 connectors for overclocked high-end GPUs
- Modular cable management for maximum convenience
- 10-year manufacturer's warranty

DARK POWER 13

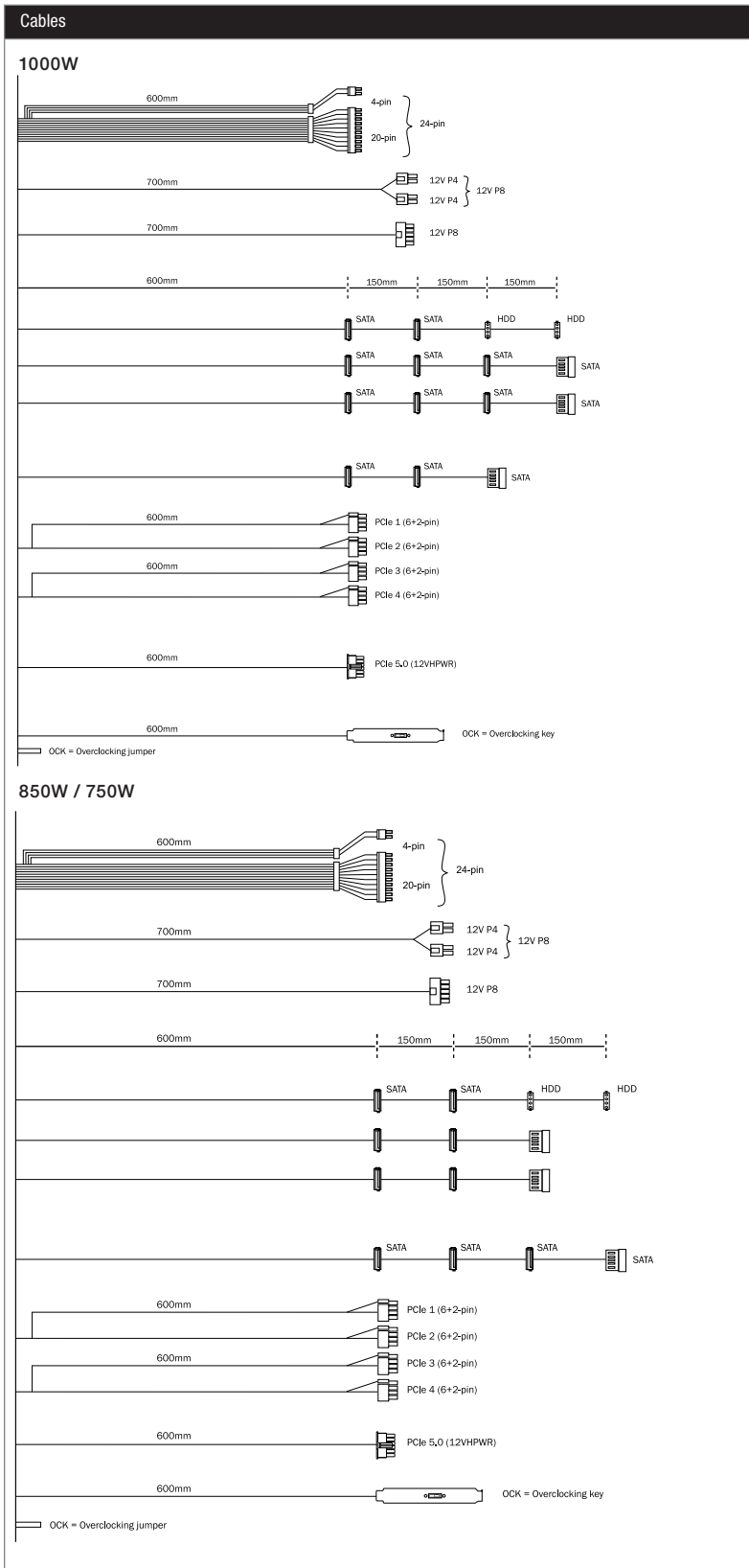
NO COMPROMISE SILENCE AND PERFORMANCE

Technical Data				
IN GENERAL	Model	1000W	850W	750W
	Article no.	BN335	BN334	BN333
	EAN Code	4260052189405	4260052189399	4260052189382
	Voltage (Vac) / Frequency (Hz)	100 - 240 / 50 - 60		
	Dimensions (L x W x H) (mm)	175 x 150 x 86		
	ATX 12V 3.0 / ATX 12V 2.x / EPS 12V 2.92	✓ / ✓ / ✓		
	Wire-free (DC-side)	✓		
	Silent Wings fan (mm)	135		
	Noise level (dB(A)) at 10 / 20 / 50 / 100% load	8.1 / 8.1 / 8.6 / 25.8	7.5 / 7.5 / 7.6 / 19.8	7.9 / 8.5 / 9 / 18.8
	12V rail (Multi-Rail) / 12V Single Rail	4 / ✓		
	Overclocking Key / Jumper	✓ / ✓		
	Power Good signal	100-150ms		
	PFC	active		
	Certification	80 PLUS® Titanium		
	Efficiency (%) at 230V, 2% / 10% / 20% / 50% / 100% load	72 / 90.7 / 94.8 / 95.2 / 93.3	73.6 / 92 / 94.7 / 95.4 / 93.5	72.2 / 91.8 / 94.8 / 95.8 / 93.8
	Energy Star 8.0 compatible	✓		
ErP ready / Power in stand-by (W)	✓ / <0.13			
OCP, OVP, UVP, SCP, OPP, OTP	✓			
Lifetime of PSU at 25°C (h)	>100,000			
CABLES	No. of cables	12		
	Maximum cable length (cm)	105		
	Length of ATX-connection cable (cm)	60		
	Cable management	Modular		
	Sleeved cables	✓		
CONNECTORS	ATX motherboard (20+4 pin)	✓		
	12VHPWR cable W	1 600		
	PCI express (6+2 pin)	4		
	P8-/P4-connector	1x P4+4 / 1x P8		
	S-ATA	13	12	
	P-ATA	2		

Output Data									
AC Input		100 - 240Vac 50 - 60Hz 13 - 6A							
DC Output		3.3V	5V	12V1	12V2	12V3	12V4	-12V	5VsB
1000W	Max. Current	25A	25A	32A	32A	40A	40A	0.5A	3A
	Max. Combined Power	125W		996W				6W	15W
1000W									
AC Input		100 - 240Vac 50 - 60Hz 10 - 5A							
DC Output		3.3V	5V	12V1	12V2	12V3	12V4	-12V	5VsB
850W	Max. Current	24A	24A	30A	30A	35A	35A	0.5A	3A
	Max. Combined Power	120W		840W				6W	15W
850W									
AC Input		100 - 240Vac 50 - 60Hz 9 - 4.5A							
DC Output		3.3V	5V	12V1	12V2	12V3	12V4	-12V	5VsB
750W	Max. Current	22A	22A	25A	25A	30A	30A	0.5A	3A
	Max. Combined Power	110W		744W				6W	15W
750W									

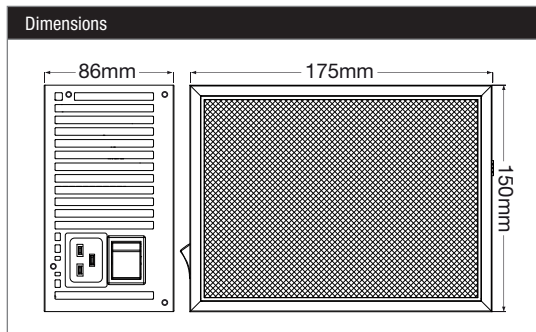
DARK POWER 13

NO COMPROMISE SILENCE AND PERFORMANCE



Logistics data

Region	Model	Article no	EAN code
EU	Dark Power 13 1000W	BN335	4260052189405
EU	Dark Power 13 850W	BN334	4260052189399
EU	Dark Power 13 750W	BN333	4260052189382
US	Dark Power 13 1000W	BN661	4260052189634
US	Dark Power 13 850W	BN660	4260052189627
US	Dark Power 13 750W	BN659	4260052189610
ROW US Cord	Dark Power 13 1000W	BN532	4260052190951
ROW US Cord	Dark Power 13 850W	BN531	4260052190944
ROW US Cord	Dark Power 13 750W	BN530	4260052190937
AU	Dark Power 13 1000W	BN702	4260052189665
AU	Dark Power 13 850W	BN701	4260052189658
AU	Dark Power 13 750W	BN700	4260052189641
TW	Dark Power 13 1000W	BN705	4260052189696
TW	Dark Power 13 850W	BN704	4260052189689
TW	Dark Power 13 750W	BN703	4260052189672
CN	Dark Power 13 850W	BN707	4260052189719
CN	Dark Power 13 750W	BN706	4260052189702



Certifications

UK Authorised Representative (for authorities only)
 ProductIP (UK) Ltd. 8, Northumberland Av.
 London WC2N 5BY

Contact

be quiet! Headquarters
 Listan GmbH
 Wilhelm-Bergner-Straße 11c
 21509 Glinde
 Germany

Service hotline:
 +49 40 7367 686 44

e-mail: service@bequiet.com
 Visit the contact section on bequiet.com for the right regional service information.

Ovaj dokument je originalno proizveden i objavljen od strane proizvođača, brenda Be quiet!, i preuzet je sa njihove zvanične stranice. S obzirom na ovu činjenicu, Tehnoteka ističe da ne preuzima odgovornost za tačnost, celovitost ili pouzdanost informacija, podataka, mišljenja, saveta ili izjava sadržanih u ovom dokumentu.

Napominjemo da Tehnoteka nema ovlašćenje da izvrši bilo kakve izmene ili dopune na ovom dokumentu, stoga nismo odgovorni za eventualne greške, propuste ili netačnosti koje se mogu naći unutar njega. Tehnoteka ne odgovara za štetu nanесenu korisnicima pri upotrebi netačnih podataka. Ukoliko imate dodatna pitanja o proizvodu, ljubazno vas molimo da kontaktirate direktno proizvođača kako biste dobili sve detaljne informacije.

Za najnovije informacije o ceni, dostupnim akcijama i tehničkim karakteristikama proizvoda koji se pominje u ovom dokumentu, molimo posetite našu stranicu klikom na sledeći link:

<https://tehnoteka.rs/p/be-quiet-napajanje-dark-power-pro-13-1000w-akcija-cena/>