

Informacije o proizvodu (EN)

Be Quiet napajanje Dark Power 13 850W

be quiet![®]



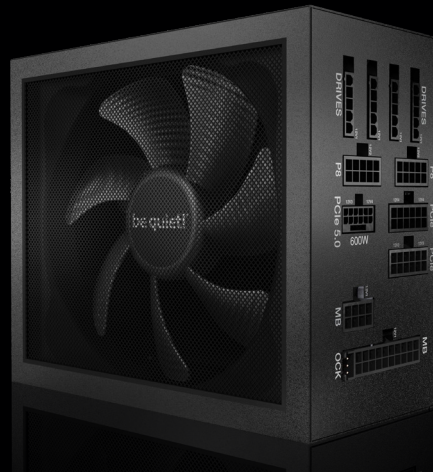
Tehnoteka je online destinacija za upoređivanje cena i karakteristika bele tehnike, potrošačke elektronike i IT uređaja kod trgovinskih lanaca i internet prodavnica u Srbiji. Naša stranica vam omogućava da istražite najnovije informacije, detaljne karakteristike i konkurentne cene proizvoda.

Posetite nas i uživajte u ekskluzivnom iskustvu pametne kupovine klikom na link:

<https://tehnoteka.rs/p/be-quiet-napajanje-dark-power-13-850w-akcija-cena/>

DEVELOPED
IN GERMANY

be quiet!®



DARK POWER 13

NO COMPROMISE SILENCE AND PERFORMANCE

1000W • 850W • 750W

IDEAL APPLICATIONS

Advanced, high-resolution gaming with latest graphics cards
Overclocked next-gen systems
Media creation and render workstations

HIGHLIGHTS

Highest efficiency available (80 PLUS® Titanium)
Fulfills all ATX 3.0 specifications
Full compatibility with both PCIe 5.0 and PCIe 6+2 GPUs
Frameless Silent Wings fan for virtually inaudible operation

No Compromise Silence And Performance

The be quiet! Dark Power 13 offers 80 PLUS® Titanium efficiency, virtually inaudible operation, and ATX 3.0 compliance for next-gen GPU compatibility.

Highlights

- 80 PLUS Titanium efficiency (up to 95.8%)
- ATX 3.0 PSU with full support for PCIe 5.0 GPUs and GPUs with 6+2 pin connector
- Handles massive power excursions
- Improved and patented frameless Silent Wings fan for virtually inaudible operation
- Full mesh front with funnel shape air inlet upholds the high air circulation abilities
- Overclocking key switches between four 12V rails and one massive 12V rail
- Active Rectifier + full bridge LLC technology provides unmatched signal stability and extremely high efficiency at all loads
- One PCIe 5.0 12VHPWR 600W and 4 PCIe 6+2 connectors for overclocked high-end GPUs
- Modular cable management for maximum convenience
- 10-year manufacturer's warranty

DARK POWER 13

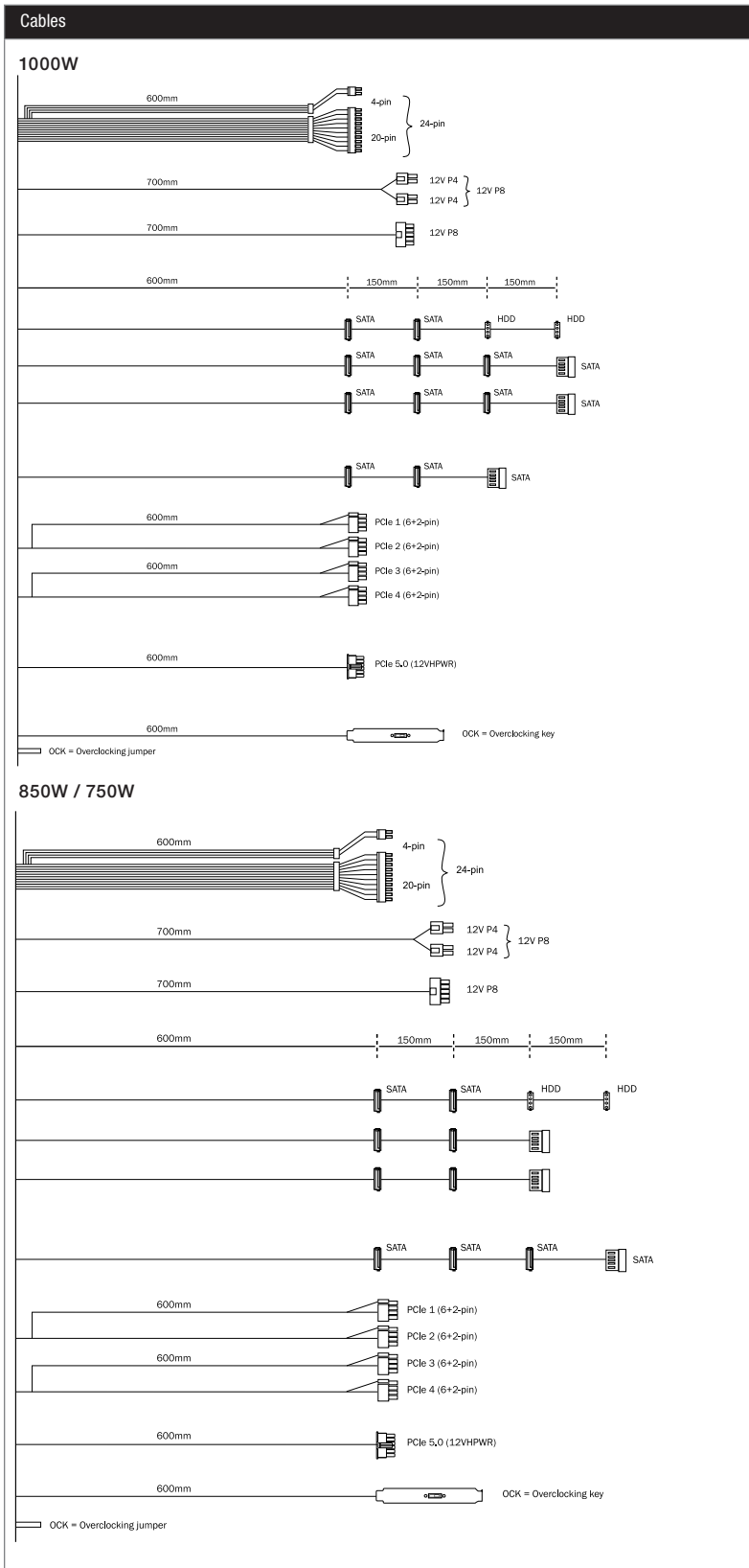
NO COMPROMISE SILENCE AND PERFORMANCE

| Technical Data | | | | |
|-----------------------------------|----------------------------------------------------------|--------------------------------|--------------------------------|----------------------------------|
| IN GENERAL | Model | 1000W | 850W | 750W |
| | Article no. | BN335 | BN334 | BN333 |
| | EAN Code | 4260052189405 | 4260052189399 | 4260052189382 |
| | Voltage (Vac) / Frequency (Hz) | 100 - 240 / 50 - 60 | | |
| | Dimensions (L x W x H) (mm) | 175 x 150 x 86 | | |
| | ATX 12V 3.0 / ATX 12V 2.x / EPS 12V 2.92 | ✓ / ✓ / ✓ | | |
| | Wire-free (DC-side) | ✓ | | |
| | Silent Wings fan (mm) | 135 | | |
| | Noise level (dB(A)) at 10 / 20 / 50 / 100% load | 8.1 / 8.1 / 8.6 / 25.8 | 7.5 / 7.5 / 7.6 / 19.8 | 7.9 / 8.5 / 9 / 18.8 |
| | 12V rail (Multi-Rail) / 12V Single Rail | 4 / ✓ | | |
| | Overclocking Key / Jumper | ✓ / ✓ | | |
| | Power Good signal | 100-150ms | | |
| | PFC | active | | |
| | Certification | 80 PLUS® Titanium | | |
| | Efficiency (%) at 230V, 2% / 10% / 20% / 50% / 100% load | 72 / 90.7 / 94.8 / 95.2 / 93.3 | 73.6 / 92 / 94.7 / 95.4 / 93.5 | 72.2 / 91.8 / 94.8 / 95.8 / 93.8 |
| | Energy Star 8.0 compatible | ✓ | | |
| ErP ready / Power in stand-by (W) | ✓ / <0.13 | | | |
| OCP, OVP, UVP, SCP, OPP, OTP | ✓ | | | |
| Lifetime of PSU at 25°C (h) | >100,000 | | | |
| CABLES | No. of cables | 12 | | |
| | Maximum cable length (cm) | 105 | | |
| | Length of ATX-connection cable (cm) | 60 | | |
| | Cable management | Modular | | |
| | Sleeved cables | ✓ | | |
| CONNECTORS | ATX motherboard (20+4 pin) | ✓ | | |
| | 12VHPWR cable W | 1 600 | | |
| | PCI express (6+2 pin) | 4 | | |
| | P8-/P4-connector | 1x P4+4 / 1x P8 | | |
| | S-ATA | 13 | 12 | |
| | P-ATA | 2 | | |

| Output Data | | | | | | | | | |
|--------------|---------------------|---------------------------------|-----|------|------|------|------|------|------|
| AC Input | | 100 - 240Vac 50 - 60Hz 13 - 6A | | | | | | | |
| DC Output | | 3.3V | 5V | 12V1 | 12V2 | 12V3 | 12V4 | -12V | 5VsB |
| 1000W | Max. Current | 25A | 25A | 32A | 32A | 40A | 40A | 0.5A | 3A |
| | Max. Combined Power | 125W | | 996W | | | | 6W | 15W |
| 1000W | | | | | | | | | |
| AC Input | | 100 - 240Vac 50 - 60Hz 10 - 5A | | | | | | | |
| DC Output | | 3.3V | 5V | 12V1 | 12V2 | 12V3 | 12V4 | -12V | 5VsB |
| 850W | Max. Current | 24A | 24A | 30A | 30A | 35A | 35A | 0.5A | 3A |
| | Max. Combined Power | 120W | | 840W | | | | 6W | 15W |
| 850W | | | | | | | | | |
| AC Input | | 100 - 240Vac 50 - 60Hz 9 - 4.5A | | | | | | | |
| DC Output | | 3.3V | 5V | 12V1 | 12V2 | 12V3 | 12V4 | -12V | 5VsB |
| 750W | Max. Current | 22A | 22A | 25A | 25A | 30A | 30A | 0.5A | 3A |
| | Max. Combined Power | 110W | | 744W | | | | 6W | 15W |
| 750W | | | | | | | | | |

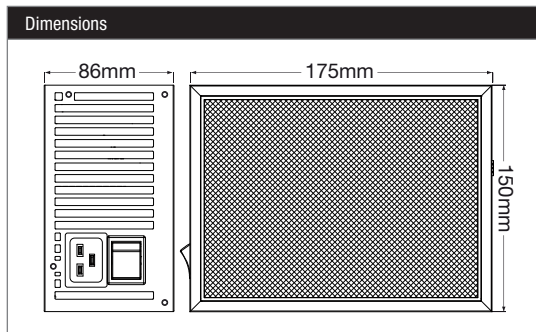
DARK POWER 13

NO COMPROMISE SILENCE AND PERFORMANCE



Logistics data

| Region | Model | Article no | EAN code |
|-------------|---------------------|------------|---------------|
| EU | Dark Power 13 1000W | BN335 | 4260052189405 |
| EU | Dark Power 13 850W | BN334 | 4260052189399 |
| EU | Dark Power 13 750W | BN333 | 4260052189382 |
| US | Dark Power 13 1000W | BN661 | 4260052189634 |
| US | Dark Power 13 850W | BN660 | 4260052189627 |
| US | Dark Power 13 750W | BN659 | 4260052189610 |
| ROW US Cord | Dark Power 13 1000W | BN532 | 4260052190951 |
| ROW US Cord | Dark Power 13 850W | BN531 | 4260052190944 |
| ROW US Cord | Dark Power 13 750W | BN530 | 4260052190937 |
| AU | Dark Power 13 1000W | BN702 | 4260052189665 |
| AU | Dark Power 13 850W | BN701 | 4260052189658 |
| AU | Dark Power 13 750W | BN700 | 4260052189641 |
| TW | Dark Power 13 1000W | BN705 | 4260052189696 |
| TW | Dark Power 13 850W | BN704 | 4260052189689 |
| TW | Dark Power 13 750W | BN703 | 4260052189672 |
| CN | Dark Power 13 850W | BN707 | 4260052189719 |
| CN | Dark Power 13 750W | BN706 | 4260052189702 |



Certifications

UK Authorised Representative (for authorities only)
 ProductIP (UK) Ltd. 8, Northumberland Av.
 London WC2N 5BY

Contact

be quiet! Headquarters
 Listan GmbH
 Wilhelm-Bergner-Straße 11c
 21509 Glinde
 Germany

Service hotline:
 +49 40 7367 686 44

e-mail: service@bequiet.com
 Visit the contact section on bequiet.com for the right regional service information.

Ovaj dokument je originalno proizveden i objavljen od strane proizvođača, brenda Be quiet!, i preuzet je sa njihove zvanične stranice. S obzirom na ovu činjenicu, Tehnoteka ističe da ne preuzima odgovornost za tačnost, celovitost ili pouzdanost informacija, podataka, mišljenja, saveta ili izjava sadržanih u ovom dokumentu.

Napominjemo da Tehnoteka nema ovlašćenje da izvrši bilo kakve izmene ili dopune na ovom dokumentu, stoga nismo odgovorni za eventualne greške, propuste ili netačnosti koje se mogu naći unutar njega. Tehnoteka ne odgovara za štetu nanесenu korisnicima pri upotrebi netačnih podataka. Ukoliko imate dodatna pitanja o proizvodu, ljubazno vas molimo da kontaktirate direktno proizvođača kako biste dobili sve detaljne informacije.

Za najnovije informacije o ceni, dostupnim akcijama i tehničkim karakteristikama proizvoda koji se pominje u ovom dokumentu, molimo posetite našu stranicu klikom na sledeći link:

<https://tehnoteka.rs/p/be-quiet-napajanje-dark-power-13-850w-akcija-cena/>