

Informacije o proizvodu (EN)

Be Quiet kućište Pure Base 600 BG022

be quiet![®]



Tehnoteka je online destinacija za upoređivanje cena i karakteristika bele tehnike, potrošačke elektronike i IT uređaja kod trgovinskih lanaca i internet prodavnica u Srbiji. Naša stranica vam omogućava da istražite najnovije informacije, detaljne karakteristike i konkurentne cene proizvoda.

Posetite nas i uživajte u ekskluzivnom iskustvu pametne kupovine klikom na link:

<https://tehnoteka.rs/p/be-quiet-kuciste-pure-base-600-bg022-akcija-cena/>



PURE BASE 600

EXCEPTIONALLY SILENT AND FUNCTIONAL

IDEAL APPLICATIONS

- Air-cooled and water-cooled systems
- Gaming and multimedia PCs
- Quiet home theater PCs

HIGHLIGHTS

- Highly versatile construction
- Water cooling optimized with adjustable top cover vent
- Two pre-installed Pure Wings 2 fans
- Completely sound-insulated on top, side and front

Exceptionally Silent and Functional

Pure Base 600 is truly multi-talented, offering a great deal of functionality and features for an attractive price.

Highlights »

- Highly versatile construction with repositionable HDD slots and a removable ODD cage
- Optimized for liquid cooling with three specially designed areas of up to 360mm to add water cooling radiators
- Adjustable top cover vent that can be closed for absolute silence, partially open for more air exhaust or fully open, with the added possibility to mount a radiator
- Whisper-quiet operation thanks to two pre-installed Pure Wings 2 fans featuring nine airflow-optimized fan blades that reduce turbulence while increasing the air pressure
- Completely sound insulated with integrated dampening material on top, side and front
- Professional cable management is adaptable with extensive cable routing options
- 3-year manufacturer's warranty
- Product conception, design and quality control in Germany

Pure Base 600 »

Smart usability features and whisper-quiet operation enable you to realize almost any system configuration you desire for your ATX or micro ATX PC. It is the perfect base for your system.

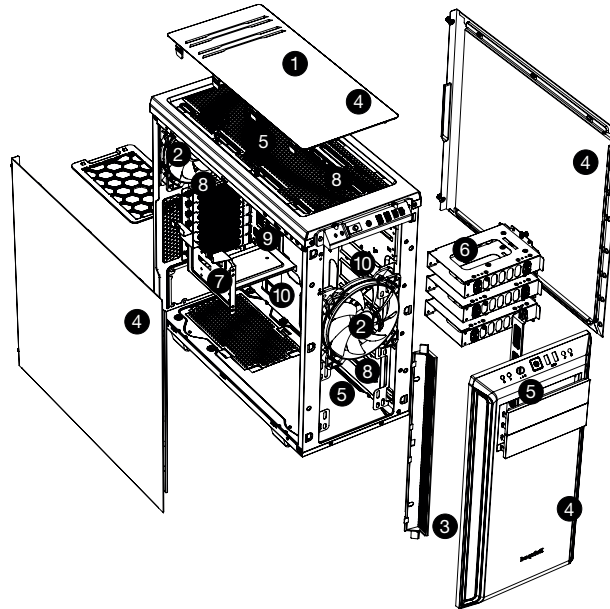
+ NOISE INSULATION

+ AIRFLOW CONTROL

PURE BASE 600

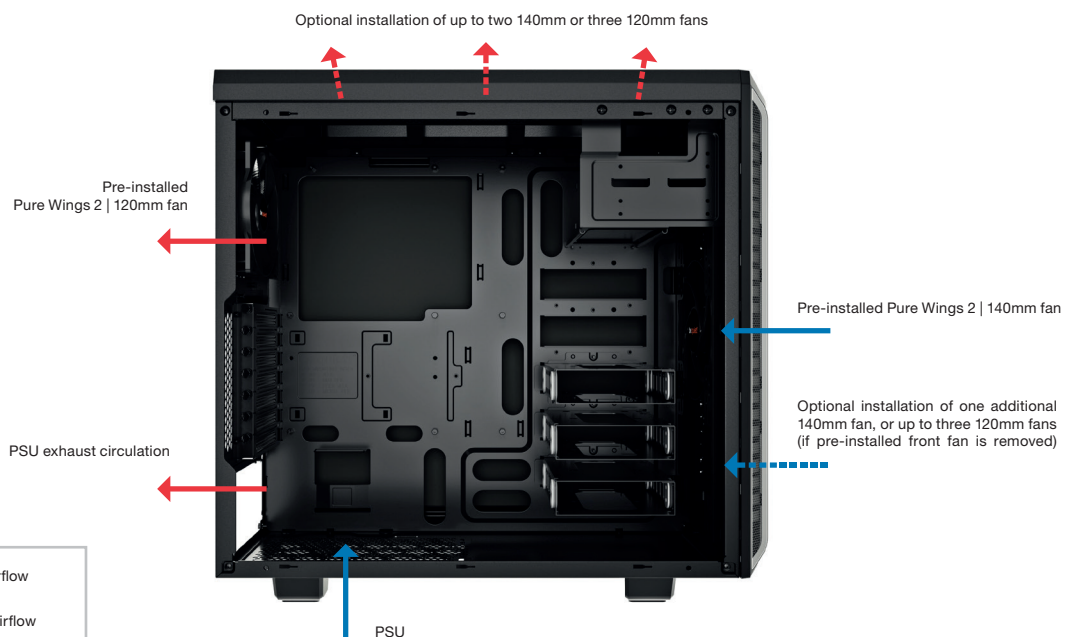
EXCEPTIONALLY SILENT AND FUNCTIONAL

Features »



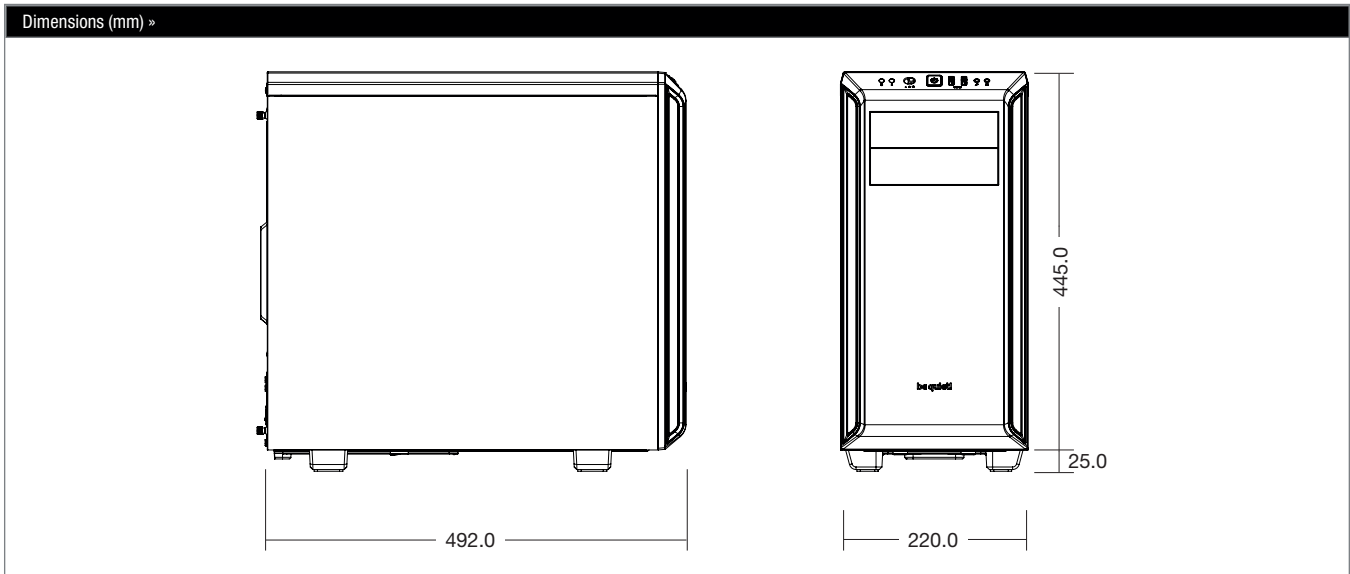
- ① Adjustable top cover vent can be closed for absolute silence, partly opened for more air exhaust or fully open, with the added possibility of mounting a water cooling radiator
- ② One Pure Wings 2 140mm front intake fan and one Pure Wings 2 120mm rear exhaust fan for outstanding cooling performance
- ③ Airflow follows a clear path that quietly and efficiently lowers the system's temperatures. All exhaust air is directed to the rear, to further minimize any noise experienced
- ④ Sound-insulated side and front panels as well as top cover
- ⑤ Design permits the installation of up to four additional cooling fans. Integrated 3-step fan controller for up to three fans
- ⑥ Truly versatile, thanks to repositionable and removable HDD slots
- ⑦ Removable ODD tray for maximum flexibility of water cooling and drives
- ⑧ Chassis is optimized for liquid-cooling, with three specially designed areas to add radiators
- ⑨ Motherboard tray features large cutouts for the CPU cooler back plate, supporting all present and future CPU socket designs
- ⑩ Professional cable management is optimized by extensive cable routing options

Airflow »



PURE BASE 600

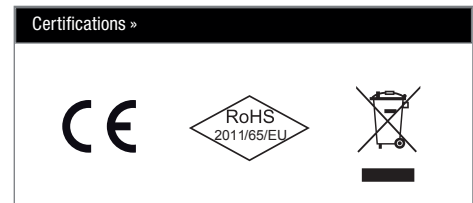
EXCEPTIONALLY SILENT AND FUNCTIONAL



General Data Case »	
Motherboard compatibility	ATX, M-ATX, Mini-ITX
Form factor PSU	ATX PS/2
Case size (L x W x H in mm)	492 x 220 x 470
Material	0.8 - 1mm steel, ABS plastic
Weight incl. package / without package (kg)	8.74 / 7.44
I/O Panel	2x USB 3.0, HD Audio (mic + headphone jacks)
Expansion slots (pcs.)	7
Drive Bay Capacity »	
5.25	2
3.5	3 (removable)
2.5	2 on motherboard tray 6 inside the HDD slots (removable)
Cooling System »	
Pre-installed Pure Wings 2 fans (mm / rpm)	Front: 1x 140 / 900 Rear: 1x 120 / 1,200
Optional fans (mm)	Top: 2x 140 / 3x 120 Front: 140 / up to 3x 120 (w/o pre-installed 140mm fan)*
Optional liquid cooling system (radiotor in mm)	Top: 120, 240, 360* Front: 120, 140, 240, 280*, 360 (w/o 5.25" cage) Rear: 120
Cooling solutions	Air channels (front) Adjustable and removeable top cover Manual 3-step fan controller (3x 3-pin)
Maximum Dimensions (mm) »	
CPU cooler	up to 165
PSU	210
Graphics card (standard)	280
Graphics card (w/o HDD slots)	425
Insulation and Damping »	
Sound insulation mats (top, front, side)	✓
Anti-vibration decoupled HDD / PSU	✓

*without 5.25" bay

Color Options »		
Pure Base 600	Art. no	EAN code
Black	BG021	4260052185414
Silver	BG022	4260052185421



Contact »
Service Hotline: +49 40 7367 686 44 (Mondays to Fridays from 9:00am to 5:30pm CET)
Mail: service@bequiet.com

Ovaj dokument je originalno proizveden i objavljen od strane proizvođača, brenda Be quiet!, i preuzet je sa njihove zvanične stranice. S obzirom na ovu činjenicu, Tehnoteka ističe da ne preuzima odgovornost za tačnost, celovitost ili pouzdanost informacija, podataka, mišljenja, saveta ili izjava sadržanih u ovom dokumentu.

Napominjemo da Tehnoteka nema ovlašćenje da izvrši bilo kakve izmene ili dopune na ovom dokumentu, stoga nismo odgovorni za eventualne greške, propuste ili netačnosti koje se mogu naći unutar njega. Tehnoteka ne odgovara za štetu nanесenu korisnicima pri upotrebi netačnih podataka. Ukoliko imate dodatna pitanja o proizvodu, ljubazno vas molimo da kontaktirate direktno proizvođača kako biste dobili sve detaljne informacije.

Za najnovije informacije o ceni, dostupnim akcijama i tehničkim karakteristikama proizvoda koji se pominje u ovom dokumentu, molimo posetite našu stranicu klikom na sledeći link:

<https://tehnoteka.rs/p/be-quiet-kuciste-pure-base-600-bg022-akcija-cena/>