

Uputstvo za upotrebu

TESLA konvektorska grejalica PC250WH

TESLA



Tehnoteka je online destinacija za upoređivanje cena i karakteristika bele tehnike, potrošačke elektronike i IT uređaja kod trgovinskih lanaca i internet prodavnica u Srbiji. Naša stranica vam omogućava da istražite najnovije informacije, detaljne karakteristike i konkurentne cene proizvoda.

Posetite nas i uživajte u ekskluzivnom iskustvu pametne kupovine klikom na link:

<https://tehnoteka.rs/p/tesla-konvektorska-grejalica-pc250wh-akcija-cena/>

TESLA



PC250WH

User Manual

ENG

BIH/CG

BG

HR

HU

RO

SLO

SRB

PANEL CONVECTOR HEATER

Household Use only.
Read this instruction manual carefully before using.



- Read the user manual before installing and using the product.
- Especially follow the information regarding safety. Keep the user manual in an easily accessible place as you may need it later.
- Please remember that this user manual may also be valid for other models.
- Please follow the instructions in order to use your device efficiently in terms of energy consumption.
- Your device is for household use. It is not suitable for commercial use.
- Our company is not responsible for any injury or damage caused by not following the instructions in the user manual.

 **CAUTION!**

In order to avoid causing fire, electric shock and injury, read the safety precautions carefully and follow the warnings.

 **WARNING!**

Do not use the product if its parts are broken or damaged! Consult the nearest Authorized seller. We do not have free of charge maintenance and installation service. Customer is responsible for the installation.

 **NOTE**

The values stated in the markings on the product or in other printed documents provided with the products are the values obtained in the laboratory environment in respect of the relevant standards. These values may change according to the use and ambient conditions of the product.

Respects the environment without harming the nature.



Suitable for WEEE Regulation.

 **CAUTION!**

This product has been produced in accordance with safety regulations. Noncompliantly use may harm the person, device or environment.

SAFETY WARNINGS

1. Read the user manual before using the product and keep it to consult in future. If you give your product to another person, give it with this manual.
2. Do not throw the package of the product without using the product or making sure that it is functioning properly.
3. Do not use the product if the accessories are absent, broken or damaged.
4. Do not use device for other than the purposes specified in this manual. (Do not use it to dry your clothes or to keep the animals or plants warm.)
5. When not using the device, turn the function button to “off” and unplug the device. Do not pull the mains cable while unplugging. Use the product from the mains voltage.
6. Do not leave your device unattended while it is functioning.
7. Do not use the product when the mains cable is damaged and call the Authorized Service.
8. Do not use your heater if it is damaged due to transportation, delivery or storage. In such a case, call Authorized Service.
9. The heater cannot be used with programmer, timer or any other setup running automatically.
10. The fireguard of this heater is intended to prevent direct access to the heating elements and must be in its place while the heater is in use.
11. Do not cover your device or use it to dry any items.
12. Your device should not be used with another device connected to the same power cable or fuse.
13. Do not use your product in places such as bathrooms, shower cabins or swimming pools.
14. The power cord should not be placed on the hot body of the device or near to it. Do not make an addition for the supply cable. Otherwise, it may cause malfunction, electric shock or fire.

15. If your device will not be used for a long time, will be moved, cleaned or adjusted, unplug the device and be sure that it is cool.
16. Do not place the heater just below the socket.
17. Never expose the heating elements to water.
18. The device must be unplugged during installation, maintenance or repair.
19. While unplugging the supply cable do not pull the plug from the cable or touch it with wet hands, and be careful not to crush it under heavy objects.
20. Turn off your heater using the heater element function button and unplug it.
21. Keep your device in a dry and closed area.
22. Perform the periodic maintenance and cleaning of your device according to the instructions in this manual.
23. Do not use the heater while you are sleeping or away from the device.
24. Avoid using extension cord, it may cause fire due to overheating. If you have to use an extension cable, the cable section should not be less than 2mm² (14AWG).
25. Use the device on a flat and even surface. The device should only be used on its feet.
26. Do not move the device while it is in use. Do not touch the device right after turning it off.
27. During the first use of your device, a slight smoke and odor may occur, this is normal and will disappear in time.
28. Fingers or other objects should not be inserted into the air inlet and outlet channels.
29. This heater is not suitable for use in greenhouses and construction sites.
30. There must be a minimum distance of 1 meter between the device and creatures, materials such as curtain, wood, cardboard, fabric etc. and other devices.
31. Do not operate the device within 7.60m distance to flammable and explosive materials (gasoline, alcohol, etc.) and do not place it near motorized devices that are not expected to operate.
32. Unless supervision and management of the use of the device is provided, this device is not intended for use by persons with physical sensory and mental disabilities (including children) or

those with lack of supervision and knowledge.

33. Children under the age of 3 should be kept away when they are not attended by an adult.
34. Children in this age group should be kept away from the processes such as plugging the device or arranging, cleaning and maintaining it.
35. This device can be used by children aged 8 and above and persons with a lack of physical, sensory or mental abilities, or lack of experience and knowledge only if they have been given supervision or they understand the instruction regarding its safe use and the dangers involved.
36. Children should not play with the device. Cleaning and maintenance should not be performed by children unattended.
37. Packaging materials can be dangerous to children. Keep the packaging materials out of the reach of children or dispose of them by classifying them in accordance with the waste instructions. Do not throw it away with normal household waste.
38. **WARNING: Do not cover the heater in order to prevent overheating. Never close the ventilation channels.**
39. **WARNING: Do not cover your device or use it to dry any items.**
40. **WARNING: Do not use your product in places such as bathrooms, shower cabins or swimming pools.**
41. **CAUTION! Some parts of this appliance may become very hot and cause burns. If there are children, disabled people or people with the potential to be injured due to the device, be careful to those people especially.**

TECHNICAL SPECIFICATIONS

MODEL	POWER	CLASS	VOLTAGE	FREQUENCY
PC250WH	2500W	I	220V-240V~	50Hz-60Hz

This product has been produced in accordance with safety rules and directives in force.

NOTE

The values stated in the markings on the product or in other printed documents provided with the products are the values obtained in the laboratory environment in respect of the relevant standards. These values may change according to the use and ambient conditions of the product

INSTALLATION

Your device is completely ready to use and does not require any assembly or electrical connection.

CAUTION!

Before plugging in, make sure that the Power is in the OFF position.

INSTALLING ON WALL

- If you want to install it on the wall, do not mount the feet.
- Your heater can be used hanged on the wall. Your heater should be placed horizontally according to the minimum distance to be followed (Figure 1).
- To hang your heater on the wall, you need to use 2 screws and 2 dowels supplied with the product. Drill the screw holes in the wall with an interval measure of 480 mm.
- Hang the device on the wall and fix it horizontally using the fixing holes (Figure 2).

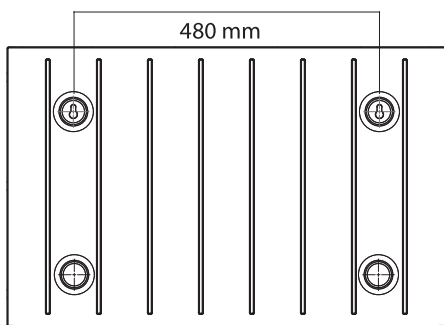


Figure 1
Wall opening measure

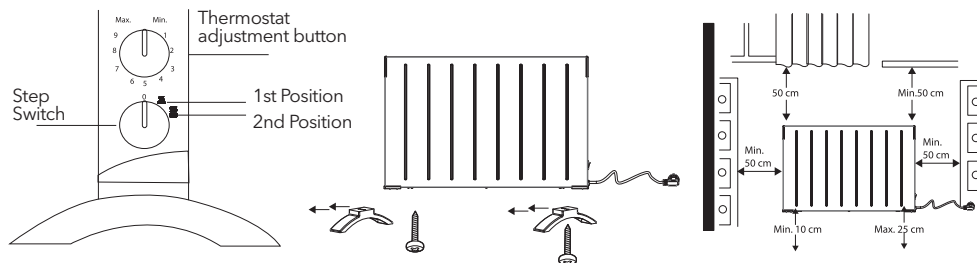


Figure 2

OPERATING THE DEVICE

Mount the feet to the body of your heater with the screws shown in Figure 2.

- After placing your heater in one of the positions shown in the figure, plug it in a grounding socket.
- Smoke and odor may occur due to the first use of your heater.
- You can operate your heater in two steps as low power and high power.
- You can operate your heater at the desired temperature level between 1 and 9.

MAINTENANCE AND CLEANING

- Before starting to clean your device, turn off the device, unplug the power cord for safety and wait for the device to cool down.
- The outer surface of the device should be cleaned with a soft, cotton, slightly damp cloth or a soft brush.
- Never use abrasives or solvents to clean the heater.
- Do not clean the product with substances such as gasoline, thinner solvent, etc. that will corrode or damage the product.
- These substances can damage plastic parts.
- Do not clean your device using steam cleaners.
- Do not expose your device to water.
- Never immerse your product in any liquid for cleaning.

TROUBLESHOOTING

Problem	Cause	Solution
The device does not work	The device may be not plugged The device is not switched on There is no power in the socket The cable may be damaged	Insert the plug into the socket Start the device Try another socket Call the Authorized Service
The device is very hot	The device may have been operated for too long	Let the device cool down
The device stops automatically while it is working.	The safety system on the device is activated.	Let the device cool down, if the problem continues, call the authorized service.

STORAGE

When storing your device, you can wrap the power cord and place it in the cradle on the back of the device.

Before winding up the power cable, you must definitely wait for the device to cool down.

When not in use, keep your device in a dry place.

DELIVERING AND TRANSPORT

The device must be transported in its original packaging or in a good and soft package to prevent damage to the device.

Follow the signs on the packaging.

RECYCLING: SUITABLE FOR EEE REGULATION.



WEEE: This device should not be disposed of as it consists of recyclable parts in accordance with WEEE directives. Please contact the nearest collection center to recycle this device. Keep the packaging materials out of the reach of children or dispose of them by classifying them in accordance with the waste instructions. Do not dispose of your device and its packaging with normal household waste.

EU DECLARATION OF CONFORMITY

We, Comtrade Distribution doo Beograd, Bulevar Zorana Đinđića 125i, hereby declare that the following products listed below to which this declaration relates

Name of manufacturer **TESLA/Comtrade Distribution d.o.o. Beograd**

Contact information of the manufacturer **Bulevar Zorana Đinđića 125i
11000 Belgrade, Serbia**

Description of the appliance: **Panel convector heater**

Tesla model	Laboratory	LVD Certificate No. LVD Test Report No.	EMC Certificate No. EMC Test Report No.
Tesla PC251BL/PC250WH	SGS	TR_2020524_1	TR_2022750_1

conform with the following standards:

Applicable Harmonized Standards	Title of the relevant legislative act(s)
<i>EN 55014-1: 2021 / CISPR 14-1:2020 EN 55014-2: 2021 / CISPR 14-2:2020 EN IEC 61000-3-2: 2019+A1:2021 IEC 61000-3-2:2018+A1:2020 EN 61000-3-3: 2013+A2:2021</i>	<i>Electromagnetic Compatibility (EMC) 2014/30/EU</i>
<i>IEC 60335-2-30:2009, COR1:2014, AMD1 IEC 60335-1:2010, COR1:2010, COR2:2010, AMD1:2013, COR1:2014, AMD2: A2:2016 EN 60 335-2-30: 2009 +A11: 2012: EN 60335-1:2012 + AC:2014 + A11:2014 A13:2017 + A1:2019 + A14:2019 + A2:2019 EN 62233:2008 + AC:2008</i>	<i>Low Voltage Directive (LVD) 2014/35/EU</i>

This declaration of conformity is issued under the sole responsibility of the manufacturer.

Date: 07.07.2022 Belgrade, Serbia

SIGNATURE & CHOP
NAME: Nebojša Lozo
POSITION: General Manager





- Pročitajte uputstvo za upotrebu prije instaliranja i korištenja proizvoda.
- Posebno pratite informacije o bezbjednosti. Čuvajte uputstvo za upotrebu na lako dostupnom mjestu jer će vam možda zatrebati kasnije.
- Imajte na umu da ovo uputstvo za upotrebu može važiti i za druge modele.
- Pratite uputstva kako biste efikasno koristili svoj uređaj u smislu potrošnje energije.
- Vaš uređaj je za upotrebu u domaćinstvu. Nije pogodan za komercijalnu upotrebu.
- Naša kompanija nije odgovorna za bilo kakvu povredu ili štetu uzrokovanu nepoštovanjem uputstava u uputstvu za upotrebu.

**OPREZ!**

Da biste izbjegli izazivanje požara, strujnog udara i povreda, pažljivo pročitajte bezbjednosne mjere i slijedite upozorenja.

**UPOZORENJE!**

Ne koristite proizvod ako su njegovi dijelovi polomljeni ili oštećeni! Konsultujte najbližeg ovlaštenog prodavca. Nemamo besplatan servis održavanja i montaže. Kupac je odgovoran za instalaciju.

**NAPOMENA**

Vrijednosti navedene u oznakama na proizvodu ili u drugim štampanim dokumentima priloženim uz proizvode su vrijednosti dobijene u laboratorijskom okruženju u skladu sa relevantnim standardima. Ove vrijednosti se mogu promijeniti u zavisnosti od upotrebe i uslova okoline proizvoda.

Poštujte životnu sredinu bez štete po prirodu.



Pogodno za WEEE regulativu.



OPREZ!

Ovaj proizvod je proizveden u skladu sa sigurnosnim propisima. Neusklađena upotreba može štetiti osobi, uređaju ili okolini.

BEZBIJEDNOSNA UPOZORENJA

1. Pročitajte uputstvo za upotrebu pre upotrebe proizvoda i sačuvajte ga za konsultacije u budućnosti. Ako svoj proizvod date drugoj osobi, dajte ga uz ovo uputstvo.
2. Ne bacajte pakovanje proizvoda bez upotrebe proizvoda ili bez uvjeravanja da ispravno funkcioniše.
3. Nemojte koristiti proizvod ako je njegova dodatna oprema odsutna, slomljena ili oštećena.
4. Nemojte koristiti uređaj u druge svrhe osim u svrhe navedene u ovom priručniku. (Ne koristite ga za sušenje odjeće ili za zagrijavanje životinja ili biljaka.)
5. Kada ne koristite uređaj, okrenite funkcijsko dugme na „isključeno“ i isključite uređaj. Ne vucite kabl za napajanje dok ga isključujete. Isključite proizvod iz mrežnog napona.
6. Ne ostavljajte uređaj bez nadzora dok radi.
7. Ne koristite proizvod kada je kabl za napajanje oštećen i pozovite ovlašteni servis.
8. Nemojte koristiti svoj grijač ako je oštećen usljed transporta, isporuke ili skladištenja. U tom slučaju pozovite ovlašteni servis.
9. Grijač se ne može koristiti sa programatorom, tajmerom ili bilo kojim drugim podešavanjem koje radi automatski.
10. Zaštita od požara ovog grijača je namijenjena da spriječi direktan pristup grijnim elementima i mora biti na svom mjestu dok je grijač u upotrebi.
11. Ne prekrivajte svoj uređaj niti ga koristite za sušenje predmeta.
12. Vaš uređaj ne bi trebalo da se koristi sa drugim uređajem povezanim na isti kabl za napajanje ili osigurač.
13. Ne koristite proizvod na mjestima kao što su kupatila, tuš kabine ili bazeni.
14. Kabl za napajanje ne treba stavljati na vrelo tijelo uređaja ili blizu njega. Nemojte praviti dodatak za kabl za napajanje. U suprotnom, može doći do kvara, strujnog udara ili požara.
15. Ako se vaš uređaj neće koristiti duže vrijeme, odložite ga, očišćen

- ili podešen, isključite uređaj i uvjerite se da je hladan.
16. Ne postavljajte grijač neposredno ispod utičnice.
 17. Nikada ne izlažite grijne elemente vodi.
 18. Uređaj mora biti isključen tokom instalacije, održavanja ili popravke.
 19. Dok isključujete kabl za napajanje, nemojte izvlačiti utikač iz kabla ili ga dodirivati mokrim rukama, i pazite da ga ne zgnječite teškim predmetima.
 20. Isključite svoj grijač pomoću funkcijskog dugmeta grijnog elementa i isključite ga.
 21. Držite svoj uređaj na suhom i zatvorenom mjestu.
 22. Vršite periodično održavanje i čišćenje svog uređaja u skladu sa uputstvima u ovom priručniku.
 23. Ne koristite grijač dok spavate ili ako ste daleko od uređaja.
 24. Izbjegavajte da koristite produžni kabl, jer može izazvati požar zbog pregrijavanja. Ako morate da koristite produžni kabl, presjek kabla ne bi trebalo da bude manji od 2 mm² (14AW G)
 25. Koristite uređaj na ravnoj površini. Uređaj treba koristiti samo na nogama.
 26. Ne pomjerajte uređaj dok je u upotrebi. Ne dodirujte uređaj odmah nakon što ste ga isključili.
 27. Tokom prve upotrebe vašeg uređaja može doći do malog dima i mirisa, što je normalno i vremenom će nestati.
 28. Prsti ili drugi predmeti ne bi trebalo da se ubacuju u ulazne i izlazne kanale za vazduh.
 29. Ovaj grijač nije pogodan za upotrebu u plastenicima i gradilištima.
 30. Mora postojati minimalna udaljenost od 1 metar između uređaja i biljaka, stvari kao što su zavjese, drvo, karton, tkanina itd. i drugih uređaja.
 31. Nemojte rukovati uređajem na udaljenosti od 7,60 m od zapaljivih i eksplozivnih materijala (benzin, alkohol, itd.) i nemojte ga postavljati u blizini motorizovanih uređaja za koje se ne očekuje da rade.
 32. Osim ako nije obezbijeden nadzor i upravljanje korištenjem uređaja, ovaj uređaj nije namijenjen za upotrebu od strane osoba sa fizičkim senzornim i mentalnim invaliditetom (uključujući djecu) ili onih bez nadzora i znanja.

33. Djecu mlađu od 3 godine treba držati podalje kada ih ne prati odrasla osoba.
34. Djecu u ovoj starosnoj grupi treba držati podalje od procesa kao što su uključivanje uređaja ili njegovo uređenje, čišćenje i održavanje.
35. Ovaj uređaj mogu da koriste djeca od 8 i više godina i osobe sa nedostatkom fizičkih, čulnih ili mentalnih sposobnosti, ili nedostatak iskustva i znanja samo ako su pod nadzorom ili razumiju uputstva u vezi sa njegovom bezbijednom upotrebom i opasnosti uključene.
36. Djeca ne bi trebalo da se igraju sa uređajem. Čišćenje i održavanje ne bi trebalo da obavljaju djeca bez nadzora.
37. Materijali za pakovanje mogu biti opasni za djecu. Držite materijale za pakovanje van domašaja djece ili ih odložite tako što ćete ih klasifikovati u skladu sa uputstvima za otpad. Ne bacajte ga sa uobičajenim kućnim otpadom.
38. **UPOZORENJE: Ne pokrivajte grijač da biste spriječili pregrijavanje. Nikada ne zatvarajte ventilacione kanale.**
39. **UPOZORENJE: Ne pokrivajte svoj uređaj niti ga koristite za sušenje predmeta.**
40. **UPOZORENJE: Ne koristite proizvod na mjestima kao što su kupatila, tuš kabine ili bazeni.**
41. **OPREZ! Neki dijelovi ovog uređaja mogu postati veoma vrući i izazvati opekotine. Ako ima djece, osoba sa invaliditetom ili osoba koje mogu da budu povrijeđene zbog uređaja, posebno budite oprezni prema tim osobama.**

TEHNIČKE SPECIFIKACIJE

MODEL	SNAGA	KLASA	NAPON	FREKVENCIJA
PC250WH	2500W	I	220V-240V~	50Hz-60Hz

Ovaj proizvod je proizveden u skladu sa sigurnosnim pravilima i direktivama na snazi.

NAPOMENA

Vrijednosti navedene u oznakama na proizvodu ili u drugim štampanim dokumentima priloženim uz proizvode su vrijednosti dobijene u laboratorijskom okruženju u skladu sa relevantnim standardima. Ove vrijednosti se mogu promijeniti u zavisnosti od upotrebe i uslova okoline proizvoda

INSTALACIJA

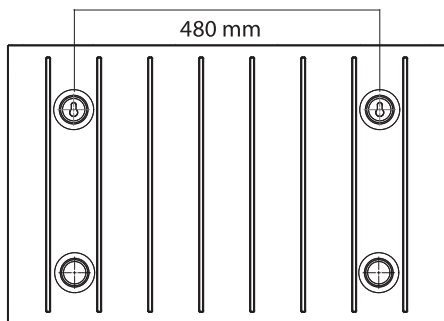
Vaš uređaj je potpuno spreman za upotrebu i ne zahtijeva nikakvu montažu ili električnu vezu.

! OPREZ!

Prije uključivanja, uvjerite se da je napajanje u položaju OFF.

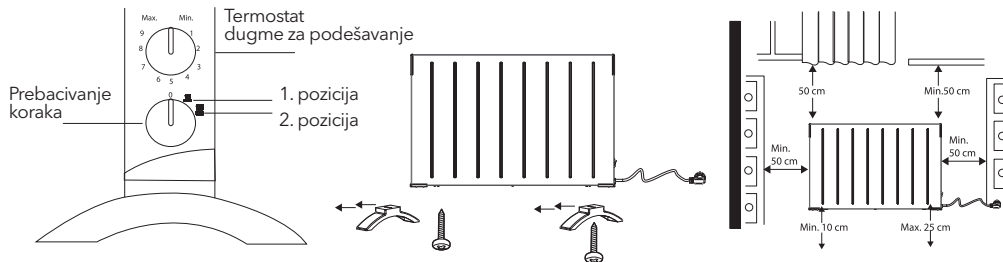
INSTALACIJA NA ZID

- Ako želite da ga postavite na zid, nemojte montirati nožice.
- Vaš grijač se može koristiti okačen na zid. Vaš grijač treba da bude postavljen horizontalno u skladu sa minimalnom razdaljinom koju treba pratiti (slika 1).
- Da biste svoj grijač okačili na zid, potrebno je da koristite 2 šarafa i 2 tiple koje ste dobili uz proizvod. Izbušite rupe za šarafe u zidu sa razmakom od 480 mm.
- Okačite uređaj na zid i pričvrstite ga horizontalno pomoću rupa za pričvršćivanje (slika 2).



Slika 1

Dimenzije za kačenje na zid



Slika 2

UPRAVLJANJE UREĐAJEM

Pričvrstite noge na tijelo vašeg grijača pomoću šarafa prikazanih na slici 2.

- Nakon što postavite svoj grijač u jedan od položaja prikazanih na slici, uključite ga u utičnicu sa uzemljenjem.
- Može doći do dima i mirisa usljed prve upotrebe vašeg grijača.
- Svojim grijačem možete upravljati u dva koraka, male snage i velike snage.
- Možete da koristite svoj grijač na željenom nivou temperature između 1 i 9.

ODRŽAVANJE I ČIŠĆENJE

- Prije nego što počnete da čistite svoj uređaj, isključite uređaj, izvucite kabl za napajanje radi bezbednosti i sačekajte da se uređaj ohladi.
- Spoljnu površinu uređaja treba čistiti mekom, pamučnom, blago vlažnom krpom ili mekom četkom.
- Nikada ne koristite abrazivna sredstva ili rastvarače za čišćenje grijača.
- Ne čistite proizvod supstancama kao što su benzin, razrjeđivač itd. koje mogu korodirati ili oštetiti proizvod.
- Ove supstance mogu oštetiti plastične dijelove.
- Nemojte čistiti uređaj pomoću parnih čistača.
- Ne izlažite svoj uređaj vodi.
- Nikada ne uranjajte proizvod u tečnost radi čišćenja.

RJEŠAVANJE PROBLEMA

Problem	Uzrok	Rješenje
Uređaj ne radi	Uređaj možda nije priključen Uređaj nije uključen Nema struje u utičnici Kabl je možda oštećen	Ubacite utikač u utičnicu. Pokrenite uređaj. Pokušajte sa drugom utičnicom Pozovite ovlašteni servis
Uređaj je veoma vruć	Uređaj je možda radio predugo	Pustite da se uređaj ohladi
Uređaj se automatski zaustavlja dok radi.	Aktiviran je sigurnosni sistem na uređaju.	Pustite uređaj da se ohladi, ako se problem nastavi, pozovite ovlašteni servis.

SKLADIŠTE

Kada skladištite svoj uređaj, možete umotati kabl za napajanje i staviti ga u postolje na zadnjoj strani uređaja.

Prije namotavanja kabla za napajanje, svakako morate sačekati da se uređaj ohladi.

Kada nije u upotrebi, držite uređaj na suhom mjestu.

DOSTAVA I TRANSPORT

Uređaj se mora transportovati u originalnom pakovanju ili u dobrom i mekom pakovanju kako bi se spriječilo oštećenje uređaja. Pratite znakove na pakovanju.

REKILIRANJE: POGODNO ZA EEE REGULATIVU.



WEEE: Ovaj uređaj ne treba odlagati jer se sastoji od dijelova koji se mogu reciklirati u skladu sa WEEE direktivama. Obratite se najbližem sabirnom centru da biste reciklirali ovaj uređaj. Držite materijale za pakovanje van domašaja djece ili ih odložite tako što ćete ih klasifikovati u skladu sa uputstvima za otpad. Ne odlažite svoj uređaj i njegovu ambalažu sa običnim kućnim otpadom.



- Преди да монтирате и използвате продукта, прочетете ръководството за потребителя.
- Особено стриктно спазвайте информацията за безопасност. Съхранявайте ръководството за потребителя на леснодостъпно място, тъй като може да Ви потрябва по-късно.
- Моля, имайте предвид, че това ръководство за потребителя може да е валидно и за други модели.
- Спазвайте инструкциите, за да използвате устройството си ефективно по отношение на консумацията на енергия.
- Вашето устройство е предназначено за домашна употреба. Не е подходящо за търговска употреба.
- Нашето дружество не носи отговорност за наранявания или щети, причинени от неспазване на инструкциите в ръководството за потребителя.

**ВНИМАНИЕ!**

За да избегнете предизвикване на пожар, токов удар и нараняване, прочетете внимателно мерките за безопасност и следвайте предупрежденията.

**ПРЕДУПРЕЖДЕНИЕ!**

Не използвайте продукта, ако частите му са счупени или повредени! Консултирайте се с най-близкия оторизиран продавач. Ние не предлагаме безплатна поддръжка и монтаж. Клиентът е отговорен за монтирането.

**ЗАБЕЛЕЖКА**

Стойностите, посочени върху етикетите на уреда или в други печатни документи, предоставени с изделията, са стойностите, получени в лабораторна среда по отношение на съответните стандарти. Тези стойности могат да се променят в зависимост от употребата на уреда и условията на околната среда.

Съобразяване се с околната среда, без да вреди на природата.



В съответствие с Регламента за отпадъците от електрическо и електронно оборудване.

 **ВНИМАНИЕ!**

Това изделие е произведено в съответствие с правилата за безопасност. Несъответстващата употреба може да навреди на човека, устройството или околната среда.

ПРЕДУПРЕЖДЕНИЯ ЗА БЕЗОПАСНОСТ

1. Преди да използвате уреда, прочетете ръководството за потребителя и го запазете, за да се консултирате с него в бъдеще. Ако предоставите уреда на друго лице, предайте го заедно с това ръководство.
2. Не изхвърляйте опаковката на уреда, без да сте го използвали или без да сте се уверили, че той функционира правилно.
3. Не използвайте уреда, ако липсват аксесоари, счупени са или са повредени.
4. Не използвайте устройството за други цели, освен за посочените в това ръководство. (Не го използвайте за сушене на дрехи или за поддържане на топлината на животни или растения).
5. Когато не използвате устройството, завъртете функционалния бутон в положение "изключено" и изключете устройството от електрическата мрежа. Не издърпвайте захранващия кабел, докато изключвате захранването. Използвайте уреда с подходящо мрежово напрежение.
6. Не оставяйте устройството без надзор, докато е в експлоатация.
7. Не използвайте продукта, когато захранващият кабел е повреден и се обадете в оторизиран сервиз.
8. Не използвайте отоплителния уред, ако е повреден по време на транспортирането, доставката или съхранението. В такъв случай се обадете в оторизиран сервиз.
9. Отоплителният уред не може да се използва с програматор, таймер или друга настройка, която работи автоматично.
10. Предпазната решетка на този отоплителен уред има за цел да предотврати прекия достъп до нагревателните елементи и трябва да бъде на мястото си, докато отоплителният уред се използва.
11. Не покривайте устройството и не го използвайте за сушене на каквито и да било предмети.
12. Устройството не трябва да се използва заедно с друго устройство, свързано към същия захранващ кабел или предпазител.

13. Не използвайте устройството на места като бани, душ кабинни или плувни басейни.
14. Захранващият кабел не трябва да се поставя върху горещия корпус на устройството или в близост до него. Не използвайте удължител за захранващия кабел. В противен случай това може да причини неизправност, токов удар или пожар.
15. Ако уредът няма да бъде използвано дълго време, ще бъде местено, почиствано или регулирано, изключете устройството от контакта и се уверете, че е изстинало.
16. Не поставяйте отоплителния уред непосредствено до контакта.
17. Никога не излагайте нагревателните елементи на въздействието на вода.
18. Устройството трябва да бъде изключено от електрическата мрежа по време на монтаж, поддръжка или ремонт.
19. Когато изключвате захранващия кабел, не издърпвайте щепсела като захващате кабела, не го докосвайте с мокри ръце и внимавайте да не го смачкате, като го оставяте под тежки предмети.
20. Изключете отоплителния уред с помощта на функционалния бутон на нагревателния елемент и го изключете от електрическата мрежа.
21. Съхранявайте уреда в сухо, прохладно и проветриво място.
22. Извършвайте периодична поддръжка и почистване на устройството съгласно инструкциите в това ръководство.
23. Не използвайте отоплителния уред, докато спите или ако сте далеч от устройството.
24. Избягвайте да използвате удължител, той може да предизвика пожар поради прегряване. Ако се налага да използвате удължител, сечението на кабела не трябва да е по-малко от 2 mm² (14AWG).
25. Поставете устройството върху плоска и равна повърхност. Устройството трябва да се използва само с прикрепените крачета.
26. Не премествайте уреда по време на употреба. Не докосвайте устройството непосредствено след изключването му.
27. По време на първата употреба на устройството може да се появи лек дим и миризма, това е нормално и ще изчезне с времето.
28. Не поставяйте пръстите си или други предмети в каналите за вход и изход на въздуха.
29. Този отоплителен уред не е подходящ за използване в оранжерии и строителни обекти.
30. Трябва да има минимално разстояние от 1 метър между

устройството и живите обекти, материали като завеси, дърво, картон, плат и т.н. и други обекти.

31. Не използвайте устройството на разстояние по-малко от 7,60 m от запалими и експлозивни материали (бензин, алкохол и др.) и не го поставяйте в близост до моторизирани устройства, които не се очаква да бъдат в експлоатация.
32. Това устройство не е предназначено за използване от лица с физически, сензорни или умствени увреждания (включително деца) или от лица без надзор или познания, освен когато те са под наблюдение и управление на използването на устройството.
33. Деца под 3-годишна възраст трябва да се държат надалече, когато не са наблюдавани от възрастен.
34. Децата от тази възрастова група трябва да бъдат държани настрана от процеси като например включване на устройството или поддръждането, почистването и поддръжката му.
35. Този уред може да се използва от деца на възраст от 8 и повече години и лица с намалени физически, сетивни или психически способности или с недостатъчно опит и познания, ако те са под наблюдение или са инструктирани относно използването на уреда по безопасен начин и осъзнават опасностите, свързани неговата експлоатация.
36. Децата не трябва да си играят с уреда. Почистването и поддръжката не следва да се извършват от децата без надзор.
37. Опаковъчните материали могат да бъдат опасни за децата. Съхранявайте опаковъчните материали на места, недостъпни за деца, или ги изхвърляйте, като ги разделите в съответствие с инструкциите за управление на отпадъците. Не ги изхвърляйте заедно с обикновените битови отпадъци.
38. **ПРЕДУПРЕЖДЕНИЕ: Не покривайте отоплителния уред, за да предотвратите прегряването му. Никога не затваряйте вентилационните канали.**
39. **ПРЕДУПРЕЖДЕНИЕ: Не покривайте устройството и не го използвайте за сушене на каквито и да било предмети.**
40. **ПРЕДУПРЕЖДЕНИЕ: Не използвайте устройството на места като бани, душ кабинни или плувни басейни.**
41. **ВНИМАНИЕ! Някои части на уреда могат да се нагорещат и да предизвикат изгаряния. Ако има деца, хора с увреждания или хора, които могат да се наранят от уреда, бъдете особено внимателни към тези хора.**

ТЕХНИЧЕСКИ СПЕЦИФИКАЦИИ

Модел	Мощност	Клас	Напрежение	Честота
PC250WH	2500W	I	220V-240V~	50Hz-60Hz

Този продукт е произведен в съответствие с действащите правила и директиви за безопасност.

ЗАБЕЛЕЖКА

Стойностите, посочени върху етикетите на уреда или в други печатни документи, предоставени с изделията, са стойностите, получени в лабораторна среда по отношение на съответните стандарти. Тези стойности могат да се променят в зависимост от употребата на уреда и условията на околната среда.

МОНТИРАНЕ

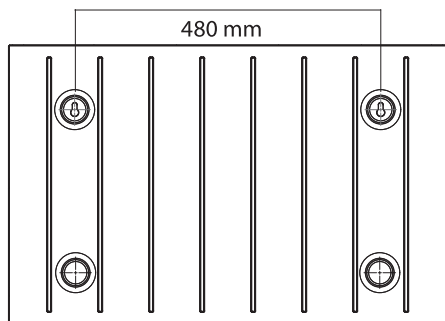
Вашето устройство е напълно готово за употреба и не изисква сглобяване или осъществяване на електрически съединения.

ВНИМАНИЕ!

Преди да включите устройството към електрическата мрежа, уверете се, че захранването е в положение OFF (Изключено).

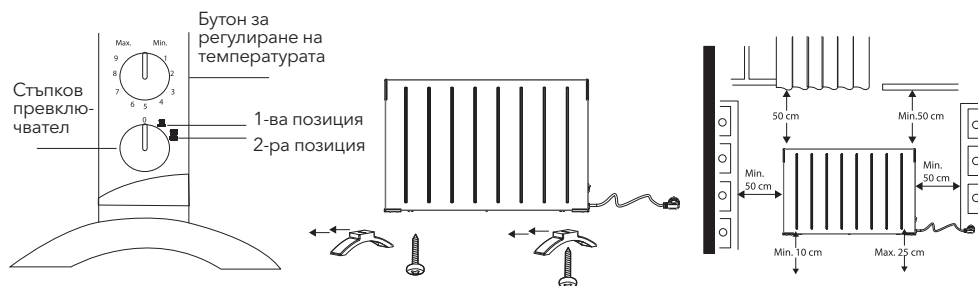
МОНТИРАНЕ НА СТЕНА

- Ако желаете да монтирате уреда на стената, не монтирайте крачетата.
- Вашият отоплителен уред може да се използва окачен на стената. Вашият отоплителен уред трябва да се постави хоризонтално в съответствие с минималното разстояние, което трябва да се спазва (Фигура 1).
- За да окачите отоплителния уред на стената, трябва да използвате 2 винта и 2 дюбела, доставени с изделието. Пробийте отворите за винтове в стената на разстояние 480 мм.
- Окачете устройството на стената и го закрепете хоризонтално с помощта на отворите за закрепване (Фигура 2).



Фигура 1

Размери на стенните отвори



Фигура 2

РАБОТА С УСТРОЙСТВО

Монтирайте крачетата към корпуса на отоплителния уред с винтовете, както е показано на Фигура 2.

- След като поставите отоплителния уред в една от позициите, показани на фигурата, го включете в заземен контакт.
- Възможно е да се появят дим и миризма при първото използване на вашия отоплителен уред.
- Отоплителният уред може да работи на две стъпки - при ниска мощност и висока мощност.
- Можете да регулирате желаното ниво на температурата между 1 и 9.

ПОДДРЪЖКА И ПОЧИСТВАНЕ

- Преди да започнете да почиствате устройството, от съображения за безопасност го изключете го от функционалния бутон, извадете захранващия кабел от контакта и изчакайте устройството да изстине.
- Външната повърхност на устройството трябва да се почисти с мека, памучна, леко влажна кърпа или мека четка.
- Никога не използвайте абразивни материали или разтворители за почистване на отоплителния уред.
- Не почиствайте уреда с вещества като бензин, разреждател и т.н., които ще доведат до корозия или повреда на продукта.
- Тези вещества могат да повредят пластмасовите части.
- Не почиствайте устройството с уреди за почистване с пара.
- Не излагайте устройството си на въздействието на вода.
- Никога не потапяйте уреда в каквато и да е течност за почистване.

ОТСТРАНЯВАНЕ НА НЕИЗПРАВНОСТИ

Проблем	Причина	Решение
Устройството не работи	Възможно е устройството да не е включено в контакта Устройството не е включено от функционалния бутон В контакта няма захранващо напрежение Възможно е кабелът да е повреден	Включете щепсела в контакта. Стартирайте устройството Опитайте да включите уреда в друг контакт Обадете се в оторизирания сервис
Устройството е много горещо	Устройството може да е работило твърде дълго	Оставете устройството да се охлади
Устройството спира автоматично, докато работи.	Системата за безопасност на устройството се е активирала.	Оставете устройството да се охлади, ако проблемът продължи, се обадете в оторизиран сервис.

СЪХРАНЕНИЕ

Когато съхранявате устройството, можете да увиете захранващия кабел и да го сложите в поставката на гърба на устройството. Преди да навиете захранващия кабел, задължително трябва да изчакате устройството да изстине. Когато не използвате устройството, го съхранявайте на сухо място.

ДОСТАВЯНЕ И ТРАНСПОРТИРАНЕ

Устройството трябва да се транспортира в оригиналната му опаковка или в подходяща и мека опаковка, за да се предотврати повреда на устройството. Следвайте знаците върху опаковката.

РЕЦИКЛИРАНЕ: В СЪОТВЕТСТВИЕ С РЕГЛАМЕНТА ЗА ЕЛЕКТРИЧЕСКО И ЕЛЕКТРОННО ОБОРУДВАНЕ.



Отпадъци от електрическо и електронно оборудване (ОЕЕО): Това устройство не трябва да се изхвърля като отпадък, тъй като се състои от части, които могат да бъдат рециклирани в съответствие с директивите за ОЕЕО. Свържете се с най-близкия център за събиране на отпадъци, за да рециклирате това устройство. Съхранявайте опаковъчните материали на места, недостъпни за деца, или ги изхвърляйте, като ги разделите в съответствие с инструкциите за управление на отпадъците. Не изхвърляйте устройството и опаковката му заедно с обикновените битови отпадъци.



- Pročitajte upute za uporabu prije instalacije i upotrebe samog proizvoda.
- Posebno pratite informacije o sigurnosti. Čuvajte upute za uporabu na lako dostupnom mjestu jer će vam možda naknadno zatrebati.
- Imajte na umu da ove upute mogu vrijediti i za druge modele.
- Pratite upute kako biste efikasno koristili svoj uređaj u smislu potrošnje energije.
- Vaš uređaj je predviđen za uporabu u domaćinstvu. Nije pogodan za komercijalnu uporabu.
- Naša tvrtka nije odgovorna za bilo kakve ozljede ili štete uzrokovane nepoštivanjem naputaka u uputama za uporabu.

**OPREZ!**

Da biste izbjegli izazivanje požara, strujnog udara i ozljeda, pažljivo pročitajte sigurnosne mjere i slijedite upozorenja.

**UPOZORENJE!**

Ne koristite proizvod ako su njegovi dijelovi polomljeni ili oštećeni! Kontaktirajte najbližeg ovlaštenog prodavača. Nemamo besplatan servis održavanja i montaže. Kupac je odgovoran za instalaciju.

**NAPOMENA**

Vrijednosti navedene u oznakama na proizvodu ili u drugim tiskanim dokumentima priloženim uz proizvode su vrijednosti dobivene u laboratorijskim uvjetima u skladu s relevantnim standardima. Ove vrijednosti se mogu promijeniti ovisno od načina upotrebe i uvjeta u okolišu proizvoda.

Poštujte okoliš bez štete za prirodu.



Sukladno WEEE regulativi.



OPREZ!

Ovaj proizvod je proizveden u skladu sa sigurnosnim propisima. Nesukladna uporaba može štetiti osobi, uređaju ili okolini.

SIGURNOSNA UPOZORENJA

1. Pročitajte upute za uporabu prije upotrebe proizvoda i sačuvajte ih za konzultacije u budućnosti. Ako svoj proizvod dajete drugoj osobi, dajte ga uz ove upute.
2. Ne bacajte ambalažu proizvoda bez prethodne provjere proizvoda ili da se niste uvjerali da ispravno radi.
3. Ne koristite proizvod ako nedostaje njegova dodatna oprema, ako je slomljena ili oštećena.
4. Ne koristite uređaj u druge svrhe osim u svrhe navedene u ovom priručniku. (Ne koristite ga za sušenje odjeće ili za zagrijavanje životinja ili biljaka.)
5. Kada ne koristite uređaj, okrenite funkcijski gumb na „isključeno/ OFF“ i isključite uređaj. Ne vucite kabel za napajanje dok ga iskapčate. Isključite proizvod iz mrežnog napona.
6. Ne ostavljajte uređaj bez nadzora dok radi.
7. Ne koristite proizvod kada je kabel za napajanje oštećen i pozovite ovlašteni servis.
8. Nemojte koristiti svoj grijač ako je oštećen tijekom transporta, isporuke ili skladištenja. U tom slučaju pozovite ovlašteni servis.
9. Grijač se ne može koristiti sa programatorom, tajmerom ili bilo kojim drugim podešavanjem koje radi automatski.
10. Zaštita od požara ovog grijača namenjena je sprečavanju direktnog pristupa grijačim elementima i mora biti na svom mjestu dok je grijač u upotrebi.
11. Ne prekrivajte svoj uređaj niti ga koristite za sušenje predmeta.
12. Vaš uređaj se ne bi trebao koristiti sa drugim uređajem povezanim na isti kabel za napajanje ili osigurač.
13. Ne koristite proizvod na mjestima kao što su kupaonice, tuš kabine ili bazeni.
14. Kabel za napajanje ne bi trebali stavljati na vruće tijelo uređaja ili blizu njega. Nemojte rabiti dodatke na kabelu za napajanje. U suprotnom, može doći do kvara, strujnog udara ili požara.
15. Ako se vaš uređaj neće koristiti duže vrijeme, odložite ga, očišćen

- ili podešen, isključite uređaj i uvjerite se da se ohladio.
16. Ne postavljajte grijač neposredno ispod utičnice.
 17. Nikada ne izlažite grijače elemente vodi.
 18. Uređaj mora biti isključen tijekom instalacije, održavanja ili popravka.
 19. Dok isključujete kabel za napajanje, nemojte izvlačiti utikač iz kabela ili ga dodirivati mokrim rukama, i pazite da ga ne zgnječite teškim predmetima.
 20. Isključite svoj grijač pomoću funkcijskog gumba grijačeg elementa i iskopčajte ga.
 21. Držite svoj uređaj na suhom i zatvorenom mjestu.
 22. Radite periodično održavanje i čišćenje svog uređaja u skladu sa uputama u ovom priručniku.
 23. Ne koristite grijač dok spavate ili ako ste daleko od uređaja.
 24. Izbjegavajte koristiti produžni kabel, jer može izazvati požar zbog pregrijavanja. Ako morate koristiti produžni kabel, presjek kabela ne bi smio biti manji od 2 mm² (14AWG)
 25. Koristite uređaj na ravnoj površini. Uređaj treba koristiti samo na njegovim nogama.
 26. Ne mičite uređaj dok je u upotrebi. Ne dodirujte uređaj odmah nakon što ste ga isključili.
 27. Tijekom prve upotrebe vašeg uređaja može doći do pojave manjeg dima i mirisa, što je normalno i s vremenom će nestati.
 28. U ulazne i izlazne kanale za zrak ne smijete ugurivati prste ili druge predmete.
 29. Ovaj grijač nije pogodan za uporabu u plastenicima i na gradilištima.
 30. Mora postojati minimalna udaljenost od 1 metra između uređaja i biljaka, te stvari kao što su zavjese, drvo, karton, tkanina itd., te od drugih uređaja.
 31. Ne rukujte uređajem na udaljenosti manjom od 7,60 m od zapaljivih i eksplozivnih materijala (benzin, alkohol, itd.) i nemojte ga postavljati u blizini motoriziranih uređaja za koje se ne očekuje da rade.
 32. Osim ako nije osiguran nadzor i upravljanje pri korištenju uređaja, ovaj uređaj nije namenjen za uporabu od strane osoba sa fizičkim, senzornim i mentalnim invaliditetom (uključujući djecu) ili onih s nedostatkom iskustva i znanja.

33. Onemogućiti pristup djeci mlađoj od 3 godine bez nadzora odrasle osobe.
34. Djecu u ovoj starosnoj grupi treba držati udaljenima od procesa kao što su uključivanje uređaja ili njegovo postavljanje, čišćenje i održavanje.
35. Ovaj uređaj mogu koristiti djeca od 8 i više godina i osobe sa nedostatkom fizičkih, senzornih ili mentalnih sposobnosti, ili oni s nedostatkom iskustva i znanja, samo ako su pod nadzorom ili razumiju upute vezane uz njegovu sigurnu upotrebu i uključene opasnosti.
36. Djeca se ne smiju igrati sa uređajem. Čišćenje i rukovanje uređajem ne bi smjela obavljati djeca bez nadzora.
37. Materijali za pakiranje mogu biti opasni za djecu. Držite materijale za pakiranje van dosega djece ili ih odložite tako što ćete ih klasificirati sukladno uputama za odlaganje otpada. Ne odlažite uređaj sa običnim kućnim otpadom.
38. **UPOZORENJE: Ne pokrivajte grijač kako biste spriječili pregrijavanje. Nikada ne zatvarajte ventilacijske/zračne kanale.**
39. **UPOZORENJE: Ne pokrivajte svoj uređaj niti ga koristite za sušenje predmeta.**
40. **UPOZORENJE: Ne koristite proizvod na mjestima kao što su kupaoalice, tuš kabine ili bazeni.**
41. **OPREZ! Neki dijelovi ovog uređaja mogu postati jako vrući i izazvati opekline. Ako se u blizini nalaze djeca, invalidne osobe ili osobe koje mogu biti ozlijeđene ovim uređajem, zadržite poseban oprez prema tim osobama.**

TEHNIČKE SPECIFIKACIJE

MODEL	SNAGA	KLASA	NAPON	FREKVENCIJA
PC250WH	2500W	I	220V-240V~	50Hz-60Hz

Ovaj proizvod je proizveden u skladu sa sigurnosnim propisima i direktivama na snazi.

NAPOMENA

Vrijednosti navedene u oznakama na proizvodu ili u drugim tiskanim dokumentima priloženim uz proizvod su vrijednosti dobivene u laboratorijskim uvjetima u skladu s relevantnim standardima. Ove vrijednosti se mogu promijeniti ovisno od načina upotrebe i uvjeta u okolišu proizvoda.

INSTALACIJA

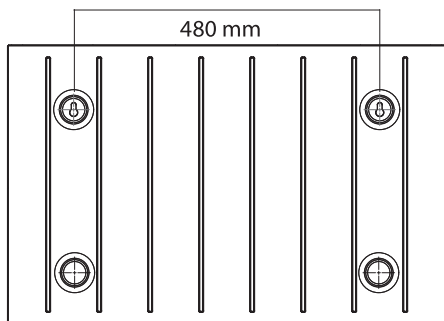
Vaš uređaj je potpuno spreman za uporabu i ne zahtjeva nikakvo sastavljanje ili dodatno električno povezivanje.

! OPREZI!

Prije uključivanja u strujnu mrežu, uvjerite se da je napajanje u položaju OFF.

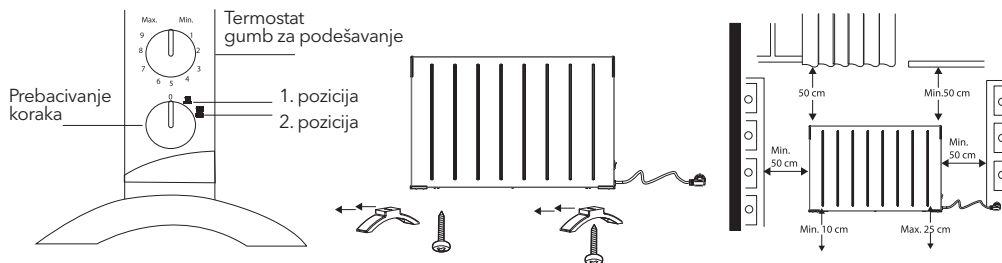
INSTALACIJA NA ZID

- Ako uređaj želite postaviti na zid, ne montirajte nožice.
- Vaš grijač se može koristiti ovisno o uvjetima. Vaš grijač treba biti postavljen vodoravno u skladu sa navedenim minimalnim razmacima (slika 1).
- Da bi svoj grijač ovisili na zid, koristite 2 vijka i 2 tiple koje ste dobili uz proizvod. Izbušite rupe za vijke u zidu sa razmakom od 480 mm.
- Ovisite uređaj na zid i pričvrstite ga vodoravno pomoću rupa za pričvršćivanje (slika 2).



Slika 1

Dimenzije za pričvršćivanje na zid



Slika 2

UPRAVLJANJE UREĐAJEM

Pričvrstite noge na tijelo vašeg grijača pomoću vijaka prikazanih na slici 2.

- Nakon što postavite svoj grijač u jedan od položaja prikazanih na slici, uključite ga u utičnicu sa uzemljenjem.
- Tijekom prve upotrebe vašeg uređaja može doći do pojave manjeg dima i mirisa.
- Svojim grijačem možete upravljati u dva koraka, male snage i velike snage.
- Svoj grijač možete koristiti na željenom nivou temperature između 1 i 9.

ODRŽAVANJE I ČIŠĆENJE

- Prije nego što počnete čistiti svoj uređaj, isključite uređaj, izvucite kabel za napajanje radi sigurnosti i pričekajte da se uređaj ohladi.
- Vanjsku površinu uređaja treba čistiti mekom, pamučnom, blago vlažnom krpom ili mekom četkom.
- Nikada ne koristite abrazivna sredstva ili otapala za čišćenje grijača.
- Ne čistite proizvod supstancama kao što su benzin, razređivač itd. koje mogu korodirati ili oštetiti proizvod.
- Ove supstance mogu oštetiti plastične dijelove.
- Nemojte čistiti uređaj pomoću parnih čistača.
- Ne izlažite svoj uređaj vodi.
- Nikada ne uranjajte proizvod u tekućinu radi čišćenja.

RJEŠAVANJE PROBLEMA

Problem	Uzrok	Rješenje
Uređaj ne radi	Uređaj možda nije priključen Uređaj nije uključen Nema struje u utičnici Kabel je možda oštećen	Utaknite utikač u utičnicu. Pokrenite uređaj. Pokušajte sa drugom utičnicom Pozovite ovlašteni servis
Uređaj je jako vruć	Uređaj je možda radio predugo	Pustite da se uređaj ohladi
Uređaj se automatski zaustavlja dok radi.	Aktiviran je sigurnosni sistem na uređaju.	Pustite uređaj da se ohladi, ako se problem nastavi, pozovite ovlašteni servis.

SKLADIŠTENJE

Kada skladištite svoj uređaj, možete umotati kabel za napajanje i staviti ga u postolje na zadnjoj strani uređaja.

Prije namatanja kabela za napajanje, svakako morate pričekati da se uređaj ohladi.

Kada nije u upotrebi, držite uređaj na suhom mjestu.

DOSTAVA I TRANSPORT

Uređaj se mora transportirati u originalnoj ambalaži ili u dobrom i mekanom pakiranju kako bi se spriječilo oštećenje uređaja. Pratite znakove na ambalaži.

RECIKLIRANJE: SUKLADNO EEE REGULATIVI.



WEEE: Ovaj uređaj ne treba odlagati sa običnim otpadom jer se sastoji od dijelova koji se mogu reciklirati u skladu s WEEE direktivama. Obratite se najbližem prikupnom centru kako biste reciklirali ovaj uređaj. Držite materijale za pakiranje van dosega djece ili ih odložite tako što ćete ih klasificirati sukladno uputama za odlaganje otpada. Ne odlažite svoj uređaj i njegovu ambalažu sa običnim kućnim otpadom.

Kizárólag háztartási használatra.
Használat előtt figyelmesen olvassa el ezt a használati útmutatót.



- A termék telepítése és használata előtt olvassa el a felhasználói kézikönyvet.
- Különösen a biztonságra vonatkozó információkat olvassa át. Tartsa a használati útmutatót könnyen hozzáférhető helyen, mivel később szüksége lehet rá.
- Ne feledje, hogy ez a felhasználói kézikönyv több modellekre is vonatkozik.
- Kövesse az utasításokat, hogy a készüléket energiafogyasztás szempontjából hatékonyan tudja használni.
- A készülék háztartási felhasználásra készült. Kereskedelmi használatra nem alkalmas.
- Sem a gyártó, sem a forgalmazó nem vállal felelősséget a sérülésekért vagy károkért, amelyet a használati útmutatóban foglalt utasítások be nem tartása okoz.

VIGYÁZAT!

A tűz, áramütés és sérülések elkerülése érdekében olvassa el figyelmesen a biztonsági óvintézkedéseket, és tartsa be azokat.

FIGYELEM!

Ne használja a terméket, ha annak alkatrészei töröttek vagy megsérültek! Forduljon a legközelebbi hivatalos forgalmazóhoz. A készülék telepítése a vásárló, illetve az általa megbízott szakember feladata.

MEGJEGYZÉS

A terméken feltüntetett jelöléseken vagy a termékekhez mellékelte egyéb nyomtatott dokumentumokban megadott értékek a laboratóriumi környezetben a vonatkozó szabványok alapján kapott értékek. Ezek az értékek a termék használatától és a környezeti feltételektől függően változhatnak.

A készülék nem károsítja a természetet.



Megfelel a WEEE rendeletnek.

VIGYÁZAT!

Ez a termék a biztonsági előírásoknak megfelelően készült. A nem megfelelő használat sérülést, vagy anyagi károkat okozhat.

SAFETY WARNINGS

1. A termék használata előtt olvassa el a használati útmutatót, és őrizze meg későbbi felhasználásra. Ha a terméket másnak adja át, ezzel a kézikönyvvel együtt tegye meg.
2. Mielőtt a termék csomagolását a hulladékgyűjtő pontba viszi, győződjön meg a készülék megfelelő működéséről.
3. Ne használja a terméket, ha a tartozékok hiányoznak, töröttek vagy sérültek.
4. Ne használja a készüléket a jelen kézikönyvben meghatározott célokon kívül másra. (Ne használja a készüléket ruhák szárítására, illetve állatok vagy növények melegen tartására).
5. Ha nem használja a készüléket, állítsa a funkciógombot "OFF" állásba, és húzza ki a tápkábelt a villásdugónál fogva a konnektorból.
6. Ne hagyja felügyelet nélkül a készüléket működés közben.
7. Ne használja a terméket, ha a hálózati kábel megsérült.
8. Ne használja a fűtőberendezést, ha a szállítás vagy tárolás miatt megsérült. Ilyen esetben hívja a hivatalos szervizt.
9. A fűtőberendezés nem használható programozható, időzítő vagy bármilyen más automatikus kapcsolóval.
10. A fűtőtest védőburkolata a fűtőelemekhez való közvetlen hozzáférés megakadályozására szolgál, és használat közben a helyén kell lennie.
11. Ne takarja le a készüléket, és ne használja azt semmilyen tárgy szárítására.
12. A készülékét nem szabad egy másik, ugyanarra a tápkábelre vagy biztosítékra csatlakoztatott készülékkel együtt használni.
13. Ne használja a terméket olyan helyeken, mint például fürdőszobák, zuhanykabinok vagy úszómedencék közvetlen közelében.
14. A tápkábelt nem szabad a készülék forró házára vagy annak közelébe helyezni. Ne toldja meg a tápkábelt, mert az veszélyes helyzetet teremt.

15. Tisztítás, átmozgatás, vagy hosszabb időre üzemben kívül helyezés esetén áramtalanítani kell a készüléket. Várja meg, hogy az eszköz megfelelően kihűljön, mielőtt hozzányúl.
16. Ne helyezze a fűtőberendezést közvetlenül konnektor alá.
17. Soha ne tegye ki a fűtőelemeket víznek.
18. A készüléket telepítés, karbantartás vagy javítás idejére áramtalanítani kell.
19. Óvja a tápkábelt a külső erőhatásoktól. Azt csakis a villásdugónál fogva húzza ki a konnektorból és kizárólag száraz kézzel nyúljon hozzá!
20. Kapcsolja ki a fűtőtestet a fűtőelem funkciógombjával, és húzza ki a csatlakozót.
21. Tartsa a készüléket száraz és zárt helyen.
22. Végezze el a készülék időszakos karbantartását és tisztítását a jelen kézikönyvben található utasításoknak megfelelően.
23. Ne használja a fűtőberendezést alvás közben vagy amikor nincs a készülék közelében.
24. Kerülje a hosszabbító kábel használatát, mert a túlmelegedés tüzet okozhat. Ha hosszabbító kábelt kell használnia, a kábelszakasz nem lehet kisebb átmérőjű, mint 2,5 mm².
25. A készüléket sima és egyenletes felületen használja. A készüléket csak a tartozékként szállított lábbal, vagy falra szerelve lehet használni.
26. Ne mozgassa a készüléket használat közben. Ne érintse meg a készüléket közvetlenül a kikapcsolás után, mert az forró lehet.
27. A készülék első használatakor enyhe füst és szag keletkezhet, ez normális és idővel meg fog szűnni.
28. Ne dugja az ujjait vagy más tárgyakat a levegő be- és kimeneti nyílásaiba.
29. Ez a fűtőberendezés nem alkalmas üvegházakban és építkezéseken való használatra.
30. A készülék és az olyan anyagok, mint például függöny, fa, karton, szövet stb. és más eszközök között legalább 1 méter távolságnak kell lennie.
31. Ne üzemeltesse a készüléket gyúlékony és robbanásveszélyes anyagoktól (benzin, alkohol stb.) 10 méteres távolságon belül.
32. A készüléket gyermekek, valamint fizikai, érzékszervi vagy értelmi képességeikben korlátozott, illetve a készüléket és annak

használatát nem ismerő személyek csak olyan felügyelete mellett használhatják, aki a berendezés biztonságos módon történő használatára és az ezzel járó veszélyekre vonatkozó szabályokat megismerte.

33. A gyermekek nem játszhatnak a készülékkel. A tisztítást és karbantartást gyermekek nem végezhetik felügyelet nélkül.
34. A csomagolóanyagok veszélyesek lehetnek a gyermekekre. Tartsa a csomagolóanyagokat a gyermekek számára elérhetetlen helyen, vagy a hulladékokra vonatkozó előírásoknak megfelelően osztályozva ártalmatlanítsa azokat. Ne dobja ki a normál háztartási hulladékkal együtt.
35. **FIGYELEM: A túlmelegedés elkerülése érdekében ne takarja le a fűtőberendezést. Soha ne zárja el a szellőzőcsatornákat.**
36. **FIGYELEM: Ne takarja le a készüléket, és ne használja azt semmilyen tárgy szárítására.**
37. **FIGYELEM: Ne használja a terméket olyan helyeken, mint például fürdőszobák, zuhanykabinok vagy úszómedencék közelében.**
38. **FIGYELEM! A készülék egyes részei nagyon felforrósodhatnak és égési sérüléseket okozhatnak. Ha gyermekek, fogyatékkal élők vagy olyan személyek tartózkodnak a készülék közelében, akik a készülék miatt megsérülhetnek, különösen legyen óvatos.**

MŰSZAKI SPECIFIKÁCIÓK

MODELL	TELJ.	OSZT.	FESZÜLT.	FREKVENCIA
PC250WH	2500W	I	220V-240V~	50Hz-60Hz

Ez a termék a hatályos biztonsági szabályoknak és irányelveknek megfelelően készült.

MEGJEGYZÉS

A terméken feltüntetett jelöléseken vagy a termékekhez mellékelte egyéb nyomtatott dokumentumokban megadott értékek a laboratóriumi környezetben a vonatkozó szabványok alapján kapott értékek. Ezek az értékek a termék használatától és a környezeti feltételektől függően változhatnak.

TELEPÍTÉS

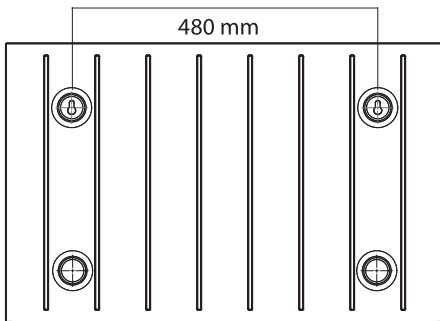
A készülék teljesen használatra kész, és nem igényel összeszerelést vagy közvetlen elektromos csatlakozást.

! FIGYELEM!

A csatlakoztatás előtt győződjön meg arról, hogy a tápegység kikapcsolt állapotban van.

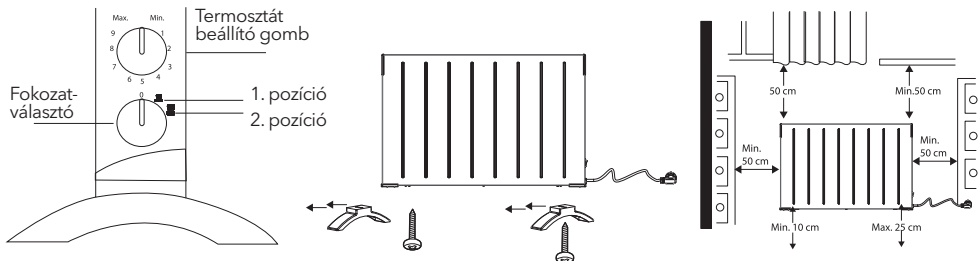
FALRA SZERELÉS

- Ha a falra teszi fel a készüléket, ne szerelje fel a lábakat.
- A fűtőtestet a falra akasztva is használhatja. A készüléket vízszintesen kell elhelyezni a betartandó minimális távolságoknak megfelelően (1. ábra).
- A fűtőtest falra akasztásához a termékhez mellékelte 2 csavart és 2 tiplit kell használnia. Fúrja a csavarfuratokat a falba egymástól 480 mm-es távolságra.
- Akassza a készüléket a falra, és rögzítse vízszintesen (2. ábra).



1. ábra

Falfuratok helye



2. ábra

A KÉSZÜLÉK HASZNÁLATA

Szerelje fel a lábakat a fűtőtestre a 2. ábrán látható módon.

- Miután a fűtőberendezést beállította, csatlakoztassa azt egy földelt aljzathoz.
- A fűtőberendezés első használatakor füst és szag keletkezhet.
- A fűtőtestet két fokozatban, alacsony és magas fokozaton működtetheti.
- A fűtőtestet a két fokozaton belül 1-9-is szabályozhatja.

KARBANTARTÁS ÉS TISZTÍTÁS

- Tisztítás előtt teljesen áramtalanítsa a készüléket és várja meg, amíg az lehül.
- A készülék külső felületét egy enyhén nedves puha ronggyal, vagy puha kefével kell megtisztítani.
- Soha ne használjon súrolószereket vagy oldószereket a tisztításhoz.
- Ne tisztítsa a terméket olyan anyagokkal, mint például benzin, higító oldószer stb. amelyek korrodálják vagy károsítják a készüléket.
- Ezek az anyagok károsíthatják a műanyag alkatrészeket.
- Ne tisztítsa a készüléket gőztisztítóval.
- Ne tegye ki a készüléket víznek.
- Soha ne merítse a terméket tisztítás céljából semmilyen folyadékba.

HIBAEELHÁRÍTÁS

Probléma	Ok	Megoldás
A készülék nem működik	Lehet, hogy a készülék nincs csatlakoztatva áramforráshoz. A készülék nincs bekapcsolva. Nincs áram a konnektorban. Lehet, hogy a tápkábel sérült.	Csatlakoztassa a készüléket megfelelő áramforráshoz. Keresse fel a szakszervizt.
A készülék nagyon forró.	A készüléket túl sokáig üzemeltették.	Hagyja a készüléket lehűlni.
A készülék automatikusan leáll.	A készülék biztonsági rendszere aktiválódik.	Hagyja lehűlni a készüléket, ha a probléma továbbra is fennáll, hívja a szervizt.

TÁROLÁS

A készülék tárolásakor a tápkábelt a készülék hátoldalán kialakított részbe helyezheti. A tápkábel feltekerése előtt feltétlenül várja meg, amíg a készülék lehül. Amikor nem használja a készüléket, tartsa azt száraz helyen.

SZÁLLÍTÁS

A készüléket eredeti csomagolásában vagy egy puha csomagolásban kell szállítani, hogy ne sérülhessen meg. Kövesse a csomagoláson található jelzéseket.

ÚJRAHASZNOSÍTÁS EEE SZABVÁNYNAK MEGFELELŐEN.



WEEE: TA fenti szimbólum azt jelzi, hogy a helyi törvényeknek és előírásoknak megfelelően a készüléket a háztartási hulladéktól elkülönítve kell a hulladékba helyezni. Ha a termék eléri élettartama végét, vigye a helyi hatóságok által kijelölt gyűjtőpontra. A készülék elkülönített módon történő gyűjtése és újrahasznosítása segít megővni a természeti erőforrásokat, és biztosítja, hogy az újrahasznosítás az emberi egészség és a környezet védelmével összhangban történjen. A termék újrahasznosítása érdekében további információért forduljon az illetékesekhez, a helyi hulladékgyűjtő szolgáltatóhoz vagy ahhoz az üzlethez, ahol a terméket megvásárolta.

Doar pentru uz casnic.
Citiți acest manual cu atenție înainte de utilizare.



- Citiți instrucțiunile de utilizare înainte de a instala și utiliza produsul.
- Acordați o atenție deosebită informațiilor de siguranță. Păstrați instrucțiunile de utilizare într-un loc ușor accesibil, deoarece este posibil să aveți nevoie de ele mai târziu.
- Rețineți că aceste instrucțiuni de utilizare se pot aplica și altor modele.
- Urmați instrucțiunile pentru a utiliza dispozitivul în mod eficient în ceea ce privește consumul de energie.
- Dispozitivul dumneavoastră este pentru uz casnic. Nu este potrivit pentru uz comercial.
- Compania noastră nu este responsabilă pentru nicio vătămare sau daune cauzate de nerespectarea instrucțiunilor din instrucțiunile de utilizare.



PRUDENȚĂ!

Pentru a evita provocarea unui incendiu, șoc electric sau rănire, citiți cu atenție măsurile de siguranță și urmați avertismentele.



AVERTIZARE!

Nu utilizați produsul dacă părțile sale sunt rupte sau deteriorate! Consultați cel mai apropiat dealer autorizat. Nu avem un serviciu gratuit de întreținere și instalare. Clientul este responsabil pentru instalare.



NOTĂ

Valorile menționate în etichetele produselor sau în alte documente tipărite care însoțesc produsele sunt valorile obținute în mediul de laborator în conformitate cu standardele relevante. Aceste valori se pot modifica în funcție de utilizarea și condițiile de mediu ale produsului.

Respectă mediul înconjurător fără a dăuna naturii.



Potrivit pentru reglementările DEEE.

PRUDENȚĂ!

Acest produs a fost fabricat în conformitate cu reglementările de siguranță. Utilizarea necorespunzătoare poate dăuna unei persoane, dispozitivului sau mediului.

AVERTIZĂRI DE SIGURANȚĂ

1. Citiți instrucțiunile de utilizare înainte de a utiliza produsul și păstrați-l pentru referințe ulterioare. Dacă oferiți produsul unei alte persoane, oferiți-l cu acest ghid.
2. Nu aruncați ambalajul produsului fără să utilizați produsul sau să vă asigurați că funcționează corect.
3. Nu utilizați produsul dacă accesoriile acestuia lipsesc, sunt rupte sau deteriorate.
4. Nu utilizați dispozitivul în alte scopuri decât cele specificate în acest manual. (Nu îl folosiți pentru a usca hainele sau pentru a încălzi animale sau plante.)
5. Când nu este utilizat, rotiți butonul de funcție la „Oprit” și opriți dispozitivul. Nu trageți de cablul de alimentare în timp ce îl deconectați. Deconectați produsul de la rețea.
6. Nu lăsați dispozitivul nesupravegheat în timpul funcționării.
7. Nu utilizați produsul când cablul de alimentare este deteriorat și sunați la un centru de service autorizat.
8. Nu utilizați încălzitorul dumneavoastră dacă este deteriorat din cauza transportului, livrării sau depozitării. În acest caz, apălați un centru de service autorizat.
9. Încălzitorul nu poate fi utilizat cu un programator, temporizator sau orice altă setare care funcționează automat.
10. Protecția împotriva incendiilor a acestui încălzitor este menită să împiedice accesul direct la elementele de încălzire și trebuie să fie la locul său în timp ce încălzitorul este în funcțiune.
11. Nu acoperiți dispozitivul și nu îl folosiți pentru a usca articolele.
12. Dispozitivul dvs. nu trebuie utilizat cu un alt dispozitiv conectat la același cablu de alimentare sau siguranță.
13. Nu utilizați produsul în locuri precum băi, dușuri sau piscine.
14. Cablul de alimentare nu trebuie plasat pe corpul fierbinte al dispozitivului sau aproape de el. Nu creați un accesoriu pentru cablul de alimentare. Nerespectarea acestui lucru poate duce la

- defecțiuni, șoc electric sau incendiu.
15. Dacă dispozitivul dumneavoastră nu va fi folosit o perioadă lungă de timp, aruncați-l, curățați sau setați, opriți dispozitivul și asigurați-vă că este rece.
 16. Nu așezați încălzitorul direct sub priză.
 17. Nu expuneți niciodată elementele de încălzire la apă.
 18. Dispozitivul trebuie oprit în timpul instalării, întreținerii sau reparațiilor.
 19. În timp ce deconectați cablul de alimentare, nu trageți ștecherul din cablu și nu îl atingeți cu mâinile ude și aveți grijă să nu îl striviți cu obiecte grele.
 20. Opriți încălzitorul folosind elementul funcțional al elementului de încălzire și opriți-l.
 21. Păstrați dispozitivul într-un loc uscat și închis.
 22. Efectuați întreținerea și curățarea periodică a dispozitivului dvs. în conformitate cu instrucțiunile din acest manual.
 23. Nu folosiți încălzitorul în timp ce dormiți sau departe de dispozitiv.
 24. Evitați utilizarea unui prelungitor, deoarece poate provoca un incendiu din cauza supraîncălzirii. Dacă trebuie să utilizați un cablu prelungitor, secțiunea transversală a cablului nu trebuie să fie mai mică de 2 mm² (14AW G)
 25. Utilizați dispozitivul pe o suprafață plană. Aparatul trebuie folosit numai pe picioare.
 26. Nu mutați dispozitivul în timp ce este în uz. Nu atingeți dispozitivul imediat după ce l-ați oprit.
 27. La prima utilizare a dispozitivului, poate apărea o cantitate mică de fum și miros, ceea ce este normal și va dispărea în timp.
 28. Degetele sau alte obiecte nu trebuie introduse în conductele de admisie și de evacuare a aerului.
 29. Acest încălzitor nu este potrivit pentru utilizare în sere și șantiere.
 30. Trebuie să existe o distanță de minim 1 metru între aparat și plante, lucruri precum perdele, lemn, carton, stofa etc. și alte dispozitive.
 31. Nu utilizați aparatul la o distanță de 7,60 m de materiale inflamabile și explozive (benzină, alcool etc.) și nu îl așezați în apropierea dispozitivelor motorizate care nu sunt de așteptat să funcționeze.
 32. Cu excepția cazului în care se asigură supravegherea și

gestionarea utilizării dispozitivului, acest dispozitiv nu este destinat utilizării de către persoane cu dizabilități fizice, senzoriale și mintale (inclusiv copii) sau fără supraveghere și cunoștințe.

33. Copiii cu vârsta sub 3 ani trebuie ținuti departe atunci când nu sunt însoțiți de un adult.
34. Copiii din această grupă de vârstă ar trebui ținuti departe de proces cum ar fi pornirea dispozitivului sau aranjarea, curățarea și întreținerea acestuia.
35. Acest dispozitiv este destinat utilizării de către copii cu vârsta de peste 8 ani cu o lipsă de abilități fizice, senzoriale sau mentale, sau o lipsă de experiență și cunoștințe numai dacă sunt supravegheați sau înțeleg instrucțiunile privind utilizarea în siguranță a acestuia și pericolele implicate.
36. Copiii nu trebuie să se joace cu aparatul. Curățarea și întreținerea nu trebuie efectuate de copii fără supraveghere.
37. Materialele de ambalare pot fi periculoase pentru copii. Nu lăsați materialele de ambalare la îndemâna copiilor sau aruncați-le clasificându-le conform instrucțiunilor privind deșeurile. Nu îl aruncați împreună cu deșeurile menajere normale.
38. **AVERTISMENT: Nu acoperiți încălzitorul pentru a preveni supraîncălzirea. Nu închideți niciodată canalele de ventilație.**
39. **AVERTISMENT: Nu acoperiți dispozitivul și nu îl folosiți pentru a usca articolele.**
40. **AVERTISMENT: Nu utilizați produsul în locuri precum băi, dușuri sau piscine.**
41. **ATENȚIE! Unele părți ale acestui dispozitiv pot deveni foarte fierbinți și pot provoca arsuri. Dacă există copii, persoane cu dizabilități sau persoane care pot fi rănite din cauza dispozitivului, fiți deosebit de atenți cu acele persoane.**

SPECIFICAȚIE TEHNICĂ

MODEL	PUTERE	CLASA	STRES	FRECVENȚĂ
PC250WH	2500W	I	220V-240V~	50Hz-60Hz

Acest produs a fost fabricat în conformitate cu regulile și directivele de siguranță în vigoare.

NOTĂ

Valorile enunțate în etichetele de pe produs sau în alte documente tipărite anexate produselor sunt valorile obținute în mediul de laborator în conformitate cu standardele relevante. Aceste valori se pot modifica în funcție de utilizarea și condițiile de mediu ale produsului.

INSTALARE

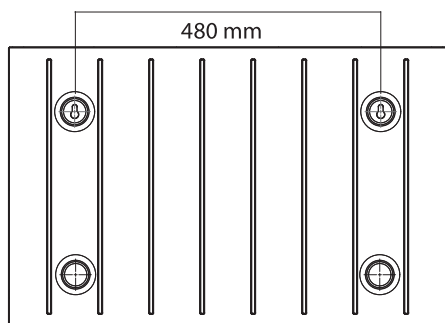
Dispozitivul dumneavoastră este complet gata de utilizare și nu necesită nicio instalare sau conexiune electrică.

PRUDENȚĂ!

Înainte de a porni, asigurați-vă că alimentarea este în poziția OFF.

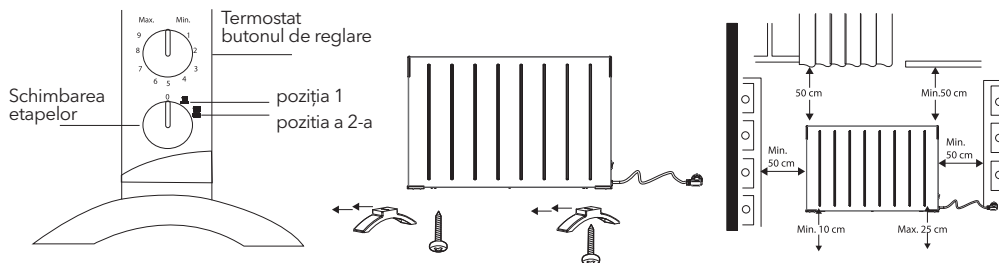
INSTALARE PE PERETE

- Dacă doriți să-l montați pe un perete, nu montați picioarele.
- Încălzitorul dumneavoastră poate fi folosit atârnat pe perete. Încălzitorul dumneavoastră trebuie să fie amplasat orizontal, în funcție de distanța minimă care trebuie monitorizată (Figura 1).
- Pentru a agăța încălzitorul de perete, trebuie să folosiți cele 2 șuruburi și 2 dibluri livrate împreună cu produsul. Găuriți găuri pentru șuruburi în perete la o distanță de 480 mm.
- Agățați dispozitivul de perete și fixați-l orizontal folosind orificiile de fixare (Fig. 2).



Poza 1

Dimensiuni pentru agățat pe perete



Poza 2

CONTROLUL DISPOZITIV

Atașați picioarele pe corpul radiatorului folosind șuruburile prezentate în Figura 2.

- După ce ați plasat încălzitorul într-una dintre pozițiile prezentate în ilustrație, conectați-l la o priză cu împământare.
- Pot apărea fum și mirosuri din cauza primei utilizări a încălzitorului dumneavoastră.
- Puteți opera încălzitorul în doi pași, putere mică și putere mare.
- Puteți utiliza încălzitorul la nivelul dorit de temperatură între 1 și 9.

ÎNTREȚINERE ȘI CURĂȚARE

- Înainte de a începe curățarea dispozitivului, opriți-l, deconectați cablul de alimentare și așteptați ca dispozitivul să se răcească.
- Suprafața exterioră a aparatului trebuie curățată cu o cârpă moale, din bumbac, ușor umedă sau cu o perie moale.
- Nu utilizați niciodată abrazivi sau solvenți pentru a curăța încălzitorul.
- Nu curățați produsul cu substanțe precum benzină, diluant etc. care poate coroda sau deteriora produsul.
- Aceste substanțe pot deteriora piesele din plastic.
- Nu curățați aparatul cu aparate de curățat cu abur.
- Nu expuneți dispozitivul la apă.
- Nu scufundați niciodată produsul în lichid pentru curățare.

DEPANARE

Problema	Cauză	Soluția
Aparatul nu funcționează	Este posibil ca dispozitivul să nu fie conectat Dispozitivul nu este pornit Nu există curent electric în priză Cablul poate fi deteriorat	Introduceți ștecherul în priză. Porniți dispozitivul. Încercați o altă priză Apelați la un centru deservice autorizat
Aparatul este foarte fierbinte	Este posibil ca dispozitivul să funcționeze prea mult timp	Lăsați dispozitivul să se răcească
Dispozitivul se oprește automat în timp ce funcționează.	Sistemul de securitate de pe dispozitiv este activat.	Lăsați dispozitivul să se răcească, dacă problema persistă, sunați la un centru de service autorizat.

STOCARE

Când depozitați dispozitivul, puteți înfășura cablul de alimentare și îl puteți plasa în suportul din spatele dispozitivului.

Înainte de a înfășura cablul de alimentare, asigurați-vă că așteptați să se răcească dispozitivul.

Când nu îl utilizați, păstrați dispozitivul într-un loc uscat.

LIVRARE SI TRANSPORT

Aparatul trebuie transportat în ambalajul original sau într-un ambalaj bun și moale pentru a preveni deteriorarea dispozitivului. Urmați semnele de pe pachet.

RECICLARE: ADEPTE PENTRU REGLEMENTAREA EEE.



DEEE: Acest aparat nu trebuie aruncat deoarece este format din piese care pot fi reciclate în conformitate cu directivele DEEE. Contactați cel mai apropiat centru de colectare pentru a recicla acest dispozitiv. Nu lăsați materialele de ambalare la îndemâna copiilor sau aruncați-le clasificându-le conform instrucțiunilor privind deșeurile. Nu aruncați dispozitivul și ambalajul acestuia împreună cu deșeurile menajere obișnuite.

Samo za uporabo v gospodinjstvu.
Pred uporabo natančno preberite ta navodila.



- Pred nameščanjem in uporabo izdelka preberite uporabniški priročnik.
- Zlasti upoštevajte informacije v zvezi z varnostjo. Uporabniški priročnik hranite na zlahka dostopnem mestu, saj ga boste pozneje morda potrebovali.
- Ne pozabite, da ta uporabniški priročnik morda velja tudi za druge modele.
- Upoštevajte navodila, da boste aparat v smislu porabe energije uporabljali učinkovito.
- Aparat je namenjen uporabi v gospodinjstvu. Ni primeren za komercialno uporabo.
- Naša družba ne nosi odgovornosti za nobeno poškodbo ali škodo, do katere bi prišlo zaradi neupoštevanja navodil iz tega priročnika.

**POZOR!**

Da preprečite požar, električni udar in poškodbe, natančno preberite previdnostne ukrepe v zvezi z varnostjo in upoštevajte opozorila.

**OPOZORILO!**

Če so deli izdelka zlomljeni ali poškodovani, izdelka ne uporabljajte! Posvetujte se z najbližjim pooblaščenim prodajalcem. Brezplačnih storitev vzdrževanja in nameščanja ne nudimo. Za namestitev je odgovoren kupec.

**OPOMBA**

vrednosti, navedene na oznakah izdelka ali v drugih tiskanih dokumentih, priloženih izdelkom, so vrednosti, pridobljene v laboratorijskem okolju z upoštevanjem veljavnih standardov. Te vrednosti se lahko spremenijo glede na uporabo in pogoje okolja izdelka.

Družba spoštuje okolje in ne škoduje naravi.



Ustreza uredbi OEEO.



POZOR!

Ta izdelek je proizveden v skladu s predpisi o varnosti. Pri neskladni uporabi lahko pride do telesnih poškodb, poškodb aparata ali okoljske škode.

OPOZORILA GLEDE VARNOSTI

1. Pred uporabo izdelka preberite uporabniški priročnik in ga shranite, da ga boste v prihodnje lahko uporabili. Če boste izdelek predali drugi osebi, priložite ta priročnik.
2. Ne zavržite embalaže, preden izdelka ne uporabite ali se ne prepričate, da pravilno deluje.
3. Če deli izdelka manjkajo, so zlomljeni ali poškodovani, izdelka ne uporabljajte.
4. Aparat uporabljajte samo za namene, ki so navedeni v tem priročniku. (Ne uporabljajte ga za sušenje oblačil ali gretje živali ali rastlin.)
5. Ko aparata ne uporabljate, preklopite funkcijski gumb v položaj „Off“ (Izklopljeno) in aparat odklopite od napajanja. Pri odklopu od napajanja ne vlecite omrežnega kabla. Aparat uporabljajte pri omrežni napetosti.
6. Med delovanjem morate aparat vedno nadzorovati.
7. Če je omrežni kabel poškodovan, izdelka ne uporabljajte in pokličite pooblaščen servis.
8. Če je grelnik zaradi transporta, dostave ali shranjevanja poškodovan, ga ne uporabljajte. V takem primeru pokličite pooblaščen servis.
9. Grelnika ni mogoče uporabljati s programirnikom, časovnikom ali katero koli drugo samodejno delujočo napravo.
10. Zaščita proti požaru pri tem grelniku je namenjena preprečevanju neposrednega dostopa do grelnih elementov in mora biti med uporabo grelnika nameščena.
11. Aparata ne prekrivajte in ga ne uporabljajte za sušenje predmetov.
12. Aparata ne smete uporabljati z nobenim drugim aparatom, priklopljenim na isti napajalni kabel ali varovalko.
13. Aparata ne uporabljajte na mestih, kot so kopalnice, kabine za tuširanje ali plavalni bazeni.

14. Napajalnega kabla ne smete postaviti na vroče ohišje aparata ali v njegovo bližino. Na napajalni kabel ne priklopite podaljška. V nasprotnem primeru lahko pride do okvar, električnega udara ali požara.
15. Če aparata dlje časa ne boste uporabljali ali pa ga boste premikali, čistili ali prilagajali, ga odklopite z napajanja in se prepričajte, da se je ohladil.
16. Grelnika ne postavljajte neposredno pod vtičnico.
17. Grelnih elementov nikoli ne izpostavljajte vodi.
18. Aparat morate med namestitvijo, vzdrževanjem ali popraviljanjem odklopiti.
19. Ko odklapljate napajalni kabel z napajanja, ga ne vlecite za vtič, ne dotikajte se ga z vlažnimi rokami in pazite, da ga ne boste zdrobili pod težkimi predmeti.
20. Izklopite grelnik s funkcijskim gumbom elementa grelnika in ga odklopite z napajanja.
21. Aparat hranite v suhem in zaprtem prostoru.
22. Aparat redno vzdržujte in čistite v skladu z navodili v tem priročniku.
23. Aparata ne uporabljajte, medtem ko spite ali ko niste ob njem.
24. Ne uporabljajte podaljška kabla, saj lahko zaradi pregrevanja povzroči požar. Če morate uporabiti podaljšek, naj prerez kabla ne bo manjši od 2 mm² (14 AWG).
25. Aparat uporabljajte na ravni in enakomerni površini. Aparat lahko uporabljate le, če stoji na nogah.
26. Aparata med delovanjem ne premikajte. Aparata se takoj po izklopu ne dotikajte.
27. Med prvo uporabo aparata se lahko pojavita rahel dim in vonj; to je normalno in bo sčasoma izginilo.
28. Prstov ali drugih predmetov ne smete vstavljati v dovode za zrak in odvodne kanale.
29. Grelnik ni predviden za uporabo v rastlinjakih in na gradbiščih.
30. Med aparatom in živimi bitji, materiali, kot so zavese, les, karton, blago itd., in drugimi aparati, mora biti vsaj en meter razdalje.
31. Aparat ne sme delovati na razdalji 7,60 m od vnetljivih in eksplozivnih materialov (bencina, alkohola itd.) in ne smete ga postavljati v bližino motoriziranih naprav, pri katerih ni predvideno, da bodo delovale.

32. Ta aparat ni namenjen osebam (vključno z otroki) s telesnimi, senzoričnimi ali duševnimi okvarami ali pa osebam brez izkušenj in znanja, razen če sta zagotovljena nadzor in vodenje pri uporabi naprave.
33. Če otrok, mlajših od 3 let, ne nadzoruje odrasla oseba, ne smejo biti v bližini aparata.
34. Otroci te starostne skupine ne smejo biti v bližini, ko poteka priklop aparata na napajanje ali nameščanje, čiščenje in vzdrževanje aparata.
35. Otroci, stari 8 in več let, osebe s telesnimi, senzoričnimi ali duševnimi okvarami ali osebe brez izkušenj in znanja lahko uporabljajo aparat le, če so pod nadzorom ali pa razumejo navodila glede varne uporabe aparata in prisotnih nevarnosti.
36. Otroci se z aparatom ne smejo igrati. Če otroci niso pod nadzorom, aparata ne smejo čistiti in vzdrževati.
37. Embalaža je otrokom lahko nevarna. Embalažo hranite zunaj dosega otrok ali pa jo zavržite, tako da jo odložite ločeno v skladu z navodili glede odpadkov. Ne zavržite jo v običajne gospodinjske odpadke.
38. **OPOZORILO: Da preprečite pregrevanje, grelnika ne prekrivajte. Nikoli ne prekrivajte prezračevalnih kanalov.**
39. **OPOZORILO: Aparata ne prekrivajte in ga ne uporabljajte za sušenje predmetov.**
40. **OPOZORILO: Aparata ne uporabljajte na mestih, kot so kopalnice, kabine za tuširanje ali plavalni bazeni.**
41. **POZOR! Nekateri deli tega aparata se lahko zelo segrejejo in povzročijo opekline. Zlasti pazite na prisotne otroke, invalide ali ljudi, ki jih aparat lahko poškoduje.**

TEHNIČNE SPECIFIKACIJE

MODEL	MOČ	RAZRED	NAPETOST	FREKVENCA
PC250WH	2500W	I	220V-240V~	50Hz-60Hz

Ta izdelek je proizveden v skladu s predpisi o varnosti in veljavnimi direktivami.

OPOMBA

vrednosti, navedene na oznakah izdelka ali v drugih tiskanih dokumentih, priloženih izdelkom, so vrednosti, pridobljene v laboratorijskem okolju z upoštevanjem veljavnih standardov. Te vrednosti se lahko spremenijo glede na uporabo in pogoje okolja

NAMESTITEV

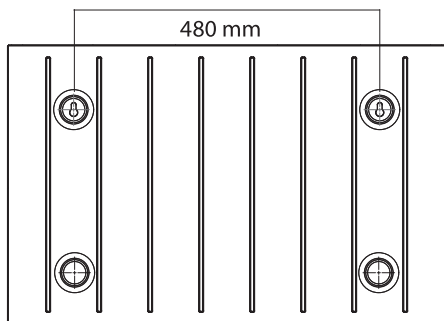
Aparat je povsem pripravljen na uporabo in ga ni treba sestavljati ali električno povezovati.

POZOR!

Preden ga priklopite na napajanje, se prepričajte, da je napajanje v položaju OFF (Izklopljeno).

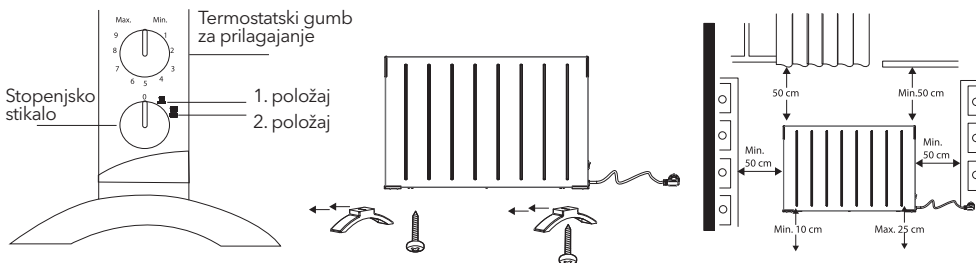
NAMESTITEV NA STENO

- Če želite aparat namestiti na steno, ne montirajte nog.
- Grelnik lahko uporabljate tako, da ga obesite na steno. Grelnik morate namestiti vodoravno, v skladu z najmanjšo razdaljo, ki jo morate upoštevati (slika 1).
- Grelnik na steno obesite z 2 vijakoma in 2 moznikoma, ki so priloženi izdelku. Odprtine za vijake izvrtajte v steno v razmaku 480 mm.
- Obesite aparat na steno in ga vodoravno pritrdite s pritrdilnimi odprtinami (slika 2).



Slika 1

Mera za montažo na steno



Slika 2

UPRAVLJANJE APARATA

Z vijakoma, prikazanima na sliki 2, montirajte noge na ohišje.

- Ko boste grelnik postavili na enega od položajev, prikazanih na sliki, ga priključite v ozemljeno vtičnico.
- Pri prvi uporabi grelnika se lahko pojavita dim in vonj.
- Grelnik lahko uporabljate pri dveh stopnjah – z nižjo in višjo močjo.
- Grelnik lahko uporabljate pri zeleni stopnji temperature, med 1 in 9.

VZDRŽEVANJE IN ČIŠČENJE

- Pred začetkom čiščenja aparat odklopite ter odklopite napajalni kabel z napajanja in počakajte, da se aparat ohladi.
- Zunanjo površino aparata očistite z rahlo vlažno mehko bombažno krpo ali mehko ščetko.
- Za čiščenje grelnika nikoli ne uporabljajte abrazivnih čistilnih sredstev ali topil.
- Izdelka ne čistite s snovmi, kot so bencin, razredčilo itd., zaradi katerih bi izdelek lahko korodiral ali se poškodoval.
- Te snovi lahko poškodujejo plastične dele.
- Izdelka ne čistite s parnimi čistilniki.
- Izdelka ne izpostavljajte vodi.
- Izdelka ne čistite tako, da bi ga potapljali v vodo.

ODPRAVLJANJE TEŽAV

Težava	Vzrok	Rešitev
Aparat ne deluje.	Aparat morda ni priključen na napajanje. Aparat ni vklopljen. V vtičnici ni napajanja. Kabel je morda poškodovan	Vtič priključite v vtičnico. Zaženite aparat. Poskusite z drugo vtičnico. Pokličite pooblaščen servis.
Aparat je zelo vroč.	Aparat morda deluje predolgo.	Aparat naj se ohladi.
Aparat se med delovanjem samodejno zaustavi.	Aktiviran je varnostni sistem aparata.	Aparat naj se ohladi; če težava ni odpravljena, pokličite pooblaščen servis.

SHRANJEVANJE

Ko shranjujete aparat, lahko napajalni kabel navijete in ga namestite na držalo na zadnji strani aparata.

Preden kabel navijete, morate počakati, dokler aparat ne bo popolnoma ohlajen. Ko aparata ne uporabljate, ga hranite na suhem mestu.

DOSTAVA IN TRANSPORT

Da preprečite poškodbe aparata, ga je treba prevažati v originalni embalaži ali v zanesljivi in mehki embalaži. Upoštevajte znake na embalaži.

REKILIRANJE: USTREZA UREDBI OEE0.



OEE0: V skladu z direktivami OEE0 tega aparata ne smete odložiti med običajne odpadke, ker vsebuje dele, ki jih je mogoče reciklirati. Za recikliranje tega aparata se obrnite na najbližji zbirni center. Embalažo hranite zunaj dosega otrok ali pa jo zavržite, tako da jo odložite ločeno v skladu z navodili glede odpadkov. Aparata in embalaže ne odložite med običajne gospodinjske odpadke.



- Pročitajte uputstvo za upotrebu pre instaliranja i korišćenja proizvoda.
- Posebno pratite informacije o bezbednosti. Čuvajte uputstvo za upotrebu na lako dostupnom mestu jer će vam možda zatrebati kasnije.
- Imajte na umu da ovo uputstvo za upotrebu može važiti i za druge modele.
- Pratite uputstva kako biste efikasno koristili svoj uređaj u smislu potrošnje energije.
- Vaš uređaj je za upotrebu u domaćinstvu. Nije pogodan za komercijalnu upotrebu.
- Naša kompanija nije odgovorna za bilo kakvu povredu ili štetu uzrokovanu nepoštovanjem uputstava u uputstvu za upotrebu.

**OPREZ!**

Da biste izbegli izazivanje požara, strujnog udara i povreda, pažljivo pročitajte bezbednosne mere i sledite upozorenja.

**UPOZORENJE!**

Ne koristite proizvod ako su njegovi delovi polomljeni ili oštećeni! Konsultujte najbližeg ovlašćenog prodavca. Nemamo besplatan servis održavanja i montaže. Kupac je odgovoran za instalaciju.

**NAPOMENA**

Vrednosti navedene u oznakama na proizvodu ili u drugim štampanim dokumentima priloženim uz proizvode su vrednosti dobijene u laboratorijskom okruženju u skladu sa relevantnim standardima. Ove vrednosti se mogu promeniti u zavisnosti od upotrebe i uslova okoline proizvoda.

Poštujte životnu sredinu bez štete po prirodu.



Pogodno za WEEE regulativu.



OPREZI!

Ovaj proizvod je proizveden u skladu sa sigurnosnim propisima. Neusklađena upotreba može štetiti osobi, uređaju ili okolini.

BEZBEDNOSNA UPOZORENJA

1. Pročitajte uputstvo za upotrebu pre upotrebe proizvoda i sačuvajte ga za konsultacije u budućnosti. Ako svoj proizvod date drugoj osobi, dajte ga uz ovo uputstvo.
2. Ne bacajte pakovanje proizvoda bez upotrebe proizvoda ili bez uveravanja da ispravno funkcioniše.
3. Nemojte koristiti proizvod ako je njegova dodatna oprema odsutna, slomljena ili oštećena.
4. Nemojte koristiti uređaj u druge svrhe osim u svrhe navedene u ovom priručniku. (Ne koristite ga za sušenje odeće ili za zagrevanje životinja ili biljaka.)
5. Kada ne koristite uređaj, okrenite funkcijsko dugme na „isključeno“ i isključite uređaj. Ne vucite kabl za napajanje dok ga isključujete. Isključite proizvod iz mrežnog napona.
6. Ne ostavljajte uređaj bez nadzora dok radi.
7. Ne koristite proizvod kada je kabl za napajanje oštećen i pozovite ovlašćeni servis.
8. Nemojte koristiti svoj grejač ako je oštećen usled transporta, isporuke ili skladištenja. U tom slučaju pozovite ovlašćeni servis.
9. Grejač se ne može koristiti sa programatorom, tajmerom ili bilo kojim drugim podešavanjem koje radi automatski.
10. Zaštita od požara ovog grejača je namenjena da spreči direktan pristup grejnim elementima i mora biti na svom mestu dok je grejač u upotrebi.
11. Ne prekrivajte svoj uređaj niti ga koristite za sušenje predmeta.
12. Vaš uređaj ne bi trebalo da se koristi sa drugim uređajem povezanim na isti kabl za napajanje ili osigurač.
13. Ne koristite proizvod na mestima kao što su kupatila, tuš kabine ili bazeni.
14. Kabl za napajanje ne treba stavljati na vrelo telo uređaja ili blizu njega. Nemojte praviti dodatak za kabl za napajanje. U suprotnom, može doći do kvara, strujnog udara ili požara.
15. Ako se vaš uređaj neće koristiti duže vreme, odložite ga, očišćen

- ili podešen, isključite uređaj i uverite se da je hladan.
16. Ne postavljajte grejač neposredno ispod utičnice.
 17. Nikada ne izlažite grejne elemente vodi.
 18. Uređaj mora biti isključen tokom instalacije, održavanja ili popravke.
 19. Dok isključujete kabl za napajanje, nemojte izvlačiti utikač iz kabla ili ga dodirivati mokrim rukama, i pazite da ga ne zgnječite teškim predmetima.
 20. Isključite svoj grejač pomoću funkcijskog dugmeta grejnog elementa i isključite ga.
 21. Držite svoj uređaj na suvom i zatvorenom mestu.
 22. Vršite periodično održavanje i čišćenje svog uređaja u skladu sa uputstvima u ovom priručniku.
 23. Ne koristite grejač dok spavate ili ako ste daleko od uređaja.
 24. Izbegavajte da koristite produžni kabl, jer može izazvati požar zbog pregrevanja. Ako morate da koristite produžni kabl, presek kabla ne bi trebalo da bude manji od 2 mm² (14AWG)
 25. Koristite uređaj na ravnoj površini. Uređaj treba koristiti samo na nogama.
 26. Ne pomerajte uređaj dok je u upotrebi. Ne dodirujte uređaj odmah nakon što ste ga isključili.
 27. Tokom prve upotrebe vašeg uređaja može doći do malog dima i mirisa, što je normalno i vremenom će nestati.
 28. Prsti ili drugi predmeti ne bi trebalo da se ubacuju u ulazne i izlazne kanale za vazduh.
 29. Ovaj grejač nije pogodan za upotrebu u plastenicima i gradilištima.
 30. Mora postojati minimalna udaljenost od 1 metar između uređaja i biljaka, stvari kao što su zavese, drvo, karton, tkanina itd. i drugih uređaja.
 31. Nemojte rukovati uređajem na udaljenosti od 7,60 m od zapaljivih i eksplozivnih materijala (benzin, alkohol, itd.) i nemojte ga postavljati u blizini motorizovanih uređaja za koje se ne očekuje da rade.
 32. Osim ako nije obezbeđen nadzor i upravljanje korišćenjem uređaja, ovaj uređaj nije namenjen za upotrebu od strane osoba sa fizičkim senzornim i mentalnim invaliditetom (uključujući decu) ili onih bez nadzora i znanja.

33. Decu mlađu od 3 godine treba držati podalje kada ih ne prati odrasla osoba.
34. Decu u ovoj starosnoj grupi treba držati podalje od procesa kao što su uključivanje uređaja ili njegovo uređenje, čišćenje i održavanje.
35. Ovaj uređaj mogu da koriste deca od 8 i više godina i osobe sa nedostatkom fizičkih, čulnih ili mentalnih sposobnosti, ili nedostatak iskustva i znanja samo ako su pod nadzorom ili razumeju uputstva u vezi sa njegovom bezbednom upotrebom i opasnosti uključene.
36. Deca ne bi trebalo da se igraju sa uređajem. Čišćenje i održavanje ne bi trebalo da obavljaju deca bez nadzora.
37. Materijali za pakovanje mogu biti opasni za decu. Držite materijale za pakovanje van domašaja dece ili ih odložite tako što ćete ih klasifikovati u skladu sa uputstvima za otpad. Ne bacajte ga sa uobičajenim kućnim otpadom.
38. **UPOZORENJE: Ne pokrivajte grejač da biste sprečili pregrevanje. Nikada ne zatvarajte ventilacione kanale.**
39. **UPOZORENJE: Ne pokrivajte svoj uređaj niti ga koristite za sušenje predmeta.**
40. **UPOZORENJE: Ne koristite proizvod na mestima kao što su kupatila, tuš kabine ili bazeni.**
41. **OPREZ! Neki delovi ovog uređaja mogu postati veoma vrući i izazvati opekotine. Ako ima dece, invalidnih osoba ili osoba koje mogu da budu povređene zbog uređaja, posebno budite oprezni prema tim osobama.**

TEHNIČKE SPECIFIKACIJE

MODEL	SNAGA	KLASA	NAPON	FREKVENCIJA
PC250WH	2500W	I	220V-240V~	50Hz-60Hz

Ovaj proizvod je proizveden u skladu sa sigurnosnim pravilima i direktivama na snazi.

NAPOMENA

Vrednosti navedene u oznakama na proizvodu ili u drugim štampanim dokumentima priloženim uz proizvode su vrednosti dobijene u laboratorijskom okruženju u skladu sa relevantnim standardima. Ove vrednosti se mogu promeniti u zavisnosti od upotrebe i uslova okoline proizvoda

INSTALACIJA

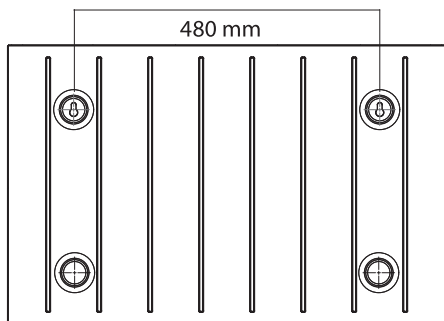
Vaš uređaj je potpuno spreman za upotrebu i ne zahteva nikakvu montažu ili električnu vezu.

OPREZ!

Pre uključivanja, uverite se da je napajanje u položaju OFF.

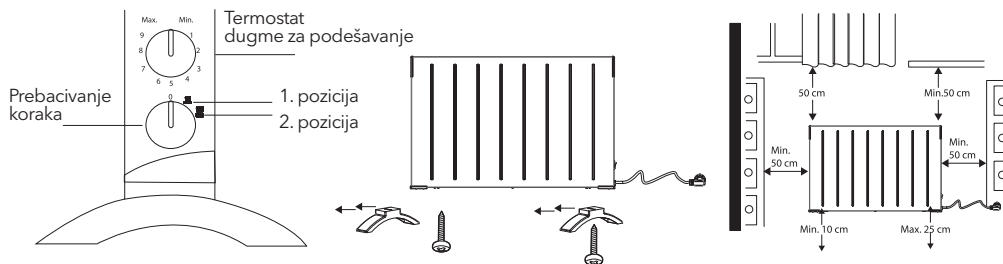
INSTALACIJA NA ZID

- Ako želite da ga postavite na zid, nemojte montirati nožice.
- Vaš grejač se može koristiti okačen na zid. Vaš grejač treba da bude postavljen horizontalno u skladu sa minimalnom razdaljinom koju treba pratiti (slika 1).
- Da biste svoj grejač okačili na zid, potrebno je da koristite 2 zavrtnja i 2 tiple koje ste dobili uz proizvod. Izbušite rupe za šrafove u zidu sa razmakom od 480 mm.
- Okačite uređaj na zid i pričvrstite ga horizontalno pomoću rupa za pričvršćivanje (slika 2).



Slika 1

Dimenzije za kačenje na zid



Slika 2

UPRAVLJANJE UREĐAJEM:

Pričvrstite noge na telo vašeg grejača pomoću šrafova prikazanih na slici 2.

- Nakon što postavite svoj grejač u jedan od položaja prikazanih na slici, uključite ga u utičnicu sa uzemljenjem.
- Može doći do dima i mirisa usled prve upotrebe vašeg grejača.
- Svojim grejačem možete upravljati u dva koraka, male snage i velike snage.
- Možete da koristite svoj grejač na željenom nivou temperature između 1 i 9.

ODRŽAVANJE I ČIŠĆENJE

- Pre nego što počnete da čistite svoj uređaj, isključite uređaj, izvucite kabl za napajanje radi bezbednosti i sačekajte da se uređaj ohladi.
- Spoljnu površinu uređaja treba čistiti mekom, pamučnom, blago vlažnom krpom ili mekom četkom.
- Nikada ne koristite abrazivna sredstva ili rastvarače za čišćenje grejača.
- Ne čistite proizvod supstancama kao što su benzin, razređivač itd. koje mogu korodirati ili oštetiti proizvod.
- Ove supstance mogu oštetiti plastične delove.
- Nemojte čistiti uređaj pomoću parnih čistača.
- Ne izlažite svoj uređaj vodi.
- Nikada ne uranjajte proizvod u tečnost radi čišćenja.

REŠAVANJE PROBLEMA

Problem	Uzrok	Rešenje
Uređaj ne radi	Uređaj možda nije priključen Uređaj nije uključen Nema struje u utičnici Kabl je možda oštećen	Ubacite utikač u utičnicu. Pokrenite uređaj. Pokušajte sa drugom utičnicom Pozovite ovlašćeni servis
Uređaj je veoma vruć	Uređaj je možda radio predugo	Pustite da se uređaj ohladi
Uređaj se automatski zaustavlja dok radi.	Aktiviran je sigurnosni sistem na uređaju.	Pustite uređaj da se ohladi, ako se problem nastavi, pozovite ovlašćeni servis.

SKLADIŠTE

Kada skladištite svoj uređaj, možete umotati kabl za napajanje i staviti ga u postolje na zadnjoj strani uređaja.

Pre namotavanja kabla za napajanje, svakako morate sačekati da se uređaj ohladi.

Kada nije u upotrebi, držite uređaj na suvom mestu.

DOSTAVA I TRANSPORT

Uređaj se mora transportovati u originalnom pakovanju ili u dobrom i mekom pakovanju kako bi se sprečilo oštećenje uređaja. Pratite znakove na pakovanju.

RECIKLIRANJE:

POGODNO ZA EEE REGULATIVU.



WEEE: Ovaj uređaj ne treba odlagati jer se sastoji od delova koji se mogu reciklirati u skladu sa WEEE direktivama.

Obratite se najbližem sabirnom centru da biste reciklirali ovaj uređaj. Držite materijale za pakovanje van domašaja dece ili ih odložite tako što ćete ih klasifikovati u skladu sa uputstvima za otpad. Ne odlažite svoj uređaj i njegovu ambalažu sa običnim kućnim otpadom.

TESLA

tesla.info



Ovaj dokument je originalno proizveden i objavljen od strane proizvođača, brenda Tesla, i preuzet je sa njihove zvanične stranice. S obzirom na ovu činjenicu, Tehnoteka ističe da ne preuzima odgovornost za tačnost, celovitost ili pouzdanost informacija, podataka, mišljenja, saveta ili izjava sadržanih u ovom dokumentu.

Napominjemo da Tehnoteka nema ovlašćenje da izvrši bilo kakve izmene ili dopune na ovom dokumentu, stoga nismo odgovorni za eventualne greške, propuste ili netačnosti koje se mogu naći unutar njega. Tehnoteka ne odgovara za štetu nanесenu korisnicima pri upotrebi netačnih podataka. Ukoliko imate dodatna pitanja o proizvodu, ljubazno vas molimo da kontaktirate direktno proizvođača kako biste dobili sve detaljne informacije.

Za najnovije informacije o ceni, dostupnim akcijama i tehničkim karakteristikama proizvoda koji se pominje u ovom dokumentu, molimo posetite našu stranicu klikom na sledeći link:

<https://tehnoteka.rs/p/tesla-konvektorska-grejalica-pc250wh-akcija-cena/>