

## Uputstvo za upotrebu (EN)

SONOS bežični zvučnik ERA 300 crni

# SONOS



Tehnoteka je online destinacija za upoređivanje cena i karakteristika bele tehnike, potrošačke elektronike i IT uređaja kod trgovinskih lanaca i internet prodavnica u Srbiji. Naša stranica vam omogućava da istražite najnovije informacije, detaljne karakteristike i konkurentne cene proizvoda.

Posetite nas i uživajte u ekskluzivnom iskustvu pametne kupovine klikom na link:

<https://tehnoteka.rs/p/sonos-bezicni-zvucnik-era-300-crni-akcija-cena/>

# Era 300



# Overview



## The premium smart speaker designed for spatial audio listening—

- Stream content over WiFi, Bluetooth®, or using USB-C line-in (requires adapter).
- Supports spatial audio with Dolby Atmos Music.
- Easy control using the Sonos app, your voice, or the intuitive touch controls.
- Two separate microphone controls for convenience and privacy.
- Pair two Era 300 speakers with Sonos Arc or Beam (Gen 2) for multichannel surround sound.
- Compatible with your other Sonos S2 speakers for multi-room listening.
- See **Setup** when you're ready to add a Sonos Era 300 to your system.

# Controls and lights

---

## Button

## Control

## Description

---



### Volume control

- Volume up (slide right, or tap + )
- Volume down (slide left, or tap - )

**Note:** To quickly change the volume, press and hold + or - .

---



### Play/Pause

- Press once to play or pause audio.
- Press and hold to group with audio that's playing in another room (or to ungroup).



### Next/Previous

- Press > to skip to the next song.
- Press < to go to the previous song.

**Note:** You can't skip forward or go back when listening to a radio station.

---

---

---

**Button****Control****Description**

---

**Voice services on/off**

Press the microphone icon to turn voice services on or off.

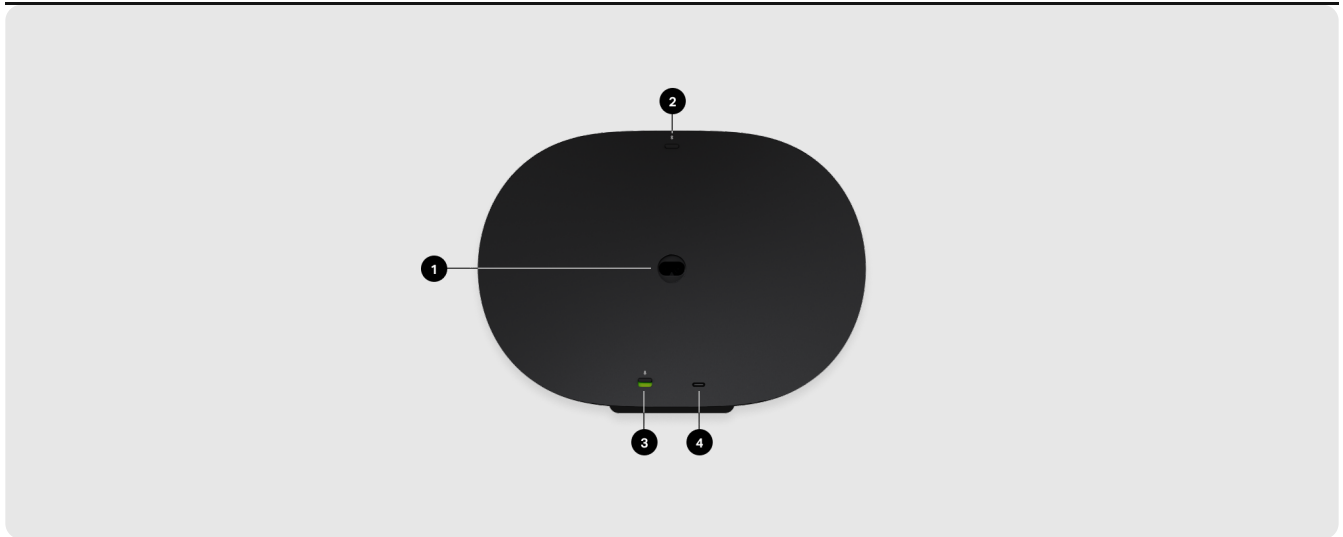
- When the indicator light is on, voice control is available (the microphone switch on the back must also be on).
- When the indicator light is off, voice control is off.

**Status light**

Displays the product's connection to WiFi, indicates when the volume is muted, and signals errors. [\*\*Learn more\*\*](#)

---

# Connector panel



1

## AC power (mains) input

Use only the supplied power cord (using a third-party power cord will void your warranty).

2

## Bluetooth button

- Press and hold to pair a new device.
- Press once to reconnect.

---

## Universal microphone switch

Toggle to turn all product microphones on or off.

- When the switch is off (down), the microphones are disabled so microphone-enabled features like Trueplay quick tuning and voice services are unavailable.
- When the switch is on (up), microphone-enabled features like Trueplay are available. (Voice services are available if the voice services indicator light on top of the product is also on.)

**Note:** To use voice services, both the microphone switch and the voice services indicator light must be on.

---

The USB-C port is designed for line-in and Ethernet connections using the Sonos Line-In Adapter or Combo Adapter (sold separately). It's not a power source for the speaker and shouldn't be used to charge other devices.

- **Ethernet:** Use the Sonos Combo Adapter and an Ethernet cable to connect Era 300 directly to your router if you want to hardwire your speaker (helpful if your WiFi is unstable).
- **Line-in:** Use either the Sonos Line-In Adapter or Combo Adapter to connect your turntable, CD player, projector, or other device.



# Select a location

Trueplay tuning will adjust the sound for wherever you place Era 300, but for the speaker to project sound most effectively, here are a few guidelines:


- Era 300 should be placed indoors and have approximately two ft (.61 m) of overhead clearance for optimal sound quality. Placement in an enclosed space like a bookshelf is not recommended as this could impact dispersion and playback clarity.
- If you are mounting Era 300 within 2 ft (.61 m) of a ceiling, place it upside down for the best sound.
- When Era 300 is placed next to a wall or on a shelf, leave at least 1" (2.5 cm) clearance in back and 8" (20.32 cm) on each side of the speaker.
- When using Era 300 speakers as surrounds, leave at least 8" (20.32 cm) clearance around the sides of each speaker.
- Traditional stereo setups often have an ideal place to sit in a room for the best listening experience, but with Era 300 the sound is sent in all directions so you'll experience rich detail no matter where you're seated.

**Note:** Don't position Era 300 vertically or at a steep angle or the audio will stop.

# Bluetooth pairing

1. Turn Bluetooth on in your device settings.
2. Press and hold the Bluetooth button on the back on the speaker until you hear a tone, then release. The status light blinks blue when the speaker is ready to pair.
3. Choose **Sonos Era 300** from the list of available devices in your Bluetooth settings. Your mobile device will automatically connect next time.

# Line-in

Connect an audio device, like a projector, CD player, or turntable (with a built-in phono preamp), to any Sonos product that has a line-in port (Era 300, Era 100, Amp, Port, or Five). Then go to  > **Line-In** to select the source and start playback.

**Note:** Era 300 and Era 100 require a Sonos Line-In or Combo Adapter (**sold separately**). Other products may require a different type of line-in adapter depending on your audio source.

**[Learn more](#)**

# Microphone on/off

There are two ways to control the microphones on Era 300:

A universal microphone switch on the back turns all microphones on and off.

A voice services button on top turns voice services on and off without affecting the microphones needed for Trueplay and other microphone-enabled features.

- When both are on, voice control and all microphone-enabled features are available.
- When both are off, voice control and all microphone-enabled features are unavailable.
- When the universal microphone switch is on and the voice services light is off, Trueplay and other microphone-enabled features are available but voice control is off.

# Voice services


Use your voice to control your Sonos system with any voice-enabled Sonos product—play and control content, turn the volume up or down, and more.

- **Sonos Voice Control:** control your whole Sonos system with hands-free ease and unmatched privacy. Sonos Voice Control comes ready to use—it only takes a few seconds to add when you set up your speakers. [More information](#)
- **Amazon Alexa:** you'll need the Sonos app and the Alexa app with the Sonos skill enabled. You'll make some changes in both apps during setup. [Learn more](#)
- **Siri:** you'll need the Apple Home app. Add your AirPlay2-compatible Sonos speakers to the Apple Home app and then use an iPhone, iPad, or Apple TV to ask Siri to play music (currently limited to Apple Music). [Learn more](#)

**Note:** Voice control isn't supported in every country yet—this feature will be available as soon as Sonos and a voice service launch together in your region.

# Trueplay™

Trueplay tuning measures how sound reflects off walls, furnishings, and other surfaces in a room, then fine tunes your Sonos speaker to make sure it sounds great no matter where you place it.

During setup, choose the Trueplay option that works best for you and your space. To retune later, go to  > **System**, choose a room, and select **Trueplay**.

## Advanced tuning

Advanced tuning is custom and precise. It takes about 5 minutes and uses the microphone on an iOS device (running iOS 8 or later) so you'll move around the room while the sound is fine tuned for your space.

**Note:** Advanced tuning is the best choice for large rooms (open concept spaces may experience less precise tuning).


## Quick tuning

Quick tuning is fast, effortless, and accessible. It takes about a minute and uses the microphone on your Sonos product to detect the environment so there's no need to move around the room during tuning.

**Note:** Quick tuning is available for both iOS and Android, and is a good choice for smaller rooms, or spaces where it's difficult to move easily.

## Auto Trueplay


Portable Sonos products like Sonos Roam and Move can tune themselves automatically. Auto Trueplay uses your speaker's microphone to detect the environment and make periodic tuning adjustments so you get great sound wherever your speaker is and whatever you're listening to.

Go to  > **System**, and select your portable speaker to turn on auto Trueplay.

# Set up stereo pair

Pair two Sonos speakers in the same room for an even wider, stereo experience. One speaker serves as the left channel and one serves as the right channel.


**Note:** The Sonos speakers in a stereo pair must be the same type.

1. Place the speakers 8 to 10 feet apart. Your favorite listening position should be 8 to 12 feet from the paired speakers—less distance increases bass, more distance improves stereo imaging.
2. Go to  > **System**.
3. Select one of the speakers you want to use in the stereo pair, then choose **Set Up Stereo Pair** to get started.

[Learn more](#)

# Set up surrounds

It's easy to turn two Sonos Era 300 speakers into separate right and left channels for your home theater. With Era 300, the sound is sent in all directions so locating a sweet spot in the room is not necessary.

1. Place the speakers so the front grilles are facing toward the TV.
2. Go to  > **System**.
3. Select a room with a soundbar and choose **Add Surrounds** to get started.

**Note:** If you group the rooms or create a stereo pair instead, you won't have surround sound.

[Learn more](#)

## Surround audio settings

During setup, surround sound is optimized for your room. These settings are adjustable:

---

---

### Surrounds

Turn surround sound **On** or **Off**.

---

### TV Level

Adjust surround volume for TV audio.

---

### Music Level


Adjust surround volume for music.

---

### Music Playback

**Ambient** (subtle) or **Full** (louder, full range). Doesn't apply to Dolby Atmos Music playback.

# Product settings

You can customize Sonos products for your surroundings. Go to  > **System** and select a product.

---

## Room Name

If you move your speaker to a new room, you can change its name in **Settings**.

---

## Turn off WiFi

(not available for Sonos Era 100, Era 300, or portable products)

You can turn off your speaker's WiFi when it's connected to your network with an Ethernet cable. This reduces power consumption and can improve connectivity for wired speakers.

For products like Amp and Port, turning off WiFi can reduce the internal temperature when they're placed in a rack or stacked.

**[Learn more](#)**

**Note:** WiFi is turned off for Era 100 and Era 300 when you connect a **[Sonos Combo Adapter](#)** using the Ethernet cable.

---

## EQ

Sonos products ship with preset equalization settings. You can change the sound settings (bass, treble, or loudness) to suit your personal preferences. **[Learn more](#)**

---

## Trueplay

Trueplay adapts the sound for your surroundings and content. Portable products can tune themselves automatically. **[Learn more](#)**

---

---

---

## Volume Limit

You can set a maximum volume for each room. [Learn more](#)

---

## Status Light

Displays the speaker's connection to WiFi, indicates when the volume is muted, and signals errors. [Learn more](#)

**Note:** If the light is distracting, you can turn it off in **Settings**.

---

## Touch Controls

You can disable the touch control on your speaker. You may want to do this to prevent a child or curious pet from accidentally adjusting playback or volume. [Learn more](#)

---

## Battery Saver

(portable products only)

To save battery life, you can set your portable speaker to power off automatically instead of going to sleep. It won't appear in the Sonos app until it's powered back on.

---



---

When a projector, turntable, stereo, or other audio device is connected to a Sonos product, you can adjust these line-in settings:

- **Source name:** Choose a name for the line-in device.
- **Source level:** Adjust the line-in source level if you find the default volume setting is too quiet or distorted.
- **Audio Delay:** Add a delay between the line-in source and Sonos to reduce the chance of audio issues occurring when you're playing line-in audio on grouped speakers.
- **Autoplay:** Choose a room if you want line-in audio to start playing automatically when Sonos detects a signal on the line-in port.

## Line-In

(Sonos products with line-in capability)

# Accessories

Find the perfect accessory for your Sonos system—tailored to perfectly fit your Sonos products.

For a full selection of Sonos-compatible stands, wall mounts, chargers and cables, see

[\*\*Accessories\*\*](#) on our website.

# Era 300 Stand

Custom designed stand for Sonos Era 300 holds speaker securely in place.

- Fixed height, optimal for home theater surrounds.
- Easy assembly.
- Channel in the pole hides the speaker's power cable for simple cable management.

**Note:** For the full selection of Sonos-compatible stands, wall mounts, and cables, see [Accessories](#) on our website.

## What's in the box?

Each Sonos Era 300 Stand assembly includes:

- 1 stand base
- 1 stand pole
- 1 speaker platform
- 1 stand pole cap
- Mounting kit with 4 screws (3 white and 1 black, or 4 black), 1 washer

**Note:** Sonos speakers sold separately.

## What you'll need

- Phillips-head screwdriver

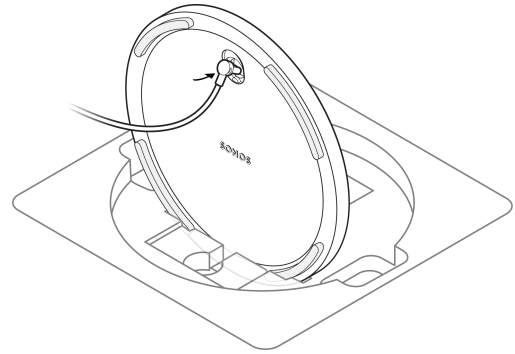
# Set it up

---

1

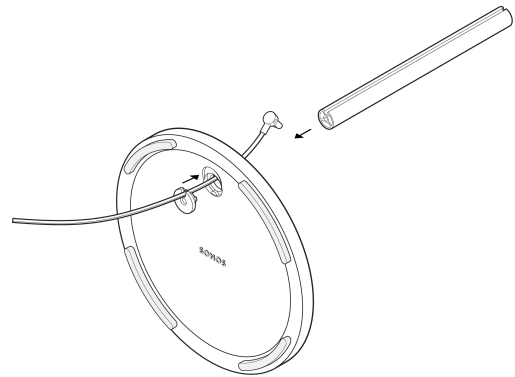
Take everything out of the box and place the base in the packaging slot to stabilize it for the next few steps. Thread the end of the Sonos Era 300 power cord that attaches to the speaker through the opening in the stand base and into the pole channel.

**Caution:** This stand is intended only for use with Sonos Era 300.



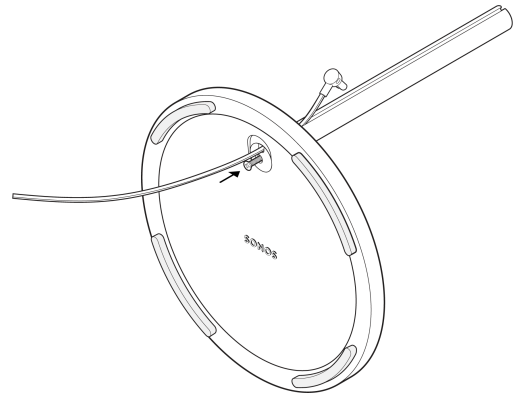
2

Position the washer with the alignment pins facing in. Then align the stand pole with the base, using the alignment pins to guide you.



3

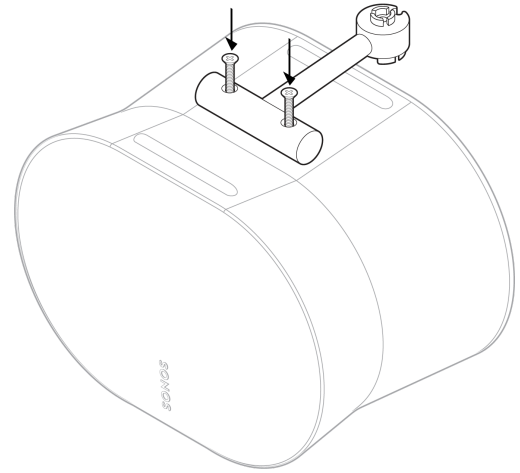
Fasten the base (with the washer) to the stand pole using 1 black screw (included) and a Phillips-head screwdriver. Make sure the cord can still slide freely.



---

4

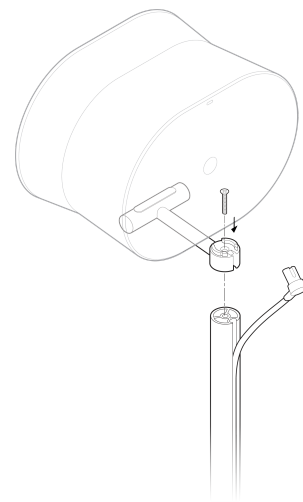
Attach the speaker platform to the bottom of the speaker using 2 screws (included).



---

5

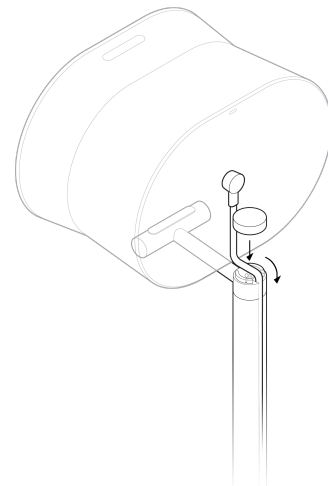
Attach the speaker platform to the stand pole using the other screw (included). Then plug the power cord into the speaker. You may need someone to hold the speaker for this step.



---

6

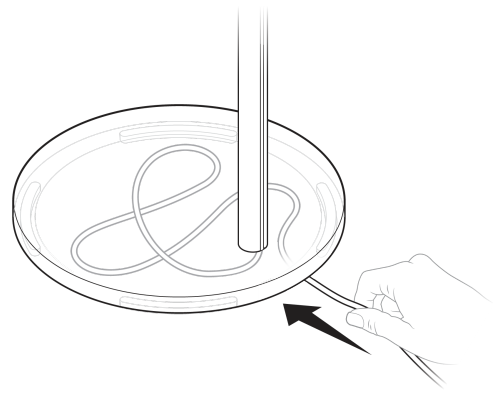
Snap the pole cap onto the top of the pole to hide the power cord. Be careful not to pinch the cable. Then, working from top to bottom, neatly press the power cord into the cable channel on the pole.



---

7

Place the stand where you want it.  
Plug the speaker into a power outlet,  
then tuck the excess cord under the  
stand base.



# Era 300 Wall Mount

- The easy-to-install mount for Sonos Era 300.
- Supports the weight of your speaker and secures it in place.
- Allows access to ports, buttons, and touch controls, and cleanly routes your speaker's cable.
- Flexibility to position your speaker for best sound.

**Important:** This wall mount is for use only with Sonos Era 300 (sold separately), and is designed for wall stud installation.

## What's in the box?

Each custom-designed Sonos Era 300 Wall Mount assembly includes:

- 1 wall mount
- 1 wall bracket
- Mounting kit with 4 screws

## What you'll need

- Pencil
- Level
- Stud finder
- Phillips-head screwdriver
- Power drill

# Choose the orientation

---

---

## Upright wall mounting

- Mounting the speaker upright is suitable for most locations.
- The speaker can swivel left or right, or tilt up and down.



---

## Inverted wall mounting (upside down)

- Mounting the speaker upside down is recommended if the speaker is installed within 2 feet of a ceiling to optimize downfiring sound.
- The speaker can swivel left and right, or tilt up and down.
- When wall mounted upside down, the power cable can be routed from above or below.

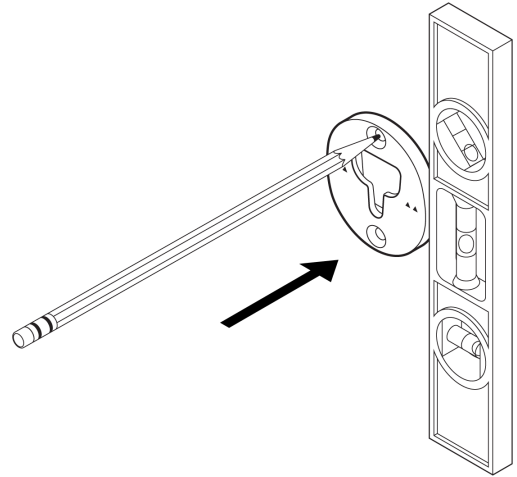


# Mount upright

---

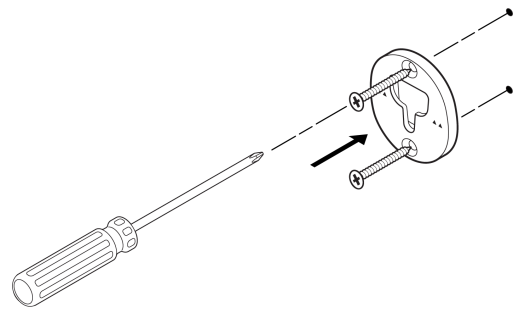
1

Locate a wall stud. Place the bracket against the wall using a level to make sure it's aligned, and mark the screw holes. Remove the bracket.



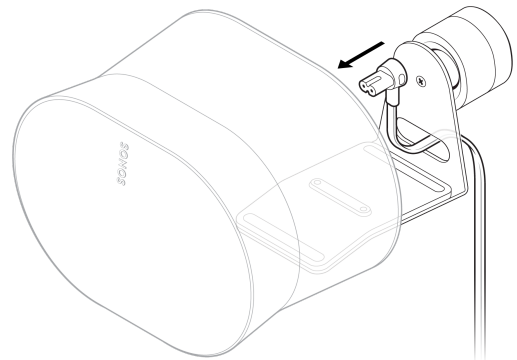
2

Pre-drill pilot holes into a stud using a 9/64" drill bit. Place the bracket against the wall with the small arrows pointing up, and secure it to the wall with 2 long wall bracket screws (included) and a power drill or Phillips-head screwdriver.



3

Thread the power cord through the opening at the back of the mount and plug it into the speaker.

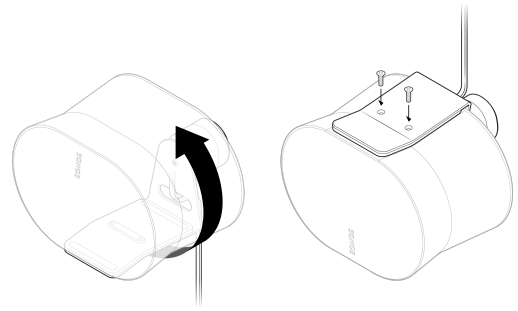




---

4

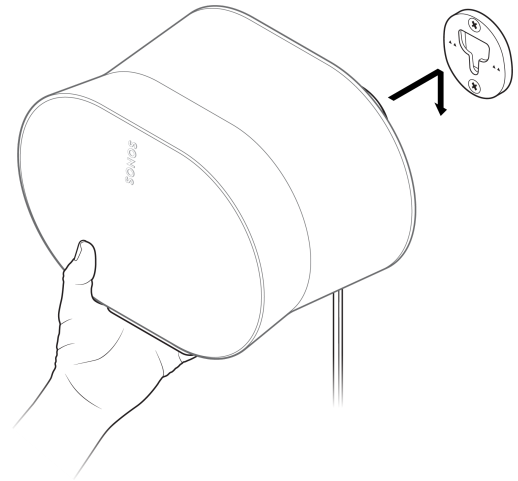
Rotate the speaker 180° so the screw holes are facing up. Attach the speaker platform to the speaker using 2 short speaker mount screws (included).



---

5

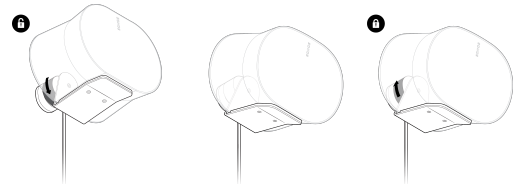
Align the mount with the bracket keyhole, slide the mount down, and lock it into place. Make sure the wall mount and speaker are securely seated before removing your hands from the speaker.



---

6

To adjust for optimal sound, unlock the speaker by rotating the collar on the mount 90° counterclockwise. Reposition the speaker, then rotate the collar 90° clockwise to lock.



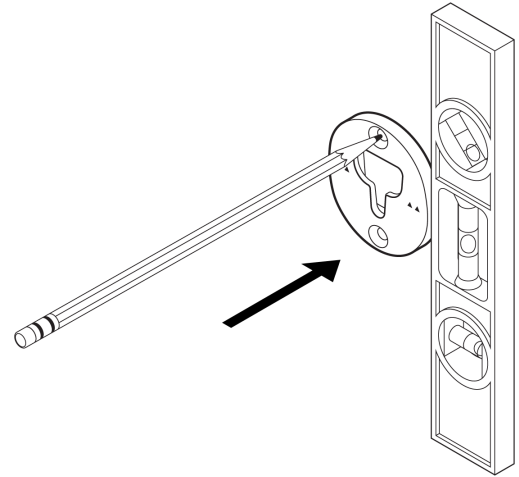
**Caution:** The mount is restricted to certain angles to give you the best possible sound quality. Do not force an adjustment beyond what is easily allowed.

# Mount inverted

---

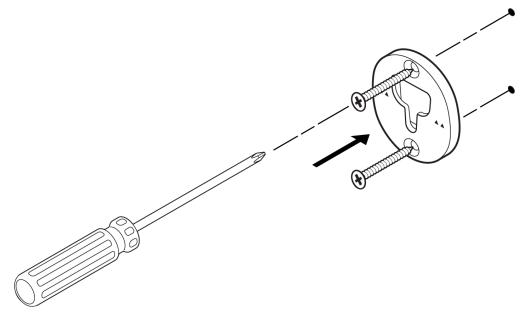
1

Locate a wall stud. Place the bracket against the wall using a level to make sure it's aligned, and mark the screw holes. Remove the bracket.



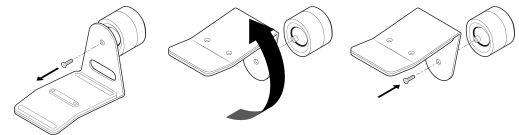
2

Pre-drill pilot holes into a stud using a 9/64" drill bit. Place the bracket against the wall with the small arrows pointing up, and secure it to the wall with 2 long wall bracket screws (included) and a power drill or Phillips-head screwdriver.



3

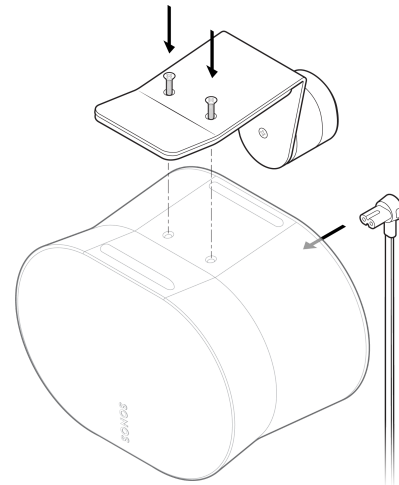
Remove the screw from the mount assembly. Rotate the mount 180 degrees so the screw holes are facing up, then reattach the screw to the mount assembly.



---

4

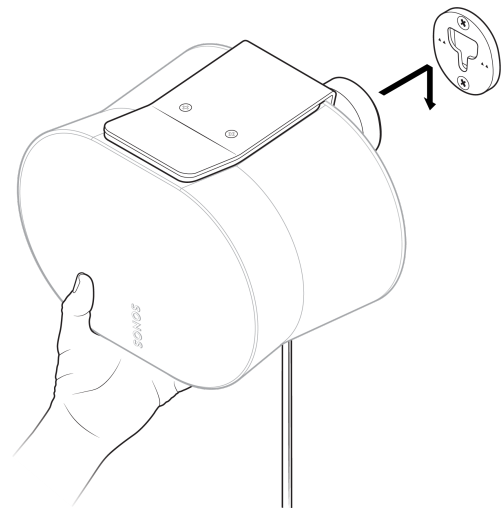
Plug the power cord into the speaker. Next, attach the speaker to the mount using the 2 short speaker mount screws (included).



---

5

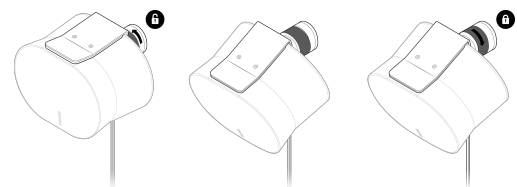
Align the mount with the bracket keyhole, slide the mount down, and lock it into place. Make sure the wall mount and speaker are securely seated before removing your hands from the speaker.



---

6

To adjust for optimal sound, unlock the speaker by rotating the collar on the mount 90° counterclockwise. Reposition the speaker, then rotate the collar 90° clockwise to lock.



**Caution:** The mount is restricted to certain angles to give you the best possible sound quality. Do not force an adjustment beyond what is easily allowed.

# Specifications

---

Feature	Description
---------	-------------

---

## AUDIO

---

<b>Amplifier</b>	Six Class-D digital amplifiers precision-tuned for the speaker's unique acoustic architecture.
------------------	--

---

<b>Tweeters</b>	Four tweeters ensure faithful playback of high and mid-range frequencies. The forward-firing mid tweeter provides a smooth center image while two side-firing mid tweeters create stereo separation. An upward-firing tweeter reflects sound off the ceiling when playing Dolby Atmos content.
-----------------	--

---

<b>Woofers</b>	Two woofers maximize low-end output and are angled left and right to support stereo playback.
----------------	---

---

<b>Microphones</b>	<ul style="list-style-type: none"><li>• Far field microphone array</li><li>• All microphones, including voice control, can be turned off using the microphone switch on the back of the speaker.</li></ul>
--------------------	--

---

---

---

**Feature****Description**

---

**Adjustable EQ**

Use the Sonos app to adjust bass, treble, and loudness.

---

**Trueplay™**

This software measures the acoustics of the room then fine-tunes the EQ. Compatible with iOS and Android devices. (Microphone switch must be on.)

---

**Stereo pair**

Turn two speakers into separate left and right channel speakers to create wider, deeper sound.

---

**Dolby Atmos®**

Spatial audio technologies, such as Dolby Atmos, allow creators to place individual sounds all around you in 3D space for a more immersive and realistic listening experience.

---

**Home theater**

Add two Era 300 speakers as surrounds for an immersive surround sound experience.

---

**POWER / CONNECTIVITY**

---

**WiFi**

Using Sonos S2: Connects to WiFi with any 802.11a/b/g/n/ac/ax 2.4/5GHz broadcast-capable router.

---

---

<b>Feature</b>	<b>Description</b>
<b>Bluetooth</b>	<p>Bluetooth 5.0 supports audio streaming from any Bluetooth enabled device.</p> <p>Press the Bluetooth button to pair with a Bluetooth device.</p>
<b>Power supply</b>	<p>Auto-switching 100 - 240VAC, ~ 50/60 Hz 2.3A universal input.</p>
<b>USB-C port</b>	<p>One USB-C port.</p> <ul style="list-style-type: none"><li>• Connect an audio source using an auxiliary cable and the Sonos Line-In Adapter.</li><li>• Connect your router with an Ethernet cable and the Sonos Combo Adapter. (All accessories sold separately.)</li></ul>
<b>CPU</b>	<p>Quad Core 4xA55 1.9GHz</p>
<b>Memory</b>	<p>2 Gb DDR4 8 Gb NAND</p>
<b>Sonos S2</b>	<p>Set up and control Era 300 with the latest generation of the Sonos app.</p>
<b>Line-In</b>	<p>With a Sonos Line-In Adapter, you can connect your devices through a 3.5 mm audio line-in connection (adapter sold separately).</p>

---

**Feature****Description**

---

**Apple AirPlay 2**

Works with AirPlay 2 on Apple devices iOS 11.4 and higher.

---

**Voice control**

- Integrated voice control
  - When the voice control LED is off, voice assistants are not listening, but other microphone-dependent features (e.g. Trueplay) are still active.
- 

**DETAILS / DIMENSIONS**

---

**Dimensions (H x W x D)**

6.3 x 10.24 x 7.28 in / 160 x 260 x 185 mm

---

**Weight**

9.75 lb / 4.42 kg

---

**Operating temperature**

32° to 104°F / 0° to 40°C

---

**Storage temperature**

-4° to 158° F / -20° to 70° C

---

**Colors / Finish**

- Colors: white, black
  - Finish: matte
- 

**Package contents**

- Sonos Era 300, 6 ft (2 m) power cable, quickstart guide
-

**Note:** Specifications subject to change without notice.



# Important safety information

1. Read these instructions.
2. Keep these instructions.
3. Heed all warnings.
4. Follow all instructions.
5. Do not use this apparatus near water.
6. Clean only with dry soft cloth. Household cleaners or solvents can damage the finish on your Sonos products.
7. Do not block any ventilation openings. Install in accordance with the manufacturer's instructions.
8. Do not install near any heat sources such as radiators, heat registers, stoves, or other apparatus that produce heat.
9. Protect the power cable from being walked on or pinched, particularly at plugs, convenience receptacles, and the point where they exit from the apparatus.
10. Only use attachments/accessories specified by the manufacturer.
11. Unplug this apparatus during lightning storms or when unused for long periods of time.
12. This product does not have any user-serviceable parts. Do not open or disassemble or attempt to repair it or replace any components. Refer all servicing to Sonos qualified service personnel. Servicing is required when the apparatus has been damaged in any way, such as power-supply cable or plug is damaged, liquid has been spilled or objects have fallen into the apparatus, the apparatus has been exposed to rain or moisture, does not operate normally, or has been dropped.
13. The Mains plug should be readily available to disconnect the equipment.
14. **Warning:** To reduce the risk of fire or electric shock, do not expose this apparatus to rain or moisture.
15. Do not expose apparatus to dripping or splashing and do not place objects filled with liquids, such as vases, on the apparatus.

16. Connections between this device and external equipment must be made using a shielded cable in order to maintain compliance with FCC radio frequency emission limits.

Ovaj dokument je originalno proizveden i objavljen od strane proizvođača, brenda Sonos, i preuzet je sa njihove zvanične stranice. S obzirom na ovu činjenicu, Tehnoteka ističe da ne preuzima odgovornost za tačnost, celovitost ili pouzdanost informacija, podataka, mišljenja, saveta ili izjava sadržanih u ovom dokumentu.

Napominjemo da Tehnoteka nema ovlašćenje da izvrši bilo kakve izmene ili dopune na ovom dokumentu, stoga nismo odgovorni za eventualne greške, propuste ili netačnosti koje se mogu naći unutar njega. Tehnoteka ne odgovara za štetu nanесenu korisnicima pri upotrebi netačnih podataka. Ukoliko imate dodatna pitanja o proizvodu, ljubazno vas molimo da kontaktirate direktno proizvođača kako biste dobili sve detaljne informacije.

Za najnovije informacije o ceni, dostupnim akcijama i tehničkim karakteristikama proizvoda koji se pominje u ovom dokumentu, molimo posetite našu stranicu klikom na sledeći link:

<https://tehnoteka.rs/p/sonos-bezicni-zvucnik-era-300-crni-akcija-cena/>