

Uputstvo za upotrebu (EN)

ENERGY SISTEM bežični zvučnik 7 True Wireless

ENERGY  SISTEM



Tehnoteka je online destinacija za upoređivanje cena i karakteristika bele tehnike, potrošačke elektronike i IT uređaja kod trgovinskih lanaca i internet prodavnica u Srbiji. Naša stranica vam omogućava da istražite najnovije informacije, detaljne karakteristike i konkurentne cene proizvoda.

Posetite nas i uživajte u ekskluzivnom iskustvu pametne kupovine klikom na link:

<https://tehnoteka.rs/p/energy-sistem-bezicni-zvucnik-7-true-wireless-akcija-cena/>

ENGLISH

Introduction	3
Care and maintenance	3
Technical specifications	3
AUDIO	3
BLUETOOTH CONNECTIVITY	4
TWS COMPATIBLE WITH	4
ANALOGUE INPUTS	4
ANALOGUE OUTPUTS	4
MEMORY CARD AND USB DECODER	4
FM RADIO	4
POWER SUPPLY	4
OTHER FEATURES	4
Product content	4
Connectivity and commands	5
Switching on and off the device	6
Change function	6
Bluetooth connection	6
True Wireless Stereo	6
Removable USB sticks and microSD cards	6
Playback mode	7
Mini jack and RCA inputs (analogue inputs)	7
Mini jack input	7
RCA input	7
FM radio	7
RCA audio-out (analogue output)	8
USB port to charge external devices	9
Ambient Light	9
Manual equalizer	9
Warranty	9
Declaration of conformity	9



ENERGY SYSTEM



tower7.

Manual de usuario / User manual
Manual de l'utilisateur / Manual do usuário

Introduction

Thank you for your trust in our company and for buying the new Tower 7 True Wireless. We hope you enjoy it.

This sound tower with 100 W power has been created to satisfy all musical needs that users may have at home. The product features Bluetooth 5.0 technology, FM radio, music playback from removable storage units (USB sticks and microSD cards) as well as 3.5 mm and RCA audio inputs. And the best part is that you can use True Wireless Stereo technology to increase power by connecting another compatible device wirelessly.

Care and maintenance

- Do not expose your *Tower 7 True Wireless* to impacts, dust, humidity or high temperatures.
- Do not press the speaker membranes since they could be damaged.
- Do not use neither corrosive nor abrasive cleaning products.
- Do not dismantle the device. All reparation works should be carried out exclusively by qualified staff of Energy Sistem Technology, S.A.

Technical specifications

AUDIO

- Sound system: 2.1 stereo system
- Power: 100 W
- 1 x 1.5" silk dome tweeter with 10 W power
- 2 x 4" full range speakers with 20 W power each
- 1 x 5" subwoofer with 50 W power
- Bass reflex
- Frequency response: 20 Hz ~ 20 KHz
- Two-band analogue equalizer
- Wooden cabinet speakers

BLUETOOTH CONNECTIVITY

- Bluetooth 5.0, class 2
- Supported Bluetooth protocols: HSP, HFP, A2DP, AVRCP
- Operating frequencies: 2.4 GHz
- Maximum output signal: < 20 dBm
- Up to 20 m range
- True Wireless Stereo Technology

TWS COMPATIBLE WITH

- Tower 7 True Wireless
- Music Box 9

ANALOGUE INPUTS

- 3.5 mm jack input (analogue stereo input)
- RCA audio-in (analogue stereo input)

ANALOGUE OUTPUTS

- RCA audio-out (analogue stereo output)

MEMORY CARD AND USB DECODER

- Decoder for microSD cards and USB sticks of up to 128 GB.
- Supported formats: MP3, WAV.
- Supported file system: FAT, FAT32, exFAT.

FM RADIO

- Antenna with RF coaxial connector
- Frequency range (FM): 87.5 ~ 108 MHz
- Auto search function with up to 50 station presets

POWER SUPPLY

- AC/DC power adapter: 100 ~ 240 V / 50 ~ 60 Hz
- Device connector: IEC
- Plug for electric socket: EU plug
- Power cable length: 1.5 m
- Average electricity consumption: 0.02 KWh
- Maximum electricity consumption: 0.05 KWh

OTHER FEATURES

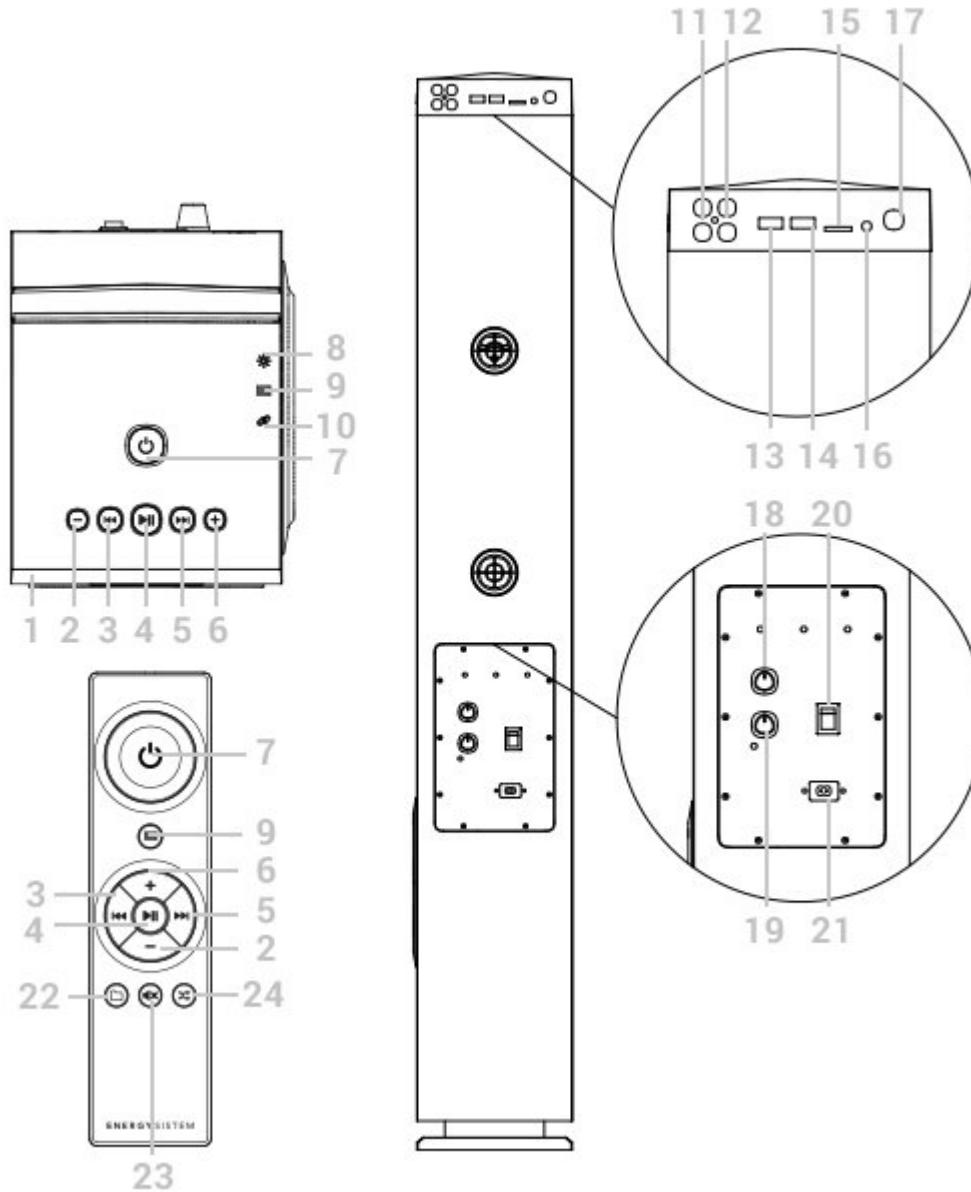
- LED ambient light
- LED display
- Remote control with up to 10 meters range
- 5 V, 2.5 A USB charging port for external devices

Product content

- Tower 7 True Wireless
- Remote control

- Audio cable
- Radio antenna
- Power cable
- Quick guide

Connectivity and commands



1. LED display
2. Volume -
3. Back
4. Play/ Pause
5. Next
6. Volume +
7. On/ Off
8. Ambient Light
9. Change function
10. TWS connection
11. RCA audio-out (AUX)

12. RCA audio-in (AUX)
13. USB charging port
14. USB playback port
15. MicroSD card slot
16. 3.5 mm audio-in (AUX)
17. FM radio antenna connector
18. Treble equalizer
19. Bass equalizer
20. Power switch
21. Power connector
22. Change folder
23. Mute
24. Select repeat mode

Switching on and off the device

Once the power cable has been connected to the back of your Tower (21), connect the plug to the socket and move the power switch (20) to the ON position. From that moment on, you can turn it on or off by pressing the On/ Off button (7) on the top panel or on the remote control for 2 seconds.

Change function

In order to select different functions, press *Change function* (9). You will be able to see the selected function on the *Display* (1).

In case that there are no units connected to the rear inputs ('USB', 'MicroSD', 'AUX 1' or 'AUX 2'), the *Change function* (9) button will switch between Bluetooth, AUX1 or Radio FM.

In case that all inputs are being used, the *Change function* (9) will switch from one to another in the following order:

Bluetooth -> USB -> microSD -> AUX2 -> AUX1 -> FM Radio

Bluetooth connection

To pair your tower with a Bluetooth device, press the Change function button (9) on the top panel or remote control until "bt" is displayed on the LED display (1). At this point, access the Bluetooth settings on the device and search for the Tower 7 among the detected devices. Once selected, the connection will be established immediately and you will hear a sound that confirms that both devices have been paired correctly.

If you want to pair your tower with another Bluetooth device, press and hold the Change function button (9) for 2 seconds to enable sync mode.

True Wireless Stereo

This technology allows you to wirelessly connect another True Wireless Stereo device within a maximum distance range of 10 meters to increase power and create a stereo system with separate left and right channels.

Switch on both devices and enable Bluetooth mode, press the TWS Connection button (10) on each device and you will see that the L/R indicators blink alternately on the LED display (1). Once the connection has been established, you will hear a confirmation sound and the L/R indicators will stop blinking. From that moment on, both devices will play the same content simultaneously.

Press and hold once again the TWS Connection (10) button a few seconds to disable TWS connection.

Removable USB sticks and microSD cards

Your *Tower 7 True Wireless* allows you to play MP3 and WAV files from USB sticks and microSD cards of up to 128 GB (FAT, FAT32 y exFAT).

Plug the USB stick into the corresponding port or insert the microSD card into the corresponding slot. The device will switch automatically to USB or microSD mode to play the content of the inserted storage card or USB stick.

If you turn off the device or remove any storage unit, the internal memory will save the moment when you paused playback. If you connect the same removable storage unit once again, playback will resume from the point at which it stopped.

To browse songs, press *Next* (5) and *Back* (3) on the panel or the same buttons on the remote control. Press and hold the above mentioned buttons to fast-forward and rewind and get to the part you want to hear.

Press *Change folder* (22) on the remote control or press and hold *Change function* (9) on the panel to browse through a different folder. Please keep in mind that you can change playback mode by pressing *Select repeat mode* (24) on the remote control or by pressing and holding *Play/ Pause* (4) on the panel.

Playback mode

Press *Select repeat mode* (24) on the remote control or press and hold *Play/ Pause* (4) on the panel to select one of the 4 options below:

- 1) **ALL:** all USB or card contents will be repeated. The folders and files of your external cards or sticks will be read in chronological order.
- 2) **ONE:** the song you are listening to will be repeated.
- 2) **FOLDER:** the folder with the songs you are listening to will be repeated.
- 4) **RANDOM:** random playback of all the contents of your removable storage unit.

Mini jack and RCA inputs (analogue inputs)

Your *Tower 7 True Wireless* features two analogue stereo inputs to connect external devices. The first one is a mini jack input (the cable is provided with the product) and the other one is a RCA audio-in.

Mini jack input

Your *Tower 7 True Wireless* features an *3.5 mm audio-in (AUX)* (16) which allows you to connect your music player using a 3.5 mm jack audio cable.

Once you connect the cable to this input, "Line-in" mode will be enabled automatically and you will see the word "AUX2" on the *Display* (1). You will be able to change function even if the cable is still connected.

To pause or resume playback use the *Play/ Pause* (4) button on the panel or on the remote control.

We recommend to use this input to connect small devices such as MP3 players or smartphones.

RCA input

This audio-in is situated on the rear top part with the name "INPUT". It has been conceived to connect your TV or audio devices permanently.

Press the *Change function* (9) button to enable and disable the use of this input.

We recommend to use this input to connect audio systems such as stack systems, televisions or mixing desks permanently.

Important: In both cases, you will have to control music playback (volume, equalizer or track changes) using the external music player connected to your tower.

FM radio

To be able to use this function, you have to tune in the radio stations first. To do that, connect the radio antenna on the rear top panel and press and hold the *Change function* (9) button on the top panel for two seconds while radio mode is enabled. The process may take a few minutes.

The radio stations will be saved to the memory of your *Tower 7 True Wireless*, therefore it is not necessary to carry out a new search each time you switch it on. You will only have to do this when you place the tower in a new location. Press *Back* (3) or *Next* (5)* once again to switch from one saved station to another.

You can use either the antenna provided with the product or connect the tower to the antenna outlet on the wall of your house using a RF coaxial IEC male to female cable. You will get better signal this way.



RCA audio-out (analogue output)

Your *Tower 7 True Wireless* features a *RCA audio-out (AUX) (11)* to connect other self-powered speakers featuring an analogue input and hear your music simultaneously through several speakers.

You can even connect a second *Tower 7 True Wireless* to your tower using a RCA male to RCA male stereo cable. To do that, connect one end of the cable to the *OUTPUT* of the first tower and the other end to the *INPUT* of the second tower. The signal will be transferred to the second tower, regardless of the enabled playback mode and music both devices will play music simultaneously.

This analogue output makes it possible to create a sound stereo system for your tv by connecting both Tower as follows:



To set up the system, you will need two RCA splitter cables (male to male).



USB port to charge external devices

Your *Tower 7 True Wireless* features an *USB charging port (13)* to connect an USB cable and charge other devices such as smartphones, tablets or MP3 players, even while playing music.

Output technical specifications:

- Voltage = 5 V
- Current = 2 A

Any device that requires more than 5 V voltage cannot be charged.

Important: In case you are using the provided radio antenna, keep it away from the charging cable to avoid interferences while charging devices.

Ambient Light

Press the Ambient Light button (8) to switch on or off the built-in light on the base of your *Tower 7 True Wireless*.

Manual equalizer

The device has two controllers at the back that enable users to adjust equalization:

- Adjust Treble (This function is indicated as "Treble")
- Adjust Bass (This function is indicated as "Bass")

Important: Lower treble as you turn up the Tower's volume to get a balanced sound. We recommend to set treble below 50% when the volume is above 20 points.

Warranty

You can check the warranty terms [here](#)

Declaration of conformity

Issuer's name: Energy Sistem Technology, S.A. - CIF: A53107488

Address: C/ Calpe, 1 - 03509 Finestrat, Alicante (Spain)

Tel: +34 966 830 324

We declare under our own exclusive responsibility that the product

Description: Sound tower

Brand: Energy Sistem
Model: Tower 7 True Wireless
Manufacturer: Energy Sistem Technology, S.A.
Manufacturing country: China

referred to in this declaration is in compliance with the essential norms and standards

EN 50663:2017
EN 62479:2010
EN 62368-1:2020+A11:2020
EN 301 489-17 V3.2.2 (2019-12)
EN 301 489-1 V2.2.3 (2019-11)
EN 300 328 V2.2.2 (2019-07)
EN 303 345-1 V1.1.1 (2019-06)
EN 303 345-3 V1.1.0 (2019-11)

in conformity with the essential norms and standards of the Directive 2014/53/EU of the European Parliament and of the Council of 16th April 2014.

Finestrat, 1st December 2020



Miguel Ángel Aragüez García
Innovation and Technology Director



Ovaj dokument je originalno proizveden i objavljen od strane proizvođača, brenda Energy Sistem, i preuzet je sa njihove zvanične stranice. S obzirom na ovu činjenicu, Tehnoteka ističe da ne preuzima odgovornost za tačnost, celovitost ili pouzdanost informacija, podataka, mišljenja, saveta ili izjava sadržanih u ovom dokumentu.

Napominjemo da Tehnoteka nema ovlašćenje da izvrši bilo kakve izmene ili dopune na ovom dokumentu, stoga nismo odgovorni za eventualne greške, propuste ili netačnosti koje se mogu naći unutar njega. Tehnoteka ne odgovara za štetu nanесenu korisnicima pri upotrebi netačnih podataka. Ukoliko imate dodatna pitanja o proizvodu, ljubazno vas molimo da kontaktirate direktno proizvođača kako biste dobili sve detaljne informacije.

Za najnovije informacije o ceni, dostupnim akcijama i tehničkim karakteristikama proizvoda koji se pominje u ovom dokumentu, molimo posetite našu stranicu klikom na sledeći link:

<https://tehnoteka.rs/p/energy-sistem-bezicni-zvucnik-7-true-wireless-akcija-cena/>