

Uputstvo za upotrebu (EN)

DENVER partybox zvučnik TSP-452



Tehnoteka je online destinacija za upoređivanje cena i karakteristika bele tehnike, potrošačke elektronike i IT uređaja kod trgovinskih lanaca i internet prodavnica u Srbiji. Naša stranica vam omogućava da istražite najnovije informacije, detaljne karakteristike i konkurentne cene proizvoda.

Posetite nas i uživajte u ekskluzivnom iskustvu pametne kupovine klikom na link:

<https://tehnoteka.rs/p/denver-partybox-zvucnik-tsp-452-akcija-cena/>



TSP-452
denver.eu

2022



FR
Cet appareil et
ses cordons sont
recyclables

À DÉPOSER
EN MAGASIN



À DÉPOSER
EN DÉCHÈTERIE



OU

Points de collecte sur www.quefairedemesdechets.fr
Privilégiez la réparation ou le don de votre appareil !

Safety information

Please read the safety instructions carefully before using the product for the first time and keep the instructions for future reference.

1. This product is not a toy. Keep it out of the reach of children.
2. Warning: This product includes a rechargeable lithium ion battery.
3. Keep product out of the reach of children and pets to avoid chewing and swallowing.
4. Product operating and storage temperature is from 0 degrees Celsius to 40 degrees Celsius. Environments under and above this temperature might affect functionality.
5. Never open the product. Do not touch the inside electronics, or you may get an electric shock. Repair or service are only to be performed by qualified personnel.
6. Do not expose the device to heat, water, dust (dusty environment), moisture, direct sunlight!
7. Please protect your ears against loud volumes. Loud volumes can damage your ears and lead to hearing loss.

8. Bluetooth wireless technology can only operate within a range of about 10 m (30 ft). The maximum communication distance may vary depending on the presence of obstacles (people, metal objects, walls, etc.) or the electromagnetic environment.
9. Microwaves emitted by a Bluetooth device may affect the operation of electronic medical devices.
10. The unit is not waterproof. If water or foreign objects enter the unit, it may result in fire or electric shock. If water or a foreign object enters the unit, stop using it immediately.
11. Do not block the ventilation openings. The product needs them to disperse heat.

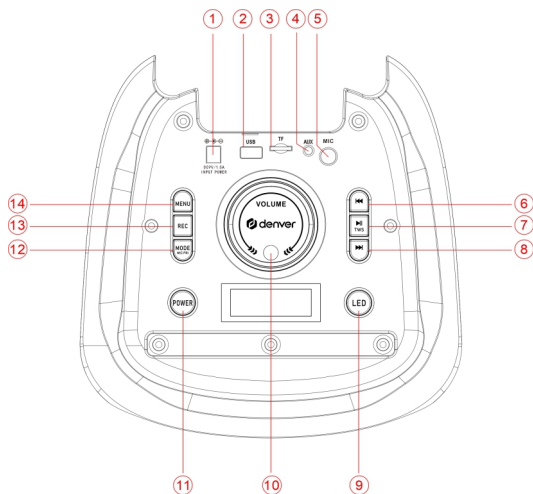
BUILT-IN BT FUNCTION

- Press MODE button to choose the input signal source as BT (Bluetooth) channel when starting the machine.
- Please ensure the BT device (e.g., a mobile phone) you want to connect is turned on. Activate the Bluetooth feature on your BT device so that it scans for the speaker. Then select the TSP-452 speaker to connect. When the connection is successful, a "tick" tone will prompt. If the connection failed, please restart the speaker or the device and try again.
- After the speaker and the BT device are successfully connected, you can play music from your device. To ensure the continuous stability of the music signal, please try to keep the BT device and the speaker facing one another.
- The distance between the BT devices and the speaker can be up to 10 meters if there are no barriers.

BUILT-IN TWS FUNCTION

- Power on the first TSP-452 speaker and connect it to a Bluetooth device.
- Power on the second TSP-452 speaker and set the mode to Bluetooth (Do not pair any devices).
- Simultaneously press and hold the PAUSE/PLAY TWS button of both speakers, you will see “TWS-ON” in the LED display.
- Play audio from your Bluetooth device. The audio will be transmitted through both speakers.

FRONT PANEL FUNCTIONS



1. DC 9V1.5A CHARGE Connect 9V1.5A adapter to power source to charge the battery. You can use the speaker while charging.
2. USB INPUT Insert USB stick for MP3 playback.
3. MicroSD PORT Insert a microSD card for MP3 playback.
4. AUX IN Connect external playback device with AUX cable.
5. MIC INPUT Connect microphone (not incl).

6. PREV Previous song.
7. PAUSE/PLAY TWS Press this button to pause the signal from the USB flash drive, TF card or Bluetooth input. Press and hold this button to turn on TWS (True Wireless Stereo) mode.
8. NEXT Next song.
9. LED SWITCH Press to turn LED Party Lighting on/off, press and hold to change the LED light effect.
10. VOLUME Adjust the speaker's volume.
11. POWER SWITCH Press to turn on speaker, press and hold to turn off speaker.
12. MODE/MIC PRI Press to change Mode(Bluetooth,Aux,USB/micro SD).
13. REC Press this button to record the signal from the microphone.
14. MENU Press this button to adjust the bass/treble/echo.

CAUTION:

-The AC/DC adaptor and main unit shall not be exposed to dripping or splashing and that no objects filled with liquids, such as vases, shall be placed on the apparatus and AC/DC adaptor.

-Minimum distances 10 cm around the apparatus for sufficient ventilation.

-The ventilation should not be impeded by covering the ventilation openings with items, such as newspapers, table-cloths, curtains, etc.

-No naked flame sources, such as lighted candles, should be placed on the apparatus.

-When the mains plug of AC/DC Adaptor is used as the disconnect device, the disconnect device shall remain readily operable.

To be completely disconnected the power input, the AC/DC adaptor shall be disconnected from the mains completely.

-The AC/DC adaptor should not be obstructed or should be easily accessed during intended use.

-The use of apparatus in tropical climates.

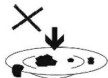
EN	
Manufacturer's name or trade mark, commercial registration number and address	GUANGZHOU HUADU GUANG ER ZHONG ELECTRONIC FACTORY NO.72,LIANGLONG ROAD HUASHAN TOWN HUADU DISTRICT GUANGZHOU CITY.
Model identifier	GPUSW0901500WD00
Input voltage	100-240V
Input AC frequency	50-60Hz
Output voltage	9V
Output current	1.5A
Output power	13.5W
Average active efficiency	85.77%
Efficiency at low load (10%)	75%
No-load power consumption	0.15W

Warning!

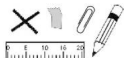
- Lithium battery inside!
- Do not open the product!
- Do not expose to heat, water, moisture or direct sunlight!
- Only charge with the original charger supplied with this product!



1. DO NOT place objects on top of the device, as objects may scratch the device.



2. DO NOT expose the device to dirty or dusty environments.



3. DO NOT insert any foreign objects into the device.



4. DO NOT expose the device to strong magnetic or electric fields.



5. DO NOT use the device in the rain.



6. Please check with your Local Authority or retailer about the proper disposal of electronic products.



7. DO NOT disassemble the device. Only a certified service technician could perform a repair.



Warning: Lithium batteries inside

8. The device has apertures to disperse heat. DO NOT block the device ventilation, otherwise the device may become hot and malfunction as a result.

Illegal operations may cause personal injuries or fatal accidents. Illegal operations may cause damage to properties.

Please notice - All products are subject to change without any notice. We take reservations for errors and omissions in the manual.

ALL RIGHTS RESERVED, COPYRIGHT DENVER A/S



www.denver.eu



Electric and electronic equipment and included batteries contains materials, components and substances that can be hazardous to your health and the environment, if the waste material (discarded electric and electronic equipment and batteries) is not handled correctly.

Electric and electronic equipment and batteries is marked with the crossed out trash can symbol, seen above. This symbol signifies that electric and electronic equipment and batteries should not be disposed of with other household waste, but should be disposed of separately.

As the end user it is important that you submit your used batteries to the appropriate and designated facility. In this manner you make sure that the batteries are recycled in accordance with legislature and will not harm the environment.

All cities have established collection points, where electric and electronic equipment and batteries can either be submitted free of charge at recycling stations and other collection sites, or be collected from the households. Additional information is available at the technical department of your city.

Hereby, Denver A/S declares that the radio equipment type TSP-452 is in compliance with Directive 2014/53/EU. The full text of the EU declaration of conformity is available at the following internet address:

www.denver.eu and then click the search ICON on topline of website. Write model number: TSP-452. Now enter product page, and RED directive is found under downloads/other downloads.

Bluetooth: 2400 MHz-2500 MHz

Max Output Power: 2 x 20 W

DENVER A/S

Omega 5A, Soeften

DK-8382 Hinnerup

Denmark

www.facebook.com/denver.eu

Nordics

Headquarter
Denver A/S
Omega 5A, Soeften
DK-8382 Hinnerup
Denmark

Phone: **+45 86 22 51 00**
(Push "2" for support)

E-Mail
For technical questions, please write to:
support@denver.eu

For all other questions please write to:
denver@denver.eu

Benelux/France

Denver Benelux BV
Barwoutswaarder 13C+D
3449 HE Woerden
The Netherlands

Phone: **+31 348 420 029**

E-Mail: **support-nl@denver.eu**

Austria

Lurf Premium Service GmbH
Deutschstrasse 1
1230 Wien

Phone: **+43 1 904 3085**
E-Mail: **denver@lurfservice.at**

If your country is not listed above,
please write an email to
support@denver-electronics.com

Germany

Denver Germany GmbH Service
Gutenbergstrasse 1
94036 Passau

Phone: **+49 851 379 369 40**

E-Mail
Repair-germany@denver.eu

Fairfixx GmbH
Repair and service
Rudolf-Diesel-Str. 3 TOR 2
53859 Niederkassel

(for TV, E-
Mobility/Hoverboards/Balanceboards,
Smartphones & Tablets)

Tel.: **+49 851 379 369 69**
E-Mail: **denver@fairfixx.de**

Spain/Portugal

INTER SALES SPAIN S.A
C/ Moscú, 1 Pol.Ind.Mas de Tous
46185 La Pobla de Vallbona
Valencia (Spain)

Spain
Phone: **+34 960 046 883**
Mail:
serviciotecnico.denver@denver.eu

Portugal:
Phone: **+35 1255 240 294**
E-Mail: **denver.service@satfiel.com**



Denver A/S
Omega 5A, Soeften
DK-8382 Hinnerup
Denmark

denver.eu

Ovaj dokument je originalno proizveden i objavljen od strane proizvođača, brenda Denver, i preuzet je sa njihove zvanične stranice. S obzirom na ovu činjenicu, Tehnoteka ističe da ne preuzima odgovornost za tačnost, celovitost ili pouzdanost informacija, podataka, mišljenja, saveta ili izjava sadržanih u ovom dokumentu.

Napominjemo da Tehnoteka nema ovlašćenje da izvrši bilo kakve izmene ili dopune na ovom dokumentu, stoga nismo odgovorni za eventualne greške, propuste ili netačnosti koje se mogu naći unutar njega. Tehnoteka ne odgovara za štetu nanесenu korisnicima pri upotrebi netačnih podataka. Ukoliko imate dodatna pitanja o proizvodu, ljubazno vas molimo da kontaktirate direktno proizvođača kako biste dobili sve detaljne informacije.

Za najnovije informacije o ceni, dostupnim akcijama i tehničkim karakteristikama proizvoda koji se pominje u ovom dokumentu, molimo posetite našu stranicu klikom na sledeći link:

<https://tehnoteka.rs/p/denver-partybox-zvucnik-tsp-452-akcija-cena/>