

Uputstvo za upotrebu

TESY panelni radijator CN 03 300 MIS F

TESY



Tehnoteka je online destinacija za upoređivanje cena i karakteristika bele tehnike, potrošačke elektronike i IT uređaja kod trgovinskih lanaca i internet prodavnica u Srbiji. Naša stranica vam omogućava da istražite najnovije informacije, detaljne karakteristike i konkurentne cene proizvoda.

Posetite nas i uživajte u ekskluzivnom iskustvu pametne kupovine klikom na link:

<https://tehnoteka.rs/p/tesy-panelni-radijator-cn-03-300-mis-f-akcija-cena/>

TESY

It's impressive

EN ELECTRIC PANEL HEATER 2-5

Operation and Storage Manual of Panel Heater

BG ЕЛЕКТРИЧЕСКИ КОНВЕКТОР 6-9

Инструкция за експлоатация и съхранение на панелен конвектор

RO CONVECTOR ELECTRIC 10-13

Instrucțiunile de utilizare și depozitare a convectorului de panou

RU ЕКТРИЧЕСКИЙ КОНВЕКТОР 14-17

Инструкция по эксплуатации и сохранению панельного конвектора

UA ЕЛЕКТРИЧНИЙ КОНВЕКТОР 18-20

Інструкція про порядок застосування і зберігання панельного конвектора

HR ELEKTRIČNI KONVEKTOR 21-24

Upute za uporabu i pohranu panelnog konvektora

RS ELEKTRICNI KONVEKTOR 25-27

Uputstva za upotrebu i skladištenje panelnog konvektora

MK ELEKTRICNI KONVEKTOR 28-30

Упутство за употреба и чување на панелниот конвектор

SK ELEKTRICKÝ KONVEKTOR 31-34

Návod na použitie a údržbu panelového konvektora

SI ELEKTRIČNI KONVEKTOR 35-38

Navodila za uporabo in shranjevanje konvektorja

PL KONWEKTOR ELEKTRYCZNY 39-42

Instrukcja użytkowania i przechowywania konwektora płytowego

CZ ELEKTRICKÝ KONVEKTOR 43-46

Návod k použití a uskladnění panelového konvektoru

HU ELEKTROMOS KONVEKTOR 47-50

Használati utasítás a fali konvektor üzembentartására és védelmére

GR ΗΛΕΚΤΡΙΚΟΣ ΘΕΡΜΟΠΟΜΠΟΣ/CONVECTOR 51-54

Οδηγίες χρήσης και αποθήκευσης Πάanel - Θερμοπομπού

ES CONVECTOR ELÉCTRICO 55-58

Instrucciones para el uso y mantenimiento de panel convector

PT AQUECEDOR ELÉTRICO DE PAREDE 59-62

Instruções de utilização e armazenamento do painel aquecedor de parede

IT CONVECTORE ELETTRICO 63-66

Istruzione per l'uso e la conservazione di pannello convettore

DE ELEKTRISCHER KONVEKTOR 67-70

Bedienungs und Aufbewahrungsanleitung des Panelkonvektors

FR CONVECTEUR ELECTRIQUE 71-74

Mode d'emploi et instructions de rangement de convecteur

DK ELEKTRISK KONVEKTOR RADIATOR 75-78

Brugermanual til panel-konvektor

LT ELEKTRINIS KONVEKTORIUS 79-82

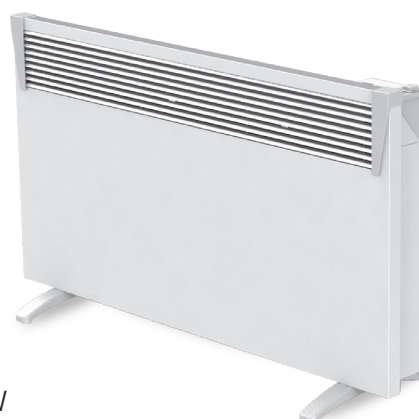
Panelinio konvektoriaus su MICA šildytuvu eksploatavimo ir saugojimo instrukcija

LV ELEKTRISKAIS KONVEKTORS 83-86

Panela tipa konvektora lietošanas un uzglabāšanas instrukcija

EE ELEKTRILINE KONVEKTOR 87-90

Paneelkonvektori kasutus ja hoidmise juhend



CN03 YYZ MIS F

230V~ 50Hz

500/1000/1500/2000/2500/3000W

EN This product is only suitable for well insulated spaces or occasional use. | BG Този продукт е подходящ само за надеждно изолирани помещения или нередовна употреба. | RO Acest produs este adecvat numai pentru spațiile bine izolate sau pentru utilizarea ocazională. | ES Este producto está indicado únicamente en lugares abrigados o para una utilización puntual. | PT Este produto é adequado apenas para espaços bem isolados espaços ou utilização ocasional. | DE Dieses Produkt ist nur für gut isolierte Räume oder für den gelegentlichen Gebrauch geeignet. | IT Il presente prodotto è adatto solo a ambienti correttamente isolati o ad un uso occasionale. | FR Ce produit ne peut être utilisé que dans des locaux bien isolés ou de manière occasionnelle. | DK Dette produkt er kun egnet til godt isolerede rum eller lejlighedsvis brug. | GR Το προϊόν είναι κατάλληλο μόνο για χρήση σε καλά μονωμένους χώρους ή περιστασιακά. | HU A termék kizárólag jól szigetelt helyiségek fűtésére vagy alkalmankénti használatra alkalmas. | PL Ten produkt jest odpowiedni tylko do sporadycznego użytku lub do stosowania w dobrze izolowanych pomieszczeniach. | CZ Tento výrobek je vhodný pouze pro dobře izolované prostory nebo občasné používání. | SK Tento výrobok je určený iba do dobre izolovaných priestorov alebo na príležitostné použitie. | HR Ovaj je proizvod prikladan samo za dobro izolirane prostore ili povremenu uporabu. | SL Ta izdelek je primeren le za uporabo v dobro izoliranih prostorih ali za priložnostno uporabo. | LT Šis gaminyš tinkamas naudoti tik gerai izoliuotose patalpose arba tik retkarciams. | LV Šis ražojums ir derīgs tikai izmantošanai telpās ar labu izolāciju vai neregulārai izmantošanai. | EE See toode sobib kasutamiseks üksnes hästi isoleeritud kohtades ja üksikjuhtudel. | NL Dit product is uitsluitend geschikt voor goed geïsoleerde plaatsen of voor incidenteel gebruik.

IMPORTANT SAFETY MEASURES AND INSTRUCTIONS:**WARNING!**

- Please read this manual before operating the appliance and keep it at a safe place for future reference. In case the appliance is obtained by a new owner, it should be transferred together with its manual.

- **CAUTION:** Children under 3 years of age should be kept away from the appliance unless they are under constant supervision.

Children from 3 to 8 years of age are allowed to operate the on/off button ONLY, provided that the appliance is installed and ready for operation and such children have been supervised and instructed in safe operation of the appliance and they understand all related risks.

Children from 3 to 8 years of age **MUST NOT:** connect the plug to power sockets, make adjustments, clean it or carry out user maintenance operations.

This appliance can be used by children older than 8 years of age and by people with reduced physical, sensor and mental capabilities, as well as by people with insufficient experience and knowledge provided they are supervised or instructed in safe operation of the appliance and understand the related risks. Children should not be allowed to play with the appliance. Cleaning and user maintenance operations must not be carried out by children without supervision.

- **CAUTION:** Some of the appliance parts may get very hot during operation and thus cause burns to users. In case there are children and vulnerable people in the room, special attention should be paid.



- **WARNING:** Do not cover the appliance in order to prevent overheating!

- The appliance must not be placed right under a socket box!
- If the supply cord is damaged, it must be replaced by the manufacturer, its service agent or similarly qualified persons in order to avoid a hazard.
- Before connecting the appliance to the mains, check if the voltage indicated on its technical plate corresponds to the voltage of the electricity, supplied to your house.
- This appliance shall be used only for the purpose it has been designed and intended for, i.e. heating of domestic premises. The appliance is not intended for commercial/industrial application. Every other use is to be considered improper, and therefore dangerous. The manufacturer doesn't bear responsibility for damages arising from improper and irrational use. Non-adherence to these instructions would render the warranty invalid!
- Do not leave your home while the heater is operating: make sure that the power switch is in OFF position (panel heaters with mechanical control).
- Keep inflammable objects, such as furniture, pillows, bedding, paper, clothes, curtains etc. at a safe distance of at least 100 cm away from the panel heater.
- Do not operate the appliance in areas of use or storage of combustible substances. Do not operate the appliance in areas of combustible media (for example in close proximity to inflammable gases or aerosols) – there is great risk of explosion and fire!
- Do not insert and do not allow foreign objects to enter the ventilation openings (inlet and outlet) because this will cause electric shock, fire or will damage the appliance.
- The appliance is not suitable for animal breeding. The panel heater is intended for domestic/indoor operation only.
- When positioning the appliance, do not cover the safety grilles; do not hamper the incoming and outgoing air flow. All objects must be at a safe distance of at least 1 meter away from the appliance front and sides.
- The most common reason for overheating is dust and fluff deposits in the appliance. Clean the ventilation openings on a regular basis with a vacuum cleaner, but before that it is very important to disconnect the heater from the mains.
- Never touch the appliance with wet or moist hands – there is risk for your life!
- The power socket should be accessible all the time in order to disconnect the power plug when needed as fast as possible! Never pull the power cord or the appliance itself in order to disconnect it from the mains.
- **PAY ATTENTION!** Outgoing air gets heated during appliance operation (up to more than 100°C).
- If you decide to stop using an appliance of this kind, it is recommended to make it unusable by cutting its power cord after you have disconnected it from the mains. It is advisable all possible risks related to the appliance to be secured,

especially in relation to children that may play with out-of-use appliances.

- **Warning:** Do not use this appliance with a programmer, counter or any other mechanism which could automatically turn on the heater – if the appliance is covered or positioned incorrectly there is a risk of fire.
- Position the power cord in such a way that it does not obstruct the free movement of people and cannot be stepped on! Use only approved extension cords, which are suitable for this appliance, i.e. they have a compliance sign!
- Never move the appliance by pulling its power cord; do not use the power cord for carrying other objects!
- Do not bend the power cord and do not pull it against sharp edges; do not place the power cord on hot surfaces or open fire!

PACKING

- After unpacking the appliance, check if its contents are intact and if it has not been damaged during transportation! In case a damage or incomplete delivery is found, contact your authorized retailer!
- Do not dispose of the original packing box! It could be used for storage and transportation purposes in order to avoid damages during transportation!
- Disposal of packing material should be done in the appropriate way! Children must be prevented from playing with polyethylene bags!

OPERATION AND INSTALLATION OF FEET SET

- This panel heater is designed to be used indoors.

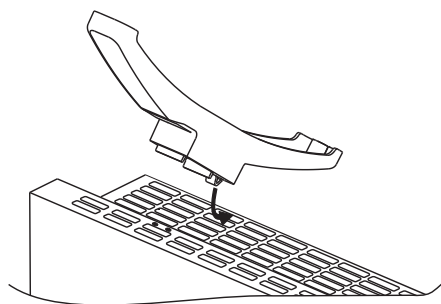


In accordance with Regulation EU 2015/1188 implementing Directive 2009/125/EC this electric heating appliance is not intended for wall installation!

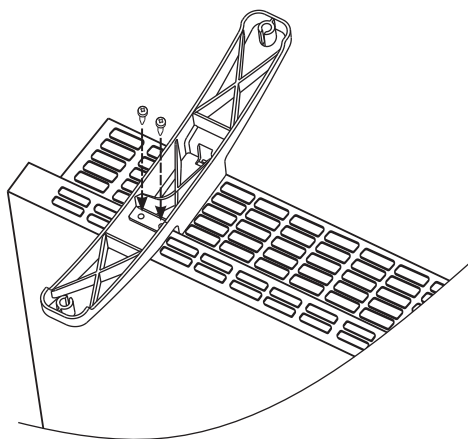


Important: In premises bigger than 45 m³, it is recommended to use a combination of 2 or more panel heaters.

- Do not position the panel heater under a power socket or electricity connection box.
- **DO NOT** install/operate the panel heater:
 1. in places where a draught is present, which could influence the control settings;
 2. right under a power socket;
 3. in "Volume 1" for bathrooms;
 4. in "Volume 2" if the control board can be reached by a person who is in a shower or in a bathtub;
- Before starting the set installation check if the panel heater is disconnected from the power socket!
- The feet are to be installed at the air inlets – it is correct them to be installed at the two sides ends of the panel heater in a symmetrical manner – at the same distance from the sides ends of the panel heater. For installation purposes – all panel heaters have got two 2x2 openings.



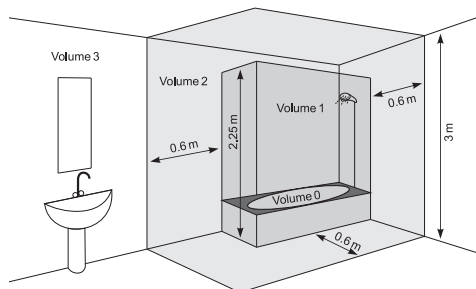
- Mount the first foot – by inserting first the higher part of the foot into the panel heater (you should stand opposite of the face of the panel heater) – the part is lower than the front metal panel. Then you should take a Phillips screw-driver (not included in the product set) and screw in the two 3.5x9,5mm securing screws. The screw goes through the plastic foot and gets screwed into place in the metal body of the panel heater. You should repeat the same operation for the second foot.
- The joint is secure in case the panel heater stands horizontally on the floor after its feet installation has been completed. Do not use the power cord as a pulling rope in order to move the panel heater; any movement of the panel heater should be done when it is cold.



- Position the panel heater with installed feet on the floor and before connecting it to the power socket check if all instructions from the very beginning of this manual have been followed correctly (Important instructions and safety measures). The correct position is – the control panel should be at the top of the appliance and the feet – on the floor!

BATHROOM OPERATION

- The panel heater must be installed in accordance with the normal trade practices and in compliance with the national legislation (EU electricity directives and regulations concerning special installations and places of operation including bathrooms, shower cabins HD60364-7-701 (IEC 60364-7-701:2006)).



- In case this panel heater is to be used in a bathroom or other similar room, the following installation requirements must be observed: the panel heater is with IP24 protection (water drops protection). Hence it can be installed in "Volume 2" (see the diagram below) in order to avoid the risk of the control board (power switch and thermo regulator) being reached by a person who is in a shower or a bathtub. The minimum distance between the appliance and a water source should be not less than 1 meter! If you do not feel sure about the installation of this panel heater in a bathroom, we recommend you to consult a professional electrician.

Note: If the above-mentioned instructions cannot be implemented, it is recommended to install the appliance in "VOLUME 3".

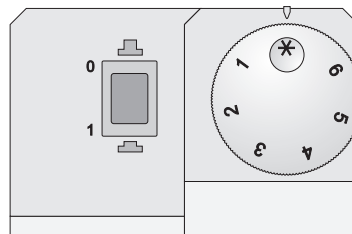
- In wet premises the power source must be installed at a height of at least 25 cm above the floor (bathrooms and kitchens).
- The installation must be equipped with a safety fuse, and the distance between the fuse contacts in disconnected condition should be at least 3 mm.

Thank you for choosing CN03 panel heater. This is a product providing heating in winter depending on the consumers' needs for comfortable room temperature. If operated and taken care of properly in accordance with these instructions, the appliance will provide you with many years of useful operation.

OPERATION INSTRUCTIONS

MECHANICAL CONTROL

Operation modes



Turn the panel heater on by pushing the switch in position "1" (turned-on), then turn the regulator to the desired level (1 to 6) as you take into account the following relation between the power levels:

* – anti-freezing mode/ enabled when room temperature falls below 5°C

1 / 2 – economy mode/ it maintains low room temperature/ this mode is recommended to be used at night and when there are no people present in the room. This mode permits to maintain the set room temperature while saving energy.

3 / 4 / 5 – comfort mode/ it maintains moderate room temperature/ this mode is recommended to be used to maintain relatively high comfortable room temperature during the day.

6 – maximum power mode / it maintains HIGH room temperature/ this mode is recommended to be used when you need maximum high room temperature

Important: Thermo Regulator digits do not correspond to certain room temperature levels, but they can be used by users to memorize the relation between room temperature and the thermo regulator settings.

When the room temperature is lower than the temperature that you have set by the thermo regulator, the panel heater starts its operation and will operate until the room temperature reaches the set temperature level of the unit. When the room temperature is higher than the adjusted temperature of the appliance, the panel heater will automatically go into "Stand by" mode.

PROTECTION

- The appliance is equipped with a safety thermo turn-off device, which automatically turns the heater off in cases of extreme temperature of the panel heater /i.e. overheating of the appliance/.
- The safety thermo turn-off device will automatically restore the heater operation when the temperature of the appliance falls below the permissible ultimate values.

TIP-OVER PROTECTION

This heater is protected with a safety switch that turns off the appliance automatically when the heater falls over, or is at an excessive angle from the horizontal. This helps prevent accidents, and the heater will back to last set mode when it is put back upright.

CLEANING

- It is compulsory first to turn off the appliance through its power switch and to disconnect it from the power socket. Before starting the cleaning session you should wait until the panel heater cools down in a disconnected state.
- Clean the heater body with damp cloth, vacuum cleaner or a brush.
- Never immerse the appliance into water – there is danger for your life from electric shock!
- Never use gasoline, thinner or hard abrasive products to clean the appliance, because they will damage the appliance coating.

STORAGE

- Before putting the panel heater away let it cool down after you have disconnected it from the power socket
- Use the appliance original packing to store it, if the panel heater will not be in use for a long period of time. By storing the product in its original packing you protect it from excessive dirt and dust accumulation.
- Never put a hot panel heater in its packing!
- It is necessary the product to be stored at a dry and dark place, protected from direct sun light.
- It is explicitly forbidden to store the panel heater in damp and wet premises.

MAINTENANCE OPERATIONS OF THE APPLIANCE

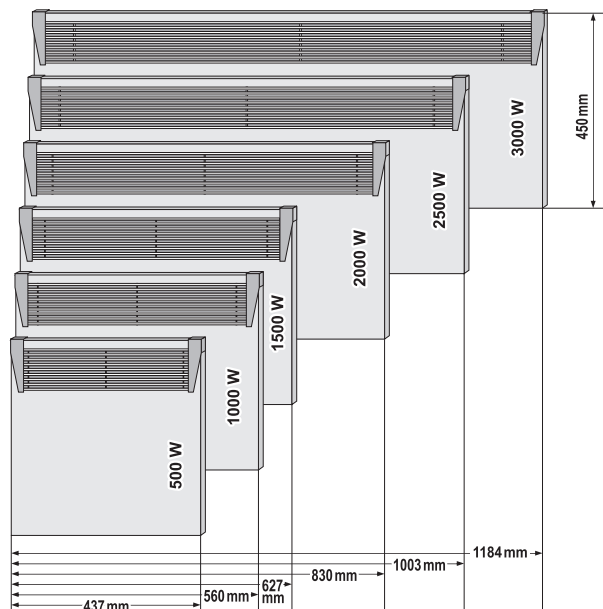
- In case of appliance malfunction, please contact the authorized service center closest to your location. /service centers are indicated in appliance warranty documents/.

- Important:** In case of a claim and/or violation of your consumer rights, please contact the supplier of this appliance at the indicated locations or via the Internet page of the company: www.tesy.com

DIMENSIONS OF HEATED VOLUME AND HEATED AREA OF A ROOM / APPLIANCE MODELS

Model	Heated volume	Heated area
CN 03 050 MIS F - 500W	10* - 15 m ³	4* - 6 m ²
CN 03 100 MIS F - 1000W	20* - 30 m ³	8* - 12 m ²
CN 03 150 MIS F - 1500W	30* - 45 m ³	12* - 18 m ²
CN 03 200 MIS F - 2000W	40* - 60 m ³	16* - 24 m ²
CN 03 250 MIS F - 2500W	50* - 70 m ³	20* - 28 m ²
CN 03 300 MIS F - 3000W	60* - 80 m ³	24* - 32 m ²

* Minimum guaranteed heated volume (area) for heating at an average capacity of heat transmission factor $\lambda=0.5 \text{ W/(m}^2\text{K)}$ for a heated room. Higher values of heated volume (area) can be achieved at an average value of $\lambda=0.35 \text{ W/(m}^2\text{K)}$. Standard height of heated rooms – 2.5 meters.



Environment protection instructions

Obsolete electric appliances contain valuable materials and consequently they should not be treated as domestic waste! We ask for your cooperation and your active contribution to protect the resources and the environment. Please submit your out-of-use appliances to the organized buy-back stations (if there are such).

TABLE 2: INFORMATION REQUIREMENTS FOR ELECTRIC LOCAL SPACE HEATERS

Model identifier(s): 1.CN03 050 MIS F 2. CN03 100 MIS F 3. CN03 150 MIS F 4. CN03 200 MIS F 5. CN03 250 MIS F 6. CN03 300 MIS F 230V~ 50Hz

Item	Symbol	Value 1.	Value 2.	Value 3.	Value 4.	Value 5.	Value 6.	Unit	Item	Unit
Heat output									Type of heat input for electric storage local space heaters only (select one)	
Nominal heat output	P_{nom}	0.50	1.00	1.50	2.00	2.50	3.00	kW	Manual heat charge control, with integrated thermostat	[no]
Minimum heat output (indicative)	P_{min}	0.00	0.00	0.00	0.00	0.00	0.00	kW	Manual heat charge control, with room and/or outdoor temperature feedback	[no]
Maximum continuous heat output (indicative)	$P_{max,C}$	0.50	1.00	1.50	2.00	2.50	3.00	kW	Electric heat charge control, with room and/or outdoor temperature feedback heat charge control, with integrated thermostat	[no]
Auxiliary electricity consumption									Fan assisted heat output	[no]
At nominal heat output	e_{lmax}	0.44	0.91	1.42	1.89	2.41	2.87	kW	Type of heat output/room temperature control (select one)	-
At minimum heat output	e_{lmin}	0.00	0.00	0.00	0.00	0.00	0.00	kW	Single stage heat output and no room temperature control	[no]
In standby mode	e_{lSB}	0.00	0.00	0.00	0.00	0.00	0.00	kW	Two or more manual stages, no room temperature control	[no]
									With mechanic thermostat room temperature control	[yes]
									With electronic room temperature control	[no]
									With electronic room temperature control plus day timer	[no]
									With electronic room temperature control plus week timer	[no]
									Other control options (multiple selections possible)	
									Room temperature control, with presence detection	[no]
									Room temperature control, with open window detection	[no]
									With distance control option	[no]
									With adaptive start control	[no]
									With working time limitation	[no]
									With black bulb sensor	[no]

TESY Ltd

48 Madara Blvd,
Shumen, 9700,
Bulgaria

TROUBLESHOOTING

Prior to contacting the Customer Service Center, please check the items in the table below.

PROBLEM	CAUSE	SOLUTION
The appliance doesn't work	No power supply from the grid. Be sure that the product is plugged in and that the electrical outlet is working.	Plug into the power outlet and check position of the ON/OFF switch.
Room does not get warm enough although the appliance is hot	Appliance overheating. High limit safety cut-out limits heating output.	Eliminate the cause (cover, dirt or obstructions at the air inlet or outlet). Observe minimum clearances according to mounting instructions.
	The heat demand of the room is higher than the appliance output.	Remove heat losses (Close windows and doors. Avoid constant venting.)
	Check if the power of your device is adapted to the size of your room.	Recommended an average of 100 W/m ² for a ceiling height of 2,50m or 30W/m ³
Dirty marks appear on the wall around the device	The dirty marks come as a result of air contamination.	Make sure that some fresh air enters the room regularly, especially if it is used for smoking.
Sounds/Noises	Emitting faint noises during the heating process and shortly after the set temperature is reached, is not something unusual.	Such effect is in result of the natural materials expansions during the rapid temperature increase and following cooling of the metals used for the product manufacturing.
Yellowish stains on the grid	Such stains could be in result of covering the product with wet clothes.	Do not cover the product! Such actions are not allowed, because they block the air convection and will damage the product irreparably, leading to serious risk for your health and properties.

ВАЖНИ ПРЕДПАЗНИ МЕРКИ И ИНСТРУКЦИИ ЗА БЕЗОПАСНОСТ:**ВНИМАНИЕ!**

- Прочетете настоящите инструкции преди да използвате този уред и съхранявайте тези указания за бъдещо ползване. При смяна на собственика, инструкцията за експлоатация трябва да се предава заедно с уреда.
- **ВНИМАНИЕ:** Деца на по-малко от 3 години, трябва да се държат на разстояние, освен ако не са под непрекъснато наблюдение.
Деца на възраст от 3 години до 8 години могат само да използват бутона вкл./изкл. на уреда, при условие, че уреда е инсталиран и е готов за нормална работа и са били наблюдавани и инструктирани относно използването му по безопасен начин и разбират, че може да е опасно.
Деца на възраст от 3 години до 8 години не трябва да включват уреда в контакта, да го настройват, да го почистват или да извършват потребителска поддръжка.
Този уред може да се използва от деца на възраст над 8 години и лица с ограничени физически, сетивни или умствени способности, или с недостатъчен опит и познания, ако те са наблюдавани или инструктирани относно безопасното използване на уреда и разбират опасностите. Децата не трябва да си играят с уреда. Почистване и потребителска поддръжка не трябва да се прави от деца без наблюдение.
- **ВНИМАНИЕ:** Някои части на този продукт може да станат много горещи и да предизвикат изгаряния. Там където, присъстват деца и уязвими хора, трябва да бъде предоставено специално внимание



- **ПРЕДУПРЕЖДЕНИЕ:** За да се избегне прегряване, не покривайте уреда!
- Уреда не трябва да се поставя непосредствено под щепселна кутия!
- Когато хранящият шнур се повреди, той трябва да се замени от производителя или негов сервизен представител, или подобно квалифицирано лице, за да се избегне опасност.
- Преди да включите уреда – проверете дали посоченото напрежение върху типовата табелка съответства на напрежението доставяно до дома Ви.
- Този уред трябва да се използва само по предназначението, за което е бил предвиден, т.е. да отоплява битови помещения. Уреда не е предназначен за търговски цели. Всяка различна употреба да се счита за неправилна и следователно опасна. Производителят не може да носи отговорност за повреди, произтичащи от неправилна и неразумна употреба. Неспазване на информацията за безопасност ще направи невалидна поетата гаранция за уреда!
- Не напускайте дома си, докато уреда е включен: уверете се, че ключа е в изключено положение (отнася се за конвектор с механично управление).
- Дръжте запалими предмети, като мебели, възглавници, спално бельо, хартия, дрехи, пердета и т.н. на разстояние от поне 100 см далеч от конвектора.
- Не използвайте уреда, където се използват или съхраняват запалими вещества (например: в близост до запалими газове или аерозоли) - съществува много голяма опасност от експлозия и пожар!
- Не вкарвайте и не допускайте чужди тела да попаднат в отворите за вентилация (входящи или изходящи), тъй като това ще причини токов удар, пожар или повреда в конвектора.
- Уреда не е подходящ за отглеждане на животни, и същия е предвиден само за домашно ползване!
- Не покривайте предпазните решетки, не блокирайте влизането или излизането на въздушния поток, като поставяте уреда срещу дадена повърхност. Всички предмети трябва да са на разстояние поне 1 метър от уреда отпред и странично.
- Най-често срещаната причина за прегряване е натрупването на мърс и прах в уреда. Редовно почиствайте с прахосмукачка вентилационните отвори, като преди това задължително изключите уреда от електрическата мрежа.
- Никога не пипайте уреда с мокри или влажни ръце - съществува опасност за живота!
- Контактът трябва да бъде достъпен по всяко време, за да може щепсела да бъде освобождаван при нужда възможно най-бързо! Никога не

теглете хранящия шнур или самия уред при изключване от мрежата.

- Обърнете внимание! Изходящия въздух се загрева по време на работа (до повече от 100°C).
- Ако решите да престанете да използвате уред от този тип, препоръчва се да го направите неизползваем, като срежете шнура, след като сте го изключили от мрежата. Препоръчва се още всички опасности, свързани с уреда да бъдат обезопасени, особено за деца, които биха могли да използват амортизираното устройство (уред) за игра.
- Внимание: Не използвайте този уред с програматор, брояч или друг уред който автоматично го включва тъй като, ако уреда е покрит или неправилно поставен съществува опасност от пожар.
- Поставете хранящия шнур, така че да не пречи на движението на хората и да не бъде настъпван! Използвайте само одобрени удължители, които са подходящи за уреда, т.е. имат знак за съответствие!
- Никога не премествайте уреда, като го дърпате за шнура както и не използвайте шнура за пренасяне на предмети!
- Не пречупвайте шнура и не го дърпайте през остри ръбове и не го поставяйте върху горещи плочи или открит огън!

ОПАКОВКА

- След разопаковане на уреда, проверете дали при транспортирането не е увреден и дали е напълно окомплектован! В случай че бъде констатирана повреда или непълна доставка, свържете се с Вашия упълномощен продавач!
- Не изхвърляйте оригиналната кутия! Тя би могла да се използва за съхранение и транспортиране, за да се избегнат повреди от превозването!
- Изхвърлянето на опаковъчния материал трябва да става по подходящ начин! Децата трябва да се пазят да не си играят с полиетиленовите торби!

ИНСТРУКЦИЯ УПОТРЕБА И МОНТАЖ НА КОМПЛЕКТ КРАКА

- Този конвектор е проектиран за ползване в закрити помещения.

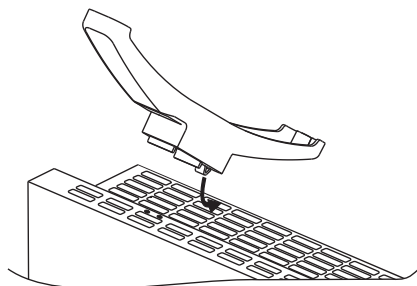


Според регламент на ЕС 2015/1188 за прилагане на Директива 2009/125/ЕО този електрически отоплителен уред не е предназначен за монтаж на стена!



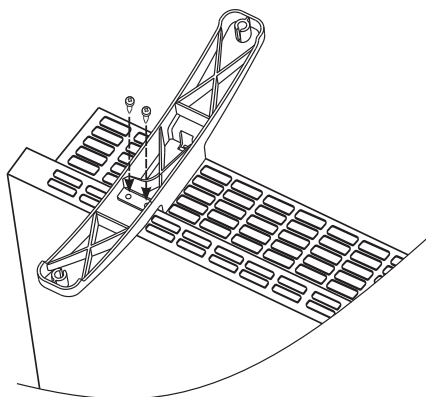
Важно: При помещения с обем над 45 м³ е препоръчително използването на комбинация от 2 и повече конвектора

- Не поставяйте конвектора под електрически контакт или свързваща кутия.
- Не монтирайте/използвайте конвектора
 1. на място, където има тяга, за да не се въздейства на контролните настройки
 2. непосредствено под електрически контакт;
 3. в пространство 1 (volume 1) за бани;
 4. в пространство 2 (volume 2), ако контролното табло може да бъде достигнато от човек, който е под душа или във ваната;
- Преди да пристъпите към монтаж на комплекта проверете дали конвектора е изключен от контакта!
- Краката се монтира във входящите отвори за въздух – коректно е да се монтира в двата края на конвектора, симетрично – на еднакво отстояние от краищата на конвектора. За целта – на всеки конвектор има оставени 2x2 отвора.



- Поставете единият крак – като вкарате първо по-високата част на крака в конвектора (заставите срещу лицевата част на конвектора) – частта е по ниска спрямо предния метален панел. След това вземете кръстатата отвертка (не се предлага в комплекта) и завийте двата осигурителни винта 3.5x9.5мм. Винта преминава през пластмасовия крак и се завива в металната кутия на конвектора. Повторете операцията и за втория крак.

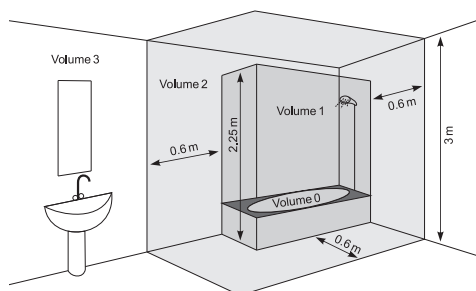
- Съединението е надеждно свързано ако след монтажа конвектора се постави на пода и същия стои хоризонтално. Не използвайте захранващия шнур като въже за дърпане, преместването се осъществява при „студен“ конвектор.



- Поставете конвектора с монтираните крака на пода и преди да включите проверете дали са изпълнени условията за използване от началото на инструкцията та (предпазни мерки и важни условия за ползване на конвектора). Правилната позиция е – командния панел да бъде отгоре на конвектора, а краката да са на пода.

ИЗПОЛЗВАНЕ В БАНЯ

- Конвекторът, трябва да бъде монтирана съобразно с нормалната търговска практика и в съгласие със законодателството на съответната страна (директивите за електричество на ЕО и изискванията за специални монтаж или места включващи бани, или душ кабини HD60364-7-701 (IEC 60364-7-701:2006)).



- Ако този конвектор бъде използван в баня или друго подобно помещение, трябва да бъдат спазени следното изисквания при инсталиране: Конвекторът е със защита IP24(защита от пръски вода). Поради този факт трябва да се монтира в пространство 2 (volume2) (виж схема по-долу), за да се избегне възможността от това контролното табло(ключ и терморегулатор) на конвектора да бъде достигнато от човек, който е под душа или във ваната. Минималното разстояние от уреда до воден източник трябва да бъде не по малко от 1метър! Ако не сте сигурни относно инсталирането на този конвектор в помещението за баня, ние препоръчваме да се консултирате с професионален електротехник.

Забележка: ако не могат да се изпълнят посочените по-горе условия се препоръчва монтажа да се осъществи в пространство 3(VOLUME 3)

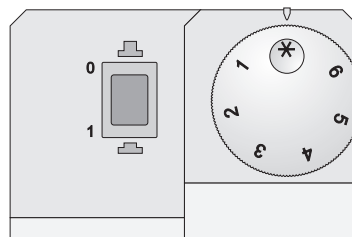
- Във влажни помещения(бани и кухни) източника на захранване трябва да е монтиран на височина минимум 25см от пода
- Инсталацията трябва да бъде снабдена с автоматичен предпазител, при който разстоянието между контактите когато е изключен трябва да бъде най-малко 3мм.

Благодарим Ви, че избрахте конвектор CN03. Това е изделие, което предлага отопление през зимата в зависимост от нуждите за постигане на комфортна топлина в отопляемото помещение. При правилна експлоатация и грижа, както е описано в тези инструкции, уредът ще Ви осигури много години полезно функциониране.

ИНСТРУКЦИЯ ЗА ЕКСПЛОАТАЦИЯ

МЕХАНИЧНО УПРАВЛЕНИЕ

Режими на работа



Включете конвекторът, натиснете Ключът в положение "I" (Включено), после завъртете регулатора на желаната от Вас степен / от 1 до 6 / като отчитате следното съотношение в степените:

* – режим против замръзване /активира се когато температурата в помещението падне под 5°C

1 / 2 – икономичен режим / за поддържане на ниска температура в помещението/ този режим е препоръчително да се използва през нощта или при отсъствие на хора в помещението. Даденият режим позволява да се поддържа определена температура в условията на икономия на енергия.

3 / 4 / 5 – комфортен режим / за поддържане на умерена температура в помещението / този режим е препоръчително да се използва за поддържането на относително висока комфортна дневна температура в помещението.

6 – максимален режим / за поддържане на ВИСОКА температура в помещението / Този режим е препоръчително да се използва когато ви е необходимо максимално висока температура на помещението.

Важно: Цифрите на регулатора на температурата не съответстват на конкретна величина на температурата в помещението а служат за практическо запаметяване на съответствието между температура и показание на регулатора.

Когато температурата в помещението е по-ниска от тази която сте настроили с помощта на регулатора, конвекторът стартира работа си и ще работи до момента когато температурата в помещението достигне зададената стойност. Когато температурата в помещението е по-висока от зададената с регулатора стойност, конвекторът автоматично ще се превключи в режим на „Готовност за включване“.

ЗАЩИТА

- Уредът е снабден с предпазен термоизключвател, който автоматично изключва нагревателя в случаите на повишение на температурата в конвектора над допустимите стойности /т.нар. прегряване на уреда/.
- Предпазният термоизключвател автоматично възстановява работата на конвектора,едва когато температурата на уреда падне под допустимите пределни стойности.

ЗАЩИТА СРЕЩУ ПРЕОБРЪЩАНЕ

Този отоплителен уред е защитен посредством предпазен изключвател, който автоматично изключва уреда, когато уредът падне или се намира под прекалено голям ъгъл от хоризонталата. По този начин се избягват инциденти, а след като бъде отново изправен, уредът ще продължи да работи в последно зададения режим.

ПОЧИСТВАНЕ

- Задължително първо изключете уреда от ключа и извадете щепсела от контакта в стената. Преди да започнете да почиствате конвектора, оставете го да изстине като го изключите от контакта
- Почиствайте корпуса с влажна кърпа, прахосмукачка или четка .
- Никога не потапяйте уреда във вода - съществува опасност за живота от токов удар!
- Никога не използвайте бензин, разрежител или груби абразивни продукти за почистване, тъй като те ще повредят покритието на уреда

СЪХРАНЕНИЕ

- Преди да приберете конвектора, оставете го да изстине като го изключите от контакта
- Използвайте оригиналната опаковка за съхранение на конвектора ако същия няма да се използва за известно време. Продукта се предпазва от прекомерно запращаване и замърсяване като се прибира в оригиналната си опаковка.
- Никога не прибирайте топъл уред в опаковка му!
- Продукта е необходимо да се съхранява в сухо и защитено от пряка слънчева светлина местоположение.

- Изрично се забранява неговото съхраняване във влажни или мокри помещения.

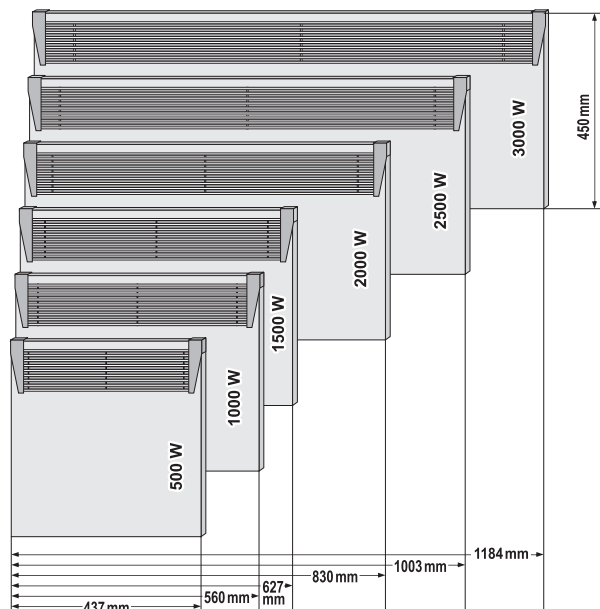
СЕРВИЗНА ПОДДРЪЖКА НА УРЕДА

- В случай на неизправност на уреда, моля свържете се с най-близкият до Вас оторизиран сервиз. /посочени са в гаранционната карта на изделието/.
- Важно:** В случай на рекламация и/или нарушаване на Вашите права като потребител, моля свържете се с доставчика на този уред на посочените адреси или чрез интернет страницата на компанията: www.tesy.com

РАЗМЕРИ НА УРЕДА, ОТОПЛЯЕМ ОБЕМ И ПЛОЩ В ПОМЕЩЕНИЕ

Модел	Отопляем обем	Отопляема площ
CN 03 050 MIS F - 500W	10* - 15 m ³	4* - 6 m ²
CN 03 100 MIS F - 1000W	20* - 30 m ³	8* - 12 m ²
CN 03 150 MIS F - 1500W	30* - 45 m ³	12* - 18 m ²
CN 03 200 MIS F - 2000W	40* - 60 m ³	16* - 24 m ²
CN 03 250 MIS F - 2500W	50* - 70 m ³	20* - 28 m ²
CN 03 300 MIS F - 3000W	60* - 80 m ³	24* - 32 m ²

* Минимален гарантиран отопляем обем(площ) за отопление при среден коефициент на топлопроводимост λ=0.5 W/(m2K) за отопляемото помещение. По високите стойности за отопляемия обем(площ) се постигат при средна стойност на λ=0.35 W/(m2K). Стандартна височина на помещението – 2,5 метра.



Указания за опазване на околната среда

Старите електроуреди съдържат ценни материали и поради това не трябва да се изхвърлят заедно с битовата смет! Молим Ви да съдействате с активния си принос за опазване на ресурсите и околната среда и да предоставите уреда в организирани изкупвателни пунктове(ако има такива).

ТАБЛИЦА 2: ИЗИСКВАНИЯ КЪМ ИНФОРМАЦИЯТА ЗА ЕЛЕКТРИЧЕСКИ ЛОКАЛНИ ОТОПИТЕЛНИ ТОПЛОИЗТОЧНИЦИ

Идентификатори на модела: 1.CN03 050 MIS F 2. CN03 100 MIS F 3. CN03 150 MIS F 4. CN03 200 MIS F 5. CN03 250 MIS F 6. CN03 300 MIS F 230V~ 50Hz

Позиция	Символ	Стойност 1.	Стойност 2.	Стойност 3.	Стойност 4.	Стойност 5.	Стойност 6.	Мерна единица	Позиция	Мерна единица
Топлинна мощност									Вид топлинно зареждане, само за електрически акумулиращи локални отоплителни топлоизточници (изберете един)	
Номинална топлинна мощност	P _{nom}	0.50	1.00	1.50	2.00	2.50	3.00	kW	ръчен регулатор на топлинното зареждане с вграден термостат	[не]
Минимална топлинна мощност	P _{min}	0.00	0.00	0.00	0.00	0.00	0.00	kW	ръчен регулатор на топлинното зареждане с обратна връзка за температурата в помещението и/или навън	[не]
Максимална непрекъсната топлинна мощност	P _{max,C}	0.50	1.00	1.50	2.00	2.50	3.00	kW	електронен регулатор на топлинното зареждане с обратна връзка за температурата в помещението и/или навън	[не]
Спомагателно потребление на електроенергия									отдавана чрез обдуване топлинна енергия	[не]
При номинална топлинна мощност	e _{lmax}	0.44	0.91	1.42	1.89	2.41	2.87	kW	Вид топлинна мощност/регулиране на температурата в помещението (изберете един) -	
При минимална топлинна мощност	e _{lmin}	0.00	0.00	0.00	0.00	0.00	0.00	kW	една степен на топлинна мощност и без регулиране на температурата в помещението	[не]
В режим готовност	e _{l SB}	0.00	0.00	0.00	0.00	0.00	0.00	kW	Две или повече ръчни степени, без регулиране на температурата на помещението	[не]
									с механичен термостат за регулиране на температурата в помещението	[да]
									с електронен регулатор на температурата в помещението	[не]
									електронен регулатор на температурата в помещението и денонощен таймер	[не]
									електронен регулатор на температурата в помещението и седмичен таймер	[не]
									Други варианти за регулиране (възможен е повече от един избор)	
									регулиране на температурата в помещението с откриване на човешко присъствие	[не]
									регулиране на температурата в помещението с откриване на отворен прозорец	[не]
									с възможност за дистанционно управление	[не]
									с адаптивно управление на пускането в действие	[не]
									с ограничение на времето за работа	[не]
									с датчик във вид на черна полусфера	[не]

ТЕСИ ООД
бул.Мадара 48,
Шумен, 9700,
България v

ОТСТРАНЯВАНЕ НА НЕИЗПРАВНОСТИ

Преди да се свържете с Центъра за обслужване на клиенти, прегледайте съветите в таблицата по-долу.

ПРОБЛЕМ	ПРИЧИНА	РЕШЕНИЕ
Уредът не работи	Няма захранване от мрежата. Уверете се, че уредът е включен в контакт и електрическият контакт работи.	Включете щепселът в контакт и проверете позицията на превключвателя ON/OFF (включен/изключен).
Помещението не се затопля достатъчно, въпреки че уредът е горещ	Прегряване на уреда. Предпазният ограничител за прегряване ограничава отделянето на топлина.	Отстранете причината (покривало, замърсяване или запушване на входа или изхода за въздух). Спазвайте минималните отстояния около уреда, посочени в инструкциите за монтаж.
	Необходимостта от топлина в помещението е по-висока от излъчваната от уреда.	Елиминирайте топлинните загуби. (Затворете прозорци и врати. Избягвайте постоянното проветряване.)
	Проверете дали мощността на вашето устройство е адаптирана към размера на помещението.	Препоръчителната мощност е средно 100 W/m ² за височина на тавана 2.50 m или 30 W/m ³
На стената до уреда се появяват замърсявания	Замърсяванията на стената се появяват в резултат на замърсяване на въздуха.	Уверете се, че помещението редовно се проветрява със свеж въздух, особено ако в него се пуши.
Звуци/шумове	Издаването на слаби звуци по време на нагряване както и скоро след достигането на зададената температура не е нещо необичайно.	Този ефект е в резултат от естественото разширяване на материалите при бързото повишение на температурата и последващото охлаждане на металите, използвани при производството на уреда.
Жълтеникави петна по решетката	Подобни петна може да са в резултат от покриването на уреда с влажни дрежи.	Не покривайте продукта! Това не е позволено, тъй като така се блокира конвекцията на въздуха и това причинява непоправимо повреждане на уреда, което може да доведе до сериозен риск за вашето здраве и имущество.

PRECAUȚII IMPORTANTE ȘI INSTRUCȚIUNI DE SIGURANȚĂ:**PRUDENȚĂ!**

- Citiți instrucțiunile de utilizare înainte de utilizarea produsului. Păstrați instrucțiunile de utilizare pe toată durata de viață a produsului, pentru eventuale consultări ulterioare. La schimbarea proprietarului, instrucțiunile trebuie să fie transmise, împreună cu aparatul!

- PRUDENȚĂ:** Copiii mai mici de 3 ani, trebui să fie ținute departe, cu excepția cazului în care acestea sunt sub supraveghere constantă.

Copiii în vârstă între 3 și 8 ani pot folosi doar butonul porn./opr. a aparatului cu condiția ca aparatul este instalat și este gata pentru funcționarea normală și au fost monitorizate și instruite cu privire la utilizarea acestuia în condiții de siguranță și înțeleg că ar putea fi periculos. Copiii în vârstă între 3 și 8 ani nu trebuie să sa pună cablul aparatului în priză, să-l seteze sau să efectueze întreținerea.

Acest aparat nu este destinat utilizării de către persoane (inclusiv copii mici), cu capacități fizice, senzoriale sau mentale reduse, precum și lipsa de experiență și cunoștințe cu excepția cazului în care au văzut sau au fost dat instrucțiuni cu privire la utilizarea aparatului de către o persoană responsabilă pentru siguranța lor! Nu lăsați copiii mici să se joace cu aparatul! Curățarea și întreținerea nu trebuie să fie făcută de către copii nesupravegheați.

- PRUDENȚĂ:** Unele părți acestui aparat pot deveni foarte fierbinți și pot cauza arsuri. Acolo unde sunt copii și persoanele vulnerabile trebuie să se acorde o atenție deosebită.



- ATENȚIE:** Pentru a evita supraîncălzirea, nu acoperiți aparatul!
- Aparatul nu trebuie să fie așezat direct sub cutia prizei!
- În cazul în care cablul de alimentare este deteriorat, acesta trebuie înlocuit de producător, agentul de service sau de persoane calificate în mod similar, pentru a evita un pericol.
- Înainte de a porni aparatul - verificați dacă tensiunea de pe plăcuța de tip corespunde tensiunii furnizate la casă dumneavoastră.
- Acest aparat trebuie folosit numai în scopul pentru care au fost achiziționate, și anume a încălzi camere de utilitate. Aparatul nu este destinat pentru scopuri comerciale. Orice altă utilizare poate fi considerată improprie și, prin urmare, periculoasă. Producătorul nu poate fi tras la răspundere pentru pagubele rezultate din utilizarea incorectă și nerezonabilă. Nerespectarea informațiilor de siguranță va face garanția aparatului la care sunt montate picioarele, nevalabilă!
- Nu plecați de acasă în timp ce aparatul este pornit: asigurați-vă că comutatorul este în poziția oprit (se referă la convectorul cu operare automată).
- Păstrați o distanță între convectorul și obiectele inflamabile, cum ar fi mobila, perne, lenjerie de pat, hârtie, îmbrăcăminte, perdele, de cel puțin 100 de cm de la convector.
- Nu utilizați aparatul în zonele în care sunt utilizate sau depozitate substanțe inflamabile. În apropierea gazelor inflamabile sau aerosolilor - există un pericol extrem de explozie și incendiu!
- Nu introduceți sau nu permite obiecte străine să cadă în orificiile de ventilație (de intrare sau de ieșire), deoarece acest lucru va provoca un șoc electric, incendiu sau deteriorare a ventilatorului.
- Aparatul nu este potrivit pentru utilizare în creșterea animalelor, acesta este destinat numai pentru uz casnic!
- Nu acoperiți grilele de siguranță, nu blocați intrarea fluxului de aer prin așezarea aparatului vizavi de orice suprafață. Toate elementele trebuie să fie de cel puțin 1 metru distanță față de unitatea și lateral.
- Cea mai frecventă cauză de supraîncălzire este acumularea de scame și praf în unitate. Curățați regulat cu aspirator orificiile de ventilație, dar înainte de aceasta scoateți aparatul de la rețeaua de alimentare.
- Nu atingeți aparatul cu mâini ude - există pericol pentru viață!
- Priză trebuie să fie ușor accesibilă pentru a scoate ștecherul când este nevoie cât mai repede posibil! Nu trageți niciodată de cablul de alimentare sau de aparatul pentru a-l deconecta de la priză.
- ATENȚIE!** Aerul de evacuare este încălzit în timpul funcționării (mai mult de 100°C).
- Dacă decideți să nu mai utilizați un dispozitiv de acest tip, se recomandă să - faceți inutilizabil, să tăiați cablul, după ce l-ați deconectat de la sursa de alimentare. Se recomandă toate pericolele asociate cu aparatul să fie protejate, în special pentru copiii care ar putea folosi dispozitivul amortizat (dispozitiv) pentru a se juca cu el.

- ATENȚIE:** Nu conectați aparatul la un cronometru, programator sau orice alt dispozitiv care conectează aparatul automat, pentru că există riscul de a lua foc dacă aeroterma este acoperită sau poziționată incorect.
- Conectați cablul de alimentare astfel încât să nu împiedice circulația persoanelor și să nu fie călcat! Utilizați numai prelungitoare aprobate, care sunt adecvate pentru acest instrument, adică au semn de conformitate!
- Niciodată nu mutați aparatul trăgând de cablu și nu utilizați cablul pentru a transporta obiecte!
- Nu striviți cablul și nu-l trageți peste muchii ascuțite. Nu-l amplasați deasupra unor plite încinse sau deasupra flăcărilor!

AMBALAJ

- După despachetarea aparatului, verii cați integralitatea acestuia și existența unor eventuale deteriorări apărute la transport. În cazul constatării unei deteriorări sau al unei livrări incomplete, contactați distribuitorul autorizat!
- Nu aruncați cutia originală! Aceasta poate fi utilizată la depozitare și mutare pentru evitarea deteriorărilor la transport!
- Evacuați materialul ambalajului la deșeurile într-un mod corespunzător! Nu lăsați pungile de plastic la îndemâna copiilor!

INSTRUCȚIUNI DE UTILIZARE ȘI MONTARE A SETULUI DE PICIOARE

- Acest aparat de încălzire este conceput pentru a fi folosit în interior.

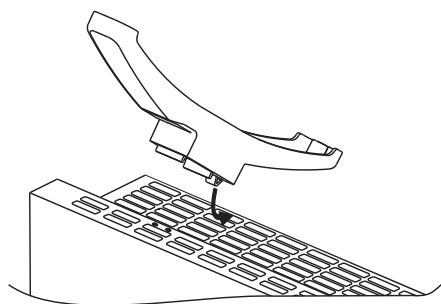


În conformitate cu Regulamentul UE 2015/1188 de punere în aplicare a Directivei 2009/125/CE, acest aparat de încălzire electric nu este destinat pentru montarea pe perete!

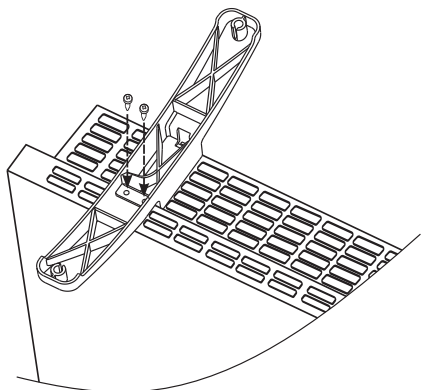


Important: În încăperi cu un volum de peste 45 m³ este recomandat să utilizați o combinație de 2 sau mai multe convectoroare.

- Nu așezați aparatul sub priză electrică sau cutie de conexiuni.
- Nu montați/folosiți convectorul
 - în locuri unde există tracțiune, care ar putea influența setările de control
 - imediat sub priză electrică;
 - în zona 1 (volum 1) pentru băi;
 - în zona 2 (volum 2), dacă panoul de control poate fi accesat de persoana, care este în duș sau baie;
- Înainte de a începe asamblarea setului, verificați dacă convectorul este scos din priză!
- Picioarele se montează în deschiderile de admisie a aerului - se montează corect în ambele capete ale convectorului, simetric - la distanță egală de la capetele convectorului. Pentru acest scop - fiecare convector are 2x2 deschideri.



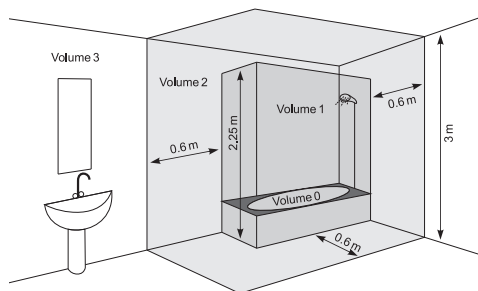
- Puneți primul picior - introduceți întâi partea mai înaltă a piciorului în convectorul (stați în partea frontală a convectorului) - partea este mai joasă față de panoul frontal metal. După ce luați o șurubelniță (nu este inclusă în set) și strângeți cele două șuruburi de siguranță 3.5x9.5 mm. Șurubul trece prin piciorul de plastic și înșurubează în cutia metalică a convectorului. Se repetă pentru al doilea picior.
- Asamblarea este fidelă, dacă după montarea convectorului se pune pe podea și acesta stă orizontal. Nu utilizați cablul de alimentare ca o funie de trager, mutarea se face când convectorul este „rece”.



- Așezați convectorul cu picioarele montate pe podea și înainte de a porni verificați dacă au fost respectate condițiile instrucțiunilor de mai sus (măsurile de precauție și condiții importante de folosire a convectorului). Poziția corectă este – panoul de comandă să fie deasupra convectorului!

FOLOSIRE ÎN BAIE

- Convectorul trebuie să fie montat în conformitate cu practica comercială normală și în conformitate cu legile țării (directive pentru energie electrică și cerințele CE pentru instalații speciale sau locații, inclusiv bai sau cabine de dușuri HD60364-7-701 (IEC 60364-7-701:2006)).



- Dacă acest convector va fi folosit în băi sau alte încăperi similare, la montare trebuie să fie îndeplinite următoarele cerințe: Convectorul este cu protecție IP24 (protecție împotriva stropirii cu apă). Datorită acestui fapt trebuie să fie montat într-o încăpere (volume 2) (vezi schema de mai jos) pentru a evita posibilitatea panoul de control (comutator și termostat) a convectorului să fie ajuns de persoana care se află în duș sau cadă. Distanța minimă de la unitatea la o sursă de apă ar trebui să fie de cel puțin 1m! Dacă nu sunteți sigur cu privire la modul de instalare a acestui convector în baie, vă recomandăm să consultați un electrician profesionist.

Nota: în cazul în care condițiile menționate mai-sus nu pot fi îndeplinite se recomandă montarea aparatului să fie realizată în spațiul 3 (VOLUME 3).

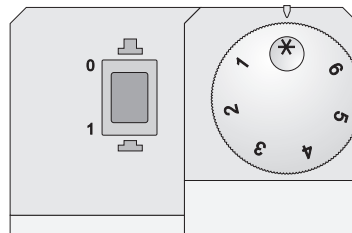
- În camerele umede (bai și bucătării), sursa de alimentare trebuie să fie instalate la o înălțime de cel puțin 25 cm de la podea.
- Instalația electrică la care se conectează aparatul trebuie să fie dotată cu o siguranță automată, la care distanța între contactele, atunci când este oprit, trebuie să fie cel puțin 3 mm.

Vă mulțumim pentru alegerea convectorului CN03. Acest produs oferă căldura confortabilă în timpul iernii în funcție de nevoile de încălzire a încăperii încălzite. Cu utilizare și îngrijire adecvată, așa cum este descris în aceste instrucțiuni, unitatea vă va oferi mulți ani de funcționare utilă.

INSTRUCIUNI DE EXPLOATARE

CONTROL MECANIC

Moduri de lucru



Porniți convectorul, apăsați Cheia în poziția "I" (Pornit), după ce rotiți comutatorul în poziția dorită de Dvs. /de la 1 la 6/, luând în considerare următorul raport al pozițiilor:

* – mod antiîngheț / se activează când temperatura camerei scade sub 5°C

1 / 2 – mod economic / pentru menținerea temperaturii joase în încăpere/ acest mod se recomandă să fie utilizat noapte sau în absența de persoane în cameră. Acest mod permite menținerea unei anumite temperaturi în condiții de economisire a energiei.

3 / 4 / 5 – mod confort / pentru menținerea unei temperaturi moderate / acest mod se recomandă a fi utilizat pentru menținerea unei temperaturi de zi relativ mare în încăpere.

6 – mod maxim/ pentru menținerea unei temperaturi ridicate în încăpere/ Acest mod se recomandă a fi folosit atunci când aveți nevoie de o temperatură maxim ridicată a camerei.

Important: Numerele din controlul temperaturii nu corespund valorii specifică a temperaturii camerei și servesc pentru a memorarea corelației dintre temperatura și indicațiile regulatorului.

Când temperatura camerei este mai mică decât cea pe care ați setat cu ajutorul regulatorului, convectorul va începe să funcționeze și va continua până când temperatura camerei ajunge la valoarea setată. Când temperatura camerei este mai mare decât valoarea setată, convectorul va comuta automat la modul "Gata pentru pornire".

PROTECȚIE

- Aparatul este echipat cu un termostat de siguranță care oprește automat încălzitorul în cazul de creștere a temperaturii convectorului peste valorile admisibile /supraîncălzirea aparatului/.
- Termostatul de siguranță resetează automat convectorul numai atunci când temperatura aparatului scade sub limitele admise.

PROTECȚIA ÎMPOTRIVA RĂSTURNĂRII

Acest aparat de încălzire este protejat printr-un comutator de siguranță care automat oprește dispozitivul atunci când dispozitivul cade sau este mult înclinat față de orizontală. Astfel este posibilă evitarea unor accidente, iar după ce este ridicat, aparatul va continua să funcționeze în ultimul mod în care a fost setat.

CURĂȚARE

- În primul rând opriți aparatul de la comutator și deconectați cablul de alimentare de la priza. Înainte de a curăța convectorul, lăsați-l să se răcească, după ce l-ați deconectat de priza.
- Curățați carcasa cu o cârpă umedă, praful acumulat cu aspirator sau o perie.
- Nu scufundați niciodată aparatul în apă - există pericol pentru viața de șoc electric!
- Nu utilizați niciodată benzină, diluant sau produse abrazive de curățare, deoarece acestea vor deteriora finisajul aparatului.

DEPOZITARE

- Înainte de a curăța convectorul, lăsați-l să se răcească, după ce l-ați deconectat de priza
- Folosiți ambalajul original de depozitare a convectorului, dacă acesta nu va fi utilizat o perioadă lungă de timp Produsul este protejat de praf și murdărie când este depozitat în ambalajul original.
- Nu depozitați aparatul cald în ambalajul său!
- Produsul trebuie să fie depozitat în locuri uscate și protejate de lumina directă a soarelui.
- Se interzice în mod expres depozitarea aparatului în zone umede sau ude.

ÎNȚREȚINERE DE SERVICIU A APARATULUI

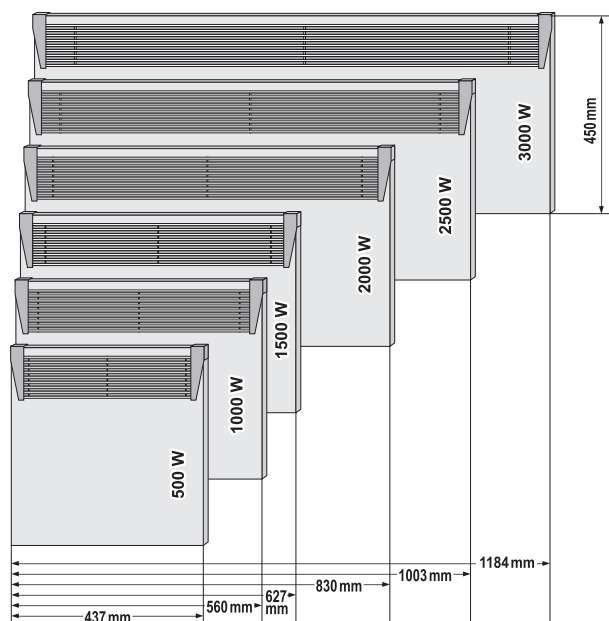
- În caz de defecțiune a aparatului, vă rugăm să contactați cel mai apropiat centru de service autorizat. / Specificat în certificatul de garanție al produsului/.

- Important:** În cazuri de reclamații și/sau încălcarea a drepturilor Dumneavoastră de consumator, vă rugăm să contactați furnizorul acestui aparat la adresele menționate sau prin intermediul site-ului companiei www.tesy.com

DIMENSIUNILE APARATULUI, VOLUMUL ȘI SUPRAFAȚA ÎNCĂLZITĂ A ÎNCĂPERII

Model	Voluim încălzit	Suprafața încălzită
CN 03 050 MIS F - 500W	10* - 15 m ³	4* - 6 m ²
CN 03 100 MIS F - 1000W	20* - 30 m ³	8* - 12 m ²
CN 03 150 MIS F - 1500W	30* - 45 m ³	12* - 18 m ²
CN 03 200 MIS F - 2000W	40* - 60 m ³	16* - 24 m ²
CN 03 250 MIS F - 2500W	50* - 70 m ³	20* - 28 m ²
CN 03 300 MIS F - 3000W	60* - 80 m ³	24* - 32 m ²

* Volumul (suprafața) încălzit minim garantat de încălzire la un coeficient mediu de conductivitate termică $\lambda = 0,5 \text{ W} / (\text{m}^2\text{K})$ pentru încăperea încălzită. La valori ridicate pentru volumul (suprafața) încălzită se realizează la o valoare medie de $\lambda = 0,35 \text{ W} / (\text{m}^2\text{K})$. Înălțimea standard a încăperilor - 2,5 metri.



Atenție: Pentru a evita supraîncălzirea, nu acoperiți aparatul!

Aparatele electrice uzate sunt materiale valoroase, motiv pentru care locul lor nu este la gunoierul menajer! Din această cauză, vă rugăm să ne sprijiniți și să participați la protejerea resurselor naturale și a mediului înconjurător, prin predarea acestui aparat la centrele de preluare a acestora.

TABELUL 2 CERINȚE PRIVIND INFORMAȚIILE REFERITOARE LA APARATELE ELECTRICE PENTRU ÎNCĂLZIRE LOCALĂ

Identificatorul de model(e): 1.CN03 050 MIS F 2. CN03 100 MIS F 3. CN03 150 MIS F 4. CN03 200 MIS F 5. CN03 250 MIS F 6. CN03 300 MIS F 230V~ 50Hz

Parametru	Simbol	Valoare 1.	Valoare 2.	Valoare 3.	Valoare 4.	Valoare 5.	Valoare 6.	Unitate	Parametru	Unitate
Puterea termică									Modul de acumulare a căldurii, numai în cazul aparatelor electrice pentru încălzire locală cu acumulator de căldură (alegeți o variantă)	
Puterea termică nominală	P_{nom}	0.50	1.00	1.50	2.00	2.50	3.00	kW	control manual al sarcinii termice, cu termostat integrat	[nu]
Puterea termică minimă (cu titlu indicativ)	P_{min}	0.00	0.00	0.00	0.00	0.00	0.00	kW	control manual al sarcinii termice, ca răspuns la temperatura camerei și/sau exterioară	[nu]
Puterea termică maximă continuă	$P_{max,C}$	0.50	1.00	1.50	2.00	2.50	3.00	kW	control electronic al sarcinii termice, ca răspuns la temperatura camerei și/sau exterioară	[nu]
Consumul auxiliar de energie electrică									putere termică comandată de ventilator	[nu]
La putere termică nominală	e_{lmax}	0.44	0.91	1.42	1.89	2.41	2.87	kW	Tip de putere termică/controlul temperaturii camerei (selecțiați o variantă)	-
La putere termică minimă	e_{lmin}	0.00	0.00	0.00	0.00	0.00	0.00	kW	cu o singură treaptă de putere termică și fără controlul temperaturii camerei	[nu]
În modul standby	e_{lSB}	0.00	0.00	0.00	0.00	0.00	0.00	kW	două sau mai multe trepte de putere manuale, fără controlul temperaturii camerei	[nu]
									cu controlul temperaturii camerei prin intermediul unui termostat mecanic	[da]
									cu control electronic al temperaturii camerei	[nu]
									cu control electronic al temperaturii camerei și cu temporizator cu programare zilnică	[nu]
									cu control electronic al temperaturii camerei și cu temporizator cu programare săptămânală	[nu]
									Alte opțiuni de control (se pot selecta mai multe variante)	
									controlul temperaturii camerei, cu detectarea prezenței	[nu]
									controlul temperaturii camerei, cu detectarea unei ferestre deschise	[nu]
									cu opțiune de control la distanță	[nu]
									cu demaraj adaptabil	[nu]
									cu limitarea timpului de funcționare	[nu]
									cu senzor cu bulb negru	[nu]

TESY Ltd

48 Madara Blvd,
Shumen, 9700,
Bulgaria

DEPANARE

Înainte de a contacta Centrul de servicii pentru clienți, consultați sfaturile din tabelul de mai jos.

PROBLEM	CAUZĂ	SOLUȚIE
Aparatul nu funcționează	Nu este alimentare de la rețea. Asigurați-vă că aparatul este conectat și că priza electrică funcționează.	Conectați mufa la priză și verificați poziția întrerupătorului ON / OFF (pornit/oprit).
Camera nu este suficient de caldă, chiar dacă aparatul este fierbinte	Supraîncălzirea aparatului. Limitatorul de siguranță la supraîncălzire restricționează eliberarea de căldură.	Îndepărtați cauza (pătură, murdărie sau înfundare la intrare sau ieșire a aerului). Respectați distanțele minime din jurul aparatului specificate în instrucțiunile de instalare.
	Nevoia de căldură în cameră este mai mare decât cea emisă de aparat.	Eliminați pierderile de căldură. (Închideți ferestrele și ușile. Evitați ventilarea constantă.)
	Asigurați-vă că puterea dispozitivului dvs. este adaptată la dimensiunea camerei.	Puterea recomandată este medie de 100 W/m ² pentru înălțimea tavanului de 2,50 m sau 30 W/m ³
Contaminarea apare pe peretele de lângă aparat	Contaminarea pe perete apare ca urmare a poluării aerului.	Asigurați-vă că camera este ventilată regulat cu aer curat, mai ales dacă în ea se fumează.
Sunete / Zgomote	Emiterea unor sunete în timpul încălzirii, precum și la scurt timp după atingerea temperaturii setate nu este ceva neobișnuit.	Acest efect se datorează extinderii naturale a materialelor cu creșterea rapidă a temperaturii și răcirea ulterioară a metalelor utilizate la producerea dispozitivului.
Pete gălbui pe grătar	Astfel de pete pot rezulta de la acoperirea unității cu haine umede.	Nu acoperiți produsul! Acest lucru nu este permis, deoarece blochează convecția aerului și provoacă daune ireparabile aparatului, ceea ce vă poate pune în pericol sănătatea și bunurile.

ВАЖНЫЕ ПРЕДОХРАНИТЕЛЬНЫЕ МЕРЫ И ИНСТРУКЦИИ БЕЗОПАСНОСТИ:



ВНИМАНИЕ!

- Прочитайте внимательно настоящие инструкции прежде чем использовать этот отопительный прибор и сохраняйте эти указания для будущего пользования. При изменении владельца, эту инструкцию надо передать вместе с прибором!
- ВНИМАНИЕ:** Детей меньше 3-х лет надо держать на расстоянии, если они не находятся под непрерывным наблюдением.
Дети с 3-х до 8-ми лет могут пользоваться только кнопку вкл./выкл. прибора, при условии, что прибор установлен и готов к нормальной работе и их наблюдали и инструктировали относительно его использования безопасным способом и они понимают, что это может быть опасным. Детям с 3-х до 8-ми лет нельзя подключать прибор в розетку, настраивать, чистить или выполнять потребительскую поддержку.
Этот прибор можно пользоваться детьми старше 8 лет и лицами ограниченными физическими, сенсорными и умственными способностями, или у которых нет достаточного опыта и познания, если их не наблюдают или не инструктировали относительно безопасного использования прибора и они понимают опасность. Детям нельзя играть с прибором. Очистка и абонентское обслуживание нельзя быть сделано детьми без наблюдения.
- ВНИМАНИЕ:** Некоторые части этого прибора могут стать очень горячими и могут привести к ожогам. Там, где присутствуют дети и уязвимые люди, должно быть удалено особое внимание.



- ПРЕДУПРЕЖДЕНИЕ:** во избежание перегрева не накрывайте прибор!
- Прибор нельзя ставить непосредственно под розеткой!
- Если шнур питания поврежден, он должен быть заменен производителем, его агентом по обслуживанию или лицами с аналогичной квалификацией, чтобы избежать опасности.
- Прежде чем подключите прибор – проверьте указанное на табличке напряжение соответствует или нет на напряжение электрической сети в доме
- Этот прибор должен использоваться только по своему назначению, т.е. отапливать бытовые помещения. Прибор не предназначен для торговых целей. Любое другое употребление надо считать неправильным и следовательно опасным. Производитель не несет ответственность за ущербы, причиненные в результате неправильного и необоснованного использования. Несоблюдение информации безопасности приведет к потере гарантии прибора!
- Не уходите из дома, пока прибор включен: убедитесь, что прибор находится в выключенном положении. Всегда вынимайте вилку из розетки, когда не собираетесь использовать прибор в течение некоторого времени.
- Держите легковоспламеняющиеся предметы, как мебели, подушки, спальное белье, бумага, одежды, занавески и т.д. на расстоянии не меньше 100 см от конвекторной печи.
- Не используйте прибор в зонах, где используются или сохраняются легковоспламеняющиеся вещества. Не используйте прибор в зонах легковоспламеняющихся атмосфер (например: вблизи воспламеняющихся газов и аэрозолей) – существует очень большая опасность от взрыва и пожара!
- Не вставляйте и не допускайте посторонних предметов в отверстия для вентиляции (входящие или выходящие), так как это приведет к поражению электрическим током или создает опасность от пожара в конвекторе.
- Прибор не подходит для выращивания животных, и тот же предназначен только для домашнего использования!
- Не накрывайте предохранительные решетки, нельзя останавливать вход или выход воздушного потока, устанавливая прибор против данной поверхности. Все предметы должны быть на расстоянии не меньше 1 метра от прибора спереди и по бокам.
- Наиболее распространенной причиной перегрева - накопление пуха и пыли в машине. Редовно очищайте пылесосом вентиляционные отверстия, а перед этим обязательно отключите прибор от электрической сети.

- Никогда не трогайте прибор мокрыми руками – существует опасность для жизни!
- Контакт должен быть доступен в любое время, так что вилку возможно бы освободить, если это необходимо, как можно быстрее! Никогда не тяните за сетевой шнур или сам прибор при выключении из сети.
- Обратите внимание! Выходящий воздух нагревается во время работы (больше 100°C).
- Если решите переустановить использование прибора этого типа, рекомендуется сделать его неиспользуемым, прерывая шнур, после того, как выключили его из сети. Рекомендуется еще обезопасить, все, связанное с прибором, особенно для детей, которые могли быть использовать амортизированное устройство (прибор) для игры.
- Внимание: Не используйте этот прибор с программатором, счетчиком или другим устройством, которое автоматически включает его, так как, если прибор накрыт или неправильно поставлен существует опасность от пожара.
- Поставьте шнур питания, так что не мешал бы на движение людей и чтобы не наступали на него! Используйте только утвержденные удлинители, которые подходят для устройства, т.е. имеют знак соответствия!
- Никогда не перемещайте прибор, дергая за шнур и не используйте шнур для переноски предметов!
- Не перегибайте кабель и не тяните его через острые края, не надо ставить его на горячей плите или на открытом огне!

УПАКОВКА

- После распаковки прибора, проверьте не поврежден ли он при транспорте и полностью ли он окомплектован! В случае констатирования повреждения или неполной поставки, свяжитесь с Вашим уполномоченным продавцом!
- Не выбрасывайте оригинальную коробку! Ее можно использовать для сохранения и транспортирования, чтобы избежать транспортные повреждения!
- Утилизация упаковочного материала должна быть сделана правильно. Детям нельзя позволять играть с пластиковыми пакетами

ИНСТРУКЦИЯ ПО ПРИМЕНЕНИЮ И УСТАНОВКЕ НАБОРА НОЖЕК

- Этот конвектор проектирован для использования в закрытых помещениях.

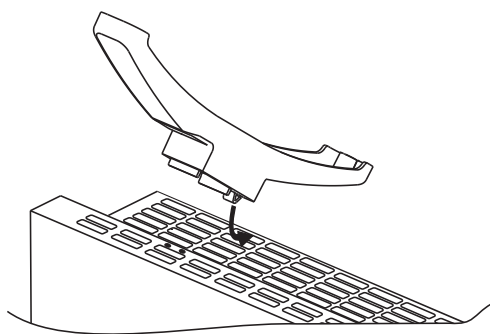


Согласно Регламенту ЕС 2015/1188 по реализации Директивы 2009/125/ЕС, этот электрический нагревательный прибор не предназначен для монтажа на стену!

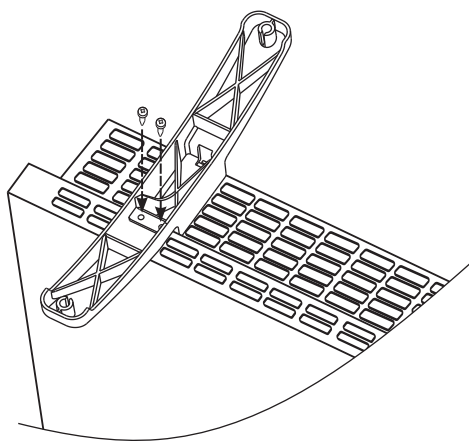


Важно: При помещениях с объемом больше 45 м³ рекомендуем использование комбинации 2 и больше конвекторов

- Нельзя устанавливать конвектор под электрической розеткой или коробку связи.
- Не устанавливайте/используйте конвектор
 - на месте, где есть тяга, чтобы не воздействовать на контрольные настройки
 - непосредственно под электрической розеткой;
 - в пространстве 1 (volume 1) для ванн;
 - в пространстве 2 (volume 2), если до контрольной панели может достигнуть человек, находящийся под душем или в ванной;
- Прежде чем приступить к установке набора проверьте отключен ли конвектор от розетки!
- Ножки монтируются во входящих отверстиях для воздуха – корректно установить их в оба конца конвектора, симметрично – на равном расстоянии от краев конвектора. Для этой цели – на каждом конвекторе есть 2x2 отверстия.



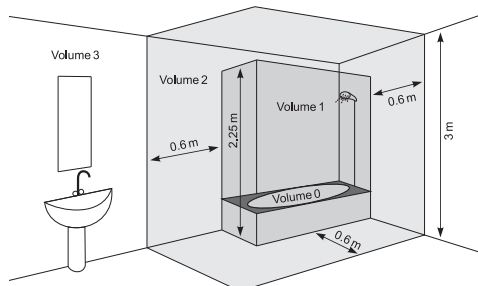
- Поставьте одну ножку – вставляя в начале более высокую часть ножки в конвектор (вы должны стоять напротив лицевой части конвектора) – эта часть ниже передней металлической панели. Затем возьмите крестовидную отвертку (не предлагается в наборе) и заверните оба обеспечительных винта 3.5x9.5 мм. Винт проходит через пластиковую ножку и ввинчивается в металлической коробке конвектора. Повторите эту операцию и для второй ножки.
- Соединение прочно связано, если после установки конвектор размещается на полу и тот же стоит горизонтально. Не используйте шнур питания как канат для подтяжки, перемещение осуществляется при „холодном“ конвекторе.



- Поставьте конвектор с установленными ножками на полу и прежде включить его проверьте выполнены ли все условия для использования, написанные в начале инструкции (предохранительные меры и важные условия для пользования конвектора). Правильное положение – командная панель должна быть на верхней части конвектора, а ножки должны быть на полу!

ИСПОЛЬЗОВАНИЕ В ВАННОЙ

- Конвектор должно установить сообразно нормальной торговой практики и в согласии с законодательством соответной страны (директивы для электричества ЕО и требования для специальных монтажей или мест, включающих ванны, или душ-кабинки HD60364-7-701 (IEC 60364-7-701:2006)).



- Если будете использовать этот конвектор в ванной или в другом подобном помещении, надо соблюдать следующее требование перед установкой: У конвектора защита IP24 (защита от брызг воды). Ради этого факта нужно установить его в пространстве 2 (volume2) (посмотри схему ниже), чтобы избежать возможность человек, находящийся под душем или в ванной, достигнуть до контрольной

панели (ключ и терморегулятор) конвектора. Минимальное расстояние от прибора до водяного источника должно быть не меньше 1 метра! Если вы неуверены относительно установки этого конвектора в ванной, мы рекомендуем проконсультироваться с профессиональным электриком.

Примечание: если невозможно выполнить указанные выше условия, рекомендуется осуществить установку в пространстве 3 (VOLUME 3).

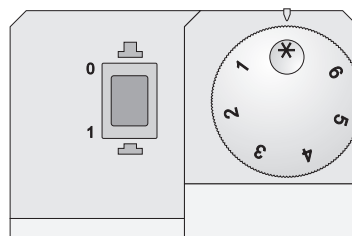
- Во влажных помещениях (ванне и кухни) источник питания надо установить на высоте не меньше 25 см от пола.
- Инсталляция должна быть оснащена автоматическим предохранителем, при котором расстояние между контактами в выключенном состоянии должно быть не менее 3 мм.

Благодарим Вас, что выбрали конвектор CN03. Это устройство, которое предлагает отопление зимой в зависимости необходимости достижения комфортабельного тепла отапливаемом помещении. При правильной эксплуатации и уходе, как указано в этой инструкции, прибор обеспечить Вам много лет полезного функционирования.

ИНСТРУКЦИЯ ДЛЯ ЭКСПЛУАТАЦИИ

МЕХАНИЧЕСКОЕ УПРАВЛЕНИЕ

Режимы работы



Включите конвектор, нажмите Ключ в положении "1" (Включено), потом поверните регулятор на желанную Вами степень /с 1 до 6/ отчитывая следующее соотношение в степенях:

* – режим против замораживания /активируется когда температура в помещении упадет под 5°C

1 / 2 – экономичный режим /для поддержания низкой температуры в помещении/ этот режим рекомендуется для использования в ночное время или в отсутствии людей в комнате. Данный режим позволяет поддерживаться определенная температура в условиях экономия энергии.

3 / 4 / 5 – комфортный режим / для поддержания умеренной температуры в помещении / этот режим рекомендуется использоваться для поддержания относительно высокой комфортной дневной температуры в помещении.

6 – максимальный режим / для поддержания ВЫСОКОЙ температуры в помещении / этот режим рекомендуется использоваться когда вам необходимо максимально высокая температура помещения

Важно: Цифры регулятора температуры не соответствуют на конкретную величину температуры в помещении а служат для практического сохранения соответствия между температурой и показанием регулятора.

Когда температура в помещении ниже установленной при помощи регулятора, конвектор стартует свою работу и будет работать до тех пор, пока температура в помещении достигнет заданную стоимость. Когда температура в помещении выше заданной при помощи регулятора стоимости, конвектор автоматически переключится в режим „Готов к включению“.

ЗАЩИТА

- Прибор оснащен предохранительным термостатом, который автоматически выключает нагреватель в случаях повышения температуры в конвекторе больше допустимых стоимостей /т.назв. перегрев прибора/.
- Защитный термостат автоматически восстанавливает работу конвектора только тогда, когда температура прибора упадет ниже допустимых предельных стоимостей.

ЗАЩИТА ОТ ПЕРЕВОРАЧИВАНИЯ

Этот отопительный прибор защищен через предохранительный выключатель, который автоматически выключает прибор, когда он упадет или находится под слишком большим углом от горизонтали. Этим способом избегаются инциденты, а после того, как будет снова поставлен на ноги, прибор продолжит работать в последнем заданном режиме.

ОЧИСТКА

- Обязательно надо отключить выключатель прибора и вынуть вилку из розетки в стене. Прежде чем начать чистить конвектор, оставьте его охладиться, отключая от розетки
- Протирайте корпус влажной тряпкой, пылесосом или щеткой.
- Никогда не погружайте прибор в воду – это опасно для жизни из-за поражения электрическим током!
- Никогда не используйте бензин, растворитель или жесткие абразивные чистящие средства, так как они могут повредить покрытие устройства.

ХРАНЕНИЕ

- Перед хранением конвектора, оставьте его охладиться, отключая от розетки
- Используйте оригинальную упаковку для сохранения вентилятора если не будете пользоваться его известное время. Данный продукт защищен от пыли и грязи при сохранении его в оригинальной упаковке.
- Никогда не храните теплый прибор в его упаковке!
- Продукт нужно хранить в сухом и защищенном от прямых солнечных лучей месте.
- Категорически запрещается его хранение во влажных или мокрых помещениях.

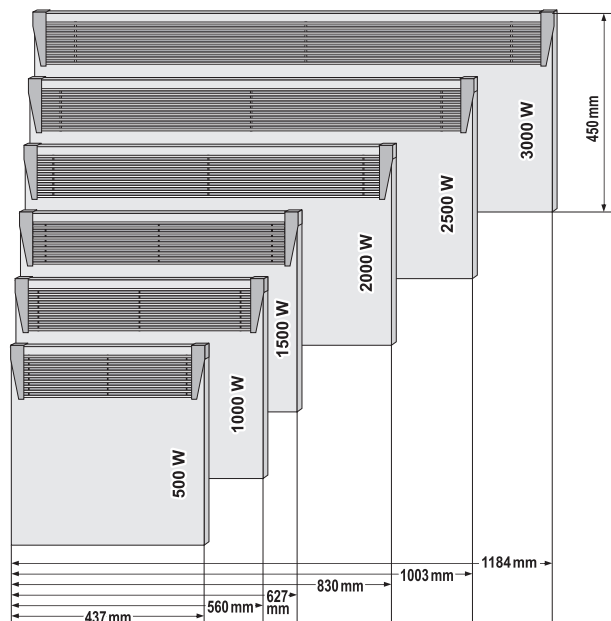
СЕРВИСНАЯ ПОДДЕРЖКА ПРИБОРА

- В случае неисправности прибора, просим вас связаться с ближайшем к вам авторизованным сервисом. /они указаны в карте гарантии прибора/.
- **Важно:** В случае рекламации и/или нарушения ваших прав потребителя, пожалуйста, свяжитесь с поставщиком этого прибора на указанных адресах или через интернет страницу компании: www.tesy.com

ГАБАРИТЫ УСТРОЙСТВА, ОТАПЛИВАЕМЫЙ ОБЪЕМ И ПЛОЩАДЬ В ПОМЕЩЕНИИ

Модель	Отапливаемый объем	Отапливаемая площадь
CN 03 050 MIS F - 500W	10* - 15 m ³	4* - 6 m ²
CN 03 100 MIS F - 1000W	20* - 30 m ³	8* - 12 m ²
CN 03 150 MIS F - 1500W	30* - 45 m ³	12* - 18 m ²
CN 03 200 MIS F - 2000W	40* - 60 m ³	16* - 24 m ²
CN 03 250 MIS F - 2500W	50* - 70 m ³	20* - 28 m ²
CN 03 300 MIS F - 3000W	60* - 80 m ³	24* - 32 m ²

** Минимально гарантированный обогреваемый объем (площадь) нагревания при среднем коэффициенте теплопроводности λ=0.5 W/(m²K) для отапливаемого помещения. Более высокие стоимости для обогреваемого объема (площади) достигаются при средней стоимости λ=0.35 W/(m²K). Стандартная высота помещения – 2.5 метра.*



Инструкции по защите окружающей среде

Старые электроприборы содержат ценные материалы и поэтому нельзя выбрасывать их вместе с бытовыми отходами! Мы просим вас

УСТРАНЕНИЕ НЕПОЛАДКОВ

Перед тем, как обратиться в Центр обслуживания клиентов, просмотрите советы в таблице ниже:

ПРОБЛЕМА	ПРИЧИНА	РЕШЕНИЕ
Прибор не работает	Нет питания в сети. Убедитесь, что прибор подключен к электрической розетке и что розетка работает.	Включите вилку в розетку и проверьте положение переключателя ON / OFF (включить / выключить).
Помещение не нагревается достаточно, хотя прибор горячий	Перегрев прибора. Ограничитель перегрева ограничивает выделение тепла.	Устраните причину (покрывало, загрязнение или перекрытия доступа воздуха на входе или выходе). Соблюдайте минимальные расстояния от прибора, указанные в инструкции по установке.
	Необходимость тепла в помещении выше, чем излучаемое прибором.	Устраните потери тепла. (Закройте окна и двери. Избегайте постоянного проветривания).
	Убедитесь, что мощность вашего прибора соответствует размеру комнаты.	Рекомендуемая мощность составляет в среднем 100 Вт/м ² для высоты потолка 2,50 м или 30 Вт/м ³ .
На стене у прибора появляется загрязнение	Загрязнения на стене появляются в результате загрязнения воздуха.	Убедитесь, что помещение регулярно проветривается и в него поступает свежий воздух, особенно если в нем курят.
Звуки / шум	Выдача слабых звуков во время нагрева, а также вскоре после достижения заданной температуры не является чем-то необычным.	Этот эффект является результатом естественного расширения материалов при быстром повышении температуры и дальнейшем охлаждении металлов, использованных при изготовлении прибора.
Желтоватые пятна на решетке	Подобные пятна могут быть результатом покрытия устройства влажной одеждой.	Не покрывает прибор! Это не разрешается, так как, таким образом, блокируется конвекция воздуха, и это наносит непоправимый вред прибору, и может привести к серьезному риску для вашего здоровья и имущества.

ВАЖЛИВІ ЗАПОБІЖНІ ЗАХОДИ ТА ІНСТРУКЦІЇ ПО ТЕХНІЦІ БЕЗПЕКИ:**ОБЕРЕЖНО:**

- Прочитайте цю інструкцію перед використанням цього приладу і дотримуйтесь вказівок інструкції при його майбутньому використанні. В разі зміни власника, інструкція повинна передаватися разом з приладом.

- ОБЕРЕЖНО:** Дітей, віком до 3 років, тримайте на віддалі від пристрою, крім випадків, коли вони знаходяться під постійним наглядом.

Діти, віком від 3 років до 8 років, можуть лише використовувати кнопку ввімкнати/вимкнути пристрою, при умові, що пристрій встановлений і готовий для нормальної роботи, під наглядом дорослих та інструкцією, щодо використання приладу безпечним чином, і розуміючи, що може бути небезпечно.

Діти, віком від 3 років до 8 років, не повинні вмикати прилад у розетку, налаштовувати прилад, виконувати його очищення або сервісну підтримку користувачів.

Цей прилад може використовуватись дітьми старшими 8 років та особами з обмеженими фізичними, сенсорними або розумовими здібностями, або з недостатнім досвідом та знаннями, якщо вони спостерігали або були проінструктовані щодо безпечного використання приладу і розуміють небезпеки. Діти не повинні гратися з приладом. Очищення або сервісна підтримка користувачів не повинні проводитись дітьми без нагляду дорослих.

- ОБЕРЕЖНО:** Деякі частини цього виробу можуть стати дуже гарячими ти призвести до опіків. Якщо є присутні діти і вразливі люди, необхідно приділяти особливу увагу.



- УВАГА:** для запобігання перегріву, не накривайте прилад!

- Прилад не повинен бути розміщений безпосередньо під гніздом розетки!
- Якщо шнур живлення пошкоджений, він повинен бути замінений виробником, його сервісним агентом або кваліфікованими особами, щоб уникнути небезпеки.

- Перед вмиканням приладу – перевірте чи вказана на типовій табличці напруга відповідає напрузі живлення, що постачається до Вашого будинку.

- Цей прилад повинен використовуватись тільки за призначенням, для якого був передбачений, тобто для обігріву побутових приміщень. Прилад не призначений для використання в комерційних цілях. Будь яке інше використання вважається неправильним і тому небезпечним. Виробник не може нести відповідальності за пошкодження, що випливають з неправильного і необґрунтованого використання. Недотримання інформації про безпечне використання робить гарантію на прилад недійсною!

- Не виходьте з дому, поки прилад працює: виходячи з дому переконайтеся, що ручка вимикача знаходиться у вимкненому положенні (відноситься до конвекторів з механічним приводом).
- Тримайте легкозаймисті предмети, такі як меблі, подушки, постільна білизна, папір, одяг, штори, тощо, на відстані принаймні 100 см від конвектора.
- Не використовуйте прилад, де використовуються або зберігаються легкозаймисті речовини (наприклад: в безпосередній близькості від легкозаймистих газів або аерозолів) - існує дуже велика небезпека виникнення вибуху та пожежі!
- Не вставляйте і не дозволяйте, щоб сторонні тіла потрапляли в отвори для вентиляції (вхідні або вихідні), так як це може викликати ураження електричним струмом, пожежу або пошкодження конвектора.
- Прилад не підходить для догляду за тваринами, а призначений тільки для домашнього використання!
- Не закривайте захисні решітки, не зупиняйте вхід та вихід повітряного потоку, ставлячи прилад під будь-яку поверхню. Всі предмети повинні бути на відстані як мінімум 1 метр від приладу спереду, зверху і з боків.
- Найбільш поширеною причиною перегрівання є скупчення моху і пилу в приладі. Регулярно очищуйте пилососом вентиляційні отвори, а перед цим обов'язково відключіть прилад з електричної мережі.
- Ніколи не чіпайте прилад мокрими або вологими руками - існує небезпека для життя!
- Розетки повинні бути доступні в будь-який час для того, щоб можна було вимкнути при необхідності якомога швидше!

- Ніколи не тягніть за шнур живлення або за сам прилад при виключенні з мережі.
- Зверніть увагу! Відпрацьоване повітря нагрівається під час роботи (до вище 100°C).
- Якщо ви вирішили перестати використовувати прилад цього типу, рекомендується зробити його непридатним для використання, шляхом відрізання шнура живлення, після того як ви його відключили від мережі. Рекомендується ще уникнути всі можливі небезпечні деталі приладу, особливо ті, що діти могли б використовувати з амортизованого приладу для гри.
- Увага: Не використовуйте цей прилад з програматором, лічильником або іншим пристроєм, що автоматично його вмикає, тому що коли прилад покритий або неправильно встановлений, при автоматичному вмиканні може виникнути пожежа.
- Вставте шнур живлення так, щоб не заважав руху людей і не було можливості спіткнутися в нього! Використовуйте тільки затверджені подовжувачі, які підходять для приладу, тобто мають знак відповідності!
- Ніколи переміщайте прилад, тягнучи за шнур і не використовуйте шнур для перенесення предметів!
- Не перегинайте шнура живлення і не тягніть його, перегнувши через гострі краї і не притуляйте його до гарячої поверхні та не приближайте до відкритого вогню!

УПАКОВКА

- Після розпакування приладу, перевірте, чи при транспортуванні він не пошкодився і чи має повну комплектність! У разі, якщо буде встановлено пошкодження або неповна комплектність, зв'яжіться з Вашим офіційним продавцем!
- Не викидайте оригінальну коробку! Вона може бути використана для зберігання і транспортування, щоб уникнути пошкоджень в разі перевезення!
- Викидання пакувального матеріалу має бути зроблено належним чином! Остерігатися щоб діти не гралась з поліетиленовими мішками!

ІНСТРУКЦІЯ З ЕКСПЛУАТАЦІЇ ТА ВСТАНОВЛЕННЯ КОМПЛЕКТУ НІЖОК

- Цей конвектор спроектований для використання в закритих приміщеннях.

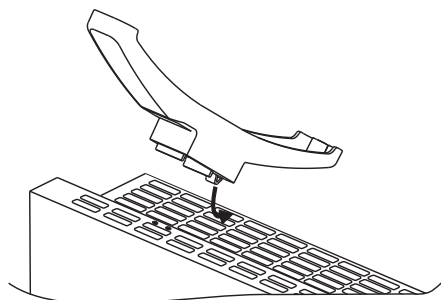


Згідно з Регламентом ЄС 2015/1188 щодо реалізації Директиви 2009/125/ЄС, цей електричний нагрівальний прилад не призначений для монтажу на стіну!



Важливо: В приміщеннях з об'ємом більше 45 м³ доцільно використовувати 2 і більше конвекторів

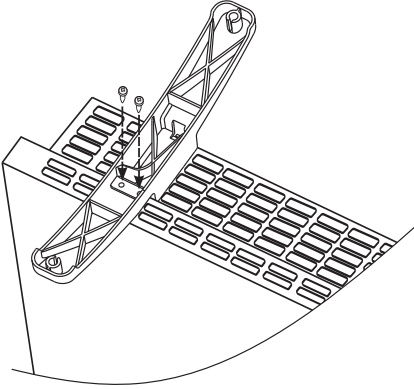
- Не ставте конвектора під електричну розетку або під сполучною коробкою.
- Не встановлюйте/використовуйте конвектора
 - в місці, де є потяг, щоб не впливав на керуючі параметри;
 - безпосередньо під електричною розеткою;
 - в приміщенні 1 (volume 1) ванної кімнати;
 - в приміщенні 2 (volume 2) так, що панель управління може бути доступна тому, хто перебуває у ванній або в душі;
- Перш ніж приступити до монтажу комплекту ніжок переконайтеся, що конвектор вимкнений з розетки!
- Ноги встановлюються у вхідні отвори для повітря – рахується правильним встановлення в обох кінцях конвектора, симетрично – на рівній відстані від кінців конвектора. Для цього – на кожному конвекторі передбачені 2x2 отвори.



- Встановіть одну ніжку – причому спочатку вставте вищу частину ноги в конвектор (станьте проти лицевої частини конвектора) – ця частина

є більш низькою по відношенню до передньої металевої панелі. Потім візьміть хрестову викрутку (не додається в комплекті) і закрутіть обидва гвинти 3.5 x 9.5 мм. Гвинт проходить через пластикову ніжку і закручується в металевому ящику конвектора. Повторіть операцію і для другої ноги.

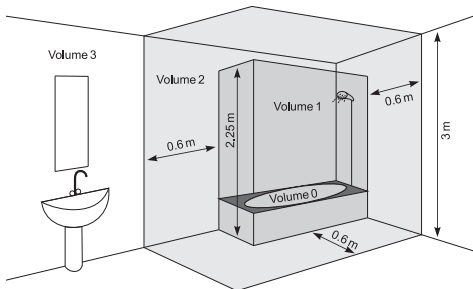
- З'єднання виконане вірно, якщо після монтажу конвектор поставити на підлогу і він стоїть так само горизонтально. Не використовуйте шнура живлення замість мотузка для перетягування, переміщення здійснюється коли конвектор „холодний“.



- Поставте конвектора з монтованим комплектом ніжок на пол і перед вмиканням, перевірте, чи були виконані умови для використання від початку, інструкція, диски (запобіжні заходи і необхідні умови для використання конвектора). Правильна позиція – командна панель повинна бути зверху на конвекторі, а ніжки повинні бути на підлозі!

ВИКОРИСТОВУВАННЯ У ВАННІЙ КІМНАТІ

- Конвектор повинен бути встановлений відповідно до звичайної комерційної практики, і згідно до законодавства відповідної країни (директиви по електроенергії і вимогам ЄС для спеціальних установок або місць, включаючи ванну кімнату або душ кабінки HD60364-7-701 (IEC 60364-7-701:2006)).



- Якщо цей конвектор використовується у ванній кімнаті або інших подібних приміщеннях, то повинні бути дотримані наступні вимоги для установки: Конвектор повинен мати захист IP24 (захист від бризок води). В цьому випадку він повинен бути встановлений в приміщенні 2 (volume2) (див. схему нижче) таким чином, щоб уникнути можливості досягнути панель управління (вимикача і термостата) конвектора людині, яка знаходиться у ванній або під душем, Мінімальна відстань від пристрою до води повинна бути не менше одного метра! Якщо ви не впевнені щодо установки цього приладу у ванній кімнаті, ми рекомендуємо вам проконсультуватися з професійним електриком.

Примітка: якщо вище вказані умови не можуть бути виконані, ми рекомендуємо установку зробити в приміщенні 3 (VOLUME 3)

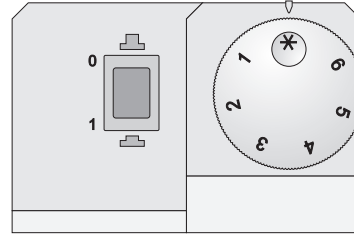
- У вологих приміщеннях (ванних кімнатах та кухнях) джерело живлення повинне бути встановлено на висоті мінімум 25 см від підлоги
- Установка повинна бути оснащена автоматичним запобіжником, при якому відстань між контактами у вимкненому стані повинно бути не менше 3 мм.

Дякуємо Вам за те, що Ви вибрали конвектор CN03. Цей прилад забезпечує опалення взимку в залежності від потреби досягнення комфортного тепла в опалювальному приміщенні. При правильній експлуатації та догляду, згідно вказівок даної інструкції, цей пристрій гарантує Вам багато років години корисного функціонування.

ІНСТРУКЦІЯ З ЕКСПЛУАТАЦІЇ

МЕХАНІЧНЕ УПРАВЛІННЯ

Режими роботи



Увімкніть конвектор, натисніть Кнопку в положення "I" (Увімкнено), після чого поверніть регулятора і установіть на бажану ступінь / від 1 до 6 /, враховуючи наступне співвідношення ступенів:

* – режим проти замерзання /вмикається коли температура в приміщенні впаде під 5°C

1 / 2 – економічний режим / для підтримки низької температури в приміщенні / цей режим рекомендується використовувати вночі або коли в приміщенні немає людей. Цей режим дозволяє підтримувати певну температуру в умовах економії енергії.

3 / 4 / 5 – комфортний режим / для підтримки помірної температури в приміщенні / цей режим рекомендується використовувати для підтримки відносно високої комфортної денної температури в приміщенні.

6 – максимальний режим / за підтримки ВИСОКОЇ температури в приміщенні / Цей режим рекомендується використовувати коли вам необхідна максимально висока температура в приміщенні / до 26°C /.

Важливо: Цифри на регуляторі температури не відповідають конкретному значенню температури в приміщенні, а служать для практичного збереження співвідношення між температурою та показанням регулятора.

Коли температура в приміщенні є нижчою, ніж температура, що Ви задали за допомогою регулятора, тоді конвектор вмикається і працює до моменту, коли температура в приміщенні досягне налаштованого значення. Коли температура в приміщенні є вищою, ніж та, що Ви задали за допомогою регулятора, то конвектор автоматично перемикається в режим „Готовність до вмикання“.

ЗАХИСТ

- Прилад оснащений запобіжним термостатом, який автоматично вмикає нагрівальний елемент вазі підвищення температури в конвекторі вище допустимих значень /від перегріву приладу/.
- Запобіжний термостат автоматично відновлює роботу конвектора, коли температура приладу впаде нижче допустимих граничних значень.

ЗАХИСТ ПРОТИ ПЕРЕКИДАННЯ

Цей опалювальний прилад має захист у вигляді захисного вимикача, який автоматично вмикає прилад, коли прилад падає або перебуває під значно небезпечним кутом від горизонтального положення. Це запобігає створенню ситуацій, що ведуть до нещасних випадків, а після того, коли прилад знову буде у вертикальному положенні, він продовжує працювати в останньому заданому режимі.

ОЧИЩЕННЯ

- Обов'язково спочатку вимкніть прилад з розетки, вийміть електричну вилку з розетки в стіні. Перед тим, як розпочати очистку конвектора, зачекайте, щоб він заохолов після вимкнення з розетки.
- Корпус можна очистити вологою ганчіркою, пилососом або щіткою.
- Ніколи не мочіть прилад водою - існує небезпека для життя від ураження електричним струмом
- Ніколи не використовуйте бензин, розчинник або грубих абразивних засобів для чищення, так як вони можуть пошкодити покриття приладу

ЗБЕРЕЖЕННЯ

- Перед зберіганням конвектора, зачекайте, щоб він заохолов після вимкнення з розетки.
- Використовуйте оригінальну упаковку для збереження конвектора, якщо він не буде використовуватись деякий час. Виріб потрібно захищати від надмірного пилу та забруднення, шляхом його схову в оригінальну упаковку.
- Ніколи не ховайте прилад теплим в упаковку!
- Прилад потрібно зберігати в сухому та захищеному від прямого

сонячного проміння місці.

- Строго забороняється зберігати прилад у вологих або мокрих приміщеннях.

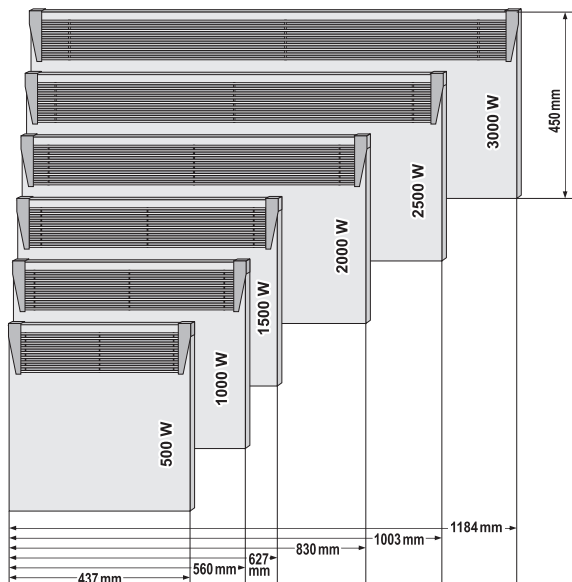
ТЕХНІЧНЕ ОБСЛУГОВУВАННЯ ПРИЛАДУ

- В разі несправності приладу, будь ласка, зверніться в найближчий до Вас авторизований сервісний пункт /вказані в гарантійному талоні виробу/.
- **Важливо:** В разі реклаमाції та/або порушення Ваших прав, як споживача, будь ласка, зверніться до постачальника цього приладу на вказані адреси або через Інтернет сторінку компанії: www.tesy.com

РОЗМІРИ ПРИЛАДУ, ОПАЛЮВАЛЬНИЙ ОБ'ЄМ І ОПАЛЮВАЛЬНА ПЛОЩА ПРИМІЩЕННЯ

Модель	Опалювальний об'єм в м ³	Опалювальна площа в м ²
CN 03 050 MIS F - 500W	10* - 15 м ³	4* - 6 м ²
CN 03 100 MIS F - 1000W	20* - 30 м ³	8* - 12 м ²
CN 03 150 MIS F - 1500W	30* - 45 м ³	12* - 18 м ²
CN 03 200 MIS F - 2000W	40* - 60 м ³	16* - 24 м ²
CN 03 250 MIS F - 2500W	50* - 70 м ³	20* - 28 м ²
CN 03 300 MIS F - 3000W	60* - 80 м ³	24* - 32 м ²

*Мінімальний гарантований опалювальний об'єм (площа) опалення при середньому коефіцієнті теплопровідності λ=0.5 W/(m2K) для опалювального приміщення. Вищі значення для опалювального об'єму (площі) досягаються при середньому значенні λ=0.35 W/(m2K). Стандартна висота приміщення – 2.5 метрів.



Інструкції з охорони навколишнього середовища

Старі прилади містять цінні матеріали, тому не викидайте їх разом з побутовим сміттям! Звертаємось до Вас з проханням допомогти своїм активним внеском у збереження ресурсів і навколишнього середовища, і передати прилад у відповідні організовані пункти (якщо такі є).

УСУНЕННЯ НЕСПРАВНОСТЕЙ

Перед тим, як звернутися в Центр обслуговування клієнтів, перегляньте поради в таблиці нижче

ПРОБЛЕМА	ПРИЧИНА	РІШЕННЯ
Прилад не працює	Немає живлення в мережі. Переконайтеся, що Прилад підключено до електричної розетки і що розетка працює.	Увімкніть вилку в контакт і перевірте положення перемикача ON / OFF (ввімкнути/ вимкнути).
Приміщення не нагрівається достатньо, хоча прилад гарячий	Перегрів приладу. Запобіжний обмежувач перегріву обмежує виділення тепла.	Усуньте причину (покривало, забруднення або перекриття доступу повітря вході або виході). Дотримуйтесь мінімальних відстаней від приладу, зазначених в інструкції по установці.
	Необхідність тепла в приміщенні є вищою, ніж випромінюване пристроєм.	Усуньте втрати тепла. (Закрийте вікна та двері. Уникайте постійного провітрювання).
	Переконайтеся, що потужність вашого приладу відповідає розміру кімнати.	Рекомендована потужність складає в середньому 100 Вт/м2 для висоти стелі 2,50 м або 30 Вт/м3.
На стіні біля приладу з'являється забруднення	Забруднення на стіні з'являється в результаті забруднення повітря.	Переконайтеся, що приміщення регулярно провітрюється і в нього надходить свіже повітря, особливо якщо в ньому палять.
Звуки / шум	Видача слабких звуків під час нагріву, а також незабаром після досягнення заданої температури не є чимось незвичайним.	Цей ефект є результатом природного розширення матеріалів при швидкому підвищенні температури і подальшому охолодженні металів, використаних при виготовленні приладу.
Жовтуваті плями на решітці	Такі плями можуть виникнути в результаті покриття приладу вологим одягом.	Не покривайте прилад! Це не дозволяється, так як, таким чином, блокується конвекція повітря, і це завдає непоправної шкоди приладу, і може привести до серйозного ризику для вашого здоров'я і майна.

VAŽNE MJERE OPREZA SIGURNOSNE UPUTE:**OPREZ:**

- Pročitajte ove upute prije korištenja ovog uređaja i držati ove upute za buduću uporabu. Pri promjenivlasnika, upute moraju se prenositi zajedno s aparatom.
- **OPREZ:** Djeca koja su manja od tri godine, moraju se držati na udaljenosti, osim ako nisu pod stalnim nadzorom.
Djeca u dobi od tri godine do osam godina mogu koristiti samo dugme uklj. / Isklj jedinice, pod uvjetom da je uređaj instaliran i spreman za normalan rad i ona su bila pod praćenjem i su upućena na njegovu uporabu na siguran način i razumiju da to može biti opasno. Djeca u dobi od tri godine do 8 godina ne bi trebala uključivati uređaj u utičnicu, da ga postavljaju da ga očiste ili da izvode korisničko održavanje.
Ovaj uređaj se može koristiti od strane djece u dobi nad osam godina i od strane osoba sa smanjenim fizičkim, osjetilnim ili mentalnim sposobnostima, ili sa nedostatkom iskustva i znanja, osim ako su one pod nadzorom ili upućene u sigurno korištenje aparata i razumiju opasnosti. Djeca ne bi trebalo se igrati s aparatom. Čišćenje i korisničko održavanje ne treba biti učinjeno od strane djece bez nadzora.
- **OPREZ:** Neki dijelovi ovog uređaja mogu postati vrlo vrući i uzrokovati opekline. Tamo gdje su prisutna djeca i ranjivi ljudi se treba posvetiti posebna pozornost.



- **UPOZORENJE:** Kako biste izbjegli pregrijavanje, ne prekrivajte kamin!
- Aparati ne bi trebao biti smješten točno ispod kutije utičnice!
- Ako je opskrbni kabel oštećen, proizvođač, njegov servis ili slično kvalificirane osobe moraju ga zamijeniti kako bi se izbjegla opasnost.
- Prije uključivanja uređaja - provjerite je li napon struje na tipskoj pločici odgovara naponu, koji se dostavlja u Vašem domu.
- Ovaj uređaj mora biti korišten samo na svrhu za koju je namijenjen, odnosno za zagrijavanje domaćih prostora. Uređaj nije namijenjen za trgovačke svrhe. Svako drugo korištenje može se smatrati nepravilnim i stoga opasnim. Proizvođač ne može biti odgovoran za štete nastale nepravilnim i nerazumnim upotrebama. Nepridržavanje sigurnosne informacije će izgubiti jamstvo aparata!
- Ne izlazite iz kuće dok je uređaj uključen: provjerite da je uređaj u položaju isključen. Uvijek uklanjajte utikač aparata iz utičnice (odnosi se na konvektore s mehaničkom kontrolom).
- Držite zapaljive predmete kao što su namještaj, jastuci, posteljina, papir, odjeća, zavjese, itd. na udaljenosti od najmanje 100 cm od električnog kamina.
- Ne koristite uređaj u područjima gdje se koriste ili drže zapaljivi materijali. Ne koristite uređaj u područjima sa zapaljivom atmosferom (npr. u blizini zapaljivih plinova ili aerosola) - postoji velika opasnost od eksplozije i požara!
- Nemojte umetati ili dopustiti strani predmeti da popadaju u ventilacijske otvore (dolazni ili odlazni), jer će to uzrokovati strujni udar, požar ili oštećenja u konvektoru.
- Uređaj nije prikladan za gajenje životinja, a isti je namijenjen samo za kućnu uporabu!
- Nemojte pokrivati zaštitne rešetke, ne blokirajte ulazak ili izlazak protoka zraka postavljanjem jedinice protiv neke površine. Svi predmeti moraju biti najmanje 1 metar od jedinice prednje i bočno.
- Najčešći uzrok pregrijavanja je akumulacija vlakna i prašine u uređaju. Redovno usisavajte ventilacijske otvori, kao što je prethodno potrebno isključili aparat. Držite električni kamin čist.
- Nikad ne dirajte uređaj mokrim ili vlažnim rukama - postoji opasnost po život!
- Utičnica mora biti dostupna u bilo kojem trenutku, da bi moglo da se utikač oslobodi što je prije moguće! Nikad ne povlačite kabel za napajanje ili sam aparat kad želite da isključite uređaj iz napajanja.
- Obratite pažnju! Izlazni zrak se zagrijava za vrijeme rada (do više od 100°C).
- Ako odlučite prestati koristiti uređaj ovog tipa, preporuča se da ga uradite neupotrebljivim, izrezavši kabel nakon isključivanja iz mreže. Potrebno je osigurati uređaj (posebice za djecu), koja bi mogla koristiti amortizirani uređaj (aparat) za igru.
- Oprez: Ne koristite ovaj uređaj s programerom, timerom ili drugim uređajima koji ga automatski uključuju, jer ako je aparat prekriveni ili pogrešno postavljen postoji opasnost od požara.

- Postavite mrežni kabel tako da ne ometa kretanje ljudi i da se na njega ne hoda! Koristite samo odobrenu produžne kabele koje su prikladni za uređaj, tj. da imaju znak sukladnosti!
- Nikad nemojte pomicati aparat povlačenjem na kabelu i ne koristite kabel za nošenje predmeta!
- Nemojte savijati kabel i nemojte ga povucite preko oštih rubova i nemojte ga staviti na vruće ploče ili na otvoreni plamen!

PAKOVANJE

- Nakon raspakiranja uređaja, provjerite je li tokom prijevoza nije umanjen ili potpuno opremljeni! U slučaju da se utvrdi oštećene ili nepotpuna isporuka, obratite se ovlaštenom prodavaču!
- Nemojte odbaciti originalnu kutiju! Ona bi moglo se koristiti za skladištenje i transport kako bi se izbjeglo oštećenje od prijevoza!
- Odbacivanje materijala za pakiranje mora biti na odgovarajući način! Djeca bi trebala da su pod nadzorom da se ne igraju s plastičnim vrećicama!

UPUTE ZA UPORABU I MONTAŽU KOMPLETA NOGU ZA GRIJAČI

- Ovaj konvektor je namijenjen za primjenu u zatvorenim prostorima.

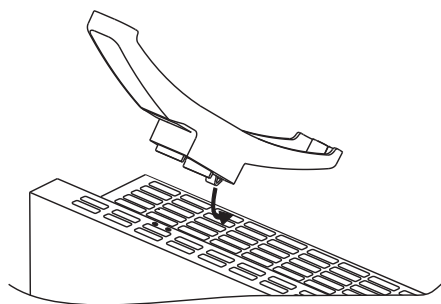


Prema Uredbi EC 2015/1188 za primjenu Direktive 2009/125/EO, ovaj električni uređaj za grijanje nije namijenjen za montažu na zid!

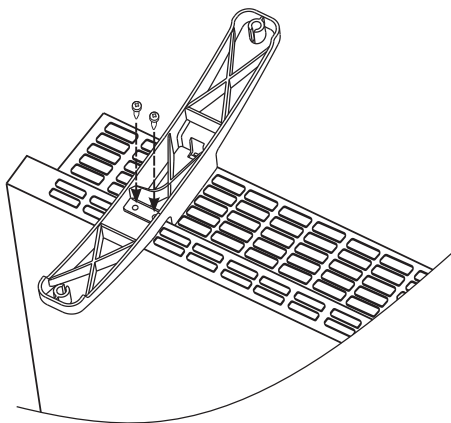


Važno: Za prostore sa obimom iznad 45 m³ preporuča se koristiti kombinacija od 2 ili više konvektora

- Nemojte postavljati konvektor ispod zidne utičnice ili priključne kutije.
- Ne instalirajte / koristite konvektor
 1. na mjestu gdje postoji potisak, tako da se ne utiče na kontrolne postavke;
 2. neposredno ispod električne utičnice;
 3. u prostoriji 1 (volume 1) za kupatila;
 4. u prostoriji 2 (volume 2), ako kontrolna ploča se može dostignuti od strane nekoga tko je pod tušem ili u kadi;
- Prije početka montaže kompleta, provjerite da li je konvektor isključen iz utičnice.
- Noge se montiraju u ulazne otvore za zrak - ispravno bi trebao biti instalirane na oba kraja konvektora, simetrično - jednake udaljenosti od krajeva konvektora. Na tu svrhu - na svakom konvektoru ima predviđenih 2x2 otvora.



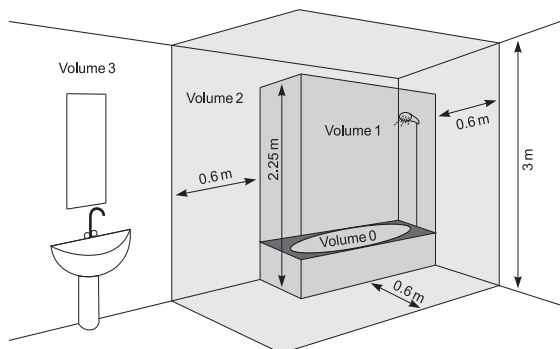
- Postavite jednu nogu - umetanjem najprije višeg dijela noge u konvektor (morate stajati protiv prijednog dijela konvektora) - dio je niži prema prednjoj metalne ploče. Zatim uzmete križni odvijač (nije dostupan u kompletu) i zategnite dva sigurnosna vijka 3.5x9.5 mm. Vijak prolazi kroz plastičnu nogu i se zavija u metalnoj kutiji konvektora. Ponovite operaciju i za drugu nogu.
- Spoj je ispravno spojen, ako nakon montaže konvektor se postavi na podu i isti stoji vodoravno. Nemojte koristiti kabel za napajanje kao užu za povlačenje, premještanje se ostvaruje kad je konvektor u „hladnom“ stanju.



- Postavite konvektor sa montiranim nogama na podu i prije nego što uključite, provjerite da li su ispunjeni uvjeti za korištenje od početka priručnika (mjere opreza i važni uvjeti za korištenje konvektora). Ispravni položaj je – komandni panel da bude na gornjem dijelu konvektora, a noge da su na podu!

KORIŠTENJE U KUPATILU

- Konvektor mora biti instaliran u skladu s uobičajenom komercijalnom praksom i u skladu sa zakonima relevantne zemlje (Direktive za električnu struju EK i zahtjevi za posebne instalacije ili prostore koji uključuju kupatila ili tuševne HD60364-7-701 (IEC 60364-7-701: 2006)).



- Ako ovaj konvektor će se koristiti u kupaonici ili u drugim sličnim prostorima moraju biti ispunjeni sljedeći zahtjevi za instalaciju: konvektor je sa zaštitom IP24 (zaštita od prskanja vode). Zbog ove činjenice se mora ugraditi u prostoru 2 (volume2) (vidi sliku dolje) kako bi se izbjegla mogućnost ova upravljačka ploča (prekidač i termostat) konvektora da se može dostigne od strane čovjeka koji je pod tušem ili u kadi. Minimalna udaljenost od aparata do izvora vode ne smije biti manji od 1 metra! Ako niste sigurni o instaliranju ovog konvektora u prostoru za kupaonicu, mi preporučujemo da se konzultirate stručnu osobu.

Napomena: Ako se ne mogu zadovoljiti gore navedeni uvjeti, preporuča se instalacija da bude izvedena u prostoru 3 (Volume 3).

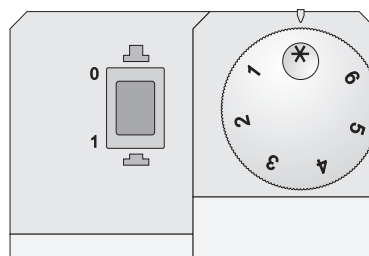
- U vlažnim prostorijama (kupaonice i kuhinje) izvor energije mora biti montiran na visini od najmanje 25 cm od poda.
- Instalacija mora biti opremljena automatskim osiguračem pri čemu udaljenost između kontakata kada je isključen, mora biti najmanje 3 mm.

Zahvaljujemo da ste odabirali konvektor CN03. Ovo je uređaj koji nudi grijanje u zimi koliko je potrebno kako bi se postigla udobna toplina u zagrijanoj prostoriji. Uz pravilnu uporabu i njegu kao što je opisano u ovim uputama, uređaj će pružiti mnogo godina korisnog rada.

UPUTE ZA UPORABU

MEHANIČKO UPRAVLJANJE

Režimi rada



Uključite konvektor, pritisnite prekidač na položaju „I“ (Uključeno), a zatim okrenite regulator u željeni stupanj / 1-6 / uzimajući u obzir sljedeće omjer u veličini:

* – režim protiv smrzavanja /aktivira se kada temperatura u sobi padne ispod 5°C

1 / 2 – ekonomičan režim / za održavanje niske temperature u prostoriji / ovaj način se preporučuje za korištenje noću ili u odsutnost ljudi u prostoriji. Isti režim omogućuje da se zadrži određena temperatura u uvjetima štednje energije.

3 / 4 / 5 – udoban režim / za održavanje umjerene temperature u prostoriji / ovaj način se preporučuje da se koristi za zadržavanje relativno visoke udobne dnevne temperature u prostoriji.

6 – maksimalni režim / za održavanje VISOKE temperature u prostoriji / ovaj način se preporučuje kada je vam potrebna maksimalno visoka temperatura u prostoriji

⚠ Važno: Značajke na regulatoru za temperaturu ne odgovaraju na određenu vrijednost sobne temperature, a služe za praktično zadržavanje korelacije između temperature i prikazanja regulatora.

Kad je sobna temperatura niža od one koju ste postavili pomoću regulatora, konvektor počinje svoj rad i će raditi, do trenutka kada sobna temperatura dosegne zadanu vrijednost. Kad je sobna temperatura veća od vrijednosti koju određuje regulator, konvektor će automatski prebaciti na režim „Spremnost za uključivanje.“

ZAŠTITA

- Uređaj je opremljen sa sigurnosnim termoprekidačem, koji automatski isključuje grijanje u slučajevima porasta temperature konvektora više od dozvoljenih vrijednosti / takozvano pregrijavanje uređaja/
- Sigurnosni termoprekidač automatski vraća rad konvektora, samo kada temperatura padne ispod dopuštenih dozvoljenih granica.

ZAŠTITA PROTIV PREVRTANJA

Ovaj grijajući uređaj je zaštićen sigurnosnim prekidačem, koji automatski isključuje uređaj ako uređaj padne na pod ili se nalazi pod prevelikim kutom prema horizontali. Na taj način se izbjegavaju nesreće, a nakon što je uređaj ponovno ustajen, isti će nastaviti raditi u posljednjem zadanom načinu rada.

ČIŠĆENJE

- Obavezno najprije isključite prekidač aparata i izvucite utikač iz utičnice. Prije početka čišćenja konvektora, ostavite ga da se ohladi isključivši ga iz kontakta
- Očistite korpus s vlažnom krpom, usisivačem ili četkom.
- Nemojte nikada uranjati aparat u vodu – postoji opasnost po život od strujnog udara!
- Nikada ne koristite benzin, razrjeđivač ili gruba abrazivna sredstva za čišćenje, jer će ona oštetiti površinu aparata

SKLADIŠTENJE

- Prije pohrane konvektora, ostavite ga da se ohladi isključivši ga iz kontakta
- Koristite originalno pakovanje za pohranu konvektora ako se isti neće koristiti za neko vrijeme. Ovaj uređaj će biti zaštićen od prašine i prljavštine, dok je uvučen u svojoj originalnoj ambalaži.
- Nikada nemojte pohranjivati vrući aparat u njegovoj ambalaži!
- Ovaj uređaj treba biti pohranjen na suhom i zaštićenom od direktne sunčeve svjetlosti mjestu.
- Izričito se zabranjuje njegovo čuvanje u vlažnim ili mokrim prostorijama.

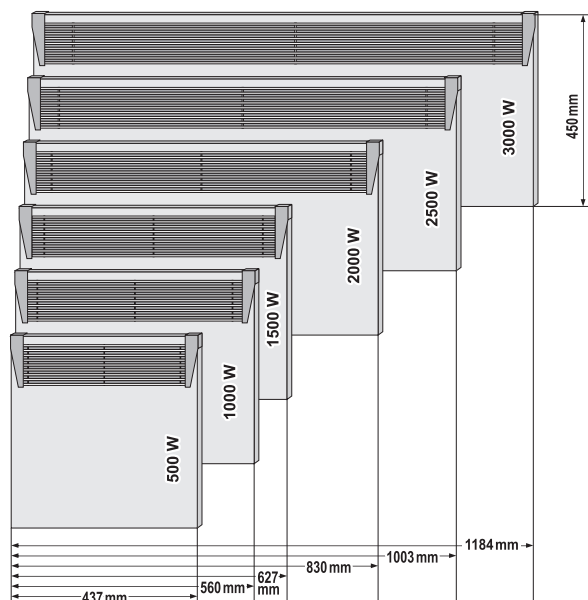
SERVISNO ODRŽAVANJE UREĐAJA

- U slučaju kvara uređaja, molimo obratite se najbližem ovlaštenom servisu. / navedeni su na jamstvenom listu proizvođača /.
- **Važno:** U slučaju prigovora i / ili kršenja vaših prava kao korisnik, molimo obratite se dobavljaču uređaja na navedenoj adresi ili preko web stranice tvrtke: www.tesy.com

VELIČINE UREĐAJA, GRIJANI OBIM I POVRŠINA U SOBI

Model	Zagrijani obim	Zagrijana površina
CN 03 050 MIS F - 500W	10* - 15 m ³	4* - 6 m ²
CN 03 100 MIS F - 1000W	20* - 30 m ³	8* - 12 m ²
CN 03 150 MIS F - 1500W	30* - 45 m ³	12* - 18 m ²
CN 03 200 MIS F - 2000W	40* - 60 m ³	16* - 24 m ²
CN 03 250 MIS F - 2500W	50* - 70 m ³	20* - 28 m ²
CN 03 300 MIS F - 3000W	60* - 80 m ³	24* - 32 m ²

* Najmanji zajamčeni grijani obim (površina) za grijanje za prosječan koeficijent toplinske provodljivosti $\lambda = 0,5 \text{ W} / (\text{m}^2\text{K})$ za grijanu prostoriju. Kod visokih vrijednosti za grijani obim (površina) se postižu uz prosječnu vrijednost od $\lambda = 0,35 \text{ W} / (\text{m}^2\text{K})$. Standardna visina prostorije - 2,5 metara.



Smjernice za zaštitu okoliša

Stari električni uređaji sadrže vrijedne materijale i stoga ne bi trebalo ih odlagati zajedno s kućnim smećem! Molimo vas da suradujete sa svojim aktivnim doprinosom očuvanju resursa i okoliša i za prijenos uređaja organiziranim centrima za iskupovanje (ako ih ima).

TABLICA 2. ZAHTJEVI ZA INFORMACIJE ZA ELEKTRIČNE GRIJALICE ZA LOKALNO GRIJANJE PROSTORA.

Identifikacijska (-e) oznaka (-e) modela: 1.CN03 050 MIS F 2. CN03 100 MIS F 3. CN03 150 MIS F 4. CN03 200 MIS F 5. CN03 250 MIS F 6. CN03 300 MIS F 230V~ 50Hz

Značajka	Symbol	Vrijednost 1.	Vrijednost 2.	Vrijednost 3.	Vrijednost 4.	Vrijednost 5.	Vrijednost 6.	Jedinica	Značajka	Jedinica
Toplinska snaga									Vrsta ulazne topline, samo za električne akumulacijske grijalice za lokalno grijanje prostora (odabrati jednu)	
"nazivna toplinska snaga"	P_{nom}	0.50	1.00	1.50	2.00	2.50	3.00	kW	"ručna regulacija napajanja toplinom, s ugrađenim termostatom"	[ne]
"minimalna toplinska snaga (referentna)"	P_{min}	0.00	0.00	0.00	0.00	0.00	0.00	kW	"ručna regulacija napajanja toplinom putem informacija o sobnoj i/ili vanjskoj temperaturi"	[ne]
"maksimalna kontinuirana toplinska snaga"	$P_{max,C}$	0.50	1.00	1.50	2.00	2.50	3.00	kW	elektronička regulacija napajanja toplinom putem informacija o sobnoj i/ili vanjskoj temperaturi	[ne]
Potrošnja pomoćne električne energije									predaja topline uz pomoć ventilatora	[ne]
"kod nazivne toplinske snage"	e_{lmax}	0.44	0.91	1.42	1.89	2.41	2.87	kW	Vrsta izlazne topline/regulacija sobne temperature (odabrati jednu)	-
"kod minimalne toplinske snage"	e_{lmin}	0.00	0.00	0.00	0.00	0.00	0.00	kW	jednostupanjaska predaja topline i bez regulacije sobne temperature	[ne]
u stanju pripravnosti	e_{lSB}	0.00	0.00	0.00	0.00	0.00	0.00	kW	dva ili više ručna stupnja, bez regulacije sobne temperature	[ne]
									s regulacijom sobne temperature mehaničkim termostatom	[da]
									s elektroničkom regulacijom sobne temperature	[ne]
									"elektronička regulacija sobne temperature i dnevni uklopni sat"	[ne]
									elektronička regulacija sobne temperature i tjedni uklopni sat	[ne]
									Druge mogućnosti regulacije (moguć odabir više opcija)	
									regulacija sobne temperature s prepoznavanjem prisutnosti	[ne]
									regulacija sobne temperature s prepoznavanjem otvorenog prozora	[ne]
									s mogućnošću regulacije na daljinu	[ne]
									s prilagodljivim pokretanjem regulacije	[ne]
									s ograničenjem vremena rada	[ne]
									s osjetnikom s crnom žaruljom	[ne]

TESY Ltd

48 Madara Blvd,
Shumen, 9700,
Bulgaria

UKLANJANJE NEISPRAVNOSTI

Prije nego što se obratite Centru za usluge klijenata, pregledajte savjete u donjoj tablici:

PROBLEM	UZROK	RJEŠENJE
Uređaj ne radi.	Nema mrežnog napajanja. Uvjerite se da je uređaj priključen u i utičnicu i električna utičnica radi.	Utaknite utikač u utičnicu i provjerite položaj sklopke ON/OFF (uključen/isključen).
Prostorija se ne zagrijava dovoljno, iako je uređaj vruć.	Pregrijavanje uređaja. Sigurnosni graničnik pregrijavanja ograničava oslobađanje topline.	Uklonite uzrok (pokrivač, prljavština ili začepljenje dovoda ili otvora za zrak). Pridržavajte se minimalnih udaljenosti oko uređaja navedene u uputama za ugradnju.
	Potreba za toplinom u prostoriji veća je od one koju emitira uređaj.	Uklonite gubitke topline. (Zatvorite prozore i vrata. Izbjegavajte stalnu ventilaciju.)
	Provjerite je li snaga vašeg uređaja prilagođena veličini prostorije.	Preporučena snaga je prosječna 100 W/m ² za visinu stropa 2,50 m ili 30 W/m ³
Zagađenja se pojavljuju na zidu u blizini uređaja.	Zagađenja na zidu nastaje kao posljedica onečišćenja zraka.	Uvjerite se da se prostorija redovito provjetrava svježim zrakom, posebno ako u istoj se puši.
Zvukovi/šumovi.	Ispuštanje slabih zvukova tijekom grijanja, kao i ubrzo nakon postizanja postavljene temperature, nije neuobičajeno.	Taj je učinak posljedica prirodnog širenja materijala s brzim porastom temperature i naknadnim hlađenjem metala korištenih u proizvodnji uređaja.
Žućkaste mrlje na rešetki	Takve mrlje mogu nastati prekrivanjem uređaja vlažnom odjećom.	Ne pokrivajte proizvod! To nije dopušteno jer blokira konvekciju zraka i može nanijeti nepopravljivu štetu uređaju, što može dovesti do ozbiljnog rizika za vaše zdravlje i imovinu.



ПАЖЊА:

- Прочитајте ова упутства пре употребе овог уређаја и чувајте ова упутства за будућу употребу. При промени власника, инструкције за рад се морају пренети заједно са уређајем!
- **ПАЖЊА:** Дјесца која су мање од три године треба се држати на удаљености, осим ако нису под сталним надзором. Деца која имају 3 године до 8 година могу да користе само дугме укљ./икљ.јединице, под условом да је уређај инсталиран и спреман за нормалан рад и она су била уочена и праћена о упутствима о његовом коришћењу на безбедан начин и да зајну да то може бити опасно.

Деца која имају 3 године до 8 година не би требало да укључи уређај у утичницу, да га подесују да га очисте или да обављају корисничко одржавање.

Ова јединица може да се користи од стране деце која имају осам година и од стране лица са смањеним физичким, сензорним или менталним способностима, или недостатком искуства и знања, осим ако су под надзором или инструктована за безбедно коришћење уређаја и разумевају опасност. Деца не би требало да се играју са апаратом. Чишћење и корисничко одржавање не треба се обављати од стране деце без надзора.

- **ПАЖЊА:** Неки делови овог уређаја могу постати веома врући и узроковати опекотине. Тамо где су присутна деца и осетљиве особе се треба посветити посебна пажња.



- **УПОЗОРЕЊЕ:** Да би се избегло прегревање, не покривајте уређај!
- Уређај не мора се поставља непосредно испод кутије утичнице.
- Ако је кабл за напајање оштећен, произвођач, његов сервис или слично квалификована особа мора га заменити како би се избегла опасност.
- Пре укључивања уређаја, уверите се да указани напон на типској плочици одговара напону који се пружа у Вашем дому.
- Овај апарат се мора користити само на сврху за коју је предвиђен, односно за загревање простора за живот. Уређај није намењен за трговачке сврхе. Било која друга употреба може се сматрати некоректном и стога опасном. Произвођач не може бити одговоран за штету насталу услед неправилне и неразумне употребе. Непоштовање информације о безбедности ће поништити узету гаранција уређаја!
- Не излазите из Ваше куће док је уређај укључен: проверите да ли је уређај у позицији искључен. Увек уклањајте утикач апарата из утичнице.
- Држите запаљиве предмете, као што су намештај, јастуци, постељина, папир, одећа, завесе, итд на растојању од најмање 100 цм од електричног камина.
- Немојте користити уређај у просторијама где се употребљавају или се држе запаљиви материјали. Немојте користити уређај у подручјима са запаљивом атмосфером (нпр. у близини запаљивих гасова или аеросола) - постоји екстремна опасност од експлозије и пожара!
- Не убаците стране предмете или дозволити да падне у вентилационим отворима (долазни или одлазни), јер ће то проузроковати електрични удар, пожар или оштећење у конвектору.
- Уређај није погодан за гајење животиња, а исти је намењен само за кућну употребу!
- Држите улаз и излаз ваздушног потока слободан предмета: најмање 1 метар даље испред и 50 цм иза пећи. Не дозволите улазак било каквих објеката у отвору улазног ваздуха или у отвору излазног ваздуха, јер ће то изазвати струјни удар, пожар или оштећење у грејачу.
- Најчешћи узрок прегревања је акумулација тканине и прашине у уређају. Редовно чистите усисавачем вентилаторске отворе, као што је претходно потребно искључити апарат. Држите електрични камин чист.
- Никада не додирујте уређај мокрым или влажним рукама – постоји опасност по живот!
- Утичница мора бити доступна у сваком тренутку да би могло да се утикач ослободи када је то потребно што је могуће брже! Никада не вучите кабл за напајање или сам апарат за искључења из мреже.
- Обратите пажњу! Излаз ваздуха се загрева током рада (више од 100°C)
- Ако одлучите да престанете да користите уређај овог типа, препоручљиво је да буде 22. неупотребљив, и исећи кабл након што искључите мрежу. Такође се препоручује све опасности повезане са

апаратом да буду заштићене, посебно за децу који би могли да користе амортизирани апарат (уређај) за игру.

- Пажња: Немојте користити овај уређај са програмактором, тајмером или други уређајима који га аутоматски укључују, јер ако је покривен или погрешно постављен постоји опасност од пожара.
- Поставите кабл за напајање, тако да не омета кретање људи, а да се не хода по њему! Користите само одобрене продужне каблове који су одговарајући за уређај, односно да имају знак усаглашености!
- Никада не премештајте апарат повлачењем кабла и не користите кабл за ношење предмета!
- Немојте савијати кабл и не повуците га преко оштре ивице и на стављајте га на вруће плоче или на отворени пламен!

ПАКОВАЊЕ

- Када распакујете уређај, проверите да ли за време превоза није увређен и потпуно опремљен! У случају да се утврди да је оштећен или непотпуна испорука, обратите се Вашем овлашћеном продавцу!
- Не бацајте оригиналну кутију! Она би могла се користити за складиштење и транспорт да се избегне штета од транспорта!
- Располагање амбалаже мора бити на одговарајући начин! Деца се треба чувати да су под надзором и да се не играју са пластичним кесам!

УПУТСТВО ЗА УПОТРЕБУ И МОНТАЖУ КОМПЛЕТА НОГУ

- Овај конвектор дизајниран за употребу у затвореним просторима.

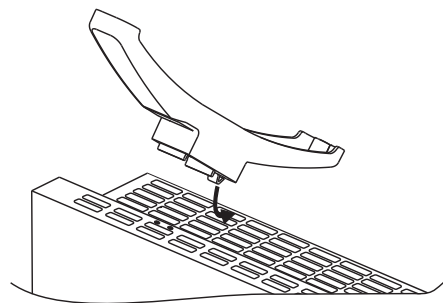


Према Правилнику ЕС 2015/1188 за примену Директиве 2009/125/ЕО, овај електрични грејни уређај није намењен за монтажу на зид!

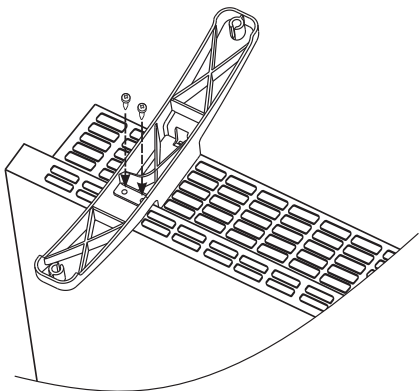


Важно: За просторе с обимом више од 45 м³ препоручује се да користите комбинација од 2 или више конвектора

- Не постављајте конвектор испод електричне утичнице или прикључне.
- Немојте инсталирати / користити конвектор
 1. на месту где постоји потисак да се не омета са контролним подешавањима
 2. непосредно испод електричне утичнице;
 3. у оросторији 1 (volume 1) за купатила;
 4. у оросторији 2 (volume 2), ако контролна плоча се може достигне од стране некога ко је испод туша или у кади;
- Пре него што да почнете монтажу комплета, проверите да ли је конвектор искључен!
- Ноге се монтирају у улазним отворима ваздуха - правилно је да буду инсталиране на оба краја конвектора, симетрично - на истој удаљености од ивица конвектора. За ову сврху - сваки конвектор има остављена два отвора 2x2 отвора.



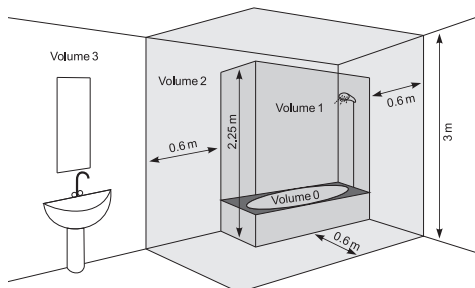
- Поставите једну ногу – кад најпре гурните већи део ноге у конвектора (окренути се против предњег дела конвектора) - тај део је нижи у односу на предњи метални панел. Онда узмите шрафцигер (није на располагању у комплекту) и затегните два сигурносна шрафа 3.5x9.5мм. Вијак пролази кроз пластичну ногу и се завија у металној кутији на конвектору. Поновите поступак и за другу ногу.
- Јединице је исправно повезана ако након инсталације се конвектор постави на поду и исти стоји хоризонтално. Не користите кабл за напајање као уже за вучење, тај потез се обавља при хладном конвектору.



- Поставите конвектор са монтираним ногама на под и пре да укључите, проверите да ли су испуњени услови за коришћење од почетка инструкције (мере опреза и важни услови за коришћење конвектора). Правилан положај је – контролни панел да је на врху конвектора, а ноге да су на поду!

УПОТРЕБА У КУПАТИЛУ

- Конвектор мора бити инсталиран у складу са уобичајеном економском праксом и у складу са законима релативне земље (наредбе за електричну енергију ЕК и захтеви за специјалне инсталације или локације са купатилима и тушевима HD60364-7-701 (IEC 60364-7-701:2006)).



- Ако овај конвектор ће се користити у купатилу или у другим сличним објектима морају бити испуњени следећи услови за инсталацију: Конвектор се с заштитом IP24 (заштита од прскања воде). Због ове чињенице морају бити инсталиран у простору 2 (volume2) (види шема доље), како би се избегла могућност ова контролна табла (кључ и терморегулатор) конвектора да буде достигнута од стране човека, који је испод туша или у кади. Минимална удаљеност од уређаја до извора воде не сме бити мања од 1 метра! Ако нисте сигурни у вези инсталирања конвектора у просторији за купатило, препоручујемо да консултујете професионалног електричара.

Напомена: Ако не могу бити задовољени горе наведени услови, препоручује се да се инсталација одржати у простору 3 (VOLUME 3).

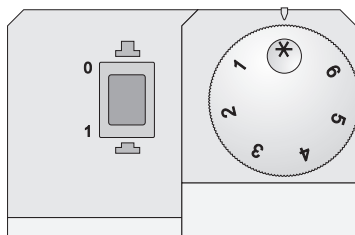
- У влажним просторијама (купатила и кухиње) извор напајања мора да се монтира на висини од најмање 25 цм од пода.
- Инсталација мора бити опремљена аутоматским осигурачем, при њему растојање између контаката када је искључен бити најмање 3 мм.

Хвала што сте одабрали конвектор CN03. Ово је уређај који обезбеђује грејање у зими колико је потребно да се постигне удобна топлота у загрејаној просторији. Уз правилну употребу и бриге као што је описано у овом упутству, уређај ће обезбедити дугогодишњи корисни рад.

УПУТСТВО ЗА УПОРАБУ

МЕХАНИЧКО УПРАВЉАЊЕ

Режими рада



Укључите конвектора, притисните прекидач на положај "I" (Укључено), затим окрените регулатор до жељеног од вас степена /од 1 до 6/ узимајући у обзир следећи однос у величинама:

* – режим против смрзавања /активира се када температура у просторији падне испод 5°C

1 / 2 – економски режим /за одржавање ниске температуре у просторији / Овај режим се препоручује за употребу ноћу или у одсуству људи у просторији. Дати режим вам омогућава да одржавате одређену температуру, уз уштеду енергије.

3 / 4 / 5 – комфоран режим / за одржавање умерене температуре у просторији / Овај режим се препоручује да се користи за одржавање релативно високе удобне температуре у просторији.

6 – максимални режим / за одржавање ВИСОКЕ температуре у просторији / Овај режим се препоручује за употребу када је потребна максимално висока температура у просторији

Важно: Бројеви на регулатору температуре не одговарају специфичним вредностима собне температуре и служе за практично запамћење односа између температуре и приказана регулатора.

Када је температура у просторији нижа од оне коју сте подесили помоћу регулатора конвектор стартира свој рад и ће радити све до тренутка када собна температура достигне задату вредност. Када је температура у просторији виша од вредности подешене од стране регулатора, конвектор ће се аутоматски пребацити на режим „Спремност за укључивање.“

ЗАШТИТА

- Уређај је опремљен сигурносним термопрекидачем који аутоматски искључује грејач у случајевима пораста температуре у конвектору изнад дозвољених вредности /такозвано прегревање/.
- Сигурносни термопрекидач аутоматски обнавља рад конвектора само када температура уређаја падне испод дозвољених вредности.

ЗАШТИТА ПРОТИВ ПРЕВРТАЊА

Овај грејаћи уређај је заштићен сигурносним прекидачем, који аутоматски искључује уређај ако уређај падне на под или се налази под превеликим углом према хоризонталу. На тај начин се избегавају несреће, а након што је уређај поново устајен, исти ће наставити радити у последњем задатом начину рада.

ЧИШЋЕЊЕ

- Обавезно прво искључите уређај из зидне утичнице. Пре чишћења конвектора, оставите га да се охлади искључивши га из контакта.
- Очистите корпус са влажном крпом, усисивачем или четком.
- Никада немојте потапати апарат у воду – постоји опасност по живота од струјног удара!
- Никада немојте користити бензин, разређивач или груба абразиона средства за чишћење, јер ће она оштетити површину апарата.

СКЛАДИШТЕЊЕ

- Пре складиштење конвектора, оставите га да се охлади искључивши га из контакта.
- Користите оригинално паковање за складиштење конвектора, ако исти неће бити коришћен за неко време. Овај уређај је заштићен од прекомерне прашине и прљавштине, ако се враћа у свом оригиналном паковању.
- Никада не враћајте топли апарат у свом паковању!
- Овај уређај треба се чувати на сувом и заштићеном од директне сунчеве светлости месту.
- Изричито се забрањује његово складиштење у влажним или мокрым собама.

СЕРВИСНО ОДРЖАВАЊЕ УРЕЂАЈА

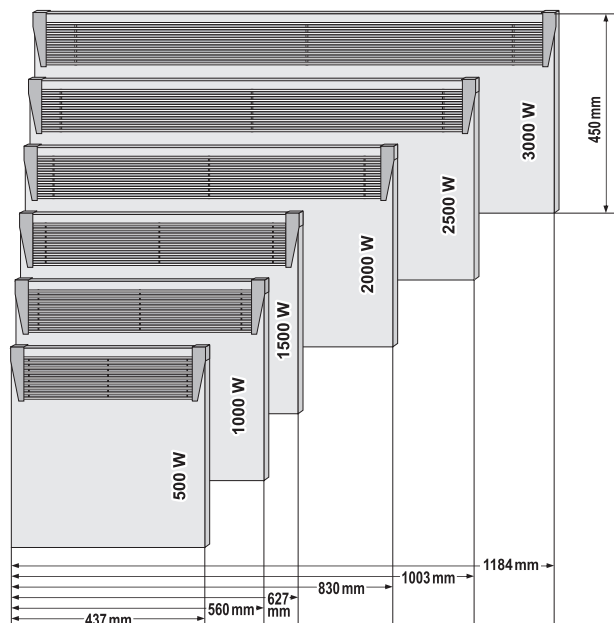
- У случају квара уређаја, контактирајте најближег овлашћеног сервисног центра. /указано у гарантном листу производа /.
- **Важно:** У случају тужбе и/или кршења Ваших права као корисник, молим обратите се добављачу овог апарата на наведеним адресама или преко сајта компаније: www.tesy.com

ДИМЕНЗИЈЕ УРЕЂАЈА, ЗАГРЕЈАНИ ОБИМ И ПОВРШИНА У ПРОСТОРИЈИ

Модел	Загрејани обим	Загрејана површина
CN 03 050 MIS F - 500W	10* - 15 m ³	4* - 6 m ²

CN 03 100 MIS F - 1000W	20* - 30 m ³	8* - 12 m ²
CN 03 150 MIS F - 1500W	30* - 45 m ³	12* - 18 m ²
CN 03 200 MIS F - 2000W	40* - 60 m ³	16* - 24 m ²
CN 03 250 MIS F - 2500W	50* - 70 m ³	20* - 28 m ²
CN 03 300 MIS F - 3000W	60* - 80 m ³	24* - 32 m ²

* Минимални загарантовани грејани обим (површина) за грејање уз просечан коефицијент топлотне проводљивости $\lambda=0.5 \text{ W}/(\text{m}^2\text{K})$ за загрејану просторију. Више вредности за грејани обим (површина) се постиже при просечној вредности $\lambda=0.35 \text{ W}/(\text{m}^2\text{K})$. Стандардна висина просторије - 2,5 метара.



Упуте за заштиту природне околине

Стари електрични уређаји садрже вредне материјале и стога не би требало их одлагати с комуналним смећем! Молим Вас да сарађујете са својим активним доприносом за заштиту природне околине и пренети уређај организованим центрима за куповање (ако такви постоје).

УКЛАЊАЊЕ НЕИСПРАВНОСТИ

Пре него што се обратите Корисничком центру за помоћ, погледајте савете у табели доле.

ПРОБЛЕМ	РАЗЛОГ	РЕШЕЊЕ
Уређај не ради.	Нема електричне струје. Уверите се да је уређај укључен у електричну утичницу и утичница ради.	Утакните утикач у утичницу и проверите положај прекидача ON/OFF (укључен/искључен).
Просторија се не загрева довољно иако је уређај врућ.	Прегревање уређаја. Сигурносни граничник прегријавања ограничава ослобађање топлоте.	Уклоните узрок (покривач, прљавштина или зачепљење довода или отвора за ваздух). Придржавајте се минималних растојања око уређаја, наведених у упутству за монтажу.
	Потреба за топлином у просторији већа је од оне коју емитује уређај.	Уклоните губитке топлоте. (Затворите прозоре и врата. Избегавајте сталну вентилацију.)
	Проверите да ли је снага вашег уређаја прилагођена величини просторије.	Препоручена снага је просечно 100 W/m ² за висину плафона 2.50 m или 30 W/m ³
Загађења се појављују на зиду поред уређаја.	Загађење на зиду настаје као последица загађења ваздуха.	Уверите се да се просторија редовно проверава свежим ваздухом, посебно ако се у истој пуши.
Звукови/буке.	Испуштање тих звукова током грејања, као и убрзо након постизања постављене температуре, није реткост.	Овај ефекат настаје услед природног ширења материјала са брзим порастом температуре и накондним хлађењем метала коришћених у производњи уређаја.
Жућкасте мрље на решетки.	Такве мрље могу бити резултат прекривања уређаја влажном одећом.	Не прекривајте производ! То није дозвољено јер блокира конвекцију ваздуха и може нанети непоправљиву штету уређају, што може довести до озбиљног ризика за ваше здравље и имовину.

ВАЖНИ МЕРКИ И УПАТСТВА ЗА БЕЗБЕДНОСТ:**ВНИМАНИЕ:**

- Прочитајте тековните инструкции пред да го користите овој апарат и чувајте ги овие упатства за понатамошна употреба. При промена на сопственикот, упатствата треба да се пренесува заедно со апаратот.
- **ВНИМАНИЕ:** Деца на помалку од 3 години, треба да се чуваат надвор, освен ако не се под постојан надзор. Деца на возраст од 3 години до 8 години може само да го користат копчето вкл. / искл. на апаратот, под услов апаратот е инсталиран и е подготвен за нормална работа и биле забележани и обучени за употреба на безбеден начин и разбираат дека може да е опасно.

Деца на возраст од 3 години до 8 години не треба да вклучуваат апаратот во штекер, да го дотеруваат, да го чистат или да вршат корисничка поддршка.

Овој уред може да се користи од деца на возраст над 8 години и лица со намалени физички, сетилни или ментални способности, или што немаат искуство и знаење, ако тие се одвиваа или обучени за безбедна употреба на апаратот и разбираат опасностите. Децата не треба да си играат со апаратот. Чистење и корисничка поддршка не смее да се прави од деца без надзор.

- **ВНИМАНИЕ:** Некои делови на овој производ може да станат многу жешки и да предизвикаат изгореници. Таму каде што присуствуваат деца и ранливи луѓе, мора да биде доставено посебно внимание



- **ПРЕДУПРЕДУВАЕ:** За да се избегне прегревање, не покривајте уредот!
- Апаратот не треба да се става непосредно под приклучната кутија!
- Ако кабелот за напојување е оштетен, тој мора да биде заменет од производителот, неговиот сервисен агент или слично квалификувани лица за да се избегне опасност.
- Пред да го вклучите уредот - проверете дали наведениот напон на типската табела одговара на напонот који се доставува до вашиот дом.
- Овој уред треба да се користи само по намената, за кое бил предвиден, односно да грее домаќинство простории. Апаратот не е наменет за комерцијални цели. Секоја различна употреба да се смета за несоодветна и затоа опасна. Производителот не може да носи одговорност за штети кои произлегуваат од несоодветна и неразумна употреба. Непочитување на информациите за безбедност ќе ја направи невалидна поетата гаранција за уредот!
- Не напуштајте домот, додека апаратот е вклучен: осигурајте се дека ключа е во положбата исклучено (се однесува за конвекторите со механичко управување).
- Држете запаливи предмети, како мебел, перници, постелнина, хартија, облека, завеси и сл. на растојание од најмалку 100 см далеку од конвекторот.
- Не користете го уредот каде што се користат или чуваат запаливи материи (на пример: во близина на запаливи гасови или аеросоли) - постои многу голема опасност од експлозија и пожар!
- Не вметнувајте и не дозволувајте туѓи тела да падне во отворите за вентилација (дојдовни или појдовни), бидејќи тоа ќе предизвика електричен удар, пожар или дефект во конвекторот.
- Апаратот не е погоден за одгледување на животни, и истиот е предвиден само за домашна употреба!
- Не покривајте заштитните решетки, не блокирајте влезот или излезот на ваздушното струење, како поставувате апаратот против дадена површина. Сите предмети треба да се исклучи барем 1 метар од апаратот пред и странично.
- Најчеста причина за прегревање е акумулација на мов и прашина во уредот. Редовно чистете со правосмукалка вентилацијските отвори, како пред тоа задолжително го исклучите апаратот од електричната мрежа.
- Никогаш не допирајте апаратот со влажни раце - постои опасност за животот!
- Штекерот треба да биде достапен во секое време, за да може приклучокот да биде ослободуван при потреба можно побрзо! Никогаш не влечете го кабелот флекс или самиот уред при исклучување од мрежата.
- Да обрнат внимание! Издувниот воздух се загрева за време на работа

(до повеќе од 100°C).

- Ако одлучите да престанете да го користите апаратот од овој тип, се препорачува да го направите неупотребливи, како намалување кабелот, откако сте го исклучиле од мрежата. Препорачува се уште сите опасности поврзани со уредот да бидат обезбедени, особено за деца кои би можеле да користат амортизираниот уред (апаратот) за игра.
- **Внимание:** Не користете го апаратот со програматор, контра или друг уред кој автоматски го вклучува бидејќи, ако апаратот е покриен или неправилно поставен постои опасност од пожар.
- Ставете кабелот флекс, па да не го попречува движењето на луѓето и да не биде случуваат! Користете само одобрени продолжни кабли, кои се погодни за апаратот, односно имаат знак за согласност!
- Никогаш не поместувајте уредот, како го влечете за кабелот и не користете кабелот за пренесување на објекти!
- Не прекршувајте кабелот и не го влечете преку остри рабови и не го ставајте на жешки плочи или отворен оган!

ПАКУВАЊЕ

- По отпакување на апаратот, проверете дали при транспортот не е оштетен и дали е целосно опремен! Во случај да биде констатирано оштетување или нецелосна испорака, контактирајте со Вашиот овластен продавач!
- Не фрлајте оригиналната кутија! Таа би можела да се користи за чување и транспорт, за да се избегне оштетување од транспортот!
- Фрлањето на амбалажата треба да станува соодветен начин! Децата треба да се чува да не си играат со полиетиленските кеси!

УПАТСТВА ЗА УПОТРЕБА И МОНТАЖА НА КОМПЛЕТ НОЗЕ

- Овој конвектор е дизајниран за употреба во затворени простории.

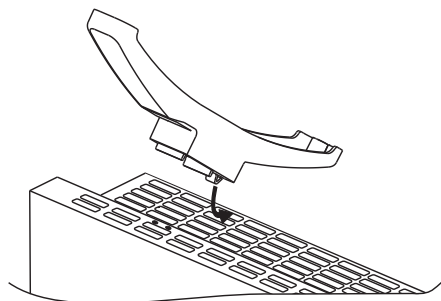


Според Регулативата EC 2015/1188 за примена на Директивата 2009/125/EO, овој електричен грее уред не е наменет за монтирање на ѕид!



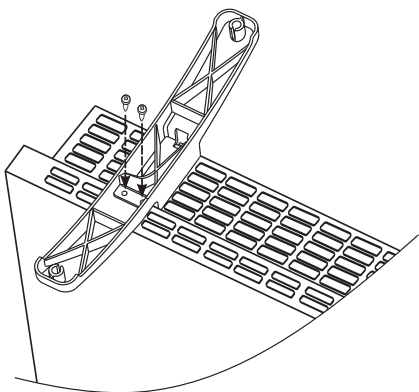
Важно: При простории со обем над 45 м³ е препорачливо користење на комбинација од 2 и повеќе конвектора

- Не ставајте конвектор под електричен штекер или поврзуващата кутија.
- Не монтирајте / користете конвекторот
 1. на место каде има нафрли, за да не се влијае на контролните подесувања
 2. непосредно под штекер;
 3. во простор 1 (volume 1) за бања;
 4. во простор 2 (volume 2), ако контролната табла може да биде достигнато од човек кој е под туш или во кадата;
- Пред да пристапите кон монтажа на комплетот проверете дали конвекторот е исклучен од струја!
- Нозете се монтираат во дојдовните отвори за воздух - коректно е да се монтираат на двата краја на конвекторот, симетрично - на подеднакво проред од рабовите на конвекторот. За целта - на секој конвектор има оставени 2x2 отворот.



- Ставете едната нога - со вметнување прво повисоката дел од ногата во конвекторот (застанувајќи против предната страна на конвекторот) - делот е помали во однос на предниот метален панел. Потоа земете крстест одвртувач (не е достапно во комплетот) и зашрафете двата осигурувајќи завртки 3.5x9.5мм. Завртката минува низ пластичната нога и се завртува во металната кутија на конвекторот. Повторете операцијата и за вториот нога.
- Соединението е сигурно поврзано ако после инсталирањето конвекторот се стави на подот и истиот стои хоризонтално. Не

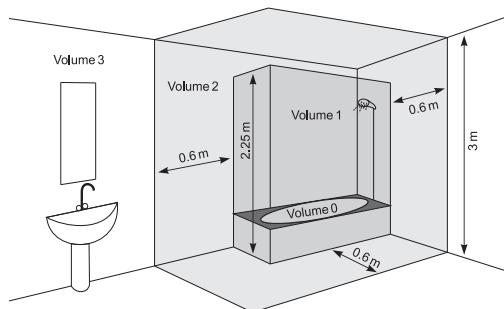
користете го кабелот флекс како јаже за влечење, преместувањето се остварува при "ладен" конвектор.



- Стави конвекторот со монтирани нозе на подот и пред да го вклучите проверете дали се исполнети условите за употреба од почетокот на наставата та (мерки и важни услови за користење на конвекторот). Вистинската позиција е – командниот панел да биде врвот на конвекторот, а нозете да се на подот!

УПОТРЕБА ВО БАЊА

- Конвекторот треба да биде монтиран во согласност со нормалната комерцијална пракса и во согласност со законодавството на дадената земја (директивите за електрична енергија на ЕЗ и барањата за посебни монтажи или места вклучуваат бањи, или туш кабини HD60364-7-701 (IEC 60364-7-701 : 2006)).



- Ако овој Конвекциски се користи во бања или друго слично просторија, треба да бидат исполнети следниве барања при инсталирањето: Конвекторот е со заштита IP24 (заштита од прскање вода). Поради овој факт треба да се монтира во простор 2 (volume2) (види дијаграм подолу), за да се избегне можноста од контролната табла (клуч и терморегулатор) на конвекторот да биде достигнато од човек кој е под туш или во када. Минималното растојание од апаратот до воден извор треба да биде не помалку од 1 метар! Ако не сте сигурни во врска со инсталирањето на овој конвектор во просторијата за бања, ние препорачуваме да се консултирате со професионален електричар.

Забелешка: ако не можат да се исполнат горенаведените услови се препорачува монтажа да се оствари во простор 3 (VOLUME 3).

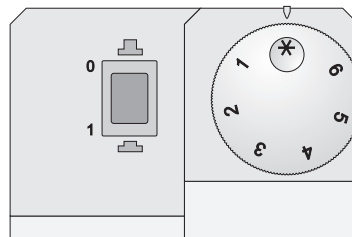
- Во влажни простории (бањи и кујни) извор на енергија треба да е монтиран на височина минимум 25 см од подот.
- Инсталацијата треба да биде опремена со автоматски осигурувач, при што растојанието меѓу контактите кога е исклучен треба да биде најмалку 3мм.

Ви благодариме што го одбравте конвекторот CN03. Тоа е уред кој нуди греење во зима, во зависност од потребите за постигнување на смирената топлина во загреваната просторија. При правилна употреба и нега, како што е опишано во овие инструкции, апаратот ќе ви обезбеди многу години корисно функционирање.

УПАТСТВО ЗА УПОТРЕБА

МЕХАНИЧКО УПРАВУВАЊЕ

Режими на работа



Вклучете конвекторот, притиснете го клучот во положбата „I“ (Вклучено), потоа свртете го регулаторот на саканата степен / од 1 до 6 / како мерите следново сооднос во степени:

* – режим против замрзнување / активира се кога температурата во просторијата падне под 5 ° C

1/2 – економичен режим / за одржување на ниска температура во просторијата / овој режим е препорачливо да се користи во текот на ноќта или во отсуство на луѓе во просторијата. Дадениот режим овозможува да се задржи одредена температура во услови на заштеда на енергија.

3 / 4 / 5 – комфорен режим / за одржување на умерена температура во просторијата / овој режим е препорачливо да се користи за одржување на релативно висока удобна дневна температура во просторијата.

6 – максимален режим / за одржување на ВИСОКА температура во просторијата / Овој режим е препорачливо да се користи кога е потребно максимално висока температура на просторијата

Важно: Бројките на регулаторот на температурата не одговараат на одредена величина на температурата во просторијата а служат за практично зачувување на корелација помеѓу температура и прикажување на регулаторот.

Кога температурата во просторијата е пониска од онаа која сте ја наместиле со помош на регулаторот, конвекторот започнува да работи и ќе работи до моментот кога температурата во просторијата достигне подесената вредност. Кога температурата во просторијата е повисока од наместената со регулаторот вредност конвекторот автоматски ќе се префрли во режим на „Подготвеност за вклучување“.

ЗАШТИТА

- Апаратот е опремен со безбедносен термпрекинувач кој автоматски го исклучува грејачот во случај на зголемување на температурата во конвекторот над дозволените вредности / т.н. прегревање на уредот /.
- Безбедносниот термпрекинувач автоматски го обновува работата на конвекторот, само кога температурата на уредот падне под дозволените гранични вредности.

ЗАШТИТА ПРОТИВ ПРЕВРТУВАЊЕ

Овој уред за загревање е заштитен преку сигурносен прекинувач кој автоматски го исклучува уредот кога уредот падне или се наоѓа под преголем агол од хоризонталата. На овој начин се избегнуваат инциденти, а откако ќе биде повторно исправен, уредот ќе продолжи да работи во последно поставеното режим.

ЧИСТЕЊЕ

- Задолжително прво исклучете го апаратот од клучот и извадете го приклучникот од ѕидниот штекер. Пред да почнете да го чистите конвекторот, оставете го да се излади кад го исклучите од струја
- Исклучете куќиштето со влажна крпа, правосмукалка или четка.
- Никогаш не го потопувајте уредот во вода - опасност за животот од струен удар!
- Никогаш не користете бензин, разредувач или груби абразивни производи за чистење, бидејќи тие ќе го оштетат премазот на апаратот.

СКЛАДИРАЊЕ

- Пред да вовлекувате конвекторот, оставете го да се излади кад го исклучите од струја
- Користете оригиналното пакување за чување на конвекторот ако истиот нема да се користи за некое време. Производот се штити од претерано посипување и загадување како се прибира во оригиналното пакување.
- Никогаш не чувајте топол уред во пакувањето му!
- Производот треба да се чува на суво и заштитено од директна сончева светлина локација.
- Експлицитно се забранува неговото складирање во влажни или мокри

простории.

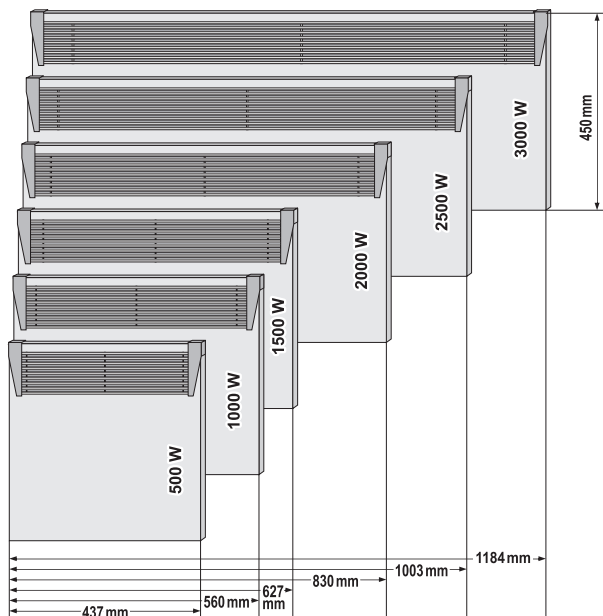
СЕРВИСНО ОДРЖУВАЊА НА УРЕДОТ

- Во случај на дефект на апаратот, ве молиме контактирајте со најблискиот до Вас овластен сервис. /наведени во гарантниот лист на производот/.
- **Важно:** Во случај на рекламација и / или нарушување на Вашите права како корисник, контактирајте со обезбедувачот на овој уред на наведените адреси или преку интернет страницата на компанијата: www.tesy.com

ДИМЕНЗИИ НА УРЕДОТ, ЗАГРЕАН ВОЛУМЕН И ПОВРШИНА ВО ПРОСТОРИЈА

Модел	Загреан волумен	Загревана површина
CN 03 050 MIS F - 500W	10* - 15 m ³	4* - 6 m ²
CN 03 100 MIS F - 1000W	20* - 30 m ³	8* - 12 m ²
CN 03 150 MIS F - 1500W	30* - 45 m ³	12* - 18 m ²
CN 03 200 MIS F - 2000W	40* - 60 m ³	16* - 24 m ²
CN 03 250 MIS F - 2500W	50* - 70 m ³	20* - 28 m ²
CN 03 300 MIS F - 3000W	60* - 80 m ³	24* - 32 m ²

* Минимален гарантиран загреан волумен (површина) за греење при просечен коефициент на топлинска спроводливост $\lambda = 0,5 \text{ W} / (\text{m}^2\text{K})$ за загреваната просторија. Повисоките вредности за загреан волумен (површина) се постигнуваат при средна вредност на $\lambda = 0,35 \text{ W} / (\text{m}^2\text{K})$. Стандардна височина на просториите - 2,5 метри.



Упатства за заштита на животната средина

Старите електрични содржат вредни материјали и поради тоа не треба да се исфрлаат заедно со битовата губре! Ве молиме да помогнете со активниот придонес за зачувување на ресурсите и животната средина и да обезбедите уредот во организираниите изкупвателни пунктови (ако има такви).

ОТСТРАНУВАЊЕ НА ДЕФЕКТИ

Пред да контактирате со Центарот за услуги на клиентите, разгледајте ги советите во табелата подолу:

ПРОБЛЕМ	ПРИЧИНА	РЕШЕНИЕ
Уредот не работи	Нема напојување од мрежата. Осигурете се дека уредот е вклучен во контакт и електричниот контакт работи.	Приклучете го приклучокот во контакт и проверете ја положбата на прекинувачот ON/OFF. (вклучен/исклучен).
Просторијата не се затоплува доволно топла иако уредот е жежок.	Прегревање на уредот. Ограничувачот за безбедност при прегревање го ограничува ослободувањето на топлина.	Отстранете ја причината (кебе, нечистотија или затнувањето на влезот или излезот на воздухот). Внимавајте на минималните растојанија околу уредот, наведени во упатствата за инсталација.
	Потребата за топлина во просторијата е поголема од онаа што ја емитува уредот.	Елиминирајте ги загубите на топлина. (Затворете ги прозорците и вратите. Избегнувајте постојана вентилација.)
	Осигурете се дека моќноста на вашиот уред е прилагодена на големината на просторијата.	Препорачаната моќност е просечна 100 W/m^2 за висина на таванот $2,50 \text{ m}$ или 30 W/m^3 .
На идот до уредот се појавуваат загадувања.	Загадувањата на идот се појавуваат како резултат на загадување на воздухот.	Осигурете се дека просторијата редовно се проветрува со свеж воздух, особено ако во истата се пуши.
Звуци/буци.	Издавањето на ниски звуци за време на загревањето, како и кратко време по достигнувањето на поставената температура не е невообичаено.	Овој ефект се должи на природната експанзија на материјалите со брзиот пораст на температурата и последователното ладење на металите што се користат во производството на уредот.
Жолтеникави дамки на решетката.	Ваквите дамки може да бидат резултат на покривање на уредот со влажна облака.	Не покривајте го производот! Ова не е дозволено бидејќи ја блокира конвекцијата на воздухот и може да предизвика неправилна штета на уредот, што може да ве доведе во сериозен ризик по вашето здравје и имот.

DÔLEŽITÉ UPOZORNENIA A BEZPEČNOSTNÉ POKYNY:**POZOR:**

- Prečítajte si tieto pokyny pred použitím spotrebiča a uschovajte ich na budúce použitie. V prípade zmeny majiteľa, návod na použitie odovzdajte spolu so spotrebičom.

- **POZOR:** Deti mladšie ako 3 roky, musia byť ďaleko od spotrebiča okrem situácie, v ktorej sú pod neustálym dohľadom.

Deti vo veku 3-8 rokov môžu používať len tlačidlo spotrebiča na zapnutie a vypnutie, v prípade, že zariadenie je inštalované a pripravené na normálnu prevádzku a, že samé deti boli sledované i vyškolené v používaní spotrebiča bezpečným spôsobom a si uvedomujú nebezpečnosť pri fungovaní zariadenia.

Deti vo veku 3-8 rokov nesmú zapájať spotrebič do zásuvky, nastavovať, čistiť či vykonávať údržbu.

Deti viac ako 8 rokov ako aj osoby so zníženými fyzickými, zmyslovými alebo duševnými schopnosťami alebo osoby bez skúsenosti a znalosti môžu používať spotrebič v prípade, že sú sledované alebo predtým vyškolené v bezpečnom používaní zariadenia a si uvedomujú nebezpečnosti. Deti by nemali hrať so spotrebičom. Čistenie a údržbu by nemali vykonávať deti bez dozoru.

- **POZOR:** Niektoré súčasti tohto výrobku môžu byť veľmi horúce a môže spôsobiť popáleniny. Ak by sa mali zúčastniť deti a zraniteľné osoby by mala byť venovaná osobitná pozornosť.



- **UPOZORNENIE:** Aby nedošlo k prehriatiu nezakrývajte jednotku!
- Spotrebič nesmie byť umiestnený priamo pod zásuvkou!
- Ak je napájací kábel poškodený, musí ho vymeniť výrobca, jeho servisný pracovník alebo podobne kvalifikované osoby, aby sa zabránilo riziku.
- Pred zapojením do siete skontrolujte či ukázané na typovom štítku napätie zodpovedá napätiu privádzaného do vášho domu.
- Tento spotrebič musí byť používaný iba k účelu, na ktorý bol poskytnutý, t.j. na vykurovanie domácností. Tento spotrebič nie je určený na obchodné účely. Akékoľvek iné použitie je považované za nevhodné a teda nebezpečné. Výrobca nenesie zodpovednosť za škody vyplývajúce z nesprávneho použitia. Nedodržovanie bezpečnostných pokynov zruší platnosť záruky zariadenia!
- Keď nie ste doma nenechávajte prístroj zapnutý: uistite sa, že je vypnutý (platí pre konvektory s mechanickým ovládaním).
- Udržujte horľavé predmety, ako napríklad nábytok, vankúše, posteľnú bielizeň, papier, oblečenie, záclony a pod. vo vzdialenosti najmenej 100 cm od konvektora.
- Nepoužívajte zariadenie na miestach, kde sa používajú alebo uschovávajú horľavé látky (napr. v blízkosti horľavých plynov alebo aerosólov) – nesie to vysoké riziko požiaru a výbuchu!
- Nevkladajte cudzie predmety do ventilačných otvorov (prichádzajúce alebo odchádzajúce). Toto môže zapríčiniť úraz elektrickým prúdom, požiar alebo poškodenie konvektora.
- Jednotka nie je určená na chovanie zvierat a len na používanie v domácnosti!
- Nezakrývajte bezpečnostné mreže, neblokujte vstup vzduchu umiestnením jednotky oproti danému povrchu. Všetky predmety musia byť vo vzdialenosti aspoň 1 m frontálne a bočne od jednotky.
- Najčastejšou príčinou prehriatia je akumulácia vlákna a prachu v jednotke. Pravidelne vysávajte ventilačné otvory. Predtým odpojte prístroj od elektrickej siete.
- Nikdy sa nedotýkajte spotrebiča mokrymi alebo vlhkými rukami - existuje nebezpečenstvo ohrozenia života!
- Zásuvka musí byť k dispozícii po celú dobu, tak, aby v prípade potreby bola zástrčka uvoľnená čo najskôr! Nikdy pri odpojení od elektrickej siete neťahajte napájaciu šnúru alebo samotný prístroj.
- Poznámka: Odchádzajúci vzduch sa pri prevádzke zohreje (viac ako 100° C).
- Ak sa rozhodnete prestať používať zariadenie tohto typu, je odporúčané, aby ste ho dali do nepoužívateľného stavu odrezaním napájacej šnúry po odpojení jednotky od elektrickej siete. Odporúča sa tiež aby všetky riziká, spojené s jednotkou boli zaistené, a to najmä pre deti, ktoré by sa mohli s amortizovaným spotrebičom hrať.
- Upozornenie: Nepoužívajte tento prístroj spolu s programátorom, časovým spínačom alebo iným zariadením, ktoré ho automaticky zapne,

lebo ak je jednotka nesprávne zakrytá, či nesprávne umiestnená existuje nebezpečenstvo požiaru.

- Umiestnite napájaciu šnúru tak, aby nezavadzala pri pohybe osôb a nebola našľapovaná! Používajte iba schválené predlžovacie káble, ktoré sú pre daný výrobok vhodné t. j. majú vlastnosť zhody 2.
- Nikdy nehybte prístroj ťahaním za šnúru a nepoužívajte šnúru na prenášanie predmetov!
- Nekrčte šnúru, neťahajte ju cez ostré hrany a ju nedávajte na horúcu platňu alebo na otvorený oheň!

OBAL

- Po vybalení jednotky skontrolujte, či počas prevážania nie je poškodená a či je úplne zabalená! V prípade, že zistíte poškodenie alebo neúplne zásobovanie sa obráťte na autorizovaného predajcu!
- Nevyhadzujte pôvodnú krabicu! Tá by sa mohla použiť na uschovávanie a prevážanie prístroja, aby nedošlo k jeho poškodeniu.
- Likvidáciu obalového materiálu vykonávajte vhodným spôsobom! Deti by mali byť obmedzené hrať sa s plastovými vrecami.

NAVODILA ZA UPORABO IN MONTAŽO KOMPLETA NOGIC NA GRELNI NAPRAVI

- Tento konvektor je určený na použitie v interiéri.

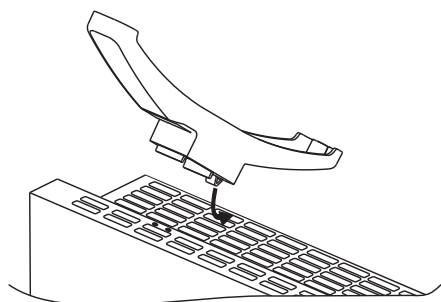


Po uredbi Komisije (EU) 2015/1188 o izvajanju Direktive 2009/125/ES ta električni grelnik prostora ni namenjen montiranju na steno!

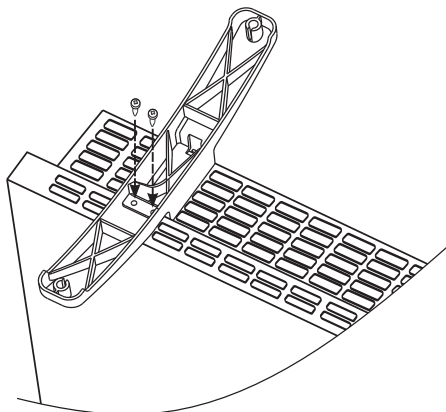


Upozornenie: V prostoroch s objemom viac ako 45 m³ sa odporúča umiestniť dva alebo viac konvektorov.

- Spotrebič nesmie byť umiestnený pod zásuvkou alebo prepojovacou krabicou.
- Neinštalujte / Nepoužívajte konvektor
 1. na miestach, kde je hnacia sila, aby nedochádzalo k interferencii s nastavením ovládacích prvkov;
 2. priamo pod zásuvku;
 3. v priestore číslo 1 (volume 1), pre kúpeľňu;
 4. v priestore číslo 2 (Volume 2), ak osoba pod sprchou, či vo vani má prístup k ovládaciemu panelu;
- Predtým ako sa pustíte do montáže komplexu skontrolujte, či konvektor nie je pod prúdom!
- Nohy sa montujú do otvorov – správne je, aby sa montovali do dvoch nôh konvektora symetricky – v rovnakej vzdialenosti od koncov konvektora. Za týmto účelom má každý konvektor otvory veľkosti 2x2.



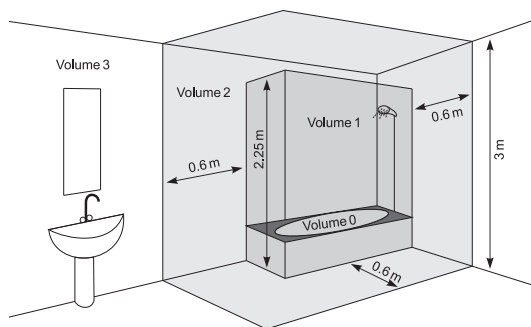
- Umiestnite jednu nohu – vyššiu časť nohy uchyťte v konvektore (postavte sa ku konvektoru spredu) – časť je nižšia v porovnaní s predným kovovým panelom. Potom zoberte krížový skrutkovač (nie je súčasťou komplexu) a zakrúťte oba bezpečnostné skrutky 3.5x9.5mm. Skrutka prechádza plastovou nohou a zakrúca sa do kovovej skrine konvektora. Ten istý postup zopakujte aj pri druhej nohe.
- Spojenie je úspešne zrealizované, ak sa po montáži konvektor postaví na podlahu a stojí horizontálne. Nepoužívajte sieťové pripojenie ako špagát na ťahanie, premiestňovanie sa uskutočňuje pri „studenom“ konvektore.



- Postavte konvektor s montovanými nohami na podlahu a pred pripojením skontrolujte, či sú dodržané podmienky použitia (bezpečnostné opatrenia a dôležité upozornenia pri použití konvektora). Správna pozícia je, ak je ovládací panel hore na konvektore, a nohy na podlahe!

POUŽITIE V KÚPEĽNI

- Konvektor musí byť inštalovaný v súlade s bežnou obchodnou praxou a v súlade s legislatívou daného štátu (smernice elektriny EU a požiadavky na osobitné inštalácie alebo na priestory, ktoré obsahujú kúpeľne či sprchy HD60364-7-701 (IEC 60364-7-701:2006)).



- Ak sa ide jednotka používať v kúpeľni či v inom podobnom priestore, musia byť splnené nasledujúce požiadavky pri inštalácii: Konvektor má ochranu IP24 (ochrana pred striekajúcou vodou). Ohľadom toho musí byť inštalovaný v priestore 2 (volume2) (pozri obr. nižšie), aby nedošlo k situácii, v ktorej osoba vo vani či pod sprchou dosiahla ovládací panel (spínač a termostat). Minimálna vzdialenosť spotrebiča od zdroja vody nesmie byť menej ako 1 m.! Ak nie ste si istí o inštalácii toho konvektora v kúpeľnom priestore poraďte sa s odborným elektrikárom.

Poznámka: ak nie je možné vyplniť vyššie uvedené podmienky, odporúčame, aby inštalácia prebehla v priestore 3 (VOLUME 3).

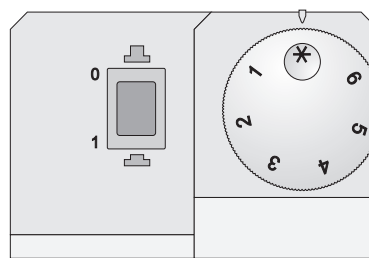
- Vo vlhkých priestoroch (kúpeľne a kuchyne) napájací zdroj musí byť umiestnený vo výške minimálne 25 cm od podlahy.
- Pri inštalácii musíte mať vybavenú automatickú poisťku tak, aby vzdialenosť medzi zásuvkami, keď je vypnutá bola najmenej 3mm.

Ďakujeme vám, že ste si vybrali konvektor typu CN03. Je to spotrebič, ktorý poskytuje kúrenie v zimnom období podľa potreby, aby bola dosiahnutá požadovaná teplota vo vykurovanom priestore. Pri správnom používaní a údržbe, ako je popísané v tomto návode, jednotka vám zabezpečí veľa rokov užitočnej prevádzky.

NÁVOD NA POUŽITIE

MECHANICKÉ OVLÁDANIE

Režim prevádzky



Zapnite konvektor, stlačte Spínač do polohy "1" (Zapnuté), potom otočte regulátor smerom požadovaného stupňa (1 až 6) s upozornením na nasledujúcu súvislosť stupňov.

* – režim protimrazovej ochrany / je aktívny, keď teplota miestnosti klesne na menej ako 5 stupňov.

1 / 2 – ekonomický režim / sprostredkuje udržiavanie nízkej teploty v miestnosti/ tento režim odporúčame používať v noci alebo v neprítomnosti ľudí v miestnosti. Daný režim umožňuje udržiavať určitú teplotu a zároveň šetriť energiu.

3 / 4 / 5 – komfortný režim / na udržiavanie miernej teploty prostredia/ tento režim odporúčame používať na udržiavanie pomerne vysokej komfortnej dennej teploty v miestnosti.

6 – maximálny režim/ na udržiavanie vysokej teploty v miestnosti/ Tento režim odporúčame používať, keď potrebujete maximálne vysokú teplotu v miestnosti

Poznámka: čísla regulátora teploty nezodpovedajú konkrétnej hodnote teploty prostredia. Tie slúžia na praktické uloženie súvislosti medzi teplotou a hodnotami regulátora.

Ak je teplota prostredia nižšia ako nastavená regulátorom teplota, sa jednotka zapne a bude fungovať dovtedy pokiaľ teplota miestnosti dosiahne nastavenú hodnotu. Keď je teplota prostredia vyššia ako nastavená regulátorom teplota, konvektor automaticky prejde na režim „Príprava na zapnutie“.

OCHRANA

- K jednotke je vybavený bezpečnostný termostat, ktorý automaticky vypne ohrievač v prípade zvýšenia teploty konvektora vyššie ako dovolené hodnoty /t. zv. prehriatie jednotky/.
- Bezpečnostný termostat automaticky obnoví fungovanie konvektora, keď teplota zariadenia klesne pod dovolenú hodnotu.

VAROVALO PRED PREVRAČANJEM

Ta oteplena naprava je zaščitena s pomočjo varnostnega stikala, ki avtomatsko izklopi napravo, če se le-ta preveč nagne ali pade, s čimer se izognete neprijetným situáciám. Ko je naprava zopet na svojom mestu, bo nadaljevala z gretjem v režimu, ki ste ga zadnjega določili.

ČISTENIE

- V každom prípade najprv vypnite spínač a vyberte zástrčku od zásuvky. Predtým ako ste jednotku začali čistiť ju nechajte vychladnúť.
- Na čistenie jednotky používajte vlhkú handru, vysávač alebo kefku.
- Nikdy neponárajte spotrebič do vody - nebezpečenstvo ohrozenia života v dôsledku zásahu elektrickým prúdom!
- Nikdy nepoužívajte benzín, riedidlo alebo agresívne abrazívne čistiace prostriedky, lebo poškodíte povrch jednotky!

SKLADOVANIE

- Pred uložením jednotky vypnutím zo zásuvky ju nechajte vychladnúť.
- Ak ho nejdete používať na dlhú dobu odložte konvektor do pôvodného obalu. Tým ho zachránite pred nadmerným prachom a špinou.
- Nikdy nedávajte horúci prístroj do obalu!
- Odložte jednotku v suchu a v chránenom pred slnečným žiarením mieste.
- Absolútne sa zakazuje uloženie jednotky vo vlhkom alebo mokrom prostredí.

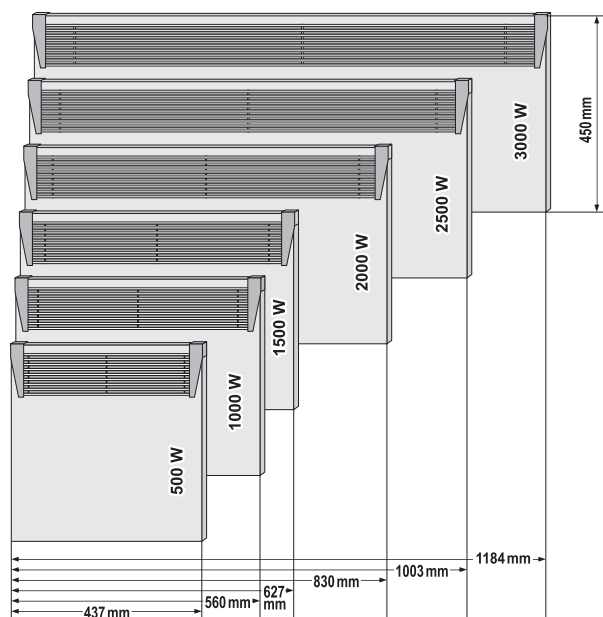
ÚDRŽBA PRÍSTROJA

- V prípade poruchy zariadenia sa obráťte na najbližšie oprávnené služby / informácie o nich nájdete na záručnom liste jednotky/.
- **Upozornenie:** V prípade reklamácie či porušenia vašich spotrebiteľských práv obráťte sa na dodávateľa jednotky ukázanou adresou alebo webovou stránkou výrobcu: www.tesy.com

ROZMERY JEDNOTKY, VYKUROVANÝ OBJEM A VYKUROVANÁ PLOCHA PRIESTORU

Model	Vykurovaný objem	Vykurovaná plocha
CN 03 050 MIS F - 500W	10* - 15 m ³	4* - 6 m ²
CN 03 100 MIS F - 1000W	20* - 30 m ³	8* - 12 m ²
CN 03 150 MIS F - 1500W	30* - 45 m ³	12* - 18 m ²
CN 03 200 MIS F - 2000W	40* - 60 m ³	16* - 24 m ²
CN 03 250 MIS F - 2500W	50* - 70 m ³	20* - 28 m ²
CN 03 300 MIS F - 3000W	60* - 80 m ³	24* - 32 m ²

* Minimálny zabezpečený vykurovaný objem (plocha) vykurovaného prostredia na vykurovanie pri priemernom koeficiente tepelnej vodivosti je $\lambda=0.5 \text{ W/(m}^2\text{K)}$. Vyššie hodnoty vykurovaného objemu (plochy) dosiahnete pri priemernom koeficiente $\lambda=0.35 \text{ W/(m}^2\text{K)}$. Štandardná výška priestoru – 2.5 metre.



Informácia o likvidácii opotrebovaného elektrického zariadenia.

Pri likvidácii sa nesmú elektrické a elektronické zariadenia miešať so všeobecným domácim odpadom! V záujme správneho obhospodarovania a dobrého stavu životného prostredia odveďte tieto produkty na určené zberné miesta.

TABUĽKA 2: POŽIADAVKY NA INFORMÁCIE PRE ELEKTRICKÉ LOKÁLNE OHRIEVAČE PRIESTORU

Identifikačný(-é) kód(-y) modelu: 1.CN03 050 MIS F 2. CN03 100 MIS F 3. CN03 150 MIS F 4. CN03 200 MIS F 5. CN03 250 MIS F 6. CN03 300 MIS F 230V~ 50Hz

Položka	Symbol	Hodnota 1	Hodnota 2	Hodnota 3	Hodnota 4	Hodnota 5	Hodnota 6	Jednotka	Položka	Jednotka
Tepelný výkon									Spôsob prívodu tepla, iba pre elektrické akumulčné lokálne ohrievače priestoru (vyberte jeden)	
Menovitý tepelný výkon	P_{nom}	0.50	1.00	1.50	2.00	2.50	3.00	kW	manuálne ovládanie množstva tepla so zabudovaným termostatom	[nie]
Minimálny tepelný výkon (orientačne)	P_{min}	0.00	0.00	0.00	0.00	0.00	0.00	kW	manuálne ovládanie množstva tepla so spätnou väzbou izbovej a/alebo vonkajšej teploty	[nie]
Maximálny priebežný tepelný výkon	$P_{max,C}$	0.50	1.00	1.50	2.00	2.50	3.00	kW	elektronické ovládanie množstva tepla so spätnou väzbou izbovej a/alebo vonkajšej teploty	[nie]
Vlastná spotreba elektrickej energie									tepelný výkon s pomocou ventilátora	[nie]
Pri menovitom tepelnom výkone	e_{lmax}	0.44	0.91	1.42	1.89	2.41	2.87	kW	Druh ovládania tepelného výkonu/izbovej teploty (vyberte jeden)	-
Pri minimálnom tepelnom výkone	e_{lmin}	0.00	0.00	0.00	0.00	0.00	0.00	kW	jednoúrovňový tepelný výkon bez ovládania izbovej teploty	[nie]
V pohotovostnom režime	e_{lSB}	0.00	0.00	0.00	0.00	0.00	0.00	kW	dve alebo viac manuálnych úrovní bez ovládania izbovej teploty	[nie]
									s ovládaním izbovej teploty mechanickým termostatom	[áno]
									s elektronickým ovládaním izbovej teploty	[nie]
									elektronické ovládanie izbovej teploty a denný časovač	[nie]
									elektronické ovládanie izbovej teploty a týždenný časovač	[nie]
									Ďalšie možnosti ovládania (možnosť viacnásobného výberu)	
									ovládanie izbovej teploty s detekciou prítomnosti	[nie]
									ovládanie izbovej teploty s detekciou otvoreného okna	[nie]
									s možnosťou diaľkového ovládania	[nie]
									s prispôsobivým ovládaním spustenia	[nie]
									s obmedzením času prevádzky	[nie]
									so snímačom čiernej žiarovky	[nie]

TESY Ltd

48 Madara Blvd,
Shumen, 9700,
Bulgaria

ODSTRAŇOVANIE PROBLÉMOV

Skôr, ako sa spojíte s Klientským centrom, venujte pozornosť radám v tabuľke nižšie.

PROBLÉM	PRÍČINA	RIEŠENIE
Zariadenie nefunguje	Nie je pripojenie k sieti. Uistite sa, že zariadenie je pripojené do siete a elektrický kontakt funguje.	Pripojte zástrčku so siete a skontrolujte pozíciu na prepínači ON/OFF (zapnutý/vypnutý).
Miestnosť sa nevykuruje dostatočne, napriek tomu, že zariadenie je horúce	Prehrievanie zariadenia. Bezpečnostné obmedzenie prehrievania obmedzuje uvoľňovanie tepla.	Odstráňte príčinu (prikrývku, nečistoty alebo upchanie prívodu či vývodu vzduchu). Dodržiavajte minimálne vzdialenosti okolo zariadenia uvedené v návode.
	Nevyhnutnosť tepla v miestnosti je vyššia ako produkuje zariadenie.	Eliminujte teplotné úniky. (Zatvorte okná aj dvere. Vyhnite sa neustálemu vetraníu.)
	Skontrolujte, či výkon vášho zariadenia je adekvátny rozmerom priestoru.	Odporúčaný výkon je v priemere 100 W/m ² pri výške stropu 2.50 m alebo 30 W/m ³
Na stene pri zariadení sa objavujú nečistoty.	Nečistoty na stene sú výsledkom znečistenia vzduchu.	Presvedčte sa, že priestor sa pravidelne vetrá, najmä v prípade, ak sa v ňom fajčí.
Zvuky / šum	Vydávanie slabích zvukov počas zohrievania ako aj po dosiahnutí uvedenej teploty nie je niečo zvláštne.	Tento efekt je výsledkom prirodzeného rozťahovania materiálov pri rýchlom zvýšení teploty a následnom ochladení kovov použitých pri výrobe zariadenia.
Žlté škvrny po mriežke.	Podobné škvrny môžu byť výsledkom prikrývania zariadenia vlhkými vecami.	Nezakrývajte zariadenie! Nie je to dovolené, nakoľko takým spôsobom sa blokuje konvekcia vzduchu a to spôsobuje nenávratne poškodenie zariadenia, ktoré môže viesť k ohrozeniu vášho zdravia a majetku.



POZOR:

- Preberite ta navodila, preden začnete uporabljati napravo, in jih shranite, da jih boste lahko kadarkoli spet prebrali. Če naprava zamenja lastnika, mu morate navodila izročiti skupaj z napravo.

- **POZOR:** Otroci do 3 leta se ne smejo približevati napravi, razen če so pod stalnim nadzorom odrasle osebe.

Otroci, stari od 3 do 8 let, lahko uporabljajo samo gumb za vklop/izklop naprave, toda le ko je naprava pravilno nameščena in deluje normalno. Pred tem je potrebno otroke naučiti varne uporabe gumba in jim razložiti možne nevarnosti nepravilne uporabe.

Otroci, stari od 3 do 8 let, ne smejo priklapljati naprave v vtičnico, določati nastavitev, čistiti naprave ali jo vzdrževati.

To napravo lahko otroci nad 8 letom starosti in osebe z zmanjšanimi fizičnimi, čutnimi ali umskimi sposobnostmi ter osebe s pomanjkljivim znanjem in izkušnjami, lahko uporabljajo samo, če jih pri tem nadzoruje in daje navodila za uporabo oseba, ki odgovarja za njihovo varnost! Pazite, da se otroci ne igrajo z napravo.

- **POZOR:** Nekateri deli naprave lahko postanejo zelo vroči in povzročijo opekline. Bodite pozorni, kadar mimo nje hodijo otroci ali druge ranljive osebe.



- **OPOZORILO:** da preprečite pregrevanje naprave, je ne pokrivajte!
- Nikoli ne postavljajte naprave neposredno pod vtičnico!
- Če je napajalni kabel poškodovan, ga mora zamenjati proizvajalec, njegov servis ali podobno usposobljene osebe, da se izognete nevarnosti.
- Preden vklopite napravo, preverite, če električna napetost, navedena na etiketi z informacijami, ustreza napetosti v vašem domu.
- Ta naprava se lahko uporablja samo skladno z njenim namenom, t.j. ogrevanje bivalnih prostorov. Naprava ni namenjena za gospodarske objekte. Vsak drug način uporabe je nepravilen in zato tudi nevaren. Proizvajalec ne odgovarja za poškodbe, povzročene z nepravilno in nespametno uporabo. Pri neupoštevanju varnostnih napotkov se garancijski rok za napravo prekine.
- Izklopite napravo, preden zapustite dom. Prepričajte se, da je gumb na poziciji izklop (pri konvektorjih z mehanskim termostatom).
- Ne približujte gorljivih predmetov (npr. pohištva, blazin, odej, papirja, oblek, zaves...) na več kot 1 m od konvektorja.
- Ne uporabljajte naprave v prostoru, kjer se uporabljajo ali skladirajo vnetljive snovi (npr. v bližini vnetljivih plinov ali razpršil) – obstaja velika nevarnost eksplozije in požara.
- Pazite, da v ventilacijske odprtine (vhodne in izhodne) ne popadejo tujki in jih tudi sami ne potiskajte notri, saj to lahko povzroči kratek stik, požar ali poškodbe naprave.
- Naprava ni primerna za prostore, kjer se nahajajo živali – uporablja se samo v bivalnih prostorih.
- Ne pokrivajte naprave in ne zapirajte zračnega toka do vhodnih in izhodnih odprtini. Vsi predmeti morajo biti oddaljeni od naprave vsaj 1 m oz. stati ob strani.
- Najpogostejši razlog, da naprava pregreje, so prah in kosmi, ki se nabirajo v napravi. S sesalcem redno čistite ventilacijske odprtine – pred tem obvezno izključite napravo iz električnega omrežja.
- Nikoli se ne dotikajte naprave z mokrimi ali vlažnimi rokami – obstaja smrtna nevarnost.
- Vtičnica mora biti dostopna ves čas, da je mogoče vtikalo po potrebi kar najhitreje izvleci! Nikoli ne vlecite električnega kabla ali naprave, ko želite izvleči vtikalo iz omrežja.
- Pozor! Ko naprava deluje, se izhodni zrak segreva (več kot 100°C).
- Če se odločite prenehati uporabljati to napravo, priporočamo, da jo naredite neuporabno: izvlecite kabel iz vtičnice in ga prerežite. Priporočamo tudi, da odstranite vse nevarnosti, povezane z neuporabno napravo, še posebno pred otroci, ki bi se lahko igrali z njo.
- Pozor: ne uporabljajte te naprave s programatorjem, tajmerjem ali z drugo opremo za avtomatični vklop konvektorja, saj lahko pride do požara, če je naprava pokrita ali nepravilno postavljena.
- Kabel naprave naj bo položen tako, da ne moti gibanja ljudi in se ga ne

pohoja! Uporabljajte samo odobrene električne podaljške, ki so primerni za to napravo, t.j. ki imajo oznako skladnosti!

- Nikoli ne prestavljajte naprave tako, da jo vlečete za kabel in ne uporabljajte kabla za prenašanje predmetov!
- Ne prepogibajte kabla, ne vlecite ga preko ostrih robov, ne polagajte ga na vroče plošče ali odprt ogenj!

OVOJNI MATERIAL

- Ko izpakirate napravo, preverite, če je pri prevozu prišlo do poškodb in če imate vse dele! V primeru, da vidite poškodbo ali je dobava nepopolna, se povežite s pooblaščenim prodajalcem!
- Ne vrzite stran originalne škatle! Lahko jo uporabljate za shranjevanje ali prevoz in se s tem izognete poškodbam pri prevozu!
- Embalažo odvrzite na primeren način! Pazite, da se otroci ne bodo igrali s polietilenskimi vrečami!

NÁVOD NA POUŽITIE A NAINŠTALOVANIE SADY NÒH

- Ta konvektor se uporablja v zaprtih prostorih.

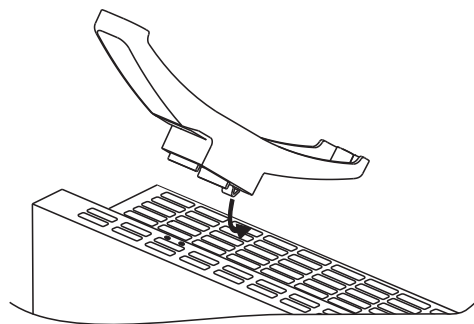


Podľa nariadenia EÚ 2015/1188 pre aplikáciu smernice 2009/125 / ES tento elektrický ohrievač nie je určený na montáž na stenu!

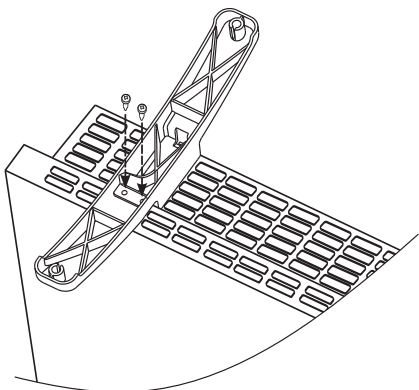


Pomembno: V prostoru, ki ima več kot 45 m³ prostornine, se priporoča uporaba 2 ali več konvektorjev.

- Ne nameščajte konvektorja pod električno vtičnico ali razdelilno dozo.
- Ne nameščajte/uporabljajte konvektorja:
 1. na mestu s prepihom, saj to lahko vpliva na nastavitve;
 2. neposredno pod električno vtičnico;
 3. v prostoru 1 (volume 1) za kopalnice;
 4. v prostoru 2 (volume 2), če lahko človek, ki se kopa ali tušira, doseže nadzorno ploščo.
- Pred montažo kompleta preverite, ali je konvektor izklopljen iz električnega omrežja!
- Montirajte nogici v vhodne odprtine za zrak, in sicer simetrično ob zunanji rob konvektorja. Vsi modeli so opremljeni z odprtinami 2x2.



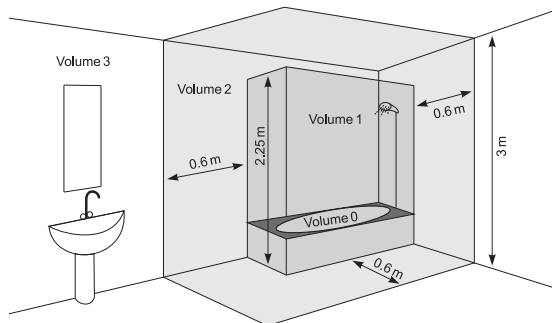
- Montirajte vsako nogico posebej. Najprej potisnite višji del nogice v konvektor (sprednji del konvektorja mora biti obrnjen proti vam), tako da bo ta del nižji kot jeklena ploščica spredaj. Nato vzemite križni vijak in privijte 2 varnostna vijaka, 3,5 x 9,5 mm. Zavijte vijak skozi plastično nogico v jekleno ohišje konvektorja. Ta postopek ponovite še z drugo nogico.
- Komplet z nogicama/koleščki je montiran pravilno, če postavljen na nogici/koleščka stoji pravilno horizontalno. Konvektor predstavljajte samo, ko je hladen.



- Postavite konvektor na nogice na tla. Preden ga začnete uporabljati, preverite, ali so izpolnjena vsa navodila a uporabo naprave (varnostni ukrepi in varnostna navodila za uporabo konvektorja). Konvektor je v pravilnem položaju, ko je nadzorna plošča konvektorja zgoraj, naprava pa stoji na nogicah!

UPORABA V KOPALNICI

- Konvektor mora biti nameščen skladno z normalno trgovsko prakso in skladno z zakonodajo vaše države (direktiva o električni energiji EO in zahteve za posebne inštalacije in lokacije (kopalnice ali tuši) HD60364-7-701 (IEC 60364-7-701:2006)).



- Če boste konvektor uporabljali v kopalnici ali podobnem prostoru, morate pri namestitvi upoštevati naslednje zahteve: konvektor ima stopnjo zaščite IP24 (zaščita pred škropljenjem vode). Zato ga morate namestiti v prostor 2 (volume 2), kot kaže skica spodaj, da se človek, ki se kopa ali tušira, ne more dotakniti nadzorne plošče (sitkala ali termostata). Minimalna razdalja naprave do vodnega vira mora biti najmanj 1 m! Če niste prepričani, da vam bo uspelo pravilno namestiti konvektor v kopalnici, vam priporočamo, da se posvetujete z električnikom.

Opomba: če navedeni pogoji ne morejo biti izpolnjeni, priporočamo, da namestite napravo v prostoru 3 (VOLUME 3).

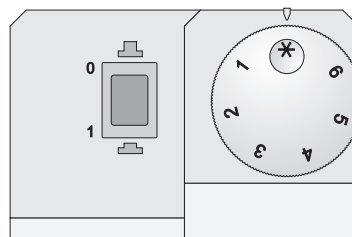
- V vlažnih prostorih (kopalnica, kuhinja) mora biti vtičnica najmanj 25 cm od tal.
- Instalacija mora biti opremljena z avtomatskim varovalom, pri katerem mora biti razdalja med stikalom, ko je izklopljena, najmanj 3 mm.

Zahvaljujemo se vam, ker ste izbrali konvektor CN03. To je izdelek, s katerim se boste pozimi lahko gredli glede na vaše potreb za dosego udobne toplote v ogrevanih prostorih. Če boste napravo uporabljali pravilno in skrbeli zanjo, kot je opisano v navodilih, bo dolga leta pravilno delovala.

NAVODILA ZA UPORABO

MEHANSKO UPRAVLJANJE

Delovanje



Vklopite konvektor, pritisnite gumb v položaj "I" (Vklop), potem obrnite termostata do stopnje, ki ste jo izbrali /od 1 do 6/ in pri tem upoštevajte naslednje stopnje:

* – funkcija proti zmrzovanju /se aktivira, ko temperatura v prostoru pade pod 5° C.

1 / 2 – varčna funkcija /za vzdrževanje nizke temperature v prostoru/ priporočamo, da se ta funkcija uporablja ponoči oz. kadar v prostoru ni nikogar. Funkcija omogoča vzdrževanje določene temperature v prostoru in hkrati varčevanje z energijo.

3 / 4 / 5 – funkcija udobje /za vzdrževanje zmerne temperature v prostoru/ priporočamo, da se ta funkcija uporablja za vzdrževanje precej visoke, udobne dnevne temperature v prostoru.

6 – maksimalna funkcija /za vzdrževanje visoke temperature v prostoru/ priporočamo, da se ta funkcija uporablja, kadar želite doseči najvišjo temperaturo v prostoru.

Pomembno: številke na termostatu ne odgovarjajo konkretni temperaturi v prostoru, ampak so namenjene za praktično shranjevanje usklajenosti temperature in nastavitve termostata.

Če je temperatura v prostoru nižja kot ta, ki ste jo določili s termostatom, se bo konvektor vklopil in bo deloval, dokler v prostoru ne bo dosežena željena temperatura. Če je temperatura v prostoru višja kot ta, ki ste jo določili s termostatom, bo konvektor avtomatsko vklopil funkcijo „Pripravljen za vklop“.

VARNOST

- Naprava ima vgrajeno toplotno varovalo proti pregrevanju, ki avtomatsko izklopi grelec, če se temperatura v konvektorju dvigne nad dovoljeno vrednost /tako imenovano pregrevanje naprave/.
- Toplotno varovalo bo omogočilo ponovno delovanje konvektorja šele takrat, ko temperatura naprave pade pod dovoljene vrednosti.

OCHRANA ZARIADENIA PRED PREVRÁTENÍM

Tento ohrevič je chránený bezpečnostným spínačom, ktorý automaticky vypne prístroj, v prípade, že sa zariadenie prevráti, alebo sa odchyli o príliš veľký úhol od vodorovnej roviny. Tým sa zariadenie vráti do normálneho postavenia a bude pokračovať vo funkcii predchádzajúceho nastaveného režimu.

ČIŠČENJE

- Preden začnete čistiti napravo, vedno izvlécite vtičnico iz vtičnice in počakajte, da se naprava ohladi.
- Telo naprave čistite z vlažno krpo, sesalcem ali krtačo.
- Nikoli ne potaplajte naprave v vodo – obstaja smrtna nevarnost zaradi električnega udara!
- Za čiščenje nikoli ne uporabljajte bencina, topil ali drugih abrazivnih sredstev, ker lahko poškodujejo telo naprave.

SHRANJEVANJE

- Preden shranite grelnik, ga izključite, izvlécite kabel iz vtičnice in pustite, da se naprava ohladi.
- Če konvektorja dalj časa ne boste uporabljali, ga shranite v originalni embalaži. Tako se izdelek zavaruje pred prašenjem in umazanijo.
- Nikoli ni spravljajte še tople naprave v embalažo!
- Hranite izdelek na suhem mestu in ga ne izpostavljajte neposredni sončni svetlobi.
- Prepovedano je shranjevanje naprave v vlažnih ali mokrih prostorih.

SERVISIRANJE NAPRAVE

- Če se na napravi pojavi okvara, se obrnite za pomoč na najbližji pooblaščen

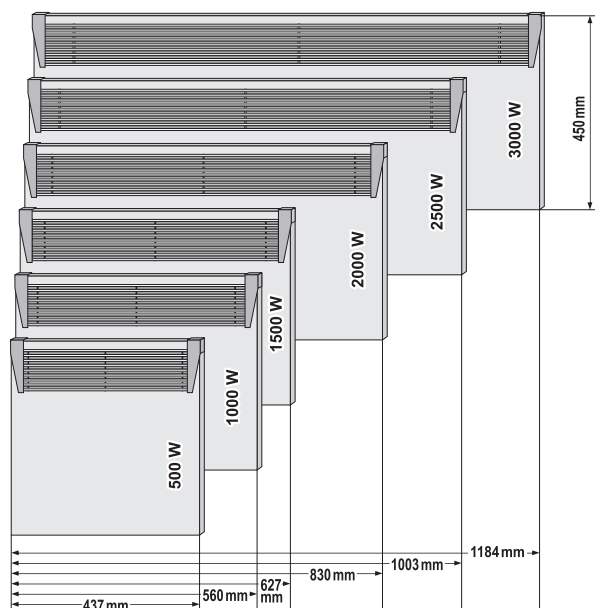
servis /servisi so navedeni v garancijski karti naprave/.

- **Pomembno:** v primeru reklamacije in/ali kršenja vaših potrošniških pravic, se povežite z dobaviteljem te naprave na navedenih naslovih ali preko internetne strani družbe: www.tesy.com

DIMENZIJE NAPRAVE, OGREVANA PROSTORNINA IN POVRŠINA PROSTORA

Model	Ogrevana prostornina	Površina prostora
CN 03 050 MIS F - 500W	10* - 15 m ³	4* - 6 m ²
CN 03 100 MIS F - 1000W	20* - 30 m ³	8* - 12 m ²
CN 03 150 MIS F - 1500W	30* - 45 m ³	12* - 18 m ²
CN 03 200 MIS F - 2000W	40* - 60 m ³	16* - 24 m ²
CN 03 250 MIS F - 2500W	50* - 70 m ³	20* - 28 m ²
CN 03 300 MIS F - 3000W	60* - 80 m ³	24* - 32 m ²

* Minimalna zagotovljena ogrevana prostornina za ogrevanje pri povprečnem koeficientu toplotne prevodnosti $\lambda=0.5 \text{ W}/(\text{m}^2\text{K})$ za ogrevani prostor. Višje vrednosti ogrevane površine je moč doseči pri povprečni vrednosti $\lambda=0.35 \text{ W}/(\text{m}^2\text{K})$. Standardna višina prostora – 2.5 m.



Navodila za pravilno odlaganje

Stare električne naprave vsebujejo dragocene materiale, zato jih ni dovoljeno odlagati med gospodinjne odpadke! Prosimo, da jih zaradi težnje po varovanju okolja odlagate v posebna zbirališča za tovrstne odpadke.

PREGLIEDNICA 2: ZAHTEVE GLEDE INFORMACIJ ZA LOKALNE ELEKTRIČNE GRELNIKE PROSTOROV

Identifikacijska oznaka modela(-ov): 1.CN03 050 MIS F 2. CN03 100 MIS F 3. CN03 150 MIS F 4. CN03 200 MIS F 5. CN03 250 MIS F 6. CN03 300 MIS F 230V~ 50Hz

Postavka	Simbol	Vrednost 1	Vrednost 2	Vrednost 3	Vrednost 4	Vrednost 5	Vrednost 6	Enota	Postavka	Enota
Izhodna toplotna moč									"Način dovajanja toplotne moči, samo za lokalne električne akumulacijske grelnike (izberite eno možnost)"	
Nazivna izhodna toplotna moč	P_{nom}	0.50	1.00	1.50	2.00	2.50	3.00	kW	Ročno uravnavanje dovajanja toplote z vgrajenim termostatom	[ne]
Minimalna izhodna toplotna moč (okvirno)	P_{min}	0.00	0.00	0.00	0.00	0.00	0.00	kW	Ročno uravnavanje dovajanja toplote s povratno informacijo o temperaturi v prostoru in/ali na prostem	[ne]
Največja trajna izhodna toplotna moč	$P_{max,C}$	0.50	1.00	1.50	2.00	2.50	3.00	kW	Elektronsko uravnavanje dovajanja toplote s povratno informacijo o temperaturi v prostoru in/ali na prostem	[ne]
Dodatna potreba po električni moči									Uravnavanje izhodne toplotne moči s pomočjo ventilatorja	[ne]
Pri nazivni izhodni toplotni moči	$e_{l,max}$	0.44	0.91	1.42	1.89	2.41	2.87	kW	Način uravnavanja izhodne toplotne moči/temperature v prostoru (izberite eno možnost)	-
Pri minimalni izhodni toplotni moči	$e_{l,min}$	0.00	0.00	0.00	0.00	0.00	0.00	kW	Z enostopenjskim uravnavanjem izhodne toplotne moči, brez uravnavanja temperature v prostoru	[ne]
V stanju pripravljenosti	$e_{l,SB}$	0.00	0.00	0.00	0.00	0.00	0.00	kW	Z dvema ali več ročnimi stopnjami, brez uravnavanja temperature v prostoru	[ne]
									Z uravnavanjem temperature v prostoru z mehanskim termostatom	[da]
									Z elektronskim uravnavanjem temperature v prostoru	[ne]
									Z elektronskim uravnavanjem temperature v prostoru z dnevnim časovnikom	[ne]
									Z elektronskim uravnavanjem temperature v prostoru s tedenskim časovnikom	[ne]
									Druge možnosti uravnavanja (izberete lahko več možnosti)	
									Z uravnavanjem temperature v prostoru z zaznavanjem prisotnosti	[ne]
									Z uravnavanjem temperature v prostoru z zaznavanjem odprtega okna	[ne]
									Z možnostjo uravnavanja na daljavo	[ne]
									S prilagodljivim uravnavanjem začetka delovanja	[ne]
									Z omejitvijo časa delovanja	[ne]
									Z globus senzorjem	[ne]

TESY Ltd

48 Madara Blvd,
Shumen, 9700,
Bulgaria

ODSTRANITEV OKVAR

Preden pokličete center za podporo strankam, preberite sispodnje nasvete.

TEŽAVA	RAZLOG	REŠITEV
Naprava ne dela	Ni struje.	Vključite vtič v električno vtičnico in preverite pozicijo stikala On/Off (vklapljen/izklapljen)
Prostor ni dovolj ogrejen, čeprav je naprava vroča.	Pregrevanje naprave. Zaščitni omejevalnik za pregrevanje ne dovoli ločitev toplote.	Odstranite razlog (pregrinjalo, onesnaženje ali zamašen vhod ali izhod za zrak). Pazite na minimalne omejitve okoli naprave, ki so navedene v navodilih za namestitve.
	Potrebna toplota v prostoru je večja kot toplota, ki jo naprava stvari.	Odpravite izgubo toplote. (Zaprte oken in vrat. Izogibajte se nenehnega zračenja.)
	Preverite ali je moč vase naprave adaptirana velikosti prostora.	Preporučana moč je v povprečju 100 W/m ² za višino stropa 2.50 m ali 30 W/m ³
Na zidu poleg naprave je onesnaženo.	Razlog za to je onesnaževanje zraka.	Preverite, ali se proctor dovolj zrači predvsem če se notri kadi.
Zvoki/hrupi	Zvoki v času delovanja naprave, ter ko naprava doseže želeno temperaturo so normalni.	Razlog za to je naravni podaljšek materialov pri hitrem zvišanem temperature, ter kasnejše hlajenje kovin, ki so uporabljane pri izdelavi naprave.
Rumenkasti madeži na rešetki	Ti madeži se lahko pojavljajo zaradi pokrivanja naprave z mokrimi oblačili.	Prepoved pokrivanja naprave! Ni dovoljeno, saj na ta način se blokira konvekcija zraka in vzroča nepopravljivo škodo na napravi. Ta škoda lahko vodi do resnega tveganja Vašega zdravlja in premoženja.

WAŻNE INFORMACJE ORAZ INSTRUKCJE, DOTYCZĄCE BEZPIECZEŃSTWA:



UWAGA:

- Przeczytaj niniejszą instrukcję przed użyciem urządzenia oraz zachowuj te wskazówki do późniejszego wykorzystania. W przypadku zmiany właściciela, instrukcje należy przekazać razem z urządzeniem.

- UWAGA:** Dzieci w wieku poniżej 3 lat powinny być utrzymywane daleko od urządzenia, chyba że nadzór nad nimi ma stały nadzór.

Dzieciom w wieku od 3 lat do 8 lat można korzystać tylko z przycisku Wł. / Wył. na urządzeniu, przy tym pod warunkiem, że urządzenie było już wcześniej zainstalowane i jest gotowe do normalnej pracy oraz jedynie, jeśli są one nadzorowane i uprzednio instruowane, co do stosowania konwektora w sposób bezpieczny - i rozumieją, że może ono być niebezpieczne.

Dzieci w wieku od 3 lat do 8 lat nie powinny być dopuszczane do podłączenia urządzenia do sieci zasilania, do ustawienia go, do czyszczenia urządzenia lub obsługi konserwacyjnej.

Dane urządzenie może być używane przez dzieci w wieku powyżej 8 lat i osobę o ograniczonej sprawności fizycznej, sensorycznej lub umysłowej, lub nieposiadających niezbędnego doświadczenia oraz wiedzy tylko pod warunkiem, że są one nadzorowane lub poinstruowane na temat bezpiecznego korzystania z urządzenia, i rozumieją możliwe zagrożenia. Dzieci nie powinny bawić się urządzeniem. Czyszczenie i obsługa nie powinny być przeprowadzone dziećmi bez nadzoru osób dorosłych.

- UWAGA:** Niektóre części tego produktu mogą stać się bardzo gorące i spowodować oparzenia. W obecności dzieci oraz osób nieobronnych kwestiom bezpieczeństwa należy zwrócić szczególną uwagę.



- OSTRZEŻENIE:** Aby uniknąć przegrzania, nie nakrywaj urządzenia!
- Urządzenie to nie powinno być umieszczane bezpośrednio pod gniazdem sieciowym!
- Jeśli przewód zasilający jest uszkodzony, musi zostać wymieniony przez producenta, jego przedstawiciela serwisowego lub podobnie wykwalifikowaną osobę w celu uniknięcia zagrożenia.
- Przed podłączeniem urządzenia - sprawdź czy napięcie, ukazane na tabliczce znamionowej, odpowiada napięciu dostarczanemu do Państwa domu.
- Dane urządzenie może być używane jedynie do celów, dla których jest ono przeznaczone, tj. do ogrzewania pomieszczeń mieszkaniowych. Urządzenie nie jest przeznaczone do celów handlowych. Każde inne zastosowanie będzie uważane za niewłaściwe i więc niebezpieczne. Producent nie ponosi odpowiedzialności za jakiegokolwiek szkody, wynikające z niewłaściwego i nadmiernego użycia urządzenia. Nieprzestrzeganie informacji dotyczących bezpieczeństwa unieważnia zobowiązania gwarancyjne producenta.
- Nie wychodź z domu, gdy urządzenie jest włączone. Upewnij się, iż przycisk jest w pozycji „wyłączone” (dotyczy konwektorów z mechanicznym sterowaniem).
- Trzymaj łatwopalne elementy - takie jak meble, poduszki, pościel, dokumenty, ubrania, zasłony itp. - w odległości co najmniej 100 cm od konwektora.
- Nie należy korzystać z urządzenia w miejscu, gdzie magazynują się albo używa się z łatwopalnych substancji (jak np.: w pobliżu łatwopalnych gazów lub aerozoli) - istnieje wysokie ryzyko pożaru i wybuchu!
- Nie wkładaj ani nie pozwalaj żeby obce przedmioty trafiły do otworów wentylacyjnych (zarówno do wchodzących jak i do wychodzących), gdyż może to spowodować porażenie prądem, pożar lub zniszczenie konwektora.
- Urządzenie nie nadaje się do celów hodowlanych, przeznaczony jest jedynie do użytku domowego!
- Nie nakrywaj kratki bezpieczeństwa, nie blokuj przepływu powietrza na wewnątrz oraz na zewnątrz poprzez umieszczenie urządzenia naprzeciwko bliskiej powierzchni. Wszystkie rzeczy muszą być w odległości nie mniej niż 1 metr od urządzenia – czołowo oraz z jego boków.
- Najczęstszą przyczyną przegrzewania urządzenia jest nagromadzenie kłaczek i pyłu wewnątrz korpusu. Należy regularnie czyścić otwory wentylacyjne odkurzaczem. Przed tym jak to zrobić, odłącz urządzenie od sieci.
- Nie wolno dotykać urządzenia wilgotnymi rękami - zagrożenie życia!
- Gniazdko musi być dostępne w każdej chwili, tak, żeby w razie konieczności można było jak najszybciej wyjąć wtyczkę! Nigdy nie ciągnij

za przewód zasilający lub same urządzenie w celu odłączenia od zasilania.

- Zanotuj sobie! Powietrze wylatujące z konwektora w czasie pracy się nagrzewa (do temperatury ponad 100°C).
- Jeśli zdecydujesz się przestań korzystać z urządzenia tego typu, zaleca się, aby zrobić go bezużytecznym, przecinając po odłączeniu od sieci przewód. Zaleca się również, by zabezpieczyć się przed wszystkimi zagrożeniami, związanymi z tym urządzeniem, zwłaszcza, co do dzieci, które mogłyby wykorzystywać z amortyzowanego urządzenia do gry.
- UWAGA:** Nie wolno używać urządzenia łącznie z programatorem, licznikiem lub innym urządzeniem do automatycznego włączenia go, gdy urządzenie zostało pokryte lub z powodu nieprawidłowego usytuowania go istnieje ryzyko pożaru.
- Umieść kabel zasilający tak, aby nie zakłócać ruchu w pobliżu oraz by nikt nie deptał po nim! Stosować wyłącznie atestowane przedłużacze, które są właściwe dla danego produktu, tj. posiadają Znak zgodności!
- Nie zgniataj przewodu, nie ciągnij go po ostrych krawędziach, nie stawiaj go na gorącej płycie lub niedaleko ognia!

OPAKOWANIE

- Po rozpakowaniu urządzenia należy sprawdzić, czy podczas transportowania nie zostało ono uszkodzone oraz czy jest w pełni wyposażone! W przypadku stwierdzenia uszkodzeń lub niekompletnie dostawy, należy skontaktować się z autoryzowanym sprzedawcą!
- Nie wyrzucaj oryginalnego opakowania! Może ono być używane do przechowywania oraz do transportu, w celu uniknięcia uszkodzenia podczas transportowania urządzenia!
- Usuwanie materiałów opakowaniowych należy dokonać w odpowiedni sposób! Zapobiegać jakichkolwiek możliwych sytuacji, gdy dzieci grałyby z plastikowymi workami!

INSTRUKCJA OBSŁUGI I MONTAŻU KOMPLETU NÓŻEK

- Dany konwektor jest przeznaczony do stosowania wewnątrz pomieszczeń zamkniętych.

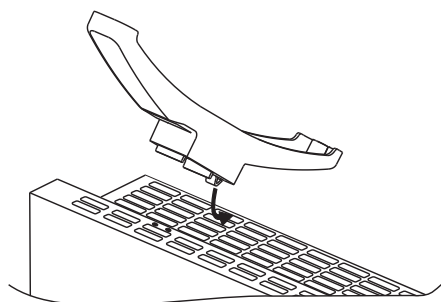


Zgodnie z rozporządzeniem 2015/1188 UE dotyczącym zastosowania dyrektywy 2009/125 / WE ten grzejnik elektryczny nie jest przeznaczony do montażu na ścianie!



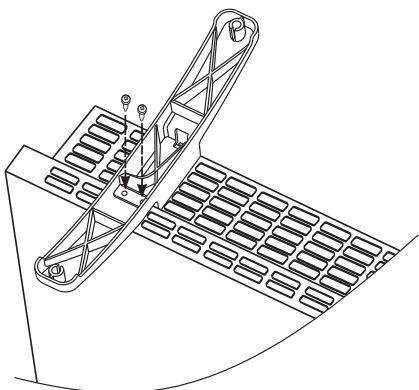
Ważne: W pomieszczeniach, przestrzeni których jest powyżej 45 m³, zalecane jest stosowanie z kombinacji z dwóch i więcej konwektorów.

- Nie umieszczaj ten konwektor bezpośrednio pod gniazdem sieciowym czy pod skrzynką przyłączeniową!
- Nie wolno instalować / używać konwektor:
 - w miejscu, gdzie istnieje ciąg - aby nie powodować wpływu na ustawienia sprzętu.
 - bezpośrednio pod gniazdem sieciowym;
 - w obszarze przestrzeni 1 (volume 1) w łazienkach;
 - w obszarze przestrzeni 2 (volume 2) w przypadkach, gdy do pulpitu sterowniczego może się dociągnąć osoba, znajdująca się pod prysznicem lub w wannie;
- Przed tym jak przystąpić do zamontowania kompletu sprawdź czy konwektor został odłączony od gniazdkła wtyczkowego!
- Nóżki montujemy do kratki wlatującego powietrza. Najlepiej zamontować je symetrycznie na obu końcach konwektora, w tej samej odległości od brzegów korpusu konwektora. W tym celu na każdym konwektorze zastosowione 2x2 otwory.



- Przymocuj jedną nóżkę – wbij najpierw wyższą część nóżki do dolnej części konwektora, stojąc przy tym naprzeciwko przedniej części konwektora. Po tym weźmij śrubokręt krzyżakowy (nie wchodzi w skład zestawu) i przykręć dwa zabezpieczające śrubokręty 3.5x9.5mm. Gwint przetacza się przez plastikową nóżkę i zakręcamy go do metalowego korpusu konwektora. To samo wykonaj dla drugiej nóżki.

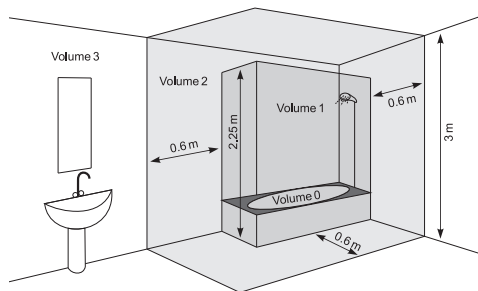
- Połączenie zostało wykonane prawidłowo, jeśli po zamontowaniu nóżek konwektor kładzie się na podłodze i ten stabilnie stoi poziomo. Nie należy używać przewodu zasilającego jako linę do ciągnięcia konwektora, przesuwanie należy odbywać w „zimnym” stanie konwektora.



- Umieść konwektor z zamontowanymi nóżkami na podłodze i przed włączeniem go sprawdź, czy zostały spełnione warunki do stosowania go umieszczone na początku instrukcji użytkownika (Ważne warunki dla korzystania z konwektora oraz środki ostrożności). Prawidłowa pozycja – panel kontrolny znajduje się na górze konwektora, nóżki stoją stabilnie na podłodze!

KORZYSTANIE ZE SPRZĘTU W ŁAZIENCE

- Konwektor musi być zamontowany zgodnie z normalną praktyką handlową i zgodnie z prawem konkretnego kraju (wytyczne dotyczące energii elektrycznej WE oraz wymagania w odniesieniu do specjalnych rodzajów montażu lub zamontowania w przestrzeniach typu łazienek czy kabin prysznicowych: HD60364 – 7 - 701 (IEC 60364 -7 - 701:2006)).



- W przypadkach, gdy z konwektora używają w łazience lub innym podobnym pomieszczeniu, muszą być spełnione następujące wymagania, dotyczące montażu: Konwektor posiada system ochronny IP24 (ochrona przed bryzgami wody). W związku z tym musi być zamontowany w przestrzeni 2 (volume 2) (patrz wykres poniżej), aby uniknąć ewentualnej możliwości osiągnięcia tego pulpitu sterującego (przełącznik i termostat) konwektora przez osobę, która znajduje się pod prysznicem lub w wannie. Minimalna odległość od urządzenia do źródła wody nie może być mniejsza niż 1 m! Jeśli nie jesteś pewien, co do zamontowania tego konwektora w pomieszczeniu przeznaczonym na łazienkę, zalecamy Państwu skonsultować się z zawodowym elektrykiem.

Uwaga: W przypadku, gdy spełnienie wyżej wymienionych warunków nie jest możliwe, zaleca się wykonanie montażu w przestrzeni 3 (volume 3).

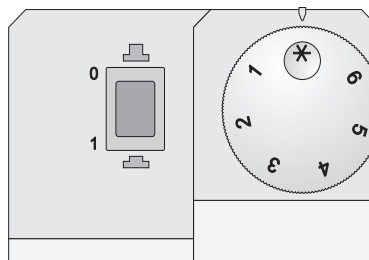
- W wilgotnych pomieszczeniach (np. w łazienkach i kuchniach) źródło zasilania musi być zamontowane na wysokości co najmniej 25 cm od podłogi.
- Instalacja elektryczna musi być wyposażona w automatyczny bezpiecznik, odległość pomiędzy stykami którego w wyłączonym stanie musi wynosić co najmniej 3 mm.

Dziękujemy Państwu, że wybraliście konwektor CN03. Jest to artykuł, który zapewnia ogrzewanie w zimie w zależności od tego, ile Państwo potrzebuje, aby osiągnąć komfortowego ciepła w ogrzewanym pomieszczeniu. Przy odpowiednim użytkowaniu i konserwacji, jak jest opisano w niniejszej instrukcji, urządzenie zapewni Państwu wiele lat swej użytecznej pracy.

INSTRUKCJA UŻYTKOWANIA

STEROWANIE MECHANICZNE

Tryb robocze



Włącz konwektor, naciśnij przycisk do pozycji „1” (Włączony), następnie przekręć regulator do pożądanego przez Ciebie stopnia /od 1 do 6 /, biorąc pod uwagę następujące proporcje stopniowania:

* - Tryb przeciwwzamarzający / aktywuje się, gdy temperatura w pomieszczeniu spadnie poniżej 5°C;

1 / 2 – tryb ekonomiczny /aby utrzymać niską temperaturę w pomieszczeniu/. Tryb ten jest zalecany do stosowania w nocy lub w przypadku braku osób w pokoju. Dany tryb pozwala na utrzymanie określonej temperatury, oszczędzając energię.

3 / 4 / 5 – tryb komfortowy /aby utrzymać umiarkowaną temperaturę w pomieszczeniu/. Tryb ten jest zalecany do stosowania w celu utrzymania stosunkowo wysokiej komfortowej temperatury w pomieszczeniu.

6 – Tryb maksymalny /aby utrzymać wysoką temperaturę w pomieszczeniu/. Ten tryb jest zalecany do stosowania w razie potrzeby maksymalnie wysokiej temperatury pokoju.

Ważne: Cyfry zaznaczone na regulatorze temperatury nie odpowiadają konkretnej wartości temperatury pokojowej. Mogą one służyć w celu uporządkowania sobie stosunku pomiędzy temperaturą a wskazaniem regulatora.

W przypadku, gdy temperatura w pomieszczeniu jest niższa od tej, co ustawiliście za pomocą regulatora, konwektor rozpocznie ogrzewanie i będzie ogrzewał do chwili osiągnięcia w pomieszczeniu uprzednio ustawionej temperatury. Gdy temperatura w pomieszczeniu jest wyższa od wartości, ustawionej za pomocą regulatora, konwektor automatycznie przełączy się do trybu „Gotowość do włączenia”.

ZABEZPIECZENIE

- Urządzenie jest wyposażone w termostat bezpieczeństwa, który automatycznie wyłącza grzejnik w przypadku wzrostu temperatury konwektora powyżej dopuszczalnych wartości / tak zwane przegrzanie urządzenia/.
- Termostat bezpieczeństwa automatycznie przywraca działanie konwektora tylko wtedy, gdy temperatura urządzenia spadnie poniżej dopuszczalnych stopni.

ZABEZPIECZENIE PRZED PRZEWRÓCENIEM SIĘ

To urządzenie grzewcze zabezpieczone jest przez wyłącznik bezpieczeństwa, który automatycznie wyłącza urządzenie, gdy urządzenie przewróci się do boku lub jest pod zbyt dużym kątem od poziomu. W taki sposób unika się wypadków, a jak tylko urządzenie będzie postawione w pozycji pionowej, będzie ono dalej kontynuowało działać zgodnie z ostatnio zadany trybem pracy.

CZYSZCZENIE

- Pamiętaj, aby najpierw wyłączyć urządzenie poprzez przełącznik i za tym wyjąć wtyczkę z gniazdka. Przed rozpoczęciem czyszczenia konwektora należy zostawić go ostudzić się, odłączony od sieci.
- Obudowę należy czyścić wilgotną szmatką, odkurzaczem lub szczotką.
- Nie wolno zanurzać urządzenia w wodzie - zagrożenie życia: porażenie prądem!
- Nigdy nie używaj benzyny, rozpuszczalników ani żrących ściernych środków czyszczących, które mogą uszkodzić powłokę sprzętu.

MAGAZYNOWANIE

- Przed tym jak schować konwektor, należy, odłączony od sieci, zostawić go się ostudzić.
- Jeśli konwektor nie będzie używany przez pewien czas, do przechowywania go używaj oryginalnego opakowania. Produkt należy chronić przed nadmiernym zakurzeniem i zbrudzeniem przechowywując go w oryginalnym opakowaniu.
- Nigdy nie przechowuj do opakowania gorącego urządzenia!
- Produkt powinien być przechowywany w suchym miejscu i chroniony

przed bezpośrednim działaniem promieni słonecznych.

- Wyraźnie zakazuje przechowywania go w miejscach wilgotnych lub mokrych.

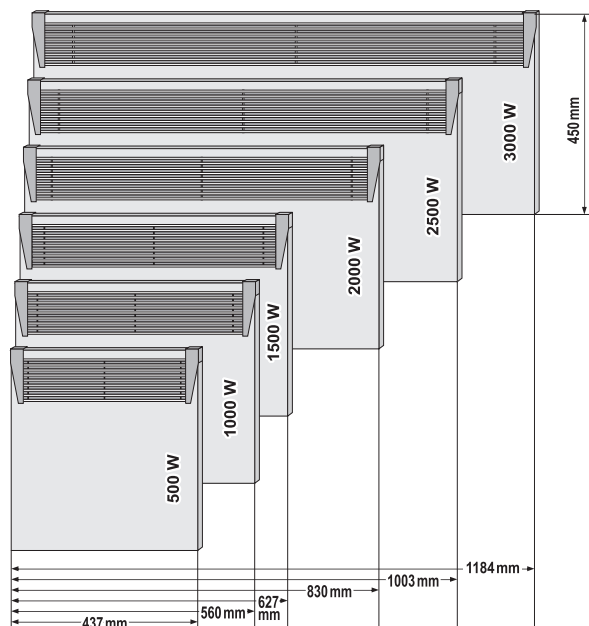
OBŚLUGA TECHNICZNA URZĄDZENIA

- W przypadku awarii urządzenia, należy skontaktować się z najbliższym autoryzowanym zakładem serwisowym /ukazane są w gwarancji produktu/.
- **Ważne:** W przypadku roszczenia i / lub naruszenia Twoich praw konsumenta, skontaktuj się z dostawcą tego urządzenia na ukazanych adresach lub za pośrednictwem strony internetowej firmy: www.tesy.com

WYMIARY URZĄDZENIA, OBJĘTOŚĆ I POWIERZCHNIA OGRZEWANA W POMIESZCZENIU

Model	Objętość ogrzewana	Powierzchnia ogrzewana
CN 03 050 MIS F - 500W	10* - 15 m ³	4* - 6 m ²
CN 03 100 MIS F - 1000W	20* - 30 m ³	8* - 12 m ²
CN 03 150 MIS F - 1500W	30* - 45 m ³	12* - 18 m ²
CN 03 200 MIS F - 2000W	40* - 60 m ³	16* - 24 m ²
CN 03 250 MIS F - 2500W	50* - 70 m ³	20* - 28 m ²
CN 03 300 MIS F - 3000W	60* - 80 m ³	24* - 32 m ²

* Minimalna gwarantowana ogrzewana objętość (obszar) do ogrzewania z użyciem przeciętnego współczynnika przewodzenia ciepła $\lambda = 0,5 \text{ W} / (\text{m}^2\text{K})$ dla ogrzewanego pomieszczenia. Wyższe wartości dla ogrzewanej objętości (obszaru) uzyskuje się przy przeciętnej wartości $\lambda = 0,35 \text{ W} / (\text{m}^2\text{K})$. Standardowa wysokość pomieszczeń wynosi 2,5 metrów.



Wytyczne dotyczące ochrony środowiska

Stare urządzenia elektryczne zawierają cenne materiały, a zatem nie należy wyrzucać je razem z odpadami z gospodarstwa domowego! Prosimy Państwa, aby pomóc własnym aktywnym wkładem, byśmy zachowali zasoby naturalne i ochronili środowisko. Urządzenia te należy przekazać do punktu zbiórki w celu poddania recyklingowi (gdy takie istnieją).

TABELA 2 WYMOGI W ZAKRESIE INFORMACJI DOTYCZĄCE ELEKTRYCZNYCH MIEJSCOWYCH OGRZEWACZY POMIESZCZEŃ

Identyfikator(-y) modelu: 1.CN03 050 MIS F 2. CN03 100 MIS F 3. CN03 150 MIS F 4. CN03 200 MIS F 5. CN03 250 MIS F 6. CN03 300 MIS F 230V~ 50Hz

Parametr	Oznaczenie	Wartość 1	Wartość 2	Wartość 3	Wartość 4	Wartość 5	Wartość 6	Jednostka	Parametr	Jednostka
Moc cieplna									Sposób doprowadzania ciepła wyłącznie w przypadku elektrycznych akumulacyjnych miejscowych ogrzewaczy pomieszczeń (należy wybrać jedną opcję)	
Minimalna moc cieplna (orientacyjna)	P_{nom}	0.50	1.00	1.50	2.00	2.50	3.00	kW	ręczny regulator doprowadzania ciepła z wbudowanym termostatem	[nie]
Minimum heat output (indicative)	P_{min}	0.00	0.00	0.00	0.00	0.00	0.00	kW	ręczny regulator doprowadzania ciepła z pomiarem temperatury w pomieszczeniu lub na zewnątrz	[nie]
Maksymalna stała moc cieplna	$P_{max,C}$	0.50	1.00	1.50	2.00	2.50	3.00	kW	elektryczny regulator doprowadzania ciepła z pomiarem temperatury w pomieszczeniu lub na zewnątrz	[nie]
Zużycie energii elektrycznej na potrzeby własne									moc cieplna regulowana wentylatorem	[nie]
Przy nominalnej mocy cieplnej	e_{lmax}	0.44	0.91	1.42	1.89	2.41	2.87	kW	Rodzaj mocy cieplnej/regulacja temperatury w pomieszczeniu (należy wybrać jedną opcję)	-
Przy minimalnej mocy cieplnej	e_{lmin}	0.00	0.00	0.00	0.00	0.00	0.00	kW	jednosto pniowa moc cieplna bez regulacji temperatury w pomieszczeniu	[nie]
W trybie czuwania	e_{lSB}	0.00	0.00	0.00	0.00	0.00	0.00	kW	co najmniej dwa ręczne stopnie bez regulacji temperatury w pomieszczeniu	[nie]
									mechaniczna regulacja temperatury w pomieszczeniu za pomocą termostatu	[tak]
									elektryczna regulacja temperatury w pomieszczeniu	[nie]
									elektryczna regulacja temperatury w pomieszczeniu ze sterownikiem dobowym	[nie]
									elektryczna regulacja temperatury w pomieszczeniu ze sterownikiem tygodniowym	[nie]
									Inne opcje regulacji (można wybrać kilka)	
									regulacja temperatury w pomieszczeniu z wykrywaniem obecności	[nie]
									regulacja temperatury w pomieszczeniu z wykrywaniem otwartego okna	[nie]
									z regulacją na odległość	[nie]
									z adaptacyjną regulacją startu	[nie]
									z ograniczeniem czasu pracy	[nie]
									z czujnikiem ciepła promieniowania	[nie]

TESY Ltd
48 Madara Blvd,
Shumen, 9700,
Bulgaria

ROZWIĄZYWANIE PROBLEMÓW

Przed skontaktowaniem się z Centrum Obsługi Klienta przejrzyj porady w poniższej tabeli.

PROBLEM	PRZYCZYNA	ROZWIĄZANIE PROBLEMU
Urządzenie nie działa	Brak zasilania sieciowego. Upewnij się, że urządzenie jest podłączone do gniazdka elektrycznego oraz że gniazdko elektryczne działa.	Podłącz wtyczkę do gniazdka i sprawdź położenie przełącznika ON/OFF (włączony / wyłączony).
Pomieszczenie nie jest wystarczająco ciepłe, chociaż urządzenie jest gorące	Urządzenie przegrzewa się. Ogranicznik bezpieczeństwa przed przegrzaniem ogranicza wydzielanie ciepła.	Usuń przyczynę (nierzuta, brud lub zatkanie miejsca wlotu lub wylotu powietrza). Przestrzegaj minimalnych odległości wokół urządzenia określonych w instrukcji montażu.
	Zapotrzebowanie na ciepło w pomieszczeniu jest wyższe niż wytwarzane przez urządzenie.	Wyeliminuj straty ciepła. (Zamknij okna i drzwi. Unikaj stałej wentylacji pomieszczenia.)
	Upewnij się, że moc urządzenia jest dostosowana do wielkości pomieszczenia.	Zalecana moc wynosi średnio 100 W/m ² przy wysokości sufitu 2,50 m lub 30 W/m ³
Na ścianie obok urządzenia pojawiają się zanieczyszczenia	Zanieczyszczenia na ścianie występują w wyniku zanieczyszczenia powietrza.	Upewnij się, że pomieszczenie jest regularnie wentylowane świeżym powietrzem, zwłaszcza jeśli w pomieszczeniu tym pali się papierosy.
Dźwięki / Szumy	Wydawanie cichych dźwięków podczas ogrzewania, a także krótko po osiągnięciu ustawionej temperatury, nie jest czymś nadzwyczajnym.	Efekt ten wynika z naturalnego rozszerzenia się materiałów przy gwałtownym wzroście temperatury i późniejszym chłodzeniu się metali używanych do produkcji urządzenia.
Żółtawe plamy na kratce	Takie plamy mogą wynikać z pokrycia urządzenia wilgotną odzieżą.	Nie zakrywaj produktu! Jest to niedozwolone, ponieważ blokuje konwekcję powietrza i powoduje nieodwracalne uszkodzenie urządzenia, które może stanowić poważne zagrożenie dla Twojego zdrowia i mienia.

DŮLEŽITÁ OCHRANNÁ OPATŘENÍ A A BEZPEČNOSTNÍ POKYNY:**POZOR:**

- Přečtěte si následující návod před tím, než začnete používat výrobek a uchovejte jej pro budoucí použití. Při změně vlastníka návod k použití předejte spolu s výrobkem.
- **POZOR:** Děti mladší 3 let musí dodržovat odstup od topidla, jestliže nejsou pod neustálým dohledem.

Děti ve věku od 3 do 8 let mohou používat pouze tlačítko zap./vyp. zařízení a to, pokud je zařízení již instalováno a připraveno k normálnímu používání a děti jsou pod dohledem a byly poučeny o jeho bezpečném používání a chápou, že jeho používání by mohlo být nebezpečné.

Děti ve věku od 3 do 8 let by neměly výrobek zapínat od el. sítě, provádět jeho nastavení, čistit jej nebo provádět uživatelskou údržbu.

Toto zařízení může být používáno dětmi ve věku vyšším než 8 let a osobami s omezenými fyzickými, smyslovými nebo rozumovými schopnostmi, nebo osobami s nedostatečnými zkušenostmi a znalostmi, jestliže jsou pod dohledem nebo byly poučeny o bezpečném používání zařízení a chápou rizika jeho používání. Děti si nesmí se zařízením hrát. Čištění a uživatelská údržba nesmí být prováděna dětmi bez dohledu.

- **POZOR:** Některé části tohoto zařízení se mohou používáním zahřát na vysokou teplotu a způsobit popáleniny. Na místech, kde jsou děti a zranitelné osoby je potřeba dbát zvláštní pozornosti.

- **VAROVÁNÍ:** abyste předešli přehřátí zařízení, nepokrývejte jej!



- Výrobek nesmí být umístěn bezprostředně pod elektrickou zásuvkou!
- Pokud je napájecí kabel poškozen, musí být vyměněn výrobcem, jeho servisním zástupcem nebo podobně kvalifikovanou osobou, aby se předešlo nebezpečí.
- Než výrobek zapnete – ověřte si zda napětí uvedené na výrobním štítku odpovídá napětí dodávanému do Vaší domácnosti.
- Tento výrobek může být používán pouze k účelu, ke kterému byl vyroben, tzn. k vytápění obytných místností. Výrobek není určen ke komerčnímu využití. Jakýkoliv jiný způsob využití je považován za nesprávný a tím také nebezpečný. Výrobce nenese zodpovědnost za škody způsobené nesprávným a nevhodným použitím. Nedodržení bezpečnostních pokynů je důvodem k neuznání záruky výrobku!
- Neopouštějte domácnost, dokud je zařízení zapnuté: ujistěte se, že přepínač je v pozici „vypnuto“ (týká se konvektorů s mechanickým ovládním).
- Udržujte minimální odstupy mezi hořlavými předměty jako jsou nábytek, polštáře, ložní prádlo, papír, oblečení, záclony atd. a konvektorem, nejméně 100 cm.
- Nepoužívejte zařízení v místech, kde se používají nebo skladují hořlaviny (např.: v blízkosti hořlavých plynů nebo aerosolů) – vystavujete se vážnému nebezpečí výbuchu nebo požáru!
- Nevkládejte a nedopusťte náhodné proniknutí cizích těles do ventilačních otvorů výrobku (ať už pro příchozí nebo odchozí vzduch), protože by došlo ke zkratu, požáru nebo poškození konvektoru.
- Výrobek není vhodný pro chov zvířat a je určen pouze k použití v domácnosti!
- Nezakrývejte ochrannou mřížku, neblokuje příchozí nebo odchozí vzdušný proud umístěním zařízení proti jakémukoliv povrchu. Všechny předměty musí být ve vzdálenosti nejméně 1m od zařízení a to jak zepředu, tak po stranách.
- Nejčastější příčina přehřívání jsou nánosy nečistot a prachu v zařízení. Pravidelně čistěte vysavačem ventilační otvory, přičemž vždy nejprve odpojte zařízení z elektrické sítě.
- Nikdy se zařízení nedotýkejte mokřýma nebo vlhkýma rukama – vystavujete se ohrožení života!
- Elektrická zásuvka musí být vždy dostupná, tak aby mohla být zástrčka v případě potřeby vytažena co nejrychleji! Nikdy netahejte napájecí kabel nebo samotný elektrospotřebič při odpojování z elektrické sítě.
- **POZOR!** Východí vzduch se v pracovním režimu zahřívá na více než 100°C
- Jestliže se rozhodnete více nepoužívat výrobek tohoto typu, doporučujeme Vám výrobek znehodnotit tím, že odříznete jeho napájecí kabel – nejdříve však odpojte zařízení z elektrické sítě. Doporučujeme také odstranit veškerá rizika plynoucí z vyřazeného výrobku, obzvláště pro děti, které by si mohly s vyřazeným zařízením hrát.

- **Pozor:** Nepoužívejte zařízení s programátorem, počítačem nebo jiným přístrojem, který jej automaticky zapíná, protože v případě, že je zařízení pokryto nebo nesprávně umístěno, existuje nebezpečí požáru.
- Umístěte napájecí kabel tak, aby nepřekážel pohybu osob a nebylo na něj šlapáno! Používejte pouze schválené prodlužovací kabely, vhodné pro toto zařízení, tzn. takové, které jsou označeny značkou shody!
- Nikdy výrobek nepřemísťujte tažením za napájecí kabel. Napájecí kabel nepoužívejte pro přenášení předmětů!
- Napájecí kabel nepřelamujte a netahejte jej přes ostré hrany a nepokládejte jej na horký povrch nebo otevřený oheň!

OBAL

- Po rozbalení výrobku, zkontrolujte zda při přepravě nedošlo k jeho poškození a zda je výrobek kompletní! V případě poškození nebo neúplné dodávky se spojte s Vaším autorizovaným prodejcem!
- Nevyhazujte originální balení! Mohli byste jej využít pro uskladnění a přepravu výrobku a vyhnout se tak poškození výrobku při přepravě!
- Obalový materiál musí být vyhozen na místě k tomu určeném! Děti musí být pod dohledem, aby si nehrály s polyetylenovými obaly!

NÁVOD K POUŽITÍ A MONTÁŽI SADY NOH OHŘÍVACÍHO PŘÍSTROJE

- Tento konvektor je projektován k využití v uzavřených místnostech a nástěnné montáži.

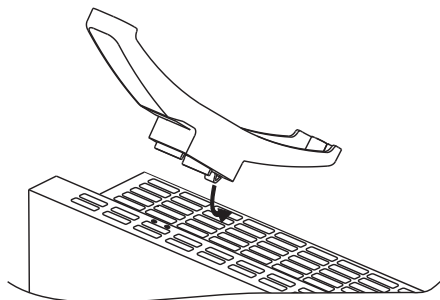


V souladu s nařízením EC 2015/1188 o uplatňování Směrnice 2009/125/EO není toto elektrické tepelné zařízení určeno k montáži na zed!

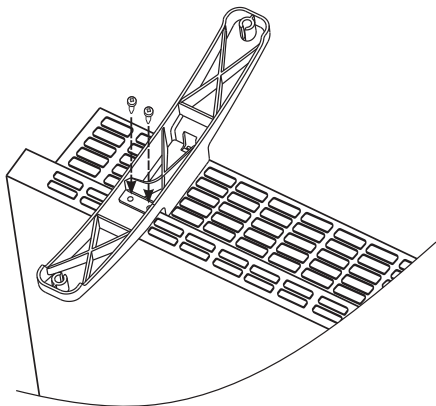


Důležité: U místností s objemem nad 45 m³ se doporučuje použití 2 a více konvektorů.

- Neumísťujte konvektor pod elektrickou zásuvku nebo elektrický rozvod.
- Nemontujte/nepoužívejte konvektor
 1. na místě, kde je průvan, aby nedocházelo k ovlivňování kontrolního nastavení
 2. bezprostředně pod elektrickou zásuvku;
 3. v prostoru 1 (volume 1) koupelen;
 4. v prostoru 2 (volume 2), jestliže ovládací panel je dosažitelný osobou, která je ve sprše nebo ve vaně;
- Než přistoupíte k montáži sady, ujistěte se, že konvektor není zapnut v elektrické síti!
- Nohy se montují do vstupních otvorů pro vzduch – správně by měly být namontovány na obou stranách konvektoru, rovnoměrně, ve stejné vzdálenosti od konce konvektoru. Za tímto účelem má konvektor ponechány 2x2 otvory.



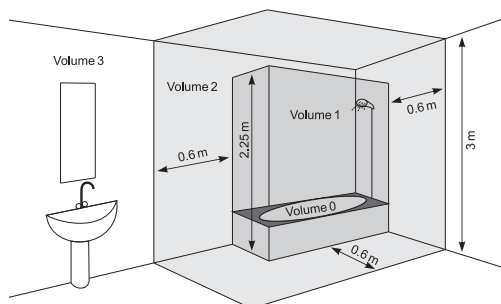
- Vložte první nohu – nejprve zastrčte vyšší část nohy do konvektoru (stojíte směrem k přední části konvektoru) – část nohy je nižší než přední kovový panel. Poté vezmete křížový šroubovák (není součástí sady) a zašroubujete oba zajišťující šrouby 3.5x9.5mm. Šroub prochází plastovou nohou a je uchycen za kovovou vnější část konvektoru. Zopakujte postup u druhé nohy.
- Spoj je stabilní, jestliže po montáži položíte konvektor na podlahu a stojí v horizontální poloze. Nepoužívejte napájecí kabel k tažení výrobku. Přemísťujte výrobek pouze za „studena“.



- Položte konvektor s namontovanými nohama na podlahu a před tím, než jej zapnete, zkontrolujte, zda jsou dodrženy podmínky uvedené v začátku tohoto návodu (ochranná opatření a důležité podmínky k použití konvektoru). Správná poloha je – ovládací panel je v horní části konvektoru a nohy jsou na podlaze!

MONTÁŽ V KOUPELNĚ

- Konvektor musí být instalován v souladu s běžnou obchodní praxí a v souladu se zákonodárstvím dané země (direktivy o Elektrických instalacích nízkého napětí EU: Zařízení jednoúčelová a ve zvláštních objektech – Prostory s vanou nebo sprchou HD60364-7-701 (IEC 60364-7-701:2006)).



- Jestliže má být tento konvektor používán v koupelně nebo jiné podobné místnosti, musí být dodržena následující podmínka při montáži: Konvektor má krytí IP24 (ochrana před stříkající vodou). Z tohoto důvodu musí být instalován v prostoru 2 (volume2) (viz schéma níže), aby se předešlo tomu, že ovládací panel (přepínač a termoregulátor) konvektoru by mohl být dosažitelný osobou, která je ve sprše nebo ve vaně. Minimální odstup zařízení od zdroje vody musí být nejméně 1m! Jestliže máte pochybnosti ohledně instalace tohoto konvektoru v koupelně, my Vám doporučujeme, abyste se konzultovali s profesionálním elektrotechnikem.

Poznámka: jestliže nemohou být splněny výše uvedené podmínky, doporučujeme provést montáž v prostoru 3 (VOLUME 3).

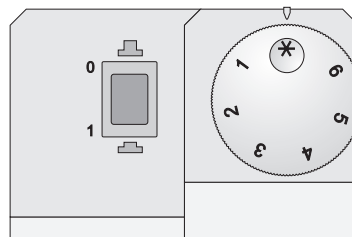
- Ve vlhkých místnostech (koupelny a kuchyně) musí být zdroj napájení instalován ve výšce min. 25cm od podlahy.
- Instalace musí být vybavena automatickou pojistkou, u které musí být ve vypnutém stavu odstup mezi kontakty nejméně 3mm.

Děkujeme Vám, že jste si vybrali konvektor CN03. Tento výrobek Vám nabídne vytápění v zimních měsících, podle Vašich požadavků na zajištění komfortní teploty ve vytápěné místnosti. Při správném používání a údržbě, tak jak jsou popsány v tomto návodu, Vám tento výrobek poskytne mnoho let užitečné služby.

NÁVOD K POUŽITÍ

MECHANICKÉ OVLÁDÁNÍ

Pracovní režimy



Zapněte konvektor, zmáčkněte přepínač do polohy "1" (Zapnuto) a poté otočte kolečkem regulátoru na požadovaný stupeň /od 1 do 6/, kde jednotlivé stupně znamenají:

* – nezámrzný režim /aktivuje se, když teplota v místnosti klesne pod 5°C

1 / 2 – úsporný režim /udržuje nízkou teplotu v místnosti / tento režim se doporučuje v nočních hodinách anebo v době nepřítomnosti lidí v místnosti. Tento režim umožňuje udržovat zadanou teplotu a zároveň úsporu energie.

3 / 4 / 5 – komfortní režim / udržuje přiměřenou teplotu v místnosti / tento režim je vhodný pro udržování relativně vysoké komfortní denní teploty v místnosti.

6 – maximální výkon / udržuje VYSOKOU teplotu v místnosti / tento režim je vhodný pro případ, kdy potřebujete maximálně vysokou teplotu v místnosti.

Důležité: Číslce na regulátoru teploty neodpovídají konkrétním hodnotám teploty v místnosti a slouží pouze k praktickému zapamatování vztahu mezi teplotou a údaji na regulátoru.

Když je teplota v místnosti nižší než teplota, kterou jste nastavili pomocí regulátoru začíná konvektor pracovat a pokračuje do chvíle, kdy teplota v místnosti dosáhne nastavené hodnoty. Když je teplota v místnosti vyšší než hodnota zadaná regulátorem, konvektor se automaticky přepne do režimu „Pohotovostní režim“.

OCHRANA

- Výrobek je vybaven ochranným termospínačem, který automaticky vypne ohřívač v případě zvýšení teploty v konvektoru nad přípustnou hodnotu / tzv. přehřátí zařízení/.
- Ochranný termospínač automaticky obnoví práci konvektoru až poté, co se teplota zařízení sníží pod přípustné mezní hodnoty.

OCHRANA PROTI PŘEVŘZENÍ

Toto otopné zařízení je chráněno pomocí ochranného vypínače, který automaticky vypne zařízení, jestliže je zařízení převřeno, nebo se nachází pod příliš velkým úhlem k ose horizontály. Tímto způsobem se předchází nehodám a ve chvíli, kdy je zařízení opět vzpřímeno, pokračuje v práci v naposledy zvoleném pracovním režimu.

ČIŠTĚNÍ

- Vždy nejprve vypněte konvektor příslušným tlačítkem a vytáhněte zástrčku z elektrické zásuvky ve zdi. Před tím než začnete s čištěním, nechte konvektor vychladnout se zástrčkou vytaženou z elektrické zásuvky.
- Korpus čistěte vlhkým hadříkem, vysavačem nebo kartáčem.
- Nikdy výrobek neponořujte do vody – vystavujete se smrtelnému nebezpečí úrazu elektrickým proudem!
- Nikdy nepoužívejte benzín, ředidlo nebo hrubé abrazivní čisticí prostředky pro čištění konvektoru, protože byste tím poškodili jeho povrch.

USKLADNĚNÍ

- Před tím než uskladníte konvektor, vytáhněte napájecí kabel z elektrické sítě a nechte topidlo vychladnout
- Použijte původní balení pro uskladnění konvektoru, jestliže jej nebudete používat delší dobu. Výrobek je chráněn před přílišným zaprášením a znečištěním tím, že jej uskladníte v jeho originálním balení.
- Nikdy nevkládejte teplý výrobek do obalu!
- Výrobek je třeba skladovat na suchém místě, chráněném před přímým slunečním světlem.
- Je výslovně zakázáno skladovat výrobek ve vlhkých nebo mokřích místnostech.

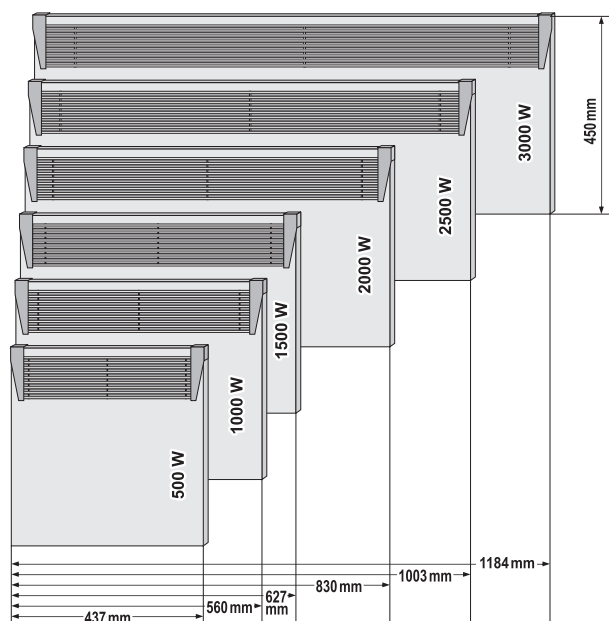
SERVISNÍ ÚDRŽBA PŘÍSTROJE

- V případě poruchy přístroje, prosím, kontaktujte Vám nejbližše umístěný autorizovaný servis /jeho adresa je uvedena na záručním listu výrobku/.
- **Důležité:** V případě, že by došlo k reklamaci a/nebo porušení Vašich zákaznických práv, prosím, kontaktujte dodavatele tohoto výrobku na uvedené adrese nebo na internetových stránkách podniku: www.tesy.com

ROZMĚRY ZAŘÍZENÍ, VYTÁPĚNÝ OBJEM A PLOCHA MÍSTNOSTI

Model	Vytápěný objem	Vytápěná plocha
CN 03 050 MIS F - 500W	10* - 15 m ³	4* - 6 m ²
CN 03 100 MIS F - 1000W	20* - 30 m ³	8* - 12 m ²
CN 03 150 MIS F - 1500W	30* - 45 m ³	12* - 18 m ²
CN 03 200 MIS F - 2000W	40* - 60 m ³	16* - 24 m ²
CN 03 250 MIS F - 2500W	50* - 70 m ³	20* - 28 m ²
CN 03 300 MIS F - 3000W	60* - 80 m ³	24* - 32 m ²

* Minimální garantovaný vytápěný objem (plocha) pro vytápění s průměrným součinitelem tepelné vodivosti $\lambda=0.5 \text{ W}/(\text{m}^2\text{K})$ vytápěné místnost. Vyšší hodnoty vytápěného objemu (plochy) jsou dosažitelné při průměrné hodnotě $\lambda=0.35 \text{ W}/(\text{m}^2\text{K})$. Standardní výška místnosti – 2.5m.



Pokyny k ochraně životního prostředí

Vyřazené elektrospotřebiče obsahují cenné materiály a proto bychom je neměli vyhazovat spolu s odpady z domácnosti! Prosíme Vás, abyste aktivně přispěli při ochraně přírodních zdrojů a ochraně životního prostředí a předali zařízení do výkupny odpadů (jestliže je k dispozici).

TABULKA 2: POŽADAVKY NA INFORMACE TÝKAJÍCÍ SE ELEKTRICKÝCH LOKÁLNÍCH TOPIDEL

Identifikační značka (značky) modelu: 1.CN03 050 MIS F 2. CN03 100 MIS F 3. CN03 150 MIS F 4. CN03 200 MIS F 5. CN03 250 MIS F 6. CN03 300 MIS F 230V~ 50Hz

Údaj	Značka	Hodnota 1	Hodnota 2	Hodnota 3	Hodnota 4	Hodnota 5	Hodnota 6	Jednotka	Údaj	Jednotka
Teplný výkon										
Pouze u akumulčních elektrických lokálních topidel: typ příjmu tepla (vyberte jeden)										
Jmenovitý tepelný výkon	P_{nom}	0.50	1.00	1.50	2.00	2.50	3.00	kW	ruční řízení akumulace tepla s integrovaným termostatem	[ne]
Minimální tepelný výkon (orientační)	P_{min}	0.00	0.00	0.00	0.00	0.00	0.00	kW	ruční řízení akumulace tepla se zpětnou vazbou informující o teplotě v místnosti a/nebo venkovní teplotě	[ne]
Maximální trvalý tepelný výkon	$P_{max,C}$	0.50	1.00	1.50	2.00	2.50	3.00	kW	elektronické řízení akumulace tepla se zpětnou vazbou informující o teplotě v místnosti a/nebo venkovní teplotě	[ne]
Spotřeba pomocné elektrické energie										
výdej tepla s ventilátorem										
Při jmenovitém tepelném výkonu	$e_{l,max}$	0.44	0.91	1.42	1.89	2.41	2.87	kW	Typ výdeje tepla/regulace teploty v místnosti (vyberte jeden)	-
Při minimálním tepelném výkonu	$e_{l,min}$	0.00	0.00	0.00	0.00	0.00	0.00	kW	jeden stupeň tepelného výkonu, bez regulace teploty v místnosti	[ne]
V pohotovostním režimu	$e_{l,SB}$	0.00	0.00	0.00	0.00	0.00	0.00	kW	dva nebo více ručních stupňů, bez regulace teploty v místnosti	[ne]
									s mechanickým termostatem pro regulaci teploty v místnosti	[ano]
									s elektronickou regulací teploty v místnosti	[ne]
									s elektronickou regulací teploty v místnosti a denním programem	[ne]
									s elektronickou regulací teploty v místnosti a týdenním programem	[ne]
Další možnosti regulace (lze vybrat více možností)										
									regulace teploty v místnosti s detekcí přítomnosti osob	[ne]
									regulace teploty v místnosti s detekcí otevřeného okna	[ne]
									s dálkovým ovládáním	[ne]
									s adaptivně řízeným spouštěním	[ne]
									s omezením doby činnosti	[ne]
									s černým kulovým čidlem	[ne]

TESY Ltd

48 Madara Blvd,
Shumen, 9700,
Bulgaria

ODSTRAŇOVÁNÍ POTÍŽÍ

Dříve než budete kontaktovat Centrum péče o zákazníka si, prosím, prohlédněte rady a tipy v tabulce níže:

PROBLÉM	PŘÍČINA	ŘEŠENÍ
Přístroj nefunguje	Chybí napájení ze sítě. Ujistěte se, že přístroj je zapnutý do fungující elektrické zástrčky.	Zapněte zástrčku do elektrické zásuvky a ověřte pozici přepínače ON/OFF (zapnout/vypnout).
Místnost se nedostatečně otepluje, i když je přístroj horký	Přehřívání zařízení. Ochranný omezovač přehřívání omezuje výdej tepla.	Odstraňte příčinu (pokrývku, znečištění nebo ucpaní na vstupu nebo vývodu vzduchu). Dodržujte minimální odstup okolo zařízení, uvedený v návodu k montáži.
	Požadavek na teplotu v místnosti je vyšší než teplota vydávaná přístrojem.	Odstraňte teplotní ztráty. (Zavřete okna a dveře. Vyhněte se stálému větrání.)
	Ověřte si, že výkon vašeho zařízení je v souladu s rozměry místnosti.	Doporučený výkon je v průměru 100 W/m ² při výšce stropu 2.50 m nebo 30 W/m ³
Na stěně vedle zařízení se objevuje znečištění	Znečištění zdi se může objevit v důsledku znečištění vzduchu.	Ujistěte se, že místnost je pravidelně větrána čerstvým vzduchem, obzvláště, jestliže se v ní kouří.
Zvuky/hluk	Tiché zvuky po dobu nahřívání nebo brzy po dosažení požadované teploty jsou obvyklé.	Toto je přirozeným důsledkem rozpínivosti materiálu při rychlém zvýšení teploty a následném ochlazení kovových součástí, použitých při výrobě přístroje.
Nažloutlé skvrny na mřížce	Podobné skvrny mohou být důsledkem odkládání mokrého oblečení na přístroj.	Nepokryvejte zařízení! Toto je zakázáno, protože tím blokuje konvekci vzduchu a způsobujete neopravitelné poškození přístroje, které může mít za následek vážné ohrožení vašeho zdraví a majetku.

FONTOS ÖVINTÉZKEDÉSEK ÉS BIZTONSÁGI UTASÍTÁSOK:



VIGYÁZAT:

- A készülék használata előtt olvassa el a jelen használati utasítást, és tartsa be ezeket az utasításokat a jövőbeni használat során. Tulajdonosváltáskor az üzemben tartásra vonatkozó utasításokat a készülékkel együtt tovább kell adni.
- VIGYÁZAT:** 3 éven aluli gyerekeket távol kell tartani tőle, hacsak nincsenek állandó felügyelet alatt.
3 és 8 év közötti gyerekek csak a készülék ki/be kapcsoló gombját használhatják, azzal a feltétellel, hogy a készülék beszerelt állapotban van, és készen áll a rendes működésre, továbbá felügyelet alatt vannak, és ismerik a készülék biztonságos módon való használatát, és értik, hogy az veszélyes lehet.
3 és 8 év közötti gyerekeknek nem szabad a készüléket a konnektorhoz csatlakoztatni, beállítani, tisztítani vagy karbantartást végezni rajta.
Ezt a készüléket akkor használhatják 8 éven felüli gyerekek, korlátozott fizikai, érzékelési vagy szellemi képességű vagy nem elegendő tapasztalattal és tudással rendelkező egyének, ha felügyelet alatt vannak, vagy ismerik a készülék biztonságos módon való használatát, és értik a veszélyeket. Gyerekeknek tilos játszani a készülékkel. A készülék tisztítását és karbantartását nem végezhetik felügyelet nélküli gyerekek.
- VIGYÁZAT:** A termék néhány alkatrésze nagyon felforrósodhat, és égési sérüléseket okozhat. Ahol gyerekek és sérült emberek vannak jelen, különös figyelemmel kell eljárni.



- FIGYELEM:** a túlhevülés elkerülése érdekében ne takarja le a készüléket!
- A készüléknek nem szabad közvetlenül a foglalat fölött elhelyezkednie!
- Ha a tápkábel megsérült, a veszély elkerülése érdekében a gyártót, a szervizképviseletet vagy hasonlóan képzett személyeket kell kicserélni.
- Mielőtt bekapcsolná a készüléket – ellenőrizze, hogy a szabványtáblázatban megjelölt feszültség megegyezik az ön otthonában lévő feszültséggel.
- Ezt a készüléket csak rendeltetésének megfelelően, azaz lakóhelyiségek fűtésére szabad használni. A készülék nem rendeltetett kereskedelmi célokra. Minden egyéb használat helytelennek és ebből kifolyólag veszélyesnek minősül. A gyártó nem vállal felelősséget a helytelen és ésszerűtlen használatból eredő károsodásokért. A biztonsági utasítások be nem tartása érvényteleníti a készülékre vállalt garanciát!
- Ne hagyja el az otthonát, miközben a készülék be van kapcsolva: győződjön meg róla, hogy a kapcsoló kikapcsolt állapotban van (mechanikus vezérlésű konvektor esetén).
- Gyűlékony tárgyakat, mint pl. bútorok, párnák, ágynemű, papír, ruhák, függöny stb. tartson legalább 100 cm távolságra a konvektortól.
- Ne használja a készüléket ott, ahol éghető anyagokat használnak vagy tárolnak (például: éghető gázok vagy aeroszolok palackok közelében) – nagyon nagy a robbanás és a tűz veszélye!
- Ne tegyen és ne engedjen idegen testeket bejutni a szellőztető (be- vagy kiáramló) nyílásaiba, mivel ez áramütést, tüzet vagy károsodást okozhat a konvektorban.
- A készülék nem megfelelő állatok lakhelyének melegítésére, és csak otthoni használatra rendeltetett!
- Ne takarja el a védőrácsokat, ne akadályozza a levegő ki- és beáramlását, amikor a készüléket az adott felületre helyezi. Minden tárgynak legalább 1 méter távolságra kell lennie a készüléktől előre és oldalra is.
- A túlmelegedés leggyakrabban előforduló oka penész és por lerakódása a készülékben. Rendszeresen tisztítsa porszívóval a szellőző nyílásokat, de előtte kötelezően kapcsolja ki a készüléket az elektromos hálózatról.
- Soha ne érintse a készüléket vizes vagy nyirkos kézzel – életveszélyes!
- A konnektornak mindig elérhetőnek kell lennie, hogy a dugót szükség esetén a lehető leggyorsabban ki lehessen húzni! Soha ne húzza ki a tápkábelt vagy magát a készüléket kikapcsoláskor a hálózatról!
- Figyeljen a következőkre! A kiáramló levegő működés közben felmelegszik (100°C-nál magasabbra).
- Ha úgy dönt, hogy felhagy az ilyen típusú készülék használatával, ajánlatos használhatatlanná tennie azzal, hogy elvágja a tápkábelt, miután kikapcsolta a hálózatról. Ajánlatos továbbá minden a készülékkel kapcsolatos veszélyt elhárítani, különösen a gyerekek számára, akik a

tönkrement berendezést (készüléket) játéknak használhatnák.

- Figyelem:** Ne használja a készüléket programozóval, számlálóval vagy más olyan készülékkel, ami automatikusan bekapcsolja, mivel ha a készülék le van takarva vagy nem helyesen van felszerelve, tűzveszély áll fenn.
- Úgy helyezze el a tápkábelt, hogy ne zavarja az emberek mozgását, és ne lépjenek rá! Csak jóváhagyott hosszabbítókat használjon, amelyek megfelelnek a készüléknek, azaz van rajtuk megfelelő jelzés!
- Soha ne mozdítsa el a készüléket a kábelt húzva, és ne használja a kábelt tárgyak elmozdítására!
- Ne törje meg a kábelt, és ne húzza át éles szegélyeken, ne helyezze forró lemezre vagy nyílt lángra!

C SOMAGOLÁS

- A készülék kicsomagolása után ellenőrizze, hogy a szállításkor nem sérült-e meg, és hogy megvan-e minden darabja! Abban az esetben, ha észlelhető sérülés vagy hiány van, lépjen kapcsolatba meghatalmazott forgalmazójával!
- Ne dobja el az eredeti dobozt! Használható lehet tárolásra és szállításra, hogy elkerülje a szállításból adódó sérüléseket!
- A csomagoló anyag eldobásának megfelelő módon kell történnie! Óvjuk a gyerekeket attól, hogy polietilén zacskókkal játszanak!

FELSZERELÉSI ÉS HASZNÁLATI ÚTMUTATÁS A GÖRGŐS LÁBAK FELSZERELÉSE

- Ezt a konvektort zárt helyiségekben használatra tervezték.

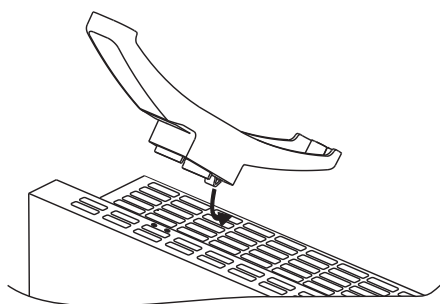


A 2015/1188/EU rendelet szerint a 2009/125/EK európai irányelv vonatkozása szerint ez a villamos fűtőkészülék nem alkalmas fali felszerelésre.

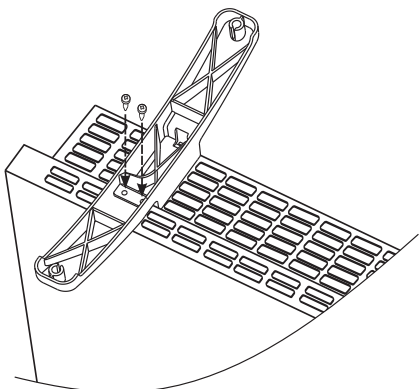


Fontos: 45 m³ fölötti térfogatú helyiségek esetén ajánlatos 2 vagy több konvektor kombinációjának a használata.

- Ne helyezze a konvektort elektromos csatlakozó vagy csatlakozó doboz alá.
- Ne szerelje fel/használja a konvektort
 - olyan helyen, ahol léghuzat van, hogy ez nehogyan befolyásolja a kontrollbeállításokat;
 - közvetlenül elektromos csatlakozó alatt;
 - 1-es számú térben (volume 1) fürdőszobákban;
 - 2-es számú térben (volume 2), ha a műszerfal elérhető a zuhany alatt vagy a fürdőkádban lévő ember számára;
- A készlet felszerelése előtt ellenőrizni kell, hogy a konvektor nincs-e hálózati feszültség alatt!
- A görgők a levegő nyílásokban kell felrögzíteni – a célszerűség érdekében a görgőket fel kell szerelni szimmetrikusan a konvektor két oldalára. Erre a célra minden konvektor rendelkezik 2x2 nyílással.



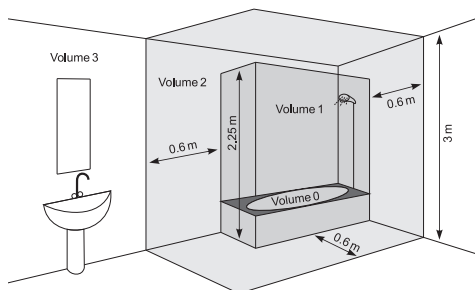
- Először az egyik lábat el kell helyezni – miután a magasabb lábbrész kerül a konvektorba (állni kell a konvektor előtt) – ez a rész alacsonyabb az első fémpanelnél. Ezután csillag csavarhúzóval (a készlet nem tartalmazza) be kell csavarni a biztosító csavarokat - 3.5x9.5mm. A csavar átmegy a műanyag lábon keresztül és rögzítésre kerül a konvektor fém burkolatára. Ugyanezt kell alkalmazni a második lábára is.
- Csak akkor vannak szabályszerűen szerelve a lábak, ha a felszerelésük után a konvektor egyenesen állhat rajuk. A hálózati kábel nem használható a konvektor húzására, az elmozdítása csak hideg készüléknél lehetséges.



- A konvektor saját lábán felállítása követően, illetve bekapcsolása előtt ellenőrizni kell a biztonsági feltételek betartását.

A FÜRDŐSZOBÁBAN VALÓ HASZNÁLAT

- A konvektort a szabályos kereskedelmi gyakorlattal összhangban és az adott ország törvényeinek megfelelően kell felszerelni (az EK elektromosságra vonatkozó irányelvei, speciális beszerelés és fürdőkádát vagy zuhanyfülkét tartalmazó helyiségek követelményei HD60364-7-701 (IEC 60364-7-701:2006)).



- Ha a konvektort fürdőszobában vagy más hasonló helyiségben használják, a következő követelményeket kell betartani a felszerelésnél: A konvektor IP24 védelemmel (csepegő víz elleni védelem) rendelkezik. E miatt a tény miatt a 2-es számú térben (VOLUME 2) (ld. az alábbi rajzot) úgy kell beépíteni, hogy elkerüljük a lehetőségét annak, hogy a konvektor műszerfala (a kapcsoló és a hőszabályozó) elérhető legyen a zuhany alatt vagy a fürdőkádban lévő ember számára. A készülék minimális távolsága a vízforrástól nem lehet kevesebb 1 méternél! Ha nem biztos a konvektor fürdőszobába való beszerelését illetően, azt ajánljuk, hogy konzultáljon elektrotechnikus szakemberrel.

Megjegyzés: ha a fent megjelölt feltételeket nem lehet teljesíteni, ajánlott a beszerelést a 3-as számú térben (VOLUME 3) megvalósítani.

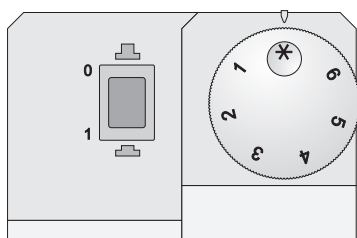
- Párás helyiségekben (fürdőszobában és konyhában) a tápforrást a padlótól minimum 25 cm magasságban kell felszerelni.
- A berendezést automatikus biztosítókkal kell ellátni, ahol a csatlakozók közötti távolság kikapcsolt állapotban minimum 3 mm kell hogy legyen.

Köszönjük, hogy a CN03 konvektort választotta. Ez egy olyan termék, amely télen szükség szerinti fűtést kínál kellemes meleg eléréséhez fűtött helyiségben. Az ebben a használati utasításban leírtak szerinti helyes üzemeltetés és karbantartás esetén a készülék sok évig fogja az ön hasznát szolgálni.

AZ ÜZEMBEN TARTÁS HASZNÁLATI ÚTMUTATÓJA

MECHANIKUS IRÁNYÍTÁS

Működési üzemmód



Kapcsolja be a konvektort, állítsa a kapcsolót "1" helyzetbe (bekapcsolva), aztán

forgassa a szabályozót az ön által kívánt fokozatra (1-től 6-ig), miközben a következő összefüggéssel számol a fokozatokban:

* – fagyás elleni üzemmód – Akkor aktiválódik, amikor a hőmérséklet a helyiségben 5°C alá esik.

1 / 2 – gazdaságos üzemmód (alacsony hőmérséklet megtartása a helyiségben) Éjszaka ajánlatos, vagy amikor nincsenek emberek a helyiségben. Az adott üzemmód lehetővé teszi egy bizonyos hőmérséklet megtartását az energia gazdaságos felhasználásának körülményei között.

3 / 4 / 5 – kellemes üzemmód (mérsékelt hőmérséklet megtartása a helyiségben) Viszonylag magas kellemes nappali hőmérséklet fenntartására ajánlatos a helyiségben.

6 – maximális üzemmód – Akkor ajánlatos, amikor maximálisan magas hőmérsékletre van szüksége a helyiségben.

Fontos: A hőmérséklet szabályozójának számai nem felelnek meg a hőmérséklet konkrét magasságának a helyiségben, hanem praktikus emlékeztetőként szolgálnak a hőmérséklet és a szabályozó jelzése közötti megfelelésre.

Amikor a helyiségben alacsonyabb a hőmérséklet annál, amelyet a szabályozó segítségével beállított, a konvektor működésbe lép, és addig működik, ameddig a helyiségben lévő hőmérséklet el nem éri a beállított értéket. Amikor a helyiségben a hőmérséklet magasabb a szabályozóval megadott értéknél, a konvektor automatikusan „készenlét” üzemmódra vált.

VÉDELEM

- A készülék biztonsági hőmegszakítóval rendelkezik, amely automatikusan kikapcsolja a vízmelegítőt a hőmérsékletnek a konvektorban a megengedett érték fölé emelkedése (a készülék ún. túlmelegedése) esetén.
- A biztonsági hőmegszakító automatikusan újraindítja a konvektor működését, amint a készülék hőmérséklete a megengedett maximális határérték alá esik.

FELBORULÁS ELLENI VÉDELEM

Ez az elektromos konvektor rendelkezik felborulás elleni védő kapcsolóval, amelyik automatikusan kikapcsolja a készüléket, ha felborul vagy túl közel van ahhoz. Ezzel a prevatív tulajdonsággal elkerülhetőek lesznek a kisebb-nagyobb balesetek. Ha a készülék a felborulás után újból lesz felállítva, akkor tovább működik az utolsóként beállított üzemmódban.

TISZTÍTÁS

- Először kötelezően kapcsolja ki a készüléket a kapcsolóval, és húzza ki a dugót a konvektorból. Mielőtt elkezdene a konvektor tisztítását, hagyja kihűlni, miután kikapcsolta az áramból.
- Tisztítsa meg a géptestet nedves törlővel, porszívóval vagy kefével.
- Soha ne merítse a készüléket vízbe – életveszélyes áramütés veszélye áll fenn!
- Soha ne használjon benzint, hígítót vagy durva csiszoló anyagot a tisztításra, mivel ezek károsítják a készülék felületét.

TÁROLÁS

- Mielőtt eltenné a konvektort, hagyja kihűlni, miután kihúzta a konvektorból.
- Használja az eredeti csomagolást a konvektor tárolására, ha hosszabb ideig nem használja azt. Az eredeti csomagolásba visszacsomagolva védi a terméket a túlzott porosodástól és szennyeződéstől.
- Soha ne tegye a készüléket melegen a csomagolásba!
- A terméket száraz és közvetlen napfénytől védett helyen kell tárolni.
- Kifejezetten tilos párás vagy nedves helyen tárolni.

A KÉSZÜLÉK SZERVÍZI KARBANTARTÁSA

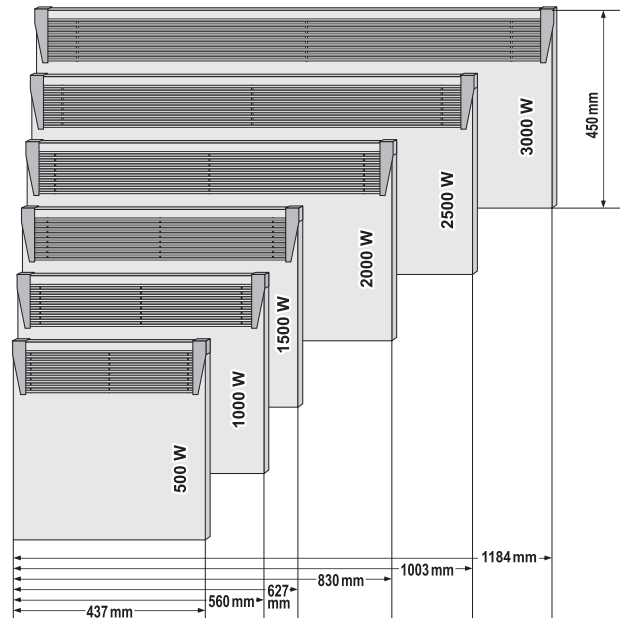
- A készülék meghibásodása esetén forduljon az önhöz legközelebbi (a termék jótállási jegyén feltüntetett) szakszervizhez.
- Fontos:** Reklamáció és/vagy vásárlói jogainak megsértése esetén forduljon a készülék forgalmazójához a feltüntetett címeken vagy a társaság internetes oldalán keresztül: www.tesy.com.

A KÉSZÜLÉK MÉRETEI, A FÜTENDŐ HELYSÉG TÉRFOGATA ÉS TERÜLETE

Modell	Fűtendő térfogat	Fűtendő terület
CN 03 050 MIS F - 500W	10* - 15 m ³	4* - 6 m ²
CN 03 100 MIS F - 1000W	20* - 30 m ³	8* - 12 m ²

CN 03 150 MIS F - 1500W	30* - 45 m ³	12* - 18 m ²
CN 03 200 MIS F - 2000W	40* - 60 m ³	16* - 24 m ²
CN 03 250 MIS F - 2500W	50* - 70 m ³	20* - 28 m ²
CN 03 300 MIS F - 3000W	60* - 80 m ³	24* - 32 m ²

* A minimális garantált fűtendő térfogat (terület) a hővezetőképesség átlagos $\lambda=0.5 \text{ W/(m}^2\text{K)}$ koeficiensénél a fűtendő helyiségre. A fűtendő térfogat (terület) magasabb értékei elérhetik a $\lambda=0.35 \text{ W/(m}^2\text{K)}$ átlagértéket. A helyiség szabvány magassága 2,5 méter.



A környezetvédelemre vonatkozó utasítások

A régi elektromos berendezések értékes anyagokat tartalmazhatnak, ezért nem szabad őket a háztartási hulladékkal együtt kidobni! Kérjük, járuljon hozzá aktív közreműködésével az erőforrások és a környezet megőrzéséhez, és adja le a készüléket szervezett felvásárló ponton (ha létezik ilyen).

2. TÁBLÁZAT: AZ ELEKTROMOS EGYEDI HELYSÉGFŰTŐ BERENDEZÉSEK TERMÉKINFORMÁCIÓS KÖVETELMÉNYEI

Modellazonosító(k): 1.CN03 050 MIS F 2. CN03 100 MIS F 3. CN03 150 MIS F 4. CN03 200 MIS F 5. CN03 250 MIS F 6. CN03 300 MIS F 230V~ 50Hz

Jellemző	Jel	Érték 1	Érték 2	Érték 3	Érték 4	Érték 5	Érték 6	Mértékegység	Jellemző	Mértékegység
Hőteljesítmény									A hőbveltel típusa (csak a hőtárolós elektromos egyedi helyiségfűtő berendezések esetében – egyet jelöljön meg)	
Névleges hőteljesítmény	P _{nom}	0.50	1.00	1.50	2.00	2.50	3.00	kW	Kézi töltésszabályozás beépített termosztáttal	[nem]
Minimális hőteljesítmény (indikatív)	P _{min}	0.00	0.00	0.00	0.00	0.00	0.00	kW	"Kézi töltésszabályozás beltéri és/vagy kültéri hőmérséklet-visszacsatolással"	[nem]
Maximális folyamatos hőteljesítmény	P _{max,C}	0.50	1.00	1.50	2.00	2.50	3.00	kW	Elektronikus töltésszabályozás beltéri és/vagy külső hőmérséklet-visszacsatolással	[nem]
Kiegészítő villamosenergia-fogyasztás									Ventilátorral segített hőleadás	[nem]
A névleges hőteljesítményen	e _{lmax}	0.44	0.91	1.42	1.89	2.41	2.87	kW	A teljesítmény, illetve a beltéri hőmérséklet szabályozásának típusa (egyet jelöljön meg)	-
A minimális hőteljesítményen	e _{lmin}	0.00	0.00	0.00	0.00	0.00	0.00	kW	Egyetlen állás, beltéri hőmérséklet-szabályozás nélkül	[nem]
Készüléti üzemmódban	e _{lSB}	0.00	0.00	0.00	0.00	0.00	0.00	kW	Két vagy több kézi szabályozású állás, beltéri hőmérséklet-szabályozás nélkül	[nem]
									"Mechanikus termosztátos beltéri hőmérséklet-szabályozás"	[igen]
									Elektronikus beltéri hőmérséklet-szabályozás	[nem]
									Elektronikus beltéri hőmérséklet-szabályozás és napszak szerinti szabályozás	[nem]
									Elektronikus beltéri hőmérséklet-szabályozás és heti szabályozás	[nem]
									Más szabályozási lehetőségek (többet is megjelölhet)	
									Beltéri hőmérséklet-szabályozás jelenlét-érzékeléssel	[nem]
									Beltéri hőmérséklet-szabályozás nyitottablak-érzékeléssel	[nem]
									Távszabályozási lehetőség	[nem]
									Adaptív bekapcsolásszabályozás	[nem]
									Működési idő korlátozása	[nem]
									Feketegömb-érzékelővel ellátva	[nem]

TESY Ltd
 48 Madara Blvd,
 Shumen, 9700,
 Bulgária

HIBAELHÁRÍTÁS

Mielőtt kapcsolatba lépne az ügyfélszolgálattal, olvassa el az alábbi táblázatban szereplő tanácsokat:

HIBA	HIBA OKA	MEGOLDÁS
Az eszköz nem működik	Nincs áram a készülékben. Ellenőrizze, hogy a készülék csatlakoztatva van-e és az elektromos csatlakozó működik-e.	Csatlakoztassa a dugót a konnektorba, és ellenőrizze az ON / OFF kapcsoló helyzetét.
A szoba nem elég meleg, annak ellenére, hogy a készülék forró	A készülék túlmelegedése. A túlmelegedés biztonsági korlátozója korlátozza a hőkibocsátást.	Szüntesse meg a hiba okát (távolítsa el a takarót, szennyeződést stb., mely eltömítheti a bemeneti vagy kimeneti nyílást). Vegye figyelembe a készülék körül a telepítési útmutatóban megadott minimális távolságot.
	A helyiség hőigénye nagyobb, mint a készülék által kibocsátott hő.	Akadályozza meg a hővesztesség kialakulását. (Csukja be az ablakokat és az ajtókat. Kerülje az állandó szellőztetést.)
	Ellenőrizze, hogy készüléke teljesítményét a szoba méretéhez igazította-e.	Az ajánlott teljesítmény átlagosan 100 W / m ² , ha a mennyezet 2,50 m vagy kb 30 W / m ³
A készülék melletti falon szennyeződés jelenik meg	A falon keletkezett szennyeződés a légszennyezés következménye.	Ügyeljen arra, hogy a helyiséget rendszeresen szellőztesse, különösen akkor, ha dohányzik a helyiségben.
Hangok / zajok	Nem probléma, ha halk zajt hall fűtés közben, valamint röviddel a beállított hőmérséklet elérése után is.	Ezt a hatást a hőmérséklet gyors változása eredményezi, mivel az anyagok és ezen belül az eszköz gyártásához használt fémek tágulása természetes folyamat.
Sárgás foltok a rácson	Ilyen foltok akkor következhetnek be, ha a készüléket nedves ruhával takarja le.	Ne takarja le a terméket! Ez nem megengedett, mivel gátolja a levegő beszívását és helyrehozhatatlan károkat okozhat a készüléken, ami súlyos veszélyt jelenthet az Ön egészségére és vagyonára.

ΣΗΜΑΝΤΙΚΕΣ ΠΡΟΦΥΛΑΞΕΙΣ ΚΑΙ ΟΔΗΓΙΕΣ ΑΣΦΑΛΕΙΑΣ:**ΠΡΟΣΟΧΗ:**

- Διαβάστε αυτές τις οδηγίες πριν τη χρήση αυτού του προϊόντος και διατηρήστε τις για μελλοντική χρήση. Σε περίπτωση που η ηλεκτρική συσκευή αλλάξει ιδιοκτησία, οι οδηγίες χρήσης πρέπει να παραχωρηθούν στο νέο ιδιοκτήτη μαζί με τη συσκευή!
- **ΠΡΟΣΟΧΗ:** Πρέπει να κρατάτε μακριά παιδιά κάτω των 3 ετών, εκτός εάν τα επιτηρείτε συνεχώς. Παιδιά ηλικίας από 3 έως 8 ετών μπορούν να χρησιμοποιούν το διακόπτη on/off της συσκευής, υπό την προϋπόθεση ότι η συσκευή έχει εγκατασταθεί και είναι έτοιμη για κανονική λειτουργία και τα παιδιά επιτηρούνται και γνωρίζουν τις οδηγίες ασφαλούς χρήσης, κατανοώντας ότι η αμέλεια αποτελεί κίνδυνο.
Παιδιά ηλικίας από 3 έως 8 ετών δεν θα πρέπει να συνδέουν τη συσκευή στην πρίζα, να την ρυθμίζουν, να την καθαρίζουν ή να εκτελούν εργασίες συντήρησης.
Αυτή η συσκευή μπορεί να χρησιμοποιηθεί από παιδιά ηλικίας 8 ετών και πάνω και από άτομα με περιορισμένες σωματικές, αισθητήριες ή διανοητικές ικανότητες ή από άτομα χωρίς εμπειρία και γνώση, με την προϋπόθεση ότι τη χρησιμοποιούν υπό επίτηρηση ή ότι έχουν λάβει οδηγίες σχετικά με την ασφαλή χρήση της συσκευής και κατανοούν τους ενεχόμενους κινδύνους. Τα παιδιά δεν πρέπει να παίζουν με τη συσκευή. Τα παιδιά δεν πρέπει να καθαρίζουν και να συντηρούν τη συσκευή χωρίς επίτηρηση.
- **ΠΡΟΣΟΧΗ:** Ορισμένα μέρη του προϊόντος αυτού μπορούν να γίνουν επικίνδυνα ζεστά και να προκαλέσουν εγκαύματα. Σε χώρους όπου παρίστανται παιδιά και ευάλωτα άτομα, θα πρέπει να δοθεί ιδιαίτερη προσοχή.



- **ΠΡΟΕΙΔΟΠΟΙΗΣΗ:** Για να αποφευχθεί η υπερθέρμανση, μην καλύπτετε τη συσκευή!
- Η συσκευή δεν πρέπει να τοποθετείται ακριβώς κάτω από σταθερή πρίζα!
- Εάν το καλώδιο τροφοδοσίας έχει υποστεί ζημιά, πρέπει να αντικατασταθεί από τον κατασκευαστή, τον αντιπρόσωπο σέρβις του ή παρόμοια εξειδικευμένα άτομα για να αποφευχθεί ο κίνδυνος.
- Πριν ενεργοποιήσετε τη συσκευή - βεβαιωθείτε ότι η τάση του οικιακού σας δικτύου αντιστοιχεί σε εκείνη που αναγράφεται στην ταμπέλα της συσκευής.
- Η συσκευή αυτή προορίζεται αποκλειστικά και μόνο για τη χρήση για την οποία έχει σχεδιαστεί, δηλ. για οικιακή χρήση (θέρμανση χώρων διαβίωσης). Δεν προορίζεται για εμπορική χρήση. Οποιαδήποτε άλλη χρήση θα πρέπει να θεωρείται ακατάλληλη και συνεπώς επικίνδυνη. Ο κατασκευαστής δεν μπορεί να θεωρηθεί υπεύθυνος για τυχόν ζημιές που μπορεί να προκληθούν από ακατάλληλη, λανθασμένη και αλόγιστη χρήση. Εάν δεν τηρηθούν όλες οι οδηγίες για την ασφάλεια, θα ακυρωθεί η εγγύηση της συσκευής που παρέχεται!
- Μην φύγετε από το σπίτι, ενώ η συσκευή είναι αναμμένη: βεβαιωθείτε ότι ο διακόπτης ισχύος είναι στη θέση OFF(0) (εκτός λειτουργίας). (αφορά τους θερμοπομπούς με μηχανικό έλεγχο).
- Κρατάτε το θερμοπομπό σε απόσταση τουλάχιστον 100 εκατοστών μακριά από εύφλεκτα υλικά συμπεριλαμβανομένων επίπλων, μαξιλαριών, κλινοσκεπασμάτων, χαρτιού, ρούχων, κουρτινών κλπ.
- Να μην χρησιμοποιείτε τη συσκευή σε χώρους όπου χρησιμοποιούνται ή αποθηκεύονται εύφλεκτα υλικά (π.χ. κοντά σε εύφλεκτα αέρια και αερολύματα) - υπάρχει πολύ μεγάλος κίνδυνος έκρηξης και πυρκαγιάς!
- Μην παρεμβάλετε ξένα αντικείμενα μέσω ανοιγμάτων και οπών αερισμού (εισερχόμενα ή εξερχόμενα), επειδή αυτό μπορεί να προκαλέσει ηλεκτροπληξία, πυρκαγιά ή βλάβη στο θερμοπομπό.
- Η συσκευή δεν είναι κατάλληλη για εκτροφή ζώων και προορίζεται μόνο για οικιακή χρήση!
- Μην σκεπάζετε τις προστατευτικές γρίλιες, μην μπλοκάρετε την είσοδο και την έξοδο της ροής αέρα καθώς τοποθετείτε τη συσκευή έναντι μιας επιφάνειας. Κρατάτε όλα τα αντικείμενα σε απόσταση τουλάχιστον 1 μέτρου από το μπροστινό μέρος και τις πλευρές της συσκευής.
- Η πιο συνηθισμένη αιτία υπερθέρμανσης είναι η σκόνη και το χνούδι που συσσωρεύονται μέσα στη συσκευή. Τακτικά σκουπίζετε τους αεραγωγούς με ηλεκτρική σκούπα, αφού πρώτα υποχρεωτικά αποσυνδέσετε τη συσκευή από το ηλεκτρικό δίκτυο.
- Ποτέ μην αγγίζετε τη συσκευή με υγρά και βρεγμένα χέρια - υπάρχει κίνδυνος για τη ζωή!
- Η πρίζα πρέπει να είναι ανά πάσα στιγμή προσβάσιμη για να μπορεί το βύσμα να τραβηχτεί κατά ανάγκη όσο δυνατόν γρηγορότερα! Ποτέ μην

τραβάτε το καλώδιο τροφοδοσίας ή την ίδια την συσκευή για να βγάλετε το φις από την πρίζα του ρεύματος.

- Προσοχή! Ο εξερχόμενος αέρας θερμαίνεται κατά τη διάρκεια της λειτουργίας (έως και πάνω από 100°C).
- Αν αποφασίσετε να σταματήσετε να χρησιμοποιείτε τη συσκευή αυτού του τύπου, συνιστάται να καταστεί άχρηστο καθώς κόψετε το καλώδιο, αφού το έχετε αποσυνδεθεί από το δίκτυο. Συνιστάται ακόμα να προστατευθείτε από όλους τους κινδύνους που συνδέονται με τη συσκευή, ειδικά για χάριν των παιδιών που θα μπορούσαν να χρησιμοποιήσουν την παλιά συσκευή ως παιχνίδι.
- Προσοχή! Μην χρησιμοποιείτε τη συσκευή με έναν προγραμματιστή, χρονοδιακόπτη ή οποιαδήποτε άλλη συσκευή που την ανάβει αυτόματα, εφόσον υπάρχει κίνδυνος πυρκαγιάς εάν η συσκευή καλύπτεται ή είναι λανθασμένα τοποθετημένη.
- Τοποθετείτε το καλώδιο τροφοδοσίας έτσι ώστε να μην εμποδίζει το ελεύθερο πέρασμα των προσώπων και να μην πατιέται! Χρησιμοποιείτε μόνο εγκεκριμένα καλώδια τροφοδοσίας (πολύπριζο), κατάλληλα για την συσκευή, δηλ. που έχουν σήμα πιστότητας!
- Ποτέ μην μετακινείτε τη συσκευή καθώς την τραβάτε από το καλώδιο και μην χρησιμοποιείτε το καλώδιο για να μεταφέρετε αντικείμενα!
- Μην λυγίζετε το καλώδιο ρεύματος και κρατάτε το μακριά από αιχμηρές άκρες. Μην τοποθετείτε τη συσκευή πάνω σε ζεστές επιφάνειες ή γυμνές φλόγες!

ΣΥΣΚΕΥΑΣΙΑ

- Μετά την αφαίρεση της συσκευασίας, βεβαιωθείτε ότι η συσκευή δεν έχει υποστεί βλάβη κατά τη μεταφορά και εάν είναι πλήρως εξοπλισμένη. Σε περίπτωση ελλιπούς παράδοσης ή ελαττώματος, επικοινωνήστε με τον εξουσιοδοτημένο πωλητή Σας!
- Μην πετάτε τη γνήσια αρχική συσκευασία! Αυτή θα μπορούσε να χρησιμοποιηθεί για την αποθήκευση και τη μεταφορά για την αποφυγή ζημιών κατά τη μεταφορά!
- Απορρίψτε το υλικό συσκευασίας του προϊόντος με οικολογικά υπεύθυνο τρόπο! Μην επιτρέπετε στα παιδιά να παίζουν με πλαστικές σακούλες!

ΟΔΗΓΙΕΣ ΧΡΗΣΗΣ ΚΑΙ ΕΓΚΑΤΑΣΤΑΣΗΣ ΣΕΤ ΠΟΔΙΩΝ ΓΙΑ ΣΥΣΚΕΥΗ

- Αυτός ο θερμοπομπός είναι σχεδιασμένος για χρήση σε εσωτερικούς χώρους.

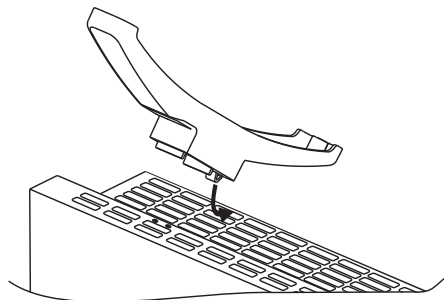


Σύμφωνα με τον Κανονισμό (ΕΕ) 2015/1188 της Επιτροπής, της 28ης Απριλίου 2015, για την εφαρμογή της οδηγίας 2009/125/ΕΚ του Ευρωπαϊκού Κοινοβουλίου αυτή η ηλεκτρική συσκευή θέρμανσης δεν προορίζεται για τοποθέτηση στον τοίχο.

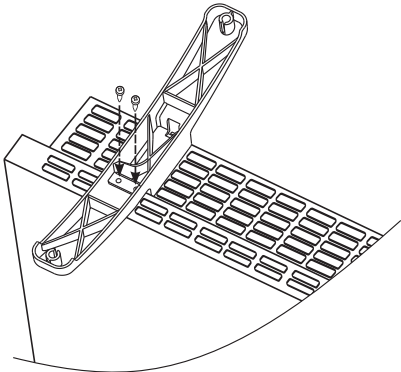


Σημείωση: Σε χώρους με όγκο πάνω από 45 m³ συνιστάται η χρήση ενός συνδυασμού 2 ή περισσότερων θερμοπομπών.

- Μην τοποθετείτε το θερμοπομπό κάτω από ηλεκτρική πρίζα ή κουτί σύνδεσης.
- Μην τοποθετείτε/ χρησιμοποιείτε το θερμοπομπό
 1. σε χώρο όπου υπάρχει ρεύμα αέρα, έτσι ώστε να μην επηρεάζονται οι ρυθμίσεις ελέγχου
 2. ακριβώς κάτω από ηλεκτρική πρίζα;
 3. στο χώρο 1 (volume 1) για μάνια;
 4. στο χώρο 2 (volume 2), εάν ο πίνακας ελέγχου μπορεί να είναι προσβάσιμος από κάποιον που βρίσκεται μέσα στην μπανιέρα ή κάτω από το ντουζ.
- Πριν ξεκινήσετε την εργασία συναρμολόγησης του σετ ποδιών, ελέγξτε αν ο θερμοπομπός είναι αποσυνδεδεμένος από την πρίζα!
- Τα πόδια στερεώνονται στις οπές αέρα εισόδου- είναι σωστά να εγκατασταθούν στα δύο άκρα του θερμοπομπού, συμμετρικά - σε ίση απόσταση από τα άκρα του θερμοπομπού. Για τον σκοπό - σε κάθε θερμοπομπό υπάρχουν οπές 2x2.



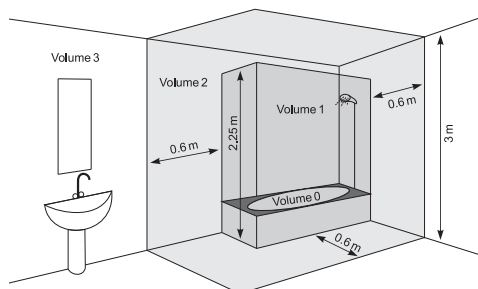
- Τοποθετήστε το ένα πόδι – καθώς εισάγετε πρώτα το υψηλότερο μέρος του ποδιού στον θερμοπομπό (βρίσκεστε μπροστά στο εμπρόσθιο μέρος του θερμοπομπού) - το μέρος είναι χαμηλότερο σε σχέση με το μπροστινό μεταλλικό πάνελ. Στη συνέχεια, πάρτε ένα σταυροκατσάβιδο (δεν παρέχεται στο σετ) και σφίξτε τις δύο ασφαλιστικές βίδες 3.5x9.5 mm. Η βίδα διέρχεται μέσα από το πλαστικό πόδι και βιδώνεται μέσα στο μεταλλικό κομμάτι του θερμοπομπού. Επαναλάβετε τη διαδικασία και για το δεύτερο πόδι.
- Η σύνδεση έχει γίνει σωστά, εάν μετά την εγκατάσταση ο θερμοπομπός τοποθετείται στο πάτωμα και ο ίδιος στέκεται οριζοντίως. Μην χρησιμοποιείτε το καλώδιο τροφοδοσίας ως σχοινί τράβηγματος, η μεταφορά πραγματοποιείται όταν ο θερμοπομπός έχει κρυώσει.



- Τοποθετήστε το θερμοπομπό με τα εγκατεστημένα πόδια στο πάτωμα και πριν από την ενεργοποίηση, ελέγξτε αν πληρούνται οι όροι για τη χρήση στην αρχή του εγχειριδίου (προφυλάξεις και σημαντικοί όροι για τη χρήση του θερμοπομπού). Η σωστή θέση είναι - ο πίνακας ελέγχου είναι επάνω στο θερμοπομπό και τα πόδια είναι στο πάτωμα

ΧΡΗΣΗ ΣΕ ΜΠΑΝΙΟ

- Ο θερμοπομπός πρέπει να εγκατασταθεί σύμφωνα με τις συνήθειες εμπορικές πρακτικές και σύμφωνα με τους νόμους της χώρας (σύμφωνα με τις οδηγίες για την ηλεκτρική ενέργεια της ΕΚ και τις απαιτήσεις για εγκαταστάσεις σε χώρους με ειδικές ανάγκες ασφάλειας (μπάνια, ντουζιέρες) HD60364-7-701 (IEC 60364-7-701 : 2006)).



- Σε περίπτωση που η συσκευή αυτή θα χρησιμοποιείται στο μπάνιο ή σε κάποιο άλλο ειδικό χώρο, πρέπει να τηρηθούν οι εξής απαιτήσεις εγκατάστασης: Ο θερμοπομπός έχει βαθμό προστασίας IP24 (προστασία από την επαφή με τις σταγόνες). Για τον λόγο αυτό η συσκευή πρέπει να εγκατασταθεί στο χώρο 2 (volume 2) (βλέπετε το διάγραμμα παρακάτω), έτσι ώστε να αποφευχθεί κάθε ενδεχόμενο ένα άτομο που βρίσκεται στην μπανιέρα ή του ντους να έρθει σε επαφή με τον πίνακα ελέγχου (όπου βρίσκονται ο διακόπτης, ο θερμοστάτης κ.ά.) Η συσκευή πρέπει να απέχει τουλάχιστον 1 μέτρο. Αν δεν είστε σίγουροι για το πώς να εγκαταστήσετε τον θερμοπομπό αυτό στο μπάνιο, σας συνιστούμε να συμβουλευτείτε έναν επαγγελματία ηλεκτρολόγο.

Σημείωση: εάν δεν μπορούν να τηρηθούν οι προαναφερθέντες όροι, συνιστάται η εγκατάσταση να πραγματοποιηθεί σε χώρο 3 (VOLUME 3).

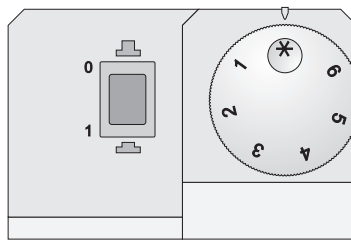
- Σε υγρούς χώρους και χώρους υψηλής υγρασίας (μπάνια, κουζίνας) η πηγή τροφοδοσίας πρέπει να τοποθετηθεί σε ελάχιστο ύψος 25 cm από το δάπεδο.
- Η εγκατάσταση πρέπει να είναι εξοπλισμένη με αυτόματη ασφάλεια και η απόσταση της επαφής όταν είναι εκτός λειτουργίας θα πρέπει να είναι τουλάχιστον 3 mm.

Σας ευχαριστούμε που επιλέξατε το θερμοπομπό CN03. Αυτή η συσκευή παρέχει θέρμανση του χειμώνα ανάλογα με τις ανάγκες, για να επιτευχθεί μια άνετη θερμότητα στο θερμαινόμενο χώρο. Σε περίπτωση σωστής λειτουργίας και περιθαλψής, όπως περιγράφεται σ' αυτές τις οδηγίες, η συσκευή θα παρέχει μια χρήσιμη λειτουργία για πολλά χρόνια.

ΟΔΗΓΙΕΣ ΛΕΙΤΟΥΡΓΙΑΣ

ΧΕΙΡΟΚΙΝΗΤΟΣ ΕΛΕΓΧΟΣ

Τρόποι λειτουργίας



Ενεργοποιήστε το θερμοπομπό, πατήστε το διακόπτη στη θέση "I" (ενεργοποιημένος), και στη συνέχεια περιστρέψτε το ρυθμιστή στο επιθυμητό επίπεδο (από 1 έως 6) λαμβάνοντας υπόψη την ακόλουθη αναλογία:

* – Αντιψυκτική λειτουργία / ενεργοποιείται όταν η θερμοκρασία δωματίου πέσει κάτω από 5°C

1 / 2 – Οικονομική λειτουργία/ για τη διατήρηση χαμηλής θερμοκρασίας στο δωμάτιο/ αυτή η λειτουργία συνιστάται να χρησιμοποιείται τη νύχτα ή σε περίπτωση απουσίας ατόμων από το χώρο. Η λειτουργία αυτή επιτρέπει να διατηρείται μια ορισμένη θερμοκρασία με παράλληλη εξοικονόμηση ενέργειας.

3 / 4 / 5 – Λειτουργία άνεσης/ για τη διατήρηση μιας μέτριας θερμοκρασίας στο δωμάτιο/ Αυτή η λειτουργία συνιστάται να χρησιμοποιείται για τη διατήρηση μιας σχετικά υψηλής ημερήσιας θερμοκρασίας στο θερμαινόμενο χώρο.

6 – Μέγιστη λειτουργία/ για τη διατήρηση ΥΨΗΛΗΣ θερμοκρασίας στο χώρο/ Αυτή η λειτουργία συνιστάται να χρησιμοποιείται όταν χρειάζεστε μέγιστη υψηλή θερμοκρασία στο θερμαινόμενο χώρο

Σημείωση: Οι αριθμοί του ρυθμιστή της θερμοκρασίας δεν αντιστοιχούν σε συγκεκριμένη τιμή της θερμοκρασίας στο χώρο και χρησιμεύουν για πρακτική αποθήκευση της αντιστοιχίας μεταξύ της θερμοκρασίας και της ένδειξης του ρυθμιστή.

Όταν η θερμοκρασία δωματίου είναι χαμηλότερη από εκείνη που έχετε ρυθμίσει με τη βοήθεια του ρυθμιστή, ο θερμοπομπός αρχίζει τη λειτουργία του και θα λειτουργεί μέχρι τη στιγμή που η θερμοκρασία δωματίου φτάσει την καθορισμένη τιμή. Όταν η θερμοκρασία δωματίου είναι υψηλότερη από την καθορισμένη με τον ρυθμιστή τιμή, ο θερμοπομπός θα μεταβεί αυτόματα σε λειτουργία «Ετοιμότητα εκκίνησης».

ΑΣΦΑΛΕΙΑ

- Η συσκευή είναι εφοδιασμένη με θερμοστάτη ασφαλείας που απενεργοποιεί αυτόματα το θερμαντήρα στις περιπτώσεις αύξησης της θερμοκρασίας μέσα στο θερμοπομπό πάνω από τις επιτρεπόμενες τιμές (υπερθέρμανση της συσκευής).
- Ο θερμοστάτης ασφαλείας αποκαθιστά αυτόματα τη λειτουργία του θερμοπομπό μόνο όταν η θερμοκρασία της συσκευής πέσει κάτω από τις επιτρεπόμενες οριακές τιμές.

ΠΡΟΣΤΑΣΙΑ ΕΝΑΝΤΙ ΑΝΑΤΡΟΠΗΣ

Αυτή η θερμαντική συσκευή προστατεύεται από ένα διακόπτη ασφαλείας ο οποίος κλείνει αυτόματα τη συσκευή σε περίπτωση που αυτή πέσει ή βρίσκεται υπό πολύ μεγάλη γωνία. Έτσι αποφεύγονται ατυχήματα, και αφού επαναφέρετε τη συσκευή σε κατακόρυφη θέση, αυτή θα συνεχίσει να λειτουργεί στην τελευταία καθορισμένη λειτουργία.

ΚΑΘΑΡΙΣΜΟΣ

- Υποχρεωτικά πρώτα απενεργοποιήστε τον θερμοπομπό από τον διακόπτη και βγάλτε το φιλ από την πρίζα στον τοίχο. Πριν αρχίσετε να καθαρίσετε τον θερμοπομπό, αφήστε τον να κρυώσει καθώς τον αποσυνδέσετε από την πρίζα.
- Καθαρίστε το θερμαντικό σώμα με μαλακό υγρό πανί, ηλεκτρική σκούπα ή βούρτσα.
- Ποτέ μην βυθίζετε τη συσκευή σε νερό – υπάρχει κίνδυνος για τη ζωή λόγω ηλεκτροπληξίας!
- Ποτέ μη χρησιμοποιείτε βενζίνη, διαλυτικό ή άλλα σκληρά λειαντικά προϊόντα καθαρισμού, γιατί θα προκαλέσετε ζημιά στο περιβλήμα της συσκευής.

ΑΠΟΘΗΚΕΥΣΗ

- Πριν να αποθηκεύσετε τον θερμοπομπό, αφήστε τον να κρυώσει καθώς τον αποσυνδέσετε από την πρίζα.
- Χρησιμοποιήστε τη γνήσια συσκευασία για την αποθήκευση του θερμοπομπού, εάν ο ίδιος δεν θα χρησιμοποιείται για αρκετό χρονικό διάστημα. Το προϊόν προστατεύεται από την σκόνη και βρωμιά, καθώς φυλάσσεται στη γνήσια του συσκευασία.
- Αποθηκεύστε την συσκευή στη συσκευασία της μόνον αφού κρυώσει εντελώς!
- Το προϊόν πρέπει να φυλάσσεται σε ξηρή θέση, προστατευμένη από την άμεση ηλιακή ακτινοβολία.
- Απαγορεύεται ρητά την αποθήκευση του θερμοπομπού σε νοτισμένους ή υγρούς χώρους.

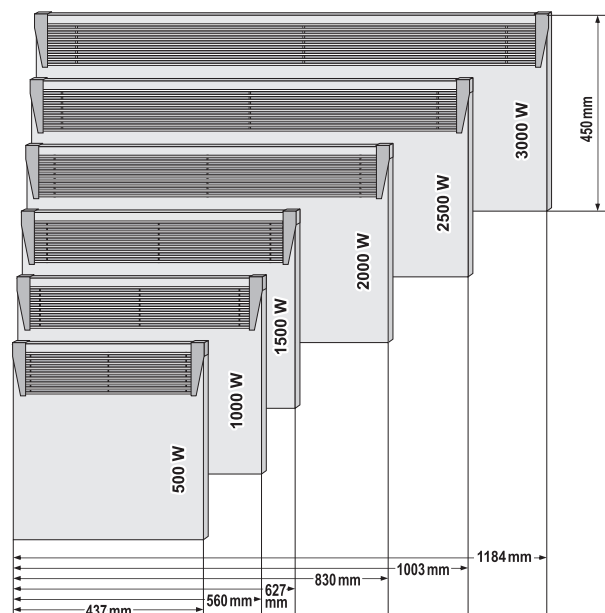
ΣΥΝΤΗΡΗΣΗ ΤΗΣ ΣΥΣΚΕΥΗΣ

- Σε περίπτωση βλάβης της συσκευής, παρακαλούμε επικοινωνήστε με το πλησιέστερο εξουσιοδοτημένο κέντρο σέρβις. /τα κέντρα σέρβις αναφέρονται στο δελτίο εγγύησης του προϊόντος/.
- Σημείωση:** Σε περίπτωση παραπόνου και/ή παραβίασης των δικαιωμάτων σας ως καταναλωτές, παρακαλούμε επικοινωνήστε με τον προμηθευτή αυτής της συσκευής στις διευθύνσεις που αναφέρονται ή μέσω της ιστοσελίδας της εταιρείας: www.tesy.com

ΔΙΑΣΤΑΣΕΙΣ ΤΗΣ ΣΥΣΚΕΥΗΣ, ΘΕΡΜΑΙΝΟΜΕΝΟΣ ΟΓΚΟΣ ΚΑΙ ΕΚΤΑΣΗ ΤΟΥ ΧΩΡΟΥ

Μοντέλο	Θερμαινόμενος όγκος	Θερμαινόμενη έκταση
CN 03 050 MIS F - 500W	10* - 15 m ³	4* - 6 m ²
CN 03 100 MIS F - 1000W	20* - 30 m ³	8* - 12 m ²
CN 03 150 MIS F - 1500W	30* - 45 m ³	12* - 18 m ²
CN 03 200 MIS F - 2000W	40* - 60 m ³	16* - 24 m ²
CN 03 250 MIS F - 2500W	50* - 70 m ³	20* - 28 m ²
CN 03 300 MIS F - 3000W	60* - 80 m ³	24* - 32 m ²

*Ελάχιστος εγγυημένος θερμαινόμενος όγκος (έκταση) για θέρμανση με μέσο συντελεστή θερμικής αγωγιμότητας $\lambda=0.5 \text{ W/(m}^2\text{K)}$ για το θερμαινόμενο χώρο. Οι υψηλές τιμές για το θερμαινόμενο όγκο (έκταση) επιτυγχάνονται με μέση τιμή $\lambda=0.35 \text{ W/(m}^2\text{K)}$. Τυπικό ύψος των χώρων - 2.5 μέτρα.



Περιβαλλοντικές απαιτήσεις

Οι παλιές συσκευές περιέχουν πολύτιμα υλικά και συνεπώς δεν πρέπει να απορρίπτονται μαζί με τα σκουπίδια των νοικοκυριών! Σας παρακαλούμε να συνεργαστείτε με την ενεργό σας συμβολή στην προστασία του Περιβάλλοντος και να παρέχετε τη συσκευή στους οργανωμένους σταθμούς παράδοσης (εάν υπάρχουν τέτοιοι).

ΠΙΝΑΚΑΣ 2 ΑΠΑΙΤΗΣΕΙΣ ΠΛΗΡΟΦΟΡΗΣΗΣ ΓΙΑ ΗΛΕΚΤΡΙΚΟΥΣ ΤΟΠΙΚΟΥΣ ΘΕΡΜΑΝΤΗΡΕΣ ΧΩΡΟΥ

Αναγνωριστικό(-ά) μοντέλου: 1.CN03 050 MIS F 2. CN03 100 MIS F 3. CN03 150 MIS F 4. CN03 200 MIS F 5. CN03 250 MIS F 6. CN03 300 MIS F 230V~ 50Hz

Χαρακτηριστικό	Σύμβολο	"Αριθμητική τιμή 1."	"Αριθμητική τιμή 2."	"Αριθμητική τιμή 3."	"Αριθμητική τιμή 4."	"Αριθμητική τιμή 5."	"Αριθμητική τιμή 6."	Μονάδα	Χαρακτηριστικό	Μονάδα
Θερμική ισχύς									Είδος θερμικής ισχύος μόνον στην περίπτωση των ηλεκτρικών τοπικών θερμοσυσσωρευτών (να επιλεγεί μία δυνατότητα)	
Όνομαστική θερμική ισχύς	P_{nom}	0.50	1.00	1.50	2.00	2.50	3.00	kW	χειροκίνητος ρυθμιστής θερμικού φορτίου με ενσωματωμένο θερμοστάτη	[όχι]
Ελάχιστη θερμική ισχύς (ενδεικτική)	P_{min}	0.00	0.00	0.00	0.00	0.00	0.00	kW	χειροκίνητος ρυθμιστής θερμικού φορτίου με ανάδραση θερμοκρασίας δωματίου και/ή θερμοκρασίας εξωτερικού χώρου	[όχι]
Μέγιστη συνεχής θερμική ισχύς	$P_{max,C}$	0.50	1.00	1.50	2.00	2.50	3.00	kW	ηλεκτρονικός ρυθμιστής θερμικού φορτίου με ανάδραση θερμοκρασίας δωματίου ή/και θερμοκρασίας εξωτερικού χώρου	[όχι]
Βοηθητική κατανάλωση ηλεκτρικής ενέργειας									παραγωγή θερμότητας υποβοηθούμενη από ανεμιστήρα	[όχι]
στην ονομαστική θερμική ισχύ	e_{lmax}	0.44	0.91	1.42	1.89	2.41	2.87	kW	Είδος θερμικής ισχύος/ρυθμιστή θερμοκρασίας δωματίου (να επιλεγεί μία δυνατότητα)	-
στην ελάχιστη θερμική ισχύ	e_{lmin}	0.00	0.00	0.00	0.00	0.00	0.00	kW	μονοβάθμια θερμική ισχύς και χωρίς ρυθμιστή θερμοκρασίας δωματίου	[όχι]
σε κατάσταση αναμονής	e_{lSB}	0.00	0.00	0.00	0.00	0.00	0.00	kW	δύο ή περισσότερες χειροκίνητες βαθμίδες χωρίς ρυθμιστή θερμοκρασίας δωματίου	[όχι]
									δύο ή περισσότερες χειροκίνητες βαθμίδες χωρίς ρυθμιστή θερμοκρασίας δωματίου	[ναι]
									με ηλεκτρονικό ρυθμιστή θερμοκρασίας δωματίου	[όχι]
									με ηλεκτρονικό ρυθμιστή θερμοκρασίας δωματίου και χρονοδιακόπτη ημέρας	[όχι]
									με ηλεκτρονικό ρυθμιστή θερμοκρασίας δωματίου και χρονοδιακόπτη εβδομάδας	[όχι]
									Άλλες δυνατότητες ρύθμισης (επιτρέπονται πολλές επιλογές)	
									ρυθμιστής θερμοκρασίας δωματίου με ανιχνευτή παρουσίας	[όχι]
									ρυθμιστής θερμοκρασίας δωματίου με ανιχνευτή ανοιχτού παραθύρου	[όχι]
									με δυνατότητα ρύθμισης εξ αποστάσεως	[όχι]
									με ρυθμιστή προσαρμοζόμενης εκκίνησης	[όχι]
									με περιορισμό διάρκειας λειτουργίας	[όχι]
									με αισθητήρα θερμομέτρου μελανής σφαίρας	[όχι]

TESY Ltd

48 Madara Blvd,
Shumen, 9700,
Bulgaria

ΑΝΤΙΜΕΤΩΠΙΣΗ ΠΡΟΒΛΗΜΑΤΩΝ

Πριν επικοινωνήσετε με το Κέντρο Εξυπηρέτησης Πελατών, δοκιμάστε τις συμβουλές επίλυσης προβλημάτων στον παρακάτω πίνακα.

ΠΡΟΒΛΗΜΑ	ΑΙΤΙΑ	ΛΥΣΗ
Η συσκευή δε λειτουργεί	Δεν υπάρχει τροφοδοσία ρεύματος. Βεβαιωθείτε ότι η συσκευή είναι συνδεδεμένη στην πρίζα και η ηλεκτρική πρίζα λειτουργεί σωστά.	Συνδέστε το φως σε μια πρίζα και ελέγξτε τη θέση του διακόπτη ON/ OFF (ενεργοποιημένος/ απενεργοποιημένος).
Ο χώρος δεν ζεσταίνεται αρκετά παρόλο που η συσκευή είναι αρκετά ζεστή	Υπερθέρμανση της συσκευής. Η προστασία από υπερθέρμανση περιορίζει την απελευθέρωση θερμότητας.	Αφαιρέστε την αιτία (κουβέρτα, ρύπανση ή απόφραξη των αεραγωγών εισόδου ή εξόδου της συσκευής). Τηρείτε τις ελάχιστες αποστάσεις γύρω από τη συσκευή που καθορίζονται στις οδηγίες εγκατάστασης.
	Η ανάγκη θερμότητας στο χώρο είναι υψηλότερη από αυτή που εκπέμπεται από τη συσκευή.	Εξαλείψτε τις απώλειες θερμότητας. (Κλείστε τα παράθυρα και τις πόρτες. Αποφύγετε τον συνεχή αερισμό.)
	Βεβαιωθείτε ότι η ισχύς της συσκευής σας προσαρμόζεται στο μέγεθος του χώρου.	Η συνιστώμενη ισχύς είναι κατά μέσο όρο 100 W/m ² για ύψος οροφής 2.50 m ή 30 W/m ³
Στον τοίχο κοντά στη συσκευή εμφανίζονται ακαθαρσίες	Οι ακαθαρσίες στον τοίχο εμφανίζονται ως αποτέλεσμα της ατμοσφαιρικής ρύπανσης.	Βεβαιωθείτε ότι ο χώρος αερίζεται τακτικά με καθαρό αέρα, ειδικά εάν μέσα σε αυτό καπνίζει κανείς τακτικά.
Ήχοι/ θόρυβοι	Η παραγωγή χαμηλών ήχων κατά τη θέρμανση καθώς και λίγο μετά την επίτευξη της καθορισμένης θερμοκρασίας δεν είναι ασυνήθιστο φαινόμενο.	Αυτή η επίδραση οφείλεται στη φυσική διαστολή των υλικών με την ταχεία αύξηση της θερμοκρασίας και την επακόλουθη ψύξη των μετάλλων που χρησιμοποιούνται στην παραγωγή της συσκευής.
Κιτρινωποί λεκέδες στο πλέγμα	Τέτοιοι λεκέδες είναι δυνατόν να προκύψουν από την κάλυψη της συσκευής με υγρά ρούχα.	Μην καλύπτετε το προϊόν! Αυτό δεν επιτρέπεται καθώς εμποδίζει τη μεταφορά του αέρα και προκαλεί ανεπανόρθωτη ζημιά στη συσκευή, γεγονός που μπορεί να θέσει σε σοβαρό κίνδυνο την υγεία και την ιδιοκτησία σας.

PRECAUCIONES IMPORTANTES E INSTRUCCIONES DE SEGURIDAD:**ATENCIÓN:**

- Antes del uso inicial de este aparato, lea atentamente estas instrucciones y guárdelas para consultas futuras. En caso de entregar este aparato a un nuevo usuario, entregue también estas instrucciones.
- **ATENCIÓN:** Niños de menos de 3 años de edad no deben estar cerca del aparato sin supervisión permanente.

Niños de entre 3 y 8 años de edad pueden utilizar solamente el interruptor de encendido/apagado, a condición que el aparato esté instalado correctamente y esté listo para un funcionamiento normal, si tengan instrucciones para un uso seguro del aparato y entiendan el riesgo.

Niños de entre 3 y 8 años de edad no deben conectar el aparato a la red eléctrica, no deben ajustarlo, limpiarlo o ejercer un mantenimiento.

Niños mayores de 8 años y personas con minusvalías físicas o mentales, tal como personas sin conocimientos y experiencia necesarios no deben usar el aparato sin supervisión o sin instrucciones de un uso seguro del aparato y si no entiendan el riesgo. Los niños no deben jugar con el aparato. Los niños no deben limpiar el aparato sin supervisión.

- **ATENCIÓN:** Cuando el convector está encendido, las superficies externas están calientes y podrían causar quemaduras. Donde están niños o personas con discapacidad, ponga atención especial.



- **ADVERTENCIA:** para evitar el sobrecalentamiento, no cubra el aparato!
- El aparato no debe ser instalado justo debajo de un enchufe.
- Si el cable de alimentación está dañado, debe ser reemplazado por el fabricante, su agente de servicio o personas calificadas de manera similar para evitar un peligro.
- Antes de conectar el aparato, compruebe que el voltaje del suministro corresponde al indicado en la placa de características.
- Este aparato está diseñado solamente para calentar viviendas, no con fines comerciales. Cada uso diferente se considera como inadecuado y por lo tanto peligroso. El fabricante declina cualquier responsabilidad por los daños derivados de un uso incorrecto e imprudente del aparato. La garantía no tendrá validez en caso de incumplimiento de estas instrucciones de seguridad.
- Desconecte el radiador al salir de la casa. Asegúrese de que el interruptor esté en la posición de apagado (se refiere a los modelos con control mecánico).
- Coloque el convector a distancia mínima de 100cm de objetos inflamables, como muebles, almohadas, sábanas, ropa, cortinas, etc.
- No use el aparato cerca de materiales inflamables (por ejemplo: cerca de gases inflamables o aerosoles) – existe un riesgo enorme de explosión e incendio!
- No introduzca objetos extraños en las aberturas de ventilación (entrada o salida de aire) por haber un riesgo de descarga eléctrica, incendio o avería en el convector.
- Este aparato está diseñado solamente para uso doméstico y no para criar animales!
- No obstruya las rejillas de protección, no bloquee la entrada y la salida de aire colocando el aparato frente alguna superficie. Todos los objetos deben estar a distancia mínima de 1m del aparato por parte delantera y por parte lateral.
- La causa más frecuente de sobrecalentamiento es la acumulación de polvo y pelusa en el aparato. Limpie regularmente las aberturas de salida y entrada de aire utilizando una aspiradora. Antes de limpiar el convector, desconéctelo obligatoriamente de la red eléctrica.
- Nunca toque el aparato con manos mojadas o húmedas – existe un riesgo enorme para la vida!
- Para desconectar rápidamente el aparato de la red eléctrica, en caso de necesidad, el enchufe debe estar al alcance fácil del usuario. Para desconectar el convector de la red eléctrica nunca lo haga estirando del cable de alimentación o tirando del mismo aparato.
- ¡ATENCIÓN! Cuando el convector está encendido, el aire que sale, se calienta a más de 100°C.
- En caso de no desear usar más un aparato de este tipo, le recomendamos que lo desconecte de la red eléctrica y corte el cable de alimentación para hacer el convector inútil. Tome medidas para preservar de daños a los niños que podrían utilizar el aparato amortizado para juegos.
- ¡ATENCIÓN! No use el convector en combinación con programador, contador o con otro dispositivo que puede encender el aparato

automáticamente, porque existe un riesgo de incendio, en caso de que el aparato esté cubierto o colocado incorrectamente.

- Coloque el cable de alimentación de manera que no obstaculiza el movimiento de personas en la habitación y ellos no pisan sobre él! Utilizar solamente prolongadores autorizados, es decir que tienen un símbolo de homologación.
- Para desplazar el convector nunca lo haga estirando del cable de alimentación y no utilizar el aparato para transportar objetos!
- No doble el cable de alimentación, ni lo introduzca en aberturas con bordes cortantes. No deje el cable de alimentación en contacto con superficies calientes o con un fuego!

EMBALAJE

- Después de desembalar el convector, verifique que el aparato no esté dañado o si esté equipado por completo. En caso de algún daño o suministro incompleto, póngase en contacto con la tienda, donde ha comprado el radiador.
- Guarde la caja original! Se puede utilizar para almacenamiento y transporte del aparato para protegerlo contra daños de transporte!
- Tire todos los materiales de embalaje, respetando las normas para conservación del medio ambiente. No permita que los niños jueguen con las bolsas de plástico!

MANUAL DE USO Y MONTAJE DE CONJUNTO DE PATAS

- Este aparato está diseñado para calentar solamente estancias cerradas.

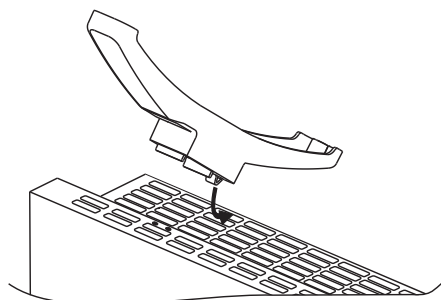


De acuerdo con el Reglamento de la UE 2015/1188 para la aplicación de la Directiva 2009/125/EC, este termo eléctrico no está diseñado para ser montado en pared!

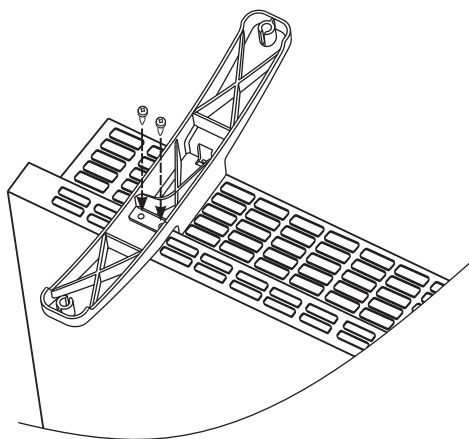


Importante: En viviendas con volumen superior a 45m³ se recomienda el uso de dos o más convectores.

- No ubique el convector directamente debajo de un enchufe.
- No instale/no use el convector:
 1. En un lugar, donde existe tracción para que no se influya en los ajustes de control;
 2. Directamente debajo de un enchufe;
 3. En espacio 1 (volumen 1) en curators de baño;
 4. En espacio 2 (volumen 2), de forma que los mandos estén al alcance de una persona que se esté bañando o duchando;
- ¡Antes de montar el conjunto de patas, verifique que el convector está desconectado de la red eléctrica!
- Las patas se montan en las aberturas de entrada de aire – la manera correcta de montar las patas es en los dos extremos del convector, simétricamente – a la misma distancia de los dos extremos del convector. Para este propósito – cada convector tiene 2x2 aberturas.



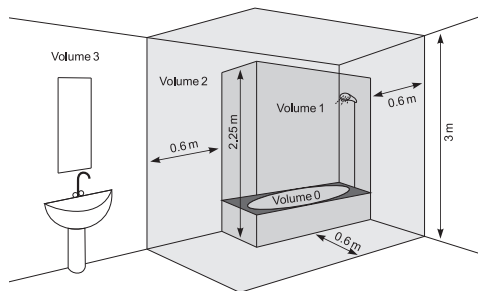
- Coloque una de las patas – introduciendo la parte más alta de la pata en el convector (sitúese frente a la cara del convector) – esta parte es más baja que el panel de metal frontal. Después apriete los dos tornillos de seguridad 3.5x9.5mm utilizando un destornillador de estrella (no se suministra con el conjunto). El tornillo pasa por la pata de plástico y se atornilla en la caja metal del convector. Repita la misma operación con la segunda pata.
- Después del montaje del conjunto de patas, ponga el convector sobre el suelo. Si el aparato está horizontal, esto significa que la instalación del patas es correcta. Antes de mover el aparato asegúrese de que esté totalmente frío y nunca lo desplaza estirando el cable de alimentación.



- ¡Ponga el convector con patas ensambladas sobre el suelo y antes de conectarlo, verifique que están cumplidos todos los requisitos más arriba (Sección: Precauciones importantes e instrucciones de seguridad). La posición correcta del convector es la siguiente – el panel de control hacia arriba y las patas sobre el suelo!

INSTALACION EN EL CUARTO DE BAÑO

- La instalación debe ser efectuada de acuerdo con la práctica y con la legislación eléctrica vigente en su país (Directiva de electricidad de la Comunidad Europea y exigencias de las instalaciones especiales o instalaciones en lugares como cuartos de baño o cabina de ducha HD60364-7-701 (IEC60364-7-701:2006)).



- En caso de instalar el convector en cuarto de baño o en otra estancia semejante, respetar las exigencias siguientes: El convector tiene protección IP24 (protección contra proyecciones de agua). Por eso debe ser montado en el espacio 2 (volume2) (ver la esquema más abajo), para que se mantenga el módulo de manejo del convector (interruptor y termostato) fuera del alcance de la persona que se ducha o está en la bañera. La distancia mínima entre el aparato y una fuente de agua debe ser de al menos 1m! En caso de dudas sobre la instalación de este convector en el cuarto de baño, consulte a un electricista cualificado.

Advertencia: en caso de que estas instrucciones sean irrealizables, se recomienda un montaje en el espacio 3 (VOLUME 3).

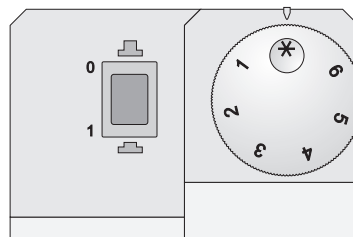
- En estancias húmedas (como baños y cocinas) la fuente de alimentación eléctrica debe ser instalada a altura de al menos 25cm del suelo.
- La instalación debe ser equipada con un dispositivo automático de seguridad, en que la distancia entre los contactos en posición de encendido debe ser de al menos 3mm.

Felicitaciones por escoger el convector CN03. Este producto propone calefacción en el invierno y permite obtener una temperatura agradable de la habitación según las necesidades individuales. La explotación y el mantenimiento adecuados, según las instrucciones, garantizan un funcionamiento largo y eficaz de este aparato.

INSTRUCCIÓN DE EXPLOTACIÓN

MODO MANUAL

Modos de funcionamiento



Conecte el convector a la red eléctrica, aprete el interruptor en la posición de encendido "I", después sitúe el termostato en la posición deseada /grados de 1 a 6/ considerando que:

* – modo de protección antiheladas /se activa cuando la temperatura ambiente se reduce debajo de 5°C.

1 / 2 – modo económico /para mantener temperatura baja en la habitación/, por la noche o cuando no hay nadie en la habitación se recomienda este modo. Este modo permite mantener temperatura determinada en la habitación limitando el consumo de energía.

3 / 4 / 5 – modo de confort / para mantener la temperatura moderada en la habitación / este modo se recomienda para mantener una temperatura confortable en la habitación durante el día.

6 – modo máximo /para mantener temperatura alta en la habitación/. Este modo se recomienda en caso de necesitar temperatura máxima en la habitación

Importante: Las cifras del termostato no coinciden con la temperatura en la habitación, sólo sirven para memorizar la correspondencia entre la temperatura y la indicación del termostato.

En caso de que la temperatura en la habitación esté inferior a la temperatura ajustada por el termostato, el convector empieza a funcionar hasta que la temperatura en la habitación alcance la temperatura seleccionada. En caso de que la temperatura en la habitación esté superior a la ajustada, el convector pasa al régimen "Disposición de conexión".

PROTECCIÓN

- El aparato está protegido por un dispositivo de seguridad, que apagará automáticamente el calentador en caso de sobrecalentamiento del convector.
- El aparato se volverá a poner en funcionamiento una vez enfriado el convector.

PROTECCIÓN ANTIVUELCO

Este calefactor está protegido por un interruptor de seguridad que apaga automáticamente la unidad cuando la unidad se cae o se encuentra bajo un ángulo demasiado grande respecto a la horizontal. De este modo se evitan accidentes, y una vez levantada de nuevo, la unidad continuará a funcionar en el modo que fue último establecido.

LIMPIEZA Y MANTENIMIENTO

- Antes de proceder a limpiar el aparato, asegúrese de que esté desenchufado del suministro de energía y de que se haya enfriado.
- Limpie el cuerpo del convector con un paño húmedo, una aspiradora o un cepillo.
- No sumerja el aparato en agua – existe un riesgo enorme para la vida!
- No utilice gasolina, disolventes o productos abrasivos, ya que causen daños en la cobertura del aparato.

CONSERVACIÓN

- Antes de guardar el convector, desconecte la unidad de la red eléctrica y asegúrese de que esté totalmente fría.
- Utilice el embalaje original para guardar la unidad, para proteger el aparato contra el polvo y la suciedad.
- Nunca guarde el convector caliente en su embalaje!
- Mantenga el aparato en un lugar seco y protegido contra la luz del sol.
- No mantenga el convector en lugares húmedas o mojadas.

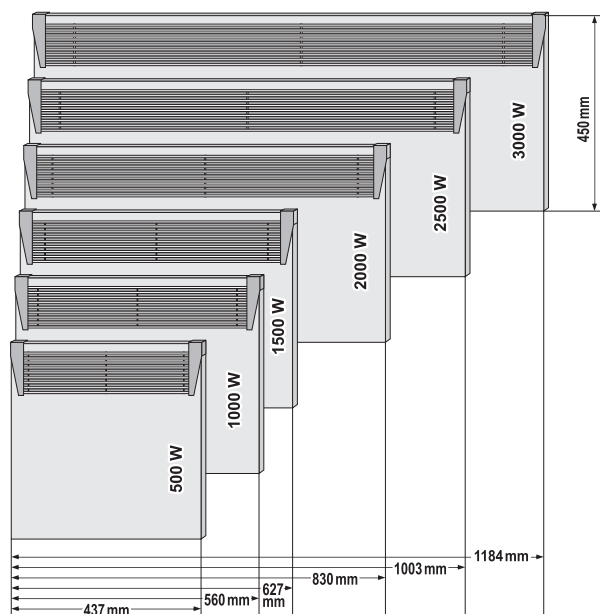
SERVICIO Y REPARACIÓN

- En caso de avería póngase en contacto con el Servicio Técnico Oficial más cercano /ver la lista de los servicios oficiales en la garantía del aparato/.
- **Importante:** En caso de reclamación y/o violación de sus derechos de consumidor, póngase en contacto con el proveedor de este convector, utilizando las direcciones indicadas o la página web: www.tesy.com

TAMAÑO DEL APARATO, ESPACIO Y SUPERFICIE A CALEFACCIONAR

Modelo	Espacio a calefaccionar	Superficie a calefaccionar
CN 03 050 MIS F - 500W	10* - 15 m ³	4* - 6 m ²
CN 03 100 MIS F - 1000W	20* - 30 m ³	8* - 12 m ²
CN 03 150 MIS F - 1500W	30* - 45 m ³	12* - 18 m ²
CN 03 200 MIS F - 2000W	40* - 60 m ³	16* - 24 m ²
CN 03 250 MIS F - 2500W	50* - 70 m ³	20* - 28 m ²
CN 03 300 MIS F - 3000W	60* - 80 m ³	24* - 32 m ²

*El espacio (superficie) mínimo a calefaccionar teniendo un coeficiente medio de conductividad térmica $\lambda=0.5 \text{ W}/(\text{m}^2\text{K})$ de la estancia calentada. Para calentar mayor volumen (superficie) el coeficiente medio de conductividad térmica debe ser $\lambda=0.35 \text{ W}/(\text{m}^2\text{K})$. Altura estandar de la estancia - 2,5m.



Instrucciones para conservar el medio ambiente

Una vez agotada la vida útil de este producto, no lo tire a la basura doméstica, porque estos electrodomésticos contienen materiales preciosos! Para evitar posibles consecuencias negativas para el entorno y para guardar los recursos, pasa la unidad a un punto de recogida para su posterior reciclado.

CUADRO 2: REQUISITOS DE INFORMACIÓN QUE DEBEN CUMPLIR LOS APARATOS DE CALEFACCIÓN LOCAL ELÉCTRICOS

Identificador(es) del modelo: 1.CN03 050 MIS F 2. CN03 100 MIS F 3. CN03 150 MIS F 4. CN03 200 MIS F 5. CN03 250 MIS F 6. CN03 300 MIS F 230V~ 50Hz

Partida	Símbolo	Valor1.	Valor2.	Valor3.	Valor4.	Valor5.	Valor6.	Unidad	Partida	Unidad
Potencia calorífica									Tipo de aportación de calor, únicamente para los aparatos de calefacción local eléctricos de acumulación (seleccione uno)	
Potencia calorífica nominal	P_{nom}	0.50	1.00	1.50	2.00	2.50	3.00	kW	control manual de la carga de calor, con termostato integrado	[no]
Potencia calorífica mínima (indicativa)	P_{min}	0.00	0.00	0.00	0.00	0.00	0.00	kW	control manual de la carga de calor con respuesta a la temperatura interior o exterior	[no]
Potencia calorífica máxima continuada	$P_{max,C}$	0.50	1.00	1.50	2.00	2.50	3.00	kW	control electrónico de la carga de calor con respuesta a la temperatura interior o exterior	[no]
Consumo auxiliar de electricidad									potencia calorífica asistida por ventiladores	[no]
A potencia calorífica nominal	e_{lmax}	0.44	0.91	1.42	1.89	2.41	2.87	kW	Tipo de control de potencia calorífica/de temperatura interior (seleccione uno)	-
A potencia calorífica mínima	e_{lmin}	0.00	0.00	0.00	0.00	0.00	0.00	kW	potencia calorífica de un solo nivel, sin control de temperatura interior	[no]
En modo de espera	e_{lSB}	0.00	0.00	0.00	0.00	0.00	0.00	kW	Dos o más niveles manuales, sin control de temperatura interior	[no]
									con control de temperatura interior mediante termostato mecánico	[sí]
									con control electrónico de temperatura interior	[no]
									control electrónico de temperatura interior y temporizador diario	[no]
									control electrónico de temperatura interior y temporizador semanal	[no]
									Otras opciones de control (pueden seleccionarse varias)	
									control de temperatura interior con detección de presencia	[no]
									control de temperatura interior con detección de ventanas abiertas	[no]
									con opción de control a distancia	[no]
									con control de puesta en marcha adaptable	[no]
									con limitación de tiempo de funcionamiento	[no]
									con sensor de lámpara negra	[no]

TESY Ltd

48 Madara Blvd,
Shumen, 9700,
Bulgaria

SOLUCIÓN DE PROBLEMAS

Antes de ponerse en contacto con el Servicio de atención al cliente, revisar los consejos en la tabla a continuación:

PROBLEMA	CAUSA	SOLUCIÓN
El dispositivo no funciona	No hay alimentación eléctrica. Asegúrese de que el dispositivo esté enchufado y de que el tomacorriente funcione.	Conecte el enchufe a una toma de corriente y verifique la posición del interruptor ON/OFF (encendido/apagado)
La habitación no es lo suficientemente cálida, aunque el aparato esté caliente.	Sobrecalentamiento del aparato. La protección contra el sobrecalentamiento limita la emisión de calor.	Elimine la causa (cubierta, suciedad u obstrucción de entrada o salida del aire). Observe las distancias mínimas alrededor del aparato, especificadas en las instrucciones de instalación.
	La necesidad de calor en la habitación es mayor que el emitido por el aparato.	Elimina las pérdidas de calor. (Cierre las ventanas y puertas. Evite la ventilación constante).
	Asegúrese de que la potencia de su dispositivo corresponde al tamaño de la habitación.	La potencia recomendada es un promedio de 100 W/m ² para una altura de techo de 2.50m o 30 W/m ³ .
En la pared cerca del aparato aparecen contaminaciones	Las contaminaciones en la pared ocurren como resultado de la contaminación del aire.	Asegúrese de que la habitación esté regularmente ventilada, especialmente si se fuma en ella.
Sonidos / Ruidos	Los sonidos bajos durante el calentamiento y poco después de alcanzar la temperatura establecida no son extraños.	Este efecto se debe a la expansión natural de los materiales con el rápido aumento de la temperatura y el posterior enfriamiento de los metales, utilizados en la producción del dispositivo.
Manchas amarillentas en la rejilla	Estas manchas pueden resultar de cubrir el aparato con ropa húmeda.	¡No cubra el dispositivo! Esto no está permitido ya que bloquea la convección del aire y causa daños irreparables en el aparato, lo que puede producir un grave riesgo para su salud y su propiedad.

MEDIDAS DE PREVENÇÃO E INSTRUÇÕES DE SEGURANÇA:



CUIDADO:

- Antes de começar a utilizar este aparelho, leia com atenção as instruções e guarde-as para consulta futura. No caso de alteração do proprietário, as instruções de utilização são entregues junto do aparelho.
- **CUIDADO:** Crianças menores de 3 anos devem estar longe do aparelho, caso não sejam vigiadas por um adulto.

Crianças de idade entre os 3 anos até aos 8 anos podem só utilizar a tecla Ligar/Desligar do aparelho no caso de aparelho já instalado e pronto para funcionar normalmente e caso sejam vigiadas por um adulto, saibam as instruções de segurança e compreendam os riscos. Crianças de idade entre os 3 anos até aos 8 anos não devem ligar o aparelho à tomada de corrente, configurar o aparelho, limpá-lo ou executar qualquer manutenção.

Este aparelho pode ser usado por determinados grupos de pessoas, incluindo crianças maiores de 8 anos e pessoas com capacidades físicas, sensoriais e mentais reduzidas, pessoas pouco experimentadas ou com poucos conhecimentos, exceto quando supervisionadas ou tenham recebido instruções quanto à utilização do aparelho em segurança e compreendem os perigos. As crianças não devem brincar com o aparelho. A limpeza e a manutenção não devem ser efetuadas por pessoas não vigiadas.

- **CUIDADO:** Algumas partes da unidade podem ficar muito quentes e causar queimaduras. Nunca deixe crianças e pessoas vulneráveis sem vigilância.



- **ATENÇÃO:** não cubra o aparelho para evitar sobreaquecimento!
- O aparelho não deve ser colado diretamente debaixo de uma tomada de corrente!
- Se o cabo de alimentação estiver danificado, deve ser substituído pelo fabricante, seu agente de serviço ou pessoas igualmente qualificadas para evitar perigos.
- Antes de ligar o aparelho – verifique se a voltagem indicada na placa geral corresponde à voltagem na sua casa.
- Este aparelho destina-se apenas ao fim para o qual foi concebido, i.e. aquecer compartimentos de habitação. O aparelho não se destina a ser utilizado em estabelecimentos comerciais. É considerada indevida e, por conseguinte perigosa, qualquer utilização para fins para os quais o aparelho não foi concebido. O fabricante não assume qualquer responsabilidade por danos devidos a uso incorreto ou insensato. O incumprimento das informações de segurança invalida a garantia do aparelho!
- Não saia da casa deixando o aparelho ligado: certifique-se de que a chave está em posição desligada (no caso de painel aquecedor com comando mecânico).
- Mantenha a uma distância pelo menos de 100 cm do painel aquecedor todos os objetos inflamáveis, tais como móveis, almofadas, roupa de cama, papel, roupa, cortinados, etc.
- Não utilize o aparelho em sítios onde são utilizadas ou conservadas substâncias inflamáveis (por exemplo: próximo a gases ou aerossóis inflamáveis) – existe muito grande perigo de explosão ou incêndio!
- Tenha cuidado a não deixar objetos pequenos entrarem pelas grelhas de entrada e saída de ar, porque isto pode causar um choque elétrico, incêndio ou dano do painel aquecedor.
- O aparelho destina-se apenas a uso doméstico e não é adequado para locais onde se criam animais!
- Não cubra as grades de proteção, não bloqueie a entrada ou saída de ar colando o aparelho contra uma superfície. Todos os objetos devem estar a uma distância pelo menos de 1 metro, frente e lateral, do aparelho.
- O surgimento de bolor e pó no aparelho causa com frequência o sobreaquecimento deste. Limpe regularmente com aspirador as entradas de ar, só depois de ter desligado o aparelho da rede elétrica.
- Nunca toque no aparelho com as mãos molhadas ou húmidas – existe perigo de morte!
- O acesso à tomada deve ser fácil para permitir desligar a ficha a qualquer momento, quando necessário, e o mais rápido possível! Nunca puxe o cabo de alimentação ou o próprio aparelho para o desligar da rede elétrica.
- Preste atenção! O ar de saída fica aquecido durante o funcionamento do aparelho (a mais de 100°C).

- Se decidir não utilizar mais um aparelho deste tipo, recomendamos que o torne inutilizável cortando o cabo, só depois de ter desligado o aparelho da rede. Mais recomendamos que tome todas as medidas de prevenção para garantir a segurança, especialmente das crianças que possam brincar com a unidade (aparelho) inutilizável.
- **Atenção:** Não utilize este aparelho com dispositivo programador, contador ou qualquer outro dispositivo que o desliga automaticamente, porque se o aparelho estiver coberto ou colocado de forma não correta, existe um perigo de incêndio.
- Coloque o cabo de alimentação de forma a não impedir a circulação de pessoas e não ser pisado! Utilize somente extensões aprovadas e apropriadas para o aparelho, i.e. com marcação de conformidade!
- Nunca desloque o aparelho puxando-o pelo cabo bem como não utilize o cabo para movimentar objetos!
- Não dobre o cabo, não o puxe por bordas agudas e não o coloque sobre placas quentes ou fogo aberto!

EMBALAGEM

- Depois de desembalar o aparelho verifique se há danos causados durante o transporte e a integridade da embalagem! Caso constate uma avaria ou entrega incompleta, entre em contato com o respetivo vendedor autorizado!
- Não deite ao lixo a caixa original! Pode utilizar a embalagem original para armazenamento e transporte a fim de evitar danos durante o transporte!
- Deite ao lixo o material de embalagem em conformidade com as normas ecológicas! As crianças devem ser vigiadas a não brincarem com os sacos de polietileno!

MANUAL DO UTILIZADOR E DE INSTALAÇÃO DE UM CONJUNTO DE PÉS

- Este painel aquecedor é projetado para ser utilizado em compartimentos fechados, instalado à parede.

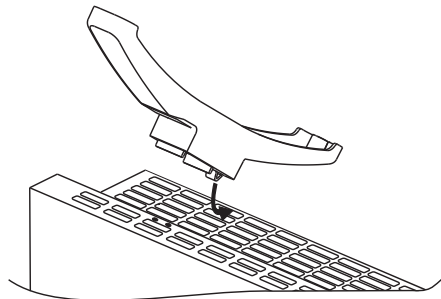


Nos termos do Regulamento (UE) 2015/1188 relativo à aplicação da Diretiva 2009/125/CE, este aparelho elétrico não se destina a uso à parede!



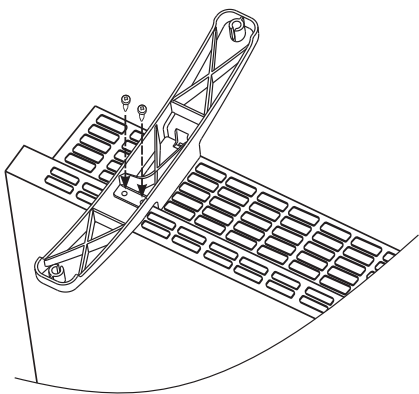
Importante: Em compartimentos com volume acima de 45 m³ é recomendável o uso combinado de 2 ou mais painéis aquecedores.

- Não coloque o painel aquecedor abaixo da tomada de corrente ou caixa de ligação.
- Não instale o painel aquecedor
 1. em sítios onde existe tração para não influenciar às configurações de controlo;
 2. diretamente debaixo de uma tomada de corrente;
 3. em espaço 1 (volume 1) para casas de banho;
 4. em espaço 2 (volume 2), se o painel de controlo pode ser atingido pela pessoa enquanto estiver no duche ou na banheira;
- Antes de começar a instalar o conjunto, certifique-se de que o aquecedor está desligado da tomada!
- Os pés devem ser montados nos orifícios de entrada de ar – a instalação correta é nas duas extremidades do aquecedor, simetricamente – à uma distância igual das extremidades do aquecedor. Para este fim cada aquecedor está munido com orifícios 2x2.



- Coloque um pé – ao inserir primeiro a parte mais alta do pé no aquecedor (fique em frente da parte frontal do aquecedor) – a parte fica um pouco mais para baixo em relação ao painel frontal de metal. Depois pegue na chave de fenda cruzada (não se encontra no conjunto) e aperte os dois parafusos de segurança 3.5x9.5 mm. O parafuso deve atravessar o pé de plástico a fim de o apertar na caixa de metal do aquecedor. Repita a operação com o outro pé.
- O conjunto dos pés considera-se devidamente instalado, se após a montagem o aquecedor ficar colocado no chão e permanecer horizontalmente estável. Não puxe o cabo de alimentação para deslocar o

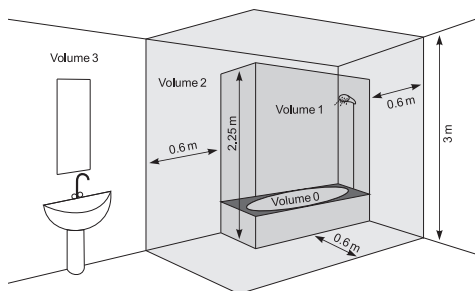
aquecedor. Desloque sempre o aquecedor quando este estiver frio.



- Coloque o aquecedor com os pés já instalados no chão e antes de ligá-lo certifique-se de que todas as condições de utilização estão cumpridas (medidas de prevenção e condições importantes de utilização do aquecedor). A posição correta é – o painel de controlo deve ficar por cima do aquecedor e os pés no chão!

INSTALAÇÃO EM CASA DE BANHO

- O painel aquecedor deve ser instalado de acordo com a prática comercial corrente em conformidade com a legislação vigente do respetivo país (as Diretivas de electricidade da CE e as exigências de instalações especiais ou em locais incluindo casas de banho ou cabines de duche HD60364-7-701(IEC 60364-7-701:2006)).



- Se o painel aquecedor for utilizado em casa de banho, ou noutro compartimento similar, devem ser cumpridas as seguintes exigências de instalação: o painel aquecedor tem uma proteção IP24 (proteção contra salpicos de água). Tendo em conta tal nível de proteção o aparelho deve ser instalado no espaço 2 (volume 2) (ver o esquema abaixo) para eliminar a possibilidade que o painel de controlo (chave e termostato) do painel aquecedor sejam atingido por uma pessoa que esteja no duche ou banheira. A distância mínima do aparelho a uma fonte de água não deve ser inferior a 1 metro! Se não tiver suficientemente preparado para instalar o painel aquecedor na casa de banho, recomendamos que consulte um técnico electricista profissional.

Observação: se as condições acima mencionadas não podem ser cumpridas, recomendamos que efetue a instalação no espaço 3 (VOLUME 3).

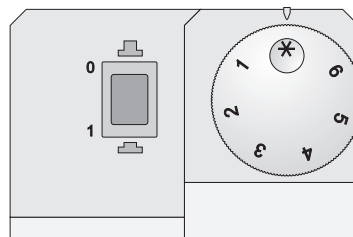
- Em compartimentos húmidos (casas de banho e cozinhas) a fonte de alimentação deve ser montada a altura mínima de 25 cm do chão.
- A instalação deve ser munida de um fusível automático em que a distância entre as tomadas deve ser pelo menos de 3 mm, quando este estiver desligado.

Obrigado por ter escolhido o aquecedor de parede CN03. É o aparelho ideal que lhe garantirá no inverno um calor confortável no compartimento aquecido de acordo com as suas necessidades. Para assegurar uma vida útil mais longa é preciso cumprir as instruções de utilização e manutenção do aparelho.

INSTRUÇÕES DE UTILIZAÇÃO

COMANDO MECÂNICO

Modos de funcionamento



Ligue o painel aquecedor, carregue na Chave em posição "1" (Ligado), depois torne o regulador para a posição pretendida /graus de 1 a 6/ tendo em conta a seguinte relação entre os graus:

* – modo contra congelamento /ativa-se quando a temperatura no compartimento for abaixo dos 5° C

1 / 2 – modo económico /manter uma temperatura baixa no compartimento/ este modo recomenda-se a ser utilizado durante a noite ou em caso de ausência de pessoas no compartimento. Este modo permite manter uma determinada temperatura em condições de poupança de energia elétrica.

3 / 4 / 5 – modo confortável /para manter uma temperatura moderada no compartimento /este modo recomenda-se a ser utilizado para manter uma temperatura diária relativamente alta no compartimento.

6 – modo máximo / para manutenção de temperatura ALTA no compartimento /Este modo é recomendável a ser utilizado quando é necessário uma temperatura máxima alta no compartimento

Importante: Os dígitos do regulador da temperatura não correspondem à temperatura real no compartimento e servem para a memorização prática da correspondência entre a temperatura e a indicação do regulador.

Quando a temperatura no compartimento for inferior da que já configurou com a ajuda do regulador, o painel aquecedor começa a trabalhar e continua em serviço até ao momento em que a temperatura do compartimento atingir o valor configurado. Quando a temperatura do compartimento for superior da configurada, o painel aquecedor passará automaticamente para o modo de espera.

PROTEÇÃO

- O aparelho é munido com um termostato de segurança que automaticamente desliga o aquecedor nos casos de aumento da temperatura no painel aquecedor acima dos valores admissíveis /o chamado sobreaquecimento do aparelho/.
- O termostato de segurança automático restabelece o funcionamento do painel aquecedor, só quando a temperatura do aparelho ficar abaixo dos valores limites admissíveis.

PROTEÇÃO CONTRA QUEDA

Este aparelho de aquecimento está protegido mediante um interruptor de segurança que interrompe automaticamente o funcionamento do aparelho quando este cair ou estiver sob um ângulo muito maior para com a linha horizontal. Desta forma evitam-se acidentes e uma vez que o aparelho estiver em posição certa, continuará a funcionar no último modo configurado.

LIMPEZA

- É obrigatório desligar o aparelho da chave e puxar a ficha da tomada na parede. Antes de começar a limpar o painel aquecedor deixe-o arrefecer, desligando-o da tomada
- Limpe o corpo com toalha molhada, aspirador ou escova.
- Nunca coloque o aparelho em água – existe perigo de morte devido a choque elétrico!
- Nunca utilize gasolina, dissolvente ou produtos abrasivos de limpeza porque estes podem danificar a cobertura do aparelho.

ARMAZENAMENTO

- Antes de armazenar o painel aquecedor, deixe-o arrefecer desligando-o da tomada
- Utilize a embalagem original para armazenamento do painel aquecedor se o mesmo não será utilizado por determinado período longo. Guarde o produto na embalagem original para o proteger de pó e sujidade.
- Nunca guarde o aparelho quente na embalagem!
- É necessário conservar o produto em lugar seco e protegido contra os raios solares diretos.
- É expressamente vedado conserva-lo em compartimentos húmidos ou molhados.

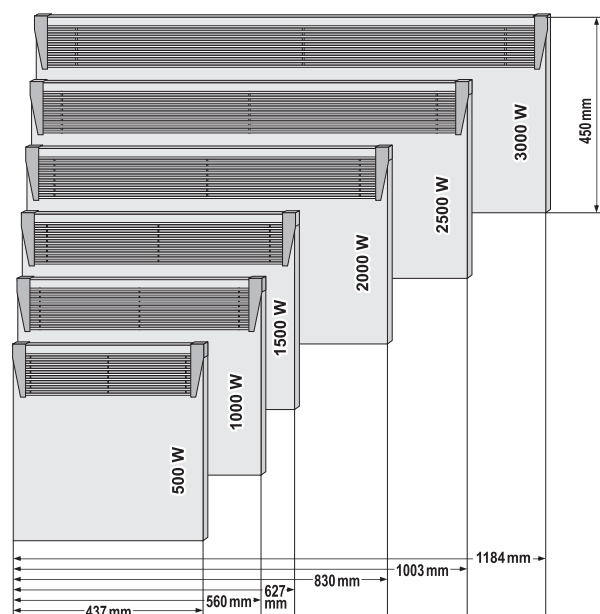
ASSISTÊNCIA TÉCNICA

- Em caso de mau funcionamento ou falha do aparelho, por favor entre em contato com a oficina autorizada mais próxima. /No certificado de garantia do produto figura a lista das oficinas autorizadas/.
- **Importante:** Em caso de reclamação e/ou violação dos seus direitos como consumidor, por favor entre em contato com o seu fornecedor do presente aparelho comunicando aos endereços indicados ou através da página de Internet da empresa: www.tesy.com

DIMENSÕES DO APARELHO, VOLUME AQUECIDO E ÁREA AQUECIDA POR COMPARTIMENTO

Modelo	Volume aquecido	Área aquecida
CN 03 050 MIS F - 500W	10* - 15 m ³	4* - 6 m ²
CN 03 100 MIS F - 1000W	20* - 30 m ³	8* - 12 m ²
CN 03 150 MIS F - 1500W	30* - 45 m ³	12* - 18 m ²
CN 03 200 MIS F - 2000W	40* - 60 m ³	16* - 24 m ²
CN 03 250 MIS F - 2500W	50* - 70 m ³	20* - 28 m ²
CN 03 300 MIS F - 3000W	60* - 80 m ³	24* - 32 m ²

* Volume/área aquecido mínimo garantido para aquecimento em coeficiente médio de condutividade térmica $\lambda=0.5 \text{ W/(m}^2\text{K)}$ para o compartimento aquecido. Os valores mais altos para o volume/área aquecido atingem-se em valor médio de $\lambda=0.35 \text{ W/(m}^2\text{K)}$. Altura padrão dos compartimentos – 2.5 metros.



Indicações para a proteção do meio ambiente

Os velhos eletrodomésticos contêm materiais valiosos e por isso não devem ser despejados junto ao lixo urbano! Solicitamos a sua colaboração para contribuir na preservação dos recursos e do meio ambiente entregando o aparelho nos postos de entrega e recolha organizados (se houver).

QUADRO 2: REQUISITOS DE INFORMAÇÃO PARA AQUECEDORES DE AMBIENTE LOCAL ELÉTRICOS

Modelio žymuo (-enys): 1.CN03 050 MIS F 2. CN03 100 MIS F 3. CN03 150 MIS F 4. CN03 200 MIS F 5. CN03 250 MIS F 6. CN03 300 MIS F 230V~ 50Hz

Elemento	Símbolo	Valor1.	Valor2.	Valor3.	Valor4.	Valor5.	Valor6.	Unidade	Elemento	Unidade
Potência calorífica									Tipo de potência calorífica, apenas para os aquecedores de ambiente local elétricos de acumulação (selecionar uma opção)	
Potência calorífica nominal	P _{nom}	0.50	1.00	1.50	2.00	2.50	3.00	kW	Comando manual da carga térmica, com termostato integrado	[não]
Potência calorífica mínima (indicativa)	P _{min}	0.00	0.00	0.00	0.00	0.00	0.00	kW	Comando manual da carga térmica, com retroação da temperatura interior e/ou exterior	[não]
Potência calorífica contínua máxima	P _{max,C}	0.50	1.00	1.50	2.00	2.50	3.00	kW	Comando eletrónico da carga térmica, com retroação da temperatura interior e/ou exterior	[não]
Consumo de eletricidade auxiliar									Potência calorífica com ventilador	[não]
À potência calorífica nominal	e _{lmax}	0.44	0.91	1.42	1.89	2.41	2.87	kW	Tipo de potência calorífica/comando da temperatura interior (selecionar uma opção)	-
À potência calorífica mínima	e _{lmin}	0.00	0.00	0.00	0.00	0.00	0.00	kW	Potência calorífica numa fase única, sem comando da temperatura interior	[não]
Em estado de vigília	e _{lSB}	0.00	0.00	0.00	0.00	0.00	0.00	kW	Em duas ou mais fases manuais, sem comando da temperatura interior	[não]
									Com comando da temperatura interior por termostato mecânico	[sim]
									Com comando eletrónico da temperatura interior	[não]
									Com comando eletrónico da temperatura interior e temporizador diário	[não]
									Com comando eletrónico da temperatura interior e temporizador semanal	[não]
									Outras opções de comando (seleção múltipla possível)	
									Comando da temperatura interior, com deteção de presença	[não]
									Comando da temperatura interior, com deteção de janelas abertas	[não]
									Com opção de comando à distância	[não]
									Com comando de arranque adaptativo	[não]
									Com limitação do tempo de funcionamento	[não]
									Com sensor de corpo negro	[não]

TESY Ltd

48 Madara Blvd,
Shumen, 9700,
Bulgária

RESOLUÇÃO DE PROBLEMAS

Antes de entrar em contato com o Centro de atendimento ao cliente, consulte as dicas e conselhos apresentados na tabela abaixo.

PROBLEMA	CAUSA	SOLUÇÃO
O aparelho não funciona	<p>Não há fonte de alimentação da rede elétrica.</p> <p>Certifique-se de que o aparelho está conectado à rede e a tomada está a funcionar.</p>	<p>Conecte o contato à tomada e verifique a posição do interruptor ON/OFF (ligado/desligado).</p>
O compartimento não está suficientemente aquecido embora o aparelho esteja quente	<p>Sobreaquecimento do aparelho. O protetor de sobreaquecimento limita a saída do calor.</p>	<p>Elimine a causa (cobertura, sujidade ou entrada/saída de ar entupida). Observe as distâncias mínimas à volta do aparelho indicadas nas instruções de instalação.</p>
	<p>A necessidade de calor no compartimento é superior ao calor emitido do aparelho.</p>	<p>Elimine as perdas de calor. (Feche as janelas e portas. Evite ventilação constante.)</p>
	<p>Verifique se a potência do seu dispositivo é adaptada às dimensões do compartimento.</p>	<p>A potência recomendada é uma média de 100 W/m² para uma altura de teto de 2.50 m ou 30 W/m³</p>
Sujidades aparecem na parede próxima do aparelho	<p>As sujidades na parede aparecem em resultado da sujidade do ar.</p>	<p>Verifique se o ar no compartimento é regularmente ventilado com ar puro, especialmente se aí se fuma.</p>
Sons / ruídos	<p>Emitem-se sons fracos durante o aquecimento bem como pouco depois de ser atingida a temperatura configurada não é nada incomum.</p>	<p>Este efeito resulta da expansão natural dos materiais durante o aumento rápido da temperatura e o sucessivo resfriamento dos metais utilizados no fabrico do aparelho.</p>
Manchas amareladas da grade	<p>Manchas semelhantes podem ser resultado da cobertura do aparelho com roupa húmida.</p>	<p>Não cobre o produto! Isto é proibido, pois bloqueia a convecção do ar e isto causa um dano irreparável ao aparelho o que pode provocar um risco grave à sua saúde e propriedade.</p>

PROVVEDIMENTI IMPORTANTI DI PREVENZIONE ED ISTRUZIONI DI SICUREZZA:



ATTENZIONE:

- Leggete le presenti istruzioni prima di usare questo apparecchio e conservate queste indicazioni per ulteriore uso. In caso di cambio del proprietario, l'istruzione per l'uso deve essere consegnata insieme all'apparecchio.
- **ATTENZIONE:** Bambini sotto i 3 anni devono essere tenuti a distanza, a meno che non siano sotto sorveglianza continua.

Bambini aventi dai 3 agli 8 anni possono solamente usare l'interruttore acceso/spento dell'apparecchio, a condizione che l'apparecchio sia installato e pronto ad un funzionamento normale e che loro siano osservati ed istruiti riguardo al suo utilizzo in un modo sicuro e che capiscano che questo può essere pericoloso.

Bambini aventi dai 3 agli 8 anni non devono inserire la spina dell'apparecchio nella presa di corrente, impostare l'apparecchio, pulirlo nemmeno fare una manutenzione da consumatori.

Questo apparecchio può essere usato da bambini aventi sopra gli 8 anni e persone con limitate abilità fisiche, sensoriali o mentali, oppure con esperienza e conoscenze scarse, se loro siano sorvegliate o istruite riguardo all'utilizzo sicuro dell'apparecchio e capiscano quali sono i pericoli. I bambini non devono girare l'apparecchio. La pulitura e la manutenzione da consumatori non devono essere effettuate da bambini senza sorveglianza.

ATTENZIONE: Alcune parti di questo prodotto possono diventare troppo calde e di prov°Care ustioni. Laddove sono presenti bambini e persone vulnerabili, si deve prestare attenzione particolare.

- **AVVERTIMENTO:** per evitare surriscaldamento, non coprite l'apparecchio!



- L'apparecchio non deve essere messo direttamente sotto una presa elettrica!
- Se il cavo di alimentazione è danneggiato, deve essere sostituito dal produttore, dal suo agente di servizio o da persone qualificate allo stesso modo per evitare pericoli.
- Prima di accendere l'apparecchio – controllate se la tensione indicata sulla targhetta segnaletica corrisponde alla tensione fornita alla Vostra casa.
- Questo apparecchio deve essere usato per lo scopo a cui è previsto, cioè per riscaldare ambienti di vita. L'apparecchio non è destinato a fini commerciali. Qualsiasi altro uso va considerato irregolare e dunque pericoloso. Il produttore non può essere responsabile di guasti provenienti da un utilizzo irregolare ed irragionevole. La mancata osservanza dell'informazione di sicurezza farà invalida la garanzia presa riguardo all'apparecchio!
- Non lasciate la Vostra casa mentre l'apparecchio è acceso: convincetevi che l'interruttore è in posizione "spento" (si tratta di convettore a comando meccanico).
- Tenete gli oggetti infiammabili, come mobili, cuscini, biancheria da letto, carta, vestiti, tende, ecc. a distanza di almeno 100 cm lontano dal convettore.
- Non utilizzate l'apparecchio laddove si usano o conservano materie infiammabili (per esempio: vicino a gas o aerosol infiammabili) – esiste un grandissimo pericolo di esplosione ed incendio!
- Non inserite e non permettete che corpi estranei cadano nelle aperture di ventilazione (sia d'ingresso che d'uscita), perché questo causerà folgorazione, incendio o guasto al convettore.
- L'apparecchio non è adatto all'allevamento di animali ed esso è esclusivamente previsto di essere usato a casa!
- Non coprite le griglie di sicurezza, non blocche l'entrata neanche l'uscita del flusso d'aria, mettendo l'apparecchio di fronte ad una certa superficie. Tutti gli oggetti devono essere ad una distanza di almeno 1 metro dall'apparecchio, davanti e di fianco.
- Il motivo più frequente di surriscaldamento è l'accumulo di peli e polvere nell'apparecchio. Pulite regolarmente con aspirapolvere le aperture di ventilazione, staccando obbligatoriamente la spina dell'apparecchio dalla presa di corrente in anticipo.
- Non toccate mai l'apparecchio con mani bagnate o umide – esiste una minaccia per la vita!
- La presa di corrente deve essere accessibile a qualsiasi ora, affinché la spina possa essere staccata in caso di necessità, il più presto possibile! Non

tirate mai il cavo di alimentazione neanche l'apparecchio stesso quando lo staccate dalla presa di corrente.

- Fate attenzione! L'aria d'uscita si riscalda durante il funzionamento (fino a più di 100°C).
- Se decidete di smettere di usare un apparecchio di questo tipo, si raccomanda di farlo inutilizzabile, tagliando il cavo dopo averlo staccato dalla presa di corrente. Si raccomanda anche di eliminare tutti i pericoli relativi all'apparecchio, soprattutto per quanto riguarda la sicurezza dei bambini che potrebbero usare il meccanismo ammortizzato (l'apparecchio) per gioco.
- Attenzione: Non usate questo apparecchio con programmatore, contatore neanche altro dispositivo che lo accende automaticamente perché, se l'apparecchio è coperto oppure è posto irregolarmente esiste un pericolo di incendio.
- Mettete il cavo di alimentazione in modo che non ostacoli il movimento delle persone e che non sia pestato! Usate solamente prolunghe approvate, che sono addatte per l'apparecchio, cioè hanno un segno di conformità!
- Non spostate mai l'apparecchio tirandolo per il cavo, nemmeno usate il cavo per il trasferimento di oggetti!
- Non piegate il cavo e non lo tirate attraverso spigoli acuti, nemmeno lo mettete su lastre calde o a fuoco aperto!

IMBALLAGGIO

- Dopo aver spaccettato l'apparecchio controllate se non sia danneggiato durante il trasporto e se sia completamente attrezzato! In caso che sia constatato un guasto oppure consegna incompleta, contattate il Vostro venditore autorizzato!
- Non buttate via la scatola originale! Essa potrebbe essere utilizzata per conservazione o trasporto, affinché siano evitati danni causati dal trasporto!
- L'imballaggio deve essere buttato via in modo opportuno! I bambini devono essere sorvegliati per non giocare con le buste in polietilene!

ISTRUZIONI PER L'USO E L'INSTALLAZIONE DI KIT PIEDINI DI APPOGGIO

- Questo convettore è destinato all'utilizzo in ambienti chiusi.

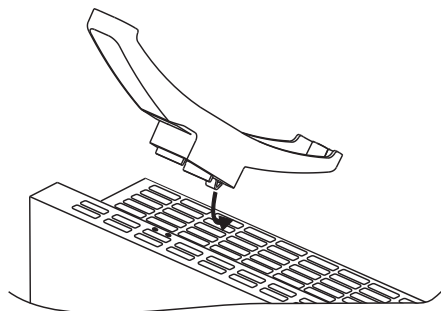


Ai sensi del Regolamento (UE) 2015/1188 recante modalità di applicazione della Direttiva 2009/125/CE, questo apparecchio elettrico per il riscaldamento non è previsto per il montaggio a parete!



Importante: Per gli ambienti con un volume di più di 45 m³ si raccomanda l'utilizzo di una combinazione di 2 o di più convettori.

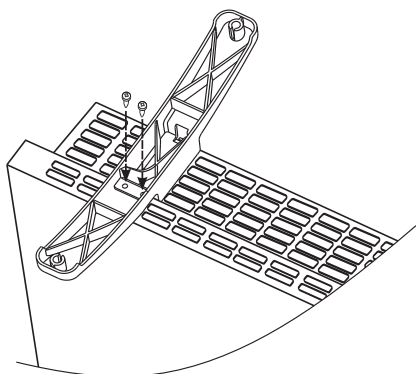
- Non mettete il convettore sotto una presa elettrica o una scatola di derivazione.
- Non montate/utilizzate il convettore a
 1. in un luogo dove c'è trazione, per non influenzare le impostazioni di controllo;
 2. direttamente sotto una presa elettrica;
 3. in spazio 1 (volume 1) per bagni;
 4. in spazio 2 (volume 2), se il quadro di comando può essere raggiunto da una persona che si trova sotto la doccia oppure nella vasca da bagno;
- Prima di procedere al montaggio del kit, controllare se il termoconvettore è scollegato dalla corrente!
- I piedini sono fissati nelle prese d'aria d'entrata – è corretto montarli simmetricamente a entrambe le estremità del termoconvettore con la stessa distanza dai bordi del termoconvettore. A questo scopo ogni termoconvettore è dotato di fori 2x2.



- Mettere il piedino, inserendo prima la parte superiore del piedino nel termoconvettore (porsi di fronte alla parte anteriore del termoconvettore) - la parte rimane più bassa rispetto al pannello frontale in metallo. Dopo di che si prende il cacciavite a croce (non disponibile nel kit) e si serrano le due viti di sicurezza 3.5x9.5mm. La vite passa attraverso il piedino

di plastica e si avvitata nella scatola metallica del termoconvettore. Per il secondo piedino ripetere l'operazione.

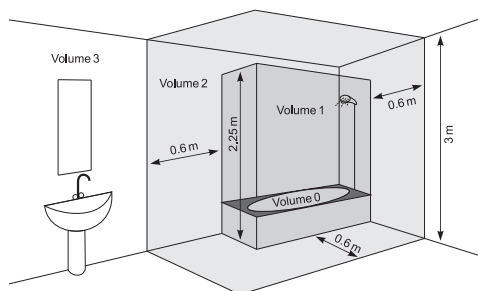
- La giunzione è eseguita correttamente, se dopo il montaggio, il termoconvettore posto sul pavimento rimane in posizione orizzontale. Non usare il cavo di alimentazione come una fune per tirarlo, lo spostamento si esegue a termoconvettore freddo.



- Porre il termoconvettore con i piedini montati a terra e prima di accenderlo verificare che siano eseguite le clausole per l'uso nella parte iniziale delle istruzioni (precauzioni e condizioni importanti per l'uso del termoconvettore). La posizione è corretta quando il pannello di controllo si trovi in cima al convettore e i piedini sono sul pavimento!

UTILIZZO IN BAGNO

- Il convettore deve essere montato conformemente alla pratica normale commerciale ed in conformità alla legislazione del rispettivo paese (le direttive per l'elettricità della CE ed i requisiti per montaggi o luoghi speciali, compresi bagni, oppure cabine doccia HD60364-7-701 (IEC 60364-7-701:2006)).



- Se questo convettore viene usato in bagno o altro ambiente simile, devono essere osservati i seguenti requisiti per l'installazione: Il convettore ha protezione IP24 (protezione contro spruzzi d'acqua). Per questo fatto, esso deve essere montato in spazio 2 (volume2) (vedete lo schema di sotto), perché sia evitata la possibilità per il quadro di comando (interruttore e termoregolatore) del convettore di essere raggiunto da una persona che si trova sotto la doccia oppure nella vasca da bagno. La distanza minima dall'apparecchio ad una fonte d'acqua non deve essere di meno di 1 metro! Se non siete sicuri riguardo all'installazione di questo apparecchio nell'ambiente del bagno, Vi raccomandiamo di consultarvi con un elettrotecnico professionale.

Nota: se le condizioni summenzionate non possono essere osservate, si raccomanda che il montaggio sia eseguito in spazio 3 (VOLUME 3).

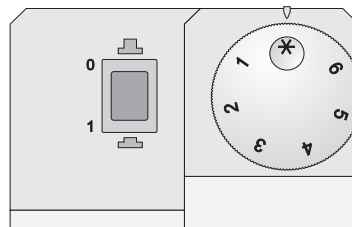
- In ambienti umidi (bagni e cucine) la fonte di alimentazione deve essere montata ad un'altezza di almeno 25 cm dal pavimento.
- L'installazione deve essere munita di una sicura automatica, per la quale la distanza fra i contatti quando essa sia spenta deve essere almeno 3mm.

Vi ringraziamo per aver scelto il convettore CN03. Questo è un prodotto che offre riscaldamento d'inverno in dipendenza alle necessità di ottenere un calore di conforto nel vano riscaldato. Con l'uso e la manutenzione regolare, così come descritti in queste istruzioni, l'apparecchio Vi assicurerà molti anni di funzionamento utile.

ISTRUZIONE DI UTILIZZO

GESTIONE MECCANICA

Regimi di funzionamento



Accendete il convettore, premete l'Interruttore in posizione "1" (Acceso), poi fate girare il regolatore al grado voluto da voi /da 1 a 6/, rendendovi conto del seguente rapporto dei gradi:

* – regime contro congelamento /viene attivato quando la temperatura dell'ambiente cade sotto 5°C

1 / 2 – regime di risparmio /per mantenere una bassa temperatura nell'ambiente/ questo regime è raccomandato per essere utilizzato durante la notte oppure nell'assenza di persone nell'ambiente. Questo regime permette il mantenimento di una certa temperatura nelle condizioni di risparmio di energia.

3 / 4 / 5 – regime di conforto / per mantenere una temperatura moderata nell'ambiente / questo regime è raccomandato per essere utilizzato per il mantenimento di una relativamente alta temperatura di conforto durante il giorno nell'ambiente.

6 – regime massimo / per mantenere un'ALTA temperatura nell'ambiente / Questo regime è raccomandato per essere utilizzato quando volete una temperatura massimalmente alta dell'ambiente

Importante: Le cifre del regolatore di temperatura non corrispondono ad un valore concreto della temperatura nell'ambiente, ma servono per una memorizzazione pratica della corrispondenza fra temperatura e indicazione del regolatore.

Quando la temperatura nell'ambiente è più bassa di quella che avete impostato mediante il regolatore, il convettore comincia a funzionare e funzionerà fino al momento in cui la temperatura nell'ambiente reggiunge il valore impostato. Quando la temperatura nell'ambiente è più alta di quella che avete impostato mediante il regolatore, il convettore passerà automaticamente in regime di "Prontezza all'accensione".

PROTEZIONE

- L'apparecchio è munito di un interruttore termico di sicurezza, il quale spegne automaticamente il riscaldatore nei casi di crescita della temperatura nel convettore sopra i valori ammissibili /il cosiddetto surriscaldamento dell'apparecchio/.
- L'interruttore termico di sicurezza riavvia automaticamente il funzionamento del convettore, solo quando la temperatura dell'apparecchio cade sotto i valori di limite ammissibili.

PROTEZIONE ANTIRIBALTAMENTO

Quest'apparecchio di riscaldamento è protetto da un interruttore di sicurezza che automaticamente arresta l'apparecchio quando esso cade a terra oppure quando l'angolo in cui si trova rispetto all'orizzontale troppo grande. In questo modo si evitano incidenti e una volta messo in posizione retta l'apparecchio continuerà a funzionare nell'ultimo regime d'impostazione.

PULITA

- Prima spegnete obbligatoriamente l'apparecchio dall'interruttore e staccate la spina dalla presa di corrente della parete. Prima di cominciare a pulire il convettore lasciatelo diventare freddo, staccando la spina dalla presa di corrente.
- Pulite il corpo con uno strofinaccio umido, un aspirapolvere oppure una spazzola.
- Non immergete mai l'apparecchio in acqua - esiste una minaccia per la vita a causa di folgorazione!
- Non usate mai benzina, solvente neanche prodotti abrasivi ruvidi per la pulita, perché essi danneggeranno la copertura dell'apparecchio.

CONSERVAZIONE

- Prima di riporre dentro il convettore, lasciatelo diventare freddo, staccando la spina dalla presa di corrente.
- Usate la scatola originale per la conservazione del convettore se esso non verrà utilizzato per un certo periodo di tempo. Il prodotto viene protetto da troppa polvere e sporizia quando viene riposto dentro la sua scatola originale.
- Non riponetevi mai un apparecchio caldo dentro la sua scatola!

- Il prodotto deve essere conservato in un luogo secco, protetto dalla diretta luce del sole.
- È espressamente vietata la sua conversazione in ambienti umidi o bagnati.

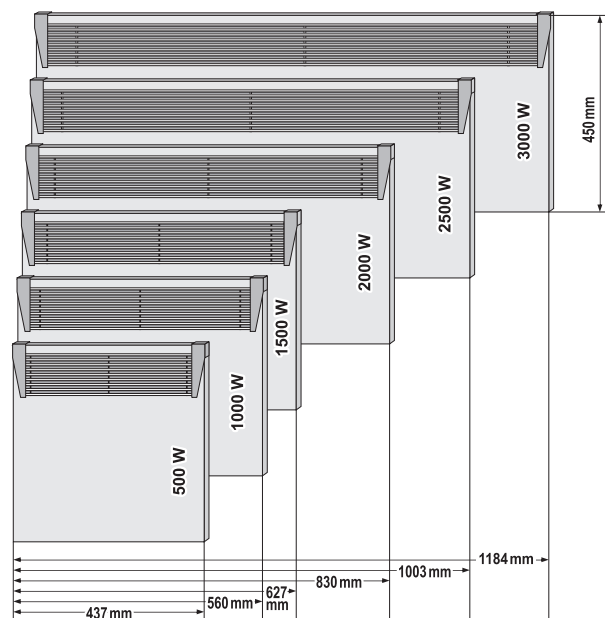
MANUTENZIONE DELL'APPARECCHIO

- In caso di guasto dell'apparecchio, vi preghiamo di contattare l'officina autorizzata di riparazioni più vicina a voi. /Le officine di riparazioni sono indicate nella carta di garanzia del prodotto/.
- **Importante:** In caso di reclamazione e/o violazione dei vostri diritti di consumatore, vi preghiamo di contattare il fornitore di questo apparecchio agli indirizzi indicati oppure mediante la pagina web della compagnia: www.tesy.com

DIMENSIONI DELL'APPARECCHIO, VOLUME E AREA RISCALDABILE NELL'AMBIENTE

Modello	Volume riscaldabile	Area riscaldabile
CN 03 050 MIS F - 500W	10* - 15 m ³	4* - 6 m ²
CN 03 100 MIS F - 1000W	20* - 30 m ³	8* - 12 m ²
CN 03 150 MIS F - 1500W	30* - 45 m ³	12* - 18 m ²
CN 03 200 MIS F - 2000W	40* - 60 m ³	16* - 24 m ²
CN 03 250 MIS F - 2500W	50* - 70 m ³	20* - 28 m ²
CN 03 300 MIS F - 3000W	60* - 80 m ³	24* - 32 m ²

* Il minimo volume (l'area) riscaldabile garantito per il riscaldamento con un coefficiente medio di conduzione termica $\lambda=0.5 \text{ W/(m}^2\text{K)}$ per l'ambiente riscaldabile. I valori più alti del volume (l'area) riscaldabile vengono ottenuti con un valore medio di $\lambda=0.35 \text{ W/(m}^2\text{K)}$. Altezza standard degli ambienti - 2.5 metri.



Indicazioni di protezione dell'ambiente

I vecchi elettrodomestici contengono materiali preziosi e per questo motivo non devono essere buttati via insieme al pattume domestico! Vi preghiamo di contribuire attivamente alla protezione delle risorse e dell'ambiente e di presentare l'apparecchio nei punti di raccolta organizzati (se tali sono presenti).

TABELLA 2: INFORMAZIONI OBBLIGATORIE PER GLI APPARECCHI PER IL RISCALDAMENTO D'AMBIENTE LOCALE ELETTRICI

Identificativo del modello: 1.CN03 050 MIS F 2. CN03 100 MIS F 3. CN03 150 MIS F 4. CN03 200 MIS F 5. CN03 250 MIS F 6. CN03 300 MIS F 230V~ 50Hz

Dato	Simbolo	Valore 1	Valore 2	Valore 3	Valore 4	Valore 5	Valore 6	Unità	Dato	Unità
Potenza termica									"Tipo di potenza termica, solo per gli apparecchi per il riscaldamento d'ambiente locale elettrici ad accumulo (indicare una sola opzione)"	
Potenza termica nominale	P _{nom}	0.50	1.00	1.50	2.00	2.50	3.00	kW	controllo manuale del carico termico, con termostato integrato	[no]
Potenza termica minima (indicativa)	P _{min}	0.00	0.00	0.00	0.00	0.00	0.00	kW	controllo manuale del carico termico con riscontro della temperatura ambiente e/o esterna	[no]
Massima potenza termica continua	P _{max,C}	0.50	1.00	1.50	2.00	2.50	3.00	kW	controllo elettronico del carico termico con riscontro della temperatura ambiente e/o esterna	[no]
Consumo ausiliario di energia elettrica									potenza termica assistita da ventilatore	[no]
Alla potenza termica nominale	e _{l,max}	0.44	0.91	1.42	1.89	2.41	2.87	kW	Tipo di potenza termica/controllo della temperatura ambiente (indicare una sola opzione)	-
Alla potenza termica minima	e _{l,min}	0.00	0.00	0.00	0.00	0.00	0.00	kW	"potenza termica a fase unica senza controllo della temperatura ambiente"	[no]
In modo stand-by	e _{l,SB}	0.00	0.00	0.00	0.00	0.00	0.00	kW	due o più fasi manuali senza controllo della temperatura ambiente	[no]
									con controllo della temperatura ambiente tramite termostato meccanico	[si]
									con controllo elettronico della temperatura ambiente	[no]
									con controllo elettronico della temperatura ambiente e temporizzatore giornaliero	[no]
									con controllo elettronico della temperatura ambiente e temporizzatore settimanale	[no]
									Altre opzioni di controllo (è possibile selezionare più opzioni)	
									controllo della temperatura ambiente con rilevamento di presenza	[no]
									controllo della temperatura ambiente con rilevamento di finestre aperte	[no]
									con opzione di controllo a distanza	[no]
									con controllo di avviamento adattabile	[no]
									con limitazione del tempo di funzionamento	[no]
									con termometro a globo nero	[no]

TESY Ltd

48 Madara Blvd,
Shumen, 9700,
Bulgaria

RISOLUZIONE DEI PROBLEMI

Prima di contattare il Centro assistenza clienti, consultare i suggerimenti riportati nella tabella seguente:

PROBLEMA	CAUSA	SOLUZIONE
L'apparecchio non funziona.	Nessuna alimentazione di rete. Assicurarsi che l'apparecchio sia collegato e che la presa elettrica funzioni.	Inserire la spina in una presa e controllare la posizione dell'interruttore ON / OFF (accesso / spento)!
L'ambiente non si riscalda abbastanza nonostante l'apparecchio è bollente.	Surriscaldamento dell'apparecchio. Il limitatore di surriscaldamento di sicurezza limita il rilascio di calore.	Rimuovere la causa (coperta, sporco o intasamento ingresso o uscita)! Rispettare le distanze minime attorno all'apparecchio specificate nelle istruzioni di installazione.
	La necessità di calore nella stanza è superiore a quella emessa dall'apparecchio.	Eliminare la perdita di calore. Chiudere le finestre e le porte. Evitare la ventilazione continua).
	Assicurati che la potenza del tuo apparecchio sia adattata alle dimensioni della stanza.	La potenza media consigliata è di 100 W/m ² per un'altezza del soffitto di 2,50 m oppure 30 W/m ³ .
Sul muro accanto all'apparecchio appare lo sporco.	Lo sporco sulla parete appare come risultato dall'inquinamento dell'aria.	Assicurarsi che la stanza sia regolarmente ventilata con aria fresca, specialmente se vi si fuma.
Suoni / rumori.	I suoni deboli durante il riscaldamento o subito dopo il raggiungimento della temperatura impostata non è insolito.	Questo effetto è risultato del naturale dilatazione dei materiali durante il rapido aumento della temperatura e successivo raffreddamento dei metalli utilizzati nella fabbricazione dell'apparecchio.
Macchie giallastre sulla griglia.	La questione dei suoni deboli durante il riscaldamento o subito dopo il raggiungimento della temperatura impostata non è insolito. Tali macchie possono derivare dalla copertura dell'apparecchio con abiti umidi.	Non coprire il prodotto! Ciò non è consentito poiché blocca la convezione dell'aria e provoca danni irreparabili all'apparecchio, il che può comportare gravi rischi per la tua salute e proprietà.

WICHTIGE SICHERHEITSMASSNAHMEN UND SICHERHEITSANWEISUNGEN:



VORSICHT:

- Lesen Sie die vorliegenden Bedienungsanleitungen, bevor Sie das Gerät verwenden und bewahren Sie diese für einen zukünftigen Gebrauch auf. Beim Wechsel des Inhabers ist die Bedienungsanleitung zusammen mit dem Gerät zu übergeben.
- **VORSICHT:** Kinder unter 3 Jahren müssen mit Abstand vom Gerät gehalten werden, außer wenn dieselben ständig beaufsichtigt sind. Kinder im Alter von 3 bis 8 Jahren dürfen nur den Druckknopf Einschalten/Ausschalten des Gerätes unter der Bedingung benutzen, dass das Gerät montiert ist und bereit für normalen Betrieb ist und die Kinder unter ständiger Kontrolle stehen und ihnen Hinweise auf seinen Gebrauch auf geschützte Weise gegeben sind und sie völlig die damit verbundenen Gefahren verstanden haben.
Kinder im Alter von 3 bis 8 Jahren dürfen das Gerät an die Steckdose nicht anschließen, es einstellen, reinigen oder eine Wartung durchführen.
Dieses Gerät darf von Kindern im Alter über 8 Jahren und Personen mit eingeschränkten physischen, sensorischen oder geistigen Fähigkeiten oder mangels Erfahrung und Wissens benutzt werden, wenn man sie beaufsichtigt oder ihnen Anweisungen auf die gefahrlose Verwendung des Gerätes gegeben hat und sie damit verbundenen Gefahren verstehen! Die Kinder müssen mit dem Gerät nicht spielen. Die Reinigung und die Wartung soll von Kindern ohne Kontrolle nicht erfolgen.
- **VORSICHT:** Einige Teile dieses Produktes können sehr heiß werden und Verbrennungen verursachen. An diesen Orten, wo es Kinder und gefährdete Personen gibt, soll spezielle Aufmerksamkeit geweckt werden.



- **WARNUNG:** Decken Sie das Gerät nicht ab, um eine Überhitzung zu vermeiden!
- Das Gerät ist nicht unter der Steckerschachtel unmittelbar zu stellen!
- Wenn das Versorgungskabel beschädigt ist, muss es vom Hersteller, seinem Servicemitarbeiter oder ähnlich qualifizierten Personen ausgetauscht werden, um eine Gefahr zu vermeiden.
- Bevor Sie das Gerät an das Stromnetz anschließen, überprüfen Sie bitte, ob die auf dem Typenschild angegebene Spannung der in Ihrer Wohnung angetriebenen Stromspannung entspricht.
- Das Gerät ist nur für den Zweck zu verwenden, für den es vorgesehen ist, d.h. Wohnräume zu beheizen. Das Gerät ist nicht für den gewerblichen Gebrauch geeignet. Jede andere Verwendung wird für unsachgemäß und daher gefährlich gehalten. Der Hersteller trägt die Verantwortung für Schäden nicht, die durch eine unsachgemäße und unverünftige Verwendung entstanden sind. Die Nichtbeachtung der sicherheitsrelevanten Information wird für das Gerät übernommene Garantie ungültig machen!
- Verlassen Sie Ihr Haus nicht, wenn das Gerät eingeschaltet ist: überzeugen Sie sich, dass der Druckknopf in der Stellung „Ausgeschaltet“ ist (dies bezieht sich auf den Konvektor mit mechanischem Betrieb).
- Halten Sie entzündliche Gegenstände wie Möbeln, Kissen, Bettwäsche, Papier, Kleidung, Gardinen usw. mit Abstand von 100cm vom Konvektor entfernt.
- Verwenden Sie das Gerät nicht, wo entzündliche Stoffe gebraucht oder aufbewahrt sind (z.B.: in der Nähe von entzündlichen Gasen oder Aerosolen) – es entsteht eine sehr hohe Gefahr von Explosion und Feuer!
- Stecken Sie Fremdkörper nicht und erlauben Sie Fremdkörper in die Lüftungsöffnungen (eingehende oder ausgehende) nicht zu geraten, weil dies Stromausfall, Feuer oder Schäden im Konvektor verursachen kann.
- Das Gerät ist nicht für den gewerblichen Gebrauch geeignet, sondern nur für den privaten Gebrauch!
- Decken Sie die Schutzgitter und beschränken Sie den Luftstrom zum und vom ausgehenden und ankommenden Schutzgitter nicht ab. Montieren Sie das Gerät gegen irgendwelche Oberfläche nicht. Alle Gegenstände müssen mit Abstand von 1 Meter vom Gerät vorne und seitlich sein.
- Am häufigsten liegt die Ursache für das Überhitzen des Gerätes im Ansammeln von Flaum und Staub im Gerät. Reinigen Sie die Lüftungsöffnungen mit dem Staubsauger regelmäßig, indem Sie verbindlich das Gerät aus dem Stromnetz trennen-.
- Berühren Sie niemals das Gerät mit nassen oder feuchten Händen – es

entsteht eine Lebensgefahr!

- Die Steckdose muss jederzeit leicht zugänglich sein, damit der Stecker notfalls schnellst wie möglich gezogen wird! Ziehen Sie den Stromkabel niemals oder das Gerät beim Ausschalten vom Stromnetz!
- Richten Sie Ihre Aufmerksamkeit darauf, dass die ausgehende Luft während des Betriebes (bis mehr als 100°C) erhitzt wird!
- Wenn Sie sich dafür entscheiden, ein Gerät von diesem Typ nicht mehr zu verwenden, ist es empfehlenswert, das Gerät durch das Schneiden des Netzkabels unverwendbar zu machen, nachdem Sie es aus dem Stromnetz ausgeschaltet haben. Es wird stark empfohlen, dass jede weitere Risiken, die durch das Gerät entstehen können, abgesichert werden, insbesondere wenn Kinder die amortisierte Anlage (das Gerät) als Spielzeug verwenden können.
- Vorsicht: Gebrauchen Sie dieses Gerät mit Programmer, Zähler oder einem anderen Gerät, das es automatisch einschaltet, denn wenn das Gerät abgedeckt ist oder falsch montiert ist, eine Brandgefahr entsteht.
- Legen Sie das Netzkabel, sodass es die Bewegung der Menschen nicht stört und es nicht darauf getreten wird. Verwenden Sie nur genehmigte Verlängerungskabel, die für das Gerät geeignet sind, d.h. sie verfügen über ein Genehmigungszeichen!
- Stellen Sie das Gerät nicht um, indem Sie es für das Netzkabel ziehen und gebrauchten Sie das Netzkabel für Umstellung von Geräten nicht!
- Brechen Sie das Netzkabel nicht ab und ziehen Sie es durch scharfe Ränder nicht! Stellen Sie es auf heiße Platten oder offenes Feuer nicht!

VERPACKUNG

- Nach dem Auspacken des Gerätes überprüfen Sie, ob es während des Transportierens nicht beschädigt und ob es komplett verpackt worden ist. Im Falle, dass ein Schaden oder unkomplette Anlieferung festgestellt wird, treten Sie in Kontakt mit Ihrem bevollmächtigten Verkäufer!
- Schmeißen Sie den originellen Karton nicht weg! Er könnte für Aufbewahrung und Transportieren gebraucht werden, um Schäden beim Transportieren vermieden zu werden!
- Das Aufräumen des Verpackungsmaterials muss auf geeignete Weise erfolgen! Die Kinder müssen davor geschützt werden, um mit den Polybeuteln nicht zu spielen!

BEDIENUNGSANLEITUNG UND ANWEISUNGEN ZUR MONTAGE DES STELLFÜSSENSETS

- Dieser Konvektor ist für den Gebrauch in Wohnräumen.

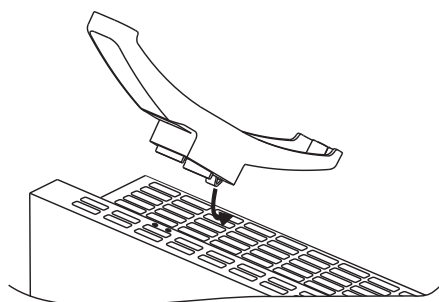


Gemäß der Verordnung (EU) 2015/1188 zur Durchführung der Richtlinie 2009/125/EG ist dieses Elektroheizgerät zur Wandmontage nicht vorgesehen!



Wichtig: Bei Wohnräumen mit Volumen über 45 m³ ist der Gebrauch in Kombination mit 2 und mehreren Konvektoren gestattet.

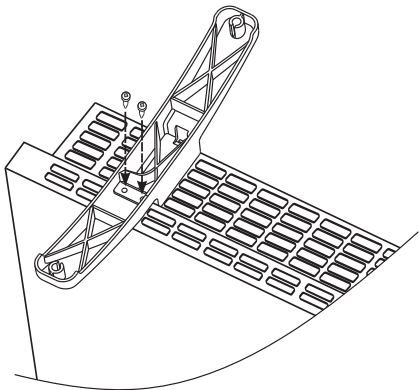
- Stellen Sie den Konvektor nicht unter Steckdose oder bindender Schachtel.
- Montieren Sie/ Gebrauchen Sie den Konvektor nicht
 1. an Stellen, wo es Zugkraft gibt, damit eine Bewirkung auf die Kontrolleinstellungen vermieden wird
 2. unmittelbar unter einer Steckdose;
 3. im Raum 1 (volume 1) für Badezimmer;
 4. im Raum 2 (volume 2), wenn die Kontrolltafel von Menschen nicht erreicht werden kann, der unter der Dusche oder in der Badewanne ist;
- Bevor Sie anfangen, das Set zu montieren, prüfen Sie bitte, ob der Konvektor nicht angeschlossen ist!
- Die Stellfüße werden an die Eingangsluftöffnungen montiert – richtig wäre die Montage an die beiden Enden des Konvektors, symmetrisch – bei gleichem Abstand von den Kanten des Konvektors. Zu diesem Zweck – jeder Konvektor hat 2x 2 Öffnungen.



- Montieren Sie bitte den ersten Stellfuß – indem der höhere Teil des

Stellfußes zuerst in den Konvektor eingesetzt wird (Stehen Sie bitte gegen die Vorderseite des Konvektors bleiben) – dieser Teil ist niedriger als die Frontplatte aus Metall. Dann nehmen Sie bitte den Schraubendreher (nicht im Set vorhanden) und schrauben Sie bitte die beiden Sicherheitsschrauben 3.5 x 9.5 mm ein. Die Schraube geht durch den Kunststofffuß und wird in den Metallkasten des Konvektors eingeschraubt. Wiederholen Sie bitte diese Handlungen bezüglich des zweiten Stellfußes auch.

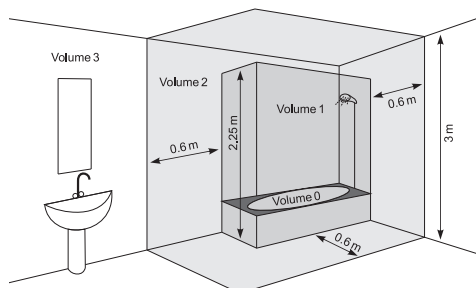
- Das Gerät ist richtig aufgebaut, wenn der Konvektor nach der Montage auf den Boden gestellt wird und dasselbe horizontal steht. Nutzen Sie bitte das Netzkabel als Seil zum Ziehen nicht. Das Bewegen erfolgt bei „kaltem“ Konvektor.



- Setzen Sie bitte den Konvektor mit den montierten Stellfüßen auf den Boden. Bevor Sie das Gerät einschalten, prüfen Sie bitte, ob die Gebrauchsanweisungen am Anfang der Anleitung erfüllt sind (Sicherheitsmaßnahmen und wichtige Bedingungen für den Gebrauch des Konvektors). Die richtige Position ist – das Bedienfeld muss auf der Oberseite des Konvektors sein, und die Füße auf dem Boden!

GEBRAUCH IM BADEZIMMER

- Der Konvektor ist gemäß der normalen Handelspraxis und in Übereinstimmung mit der Gesetzgebung des entsprechenden Landes (den Richtlinien für Elektrizität der Europäischen Union und den Anforderungen für spezielle Montagen oder Stellen, die Badewannen oder Duschkabinen einschließen HD60364-7-701 (IEC 60364-7-701:2006)) zu montieren.



- Wenn dieser Konvektor im Badezimmer oder in einem anderen ähnlichen Raum gebraucht wird, sind die folgenden Anforderungen bei der Montage einzuhalten: Der Konvektor hat eine Schutz IP24 (Schutz vor Wassertropfen). Deswegen ist er im Raum 2 (volume 2) (siehe das Schema unten) zu montieren, damit die Möglichkeit dafür vermieden wird, die Kontrolltafel (Schalter und Thermoregler) des Konvektors von einem Menschen erreicht wird, der unter der Dusche oder in der Badewanne ist! Der minimale Abstand vom Gerät bis der Wasserquelle muss nicht weniger als 1 Meter sein. Wenn Sie sich in Bezug auf die Montage dieses Konvektors im Badezimmer nicht sicher sind, empfehlen wir eine Beratung mit qualifiziertem Elektrotechniker.

Bemerkung: wenn die oben angegebenen Bedingungen nicht erfüllt sein können, ist die Montage im Raum 3 (VOLUME 3) gestattet.

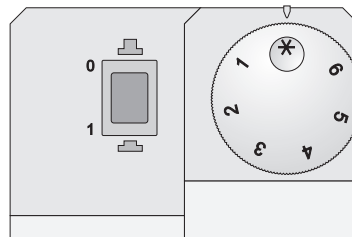
- In nassen Räumen (Badezimmern und Küchen) muss die Stromversorgungsquelle auf die Höhe min. 25cm vom Boden montiert werden.
- Die Elektroinstallation soll mit automatischer Sicherung versorgt sein, wobei der Abstand zwischen den Steckdosen, wenn es ausgeschaltet ist, min. 3mm sein muss.

Vielen Dank, dass Sie den Konvektor CN03 ausgewählt haben. Das ist ein Produkt, das Heizung im Winter in Abhängigkeit von den Bedürfnissen des Verbrauchers nach Erzielen komfortabler Wärme im beheizten Raum anbietet. Bei sachgemäßen Betrieb und Pflege, wie in dieser Bedienungsanleitung beschrieben ist, wird das Gerät Ihnen ein langjähriges Funktionieren sichern.

BEDIENUNGSANLEITUNG

MECHANISCHE STEUERUNG

Betriebsmodi



Schalten Sie den Konvektor ein, drücken Sie den Knopf in Stellung "I" (Eingeschaltet), dann drehen Sie den Regler auf den von Ihnen gewünschten Grad /von 1 bis 6/, indem Sie das folgende Verhältnis in den Graden beachten:

* – Modus Frostschutz /wird aktiv, wenn die Temperatur im Raum unter 5°C sinkt/

1 / 2 – Sparmodus /zum Aufrechterhalten einer niedrigen Temperatur im Raum/ dieser Modus ist in der Nacht zu gebrauchen oder bei Abwesenheit der Menschen im Raum. Der angegebene Modus erlaubt das Aufrechterhalten einer bestimmten Temperatur unter den Bedingungen der Energieeinsparung.

3 / 4 / 5 – Komfortmodus /zum Aufrechterhalten einer gemäßigten Temperatur im Raum/ dieser Modus ist für die Unterstützung einer relativ hohen komfortablen Raumtemperatur während des Tages zu gebrauchen.

6 – Maximaler Modus /zum Aufrechterhalten einer HOHEN Temperatur im Raum/. Dieser Modus ist zu gebrauchen, wenn Sie maximal hohe Temperatur der Raum

WICHTIG: Die Ziffern des Thermoreglers entsprechen nicht dem konkreten Wert der Temperatur im Raum, sondern dienen sie zum praktischen Speichern der Übereinstimmung zwischen Temperatur und Anzeige des Thermoreglers.

Wenn die Temperatur im Raum niedriger als diese ist, die Sie mit Hilfe des Reglers eingestellt haben, startet der Konvektor seine Arbeit und wird bis zum Zeitpunkt des Erreichens des eingestellten Temperaturwertes in Betrieb sein. Wenn die Temperatur im Raum höher als der mit dem Regler eingestellte Wert ist, wird der Konvektor automatisch im Modus „Bereitschaft zum Einschalten“ umgestellt.

SCHUTZ

- Das Gerät ist mit Schutzthermoausschalter versorgt, der automatisch den Erhitzer in Fällen der Temperaturerhöhung im Konvektor über die zulässigen Werte /die so genannte Überhitzung des Gerätes/ ausschaltet.
- Der Schutzthermoausschalter wiederherstellt den Betrieb des Konvektors automatisch, erst wenn die Tempartur des Gerätes unter die zulässigen Grenzwerte sinkt.

SCHUTZ GEGEN UMKIPPEN

Dieses Heizungsgerät ist mittels eines Sicherheitsschalters geschützt, der das Gerät automatisch ausschaltet, wenn es umkippt oder sich unter zu großem Winkel von der Horizontale befindet. Auf diese Weise werden Unfälle vermieden. Nach dem Zurückstellen des Gerätes in die richtige Position wird der Konvektor im letzten eingestellten Modus weiter betrieben.

REINIGUNG

- Verbindlich schalten Sie zuerst das Gerät vom Druckknopf aus und ziehen Sie den Stecker von der Steckdose an der Wand heraus. Bevor Sie mit der Reinigung des Konvektors anfangen, lassen Sie ihn abkühlen, indem Sie ihn aus der Steckdose ausschalten.
- Reinigen Sie das Gehäuse mit nassem Tuch, Staubsauger oder einer Bürste.
- Tauchen Sie das Gerät in Wasser nie auf – eine Lebensgefahr wegen Stromausfall entsteht!
- Gebrauchen Sie niemals Benzin, Verdünner oder grobe abrasive Reinigungsmittel, weil sie den Belag des Gerätes beschädigen werden.

AUFBEWAHRUNG

- Bevor Sie den Konvektor aufräumen, lassen Sie ihn kalt werden, indem Sie ihn aus der Steckdose trennen.
- Verwenden Sie bitte die originelle Verpackung zur Aufbewahrung des Konvektors, wenn derselbe einen gewissen Zeitraum nicht gebraucht wird. Auf diese Weise wird das Produkt vor übertriebener Verstaubung und Verunreinigungen geschützt!
- Stecken Sie das heiße Gerät in die Verpackung nie ein!
- Das Produkt ist an einer trockenen und vor direktem Sonnenlicht geschützten Stelle aufzubewahren.

- Ausdrücklich wird seine Aufbewahrung in feuchten und nassen Räumen verboten!

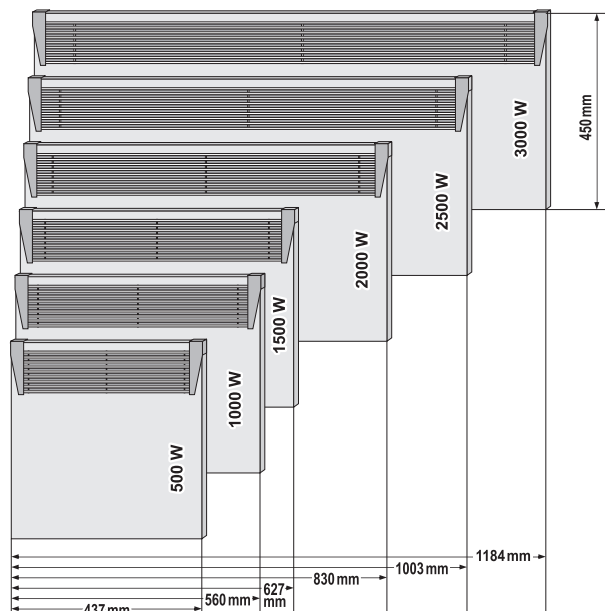
WARTUNG DES GERÄTES DURCH DEN KUNDENDIENST

- Im Falle eines Schadens des Gerätes treten Sie bitte mit dem autorisierten Kundendienst in Ihrer Nähe in Kontakt /die Kundendienste sind in der Garantiekarte des Produktes angegeben/.
- **Wichtig:** Im Falle einer Reklamation und/oder Verletzung Ihrer Rechte als Verbraucher treten Sie bitte mit dem Lieferanten dieses Gerätes in Kontakt an die angegebenen Adressen und auf der Internetseite der Gesellschaft: www.tesy.com

DIMENSIONEN DES GERÄTES, BEHEIZTES RAUMVOLUMEN UND FLÄCHE

Modell	Beheiztes Volumen	Beheizte Fläche
CN 03 050 MIS F - 500W	10* - 15 m ³	4* - 6 m ²
CN 03 100 MIS F - 1000W	20* - 30 m ³	8* - 12 m ²
CN 03 150 MIS F - 1500W	30* - 45 m ³	12* - 18 m ²
CN 03 200 MIS F - 2000W	40* - 60 m ³	16* - 24 m ²
CN 03 250 MIS F - 2500W	50* - 70 m ³	20* - 28 m ²
CN 03 300 MIS F - 3000W	60* - 80 m ³	24* - 32 m ²

* Minimales garantiertes beheiztes Volumen (Fläche) für Heizung bei durchschnittlichem Koeffizient der Wärmeleitfähigkeit $\lambda=0.5 \text{ W/(m}^2\text{K)}$ für den beheizten Raumes. Die höheren Werte für beheiztes Volumen (Fläche) werden bei durchschnittlichem Wert der $\lambda=0.35 \text{ W/(m}^2\text{K)}$ erreicht. Standardhöhe der Räume – 2.5 Meter.



Hinweise für Umweltschutz

Die gebrauchten Elektrogeräte enthalten Wertstoffe, deshalb sind sie nicht mit dem Hausmüll wegzuerwerfen! Wir bitten Sie darum, dass Sie Ihren aktiven Beitrag zur Umwelt- und Ressourcenschutz leisten. Stellen Sie den entsprechenden Abfallstellen das gebrauchte Gerät zur Verfügung (wenn solche vorhanden sind).

TABELLE 2: ERFORDERLICHE ANGABEN ZU ELEKTRISCHEN EINZELRAUMHEIZGERÄTEN

Modellkennung(en): 1.CN03 050 MIS F 2. CN03 100 MIS F 3. CN03 150 MIS F 4. CN03 200 MIS F 5. CN03 250 MIS F 6. CN03 300 MIS F 230V~ 50Hz

Angabe	Symbol	Wert 1	Wert 2	Wert 3	Wert 4	Wert 5	Wert 6	Einheit	Angabe	Einheit
Wärmeleistung										
"Nur bei elektrischen Speicher-Einzelraumheizgeräten: Art der Regelung der Wärmezufuhr (bitte eine Möglichkeit auswählen) "										
Nennwärmeleistung	P _{nom}	0.50	1.00	1.50	2.00	2.50	3.00	kW	manuelle Regelung der Wärmezufuhr mit integriertem Thermostat	[nein]
Mindestwärmeleistung (Richtwert)	P _{min}	0.00	0.00	0.00	0.00	0.00	0.00	kW	manuelle Regelung der Wärmezufuhr mit Rückmeldung der Raum- und/oder Außentemperatur	[nein]
Maximale kontinuierliche Wärmeleistung	P _{max,C}	0.50	1.00	1.50	2.00	2.50	3.00	kW	"elektronische Regelung der Wärmezufuhr mit Rückmeldung der Raum- und/oder Außentemperatur "	[nein]
Hilfsstromverbrauch										
Wärmeabgabe mit Gebläseunterstützung										
[nein]										
"Art der Wärmeleistung/Raumtemperaturkontrolle (bitte eine Möglichkeit auswählen) "										
Bei Nennwärmeleistung	e _{lmax}	0.44	0.91	1.42	1.89	2.41	2.87	kW	einstufige Wärmeleistung, keine Raumtemperaturkontrolle	[nein]
Bei Mindestwärmeleistung	e _{lmin}	0.00	0.00	0.00	0.00	0.00	0.00	kW	zwei oder mehr manuelleinstellbare Stufen, keine Raumtemperaturkontrolle	[nein]
Im Bereitschaftszustand	e _{lSB}	0.00	0.00	0.00	0.00	0.00	0.00	kW	Raumtemperaturkontrolle mit mechanischem Thermostat	[ja]
									mit elektronischer Raumtemperaturkontrolle	[nein]
									elektronische Raumtemperaturkontrolle und Tageszeitregelung	[nein]
									elektronische Raumtemperaturkontrolle und Wochentagsregelung	[nein]
Sonstige Regelungsoptionen (Mehrfachnennungen möglich)										
									Raumtemperaturkontrolle mit Präsenzerkennung	[nein]
									Raumtemperaturkontrolle mit Erkennung offener Fenster	[nein]
									mit Fernbedienungsoption	[nein]
									mit adaptiver Regelung des Heizbeginns	[nein]
									mit Betriebszeitbegrenzung	[nein]
									mit Schwarzkugelsensor	[nein]

TESY Ltd
 48 Madara Blvd,
 Shumen, 9700,
 Bulgaria

FEHLERBEHEBUNG

Lesen Sie bitte die Vorschläge in der unterstehenden Tabelle, bevor Sie das Kundenbetreuungszentrum zu kontaktieren:

PROBLEM	URSACHE	LÖSUNG
Das Gerät funktioniert nicht	Keine Netzspannung. Stellen Sie sicher, dass das Gerät angeschlossen ist und die Steckdose funktioniert.	Stecken Sie den Stecker in eine Steckdose ein und überprüfen Sie die Position des EIN / AUS-Schalters.
Der Raum ist nicht warm genug, obwohl das Gerät heiß ist	Gerät überhitzt. Der Überhitzungsschutz begrenzt die Wärmeabgabe.	Beseitigen Sie die Ursache (Decke, Schmutz oder verstopfter Lufteingang oder -ausgang). Beachten Sie die in der Montageanleitung angegebenen Mindestabstände um das Gerät.
	Der Wärmebedarf im Raum ist höher als der vom Gerät abgegebene Wärme.	Wärmeverluste beseitigen. (Fenster und Türen schließen. Ständige Belüftung vermeiden.)
	Stellen Sie sicher, ob die Leistung Ihres Geräts an die Größe des Raums angepasst ist.	Die empfohlene Leistung beträgt durchschnittlich 100 W/m ² bei einer Deckenhöhe von 2,50 m oder 30 W/m ³ .
Die Wand neben dem Gerät weist Verschmutzungen auf	Verschmutzungen an der Wand entstehen durch Luftverschmutzung.	Stellen Sie sicher, dass der Raum regelmäßig mit frischer Luft belüftet wird, insbesondere wenn geraucht wird.
Schall / Geräusche	Während des Aufheizens sowie kurz nach Erreichen der eingestellten Temperatur ist ein leises Geräusch nicht ungewöhnlich.	Dieser Effekt beruht auf der natürlichen Ausdehnung der Materialien mit dem raschen Temperaturanstieg und der anschließenden Abkühlung der bei der Herstellung des Gerätes verwendeten Metalle.
Gelbliche Flecken auf dem Gitter	Solche Flecken können durch das Abdecken des Geräts mit feuchten Kleidungsstücken entstehen.	Decken Sie das Produkt nicht ab! Dies ist nicht zulässig, da es die Konvektion der Luft blockiert und das Gerät irreparabel beschädigt, was eine ernsthafte Gefahr für Ihre Gesundheit und Ihr Eigentum darstellt.

MENTIONS IMPORTANTES ET CONSIGNES DE SÉCURITÉ:



ATTENTION:

- Lisez obligatoirement cette instruction avant d'utiliser cet appareil et conservez-la pour pouvoir la consulter ultérieurement. Au cas de changement de propriété, la notice doit être transmise au nouveau propriétaire.
- **ATTENTION:** Les enfants âgés de moins de 3 ans doivent être tenu à distance, sauf qu'ils sont sous une surveillance constante.

Les enfants entre 3 et 8 ans ne peuvent que mettre l'appareil en marche ou à l'arrêt, à condition que l'appareil ait placé et soit prêt pour fonctionnement normal et que ces enfants aient été surveillés et aient reçu des instructions préalables concernant son utilisation en toute sécurité et en comprenant bien les dangers potentiels.

Les enfants âgés entre 3 et 8 ans ne doivent ni brancher l'appareil dans la prise de courant, ni régler l'appareil, ni le nettoyer ou réaliser son entretien.

Cet appareil peut être utilisé par des enfants âgés de plus de 8 ans et des personnes dont les capacités physiques, sensorielles ou mentales sont réduites, ou des personnes dénuées d'expérience ou de connaissance, à condition qu'ils soient sous surveillance ou aient reçu des instructions préalables concernant l'utilisation en toute sécurité de l'appareil et ils comprennent les dangers potentiels. Les enfants ne doivent pas jouer avec l'appareil. Le nettoyage et l'entretien ne doivent pas être réalisé par des enfants sans la surveillance d'un adulte responsable.

- **ATTENTION:** Certaines parties de cet appareil peuvent devenir très chaudes et de provoquer des brûlures. Il faut prêter une attention particulière en présence d'enfants et de personnes vulnérables.



- **AVERTISSEMENT:** Pour éviter une surchauffe dangereuse, ne couvrez en aucun cas l'appareil!
- L'appareil ne doit pas être installé juste au-dessous d'une prise de courant.
- Si le cordon d'alimentation est endommagé, il doit être remplacé par le fabricant, son agent de service ou des personnes de qualification similaire afin d'éviter tout danger.
- Avant de brancher l'appareil - vérifiez que la tension de votre installation électrique correspond bien à celle indiquée sur la plaque signalétique de l'appareil.
- Cet appareil doit être destiné uniquement à l'usage pour lequel il a été conçu et notamment - chauffage des logements domestiques. Cet appareil n'est pas destiné à l'usage commercial. Tout autre emploi est considéré impropre et dangereux. Le constructeur ne peut pas être tenu responsable de dommages provoqués par une utilisation impropre ou irrationnelle. Le non-respect des consignes de sécurité entraîne l'annulation de la dite garantie de l'appareil.
- Ne jamais quitter votre logement pendant que l'appareil fonctionne: assurez-vous que le bouton se trouve en position «off» / «arrêt» (s'il s'agit d'un convecteur à réglage mécanique).
- Tenir les objets inflammables - par exemple meubles, oreillers, linge, papier, vêtements, drapeaux etc. - à une distance minimale de 100 cm du convecteur.
- Ne jamais utiliser l'appareil dans des endroits où sont utilisés ou stockés des liquides inflammables (par exemple à proximité des gazes inflammables ou des aérosols) - il existe un risque énorme d'explosion ou d'incendie!
- Ne pas introduire ou laisser pénétrer des objets dans les ouvertures d'entrée ou de sortie d'air, car cela entraînerait un choc électrique, un incendie ou endommager le convecteur.
- L'utilisation de l'appareil dans le domaine d'élevage des animaux est inadéquate, le dernier est destiné uniquement à l'usage domestique.
- Ne pas couvrir les grilles de protection, ne pas bloquer l'entrée ou la sortie de l'air en plaçant l'appareil contre une surface. Tenir tous les objets à une distance minimale d'un mètre de la façade ou des côtés de l'appareil.
- La cause la plus fréquente de surchauffe est le dépôt de poussières et de fibres textiles dans l'appareil. Nettoyer régulièrement les ouvertures de ventilation après avoir obligatoirement débrancher l'appareil.
- Ne jamais toucher l'appareil avec des mains humides - risque de la vie!
- La prise de courant doit être accessible à tout moment pour pouvoir débrancher l'appareil le plus rapidement en possible cas de besoin. Ne jamais débrancher l'appareil de la prise de courant en tirant le cordon d'alimentation ou l'appareil même.
- Remarquez! L'air qui sort de l'appareil se chauffe au cours de son

fonctionnement (jusqu'à plus de 100°C)

- Si vous décidez de ne plus utiliser l'appareil, on vous conseille de le tourner inutilisable en coupant le cordon d'alimentation après l'avoir débrancher. Assurez-vous qu'il n'existe aucun danger, notamment s'il se trouve à proximité d'enfants mineurs, qui pourraient jouer avec.
- Attention: Ne pas utiliser cet appareil de chauffage avec un programmeur, une minuterie ou autre dispositif qui met l'appareil de chauffage sous tension automatiquement, car il y a risque de feu si l'appareil de chauffage est recouvert ou placé de façon incorrecte.
- Placer le cordon d'alimentation à l'écart des zones de grand passage! Vous assurer que l'on ne marchera pas sur lui! Utiliser exclusivement des rallonges approuvées qui conviennent au produit, et notamment celles qui portent une marque de conformité.
- Ne jamais déplacer l'appareil en tirant le cordon d'alimentation et ne jamais utiliser le cordon d'alimentation pour déplacer des objets!
- Ne jamais tordre et tirer sur des bords tranchants le cordon d'alimentation. Ne le placer jamais sur une plaque chauffante ou un feu ouvert!

EMBALLAGE

- Après avoir déballé l'appareil, vérifiez la présence de tous les composants et son état après le transport. Si vous constatez des dégâts ou manque de component, contactez immédiatement Votre distributeur autorisé!
- Ne jetez pas l'emballage d'origine! Il pourrait être utilisé pour le rangement et le transport de l'appareil afin d'éviter les dommages de transport!
- Mettez l'emballage au rebut de manière appropriée! Les sachets en plastique ne sont pas de jouets! Assurez-vous que les enfants ne jouent pas avec!

NOTICE D'UTILISATION ET INSTRUCTION DE MONTAGE DE KIT PIEDS

- Ce convecteur est conçu pour un usage en intérieur uniquement.

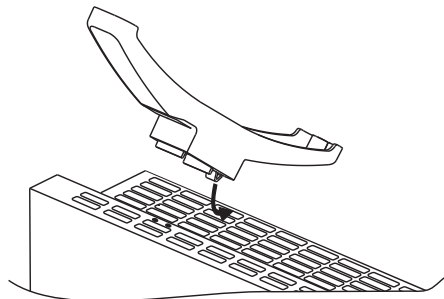


Conformément au Règlement (UE) 2015/1188 portant application de la Directive 2009/125/CE cet appareil électrique n'est pas destiné à un montage mural.

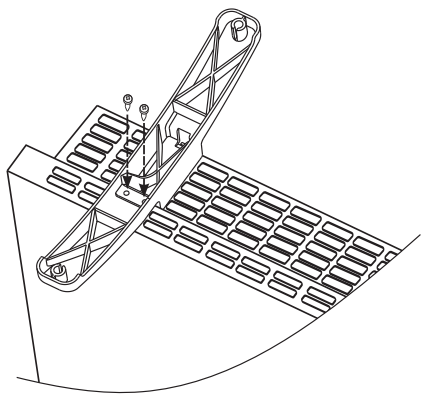


Important: Si la pièce est d'un volume de plus de 45 m³ il est recommandable d'utiliser 2 ou plusieurs convecteurs.

- Ne pas installer le convecteur au-dessus d'une prise de courant ou une boîte de raccordement.
- Ne pas installer/ne pas utiliser le convecteur:
 1. dans un courant d'air susceptible de perturber sa régulation
 2. juste au-dessous d'une prise de courant
 3. dans le volume 1 (volume 1) des salles de bains
 4. dans le volume 2 (volume 2) des salles de bains, si le panneau de contrôle est accessible pour une personne se trouvant dans la baignoire ou sous la douche
- Avant de monter les pieds assurez-vous que le convecteur est débranché de la prise de courant.
- Placez les pieds dans les trous de la grille d'entrée d'air froid - montez-les symétriquement en respectant la même distance par rapport aux deux bords du convecteur. Sur chaque appareil vous allez trouver 2x2 ouvertures prévues à cet effet à proximité des bords.



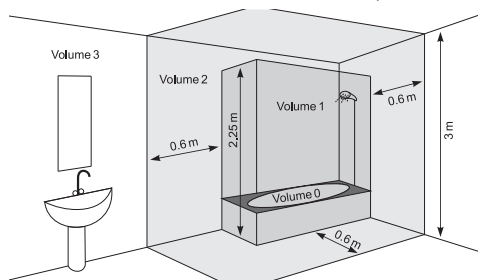
- Assemblez le premier pied en faisant entrer d'abord la partie plus haute du pied dans le panneau du convecteur (mettez-vous en face du convecteur) - cette partie est moins haute que le panneau métallique de face. Vissez les deux vis de fixation 3.5x9.5mm avec un tournevis cruciforme (il n'est pas inclus dans le kit). La vis traverse le pied en plastique et se visse dans la boîte métallique du convecteur. Répétez les mêmes pas pour fixer l'autre pied.
- La fixation des pieds est correcte si après le montage vous placez le convecteur au sol et il se tient horizontalement. Ne jamais tirer l'appareil sur le cordon d'alimentation, le convecteur peut être déplacé seulement s'il est froid.



- Après avoir fixé les pieds placez le convecteur au sol et vous assurez que vous avez strictement observé tous les conditions mentionnées dans la présente instruction (Mentions importantes et consignes de sécurité). La position correcte de convecteur est comme il suit - le panneau de commande est situé au-dessus du convecteur et les pieds sont au sol!

INSTALLATION DANS LA SALLE DE BAINS

- L'installation de ce convecteur doit s'effectuer conformément aux pratiques commerciales habituelles et en respectant les dispositions de la législation en vigueur du pays dans lequel il est mis en œuvre (les directives concernant les directives concernant l'installation des appareils électriques en EU et les exigences par rapport le montage spécial ou l'installations dans les endroits spécifiques y compris des salles de bains et des cabines de douche HD60364-7-701(IEC 60364-7-701:2006)).



- Dans le cas du montage du convecteur dans une salle de bains ou une pièce humide, l'appareil doit être installé conformément aux exigences suivantes: Le convecteur est muni de protection IP24 (protection contre la chute de gouttes d'eau). Pour cette raison il est impératif qu'il soit installé dans le volume 2 (voir le schéma en bas) de façon à ce que le panneau de commande (les interrupteurs et les autres dispositifs) ne puissent pas être touchés par une personne se trouvant dans la baignoire ou dans la douche. La distance minimum entre le convecteur et une source d'eau doit être d'au moins 1 mètre! Si vous avez des doutes ou des hésitations par rapport à l'installation de cet appareil dans la salle de bain, nous vous recommandons de consulter un électricien professionnel agréé.

Note: S'il est impossible de remplir les conditions mentionnées en haut il est recommandable que l'appareil soit installé dans le volume 3 (volume 3).

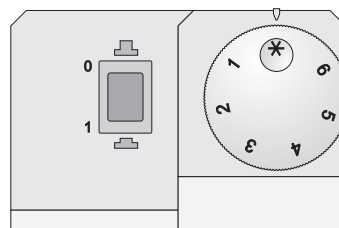
- Dans des locaux humides comme les salles de bains et les cuisines, vous devez installer le boîtier de raccordement au moins à 25 cm du sol.
- L'installation doit comporter un dispositif de protection automatique ayant une distance d'ouverture des contacts d'au moins 3 mm. quand il est éteint.

Nous vous félicitons d'avoir choisi notre convecteur CN03 et nous vous remercions de votre confiance. Cet appareil est élaboré pour vous offrir un chauffage pendant les mois d'hivers correspondant à vos besoins et dans l'objectif de vous apporter plein confort. Veuillez consulter attentivement cette notice, suivez les instructions et soignez proprement l'appareil pour profiter de toutes ses possibilités pendant de longues années.

MODE D'EMPLOI

COMMANDE MÉCANIQUE

Modes de fonctionnement



Brancher le convecteur, appuyer sur le bouton Marche/Arrêt en le mettant en position I (Marche), positionner ensuite le bouton de réglage sur le mode souhaité /de 1 à 6/ en tenant compte du suivant:

* - mode hors gel / l'appareil se met en marche quand la température ambiante est inférieure à 5 °C/

1 / 2 – mode Eco /maintient la pièce à la température Economique/ Il est recommandable d'utiliser ce mode pendant la nuit ou lorsque vous êtes hors de la pièce. Ce mode permet de maintenir une température de confort minimum en permettant des économies d'énergie.

3 / 4 / 5 – mode confort /maintient une température de confort dans la pièce/ Il est recommandable d'utiliser ce mode pour maintenir une température de confort relativement haute lorsque vous êtes dans la pièce pendant la journée

6 – mode marche forcée / maintient la pièce à une température HAUTE/ Il est recommandable d'utiliser ce mode quand vous souhaitez maintenir une température maximale dans la pièce

Important: Les chiffres indiqués sur le bouton de réglage ne correspondent pas à la valeur concrète de la température ambiante, elles servent à mentionner le rapport entre la température et la position du bouton de réglage.

Quand la température dans la pièce est inférieure à celle qui est programmée à l'aide du bouton de réglage, le convecteur se met en marche et fonctionne jusqu'au moment où la température souhaitée soit atteinte. Quand la température dans la pièce est supérieure à celle qui est programmée à l'aide du bouton de réglage, le convecteur se met automatiquement en mode de veille.

SÉCURITÉ

- L'appareil est muni d'un dispositif de sécurité qui coupe automatiquement le fonctionnement du thermostat en cas d'échauffement anormal /surchauffe/
- Le dispositif de sécurité remet automatiquement l'appareil en marche après refroidissement.

PROTECTION ANTI-RENVERSEMENT

Cet appareil est muni d'un interrupteur de sécurité qui coupe automatiquement l'alimentation lorsque l'appareil tombe ou s'incline trop vers le sol. La protection anti-renversement permet d'éviter des accidents. Après la remise du convecteur dans la position correcte il continuera à fonctionner selon le dernier mode de fonctionnement sélectionné.

NETTOYAGE

- Il est impératif que l'appareil soit éteint et débranché de la prise de courant murale. Débrancher-le et le laisser refroidir avant de le nettoyer.
- Nettoyer le corps de l'appareil avec un chiffon humide, un aspirateur ou une brosse à poussière.
- Ne jamais ploger l'appareil sous l'eau - danger de choc électrique et risque à la vie!
- Ne jamais utiliser de benzène, de diluant, des poudres abrasives, ni des solvants, car ils peuvent endommager le revêtement de l'appareil.

RANGEMENT

- Avant de ranger le convecteur le laisser refroidir après l'avoir débranché de la prise murale.
- Utiliser l'emballage d'origine pour ranger le convecteur si vous n'allez pas l'utiliser pendant un certain temps. Elle protégera l'appareil de poussière et de saoullure.
- Ne jamais ranger un appareil tant qu'il est chaud!
- L'appareil doit être placé dans un local à l'abri de l'humidité et de la lumière directe du soleil.
- Le rangement dans des locaux humides ou mouillés est strictement interdit.

SAV (SERVICE APRÈS VENTE)

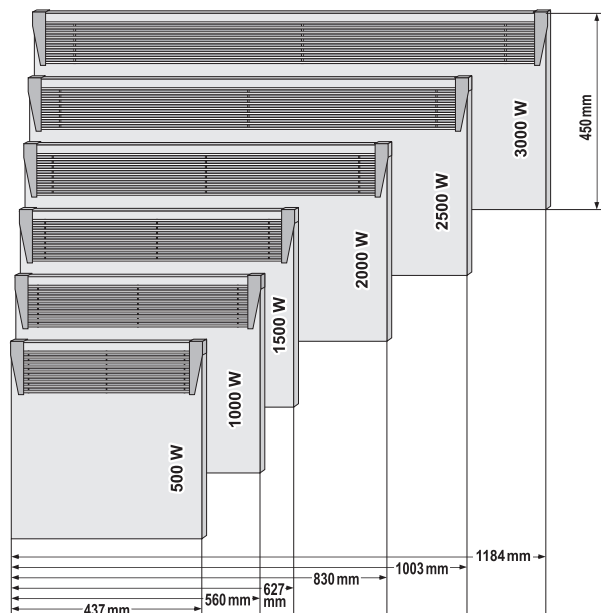
- En cas d'endommagement ou de mauvais fonctionnement de l'appareil veuillez contacter un Centre de service agréé de votre réseau /voir la liste des Centres de service agréé mentionnés sur le bon de garantie du produit/.
- Important:** En cas de réclamation et/ou de violation de vos droits en tant que

consommateur veuillez immédiatement contacter le fournisseur de l'appareil à l'adresse mentionnée ou via la page web de la société: www.tesy.com

PUISSANCE DE L'APPAREIL, VOLUME ET SURFACE DE CHAUFFE

Modèle	Volume de chauffe	Surface de chauffe
CN 03 050 MIS F - 500W	10* - 15 m ³	4* - 6 m ²
CN 03 100 MIS F - 1000W	20* - 30 m ³	8* - 12 m ²
CN 03 150 MIS F - 1500W	30* - 45 m ³	12* - 18 m ²
CN 03 200 MIS F - 2000W	40* - 60 m ³	16* - 24 m ²
CN 03 250 MIS F - 2500W	50* - 70 m ³	20* - 28 m ²
CN 03 300 MIS F - 3000W	60* - 80 m ³	24* - 32 m ²

* Volume/surface de chauffe garanti minimum, coefficient moyen de conductivité thermique $\lambda = 0,5 W / (m^2K)$ dans la pièce chauffée. Les meilleurs résultats pour le volume chauffé (surface) sont réalisés à une valeur moyenne de $\lambda = 0,35 W / (m^2K)$. Hauteur de pièce standard - 2,5 mètres.



Protection de l'environnement

Les appareils électriques sont conçus et fabriqués avec des matériaux et des composants de haute qualité. Ne les jetez donc à la poubelle comme des déchets ménagers normaux! Veuillez respecter les dispositions de la protection de l'environnement et réutiliser des ressources et remettez le produit à l'un des centres de collecte sélective s'il y en a prévus.

TABLEAU 2: EXIGENCES D'INFORMATIONS APPLICABLES AUX DISPOSITIFS DE CHAUFFAGE DÉCENTRALISÉS ÉLECTRIQUES

Référence(s) du modèle: 1.CN03 050 MIS F 2. CN03 100 MIS F 3. CN03 150 MIS F 4. CN03 200 MIS F 5. CN03 250 MIS F 6. CN03 300 MIS F 230V~ 50Hz

Angabe	Symbol	Wert 1	Wert 2	Wert 3	Wert 4	Wert 5	Wert 6	Einheit	Angabe	Einheit
Puissance thermique									Type d'apport de chaleur, pour les dispositifs de chauffage décentralisés électriques à accumulation uniquement (sélectionner un seul type)	
Puissance thermique nominale	P_{nom}	0.50	1.00	1.50	2.00	2.50	3.00	kW	contrôle thermique manuel de la charge avec thermostat intégré	[non]
Puissance thermique minimale (indicative)	P_{min}	0.00	0.00	0.00	0.00	0.00	0.00	kW	contrôle thermique manuel de la charge avec réception d'informations sur la température de la pièce et/ou extérieure	[non]
Puissance thermique maximale continue	$P_{max,C}$	0.50	1.00	1.50	2.00	2.50	3.00	kW	contrôle thermique électronique de la charge avec réception d'informations sur la température de la pièce et/ou extérieure	[non]
Consommation d'électricité auxiliaire									puissance thermique réglable par ventilateur	[non]
À la puissance thermique nominale	e_{lmax}	0.44	0.91	1.42	1.89	2.41	2.87	kW	Type de contrôle de la puissance thermique/de la température de la pièce (sélectionner un seul type)	-
À la puissance thermique minimale	e_{lmin}	0.00	0.00	0.00	0.00	0.00	0.00	kW	contrôle de la puissance thermique à un palier, pas de contrôle de la température de la pièce	[non]
En mode veille	e_{lSB}	0.00	0.00	0.00	0.00	0.00	0.00	kW	contrôle à deux ou plusieurs paliers manuels, pas de contrôle de la température de la pièce	[non]
									contrôle de la température de la pièce avec thermostat mécanique	[oui]
									contrôle électronique de la température de la pièce	[non]
									"contrôle électronique de la température de la pièce et programmeur journalier"	[non]
									contrôle électronique de la température de la pièce et programmeur hebdomadaire	[non]
									Autres options de contrôle (sélectionner une ou plusieurs options)	
									contrôle de la température de la pièce, avec détecteur de présence	[non]
									contrôle de la température de la pièce, avec détecteur de fenêtre ouverte	[non]
									option contrôle à distance	[non]
									contrôle adaptatif de l'activation	[non]
									limitation de la durée d'activation	[non]
									capteur à globe noir	[non]

TESY Ltd

48 Madara Blvd,
Shumen, 9700,
Bulgaria

GUIDE DE DÉPANNAGE

Avant de contacter notre Centre de service client, veuillez consulter le tableau ci-dessous:

PROBLÈME	CAUSE	SOLUTION
L'appareil ne fonctionne pas	Pas d'alimentation du réseau électrique. Assurez-vous que l'appareil est bien branché et que la prise de courant fonctionne.	Branchez la fiche dans une prise de courant et vérifiez la position de l'interrupteur ON / OFF (marche/arrêt).
La pièce n'est pas assez chaude même si l'appareil est chaud	Surchauffe de l'appareil. Le dispositif de protection contre la surchauffe limite la production de chaleur.	Supprimez la cause de la surchauffe (couverture, souillure ou obstruction de l'entrée ou la sortie d'air). Respectez les distances minimales autour de l'appareil indiquées dans l'instruction d'installation.
	La chaleur nécessaire pour chauffer la pièce est supérieure à celle émise par l'appareil.	Éliminer les pertes de chaleur. (Fermez les fenêtres et les portes. Évitez l'aération permanente.)
	Vérifiez si la puissance de votre appareil est adaptée au volume de la pièce.	Il est conseillé une puissance moyenne de 100 W/m ² pour une hauteur sous plafond de 2,50 m ou 30 W/m ³ .
Salissures sur le mur près de l'appareil	Les salissures sur le mur apparaissent à cause de l'air pollué dans la pièce.	Assurez-vous que la pièce est régulièrement aérée, surtout si l'on fume dedans.
Sons / bruits	Il n'est pas rare que l'appareil émette des sons faibles pendant la chauffe et peu après la température de consigne est atteinte.	Cet effet est dû à la dilatation naturelle des matériaux lors de la montée rapide de la température, suivie du refroidissement des métaux utilisés pour la fabrication de l'appareil.
Taches jaunâtres sur la grille	Les vêtements humides posés sur la grille de l'appareil peuvent laisser des taches pareilles.	Ne jamais couvrir l'appareil! C'est interdit parce que cela bloque la convection de l'air et cause des dommages irréparables à l'appareil, ce que peut entraîner des risques graves pour votre santé et vos biens.

VIGTIGE SIKKERHEDSANVISNINGER:**OPMÆRKSOMHED:**

- Læs denne brugermanual grundigt inden før brug og gem den til fremtidig brug. Ved ejerskifte skal brugermanualen følge med apparatet.
- OPMÆRKSOMHED:** Hold børn under 3 år væk fra apparatet, medmindre de er under konstant opsyn.

Børn fra 3 til 8 år må kun bruge apparatets tænd/sluk-knap, hvis apparatet er blevet færdigmonteret og klar til brug, og hvis børnene er blevet vejledt og instrueret i sikker brug, og hvis de forstår at anvendelsen af apparatet kan være farlig.

Børn fra 3 til 8 år må ikke sætte stikket ind i stikkontakten, indstille apparatet, rengøre det eller udføre brugervedligeholdelse.

Dette apparat kan bruges af børn ældre end 8 år og personer med nedsat fysisk, sensorisk eller psykisk funktionsevne, eller med manglende erfaring og viden, hvis de er blevet vejledt eller instrueret i sikker brug af apparatet og forstår farerne. Børn må ikke lege med apparatet. Rengøring og brugervedligeholdelse må ikke udføres af børn uden opsyn.

- OPMÆRKSOMHED:** Visse dele af dette produkt kan blive meget varme og medføre forbrændinger. Hvis der er børn og sårbare mennesker, skal man tage særligt hensyn til dem.



- ADVARSEL:** For at undgå overopvarmning må du ikke tildække apparatet!
- Apparatet må ikke anbringes under stikkontakter!
- Hvis netledningen er beskadiget, skal den udskiftes af producenten, dens serviceagent eller lignende kvalificerede personer for at undgå en fare.
- Inden du tilslutter apparatet skal du tjekke, om spændingen på typeskiltet stemmer overens med din lokale strømforsyning.
- Apparatet må kun anvendes formålsmæssigt, dvs. til opvarmning af private hjem. Apparatet er ikke beregnet til kommercielle formål. Al anden brug skal betragtes som forkert og dermed farlig. Producenten kan ikke holdes ansvarlig for eventuelle skader forårsaget af forkert og u hensigtsmæssig brug. Manglende overholdelse af sikkerhedsanvisningerne vil ugyldiggøre apparatets garanti!
- Du må ikke forlade dit hjem, mens apparatet er tændt: tjek først, at knappen er slukket (gælder kun modeller med mekanisk regulering).
- Hold antændelige genstande såsom møbler, puder, sengetøj, papirer, tøj, gardiner osv. på en afstand af mindst 100 cm væk fra konvektoren.
- Brug ikke apparatet der, hvor du anvender eller opbevarer brændbare stoffer (fx i nærheden af brændbare gasser eller aerosoler) - der er stor risiko for brand og eksplosion!
- Du må ikke indsætte eller lade fremmedlegemer komme ind i ventilationsåbningerne (indsugnings- og udblæsningsåbningerne), da dette vil medføre elektrisk stød, brand eller beskadigelse af konvektoren.
- Apparatet er ikke egnet til dyreavl, det er kun beregnet til almindelig husholdningsbrug!
- Du må ikke tildække sikkerhedsgitrene eller blokere den ind- og udgående luftstrøm ved at placere apparatet på steder, hvor luftstrømmen hindres. Alle genstande skal være mindst 1 m væk fra apparatets front og sider.
- Den mest almindelige årsag til overopvarmning er ophobningen af fugt og støv på apparatet. Ventilationsåbningerne skal støvsuges regelmæssigt, efter at man har taget apparatets stik ud af stikkontakten.
- Apparatet må ikke berøres med våde eller fugtige hænder - det kan være livsfarligt!
- Stikkontakten skal til enhver tid være tilgængelig, for at man skal kunne trække stikket ud så hurtigt som muligt, hvis det bliver nødvendigt! Træk aldrig i ledningen eller selve apparatet, når du skal tage stikket ud af kontakten.
- Bemærk! Den udgående luft bliver opvarmet under drift (op til over 100°C).
- Hvis du vil holde op med at bruge apparatet, skal du helst gøre det ubrugeligt ved at skære ledningen over, efter at du har taget stikket ud af kontakten. Vi anbefaler, at du bagefter sikrer apparatet mod alle mulige farer, især hvis der er risiko for at børn kommer til at lege med apparatet.
- Advarsel: Brug ikke dette apparat med en programmeringsenhed, timer eller anden indretning til automatisk tænding, for hvis apparatet bliver tildækket eller anbragt på det forkerte sted, er der risiko for brand.
- Placer netledningen, så den ikke står i vejen og ikke betrædes! Brug kun

godkendte forlængerledninger, der er egnede til apparatet, dvs. de skal have et overensstemmelsesmærke!

- Flyt aldrig apparatet ved at trække i ledningen, og brug ikke ledningen til at bære genstande med!
- Undgå at bøje ledningen og trække den over skarpe kanter, læg den på varmeplader eller i åben ild!

INDPAKNING

- Efter udpakning af apparatet skal du kontrollere, at det ikke er blevet beskadiget under transporten, og at det er fuldt udstyret! Hvis du finder en skade eller manglende komponenter, bedes du kontakte din autoriserede forhandler!
- Smid ikke originalæskan ud! Den kan bruges til opbevaring og transportering af apparatet, så man undgår at det bliver beskadiget under transporten.
- Emballagen skal bortskaffes på en hensigtsmæssig måde! Børn må ikke lege med polyethylenposerne!

BRUGS- OG MONTERINGSANVISNING FOR GULVBEN

- Denne konvektor er beregnet til brug indendørs.

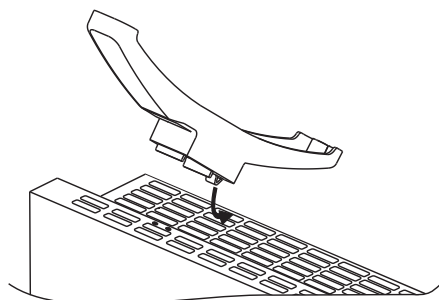


I henhold til EU-forordning 2015/1188 om gennemførelsen af Direktiv 2009/125 / EC er denne elektriske varmeenhed ikke designet til vægmontering!

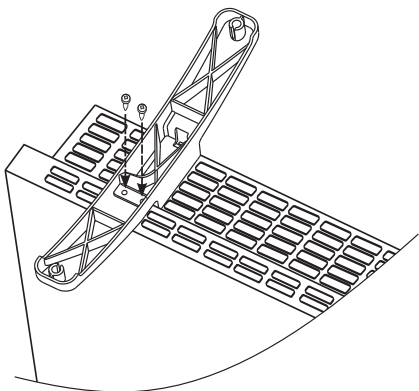


Vigtigt: I rum med volumen større end 45 m³ anbefales at man bruger 2 eller flere konvektorer.

- Konvektoren må ikke monteres under stikkontakter eller tilslutningsbokse.
- Konvektoren må ikke monteres/anvendes
 - på steder, hvor der er trækraft, da den kan forstyrre kontrolindstillingerne;
 - direkte under stikkontakter;
 - i rum 1 (volumen 1) for badeværelser;
 - i rum 2 (volumen 2), hvis betjeningspanelet kan tilgås af en person, der befinder sig i brusebadet eller karbadet;
- Inden du begynder at montere gulvbenene tjek om enheden er taget ud af stikkontakten!
- Gulvbenene monteres i åbningerne til indkommende luft - den korrekte måde at montere dem er symmetrisk i konvektorens begge ende på samme afstand fra konvektorens kanter. Der er 2x2 åbninger på hver konvektor til dette formål.



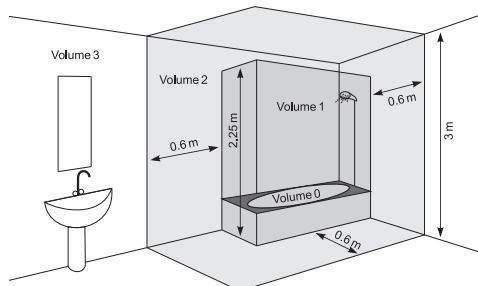
- Monter det ene gulvben ved at indføre dets højere del i konvektoren først (stil dig mod konvektorens forside) - denne del er lavere i forhold til metalfrontpanelet. Bagefter tag en stjerneskrue (ikke inkluderet) og skrue fast de to sikkerhedsskruer 3.5 x 9.5 mm. Skruen går igennem plastgulvbenet og skrues ind i konvektorens metalboks. Gentag for det andet ben.
- Gulvbenenes montering er korrekt når konvektoren placeres på gulvet og står vandret. Brug ikke ledningen til at trække konvektoren. Flyt konvektoren kun når den er "kold".



- Placer konvektoren med de monterede gulvben på gulvet. Før du tænder den, tjek om alle brugsbetingelser fra brugsanvisningens begyndelse overholdes (forholdsregler og vigtige brugsvilkår for konvektoren). Vid korrekt stilling vil kontrolpanelet være øverst og gulvbenene vil være på gulvet!

ANVENDELSE AF APPARATET I BADEVÆRELSE

- Konvektoren skal monteres i overensstemmelse med den normale handelspraxis og i overensstemmelse med lovgivningen i det pågældende land (EF elektricitetsdirektiver og krav til specielle installationer eller områder - Områder med bad eller brusebad HD60364-7-701 (IEC 60364-7-701:2006)).



- Hvis denne konvektor skal bruges i et badeværelse eller andet lignende rum, skal man under monteringen overholde følgende krav: Konvektoren har beskyttelse IP24 (beskyttet mod stænk). Af den grund skal den monteres i rum 2 (volume2) (se figur nedenfor) for at forhindre at konvektorens betjeningspanel (afbryder eller temperaturregulator) kan tilgås af en person, der befinder sig i brusebadet eller i karbadet. Minimumsafstanden mellem apparatet og nærmeste vandkilde skal være mindst 1 m! Hvis du er usikker på hvordan du skal montere konvektoren i et rum med bad, skal du helst spørge en professionel elektriker til råds.

Bemærk: Hvis betingelserne ovenfor ikke kan overholdes, skal man helst montere i rum 3 (VOLUME 3).

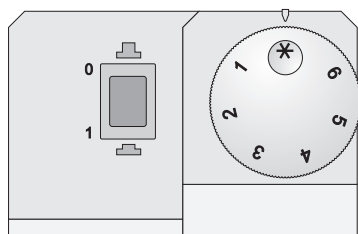
- I vådrum (badeværelse og køkkener) skal strømkilden monteres i en højde på mindst 25 cm fra gulvet.
- Anlægget skal være udstyret med en automatisk sikring, hvor afstanden mellem stikkontakterne, når den er slukket, skal være mindst 3 mm.

Tak fordi du valgte konvektor CN03. Den vil sørge for opvarmning om vinteren og behagelig varme i det opvarmede rum alt efter behov. Den korrekte brug og vedligehold i overensstemmelse med denne brugermanual vil forlænge apparatets levetid.

BETJENINGSVEJLEDNING

MEKANISK STYRING

Driftsmåder



Tænd konvektoren, tryk Afbryderen ned i stilling "I" (Tændt), drej bagefter regulatoren til den ønskede grad /1 til 6/ under hensyntagen til følgende forhold:

* – antifrostfunktion /startes når rumtemperaturen falder under +5°C/

1 / 2 – økonomisk drift /opretholder en lav temperatur i rummet/ anbefales om natten eller når der ikke er nogen mennesker i rummet. Gør det muligt at opretholde en bestemt temperatur og samtidig spare på energi.

3 / 4 / 5 – komfortdrift /opretholder en moderat temperatur i rummet/ anbefales hvis du vil opretholde en relativ høj og behagelig rumtemperatur om dagen.

6 – maximum drift /opretholder en HØJ temperatur i rummet/ anbefales hvis du vil have den højeste mulige rumtemperatur

Vigtigt: Cifrene på temperaturregulatoren svarer ikke til en bestemt rumtemperaturværdi, de tjener til praktisk at gemme forholdet mellem temperatur og regulatorens indikation.

Når rumtemperaturen er lavere end den, man har indstillet ved hjælp af regulatoren, går konvektoren i gang med at opvarme og fortsætter med det, indtil rumtemperaturen kommer op på den indstillede værdi. Når rumtemperaturen er højere end den indstillede værdi, skifter konvektoren automatisk til driftsmåden „Startklar“.

SIKRING

- Apparatet er udstyret med en sikkerhedstermostat, der automatisk slukker varmelegemet, i tilfælde at temperaturen i konvektoren stiger over de tilladte værdier /dvs. overopvarmning af apparatet/.
- Sikkerhedstermostaten genstarter konvektoren automatisk, først efter apparatets temperatur er faldet under de tilladte grænseværdier.

VÆLTEBESKYTTELSE

Enheden er beskyttet af en sikkerhedsafbryder, som automatisk slukker for enheden, når denne falder eller står i en skarp vinkel mod gulvet. Således bliver ulykker undgået. Når enheden bliver sat op igen, fortsætter den at virke ifølge den sidste indstillede tilstand.

RENGØRING

- Sluk altid for apparatet ved hjælp af afbryderen og lad den køle af ved at tage stikket ud før rengøring.
- Rengør kabinettet med en fugtig klud, støvsuger eller børste.
- Apparatet må aldrig nedsænkes i vand – det er livsfarligt pga. risiko for elektrisk stød!
- Brug aldrig benzin, fortynder eller stærkt slibende rengøringsmidler, da de vil beskadige apparatets overflade.

OPBEVARING

- Før opbevaring skal du lade konvektoren køle af ved at trække stikket ud af kontakten.
- Hvis du ikke skal bruge konvektoren i længere tid, skal du opbevare den i originalindpakningen. Dette vil beskytte den mod støv og smuds.
- Læg aldrig et varmt apparat i indpakningen!
- Produktet skal opbevares på et tørt sted, beskyttet mod direkte sollys.
- Det er udtrykkeligt forbudt at opbevare det i våde eller fugtige rum.

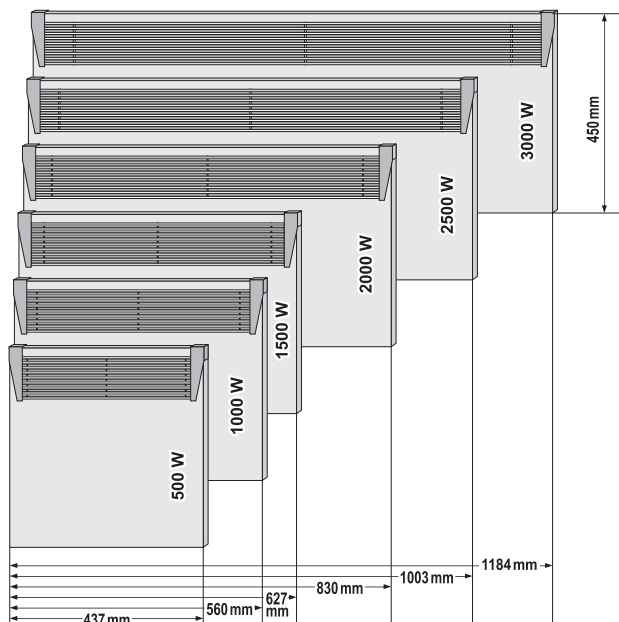
VEDLIGEHOLDELSE

- I tilfælde af fejl på apparatet bedes du kontakte dit nærmeste autoriserede servicecenter /angivet i produktets garantikort/.
- Vigtigt:** I tilfælde af reklamation eller overtrædelse af dine forbrugerrettigheder skal du kontakte apparatets leverandør på de angivne adresser eller via firmaets hjemmeside: www.tesy.com

APPARATETS DIMENSIONER, OPVARMET VOLUMEN OG AREAL

Model	Opvarmet volumen	Opvarmet areal
CN 03 050 MIS F - 500W	10* - 15 m ³	4* - 6 m ²
CN 03 100 MIS F - 1000W	20* - 30 m ³	8* - 12 m ²
CN 03 150 MIS F - 1500W	30* - 45 m ³	12* - 18 m ²
CN 03 200 MIS F - 2000W	40* - 60 m ³	16* - 24 m ²
CN 03 250 MIS F - 2500W	50* - 70 m ³	20* - 28 m ²
CN 03 300 MIS F - 3000W	60* - 80 m ³	24* - 32 m ²

* Minimum garanteret opvarmet volumen (areal) til opvarmning ved en gennemsnitlig varmeledning-skoefficient på $\lambda = 0,5 \text{ W} / (\text{m}^2\text{K})$ for de opvarmede rum. De højere værdier for det opvarmede volumen (areal) opnås ved en gennemsnitlig værdi på $\lambda = 0,35 \text{ W} / (\text{m}^2\text{K})$. Standard loftshøjde – 2.5 meter.



Anvisninger om beskyttelse af miljøet

Gamle husholdningsapparater indeholder værdifulde materialer, og derfor må man ikke smide dem ud sammen med det almindelige husholdningsaffald! Vi beder dig om at yde dit bidrag til beskyttelse af miljøet og aflevere apparatet til en genbrugsplads (hvis der er nogen i nærheden), når du er færdig med at bruge det.

TABEL 2: INFORMATIONSKRAV FOR ELEKTRISKE PRODUKTER TIL LOKAL RUMOPVARMNING

Modelidentifikation(er): 1.CN03 050 MIS F 2. CN03 100 MIS F 3. CN03 150 MIS F 4. CN03 200 MIS F 5. CN03 250 MIS F 6. CN03 300 MIS F 230V~ 50Hz

Element	Symbol	Værdi 1	Værdi 2	Værdi 3	Værdi 4	Værdi 5	Værdi 6	Enhed	Element	Enhed
Varmeydelse									Type varmetilførsel, kun for elektriske akkumulerende produkter til lokal rumopvarmning (vælg en type)	
Nominal varmeydelse	P_{nom}	0.50	1.00	1.50	2.00	2.50	3.00	kW	Manuel varmelagringsstyring med integreret termostat	[nej]
Mindste varmeydelse (vejledende)	P_{min}	0.00	0.00	0.00	0.00	0.00	0.00	kW	"Manuel varmelagringsstyring med indendørs og/eller udendørs temperaturmåling"	[nej]
Maksimal kontinuerlig varmeydelse	$P_{max,C}$	0.50	1.00	1.50	2.00	2.50	3.00	kW	Elektronisk varmelagringsstyring med indendørs og/eller udendørs temperaturmåling	[nej]
Supplerende strømforbrug									Varmeblæser	[nej]
Ved nominal varmeydelse	e_{max}	0.44	0.91	1.42	1.89	2.41	2.87	kW	Type varmeydelse/rumtemperaturstyring (vælg en type)	-
Ved mindste varmeydelse	e_{min}	0.00	0.00	0.00	0.00	0.00	0.00	kW	Ét-trinsvarmeydelse uden rumtemperaturstyring	[nej]
I standbytilstand	e_{SB}	0.00	0.00	0.00	0.00	0.00	0.00	kW	To eller flere manuelle trin uden rumtemperaturstyring	[nej]
									Med mekanisk rumtemperaturstyring	[ja]
									Med elektronisk rumtemperaturstyring	[nej]
									Elektronisk rumtemperaturstyring og døgtimer	[nej]
									Elektronisk rumtemperaturstyring og ugetimer	[nej]
									Andre styringsmuligheder (flere muligheder kan vælges)	
									Rumtemperaturstyring med bevægelsessensor	[nej]
									Rumtemperaturstyring med temperaturfaldssensor	[nej]
									Med telestyringsoption	[nej]
									Med adaptiv startstyring	[nej]
									Med drifttidsbegrænsning	[nej]
									Med sort globe-sensor	[nej]

TESY Ltd

48 Madara Blvd,
Shumen, 9700,
Bulgaria

FEJLFINDING

Før du kontakter kundeservicecenteret, venligst kontroller punkterne i den nedenstående tabel.

PROBLEM	ÅRSAG	LØSNING
Enheden fungerer ikke	Ingen strømforsyning fra nettet. Sørg for, at enheden er tilsluttet og at stikkontakten fungerer.	Sæt stikkontakten i og kontroller positionen af Tænd/Sluk-knappen.
Værelset bliver ikke varmt nok, selvom enheden er varm	Overophedning af enheden. Overophedningssikkerhedsbegrænsningen begrænser varmeudløsningen.	Fjern årsagen (dækning, snavs eller forhindringer ved luftindløbet eller luftudløbet). Overhold minimumsafstand i henhold til monteringsvejledningen.
	Værelsets varmebehov er højere end enhedens output.	Fjern varmetab (Luk vinduer og døre. Undgå konstant udluftning.)
	Kontroller om din enheds kraft er tilpasset størrelsen på dit værelse.	Det er anbefalet et gennemsnit på 100 W / m ² for en loftshøjde på 2,50 m eller 30W/m ³
Beskidte mærker dukker op på væggen ved siden af enheden	De beskidte mærker dukker op som et resultat af luftforurening.	Sørg for, at der kommer frisk luft ind i værelset regelmæssigt, især hvis det rygges i det.
Lyde / Støj	At udsende svage lyde under opvarmningsprocessen og kort efter den indstillede temperatur er nået, er ikke noget usædvanligt.	En sådan foreteelse er et resultat af ekspansioner af de naturlige materialer under den hurtige temperaturstigning og afkøling af metaller, der er anvendt til fremstilling af enheden.
Gullige pletter på risten	Sådanne pletter kan være et resultat af, at enheden dækkes med vådt tøj.	Dæk ikke enheden! Dette er ikke tilladt, fordi det blokerer luftkonvektionen og vil skade enheden uopretteligt, hvilket fører til alvorlig risiko for dit helbred og ejendom.

SVARBIOS APSAUGOS PRIEMONĖS IR SAUGOS INSTRUKCIJOS:**DĖMESIO:**

- Būtinai perskaitykite šią instrukciją prieš pradėdami naudoti produktą, ir išsaugokite ją ateičiai. Keičiantis savininkui, eksploatacavimo instrukcija turi būti perduota kartu su įrenginiu!

- **DĖMESIO:** Vaikai, jaunesni nei 3 metų, neturi būti prileidžiami prie įrenginio, išskyrus atvejus, kai jie nuolat prižiūrimi.

Vaikai nuo 3 iki 8 metų gali tik naudotis mygtuku j./išj., su sąlyga, kad įrenginys yra sumontuotas ir paruoštas normaliam darbui, o vaikai yra stebimi ir buvo instruktuoti, kaip juo saugiai naudotis, ir supranta, kad tai gali būti pavojinga.

Vaikai nuo 3 iki 8 metų neturėtų įjungti įrenginio į tinklą, nustatinėti jo, valyti ar kitaip prižiūrėti.

Šį įrenginį gali naudoti vaikai vyresni nei 8 metų ir asmenys su ribotomis fizinėmis, emocinėmis arba protinėmis galimybėmis, taip pat su patirties ir žinių trūkumu, išskyrus atvejus, kai jie yra stebimi, arba juos instruktavo asmuo, atsakantis už jų saugumą, kaip elgtis su įrenginiu. Būtina stebėti, kad maži vaikai nežaistų su įrenginiu! Vaikai negali valyti ir prižiūrėti įrenginio, jeigu jie nėra stebimi.

- **DĖMESIO:** Kai kurios įrenginio dalys gali labai įkaisti ir sukelti nudegimų pavojų. Ten, kur yra vaikų ir kitų pažeidžiamų asmenų, turi būti atkreipiamas ypatingas dėmesys.

- **ĮSPĖJIMAS:** vengdami perkaitimo, neuždenkite įrenginio!



- Įrenginio nerekomenduojama montuoti nedelsiant po lizdu!
- Jei pažeistas maitinimo laidas, norint išvengti pavojaus, jį turi pakeisti gamintojas, jo techninės priežiūros atstovas ar panašiai kvalifikuoti asmenys.
- Prieš montuodami šildytuvą, patikrinkite, ar nurodyta lentelėje įtampa atitinka elektros tinklo įtampą namuose (biure).
- Šis įrenginys turi būti naudojamas tik pagal paskirtį, t.y. buitinių patalpų apšildymui. Prietaisas nėra skirtas komerciniams tikslams. Bet koks kitoks pritaikymas laikomas neteisingu ir pavojingu. Gamintojas negali atsakyti už gedimus, kuriuos sukėlė neteisingas ir neprotingas įrenginio naudojimas. Dėl saugumo informacijos nesilaikymo įrenginio garantija tampa negaliojanti!
- Neišeikite iš namų, kol įrenginys yra įjungtas: įsitikinkite jungiklis yra padėtyje "išjungta" (atveju, kada konvektorius yra komplektuotas su mechaniniu valdymu).
- Laikykite lengvai užsiliepsnojančius daiktus, kaip baldai, pagalvės, patalynė, popierius, drabužiai, užuolaidos ir kt. bent 100 cm atstumu nuo krosnelės.
- Nenaudokite įrenginio zonose, kuriose naudojamos ar saugomos degios medžiagos (kaip pavyzdžiui: arti dujų ar aerosolių) – yra labai didelis sprogimo ir gaisro pavojus!
- Neleiskite, kad svetimkūniai patektų į ventilacijos angas (įleidimo ar išleidimo), nes tai gali sukelti elektros smūgį, gaisrą ar konvektoriaus gedimą.
- Įrenginys netinka gyvūnų priežiūrai, jis skirtas tik naudojimui namuose!
- Neužstokite ir neribokite oro srauto į jėjimo ir išėjimo apsaugines groteles, pateikiant prietaisą netoli nuo paviršiaus. Visi daiktai turi būti bent 1 metro atstumu priekyje ir šone nuo įrenginio.
- Dažniausia priežastis, dėl perkaitimo yra pūkelių ir dulkių kaupimas į mašiną. Reguliariai reikia susiurbti ventilacijos angas, bet prieš to būtinai išjungti prietaisą iš tinklo.
- Niekada nelieskite įrenginio šlapiomis ar drėgnomis rankomis – yra pavojus gyvybei!
- Lizdas turi būti pasiekiamas bet kuriuo metu, kad prireikus kištukas galėtų būti ištrauktas kiek galima greičiau! Niekada netraukite maitinimo laido arba paties įrenginio išjungdami jį iš tinklo.
- Prišimkite savo dėmesio, kad! Šalinamo metu oras tektų pasišildyti (iki daugiau nei 100°C).
- Jeigu nuspręsite nebenaudoti šio tipo įrenginio, rekomenduojama tai padaryti įrenginį netinkamas, plovindamas laidą, prieš tai išjungę jį iš tinklo. Rekomenduojama vengti visų pavijų, ypatingai saugoti įrenginį nuo vaikų, kurie gali panaudoti įrenginį žaidimams.

- **DĖMESIO:** Nenaudokite šio įrenginio su programavimo įrenginiu, skaitikliu ar kitu įrenginiu, kuris automatiškai jį įjungia, nes jeigu įrenginys yra uždengtas arba neteisingai pastatytas, yra gaisro pavojus.
- Įdėkite maitinimo laidą taip, kad jis neturi trukdyti žmonių judėjimui, ir kad negali būti vaikščiojo. Naudokite tik aprobuotus ilgintuvus, tinkančius įrenginiui, kadangi jie turi atitikties ženklą!
- Niekada neperstatykite įrenginio, tempdami už laido, taip pat nenaudokite daiktams pernešti!
- Netempkite laido per aštirus kampus ir nedėkite jo ant karštų paviršių arba prie atviros ugnies!

PAKUOTĖ

- Išpakavę įrenginį, patikrinkite, ar jis gabenimo metu nebuvo pažeistas ir ar yra pilnai sukomplektuotas! Jeigu nustatėte pažeidimą arba nepilną komplektą, susisiekiate su savo įgaliotu pardavėju!
- Neišmeskite originalios pakuotės! Neišmeskite originalios pakuotės! Ją galima naudoti saugojimui ir gabenimui, siekiant išvengti pažeidimų!
- Pakavimo medžiagą reikia tinkamai išmesti! Reikia saugoti, kad vaikai nežaistų su polietileno maišeliais!

ŠILDYMO PRIETAISO – KONVEKTORIAUS CN03 YYZ EIS KOJELIŲ

- Šis konvektorius yra suprojektuotas naudojimui uždaroje patalpose.

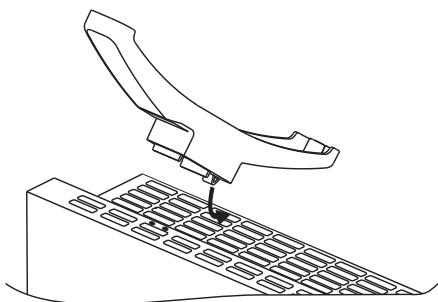


Pagal ES reglamentą 2015/1188 dėl Direktyvos 2009/125 / EB taikymo, šis elektrinis šildytuvas nėra skirtas montuoti prie sienos!

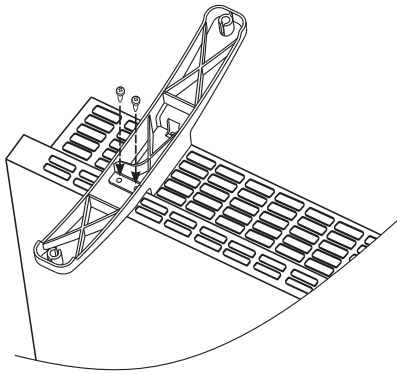


Svarbu: Tose vietovėse, kurioms yra daugiau nei 45 m³ apimties, rekomenduojama naudoti 2 ar daugiau konvektoriaus kombinacijų.

- Nestatykite konvektoriaus po elektros lizdu ar skirstomąja dėžute.
- Nemontuokite/nenaudokite konvektoriaus:
 1. vietose, kur yra trauka, kad nebūtų daromas poveikis kontroliniams nustatymams,
 2. tiesiai po elektros lizdu,
 3. erdvėje 1 (volume 1) vonioje,
 4. tokioje erdvėje (volume 2) – tuo atveju, jeigu kontrolinį skydelį gali pasiekti žmogus, esantis duše arba vonioje;
- Prieš pradėdami montuoti komplektą, patikrinkite, ar konvektorius išjungtas iš tinklo!
- Kojelės montuojamos į oro jėjimo angas – teisinga yra montuoti dviejuose konvektoriaus kraštuose, simetriškai – vienodu atstumu nuo konvektoriaus kraštų. Kiekviename konvektoriuje yra paliktos angos 2x2.



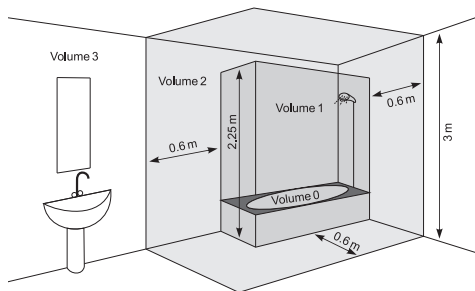
- Nustatykite kojelę – iš pradžių įdėkite aukštesnę kojelės dalį į konvektorių (nustatykite priešais konvektoriaus išorinę dalį) – dalis yra žemiau priekinio metalinio panelio. Po to paimkite kryžminį atsuktuvą (nėra komplekte) ir užveržkite du apsauginius varžtus 3.5x9.5 mm. Varžtas pereina per plastmasinę kojelę ir užsukamas konvektoriaus metalinėje dėžutėje. Pakartokite operaciją ir su kita kojele.
- Sujungimas yra patikimas, jeigu po montavimo, konvektorių pastačius ant grindų, jis stovi horizontaliai. Netempkite už maitinimo laido, konvektorių galima judinti, kai jis yra šaltas.



- Pastatykite konvektorių su sumontuotomis kojėlėmis ant grindų ir prieš įjungdami, patikrinkite, ar įvykdytos naudojimo sąlygos, nurodytos instrukcijos pradžioje (saugumo priemonės ir svarbios konvektoriaus naudojimo sąlygos). Taisyklinga pozicija yra, kai panelis yra konvektoriaus viršuje, o kojėlės yra ant grindų!

KAIP NAUDOTI ĮRENGINĮ VONIOJE

- Konvektorinė krosnelė turi būti montuojama vadovaujantis įprasta prekybine praktika ir atitinkamos šalies įstatymais (ES elektros energijos direktyva ir specialaus montavimo būdo ar vietos reikalavimai, tame tarpe – montavimas vonioje, duše ar dušo kabinose) HD60364-7-701 (IEC 60364-7-701:2006)).



- Jeigu šis konvektorius bus naudojamas vonioje ar kitoje panašioje patalpoje, reikia laikytis tokių montavimo reikalavimų: Konvektorius su apsauga IP24 (apsauga nuo vandens pūslių). Dėl to reikia montuoti 2 lygyje (volumė 2) (žr. schemą žemiau), siekiant išvengti, kad konvektoriaus kontrolinis skydelis (jungiklis ir termoreguliatorius) būtų pasiekiamas žmogui, esančiam duše ar vonioje! Minimalus atstumas nuo įrenginio iki vandens šaltinio turi būti ne mažesnis nei 1 metras! Jeigu abejojate, kaip turi būti montuojamas šis įrenginys vonios patalpoje, rekomenduojame pasikonsultuoti su profesionaliu elektriku.

Pastaba: jeigu negali būti įvykdyti aukščiau nurodytos sąlygos, rekomenduojama sumontuoti įrenginį erdvėje 3 (VOLUME 3).

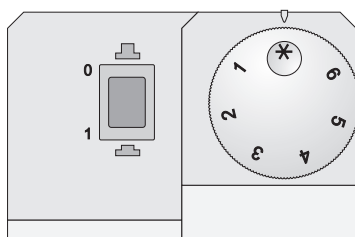
- Drėgnose patalpose (voniose ir virtuvėse) maitinimo šaltinis turi būti montuojamas mažiausiai 25 centimetrų aukštyje nuo grindų.
- Elektros instaliacijoje turi būti sumontuotas automatinis saugiklis, atstumas tarp kontaktų, kai jis yra išjungtas, turi būti ne mažesnis nei 3 mm.

Dėkojame, kad įsigijote konvektorinį šildytuvą CN03. Tai yra straipsnis, kuris suteikia šildymą žiemą, kiek reikia norint pasiekti komfortišką šilumą šildomoje patalpoje. Teisingai eksploatuojant ir prižiūrint įrenginį, kaip aprašyta šioje instrukcijoje, įrenginys tarnaus jums daugelį metų naudingą funkcijavimą.

NAUDOJIMO INSTRUKCIJA

MECHANINIS VALDYMAS

Darbo režimai



Įjunkite konvektorių, paspauskite Raktą į I padėtį (Įjungta), po to pasukite reguliatorių į jūsų pageidaujimą lygį (nuo 1 iki 6), Lygių reikšmės yra tokios:

* – režimas prieš užšalimą /aktyvizuojamas, kai temperatūra patalpoje nukrenta žemiau 5°C.

1 / 2 – ekonomiškasis režimas (žemai temperatūrai patalpoje palaikyti), šį režimą rekomenduojama naudoti naktį arba kai žmonių nėra patalpoje. Šis režimas leidžia palaikyti tam tikrą temperatūrą taupant elektros energiją.

3 / 4 / 5 – komfortiškas režimas (skirtas palaikyti temperatūrą patalpoje). Šį režimą rekomenduojama naudoti palaikant pakankamai aukštą komfortišką dienos temperatūrą patalpoje.

6 – maksimalus režimas (AUKŠTAI temperatūrai patalpoje palaikyti). Šį režimą rekomenduojama naudoti, kai reikalinga maksimaliai aukšta temperatūra patalpoje

Svarbu: Skaičiai temperatūros reguliatoriuje neatitinka konkrečios patalpos temperatūros, o reikalingi praktiniam įsiminimui atitikimo tarp temperatūros ir reguliatoriaus rodiklio.

Kai temperatūra patalpoje yra žemesnė už nustatytą reguliatoriaus pagalba, konvektorius pradeda veikti, ir veikia, kol patalpos temperatūra pasieks nustatytą. Kai temperatūra patalpoje aukštesnė už nustatytą reguliatoriaus pagalba, konvektorius automatiškai persijungs į režimą „Pasirengimas įjungti“.

APSAUGA

- Prietaisas yra tiekiamas apsauginiu termostatinu išjungikliu, kuris turi automatiškai išjungti šildytuvą temperatūros didėjimo atveju per konvektoriai vertybu laiko (vadinamasis įrenginio perkaitimas).
- Apsauginis termostatinis išjungiklis automatiškai atkuria konvektorių darbą tik tada, kai įrenginio temperatūra nukrinta žemiau leistinos ribos.

APSAUGA NUO APSIVERTIMO

Šis šildymo įrenginys yra apsaugotas saugos jungikliu, kuris automatiškai išjungia įrenginį, kai įrenginys nukrenta arba kampas su horizontaliu paviršiumi yra per daug didelis. Tokiu būdu galima išvengti nelaimingų atsitikimų, o po to, kai įrenginys bus grąžintas į teisingą padėtį, jis tęs darbą paskutiniu nustatytu režimu.

VALYMAS

- Būtinai iš pradžių išjunkite įrenginį ir ištraukite kištuką iš lizdo. Prieš valant konvektorių, leiskite jam atvėsti jį išjungti iš elektros tinklo.
- Valykite korpusą drėgnu skudurėliu, dulkių siurbliu arba šepečiu.
- Niekada netalpinkite įrenginio į vandenį – kyla pavojus gyvybei nuo elektrinio šoko!
- Niekada nenaudokite benzino, plonesni arba atšiaurių abrazyvinių valymo priemonių, nes jie sugadina įrenginio apdaila.

LAIKYMAS

- Prieš laikyti konvektorių, leiskite jam atvėsti jį išjungti iš elektros tinklo.
- Niekada nepakuokite šilto įrenginio!
- Produktas turi būti saugomas sausoje ir apsaugotoje nuo tiesioginių saulės spindulių vietoje.
- Vienareikšmiškai draudžiama laikyti konvektorių drėgnose ir šlapiose vietose.

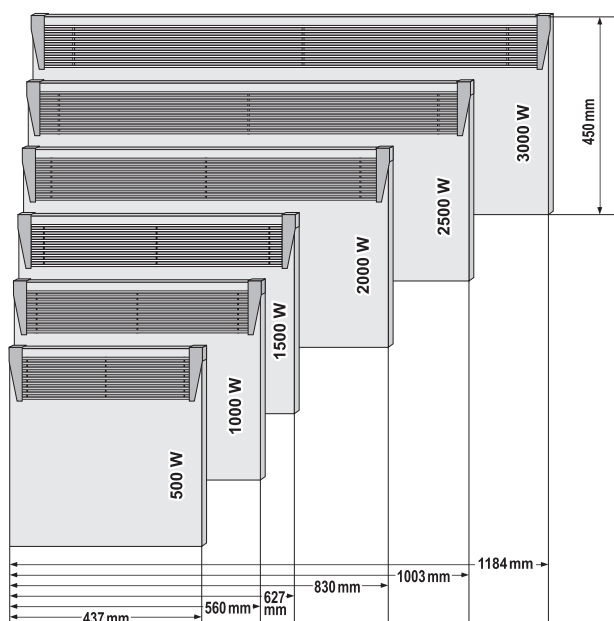
ĮRENGINIO TECHINĖ PRIEŽIŪRA

- Įrenginio gedimo atveju, kreipkitės į artimiausią įgaliotą taisyklą. (yra nurodyti produkto garantijos korteleje).
- Svarbu:** Tuo atveju, jei turite pretenziją ir / ar Jūsų vartotojo teisės yra pažeistos, prašome susisiekti su savo produkto tiekėju - nurodytais adresais, arba taikant bendrovės interneto svetainė: www.tesy.com

ĮRENGINIO MATMENYS, ŠILDOMASIS TŪRIS IR PLOTAS KAMBARYJE

Modelis	Apšildomas tūris	Apšildomas plotas
CN 03 050 MIS F - 500W	10* - 15 m ³	4* - 6 m ²
CN 03 100 MIS F - 1000W	20* - 30 m ³	8* - 12 m ²
CN 03 150 MIS F - 1500W	30* - 45 m ³	12* - 18 m ²
CN 03 200 MIS F - 2000W	40* - 60 m ³	16* - 24 m ²
CN 03 250 MIS F - 2500W	50* - 70 m ³	20* - 28 m ²
CN 03 300 MIS F - 3000W	60* - 80 m ³	24* - 32 m ²

* Minimalus garantuojamas šildomas tūris (sritis) šildymui šilumos laidumo vidutiniškam koeficientui $\lambda = 0,5 \text{ W} / (\text{m}^2\text{K})$ šildomoje patalpoje. Didesnės vertės šildomo tūriui (srities) pasiekiamas laikotarpiu vidutiniška $\lambda = 0,35 \text{ W} / (\text{m}^2\text{K})$. Standartinis kambarys aukštis - 2,5 metro.



Aplinkosauginiai nurodymai

Senuose elektros prietaisuose yra vertingų medžiagų, ir dėl to jų nereikia išmesti kartu su buitineis atliekomis! Prašome aktyviai prisidėti prie aplinkos apsaugos ir atiduoti įrenginį į organizuotus supirkimo centrus (jeigu tokių yra).

2 LENTELĖ: INFORMACIJOS APIE ELEKTRINIUS VIETINIUS PATALPŲ ŠILDYTVUVUS REIKALAVIMAI

Modelio žymuo (-ensys): 1.CN03 050 MIS F 2. CN03 100 MIS F 3. CN03 150 MIS F 4. CN03 200 MIS F 5. CN03 250 MIS F 6. CN03 300 MIS F 230V~ 50Hz

Parametras	Ženklas	Vertė1.	Vertė2.	Vertė3.	Vertė4.	Vertė5.	Vertė6.	Vienetas	Parametras	Vienetas
Šiluminė galia										
Tiekiamosios šiluminės galios lygiai – tik elektrinių kaupiamųjų vietinių patalpų šildytuvų (pasirinkti viena)										
Vardinė šiluminė galia	P_{nom}	0.50	1.00	1.50	2.00	2.50	3.00	kW	Rankinis šiluminės įkrovos valdiklis su integruotu termostatu	[ne]
Mžiausia šiluminė galia (orientacinė)	P_{min}	0.00	0.00	0.00	0.00	0.00	0.00	kW	Rankinis šiluminės įkrovos valdiklis su patalpos ir (arba) lauko temperatūros jutikliu	[ne]
Didžiausia nuolatinė šiluminė galia	$P_{max,C}$	0.50	1.00	1.50	2.00	2.50	3.00	kW	Elektroninis šiluminės įkrovos valdiklis su patalpos ir (arba) lauko temperatūros jutikliu	[ne]
Pagalbinės elektros energijos vartojamoji galia									Ventiliatorinis šilumos atidavimas	[ne]
Esant vardinei šiluminei galiai										
Esant mažiausiai šiluminei galiai	$e_{l,max}$	0.44	0.91	1.42	1.89	2.41	2.87	kW	Šiluminės galios lygiai/patalpos temperatūros reguliavimas (pasirinkti viena)	
Pristabdytą veikseną	$e_{l,min}$	0.00	0.00	0.00	0.00	0.00	0.00	kW	Vieno šiluminės galios lygio ir be patalpos temperatūros reguliavimo	[ne]
Kitos valdymo pasirinktys (galimi keli variantai)										
	$e_{l,SB}$	0.00	0.00	0.00	0.00	0.00	0.00	kW	Dviejų ar daugiau rankinių būdu nustatomų šiluminės galios lygių be patalpos temperatūros reguliavimo	[ne]
									Su mechaninio termostatinio patalpos temperatūros reguliavimo funkcija	[taip]
									Su elektroninio patalpos temperatūros reguliavimo funkcija	[ne]
									Elektroninis patalpos temperatūros reguliavimas ir paros laikmatis	[ne]
									Elektroninis patalpos temperatūros reguliavimas ir savaitės laikmatis	[ne]
									Patalpos temperatūros reguliavimas su žmonių buvimo atpažintimi	[ne]
									Patalpos temperatūros reguliavimas su atviro lango atpažintimi	[ne]
									Su nuotolinio valdymo pasirinktimi	[ne]
									Su adaptyviuoju šildymo pradžios momento nustatymu	[ne]
									Ribojamą veikimo laiką	[ne]
									Su spinduliavimo temperatūros jutikliu (angl. black bulb sensor)	[ne]

TESY Ltd
48 Madara Blvd,
Shumen, 9700,
Bulgaria

GEDIMŲ ŠALINIMAS

Prieš susisiekdami su Klientų aptarnavimo centru, perskaitykite patarimus, esančius lentelėje.

PROBLEMA	PRIEŽASTIS	SPRENDIMAS
Įrenginys neveikia	Nėra maitinimo iš tinklo. Įsitikinkite, kad įrenginys įjungtas į tinklą ir elektros lizdas veikia.	Įjunkite kištuką į kontaktą ir patikrinkite jungiklio poziciją ON/OFF (įjungta/išjungta).
Patalpa neįšyla pakankamai, nors įrenginys karštas	Įrenginys perkaito. Apsauga nuo perkaitimo riboja šilumos atidavimą.	Pašalinkite priežastį (uždangalą, kliūtį, trukdančią orui įeiti arba išeiti). Laikykitės minimalių atstumų aplink įrenginį, nurodytų montavimo instrukcijoje.
	Šilumos poreikis patalpoje yra didesnis, negu duoda įrenginys.	Eliminuokite šilumos praradimą. (Uždarykite langus ir duris. Venkite nuolatinio ventiliavimo)
	Patikrinkite, ar jūsų įrenginio galingumas yra pritaikytas prie patalpos dydžio.	Rekomenduojamas galingumas yra vidutiniškai 100 W/m ² , kai lubų aukštis yra 2.50 m arba 30 W/m ³
Siena prie įrenginio užteršiama	Užteršimai atsiranda dėl oro taršos.	Įsitikinkite, kad patalpa nuolat vėdinama grynu oru, ypatingai jeigu patalpoje rūkoma.
Garsai/triukšmas	Silpni garsai, girdimi įrenginio įšilimo metu, taip pat iš karto po to, kai pasiekiami užduota temperatūra, yra įprasti.	Šis efektas yra medžiagų natūralaus plėtimosi greitai kylant temperatūrai ir po to sekančio metalų, panaudotų įrenginio gamyboje, rezultatas.
Gelvos dėmės ant grotų	Tokios dėmės gali atsirasti dėl drėgnų drabužių džiovinimo ant įrenginio.	Neuždenkite produkto! Tai neleistina, nes tokiu būdu blokuojama oro konvekcija, ir tai gali sukelti netaisytinus įrenginio gedimus, dėl to gali kilti rimta grėsmė jūsų sveikatai ir turtui.

SVARĪGI PASĀKUMI AIZSARDZĪBAI UN DROŠĪBAS INSTRUKCIJA:



UZMANĪBU:

- Izlasiet šo instrukciju pirms šīs ierīces izmantošanas un uzglabāiet to tālākai lietošanai. Ja ierīces īpašnieks nomainās, tad kopā ar ierīci jaunajam īpašniekam ir jānodod arī instrukcija.

- UZMANĪBU:** Bērnus, kas ir mazāki par 3 gadiem ir jātur attālumā no ierīces, vienīgi, ja tie nav nepārtrauktā uzraudzībā.

Bērni vecumā no 3 līdz 8 gadiem var izmantot ierīces pogu iesl./izsl. Ar noteikumu, ka ierīce ir instalēta un gatava normālam darbam un ja tie ir uzmanīti un instruēti saistībā ar ierīces drošu izmantošanu un ja bērni saprot, ka tā var būt bīstama.

Bērni vecumā no 3 līdz 8 gadiem nedrīkst ieslēgt ierīci kontaktā, to uzstādīt un tīrīt un veikt ierīces patērētāju kopšanu.

Šo ierīci var izmantot bērni vecāki par 8 gadiem un cilvēki ar nepietiekamām fiziskām, sensoriālām vai mentālām spējām, vai ar nepietiekamām zināšanām un pieredzi, ja tos pieskata vai instruē sakārā ar ierīces drošu izmantošanu un kad tie saprot par bīstamību. Bērni nedrīkst spēlēties ar ierīci. Ierīces tīrīšanu un kopšanu, ko veic patērētāji, nedrīkst veikt bērniem bez pieaugušo uzraudzības.

- UZMANĪBU:** Šī produkta dažas daļas var palikt ļoti karstas un var izraisīt apdegumus. Tur kur uzturās bērni un neaizsargāti cilvēki, ir jābūt sevišķi vērīgiem.



- BRĪDINĀJUMS:** Lai izvairītos no iekārtas pārkaršanas, neapsedziet to.
- Nenovietojiet konvektoru tiešā kontakrozetes tuvumā, īpaši zem tās!
- Ja barošanas vads ir bojāts, tas jānomaina ražotājam, tā servisa pārstāvim vai līdzīgi kvalificētām personām, lai izvairītos no briesmām.
- Pirms ierīces ieslēgšanas, pārbaudiet vai norādītais strāvas spriegums uz ierīces plāksnītes atbilst Jūsu mājas elektrības tīkla spriegumam.
- Ierīce ir jāizmanto tikai paredzētajam mērķim, kam ir domāta, t.i. sadzīves telpu apsildīšanai. Ierīce nav paredzēta komerciālām vajadzībām. Lietošana citiem mērķiem tiek uzskatīta nepareiza, kā rezultātā – bīstama. Ražotājs nevar būt atbildīgs par bojājumiem, kas ir radušies nepareizas un nepamatotas lietošanas rezultātā. Neievērojot drošības noteikumus, ierīces garantijas laiks nebūs spēkā!
- Neizejiet no mājām, kamēr ierīce strādā. Pārlicinieties, ka slēdzis ir stāvoklī – izslēgts (tas attiecās uz konvektoru ar mehānisko vadību).
- Novietojiet viegli uzliesmojošos priekšmetus, kā piemēram mēbeles, spilvenus, gultas veļu, papīru, drēbes, aizskarus un tt. vismaz 100 cm attālumā no konvektora.
- Nelietojiet ierīci zonās, kur izmanto vai glabā ugunsnedrošas vielas. Neizmantojiet ierīci zonās ar viegli uzliesmojošām atmosfērām (piemēram: uzliesmojošu gāzi vai aerosolus) – pastāv liela eksplozijas un ugunsgrēka varbūtība!
- Nelieciet un nepieļaujiet svešķermeņu nokļūšanu ventilatora atverēs (ieejojās un izejojās), tā kā tas var novest līdz strāvas sitienam, ugunsgrēkam vai konvektora bojājumiem.
- Ierīce nav paredzēta mājdzīvnieku apsildei, tā ir domāta tikai lietošanai mājas apstākļos!
- Neapsedziet drošības režģus, nenobloķējiet gaisa plūsmas ieeju un izeju novietojot to priekšmetu tuvumā. Priekšmetiem ir jāatrodas vismaz 1m attālumā no konvektora priekšējās puses un sāniem.
- Visbiežākais iemesls ierīces pārsilšanai – putekļu un villas uzkrāšanās uz ierīces. Regulāri tīrīt ar putekļu sūcēju ventilatora atveres, pirms tam izslēdzot ierīci no elektriskā tīkla.
- Nekad neaiztieci ierīci ar mitrām vai slapjām rokām – var būt apdraudēta dzīvība!
- Kontaktam ir jābūt pieejamam katrā laikā, lai vajadzības gadījumā špelseli var ātri atbrīvot. Atslēdzot no elektrotīkla ierīces nekad nevelciet barojošo vadu vai pašu ierīci.
- Ņemiet vērā! Ierīces darba laikā izejošais gaiss sasilst (vairāk par 100°C).
- Ja nolemst vairāk neizmantojot tāda tipa ierīci, tad ir ieteicams to padarīt par neizmantojamu, pēc atvienošanas no tīkla, nogriezi vadu. Ieteicams visas bīstamības, kas ir saistītas ar ierīci, neitralizēt, sevišķi tās, kas ir saistītas ar bērniem, kas var izmantot amortizēto ierīci savām spēlēm.
- Uzmanību: nelietojiet šo ierīci kombinācijā ar programatoru, skaitītāju vai ar citu iekārtu, kas to automātiski ieslēdz/izslēdz, jo ja ierīce ir apsegta vai

nepareizi novietota, ir iespējams ugunsgrēks.

- Ierīces barojošo vadu novietojiet tā, lai tas netraucē cilvēku kustībai un lai tam neuzkāptu! Izmantojiet tikai pagarinātājus, kas ir piemēroti ierīcei, t.i. tiem ir atbilstības zīme!
- Nekad nepārvietojiet ierīci velkot to aiz barojošā vada, kā arī neizmantojiet vadu priekšmetu pārvietošanai!
- Nepārlokiet vadu un nevelciet to pāri asiem stūriem un nelieciet to uz karstām virsmām vai tuvu pie atklātas uguns!

IEPAKOJUMS

- Pēc ierīces izpakošanas pārbaudiet vai tas nav bojāts transportēšanas laikā un vai ir pilnībā nokomplektēts! Ja esat konstatējuši bojājumu vai nepilnīgu piegādi, lūdzu par to informējiet Jūsu pilnvaroto pārdevēju.
- Neizmetiet oriģinālo iepakojumu! To varat izmantot uzglabāšanai un transportēšanai, lai izvairītos no ierīces bojājumiem transportēšanas laikā!
- Iepakojuma materiāls ir jāizmet piemērotās vietās! Bērni ir jāsargā no spēlēm ar polietilēna iepakojumiem!

LIETOŠANAS INSTRUKCIJA UN APKURES IERĪCES KONVEKTORA TIPĀ

- Šis konvektors ir projektēts izmantošanai slēgtās telpās.

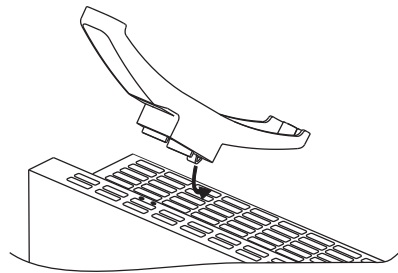


Pamatojoties uz Komisijas Regulu (ES) 2015/1188, ar ko tiek īstenota Direktīva 2009/125/EK, dotā elektriskā apsildīšanas ierīce nav paredzēta montāžai pie sienas.

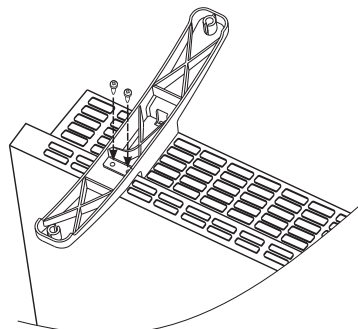


Svarīgi: Telpām, kuru tilpums lielāks par 45 m³ ir ieteicams izmantot kombināciju no 2 vai vairākiem konvektoriem

- Nenovietojiet konvektoru zem elektriskā kontakta vai elektriskās ligzdas.
- Nemontējiet/neizmantojiet konvektoru
 - Vietās, kur ir caurvējš, lai tas neietekmē kontroles uzstādījumus
 - Tieši zem elektriskā kontakta;
 - Vannas istabas telpā 1 (volume 1);
 - Telpā 2 (volume 2), ja kontroles paneli var aizsniegt cilvēks, kas atrodas dušā vai vannā;
- Pirms uzšāciet komplekta montēšanu pie konvektora, pārbaudiet vai konvektors ir izslēgts no kontakta!
- Kājiņas tiek montētas ieejošajās gaisa atverēs – pareizi ir montēt abos konvektora galos, simetriski – vienādā attālumā no konvektora malām. Šim mērķim – katrā konvektorā ir atstāti atvērumi 2x2.



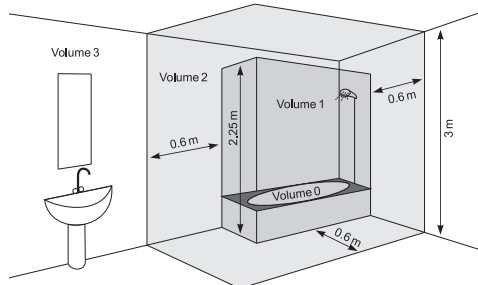
- Novietojiet vienu kājiņu – vispirms ievietojiet augstāko kājiņas pusi konvektorā (nostājieties pret priekšējo konvektora pusi) – daļa ir zemāka attiecībā uz priekšējo metāla paneli. Pēc tam paņemiet krustveida skrūvgriezi (tas nav komplektā) un pieskrūvējiet divas drošības skrūves 3.5x9.5 mm. Skrūve iziet cauri plastmasas kājiņai un tiek ieskrūvēta konvektora metāla kastē. Atkārtojiet šīs darbības arī ar otru kājiņu
- Savienojums ir drošs, ja pēc montēšanas noliekot konvektoru uz grīdas, tas stāv horizontāli. Neizmantojiet barojošo elektrisko vadu kā striķi velkot konvektoru, konvektoru pārvieto tikai aukstu.



- Novietojiet konvektoru ar montētām kājiņām uz grīdas un pirms tā ieslēgšanas pārbaudiet vai ir izpildītas visas prasības, kas ir norādītas instrukcijas sākumā (drošības pasākumi un svarīgi noteikumi konvektora lietošanai). Pareiza konvektora pozīcija – vadības panelis ir konvektora augšējā pusē, bet kājiņas ir uz grīdas!

IZMANTOŠANA VANNAS ISTABĀ

- Konvektoram ir jābūt montētam ievērojot normālu komerciālo praksi un ievērojot attiecīgās valsts likumdošanu (ES direktīvas par elektrību un prasības speciālai monēšanai vai vietās, kas iekļauj vannas istabas, vai dušas kabīnes HD60364-7-701 (IEC 60364-7-701:2006)).



- Ja šo konvektoru izmantos vannas istabā vai līdzīgās telpās, tad ir jāievēro sekojošās instalēšanas prasības. Konvektoram ir aizsardzība IP24 (aizsardzība no apliešanas ar ūdeni). Sakarā ar to konvektors jāmontē telpā 2 (VOLUME 2) (skat shēmu tālāk tekstā) tā, lai izbēgtu pieskaršanos kontrolpanelim (slēdzim un termoregulatoram) no cilvēka, kas ir zem dušas vai ir vannā. Minimālajam attālumam no ierīces līdz ūdenim ir jābūt ne mazāk par 1 metru! Ja neesat droši attiecībā par konvektora instalēšanu vannas istabā, mēs Jums iesakām konsultēties ar profesionālu elektrotehniķi.

Piezīme: ja nevar būt izmantoti augstāk norādītie ieteikumi, tad ieteicams veikt montāžu telpā 3 (VOLUME 3)

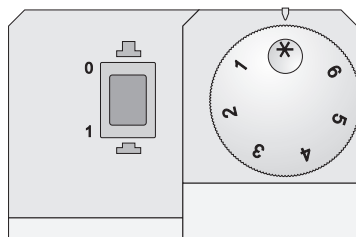
- Mitrās telpās (vannas istabās un virtuvēs) elektības avotam ir jābūt montētam vismaz 25 cm no grīdas.
- Elektriskajai instalācijai, pie kuras ir pievienota ierīce, ir jābūt obligāti aprīkoti ar automātisko drošinātāju (aizsardzība no strāvas defektiem), kura kontaktu attālumam izslēgtā stāvoklī ir jābūt vismaz 3 mm.

Pateicamies Jums, ka esat izvēlējušies konvektoru CN03. Tas ir izstrādājums, kas ir paredzēts apsildīšanai ziemā atkarībā no komfortablās temperatūras, kuru vēlaties apsildāmajā telpā. Pareizi ekspluatējot un apkopjot, kā tas ir aprakstīts šajā instrukcijā, ierīce Jūs nodrošinās ar pareizu funkcionēšanu daudzus gadus.

EKSPLUATĀCIJAS INSTRUKCIJA

MANUĀLĀ VADĪBA

Darba režīmi



Ieslēdziet konvektoru, nospiediet Slēdzi stāvoklī "1" (ieslēgts), pēc tam uzgrieziet regulatoru vēlamajā Jums pakāpē /no 1 līdz 6/, ievērojot sekojošo pakāpju atbilstību:

* – režīms pret sasaldēšanu /tiek aktivēts, kad telpā temperatūra ir kritusies zem 5°C

1 / 2 – ekonomiskais režīms /zemas temperatūras uzturēšana telpā/ So režīmu ieteicams lietot nakts laikā vai kad telpā neuzturās cilvēki. Dotais režīms atļauj uzturēt telpā noteiktu temperatūru enerģijas ekonomijas apstākļos.

3 / 4 / 5 – komfortabls režīms / normālas temperatūras uzturēšana telpā / dotais režīms atļauj uzturēt telpā noteiktu augstu komfortablu temperatūru telpā.

6 – maksimāls režīms / AUGSTAS temperatūras uzturēšanai telpā /Ieteicams šo režīmu izmantot kad Jums ir nepieciešama maksimāli augsta temperatūra telpā

Svarīgi: Cipari uz temperatūras regulatora neatbilst konkrētam temperatūras lielumam telpā, bet tie kalpo praktiskai attiecību iegaumēšanai starp

temperatūru un regulatora rādītājiem.

Kad temperatūra telpā ir zemāka par to kuru Jūs esat uzstādījuši ar regulatora palīdzību, konvektors sāk strādāt un darbosies līdz tam momentam, kad temperatūra telpā sasniegs uzstādīto lielumu. Kad temperatūra telpā ir augstāka par to kuru Jūs esat uzstādījuši ar regulatora palīdzību, konvektors automātiski ieslēgsies režīmā „Gatavs ieslēgšanai”.

AIZSARDZĪBA

- Ierīce ir apgādāta ar drošības termoslēdzi, kas automātiski izslēdz sildītāju gadījumos, kad konvektora temperatūra pārsniedz pieļaujamās temperatūras vērtības /tā saucamā ierīces pārkaršana/.
- Drošības termoslēdzis automātiski atjaunos konvektora darbu, tikai tad, kad ierīces temperatūra kritīsies zem pieļaujamajām temperatūras vērtībām.

AIZSARDZĪBA PRET APGĀŠANOS

Dotā apkures ierīce ir aizsargāta ar drošības izslēgšanas slēdzi, kurš automātiski izslēdz ierīci, ja tā apgāzās vai atrodās pārāk lielā leņķī attiecībā pret horizontāli. Tādā veidā izvairāmiem no nevēlajiem gadījumiem. Kad tā būs iztaisnota, ierīce turpinās strādāt pēdējā iestatītā režīmā.

KOPŠANA

- Vispirms izslēdziet ierīci ar slēdzi un izslēdziet barojošo vadu no tīkla. Pirms konvektora tīrīšanas, atstājiet, lai tas atdziest.
- Slaukiet korpusu ar mikstu un mitru lupatīņu, izmantojiet putekļsūcēju vai birzti.
- Nekad nelieciet ierīci ūdenī. Pastāv bīstamība dzīvībai no strāvas sitiena!
- Nekad neizmantojiet tīrīšanai benzīnu, šķīdinātājus vai rupjus abrazīvus tīrīšanas līdzekļus, tie sabojās ierīces segumu.

UZGLABĀŠANA

- Pirms konvektora iepakojšanas, atstājiet, lai tas atdziest
- Izmantojiet oriģinālo iepakojumu ierīces saglabāšanai, ja to neizmantošiet zināmu laiku. Ierīce būs pasargāta no putekļiem un būs tīra, ja to uzglabāšiet oriģinālā iepakojumā.
- Nekad nelieciet siltu ierīci tās iepakojumā!
- Nepieciešams ierīci uzglabāt sausā un aizsargātā no tiešiem saules stariem vietā.
- Uzsveram, ka nedrīkst ierīci uzglabāt mitrās un slapjās telpās.

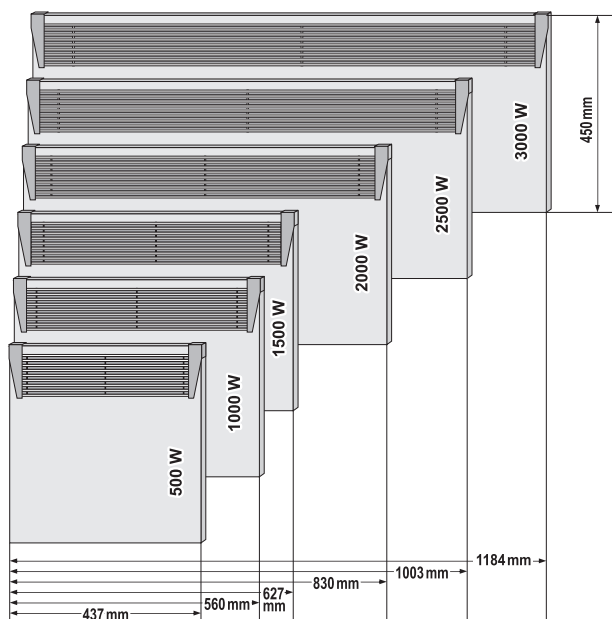
IERĪCES SERVISA APKALPOŠANA

- Ja ierīce nestrādā, lūdzu sazināties ar vistuvāko Jums sertificēto servisu /tie ir norādīti izstrādājuma garantijas kartē/
- Svarīgi:** Reklamācijas un/vai Jūsu patērētāja tiesību neievērošanas gadījumā, lūdzu sazināties ar šīs ierīces piegādātāju uz norādītajām adresēm vai uzņēmuma mājas lapā: www.tesy.com

IERĪCES IZMĒRI, TĒLPAS APKURES TILPUMS UN PLATĪBA

Modelis	Apkures tilpums	Apkures platība
CN 03 050 MIS F - 500W	10* - 15 m ³	4* - 6 m ²
CN 03 100 MIS F - 1000W	20* - 30 m ³	8* - 12 m ²
CN 03 150 MIS F - 1500W	30* - 45 m ³	12* - 18 m ²
CN 03 200 MIS F - 2000W	40* - 60 m ³	16* - 24 m ²
CN 03 250 MIS F - 2500W	50* - 70 m ³	20* - 28 m ²
CN 03 300 MIS F - 3000W	60* - 80 m ³	24* - 32 m ²

* Minimālais garantētais apkures tilpums (platība) apkurei pie vidējā siltumapmaiņas koeficienta $\lambda=0.5$ W/(m²K) apsildāmajā telpā. Augstākās vērtības apsildāmajam tilpumam (platībai) tiek sasniegtas pie vidējās $\lambda=0.35$ W/(m²K) vērtības. Standartais telpas augstums ir – 2.5 metri.



Norādījumi apkārtējās vides aizsardzībai

Vecās elektroierīces satur vērtīgus materiālus, tāpēc neizmetiet tos kopā ar sadzīves atkritumiem! Lūdzam Jūs sadarboties apkārtējās vides resursu aizsardzībā un lūdzam nogādāt ierīci organizētajos uzpirkšanas punktos (ja tādi ir pieejami).

2. TABULA INFORMĀCIJAS PRAŠĪBAS ELEKTRISKAJIEM LOKĀLAJIEM TELPU SILDĪTĀJIEM

Modeļa identifikators(-i): 1.CN03 050 MIS F 2. CN03 100 MIS F 3. CN03 150 MIS F 4. CN03 200 MIS F 5. CN03 250 MIS F 6. CN03 300 MIS F 230V~ 50Hz

Pozīcija	Apzīmējums	Vērtība 1.	Vērtība 2.	Vērtība 3.	Vērtība 4.	Vērtība 5.	Vērtība 6.	Vienība	Pozīcija	Vienība
Siltuma jauda									Siltuma piegādes tips, tikai elektriskajiem siltumakumulācijas lokālajiem telpu sildītājiem (izvēlēties vienu)	
Nominālā siltuma jauda	P_{nom}	0.50	1.00	1.50	2.00	2.50	3.00	kW	manuāls siltumapgādes regulators ar integrētu termostatu	[nē]
Minimālā siltuma jauda (indikatīvi)	P_{min}	0.00	0.00	0.00	0.00	0.00	0.00	kW	manuāls siltumapgādes regulators ar informācijas pievadi par telpas un/vai ārējo telpu temperatūru	[nē]
Maksimālā nepārtrauktā siltuma jauda	$P_{max,C}$	0.50	1.00	1.50	2.00	2.50	3.00	kW	elektronisks siltumapgādes regulators ar informācijas pievadi par telpas un/vai ārējo telpu temperatūru	[nē]
Papildu elektroenerģijas patēriņš									siltuma jaudas regulēšana ar ventilatoru	[nē]
Pie nominālās siltuma jaudas	e_{lmax}	0.44	0.91	1.42	1.89	2.41	2.87	kW	Siltuma jaudas/telpas temperatūras regulēšanas tips (izvēlēties vienu)	-
Pie minimālās siltuma jaudas	e_{lmin}	0.00	0.00	0.00	0.00	0.00	0.00	kW	vienpakāpes siltuma jauda bez telpas temperatūras regulēšanas	[nē]
Gaidstāves režīmā	e_{lSB}	0.00	0.00	0.00	0.00	0.00	0.00	kW	manuāla divpakāpju vai daudzpakāpju siltuma jauda bez telpas temperatūras regulēšanas	[nē]
									ar mehānisku termostatu un telpas temperatūras regulēšanu	[jā]
									ar elektronisku telpas temperatūras regulēšanu	[nē]
									ar elektronisku telpas temperatūras regulēšanu un diennakts taimeru	[nē]
									ar elektronisku telpas temperatūras regulēšanu un nedēļas taimeru	[nē]
									Citi vadības veidi (var izvēlēties vairākus)	
									telpas temperatūras regulēšana ar klātbūtnes detektēšanu	[nē]
									telpas temperatūras regulēšana ar atvērta loga detektēšanu	[nē]
									ar tālvadības funkciju	[nē]
									ar adaptīvu palaišanas vadību	[nē]
									ar darbības laika ierobežojumu	[nē]
									ar siltuma starojuma sensoru melnas lodes formā	[nē]

TESY Ltd

48 Madara Blvd,
Shumen, 9700,
Bulgaria

BOJĀJUMU NOVĒRŠANA

Pirms sazināties ar klientu apkalpošanas centru, lūdzu pārskatīt tālāk tabulā norādītos padomus:

PROBLĒMA	IEMESLS	RISINĀJUMS
Ierīce nedarbojas	Nav strāvas padeves no tīkla Pārliedzieties, vai produkts ir pievienots un vai darbojas elektrības kontaktligzdā	Ieslēdziet vadu kontaktligzdā un pārbaudiet slēdža ON/OFF (ieslēgts/izslēgts) stāvokli.
Telpa nav pietiekami silta, neskatoties uz to, ka ierīce ir karsta.	Ierīces pārkaršana. Drošības pārkaršanas ierobežotājs ierobežo siltuma atdalīšanos.	Novērsiet cēloni (pārklājs, netīrumi vai šķēršļi pie gaisa ieejas vai izejas). Ievērojiet minimālos attālumus no ierīces, kuri ir norādīti montāžas instrukcijā.
	Siltuma nepieciešamība telpā ir lielāka nekā ierīce izstaro.	Likvidējiet siltuma zudumus (aizveriet logus un durvis, Izvairieties no pastāvīgas ventilācijas).
	Pārbaudiet vai ierīces jauda atbilst telpas izmēriem.	Ieteicamā jauda ir vidēji 100 W/m ² griestu augstums - 2.50 m vai 30 W/m ³
Uz sienas pie ierīces parādās netīri traipi.	Siena netīra paliek netīra gaisa rezultātā.	Pārliedzieties, vai telpa regulāri tiek vēdināta, īpaši, ja tajā smēķē.
Skaņas/trokšņi	Klusās skaņas sildīšanas laikā kā arī nedaudz pēc vēlamās temperatūras sasniegšanas, nav nekas neparasts.	Šis efekts ir materiālu izplešanās ātras sasīšanas rezultātā un turpmāka metālu atdzišana, kuri ir izmantoti ierīces ražošanā.
Dzeltenīgi traipi uz režģiem	Traipu iemesls var būt ierīces noseģšana ar mitrām drēbēm.	Neapsedziet ierīci! Tas nav pieļaujami, jo tādā veidā nobloķējat gaisa konvekciju un tas var novest līdz ierīces neatgriezeniskiem bojājumiem, kas savukārt var radīt nopietnu risku jūsu veselībai un īpašumam.

OLULISED PREVENTIIVSED MEETMED JA OHUTUSJUHENDID:



TÄHELEPANU:

- Lugege käesolev juhend läbi enne selle seadme kasutamist ja säilige käesolev kasutus- ja hoidmisjuhend tulevaseks kasutamiseks. Omaniku vahetamise korral tuleb kasutusjuhend koos seadmega üle anda!
- **TÄHELEPANU:** Alla 3-aastased lapsed tuleb eemale hoida, kui nad ei ole pideva järelevalve all.

3 kuni 8-aastased lapsed võivad ainult seadme sisse/välja nuppu kasutada juhul, kui seade on installitud ja valmis tavalise töö jaoks ning nad on järelevalve all ja instrueeritud seadme ohutu kasutuse kohta ja saavad ohutust aru.

3 kuni 8-aastased lapsed ei tohi seadet kontaktpesasse sisse lülitada, seadistada, puhastada või kasutaja hooldust teha.

See seade võib kasutada üle 8-aastaste laste ja füüsiliste, meeleliste või vaimsete oskustega või ebapiisavate kogemuse ja teadmistega isikute poolt, kui nad on järgitud või instrueeritud seadme ohutu kasutamise kohta ja saavad ohutust aru. Lapsed ei tohi seadmega mängida. Puhastamist ja kasutaja hooldust ei tohi lapsed teha, kes ei ole järelevalve all.

- **TÄHELEPANU:** Selle toote mõned osad võivad väga kuumaks saada ja põletusi tekitada. Seal, kus asuvad lapsed ja haavatavad isikud, tuleb pöörata eritählepanu.



- **HOIATUS:** Ülekuumenemist vältimiseks seadist mitte katta!
- Seadet otsesesse lähedusesse pistikukarbitst mitte panna!
- Kui toitejuhe on kahjustatud, peab ohu vältimiseks selle asendama tootja, tema teenindusagent või samalaadse kvalifikatsiooniga isikud.
- Enne seadme elektrivõrguga ühendamist tuleb kontrollida kas tüübisildil näidatud pinge vastab teie kodus (kontoris) olevale pingele.
- Seade kasutatakse ainult selleks eesmärgiks, mille jaoks on ettenähtud, ehk kodu ruumide kütmiseks. Seade ei ole ettenähtud ärieesmärgiks. Iga muu kasutamine peetakse ebaõigeks ja seetõttu ohtlikuks. Tootja ei vastuta ebaõige või ebamõistliku kasutamise tõttu tekkinud rikete eest. Ohutusinfot mitte kinnipidamine teeb seadme vastuvõetud garantii kehtetuks!
- Ärge minge kodust välja niikaua kui seade on sisselülitatud: veenduge, et lüliti on välja lülitatud (mehaanilise juhtimisega konvektori puhul).
- Hoidke kergsüttivad esemed, nagu mööblid, padjad, voodipesu, paber, riided, kardinaid jne vähemalt 100 cm kaugusel konvektorist.
- Ärge kasutage seadet piirkondades, kus kasutatakse või hoitakse tuleohtlikke aineid. Ärge kasutage seadet piirkondades, kus on olemas süttivaid õhkkondi (näiteks: kergsüttivate gaaside või aerosoolide lähedal), kuna on olemas väga suur plahvatuse või tulekahju oht!
- Ärge sisestage ja laske väliskehasid (sisenevate või väljuvate) ventilatsiooniavade sisse, sest see võib elektrilööki või tulekahju tekitada või konvektorit kahjustada.
- Seade ei sobi loomade kasvatamiseks ning on ettenähtud ainult kodukasutuse jaoks!
- Ärge katke kaitsevõrsid, ärge blokeerige õhuvoolu sisenemist või vajumist seadme teatud pinna vastu panemise kaudu. Kõik esemed tuleb olla vähemalt 1 meetri kaugusel seadme ees ja kõrvuti.
- Kõike sagedasem ülekuumenemise põhjuseks on seadmesse kiude ja tolmu kogumine. Puhastage ventilatsiooniavad tolmuimejaga regulaarselt ning enne seda seade tuleb kindlalt elektrivõrgust välja lülitada.
- Seadet märja või niiskete kätega mitte kunagi puudutada, sest see on eluohtlik!
- Pistikupesa peab koguaeg kättesaadav olema selleks, et pistik saaks võimalikult kiiresti elektrivooluvõrgust välja võtta! Voolujuhet või seadet ise mitte kunagi tõmmata elektrivõrgust väljavõtmisel.
- Tähelepanu! Väljuv õhk soojeneb töötamise ajal (kuni üle 100 kraadini).
- Kui otsustate, et te seda liiki seadet enam ei kasutada, on soovitatav, et te teeksite seda mitte kasutatavaks juhtme äralõikamise kaudu pärast elektrivõrgust lahti ühendamist. Soovitatakse ka kõik seadmega seotud ohud ohutuks teha, eriti laste jaoks, kes võivad amortiseeritud seadist (seadet) mängimiseks kasutada.
- Tähelepanu: Ärge kasutage seadet programmaatoriga, loendajaga või muu seadisega, mis lülitab seadme automaatselt sisse, kuna kui seade on kaetud või ebaõigesti pandud on olemas tulekahjuoht.
- Pange voolujuhe nii, et see inimeste liikumist ei takistaks ja selle peale ei saaks astuda! Kasutage ainult lubatud pikendusjuhtmed, mis sobivad

seadmele ehk neil on vastavuse mark!

- Seadet mitte kunagi ümber paigaldada juhtmega tõmmates ja juhete mitte esemete viimiseks kasutada!
- Ärge katkege juhete ja ärge seda läbi teravate servade tõmmake ja ärge pange seda kuumade plaatide või liigipääsetava löke peale!

PAKEND

- Pärast seadme pakendist väljavõtmist kontrollige kas seade ei ole transpordimisel rikki läinud, kontrollige kas seade on täielikult pakitud! Juhul kui on kindlaksmääratud rike või ebatäielik kohaletoometamine, siis tuleb teie pädeva müüjaga ühendust võtta!
- Originaali pakendit mitte ära viisata! Seda võib hoidmiseks või transportimiseks kasutada rikete vältimiseks vedamise tulemusena!
- Pakendi materjali äraviskamine tuleb sobival viisil toimuda! Lapsed tuleb eemale hoida selleks, et nad ei mängiks polüetüleen kottidega!

JALGADEGA KOMPLEKTI KASUTUS- JA PAIGALDUSJUHEND

- Konvektor on kavandatud kaetud ruumides.

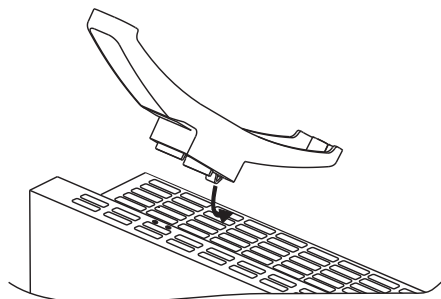


Määruse (EL) nr 2015/1188, millega rakendatakse Direktiivi 2009/125/EÜ järgi ei ole see soojendi ette nähtud seinale paigaldamiseks!

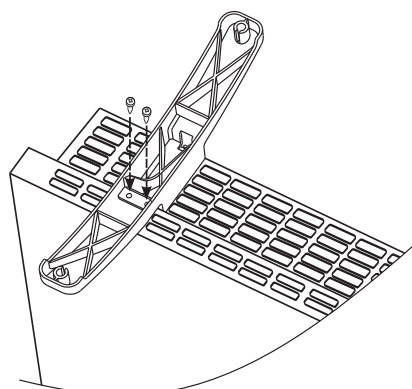


NB: Ruumides, mis on suuremad kui 45 m³ on soovitatav 2 ja rohkem konvektoriga kombinatsioonis kasutada

- Konvektorit elektrivõrgu-pistikupesa või ühenduskarbi alla mitte paigaldada.
- Konvektorit mitte paigaldada/kasutada
 1. kohale, kus on tõmbus, et kontrolliseadmetele mitte mõjuda.
 2. kohe elektrivõrgu-pistikupesa alla;
 3. ruumi 1 (volume 1) vannitoad jaoks;
 4. ruumi 2 (volume 2), kui juhtpaneeli saab puutuda isiku poolt, kes on duši all või vannis;
- Enne komplekti paigaldamisele astumist tuleb kontrollida, kas konvektor on pistikupesast väljalülitatud!
- Jalad paigaldada õhu sisenevatesse avadesse: õige on need konvektori mõlemasse otsasse sümmeetriliselt paigaldada ehk võrdsesse kaugusesse konvektori otsadest. Selleks eesmärgiks on igal konvektoril 2x2 avad tehtud.



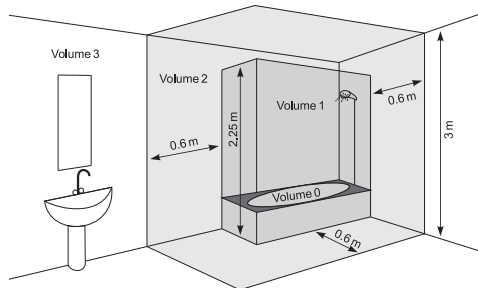
- Pange üks jalg kõrgema jala osa esimesena konvektorisse panemise kaudu (seiske konvektori eesosa vastu): osa on madalam metalli esipaneeli suhtes. Seejärel tuleb ristküjulise kruvikeerajaga (mis ei kuulu komplekti) kahe 3.5x9.5mm kindlustavad kruvi kinni keerata. Kruvi läheb läbi plastmassjala ja keeratakse konvektori metalli karbile kinni. Korduge see toiming ka teise jala jaoks.
- Liitmik on stabiilselt ühendatud, kui konvektor pannakse paigalduse pärast pörandale ja seisab horisontaalselt. Voolujuhet tõmbamisnööri abil mitte kasutada, ümberpaigutamine toimub „külma“ konvektori korral.



- Pange paigaldatud jalgedega konvektor põrandale ja kontrollige enne selle sisselülitamist, kas on täidetud juhendi alguses olevad kasutustingimused (preveniivsed meetmed ja olulised tingimused konvektori kasutamiseks). Õigeks asendiks on juhtpaneel konvektori peal ning jalad põrandal!

KASUTUS VANNITOAS

- Konvektor tuleb paigaldada äritava kooskõlas ja vastava riigi seadusandlusele (ELi elektrienergia eeskirjadele ja nõuetele eripaigalduste kohta või kohtade kohta, kaasa arvatud vannitoad või dušikabiinid HD60364-7-701 (IEC 60364-7-701:2006)).



- Kui seda konvektorit kasutatakse vannitoas või muus sarnases ruumis, tuleb järgmiseid paigaldamise nõudeid jälgida: Konvektoril on IP24 kaitse (kaitse veepritsimise vastu). Sellepärast tuleb konvektor paigaldada ruumi (volume 2) (vaata joonist allpool) selleks, et konvektori juhtpaneeli (lülitit ja termoregulaatorit) ei oleks kättesaadav inimese poolt, kes asub duši all või vannis. Minimaalne kaugus ei tohi alla 1 m olla! Kui te ei ole kindel selle konvektori vannituppa paigaldamises, soovime kutselise elektriga nõu pidada.

Märkus: kui ülalpool mainitud tingimusi ei saa täita, siis on soovitatav paigalduse ruumi 3 (VOLUME 3) teha.

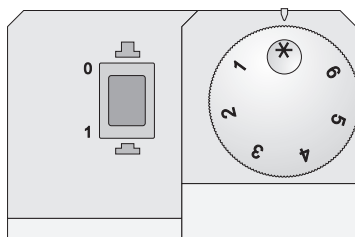
- Niisketes ruumides (vannitoad ja köögid) peab elektrivoolu allikas olema paigaldatud vähemalt 25 cm kõrgusel põrandalt.
- Installatsioon peab olema varustatud automaatse kaitsega, mil kaugus kontaktpesade vahel väljalülitatud asendis peab olema vähemalt 3 mm.

Täname teid, et te valisite konvektori CN03. See on toode, mis pakub kütet talvel olenes mugava soojuste vajaduste saavutamisest kättesaadavas ruumis. Nagu on kirjeldatud selles juhendis, garanteerib seade teid pikaajalise kasuliku funktsioneerimise õige kasutuse ja hoolduse korral.

KASUTUSJUHEND

MEHAANILINE JUHTIMINE

Töörežiim



Lülitage konvektor sisse, vajutage Lülitit „I“ (Sisselülitatud), siis keerake regulaator soovitud astmesse (1 kuni 6) järgmise astme proportsiooni silmas pidades:

* – režiim külmumise vastu (aktiveerub, mil temperatuur ruumis langeb alla 5 kraadi).

1 / 2 – säästurežiim (madala temperatuuri ruumis hoidmiseks). Seda režiimi soovitatakse kasutada öösel või ruumis inimeste äraoleku korral. See režiim annab võimaluse teatud temperatuuri hoida energia säästu tingimisel.

3 / 4 / 5 – mugav režiim (mööduka temperatuuri ruumis hoidmiseks). Seda režiimi soovitatakse kasutada suhteliselt kõrge mugava päeva temperatuuri ruumis hoidmiseks.

6 – maksimaalne režiim (KÕRGE temperatuuri ruumis hoidmiseks). Seda režiimi soovitatakse kasutada, mil teil on vaja maksimaalselt kõrget temperatuuri ruumis (kuni 26 kraadini).

NB: Temperatuuri regulaatori numbrid ei vasta konkreetsele temperatuuri väärtusele toas, vaid temperatuuri ja regulaatori näidu vastavuse

praktiliseks salvestamiseks.

Mil temperatuur ruumis on madalam kui see, mille olete regulaatori abil seadistanud, hakkab konvektor töötama kuni hetkeni, mil temperatuur toas seadistatud väärtuseni jõuab. Mil temperatuur ruumis on kõrgem kui regulaatori abil seadistatud väärtus, lülitab konvektor automaatselt režiimile „Valmisolek sisselülitamiseks“ ümber.

KAITSE

- Seade on varustatud kaitsva termo-väljalülitiga, mis lülitab automaatselt kuumuti välja konvektori temperatuuri üle lubatud väärtuste tõusmise juhtudel (nii nimetatud seadme ülekuumenemine).
- Kaitsev termo-väljalülitit taastab automaatselt konvektori töö, kui seadme temperatuur langeb alla lubatud piiriväärtusi.

KAITSE ÜBERPÖÖRAMISE VASTU

Soojendi on kaitstud kaitselülitit kaudu, mis lülitab aparaat automaatselt välja, mil aparaat alla kukub või on liiga suure nurga all horisontaalpinna suhtes. Sel viisil välditakse õnnetusi ning kui soojendi on jälle püstises asendis, töötab aparaat edasi viimaselt seadistatud režiimis.

PUHASTAMINE

- Esmalt tuleb seade kindlalt lülitada välja ja seina kontaktist välja tõmmata. Enne konvektori puhastamist hakkamist tuleb selle jahtuma jätta kontaktist väljalülitamise kaudu.
- Puhastage korpest niiske rätikuga, tolmuimejaga või harjaga.
- Seadet mitte kunagi vette uppuda, kuna on olemas elektrilöögi eluoht!
- Bensiini, lahustit või abrasiivseid tooraineid mitte kunagi kasutada, kuna nad kahjustavad seadme katet.

HOID

- Enne konvektori ärapanemist tuleb see jahtuma lasta pistikupesast välja lülitamise kaudu.
- Konvektori hoidmiseks kasutage originaalset pakendit, kui seadet ei kasutata mõneks ajaks. Toodet kaitstakse liigse tolmamise ja reostamise vastu selle originaalsesse pakendisse ärapanemise kaudu.
- Sooja seadet mitte kunagi sellesse pakendisse ära panna!
- Seade tuleb kuivas ja kaitstud otsese päikesevalguse eest kohas hoida.
- Seadme hoidmine niisketes või märgades ruumides on rangelt keelatud.

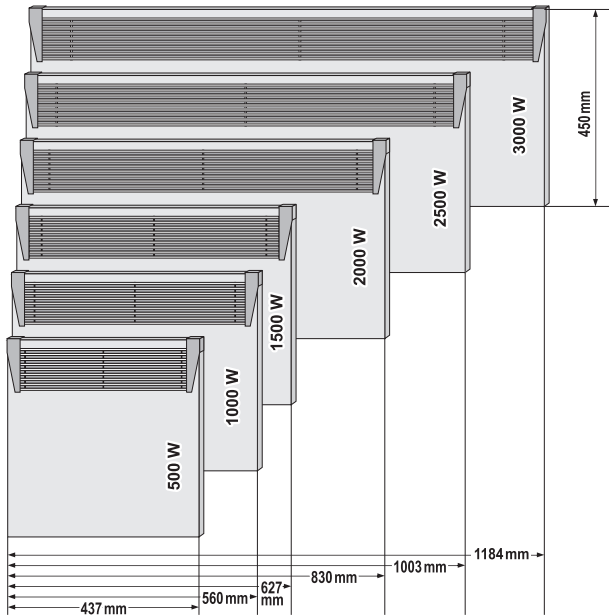
SEADME TEENINDUSHOOLDUS

- Seadme rikke korral palun võtke ühendus lähedaima litsenseeritud remondikeskusega (remondikeskused on loetletud toote garantiikaardil).
- NB:** Reklamatsiooni või/ja teie õiguste rikkumise tarbijana korral palun võtke ühendust selle seadme tarnijaga toodud aadressidel või ettevõtte saidil: www.tesy.com

SEADME SUURUSED, KÕETAV RUUMALA JA PIND RUUMIS

Mudel	Kõetav ruumala m ³	Kõetav pind m ²
CN 03 050 MIS F - 500W	10* - 15 m ³	4* - 6 m ²
CN 03 100 MIS F - 1000W	20* - 30 m ³	8* - 12 m ²
CN 03 150 MIS F - 1500W	30* - 45 m ³	12* - 18 m ²
CN 03 200 MIS F - 2000W	40* - 60 m ³	16* - 24 m ²
CN 03 250 MIS F - 2500W	50* - 70 m ³	20* - 28 m ²
CN 03 300 MIS F - 3000W	60* - 80 m ³	24* - 32 m ²

* Minimaalne tagatud kõetav ruumala (pind) kütmise jaoks keskmise soojusjuhtivuse koefitsiendil $\lambda=0.5 \text{ W/(m}^2\text{K)}$. Kõrgemad väärtused kõetava ruumala (pinna) jaoks saavutatakse $\lambda=0.35 \text{ W/(m}^2\text{K)}$ keskmisel väärtusel. Ruumide standardkõrgus: 2.5 meetrit.



Juhendid miljöö säästmise kohta

Vanad elektriseadmed sisaldavad väärtuslikke materjale ja selle pärast ei tohi neid koos koduprügiga ära visata! Palume teie aktiivse koostöö eest ressurside ja miljöö säästmiseks ja seadme korraldatud kokkuostu punktidele (kui selliseid on olemas) üle anda.

TABEL 2 ELEKTRI-KOHTKÜTTESEADMETE KOHTA NÕUTAV TEAVE

Mudeli tunnuskood(id): 1.CN03 050 MIS F 2. CN03 100 MIS F 3. CN03 150 MIS F 4. CN03 200 MIS F 5. CN03 250 MIS F 6. CN03 300 MIS F 230V~ 50Hz

Näitaja	Tähis	Väärtus1.	Väärtus2.	Väärtus3.	Väärtus4.	Väärtus5.	Väärtus6.	Ühik	Näitaja	Ühik
Soojusvõimsus									Sissetuleva soojuse liik, üksnes elektriliste soojust salvestavate kohtkütteseadmete puhul (valige üks)	
Nimisoojusvõimsus	P_{nom}	0.50	1.00	1.50	2.00	2.50	3.00	kW	Soojushulga käsijuheteadis sisseehitatud termostaadiga	[ei]
"Minimaalne soojusvõimsus (soovituslik)"	P_{min}	0.00	0.00	0.00	0.00	0.00	0.00	kW	Soojushulga käsijuheteadis toa- ja/või välistemperatuuri tagasisidega	[ei]
Maksimaalne pidev soojusvõimsus	$P_{max,C}$	0.50	1.00	1.50	2.00	2.50	3.00	kW	Elektrooniline soojushulga juhtseadis toa- ja/või välistemperatuuri tagasisidega	[ei]
Lisaelektrienergia tarbimine									Ventilaatoriga muudetav soojusvõimsus	[ei]
Nimisoojusvõimsusel	$e_{l,max}$	0.44	0.91	1.42	1.89	2.41	2.87	kW	Soojusvõimsuse/toatemperatuuri seadistamise viis (valigeüks)	-
Minimaalsel soojusvõimsusel	$e_{l,min}$	0.00	0.00	0.00	0.00	0.00	0.00	kW	Üheastmelise soojusvõimsusega, toatemperatuuri seadistamise võimaluseta	[ei]
Ooteseisundis	$e_{l,SB}$	0.00	0.00	0.00	0.00	0.00	0.00	kW	Kahe või enama käsitsi valitava astmega, toatemperatuuri seadistamise võimaluseta	[ei]
									Toatemperatuuri seadistamine mehaanilise termostaadiga	[jah]
									Toatemperatuuri elektroonilise seadistamisega	[ei]
									Toatemperatuuri elektroonilise seadistamise ja ööpäevataimeriga	[ei]
									Toatemperatuuri elektroonilise seadistamise ja nädalataimeriga	[ei]
									Muud juhtimisvõimalused (mitu valikut lubatud)	
									Toatemperatuuri seadistamine koos ruumis viibimise avastamisega	[ei]
									Toatemperatuuri seadistamine koos avatud akna avastamisega	[ei]
									Kaugjuhtimisvõimalusega	[ei]
									Kohaneva käivitusjuhtimisega	[ei]
									Tööajapiiranguga	[ei]
									Musta lambiga anduriga	[ei]

TESY Ltd
48 Madara Blvd,
Shumen, 9700,
Bulgaria

VIGADE KÕRVALDAMINE

Enne kui Te ühendust Teeninduskeskusega, vaadake soovitusi allpool olevas tabelist:

VIGA	PÕHJUS	LAHENDUS
Seade ei tööta	Ei ole elektrivõrgu toite. Veenduge, et seade on sisestatud elektripesas ja elektripesa töötab.	Sisestage pistik pesasse ja kontrollige ON/OFF lüliti asendit (sisse-/väljalülitatud).
Ruum ei saa piisavalt kõetud, kuigi seade on kuum	Seadme ülekuumenemine. Ülekuumenemise kaitse piiraja piirab soojuse andmist.	Kõrvaldage põhjus (katte, õhu sisenemise või väljumise saastamine või ummistus). Järgige maksimaalseid kaugusi seadme ümber, mis on märgitud paigalduse juhistes.
	Soojuse vajadus ruumis on kõrgem kui soojus, mis annab seade.	Kõrvaldage soojuskadu. (Sulgege aknad ja ukсед. Vältige pidevat õhutamist.)
	Kontrollige, kas Teie seadme võimsus on kohandatud ruumi suurusele.	Soovitatud keskmine võimsus on 100 W/m ² lakke kõrguse 2,5 m kohta ehk 30 W/m ³
Seinale seadme kõrvale ilmuvad saastatused	Saastatused seinale ilmuvad õhu saastumise tulemusena.	Veenduge, et ruum õhutatakse korrapäraselt värske õhuga, eriti kui ruumis suitsetatakse.
Helid/müra	Nõrgad helid soojendamise ajal ning kohe seadistatud temperatuuri jõudmise ajal ei ole midagi erakordset.	See efekt on materjalide loomuliku laienemise a temperatuuri kiirel kõrgendamisel ja järgneva metallide jahutamise tulemusena, mis on kasutatud seadme tootmise jaoks.
Kollakad plekid võrel	Sellised plekid võivad olla märgade riidete katmise tulemusena.	Toodet mitte katta! See ei ole lubatud, sest niiviisiil saab õhu konvektsiooni blokeeritud ja tekkib seadme kahjustamine, mis võib olla üsna ohtlik Teie tervisele ja varale.



TESY

TESY Ltd - Head office
1166 Sofia, Sofia Park,
Building 16V, 2nd Floor
PHONE: +359 2 902 6666,
FAX: +359 2 902 6660,
office@tesy.com

Ovaj dokument je originalno proizveden i objavljen od strane proizvođača, brenda Tesy, i preuzet je sa njihove zvanične stranice. S obzirom na ovu činjenicu, Tehnoteka ističe da ne preuzima odgovornost za tačnost, celovitost ili pouzdanost informacija, podataka, mišljenja, saveta ili izjava sadržanih u ovom dokumentu.

Napominjemo da Tehnoteka nema ovlašćenje da izvrši bilo kakve izmene ili dopune na ovom dokumentu, stoga nismo odgovorni za eventualne greške, propuste ili netačnosti koje se mogu naći unutar njega. Tehnoteka ne odgovara za štetu nanесenu korisnicima pri upotrebi netačnih podataka. Ukoliko imate dodatna pitanja o proizvodu, ljubazno vas molimo da kontaktirate direktno proizvođača kako biste dobili sve detaljne informacije.

Za najnovije informacije o ceni, dostupnim akcijama i tehničkim karakteristikama proizvoda koji se pominje u ovom dokumentu, molimo posetite našu stranicu klikom na sledeći link:

<https://tehnoteka.rs/p/tesy-panelni-radijator-cn-03-300-mis-f-akcija-cena/>