

Uputstvo za upotrebu (EN)

MICROLAB zvučnici za kompjuter B16

microlab



Tehnoteka je online destinacija za upoređivanje cena i karakteristika bele tehnike, potrošačke elektronike i IT uređaja kod trgovinskih lanaca i internet prodavnica u Srbiji. Naša stranica vam omogućava da istražite najnovije informacije, detaljne karakteristike i konkurentne cene proizvoda.

Posetite nas i uživajte u ekskluzivnom iskustvu pametne kupovine klikom na link:

<https://tehnoteka.rs/p/microlab-zvucnici-za-kompjuter-b16-akcija-cena/>

microlab



microlab

just listen

B16
User Manual



www.microlab-global.com
Microlab Electronics Co., Ltd
Made in China

Multimedia speakers

Important Safety Instructions



Caution:

To reduce the risk of electric shock, do not dismantle the product and do not expose the apparatus to rain or moisture. No user-serviceable parts inside. Refer servicing to qualified personnel only.

Explanation of Graphical Symbols:



The lightning flash within an equilateral triangle is intended to alert you to the presence of uninsulated dangerous voltage within the product's enclosure that may be of sufficient magnitude to constitute an electric shock to a person or persons.



The exclamation point within an equilateral triangle is intended to alert you to the presence of important operating and maintenance (servicing) instructions in the literature accompanying the product.

WARNINGS:

- Read Instructions** - All the safety and operating instructions must be read before the product is operated.
- Retain Instructions** - The safety and operating instructions should be kept with the product for future reference.
- Heed warnings** - All warnings on the product and in the operating instructions should be adhered to.
- Follow instructions** - All operating and users' instructions should be followed.
- Installation** - Install in accordance with the manufacturers' instructions.
- Power sources** - This product should be operated only from the type of power source indicated by the marking adjacent to the power cord entry. If you are not sure of the type of power supply to your home, consult your product dealer or local power company.
- Grounding or polarization** - the product is not required to be grounded. Ensure the plug is fully inserted into the wall outlet or extension cord receptacle to prevent blade or pin exposure. Some versions of the product are equipped with a power cord fitted with a polarized alternating line plug (a plug having one blade wide than the other). This plug will fit onto the power outlet only one way. This is a safety feature. If you are unable to insert the plug fully into the outlet, try reversing the plug. If the plug should still fail to fit, contact your electrician to replace your obsolete outlet. Do not defeat the safety purpose of the polarized plug. When using an extension power-supply cord or a power-supply cord other than that supplied with the product, it should be fitted with the appropriate molded plugs and carry safety approval appropriate to the country of use.
- Power cord protection** - Power-supply cords should be routed so that they are not likely to be walked on, kinked or pinched by items placed on or against them, paying particular attention to cords from plugs, receptacles and the point where they exit from the appliance.
- Overloading** - Do not overload wall outlets, extension cords or multiple sockets, as this can result in a risk of fire or electric shock.
- Ventilation** - The product must be properly ventilated. Do not place the product on a bed, sofa, or other similar surface. Do not cover the product with any items such as tablecloths, newspapers, etc.
- Heat** - The product should be situated away from heat sources such as radiators, heat registers, stoves, or other products including amplifiers that produce heat. No naked flame sources, such as lighted candles, should be placed on the apparatus.
- Water and moisture** - To reduce the risk of fire or electric shock, do not expose the product to rain, dripping, splashing or excessive moisture such as in a sauna or bathroom. Do not use this product near water, for example, near a bathtub, washbowl, kitchen sink, laundry tub, in a wet basement, or near a swimming pool, or etc.
- Object and Liquid Entry** - Never push objects of any kind into this product through openings, as they may touch dangerous voltage points or short-circuit parts that could result in a fire or electric shock. Never spill liquid of any kind on the product. Do not place any object containing liquid on top of the product.
- Cleaning** - Unplug the product from the wall outlet before cleaning. The cabinet of the subwoofer may be cleaned by dusting with a dry cloth. If you wish to use an aerosol cleaning spray, do not spray directly on the cabinet; spray onto the cloth. Be careful not to damage the drive units.

- Attachments** - Do not use attachments not recommended by the product manufacturers, as they may cause hazards.
- Accessories** - Do not place this product on an unstable cart, stand, tripod, bracket or table. The product may fall, causing serious injury to a child or adult, and serious damage to the product. Use only with a cart, stand, tripod, bracket or table recommended by the manufacturer or sold with the product. Any mounting of the product should follow the manufacturer's instructions and should use a mounting accessory recommended by the manufacturer.
- Moving the product** - A product and cart combination should be moved with care. Quick stops, excessive force and uneven surfaces may cause the product and cart combination to overturn.
- Unused periods** - The power cord of the appliance should be unplugged from the outlet during lightning storms or when the apparatus is left unused for a long period of time.
- Servicing** - Do not attempt to service this product yourself, as opening or removing covers may expose you to dangerous voltage or other hazards. Refer all servicing to qualified service personnel.
- Please remove the power plug from the main power source or wall power source when not in use. When plugged in to a power source, the system is in standby mode, so the power is not entirely cut off.
- Replacement parts** - When replacement parts are required, ensure the service technician has used replacement parts specified by the manufacturer or have the same characteristics as the original part. Unauthorized substitutions may result in fire, electric shock or other hazards.
- Mains fuses** - For continued protection against fire hazard, use fuses only of the correct type and rating. The correct fuse specification for each voltage range is marked on the product.
- Do not turn up the volume while listening to a section with very low level inputs or no audio signals. If you do, the speaker may be damaged when a peak level section is suddenly played.
- The only means of completely disconnecting the product from the power supply is by removing the power cord from the wall outlet or the product. The wall outlet or the power cord entry to the product must remain freely accessible at all times while the product is in use.
- Try to install the product near a wall socket or extension cord and shall be easily accessible.
- The highest environmental temperature suitable for this product is 40°C.

Introduction

Compact speakers for general music entertainment. Easy to install and use. Plug to any media player or notebook with 3.5 mm stereo jack. Any USB hub or port to power the speakers.

Ideal for most music or sound reproduction from your mp3 music file, or computer digital music file.

Compact size for most desktop placement and use.

Comes with attached cables for quick connection. Master volume for additional level adjustment.

Features

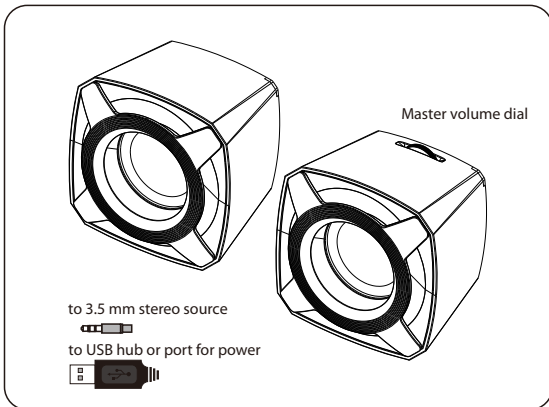
- Compact stereo speakers
- Small size, easily placed on desktop
- USB powered speakers
- General sound reproduction use
- Ideal for most general sound or music use
- Connects to 3.5 mm stereo jack
- External volume knob for easy adjustment

Packing list

You should find the following items while unpacking:

B16 speakers	2 pcs
User manual	1 pc

Illustration



Connection

Ensure the master volume is at the lowest setting.

1. Place both satellites on extreme sides of the listening position.
2. Connect the playback device to the rear 3.5 mm stereo input with the attached signal cable.
3. Connect the USB type A plug to the USB Hub or port on the computer for power.
4. The playback device such as PC/notebook, CD/DVD, Mp3/Mp4 player or LCD TV can be connected to the speaker system.

Operation

Ensure the master volume is at the lowest setting.

1. Turn on the PC/notebook or USB Hub.
2. Start the playback device and song.
3. The playback device such as PC/notebook, CD/DVD, Mp3/Mp4 player or LCD TV can be connected to the speaker system.
4. Adjust the volume on the media player, and speaker master volume to your preferred listening level.

Technical Specifications

Amplifier

Output power, RMS	5 Watt RMS
Power distribution, Watt	2.5 Watt x 2
Harmonic distortion	< 0.1% 1 W 1 kHz
Frequency response	120 Hz - 20 kHz
Signal/Noise ratio, dB	> 65 dB
Separation, dB	> 45 dB

Speakers

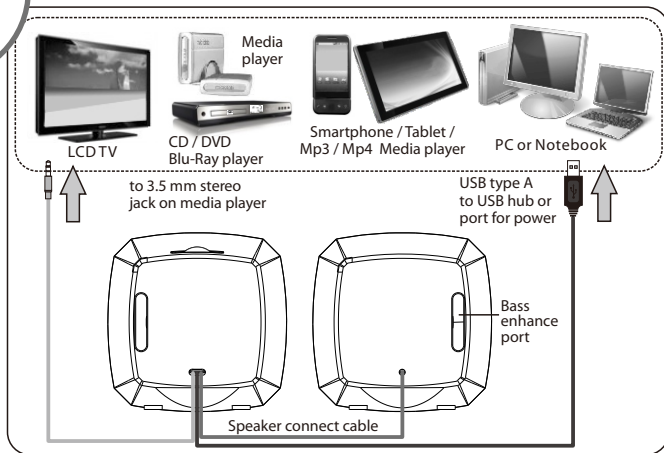
Full range driver type	2"
Full range impedance	4 Ohm

Interfaces

Input	3.5 mm stereo
Power	USB type A plug

EN
3

Connections



EN
4

- the end -

Ovaj dokument je originalno proizveden i objavljen od strane proizvođača, brenda Microlab, i preuzet je sa njihove zvanične stranice. S obzirom na ovu činjenicu, Tehnoteka ističe da ne preuzima odgovornost za tačnost, celovitost ili pouzdanost informacija, podataka, mišljenja, saveta ili izjava sadržanih u ovom dokumentu.

Napominjemo da Tehnoteka nema ovlašćenje da izvrši bilo kakve izmene ili dopune na ovom dokumentu, stoga nismo odgovorni za eventualne greške, propuste ili netačnosti koje se mogu naći unutar njega. Tehnoteka ne odgovara za štetu nanесenu korisnicima pri upotrebi netačnih podataka. Ukoliko imate dodatna pitanja o proizvodu, ljubazno vas molimo da kontaktirate direktno proizvođača kako biste dobili sve detaljne informacije.

Za najnovije informacije o ceni, dostupnim akcijama i tehničkim karakteristikama proizvoda koji se pominje u ovom dokumentu, molimo posetite našu stranicu klikom na sledeći link:

<https://tehnoteka.rs/p/microlab-zvucnici-za-kompjuter-b16-akcija-cena/>