

Uputstvo za upotrebu (EN)

ENERGY SISTEM Bluetooth zvučnik Urban Box 2 Ocean

ENERGY  SISTEM



Tehnoteka je online destinacija za upoređivanje cena i karakteristika bele tehnike, potrošačke elektronike i IT uređaja kod trgovinskih lanaca i internet prodavnica u Srbiji. Naša stranica vam omogućava da istražite najnovije informacije, detaljne karakteristike i konkurentne cene proizvoda.

Posetite nas i uživajte u ekskluzivnom iskustvu pametne kupovine klikom na link:

<https://tehnoteka.rs/p/energy-sistem-bluetooth-zvucnik-urban-box-2-ocean-akcija-cena/>

ENGLISH

Care and maintenance	3
Technical specifications	3
Audio	4
Bluetooth connectivity	4
Analogue input	4
USB/ MicroSD playback	4
FM radio	4
Rechargeable battery	4
Product content	4
General overview	4
Main functions	5
Switching on and off the device	5
Playback control	5
Bluetooth connection	5
Call control (Hands-free function)	6
Voice Assistant	6
TWS (True Wireless Stereo)	6
Auxiliary audio input	6
FM radio	7
MicroSD/USB player	7
Battery life	8
Charging the battery	8
Reset	8
Warranty	8
Declaration of conformity	9

ENERGY♥SISTEM



urban box2.

Manual de usuario / User manual
Manual de l'utilisateur / Manual do usuário

Thank you for trusting our company and buying the new *Urban Box 2*. We hope you enjoy the product.

Before you start using your *Urban Box 2* we strongly recommend reading this manual to get used to it.

Care and maintenance

- Do not expose the device to humidity or high temperatures.
- Do not use neither corrosive nor abrasive cleaning products.
- Do not disassemble the device. All repair works should be carried out exclusively by qualified staff of Energy Sistem Technology, S.A.
- Turn off the device when you are not using it. Do not let it completely discharged for a long time.

Technical specifications

Audio

- System: 2.0
- Power: 10 W
- Speakers: 2 full range speakers of 40 mm
- Passive radiator: two membranes
- Frequency response: 100 Hz ~ 18 kHz
- S/N ratio: > 60 dB

Bluetooth connectivity

- Bluetooth 5.0, class II. Up to 20 m distance range
- Supported Bluetooth protocols: HSP / HFP / A2DP / AVRCP
- Frequency band: 2.4 GHz (2.402 ~ 2.480 GHz)
- Maximum output power: < 20 dBm
- Hands-free function. Microphone sensitivity: -42 dB
- TWS (True Wireless Stereo) technology compatible with *Urban Box 2*

Analogue input

- 3.5 mm mini jack audio input

USB/ MicroSD playback

- USB/ MicroSD decoder: reads MP3/ WAV files from external units (up to 64 GB capacity) with FAT/ FAT32 file system.

FM radio

- FM frequency band: 87.5 ~ 108 MHz
- Auto search function

Rechargeable battery

- Capacity: 1200 mAh
- Type: lithium polymer
- Battery life: 12 hours*
- Charging port: microUSB
- Charging time: 3 hours

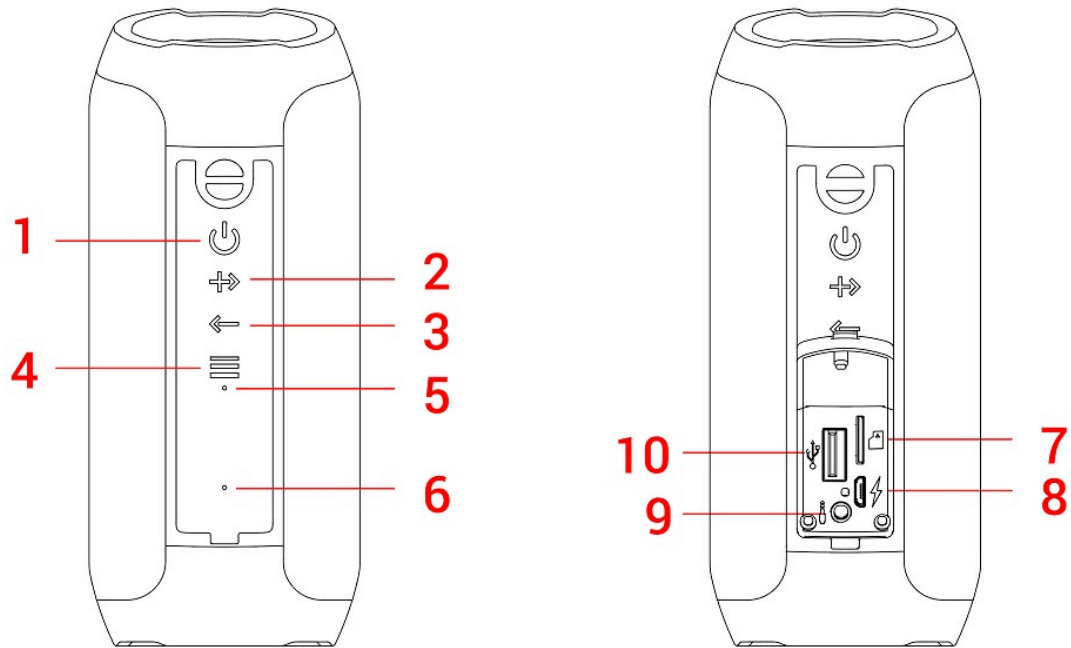
**This value is approximate. The battery life depends on the selected volume level and type of music.*

Product content

- *Urban Box 2*
- Charging cable

General overview

- | | |
|---------------------------------------|--------------------------|
| 1. On/ Off/ Play/ Pause/ Call control | |
| 2. Volume +/- Next | |
| 3. Volume -/ Back | 7. MicroSD slot |
| 4. Change function/ TWS | 8. Charging port |
| 5. Hands-free microphone | 9. Auxiliary audio input |
| 6. Function and charge indicator | 10. USB port |



Main functions

Switching on and off the device

Press and hold *On/ Off (1)* for 2 seconds to switch on and off the device. You will hear a confirmation sound when switching on the device. The *Function indicator (6)* will keep flashing blue while the device is on.

Press and hold *On/ Off (1)* once again to switch off your device. You will hear a confirmation sound. At this point, the *Function indicator (6)* switches off.

Important:* Press the hidden reset button located inside the Auxiliary audio input (9)* to force the device to shut down.

Playback control

You can manage playback from the speaker itself. Press repeatedly *Volume +/ Next (2)* or *Volume -/ Back (3)* to adjust the volume. Press and hold the very same buttons to switch to the next/ previous track. You will hear a warning sound when reaching the maximum and minimum volume levels.

Press *Play/ Pause (1)* to pause or resume playback.

Important: Bear in mind that you can only manage playback from the connected music player while using the Auxiliary audio input (9) .

Important: Find all information about playback control while TWS mode is enabled in the TWS section.

Bluetooth connection

Press *Change function (4)* until you find Bluetooth mode while your *Urban Box 2* is on. At this point, you will be able to pair the speaker with your smartphone or tablet.

Once your "Urban Box 2" appears on your smartphone or tablet screen, press "connect". The devices will be connected

immediately and without codes. You will hear a sound that confirms both devices have been paired correctly.

At this point, you will be able to start playback on your smartphone or tablet. The Bluetooth wireless connection range is up to 10 metres.

Your *Urban Box 2* connects to the last paired device automatically when you switch it on once again, provided that the Bluetooth connection on your smartphone or tablet is enabled.

Important: *Your Urban Box 2 turns off automatically after 5 minutes with Bluetooth® mode enabled, if not paired with any device.*

Call control (Hands-free function)

You can manage your calls from the speaker itself. To do so, pair the *Urban Box 2* with your smartphone.

When receiving a call, the song you are listening to stops and the ringing tone sounds instead. Press *Call control (1)* to answer an incoming call. Press it once again to hang up.

Important: If you receive an incoming call while TWS mode is enabled, you will only hear the voice of the person who calls through the speaker connected to your smartphone (left channel).*

Voice Assistant

The *Urban Box 2* allows you to activate your smartphone's voice assistant. You only have to press *Change function/TWS (4)* twice. This way, you will directly activate your smartphone's assistant via Bluetooth.

This function will let you ask questions and use voice commands to perform tasks naturally and easily.

You can also take a look at Google Assistant and Siri user guides, available on their manufacturers' websites.

TWS (True Wireless Stereo)

This option makes it possible to wirelessly pair another *Urban Box 2* to get twice as much power and create a stereo sound system made up of two different channels: left and right.

To use this function for the first time, turn on your two *Urban Box 2* and press and hold *Change Function/ TWS (4)* on both speakers for 2 seconds. A few seconds later you will hear a sound to confirm that both devices have been successfully synchronized. Enable then Bluetooth on your source device and connect your "Urban Box 2".

From that moment on, you will be able to play music via Bluetooth. You will hear the music through both speakers at the same time. One speaker will be assigned the left channel (L) and the other one the right channel (R).

The next time you turn on both speakers, they will pair with one another automatically.

If you want to disable this function, press and hold *Change function/ TWS (4)* on any of them. Both speakers will be disconnected. Press the very same button if you want to reconnect them.

Switch to the next/ previous track and adjust the volume pressing the corresponding buttons on any of the speakers while TWS mode is enabled. If you turn up the volume on any of the speakers, you will be turning up the volume on both of them at the same time.

Important: *This is only possible if Bluetooth mode is enabled. In all other playback modes (USB, microSD, FM radio or line-in) a TWS connection is not possible.*

Auxiliary audio input

Your *Urban Box 2* also features an *Auxiliary audio input (9)* to connect your external devices using an audio cable.

Important: *It is not possible to manage music playback from the speaker while using this mode. You will have to use the music player instead.*

FM radio

Before using the FM radio function, it is necessary to carry out a search of all stations available. The radio stations will be saved to the speaker internal memory. It is therefore not necessary to carry out a new search each time you switch it on. You will only have to do this if you place the device in a new location or if you change the frequency of the saved radio station.

In order to carry out a search of all radio stations, press *Change function (4)*, until the FM radio mode appears on screen. Press and hold *Change function (4)* for 2 seconds. The process may take a few minutes. Once the search has been completed, press and hold *Volume +/- Next (2)* or *Volume +/- Back (3)* to select the radio station you want to hear from all saved radio stations.

If you place the speaker somewhere else, you will have to carry out a new search to obtain a proper radio wave reception.

Your *Urban Box 2* will save the last selected radio station when you turn it off and on once again.

Important: *The battery charging process may interfere with radio signals depending on the AC/DC power adapter used.*

MicroSD/USB player

The device plays .mp3 and .wav files from microSD cards (up to 64 GB). The contents play automatically a few seconds after inserting the microSD card or USB stick.

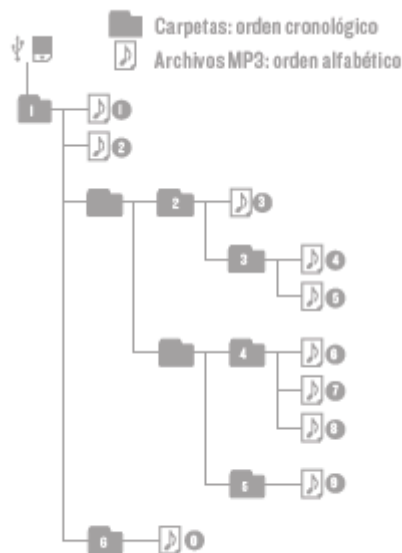
If you turn off the speaker or remove the storage unit, the internal memory will save the moment where you paused playback. If you connect the same removable storage unit once again, music playback will resume and the last song you listened to will be then played.

Press and hold *Volume +/- Next (2)* or *Volume +/- Back (3)* to move to the next or previous song.

Press and hold *Change function (4)* to enable shuffle mode. You will hear a sound to confirm this mode has been enabled. Shuffle mode will be disabled automatically when switching off the speaker.

The root folders and files of your external cards or sticks will be read in chronological order and the songs included in your folders in alphabetical order.

Here you have a diagram of the reading order:



Battery life

The battery life of your *Urban Box 2* depends on the selected volume level and the type of music. Please take a look at this comparative table to find out more about the approximate battery life of your device:

- MODE -	- MEDIUM VOLUME LEVEL -	- MAXIMUM VOLUME LEVEL -
BLUETOOTH	12 hours	6 hours
USB / SD	14 hours	7 hours
FM RADIO	4 hours	2 hours
AUXILIARY	16 hours	8 hours

Charging the battery

When the battery level is below 10%, you will hear a sound to remind you to charge it. Plug the mini USB end of the provided USB cable into the *Charging port (8)* and the other USB end to any device with a 5 V USB charging port (PC, USB wall charger, car charger, etc.) to charge the battery. The *Charge indicator (6)* lights up red and switches off once the charging process has been completed. The charging time is approximately 3 hours.

Important:

- Use a 5 V 2 A AC/DC power adapter.
- Do not leave your *Urban Box 2* completely discharged for a long time.

Reset

Press the hidden reset button located inside the *Auxiliary audio input (9)* to force the device to shut down.

Note: Avoid using metallic objects when performing the reset.

Warranty

You can check the warranty terms here:

<https://www.energysistem.com/terms-warranty>

Declaration of conformity

Issuer's name: Energy Sistem Technology, S.A. - CIF: A53107488

Address: C/ Calpe, 1 - 03509 Finestrat, Alicante (Spain)

Tel: +34 966 830 324

We declare under our own exclusive responsibility that the product:

Description: Portable wireless speaker

Brand: Energy Sistem

Model: Urban Box 2

Manufacturer: Energy Sistem Technology, S.A.

Manufacturing country: China

referred to in this declaration is in compliance with the essential norms and standards

EN 62368-1:2014+A11:2017

EN 62479:2010

ETSI EN 301 489-1 V2.2.3 (2019-11)

ETSI EN 301 489-17 V3.2.3 (2020-07)

ETSI EN 301 489-52 V1.1.0 (2016-11)

ETSI EN 300 328 V2.2.2 (2019-07)

ETSI EN 303 345 V1.1.7 (2017-03)

in conformity with the provisions of the Directive 2014/53/EU of the European Parliament and of the Council of 16th April 2014.

Finestrat, 1st November 2020



Javier Álvarez

Innovation and Technology Director



Ovaj dokument je originalno proizveden i objavljen od strane proizvođača, brenda Energy Sistem, i preuzet je sa njihove zvanične stranice. S obzirom na ovu činjenicu, Tehnoteka ističe da ne preuzima odgovornost za tačnost, celovitost ili pouzdanost informacija, podataka, mišljenja, saveta ili izjava sadržanih u ovom dokumentu.

Napominjemo da Tehnoteka nema ovlašćenje da izvrši bilo kakve izmene ili dopune na ovom dokumentu, stoga nismo odgovorni za eventualne greške, propuste ili netačnosti koje se mogu naći unutar njega. Tehnoteka ne odgovara za štetu nanесenu korisnicima pri upotrebi netačnih podataka. Ukoliko imate dodatna pitanja o proizvodu, ljubazno vas molimo da kontaktirate direktno proizvođača kako biste dobili sve detaljne informacije.

Za najnovije informacije o ceni, dostupnim akcijama i tehničkim karakteristikama proizvoda koji se pominje u ovom dokumentu, molimo posetite našu stranicu klikom na sledeći link:

<https://tehnoteka.rs/p/energy-sistem-bluetooth-zvucnik-urban-box-2-ocean-akcija-cena/>