

Uputstvo za upotrebu (EN)

AENO pegla za vertikalno peglanje GS2

A E N O



Tehnoteka je online destinacija za upoređivanje cena i karakteristika bele tehnike, potrošačke elektronike i IT uređaja kod trgovinskih lanaca i internet prodavnica u Srbiji. Naša stranica vam omogućava da istražite najnovije informacije, detaljne karakteristike i konkurentne cene proizvoda.

Posetite nas i uživajte u ekskluzivnom iskustvu pametne kupovine klikom na link:

<https://tehnoteka.rs/p/aeno-pegla-za-vertikalno-peglanje-gs2-akcija-cena/>

A E N O

C R E A T I N G T H E F U T U R E



Manual for the AENO™ handheld garment steamer

Models AGS0002, AGS0002-UK

Version 1.0.2 | 20.04.2023

Introduction

The AENO™ hand-held steamer is designed to remove creases and irregularities in fabric with a powerful stream of steam.

This manual contains a detailed description of the AENO™ hand-held clothes steamer, as well as instructions for getting it ready for use, operation, and maintenance.

Copyright

Copyright © ASBISc Enterprises PLC. All rights reserved.

The AENO™ trademark belongs to the ASBIS GROUP OF COMPANIES (hereinafter “ASBISc”).

All trademarks, trade names, logos and other symbols mentioned herein are the property of their respective owners.

The material presented under the name AENO™ and contained in this manual is protected by international and local laws, including copyright and other related rights laws.

Any references to names of other companies, brands and equipment in this document are for the sole purpose of explanation and description of the devices and do not violate anyone's intellectual property rights.

Any reproduction, copying, publication, further distribution or public display of materials presented herein (in whole or in part) is only permitted after appropriate written permission from the copyright holder.

Any unauthorized use of this manual materials may subject the user to civil liability and criminal prosecution under applicable law.

Responsibility and technical support

This document was prepared in accordance with all necessary requirements and contains detailed information on the operation of the device, which is valid at the date of the device's issue.

This Installation and Operation Manual and the Quick Start Guide are an integral part of the device and should always be available to the user as reference documentation.

ASBISc reserves the right to modify the device and make additions and changes to this document without prior notice to users and is not responsible for possible negative consequences arising from the use of an outdated version of the document, as well as for any possible technical and typographical errors, omissions, or incidental or consequential damages that may result from the transmission of this document or the use of the device.

In the event of discrepancies in the language versions of the document, the Russian version of this manual shall take precedence.

ASBISc does not guarantee with respect to the material herein, including but not limited to merchantability and suitability for a particular purpose.

If you have any technical questions, please contact your local ASBISc representative or Technical Support department at aeno.com. The most common problems encountered are described in the section 7, “Troubleshooting”, of this document.

You can download the latest version of this manual at **aeno.com/documents**.

User information, including personal data, is protected from unauthorized access and disclosure in accordance with GDPR requirements. You can read the Privacy Policy at **aeno.com/privacy-policy**.

Standards compliance



The device is CE certified and meets the requirements of the following European Union directives and regulations:

- Electromagnetic Compatibility Directive 2014/30/EU;
- Low Voltage Directive 2014/35/EU;
- Directive 2009/125/EU on eco-design requirements for energy-related products;
- RoHS Directive 2015/863/EU to restrict the use of certain hazardous substances.



The device has passed all assessment procedures established in the technical regulations of the Customs Union and complies with the norms of the Customs Union countries.



The device complies with the UKCA labelling requirements necessary to sell the device in the United Kingdom.



National Mark of Conformity of Ukraine, indicating that the device meets all required technical regulations.



The crossed out dustbin symbol is used to mark electrical and electronic equipment and indicates separate collection.

The symbol is given in accordance with Directive 2012/19/EU on Waste Electrical and Electronic Equipment (WEEE)* and indicates that this equipment requires separate collection after its end of life and must be disposed of separately from unsorted municipal waste.

To protect the environment and human health, dispose of used electrical and electronic equipment according to approved safe disposal guidelines.

	AE	AM	BG	CN	CZ	DE	EE	ES	FR
	GB	GE	GR	HR	HU	IE	IT	KZ	LT
	LV	NL	PL	PT	RO	RS	SK	UA	UZ

* For an explanation, see section 8 “Glossary”.

Limitations and Warnings

Please read the information in this section of the document carefully before you start installing and operating the device.

WARNING!

The warnings, precautions and instructions in this document may not contain all possible hazards. Use common sense when using the device.

Warning symbols and icons



Class I protection against electric shock. The symbol means that the device must be individually connected to a special socket outlet with a ground contact.



Hot steam. Danger of burns from contact with hot steam and/or heating elements of the device.



The device's packaging is recyclable and is partially or completely made from recycled material.



The packaging of the device can be disposed of along with household waste.

Safe use rules

The device is intended for use by persons over 18 years of age.

Persons with disabilities who are at least 18 years of age, understand the significance of their actions and are physically capable of operating the device in accordance with this user manual may use the device only under the supervision of a person responsible for their safety.

WARNING!

Failure to follow the operating instructions in this manual may result in personal injury or property damage. ASBISc is not liable for possible damage caused by non-compliance with the rules for using the device.

1. The device is designed for use in the home, offices and other similar environments. Do not use it for industrial purposes.
2. **Do not allow children to play with the device.**
3. Do not leave the device near open flames, hot surfaces, heaters.
4. Before connecting the device to the power source, check that the rated voltage indicated in the technical documentation corresponds to the electrical voltage of the outlet.
5. Connect the power cord to a grounded outlet and disconnect only with dry hands. Do not use an extension cord.
6. **Fill the tank with clean, distilled water only, without the use of detergents.**
7. Before turning on the device, make sure that the water tank is installed correctly, the hole in it is closed with a plug.
8. Do not remove the water tank while the device is in operation. Do not turn on the steamer if the water tank is empty. This can cause the device to malfunction.
9. During operation, the surface of the steaming head can get very hot. Handle the unit with care to avoid burns. When finished, do not touch the steaming head until it has cooled completely. Make sure that children or animals do not touch the hot steaming head.
10. Do not lean the hot steam head of the device against pieces of furniture or other interior elements to avoid damaging them.
11. Before using the device, make sure that the fabric to be ironed is resistant to high steam temperatures (at least 145 °C). Check the care information on the label.
12. Never steam clothes on yourself, other people or animals.
13. The device is designed for steaming textiles. Do not use it to clean hard surfaces made of glass, wood or metal.
14. **Never point the steam jet at people, animals, plants, electrical appliances, explosive, corrosive or toxic substances.**
15. Place the power cord so that it cannot be accidentally stepped on or snagged.
16. Do not place the power cord on anything with a sharp edge and do not place anything on top of the cord.
17. Make sure that the power cord does not hang over the edge of furniture or touch surfaces that can damage the insulation.
18. Do not wrap the power cord around the device.
19. If the power cord is damaged, first unplug the power outlet, then unplug the device. The power cord should only be replaced by a service technician.
20. Always unplug the power cord after using or cleaning the device.
21. Allow the unit to cool completely (may take up to 1 hour) before cleaning or storing it.

22. Do not use strong chemicals or abrasive materials to clean the unit.
23. Use only attachments or replacement parts recommended or supplied by ASBISc for this model.
24. If the device has fallen into the water, do not touch it under any circumstances and unplug it immediately.
25. Never use a device that has been in water. Have it checked by an authorized service center.
26. If you notice a malfunction, stop using the device immediately and contact the service center.
27. The device and its components should only be repaired by a service center technician. Never try to repair the device yourself.

Contents

Introduction.....	3
Copyright.....	3
Responsibility and technical support	3
Standards compliance.....	5
Limitations and Warnings.....	6
Contents.....	9
1 General description and specifications	11
1.1 Purpose of the device	11
1.2 Types of electrical outlets and plugs	13
1.3 Technical specifications	13
1.4 Package contents	15
1.5 Purpose of the device buttons	17
1.6 Packaging and labeling	18
2 Preparing for operation and operation	19
2.1 Preparation of textiles for steam treatment	19
2.2 Preparing the steamer for operation	21
2.3 Test run.....	24
2.4 Operating the device.....	24
2.5 Automatic shutdown function in case of overheating.....	26
3 Maintenance	27
3.1 Cleaning of the device's body	27
3.2 Cleaning the accessories.....	28
4 Warranty obligations.....	30
4.1 AENO service centers	30
4.2 Warranty service procedure	31
4.3 Limitation of liability.....	31
5 Storage, transportation and disposal.....	33
6 Other information	34
7 Troubleshooting	36
8 Glossary.....	37

Figures and tables

Figure 1 – Appearance of the device.....	11
Figure 2 – Elements of the device.....	12
Figure 3 – Package contents.....	15
Figure 4 – Device control buttons.....	17
Figure 5 – Example of a textile product label with the steaming symbol.....	19
Figure 6 – Vertical and horizontal steaming.....	20
Figure 7 – Silicone tank plug in “open” position.....	21
Figure 8 – Marking “100 ml” on the measuring cup.....	22
Figure 9 – Tank filling.....	22
Figure 10 – Switching on the device.....	23
Figure 11 – Pressing the steam button.....	25
Figure 12 – Cleaning the device housing.....	28
Figure 13 – Cleaning the measuring cup.....	29
Table 1 – Main technical specifications.....	13
Table 2 – Equipment.....	16
Table 3 – Device controls.....	18
Table 4 – Typical problems and solutions.....	36

1 General description and specifications

1.1 Purpose of the device

The AENO™ hand-held clothes steamer is a portable device that can be used to quickly iron clothes, curtains, coats, bedspreads and other textiles*.

The AENO™ hand-held clothes steamer is equipped with a splash and leakage protection during operation. This allows you to hold the device both horizontally and vertically when steaming. After steaming, the fibers of the fabric are flattened and become more voluminous. This has a positive effect on the texture of the fabric, helping to preserve the original appearance of the product.



Figure 1 – Appearance of the device

* Some types of fabrics are sensitive to high temperature steam. Be sure to check the care information on the label before using the product.

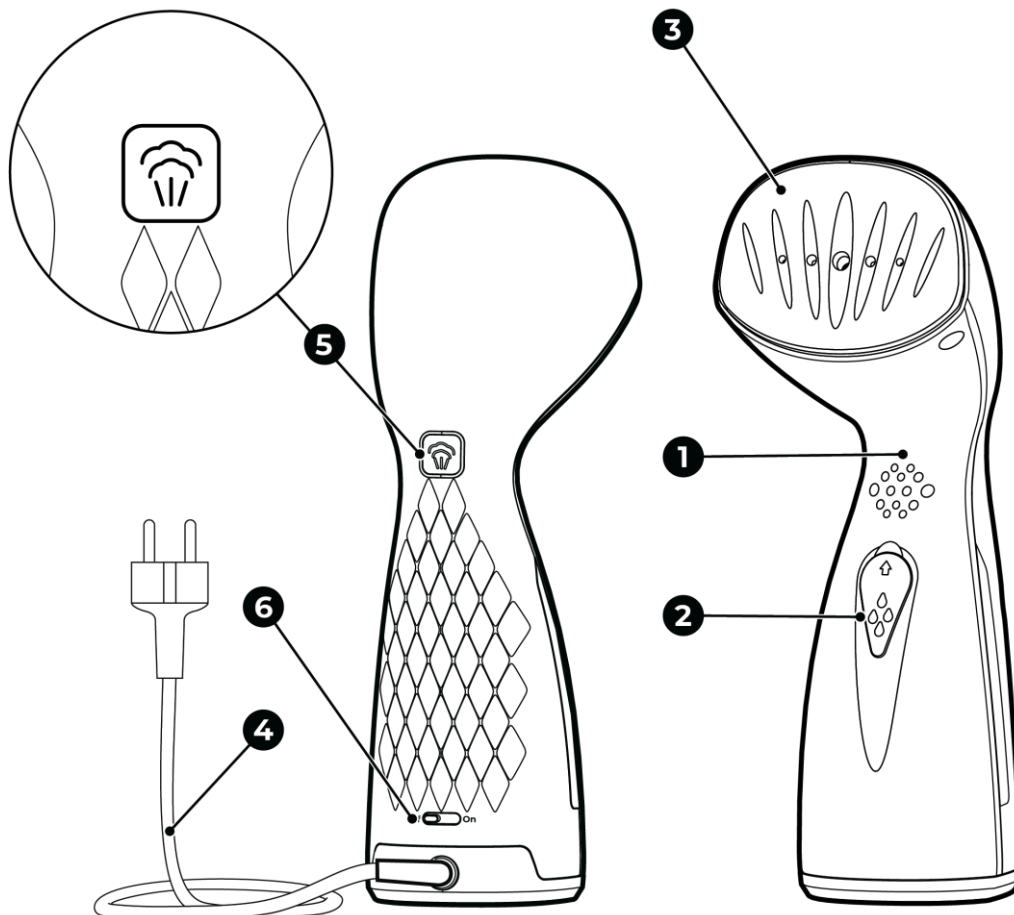


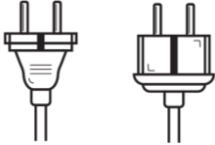

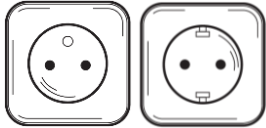

Figure 2 – Elements of the device

Elements of the device (see figure above):

- 1 – handle
- 2 – water tank cap
- 3 – steaming head
- 4 – power cord
- 5 – steam button
- 6 – On/Off switch

1.2 Types of electrical outlets and plugs

Since electrical socket standards vary from country to country, the AENO™ has several plug options for the power cord, depending on the country in which the device is sold.

AGS0002	AGS0002-UK
Plug type E/F *: 	Plug type G *: 
For sockets E, F: 	For sockets G: 
Voltage 220–240 V, frequency 50/60 Hz	

* See “Glossary” for an explanation.

1.3 Technical specifications

Table 1 – Main technical specifications

Parameter	Value
Model	AGS0002 (plug type E/F) AGS0002-UK (plug type G)
Control	Manual
Nominal device parameters	Input voltage: 220–240 V (AC) Input frequency: 50/60 Hz Input power: 1000–1190,0 W
Noise level during operation	From 60 dB (on distance up to 20 cm)
Water tank	Non detachable, 110 ml

Parameter	Value
Steam temperature	+98...+150 °C (depending on various factors including water volume in the tank, room temperature, etc.)
Standby time	Up to 40 s
Steam rate	14–24 g/min (depending on various factors, including continuous use time of the device, volume of water in the tank, etc.)
Steam pressure	0.4 bar
Operating time with a full tank	Up to 12 min
Options for use	Vertical, horizontal steaming
Additional functions	Splash and leakage protection Overheat protection
Protection class against electric shock	Class I *
Network cable	1.8 m
Operating conditions	Temperature: +5...+40 °C Relative humidity: 0-93% (no condensation)
Storage conditions	Temperature: -20...+70 °C Relative humidity: 0-93% (no condensation)
Material	PP plastic
Colour	Gray
Dimensions (L×W×H)	96×95×258 mm
Weight	Net: 0.71 kg Gross: 0.91 kg
Warranty period	2 years
Service life	2 years
Certificates	CE, EAC, RoHS, UKCA

* See Section 8, "Glossary," for an explanation

1.4 Package contents

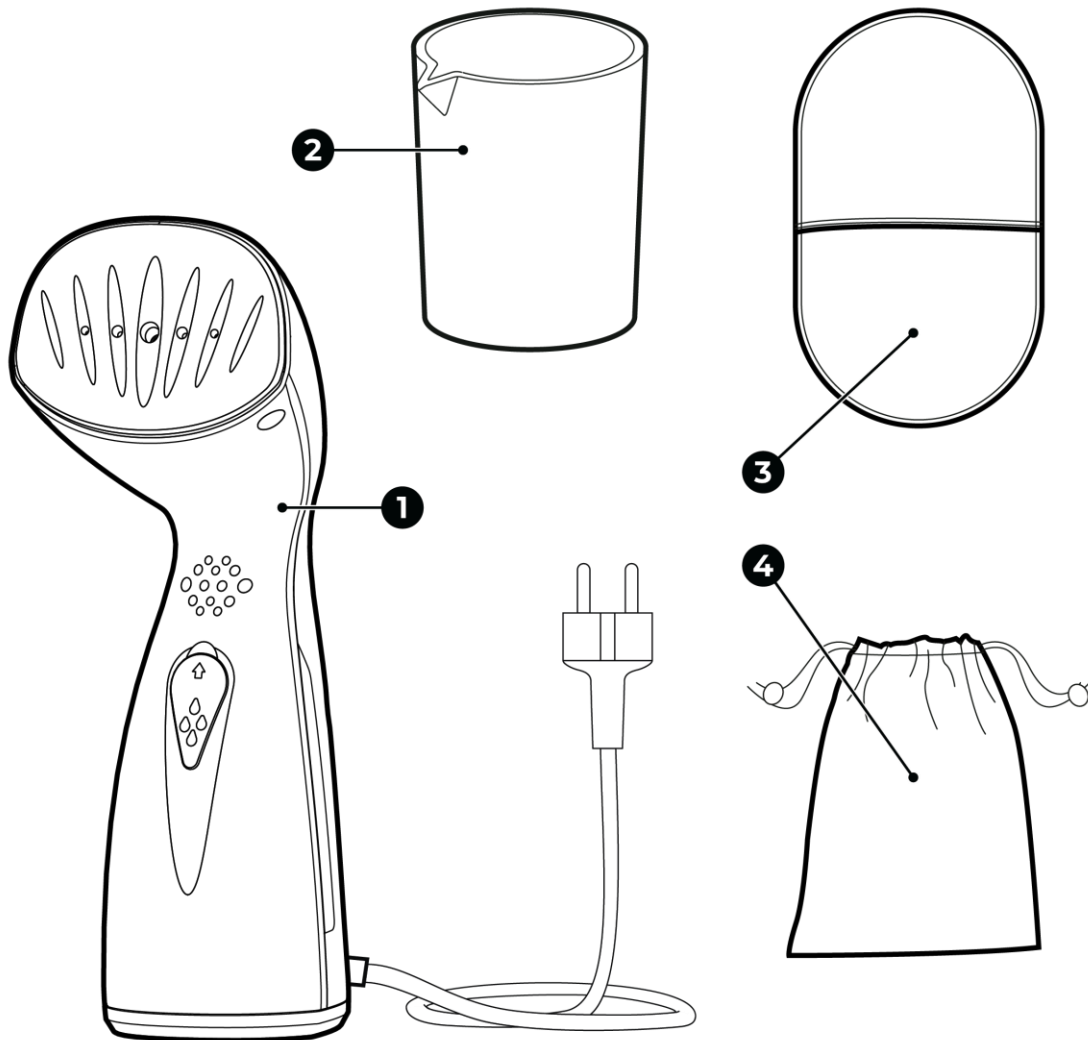


Figure 3 – Package contents *

The AENO™ handheld clothes steamer comes with the items shown in the table below.

- The images of accessories are for illustrative purposes only.

Table 2 – Equipment

Nº	Name	Quantity
1	Clothes steamer AENO™	1 pc.
2	Measuring cup	1 pc.
3	Protective glove	1 pc.
4	Pouch	1 pc.
5	Quick start guide	1 pc.
6	Warranty card	1 pc.

1.5 Purpose of the device buttons

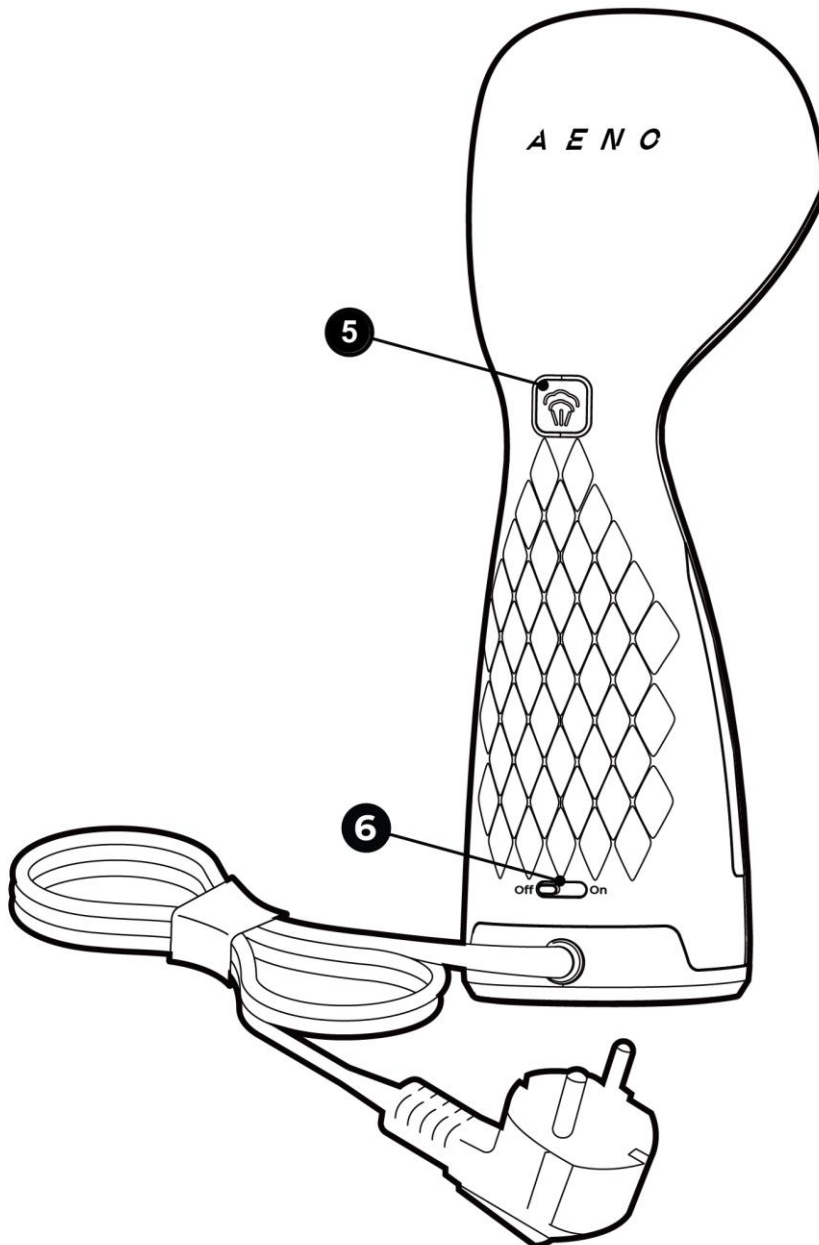







Figure 4 – Device control buttons

The AENO™ hand-held steamer has a steam button (5) and an "On/Off" switch (6) for operating the device.

Table 3 – Device controls

Nº	Symbol	Colour	Status	Description
Button				
5				Steam button
Button indicator				
5			doesn't light	The device is not connected to the network or is not turned on
5		red	blinks	Heating mode: the device is connected to the mains and turned on, heating is going on
		red	lights	Standby mode: Heating process completed, steam is possible
5		blue	lights	Steam mode: steam is supplied
Switch				
6				On/Off switch

1.6 Packaging and labeling

The AENO™ hand-held clothes steamer is supplied in an individual 125*160*280 mm cardboard package, containing the full name, markings and main technical specifications of the device, as well as date of manufacture and manufacturer's details. Package weight: net 0.85 kg, gross 1 kg.

2 Preparing for operation and operation

WARNING!

When connecting, operating and storing the AENO™ hand-held garment steamer, follow the safe use of the device (see “Limitations and Warnings”).

2.1 Preparation of textiles for steam treatment

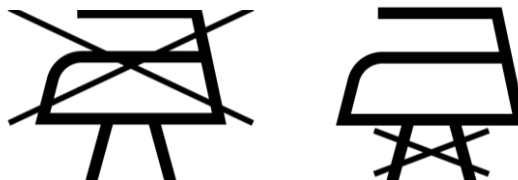
When preparing textiles for steam treatment, the following steps should be taken:

1. Before steaming a textile product, check the manufacturer's recommendations on the label.



Figure 5 – Example of a textile product label with the steaming symbol

Fabrics that cannot be steamed are marked with the symbols below or similar symbols.



As a rule, such symbols are placed on the labels of products made of fur, wool or pure polyester. Stiffly shaped items, such as hats, can also change shape after steaming.

2. Make sure there is nothing in the pockets of your clothes. Unscrew the cuffs, if any.
3. Place the garment on a hanger or on a horizontal surface that is resistant to high temperature steam (at least 160 °C). Make sure that the steam jet will not touch other fabrics or interior parts that could be damaged by steaming.

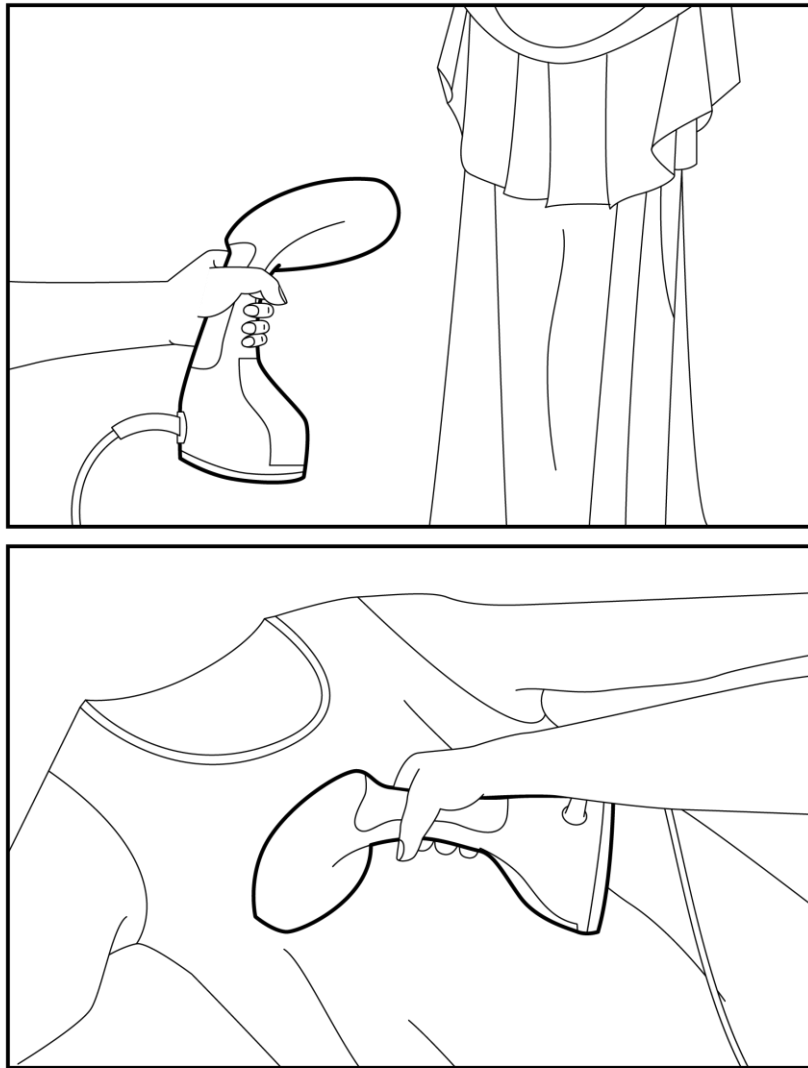


Figure 6 – Vertical and horizontal steaming

When placed on the hanger (vertical steaming), the textile garment is less dampened because the free space around it allows steam not to condense on the fabric.

2.2 Preparing the steamer for operation

Before you begin, carefully open the packaging and remove the device and accessories. Wipe the housing with a slightly damp cloth dampened with water and wipe it dry.

1. Open the silicone plug of the reservoir opening.

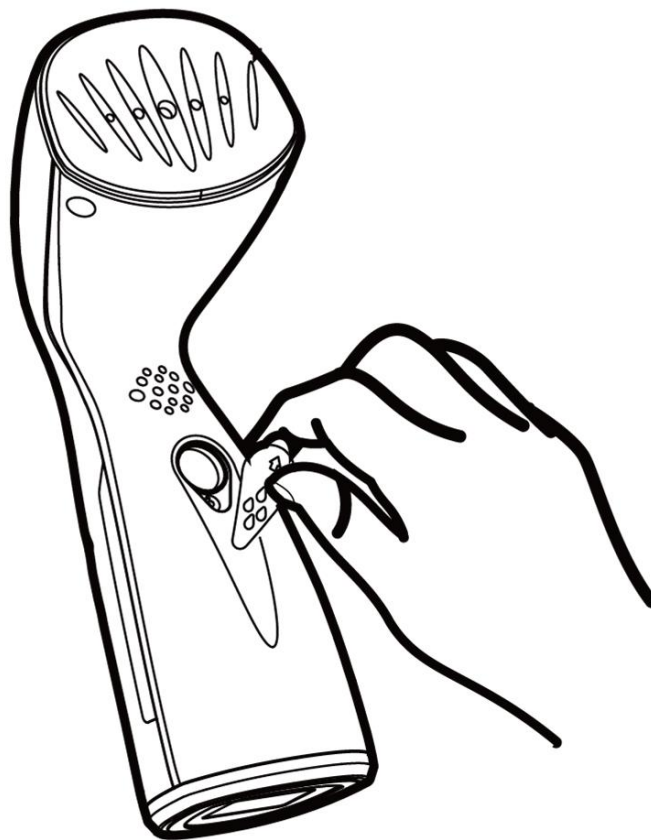


Figure 7 – Silicone tank plug in “open” position

2. Fill the measuring cup with distilled water, not exceeding the "100 ml" mark ("100 ml")

WARNING!

Use only distilled water. Lime scale, which forms inside the device when using tap water, can lead to product failure.

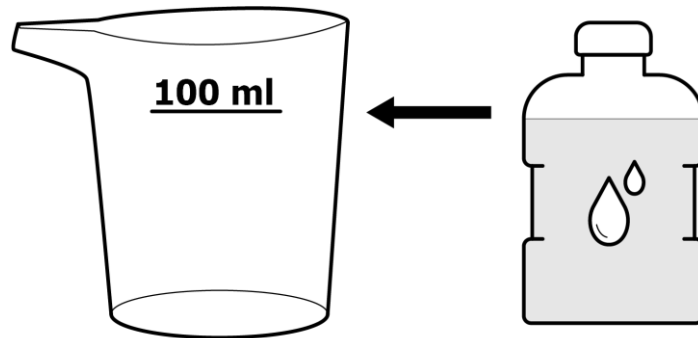


Figure 8 – Marking “100 ml” on the measuring cup

3. Carefully pour the water from the measuring cup into the steamer tank.

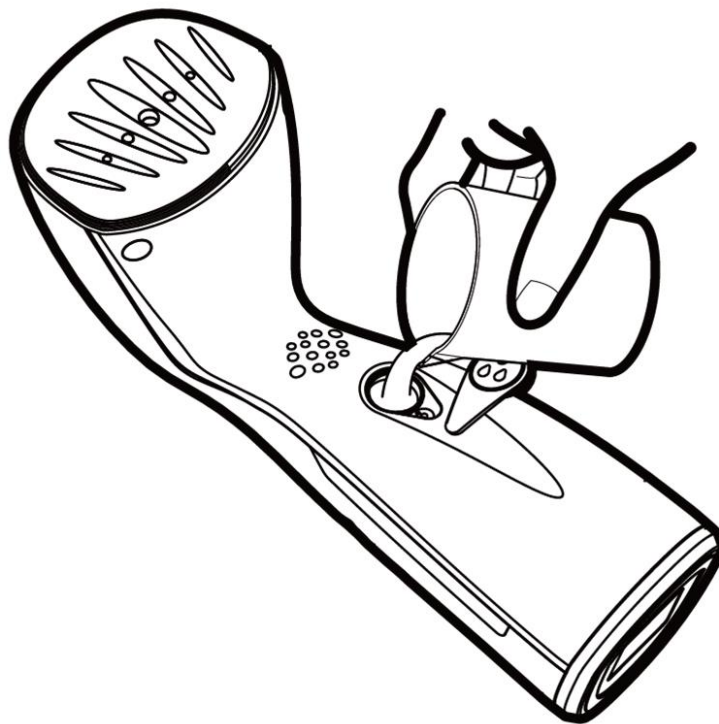


Figure 9 – Tank filling

4. Seal the hole in the reservoir tightly with a silicone plug.
5. Prepare the clothing or other textiles to be steamed according to the instructions in 2.1 above.

NOTE

Before connecting the device to the mains make sure that the rated voltage indicated in the technical documentation corresponds to the electrical voltage of the outlet.

6. Plug the power cord into a power outlet. Set the “On/Off” switch (6) to the “On” position. The indicator light of the steam button (5) will start blinking red.

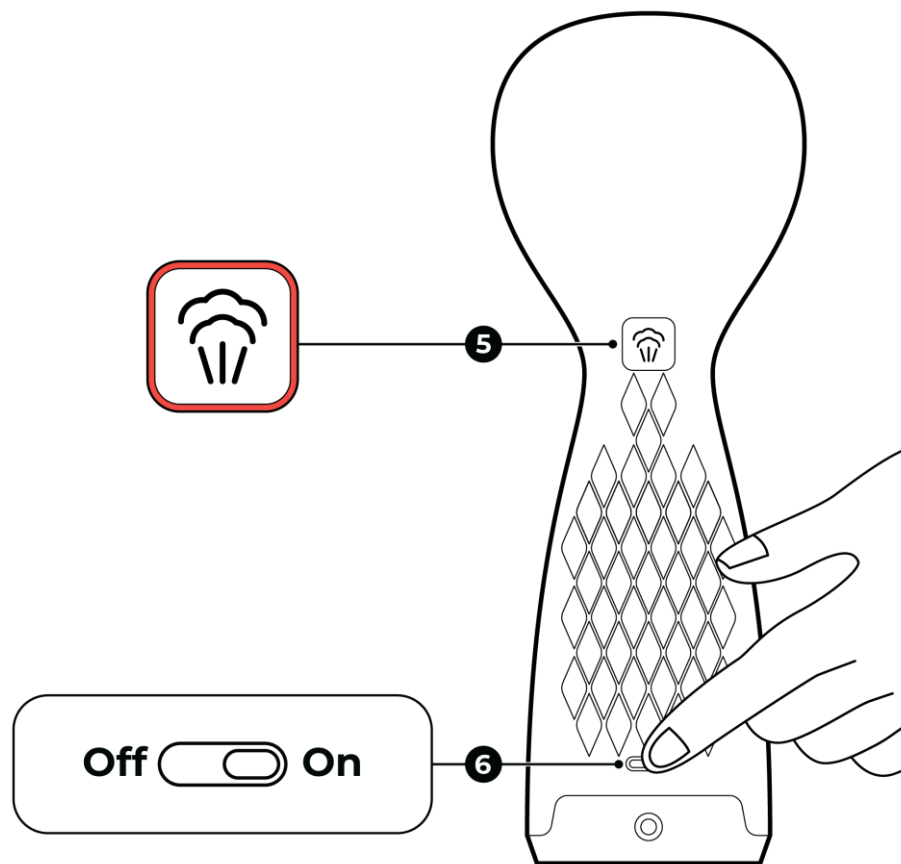


Figure 10 – Switching on the device

7. Wait about 40 seconds until steam begins to build. The steamer must stand stably on a flat, horizontal surface. When the indicator light of the steam button (5) turns solid red, the heating process is considered completed and steam can be supplied.

2.3 Test run

Before the first use, and after a long storage period, it is recommended to perform a test run of the device to clean the internal parts of the steaming head from possible accumulations of dust and dirt.

The test run is the release of the first jet of steam into the air, which is carried out as follows:

1. After preparing the steamer for operation, press the steam button (5) once (fig. 11).

WARNING!

Do not point the device at the product you are preparing to steam, or at people, animals, plants, or furnishings.

2. Wait 3 to 5 seconds for the sound of the water tank pump crackling and the steam flowing.
3. Stop the steam supply by pressing the steam button (5) again.

After completing the above procedure, the device is considered ready for use.

2.4 Operating the device

WARNING!

Use a protective glove when handling the device. Wear a glove on the hand with which you hold the product to avoid steam burns.

Start the steaming process on the wrong side of the textile product, namely:

1. Point the steaming head at the garment and press the steam button (5) (see fig. 11). During steaming, it is not necessary to keep the button pressed all the time.

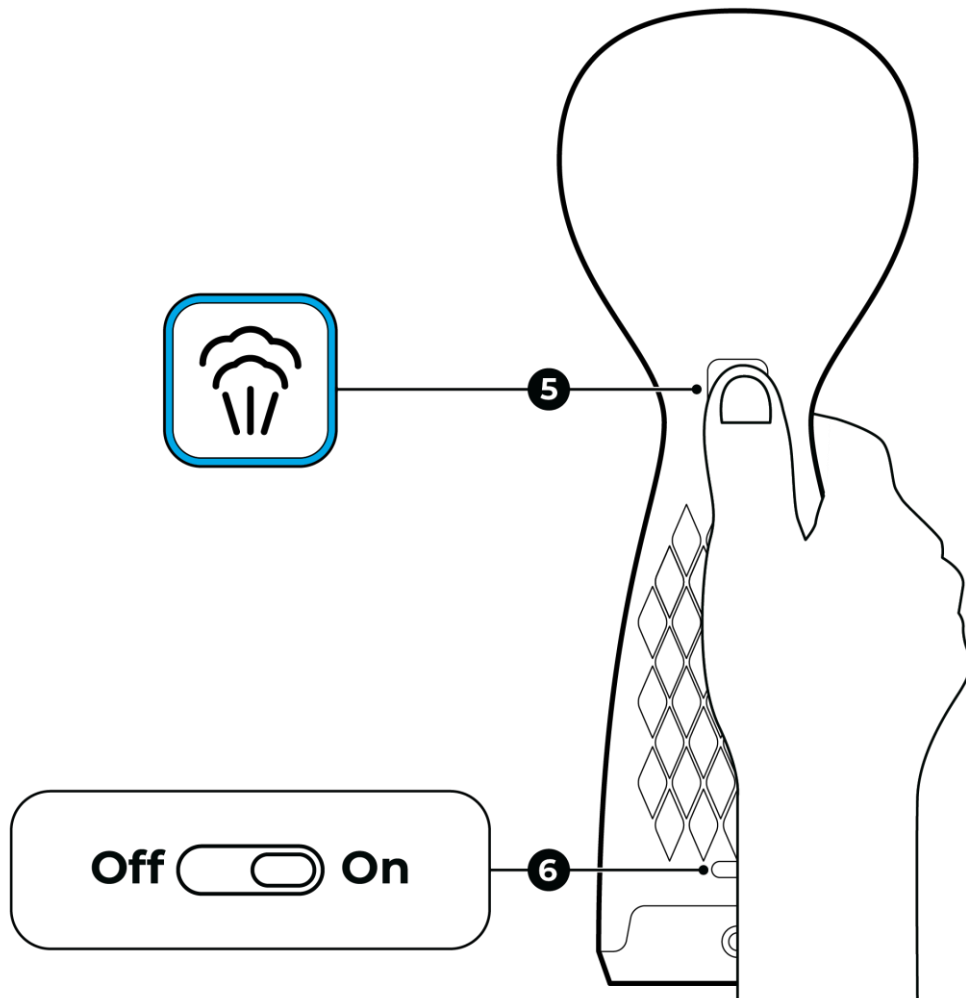


Figure 11 – Pressing the steam button

2. Direct the steam jet at the textile product with a smooth up-and-down and side-to-side motion of the device.
3. For effective smoothing, the fabric can be slightly stretched, holding it in a place inaccessible to the steam jet, so as not to get burned. When doing this, be sure to use the protective glove for your hand, which is included in the delivery.
4. When you have finished steaming the product, press the steam button (5) again. The steam supply will stop.
5. Place the steamer vertically on a flat horizontal surface, prepare for steaming as described in point 2.1 and steam the next textile.

6. When all items have finished steaming, set the “ON/OFF” switch (6) to the “Off” position and unplug the appliance.
6. Clean the device and accessories as described in section 3.

The device can continuously generate steam until the tank runs out of water (about 7–12 minutes).

If the water in the reservoir runs out and the steaming process has not been completed, follow these steps:

1. Turn off the unit by setting the “ON/Off” switch (6) to the “Off” position.
2. Wait for the steaming head to cool down.
3. Fill the tank with water as described in point 2.2 above.

The steaming head can touch dense natural fabrics, such as denim.

When using the device on delicate or synthetic fabrics, keep it 1–2 cm away from the surface of the fabric, as the steaming head gets very hot.

2.5 Automatic shutdown function in case of overheating

The steamer is equipped with an automatic overheat shutoff function.

If the temperature of the device rises above a certain value, the automatic shutdown is triggered, all indicators go out, and the steamer stops working.

To return the steamer to operation, disconnect it from the power supply and wait until the head has cooled completely. After that, the steamer is considered ready for use.

The presence of this function makes working with the device safer.

3 Maintenance

WARNING!

Before starting maintenance, make sure that the device is turned off, disconnected from the mains and **completely cooled down**. Do not perform maintenance if the unit has not cooled down.

To maintain optimum condition and stable operation of the device, it is recommended to perform the following actions:

- test run the device before first use and also after long term storage;
- cleaning the body of the device in the presence of contamination;
- cleaning the water tank and measuring cup after each use of the device;
- clean the brush head after each use.

WARNING!

Do not use harsh chemicals, abrasive pastes, polishes or detergents that contain acids or solvents, or metal sponges, which can damage the coating.

After using the device, perform the following steps:

1. Open the reservoir plug and drain off any remaining water in the water tank.
2. Next, proceed to cleaning the device case, accessories and components.

3.1 Cleaning of the device's body

Use a damp cloth to wipe off dirt and dust on the device housing.

For heavy soiling, it is allowed to apply a few drops of neutral detergent * on a wet cloth.

Then wipe the device dry.

* According to publicly available information, detergents with a pH value of 5 to 8 are neutral.

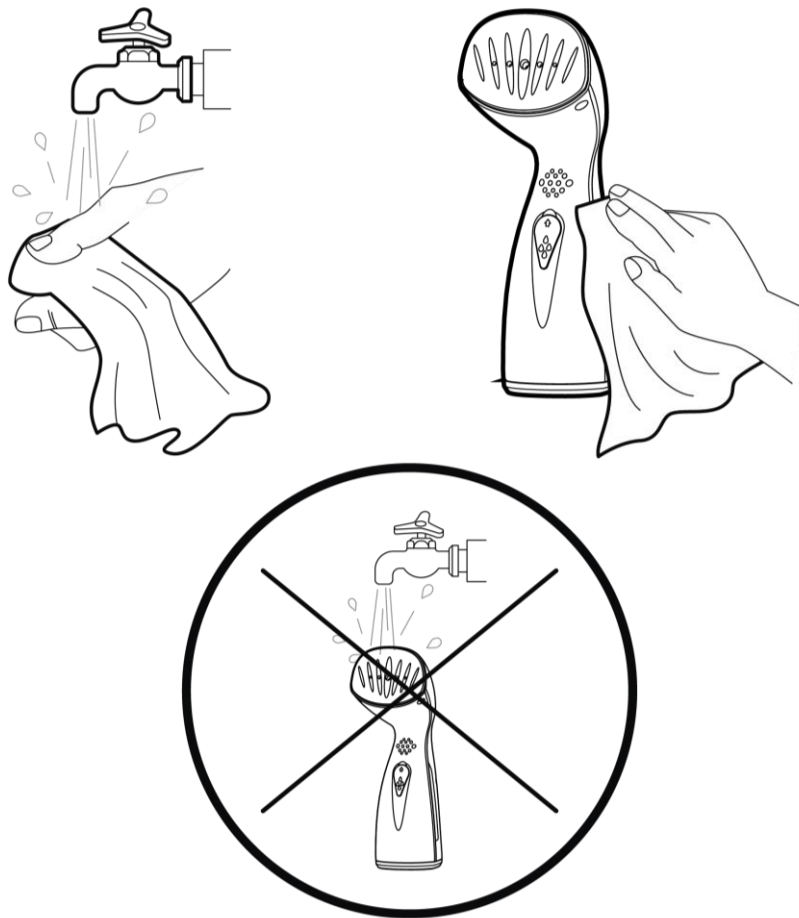


Figure 12 – Cleaning the device housing

WARNING!

The device **must not** be washed under running water or immersed in water.

Leave the unit with the reservoir cap open in a warm, dry place for 1–2 hours to allow any residual moisture from the water tank to evaporate.

3.2 Cleaning the accessories

To clean the measuring cup, rinse it under running water and wipe it dry.



Figure 13 – Cleaning the measuring cup

Clean the protective glove of dirt with a damp cloth.

For heavy soiling, it is allowed to apply a few drops of neutral detergent * on a wet cloth.

Then wipe the glove dry.

WARNING!

When using and storing the protective glove, do not allow the accessory to become bent or kinked.

* According to publicly available information, detergents with a pH value of 5 to 8 are neutral.

4 Warranty obligations

The service life of the device is two (2) years. The manufacturer's warranty for this product is two (2) years from the date of retail sale. The manufacturer's warranty on accessories is two (2) years from the date of retail sale.

You may have other rights under the laws of your country that govern the sale of consumer goods. This limited warranty does not affect such rights.

The manufacturer guarantees proper functioning of all materials, components and assembly of AENO™ products provided that the rules of operation set out in the "User Manual" of the device are followed during the warranty period.

For warranty replacement, the device must be returned to the retailer, along with the receipt verifying the purchase.

The following are not considered defects:

- the smell of new plastic or rubber during the first days of operation;
- change of colour shade, gloss of equipment parts during operation;
- noises (not exceeding the sanitary norms) related to the operating principles of the individual components of the product, namely:
 - fans;
 - water valves;
 - electrical relays;
 - electric motors;
 - belts;
 - compressors;
- noises caused by natural wear and tear (aging) of materials, namely:
 - crackling during heating/cooling;
 - creaks;
 - slight knocking in the moving mechanisms;
- the need to replace consumables and wear parts that have become unusable as a result of their natural wear and tear.

4.1 AENO service centers

For a list of cities where the manufacturer's service is available, visit **aeno.com**.

4.2 Warranty service procedure

If you discover a suspected fault or defect in the device, you should contact an authorized service centre before the warranty period expires and provide the following information:

1. A device with an alleged fault or defect.
2. Original document confirming the purchase.

In the absence of an authorized service center, the customer should contact the store where the device was purchased.

Warranty service is not available for:

- adjustment, cleaning and other care of the product as specified in this user manual;
- replacement of consumables (batteries, filters, light bulbs, dust bags, etc.) as specified in this document.

4.3 Limitation of liability

Products with manufacturing defects are subject to warranty service during the warranty period. In this case, the warranty period is extended by the duration of the repair.

AENO™ products are not eligible for free warranty service if the following damages or defects are found:

- damage caused by force majeure, accidents, negligence, intentional or careless actions (omissions) of the buyer or third parties;
- damage caused by the effects of other objects, including but not limited to exposure to moisture, dampness, extreme temperatures, or environmental conditions (or if they change drastically), corrosion, oxidation, ingress of food or liquid and exposure to chemicals, animals, insects, and their products of vital activity;
- if the device (accessories, components) has been opened (the seals are broken), altered or repaired by anyone other than an authorized service centre, or with unauthorized replacement parts;
- defects or damage caused by improper use, misuse, including use contrary to the operating instructions;
- defects caused by normal wear and tear, including bags, cases, battery packs, or user manuals;

- if the serial number (factory stickers), manufacturing date or model name on the device have been removed, erased, damaged, altered or is illegible in any way;
- in case of violation of the rules and conditions of operation, as well as the installation of the device, set forth in the operating manual;
- cracks and scratches as well as other defects resulting from transportation, operation by the purchaser or negligent handling on his part;
- mechanical damage that occurred after the device was handed to the user, including the damage caused by sharp objects, bending, compressing, dropping, etc;
- damage caused by nonconformity with the standards of power supply, telecommunication and cable networks or similar external factors.

This limited warranty is the exclusive and sole warranty provided and is in lieu of all other express and implied warranties. The manufacturer makes no warranty, either express or implied, beyond the description contained herein, including an implied warranty of merchantability and fitness for a particular purpose. It remains at the discretion of the purchaser to use a faulty, defective and unacceptable device. The manufacturer shall not be liable for damages to other property due to any defects in the device, loss of use of the device, loss of time, or for any special, incidental, indirect or consequential damages, punitive damages and losses, including but not limited to commercial damages, loss of profits, loss of confidential or other information, losses due to business or operational interruption due to the device being found to be defective, malfunctioned or inappropriate for use.

WARNING!

AENO does not manufacture products that fall within the category of critical equipment. Critical equipment includes life-support systems, medical devices and implantables, equipment used in commercial transportation, equipment for nuclear facilities or systems as well as equipment for other applications where device failure could result in the injury or death of a person as well as property damage.

5 Storage, transportation and disposal

The product can be transported at any distance by any type of transport that ensures the safety of the device, in accordance with the rules of cargo transportation operating on a particular type of transport. Do not allow water to get on the packaging and/or the product.

Before storing the device, be sure to clean it and allow it to dry completely. Store the unit in a dry, enclosed area, out of the reach of children and away from heating devices, avoiding direct sunlight and moisture. The unit should be placed in its original packing for long periods of storage. After a long period of storage it is necessary to perform a test run of the device according to point 2.3 above. If these requirements are not met, ASBISc does not guarantee that the declared performance of the device will be maintained due to possible degradation of its components, accumulation of dust, moisture or other adverse effects.

In accordance with the Waste Electrical and Electronic Equipment (WEEE) regulations, all electrical and electronic products must be collected separately at the end of their service life and cannot be disposed of together with unsorted municipal waste.

Parts of unusable devices must be separated and sorted by material type. Proper collection, recycling and disposal of these devices will help avoid potential environmental and health impacts from the harmful substances they contain.

The device must be taken to a local recycling center for disposal. Disposal is carried out in accordance with the applicable laws and regulations of the relevant country.

For more information on the recycling of this device, contact your municipal waste disposal service.

If the user cannot take the device to a specialised collection and recycling facility, it can also be handed over to a hardware and building supply shop, the local department of the governmental emergency management agency, or a similar institution. Do not dispose of the device together with unsorted municipal waste, as this would be harmful to the environment.

6 Other information

Manufacturer details

Name	ASBISc Enterprises PLC
Address	Iapetou, 1, Agios Athanasios, 4101, Limassol, Cyprus
Contact details	Tel.: +357-25857000, asbis.com

Importing company details

Belarus:

Name	SZAO ASBIS
Address	223021, Minsk region, Minsk district, Shchomyslitsy village council, house 31, room 27, near the agro-town Ozertso.
Contact details	Tel. +375(17) 279-36-36, www.asbis.by

For information about warranty and claims organizations, visit **aeno.com** under “Service & Warranty”.

Information about obtained certificates and declarations of conformity

Directives, certificates and regulations	<p>Declaration of conformity to directives 2014/30/EU, 2014/35/EU, 2009/125/EU dated February 15, 2022.</p> <p>Declaration of Conformity to RoHS regulation 2015/863/EU of February 15, 2022</p> <p>Declaration of Conformity DSTU EN 50564:2016 dated June 24, 2022</p> <p>Declaration of Conformity to DSTU EN IEC 63000:2020 dated June 24, 2022</p> <p>Declaration of Conformity DSTU EN 60335-1:2017 dated June 24, 2022</p> <p>Declaration of Conformity DSTU EN 60335-2-85:2019 dated June 24, 2022</p> <p>Declaration of Conformity to DSTU EN 62233:2015 (EN 62233:2008; AC:2008, IDT) dated June 24, 2022</p> <p>Certificate № EAEU RU C-CY.HA46.B.03118/22 of March 16, 2022.</p>
--	--

7 Troubleshooting

The table below shows typical problems that occur when connecting and configuring the device, and possible ways to fix them.

Table 4 – Typical problems and solutions

Nº	Problem	Possible causes	Solution
1	The steamer does not heat up	The device is not connected to the mains or is not switched on	Make sure the steamer is turned on, the plug is plugged into the outlet, and the outlet is in good condition. Make sure you have pressed the “ON/OFF” button
2	The steamer does not produce steam	No water in the water tank	Disconnect the steamer from the power supply and fill the water tank as described in point 2.2
3	Water drips from the steaming head or runs out of the water tank	The steamer is not heated to the desired temperature	Wait about 40 seconds until the red light on the steam button (5) comes on. Up to this point, the steamer should be in an upright position
		Silicone plug of water tank not properly sealed	Close the silicone water tank plug tightly as described in point 2.2

WARNING!

If none of the possible solutions solves the problem, contact your supplier or service centre. Please do not disassemble or attempt to repair the device on your own.

8 Glossary

Class I	A class of electrical safety in which protection against electric shock is provided by basic insulation and the connection of exposed conductive parts accessible to contact with the protective conductor of the fixed wiring. The unit must be plugged into a dedicated outlet with a grounding contact.
WEEE	Waste Electrical and Electronic Equipment means used electrical or electronic equipment, including all components, subassemblies, consumables that are part of the equipment at the time it is taken out of service (including batteries/batteries (if any), components containing mercury, etc.)
Plug type E/F	Plug with flat grounding contacts on both sides for connection to a CEE 7/4 receptacle and a socket contact for a CEE 7/5 receptacle grounding pin. Typically used in the following countries: Armenia, Belarus, Bulgaria, Hungary, Germany, Georgia, Spain, Italy, Kazakhstan, China, Latvia, Lithuania, Netherlands, Poland, Portugal, Romania, Serbia, Slovakia, Uzbekistan, Ukraine, France, Croatia, Czech Republic, Estonia.
Plug type G	Polarized three-pin plug with ground connection, equipped with a fuse that protects the phase conductor. Typically used in the Arab Emirates, the United Kingdom, and the island of Cyprus.

A E N O

C R E A T I N G T H E F U T U R E

Ovaj dokument je originalno proizveden i objavljen od strane proizvođača, brenda AENO, i preuzet je sa njihove zvanične stranice. S obzirom na ovu činjenicu, Tehnoteka ističe da ne preuzima odgovornost za tačnost, celovitost ili pouzdanost informacija, podataka, mišljenja, saveta ili izjava sadržanih u ovom dokumentu.

Napominjemo da Tehnoteka nema ovlašćenje da izvrši bilo kakve izmene ili dopune na ovom dokumentu, stoga nismo odgovorni za eventualne greške, propuste ili netačnosti koje se mogu naći unutar njega. Tehnoteka ne odgovara za štetu nanесenu korisnicima pri upotrebi netačnih podataka. Ukoliko imate dodatna pitanja o proizvodu, ljubazno vas molimo da kontaktirate direktno proizvođača kako biste dobili sve detaljne informacije.

Za najnovije informacije o ceni, dostupnim akcijama i tehničkim karakteristikama proizvoda koji se pominje u ovom dokumentu, molimo posetite našu stranicu klikom na sledeći link:

<https://tehnoteka.rs/p/aeno-pegla-za-vertikalno-peglanje-gs2-akcija-cena/>