

Uputstvo za upotrebu (EN)

AVERMEDIA web kamera PW313 Live Streamer

AVerMedia



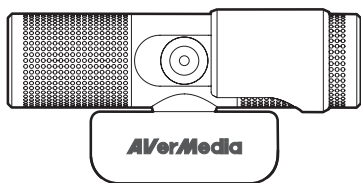
Tehnoteka je online destinacija za upoređivanje cena i karakteristika bele tehnike, potrošačke elektronike i IT uređaja kod trgovinskih lanaca i internet prodavnica u Srbiji. Naša stranica vam omogućava da istražite najnovije informacije, detaljne karakteristike i konkurentne cene proizvoda.

Posetite nas i uživajte u ekskluzivnom iskustvu pametne kupovine klikom na link:

<https://tehnoteka.rs/p/avermedia-web-kamera-pw313-live-streamer-akcija-cena/>

Live Streamer CAM 313

Quick Guide



English	Polski
Deutsch	Čeština
Français	Русский
Italiano	Türkçe
Español	ภาษาไทย
Português	繁體中文
Nederlands	简体中文
Magyar	한국어

Disclaimer

All pictures contained in this documentation are example images only. The images may vary depending on the product and software version. Information presented in this documentation has been carefully checked for reliability; however, no responsibility is assumed for inaccuracies. The information contained in this documentation is subject to change without notice.

Copyright and Trademark Information

© 2018 by AVerMedia Technologies, Inc. All rights reserved. No part of this publication, in whole or in part, may be reproduced, transmitted, transcribed, altered or translated into any language in any form by any means without the written permission of AVerMedia Technologies, Inc. Information and specification contained in this manual are subject to change without notice and do not represent a commitment on the part of AVerMedia.

For more information, please visit www.avermedia.com.

AVerMedia is trademark or registered trademark of AVerMedia Technologies, Inc.

Headquarters

Address No.135, Jian 1st Rd., Zhonghe Dist., New Taipei City 23585, Taiwan
Website www.avermedia.com
Support www.avermedia.com/support
Telephone +886-2-2226-3630

US Office

Address 4038 Clipper Ct., Fremont, CA 94538, United States
Website www.avermedia-usa.com
Telephone +1 (510) 403 0006

Head Office EU (AVT Solutions GmbH)

Address Hanauer Landstrasse 291 B, 60314 Frankfurt Hessen, Germany
Website www.avermedia.com/inquiry

國際總部

地址 23585 新北市中和區建一路 135 號
網址 www.avermedia.com
支援 www.avermedia.com/support
電話 +886-2-2226-3630

中国子公司

地址 上海市静安区武宁南路 488 号智慧广场 1510 室
网址 www.avermedia.com.cn
电话 +86-21-52987985

Important Safety Instructions

1. Read these instructions.
2. Keep these instructions.
3. Follow all instructions.
4. Heed all warnings.
5. Do not use the apparatus on uneven or unstable surfaces.
6. Do not use this apparatus in a wet environment or near water.
7. Unplug the apparatus before cleaning. Clean only with a dry cloth.
8. Use in a well ventilated environment. Do not block any ventilation openings.
9. Use the apparatus within ambient temperatures 32–104°F (0–40°C).
10. Use power sources within the specified voltage range.
11. Do not place heavy objects on the apparatus.
12. Do not install near heat sources such as radiators or stoves.
13. Do not defeat the safety purposes of the polarized or grounding-type plug.
14. Protect the power cord from being walked on or pinched, particularly where the cord connects with plugs or adapters.
15. Only use the attachments and accessories specified by the manufacturer.
16. Unplug this apparatus during lightning or when unused for prolonged periods of time.
17. Do not modify or disassemble the apparatus in any way.
18. Refer all servicing to AVerMedia Customer Service.
19. Do not dispose the apparatus as general household waste. Dispose in accordance with local environmental laws.

重要安全說明

1. 仔細閱讀這些說明。
2. 妥善保存這些說明。
3. 遵守所有的指示。
4. 注意所有的警告。
5. 請勿將本產品安裝於不平穩的表面。
6. 請勿在潮濕或靠近水的地方使用本產品。
7. 清潔前請拔除電源。僅使用乾布清潔。
8. 請於通風的環境使用本產品。請勿堵住通風口。
9. 請於規格溫度範圍 32–104°F (0–40°C) 使用本產品。
10. 請使用額定電壓範圍內的電源。
11. 請勿放置重物於本產品上。
12. 請勿安裝於熱源附近如暖器或火爐旁。
13. 請勿破壞極性或接地插頭的安全防護設計。
14. 請保護電源線，勿使其被踩踏或碾壓，特別是與插頭或變壓器的連接處。
15. 僅使用製造商指定的配件及零件。
16. 打雷或長時間不使用時請拔除電源。
17. 請勿以任何方式改造或拆解本產品。
18. 如需維修請洽本公司客服人員。
19. 請勿當作家庭垃圾任意丟棄。請遵從當地環境法規妥善處理。

重要安全说明

1. 仔细阅读这些说明。
2. 妥善保存这些说明。
3. 遵守所有的指示。
4. 注意所有的警告。
5. 请勿将本产品安装于不平稳的表面。
6. 请勿在潮湿或靠近水的地方使用本产品。
7. 清洁前请拔除电源。仅使用干布清洁。
8. 请于通风的环境使用本产品。请勿堵住通风口。
9. 请于规格温度范围 32–104°F (0–40°C) 使用本产品。
10. 请使用额定电压范围内的电源。
11. 请勿放置重物于本产品上。
12. 请勿安装于热源附近如暖器或火炉旁。
13. 请勿破坏极性或接地插头的安全防护设计。
14. 请保护电源线，勿使其被踩踏或碾压，特别是与插头或变压器的连接处。
15. 仅使用制造商指定的配件及零件。
16. 打雷或长时间不使用时请拔除电源。
17. 请勿以任何方式改造或拆解本产品。
18. 如需维修请洽本公司客服人员。
19. 请勿当作家庭垃圾任意丢弃。请遵从当地环境法规妥善处理。

These are what you'll find in the box:

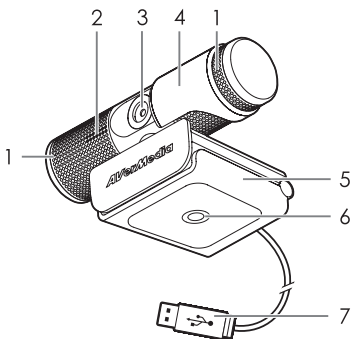


Live Streamer
CAM 313



Quick Guide

Parts and Ports



1 Microphone

2 LED Indicator

3 Lens

4 Privacy Shutter

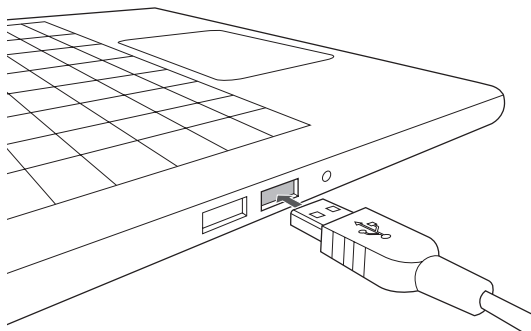
5 Flexible Clip

6 Tripod Attachment

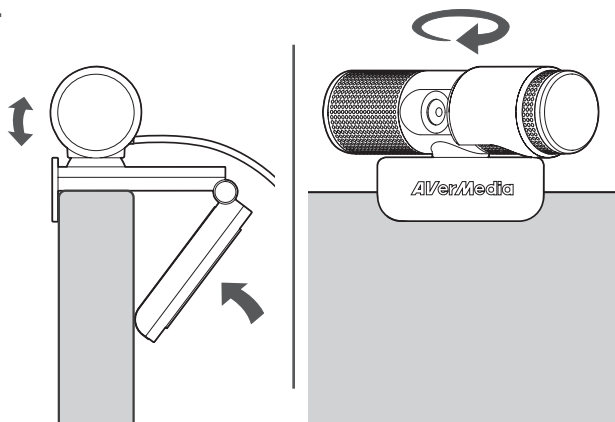
7 USB Connector

Installation

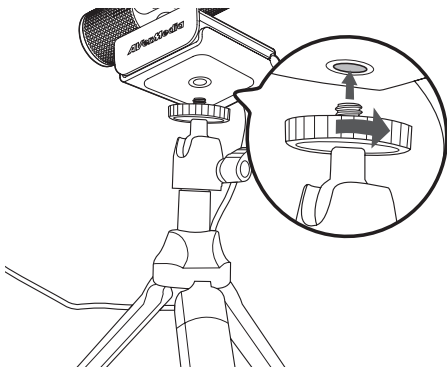
1



2



Installation (Tripod Not Included)



RECentral

RECentral is the default streaming/recording software for Live Streamer CAM, and it will include exclusive features such as camera effects, filters, and more. Download it from: q.avermedia.com/pw313-RECentral

Specifications

Connection Type	USB
Image Sensor	1/2.7" CMOS, 2MP
Max. Resolution	1920x1080
Supported Resolution	1920x1080, 1280x720, 640x480, 320x240
Max. Frame Rate	30 fps
Microphone Type	Dual Microphone (Mono)
F/NO	2.0 mm
Focus Method (Lens Type)	Fixed
UVC Support	Yes
Cable Length	1.5 m
Weight	130 g

Deutsch

Verpackungsinhalt

Inhalt der Schachtel:

- Live Streamer CAM 313
- Schnellanleitung

Teile und Anschlüsse

1. Mikrofon
2. LED-Anzeige
3. Objektiv
4. Privatsphäreabdeckung
5. Flexibler Clip
6. Stativbefestigung
7. USB-Anschluss

Installation

Installation (Stativ nicht enthalten)

RECentral

RECentral ist die standardmäßige Streaming/Aufnahmesoftware für eine Live-Streamer-Kamera und sie enthält exklusive Funktionen wie Kameraeffekte, Filter und mehr. Download hier: q.avermedia.com/pw313-recentral

Français

Contenu du Coffret

Contenu de la boîte:

- Live Streamer CAM 313
- Guide de démarrage rapide

Présentation du produit

1. Micro
2. Indicateur LED
3. Objectif
4. Volet de protection
5. Clip Flexible
6. Fixation pour trépied
7. Connecteur USB

Installation

Installation (Trépied non inclus)

RECentral

RECentral est le logiciel par défaut pour utiliser la Live Streamer Cam et inclut des effets et filtres exclusifs et bien plus. Téléchargez-le depuis: q.avermedia.com/pw313-recentral

Italiano

Contenuto della scatola

Contenuto:

- Live Streamer CAM 313
- Guida rapida

Parti e porte

1. Microfono
2. Indicatore LED
3. Obiettivo
4. Otturatore di riservatezza
5. Clip flessibile
6. Attacco del treppiede
7. Connettore USB

Installazione

Installazione (treppiede non incluso)

RECentral

RECentral è il software di streaming/registrazione predefinito per Live Streamer CAM e includerà funzionalità esclusive come effetti fotografici, filtri e altro. Scaricalo da: q.avermedia.com/pw313-recentral

Español

Dentro de la caja

Esto es lo que encontrarás en la caja:

- Live Streamer CAM 313
- Guía rápida

Componentes del producto

1. Micrófono
2. Indicador LED
3. Lentes
4. Pestaña de privacidad
5. Clip Flexible
6. Accesorio para trípode
7. Conector USB

Instalación

Instalación (Trípode No Incluido)

RECentral

RECentral es el software predeterminado para la transmisión y grabación de la Live Streamer CAM, e incluirá características exclusivas como efectos de cámara, filtros y más. Descárgalo desde aquí: q.avermedia.com/pw313-recentral

Português

Conteúdo da embalagem

Irá encontrar os seguintes itens na embalagem:

- Live Streamer CAM 313
- Guia rápido

Componentes e portas

1. Microfone
2. Indicador LED
3. Objetiva
4. Ocultador
5. Clipe flexível
6. Fixação de tripé
7. Conector USB

Instalação

Instalação (tripé não incluído)

RECentral

RECentral é o software de transmissão/ gravação predefinido para a Live Streamer CAM, e inclui funcionalidades exclusivas como efeitos da câmara, filtros e muito mais. Transfira a partir de: q.avermedia.com/pw313-recentral

Nederlands

In de doos

Dit is wat u in de doos zult vinden:

- Live Streamer CAM 313
- Beknopte handleiding

Onderdelen en poorten

1. Microfoon
2. LED-indicator
3. Lens
4. Privacy sluiters
5. Flexibele clip
6. Statiefbevestiging
7. USB-connector

Installatie

Installatie (statief niet inbegrepen)

RECentral

RECentral is de standaard streaming/opnamesoftware voor Live Streamer CAM en bevat exclusieve functies zoals camera-effecten, filters en meer. Download het op: q.avermedia.com/pw313-recentral

Magyar

A doboz tartalma

Ezeket találja a dobozban:

- Live Streamer CAM 313
- Gyors útmutató

A készülék részei és portjai

1. Mikrofon
2. LED-visszajelző
3. Objektív
4. Adatvédelmi zár
5. Flexibilis rögzítő
6. Állványrögzítő
7. USB-csatlakozó

Telepítés

Telepítés (az állvány nincs a csomagban)

RECentral

A RECentral a Live Streamer CAM alapértelmezett adatfolyam-továbbító/felvevő alkalmazása, amely exkluzív funkciókat is tartalmaz, például kameraeffektusokat, szűrőket és másokat. Töltse le innen: q.avermedia.com/pw313-recentral

Polski

W pudełku

W opakowaniu znajdują się:

- Live Streamer CAM 313
- Skrócona instrukcja obsługi

Części i złącza

1. Mikrofon
2. Wskaźnik LED
3. Obiektywy
4. Zaślepka
5. Ruchomy klips
6. Złącze statywowe
7. Złącze USB

Montaż

Montaż (statyw jest sprzedawany osobno)

RECentral

RECentral jest domyślnym oprogramowaniem do przesyłania strumieniowego / nagrywania dla Live Streamer CAM i zawiera ekskluzywne funkcje, takie jak efekty kamery, filtry i inne. Można je pobrać z: q.avermedia.com/pw313-recentral

Čeština

Obsah balení

Následuje obsah balení:

- Live Streamer CAM 313
- Rychlý návod

Popis částí

1. Mikrofon
2. Signalizační LED
3. Objektiv
4. Kryt objektivu
5. Univerzální držák
6. Stativový závit
7. Konektor USB

Instalace

Instalace (stativ není součástí dodávky)

RECentral

RECentral je výchozí streamovací/záznamový software pro kameru Live Streamer CAM, který poskytuje jedinečné funkce jako efekty a filtry. Stahujte z: q.avermedia.com/pw313-recentral

Русский

Комплектация

Вот что находится в комплекте поставки:

- Live Streamer CAM 313
- Краткое руководство

Детали и порты

1. Микрофон
2. LED индикатор
3. Объектив
4. Защитная шторка
5. Гибкий фиксатор
6. Крепление для штатива
7. USB разъем

Установка

Установка (Штатив в комплект не входит)

RECentral

RECentral - бесплатное программное обеспечение для стрима/записи с Live Streamer CAM, в состав которого входят эксклюзивные функции, такие как эффекты камеры, фильтры и многое другое. Загрузить его можно с: q.avermedia.com/pw313-recentral

Türkçe

Kutunun İçindekiler

Kutudan çıkacak malzemeler:

- Live Streamer CAM 313
- Hızlı Kılavuz

Parçalar ve Portlar

1. Mikrofon
2. LED Göstergesi
3. Lens

4. Gizlilik Deklanşörü
5. Esnek Klips
6. Tripod Eklentisi
7. USB bağlantısı

Kurulum

Kurulum (Tripod Dâhil Değil)

RECentral

RECentral, Live Streamer CAM için varsayılan akış / kayıt yazılımıdır ve kamera efektleri, filtreler ve daha fazlası gibi özel özellikleri içerir. Şu adresten indir: q.avermedia.com/pw313-recentral

ภาษาไทย

ภายในกล่อง

สิ่งของในกล่อง:

- Live Streamer CAM 313
- คู่มือฉบับย่อ

ชิ้นส่วนและพอร์ต

1. ไมโครโฟน
2. ไฟแจ้งเตือน
3. เลนส์
4. ชัตเตอร์ความเป็นส่วนตัว
5. คลิปปรับได้
6. การเชื่อมต่อขาตั้งกล้อง
7. หัวต่อยูเอสบี

การติดตั้ง

การติดตั้ง (ไม่รวมขาตั้ง)

RECentral

RECentral เป็นซอฟต์แวร์การสตรีม / บันทึกเริ่มต้นสำหรับ Live Streamer CAM และจะมีคุณสมบัติพิเศษ เช่น เอฟเฟกต์กล้องฟิลเตอร์ และอื่น ๆ ดาวน์โหลดได้จาก: q.avermedia.com/pw313-recentral

繁體中文

包裝內容

- Live Streamer CAM 313

- 快速安裝手冊

外觀簡介

1. 麥克風
2. LED指示燈
3. 視訊鏡頭
4. 座鏡頭蓋
5. 活動支架
6. 三腳架連接座
7. USB線

安裝

安裝 (產品不含腳架)

RECentral

RECentral 是官方推薦的直播軟體，與 Live Streamer CAM 搭配使用適性最佳，並享有濾鏡、美肌美膚等獨家功能。由此下載: q.avermedia.com/pw313-recentral

简体中文

包裝內容

包裝參數

- Live Streamer CAM 313
- 快速指南手冊

外觀簡介

1. 麥克風
2. LED指示燈
3. 攝像頭鏡頭
4. 隱私鏡頭蓋
5. 活動支架
6. 三腳架連接座
7. USB線

安裝

安裝 (產品不含腳架)

RECentral

RECentral 是官方推薦的直播軟件，與 Live Streamer CAM 搭配使用適性佳，並享有濾鏡、美肌美膚等功能。由此下載: q.avermedia.com/pw313-recentral

한국어

구성품

제품 박스에는 다음과 같은 내용물이 있습니다.

- Live Streamer CAM 313
- 퀵 가이드

부품과 포트

1. 마이크
2. LED 상태표시등
3. 렌즈
4. 렌즈 커버
5. 조절 가능한 클립
6. 삼각대 고정캡
7. USB 케이블

설치 방법

설치 방법 (삼각대는 포함되지 않음)

RECentral

RECentral 은 Live Streamer CAM 의 기본 스트리밍/레코딩 소프트웨어이며 카메라 효과, 필터 등과 같은 전용기능이 제공 됩니다.다운 로드는 : q.avermedia.com/pw313-recentral



Federal Communications Commission Statement Class B

This device complies with Part 15 of the FCC Rules. Operation is subject to the following two conditions: (1) this device may not cause harmful interference, and (2) this device must accept any interference received, including interference that may cause undesired operation.

NOTE - This equipment has been tested and found to comply with the limits for a Class B digital device, pursuant to Part 15 of the FCC Rules. These limits are designed to provide reasonable protection against harmful interference in a residential installation. This equipment generates, uses and can radiate radio frequency energy and, if not installed and used in accordance with the instructions, may cause harmful interference to radio communications. However, there is no guarantee that interference will not occur in a particular installation. If this equipment does cause harmful interference to radio or television reception, which can be determined by tuning the equipment off and on, the user is encouraged to try to correct the interference by one or more of the following measures:

- Reorient or relocate the receiving antenna.
- Increase the separation between the equipment and receiver.
- Connect the equipment into an outlet on a circuit different from that to which the receiver is connected.
- Consult the dealer or an experienced radio/television technician for help.

CAUTION ON MODIFICATIONS - To comply with the limits for the Class B digital device, pursuant to Part 15 of the FCC Rules, this device must be installed in computer equipment certified to comply with the Class B limits. All cables used to connect the computer and peripherals must be shielded and grounded. Operation with non-certified computers or non-shielded cables may result in interference to radio or television reception.

Changes and modifications not expressly approved by the manufacturer or registrant of the equipment can void your authority to operate the equipment under Federal Communications Commission rules.



European Community Compliance Statement Class B

This product is herewith confirmed to comply with the requirements set out in the Council Directives on the approximation of the laws of the Member States relating to Electromagnetic Compatibility Directive (EMC) 2014/30/EU.



Waste Electrical and Electronic Equipment Directive

The mark of crossed-out wheeled bin indicates that this product must not be disposed of with your other household waste. Instead, you need to dispose of the waste equipment by handing it over to a designated collection point for the recycling of waste electrical and electronic equipment. For more information about where to drop off your waste equipment for recycling, please contact your household waste disposal service or the shop where you purchased the product.

CAN ICES-3(B)/NMB-3(B)

Canada - Canada Industry Canada (IC) Labelling Requirements

Every manufacturer or importer shall ensure import or before offering for sale, as appropriate, that each unit of the type that they offer for sale bears, in allocation convenient for inspection, a permanent label or marking containing (in French and English), the following statement:

ICES-003 (Interference - Causing Equipment Standards)

"This class B digital apparatus complies with Canadian ICES-003.

Cet appareil numérique de la classe B est conforme à la norme NMB-003 du Canada."



Technical Regulations of the Customs Union

TR CU 020/2011



MSIP Class B Statement (Korea)

B급 기기 (가정용 방송통신기자재): 이 기기는 가정용(B급) 전자파적합기기로서 주로 가정에서 사용하는 것을 목적으로 하며, 모든 지역에서 사용할 수 있습니다.

Class B (For Home Use Broadcasting & Communication Equipment): This equipment is home use (Class B) electromagnetic wave suitability equipment and to be used mainly at home and it can be used in all areas.

R-R-AVM-
PW313



Regulatory Compliance Mark

300APW313EBH
Live Streamer CAM 313
Model No.: PW313
Webcam/網路攝影機/网络摄像机
Made in China/中國製造/中国制造

www.avermedia.com

Ovaj dokument je originalno proizveden i objavljen od strane proizvođača, brenda AVerMedia, i preuzet je sa njihove zvanične stranice. S obzirom na ovu činjenicu, Tehnoteka ističe da ne preuzima odgovornost za tačnost, celovitost ili pouzdanost informacija, podataka, mišljenja, saveta ili izjava sadržanih u ovom dokumentu.

Napominjemo da Tehnoteka nema ovlašćenje da izvrši bilo kakve izmene ili dopune na ovom dokumentu, stoga nismo odgovorni za eventualne greške, propuste ili netačnosti koje se mogu naći unutar njega. Tehnoteka ne odgovara za štetu nanесenu korisnicima pri upotrebi netačnih podataka. Ukoliko imate dodatna pitanja o proizvodu, ljubazno vas molimo da kontaktirate direktno proizvođača kako biste dobili sve detaljne informacije.

Za najnovije informacije o ceni, dostupnim akcijama i tehničkim karakteristikama proizvoda koji se pominje u ovom dokumentu, molimo posetite našu stranicu klikom na sledeći link:

<https://tehnoteka.rs/p/avermedia-web-kamera-pw313-live-streamer-akcija-cena/>