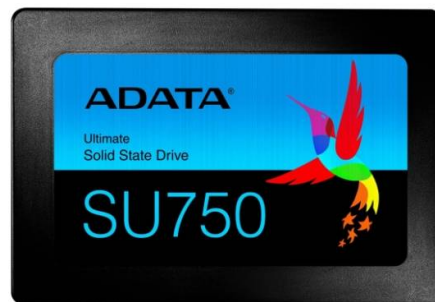


## Informacije o proizvodu

A-DATA SSD 512GB ASU750SS-512GT-C



Tehnoteka je online destinacija za upoređivanje cena i karakteristika bele tehnike, potrošačke elektronike i IT uređaja kod trgovinskih lanaca i internet prodavnica u Srbiji. Naša stranica vam omogućava da istražite najnovije informacije, detaljne karakteristike i konkurentne cene proizvoda.

Posetite nas i uživajte u ekskluzivnom iskustvu pametne kupovine klikom na link:

<https://tehnoteka.rs/p/a-data-ssd-512gb-asu750ss-512gt-c-akcija-cena/>

ULTIMATE SU750 SOLID STATE DRIVE

# THE UPGRADE THAT'S TOTALLY WORTH IT



## Ultimate SU750 3D NAND SSD

Are you looking to replace your old SSD or HDD? If so, the ADATA Ultimate SU750 solid-state drive is for you. With 3D NAND Flash, it provides higher storage capacity, efficiency, and reliability than 2D NAND. What's more, it features intelligent SLC Caching to achieve read/write performance of 550/520MB per second. All SU750 models provide high TBW (Total Bytes Written), meaning the number of times an SSD can write its entire capacity in one lifespan. The SU750's TBW rating outranks many comparable models, indicating a longer-lasting SSD.

### Features

- 3D NAND Flash for higher affordability
- Advanced hardware LDPC ECC technology
- Supports SLC Caching and DRAM Cache Buffer
- Free software: SSD Toolbox and Migration Utility
- Shock, vibration resistant (1500G/0.5ms)

### Specifications

- Capacity: 256GB / 512GB / 1TB
- NAND Flash: 3D NAND
- Interface: SATA 6Gb/s (SATA III)
- Form Factor: 2.5"
- Dimensions (L x W x H): 100.45 x 69.85 x 7mm
- Weight: 47.5g

### Ordering Information

Capacity	Model Number	EAN Code
256GB	ASU750SS-256GT-C	4710273770666
512GB	ASU750SS-512GT-C	4710273770673
1TB	ASU750SS-1TT-C	4710273770680

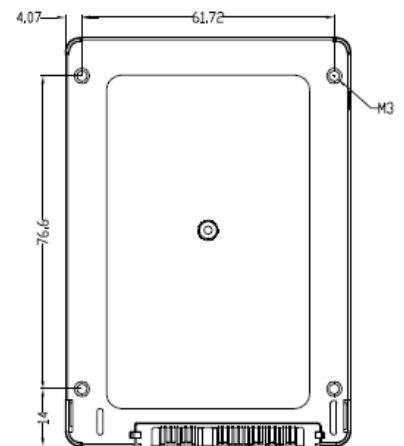
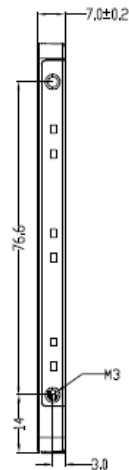
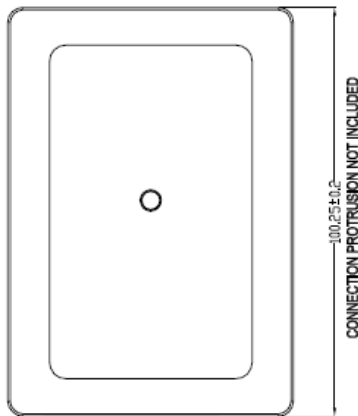
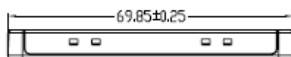
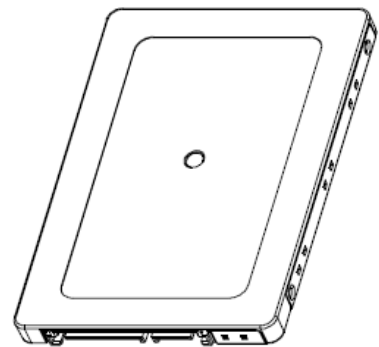
- Operating Temperature: 0°C-70°C
- Storage Temperature: -40°C-85°C
- Shock Resistance: 1500G/0.5ms
- MTBF: 2,000,000 hours
- Certifications: RoHS, CE, FCC, BSMI, VCCI, KC
- Warranty: 3 years

# Performance

Capacity	ATTO		CDM-QD32T1		AS SSD		4K Random		TBW
	Seq. Read (MB/s)	Seq. Write (MB/s)	Seq. Read (MB/s)	Seq. Write (MB/s)	Seq. Read (MB/s)	Seq. Write (MB/s)	Read (IOPS)	Write (IOPS)	
256GB	Up to 550	Up to 520	Up to 550	Up to 500	Up to 500	Up to 450	65K	75K	200TB
512GB	Up to 550	Up to 520	Up to 550	Up to 500	Up to 500	Up to 450	65K	75K	400TB
1TGB	Up to 550	Up to 520	Up to 550	Up to 500	Up to 500	Up to 450	65K	75K	800TB

\* Performance may vary based on SSD capacity, hardware test platform, test software, operating system, and other system variables

# Schematics



Ovaj dokument je originalno proizveden i objavljen od strane proizvođača, brenda Adata, i preuzet je sa njihove zvanične stranice. S obzirom na ovu činjenicu, Tehnoteka ističe da ne preuzima odgovornost za tačnost, celovitost ili pouzdanost informacija, podataka, mišljenja, saveta ili izjava sadržanih u ovom dokumentu.

Napominjemo da Tehnoteka nema ovlašćenje da izvrši bilo kakve izmene ili dopune na ovom dokumentu, stoga nismo odgovorni za eventualne greške, propuste ili netačnosti koje se mogu naći unutar njega. Tehnoteka ne odgovara za štetu nanесenu korisnicima pri upotrebi netačnih podataka. Ukoliko imate dodatna pitanja o proizvodu, ljubazno vas molimo da kontaktirate direktno proizvođača kako biste dobili sve detaljne informacije.

Za najnovije informacije o ceni, dostupnim akcijama i tehničkim karakteristikama proizvoda koji se pominje u ovom dokumentu, molimo posetite našu stranicu klikom na sledeći link:

<https://tehnoteka.rs/p/a-data-ssd-512gb-asu750ss-512gt-c-akcija-cena/>