

Informacije o proizvodu

A-DATA SSD 512GB AGAMMIXS5-512GT-C



Tehnoteka je online destinacija za upoređivanje cena i karakteristika bele tehnike, potrošačke elektronike i IT uređaja kod trgovinskih lanaca i internet prodavnica u Srbiji. Naša stranica vam omogućava da istražite najnovije informacije, detaljne karakteristike i konkurentne cene proizvoda.

Posetite nas i uživajte u ekskluzivnom iskustvu pametne kupovine klikom na link:

<https://tehnoteka.rs/p/a-data-ssd-512gb-agammixs5-512gt-c-akcija-cena/>

XPG GAMMIX S5 PCIe Gen3x4
M.2 2280 Solid State Drive

STAY COOL IN THE HEAT OF BATTLE



XPG GAMMIX S5 PCIe Gen3x4 M.2 2280 Solid State Drive

Boot, load, and transfer faster with the XPG GAMMIX S5 PCIe Gen3x4 M.2 2280 solid state drive (SSD). With support for NVMe 1.3 and equipped with 3D NAND Flash, it offers up to 4 times faster performance than SATA SSDs and up to 1TB of capacity. What's more, the GAMMIX S5 sports excellent heat dissipation capability with a built-in heatsink that can lower temperatures by up to 10°C.

Features

- Ultra-fast PCIe Gen3x4 interface:
R/W speed up to 2100/1500MB/s
- NVMe 1.3 support
- 3D NAND Flash for higher capacity and durability
- Unique heatsink design – makes SSD 10°C cooler
- Advanced LDPC ECC Technology
- HMB (Host Memory Buffer) and SLC Caching
- Compact M.2 2280 form factor – ideal for high-end desktops

Ordering Information

Capacity	Model Number	EAN Code
256GB	AGAMMIXS5-256GT-C	4713218469250
512GB	AGAMMIXS5-512GT-C	4713218469267
1TB	AGAMMIXS5-1TT-C	4713218469274

Specifications

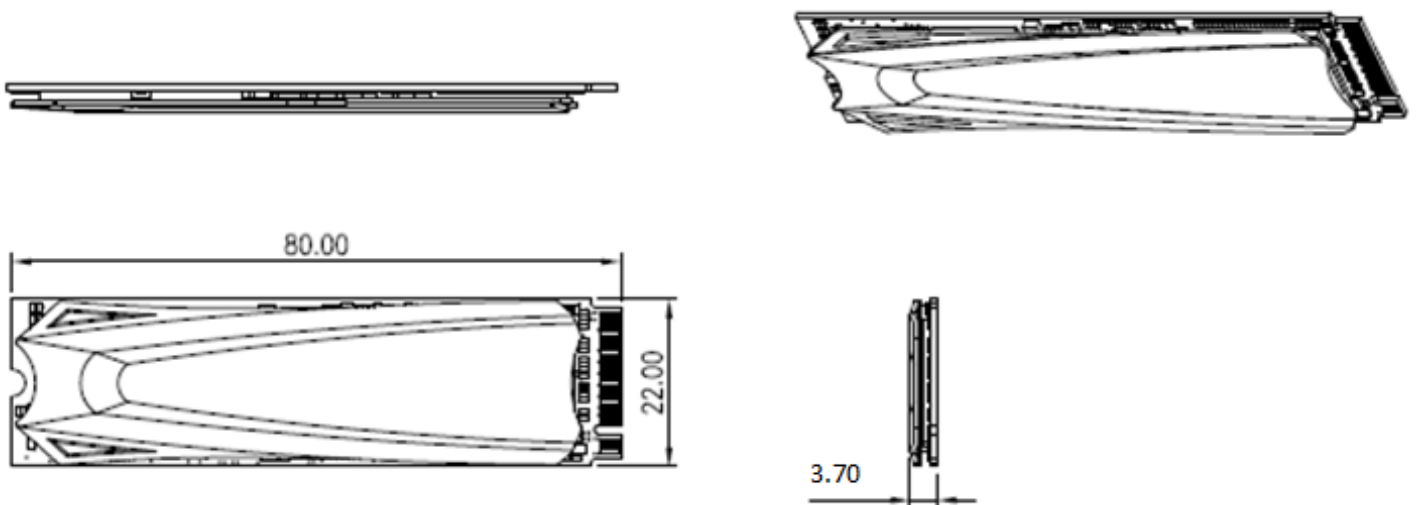
- Capacities: 256GB / 512GB / 1TB
- NAND Flash: 3D TLC
- Interface: PCIe Gen3x4
- Form Factor: M.2 2280
- MTBF: 2,000,000 hours
- Dimensions (L x W x T): 22 x 80 x 3.7mm
- Weight: 11.2g
- Power Consumption: 0.33W Active (Typical), 0.14W Slumber (Typical) (*measured by power meter)
- Operating Temperature: 0°C~70°C
- Storage Temperature: -40°C~85°C
- Shock Resistance: 1500G/0.5ms
- Certifications: RoHS, CE, FCC, BSMI, VCCI, KC
- Warranty: 5 years

Performance

Capacity	ATTO	ATTO	CDM	CDM	AS SSD	AS SSD	4K	4K	TBW
	Seq. Read (MB/sec)	Seq. Write (MB/sec)	(QD32) Seq. Read (MB/sec)	(QD32) Seq. Write (MB/sec)	Seq. Read (MB/sec)	Seq. Write (MB/sec)	Random Read IOPS	Random Write IOPS	
256GB	2100	1200	2100	1200	1800	1200	190K	180K	150TB
512GB	2100	1400	2100	1500	1800	1300	250K	240K	300TB
1TB	2100	1400	2100	1500	1800	1300	250K	240K	600TB

*Performance may vary based on SSD capacity, hardware test platform, test software, operating system and other system variables

Schematics



Ovaj dokument je originalno proizveden i objavljen od strane proizvođača, brenda Adata, i preuzet je sa njihove zvanične stranice. S obzirom na ovu činjenicu, Tehnoteka ističe da ne preuzima odgovornost za tačnost, celovitost ili pouzdanost informacija, podataka, mišljenja, saveta ili izjava sadržanih u ovom dokumentu.

Napominjemo da Tehnoteka nema ovlašćenje da izvrši bilo kakve izmene ili dopune na ovom dokumentu, stoga nismo odgovorni za eventualne greške, propuste ili netačnosti koje se mogu naći unutar njega. Tehnoteka ne odgovara za štetu nanесenu korisnicima pri upotrebi netačnih podataka. Ukoliko imate dodatna pitanja o proizvodu, ljubazno vas molimo da kontaktirate direktno proizvođača kako biste dobili sve detaljne informacije.

Za najnovije informacije o ceni, dostupnim akcijama i tehničkim karakteristikama proizvoda koji se pominje u ovom dokumentu, molimo posetite našu stranicu klikom na sledeći link:

<https://tehnoteka.rs/p/a-data-ssd-512gb-agammixs5-512gt-c-akcija-cena/>