

## Uputstvo za upotrebu (EN)

COOLER MASTER miš CM-110-KKWO1



Tehnoteka je online destinacija za upoređivanje cena i karakteristika bele tehnike, potrošačke elektronike i IT uređaja kod trgovinskih lanaca i internet prodavnica u Srbiji. Naša stranica vam omogućava da istražite najnovije informacije, detaljne karakteristike i konkurentne cene proizvoda.

Posetite nas i uživajte u ekskluzivnom iskustvu pametne kupovine klikom na link:

<https://tehnoteka.rs/p/cooler-master-mis-cm-110-kkwo1-akcija-cena/>



**Make It Yours.**

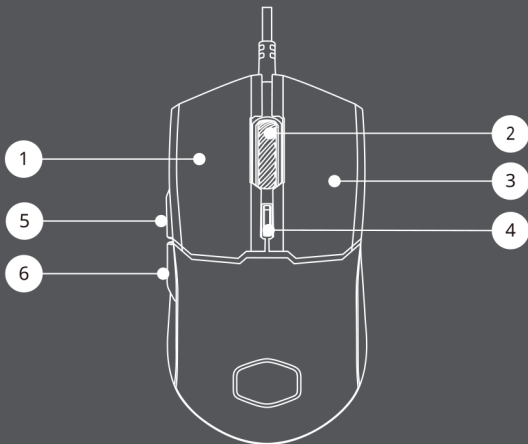


# CM110

Gaming Mouse with Optical Sensor, Ergonomic Design,  
New Durable Coating, and RGB Illumination

**MAKE YOUR GAMING EXPERIENCE.**

# Buttons Overview



## EN

- 1 Left Click
- 2 Wheel Button
- 3 Right Click
- 4 DPI Cycle Button
- 5 Forward Button
- 6 Backward Button
- 4 + 2 LED Mode Change
- 4 + 5 LED Lighting Color Change /  
LED Lighting Direction Change
- 4 + 6 LED Lighting Speed Change

## AR

- 1 النقر على زر الفأرة الأيسر
- 2 زر العجلة
- 3 النقر على زر الفأرة الأيمن
- 4 دائرة DPI
- 5 مفتاح الذهاب للأمام
- 6 مفتاح الرجوع للخلف
- 2 + 4 تغيير وضعية الإضاءة
- 4 + 5 تغيير ألوان الإضاءة /  
تغيير اتجاه إضاءة LED
- 4 + 6 LED تغيير سرعة إضاءة مؤشر

## CHS

- 1 左键
- 2 滚轮按钮
- 3 右键
- 4 DPI 循环
- 5 往前键
- 6 往后键
- 4 + 2 灯效模式切换
- 4 + 5 灯效颜色切换 / LED 灯光方向变更
- 4 + 6 灯效速度切换

## CHT

- 1 左鍵
- 2 滾輪按鈕
- 3 右鍵
- 4 DPI 循環
- 5 往前鍵
- 6 往後鍵
- 4 + 2 燈效模式切換
- 4 + 5 燈效顏色切換 / LED 燈光方向變更
- 4 + 6 燈效速度切換

## DE

- 1 Linker Klick
- 2 Radtaste
- 3 Rechter Klick
- 4 DPI-Zyklus
- 5 Forward Seitentaste
- 6 Backward Seitentaste
- 4 + 2 LED-Modus ändern
- 4 + 5 Farbänderung der LED-Beleuchtung / Wechsel der LED-Beleuchtungsrichtung
- 4 + 6 Geschwindigkeit der LED-Beleuchtung

## ES

- 1 Clic izquierdo
- 2 Botón de rueda
- 3 Clic derecho
- 4 CICLO DE PPP
- 5 Botón de avanzar
- 6 Botón de retroceder
- 4 + 2 Cambio de modo de LED
- 4 + 5 Cambio de color de iluminación de LED / Cambio de la dirección de iluminación de LED
- 4 + 6 Velocidad de iluminación de LED

## FR

- 1 Clic gauche
- 2 Molette
- 3 Clic droit
- 4 CYCLE DPI
- 5 Bouton avant
- 6 Bouton arrière
- 4 + 2 Changement de mode LED
- 4 + 5 Changement de couleur de l'éclairage LED / Changement de direction de l'éclairage LED
- 4 + 6 Vitesse de l'éclairage LED

## ID

- 1 klik kiri
- 2 TEKER DÜĞMELER
- 3 Klik Kanan
- 4 DPI Döngü Düğmesi
- 5 Tombol Maju
- 6 Tombil Mundur
- 4 + 2 Ganti Mode LED
- 4 + 5 Ganti Warna Cahaya LED / Ubah Arah Pencahayaan LED
- 4 + 6 Ubah Kecepatan Pencahayaan LED

## IT

- 1 Click Sinistro
- 2 Tasto rotella
- 3 Click Destro
- 4 CICLO DPI
- 5 Tasto Avanti
- 6 Tasto Indietro
- 4 + 2 Cambio modalità LED
- 4 + 5 Cambio colore illuminazione a LED / Cambio di direzione dell'illuminazione a LED
- 4 + 6 Velocità illuminazione a LED

## JP

- 1 左クリック
- 2 ホイールボタン
- 3 右クリック
- 4 DPI サイクルボタン
- 5 進むボタン
- 6 戻るボタン
- 4 + 2 LEDモードの変更
- 4 + 5 LED照明の色変更 / LED 照明の方向変更
- 4 + 6 LED照明の速さ

## PT

- 1 Click Esquerdo
- 2 Botão da roda
- 3 Click Direito
- 4 CICLO PPP
- 5 Botão Frontal
- 6 Botão Traseiro
- 4 + 2 Mudança de Modo LED
- 4 + 5 Mudança de cor da iluminação LED / Alterar a direção do efeito da iluminação LED
- 4 + 6 Velocidade da iluminação LED

## RU

- 1 Щелчок левой кнопкой мыши
- 2 Кнопка колесика
- 3 Щелчок правой кнопкой мыши
- 4 ПЕРЕКЛЮЧЕНИЕ РАЗРЕШЕНИЯ
- 5 Кнопка Вперед
- 6 Кнопка Назад
- 4 + 2 Смена режима светодиодного
- 4 + 5 Смена цвета светодиодной подсветки / Смена направления светодиодной подсветки
- 4 + 6 Скорость светодиодной подсветки

## TR

- 1 Sol Tiklama
- 2 TEKER DÜĞMELER
- 3 Sağ Tiklama
- 4 DPI Döngü Düğmesi
- 5 İleri Butonu
- 6 Geri Butonu
- 4 + 2 Led Modu Değiştirme
- 4 + 5 LED Aydınlatma Renk Değiştirme / LED Aydınlatma Yönünü Değiştir
- 4 + 6 LED Aydınlatma Hızını Değiştir

<b>Product Name</b>	CM110
<b>Product Number</b>	CM-110-KKWO1
<b>Grip Type</b>	Claw / Palm
<b>Material</b>	ABS Plastic / Rubber
<b>Color</b>	Black
<b>LED Color</b>	RGB
<b>Sensor</b>	PixArt 3050
<b>DPI*</b>	6000 DPI
<b>Tracking Speed</b>	60ips
<b>Lift Off Distance</b>	< ~ 3mm
<b>Polling Rate</b>	1000Hz / 1ms
<b>Special Features</b>	RGB surrounded illumination
<b>Connector</b>	USB 2.0, type A
<b>Cable Length</b>	Black PVC with 1.8M length
<b>Dimensions (W x H x D)</b>	71.5 x 39.5 x 127.0 mm / 2.81 x 1.65 x 5.00 inch
<b>Weight</b>	92 ± 5g / 0.20 lbs (without cable)
<b>Warranty</b>	2 years

設備名稱：電競滑鼠 型號（型式）：CM-110-KKWO1

單元	限用物質及其化學符號					
	鉛 (Pb)	汞 (Hg)	鎘 (Cd)	六價鉻 (Cr <sup>VI</sup> )	多溴聯苯 (PBB)	多溴二苯醚 (PBDE)
外殼	○	○	○	○	○	○
滾輪裝置	○	○	○	○	○	○
電路板	-	○	○	○	○	○
連接線	○	○	○	○	○	○

備註1: “超出0.1 wt %”及“超出0.01 wt %”係指限用物質之百分比含量超出百分比含量基準值。  
備註2: “○”係指該項限用物質之百分比含量未超出百分比含量基準值。  
備註3: “-”係指該項限用物質為排除項目。

## Package Contents

- CM110 Gaming Mouse
- Quick Start Guide

Asia Pacific - Cooler Master Technology Inc.  
8F., No. 788-1, Zhongzheng Rd., Zhonghe Dist.,  
New Taipei City 23586, Taiwan (R.O.C.)  
Tel: +886-2-2225-3517

China - Cooler Master China  
7th Floor, Building C, Hongqiao R&F Center,  
No.7, 958 Lane, Shenhong Road, Minhang  
District, Shanghai City 200051, China  
Tel: +86-21-51872177

Europe - Cooler Master Europe B.V.  
Lodewijkstraat 1b, 5652AC Eindhoven,  
The Netherlands  
Tel: +31-(0)40-702-0900

North America - Cooler Master NA  
2929 E Imperial Highway, Ste 110  
Brea, CA 92821, USA  
Tel: +1-888-624-5099

公司名稱：酷碼科技股份有限公司  
地址：新北市中和區中正路788-1號8樓  
電話：+886-2-2225-3517

© 2019 Cooler Master Technology Inc. All Rights Reserved.  
All trademarks are registered to their respective owners.  
Ver. 1.0: 2019/04 512002510-GP



部件名稱	有毒有害物質或元素					
	鉛 (Pb)	汞 (Hg)	鎘 (Cd)	六價鉻 (Cr (VI))	多溴聯苯 (PBB)	多溴二苯醚 (PBDE)
結構壳体	X	○	○	○	○	○
開關組件 PCB, USB	X	○	○	○	○	○
線材	X	○	○	○	○	○
螺絲	X	○	○	○	○	○

○：表示該有毒有害物質在該部件所有均質材料中的含量均符合SJ/T11363-2006標準規定的限量要求以下  
X：表示該有毒有害物質至少在某均質材料中的含量超出SJ/T11363-2006標準規定的限量要求。  
注：本產品95%的部件採用無毒無害的環保材料製造。含有有毒有害物質或元素的部件皆因全球技術發展水平限制無法實現無毒無害物質組成元素的替代。



## Cooler Master Products : LIMITED WARRANTY

This document describes the warranty terms for all Cooler Master peripheral products

### WHO THE WARRANTY PROTECTS:

This Warranty is valid to the original purchaser only.

### WHAT THE WARRANTY PROTECTS:

This warranty is valid only for the Cooler Master Products distributed by authorized dealer(s).

Please contact Cooler Master for warranty information, services and questions: <http://account.coolermaster.com>

### WHAT IS AND IS NOT COVERED

It is important to note that our warranty is not an unconditional guarantee for the duration of the Program. Any replaced parts become the property of Cooler Master. The Program does not apply to the software component of a product or a product which has been damaged due to accident, misuse, abuse, improper installation, usage not in accordance with product specifications and instructions, natural or personal disaster, or unauthorized alterations, repairs or modifications.

The Program does also not cover any events such as below:

- Any damages unrelated to manufacturing defects.
- Any unsuitable environment or use of the product in Cooler Master Opinion.
- Any product which has been modified without official permission from Cooler Master, or on which the serial number or warranty sticker has been defaced, modified, or removed.

Damage, deterioration or malfunction resulting from:

- Accident, abuse, misuse, neglect, fire, water, lightning, or other acts of nature, commercial or industrial use, unauthorized product modification or failure to follow instructions included with the product.
- Third party products using Cooler Master Components will not be covered by warranty. See your vendor or the manufacturer for information about servicing.
- Repair or attempted repair by anyone not authorized by Cooler Master, Inc.
- Any shipment damages (claims must be made with the carrier).
- Unauthorized repairs to a Cooler Master product will void the warranty offered by the Program.

Cooler Master reserves the right to refuse to service any product which has been altered, modified or repaired by non-Cooler Master Service personnel.

• Cooler Master does not warrant that this product will meet your requirements. It is your responsibility to determine the suitability of this product for your purpose.

• Removal or installation charges.

• You are responsible for the cost of shipping the product to Cooler Master, Cooler Master pays the cost

of returning a product to You (applies only if product is directly purchased from Cooler Master).

• Cooler Master reserves the right to replace the product with a service product at their sole discretion at any time.

• Product malfunction or damage resulting from liquids or moisture.

• All accessories that malfunction due to physical damage such as: USB cables, extension cables, adapter cables, adapters, power cords, screws, retention brackets, ear cups, and all other similar accessories.

### LIMITATION OF IMPLIED WARRANTIES:

THERE ARE NO WARRANTIES, EXPRESS OR IMPLIED, WHICH EXTEND BEYOND THE DESCRIPTION CONTAINED HEREIN INCLUDING THE IMPLIED WARRANTY OF MERCHANTABILITY AND FITNESS FOR A PARTICULAR PURPOSE.

For the most updated information please visit our official website: [www.coolermaster.com](http://www.coolermaster.com)

Cooler Master Support: <https://account.coolermaster.com>

### EXCLUSION OF DAMAGES

COOLER MASTER'S LIABILITY IS LIMITED TO THE COST OF REPAIR OR REPLACEMENT OF THE PRODUCT. COOLER MASTER SHALL NOT BE LIABLE FOR:

- DAMAGE TO OTHER PROPERTY CAUSED BY ANY DEFECT IN THE PRODUCT, DAMAGES BASED UPON INCONVENIENCE, LOSS OF USE OF THE PRODUCT, LOSS OF TIME, LOSS OF PROFITS, LOSS OF BUSINESS OPPORTUNITY, LOSS OF GOODWILL, INTERFERENCE WITH BUSINESS RELATIONSHIPS OR OTHER COMMERCIAL LOSS, EVEN IF ADVISED OF THEIR POSSIBILITY OF SUCH DAMAGES.
- ANY OTHER DAMAGES, WHETHER INCIDENTAL, CONSEQUENTIAL OR OTHERWISE
- ANY CLAIM AGAINST THE CUSTOMER BY ANY OTHER PARTY

### WARRANTY INFORMATION:

If the product is found with reasonable defect within the period of (refer to Table A,) starting on the first day of purchase (with proof of invoice), this is what you must do, to claim warranty.

### PROCEDURES:

1. Consumers should return to the shop where he/she has bought the goods, After confirming with the shop with a valid invoice, they may approach the distributor for RMA claim.
2. After confirmed by the distributor that the goods was damaged due to natural causes, replacement and repair will be done by distributor (including brand new or refurbished goods)
3. All faulty goods must return to the distributor, expenses for returning the faulty goods will be covered by the consumer, and distributor will cover the cost involved in the transporting of parts or repaired goods to the consumer.

Regarding all the expenses incurred in making the claim, and this is how you would claim:

1. Within the valid warranty date, starting from the first day of issuing invoice, Retail shops will assist in confirmation with distributor for the consumer for the following:

A. If the damage was caused by the consumer, then the consumer should cover all expenses in fixing the product, if the product still can't be fixed, we would suggest consumer in buying a brand new product.

B. Product defect caused under natural use, expenses will be covered by the distributor.

2. Faulty products with expired warranty dates, we would suggest consumer to purchase a new products, without undergoing for repairs.

### Table A:

Cooler Master Products

Please check your user manual for the exact warranty period terms for products that are not shown below.

For more warranty information, please visit our official website: <http://www.coolermaster.com/service/warranty.html>

### Cooler Master Gaming Peripherals products warranty

Product Name	Warranty Term
CM110	2 years

### FOR AUSTRALIA ONLY:

Our goods come with guarantees that cannot be excluded under the Australian Consumer Law. You are entitled to a replacement or refund for a major failure and for compensation for any other reasonably foreseeable loss or damage. You are also entitled to have the goods repaired or replaced if the goods fail to be of acceptable quality and the failure does not amount to a major failure. ee

Ovaj dokument je originalno proizveden i objavljen od strane proizvođača, brenda Cooler Master, i preuzet je sa njihove zvanične stranice. S obzirom na ovu činjenicu, Tehnoteka ističe da ne preuzima odgovornost za tačnost, celovitost ili pouzdanost informacija, podataka, mišljenja, saveta ili izjava sadržanih u ovom dokumentu.

Napominjemo da Tehnoteka nema ovlašćenje da izvrši bilo kakve izmene ili dopune na ovom dokumentu, stoga nismo odgovorni za eventualne greške, propuste ili netačnosti koje se mogu naći unutar njega. Tehnoteka ne odgovara za štetu nanесenu korisnicima pri upotrebi netačnih podataka. Ukoliko imate dodatna pitanja o proizvodu, ljubazno vas molimo da kontaktirate direktno proizvođača kako biste dobili sve detaljne informacije.

Za najnovije informacije o ceni, dostupnim akcijama i tehničkim karakteristikama proizvoda koji se pominje u ovom dokumentu, molimo posetite našu stranicu klikom na sledeći link:

<https://tehnoteka.rs/p/cooler-master-mis-cm-110-kkwo1-akcija-cena/>