

## Uputstvo za upotrebu

VOX mašina za pranje veša WM1285-LT14QD



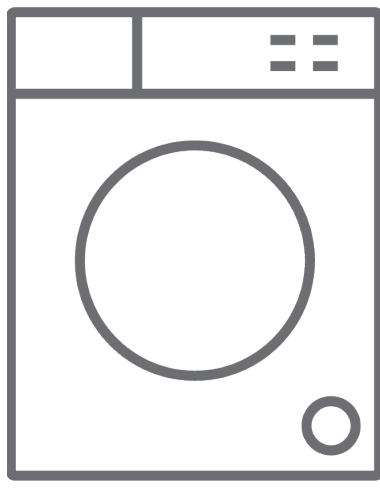
Tehnoteka je online destinacija za upoređivanje cena i karakteristika bele tehnike, potrošačke elektronike i IT uređaja kod trgovinskih lanaca i internet prodavnica u Srbiji. Naša stranica vam omogućava da istražite najnovije informacije, detaljne karakteristike i konkurentne cene proizvoda.

Posetite nas i uživajte u ekskluzivnom iskustvu pametne kupovine klikom na link:

<https://tehnoteka.rs/p/vox-masina-za-pranje-vesa-wm1285-lt14qd-akcija-cena/>



**EN** Washing Machine / User Manual








**WM1285LT14QD**

## Thank you for choosing this product.

This User Manual contains important safety information and instructions on the operation and maintenance of your appliance.

Please take the time to read this User Manual before using your appliance and keep this book for future reference.

Icon	Type	Meaning
	<b>WARNING</b>	Serious injury or death risk
	<b>RISK OF ELECTRIC SHOCK</b>	Dangerous voltage risk
	<b>FIRE</b>	Warning; Risk of fire / flammable materials
	<b>CAUTION</b>	Injury or property damage risk
	<b>IMPORTANT / NOTE</b>	Operating the system correctly

# CONTENTS

<b>1.SAFETY INSTRUCTIONS</b> .....	<b>1</b>
1.1 General Safety Warnings .....	2
1.2 During Use .....	6
1.3 Packaging and Environment.....	7
1.4 Savings Information.....	8
<b>2. TECHNICAL SPECIFICATIONS</b> .....	<b>9</b>
2.1 Technical Specifications .....	9
<b>3.INSTALLATION</b> .....	<b>10</b>
3.1 Removing the Transit Bolts.....	10
3.2 Adjusting the Feet / Adjusting Adjustable Stays.....	10
3.3 Electrical Connection.....	10
3.4 Water Inlet Hose Connection.....	11
3.5 Water Discharge Connection.....	12
<b>4.CONTROL PANEL OVERVIEW</b> .....	<b>12</b>
4.1 Detergent Drawer (*) .....	12
4.2 Sections.....	13
4.3 Program Dial.....	13
4.4 Electronic Display .....	13
<b>5.USING YOUR WASHING MACHINE</b> .....	<b>14</b>
5.1 Preparing Your Laundry.....	14
5.2 Putting Laundry in the Machine.....	14
5.3 Adding Detergent to the Machine .....	15
5.4 Operating Your Machine .....	15
5.5 Selecting a Programme.....	15
5.6 Half-Load Detection System.....	15
5.7 Additional Functions .....	16
5.8 Child Lock .....	17
5.9 Cancelling the Programme .....	17
5.10 Programme End .....	17
<b>6.PROGRAMME TABLE</b> .....	<b>18</b>
6.1 Important Informations.....	21
<b>7.CLEANING AND MAINTENANCE</b> .....	<b>22</b>
7.1 Warning .....	22
7.2 Water Inlet Filters .....	22
7.3 Pump Filter .....	23
7.4 Detergent Drawer .....	23
<b>8.Body / Drum</b> .....	<b>24</b>
<b>9.TROUBLESHOOTING</b> .....	<b>25</b>
<b>10.AUTOMATIC FAULT WARNINGS AND WHAT TO DO</b> .....	<b>26</b>

# 1. SAFETY INSTRUCTIONS

Operating voltage / frequency	(220-240) V~/50Hz
Total current (A)	10
Water pressure (Mpa)	Maximum 1 Mpa / Minimum 0. 1Mpa
Total power (W)	2100
Maximum washing capacity (dry laundry) (kg)	8

- Do not install your machine on a carpet or such grounds that would prevent the ventilation of its base.
- The appliance is not intended for use by people (including children) with reduced physical, sensory or mental capabilities, or lack of experience and knowledge unless they have been given supervision or instruction concerning use of the appliance by a person responsible for their safety.
- Children of less than 3 years should be kept away unless continuously supervised.
- Call the nearest authorized service centre for a replacement if the power cord malfunctions.
- Use only the new water inlet hose coming with your machine when making water inlet connections to your machine. Never use old, used or damaged water inlet hoses.
- Children should not play with the appliance. Cleaning and user maintenance should not be made by children without supervision.

**NOTE:** For a softcopy of this user manual, please contact the following address: “washingmachine@standardtest.info”. In your e-mail, please provide the model name and serial number (20 digits) which you can find on the appliance door.

**Read this user manual carefully.**

**Your machine is for domestic use only. Using it for commercial purposes will cause your warranty to be cancelled.**



**This manual has been prepared for more than one model therefore your appliance may not have some of the features described within. For this reason, it is important to pay particular attention to any figures whilst reading the operating manual.**


## **1.1 General Safety Warnings**

- The necessary ambient temperature for operation of your Washing Machine is 15-25 °C.
- Where the temperature is below 0 °C, hoses may split or the electronic card may not operate correctly.
- Please ensure that garments loaded into your Washing Machine are free from foreign objects such as nails, needles, lighters and coins.
- **It is recommended that for your first wash, you select the 90° Cotton programme without laundry and half fill compartment II of the detergent drawer with a suitable detergent.**

- Residue may build up on detergent and softeners exposed to air for a long period of time. Only put softener or detergent in the drawer at the beginning of each wash.
- Unplug your Washing Machine and switch off the water supply if the Washing Machine is left unused for a long time. We also recommend that you leave the door open to prevent build up of humidity inside the Washing Machine.
- Some water may be left in your Washing Machine as a result of quality checks during production. This will not affect the operation of your Washing Machine.
- The packaging of the machine could be hazardous to children. Do not allow children to play with the packaging or small parts from the Washing Machine.
- Keep the packaging materials in a place where children cannot reach them, or dispose of them appropriately.
- Use pre-wash programs only for very dirty laundry.

 Never open the detergent drawer while the machine is running.

- In the event of a breakdown, unplug the machine from the mains supply and turn the water supply off. Do not attempt to carry out any repairs. Always contact an authorised service agent.
- Do not exceed the maximum load for the washing programme you have chosen.

 Never force the door open when your Washing Machine is running.

- Washing laundry containing flour may damage your machine.
- Please follow the manufacturers' instructions regarding the use of fabric conditioner or any similar products that you intend to use in your Washing Machine.
- Make sure that the door of your Washing Machine is not restricted and can be opened fully.

Install your machine in a location that can be fully ventilated and preferably has constant air circulation.

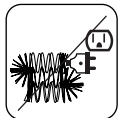
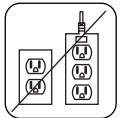
**⚠️ Read these warnings. Follow the advice given to protect yourself and others from risks and fatal injuries.**

## **RISK OF BURNS**

**⚠️** Do not touch the drain hose or any discharged water while your Washing Machine is running. The high temperatures involved pose a burn risk.

## **⚠️⚡ RISK OF DEATH FROM ELECTRICAL CURRENT**

- Do not connect your Washing Machine to the mains electricity supply using an extension lead.
- Do not insert a damaged plug into a socket.
- Never remove the plug from the socket by pulling the cord. Always hold the plug.
- Never touch the power cord/plug with wet hands as this could cause a short circuit or electric shock.
- Do not touch your Washing Machine if your hands or feet are wet.
- A damaged power cord/plug can cause fire





or give you an electric shock. When damaged it must be replaced, this should only be done by qualified personnel.

### **Risk of flooding**

- Check the speed of water flow before placing the drain hose in a sink.
- Take necessary measures to prevent the hose from slipping.
- Water flow may dislodge the hose if it is not properly secured. Make sure the plug in your sink does not block the plug hole.

### **Danger of Fire**

- Do not store inflammable liquids near your machine.
- The sulphur content of paint removers may cause corrosion. Never use paint removing materials in your machine.
- Never use products that contain solvents in your machine.
- Please ensure that garments loaded into your Washing Machine are free from foreign objects such as nails, needles, lighters and coins.

### **Risk of fire and explosion**

#### **Risk of falling and injury**

- Do not climb on your Washing Machine.
- Make sure hoses and cables do not cause a trip hazard.
- Do not turn your Washing Machine upside down or on its side.
- Do not lift your Washing Machine using the door or detergent drawer.

**⚠ The machine must be carried by at least 2 people.**



**⚠ Child safety**

- Do not leave children unattended near the machine. Children might lock themselves in the machine resulting in risk of death.
- Do not allow children to touch the glass door during operation. The surface becomes extremely hot and may cause damage to skin.
- Keep packaging material away from children.
- Poisoning and irritation may occur if detergent and cleaning materials are consumed or come into contact with the skin and eyes. Keep cleaning materials out of the reach of children.




## **1.2 During Use**

- Keep pets away from your machine.
- Please check the packaging of your machine before installation and the outer surface of the machine once the packaging has been removed. Do not operate the machine if it appears damaged or if the packaging has been opened.
- Your machine must only be installed by an authorised service agent. Installation by anyone other than an authorised agent may cause your warranty to be void.
- This appliance can be used by children aged 8 years and above and persons with reduced physical, sensory or mental capabilities or lack of experience and knowledge if they have been given supervision or instruction concerning use of the appliance in a safe way and understand the

hazards involved. Children shall not play with the appliance. Cleaning and user maintenance shall not be done by children without supervision.

- Only use your machine for laundry that is labelled as suitable for washing by the manufacturer.
- **Before operating the washing machine, remove the 4 transit bolts and rubber spacers from the rear of the machine. If the bolts are not removed they may cause heavy vibration, noise and malfunction of the machine and cause the guarantee to be void.**
- Your warranty does not cover damage caused by external factors such as fire, flooding and other sources of damage.
- Please do not throw away this user manual; keep it for future reference and pass it onto the next owner.

 **NOTE:** Specifications for the machine may vary depending on the product purchased.

## 1.3 Packaging and Environment

### Removal of packaging materials

Packaging materials protect your machine from any damage that might occur during transportation. The packaging materials are environmentally friendly as they are recyclable. Use of recycled material reduces raw material consumption and decreases waste production.

## 1.4 Savings Information

Some important information to get the most efficient use out of your machine:

- Do not exceed the maximum load for the washing programme you have chosen. This will allow your machine to run in energy saving mode.
- Do not use the pre-wash feature for lightly soiled laundry. This will help you save on the amount of electricity and water consumed.

### CE Declaration of conformity

We declare that our products meet the applicable European Directives, Decisions and Regulations and the requirements listed in the standards referenced.

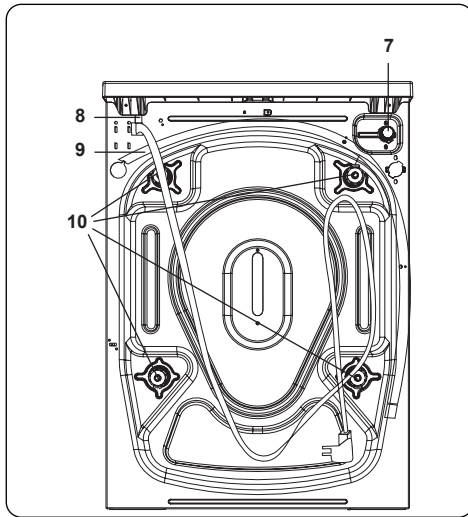
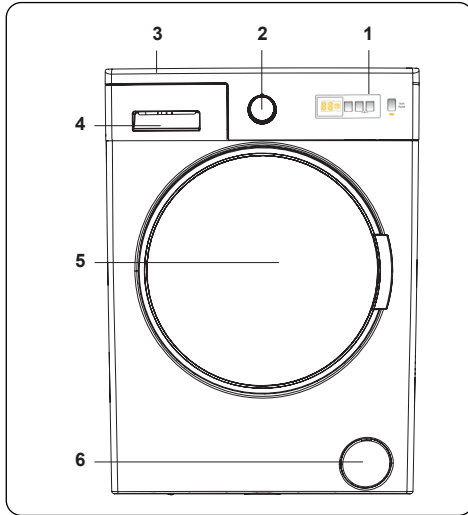
### Disposal of your old machine



The symbol on the product or on its packaging indicates that this product may not be treated as household waste. Instead it shall be handed over to the applicable collection point for the recycling of electrical and electronic equipment. By ensuring this product is disposed of correctly, you will help prevent potential negative consequences for the environment and human health, which could otherwise be caused by inappropriate waste handling of this product. For more detailed information about recycling of this product, please contact your local city office, your household waste disposal service or the shop where you purchased the product.

## 2. TECHNICAL SPECIFICATIONS

### 2.1 Technical Specifications



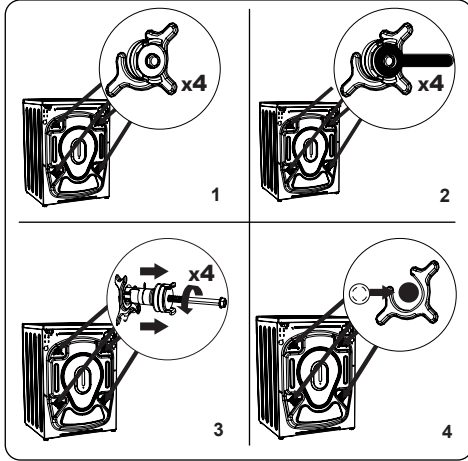
#### General Appearance

1. Electronic Display
2. Programme Dial
3. Upper Tray
4. Detergent Drawer
5. Drum
6. Pump Filter Cover
7. Water Inlet Valve
8. Power Cable
9. Discharging Hose
10. Transit Bolts

Operating voltage / frequency (V/Hz)	(220-240) V~/50Hz
Total current (A)	10
Water pressure (Mpa)	Maximum: 1 Mpa Minimum : 0.1 Mpa
Total power (W)	2100
Maximum dry laundry capacity (kg)	8
Spinning revolution (rev / min)	1200
Programme number	15
Dimensions (mm)	
Height	845
Width	597
Depth	527

### 3. INSTALLATION

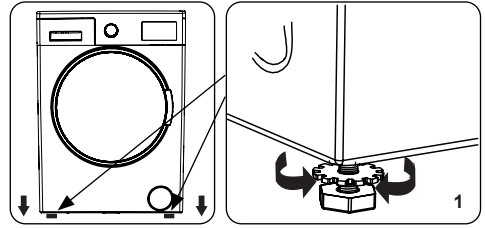
#### 3.1 Removing the Transit Bolts



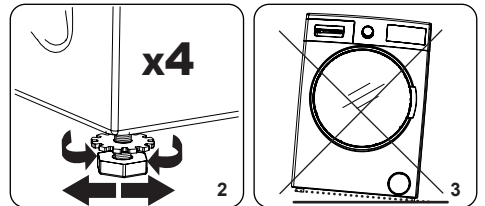
1. Before operating the washing machine, remove the 4 transit bolts and rubber spacers from the rear of the machine. If the bolts are not removed, they may cause heavy vibration, noise and malfunction of the machine and void the warranty.
2. Loosen the transit bolts by turning them anticlockwise with an appropriate spanner.
3. Remove the transit bolts with a straight pull.
4. Fit the plastic blanking caps supplied in the accessories bag into the gaps left by the removal of the transit bolts. The transit bolts should be stored for future use.

**NOTE:** Remove the transit bolts before using the machine for the first time. Faults occurring due to the machine being operated with transit bolts fitted are out of the scope of the warranty.

#### 3.2 Adjusting the Feet / Adjusting Adjustable Stays

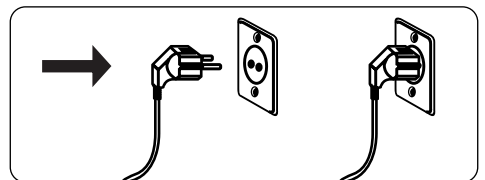


1. Do not install your machine on a surface (such as carpet) that would prevent ventilation at the base.
  - To ensure silent and vibration-free operation of your machine, install it on a firm surface.
  - You can level your machine using the adjustable feet.
  - Loosen the plastic locking nut.



2. To increase the height of the machine, turn the feet clockwise. To decrease the height of the machine, turn the feet anticlockwise.
  - Once the machine is level, tighten the locking nuts by turning them clockwise.
3. Never insert cardboard, wood or other similar materials under the machine to level it.
  - When cleaning the ground on which the machine is located, take care not to disturb the level of the machine.

#### 3.3 Electrical Connection

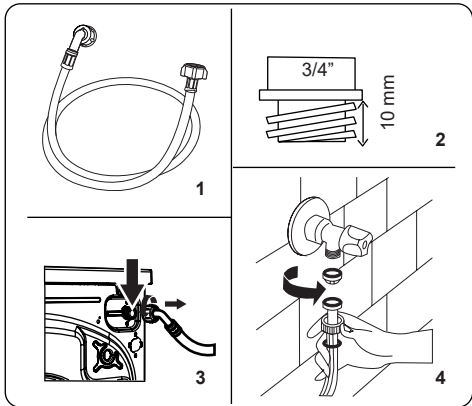


- Your Washing Machine requires a 220-240V, 50 mains supply.

- The mains cord of your washing machine is equipped with an earthed plug. This plug should always be inserted to an earthed socket of 10 amps.
- If you do not have a suitable socket and fuse conforming with this, please ensure the work is carried out by a qualified electrician.
- We do not take responsibility for damage that occurs due to the use of ungrounded equipment.

**NOTE:** Operating your machine with low voltage will cause the life cycle of your machine to be reduced and its performance to be restricted.

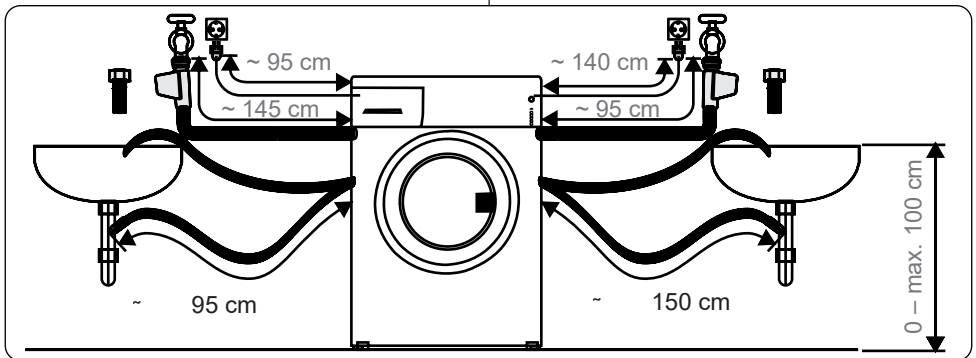
**3.4 Water Inlet Hose Connection**



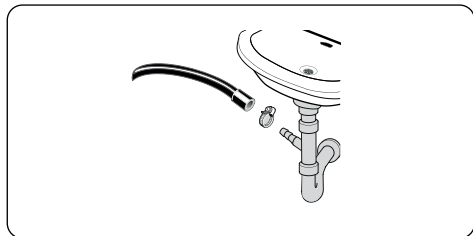
1. Your machine may have either a single water inlet connection (cold) or double water inlet connection (hot and cold) depending on the machine specifications. The white capped hose

- should be connected to cold water inlet and red capped hose to the hot water inlet (if applicable).
  - To prevent water leaks at the joints, either 1 or 2 nuts (depending on your machine's specifications) are supplied in the packaging with the hose. Fit these nuts to the end(s) of the water inlet hose that connect to the water supply.
2. Connect new water inlet hoses to a 3/4", threaded tap.
    - Connect the white capped end of the water inlet hose to the white water inlet valve on the rear side of the machine and the red capped end of the hose to the red water inlet valve (if applicable).
    - Hand tighten the connections. If in any doubt, consult a qualified plumber.
    - Water flow with pressure of 0. 1-1 Mpa will allow your machine to operate at optimum efficiency (pressure of 0. 1 Mpa means that more than 8 litres of water per minute will flow through a fully opened tap).
  3. Once you have made all of the connections, carefully turn the water supply on and check for leaks.
  4. Ensure that the new water inlet hoses are not trapped, kinked, twisted, folded or crushed.
    - If your machine has a hot water inlet connection, the temperature of the hot water supply should not be higher than 70°C.

**NOTE:** Your Washing Machine must only be connected to your water supply using the supplied new fill hose. Old hoses must not be reused.

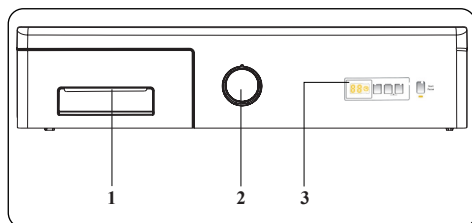


### 3.5 Water Discharge Connection



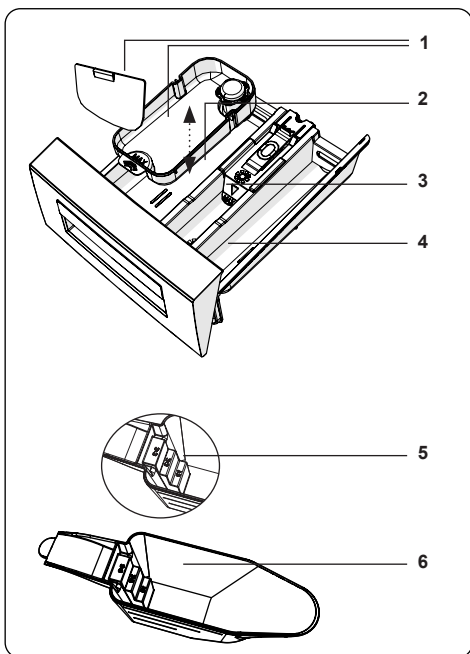
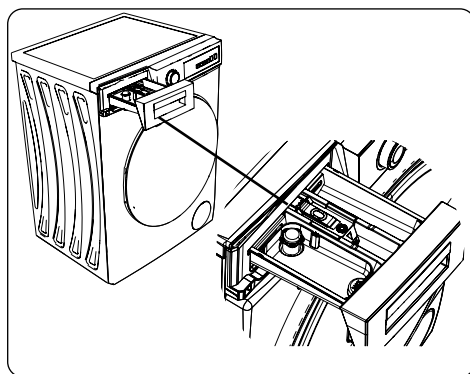
- Connect the water drain hose to a standpipe or to the outlet elbow of a household sink, using additional equipment.
- Never attempt to extend the water drain hose.
- Do not put the water drain hose from your machine into a container, bucket or bathtub.
- Make sure that the water drain hose is not bent, buckled, crushed or extended.
- The water drain hose must be installed at a maximum height of 100 cm from the ground.

## 4. CONTROL PANEL OVERVIEW



1. Detergent Drawer
2. Programme Dial
3. Electronic Display

### 4.1 Detergent Drawer (\*)



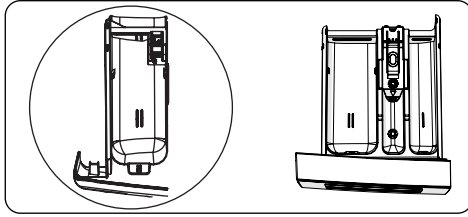
1. Liquid Detergent Attachments (\*)
2. Main Wash Detergent Compartment
3. Softener Compartment
4. Pre-Wash Detergent Compartment
5. Powder Detergent Levels (\*)
6. Powder Detergent Scoop (\*)

(\*) Specifications may vary depending on the machine purchased.



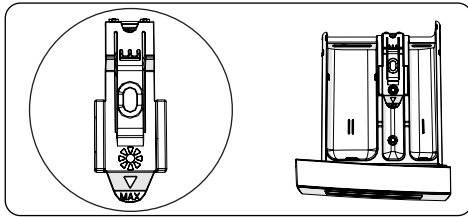
## 4.2 Sections

### Main wash detergent compartment:



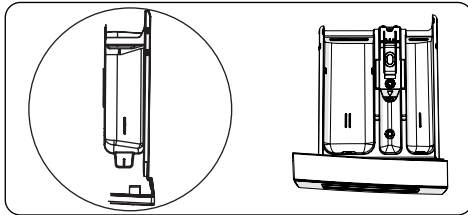
This compartment is for liquid or powder detergents or limescale remover. The fluid detergent level plate will be supplied inside your machine. (\*)

### Fabric conditioner, starch, detergent compartment:



This compartment is for softeners, conditioners or starch. Follow the instructions on the packaging. If softeners leave residue after use, try diluting them or using a liquid softener.

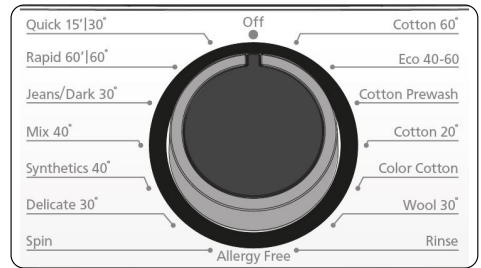
### Pre-wash detergent compartment:



This compartment should be used only when the pre-wash feature is selected. We recommend that the pre-wash feature is used only for very dirty laundry.

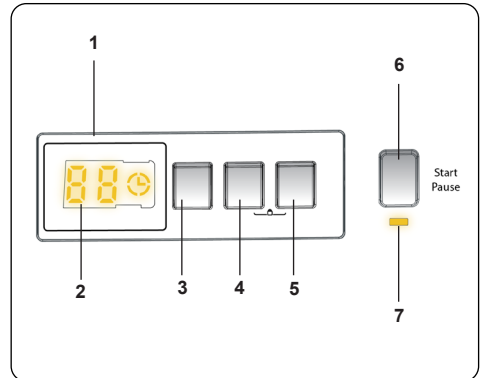
(\*) Specifications may vary depending on the machine purchased.

## 4.3 Program Dial



- To select the desired programme, turn the programme dial either clockwise or anti-clockwise until the marker on the programme dial points to the chosen programme.
- Make sure that the programme dial is set exactly to the programme you want.

## 4.4 Electronic Display

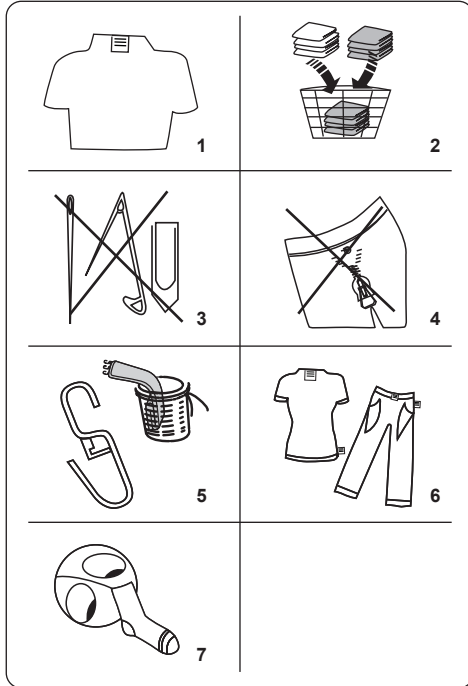


1. Electronic Display
2. Digital Display
3. Water Temperature Adjustment Button
4. RPM Speed Adjustment Button
5. Delayed Start Additional Function
6. Start/Pause Button
7. Start/Pause Button Lamp

The display panel shows the washing delay timer (if set), temperature selection, spin speed. The display panel shows "--" when the selected programme is complete. The display panel also indicates if a fault has occurred with your machine.

## 5. USING YOUR WASHING MACHINE

### 5.1 Preparing Your Laundry




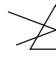

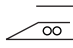
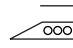










- Follow the instructions given in the care labels on the clothing.
  - Separate your laundry according to type (cotton, synthetic, sensitive, wool etc.), washing temperature (cold, 30°, 40°, 60°, 90°) and the degree of dirtiness (slightly stained, stained, highly stained).
- Never wash coloured and white laundry together.
  - Dark textiles may contain excess dye and should be washed separately several times.
- Ensure that there are no metallic materials on your laundry or in the pockets; if so, remove them.

**⚠ CAUTION:** Any malfunctions which occur due to foreign materials damaging your machine are not covered by the warranty.

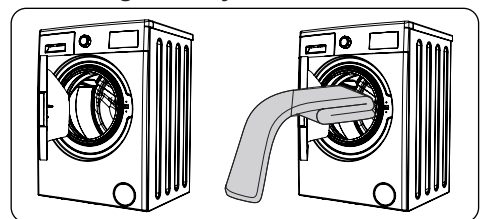
- Close zips and fasten any hooks and eyes.
- Remove the metallic or plastic hooks of

curtains or place them in a washing net or bag.

- Reverse textiles such as pants, knitwear, t-shirts and sweat shirts.
- Wash socks, handkerchiefs and other small items in a washing net.

 Can be bleached	 Do not bleach	 Normal washing
 Maximum ironing temperature 150°C	 Maximum ironing temperature 200°C	 Do not iron
 Can be dry cleaned	 No dry cleaning	 Dry flat
 Drip dry	 Hang to dry	 Do not tumble dry
 Dry cleaning in gas oil, pure alcohol and R113 is allowed	 Perchloroethylene R11, R13, Petroleum	 Perchlorinetylene R11, R113, Gas oil

### 5.2 Putting Laundry in the Machine



- Open the door of your machine.
- Spread your laundry evenly in the machine.

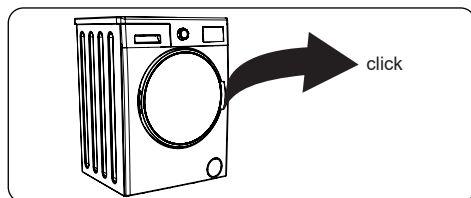
**NOTE:** Take care not to exceed the maximum load of the drum as this will give poor wash results and cause creasing. Refer to the washing programme tables for information on load capacities.

The following table shows approximate

weights of typical laundry items:

LAUNDRY TYPE	WEIGHT (gr)
Towel	200
Linen	500
Bathrobe	1200
Quilt cover	700
Pillow slip	200
Underwear	100
Tablecloth	250

- Load each item of laundry separately.
- Check that no items of laundry are trapped between the rubber seal and the door.
- Gently push the door until it clicks shut.



- Make sure the door is fully closed, otherwise the programme will not start.

### 5.3 Adding Detergent to the Machine

The amount of detergent you will need to put in your machine will depend on the following criteria:

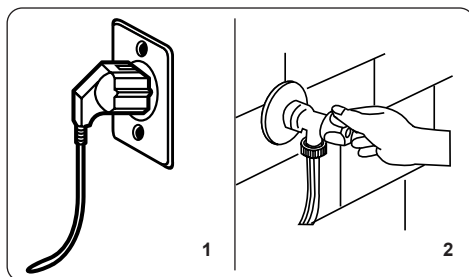
- If your clothes are only slightly soiled, do not pre-wash. Put a small amount of detergent (as specified by the manufacturer) into compartment II of the detergent drawer.
- If your clothes are excessively soiled, select a programme with pre-wash and put  $\frac{1}{4}$  of the detergent to be used into compartment I of the detergent drawer and the rest in compartment II.
- Use detergents produced for automatic washing machines. Follow the manufacturer's instructions on the amount of detergent to use.
- In areas of hard water, more detergent will be required.
- The amount of the detergent required will increase with higher washing loads.
- Put softener in the middle compartment

of the detergent drawer. Do not exceed the MAX level.

- Thick softeners may cause clogging of the drawer and should be diluted.
- It is possible to use fluid detergents in all programmes without a pre-wash. To do this, slide the fluid detergent level plate (\*) into the guides in compartment II of the detergent drawer. Use the lines on the plate as a guide to fill the drawer to the required level.

(\*) Specifications may vary depending on the machine purchased.

### 5.4 Operating Your Machine



1. Plug your machine in to the mains supply.
2. Turn on the water supply.
  - Open the machine door.
  - Evenly spread your laundry in the machine.
  - Gently push the door until it clicks shut.

### 5.5 Selecting a Programme

Use the programme tables to select the most appropriate programme for your laundry.

### 5.6 Half-Load Detection System

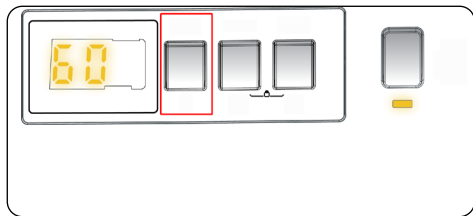
Your machine features a half-load detection system.

If you put less than half the maximum load of laundry into your machine it will automatically set the half-load function, regardless of the programme you selected. This means that the selected programme will take less time to complete and will use less water and energy.

## 5.7 Additional Functions

### 1. Temperature Selection

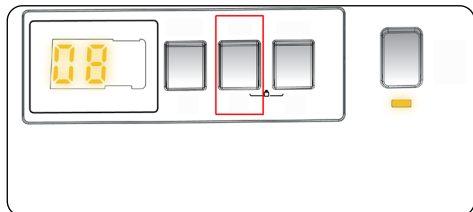
Use the washing water temperature adjustment button to alter the automatically programmed washing water temperature.



When you select a programme the maximum temperature for that programme is automatically selected. To adjust the temperature, press the water temperature adjustment button until the desired temperature is displayed on the digital display.

You can gradually decrease the washing water temperature between the maximum washing water temperature of the selected programme and cold washing (- C) selections by pressing the temperature adjustment button.

### 2. Spin Speed Selection

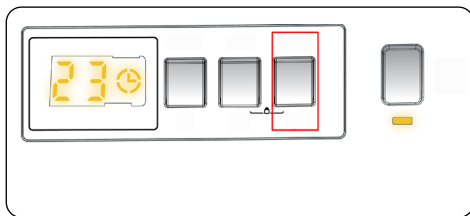


When you select a programme, the maximum spin speed is automatically selected.

To adjust the spin speed between the maximum spin speed and the cancel spinning option (- -), press the Spin speed button until the desired speed is displayed.

If you have skipped the spin speed you want to set, keep pressing the spin speed adjustment button until the desired spin speed is displayed again.


### 3. Delay Timer



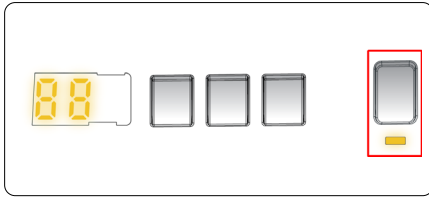
You can use this auxiliary function to delay the start time of the washing cycle for 1 to 23 hours .

To use the delay function:

- Press the delay key once.
- "01" will be displayed. ☉ will light up on the electronic display.
- Press the delay key until you reach the time after which you want the machine to start the washing cycle.
- If you have skipped the delay time you would like to set, you can keep pressing the delay key until you reach that time again.
- To use the time delay function, you need to press the Start/Pause key to start the machine.
- If you want to cancel the delay:
  - If you have pressed the Start/Pause key to start the machine, you just need to press the delay key once. ☉ will go off on the electronic display.
  - If you have not pressed the Start/Pause key, press the delay key continuously until ☉ goes off on the electronic display. ☉ will go off on the electronic display.

 **NOTE:** In the case that you want to select the auxiliary function feature, if the auxiliary function LED is not on, this means that this feature is not being used in the washing programme you have selected.

## Start/Pause button

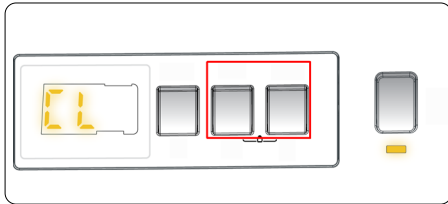


By pressing on the Start/Pause button, you may start the programme you have selected or suspend a running programme. If you switch your machine to the standby mode, the Start/Pause led on the electronic display will blink.

## 5.8 Child Lock

The Child Lock function allows you to lock the buttons so that the wash cycle you have chosen cannot be changed unintentionally.

To activate child lock, press and hold button 2 and 3 simultaneously for at least 3 seconds. "CL" will flash on the electronic display for 2 seconds when the child lock is activated.



If any button is pressed or selected programme is changed by the programme dial while the child lock is active, the "CL" symbol will flash on the electronic display for 2 seconds.

If the child lock function is active and a programme is running, when the programme dial is turned to the CANCEL position and another programme is selected the previously selected programme continues from where it was left.

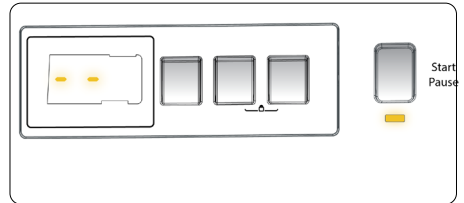
To deactivate the child lock, press and hold button 2 and 3 simultaneously for at least 3 seconds until the "CL" symbol on the electronic display disappears.

## 5.9 Cancelling the Programme

To cancel a running programme at any time:

1. Turn the programme dial to the "STOP" position.
2. Your machine will stop the washing operation and the programme will be cancelled.
3. Turn the programme dial to any other programme to drain the machine.
4. Your machine will perform the necessary draining operation and cancel the programme.
5. You can now select and run a new programme.

## 5.10 Programme End



Your machine will stop by itself as soon as the programme you have selected finishes.

- "--" will flash on the electronic display.
- You can open the machine's door and remove the laundry.
- Leave the door of your machine open to allow the inner part of your machine to dry.
- Switch the programme dial to STOP position.
- Unplug your machine.
- Turn the water tap off.

## 6. PROGRAMME TABLE

Programme	Washing temperature (°C)	Maximum dry laundry amount (kg)	Detergent compartment	Programme duration (Min.)	Laundry type / Descriptions
COTTON 60°	*60-90-80-70-40	8,0	2	235	Very dirty, cotton and flax textiles. (Underwear, linen, tablecloth, towel (maximum 4,0 kg), bedclothes, etc.)
ECO 40-60	*40 - 60	8,0	2	218	Dirty cotton and flax textiles. (Underwear, linen, tablecloth, towel (maximum 4,0 kg), bedclothes, etc.)
COTTON PREWASH	*60 - 50 - 40 - 30 - "- -C"	8,0	1&2	164	Dirty cotton and flax textiles. (Underwear, linen, tablecloth, towel (maximum 4,0 kg), bedclothes, etc.)
COTTON 20°	*20- "- -C"	4,0	2	96	Less dirty, cotton and linen textiles. (Underwear, bedsheets, tablecloth, towel (max. 2,0 kg) bedcloth, etc.)
COLOR COTTON	*40 - 30 - "- -C"	8,0	2	230	Less dirty, cotton and linen textiles. (Underwear, bedsheets, tablecloth, towel (max. 4,0 kg) bedcloth, etc.)
WOOL 30°	*30 - "- -C"	2,5	2	43	Woollen laundries with machine wash labels.
RINSE	** - -C"	8,0	-	30	Provides an additional rinse to any type of laundry after the washing cycle.
ALLERGY FREE	*60 - 50 - 40 - 30 - "- -C"	4,0	2	197	Baby laundry
SPIN	** - -C"	8,0	-	17	You can use this program for any type of laundry if you want an additional spin step after the washing cycle.
DELICATE 30°	*30 - "- -C"	2,5	2	90	Laundry recommended for hand wash or sensitive laundry.
SYNTHETICS 40°	*40 - 30 - "- -C"	3,5	2	110	Very dirty or synthetic-mixed textiles. (Nylon socks, shirts, blouses, synthetic-including trousers etc. )
MIX 40°	*40 - 30 - "- -C"	3,5	2	105	Dirty cotton, synthetics, colour and flax textiles can be washed together.
JEANS / DARK 30°	*30 - "- -C"	3,5	2	96	Black and dark items made of cotton, mixed fibre or jeans. Wash inside out., Jeans often contains excess dye and may run during the first few washes. Wash light and dark coloured items separately
RAPID 60'160°	*60 - 50 - 40 - 30 - "- -C"	4,0	2	60	Dirty, cotton, coloured and linen textiles washed at 60°C in 60 minutes.
(**) QUICK 15'130°	*30 - "- -C"	2,0	2	15	In a short time of 15 minutes, Lightly soiled, cotton, colored and linen textiles you can wash.



**NOTE: PROGRAMME DURATION MAY CHANGE ACCORDING TO THE AMOUNT OF LAUNDRY, TAP WATER, AMBIENT TEMPERATURE AND SELECTED ADDITIONAL FUNCTIONS.**

**(\*) Washing water temperature of the programme is the factory default.**

**(\*\*) Due to the short washing time of this programme, we recommend that less detergent is used. The programme may last longer than 15 minutes if your machine detects an uneven load. You can open the door of your machine 2 minutes after the completion of a washing operation. (The 2 minute period is not included in the programme duration).**

**According to regulation 1015/2010 and 1061/2010, the programme 1 and the programme 2 are respectively the 'Standard 60°C cotton programme' and the 'Standard 40°C cotton programme'.**

**The Eco 40-60 programme is able to clean normally soiled cotton laundry declared to be washable at 40°C or 60°C, together in the same cycle, and that this programme is used to assess the compliance with the EU ecodesign legislation.**

- The most efficient programmes in terms of energy consumption are generally those that perform at lower temperatures and longer duration.
- Loading the household washing machine up to the capacity indicated by the manufacturer for the respective programmes will contribute to energy and water savings.
- Program duration, energy consumption and water consumption values may vary according to wash load weight and type, selected extra functions, tap water and ambient temperature.
- It's recommended to use liquid detergent for the washing programmes at low temperature. The amount of detergent to be used may vary depending on the amount of laundry and the level of dirtiness of the laundry. Please follow the detergent manufacturers' recommendations for the amount of the detergent to be used.
- The noise and remaining moisture content are influenced by the spinning speed. The higher spinning speed in the spinning phase, the higher noise and the lower remaining moisture content.
- You can access the product database where the model information is stored by reading the QR code on the energy label.

Programme Name	Rated Capacity kg	Energy Consumption kWh/cycle			Programme Duration Hours:Minutes			Water Consumption Litres/Cycle			max. Temperature °C			Remaining Moisture Content % 1200 Rpm		
		Rated Capacity	1/2 Load	1/4 Load	Rated Capacity	1/2 Load	1/4 Load	Rated Capacity	1/2 Load	1/4 Load	Rated Capacity	1/2 Load	1/4 Load	Rated Capacity	1/2 Load	1/4 Load
Cotton 90°	8	2,38			03:07			82			81			53%		
Cotton 60°	8	1,1			03:55			52			48			53%		
Eco 40-60	8	1,16	0,61	0,33	03:38	02:48	02:48	54	43	43	49	36	22	53%	53%	53%
Synthetics 40°	3,5	0,56			01:50			50			42			62%		
Rapid 60/160°	4	1,02			01:00			34			58			53%		
Cotton 20°	4	0,2			01:36			43			20			53%		



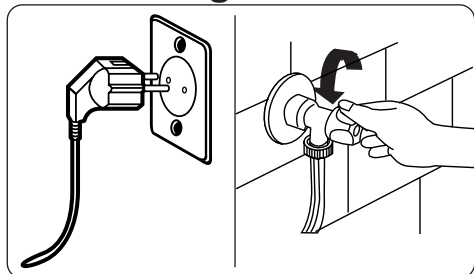
## 6.1 Important Informations

- Use detergents, softeners and other additives suitable for automatic washing machines only. Excessive foam has occurred and automatic foam absorption system has been activated due to too much detergent usage.
- We recommend that periodic cleaning for washing machine every 2 months. For periodic cleaning please use Drum Clean programme. If your machine do not have Drum Clean programme, use Cottons-90 programme. When required, use limescale removers manufactured specifically for washing machines only.
- Never force the door open when your Washing Machine is running. You can open the door of your machine 2 minutes after the completion of a washing operation. \*
- Never force the door open when your Washing Machine is running. The door will open immediately after the washing cycle has ended. \*
- The installation and repairing procedures should always carried out by the Authorised Service Agent in order to avoid possible risks. The manufacturer shall not be held liable for damages that may arise from procedures carried out by unauthorised persons.

(\*) Specifications may vary depending on the machine purchased.

## 7. CLEANING AND MAINTENANCE

### 7.1 Warning



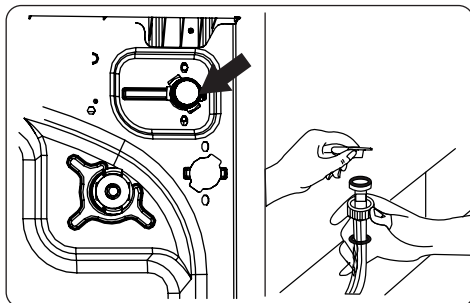
Turn your mains power supply off and remove the plug from the socket before carrying out maintenance and cleaning of your machine.

Turn off the water supply before starting maintenance and cleaning of your machine.

**⚠ CAUTION:** Do not use solvents, abrasive cleaners, glass cleaners or all-purpose cleaning agents to clean your Washing Machine. They may damage the plastic surfaces and other components with the chemicals they contain.

### 7.2 Water Inlet Filters

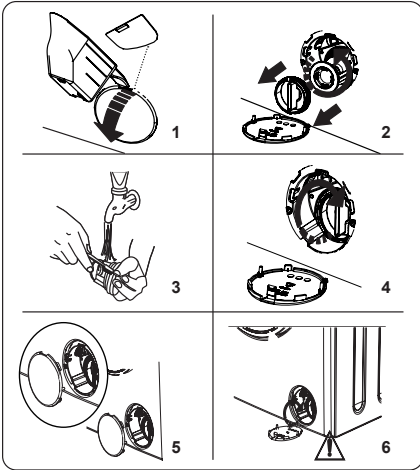
Water inlet filters prevent dirt and foreign materials from entering your machine. We recommend that these filters are cleaned when your machine is unable to receive sufficient water, although your water supply is on and the tap is open. We recommend that you clean your water inlet filters every 2 months.



- Unscrew the water inlet hose(s) from the Washing Machine.
- To remove the water inlet filter from the water inlet valve, use a pair of long-nosed pliers to gently pull on the plastic bar in the filter.
- A second water inlet filter is located in the tap end of the water inlet hose. To remove the second water inlet filter, use a pair of long-nosed pliers to gently pull on the plastic bar in the filter.
- Clean the filter thoroughly with a soft brush and wash with soapy water and rinse thoroughly. Re-insert the filter by gently pushing it back into place.

**⚠ CAUTION:** The filters at the water inlet valve may become clogged due to water quality or lack of required maintenance and may break down. This may cause a water leak. Any such breakdowns are out of the scope of the warranty.

### 7.3 Pump Filter



The pump filter system in your Washing Machine prolongs the life of the pump by preventing lint from entering your machine.

We recommend that you clean the pump filter every 2 months.

The pump filter is located behind the cover on the front-lower right corner.

To clean the pump filter:

1. You may use the washing powder spade (\*) supplied with your machine or liquid detergent level plate to open the pump cover.
  2. Lodge the end of the powder spade or liquid detergent level plate in the opening of the cover and gently press backwards. The cover will open.
- Before opening the filter cover, place a container under the filter cover to collect any water left in the machine.
  - Loosen the filter by turning anticlockwise and remove by pulling. Wait for the water to drain.

**NOTE:** Depending on the amount of water inside the machine, you may have to empty the water collection container a few times.

3. Remove any foreign materials from the filter with a soft brush.
4. After cleaning, re-fit the filter by inserting it and turning clockwise.
5. When closing the pump cover, ensure that the mountings inside the cover

meet the holes on the front panel side.

6. Close the filter cover.

**WARNING:** The water in the pump may be hot, wait until it has cooled down before carrying out any cleaning or maintenance.

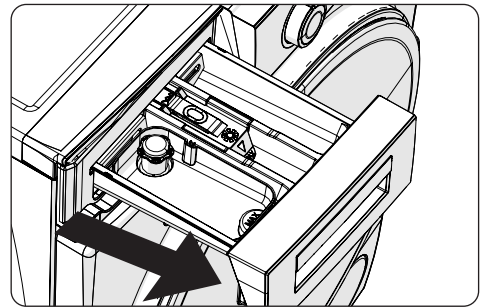
(\*) Specifications may vary depending on the machine purchased.

### 7.4 Detergent Drawer

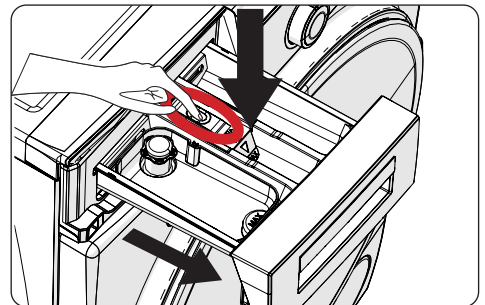
The use of detergent may cause residual build up in the detergent drawer over time. We recommend that you remove the drawer every 2 months to clean the accumulated residue.

To remove the detergent drawer:

- Pull the drawer forwards until it is fully extended.

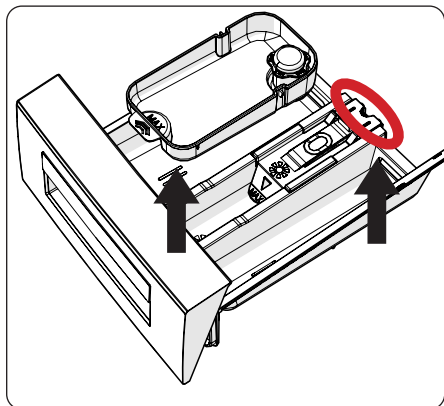


- Press the region shown below inside the detergent drawer you have pulled all the way back, and continue pulling and remove the detergent drawer from its place



- Remove the detergent drawer and disassemble the flush stopper. Clean thoroughly to completely remove

any softener residue. Refit the flush stopper after cleaning and check that it is seated properly.



- Rinse with a brush and lots of water.
- Collect the residues inside the detergent drawer slot so that they don't fall inside your machine.
- Dry the detergent drawer with a towel or dry cloth and place it back

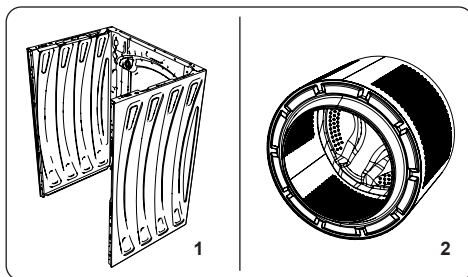
**⚠ Do not wash your detergent drawer in a dishwasher.**

#### **Liquid detergent apparatus(\*)**

For the cleaning and maintenance of the liquid level detergent apparatus, remove the apparatus from its location as shown in the picture below, and thoroughly clean the remaining detergent residues. Replace the apparatus. Make sure that no residual material remains inside the siphon.

(\*) Specifications may vary depending on the machine purchased.

## **8. Body / Drum**



### **1. Body**

Use a mild, non-abrasive cleaning agent, or soap and water, to clean the external casing. Wipe dry with a soft cloth.

### **2. Drum**

Do not leave metallic objects such as needles, paper clips, coins etc. in your machine. These objects lead to the formation of rust stains in the drum. To clean such rust stains, use a non-chlorine cleaning agent and follow the instructions of manufacturer of the cleaning agent. Never use wire wool or similar hard objects for cleaning rust stains.

## 9. TROUBLESHOOTING

Repair of your machine should be carried out by an authorised service company. If your machine requires repair or if you cannot solve an issue with the information provided below, then you should:

- Unplug your machine from the mains power supply.
- Turn off the water supply.

FAULT	POSSIBLE CAUSE	TROUBLESHOOTING
Your machine does not start.	Machine not plugged in.	Plug machine in.
	Fuses are faulty.	Replace the fuses.
	No mains power supply.	Check mains power.
	Start/Pause button not pressed.	Press the Start/Pause button.
	Programme dial 'stop' position.	Turn the programme dial to the desired position.
Your machine does not intake water.	The machine door is not completely closed.	Close the machine door.
	Water tap is turned off.	Turn tap on.
	Water inlet hose may be twisted.	Check water inlet hose and untwist.
	Water inlet hose clogged.	Clean water inlet hose filters. (*)
	Inlet filter clogged.	Clean the inlet filters. (*)
Your machine does not discharge water.	The machine door is not completely closed.	Close the machine door.
	Drain hose clogged or twisted.	Check the drain hose, then either clean or untwist.
	Pump filter clogged.	Clean the pump filter. (*)
Your machine vibrates.	Laundry is too tightly packed together in the drum.	Spread your laundry in the machine evenly.
	The feet have not been adjusted.	Adjust the feet. (**)
	Transit bolts fitted for transportation have not been removed.	Remove the transit bolts from the machine. (**)
	Small load in the drum.	This will not prevent operation of your machine.
	Your machine is overloaded with laundry or laundry is unevenly spread.	Do not overload the drum. Spread laundry evenly in the drum.
Excessive foam is formed in the detergent drawer.	Your machine rests on a hard surface.	Do not set up your Washing Machine on a hard surface.
	Excessive amount of detergent used.	Press the Start/Pause button. To stop the foam, dilute one tablespoon of softener into 1/2 litre of water and pour into the detergent drawer. Press the Start/Pause button after 5-10 mins.
Unsatisfactory washing result.	Wrong detergent used.	Only use detergents produced for automatic Washing Machines.
	Your washing is too dirty for the programme selected.	Use the information in the programme tables to select the most appropriate programme.
	Amount of detergent used insufficient.	Use the amount of detergent as instructed on the packaging.
	There is too much laundry in your machine.	Check that the maximum capacity for the selected programme has not been exceeded.

FAULT	POSSIBLE CAUSE	TROUBLESHOOTING
Unsatisfactory washing result.	Hard water.	Increase the amount of detergent following the manufacturer's instructions.
	Your laundry is too tightly packed together in the drum.	Check that your laundry is spread out.
As soon as the machine is loaded with water, water discharges.	The end of water drain hose is too low for the machine.	Check that the drain hose is at a suitable height (**).
No water appears in the drum during washing.	No fault. Water is in the unseen part of the drum.	.....
Laundry has detergent residue.	Non-dissolving particles of some detergents may appear on your laundry as white spots.	Perform an extra rinse, or clean your laundry with a brush after it dries.
Grey spots appear on the laundry.	There is untreated oil, cream or ointment on your laundry.	Use the amount of detergent as instructed on the packaging in the next wash.
The spin cycle does not take place or takes place later than expected.	No fault. The Unbalanced load control system has been activated.	The Unbalanced load control system will try to spread your laundry. The spinning cycle will begin once your laundry is spread. Load the drum evenly for the next wash.

(\* See the chapter regarding maintenance and cleaning of your machine.

(\*\*) See the chapter regarding installation of your machine.

## 10. AUTOMATIC FAULT WARNINGS AND WHAT TO DO

Your Washing Machine is equipped with a built-in fault detection system, indicated by a combination of flashing wash operation lights. The most common failure codes are shown below.

TROUBLE CODE	POSSIBLE FAULT	WHAT TO DO
Er 01	The door of your machine is not shut properly.	Shut the door properly until you hear a click. If your machine persists to indicate fault, turn off your machine, unplug it and contact the nearest authorised service agent immediately.
Er 02	The water pressure or the water level inside the machine may be low.	Check the tap is fully turned on. Mains water may be cut-off. If the problem still continues, your machine will stop after a while automatically. Unplug the machine, turn off your tap and contact the nearest authorised service agent.
Er 03	The pump is faulty or pump filter is clogged or electrical connection of the pump is faulty.	Clean the pump filter. If the problem persists, contact the nearest authorised service agent. (*)
Er 04	Your machine has excessive amount of water.	Your machine will discharge water by itself. Once the water has drained, turn off your machine and unplug it. Turn off the tap and contact the nearest authorised service agent.

(\* See the chapter regarding maintenance and cleaning of your machine.

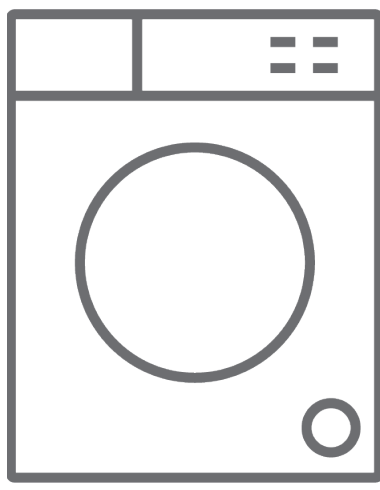


<https://www.voxelectronics.com>  
[callcenter@voxelectronics.com](mailto:callcenter@voxelectronics.com)





**SR** Mašina za veš / Korisnički priručnik



**WM1285LT14QD**



## Zahvaljujemo vam što ste izabrali ovaj proizvod.

Ovaj Korisnički priručnik sadrži veoma važne informacije i uputstva koji se tiču korišćenja i održavanja vašeg uređaja.

Odvojite vreme da pročitate ovaj Korisnički priručnik pre korišćenja uređaja i čuvajte ga za buduću upotrebu.

Ikonica	Vrsta	Značenje
	<b>UPOZORENJE</b>	Rizik od opasne povrede ili smrti
	<b>RIZIK OD STRUJNOG UDARA</b>	Rizik od opasnog napona
	<b>POŽAR</b>	Upozorenje; Rizik od požara / zapaljivi materijali
	<b>OPREZ:</b>	Rizik od povreda ili oštećenja imovine
	<b>VAŽNO / NAPOMENA</b>	Pravilno korišćenje sistema

# SADRŽAJ

<b>1.BEZBEDNOSNA UPUTSTVA</b> .....	<b>1</b>
1.1 Opšta bezbednosna upozorenja.....	2
1.2 Tokom upotrebe .....	6
1.3 Pakovanje i životna sredina.....	7
1.4 Informacije o uštedi .....	8
<b>2.TEHNIČKE SPECIFIKACIJE</b> .....	<b>9</b>
2.1 Tehničke specifikacije .....	9
<b>3.POSTAVLJANJE</b> .....	<b>10</b>
3.1 Uklonite transportne blokade.....	10
3.2 Podešavanje postolja / Podešavanje podesivih kočnica .....	10
3.3 Priključivanje na električnu mrežu .....	11
3.4 Povezivanje creva za dovod vode.....	11
3.5 Priključivanje na odvod vode .....	12
<b>4.PREGLED KONTROLNE TABLE</b> .....	<b>12</b>
4.1 Dozirna posuda .....	13
4.2 Odeljci .....	13
4.3 Dugme za izbor programa .....	14
4.4 Elektronski displej.....	14
<b>5.KORIŠĆENJE MAŠINE ZA PRANJE VEŠA</b> .....	<b>14</b>
5.1 Priprema vašeg veša .....	14
5.2 Stavljanje veša u mašinu.....	15
5.3 Dodavanje deterdženta u mašinu .....	15
5.4 Rukovanje mašinom .....	16
5.5 Izbor programa .....	16
5.6 Sistem detekcije napunjenosti do pola .....	16
5.7 Dodatne funkcije .....	16
5.8 Zaštita za decu .....	17
5.9 Otkazivanje programa .....	18
5.10 Kraj programa.....	18
<b>6.TABELA PROGRAMA</b> .....	<b>19</b>
6.1 Važne informacije .....	22
<b>7.ČIŠĆENJE I ODRŽAVANJE</b> .....	<b>23</b>
7.1 Upozorenje .....	23
7.2 Filteri za dovod vode .....	23
7.3 Filter pumpe.....	24
7.4 Dozirna posuda .....	24
<b>8.Kućište / Bubanj</b> .....	<b>25</b>
<b>9.REŠAVANJE PROBLEMA</b> .....	<b>26</b>
<b>10.AUTOMATSKA UPOZORENJA O GREŠCI I ŠTA PREDUZETI</b> .....	<b>27</b>

# 1. BEZBEDNOSNA UPUTSTVA

Radni napon / frekvencija:	(220-240) V~/50Hz
Ukupna struja (A)	10
Pritisak vode (mpa)	Maksimalni 1 mpa / minimalni 0. 1 mpa
Ukupna snaga (W)	2100
Maksimalan kapacitet pranja (suv veš) (kg)	8

- Nemojte postavljati vašu mašinu na tepih ili takve osnove koje bi sprečile ventilaciju u bazi mašine.
- Ovaj aparat nije namenjen za upotrebu od strane lica sa smanjenim fizičkim, čulnim ili mentalnim sposobnostima ili nedostatkom iskustva i znanja osim ako nije pod nadzorom ili je naučen da rukuje aparatom od strane lica koje je odgovorno za njegovu/njenu sigurnost.
- Decu mlađu od 3 godine treba čuvati dalje od uređaja osim ako nisu pod stalnim nadzorom.
- Pozovite najbliži ovlašćeni servis radi zamene ako je kabl za napajanje neispravan.
- Koristite isključivo novo crevo za dovod vode koje se isporučuje sa vašom mašinom dok povezujete dovod vode. Nikada nemojte da koristite stara, korišćena ili oštećena creva za dovod vode.
- Deca se ne smeju igrati sa uređajem. Deca ne smeju čistiti ili održavati uređaj bez nadzora.

**NAPOMENA:** Za mekanu kopiju ovog Korisničkog priručnika, molimo kontaktirajte sledeću adresu: “washingmachine@standardtest.info”. U vašem e-mailu, molimo navedite naziv modela i serijski broj (20 cifara) koje možete naći na vratima uređaja.

**Pažljivo pročitajte Korisnički priručnik**  
**Vaša mašina je samo za kućnu upotrebu.**  
**Komercijalna upotreba će izazvati otkazivanje garancije.**



**Priručnik je pripremljen za više od jednog modela i zato vaš uređaj možda neće imati neke karakteristike koje su opisane u njemu. Iz tih razloga, važno je da obratite pažnju na sve prikaze dok čitate priručnik o upotrebi.**

## **1.1 Opšta bezbednosna upozorenja**

- Za idealan rad mašine za veš potrebna je temperatura okruženja od 15-25 °C.
- U oblastima gde je temperatura ispod 0 °C, elektronska kartica možda neće bezbedno raditi.
- Molimo uverite se da u vešu stavljenom u vašu mašinu nema stranih objekata kao čavli, igle, upaljači i kovanice.
- **Preporučeno je da za vaše prvo pranje izaberete Program za pamuk na 90° bez veša i pola punjenja codeljka II dozirne posude odgovarajućim deterdžentom.**
- Može se nataložiti ostatak deterdženta i omekšivača izloženih duže vremena na vazduhu. Stavljajte omekšivač ili deterdžent u dozirnu

posudu samo na početku svakog pranja.

- Isključite vašu veš mašinu iz struje i zatvorite dovod vode ako ne koristite veš mašinu duže vremena. Takođe preporučujemo da ostavite vrata otvorena da biste sprečili stvaranje vlage unutar Veš mašine.
- U vašoj mašini za pranje veša može ostati malakoličina vode kao rezultat provjere kvaliteta tokom proizvodnje. Ovo neće uticati rad vaše mašine za pranje veša.
- Pakovanje mašine može biti opasno po decu. Ne dozvoljavajte deci da se igraju sa pakovanjem ili malim delovima iz mašine za pranje veša.
- Držite ambalažne materijale na mestu gde deca ne mogu da dođu ili ih prikladno odložite.
- Program pretpranja koristite samo za veoma prijav veš.

⚠ Nikada ne otvarajte dozirnu posudu dok mašina radi.

- U slučaju kvara, isključite mašinu iz struje i zatvorite dovod vode. Ne pokušavajte sami da nešto popravljate. Uvek kontaktirajte ovlašćenog servisera.
- Nemojte prekoračiti maksimalno punjenje za program pranja koji ste izabrali.

⚠ Nemojte nikada otvarati vrata na silu dok mašina za pranje veša radi.

- Pranje veša koji sadrži brašno može oštetiti vašu mašinu.
- Molmo vas pratite uputstva proizvođača u odnosu na upotrebu regeneratora tkanine ili bilo kakvih sličnih proizvoda koje planirate da koristite u vašoj

mašini za pranje veša.

- Uverite se da se vrata vaše mašine za pranje veša mogu slobodno potpuno otvoriti.

Instalirajte vašu mašinu na mestu koje može biti potpuno provetreno i poželjno je da ima stalnu cirkulaciju vazduha.

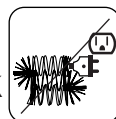
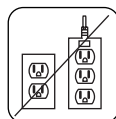
**⚠️ Pročitajte ova upozorenja. Pratite savet dat za vašu i zaštitu drugih od rizika i fatalnih povreda.**

## **RIZIK OD OPEKOTINA**

**⚠️** Ne dodirujte odvodno crevo ili bilo koju ispražnjenu vodu dok vaša mašina za pranje veša radi. Visoka temperatura uključuje mogući rizik od opekotina.

## **⚠️⚡ RIZIK OD SMRTI OD ELEKTRIČNE STRUJE**

- Ne uključujte vašu mašinu za pranje veša u struju preko produžnog kabl.
- Nemojte stavljati oštećeni utikač u utičnicu.
- Nikada nemojte vaditi utikač iz utičnice povlačenjem kabl. Uvek držite utikač.
- Nikada ne dodirujte napojni kabl/utičnicu vlažnim rukama jer to može da izazove kratak spoj ili strujni udar.
- Ne dodirujte vašu mašinu za pranje veša ako su vam ruke ili topala vlažni.
- Oštećeni strujni kabl / utikač može da izazove požar ili da izazove strujni udar. Kada se ošteti, mora da se zameni, a to treba da obavlja isključivo ovlašćeno osoblje.



## **Rizik od poplave**

- Proveritu brzinu proticaja vode pre stavljanja odvodnog creva u slivnik.
- Preduzmite neophodne mere za zštitu creva od proklizavanja.
- Proticaj vode može pomeriti crevo ako nije propisno obezbeđeno. Uverite se da čep u vašem slivniku ne blokira otvor čepa.

## **Opasnost od požara**

- Nemojte držati zapaljive tečnosti blizu vaše mašine.
- Sumporni sadržaj sredstava za otklanjanje boje mogu izazvati koroziju. Nikada nemojte da koristite sredstva koja otklanjaju boju u vašoj mašini.
- Nemojte nikada koristiti proizvode koji sadrže razređivače u vašoj mašini.
- Molimo uverite se da u vešu stavljenom u vašu mašinu nema stranih objekata kao čavli, igle, upaljači i kovanice.

## **Rizik od požara i eksplozije**

### **Rizik od padanja i povređivanja**

- Nemojte da se penjete na mašinu za pranje veša.
- Uverite se da creva i kablovi ne izazivaju opasnost od zapletanja.
- Nemojte da postavljate mašinu naopačke ili na stranu.
- Nemojte podizati vašu mašinu za pranje veša korišćenjem vrata ili dozirne posude.



**! Mašinu moraju nositi najmanje 2 osobe.**

**! Bezbednost dece**

- Ne puštajte decu blizu mašine bez nadzora. Deca mogu da se zaključaju u mašinu što može dovesti do rizika od smrti.
- Nemojte da dopuštate deci da dodiruju staklo tokom korišćenja mašine. Površina postaje izuzetno vruća i može dovesti do oštećenja kože.
- Držite materijal pakovanja izvan domašaja dece.
- Trovanje i iritacija mogu da se jave ako se deterdžent i materijali za čišćenje konzumiraju ili dođu u dodir sa kožom ili očima. Držite materijale za čišćenje van domašaja dece.




## 1.2 Tokom upotrebe

- Držite kućne ljubimce dalje od mašine
- Proverite pakovanje mašine pre instaliranja i spoljnu površinu mašine nakon uklanjanja pakovanja. Nemojte uštati mašinu u rad ako izgleda oštećeno ili ako je materijal za pakovanje otvoren.
- Nek mašinu instalira isključivo ovlašćeni serviser. Instalacija od bilo koga drugog osim ovlašćenog servisera može izazvati poništenje vaše garancije.
- Ovaj uređaj mogu koristiti deca starija od 8 godina i osobe sa smanjenim fizičkim, čulnim ili mentalnim sposobnostima ili one kojima nedostaju iskustvo i znanje, ako su pod nadzorom ili su dobili uputstva u vezi sa bezbednom upotrebom uređaja i razumeju uključene opasnosti. Deca se



ne smeju igrati sa uređajem. Deca ne smeju čistiti ili održavati uređaj bez nadzora.

- Koristite mašinu samo za veš koji je proizvođač označio kao pogodan za pranje:
- **Pre rukovanja mašinom za pranje uklonite 4 transportne blokade i gumene razmaknice sa zadnje strane mašine. Ako blokade nisu uklonjene mogu izazvati teške vibracije, buku i kvar mašine u kom slučaju ne važi garancija.**
- Vaša garancija ne pokriva štetu izazvanu spoljnim faktorima kao požar, poplava i drugi izvori oštećenja.
- Nemojte da bacate ovaj korisnički priručnik, čuvajte ga za kasniju upotrebu i predavanje narednom vlasniku.

 **NAPOMENA:** Specifikacije mašine mogu da zavise od kupljenog proizvoda.

## 1.3 Pakovanje i životna sredina

### Odlaganje materijala pakovanja

Pakovanje štiti mašinu od oštećenja koja mogu nastati tokom transporta. Materijali pakovanja su povoljni za životnu sredinu jer su reciklirajući. Upotreba recikliranim materijala smanjuje potrošnju sirovih materijala i smanjuje stvaranje otpada.

## 1.4 Informacije o uštedi

Slede važne informacije kako biste postigli bolju efikasnost sa vašom mašinom:

- Nemojte prekoračiti maksimalno punjenje za program pranja koji ste izabrali. Ovo će omogućiti vašoj mašini da radi u režimu uštede energije.
- Nemojte koristiti pretpranje za blago prljavi veš. Ovo će vam pomoći da uštedite struju i potrošnju vode.

### EC Deklaracija o usaglašenosti

Izjavljujemo da naši proizvodi zadovoljavaju primenljive evropske direktive, odluke i propise, kao i zahteve navedene u spomenutim standardima.

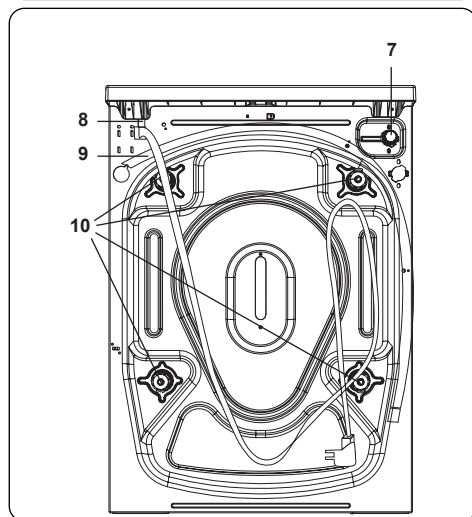
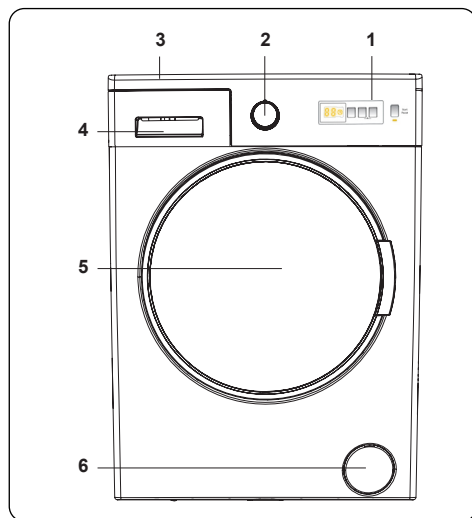
### Odlaganje stare mašine



Ovaj simbol na proizvodu ili njegovom pakovanju označava da se proizvod ne može tretirati kao komunalni otpad. Umesto toga, treba ga predati odgovarajućem mestu za prikupljanje otpada radi recikliranja električne i elektronske opreme. Kada ispravno odlažete proizvod, pomažete sprečavanju potencijalnih negativnih posledica po životnu sredinu i zdravlje ljudi, što bi inače bilo prouzrokovano nepravilnim odlaganjem ovog proizvoda. Za detaljnije informacije o recikliranju ovog proizvoda,

kontaktirajte lokalnu kancelariju, službu za odlaganje komunalnog otpada ili prodavnicu u kojoj je proizvod kupljen.

## 2. TEHNIČKE SPECIFIKACIJE



### Opšti izgled

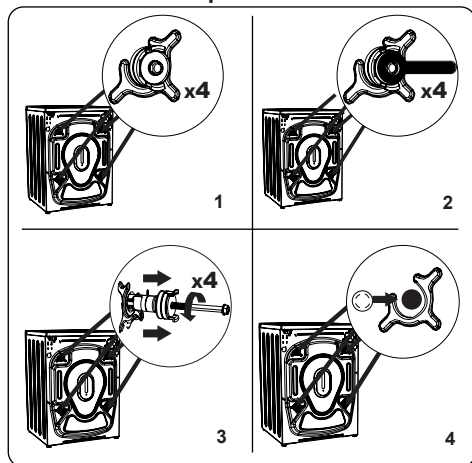
1. Elektronski displej
2. Dugme za izbor programa
3. Gornja ploča
4. Dozirna posuda
5. Bubanj
6. Poklopac filtera pumpe
7. Ventil dovoda vode
8. Strujni kabl
9. Crevo za izbacivanje vode
10. Transportne blokade

## 2.1 Tehničke specifikacije

Radni napon / frekvencija (V/Hz)	(220-240) V~/50Hz
Ukupna struja (A)	10
Pritisak vode (mpa)	Maksimalni: 1 Mpa Minimalni: 0.1 Mpa
Ukupna snaga (W)	2100
Maksimalni kapacitet suvog veša (kg)	8
Brzina obrtaja centrifuge (obr / min)	1200
Broj programa	15
Dimenzije (mm)	
Visina	845
Širina	597
Dubina	527

### 3. POSTAVLJANJE

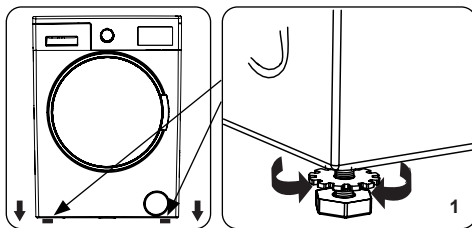
#### 3.1 Uklonite transportne blokade



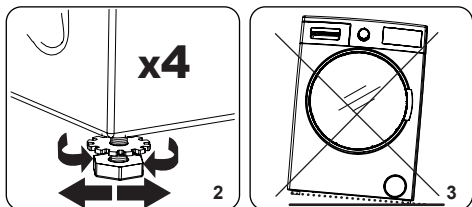
1. Pre rukovanja mašinom za pranje uklonite 4 transportne blokade i gumene razmaknice sa zadnje strane mašine. Ako blokade nisu uklonjene mogu izazvati teške vibracije, buku i kvar mašine u kom slučaju ne važi garancija.
2. Odstegnite transportne blokade njihovim okretanjem u smeru suprotno od kazaljke na satu odgovarajućim ključem.
3. Uklonite transportne blokade povlačenjem pravo.
4. Pričvrstite plastične poklopce iz torbe za pribor u praznine koje su ostale nakon uklanjanja transportnih blokada. Čuvajte transportne blokade za buduću upotrebu.

**⚠ NAPOMENA:** Uklonite transportne blokade pre prve upotrebe mašine. Greške koje se pojavljuju zbog korišćenja mašine sa pričvršćenim transportnim blokadama ne spadaju pod garanciju.

#### 3.2 Podešavanje postolja / Podešavanje podesivih kočnica

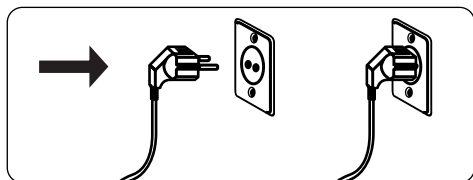


1. Ne instalirajte mašinu na površinu (kao tepih) koja može sprečiti ventilaciju osnove.
  - Da biste obezbedili tihi rad vaše mašine i bez vibracija instalirajte je na čvrstu površinu.
  - Možete podesiti nivo mašine korišćenjem podesivog postolja.
  - Odstegnite plastične nvrtnje za zaključavanje.



2. Za podizanje visine mašine, okrenite postolje u smeru kazaljke na satu. Za smanjenje visine mašine, okrenite postolje u smeru suprotnom od kazaljke na satu.
  - Kada je postavljen nivo mašine, pritegnite navrtnje za zaključavanje njihovim okretanjem u smeru kazaljke na satu.
3. Nikada ne stavljajte kartonske, drvene ili druge slične materijale ispod mašine za njeno niveliranje.
  - Kada čistite pod na koji je mašina postavljena, vodite računa da ne pomerite nivo mašine.

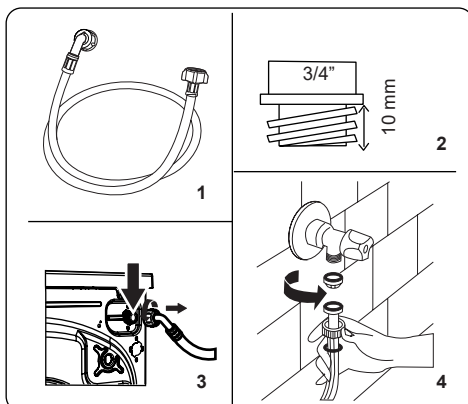
### 3.3 Priklučivanje na električnu mrežu



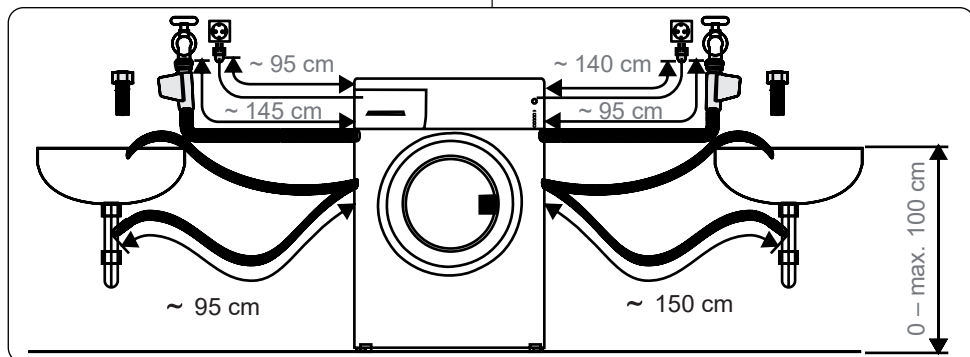
- Vaša mašina za pranje veša zahteva strujno napajanje od 220-240V, 50 .
- Električni kabl mašine je opremljen posebnim uzemljenim utikačem. Ovaj utikač treba uvek da bude uključen u utičnicu sa uzemljenjem od 10 amp.
- Ako nemate odgovarajuću utičnicu i osigurač koji odgovara ovome, osigurajte se da to obvi kvalifikovani električar.
- Ne preuzimamo odgovornost za štetu nastalu zbog upotrebe opreme bez uzemljenja.

**⚠ NAPOMENA:** Rukovanje mašinom pod niskim naponom će izazvati smanjeni radni vek mašine i njene performanse će biti ograničene.

### 3.4 Povezivanje creva za dovod vode



1. Vaša mašina može imati ili jedinični priključak za dovod vode (hladne) ili dvostruki priključak za dovod vode (vruće i hladne) zavisno od specifikacija mašine. Crevo sa belim poklopcem treba priključiti na dovod za hladnu vodu a crevo sa crvenim poklopcem na dovod za toplu vodu (ako je primenljiv).
  - Za sprečavanje curenja vode na spojevima, snabdevena su 1 ili 2 navrtnja (zavisno od specifikacija mašine) u pakovanju za crevo. Pričvrstite ove navrtnje na kraj(eve) creva za dovod vode koje je priključeno na dovod za vodu.
2. Priključite nova creva za dovod vode na slaviniu sa navojem od  $\frac{3}{4}$  ".
  - Priključite kraj creva za dovod vode sa belim poklopcem na beli ventil dovoda vode na zadnjoj strani mašine i kraj creva sa crvenim poklopcem na crveni ventil dovoda vode (ako je primenljiv).
  - Ručno pritegnite priključke. Ako imate

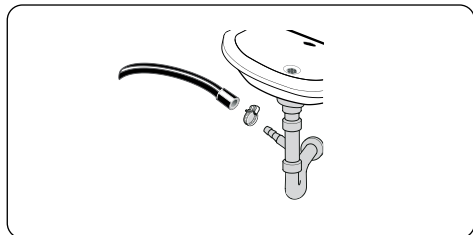


bilo kakve sumnje, konsultujte se sa kvalifikovanim vodoinstalaterom.

- Protok vode pod pritiskom od 0. 1-1 Mpa će omogućiti efikasniji rad mašine (pritisak od 0. 1 Mpa znači da će više od 8 litara vode proteći kroz potpuno otvorenu slavinu tokom jednog minuta).
3. Čim napravite sve priključke, pažljivo otvorite dovod za vodu i proverite dali negde curi.
  4. Osigurajte se da nova creva za dovod vode nisu zaglavljena, pognuta upletena, presavijena ili zgnječena.
- Ako mašina ima priključak za dovod vruće vode, temperatura dovoda za toplu vodu ne treba da bude viša od 70°C.

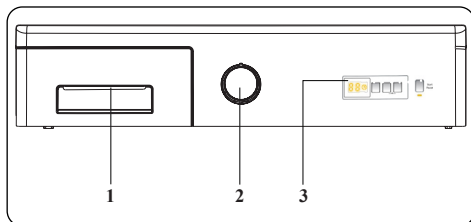
**NAPOMENA:** Vaša mašina za pranje veša mora da bude priključena na dovod za vodu samo sa novim crevom koje ste dobili uz mašinu. Stara creva ne smeju ponovo da se koriste.

### 3.5 Priključivanje na odvod vode



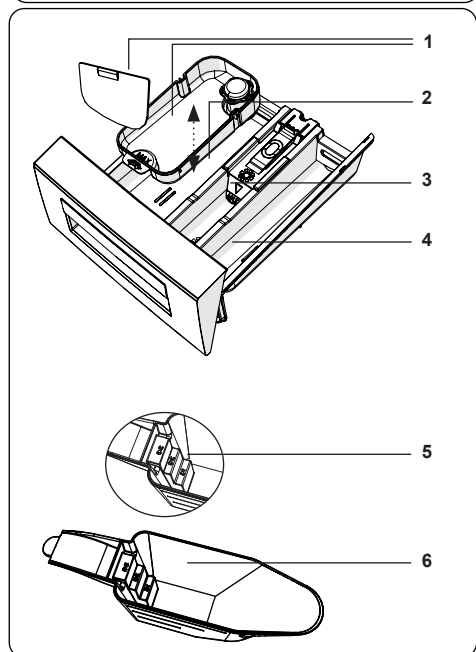
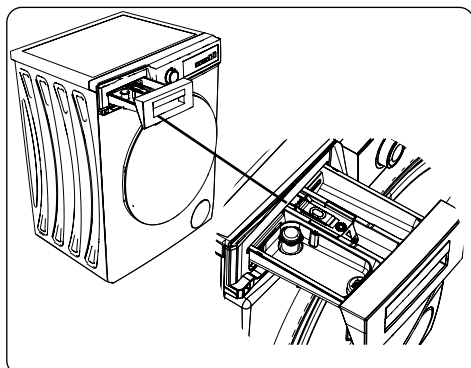
- Priključite crevo za odvod vode na statičnu slavinu ili na izlazno koleno kućnog slivnika, korišćenjem dodatne opreme.
- Nikada ne pokušavajte da produžite crevo za odvod vode.
- Ne stavljajte crevo za odvod vode iz vaše mašine u kontejner, kantu ili kadu.
- Uverite se da crevo za odvod vode nije savijeno, izvijeno, zgnječeno ili prošireno.
- Crevo za odvod vode mora da bude instalirano na maksimalnoj visini od 100 cm od poda.

## 4. PREGLED KONTROLNE TABLE



1. Dozirna posuda
2. Dugme za izbor programa
3. Elektronski displej

## 4.1 Dozirna posuda

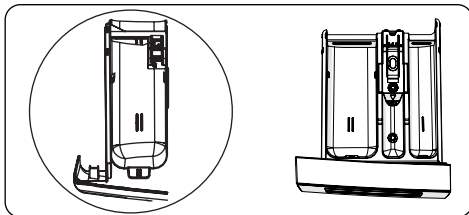


1. Prilozi za tečni deterdžent
2. Odeljak za deterdžent za glavno pranje
3. Odeljak za omekšivač
4. Odeljak za deterdžent za pretpranje
5. Nivoi za deterdžent u prašku
6. Kašika za deterdžent u prašku (\*)

(\*) Specifikacije mašine mogu da zavise od kupljenog proizvoda.

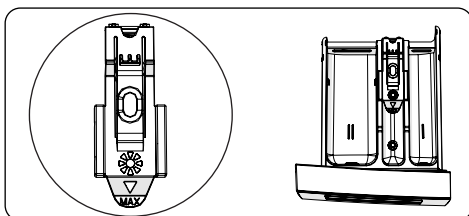
## 4.2 Odeljci

**Odeljak za deterdžent za glavno pranje:**



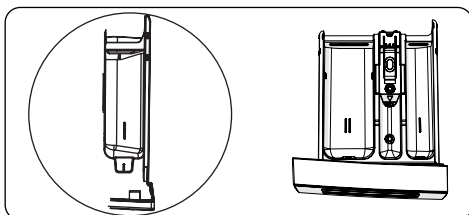
Ovaj odeljak je za tečni ili praškasti deterdžent ili odstranjivač kamenca. Ploča za nivo tečnog deterdženta je snabdevena unutar vaše mašine (\*)

**Odeljak za regenerator tkanine, štirak, deterdžent:**



Ovaj odeljak je za omekšivače, regeneratore ili štirak. Pratite uputstva na pakovanju. Ako omekšivači ostavljaju ostatke posle upotrebe, probajte da ih razblažite ili da koristite tečni omekšivač.

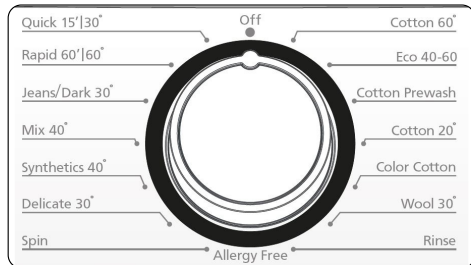
**Odeljak za deterdžent za pretpranje:**



Ovaj odeljak treba koristiti samo kada je odabrano pretpranje. Preporučujemo korišćenje pretpranja samo za mnogo prljav veš.

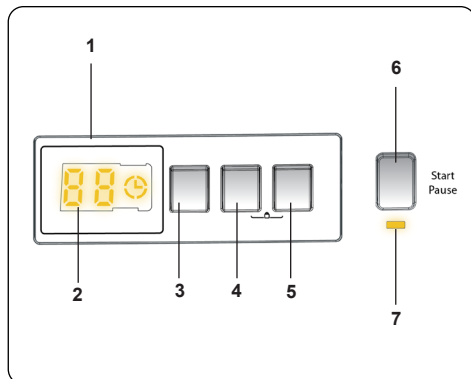
(\*) Specifikacije mašine mogu da zavise od kupljenog proizvoda.

### 4.3 Dugme za izbor programa



- Za izbor željenog programa, krenite dugme za izbor programa u smeru kazaljke na satu ili suprotnom smeru kazaljke na satu dok se oznaka na dugmetu ne poklopi sa izabranim programom.
- Vodite računa da dugme za izbor programa bude tačno na programu koji želite.

### 4.4 Elektronski displej



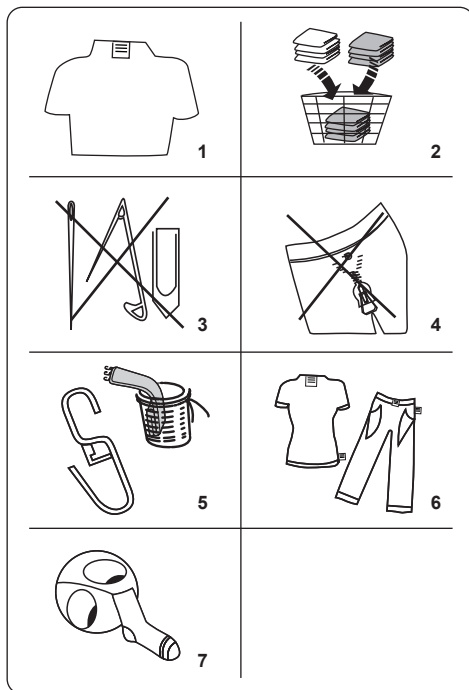
1. Elektronski displej
2. Digitalni displej
3. Dugme za podešavanje temperature vode
4. Dugme za podešavanje broja obrtaja
5. Dodatna funkcija odloženog uključivanja
6. Dugme za uključivanje/pauziranje
7. Lampica dugmeta za uključivanje/pauziranje

Ploča displeja prikazuje tajmer odlaganja pranja (ako je podešen), izbor temperature, brzinu centrifuge. Na ploči displeja se prikazuje „--“ kada je izabrani program završen. Ploča ekrana takođe prikazuje ako

se javi kvar na vašoj mašini.

## 5. KORIŠĆENJE MAŠINE ZA PRANJE VEŠA

### 5.1 Priprema vašeg veša








1. Pratite uputstva data na oznakama za održavanje odeće.
  - Odvojite vaš veš u skladu sa vrstom (pamuk, sintetika, osetljiv, vuna, itd), temperaturom pranja (hladno, 30°, 40°, 60°, 90°) i stepen prljavosti (blago prljavo, prljavo, mnogo prljavo).
2. Nemojte nikada prati obojeni veš zajedno sa belim.
  - Tamne tkanine mogu da sadrže višak boje i treba da ih perete nekoliko puta odvojeno.
3. Proverite da nema metalnih delova na vešu ili u džepovima; ako ih ima, izvadite ih.

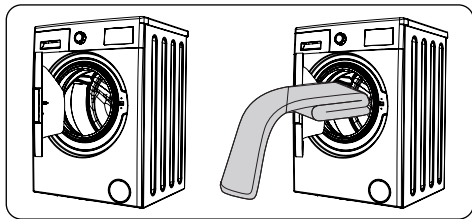
**!** **OPREZ:** Garancija ne pokriva kvarove nastale zbog stranih predmeta koji dospeju u mašinu.



4. Zatvorite rajsferšluse i pričvrstite bilo kakve kuke i petlje.
5. Uklonite sve metalne ili plastične kuke sa zavesa ili ih stavite u mrežicu ili vrećicu za pranje.
6. Izvrnite odeću kao što su pantalone, pletene stvari, majice i trenerke.
7. Čarape, maramice i sličan sitan veš perite u mrežici za pranje.

 Može se izbeljivati	 Ne izbeljujte	 Normalno pranje
 Maksimalna temperatura peglanja 150 °C	 Maksimalna temperatura peglanja 200 °C	 Ne trljajte!
 Može biti hemijski čišćeno	 Bez hemijskog čišćenja	 Ravno sušenje
 Sušenje kapljanjem	 Suši se na žici za veš	 Ne sušite izvrtanjem
 Dozvoljeno je hemijsko čišćenje u gasnom ulju, čistom alkoholu i R113	 Perhloroetilen R11, R13, Petrolej	 Perhloroetilen R11, R113, gasno ulje

## 5.2 Stavljanje veša u mašinu



- Otvorite vrata mašine.
- Ravnomerno rasporedite vaš veš u mašini.

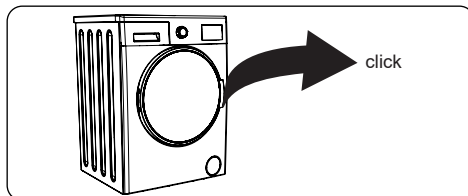
**NAPOMENA:** Vodite

računa da ne prekoračite maksimalno punjenje bubnja jer će to dati slabe rezultate pranja i izazvati gužvanje. Pogledajte tabele programa pranja za informaciju o kapacitetima punjenja.

Sledeća tabela prikazuje približne težine tipičnih komada veša:

TIP VEŠA	TEŽINA (g)
Peškir	200
Platno	500
Bade-mantil	1200
Jorganski prekrivač	700
Jastučnica	200
Donji veš	100
Stolnjak	250

- Stavite svaki komad veša zasebno.
- Proverite da nijedan komad veša nije zaglavljn između gume i vrata.
- Nežno gurnite vrata dok ne škljocnu za zatvaranje.



- Uverite se da su vrata potpuno zatvorena, u suprotnom program se neće pokrenuti.

## 5.3 Dodavanje deterdženta u mašinu

Količina deterdženta koju sipate u mašinu će zavistiti od sledećih kriterijuma:

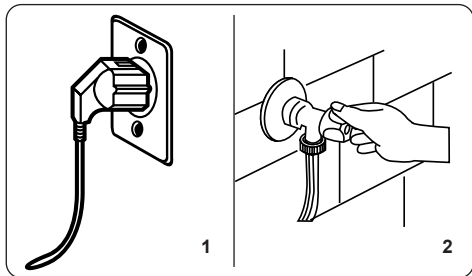
- Ako je vaš veš samo blago prljav, ne koristite pretpranje. Stavite malu količinu deterdženta (specifikovano od proizvođača) u odeljak II dozirne posude.
- Ako je vaš veš previše prljav, izaberite program pretpranja i stavite ¼ deterdženta koji koristite u odeljak I dozirne posude i ostatak u odeljak II.
- Koristite deterdžente proizvedene za automatske mašine za pranje veša. Pratite uputstva proizvođača o količini

deterdženta koju treba da koristite.

- U oblastima gde je tvrda voda, treba staviti više deterdženta.
- Potrebna količina deterdženta će se povećati ako je u mašinu stavljeno više veša.
- Stavite omekšivač u središnji odeljak dozirne posude. Nemojte da sipate preko nivoa obeleženog sa „MAX“.
- Gusti omekšivači mogu izazvati zapušanje dozirne posude i treba ih razblažiti.
- Ako je moguće koristite tečne deterdžente za sve programe bez prepranja. Da biste ovo uradili, skliznite ploču za nivo tečnog deterdženta (\*) u vodilju u odeljak II dozirne posude. Koristite crtice na ploči kao vodilju za punjenje dozirne posude do potrebnog nivoa.

(\*) Specifikacije mašine mogu da zavise od kupljenog proizvoda.

#### 5.4 Rukovanje mašinom



1. Uključite mašinu u struju.
  2. Otvorite dovod za vodu.
- Otvorite vrata mašine.
  - Ravnomerno rasporedite vaš veš u mašini.
  - Nežno gurnite vrata dok ne škljocnu za zatvaranje.

#### 5.5 Izbor programa

Koristite tabele programa za izbor najadekvatnijeg programa za vaš veš.

#### 5.6 Sistem detekcije napunjenosti do pola

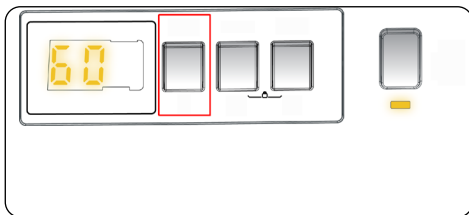
Mašina poseduje funkcije sistema detekcije napunjenosti do pola.

Ako stavite manje od pola maksimalnog punjenja veša u vašu mašinu ista će automatski podesiti funkciju napunjenosti do pola, bez obzira na program koji ste izabrali. Ovo znači da će izabrani program oduzeti manje vremena za završetak i manje vode i energije.

#### 5.7 Dodatne funkcije

##### 1. Izbor temperature

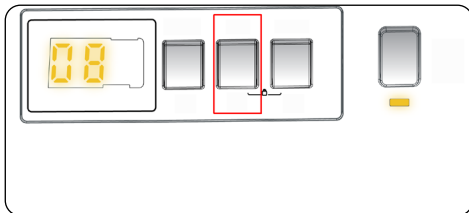
Koristite dugme za podešavanje temperature vode za menjanje automatski programirane temperatura vode za pranje.



Kada izaberete program maksimalna temperatura za taj program je automatski izabrana. Za podešavanje temperature, pritisnite dugme za podešavanje temperature vode dok se željena temperatura ne prikaže na digitalnom displeju.

Temperaturu vode za pranje možete postepeno da smanjujete između maksimalne temperature i hladnog pranja (- - C) pritiskom na dugme za podešavanje temperature.

##### 2. Izbor brzine centrifuge

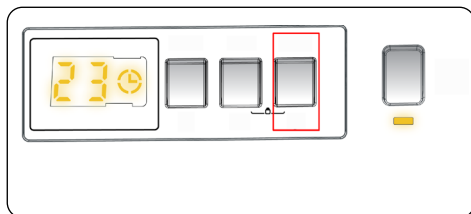


Kada izaberete program maksimalna brzina centrifuge je automatski izabrana.

Za podešavanje brzine centrifuge između maksimalne brzine centrifuge i otkazivanja opcije centrifuge (- -), pritisnite dugme za brzinu centrifuge dok se ne prikaže željena brzina.

Ako ste preskočili brzinu centrifuge koju želite da podesite, nastavite da pritiskate dugme za podešavanje brzine centrifuge dok se željena brzina ponovo ne prikaže.

### 3. Tajmer s odloženim uključanjem



Možete koristiti pomoćnu funkciju za odlaganje vremena početka ciklusa pranja za 1 do

23 časova.

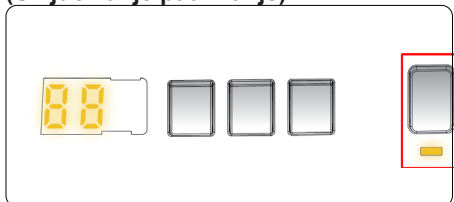
Da biste koristili funkciju odlaganja:

- Pritisnite jednom taster za odlaganje.
- Prikazaće se „01“. Na elektronskom displeju će sijati ☉.
- Pritisnite taster za odlaganje dok ne dostignete vreme posle kojeg želite da vaša mašina počne proces pranja.
- Ako ste preskočili vreme odlaganja koje želite da podesite, možete nastaviti sa pritiskanjem tastera za odlaganje dok ne dođete ponovo do tog vremena.
- Za korišćenje funkcije odlaganja vremena, treba da pritisnete dugme za uključivanje/pauziranje da biste pokrenuli mašinu.
- Ako želite da otkazete odlaganje:
  - Ako ste pritisnuli taster za Uključivanje/Pauziranje za pokretanje mašine, treba samo da pritisnete jednom taster za odlaganje. ☉ će se ugasiti na elektronskom displeju.
  - Ako niste pritisnuli taster za Uključivanje/Pauziranje, pritisnite uzastopno taster za odlaganje dok se ☉ ne isključi sa elektronskog displeja. ☉ će se ugasiti na elektronskom displeju.



**NAPOMENA:** U slučaju da želite da izaberete pomoćnu funkciju, ako LED svetlo pomoćne funkcije nije upaljeno, to znači da se ova odlika ne koristi u programu pranja koji ste izabrali.

### dugme „Start/Pause“ (Uključivanje/pauziranje)

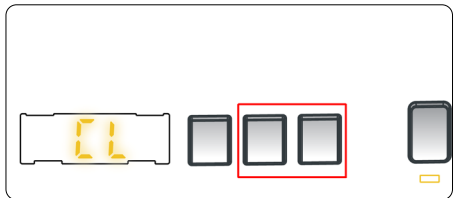


Ako pritisnete dugme „Start/Pause“, možete da pokrenete izabrani program ili pauzirate tekući program. Ako prebacite mašinu na režim mirovanja, na elektronskom displeju će treperiti led lampica za uključivanje/pauziranje.

### 5.8 Zaštita za decu

Funkcija Zaštite za decu vam omogućava da zaključate dugmad tako da se ciklus pranja koji ste izabrali ne može promeniti nenamerno.

Za aktiviranje zaštite za decu, pritisnite i držite dugme 2 i 3 zajedno najmanje 3 sekunde. Na elektronskom displeju će 2 sekunde treptati „CL“ kada je zaštita za decu aktivirana.



Ako je pritisnuto bilo koje dugme ili je izabrani program promenjen dugmetom za izbor programa dok je zaštita za decu aktivna, na elektronskom displeju će 2 sekunde treperiti simbol „CL“.

Ako je funkcija zaštite za decu aktivirana, a program i dalje radi, dugme za izbor programa se prebacuje u položaj CANCEL (otkazivanje) i bira se drugi program; prethodno izabrani program nastavlja gde je stao.

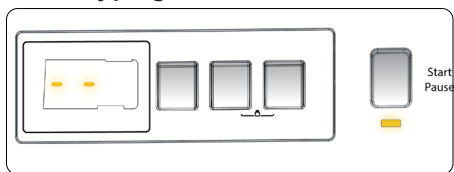
Za deaktiviranje zaštite za decu, pritisnite i držite dugme 2 i 3 zajedno najmanje 3 sekunde dok sa elektronskog displeja ne nestane simbol „CL“.

## 5.9 Otkazivanje programa

### Za otkazivanje uključenog programa u svako vreme.

1. Prebacite dugme za izbor programa u položaj „STOP“.
2. Mašina će zaustaviti pranje i program će biti otkazan.
3. Okrenite dugme za izbor programa na bilo koji drugi program da bi izbacili vodu iz mašine.
4. Mašina će obaviti potrebno izbacivanje vode i otkazati program.
5. Sada možete izabrati i pokrenuti novi program.

## 5.10 Kraj programa



Mašina će se sama zaustaviti čim se izabrani program završi.

- Na elektronskom displeju će treperiti „- -“ „END“.
- Možete da otvorite vrata mašine i izvadite veš.
- Ostavite vrata mašine otvorena da biste dozvolili da se unutrašnji deo mašine osuši.
- Prebacite dugme za izbor programa u položaj „STOP“.
- Isključite mašinu iz struje.
- Zatvorite slavinu za vodu.

## 6. TABELA PROGRAMA

Program	Temperatura pranja (°C)	Maksimalna količina veša za sušenje (kg)	Odeļjak za deterđzent	Trajanje programa (min.)	Tip veša / opisi
PAMUK 60°	*60-90-80-70-40	8,0	2	235	Jako prljav pamuk i lan. (Donji veš, lan, stolnjaci, peškiri (maksimalno 4,0kg), posteljina itd.)
ECO 40-60	*40 - 60	8,0	2	218	Prljav pamuk i lan. (Donji veš, lan, stolnjaci, peškiri (maksimalno 4,0 kg), posteljina itd.)
PRETPRANJE PAMUK	*60 - 50 - 40 - 30 - "- -C"	8,0	1&2	164	Prljav pamuk i lan. (Donji veš, lan, stolnjaci, peškiri (maksimalno 4,0 kg), posteljina itd.)
PAMUK 20°	*20- "- -C"	4,0	2	96	Manje prljav pamuk i lan. (Donji veš, čaršavi, stolnjaci, peškiri (maksimalno 2,0 kg), posteljina itd.)
OBOJENI PAMUK	*40 - 30 - "- -C"	8,0	2	230	Manje prljav pamuk i lan. (Donji veš, čaršavi, stolnjaci, peškiri (maksimalno 4,0 kg), posteljina itd.)
WOOL (VUNA) 30°	*30 - "- -C"	2,5	2	43	Vuneni veš sa oznakama za pranje u mašini.
RINSING (ISPIRANJE)	** - -C"	8,0	-	30	Obavlja dodatno ispiranje za sve vrste veša posle ciklusa pranja.
ALLERGY FREE	*60 - 50 - 40 - 30 - "- -C"	4,0	2	197	Odeća za bebe
CENTRIFUGA	** - -C"	8,0	-	17	Možete koristiti ovaj program za sve vrste veša ako želite dodatni korak centrifuga posle ciklusa pranja.
OSETLJIVO 30°	*30 - "- -C"	2,5	2	90	Veš za koji se preporučuje ručno pranje ili osetljivi veš.
SINTETIKA 40°	*40 - 30 - "- -C"	3,5	2	110	Veoma prljav ili tekstil sa mešovinom sintetike. (Najlon čarape, košulje, bluze, pantalone koje sadrže sintetiku itd.)
MEŠANO 40°	*40 - 30 - "- -C"	3,5	2	105	Prljav pamuk, sintetika, obojeni tekstil i lan mogu zajedno da se peru.
DŽINS/TAMNO 30°	*30 - "- -C"	3,5	2	96	Crne i tamne stvari napravljene od pamuka, mešanih vlakana ili džinsa. Perite prevrnuto, džins često sadrži višak boje koja može da krene da se skida tokom prvih nekoliko pranja. Perite svetle i tamno obojene stvari odvojeno.
UBRZANO 60°/60°	*60 - 50 - 40 - 30 - "- -C"	4,0	2	60	Prijavi pamuk, šarene i lanene tkanine prane na 60°C za 60 minuta.
(**) BRZO 15°/30°	*30 - "- -C"	2,0	2	15	Blago zaprljan veš, pamuk, veš u boji i lan možete kratko da operete tokom 15 minuta.



**NAPOMENA: TRAJANJE PROGRAMA MOŽE DA VARIRA U ZAVISNOSTI OD KOLIČINE VEŠA, VODE SA ČESME, TEMPERATURE OKRUŽENJA I IZBORA DODATNIH FUNKCIJA.**

**(\*) Programska temperatura vode za pranje je zadata fabrički.**

**(\*\*) Zbog kraćeg vremena trajanja ovog programa preporučujemo korišćenje manje količine deterdženta. Program može trajati duže od 15 minuta ako mašina otkrije neujednačeno punjenje. Možete da otvorite vrata mašine 2 minuta nakon dovršetka operacije pranja. (Period od 2 minute nije uključen u trajanje programa).**

**U skladu sa regulativom 1015/2010 i 1061/2010, program 1 i program 2 se odnose na 'Standardni program za pamuk 60°C' i 'Standardni program za pamuk 40°C'.**

**Program Eko 40-60 omogućuje pranje normalno zaprljanog veša označenog za pranje na 40°C ili 60°C, zajedno u istom ciklusu, i da se ovaj program koristi radi usklađivanja sa zakonodavstvom EU o ekodizajnu.**

- Najefikasniji programi u smislu uštede energije su generalno oni koji se izvode na nižim temperaturama i dužim trajanjem.
- Punjenje mašine za pranje veša za domaćinstvo do kapaciteta predviđenog od proizvođača za odgovarajuće programe će doprineti uštedi energije i vode.
- Vrednosti trajanja programa, potrošnje energije i potrošnje vode mogu varirati u skladu sa težinom i vrstom punjenja za pranje, odabranih dodatnih funkcija, vode iz slavine i temperature okoline.
- Preporučeno je da se koristi tečni deterdžent za programe pranja na niskoj temperaturi. Količina deterdženta koja se koristi može varirati zavisno od količine veša i nivoa zaprljanosti veša. Molimo pratite preporuke proizvođača o deterdžentu za količinu deterdženta koju koristite.
- Buka i sadržaj preostale vlage su pod uticajem brzine centrifuge. Viša brzina centrifuge u fazi centrifugiranja, viša buka i niži sadržaj preostale vlage.
- Možete pristupiti bazi podataka proizvoda gde su uskladištene informacije o modelu čitanjem QR koda na energetske oznaci.

Ime programa	Nominalni kapacitet kg	Potrošnja energije kWh/cycle (kWh/ciklus)			Trajanje programa Časova: Minuta			Potrošnja vode Litara / Ciklus			Maks. Temperatura °C			Sadržaj preostale vlage % 1200 o/min		
		Nominalni kapacitet	1/2 Punjenja	1/4 Punjenja	Nominalni kapacitet	1/2 Punjenja	1/4 Punjenja	Nominalni kapacitet	1/2 Punjenja	1/4 Punjenja	Nominalni kapacitet	1/2 Punjenja	1/4 Punjenja	Nominalni kapacitet	1/2 Punjenja	1/4 Punjenja
Pamuk 90°	8	2,38			03:07			82			81			53%		
Pamuk 60°	8	1,1			03:55			52			48			53%		
Eco 40-60	8	1,16	0,61	0,33	03:38	02:48	02:48	54	43	43	49	36	22	53%	53%	53%
Sintetika 40°	3,5	0,56			01:50			50			42			62%		
Ubrzano 60/160°	4	1,02			01:00			34			58			53%		
Pamuk 20°	4	0,2			01:36			43			20			53%		

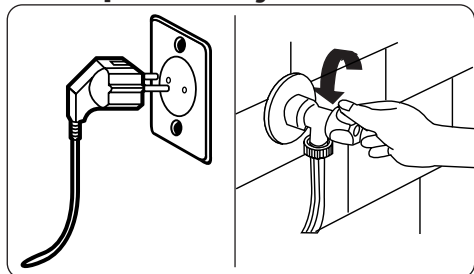
## 6.1 Važne informacije

- Koristite samo deterdžente, omekšivače i druge dodatke povoljne za automatske mašine za pranje veša. Višak pene može da se javi i sistem automatske apsorpcije se aktivira usled prekomerne upotrebe deterdženta.
  - Preporučujemo periodično čišćenje mašine za pranje veša na svaka 2 meseca. Za periodično pranje koristite program za čišćenje bubnja. Ako vaša mašina nema program za čišćenje bubnja, koristite program za Pamuk-90. Kada je potrebno, koristite odstranjivače kamenca proizvedene specifično samo za mašine za pranje veša.
  - Nemojte nikada otvarati vrata na silu dok mašina za pranje veša radi. Možete da otvorite vrata mašine 2 minuta nakon dovršetka operacije pranja. \*
  - Nemojte nikada otvarati vrata na silu dok mašina za pranje veša radi. Vrata će se otvoriti odmah po završetku ciklusa pranja. \*
  - Postupci instalacije i popravljanja treba uvek da budu sprovedeni od ovlašćenog servisera da bi se izbegli mogući rizici. Proizvođač neće biti odgovoran za štete koje mogu nastati zbog sprovođenja procedura od neovlašćenih lica.
- (\* ) Specifikacije mašine mogu da zavise od kupljenog proizvoda.



# 7. ČIŠĆENJE I ODRŽAVANJE

## 7.1 Upozorenje



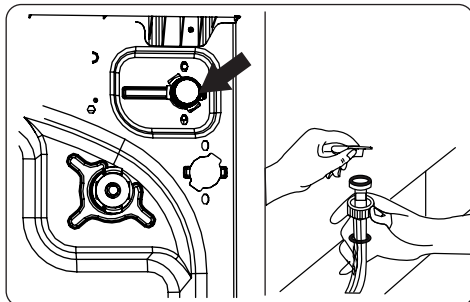
Isključite strujno napajanje i izvadite utikač iz utičnice pre nego što obavite održavanje i čišćenje mašine.

Zavrните slavinu za vodu pre nego što počnete s održavanjem i čišćenjem mašine.

**⚠ OPREZ:** Nemojte koristiti razređivače, abrazivna sredstva za čišćenje, sredstva za čišćenje stakla ili univerzalna sredstva za čišćenje za čišćenje mašine za pranje veša. Isti mogu oštetiti plastične površine i druge delove hemikalijama koje sadrže.

## 7.2 Filteri za dovod vode

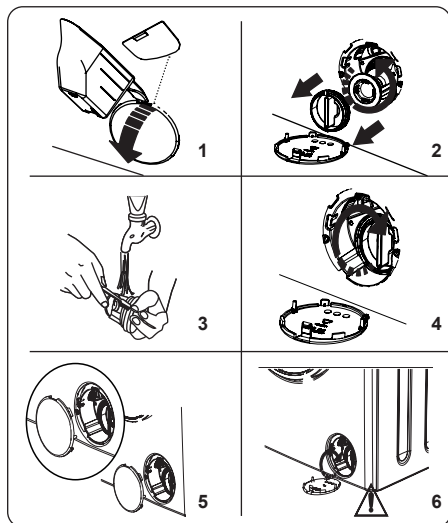
Filteri za dovod vode srećavaju da prljavština i strani materijali uđu u mašinu. Preporučujemo da ove filtere čistite kada mašina ne prima dovoljno vode, iako je dovod vode uključen i slavina odvrnuta. Preporučuje se da filtere za dovod vode čistite jednom u 2 meseca.



- Odstegnite crevo(a) za dovod vode sa mašine za ranje veša.
- Za vađenje filtera za dovod vode sa ventila dovoda vode, koristite par dugačkih klešta za nežno navlačenje plastične šipke u filter.
- Drugi filter za dovod vode se nalazi na kraju slavine creva za dovod vode. Za vađenje drugog filtera za dovod vode, koristite par dugačkih klešta za nežno navlačenje plastične šipke u filter.
- Temeljno očistite filter mekanom četkom i operite sapunjavom vodom pa temeljno isperite. Vratite filter nežno guranjem nazad na svoje mesto.

**⚠ OPREZ:** Filteri na ventilu dovoda vode mogu biti zapušeni zbog kvaliteta vode ili nedostatka potrebnog održavanja pa se mogu slomiti. Ovo može izazvati curenje vode. Bilo kakva lomljenja ovkve vrste nisu pod garancijom.

### 7.3 Filter pumpe



Sistem filtera pumpe u vašoj Mašini za pranje veša produžuje život pumpe sprečavanjem otpadaka od tkanine da uđu u mašinu.

Preporučujemo da čistite filter pumpe jednom na svaka 2 meseca

Filter pumpe je lociran iza poklopac u prednjem desnom donjem uglu.

Za čišćenje filtera pumpe

1. Možete koristiti lopatu za prašak za pranje (\*) snabdeven uz mašinu ili ploču za nivo tečnog deterdženta za otvaranje poklopca pumpe.
  2. Stavite kraj lopte za prašak ili ploče z nivo tečnog deterdženta na otvor poklopca i nežno pritisnite unazad. Poklopac će se otvoriti.
- Pre otvaranja pokopca filtera, stavite kantu ispod poklopca filtera za skupljanje vode koja je ostala u mašini.
  - Odstegnite filter okretanjem u smeru suprotno od kazaljke na satu i izvadite ga povlačenjem. Sačekajte da se voda izbaci.

**ONAPOMENA:** Možda ćete morati da praznite kantu za prikupljanje vode nekoliko puta u zavisnosti od količine vode u mašini.

3. Uklonite bilo koje strane materijale iz filtera mekanom četkom.

4. Posle čišćenja, vratite filter stavljanjem i okretanjem u smeru kazaljke na satu.
5. Dok zatvarate poklopac pumpe, vodite računa da se delovi na unutrašnjoj strani poklopca poklapaju sa otvorima na prednjoj strani poklopca.
6. Zatvorite poklopac filtera.

**UPOZORENJE:** Voda u pumpi može da bude vrela, sačekajte dok se ne ohladi pre nego obavite bilo kakvo čišćenje ili održavanje.

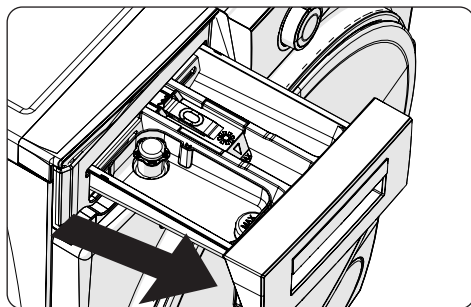
(\*) Specifikacije mašine mogu da zavise od kupljenog proizvoda.

### 7.4 Dozirna posuda

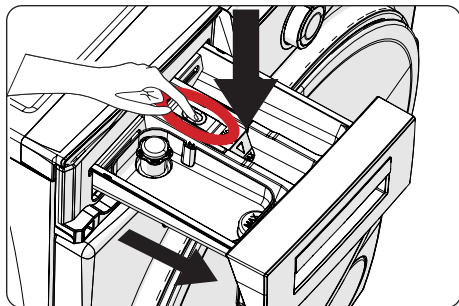
Upotreba deterdženta tokom vremena može izazvati stvaranje ostataka u dozirnoj posudi. Preporučujemo da skidate dozirnu posudu svaka 2 meseca i da čistite nataložene ostatke.

Da biste skinuli dozirnu posudu:

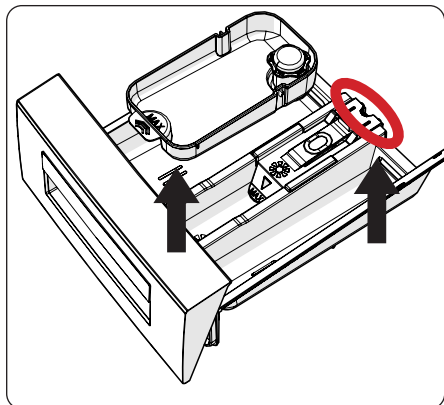
- Povucite dozirnu posudu unapred dok se sasvim ne izvuče.



- Pritisnite deo prikazan ispod u dozirnoj posudi koju ste povukli do kraja, i nastavite povlačenje i skidanje dozirne posude sa njenog mesta.



- Skinite dozirnu posudu i demontrajte zatvarač za mlaz tečnosti. Očistite temeljno za potpuno uklanjanje bilo kakvih ostataka omekšivača. Vratite zatvarač z mlaz tečnosti posle čišćenja i proverite dali je ulegao pravilno.



- Isperite četkom i većom količinom vode.
- Prikupite ostatke unutar proreza dozirne posude kako isti ne bi upali u mašinu.
- Osušite dozirnu posudu peškirom ili suvom krpom i vratite ga nazad.

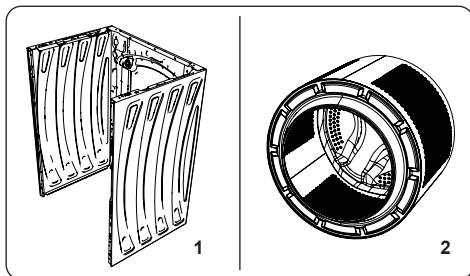
**!** **Nemojte da perete dozirnu posudu u mašini za pranje sudova.**

#### **Mehanizam za tačni deterdžent (\*)**

Za čišćenje i održavanje mehanizma za nivo tečnog deterdženta, skinite mehanizam sa njegovog mesta kao što je prikazano na slici ispod i temeljno očistite ostatke deterdženta. Vratite mehanizam na svoje mesto. Uverite se da ostaci nisu ostali u sifonu.

(\*) Specifikacije mašine mogu da zavise od kupljenog proizvoda.

## 8. Kućište / Bubanj



### 1. Kućište

Koristite blaga, neabrazivna sredstva za čišćenje ili sapun i vodu za čišćenje spoljnih delova kućišta. Obrišite suvom mekanom krpom.

### 2. Bubanj

Nemojte da ostavljate u mašini metalne predmete kao što su igle, spjalice, novčići itd. Ovi predmeti dovode do stvaranja rđe u bubnju. Da biste očistili rđu koristite sredstvo za čišćenje bez hlora i pratite uputstva proizvođača sredstva za čišćenje. Nikada nemojte koristiti staklenu vunu ili slične čvrste predmete za čišćenje rđe.

## 9. REŠAVANJE PROBLEMA

Sve popravke mašine treba da vrši ovlašćeni serviser. Ako je potrebna popravka mašine ili ako ne možete da rešite problem pomoću dole datih informacije, onda treba da:

- Isključite mašinu iz struje.
- Zatvorite dovod za vodu.

KVAR	MOGUĆI UZROK	REŠAVANJE PROBLEMA
Mašina se ne pokreće.	Nije uključena u struju.	Uključite mašinu u struju.
	Osigurači su neispravni.	Zamenite osigurače.
	Nema strujnog napajanja.	Proverite strujnu mrežu.
	Nije pritisnuto dugme za uključivanje/pauziranje.	Pritisnite dugme za uključivanje/pauziranje.
	Dugme za izbor programa u položaju 'stop'.	Prebacite dugme za izbor programa u željeni položaj.
	Vrata mašine nisu u potpunosti zatvorena.	Zatvorite vrata mašine.
Mašina ne prima vodu.	Slavina za vodu je zavrnutu.	Odvrnite slavinu za vodu.
	Crevo za dovod vode je možda uvrnuto.	Proverite crevo za dovod vode i odvrnite ga.
	Crevo za dovod vode je možda zapušeno.	Očistite filtere creva za dovod vode. (*)
	Filter pumpe je zapušen.	Očistite filtere dovoda. (*)
	Vrata mašine nisu u potpunosti zatvorena.	Zatvorite vrata mašine.
Mašina ne izbacuje vodu.	Crevo za odvod je možda zapušeno ili uvrnuto.	Proverite crevo za izbacivanje vode i očistite ili odvrnite.
	Filter pumpe je zapušen.	Očistite filter pumpe. (*)
	Veš je previše zbijeno stavljen u bubanj.	Ravnomerno rasporedite vaš veš u mašini.
Mašina vibrira.	Postolje nije podešeno.	Podesite postolje. (**)
	Transportne blokade nisu uklonjene.	Uklonite transportne blokade sa mašine. (**)
	Malo punjenje bubnja.	Ovo neće sprečiti rad mašine.
	Mašina je prenapunjena većom ili veš nije dobro raspoređen.	Nemojte da pretrpavate bubanj. Ravnomerno rasporedite vaš veš u bubnju.
	Mašina stoji na tvrdj površini.	Ne postavljajte vašu mašinu za pranje veša na tvrdu površinu.
U dozirnoj posudi se pravi prekomerna pena.	Koristi se prekomerna količina deterdženta.	Pritisnite dugme za uključivanje/pauziranje. Za zaustavljanje pene, razblažite jednu kašiku omekšivača u 1/2 litre vode i sipajte u dozirnu posudu. Pritisnite dugme za uključivanje/pauziranje posle 5-10 minuta..
	Koristi se pogrešni deterdžent.	Koristite samo deterdžente proizvedene za automatske mašine za pranje veša.
Nezadovoljavajući rezultati pranja.	Vše pranje je previše prlavo z izabrani program.	Koristite tabele programa za izbor najadekvatnijeg programa.
	Koristi se nedovoljna količina deterdženta.	Koristite količinu deterdženta kao što je navedeno u uputstvu na pakovanju.
	Ima previše veša u mašini.	Proverite da maksimalni kapacitet za izabrani program nije prekoračen.

KVAR	MOGUĆI UZROK	REŠAVANJE PROBLEMA
Nezadovoljavajući rezultati pranja.	Tvrda voda.	Povećajte količinu deterdženta prateći uputstva proizvođača.
	Veš je previše zbijeno stavljen u bubanj.	Proverite da veš bude ravnomerno raspoređen.
Čim se mašina napuni vodom, voda se izbacuje.	Kraj creva za odvod vode je postavljen previše nisko za mašinu.	Proverite da crevo za odvod vode bude na odgovarajućoj visini. (**)
Nema vode u bubnju tokom pranja.	Bez kvara. Voda se nalazi u delu bubnja koji ne vidite.	.....
Veš ima na sebi ostatke deterdženta.	Čestice nekih deterdženata koje se ne rastvaraju se mogu zalepiti za veš u vidu belih tačkica.	Obavite dodatno ispiranje, ili očistite veš četkom nakon što se osuši.
Sive tačkice se pojavljuju na vešu.	Ima neobrađenog ulja, kreme ili masti na vašem vešu.	Koristite količinu deterdženta kao što je navedeno u uputstvu na pakovanju za naredno pranje.
Ciklus centrifuge ne počinje ili počinje kasnije od očekivanog.	Bez kvara. Aktiviran je sistem za kontrolu neuravnotežene napunjenosti.	Sistem za kontrolu neuravnotežene napunjenosti će pokušati da jednako rasporedi veš. Centrifuga će početi nakon raspoređivanja veša. Napunite bubanj jednako za naredno pranje.

(\*) Pogledajte poglavlje o održavanju i čišćenju mašine.

(\*\*) Pogledajte poglavlje o instalaciji mašine.

## 10. AUTOMATSKA UPOZORENJA O GREŠCI I ŠTA PREDUZETI

Vaša mašina za pranje veša je opremljena ugrađenim sistemom za otkrivanje grešaka, koji je prikazan kombinacijom treperećih svetala za operacije pranja. Najčešći kodovi grešaka su prikazani niže:

KOD GREŠKE	MOGUĆI KVAR	ŠTA UČINITI
Er 01	Vrata mašine nisu pravilno zatvorena.	Zatvorite pravilno vrata dok ne čujete škljocanje. Ako mašina i dalje prikazuje grešku, isključite je, izvucite iz struje i kontaktirajte najbližeg ovlašćenog servisera.
Er 02	Pritisak vode ili nivo vode u mašini može biti nizak.	Proverite da li je slavina potpuno odvrnuta. Možda je prekinut dovod vode iz vodovoda. Ako se problem nastavi, mašina će se automatski zaustaviti nakon određenog vremena. Izvucite mašinu iz struje, zavrnite slavinu i kontaktirajte najbližeg ovlašćenog servisera.
Er 03	Pumpa je u kvaru ili je filter pumpe zapušen ili je električni priključak pumpe u kvaru.	Očistite filter pumpe. Ako se problem nastavi, kontaktirajte najbližeg ovlašćenog servisera. (*)
Er 04	Mašina ima prekomernu količinu vode.	Mašina će sama izbaciti vodu. Čim se voda izbaci, isključite mašinu i izvadite utikač iz struje. Zavrnite slavinu i kontaktirajte najbližeg ovlašćenog servisera.

(\*) Pogledajte poglavlje o održavanju i čišćenju mašine.

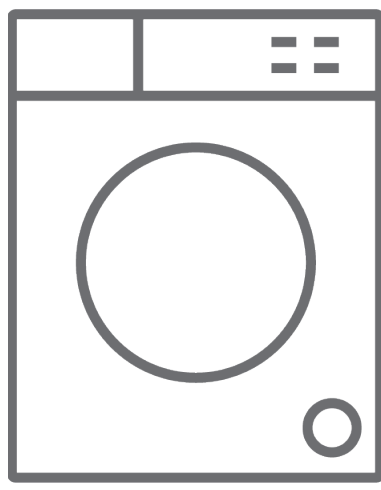


<https://www.voxelectronics.com>  
[callcenter@voxelectronics.com](mailto:callcenter@voxelectronics.com)





**МК** Машина за перење / Прирачник за корисници




**WM1285LT14QD**

## Ви благодариме што го избравте овој производ.

Овој „Прирачник за корисници“ содржи важни безбедносни информации и упатства околу работата и одржувањето на вашиот уред.

Ве молиме одвојте време за да го прочитате прирачникот пред да го користите уредот и чувајте го за идни потреби.

Икона	Тип	Значење
	<b>ПРЕДУПРЕДУВАЊЕ</b>	Ризик од сериозна повреда или смрт
	<b>РИЗИК ОД СТРУЕН УДАР</b>	Ризик од опасен напон
	<b>ПОЖАР</b>	Предупредување; Ризик од пожар / запаливи материјали
	<b>ВНИМАНИЕ</b>	Ризик од повреда или оштета на имот
	<b>ВАЖНО / ЗАБЕЛЕШКА</b>	Правилна работа на системот



# СОДРЖИНА

<b>1. БЕЗБЕДНОСНИ УПАТСТВА</b> .....	<b>1</b>
1.1 Општи безбедносни предупредувања .....	2
1.2 За време на користење .....	7
1.3 Амбалажата и животната средина .....	9
1.4 Информации за заштеда .....	9
<b>2. ТЕХНИЧКИ СПЕЦИФИКАЦИИ</b> .....	<b>11</b>
2.1 Општ изглед .....	11
2.2 Технички спецификации .....	11
<b>3. ПОСТАВУВАЊЕ</b> .....	<b>12</b>
3.1 Отстранување на шрафовите за блокада при транспорт .....	12
3.2 Прилагодување на ногарките / Прилагодување на ногарките со прилагодлива висина .....	12
3.3 Електрично поврзување .....	12
3.4 Поврзување на цревото за довод на вода .....	13
3.5 Поврзување на одводот за вода .....	14
<b>4. ПРЕГЛЕД НА ПАНЕЛ СО КОНТРОЛИ</b> .....	<b>14</b>
4.1 Фиока за детергент .....	15
4.2 Делови .....	15
4.3 Копче за избор на програма .....	16
4.4 Електронски екран .....	16
<b>5. КОРИСТЕЊЕ НА МАШИНАТА ЗА ПЕРЕЊЕ</b> .....	<b>16</b>
5.1 Подготовка на алиштата .....	16
5.2 Ставање на алиштата во машината .....	17
5.3 Ставање детергент во машината .....	18
5.4 Работа со машината .....	18
5.5 Избирање програма .....	18
5.6 Систем за откривање на полупразен барабан .....	18
5.7 Дополнителни функции .....	19
5.8 Блокатор за деца .....	20
5.9 Откажување на програма .....	20
5.10 Крај на програма .....	20
<b>6. ТАБЕЛА СО ПРОГРАМИ</b> .....	<b>21</b>
6.1 Важни информации .....	24
<b>7. ЧИСТЕЊЕ И ОДРЖУВАЊЕ</b> .....	<b>25</b>
7.1 Предупредување .....	25
7.2 Филтри за довод на вода .....	25
7.3 Филтер за пумпа .....	26
7.4 Фиока за детергент .....	26
<b>8. КУКИШТЕ / БАРАБАН</b> .....	<b>27</b>
<b>9. РЕШАВАЊЕ ПРОБЛЕМИ</b> .....	<b>28</b>
<b>10. АВТОМАТСКИ ПРЕДУПРЕДУВАЊА ЗА ДЕФЕКТ И ШТО ДА СЕ НАПРАВИ</b> .....	<b>29</b>

# 1. БЕЗБЕДНОСНИ УПАТСТВА

Работен напон / фреквенција:	(220-240) V~/50Hz
Вкупно струја (A)	10
Притисок на вода (Mpa)	Максимум 1 Mpa / Минимум 0,1 Mpa
Вкупно напојување (W)	2100
Максимален капацитет на перење (сува облека) (kg)	8

- Не поставувајте ја машината на тепих или слични подлоги што ќе ја спречат вентилацијата оддолу.
- Уредот не е наменет да го користат лица (вклучително и деца) чиешто физички, сетилни или ментални способности не се целосно развиени или лица кои немаат доволно искуство или познавања, освен ако се под надзор на друго лице, или ако се обучени како безбедно да го користат производот од лице кое е одговорно за нивната безбедност.
- Не треба да се приближуваат деца помали од 3 години, освен ако се под постојан надзор.
- Повикајте го најблискиот центар за овластен сервис да ги замени оштетените кабли за напојување.
- Кога ја поврзувате машината со довод на вода користете го само новото црево за довод на вода што се доставува со машината. Никогаш не користете стари, употребувани или оштетени црева за довод на водата.

- Децата не треба да си играат со уредот. Децата коишто не се под надзор не треба да ја чистат или да работат на одржување на машината.

**👉 ЗАБЕЛЕШКА:** Ако сакате копија од овој прирачник за корисници, ве молиме контактирајте преку следната адреса: “washingmachine@standardtest.info”. Ве молиме во е-поштата напишете го името на моделот и сервискиот број на уредот (20 цифри), кои можете да ги најдете на вратата од уредот.

**Внимателно прочитајте го прирачникот за корисници.**



**Машината е исклучиво за домашна употреба. Користењето за комерцијални цели ќе доведе до поништување на гаранцијата.**

**Овој прирачник е наменет за повеќе од еден модел, па затоа вашиот уред може да нема некоја од карактеристиките кои се наведени овде. Поради оваа причина, важно е да посветите многу внимание на сликите додека го читате прирачникот за корисници.**


### **1.1 Општи безбедносни предупредувања**

- Околната температура која е неопходна за идеална работа на машината е 15-25 °C.
- Во простории каде што температурата е под 0 °C, цревата може да се раздвојат и електронската картичка може да не работи


правилно.

- Ве молиме погрижете се во облеката која ја ставате во машината за перење да нема надворешни предмети како што се шајки, игли, запалки и монети.
- **Се препорачува на првото вклучување на машината да ја одберете програмата 90° Cotton без да внесете облека и до пола наполнете ја преградата за детергент II од фиоката за детергент.**
- Може да се наталожат детергент и омекнувач кои долго време биле изложени на воздух. Омекнувач или детергент се става во фиоката исклучиво на почетокот на секое перење.
- Ако машината за перење била надвор од употреба долг временски период, тогаш исклучете ја машината од струја и исклучете го доводот на вода. Препорачуваме и да ја оставате вратата отворена за да се спречи наталожување на влажност во внатрешноста на машината.
- Како резултат на проверка на квалитетот за време на обработката, може да остане мала количина на вода во машината. Тоа нема да влијае на работата на машината.
- Амбалажата на машината може да биде опасна за деца. Не дозволувајте деца да си играат со амбалажата или со малите делови од машината за перење.
- Чувајте го материјалот од амбалажата на места надвор од дофат на деца, или фрлете ги на соодветно место.
- Програмите за предперење користете ги само

за многу валкана облека.

 Никогаш не отворајте ја фиоката за детергент додека машината работи.


- Во случај на дефект исклучете ја главната електрична мрежа на машината и исклучете ја водоводната инсталација. Не обидувајте се сами да ја поправите машината. Секогаш контактирајте го најблискиот овластен сервисер.
- Не надминувајте го препорачаниот максимум на облека за програмата за перење која сте ја одбрале.

 Не отворајте ја насила вратата од машината додека машината работи.

- Перењето облека на којашто има брашно може да ја оштети машината.
- Ве молиме следете ги упатствата на производителот што се однесуваат на употребата на омекнувач или слични производи кои имате намера да ги користите во машината за перење.
- Погрижете се вратата од машината за перење да не е ограничена и да може целосно да се отвори.

Поставете ја машината на место каде што ќе биде целосно проветрена и каде што има постојано кружење на воздух.

1.

 **Прочитајте ги предупредувањата. Следете ги советите кои се дадени за ваша лична заштита и за заштита на останатите од ризици**

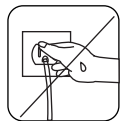
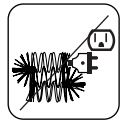
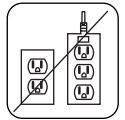
**и опасни повреди.**

## **РИЗИК ОД ИЗГОРЕНИЦИ**

⚠ Не допирајте го цревото за одвод или отпадната вода додека машината сè уште работи. Високите температури носат ризик од изгореници.

## **⚠⚡ РИЗИК ОД СМРТ ПРЕДИЗВИКАНА ОД ЕЛЕКТРИЧНА СТРУЈА**

- Не приклучувајте ја машината на електрично напојување со помош на продолжен кабел.
- Не вметнувајте оштетен приклучник во штекерот.
- Никогаш не вадете го приклучникот од штекерот со влечење на кабелот. Секогаш држете го приклучникот.
- Никогаш не допирајте го кабелот за струја/приклучникот со мокри раце, бидејќи тоа предизвикува краток спој или струен удар.
- Не допирајте ја машината ако рацете или стапалата ви се мокри.
- Оштетен кабел за струја/приклучник, може да предизвика пожар или струен удар. Ако е оштетен, мора да биде заменет исклучиво од квалификуван персонал.



## **⚠ Ризик од поплава**

- Проверете ја брзината на протокот на вода пред да го наместите цревото за одвод во мијалник.

- Преземете ги неопходните мерки за да спречите лизгање на цревото.
- Протокот на водата може да го помести цревото доколку не е соодветно прицврстено. Погрижете се приклучокот во мијалникот да не ја блокира дупката од приклучокот.

### **⚠ Опасност од пожар**

- Не оставајте запаливи течности во близина на машината.
- Сулфурот во отстранувачите за боја може да предизвика корозија. Никогаш не користете материјали за отстранување боја во машината.
- Никогаш не користете производи кои содржат растворувачки материјал во машината.
- Ве молиме погрижете се во облеката која ја ставате во машината за перење да нема надворешни предмети како што се шајки, игли, запалки и монети.

### **Опасност од пожар и експлозија**

#### **⚠ Ризик од паѓање и повреди**

- Не качувајте се на машината.
- Погрижете се цревата и каблите да не предизвикуваат опасност од паѓање.
- Не вртете ја машината наопаку или настрана.
- Не кревајте ја машината за вратата или фиоката за детергент.

**⚠ Машината мора да ја носат најмалку 2 лица.**



## **! Безбедност за деца**

- Не оставајте ги децата блиску до машината без надзор. Децата може несакајќи да се заклучат во барабанот на машината поради што постои ризик од смрт.
- Не дозволувајте децата да ја допираат стаклената вратичка додека машината работи. Површината на стаклото се вжештува премногу и може да предизвика оштетување на кожата.
- Чувајте го материјалот од амбалажата подалеку од дофат на деца.
- Ако несакајќи некој се напие од детергентот или од средствата за чистење, или пак ако тие дојдат во контакт со кожата и очите, може да предизвикаат труење или иритација. Чувајте ги средствата за чистење надвор од дофат на деца.




### **1.2 За време на користење**

- Држете ги домашните миленичиња подалеку од машината.
- Проверете го пакувањето на машината пред монтажа, како и нејзината надворешна површина по отстранување на амбалажата. Не користете ја машината ако се чини оштетена или ако амбалажата е веќе отворено.
- Машината мора да ја монтира исклучиво овластено лице. Секоја монтажа направена од неовластено лице може да доведе до поништување на гаранцијата.
- Оваа машина можат да ја користат деца над 8-годишна возраст и лица чиишто физички,



сетилни или ментални способности не се целосно развиени или лица кои немаат доволно искуство и познавање, исклучиво ако се под надзор на друго лице, или ако се обучени како безбедно да го користат производот и ги разбираат ризиците од опасност. Децата не треба да си играат со машината. Децата коишто не се под надзор не треба да ја чистат или да работат на одржување на машината.

- Користете ја машината исклучиво за перење облека која производителот одредил дека може да се пере во машина.
- **Пред да работите со машината за перење, извадете ги 4-те шрафови за блокади при транспорт и гумените разделници одзади на машината. Доколку шрафовите не се отстранат, може да предизвикаат силни вибрации, бучава и дефект на машината и тоа може да доведе до поништување на гаранцијата.**
- Гаранцијата не покрива оштета предизвикана од надворешни фактори како што се пожар, поплава и други извори на оштета.
- Не фрлајте го овој прирачник за корисникот; чувајте го за идни потреби и проследете го на следниот сопственик.

 **ЗАБЕЛЕШКА:** Машинските спецификации може да се разликуваат во зависност од

купениот производ.

### **1.3 Амбалажата и животната средина**

#### **Отстранување на материјалите од амбалажата**

Материјалите од амбалажата ја штитат машината од штетата што може да се појави при транспорт. Материјалите од амбалажата не се штетни за животната средина, бидејќи се рециклирачки. Употребата на рециклирани материјали ја намалува потрошувачката на суровини и го намалува количеството на отпад.

### **1.4 Информации за заштеда**

Неколку важни информации за машината да биде поефикасна:

- Не надминувајте го препорачаниот максимум на облека за програмата за перење која сте ја одбрале. Ова ќе овозможи машината да работи на режим за зачувување енергија.
- Не користете ја опцијата за предперење за облека која не е многу извалкана. Ова ќе ви овозможи да заштедите на потрошувачка на количество на електрична енергија и вода.

## СЕ изјава за сообразност

Изјавуваме дека нашите производи се согласно важечките директиви, одлуки и регулативи на Европската унија, како и барањата наложени со наведените стандарди.

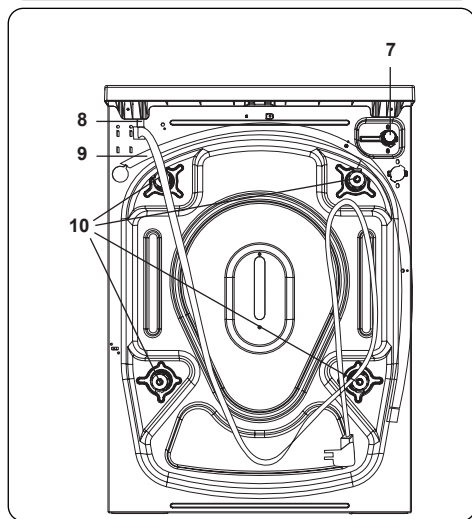
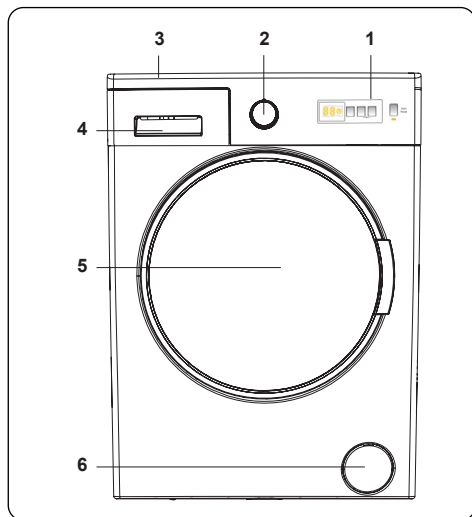
### Фрлање на старата машина



Симболот на производот или на неговата амбалажа означува дека тој не може да се смета за отпад од домаќинство. Наместо тоа, треба да се предаде на пункт за соодветно собирање на електрична и електронска опрема за рециклирање. Со тоа што правилно ќе го отстраните производот, ќе помогнете да се спречат потенцијалните негативни последици за животната средина и човековото здравје, што инаку може да се предизвикаат со несоодветно справување

со отпадот од овој производ. За подетални информации за рециклирање на производот, контактирајте со локалната градска канцеларија, сервисот за отстранување отпад од домаќинства или продавницата каде што сте го купиле производот.

## 2. ТЕХНИЧКИ СПЕЦИФИКАЦИИ



### 2.1 Општ изглед

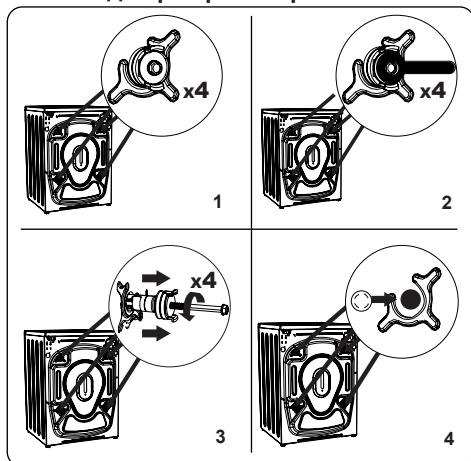
1. Електронски екран
2. Бирање програма
3. Горна плоча
4. Фиока за детергент
5. Барабан
6. Капак на филтерот за пумпата
7. Вентил за довод на вода
8. Мрежен кабел
9. Црево за исфрлање вода
10. Шрафови за блокада при транспорт

## 2.2 Технички спецификации

Работен напон / фреквенција (V/Hz)	(220-240) V~/50Hz
Вкупно струја (A)	10
Притисок на вода (Mpa)	Максимум: 1 Mpa Минимум: 0,1 Mpa
Вкупно напојување (W)	2100
Максимална количина суви алишта (кг)	8
Број на вртежи (вртеж во минута)	1200
Број на програми	15
Димензии (mm)	
Височина	845
Ширина	597
Длабочина	527

## 3. ПОСТАВУВАЊЕ

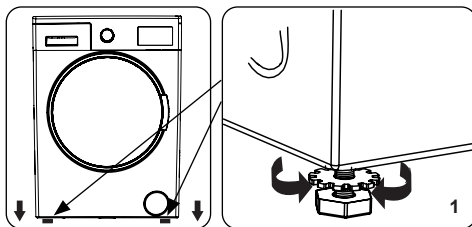
### 3.1 Отстранување на шрафовите за блокада при транспорт



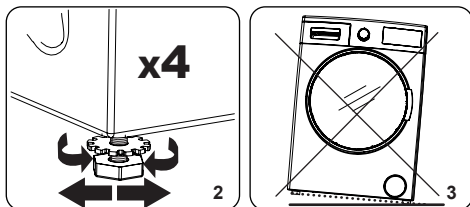
1. Пред да работите со машината за перење, извадете ги 4-те шрафови за блокада при транспорт и гумените разделници кои се наоѓаат одзади на машината. Доколку шрафовите не се отстранат, може да предизвикаат силни вибрации, бучава и дефект на машината и тоа може да доведе до поништување на гаранцијата.
2. Разлабавете ги шрафовите за блокада при транспорт со тоа што со соодветен одвртувач ќе ги вртите спротивно од стрелките на часовникот.
3. Со повлекување извадете ги шрафовите за блокада при транспорт.
4. Во отворите преку кои биле шрафовите за блокада при транспорт ставете ги пластичните чепови кои се наоѓаат во ќесата со додатоци. Шрафовите за блокада при транспорт треба да се чуваат за понатамошна употреба.

**ЗАБЕЛЕШКА:** Извадете ги шрафовите за блокада при транспорт пред првото пуштање на машината. Гаранцијата не ги покрива дефектите кои се настанати поради употреба на машината без да се извадат шрафовите за блокада при транспорт.

### 3.2 Прилагодување на ногарките / Прилагодување на ногарките со прилагодлива висина

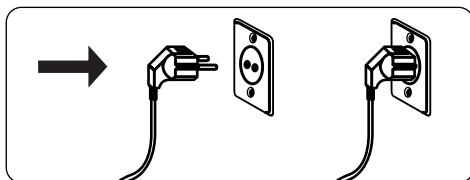


1. Не поставувајте ја машината на површина (како што е тепих) што ја спречува вентилацијата оддолу.
  - За да се погрижите машината да работи тивко и без вибрирање, поставете ја на цврста површина.
  - Нивелирајте ја машината со помош на ногарките со прилагодлива висина.
  - Разлабавете ја пластичната навртка за заклучување.



2. За да ја зголемите висината на машината вртете ги ногарките во насока на стрелките на часовникот. За да ја намалите висината на машината вртете ги ногарките спротивно од насоката на стрелките на часовникот.
  - Откако машината е нивелирана, зацврстете ги навртките за заклучување со тоа што ќе ги вртите во насока на стрелките на часовникот.
3. Никогаш не вметнувајте картон, дрво или други слични материјали под машината за да ја нивелирате.
  - Кога ја чистите површината на која се наоѓа машината, погрижете се да не го поместите нивелирањето на машината.

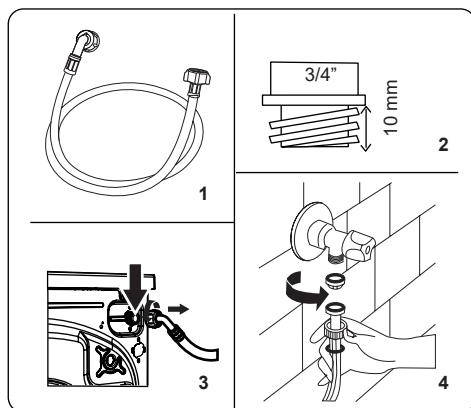
### 3.3 Електрично поврзување



- Машината има потреба од 220-240V, 50 електрично напојување.
- Кабелот за електрична енергија од машината е опремен со приклучок со заземјување. Приклучокот секогаш треба да се вметне во штекер со заземјување од 10 ампери.
- Доколку немате соодветен штекер и осигурач, ве молиме погрижете се работата да ја изврши квалификуван електричар.
- Не преземаме одговорност за оштета која е настаната поради употреба на незаземјена опрема.

**ЗАБЕЛЕШКА:** Ако машината работи под низок напон, нејзиниот животен век ќе се намали, а нејзината работа ќе се ограничи.

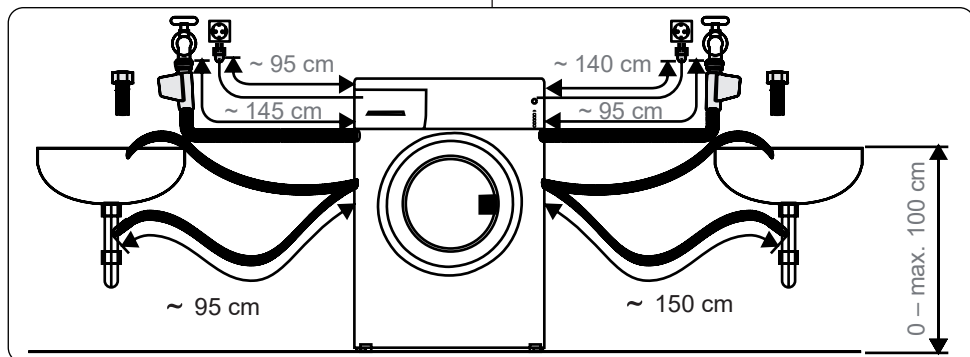
### 3.4 Поврзување на цревето за довод на вода



1. Машината може да има едно поврзување за црево за довод на (ладна) вода или две поврзувања за

црево за довод на (топла и ладна) вода, зависно од спецификациите на машината. Цревето со бела крилеста навртка треба да е поврзано со доводот за ладна вода, а цревето со црвена крилеста навртка треба да е поврзано со доводот за топла вода (доколку има).

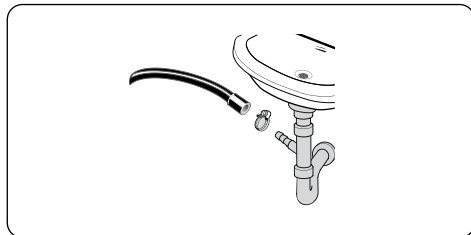
2. Поврзете го новото црево за довод на вода со  $\frac{3}{4}$  " адаптер од тип на навртување.
  - Поврзете го крајот на цревето со бела крилеста навртка со белата клапа за довод на вода која се наоѓа на задниот дел на машината, а цревето со црвена крилеста навртка поврзете го со црвената клапа за довод на вода (доколку има).
  - Рачно зацврстете ги поврзувањата. Ако се сомневате, консултирајте се со квалификуван водоинсталатер.
  - Водотек со притисок од 0. 1-1 Мра ќе овозможи машината да работи поефикасно (притисок од 0. 1 Мра значи дека над 8 литри вода ќе течат во минута кога славината ќе биде целосно отворена).
3. Откако ќе поврзете сè, внимателно пуштете ја водоводната инсталација и проверете дали има протекувања.
4. Погрижете се новите црева за довод да не се фатени во клопка, извиткани превиткани или згмечени.



- Ако машината е поврзана со довод на топла вода, тогаш температурата на доводот на топлата вода не треба да биде над 70°C.

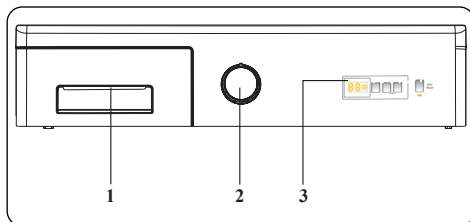
**ЗАБЕЛЕШКА:** Машината мора да е поврзана со водоводната инсталација исклучиво преку новото црево кое е обезбедено во пакувањето. Старите црева не смеат повторно да се употребуваат.

### 3.5 Поврзување на одводот за вода.



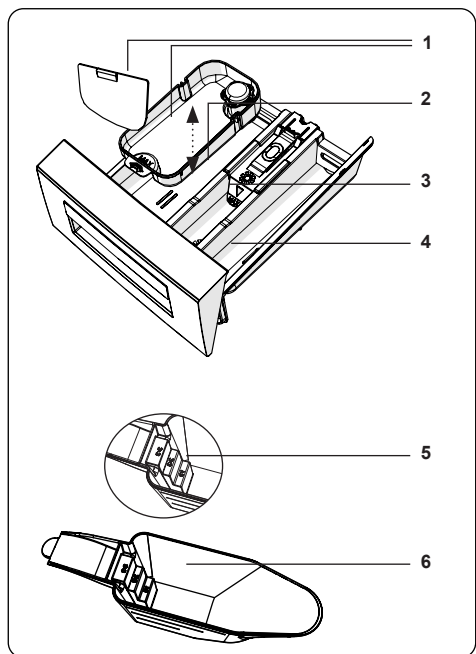
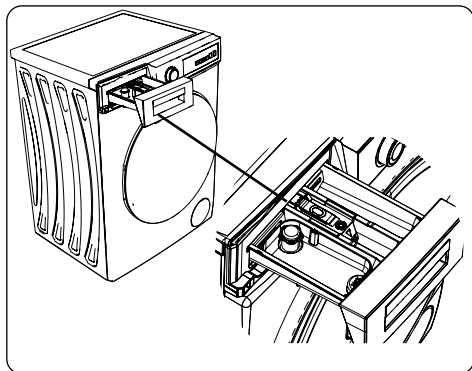
- Поврзете го цреводот за одвод со цевката или со лачната поддршка на лабавото, користејќи дополнителна опрема.
- Никогаш не обидувајте се да го продолжите цреводот за испуштање вода.
- Не ставајте го цреводот за испуштање вода од машината во сад, кофа или када.
- Погрижете се цреводот за испуштање вода да не е превиткано, искривено, згмечено или продолжено.
- Цреводот за испуштање вода мора да се постави на максимална висина од 100cm од подот.

## 4. ПРЕГЛЕД НА ПАНЕЛ СО КОНТРОЛИ



1. Фиока за детергент
2. Бирање програма
3. Електронски екран

## 4.1 Фиока за детергент

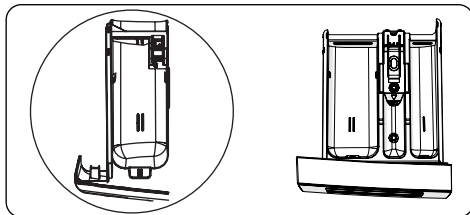


1. Додатоци за течен детергент
2. Оддел за детергент за главно перење
3. Оддел за омекнувач
4. Оддел за детергент за претперење
5. Нивоа на прашок за перење
6. Црпалка за прашок за перење (\*)

(\*) Спецификациите може да се разликуваат во зависност од купениот производ.

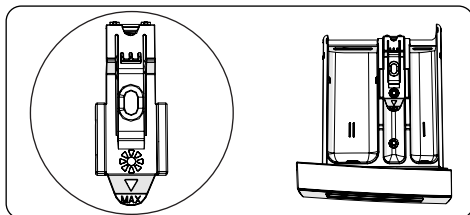
## 4.2 Делови

### Оддел за детергент за главно перење:



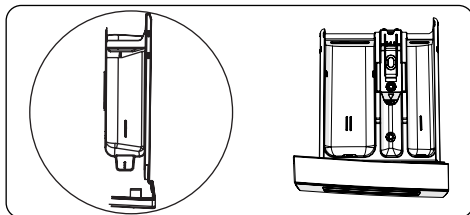
Овој оддел е наменет за детергенти во течна форма или во вид на прашок или за отстранувач на бигор. Плочката за нивото на течен детергент е вметната во машината. (\*)

### Оддел за омекнувач, штирак, детергент:



Овој оддел е за омекнувачи или штирак. Следете ги упатствата на амбалажата. Ако омекнувачите оставаат остатоци по употребата, обидете се да ги растворите со вода или користете течен омекнувач.

### Оддел за детергент за предперење:

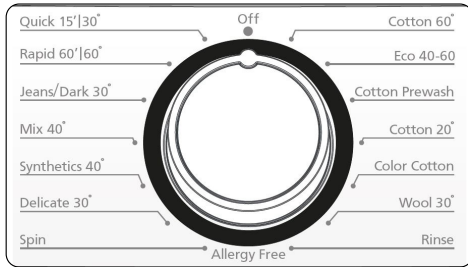


Овој оддел треба да се користи исклучиво само кога е избрана опцијата за предперење. Препорачуваме опцијата за предперење да се користи само за перење на многу нечисти алишта.

(\*) Спецификациите може да се разликуваат во зависност од купениот производ.

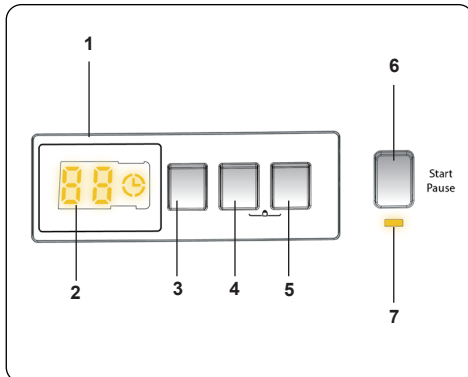


### 4.3 Копче за избор на програма



- За да ја изберете посакуваната програма, вртете го копчето за избор на програма на лево или на десно сè додека обележувачот на копчето не покажува кон посакуваната програма.
- Погрижете се копчето за програма да е поставено точно на саканата програма.

### 4.4 Електронски екран



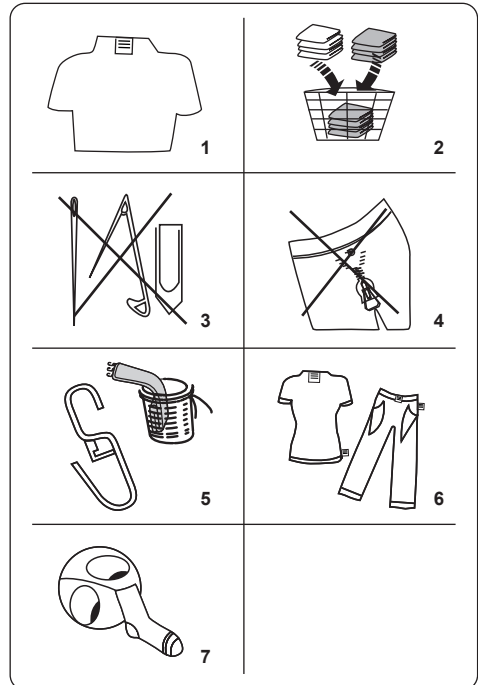
1. Електронски екран
2. Дигитален екран
3. Копче за прилагодување на температурата на водата
4. Копче за прилагодување на брзината на вртежите во минута
5. Дополнителна функција за одложено вклучување
6. Копче Start/Pause (старт/пауза)
7. Светилка на копче Start/Pause (старт/пауза)

Панелот со екранот го прикажува бројачот за одложено перење (доколку е поставен), изборот на температура, брзината на вртежи. Панелот со екранот

прикажува "--" кога избраната програма е завршена. Панелот со екранот исто така известува ако се појави дефект при работење на машината.

## 5. КОРИСТЕЊЕ НА МАШИНАТА ЗА ПЕРЕЊЕ

### 5.1 Подготовка на алиштата



1. Следете ги упатствата дадени на етикетите за неа на алиштата.
  - Поделете ги алиштата според видот (памук, синтетика, деликатни алишта, волнени итн.), температурата на перење (со ладна вода, 30°, 40°, 60°, 90°) и според степенот на нечистотија (малку извалкани, извалкани, многу извалкани).
2. Не перете ги шарените и белите парчиња заедно.
  - Темните материјали може да содржат вишок боја и треба да се перат посебно повеќепати.
3. Погрижете се да нема метални предмети на алиштата или во

цеговите; доколку има, отстранете ги.

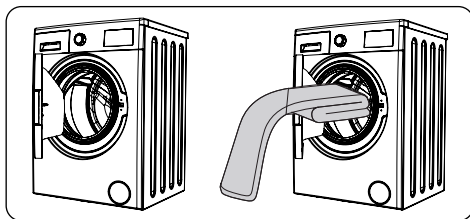


**ВНИМАНИЕ:** Сите дефекти што се јавуваат поради вакви предмети што ја оштетуваат машината не се опфатени со гаранцијата.

4. Затворете ги патентите и закопчајте ги закачките и окцата.
5. Отстранете ги металните или пластичните куки од завесите или ставајте ги во мрежа или торба за перење.
6. Вртете ги парчињата како панталони, плетена облека, маици и тренерки наопаку.
7. Перете ги чорапите, шамичињата и малите парчиња облека во мрежа за перење.

 Може да се избелува	 Не избелувај	 Нормално перење
 Максимална температура на пеглање 150 °C	 Максимална температура на пеглање 200 °C	 Не се пегла
 Може да се чисти на хемиско чистење	 Не е за хемиско чистење	 Сушење без растегнување
 Сушење без гужвање	 Се суши на жица	 Не се суши
 Дозволено е суво чистење во масло, чист алкохол и R113	 Perchloroethylene R11, R13, Petroleum	 Perchlorinetyhlene R11, R113, Gas oil

## 5.2 Ставање на алиштата во машината



- Отворете ја вратата од машината.
- Распоредете ги рамномерно алиштата во машината.

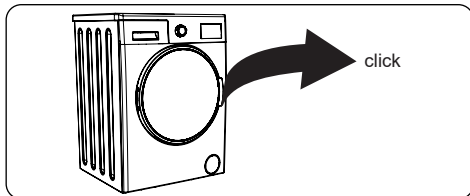
### ЗАБЕЛЕШКА:

Внимавајте да не го надминете максималното полнење на барабанот, бидејќи тоа доведува до лоши резултати од перењето и предизвикува туткање. За повеќе информации околу капацитетот на полнење погледнете ги табелите за програми за перење.

Следната табела ги прикажува приближните тежини на вообичаените парчиња алишта:

ТИП НА ОБЛЕКА	ТЕЖИНА (gr)
Пешкир	200
Платно	500
Бањарка	1200
Прекривка	700
Навлака за перница	200
Долна облека	100
Чаршав за маса	250

- Ставете го секое парче одделно во машината.
- Проверете да нема заглавени парчиња помеѓу гумениот обрач и вратичката.
- Нежно притиснете ја вратичката додека не "кликне" дека е затворена.



- Погрижете се вратичката да е целосно затворена, во спротивно програмата нема да започне.

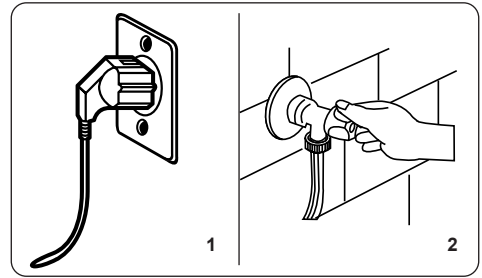
### 5.3 Ставање детергент во машината

Количината на детергент што ја ставате во машината зависи од следниве критериуми:

- Доколку алиштата не се многу извалкани, не ја користете опцијата за предперење. Ставете мала количина детергент (како што е наведено од производителот) во одделот II од фиоката за детергент.
- Доколку алиштата се премногу извалкани, изберете ја опцијата за предперење и во одделот I од фиоката за детергент ставете  $\frac{1}{4}$  од детергентот кој ќе го користите, а останатата количина ставете ја во одделот II.
- Користете детергенти кои се произведени за автоматски машини за перење. Следете ги упатствата од производителот за тоа колкава количина на детергент треба да употребите.
- Во области со тврда вода, потребно е да се стави повеќе детергент.
- Количината на потребен детергент се зголемува со зголемување на количината на алиштата.
- Ставете омекнувач во средниот оддел од фиоката за детергент. Не надминувајте го нивото MAX (МАКС.).
- Густите омекнувачи може да предизвикаат затнување на фиоката и треба да се растворат.
- Може да користите течни детергенти во сите програми без да ја користите опцијата за предперење. За да го направите ова, лизгајте ја плочката за ниво на течен детергент (\*) во жлебовите во одделот II од фиоката за детергент. Користете ги линиите на плочката како водач за да ја наполните фиоката до потребното ниво.

(\*) Спецификациите може да се разликуваат во зависност од купениот производ.

### 5.4 Работа со машината



1. Приклучете ја машината на електрично напојување.
2. Вклучете ја водоводната инсталација.
  - Отворете ја вратата од машината.
  - Распоредете ги рамномерно алиштата во машината.
  - Нежно притиснете ја вратичката додека не “кликне” дека е затворена.

### 5.5 Избирање програма

Користете ги таблиците за програми за да ја изберете најсоодветната програма за вашите алишта.

### 5.6 Систем за откривање на полупразен барабан

Вашата машина има систем за откривање на полупразен барабан.

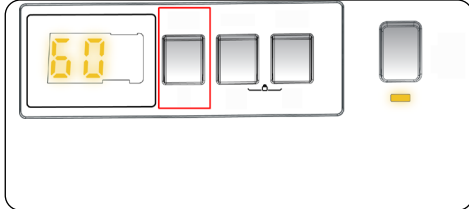
Доколку во машината ставите половина од максималната количина алишта, таа автоматски се поставува на функцијата за полупразен барабан, независно од тоа која програма сте ја избрале. Ова значи дека избраната програма ќе заврши за пократко време и ќе искористи помалку вода и електрична енергија.

(\*) Во зависност од моделот

## 5.7 Дополнителни функции

### 1. Избор на температура

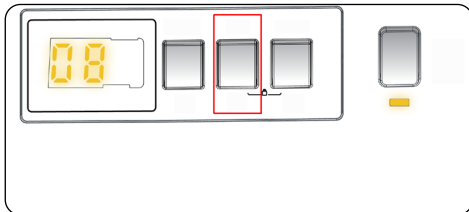
Користете го копчето за подесување на температура при перењето за да ја приспособите автоматски програмираната температура на перење.



Откако ќе одберете програма, автоматски се прилагодува максималната температура за таа програма. За да ја прилагодите температурата, притискајте го копчето за прилагодување на температура сè додека на дигиталниот екран не се појави посакуваната температура.

Можете постепено да ја намалувате температурата на водата за перење од максималната температура до перење со студена вода (- - C) притискајќи го копчето за прилагодување на температура на водата за перење.

### 2. Избор на брзина на центрифуга



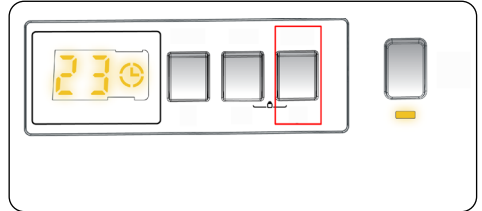
Откако ќе одберете програма, автоматски се прилагодува максималната температура за таа програма.

За да ја прилагодите брзината на центрифугата помеѓу максималната брзина и опцијата без центрифуга (- -), притискајте го копчето за брзина на центрифуга сè додека на екранот не се прикаже посакуваната брзина.

Ако сте ја одминале брзината која сакате да ја изберете, тогаш продолжете да го притискате копчето за брзина на центрифуга сè додека на екранот

повторно не се прикаже посакуваната брзина.

### 3. Тајмер за одложување



Можете да ја користите оваа додатна функција за да го одложите времето на стартување на машината од 1 до 23 часа.

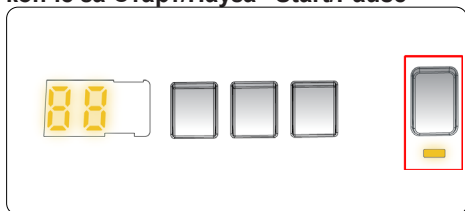
За да ја користите функцијата за одложување:

- Еднаш притиснете го копчето “delay” за одложување
- “01” ќе се прикаже. ☉ ќе засвети на електронскиот екран.
- Притискајте го копчето за одложување сè додека не стигнете до времето за коешто сакате машината да започне со перење.
- Ако сте го одминале времето за одложување кое сакате да го изберете, тогаш продолжете да го притискате копчето за одложување сè додека повторно не стигнете до посакуваното време.
- За да ја користите функцијата за одложување, притиснете го копчето Start/Pause (Старт/Пауза) за машината да почне да работи.
- Ако сакате да го откажете одложувањето:
  - Ако сте го притиснале копчето Start/Pause (Старт/Пауза) за машината да почне да работи, тогаш само треба еднаш да го притиснете копчето за одложување. ☉ ќе се појави на електронскиот екран.
  - Ако не сте го притиснале копчето Start/Pause (Старт/Пауза), тогаш повеќепати притискајте го копчето за одложување сè додека ☉ не се

појави на електронскиот екран.  
☉ ќе се појави на електронскиот екран.

**ЗАБЕЛЕШКА:** Во случај да сакате да изберете опција за додатна функција, ако LED сијаличката на таа функција не свети, тоа значи дека функцијата не е применлива во програмата која сте ја избрале.

#### копче за Старт/Пауза “Start/Pause“

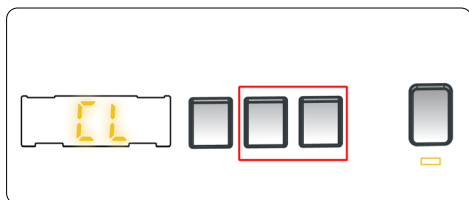


Со притискање на копчето за вклучување/паузирање може да ја вклучите избраната програма или да запрете програма во тек. Ако ја префрлите машината во режим на мирување, лед-индикаторот за старт/пауза ќе трепка на електронскиот екран.

#### 5.8 Блокатор за деца

Функцијата Блокатор за деца овозможува да ги заклучите копчињата за да не може несакајќи да се промени циклусот на перење.

За да го активирате блокаторот за деца, истовремено притиснете и држете ги најмалку 3 секунди копчињата 2 и 3. “CL” ќе се појави на електронскиот екран 2 секунди кога ќе се активира блокаторот за деца.



Ако е притиснато некое копче или е променета избраната програма додека е активиран блокаторот за деца, тогаш симболот “CL” ќе се појави на електронскиот екран 2 секунди.

Ако е активна функцијата блокатор за деца и работи некоја програма,

копчето за програми се префрла во позиција CANCEL (откажи) и се избира друга програма. Претходно избраната програма ќе продолжи од каде што застанала.

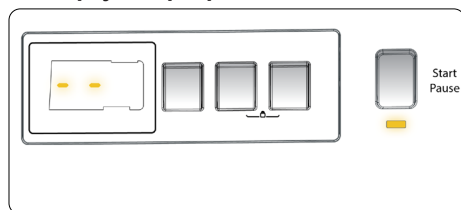
За да го активирате блокаторот за деца, истовремено притиснете и држете ги најмалку 3 секунди копчињата 2 и 3. “CL” ќе се појави на електронскиот екран 2 секунди кога ќе се активира блокаторот за деца.

#### 5.9 Откажување на програма

**За да откажете програма во кое било време:**

1. Свртете го копчето за програми во позиција „STOP“.
2. Машината ќе запре со перењето и програмата ќе биде откажана.
3. Завртете го копчето за програми на некоја друга програма за да ја исцедите водата од машината.
4. Водата ќе се испушти од машината, а програмата ќе се откаже
5. Сега може да изберете и пуштите нова програма.

#### 5.10 Крај на програма



Машината сама ќе запре откако ќе заврши програмата што сте ја избрале.

- “--” ќе светне на електронскиот екран.
- Може да ја отворите вратата од машината и да ја извадите облеката.
- Оставете ја вратата од машината отворена за да се исуши внатрешниот дел од машината откако ќе ја извадите облеката.
- Свртете го копчето за програми во позиција „STOP“.
- Исклучете ја машината од струја.
- Затворете ја славината за вода.

## 6. ТАБЕЛА СО ПРОГРАМИ

Програма	Температура на перење (°C)	Максимална количина суви алишта (кг)	Оддел за детергент	Времетраење на програмата (мин)	Вид на облека / опис
ПАМУК 60°	*60-90-80-70-40	8,0	2	235	Многу валкана облека од памук и лен. (Долна облека, платно, чаршави за маса, крпи (максимум 4,0 kg), постелнина и сл.)
ЕКО 40-60	*40 - 60	8,0	2	218	Валкана облека од памук и лен. (Долна облека, платно, чаршави за маса, крпи (максимум 4,0 kg), постелнина и сл.)
ПРЕДПЕРЕЊЕ ПАМУК	*60 - 50 - 40 - 30 - " - -C"	8,0	1&2	164	Валкана облека од памук и лен. (Долна облека, платно, чаршави за маса, крпи (максимум 4,0 kg), постелнина и сл.)
ПАМУК 20°	*20- " - -C"	4,0	2	96	Малку извалкана облека од памук и лен. (Долна облека, постелнина, чаршави, крпи (макс. 2,0 kg) прекривки и сл.)
БОЈА ПАМУК	*40 - 30 - " - -C"	8,0	2	230	Малку извалкана облека од памук и лен. (Долна облека, постелнина, чаршави, крпи (макс. 4.0 kg) прекривки и сл.)
ВОЛНА 30°	*30 - " - -C"	2,5	2	43	Волнена облека со етика за машинско перење.
ПЛАКНЕЊЕ	*" - -C"	8,0	-	30	Овозможува дополнително плакнење после циклусот на перење на каков било вид алишта.
БЕЗ АЛЕРГИИ	*60 - 50 - 40 - 30 - " - -C"	4,0	2	197	Бебешка облека
ЦЕНТРИФУГА	*" - -C"	8,0	-	17	Оваа програма може да ја користите за каков било вид алишта, доколку сакате дополнително центрифуга после циклусот на перење.
НЕЖЕН 30°	*30 - " - -C"	2,5	2	90	Алишта за коишто се препорачува перење на рака или осетливи алишта.
СИНТЕТИКА 40°	*40 - 30 - " - -C"	3,5	2	110	Многу валкани алишта или синтетички алишта. (најлонски чорапи, кошули, блузи, панталони што содржат синтетика и сл.)
МЕШАНИ 40°	*40 - 30 - " - -C"	3,5	2	105	Валканите алишта од памук, синтетика, алиштата во боја и од лен може да се перат заедно.
ФАРМЕРКИ/ТЕМНИ 30°	*30 - " - -C"	3,5	2	96	Црни и темни памучни работи, мешани ткаенини или цинс. Да се перат од опаку., Цинсот често содржи дополнителна боја и е да фарба првите неколку перења. Перете ги светлите и обоните работи одделно.
БРЖЕ 60'160°	*60 - 50 - 40 - 30 - " - -C"	4,0	2	60	Валканите, памучните, обоените и ленените ткаенини да се перат на 60 °C на 60 минути.
(**) БРЗО 15'130°	*30 - " - -C"	2,0	2	15	Можете да перете малку извалкана, памучна, обоена и платнена ткаенина кратко, за 15 минути.



**ЗАБЕЛЕШКА: ВРЕМЕТРАЕЊЕТО НА ПРОГРАМАТА МОЖЕ ДА СЕ МЕНУВА ВО ЗАВИСНОСТ ОД КОЛИЧЕСТВОТО НА ОБЛЕКА, ВОДАТА ОД СЛАВИНАТА, ТЕМПЕРАТУРАТА ВО СРЕДИНАТА И ОД ИЗБОРОТ НА ДОПОЛНИТЕЛНИТЕ ФУНКЦИИ.**

(\*) Температурата на водата за перење на програмата е фабрички стандардна.

(\*\*) Поради краткото време за перење на оваа програма, препорачуваме користење помалку детергент. Програмата може да трае подолго од 15 минути ако машината детектира нееднакво полнење. Може да ја отворите вратата на машината по 2 минути откако ќе заврши перењето. (Периодот од 2 минути не е вклучен во траењето на програмата.)

Според регулативата 1015/2010 и 1061/2010, програмата 1 и програмата 2 се „Стандардна програма за памук 60°C“ и „Стандардна програма за памук 40°C“.

Програмата Еко 40-60 може нормално да чисти извалкани памучни алишта, кои може да се перат на 40°C или 60°C, заедно во истиот циклус и да се исушат на таков начин што ќе може веднаш да се стават во плакар, и оваа програма се користи за проценка на усогласеност со законодавството на ЕУ екодизајн.

- Најефикасни програми во однос на потрошувачката на енергија се генерално оние што работат на пониски температури и подолго времетраење.
- Полнењето на машината за перење до капацитетот назначен од производителот за соодветните програми придонесува кон заштеда на енергија и вода.
- Времетраењето на програмата, потрошувачката на енергија и вредностите на потрошувачката на вода може да се разликуваат во зависност од тежината и видот на полнењето, избраните дополнителни функции, водата од чешма и температурата на околината.
- Се препорачува да се користи течен детергент за програмите за перење на ниска температура. Количината на детергент што треба да се користи може да се разликува во зависност од количината на алишта и нивото на нечистотија на алиштата. Ве молиме следете ги упатствата на производителите на детергенти за количината на детергентот што треба да се користи.
- Бучавата и преостанатата влага се под влијание на брзината на вртење. Колку е поголема брзината на вртење во фазата на центрифугирање, толку е поголема бучавата, а помало е количеството на преостаната влага.
- Можете да пристапите до базата на податоци на производи каде што се зачувани информациите за моделот со читање на QR-кодот на етикетата за енергија.

Име на програма	Измерен капацитет kg	Потрошувачка на енергија (kWh/циклус)			Времетраење на програмата Часови: Минути			Потрошувачка на вода Литри / Циклус			Макс. Температура °C			Преостаната содржина на влага % 1200 Rpm		
		Измерен капацитет	1/2 полнење	1/4 полнење	Измерен капацитет	1/2 полнење	1/4 полнење	Измерен капацитет	1/2 полнење	1/4 полнење	Измерен капацитет	1/2 полнење	1/4 полнење	Измерен капацитет	1/2 полнење	1/4 полнење
Памук 90°	8	2,38			03:07			82			81			53%		
Памук 60°	8	1,1			03:55			52			48			53%		
Еко 40-60	8	1,16	0,61	0,33	03:38	02:48	02:48	54	43	43	49	36	22	53%	53%	53%
Синтетика 40°	3,5	0,56			01:50			50			42			62%		
Брже 60/160°	4	1,02			01:00			34			58			53%		
Памук 20°	4	0,2			01:36			43			20			53%		

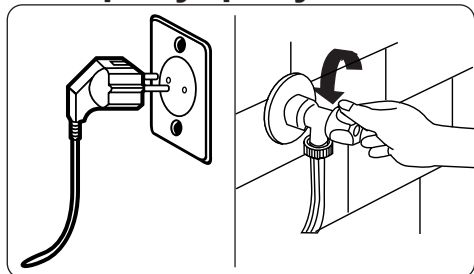


## 6.1 Важни информации

- Користете детергенти, омекнувачи и други производи погодни само за автоматски машини за перење. Има премногу пена и се активира системот за автоматска апсорпција на пена поради употреба на премногу детергент.
  - Препорачуваме периодично да ја чистите машината на секои 2 месеци. За периодичното чистење ве молиме користете ја програмата Чистење на барабанот (Drum Clean). Ако вашата машина нема програма за Чистење на барабанот, користете ја програмата Памук-90 (Cottons-90). Ако е потребно, користете средства за отстранување каменец произведени специјално само за машини за перење.
  - Не отворајте ја насила вратата од машината додека машината работи. Може да ја отворите вратата на машината по 2 минути откако ќе заврши перењето. \*
  - Не отворајте ја насила вратата од машината додека машината работи. Вратата ќе се отвори веднаш по завршувањето на циклусот на перење. \*
  - Постапките за инсталација и поправка секогаш треба да ги спроведува Овластениот сервисер со цел да се избегнат можните ризици. Производителот нема одговорност за штетите што можат да произлезат од постапките спроведени од неовластено лице.
- (\*) Спецификациите може да се разликуваат во зависност од купениот производ.

## 7. ЧИСТЕЊЕ И ОДРЖУВАЊЕ

### 7.1 Предупредување



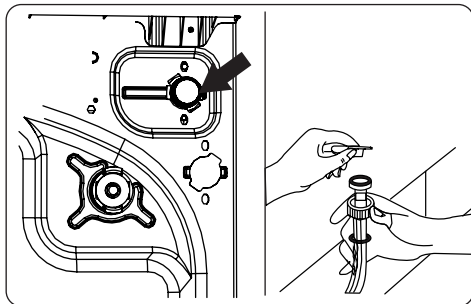
Исклучете ја машината од струја и отстранете го приклучокот од штекер пред да ја одржувате и чистите машината.

Исклучете ја славината за вода пред да започнете со нејзиното одржување и чистење.

**⚠ ВНИМАНИЕ:** Не користете растворувачи, абразивни средства за чистење, средства за чистење стакло или средства за чистење наменети за сите цели за да ја чистите вашата машина за перење. Тие можат да ги оштетат пластичните површини и другите компоненти со хемикалиите што ги содржат.

### 7.2 Филтри за довод на вода

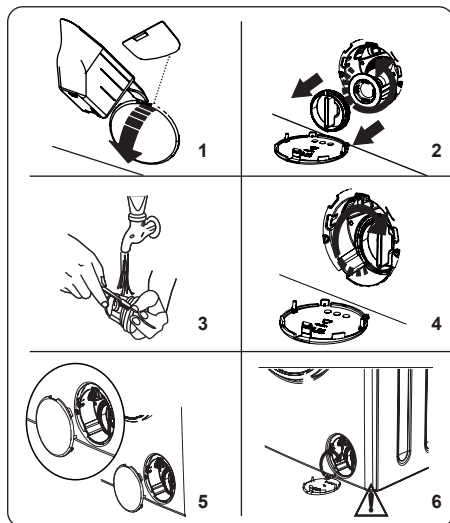
Филтрите за довод на вода спречуваат валкани и надворешни предмети да влезат во машината. Препорачуваме овие филтри да се чистат кога машината не може да прима доволно вода, иако е вклучен доводот и славината е отворена. Се препорачува да ги чистите филтрите за довод на вода чистите еднаш на 2 месеца.



- Одртете го цреводо за довод на вода од машината за перење.
- Отстранете го филтерот за довод на вода од вентилот за довод на вода, користете клешти за да ја повлечете пластичната прачка во филтерот.
- Вториот филтер за довод на вода е сместен на самиот крај на цреводо за довод на вода. Отстранете го вториот филтер за довод на вода од вентилот за довод на вода, користете клешти за да ја повлечете пластичната прачка во филтерот.
- Исчистете го филтерот темелно со мека четка и измијте со насапунета вода и исплакнете добро. Внесете го повторно филтерот со нежно притискање за да го вратите на место.

**⚠ ВНИМАНИЕ:** Филтрите на вентилот за довод на вода можат да се затнат поради квалитетот на водата или недостиг на потребно одржување и можат да откажат. Ова може да предизвика течење на вода. Сите такви откажувања не влегуваат во гаранцијата.

### 7.3 Филтер за пумпа



Системот на филтер за пумпа во вашата машина за перење го продолжува векот на пумпата спречувајќи да влегуваат влакненца во машината.

Препорачуваме да го чистите филтерот за пумпата секои 2 месец.

Филтерот за пумпата е лоциран под капакот во нискиот долен десен агол.

За да го исчистите филтерот на пумпата:

1. Може ја користите лопатката за детергент во прашок (\*) набавена со машината или мерилката за нивото на течниот детергент за да го отворите капакот на пумпата.
  2. Наместете го крајот на лопатката за прашок или мерилката за ниво на течен детергент во отворот на капакот и нежно притиснете наназад. Капакот ќе се отвори.
- Пред отворање на капакот на филтерот, наместете сад под капакот на филтерот за да ја собере сета останата вода во машината.
  - Олабавете го филтерот со вртење спротивно од стрелките на часовникот и отстранете го со влечење. Почекајте да се исцеди водата.

**ОЗАБЕЛЕШКА:** Можеби ќе треба неколкупати да го испразните садот за вода, во зависност од

количеството на вода во машината.

3. Извадете ги сите надворешни предмети од филтерот со мека четка.
4. По чистењето, вратете го филтерот со вметнување и завртување во насока на стрелките на часовникот.
5. Додека го затворате капакот од пумпата, погрижете се деловите од неговата внатрешна страна да се совпаднаат со отворите на плочата од предната страна.
6. Затворете го капакот на филтерот.

### **⚠ Предупредување**

Водата во пумпата може да биде жешка, почекајте да се олади пред да чистите или одржувате.

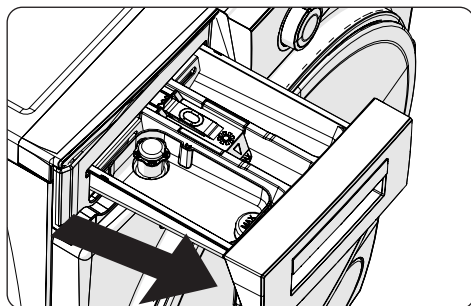
(\*) Спецификациите може да се разликуваат во зависност од купениот производ.

### 7.4 Фиока за детергент

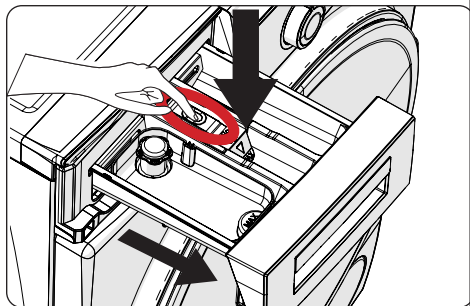
Користењето детергент може да предизвика остаток насобран во фиоката за детергент. Препорачуваме да ја отстраните фиоката секои 2 месеци за да го исчистите собраниот остаток.

За да ја извадите фиоката за детергент:

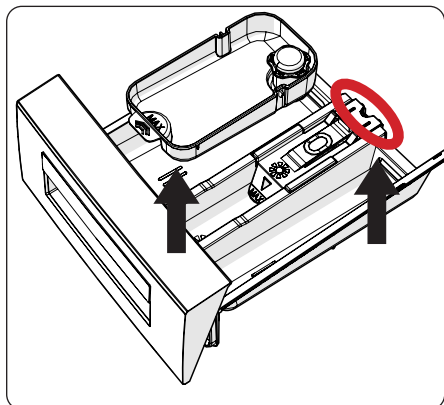
- Повлечете ја фиоката додека целосно не се извлече.



- Притиснете го пределот прикажан долу во фиоката за детергент што ја притискавте назад, и продолжете со влечење и извадете ја фиоката за детергент од нејзиното лежиште.



- Отстранете ја фиоката за детергент и размонтирајте го блокаторот на одмивање. Измијте добро за целосно да го отстраните секој остаток од омекнувачот. Склопете го блокаторот за одмивање по чистењето и проверете дали е правилно наместен.



- Исплакнете со четка и многу вода.
- Соберете ги остатоците во фиоката за детергент така што нема да ги фрлите во машината.
- Исушете ја фиоката за детергент со пешкир или друга крпа и вратете ја назад.

**! Не мијте ја фиоката за детергент во машина за садови.**

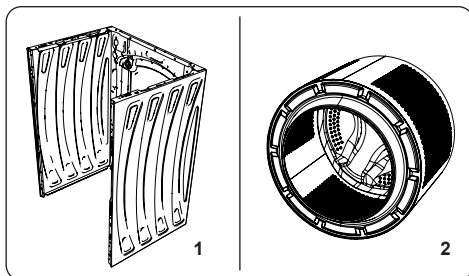
#### Додатокот за течен детергент (\*)

За чистење и одржување на додатокот за течен детергент, отстранете го додатокот од неговото место како то е прикажано на сликата долу и темелно измијте ги останатите остатоци од детергент. Заменете го додатокот. Бидете сигурни дека нема остатоци од материјали внатре во сифонот.

(\*) Спецификациите може да се

разликуваат во зависност од купениот производ.

## 8. Кукиште / Барабан



### 1. Кукиште

Користете благо, неабразивно средство за чистење, или сапун и вода, за да ја исчистите надворешната кутија. Избришете со сува мека крпа.

### 2. Барабан

Не оставајте метални предмети како игли, спојници, монети итн. во машината. Овие предмети може да предизвикаат 'рѓа во барабанот. За да ги исчистите дамките од 'рѓа, ставете средство за чистење без хлор и следете ги упатствата од производителот на средството за чистење. Никогаш не користете жица за садови или слични тврди предмети за чистење на дамките од 'рѓа.

## 9. РЕШАВАЊЕ ПРОБЛЕМИ

Сите поправки што се потребни на машината треба да ги врши компанија за овластен сервис. Ако на машината и'е потребна поправка или не можете да го решите проблемот со информациите коишто се дадени подолу, би требало да:

- Исклучете ја машината од напојување.
- Затворете го доводот на вода.

ДЕФЕКТ	МОЖНА ПРИЧИНА	РЕШАВАЊЕ ПРОБЛЕМИ
Машината не почнува да работи.	Не е вклучена.	Вклучете ја машината.
	Осигурачите се прегорени.	Заменете ги осигурачите.
	Нема струја.	Проверете го напојувањето.
	Не е притиснато копчето Start/Pause (старт/пауза).	Притиснете го копчето за старт/пауза.
	Позиција „стоп“ на бирањето на програма.	Свртете го копчето за програми на посакуваната позиција.
Машината не прима вода	Вратата од машината не е целосно затворена.	Затворете ја вратата од машината.
	Славината е затворена.	Пуштете ја славината.
	Можно е цревето за довод да се превиткало.	Проверете го доводот на вода и одвртете.
	Цревето за довод е затнато.	Исчистете ги филтрите на цревето за довод на вода. (*)
	Затнат филтер за довод.	Исчистете ги филтрите за довод. (*)
Машината не исфрла вода.	Вратата од машината не е целосно затворена.	Затворете ја вратата од машината.
	Цревето за испуштање на водата е затнато или превиткано.	Проверете го цревето за одвод, потоа исчистете го или одвиткајте.
	Затнат филтер за пумпа.	Исчистете го филтерот за пумпата. (*)
Машината вибрира.	Премногу облека има во барабанот.	Распоредете ги рамномерно алиштата во машината.
	Ногарките не се подесени.	Подесете ги ногарките. (**)
	Не се отстранети шрафовите за блокада при транспорт.	Извадете ги шрафовите за блокада при транспорт. (**)
	Барабанот има малку облека.	Тоа нема да ја спречи работата на машината.
	Машината е преполнета со облека или облеката не е распоредена подеднакво.	Не преполнувајте го барабанот. Распоредете ги рамномерно алиштата во барабанот.
Во фиоката за детергент се создава премногу пена.	Машината е поставена на тврда површина.	Не ја поставувајте машината за перење на цврста основа.
	Се користи преголемо количество детергент.	Притиснете го копчето за старт/пауза. За да ја запрете пената, растворете една лажица омекнувач во 1/2 литри вода и истурете во фиоката за детергент. Притиснете го копчето за старт/пауза по 5-10 минути.
Незадоволувачки резултат од перењето.	Се користи погрешен детергент.	Користете само детергенти кои се произведени за автоматски машини за перење.
	Облеката е многу валкана за избраната програма.	Користете ги информациите на таблите за програми за да ја изберете најсоодветната програма.
	Недоволно количество на детергент.	Користете количество детергент како што е посочено на пакувањето.
	Има премногу облека во вашата машина.	Проверете дали е надминат максималниот капацитет за избраната програма.

ДЕФЕКТ	МОЖНА ПРИЧИНА	РЕШАВАЊЕ ПРОБЛЕМИ
Незадоволувачки резултат од перењето.	Тврда вода	Зголемете ја количината на детергент според упатствата од производителот.
	Премногу облека има во барабанот.	Проверете дали облеката е распоредена.
Штом ќе се наполни машината со вода, водата се исфрла.	Крајот од цревето за исфрлање вода е прениско за машината.	Проверете дали цревето за исфрлање е на соодветна висина. (**)
Не се појавува вода во барабанот при перењето.	Нема дефект. Водата е во деп од барабанот што не се гледа.	.....
Облеката има остатоци од детергент.	Нерастворливите честици на некои детергенти може да се појават на облеката како бели дамки.	Направете дополнително плакнење или исчистете ја облеката со четка откако ќе се испуши.
Сиви дамки можат да се појават на облеката.	Има нетретирано масло, крема или маст на облеката.	Користете количество детергент како што е посочено на пакувањето.
Вртењето не функционира или се јавува подоцна од очекуваното.	Нема дефект. Се активирал системот за контрола на неврамнотежено наполнет барабан.	Системот за контрола на неврамнотежено наполнет барабан ќе се обиде да ја распореди облеката. Операцијата центрифугирање ќе започне откако ќе се распореди облеката. Наполнете го барабанот подеднакво при следното перење.

(\*) Погледнете го поглавјето кое се однесува на одржување и чистење на машината.

(\*\*) Погледнете го поглавјето за инсталација на машината.

## 10. АВТОМАТСКИ ПРЕДУПРЕДУВАЊА ЗА ДЕФЕКТ И ШТО ДА СЕ НАПРАВИ

Вашиот машина е опремена со вграден систем за откривање грешки, означен со комбинација од трепкачки светла за работа. Највообичаените кодови за грешки се прикажани подолу.

КОД НА ГРЕШКА	МОЖЕН ДЕФЕКТ	ШТО ДА СЕ ПРЕЗЕМЕ
E1 01	Вратата од машината не е затворена соодветно.	Затворете ја вратата додека не слушнете звук. Ако машината и понатаму покажува дефект, исклучете ја од копчето и од штекерот и веднаш контактирајте со најблискиот овластен сервис.
E1 02	Притисокот или нивото на вода во машината можеби се ниски.	Проверете дали славината целосно пуштена. Можно е водоводната мрежа да се исклучена. Ако проблемот се уште продолжува, машината автоматски ќе запре по некое време. Исклучете ја машината од штекерот, исклучете ја славината и контактирајте со најблискиот овластен сервис.
E1 03	Пумпата е со дефект или филтерот за пумпа е затнат, или електричното поврзување на пумпата е со дефект.	Исчистете го филтерот за пумпа. Ако продолжи проблемот, контактирајте со најблискиот овластен сервисер. (*)
E1 04	Машината има прекумерно количество вода.	Машината сама ќе ја исфрли водата. Штом водата е исфрлена, исклучете ја машината од копче и од струја. Исклучете ја славината и контактирајте со најблискиот овластен сервис.

(\*) Погледнете го поглавјето кое се однесува на одржување и чистење на машината.



<https://www.voxelectronics.com>  
[callcenter@voxelectronics.com](mailto:callcenter@voxelectronics.com)



52443795



Ovaj dokument je originalno proizveden i objavljen od strane proizvođača, brenda Vox, i preuzet je sa njihove zvanične stranice. S obzirom na ovu činjenicu, Tehnoteka ističe da ne preuzima odgovornost za tačnost, celovitost ili pouzdanost informacija, podataka, mišljenja, saveta ili izjava sadržanih u ovom dokumentu.

Napominjemo da Tehnoteka nema ovlašćenje da izvrši bilo kakve izmene ili dopune na ovom dokumentu, stoga nismo odgovorni za eventualne greške, propuste ili netačnosti koje se mogu naći unutar njega. Tehnoteka ne odgovara za štetu nanесenu korisnicima pri upotrebi netačnih podataka. Ukoliko imate dodatna pitanja o proizvodu, ljubazno vas molimo da kontaktirate direktno proizvođača kako biste dobili sve detaljne informacije.

Za najnovije informacije o ceni, dostupnim akcijama i tehničkim karakteristikama proizvoda koji se pominje u ovom dokumentu, molimo posetite našu stranicu klikom na sledeći link:

<https://tehnoteka.rs/p/vox-masina-za-pranje-vesa-wm1285-lt14qd-akcija-cena/>