

## Uputstvo za upotrebu

VOX bojler WHF10021



Tehnoteka je online destinacija za upoređivanje cena i karakteristika bele tehnike, potrošačke elektronike i IT uređaja kod trgovinskih lanaca i internet prodavnica u Srbiji. Naša stranica vam omogućava da istražite najnovije informacije, detaljne karakteristike i konkurentne cene proizvoda.

Posetite nas i uživajte u ekskluzivnom iskustvu pametne kupovine klikom na link:

<https://tehnoteka.rs/p/vox-bojler-whf10021-akcija-cena/>



# ELECTRICAL WATER HEATER

WHF 3511 / WHF 5021  
WHF 8021 / WHF 10021

USER MANUAL

---

## Dear Customer,

First of all, congratulations for choosing a nature and technology friendly VOX product.

Aspiring to offer products above and beyond your expectations, VOX presents which has been manufactured meticulously and quality-controlled rigorously at VOX's modern plants, to your use. This operating manual will guide you through the use of your appliance. You will see that your appliance is equipped with the most advanced technological solutions and quite easy to use.

The life of your appliance will prolong if you perform necessary care and maintenance procedures.

We hope you enjoy using your appliance.

## Important Information on Safety

This operating manual includes important information about the initial use, safety, intended use, cleaning and maintenance of your appliance.

Always keep this operating manual with your appliance. Whenever you lend your appliance, give this operating manual as well.

Read the operating manual carefully before using your appliance to prevent burns, electric shocks, fire or injury risk, and follow the instructions on operating your appliance, troubleshooting and cleaning.

The water heater must be mounted by VOX Authorised Service.

The water heater must absolutely be grounded.



**WARNING: Denotes death or severe injury risk.**



**CAUTION: Denotes injury or property damage risk.**

# Contents

<b>Safety Warnings</b> .....	<b>4</b>
Safety Information on Installation of the Appliance .....	4
Safety Information on Use of the Appliance .....	5
Safety Information to be Considered when Performing Cleaning and Maintenance Procedures .....	8
Safety Information to be Considered During Handling and Transportation .....	9
<b>Installation</b> .....	<b>9</b>
Choosing the Mounting Position .....	9
<b>Liability Limitation</b> .....	<b>9</b>
<b>Technical Specifications</b> .....	<b>10</b>
Electrical Connections of the Water Heater .....	11
<b>General View</b> .....	<b>12</b>
<b>Controls and Indicators</b> .....	<b>12</b>
<b>Functions and Features of Your Water Heater</b> .....	<b>13</b>
Resistance To Corrosion .....	13
Resistance to Water Pressure .....	13
Effective Heat Insulation .....	13
Limiting Thermostat .....	13
V-Automated Switch .....	13
Safety Valve .....	13
Thermometer .....	13
<b>Practical and Useful Information</b> .....	<b>14</b>
<b>Suggestions for Operation</b> .....	<b>14</b>
<b>Cleaning and Maintenance</b> .....	<b>14</b>
<b>Recommendations on Energy Saving</b> .....	<b>15</b>
<b>Customer's Elective Rights</b> .....	<b>15</b>
<b>Troubleshooting</b> .....	<b>16</b>

## Safety Warnings

### Safety Information on Installation of the Appliance

**WARNING:** Using voltage of your water heater is 230 Volts.

**WARNING:** Make sure that safety valve is installed onto the cold water inlet. The safety valve has been set during the manufacturing of the product. The setting mechanism should not be intervened. High pressure water will flow from the safety valve. This is not a fault and is required by the safety standard.

**WARNING:** Your water heater must absolutely be grounded. If you use your water heater without plug, you should run your appliance after connecting it to a grounded power line by means of fuse; if you use your water heater with plug, you should run it by inserting its plug into a grounded socket. **The manufacturing company shall not be responsible for any damage due to operating without grounding.**

**WARNING:** Do not operate your water heater without making sure that it is filled with water. If water is flowing when you

turn on the hot water tap, it means that the appliance is full of water.

**WARNING:** When the water heater will be mounted and operated for the first time, ask an authorised VOX service for help.

**WARNING:** Avoid installing the water heater in places where there is risk of freezing.

**WARNING:** Do not use extension cables or multipliers.

**WARNING:** This appliance is not intended to be used by those who have physical, sensorial or mental disabilities (including children) or lack of experience and knowledge unless they are given supervision and method by a person -who is responsible for the safety of the appliances- about using the appliance.

**WARNING:** If the power cable is damaged, it should be replaced by VOX authorised service staff in order to avoid a dangerous situation.

- Installation and repairs should always be done by the Authorised Service.
- The manufacturing company shall not be held res-

possible for any damage due to operations conducted by unauthorised persons.

**WARNING:** Your water heater has been manufactured for domestic use; it can be used only at home and for the specified purposes. It is not suitable for commercial or common usage.

**WARNING:** The water hotter than 50°C during usage can cause scalding or even death due to serious scalding. Please keep in mind that children, elderly and disabled people are more vulnerable to the risk of burning.

### **Safety Information on Use of the Appliance**

**WARNING:** The limiting thermostat will disable the resistance to ensure the security in case of excessive temperatures in the drum or failure of thermostat.

**WARNING:** You can switch ON and OFF your water heater using the V-Automated switch. V-Automated Switch acts as a fuse.

**WARNING:** The safety valve is installed onto the cold water inlet of the water heater. It prevents draining of the water insi-

de in case of a water cut.

**CAUTION:** The following conditions must be observed while installing and using the safety valve.

- As water may drip from the drainage tip, this pipe should be left open to the atmosphere. In order to prevent the dripping waters from causing any harm to the environment, you can connect it to a sewage drain by means of a hose.
- The appliance should be operated at intervals in order to prevent limescale accumulation and confirm that it is not blocked.
- While connecting the safety valve to the appliance, make sure that the drainage tip is downwards.
- Operation of the appliance for purposes other than its intended purpose may cause damage or dangerous conditions and renders the warranty void. Damages occurred due to these conditions are compensated by the user.
- In order to prevent overloa-

ding of the electrical circuit, do not operate any other high-power appliance on the same circuit. Do not connect with extension cables or multi plugs. If you neglect, it may cause electric shocks or damages in the product.

- This appliance can be used by children at the age of 8 and above and by those with physical, sensorial and mental disabilities or with lack of experience and knowledge, provided that they are given supervision and instruction about the safe use of the appliance and that the hazards caused by the appliance are understood by them.
- The safety valve used in the appliance might leak at the drainage section if the mains input water pressure exceeds the maximum operating pressure. This is normal. When the pressure reduces, the leakage will stop.
- As corrosion will be sped up if the water inside the appliance is discharged and the appliance stays empty for a long time, the reservoir should not stay water-free for a long time.
- Children should not be allowed to play with the appliance.
- Cleaning and user maintenance tasks should not be done by unattended children.
- Packaging materials are dangerous for children. Keep all packaging materials out of the reach of children.
- Before use, check the functions of your appliance accurately.
- The appliance should be used only if there is no damage on its body and on the power cable.
- Check the power cable for damages regularly. Do not strain the power cable of the appliance. Do not put any objects on the power cable.
- If the power cable is damaged, it should be replaced by the authorised service recommended by the producer only in order to avoid any danger.
- If the mains water operating pressure exceeds the maxi-

mum operating pressure, a pressure reducer should be connected to the cold water line before the safety valve. The pressure reducer should be away from the appliance and close to the counter as much as possible.

### **Never use your appliance under the following conditions**

- If the appliance or the power cable is damaged,
- If the appliance does not function properly,
- If the appliance is damaged to the extent that its electrical parts are seen,
- If the appliance is wet, has dropped into water or any other liquid, exposed to water flooding incident, its electrical components have come into contact with water,
- If strange noises, smoke or smells emanate from the appliance.

If any of the cases mentioned above is detected, shut down your appliance immediately, disconnect the power supply connection and contact with the

authorised service.

- A damaged appliance or damaged parts of the appliance may cause severe injuries and fire.
- There are no user-serviceable parts within the appliance. The risk of electric shock occurs when electrical connections within the appliance are touched and when the mechanical structure of the appliance is changed. In case of any failure, do not attempt to repair the appliance yourself. Otherwise, the appliance shall be void of warranty.
- Use of accessories not recommended by the manufacturer may cause injuries and damages to the appliance.
- Do not touch or run the appliance with wet and moist hands.
- If the appliance will not be used for a long time, disconnect the power supply from the fuse.

Make sure that the appliance is turned off and the power is cut from the fuse/power switch under the following conditions:



- Before installation,
- Before cleaning and maintenance,
- Before repairs.
- Do not drink the water drained off from the appliance. Otherwise, severe health problems may occur.
- If the appliance will be displaced and re-mounted at a new location, contact the authorised service.

### **Safety Information to be Considered when Performing Cleaning and Maintenance Procedures**

- To prevent the risk of electric shock, turn off the appliance, shut down its fuse or switch gear before cleaning.
- All maintenance and service works should be performed by the authorised VOX services.
- The magnesium anode rod used against the corrosion inside the drum should be checked every year and if it is worn out, it should be replaced by the authorised service.
- In order to get optimum per-

formance from your electrical water heater all the time, it is recommended to clean the limescale -that may form on the resistance due to the hardness of the mains water and high temperatures- every two years. This procedure should be performed on the detached heating resistance.

- All of the above-mentioned procedures should be performed by VOX Authorised Service.
- How water and liquid detergents that do not contain ammoniac or alcohol should be used to clean the appliance. Otherwise, the surface may get damaged.
- Clean and maintain the appliance as stated in the "Cleaning and Maintenance" section.
- Do not use chemicals. Do not use substances such as gasoline, thinner etc.
- Using powder detergent may result in scratches on the surface of the water heater.

## **Safety Information to be Considered During Handling and Transportation**

While handling the appliance, make sure that all the electrical connections are disconnected and all the water inside is discharged. Place or hold the appliance in a way that it will not get damaged during handling.

## **Installation**

**WARNING:** The water heater should be installed by the VOX Authorised Service according to “Installation Instructions”.

**WARNING:** The appliance should not be mounted on the stairs, exits or hallways of the building.

If you need to use a fuse when installing the appliance, use a fuse with the specifications shown in the technical data.

Your appliance is not suitable for use outside the building.

## **Choosing the Mounting Position**

- Do not install the appliance in non-ventilated or humid areas.
- Do not place the appliance

in areas that are under direct sunlight.

- Do not place the appliance in areas where partially dangerous substances such as acidic steam, dust or gas are present.
- Do not connect the appliance directly to the electricity sources which are not protected from sudden voltage spikes.

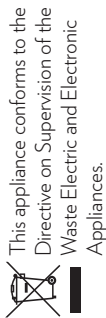
## **Liability Limitation**

All of the technical information, instructions, operating and maintaining the appliance in this manual includes the latest information on your appliance. The manufacturer does not assume any responsibility for damages and injuries that may occur as a result of non-compliance with the instructions given in this manual, using the appliance for purposes other than its intended use, unauthorised repairs, unauthorised modifications on the appliance or using spare parts that are not approved by the manufacturer.

# Technical Specifications

Model	WHF 3511	WHF 5201	WHF 8021	WHF 10021
Capacity	35	50	80	100
Temperature (Unchangeable)	80	80	80	80
Voltage	220-240	220-240	220-240	220-240
Current	5	9	9	9
Resistance Power	1200	2000	2000	2000
The Highest Operating Pressure of the Safety Valve	10(-0,5,+0)	10(-0,5,+0)	10(-0,5,+0)	10(-0,5,+0)
Fuse	C Type 16A			
Water Connection	1/2	1/2	1/2	1/2
Protection Class	IP24	IP24	IP24	IP24
Anti-Corrosive System	Enameled Interior Drum and Magnesium Rod			
Product Sizes (Ø*Y)	mm	420*484	420*614	420*874
				420*1047

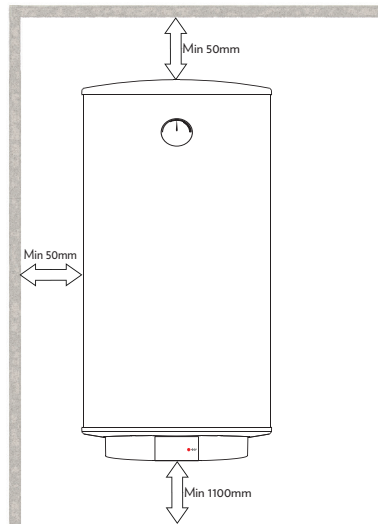
Technical specifications and this manual are subject to change without prior notification.



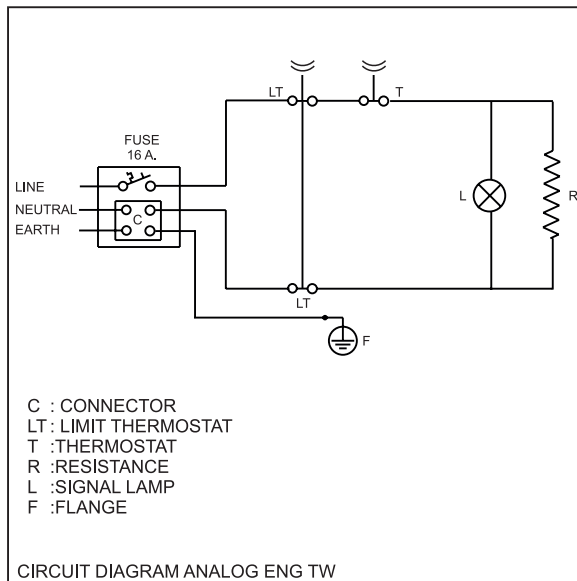
This appliance conforms to the Directive on Supervision of the Waste Electric and Electronic Appliances.

This product complies with the European CE Directives no. 2014/50/EU (Electromagnetic Compliance Directive) and 2014/35/EU (Low Voltage Directive (LVD)).

The distances specified in the chart below should be applied in the installation of the appliance.

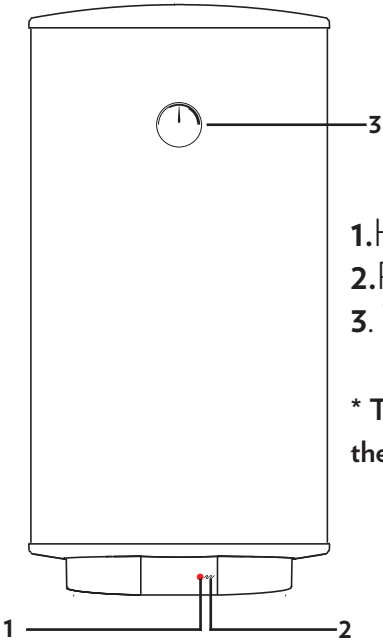


## Electrical Connections of the Water Heater



# General View

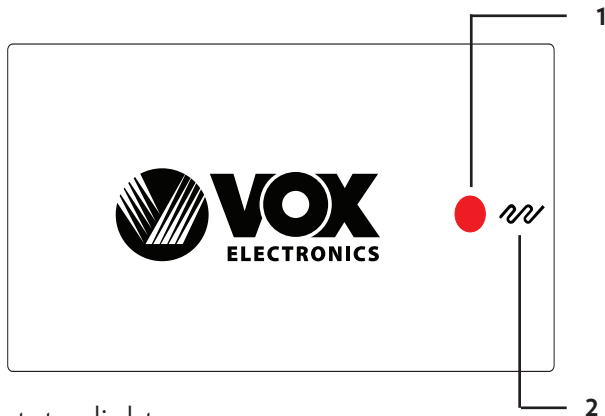
The images are intended only to provide information on the components of the appliance. Components may differ according to the water heater model. Pictures are representative.



- 1. Hot water status light
- 2. Resistance symbol
- 3. Thermometer

\* There is no temperature adjustment button on the water heater.

# Controls and Indicators



- 1. Hot water status light
- 2. Resistance symbol

## Functions and Features of Your Water Heater Resistance To Corrosion

As the inner drum of your water heater has been enameled after welding all the parts including the water inlet and outlet pipes, it is fully protected against corrosion. The heater resistance is protected against corrosion with the Magnesium anode.

## Resistance to Water Pressure

The inner drum of the water heater has been tested under 12-bars pressure during the manufacturing process considering the mains water pressure.

## Effective Heat Insulation

Your water heater is isolated using a 50 mm polyurethane heat insulation material between the main body sheet and the water drum. Thank to this material, the water in the drum will heat rapidly and cool down slowly.

## Limiting Thermostat

The limiting thermostat will disable the resistance to ensure the security in case of excessive temperatures in the drum or failure of thermostat. Once the limiting thermostat is enabled, please call the authorised service to operate the appliance again.

## V-Automated Switch

You can switch your water heater ON and OFF using the V-Automated switch. V-Automated Switch acts as a fuse. It will

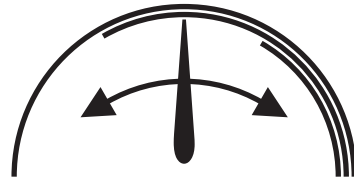
disconnect the product from the mains in case of an electrical leakage or when the product is switched off. The provided V-Automated Switch should be installed by an authorised service technician only.

## Safety Valve

The safety valve is installed onto the cold water inlet of the water heater. This valve, which acts like a fuse in case of a water cut, prevents the draining of the water in the drum. Besides, in order to balance the internal pressure, this valve will discharge water from the drain tip in case of overpressure in the drum.

## Thermometer

After starting the appliance, the thermometer indicator on the appliance will start moving clockwise. Low water temperature is indicated with a single line while the maximum water temperature is indicated with 3 lines. Upon decrease in water temperature, the indicator will move counter-clockwise.



## Operating

After your water heater has been installed and made ready-to-use by the authorised service, you can operate it by plugging it into a wall socket or switching the fuse on. When you want to turn off your water heater, please unplug it or switch

off the fuse.

- Ensure that the water heater is filled with water before initial use.
- Switch on the V-Automated switch.
- The resistance will run and the red light will be on until the water temperature reaches the constant temperature determined by the manufacturer.
- After the water temperature has reached the degree determined by the manufacturer, the thermostat will disable the resistance and the light will go off.
- When the water temperature decreases below the degree determined by the manufacturer, the resistance will be enabled again and heat the water.
- Since the water in the reservoir will cool down when you turn off the appliance after using it, there will be more power and time consumption for the next heating process.

## **Practical and Useful Information**

- Sediments and limescale accumulated at the below section of the water heater will prevent direct contact between the water and the heating elements. Accumulation of sediments and limescale at the bottom of the water drum should be prevented. The water drum should be drained completely at regular intervals.
- Your water heater should be installed away from appliances such as refrigerators and freezers. Otherwise,

the operation frequencies of these appliances will increase.

- The appliance should be insulated in order to prevent heat loss from the tanks and assembly.
- The water heater should be located a maximum of 6m away from the point of use. Installation on a location further than 6 meters will cause a drop in the efficiency of heat transfer. Also the water piping should be insulated.
- If the appliance will not be used for a long time, switch off the fuse and disconnect the power supply.

## **Suggestions for Operation**

- Do not place items -which may be affected by the water leakage- under the appliance.
- Take below precautions if you will not use the product for a prolonged time.
  - Disconnect the product from the mains supply.
  - Switch off the water valves and disconnect the water connections.

## **Cleaning and Maintenance**

**Disconnect from the electrical mains prior to any operation.**

- Install a transparent drain hose to the drain output of the safety valve located at the cold water input of the water heater at a location away from freezing.
- Pressure will increase with the operation of the water heater. Dripping of

- water from the safety valve is normal.
- Drain water from the drum by setting the safety valve latch to upright position. To check the operation of the safety valve, it is recommended to set the latch to the upright position once a month to see if water flows out.
- If water has been drained through the safety valve, do not operate the system until water comes from the hot water tap.
- To get the optimum performance from your electrical water heater all the time, the limescale that may form on the resistance due to the hardness of the mains water and high temperatures should be removed by the Authorised Service.

## Recommendations on Energy Saving

- To get a better performance from your product, the heating element (resistance) should be cleaned and the anti-corrosive magnesium rod should be replaced every 2 years. Cleaning and replacement should certainly be performed by an authorized service.
- Anode and heater should be checked annually in regions with higher water hardness.

## Customer's Elective Rights

The customer, in case the product is found defective as per the terms of Protection of the Consumers Act, No 6502, even though the defect occurs in a later time, have the following rights for two years as from the date of delivery to the customer:

1. Return the sold product and cancel the agreement,
2. Keep the sold product and request a discount on the sales price in proportion to the defect, (one of these elective rights can be used against the Seller)
3. Unless an excessive cost is required, request a free-of-charge repair of the product, with all costs belong to the Seller,
4. If it is possible, to replace the product with an equivalent one free-of-defect (one of these elective rights can be used against the Seller, manufacturer or importer).

If the free-of-charge repair or replacement with an equivalent product free-of-defects will cause a disproportional drawback for the seller, then the consumer can use his/her right to cancel the agreement and request a discount on sales price in proportion to the defect.

The customer can file his complaints and rejections at Consumer Courts and Consumer Arbitration Committees.



# Troubleshooting

Before calling our technical service in case of a failure, ensure that the failure is not related to a temporary power cut or water cut.

When you notice an abnormal situation in your appliance, you may attempt to troubleshoot according to the following instructions. If your appliance does not still operate properly, please contact the Call Center. You may access the authorised services list and contact information from the web site.

PROBLEM	REASON	SOLUTION
Water heater is not operating.	Switch is off.	Turn on the switch.
	Power cut.	Wait for the power to be back.
	Building's main fuse is blown.	Fix the fuse.
Water heater is not heating the water.	Water heater is not operating correctly.	Call the authorised service.
Water heater is heating the water late.	Voltage may be low.	Use an appropriate regulator.
	Limescale may be formed on the resistance.	Call the authorised service.
Noisy operation.	Limescale may be formed on the resistance.	Call the authorised service.
	Limescale or sand can be present in the safety valve.	Call the authorised service.
	System pressure can be distributed irregularly.	Install a pressure regulator.
Water heater heats water excessively (water steam comes out).	There might be too much limescale in the product.	Call the authorised service.
Water drips from the safety valve.	This is normal.	Connect the provided hose to the water drainage.









Ovaj dokument je originalno proizveden i objavljen od strane proizvođača, brenda Vox, i preuzet je sa njihove zvanične stranice. S obzirom na ovu činjenicu, Tehnoteka ističe da ne preuzima odgovornost za tačnost, celovitost ili pouzdanost informacija, podataka, mišljenja, saveta ili izjava sadržanih u ovom dokumentu.

Napominjemo da Tehnoteka nema ovlašćenje da izvrši bilo kakve izmene ili dopune na ovom dokumentu, stoga nismo odgovorni za eventualne greške, propuste ili netačnosti koje se mogu naći unutar njega. Tehnoteka ne odgovara za štetu nanесenu korisnicima pri upotrebi netačnih podataka. Ukoliko imate dodatna pitanja o proizvodu, ljubazno vas molimo da kontaktirate direktno proizvođača kako biste dobili sve detaljne informacije.

Za najnovije informacije o ceni, dostupnim akcijama i tehničkim karakteristikama proizvoda koji se pominje u ovom dokumentu, molimo posetite našu stranicu klikom na sledeći link:

<https://tehnoteka.rs/p/vox-bojler-whf10021-akcija-cena/>