

Uputstvo za upotrebu

TESLA aspirator DD600SG

TESLA



Tehnoteka je online destinacija za upoređivanje cena i karakteristika bele tehnike, potrošačke elektronike i IT uređaja kod trgovinskih lanaca i internet prodavnica u Srbiji. Naša stranica vam omogućava da istražite najnovije informacije, detaljne karakteristike i konkurentne cene proizvoda.

Posetite nas i uživajte u ekskluzivnom iskustvu pametne kupovine klikom na link:

<https://tehnoteka.rs/p/tesla-aspirator-dd600sg-akcija-cena/>

TESLA

DECORATIVE CHIMNEY HOOD

DD600SG

User Manual

ENG

BiH/
CG

SRB



Product images are for illustrative purposes only and may differ from the actual product.

Dear Customer,

Thank you very much for your preference for products.

We recommend you to read the instruction manual carefully and keep it handy before you use this chimney hood so that it maintains its quality just like the first day you bought it and serves you most efficiently.

NOTE

This Instruction Manual has been prepared for a variety of models. Some of the features specified in the Manual may not exist in your device. These features are marked with *.

Our devices are designed for domestic use. They are not for professional use.

PLEASE READ THE INSTRUCTIONS BEFORE YOU INSTALL OR USE THIS DEVICE.

This product has been manufactured in an environmentally-friendly and modern plants without harming the nature.

Conforms with the AEEE Regulations.

SAFETY INSTRUCTIONS

1. This product is designed for domestic use.
2. Product Voltage is 220-240 Volts 50Hz.
3. Power cord of your product is fitted with grounded plug. This cord must be plugged into a grounding socket.
4. All electrical installation must be done by a qualified electrician.
5. Installation by unqualified persons may lead the product run with lower performance, be damaged or cause accidents.
6. Power supply cord should not be jammed or crushed. Power cord should not be close to hobs, etc, otherwise it may melt and cause fire.
7. Do not plug in the product into a socket before the installation is complete.
8. Make sure the mains switch is easily accessible in order to cut the power of the product in case of any danger.
9. Do not touch the bulbs of your product if used for a long period of time. The bulbs will be hot and may burn your hand.
10. Kitchen chimneys are designed for domestic use. If used for other purposes, it may lead to a failure and not be covered under the warranty.
11. Follow the authorized agencies' rules and regulations regarding letting out the air. (This warning does not apply to usage with non-ducted chimney hoods.)
12. Food that may burst into flames should not be cooked under the device.
13. Turn on the product after you place pots, pans, etc on the hobs. Otherwise excess heat may cause deformation of some parts of your product.
14. Do not leave hot oil on the hobs. Pans with hot oil inside may cause self-ignition.
15. When cooking i.e. deep frying, hot oil may burst into flames. Be careful on your curtains and cloths.
16. Make sure you replace the filters at the recommended intervals. Filters not replaced on time carry fire risk due to increase of grease on them.
17. Do not use non-fire-resistant materials instead of filters.
18. Keep the potentially dangerous packaging materials away from children.
19. Do not use your product without a filter, do not remove filters when the product is operating.
20. In case of start of flames, cut off the power of the chimney fan and cooker.(Cut off the power by unplugging the device).
21. Turn off the hobs before you remove pots, pans, etc.
22. If the cleaning is not done periodically, your product may carry fire risk.
23. Cut off the power supply before any maintenance work. (Cut off the power by unplugging the device.)
24. For duct-out chimney hoods, use pipes with a diameter of 150 mm or 120 mm. You should minimize the ducting distance with minimum bends.

- 25. Make sure your children do not play with the product. Do not let young children operate the product.
- 26. If the power cord is damaged, the damaged cord should be replaced by the manufacturer or its service agent or similarly specialized personnel in order to avoid a dangerous situation.

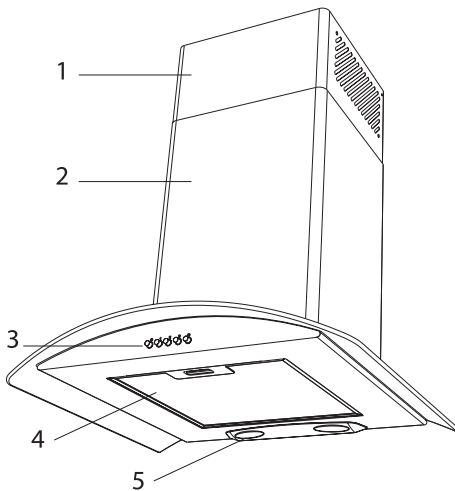
- 27. In case of start of flames, cut off the power of the chimney fan and cooker and cover the flame. Do not use water to extinguish the fire.



WARNING!

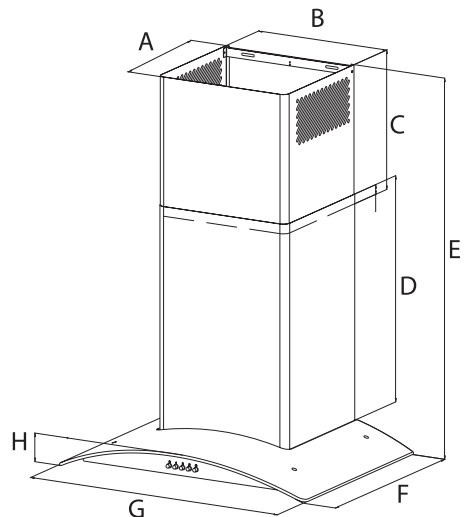
Install "MAX. 6 A" fuse for the extractor fan.

INTRODUCTION AND TECHNICAL DRAWING OF THE CHIMNEY HOOD



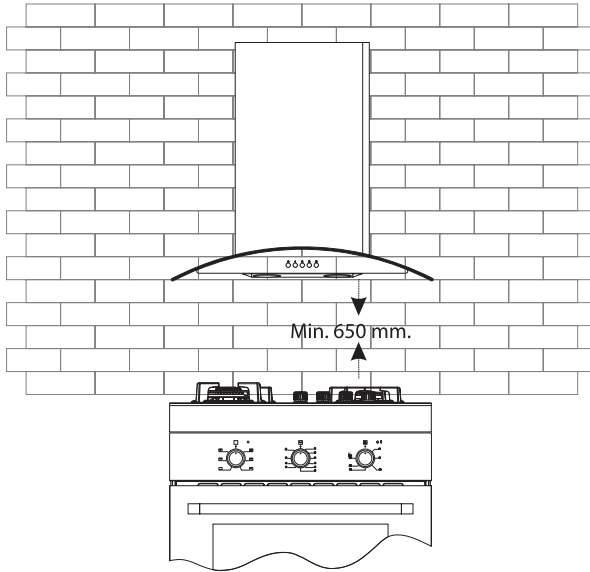
- 1. Inner duct
- 2. Outer duct
- 3. Control panel
- 4. Filter
- 5. Lighting

A	285 mm
B	308 mm
C	350 mm
D	500 mm
E	Min 545 mm / Max. 870 mm
F	500 mm
G	596 mm / 896 mm
H	78 mm



INSTALLATION OF CHIMNEY HOOD

Location Of The Chimney Hood

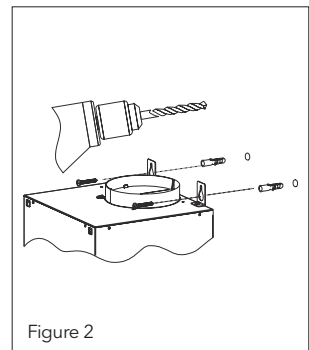
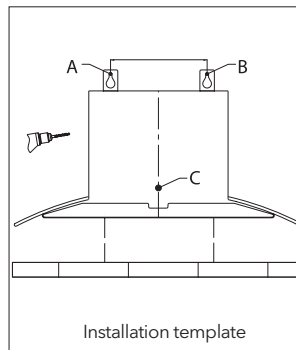
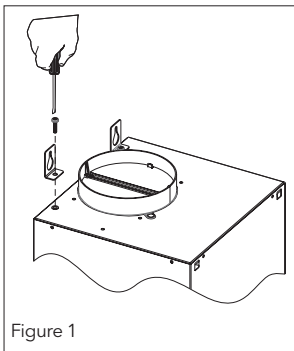


Installation Of Mounting Bracket To The Chimney Hood

Fix the 2 (two) Mounting brackets among the installation accessories to the chimney hood with one 1 screw nut as shown in **Figure 1**. Make sure mounting brackets are inserted in motor box.

Installation Of Wall Mounting Bracket

Drywall (8mm) anchors are nailed into the holes drilled according to installation template (A,B,C). They are fixed into the wall with 2 brackets as shown in **Figure 2**.

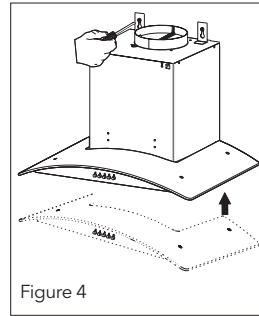
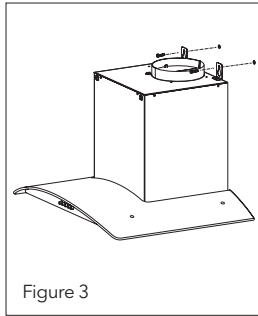


Installation Of Inner Duct Mounting Bracket

2 fixing holes are drilled on the wall with $\varnothing 6$ mm electric drill at a suitable height and place to fix the inner duct hanger plate onto the wall. 6mm drywall anchors are nailed into those holes and inner duct mounting brackets are pinned down. At the last step of chimney hood installation, the inner duct is screwed on the inner duct mounting brackets.

MOUNTING THE CHIMNEY HOOD ON THE WALL

Lift the chimney hood body and fix the hanger plates onto the wall anchors as shown in **Figure 3**.

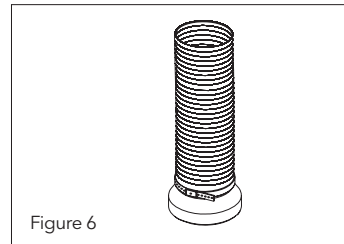
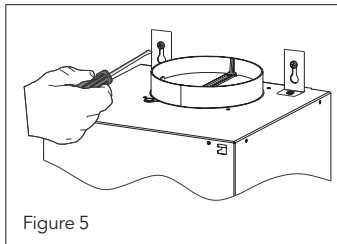


Leveling The Chimney Hood

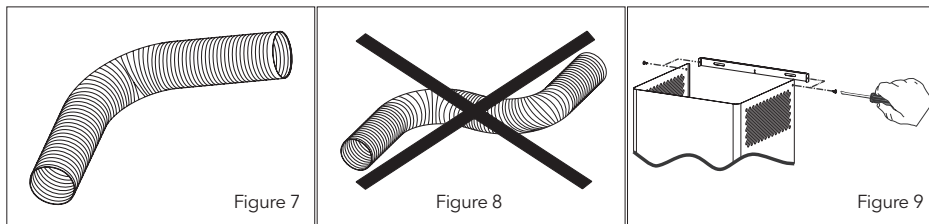
If the chimney hood is inclined on one side, the chimney hood can be leveled with the adjustment screws as shown in **Figure 4**. Once the balancing is complete, the screws shown in **Figure 5** must be fixed tightly. After this, fix the body with one screw through the hole on the body.

Mounting The Aluminum Pipe

Place the aluminum pipe on the plastic duct. Place the other end of the pipe into the air outlet in the kitchen. (**Figure 6**)



Twists and bends on the aluminum pipe may cause minimizing the air suction so avoid unnecessary bends and twists as much as possible. **(Figure 7-8)** Place the inner duct and outer duct carefully on the product. Fix the inner duct to inner duct connection plate with 2 screws. **(Figure 9)**



FUNCTIONS OF THE CHIMNEY HOOD

Control Panel

Digital Control: Touch the symbols on the keys. (On/Off function and timer are on the same key; if pressed for 1 sec on-off function will operate. If pressed for 3 sec. 15 minutes timer will operate.

Touch Control: Touch the symbols on the glass surface. If Press a symbol longer (more 3 sec) may operate various functions.



Symbols Functions


	Switches on and off the motor. (Except for the lighting)		Increases the speed when the motor is running.
	Decreases the speed when the motor is running.		If pressed this symbol, the motor turns itself off 15 minutes later.
	Display		Only switches on and off the lighting system.

NOTE

When the product operates for a certain time, the aluminum filters get dirty and the digital display shows "C" Clean sign. This means the filters should be cleaned. Press the speed reduction key for 5 secs in order to delete "C" sign from the display.

Push Button: Pressing the buttons will enable different functions. In order to disable them, press only the button Off.



OFF	Stops the motor, except for the light	MAX	Intense speed
MIN	Low speed		It turns on and off the lighting system only.
MID	Medium speed		

OPERATING THE CHIMNEY HOOD

Chimney hood is used in ducted and non-ducted kitchens.

In Ducted Use

In ducted use, extractor fan should be connected to an air outlet to send the air out. In order to use your chimney hood efficiently, make sure length of the pipe system between the chimney hood and the air outlet should be short. Your product has been manufactured suitable for ducted and non-ducted use.

Round Charcoal Filter

In kitchens with no duct, a round charcoal filter should be reintroduced the clean air into the kitchen. You can obtain the round filter from your service or dealer.

Use Of Charcoal Filter

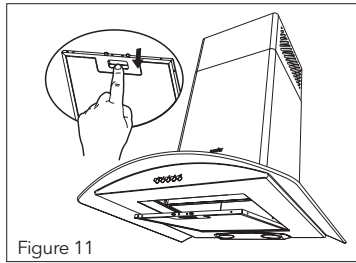
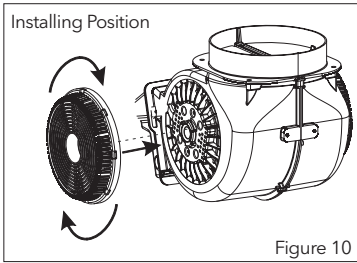
- Our products allow the installation of charcoal filter.
- Regardless of use of charcoal filters or not, grease filters should be installed on the product. Do not use your product without grease filter.
- Use of charcoal filter is as follows.
- Cut off the device power before replacing charcoal filter.
- Charcoal filter is used in the kitchens with no duct therefore should be replaced in every 3-5 months depending on the frequency of use.
- Charcoal filter should never be washed.

Installation Of Charcoal Filter

- Charcoal filters are used in the kitchens with no duct.
- Charcoal filters are installed onto both sides of the fan as shown in Figure 10 by turning 10 degrees clock-wise.
- When uninstalling, reverse the same procedure.

Use Of Aluminum Cartridge Filter

Aluminum cartridge filter holds dust and grease in the air. Chimney hood should never be used without aluminum cartridge filter. **(Figure 11)**



REPLACING THE BULB

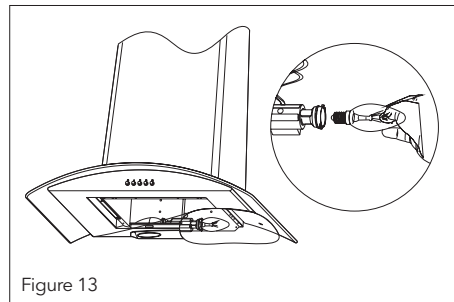
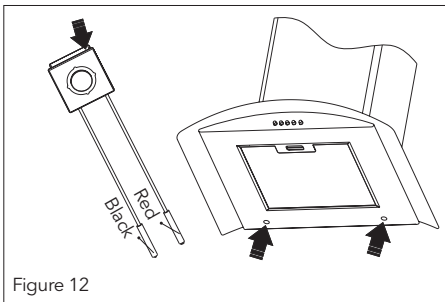
Always switch off the electrical supply before carrying out any operation.

Led

- LED bulb does not operate is possible to remove as shown in **Figure 12**
- A new bulb to be supplied from service points is replaced with the same reoperation.
- Cables are designed with sockets. The plug in should be made according to previous connection.

Candle Type Halogen Bulb

- Bulb does not operate is possible to remove as shown in. (**Figure 12**)
- A new bulb with the same features is replaced with removed bulb.
- Remove the holder on the LED bulb. Put the new LED bulb on the holder housing of the LED bulb you removed as shown in **Figure 13**.



MAINTENANCE OF THE CHIMNEY HOOD

- Device should be unplugged or switch should be turned off before cleaning and maintenance procedures.
- Metal filter should be cleaned once a month with hot soapy water or in the dishwasher, if possible. (60 °C)
- Remove the aluminum cartridge filter by pressing on the spring catches on the side. Do not refit before drying after wash.
- Outer surface of the extractor hood should be wiped with a damp cloth soaked with soapy water.
- Make sure electronic parts do not contact with water or similar materials.
- For inox products, using inox cleaning and maintenance products available in the market will provide longer usage life for your device.
- Aluminum filters can be washed in dishwasher. After several washes, aluminum filters may change colour. This is normal and filters do not need to be replaced.



WARNING!

When used with devices which use fuel (heaters working with gas, diesel fuel, coal or firewood, water heaters, etc) and the air in the environment; should be used cautiously. The chimney hood sending the air out in the environment may affect the burning adversely.

This warning is not applicable to non-ducted use.

Efficient Use Of Chimney Hood

- When installing the chimney hood to the air duct, use 150/120 mm diameter pipes and use bends as minimum as possible.
- Be ware of cleaning periods of metal filters and replacing times of charcoal filters.
- When dense suction power is not required, use the product in medium setting.
- For right ventilation, the windows in the kitchen leading to the outside should be kept closed.

IF CHIMNEY HOOD DOES NOT WORK

Before contacting the service, make sure the product is plugged and the fuse in the electrical installation is working. Do not do anything that may harm the product.

Service And Spare Parts

You can supply spare parts of your device from your dealer or authorized services. The package includes a list of authorized services with the product.

When you contact your service or dealer to ask for any spare parts, notify them of product model name shown in the product label. When you remove the aluminum cartridge filter, you will see the product label.

Before contacting your service, check your chimney hood against the table below. If problem persists, contact your dealer or authorized service point.

	Check electricity connection (mains voltage should be 220-240 V, Chimney hood should be connected to grounding socket.)	Check motor switch (Motor switch should be on.)	Check bulb switch (Bulb switch should be on.)	Check aluminum filter (Aluminum cartridge filter should be washed once a month in normal use.)	Check bulbs (Bulbs should be in working condition.)	Check air outlet shaft (Air outlet shaft should be unblocked.)	Check charcoal filter (Charcoal filters should be replaced quarterly in normal use.)
Chimney Hood does not work	●	●					
Light bulb is not working	●		●		●		
Chimney hood air suction is poor				●		●	●
Do not send air out (in non-ducted cases)				●			●

ENVIRONMENTALLY-FRIENDLY DISPOSAL



Dispose of packaging in an environmentally-friendly manner.

This appliance is labelled in accordance with European Directive 2012/19/EU concerning used electrical and electronic appliances (waste electrical and electronic equipment - WEEE). The guideline determines the frame work for the return and recycling of used appliances as applicable throughout to the EU.

PACKAGE INFORMATION

Packaging materials of the product are manufactured from recyclable materials in accordance with our National Environment Regulations. Do not dispose of the packaging materials together with the domestic or other wastes. Take them to the packaging material collection points designated by the local authorities.

Poštovani korisniče,

Zahvaljujemo Vam što ste odabrali naš proizvod.

Preporučujemo vam da pažljivo pročitate ovo uputstvo za upotrebu i da Vam uvijek bude pri ruci tokom upotrebe ove nape kako biste mogli da održavate njegov kvalitet na onom nivou, na kojem je bio i prvog dana kada ste ga kupili i da Vas služi na najefikasniji način.

NAPOMENA

Ovo uputstvo za upotrebu je sačinjeno za različite modele. Neke od funkcija navedenih u uputstvu možda ne postoje na vašem uređaju. Te funkcije su označene sa *.

Naši uređaji su dizajnirani isključivo za kućnu upotrebu. Nisu za profesionalnu upotrebu.

“MOLIMO VAS PROČITAJTE UPUTSTVA PRIJE NEGO ŠTO INSTALIRATE ILI KORISTITE OVAJ UREĐAJ.”

Ovaj proizvod je proizveden u ekološki prihvatljivim i modernim postrojenjima bez narušavanja prirode.

Odgovara propisima AEEE.

BEZBJEDNOSNA UPUTSTVA

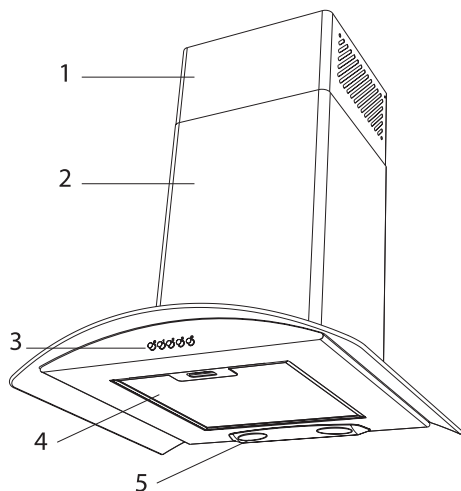
1. Ovaj proizvod je namjenjen za upotrebu u domaćinstvu.
2. Napon proizvoda je 220-240 Volti 50Hz.
3. Kabal za napajanje Vašeg proizvoda opremljen je utikačem sa uzemljenjem. Ovaj kabal mora biti priključen u utičnicu za uzemljenje.
4. Sve električne instalacije mora povezati kvalifikovani električar.
5. Ukoliko instalacije povezuje nekvalifikovana osoba proizvod može slabije raditi, a može doći i do oštećenja ili nezgoda.
6. Kabal za napajanje ne smije biti zaglavljen ili oštećen. Također ne bi trebalo da bude blizu ploča za kuhanje i sličnih uređaja, jer se u suprotnom može otopiti i izazvati požar.
7. Ne uključujte proizvod u utičnicu prije završetka instalacije.
8. Provjerite da li je glavni prekidač lako dostupan kako bi ste smanjili snagu proizvoda u slučaju opasnosti.
9. Nemojte dodirivati sijalice proizvoda ukoliko ga koristite duže vrijeme. Sijalice će biti vruće i mogu Vam opeći ruku.
10. Kuhinjske nape su dizajnirane za kućnu upotrebu. Ako se koriste u druge svrhe, može doći do kvara i on neće biti pokriven garancijom.
11. Slijedite pravila i propise ovlaštenih agencija koji se odnose na ispuštanje vazduha. (Ovo upozorenje se ne odnosi na upotrebu nape bez odvodne cijevi.)
12. Hrana koja može eksplodirati ne smije se kuhati ispod uređaja.
13. Uključite uređaj tek nakon što postavite posude, tiganje i sl. U suprotnom, višak toplote može prouzrokovati deformaciju nekih dijelova vašeg uređaja.
14. Ne ostavljajte vruće ulje na grijanim pločama. Posude sa vrućim uljem mogu lako da se zapale.
15. Prilikom kuhanja, tj. dubokog prženja, vruće ulje se može zapaliti. Obratite pažnju na zavjese i krpe.
16. Provjerite da li ste zamijenili filtere u preporučenim intervalima. Filteri koji se ne zamijene na vrijeme nose rizik od požara zbog povećanja masnoće na njima.
17. Umjesto filtera nemojte koristiti materijale koji nisu otporni na vatru.
18. Držite potencijalno opasne materijale za pakovanje dalje od djece.
19. Nemojte koristiti uređaj bez filtera, ne uklanjajte filtere dok uređaj radi.
20. U slučaju pojave plamena, isključite napu i šporet (isključite napajanje isključivanjem uređaja).
21. Isključite ploče za kuhanje prije nego što uklonite posude, tiganje, itd.
22. Ukoliko se uređaj povremeno ne čisti, moguć je rizik od požara.
23. Isključite napajanje prije bilo kakvih radova na održavanju. (Isključite napajanje tako što ćete isključiti uređaj.)
24. Za nape sa odvodnim kanalom koristite cijevi prečnika 150 mm ili 120 mm. Potrebno je smanjiti rastojanje kanala minimalnim krivinama.
25. Pazite da se Vaša djeca ne igraju proizvodom. Ne dozvolite da mala djeca rukuju proizvodom.

26. Ako je kabal za napajanje oštećen, oštećeni kabal treba da zamjeni proizvođač ili njegov serviser ili slično specijalizovano osoblje kako bi se izbjegla opasna situacija.
27. U slučaju pojave plamena isključite napajanje ventilatora nape i šporeta i pokrijte plamen. Nemojte koristiti vodu za gašenje požara.

UPOZORENJE!

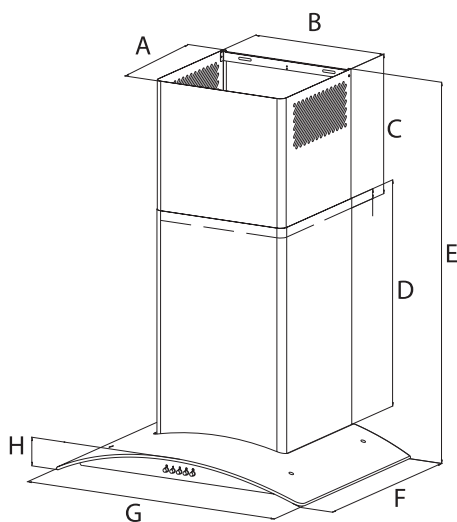
Instalirajte "MAKS. 6 A" osigurač za ventilator.

UVOD I TEHNIČKI CRTEŽI NAPE



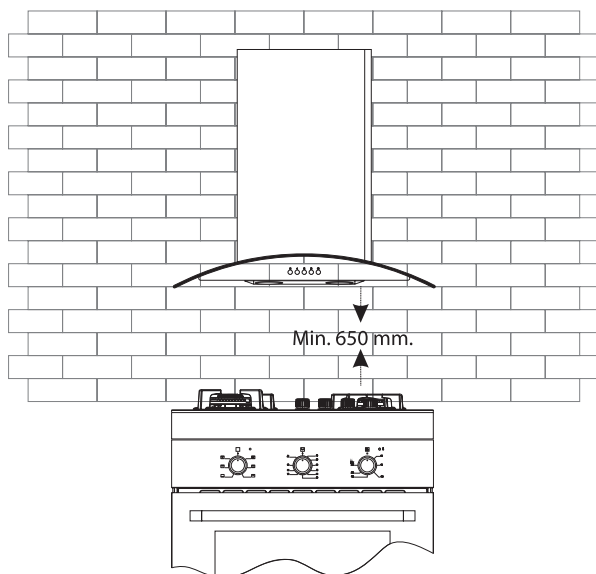
1. Unutrašnji kanal
2. Spoljašnji kanal
3. Kontrolna tabla
4. Filter
5. Osvjetljenje

A	285 mm
B	308 mm
C	350 mm
D	500 mm
E	Min 545 mm / Max. 870 mm
F	500 mm
G	596 mm / 896 mm
H	78 mm



MONTAŽA NAPE

Lokacija nape

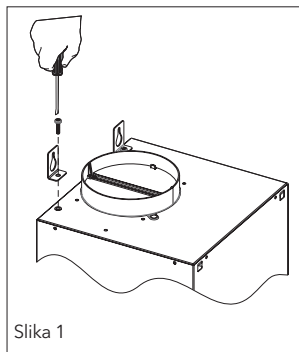


Instalacija nosača za montažu nape

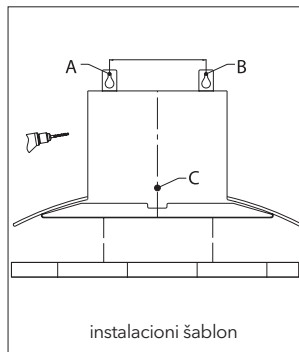
Pričvrstite 2 (dva) nosača za montažu iz pribora za montažu za napu, šarafom kao što je prikazano na **slici 1**.
Provjerite da li su nosači za montažu u kutiji.

Instalacija zidnog nosača za montažu

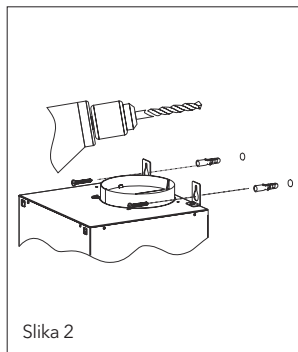
Pričvrstite tiplove (8mm) u rupe koje su izbušene prema instalacionom šablonu (A, B, C). Oni se fiksiraju u zid sa 2 nosača, kao što je prikazano na **slici 2**.



Slika 1



instalacioni šablon



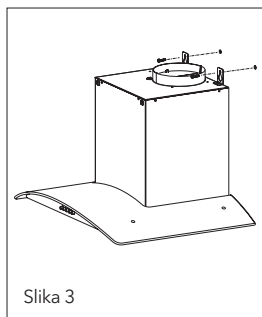
Slika 2

Instalacija nosača za montažu unutrašnjeg kanala

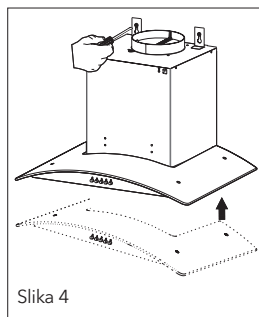
Električnom bušilicom $\varnothing 6\text{mm}$, na odgovarajućoj visini i odgovarajućem mjestu izbušiti 2 rupe u zidu za pričvršćivanje montažnih ugaonika unutrašnjeg kanala. Tiplovi od 6mm se postavu u te rupe, a potom se pričvrste nosači za montažu unutrašnjeg kanala. Tokom posljednjeg koraka instalacije nape, unutrašnji kanal se pričvrsti na nosače za montažu unutrašnjeg kanala.

MONTAŽA NAPE NA ZID

Podignite kućište nape i učvrstite montažne ugaonike na zidne tiplove kao što je prikazano na **slici 3**.



Slika 3



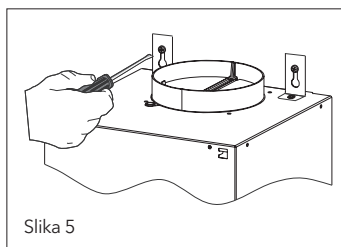
Slika 4

Nivelisanje nape

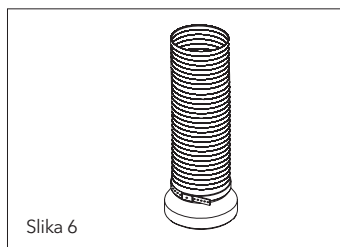
Ako je napa nagnuta na jednu stranu, može se iznivelisati vijcima za podešavanje, kao što je prikazano na **slici 4**. Pošto završite sa nivelisanjem, čvrsto fiksirajte vijke kao što je prikazano na **slici 5**. Nakon toga, fiksirajte kućište nape jednim vijkom kroz otvor na kućištu.

Montaža aluminijumske cijevi

Postavite aluminijumsku cijev na plastični kanal. Stavite drugi kraj cijevi u odvod za vazduh u kuhinji. (**Slika 6**)

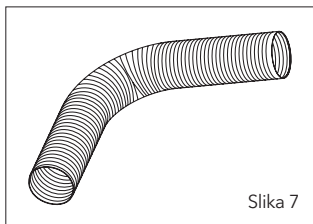


Slika 5

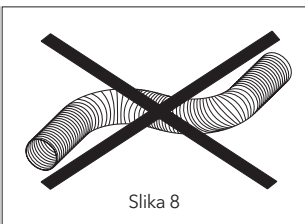


Slika 6

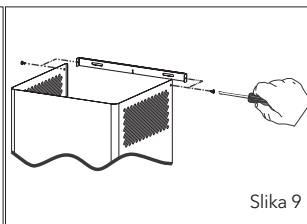
Uvrtnje i pregibi aluminijumske cijevi mogu da dovedu do smanjenja usisne snage vazduha, zato pokušajte da izbjegnute nepotrebne pregibe i uvrtnja što je više moguće. **(Slika 7-8)** Pažljivo postavite unutrašnji kanal i spoljašnji kanal na proizvod. Pričvrstite unutrašnji kanal na unutrašnju priključnu ploču kanala sa 2 vijka. **(Slika 9)**



Slika 7



Slika 8



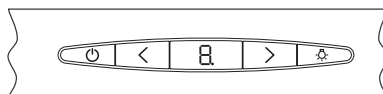
Slika 9

FUNKCIJE NAPE

Kontrolna tabla

Digitalna kontrola: Dodirnite simbole na tasterima. (Funkcija uključivanja / isključivanja i tajmer su na istom tasteru; ako se pritisne na 1 sekundu, određena funkcija će se uključiti. Ako se pritisne 3 sekunde, tajmer će raditi 15 minuta.

Kontrola dodirom: Dodirnite simbole na staklenoj površini. Ako pritisnete simbol na duže (više od 3 sekunde) više funkcija biće u opticaju.



Funkcije simbola


	Uključuje i isključuje motor. (Osim za osvjetljenje)		Povećava brzinu prilikom rada motora.
	Smanjuje brzinu prilikom rada motora		Ako se pritisne ovaj simbol, motor će se sam isključiti u roku od 15 minuta
	Displej		Uključuje i isključuje sistem osvjetljenja

NAPOMENA

Kada proizvod radi određeno vrijeme, aluminijumski filteri se zaprljaju i digitalni displej prikazuje znak „C“ (Clean). To znači da filtere treba očistiti. Pritisnite taster za smanjenje brzine na 5 sekundi da biste izbrisali znak "C" sa displeja.

Taster: Pritisak na taster omogućava različite funkcije. Da biste ih onemogućili, dovoljno je da pritisnete dugme Off.



OFF	Zaustavlja motor, osim osvjetljenja	MAX	Intenzivna brzina
MIN	Mala brzina		Uključuje i isključuje samo sistem osvjetljenja.
MID	Srednja brzina		

RUKOVANJE NAPOM

Napa se koristi u kuhinjama sa i bez odvodnih kanala.

Režim sa odvodnim kanalom

U slučaju odvodnih kanala, ventilator za odvod vazduha treba da bude povezan sa izlazom vazduha, kako bi se vazduh izvuкао. Da biste efikasno koristili napu, cijev između nape i izlaza vazduha treba da bude kratka. Proizvod je pogodan za upotrebu sa i bez odvodnih kanala.

Okrugli ugljeni filter

U kuhinjama koje nemaju cijev za odvod vazduha, treba ponovo ugraditi okrugli ugljeni filter. Okrugli filter možete dobiti od svog servisa ili prodavca.

Upotreba ugljenog filtera

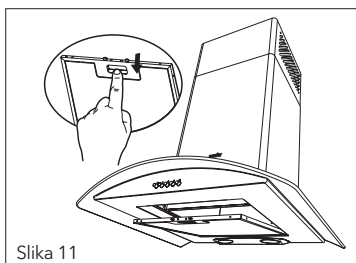
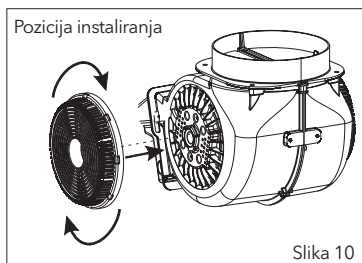
- Naši proizvodi omogućavaju ugradnju ugljenog filtera.
- Bez obzira da li se ugljeni filter koristi ili ne, na proizvodu treba da budu instalirani filteri za masnoću. Nemojte koristiti proizvod bez filtera za masnoću.
- Upotreba ugljenih filtera je opisana niže.
- Isključite napajanje uređaja prije zamjene ugljenog filtera.
- Ugljeni filter se koristi u kuhinjama bez odvodnog kanala, stoga ih treba mijenjati svakih 3-5 mjeseci, u zavisnosti od učestalosti korištenja.
- Ugljeni filter se nikada ne smije prati.

Instalacija ugljenog filtera

- Ugljeni filteri se koriste u kuhinjama bez odvodnog kanala.
- Ugljeni filteri se instaliraju na obje strane ventilatora, kao što je prikazano na **slici 10**, okretanjem za 10 stepeni u pravcu kazaljke na satu.
- Prilikom deinstaliranja, koristite isti postupak u suprotnom smjeru.

Upotreba aluminijumskih kasetnih filtera

Aluminijumski kasetni filter zadržava prašinu i masnoću iz vazduha. Napa se nikada ne smije koristiti bez aluminijumskih kasetnih filtera. (**Slika 11**)



ZAMJENA SIJALICE

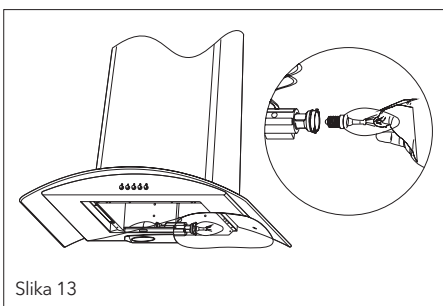
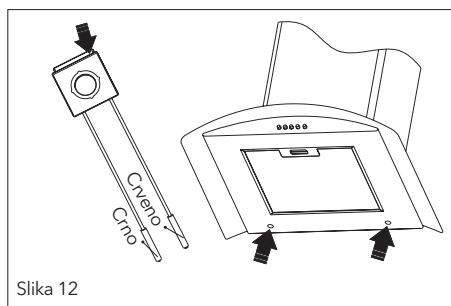
Uvijek isključite napajanje prije nego što počnete sa radom.

Led

- Ukoliko LED sijalica ne radi, može se ukloniti kao što je prikazano na **slici 12**.
- Nova sijalica koja se isporučuje uz uređaj zamjenjuje se istom operacijom u suprotnom smjeru.
- Kablovi su dizajnirani sa utičnicama. Utikač mora biti izveden u skladu sa prethodnim priključkom.

Halogena sijalica

- Ukoliko sijalica ne radi, može se ukloniti kao što je prikazano na (**slici 12**).
- Uklonjenu sijalicu zamijenite novom sijalicom koja ima iste karakteristike.
- Uklonite LED sijalicu sa držača. Stavite novu LED sijalicu na kućište držača LED sijalice koje ste uklonili kao što je prikazano na **slici 13**.



ODRŽAVANJE NAPE

- Treba isključiti uređaj ili prekidač prije procesa čišćenja i održavanja.
- Metalni filter treba jednom mjesečno čistiti vrućom vodom i sapunom ili u mašini za posude, ako je moguće. (60 °C)
- Uklonite aluminijumski kasetni filter pritiskom na opruge na bočnoj strani. Poslije pranja filter nemojte ponovo montirati prije nego ga osušite.
- Spoljnu površinu nape treba obrisati vlažnom krpom natopljenom sapunicom.
- Pobrinite se da elektronski dijelovi ne dodiruju vodu ili slične materijale.
- Za inox proizvode: korištenje inox proizvoda za čišćenje i održavanje koji su dostupni na tržištu obezbijediće duži vijek trajanja vašeg uređaja.
- Aluminijumski filteri se mogu prati u mašini za pranje posuda. Nakon nekoliko ispiranja aluminijumski filteri mogu promijeniti boju. Ovo je normalno i filteri se zbog toga ne moraju zamijeniti.



UPOZORENJE!

Kada se koristi sa uređajima koji koriste gorivo (grijači koji rade na gas, dizel gorivo, ugalj ili ogrijevno drvo, bojleri, itd.) i vazduh u životnoj sredini; treba ga koristiti oprezno. Poklopac nape koji šalje vazduh iz okoline može negativno uticati na sagorijevanje.

Ovo upozorenje nije primjenljivo kod uređaja bez odvodnih kanala.

Efikasna upotreba nape

- Prilikom ugradnje nape na kanal za dovod vazduha, koristite cijevi prečnika 150/120 mm i koristite krivine što je moguće manje.
- Pazite na periode čišćenja metalnih filtera i vrijeme zamjene ugljenog filtera.
- Kada jaka usisna snaga nije potrebna, koristite proizvod u srednjoj postavci.
- Za ispravnu ventilaciju, prozori u kuhinji koji vode ka spolja treba da budu zatvoreni.

UKOLIKO NAPA NE RADI

Prije nego što kontaktirate servis, provjerite da li je proizvod priključen i da li osigurač u električnoj instalaciji radi. Ne radite ništa što bi moglo da ošteti proizvod.

Servis i rezervni dijelovi

Možete dobiti rezervne dijelove uređaja od svog prodavca ili ovlaštenih servisa. Paket sadrži listu ovlaštenih servisa za proizvod. Kada se obratite svom servisu ili prodavcu da biste zatražili rezervne dijelove, obavjestite ih o nazivu modela proizvoda koji je prikazan na etiketi proizvoda. Kada uklonite aluminijumski kasetni filter, vidjet ćete oznaku proizvoda.

Prije nego što kontaktirate Vašu službu, provjerite napu prema donjoj tabeli. Ako se problem ne riješi, obratite se prodavcu ili ovlaštenom servisu.

	Provjerite električni priključak (mrežni napon treba da bude 220-240 V, napa treba priključiti na utičnicu za uzemljenje.)	Provjerite prekidač motora (prekidač motora treba da bude uključen.)	Provjerite prekidač sijalice (prekidač sijalice treba da bude uključen.)	Provjerite aluminijski filter (aluminijski kasetni filter treba prati jednom mjesečno u slučaju normalne upotrebe.)	Provjerite sijalice (sijalice treba da budu u radnom stanju.)	Provjerite osovine odvoda za vazduh (osovine odvoda za vazduh treba da su odblokirane.)	Provjerite ugljeni filter (ugljeni filteri treba da se zamjenjuju kvartalno pri normalnoj upotrebi.)
Napa ne radi	●	●					
Sijalica ne radi	●		●		●		
Uisna snaga vazduha nape je slaba				●		●	●
Ne odvodi vazduh (u slučajevima proizvoda bez odvodnog kanala)				●			●

EKOLOŠKI PRIHVATLJIVO ODLAGANJE



Odložite ambalažu na ekološki prihvatljiv način.

Ovaj uređaj je označen u skladu sa Evropskom direktivom 2012/19 / EU koja se odnosi na upotrebu električnih i elektronskih uređaja (otpadna električna i elektronska oprema - VEEE). Pravilnik određuje okvir za recikliranje upotrebljenih uređaja kao što je primjenjivo u cijeloj EU.

INFORMACIJE O PAKETU

Materijali za pakovanje proizvoda proizvedeni su od materijala koji se mogu reciklirati u skladu sa našim nacionalnim propisima o zaštiti životne sredine.

Materijal za pakovanje ne odlažite zajedno sa otpadom iz domaćinstva ili drugim otpadom. Odnosite ih na mjesta za sakupljanje ambalaže koje su odredile lokalne vlasti.

Poštovani korisniče,
Zahvaljujemo Vam što ste odabrali naš proizvod.
Preporučujemo vam da pažljivo pročitate ovo uputstvo za upotrebu i da Vam uvek bude pri ruci tokom upotrebe ovog aspiratora kako biste mogli da održavate njegov kvalitet na onom nivou, na kom je bio i prvog dana kada ste ga kupili i da Vas služi na najefikasniji način.

☰ NAPOMENA

Ovo uputstvo za upotrebu je sačinjeno za različite modele. Neke od funkcija navedenih u uputstvu možda ne postoje na vašem uređaju. Te funkcije su označene sa *.

Naši uređaji su dizajnirani isključivo za kućnu upotrebu. Nisu za profesionalnu upotrebu.

MOLIMO VAS PROČITAJTE UPUTSTVA PRE NEGO ŠTO INSTALIRATE ILI KORISTITE OVAJ UREĐAJ.

Ovaj proizvod je proizveden u ekološki prihvatljivim i modernim postrojenjima bez narušavanja prirode.

Odgovara propisima AEEE.

BEZBEDNOSNA UPUTSTVA

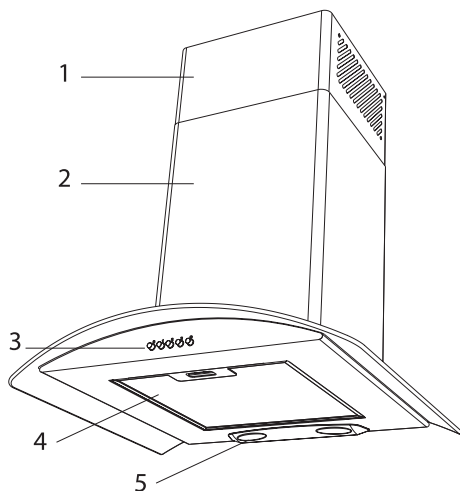
1. Ovaj proizvod je namenjen za upotrebu u domaćinstvu.
2. Napon proizvoda je 220-240 Volti 50Hz.
3. Kabl za napajanje Vašeg proizvoda opremljen je utikačem sa uzemljenjem. Ovaj kabl mora biti priključen u utičnicu za uzemljenje.
4. Sve električne instalacije mora povezati kvalifikovani električar.
5. Ukoliko instalacije povezuje nekvalifikovana osoba proizvod može slabije raditi, a može doći i do oštećenja ili nezgoda.
6. Kabl za napajanje ne sme biti zaglavljen ili oštećen. Takođe ne bi trebalo da bude blizu ploča za kuvanje i sličnih uređaja, jer se u suprotnom može otopiti i izazvati požar.
7. Ne uključujte proizvod u utičnicu pre završetka instalacije.
8. Proverite da li je glavni prekidač lako dostupan kako biste smanjili snagu proizvoda u slučaju opasnosti.
9. Nemojte dodirivati sijalice proizvoda ukoliko ga koristite duže vreme. Sijalice će biti vruće i mogu Vam opeći ruku.
10. Kuhinjski aspiratori su dizajnirani za kućnu upotrebu. Ako se koriste u druge svrhe, može doći do kvara i on neće biti pokriven garancijom.
11. Sledite pravila i propise ovlašćenih agencija koji se odnose na ispuštanje vazduha. (Ovo upozorenje se ne odnosi na upotrebu aspiratora bez odvodne cevi.)
12. Hrana koja može eksplodirati ne sme se kuvati ispod uređaja.
13. Uključite uređaj tek nakon što postavite posude, tiganje i sl. U suprotnom, višak toplote može prouzrokovati deformaciju nekih delova vašeg uređaja.
14. Ne ostavljajte vruće ulje na grejnim pločama. Posude sa vrućim uljem mogu lako da se zapale.
15. Prilikom kuvanja, tj. dubokog prženja, vruće ulje se može zapaliti. Obratite pažnju na zavese i krpe.
16. Proverite da li ste zamenili filtere u preporučenim intervalima. Filteri koji se ne zamene na vreme nose rizik od požara zbog povećanja masnoće na njima.
17. Umesto filtera nemojte koristiti materijale koji nisu otporni na vatru.
18. Držite potencijalno opasne materijale za pakovanje dalje od dece.
19. Nemojte koristiti uređaj bez filtera, ne uklanjajte filtere dok uređaj radi.
20. U slučaju pojave plamena, isključite aspirator i šporet (isključite napajanje isključivanjem uređaja).
21. Isključite ploče za kuvanje pre nego što uklonite posude, tiganje, itd.
22. Ukoliko se uređaj povremeno ne čisti, moguć je rizik od požara.
23. Isključite napajanje pre bilo kakvih radova na održavanju. (Isključite napajanje tako što ćete isključiti uređaj.)
24. Za aspiratore sa odvodnim kanalom koristite cevi prečnika 150 mm ili 120 mm. Potrebno je smanjiti rastojanje kanala minimalnim krivinama.
25. Pazite da se Vaša deca ne igraju proizvodom. Ne dozvolite da mala deca rukuju proizvodom.

26. Ako je kabl za napajanje oštećen, oštećeni kabl treba da zameni proizvođač ili njegov serviser ili slično specijalizovano osoblje kako bi se izbegla opasna situacija.
27. U slučaju pojave plamena isključite napajanje ventilatora aspiratora i šporeta i pokrijte plamen. Nemojte koristiti vodu za gašenje požara.

UPOZORENJE!

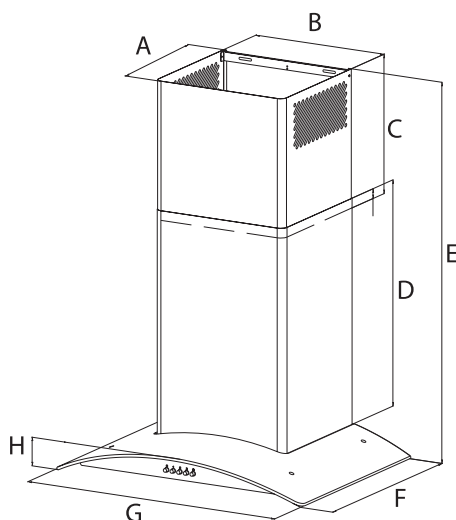
Instalirajte "MAKS. 6 A" osigurač za ventilator.

UVOD I TEHNIČKI CRTEŽI ASPIRATORA



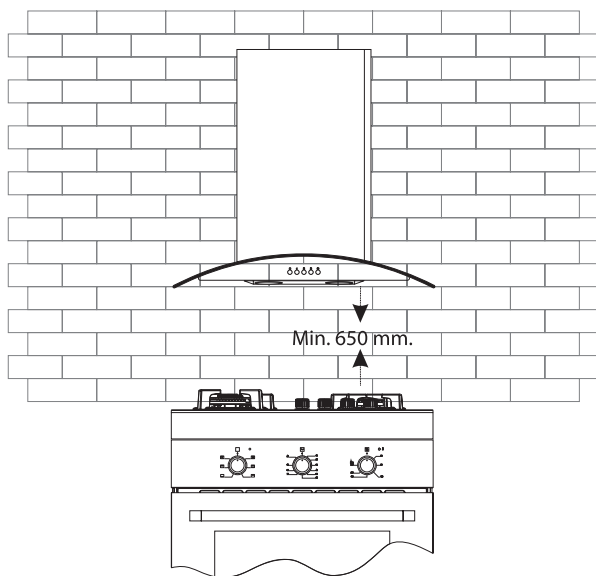
1. Unutrašnji kanal
2. Spoljašnji kanal
3. Kontrolna tabla
4. Filter
5. Osvetljenje

A	285 mm
B	308 mm
C	350 mm
D	500 mm
E	Min 545 mm / Max. 870 mm
F	500 mm
G	596 mm / 896 mm
H	78 mm



MONTAŽA ASPIRATORA

Lokacija aspiratora

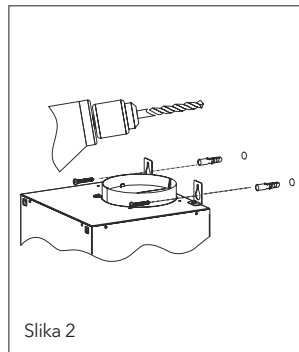
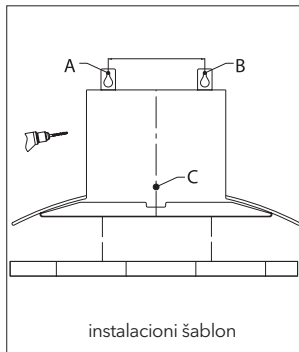
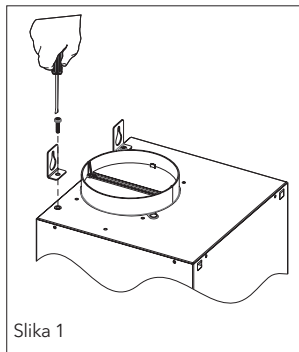


Instalacija nosača za montažu aspiratora

Pričvrstite 2 (dva) nosača za montažu iz pribora za montažu za aspirator navrtkom kao što je prikazano na **slici 1**. Proverite da li su nosači za montažu u kutiji.

Instalacija zidnog nosača za montažu

Pričvrstite tiplove (8mm) u rupe koje su izbušene prema instalacionom šablonu (A, B, C). Oni se fiksiraju u zid sa 2 nosača, kao što je prikazano na **slici 2**.

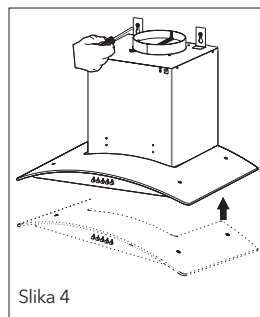
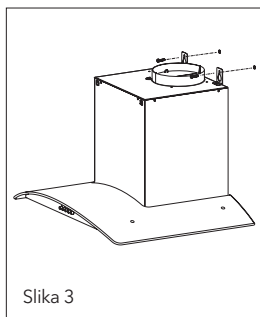


Instalacija nosača za montažu unutrašnjeg kanala

Električnom bušilicom Ø6mm, na odgovarajućoj visini i odgovarajućem mestu izbušiti 2 rupe u zidu za pričvršćivanje montažnih ugaonika unutrašnjeg kanala. Tiplovi od 6mm se postavu u te rupe, a potom se pričvrste nosači za montažu unutrašnjeg kanala. Tokom poslednjeg koraka instalacije aspiratora, unutrašnji kanal se pričvrsti na nosače za montažu unutrašnjeg kanala.

MONTAŽA ASPIRATORA NA ZID

Podignite kućište aspiratora i učvrstite montažne ugaonike na zidne tiplove kao što je prikazano na **slici 3**.

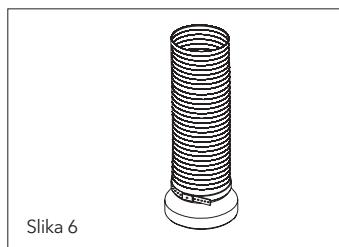
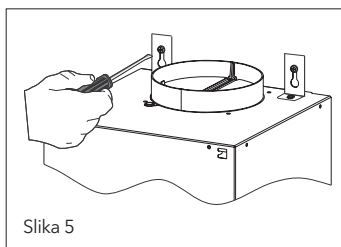


Nivelisanje aspiratora

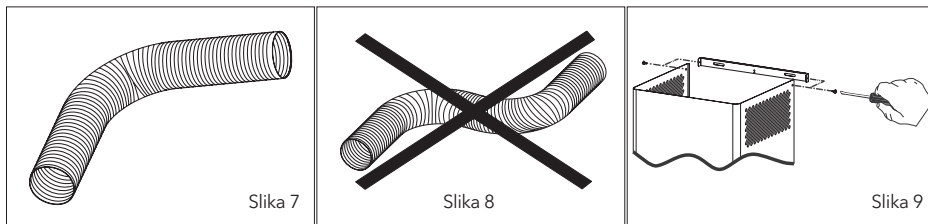
Ako je aspirator nagnut na jednu stranu, može se iznivelisati vijcima za podešavanje, kao što je prikazano na **slici 4**. Pošto završite sa nivelisanjem, čvrsto fiksirajte vijke kao što je prikazano na **slici 5**. Nakon toga, fiksirajte kućište aspiratora jednim vijkom kroz otvor na kućištu.

Montaža aluminijumske cevi

Postavite aluminijumsku cev na plastični kanal. Stavite drugi kraj cevi u odvod za vazduh u kuhinji. (**Slika 6**)



Uvrtnje i pregibi aluminijumske cevi mogu da dovedu do smanjenja usisne snage vazduha, zato pokušajte da izbegnete nepotrebne pregibe i uvrtnja što je više moguće. **(Slika 7-8)** Pažljivo postavite unutrašnji kanal i spoljašnji kanal na proizvod. Pričvrstite unutrašnji kanal na unutrašnju priključnu ploču kanala sa 2 vijka. **(Slika 9)**



FUNKCIJE ASPIRATORA

Kontrolna tabla

Digitalna kontrola: Dodirnite simbole na tasterima. (Funkcija uključivanja / isključivanja i tajmer su na istom tasteru; ako se pritisne na 1 sekundu, određena funkcija će se uključiti. Ako se pritisne 3 sekunde, tajmer će raditi 15 minuta.

Kontrola dodirnom: Dodirnite simbole na staklenoj površini. Ako pritisnete simbol na duže (više od 3 sekunde) više funkcija biće u opticaju.



Funkcije simbola


	Uključuje i isključuje motor. (Osim za osvetljenje)		Povećava brzinu prilikom rada motora.
	Smanjuje brzinu prilikom rada motora.		Ako se pritisne ovaj simbol, motor će se sam isključiti u roku od 15 minuta.
	Displej		Uključuje i isključuje sistem osvetljenja

NAPOMENA

Kada proizvod radi određeno vreme, aluminijumski filteri se zaprljaju i digitalni displej prikazuje znak „C“ (Clean). To znači da filtere treba očistiti. Pritisnite taster za smanjenje brzine na 5 sekundi da biste izbrisali znak "C" sa displeja.

Taster: Pritisak na taster omogućava različite funkcije. Da biste ih onemogućili, dovoljno je da pritisnete dugme Off.



OFF	Zaustavlja motor, osim osvetljenja	MAX	Intenzivna brzina
MIN	Mala brzina		Uključuje i isključuje samo sistem osvetljenja.
MID	Srednja brzina		

RUKOVANJE ASPIRATOROM

Aspirator se koristi u kuhinjama sa i bez odvodnih kanala.

Režim sa odvodnim kanalom

U slučaju odvodnih kanala, ventilator za odvod vazduha treba da bude povezan sa izlazom vazduha, kako bi se vazduh izvukao. Da biste efikasno koristili aspirator, cev između aspiratora i izlaza vazduha treba da bude kratka. Proizvod je pogodan za upotrebu sa i bez odvodnih kanala.

Okrugli ugljeni filter

U kuhinjama koje nemaju cev za odvod vazduha, treba ponovo ugraditi okrugli ugljeni filterer. Okrugli filter možete dobiti od svog servisa ili prodavca.

Upotreba ugljenog filtera

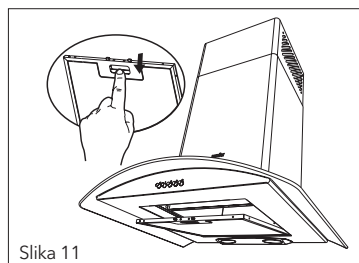
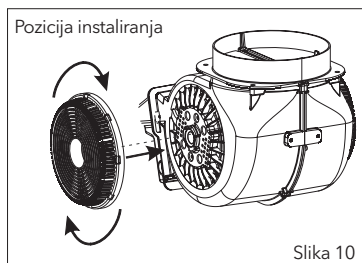
- Naši proizvodi omogućavaju ugradnju ugljenog filtera.
- Bez obzira da li se ugljeni filter koristi ili ne, na proizvodu treba da budu instalirani filteri za masnoću. Nemojte koristiti proizvod bez filtera za masnoću.
- Upotreba ugljenih filtera je opisana niže.
- Isključite napajanje uređaja pre zamene ugljenog filtera.
- Ugljeni filter se koristi u kuhinjama bez odvodnog kanala, stoga ih treba menjati svakih 3-5 meseci, u zavisnosti od učestalosti korišćenja.
- Ugljeni filter se nikada ne sme prati.

Instalacija ugljenog filtera

- Ugljeni filteri se koriste u kuhinjama bez odvodnog kanala.
- Ugljeni filteri se instaliraju na obe strane ventilatora, kao što je prikazano na slici 10, okretanjem za 10 stepeni u pravcu kazaljke na satu.
- Prilikom deinstaliranja, koristite isti postupak u suprotnom smeru.

Upotreba aluminijumskih kasetnih filtera

Aluminijumski kasetni filter zadržava prašinu i masnoću iz vazduha. Aspirator se nikada ne sme koristiti bez aluminijumskih kasetnih filtera. **(Slika 11)**



ZAMENA SIJALICE

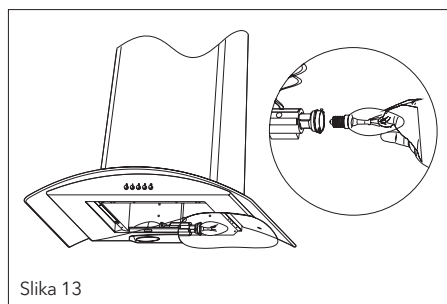
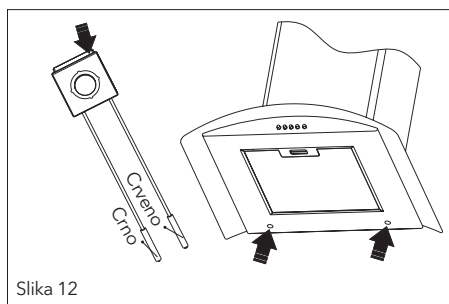
Uvek isključite napajanje pre nego što počnete sa radom.

Led

- Ukoliko LED sijalica ne radi, može se ukloniti kao što je prikazano na **slici 12**.
- Nova sijalica koja se isporučuje uz uređaj zamenjuje se istom operacijom u suprotnom smeru.
- Kablovi su dizajnirani sa utičnicama. Utikač mora biti izveden u skladu sa prethodnim priključkom.

Halogena sijalica

- Ukoliko sijalica ne radi, može se ukloniti kao što je prikazano na (**slici 12**).
- Uklonjenu sijalicu zamenite novom sijalicom koja ima iste karakteristike.
- Uklonite LED sijalicu sa držača. Stavite novu LED sijalicu na kućište držača LED sijalice koje ste uklonili kao što je prikazano na **slici 13**.



ODRŽAVANJE ASPIRATORA

- Treba isključiti uređaj ili prekidač pre procesa čišćenja i održavanja.
- Metalni filter treba jednom mesečno čistiti vrućom vodom i sapunom ili u mašini za sudove, ako je moguće. (60 °C)
- Uklonite aluminijumski kasetni filter pritiskom na opruge na bočnoj strani. Posle pranja filter nemojte ponovo montirati pre nego ga osušite.
- Spoljnu površinu aspiratora treba obrisati vlažnom krpom natopljenom sapunicom.
- Pobrinite se da elektronski delovi ne dodiruju vodu ili slične materijale.
- Za inox proizvode: korišćenje inox proizvoda za čišćenje i održavanje koji su dostupni na tržištu obezbediće duži vek trajanja vašeg uređaja.
- Aluminijumski filteri se mogu prati u mašini za pranje sudova. Nakon nekoliko ispiranja aluminijumski filteri mogu promeniti boju. Ovo je normalno i filteri se zbog toga ne moraju zameniti.



UPOZORENJE!

Kada se koristi sa uređajima koji koriste gorivo (grejači koji rade na gas, dizel gorivo, ugalj ili ogrevno drvo, bojleri, itd.) i vazduh u životnoj sredini; treba ga koristiti oprezno. Poklopac aspiratora koji šalje vazduh iz okoline može negativno uticati na sagorevanje.

Ovo upozorenje nije primenljivo kod uređaja bez odvodnih kanala.

Efikasna upotreba aspiratora

- Prilikom ugradnje aspiratora na kanal za dovod vazduha, koristite cevi prečnika 150/120 mm i koristite krivine što je moguće manje.
- Pazite na periode čišćenja metalnih filtera i vreme zamene ugljenog filtera.
- Kada jaka usisna snaga nije potrebna, koristite proizvod u srednjoj postavci.
- Za ispravnu ventilaciju, prozori u kuhinji koji vode ka spolja treba da budu zatvoreni.

UKOLIKO ASPIRATOR NE RADI

Pre nego što kontaktirate servis, proverite da li je proizvod priključen i da li osigurač u električnoj instalaciji radi. Ne radite ništa što bi moglo da ošteti proizvod.

Servis i rezervni delovi

Možete dobiti rezervne delove uređaja od svog prodavca ili ovlašćenih servisa. Paket sadrži listu ovlašćenih servisa za proizvod. Kada se obratite svom servisu ili prodavcu da biste zatražili rezervne delove, obavestite ih o nazivu modela proizvoda koji je prikazan na etiketi proizvoda. Kada uklonite aluminijumski kasetni filter, videćete oznaku proizvoda.

Pre nego što kontaktirate Vašu službu, proverite aspirator prema donjoj tabeli. Ako se problem ne reši, obratite se prodavcu ili ovlašćenom servisu.

	Proverite električni priključak (mrežni napon treba da bude 220-240 V, aspirator treba priključiti na utičnicu za uzemljenje.)	Proverite prekidač motora (prekidač motora treba da bude uključen.)	Proverite prekidač sijalice (prekidač sijalice treba da bude uključen.)	Proverite aluminijumski filter (aluminijumski kasetni filter treba prati jednom mesečno u slučaju normalne upotrebe.)	Proverite sijalice (sijalice treba da budu u radnom stanju.)	Proverite osovine odvoda za vazduh (osovine odvoda za vazduh treba da su odblokirane.)	Proverite ugljeni filter (ugljeni filteri treba da se zamenjuju kvartalno pri normalnoj upotrebi.)
Aspirator ne radi	●	●					
Sijalica ne radi	●		●		●		
Usisna snaga vazduha aspiratora je slaba				●		●	●
Ne odvodi vazduh (u slučajevima proizvoda bez odvodnog kanala)				●			●

EKOLOŠKI PRIHVATLJIVO ODLAGANJE



Odložite ambalažu na ekološki prihvatljiv način.

Ovaj uređaj je označen u skladu sa Evropskom direktivom 2012/19 / EU koja se odnosi na upotrebu električnih i elektronskih uređaja (otpadna električna i elektronska oprema - VEEE). Pravilnik određuje okvir za recikliranje upotrebljenih uređaja kao što je primenjivo u celoj EU.

INFORMACIJE O PAKETU

Materijali za pakovanje proizvoda proizvedeni su od materijala koji se mogu reciklirati u skladu sa našim nacionalnim propisima o zaštiti životne sredine.

Materijal za pakovanje ne odlažite zajedno sa otpadom iz domaćinstva ili drugim otpadom. Odnosite ih na mesta za sakupljanje ambalaže koje su odredile lokalne vlasti.

TESLA

tesla.info

Ovaj dokument je originalno proizveden i objavljen od strane proizvođača, brenda Tesla, i preuzet je sa njihove zvanične stranice. S obzirom na ovu činjenicu, Tehnoteka ističe da ne preuzima odgovornost za tačnost, celovitost ili pouzdanost informacija, podataka, mišljenja, saveta ili izjava sadržanih u ovom dokumentu.

Napominjemo da Tehnoteka nema ovlašćenje da izvrši bilo kakve izmene ili dopune na ovom dokumentu, stoga nismo odgovorni za eventualne greške, propuste ili netačnosti koje se mogu naći unutar njega. Tehnoteka ne odgovara za štetu nanесenu korisnicima pri upotrebi netačnih podataka. Ukoliko imate dodatna pitanja o proizvodu, ljubazno vas molimo da kontaktirate direktno proizvođača kako biste dobili sve detaljne informacije.

Za najnovije informacije o ceni, dostupnim akcijama i tehničkim karakteristikama proizvoda koji se pominje u ovom dokumentu, molimo posetite našu stranicu klikom na sledeći link:

<https://tehnoteka.rs/p/tesla-aspirator-dd600sg-akcija-cena/>