

Uputstvo za upotrebu (EN)

BEKO aparat za tursku kafu BKK2300M

The Beko logo is displayed in a bold, blue, sans-serif font. A thick blue horizontal line is positioned below the letters 'o' and 'k', extending to the right.

Tehnoteka je online destinacija za upoređivanje cena i karakteristika bele tehnike, potrošačke elektronike i IT uređaja kod trgovinskih lanaca i internet prodavnica u Srbiji. Naša stranica vam omogućava da istražite najnovije informacije, detaljne karakteristike i konkurentne cene proizvoda.

Posetite nas i uživajte u ekskluzivnom iskustvu pametne kupovine klikom na link:

<https://tehnoteka.rs/p/beko-aparat-za-tursku-kafu-bkk2300m-akcija-cena/>

Turkish Coffee Machine

User Manual



BKK 2300

EN | DE | FR | RU | SL | RO | BG | TR | AR

01M-3580480400-5316-04

beko

Please read this user manual first!

Dear Customer,

Thank you for preferring a Beko product. We hope that you get the best results from your product which has been manufactured with high quality and state-of-the-art technology. Therefore, please read this entire user manual and all other accompanying documents carefully before using the product and keep it as a reference for future use. If you handover the product to someone else, give the user manual as well. Follow all warnings and information in the user manual.

Meanings of the symbols

Following symbols are used in the various section of this manual:



Important information and useful hints about usage.



WARNING: Warnings for dangerous situations concerning the safety of life and property.



This product has been produced in environmentally-friendly, state-of-the-art facilities.

This appliance conforms to the WEEE regulation.



It does not contain PCB.
Made in Turkey

CONTENTS

1 Important safety and environmental instructions 4

- 1.1 General safety4
- 1.2 Compliance with the WEEE Directive and disposal of waste products10
- 1.3 Package information10

2 Your coffee machine 11

- 2.1 Overview11
- 2.2 Technical data.....12

3 Operation 13

- 3.1 Initial use13
- 3.2 Cooking.....13
- 3.3 Quantities15
- 3.4 Sleep mode.....15
- 3.5 Notifications16

4 Cleaning and care 17

- 4.1 Cleaning17
 - 4.1.1 Descaling18
- 4.2 Storage.....18
- 4.3 Handling and transportation.....18

5 Before calling the service 19

1

Important safety and environmental instructions

This section contains safety instructions that will help protect from risk of personal injury or property damage.

Failure to follow these instructions invalidates the granted warranty.

1.1 General safety

- This appliance complies with the international safety standards.
- Do not use the appliance outdoors and in the bathroom.
- No responsibility or warranty claim shall be assumed for damages arising from misuse or improper handling of the appliance.
- Never attempt to dismantle or separate the mounted parts of the appliance.
- Only use the original parts or parts recommended by the manufacturer.
- Always use the appliance on a stable, flat, clean, dry and non-slip surface.

1

Important safety and environmental instructions

- Do not start to cook coffee without putting water into the coffee pot.
- Do not put any substances apart from coffee, sugar and water into the coffee pot.
- Do not drink the cooked coffee using the coffee pot.
- Due to the manufacturing technology, steam and odour may arise at the heating element of your product during initial use. It is normal. They will disappear after a few cycles.
- Do not move the appliance when it is still hot or when there is liquid inside the coffee pot.
- Avoid contacting the hot surfaces. Hold the coffee pot only by its handle; otherwise there is the risk of burning. Coffee pot gets hot during cooking.
- The base (heating surface) on which the coffee pot is placed gets hot during operation. Therefore, do not touch this area while using and until the appliance gets cold.
- Ensure that the appliance is switched off before moving it.

1

Important safety and environmental instructions

- For additional protection, this appliance should be connected to a household current fault protection circuit breaker of no more than 30 mA.
- Connect the appliance to a shockproof socket that has the correct fuse.
- Do not use it if the power cable or the appliance itself is damaged.
- Do not use the appliance with an extension cord.
- Dry the seat of coffee pot before plugging in the appliance and seating the parts.
- Do not immerse the appliance, power cord, or power plug in water or any other liquids.
- Do not touch the appliance or its plug with damp or wet hands.
- Position the appliance in such a way that the plug is always accessible.
- Prevent damage to the power cable by not squeezing, bending, or rubbing it on sharp edges. Keep the power cable away from hot surfaces and naked flame.

1

Important safety and environmental instructions

- Make sure that there is no danger that the power cord could be accidentally pulled or that someone could trip over it when the appliance is in use.
- Unplug the appliance if any failure occurs.
- Unplug the appliance before cleaning it and never clean it when it is in use.
- Do not pull the power cable of the appliance to unplug the appliance from the outlet and do not wrap its power cable around the appliance.
- Your mains power supply should comply with the information supplied on the rating plate of the appliance.
- Do not use the appliance in or near to combustible or inflammable places and materials.
- Do not use the appliance next or close to the heat resources (hob, grill, heater core, stove and etc.).
- Keep the appliance away from steam resources and avoid using it in environments containing excessive steam.

1

Important safety and environmental instructions

- Do not use the coffee pot with any other heater (hob and etc.) apart from the appliance.
- This appliance is intended to be used in household only. It is not designed for professional use in:
 - staff kitchen areas in shops, offices and other working environments;
 - farm houses;
 - by clients in hotels, motels, and other residential type environment
 - bed and breakfast type environment.
- Do not use the appliance for anything other than its intended use.
- This appliance can only be used to cook coffee.
- Extreme caution is advised when being used near children and persons who are restricted in their physical, sensory or mental abilities.

1

Important safety and environmental instructions

- This appliance may be used by children who are at the age of 8 or over and the people whose physical, perceptive or mental skills are impaired or who are inexperienced or not knowledgeable about the appliance as long as they are supervised or informed and made understood the safe use of the appliance and the encountered dangers. Children should not play with the appliance.
- Cleaning and user maintenance procedures should not be performed by children unless they are controlled by their elders.
- If you keep the package material keep it away from children.
- Make sure the appliance is kept in a place out of reach of children.

1.2 Compliance with the WEEE Directive and disposal of waste products



This product does not include harmful and prohibited materials specified in the "Regulation for Supervision of the Waste Electric and Electronic Appliances" issued by the Ministry of Environment and Urban Planning. Complies with the WEEE Regulation. This appliance has been manufactured with high quality parts and materials which can be reused and are suitable for recycling. Therefore, do not dispose the appliance with normal domestic waste at the end of its service life. Take it to a collection point for the recycling of electrical and electronic equipment. Ask the local authority in your area for these collection points. Help protect the environment and natural resources by recycling used products.

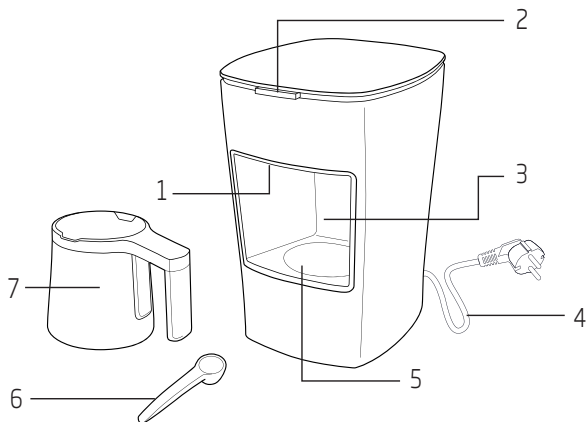
1.3 Package information



Package of the product is made of recyclable materials in accordance with our national legislation. Do not dispose of the packaging materials together with the domestic or other wastes. Take them to the packaging material collection points designated by the local authorities.

2 Your coffee machine

2.1 Overview



1. Cooking level detection sensor
2. Start cooking button and status light
3. Coffee pot base
4. Power cable
5. Heating surface
6. Coffee measuring spoon
7. Coffee pot

The values which are declared in the markings affixed on your product or the other printed documents supplied with it represent the values which were obtained in the laboratories pursuant to the pertinent standards. These values may vary according to the usage of the appliance and ambient conditions.

2 Your coffee machine

2.2 Technical data

Current: Max 3A

Power: 670 W

Voltage: 220-240 V AC ~, 50 Hz

Power cord length: 100 cm

Technical and design modifications reserved!

3 Operation

3.1 Initial use

Make sure that the appliance stands upright on a balanced, flat, clean, dry and non-skid surface.

3.2 Cooking

1. Connect the plug to the wall socket.

- The appliance will switch on automatically.

2. Clean the coffee pot (7) by washing under running water.



To obtain a tasty coffee, make sure that the inside of the coffee pot (7) is dry and clean.



First time use: Run the appliance at least 4 times without adding coffee.

3. Put coffee, sugar and water for one, two or three persons into the coffee pot (7).



If you notice agglomeration or dry coffee at the surface it is recommended to stir the coffee mixture with a plastic or wooden spoon (do not use metal spoon) before starting to cook it.



Make sure that there are no water drops underneath the coffee pot (7) when preparing the coffee. Otherwise, an annoying noise will arise when the water drops get into contact with the hot base.

4. Place the coffee pot (7) onto its seat.



WARNING:

Appliance will not start unless you place the coffee pot properly onto its seat.

5. Press start cooking button (2).

3 Operation

- The appliance will give an audio warning (beep) and status light (2) will turn into red as soon as the appliance starts operating.



Cooking time is 1-1.5 min. for 1 person., 1.5-2.5 min. for 2 persons and 2-3.5 min. for 3 persons.



Cooking time will decrease in repetitive cooking as the heating surface (5) will already be hot.



For a tasty coffee, take the coffee pot (7) from the coffee pot base (3) without waiting!



Pour coffee swiftly in order to ensure the foam and grounds are fully transferred to the coffee pot.



Keep the start cooking button (2) pressed for 3 sec. to cancel cooking coffee for any reason.

6. When the coffee is ready, the appliance will give an audio warning and status light (2) will start to flash in red.

7. When the coffee is ready, transfer it to the coffee cup and serve.



WARNING: Pay attention not to stain the heating surface. If coffee spills onto the heating surface, wipe it with a lightly dampened cloth.

3 Operation

3.3 Quantities

This is an easy-to-use appliance designed to cook coffee. You can cook foamy coffee that suits to your tastes by using the quantities in the table. Following quantities are provided only for information purposes. You can adjust them as per your personal tastes.

3.4 Sleep mode

If no operation is performed on the device for 3 minutes, it will give an audio warning (beep) and switch to stand-by mode. When an operation is performed (coffee pot is placed/removed onto/from its base or the start button is pressed) 2 audio warnings (beeps) is given. Status light turns into white and the appliance becomes ready to operate.

Recommended quantities of ingredients to prepare coffee

	Plain	With less sugar	Medium	With sugar
Coffee	1 measuring spoon	1 measuring spoon	1 measuring spoon	1 measuring spoon
Sugar	-	1/2 lump sugar/ 1/2 tea spoon granulated sugar	1 piece of lump sugar/ 1 tea spoon granulated sugar	2 pieces of lump sugar/ 2 tea spoon granulated sugar

- Add sufficient coffee for one, two or three persons by using the measuring spoon, desired amount of sugar and required amount of water for your cup size (recommended cup size is 65 ml) into the cooking reservoir.
- The specified amounts correspond to a medium-sized cup for one person. You can use the measuring spoon provided as the measuring spoon for the coffee. To prepare delicious coffee with foam, please use fine, fresh coffee that is suitable for Turkish coffee.

3 Operation

3.5 Notifications

Product is ready to prepare coffee

(Steady white light)



Cooking

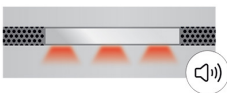
(steady red light)



Wait
(Do not take the pot from its base)

Cooking is complete

(flashing red light)



Take the pot from its base.

Overheated

(flashing pink light)



Take the pot from its base and wait until the light turns into steady white.

Cooking error

(flashing pink light)



Clean pot base and sensor glass. Contact service if the error occurs again.

Time-out error

(steady pink light)



Switch off and on the appliance. Contact service if the error occurs again.

4 Cleaning and care

4.1 Cleaning



WARNING: Do not carry the appliance when the coffee pot is placed onto its base. Coffee pot may get damaged.



WARNING: Never use gasoline, solvent, abrasive cleaning agents, metal objects or hard brushes to clean the appliance.



WARNING: Never immerse the appliance or its power cable in water or in any other liquid.

1. Unplug the appliance before starting any cleaning procedure.
2. Wait for the appliance to cool down.
3. Remove the coffee pot (7) from its base (3).
4. Clean the coffee pot (7) under running water.



Do not clean the heating surface (5) and coffee pot with abrasive sponge or steel wool. Wash it with a soft sponge. Pay particular attention not to scratch these surfaces.



WARNING: Never wash the coffee pot (7) in dishwasher.



WARNING: Do not wash any part of the appliance apart from the coffee pot. You can wipe with a damp cloth.



In order to preserve the taste of the coffee you would prepare, clean the coffee pot (7) after every cooking operation without waiting.

4 Cleaning and care

5. Use a damp and soft cloth and a little amount of soft cleanser in order to clean the exterior of the appliance.



Do not neglect to wipe the cooking level detection sensor (1) with a damp cloth at every 15-20 cooking operations.

6. Place the coffee pot (7) onto its seat.

4.1.1 Descaling

To remove the traces (scales) that may build up inside the coffee pot as a result of usage in time without damaging the inner bottom surface of the coffee pot, pour a cup of half water-half vinegar mixture into the coffee pot and press start cooking (2) button. At the end of cooking, rinse the coffee pot (7) and use it as usual.

4.2 Storage

- If you do not intend to use the appliance for a long time, store it carefully.
- Please make sure that the appliance is unplugged, cooled down and totally dry.
- Store the appliance in a cool and dry place.
- Keep the appliance out of the reach of children.

4.3 Handling and transportation

- During handling and transportation, carry the appliance in its original packaging. The packaging of the appliance protects it against physical damages.
- Do not place heavy loads on the appliance or the packaging. The appliance may be damaged.
- Dropping the appliance will render it nonoperational or cause permanent damage.

5 Before calling the service



First check whether the appliance is plugged in or not.



Check whether there is any break or damage at the cable.



Clean the cooking level detection sensor.

Safety Warnings

Model BKK 2300

Below please find a list of the mandatory warnings that are required to be included in the instruction manual in order for the products to comply with the Australian Specification.

- The appliance is not intended for use by persons (including children) with reduced physical, sensory or mental capabilities, or lack of experience and knowledge, unless they have been given supervised or instruction concerning use of the appliance by a responsible person for their safety.
- Young children should be supervised to ensure that they do not play with the appliance.
- If the supply cord is damaged, it must be replaced by the manufacturer or its service agent or a similarly qualified person in order to avoid a hazard.
- CAUTION: To prevent damage to the appliance do not use alkaline cleaning agents when cleaning, use a soft cloth and a mild detergent
- Warning: This appliance must not be immersed in water for cleaning
- This appliance is intended to be used in household and similar applications such as:
 - Staff kitchen areas in shops, offices and other working environments;
 - Farm houses
 - By clients in hotels, motels and other residential type environments;
 - Bed and Breakfast type environments

NOTE: If you wish to limit the use of the appliance to less than the above, this must be clearly stated in the instructions.

Bitte lesen Sie zuerst diese Anleitung!

Werter Kunde,

Danke, dass Sie sich für ein Produkt der Marke Beko entschieden haben. Wir hoffen, dass Sie mit diesem Produkt, das mit den höchsten Qualitätsanforderungen und der modernsten Technologie hergestellt wurde, beste Ergebnisse erzielen. Bitte lesen Sie die gesamte Bedienungsanleitung und alle anderen Begleitdokumente aufmerksam, bevor Sie das Produkt verwenden; bewahren Sie sie zum künftigen Nachschlagen sicher auf. Wenn Sie das Produkt an einen Dritten weitergeben, händigen Sie bitte auch diese Anleitung aus. Befolgen Sie alle Warnhinweise und Informationen in dieser Anleitung.

Symbole

Folgende Symbole werden in verschiedenen Abschnitten dieser Anleitung verwendet:



Wichtige Informationen und nützliche Tipps in Bezug auf die Verwendung.



WARNUNG: Warnhinweise zu gefährlichen Situationen im Hinblick auf die Sicherheit von Leib, Leben und Eigentum.



Dieses Produkt wurde in umweltfreundlichen, hochmodernen Einrichtungen hergestellt

Dieses Gerät stimmt mit der WEEE-Richtlinie überein.



Es enthält kein PCB.
Hergestellt in: TURKEY

INHALT

1 Wichtige Hinweise zu Sicherheit und Umwelt **23**

1.1 Allgemeine Sicherheit 23

1.2 Konformität mit der WEEE-Richtlinie und Entsorgung von Altprodukten 29

1.3 Informationen zur Verpackung 29

2 Ihre Kaffeemaschine **30**

2.1 Übersicht 30

2.2 Technische Daten 30

3 Bedienung **32**

3.1 Erste Inbetriebnahme 32

3.2 Kaffeekochen 32

3.3 Mengen 34

3.4 Energiesparmodus 34

3.5 Anzeige 35

4 Reinigung und Pflege **36**

4.1 Reinigung 36

4.2 Entkalken 37

4.3 Aufbewahrung 37

5 Vor einem Anruf beim Kundendienst **38**

1

Wichtige Hinweise zu Sicherheit und Umwelt

Dieser Abschnitt erklärt Sicherheitsanweisungen, die beim Schutz vor Personen- und Sachschäden helfen.

Bei Nichtbeachtung dieser Anweisungen erlischt die gewährte Garantie.

1.1 Allgemeine Sicherheit

- Dieses Gerät stimmt mit internationalen Sicherheitsstandards überein.
- Das Gerät nicht im Freien oder im Badezimmer benutzen.
- Bei Schäden durch Missbrauch oder falschen Gebrauch des Gerätes erlöschen jegliche Haftungs- und Garantieansprüche.
- Niemals versuchen, das Gerät auseinanderzubauen oder Einzelteile des Gerätes abzumontieren.
- Nur Originalteile und vom Hersteller empfohlene Teile verwenden.
- Gerät immer auf einer stabilen, ebenen, sauberen, trockenen und rutschfesten Unterlage benutzen.

1

Wichtige Hinweise zu Sicherheit und Umwelt

- Beginnen Sie niemals das Kaffeekochen, ohne vorher Wasser in die Kaffeekanne gefüllt zu haben.
- Füllen Sie keine Stoffe außer Kaffee, Zucker und Wasser in die Kaffeekanne.
- Trinken Sie den zubereiteten türkischen Kaffee nicht direkt aus der Kaffeekanne.
- Aufgrund der Fertigungstechnik entstehen beim erstmaligen Gebrauch Dampf und Gerüche am Heizelement der Maschine. Dies ist normal. Diese verschwinden nach einigen Kochvorgängen.
- Bewegen Sie das Gerät nicht, wenn es noch heiß ist oder wenn sich Flüssigkeit in der Kaffeekanne befindet.
- Kontakt mit heißen Flächen meiden. Halten Sie die Kaffeekanne immer nur am Griff fest; ansonsten besteht Verbrennungsgefahr. Die Kaffeekanne erhitzt sich während dem Kochen.
- Der Sockel (Heizfläche), auf dem sich die Kaffeekanne befindet, wird durch den Betrieb heiß. Berühren Sie deswegen diesen Bereich während dem Gebrauch nicht, bis das Gerät erkaltet ist.

1

Wichtige Hinweise zu Sicherheit und Umwelt

- Vor dem Bewegen sicherstellen, dass das Gerät ausgeschaltet ist.
- Falls nicht vorhanden, wird als zusätzlicher Schutz die Installation einer Fehlerstrom- Schutzeinrichtung (RCD) mit einem Bemessungsauslösestrom von nicht mehr als 30 mA empfohlen. Bitte einen Elektriker kontaktieren.
- Schließen Sie das Gerät an eine Schutzkontaktsteckdose an, die ausreichend abgesichert wurde.
- Verwenden Sie das Produkt nicht, falls Netzkabel oder Gerät selbst beschädigt sind.
- Gerät nicht mit einem Verlängerungskabel verwenden.
- Trocknen Sie den Kaffeekannensockel ab, bevor Sie das Gerät ans Stromnetz anschließen oder die Kaffeekanne hineinstellen.
- Gerät, Netzkabel sowie Netzstecker nicht in Wasser oder andere Flüssigkeiten tauchen.
- Gerät oder Netzstecker nicht mit feuchten oder gar nassen Händen berühren.

1

Wichtige Hinweise zu Sicherheit und Umwelt

- Gerät so aufstellen, dass der Netzstecker immer zugänglich ist.
- Schäden am Netzkabel vermeiden, nicht quetschen, knicken oder über scharfe Kanten ziehen. Netzkabel von heißen Oberflächen und offenen Flammen fernhalten.
- Anschlusskabel so verlegen, dass ein unbeabsichtigtes Ziehen daran bzw. ein Darüberstolpern nicht möglich ist.
- Trennen Sie das Gerät vom Stromnetz, wenn ein Stromausfall eintritt.
- Trennen Sie das Gerät vor dem Reinigen immer vom Stromnetz und reinigen Sie es nie, wenn es gerade in Betrieb ist.
- Zum Trennen von der Stromversorgung niemals am Netzkabel des Gerätes ziehen. Netzkabel niemals um das Gerät wickeln.
- Ihre Stromversorgung muss mit den Angaben am Typenschild des Gerätes übereinstimmen.

1

Wichtige Hinweise zu Sicherheit und Umwelt

- Gerät nicht an oder in der Nähe von Stellen benutzen, an denen sich leicht brennbare oder gar explosive Materialien befinden.
- Verwenden Sie das Gerät nicht in der Nähe von Hitzequellen (Kochfeld, Backofen, Heizung, Herd usw.).
- Halten Sie das Gerät von Dampfquellen fern und vermeiden Sie eine Verwendung in Umgebungen mit viel Dampf.
- Verwenden Sie die Kaffeekanne nicht zusammen mit einem anderen Hitze erzeugenden Gerät (Kochfeld usw.).
- Dieses Gerät ist nur für den privaten Gebrauch bestimmt. Es darf nicht für den gewerblichen Gebrauch verwendet werden:
 - in Betriebsküchen, in Läden, Büros und anderen Arbeitsumgebungen;
 - auf Bauernhöfen;
 - von Kunden in Hotels, Pensionen und anderen wohntypischen Umgebungen.
- Das Gerät nicht für Zwecke benutzen, für die es nicht bestimmt ist.

1

Wichtige Hinweise zu Sicherheit und Umwelt

- Dieses Gerät kann nur zum Kaffeekochen verwendet werden.
- Besondere Vorsicht gilt bei Verwendung in der Nähe von Kindern oder Personen, deren körperliche, sensorische oder geistige Fähigkeiten eingeschränkt sind.
- Dieses Gerät kann von Kindern im Alter von mindestens 8 Jahren und Personen mit eingeschränkten physischen und psychischen Fähigkeiten oder einem Mangel an Erfahrung und Wissen im Umgang mit dem Gerät verwendet werden, sofern sie beaufsichtigt werden oder im sicheren Umgang mit dem Gerät unterwiesen wurden und die damit verbundenen Gefahren verstehen. Kinder dürfen nicht mit dem Gerät spielen.
- Reinigungs- und Wartungsarbeiten dürfen nicht von Kindern ausgeführt werden, sofern diese nicht durch einen Erwachsenen beaufsichtigt werden.
- Falls Sie die Verpackung aufbewahren, sollten Sie sie von Kindern fernhalten.

1

Wichtige Hinweise zu Sicherheit und Umwelt

- Darauf achten, dass sich das Gerät immer außerhalb der Reichweite von Kindern befindet.

1.2 Konformität mit der WEEE-Richtlinie und Entsorgung von Altprodukten



Dieses Produkt enthält keine der in der vom Ministerium für Umwelt und Städteplanung ausgestellten „Regulierung zur Überwachung von elektrischen und elektronischen Altgeräten“ angegebenen gefährlichen und verbotenen Materialien. Das Gerät erfüllt die Vorgaben der WEEE-Richtlinie. Dieses Gerät wurde aus hochwertigen Teilen und Materialien hergestellt, die wiederverwendet werden können und zum Recycling geeignet sind. Deshalb darf das Gerät am Ende seiner Einsatzzeit nicht mit dem normalen Hausmüll entsorgt werden. Geben Sie das Gerät bei einer Sammelstelle ab, die für das Recycling von elektrischen und elektronischen Geräten zuständig ist. Erkundigen Sie sich bei der örtlichen Behörde in Ihrer Region nach diesen Sammelstellen. Durch das Recycling von Altgeräten tragen Sie zum Schutz der Umwelt und natürlicher Rohstoffe bei.

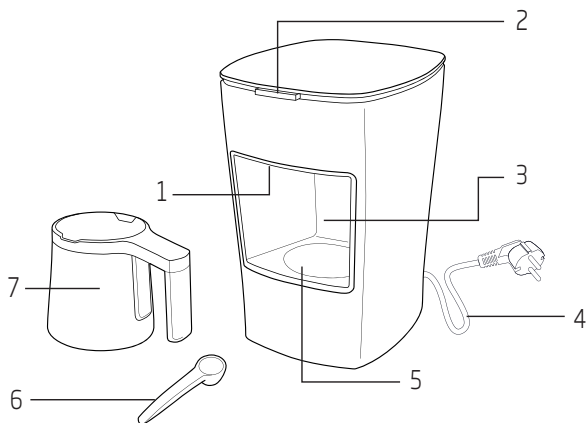
1.3 Informationen zur Verpackung



Die Verpackung des Produkts wurde gemäß unserer nationalen Gesetzgebung aus recyclingfähigen Materialien hergestellt. Entsorgen Sie die Verpackungsmaterialien nicht mit dem Hausmüll oder anderem Müll. Bringen Sie sie zu einer von der Stadtverwaltung bereitgestellten Sammelstelle für Verpackungsmaterial.

2 Ihre Kaffeemaschine

2.1 Übersicht



1. Überkochkontrollsensor
2. Schaltfläche "Start" und Status-Anzeige
3. Kaffeekannensockel
4. Netzkabel
5. Heizfläche
6. Messlöffel für Kaffee
7. Kaffeekanne

Die am Gerät oder in der Dokumentation angegebenen Werte wurden nach maßgeblichen Standards unter Laborbedingungen ermittelt. Diese Werte können je nach Einsatz- und Umgebungsbedingungen variieren.

2 Ihre Kaffeemaschine

2.2 Technische Daten

Stromversorgung: Max 3A

Leistung: 670 W

Spannung: 220-240 V Wechselspannung, 50Hz

Netzkabellänge: 100 cm

Technische und optische
Änderungen vorbehalten.

3 Bedienung

3.1 Erste Inbetriebnahme

Stellen Sie das Gerät aufrecht und gerade auf einer ebenen, flachen, sauberen, trockenen und rutschfesten Unterlage auf.

3.2 Kaffeekochen

1. Netzstecker in die Steckdose stecken.
 - Das Gerät schaltet sich automatisch ein.
2. Reinigen Sie die Kaffeekanne (7), indem Sie sie unter fließendem Wasser abwaschen.



Für einen dauerhaften Kaffeegenuss sollten Sie sicherstellen, dass das Innere der Kaffeekanne (7) stets trocken und sauber ist.



Erste Inbetriebnahme: Mindestens viermal reines Wasser durchlaufen lassen, keinen Kaffee hinzugeben.

3. Füllen Sie Kaffee, Zucker und Wasser für ein, zwei oder drei Personen in die Kaffeekanne ein (7).



Wenn Sie eine Ansammlung an trockenem Kaffee an der Oberfläche feststellen, empfiehlt es sich, die Kaffeemischung vor dem Kochen mit einem Kunststoff- oder Holzlöffel umzurühren; verwenden Sie dazu auf keinen Fall einen Metalllöffel.



Stellen Sie vor jeder Zubereitung sicher, dass sich unter der Kaffeekanne (7) keine Wassertropfen befinden. Andernfalls entsteht beim Kontakt der Wassertropfen mit dem heißen Sockel ein störendes Rauschen.

4. Stellen Sie die Kaffeekanne (7) auf ihren Sockel.

3 Bedienung



WARNUNG: Das Gerät wird nur dann starten, wenn Sie die Kaffeekanne richtig auf ihrem Sockel platzieren.



Gießen Sie den Kaffee schnell in die Tasse(n), um zu verhindern, dass Schaum und Satz in der Kanne zurückbleiben (7).

5. Drücken Sie die Start-Taste (2).

- Das Gerät gibt einen Signalton (Piepton) ab und die Statusanzeige (2) leuchtet rot, sobald das Gerät in Betrieb genommen wird.



Halten Sie die Starttaste (2) 3 Sek. gedrückt, wenn Sie das Kaffeekochen abbrechen möchten.



Die Kochzeit beträgt 1-1,5 Min. für 1 Person, 1,5-2,5 Min. für 2 Personen und 2-3,5 Min. für 3 Personen.

6. Wenn der Kaffee fertig ist, gibt das Gerät einen Signalton ab und die Statusanzeige (2) beginnt rot zu blinken.

7. Wenn der Kaffee gekocht ist, gießen Sie ihn in Tassen und servieren Sie ihn.



Die Kochzeit verringert sich bei wiederholtem Kochen, da dann die Heizfläche (5) bereits heiß ist.



Für den besten Kaffeegenuss sollten Sie die Kaffeekanne (7) sofort nach Beendigung des Kochvorgangs vom Sockel (3) nehmen!



WARNUNG:

Achten Sie darauf, die Heizfläche nicht zu verunreinigen. Wenn Kaffee auf die Heizfläche gelangt, sollte diese mit einem leicht angefeuchteten Tuch abgewischt werden.

3 Bedienung

3.3 Mengen

Dies ist ein einfach zu bedienendes Gerät, das zum Kochen von türkischem Kaffee entworfen wurde. Sie können cremigen türkischen Kaffee Ihrem Geschmack nach kochen und dazu die Mengenangaben in der Tabelle zu Hilfe nehmen. Folgende Mengenangaben werden nur zu Informationszwecken zur Verfügung gestellt. Sie können diese Ihrem persönlichen Geschmack anpassen.

3.4 Energiesparmodus

Wenn das Gerät 3 Minuten lang nicht betrieben wird, gibt es einen Signalton (Piepton) ab und wechselt in den Standby-Modus. Wenn es erneut in Betrieb genommen wird (z.B. die Kaffeekanne eingesetzt/entfernt oder die Starttaste gedrückt wird) ertönen 2 Signaltöne (Pieptöne). Die Statusleuchte wird weiß und das Gerät ist einsatzbereit.

Empfohlene Mengen der Zutaten zur Zubereitung von türkischem Kaffee

	Schwarz	Mit weniger Zucker	Mittelsüß	Süß
Kaffee	1 Messlöffel	1 Messlöffel	1 Messlöffel	1 Messlöffel
Zucker	-	1/2 Würfelzucker/ 1/2 Teelöffel Kristallzucker	1 Stück Würfelzucker 1 Teelöffel Kristallzucker	2 Stück Würfelzucker 2 Teelöffel Kristallzucker

- Geben Sie mit dem Messlöffel genügend Kaffee für eine, zwei oder drei Personen, die gewünschte Menge Zucker und die je nach Tassengröße benötigte Menge Wasser (empfohlene Tassengröße: 65 ml) in den Kochbehälter.
- Die angegebenen Mengen entsprechen einer mittelgroßen Tasse für eine Person. Als Meßlöffel für den Kaffee können Sie den mitgelieferten Meßlöffel benutzen. Für die Zubereitung eines geschmackvollen Kaffees mit Schaum benutzen Sie bitte feinen, frischen Kaffee, der eigens für türkischen Kaffee bestimmt ist.

3 Bedienung

3.5 Anzeige

Das Gerät ist nun zum Kaffeekochen bereit

(weißes Dauerlicht)



Kochen

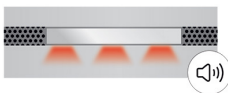
(rotes Dauerlicht)



Bitte warten
(Nehmen Sie die
Kanne nicht von
ihrem Sockel).

Kochvorgang ist abgeschlossen

(rotes Blinklicht)



Nehmen Sie die Kanne
von ihrem Sockel.

Überhitzung

(rosa Blinklicht)



Nehmen Sie die Kanne von
ihrem Sockel und warten
Sie, bis das Licht weiß wird.

Kochfehler

(rosa Blinklicht)



Reinigen Sie den Sockel und
das Sensorglas. Wenn der
Fehler weiterhin auftritt,
wenden Sie sich bitte an
den Kundendienst.

Zeitfehler

(rosa Dauerlicht)



Gerät ab- und wieder
einschalten. Wenn der
Fehler weiterhin auftritt,
wenden Sie sich bitte an
den Kundendienst.

4 Reinigung und Pflege

4.1 Reinigung



WARNUNG:

Tragen Sie das Gerät nicht, wenn sich die Kaffeekanne auf ihrem Sockel befindet. Die Kaffeekanne kann sonst beschädigt werden.



WARNUNG:

Reinigen Sie das Gerät niemals mit Benzin, Lösungsmitteln, Scheuermitteln, Metallgegenständen, harten Bürsten oder ähnlichen Hilfsmitteln.



WARNUNG:

Tauchen Sie weder das Gerät noch sein Netzkabel in Wasser oder andere Flüssigkeiten.

1. Vor der Reinigung den Netzstecker ziehen.
2. Warten, bis das Gerät vollständig abgekühlt ist.

3. Nehmen Sie die Kaffeekanne (7) von ihrem Sockel (3).
4. Reinigen Sie die Kaffeekanne (7) unter fließendem Wasser.



Reinigen Sie die Heizfläche (5) und die Kaffeekanne nicht mit einem scheuernden Schwamm oder Stahlwolle. Wischen Sie die Flächen mit einem weichen Schwamm trocken. Achten Sie besonders darauf, diese Oberflächen nicht zu verkratzen.



WARNUNG: Geben Sie die Kaffeekanne (7) niemals in die Spülmaschine.



WARNUNG: Reinigen Sie keine anderen Teile des Gerätes außer der Kaffeekanne unter fließendem Wasser. Sie können sie mit einem feuchten Tuch abwischen.

4 Reinigung und Pflege



Um den perfekten Geschmack des gekochten Kaffees zu erhalten, reinigen Sie die Kaffeekanne (7) unverzüglich nach jedem Kaffeekochen.

5. Reinigen Sie die Außenseite des Gerätes mit einem angefeuchteten, weichen Tuch und ein wenig mildem Spülmittel.



Vergessen Sie nicht, den Überkochkontrollsensor (1) nach allen 15-20 Nutzungen mit einem feuchten Tuch abzuwischen.

6. Stellen Sie die Kaffeekanne (7) auf ihren Sockel.

4.2 Entkalken

Zum sanften Entfernen von Rückständen (Kalk), die sich im Inneren der Kaffeekanne durch eine normale Nutzung mit der Zeit ansammeln, gießen Sie jeweils eine halbe Tasse Wasser und Essig gemischt in die Kanne und drücken Sie die Starttaste (2). Durch diesen Vorgang wird die innere Oberfläche der Kaffeekanne nicht beschädigt. Am Ende des Kochens spülen Sie die Kaffeekanne (7) und verwenden Sie sie wie gewohnt.

4.3 Aufbewahrung

- Verstauen Sie das Gerät sorgfältig, falls Sie es längere Zeit nicht benutzen sollten.
- Sorgen Sie dafür, dass das Gerät vom Stromnetz getrennt, gänzlich abgekühlt und trocken ist.
- Lagern Sie das Gerät an einem kühlen, trockenen Ort.
- Halten Sie das Gerät von Kindern fern.

5 Vor einem Anruf beim Kundendienst



Zuerst prüfen, ob das Gerät angeschlossen ist oder nicht.



Überprüfen Sie das Kabel auf Brüche oder Schäden.



Reinigen Sie den Überkochkontrollsensor.

Avant de commencer, bien vouloir lire ce manuel d'utilisation !

Chère cliente, cher client,

Merci d'avoir choisi les produits Beko. Nous espérons que ce produit, fabriqué dans des installations modernes et soumis à un processus de contrôle qualité rigoureux, vous offre les meilleures performances possibles. C'est pourquoi nous vous recommandons, avant d'utiliser ce produit, de lire attentivement ce manuel et tous les autres documents fournis et de les conserver soigneusement pour toute consultation future. Si vous confiez le produit à quelqu'un d'autre, n'oubliez pas de lui remettre également le manuel d'utilisation. Veillez à bien respecter les consignes et les instructions figurant dans le manuel d'utilisation.

Signification des symboles

Les symboles suivants sont repris tout au long de ce manuel:



Informations importantes et conseils utiles sur l'utilisation de l'appareil.



AVERTISSEMENT :

Avertissement sur les situations dangereuses concernant la sécurité des biens et des personnes.



Ce produit a été fabriqué dans des usines écologiques et modernes.

Cet appareil est conforme à la directive DEEE



Ne contient pas de PCB.
Fabrique en: Turkey

TABLE DES MATIÈRES

1 Instructions importantes en matière de sécurité et d'environnement **41**

- 1.1 Consignes générales de sécurité 41
- 1.2 Conformité avec la directive DEEE et mise au rebut des produits usagés 47
- 1.3 Information sur l'emballage 47

2 Votre machine à café turc **48**

- 2.1 Vue d'ensemble..... 48
- 2.2 Données techniques 48

3 Fonctionnement **50**

- 3.1 Première utilisation..... 50
- 3.2 Préparation..... 50
- 3.3 Quantités..... 53
- 3.4 Mode Veille..... 53
- 3.5 Notifications 54

4 Nettoyage et entretien **55**

- 4.1 Nettoyage..... 55
- 4.2 Détartrage 56
- 4.3 Rangement..... 56

5 Avant de contacter le service après-vente **57**

1

Instructions importantes en matière de sécurité et d'environnement

Cette section contient les consignes de sécurité qui aident à se prémunir contre les risques de dommages corporels ou de dégâts matériels.

Le non-respect de ces consignes annule la garantie.

1.1 Consignes générales de sécurité

- Cet appareil est conçu selon les normes internationales de sécurité.
- Évitez d'utiliser la machine à l'extérieur et dans la salle de bain.
- Tout dommage résultant d'une utilisation inappropriée de l'appareil annule la responsabilité du fabricant ou toute réclamation au titre de la garantie.
- N'essayez jamais de démonter ou de désassembler les composants montés.
- Utilisez uniquement des pièces d'origine ou pièces recommandées par le fabricant.
- Utilisez toujours l'appareil sur une surface stable, plate, propre, sèche et non glissante.
- Ne commencez pas la préparation du café sans avoir mis de l'eau dans le réservoir de préparation.

1

Instructions importantes en matière de sécurité et d'environnement

- N'introduisez dans le réservoir de préparation aucune autre substance que du café, du sucre et de l'eau.
- Ne buvez pas le café préparé avec la machine à café turc dans le réservoir de préparation.
- Du fait de la technologie utilisée pour la fabrication de cet appareil, une certaine odeur et de la vapeur peuvent s'exhaler de ses éléments chauffants lors de la première utilisation. C'est normal. Cette odeur et cette vapeur disparaissent au bout de quelques cycles.
- Ne déplacez pas la machine lorsqu'elle est encore chaude ou lorsqu'il reste du liquide dans le réservoir de préparation.
- Évitez tout contact avec les surfaces chaudes. Tenez le réservoir de préparation uniquement par sa poignée ; vous pourriez vous brûler en le tenant autrement. Le réservoir de préparation devient en effet chaud pendant la préparation.

1

Instructions importantes en matière de sécurité et d'environnement

- Le socle (surface chauffante) sur lequel se pose le réservoir devient chaud lorsque la machine est utilisée. Évitez donc de le toucher tant que la machine est en fonctionnement, et jusqu'à ce qu'elle se refroidisse.
- Assurez-vous que la machine est éteinte avant de le déplacer.
- Pour plus de protection, l'appareil doit également être branché à un dispositif de courant résiduel domestique d'une valeur nominale ne dépassant pas 30 mA.
- Branchez la machine à une prise antichoc équipée du bon fusible.
- Ne l'utilisez jamais si le câble d'alimentation ou l'appareil lui-même est endommagé.
- Ne branchez pas l'appareil sur une rallonge.
- Veillez à ce que le socle du réservoir de préparation soit sec avant de brancher la machine et de placer les composants.
- N'immergez pas l'appareil, le câble d'alimentation ou la prise d'alimentation électrique dans de l'eau ou tout autre liquide.

1

Instructions importantes en matière de sécurité et d'environnement

- Ne touchez pas l'appareil ou sa prise avec les mains humides ou mouillées.
- Placez l'appareil de manière à ce que la prise soit toujours accessible.
- Pour éviter d'endommager le câble d'alimentation, évitez de l'aplatir, de le plier ou même de le frotter contre des bords coupants. Éloignez le câble d'alimentation de toute surface brûlante et des flammes.
- Assurez-vous qu'il n'y ait aucun danger de tension accidentelle sur le câble d'alimentation et que personne ne risque de trébucher sur le câble, lorsque l'appareil est en marche.
- Débranchez la machine en cas de panne.
- Débranchez la machine avant de la nettoyer et ne procédez jamais à son nettoyage pendant qu'elle fonctionne.
- Ne tirez pas sur le cordon d'alimentation de la machine pour le débrancher de la prise et n'enroulez pas le câble d'alimentation tout autour de la machine.

1

Instructions importantes en matière de sécurité et d'environnement

- Assurez-vous que votre source d'alimentation électrique soit conforme aux informations spécifiées sur la plaque signalétique de votre appareil.
- N'utilisez pas l'appareil à proximité des lieux et matériaux combustibles ou inflammables.
- N'utilisez pas la machine à proximité de sources de chaleur (table de cuisson, gril, radiateur de chauffage, four, etc.).
- Tenez la machine loin des sources de vapeur et évitez de l'utiliser dans des endroits contenant trop de vapeur.
- N'utilisez pas le réservoir de préparation avec un matériau chauffant autre que celui de la machine (table de cuisson, etc.).
- Cet appareil est conçu exclusivement pour un usage domestique. Il n'est pas prévu pour une utilisation professionnelle dans les contextes suivants :
 - les espaces cuisine dans les magasins, bureaux et autres environnements de travail ;
 - les fermes ;

1

Instructions importantes en matière de sécurité et d'environnement

- par des clients dans des hôtels, motels et autres types de résidences ;
- dans des types de résidences logement et petit déjeuner continental.
- N'utilisez pas l'appareil à des fins autres que son utilisation prévue.
- Il ne peut être utilisé que pour la préparation du café.
- Des conditions de sécurité maximales sont requises lorsque l'appareil est utilisé près des enfants ou des personnes présentant des déficiences physiques, sensorielles ou mentales.
- Cet appareil n'est pas conçu pour être utilisé par des enfants de moins de 8 ans et par des personnes dont les capacités physiques, sensorielles ou mentales sont réduites ou qui manquent d'expérience et de connaissances, à moins d'être supervisées par une personne responsable de leur sécurité ou que celle-ci leur ait donné des consignes pour l'utilisation de l'appareil. Les enfants ne doivent pas jouer avec l'appareil.

1

Instructions importantes en matière de sécurité et d'environnement

- Les procédures de nettoyage et d'entretien par l'utilisateur ne doivent pas être exécutées par les enfants à moins qu'ils soient surveillés par les adultes.
- Si vous souhaitez conserver le matériel d'emballage, il faut le tenir hors de portée des enfants.
- Veillez à tenir l'appareil hors de portée des enfants.

1.2 Conformité avec la directive DEEE et mise au rebut des produits usagés



Ce produit ne contient pas de substances dangereuses et prohibées, telles que décrites dans la « Directive réglementant les déchets d'équipements électriques et électroniques » émanant du Ministère de l'Environnement et de l'Aménagement urbain.

Conforme à la Directive DEEE. Cet appareil a été fabriqué avec des pièces et du matériel de qualité supérieure, susceptibles d'être réutilisés aux fins de recyclage. Par conséquent, à la fin de sa durée de vie, il ne doit pas être mis au rebut aux côtés de déchets domestiques ordinaires. Au contraire, il doit être éliminé dans un point de collecte réservé au recyclage d'appareils électriques et électroniques. Consultez les autorités locales de votre région pour connaître les points de recyclage. Participez à la protection de l'environnement et des ressources naturelles grâce au recyclage des produits usagés.

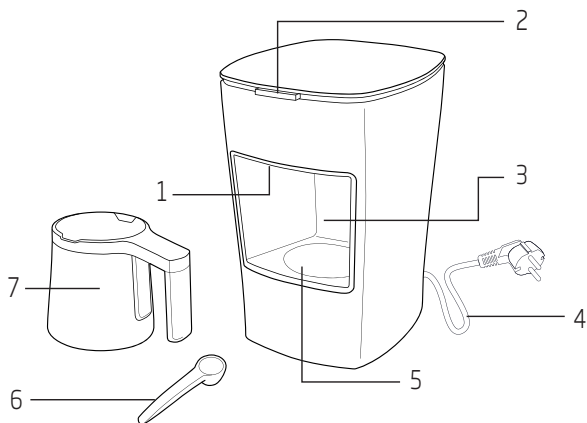
1.3 Information sur l'emballage



L'emballage du produit est fait à partir de matériaux recyclables, conformément à notre Règlementation nationale. Ne jetez pas les éléments d'emballage avec les déchets domestiques et autres déchets. Déposez-les dans un des points de collecte d'éléments d'emballage que vous indiquera l'autorité locale dont vous dépendez.

2 Votre machine à café turc

2.1 Vue d'ensemble



1. Capteur de détection du niveau de préparation
2. Bouton Démarrer la préparation et voyant d'état
3. Socle du réservoir de préparation
4. Câble d'alimentation
5. Surface chauffante
6. Mesure à café
7. Réservoir de préparation

Les valeurs indiquées sur les inscriptions apposées sur votre produit ou les autres documents fournis avec le produit sont des valeurs obtenues en conditions de laboratoire, conformément aux normes en vigueur. Ces valeurs peuvent varier selon l'utilisation de l'appareil et les conditions environnantes.

2 Votre machine à café turc

2.2 Données techniques

Courant : Max 3 A

Puissance : 670 W

Tension : 220-240 V CA ~, 50 Hz

**Longueur du cordon
d'alimentation :** 100 cm

Modifications relatives à la technique et à la conception réservées !

3 Fonctionnement

3.1 Première utilisation

Assurez-vous que l'appareil repose sur une surface stable, plane, propre, sèche et antidérapante.

3.2 Préparation

1. Branchez la fiche d'alimentation électrique à la prise de courant murale.
 - La machine s'allume automatiquement.
2. Nettoyez le réservoir de préparation (7) à l'eau courante.



Pour un café délicieux, assurez-vous que l'intérieur du réservoir de préparation (7) est sec et propre.



Première utilisation : Rincez avec de l'eau propre au moins quatre fois avant d'ajouter du café.

3. Mettez du café, du sucre et de l'eau dans le réservoir de préparation pour une, deux ou trois personnes (7).



Si vous observez une accumulation de café ou du café sec à la surface, il est recommandé de remuer le mélange de café avec une cuillère en plastique ou en bois avant de commencer la préparation. N'utilisez pas de cuillère métallique.



Assurez-vous qu'il n'y a aucune goutte d'eau sous le réservoir de préparation (7) lors de la préparation du café. Autrement, un bruit désagréable est émis lorsque ces gouttes rentrent en contact avec le socle chaud.

4. Placez le réservoir de préparation (7) sur son socle.

3 Fonctionnement



AVERTISSEMENT :

La machine ne démarre pas la préparation tant que le réservoir de préparation n'est pas correctement placé sur son socle.



La durée de cuisson diminue au fur et à mesure des préparations consécutives, parce que la surface chauffante (5) reste chaude.

5. Appuyez sur le bouton Démarrer la préparation (2).

- La machine émet un signal sonore (bip) et le voyant d'état (2) passe au rouge dès que la machine commence à fonctionner.



La durée de préparation de 1 à 1,5 min. pour 1 personne, de 1,5 à 2,5 min. pour 2 personnes et de 2 à 3,5 min. pour 3 personnes.



Pour un café délicieux, retirez immédiatement le réservoir de préparation (7) de son socle (3).



Versez rapidement le café dans la tasse pour éviter que de la mousse ou du marc ne reste dans le réservoir de préparation (7).



Appuyez pendant 3 secondes sur le bouton Démarrer la préparation (2) pour annuler la préparation du café pour n'importe quelle raison.

3 Fonctionnement

6. Lorsque le café est prêt, la machine émet un autre signal sonore et le voyant d'état (2), qui est au rouge, commence à clignoter.
7. À la fin de la préparation du café, versez-le dans une tasse et servez.



AVERTISSEMENT :

Veillez à ne pas salir la surface chauffante. Si du café se verse sur la surface chauffante, nettoyez-la à l'aide d'un chiffon légèrement humide.

3 Fonctionnement

3.3 Quantités

Ce produit est une machine facile d'utilisation conçue pour la préparation du café turc. Vous pouvez préparer du café turc mousseux selon vos goûts en respectant les quantités indiquées dans le tableau. Les quantités suivantes sont présentées à titre indicatif. Vous pouvez les ajuster en fonction de vos goûts.

3.4 Mode Veille

Si aucune opération n'est effectuée sur la machine au bout de 3 minutes, celle-ci émet un signal sonore (bip) et passe en mode veille. Lorsque vous effectuez une opération (si par exemple vous placez le réservoir de préparation sur son socle ou si vous l'en retirez, si vous appuyez sur le bouton Démarrer la préparation) la machine émet 2 signaux sonores (bips). Le voyant d'état passe au blanc et l'appareil est prêt pour l'emploi.

Quantités d'ingrédients recommandées pour la préparation du café turc				
	Noir	Avec moins de sucre	Moyen.	Avec sucre
Café	1 mesure	1 mesure	1 mesure	1 mesure
Sucre	-	1/2 morceau de sucre/ 1/2 cuillerée à café de sucre granulé	1 morceau de sucre/ 1 cuillerée à café de sucre granulé	2 morceaux de sucre/ 2 cuillerées à café de sucre granulé

- Ajoutez suffisamment de café pour une, deux ou trois personnes à l'aide de la cuillère de mesure, la quantité de sucre souhaitée et la quantité d'eau nécessaire pour la taille de votre tasse (nous vous recommandons une taille de 65 ml) dans le réservoir de préparation.
- Les quantités indiquées correspondent à une tasse de taille moyenne pour une personne. Vous pouvez utiliser la cuillère de mesure qui a été livrée avec l'appareil comme cuillère de mesure pour le café. Pour préparer un délicieux café mousseux, veuillez utiliser du café fin et frais adapté au café turc.

3 Fonctionnement

3.5 Notifications

La machine est prête à faire du café
(Voyant blanc stable)

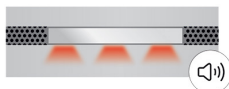


Préparation en cours
(Lumière rouge constante)



Veillez patienter
(Ne retirez pas le
réservoir de son
socle)

Préparation terminée
(Lumière rouge clignotante)



Retirez le réservoir
de son socle.

Surchauffe
(Lumière rose clignotante)



Retirez le réservoir de
son socle et attendez
que le voyant lumineux
passe au blanc constant.

Erreur de préparation
(Lumière rose clignotante)



Nettoyez le socle du
réservoir et le verre du
capteur. Contactez le
service après-vente si
cette erreur survient à
nouveau.

**Erreur de délai
d'attente**
(Lumière rose constante)



Mettez l'appareil hors
tension puis remettez-le
sous tension. Contactez
le service après-vente si
cette erreur survient à
nouveau.

4 Nettoyage et entretien

4.1 Nettoyage

**AVERTISSEMENT :**

Ne transportez pas la machine lorsque le réservoir de préparation est placé sur son socle. Cela peut endommager le réservoir.

**AVERTISSEMENT :**

N'utilisez jamais d'essence, de solvants, de nettoyeurs abrasifs, d'objets métalliques ou de brosses dures pour nettoyer la machine.

**AVERTISSEMENT :**

Ne trempez jamais la machine ou son cordon d'alimentation dans de l'eau ou dans tout autre liquide.

1. Veillez à toujours débrancher la machine avant toute opération de nettoyage.

2. Patientez jusqu'au refroidissement complet de l'appareil.
3. Retirez le réservoir de préparation (7) de son socle (3).
4. Nettoyez le réservoir de préparation (7) à l'eau courante.



Ne nettoyez pas la surface chauffante (5) et le réservoir de préparation avec une éponge abrasive ou un tampon métallique. Nettoyez ces pièces avec une éponge douce. Veillez particulièrement à ne pas érafler ces surfaces.



AVERTISSEMENT : Ne lavez jamais le réservoir de préparation (7) au lave-vaisselle.

4 Nettoyage et entretien



AVERTISSEMENT :

Ne lavez aucune autre pièce de la machine en dehors du réservoir de préparation. Les autres pièces peuvent être nettoyées avec un chiffon humide.



Pour garantir la saveur du café préparé, nettoyez sans tarder le réservoir de préparation (7) après chaque préparation.

5. Utilisez un chiffon doux et humide et un peu de détergent doux pour nettoyer la partie externe de la machine.



Il est recommandé de nettoyer le capteur de détection du niveau de préparation (1) avec un chiffon humide après toutes les 15 à 20 préparations.

6. Placez le réservoir de préparation (7) sur son socle.

4.2 D  tartrage

Pour enlever les traces de tartre   ventuellement accumul  es dans le r  servoir de pr  paration du fait de sa longue utilisation, sans endommager le fond du r  servoir, versez-y un demi-verre du m  lange d'eau et de vinaigre    portions   gales et appuyez sur le bouton D  marrer la pr  paration (2).    la fin de la pr  paration, rincez le r  servoir de pr  paration (7) et reprenez l'usage normal.

4.3 Rangement

- Si vous ne comptez pas utiliser votre appareil pendant un certain temps, veuillez le ranger soigneusement.
- Veuillez   galement    ce que l'appareil soit d  branch  , compl  tement refroidi et enti  rement sec.
- Conservez l'appareil dans un endroit frais et sec.
- Tenir l'appareil hors de port  e des enfants.

5 Avant de contacter le service après-vente



Vérifiez d'abord si la machine est branchée ou non.



Vérifiez si le cordon d'alimentation n'est pas rompu ou endommagé quelque part.



Nettoyez le capteur de détection du niveau de préparation.

Прочитайте это руководство перед началом эксплуатации!

Уважаемый покупатель!

Благодарим вас за выбор продукции компании Веко. Мы надеемся, что продукция, изготовленная на современном оборудовании и имеющая высокий уровень качества, будет служить вам наилучшим образом. Для этого перед началом эксплуатации внимательно прочитайте данное руководство и все прочие сопроводительные документы и используйте их в дальнейшем в справочных целях. При передаче изделия другому лицу передайте и это руководство. Соблюдайте все предостережения и изучите всю информацию в руководстве пользователя.

Условные обозначения

В разных разделах данного руководства по эксплуатации использованы следующие символы:



Важная информация и полезные советы по эксплуатации.



ВНИМАНИЕ: Предупреждения об опасных ситуациях, которые могут угрожать жизни и прибору.



Это изделие изготовлено на современном оборудовании, не загрязняющем окружающую среду.

Данное устройство удовлетворяет требованиям Директивы ЕС об отходах электрического и электронного оборудования (WEEE).



Устройство не содержит ПХБ.
Изготовлено в TURKEY

СОДЕРЖАНИЕ

1 Важные инструкции по технике безопасности и защите окружающей среды	60
1.1. Общая безопасность.	60
1.2 Соответствие Директиве WEEE и утилизация отходов	67
1.3. Информация об упаковке	67
2 Ваша кофе-машина для кофе по-турецки	68
2.1 Обзор.	68
2.2 Технические характеристики	69
3 Работа с машиной	70
3.1 Первое использование	70
3.2 Приготовление	70
3.3 Количество	72
3.4 Спящий режим	72
3.5 Оповещения	73
4 Чистка и уход	74
4.1 Чистка	74
4.2 Очистка от накипи	75
4.3 Хранение	75
5 Прежде чем звонить в сервис	76

В этом разделе содержатся правила техники безопасности, соблюдение которых позволит избежать травмирования или материального ущерба.

При несоблюдении этих правил все гарантийные обязательства аннулируются.

1.1. Общая безопасность

- Данное устройство отвечает международным стандартам безопасности.
- Не пользуйтесь электроприбором на открытом воздухе и в ванной комнате.
- В случае неисправности, возникшей вследствие неправильного обращения с прибором, гарантийные рекламации не принимаются.
- Никогда не пытайтесь разобрать машину на составные части.
- Используйте только оригинальные детали или детали, рекомендованные производителем.

1 Важные инструкции по технике безопасности и защите окружающей среды

- Прибор следует устанавливать на устойчивой, ровной, чистой, сухой и нескользкой поверхности.
- Не начинайте приготовление кофе, не налив в резервуар воду.
- Не загружайте в машину ничего, кроме кофе, сахара и воды.
- Не пытайтесь пить приготовленный кофе по-турецки из резервуара.
- При первоначальном использовании, вследствие технологических особенностей машины, из нагревательного элемента может исходить пар. Это нормально. Через несколько циклов приготовления он исчезнет.
- Не перемещайте устройство, пока оно не остыло, и пока в резервуаре остается жидкость.
- Избегайте контактов с горячими поверхностями. Держите резервуар только за ручку; в противном случае возможны ожоги. В процессе приготовления кофе резервуар нагревается.

- Основание, на котором стоит резервуар, также нагревается в процессе работы. Поэтому не дотрагивайтесь до этих областей до тех пор, пока устройство не остынет.
- Прежде чем перемещать устройство, убедитесь, что оно выключено.
- Для дополнительной защиты данный электроприбор следует подключить к бытовому автоматическому защитному выключателю с номиналом не более 30 мА.
- Подключите машину к ударопрочному штепселю с предохранителем.
- Ни в коем случае не пользуйтесь электроприбором, если шнур питания или электроприбор повреждены.
- Не подключайте электроприбор через удлинитель.
- Протрите насухо днище резервуара, прежде чем устанавливать его в кофе-машину.

- Не погружайте электроприбор, шнур питания или штепсельную вилку в воду или иную жидкость.
- Никогда не прикасайтесь к электроприбору, если у вас мокрые или влажные руки.
- Прибор следует располагать таким образом, чтобы штепсельная вилка была легко доступна.
- Во избежание повреждения шнура питания не допускайте его сдавливания, перегиба или контакта с острыми кромками. Не допускайте соприкосновения шнура питания с горячими поверхностями или открытым пламенем.
- Примите необходимые меры, чтобы во время работы прибора нельзя было случайно потянуть за шнур питания или споткнуться об него.
- При любом отказе отключите устройство от сети.
- Отключите устройство от сети перед чисткой и никогда не чистите работающее устройство.

- При отключении от сети никогда не дергайте за шнур питания и не оборачивайте шнур вокруг устройства.
- Напряжение сети питания должно соответствовать информации, указанной на табличке с техническими данными.
- Запрещается пользоваться электроприбором во взрывоопасных местах и вблизи легковоспламеняющихся и горючих материалов.
- Не используйте устройство вблизи источников тепла (камин, гриль, радиатор отопления, печь и т.п.).
- Держите устройство на удалении от источников пара, никогда не используйте его в среде с большим количеством пара.
- Не используйте резервуар с любым другим нагревательным устройством (печь и т.п.).

1 Важные инструкции по технике безопасности и защите окружающей среды

- Это прибор предназначен только для бытового применения. Его нельзя применять в помещениях коммерческого назначения, а именно:
 - в кухонных зонах для персонала в магазинах, офисах и других рабочих помещениях;
 - на фермах;
 - в номерах гостиниц, мотелей и т. п.;
 - в помещениях, предоставляемых для проживания на условиях полупансиона.
- Используйте электроприбор только по прямому назначению.
- Это устройство можно использовать только для приготовления кофе.
- Рекомендуется соблюдать предельную осторожность при использовании электроприбора в непосредственной близости от детей и лиц с ограниченными физическими, сенсорными или умственными возможностями.

- Это устройство могут использовать дети в возрасте 8 лет и старше, и люди с ограниченными физическими или умственными возможностями, а также возможностями восприятия, люди в состоянии ограниченной дееспособности или люди, не имеющие опыта и знаний относительно кофе-машины, при том условии, что они проинформированы о способах безопасного использования машины и знают о потенциальных опасностях, и при этом над ними осуществляется надзор. Не позволяйте детям играть с прибором.
- Чистка и обслуживание не должны выполняться детьми без надзора взрослых.
- Если вы сохранили упаковку, берегите ее от детей.
- Убедитесь, что прибор хранится в недоступном для детей месте.

1.2 Соответствие Директиве WEEE и утилизация отходов



Данный прибор не содержит опасных и запрещенных материалов, указанных в «Положении о надзоре за отходами электрического и электронного оборудования», изданного Министерством по охране окружающей среды и городского планирования. Соответствует нормам ЕС об утилизации электрического и электронного оборудования. Это изделие изготовлено из высококачественных материалов и компонентов, которые пригодны для повторного использования и подлежат вторичной переработке. В связи с этим не следует утилизировать изделие с обычными бытовыми отходами по истечении срока его эксплуатации. Его следует сдать в пункт сбора отходов электрического и электронного оборудования. За сведениями о местонахождении пунктов сбора обратитесь в местные органы власти. Помогайте защитить окружающую среду и природные ресурсы, обеспечивая переработку изделий, вышедших из употребления.

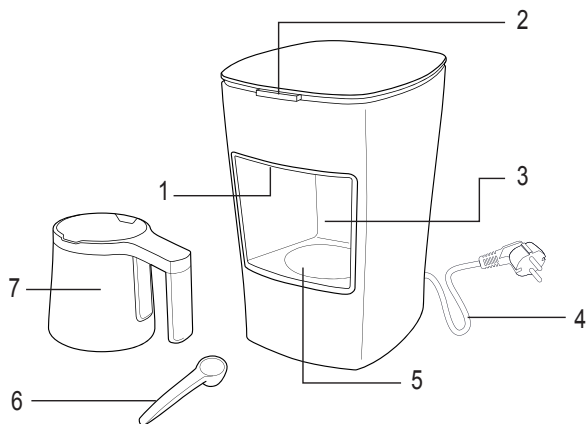
1.3. Информация об упаковке



Упаковка прибора изготовлена из материалов, пригодных для вторичной обработки, в соответствии с нашими государственными законами. Не выбрасывайте упаковочные материалы вместе с бытовыми или другими отходами. Отнесите их в пункты приема упаковочных материалов, учрежденные местными органами власти.

2 Ваша кофе-машина для кофе по-турецки

2.1 Обзор



1. Датчик уровня
2. Кнопка старта приготовления и индикатор состояния
3. Основание резервуара
4. Шнур питания
5. Нагревающая поверхность
6. Шкала кофе
7. Резервуар для кофе

Величины, заявленные в маркировке на вашем изделии или других печатных документах, поставляемых с ним, представляют собой величины, полученные в лабораторных условиях согласно действующим стандартам. Фактические данные могут отличаться в зависимости от режима эксплуатации электроприбора и условий окружающей среды.

2 **Ваша кофе-машина для кофе по-турецки**

2.2 Технические характеристики

Ток: Макс. 3А

Мощность: 670 Вт

Напряжение:

220-240 В пер.т. ~, 50 Гц

Длина шнура питания: 100 см

Производитель оставляет за собой право на изменение технических характеристик и конструкции!

3 Работа с машиной

3.1 Первое использование

Убедитесь, что устройство стоит ровно и стабильно, на плоской, чистой и сухой поверхности.

3.2 Приготовление

1. Включите вилку в сетевую розетку.
- Устройство включится автоматически.
2. Очистите резервуар, (7) промыв его под проточной водой.



Для получения вкусного кофе убедитесь, что внутренняя поверхность резервуара (7) суха и чиста.



Первое использование: Промойте чистой водой по крайней мере 4 раза без добавления кофе.

3. Загрузите кофе, сахар и воду на две или три порции в резервуар (7).



Если вы заметите следы старого кофе на поверхности, рекомендуется очистить их при помощи пластиковой или деревянной ложки (не используйте металлические предметы) прежде, начать приготовление.



При приготовлении кофе убедитесь, что под резервуаром (7) нет капель воды. В противном случае, когда основание нагреется, появится раздражающий звук.

4. Поместите резервуар на (7) на основание.



ПРЕДОСТЕРЕЖЕНИЕ:

Устройство не запустится, пока вы не поместите резервуар на основание надлежащим образом.

3 Работа с машиной

5. Нажмите кнопку старта приготовления (2).

- Устройство издаст предупреждающий звуковой сигнал, а индикатор (2) станет красным, как только машина начнет приготовление кофе.



Время приготовления составляет 1-1.5 мин на одну персону, 1.5-2.5 мин на две персоны и 2-3.5 мин на три персоны.



Время приготовления при последующих циклах будет уменьшаться, поскольку нагревающая поверхность (5) не будет успевать остывать.



Чтобы кофе был вкусным, снимайте резервуар (7) с основания (3) без промедления!



Быстро разлейте кофе по чашкам, чтобы пена и гуща не остались в резервуаре (7).



Для того чтобы остановить машину при необходимости, нажмите и удерживайте кнопку старта (2) в течение 3 секунд.

6. Когда кофе будет готов, устройство издаст звуковой сигнал, а индикатор состояния (2) станет мигать красным.

7. Готовый кофе разлейте по чашкам и подайте на стол.

3.3 Количество

Это простое в использовании устройство, предназначенное для приготовления кофе по-турецки. Используя количества ингредиентов, приведенные в таблице, вы сможете приготовить пенный кофе по-турецки. Следующие количества приведены только для справки. Вы можете изменять их в соответствии со своими вкусами.

3.4 Спящий режим

Если устройство не выполняет никаких операций в течение 3 минут, оно издает звуковой сигнал и переходит в дежурный (спящий) режим. После выполнения операций (резервуар снят/установлен, нажата кнопка старта) издаются два звуковых сигнала. Когда загорается белый индикатор состояния, устройство готово к работе.

Рекомендованные количества ингредиентов для приготовления кофе по-турецки

	Простой	С меньшим количеством сахара	Средний	С сахаром
Кофе	1 мерка	1 мерка	1 мерка	1 мерка
Сахар	-	1/2 куса сахара/ 1/2 чайной ложки сахара-песка	1 кусок сахара/ 1 чайная ложка сахар-песок	2 куса сахара/ 2 чайных ложки сахар-песок

- Добавьте в резервуар достаточное количество кофе для одной, двух или трех персон, используя мерную ложку, желаемое количество сахара и воды в соответствии с размером вашей чашки (рекомендуемый размер чашки 65 мл)
- Указанное количество соответствует чашке среднего размера на одного человека. Вы можете использовать предоставленную мерную ложку как мерную ложку для кофе. Для приготовления ароматного кофе с пенкой, пожалуйста, используйте свежемолотый кофе высоких сортов, подходящий для турецкого кофе.

3 Работа с машиной

3.5 Оповещения

Устройство готово для приготовления кофе (постоянно горит белый индикатор)

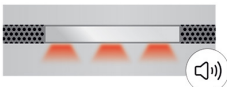


Приготовление (постоянный красный свет)



Ждите (Не снимайте резервуар с основания).

Приготовление кофе завершено (мигающий красный свет)



Возьмите резервуар с основания.

Перегрев (мигающий розовый свет)



Снимите резервуар с основания и подождите пока индикация переключится на постоянный белый свет.

Ошибка приготовления (мигающий розовый свет)



Очистите резервуар и стекло датчика. Если проблема возникнет снова, свяжитесь с сервисом.

Ошибка таймаута (постоянный розовый свет)



Отключите и включите устройство. Если проблема возникнет снова, свяжитесь с сервисом.

4.1 Чистка



ПРЕДОСТЕРЕЖЕНИЕ: Не переносите устройство, когда резервуар установлен на основании. Резервуар может повредиться при этом.



ПРЕДОСТЕРЕЖЕНИЕ: Никогда не используйте бензин, растворитель, абразивные материалы, металлические предметы или жесткие щетки для очистки устройства.



ПРЕДОСТЕРЕЖЕНИЕ: Никогда не погружайте устройство или его шнур питания в воду или любую другую жидкость.

1. Отключите устройство от сети перед началом чистки.
2. Подождите, пока прибор полностью остынет.
3. Снимите резервуар (7) с основания (3).
4. Очистите резервуар, (7) промыв его под проточной водой.



Не очищайте нагревающую поверхность (5) и резервуар при помощи абразивных или металлических материалов. Используйте для мытья мягкую губку. Обращайте особое внимание на то, чтобы не поцарапать эти поверхности.



ПРЕДОСТЕРЕЖЕНИЕ: Никогда не мойте резервуар (7) в посудомоечной машине.



ПРЕДОСТЕРЕЖЕНИЕ: Не мойте в воде никакие части машины, кроме резервуара. Вы можете использовать для этого влажную ткань.



Для того чтобы не испортить вкус кофе, который вы готовите, очищайте резервуар (7) сразу после каждой операции приготовления кофе.

5. Протрите корпус прибора влажной мягкой тканью с небольшим количеством мягкого моющего средства.



Вытирайте влажной тканью также датчик уровня (1) через каждые 15-20 циклов приготовления кофе.

6. Поместите резервуар на (7) на основание.

4.2 Очистка от накипи

Для того чтобы устранить накипь, которая может возникнуть в резервуаре, без повреждения внутренней поверхности, налейте в резервуар чашку воды с уксусом (1/2 : 1/2) и нажмите кнопку старта (2). После завершения цикла всполосните резервуар (7) и используйте его, как обычно.

4.3 Хранение

- Если вы не планируете использовать электроприбор в течение длительного времени, то его следует хранить надлежащим образом.
- Убедитесь, что электроприбор отключен от электросети, остыл, а его поверхности полностью сухие.
- Хранить прибор следует в сухом прохладном месте.
- Храните устройство в недоступном для детей месте.

5 Прежде чем звонить в сервис



Вначале проверьте, включено ли устройство в сеть.



Проверьте, не поврежден ли шнур питания.



Очистите датчик определения уровня.

Najprej preberite priročnik za uporabo!

Spoštovani,

Zahvaljujemo se vam, da ste se odločili nakup izdelka Beko. Upamo, da bo izdelek, ki je bil izdelan z visokokakovostno in najnovejšo tehnologijo, upravičil vaše zaupanje. Zato pred uporabo naprave preberite celoten uporabniški priročnik in vso ostalo priloženo dokumentacijo ter jo shranite kot referenco za prihodnjo uporabo. Če napravo predate nekemu drugemu, zraven priložite še uporabniški priročnik. Upoštevajte vsa navodila in vse informacije, ki so v priročniku o uporabi.

Pomen simbolov

Naslednji simboli so uporabljeni v različnih razdelkih tega priročnika:

	Pomembne informacije in uporabni nasveti o uporabi.
--	---

	OPOZORILO: Opozorila za nevarne situacije, ki zadevajo varnost za življenje in lastnino.
--	---



Ta izdelek je bil izdelan v okolju prijaznih in sodobnih proizvodnih obratih.

Ta naprava je v skladu z direktivo o odpadni električni in elektronski opremi (WEEE).



Ne vsebuje PCB.

VSEBINA

1 Pomembna navodila za varnost in okolje 79

1.1 Splošna varnost	79
1.2 Skladnost z direktivo o odpadni električni in elektronski opremi (WEEE) in odlaganje naprave	84
1.3 Podatki o embalaži	84

2 Vaš aparat za turško kavo 85

2.1 Pregled	85
2.2 Tehnični podatki.....	85

3 Delovanje 87

3.1 Prva uporaba	87
3.2 Kuhanje	87
3.3 Količine	89
3.4 Način mirovanja	89
3.5 Obvestila	90

4 Čiščenje in vzdrževanje 91

4.1 Čiščenje	91
4.2 Odstranjevanje vodnega kamna	92
4.3 Shranjevanje	92

5 Pred klicanjem servisa 93

V tem poglavju so varnostna navodila za zaščito pred telesnimi poškodbami in stvarno škodo.

Neupoštevanje teh navodil izniči garancijo.

1.1 Splošna varnost

- Ta naprava je v skladu z mednarodnimi varnostnimi standardi.
- Naprave ne uporabljajte na prostem in v kopalnici.
- Za škodo, ki nastane zaradi neustrezne uporabe ali nepravilnega ravnanja z napravo, izgubite pravico do uveljavljanja garancije.
- Nikoli ne poskušajte razstaviti ali ločiti sestavljenih delov naprave.
- Uporabljajte samo originalne dele ali dele, ki jo priporoča proizvajalec.
- Napravo vedno uporabite na stabilni, ravni, čisti, suhi in nedrseči površini.
- Ne začnite s kuhanjem kave, brez da bi dodali vodo v posodo.
- V posodo za kuhanje ne dodajajte drugih snovi, kot pa kavo, sladkor in vodo.

- Pripravljene turške kave ne pijte iz posode za kuhanje.
- Zaradi proizvodne tehnologije lahko med prvo uporabo pride do nastanka pare in vonja pri grelnem elementu vašega izdelka. To je običajno. To bo izginilo po nekaj ciklih.
- Ne premikajte naprave, ko je še vroča ali ko je v posodi za kuhanje še voda.
- Preprečite stik z vročimi površinami. Posodo za kuhanje držite le za ročaj; drugače obstaja nevarnost opeklin. Med kuhanjem se posoda segreje.
- Podstavek (grelna površina) na katerega se postavi posoda za kuhanje se med delovanjem segreje. Zato se tega področja ne dotikajte med uporabo in dokler se naprava ne ohladi.
- Preden premaknete napravo se prepričajte, ali je izključena.
- Za dodatno zaščito priključite napravo na diferencialno stikalo, ki ne sme presegati 30 mA.
- Napravo priključite na vtičnico z zaščitnim kontaktom, ki ima pravilno varovalko.

- Ne uporabljajte naprave, če sta napajalni kabel ali naprava sama poškodovana.
- Ne uporabljajte naprave s podaljševalnim kablom.
- Posušite podstavek posode za kuhanje, preden vključite napravo in namestite dele.
- Naprave, električnega kabla ali električnega vtiča ne potaplajte v vodo ali drugo tekočino.
- Naprave ali električnega vtiča se nikoli ne dotikajte z vlažnimi ali mokrimi rokami.
- Napravo namestite tako, da je vtič vedno dostopen.
- Preprečite poškodovanje električnega kabla, tako da ga ne stiskate, upogibate ali drgnete ob ostre robove. Električni kabel hranite stran od vročih površin in odprtega ognja.
- Prepričajte se, da električnega kabla ni mogoče nenamerno izvleči ali da bi se kdo spotaknil ob njega med delovanjem naprave.
- Če pride do kakršne koli napake, izklopite napravo iz omrežja.
- Pred začetkom čiščenja, izključite napravo iz napajanja in nikoli je ne čistite, ko je v uporabi.

- Ko želite napravo izključiti iz električnega napajanja, ne vlecite napajalnega kabla, kabla prav tako ne ovijajte okrog naprave.
- Omrežje napajanja mora biti v skladu z podatki, ki so na voljo na ploščici s tehničnimi navedbami na napravi.
- Naprave nikoli ne uporabljajte v ali v bližini gorljivih ali vnetljivih mest in materialov.
- Ne uporabljajte naprave zraven ali v bližini virov toplote (grelna plošča, žar, jedro grelnika, štedilnik itd.)
- Hranite napravo v stran od virov pare in je ne uporabljajte v okoljih, ki vsebujejo prekomerno pare.
- Kuhalne posode ne uporabljajte z drugimi grelci (grelna plošča itd.), razen z napravo.
- Ta naprava je namenjena samo za uporabo v gospodinjstvih. Ni namenjena za profesionalno uporabo v:
 - kuhinjah za osebje v trgovinah, pisarnah in drugih delovnih območjih;
 - kmetijskih objektih;

- za gostje v hotelih, motelih in drugih vrstah prenočišč;
- prenočiščih, ki ponujajo posteljo in zajtrk.
- Napravo uporabljajte samo za predvidene namene.
- Ta naprava se lahko uporablja samo za kuhanje kave.
- Ko uporabljate napravo v bližini otrok in oseb z omejenimi fizičnimi, senzoričnimi ali duševnimi zmoglostmi bodite še posebej previdni.
- Otroci od 8. leta starosti ter osebe z zmanjšanimi fizičnimi, senzornimi ali psihičnimi sposobnostmi ali s pomanjkanjem izkušenj in znanja lahko napravo uporabljajo le, če so pod nadzorom ali pa so prejeli ustrezna navodila glede varne uporabe naprave in razumejo nevarnosti, ki so povezane z uporabo le te. Otroci se ne smejo igrati z napravo.
- Otroci ne smejo izvajati čiščenja in vzdrževanja, razen če so pod nadzorom odraslih.
- Če hranite embalažni material, ga hranite izven dosega otrok.

- Prepričajte se, da je naprava shranjena izven dosega otrok.

1.2 Skladnost z direktivo o odpadni električni in elektronski opremi (WEEE) in odlaganje naprave



Ta izdelek ne vključuje škodljivih in prepovedanih snovi, opredeljenih v »Uredbi o ravnanju z odpadno električno in elektronsko opremo«, ki jo je izdala Ministrstvo za okolje in prostor. V skladu z uredbo o odpadni električni in elektronski opremi (WEEE). Ta naprava je izdelana iz kakovostnih sestavnih delov in materialov, ki jih je možno ponovno uporabiti in so primerni za recikliranje. Zato odslužene naprave ne zavržite med običajne gospodinjske odpadke. Odpeljite ga v center za ločeno zbiranje in recikliranje odpadnih električnih in elektronskih naprav. O teh zbirnih mestih povprašajte lokalne oblasti v vašem območju. Varujte okolje in naravne vire: reciklirajte odpadne izdelke.

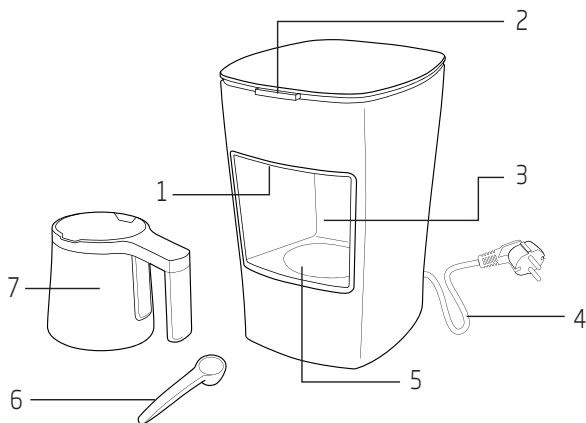
1.3 Podatki o embalaži



Embalaža izdelka je izdelan iz materiala, ki ga je mogoče reciklirati, v skladu z našimi nacionalnimi okoljskimi predpisi. Embalažnega materiala ne odlagajte skupaj z gospodinjskimi ali drugimi odpadki. Onesite ga na zbirna mesta za embalažni material, ki so jih določile lokalne oblasti.

2 Vaš aparat za turško kavo

2.1 Pregled



1. Senzor za zaznavanje stopnje kuhanja
2. Gumb za začetek kuhanja in lučka stanja
3. Podstavek za posodo za kuhanje
4. Napajalni kabel
5. Grelna površina
6. Merica kave
7. Posoda za kuhanje

2.2 Tehnični podatki

Tok: Maks. 3 A

Moč: 670 W

Napetost: 220-240 V AC ~, 50 Hz

Vrednosti, ki so navedene na oznakah na izdelku ali drugi tiskani dokumenti, ki so priloženi izdelku, predstavljajo vrednosti, ki so bile pridobljene v laboratorijih, ki so v skladu z veljavnimi standardi. Te vrednosti se lahko razlikujejo glede na uporabo naprave in pogoje v prostoru.

2 Vaš aparat za turško kavo

Dolžina napajalnega kabla:

100 cm

Pridržujemo si pravico do tehničnih in oblikovnih sprememb.

3 Delovanje

3.1 Prva uporaba

Prepričajte se, da je naprava v pokončnem položaju na stabilni, ravni, čisti, suhi in nedrseči površini.

3.2 Kuhanje

1. Priključite vtič v zidno vtičnico.
 - Naprava se samodejno vklopi.
2. Očistite posodo za kuhanje (7) pod tekočo vodo.



Če želite pripraviti okusno kavo, se prepričajte, da je notranjost posode za kuhanje (7) suha in čista.



Prva uporaba: Sperite skozi s čisto vodo najmanj štiri krat brez dodajanja kave.

3. V posodo za kuhanje (7) dodajte kavo, sladkor in vodo za eno, dve ali tri osebe.



Če na površini opazite sprijeto ali posušeno kavo, je priporočeno, da kavno mešanico premešate s plastično ali leseno žlico (ne uporabite kovinske žlice), preden jo začnete kuhati.



Pazite, da med pripravo kave ni vodnih kapljic pod posodo za kuhanje (7). Drugače boste zaslišali nadležen zvok, ko vodne kapljive pridejo v stik s podstavkom.

4. Posoda za kuhanje (7) postavite na podstavek.



OPOZORILO:

Naprava ne bo začela s kuhanjem, dokler posode za kuhanje ne namestite ustrezno na podstavek.

3 Delovanje

5. Pritisnite gumb za začetek kuhanja (2).

- Takoj ko naprava začne delovati, se zasliši zvočno opozorilo (pisk) in lučka stanja (2) zasveti rdeče.



Čas kuhanja je 1-1,5 min. za 1 osebo, 1,5-2,5 min. za 2 osebi in 2-3,5 min. za 3 osebe.



Čas kuhanja se zmanjša pri ponavljajočem kuhanju, saj je grelna površina (5) že vroča.



Za pripravo okusne kave posodo za kuhanje (7) nemudoma odstranite s podstavka (3).



Nežno nalijte kavo, da pena in zrna ne ostanejo v posodi za kuhanje (7).



Pritisnite gumb za začetek kuhanja (2) za 3 sekunde in prekličite kuhanje kave zaradi kakršnega koli razloga.

6. Ko je kava pripravljena, zaslišite zvočno opozorilo in lučka stanja (2) začne utripati rdeče.

7. Ko je kava kuhana, jo prelijte v skodelico za kavo in postrezite.



OPOZORILO:

Bodite pozorni, da ne zapackate grelne površine. Če se kava razlije na grelno površino, jo obrišite z rahlo vlažno krpo.

3 Delovanje

3.3 Količine

To je enostavna naprava za kuhanje turške kave. Pripravite lahko penasto turško kavo, ki ustreza vašemu okusu, z uporabo količin v tabeli. Naslednje količine so le informativne narave. Prilagodite jih lahko glede na lastne okuse.

3.4 Način mirovanja

Če naprava ne deluje 3 minute, boste zaslišali zvočno opozorilo (pisk) in naprava se bo preklopila v način mirovanja. Ko izvedete določen postopek (posodo za kuhanje postavite/odstranite na/ iz podstavka ali pritisnete gumb za začetek kuhanja), zaslišite 2 zvočna opozorila (piska). Statusna lučka zasveti belo in naprava je pripravljena na delovanje.

Priporočene količine sestavine za pripravo turške kave				
	Črna kava	Z manj sladkorja	Srednje	S sladkorjem
Kava	1 merica	1 merica	1 merica	1 merica
Sladkor	-	1/2 kocke sladkorja 1/2 čajne žličke sladkorja	1 kocka sladkorja/ 1 čajna žlička sladkorja	2 kocki sladkorja/ 2 čajni žlički sladkorja

- V posodo za kuhanje z merilno žlico dodajte dovolj kave za eno, dve ali tri osebe, želeno količino sladkorja in zahtevano količino vode za velikost vaše skodelice (priporočena velikost skodelice je 65 ml).
- Navedene količine ustrezajo srednje veliki skodelici za eno osebo. Priloženo merilno žlico lahko uporabite kot merilno žlico za kavo. Za pripravo okusne kave s peno uporabite fino, svežo kavo, ki je primerna za pripravo turške kave.

3 Delovanje

3.5 Obvestila

Izdelek je pripravljen za pripravo kave,
(Bela lučka sveti konstantno)

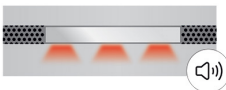


Kuhanje
(rdeča lučka sveti)



Počakajte
(Ne odstranjujte posode s podstavka)

Kuhanje je končano
(rdeča lučka utripa)



Odstranite posodo s podstavka.

Pregreto
(roza lučka utripa)



Odstranite posodo s podstavka in počakajte, da začne svetiti bela lučka.

Napaka kuhanja
(roza lučka utripa)



Očistite podstavek za posodo in steklo senzorja. Če se napaka ponovno pojavi, pokličite servis.

Napaka časovne omejitve
(roza lučka sveti)



Izklopite in vklopite napravo. Če se napaka ponovno pojavi, pokličite servis.

4 Čiščenje in vzdrževanje

4.1 Čiščenje



OPOZORILO: Ne prenašajte naprave, ko je posoda za kuhanje nameščena na podstavek. Posoda za kuhanje se lahko poškoduje.



OPOZORILO: Za čiščenje naprave ne uporabljajte bencina, topil ali abrazivnih čistil, kovinskih predmetov ali trdih krtač.



OPOZORILO: Naprave ali njenega napajalnega kabla nikoli ne potaplajte v vodo ali kakršno koli drugo tekočino.

1. Pred začetkom čiščenja izklopite napravo iz omrežja.
2. Počakajte, da se naprava ohladi.
3. Odstranite posodo za kuhanje (7) s podstavka (3).
4. Očistite posodo za kuhanje (7) pod tekočo vodo.



Grelne površine (5) in posode za kuhanje ne čistite z grobo gobo ali železno volno. Očistite ju z mehko gobo. Še posebej bodite previdni, da ne popraskate teh površin.



OPOZORILO: Posode za kuhanje (7) nikoli ne prerite v pomivalnem stroju.



OPOZORILO: Ne čistite drugih delov naprave, razen posode za kuhanje. Ostale dele le obrišite z vlažno krpo.



Če želite ohraniti okus kave, očistite posodo za kuhanje (7) nemudoma po vsaki pripravi kave.

5. Zunanje dele naprave očistite z vlažno mehko krpo in majhno količino blagega čistila.

4 Čiščenje in vzdrževanje



Ne pozabite obrisati senzorja za zaznavanje stopnje kuhanja (1) z vlažno krpo po vsakih 15-20 kuhanjih.

6. Posoda za kuhanje (7) postavite na podstavek.

4.2 Odstranjevanje vodnega kamna

Če želite odstraniti vodni kamen, ki se je nabral znotraj posode za kuhanje, brez da bi poškodovali spodnjo površino notranjosti posode za kuhanje, vlijte v posodo mešanico pol vode in pol kisa ter pritisnite gumb za začetek kuhanja (2). Po koncu kuhanja sperite posodo (7) in jo uporabite kot običajno.

4.3 Shranjevanje

- Če naprave ne želite uporabljati dlje časa, jo skrbno shranite.
- Prepričajte se, da je naprava izključena iz omrežja, ohlajena in popolnoma suha.
- Napravo hranite na hladnem in suhem mestu.
- Napravo shranjujte izven dosega otrok.

5 Pred klicanjem servisa



Najprej preverite, ali je naprava vključena v napajanje ali ne.



Preverite, če je kabel poškodovan.



Očistite senzor za zaznavanje stopnje kuhanja.

Vă rugăm să citiți mai întâi acest manual de utilizare!

Stimate client,

Vă mulțumim pentru că ați ales un produs Beko. Sperăm să obțineți cele mai bune rezultate de la produsul dumneavoastră, care a fost fabricat la o calitate înaltă și cu tehnologii performante. În acest scop, vă rugăm să citiți cu grijă și în întregime acest manual de utilizare și toate celelalte documente însoțitoare înainte de a utiliza produsul și să le păstrați pentru consultări ulterioare. Dacă transmiteți produsul altei persoane, oferiți-i și manualul de utilizare. Respectați toate avertismentele și informațiile din manualul de utilizare.

Semnificația simbolurilor

Următoarele simboluri sunt utilizate în diverse părți ale acestui manual de utilizare:



Informații importante sau sfaturi utile privind utilizarea.



AVERTISMENT: Avertismente pentru situații periculoase privitoare la siguranța vieții și a proprietății



Acest produs a fost produs în unități moderne care sunt prietenoase cu mediul înconjurător

Acest produs este conform cu reglementarea WEEE.



Nu conține PCB.

CONȚINUT

1 Instrucțiuni importante de siguranță și mediu 96

- 1.1 Siguranță generală 96
- 1.2 Conform Directivei WEEE și de eliminare a produselor reziduale. 102
- 1.3 Informații despre ambalaj 102

2 Aparatul dumneavoastră pentru prepararea cafelei turcești 103

- 2.1 Prezentare generală 103
- 2.2 Date tehnice 103
- 3 Utilizare 105
- 3.1 Utilizare inițială..... 105
- 3.2 Preparare..... 105
- 3.3 Cantități 107
- 3.4 Mod de așteptare 107
- 3.5 Notificări 108

4 Curățarea și întreținerea 109

- 4.1 Curățarea..... 109
- 4.2 Detratarea 110
- 4.3 Depozitarea 110

5 Înainte de apelarea service-ului 111

Această secțiune conține instrucțiuni privind siguranța, care au rolul de a preveni vătămările corporale și pagubele materiale.

Nerespectarea acestor instrucțiuni invalidează garanția furnizată.

1.1 Siguranță generală

- Acest produs este conform cu standardele internaționale de siguranță.
- Nu utilizați produsul afară sau în baie.
- Nu va fi asumată nicio responsabilitate sau solicitare de garanție pentru avariile ce survin în timpul întrebuințării greșite sau a manevrării incorecte a produsului.
- Niciodată nu încercați să dezamblați sau se separați componentele montate ale aparatului.
- Utilizați doar componente originale sau componente recomandate de către producător.
- Întotdeauna utilizați produsul pe o suprafață stabilă, dreaptă, curată și aderentă.

1

Instrucțiuni importante de siguranță și mediu

- Nu începeți să preparați cafeaua fără a introduce apă în rezervorul de preparare.
- Nu introduceți orice altă substanță în afară de cafea, zahăr și apă în rezervorul de preparare.
- Nu utilizați rezervorul de preparare pentru a savura cafeaua turcească preparată.
- În timpul primei utilizări a aparatului, datorită tehnologiei de producție, aburul și mirosul se pot ridica la elementul de încălzire al produsului. Acest lucru este normal. Acest lucru va dispărea după câteva cicluri.
- Nu mișcați produsul atunci când este fierbinte sau atunci când există lichid în interiorul rezervorului de preparare.
- Evitați contactul cu suprafețele fierbinți. Țineți rezervorul de preparare doar de mâner, în caz contrar există riscul de arsură. În timpul preparării, rezervorul de preparare se înfierbântă.

- În timpul utilizării baza (suprafața de încălzire) pe care rezervorul de preparare este plasat se încălzește. Deci, nu atingeți această zonă în timpul utilizării și până când aparatul nu se răcește.
- Înainte de mutare, asigurați-vă că produsul este oprit.
- Pentru protecție suplimentară, acest produs trebuie să fie conectat la o siguranță de protecție de 30 mA.
- Conectați aparatul la o priză rezistentă la șocuri care este prevăzută cu siguranță corectă.
- Nu utilizați produsul atunci când cablul de alimentare sau produsul este avariat.
- Nu utilizați produsul cu un prelungitor.
- Înainte de conectarea cablului și montarea componentelor, uscați partea inferioară a rezervorului de preparare.
- Nu imersați produsul, cablul de alimentare sau ștecherul în apă sau alte lichide.
- Nu atingeți niciodată produsul sau ștecherul cu mâinile umede.

1

Instrucțiuni importante de siguranță și mediu

- Plasați produsul într-o poziție în așa fel încât ștecherul este întotdeauna accesibil.
- Preveniți avarierea cablului de alimentare prin comprimare, deformare sau frecarea de margini tăioase. Mențineți cablul de alimentare departe de suprafețele fierbînți și flacără deschisă.
- Asigurați-vă că cablul de alimentare nu poate fi scos accidental din priză sau că o persoană se poate împiedica de el atunci când produsul este utilizat.
- Dacă orice defecțiune survine deconectați produsul.
- Deconectați produsul înainte de curățarea acestuia și niciodată nu curățați atunci când este utilizat.
- Pentru deconectarea aparatului, nu trageți de cablul de alimentare și nu înfășurați cablul în jurul produsului.
- Tensiunea de alimentare ale prizelor trebuie să corespundă cu informațiile furnizate pe eticheta produsului.
- Nu utilizați niciodată produsul în sau lângă locuri și materiale combustibile sau inflamabile.

- Nu utilizați produsul lângă sau în preajma surselor de căldură (plită, grill, sobă etc).
- Mențineți departe produsul din sursele de abur și evitați utilizarea produsului în medii ce conțin o cantitate excesivă de abur.
- Nu utilizați rezervorul de preparare cu orice alt arzător (plită și etc) decât cel din produs.
- Acest produs este destinat doar pentru uz casnic. Nu este destinată pentru uz profesional în:
 - bucătării de personal în magazine, birouri și alte medii de lucru;
 - ferme;
 - de către clienți în hoteluri, moteluri și alte medii de tip rezidențial
 - medii de tip mic dejun
- Nu utilizați produsul pentru altceva decât uzul destinat.
- Acest produs poate fi utilizat doar pentru prepararea cafelei.

- Atunci când cuptorul este utilizat lângă copii sau persoane care prezintă abilități fizice, senzoriale sau mentale restricționate, este recomandată atenție extremă.
- Acest produs poate fi utilizat de către copii cu vârsta mai mare de 8 ani și de persoanele cu capacități fizice, perceptive sau mentale diminuate sau de persoanele care nu sunt experimentate sau nu cunosc informații despre aparat numai dacă aceștia sunt supravegheați sau informați cu privire la utilizarea în siguranță a aparatului și înțeleg riscurile prezente. Copii nu trebuie să se joace cu produsul.
- Lucrările de curățare și întreținere nu trebuie să fie efectuate de către copii cu excepția supravegherii de către un adult.
- Dacă păstrați materialele de ambalaj, mențineți-le departe de copii.
- Asigurați-vă că produsul este ținut departe de copiii.

1.2 Conform Directivei WEEE și de eliminare a produselor reziduale.



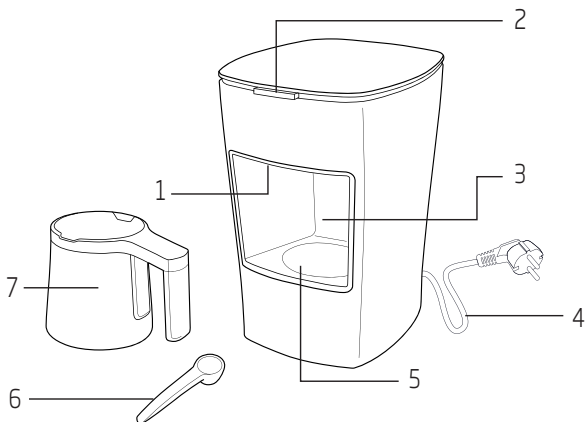
Acest produs nu conține materiale periculoase sau interzise specificate în "Regulamentul pentru Supervizare a Produselor Electrice și Electronice Reziduale" eliberat de către Ministerul Mediului și Planificării Urbane. Conform Directivei WEEE. Acest produs a fost fabricat folosind componente și materiale de înaltă calitate, care pot fi refolosite și reciclate. Așadar, la sfârșitul perioadei sale de utilizare, nu aruncați produsul împreună cu gunoiul menajer. Duceți-l la un centru de colectare pentru reciclarea echipamentelor electrice și electronice. Adresați-vă autorității locale din zona dumneavoastră pentru aceste puncte de colectare. Contribuiți la protejarea mediului și a resurselor naturale prin reciclarea produselor uzate.

1.3 Informații despre ambalaj



Ambalajul produsului este fabricat din materiale reciclabile conform Legislației Naționale. Ambalajele nu trebuie aruncate împreună cu gunoiul menajer sau alt tip. Duceți-le la punctele de colectare destinate ambalajelor amenajate de către autoritățile locale.

2.1 Prezentare generală



1. Senzor de detectare a nivelului de preparare
2. Buton de pornire a preparării și lumina de stare
3. Locaș rezervor de preparare
4. Cablu de alimentare
5. Suprafață de încălzire
6. Măsură cafea
7. Rezervor de preparare

Valorile care sunt declarate pe eticheta produsului aplicată pe aparatul dumneavoastră sau alte documente imprimate furnizate cu acesta reprezintă valorile care au fost obținute în laborator conform standardelor corespunzătoare. Aceste valori pot varia în funcție de utilizarea produsului și condițiile ambientale.

2.2 Date tehnice

Tensiune: Max 3A

Putere: 670 W

Tensiune:
220-240 V AC ~, 50 Hz

**Lungime cablu de
alimentare:** 100 cm

Modificările tehnice și de proiectare
sunt rezervate!

3 Utilizare

3.1 Utilizare inițială

Asigurați-vă că produsul este montat drept pe o suprafață stabilă, dreaptă, curată și aderentă.

3.2 Preparare

1. Conectați ștecherul la priza de perete.
 - Produsul va porni automat.
2. Curățați rezervor de preparare (7) prin spălarea acestuia sub apă curentă.



Pentru a obține o cafea delicioasă, asigurați-vă că interiorul rezervorului de preparare (7) este uscat și curat.



Utilizare inițială: Clătiți cu apă curată cel puțin de patru ori fără a adăuga cafea.

3. Introduceți cafeaua, zahărul și apă pentru una, două sau trei persoane în rezervorul de preparare (7).



Dacă observați aglomerație sau cafea uscată la suprafață este recomandat să agitați amestecul de cafea cu o lingură din plastic sau din lemn (nu utilizați o lingură metalică) înainte de pornirea pentru preparare.



Asigurați-vă că nu sunt stropi de apă sub rezervorul de preparare (7) atunci când preparați cafeaua. În caz contrar, un avertisment agasant va fi auzit atunci când stropii de apă ajung în contact cu baza încăinsă.

4. Plasați rezervorul de preparare (7) în locașul lui.



AVERTISMENT:

Aparatul nu va porni doar atunci când dumneavoastră plasați rezervorul de preparare în locașul acestuia corect.

3 Utilizare

5. Apăsați butonul pentru pornirea preparării (2).

- Produsul va emite un avertisment audio (beep) iar lumina de stare (2) își va modifica culoarea atunci când aparatul începe funcționarea.



Timpul de preparare este de 1-1.5 min. pentru o persoană, 1.5-2.5 min. pentru 2 persoane și 2-3.5 min. pentru 3 persoane.



Timpul de preparare va fi mai scurt la prepararea consecutivă deoarece suprafața de încălzire (5) este deja fierbinte.



Pentru o cafea gustoasă, luați rezervorul de preparare (7) din locașul acestuia (3) fără a aștepta!



Turnați repede cafeaua pentru a preveni spuma și zațul să rămână în rezervorul de preparare (7).



Mențineți apăsat butonul de pornire a preparării (2) timp de 3 secunde pentru a anula prepararea cafelei din orice motiv.

6. Atunci când cafeaua este pregătită, produsul va emite un avertisment audio iar lumina de stare (2) va începe să clipească în culoarea roșie.

7. Atunci când cafeaua este preparată, transferați-o într-o ceașcă și serviți-o.



AVERTISMENT:

Asigurați-vă să nu pătați suprafața de încălzire. Dacă cafeaua curge pe suprafața de încălzire curățați-o cu un material textil umezit ușor.

3 Utilizare

3.3 Cantități

Acesta este un aparat ușor de folosit proiectat pentru prepararea cafelei turcești. Dumneavoastră puteți prepara o cafea turcească în spumată care vă mulțumește gusturile dumneavoastră prin utilizarea cantităților din tabel. Următoarele cantități sunt furnizate doar în scopuri informative. Dumneavoastră le puteți ajusta după gustul personal.

3.4 Mod de așteptare

Dacă nu este efectuată nicio operație pe aparat timp de 3 minute, acesta va emite un avertisment audio (beep) și va comuta către modul de așteptare. Atunci când o operație este efectuată (rezervorul de preparare este plasat/scos din/scos din locașul acesta sau butonul de pornire este apăsat) 2 avertizări audio (beep-uri) sunt emise. Lumina de stare își modifică culoarea în alb și produsului este pregătit pentru utilizare.

Cantitățile recomandate de ingrediente pentru pregătirea unei cafele turcești

	Simple	Cu mai puțin zahăr	Mediu	Cu zahăr
Cafea	o măsură	o măsură	o măsură	o măsură
Zahăr	-	1/2 zahăr cubic/ 1/2 linguriță zahăr granulat	o bucată de zahăr cubic/ o linguriță zahăr granulat	două bucăți de zahăr cubic/ 2 lingurițe zahăr granulat

- Adăugați suficientă cafea pentru una, două sau trei persoane folosind lingurița gradată, cantitatea dorită de zahăr și cantitatea de apă necesară pentru volumul ceștii (volumul recomandat al ceștii este de 65 ml) în rezervorul de gătit.
- Cantitățile specificate corespund unei ceștii de dimensiune medie pentru o persoană. Dumneavoastră puteți utiliza lingura de măsurare furnizată pentru a măsura cantitatea de cafea. Pentru prepararea unei cafele delicioase cu spumă, vă rugăm să utilizați cafea fină, foarte proaspătă potrivită pentru cafeaua turcească.

3 Utilizare

3.5 Notificări

Produsul este pregătit pentru prepararea cafelei
(lumină albă constantă)

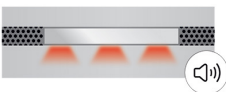


Preparare
(lumină roșie constantă)



Așteptați
(Nu scoateți
rezervorul din
locașul lui)

Prepararea este finalizată
(clipirea culorii roșii)



Luăți rezervorul
din locașul lui.

Supraîncălzit
(lumina roz clipește)



Luăți rezervorul din
locașul lui și așteptați
până când lumina își
schimbă culoarea.

Eroare de preparare
(lumina roz clipește)



Curățați locașul
rezervorului și senzorul
de sticlă. Contactați
service-ul dacă erorile
survin din nou.

Eroare de pauză
(lumină roz constantă)



Oprii și porniți
aparatură. Contactați
service-ul dacă erorile
survin din nou.

4 Curățarea și întreținerea

4.1 Curățarea

**AVERTISMENT:**

Nu transportați produsul atunci când rezervorul de preparare se află montat în locașul acestuia. Rezervorul de preparare se poate avaria.

**AVERTISMENT:**

Nu utilizați niciodată benzină, solvent, agenți de curățare abrazivi, obiecte metalice sau raclete dure pentru curățarea aparatului.

**AVERTISMENT:**

Nu imersați niciodată produsul sau cablul său de alimentare în apă sau în alt lichid.

1. Înainte de pornirea procedurii de curățare, decuplați produsul.
2. Așteptați răcirea produsului.

3. Plasați rezervorul de preparare (7) în locașul acestuia (3).
4. Curățați rezervor de preparare (7) prin spălarea acestuia sub apă curentă.



Nu curățați suprafața fierbinte (5) și rezervorul de preparare cu burete abraziv sau burete metalic. Spălați această suprafață utilizând un burete moale. Fiți atenți să nu zgâriați aceste suprafețe.

**AVERTISMENT:**

Nu spălați niciodată rezervorul de preparare (7) în mașina de spălat vase.

**AVERTISMENT:**

Nu spălați orice altă componentă a aparatului decât rezervorul de preparare. Dumneavoastră puteți șterge cu un material textil umed.

4 Curățarea și întreținerea



Pentru a menține gustul cafelei pe care dumneavoastră o preparați, curățați rezervorul de preparare (7) după fiecare operațiune de preparare fără a aștepta.

5. Pentru a curăța exteriorul produsului, utilizați un material textil umed și moale și o cantitate mică de detergent.



Nu ignorați să ștergeți senzorul de detectare anivelului de preparare (1) cu un material textil moale la fiecare 15-20 operațiuni de preparare.

6. Plasați rezervorul de preparare (7) în locașul lui.

4.2 Detratarea

Pentru eliminarea urmelor (tratarea) care se pot acumula în interiorul rezervorului de preparare ca rezultat al utilizării în timp fără a avaria suprafața internă a rezervorului de preparare, turnați o ceașcă de amestec de jumătate apă și jumătate oțet în rezervorul de preparare și apăsați butonul (2). La finalizarea preparării, clătiți rezervorul de preparare (7) și utilizați-l normal.

4.3 Depozitarea

- Dacă nu doriți să utilizați produsul pentru o perioadă lungă de timp, depozitați-l cu grijă.
- Asigurați-vă că aparatul de decuplat din priză, răcit și uscat în totalitate.
- Depozitați produsul într-o loc uscat și răcoros.
- Mențineți produsul departe de copii.

5 Înainte de apelarea service-ului



Prima dată verificați dacă aparatul este conectat sau nu la priză.



Verificați dacă cablul de alimentare prezintă avarii.



Curățați senzorul de detectare a nivelului de preparare.

Моля, първо прочетете ръководството за употреба!

Уважаеми клиенти,

Благодарим ви, че избрахте продукт на Беко. Надяваме се да получите отлични резултат от нашия продукт, произведен от по най-модерна технология от висококачествени материали. Ето защо, преди да преминете към употребата на уреда, първо прочетете цялото ръководство за употреба, както и другата придружителна документация, като ги запазите за бъдещи справки. Ако в бъдеще предоставите уреда на друг потребител, предайте и ръководството за употреба. Следвайте всички предупреждения и указания от ръководството за употреба.

Значение на символите

В различните раздели на ръководството са използвани следните символи:



Важна информация и полезни съвети за употребата.



ПРЕДУПРЕЖДЕНИЕ:

Предупреждения за опасни ситуации във връзка с безопасността на здравето и имуществото.



Този продукт е произведен в екологични, съвременни съоръжения.

1 Важни инструкции за безопасност и опазване на околната среда 114

1.1 Обща безопасност 114

1.2 Съответствие на Директива WEEE и
изхвърлянето на отпадъчните продукти 120

1.3 Информация за опаковката 120

2 Кафе-машината 120

2.1 Преглед 121

2.2 Технически данни 121

3 Действие 122

3.1 Първоначална употреба 122

3.2 Приготвяне 122

3.3 Количества 124

3.4 Режим на неактивност 124

3.5 Уведомявания 125

4 Почистване и поддръжка 126

4.1 Почистване 126

4.1.1 Отстраняване на котления камък . 127

4.2 Съхранение 127

4.3 Пренос 128

5 Преди да се обадите в сервиза 128

Този раздел включва указания за безопасността, които да ви предпазят от рискове от телесна повреда или материални щети.

Неспазването на инструкциите обезсилва гаранцията.

1.1 Обща безопасност

- Този продукт съответства на международните стандарти за безопасност.
- Не използвайте уреда навън и във влажни помещения.
- Не се допуска поемане на отговорност или гаранционни искове за щети, настъпили вследствие на неправилна употреба или неправилна работа с уреда.
- Никога не правете опити да разглобявате или разединявате монтажните части на уреда.
- Използвайте само оригинални части или части, препоръчвани от производителя.
- Използвайте уреда само върху стабилна, равна, чиста, суха и нехлъзгава повърхност.

- Не започвайте да приготвяте кафе без да сте поставили вода в съда за варене.
- Не поставяйте вещества, които не са кафе, захар или вода в съда за варене.
- Не пийте приготвеното кафе от съда за варене.
- Поради технологията на производство е възможно излъчване на пара и миризма от нагревателния елемент при началното използване на продукта. Това е нормално. Тези явления изчезват след няколко работни цикъла.
- Не пренасяйте уреда, когато все още е горещ или когато в съда за варене има течност.
- Избягвайте контакт с горещите повърхности. Дръжте горещия резервоар само за дръжката; в противен случай съществува риск от изгаряне. Съдът за варене се нагрива по време на приготвянето.
- Основата (нагревателната повърхност), върху която е поставен съда за варене, се нагорещява по време на работа. Следователно, не трябва да докосвате тази зона по време и до изстиване на уреда.

- Уверете се, че уредът е изключен, преди да го придвижите.
- За допълнителна защита уредът трябва да бъде свързан с битова токова защита с номинална мощност не повече от 30 mA.
- Свържете машината към водоустойчив контакт, който е свързан правилно към предпазител.
- Никога не използвайте уреда, ако хранващият кабел или самият уред е повреден.
- Не използвайте уреда с удължител.
- Подсушете основата на съда за варене преди да включите уреда и да поставите частите в работно състояние.
- Не потапяйте уреда, хранващия кабел или щепсел във вода или други течности.
- Не докосвайте уреда или неговите части с мокри и влажни ръце.
- Разположете уреда по такъв начин, че щепселът винаги да бъде достъпен.

- За да избегнете риск от повреда на хранващия кабел, внимавайте да не го притискате, огъвате или търкате в остри ръбове. Дръжте хранващия кабел далеч от нагорещени повърхности и открит пламък.
- Уверете се, че няма опасност хранващият кабел да бъде издърпан или някой да се препъне в него при използване на уреда.
- Изключвайте уреда при възникване на неизправност.
- Изключвайте уреда преди да го почистите и никога не почиствайте, когато се използва.
- Не дърпайте хранващият кабел на уреда, за да го изключите от контакта и не увивайте кабела около уреда.
- Проверете дали данните за местното електрохранване отговарят на информацията върху табелката с данни.
- Не използвайте уреда в или в близост до запалими или възпламеними места и материали.

- Не използвайте уреда в или в близост до нагревателни източници (котлони, грилове, нагреватели, фурни и др.).
- Пазете уреда далеч от източници на пари и избягвайте да го използвате в среда, която съдържа твърде много пари.
- Не използвайте резервоара за приготвяне с други нагревател (котлон и др.) освен този на уреда.
- Този уред е предназначен единствено за домашна употреба и не е подходящ за професионална употреба в следните среди:
 - пригодени места за приготвяне на храна в магазини, офиси и други подобни работни обкръжения
 - ферми
 - продукта не трябва да бъде използван от клиенти в хотели, мотели и друг тип резидентни среди
 - резидентни места за временен престой, които предлагат нощувка и закуска

- Не използвайте уреда за други цели, освен по предназначение.
- Уредът може да се използва само за приготвяне на кафе.
- Трябва да сте особено внимателни, ако използвате уреда в близост до деца или лица с понижени физически, сензорни или умствени способности.
- Уредът може да се използва от деца на възраст над 8 години и от хора с намалени физически, психически и умствени способности или от лица, които нямат опит, ако бъдат наблюдавани или информирани и разберат присъщите рискове и как да използват уреда безопасно. Децата не трябва да играят с уреда.
- Процедурите за почистване и поддръжка от потребителя не трябва да се извършват от деца, освен ако не са контролирани от възрастни.
- Ако запазите опаковката, я съхранявайте далеч от деца.

2 Кафе-машината

- Уверете се, че уредът се съхранява на място, на което децата не могат да го достигнат.

1.2 Съответствие на Директива WEEE и изхвърлянето на отпадъчните продукти



Този продукт не включва вредни и забранени материали, посочени в „Регламент за надзор на отпадъчни електрически и електронни уреди“, издаден от Министерството на околната среда и градското планиране. Съответства на Директива WEEE. Този продукт е произведен от висококачествени части и материали, които могат да бъдат използвани повторно и да бъдат рециклирани. Ето защо в края на експлоатационния му живот, не изхвърляйте уреда с обикновените битови отпадъци. Занесете го в събирателен пункт за рециклиране на електрическо и електронно оборудване. Информация за събирателните пунктове можете да получите от местните органи. Помогнете за опазването на околната среда и природните ресурси чрез рециклиране на употребявани продукти.

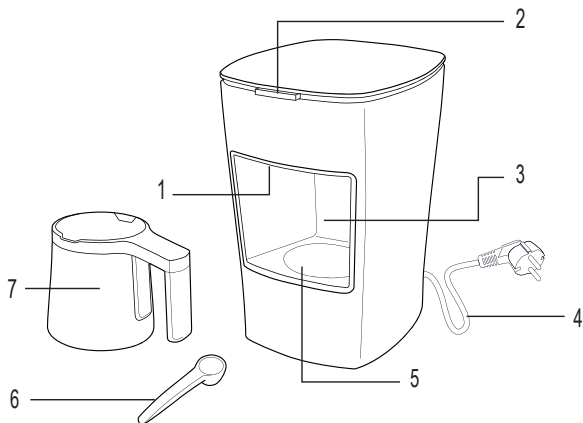
1.3 Информация за опаковката



Опаковката на продукта е изготвена от подлежащи на рециклиране материали в съответствие с националното ни законодателство. Не изхвърляйте опаковъчните материали с битови или други отпадъци. Отнесете ги в център за събиране на опаковъчни материали, посочен от местните органи.

2 Кафе-машината

2.1 Преглед



1. Сензор за разпознаване на нивото на пригответената течност
2. Бутон за стартиране на приготвянето и светлинен индикатор за състояние
3. Гнездо на съда за варене
4. Захранващ кабел
5. Нагревателна повърхност
6. Мерителен съд за кафе
7. Съд за варене

2.2 Технически данни

Ток: Макс.3А

Мощност: 670 W

Мощност: 220-240 V AC ~, 50 Hz

Дължина на захранващия кабел: 100 cm

Правото на технически модификации и промени в дизайна е запазено.

Стойностите са дадени върху фиксирани към уреда обозначения или в други печатни документи, които се доставят с него. Те представляват стойности, които са получени в лабораторни условия според определените стандарти. Тези стойности може да бъдат различни, в зависимост от употребата на уреда и околните условия.

3 Действие

3.1 Първоначална употреба

Уверете се, че уредът е поставен изправен върху балансирана, равна, чиста и суха, неплъзгаща се повърхност.

3.2 Приготвяне

1. Поставете щепсела в контакта.
 - Уредът се включва автоматично.
2. Почистете съда за варене (7) като го измиете под течаща вода.



За да се насладите на вкусно кафе, се уверете, че вътрешността на съда за варене (7) е суха и чиста.



Употреба за първи път Изплакнете с чиста вода най-малко четири пъти, без да добавяте кафе.

3. Поставете кафе, захар и вода за едно, две или три кафета в съда за варене (7).



Ако забележите натрупване на сухо кафе по повърхността, се препоръчва да изстържете сместа с пластмасова или дървена лъжица (не използвайте метална лъжица) преди да започнете варенето.



Уверете се, че няма водни капки под съда за варене (7), когато пригответе кафето. В противен случай е възможно възникване на шум, когато водните капки влезнат в контакт с горещата основа.

4. Поставете съда за варене (7) върху основата.



ПРЕДУПРЕЖДЕНИЕ:
Уредът не стартира, освен ако не поставите съда за варене правилно върху основата.

3 Действие

5. Натиснете бутона за начало на варене (2).

- Уредът издава звуково предупреждение (звук сигнал) и светлинният индикатор за състояние (2) се включва в червен цвят веднага след стартирането.



Времето за приготвяне е 1-1.5 мин. за 1 лице , 1.5-2.5 мин. за 2 лица и 2-3.5 мин. за 3 лица.



Времето за приготвяне се намалява при повторно приготвяне, тъй като нагревателната повърхност (5) вече е гореща.



За приготвяне на вкусно кафе вдигнете съда за варене (7) от основата (3) без да чакате!



Изсипете внимателно кафето, за да не изсипете твърде много каймак и кафе от съда за варене (7).



Натискайте бутона за приготвяне (2) за 3 секунди, за да прекъснете приготвянето поради някаква причина.

6. След като кафето бъде готово, уредът издава звуково предупреждение и светлинният индикатор (2) започва да примигва в червен цвят.

7. След като кафето бъде приготвено, го прехвърлете в чаши за кафе и го сервирайте.



ПРЕДУПРЕЖДЕНИЕ:
Внимавайте да не замърсите нагревателната повърхност. Ако разлеете кафе върху нагревателната повърхност, го избършете с леко навлажнена кърпа.

3.3 Количества

Този уред се използва за лесно приготвяне на кафе. Можете да пригответе кафе с каймак, което отговаря на вкуса ви, като използвате таблицата за количества. Посочените количества са дадени само за информация. Можете да ги регулирате според личните си предпочитания.

3.4 Режим на неактивност

Ако не се извършва операция на устройството в продължение на 3 минути, то ще алармира (звук сигнал) и ще премине към режим на готовност. Когато се извършва операция (съдът за варене е поставен/ отстранен от гнездото или е натиснат бутон „Старт“), се издават 2 звукови предупреждения (звукови сигнали). Светлинният индикатор за състояние свети в бяло и уредът е готов за работа.

Препоръчани количества на съставките за приготвяне на кафе

	Чисто кафе	С по-малко захар	Средно кафе	Със захар
Кафе	1 доза	1 доза	1 доза	1 доза
Захар	-	1/2 бучка захар/ 1/2 чаена лъжица пясъчна захар	1 бучка захар/ 1 чаена лъжица пясъчна захар	2 бучки захар/ 2 чаени лъжици пясъчна захар

- В резервоара на кафеварката, с помощта на мерителната лъжичка, се добавя достатъчно кафе за едно, две или три кафета, желаното количество захар и необходимото количество вода за размера на вашата чаша (препоръчително е чашата да бъде с вместимост 65 мл).
- Посочените количества съответстват на чаша със среден размер, за един човек. Можете да използвате предоставената мерителна лъжичка, за да измерите с нея кафето. За да се приготви вкусно кафе с пяна, моля използвайте фино смляно, прясно кафе, което е подходящо за турско кафе.

3 Действие

3.5 Уведомявания

Уредът е готов за приготвяне на кафе

(Постоянна бяла светлина)



Варене

(постоянна червена светлина)

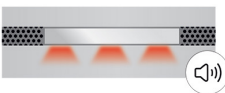


Изчакайте

(Не вдигайте съда от нагревателната основа).

Варенето е завършило

(примигващ червен светлинен индикатор)



Вдигнете съда за варене от нагревателната основа.

Прекалено дълго варене

(примигване в розово)



Извадете съда от гнездото му и изчакайте, докато светлината стане постоянно бяла.

Грешка при варене

(примигване в розово)



Почистете гнездото на съда и сензорното стъкло. При повторно възникване на грешката се свържете със сервиса.

Греша - време на изчакване

(постоянна розова светлина)



Изключете уреда и отново го включете. При повторно възникване на грешката се свържете със сервиса.

4 Почистване и поддръжка

4.1 Почистване



ПРЕДУПРЕЖДЕНИЕ:
Не носете уреда, когато съдът за варене е поставен върху нагревателя. Съдът за варене може да се повреди.



ПРЕДУПРЕЖДЕНИЕ:
Никога не използвайте бензин, разтворител, абразивен почистващ препарат, метални предмети и твърди четки за почистване на уреда.



ПРЕДУПРЕЖДЕНИЕ:
Никога не потапяйте уреда или хранящия кабел във вода или други течности.

1. Изключвайте уреда преди да започнете почистване.
2. Изчакайте уреда да се охлади.

3. Отстранете съда за варене (7) от нагревателната основа (3).
4. Почистете съда за варене (7) под течаща вода.



Не почиствайте нагревателната повърхност (5) и съда за варене с абразивни гъби или домакинска тел. Измивайте с мека гъба. Внимавайте да не надраскате тези повърхности.



ПРЕДУПРЕЖДЕНИЕ:
Никога не мийте съда за варене (7) в съдомиялна машина.



ПРЕДУПРЕЖДЕНИЕ:
Не мийте частите на уреда, освен съда за варене. Можете да ги избършете с влажна гъба.



За да запазите вкуса на кафето, което ще пригответе, почиствайте съда за варене (7) след всяко приготвяне, без да чакате.

5. Използвайте мека, влажна кърпа и малко слаб почистващ препарат, за да почистите уреда отвън.



Винаги избърсвайте сензора за разпознаване на нивото на течността (1) с влажна кърпа на всеки 15-20 приготвяния.

6. Поставете съда за варене (7) върху основата.

4.1.1 Отстраняване на котления камък

За да отстраните следите (котления камък), който може да се натрупат с времето в съда за варене в резултат на употребата, без да повредите вътрешната му долна повърхност, изсипете в него половин чаша оцет, разтворен с половин чаша вода и натиснете бутона за начало на приготвяне (2). В края на процедурата изплакнете съда за варене (7) и го използвайте както обикновено.

4.2 Съхранение

- Ако не възнамерявате да използвате уреда за продължителен период от време, го съхранете внимателно.
- Уверете се, че уредът е изключен от контакта, охладен и напълно сух.
- Съхранявайте уреда на хладно и сухо място.
- Съхранявайте уреда далеч от деца.

4 Почистване и поддръжка

4.3 Пренос

- По време на преноса съхранявайте уреда в оригиналната опаковка. Опаковката на уреда го защитава срещу физически повреди.
- Не поставяйте тежки предмети върху уреда или опаковката. При това той може да се повреди.
- Изпускането на уреда може да го счупи или да причини постоянни повреди.

5 Преди да се обадите в сервиса



Първо проверете дали уредът е включен.



Проверете дали има повреда или прекъсване на кабела.



Почистете сензора за разпознаване на нивото на течността.

Lütfen önce bu kılavuzu okuyun!

Değerli Müşterimiz,

Beko ürününü tercih ettiğiniz için teşekkür ederiz. Yüksek kalite ve teknoloji ile üretilmiş olan ürününüzün size en iyi verimi sunmasını istiyoruz. Bunun için, bu kılavuzun tamamını ve verilen diğer belgeleri ürünü kullanmadan önce dikkatle okuyun ve bir başvuru kaynağı olarak saklayın. Ürünü başka birisine vererseniz, kullanma kılavuzunu da birlikte verin. Kullanma kılavuzunda belirtilen tüm bilgi ve uyarıları dikkate alarak talimatlara uyun.

Sembollerin anlamları

Bu kullanma kılavuzunun çeşitli kısımlarında aşağıdaki semboller kullanılmıştır:



Cihazın kullanımıyla ilgili önemli bilgiler ve faydalı tavsiyeler.



UYARI: Can ve mal güvenliğiyle ilgili tehlikeli durumlar konusunda uyarılar.



Bu ürün, çevreye saygılı modern tesislerde doğaya zarar vermeden üretilmiştir.

AEED Yönetmeliğine Uygundur.



PCB içermez.

İÇİNDEKİLER

1 Önemli güvenlik ve çevre talimatları 130

1.1 Genel güvenlik 130

1.2 AEEE yönetmeliğine uyum ve atık ürünün elden çıkarılması 136

1.3 Ambalaj bilgisi 136

2 Türk kahve makineniz 137

2.1 Genel bakış 137

2.2 Teknik veriler 137

3 Kullanım 139

3.1 İlk kullanım 139

3.2 Pişirme 139

3.3 Miktarlar 141

3.4 Uyku modu 141

3.5 Bildirimler 142

4 Temizlik ve bakım 143

4.1 Temizlik 143

4.1.1 Kireç çözme 144

4.2 Saklama 144

4.3 Taşıma ve nakliye 144

5 Servis çağırılmadan önce yapılması gerekenler 145

6 Tüketici hizmetleri 146

1 Önemli güvenlik ve çevre talimatları

Bu bölümde, yaralanma ya da maddi hasar tehlikelerini önlemeye yardımcı olacak güvenlik talimatları yer almaktadır.

Bu talimatlara uyulmaması halinde her türlü garanti geçersiz hale gelir.

1.1 Genel güvenlik

- Bu cihaz, uluslararası güvenlik standartlarına uygundur.
- Bu cihazı dış mekanlarda ve banyoda kullanmayın.
- Hatalı kullanımdan veya cihazın uygunsuz şekilde taşınmasından kaynaklanan hasarlar için herhangi bir sorumluluk veya garanti talebi kabul edilmez.
- Cihazın montajlı parçalarını kesinlikle ayırmaya, parçalamaya çalışmayın.
- Sadece orjinal parçaları veya üretici tarafından tavsiye edilen parçaları kullanın.
- Cihazı daima dengeli, düz, temiz, kuru ve kaymayan bir yüzey üzerinde kullanın.

1 Önemli güvenlik ve çevre talimatları

- Pişirme haznesine su koymadan kahve pişirme işlemini başlatmayın.
- Pişirme haznesinin içerisine kahve, şeker ve sudan başka hiçbir madde koymayın.
- Pişirdiğiniz Türk kahvesini pişirme haznesi ile içmeyin.
- Üretim teknolojisinden dolayı ilk kullanımda cihazınızın ısıtıcısında buhar ve koku oluşabilir. Bu durum normaldir. Birkaç kullanımdan sonra düzelecektir.
- Cihazı, pişirme haznesi içerisinde sıvı bulunurken veya cihaz sıcakken hareket ettirmeyin.
- Sıcak yüzeylere temastan kaçının. Pişirme haznesini sadece taşıma sapından tutun, aksi taktirde yanma tehlikesi vardır. Pişirme haznesi kullanım esnasında ısınır.
- Pişirme haznesinin konulduğu alt yüzey (ısıtıcı yüzeyi), kullanım sırasında ısınmaktadır. Bu sebeple kullanım sırasında ve cihaz soğuyana kadar bu bölgeye dokunmayın.
- Cihaz hareket ettirilmeden önce kapalı konumunda olduğundan emin olun.

1 Önemli güvenlik ve çevre talimatları

- Bu cihaz, ilave koruma için azami 30 mA'lık ev tipi bir kaçak akım koruma sigortasına bağlanmış olmalıdır.
- Cihazı doğru sigortaya sahip, çarpmaya dayanıklı bir prize takın.
- Elektrik kablosu veya cihaz hasarlıysa kullanmayın.
- Cihazı uzatma kablosuyla kullanmayın.
- Elektriğe bağlamadan ve parçaları yerine oturtmadan pişirme haznesi yuvasını kurutun.
- Cihazı, elektrik kablosunu veya elektrik fişini suya ya da diğer sıvılara batırmayın, suyun altına tutmayın.
- Ellerinizi nemli veya ıslakken cihaza veya cihazın fişine dokunmayın.
- Cihazı elektrik fişine her zaman ulaşabilecek şekilde yerleştirin.
- Elektrik kablosunun hasar görmesini önlemek için sıkışmasını, kıvrılmasını veya keskin kenarlara sürtünmesini engelleyin. Elektrik kablosunu sıcak yüzeylerden ve çıplak alevden uzak tutun.
- Cihazın kullanımı esnasında elektrik kablosunun yanlışlıkla çekilmesi veya birinin kabloya takılma tehlikesinin olmadığından emin olun.

1 Önemli güvenlik ve çevre talimatları

- Cihazda bir arıza oluştuğunda fişini çıkartın.
- Cihazı temizlemeden önce fişini prizden çekin ve cihaz kullanımdayken temizlik yapmayın.
- Fişi prizden çıkarmak için kablosundan çekmeyin ve kablosunu cihazın etrafına sarmayın.
- Şebeke güç kaynağınız cihazın tip etiketinde belirtilen bilgilere uygun olmalıdır.
- Cihazı parlayıcı veya yanıcı ortamların ve maddelerin bulunduğu yerde veya yakınında kullanmayın.
- Cihazı ısı kaynakları (ocak, mangal, kalorifer, soba vs.) yanında ve yakınında kullanmayın.
- Cihazı buhar kaynaklarından uzak tutun ve aşırı buharlı ortamlarda kullanmamaya özen gösterin.
- Pişirme haznesini cihaz dışında hiçbir ısıtıcıda kullanmayın (ocak vb.).

1 Önemli güvenlik ve çevre talimatları

- Bu cihaz sadece ev kullanımı için tasarlanmıştır. Aşağıda sıralanan profesyonel kullanımlar için tasarlanmamıştır:
 - dukkân, ofis ve diğer çalışma ortamlarında yer alan personel mutfakları;
 - ciftlik evleri;
 - hotel, motel ve diğer yerleşim alanlarındaki müşteriler tarafından kullanım;
 - yatak ve kahvaltı tipi yerler. Cihazı kullanım amacının dışında hiçbir amaç için kullanmayın.
- Cihaz sadece kahve hazırlamak için kullanılabilir.
- Cihaz çocukların ve sınırlı fiziksel, duyuşsal ya da zihinsel kapasiteye sahip insanların yakınında kullanıldığında son derece dikkatli olunması tavsiye edilir.
- Cihaz, 8 yaş ve üzeri çocuklar ve fiziksel, algısal ve zihinsel yetenekleri azalmış veya tecrübe ve bilgi eksikliği olan kişiler tarafından gözetim altında veya cihazın güvenli bir şekilde kullanımına ve karşılaşılan ilgili tehlikelerin anlaşılmasına dair talimat verilirse kullanılabilir. Çocuklar cihazla oynamamalıdır.

1 **Önemli güvenlik ve çevre talimatları**

- Temizlik ve kullanıcı bakım işlemleri, başlarında bir büyük olmadığı sürece çocuklar tarafından yapılmamalıdır.
- Ambalaj malzemelerini saklıyorsanız, çocuklardan uzak tutun.
- Cihazın, çocukların ulaşamayacağı bir yerde muhafaza edildiğinden emin olun.

1 Önemli güvenlik ve çevre talimatları

1.2 AEEE yönetmeliğine uyum ve atık ürünün elden çıkarılması



Bu ürün, T.C. Çevre ve Şehircilik Bakanlığı tarafından yayımlanan "Atık Elektrikli ve Elektronik Eşyaların Kontrolü Yönetmeliği"nde belirtilen zararlı ve yasaklı maddeleri içermez. AEEE Yönetmeliğine uygundur. Bu ürün, geri dönüşümlü ve tekrar kullanılabilir nitelikteki yüksek kaliteli parça ve malzemelerden üretilmiştir. Bu nedenle, ürünü, hizmet ömrünün sonunda evsel veya diğer atıklarla birlikte atmayın. Elektrikli ve elektronik cihazların geri dönüşümü için bir toplama noktasına götürün. Bu toplama noktalarını bölgenizdeki yerel yönetime sorun. Kullanılmış ürünleri geri kazanıma vererek çevrenin ve doğal kaynakların korunmasına yardımcı olun.

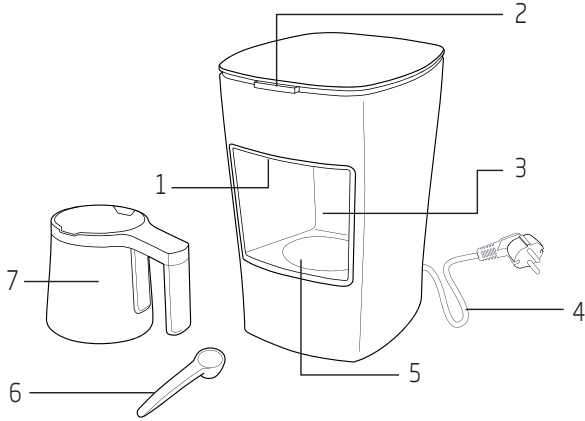
1.3 Ambalaj bilgisi



Ürünün ambalajı, Ulusal Mevzuatımız gereği geri dönüştürülebilir malzemelerden üretilmiştir. Ambalaj atığını evsel veya diğer atıklarla birlikte atmayın, yerel otoritenin belirttiği ambalaj toplama noktalarına atın.

2 Türk kahve makineniz

2.1 Genel bakış



1. Pişme algılama sensörü
2. Kahve pişirme başlatma butonu ve durum ışığı
3. Pişirme haznesi yuvası
4. Şebeke kablosu
5. Isıtıcı yüzeyi
6. Kahve ölçeği
7. Pişirme haznesi

2.2 Teknik veriler

CE Bu ürün, 2014/30/EC, 2014/35/EC, 2009/125/EC ve 2011/65/EU Avrupa direktiflerine uygundur.

Ürününüz üzerinde bulunan işaretlemelerde veya ürünle birlikte verilen diğer basılı dökümanlarda beyan edilen değerler, ilgili standartlara göre laboratuvar ortamında elde edilen değerlerdir. Bu değerler, ürünün kullanım ve ortam şartlarına göre değişebilir.

2 Türk kahve makineniz

Akım: Max 3A

Güç: 670 W

Gerilim: 220-240 V AC ~, 50 Hz

Kablo boyu: 100 cm

Teknik ve tasarım deęişiklikleri yapma hakkı saklıdır.

3 Kullanım

3.1 İlk kullanım

Cihazın dik konumda ve dengeli, düz, temiz, kuru ve kaymayan bir yüzeyde durduğundan emin olun.

3.2 Pişirme

1. Fişi prize takın.

- Cihaz kendiliğinden açılacaktır.

2. Pişirme haznesini (7) suyun altında yıkayarak temizleyin.



Lezzetli bir kahve elde etmek için pişirme haznesinin (7) içinin kuru ve temiz olmasına dikkat edin.



İlk kullanım: Kahve ekmeden, temiz suyla en az dört kez güzelce durulayın.

3. Tek , çift veya üç kişilik kahveyi, şekeri ve suyu pişirme haznesine (7) koyun.



Pişirdiğiniz kahvede topaklanma veya üstte kuru kahve görülüyorsa, pişirmeye başlamadan önce hazırlanan karışımın plastik veya tahta bir kaşıkla karıştırılması tavsiye edilir (metal kaşık kullanmayın).



Kahve hazırlarken, pişirme haznesinin (7) tabanının altında su damlacıklarının olmamasına dikkat edin. Aksi takdirde su damlacıkları sıcak tabana temas eder ve rahatsız edici bir ses oluşturur.

4. Pişirme haznesini (7) yuvasına yerleştirin.



UYARI: Pişirme haznesini (7) yerine tam yerleştirmemezseniz cihaz çalışmayacaktır.

5. Kahve pişirme başlatma butonuna (2) basın.

3 Kullanım

- Cihaz başlama uyarısı (bip) verip, durum ışığı (2) kırmızı renkte yanar.



Pişirme süresi 1 kişilik kahve için 1-1.5 dk., 2 kişilik kahve için 1.5-2.5 dk., 3 kişilik kahve için 2-3.5 dk.'dır.



Cihazın peş peşe kullanımda ısıtıcı yüzeyi (5) sıcak olacağı için pişirme süresi kısaldır.



Lezzetli bir kahve için, pişirme haznesini (7) pişirme haznesi yuvasından (3) bekletmeden alın!



Köpüğün ve telvenin pişirme haznesinde (7) kalmaması için kahveyi fincana hızlı bir şekilde boşaltın.



Herhangi bir sebepten dolayı pişirme işlemi iptal etmek için kahve pişirme başlatma butonuna (2) 3 saniye boyunca basılı tutun.

6. Pişirme işlemi tamamlandıktan sonra cihaz sesli bir uyarı verir ve durum ışığı (2) kırmızı yanıp sönmeye başlar.

7. Pişirme işlemi bittikten sonra kahvenizi fincana alarak servis edin.



UYARI: Isıtıcı yüzeyinin lekelenmesine dikkat edin. Isıtıcı yüzeyine kahve damlattığınızda kurumadan hafif nemli bezle silin.

3 Kullanım

3.3 Miktarlar

Cihaz, türk kahvesi yapmak için tasarlanmış pratik bir cihazdır. Tabloda belirtilen ölçüler kullanılarak damak tadınıza uygun, köpüklü türk kahvesi yapabilirsiniz. Aşağıda belirtilen ölçüler sadece rehberdir. Bu ölçüleri kişisel tercihlerinize göre ayarlayabilirsiniz.

3.4 Uyku modu

Cihazda 3 dk. boyunca hiçbir işlem yapılmaz ise bip sesi ile birlikte bekleme (Stand-by) konumuna geçer. Herhangi bir işlem yapıldığında (pişirme haznesi yuvasına yerleştirildiğinde/ çıkartıldığında veya başlatma butonuna basıldığında) 2 uyarı sesi duyulur. Durum ışığı beyaz yanar ve cihaz kullanıma hazır hale gelir.

Türk kahvesi hazırlamasında tavsiye edilen mazleme ölçekleri

	Sade	Az şekerli	Orta	Şekerli
Kahve	1 ölçek	1 ölçek	1 ölçek	1 ölçek
Şeker	-	1/2 kesmeşeker/ 1/2 çay kaşığı toz şeker	1adet kesme şeker/ 1 çay kaşığı toz şeker	2 adet kesmeşeker/ 2 çay kaşığı toz şeker

- Tek , çift veya üç kişilik kahveyi ölçü kaşığını kullanarak, şekeri isteğinize göre ve suyu fincan boyutunuza göre (tavsiye edilen fincan boyutu 65ml) pişirme haznesine ekleyin.
- Belirtilen miktarlar, bir kişilik orta boy bir fincana karşılık gelmektedir. Kahve ölçüm kaşığı olarak ürünle birlikte verilen ölçüm kaşığını kullanabilirsiniz. Köpüklü leziz bir kahve pişirmek için, Türk kahvesine uygun ince çekilmiş taze kahve kullanın.

3 Kullanım

3.5 Bildirimler

Ürün pişirmeye hazır
(sabit yanar beyaz ışık)

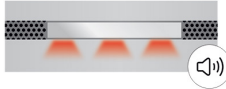


Piştiriyor
(sabit yanar kırmızı ışık)



Bekleyin
(Hazneyi yuvadan
almayın)

Pişirdi
(yanıp sönen kırmızı ışık)



Hazneyi
yuvasından alın.

Aşırı ısındı
(yanıp sönen pembe ışık)



Hazneyi yuvasından
alıp, ışık sürekli beyaza
dönene kadar bekleyin.

Piştirme hatası
(yanıp sönen pembe ışık)



Hazne yuvasını ve
sensör camını temizleyin.
Hatanın tekrarlanması
halinde servise başvurun.

Zaman aşımı Hatası
(sabit yanar pembe ışık)



Cihazı kapatıp açın.
Hatanın tekrarlanması
halinde servise
başvurun.

4 Temizlik ve bakım

4.1 Temizlik



UYARI: Pişirme haznesi cihazın içinde iken cihazı taşımayınız. Pişirme haznesi zarar görebilir.



UYARI: Cihazı temizlemek için benzin, solvent, aşındırıcı temizleyiciler, metal nesnelere veya sert fırçalar kullanmayın.



UYARI: Cihazı ya da şebeke kablosunu (4) suya ya da diğer sıvılara batırmayın.

1. Temizliğe başlamadan önce cihazın fişini prizden çıkarın.
2. Cihazın soğumasını bekleyin.
3. Pişirme haznesini (7) yuvasından (3) çıkartın.
4. Pişirme haznesini (7) akan suyun altına tutup temizleyin.



Isıtıcı yüzeyini (5) ve pişirme haznesinin alt yüzeyini çizici sünger ve tel ile temizlemeyin. Yumuşak bir sünger ile yıkayın. Bu yüzeylerin çizilmemesine özellikle dikkat edin.



UYARI: Pişirme haznesini (7) kesinlikle bulaşık makinesinde yıkamayın.



UYARI: Pişirme haznesi dışında cihazın hiçbir bölümünü yıkamayın. Nemli bir bez ile silebilirsiniz.



Hazırlayacağınız kahvenin tadının bozulmaması için her pişirmeden sonra pişirme haznesini (7) bekletmeden temizleyin.

5. Cihazın dış kısmını temizlemek için nemli ve yumuşak bir bez ve az miktarda hafif bir temizleme maddesi kullanın.

4 Temizlik ve bakım



Pişirme algılama sensörünü (1) her 15-20 pişirmeden sonra mutlaka nemli bir bez ile silin.

6. Pişirme haznesini (7) yerine yerleştirin.

4.1.1 Kireç çözme

Kullanımlar sonucu zamanla pişirme haznesinde oluşabilecek izleri (tortuları) pişirme haznesinin iç taban yüzeyine zarar vermeden temizlemek için yarısı su yarısı sirke dolu bir fincanı pişirme haznesine boşaltarak kahve pişirme başlatma butonuna (2) basın. İşlem tamamlandıktan sonra pişirme haznesini (7) durulayarak tekrar kullanabilirsiniz.

4.2 Saklama

- Cihazı uzun süre kullanmayı düşünmüyorsanız, dikkatli bir şekilde saklayın.
- Cihaz fişinin çekildiğinden, cihazın soğuduğundan ve tamamen kuru olduğundan emin olun.

- Cihazı serin ve kuru bir yerde saklayın.
- Cihazı, çocukların ulaşamayacağı bir yerde muhafaza edin.

4.3 Taşıma ve nakliye

- Taşıma ve nakliye sırasında cihazı orijinal ambalajı ile birlikte taşıyın. Cihazın ambalajı, cihazı fiziksel hasarlara karşı koruyacaktır.
- Cihazın veya ambalajının üzerine ağır cisimler koymayın. Cihaz zarar görebilir.
- Cihazın düşürülmesi durumunda cihaz çalışmayabilir veya kalıcı hasar oluşabilir.



Öncelikle cihazı prize takıp takmadığınızı kontrol edin.



Kabloda bir kopukluk ya da zedelenme olup olmadığını kontrol edin.



Pişme algılama sensörünü temizleyin.

6 Tüketici hizmetleri

Değerli Müşterimiz,

Beko Çağrı Merkezi haftanın 7 günü 24 saat hizmet vermektedir.

Sabit veya cep telefonlarınızdan alan kodu tuşlamadan çağrı merkezi numaramızı arayarak ürününüz ile ilgili arzu ettiğiniz hizmeti talep edebilirsiniz.

Çağrı merkezimiz ile yaptığımız görüşmeler iletişim hizmeti aldığınız operatör firma tarafından sizin için tanımlanan tarifeye göre ücretlendirilir.

Çağrı Merkezimize ayrıca www.beko.com.tr adresindeki "Tüketici Hizmetleri" bölümünde bulunan formu doldurarak veya 0 216 423 23 53 nolu telefona faks çekerek de ulaşabilirsiniz.

Yazılı başvurular için adresimiz:

Arçelik Çağrı Merkezi, Arçelik A.Ş. Ankara Asfaltı Yanı,34950 Tuzla/İSTANBUL

**Beko Çağrı
Merkezi
444 0 888**

(Sabit telefonlardan veya cep telefonlarından alan kodu çevirmeden)

**Diğer Numara:
0216 585 8 888**

Aşağıdaki önerilere uymanızı rica ederiz.

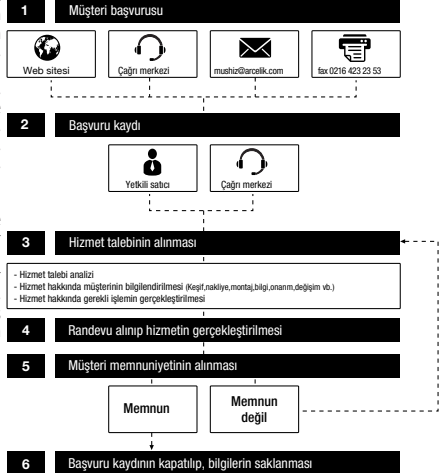
1. Ürününüzü aldığınızda Garanti belgesini Yetkili Satıcınıza onaylattırınız.
2. Ürününüzü kullanma kılavuzu esaslarına göre kullanınız.
3. Ürününüz ile ilgili hizmet talebiniz olduğunda yukarıdaki telefon numaralarından Çağrı Merkezimize başvurunuz.
4. Hizmet için gelen teknisyene "teknisyen kimlik kartı"ni sorunuz.
5. İşiniz bittiğinde servis teknisyeninden "Hizmet Fişi" istemeyi unutmayınız. alacağınız "Hizmet Fişi", ilerde ürününüzde meydana gelebilecek herhangi bir sorunda size yarar sağlayacaktır.
6. Ürünün kullanım ömrü: 7 yıldır. (Ürünün fonksiyonunu yerine getirebilmesi için gerekli yedek parça bulundurma süresi).

Müşteri Memnuniyeti Politikası

Arçelik A.Ş. olarak, hizmet verdiğimiz markamızın müşteri istek ve önerilerini müşteri profili ayırımı yapılmaksızın her kanaldan (çağrı merkezi, e-posta, www.beko.com.tr, faks, mektup, sosyal medya, bayi) rahatlıkla iletilebildiği, izlenebilir, raporlanabilir, şeffaf ve güvenli tek bir bilgi havuzunda toplandığı, bu kayıtların yasal düzenlemelere uygun, objektif, adil ve gizlilik içinde ele alındığı, değerlendirildiği ve süreçlerin sürekli kontrol edilerek iyileştirildiği, mükemmel müşteri deneyimini yaşatmayı ana ilke olarak kabul etmiş müşteri odaklı bir yaklaşımı benimsemekteyiz.

Yaklaşımımıza paralel olarak tüm süreçler yönetim sistemi ile entegre edilerek, birbirini kontrol eden bir yapı geliştirilmiş olup, yönetim hedefleri de bu sistem üzerinden beslenmektedir.

Hizmet talebinin değerlendirilmesi



<p>Importer in Poland Importer w Polsce Beko S.A. Ul. Puławska 366 02-819 Warszawa www.beko.pl</p>	<p>Importer in Czech Republic Dovozce do České republiky BEKO S.A.: organizační složka Luzná 716/2 160 00 Praha 6 – Vokovice www.bekocr.cz</p>	<p>Importer in Slovakia Dovozca na Slovensko BEKO Slovakia s.r.o. Suche myto 1 811 03 Bratislava www.bekosk.sk</p>
<p>Importer in Germany Beko Deutschland GmbH Thomas-Edison-Platz 3 63263 Neu-Isenburg</p>	<p>Importer in UK BEKO Plc, Beko House, 1 Greenhill Crescent, Watford, Herts, WD18 8QU</p>	<p>Importer in Italy BEKO ITALY SRL Viale Del Ghisallo, 20/I-20151 Milano (MI)</p>
<p>Importer in Spain BEKO ELECTRONICS ESPANA S.L.C/ Provenza 388 1° Piso / 08025 Barcelona</p>	<p>Importer for Malta ETV LTD 119/120 Archbishop Street VALLETTA MALTA</p>	<p>Importer in France BEKO France / Immeuble Stadium,266 Avenue du Président Wilson,93210, St-Denis La Plaine Cedex</p>
<p>Importer in Romania S.C.ARCTIC S.A. Str. 13 Decembrie, nr.210 Găești, 135200, România www.arctic.ro</p>	<p>Importer in Benelux Schaliënhoevedreef B - 2800 Mechelen - Belgium</p>	<p>Importer in Greece PAR. SEITANIDIS S.A. Polistilo, P.O. Box:1402 Kavala, 64003</p>
<p>Імпортёр на території України:ТОВ «Беко Україна», адреса:01021, м. Київ,вул. Кловський узвіз,буд. 5 тел/факс.:0-800-500-4-3-2 Виробник: "Arçelik A.S." Karaağaç Caddesi No: 2-6 34445 ,SütlüceTurkey/"Arçelik A.S.", м. Стамбул, Сютлюдже, вул. Караагач №2-6, 34445 Туреччина Термін служби 10 років</p>		
<p>Manufactured by Arçelik A.S. Karaagac Cd. No:2, 34445 Sutluce, Beyoglu, Istanbul, Turkey</p>		

عليك في البداية التحقق ممّا إذا كان الجهاز موصلاً أم لا.



تحقق مما إذا كان هناك أي كسر أو تلف بالكابل.



حافظ على نظافة مستشعر مستوى الطهي.



4.2 إزالة الكلس

لإزالة الآثار (الكلس) والتي قد تتراكم داخل خزان الطهي نتيجة للاستخدام بمرور الوقت دون التسبب في إتلاف السطح السفلي لخزان الطهي، أضف نصف كوب من الماء ونصف كوب من الخل داخل خزان الطهي ثم اضغط على زر التشغيل (2). في نهاية العملية، قم بتنظيف خزان الطهي (7) بالطريقة المعتادة.

4.3 التخزين

- إذا لم تخطط لاستخدام الجهاز لفترة طويلة من الوقت، يرجى تخزينه بعناية.
- يرجى التأكد من نزع قابس الجهاز، وتركه ليبرد ويجف تماماً.
- عليك تخزين الجهاز في مكان بارد وجاف.
- حافظ على الجهاز بعيداً عن متناول أيدي الأطفال

4.1 التنظيف

تحذير: يحظر نهائيًا غسل خزان الطهي في غسالة الأطباق.



تحذير: لا تحمل الجهاز للنقل بينما يكون خزان الطهي مثبت على قاعدته. حيث أن ذلك قد يتسبب في إتلاف خزان الطهي.



تحذير: يحظر غسل أي جزء من الجهاز فيما عدا خزان الطهي. ويمكنك مسحها بقطعة قماش مبللة.



تحذير: يحظر تمامًا استخدام البززين أو المذيبات أو المنظفات الكاشطة أو الأجسام المعدنية أو الفرش الصلبة في تنظيف الجهاز.



للحفاظ على مذاق القهوة التي ترغب في تحضيرها، ننصح بتنظيف خزان الطهي (7) بعد كل مرة استخدام دون تأجيل.



تحذير: لا تغمر الجهاز أو كابل الطاقة في المياه أو أي سائل آخر.



5. استخدم قطعة قماش رطبة مع بعضاً من منظف لطيف لتنظيف الجزء الخارجي من الجهاز.

لا تهمل تنظيف مستشعر مستوى الطهي (1) بقطعة قماش مبللة بعد كل 15 - 20 مرة استخدام.



1. انزع قابس الجهاز قبل البدء في أي أعمال للتنظيف.
2. انتظر اترك الجهاز ليبرد.
3. أزل خزان الطهي (7) من قاعدته (3).
4. قم بتنظيف خزان الطهي (7) تحت مياه جارئة.

6. ضع خزان الطهي (7) على القاعدة.

يحظر استخدام الاسفنج الخشن أو صوف الصلب في تنظيف سطح سخان (5). بل يفضل غسله بأسفنجة ناعمة. انتبه جيداً لعدم خدش تلك الأسطح.



3.5 التنبيهات

الجهاز في وضع الاستعداد
لإعداد القهوة،
(ضوء أبيض ثابت)

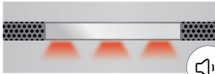


الطهي
(الضوء الأحمر الثابت)



انتظر
(لا تنزع الخزان عن
القاعدة)

اكتمال الطهي
(وميض أحمر)



أزل الخزان
عن القاعدة.

فرط التسخين
(وميض ضوء المؤشر باللون
وردي)



أزل الخزان عن القاعدة ثم انتظر
حتى يتحول الضوء إلى الأبيض
الثابت.

أخطاء الطهي
(وميض ضوء المؤشر باللون وردي)



سارع بتنظيف قاعدة الخزان وزجاج
المستشعر. اتصل بخدمة المنتج
إن تكرر ذلك الخطأ مرة أخرى.

خطأ انقضاء الوقت
(إضاءة المؤشر باللون الوردي الثابت)



أوقف الجهاز ثم أعد تشغيله.
اتصل بخدمة المنتج إن تكرر
ذلك الخطأ مرة أخرى.

3.3 الكميات

3.4 وضع الانتظار

إن لم يتم استخدام الجهاز لمدة 3 دقائق، سيصدر تنبيهًا صوتيًا ثم ينتقل إلى وضع الانتظار. عند إجراء أي عملية (وضع/إزالة خزان الطهي على/ من قاعدة التوصيل، أو عند الضغط على زر التشغيل) يصدر الجهاز 2 صافرة تنبيه. يتحول بتغيير ضوء الوضع إلى الأبيض ويصبح الجهاز جاهز للعمل.

يتميز هذا الجهاز بتصميمه الذي يجعل منه سهل الاستخدام لإعداد القهوة التركية. يمكنك إعداد القهوة التركية ذات الرغوة بما يتناسب مع المذاق الذي تفضله مستخدمًا الكميات الموضحة بالجدول. الغرض من الكميات التالية هو توفير المعلومات فقط. يمكنك تعديلها على حسب المذاق الذي تفضله.

المقادير المُستحسنة من المكونات اللازمة لإعداد القهوة التركية

عادية	بسكّر خفيف	متوسط	بسكّر
1 مكيال	1 مكيال	1 مكيال	1 مكيال
-	1/2 قطعة سكر 1/2 ملعقة شاي من السكر الناعم	1 قطعة سكر/ 1 ملعقة شاي من السكر الناعم	2 قطعة سكر/ 2 ملعقة شاي من السكر الناعم

- قم بإضافة مقدار قهوة كافية لشخص، شخصين أو ثلاثة أشخاص باستخدام ملعقة القياس، مع وضع المقدار المرغوب من السكر و الماء يتناسب مع حجم الكوب (سعة الكوب الموصى بها هي 65 مل) في خزان الطهي.
- تتوافق الكمية المحددة مع كوب متوسط الحجم لشخص واحد. يمكنك استخدام ملعقة القياس على النحو المنصوص عليه التي تعادل ملعقة قياس القهوة. لإعداد القهوة اللذيذة مع رغوة، يرجى استخدام القهوة الطازجة، الناعمة المناسبة للقهوة التركية.

قم بصب القهوة ببطء لمنع بقاء الرغوة والرواسب في خزان الطهي (7).



استمر في الضغط على زر بدء الطهي (2) لمدة 3 ثواني، إن رغبت في إلغاء إعداد القهوة لأي سبب.



6. عندما تكون القهوة جاهزة، سيصدر الجهاز تنبيهًا صوتيًا ثم يومض مؤشر الحالة (2) باللون الأحمر.
7. بعد إتمام طهي القهوة، انقلها إلى قـدح القهوة للتقديم.

تحذير: انتبه لعدم تلويث سطح التسخين. إن انسكبت القهوة على سطح التسخين، سارع بتنظيفها بقطعة قماش مبللة.



3.1 الاستخدام المبني

تأكد من ثبات الجهاز في وضع عمودي على سطح مستو، ونظيف، وجاف، وغير منزلق.

3.2 الطهي

1. أدخل القابس في مقبس الحائط.

-سيبدأ الجهاز العمل تلقائياً.

2. استخدم الماء المتدفق لغسل خزان الطهي (7).

للحصول على كوب قهوة شهية، يجب التأكد من جفاف ونظافة السطح الداخلي لخزان الطهي (7).

الاستخدام لأول مرة: اشطف بالمياه النظيفة خلال أربع مرات على الأقل دون إضافة القهوة.

3. أضف كمية القهوة والسكر والماء التي تكفي لإعداد القهوة لفرد أو فردين أو ثلاثة أفراد، في خزان الطهي (7).

إن لاحظت وجود أي تراكمات أو قهوة جافة على السطح، ننصح بتحريك خليط القهوة بواسطة ملعقة بلاستيك أو خشب (لا تستخدم الملاعق المعدنية) قبل البدء في طهيها.

عليك التأكد من عدم وجود قطرات مياه أسفل خزان الطهي (7) أثناء تحضيرك للقهوة. وإلا، ستصدر أصوات مزعجة عندما تتلامس قطرات المياه تلك مع القاعدة الساخنة.



4. ضع خزان الطهي (7) على القاعدة.

تحذير: لن يبدأ الجهاز في العمل إلا إن وضعت خزان الطهي بطريقة صحيحة على قاعدته.



5. اضغط على زر بدء الطهي (2).

-سيصدر الجهاز تنبيهاً صوتياً ثم يتحول لون مؤشر الحالة (2) إلى اللون الأحمر بمجرد أن يبدأ الجهاز في العمل.

تستغرق عملية الطهي 1.5-1 دقيقة لكوب لفرد واحد؛ و 2.5-1.5 دقيقة لفردين، و 3.5-2 دقيقة لثلاثة أفراد.



تقل مدة الطهي عند تكراره متتبعاً، حيث يظل سطح سخان (5) ساخناً.



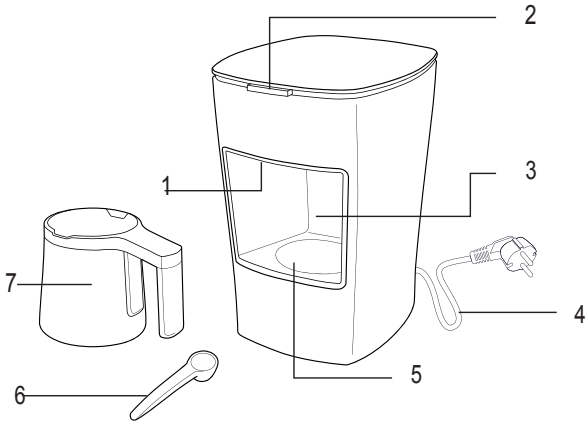
للحصول على قهوة شهية المذاق، سارع بإبعاد خزان الطهي (7) عن القاعدة (3) دون انتظار!



طول كابل الطاقة: 100 سم

حقوق التعديلات الفنية وتعديلات التصميم
محفوظة!

2.1 نظرة عامة



2.2 البيانات الفنية

1. مستشعر مستوى الطهي
2. زر بدء الطهي ومصباح مؤشر الحالة
3. قاعدة خزان الطهي
4. كابل الطاقة
5. السخان
6. مكيال القهوة
7. خزان الطهي

التيار: حد أقصى 3 أمبير

الطاقة: 670 وات

الجهد: 220-240 فولت متردد ~، 50 هرتز

القيم المشار إليها في العلامات المثبتة على المنتج أو المستندات الأخرى المطبوعة المتوفرة معه تمثل القيم التي تم الحصول عليها في المختبرات وفقاً للمعايير ذات الصلة. قد تختلف هذه القيم وفقاً لاستخدام الجهاز والظروف المحيطة.

- إذا احتفظت بمواد التعبئة، ابقها بعيداً عن متناول الأطفال.
- حافظ على الجهاز دائماً بعيداً عن متناول أيدي الأطفال.

1.2 متوافق مع تشريعات WEEE وتشريعات التخلص من المنتجات الفاسدة.

هذا المنتج لا يشمل مواد مؤذية أو محظورة من تلك المشار إليها في "تشريعات الإشراف على النفايات الكهربائية والأجهزة الإلكترونية" المصدرة من وزارة البيئة والتخطيط العمراني. متوافق مع تشريعات WEEE. تم تصنيع هذا الجهاز من أجزاء ومواد عالية الجودة يمكن إعادة استخدامها وهي مناسبة لإعادة التدوير. ولذلك، لا تتخلص من الجهاز في النفايات المنزلية العادية بعد انتهاء فترة خدمته. بل عليك أخذه إلى نقطة التجميع لإعادة تدوير الأجهزة الكهربائية والإلكترونية. اسأل السلطات المحلية في منطقتك عن نقاط التجميع. ساعد على حماية البيئة والموارد الطبيعية بإعادة تدوير المنتجات المستخدمة.



1.3 معلومات التعبئة

صنعت مواد تعبئة المنتج من مواد قابلة لإعادة التدوير وفقاً للقوانين الوطنية. لا تتخلص من مواد التعبئة مع النفايات المنزلية أو النفايات الأخرى. خذها إلى نقاط جمع مواد التعبئة المخصصة لذلك من السلطات المحلية.



- هذا الجهاز مُعد للاستخدام المنزلي فقط. الجهاز غير مصمم للاستخدام المهني.
- مناطق المطابخ في المحلات والمقاهي وبيئات العمل الأخرى؛
- بيوت المزارع؛
- الاستخدام بواسطة العملاء في الفنادق أو المولات التجارية أو بيئات أنواع الإقامة الأخرى؛
- في غرف النوم وبيئات الإفطار
- لا تستخدم الجهاز لغرض بخلاف الغرض المُعد من أجله.
- لا يجوز استخدام هذا الجهاز سوى في إعداد القهوة.
- يوصى بتوخي الحذر البالغ عند استخدام الجهاز بالقرب من الأطفال أو الأفراد ذوي الإعاقة البدنية، أو الحسية، أو الذهنية.
- يجوز استخدام هذا الجهاز من طرف الأطفال في عمر 8 أو أكثر والأفراد ذوي الإعاقة البدنية، أو السمعية، أو الذهنية، أو غير المتمرسين أو الذين ليس لديهم معرفة بهذا الجهاز طالما أنهم يخضعوا للرقابة أو يتم إبلاغهم وإفهامهم بالاستخدام الآمن للجهاز والمخاطر التي قد يواجهونها. لا يجوز للأطفال اللعب بالجهاز.
- لا يجوز القيام بعمليات الصيانة والتنظيف من خلال الأطفال ما لم يكونوا خاضعين لرقابة البالغين.

- قم بحماية كابل الطاقة من التلف وذلك بعدم الضغط عليه أو ثنيه أو حكه بالحواف الحادة. حافظ على كابل الطاقة بعيداً عن الأسطح الساخنة وأسننة اللهب.
- تأكد من عدم وجود خطر سحب كابل الطاقة مصادفة أو عدم إمكانية تعثر أحد به عندما يكون الجهاز قيد الاستخدام.
- انزع قابس الجهاز في حالة حدوث أي فشل.
- انزع قابس الجهاز قبل التنظيف ولا تقم بتنظيف الجهاز عندما يكون قيد الاستخدام.
- لا تسحب كابل طاقة الجهاز لفصله عن منفذ الطاقة، ولا تقم بلف كابل الطاقة حول الجهاز أبداً.
- ينبغي أن تتوافق امدادات الطاقة الخاصة بك مع المعلومات المقدمة على لوحة تصنيف الجهاز.
- لا تستخدم الجهاز في أو بالقرب من الأماكن والمواد القابلة للاحتراق، أو سريعة الاحتراق.
- لا تستخدم الجهاز بجانب أو بالقرب من مصادر الحرارة (المدفأة، الشواية، ملف التسخين، الأفران وما يماثلها).
- حافظ على وجود الجهاز بعيداً عن مصادر البخار وتجنب استخدامه في بيئات كثيفة البخار.
- يُحظر استخدام خزان الطهي مع أي سخان آخر (المدفأة وغيرها) بخلاف الخاص بالجهاز.

- لا تحرك الجهاز أثناء ما لا يزال ساخناً أو عندما يكون هناك سائل ساخن بداخل خزان الطهي.
- تجنب الاتصال بالأسطح الساخنة. لا تمسك خزان الطهي إلا من مقبضها؛ وإلا فستعرض لخطر الحروق. يصبح خزان الطهي ساخناً جداً أثناء الطهي.
- تصبح القاعدة (سطح التسخين) والتي يوضع عليها خزان الطهي ساخنة جداً أثناء التشغيل. وبناءً عليه، لا تلمس هذه المنطقة أثناء الاستخدام وحتى يبرد الجهاز.
- تأكد من إيقاف تشغيل الجهاز قبل تحريكه من مكانه.
- وللمزيد من الحماية، يجب توصيل الجهاز بقاطع دائرة لحماية عطل التيار المنزلي بما لا يزيد عن 30 ميلي أمبير.
- قم بتوصيل الجهاز بمقبس الصدمات التي تحتوي على الفنتيل الصحيح.
- لا تستخدم الجهاز إذا كان كابل الطاقة أو الجهاز به عطب.
- لا تستخدم الجهاز على كابل تمديد خارجي.
- التزم بتجفيف قاعدة خزان الطهي قبل توصيل الجهاز والقاعدة.
- لا تغمر الجهاز أو كابل الطاقة أو قابس الطاقة في المياه أو في أي سوائل أخرى.
- لا تلمس الجهاز أو القابس أبداً ويداك مبتلتان أو رطبتان.
- ضع الجهاز بطريقة يسهل من خلالها الوصول للقابس.

يحتوي هذا القسم على تعليمات السلامة التي ستساعدك على تجنب خطر إصابة الأفراد أو الإضرار بالممتلكات.
عدم اتباع هذه التعليمات يؤدي إلى إبطال الضمان الممنوح.

1.1 السلامة العامة

- يخضع هذا الجهاز مع المعايير الدولية للسلامة.
- لا تستخدم الجهاز في الهواء الطلق بالخارج وفي الحمام.
- لا تتحمل أي مسؤولية أو مطالبات بالضمان عن التلفيات التي تنشأ من إساءة الاستخدام أو المناولة غير المناسبة للجهاز.
- لا تحاول أبداً فك أو فصل الأجزاء والمكونات المثبتة بالجهاز.
- لا تستخدم سوى الأجزاء الأصلية التي توصي بها جهة التصنيع.
- عليك دائماً استخدام الجهاز على سطح مستقر، ومستو، ونظيف، وجاف، وغير منزلق.
- يحظر البدء في إعداد القهوة إلا بعد إضافة الماء إلى خزان الطهي.
- يحظر وضع أي مواد أخرى سوى القهوة والسكر والماء داخل خزان الطهي.
- يحظر تناول القهوة التركية مباشرة من خزان الطهي.
- نظراً للتكنولوجيا المستخدمة في التصنيع، قد يتصاعد بخار أو رائحة من السخان عند تشغيل المنتج لأول مرة. هذا الأمر طبيعي. سيختفي ذلك بعد عدة مرات تشغيل.

	1 تعليمات هامة
10-14	للسلامة والبيئة
14.....	1.1 السلامة العامة
10.....	1.2 الالتزام بتوجيهات WEEE و
10.....	1.3 معلومات التعبئة
8-9	2 آلة القهوة التركية
8.....	2.1 نظرة عامة
8.....	2.2 البيانات الفنية
4-7	3 التشغيل
7.....	3.1 الاستخدام المبدئي
7.....	3.2 الطهي متعدد المراحل
5.....	3.3 الكميات
5.....	3.4 وضع الانتظار
4.....	3.5 تنبيهات هامة
2-3	4 التنظيف والعناية
3.....	4.1 التنظيف
2.....	4.2 إزالة الكلس
2.....	4.3 التخزين
1	5 قبل الاتصال بالخدمة


يُرجى قراءة دليل المستخدم هذا أولاً!


عزيزي العميل،

شكراً لك على شرائك لمنتجات Beko. نأمل أن تحصل على أفضل النتائج من جهازك والذي قد تم تصنيعه بأعلى جودة وبأحدث التقنيات. وعلى ذلك، يرجى قراءة كامل دليل المستخدم هذا وجميع المستندات المصاحبة له بعناية قبل استخدام المنتج والاحتفاظ به كمرجع للاستخدام المستقبلي. إذا قمت بتسليم الجهاز لشخص آخر، أعطه دليل المستخدم أيضاً. اتبع التحذيرات والمعلومات في دليل المستخدم.

معاني الرموز

تستخدم الرموز التالية في أجزاء متعددة من دليل المستخدم هذا:

	معلومات هامة و تنويهاات مفيدة عن الاستخدام.
---	---

	تحذيرات: بشأن مواقف خطيرة تتعلق بسلامة الحياة والمنشآت.
---	---



تم إعداد هذا المنتج في مرافق حديثة وصديقة للبيئة.

آلة القهوة
التركية
دليل المستخدم



BKK 2300

beko

01M-3580480400-5316-04

Ovaj dokument je originalno proizveden i objavljen od strane proizvođača, brenda Beko, i preuzet je sa njihove zvanične stranice. S obzirom na ovu činjenicu, Tehnoteka ističe da ne preuzima odgovornost za tačnost, celovitost ili pouzdanost informacija, podataka, mišljenja, saveta ili izjava sadržanih u ovom dokumentu.

Napominjemo da Tehnoteka nema ovlašćenje da izvrši bilo kakve izmene ili dopune na ovom dokumentu, stoga nismo odgovorni za eventualne greške, propuste ili netačnosti koje se mogu naći unutar njega. Tehnoteka ne odgovara za štetu nanесenu korisnicima pri upotrebi netačnih podataka. Ukoliko imate dodatna pitanja o proizvodu, ljubazno vas molimo da kontaktirate direktno proizvođača kako biste dobili sve detaljne informacije.

Za najnovije informacije o ceni, dostupnim akcijama i tehničkim karakteristikama proizvoda koji se pominje u ovom dokumentu, molimo posetite našu stranicu klikom na sledeći link:

<https://tehnoteka.rs/p/beko-aparat-za-tursku-kafu-bkk2300m-akcija-cena/>