

Uputstvo za upotrebu

CANDY aspirator CBT625/2X

The logo for the brand CANDY, featuring the word in a stylized, blue, italicized font.

Tehnoteka je online destinacija za upoređivanje cena i karakteristika bele tehnike, potrošačke elektronike i IT uređaja kod trgovinskih lanaca i internet prodavnica u Srbiji. Naša stranica vam omogućava da istražite najnovije informacije, detaljne karakteristike i konkurentne cene proizvoda.

Posetite nas i uživajte u ekskluzivnom iskustvu pametne kupovine klikom na link:

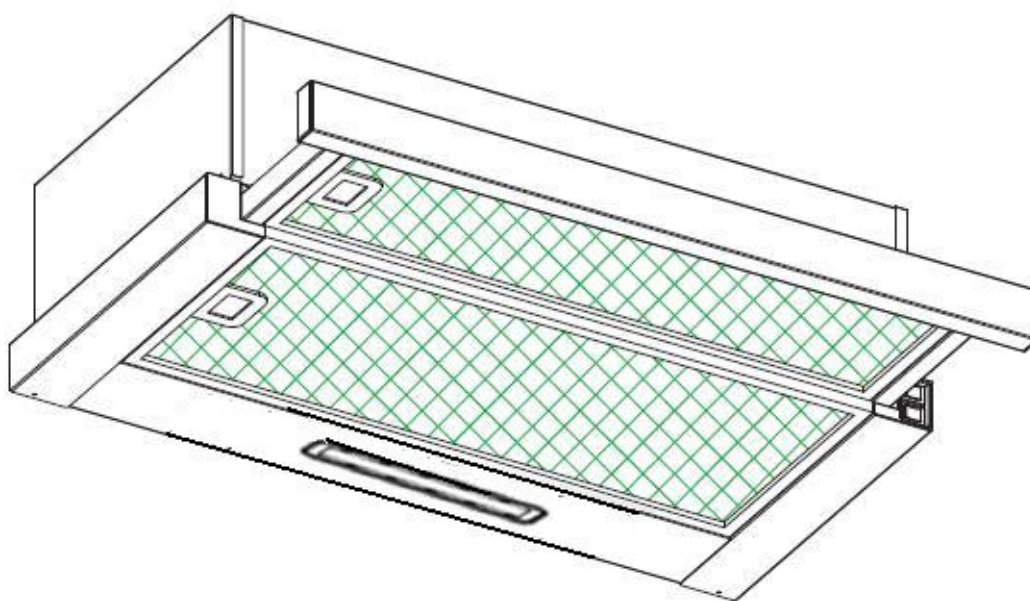
<https://tehnoteka.rs/p/candy-aspirator-cbt6252x-akcija-cena/>

CBT625/2X

CBT625/2W, CBT625/2B

Cooker Hood

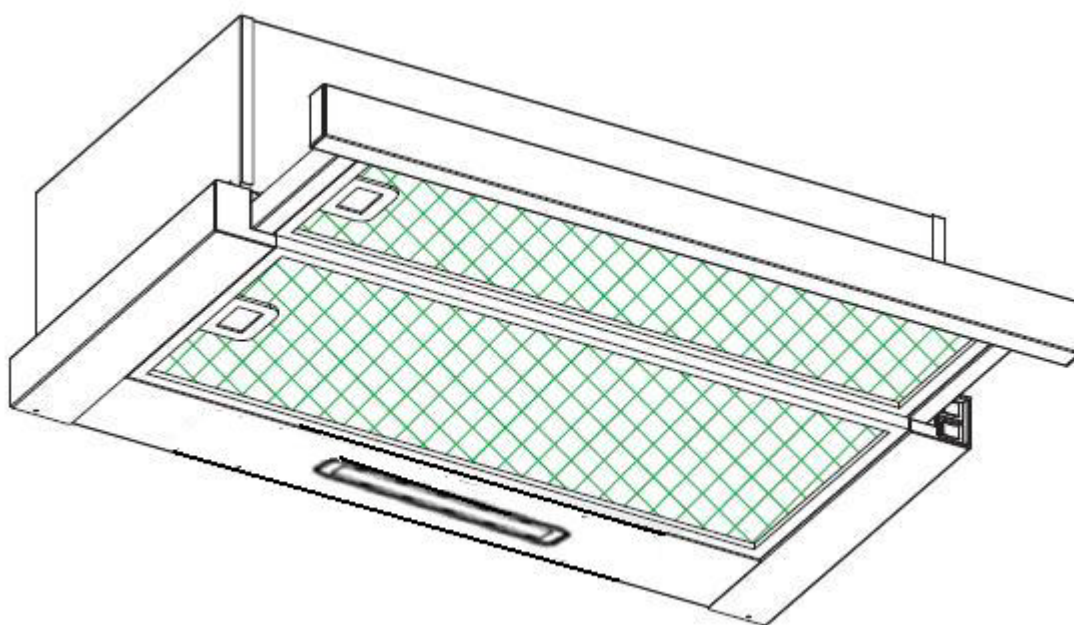
Instruction Manual



| | |
|-----------------------|----------|
| ENGLISH(EN)----- | page 001 |
| CZECH (CS)----- | page 013 |
| GERMAN (DE) ----- | page 025 |
| FRENCH (FR)----- | page 038 |
| CROATIAN (HR) ----- | page 051 |
| POLISH (PL) ----- | page 063 |
| PORTUGUESE (PT) ----- | page 076 |
| SLOVAK (SK) ----- | page 089 |
| SLOVENIA (SL) ----- | page 102 |
| SERBIAN (SR) ----- | page 114 |

Cooker Hood

Instruction Manual



Content

| | |
|--------|------------------------------|
| 1..... | Safety instructions |
| 2..... | Installation |
| 3..... | Start using your cooker hood |
| 4..... | Troubleshooting |
| 5..... | Maintenance and cleaning |
| 6..... | Environment protection |

SAFETY INSTRUCTIONS

This manual explains the proper installation and use of your cooker hood, please read it carefully before using even if you are familiar with the product. The manual should be kept in a safe place for future reference.

Never to do:

- Do not try to use the cooker hood without the grease filters or if the filters are excessively greasy!
- Do not install above a cooker with a high level grill.
- Do not leave frying pans unattended during use because overheated fats or oils might catch fire.
- Never leave naked flames under the cooker hood.



- If the cooker hood is damaged, do not attempt to use.
- Do not flambé under the cooker hood.
- CAUTION: Accessible parts may become hot when used with cooking appliances.
- The minimum distance between the supporting surface for the cooking vessels on the hob and the lowest part of the cooker hood. (When the cooker hood is located above a gas appliance, this distance shall be at least 65 cm)
- The air must not be discharged into a flue that is used for exhausting fumes from appliances burning gas or other fuels.



Always to do:

- Important! Always switch off the electricity supply at the mains during installation and maintenance such as light bulb replacement.
- The cooker hood must be installed in accordance with the installation instructions and all measurements followed.
- All installation work must be carried out by a competent person or qualified electrician.
- Please dispose of the packing material carefully. Children are vulnerable to it.
- Pay attention to the sharp edges inside the cooker hood especially during installation and cleaning.
- When the cooker hood is located above a gas appliance, the minimum distance between the supporting surface for the cooking vessels on the hob and the lowest part of the cooker hood that distance must be:
Gas cookers: 75 cm
Electric cookers: 65 cm
Coal or oil cookers: 75 cm
- Make sure the ducting has no bends sharper than 90 degrees as this will reduce the efficiency of the cooker hood.
- Warning: Failure to install the screws or fixing device in accordance with these instructions may result in electrical hazards

Always to do:

- Always put lids on pots and pans when cooking on a gas cooker.
- When in extraction mode, air in the room is being removed by the cooker hood. Please make sure that proper ventilation measures are being observed. The cooker hood removes odours from room but not steam.
- Cooker hood is for domestic use only.



- If the supply cord is damaged, it must be replaced by the manufacturer, its service agent or similarly qualified persons in order to avoid a hazard.
- This appliance can be used by children aged from 8 years and above and persons with reduced physical, sensory or mental capabilities or lack of experience and knowledge if they have been given supervision or instruction concerning use of the appliance in a safe way and understand the hazards involved. Children shall not play with the appliance. Cleaning and user maintenance shall not be made by children without supervision.



- **Warning:** Before obtaining access to terminals, all supply circuits must be disconnected.

Always to do:

- **Caution:** The appliance and its accessible parts can become hot during operation. Be careful to avoid touching the heating elements. Children younger than 8 years old should stay away unless they are under permanent supervision.
- There shall be adequate ventilation of the room when the cooker hood is used at the same time as appliances burning gas or other fuels.
- There is a fire risk if cleaning is not carried out in accordance with the instructions
- Regulations concerning the discharge of air have to be fulfilled.
- Clean your appliance periodically by following the method given in the chapter MAINTENANCE.
- For safety reason, please use only the same size of fixing or mounting screw which are recommended in this instruction manual.
- Regarding the details about the method and frequency of cleaning, please refer to maintenance and cleaning section in the instruction manual.
- Cleaning and user maintenance shall not be made by children without supervision.
- When the cooker hood and appliances supplied with energy other than electricity are simultaneously in operation, the negative pressure in the room must not exceed 4 Pa (4 x 10⁻⁵ bar).
- **WARNING:** Danger of fire: do not store items on the cooking surfaces.
- A steam cleaner is not to be used.
- **NEVER** try to extinguish a fire with water, but switch off the appliance and then cover flame e.g. with a lid or a fire blanket.

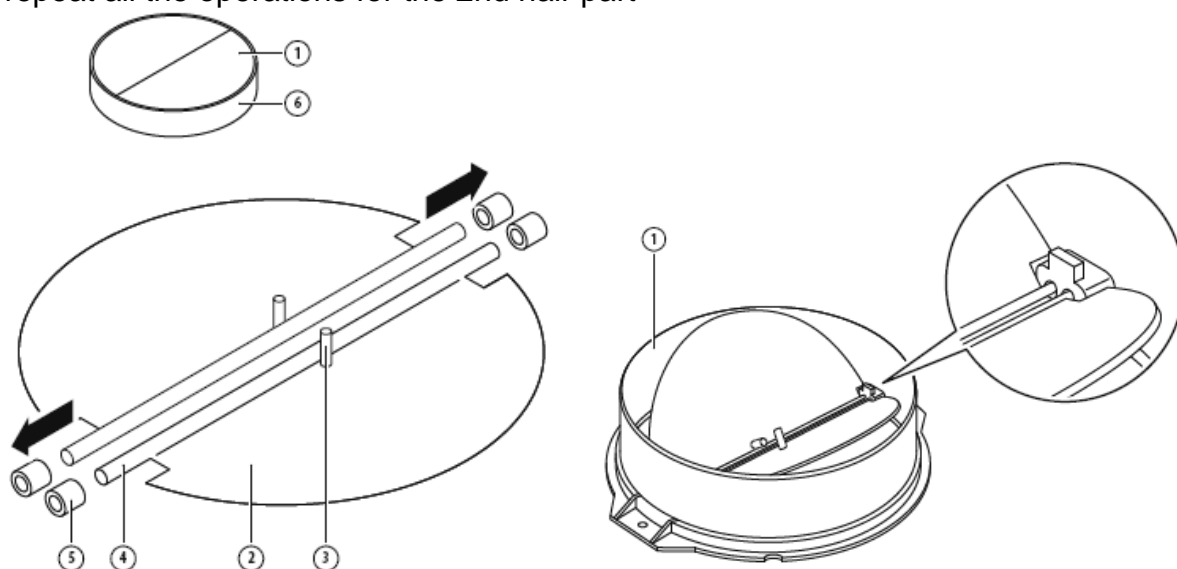
INSTALLATION (VENT OUTSIDE)

MOUNTING OF THE V-FLAP

If the cooker hood does not have an assembled V-flap 1, you should mount the half-parts to its body. The images only show an example of how to mount the V-flap, the outlet may be various according to different models and configuration.

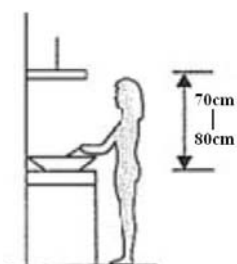
To mount the V-flap 1 you should:

- Mount two half-parts 2 into the body 6
- a pin 3 should be top oriented;
- the axis 4 should be inserted in the holes 5 on body;
- repeat all the operations for the 2nd half-part

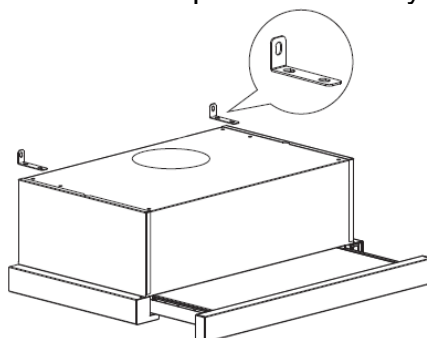


INSTALLATION (Wall Mounting)

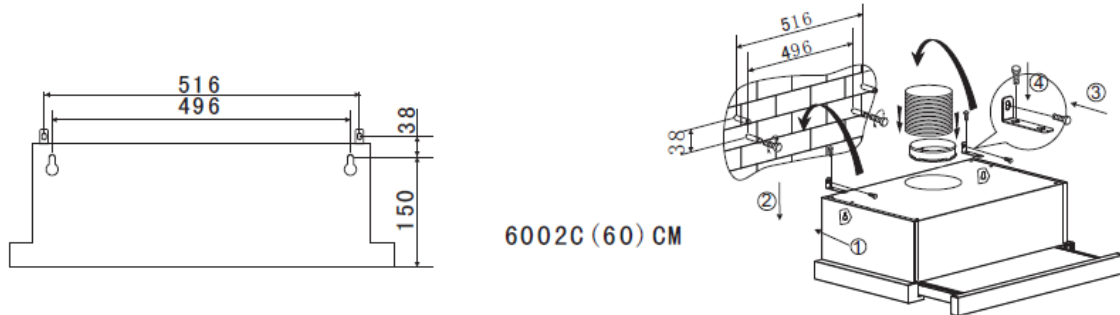
1. Decide the location of the holes for fixing the cooker hood.



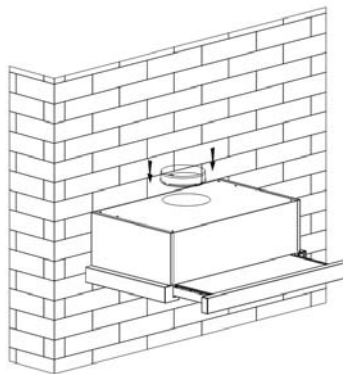
2. Install the L-shaped bracket on the top of the hood by two screws (4mm x 10mm)



- The cooker hood is wall mounted by 4 screws (4mm x 30mm) and wall plugs. Mount the cooker hood on the wall on the back of the cooker hood by 2 screws (4mm x 30mm) and wall plugs. Then fix the cooker hood on the wall by 2 screws (4mm x 30mm) and wall plugs through the small L-shaped bracket.

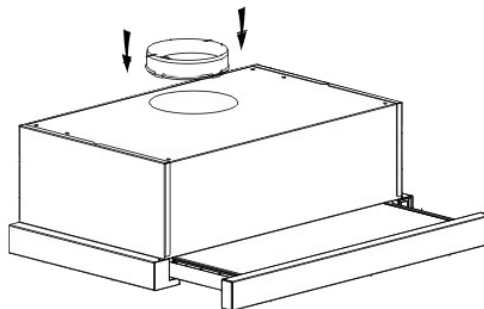


- Fix the one-way-valve to the air outlet of the cooker hood.

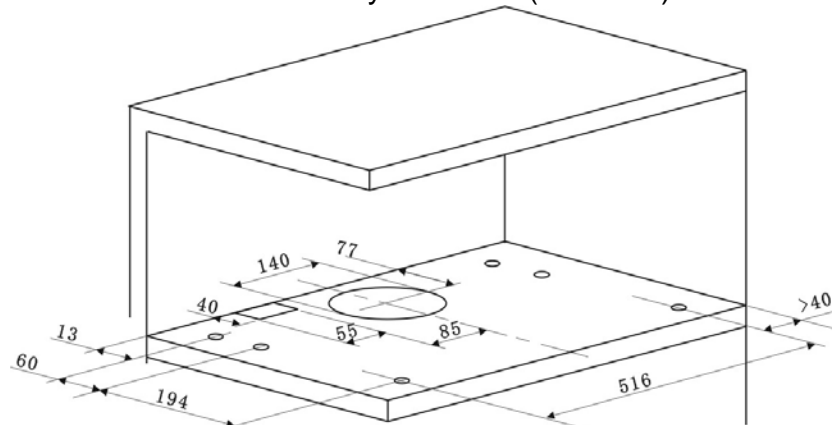


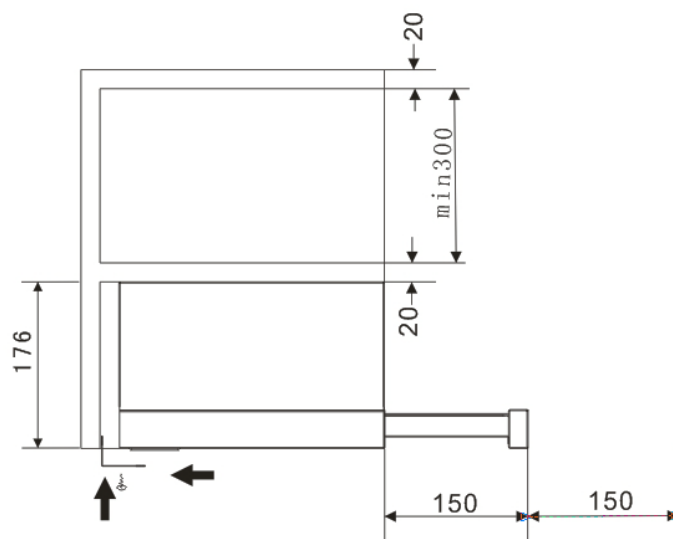
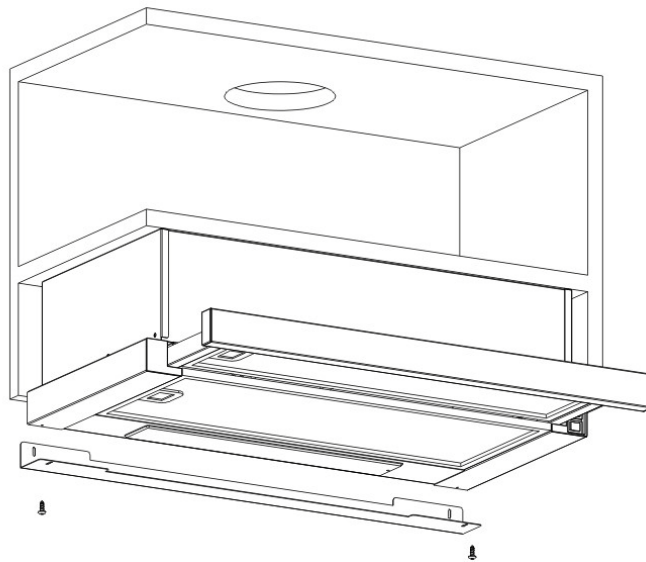
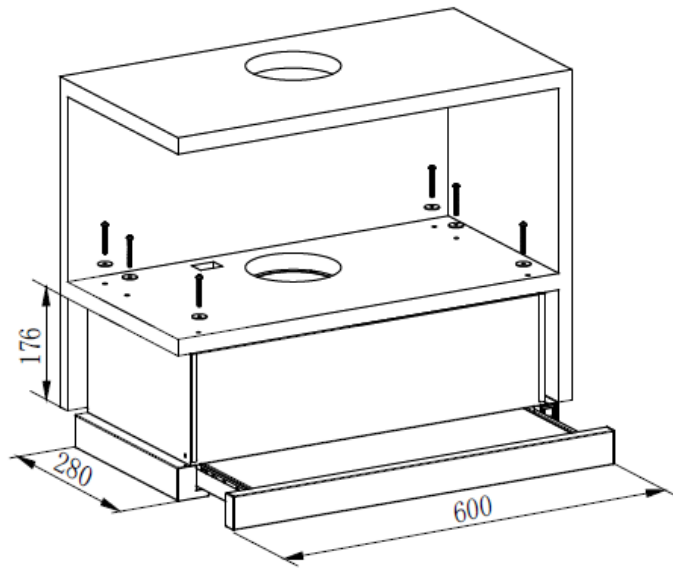
INSTALLATION (Cabinet Mounting)

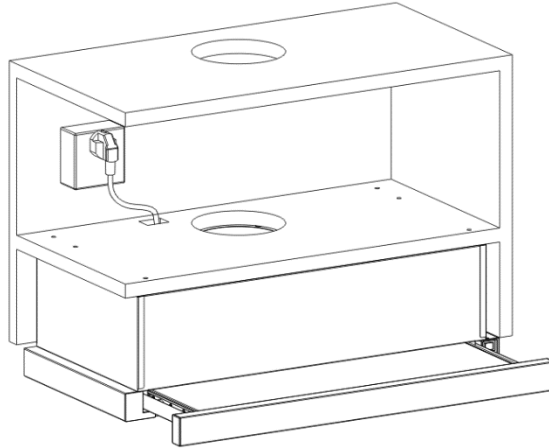
- Fix the one-way-valve to the air outlet of the cooker hood.




- Mount the cooker hood on the cabinet by 6 screws (4x35mm) and flat washers.





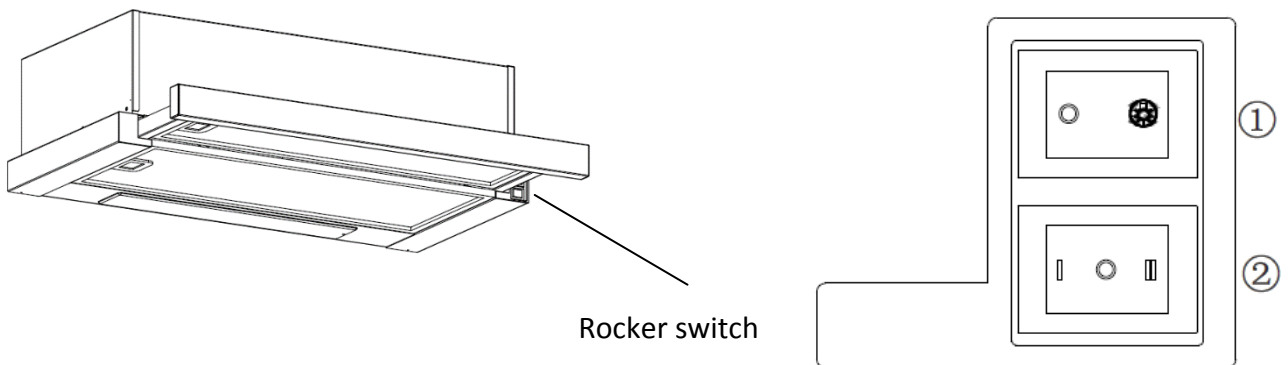



If there is gap between the wall and the cooker hood, you may install the L-shaped bracket on the bottom of the hood by two screws (3 x 12mm). The installation of the L-shaped bracket is optional.
 Note: The expansion pipe is not included in the product.

| | |
|---|--|
| <p>WARNING:</p>  | <ul style="list-style-type: none"> ➤ For safety reason, please use only the same size of fixing or mounting screw which are recommended in this instruction manual. ➤ Failure to install the screws or fixing device in accordance with these instructions may result in electrical hazards. |
|---|--|

Start Using Your Cooker Hood

Rocker switch



1. Insert the power plug into the socket.
2. Push switch ① to , the lamp will be on; push switch ① to "0", the lamp will be off.
3. Push the switch ② into "I, II", the motor will be on "low, high" two speeds, push into "0", the motor will be off.

4. The power will be connected when pull out the front panel. Conversely, the power will be automatically disconnected.

TROUBLESHOOTING

| Fault | Possible Cause | Solution |
|--|---|---|
| Light on, but motor does not work | Fan switch turned off | Select a fan switch position. |
| | Fan switch failed | Contact service center. |
| | Motor failed | Contact service center. |
| Light does not work, motor does not work | House fuses blown | Reset/Replace fuses. |
| | Power cord loose or disconnected | Refit cord to power outlet. Switch power outlet on. |
| Oil leakage | One way valve and the outlet are not tightly sealed | Take down the one way valve and seal with sealant. |
| | Leakage from the connection of chimney and cover | Take chimney down and seal. |
| Lights not working | Broken/Faulty globes | Replace globes as per this instruction. |
| Insufficient suction | The distance between the cooker hood and the gas top is too far | Refit the cooker hood to the correct distance. |
| The Cooker hood inclines | The fixing screw not tight enough | Tighten the hanging screw and make it horizontal. |

NOTE:

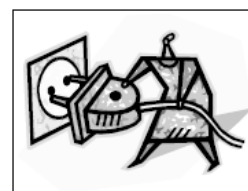


Any electrical repairs to this appliance must conform to your local, state and federal laws. Please contact the service centre if in any doubt before undertaking any of the above. Always disconnect the unit from the power source when opening the unit.

MAINTENANCE AND CLEANING

Caution:

- Before maintenance or cleaning is carried out, the cooker hood should be disconnected from the main power supply. Ensure that the cooker hood is switched off at the wall socket and the plug removed.



- External surfaces are susceptible to scratches and abrasions, so please follow the cleaning instructions to ensure the best possible result is achieved without damage.

GENERAL

Cleaning and maintenance should be carried out with the appliance cold especially when cleaning. Avoid leaving alkaline or acid substances (lemon juice, vinegar etc.) on the surfaces.

STAINLESS STEEL

The stainless steel must be cleaned regularly (e.g. weekly) to ensure long life expectancy. Dry with a clean soft cloth. A specialized stainless steel cleaning fluid may be used.

NOTE:

Ensure that wiping is done along with the grain of the stainless steel to prevent any unsightly crisscross scratching patterns from appearing.

CONTROL PANEL SURFACE

The inlay control panel can be cleaned using warm soapy water. Ensure the cloth is clean and well wrung before cleaning. Use a dry soft cloth to remove any excess moisture left after cleaning.

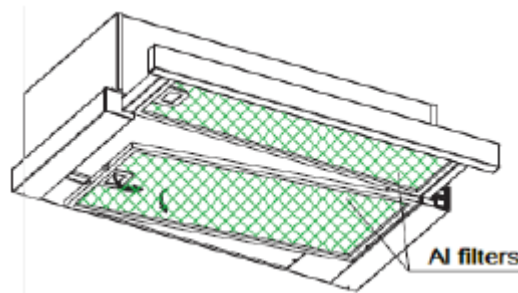
Important

Using neutral detergents and avoid using harsh cleaning chemicals, strong household detergents or products containing abrasives, as this will affect the appliance appearance and potentially remove any printing of artwork on the control panel and will void manufacturer's warranty.

GREASE MESH FILTERS

The mesh filters can be cleaned by hand. Soak them for about 3 minutes in water with a grease-loosening detergent then brush it gently with a soft brush. Please do not apply too much pressure, avoid to damage it. (Leave to dry naturally out of direct sunlight)

Filters should be washed separately to crockery and kitchen utensils. It is advisable not to use rinse aid.



INSTALLING GREASE MESH FILTERS

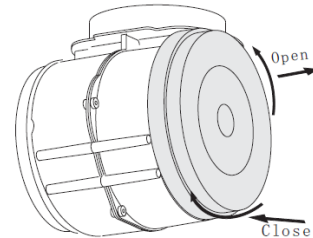
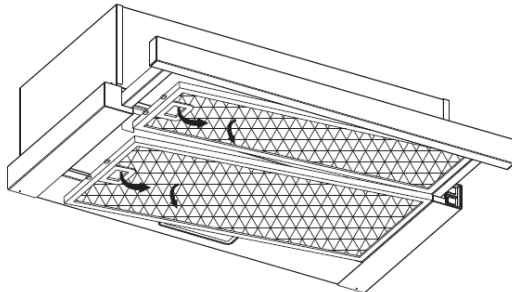
- To install filters for the following four steps .
 - Angle the filter into slots at the back of the hood.
 - Push the button on handle of the filter.
 - Release the handle once the filter fits into a resting position.
 - Repeat to install all filters.

CARBON FILTER- not supplied

Activated carbon filter can be used to trap odors. Normally the activated carbon filter

should be changed at three or six months according to your cooking habit. The installation procedure of activated carbon filter is as below.


- (1) Slide the front part of the cooker hood.
- (2) The al filter should be detached first. Press the lock and pull it downward.
- (3) Take out the carbon filter by rotating the carbon filter anti-clockwise.
- (4) Replace the new carbon filter.



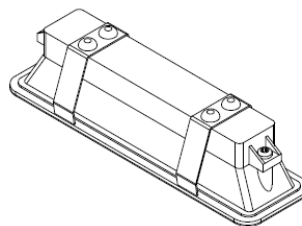
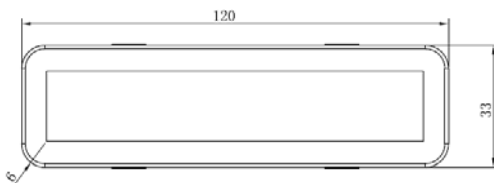
NOTE:

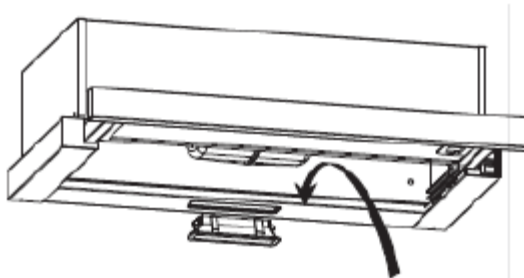
- Make sure the filter is securely locked. Otherwise, it would loosen and cause dangerous.
- When activated carbon filter attached, the suction power will be lowered.

BULB REPLACEMENT


| | |
|--|---|
| <p>Important :</p>  | <ul style="list-style-type: none"> ✧ The bulb must be replaced by the manufacturer, its service agent or similarly qualified persons. ✧ Always switch off the electricity supply before carrying out any operations on the appliance. When handling bulb, make sure it is completely cool down before any direct contact to hands. ✧ When handling globes hold with a cloth or gloves to ensure perspiration does not come in contact with the globe as this can reduce the life of the globe. |
|--|---|

- (1) Switch off the appliance and unplug it.
- (2) Slide the front part of the cooker hood.
- (3) The al filter should be detached first. Press the lock and pull it downward.
- (4) Replace with same type of light.230V~50Hz, MAX.2.5W LED
 - ILCOS D code for this lamp is: **DBS-2.5/65-H-120/33.**
 - Max wattage: 2.5W
 - Voltage range: AC 230V
 - Dimensions:





ENVIRONMENTAL PROTECTION:

| | |
|---|---|
|  | <p>This product is marked with the symbol on the selective sorting of waste electronic equipment. This means that this product must not be disposed of with household waste but must be supported by a system of selective collection in accordance with Directive 2012/19/EU. It will then be recycled or dismantled to minimize impacts on the environment, electrical and electronic products are potentially dangerous for the environment and human health due to the presence of hazardous substances. For more information, please contact your local or regional authorities.</p> |
|---|---|

NOTE:

The following shows how to reduce total environmental impact (e.g. energy use) of the cooking process).

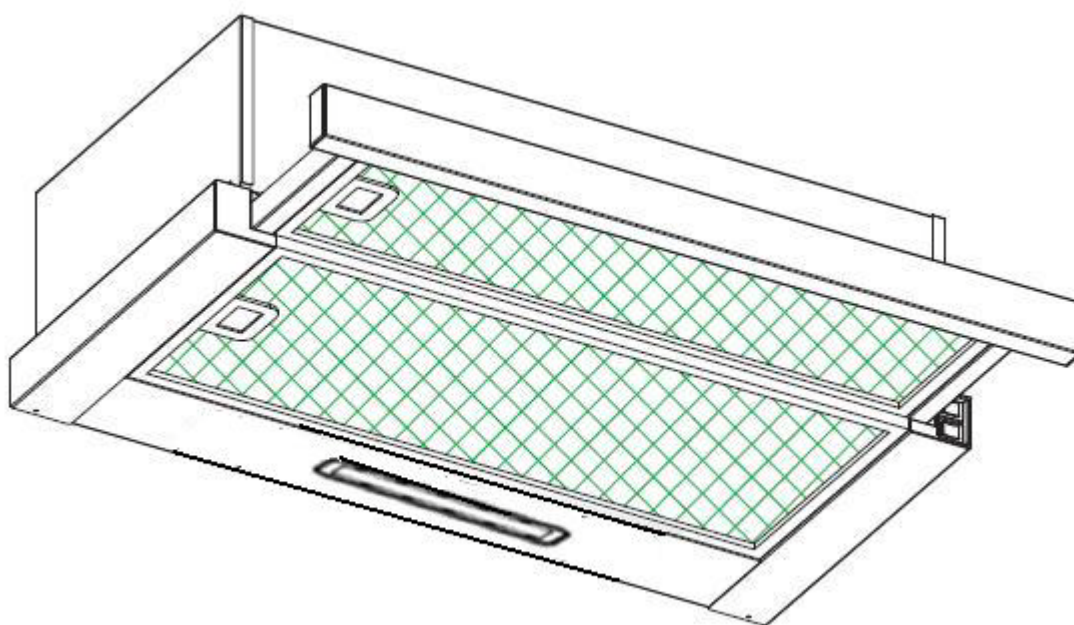
- (1) Install the cooker hood in a proper place where there is efficient ventilation.
- (2) Clean the cooker hood regularly so as not to block the airway.
- (3) Remember to switch off the cooker hood light after cooking.
- (4) Remember to switch off the cooker hood after cooking.

INFORMATION FOR DISMANTLING

Do not dismantle the appliance in a way which is not shown in the user manual. The appliance could not be dismantled by user. At the end of life, the appliance should not be disposed of with household waste. Check with you Local Authority or retainer for recycling advice.

Digestoř

Návod k obsluze



Obsah

| | |
|--------|-----------------------------|
| 1..... | Bezpečnostní pokyny |
| 2..... | Instalace |
| 3..... | Používání digestoře |
| 4..... | Řešení problémů |
| 5..... | Údržba a čištění |
| 6..... | Ochrana životního prostředí |

BEZPEČNOSTNÍ POKYNY

Tento návod vysvětluje správnou instalaci a používání digestoře; před použitím si ho pozorně přečtěte, i když výrobek dobře znáte. Návod by se měl uschovat na bezpečném místě pro budoucí použití.

Co nikdy nedopustit:

- Nepokoušejte se používat digestoř bez tukových filtrů nebo v případě, že jsou filtry nadměrně zanesené tukem!
- Neinstalujte digestoř nad sporák s vysoko umístěným grilem.
- Během používání nenechávejte pánve bez dozoru, protože přehřátý tuk nebo olej by mohl vzplanout.
- Nikdy nenechte pod digestoří otevřený plamen.



- Pokud je digestoř poškozená, nepoužívejte ji.
- Pod digestoří nevlambujte.
- **POZOR:** Přístupné součásti mohou být při používání kuchyňských spotřebičů horké.
- Dodržujte minimální vzdálenost mezi plochou plotny, na kterou se pokládají nádoby na vaření, a nejnižší součástí digestoře. (Když je digestoř umístěna nad plynovým sporákem, tato vzdálenost musí být alespoň 65 cm.)
- Vzduch se nesmí odvádět do kouřovodu, který slouží k odvodu kouře ze spotřebičů spalujících plyn nebo jiná paliva.



Co je vždy nutné:

- **Důležité!** Při instalaci a údržbě, například výměně žárovky, vždy vypněte přívod síťového napájení.
- Digestoř se musí být instalovat podle pokynů k instalaci a je nutné dodržet všechny rozměry.
- Veškerou instalaci musí provádět kompetentní osoba nebo kvalifikovaný elektrikář.
- Pečlivě zlikvidujte obalový materiál. Mohl by ohrozit děti.
- Věnujte pozornost ostrým hranám uvnitř digestoře, zejména při instalaci a čištění.
- Jestliže je digestoř umístěna nad plynovým sporákem, minimální vzdálenost mezi plochou plotny, na kterou se pokládají nádoby na vaření, a nejnižší součástí digestoře, musí být:
Plynové sporáky: 75 cm
Elektrické sporáky: 65 cm
Sporáky na uhlí nebo topný olej: 75 cm
- Zajistěte, aby potrubní vedení nemělo ohyby ostřejší než 90 stupňů, protože tím by se snížila účinnost digestoře.
- **Varování:** Pokud nebudou šrouby nebo upevňovací prvky namontovány podle těchto pokynů, mohlo by dojít k úrazu elektrickým proudem.

Co je vždy nutné:

- Při vaření na plynovém sporáku vždy zakrývejte hrnce a pánve pokličkami.
- V režimu odsávání odsává digestoř vzduch z místnosti. Zajistěte dodržování náležitých opatření pro dostatečné větrání. Digestoř odsává z místnosti zápachy, ale ne páru.
- Digestoř je určena pouze k použití v domácnosti.



- Pokud se poškodí napájecí kabel, výměnu musí provést výrobce, jeho servisní zástupce nebo osoby s podobnou kvalifikací, aby se vyloučilo riziko.
- Tento spotřebič mohou používat děti starší osmi let a osoby s omezenými fyzickými, smyslovými nebo duševními schopnostmi nebo osoby nezkušené a neznalé za předpokladu, že mají zajištěný dohled nebo byly poučeny o bezpečném používání spotřebiče a chápou související rizika. Děti si nesmějí hrát se spotřebičem. Děti nesmějí provádět čištění a uživatelskou údržbu bez dozoru.



- **Varování:** Než zpřístupníte svorky, musí být odpojeny všechny napájecí obvody.

Co je vždy nutné:

- **Pozor:** Spotřebič a jeho přístupné součásti se mohou při používání zahřívat. Dávejte pozor, abyste se nedotkli topných těles. Děti mladší osmi let by se neměly přibližovat, pokud nejsou pod stálým dozorem.
- Pokud je digestoř používána v místnosti, kde jsou další spotřebiče spalující plyn nebo jiná paliva, musí být zajištěno dostatečné větrání.
- Pokud není prováděno čištění podle pokynů, hrozí riziko požáru.
- Musí být dodržovány předpisy pro odvod vzduchu.
- Pravidelně čistěte spotřebič způsobem popsáním v kapitole ÚDRŽBA.
- Z bezpečnostních důvodů používejte pouze upevňovací nebo montážní šrouby stejné velikosti, jaká je uvedena v tomto návodu.
- Podrobnosti o způsobu a četnosti čištění najdete v části Údržba a čištění v tomto návodu k obsluze.
- Děti nesmějí provádět čištění a uživatelskou údržbu bez dozoru.
- Jestliže je digestoř v provozu společně se spotřebiči napájenými jinak než elektrickou energií, podtlak v místnosti nesmí překročit 4 Pa (4 x 10⁻⁵ bar).
- **VAROVÁNÍ:** Nebezpečí požáru: neskladujte předměty na varném povrchu.
- Nesmí se používat parní čistič.
- **NIKDY** se nepokoušejte hasit požár vodou, ale vypněte spotřebič a potom zakryjte plamen např. pokličkou nebo hasicí rouškou.

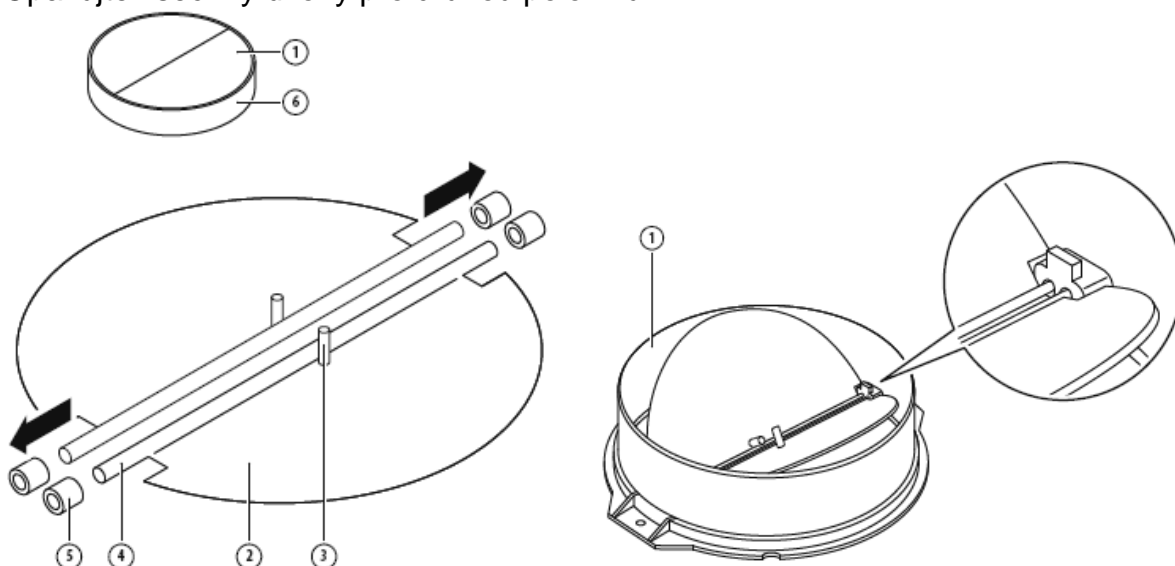
INSTALACE (ODVOD VZDUCHU VEN)

MONTÁŽ KLÍNOVÉ KLAPKY

Pokud digestoř nemá nainstalovanou klínovou klapku 1, měli byste namontovat obě poloviny do tělesa. Obrázky znázorňují pouze příklad způsobu montáže klínové klapky, výstup se může lišit v závislosti na modelu a konfiguraci.

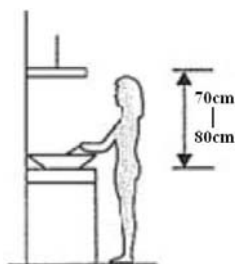
Při montáži klínové klapky byste měli postupovat takto:

- Namontujte obě poloviny 2 do tělesa 6.
- Čep 3 by měl směřovat nahoru.
- Osa 4 by měla být vložena do otvorů 5 v tělese.
- Opakujte všechny úkony pro druhou polovinu.

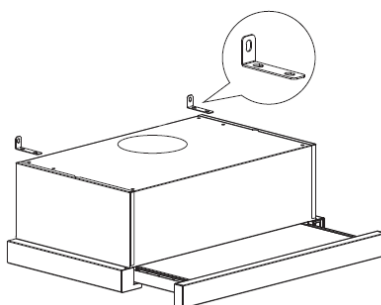


INSTALACE (montáž na stěnu)

1. Určete místa pro otvory pro připevnění digestoře.

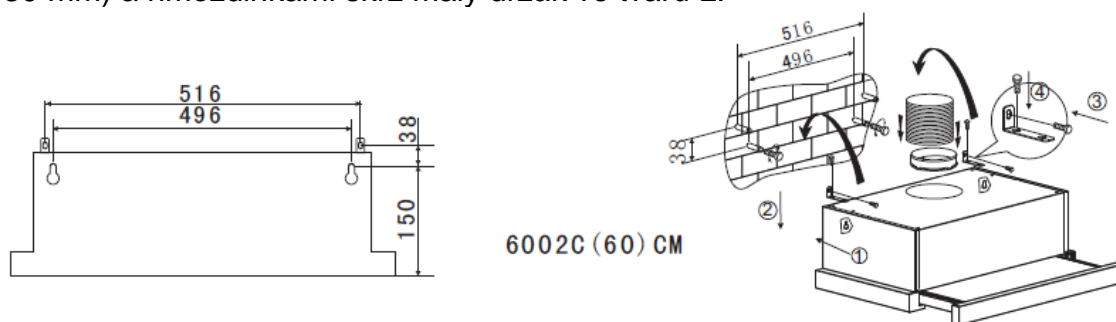


2. Dvěma šrouby (4 mm x 10 mm) připevněte držák ve tvaru L k horní straně digestoře.

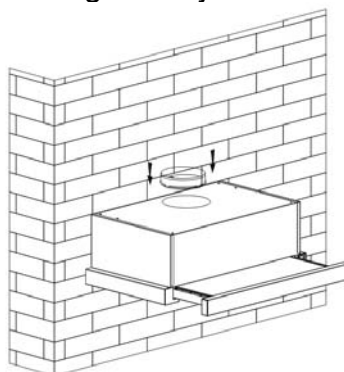


3. Digestoř se montuje na stěnu pomocí čtyř šroubů (4 mm x 30 mm) a hmoždinek. Pomocí dvou šroubů (4 mm x 30 mm) a hmoždinek namontujte zadní stranu

digestoře na stěnu. Potom připevněte digestoř ke stěně dvěma šrouby (4 mm x 30 mm) a hmoždinkami skrz malý držák ve tvaru L.

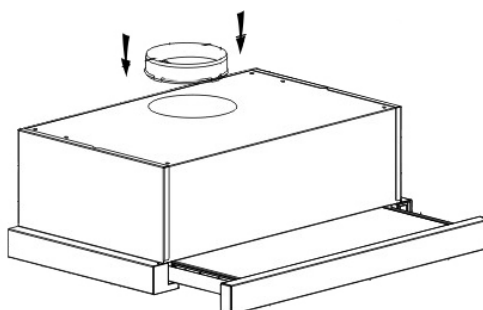


4. Nainstalujte na výstup vzduchu digestoře jednocestný ventil.

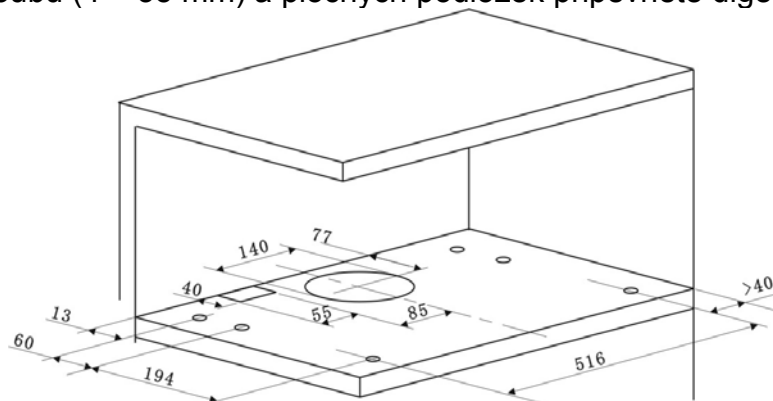


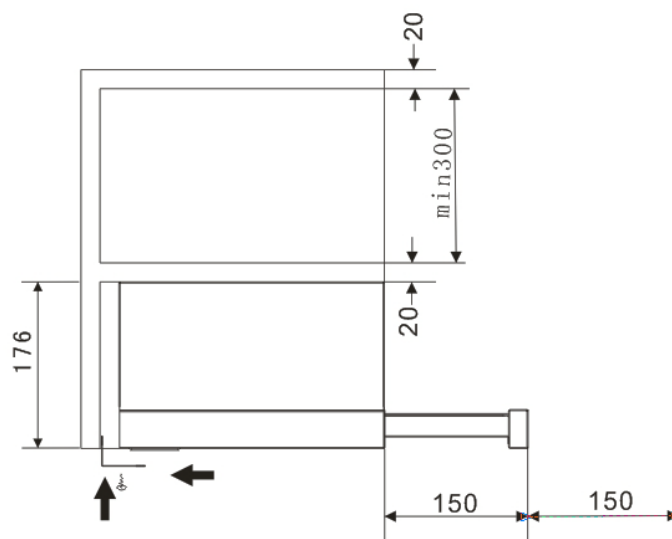
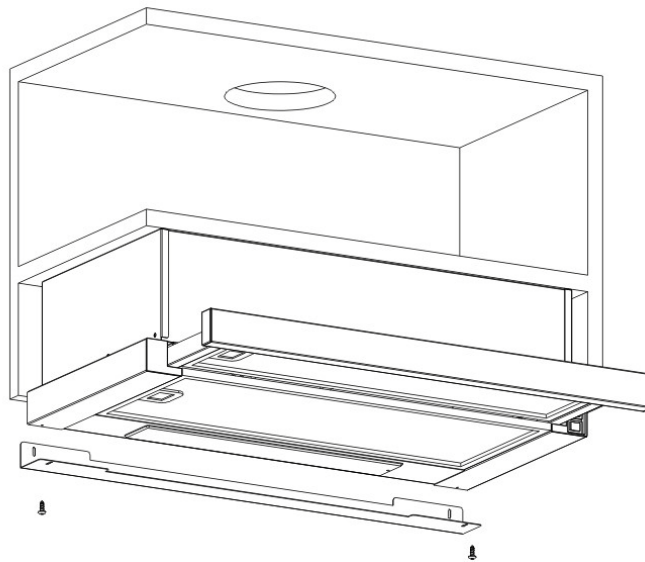
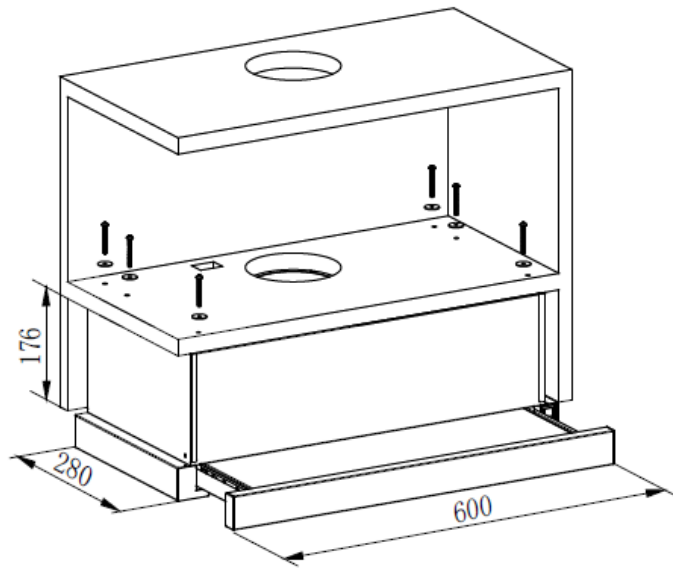
INSTALACE (montáž do skříně)

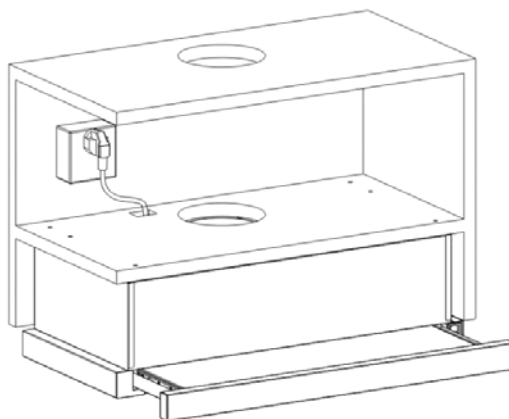
1. Nainstalujte na výstup vzduchu digestoře jednocestný ventil.




2. Pomocí šesti šroubů (4 × 35 mm) a plochých podložek připevněte digestoř ke skříni.





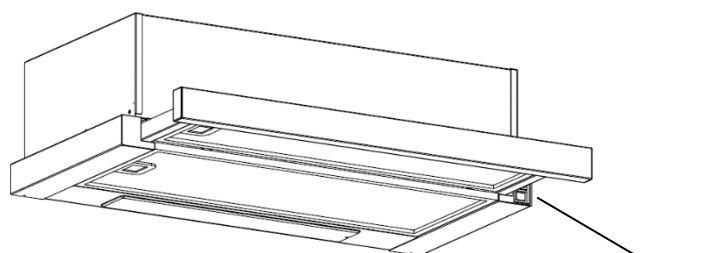


Pokud je mezi stěnou a digestoří mezera, můžete na spodní stranu digestoře dvěma šrouby (3 x 12 mm) namontovat držák ve tvaru L.
 Montáž držáku ve tvaru L je volitelná.
 Poznámka: Trubkový nástavec není součástí výrobku.

| | |
|--|---|
| <p>VAROVÁNÍ:</p>  | <ul style="list-style-type: none"> ➤ Z bezpečnostních důvodů používejte pouze upevňovací nebo montážní šrouby stejné velikosti, jaká je uvedena v tomto návodu. ➤ Pokud nebudou šrouby nebo upevňovací prvky namontovány podle těchto pokynů, mohlo by dojít k úrazu elektrickým proudem. |
|--|---|

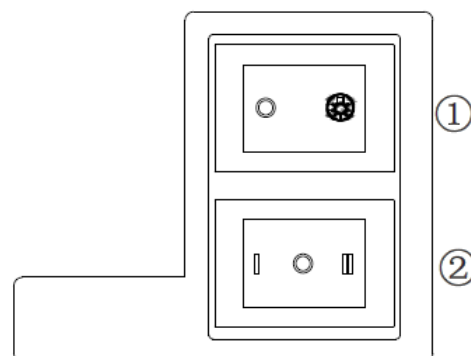
Používání digestoře

Kolébkový přepínač



přepínač

Kolébkový



1. Zasuňte zástrčku napájecího kabelu do zásuvky.
2. Přepněte přepínač ① do polohy x a žárovka se rozsvítí; přepněte přepínač ① do polohy „0 “ a žárovka zhasne.

3. Přepněte přepínač ② do polohy „I “ nebo „II “ a motor poběží „nízkou “ nebo „vysokou “ rychlostí; přepněte přepínač do polohy „0 “ a motor se vypne.

4. Vytažením předního panelu se zapne napájení. A naopak, zasunutím se napájení automaticky vypne.

ŘEŠENÍ PROBLÉMŮ

| Závada | Možná příčina | Řešení |
|-----------------------------------|--|--|
| Světlo svítí, ale motor nefunguje | Přepínač ventilátoru je vypnutý | Zvolte jinou polohu přepínače ventilátoru. |
| | Přepínač ventilátoru je porouchaný | Kontaktujte servisní středisko. |
| | Porucha motoru | Kontaktujte servisní středisko. |
| Nesvítí světlo, motor nefunguje | Spálené domovní pojistky | Resetujte/vyměňte pojistky. |
| | Uvolněný nebo odpojený napájecí kabel | Znovu zapojte kabel do síťové zásuvky. Zapněte zásuvku. |
| Únik oleje | Jednocestný ventil a výstup nejsou řádně utěsněné | Vymontujte jednosměrný ventil a utěsněte. |
| | Únik z přípojky komína a krytu | Odpojte komín a utěsněte. |
| Světla nesvítí | Vadné/porouchané žárovky | Vyměňte žárovky podle těchto pokynů. |
| Nedostatečné sání | Vzdálenost mezi digestoří a sporákem je příliš velká | Umístěte digestoř do správné vzdálenosti. |
| Digestoř se naklání | Upevňovací šroub není dostatečně utažený | Utáhněte závěsný šroub, aby byla digestoř ve vodorovné poloze. |

POZNÁMKA:



Veškeré opravy tohoto spotřebiče musí vyhovovat místním, státním a federálním zákonům. Pokud máte pochybnosti, před zahájením opravy kontaktujte servisní centrum. Před otevřením jednotky ji vždy odpojte od napájení.

ÚDRŽBA A ČIŠTĚNÍ

Pozor:

- Před prováděním údržby nebo čištění se musí digestoř odpojit od síťového napájení. Ujistěte se, že je digestoř vypnutá a zástrčka napájecího kabelu je vytažená ze zásuvky.



- Vnější povrchy jsou náchylné k poškrábání a oděru, proto postupujte podle pokynů pro čištění, abyste zajistili, že dosáhnete co nejlepšího výsledku bez poškození.

OBECNÉ INFORMACE

Čištění a údržba se musí provádět, když je spotřebič vychladlý, což platí zejména pro čištění. Zamezte tomu, aby na povrchu zůstaly zásadité nebo kyselé látky (citronová šťáva, ocet atd.).

NEREZOVÁ OCEL

Nerezovou ocel je nutné pravidelně čistit (např. každý týden), aby byla zajištěna její dlouhá životnost. Vysušte ji čistým suchým hadrem. Lze použít speciální prostředek na čištění nerezové oceli.

POZNÁMKA:

Otírejte povrch po směru struktury nerezové oceli, aby se neobjevily nevzhledné příčné šmouhy.

POVRCH OVLÁDACÍHO PANELU

Vykládaný ovládací panel lze čistit teplou mýdlovou vodou. Před čištěním se ujistěte, že hadr je čistý a důkladně vyždímaný. Po čištění odstraňte zbytky vlhkosti suchým měkkým hadrem.

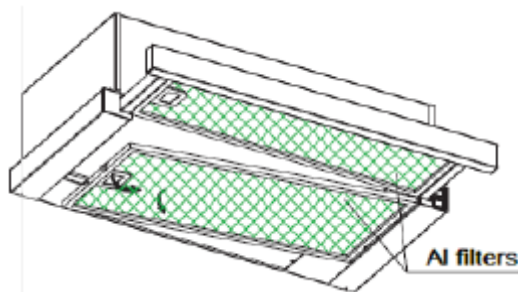
Důležité

Používejte neutrální čisticí prostředky a nepoužívejte agresivní chemikálie, silné čisticí prostředky pro domácnost, ani produkty obsahující brusné materiály, protože by mohly ovlivnit vzhled spotřebiče a případně odstranit potisk na ovládacím panelu; použití takových prostředků povede ke zneplatnění záruky poskytované výrobcem.

MŘÍŽKOVÉ TUKOVÉ FILTRY

Mřížkové filtry lze čistit ručně. Ponořte je na 3 minuty do vody s čisticím prostředkem rozpouštějícím tuky a potom je jemně vykartáčujte měkkým kartáčem. Netlačte příliš, aby se filtry nepoškodily. (Nechte je uschnout na vzduchu mimo přímé sluneční světlo.)

Filtry by se měly mýt odděleně od nádobí a příborů. Doporučuje se nepoužívat oplachovací prostředky.



INSTALACE MŘÍŽKOVÝCH TUKOVÝCH FILTRŮ

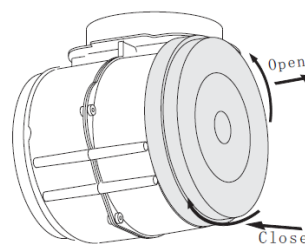
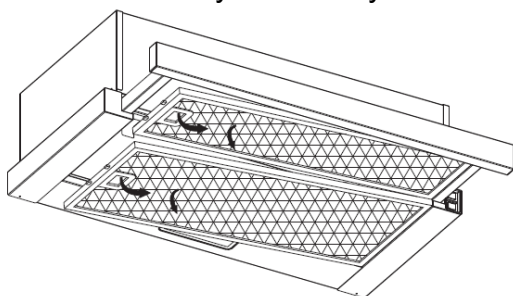
- Instalace filtrů se provádí ve čtyřech krocích.
 - Vložte filtr šikmo do drážek v zadní části digestoře.
 - Stiskněte tlačítko na držadle filtru.
 - Když filtr zapadne na své místo, uvolněte držadlo.

– Opakujte postup pro všechny filtry.

UHLÍKOVÝ FILTR – nedodává se s výrobkem

Filtr s aktivním uhlím lze používat k zachytávání zápachu. Normálně by se měl filtr s aktivním uhlím měnit po třech nebo šesti měsících v závislosti na způsobu vaření. Níže je popsán postup instalace filtru s aktivním uhlím.


- (1) Vysuňte přední část digestoře.
- (2) Nejprve se musí odstranit tukový filtr. Zatlačte pojistku a zatáhněte ji dolů.
- (3) Vyjměte uhlíkový filtr tak, že ho otočíte doleva.
- (4) Nahradte ho novým uhlíkovým filtrem.



POZNÁMKA:

- Ujistěte se, že je filtr správně zajištěn. Jinak by se uvolnil, což by bylo nebezpečné.
- Po nasazení filtru s aktivním uhlím se sníží odsávací výkon.

VÝMĚNA ŽÁROVKY

| | |
|--|--|
| <p>Důležité:</p>  | <ul style="list-style-type: none">✧ Výměnu žárovky musí provádět výrobce, jeho servisní zástupce nebo podobně kvalifikovaná osoba.✧ Před jakýmkoli zásahem do spotřebiče vždy vypněte elektrické napájení. Než se žárovky dotknete rukama, ujistěte se, že úplně vychladla.✧ Při manipulaci držte žárovku hadrem nebo v rukavicích, aby se nedostala do kontaktu s potem, protože tím by se zkrátila její životnost. |
|--|--|

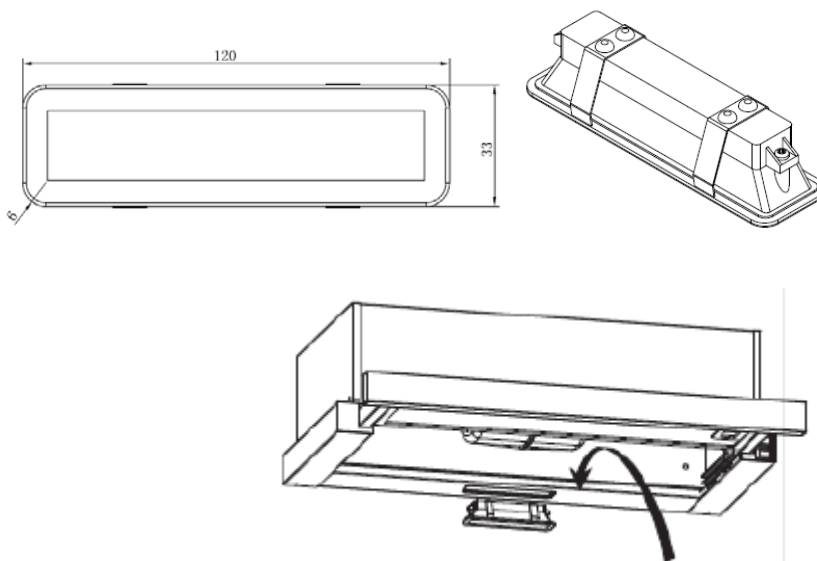
- (1) Vypněte spotřebič a odpojte ho od zásuvky.
- (2) Vysuňte přední část digestoře.
- (3) Nejprve se musí odstranit tukový filtr. Zatlačte pojistku a zatáhněte ji dolů.
- (4) Vyměňte žárovku za novou stejného typu: 230 V~, 50 Hz, max. 2,5 W, LED.

• Tato žárovka má kód ILCOS D: DBS-2.5/65-H-120/33.


– Max. příkon: 2,5 W

– Napětí: 230 V AC

□ – Rozměry:



OCHRANA ŽIVOTNÍHO PROSTŘEDÍ

| | |
|--|--|
|  | <p>Tento výrobek je označen symbolem pro tříděný odpad elektronických zařízení. To znamená, že se tento výrobek nesmí vyhazovat společně s komunálním odpadem, ale musí být odevzdán do sběrného dvora v souladu se směrnicí 2012/19/EU. Potom bude recyklován nebo rozebrán, aby se minimalizoval dopad na životní prostředí. Elektrické a elektronické výrobky jsou potenciálně nebezpečné pro životní prostředí a lidské zdraví, protože obsahují nebezpečné látky. Chcete-li více informací, obraťte se na místní nebo oblastní úřady.</p> |
|--|--|

POZNÁMKA:

Níže je uvedeno, jak je možné omezit celkový dopad na životní prostředí (např. úsporou energie při vaření).

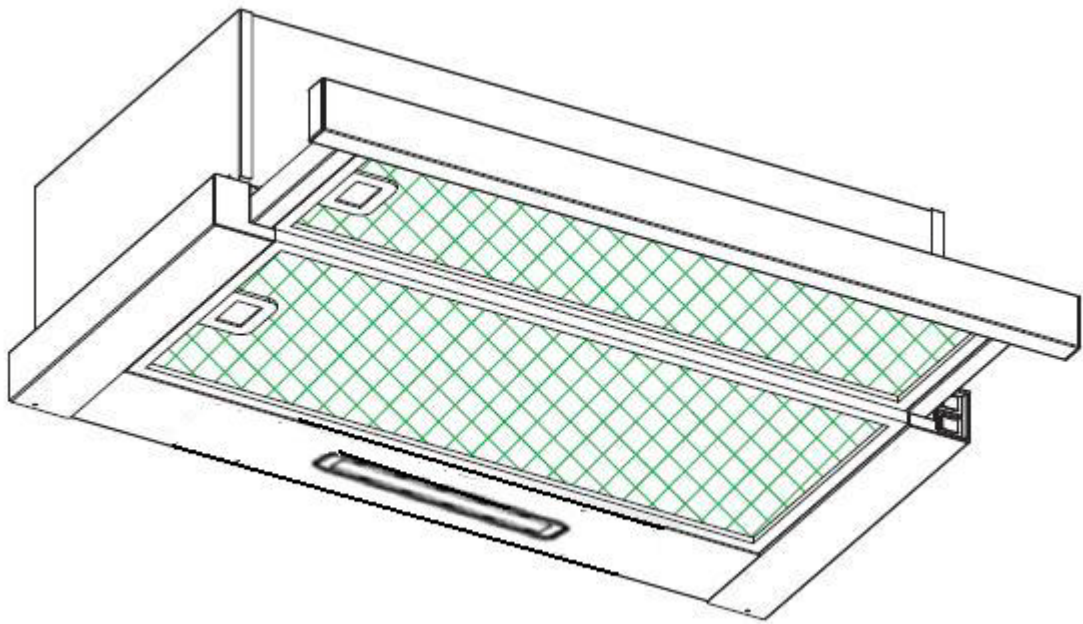
- (1) Namontujte digestoř do správného místa s dobrým větráním.
- (2) Pravidelně digestoř čistěte, aby nebylo blokováno proudění vzduchu.
- (3) Nezapomeňte po vaření vypnout světlo digestoře.
- (4) Nezapomeňte po vaření vypnout digestoř.

INFORMACE PRO ROZEBRÁNÍ

Nerozebírejte spotřebič jiným způsobem, než je uvedeno v návodu. Digestoř nesmí rozebírat uživatel. Na konci životnosti se spotřebič nesmí vyhazovat společně s komunálním odpadem. Doporučení k recyklaci získáte od místního úřadu nebo prodejce.

Abzugshaube

Bedienungshandbuch



Inhalt

- 1.....Sicherheitshinweise
- 2.....Installation
- 3.....Inbetriebnahme Ihrer Abzugshaube
- 4.....Fehlerbehebung
- 5.....Wartung und Reinigung
- 6.....Umweltschutz

SICHERHEITSHINWEISE

Dieses Handbuch beschreibt die ordnungsgemäße Installation und die Verwendung der Dunstabzugshaube. Lesen Sie die Bedienungsanleitung daher sorgfältig durch, auch wenn Sie das Produkt bereits kennen. Das Handbuch sollte für zukünftige Nachschlagezwecke gut aufbewahrt werden.

Was Sie auf keinen Fall tun sollten:

- Lassen Sie die Abzugshaube nicht ohne Fettfilter oder wenn diese übermäßig fettig sind laufen.
- Nicht über einem Herd mit hochgelagertem Grill aufhängen.
- Bratpfannen mit heißem Fett nicht unbeaufsichtigt lassen, weil dieses Feuer fangen könnte.
- Kein offenes Feuer unter der Abzugshaubeentzünden.



- Abzugshaube außer Betrieb nehmen, wenn sie beschädigt ist.
- Keine Gerichte unter der Abzugshaube flambieren.
- **ACHTUNG:** Es kann sein, dass bestimmte Teile der Abzugshaube beim Kochen heiß werden.
- Mindestabstand zwischen Kochfeld und Unterteil der Abzugshaube einhalten. (Wird die Abzugshaube über einem Gasherd angebracht, sollte der Abstand mindestens 65 cm betragen.)
- Die Abluft sollte nicht in einen Rauchfang geleitet werden, der auch für die Abgase einer Gas- oder Ölheizung verwendet wird.



Was Sie immer tun sollten:

- **Wichtig!** Trennen Sie das Gerät vor der Installation und Wartung (Austausch einer Glühbirne) immer von der Stromversorgung.
- Die Abzugshaube muss gemäß der Installationsanleitung aufgehängt und alle Maße müssen eingehalten werden.
- Sämtliche Installationsarbeiten müssen durch einen Fachmann oder qualifizierten Elektriker vorgenommen werden.
- Verpackungsmaterial ordentlich entsorgen. Es kann für Kinder gefährlich werden.
- Bei der Installation und Reinigung auf scharfe Kanten im Inneren der Abzugshaube achten.
- Wird die Abzugshaube über einem Gasherd angebracht, muss der Mindestabstand zwischen Kochtöpfen und Unterteil der Abzugshaube wie folgt sein:
Gasherd: 75 cm
Elektroherd: 65 cm
Mit Kohle oder Öl befeuerte Herde: 75 cm
- Darauf achten, dass der Abluftkanal keine Knicke hat, die 90 Grad überschreiten, da dies die Effizienz der Abzugshaube reduziert.
- **Warnung:** Werden Schrauben nicht richtig festgezogen oder wird das Gerät nicht gemäß dieser Anleitung eingebaut, können Gefahren durch elektrischen Strom entstehen.

Was Sie immer tun sollten:

- Töpfe und Pfannen beim Kochen auf einem Gasherd immer mit einem Deckel schließen.
- Ist die Abzugshaube eingeschaltet, wird die Raumluft abgesaugt. Achten Sie darauf, dass für eine ausreichende Belüftung gesorgt ist. Die Abzugshaube saugt Gerüche ab, aber keinen Wasserdampf.
- Die Abzugshaube ist ausschließlich für den Hausgebrauch bestimmt.



- Falls das Netzkabel beschädigt ist, wenden Sie sich bitte an den Hersteller, seinen Kundendienst oder ähnlich qualifizierte Personen, um es zu ersetzen und eine Gefährdung zu vermeiden.
- Dieses Gerät kann von Kindern ab 8 Jahren und Personen mit eingeschränkter körperlicher, sensorischer oder geistiger Fähigkeiten oder mangelnder Erfahrung und mangelndem Wissen benutzt werden, wenn diese in die sichere Bedienung des Geräts eingewiesen wurden oder beaufsichtigt werden. Kinder dürfen nicht mit dem Gerät spielen. Reinigung und Pflege darf nicht von Kindern ohne Aufsicht erfolgen.



- **Warnung:** Bevor mögliche Anschlüsse zugänglich werden, müssen sämtliche Stromzuleitungen getrennt werden.

Was Sie immer tun sollten:

- **Achtung:** Das Gerät und zugängliche Teile können während des Betriebs heiß werden. Seien Sie daher vorsichtig, wenn Sie diese Teile berühren müssen. Kinder unter acht Jahren sollten vom Gerät ferngehalten werden, es sei denn, sie werden permanent beaufsichtigt.
- Für ausreichende Belüftung sorgen, wenn die Abzugshaube zusammen mit Geräten betrieben wird, die Gas oder Benzin verbrennen.
- Es besteht ein Brandrisiko, wenn die Reinigung nicht entsprechend dieser Anweisungen durchgeführt wird.
- Vorschriften zur Abluft müssen befolgt werden.
- Reinigen Sie das Gerät regelmäßig entsprechend der Anweisungen im Kapitel WARTUNG.
- Verwenden Sie aus Sicherheitsgründen für die Montage nur Schrauben in der Größe, die in diesem Handbuch empfohlen wird.
- Eine detaillierte Anweisung zur Reinigung und deren Häufigkeit finden Sie im Abschnitt „Wartung und Reinigung“ im Bedienungshandbuch.
- Die Reinigung und Wartung des Gerätes darf von Kindern nicht ohne Aufsicht durchgeführt werden.
- Wird die Abzugshaube zusammen mit Geräten betrieben, die nicht durch Strom, sondern durch andere Energiequellen versorgt werden, darf der Unterdruck im Raum 4 Pa (4×10^{-5} bar) nicht übersteigen.
- **WARNUNG:** Feuergefahr: Keine Gegenstände auf Kochfeldern ablegen.
- Keinen Dampfreiniger verwenden.
- Löschen Sie ein Feuer NIEMALS mit Wasser, sondern schalten Sie das Gerät aus und decken die Flammen dann ab, z. B. mit einem Deckel oder einer Löschdecke.

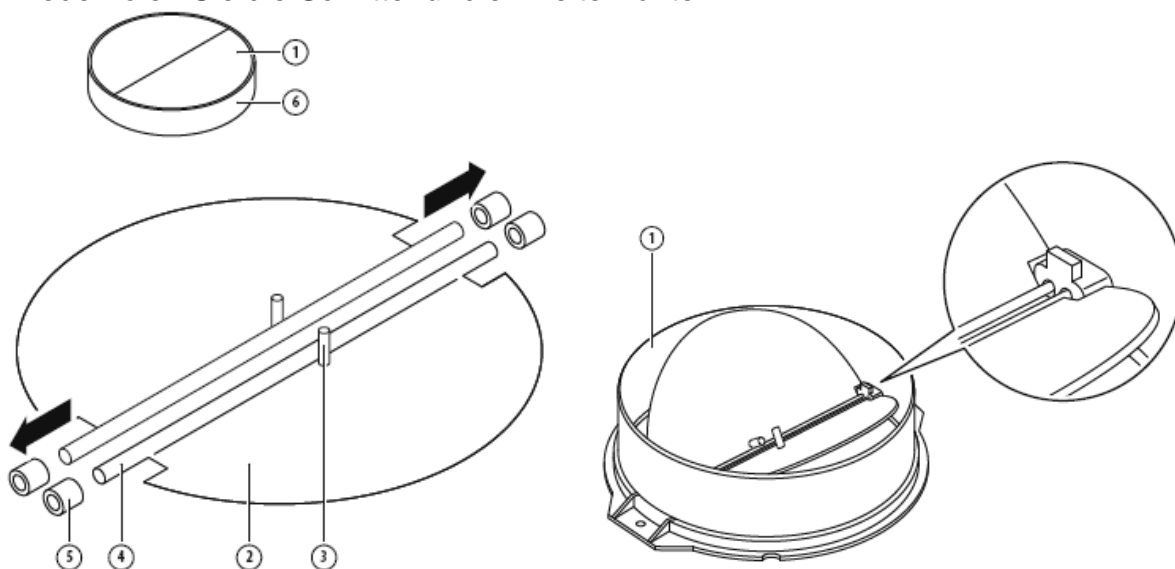
INSTALLATION (ABLUFTE NACH DRAUSSEN)

MONTAGE DER V-KLAPPE

Wenn die V-Klappe „1“ nicht an der Abzugshaube montiert ist, montieren Sie die Hälften am Korpus. Die Abbildungen dienen lediglich der Veranschaulichung der Montage einer V-Klappe. Der Auslass kann abhängig vom Modell und der Konfiguration variieren.

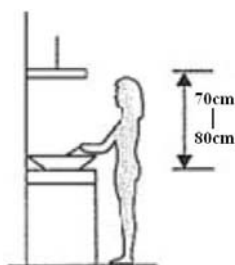
Vorgehensweise für die Montage der V-Klappe 1:

- Montieren Sie die beiden Teile „2“ am Korpus „6“.
- Der Stift „3“ muss nach oben zeigen.
- Die Achse „4“ wird in die Öffnungen „5“ am Korpus eingeführt.
- Wiederholen Sie die Schritte für die zweite Hälfte

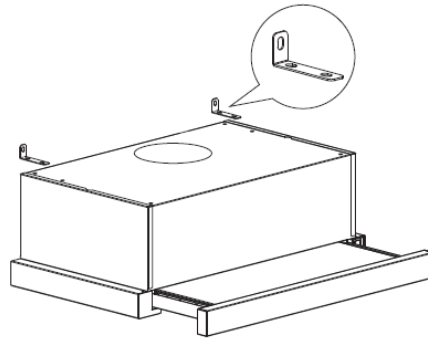


INSTALLATION (Wandmontage)

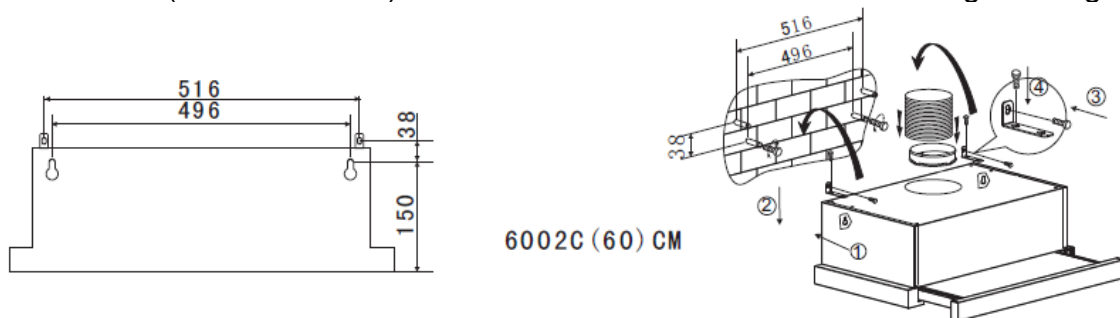
1. Markieren Sie die Bohrlöcher für die Aufhängung der Abzugshaube.



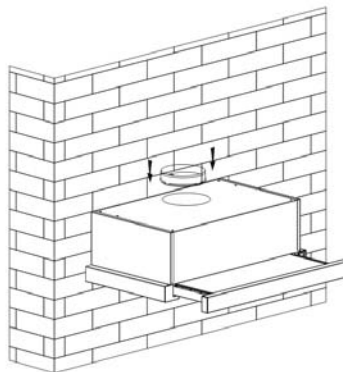
2. Montieren Sie die L-Halterung mit zwei Schrauben (4 mm x 10 mm) oben an der Haube.



3. Die Abzugshaube wird mit vier (4) Schrauben (4 mm x 30 mm) und Dübeln montiert.
 Die Abzugshaube wird mit zwei (2) Schrauben (4 mm x 30 mm) und Dübeln an der Wand hinter der Haube montiert. Dann wird die Abzugshaube mit zwei (2) Schrauben (4 mm x 30 mm) und Dübeln durch die kleine L-Halterung befestigt.

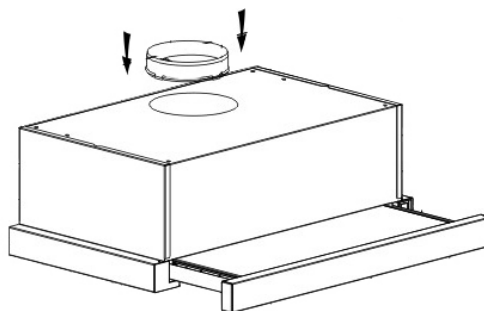


4. Befestigen Sie das Ein-Wege-Ventil am Luftauslass der Abzugshaube.

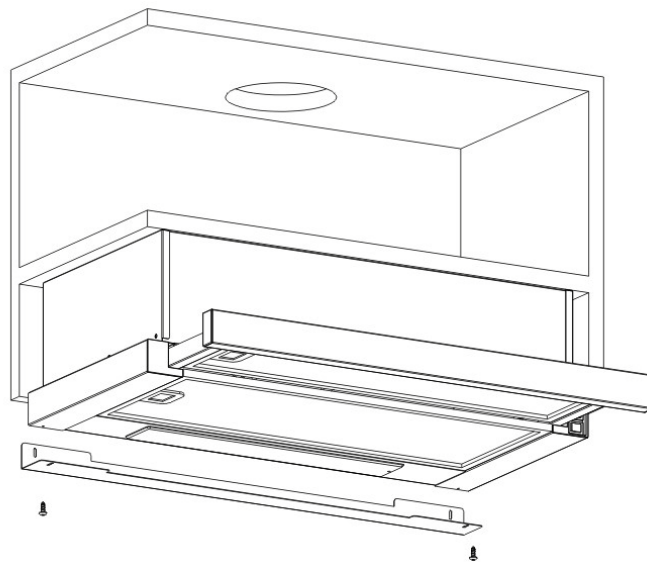
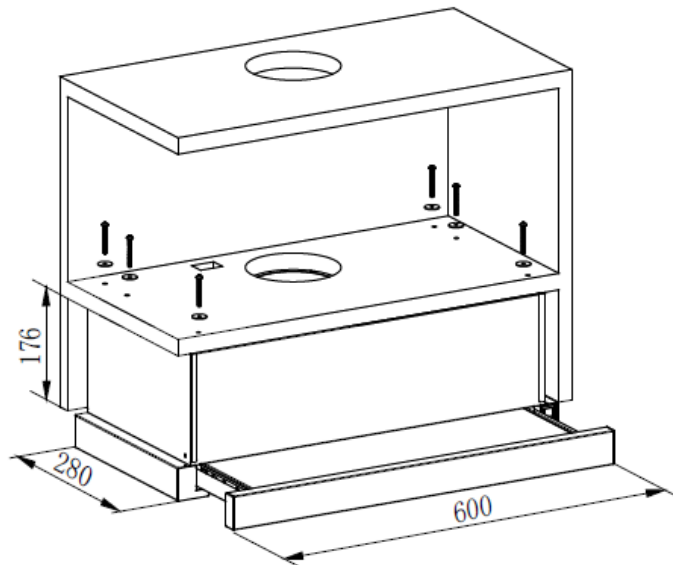
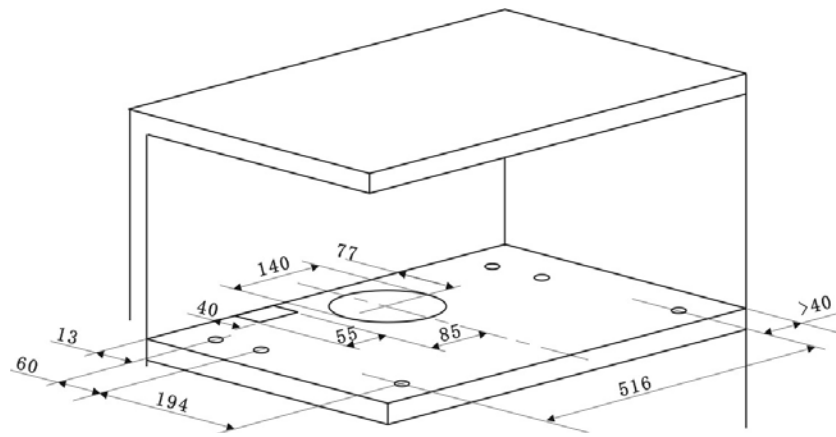


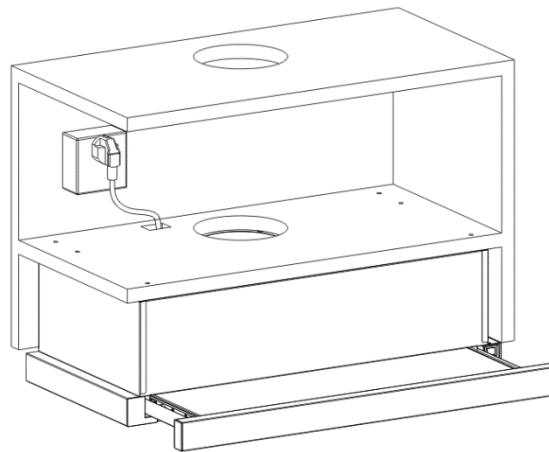
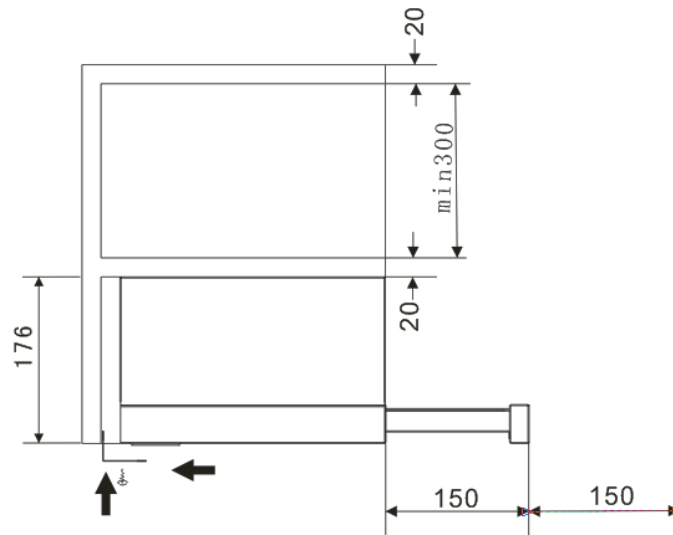
INSTALLATION (Gehäusemontage)

1. Befestigen Sie das Ein-Wege-Ventil am Luftauslass der Abzugshaube.




2. Die Abzugshaube wird mit sechs (6) Schrauben (4 x35 mm) und Unterlegscheiben am Schrank befestigt.



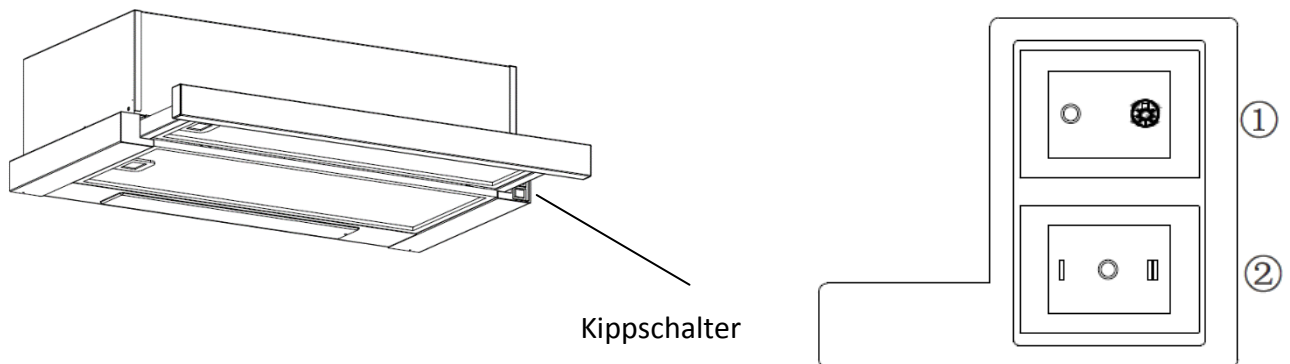


Bei einer Lücke zwischen Wand und Abzugshaube können Sie die L-Halterung mit zwei (2) Schrauben (3 mm x 12 mm) an der Unterseite der Haube befestigen. Die L-Halterung kann wahlweise angebracht werden.
Anmerkung: Das Verlängerungsrohr ist nicht im Lieferumfang enthalten.

| | |
|--|---|
| <p>WARNUNG:</p>  | <ul style="list-style-type: none"> ➤ Verwenden Sie aus Sicherheitsgründen für die Montage nur Schrauben in der Größe, die in diesem Handbuch empfohlen wird. ➤ Werden Schrauben nicht richtig festgezogen oder wird das Gerät nicht gemäß dieser Anleitung eingebaut, können Gefahren durch elektrischen Strom entstehen. |
|--|---|

Inbetriebnahme der Abzugshaube

Kippschalter



1. Den Stecker in die Wandsteckdose stecken.
2. Den Schalter ① auf „0 “ drücken, die Lampe leuchtet, Schalter ① auf „0 “ drücken. Die Lampe erlischt.
3. Den Schalter ② auf „I “ drücken. Der Motor läuft mit den beiden Drehzahlen „Niedrig-Hoch “. Drücken Sie „0 “, um den Motor abzuschalten.
4. Durch Herausziehen der Frontblende wird die Stromversorgung aktiviert. Durch Einschieben wird die Stromversorgung automatisch getrennt.

FEHLERBEHEBUNG

| FEHLER | Mögliche Ursachen | Lösung |
|--------------------------------------|--|--|
| Licht an, aber Motor läuft nicht. | Ventilator ist ausgeschaltet. | Lüftergeschwindigkeit auswählen. |
| | Lüfterschalter defekt. | Kundendienstzentrum kontaktieren. |
| | Motor läuft nicht. | Kundendienstzentrum kontaktieren. |
| Licht und Motor funktionieren nicht. | Stromsicherung ist durchgebrannt. | Sicherungen wieder einschalten/austauschen. |
| | Stromkabel ist lose oder nicht angeschlossen. | Kabel wieder in die Steckdose stecken. Stromversorgung einschalten. |
| Es tritt Öl aus. | Rückschlagventil und Auslass sind nicht dicht. | Rückschlagventil abnehmen und mit Dichtmaterial abdichten. |
| | Verbindung zwischen Abzug und Abzugshaube ist undicht. | Abzug abnehmen und abdichten. |

| | | |
|-----------------------------|--|--|
| Licht funktioniert nicht. | Defekte/fehlerhafte Glühbirnen | Glühbirnen gemäß dieser Anleitung austauschen. |
| Abaugen nicht stark genug. | Abstand zwischen Abzugshaube und Kochfeld ist zu groß. | Abzugshaube erneut mit dem richtigen Abstand anbringen. |
| Abzugshaube hängt herunter. | Befestigungsschraube ist nicht fest. | Schraube anziehen, sodass die Abzugshaube wieder gerade hängt. |

HINWEIS:

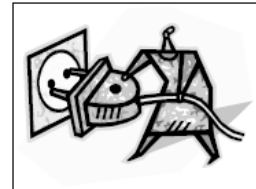


Alle elektrischen Reparaturen dieses Geräts müssen der geltenden regionalen und bundesweiten Gesetzgebung entsprechen. Wenn Sie Zweifel haben, kontaktieren Sie den Kundendienst, bevor sie die oben stehenden Maßnahmen durchführen. Gerät immer zuerst von der Stromversorgung trennen, bevor das Gehäuse geöffnet wird.

WARTUNG UND REINIGUNG

Vorsicht:

- Vor der Wartung oder Reinigung die Abzugshaube von der Stromversorgung trennen. Überprüfen Sie, ob die Abzugshaube ausgeschaltet ist und ob der Stecker aus der Steckdose gezogen ist.



- Da die äußeren Oberflächen empfindlich für Kratzer sind, befolgen Sie diese Reinigungshinweise für ein optimales Ergebnis ohne Beschädigungen.

ALLGEMEINES

Die Reinigung und Wartung sollte erfolgen, wenn das Gerät abgekühlt ist. Keine Alkali- oder säurehaltigen Mittel (Zitronensaft, Essig usw.) auf der Oberfläche hinterlassen.

EDELSTAHL

Die Oberfläche aus Edelstahl muss regelmäßig (z. B. wöchentlich) gereinigt werden, damit sie lange hält. Mit einem weichen Tuch abtrocknen. Es kann ein spezieller Edelstahlreiniger verwendet werden.

HINWEIS:

Wischen Sie immer in der Richtung der Körnung des Edelstahls, sodass keine unschönen Kratzmuster entstehen.

OBERFLÄCHE DES BEDIENFELDS

Das eingelassene Bedienfeld kann mit warmem Seifenwasser gereinigt werden. Das saubere Tuch vor dem Reinigen gut ausdrücken. Restliche Feuchtigkeit mit einem weichen trockenen Tuch abreiben.

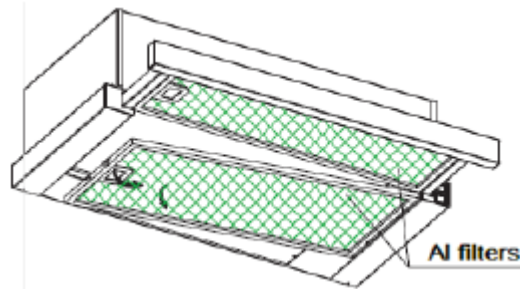
Wichtig

Verwenden Sie neutrale Reinigungsmittel und keine aggressiven Chemikalien oder Scheuermittel, da diese die Oberfläche angreifen und ggf. die Aufdrucke auf und am Bedienfeld entfernt werden; zudem verfällt die Garantie.

FETTFILTER

Die Netzfilter können von Hand gereinigt werden. Filter in Wasser mit fettlösendem Reiniger eintauchen und zirka drei Minuten lang wirken lassen. Dann vorsichtig mit einer weichen Bürste abbürsten. Nicht zu viel Druck ausüben, da dies die Filter beschädigen kann. (An der Luft, nicht in direktem Sonnenlicht, trocknen lassen.)

Filter sollten getrennt von anderen Küchenutensilien gereinigt werden. Eine Verwendung von Klarspüler wird nicht empfohlen.



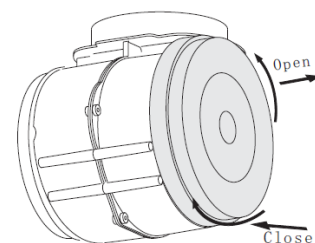
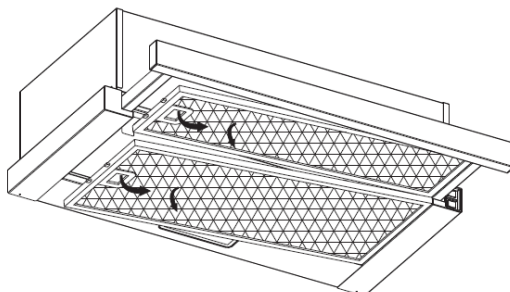
EINSETZEN DER FETTFILTER

- So setzen Sie die Filter in vier Schritten ein:
 - Setzen Sie die Filter in die Schlitze an der Rückseite der Abzugshaube ein.
 - Drücken Sie auf den Knopf am Filtergriff.
 - Lassen Sie den Griff los, sobald sich der Filter in der richtigen Position befindet.
 - Setzen Sie alle Filter auf diese Weise ein.

KOHLEFILTER – nicht im Lieferumfang enthalten

Aktivkohlefilter schließen unangenehme Gerüche ein. Normalerweise sollte ein Aktivkohlefilter entsprechend der Kochgewohnheiten alle drei bis sechs Monate gewechselt werden. Den Aktivkohlefilter wie folgt einsetzen:

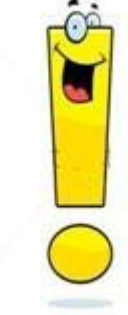
- (1) Das Gleitset der Haube zur Seite schieben.
- (2) Der Fettfilter muss zuerst abgenommen werden. Die Sperre drücken und nach unten ziehen.
- (3) Den Aktivkohlefilter im Uhrzeigersinn drehen, um ihn herauszunehmen.
- (4) Den neuen Aktivkohlefilter einsetzen.



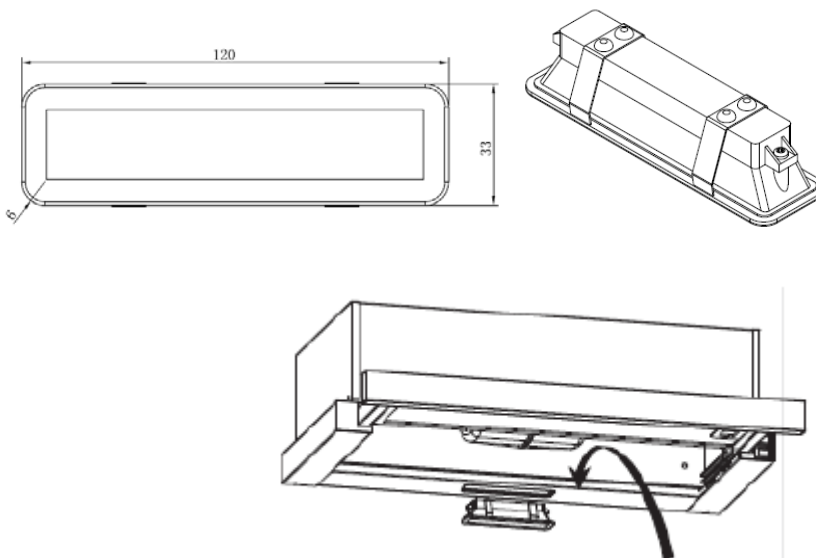
HINWEIS:

- Prüfen Sie, ob der Filter sicher verankert ist. Anderenfalls kann er herausfallen und gefährliche Unfälle verursachen.
- Bei Verwendung eines Aktivkohlefilters wird die Absaugkraft herabgesetzt.


AUSTAUSCH DER LEUCHTMITTEL

| | |
|---|---|
| <p>Wichtig:</p>  | <ul style="list-style-type: none">✧ Die Lampe muss durch den Hersteller, seinen Kundendienstmitarbeiter oder ähnlich qualifizierte Fachleute ausgetauscht werden.✧ Gerät immer von der Stromversorgung trennen, bevor Reinigungs-, Wartungs- oder Reparaturarbeiten am Gerät durchgeführt werden. Leuchtmittel vor dem Entfernen vollständig abkühlen lassen, bevor sie angefasst wird.✧ Leuchtmittel mit einem Tuch oder mit Handschuhen wechseln, damit kein Schweiß damit in Berührung kommt. Dies kann die Lebensdauer der Lampe verkürzen. |
|---|---|

- (1) Das Gerät ausschalten und ausstecken.
 - (2) Das Gleitset der Haube zur Seite schieben.
 - (3) Der Fettfilter muss zuerst abgenommen werden. Die Sperre drücken und nach unten ziehen.
 - (4) Gegen eine Lampe desselben Typs austauschen: 230 V-50 Hz, max. 2,5 W LED
- ILCOS D Bezeichnung für diese Lampe lautet: DBS-2.5/65-H-120/33.
 - Max Wattzahl: 2,5 W
 - Spannungsbereich: AC 230 V
 - Abmessungen:



UMWELTSCHUTZ:

| | |
|---|---|
|  | <p>Dieses Produkt ist mit diesem Symbol gekennzeichnet, was bedeutet, dass es nicht mit gewöhnlichem Haushaltsabfall entsorgt werden darf. Stattdessen muss es im Einklang mit der EU-Richtlinie 2012/19/EU über eine Sammelstelle für Elektroabfall entsorgt werden. Es wird dann recycelt oder auseinandergebaut, um die Schäden so gering wie möglich zu halten, die elektrische Geräte bedingt durch enthaltene Schadstoffe normalerweise für Umwelt und menschliche Gesundheit bedeuten. Weitere Informationen erhalten Sie bei Ihrer örtlichen Behörde.</p> |
|---|---|

HINWEIS:

Im Folgenden wird erläutert, wie die Umwelt durch den Kochvorgang möglichst wenig belastet wird (z. B. Energieverbrauch).

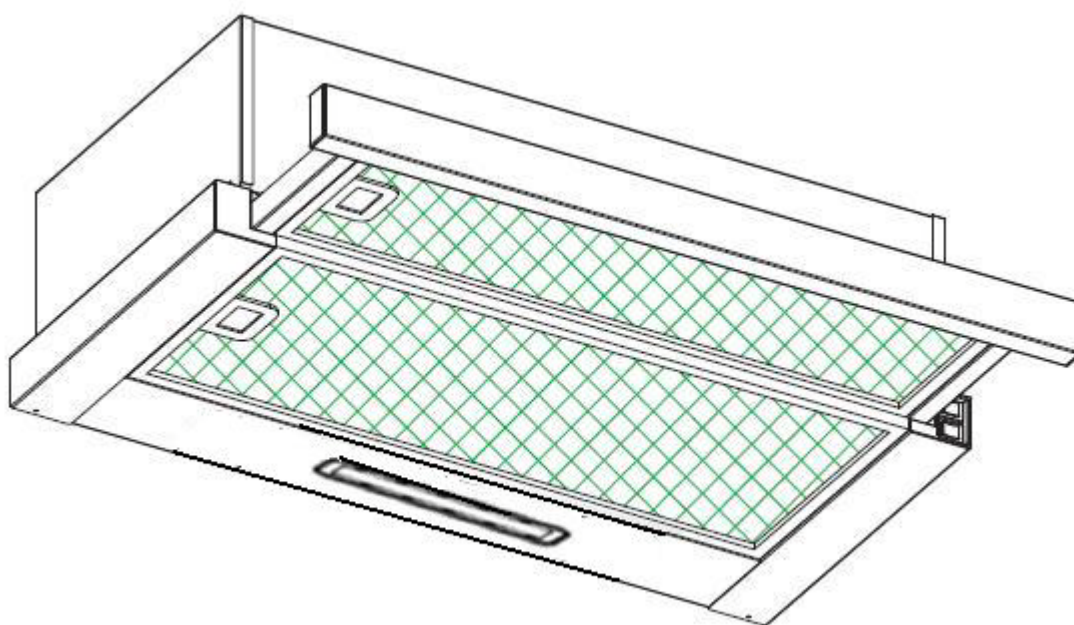
- (1) Die Abzugshaube an einem gut belüfteten Ort installieren.
- (2) Abzugshaube regelmäßig reinigen, sodass die Lüftung nicht blockiert wird.
- (3) Das Licht an der Abzugshaube nach dem Kochen immer ausschalten.
- (4) Abzugshaube nach dem Kochen immer ausschalten.

INFORMATIONEN FÜR EINE DEMONTAGE

Das Gerät nur wie in der Benutzeranleitung beschrieben öffnen oder aufschrauben. Der Verbraucher sollte das Gerät nicht vollständig in seine Einzelteile zerlegen. Am Ende seiner Lebensdauer das Gerät nicht mit dem Hausmüll entsorgen. Informieren Sie sich bei der örtlichen Behörde oder beim Abfallentsorger, wie Ihr Gerät entsorgt werden muss.

Hotte aspirante

Manuel d' instruction



Sommaire

| | |
|--------|--|
| 1..... | Consignes de sécurité |
| 2..... | Installation |
| 3..... | Commencez à utiliser votre hotte aspirante |
| 4..... | Dépannage |
| 5..... | Entretien et nettoyage |
| 6..... | Protection de l' environnement |

CONSIGNES DE SÉCURITÉ

Ce manuel explique comment installer et utiliser correctement votre hotte aspirante. Veuillez le lire attentivement avant toute utilisation même si vous connaissez bien le produit. Le manuel doit être conservé en lieu sûr pour pouvoir le consulter en cas de besoin.

À ne jamais faire :

- Ne tentez pas d'utiliser la hotte aspirante sans les filtres à graisse ou si les filtres sont excessivement encrassés !
- Ne l'installez jamais au-dessus d'une cuisinière avec un gril placé en hauteur.
- Ne laissez pas les poêles à frire sans surveillance pendant leur utilisation car les huiles ou les graisses surchauffées pourraient prendre feu.
- Ne laissez jamais des flammes nues sous la hotte aspirante.



- Si la hotte aspirante est endommagée, n'essayez pas de l'utiliser.
- Ne flambez rien sous la hotte aspirante.
- ATTENTION : Les parties accessibles peuvent devenir chaudes lors de l'utilisation avec des appareils de cuisson.
- La distance minimale entre la surface de support pour les récipients de cuisson sur la plaque de cuisson et la partie la plus basse de la hotte aspirante. (Quand la hotte aspirante est située au-dessus d'une cuisinière à gaz, cette distance doit être d'au moins 65 cm)
- L'air ne doit pas être évacué dans un conduit utilisé pour les fumées provenant d'appareils de combustion à gaz ou fonctionnant avec d'autres carburants.



À toujours faire :

- Important ! Coupez toujours l'alimentation électrique durant l'installation et l'entretien, comme par exemple quand vous changez une ampoule.
- La hotte aspirante doit être installée conformément aux instructions d'installation et toutes les mesures doivent être respectées.
- Tout le travail d'installation doit être effectué par une personne compétente ou un électricien qualifié.
- Veuillez faire attention quand vous jetez l'emballage. Les enfants pourraient se blesser avec.
- Faites attention aux bords coupants à l'intérieur de la hotte aspirante durant l'installation et le nettoyage.
- Quand la hotte aspirante est située au-dessus d'une cuisinière, la distance minimale entre la surface de support pour les récipients de cuisson sur la plaque de cuisson et la partie la plus basse de la hotte aspirante doit être la suivante :
Cuisinières à gaz : 75 cm
Cuisinières électriques : 65 cm
Cuisinières à charbon ou à mazout : 75 cm
- Vérifiez que les coudes des conduits ne sont pas inférieurs à 90 degrés car cela réduirait l'efficacité de la hotte aspirante.
- Avertissement : Si les vis ou le dispositif de fixation ne sont pas installés conformément à ces instructions, cela peut provoquer des dangers électriques

À toujours faire :

- Placez toujours le couvercle sur les casseroles et les poêles quand vous cuisinez sur une cuisinière à gaz.
- En mode extraction, l'air de la pièce est éliminé par la hotte aspirante. Vérifiez que des mesures de ventilation correctes sont adoptées. La hotte aspirante élimine les odeurs de la pièce mais pas la vapeur.
- La hotte aspirante est réservée à un usage domestique.



- Si le cordon d'alimentation est endommagé, faites-le remplacer par le fabricant, le service après-vente ou un électricien qualifié pour éviter tout risque d'accident.
- Cet appareil peut être utilisé par des enfants âgés de 8 ans et plus et par des personnes à capacités physiques, sensorielles ou intellectuelles réduites ou sans expérience et connaissances, s'ils sont sous une surveillance appropriée ou bien s'ils ont été informés quant à l'utilisation de l'appareil de manière sûre, et s'ils comprennent les risques impliqués. Les enfants ne doivent pas jouer avec l'appareil. Le nettoyage et l'entretien ne doivent pas être effectués par des enfants sans surveillance.



- **Avertissement :** Avant d'accéder aux bornes, il faut débrancher tous les circuits d'alimentation.

À toujours faire :

- **Attention :** L'appareil et ses parties accessibles peuvent devenir chauds durant le fonctionnement. Évitez de toucher les éléments qui chauffent. Les enfants âgés de moins de 8 ans doivent rester à distance à moins d'être surveillés en permanence.
- Il faut disposer d'une ventilation appropriée dans la pièce où la hotte aspirante est utilisée en même temps que d'autres appareils brûlant du gaz ou d'autres carburants.
- Il existe un risque d'incendie si le nettoyage n'est pas effectué conformément aux instructions.
- Les réglementations relatives à l'évacuation de l'air doivent être respectées.
- Nettoyez régulièrement votre appareil en suivant la méthode fournie dans le chapitre ENTRETIEN.
- Pour des raisons de sécurité, veuillez n'utiliser que des vis de fixation ou de montage de la même taille que celle recommandée dans ce manuel d'instruction.
- En ce qui concerne les détails sur la méthode et la fréquence de nettoyage, veuillez vous reporter au paragraphe relatif à l'entretien et au nettoyage dans le manuel d'instruction.
- Le nettoyage et l'entretien ne doivent pas être effectués par des enfants sans surveillance.
- Quand la hotte aspirante et les appareils alimentés par autre chose que de l'électricité fonctionnent simultanément, la pression négative à l'intérieur de la pièce ne doit pas dépasser 4 Pa (4 x 10⁻⁵ bar).
- **AVERTISSEMENT :** Risque d'incendie : ne rangez aucun objet sur les surfaces de cuisson.
- Il ne faut pas utiliser de nettoyeur vapeur.
- Ne tentez JAMAIS d'éteindre un incendie avec de l'eau, mais éteignez l'appareil puis couvrez la flamme par exemple avec un couvercle ou une couverture pare-flammes.

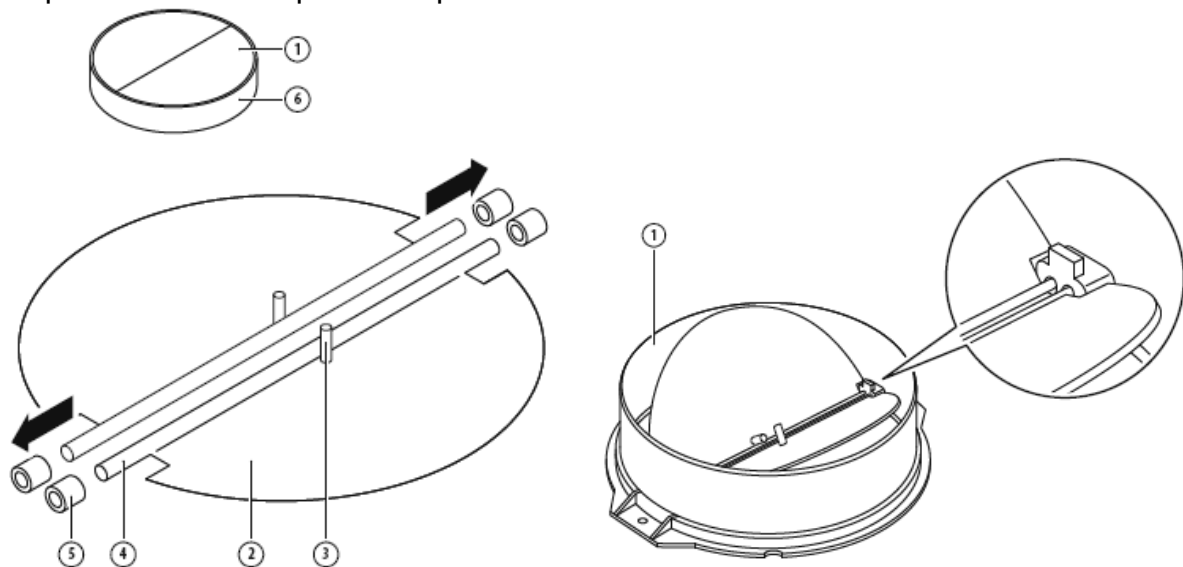
INSTALLATION (ÉVENT À L' EXTÉRIEUR)

MONTAGE DU RABAT EN V

Si la hotte aspirante n'a pas de rabat en V 1 monté, vous devez monter les moitiés sur son corps. Les images ne montrent qu'un exemple de la façon de monter le rabat en V, la sortie peut varier en fonction des modèles et de la configuration.

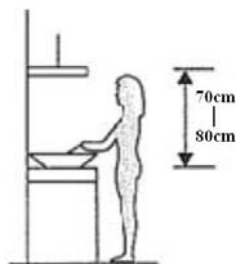
Pour monter le rabat en V 1, vous devez :

- Monter deux moitiés 2 dans le corps 6 ;
- Une cheville 3 doit être dirigée vers le haut ;
- L'axe 4 doit être introduit dans les trous 5 sur le corps ;
- Répétez toutes les opérations pour la seconde moitié.

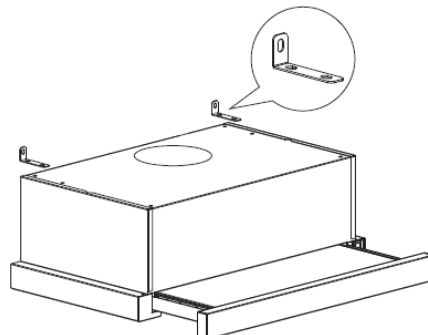


INSTALLATION (murale)

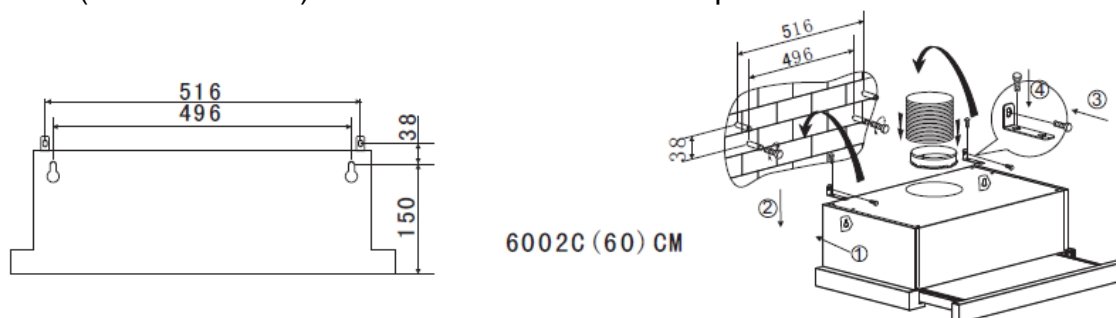
1. Choisissez l'emplacement des trous pour fixer la hotte aspirante.



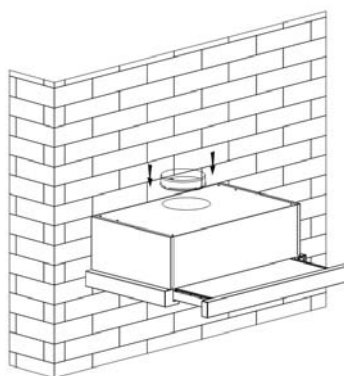
2. Installez l'étrier en L sur le dessus de la hotte avec deux vis (4 mm x 10 mm).



- La hotte aspirante est fixée au mur par 4 vis (4 mm x 30 mm) et des chevilles. Fixez la hotte aspirante sur le mur au niveau de l'arrière de la hotte aspirante avec 2 vis (4 mm x 30 mm) et des chevilles. Puis fixez la hotte aspirante sur le mur avec 2 vis (4 mm x 30 mm) et des chevilles à travers le petit étrier en L.

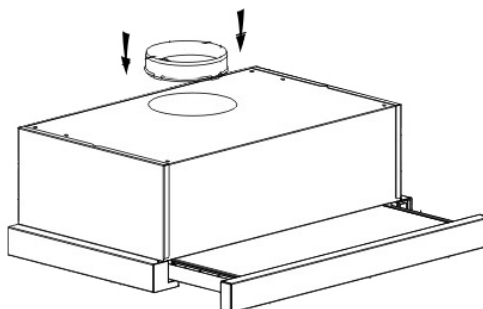


- Fixez le clapet anti-refoulement sur la sortie d'air de la hotte aspirante.

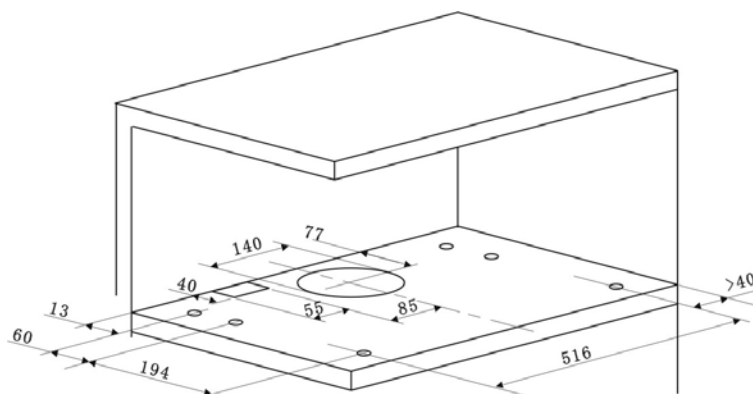


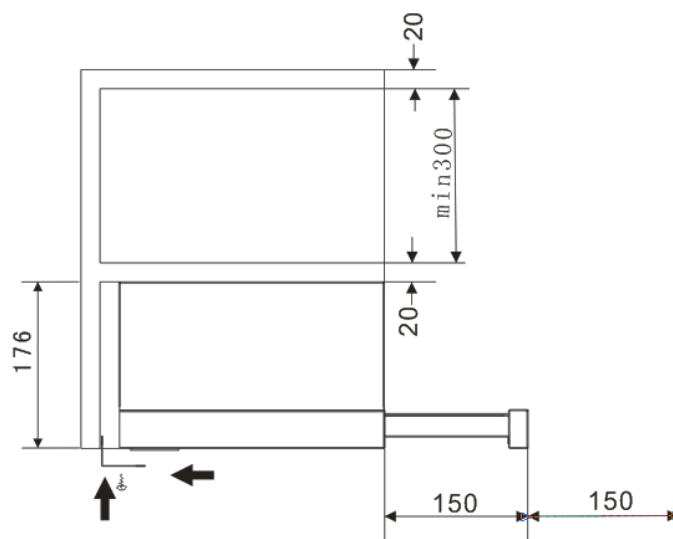
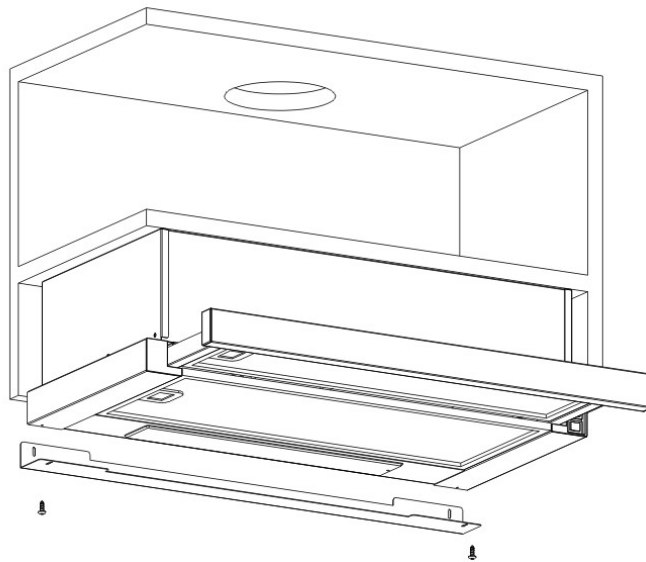
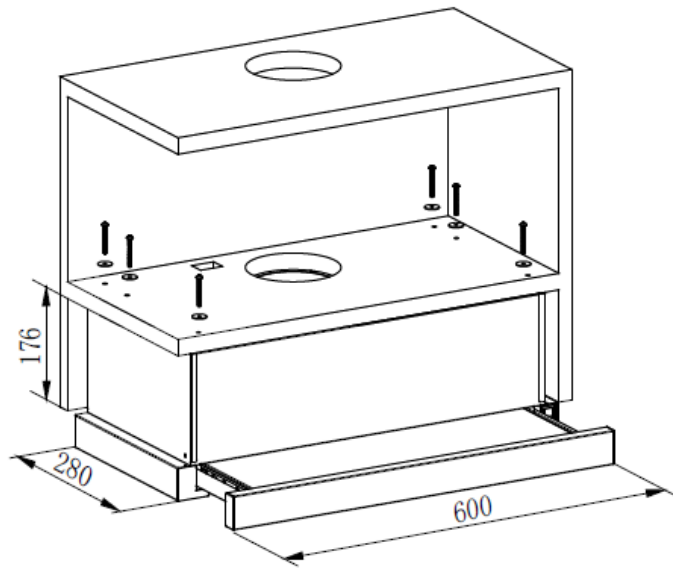
INSTALLATION (sur un meuble)

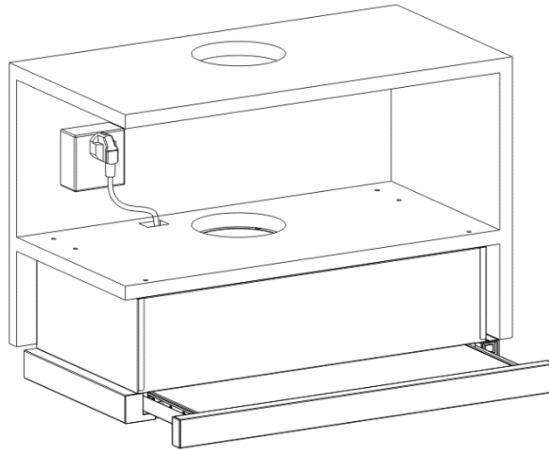
- Fixez le clapet anti-refoulement sur la sortie d'air de la hotte aspirante.



- Montez la hotte aspirante sur le meuble avec les 6 vis (4x35 mm) et les rondelles plates.







S'il y a un espace vide entre le mur et la hotte, vous pouvez installer l'étrier en L sur le bas de la hotte avec deux vis (3 x 12 mm).
L'installation de l'étrier en L est facultative.
Remarque : la gaine extensible n'est pas fournie avec le produit.

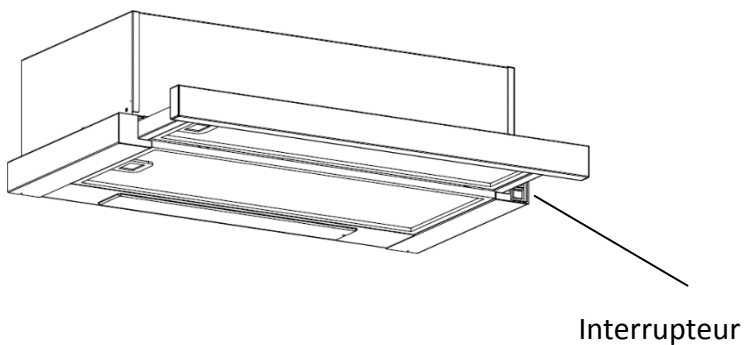
AVERTISSEMENT :



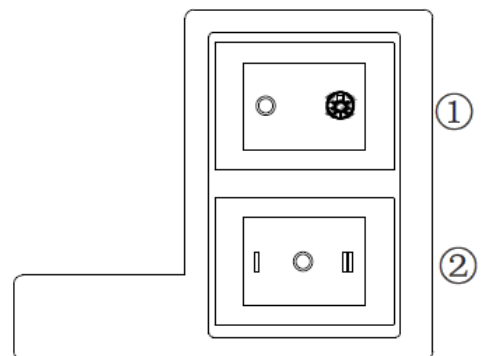
- Pour des raisons de sécurité, veuillez n'utiliser que des vis de fixation ou de montage de la même taille que celle recommandée dans ce manuel d'instruction.
- Si les vis ou le dispositif de fixation ne sont pas installés conformément à ces instructions, cela peut provoquer des dangers électriques.

Commencez à utiliser votre hotte aspirante

Interrupteur basculant



basculant



1. Branchez la fiche dans la prise.
2. Appuyez l'interrupteur ① sur **I**, la lampe s' allumera ; appuyez l' interrupteur ① sur **0** , la lampe s' éteindra.

3. Appuyez l' interrupteur ② sur "I, II" , le moteur s' allumera sur les deux vitesses "basse, élevée" , appuyez-le sur "0" , le moteur s' éteindra.
4. Le courant sera connecté quand le panneau frontal sera débranché. Inversement, le courant sera automatiquement déconnecté.

DÉPANNAGE

| Problème | Cause possible | Solution |
|---|---|---|
| La lumière est allumée mais le moteur ne fonctionne pas | Le ventilateur est éteint | Sélectionnez une position du commutateur du ventilateur. |
| | Panne du commutateur du ventilateur | Contactez le centre d'assistance. |
| | Panne du moteur | Contactez le centre d'assistance. |
| La lumière ne fonctionne pas, le moteur ne fonctionne pas | Les fusibles de la maison ont sauté | Remettez/Remplacez les fusibles. |
| | Cordon d'alimentation lâche ou débranché | Rebranchez le cordon à la prise de courant. Mettez sous tension la prise de courant. |
| Fuite d'huile | Le clapet anti-refoulement et la sortie ne sont pas bien étanches | Ôtez le clapet anti-refoulement et rendez-le étanche avec du mastic. |
| | Fuite au niveau du raccordement de la cheminée et du couvercle | Ôtez la cheminée et rendez-la étanche. |
| Les lumières ne fonctionnent pas | Ampoules cassées/défectueuses | Changez les ampoules selon ces instructions. |
| Aspiration insuffisante | La distance entre la hotte aspirante et la plaque de cuisson au gaz est trop importante | Remontez la hotte aspirante à la bonne distance. |
| La hotte aspirante est inclinée | La vis de fixation n'est pas suffisamment serrée | Serrez la vis de suspension et placez-la à l'horizontale. |

REMARQUE :



Toute réparation électrique sur cet appareil doit être conforme aux lois locales et nationales. Veuillez contacter le centre d'assistance si vous avez des doutes avant d'effectuer toute réparation. Débranchez toujours l'unité de la source d'alimentation quand vous ouvrez l'unité.

ENTRETIEN ET NETTOYAGE

Attention :

- Avant d'effectuer l'entretien ou le nettoyage, vous devez débrancher la hotte aspirante de l'alimentation. Vérifiez que la



hotte aspirante est éteinte au niveau de la prise murale et que la fiche est débranchée.

- Les surfaces extérieures sont susceptibles d'être rayées et de subir des abrasions, veuillez donc respecter les instructions de nettoyage pour garantir le meilleur résultat possible sans dégât.

GÉNÉRALITÉS

Le nettoyage et l'entretien doivent être effectués quand l'appareil est froid, en particulier pour le nettoyage. Évitez de laisser des substances alcalines ou acides (jus de citron, vinaigre, etc.) sur les surfaces.

ACIER INOXYDABLE

Il faut nettoyer régulièrement (par ex. une fois par semaine) l'acier inoxydable pour garantir une longue durée de vie. Essuyez-le avec un chiffon doux et sec. Un liquide de nettoyage spécialement conçu pour l'acier inoxydable peut être utilisé.

REMARQUE :

Veillez à essuyer l'appareil le long du grain de l'acier inoxydable pour éviter l'apparition de rayures croisées.

SURFACE DU PANNEAU DE COMMANDE

Le panneau de commande peut être nettoyé avec de l'eau savonneuse chaude. Vérifiez que le chiffon est propre et bien essoré avant d'effectuer le nettoyage. Utilisez un chiffon doux et sec pour éliminer l'excès d'humidité restant après le nettoyage.

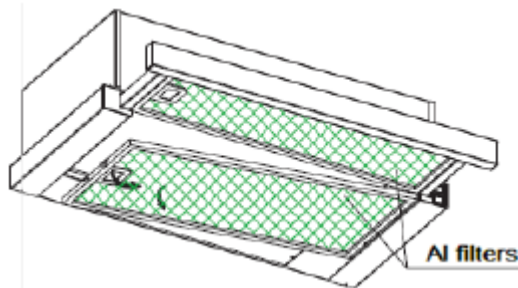
Important

Utilisez des détergents neutres et évitez les produits chimiques agressifs, les détergents ménagers puissants ou les produits contenant des abrasifs, car cela affectera l'aspect de l'appareil et pourrait éliminer les dessins imprimés sur le panneau de commande et rendre la garantie caduque.

FILTRES À TAMIS À GRAISSE

Les filtres à tamis peuvent être nettoyés à la main. Plongez-les pendant près de 3 minutes dans de l'eau avec un détergent pour dissoudre la graisse, puis brossez-les délicatement avec une brosse douce. N'exercez pas une pression trop importante pour éviter de les endommager. (Laissez-les sécher naturellement sans les placer en plein soleil)

Les filtres doivent être lavés séparément des couverts et des ustensiles de cuisine. Il est conseillé de ne pas utiliser un agent de rinçage.



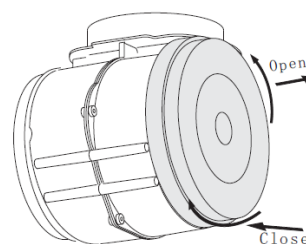
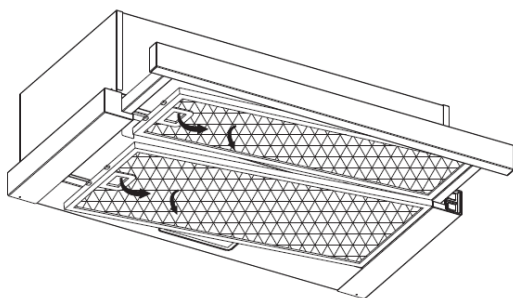
INSTALLATION DES FILTRES À TAMIS À GRAISSE

- Pour installer les filtres, suivez ces quatre étapes :
 - Inclinez le filtre pour l'introduire dans les fentes à l'arrière de la hotte ;
 - Appuyez sur le bouton situé sur la poignée du filtre ;
 - Relâchez la poignée une fois que le filtre est mis en place ;
 - Répétez cette opération pour installer tous les filtres.

FILTRE À CHARBON - non fourni

Le filtre à charbon actif peut être utilisé pour capturer les odeurs. Il faut habituellement remplacer le filtre à charbon actif tous les trois ou six mois en fonction de vos habitudes de cuisine. La procédure d'installation du filtre à charbon actif est indiquée ci-dessous.


- (1) Faites glisser la partie avant de la hotte aspirante.
- (2) Il faut d'abord détacher le filtre en aluminium. Appuyez sur le verrou et tirez-le vers le bas.
- (3) Ôtez le filtre à charbon en faisant tourner le filtre à charbon dans le sens contraire des aiguilles d'une montre.
- (4) Placez le filtre à charbon neuf.



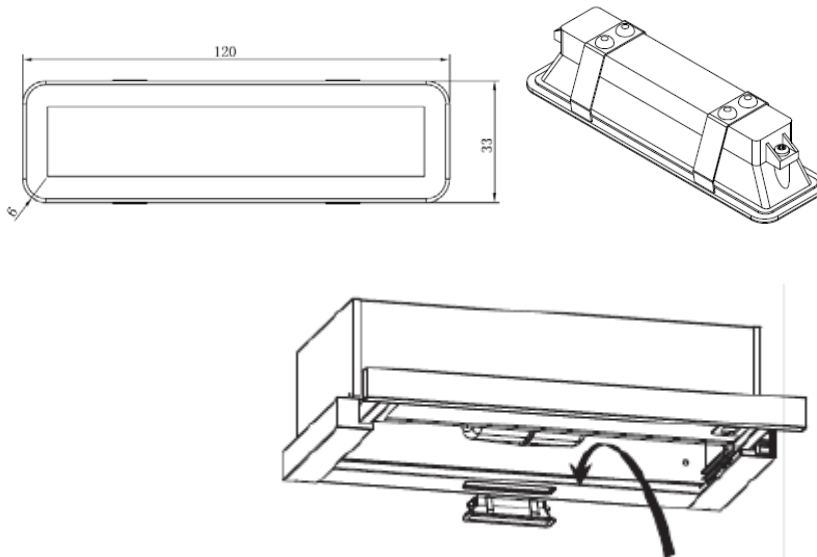
REMARQUE :

- Assurez-vous que le filtre est bien verrouillé. Sinon, il pourrait se détacher et devenir dangereux.
- Quand le filtre à charbon actif est fixé, la puissance d'aspiration diminue.


REMPACEMENT DE L'AMPOULE

| | |
|--|---|
| <p>Important :</p>  | <ul style="list-style-type: none">✧ L'ampoule doit être remplacée par le fabricant, le service après-vente ou d'autres personnes qualifiées.✧ Coupez toujours le courant avant d'effectuer toute opération sur l'appareil. Quand vous manipulez l'ampoule, assurez-vous qu'elle ait entièrement refroidi avant tout contact direct avec les mains.✧ Quand vous manipulez les ampoules, faites-le avec un chiffon ou des gants pour éviter tout contact entre de la transpiration et l'ampoule car cela peut réduire la durée de vie de l'ampoule. |
|--|---|

- (1) Éteignez l'appareil et débranchez-le.
- (2) Faites glisser la partie avant de la hotte aspirante.
- (3) Il faut d'abord détacher le filtre en aluminium. Appuyez sur le verrou et tirez-le vers le bas.
- (4) Remplacez par le même type d'ampoule : LED 230 V~50 Hz, MAXI 2,5W
 - Le code ILCOS D pour cette lampe est le suivant : DBS-2.5/65-H-120/33.
 - Puissance maxi : 2,5W
 - Plage de tension : CA 230 V
 - Dimensions :



PROTECTION DE L' ENVIRONNEMENT

| | |
|---|--|
|  | <p>Le symbole de la poubelle barrée est apposé sur ce produit. Cela veut dire que ce produit ne doit pas être jeté avec les ordures ménagères mais doit être apporté à un centre de collecte sélective conformément à la Directive 2012/19/UE. Il sera ensuite recyclé ou démonté pour réduire au minimum l'impact sur l'environnement car les produits électriques et électroniques sont potentiellement dangereux pour l'environnement et la santé humaine car contenant des substances nocives. Pour de plus amples informations, veuillez contacter les autorités locales ou régionales.</p> |
|---|--|

REMARQUE :

Les indications suivantes montrent comment réduire l'impact total sur l'environnement (par ex. utilisation de l'énergie) du processus de cuisson.

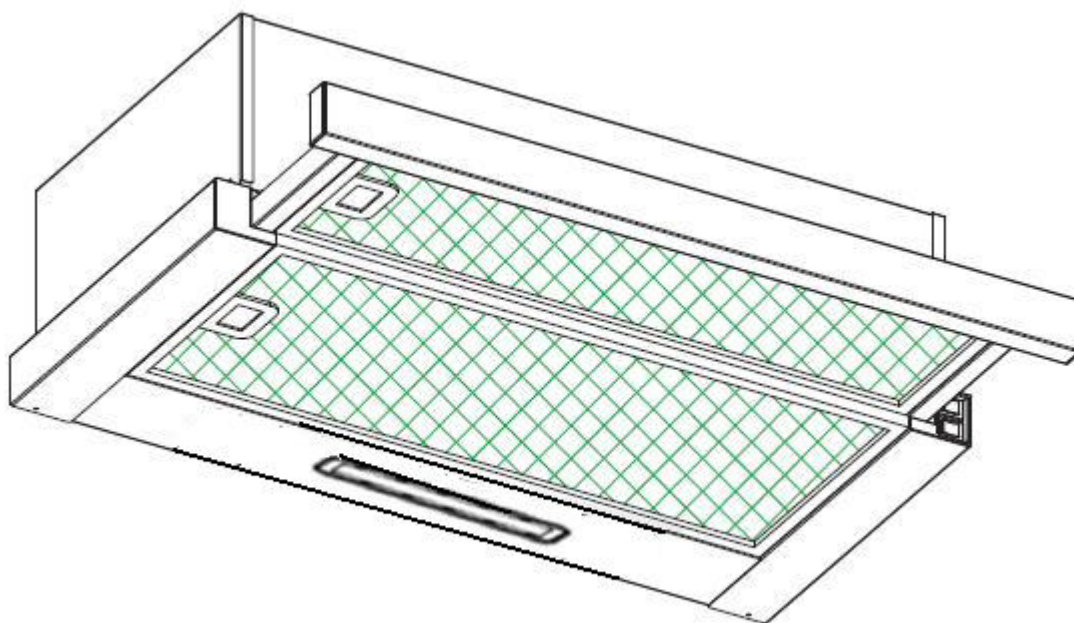
- (1) Installez la hotte aspirante à un endroit approprié disposant d'une ventilation efficace.
- (2) Nettoyez la hotte aspirante régulièrement de manière à ne pas obstruer le conduit d'air.
- (3) N'oubliez pas d'éteindre la lumière de la hotte aspirante après avoir cuisiné.
- (4) N'oubliez pas d'éteindre la hotte aspirante après avoir cuisiné.

INFORMATIONS POUR LE DÉMONTAGE

Ne démontez pas l'appareil autrement que ce qui est indiqué dans le manuel d'utilisation. L'appareil ne doit pas être démonté par l'utilisateur. À la fin de sa durée de vie, l'appareil ne doit pas être jeté avec les ordures ménagères. Adressez-vous aux autorités locales ou au revendeur pour connaître la méthode de recyclage.

Napa za štednjak

Priručnik s uputama



Sadržaj

| | |
|--------|---------------------------------|
| 1..... | Sigurnosne upute |
| 2..... | Ugradnja |
| 3..... | Počnite rabiti napu za štednjak |
| 4..... | Rješavanje problema |
| 5..... | Održavanje i čišćenje |
| 6..... | Zaštita okoliša |

SIGURNOSNE UPUTE

U ovom priručniku opisane su pravilna ugradnja i uporaba vaše nape za štednjak; pažljivo ga pročitajte prije uporabe čak i ako vam je proizvod poznat. Priručnik treba čuvati na sigurnom mjestu da biste se njime mogli poslužiti i u budućnosti.

Nikada nemojte činiti

sljedeće:

- Ne pokušavajte rabiti napu za štednjak bez filtera za masnoće ili ako su filtri izrazito masni!
- Ne ugrađujte iznad štednjaka koji ima rešetku na visokoj razini.
- Ne ostavljajte tave u kojima se prži hrana bez nadzora tijekom uporabe jer se pregrijane masti ili ulja mogu zapaliti.
- Nikada ne ostavljajte otvoreni plamen ispod nape za štednjak.



- Ako je napa za štednjak oštećena, ne pokušavajte je rabiti.
- Ne flambirajte hranu ispod nape za štednjak.
- OPREZ: Prilikom uporabe s uređajima za kuhanje dostupni dijelovi mogu se zagrijati.
- Najmanja udaljenost između potporne površine za posude za kuhanje na ploči za kuhanje i najnižeg dijela nape za štednjak. (Kada je napa za štednjak smještena iznad plinskog uređaja, ta udaljenost mora biti najmanje 65 cm)
- Zrak se ne smije ispustiti u dimnjak koji se rabi za ispušne plinove uređaja na plin ili druga goriva.



Uvije

k trebate napraviti sljedeće:

- Važno! Uvijek isključite napajanje u elektroenergetskoj mreži tijekom ugradnje i održavanja, primjerice zamjene žarulje.
- Napu za štednjak trebate ugraditi u skladu s uputama za ugradnju i trebate se pridržavati svih mjerenja.
- Sve radove ugradnje smiju obaviti samo osposobljena osoba ili kvalificirani električar.
- Pažljivo odložite ambalažni materijal. Djeci on može naškoditi.
- Obratite pažnju na oštre rubove u unutrašnjosti nape za štednjak tijekom ugradnje i čišćenja.
- Kada se napa za štednjak nalazi iznad plinskog uređaja, najmanja udaljenost između potporne površine za posude za kuhanje na ploči za kuhanje i najnižeg dijela nape za štednjak mora biti:
Plinski štednjaci: 75 cm
Električni štednjaci: 65 cm
Štednjaci na ugljen ili ulje: 75 cm
- Pobrinite se da u kanalima nema zavoja oštrijih od 90 stupnjeva jer se tako smanjuje učinkovitost nape za štednjak.
- Upozorenje: Ako ne ugradite vijke ili pričvršni uređaj u skladu s ovim uputama, mogu nastati rizici povezani sa strujom

Uvijek trebate napraviti sljedeće:

- **Uvijek** stavite poklopce na lonce i tave kada kuhate na plinskom štednjaku.
- Kada je u načinu isisavanja, zrak iz prostorije uklanja napa za štednjak. Svakako se pridržavajte odgovarajućih mjera za provjetravanje. Napa za štednjak uklanja neugodne mirise iz prostorije, ali ne i paru.
- Napa za štednjak namijenjena je samo uporabi u domaćinstvu.



- Ako je kabel za napajanje oštećen, trebaju ga zamijeniti proizvođač, njegov serviser ili osobe sličnih kvalifikacija radi izbjegavanja opasnosti.
- Ovaj uređaj mogu upotrebljavati djeca starija od osam godina i osobe sa smanjenim fizičkim, osjetilnim ili mentalnim sposobnostima ili nedostatkom iskustva i znanja ako su pod nadzorom ili su dobili upute u vezi sa sigurnom upotrebom uređaja te ako shvaćaju pripadajuće opasnosti. Djeca se ne smiju igrati uređajem. Djeca bez nadzora ne smiju čistiti niti obavljati postupke održavanja uređaja.



- **Upozorenje:** Prije nego što uspostavite pristup terminalima, trebete isključiti sve strujne krugove za napajanje.

Uvijek trebate napraviti sljedeće:

- **Oprez:** Uređaj i njegovi pristupačni dijelovi mogu se zagrijati tijekom rada. Budite pažljivi i ne dodirujte grijaće elemente. Djeca mlađa od osam godina trebaju se držati podalje osim ako su pod stalnim nadzorom.
- Prostorija mora biti propisno provjetrena kada se napa za štednjak rabi istovremeno s uređajima na plin ili druga goriva.
- Nastaje rizik od požara ako se čišćenje ne obavi u skladu s uputama
- Treba se pridržavati propisa o ispuštanju zraka.
- Povremeno očistite uređaj slijedeći način opisan u poglavlju **ODRŽAVANJE**.
- Iz sigurnosnih razloga upotrebljavajte samo onu veličinu pričvrtnih ili postavnih vijaka koja je preporučena u ovom priručniku s uputama.
- Kada je riječ o pojedinostima o načinu i učestalosti čišćenja, pogledajte odjeljak o održavanju i čišćenju u priručniku s uputama.
- Djeca bez nadzora ne smiju čistiti niti obavljati postupke održavanja uređaja.
- Kada istovremeno rade napa za štednjak i uređaji koji se ne napajaju strujom, potlak u prostoriji ne smije biti viši od 4 Pa (4 x 10⁻⁵ bara).
- **UPOZORENJE:** Opasnost od požara: ne spremajte predmete na površine za kuhanje.
- **Ne** smije se rabiti parni čistač.
- **NIKADA** ne pokušavajte ugasiti vatru vodom, nego isključite uređaj i prekrijte plamen npr. poklopcem ili protupožarnim pokrivačem.

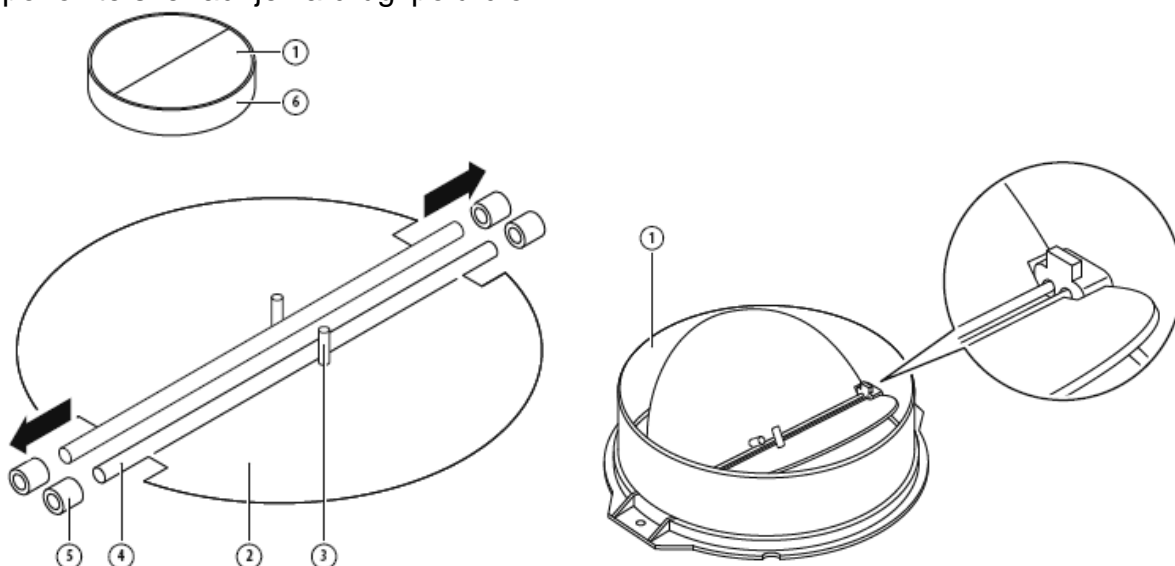
UGRADNJA (OTVOR VANI)

POSTAVLJANJE V-PREKLOPNICE

Ako napa za štednjak nema sastavljenu V-preklopnicu 1, trebali biste postaviti polu-dijelove na njezino tijelo. Na slikama je prikazan samo primjer načina postavljanja V-preklopnice, otvor može varirati ovisno o različitim modelima i konfiguraciji.

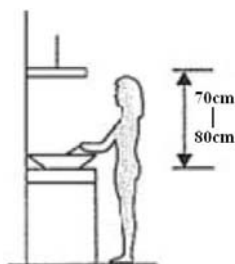
Da biste postavili V-preklopnicu 1 trebate napraviti sljedeće:

- Postavite dva polu-dijela 2 u tijelo 6
- zatik 3 treba biti okrenut prema vrhu;
- osovinu 4 treba umetnuti u otvore 5 na tijelu;
- ponovite sve radnje za drugi polu-dio

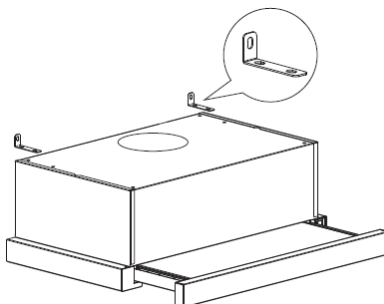


UGRADNJA (Postavljanje na zid)

1. Odaberite lokaciju otvora za pričvršćivanje nape za štednjak.

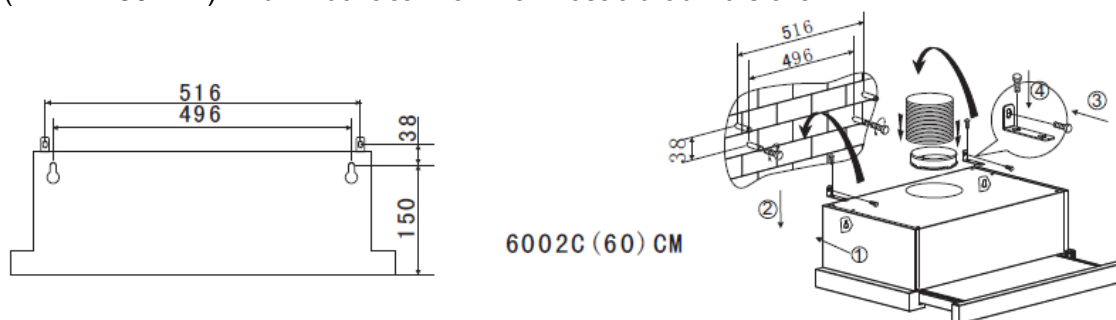


2. Postavite nosač u obliku slova L na vrh nape služeći se dvama vijcima (4 mm x 10 mm)

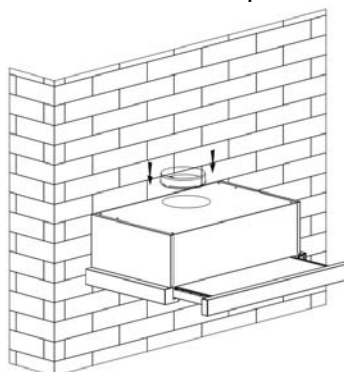


3. Napa za štednjak postavlja se na zid putem četiri vijka (4 mm x 30 mm) i zidnih utikača. Postavite napu za štednjak na zid stražnjom stranom nape za štednjak putem dva vijka

(4 mm x 30 mm) i zidnih utikača. Zatim učvrstite napu za štednjak na zid putem dva vijka (4 mm x 30 mm) i zidnih utikača kroz mali nosač u obliku slova L.

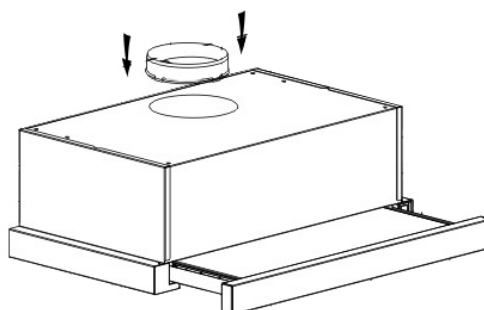


4. Pričvrstite jednosmjerni ventil na otvor za zrak nape za štednjak.

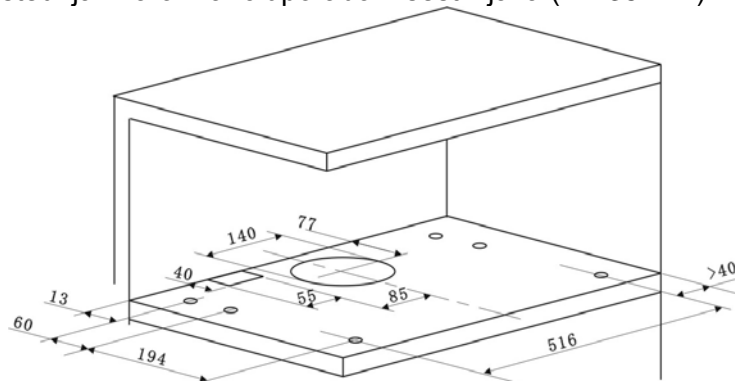


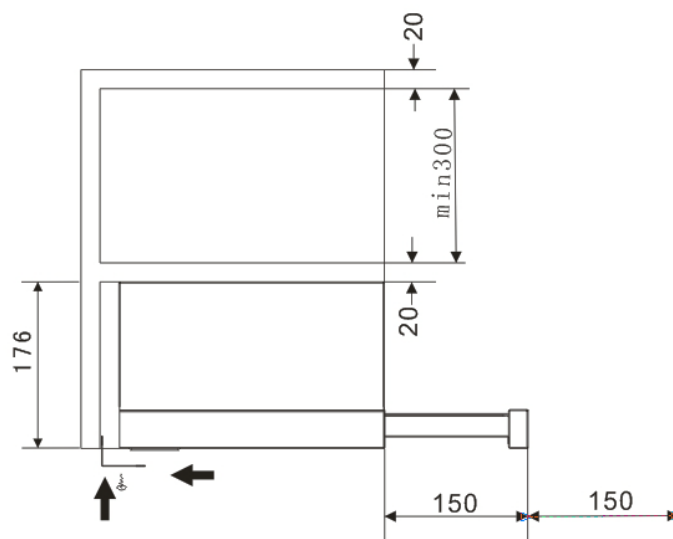
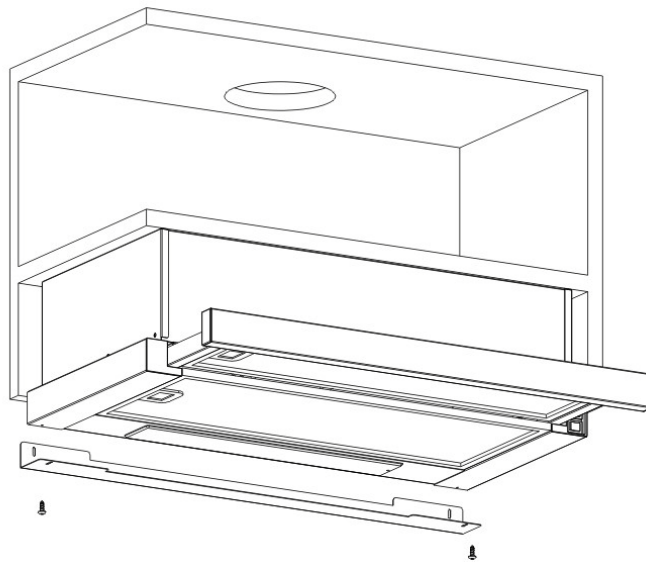
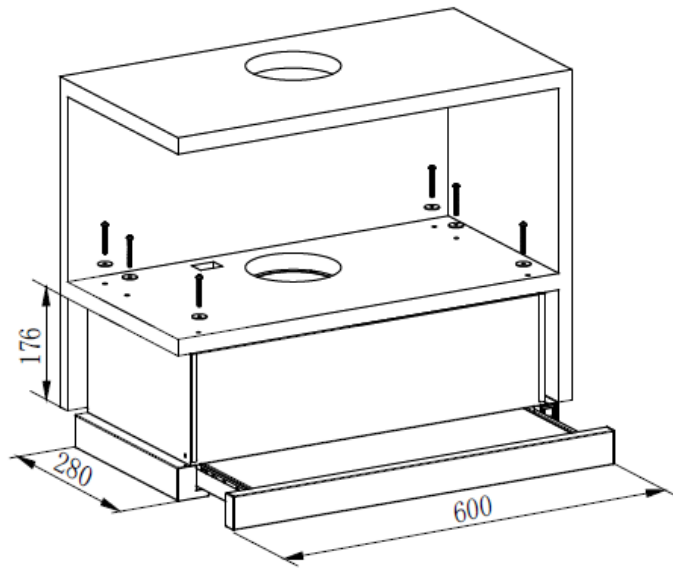
UGRADNJA (Postavljanje na ormarić)

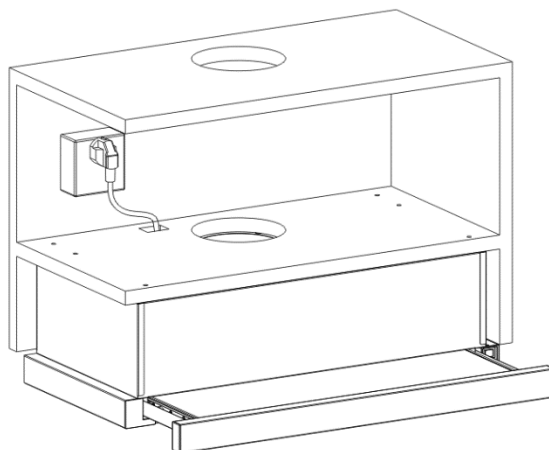
1. Pričvrstite jednosmjerni ventil na otvor za zrak nape za štednjak.



2. Postavite napu za štednjak na ormarić uporabom šest vijaka (4 x 35 mm) i ravnih podloški.







Ako postoji razmak između zida i nape za štednjak, možete postaviti nosač u obliku slova L na dno nape uporabom dvaju vijaka (3 x 12 mm). Postavljanje nosača u obliku slova L nije obavezno.
Napomena: Dilatacijska cijev ne isporučuje se s proizvodom.

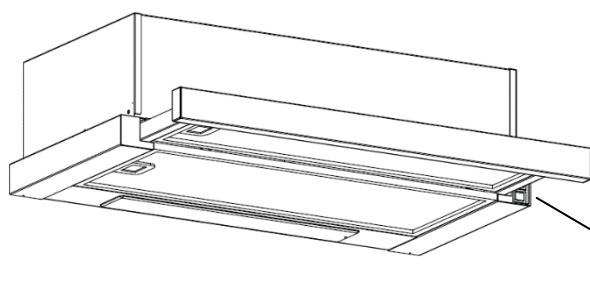
UPOZORENJE:



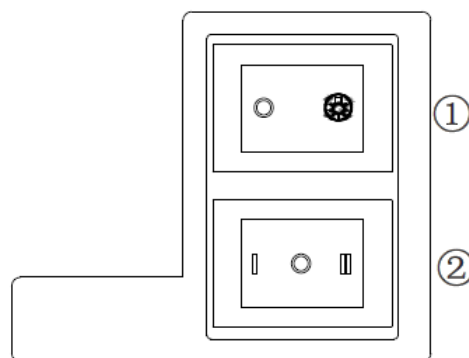
- Iz sigurnosnih razloga upotrebljavajte samo onu veličinu pričvrstnih ili postavnih vijaka koja je preporučena u ovom priručniku s uputama.
- Ako ne ugradite vijke ili pričvrstni uređaj u skladu s ovim uputama, mogu nastati rizici povezani sa strujom.

Počnite rabiti napu za štednjak

Ozibni prekidač



Ozibni prekidač



1. Umetnite strujni utikač u utičnicu.

2. Ako je prekidač ① u položaju, svjetiljka se pali; ako je prekidač ① u položaju „0” , svjetiljka se gasi.

3. Ako je prekidač ② u položaju „I, II” , motor je u načinu dviju brzina „low, high” („mala velika”), ako je u položaju „0” , motor se gasi.
4. Napajanje se uključuje kada izvučete prednju ploču. U suprotnom, napajanje se automatski isključuje.

RJEŠAVANJE PROBLEMA

| Kvar | Mogući uzrok | Rješenje |
|---|--|---|
| Svjetlo je uključeno, ali motor ne radi | Isključen je prekidač za ventilator | Odaberite položaj prekidača za ventilator. |
| | Kvar prekidača za ventilator | Obratite se servisnom centru. |
| | Kvar motora | Obratite se servisnom centru. |
| Svjetlo ne radi, motor ne radi | Izgorjeli osigurači | Vratite osigurače u prvotno stanje / zamijenite ih. |
| | Kabel za napajanje labav ili nije spojen | Ponovno utaknite kabel u utičnicu. Uključite utičnicu. |
| Curenje ulja | Jednosmjerni ventil i otvor nisu čvrsto zatvoreni | Spustite jednosmjerni ventil i zabrtvite ga brtvilom. |
| | Curenje iz spoja dimnjaka i poklopca | Spustite dimnjak i zabrtvite ga. |
| Svjetla ne rade | Razbijene žarulje / žarulje u kvaru | Zamijenite žarulje prema ovojuputi. |
| Nedovoljan usis | Prevelika udaljenost između nape za štednjak i plinske ploče | Postavite napu za štednjak na pravilnu udaljenost. |
| Naginje se napa za štednjak | Pričvrсни vijak nije dovoljno stegnut | Stegnite viseći vijak i stavite ga u vodoravan položaj. |

NAPOMENA:

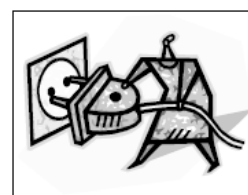


Bilo koji električni popravci ovoga uređaja moraju biti u skladu s lokalnim, državnim i saveznim zakonima. Obratite se servisnom centru ako imate nedoumica prije nego što poduzmete išta od gore navedenog. Uvijek isključite napajanje kada otvarate jedinicu.

ODRŽAVANJE I ČIŠĆENJE

Oprez:

- Prije nego što izvedete održavanje ili čišćenje, trebete isključiti napajanje nape za štednjak. Pobrinite se da je napa za štednjak isključena iz zidne utičnice i da je utikač uklonjen.
- Vanjske su površine podložne ogrebotinama i abraziji; stoga se pridržavajte uputa za čišćenje da biste postigli najbolje rezultate bez oštećenja.



OPĆENITO

Čišćenje i održavanje, osobito čišćenje, treba izvoditi dok je uređaj hladan. Ne ostavljajte lužnate ili kisele tvari (limunov sok, ocat itd.) na površinama.

NEHRĐAJUĆI ČELIK

Nehrđajući čelik treba redovito čistiti (tj. svaki tjedan) radi dugog radnog vijeka. Osušite čistom mekanom krpom. Možete upotrijebiti i specijalnu tekućinu za čišćenje nehrđajućeg čelika.

NAPOMENA:

Pobrinite se da brisanje izvodite u smjeru teksture nehrđajućeg čelika radi sprječavanja pojave neuglednih poprečnih linija.

POVRŠINA UPRAVLJAČKE PLOČE

Oblogu upravljačke ploče možete očistiti toplom sapunastom vodom. Provjerite je li krpa čista i dobro iscijeđena prije čišćenja. Upotrijebite mekanu suhu krpom za uklanjanje viška vlage nakon čišćenja.

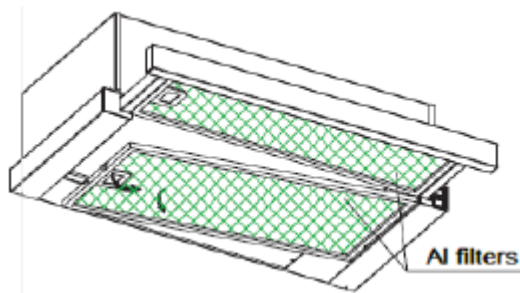
Važno

Upotrebljavajte neutralne deterdžente i izbjegavajte teške kemikalije za čišćenje, jake deterdžente za domaćinstvo ili proizvode koji sadrže abrazive jer to utječe na izgled uređaja i time možete ukloniti otisnuti materijal na upravljačkoj ploči i tako poništiti jamstvo.

FILTRI S MREŽICOM ZA MASNOĆE

Filtre s mrežicom možete očistiti ručno. Umočite ih otprilike tri minute u vodu s deterdžentom za otapanje masnoća, a zatim ih lagano iščetkajte mekanom četkom. Ne pritišćite previše da ne biste oštetili filtre. (Ostavite da se osuše prirodnim putem, podalje od izravne Sunčeve svjetlosti)

Filtre treba prati odvojeno od posuđa i kuhinjskog pribora. Ne preporučuje se uporaba sredstva za ispiranje.



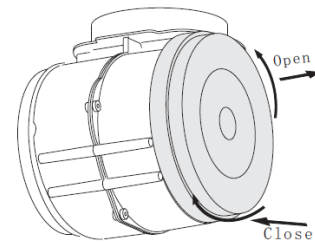
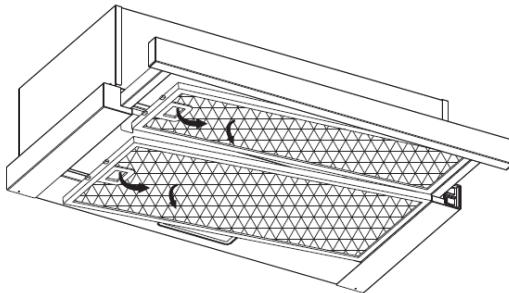
UGRADNJA FILTERA S MREŽICOM ZA MASNOĆE

- Slijedite sljedeća četiri koraka za ugradnju filtera.
- Stavite filter pod kutom u utore na stražnjoj strani nape.
- Pritisnite gumb na ručki filtera.
- Otpustite ručku kada filter upadne u položaj mirovanja.
- Ponovite postupak za ugradnju svih filtera.

Ne isporučuje se UGLJENI FILTAR

Filtar od aktivnog ugljena može se upotrijebiti za sprječavanje širenja neugodnih mirisa. Filtar od aktivnog ugljena normalno treba promijeniti nakon tri do šest mjeseci, ovisno o vašim navikama kuhanja. Postupak ugradnje filtra od aktivnog ugljena objašnjen je u nastavku.


- (1) Kliznim pokretom pomaknite prednji dio nape za štednjak.
- (2) Prvo trebate odvojiti aluminijski filtar. Pritisnite zapinjač i povucite ga prema dolje.
- (3) Okrećite ugljeni filtar u smjeru suprotno od kazaljke na satu i tako ga izvucite.
- (4) Stavite novi ugljeni filtar.



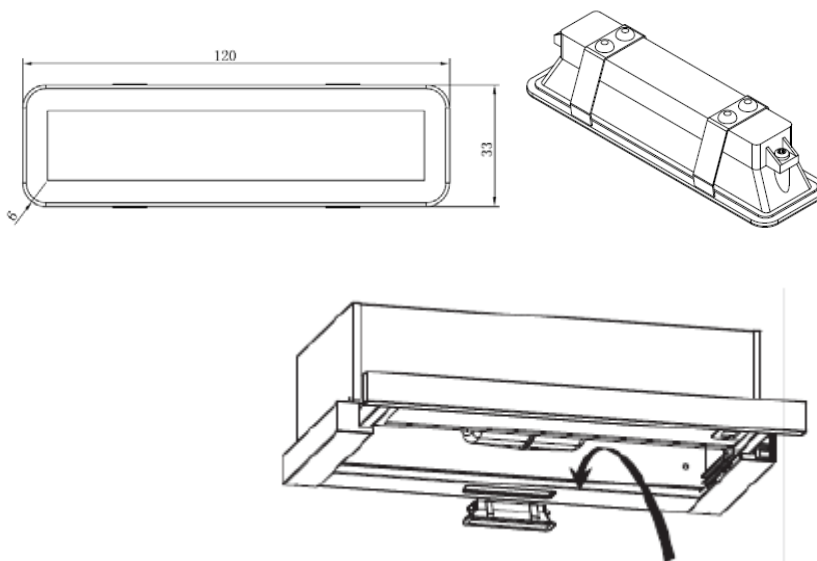
NAPOMENA:

- Filtar mora biti sigurno zaključan. Inače bi mogao olabaviti i prouzročiti opasne situacije.
- Kada je filtar od aktivnog ugljena pričvršćen, usisna je snaga manja.


ZAMJENA ŽARULJE

| | |
|---|---|
| <p>Važno:</p>  | <ul style="list-style-type: none">✧ Žarulju trebaju zamijeniti proizvođač, njegov serviser ili osobe sličnih kvalifikacija.✧ Uvijek isključite napajanje prije izvođenja bilo kojih radnji na uređaju. Kada rukujete žaruljom, pričekajte da se potpuno ohladi prije nego što dođe u izravan doticaj s rukama.✧ Kada rukujete žaruljama, upotrijebite krpu ili stavite rukavice da znoj ne bi došao u doticaj sa žaruljom budući da joj to smanjuje vijek trajanja. |
|---|---|

- (1) Isključite uređaj i izvucite utikač iz utičnice.
- (2) Kliznim pokretom pomaknite prednji dio nape za štednjak.
- (3) Prvo trebate odvojiti aluminijski filtar. Pritisnite zapinjač i povucite ga prema dolje.
- (4) Zamijenite istom vrstom žarulje 230 V ~ 50 Hz, MAX. 2,5 W LED
 - Šifra ILCOS D za ovu svjetiljku je: **DBS-2.5/65-H-120/33.**
 - Najveća snaga: **2,5 W**
 - Područje napona: **AC 230 V**
 - Dimenzije:



ZAŠTITA OKOLIŠA:

| | |
|--|---|
|  | <p>Ovaj je proizvod označen simbolom za selektivno razvrstavanje otpadne elektroničke opreme. To znači da se ovaj proizvod ne smije odlagati s otpadom iz domaćinstva, nego ga treba zbrinuti sukladno sustavu za selektivno prikupljanje prema Direktivi br. 2012/19/EU. Nakon toga se reciklira ili rastavlja radi svođenja utjecaja na okoliš na najmanju moguću mjeru. Električni i elektronički proizvodi potencijalno su opasni za okoliš i ljudsko zdravlje zbog prisutnosti opasnih tvari. Više informacija mogu vam pružiti lokalna ili regionalna nadležnih tijela.</p> |
|--|---|

NAPOMENA:

U nastavku je prikazano kako smanjiti ukupan utjecaj postupka kuhanja (tj. uporabe energije) na okoliš.

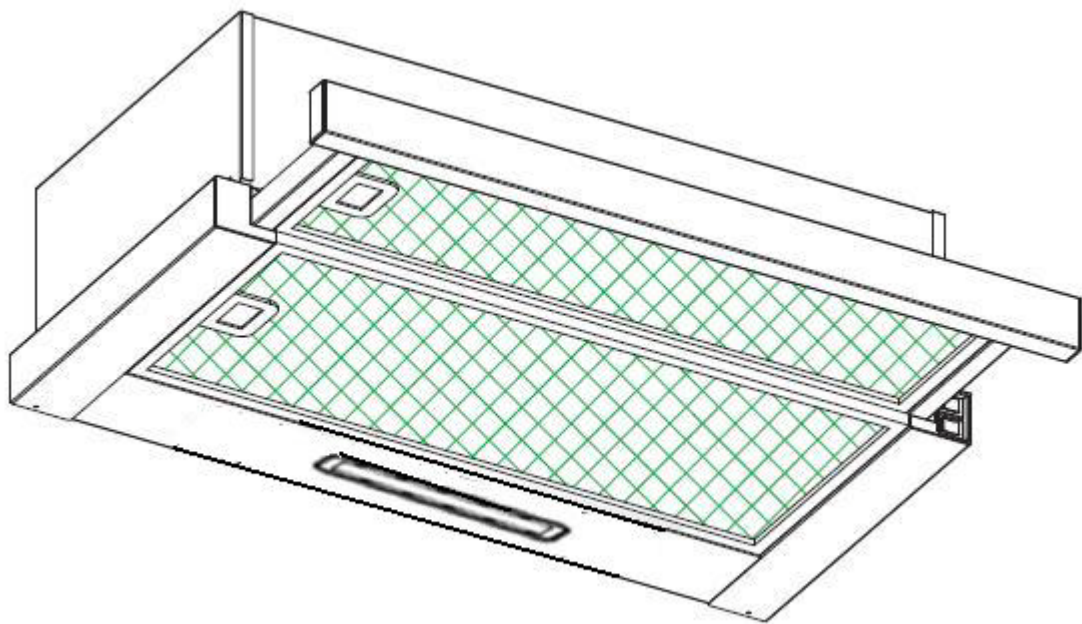
- (1) Ugradite napu za štednjak na pravo mjesto s propisnim provjetravanjem.
- (2) Redovito čistite napu za štednjak radi sprječavanja blokiranja zračnog puta.
- (3) Ne zaboravite isključiti svjetlo nape za štednjak nakon kuhanja.
- (4) Ne zaboravite isključiti napu za štednjak nakon kuhanja.

INFORMACIJE O RASTAVLJANJU

Ne rastavljajte uređaj na način koji nije prikazan u korisničkom priručniku. Korisnik ne smije rastavljati uređaj. Na kraju radnog vijeka uređaj se ne smije odložiti s otpadom iz domaćinstva. Vaše lokalno nadležno tijelo ili njegov predstavnik mogu vam dati savjete o recikliranju.

Okap kuchenny

Instrukcja obsługi



Spis treści

| | |
|--------|--------------------------------------|
| 1..... | Instrukcja bezpieczeństwa |
| 2..... | Instalacja |
| 3..... | Zacznij korzystać z okapu kuchennego |
| 4..... | Usuwanie usterek |
| 5..... | Konserwacja i czyszczenie |
| 6..... | Ochrona środowiska |

INSTRUKCJA BEZPIECZEŃSTWA

Niniejsza instrukcja objaśnia prawidłową instalację i użytkowanie okapu kuchennego; przeczytaj ją uważnie przed użyciem, nawet jeśli znasz produkt. Instrukcję należy przechowywać w bezpiecznym miejscu, aby móc z niej skorzystać w przyszłości.

Nigdy nie należy robić:

- Nie próbuj używać okapu kuchennego bez filtrów przeciw tłuszczowym lub gdy filtry są nadmiernie zatłuszczone!
- Nie instaluj nad kuchenką z grillem na wysokim poziomie.
- Nie pozostawiaj patelni bez nadzoru podczas smażenia, ponieważ przegrzane tłuszcze czy oleje mogą się zapalić.
- Nigdy nie pozostawiaj otwartego ognia pod okapem kuchennym.



- Jeśli okap kuchenny jest uszkodzony, nie należy go używać.
- Nie flambiruj pod okapem kuchennym.
- **UWAGA:** Dostępne części mogą się nagrzewać podczas używania z urządzeniami do gotowania.
- Minimalna odległość pomiędzy powierzchnią nośną na naczynia kuchenne na płycie grzewczej a najniższą częścią okapu kuchennego. (Gdy okap kuchenny znajduje się nad kuchenką gazową, odległość ta musi wynosić co najmniej 65 cm)
- Nie wolno odprowadzać powietrza do przewodu kominowego wykorzystywanego do odprowadzania spalin z urządzeń



dzeń spalających gazy lub inne paliwa.

Zawsze należy robić:

- Ważne! Zawsze odłączaj zasilanie elektryczne od sieci podczas instalacji i konserwacji, jak np. wymiany żarówki.
- Okap kuchenny musi być zainstalowany zgodnie z instrukcją instalacji, przestrzegając przy tym wszystkich wymiarów.
- Wszelkie prace instalacyjne muszą być wykonane przez kompetentną osobę lub wykwalifikowanego elektryka.
- Proszę ostrożnie wyrzucić opakowanie. Stanowi ono zagrożenie dla dzieci.
- Zwróć uwagę na ostre krawędzie wewnątrz okapu kuchennego, szczególnie podczas instalacji i czyszczenia.
- Gdy okap kuchenny znajduje się nad kuchenką gazową, minimalna odległość pomiędzy powierzchnią nośną na naczynia kuchenne na płycie grzewczej a najniższą częścią okapu kuchennego musi wynosić:
Kuchenki gazowe: 75 cm
Kuchenki elektryczne: 65 cm
Kuchenki na węgiel lub olej: 75 cm
- Upewnij się, że kanały wentylacyjne nie są zgięte pod kątem ostrzejszym niż 90 stopni, ponieważ zmniejszy to wydajność okapu kuchennego.

- **Ostrzeżenie:** Niezamontowanie wkrętów lub urządzenia mocującego zgodnie z niniejszą instrukcją może spowodować zagrożenie elektryczne

Zawsze należy robić:

- Zawsze kładź pokrywki na garnki i patelnie podczas gotowania na kuchence gazowej.
- W trybie odprowadzania powietrze w pomieszczeniu jest usuwane przez okap kuchenny. Upewnij się, że została zapewniona odpowiednia wentylacja. Okap kuchenny usuwa z pomieszczenia zapachy, ale nie opary.
- Okap kuchenny jest przeznaczony wyłącznie do użytku domowego.



- Jeśli kabel zasilający ulegnie uszkodzeniu, należy zlecić jego wymianę producentowi, autoryzowanemu serwisowi lub osobom o podobnych kwalifikacjach w celu uniknięcia zagrożenia.
- Niniejsze urządzenie może być obsługiwane przez dzieci powyżej 8 roku życia oraz przez osoby o ograniczonych możliwościach fizycznych, sensorycznych czy umysłowych lub osoby nieposiadające doświadczenia ani wiedzy pod warunkiem, że są one pod odpowiednim nadzorem lub zostały poinstruowane, jak bezpiecznie obsługiwać urządzenie i rozumieją związane z nim zagrożenia. Dzieci nie powinny bawić się urządzeniem. Czyszczenie i konserwacja nie mogą być wykonywane przez dzieci bez dozoru.



- **Ostrzeżenie:** Przed uzyskaniem dostępu do przyłączy wszystkie obwody zasilania muszą zostać odłączone.

Zawsze należy robić:

- **Uwaga:** Urządzenie oraz jego dostępne części mogą się nagrzewać podczas działania. Uważaj, aby nie dotykać elementów grzejnych. Dzieci w wieku poniżej 8 lat powinny trzymać się z dala od urządzenia, chyba że znajdują się one pod stałym nadzorem.
- W przypadku gdy okapy kuchenne używane są w tym samym czasie co urządzenia spalające gaz lub inne paliwa, musi być zapewniona odpowiednia wentylacja pomieszczenia.
- Jeżeli czyszczenie nie odbywa się zgodnie z instrukcjami, istnieje zagrożenie pożarowe
- Należy zachować zgodność z przepisami dotyczącymi odprowadzania powietrza.
- Czyść okresowo urządzenie, postępując zgodnie z metodą opisaną w rozdziale KONSERWACJA.
- Ze względów bezpieczeństwa używaj tylko tych samych rozmiarów śrub mocujących czy montażowych, które są zalecane w niniejszej instrukcji obsługi.
- Szczegółowe informacje na temat metody i częstotliwości czyszczenia znajdują się w części poświęconej

konserwacji i czyszczeniu w instrukcji obsługi.

- Czyszczenie i konserwacja nie mogą być wykonywane przez dzieci bez nadzoru.
- Gdy okap kuchenny i urządzenia zasilane energią inną niż prąd są jednocześnie włączone, ciśnienie ujemne w pomieszczeniu nie może przekraczać 4 Pa (4×10^{-5} barów).

- **OSTRZEŻENIE:** Niebezpieczeństwo pożaru: nie przechowuj przedmiotów na powierzchniach gotowania.
- Nie należy używać odkurzacza parowego.
- **NIGDY** nie próbuj gasić ognia wodą, lecz wyłącz urządzenie, a następnie przykryj płomień np. pokrywką lub kocem gaśniczym.

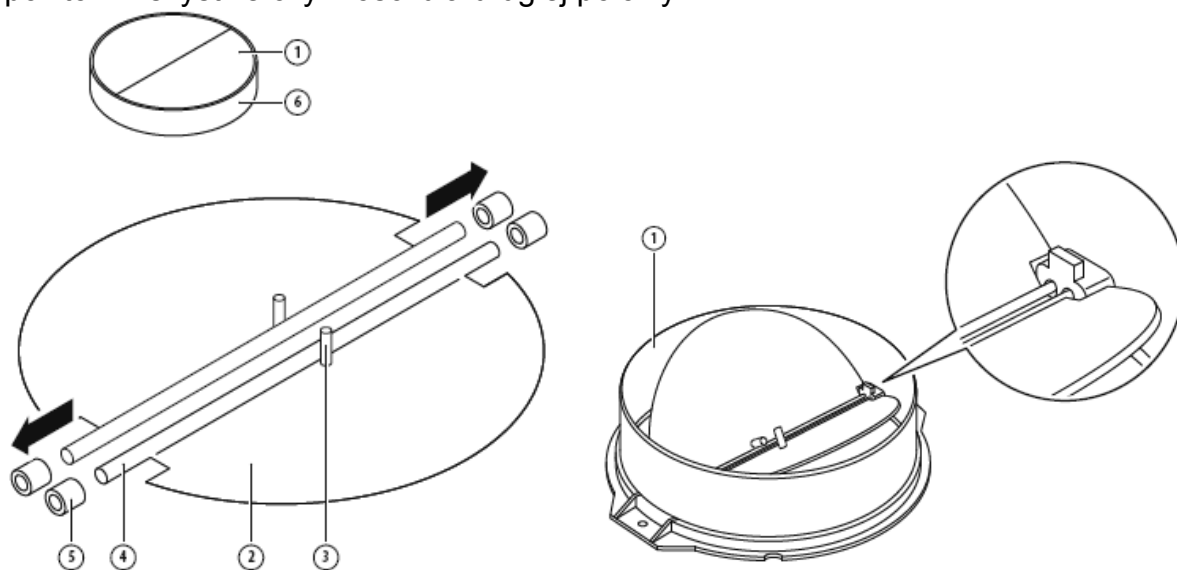
INSTALACJA (WENTYLACJA ZEWNĘTRZNA)

MONTAŻ KLAPY ZWROTNEJ

Jeśli w okapie kuchennym nie ma zamontowanej klapy zwrotnej 1, należy przymocować połówki części do jego korpusu. Obrazy pokazują tylko przykład zamontowania klapy zwrotnej, wylot może być odmienny w zależności od różnych modeli i konfiguracji.

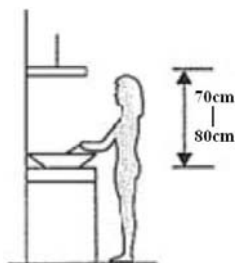
Aby zamontować klapę zwrotną 1, należy:

- Zamontować dwie połówki 2 w korpusie 6
- bolec 3 powinien być skierowany ku górze;
- oś 4 powinna być włożona w otwory 5 na korpusie;
- powtórz wszystkie czynności dla drugiej połowy

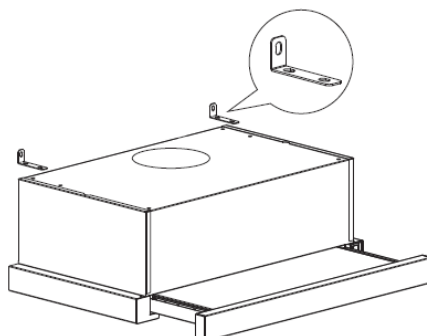


INSTALACJA (Montaż naścienny)

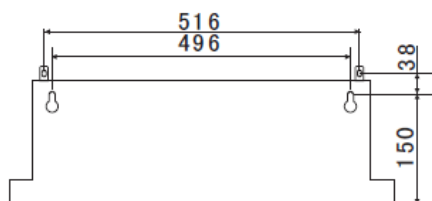
1. Wybierz miejsce otworów do zamocowania okapu kuchennego.



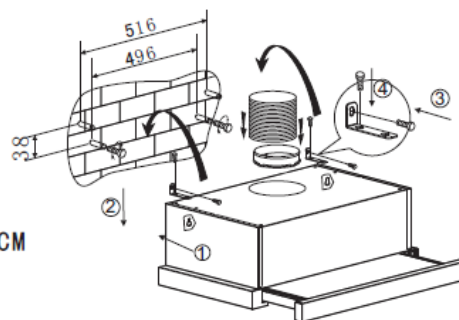
- Zamontuj wspornik w kształcie litery L na górnej części okapu za pomocą dwóch śrub (4mm x 10mm)



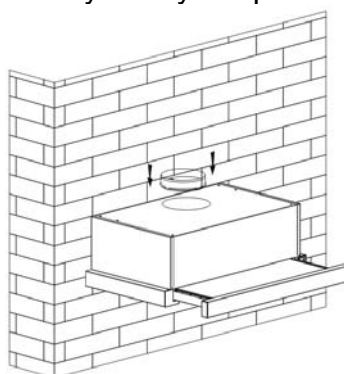
- Okap kuchenny jest montowany na ścianie za pomocą 4 śrub (4mm x 30mm) i kołków rozporowych. Zamontuj okap kuchenny na ścianie z tyłu okapu kuchennego za pomocą 2 śrub (4mm x 30mm) i kołków rozporowych. Następnie zamontuj okap kuchenny na ścianie za pomocą 2 śrub (4mm x 30mm) i kołków rozporowych przez mały wspornik w kształcie litery L.



6002C (60) CM

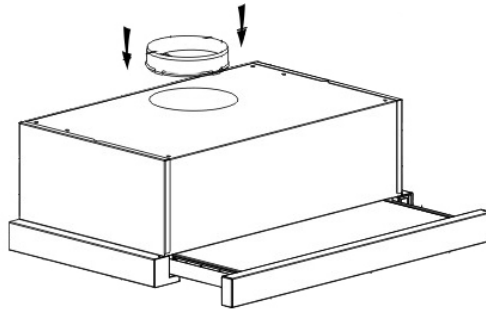


- Przymocuj zawór jednokierunkowy do wylotu powietrza okapu kuchennego.

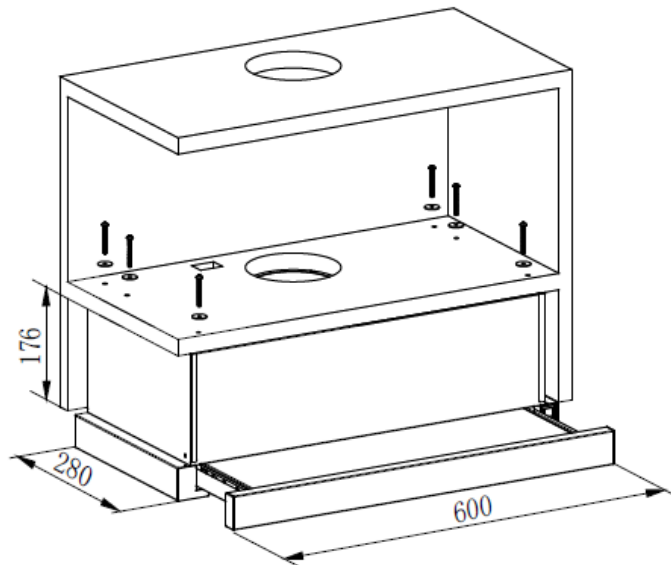
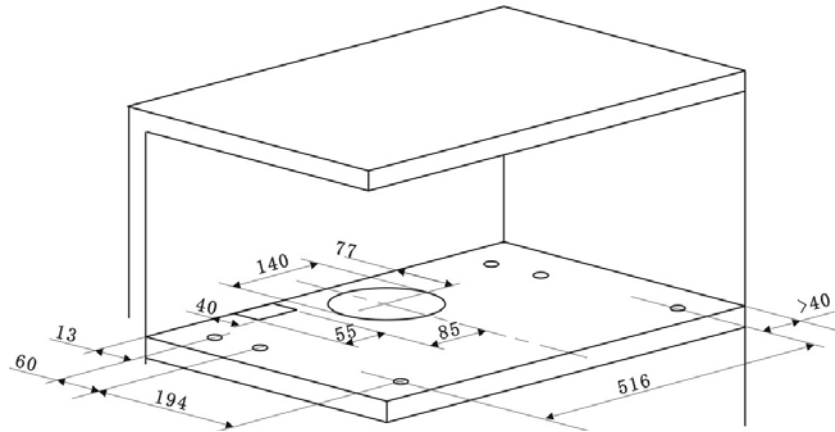


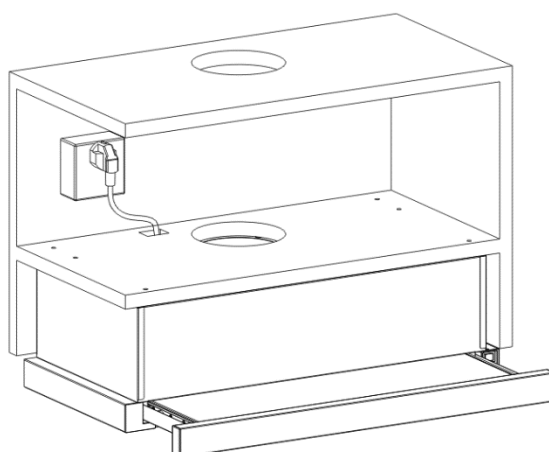
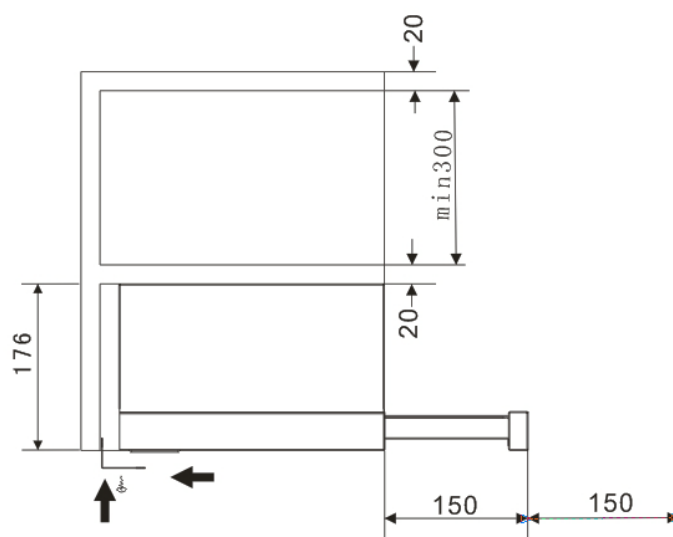
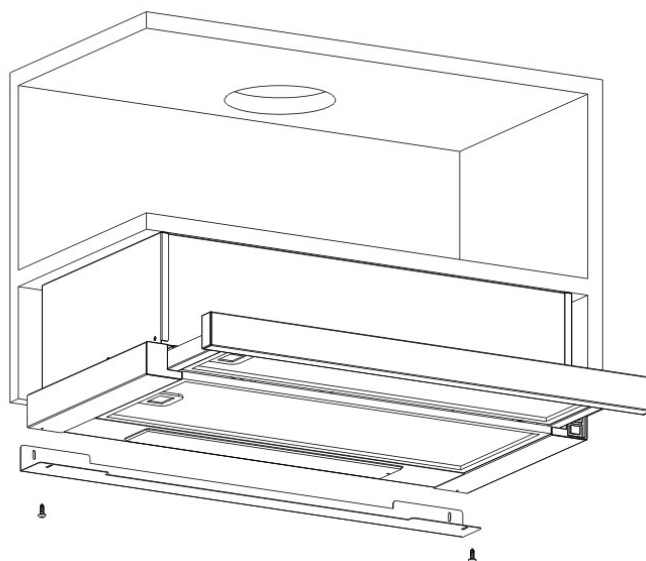
INSTALACJA (Montaż szafkowy)

- Przymocuj zawór jednokierunkowy do wylotu powietrza okapu kuchennego.



2. Zamontuj okap kuchenny na szafce za pomocą 6 śrub (4x35 mm) i płaskich podkładek.






Jeśli pomiędzy ścianą a okapem kuchennym znajduje się szczelina, można zamocować wspornik w kształcie litery L na dnie okapu za pomocą dwóch śrub (3 x 12mm).

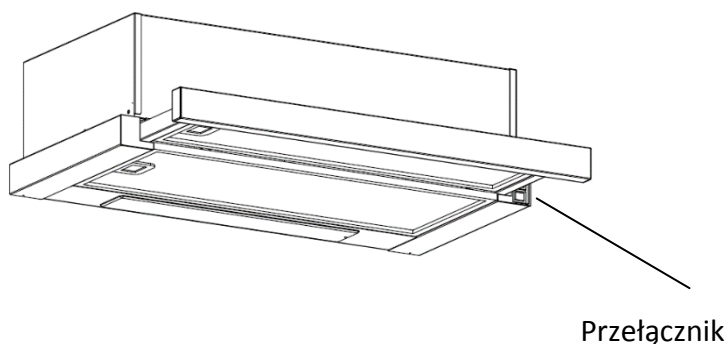
Montaż wspornika w kształcie litery L jest opcjonalny.

Uwaga: Rura elastyczna nie jest dostarczana wraz z produktem.

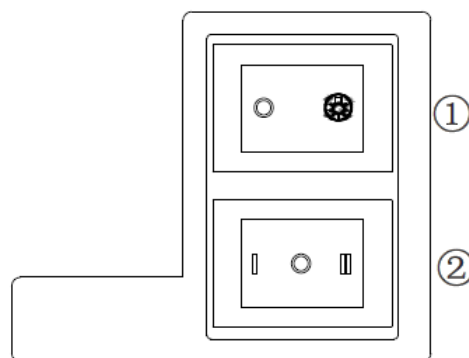
| | |
|--|---|
| <p>OSTRZEŻENIE:</p>  | <ul style="list-style-type: none"> ➤ Ze względów bezpieczeństwa używaj tylko tych samych rozmiarów śrub mocujących czy montażowych, które są zalecane w niniejszej instrukcji obsługi. ➤ Niezamontowanie wkrętów lub urządzenia mocującego zgodnie z niniejszą instrukcją może spowodować zagrożenie elektryczne. |
|--|---|

Zacznij korzystać z okapu kuchennego

Przełącznik kołyskowy



kołyskowy



1. Włóż wtyczkę zasilającą do gniazdka.
2. Naciśnij przełącznik ① do pozycji , aby zaświecić lampę; przełącz przełącznik ① do pozycji "0" , a lampa zgaśnie.
3. Naciśnij przełącznik ② do pozycji "I, II" , aby włączyć silnik na dwie prędkości obrotowe "niskie, wysokie" ; wciśnij "0" , a silnik wyłączy się.
4. Moc zostanie podłączona po wyciągnięciu przedniego panelu. I odwrotnie, zasilanie zostanie automatycznie odłączone.

USUWANIE USTEREK

| Usterka | Potencjalna przyczyna | Rozwiązanie |
|---|--------------------------------------|---|
| Żarówka włączona, ale silnik nie działa | Wyłącznik wentylatora jest wyłączony | Wybierz pozycję wyłącznika wentylatora. |
| | Wyłącznik wentylatora nie | Skontaktuj się z centrum |

| | | |
|---------------------------------------|--|--|
| | działa | serwisowym. |
| | Silnik nie działa | Skontaktuj się z centrum serwisowym. |
| Światło nie działa, silnik nie działa | Przepalane bezpieczniki domowe | Zresetuj/wymień bezpieczniki. |
| | Przewód zasilający jest luźny lub odłączony | Włóż dobrze przewód zasilający do gniazdka. Włącz gniazdko. |
| Wyciek oleju | Zawór jednokierunkowy i wylot nie są ciasno uszczelnione | Zdejmij zawór jednokierunkowy i uszczelnij szczeliwem. |
| | Wyciek z połączenia komina i pokrywy | Zdejmij komin i uszczelnij. |
| Światła nie działają | Spalone/wadliwe lampki | Wymień lampki zgodnie z niniejszą instrukcją. |
| Niewystarczające odsysanie | Odległość pomiędzy okapem kuchennym a gazową płytą grzejącą jest zbyt duża | Ustaw ponownie okap kuchenny w prawidłowej odległości. |
| Okap kuchenny jest pochylony | Śruba mocująca nie jest wystarczająco mocno dokręcona | Dokręć śrubę mocującą i ustaw go poziomo. |

UWAGA:



Wszelkie naprawy elektryczne niniejszego urządzenia muszą być zgodne z przepisami lokalnymi, wojewódzkimi i krajowymi. W przypadku wątpliwości przed podjęciem jakichkolwiek powyższych czynności należy skontaktować się z centrum serwisowym. Podczas otwierania urządzenia należy zawsze odłączyć urządzenie od źródła zasilania.

KONSERWACJA I CZYSZCZENIE

Uwaga:

- Przed rozpoczęciem konserwacji lub czyszczenia okap kuchenny należy odłączyć od głównego źródła zasilania. Upewnij się, że gniazdko ściennie do okapu kuchennego jest wyłączone, a wtyczka wyjęta.
- Zewnętrzne powierzchnie są podatne na zadrapania i otarcia, dlatego należy postępować zgodnie z instrukcjami czyszczenia, aby uzyskać najlepszy możliwy rezultat bez uszkodzeń.



INFORMACJE OGÓLNE

Czyszczenie i konserwacja powinna być przeprowadzana przy zimnym urządzeniu, szczególnie podczas czyszczenia. Unikaj pozostawiania na powierzchni substancji alkalicznych lub kwaśnych (sok z cytryny, ocet itp.).

STAL NIERDZEWNA

Stal nierdzewna musi być regularnie czyszczona (np. co tydzień), aby zapewnić długi okres użytkowania. Wycieraj czystą miękką ściereczką. Można użyć specjalistycznego płynu czyszczącego do stali nierdzewnej.

UWAGA:

Upewnij się, że wycieranie odbywa się wzdłuż tekstury stali nierdzewnej, aby zapobiec pojawieniu się nieestetycznych krzyżujących się zarysowań.

POWIERZCHNIA PANELU STEROWANIA

Wkładkę panelu sterowania można wyczyścić ciepłą wodą z mydłem. Przed czyszczeniem upewnij się, że ściereczka jest czysta i dobrze wykręcona. Użyj suchej, miękkiej ściereczki, aby usunąć nadmiar wilgoci pozostawionej po czyszczeniu.

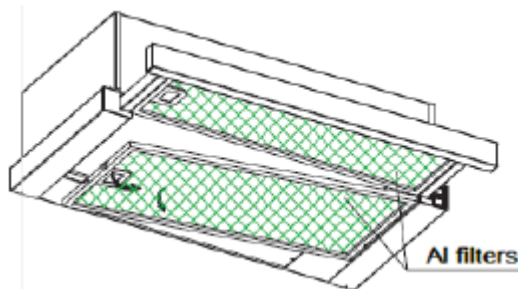
Ważne

Używaj neutralnych detergentów i unikaj używania ostrych chemikaliów, silnych domowych detergentów czy produktów zawierających materiały ściernie, ponieważ wpłynie to na wygląd urządzenia i potencjalnie usunie wszelką drukowaną grafikę na panelu sterowania, jak również spowoduje unieważnienie gwarancji producenta.

FILTRY SIATKOWE PRZECIWTŁUSZCZOWE

Filtry siatkowe można czyścić ręcznie. Namocz je przez około 3 minuty w wodzie z dodatkiem detergentu rozpuszczającego tłuszcz, a następnie delikatnie przetrzyj za pomocą miękkiej szczoteczki. Proszę nie wywierać zbyt dużego nacisku, aby uniknąć ich uszkodzenia. (Pozostaw do samoczynnego wyschnięcia z dala od bezpośredniego światła słonecznego)

Filtry należy myć oddzielnie od naczyń stołowych i przyborów kuchennych. Wskazane jest, aby nie używać płynu nabłyszczającego.



MONTAŻ FILTRÓW SIATKOWYCH PRZECIWTŁUSZCZOWYCH

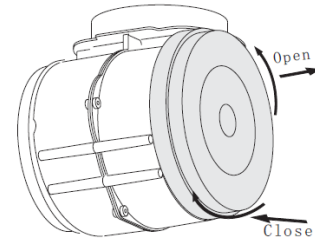
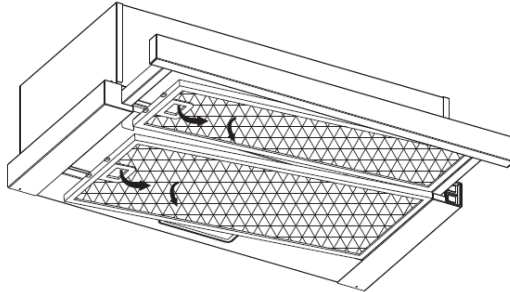
- Aby zamontować filtry, postępuj zgodnie z następującymi czterema krokami.
- Umieść filtr w szczelinach z tyłu okapu.
- Naciśnij przycisk na uchwycie filtra.
- Zwolnij uchwyt, gdy filtr znajdzie się w pozycji spoczynkowej.
- Powtórz czynności, aby zamontować wszystkie filtry.

FILTR WĘGLOWY- niedostarczony

Filtr z węglem aktywnym służy do neutralizowania zapachów. Zazwyczaj filtr z węglem aktywnym powinien być wymieniony po trzech lub sześciu miesiącach w zależności od przyzwyczajień żywieniowych i sposobu gotowania. Procedura instalacji filtra z węglem

aktywnym wygląda następująco.


- (1) Przesuń przednią część okapu kuchennego.
- (2) Najpierw należy odłączyć filtr. Nacisnąć blokadę i pociągnąć w dół.
- (3) Wyjmij filtr węglowy, obracając filtr węglowy w kierunku przeciwnym do ruchu wskazówek zegara.
- (4) Wymień na nowy filtr węglowy.



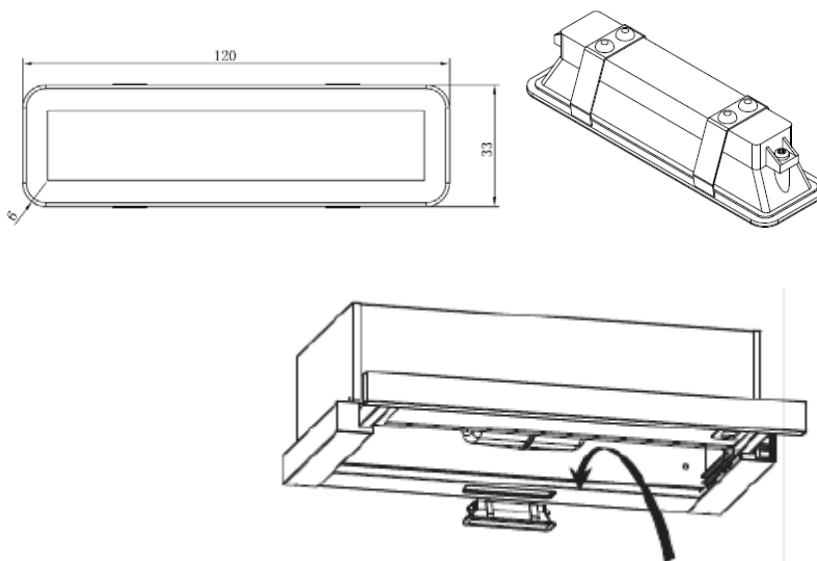
UWAGA:

- Upewnij się, że filtr jest bezpiecznie zablokowany. W przeciwnym razie może się obluzować i wywołać zagrożenie.
- Po założeniu filtra z węglem aktywnym moc ssania będzie obniżona.


WYMIANA ŻARÓWKI

| | |
|---|---|
| <p>Ważne:</p>  | <ul style="list-style-type: none">✧ Żarówka musi być wymieniona przez producenta, jego przedstawiciela serwisowego lub podobnie wykwalifikowaną osobę.✧ Zawsze wyłączaj zasilanie elektryczne przed wykonaniem jakichkolwiek czynności na urządzeniu. Podczas obsługi żarówki, upewnij się, że ostygła ona całkowicie przed bezpośrednim kontaktem z rękoma.✧ Podczas obsługi lampek należy użyć szmatki lub rękawic, aby zapewnić, że pot nie wejdzie w kontakt z lampką, ponieważ może to zmniejszyć jej żywotność. |
|---|---|

- (1) Wyłącz urządzenie i odłącz zasilanie sieciowe.
- (2) Przesuń przednią część okapu kuchennego.
- (3) Najpierw należy odłączyć filtr. Nacisnąć blokadę i pociągnąć w dół.
- (4) Wymień na ten sam typ światła 230V~50Hz, MAX.2.5W LED
 - Kod ILCOS D dla tej lampy to: **DBS-2.5/65-H-120/33.**
 - Max. moc: 2,5W
 - Zakres napięcia: AC 230V
 - Wymiary:



OCHRONA ŚRODOWISKA:

| | |
|--|--|
|  | <p>Niniejszy produkt jest oznaczony symbolem selektywnego segregowania zużytego sprzętu elektronicznego. Oznacza to, że produkt ten nie może być utylizowany wraz z odpadami komunalnymi, lecz musi być on utylizowany w ramach systemu selektywnej zbiórki zgodnie z dyrektywą 2012/19/UE. Następnie zostanie on poddany recyklingowi lub zdemontowany, aby zminimalizować wpływ na środowisko; produkty elektryczne i elektroniczne są potencjalnie niebezpieczne dla środowiska i zdrowia ludzkiego ze względu na obecność niebezpiecznych substancji. Aby uzyskać więcej informacji, skontaktuj się z lokalnymi lub regionalnymi władzami.</p> |
|--|--|

UWAGA:

Poniżej pokazano, jak zredukować całkowity wpływ na środowisko (np. zużycie energii) podczas gotowania.

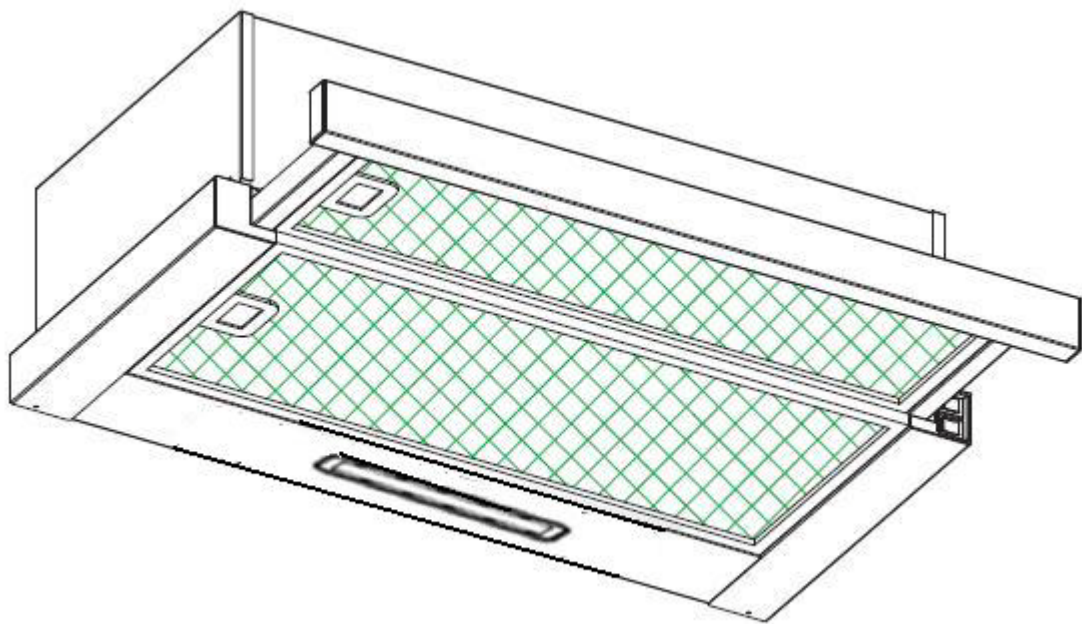
- (1) Zainstaluj okap w odpowiednim miejscu, w którym zapewniona jest skuteczna wentylacja.
- (2) Regularnie czyść okap, aby nie blokować kanałów powietrznych.
- (3) Pamiętaj, aby po zakończeniu gotowania wyłączyć światło okapu kuchennego.
- (4) Pamiętaj, aby po zakończeniu gotowania wyłączyć okap kuchenny.

INFORMACJE DOTYCZĄCE DEMONTAŻU

Nie demontuj urządzenia w sposób niepokazany w instrukcji obsługi. Urządzenie nie może być rozmontowane przez użytkownika. Po zakończeniu użytkowania urządzenia nie należy go wyrzucać wraz z odpadami domowymi. Informacje o recyklingu można otrzymać w miejscowym urzędzie lub u sprzedawcy.

Exaustor

Manual de instruções



Índice

| | |
|--------|-------------------------------|
| 1..... | Instruções de segurança |
| 2..... | Instalação |
| 3..... | Começar a usar o seu exaustor |
| 4..... | Resolução de problemas |
| 5..... | Manutenção e limpeza |
| 6..... | Proteção ambiental |

INSTRUÇÕES DE SEGURANÇA

Este manual explica a instalação e a utilização correta do seu exaustor, leia-o atentamente antes de usar o produto, mesmo que já esteja familiarizado com o mesmo. O manual deve ser mantido num local seguro para referência futura.

O que nunca deve fazer:

- Nunca tente usar o exaustor sem os filtros de gordura ou se os filtros estiverem demasiado engordurados!
- Não instale sobre um fogão com um grelhador muito elevado.
- Não deixe frigideiras em uso sem supervisão porque gorduras ou óleos sobreaquecidos podem incendiar-se.
- Nunca deixe chamas desprotegidas debaixo do exaustor.



- Se o exaustor estiver danificado, não tente utilizá-lo.
- Não faça pratos flambé debaixo do exaustor.
- **CUIDADO:** As peças acessíveis podem tornar-se quentes quando usadas com aparelhos para cozinhar.
- A distância mínima entre a superfície de suporte e os recipientes para cozinhar no fogão e na parte mais baixa do exaustor. (Quando o exaustor estiver localizado sobre um aparelho a gás, esta distância deve ser de pelo menos 65 cm.)
- O ar não deve ser descarregado num cano de chaminé usado para evacuar fumos de eletrodomésticos que utilizem gás ou outros combustíveis.



O que deve fazer sempre:

- **Importante!** Desligue sempre a fonte de alimentação na fonte durante instalação e manutenção como, por exemplo, quando troca uma lâmpada.
- O exaustor tem de ser instalado em conformidade com as instruções de instalação e deve cumprir todas as medições indicadas.
- Todo o trabalho de instalação tem de ser realizado por uma pessoa competente ou por um electricista qualificado.
- Elimine o material da embalagem cuidadosamente. As crianças são vulneráveis a este material.
- Preste atenção às extremidades aguçadas no interior do exaustor durante a instalação e limpeza.
- Quando o exaustor estiver colocado por cima de um aparelho a gás, a distância mínima entre a superfície de apoio para os recipientes para cozinhar no fogão e a parte mais baixa do exaustor tem de ser:
Fogões a gás: 75 cm
Fogões elétricos: 65 cm
Fogões a óleo ou carvão: 75 cm
- Certifique-se de que a canalização não tem dobras com um ângulo mais apertado que 90 graus uma vez que isto reduz a eficiência do exaustor.
- **Aviso:** Se os parafusos ou o dispositivo de fixação não forem montados de acordo com estas instruções, podem ocorrer riscos elétricos.

O que deve fazer sempre:

- Coloque sempre tampas nos tachos e panelas quando estiver a cozinhar num fogão a gás.
- Quando no modo de extração, o ar na divisão está a ser removido pelo exaustor. Certifique-se de que estão a ser cumpridas as medidas de ventilação apropriadas. O exaustor remove odores da divisão mas não o vapor.
- O exaustor destina-se apenas a uso doméstico.



- Se o cabo de alimentação estiver danificado, este tem de ser substituído pelo fabricante, pelo agente de serviço ou por pessoas igualmente qualificadas de forma a evitar o perigo.
- Este aparelho pode ser utilizado por crianças de idade igual ou superior a 8 anos e por pessoas com capacidades físicas, sensoriais ou mentais reduzidas ou falta de experiência e conhecimento, caso lhes tenha sido fornecida supervisão ou instruções relativas à utilização do aparelho de forma segura e desde que compreendam os perigos envolvidos. As crianças não devem brincar com o aparelho. A limpeza e manutenção pelo utilizador não deve ser realizada por crianças sem supervisão.



- **Aviso:** Antes de obter acesso a terminais, todos os circuitos de alimentação elétrica têm de estar desligados.

O que deve fazer sempre:

- **Cuidado:** O aparelho e as suas peças acessíveis podem ficar quentes durante o funcionamento. Tenha o cuidado de evitar tocar nos elementos de aquecimento. Crianças com menos de 8 anos devem manter-se afastadas a menos que estejam sob constante supervisão.
- Deverá existir uma ventilação adequada da divisão quando o exaustor estiver a ser usado ao mesmo tempo que aparelhos que funcionam a gás ou outros combustíveis.
- Existe o risco de incêndio se a limpeza não for realizada de acordo com as instruções.
- Os regulamentos referentes à descarga de ar têm de ser acatados.
- Limpe o seu aparelho periodicamente seguindo o método fornecido no capítulo **MANUTENÇÃO**.
- Por motivos de segurança, use apenas o mesmo tamanho de parafuso de montagem ou fixação recomendado neste manual de instruções.
- Em relação a dados sobre o método e sobre a frequência de limpeza, consulte a secção de manutenção e limpeza no manual de instruções.
- A limpeza e a manutenção pelo utilizador não devem ser realizadas por crianças sem supervisão.
- Quando o exaustor e aparelhos com fornecimento de energia que não eletricidade estiverem simultaneamente em funcionamento, a pressão negativa na divisão não deve exceder 4 Pa (4 x 10⁻⁵ bar).
- **AVISO:** Perigo de incêndio: não guarde artigos em cima das superfícies para cozinhar.
- Não deve nunca utilizar um aparelho de limpeza a vapor.
- **NUNCA** tente extinguir um incêndio com água, em vez disso desligue o aparelho e, em seguida, cubra a chama com, por exemplo, uma tampa ou um cobertor antifogo.

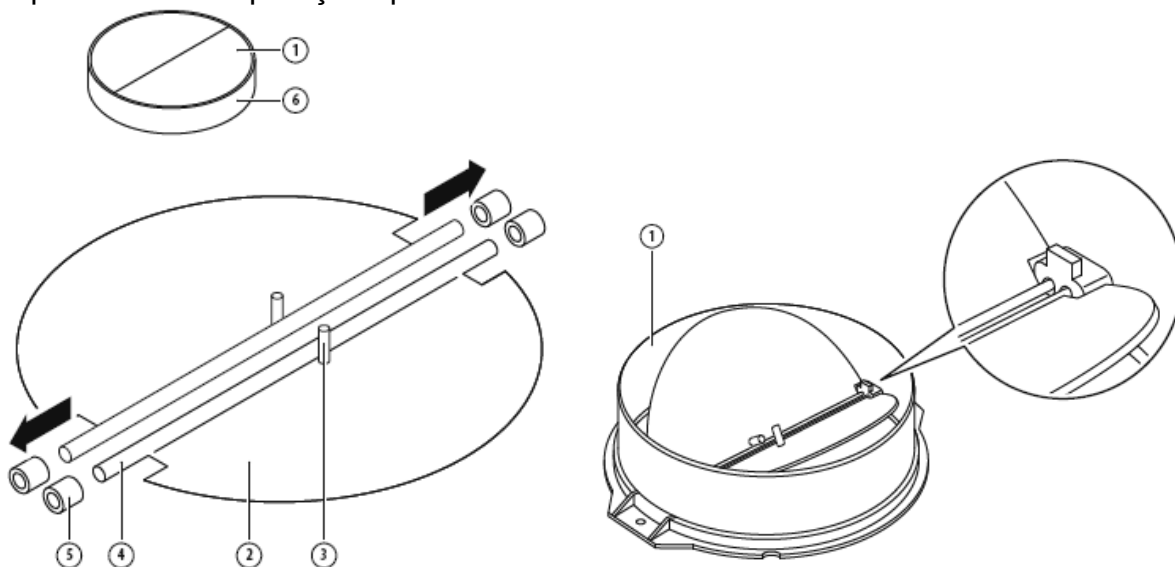
INSTALAÇÃO (VENTILAÇÃO EXTERIOR)

MONTAGEM DA UNIDADE DE ALETAS

Se o exaustor não tiver uma unidade de aletas 1 montada, deve montar as metades na sua estrutura. As imagens apenas mostram um exemplo de como montar a unidade de aletas, a saída pode ser diferente de acordo com os diferentes modelos e configuração.

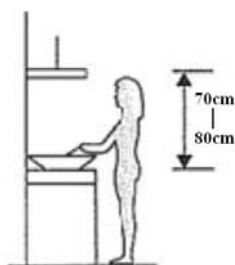
Para montar a unidade de aletas 1 deverá:

- montar duas metades 2 na armação 6;
- um pino 3 deve estar orientado para o topo;
- o eixo 4 deve ser inserido nos orifícios 5 na armação;
- repetir todas as operações para a 2ª metade.

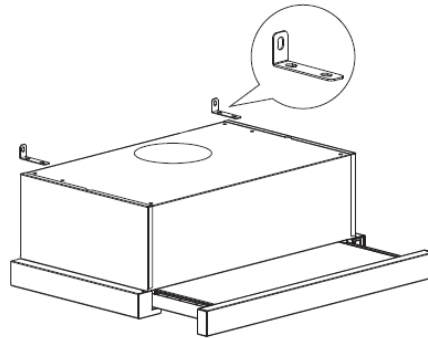


INSTALAÇÃO (montagem na parede)

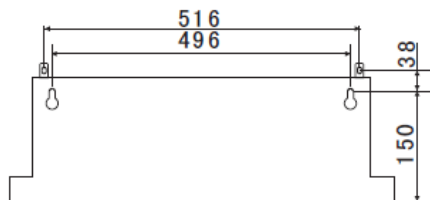
1. Decida a localização dos furos para fixar o exaustor.



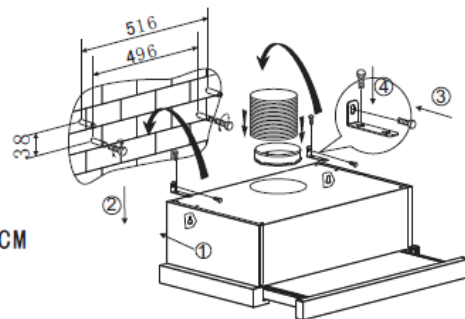
2. Instale o suporte em forma de L sobre o topo do exaustor utilizando dois parafusos (4 mm x 10 mm).



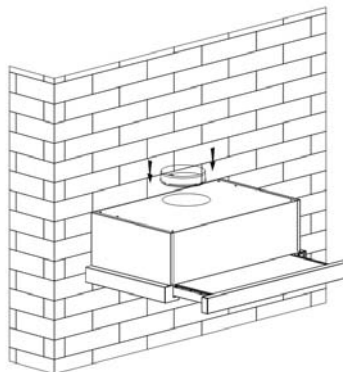
3. O exaustor é montado na parede utilizando 4 parafusos (4 mm x 30 mm) e respectivas buchas.
 Monte o exaustor na parede na parte traseira do exaustor utilizando 2 parafusos (4 mm x 30 mm) e respectivas buchas. Em seguida, fixe o exaustor na parede utilizando 2 parafusos (4 mm x 30 mm) e respectivas buchas através do suporte em forma de L.



6002C (60) CM

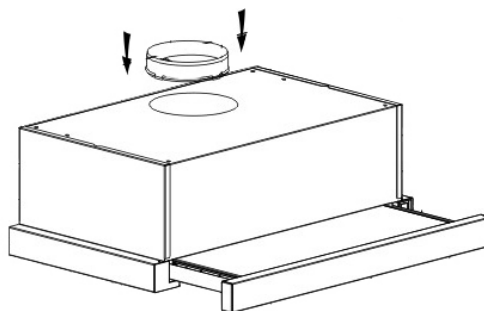


4. Fixe a válvula unidirecional à saída de ar do exaustor.

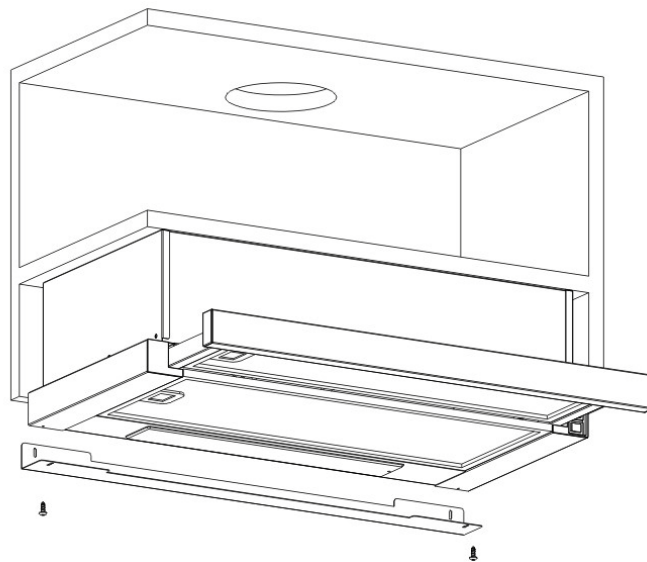
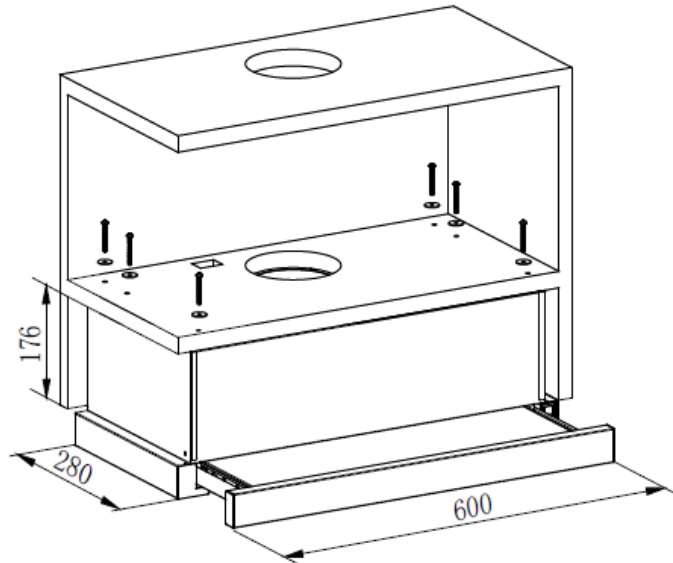
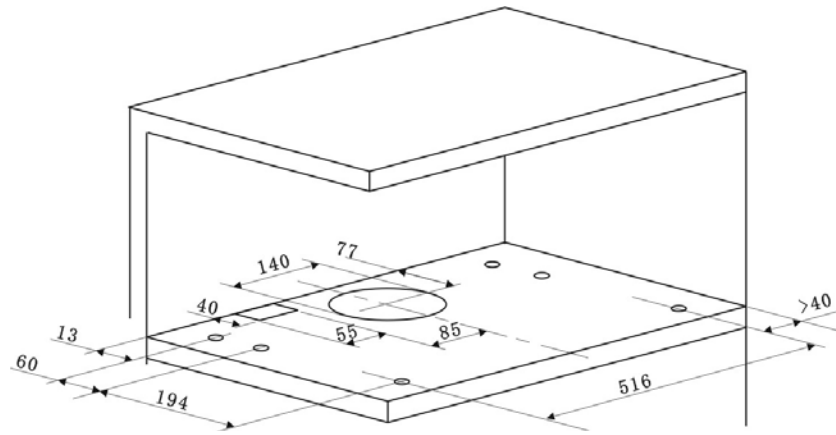


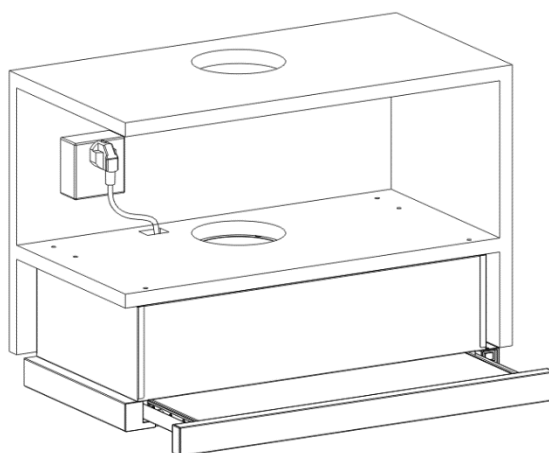
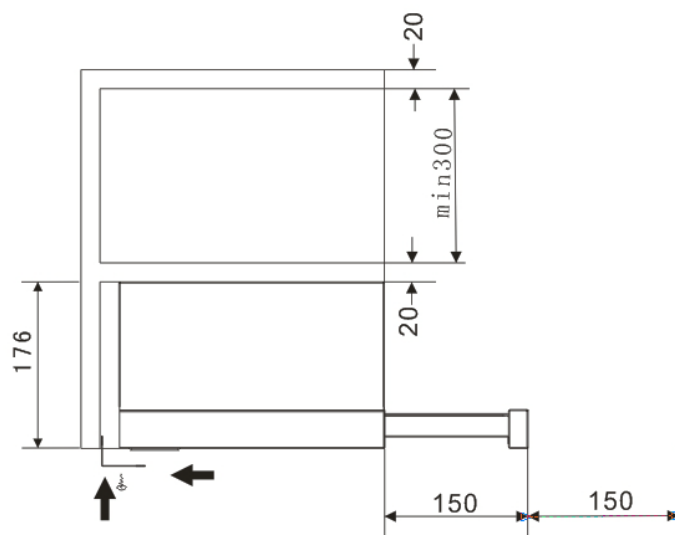
INSTALAÇÃO (montagem em armário)

1. Fixe a válvula unidirecional à saída de ar do exaustor.



2. Monte o exaustor no armário utilizando 6 parafusos (4 x 35 mm) e anilhas planas.






Se existir um intervalo entre a parede e o exaustor, pode instalar o suporte em forma de L na parte inferior do exaustor utilizando dois parafusos (3 x 12 mm).

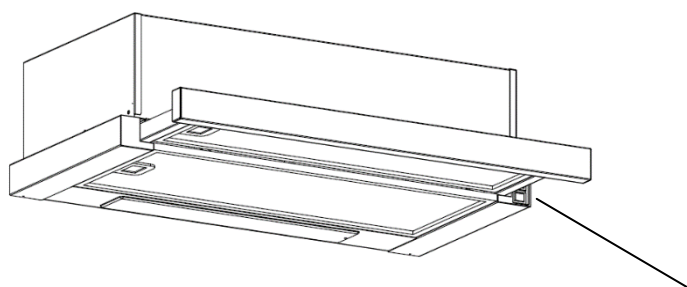
A instalação do suporte em forma de L é opcional.

Nota: O tubo de expansão não está incluído no produto.

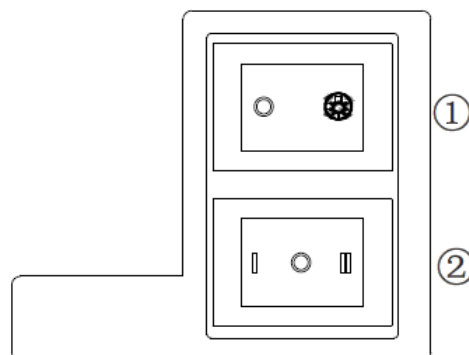
| | |
|---|---|
| <p>AVISO:</p>  | <ul style="list-style-type: none"> ➤ Por motivos de segurança, use apenas o mesmo tamanho de parafuso de montagem ou fixação recomendado neste manual de instruções. ➤ Se os parafusos ou o dispositivo de fixação não forem montados de acordo com estas instruções, podem ocorrer riscos elétricos. |
|---|---|

Começar a utilizar o exaustor

Interruptor basculante



Interruptor basculante



1. Introduza a ficha de alimentação na tomada.
2. Pressione o interruptor ① para , a lâmpada irá então acender-se; pressione o interruptor ① para "0" , e a lâmpada irá apagar-se.
3. Pressione o interruptor ② para "I、II" , o motor será colocado nas duas velocidades "low、high" , pressione o interruptor para "0" , o motor irá desligar-se.
4. A alimentação será ligada quando remover o painel frontal. No sentido inverso, a alimentação será desligada automaticamente.

RESOLUÇÃO DE PROBLEMAS

| Problema | Causa possível | Solução |
|--|---|---|
| Luz acesa, mas o motor não funciona | Interruptor de ventoinha desligado | Selecione uma posição do interruptor da ventoinha |
| | Falha do interruptor da ventoinha | Contacte o centro de serviço. |
| | Falha do motor | Contacte o centro de serviço. |
| A luz não acende, o motor não funciona | Fusíveis domésticos fundidos | Volte a ligar/substitua os fusíveis. |
| | Cabo de alimentação solto ou desligado | Volte a ligar o cabo à tomada. Ligue a alimentação. |
| Fuga de óleo | A válvula unidirecional e a saída não estão bem vedadas | Retire a válvula unidirecional e vede com vedante. |

| | | |
|---------------------------|--|--|
| | Fuga na ligação da chaminé e cobertura. | Retire a chaminé e vede. |
| As luzes não funcionam | Globos quebrados/defeituosos | Substitua os globos de acordo com esta instrução. |
| Aspiração insuficiente | A distância entre o exaustor e a boca a gás é demasiado grande | Volte a posicionar o exaustor de acordo com uma distância correta. |
| O exaustor está inclinado | O parafuso de fixação não está suficientemente apertado | Aperte o parafuso de pendurar e certifique-se de que fica na horizontal. |

NOTA:



Quaisquer reparações elétricas a este aparelho devem estar em conformidade com as suas leis locais, estatais e federais. Contacte o centro de assistência se tiver alguma dúvida antes de efetuar alguma das operações acima. Desligue sempre a unidade da rede quando abrir a unidade.

MANUTENÇÃO E LIMPEZA

Cuidado:

- Antes de realizar a manutenção ou limpeza, o exaustor deve ser desligado da fonte de alimentação. Certifique-se de que o exaustor está desligado da tomada de parede e que a ficha está retirada da tomada.
- As superfícies externas são suscetíveis a riscos e abrasões, por isso siga as instruções de limpeza para se certificar de que obtém o melhor resultado possível sem ocorrência de danos.



ASPETOS GERAIS

A limpeza e manutenção deverão ser efetuadas com o aparelho frio especialmente quando se limpa. Evite deixar substâncias alcalinas ou ácidas (sumo de limão, vinagre, etc.) nas superfícies.

AÇO INOXIDÁVEL

O aço inoxidável deve ser limpo regularmente (ou seja, semanalmente) para garantir uma longa esperança de vida. Seque com um pano macio e limpo. Pode utilizar um líquido de limpeza especializado para aço inoxidável.

NOTA:

Certifique-se de que a limpeza é realizada ao longo do grão do aço inoxidável para impedir a formação de padrões cruzados antiestéticos.

SUPERFÍCIE DO PAINEL DE CONTROLO

O painel de controlo incorporado pode ser limpo usando água com sabão. Certifique-se de que o pano está limpo e bem espremido antes de realizar a limpeza. Utilize um pano macio seco para remover humidade em excesso existente após a limpeza.

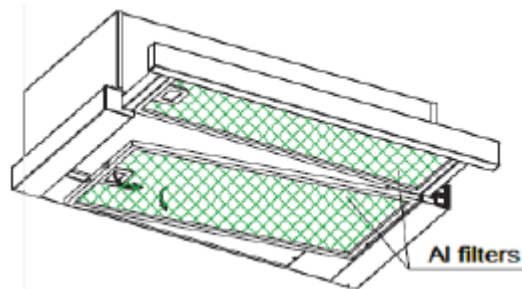
Importante

Use detergentes neutros e evite o uso de químicos de limpeza abrasivos, detergentes domésticos fortes ou produtos com abrasivos, uma vez que estes afetarão a aparência do aparelho e potencialmente removerão qualquer impressão de ilustrações do painel de controlo e invalidarão a garantia do fabricante.

FILTROS DE REDE DE GORDURA

Os filtros de rede podem ser limpos manualmente. Mergulhe-os durante cerca de três minutos em água com um detergente de libertação de gordura e, em seguida, escove-os suavemente com uma escova suave. Não aplique muita pressão, para evitar danificar os filtros. (Deixe secar naturalmente sem exposição direta à luz solar.)

Os filtros devem ser limpos separadamente de utensílios de cozinha e louça. É aconselhável que não use abrillantador.



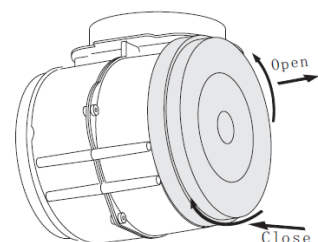
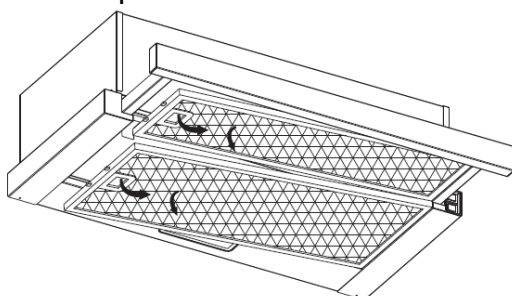
INSTALAR OS FILTROS DE REDE DE GORDURA

- Siga os quatro passos a seguir para instalar os filtros.
- Oriente o filtro de acordo com as ranhuras na parte traseira do exaustor.
- Pressione o botão na pega do filtro.
- Liberte a pega assim que o filtro encaixar numa posição de repouso.
- Repita a ação para instalar todos os filtros.

FILTRO DE CARBONO - não fornecido

É possível usar um filtro de carvão ativado para captar odores. Normalmente o filtro de carvão ativado deve ser substituído a cada três ou seis meses consoante os seus hábitos de cozinhar. O procedimento de instalação do filtro de carvão ativado é indicado a seguir.


- (1) Deslize a parte dianteira do exaustor.
- (2) O filtro de alumínio deve ser desprendido primeiro. Pressione o fecho e puxe-o para baixo.
- (3) Retire o filtro de carbono rodando o filtro de carbono no sentido contrário aos ponteiros do relógio.
- (4) Substitua pelo novo filtro de carbono.



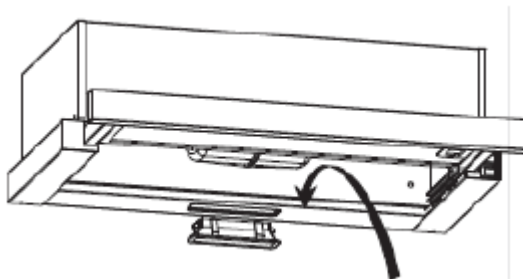
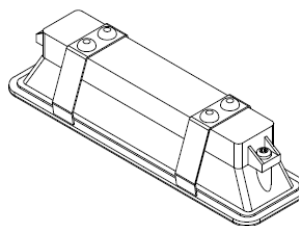
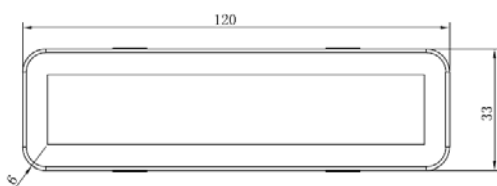
NOTA:

- Certifique-se de que o filtro está bem preso. Caso contrário, este pode soltar-se e pode constituir um perigo.
- Com um filtro de carvão ativado instalado, o poder de aspiração será reduzido.


SUBSTITUIÇÃO DA LÂMPADA

| | |
|--|--|
| <p>Importante:</p>  | <ul style="list-style-type: none">✧ A lâmpada tem de ser substituída pelo fabricante, pelo seu agente de serviço ou por pessoas igualmente qualificadas.✧ Desligue sempre a fonte de alimentação antes de realizar quaisquer operações no aparelho. Ao manusear a lâmpada, certifique-se de que esta está completamente fria antes de qualquer contacto com as mãos.✧ Ao manusear os globos segure-os com um pano ou com luvas para se certificar que transpiração não entra em contacto com os mesmos uma vez que isso pode reduzir a vida útil do globo. |
|--|--|

- (1) Desligue o aparelho e desconecte-o da tomada.
- (2) Deslize a parte dianteira do exaustor.
- (3) O filtro de alumínio deve ser desprendido primeiro. Pressione o fecho e puxe-o para baixo.
- (4) Substitua por uma luz do mesmo tipo. LED de 230 V~50 Hz, MÁX. 2,5 W.
 - O código ILCOS D para esta lâmpada é: DBS-2.5/65-H-120/33.
 - Tensão máx.: 2,5W
 - Gama de tensão: CA 230 V
 - Dimensões:



PROTEÇÃO DO AMBIENTE:

| | |
|---|---|
|  | <p>Este produto está assinalado com o símbolo relativamente à separação de resíduos de equipamento elétrico. Isto significa que este produto não deve ser eliminado juntamente com resíduos domésticos mas que deve ser suportado por um sistema de recolha seletiva em conformidade com a Diretiva 2012/19/UE. Este será então reciclado ou desmantelado por forma a minimizar os impactos sobre o ambiente, sendo que produtos elétricos e eletrónicos são potencialmente perigosos para o ambiente e para a saúde humana devido à presença de substâncias perigosas. Para mais informações, contacte as autoridades locais ou regionais.</p> |
|---|---|

NOTA:

A seguir indicamos como reduzir o impacto ambiental total (por ex. uso energético) do processo de cozinhar.

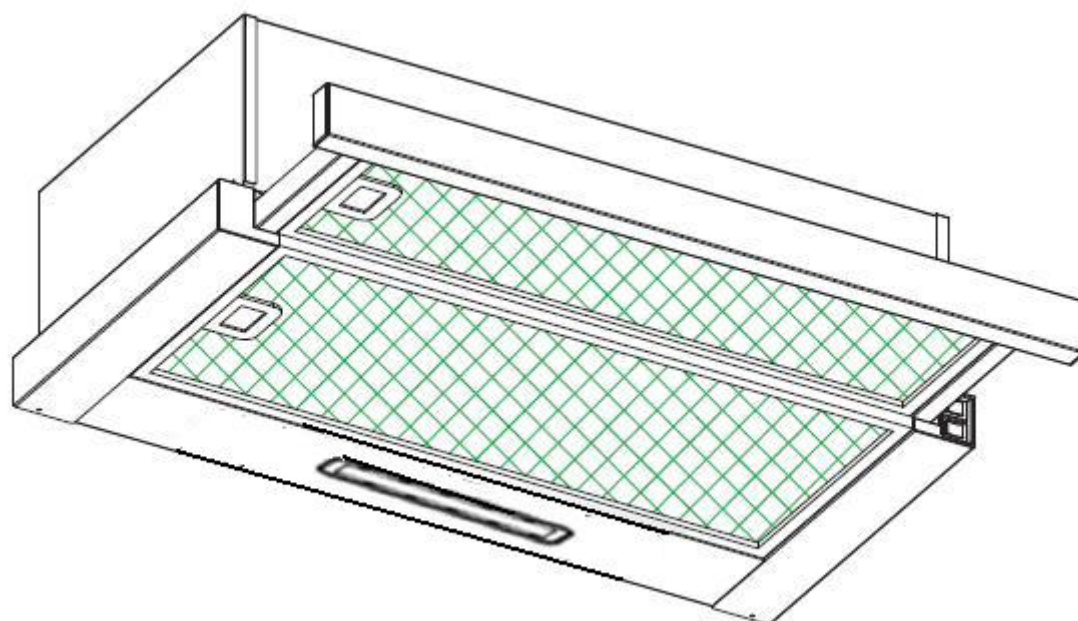
- (1) Instale o exaustor num local adequado onde exista uma ventilação eficiente.
- (2) Limpe o exaustor regularmente de modo a não bloquear as vias aéreas.
- (3) Lembre-se de desligar a luz do exaustor depois de cozinhar.
- (4) Lembre-se de desligar o exaustor depois de cozinhar.

INFORMAÇÃO SOBRE DESMANTELAMENTO

Não desmantele o aparelho de um modo não indicado no manual de instruções. O aparelho não pode ser desmantelado pelo utilizador. No final da sua vida útil, o aparelho não deve ser eliminado juntamente com os resíduos domésticos. Consulte a sua autoridade local ou retentor em relação a conselhos de reciclagem.

Kuchynský odsávač

Návod na obsluhu



Obsah

- 1.....Bezpečnostné pokyny
- 2.....Inštalácia
- 3.....Prvé kroky pri používaní kuchynského odsávača
- 4.....Riešenie problémov
- 5.....Údržba a čistenie
- 6.....Ochrana životného prostredia

BEZPEČNOSTNÉ POKYNY

Tento návod obsahuje informácie týkajúce sa správnej inštalácie a používania kuchynského odsávača. Pred začatím používania si ho dôkladne prečítajte, a to aj v prípade, že ste sa už s produktom oboznámili. Návod uschovajte na bezpečnom mieste, aby ste doň mohli nahliadnuť v prípade potreby v budúcnosti.

Nikdy nerobte nasledujúce činnosti:

- Nepokúšajte sa používať kuchynský odsávač bez tukových filtrov, alebo ak sú filtre nadmerne zanesené tukom!
- Neinštalujte nad sporák s grilom vo veľkej výške.
- Počas používania nenechávajte panvice bez dohľadu, pretože prehriate tuky alebo oleje môžu vzplanúť.
- Nikdy nenechávajte pod kuchynským odsávačom horieť otvorený plameň.



- Ak je kuchynský odsávač poškodený, nesnažte sa ho používať.
- Pod kuchynským odsávačom neflambujte.
- **UPOZORNENIE:** Pri používaní s kuchynskými spotrebičmi sa nekryté časti môžu zahrievať na vysoké teploty.
- Minimálna vzdialenosť medzi opornou plochou varných nádob na platni sporáka a najnižšou časťou kuchynského odsávača. (Keď sa kuchynský odsávač nachádza nad plynovým spotrebičom, musí sa dodržať minimálna vzdialenosť 65 cm.)
- Vzduch sa nesmie odvádzať do komína, ktorý slúži na odvádzanie výfukových plynov zo spotrebičov spaľujúcich plyn alebo iné palivá.



Vždy dodržiavajte nasledujúce pokyny:

- **Dôležité!** Pred začatím inštalácie a údržby, napríklad pred výmenou žiarovky, zakaždým vypnite prívod elektrickej energie z napájacej siete.
- Kuchynský odsávač sa musí inštalovať v súlade s inštaláčnymi pokynmi a musia sa dodržať všetky rozmery.
- Všetky inštaláčne práce musí vykonávať kompetentná osoba alebo kvalifikovaný elektrikár.
- Dohliadnite na správnu likvidáciu baliaceho materiálu. Predstavuje nebezpečenstvo pre deti.
- Dávajte pozor na ostré hrany vo vnútri kuchynského odsávača, predovšetkým počas inštalácie a čistenia.
- Ak sa kuchynský odsávač nachádza nad plynovým spotrebičom, medzi opornou plochou varných nádob na platni sporáka a najnižšou časťou kuchynského odsávača musí byť zachovaná nasledujúca minimálna vzdialenosť:
Plynové sporáky: 75 cm
Elektrické sporáky: 65 cm
Sporáky na uhlie alebo vykurovací olej: 75 cm
- Uistite sa, že sa na potrubnom vedení nenachádzajú ohyby ostrejšie než 90 stupňov, pretože v opačnom prípade sa zníži účinnosť kuchynského odsávača.
- **Výstraha:** V prípade nenainštalovania skrutiek alebo upevňovacieho zariadenia v súlade s týmito pokynmi môže hroziť úraz elektrickým prúdom.

Vždy dodržiavajte nasledujúce pokyny:

- Pri príprave pokrmov na plynovom sporáku vždy zakrývajte hrnce a panvice pokrievkami.
- Kuchynský odsávač počas prevádzky v režime odsávania odvádza vzduch z miestnosti. Dohliadnite na dodržiavanie vhodných opatrení týkajúcich sa vetrania. Kuchynský odsávač odstraňuje z miestnosti pachy, no neodstraňuje paru.
- Kuchynský odsávač pár je určený iba na použitie v domácnosti.



- Ak je prívodný kábel poškodený, musí ho vymeniť výrobca, jeho servisný zástupca alebo osoby s podobnou kvalifikáciou, aby sa predišlo nebezpečenstvu.
- Deti staršie ako 8 rokov a osoby s obmedzenými fyzickými, zmyslovými alebo duševnými schopnosťami alebo s nedostatkom skúseností a vedomostí môžu používať tento spotrebič, ak sú pod dohľadom alebo dostali pokyny týkajúce sa bezpečného používania spotrebiča a ak rozumejú možným rizikám. Deti sa so spotrebičom nesmú hrať. Čistenie a údržbu nesmú vykonávať deti bez dozoru.



- Výstraha: Pred sprístupnením elektrických svoriek treba bezpodmienečne odpojiť všetky napájacie obvody.

Vždy dodržiavajte nasledujúce pokyny:

- Upozornenie: Spotrebič a jeho nekryté časti sa počas prevádzky môžu zahrievať na vysoké teploty. Dávajte pozor, aby ste sa nedotkli nahriatych prvkov. Deti mladšie než 8 rokov nesmú mať prístup k zariadeniu, pokiaľ nie sú pod neustálym dozorom.
- Ak sa kuchynský odsávač používa súčasne so spotrebičmi spaľujúcimi plyn alebo iné palivá, treba zaistiť dostatočné vetranie miestnosti.
- Ak sa nevykonáva čistenie v súlade s pokynmi, hrozí riziko požiaru.
- Je potrebné zaistiť plnenie nariadení týkajúcich sa odvádzania vzduchu.
- Spotrebič pravidelne čistite podľa postupu uvedeného v kapitole ÚDRŽBA.
- Z bezpečnostných dôvodov používajte iba tie veľkosti upevňovacích alebo montážnych skrutiek, ktoré sú odporúčané v tomto návode na obsluhu.
- Podrobné informácie o postupe a intervaloch čistenia nájdete v časti tohto návodu na obsluhu venovanej údržbe a čisteniu.
- Deti bez dozoru nesmú čistiť spotrebič ani vykonávať jeho bežnú údržbu.
- Keď sa kuchynský odsávač používa súčasne so spotrebičmi napájanými inou než elektrickou energiou, záporný tlak v miestnosti nesmie prekročiť 4 Pa (4×10^{-5} bar).
- VÝSTRAHA: Nebezpečenstvo požiaru: na povrch varnej dosky neodkladajte žiadne predmety.
- Nepoužívajte parný čistič.
- Požiar sa NIKDY nepokúšajte hasiť vodou. Vypnite spotrebič a potom zakryte plameň napr. pokrievkou alebo hasiacou dekou.

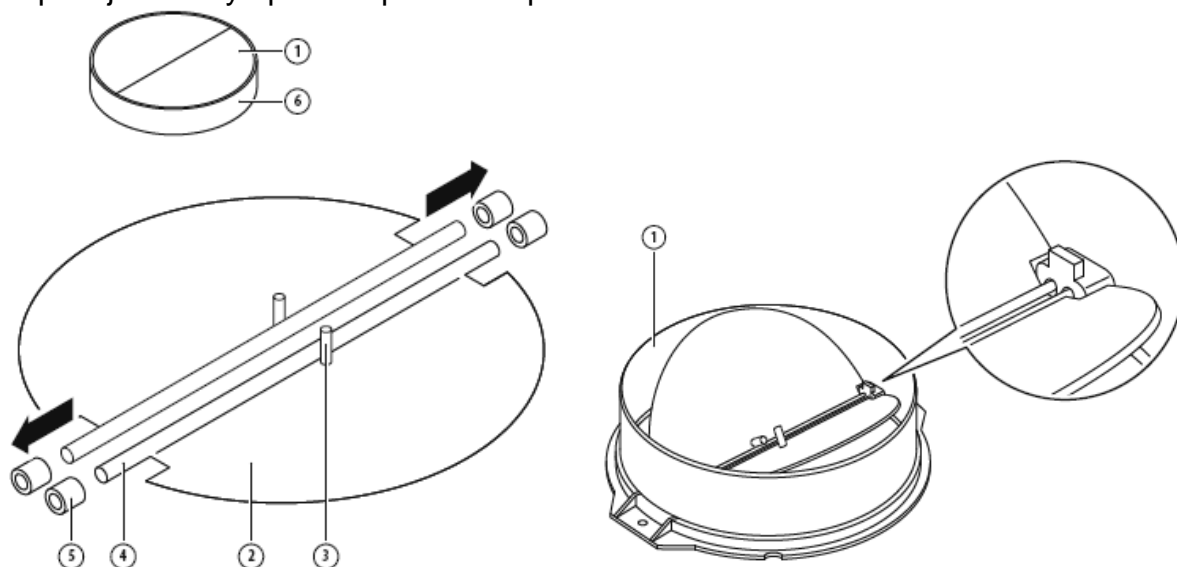
INŠTALÁCIA (ODVETRÁVANIE DO EXTERIÉRU)

MONTÁŽ V-KLAPKY

Ak odsávač pár nemá zostavenú V-klapku 1, mali by ste pripevniť jej polovice na jeho telo. Obrázky zobrazujú len príklad montáže V-klapky, výstup môže byť rôzny podľa rôznych modelov a konfigurácie.

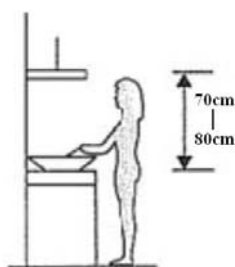
Pri montáži V-klapky 1 by ste mali:

- Namontovať dve polovice 2 do tela 6
- kolík 3 by mal byť orientovaný smerom nahor;
- os 4 by sa mala vložiť do otvorov 5 na tele;
- zopakujte všetky operácie pre druhú polovicu

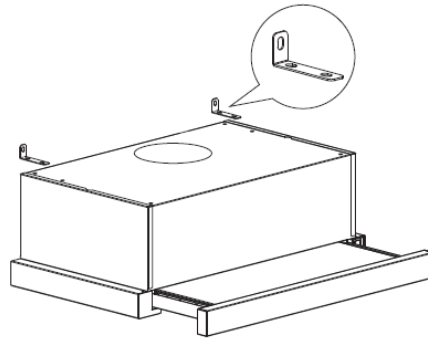


INŠTALÁCIA (montáž na stenu)

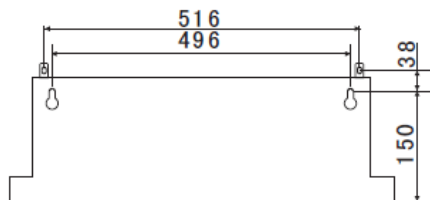
1. Rozhodnite sa o umiestnení otvorov na upevnenie odsávača pár.



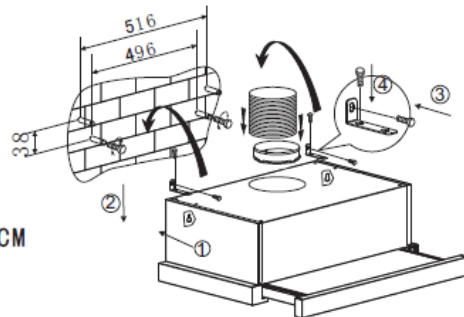
2. Nainštalujte držiak v tvare písmena L na hornú časť krytu pomocou dvoch skrutiek (4 mm x 10 mm)



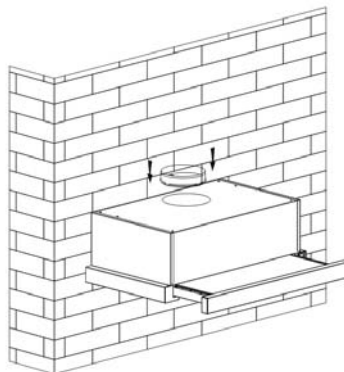
3. Odsávač pár je namontovaný na stenu pomocou 4 skrutiek (4 mm x 30 mm) a nástenných zátok.
 Namontujte odsávač pár na stenu jeho zadnou stranou pomocou dvoch skrutiek (4 mm x 30 mm) a nástenných zátok. Potom upevnite odsávač pár na stenu dvoma skrutkami (4 mm x 30 mm) a nástennými zátkami cez malý držiak v tvare písmena L.



6002C (60) CM

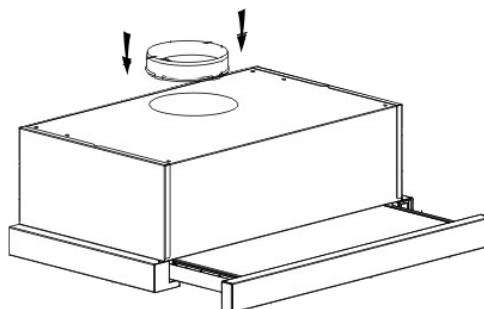


4. Pripojte jednosmerný ventil k výstupu vzduchu na odsávači pár.

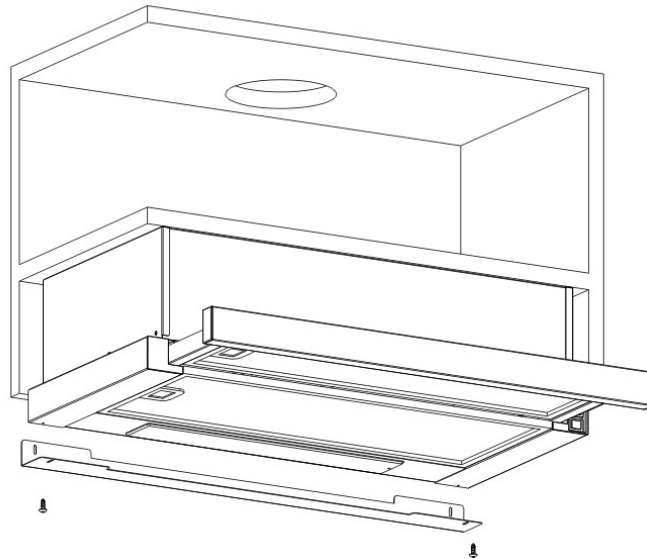
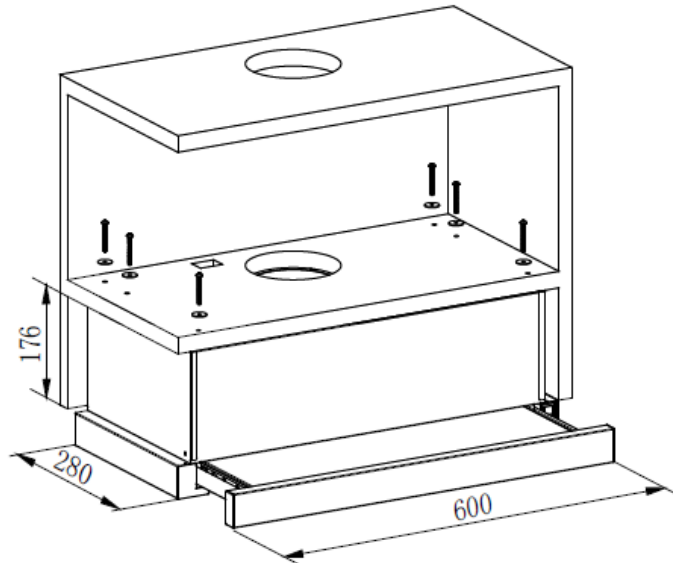
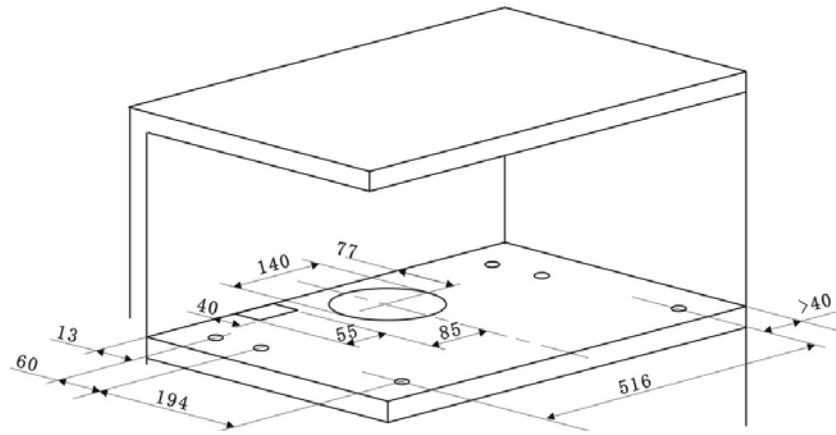


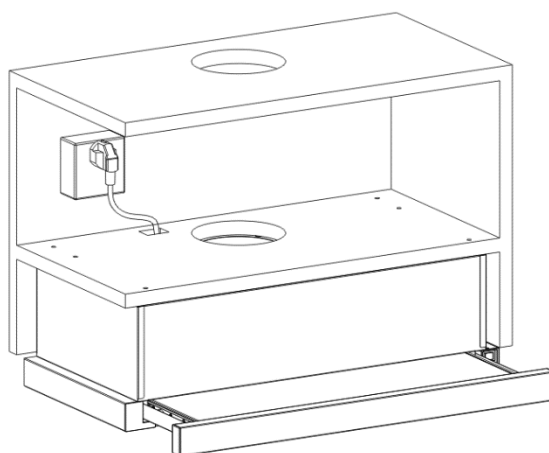
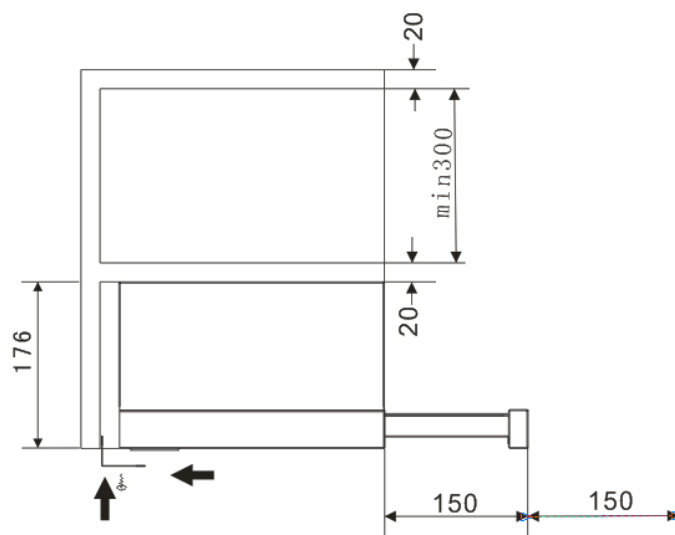
INŠTALÁCIA (montáž skrinky)

1. Pripojte jednosmerný ventil k výstupu vzduchu na odsávači pár.




2. Namontujte odsávač pár na skrinku pomocou 6 skrutiek (4 x 35 mm) a s plochými podložkami.



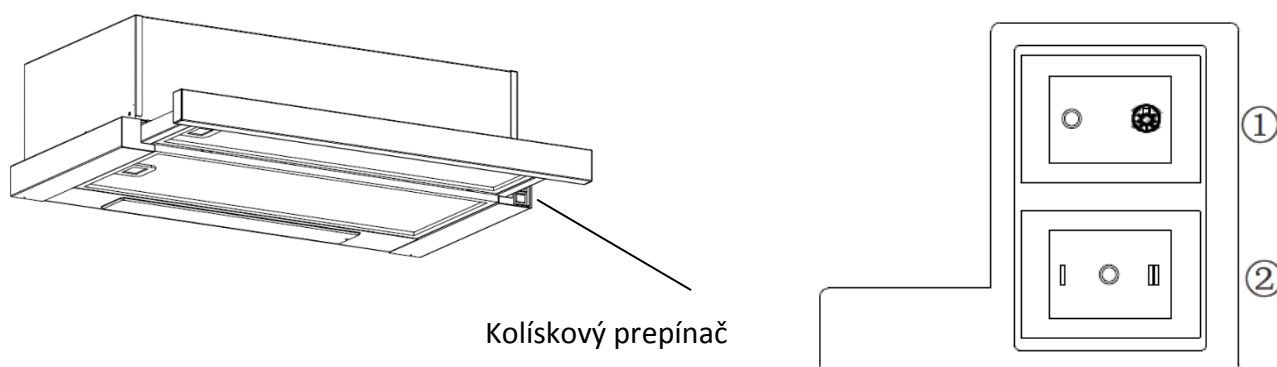


Ak existuje medzera medzi stenou a odsávačom pár, nainštalujte držiak v tvare písmena L na spodnú časť krytu pomocou dvoch skrutiek (3 x 12 mm).
 Inštalácia držiaka v tvare písmena L je voliteľná.
 Poznámka: Expanzné potrubie nie je súčasťou výrobku.

| | |
|--|---|
| <p>VÝSTRAHA:</p>  | <ul style="list-style-type: none"> ➤ Z bezpečnostných dôvodov používajte iba tie veľkosti upevňovacích alebo montážnych skrutiek, ktoré sú uvedené v tomto návode na obsluhu. ➤ V prípade nenainštalovania skrutiek alebo upevňovacieho zariadenia v súlade s týmito pokynmi môže hroziť úraz elektrickým prúdom. |
|--|---|

Prvé kroky pri používaní kuchynského odsávača

Kolískový prepínač



1. Zasuňte sieťovú zástrčku do zásuvky.
2. Stlačte prepínač ①, kontrolka svieti; stlačte prepínač ① do polohy "0", kontrolka zhasne.
3. Stlačte prepínač ② do polohy "I alebo II", motor bude bežať na "nízkej alebo vysokej" rýchlosti (dve rýchlosti), prepnite prepínač do polohy "0", motor sa vypne.
4. Keď vytiahnete predný panel, spotrebič sa pripojí k napájaniu. Naopak, keď zatlačíte panel späť, napájanie sa automaticky odpojí.

RIEŠENIE PROBLÉMOV

| Chyba | Možná príčina | Riešenie |
|------------------------------------|--|---|
| Svetlo svieti, ale motor nepracuje | Vypnutý prepínač ventilátora | Vyberte polohu prepínača ventilátora. |
| | Porucha prepínača ventilátora | Obráťte sa na servisné stredisko. |
| | Porucha motora | Obráťte sa na servisné stredisko. |
| Svetlo nesvieti, motor nepracuje | Vypálené poistky v dome. | Resetujte/vymeňte poistky. |
| | Voľný alebo odpojený napájací kábel | Kábel znova zapojte do elektrickej zásuvky. Zapnite elektrickú zásuvku. |
| Únik oleja | Nedostatočné utesnenie jednosmerného ventilu a výstupu | Odmontujte jednosmerný ventil a utesnite tesniacim prostriedkom. |
| | Únik cez pripojenie medzi komínom a krytom | Odmontujte a utesnite komín. |

| | | |
|------------------------------|--|---|
| Svetlá nesvietia | Rozbité/chybné žiarovky | Vymeňte žiarovky podľa tejto príručky. |
| Nedostatočné odsávanie | Príliš veľká vzdialenosť medzi kuchynským odsávačom a vrchnou časťou sporáka | Kuchynský odsávač namontujte do správnej vzdialenosti. |
| Kuchynský odsávač sa nakláňa | Nedostatočne utiahnutá upevňovacia skrutka | Utiahnite závesnú skrutku a uveďte ju do vodorovnej polohy. |

POZNÁMKA:



Všetky opravy elektrických komponentov tohto spotrebiča musia prebiehať v súlade s platnými miestnymi, štátnymi a federálnymi zákonmi. V prípade akýchkoľvek pochybností sa obráťte sa servisné stredisko, skôr než sa pustíte do takýchto prác. Zariadenie pred otvorením vždy odpojte od zdroja napájania.

ÚDRŽBA A ČISTENIE

Upozornenie:

- Pred začatím vykonávania údržby alebo čistenia odpojte kuchynský odsávač od hlavného zdroja elektrického napájania. Uistite sa, že kuchynský odsávač je vypnutý a zástrčka je vytiahnutá zo zásuvky.



- Vonkajšie povrchy sú citlivé a je možné ich ľahko poškriabať alebo odrieť, preto dodržiavajte pokyny týkajúce sa čistenia, aby ste dosiahli najlepšie možné výsledky bez poškodenia.

VŠEOBECNÉ

Údržbu a predovšetkým čistenie vykonávajte na vychladnutom spotrebiči. Dávajte pozor, aby sa na povrchy nedostali zásadité ani kyslé látky (citrónová šťava, ocot a pod.).

NEHRDZAVEJÚCA OCEĽ

Nehrdzavejúca oceľ sa musí pravidelne (každý týždeň) čistiť, aby sa zaistila dlhá životnosť. Na osušenie po čistení použite čistú, jemnú handričku. Môže sa používať špeciálna čistiaca kvapalina na nehrdzavejúcu oceľ.

POZNÁMKA:

Utieranie vykonávajte v smere pozdĺž textúry nehrdzavejúcej ocele, aby na nej nezostali nevzhľadné šmuhy.

POVRCH OVLÁDACIEHO PANELA

Vložku ovládacieho panela možno čistiť teplou mydlovou vodou. Pred čistením sa uistite, či je handra čistá a dôkladne vyžmýkaná. Po čistení utrite zvyšnú vlhkosť suchou, jemnou handričkou.

Dôležité

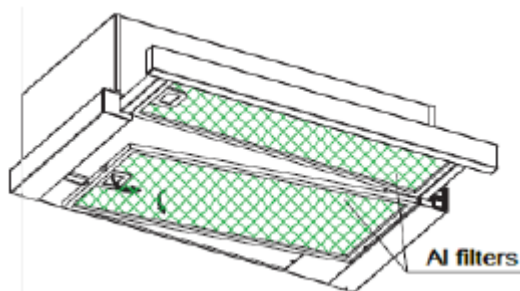
Používajte neutrálne čistiace prostriedky a nepoužívajte agresívne čistiace chemikálie ani silné čistiace prostriedky určené na použitie v domácnosti alebo produkty obsahujúce brúsivá, pretože negatívne vplyvajú na vzhľad výrobku, môžu odstrániť

symboly vytlačené na ovládacom paneli a ich použitie povedie k zániku záruky od výrobcu.

DRÔTENÉ TUKOVÉ FILTRE

Drôtené filtre sa dajú čistiť ručne. Namočte filtre na dobu asi 3 minút do vody s čistiacim prostriedkom na uvoľnenie mastnoty a jemne ich očistite mäkkou kefou . Nepoužívajte príliš veľký tlak, vyhýbajte sa poškodeniu. (Nechajte prirodzene vyschnúť, nie na priamom slnečnom svetle)

Filtre by mali byť umývané samostatne od riadu a kuchynských potrieb. Odporúča sa nepoužívať leštidlo.



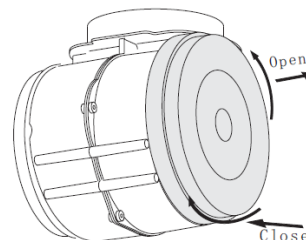
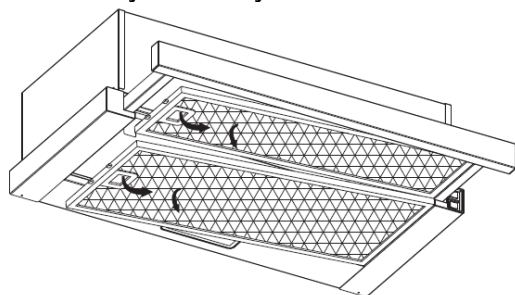
INŠTALÁCIA DRÔTENÝCH TUKOVÝCH FILTROV

- Postup inštalácie filtrov je uvedený v nasledujúcich štyroch krokoch.
- Filter nasmerujte do otvorov na zadnej strane odsávača pár.
- Stlačte tlačidlo na rukoväti filtra.
- Po vložení filtra do kľudovej polohy uvoľnite rukoväť.
- Ak chcete nainštalovať všetky filtre, postup opakujte.

UHLÍKOVÝ FILTER - nie je súčasťou balenia

Filter s aktívnym uhlím je možné použiť na zachytenie zápachu. V závislosti od frekvencie Vášho varenia by mal byť filter aktívneho uhlia vymenený v rozmedzí troch alebo šiestich mesiacov. Postup inštalácie filtra s aktívnym uhlím je uvedený nižšie.


- (1) Vysuňte prednú časť odsávača pár.
- (2) Najprv treba odpojiť hliníkový filter. Stlačte zámok a potiahnite ho smerom nadol.
- (3) Vytiahnite uhlíkový filter jeho otáčaním proti smeru hodinových ručičiek
- (4) Vložte nový uhlíkový filter.



POZNÁMKA:

- Presvedčte sa, či je filter bezpečne zaistený. V opačnom prípade by sa mohol uvoľniť a spôsobiť nebezpečenstvo.
- Po osadení filtra s aktívnym uhlím dôjde k zníženiu odsávacieho výkonu.

VÝMENA ŽIAROVKY

| | |
|--|---|
| <p>Dôležité:</p>  | <ul style="list-style-type: none">✧ Výmenu žiarovky musí vykonávať výrobca, jeho servisný zástupca alebo osoby s podobnou kvalifikáciou.✧ Pred začatím vykonávania akýchkoľvek prác na spotrebiči vždy vypnite prívod elektrickej energie. Pri manipulácii so žiarovkou sa uistite, že je úplne chladná, až potom ju uchopte do rúk.✧ Pri manipulácii so žiarovkami použite na uchopenie žiaroviek handričku alebo rukavice, aby nedošlo ku kontaktu telesnej vlhkosti so žiarovkou, pretože to môže viesť k skráteniu životnosti žiarovky. |
|--|---|

(1) Vypnite spotrebič a vyťahnite zástrčku.

(2) Vysuňte prednú časť odsávača pár.

(3) Najprv treba odpojiť hliníkový filter. Stlačte zámok a potiahnite ho smerom nadol.

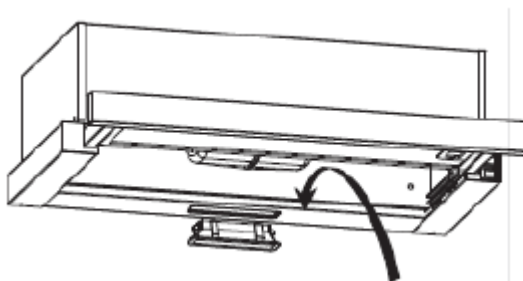
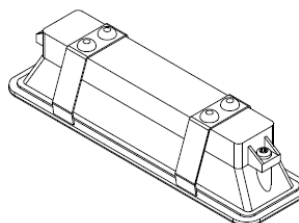
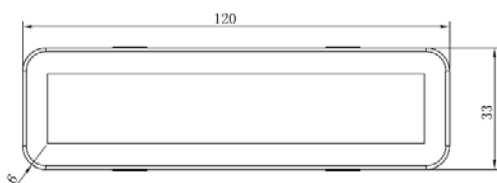
(4) Nahradte rovnakým typom. 230V ~ 50Hz, LED 2,5W

• Kód ILCOS D tejto žiarovky je: DBS-2.5/65-H-120/33.


– max. wattový výkon: 2,5W

– rozsah napätia: AC 230V

– Rozmery:



OCHRANA ŽIVOTNÉHO PROSTREDIA

| | |
|---|---|
|  | <p>Tento výrobok je označený symbolom selektívneho triedenia odpadu z elektronických zariadení. To znamená, že tento výrobok sa nesmie likvidovať spolu s komunálnym odpadom, ale vzťahuje sa naň systém selektívneho zberu v súlade so smernicou 2012/19/EÚ. Následne sa recykluje alebo zlikviduje tak, aby sa minimalizoval negatívny vplyv na životné prostredie. Elektrické a elektronické výrobky predstavujú potenciálne nebezpečenstvo pre životné prostredie a ľudské zdravie, keďže obsahujú nebezpečné látky. Ďalšie informácie poskytnú na požiadanie miestne alebo regionálne úrady.</p> |
|---|---|

POZNÁMKA:

Nasledujúce informácie slúžia na zníženie celkového negatívneho vplyvu procesu varenia na životné prostredie (napr. spotreba energie).

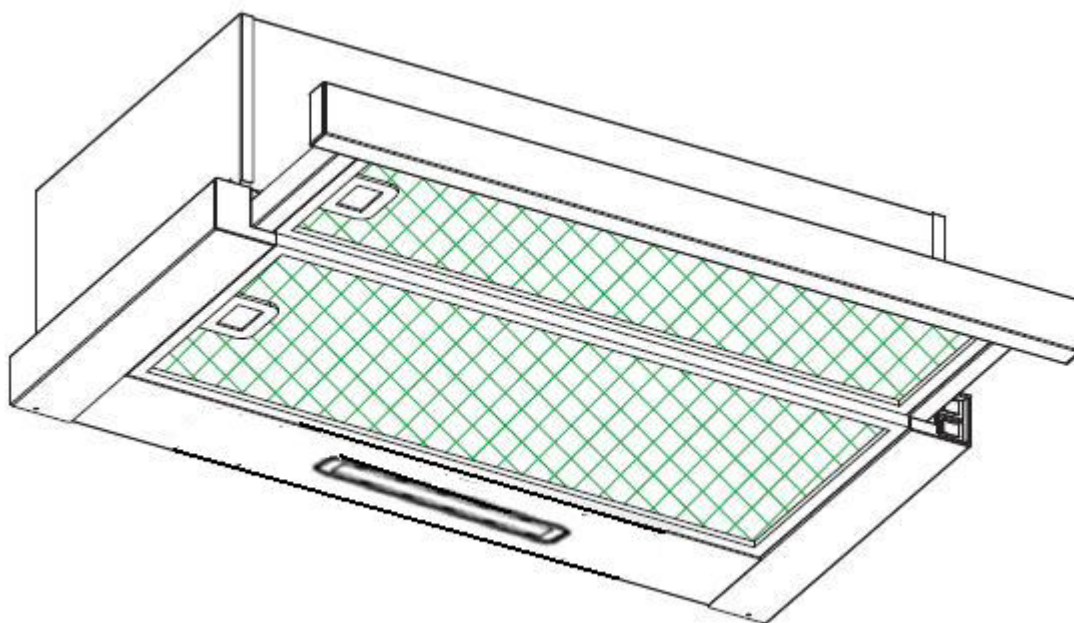
- (1) Kuchynský odsávač nainštalujte na vhodné miesto s účinným vetraním.
- (2) Kuchynský odsávač pravidelne čistite, aby nedošlo k upchatiu vzduchového kanála.
- (3) Po varení nezabudnite vypnúť svetlo kuchynského odsávača.
- (4) Po varení nezabudnite vypnúť kuchynský odsávač.

INFORMÁCIE TÝKAJÚCE SA LIKVIDÁCIE

Spotrebič nelikvidujte spôsobom, ktorý nie je uvedený v tomto návode na použitie. Likvidáciu spotrebiča nesmie vykonávať používateľ. Po uplynutí prevádzkovej životnosti sa spotrebič nesmie likvidovať spolu s komunálnym odpadom. Poradenstvo v súvislosti s recykláciou vám poskytnú miestne úrady alebo predstavitelia samosprávy.

Kuhinjska napa

Navodila za uporabo



Vsebina

- 1.....Varnostna navodila
- 2.....Namestitev
- 3.....Začetek uporabe kuhinjske nape
- 4.....Odpravljanje težav
- 5.....Vzdrževanje in čiščenje
- 6.....Varstvo okolja

VARNOSTNA NAVODILA

V teh navodilih smo opisali pravilno namestitev in uporabo vaše kuhinjske nape. Prosimo vas, da jih natančno preberete, tudi če izdelek že poznate. Navodila shranite na varno mesto, kjer bodo na voljo za kasnejšo uporabo.

Nikoli ne:

- Ne uporabljajte kuhinjske nape brez maščobnega filtra, ali če je na filtru preveč maščobe!
- Ne nameščajte je nad štedilnik z žarom na visokem nivoju.
- Ne puščajte ponev, v katerih cvrete jedi, brez nadzora, ker lahko razgreta maščoba ali olja zagorijo.
- Nikoli ne puščajte odprtega ognja pod nabo.



- Če je kuhinjska napa poškodovana, je ne uporabljajte.
- Pod kuhinjsko nabo ne flambirajte.
- **PREVIDNO:** Dostopni deli se lahko med uporabo kühalnika močno segrejejo.
- Minimalna razdalja med površino kühalnika, na katero postavite posodo, in najnižji del nape. (Če je kuhinjska napa nad plinskim štedilnikom, mora biti ta razdalja najmanj 65 cm)
- Zrak ne sme biti speljan v dimno cev, ki se uporablja za izpuh plinskih naprav ali naprav na druga goriva.



Vedno:

- **Pomembno!** Med nameščanjem in vzdrževalnimi deli, kot je na primer tudi menjava žarnice, vedno izklopite električno napajanje.
- Kuhinjsko nabo morate namestiti v skladu z navodili za namestitev in nadaljnjimi ukrepi.
- Celotno namestitev lahko opravi samo kompetentna oseba oz. strokovno usposobljen električar.
- Prosimo vas, da embalažo previdno odložite med odpadke. Lahko predstavlja nevarnost za otroke.
- Bodite pozorni na ostre robove kuhinjske nape, zlasti med nameščanjem in čiščenjem.
- Če je kuhinjska napa nad plinskim štedilnikom, je minimalna razdalja med površino štedilnika, na katero postavite posodo, in najnižjim delom kuhinjske nape:
Plinski štedilnik: 75 cm
Električni štedilnik: 65 cm
Štedilnik na premog ali olje: 75 cm
- Zagotovite, da napeljava ne bo imela ostrejših kotov od 90 stopinj, ker bi bila učinkovitost kuhinjske nape močno zmanjšana.
- **Opozorilo:** Če vijakov ali delov za pritrditev ne namestite v skladu z navodili, obstaja električna nevarnost

Vedno:

- Če kuhate na plinskem štedilniku, posode in ponve pokrijte s pokrovko.
- Ko je v načinu odvajanja, kuhinjska napa odstranjuje zrak iz prostora. Ne pozabite na ustrezno zračenje. Kuhinjska napa s prostora odstrani vonjave, ne pa tudi pare.
- Kuhinjska napa je primerna samo za uporabo v gospodinjstvih.



- Če je električni kabel poškodovan, ga mora zamenjati proizvajalec, serviser ali podobno kvalificirana oseba, da preprečite morebitne nevarnosti.
- Ta aparat lahko uporabljajo otroci, starejši od 8 let, ter osebe z zmanjšanimi fizičnimi, senzoričnimi ali umskimi sposobnostmi ali s pomanjkljivimi izkušnjami in znanjem, vendar samo pod ustreznim nadzorom ali če imajo navodila za varno uporabo naprave in če razumejo morebitne nevarnosti. Otroci naj se z aparatom ne igrajo. Otroci naj aparata ne čistijo in naj na njem ne izvajajo vzdrževalnih del brez nadzora.



- Opozorilo: Preden dostopate do terminalov, morate izključiti vsa napajanja.

Vedno:

- Pozor: Napa in njeni dostopni deli se med delovanjem močno segrejejo. Bodite pozorni in ne dotikajte se vročih delov. Otroci, mlajši od 8 let, ne smejo biti v bližini kuhinjske nape, razen pod stalnim nadzorom.
- V prostoru mora biti zagotovljeno primerno zračenje, če kuhinjsko napo uporabljate hkrati s štedilnikom na plin ali na drugo gorivo.
- Obstaja nevarnost požara, če nape ne čistite v skladu z navodili
- Odvod zraka mora biti urejen v skladu s pravili.
- Napo redno čistite, pri čemer pa upoštevajte navodila v poglavju VZDRŽEVANJE.
- Podrobnosti načina in časovni intervali čiščenja so predstavljeni v poglavju o vzdrževanju in čiščenju v navodilih za uporabo.
- Podrobnosti načina in časovni intervali čiščenja so predstavljeni v poglavju o vzdrževanju in čiščenju v navodilih za uporabo.
- Brez nadzora otroci nape ne smejo čistiti in na njej ne smejo izvajati vzdrževalnih del.
- Ko hkrati delujejo kuhinjska napa in kuhinjski aparati, ki se napajajo razen z elektriko tudi z drugo energijo, negativni tlak v prostoru ne sme preseči 4 Pa (4×10^{-5} bar).
- OPOZORILO: Nevarnost požara: ne hranite stvari na kahalni površini.
- Ne uporabljajte parnega čistilnika.
- NIKOLI ognja ne poskušajte pogasiti z vodo, ampak izklopite aparat in nato ogenj prekrijte npr. s pokrovom ali protipožarno odejo.

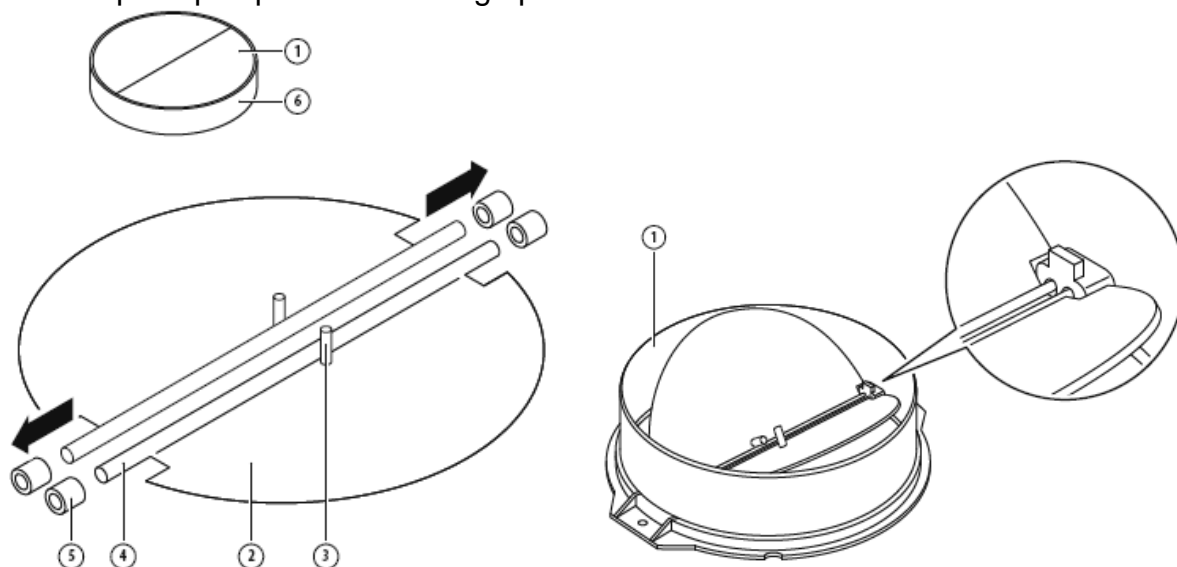
NAMESTITEV (ODVOD ZRAKA IZ PROSTORA)

NAMESTITEV V-POKLOPCA

Če napa še nima vgrajenega V-poklopca, morate vi vgraditi obe polovici na ohišje nape. Slike prikazujejo samo primer montaže V-poklopca, način montaže se lahko pri različnih modelih in konfiguracijah razlikuje.

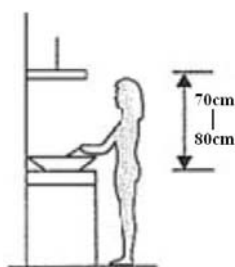
Za montažo V-poklopca, morate:

- montirati dve polovici v ohišje 6
- zatič 3 mora biti obrnjen navzgor;
- osi 4 je treba vstaviti v odprtine 5 na ohišju;
- celoten postopek ponovite za drugo polovico

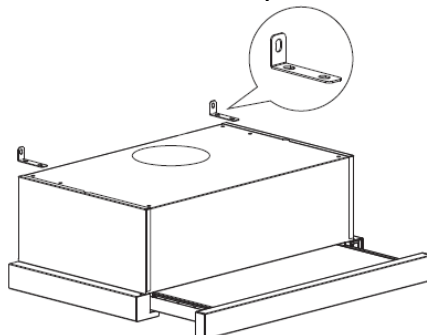


NAMESTITEV (montaža na steno)

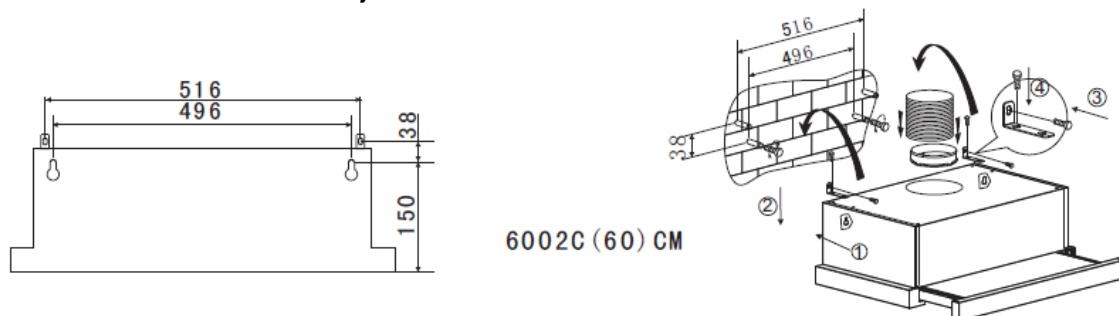
1. Izberite mesta, kjer bodo luknje za pritrnitev kuhinjske nape.



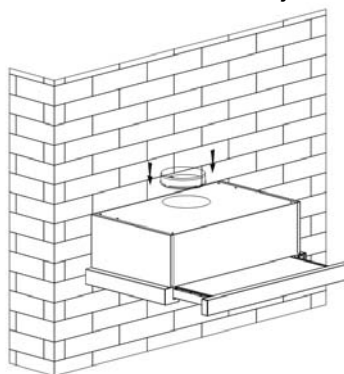
2. Namestite nosilec v obliki črke L na vrh nape z dvema vijakoma (4 mm x 10 mm)



3. Napo na steno pritrдите s 4 vijaki (4 mm x 30 mm) in stenskimi vložki. Napo pritrđite na steno na zadnji strani nape z 2 vijakoma (4 mm x 30 mm) in stenskimi vložki. Nato fiksirajte napo na steno z 2 vijakoma (4 mm x 30 mm) in stenskimi vložki skozi majhen L-nosilec.

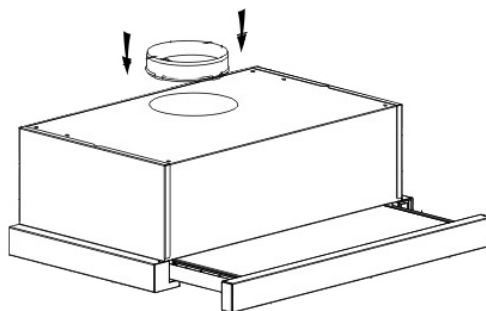


4. Fiksirajte enosmerni ventil na izhod zraka kuhinjske nape.

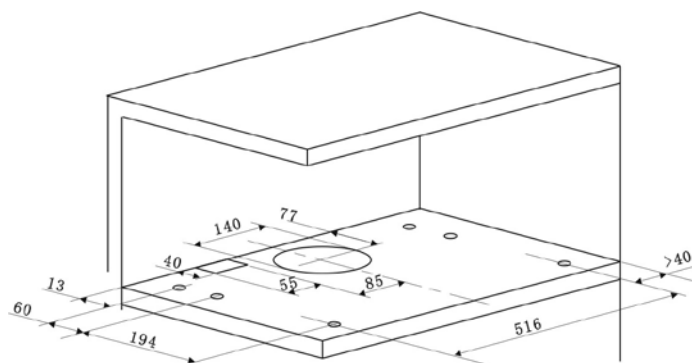


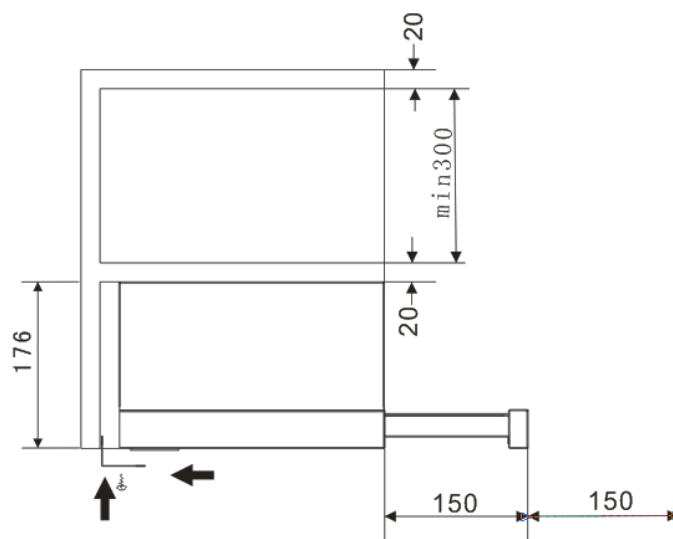
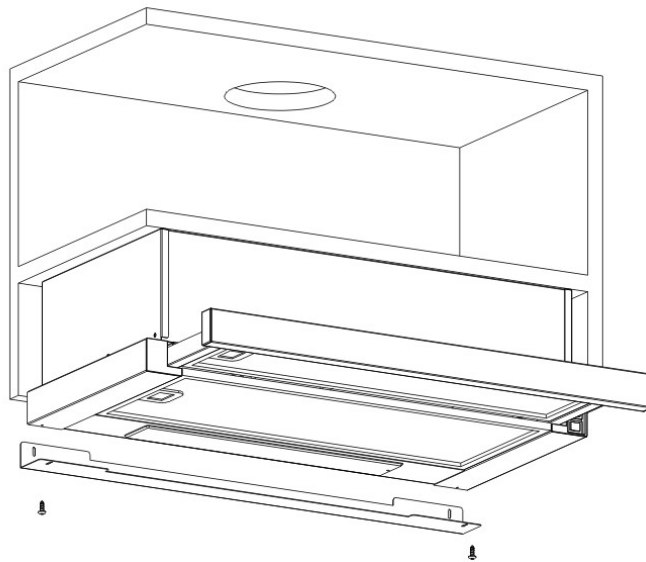
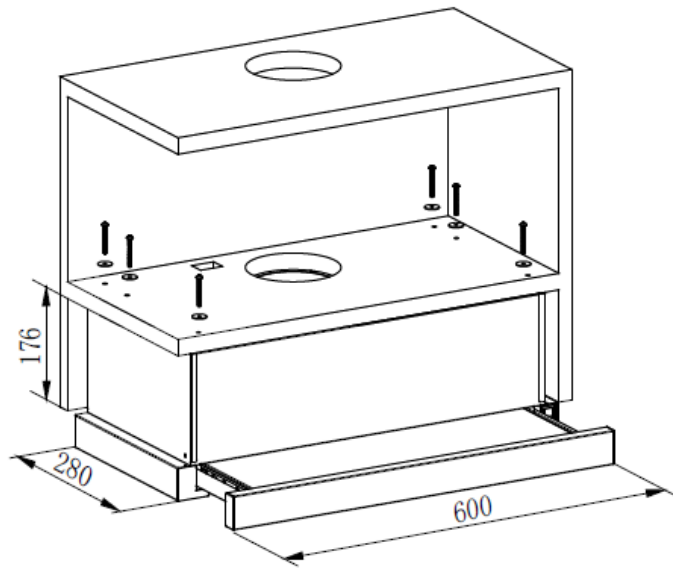
NAMESTITEV (montaža na omarice)

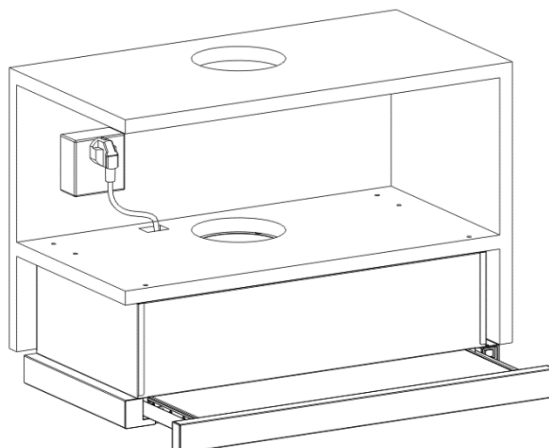
1. Fiksirajte enosmerni ventil na izhod zraka kuhinjske nape.



2. Montirajte kuhinjsko napo na omarico in sicer s 6 vijaki (4 x 35 mm), 4 maticami in ploskimi tesnili.








Če je med steno in nabo prazen prostor, lahko z dvema vijakoma (3 x 12 mm) namestite na dno nape L-nosilec.

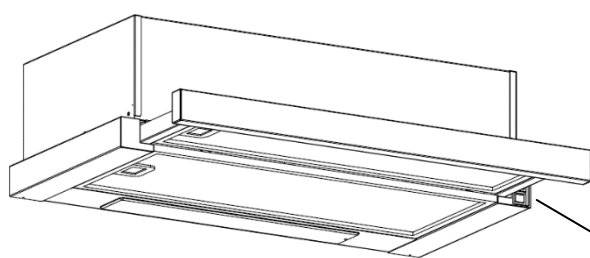
Namestitev L-nosilca je opcijška in ni nujna.

Opomba: Raztezna cev ni priložena.

| | |
|--|---|
| <p>OPOZORILO:</p>  | <ul style="list-style-type: none"> ➤ Iz varnostnih razlogov uporabljajte vijake za pritrditev ali montažo, ki jih priporočamo v navodilih za uporabo. ➤ Če vijakov ali delov za pritrditev ne namestite v skladu z navodili, obstaja električna nevarnost |
|--|---|

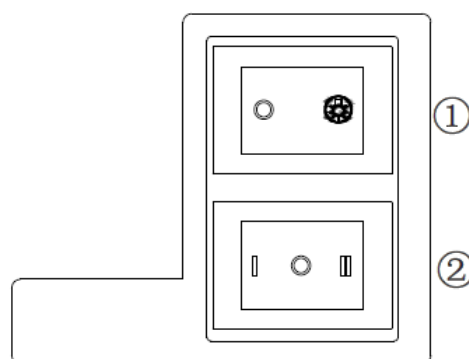
Začetek uporabe vaše kuhinjske nape

Stikalo za vklop in izklop



Stikalo za vklop

in izklop



1. Priključite vtič v vtičnico.

2. Če potisnete stikalo ① na , lučka sveti; če potisnete stikalo ① na "0" , se lučka izklopi.

3. Če potisnete stikalo ② na "I, II", bo motor deloval z dvema hitrostima "nizko visoko", če potisnete stikalo na "0", se bo motor zaustavil.
4. Električna napeljava bo prikjučena, ko boste izvlekli sprednji panel. Nasprotno bo električna napeljava samodejno izključena.

ODPRAVLJANJE NAPAK

| Napaka | Možen vzrok | Rešitev |
|-------------------------------|--|---|
| Luč sveti, motor pa ne deluje | Stikalo ventilatorja izklopljeno | Izberite položaj stikala ventilatorja. |
| | Preklop ventilatorja ni uspel | Obrnite se na servisni center. |
| | Napaka motorja | Obrnite se na servisni center. |
| Luč ne deluje, motor tudi ne. | Napaka na varovalkah | Ponastavite/Zamenjajte varovalke. |
| | Električni kabel je izključen | Ponovno vključite kabel v električni vtič. Vključite električno napetost. |
| Puščanje olja | Enosmerni ventil in izhod nista dobro zatesnjena | Vzemite enosmerni ventil in zatesnite s tesnilnim sredstvom. |
| | Puščanje povezave odvoda in pokrova | Zatesnite priključek odvoda. |
| Luči ne delujejo. | Okvarjene žarnice ali z napako | Zamenjate žarnice ponavodilih. |
| Nezadostno sesanje | Razdalja med kuhinjsko napo in plinskim štedilnikom je prevelika | Napo nastavite na pravilno razdaljo. |
| Kuhinjska napa se nagiba. | Vijaki za pritrditev niso dovolj pritrjeni | Pritrdite viseč vijak, da bo vodoraven. |

OPOMBA:



Vsa električna popravila aparata morajo biti skladna z lokalnimi, državnimi in zveznimi zakoni. V primeru dvomov se obrnite na servisni center preden začnete z deli. Vedno najprej izključite napo iz električne napetosti, če jo odpirate.

VZDRŽEVANJE IN ČIŠČENJE

Pozor:

- Pred vzdrževalnimi deli ali čiščenjem je treba kuhinjsko napo izključiti iz električnega napajanja. Kuhinjsko napo izključite iz stenske vtičnice in vtič umaknite.



- Zunanje površine so občutljive na praske in odrgnine, zato upoštevajte navodila za čiščenje, da bo najboljši možen rezultat dosežen brez škode.

SPLOŠNO

Čiščenje in vzdrževalna dela se smejo izvajati, ko je napa hladna, zlasti med čiščenjem. Na površini nape ne puščajte bazičnih ali kislih snovi (limonin sok, kis itd.).

NERJAVNO JEKLO

Nerjavno jeklo je treba redno čistiti (npr. tedensko) za njegovo dolgo življenjsko dobo. Osušite s čisto mehko krpo. Uporabi se lahko posebna tekočina za nerjavno jeklo.

OPOMBA:

Pri brisanju nerjavnega jekla morate preprečiti neželene praske in spraskan videz.

POVRŠINA NADZORNE PLOŠČE

Nadzorno ploščo lahko čistimo s toplo milnico. Krpa mora biti čista in dobro ožeta. Odvečno vlago po čiščenju odstranite z mehko čisto krpo.

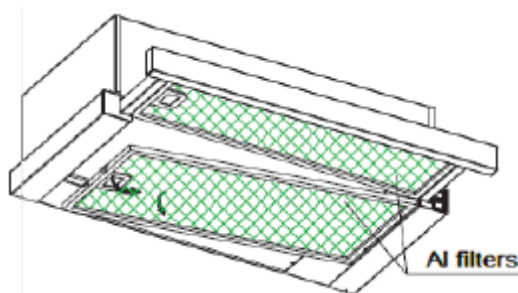
Pomembno

Čistite z nevtralnimi detergenti in ne uporabljajte ostrih kemikalij, močnih gospodinjskih detergentov ali abrazivnih izdelkov, ker lahko poškodujejo videz nape in potencialno lahko odstranijo natisnjene napise na nadzorni plošči in zaradi njih lahko preneha veljati garancija.

MREŽASTI MAŠČOBNI FILTER

Mrežaste filtre lahko čistite ročno. Namočite za 3 minute v vodo z detergentom, ki topi maščobo, nato jih na rahlo skrtačite z mehko krtačo. Ko krtačite, ne pritiskajte preveč, ker boste napo poškodovali. (Posušite naravno, ne neposredno na soncu)

Filtre pomivajte ločeno od pribora in kuhinjske posode. Priporočamo, da ne uporabljate sredstev za izpiranje.



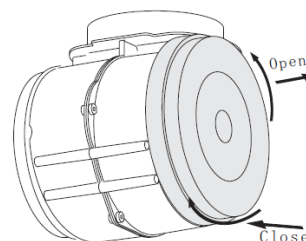
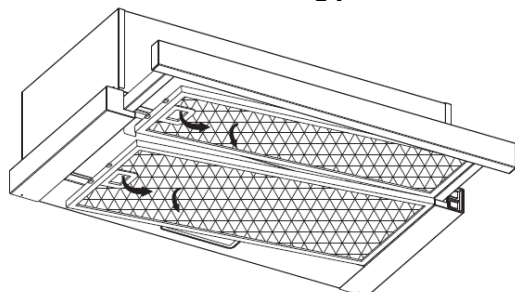
NAMEŠČANJE MREŽASTEGA MAŠČOBNEGA FILTRA

- Filtre namestite v naslednjih korakih.
- Namestite filtre v reže na zadnji strani nape.
- Pritisnite gumb na ročaj filtra.
- Sprostite ročaj, ko je filter nameščen na položaj.
- Postopek ponovite za vse filtre.

FILTER Z OGLJEM - ni priložen

Filter z aktivnim ogljem se lahko uporablja proti neprijetnim vonjem. Običajno je treba filter z ogljem zamenjati na tri ali šest mesecev, odvisno od kuharskih navad. Postopek namestitve filtrov z aktivnim ogljem je opisan spodaj.


- (1) Potisnite sprednji del nape.
- (2) Najprej je treba umakniti AL-filter. Pritisnite zaklep in ga povlecite navzdol.
- (3) Odstranite filter z ogljem, tako da ga obračate v nasprotni smeri urnemu kazalcu.
- (4) Namestite nov filter z ogljem.



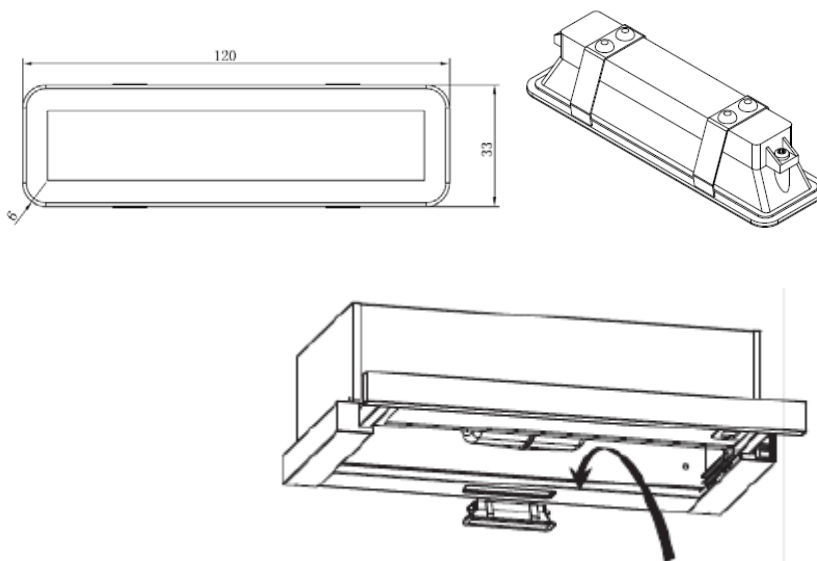
OPOMBA:

- Prepričajte se, da je filter varnostno blokiran. V nasprotnem filter ne bo pritrjen in bo predstavljal nevarnost.
- Ko je dodan filter z aktivnim ogljem, bo moč sesanja manjša.


MENJAVA ŽARNICE

| | |
|---|---|
| <p>Pomembno</p>  | <ul style="list-style-type: none"> ✧ Žarnico mora zamenjati proizvajalec, serviser ali podobno kvalificirana oseba. ✧ Vedno najprej izklopite električno napetost in se šele nato lotite del na aparatu. Ko menjate žarnico, se najprej prepričajte, da se bo popolnoma ohladila, šele nato se jo lahko dotikate. ✧ Ko delate s sijalkami, jih držite s krpo ali rokavicami, da ne bodo prišle v stik z znojem, ker bi se tako skrajšala življenjska doba sijalke. |
|---|---|

- (1) Aparat izklopite in ga izključite z napajanja.
- (2) Potisnite sprednji del nape.
- (3) Najprej je treba umakniti AL-filter. Pritisnite zaklep in ga povlecite navzdol.
- (4) Nadomestite z enakim tipom žarnice. 230 V~50 Hz, MAks. 2.5 W LED
 - ILCOS D koda za to luč je: DBS-2.5/65-H-120/33.
 - Maks. watt: 2.5 W
 - Obseg napetosti: AC 230 V
 - Dimenzije:



VARSTVO OKOLJA:

| | |
|--|---|
|  | <p>Izdelek je označen s simbolom selektivnega ločevanja elektronskih odpadkov. To pomeni, da izdelka ne smemo odlagati med gospodinjske odpadke, ampak ga je treba odložiti v sistem selektivnega zbiranja odpadkov v skladu s smernico 2012/19/ES. Nato ga lahko recikliramo ali razgradimo, da bo vpliv na okolje zmanjšan na minimum, električni in elektronski izdelki so potencialno nevarni za okolje in zdravje ljudi zaradi nevarnih snovi. Za več informacij se obrnite na svoje lokalne ali regionalne oblasti.</p> |
|--|---|

OPOMBA:

V nadaljevanju je prikazano, kako zmanjšamo celotni vpliv na okolje (uporabo energije) med kuhanjem).

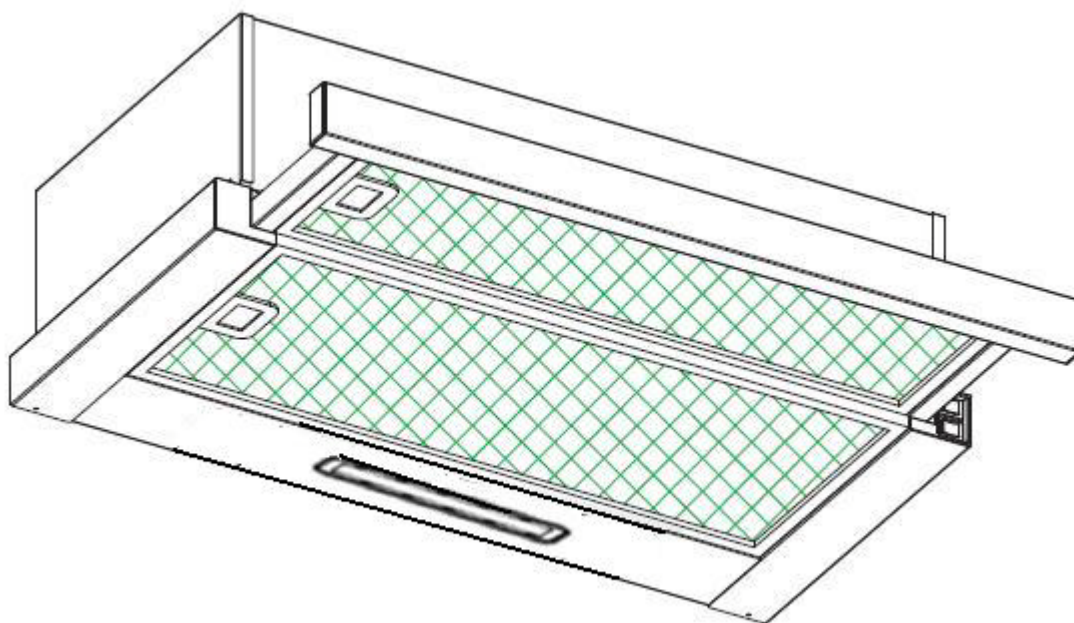
- (1) Kuhinjsko nape namestite na primerno mesto z zadostnim zračenjem.
- (2) Kuhinjsko nape redno čistite, da se zračne poti ne bodo blokirale.
- (3) Po kuhanju ne pozabite izključiti luči v napi.
- (4) Po kuhanju ne pozabite izključiti nape.

INFORMACIJE O RAZGRAJEVANJU

Nape ne razgradite drugače, kot je prikazano v navodilih za uporabo. Nape ne more razgraditi uporabnik. Po koncu življenjske dobe je ne smete odložiti med gospodinjske odpadke. Za nasvet se lahko obrnete na svoje lokalne oblasti ali na podjetje za recikliranje

Kuhinjski aspirator

Uputstvo



Sadržaj

| | |
|--------|-------------------------|
| 1..... | Bezbednosna uputstva |
| 2..... | Montaža |
| 3..... | Pokretanje aspiratora |
| 4..... | Rešavanje problema |
| 5..... | Održavanje i čišćenje |
| 6..... | Zaštita životne sredine |

BEZBEDNOSNA UPUTSTVA

Ovo uputstvo objašnjava kako se aspirator montira i koristi i molimo vas da ga pažljivo pročitate pre nego što počnete da koristite aspirator čak i ako ste već upoznati s ovim proizvodom. Ovo uputstvo treba čuvati na sigurnom mestu da bi se kasnije moglo koristiti.

Šta nikada ne treba raditi:

- Nemojte pokušavati da koristite aspirator bez filtera za masnoću niti ako su filteri previše zamašćeni!
- Nemojte postavljati aspirator iznad šporeta sa jakim efektom grila.
- Nemojte ostavljati tiganj bez nadzora dok ga koristite jer se vrela mast ili ulje mogu zapaliti.
- Nikada nemojte ostavljati otvoreni plamen ispod aspiratora.



- Ako je aspirator oštećen nemojte pokušavati da ga koristite.
- Nemojte flambirati jela ispod aspiratora.
- OPREZ: Prilikom korišćenja kuhinjskih aparata pristupačni delovi aspiratora mogu postati vreli.
- Minimalna udaljenost između površine za kuvanje na šporetu i najnižeg dela aspiratora. (Kada se aspirator nalazi iznad uređaja na kom se koristi plin, udaljenost treba da bude najmanje 65 cm)
- Vazduh ne sme biti ispuštan kroz otvor koji se koristi za odvod dima iz uređaja na gas ili druga goriva.



Šta uvek treba uraditi:

- Važno! Tokom montaže i održavanja, kao što je na primer prilikom zamene sijalice, uvek isključite napajanje.
- Aspirator mora biti postavljen u skladu sa uputstvima za montažu i moraju se ispoštovati sve mere.
- Celokupnu montažu mora izvršiti za to osposobljena osoba ili kvalifikovani električar.
- Molimo vas da materijal u kom je aspirator bio zapakovan pažljivo odložite. Opasan je za decu.
- Obratite pažnju na oštre ivice aspiratora, naročito tokom montaže i čišćenja.
- Kada se aspirator nalazi iznad uređaja na kom se koristi plin, minimalna udaljenost između površine za kuvanje na šporetu i najnižeg dela aspiratora mora biti:
Šporeti na plin: 75 cm
Električni šporeti: 65 cm
Šporeti na uglj ili naftu: 75 cm
- Postarajte se da crevo ne bude savijeno manje od 90 stepeni jer to smanjuje efikasnost aspiratora.
- Upozorenje: Propust da se zavrtnji i delovi za pričvršćivanje koriste u skladu sa ovim uputstvima može prouzrokovati udar struje

Šta uvek treba uraditi:

- Kada koristite šporet na plin uvek stavljajte poklopce na šerpe i tiganje.
- Kada je u režimu izvlačenja, aspirator izvlači vazduh iz prostorije. Proverite da li su ispoštovane sve mere za ventilaciju. Aspirator uklanja neprijatne mirise iz prostorije ali ne i paru.
- Aspirator je samo za kućnu upotrebu.



- Ako je napojni kabl oštećen, mora ga zameniti proizvođač, osoba koju proizvođač za to koristi ili osoblje koje je za to obučeno, kako bi se sprečile nezgode.
- Ovaj uređaj smeju koristiti deca od 8 i više godina, kao i osobe čije su fizičke, čulne ili mentalne sposobnosti smanjene ili kojima nedostaje iskustvo i znanje ukoliko im se obezbedi odgovarajući nadzor ili uputstvo o bezbednom korišćenju ovog uređaja i ukoliko su upoznati s potencijalnim opasnostima. Deca se ne smeju igrati ovim uređajem. Čišćenje i održavanje ne treba da obavljaju deca bez nadzora.



- **Upozorenje:** Pre pristupa terminalima sva strujna kola treba da budu isključena.

Šta uvek treba uraditi:

- **Oprez:** Tokom rada ovaj uređaj i njegovi pristupačni delovi mogu postati vreli. Pazite da ne dotičete grejne elemente. Deci ispod 8 godina starosti ne treba dozvoliti pristup osim ako su pod konstantnim nadzorom.
- Kada aspirator radi u isto vreme kad i uređaji na plin ili druga goriva, u prostoriji treba da ima dovoljno ventilacije.
- Ukoliko se čišćenje ne obavlja u skladu sa uputstvima, postoji opasnost od požara.
- Mora biti udovoljeno propisima koji se odnose na izvlačenje vazduha.
- Uređaj čistite periodično na način opisan u poglavlju ODRŽAVANJE.
- Iz bezbednosnih razloga koristite samo one zavrtnje za pričvršćivanje ili montiranje koji su istih mera koje su preporučene u ovom uputstvu.
- Što se tiče detalja o načinu i učestalosti čišćenja, pogledajte u ovom priručniku deo o održavanju i čišćenju.
- Čišćenje i održavanje ne treba da obavljaju deca bez nadzora.
- Kada aspirator radi istovremeno sa uređajima koji koriste energiju koja nije električna, negativni pritisak u prostoriji ne sme preći 4 Pa (4 x 10⁻⁵ bara).
- **UPOZORENJE:** Opasnost od požara: ne odlažite predmete na površine za kuvanje.
- Ne sme se koristiti parni čistač.
- **NIKADA** nemojte pokušavati da ugasište požar vodom već isključite uređaj i pokrijte plamen na primer poklopcem ili protivpožarnim prekrivačem.

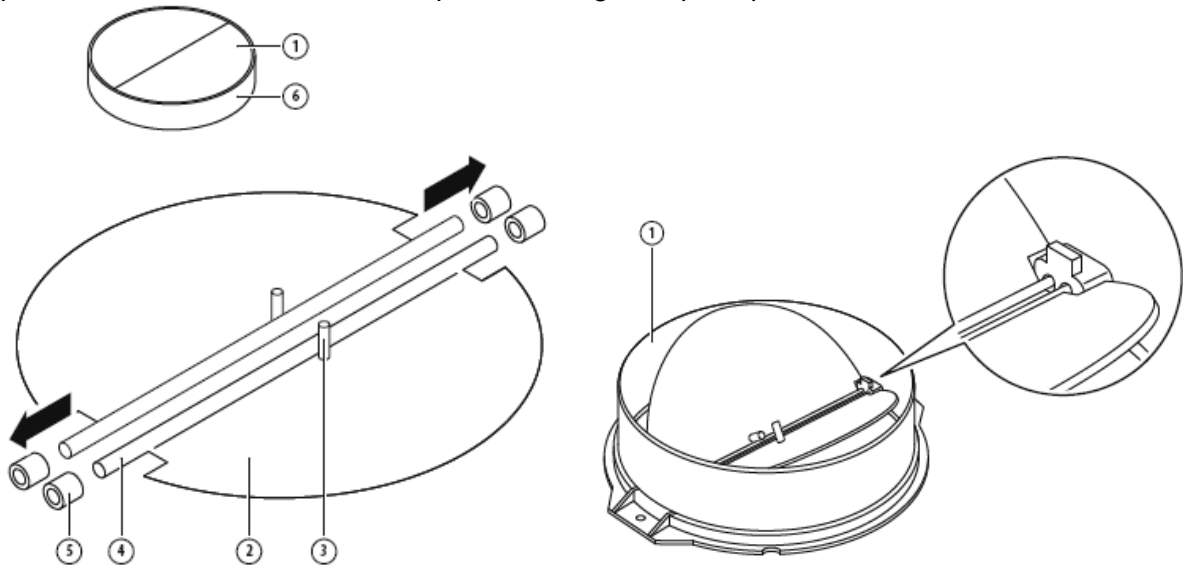
MONTAŽA (SPOLJNA VENTILACIJA)

MONTAŽA V-POKLOPCA

Ako aspirator nema ugrađen V-poklopac 1, treba da montirate njegova dva dela na kućište. Na slikama se vidi samo primer toga kako montirati V-poklopac, otvor se može razlikovati u zavisnosti od modela i konfiguracije.

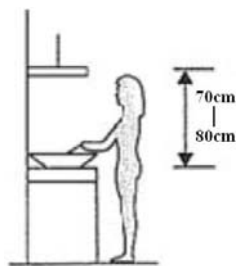
Da bi se montirao V-poklopac 1 potrebno je uraditi sledeće:

- Postavite dva dela označena brojem 2 na kućište označeno brojem 6
- pin označen brojem 3 treba da bude okrenut na gore;
- osovina označena brojem 4 treba da bude ubačena u rupe na kućištu označene brojem 5;
- ponovite sve ove korake da biste postavili drugi deo poklopca

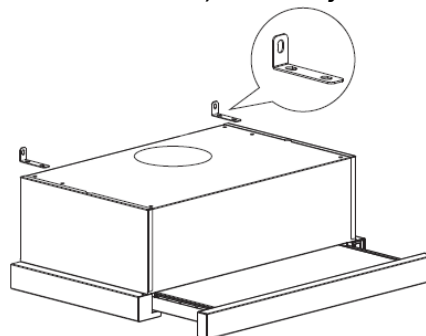


MONTAŽA (Postavljanje na zid)

1. Odredite položaj rupa koje će se koristiti za kačenje aspiratora.

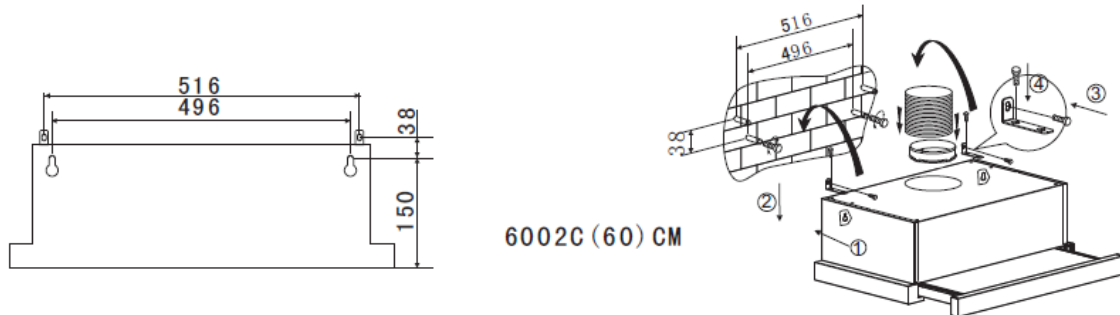


2. Koristeći dva zavrtnja (4 mm x 10 mm) montirajte nosač profila L na vrh aspiratora

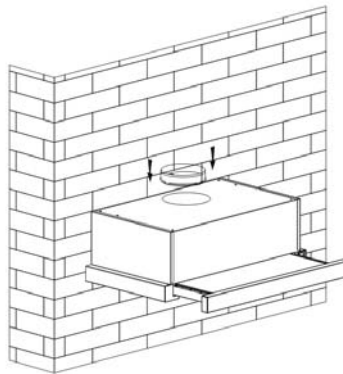


3. Aspirator se montira na zid pomoću 4 zavrtnja (4mm x 30mm) i tiplova.

Montirajte aspirator na zid tako što ćete zadnji deo aspiratora pričvrstiti za zid pomoću 2 zavrtnja (4mm x 30mm) i tiplova. Zatim, koristeći mali nosač profila L, pričvrstite aspirator za zid pomoću 2 zavrtnja (4mm x 30mm) i tiplova.

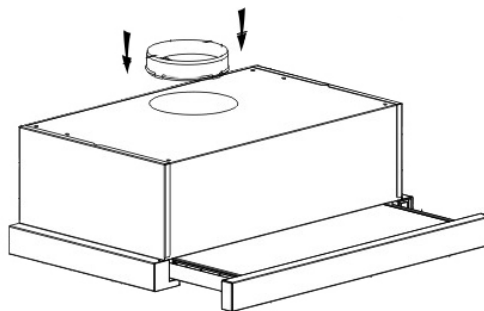


4. Pričvrstite nepovratni ventil na otvor za vazduh na aspiratoru.

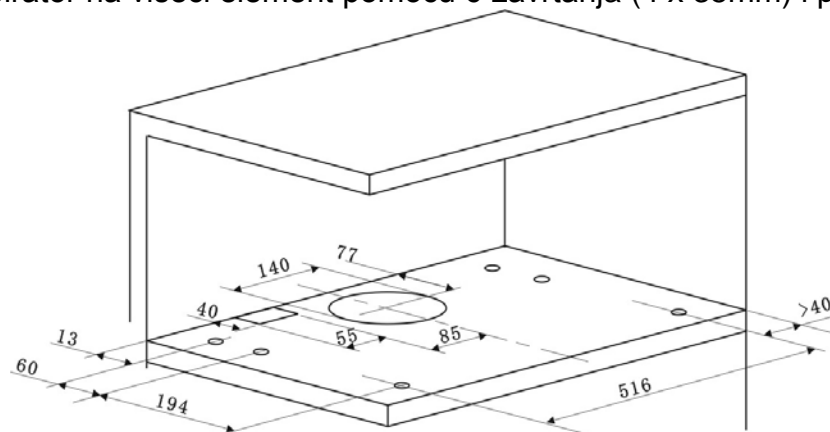


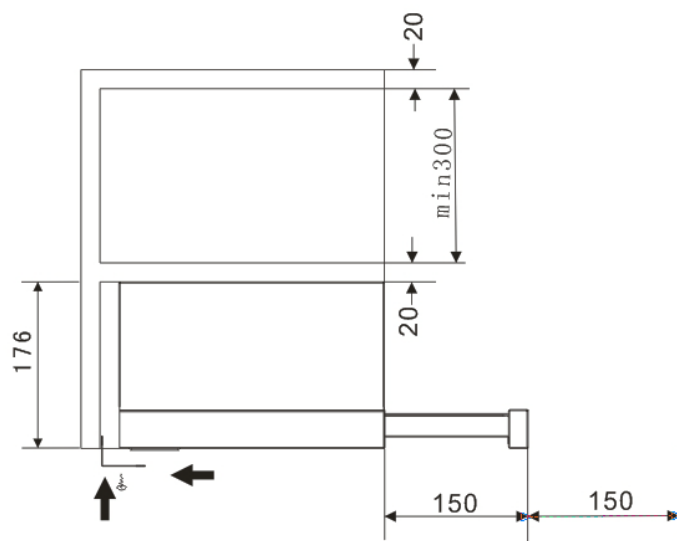
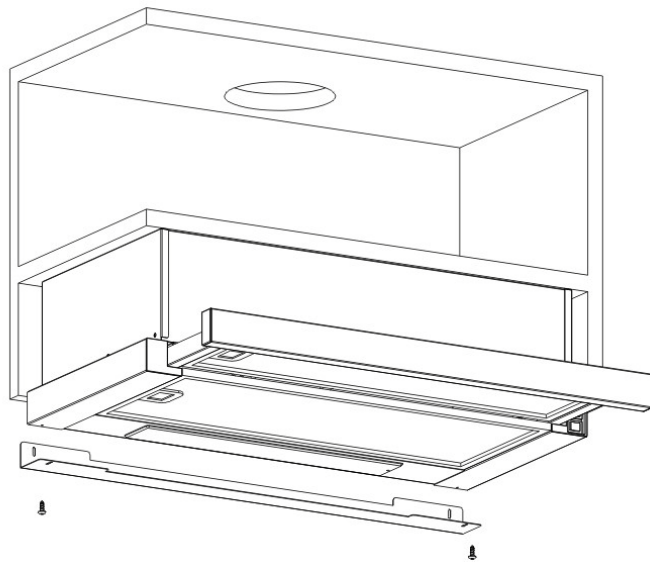
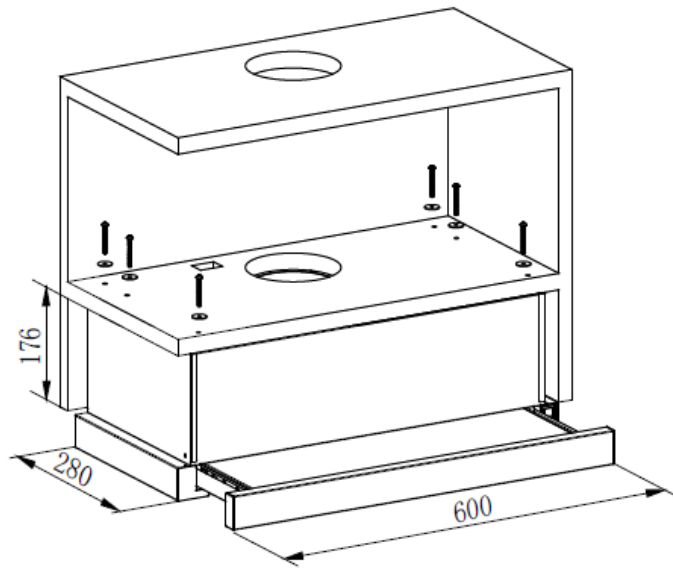
MONTAŽA (na viseći element)

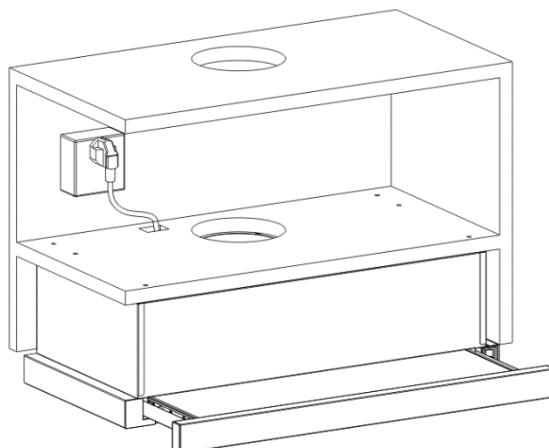
1. Pričvrstite nepovratni ventil na otvor za vazduh na aspiratoru.



2. Montirajte aspirator na viseći element pomoću 6 zavrtnja (4 x 35mm) i podloški.







Ako između zida i aspiratora postoji prazan prostor, možete postaviti nosač profila L na donju površinu aspiratora pomoću dva zavrtnja (3 x 12mm). Postavljanje nosača profila L je stvar izbora.
Napomena: Produžno crevo se ne isporučuje s proizvodom.

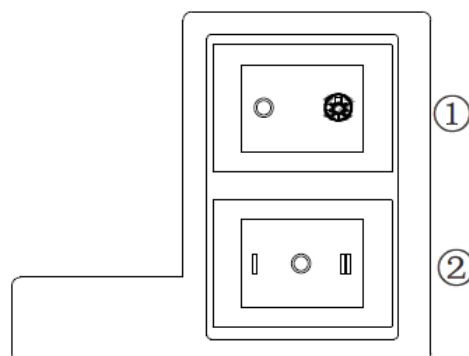
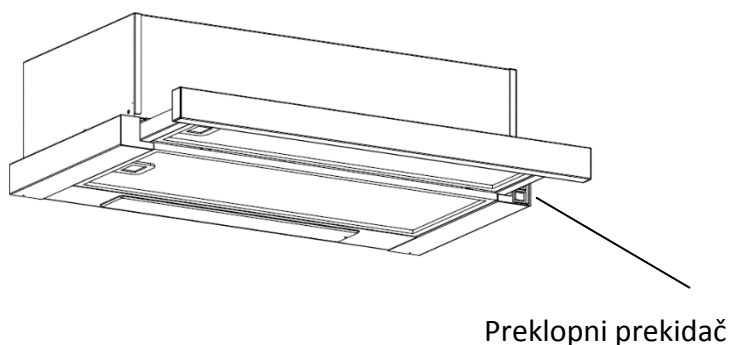
UPOZORENJE:



- Iz bezbednosnih razloga koristite samo one zavrtnje za pričvršćivanje ili montiranje koji su istih mera koje su preporučene u ovom uputstvu.
- Propust da se zavrtnji ili delovi za pričvršćivanje koriste u skladu sa ovim uputstvima može prouzrokovati udar struje.

Pokretanje aspiratora

Preklopni prekidač



1. Uključite utikač napojnog kabla u utičnicu.
2. Stavite prekidač ① na položaj , i lampica će se uključiti; stavite prekidač ① na položaj „0 ” i lampica će se isključiti.

3. Stavite prekidač ② na položaj „I, II “ i motor će raditi u dve brzine, „low, high “; stavite prekidač na položaj „0 “ i motor će se isključiti.
4. Napajanje uređaja će se aktivirati nakon izvlačenja prednjeg dela aspiratora. Vraćanjem prednjeg dela aspiratora u prvobitni položaj, napajanje će automatski prekinuti.

REŠAVANJE PROBLEMA

| Kvar | Mogući uzrok | Rešenje |
|---------------------------------|---|---|
| Svetlo svetli ali motor ne radi | Prekidač za ventilator je isključen | Postaviti prekidač za ventilator u odgovarajući položaj. |
| | Prekidač za ventilator ne radi | Stupiti u kontakt sa servisnim centrom. |
| | Motor ne radi | Stupiti u kontakt sa servisnim centrom. |
| Svetlo ne radi, motor ne radi | Problem s kućnim osiguračima | Vratiti/zameniti osigurače. |
| | Strujni kabl labav ili isključen | Ponovo staviti kabl u utičnicu. Uključiti utičnicu. |
| Curenje ulja | Nepovratni ventil i odvod nisu dobro zatvoreni | Skinuti nepovratni ventil i staviti zaptivač. |
| | Spoj između poklopca i odvoda propušta | Skinuti odvod i zatvoriti ga. |
| Svetla ne rade | Sijalice su pukle/neispravne | Zameniti sijalice u skladu sa ovim uputstvom. |
| Nedovoljno usisavanje | Udaljenost između aspiratora i grejne površine je prevelika | Podesiti aspirator na ispravnu udaljenost. |
| Aspirator je nagnut | Zavrtanj za pričvršćivanje nije dovoljno dotegnut | Dotegnuti zavrtanj kako bi aspirator stajao horizontalno. |

NAPOMENA:



Svaka električna popravka ovog uređaja mora biti u skladu s vašim lokalnim i državnim zakonima. Pre nego što bilo šta od gore navedenog preduzmete stupite u kontakt sa servisnim centrom ukoliko niste sigurni oko nečega. Uvek isključite uređaj iz struje pre nego što ga otvorite.

ODRŽAVANJE I ČIŠĆENJE

Oprez:

- Pre održavanja ili čišćenja aspirator treba biti isključen iz struje. Zasičajte da je aspirator isključen i da je izvučen utikač.



- Spoljašnje površine su podložne ogrebotinama i oštećenjima i zato vas molimo da sledite uputstva za čišćenje kako biste postigli najbolje moguće rezultate bez oštećenja.

UOPŠTENO

Prilikom čišćenja i održavanja uređaj treba da bude hladan, naročito prilikom čišćenja. Nemojte ostavljati alkalne supstance ili kiseline (limunov sok, sirće itd.) na površinama.

NERĐAJUĆI ČELIK

Nerđajući čelik treba redovno čistiti (na primer sedmično) kako bi se produžio životni vek. Treba ga isušiti čistom mekom krpom. Može se koristiti tečnost posebno namenjena nerđajućem čeliku.

NAPOMENA:

Postarajte se da površine od nerđajućeg čelika brišete duž teksture kako biste sprečili pojavu ogrebotina koje nastaju kada se briše i uzduž i popreko.

POVRŠINA KONTROLNE TABLE

Unutrašnja kontrolna tabla se može očistiti toplom sapunicom. Pre čišćenja krpa treba da bude čista i dobro iscedena. Koristite suhu meku krpku kako biste pokupili preostalu vlagu nakon čišćenja.

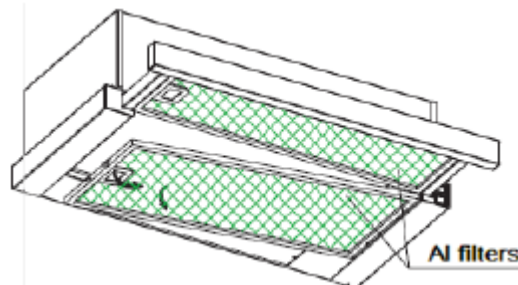
Važno

Koristite neutralne deterdžente i izbegavajte upotrebu jakih hemikalija za čišćenje, jakih deterdženata za domaćinstvo ili abrazivnih sredstava, jer to utiče na izgled uređaja i može ukloniti natpise na kontrolnoj tabli i zbog toga garancija proizvođača neće važiti.

MREŽASTI FILTERI ZA MASNOĆU

Mrežasti filteri se mogu ručno čistiti. Potopite ih na oko 3 minuta u vodu sa deterdžentom za skidanje masnoće a zatim ih nežno očistite mekom četkom. Nemojte previše pritiskati da biste izbegli oštećenja. (Ostavite ih da se sami osuše van direktne sunčeve svetlosti)

Filtere treba prati odvojeno od posuđa i kuhinjskog pribora. Preporučujemo da ne koristite sredstvo za ispiranje.



MONTIRANJE MREŽASTIH FILTERA ZA MASNOĆU

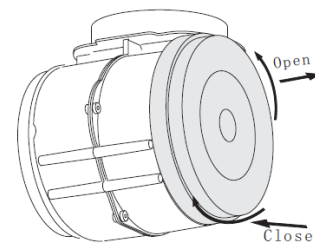
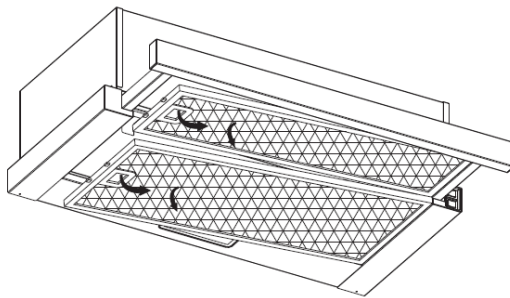
- Montaža filtera u četiri koraka.
- Postavite filter u svoje ležište u zadnjem delu aspiratora.
- Pritisnite bravicu koja se nalazi na filteru.

- Kada ste filter postavili u njegovo ležište oslobodite bravicu.
- Ponovite postupak dok ne montirate sve filtere.

UGLJENI FILTER se ne isporučuje sa uređajem

Aktivni ugljeni filter se može koristiti za otklanjanje neprijatnih mirisa. Obično se aktivni ugljeni filter treba menjati na svakih tri do šest meseci u zavisnosti od toga koliko često kuvate. Procedura montiranja aktivnog ugljenog filtera je navedena ispod.


- (1) Izvucite prednji deo aspiratora.
- (2) Najpre treba skinuti aluminijumski filter. Pritisnite bravicu i povucite nadole.
- (3) Izvadite ugljeni filter tako što ćete ga okrenuti suprotno od smera kazaljke na satu.
- (4) Stavite novi ugljeni filter.



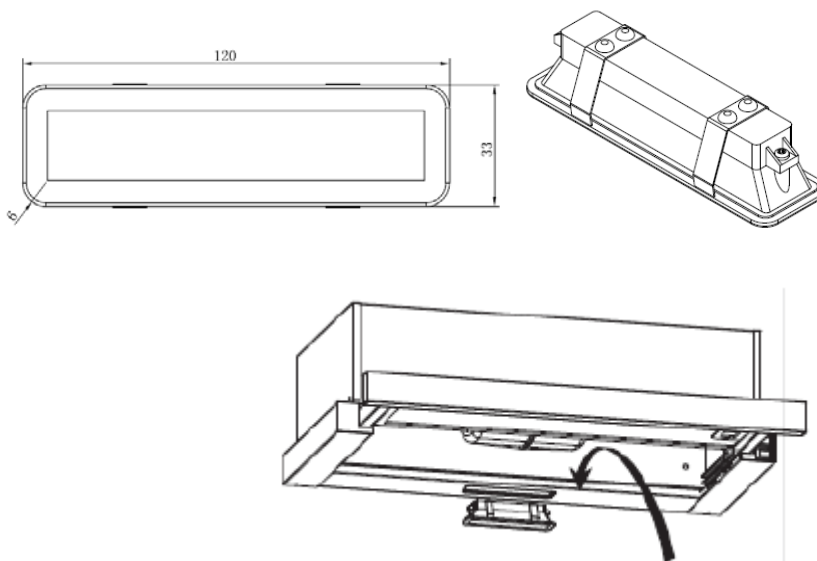
NAPOMENA:

- Filter treba da bude dobro pričvršćen. U suprotnom će se olabaviti i to može predstavljati opasnost.
- Kada se aktivni ugljeni filter prikači, usisna snaga će biti manja.


ZAMENA SIJALICE

| | |
|---|---|
| <p>Važno:</p>  | <ul style="list-style-type: none"> ✧ Sijalicu mora menjati proizvođač, njegov ovlašćeni serviser ili neka druga kvalifikovana osoba. ✧ Pre svakog rada na uređaju uvek treba isključiti napajanje. Kada rukujete sijalicom, pre svakog direktnog kontakta rukama sijalica mora biti potpuno hladna. ✧ Sijalicu treba držati krpom ili rukavicama kako znoj ne bi došao u kontakt sa sijalicom jer se time smanjuje njen životni vek. |
|---|---|

- (1) Isključite mašinu i izvucite utikač.
- (2) Izvucite prednji deo aspiratora.
- (3) Najpre treba skinuti aluminijumski filter. Pritisnite bravicu i povucite nadole.
- (4) Stavite istu vrstu osvetljenja: 230V~50Hz, MAX. 2.5W LED
 - ILCOS D kod za ovu lampu je: DBS-2.5/65-H-120/33.
 - Maksimalna snaga: 2.5W
 - Opseg napona: AC 230V
 - Dimenzije:



ZAŠTITA ŽIVOTNE SREDINE:

| | |
|--|---|
|  | <p>Ovaj proizvod ima oznaku za selektivno razvrstavanje otpadne elektronske opreme. To znači da ovaj proizvod ne sme biti odložen zajedno s kućnim otpadom već se s njim mora postupati u skladu sa sistemom selektivnog sakupljanja koji je u skladu s direktivom 2012/19/EU. Zatim će biti recikliran ili rasklopljen kako bi što manje uticao na životnu sredinu s obzirom da su električni i elektronski proizvodi potencijalna opasnost po životnu sredinu i ljudsko zdravlje jer sadrže štetne supstance. Za više informacija stupite u kontakt s nadležnima na lokalnom ili regionalnom nivou.</p> |
|--|---|

NAPOMENA:

Kako smanjiti ukupan uticaj na životnu sredinu (na primer potrošnja energije).

- (1) Montirajte aspirator na odgovarajuće mesto gde je dobra ventilacija.
- (2) Redovno čistite aspirator kako protok vazduha ne bi bilo blokiran.
- (3) Ne zaboravite da isključite svetlo aspiratora nakon kuvanja.
- (4) Ne zaboravite da isključite aspirator nakon kuvanja.

INFORMACIJE ZA RASKLAPANJE

Nemojte rasklapati uređaj drugačije od načina koji je naveden u ovom uputstvu. Uređaj ne treba da rasklapa korisnik. Na kraju životnog veka, uređaj se ne sme odlagati zajedno s kućnim otpadom. Što se tiče recikliranja posavetujte se s lokalnim nadležnima ili zastupnikom.

هذا المنتج مُعلم بالرمز الخاص بالفرز الانتقائي لنفايات الأجهزة الإلكترونية. وهذا يعني أنه يجب عدم التخلص من المنتج مع النفايات المنزلية ولكن يجب دعمه بنظام التجميع الانتقائي وفقاً للتوجيه EU/19/2012. بعد ذلك سيتم إعادة تدويره أو تفكيكه لتقليل الآثار على البيئة، تعتبر المنتجات الكهربائية والإلكترونية محتملة الخطورة على البيئة وصحة الإنسان بسبب وجود مواد خطيرة. لمزيد من المعلومات، يرجى الاتصال بالسلطات المحلية أو الإقليمية.



ملاحظة:

فيما يلي توضيح لكيفية تقليل الأثر البيئي (على سبيل المثال استخدام الطاقة) لعمليات الطهي).

- (1) قم بتركيب مدخنة موقد الطهي في مكان صحيح يتمتع بتهوية كافية.
- (2) نظّف مدخنة موقد الطهي بانتظام حتى لا تنسد ممرات الهواء.
- (3) تذكر إيقاف تشغيل مصباح مدخنة موقد الطهي بعد الانتهاء من الطهي.
- (4) تذكر إيقاف تشغيل مدخنة موقد الطهي بعد الانتهاء من الطهي.

معلومات بشأن التفكيك

لا تشرع في تفكيك الجهاز بطريقة غير موضحة في دليل المستخدم. ينبغي على المستخدم عدم تفكيك الجهاز. في نهاية فترة تشغيله، يجب عدم التخلص من الجهاز مع النفايات المنزلية. افحص مع السلطات المحلية أو جهة احتفاظ بشأن إعادة تدوير الجهاز.

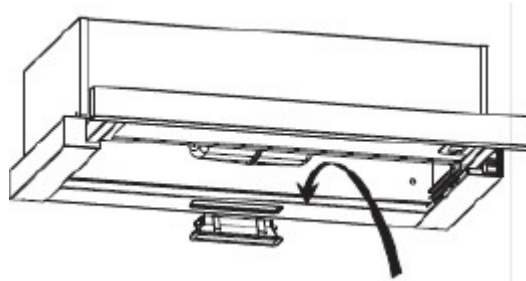
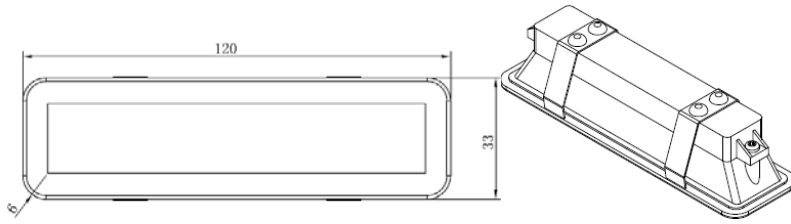
استبدال المصباح

- ✧ يجب استبدال المصباح بواسطة جهة التصنيع، أو وكيل الخدمة أو أشخاص آخرين مؤهلين على نحو مماثل.
- ✧ احرص دائمًا على إيقاف تشغيل مصدر الكهرباء قبل تنفيذ أي عمليات على الجهاز. عند مناولة المصباح، تأكد أنه بارد تمامًا قبل ملامسته باليد.
- ✧ عند مناولة بلورات المصابيح فامسكها بقطعة قماش أو قفاز لضمان عدم ملامسة التعرق للبلورة نظرًا لأن ذلك يقلل عمر البلورة.

مهم:



- (1) أوقف تشغيل الجهاز وانزع القابس.
 - (2) حرك الجزء الأمامي لمدخنة موقد الطهي.
 - (3) يجب فصل فلتر الألمونيوم أولاً. اضغط على القفل واسحبه لأسفل.
 - (4) استبدل بمصباح من نفس النوع. مصباح LED جهد 230 فولت~50 هرتز، حد أقصى 2.5 وات
- رمز ILCOS D لهذا المصباح: DBS-2.5/65-H-120/33.
 - أقصى قدرة 2.5 وات
 - نطاق الجهد تيار متردد 230 فولت
 - الأبعاد



سطح لوحة التحكم

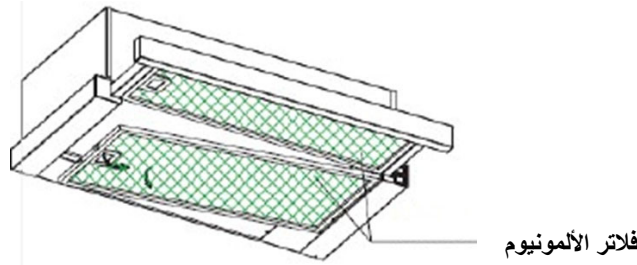
يمكن تنظيف لوحة التحكم باستخدام ماء دافئ وصابون. تأكد أن قطعة القماش نظيفة ومعصورة جيدًا قبل التنظيف. استخدم قطعة قماش جافة وناعمة لإزالة أية رطوبة زائدة متبقية بعد التنظيف.

مهم

استخدم منظفات طبيعية وتجنب استخدام كيماويات تنظيف قاسية أو منظفات منزلية قوية أو منتجات تحتوي على مواد كاشطة، نظرًا لأنها تؤثر على مظهر الجهاز ومن المحتمل أن تزيل أية طباعة فنية على لوحة التحكم كما أنها تبطل ضمان جهات التصنيع.

الفلاتر الشبكية للشحوم

يمكن تنظيف الفلاتر الشبكية باليد. انقعها لمدة 3 دقائق في الماء مع منظف مذيبي للدهون ثم نظفها بالفرشاة برفق باستخدام فرشاة ناعمة. يرجى عدم الضغط بشدة، وتجنب إتلافها. (اتركها تجف بصورة طبيعية بعيدًا عن ضوء الشمس المباشر) يجب غسل الفلاتر بشكل منفصل عن أواني الفخار وأواني المطبخ. كما يُنصح بعدم استخدام عامل مساعد للشطف.



فلتر الألمونيوم

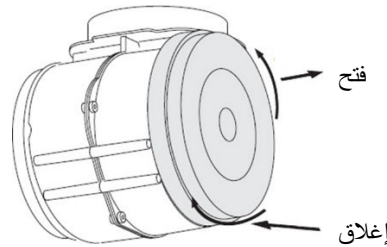
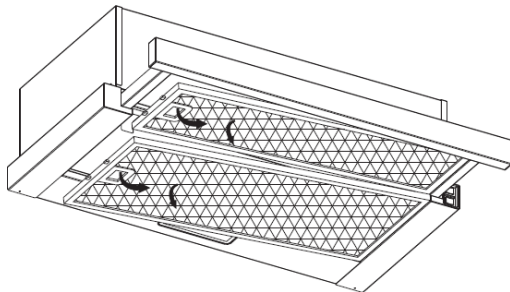
تركيب الفلاتر الشبكية للشحوم

- لتركيب الفلاتر اتبع الخطوات الأربعة التالية:
 - قم بمحاذاة الفلتر في الفتحات في مؤخرة مدخنة موقد الطهي.
 - ادفع الزر الموجود بمقبض الفلتر.
 - حرر المقبض بمجرد أن يستقر الفلتر في موضعه المناسب.
 - كرر الخطوات لتركيب جميع الفلاتر.

الفلتر الكربوني غير مرفق

يمكن استخدام فلتر الكربون المنشط لسحب الروائح. في العادة يجب تغيير فلتر الكربون المنشط كل ثلاث أو ست شهور على حسب عادات الطهي لديك. فيما يلي إجراء التركيب لفلتر الكربون المنشط.

- (1) حرك الجزء الأمامي لمدخنة موقد الطهي.
- (2) يجب فصل فلتر الألمونيوم أولاً. اضغط على القفل واسحبه لأسفل.
- (3) أخرج فلتر الكربون من خلال إدارته عكس عقارب الساعة.
- (4) أعد تركيب فلتر الكربون الجديد.



ملاحظة:

- تأكد من قفل الفلتر بإحكام. خلاف ذلك، قد يتدلى ويشكل خطورة.
- عند تركيب فلتر الكربون المنشط، سوف تنخفض قوة الامتصاص.

| العلل | السبب المحتمل | الحل |
|------------------------------------|---|--|
| المصباح يضيء، ولكن الموتور لا يعمل | تم إيقاف تشغيل مفتاح المروحة | حدد وضع مفتاح المروحة. |
| | تعطل مفتاح المروحة | اتصل بمركز الخدمة. |
| | تعطل الموتور | اتصل بمركز الخدمة. |
| المصباح لا يعمل والموتور لا يعمل | المصاهر المنزلية لا تعمل | أعد تعيين/استبدل المصاهر |
| | تم قطع سلك الطاقة أو فصله | أعد تركيب السلك في مأخذ الطاقة. قم بتشغيل مأخذ الطاقة. |
| تسريب الزيت | لم يتم إحكام غلق الصمام من اتجاه واحد والمخرج | أخرج الصمام من اتجاه واحد ثم قم بسدده باستخدام مانع تسريب. |
| | تسريب من وصلة المدخنة والغطاء | أخرج المدخنة وأحكام سدها. |
| المصابيح لا تعمل | بلورات المصباح مكسورة/متعطله | استبدل بلورات المصباح وفقاً لهذه التعليمات. |
| الامتصاص غير كاف | المسافة بين مدخنة موقد الطهي وسطح موقد الغاز بعيدة جداً | أعد تركيب مدخنة موقد الطهي حسب المسافة الصحيحة. |
| مدخنة موقد الطهي مائلة | برغي التثبيت غير مربوط بإحكام | أحكام ربط برغي التعليق واجعله أفقياً. |

ملاحظة:

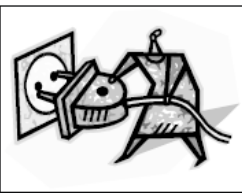


يجب أن تتوافق أي إصلاحات كهربائية لهذا الجهاز مع القوانين المحلية وقوانين الولاية والقوانين الفيدرالية الخاصة بك. الرجاء الاتصال بمركز الخدمة إذا كان لديك أي شك قبل الشروع في أي من الإصلاحات السابقة. واحرص دائماً على فصل اتصال الوحدة بمصدر الطاقة عند فتح الوحدة.

الصيانة والتنظيف

تنبيه:

- قبل إجراء الصيانة والتنظيف، يجب فصل مدخنة موقد الطهي على مصدر الطاقة الرئيسي. تأكد من إيقاف تشغيل مدخنة موقد الطهي من المأخذ الحائطي وإزالة القابس.
- الأسطح الخارجية عرضة للخدوش والتآكل، لذا اتبع تعليمات التنظيف للتأكد من تحقيق أفضل نتيجة بدون تلف.



عام

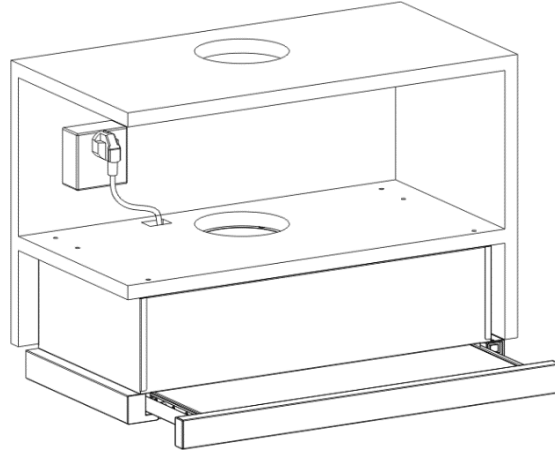
يجب إجراء الصيانة والتنظيف عندما يكون الجهاز بارداً خاصة عند التنظيف. تجنب ترك مواد قلووية أو حامضية (عصير الليمون أو الخل أو غيره) على الأسطح.

الصلب المقاوم للصدأ (ستانلس ستيل)

يجب تنظيف الصلب المقاوم للصدأ (ستانلس ستيل) بانتظام (على سبيل المثال أسبوعياً) لضمان التشغيل لمدة طويلة. جففه بقطعة قماش ناعمة ونظيفة. يمكن استخدام سائل تنظيف خاص للصلب المقاوم للصدأ (ستانلس ستيل).

ملاحظة:

تأكد من أن إجراء المسح تم في نفس اتجاه حبيبات الصلب المقاوم للصدأ لمنع ظهور أي أنماط خدوش متقاطعة قبيحة المنظر.



في حالة وجود فجوة بين الحائط ومدخنة موقد الطهي، فيمكنك تركيب كتيفة على شكل حرف L في أسفل المدخنة باستخدام برغيين (3 × 12 مم).

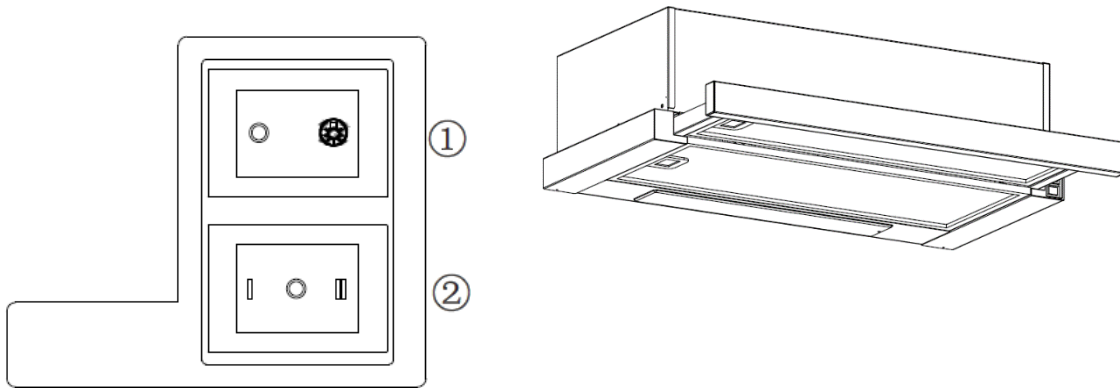
يعتبر تركيب الكتيفة على شكل حرف L اختياريًا. ملاحظة: لا يتضمن المنتج ماسورة التوسيع.

لأسباب تتعلق بالسلامة، الرجاء استخدام فقط نفس حجم برغي التثبيت أو التركيب الموصى به في دليل التعليمات الحالي. قد يؤدي الإخفاق في تركيب البراغي أو جهاز التثبيت وفقًا لهذه التعليمات إلى مخاطر كهربائية.

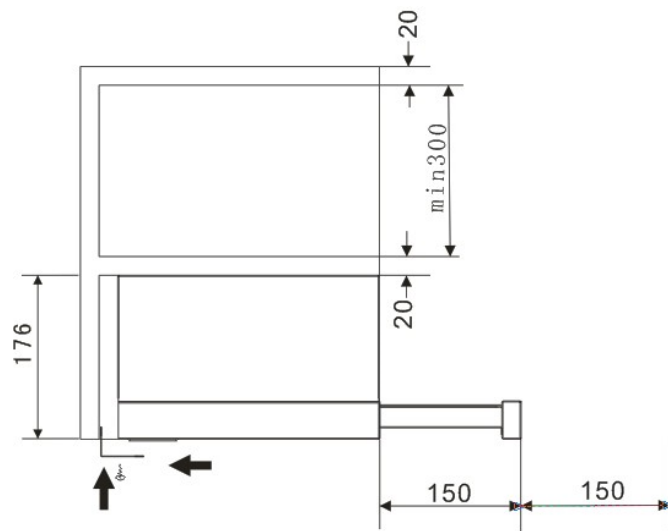
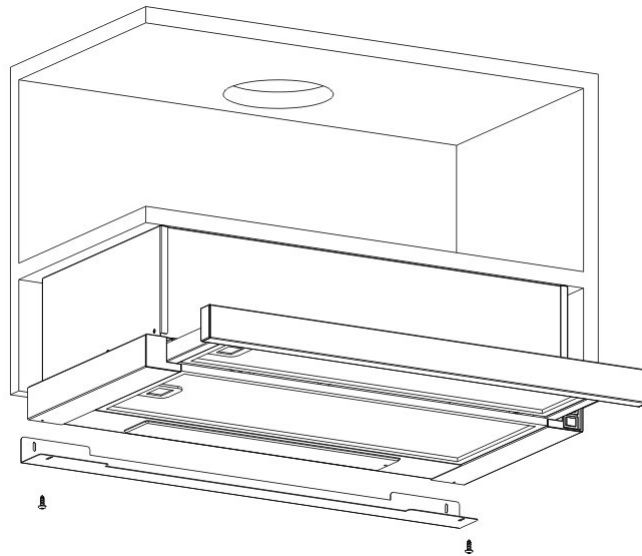
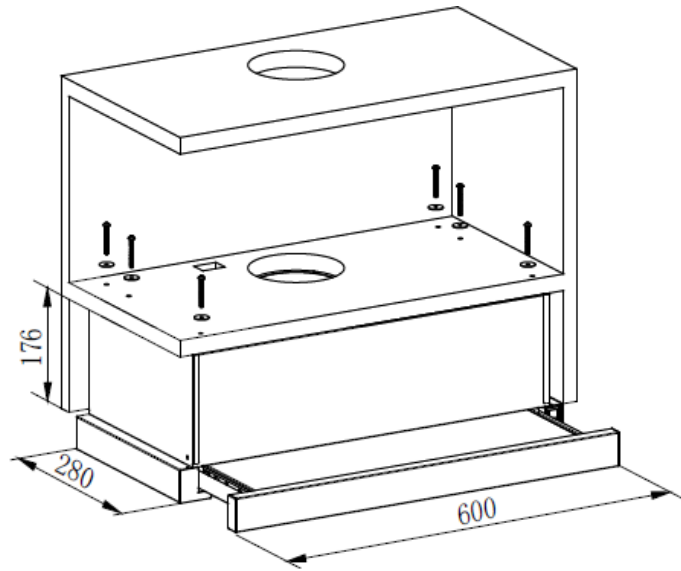
تحذير:



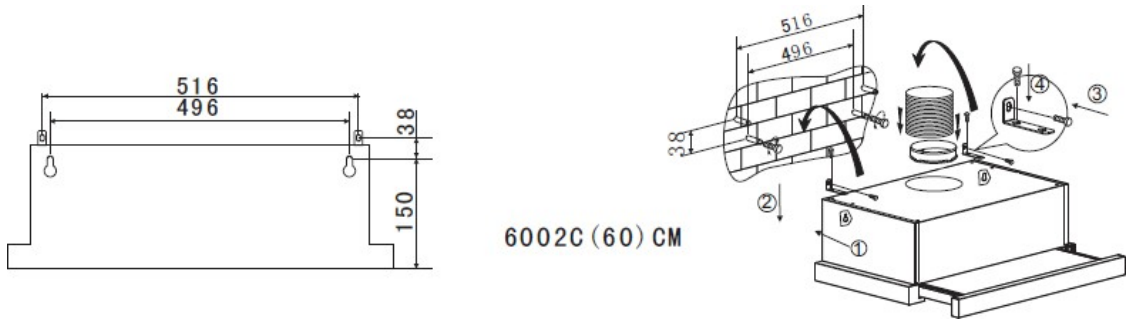
بدء استخدام مدخنة موقد الطهي
المفتاح المتأرجح



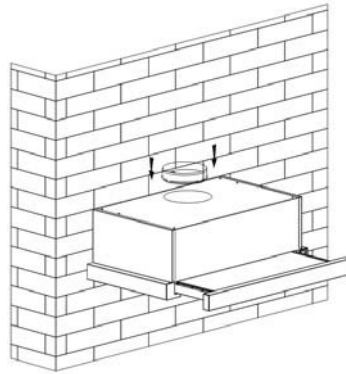
1. أدخل قابس الطاقة في المأخذ.
2. ادفع المفتاح ① إلى ، سيضيء المصباح؛ ادفع المفتاح ① إلى "0"، سينطفئ المصباح.
3. ادفع المفتاح ② إلى "I" و"II"، سيعمل المفتاح بسرعتين "منخفض، مرتفع" ادفعه إلى "0"، سيتوقف تشغيل الموتور.
4. سيتم توصيل الطاقة عند سحب اللوحة الأمامية. على العكس، يتم فصل الطاقة تلقائيًا.



3. يتم تركيب مدخنة موقد الطهي في الحائط بواسطة 4 براغي (4 مم × 30 مم) وسدادات حائط. قم بتركيب مدخنة موقد الطهي على الحائط من مؤخرة مدخنة موقد الطهي باستخدام برغيين (4 مم × 30 مم) وسدادات الحائط ثم تثبت مدخنة موقد الطهي في الحائط باستخدام برغيين (4 مم × 30 مم) وسدادات الحائط عن طريق الكتيفة الصغيرة على شكل حرف L.

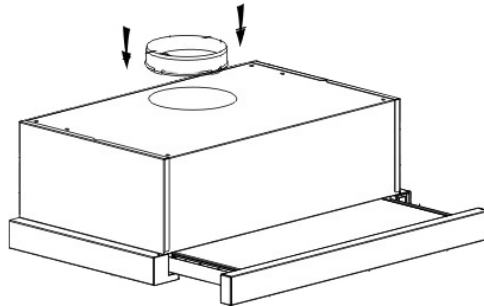


4. تثبت الصمام من اتجاه واحد في مخرج الهواء بمدخنة موقد الطهي.

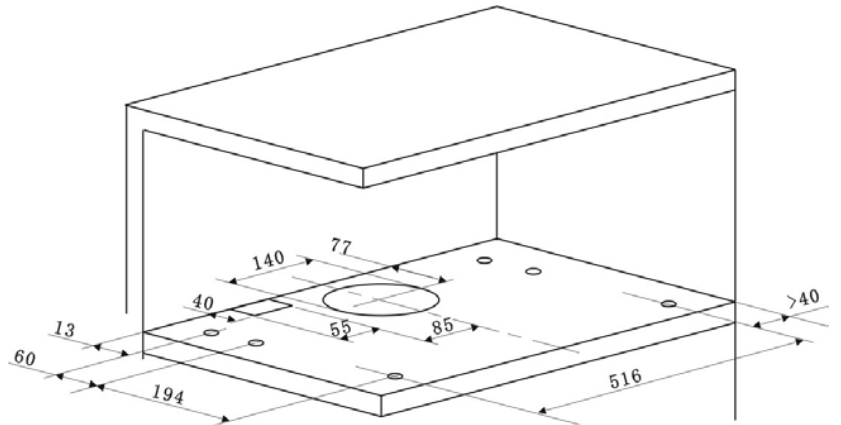


التركيب (التركيب في كابينة)

1. تثبت الصمام من اتجاه واحد في مخرج الهواء بمدخنة موقد الطهي.



2. قم بتركيب مدخنة موقد الطهي في الكابينة بواسطة 6 براغي (4×35 مم) والفلكات المسطحة.

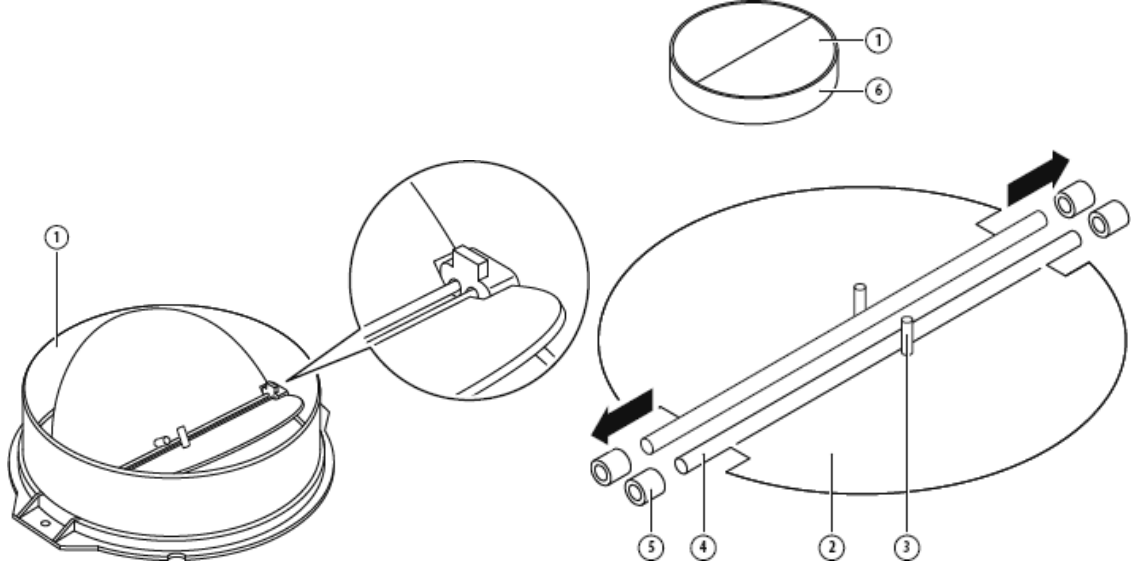


التركيب (التهوية الخارجية)

تركيب المصراع على شكل حرف V

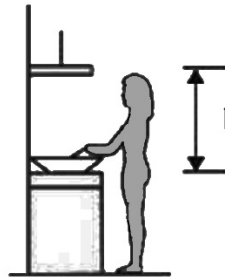
إذا كانت مدخنة موقد الطهي لا تتضمن مصراعًا على شكل حرف V مجتمعا، فيجب عليك تركيب أنصاف الأجزاء في هيكله. توضح الصور فقط مثالا لكيفية تركيب المصراع على شكل حرف V، وقد يختلف المخطط تبعاً للطرز والتكوينات المختلفة.

- لتركيب المصراع على شكل حرف V يجب ما يلي:
- قم بتركيب أنصاف الأجزاء 2 في الهيكل 6
 - يجب توجيه السن 3 لأعلى؛
 - يجب إدخال المحور 4 في الفتحات 5 في الجسم؛
 - كرر جميع العمليات مع نصف الجزء الثاني



التركيب (التركيب على الحائط)

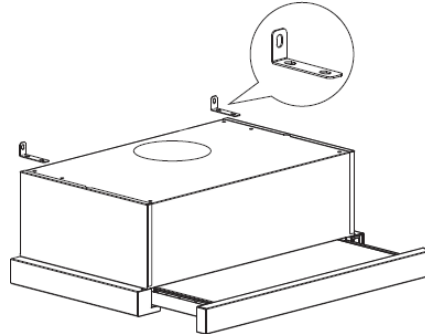
1. حدد مكان الثقوب لتثبيت مدخنة موقد الطهي.



70 سم

80 سم

2. قم بتركيب الكتيفة على شكل حرف L في أعلى الجسم باستخدام مسامري براغي (4 مم × 10 مم)



أمور مستحبة:

● احرص دائماً على وضع أغطية على الأواني عند الطهي على موقد الغاز.

● في وضع الإخراج، تجري إزالة الهواء من الغرفة عن طريق مدخنة موقد الطهي. الرجاء التأكد من اتباع إجراءات التهوية الصحيحة. تعمل مدخنة موقد الطهي على إزالة الروائح من الغرفة وليس البخار.

● تُخصص مدخنة موقد الطهي للاستخدام المنزلي فقط.



● إذا تعرض كابل التغذية للتلف، يتحتم استبداله بمعرفة المُصنِّع، أو وكيل خدماته أو بمعرفة فنيين مؤهلين وذلك تفادياً لأي مخاطر.

● يمكن استخدام هذا الجهاز من جانب الأطفال من سن 8 سنوات فما أكبر ومن جانب الأشخاص من ذوي القدرات البدنية أو الحسية أو العقلية المحدودة أو الأشخاص عديمي الخبرة والمعرفة وذلك في حالة إعطائهم التعليمات أو الإشراف عليهم بشأن استخدام الجهاز بطريقة آمنة وفهم المخاطر المتعلقة. يجب ألا يعيثر الأطفال بالجهاز. يحظر على الأطفال تنظيف أو صيانة هذا الجهاز إلا تحت إشراف.



● تحذير: قبل الوصول إلى الأطراف، يجب فصل جميع دوائر تغذية الطاقة.

أمور مستحبة:

● تنبيه: قد يصبح هذا الجهاز ومكوناته الملموسة ساخنة للغاية أثناء تشغيله. توخ الحذر لتفادي لمس العناصر الساخنة. يجب أن يبقى الأطفال أقل من 8 سنوات بعيدين إلا في حالة الإشراف الدائم عليهم.

● ينبغي وجود تهوية كافية في الغرفة عند استخدام مدخنة موقد الطهي في نفس وقت تشغيل الجهاز الذي يحرق الغاز أو وقود آخر.

● ثمة خطر نشوب حريق إذا لم يتم إجراء التنظيف وفقاً للتعليمات

● يجب استيفاء القواعد المتعلقة بتصريف الهواء.

● احرص على تنظيف جهازك بصفة دورية باتباع الطريقة الموضحة في قسم الصيانة.

● لأسباب تتعلق بالسلامة، الرجاء استخدام فقط نفس حجم برغي التثبيت أو التركيب الموصى به في دليل التعليمات الحالي.

● فيما يتعلق بالتفاصيل الخاصة بطريقة التنظيف وتكراره، الرجاء الرجوع إلى قسم الصيانة والتنظيف في دليل التعليمات.

● يحظر على الأطفال إجراء تنظيف أو صيانة لهذا الجهاز إلا تحت إشراف.

● في حالة تشغيل مدخنة موقد الطهي وأجهزة أخرى يجري تزويدها بطاقة بخلاف الكهرباء في آن واحد، فيجب ألا يزيد الضغط السالب في الغرفة عن 4 باسكال (4 × 10-5 بار).

● تحذير: خطر نشوب حريق: لا تخزن أي أجسام أعلى سطح الطهي.

● يجب عدم استخدام منظم البخار.

● لا تحاول مطلقاً إطفاء الحرائق بالماء، ولكن بادر بإيقاف تشغيل الجهاز ثم غط اللهب، على سبيل المثال: باستخدام غطاء أو بطانية الحريق.

يوضح هذا الدليل التركيب الصحيح والاستخدام لمدخنة موقد الطهي، الرجاء قراءته بعناية قبل الاستخدام حتى لو كنت على دراية بالمنتج. يجب الاحتفاظ بالدليل في مكان آمن للرجوع إليه في المستقبل.

أمور محظورة:

- لا تحاول استخدام مدخنة موقد الطهي بدون فلاتر الشحوم أو في حالة امتلاء الفلاتر بالشحوم المفرطة.
- لا تركبه فوق موقد طهي يتضمن شواية عالية المستوى.
- لا تترك أوعية القلي بدون مراقبة أثناء الاستخدام نظرًا لأن النيران قد تنتشب في الدهون أو الزيوت المسخنة بشكل مفرط.
- لا تترك مطلقًا لهبًا مكشوفًا تحت مدخنة موقد الطهي.



- في حالة تلف مدخنة موقد الطهي، فلا تحاول استخدامها.
- لا تشعل نارًا أسفل مدخنة موقد الطهي.

- تنبيه: قد تصبح الأجزاء سهلة الوصول ساخنة عند الاستخدام مع أجهزة الطهي.

- أدنى مسافة بين سطح الدعم لأوعية الطهي على سطح الموقد والجزء السفلي لمدخنة موقد الطهي. (في حالة تركيب مدخنة موقد الطهي فوق جهاز موقد غاز، فيجب أن تكون المسافة على الأقل 65 سم)

- يجب عدم تفريغ الهواء إلى أنبوب مدخنة تمر به أبخرة عادم من أجهزة تعمل بحرق الغاز أو وقود آخر.



أمور مستحبة:

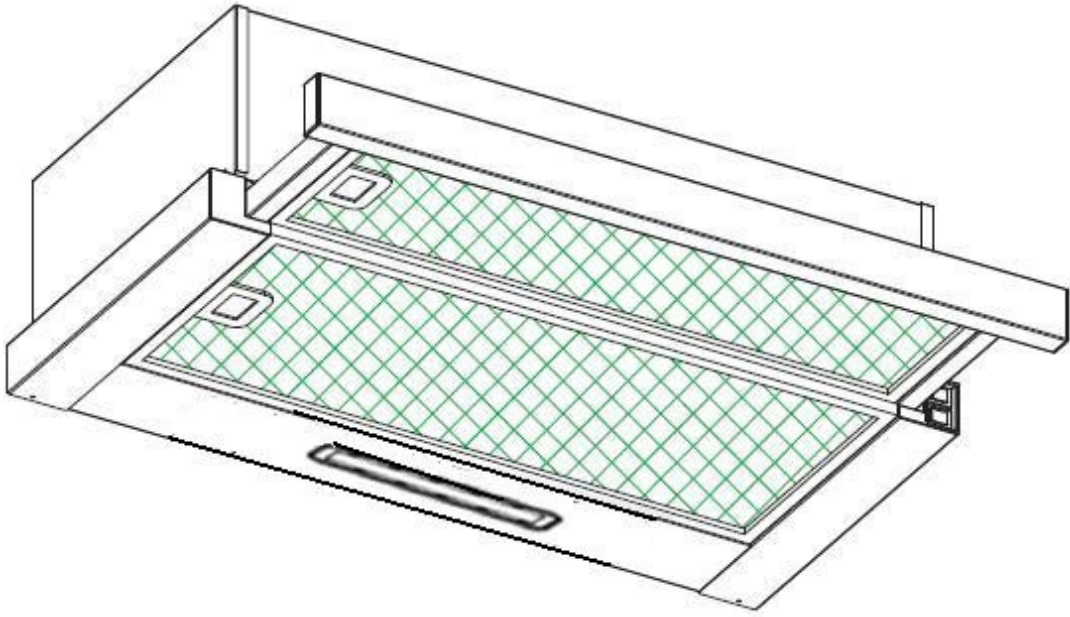
- احرص دائمًا على إيقاف مصدر التيار الكهربائي من السلك الرئيسي أثناء التركيب والصيانة، على سبيل المثال عند استبدال مصباح الإضاءة.
- يجب تركيب مدخنة موقد الطهي وفقًا لتعليمات التركيب واتباع جميع القياسات.
- ويجب تنفيذ كافة أعمال التركيب بواسطة شخص كفء أو كهربائي مؤهل.
- يرجى التخلص من مواد التغليف بعناية. فقد تشكل مخاطر على الأطفال.
- انتبه للحواف الحادة داخل مدخنة موقد الطهي خاصة أثناء التركيب والتنظيف.
- في حالة وجود مدخنة موقد الطهي فوق جهاز يعمل بالغاز، فإن أدنى مسافة بين سطح الدعم لأوعية الطهي على الموقد والجزء السفلي لمدخنة موقد الطهي يجب أن تكون كالتالي:
- مواقد الطهي الغازية: 75 سم مواقد الطهي الكهربائية: 65 سم مواقد الفحم أو الزيت: 75 سم
- تأكد من عدم وجود انحناءات في الأنبوب تزيد عن 90 درجة نظرًا لأن ذلك يقلل من كفاءة مدخنة موقد الطهي.
- تحذير: قد يؤدي الإخفاق في تركيب البراغي أو جهاز التثبيت وفقًا لهذه التعليمات إلى مخاطر كهربائية

المحتويات

| | | |
|---------|----------------------------|----|
| 3..... | إرشادات السلامة | .1 |
| 5..... | التركيب (التهوية الخارجية) | .2 |
| 9..... | استكشاف الأعطال وإصلاحها | .3 |
| 9..... | الصيانة والتنظيف | .4 |
| 12..... | الحماية البيئية: | .5 |

مدخنة موقد الطهي

دليل التركيب

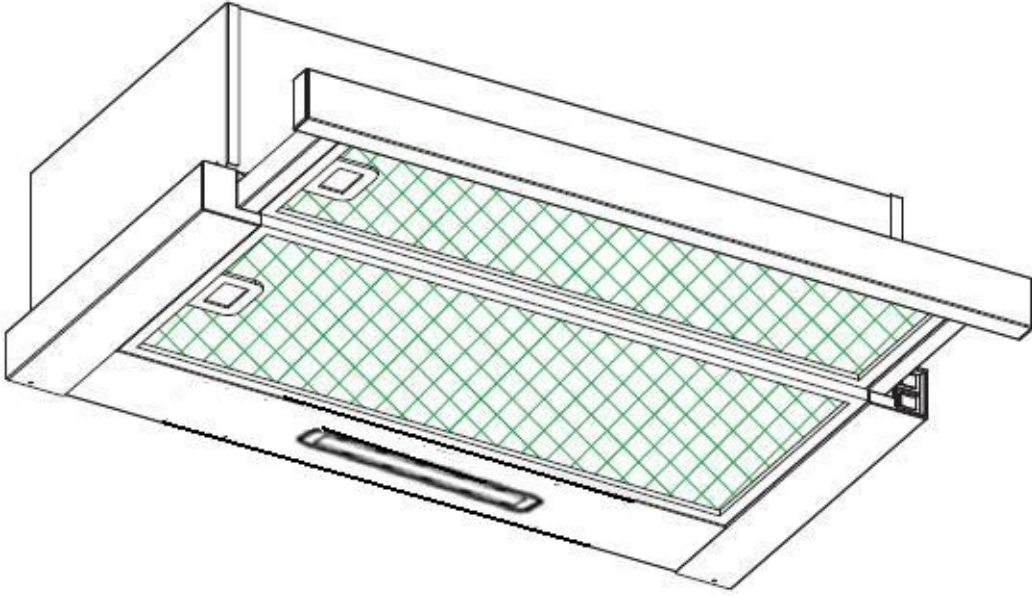


CBT625/2X

CBT625/2B و CBT625/2W

مدخنة موقد الطهي

دليل التركيب



Ovaj dokument je originalno proizveden i objavljen od strane proizvođača, brenda Candy, i preuzet je sa njihove zvanične stranice. S obzirom na ovu činjenicu, Tehnoteka ističe da ne preuzima odgovornost za tačnost, celovitost ili pouzdanost informacija, podataka, mišljenja, saveta ili izjava sadržanih u ovom dokumentu.

Napominjemo da Tehnoteka nema ovlašćenje da izvrši bilo kakve izmene ili dopune na ovom dokumentu, stoga nismo odgovorni za eventualne greške, propuste ili netačnosti koje se mogu naći unutar njega. Tehnoteka ne odgovara za štetu nanесenu korisnicima pri upotrebi netačnih podataka. Ukoliko imate dodatna pitanja o proizvodu, ljubazno vas molimo da kontaktirate direktno proizvođača kako biste dobili sve detaljne informacije.

Za najnovije informacije o ceni, dostupnim akcijama i tehničkim karakteristikama proizvoda koji se pominje u ovom dokumentu, molimo posetite našu stranicu klikom na sledeći link:

<https://tehnoteka.rs/p/candy-aspirator-cbt6252x-akcija-cena/>