

## Uputstvo za montažu

SAMSUNG mašina za pranje i sušenje veša  
WD90T634DBH/S7

**SAMSUNG**



Tehnoteka je online destinacija za upoređivanje cena i karakteristika bele tehnike, potrošačke elektronike i IT uređaja kod trgovinskih lanaca i internet prodavnica u Srbiji. Naša stranica vam omogućava da istražite najnovije informacije, detaljne karakteristike i konkurentne cene proizvoda.

Posetite nas i uživajte u ekskluzivnom iskustvu pametne kupovine klikom na link:

<https://tehnoteka.rs/p/samsung-masina-za-pranje-i-susenje-vesa-wd90t634dbhs7-akcija-cena/>

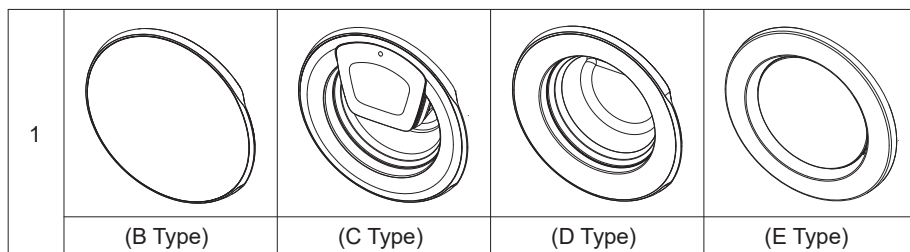
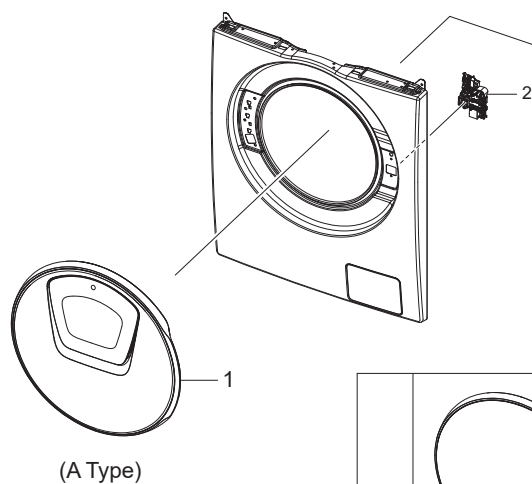
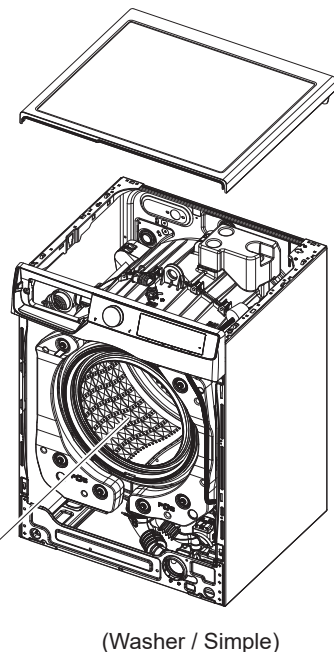
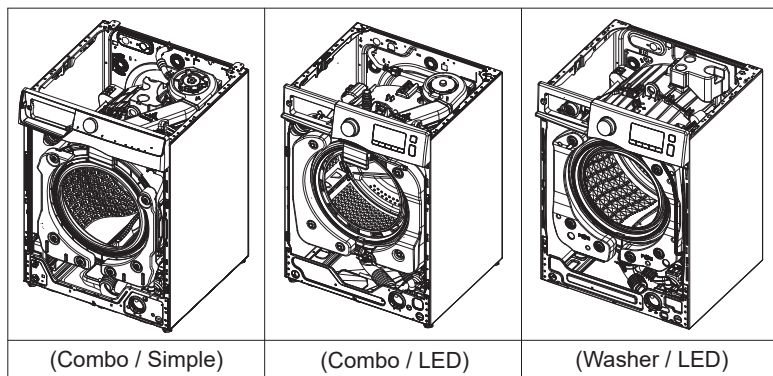
# EKSPLODIRANI PRIKAZ



Nakon popravke od strane neovlašćenog dobavljača usluga, samostalne popravke ili nestručne popravke proizvoda, Samsung nije odgovoran za bilo kakvu štetu na proizvodu, bilo kakvu povredu ili bilo koji drugi problem sa bezbednošću proizvoda koji je izazvan bilo kakvim pokušajem popravke proizvoda prilikom čega se nisu pažljivo sledila ova uputstva za popravku i održavanje. Svaka šteta na proizvodu prouzrokovana pokušajem njegove popravke od strane bilo koje osobe koja nije sertifikovani dobavljač usluga kompanije Samsung neće biti pokrivena garancijom.

Za informacije o kupovini delova i alata posetite <http://www.samsung.com/support>

## 1. VRATA

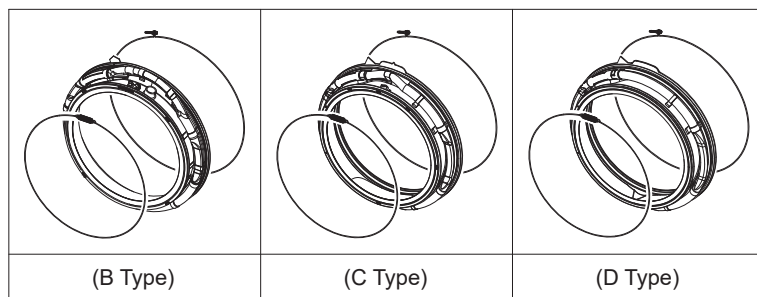
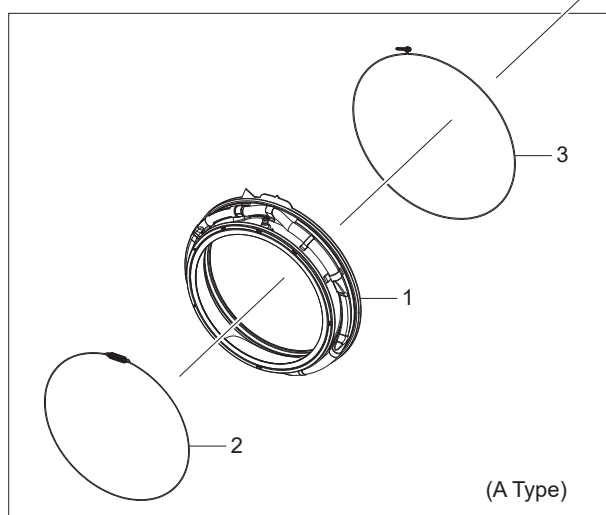
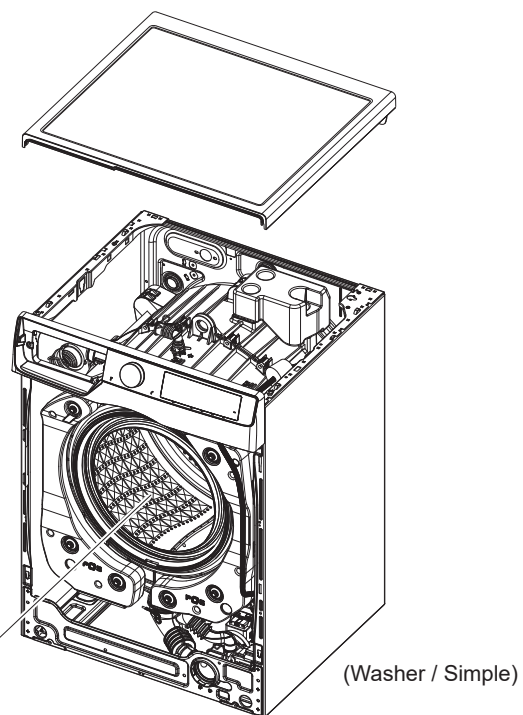
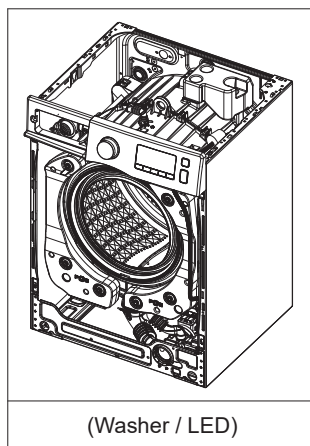


Brojcrteža	Vrsta	Brojpodklase	Šifra modela	Kod dela	Opis
1	A	1	W***T*5**B*	DC97-22267A	VRATA
		2	W***T98**S*	DC97-22267B	VRATA
			W***T95**S*		
	3	W***T*5**W*	DC97-22267C	VRATA	
	B	1	W***T*0**B*	DC97-22269A	VRATA
			W***T*3**B*		
		2	W***T*3**W*	DC97-22269B	VRATA
3			W***T93**S*		

Ovaj dokument se ne može koristiti bez odobrenja kompanije Samsung.

Brojcrteža	Vrsta	Brojpod- klase	Šifra modela	Kod dela	Opis	
1	C	1	WW**T*5*L*	DC97-22268A/ DC97-22375A	VRATA	
			WW**T*8*L*			
		2	WW**T*5*H*	DC63-02606B/ DC97-22375B	VRATA	
			WW**T*8*H*			
		3	W***T*5**A*	DC97-22268B/ DC97-22400A	VRATA	
		4	W***T*5*T*	DC97-22268D/ DC97-22400B	VRATA	
		D	1	W***T*3**A*	DC97-22270A/ DC97-22399A	VRATA
				W***T*0**A*		
	2		WW**T*3*L*	DC97-22270B/ DC97-22426A	VRATA	
			WW**T*0*L*			
	3		WW**T*3*H*	DC97-22270C/ DC97-22426B	VRATA	
			WW**T*0*H*			
	4		W***T*0*T*	DC97-22270D/ DC97-22399F	VRATA	
	E		1	WW**T4***E*	DC97-22271A/ DC97-22447B	VRATA
		2	WW**T4***C*	DC97-22271B/ DC97-22447A	VRATA	
		3	WD**T4***E*	DC97-22272A	VRATA	
	4	WD**T4***C*	DC97-22272B	VRATA		
	2	SVI MODELI			DC34-00028B	BRAVICA ZA VRATA

## 2. GUMA MEMBRANE ZA VRATA\_MASHINA ZA VEŠ



Vrsta	Šifra modela	Brojcrteža	Kod dela	Opis
<b>A</b>	WW80T634CLE WW80T634DHE WW80T634DLE WW80T634DLH WW80T654ALE WW80T654ALX WW80T654DHE WW80T654DLE WW80T654DLH WW80T684ALE WW80T684ALH	1	DC97-18852A	GUMA MEMBRANE ZA VRATA
	WW80T684DHE WW80T684DLE WW80T684DLH WW80T684DLN WW81T684AHH WW90T604CLE WW90T604CLN WW90T634CLE WW90T634DHE WW90T634DHH WW90T634DLE WW90T634DLH WW90T684DLN WW9XT654ALH WW80T734ABH WW80T734AWH WW80T734DBH WW80T734DWH WW80T754ABH WW80T754ABT WW80T754DBH WW80T754DBT	2	DC91-12078D	ŽICA MEMBRANE VRATA
		3	DC97-14618A	STEZALJKA MEMBRANE VRATA
<b>B</b>	WW80T656ALE WW8GT654ALH WW90T606CHE WW90T606CLE WW90T606CLH WW90T636AHH	1	DC97-20515A	GUMA MEMBRANE ZA VRATA
	WW90T636ALH WW90T656AHE WW90T656ALE WW92T656CLE WW9GT684ALE WW10T734AWH WW10T734DBH WW10T734DWH WW10T754ABT WW10T754CBH WW10T754DBH WW10TP34DBH	2	DC91-12078E	ŽICA MEMBRANE VRATA
		3	DC91-12077G	STEZALJKA MEMBRANE VRATA

Vrsta	Šifra modela	Brojcrteža	Kod dela	Opis
B	WW10TP34DSG WW13T734CBH WW80T736ABH WW80T756ABH WW80T756AWT WW92T736CBT WW94T756CBT WW9GT754AWH WW80T854ABH WW80T854ABT WW80T854DBH WW80T854DBT WW80T854DBX	1	DC97-20515A	GUMA MEMBRANE ZA VRATA
	WW80T854DWT WW80T934ASH WW80T936ASH WW80T954ASE WW80T954ASH WW80T956ASE WW81T854ABT WW81T956ASH WW84T954ASH WW85T984DSH WW8XT854AWH WW8XT956ASH	2	DC91-12078E	ŽICA MEMBRANE VRATA
	WW90T854ABH WW90T854ABT WW90T854DBH WW90T854DBT WW90T854DBX WW90T934ASH WW90T936ASH WW90T936DSH WW90T936DSX WW90T954ASH WW90T954ASX WW90T954DSH WW90T956ASE WW90T956DSH WW90T956DSX WW90T986ASE WW90T986ASH WW90T986DSH WW90T986DSX WW91T956ASE WW91T986ASH WW95T956ASE	3	DC91-12077G	STEZALJKA MEMBRANE VRATA

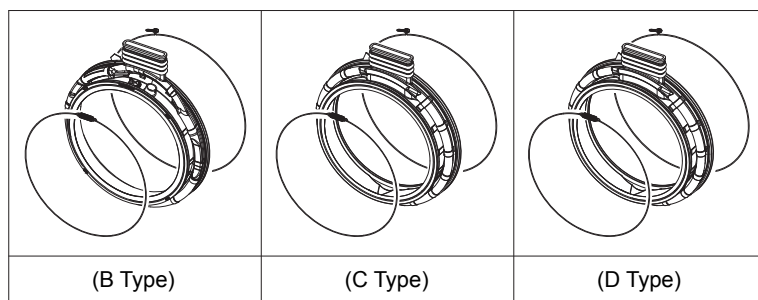
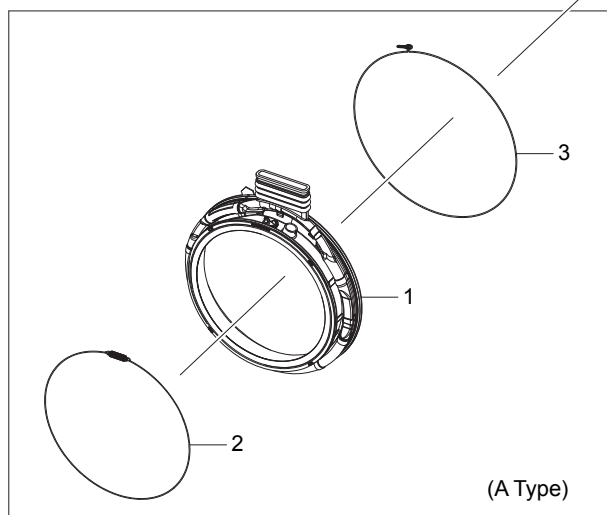
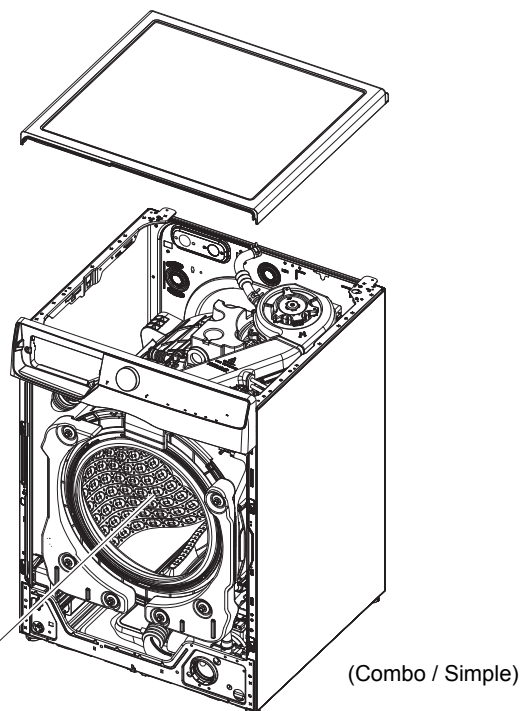
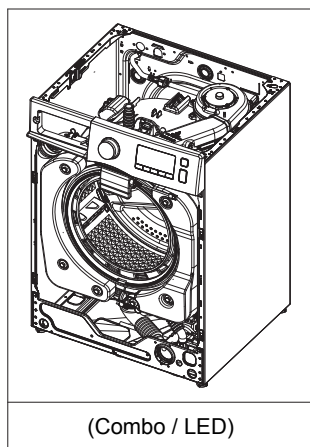
Vrsta	Šifra modela	Brojcrteža	Kod dela	Opis
C	WW70TA026AH WW70TA026AT WW70TA026AX WW70TA026TE WW70TA026TH WW70TA026TT WW70TA046AE WW70TA046AH WW70TA046AX WW70TA046TE WW70TA046TH WW70TA046TT WW70TA049AE WW70TA049AH WW70TA049AX WW70TA049TE WW70TA049TH WW71TA049AE WW71TA049TE WW71TA049TH WW7XTA049AH WW80T534AAE WW80T534AAW WW80T534AAX WW80T534ATW WW80T534DAE WW80T534DAN WW80T534DAT WW80T534DAW WW80T534DAX WW80T534DTT WW80T534DTW WW80T552DAW WW80T554AAE WW80T554AAT WW80T554AAW WW80T554AAX WW80T554ATT WW80T554ATW WW80T554CAW WW80T554DAE WW80T554DAN WW80T554DAT WW80T554DAW WW80T554DAX WW80T554DTE WW80T554DTT WW80T554DTW WW80TA026AE WW80TA026AH WW80TA026AT WW80TA026AX WW80TA026TE	1	DC64-02888A	GUMA MEMBRANE ZA VRATA
	2	DC91-12078D	ŽICA MEMBRANE VRATA	
	3	DC97-14618A	STEZALJKA MEMBRANE VRATA	



Vrsta	Šifra modela	Brojcrteža	Kod dela	Opis
C	WW80TA026TH WW80TA046AE WW80TA046AH WW80TA046AN WW80TA046AT WW80TA046AX WW80TA046TE WW80TA046TH WW80TA046TT WW80TA047AT WW80TA047TT WW80TA049AE WW80TA049AH WW80TA049TE	1	DC64-02888A	GUMA MEMBRANE ZA VRATA
	WW80TA049TH WW81T554AAW WW81TA049AE WW81TA049AH WW81TA049TE WW81TA049TH WW83T554AAW WW83T554CAW WW83TA047AH WW85TA047AE WW8ET534AAE WW8ET554AAT WW8ET554AAW WW8TT554AAE WW90T534AAW WW90T534ATW	2	DC91-12078D	ŽICA MEMBRANE VRATA
	WW90T534DAE WW90T534DAN WW90T534DAT WW90T534DAW WW90T534DAX WW90T534DTT WW90T534DTW WW90T554AAE WW90T554AAT WW90T554AAW WW90T554ATE WW90T554ATT WW90T554CAT WW90T554CAW WW90T554CAX WW90T554DAE WW90T554DAN WW90T554DAT WW90T554DAW WW90T554DAX WW90T554DTT	3	DC97-14618A	STEZALJKA MEMBRANE VRATA

Vrsta	Šifra modela	Brojcrteža	Kod dela	Opis
C	WW90T554DTW WW90TA026AE WW90TA026TE WW90TA046AE WW90TA046AH WW90TA046AN WW90TA046AT WW90TA046AX WW90TA046TE WW90TA046TH WW90TA046TT WW90TA047AE WW90TA047AX WW90TA049AE WW90TA049TH WW91TA049AE WW91TA049TH WW95T534CAE WW95TA047AE WW9ETA049AE	1	DC64-02888A	GUMA MEMBRANE ZA VRATA
		2	DC91-12078D	ŽICA MEMBRANE VRATA
		3	DC97-14618A	STEZALJKA MEMBRANE VRATA
D	WW80T4020EE WW80T4020EE WW80T4040EE WW90T4020CE WW90T4020EE WW80T534DAW WW80T534DAX WW80T554DAW WW80T554DTW WW80TA026TT WW80TA046AE WW80TA046AE WW80TA046AX WW85T504DAE WW85T554DAW WW90T534DAW WW90T534DAW WW90T554CAT WW90T554CAX WW90T554DAN WW90T554DAW WW90T554DAW WW90T554DAX WW90T554DTW WW90TA026TE WW90TA046AE WW90TA046AE WW90TA046TE WW90TA047AX	1	DC64-03197C	GUMA MEMBRANE ZA VRATA
		2	DC91-12078E	ŽICA MEMBRANE VRATA
		3	DC91-12077F	STEZALJKA MEMBRANE VRATA

### 3. GUMA MEMBRANE ZA VRATA\_KOMBINOVANA MAŠINA ZA VEŠ



Vrsta	Šifra modela	Brojcrteža	Kod dela	Opis
A	WD10T634DBH	1	DC97-22330A	GUMA MEMBRANE ZA VRATA
	WD10T654ABH			
	WD10T654DBH			
	WD10T654DBN			
	WD15T634CBH			
	WD10T734DBH			
	WD10T754ABT	2	DC91-12078E	ŽICA MEMBRANE VRATA
	WD10T754DBH			
	WD11T754AWH			
	WD80T954DSH			
	WD90T954ASH			
	WD90T954ASX			
	WD90T954DSH	3	DC91-12077G	STEZALJKA MEMBRANE VRATA
	WD90T984ASE			
	WD90T984ASH			
	WD90T984DSH			
	WD90T984DSX			
	WD91T984ASH			
WD95T954ASE				

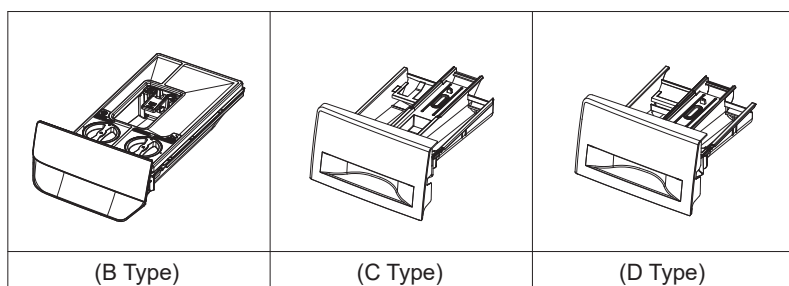
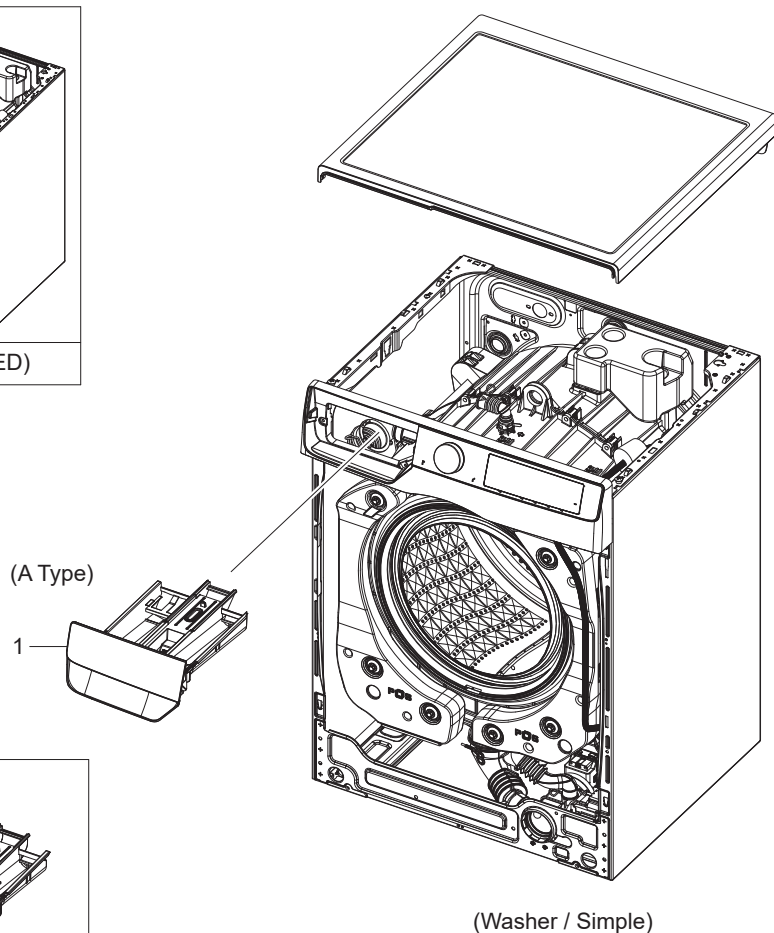
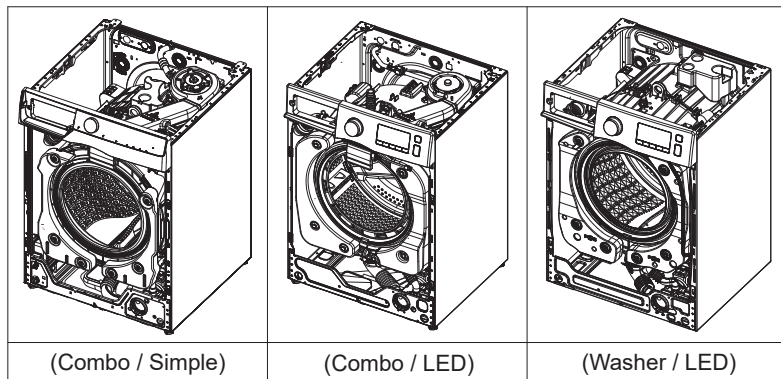
Vrsta	Šifra modela	Broj crteža	Kod dela	Opis
<b>B</b>	WD80T634ABH WD80T634CBE WD80T634DBE WD80T634DBH WD80T654ABH WD80T654AWH WD80T654CBE WD80T654DBH WD84T634CBE WD90T634ABH WD90T634CBN WD90T634DBE WD90T634DBH	1	DC97-18884A	GUMA MEMBRANE ZA VRATA
	WD90T634DBX WD90T654ABE WD90T654ABH WD90T654CBE WD90T654DBE WD90T654DBH WD90T654DBN WD92T654CBE WD95T634CBH WD80T754ABH WD80T754ABN WD80T754CBH	2	DC91-12078E	ŽICA MEMBRANE VRATA
	WD81T754ABH WD83T734CBH WD8XT754AWH WD90T734ABH WD90T734DBH WD90T754ABH WD90T754ABT WD90T754DBH WD90T754DBX WD92T734CBT WD94T754CBT	3	DC91-12077G	STEZALJKA MEMBRANE VRATA

Vrsta	Šifra modela	Brojcrteža	Kod dela	Opis			
C	WD80T4046CE	1	DC64-03235B	GUMA MEMBRANE ZA VRATA			
	WD80T4046CW						
	WD80T4046CX						
	WD80T4046EE						
	WD80T4046EW						
	WD80T4047CH						
	WD80T4047EE						
	WD80T4049CE						
	WD81T4049CE						
	WD82T4047CE						
	WD83T4047CH						
	WD8ET4049CE						
	WD8FT4049EE						
	WD80T534ABE						
	WD80T534CBE						
	WD80T534DBE						
	WD80T534DBN						
	WD80T534DBW						
	WD80T554ABE				2	DC91-12078E	ŽICA MEMBRANE VRATA
	WD80T554ABT						
	WD80T554CBE						
	WD80T554CBT						
	WD80T554CBW						
	WD80T554CBX						
	WD80T554DBE						
	WD80T554DBT						
	WD80T554DBW						
	WD80T554DBX						
	WD80TA046BE						
	WD80TA046BH						
	WD80TA046BX						
	WD80TA047BE						
	WD80TA047BT						
	WD80TA047WE						
	WD80TA049BE						
	WD81T534ABW						
	WD81T554ABW	3	DC91-12077G	STEZALJKA MEMBRANE VRATA			
	WD81TA049BE						
	WD8ET554ABE						
	WD8ET554ABW						
	WD8ETA049BX						
	WD8TT534ABE						
	WD8XT554ABE						
	WD90T534ABE						
	WD90T534ABW						
	WD90T534DBN						
	WD90T534DBW						
WD90T554CBW							
WD90T554DBW							
WD90TA046BE							
WD90TA046BX							
WD91TA049BE							
WD95T534CBE							
WD95TA047BE							

Ovaj dokument se ne može koristiti bez odobrenja kompanije Samsung.

Vrsta	Šifra modela	Brojcrteža	Kod dela	Opis
D	WD70T4046EE	1	DC64-03176A	GUMA MEMBRANE ZA VRATA
	WD70T4046EW			
	WD70T4047CE			
	WD70T4047EE	2	DC91-12078E	ŽICA MEMBRANE VRATA
	WD70T4049CE			
	WD70T554DBE			
	WD70TA046BE	3	DC91-12077G	STEZALJKA MEMBRANE VRATA
	WD70TA046BH			
	WD70TA049BE			
	WD71TA049BE			
	WD7ETA049BE			
	WD7ETA049BE			

## 4. POSUDA



Broj crteža	Vrsta	Broj podklase	Šifra modela	Kod dela	Opis
1	A	1	WW80T554DAN	DC97-22381K	POSUDA
			WW90T554DAN		
			WW90T604CLN		
		2	WD10T654DBN	DC97-22250A	
			WD90T654DBN		
			WD80T754ABN		
			WW10T554DAN		
WW90T554DAN					

Ovaj dokument se ne može koristiti bez odobrenja kompanije Samsung.

Brojcrteža	Vrsta	Brojpodklase	Šifra modela	Kod dela	Opis
1	A	3	WW70T552DAW WW70T552DTW WW70T554DAW WW70T554DTW WW80T552DAW WW80T554AAW WW80T554ATW WW80T554CAW WW80T554DAW WW80T554DTW WW81T554AAW WW83T554AAW WW83T554CAW WW8ET554AAW WW90T554AAW WW90T554CAW WW90T554DAW WW90T554DTW WW80T604CLE WW80T654ALE WW80T654DHE WW80T654DLE WW80T654DLH WW90T604CLE WW90T654ALH WW90T654DHE WW90T654DLE WW90T654DLH WW9XT654ALH	DC97-22381H	POSUDA



Ovaj dokument se ne može koristiti bez odobrenja kompanije Samsung.

Brojcrteža	Vrsta	Brojpodklase	Šifra modela	Kod dela	Opis
1	A	4	WW80T554DTW WW80T656ALE WW80T754ABH WW80T754ABT WW80T754DBH WW80T754DBT WW80T756ABH WW80T756AWT WW80T854ABH WW80T854ABT WW80T854DBH WW80T854DBT WW80T854DWT WW81T854ABT WW85T554DAW WW8ET754ABH WW8GT654ALH WW8TT754AWH WW8XT854AWH WW90T554DAW WW90T554DTW WW90T606CHE WW90T606CLE WW90T606CLH WW90T654DLH WW90T656AHE WW90T656ALE WW90T754ABH WW90T754ABT WW90T754DBH WW90T754DBT WW90T854ABH WW90T854ABT WW90T854DBH WW90T854DBT WW92T656CLE WW94T756CBT WW9GT754AWH	DC97-22250B	POSUDA

Ovaj dokument se ne može koristiti bez odobrenja kompanije Samsung.

Brojcrteža	Vrsta	Brojpodklase	Šifra modela	Kod dela	Opis
1	A	5	WW90T554DAE WW90T554ATE WW90T554AAE WW8TT554AAE WW80T554DTE WW80T554DAE WW80T554AAE WW70T554DAE WW70T552DAE	DC97-22381F	POSUDA
		6	WW70T552DAT WW70T554ATT WW70T554DAT WW80T554AAT WW80T554ATT WW80T554DAT WW80T554DTT WW8ET554AAT WW90T554AAT WW90T554ATT WW90T554CAT WW90T554DAT WW90T554DTT	DC97-22381G	POSUDA
		7	WW70T552DAX WW70T554DAX WW80T554AAX WW80T554DAX WW90T554CAX WW90T554DAX WW80T654ALX WW90T654DLX	DC97-22381J	POSUDA
		8	WD80T554DBX WD90T754DBX WW10T554DAX WW80T854DBX WW90T854DBX WW90T554CAX WW90T554DAX WW90T654DLX WW90T754DBX	DC97-22357A	POSUDA
		9	WD90T954ASX WW90T954ASX WW90T956DSX	DC97-22357D	POSUDA
		10	WD80T554ABE WD80T554CBE WD80T554DBE WD8ET554ABE WD8XT554ABE WW85T504DAE	DC97-22357B	POSUDA

Brojcrteža	Vrsta	Brojpodklase	Šifra modela	Kod dela	Opis
1	A	11	WD70T554DBE	DC97-22413A	POSUDA
		12	WD80T554ABT WD80T554CBT WD80T554DBT WW10T554DAT WW90T554CAT	DC97-22357C	POSUDA
		13	WD95T954ASE WW80T954ASE WW80T956ASE WW90T956ASE WW91T956ASE WW95T956ASE	DC97-22357E	POSUDA
		14	WD80T954DSH WD90T954ASH WD90T954DSH WW80T954ASH WW81T956ASH WW84T954ASH WW8XT956ASH WW90T954ASH WW90T954DSH WW90T956DSH	DC97-22357F	POSUDA
	B	1	WW80T534AAX WW80T534DAX WW90T534DAX	DC97-22381D	POSUDA
		2	WW80T534DAN WW90T534DAN WW80T684DLN WW90T634DLN WW90T684DLN	DC97-22381E	POSUDA
		3	WD80T534DBN WD90T534DBN WD90T634CBN WW10T534DAN WW10T684DLN	DC97-22235A	POSUDA
		4	WD90T634DBX WW10T634DLX WW80T534DAX WW90T734DBX	DC97-22235F	POSUDA
		5	WD90T984DSX WW90T936DSX WW90T986DSX	DC97-22235H	POSUDA

Ovaj dokument se ne može koristiti bez odobrenja kompanije Samsung.

Brojcrteža	Vrsta	Brojpodklase	Šifra modela	Kod dela	Opis
1	B	6	WW70T534ATW	DC97-22381A	POSUDA
			WW70T534DTW		
			WW80T534AAW		
			WW80T534ATW		
			WW80T534DAW		
			WW80T534DTW		
			WW90T534AAW		
			WW90T534ATW		
			WW90T534DAW		
			WW90T534DTW		
			WW80T634ALE		
			WW80T634ALH		
			WW80T634CHH		
			WW80T634CLE		
			WW80T634DHE		
			WW80T634DLE		
			WW80T634DLH		
			WW80T684ALE		
			WW80T684ALH		
			WW80T684DHE		
WW80T684DLE					
WW80T684DLH					
WW81T684AHH					
WW90T634CLE					
WW90T634DHE					
WW90T634DHH					
WW90T634DLE					
WW90T634DLH					
WW90T684ALE					
WW90T684DHE					
WW90T684DLE					
WW90T684DLH					
7	WW70T534AAE	DC97-22381B	POSUDA		
WW80T534AAE					
WW80T534DAE					
WW8ET534AAE					
WW90T534DAE					
WW95T534CAE					
8	WW80T534DAT	DC97-22381C	POSUDA		
WW80T534DTT					
WW90T534DAT					
WW90T534DTT					
9	WD10T534ABW	DC97-22235B	POSUDA		
WD10T534DBW					
WD80T534DBW					
WD81T534ABW					
WD90T534ABW					
WD90T534DBW					
WD10T634DBH					
WD15T634CBH					
WD80T634ABH					
WD80T634CBE					
WD80T634DBE					
WD80T634DBH					

Ovaj dokument se ne može koristiti bez odobrenja kompanije Samsung.

Brojcrteža	Vrsta	Brojpodklase	Šifra modela	Kod dela	Opis
	<b>B</b>	9	WD84T634CBE WD90T634ABH WD90T634DBE WD90T634DBH WD95T634CBH WD10T734DBH WD83T734CBH WD90T734ABH WD90T734DBH WD92T734CBT WW10T534DAW WW10T534DTW WW10T634AHH WW10T634DLE WW10T634DLH WW10T684DLH WW80T636ALH WW80T636CLH WW90T636AHH WW90T636ALH WW9GT684ALE WW10T734AWH WW10T734DBH WW10T734DWH WW13T734CBH WW80T736ABH WW92T736CBT WW80T534DAW WW90T534DAW WW80T734ABH WW80T734AWH WW80T734DBH WW80T734DWH WW84T734CBT WW90T734AWH WW90T734DBH WW90T734DWH	DC97-22235B	POSUDA
		10	WD80T534ABE WD80T534CBE WD80T534DBE WD8TT534ABE WD90T534ABE WD95T534CBE	DC97-22235E	POSUDA
		11	WW10T534DAT	DC97-22235J	POSUDA

Ovaj dokument se ne može koristiti bez odobrenja kompanije Samsung.

Brojcrteža	Vrsta	Brojpodklase	Šifra modela	Kod dela	Opis
1	B	12	WD90T984ASH WD90T984DSH WD91T984ASH WW80T934ASH WW80T936ASH WW85T984DSH WW90T934ASH WW90T936ASH WW90T936DSH WW90T986ASH WW90T986DSH WW91T986ASH	DC97-22235C	POSUDA
		13	WW10TP34DBH	DC97-22235K	POSUDA
1	C	1	WW70T4020CE WW70T4020CH WW70T4020EE WW70T4040CE WW70T4040EE WW70T4042CE WW70T4042EE WW70T4540TE WW70T4541TE WW70T4543AE WW70T4543TE WW70TA026AE WW70TA026AH WW70TA026AT WW70TA026TE WW70TA026TH WW70TA026TT WW70TA046AE WW70TA046AH WW70TA046TE WW70TA046TH WW70TA046TT WW70TA049AE WW70TA049AH WW70TA049TE WW70TA049TH WW71T4042CE WW71T4543AE WW71TA049AE WW71TA049TE WW71TA049TH WW7ET4543AE WW7QT4543AE WW7TT4042EH WW7XTA049AH WW80T4020EE WW80T4020EH WW80T4040CE WW80T4040EE WW80T4040EH WW80T4041EE	DC97-22416A	POSUDA

Ovaj dokument se ne može koristiti bez odobrenja kompanije Samsung.

Brojcrteža	Vrsta	Brojpodklase	Šifra modela	Kod dela	Opis
1	C	1	WW80T4042CE WW80T4042EE WW80T4520TE WW80T4540AE WW80T4540TE WW80T4541TE WW80T4543AE WW80T4543TE WW80TA026AE WW80TA026AH WW80TA026AT WW80TA026TE WW80TA026TH WW80TA046AE WW80TA046AH WW80TA046AT WW80TA046TE WW80TA046TH WW80TA046TT WW80TA047AT WW80TA047TT WW80TA049AE WW80TA049AH WW80TA049TE WW80TA049TH WW81T4042EE WW81T4543AE WW81TA049AE WW81TA049AH WW81TA049TE WW81TA049TH WW82T4041CT WW83TA047AH WW85TA047AE WW8ET4543AE WW90T4020CE WW90T4020EE WW90T4020EH WW90T4040CE WW90T4040EE WW90T4042CE WW90T4540AE WW90T4540TE WW90T4540TH WW90T4543AE WW90T4543TE WW90TA026AE WW90TA026TE WW90TA046AE WW90TA046AH WW90TA046AT WW90TA046TE WW90TA046TH WW90TA046TT WW90TA049AE	DC97-22416A	POSUDA

Ovaj dokument se ne može koristiti bez odobrenja kompanije Samsung.

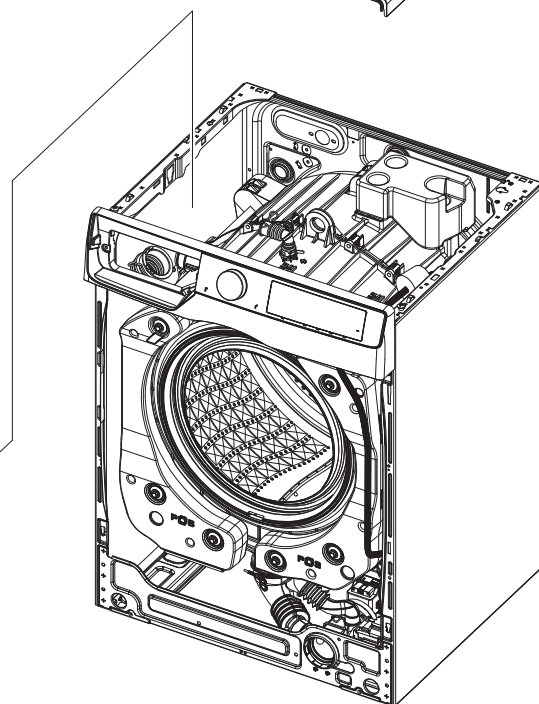
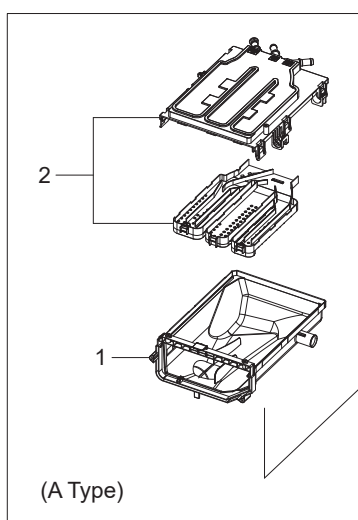
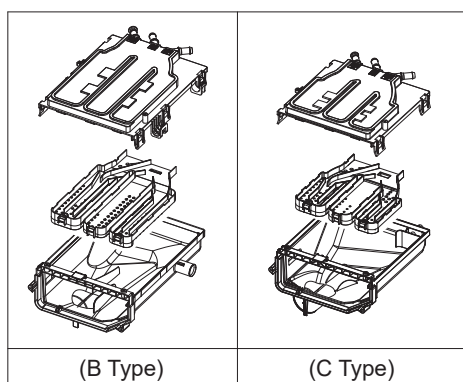
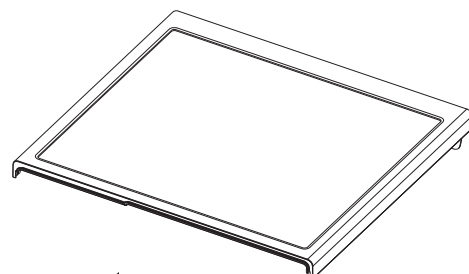
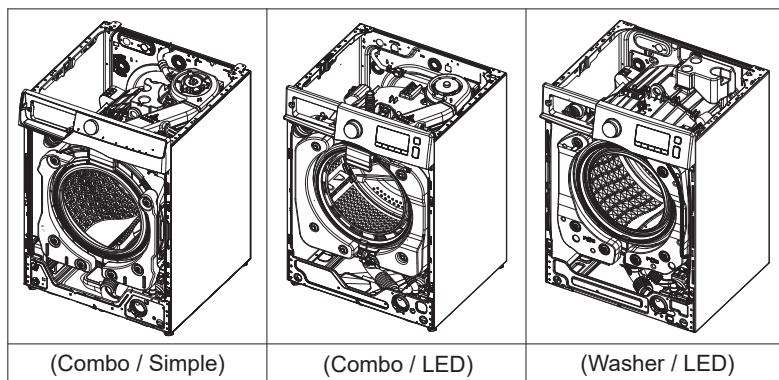
Broj crteža	Vrsta	Broj podklase	Šifra modela	Kod dela	Opis
1	C	1	WW90TA049TH WW91T4543AE WW91TA049AE WW91TA049TH WW95TA047AE WW9ET4543AE WW9ETA049AE WW9TT4543TH	DC97-22416A	POSUDA
		2	WW70T4042CX WW70TA026AX WW70TA046AX WW70TA049AX WW7ET4543AX WW80T4540AX WW80TA026AX WW80TA046AN WW80TA046AX	DC97-22401A	POSUDA
		3	WD80T4046CE WD80T4046CW WD80T4046EE WD80T4046EW WD80T4047CH WD80T4047EE WD80T4049CE WD80TA046BE WD80TA046BH WD80TA047BE WD80TA047BT WD80TA047WE WD80TA049BE WD81T4049CE WD81TA049BE WD82T4047CE WD83T4047CH WD8ET4049CE WD8FT4049EE WD90TA046BE WD91TA049BE WD95TA047BE WW80TA026TT	DC97-17310B	POSUDA



Ovaj dokument se ne može koristiti bez odobrenja kompanije Samsung.

Broj crteža	Vrsta	Broj podklase	Šifra modela	Kod dela	Opis
1	D	1	WD70T4046EE WD70T4046EW WD70T4047CE WD70T4047EE WD70T4049CE WD70TA046BE WD70TA046BH WD70TA049BE WD71TA049BE WD7ETA049BE	DC97-17312A	POSUDA
		2	WD90TA046BX WD90TA046BX WD80T4046CX WD80TA046BX WD8ETA049BX	DC97-22412A	POSUDA

## 5. KUĆIŠTE POSUDE



Vrsta	Šifra modela	Brojcrteža	Kod dela	Opis
A	WW70T4020CE WW70T4020CH WW70T4020CW WW70T4020EE WW70T4040CE WW70T4040EE	1	DC61-03473A	POSUDA ZA DETERDŽENT
	WW70T4042CE WW70T4042CX WW70T4042EE WW70T4540TE WW70T4541TE WW70T4543AE	2	DC97-17347A	KUĆIŠTE POSUDE

Vrsta	Šifra modela	Broj crteža	Kod dela	Opis
A	WW70T4543TE	1	DC61-03473A	POSUDA ZA DETERDŽENT
	WW71T4042CE			
	WW71T4543AE			
	WW7ET4543AE			
	WW7ET4543AX			
	WW7QT4543AE			
	WW7TT4042EH			
	WW80T4020EE			
	WW80T4020EH			
	WW80T4040CE			
	WW80T4040EE			
	WW80T4040EH			
	WW80T4041EE			
	WW80T4042CE			
	WW80T4042EE			
	WW80T4520TE			
	WW80T4540AE			
	WW80T4540AX			
	WW80T4540TE			
	WW80T4541TE			
	WW80T4543AE			
	WW80T4543TE			
	WW81T4042EE	2	DC97-17347A	KUĆIŠTE POSUDE
	WW81T4042EW			
	WW81T4543AE			
	WW82T4041CT			
	WW82T4041EH			
	WW8ET4543AE			
	WW90T4020EE			
	WW90T4020EH			
	WW90T4040CE			
	WW90T4040EE			
	WW90T4041CE			
	WW90T4041CX			
	WW90T4042CE			
	WW90T4540AE			
	WW90T4540AX			
	WW90T4540TE			
	WW90T4540TH			
	WW90T4541AE			
	WW90T4541AX			
	WW90T4543AE			
	WW90T4543TE			
WW91T4543AE				
WW9ET4543AE				
WW9TT4543TH				
WW70T552DAE				
WW70T552DAT				
WW70T552DAW				
WW70T552DAX				
WW70T552DTW				
WW70T554ATT				
WW70T554DAE				
WW70T554DAT				

Vrsta	Šifra modela	Broj crteža	Kod dela	Opis			
A	WW70T554DAW	1	DC61-03473A	POSUDA ZA DETERDŽENT			
	WW70T554DAX						
	WW70T554DTW						
	WW70TA026AE						
	WW70TA026AH						
	WW70TA026AT						
	WW70TA026AX						
	WW70TA026TE						
	WW70TA026TH						
	WW70TA026TT						
	WW70TA046AE						
	WW70TA046AH						
	WW70TA046AX						
	WW70TA046TE						
	WW70TA046TH						
	WW70TA046TT						
	WW70TA049AE						
	WW70TA049AH						
	WW70TA049AX						
	WW70TA049TE						
	WW70TA049TH						
	WW71TA049AE						
	WW71TA049TE						
	WW71TA049TH						
	WW7XTA049AH						
	WW80T552DAW				2	DC97-17347A	KUĆIŠTE POSUDE
	WW80T554AAE						
	WW80T554AAT						
	WW80T554AAW						
	WW80T554AAX						
	WW80T554ATT						
	WW80T554ATW						
	WW80T554CAW						
	WW80T554DAE						
	WW80T554DAN						
	WW80T554DAT						
	WW80T554DAW						
	WW80T554DAX						
	WW80T554DTE						
	WW80T554DTT						
	WW80T554DTW						
	WW80TA026AE						
	WW80TA026AH						
	WW80TA026AT						
	WW80TA026AX						
	WW80TA026TE						
WW80TA026TH							
WW80TA046AE							
WW80TA046AH							
WW80TA046AN							
WW80TA046AT							
WW80TA046AX							
WW80TA046TE							
WW80TA046TH							
WW80TA046TT							

Vrsta	Šifra modela	Broj crteža	Kod dela	Opis				
A	WW80TA047AT	1	DC61-03473A	POSUDA ZA DETERDŽENT				
	WW80TA047TT							
	WW80TA049AE							
	WW80TA049AH							
	WW80TA049TE							
	WW80TA049TH							
	WW81T554AAW							
	WW81TA049AE							
	WW81TA049AH							
	WW81TA049TE							
	WW81TA049TH							
	WW83T554AAW							
	WW83T554CAW							
	WW83TA047AH							
	WW85TA047AE							
	WW8ET554AAT							
	WW8ET554AAW							
	WW8TT554AAE							
	WW90T554AAE							
	WW90T554AAT							
	WW90T554AAW							
	WW90T554ATE							
	WW90T554ATT							
	WW90T554CAT							
	WW90T554CAW							
	WW90T554CAX							
	WW90T554DAE							
	WW90T554DAN							
	WW90T554DAT							
	WW90T554DAW							
	WW90T554DAX							
	WW90T554DTT							
	WW90T554DTW							
					WW90TA026AE	2	DC97-17347A	KUĆIŠTE POSUDE
					WW90TA026TE			
					WW90TA046AE			
					WW90TA046AH			
					WW90TA046AN			
					WW90TA046AT			
					WW90TA046AX			
					WW90TA046TE			
					WW90TA046TH			
					WW90TA046TT			
					WW90TA047AE			
					WW90TA047AX			
					WW90TA049AE			
					WW90TA049TH			
	WW91TA049AE							
	WW91TA049TH							
	WW95TA047AE							
	WW9ETA049AE							
	WW80T604CLE							
	WW80T654ALE							
	WW80T654ALX							
	WW80T654DHE							

Vrsta	Šifra modela	Brojcrteža	Kod dela	Opis
<b>A</b>	WW80T654DLE WW80T654DLH WW90T604CLE WW90T604CLN WW90T654ALH WW90T654DHE WW90T654DLE WW90T654DLH WW90T654DLX WW9XT654ALH	1	DC61-03473A	POSUDA ZA DETERDŽENT
		2	DC97-17347A	KUĆIŠTE POSUDE
<b>B</b>	WD80T4046CE WD80T4046CW WD80T4046CX WD80T4046EE WD80T4046EW WD80T4047CH WD80T4047EE WD80T4049CE WD81T4049CE WD82T4047CE WD83T4047CH WD8ET4049CE WD8FT4049EE WD11T554AWW WD80T554ABE WD80T554ABT WD80T554CBE WD80T554CBT WD80T554CBW WD80T554CBX WD80T554DBE WD80T554DBT WD80T554DBW WD80T554DBX WD80TA046BE WD80TA046BH WD80TA046BX WD80TA047BE WD80TA047BT WD80TA047WE WD80TA049BE WD81T554ABW WD81TA049BE WD8ET554ABE WD8ET554ABW WD8ETA049BX WD8XT554ABE WD90T554CBW WD90T554DBW WD90TA046BE WD90TA046BX WD91TA049BE WD95TA047BE WD10T654ABH WD10T654DBH WD10T654DBN	1	DC61-02663A	POSUDA ZA DETERDŽENT
		2	DC97-17347A	KUĆIŠTE POSUDE

Vrsta	Šifra modela	Broj crteža	Kod dela	Opis			
<b>B</b>	WD80T654ABH	1	DC61-02663A	POSUDA ZA DETERDŽENT			
	WD80T654AWH						
	WD80T654CBE						
	WD80T654DBH						
	WD90T654ABE						
	WD90T654ABH						
	WD90T654CBE						
	WD90T654DBE						
	WD90T654DBH						
	WD90T654DBN						
	WD92T654CBE						
	WD10T754ABT						
	WD10T754DBH						
	WD11T754AWH						
	WD80T754ABH						
	WD80T754ABN						
	WD80T754CBH						
	WD81T754ABH						
	WD8XT754AWH						
	WD90T754ABH						
	WD90T754ABT						
	WD90T754DBH						
	WD90T754DBX						
	WD94T754CBT						
	WD80T954DSH						
	WD90T954ASH						
	WD90T954ASX						
	WD90T954DSH				2	DC97-17347A	KUĆIŠTE POSUDE
	WD95T954ASE						
	WW10T554DAN						
	WW10T554DAT						
	WW10T554DAW						
	WW10T554DAX						
	WW10T554DTW						
WW10T604CLH							
WW10T654ALE							
WW10T654ALH							
WW10T654DLH							
WW14T654CLE							
WW80T656ALE							
WW8GT654ALH							
WW90T606CHE							
WW90T606CLE							
WW90T606CLH							
WW90T656AHE							
WW90T656ALE							
WW92T656CLE							
WW10T754ABT							
WW10T754CBH							
WW10T754DBH							
WW80T756ABH							
WW80T756AWT							
WW94T756CBT							
WW9GT754AWH							
WW80T854ABH							
WW80T854ABT							

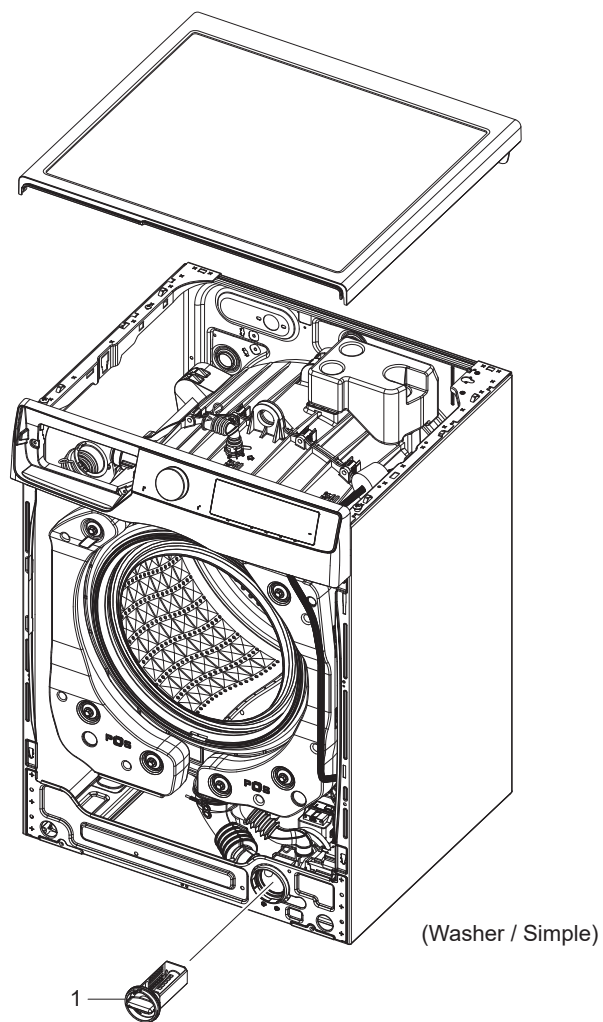
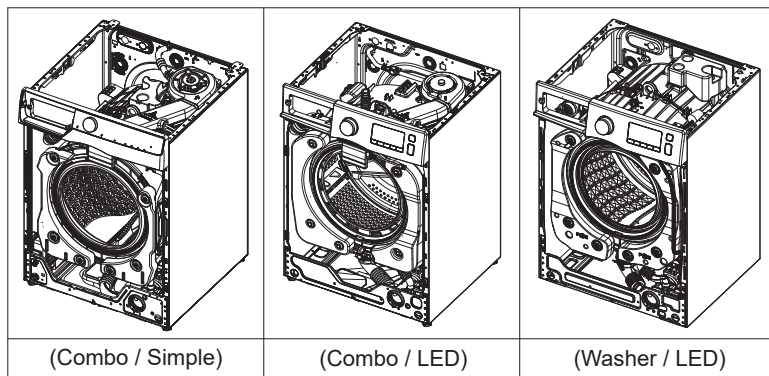
Vrsta	Šifra modela	Broj crteža	Kod dela	Opis
<b>B</b>	WW80T854DBH	1	DC61-02663A	POSUDA ZA DETERDŽENT
	WW80T854DBT			
	WW80T854DBX			
	WW80T854DWT			
	WW80T954ASE			
	WW80T954ASH			
	WW80T956ASE			
	WW81T854ABT			
	WW81T956ASH			
	WW84T954ASH			
	WW8XT854AWH			
	WW8XT956ASH			
	WW90T854ABH			
	WW90T854ABT			
	WW90T854DBH			
	WW90T854DBT			
	WW90T854DBX			
	WW90T954ASH			
	WW90T954ASX			
	WW90T954DSH			
	WW90T956ASE			
	WW90T956DSH			
	WW90T956DSX			
	WW91T956ASE			
	WW95T956ASE			
	WW80T4020EE			
	WW80T4040EE			
	WW90T4020CE			
	WW90T4020EE			
	WW80T554DAW			
	WW80T554DTW			
	WW80TA026TT			
	WW80TA046AE			
	WW80TA046AX			
	WW85T504DAE			
	WW85T554DAW			
	WW90T554CAT			
	WW90T554CAX			
	WW90T554DAN			
	WW90T554DAW			
	WW90T554DAX			
	WW90T554DTW			
	WW90TA026TE			
	WW90TA046AE			
	WW90TA046TE			
	WW90T654DLH			
WW90T654DLX				
WW80T754ABH				
WW80T754ABT				
WW80T754DBH				
WW80T754DBT				
WW8ET754ABH				
WW8TT754AWH				
WW90T754ABH				
WW90T754ABT				
WW90T754DBH				
WW90T754DBT				
WW90T754DBX				
		2	DC97-17347A	KUĆIŠTE POSUDE



Ovaj dokument se ne može koristiti bez odobrenja kompanije Samsung.

Vrsta	Šifra modela	Brojcrteža	Kod dela	Opis
C	WD70T4046EE	1	DC61-02967C	POSUDA ZA DETERDŽENT
	WD70T4046EW			
	WD70T4047CE			
	WD70T4047EE			
	WD70T4049CE			
	WD70T554DBE	2	DC97-17346A	KUĆIŠTE POSUDE
	WD70TA046BE			
	WD70TA046BH			
	WD70TA049BE			
	WD71TA049BE			
WD7ETA049BE				

## 6. FILTER



Broj crteža	Vrsta	Broj pod-klase	Šifra modela	Kod dela	Opis
1		SVI MODELI		DC97-15695A	FILTER
				DC97-15695C	FILTER

Ovaj dokument je originalno proizveden i objavljen od strane proizvođača, brenda Samsung, i preuzet je sa njihove zvanične stranice. S obzirom na ovu činjenicu, Tehnoteka ističe da ne preuzima odgovornost za tačnost, celovitost ili pouzdanost informacija, podataka, mišljenja, saveta ili izjava sadržanih u ovom dokumentu.

Napominjemo da Tehnoteka nema ovlašćenje da izvrši bilo kakve izmene ili dopune na ovom dokumentu, stoga nismo odgovorni za eventualne greške, propuste ili netačnosti koje se mogu naći unutar njega. Tehnoteka ne odgovara za štetu nanесenu korisnicima pri upotrebi netačnih podataka. Ukoliko imate dodatna pitanja o proizvodu, ljubazno vas molimo da kontaktirate direktno proizvođača kako biste dobili sve detaljne informacije.

Za najnovije informacije o ceni, dostupnim akcijama i tehničkim karakteristikama proizvoda koji se pominje u ovom dokumentu, molimo posetite našu stranicu klikom na sledeći link:

<https://tehnoteka.rs/p/samsung-masina-za-pranje-i-susenje-vesa-wd90t634dbhs7-akcija-cena/>