

Uputstvo za upotrebu

VOX aspirator TRD 650 BR



Tehnoteka je online destinacija za upoređivanje cena i karakteristika bele tehnike, potrošačke elektronike i IT uređaja kod trgovinskih lanaca i internet prodavnica u Srbiji. Naša stranica vam omogućava da istražite najnovije informacije, detaljne karakteristike i konkurentne cene proizvoda.

Posetite nas i uživajte u ekskluzivnom iskustvu pametne kupovine klikom na link:

<https://tehnoteka.rs/p/vox-aspirator-trd-650-br-akcija-cena/>



TRD - 650 W
TRD - 650 IX
TRD - 650 BR
TRD - 660 W
TRD - 660 IX
TRD - 660 BR

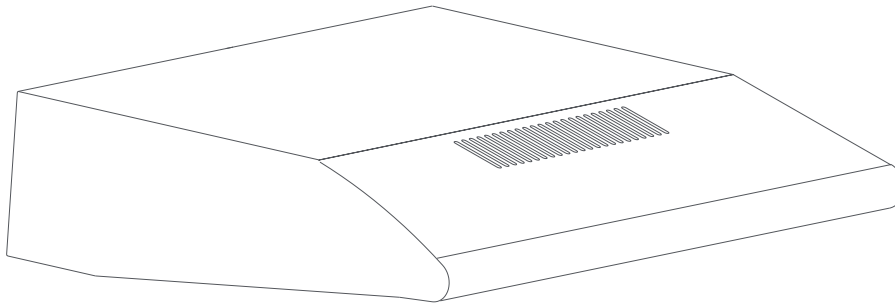
OPERATING INSTRUCTIONS HOOD
UPUTSTVO ZA UPOTREBU ASPIRATOR
NAVODILA ZA UPORABO NAPA
UPUTE ZA UPORABU NAPA
MANUAL DO USUÁRIO EXAUSTOR



VOX
ELECTRONICS

TRD - 650 W
TRD - 650 IX
TRD - 650 BR
TRD - 660 W
TRD - 660 IX
TRD - 660 BR

OPERATING INSTRUCTIONS HOOD



TRD650W
TRD650IX

Read this manual prior to performing any task!

Internet: www.voxelectronics.com

Table of contents

| | | |
|-----------|--|-----------|
| 1 | Technical Drawing | 4 |
| 2 | WARNING AND SAFETY PRECAUTIONS | 5 |
| | 2.1 LETHAL RISK, DANGER OF POISONING..... | 7 |
| 3 | USAGE WITH AND WITHOUT CARBON FILTER | 11 |
| 4 | Carbon Filter Replacement | 12 |
| 5 | CLEANING AND PREVENTIVE MAINTENANCE | 14 |
| | 5.1 ALUMINIUM FILTER CLEANING..... | 15 |
| | 5.2 Washing in Dishwasher..... | 15 |
| | 5.3 Hand Wash..... | 15 |
| 6 | APPLIANCE POSITION | 16 |
| 7 | CLEANING AND PREVENTIVE MAINTENANCE | 17 |
| | 7.1 Installation and Unpacking of the Appliance..... | 17 |
| | 7.2 Recommendations for Energy Saving..... | 17 |
| 8 | CONTENT OF PACKAGE | 18 |
| 9 | ASSEMBLY OF PRODUCT | 19 |
| 10 | USE OF PRODUCT | 20 |
| | 10.1 Using Push Button Product..... | 20 |
| | 10.2 Slider Rocker Button Use..... | 20 |
| 11 | REPLACING THE LAMPS | 21 |
| | 11.1 Plug Lamp Replacement..... | 21 |
| 12 | AUTHORIZED SERVICE | 22 |
| 13 | TECHNICAL TABLE | 24 |

1 Technical Drawing

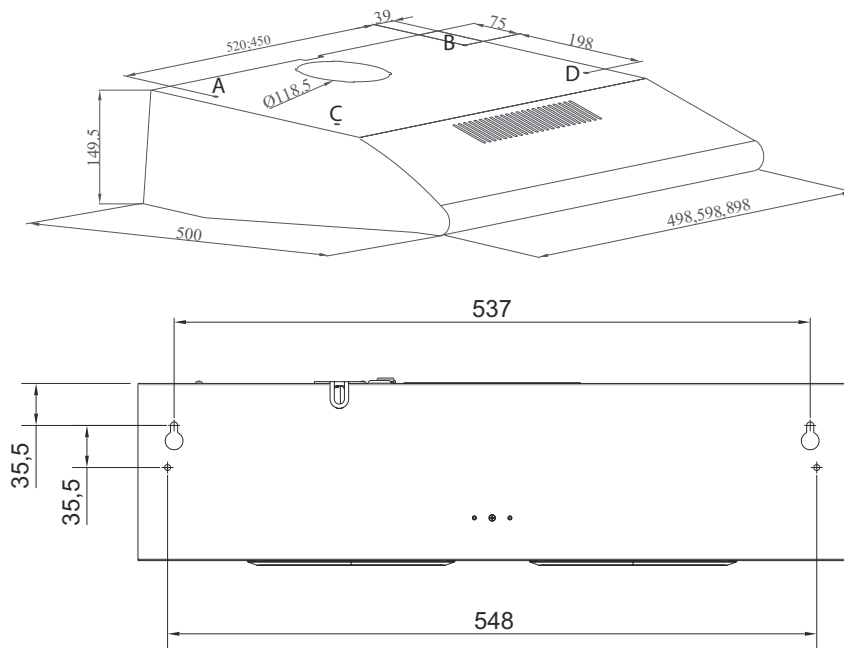


Fig. 1: DIMENSIONED TECHNICAL DRAWING

2 WARNING AND SAFETY PRECAUTIONS

WARNING AND SAFETY PRECAUTIONS

- This appliance can be used by children of 8 years and older, people with physical, sensory or mental capability deficiency or people with lack of experience or knowledge; as long as they are provided supervision or instructions for the safe use of the appliance and they comprehend the dangers.
- Children should not tamper with the appliance. Cleaning and user maintenance operations must not be performed by children unless supervised.
- This product is designed for home use.
- Usage voltage of your product is 220-240 Volt~50-60 Hz.
- Power cord of your product is fitted with a grounded plug. This cord must be plugged into a grounded outlet.
- The whole electrical wiring must be installed by a qualified electrician.
- Installation by unauthorized persons could lead to poor operation performance, damage to the product, and accidents.
- Feeder cable of the appliance mustn't be exposed to jamming or crashing during assembly. Feeder cable mustn't be placed near the cooker. In such cases, it might melt down and lead to fire.
- Do not plug in the appliance before the installation.
- Make sure that the installation place allows the user to easily unplug the power cable in case of any danger.
- Do not touch your product's lamps when they work for a long time. The lamps may burn your hand as they will be hot.
- Kitchen hoods are manufactured for household use in normal home cooking. There is a risk of malfunction in other types of use, and the product guarantee will be void.
- Comply with the rules and instructions regarding discharge of outgoing air, stipulated by the relevant authorities. (This warning does not apply to uses without flue.)
- Flammable foods must not be cooked under the appliance.
- Start your product after you place pot, pan etc. on the stoves. Otherwise, high temperature may cause some parts of your products to deform.
- Turn off the cooker's burner before taking the saucepan, pan, etc. off the cooker.
- Do not leave boiling oil on the stove. Pots that contain boiling oil may catch fire by itself.
- Since oils could catch fire when you cook fried foods in particular, be careful about your curtains and tablecloths.
- Ensure timely replacement of the filters. Filters not replaced in a timely manner pose risk of fire due to accumulated grease deposits on them.
- Do not use non-fire-resistant filtering materials instead of the filter.
- Do not operate your product without filter, and do not remove the filters when the product is in operation.
- In case of any fire, de-energize the hood and any other cooking devices. (Plug off the appliance or turn off the main switch.)

WARNING AND SAFETY PRECAUTIONS

- If your product's periodic cleaning is not made in a timely manner, it could pose risk of fire.
- De-energize the appliance before any maintenance operations. (Plug off the appliance or turn off the main switch.)
- When electric cooker hood and devices fed with energies other than electricity operate simultaneously, the negative pressure in the room must not exceed 4 Pa (4 X 10 bar).
- Gas or fuel oil burning appliances, such as room heaters, which share the same environment with your product, must be fully insulated from the exhaust of this product or they must be hermetical.
- When you make a flue connection for your product, use pipes with a diameter of 150mm or 120 mm. The length of the duct connection as well as the number of elbows must be as minimum as possible.
- Children must not play with the appliance.
- For your safety, use "MAX 6 A" fuse in the hood system.
- Since the packing materials could be dangerous, keep them away from children.
- If the feeder cable is damaged, it must be replaced by its manufacturer or its authorized technical service or any other personnel qualified at the same level, in order to avoid any dangerous situation.
- In case of any deflagration, de-energize the cooker hood and cooking appliances, and cover the flame. Never use water to extinguish the fire.
- When cooking appliances are in operation, their accessible parts could be hot.
- This appliance is not intended to be used by people with physical, sensory and mental disabilities (including children) or those who have not adequate experience and knowledge regarding its use, unless they are under the supervision of a person responsible for the safety of the appliance.
- After the installation of the hood, the minimum distance must be 65 cm between the product and any electric cooker; and 75 cm between it and any gas ranges or cookers burning other fuels.
- Output of the hood must not be connected to air ducts, where there exist another smokes.
- You must be careful when using the appliance spontaneously with other appliances (e.g. gas, diesel fuels, coal, wood, etc. burning heaters, shower heaters), which use the same air in the same environment. Attention must be paid when using them simultaneously. It is because the hood could adversely affect the combustion, by discharging the ambient air.
- This warning does not apply to uses without flue.
- When electric cooker hood is used simultaneously with devices that use gas or other fuels, there must be sufficient ventilation in the room (might not apply to devices that discharges the air back into the room).

2.1 LETHAL RISK, DANGER OF POISONING



DANGER!

Warning - Choking Hazard

The packaging materials are dangerous for children. Never allow children to play with packaging materials.



DANGER!

Warning - Death Hazard

There are life-threatening danger and poisoning danger due to reabsorbed combustion gases. During the air discharge outlet use, unless sufficient air supply is provided, do not use the appliance simultaneously with devices that discharge toxic gases through flue such as ventilated, gas, oil, wood or coal burning heaters, shower heaters, water heaters, etc. Fig. 2

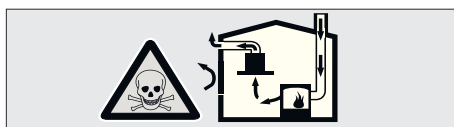


Fig. 2: Poisoning Danger

Ventilated goods (e.g. gas, oil, wood or coal burning heaters, shower heaters, water heaters) take combustion air from the installation location, and discharge the waste gas through a waste gas system (e.g. flue). When the cooker hood is active, it absorbs air from the kitchen and neighbouring rooms. If adequate air entry is not provided, vacuum emerges. In such a case, the toxic gases are absorbed from the flue and waste gas channel, and are taken into to door again. Fig. 2

- Therefore, adequate fresh air ingress must always be ensured. Fig. 3

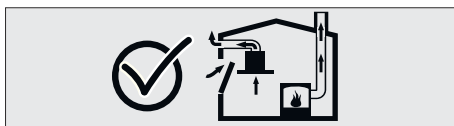


Fig. 3

WARNING AND SAFETY PRECAUTIONS

LETHAL RISK, DANGER OF POISONING



WARNING!

Fire danger!

- The oil residue in the oil filter may catch fire. **Clean the oil filter at least once every 3 months.** Never operate the device without the oil filter.
- The oil residue in the oil filter may catch fire. Never work with open flame (ex. flambe) near the device. The apparatus is allowed to be installed near a solid fuel (e.g. wood or coal) heater only if it has a non-removable cover. No sparks should be scattered.
- Hot oils and fats catch fire easily. Hot oils and fats should never be left unattended. Never try to put out the fire with water. Turn off the cooker. Kill the flames carefully using a cover, fire blanket or a similar material.
- Gas operated cookers that do not have a cooking pot on create high heat during operation. A ventilation device placed over the cookers can be damaged or burned for this reason. Operate gas cookers only when there is a cooking pot on them.
- Operating multiple gas cookers simultaneously creates high heat. A ventilation device placed over the cookers can be damaged or burned for this reason. Never operate two gas cookers longer than 15 minutes on high flame setting. A large burner over 5kW (Wok) has the power of two gas burners.



WARNING!

Electrocution hazard!

- A malfunctioning device may cause electric shock. Never turn on a malfunctioning device. Pull the power plug and switch off the circuit breaker. Call customer service.
- Unsuitable repairs pose hazards. Repairs and replacement of damaged power cords must be performed only by a customer services technician trained by us. If the device is malfunctioning pull the power plug and switch off the circuit breaker. Call customer service.
- Water leaking into the device may cause electric shock. High pressure or steam cleaners must not be used.



DANGER!

Danger of physical injury!

- During the installation, there is a danger of physical injury due to the sharp edges. Use protective gloves throughout the installation process of the appliance.
- Due to risk of dropping the appliance, assembly of all safety bolts and covers must be performed as specified in the user manual.
- Objects placed on the appliance may fall over. Do not place any objects on the device.
- LED lights are very bright and may damage eyes (Risk group 1). You must not look directly at running LED lights for longer than 100 seconds.



WARNING!

Risk of burn, risk of electric shock!

- Allow the appliance to cool before cleaning or maintenance process. Switch off the fuse or pull out the mains plug from the socket.
- There is risk of damage due to ingress of moisture in the electronics. Do not clean the control components with a wet cloth.
- The surface could be damaged due to a wrong cleaning process. Clean stainless steel surfaces only in their brushing direction. Do not use a stainless steel cleaner for the control elements.
- The surface could be damaged due to aggressive and abrasive cleaning agents. Never use aggressive and abrasive cleaning agents.



WARNING!

Dangers of fire and physical injury!

In case of repairing that is not performed according to the rules or as required, turn off the fuse or unplug the feeder cable of your appliance. Repairing must be performed only by the authorized technical service or authorized experts.



NOTICE!

If the appliance is faulty or damages, turn off the fuse or unplug the feeder cable of your appliance and call the authorized service.

WARNING AND SAFETY PRECAUTIONS

LETHAL RISK, DANGER OF POISONING



NOTICE!

If the feeder cable is damaged, it must be replaced by its manufacturer or its authorized technical service or any other personnel qualified at the same level, in order to avoid any dangerous situation.



NOTICE!

When the bulbs of the device malfunction, switch off the circuit breaker and unplug the device's power plug from the socket. Replace the defective bulbs immediately (leave bulbs to cool down first), in order to protect the remaining bulbs against overloading.



CAUTION!

Accessible components might be heated when used with cooking devices.



DANGER!

Air outlet pipe of this appliance mustn't be connected in the flue used to discharge the fume generated by devices that use gas or other fuels.

Damage reasons



CAUTION!

Damage hazard due to corrosion. Always run the appliance to prevent condensate formation while cooking. Condensates may cause corrosion damage. Replace the malfunctioning lamp right away to prevent overloading of other lamps. Moisture intrusion in electronic parts poses a risk of damage. Never clean the control elements with a wet cloth. The surface could be damaged due to a wrong cleaning process. Clean stainless steel surfaces only in their brushing direction. Do not use a stainless steel cleaner for the control elements. The surface could be damaged due to aggressive and abrasive cleaning agents. Never use aggressive and abrasive cleaning agents. There is a risk of damage due to condensate liquid backflow. Install the air exit canal with a small downward inclination (1° inclination) from the appliance.

3 USAGE WITH AND WITHOUT CARBON FILTER



You can use this appliance in exhaust air mode and ventilated air mode.

Exhaust air mode

The absorbed air is cleaned by the grease filters, and is discharged through a piping system. Fig. 4

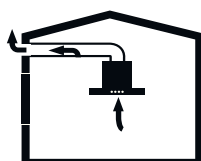


Fig. 4: Air Outlet without Carbon Filter



NOTICE!

Exhaust air must not be transferred to an active smoke or waste gas flue; or a flue used for ventilation of the places, where heat sources are installed.

- If you want to transfer exhaust air to an inactive smoke or waste gas flue, you need to obtain permission from an authorized chimney sweep.
- If exhaust air is discharged through the external wall, a telescopic wall safe must be used.

Ventilated air mode



Absorbed air is cleaned by the grease filters and an active carbon filter, and then it is transferred back to the kitchen. Fig. 5

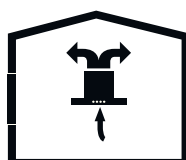


Fig. 5: Air Circulation with Carbon Filter



You need to install an active carbon filter, in order to catch the substances, which cause stink in the circulating air. Consult your authorized dealer to know the different opportunities available for enabling the appliance to function in circulating air mode. You can buy the accessories required for this process from the relevant outlets, authorized technical service or online sales center.

4 Carbon Filter Replacement

CARBON FILTER

Air is filtered through the carbon filter and ensures it leaves from the 120 mm diameter pipe or the ventilation holes on the product with the help of N-RV funnel. This method is used in kitchens without flue outlet or where the installation is not possible to the point with flue outlet. If you want to use the product without a funnel, follow the steps below.

- ➔ Remove the aluminium cartridge filters on the product.

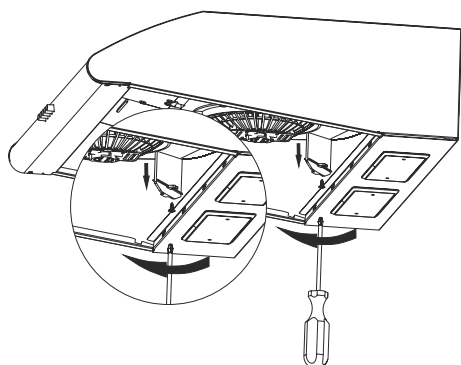


Fig. 6

- ➔ Then remove the long throttle on the motor case (Fig. 6).

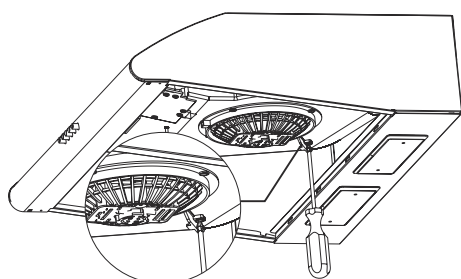


Fig. 7: short throttle

- ➔ Install the short throttle found in the installation accessories instead of the long throttle (Fig. 7).

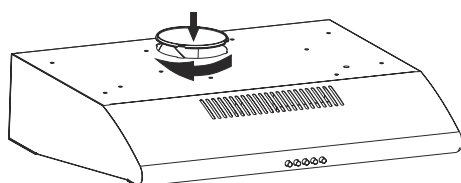


Fig. 8

- ➔ Insert blind plug provided with the installation accessories of your appliance to the flue outlet (Fig. 8).

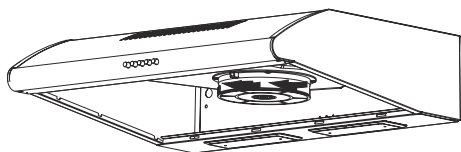


Fig. 9: CARBON FILTER

- 1-Place the carbon filter in its housing (Fig. 9).
- 2-Rotating the carbon filter clockwise, ensure that it is completely fit (Fig. 9).



If carbon filter does not fit in completely, it might drop and damage your product.



DANGER!

Never wash the carbon filters.

Keep carbon filters away from children.

5 CLEANING AND PREVENTIVE MAINTENANCE

**CAUTION!**

Cleaning and user maintenance of the appliance shall not be performed by unattended children.

- The surface could be damaged due to aggressive and abrasive cleaning agents. Never use aggressive and abrasive cleaning agents. Supply your cleaning and protective substances that are appropriate for your appliance from the authorized technical service. Surface of appliance and control units are sensitive to scratching.
- Clean the surfaces with a soft and damp cloth, dish-washing liquid or mild glass cleaning agent. Soften the dry, sticky dirt with a damp cloth. Do not scrape!
- It is not appropriate to use dry cloths, sponges that may scratch, materials that require rubbing, and other aggressive cleaning agents containing sand, soda, acid or chlorine.
- Clean the stainless steel surfaces in their brushing direction only.
- Do not use stainless steel cleaning agents and wet clothes for control units. Cleaning of metal grease filters Used metal grease filters retain the greasy particles in the moisture and vapour generated in the kitchen. Clean the metal grease filters about every three months, under normal use conditions (1 to 2 hours a day).
- Do not use excessively effective, acidic or alkaline cleaning agents.
- For cleaning the metal grease filters, clean the holder parts of the metal grease filters in the appliance, with a damp cloth as well.
- You can clean the metal grease filters in the dishwasher or by hand.
- Do not apply spray cleaning supplies directly to the product.
- Do not keep flammable and/or heavy decorative items on the product.

5.1 ALUMINIUM FILTER CLEANING

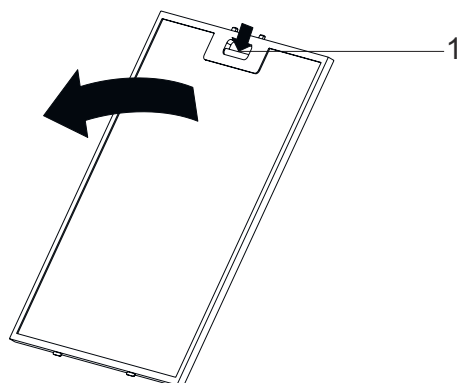


Fig. 10

1 Aluminium Filter Tab



Clean the aluminium oil filters periodically every 3 months.

- Press the aluminium filter tab (1) and pull the aluminium filter to the direction of the arrow (Fig. 10).
- As you remove the aluminium filter, hold it with your other hand to prevent it from dropping.
- As you remove the aluminium filter, in order to prevent the accumulated oil to drip, keep the filter surface parallel to the floor.

5.2 Washing in Dishwasher

In case of washing in dishwasher, a slight change might occur in colour. This has no effect on the function of the metal grease filter.

- Do not clean too dirty metal grease filters together with utensils in the dishwasher.
- Place the metal grease filters loosely and freely in the dishwasher. Metal grease filters must be placed in the dishwasher without jamming.

5.3 Hand Wash



For stubborn dirt, you can use a special grease solvent. You can buy such an agent from the authorized sales centre.

- *Soften the metal grease filters in a hot water with dish-washing liquid.*
- *Use a brush for cleaning and wait for the liquid in metal grease filters to flow off completely.*
- *Rinse the filters thoroughly after cleaning.*

6 APPLIANCE POSITION

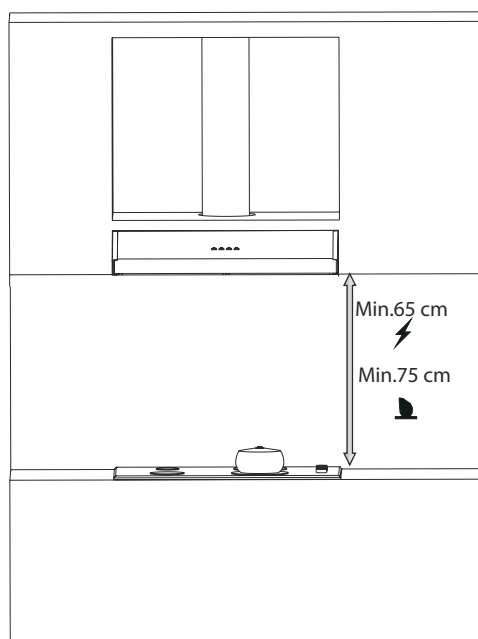


Fig. 11

After completing the installation of hood, the minimum distance must be 65 cm between the product and any electric cooker; and 75 cm between it and any gas ranges or cookers burning other fuels (Fig. 11).

7 CLEANING AND PREVENTIVE MAINTENANCE

7.1 Installation and Unpacking of the Appliance

- Check that your appliance is not deformed.
- Report the transport issues immediately to transport operator.
- Any faults encountered shall be reported to the dealer, too.
- Do not allow children to play the with packaging materials!

7.2 Recommendations for Energy Saving

- Replace the carbon filters on a regular basis.
- Regularly clean your aluminium filters. Since dirty filters would block the air passage, you might have to use the appliance at a higher speed.
- Use your product according to its normal speeds.
- Use at higher speed would cause an increase in the energy consumption.

8 CONTENT OF PACKAGE

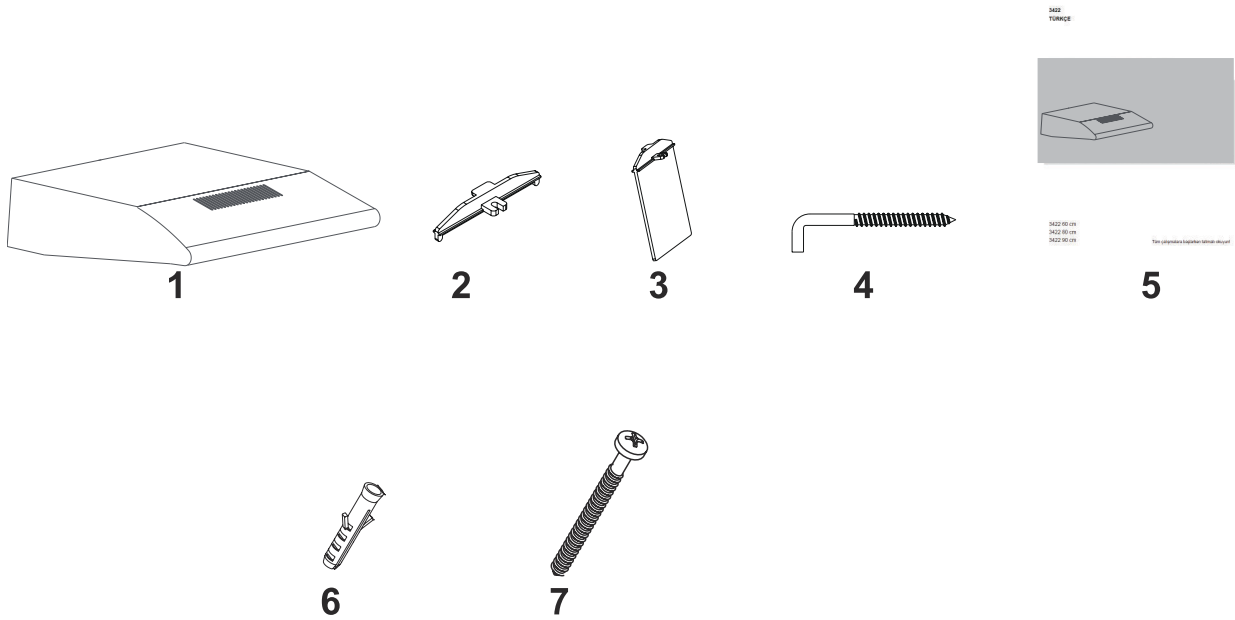


Fig. 12

- 1- Product
- 2- Short Throttle
- 3- Long Throttle
- 4- Hanging Hook

- 5- User Manual
- 6- 2x Ø10mm Plastic Dowel
- 7- 4x 4x40 Chipboard Screw

9 ASSEMBLY OF PRODUCT

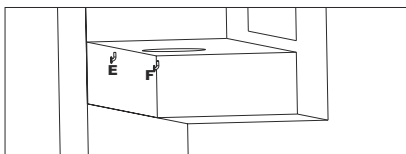


Fig. 13

Tap 2 plastic dowels provided with the installation accessories of your appliance to points E, F. Insert L hanger screws provided with the installation accessories of your appliance to these dowels (Fig. 13).

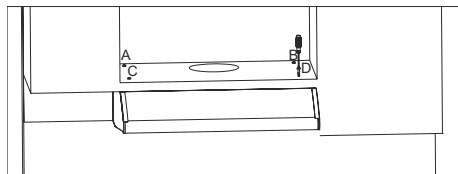


Fig. 14

Hang your appliance to the E,F points you have installed and then screw from A,B,C,D points (Fig. 14).

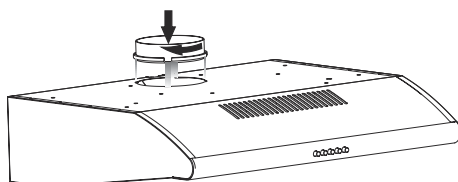


Fig. 15

Install the plastic funnel found in the installation accessories to the funnel exit of the product. Slide the tabs on the plastic funnel over the tabs on the body funnel exit and turn the plastic funnel in clockwise direction (Fig. 15).

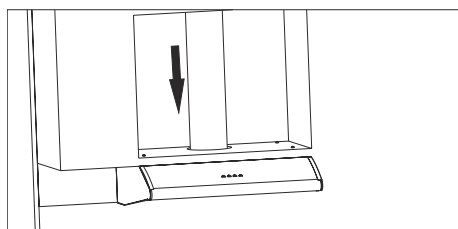


Fig. 16

Perform the flexible flue connection of your appliance (Fig. 16).



Since twists and bends will lead to reduction in the air suction power, avoid using them as much as possible.

USE OF PRODUCT

Slider Rocker Button Use

10 USE OF PRODUCT

10.1 Using Push Button Product



Fig. 17: Push button

| | |
|--|--|
| | Press this button to reset your product. |
| | Product will run on 1st speed level when this button is pressed. |
| | Product will run on 2nd speed level when this button is pressed. |
| | Product will run on 3rd speed level when this button is pressed. |
| | Press this button to turn on and off the lamp. |

10.2 Slider Rocker Button Use

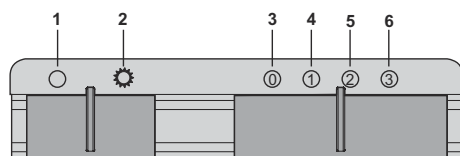


Fig. 18

1. ➤ Bring to this position to turn off the lamp (Fig. 18).
2. ➤ Bring to this position to turn on the lamp (Fig. 18).
3. ➤ Bring to this position to turn off the lamp (Fig. 18).
4. ➤ Bring to this position when you want to operate the product in 1. speed (Fig. 18).
5. ➤ Bring to this position when you want to operate the product in 2. speed (Fig. 18).
6. ➤ Bring to this position when you want to operate the product in 3. speed (Fig. 18).

11 REPLACING THE LAMPS

11.1 Plug Lamp Replacement



WARNING!

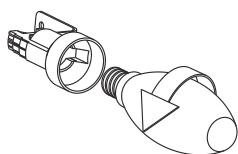
Disconnect the electrical supply of the hood. Leave the lamps to cool down first because they could burn your hands when they are hot.



It indicates the maximum power consumption of the lamp. A lamp with same power rating should be used when replacing the lamp.



To find out the power rating used in the product, see the declaration label in the product.



Remove the aluminium cartridge filter. Remove the faulty bulb and replace with a new one with the same rating. Fig. 19

Fig. 19: Spark Plug Lamp Replacement

12 AUTHORIZED SERVICE

If Lighting is Not Functioning:

- Make sure that the plug is plugged in, and that the fuses are intact.
- Check the bulbs. Make sure you unplugged the device before performing this check. Tighten the bulbs if they are loose; you can replace the bulbs if they still don't work.

Possible Faults and Things that You can do Before Calling Technical Service:

A) If the device does not run in any way:

- Check to see if the hood is plugged in or if the plug is fit properly into the socket.
- Check the fuse, to which the appliance is connected, as well as the main fuse of your house.

If the device performance is not enough and it creates high noise while running:

- Is the outlet diameter of the appliance's flue adequate? (min. 120 mm).
- Are the metal filters clean? Please check.
- If you use the hood without flue, make sure that the carbon filters are not older than 6 months.
- Be attentive to ventilate your kitchen adequately, in order to provide an airflow. If you are still not satisfied with the performance of the appliance, consult the authorized technical service.

Troubleshooting

| Fault description | Cause | Remedy |
|------------------------------------|-----------------------------|---|
| Product Does Not Work | Check the power connection. | Mains voltage must be 220-240 V, and product must be plugged into a grounded socket. |
| Illumination lamp does not operate | Check the power connection. | Mains voltage must be 220-240 V, and product must be plugged into a grounded socket. |
| Illumination lamp does not operate | Check the lamp switch. | Lamp switch must be at "on" position. |
| Illumination lamp does not operate | Check the bulbs. | Bulbs must be operative. |
| Product's Air Intake is Weak | Check The Aluminium Filter. | The aluminium cartridge filter should be washed once a month under normal conditions. |
| Product's Air Intake is Weak | Check The Air Outlet Flue. | Air Outlet Flue Must Be Open. |
| Product's Air Intake is Weak | Check The Carbon Filter. | In products that work with carbon filters, carbon filter must be replaced once in every 3 months under normal conditions. |

| Fault description | Cause | Remedy |
|---|-----------------------------|---|
| It Does Not Discharge Air (in flueless use) | Check The Aluminium Filter. | The aluminium cartridge filter should be washed once a month under normal conditions. |
| It Does Not Discharge Air (in flueless use) | Check The Carbon Filter. | In products that work with carbon filters, carbon filter must be replaced once in every 3 months under normal conditions. |

13 TECHNICAL TABLE

| | |
|---------------------------|------------------|
| Supply Voltage | 220 - 240 V 50Hz |
| Insulation Class of Motor | F |
| Insulation Class | CLASS I |



This product complies with the 2014/30/EC (Regulation on Electro-magnetic Compliance) and 2014/35/EC (Regulation on Low Voltage Devices (LVD)) Directives.



This device complies with the Directive on the Control of Waste Electrical and Electronic Equipment.

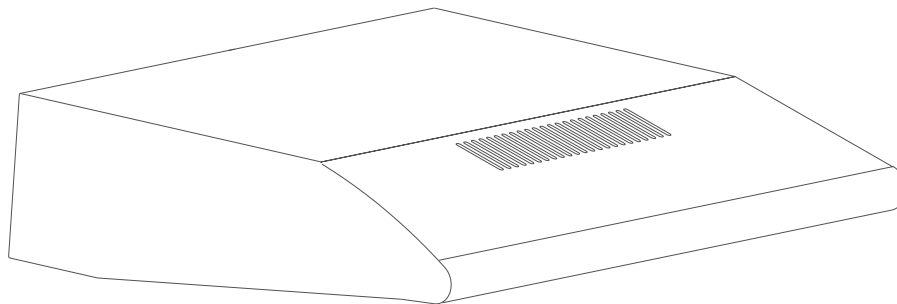
Specifications of the device and this manual may be modified without prior notification.



VOX
ELECTRONICS

TRD - 650 W
TRD - 650 IX
TRD - 650 BR
TRD - 660 W
TRD - 660 IX
TRD - 660 BR

UPUTSTVO ZA UPOTREBU ASPIRATOR



TRD650W
TRD650IX

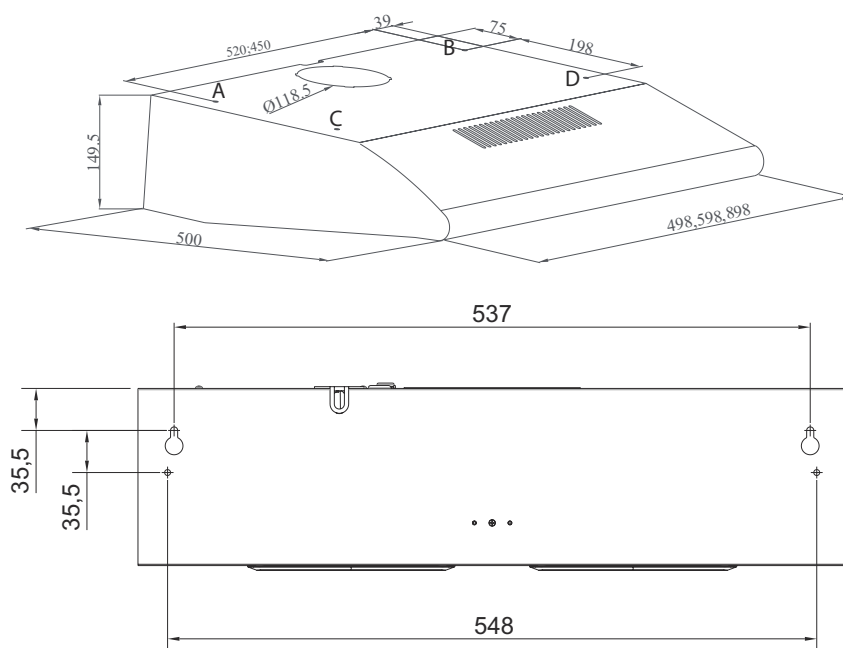
Pre početka svih radova, pročitajte uputstvo!

Internet: www.voxelectronics.com

Sadržaj

| | | |
|-----------|--|-----------|
| 1 | 1 Tehnički crtež..... | 4 |
| 2 | UPOZORENJA I BEZBEDNOSNE MERE..... | 5 |
| | 2.1 OPASNOST PO ŽIVOT OPASNOST OD TROVANJA..... | 6 |
| 3 | KORIŠĆENJE SA ILI BEZ FILTERA SA AKTIVNIM UGLJEM..... | 11 |
| 4 | AF 100 zamena filtera sa aktivnim ugljem..... | 12 |
| 5 | ČIŠĆENJE I PREVENTIVNO ODRŽAVANJE..... | 14 |
| | 5.1 ČIŠĆENJE ALUMINIJUMSKOG FILTERA..... | 14 |
| | 5.2 Pranje u mašini za pranje sudova..... | 15 |
| | 5.3 Ručno pranje..... | 15 |
| 6 | POLOŽAJ UREĐAJA..... | 16 |
| 7 | ČIŠĆENJE I PREVENTIVNO ODRŽAVANJE..... | 17 |
| | 7.1 Montaža i raspakivanje..... | 17 |
| | 7.2 Preporuke za štednju energije..... | 17 |
| 8 | SADRŽAJ PAKOVANJA..... | 18 |
| 9 | MONTAŽA UREĐAJA..... | 19 |
| 10 | KAKO SE UREĐAJ KORISTI..... | 20 |
| | 10.1 Korišćenje Proizvoda Putem Tastera..... | 20 |
| | 10.2 Korišćenje Kliznog Prekidača..... | 20 |
| 11 | ZAMENA SIJALICA..... | 21 |
| | 11.1 Zamena sijalice..... | 21 |
| 12 | OVLAŠĆENI SERVIS..... | 22 |
| 13 | TEHNIČKI DIJAGRAM..... | 24 |

1 1 Tehnički crtež



Slika 1: DIMENZIONI TEHNIČKI CRTEŽ

2 UPOZORENJA I BEZBEDNOSNE MERE

UPOZORENJE I BEZBEDNOSNE MERE PREDOSTROŽNOSTI

- Ovaj uređaj mogu da koriste deca od 8 godina i starija, osobe sa fizičkim, čulnim ili mentalnim nedostatkom ili ljudi sa nedostatkom iskustva ili znanja sve dok su obezbeđeni nadzor ili uputstva za bezbedno korišćenje uređaja i dok oni shvataju opasnosti.
- Deca ne smeju da se igraju sa uređajem. Deca ne smeju da čiste ili održavaju aparat bez odgovarajućeg nadzora.
- Ovaj proizvod je namenjen za kućnu upotrebu.
- Napon napajanja vašeg uređaja je 220-240 V~50/60 Hz.
- Kabl za napajanje uređaja ima uzemljenu utičnicu. Ovaj kabl se uvek mora priključiti u uzemljenu utičnicu.
- Sve električne veze mora da izvede kvalifikovani električar.
- Neovlašćena instalacija može da dovede do lošeg rada, oštećenja uređaja i nesreća.
- Kabl za napajanje uređaja ne sme da se zaglavi ili prignječi tokom instalacije. Kabl za napajanje ne sme da se postavi u blizini šporeta. To može da izazove topljenje i požar.
- Ne uključujete uređaj u struju pre završetka instalacije.
- Pobrinite se da mesto instalacije omogućava korisniku da jednostavno izvuče kabl za napajanje u slučaju opasnosti.
- Ne dodirujte sijalice uređaja kada su uključene duže vreme. Pazite da se ne opečete na vrućim sijalicama.
- Kuhinjski aspiratori su proizvedeni za kućnu upotrebu u standardnim uslovima za kuvanje. Postoji rizik od kvara u slučaju drugačijeg korišćenja i tada se poništava garancija za proizvod.
- Poštujte propise i pravila nadležnih organa o ispuštanju izduvnih gasova. (Ovo ne važi za modele bez ispuštanja izduvnih gasova.)
- Zapaljiva hrana ne sme da se kuva ispod ovog uređaja.
- Uključite uređaj nakon postavljanja posude, lonca, itd. na šporet. U suprotnom, visoka temperatura može da izazove da se neki delovi uređaja deformišu.
- Isključite gorionik pre nego što šerpe, lonce, itd. sklonite sa šporeta.
- Ne ostavljajte vruće ulje na šporetu. Lonci koji sadrže vruće ulje mogu da se zapale.
- Pošto ulje može da se zapali tokom prženja, pazite na zavese i stolnjake.
- Vodite računa da se filteri zamene na vreme. Filteri koji se ne zamene na vreme predstavljaju rizik od požara zbog ulja koje se nataložilo u njima.
- Nemojte umesto filtera da koristite materijal za filtriranje koji nije otporan na vatru.
- Nemojte uključivati uređaj bez filtera i nemojte uklanjati filtere tokom rada uređaja.
- U slučaju požara, aspirator i šporet isključite iz struje. (Uređaj isključite iz struje ili isključite glavni prekidač.)
- Ukoliko se ne čisti redovno, uređaj može da predstavlja rizik od požara.
- Pre održavanja, uređaj isključite iz struje. (Uređaj isključite iz struje ili isključite glavni prekidač.)

UPOZORENJA I BEZBEDNOSNE MERE

OPASNOST PO ŽIVOT OPASNOST OD TROVANJA

- Negativni pritisak koji se javlja u prostoriji kada se pored aspiratora istovremeno koriste uređaji koji se ne napajaju električnom energijom, ne sme da premaši 4 Pa (4 X 10 bara).
- Ukoliko se uređaji koji rade na ulje ili gas, kao što su sobne grejalice, nalaze u prostoriji u kojoj se koristi vaš uređaj, izduvni gasovi iz ovih uređaja se moraju potpuno izolovati ili uređaj ne sme da propušta vazduh.
- Prilikom povezivanja izduvnih kanala uređaja, koristite cevi prečnika 150 mm ili 120 mm. Kanal veze mora da bude što kraći, sa najmanjim mogućim brojem kolena.
- Deca ne smeju da se igraju sa uređajem.
- Zbog vaše bezbednosti, u aspiratoru koristite osigurač od maksimalno 6 A.
- Ambalažu držite dalje od dece, jer ona može biti opasna.
- Ukoliko se kabl za napajanje ošteti, mora ga zameniti proizvođač, njegov ovlašćeni servis ili lica odgovarajućih kvalifikacija da bi se izbegle opasnosti.
- U slučaju požara, aspirator i šporet isključite iz struje i pokrijte plamen. Nikada ne koristite vodu za gašenje požara.
- Pristupačni delovi mogu biti veoma topli tokom rada šporeta.
- Ovaj uređaj ne smeju da koriste osobe sa ograničenim fizičkim, čulnim ili mentalnim sposobnostima (uključujući decu), niti osobe koje nemaju dovoljno znanja i iskustva u korišćenju ovog uređaja, osim ako su pod nadzorom osobe koja je odgovorna za njihovu bezbednost i ako su od nje dobile uputstva o pravilnom korišćenju ovog uređaja.
- Prilikom montaže aspiratora, između uređaja i električnog šporeta mora da se ostavi najmanje 65 cm prostora ili 75 cm prostora između uređaja i šporeta koji rade na gas ili druga goriva.
- Odvod kuhinjskog aspiratora ne sme da se povezuje na izduvne kanale na koje su priključeni drugi proizvođači dima.
- Vodite računa kada uređaj koristite sa drugim uređajima (npr. grejalice koje rade na gas, dizel gorivo, ugalj ili drvo, grejalice u kupatilu itd.) koji koriste isti vazduh u istom okruženju. Treba voditi računa kada se koriste istovremeno. Ovo je važno zato što aspirator može da ima negativan uticaj na sagorevanje, jer vraća vazduh u prostoriju.
- Ovo ne važi za korišćenje bez izduvnih kanala.
- Prostorija mora da ima dovoljnu ventilaciju kada se šporet, aspirator i uređaji koji rade na gas i druga goriva koriste istovremeno (ovo možda neće važiti za uređaje koji dovode do cirkulacije vazduha u prostoriji).

2.1 OPASNOST PO ŽIVOT OPASNOST OD TROVANJA



OPASNOST!

Upozorenje - Opasnost od gušenja

Ambalaža je opasna za decu. Nikada ne dozvolite deci da se igraju ambalažom.



OPASNOST!

Upozorenje - Opasnost po život

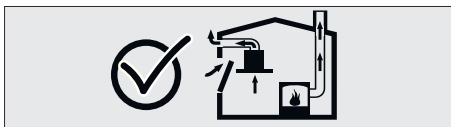
Postoji opasnost po život i opasnost od trovanja zbog ponovnog uvlačenja dimnih gasova. Osim ako se ne obezbedi odgovarajući dovod vazduha, izduvni kanal ovog uređaja nemojte koristiti u kombinaciji sa uređajima koji ispuštaju opasne dimne gasove, kao što su peći za grejanje na gas, lož-ulje ili ugalj, uređaji za zagrevanje vode itd. Slika 2



Slika 2: Opasnost od trovanja

Uređaji koji ispuštaju gasove (npr. grejalice koji rade na gas, ulje, drvo ili ugalj, grejalice za kupatilo, uređaji za zagrevanje vode) uzimaju vazduh za sagorevanje iz prostorije u kojoj su instalirani, a dimove odvede preko sistema za odvod dimova (npr. izduvnih kanala). Uključeni aspirator usisava vazduh iz kuhinje i susednih prostorija. Ukoliko se ne omogući odgovarajući dovod vazduha, stvara se vakuum. U tom slučaju, otrovni gasovi izlaze iz izduvnog kanala i ponovo ulaze u prostoriju. Slika 2

- Zbog toga, uvek treba da se obezbedi dovoljan dovod svežeg vazduha. Slika 3



Slika 3

UPOZORENJA I BEZBEDNOSNE MERE

OPASNOST PO ŽIVOT OPASNOST OD TROVANJA



OPASNOST!

Opasnost od požara!

- Ostatak ulja u filteru za ulje može izazvati požar. **Filter za ulje čistite najmanje jednom na svaka 3 meseca.** Nikada ne koristite uređaj bez filtera za ulje.
- Ostatak ulja u filteru za ulje može izazvati požar. Nikada ne radite sa otvorenim plamenom (npr. vatra) u blizini uređaja. Aparat treba da bude postavljen u blizini grejalice na čvrsto gorivo (npr. drvo ili ugalj) samo ako ima poklopac koji ne može da se ukloni. Varničenje nije dozvoljeno.
- Vruća ulja i masnoće se mogu lako zapaliti. Vruća ulja i masnoće nikada ne treba ostaviti bez nadzora. Nikada ne pokušavajte da vatru ugasisite vodom. Isključite šporet. Pažljivo ugasisite plamen pomoću poklopca, protivpožarnog ćebeta ili slične tkanine.
- Ringle koji rade na gas, a na kojima se ne nalazi kuhinjska posuda, stvaraju veću toplotu u toku rada. Može doći do oštećenja ili pregrevavanja ventilacionog uređaja ako je postavljen iznad šporeta. Uključite ringle koji rade na gas samo kada se na njima nalazi kuhinjska posuda.
- Veća toplota se stvara kada istovremeno radi više ringli na gas. Može doći do oštećenja ili pregrevavanja ventilacionog uređaja ako je postavljen iznad šporeta. Nikada ne koristite dve ringle na gas podešenih na visok plamen duže od 15 minuta. Veći gorionik preko 5kW (Wok) ima snagu dva gorionika na gas.



OPASNOST!

Opasnost od električnog udara!

- Neispravan uređaj može izazvati strujni udar. Nikada ne uključujte neispravan uređaj. Izvucite utikač i isključite osigurač. Pozovite korisnički servis.
- Neodgovarajuće popravke predstavljaju opasnost. Popravke i zamenu oštećenih kablova sme da vrši samo tehničko lice korisničkog servisa koje smo mi obučili. Ako je uređaj neispravan, izvucite utikač i isključite osigurač. Pozovite korisnički servis.
- Prodor vode u uređaj može izazvati strujni udar. Visok pritisak ili paročistači ne smeju da se koriste.



OPASNOST!

Opasnost od telesne povrede!

- Tokom instalacije postoji opasnost od povrede zbog oštrih ivica. Prilikom instalacije uređaja, uvek nosite zaštitne rukavice.
- Zbog rizika od pada uređaja, svi sigurnosni zavrtnji i poklopci treba da se postave na način opisan u uputstvu za upotrebu.
- Predmeti koji se stavljaju na uređaj mogu pasti. Ne postavljajte nikakve predmete na uređaj.
- LED svetla su veoma jaka i mogu da oštete oči (Grupa rizika 1). Ne smete da gledate direktno u LED svetla duže od 100 sekundi.



OPASNOST!

Opasnost od opekotina, opasnost od strujnog udara!

- Pre čišćenja i održavanja, sačekajte da se uređaj ohladi. Izvucite osigurač ili isključite mrežni prekidač iz struje.
- Postoji rizik od oštećenja usled nakupljanja vlage na električnim delovima. Kontrolne elemente nikada nemojte čistiti vlažnom krpom.
- Usled nepravilnog čišćenja može doći do oštećenja površine. Površine od nerđajućeg čelika čistite samo u smeru četkanja. Za kontrolne elemente nemojte koristiti sredstva za čišćenje nerđajućeg čelika.
- Može doći do oštećenja površine zbog agresivnih ili abrazivnih sredstava za čišćenje. Nikada ne koristite agresivna ili abrazivna sredstva za čišćenje.



OPASNOST!

Opasnost od požara i telesne povrede!

Ako je vršena nestručna ili pogrešna popravka, izvucite osigurač ili isključite uređaj iz struje. Popravke sme da vrši samo ovlašćeni servis ili ovlašćeno stručno osoblje.



NAPOMENA!

U slučaju kvara ili oštećenja uređaja, izvucite osigurač ili isključite uređaj iz struje i pozovite ovlašćeni servis.

UPOZORENJA I BEZBEDNOSNE MERE

OPASNOST PO ŽIVOT OPASNOST OD TROVANJA



NAPOMENA!

Ukoliko se kabl za napajanje ošteti, mora ga zameniti proizvođač, njegov ovlašćeni servis ili lica odgovarajućih kvalifikacija da bi se izbegle opasnosti.



NAPOMENA!

Kada su sijalice uređaja neispravne, isključite osigurač i izvucite utikač iz utičnice. Odmah zamenite neispravne sijalice (prvo sačekajte da se sijalice ohlade) da biste zaštitili preostale sijalice od preopterećenja.



OPREZ!

Kada se koriste zajedno sa šporetima, pristupačni delovi mogu da se zagreju.



OPASNOST!

Izduvna cev za vazduh ovog uređaja ne sme da se poveže na izduvni kanal koji se koristi za izbacivanje izduvnih gasova koje ispuštaju uređaji na gas ili druga goriva.

Razlozi oštećenja



OPREZ!

Opasnost oštećenja zbog korozije. Tokom kuvanja uređaj treba uvek da radi da biste sprečili formiranje kondenzata. Kondenzati mogu izazvati oštećenja od korozije. Odmah zamenite neispravnu sijalicu da biste sprečili preopterećenje ostalih sijalica. Vлага koja prodre u električne delove predstavlja opasnost od oštećenja. Kontrolne elemente nikada nemojte čistiti vlažnom krpom. Usled nepravilnog čišćenja može doći do oštećenja površine. Površine od nerđajućeg čelika čistite samo u smeru četkanja. Za kontrolne elemente nemojte koristiti sredstva za čišćenje nerđajućeg čelika. Može doći do oštećenja površine zbog agresivnih ili abrazivnih sredstava za čišćenje. Nikada ne koristite agresivna ili abrazivna sredstva za čišćenje. Postoji rizik od oštećenja usled vraćanja tečnosti kondenzata. Postavite izlazni kanal za vazduh sa malim silaznim nagibom (1° nagiba) iz uređaja.

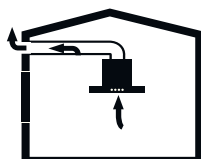
3 KORIŠĆENJE SA ILI BEZ FILTERA SA AKTIVNIM UGLJEM



Ovaj uređaj možete koristiti u režimu izduvnih gasova ili u režimu cirkulacije vazduha.

Režim izduvnih gasova

Usisani vazduh se prečišćava u filterima za ulje i odvodi putem sistema cevi. Slika 4



Slika 4: Odvod vazduha bez filtera sa aktivnim ugljem



NAPOMENA!

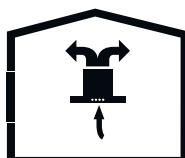
Izduvni gas nikada ne sme da se vodi u aktivni dimnjak ili u kanal izduvnog gasa, niti sme da se vodi u dimnjak koji se koristi za ventilaciju oblasti sa instaliranim izvorima grejanja.

- Ukoliko je potrebno da se izduvni gas vodu u neaktivni dimnjak ili kanal izduvnog gasa, trebalo bi da dobijete dozvolu od ovlašćenog servisa za čišćenje dimnjaka.
- Ukoliko se izduvni gasovi izbacuju preko spoljašnjeg zida, treba da se koristi spoljna zidna ventilaciona klapna.

Režim cirkulacije vazduha



Usisani vazduh prečišćavaju filteri za ulje i filter sa aktivnim ugljem koji se vraća u kuhinju. Slika 5



Slika 5: Cirkulacija vazduha sa filterom sa aktivnim ugljem



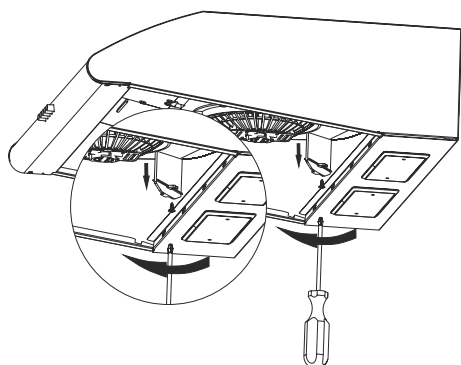
Treba da priključite filter sa aktivnim ugljem da bi zadržao supstance koje odaju mirise u režimu cirkulacije vazduha. Obratite se ovlašćenom distributeru u vezi različitih mogućnosti koje su potrebne za rad uređaja u režimu cirkulacije vazduha. Dodatnu opremu potrebnu za ovaj proces možete dobiti u odgovarajućim prodavnicama, ovlašćenim servisima ili putem internet prodajnog centra.

4 AF 100 zamena filtera sa aktivnim ugljem

FILTER SA AKTIVNIM UGLJEM

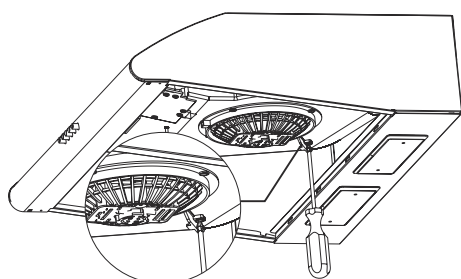
Vazduh se filtrira kroz filter sa aktivnim ugljem i obezbeđuje se da on izlazi kroz cev prečnika 120 mm ili ventilacione otvore na proizvodu uz pomoć N-RV dimnjaka. Ovaj način se koristi u kuhinjama bez otvora za izduvni kanal ili tamo gde instalacija izduvnog kanala nije moguća. Ako želite da proizvod koristite bez dimnjaka, pratite korake u nastavku.

➔ Uklonite aluminijumske umetke filtera iz uređaja



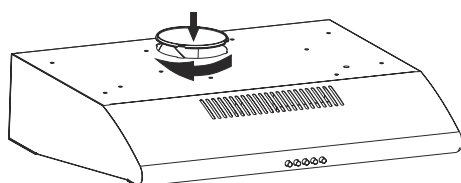
Slika 6

➔ Zatim uklonite duži ventil sa kućišta motora (Slika 6).



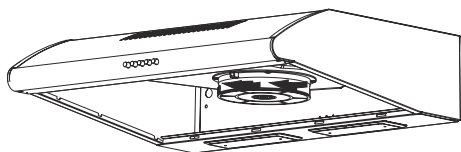
Slika 7: Kraći Ventil

➔ Umesto dužeg ventila instalirajte kraći ventil koji je isporučen uz pribor za montažu (Slika 7).



Slika 8

➔ Na otvor za izduvni kanal umetnite masku koja je isporučena uz pribor za montažu vašeg uređaja (Slika 8).



Slika 9: FILTER SA AKTIVNIM UGLJEM

- 1- Postavite filter sa aktivnim ugljem u njegovo kućište (Slika 9).
- 2- Zarotirajte filter sa aktivnim ugljem u smeru kazaljke na satu dok potpuno ne nalegne (Slika 9).



Ukoliko ne nalegne u potpunosti, filter sa aktivnim ugljem može da padne i oštetiti uređaj.



OPASNOST!

Nikada nemojte prati filter sa aktivnim ugljem
Filtere sa aktivnim ugljem držite dalje od dece.

ČIŠĆENJE I PREVENTIVNO ODRŽAVANJE

ČIŠĆENJE ALUMINIJUMSKOG FILTERA

5 ČIŠĆENJE I PREVENTIVNO ODRŽAVANJE

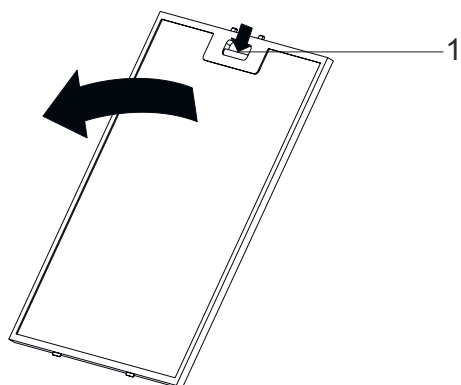


OPREZI!

Čišćenje i servisiranje koje obavlja korisnik ne treba da obavljaju deca koja nisu pod nadzorom.

- Može doći do oštećenja površine zbog agresivnih ili abrazivnih sredstava za čišćenje. Nikada ne koristite agresivna ili abrazivna sredstva za čišćenje. Kod ovlašćenog servisa nabavite odgovarajuća sredstva za čišćenje i zaštitu za vaš uređaj. Površina uređaja i kontrolnih jedinica je osetljiva na ogrebotine.
- Površine čistite mekom, vlažnom krpom, sredstvom za pranje sudova ili blagim sredstvom za čišćenje stakla. Sasušenu i očvrslu prljavštinu omekšajte vlažnom krpom. Nemojte strugati!
- Korišćenje suvih krpa, sunđera koji mogu da izazovu ogrebotine, sredstava koja zahtevaju trljanje, sredstava za čišćenje koja sadrže pesak, sodu, kiselinu, hlor ili druge jake supstance nije prikladno.
- Površine od nerđajućeg čelika čistite samo u smeru brušenja.
- Za kontrolne jedinice nemojte koristiti sredstva za čišćenje nerđajućeg čelika i vlažne krpe. Čišćenje metalnih filtera za ulje: Korišćeni filteri za ulje hvataju samo čestice ulja koje se nalaze u vlažnom vazduhu i pari u kuhinji. Kod normalnog korišćenja (1-2 sata dnevno), metalne filtere za ulje čistite na svaka tri meseca.
- Nemojte koristiti previše jaka, kisela sredstva niti sredstva za čišćenje na bazi hlora.
- Tokom čišćenja metalnog filtera za ulje, vlažnom krpom očistite i rešetke na metalnim filterima za ulje.
- Metalne filtere za ulje možete oprati u mašini za pranje sudova ili ručno.

5.1 ČIŠĆENJE ALUMINIJUMSKOG FILTERA



Slika 10

1- Jezičak aluminijumskog filtera



Aluminijumske filtere za ulje čistite redovno na svaka 3 meseca.

- Pritisnite jezičak aluminijumskog filtera (1) i povucite aluminijumski filter u smeru strelice (Slika 10).
- Dok izvlačite aluminijumski filter, pridržavajte ga drugom rukom da ne bi pao
- Dok pomerate aluminijumski filter, površinu filtera držite paralelno sa podom kako bi se sprečilo kapanje sakupljenog ulja.

5.2 Pranje u mašini za pranje sudova

U slučaju pranja u mašini za pranje sudova, može doći do blagog gubitka boje. To nema uticaja na funkcionisanje metalnog filtera za ulje.

- Veoma zaprljane metalne filtere za ulje nemojte prati zajedno sa sudovima.
- Metalne filtere za ulje stavite u mašinu za pranje sudova tako da stoje slobodno. Metalni filteri za ulje treba da se stave u mašinu za pranje sudova tako da se na njih ne primenjuje nikakav pritisak.

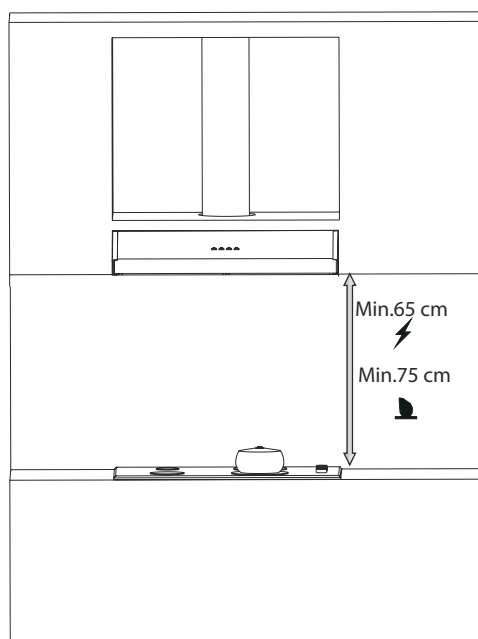
5.3 Ručno pranje



Za uklanjanje tvrdokornih mrlja, možete da koristite specijalni rastvarač ulja. Ovaj rastvarač možete kupiti u ovlašćenom prodajnom centru.

- *Omekšajte mrlje na metalnom filteru za ulje tako što ćete ga staviti u toplu vodu sa deterdžentom za pranje sudova.*
- *Za čišćenje koristite četku i potpuno ispraznite tečnost iz metalnih filtera za ulje.*
- *Nakon čišćenja, temeljno isperite filtere.*

6 POLOŽAJ UREĐAJA



Slika 11

Prilikom montaže aspiratora, između uređaja i električnih šporeta mora da se ostavi najmanje 65 cm prostora ili 75 cm prostora između uređaja i šporeta koji rade na gas ili druga goriva. (Slika 11).

7 ČIŠĆENJE I PREVENTIVNO ODRŽAVANJE

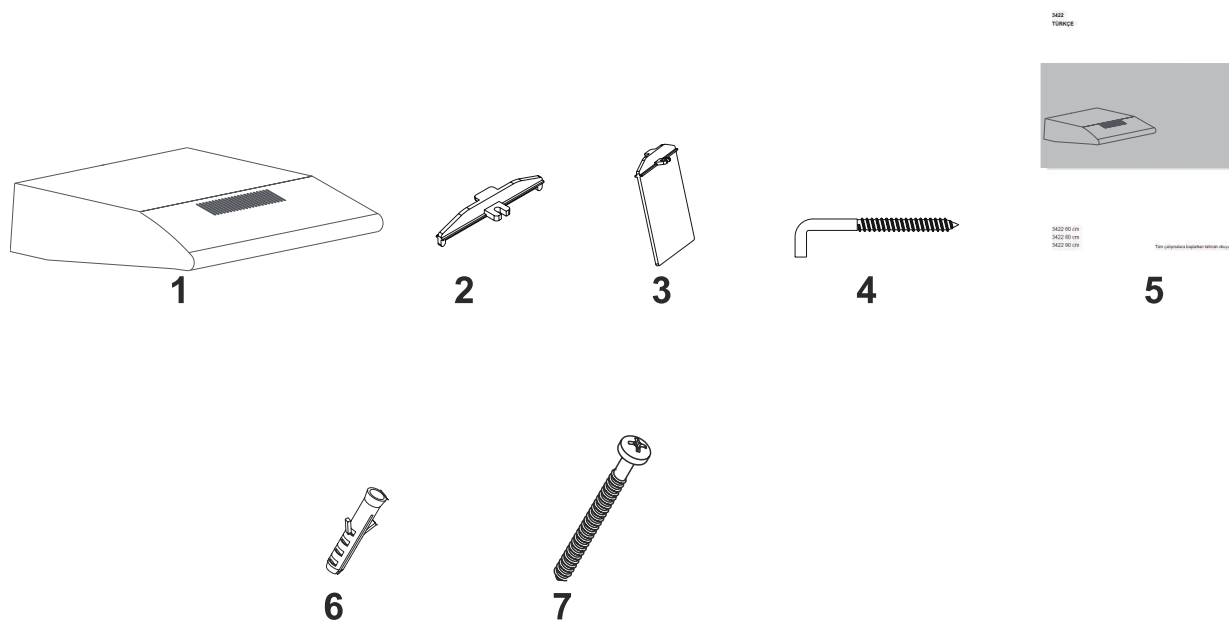
7.1 Montaža i raspakivanje

- Proverite da li postoje bilo kakva oštećenja na uređaju.
- Oštećenja prilikom transporta odmah moraju da se prijave osobi odgovornoj za transport.
- Vidljivi nedostaci moraju da se prijave i prodavcu.
- Ne dozvolite deci da se igraju ambalažom.

7.2 Preporuke za štednju energije

- Redovno menjajte filtere sa aktivnim ugljem.
- Redovno čistite aluminijumske filtere. Možda ćete morati da uključujete uređaj na većoj brzini, jer će prljavi filter blokirati dovod vazduha.
- Uređaj koristite na normalnim brzinama.
- Korišćenje većih brzina će povećati potrošnju električne energije.

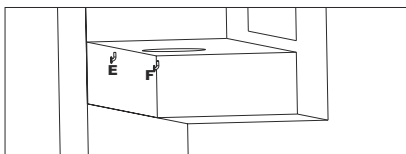
8 SADRŽAJ PAKOVANJA



Slika 12

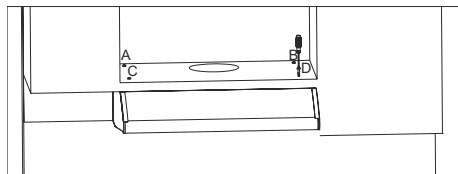
- 1- Uređaj
- 2- Kraći Ventil
- 3- Duži Ventil
- 4- Kukica za Kačenje
- 5- Uputstvo za upotrebu
- 6- Plastični Tipli 2x Ø10mm
- 7- Zavrtnaj za Montažu 4x 4x40

9 MONTAŽA UREĐAJA



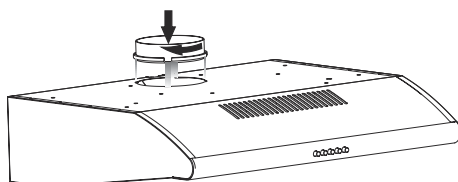
Slika 13

Ukucajte 2 plastična tipla, koja su priložena uz pribor za montažu vašeg uređaja, u tačkama E i F. U tiplje umetnite zavrtnje za nosač „L“ profila, koji su isporučeni uz pribor za montažu vašeg uređaja (Slika 13).



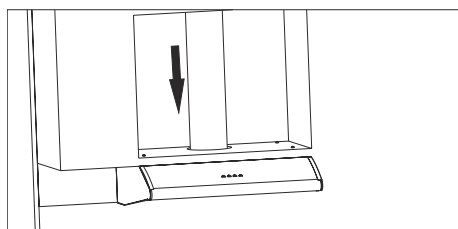
Slika 14

Okačite uređaj na postavljene tačke E, F, a zatim ga zavrtite u tačkama A, B, C, D (Slika 14).



Slika 15

Plastični dimnjak koji se nalazi u dodatnoj opremi za montažu postavite na otvor za dimnjak proizvoda. Gurnite jezičke na plastičnom dimnjaku preko jezičaka na kućištu otvora za dimnjak i okrenute plastični dimnjak u smeru kretanja kazaljke na satu (Slika 15).



Slika 16

Povežite fleksibilni izduvni kanal na vaš uređaj (Slika 16).



Pošto će krivine i kolena dovesti do smanjenja usisne snage uređaja, izbegavajte njihovo korišćenje što je moguće više

KAKO SE UREĐAJ KORISTI






Korišćenje Kliznog Prekidača

10 KAKO SE UREĐAJ KORISTI

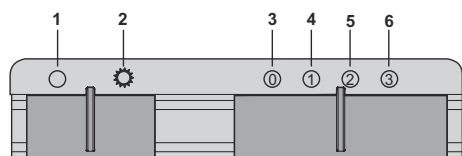
10.1 Korišćenje Proizvoda Putem Tastera



Slika 17: Taster

| | |
|---|--|
|  | Pritisnite ovaj taster da biste resetovali uređaj. |
|  | Kada se pritisne ovaj taster, uređaj će raditi na nivou 1. brzine. |
|  | Kada se pritisne ovaj taster, uređaj će raditi na nivou 2. brzine. |
|  | Kada se pritisne ovaj taster, uređaj će raditi na nivou 3. brzine. |
|  | Pritisnite ovaj prekidač za uključivanje i isključivanje svetla. |

10.2 Korišćenje Kliznog Prekidača

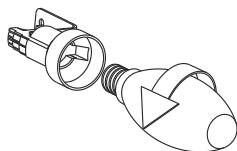


Slika 18

1. ➤ Dovedite u ovaj položaj da isključite sijalicu (Slika 18).
2. ➤ Dovedite u ovaj položaj da isključite sijalicu (Slika 18).
3. ➤ Dovedite u ovaj položaj da isključite sijalicu (Slika 18).
4. ➤ Dovedite u ovaj položaj kada želite da uređaj radi u 1. brzini (Slika 18).
5. ➤ Dovedite u ovaj položaj kada želite da uređaj radi u 2. brzini (Slika 18).
6. ➤ Dovedite u ovaj položaj kada želite da uređaj radi u 3. brzini (Slika 18).

11 ZAMENA SIJALICA

11.1 Zamena sijalice



Slika 19: Zamena ceħuuqa sijalice



UPOZORENJE!

Isključite aspirator iz struje. Sačekajte da se sijalice ohlade pošto mogu da opeku vaše ruke kada su vruće.

To ukazuje na maksimalnu potrošnju sijalice. Prilikom zamene sijalice treba koristiti sijalicu iste snage.



Pogledajte etiketu deklaracije na proizvodu da biste saznali koju snagu koristi uređaj.

Skinite aluminijumski umetak filtera. Skinite neispravnu sijalicu i zamenite je novom iste jačine. Slika 19

12 OVLAŠĆENI SERVIS

Rasveta ne radi:

- Proverite da li je uređaj uključen u struju i da li su osigurači pregoreli.
- Proverite sijalice. Tokom ove provere, obavezno isključite uređaj iz struje. Zategnite sijalice ako su se olabavile. Ukoliko i dalje ne rade, zamenite ih.

Mogući kvarovi i radnje koje možete obaviti bez pozivanja servisa:

A) Uređaj uopšte ne radi:

- Proverite da li je uređaj uključen u struju i da li je utikač dobro pričvršćen u utičnicu.
- Proverite osigurač na koji je uređaj priključen, kao i glavni osigurač u vašoj kući.

Ukoliko uređaj slabo radi ili pravi jaku buku dok radi:

- Da li uređaj ima odgovarajući prečnik izduvnog kanala? (min. 120mm).
- Da li su metalni filteri čisti? Pregledajte ih.
- Ukoliko koristite aspirator bez izduvnog kanala, pobrinite se da filteri sa aktivnim ugljem ne budu stariji od 6 meseci.
- Vodite računa da kuhinja ima dovoljnu ventilaciju da bi se osigurao protok vazduha. Ukoliko ste i dalje nezadovoljni radom uređaja, kontaktirajte ovlašćeni servis.

Problemi i rešenja

| Opis neispravnosti | Uzrok | Pomoć |
|-------------------------------|-------------------------------------|--|
| Proizvod ne radi | Proverite električne veze. | Mrežni napon mora da bude 220-240 V i uređaj mora da bude povezan na uzemljenu utičnicu. |
| Rasveta ne radi. | Proverite električne veze. | Mrežni napon mora da bude 220-240 V i uređaj mora da bude povezan na uzemljenu utičnicu. |
| Rasveta ne radi. | Proverite prekidač za svetlo. | Prekidač za svetlo mora biti u položaju „on“ (uključeno). |
| Rasveta ne radi. | Proverite sijalice. | Sijalice uređaja ne smeju biti u kvaru. |
| Usisna snaga uređaja je slaba | Proverite aluminijumski filter | Aluminijumski umetak filtera u normalnim uslovima mora da se pere najmanje jednom mesečno. |
| Usisna snaga uređaja je slaba | Proverite kanal za izduvne gasove. | Kanal za izduvne gasove mora biti otvoren. |
| Usisna snaga uređaja je slaba | Proverite filter sa aktivnim ugljem | Kod uređaja kod kojih se koriste filteri sa aktivnim ugljem, pod normalnim uslovima oni moraju da se zamene jednom u 3 meseca. |

| Opis neispravnosti | Uzrok | Pomoć |
|---|-------------------------------------|--|
| Ne izbacuje vazduh (korišćenje bez izduvnog kanala) | Proverite aluminijumski filter | Aluminijumski umetak filtera u normalnim uslovima mora da se pere najmanje jednom mesečno. |
| Ne izbacuje vazduh (korišćenje bez izduvnog kanala) | Proverite filter sa aktivnim ugljem | Kod uređaja koji koriste filtere sa aktivnim ugljem, pod normalnim uslovima oni moraju da se zamene jednom u 3 meseca. |

13 TEHNIČKI DIJAGRAM

| | |
|------------------------|------------------|
| Napon | 220 - 240 V 50Hz |
| Klasa izolacije motora | F |
| Klasa izolacije | KLASA I |



Ovaj uređaj je u skladu sa Direktivom 2004/108/EU za elektromagnetsku stabilnost i sa Direktivom o niskom naponu (LVD) 2006/95/EU.



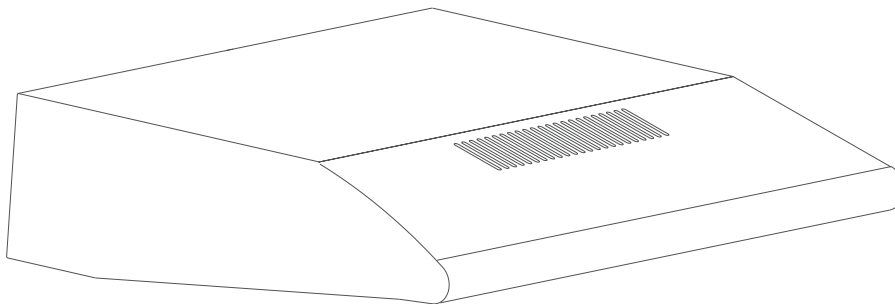
Ovaj uređaj je u skladu sa Direktivom za elektronski i električni otpad (WEEE).



VOX
ELECTRONICS

TRD - 650 W
TRD - 650 IX
TRD - 650 BR
TRD - 660 W
TRD - 660 IX
TRD - 660 BR

NAVODILA ZA UPORABO NAPA



TRD650W
TRD650IX

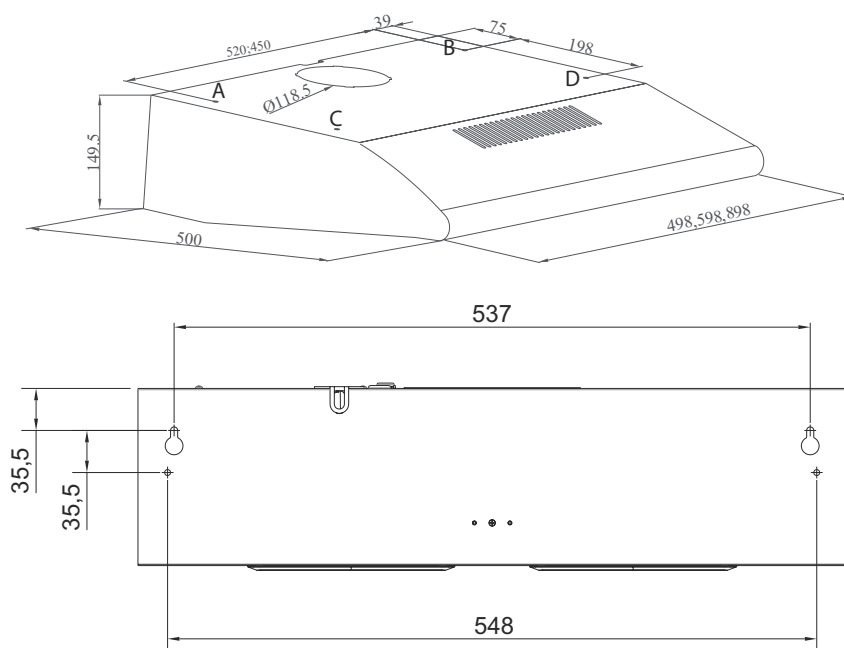
Pred uporabo natančno preberite navodila!

Spletna stran: www.voxelectronics.com

Vsebina

| | | |
|-----------|---|-----------|
| 1 | 1 Tehnična risba..... | 4 |
| 2 | OPOZORILA IN VARNOSTNI UKREPI..... | 5 |
| | 2.1 NEVARNOST SMRTNIH POŠKODB - Nevarnost zastrupitve..... | 6 |
| 3 | UPORABA Z ALI BREZ OGLENEGA FILTRA | 11 |
| 4 | AF 100 menjava oglenega filtra..... | 12 |
| 5 | ČIŠČENJE IN PREVENTIVNO VZDRŽEVANJE..... | 14 |
| | 5.1 ČIŠČENJE ALUMINIJSKEGA FILTRA..... | 14 |
| | 5.2 Pranje v stroju za pomivanje posode..... | 15 |
| | 5.3 Ročno pranje..... | 15 |
| 6 | MONTAŽA APARATA..... | 16 |
| 7 | ČIŠČENJE IN PREVENTIVNO VZDRŽEVANJE..... | 17 |
| | 7.1 Namestitev in razpakiranje..... | 17 |
| | 7.2 Priporočila za varčevanje z energijo | 17 |
| 8 | VSEBINA EMBALAŽE..... | 18 |
| 9 | NAMESTITEV APARATA..... | 19 |
| 10 | KAKO UPORABLJATI IZDELEK | 20 |
| | 10.1 Upravljanje z gumbi | 20 |
| | 10.2 Upravljanje z drsnim stikalom..... | 20 |
| 11 | MENJAVA ŽARNIC..... | 21 |
| | 11.1 Menjava žarnic..... | 21 |
| 12 | POOBLAŠČENI SERVIS..... | 22 |
| 13 | TEHNIČNA RISBA | 24 |

1 1 Tehnična risba



Slika 1: TEHNIČNA RISBA

OPOZORILA IN VARNOSTNI UKREPI

2 OPOZORILA IN VARNOSTNI UKREPI

- Aparat smejo uporabljati otroci starejši od 8 let in posamezniki brez fizičnih, zaznavnih ali intelektualnih motenj, vendar le pod nadzorom in z navodili za varno uporabo, ter pod pogojem da razumejo nevarnosti.

Izdelek je namenjen izključno uporabi v gospodinjstvu.

Uporabna napetost aparata je 220-240 V pri 50 Hz.

Kabel za napajanje Vašega aparata je opremljen vtikačem, ki ima ozemljitev. Ta vtikač mora biti priključen v ozemljeno vtičnico.

Vse električne povezave mora opraviti ustrezno usposobljeno osebo.

Nepooblaščen montaža lahko povzroči slabše delovanje ali poškodbe aparata in nesrečo.

Kabel aparata ne sme biti zavozlan ali poškodovan med montažo.

Kabla ne smete priključiti v bližini štedilnika, saj lahko tako povzročite topljenje materiala ali požar.

Aparata ne priključujte preden je montaža končana.

Poskrbite da je el. vtičnica lahko dostopna, tako da lahko v sili izključite aparat.

Po daljšem delovanju se ne dotikajte žarnic, saj lahko zaradi visoke temperature povzročijo opekline.

Nape so načrtovane za uporabo v gospodinjstvu, pri običajnem kuhanju. Če se uporabljajo v druge namene, lahko pride do okvare ali prenehanja veljavnosti garancije.

Sledite predpisom in odredbam v zvezi z odvajanjem zraka. (To ne velja v primeru uporabe brez ventilatorja.)

Hrana, ki se pri kuhanju zažge, se ne sme pripravljati pod tem aparatom.

Zaženite aparat po postavljanju posod, loncev itn. na štedilnik. V nasprotnem lahko visoka temperatura povzroči deformacija na nekaterih delih aparata.

Ko odstranite posode in lonce s štedilnika, izklopite aparat.

Ne puščajte vročega olja na štedilniku. Kozice z vročim oljem se lahko spontano vnamejo in povzročijo požar.

Pri praženju lahko pride do vnetja olja. Bodite pozorni z zavesami in pokrivali.

Poskrbite za pravočasno menjavo filtrov. Filtri, ki se ne zamenjajo pravočasno, predstavljajo požarno nevarnost zaradi v njih nakopičene maščobe.

Ne uporabljajte materiala za filtriranje, ki ni odporen na ogenj, namesto filtrov.

Izdelka ne uporabljajte brez filtrov. Ne odstranjajte filtrov med uporabo.

V primeru požara, izključite aparat in štedilnik. (Izključite aparat iz el. vtičnice ali z glavnim stikalom)

Če aparata ne čistite redno, lahko predstavlja požarno nevarnost.

Pred vzdrževalnimi dejavnostmi izklopite aparat. (Izključite aparat iz el. vtičnice ali z glavnim stikalom)

Negativni tlak v prostoru med uporabo nape in aparatov, ki delujejo z drugih virov el. energije istočasno, ne sme presegati 4 PA (4 k 10 bar).

OPOZORILA IN VARNOSTNI UKREPI

SMRTNA NEVARNOST, NEVARNOST ZASTRUPITVE

- Če so prisotni aparati, ki uporabljajo gorivo ali plin, kot so sobni grelci, mora biti odvajanje teh aparatov popolnoma ločeno, ali pa morajo biti aparati hermetično zaprti.
- Pri povezovanju dimnikov vašega aparata uporabljajte cevi prečnika 150 ali 120 mm.
- Odvod mora biti čim krajši in s čim manj koleni. Otroci se ne smejo igrati z aparatom.
- Iz varnostnih razlogov za aparat uporabljajte »MAX 6 A« varovalke.
- Ne dovolite otrokom blizu embalaže, saj lahko predstavlja nevarnost zanje.
- Če je poškodovan napajalni kabel, ga mora zamenjati proizvajalec, pooblaščen serviser ali ustrezno usposobljena oseba, da ne bi prišlo do nevarnih situacij.
- V primeru požara, izklopite napo in štedilnik ter pogasite ogenj. Nikoli ne uporabljajte vode za gašenje.
- Izpostavljeni deli aparata so lahko med delovanjem štedilnika vroči.
- Ta aparat ne smejo uporabljati posamezniki z zmanjšanimi fizičnimi, zaznavnimi ali intelektualnimi sposobnostmi (vključno z otroci) ali osebe brez ustreznega znanja in izkušenj, razen v primeru da jih nadzira oseba odgovorna za varnost aparata.
- Pri montaži nape, mora biti med električnim štedilnikom in napo najmanj 65 cm prostora, pri štedilnikih, ki uporabljajo plin ali drugo gorivo pa mora razdalja biti najmanj 75 cm.
- Izhodni deli nape ne smejo biti povezani na zračne odvode, ki vlečejo druge oblike dima.
- Potrebno je biti pozoren pri uporabi z aparati, ki uporabljajo gorivo in zrak (npr. grelci, kotli na plin, dizel, oglje ali drva). To pa zato, ker odvajanje zraka prek nape lahko zmanjša izgorevanje v prostoru.
- To ne velja za uporabo brez ventilatorja.
- Prostor mora imeti zadostno prezračevanje v primeru istočasne uporabe štedilnika, nape in aparatov na plin ali druga goriva (to ne velja za aparate, ki povzročajo kroženje zraka v prostoru).
- Prostor mora imeti zadostno prezračevanje v primeru istočasne uporabe štedilnika, nape in aparatov na plin ali druga goriva (to ne velja za aparate, ki povzročajo kroženje zraka v prostoru.)

2.1 NEVARNOST SMRTNIH POŠKODB - NEVARNOST ZASTRUPITVE

NEVARNOST!

Nevarnost zastrupitve

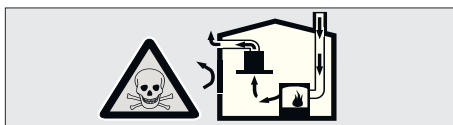
Ne dovolite otrokom blizu embalaže, saj lahko predstavlja nevarnost zanje.



NEVARNOST!

Nevarnost zastrupitve!

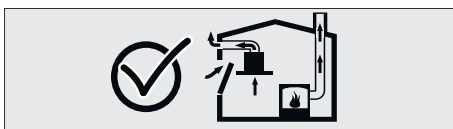
Nevarnost zastrupitve zaradi ponovne absorpcije plinov izgorevanja. Razen v primeru, da je pri odvajanju zraka z nape zagotovljen tudi ustrezen dotok svežega zraka, nape ne uporabljajte istočasno z napravami, ki odvajajo strupene pline skozi dimnik, kot so peči, gorilniki, kotli itn., ki uporabljajo zemeljski plin, nafto, oglje ali drva kot gorivo. Slika 2



Slika 2: Nevarnost zastrupitve

Naprave v katerih kroži zrak (npr. peči, gorilniki, kotli itn., ki uporabljajo zemeljski plin, nafto, oglje ali drva kot gorivo) jemljejo zrak za izgorevanje iz prostora v katerem so nameščeni. Pri delovanju nape se zrak odvaja iz kuhinje in sosednjih sob. Če ni poskrbljeno za ustrezen dovod zraka, pride do vakuuma. V tem primeru se strupeni plini vračajo v prostor iz dimnika oz. odvoda. Slika 2

- Zaradi tega je potrebno vedno zagotoviti ustrezen dotok svežega zraka. Slika 3



Slika 3

OPOZORILA IN VARNOSTNI UKREPI

NEVARNOST SMRTNIH POŠKODB - NEVARNOST ZASTRUPITVE



NEVARNOST!

Nevarnost požara!

- Ostanki maščobe v filtru za maščobo lahko povzročijo požar. **Filter za maščobo očistite najmanj enkrat vsake 3 mesece.** Nikoli ne uporabljajte aparata brez filtra za maščobo.
- Ostanki maščobe v filtru za maščobo lahko povzročijo požar. Nikoli ne uporabljajte odprtega ognja v bližini naprave. Aparat je lahko postavljen v bližino grejnega telesa na trdno gorivo (npr. les ali oglje) samo, če le ta ima odstranljiv pokrov. Iskre ne smejo uhajati.
- Vroča olja in maščoba zlahka zagorijo. Vroča olja in maščobe nikoli ne puščajte brez nadzora. Ogenj nikoli ne poskušajte pogasiti z vodo. Izključite štedilnik in pazljivo pogasite ogenj s pokrovom, protipožarno deko ali podobno tkanino.
- Plinski gorilniki na katerih ni postavljena posoda, pri gorjenju ustvarjajo večjo toploto. Lahko pride do poškodbe ali pregrevanja prezračevalnega aparata, če se nahaja nad štedilnikom. Plinske gorilnike prižigajte le, kadar je na njih postavljena posoda.
- Večja toplota se ustvarja, kadar istočasno gori več gorilnikov. Lahko pride do poškodbe ali pregrevanja prezračevalnega aparata, če je postavljen nad štedilnikom. Nikoli ne uporabljajte dveh gorilnikov na močnem plamenu dlje od 15 minut. Večji gorilnik prek 5kW (Wok) ima moč dveh plinskih gorilnikov.

NEVARNOST!

Nevarnost električnega udara!

- Pokvarjen aparat lahko izzove električni udar. Nikoli ne prižigajte pokvarjenega aparata. Izvlecite vtič in izklopite varovalko. Pokličite servis.
- Neustrezna popravila predstavljajo nevarnost. Popravila in menjavo poškodovanih kablov lahko opravlja samo ustrezno usposobljeno osebje servisa. Če je aparat pokvarjen, izvlecite vtič in izklopite aparat. Pokličite servis.
- Vdor vode v aparat lahko izzove električni udar. Ne uporabljajte velikega tlaka ali parnih čistilnikov za čiščenje aparata.



NEVARNOST!

Nevarnost telesnih poškodb!

- Pri namestitvi obstaja nevarnost telesnih poškodb zaradi ostrih robov. Pri namestitvi aparata, vedno nosite zaščitne rokavice.
- Zaradi nevarnosti padca aparata, morajo vsi varnostni vijaki in pokrovi biti nameščeni tako, kot je opisano v navodilih za uporabo.
- Ne odlagajte predmetov na aparat, saj lahko z njega zlahka padejo.
- LED svetilke so zelo močne in lahko povzročijo poškodbe vida (Skupina tveganja 1). Ne glejte neposredno v LED svetilke dlje od 100 sekund.



NEVARNOST!

Nevarnost opeklin, nevarnost električnega udara!

- Pred čiščenjem in vzdrževanjem, počakajte, da se naprava ohladi. Izklopite varovalko ali izvlecite vtič iz električnega omrežja.
- Obstaja nevarnost okvare zaradi nabiranja vlage na elektronskih delih. Upravljalne elemente nikoli ne čistite z vlažno krpo.
- Pri nepravilnem čiščenju lahko pride do poškodbe površin aparata. Površine iz nerjavečega jekla čistite samo v smeri površinske obdelave kovine. Za upravljalne elemente ne uporabljajte sredstev za čiščenje nerjavečega jekla.
- Pri uporabi agresivnih ali abrazivnih sredstev za čiščenje, lahko pride do poškodb površin aparata.



NEVARNOST!

Nevarnost požara in telesnih poškodb!

V primeru, da je poskušano nestrokovno oz. neustrezno popravilo, izklopite varovalko ali odklopite aparat iz električnega omrežja. Popravila lahko opravlja samo pooblaščen servis oz. pooblaščen osebje.



OPOMBA!

V primeru okvare ali poškodbe aparata, izklopite varovalko ali odklopite aparat iz električnega omrežja in pokličite pooblaščen servis.

OPOZORILA IN VARNOSTNI UKREPI

NEVARNOST SMRTNIH POŠKODB - NEVARNOST ZASTRUPITVE



OPOMBA!

V kolikor pride do poškodbe napajalnega kabla, ga mora zamenjati proizvajalec, pooblaščen servis ali ustrezno usposobljeno osebje, da ne bi prišlo do nevarnosti.



OPOMBA!

Kadar so žarnice pregorele, izklopite varovalko in odklopite aparat iz električnega omrežja. Takoj zamenjajte pregorele žarnice (najprej počakajte da se ohladijo), da bi preprečili, da pride do preobremenitve ostalih žarnic.



POZOR!

Kadar se uporablja skupaj s štedilnikom, se lahko dostopni deli aparata močno segrejejo.



NEVARNOST!

Odvodna cev tega aparata se ne sme povezati na odvodni kanal, ki se uporablja za odvajanje plinov, ki jih proizvajajo plinske naprave in naprave, ki uporabljajo druga goriva.

Razlogi poškodb



POZOR!

Nevarnost poškodbe aparata zaradi korozije. Med kuhanjem mora aparat vedno obratovati, da ne bi prišlo do nabiranja kondenzata. Kondenzat lahko povzroči poškodbe zaradi korozije. Pregorele žarnice takoj zamenjajte, da ne bi prišlo do preobremenitve ostalih žarnic. Vlaga, ki prodre v električne dele aparata lahko povzroči okvare. Upravljalne elemente nikoli ne čistite z vlažno krpo. Pri nepravilnem čiščenju lahko pride do poškodb površin aparata. Površine iz nerjavečega jekla čistite samo v smeri površinske obdelave. Za upravljalne elemente ne uporabljajte sredstva za čiščenje nerjavečega jekla. Pri uporabi agresivnih ali abrazivnih čistilnih sredstev lahko pride do poškodb površin aparata, zato jih nikoli ne uporabljajte. Obstaja nevarnost poškodb aparata zaradi vračanja tekočine kondenzata. Postavite odvodni kanal za zrak z majhnim nagibom navzdol iz aparata (1 stopinja nagiba).

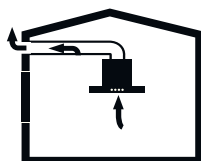
3 UPORABA Z ALI BREZ OGLENEGA FILTRA



Ta aparat lahko uporabljate z odvodom zraka ali v načinu kroženja zraka.

Način z odvodom zraka

Vsesana izparjenja prehajajo skozi filter za maščobo in odvajajo prek sistema cevi. Slika 4



Slika 4: Odvod zraka brez filtra z aktivnim ogljem



OPOMBA!

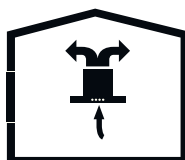
Odvajanje nikoli ne sme biti speljano v dimnik, ki je v uporabi ali v vod izpušnih plinov, niti sme biti povezan na dimnik, ki se uporablja za prezračevanje prostorov, ki imajo nameščene grelne elemente.

- V kolikor je potrebno, da odvod speljete v dimnik, ki ni v uporabi ali vod za izpušne pline, morate za to dobiti dovoljenje od pooblaščenega servisa.
- V kolikor je odvod speljan na zunanji zid, mora biti opremljen z zunanjo zidno ventilacijsko loputo.

Način kroženja zraka



Vsesani zrak prehaja skozi filter za maščobo in filter z aktivnim ogljem, ter se vrača v kuhinjo. Slika 5



Slika 5: Kroženje zraka s filtrom z aktivnim ogljem



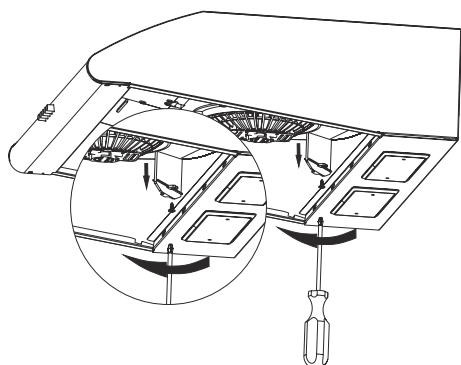
Filter z ogljem morate v načinu kroženja zraka namestiti, da bi zadržal snovi, ki oddajajo vonjave. Stopite v stik s pooblaščenim distributerjem v zvezi z različnimi možnostmi, ki so potrebne za delovanje aparata v načinu kroženja zraka. Potrebno dodatno opremo lahko najdete v ustreznih trgovinah, pooblaščenih servisih ali prek internet trgovine.

4 AF 100 menjava filtra z aktivnim ogljem

FILTER Z AKTIVNIM OGLJEM

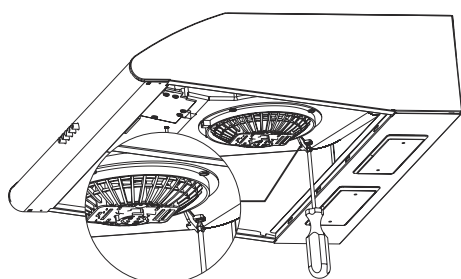
Zrak se filtrira skozi filter z aktivnim ogljem, in prehaja skozi cev prečnika 120 mm ali prezračevalne odprtine na izdelku s pomočjo N-RV odvoda. Na ta način se uporablja v kuhinjah brez odvoda za odvodni kanal ali tam, kjer namestitev odvodnega kanala ni mogoča. Če želite izdelek uporabljati brez odvodnega kanala, sledite korake v nadaljevanju navodil.

➔ Odstranite aluminijske nastavke filtrov iz aparata



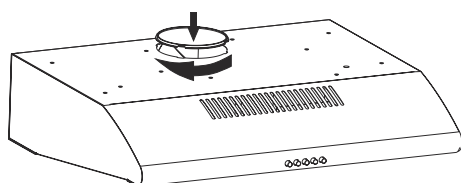
Slika 6

➔ Nato odstranite daljši ventil z ohišja motorja (Slika 6).



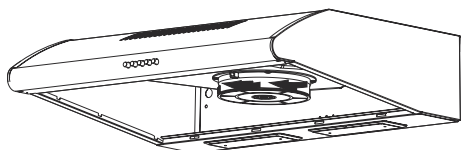
Slika 7: Krajši ventil

➔ Namesto daljšega, namestite krajši ventil, ki ste ga dobili v priboru za namestitev (Slika 7).



Slika 8

➔ Na odprtino za odvodni kanal nastavite masko, ki ste jo dobilo v priboru za namestitev Vašega aparata (Slika 8).



Slika 9: Ogljeni filter

- 1- Namestite ogljeni filter v njegovo ohišje (Slika 9).
- 2- Obrnite ogljeni filter v smeri urinega kazalca in preverite ali je pravilno nameščen.(Slika 9).



Če ogljeni filter ni pravilno nameščen, lahko izpade in poškoduje izdelek.



NEVARNOST!

Nikoli ne perite oglenih filtrov. Držite oglene filtre dlje od otrok.

ČIŠČENJE IN PREVENTIVNO VZDRŽEVANJE

ČIŠČENJE ALUMINIJSKOG FILTRA

5 ČIŠČENJE IN PREVENTIVNO VZDRŽEVANJE

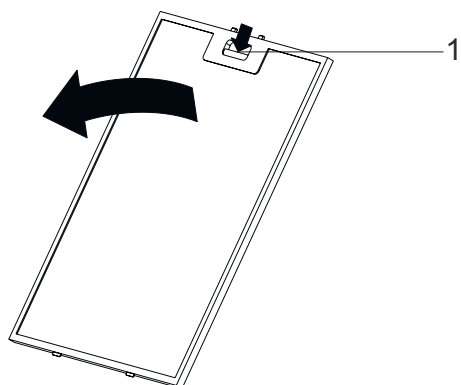


POZOR!

Otroci ne smejo čistiti oz. vzdrževati izdelka.

- Nikoli ne uporabljajte grobih čistilnih sredstev ali pripomočkov, saj lahko poškodujejo površino izdelka. Nabavite primerna sredstva za čiščenje in zaščito za vaš izdelek od pooblaščenega servisa. Površina aparata in upravljalnih elementov je občutljiva na praske.
- Očistite površine z mehko, vlažno krpo, sredstvom za pranje posode ali blagim sredstvom za čiščenje stekel. Zmehčajte posušeno in zapečeno umazanijo z vlažno krpo. Ne drgnite po aparatu!
- Uporaba suhih krp, grobih gobic, sredstev za ribanje, sredstev ki vsebujejo trdne delce, sodo, kisline, klor ali druge agresivne sestavine, ni primerna.
- Površine iz nerjavečega jekla čistite samo v smeri brušenja.
- Ne uporabljajte sredstev za čiščenje nerjavečega jekla ali mokre krpe na upravljalnih elementih. Čiščenje kovinskih filtrov za maščobo: Kovinski filtri ujamejo delce maščobe iz pare v kuhinji. Pri normalni uporabi (1-2 uri dnevno), je filtre potrebno čistiti približno vsake tri mesece.
- Ne uporabljajte preveč agresivne, preveč kisle ali bazične raztopine za čiščenje.
- Pri čiščenju kovinskega filtra za maščobo, očistite tudi naložene delce na notranji strani nape z vlažno krpo.
- Kovinske filtre za maščobo lahko operete v stroju za pomivanje posode ali ročno.

5.1 ČIŠČENJE ALUMINIJSKEGA FILTRA



Slika 10

1- Jeziček aluminijeskega filtra



Aluminijeske filtre maščobe čistite redno, na vsake 3 mesece.

- Pritisnite jeziček aluminijeskega filtra (1) in povlecite aluminijeski filter v smeri puščice (Slika 10).
- Medtem ko odstranjujete aluminijeski filter, ga držite z drugo roko, da ne bi padel.
- Medtem ko premikate aluminijeski filter, površino filtra držite vzporedno s tlemi, da ne bi prišlo do curljanja nakopičene maščobe.

5.2 Pranje v stroju za pomivanje posode

V primeru, da uporabljate stroj za pomivanje posode, lahko pride do blažje izgube barve. To ne vpliva na delovanje kovinskega filtra za maščobo.

- Ne pomivajte zelo umazanega filtra skupaj s posodo.
- Kovinske filtre za maščobo postavite v stroj za pranje posode, tako da prosto stoji. Filtri morajo biti postavljeni v stroj tako, da na njih nič ne pritiska.

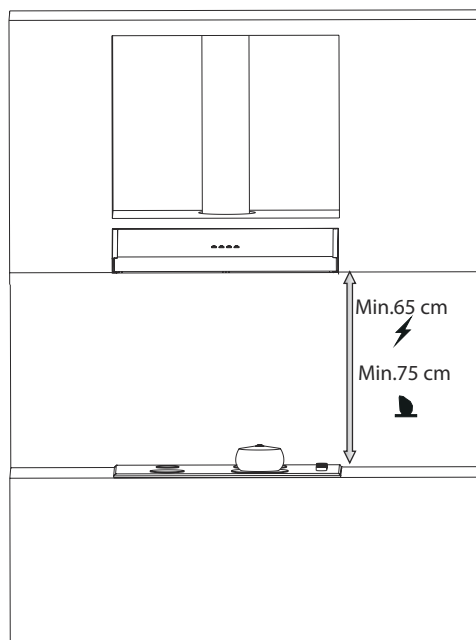
5.3 Ročno pranje



Uporabite lahko posebno oljno raztopino za odstranjevanje trdovratnih madežev. Takšno čistilno sredstvo lahko kupite v pooblaščenem prodajnem centru.

- *Zmehčajte madeže na kovinskih filterih maščobe v topli vodi z detergentom.*
- *Uporabite ščetko in pustite, da se tekočina popolnoma odcedi s kovinskih filtrov.*
- *Po čiščenju podrobno izperite filtre.*

6 MONTAŽA APARATA



Slika 11

Pri montaži nape mora biti zagotovljeno najmanj 65 cm prostora med izdelkom in štedilnikom, če gre za električni štedilnik, če pa gre štedilnik na plin ali druga goriva, mora biti ta razdalja najmanj 75 cm. (Slika 11).

7 ČIŠČENJE IN PREVENTIVNO VZDRŽEVANJE

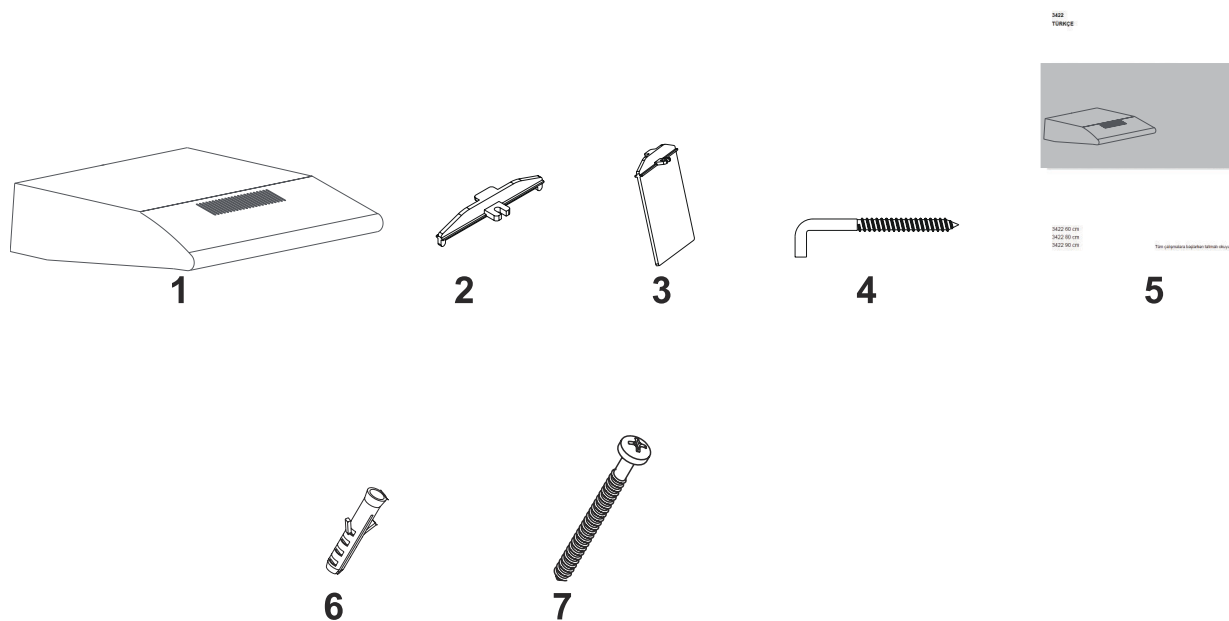
7.1 Namestitev in razpakiranje

- Preverite ali so na aparatu prisotne poškodbe.
- V kolikor opazite poškodbe nastale pri prevozu, to takoj sporočite odgovornim osebam.
- Vidne pomanjkljivosti na izdelku morate prav tako nemudoma prijaviti prodajalcu.
- Ne dovolite otrokom, da se igrajo z embalažo.

7.2 Priporočila za varčevanje z energijo

- Redno menjajte ogljeni filter.
- Redno čistite aluminijske filtre. Možno je, da boste prisiljeni uporabljati napo pri visoki nastavitvi pretoka zraka, saj umazan filter lahko ovira odvod zraka.
- Pravilno uporabljajte nastavitve moči delovanja aparata.
- Uporaba višjih nastavitvev odvajanja zraka bo povečala potrošnjo električne energije.

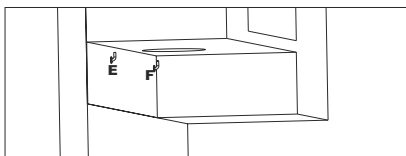
8 VSEBINA EMBALAŽE



Slika 12

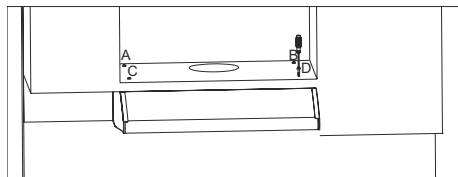
- | | |
|-----------------------|------------------------------|
| 1- Izdelek | 5- Uporabniški priročnik |
| 2- Krajši ventil | 6- Plastični vložek 2x Ø10mm |
| 3- Daljši ventil | 7- Vijak za montažo 4x 4x40 |
| 4- Kavelj za obešanje | |

9 NAMESTITEV APARATA



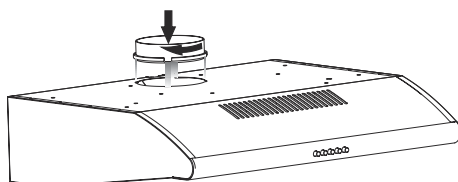
Slika 13

Vstavite 2 plastična vložka, ki ste jih dobili v priboru za namestitev aparata, v točki E in F. V vložke vstavite vijake za nosilec „L“ profila, ki ste jih dobili v priboru za namestitev aparata (Slika 13).



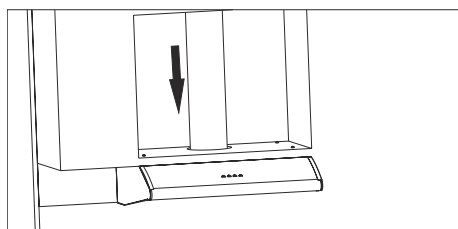
Slika 14

Obesite aparat na postavljene točke E, F, nato pa ga zavrtite v točkah A, B, C, D (Slika 14).



Slika 15

Plastični odvod, ki je del pribora za namestitev postavite na odprtino odvoda. Potisnite jezičke na plastičnem odvodu prek jezičkov na ohišju odprtine za odvod in obrnite plastični odvod smeri urinega kazalca. (Slika 15).



Slika 16

Povežite prožni odvodni kanal na Vaš aparat (Slika 16).



Ker upogibanja in kolena povzročajo manjšo sesalno moč aparata, glejte da jih bo čim manj.

KAKO UPORABLJATI IZDELEK

Uporaba drsnega stikala

10 KAKO UPORABLJATI IZDELEK

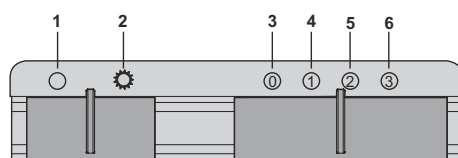
10.1 Upravljanje z gumbi



Slika 17: Gumbi

| | |
|--|--|
| | S tem gumbom izklopite oz. vklopite aparat. |
| | S tem gumbom se sproži delovanje na 1. stopnji hitrosti. |
| | S tem gumbom se sproži delovanje na 2. stopnji hitrosti. |
| | S tem gumbom se sproži delovanje na 3. stopnji hitrosti. |
| | Stikalo za osvetlitev (vklop/izklop). |

10.2 Upravljanje z drsnim stikalom



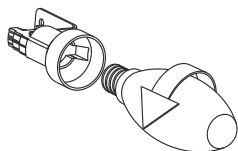
Slika 18

1. ➤ Pretaknite na ta položaj za izklop svetilke (Slika 18).
2. ➤ Pretaknite na ta položaj za vklop svetilke (Slika 18).
3. ➤ Pretaknite na ta položaj za izklop sesanja (Slika 18).
4. ➤ Pretaknite na ta položaj za obratovanje pri 1. hitrosti
➤ (Slika 18).
5. ➤ Pretaknite na ta položaj za obratovanje pri 2. hitrosti
➤ (Slika 18).
6. ➤ Pretaknite na ta položaj za obratovanje pri 3. hitrosti
➤ (Slika 18).

11 MENJAVA ŽARNICE

11.1 Menjava žarnice

 **max 28 W**



Slika 19: Menjava žarnice



NEVARNOST!

Izklopite napo iz električnega omrežja. Počakajte, da se žarnica ohladi, da se ne bi opekli.

Ta vrednost označuje največjo potrošnjo svetilke. Pri menjavi žarnice, je potrebno uporabiti žarnico ustrezne moči.



Poglejte napisno tablico na izdelku, da bi preverili vrednost moči aparata.

Odstranite kaseto aluminijskega filtra. Odstranite odsluženo žarnico in jo zamenjajte z novo iste moči. Slika 19

12 POOBLAŠČENI SERVIS

Osvetlitev ne deluje:

- Preverite ali je vtičič priključen v električno vtičnico ter preverite varovalke.
- Preverite žarnice. Prepričajte se, da je aparat izključen preden preverite žarnice. Zategnite žarnice če je to potrebno. Če tudi po tem ne delujejo, jih zamenjajte.

Možne okvare in ukrepi preden pokličete servis:

A) Aparat ne deluje:

- Preverite ali je aparat vklopljen in ali je vtičič dobro priključen v električno vtičnico.
- Preverite varovalke aparata in glavne varovalke v vašem domu.

Če aparat slabo deluje ali je pri delovanju glasen:

- Ali je dovolj velik premer ventilatorja? (min 120 mm).
- Preverite ali so kovinski filtri čisti.
- Če aparat uporabljate brez ventilatorja, se prepričajte ali ogljeni filtri niso starejši od šestih mesecev.
- Poskrbite, da je kuhinja dobro prezračena. Če še vedno niste zadovoljni z delovanjem aparata, stopite v stik s pooblaščenim servisom.

Reševanje težave

| Reševanje težave | Vzrok | Pomoč |
|-------------------------|----------------------------------|---|
| Aparat ne deluje | Preverite el. napajanje. | Napetost el. napajanja mora biti 220-240V, aparat mora biti povezan na vtičnico z ozemljitvijo. |
| Osvetlitev ne deluje. | Preverite el. napajanje. | Napetost el. napajanja mora biti 220-240V, aparat mora biti povezan na vtičnico z ozemljitvijo. |
| Osvetlitev ne deluje. | Preverite el. napajanje. | Stikalo za osvetlitev mora biti na položaju On - vključeno. |
| Osvetlitev ne deluje. | Preverite žarnice. | Žarnice morajo biti nepoškodovane. |
| Aparat slabo vleče zrak | Preverite aluminijški filter | Kaseta aluminijškega filtra se mora prati vsaj enkrat mesečno pri normalnih pogojih uporabe. |
| Aparat slabo vleče zrak | Preverite dimnik za odvod zraka. | Vod za odvajanje zraka mora biti odprt. |
| Aparat slabo vleče zrak | Preverite ogljeni filter | Pri izdelki, na katerih se uporablja ogljeni filter, se ti filtri morajo menjati na vsake tri mesece pri normalnih pogojih uporabe. |

| Reševanje težave | Vzrok | Pomoč |
|--|------------------------------|---|
| Aparat ne izpušča zrak (uporaba brez dimnika) | Preverite aluminijški filter | Kaseta aluminijškega filtra se mora prati vsaj enkrat mesečno pri normalnih pogojih uporabe. |
| Aparata ne izpušča zrak (uporaba brez dimnika) | Preverite ogljeni filter | Pri izdelki, na katerih se uporablja ogljeni filter, se ti filtri morajo menjati na vsake tri mesece pri normalnih pogojih uporabe. |

13 TEHNIČNA TABELA

| | |
|--------------------------|------------------|
| Napetost | 220 - 240 V 50Hz |
| Razred izolacije motorja | F |
| Razred izolacije | Razred I |



Ta naprava ustreza veljavnim ES-smernicam 2004/108 / EU za elektromagnetno stabilnost in z zahtevami nizkonapetostne direktive (LVD) 2006/95 / EU.

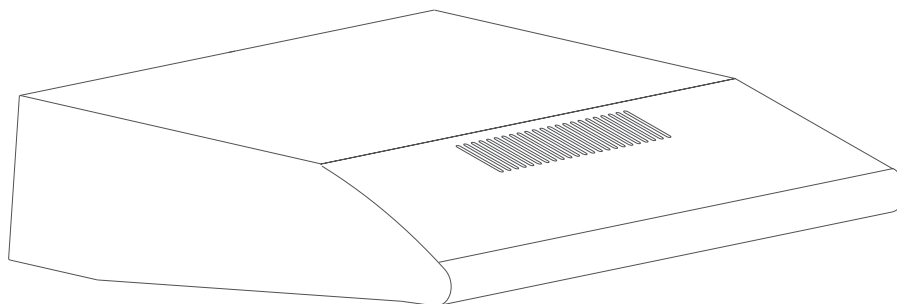


Ta naprava je označena v skladu z Evropsko direktivo o Odpadni električni in elektronski opremi (OEEO).



TRD - 650 W
TRD - 650 IX
TRD - 650 BR
TRD - 660 W
TRD - 660 IX
TRD - 660 BR

UPUTE ZA UPORABU NAPA



TRD650W
TRD650IX

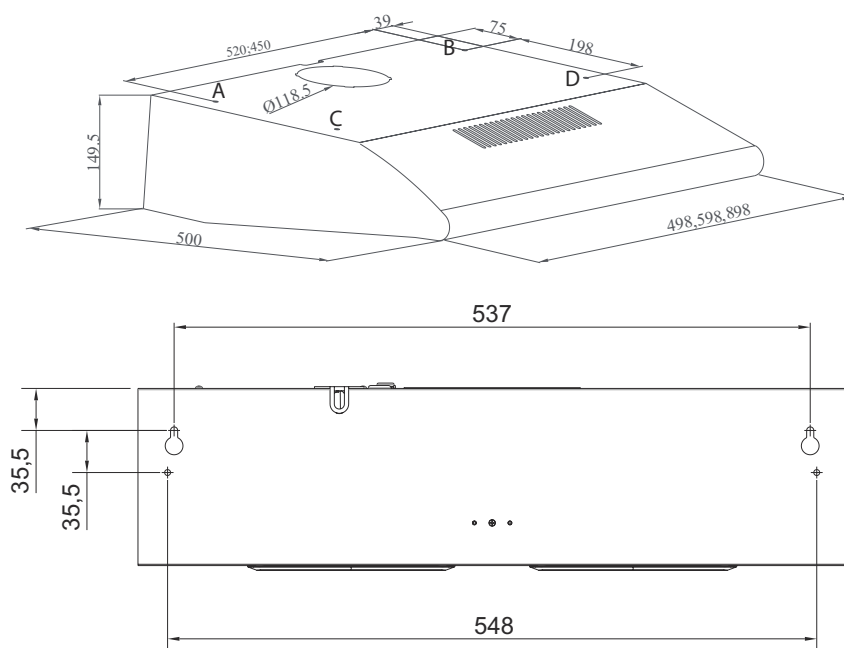
Prije početka svih radova, pročitajte upute!

Internet: www.voxelectronics.com

Sadržaj

| | | |
|-----------|--|-----------|
| 1 | 1 Tehnički crtež..... | 4 |
| 2 | UPOZORENJA I BEZBJEDNOSNE MJERE..... | 5 |
| | 2.1 OPASNOST PO ŽIVOT OPASNOST OD TROVANJA..... | 6 |
| 3 | KORIŠĆENJE SA ILI BEZ FILTERA SA AKTIVNIM UGLJENOM..... | 11 |
| 4 | AF 100 zamjena filtera sa aktivnim ugljenom..... | 12 |
| 5 | ČIŠĆENJE I PREVENTIVNO ODRŽAVANJE..... | 14 |
| | 5.1 ČIŠĆENJE ALUMINIJSKOG FILTERA..... | 14 |
| | 5.2 Pranje u perilici posuđa..... | 15 |
| | 5.3 Ručno pranje..... | 15 |
| 6 | POLOŽAJ UREĐAJA..... | 16 |
| 7 | ČIŠĆENJE I PREVENTIVNO ODRŽAVANJE..... | 17 |
| | 7.1 Montaža i raspakiranje..... | 17 |
| | 7.2 Preporuke za štednju energije..... | 17 |
| 8 | SADRŽAJ PAKIRANJA..... | 18 |
| 9 | MONTAŽA UREĐAJA..... | 19 |
| 10 | KAKO SE UREĐAJ KORISTI..... | 20 |
| | 10.1 Korištenje Proizvoda Putem Tastera..... | 20 |
| | 10.2 Korištenje Kliznog Prekidača..... | 20 |
| 11 | ZAMJENA ŽARULJE..... | 21 |
| | 11.1 Zamjena žarulje..... | 21 |
| 12 | OVLAŠTENI SERVIS..... | 22 |
| 13 | TEHNIČKI DIJAGRAM..... | 24 |

1 1 Tehnički crtež



Slika 1: DIMENZIJE TEHNIČKI CRTEŽ

2 UPOZORENJA I BEZBJEDNOSNE MJERE

UPOZORENJE I BEZBJEDNOSNE MJERE PREDOSTROŽNOSTI

- Ovaj uređaj mogu da koriste djeca od 8 godina i starija, osobe sa fizičkim, čulnim ili mentalnim nedostatkom ili ljudi sa nedostatkom iskustva ili znanja sve dok su obezbjeđeni nadzor ili uputa za bezbjedno korištenje uređaja i dok oni shvaćaju opasnosti.
- Djeca ne smiju da se igraju sa uređajem. Djeca ne smiju da čiste ili održavaju aparat bez odgovarajućeg nadzora.
- Ovaj proizvod je namijenjen za kućnu uporabu.
- Napon napajanja vašeg uređaja je 220-240 V~50/60 Hz.
- Kabel za napajanje uređaja ima uzemljenu utičnicu. Ovaj kabel se uvijek mora priključiti u uzemljenu utičnicu.
- Sve električne veze mora da izvede kvalificirani električar.
- Neovlaštena instalacija može da dovede do lošeg rada, oštećenja uređaja i nesreća.
- Kabel za napajanje uređaja ne smije da se zaglavi ili prignječi tijekom instalacije. Kabel za napajanje ne smije da se postavi u blizini štednjaka. To može da izazove topljenje i požar.
- Ne uključujete uređaj u struju prije završetka instalacije.
- Pobrinite se da mjesto instalacije omogućava korisniku da jednostavno izvuče kabel za napajanje u slučaju opasnosti.
- Ne dodirujte žarulje uređaja kada su uključene duže vrijeme. Pazite da se ne opečete na vrućim žaruljama.
- Kuhinjske nape su proizvedene za kućnu uporabu u standardnim uvjetima za kuhanje. Postoji rizik od okvare u slučaju drugačijeg korištenja i tada se poništava jamstvo za proizvod.
- Poštujte propise i pravila nadležnih organa o ispuštanju izduvnih plinova. (Ovo ne važi za modele bez ispuštanja izduvnih plinova.)
- Zapaljiva hrana ne smije da se kuha ispod ovog uređaja.
- Uključite uređaj nakon postavljanja posude, lonca, itd. na štednjak. U suprotnom, visoka temperatura može da izazove da se neki dijelovi uređaja deformišu.
- Isključite gorionik prije nego što šerpe, lonce, itd. sklonite sa štednjaka.
- Ne ostavljajte vruće ulje na štednjaku. Lonci koji sadrže vruće ulje mogu da se zapale.
- Pošto ulje može da se zapali tijekom prženja, pazite na zavjese i stolnjake.
- Vodite računa da se filteri zamijene na vrijeme. Filteri koji se ne zamijene na vrijeme predstavljaju rizik od požara zbog ulja koje se nataložilo u njima.
- Nemojte umjesto filtera da koristite materijal za filtriranje koji nije otporan na vatru.
- Nemojte uključivati uređaj bez filtera i nemojte uklanjati filtere tijekom rada uređaja.
- U slučaju požara, napu i štednjak isključite iz struje. (Uređaj isključite iz struje ili isključite glavni prekidač.)
- Ukoliko se ne čisti redovito, uređaj može da predstavlja rizik od požara.
- Prije održavanja, uređaj isključite iz struje. (Uređaj isključite iz struje ili isključite glavni prekidač.)

UPOZORENJA I BEZBJEDNOSNE MJERE

OPASNOST PO ŽIVOT OPASNOST OD TROVANJA

- Negativni tlak koji se javlja u prostoriji kada se pored nape istovremeno koriste uređaji koji se ne napajaju električnom energijom, ne smije da premaši 4 Pa (4 X 10 bara).
- Ukoliko se uređaji koji rade na ulje ili gas, kao što su sobne grijalice, nalaze u prostoriji u kojoj se koristi vaš uređaj, izduvni plinovi iz ovih uređaja se moraju potpuno izolirati ili uređaj ne smije da propušta zrak.
- Prilikom povezivanja izduvnih kanala uređaja, koristite cijevi prečnika 150 mm ili 120 mm. Kanal veze mora da bude što kraći, sa najmanjim mogućim brojem koljena.
- Djeca ne smiju da se igraju sa uređajem.
- Zbog vaše bezbjednosti, u napi koristite osigurač od maksimalno 6 A.
- Ambalažu držite dalje od djece, jer ona može biti opasna.
- Ukoliko se kabel za napajanje ošteti, mora ga zamijeniti proizvođač, njegov ovlašteni servis ili lica odgovarajućih kvalifikacija da bi se izbjegle opasnosti.
- U slučaju požara, napu i štednjak isključite iz struje i pokrijte plamen. Nikada ne koristite vodu za gašenje požara.
- Pristupačni dijelovi mogu biti veoma topli tijekom rada štednjaka.
- Ovaj uređaj ne smiju da koriste osobe sa ograničenim fizičkim, čulnim ili mentalnim sposobnostima (uključujući djecu), niti osobe koje nemaju dovoljno znanja i iskustva u korištenju ovog uređaja, osim ako su pod nadzorom osobe koja je odgovorna za njihovu bezbjednost i ako su od nje dobile upute o pravilnom korištenju ovog uređaja.
- Prilikom montaže nape, između uređaja i električnog štednjaka mora da se ostavi najmanje 65 cm prostora ili 75 cm prostora između uređaja i štednjaka koji rade na plin ili druga goriva.
- Odvod kuhinjske nape ne smije da se povezuje na izduvne kanale na koje su priključeni drugi proizvođači dima.
- Vodite računa kada uređaj koristite sa drugim uređajima (npr. grijalice koje rade na plin, dizel gorivo, ugalj ili drvo, grijalice u kupatilu itd.) koji koriste isti zrak u istom okruženju. Treba voditi računa kada se koriste istovremeno. Ovo je važno zato što napa može da ima negativan utjecaj na sagorijevanje, jer vraća zrak u prostoriju.
- Ovo ne važi za korištenje bez izduvnih kanala.
- Prostorija mora da ima dovoljnu ventilaciju kada se štednjak, napa i uređaji koji rade na plin i druga goriva koriste istovremeno (ovo možda neće važiti za uređaje koji dovode do cirkulacije zraka u prostoriji).

2.1 OPASNOST PO ŽIVOT OPASNOST OD TROVANJA

OPASNOST!

Upozorenje - Opasnost od gušenja

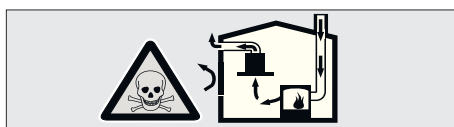
Ambalaža je opasna za djecu. Nikada ne dozvolite djeci da se igraju ambalažom.



OPASNOST!

Upozorenje - Opasnost po život

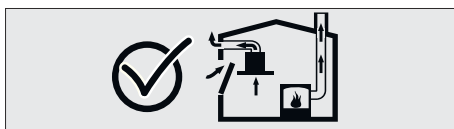
Postoji opasnost po život i opasnost od trovanja zbog ponovnog uvlačenja dimnih plinova. Osim ako se ne obezbjedi odgovarajući dovod zraka, izduvni kanal ovog uređaja nemojte koristiti u kombinaciji sa uređajima koji ispuštaju opasne dimne plinove, kao što su plinske peći za grijanje, lož-ulje ili ugljen, uređaji za zagrijavanje vode itd. Slika 2



Slika 2: Opasnost od trovanja

Uređaji koji ispuštaju plinove (npr. grijalice koji rade na plin, ulje, drvo ili ugljen, grijalice za kupatilo, uređaji za zagrijavanje vode) uzimaju zrak za sagorijevanje iz prostorije u kojoj su instalirani, a dim odvede preko sustava za odvod dima (npr. izduvnih kanala). Uključeni aspirator usisava zrak iz kuhinje i susjednih prostorija. Ukoliko se ne omogući odgovarajući dovod zraka, stvara se vakuum. U tom slučaju, otrovni plinovi izlaze iz izduvnog kanala i ponovo ulaze u prostoriju. Slika 2

- Zbog toga, uvijek treba da se obezbjedi dovoljan dovod svježeg zraka. Slika 3



Slika 3

UPOZORENJA I BEZBJEDOSNE MJERE

OPASNOST PO ŽIVOT OPASNOST OD TROVANJA



OPASNOST!

Opasnost od požara!

- Ostatak ulja u filteru za ulje može izazvati požar. **Filter za ulje čistite najmanje jednom na svaka 3 mjeseca.** Nikada ne koristite uređaj bez filtera za ulje.
- Ostatak ulja u filteru za ulje može izazvati požar. Nikada ne radite sa otvorenim plamenom (npr. vatra) u blizini uređaja. Aparat treba da bude postavljen u blizini grijalice na čvrsto gorivo (npr. drvo ili ugljen) samo ako ima poklopac koji ne može da se ukloni. Varničenje nije dozvoljeno.
- Vruća ulja i masnoće se mogu lako zapaliti. Vruća ulja i masnoće nikada ne treba ostaviti bez nadzora. Nikada ne pokušavajte da vatru ugasisite vodom. Isključite štednjak. Pažljivo ugasisite plamen pomoću poklopca, protivpožarne deke ili slične tkanine.
- Ploče koji rade na plin, a na kojima se ne nalazi kuhinjska posuda, stvaraju veću toplinu tijekom rada. Može doći do oštećenja ili pregrijavanja ventilacionog uređaja ako je postavljen iznad štednjaka. Uključite ploče koji rade na plin samo kada se na njima nalazi kuhinjska posuda.
- Veća toplina se stvara kada istovremeno radi više plinskih ploča. Može doći do oštećenja ili pregrijavanja ventilacionog uređaja ako je postavljen iznad štednjaka. Nikada ne koristite dvije plinske ploče podešene na visok plamen duže od 15 minuta. Veći gorionik preko 5kW (Wok) ima snagu dva plinska gorionika.

OPASNOST!

Opasnost od električnog udara!

- Neispravan uređaj može izazvati strujni udar. Nikada ne uključujte neispravan uređaj. Izvucite utikač i isključite osigurač. Pozovite korisnički servis.
- Neodgovarajuće popravke predstavljaju opasnost. Popravke i zamjenu oštećenih kablova smije da vrši samo tehničko lice korisničkog servisa koje smo mi obučili. Ako je uređaj neispravan, izvucite utikač i isključite osigurač. Pozovite korisnički servis.
- Prodor vode u uređaj može izazvati strujni udar. Visok tlak ili paročistači ne smiju da se koriste.



OPASNOST!

Opasnost od tjelesne povrede!

- Tijekom instalacije postoji opasnost od povrede zbog oštih rubova. Prilikom instalacije uređaja, uvijek nosite zaštitne rukavice.
- Zbog rizika od pada uređaja, svi sigurnosni zavrtnji i poklopci treba da se postave na način opisan u uputama za uporabu.
- Predmeti koji se stavljaju na uređaj mogu pasti. Ne postavljajte nikakve predmete na uređaj.
- LED svjetla su veoma jaka i mogu da oštete oči (Grupa rizika 1). Ne smijete da gledate direktno u LED svjetla duže od 100 sekundi.

OPASNOST!

Opasnost od opekotina, opasnost od strujnog udara!

- Prije čišćenja i održavanja, sačekajte da se uređaj ohladi. Izvucite osigurač ili isključite mrežni prekidač iz struje.
- Postoji rizik od oštećenja usled nakupljanja vlage na električnim dijelovima. Kontrolne elemente nikada nemojte čistiti vlažnom krpom.
- Uslijed nepravilnog čišćenja može doći do oštećenja površine. Površine od nehrđajućeg čelika čistite samo u smjeru četkanja. Za kontrolne elemente nemojte koristiti sredstva za čišćenje nehrđajućeg čelika.
- Može doći do oštećenja površine zbog agresivnih ili abrazivnih sredstava za čišćenje. Nikada ne koristite agresivna ili abrazivna sredstva za čišćenje.

OPASNOST!

Opasnost od požara i tjelesne povrede!

Ako je vršena nestručna ili pogrešna popravka, izvucite osigurač ili isključite uređaj iz struje. Popravke smije da vrši samo ovlašteni servis ili ovlašteno stručno osoblje.



NAPOMENA!

U slučaju okvare ili oštećenja uređaja, izvucite osigurač ili isključite uređaj iz struje i pozovite ovlašteni servis.

UPOZORENJA I BEZBJEDNOSNE MJERE

OPASNOST PO ŽIVOT OPASNOST OD TROVANJA



NAPOMENA!

Ukoliko se kabel za napajanje ošteti, mora ga zamijeniti proizvođač, njegov ovlaštenu servis ili lica odgovarajućih kvalifikacija da bi se izbjegle opasnosti.



NAPOMENA!

Kada su žarulje uređaja neispravne, isključite osigurač i izvucite utikač iz utičnice. Odmah zamijenite neispravne žarulje (prvo sačekajte da se ohlade) da biste zaštitili preostale žarulje od preopterećenja.

OPREZ!

Kada se koriste zajedno sa štednjacima, pristupačni dijelovi mogu da se zagriju.

OPASNOST!

Izduvna cijev za urak ovog uređaja ne smije da se poveže na izduvni kanal koji se koristi za izbacivanje izduvnih plinova koje ispuštaju uređaji na plin ili druga goriva.

Razlozi oštećenja

OPREZ!

Opasnost oštećenja zbog korozije. Tjekom kuhanja uređaj treba uvijek da radi da biste spriječili formiranje kondenzata. Kondenzati mogu izazvati oštećenja od korozije. Odmah zamijenite neispravnu žarulju da biste spriječili preopterećenje ostalih žarulja. Vlaga koja prodre u električne dijelove predstavlja opasnost od oštećenja. Kontrolne elemente nikada nemojte čistiti vlažnom krpom. Uslijed nepravilnog čišćenja može doći do oštećenja površine. Površine od nehrđajućeg čelika čistite samo u smjeru četkanja. Za kontrolne elemente nemojte koristiti sredstva za čišćenje nehrđajućeg čelika. Može doći do oštećenja površine zbog agresivnih ili abrazivnih sredstava za čišćenje. Nikada ne koristite agresivna ili abrazivna sredstva za čišćenje. Postoji rizik od oštećenja uslijed vraćanja tekućine kondenzata. Postavite izlazni kanal za zrak sa malim silaznim nagibom (1° nagiba) iz uređaja.

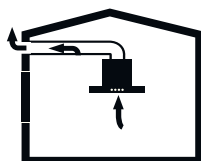
3 KORIŠTENJE SA ILI BEZ FILTERA SA AKTIVNIM UGLJENOM



Ovaj uređaj možete koristiti u načinu izduvnih plinova ili u načinu cirkuliranja zraka.

Način izduvnih plinova

Usisani zrak se prečišćava u filterima za ulje i odvodi putem sustava cijevi. Slika 4



Slika 4: Odvod zraka bez filtera sa aktivnim ugljenom



NAPOMENA!

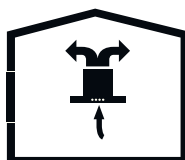
Izduvni plin nikada ne smije da se vodi u aktivni dimnjak ili u kanal izduvnog plina, niti smije da se vodi u dimnjak koji se koristi za ventilaciju oblasti sa instaliranim izvorima grijanja.

- Ukoliko je potrebno da se izduvni plin vodi u neaktivni dimnjak ili kanal izduvnog plina, trebalo bi da dobijete dozvolu od ovlaštenog servisa za čišćenje dimnjaka.
- Ukoliko se izduvni plinovi izbacuju preko spoljašnjeg zida, treba da se koristi vanjska zidna ventilaciona klapna.

Način cirkuliranja zraka



Usisani zrak prečišćavaju filteri za ulje i filter sa aktivnim ugljenom koji se vraća u kuhinju. Slika 5



Slika 5: Cirkulacija zraka sa filterom sa aktivnim ugljenom



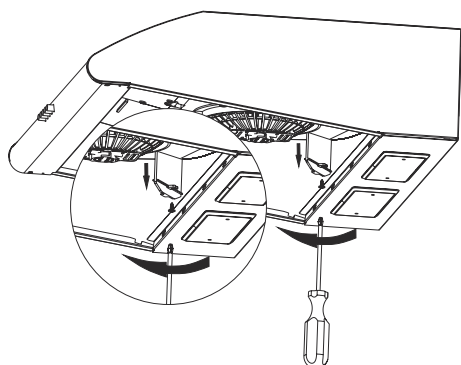
Treba da priključite filter sa aktivnim ugljenom da bi zadržao supstance koje odaju mirise u načinu cirkulacije zraka. Obratite se ovlaštenom distributeru u vezi različitih mogućnosti koje su potrebne za rad uređaja u načinu cirkulacije zraka. Dodatnu opremu potrebnu za ovaj proces možete dobiti u odgovarajućim prodavnicama, ovlaštenim servisima ili putem internet prodajnog centra.

4 AF 100 zamjena filtera sa aktivnim ugljenom

FILTER SA AKTIVNIM UGLJENOM

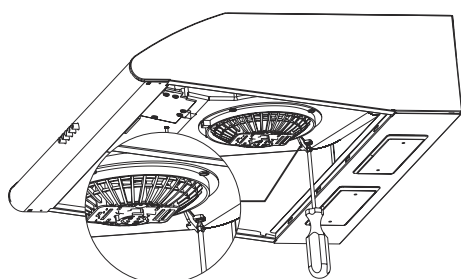
Zrak se filtrira kroz filter sa aktivnim ugljem i obezbjeđuje se da on izlazi kroz cijev prečnika 120 mm ili ventilacione otvore na proizvodu uz pomoć N-RV dimnjaka. Ovaj način se koristi u kuhinjama bez otvora za izduvni kanal ili tamo gdje instalacija izduvnog kanala nije moguća. Ako želite da proizvod koristite bez dimnjaka, pratite korake u nastavku.

➔ Uklonite aluminijske umjetke filtera iz uređaja



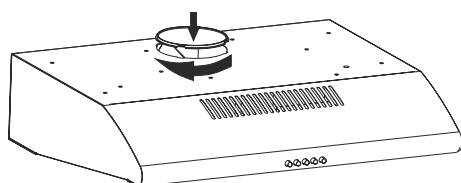
Slika 6

➔ Zatim uklonite duži ventil sa kućišta motora (Slika 6).



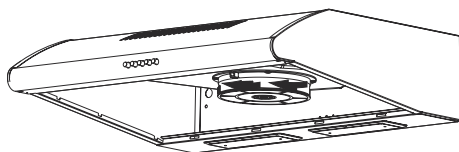
Slika 7: Kraći Ventil

➔ Umjesto dužeg ventila instalirajte kraći ventil koji je isporučen uz pribor za montažu (Slika 7).



Slika 8

➔ Na otvor za izduvni kanal umjetnite masku koja je isporučena uz pribor za montažu vašeg uređaja (Slika 8).



Slika 9: FILTER SA AKTIVNIM UGLJENOM

- 1- Postavite filter sa aktivnim ugljenom u njegovo kućište (Slika 9).
- 2- Zarotirajte filter sa aktivnim ugljenom u smjeru kazaljke na satu dok potpuno ne nalegne (Slika 9).



Ukoliko ne nalegne u potpunosti, filter sa aktivnim ugljenom može da padne i oštetiti uređaj.

OPASNOST!

Nikada nemojte prati filter sa aktivnim ugljenom.

Filtere sa aktivnim ugljenom držite dalje od djece.

ČIŠĆENJE I PREVENTIVNO ODRŽAVANJE

ČIŠĆENJE ALUMINIJSKOG FILTERA

5 ČIŠĆENJE I PREVENTIVNO ODRŽAVANJE

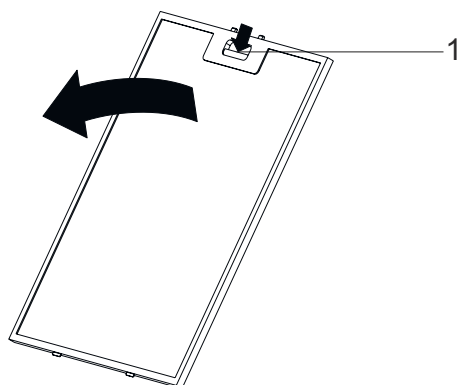


OPREZI!

Čišćenje i servisiranje koje obavlja korisnik ne treba da obavljaju djeca koja nisu pod nadzorom.

- Može doći do oštećenja površine zbog agresivnih ili abrazivnih sredstava za čišćenje. Nikada ne koristite agresivna ili abrazivna sredstva za čišćenje. Kod ovlaštenog servisa nabavite odgovarajuća sredstva za čišćenje i zaštitu za vaš uređaj. Površina uređaja i kontrolnih jedinica je osjetljiva na ogrebotine.
- Površine čistite mekom, vlažnom krpom, sredstvom za pranje sudova ili blagim sredstvom za čišćenje stakla. Sasušenu i očvrslu prljavštinu omekšajte vlažnom krpom. Nemojte strugati!
- Korištenje suhih krpa, spužvi koji mogu da izazovu ogrebotine, sredstava koja zahtijevaju trljanje, sredstava za čišćenje koja sadrže pijesak, sodu, kiselinu, klor ili druge jake supstance nije prikladno.
- Površine od nehrđajućeg čelika čistite samo u smjeru brušenja.
- Za kontrolne jedinice nemojte koristiti sredstva za čišćenje nehrđajućeg čelika i vlažne krpe. Čišćenje metalnih filtera za ulje: Korišteni filteri za ulje hvataju samo čestice ulja koje se nalaze u vlažnom zraku i pari u kuhinji. Kod normalnog korištenja (1-2 sata dnevno), metalne filtere za ulje čistite na svaka tri mjeseca.
- Nemojte koristiti previše jaka, kisela sredstva niti sredstva za čišćenje na bazi klora.
- Tokom čišćenja metalnog filtera za ulje, vlažnom krpom očistite i rešetke na metalnim filterima za ulje.
- Metalne filtere za ulje možete oprati u perilici posuđa ili ručno.

5.1 ČIŠĆENJE ALUMINIJSKOG FILTERA



Slika 10

1- Jezičak aluminijskog filtera



Aluminijske filtere za ulje čistite redovito na svaka 3 mjeseca.

- Pritisnite jezičak aluminijskog filtera (1) i povucite aluminijski filter u smjeru strelice (Slika 10).
- Dok izvlačite aluminijski filter, pridržavajte ga drugom rukom da ne bi pao
- Dok pomjerate aluminijski filter, površinu filtera držite paralelno sa podom kako bi se spriječilo kapanje sakupljenog ulja.

5.2 Pranje u perilici posuđa

U slučaju pranja u perilici posuđa, može doći do blagog gubitka boje. To nema uticaja na funkcioniranje metalnog filtera za ulje.

- Veoma zaprljane metalne filtere za ulje nemojte prati zajedno sa sudovima.
- Metalne filtere za ulje stavite u perilicu posuđa tako da stoje slobodno. Metalni filteri za ulje treba da se stave u perilicu posuđa tako da se na njih ne primenjuje nikakav pritisak.

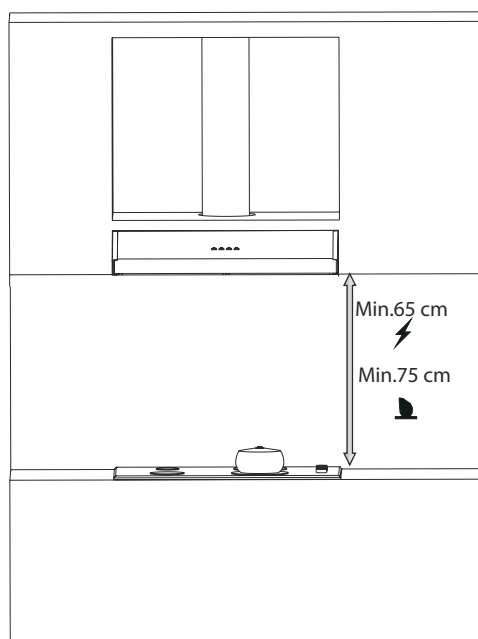
5.3 Ručno pranje



Za uklanjanje tvrdokornih mrlja, možete da koristite specijalni rastvarač ulja. Ovaj rastvarač možete kupiti u ovlaštenom prodajnom centru.

- *Omekšajte mrlje na metalnom filteru za ulje tako što ćete ga staviti u toplu vodu sa deterdžentom za pranje sudova.*
- *Za čišćenje koristite četku i potpuno ispraznite tekućinu iz metalnih filtera za ulje.*
- *Nakon čišćenja, temeljito isperite filtere.*

6 POLOŽAJ UREĐAJA



Slika 11

Prilikom montaže nape, između uređaja i električnih štednjaka mora da se ostavi najmanje 65 cm prostora ili 75 cm prostora između uređaja i štednjaka koji rade na plin ili druga goriva. (Slika 11).

7 ČIŠĆENJE I PREVENTIVNO ODRŽAVANJE

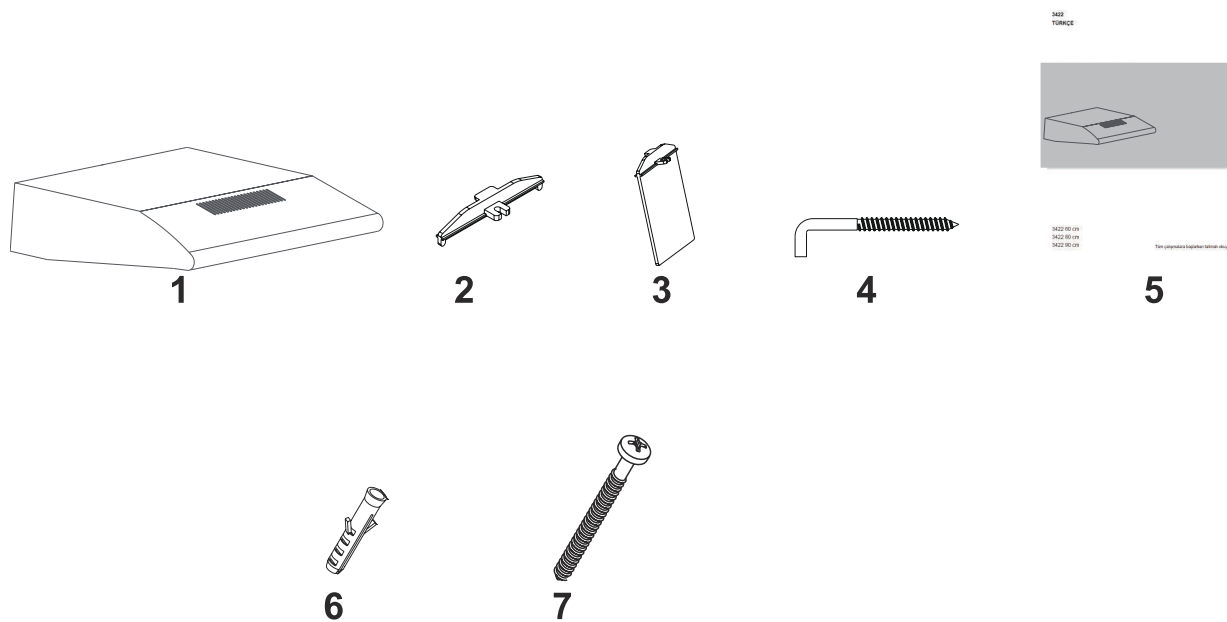
7.1 Montaža i raspakiranje

- Provjerite da li postoje bilo kakva oštećenja na uređaju.
- Oštećenja prilikom transporta odmah moraju da se prijave osobi odgovornoj za transport.
- Vidljivi nedostaci moraju da se prijave i prodavcu.
- Ne dozvolite djeci da se igraju ambalažom.

7.2 Preporuke za štednju energije

- Redovito mijenjajte filtere sa aktivnim ugljenom.
- Redovito čistite aluminijske filtere. Možda ćete morati da uključujete uređaj na većoj brzini, jer će prljavi filter blokirati dovod zraka.
- Uređaj koristite na normalnim brzinama.
- Korištenje većih brzina će povećati potrošnju električne energije.

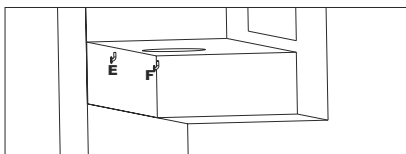
8 SADRŽAJ PAKIRANJA



Slika 12

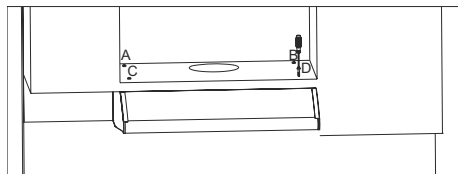
- | | |
|----------------------|--------------------------------|
| 1- Uređaj | 5- Upute za uporabu |
| 2- Kraći Ventil | 6- Plastični Tipli 2x Ø10mm |
| 3- Duži Ventil | 7- Zavrtnaj za Montažu 4x 4x40 |
| 4- Kukica za Kačenje | |

9 MONTAŽA UREĐAJA



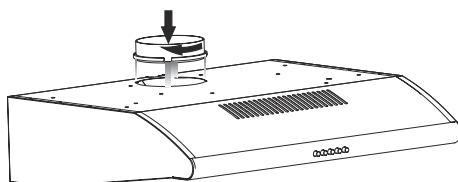
Slika 13

Ukucajte 2 plastična tipla, koja su priložena uz pribor za montažu vašeg uređaja, u točkama E i F. U tiplje umjetnite zavrtnje za nosač „L“ profila, koji su isporučeni uz pribor za montažu vašeg uređaja (Slika 13).



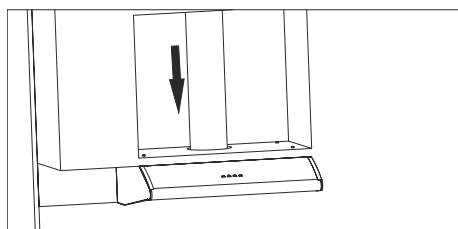
Slika 14

Okačite uređaj na postavljene točke E, F, a zatim ga zavrtite u točkama A, B, C, D (Slika 14).



Slika 15

Plastični dimnjak koji se nalazi u dodatnoj opremi za montažu postavite na otvor za dimnjak proizvoda. Gurnite jezičke na plastičnom dimnjaku preko jezičaka na kućištu otvora za dimnjak i okrenute plastični dimnjak u smjeru kretanja kazaljke na satu (Slika 15).



Slika 16

Povežite fleksibilni izduvni kanal na vaš uređaj (Slika 16).



Pošto će krivine i koljena dovesti do smanjenja usisne snage uređaja, izbjegavajte njihovo korištenje što je moguće više

KAKO SE UREĐAJ KORISTI






Korišćenje Kliznog Prekidača

10 KAKO SE UREĐAJ KORISTI

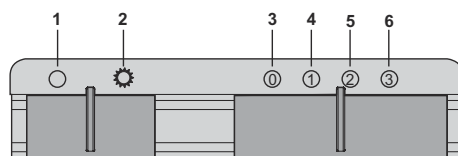
10.1 Korišćenje Proizvoda Putem Tastera



Slika 17: Taster

-  Pritisnite ovaj taster da biste resetirali uređaj.
-  Kada se pritisne ovaj taster, uređaj će raditi na razini 1. brzine.
-  Kada se pritisne ovaj taster, uređaj će raditi na razini 2. brzine.
-  Kada se pritisne ovaj taster, uređaj će raditi na razini 3. brzine.
-  Pritisnite ovaj prekidač za uključivanje i isključivanje svjetla.

10.2 Korišćenje Kliznog Prekidača



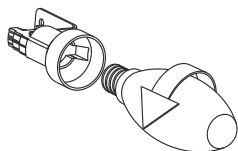
Slika 18

1. ➔ Dovedite u ovaj položaj da isključite žarulju (Slika 18).
2. ➔ Dovedite u ovaj položaj da uključite žarulju (Slika 18).
3. ➔ Dovedite u ovaj položaj da isključite žarulju (Slika 18).
4. ➔ Dovedite u ovaj položaj kada želite da uređaj radi u 1. brzini ➔ (Slika 18).
5. ➔ Dovedite u ovaj položaj kada želite da uređaj radi u 2. brzini ➔ (Slika 18).
6. ➔ Dovedite u ovaj položaj kada želite da uređaj radi u 3. brzini ➔ (Slika 18).

11 ZAMIJENA ŽARULJA

11.1 Zamijena žarulja

 **max 28 W**



Slika 19: Zamijena žarulje



UPOZORENJE!

Isključite napu iz struje. Sačekajte da se žarulje ohlade pošto mogu da opeku vaše ruke kada su vruće.

To ukazuje na maksimalnu potrošnju žarulje. Prilikom zamijene žarulje treba koristiti žarulju iste snage.



Pogledajte etiketu deklaracije na proizvodu da biste saznali koju snagu koristi uređaj.

Skinite aluminijski umjetak filtera. Skinite neispravnu žarulju i zamijenite je novom iste jačine. Slika 19

12 OVLAŠTENI SERVIS

Rasvjeta ne radi:

- Provjerite da li je uređaj uključen u struju i da li su osigurači pregorjeli.
- Provjerite žarulje. Tjekom ove provjere, obavezno isključite uređaj iz struje. Zategnite žarulje ako su se olabavile. Ukoliko i dalje ne rade, zamijenite ih.

Mogući kvarovi i radnje koje možete obaviti bez pozivanja servisa:

A) Uređaj uopće ne radi:

- Provjerite da li je uređaj uključen u struju i da li je utikač dobro pričvršćen u utičnicu.
- Provjerite osigurač na koji je uređaj priključen, kao i glavni osigurač u vašoj kući.

Ukoliko uređaj slabo radi ili pravi jaku buku dok radi:

- Da li uređaj ima odgovarajući prečnik izduvnog kanala? (min. 120mm).
- Da li su metalni filteri čisti? Pregledajte ih.
- Ukoliko koristite napu bez izduvnog kanala, pobrinite se da filteri sa aktivnim ugljenom ne budu stariji od 6 mjeseci.
- Vodite računa da kuhinja ima dovoljnu ventilaciju da bi se osigurao protok zraka. Ukoliko ste i dalje nezadovoljni radom uređaja, kontaktirajte ovlaštenu servis.

Problemi i rješenja

| Opis neispravnosti | Uzrok | Pomoć |
|-------------------------------|--|---|
| Proizvod ne radi | Provjerite električne veze. | Mrežni napon mora da bude 220-240 V i uređaj mora da bude povezan na uzemljenu utičnicu. |
| Rasvjeta ne radi. | Provjerite električne veze. | Mrežni napon mora da bude 220-240 V i uređaj mora da bude povezan na uzemljenu utičnicu. |
| Rasvjeta ne radi. | Proverite prekidač za svjetlo. | Prekidač za svjetlo mora biti u položaju „on“ (uključeno). |
| Rasvjeta ne radi. | Provjerite žarulje. | Žarulje uređaja ne smiju biti u kvaru. |
| Usisna snaga uređaja je slaba | Provjerite aluminijski filter | Aluminijski umjetak filtera u normalnim uvjetima mora da se pere najmanje jednom mjesečno. |
| Usisna snaga uređaja je slaba | Provjerite kanal za izduvne plinove. | Kanal za izduvne plinove mora biti otvoren. |
| Usisna snaga uređaja je slaba | Provjerite filter sa aktivnim ugljenom | Kod uređaja kod kojih se koriste filteri sa aktivnim ugljenom, pod normalnim uvjetima oni moraju da se zamijene jednom u 3 mjeseca. |

| Opis neispravnosti | Uzrok | Pomoć |
|---|--|---|
| Ne izbacuje zrak (korišćenje bez izduvnog kanala) | Provjerite aluminijski filter | Aluminijski umjetak filtera u normalnim uvjetima mora da se pere najmanje jednom mjesečno. |
| Ne izbacuje zrak (korišćenje bez izduvnog kanala) | Provjerite filter sa aktivnim ugljenom | Kod uređaja koji koriste filtere sa aktivnim ugljenom, pod normalnim uvjetima oni moraju da se zamijene jednom u 3 mjeseca. |

13 TEHNIČKI DIJAGRAM

| | |
|------------------------|------------------|
| Napon | 220 - 240 V 50Hz |
| Klasa izolacije motora | F |
| Klasa izolacije | KLASA I |



Ovaj uređaj je u skladu sa Direktivom 2004/108/EU za elektromagnetsku stabilnost i sa Direktivom o niskom naponu (LVD) 2006/95/EU.



Ovaj uređaj je u skladu sa Direktivom za elektronski i električni otpad (WEEE).

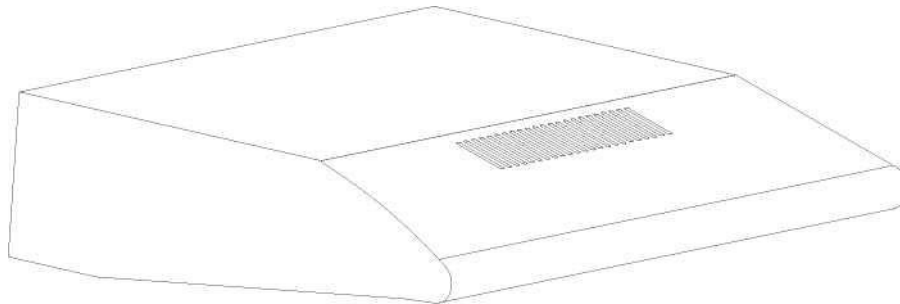


VOX
ELECTRONICS

PRT

TRD - 650 W
TRD - 650 IX
TRD - 650 BR
TRD - 660 W
TRD - 660 IX
TRD - 660 BR

EXAUSTOR DE COZINHA
GUIA DE UTILIZAÇÃO



VIVEMOS JUNTOS

TRD650W
TRD650IX

Leia este manual antes da primeira utilização!

Internet: www.voxelectronics.com

Índice

| | | |
|-----------|--|-----------|
| 1 | Ficha técnica..... | 4 |
| 2 | AVISOS E PRECAUÇÕES DE SEGURANÇA..... | 5 |
| | 2.1 RISCO LETAL, PERIGO DE ENVENAMENTO | 6 |
| 3 | USO COM E SEM O FILTRO DE CARBONO..... | 11 |
| 4 | Substituição do Filtro de Carbono..... | 12 |
| 5 | LIMPEZA E MANUTENÇÃO PREVENTIVA | 14 |
| | 5.1 LIMPEZA DO FILTRO DE ALUMINÍO | 15 |
| | 5.2 Lavagem na máquina de lavar louça | 15 |
| | 5.3 Limpeza manual..... | 15 |
| 6 | POSICIONAMENTO DO APARELHO..... | 16 |
| 7 | LIMPEZA E MANUTENÇÃO PREVENTIVA | 17 |
| | 7.1 Desembalar e instalar o aparelho | 17 |
| | 7.2 Recomendações para eficiência energética | 17 |
| 8 | CONTEÚDO DA EMBALAGEM | 18 |
| 9 | MONTAGEM DO PRODUTO | 19 |
| 10 | UTILIZAÇÃO DO PRODUTO..... | 20 |
| | 10.1 Uso do interruptor do produto..... | 20 |
| | 10.2 Uso do fusível rocker | 20 |
| 11 | SUBSTITUIÇÃO DAS LÂMPADAS..... | 21 |
| | 11.1 Substituição da ficha da lâmpada | 21 |
| 12 | SERVIÇO AUTORIZADO..... | 22 |
| 13 | TABELA TÉCNICA..... | 24 |

1 Ficha Técnica

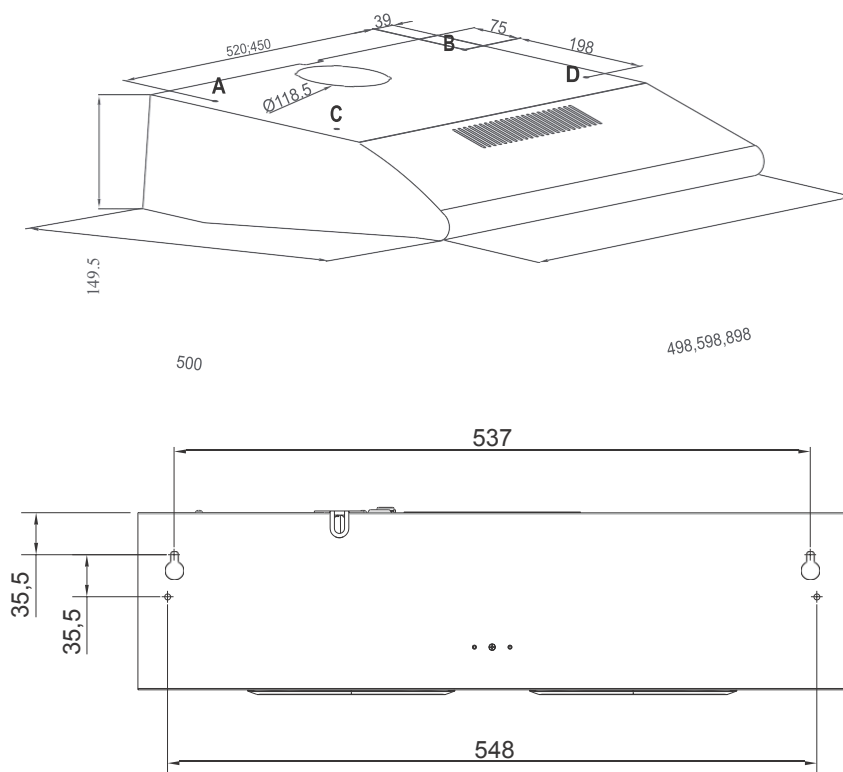


Fig. 1: DESENHO TÉCNICO DIMENSIONADO

2 AVISOS E PRECAUÇÕES DE SEGURANÇA

- Este aparelho pode ser utilizado por crianças com idade igual ou superior a 8 anos e pessoas com capacidades físicas, sensoriais ou mentais reduzidas ou com falta de experiência e conhecimento, se receberem supervisão ou instruções relativas ao uso do aparelho de forma segura e compreenderem os perigos envolvidos.
- As crianças não devem mexer no aparelho. Operações de limpeza e manutenção não devem ser executadas por crianças, excepto se devidamente acompanhadas.
- Este produto foi desenhado apenas para uso doméstico.
- A tensão deste aparelho é de 220-240 Volt~50-60 Hz.
- O cabo de alimentação do seu produto está equipado com ficha terra. Esta deve ser conectada a uma tomada correspondente.
- Todo o sistema eléctrico deve ser instalado por um técnico devidamente credenciado.
- A instalação por pessoas não credenciadas pode resultar em mau desempenho operacional, danos no produto e acidentes.
- O cabo alimentador do aparelho não deve ser exposto a obstruções ou pesos durante a montagem nem ser instalado perto do fogão, pois tal pode derreter o cabo e causar incêndios.
- Não ligue o aparelho antes da instalação.
- Certifique-se de que o local de instalação lhe permite desligar facilmente o cabo alimentador em caso de perigo.
- Não toque nas lâmpadas do seu produto quando elas funcionarem por um longo período. As lâmpadas podem queimar sua mão, por estarem quentes.
- Os exaustores de cozinha são fabricados para uso doméstico. Outros tipos de uso representam risco de mau funcionamento e a garantia do produto será anulada.
- Cumpra as regras e instruções para a descarga de saída de ar, estipuladas pelas autoridades competentes. (Este aviso não se aplica a usos sem a chaminé.)
- Alimentos inflamáveis não devem ser confecionados sob o aparelho.
- Ligue o seu aparelho após colocar a panela ou frigideira no fogão e não antes. Temperaturas elevadas provenientes do fogão podem causar deformações em partes doo aparelho.
- Desligue o fogão antes de retirar a panela ou a frigideira em uso.
- Não deixe óleo a ferver debaixo do exaustor pois representa um risco de incêndio.
- Dado que óleos podem criar fogo, tenha atenção para manter toalhas ou cortinas afastadas.
- Assegure uma substituição atempada dos filtros. Filtros não substituídos atempadamente representam risco de incêndio devido a gorduras acumuladas.
- Não substitua o filtro por materiais não resistentes a fogo.
- Não utilize o aparelho sem o filtro nem remova o filtro com o aparelho a ser utilizado.
- Em caso de incêndio, desligue da energia o exaustor e outros aparelhos de cozinha. Deve desligar directamente da tomada ou da caixa de fusíveis.

AVISOS E PRECAUÇÕES DE SEGURANÇA

- Se o seu produto não for limpo de forma regular e atempada, tal representa risco de incêndio.
- Desligue o aparelho da tomada antes de qualquer operação de manutenção.
- Quando o exaustor elétrico e dispositivos alimentados por outras fontes de energia (e.g. gás) operarem simultaneamente, a pressão negativa na sala não deve exceder os 4 Pa (4 X 10 bar).
- Aparelhos a gás ou óleo combustível como aquecedores, que compartilhem a mesma divisão do exaustor, devem ser totalmente isolados do exaustor ou devem ser herméticos.
- Quando fizer uma conexão de chaminé para o seu produto, use tubos com um diâmetro de 150 mm ou 120 mm. O comprimento da conexão do tubo, assim como o número de curvas, deve ser o mínimo.
- As crianças não devem brincar com o aparelho.
- Para sua segurança, use no aparelho um fusível "MAX 6 A" .
- Mantenha os materiais da embalagem fora do alcance das crianças.
- Se o cabo alimentador estiver danificado deve ser substituído pelo fabricante, pelo serviço técnico autorizado ou um funcionário qualificado, a fim de evitar qualquer situação danosa.
- Em caso de deflagração de fogo, desligue o exaustor e os aparelhos de cozinha e cubra as chamas. Nunca use água para extinguir o fogo.
- Quando os aparelhos de cozinha estão em uso, algumas partes exteriores podem estar quentes.
- Este aparelho não se destina a ser utilizado por pessoas com deficiências físicas, sensoriais e mentais (incluindo crianças) ou que não tenham experiência e conhecimentos adequados sobre a sua utilização, a menos que estejam sob a supervisão de uma pessoa responsável pela segurança do aparelho.
- Após a instalação do exaustor, a distância mínima deve ser de 65 cm entre o aparelho e qualquer fogão elétrico e 75 cm distantes de qualquer fogão a gás ou outra fonte energética.
- A saída do exaustor não deve ser ligada a tubos que já sirvam outras saídas de fumo.
- Deve ter cuidado sempre que usar o aparelho em simultâneo com outros aparelhos que funcionem a gás, diesel, carvão, etc. Ao usarem o mesmo ar da sala o exaustor pode sobrecarregar o ambiente e causar problemas de combustão nos outros aparelhos.
- Esta aviso não se aplica a aparelhos sem ligação a chaminé.
- Quando o exaustor elétrico é usado simultaneamente com aparelhos que usam gás ou outros combustíveis, deve haver ventilação suficiente na sala.

2.1 RISCO LETAL, PERIGO DE ENVENAMENTO



PERIGO!

Aviso - Risco de sufoco

Os materiais de embalagem são perigosos para as crianças. Não permita que as crianças brinquem com os materiais de embalagem.



PERIGO!

Aviso - Risco de morte

Existe o risco de vida e perigo de envenenamento devido a gases de combustão absorvidos durante a descarga de ar. A menos que haja uma boa circulação de ar, não deve usar o aparelho em simultâneo com dispositivos que descarregam gases tóxicos como aquecedores a gás, óleo, madeira ou carvão, esquentadores e similares. etc. Fig. 2



Fig. 2: Perigo de envenenamento

Aparelhos ventilados (aquecedores a gás, óleo, madeira ou carvão, esquentadores ou similares) retiram o ar de combustão do local de instalação e descarregam gás residual através de um sistema de gás residual (por exemplo, chaminés). Quando o exaustor está ativo, absorve o ar da cozinha e divisões próximas. Se não houver uma boa circulação de ar, o vácuo surge. Nesse caso, os gases tóxicos são absorvidos pelo canal de exaustão e gás de exaustão e são levados novamente para a porta. Fig. 2

- Como tal, uma boa circulação de ar deve ser sempre assegurada. Fig. 3.

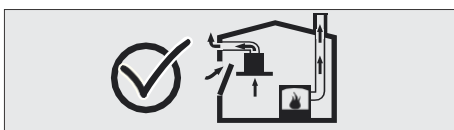


Fig. 3

AVISOS E PRECAUÇÕES DE SEGURANÇA

RISCO LETAL, PERIGO DE ENVENAMENTO



AVISO!

Risco de incêndio!

- O resíduo de óleo no filtro de óleo pode causar incêndio. **Limpe o filtro de óleo pelo menos uma vez a cada 3 meses** e nunca use o aparelho sem o filtro de óleo.
- O resíduo de óleo no filtro de óleo é inflamável. Nunca trabalhe com uma chama aberta perto do aparelho. O aparelho pode ser instalado próximo de um aquecedor de combustível sólido (madeira ou carvão), mas apenas se este tiver uma cobertura não-removível e protegido de faíscas.
- Óleos e gorduras quentes pegam fogo facilmente. Óleos e gorduras quentes nunca devem ser deixados sem vigilância. Nunca tente apagar o fogo com água. Desligue o fogão e apague as chamas cuidadosamente usando uma toalha, pano ou material similar.
- Bicos a gás que não tenham uma panela ou frigideira quando ligados criam muito calor. Um dispositivo de ventilação colocado sobre os fogões pode ser danificado ou queimado por esse motivo. Use fogões a gás somente quando houver panela ou frigideira em cima.
- Vários bicos a gás a funcionar simultaneamente, criam calor elevado e qualquer aparelho instalado em cima pode ser danificado ou queimado por esse motivo. Nunca opere dois bicos a gás no máximo, por mais de 15 minutos. Note também que um grande queimador (tipo WOK) com potência de 5kW tem o mesmo poder de dois bicos a gás.



AVISO!

Risco de Choque Eléctrico!

- Um aparelho com defeito pode causar choque elétrico. Nunca ligue um aparelho com defeito. Desligue a ficha elétrica e o disjuntor e ligue para o atendimento ao cliente.
- Reparações inadequadas representam riscos. Reparos e substituição de cabos danificados devem ser realizados somente por um técnico autorizado. Se o dispositivo não funcionar corretamente, desligue a ficha elétrica e o disjuntor e ligue para o atendimento ao cliente.
- Infiltração de água no aparelho pode causar choque elétrico. Aparelhos de limpeza de alta pressão ou a vapor não devem ser usados.

AVISOS E PRECAUÇÕES DE SEGURANÇA

RISCO LETAL, PERIGO DE ENVENAMENTO



PERIGO!

Perigo de lesões corporais!

- Durante a instalação do aparelho, existe o perigo de ferimentos causados por arestas e esquinas. Use luvas de proteção durante a instalação do aparelho.
- Devido ao risco de queda do aparelho, a montagem de todos os parafusos e tampas de segurança deve ser executada conforme as instruções do manual.
- Os objetos colocados no aparelho podem cair.
- Não coloque objetos no aparelho.
- As luzes LED têm um brilho forte e podem causar danos nos olhos (grupo de risco 1). Não olhe diretamente para as luzes LED por mais de 100 segundos.



AVISO!

Risco de queimaduras, risco de choque eléctrico!

- Deixe o aparelho arrefecer antes do processo de limpeza ou manutenção. Desligue o fusível ou retire a ficha da tomada.
- Existe o risco de danos devido ao contacto de água com o sistema eléctrico. Não limpe os componentes de controle com um pano húmido.
- A superfície pode danificar-se devido a um processo de limpeza incorreto. Limpe as superfícies de aço inoxidável somente na direção de escovação. Não use um esfregão de aço para os componentes de controle.
- A superfície pode danificar-se devido a agentes de limpeza agressivos e abrasivos. Nunca use agentes de limpeza agressivos e abrasivos.



AVISO!

Risco de fogo e de lesões corporais!

No caso da reparação não se realizar de acordo com as regras ou conforme necessário, desligue o fusível ou desconecte o cabo do alimentador do seu eletrodoméstico. A reparação deve ser realizada apenas pelo serviço técnico autorizado ou especialistas autorizados.



OBSERVAÇÃO!

Se o aparelho estiver com defeito ou danificado, desligue o fusível ou desligue o cabo alimentador do seu aparelho e ligue para o serviço autorizado.

AVISOS E PRECAUÇÕES DE SEGURANÇA

RISCO LETAL, PERIGO DE ENVENAMENTO



OBSERVAÇÃO!

Se o cabo alimentador estiver danificado, deve ser substituído pelo fabricante, pelo serviço técnico autorizado ou por qualquer outro técnico qualificado, a fim de evitar qualquer situação perigosa.



OBSERVAÇÃO!

Quando a lâmpada do aparelho apresentar defeito, desligue o disjuntor e a ficha do aparelho da tomada. Deixe-a arrefecer e substitua de imediato a lâmpada defeituosa, para proteger as lâmpadas restantes contra sobrecarga.



ATENÇÃO!

Componentes de fácil acesso podem aquecer quando usados com recipientes de confecção de comida.



PERIGO!

O tubo de saída de ar deste aparelho não deve ser ligado a mesma chaminé usada por aparelhos que usam gás ou outros combustíveis.

Causas de danos



ATENÇÃO!

Perigo de danos devido à corrosão. Ligue sempre o aparelho para evitar a formação de condensado durante o confecção de alimentos. A condensação podem causar danos por corrosão. Substitua sempre e de imediato qualquer lâmpada com defeito, para evitar sobrecarga em outras lâmpadas. A humidade no sistema elétrico representa um risco de danos. Nunca limpe os elementos de controle com um pano húmido. A superfície pode ser danificada por processos de limpeza errados. Limpe as superfícies de aço somente na direção de escovação. Não use um esfregão de aço para os elementos de controle. A superfície pode ser danificada devido a agentes de limpeza agressivos e abrasivos. Nunca use agentes de limpeza agressivos e abrasivos.

Existe o risco de danos causadp por refluxo de líquido condensado. Instale o canal de saída com ligeira inclinação descendente (1°inclinação) do aparelho.

3 USO COM E SEM O FILTRO DE CARBONO



Pode usar este aparelho nos modos exaustão de ar e ar ventilado.

Modo de exaustão de ar

O ar absorvido é limpo pelos filtros de gordura e descarregado através de um sistema de tubulação. Fig. 4

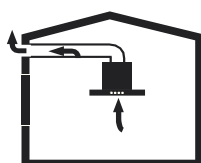


Fig. 4: Saída de ar sem filtro de carbono



OBSERVAÇÃO!

Ar de exaustão não deve ser transferido para uma chaminé ativa, para tubo de saída de gás, para qualquer sistema de ventilação da sua casa ou onde outras fontes de calor estejam instaladas.

- Se deseja transferir o ar da exaustão para uma chaminé inativa ou uma tubulação de gás residual, deve procurar autorização junto de uma autoridade competente e proceder a uma limpeza profunda da chaminé
- Se o ar da exaustão for descarregado por uma parede externa, deve usar um sistema telescópico de parede seguro.

Modo de ar ventilado



O ar absorvido é limpo pelos filtros de gordura e um filtro de carbono ativo e transferido de volta para a cozinha. Fig. 5

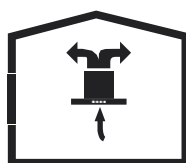


Fig. 5: Circulação de ar com filtro de carbono.



Deve instalar um filtro de carbono ativo, a fim de capturar as substâncias que causam mau cheiro no ar circulante. Consulte o seu revendedor autorizado para conhecer as diferentes oportunidades disponíveis para o aparelho funcionar no modo de circulação de ar. Pode adquirir os acessórios necessários para este processo em pontos de venda relevantes, no serviço técnico autorizado ou no centro de vendas on-line..

4 Substituição de filtro de carbono

FILTRO DE CARBONO

O ar é filtrado através do filtro de carbono e garante a saída do tubo de 120 mm de diâmetro ou dos orifícios de ventilação do produto com a ajuda do funil N-RV. Este método é usado em cozinhas sem uma saída de fumos ou onde a instalação não é possível no local da saída de fumo. Se quiser usar o aparelho sem o funil, siga as etapas abaixo.

- ➔ Remova os filtros do cartucho de alumínio no produto.

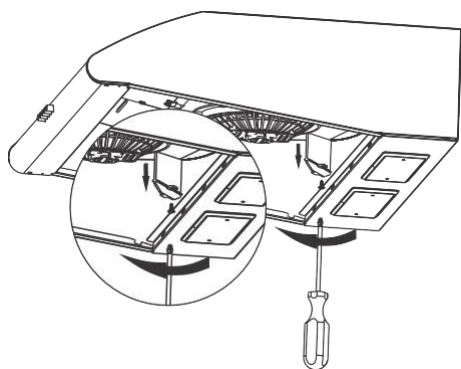


Fig. 6

- ➔ Em seguida, remova o acelerador longo no compartimento do motor (Fig. 6).

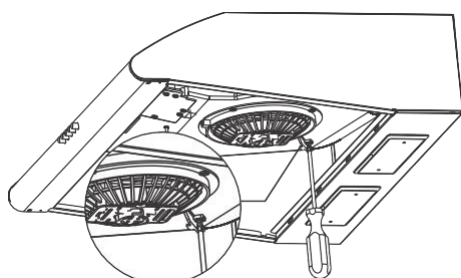


Fig. 7: Short throttle

- ➔ Instale o acelerador curto disponível nos acessórios de instalação em vez do acelerador longo (Fig. 7).

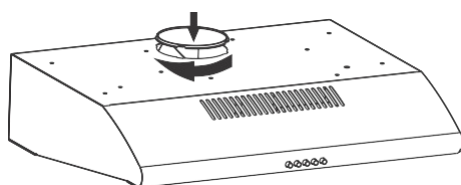


Fig. 8

- ➔ Insira o tampão cerrado fornecido com os acessórios de instalação do seu aparelho na saída de fumos (Fig. 8).

Substituição de filtro de carbono

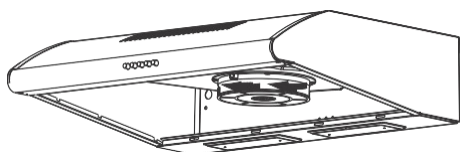


Fig. 9: FILTRO DE CARBONO

- 1- Coloque o filtro de carbono no seu alojamento (Fig. 9).
- 2- Rode o filtro de carbono no sentido dos ponteiros do relógio, assegure-se de que fica bem fixo. (Fig. 9).



Se o filtro de carbono não encaixar completamente, pode cair e danificar o produto.



PERIGO!

Nunca lave os filtros de carbono.
Mantenha os filtros de carbono longe das crianças.

5 LIMPEZA E MANUTENÇÃO PREVENTIVA

ATENÇÃO!



A limpeza e a manutenção do aparelho não devem ser realizadas por crianças

- A superfície pode ser danificada devido a agentes de limpeza agressivos e abrasivos. Nunca use agentes de limpeza agressivos e abrasivos. Adquirir as substâncias de limpeza e proteção apropriadas para o seu aparelho num agente ou serviço técnico autorizado. A superfície do aparelho e as unidades de controle são sensíveis a arranhões.
- Limpe as superfícies com um pano macio e húmido em detergente líquido ou detergente de vidro suave. Amoleça os resíduos secos e pegajosos com um pano húmido. Não raspe o aparelho!
- Não é apropriado usar panos secos, esponjas que possam riscar, materiais que causem fricção e outros agentes de limpeza agressivos que contenham areia, ácido ou cloro.
- Limpe as superfícies de aço inoxidável apenas na direção da escovação.
- Não use agentes de limpeza de aço inoxidável e roupas molhadas para unidades de controle. Limpeza de filtros metálicos de gordura. Os filtros metálicos de gordura usados retêm as partículas gordurosas na humidade e o vapor gerado na cozinha. Limpe os filtros metálicos de gordura a cada três meses, se forem usados em condições normais (1 a 2 horas por dia).
- Não use agentes de limpeza excessivamente eficazes, ácidos ou alcalinos.
- Para limpar os filtros metálicos de gordura, limpe as partes do suporte dos filtros metálicos de gordura no aparelho, com um pano húmido.
- Pode limpar os filtros metálicos de gordura a mão ou na máquina de lavar louça.
- Não aplique nenhum spray de limpeza directamente no aparelho.
- Não mantenha produtos decorativos e/ou inflamáveis no aparelho.

5.1 LIMPEZA DO FILTRO DE ALUMÍNIO

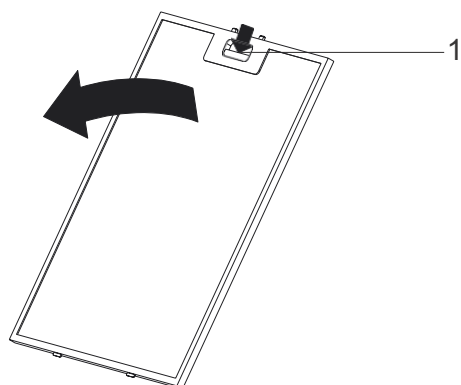


Fig. 10

1 Aba de Filtro de Alumínio



Limpe os filtros de óleo de alumínio periodicamente a cada 3 meses.

- Pressione a aba do filtro de alumínio (1) e puxe o filtro de alumínio na direção da seta (Fig. 10).
- Após remover o filtro de alumínio, segure-o com a outra mão para evitar que caia.
- Ao remover o filtro de alumínio, mantenha a superfície do filtro paralela ao chão para evitar que o óleo acumulado caia.

5.2 Lavagem na máquina de lavar louça

Em caso de lavagem na máquina de lavar louça, poderá ocorrer uma ligeira alteração na cor. Isso não tem efeito sobre a função do filtro de graxa de metal.

- Não coloque na máquina filtros metálicos de gordura em conjunto com outros produtos.
- Coloque os filtros metálicos de gordura soltos na máquina de lavar louça e sem qualquer obstrução.

5.3 Lavagem Manual



Para resíduos de difícil remoção, deve usar um solvente especial para gordura que poderá comprar num agente ou centro de vendas autorizado.

- *Amoleça os filtros metálicos de gordura em água quente com detergente para louça.*
- *Use uma escova para limpeza e aguarde até que o líquido nos filtros metálicos de gordura flua completamente.*
- *Lave bem os filtros após a limpeza.*

6 POSIÇÃO DO APARELHO

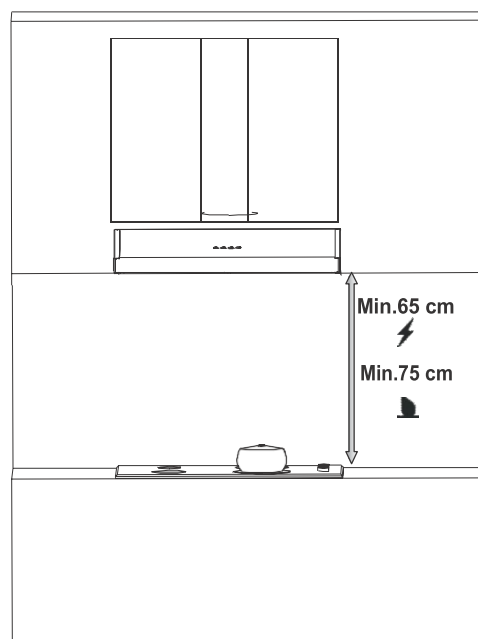


Fig. 11

Após conclusão da instalação do exaustor, a distância mínima deve ser de 65 cm entre o aparelho e qualquer fogão elétrico e 75 cm entre este e qualquer fogão a gás ou a outros combustíveis (Fig. 11).

7 LIMPEZA E MANUTENÇÃO PREVENTIVA

7.1 Instalação e desembalamento do Aparelho

- Verifique se o seu aparelho não apresenta defeitos.
- Em caso de problemas com a entrega, contacte de imediato a empresa responsável pelo serviço.
- Outros defeitos devem também ser reportados ao agente autorizado onde adquiriu o equipamento.
- Não deixe as crianças brincar com os materiais da embalagem!

7.2 Recomendações para poupança de energia

- Substitua regularmente os filtros de carbono.
- Limpe regularmente os filtros de alumínio. Como os filtros sujos bloqueariam a passagem de ar, talvez seja necessário usar o aparelho a uma velocidade maior.
- Use o produto de acordo com suas velocidades normais.
- O uso do aparelho a velocidade elevada irá causar um aumento do consumo energético.

8 CONTEÚDO DA EMBALAGEM

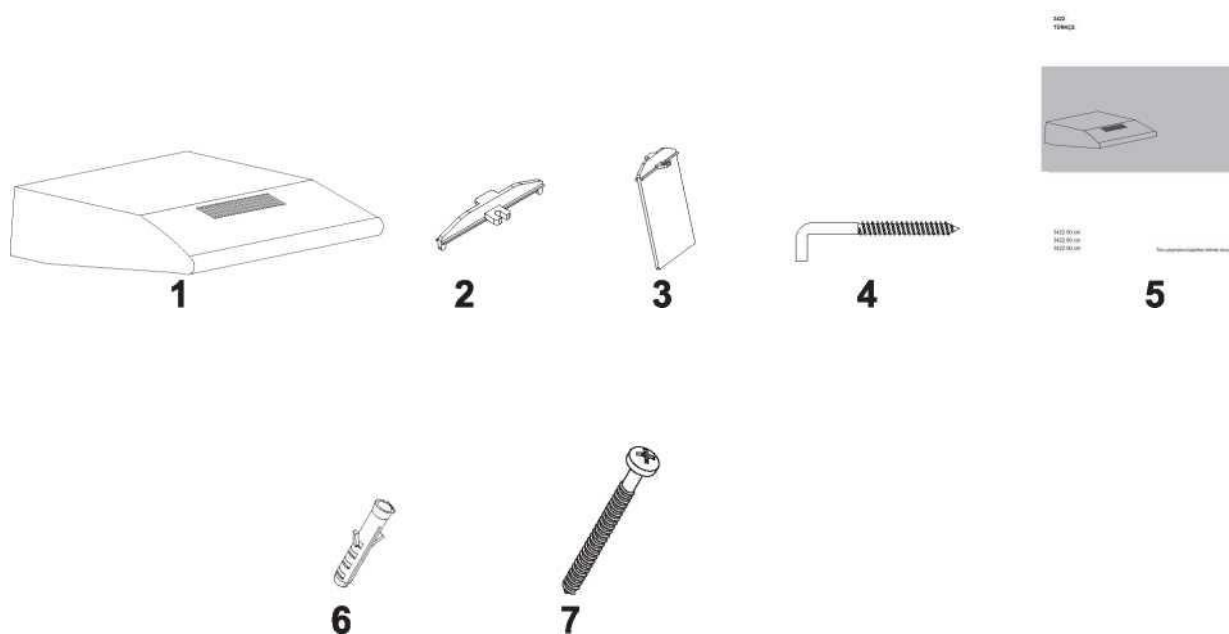


Fig. 12

- 1- Produto
- 2- Regulador curto
- 3- Regulador longo
- 4- Gancho

- 5- Manual do utilizador
- 6- Bucha 2x 010mm
- 7- Parafuso 4x 4x40

9 MONTAGEM DO PRODUTO

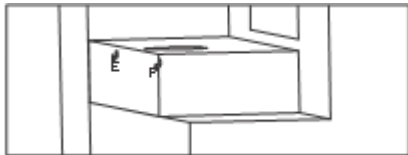


Fig. 13

Insira duas buchas de plástico (disponíveis nos acessórios de instalação do seu aparelho) nos pontos E e F. Insira os parafusos de fixação L (disponíveis nos acessórios de instalação do seu aparelho) nas buchas (Fig. 13).

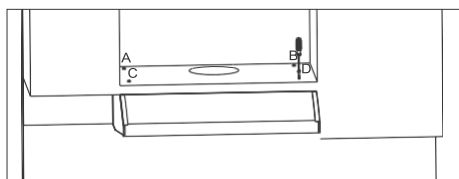


Fig. 14

Pendure o seu aparelho nos pontos E e F já instalados e aperte os parafusos nos pontos A, B, C, D (Fig. 14).

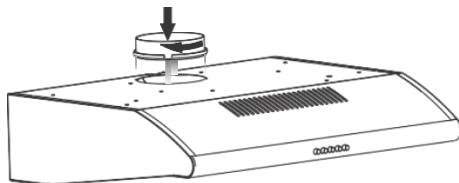


Fig. 15

Coloque o funil de plástico (disponível nos acessórios de instalação do seu aparelho) na saída do funil do produto. Deslize as guias no funil de plástico sobre as abas na saída do funil do corpo e rode no sentido dos ponteiros do relógio. (Fig. 15).

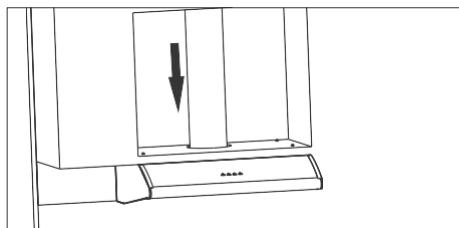


Fig. 16

Execute a ligação do tubo flexível do seu aparelho (Fig. 16).



Evite curvas e ângulos na instalação, pois reduzem a capacidade de sucção do ar.

10 USAR O PRODUTO

10.1 Usar o interruptor do produto

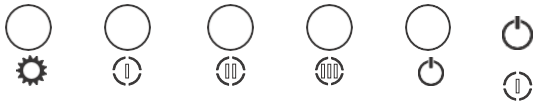


Fig. 17: Push button

Pressione este botão para reiniciar o seu produto.

Ao pressionar este botão, o produto irá funcionar no primeiro nível de velocidade.



Ao pressionar este botão, o produto irá funcionar no segundo nível de velocidade.



Ao pressionar este botão, o produto irá funcionar no terceiro nível de velocidade.



Pressione este botão para ligar e desligar a lâmpada.

10.2 Uso do fusível rocker

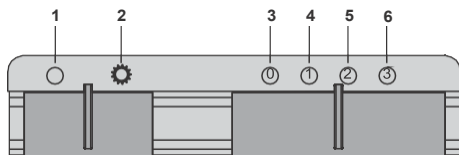


Fig. 18

1. Coloque nesta posição para desligar a lâmpada.(Fig. 18).
2. Coloque nesta posição para desligar a lâmpada.(Fig. 18).
3. Coloque nesta posição para desligar a lâmpada.(Fig. 18).
4. Coloque nesta posição quando quer operar na 1° velocidade (Fig. 18).
5. Coloque nesta posição quando quer operar na 2° velocidade (Fig. 18).
6. Coloque nesta posição quando quer operar na 3° velocidade (Fig. 18).

11 SUBSTITUIR AS LÂMPADAS

11.1 Substituição da lâmpada piloto



AVISO!

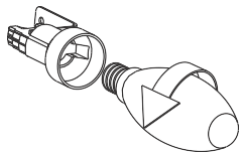
Desligue a alimentação elétrica do exaustor. Deixe as lâmpadas esfriarem primeiro porque podem queimar suas mãos quando estão quentes.



Indica o consumo máximo de energia da lâmpada. Dever ser substituída por Uma lâmpada com a mesma potência.



Para saber da potência atribuída ao seu produto, confira na etiqueta do produto.



Remova o filtro do cartucho de alumínio. Remova a lâmpada defeituosa e substitua por uma nova com a mesma potência. Fig. 19.

Fig. 19: Substituição da lâmpada piloto

12 SERVIÇO AUTORIZADO

Em caso de mau funcionamento da iluminação:

- Certifique-se que a hica está bem ligada e os fusíveis em bom estado.
- Verifique as lâmpadas. Certifique-se que desligou o aparelho antes de realizar a verificação. Aperte as lâmpadas se estiverem soltas e se ainda assim não funcionarem, proceda a sua substituição.

Possíveis defeitos e acções que pode efectuar antes de chamar o serviço técnico:

A) Se o aparelho não funciona de nenhuma forma:

- Verifique se o exaustor está ligado a corrente e se a ficha está bem encaixada na tomada.
- Verifique se a caixa de fusíveis e o fusível que liga ao exaustor estão em funcionamento.

Se o desempenho do aparelho não é suficiente e cria ruído elevador quando ligado:

- O diâmetro da saída da chaminé é adequado? (min. 120 mm).
- Os filtros metálicos estão limpos? Por favor verifique.
- Se usa o exaustor sem chaminé, certifique-se que os filtros de carbono não têm mais que seis meses de uso
- Tenha a atenção de ventilar sua cozinha adequadamente, a fim de renovar constantemente o ar. Se ainda não confiar no desempenho do aparelho, consulte o serviço técnico autorizado.

Solução de Problemas

| Descrição do defeito | Causa | Solução |
|------------------------------------|------------------------------------|---|
| O Produto não funciona | Verifique a ligação elétrica | A tensão nominal deve ser 220-240 V e o produto deve ter uma ligação terra. |
| Lâmpada de iluminação não funciona | Verifique a ligação elétrica | A tensão nominal deve ser 220-240 V e o produto deve ter uma ligação terra. |
| Lâmpada de iluminação não funciona | Verifique o interruptor da lâmpada | O interruptor deve estar em "ON" |
| Lâmpada de iluminação não funciona | Verifique as lâmpadas. | As lâmpadas têm que estar operacionais |
| A entrada de ar do produto é fraca | Verifique o filtro de alumínio. | Num funcionamento normal, o filtro do cartucho de alumínio deve ser lavado uma vez por mês. |
| A entrada de ar do produto é fraca | Verifique o tubo de saída de ar. | A saída de ar deve permanecer aberta. |
| A entrada de ar do produto é fraca | Verifique o filtro de carbono. | Em produtos que trabalham com filtros de carbono e em funcionamento normal, o filtro de carbono deve ser substituído uma vez a cada três. |

| Descrição do defeito | Causa | Solução |
|-------------------------------------|--------------------------------|---|
| Não descarrega ar (em uso sem tubo) | Verifique o filtro de alumínio | Num funcionamento normal, o filtro do cartucho de alumínio deve ser lavado uma vez por mês.. |
| Não descarrega ar (em uso sem tubo) | Verifique o filtro de carbono | Em produtos que trabalham com filtros de carbono e em funcionamento normal, o filtro de carbono deve ser substituído uma vez a cada três. |

13. TABELA TÉCNICA

| | |
|-------------------------------|-------------------|
| Tensão | 220 - 240 V 50 Hz |
| Classe de isolamento do Motor | F |
| Classe de isolamento | CLASS I |



Este produto está em conformidade com as Diretivas 2014/30 / EC (Regulamento sobre Conformidade Eletromagnética) e 2014/35 / EC (Regulamentação sobre Dispositivos de Baixa Tensão (LVD)).



Este dispositivo está em conformidade com a Diretiva sobre o Controle de Resíduos de Equipamentos Elétricos e Eletrônicos. As especificações do aparelho bem como deste manual podem ser modificadas sem aviso prévio).

Ovaj dokument je originalno proizveden i objavljen od strane proizvođača, brenda Vox, i preuzet je sa njihove zvanične stranice. S obzirom na ovu činjenicu, Tehnoteka ističe da ne preuzima odgovornost za tačnost, celovitost ili pouzdanost informacija, podataka, mišljenja, saveta ili izjava sadržanih u ovom dokumentu.

Napominjemo da Tehnoteka nema ovlašćenje da izvrši bilo kakve izmene ili dopune na ovom dokumentu, stoga nismo odgovorni za eventualne greške, propuste ili netačnosti koje se mogu naći unutar njega. Tehnoteka ne odgovara za štetu nanесenu korisnicima pri upotrebi netačnih podataka. Ukoliko imate dodatna pitanja o proizvodu, ljubazno vas molimo da kontaktirate direktno proizvođača kako biste dobili sve detaljne informacije.

Za najnovije informacije o ceni, dostupnim akcijama i tehničkim karakteristikama proizvoda koji se pominje u ovom dokumentu, molimo posetite našu stranicu klikom na sledeći link:

<https://tehnoteka.rs/p/vox-aspirator-trd-650-br-akcija-cena/>