

Uputstvo za upotrebu

VOX aspirator PIO 650 IX



Tehnoteka je online destinacija za upoređivanje cena i karakteristika bele tehnike, potrošačke elektronike i IT uređaja kod trgovinskih lanaca i internet prodavnica u Srbiji. Naša stranica vam omogućava da istražite najnovije informacije, detaljne karakteristike i konkurentne cene proizvoda.

Posetite nas i uživajte u ekskluzivnom iskustvu pametne kupovine klikom na link:

<https://tehnoteka.rs/p/vox-aspirator-pio-650-ix-akcija-cena/>



GBR

SRB

PIO 650W - 650IX - 650 GL

OPERATING INSTRUCTIONS COOKER HOOD

UPUTSTVO ZA UPOTREBU ASPIRATOR

NAVODILA ZA UPORABO KUHINJSKA NAPA

UPUTE ZA UPORABU KUHINJSKA NAPA

MANUAL DE ISTRUÇÕES EXAUSTOR



VOX
ELECTRONICS

GBR

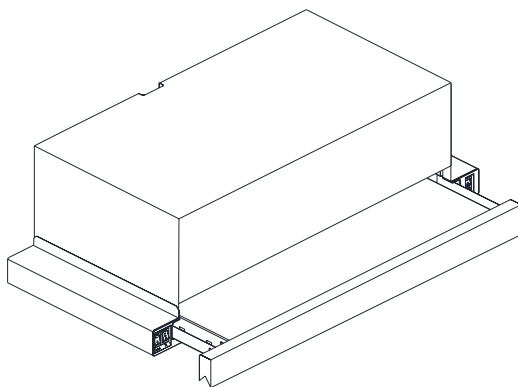
PIO - 650 W

PIO - 650 IX

PIO - 650 GL

OPERATING INSTRUCTION HOOD

OPERATION INSTRUCTION HOOD



PIO 650 W
PIO 650 IX
PIO 650 GL

Read the User Manual Carefully!

Internet: www.voxelectronics.com

Content

1	DATA.....	4
2	TECHNICAL DRAWING.....	5
3	WARNINGS AND SAFETY PRECAUTIONS.....	6
3.1	LIFE-THREATENING DANGER, POISONING DANGER.....	7
4	USAGES WITH AND WITHOUT CARBON FILTER.....	12
5	REPLACEMENT OF CARBON FILTER.....	13
6	CLEANING AND PREVENTIVE MAINTENANCE.....	14
6.1	Washing in Dishwasher	14
6.2	Hand Wash.....	15
7	INSTALLATION OF APPLIANCE.....	16
7.1	Installation and Unpacking.....	16
7.2	Recommendation for Energy Saving	16
8	CONTENT OF PACKAGE.....	18
9	OVERVIEW OF COOKER HOOD.....	19
10	ASSEMBLY OF PRODUCT.....	20
10.1	Installation diagram	20
11	USE OF PRODUCT.....	22
11.1	Usage of 3 speed Touch Button.....	23
12	REPLACEMENT OF LAMPS.....	24
12.1	Replacement of Halogen Lamp	24
12.2	Replacement of Spark Plug Lamp.....	24
13	AUTHORIZED TECHNICAL SERVICE.....	26
14	TECHNICAL DRAWING.....	28

1 DATA

This user manual and safety data contain all the necessary information for safe installation and safe use without any deficiencies.

- Before using the appliance, read the complete user manual and safety data sheet.

- Keep this user manual in an appropriate place.

- If you hand over the appliance to another person for use, make sure they get this user manual and safety data.

- Failure to comply with this manual may result in serious injury and defects of the appliance.

- Please note that we will not accept liability for any defects that arise due to non-compliance with this user manual.

The pictures in this manual aim to present the necessary actions visually. Only one model of the appliance is shown in these pictures. However, all instructions or pictures also apply to other models.

2 TECHNICAL DRAWING

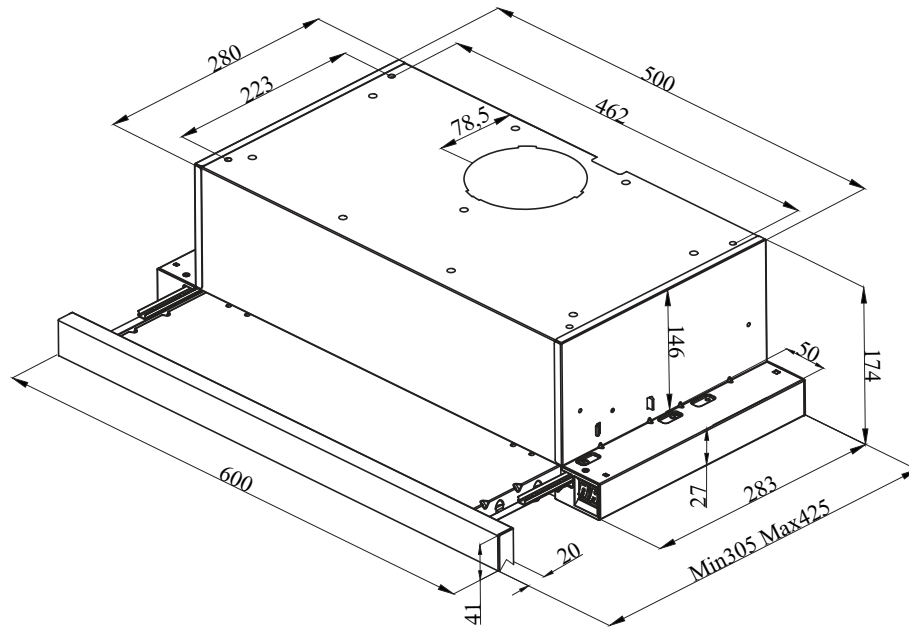


Figure 1

WARNINGS AND SAFETY PRECAUTIONS

3 WARNINGS AND SAFETY PRECAUTIONS

- This appliance can be used by children aged from 8 years and above and persons with reduced physical, sensory or mental capabilities or lack of experience and knowledge if they have been given supervision or instruction concerning use of the appliance in a safe way and understand the hazards involved.
- This product is designed for home use.
- Usage voltage of your product is 220-240 Volt~50 Hz.
- Power cord of your product is fitted with a grounded plug. That cable must definitely be connected to a grounded socket.
- The whole electrical wiring must be installed by a qualified electrician.
- Installation by unauthorized persons could lead to poor operation performance, damage to the product, and accidents.
- Feeder cable of the appliance mustn't be exposed to jamming or crashing during assembly. Feeder cable mustn't be placed near the cooker. In such cases, it might melt down and lead to fire.
- Do not plug in the appliance before the installation.
- Make sure that the installation place allows the user to easily unplug the power cable in case of any danger.
- Do not touch your product's lamps when they work for a long time. Since they would be hot, they could burn your hand.
- Kitchen cooker hoods are designed for normal cooking and home use. For uses other than specified, there is the risk of failure and the appliance becomes out of warranty.
- Comply with the rules and instructions regarding discharge of outgoing air, stipulated by the relevant authorities. (This warning does not apply to uses without flue.)
- Flammable foods must not be cooked under the appliance.
- Turn on the appliance after placing a saucepan, pan, etc. on the cooker. Otherwise, high temperature might lead to deformation on some components of your product.
- Turn off the cooker's burner before taking the saucepan, pan, etc. off the cooker.
- Do not leave hot oil on your cooker. Pots that contain hot oil might lead to inflammation.
- Since oils could catch fire when you cook fried foods in particular, be careful about your curtains and tablecloths.
- Ensure timely replacement of the filters. Filters not replaced in a timely manner pose risk of fire due to accumulated grease deposits on them.
- Do not use non-fire-resistant filtering materials instead of the filter.
- Do not operate your product without filter, and do not remove the filters when the product is in use.
- In case of any deflagration, de-energize the cooker hood and cooking appliances. (Plug off the appliance or turn off the main switch).
- If your product's periodic cleaning is not made in a timely manner, it could pose risk of fire.
- De-energize the appliance before any maintenance operations. (Plug off the appliance or turn off the main switch.)
- When electric cooker hood and devices fed with energies other than electricity operate simultaneously, the negative pressure in the room must not exceed 4 Pa (4 X 10 bar).
- Gas or fuel oil burning appliances, such as room heaters, which share the same environment with your product, must be fully insulated from the exhaust of this product or they must be hermetical.

- When you make a flue connection for your product, use pipes with a diameter of 150mm or 120 mm.
- The length of the pipe connection as well as the number of elbows must be as minimum as possible.
- Children should not tamper with the device.
- For your safety, use "MAX 6 A" fuse in the cooker hood system.
- Since the packing materials could be dangerous, keep them away from children.
- If the feeder cable is damaged, it must be replaced by its manufacturer or authorized technical service or any other personnel qualified at the same level, in order to avoid any dangerous situation.
- In case of any deflagration, de-energize the cooker hood and cooking appliances, and cover the flame. Never use water to extinguish the fire.
- When cooking appliances are in operation, their accessible parts could be hot.
- This appliance is not intended to be used by people with physical, sensory and mental disabilities (including children) or those who have not adequate experience and knowledge regarding its use, unless they are under the supervision of a person responsible for the safety of the appliance.
- After the installation of the cooker hood, the minimum distance must be 65 cm between the product and any electric cooker; and 75 cm between it and any gas ranges or cookers burning other fuels.
- Output of the cooker hood must not be connected to air ducts, where there exist another smokes.
- You must be careful when using the appliance spontaneously with other appliances (e.g. gas, diesel fuels, coal or wood burning heaters, shower heaters, etc.) which use the same air in the same environment. It is because the cooker hood could adversely affect the combustion, by discharging the ambient air.
- This warning does not apply to uses without flue.
- When electric cooker hood is used simultaneously with devices that use gas or other fuels, there must be sufficient ventilation in the room (might not apply to devices that discharges the air back into the room).
- The room must have sufficient ventilation when the cooker, the hood and the appliances burning gas and other fuels are used simultaneously (this may not apply to devices that cause air circulation in the room).

WARNINGS AND SAFETY PRECAUTIONS

Life-Threatening Danger, Poisoning Danger

3.1 LIFE THREATENING DANGER - POISONING DANGER



DANGER!

Warning - Chocking hazard

Packaging is hazardous. Never let children play with packaging.



DANGER!

Warning - Life Threatening Danger

There are life-threatening danger and poisoning danger due to reabsorbed combustion gases. During the air discharge outlet use, unless sufficient air supply is provided, do not use the appliance simultaneously with devices that discharge toxic gases through flue such as ventilated, gas, oil, wood or coal burning heaters, shower heaters, water heaters, etc. Figure 2

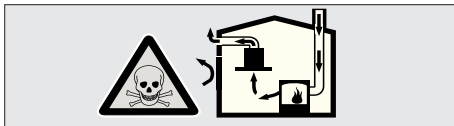


Figure 2: Poisoning danger

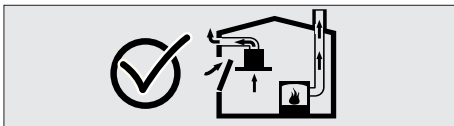


Figure 3

Ventilated devices (e.g. gas, oil, wood or coal burning heaters, shower heaters, water heaters) take combustion air from the installation location, and discharge the waste gas through a waste gas system (e.g. flue). When the cooker hood is active, it absorbs air from the kitchen and neighbouring rooms. If adequate air entry is not provided vacuum emerges. In such a case, the toxic gases are absorbed from the flue and waste gas channel, and are taken into to door again. Fig. 2

■ Therefore, adequate fresh air ingress must always be ensured. Fig. 3

WARNINGS AND SAFETY PRECAUTIONS

Life-Threatening Danger, Poisoning Danger



DANGER! **Fire hazard!**

- The residual oil in the oil filter can cause fire. Clean the oil filter at least once every 3 months. Never use the appliance without an oil filter.
- The residual oil in the oil filter can cause fire. Never work with open flame (e. g. fire) near the appliance. The appliance should be placed near a solid fuel heater (e.g. wood or coal) only if there is a cover that cannot be removed. Sparking should not be allowed.
- Hot oils and fats can be easily ignited. Hot oils and fats should never be left without supervision. Never try to extinguish the fire with water. Turn off the cooker. Carefully extinguish the flame with a lid, fire extinguishing blanket or similar fabric.
- Gas rings, without any kitchen pot on them, create more heat when being on. Damage or overheating of the ventilation appliance may occur if it is placed above the cooker. Turn on gas rings only when there is a pot on them.
- Greater heat is created when several gas rings are turned on simultaneously. Damage or overheating of the ventilation appliance may occur if it is placed above the cooker. Never use two gas rings set to high flame for more than 15 minutes. A larger burner over 5kW (Work) has the power of two gas burners.

DANGER!

Danger of electric shock!

- A faulty appliance can cause an electric shock. Never turn on the faulty appliance. Pull out the plug and turn off the main switch. Call the Authorised Technical Service.
- Inadequate repairs are dangerous. Repair and replacement of damaged cables can be performed only by the authorized service agent that we have trained. If the appliance is defective, pull out the plug and turn off the main switch. Call the Authorised Technical Service.
- Water penetration into the appliance can cause electric shock. High pressure or steamers must not be used.

WARNINGS AND SAFETY PRECAUTIONS

Life-Threatening Danger, Poisoning Danger



DANGER!

Danger of physical injury!

- During the installation, there is a danger of physical injury due to the sharp edges. Use protective gloves throughout the installation process of the appliance.
- Due to risk of dropping the appliance, assembly of all safety bolts and covers must be performed as specified in the user manual.
- Items placed on the appliance may fall. Do not place any objects on the appliance.
- LED lights are very strong and can damage your eyes (Hazard Group 1). You must not look directly into LED lights for more than 100 seconds.

DANGER!

Danger of burns, danger of electric shock !

- Allow the appliance to cool before cleaning or maintenance process. Switch off the fuse or pull out the mains plug from the socket.
- There is risk of damage due to ingress of moisture in the electronics. Do not clean the control components with a wet cloth.
- The surface could be damaged due to a wrong cleaning process. Clean stainless steel surfaces only in their brushing direction. Do not use a stainless steel cleaner for the control elements.
- The surface could be damaged due to aggressive and abrasive cleaning agents. Never use aggressive and abrasive cleaning agents.

DANGER!

Dangers of fire and physical injury!

In case of repairing that is not performed according to the rules or as required, turn off the fuse or unplug the feeder cable of your appliance. Repairing must be performed only by the authorized technical service or authorized experts.



NOTE!

If the appliance is faulty or damages, turn off the fuse or unplug the feeder cable of your appliance and call the authorized service.

WARNINGS AND SAFETY PRECAUTIONS

Life-Threatening Danger, Poisoning Danger



NOTE!

If the feeder cable is damaged, it must be replaced by its manufacturer or its authorized technical service or any other personnel qualified at the same level, in order to avoid any dangerous situation.



NOTE!

If the bulbs of your appliance are faulty, turn off the fuse or unplug the feeder cable of your appliance. Replace the bulbs immediately to avoid overload on other bulbs (wait for the bulbs to cool down first)

ATTENTION!

Accessible components might be heated when used with cooking devices.

DANGER!

Air outlet pipe of this appliance mustn't be connected in the flue used to discharge the fume generated by devices that use gas or other fuels.

Reasons of damage

CAUTION!

Danger due to corrosion damage. During cooking, the appliance should always be on in order to prevent the formation of condensation. Condensates can cause corrosion damage. Replace a faulty bulb immediately to prevent the other bulbs overload.

The moisture getting in the electrical parts poses a risk of damage. Never clean the controls with a damp cloth. The surface damage may occur due to inadequate cleaning. Clean the stainless steel surfaces only in the direction of brushing. Do not use stainless steel cleaning agents for control elements.

The surface damage may occur due to aggressive or abrasive cleaning agents. Never use aggressive or abrasive cleaners. There is a risk of damage due to the reoccurrence of condensate liquid. Place the exhaust air outlet with a slight downward inclination (1 ° inclination) from the unit.

4 USAGES WITH AND WITHOUT CARBON USE



You can use this appliance in exhaust air mode and ventilated air mode.

Exhaust air mode

The absorbed air is cleaned by the grease filters, and is discharged through a piping system. Figure 4

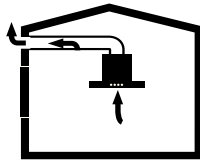


Figure 4: Air Outlet without Carbon Filter



NOTE!

Exhaust air must not be transferred to an active smoke or waste gas flue; or a flue used for ventilation of the places, where heat sources are installed.

- If you want to transfer exhaust air to an inactive smoke or waste gas flue, you need to obtain permission from an authorized chimney sweep.
- If exhaust air is discharged through the external wall, a telescopic wall safe must be used.

Ventilated air mode



Absorbed air is cleaned by the grease filters and an active carbon filter, and then it is transferred back to the kitchen. Figure 5

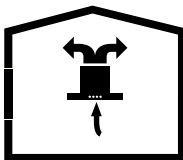


Figure 5: Air Outlet with Carbon Filter



To retain the substances that lead to odour in ventilated air mode, you must attach an active carbon filter. Consult your authorized dealer for various options available to use your appliance in ventilated air mode. You can purchase the accessories required for this process for related sales points, authorized services or online sales centre

5 REPLACEMENT OF CARBON FILTER

CARBON FILTER

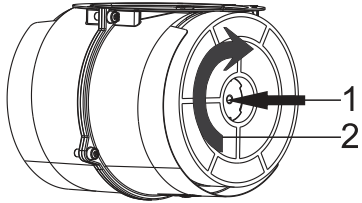


Fig. 6: CARBON FILTER

The appliance you have purchased is appropriate for use with carbon filters.

1. Place the carbon filter in its housing. Fig. 6
2. Rotating the carbon filter clockwise, ensure that it is completely fit. Fig. 6



If carbon filter does not fit in completely, it might drop and damage your product.

DANGER!

Do not wash carbon filters.

Keep the carbon filters away from children.

6 CLEANING AND PREVENTIVE MAINTENANCE



ATTENTION!

Cleaning and user maintenance of the appliance shall not be performed by unattended children.

- The surface could be damaged due to aggressive and abrasive cleaning agents. Never use aggressive and abrasive cleaning agents. Supply your cleaning and protective substances that are appropriate for your appliance from the authorized technical service. Surface of appliance and control units are sensitive to scratching.
- Clean the surfaces with a soft and damp cloth, dishwashing liquid or mild glass cleaning agent. Soften the dry, sticky dirt with a damp cloth. Do not scrape!
- It is not appropriate to use dry cloths, sponges that may scratch, materials that require rubbing, and other aggressive cleaning agents containing sand, soda, acid or chlorine.
- Clean the stainless steel surfaces in their brushing direction only.
- Do not use stainless steel cleaning agents and wet clothes for control units. Cleaning of metal grease filters Used metal grease filters retain the greasy particles in the moisture and vapour generated in the kitchen. Clean the metal grease filters about every three months, under normal use conditions (1 to 2 hours a day).
- Do not use excessively effective, acidic or alkaline cleaning agents.
- For cleaning the metal grease filters, clean the holder parts of the metal grease filters in the appliance, with a damp cloth as well.
- You can clean the metal grease filters in the dishwasher or by hand.

6.1 Washing in Dishwasher

- In case of washing in dishwasher, a slight change might occur in colour. This has no effect on the function of the metal grease filter.
- Do not wash the excessively dirty metal grease filters together with dishes.
- Place the metal grease filters loosely and freely in the dishwasher. Metal grease filters must be placed in the dishwasher without jamming.

6.2 Hand wash



For stubborn dirt, you can use a special grease solvent. You can buy such an agent from the authorized sales centre.

- Soften the metal grease filters in a hot water with dish-washing liquid.
- Use a brush for cleaning and wait for the liquid in metal grease filters to flow off completely.
- Rinse the filters thoroughly after cleaning.

INSTALLATION OF APPLIANCE

Recommendation for energy saving

7 INSTALLATION OF APPLIANCE

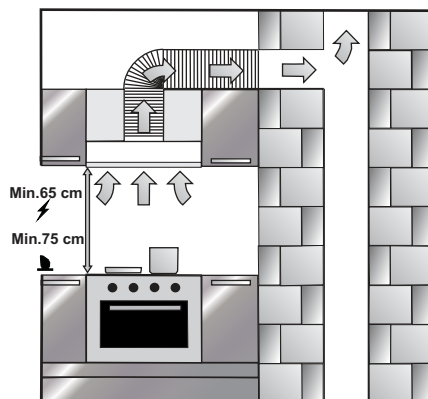


Figure 7: MIN.-MAKS. DIMENSIONS FOR INSTALLATION

After completing the installation of cooker hood, the minimum distance must be 65 cm between the product and any electric cooker; and 75 cm between it and any gas ranges or cookers burning other fuels. Fig. 7

7.1 Installation and Unpacking

- Check that your appliance is not deformed.
- Report the transport issues immediately to transport operator.
- Any faults encountered shall be reported to the dealer, too.
- Do not allow children to play with the packaging materials.

7.2 Recommendation for Energy Saving



Your new appliance is designed to save energy. Here you can find recommendations regarding energy savings while using the appliance and advice regarding proper disposal of the appliance

Energy saving

- Provide adequate suction power for efficient operation with low noise levels.
- Set the fan speed to the steam power in the kitchen. Use a higher volume setting only when needed. Setting the fan at a lower speed means less power consumption.
- Select a higher fan speed in advance if larger quantities of smoke in the kitchen are present. The hood should work longer to remove the kitchen smoke that has already spread throughout the kitchen.
- Turn off the hood when not needed.

INSTALLATION OF APPLIANCE

Recommendation for energy saving

- Clean or replace the filter at certain time intervals; this way you can increase the efficiency of ventilation and avoid the risk of fire.

■

Disposal of the appliance in an environment-friendly manner

Dispose of packaging in an environment-friendly manner.

This product has been marked to be in compliance with the EU Directive 2012/19/EC (Waste Electrical and Electronic Equipment - WEEE). This Directive sets a framework for the renewal and recycling of waste appliances and related waste examples throughout the European Union.



8 CONTENT OF PACKAGE

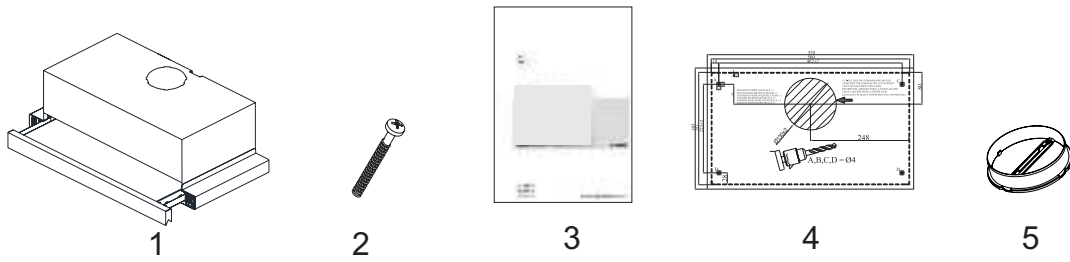
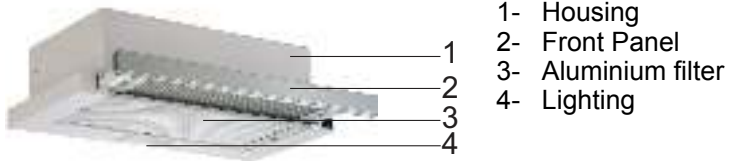


Figure 8: Content of packing

- 1- Slide hood
- 2- Mount Screw 4x4x40
- 3- User Manual
- 4- Plastic Adapter of exhaust duct $\varnothing 120\text{mm}$

9 OVERVIEW OF COOKER HOOD



ASSEMBLY OF APPLIANCE

Assembly diagram

10 ASSEMBLY OF APPLIANCE

10.1 Assembly diagram

Drilling the Hanger Holes

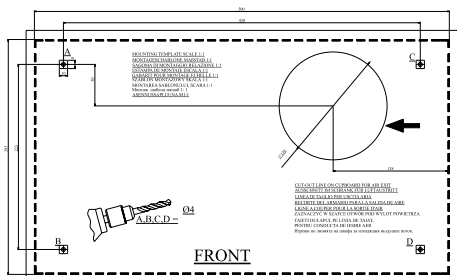


Figure 9

Paste the mounting template to the surface on which the unit needs to be mounted.

Make holes with $\varnothing 4$ mm diameter on the points marked as A, B, C, D on the mounting scheme. (Figure 9).

Drill holes for the flue outlet through the assembly template with the specified sizes.



The displayed sizes serve only as an illustration. Carefully use the mounting template provided with the purchased appliance.

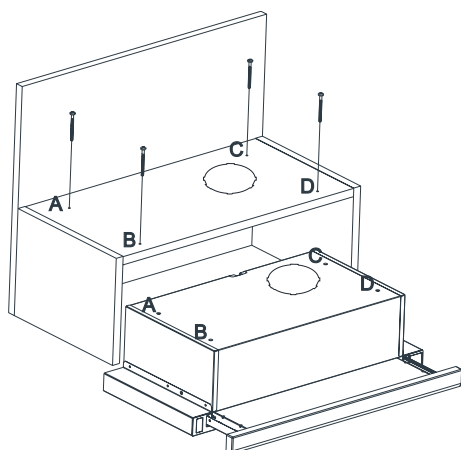


Figure 10

The appliance should be mounted on the cabinet on the points A, B, C, D by using 4 x 40 screws provided with the appliance. The front panel should not be rubbed against the cabinet cover when the sliding set moves. (Figure 10).

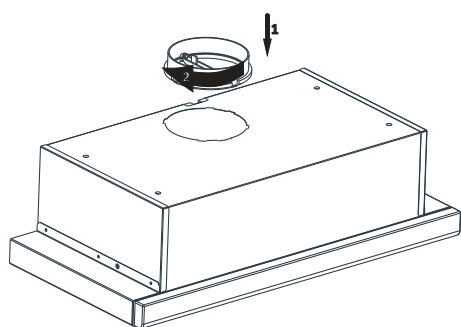


Figure 11

Place the plastic flue provided with the appliance on the flue outlet on the appliance. Rotate the plastic flue clockwise. (Figure 11).

ASSEMBLY OF APPLIANCE

Assembly diagram

Install flexible aluminium pipe to plastic flue outlet. Install the other end of the pipe to the flue hole on the wall.
(Figure 12)

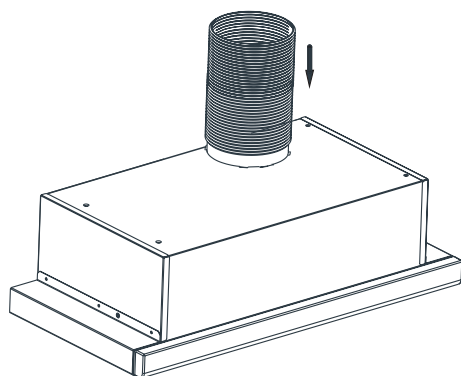


Figure 12



WARNING!

Since twists and bends in the aluminium pipe will lead to reduction in the air suction power, avoid using twists and bends as much as possible.



Cooker hood is used in kitchens with or without flue.

In case of use with flue;

In flue-connected use, cooker hood must be connected to a flue that will discharge the air. Prefer the shortest way for the pipe system that leads to flue, in order to get the maximum efficiency from your cooker hood. Your product is manufactured in a form appropriate for use with flue.

11 USAGE OF APPLIANCE

3 speed switch



Figure 13

If you want to run the appliance at the first speed move the switch up Figure 13.



Figure 14

If you want to run the appliance at the second speed move the switch up Figure 14.



Figure 15

If you want to run the appliance at the third speed move the first and second switch (Figure 14)in position 0, and the third switch down. (Figure 15)



Figure 16

Turn the light switch in the position for turning on the light of the appliance. (Figure 16).



The sliding set must be detached to turn on lights.

2 speed switch



Figure 17

If you want to run the appliance at the first speed move the switch up (Figure 17)

If you want to run the appliance at the second speed move the switch down (Figure 17).

The appliance has 1 lamp and switch for lighting control.

To turn on the light, press the light switch down (Figure 17).



The sliding set must be detached to turn on lights.

11.1 Usage of appliance with 3 speeds

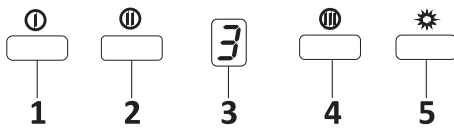


Figure 18: 3 speed switch



1. Press this button to turn on the product. When this button is pressed, product will also operate at speed level 1 (Fig.18).
2. When this button is pressed, product will also operate at speed level 2 (Fig.18).
3. Digitalni displej Na ovom displeju možete pratiti kojom brzinom uređaj trenutno radi. Slika 18
4. KWhen this button is pressed, product will also operate at speed level 3 (Fig.18).
5. Press this button to turn on or off the lamp Fig.18.
6. To activate timer function, press and hold any of buttons for 2 seconds. Then, 15 minute timer function will be activated and the product will turn off automatically after 15 minutes. Figure 18

Cleaning Periods of the Metal Filter:

The filters must be cleaned when "C" signal appears on the display or (depending on usage) after every 2-3 weeks. When the filters are cleaned and mounted in their places, press button () for more than 3 seconds in order to delete "C" signal (when the product is inactive). Letter "E" will appear on the display, and the product will switch to normal operation. If it is desired to go on operation without deleting "C" signal, active rate will appear for 1sec when () button is pressed and then, "C" signal will reappear and motor will continue to operate.



"C" mark will appear at the end of the product's usage period of 60 hours.

REPLACEMENT OF LAMPS

Replacement of lamps

12 REPLACEMENT OF LAMPS

12.1 Replacement of Halogen Lamp



WARNING!

Disconnect the electrical supply of the cooker hood. Leave the lamps to cool down first because they could burn your hands when they are hot.



This indicates the maximum consumption of the lamps. When replacing the bulb, use a bulb of the same power.

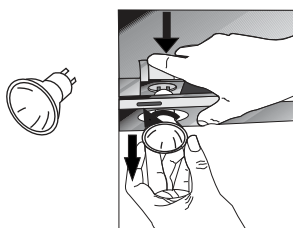


See the label on the Environmental Product Declaration to find out what power the appliance uses.



Use only self-shielded tungsten halogen lamps or self-shielded metal halide lamps.

Figure 19: symbol of halogen lamp



To replace halogen bulbs, push the bulb holder downwards from the rear, turn it slightly counterclockwise and remove it by pulling it down.
Figure 20

Figure 20: Replacement of LED Halogen Lamp

12.2 REPLACEMENT OF LAMPS



WARNING!

Disconnect the electrical supply of the cooker hood. Leave the lamps to cool down first because they could burn your hands when they are hot.



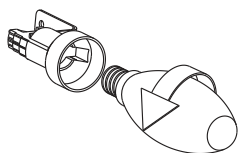
This indicates the maximum consumption of the lamps. When replacing the bulb, use a bulb of the same power.



See the label on the Environmental Product Declaration to find out what power the appliance uses.

REPLACEMENT OF LAMPS

Replacement of lamps



Remove the aluminium cartridge filter. Remove the faulty bulb and replace with a new one with the same rating.
Fig. 21

Fig. 21: Replacement of Halogen Lamp

13 AUTHORIZED TECHNICAL SERVICE

Lighting is Not Functioning:

- Make sure that the plug is plugged in, and that the fuses are intact.
- Check the bulbs. Unplug the appliance without fail, when performing this control. Tighten the bulbs if they are loose, and replace them if they do not glow even after that process. If still don't work, replace them.

Possible Faults and What-to-Do Before Calling the Technical Service:

A) If the appliance does not work in any way:

- Check to see if the cooker hood is plugged in or if the plug is fit properly into the socket.
- Check the fuse, to which the appliance is connected, as well as the main fuse of your house.

If the performance of appliance is insufficient or it operates with too much noise:

- Is the outlet diameter of the appliance's flue adequate? (min. 120 mm).
- Are the metal filters clean? Control them.
- If you use the cooker hood without flue, make sure that the carbon filters are not older than 6 months.
- Be attentive to ventilate your kitchen adequately, in order to provide an airflow. If you are still not satisfied with the performance of the appliance, consult the authorized technical service.

Potential Failures and Solutions

Description of Failure	Reason	Help
Appliance Does Not Work.	Check the power connection.	Mains voltage must be 220-240 V, and product must be plugged into a grounded socket.
Lighting Lamp Does Not Operate.	Check the power connection.	Mains voltage must be 220-240 V, and product must be plugged into a grounded socket.
Lighting Lamp Does Not Operate.	Check the power connection.	Lamp switch must be at "on" position.
Lighting Lamp Does Not Operate.	Check the bulbs.	Bulbs must be operative.
Product's Air Intake is Weak.	Check the aluminium filter.	The aluminium cartridge filter should be washed once a month under normal conditions.
Product's Air Intake is Weak.	Check the air outlet flue.	Air Outlet Flue Must Be Open.
Product's Air Intake is Weak.	Check the carbon filter.	In products that work with carbon filters, carbon filter must be replaced once in every 3 months under normal conditions.
It Does Not Discharge Air (in flueless use)	Check the aluminium filter.	The aluminium cartridge filter should be washed once a month under normal conditions.
It Does Not Discharge Air (in flueless use)	Check the carbon filter.	In products that work with carbon filters, carbon filter must be replaced once in every 3 months under normal conditions.

14 TECHNICAL TABLE

Supply voltage	220 - 240 V 50Hz
Insulation Class of Motor	F
Insulation Class	CLASS I



This appliance is in compliance with the EU Directive 2004/108/EC for electromagnetic stability and the Low Voltage Directive (LVD) 2006/95/EU.



This appliance is in compliance with the EU Directive for Waste Electrical and Electronic Equipment (WEEE).



VOX
ELECTRONICS

SRB

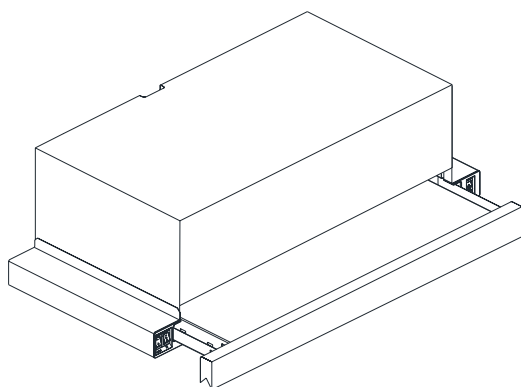
PIO - 650 W

PIO - 650 IX

PIO - 650 GL

UPUTSTVO ZA UPOTREBU ASPIRATOR

UPUTSTVO ZA UPOTREBU ASPIRATORA



PIO 650 W
PIO 650 IX
PIO 650 GL

Pre početka svih radova, pročitajte uputstva!

Sadržaj

1	PODACI.....	4
2	TEHNIČKI CRTEŽ.....	5
3	UPOZORENJA I BEZBEDNOSNE MERE.....	6
	3.1 OPASNOST PO ŽIVOT OPASNOST OD TROVANJA.....	7
4	KORIŠĆENJE SA ILI BEZ FILTERA SA AKTIVNIM UGLJEM.....	12
5	ZAMENA FILTERA SA AKTIVNIM UGLJEM.....	13
6	ČIŠĆENJE I PREVENTIVNO ODRŽAVANJE.....	14
	6.1 Pranje u mašini za pranje sudova.....	14
	6.2 Ručno pranje.....	15
7	POLOŽAJ UREĐAJA.....	16
	7.1 Montaža i raspakivanje.....	16
	7.2 Preporuke za štednju energije.....	16
8	SADRŽAJ PAKOVANJA.....	18
9	PREGLED DELOVA ASPIRATORA.....	19
10	MONTAŽA UREĐAJA.....	20
	10.1 Šablon za montažu.....	20
11	KAKO SE UREĐAJ KORISTI.....	22
	11.1 Korišćenje uređaja sa 3 brzine.....	23
12	ZAMENA SIJALICA.....	24
	12.1 Zamena halogene sijalice.....	24
	12.2 Zamena sijalice.....	24
13	OVLAŠĆENI SERVIS.....	26
14	TEHNIČKI DIJAGRAM.....	28

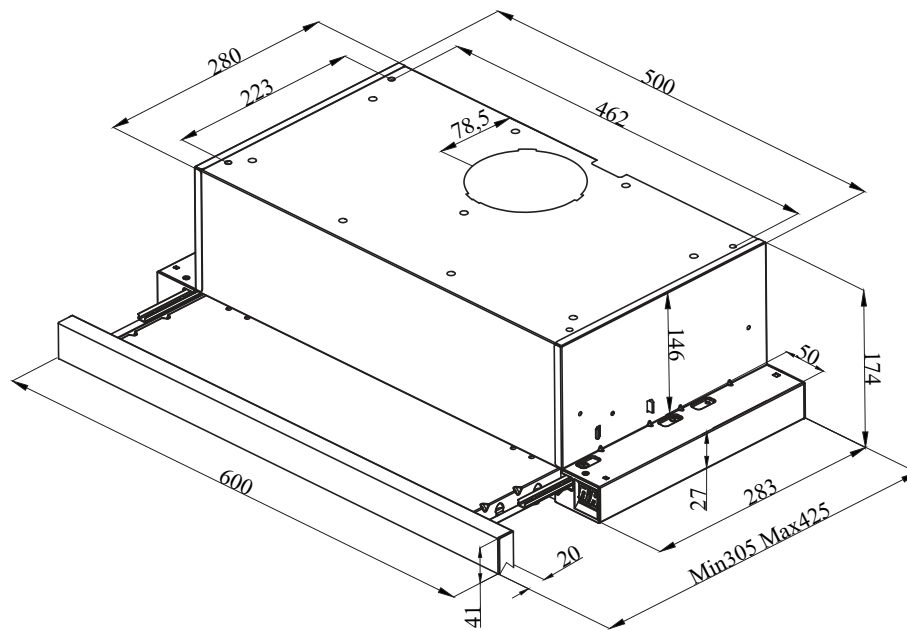
1 PODACI

Ovo uputstvo i podaci o bezbednosti sadrže sve neophodne informacije za bezbednu montažu, kao i bezbedno korišćenje bez nedostataka.

- Pre upotrebe uređaja pročitajte kompletno uputstvo i podatke o bezbednosti.
- Uputstvo čuvajte na odgovarajućem mestu.
- Ako uređaj dajete drugom licu pobrinite se da dobije i ovo uputstvo i podatke o bezbednosti.
- Nepoštovanje ovog uputstva može dovesti do ozbiljnih povreda i nedostataka na uređaju.
- Imajte u vidu da nećemo prihvatiti odgovornost za nedostatke koji se jave zbog nepoštovanja ovog uputstva.

Slike u ovom uputstvu imaju za cilj da vizuelno opišu potrebne radnje. Na ovim slikama je prikazan samo jedan model uređaja. Međutim, sva uputstva ili slike se odnose i na druge modele.

2 TEHNIČKI CRTEŽ



Slika 1

3 UPOZORENJA I BEZBEDNOSNE MERE

UPOZORENJE I BEZBEDNOSNE MERE PREDOSTROŽNOSTI

- Ovaj uređaj mogu da koriste deca od 8 godina i starija, osobe sa fizičkim, čulnim ili mentalnim nedostatkom ili ljudi sa nedostatkom iskustva ili znanja sve dok su obezbeđeni nadzor ili uputstva za bezbedno korišćenje uređaja i dok oni shvataju opasnosti.
- Deca ne smeju da se igraju sa uređajem. Deca ne smeju da čiste ili održavaju aparat bez odgovarajućeg nadzora.
- Ovaj proizvod je namenjen za kućnu upotrebu.
- Napon napajanja vašeg uređaja je 220-240 V~50/60 Hz.
- Kabl za napajanje uređaja ima uzemljenu utičnicu. Ovaj kabl se uvek mora priključiti u uzemljenu utičnicu.
- Sve električne veze mora da izvede kvalifikovani električar.
- Neovlašćena instalacija može da dovede do lošeg rada, oštećenja uređaja i nesreća.
- Kabl za napajanje uređaja ne sme da se zaglavi ili prignječi tokom instalacije. Kabl za napajanje ne sme da se postavi u blizini šporeta. To može da izazove topljenje i požar.
- Ne uključujete uređaj u struju pre završetka instalacije.
- Pobrinite se da mesto instalacije omogućava korisniku da jednostavno izvuče kabl za napajanje u slučaju opasnosti.
- Ne dodirujte sijalice uređaja kada su uključene duže vreme. Pazite da se ne opečete na vrućim sijalicama.
- Kuhinjski aspiratori su proizvedeni za kućnu upotrebu u standardnim uslovima za kuvanje. Postoji rizik od kvara u slučaju drugačijeg korišćenja i tada se poništava garancija za proizvod.
- Poštujte propise i pravila nadležnih organa o ispuštanju izduvnih gasova. (Ovo ne važi za modele bez ispuštanja izduvnih gasova.)
- Zapaljiva hrana ne sme da se kuva ispod ovog uređaja.
- Uključite uređaj nakon postavljanja posude, lonca, itd. na šporet. U suprotnom, visoka temperatura može da izazove da se neki delovi uređaja deformišu.
- Isključite gorionik pre nego što šerpe, lonce, itd. sklonite sa šporeta.
- Ne ostavljajte vruće ulje na šporetu. Lonci koji sadrže vruće ulje mogu da se zapale.
- Pošto ulje može da se zapali tokom prženja, pazite na zavese i stolnjake.
- Vodite računa da se filteri zamene na vreme. Filteri koji se ne zamene na vreme predstavljaju rizik od požara zbog ulja koje se nataložilo u njima.
- Nemojte umesto filtera da koristite materijal za filtriranje koji nije otporan na vatru.
- Nemojte uključivati uređaj bez filtera i nemojte uklanjati filtere tokom rada uređaja.
- U slučaju požara, aspirator i šporet isključite iz struje. (Uređaj isključite iz struje ili isključite glavni prekidač.)
- Ukoliko se ne čisti redovno, uređaj može da predstavlja rizik od požara.
- Pre održavanja, uređaj isključite iz struje. (Uređaj isključite iz struje ili isključite glavni prekidač.)

- Negativni pritisak koji se javlja u prostoriji kada se pored aspiratora istovremeno koriste uređaji koji se ne napajaju električnom energijom, ne sme da premaši 4 Pa (4 X 10 bara).
- Ukoliko se uređaji koji rade na ulje ili gas, kao što su sobne grejalice, nalaze u prostoriji u kojoj se koristi vaš uređaj, izduvni gasovi iz ovih uređaja se moraju potpuno izolovati ili uređaj ne sme da propušta vazduh.
- Prilikom povezivanja izduvnih kanala uređaja, koristite cevi prečnika 150 mm ili 120 mm. Kanal veze mora da bude što kraći, sa najmanjim mogućim brojem kolena.
- Deca ne smeju da se igraju sa uređajem.
- Zbog vaše bezbednosti, u aspiratoru koristite osigurač od maksimalno 6 A.
- Ambalažu držite dalje od dece, jer ona može biti opasna.
- Ukoliko se kabl za napajanje ošteti, mora ga zameniti proizvođač, njegov ovlašćeni servis ili lica odgovarajućih kvalifikacija da bi se izbegle opasnosti.
- U slučaju požara, aspirator i šporet isključite iz struje i pokrijte plamen. Nikada ne koristite vodu za gašenje požara.
- Pristupačni delovi mogu biti veoma topli tokom rada šporeta.
- Ovaj uređaj ne smeju da koriste osobe sa ograničenim fizičkim, čulnim ili mentalnim sposobnostima (uključujući decu), niti osobe koje nemaju dovoljno znanja i iskustva u korišćenju ovog uređaja, osim ako su pod nadzorom osobe koja je odgovorna za njihovu bezbednost i ako su od nje dobile uputstva o pravilnom korišćenju ovog uređaja.
- Prilikom montaže aspiratora, između uređaja i električnog šporeta mora da se ostavi najmanje 65 cm prostora ili 75 cm prostora između uređaja i šporeta koji rade na gas ili druga goriva.
- Odvod kuhinjskog aspiratora ne sme da se povezuje na izduvne kanale na koje su priključeni drugi proizvođači dima.
- Vodite računa kada uređaj koristite sa drugim uređajima (npr. grejalice koje rade na gas, dizel gorivo, ugalj ili drvo, grejalice u kupatilu itd.) koji koriste isti vazduh u istom okruženju. Treba voditi računa kada se koriste istovremeno. Ovo je važno zato što aspirator može da ima negativan uticaj na sagorevanje, jer vraća vazduh u prostoriju.
- Ovo ne važi za korišćenje bez izduvnih kanala.
- Prostorija mora da ima dovoljnu ventilaciju kada se šporet, aspirator i uređaji koji rade na gas i druga goriva koriste istovremeno (ovo možda neće važiti za uređaje koji dovode do cirkulacije vazduha u prostoriji).

3.1 OPASNOST PO ŽIVOT OPASNOST OD TROVANJA



OPASNOST!

Upozorenje - Opasnost od gušenja

Ambalaža je opasna za decu. Nikada ne dozvolite deci da se igraju ambalažom.

UPOZORENJA I BEZBEDNOSNE MERE

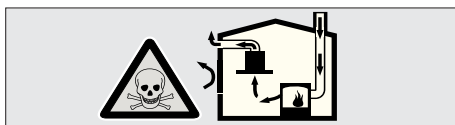
OPASNOST PO ŽIVOT OPASNOST OD TROVANJA



OPASNOST!

Upozorenje - Opasnost po život

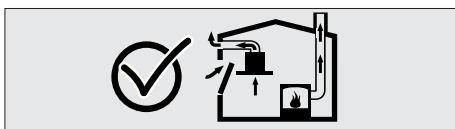
Postoji opasnost po život i opasnost od trovanja zbog ponovnog uvlačenja dimnih gasova. Osim ako se ne obezbedi odgovarajući dovod vazduha, izduvni kanal ovog uređaja nemojte koristiti u kombinaciji sa uređajima koji ispuštaju opasne dimne gasove, kao što su peći za grejanje na gas, lož-ulje ili ugalj, uređaji za zagrevanje vode itd. Slika 2



Slika 2: Opasnost od trovanja

Uređaji koji ispuštaju gasove (npr. grejalice koji rade na gas, ulje, drvo ili ugalj, grejalice za kupatilo, uređaji za zagrevanje vode) uzimaju vazduh za sagorevanje iz prostorije u kojoj su instalirani, a dimove odvođe preko sistema za odvod dimova (npr. izduvnih kanala). Uključeni aspirator usisava vazduh iz kuhinje i susjednih prostorija. Ukoliko se ne omogući odgovarajući dovod vazduha, stvara se vakuum. U tom slučaju, otrovni gasovi izlaze iz izduvnog kanala i ponovo ulaze u prostoriju. Slika 2

- Zbog toga, uvek treba da se obezbedi dovoljan dovod svežeg vazduha. Slika 3



Slika 3



OPASNOST!

Opasnost od požara!

- Ostatak ulja u filteru za ulje može izazvati požar. **Filter za ulje čistite najmanje jednom na svaka 3 meseca.** Nikada ne koristite uređaj bez filtera za ulje.
- Ostatak ulja u filteru za ulje može izazvati požar. Nikada ne radite sa otvorenim plamenom (npr. vatra) u blizini uređaja. Aparat treba da bude postavljen u blizini grejalice na čvrsto gorivo (npr. drvo ili ugalj) samo ako ima poklopac koji ne može da se ukloni. Varničenje nije dozvoljeno.
- Vruća ulja i masnoće se mogu lako zapaliti. Vruća ulja i masnoće nikada ne treba ostaviti bez nadzora. Nikada ne pokušavajte da vatru ugasite vodom. Isključite šporet. Pažljivo ugasite plamen pomoću poklopca, protivpožarnog ćebeta ili slične tkanine.
- Ringle koji rade na gas, a na kojima se ne nalazi kuhinjska posuda, stvaraju veću toplotu u toku rada. Može doći do oštećenja ili pregrevavanja ventilacionog uređaja ako je postavljen iznad šporeta. Uključite ringle koji rade na gas samo kada se na njima nalazi kuhinjska posuda.
- Veća toplota se stvara kada istovremeno radi više ringli na gas. Može doći do oštećenja ili pregrevavanja ventilacionog uređaja ako je postavljen iznad šporeta. Nikada ne koristite dve ringle na gas podešenih na visok plamen duže od 15 minuta. Veći gorionik preko 5kW (Wok) ima snagu dva gorionika na gas.



OPASNOST!

Opasnost od električnog udara!

- Neispravan uređaj može izazvati strujni udar. Nikada ne uključujte neispravan uređaj. Izvucite utikač i isključite osigurač. Pozovite korisnički servis.
- Neodgovarajuće popravke predstavljaju opasnost. Popravke i zamenu oštećenih kablova sme da vrši samo tehničko lice korisničkog servisa koje smo mi obučili. Ako je uređaj neispravan, izvucite utikač i isključite osigurač. Pozovite korisnički servis.
- Prodor vode u uređaj može izazvati strujni udar. Visok pritisak ili paročistači ne smeju da se koriste.

UPOZORENJA I BEZBEDNOSNE MERE

OPASNOST PO ŽIVOT OPASNOST OD TROVANJA



OPASNOST!

Opasnost od telesne povrede!

- Tokom instalacije postoji opasnost od povrede zbog oštrih ivica. Prilikom instalacije uređaja, uvek nosite zaštitne rukavice.
- Zbog rizika od pada uređaja, svi sigurnosni zavrtnji i poklopci treba da se postave na način opisan u uputstvu za upotrebu.
- Predmeti koji se stavljaju na uređaj mogu pasti. Ne postavljajte nikakve predmete na uređaj.
- LED svetla su veoma jaka i mogu da oštete oči (Grupa rizika 1). Ne smete da gledate direktno u LED svetla duže od 100 sekundi.



OPASNOST!

Opasnost od opekotina, opasnost od strujnog udara!

- Pre čišćenja i održavanja, sačekajte da se uređaj ohladi. Izvucite osigurač ili isključite mrežni prekidač iz struje.
- Postoji rizik od oštećenja usled nakupljanja vlage na električnim delovima. Kontrolne elemente nikada nemojte čistiti vlažnom krpom.
- Usled nepravilnog čišćenja može doći do oštećenja površine. Površine od nerđajućeg čelika čistite samo u smeru četkanja. Za kontrolne elemente nemojte koristiti sredstva za čišćenje nerđajućeg čelika.
- Može doći do oštećenja površine zbog agresivnih ili abrazivnih sredstava za čišćenje. Nikada ne koristite agresivna ili abrazivna sredstva za čišćenje.



OPASNOST!

Opasnost od požara i telesne povrede!

Ako je vršena nestručna ili pogrešna popravka, izvucite osigurač ili isključite uređaj iz struje. Popravke sme da vrši samo ovlašćeni servis ili ovlašćeno stručno osoblje.



NAPOMENA!

U slučaju kvara ili oštećenja uređaja, izvucite osigurač ili isključite uređaj iz struje i pozovite ovlašćeni servis.

UPOZORENJA I BEZBEDOSNE MERE

OPASNOST PO ŽIVOT OPASNOST OD TROVANJA



NAPOMENA!

Ukoliko se kabl za napajanje ošteti, mora ga zameniti proizvođač, njegov ovlašćeni servis ili lica odgovarajućih kvalifikacija da bi se izbegle opasnosti.



NAPOMENA!

Kada su sijalice uređaja neispravne, isključite osigurač i izvucite utikač iz utičnice. Odmah zamenite neispravne sijalice (prvo sačekajte da se sijalice ohlade) da biste zaštitili preostale sijalice od preopterećenja.



OPREZ!

Kada se koriste zajedno sa šporetima, pristupačni delovi mogu da se zagreju.



OPASNOST!

Izduvna cev za vazduh ovog uređaja ne sme da se poveže na izduvni kanal koji se koristi za izbacivanje izduvnih gasova koje ispuštaju uređaji na gas ili druga goriva.

Razlozi oštećenja



OPREZ!

Opasnost oštećenja zbog korozije. Tokom kuvanja uređaj treba uvek da radi da biste sprečili formiranje kondenzata. Kondenzati mogu izazvati oštećenja od korozije. Odmah zamenite neispravnu sijalicu da biste sprečili preopterećenje ostalih sijalica. Vlaga koja prodre u električne delove predstavlja opasnost od oštećenja. Kontrolne elemente nikada nemojte čistiti vlažnom krpom. Usled nepravilnog čišćenja može doći do oštećenja površine. Površine od nerđajućeg čelika čistite samo u smeru četkanja. Za kontrolne elemente nemojte koristiti sredstva za čišćenje nerđajućeg čelika. Može doći do oštećenja površine zbog agresivnih ili abrazivnih sredstava za čišćenje. Nikada ne koristite agresivna ili abrazivna sredstva za čišćenje. Postoji rizik od oštećenja usled vraćanja tečnosti kondenzata. Postavite izlazni kanal za vazduh sa malim silaznim nagibom (1° nagiba) iz uređaja.

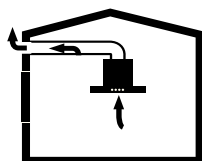
4 KORIŠĆENJE SA ILI BEZ FILTERA SA AKTIVNIM UGLJEM



Ovaj uređaj možete koristiti u režimu izduvnih gasova ili u režimu cirkulacije vazduha.

Režim izduvnih gasova

Usisani vazduh se prečišćava u filterima za ulje i odvodi putem sistema cevi. Slika 4



Slika 4: Odvod vazduha bez filtera sa aktivnim ugljem



NAPOMENA!

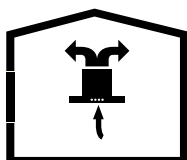
Izduvni gas nikada ne sme da se vodi u aktivni dimnjak ili u kanal izduvnog gasa, niti sme da se vodi u dimnjak koji se koristi za ventilaciju oblasti sa instaliranim izvorima grejanja.

- Ukoliko je potrebno da se izduvni gas vodi u neaktivni dimnjak ili kanal izduvnog gasa, trebalo bi da dobijete dozvolu od ovlašćenog servisa za čišćenje dimnjaka.
- Ukoliko se izduvni gasovi izbacuju preko spoljašnjeg zida, treba da se koristi spoljna zidna ventilaciona klapna.

Režim cirkulacije vazduha



Usisani vazduh prečišćavaju filteri za ulje i filter sa aktivnim ugljem koji se vraća u kuhinju. Slika 5



Slika 5: Cirkulacija vazduha sa filterom sa aktivnim ugljem

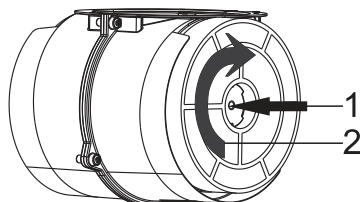


Treba da priključite filter sa aktivnim ugljem da bi zadržao supstance koje odaju mirise u režimu cirkulacije vazduha. Obratite se ovlašćenom distributeru u vezi različitih mogućnosti koje su potrebne za rad uređaja u režimu cirkulacije vazduha.

Dodatnu opremu potrebnu za ovaj proces možete dobiti u odgovarajućim prodavnicama, ovlašćenim servisima ili putem internet prodajnog centra.

5 ZAMENA FILTERA SA AKTIVNIM UGLJEM

FILTER SA AKTIVNIM UGLJEM



Slika 6: FILTER SA AKTIVNIM UGLJEM

Uređaj koji ste kupili je pogodan za korišćenje sa filterom sa aktivnim ugljem.

- 1 - Postavite filter sa aktivnim ugljem u njegovo kućište. Slika 6
- 2 - Zarotirajte filter sa aktivnim ugljem u smeru kazaljke na satu dok potpuno ne nalegne. Slika 6



Ukoliko ne nalegne u potpunosti, filter sa aktivnim ugljem može da padne i oštetiti uređaj.



OPASNOST!

Nikada nemojte prati filter sa aktivnim ugljem.
Filtere sa aktivnim ugljem držite dalje od dece.

6 ČIŠĆENJE I PREVENTIVNO ODRŽAVANJE



OPREZ!

Čišćenje i servisiranje koje obavlja korisnik ne treba da obavljaju deca koja nisu pod nadzorom.

- Može doći do oštećenja površine zbog agresivnih ili abrazivnih sredstava za čišćenje. Nikada ne koristite agresivna ili abrazivna sredstva za čišćenje. Kod ovlašćenog servisa nabavite odgovarajuća sredstva za čišćenje i zaštitu za vaš uređaj. Površina uređaja i kontrolnih jedinica je osetljiva na ogrebotine.
- Površine čistite mekom, vlažnom krpom, sredstvom za pranje sudova ili blagim sredstvom za čišćenje stakla. Sasušenu i očvrslu prljavštinu omekšajte vlažnom krpom. Nemojte strugati!
- Korišćenje suvih krpa, sunđera koji mogu da izazovu ogrebotine, sredstava koja zahtevaju trljanje, sredstava za čišćenje koja sadrže pesak, sodu, kiselinu, hlor ili druge jake supstance nije prikladno.
- Površine od nerđajućeg čelika čistite samo u smeru brušenja.
- Za kontrolne jedinice nemojte koristiti sredstva za čišćenje nerđajućeg čelika i vlažne krpe. Čišćenje metalnih filtera za ulje: Korišćeni filteri za ulje hvataju samo čestice ulja koje se nalaze u vlažnom vazduhu i pari u kuhinji. Kod normalnog korišćenja (1-2 sata dnevno), metalne filtere za ulje čistite na svaka tri meseca.
- Nemojte koristiti previše jaka, kisela sredstva niti sredstva za čišćenje na bazi hlora.
- Tokom čišćenja metalnog filtera za ulje, vlažnom krpom očistite i rešetke na metalnim filterima za ulje.
- Metalne filtere za ulje možete oprati u mašini za pranje sudova ili ručno.

6.1 Pranje u mašini za pranje sudova

U slučaju pranja u mašini za pranje sudova, može doći do blagog gubitka boje. To nema uticaja na funkcionisanje metalnog filtera za ulje.

- Veoma zaprljane metalne filtere za ulje nemojte prati zajedno sa sudovima.
- Metalne filtere za ulje stavite u mašinu za pranje sudova tako da stoje slobodno. Metalni filteri za ulje treba da se stave u mašinu za pranje sudova tako da se na njih ne primenjuje nikakav pritisak.

6.2 Ručno pranje



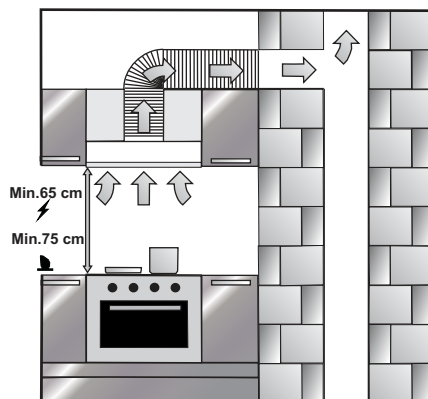
Za uklanjanje tvrdokornih mrlja, možete da koristite specijalni rastvarač ulja. Ovaj rastvarač možete kupiti u ovlašćenom prodajnom centru.

- *Omekšajte mrlje na metalnom filteru za ulje tako što ćete ga staviti u toplu vodu sa deterdžentom za pranje sudova.*
- *Za čišćenje koristite četku i potpuno ispraznite tečnost iz metalnih filtera za ulje.*
- *Nakon čišćenja, temeljno isperite filtere.*

POLOŽAJ UREĐAJA

Preporuke za štednju energije

7 POLOŽAJ UREĐAJA



Slika 7: MIN.-MAKS. DIMENZIJE ZA MONTAŽU

Prilikom montaže aspiratora, između uređaja i električnih šporeta mora da se ostavi najmanje 65 cm prostora ili 75 cm prostora između uređaja i šporeta koji rade na gas ili druga goriva (Slika 7).

7.1 Montaža i raspakivanje

- Proverite da li postoje bilo kakva oštećenja na uređaju.
- Oštećenja prilikom transporta odmah moraju da se prijave osobi odgovornoj za transport.
- Vidljivi nedostaci moraju da se prijave i prodavcu.
- Ne dozvolite deci da se igraju ambalažom.

7.2 Preporuke za štednju energije



Vaš novi uređaj je predviđen za štednju energije. Ovde možete pronaći preporuke u vezi uštede energije tokom korišćenja uređaja i savete u vezi pravilnog odlaganja uređaja.

Ušteda energije

- Obezbedite odgovarajuću usisnu snagu za efikasan rad sa niskim nivoom buke.
- Podesite brzinu ventilatora prema jačini pare u kuhinji. Koristite podešavanje veće jačine samo u slučaju potrebe. Podešavanje ventilatora na manju brzinu znači manju potrošnju energije.
- Unapred izaberite veću brzinu ventilatora ukoliko su prisutne veće količine kuhinjskog dima. Aspirator treba da radi duže da bi otklonio kuhinjski dim koji se već raširio po kuhinji.
- Isključite aspirator kada nije potreban.

- Očistite ili zamenite filter u određenim intervalima vremena; na taj način možete da povećate efikasnost ventilacije i izbegnete opasnost od požara.



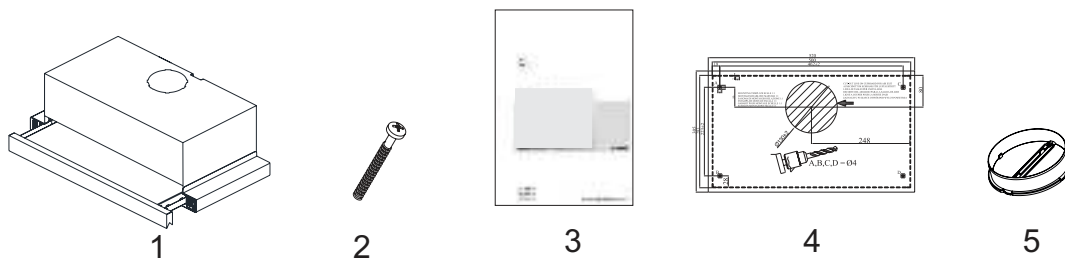
Odlaganje na ekološki prihvatljiv način

Odlažite ambalažu na ekološki prihvatljiv način.

Ovaj uređaj je označen u skladu sa evropskom direktivom 2012/19/EC (elektronski i električni otpad - WEEE). Ova direktiva postavlja okvir za obnovu i recikliranje starih uređaja i povezanih primena širom Evropske unije.



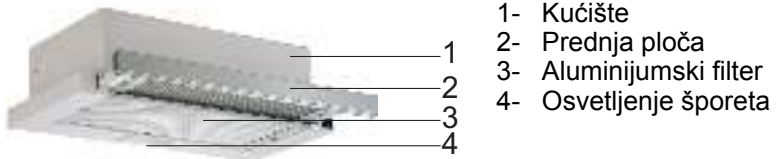
8 SADRŽAJ PAKOVANJA



Slika 8: Ambalaža

- 1- Klizni aspirator
- 2- Zavrtnanj za montažu 4x 4x40
- 3- Uputstvo za upotrebu
- 4- Adapter izduvnog kanala od plastike Ø120mm

9 PREGLED DELOVA ASPIRATORA



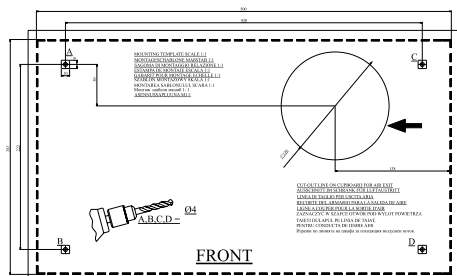
MONTAŽA UREĐAJA

Šablon za montažu

10 MONTAŽA UREĐAJA

10.1 Šablon za montažu

Bušenje montažnih otvora



Slika 9

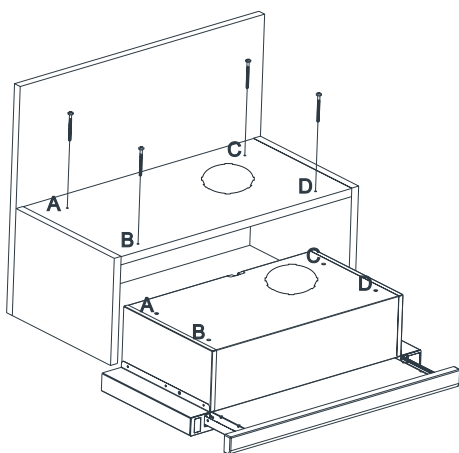
Zalepite šablon za montažu na površinu na koju uređaj treba da se montira.

Izbušite otvore prečnika $\varnothing 4$ mm u tačkama obeleženim sa A, B, C, D na šablonu za montažu (Slika 9).

Probušite rupe za odvod za izduvni kanal kroz šablon za montažu sa navedenim veličinama.

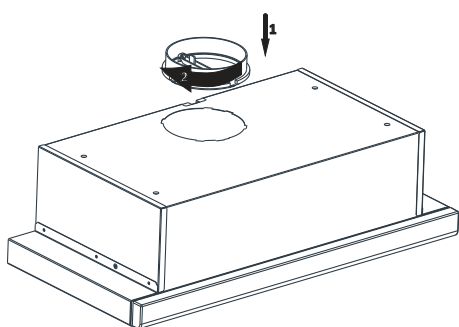


Prikazane veličine služe samo kao ilustracija. Pažljivo koristite šablon za montažu koji ste dobili sa kupljenim uređajem.



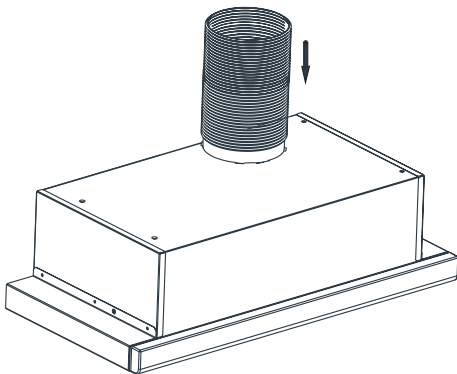
Slika 10

Uređaj treba da se montira na orman u tačkama A, B, C, D pomoću 4 x 40 zavrtnja koji su isporučeni uz uređaj. Prednja ploča ne treba da dolazi u dodir sa vratima ormara prilikom pomeranja kliznog mehanizma (Slika 10).



Slika 11

Plastičnu cev isporučenu uz uređaj postavite na odvod za izduvni kanal uređaja. Plastičnu cev zarotirajte u smeru kretanja kazaljke na satu (Slika 11).



Slika 12

Fleksibilnu aluminijumsku cev postavite na plastični odvod za izduvni kanal. Drugi kraj cevi postavite na otvor kanala na zidu (Slika 12).



UPOZORENJE!

Pošto će krivine i kolena u aluminijumskoj cevi dovesti do smanjenja usisne snage uređaja, izbegavajte korišćenje krivina i kolena što je moguće više.



Aspiratori se koriste u kuhinjama sa ili bez izduvnog kanala.

U slučaju korišćenja sa izduvnim kanalom;

Kod korišćenja sa povezanim izduvnim kanalom, aspirator mora biti povezan na izduvni kanal koji će odvoditi vazduh. Da biste ostvarili maksimalnu efikasnost aspiratora, sistem cevi koji vodi do izduvnog kanala povežite na najkraći mogući način. Vaš proizvod je proizveden u obliku koji odgovara korišćenju sa izduvnim kanalom.

11 KAKO SE UREĐAJ KORISTI

PREKLOPNI PREKIDAČ SA 3 BRZINE



Slika 13

Ako želite da uređaj prebacite u prvu brzinu, prekidač pomerite nagore (Slika 13).



Slika 14

Ako želite da uređaj prebacite u drugu brzinu, prekidač pomerite nadole (Slika 14).



Slika 15

Ako želite da uređaj prebacite u treću brzinu, prvi i drugi preklopni prekidač (Slika 14) pomerite u položaj 0, a treći preklopni prekidač nadole (Slika 15).



Slika 16

Prekidač za svetlo okrenite u položaj za uključivanje svetla uređaja (Slika 16).



Da biste upalili svetlo, izvucite klizni mehanizam.

PREKLOPNI PREKIDAČ SA 2 BRZINE



Slika 17

Ako želite da uređaj prebacite u prvu brzinu, prekidač pomerite nagore (Slika 17).

Ako želite da uređaj prebacite u drugu brzinu, prekidač pomerite nadole (Slika 17).

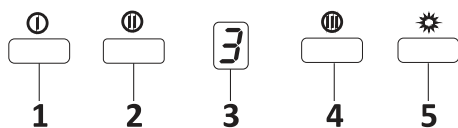
Uređaj ima 1 sijalicu i prekidač za kontrolu osvetljenja.

Da biste upalili svetlo, prekidač za svetlo pomerite nadole (Slika 17).



Da biste upalili svetlo, izvucite klizni mehanizam.

11.1 Korišćenje uređaja sa 3 brzine



Slika 18: Prekidač za 3 brzine

1. Pritisnite ovaj prekidač za uključivanje i uređaja. Kada se pritisne ovaj prekidač, uređaj će raditi i na nivou 1. brzine. Slika 18
2. Kada se pritisne ovaj prekidač, uređaj će raditi na nivou 2. brzine. Slika 18
3. Digitalni displej Na ovom displeju možete pratiti kojom brzinom uređaj trenutno radi. Slika 18
4. Kada se pritisne ovaj prekidač, uređaj će raditi na nivou 3. brzine. Slika 18
5. Pritisnite ovaj prekidač za uključivanje i isključivanje svetla. Slika 18
6. Funkcija tajmera od 15 minuta se pokreće pritiskom i držanjem bilo kog tastera za rad motora duže od 2 sekunde. Znak se prikazuje jednom nakon pokretanja tajmera, a motor se automatski zaustavlja nakon 15 minuta. Slika 18

Periodi čišćenja metalnih filtera:

Filteri treba da se očiste kada se znak „C“ pojavi na displeju (u zavisnosti od korišćenja) nakon svake 2 ili 3 nedelje. Da biste obrišali znak „C“, nakon čišćenja i zamene filtera, pritisnite i zadržite prekidač (ⓘ) duže od 3 sekunde (kada je uređaj isključen). Slovo „E“ će se pojaviti na displeju i uređaj će preći u normalan režim rada. Ako je potrebno da uređaj radi pre brisanja znaka „C“, aktivna brzina motora će se pojaviti u roku od 1 sekunde kada pritisnete prekidač (ⓘ), a zatim će motor nastaviti da radi.



Znak „C“ će se pojaviti nakon isteka 60 sati rada.

ZAMENA SIJALICA

Zamena sijalice

12 ZAMENA SIJALICA

12.1 Zamena halogene sijalice



UPOZORENJE!

Isključite aspirator iz struje. Sačekajte da se sijalice ohlade pošto mogu da opeku vaše ruke kada su vruće.



To ukazuje na maksimalnu potrošnju sijalice. Prilikom zamene sijalice treba koristiti sijalicu iste snage.

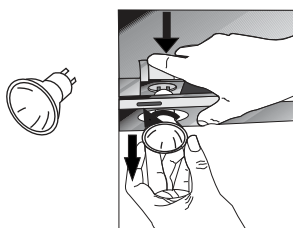


Pogledajte etiketu deklaracije na proizvodu da biste saznali koju snagu koristi uređaj.



Treba koristiti samo halogenu volfram sijalicu sa samozaštitom ili halogenu sijalicu sa metalom.

Slika 19: znak halogene sijalice



Slika 20: Zamena led halogene sijalice

Za zamenu halogenih sijalica, gurnite držač sijalice nadole sa zadnje strane, malo ga okrenite u smeru suprotnom smeru kretanja kazaljke na satu i izvadite tako što ćete ga povući nadole. Slika 20

12.2 Zamena sijalice



UPOZORENJE!

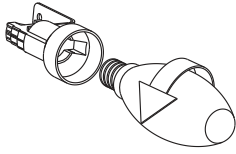
Isključite aspirator iz struje. Sačekajte da se sijalice ohlade pošto mogu da opeku vaše ruke kada su vruće.



To ukazuje na maksimalnu potrošnju sijalice. Prilikom zamene sijalice treba koristiti sijalicu iste snage.



Pogledajte etiketu deklaracije na proizvodu da biste saznali koju snagu koristi uređaj.



Skinite aluminijumski umetak filtera. Skinite neispravnu sijalicu i zamenite je novom iste jačine. Slika 21

Slika 21: Zamena halogene sijalice

13 OVLAŠĆENI SERVIS

Rasveta ne radi:

- Proverite da li je uređaj uključen u struju i da li su osigurači pregoreli.
- Proverite sijalice. Tokom ove provere, obavezno isključite uređaj iz struje. Zategnite sijalice ako su se olabavile. Ukoliko i dalje ne rade, zamenite ih.

Mogući kvarovi i radnje koje možete obaviti bez pozivanja servisa:

A) Uređaj uopšte ne radi:

- Proverite da li je uređaj uključen u struju i da li je utikač dobro pričvršćen u utičnicu.
- Proverite osigurač na koji je uređaj priključen, kao i glavni osigurač u vašoj kući.

Ukoliko uređaj slabo radi ili pravi jaku buku dok radi:

- Da li uređaj ima odgovarajući prečnik izduvnog kanala? (min. 120mm).
- Da li su metalni filteri čisti? Pregledajte ih.
- Ukoliko koristite aspirator bez izduvnog kanala, pobrinite se da filteri sa aktivnim ugljem ne budu stariji od 6 meseci.
- Vodite računa da kuhinja ima dovoljnu ventilaciju da bi se osigurao protok vazduha. Ukoliko ste i dalje nezadovoljni radom uređaja, kontaktirajte ovlašćeni servis.

Problemi i rešenja

Opis neispravnosti	Uzrok	Pomoć
Proizvod ne radi	Proverite električne veze.	Mrežni napon mora da bude 220-240 V i uređaj mora da bude povezan na uzemljenu utičnicu.
Rasveta ne radi.	Proverite električne veze.	Mrežni napon mora da bude 220-240 V i uređaj mora da bude povezan na uzemljenu utičnicu.
Rasveta ne radi.	Proverite prekidač za svetlo.	Prekidač za svetlo mora biti u položaju „on“ (uključeno).
Rasveta ne radi.	Proverite sijalice.	Sijalice uređaja ne smeju biti u kvaru.
Usisna snaga uređaja je slaba	Proverite aluminijumski filter	Aluminijumski umetak filtera u normalnim uslovima mora da se pere najmanje jednom mesečno.
Usisna snaga uređaja je slaba	Proverite kanal za izduvne gasove.	Kanal za izduvne gasove mora biti otvoren.
Usisna snaga uređaja je slaba	Proverite filter sa aktivnim ugljem	Kod uređaja kod kojih se koriste filteri sa aktivnim ugljem, pod normalnim uslovima oni moraju da se zamene jednom u 3 meseca.

Opis neispravnosti	Uzrok	Pomoć
Ne izbacuje vazduh (korišćenje bez izduvnog kanala)	Proverite aluminijumski filter	Aluminijumski umetak filtera u normalnim uslovima mora da se pere najmanje jednom mesečno.
Ne izbacuje vazduh (korišćenje bez izduvnog kanala)	Proverite filter sa aktivnim ugljem	Kod uređaja koji koriste filtere sa aktivnim ugljem, pod normalnim uslovima oni moraju da se zamene jednom u 3 meseca.

14 TEHNIČKI DIJAGRAM

Napon	220 - 240 V 50Hz
Klasa izolacije motora	F
Klasa izolacije	KLASA I



Ovaj uređaj je u skladu sa Direktivom 2004/108/EU za elektromagnetsku stabilnost i sa Direktivom o niskom naponu (LVD) 2006/95/EU.



Ovaj uređaj je u skladu sa Direktivom za elektronski i električni otpad (WEEE).



VOX
ELECTRONICS

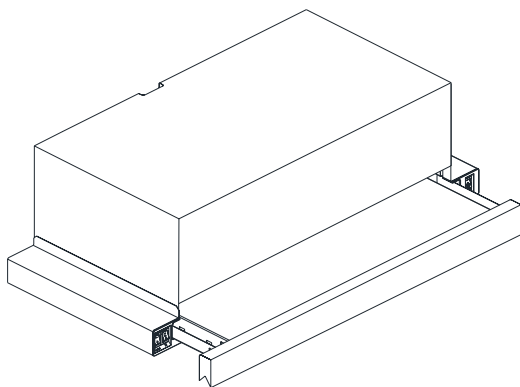
PIO - 650 W

PIO - 650 IX

PIO - 650 GL

NAVODILA ZA UPORABO NAPA

NAVODILA ZA UPORABO NAPA



PIO 650 W
PIO 650 IX
PIO 650 GL

Pred uporabo natančno preberite navodila!

Internet: www.voxelectronics.com

Vsebina

1	PODATKI	4
2	Tehnična risba	5
3	OPOZORILA IN VARNOSTNI UKREPI	6
	3.1 NEVARNOST SMRTNIH POŠKODB - NEVARNOST ZASTRUPITVE.....	7
4	UPORABA Z ALI BREZ OGLENEGA FILTRA	12
5	MENJAVA OGLENEGA FILTRA	13
6	ČIŠČENJE IN PREVENTIVNO VZDRŽEVANJE	14
	6.1 Pranje v stroju za pomivanje posode.....	14
	6.2 Ročno pranje.....	15
7	MONTAŽA APARATA	16
8	ČIŠČENJE IN PREVENTIVNO VZDRŽEVANJE	16
	7.1 Namestitev in razpakiranje.....	16
	7.2 Priporočila za varčevanje z energijo	16
9	VSEBINA EMBALAŽE	18
10	NAMESTITEV APARATA	19
11	KAKO UPORABLJATI IZDELEK	20
	11.2 Upravljanje z drsnim stikalom.....	20
12	MENJAVA ŽARNIC	21
	12.1 Menjava halogenske žarnice.....	21
13	POOBLAŠČENI SERVIS	22
14	TEHNIČNA RISBA	24

1 PODATKI

Ta navodila in varnostni napotki vsebujejo vse potrebne informacije za varno namestitvev in uporabo aparata.

- Pred uporabo preberite navodila in varnostne napotke v celoti.

- Navodila hranite na primernem mestu.

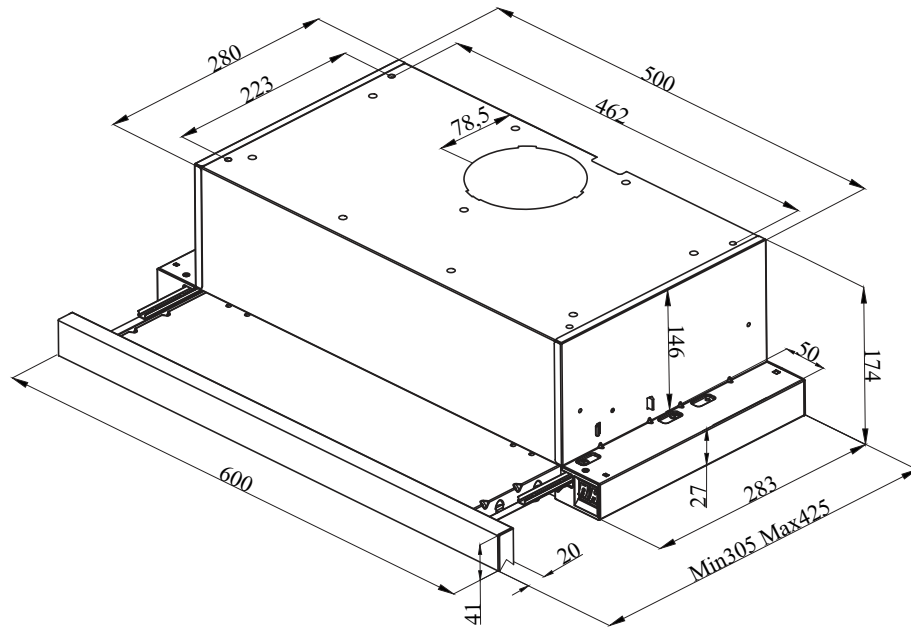
- Če aparat predate drugi osebi, poskrbite, da dobi tudi ta navodila in varnostne napotke.

- Neupoštevanje teh navodil lahko privede do hudih telesnih poškodb oz. poškodbe aparata.

- Upoštevajte dejstvo, da proizvajalec ne prevzema odgovornost za okvare, ki bi nastale zaradi neupoštevanja navodil.

Slike v teh navodilih so namenjene ponazoritvi potrebnih opravil. Na teh slikah je prikazan samo en model aparata, navodila ali slike pa se nanašajo tudi na druge modele.

2 Tehnična risba



SLIKA 1

OPOZORILA IN VARNOSTNI UKREPI

3 OPOZORILA IN VARNOSTNI UKREPI

- Aparat smejo uporabljati otroci starejši od 8 let in posamezniki brez fizičnih, zaznavnih ali intelektualnih motenj, vendar le pod nadzorom in z navodili za varno uporabo, ter pod pogojem da razumejo nevarnosti.

Izdelek je namenjen izključno uporabi v gospodinjstvu.

Uporabna napetost aparata je 220-240 V pri 50 Hz.

Kabel za napajanje Vašega aparata je opremljen vtikačem, ki ima ozemljitev. Ta vtikač mora biti priključen v ozemljeno vtičnico.

Vse električne povezave mora opraviti ustrezno usposobljeno osebo.

Nepooblaščen montaža lahko povzroči slabše delovanje ali poškodbe aparata in nesrečo.

Kabel aparata ne sme biti zavozlan ali poškodovan med montažo.

Kabela ne smete priključiti v bližini štedilnika, saj lahko tako povzročite topljenje materiala ali požar.

Aparata ne priključujte preden je montaža končana.

Poskrbite da je el. vtičnica lahko dostopna, tako da lahko v sili izključite aparat.

Po daljšem delovanju se ne dotikajte žarnic, saj lahko zaradi visoke temperature povzročijo opekline.

Nape so načrtovane za uporabo v gospodinjstvu, pri običajnem kuhanju. Če se uporabljajo v druge namene, lahko pride do okvare ali prenehanja veljavnosti garancije.

Sledite predpisom in odredbam v zvezi z odvajanjem zraka. (To ne velja v primeru uporabe brez ventilatorja.)

Hrana, ki se pri kuhanju zažge, se ne sme pripravljati pod tem aparatom.

Zaženite aparat po postavljanju posod, loncev itn. na štedilnik. V nasprotnem lahko visoka temperatura povzroči deformacija na nekaterih delih aparata.

Ko odstranite posode in lonce s štedilnika, izklopite aparat.

Ne puščajte vročega olja na štedilniku. Kozice z vročim oljem se lahko spontano vnamejo in povzročijo požar.

Pri praženju lahko pride do vnetja olja. Bodite pozorni z zavesami in pokrivali.

Poskrbite za pravočasno menjavo filtrov. Filtri, ki se ne zamenjajo pravočasno, predstavljajo požarno nevarnost zaradi v njih nakopičene maščobe.

Ne uporabljajte materiala za filtriranje, ki ni odporen na ogenj, namesto filtrov.

Izdelka ne uporabljajte brez filtrov. Ne odstranjajte filtrov med uporabo.

V primeru požara, izključite aparat in štedilnik. (Izključite aparat iz el. vtičnice ali z glavnim stikalom)

Če aparata ne čistite redno, lahko predstavlja požarno nevarnost.

Pred vzdrževalnimi dejavnostmi izklopite aparat. (Izključite aparat iz el. vtičnice ali z glavnim stikalom)

Negativni tlak v prostoru med uporabo nape in aparatov, ki delujejo z drugih virov el. energije istočasno, ne sme presegati 4 PA (4 k 10 bar).

OPOZORILA IN VARNOSTNI UKREPI

SMRTNA NEVARNOST, NEVARNOST ZASTRUPITVE

- Če so prisotni aparati, ki uporabljajo gorivo ali plin, kot so sobni grelci, mora biti odvajanje teh aparatov popolnoma ločeno, ali pa morajo biti aparati hermetično zaprti.
- Pri povezovanju dimnikov vašega aparata uporabljajte cevi prečnika 150 ali 120 mm.
- Odvod mora biti čim krajši in s čim manj koleni. Otroci se ne smejo igrati z aparatom.
- Iz varnostnih razlogov za aparat uporabljajte »MAX 6 A« varovalke.
- Ne dovolite otrokom blizu embalaže, saj lahko predstavlja nevarnost zanje.
- Če je poškodovan napajalni kabel, ga mora zamenjati proizvajalec, pooblaščen serviser ali ustrezno usposobljena oseba, da ne bi prišlo do nevarnih situacij.
- V primeru požara, izklopite napo in štedilnik ter pogasite ogenj. Nikoli ne uporabljajte vode za gašenje.
- Izpostavljeni deli aparata so lahko med delovanjem štedilnika vroči.
- Ta aparat ne smejo uporabljati posamezniki z zmanjšanimi fizičnimi, zaznavnimi ali intelektualnimi sposobnostmi (vključno z otroci) ali osebe brez ustreznega znanja in izkušenj, razen v primeru da jih nadzira oseba odgovorna za varnost aparata.
- Pri montaži nape, mora biti med električnim štedilnikom in napo najmanj 65 cm prostora, pri štedilnikih, ki uporabljajo plin ali drugo gorivo pa mora razdalja biti najmanj 75 cm.
- Izhodni deli nape ne smejo biti povezani na zračne odvode, ki vlečejo druge oblike dima.
- Potrebno je biti pozoren pri uporabi z aparati, ki uporabljajo gorivo in zrak (npr. grelci, kotli na plin, dizel, oglje ali drva). To pa zato, ker odvajanje zraka prek nape lahko zmanjša izgorevanje v prostoru.
- To ne velja za uporabo brez ventilatorja.
- Prostor mora imeti zadostno prezračevanje v primeru istočasne uporabe štedilnika, nape in aparatov na plin ali druga goriva (to ne velja za aparate, ki povzročajo kroženje zraka v prostoru).
- Prostor mora imeti zadostno prezračevanje v primeru istočasne uporabe štedilnika, nape in aparatov na plin ali druga goriva (to ne velja za aparate, ki povzročajo kroženje zraka v prostoru.)

OPOZORILA IN VARNOSTNI UKREPI

NEVARNOST SMRTNIH POŠKODB - NEVARNOST ZASTRUPITVE

2.1 NEVARNOST SMRTNIH POŠKODB - NEVARNOST ZASTRUPITVE

NEVARNOST!

Nevarnost zastrupitve

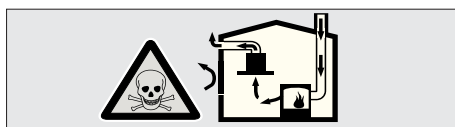
Ne dovolite otrokom blizu embalaže, saj lahko predstavlja nevarnost zanje.



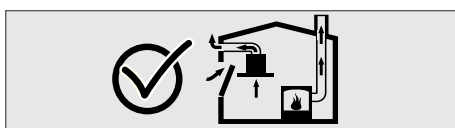
NEVARNOST!

Nevarnost zastrupitve!

Nevarnost zastrupitve zaradi ponovne absorpcije plinov izgorevanja. Razen v primeru, da je pri odvajanju zraka z nape zagotovljen tudi ustrezen dotok svežega zraka, nape ne uporabljajte istočasno z napravami, ki odvajajo strupene pline skozi dimnik, kot so peči, gorilniki, kotli itn., ki uporabljajo zemeljski plin, nafto, oglje ali drva kot gorivo. Slika 2



Slika 2: Nevarnost zastrupitve



Slika 3

Naprave v katerih kroži zrak (npr. peči, gorilniki, kotli itn., ki uporabljajo zemeljski plin, nafto, oglje ali drva kot gorivo) jemljejo zrak za izgorevanje iz prostora v katerem so nameščeni. Pri delovanju nape se zrak odvaja iz kuhinje in sosednjih sob. Če ni poskrbljeno za ustrezen dovod zraka, pride do vakuuma. V tem primeru se strupeni plini vračajo v prostor iz dimnika oz. odvoda. Slika 2

n Zaradi tega je potrebno vedno zagotoviti ustrezen dotok svežega zraka. Slika 3



NEVARNOST!

Nevarnost požara!

- Ostanki maščobe v filtru za maščobo lahko povzročijo požar. **Filter za maščobo očistite najmanj enkrat vsake 3 mesece.** Nikoli ne uporabljajte aparata brez filtra za maščobo.
- Ostanki maščobe v filtru za maščobo lahko povzročijo požar. Nikoli ne uporabljajte odprtega ognja v bližini naprave. Aparat je lahko postavljen v bližino grejnega telesa na trdno gorivo (npr. les ali oglje) samo, če le ta ima odstranljiv pokrov. Iskre ne smejo uhajati.
- Vroča olja in maščoba zlahka zagorijo. Vroča olja in maščobe nikoli ne puščajte brez nadzora. Ogenj nikoli ne poskušajte pogasiti z vodo. Izključite štedilnik in pazljivo pogasite ogenj s pokrovom, protipožarno deko ali podobno tkanino.
- Plinski gorilniki na katerih ni postavljena posoda, pri gorjenju ustvarjajo večjo toploto. Lahko pride do poškodbe ali pregrevanja prezračevalnega aparata, če se nahaja nad štedilnikom. Plinske gorilnike prižigajte le, kadar je na njih postavljena posoda.
- Večja toplota se ustvarja, kadar istočasno gori več gorilnikov. Lahko pride do poškodbe ali pregrevanja prezračevalnega aparata, če je postavljen nad štedilnikom. Nikoli ne uporabljajte dveh gorilnikov na močnem plamenu dlje od 15 minut. Večji gorilnik prek 5kW (Wok) ima moč dveh plinskih gorilnikov.

NEVARNOST!

Nevarnost električnega udara!

- Pokvarjen aparat lahko izzove električni udar. Nikoli ne prižigajte pokvarjenega aparata. Izvlecite vtič in izklopite varovalko. Pokličite servis.
- Neustrezna popravila predstavljajo nevarnost. Popravila in menjavo poškodovanih kablov lahko opravlja samo ustrezno usposobljeno osebje servisa. Če je aparat pokvarjen, izvlecite vtič in izklopite aparat. Pokličite servis.
- Vdor vode v aparat lahko izzove električni udar. Ne uporabljajte velikega tlaka ali parnih čistilnikov za čiščenje aparata.

OPOZORILA IN VARNOSTNI UKREPI

NEVARNOST SMRTNIH POŠKODB - NEVARNOST ZASTRUPITVE



NEVARNOST!

Nevarnost telesnih poškodb!

- Pri namestitvi obstaja nevarnost telesnih poškodb zaradi ostrih robov. Pri namestitvi aparata, vedno nosite zaščitne rokavice.
- Zaradi nevarnosti padca aparata, morajo vsi varnostni vijaki in pokrovi biti nameščeni tako, kot je opisano v navodilih za uporabo.
- Ne odlagajte predmetov na aparat, saj lahko z njega zlahka padejo.
- LED svetilke so zelo močne in lahko povzročijo poškodbe vida (Skupina tveganja 1). Ne glejte neposredno v LED svetilke dlje od 100 sekund.



NEVARNOST!

Nevarnost opeklin, nevarnost električnega udara!

- Pred čiščenjem in vzdrževanjem, počakajte, da se naprava ohladi. Izklopite varovalko ali izvlecite vtič iz električnega omrežja.
- Obstaja nevarnost okvare zaradi nabiranja vlage na elektronskih delih. Upravljalne elemente nikoli ne čistite z vlažno krpo.
- Pri nepravilnem čiščenju lahko pride do poškodbe površin aparata. Površine iz nerjavečega jekla čistite samo v smeri površinske obdelave kovine. Za upravljalne elemente ne uporabljajte sredstev za čiščenje nerjavečega jekla.
- Pri uporabi agresivnih ali abrazivnih sredstev za čiščenje, lahko pride do poškodb površin aparata.



NEVARNOST!

Nevarnost požara in telesnih poškodb!

V primeru, da je poskušano nestrokovno oz. neustrezno popravilo, izklopite varovalko ali odklopite aparat iz električnega omrežja. Popravila lahko opravlja samo pooblaščen servis oz. pooblaščen osebje.



OPOMBA!

V primeru okvare ali poškodbe aparata, izklopite varovalko ali odklopite aparat iz električnega omrežja in pokličite pooblaščen servis.



OPOMBA!

V kolikor pride do poškodbe napajalnega kabla, ga mora zamenjati proizvajalec, pooblaščen servis ali ustrezno usposobljeno osebje, da ne bi prišlo do nevarnosti.



OPOMBA!

Kadar so žarnice pregorele, izklopite varovalko in odklopite aparat iz električnega omrežja. Takoj zamenjajte pregorele žarnice (najprej počakajte da se ohladijo), da bi preprečili, da pride do preobremenitve ostalih žarnic.



POZOR!

Kadar se uporablja skupaj s štedilnikom, se lahko dostopni deli aparata močno segrejejo.



NEVARNOST!

Odvodna cev tega aparata se ne sme povezati na odvodni kanal, ki se uporablja za odvajanje plinov, ki jih proizvajajo plinske naprave in naprave, ki uporabljajo druga goriva.

Razlogi poškodb



POZOR!

Nevarnost poškodbe aparata zaradi korozije. Med kuhanjem mora aparat vedno obratovati, da ne bi prišlo do nabiranja kondenzata. Kondenzat lahko povzroči poškodbe zaradi korozije. Pregorele žarnice takoj zamenjajte, da ne bi prišlo do preobremenitve ostalih žarnic. Vlaga, ki prodre v električne dele aparata lahko povzroči okvare. Upravljalne elemente nikoli ne čistite z vlažno krpo. Pri nepravilnem čiščenju lahko pride do poškodb površin aparata. Površine iz nerjavečega jekla čistite samo v smeri površinske obdelave. Za upravljalne elemente ne uporabljajte sredstva za čiščenje nerjavečega jekla. Pri uporabi agresivnih ali abrazivnih čistilnih sredstev lahko pride do poškodb površin aparata, zato jih nikoli ne uporabljajte. Obstaja nevarnost poškodb aparata zaradi vračanja tekočine kondenzata. Postavite odvodni kanal za zrak z majhnim nagibom navzdol iz aparata (1 stopinja nagiba).

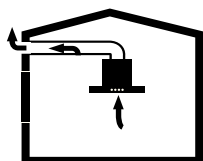
4 UPORABA Z ALI BREZ OGLENEGA FILTRA



Ta aparat lahko uporabljate z odvodom zraka ali v načinu kroženja zraka.

Način z odvodom zraka

Vsesana izparjenja prehajajo skozi filter za maščobo in odvajajo prek sistema cevi. Slika 4



Slika 4: Odvod zraka brez filtra z aktivnim ogljem



OPOMBA!

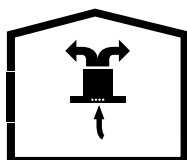
Odvajanje nikoli ne sme biti speljano v dimnik, ki je v uporabi ali v vod izpušnih plinov, niti sme biti povezan na dimnik, ki se uporablja za prezračevanje prostorov, ki imajo nameščene grelne elemente.

- V kolikor je potrebno, da odvod speljete v dimnik, ki ni v uporabi ali vod za izpušne pline, morate za to dobiti dovoljenje od pooblaščenega servisa.
- V kolikor je odvod speljan na zunanji zid, mora biti opremljen z zunanjo zidno ventilacijsko loputo.

Način kroženja zraka



Vsesani zrak prehaja skozi filter za maščobo in filter z aktivnim ogljem, ter se vrača v kuhinjo. Slika 5



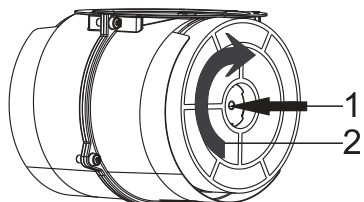
Slika 5: Kroženje zraka s filtrom z aktivnim ogljem



Filter z ogljem morate v načinu kroženja zraka namestiti, da bi zadržal snovi, ki oddajajo vonjave. Stopite v stik s pooblaščenim distributerjem v zvezi z različnimi možnostmi, ki so potrebne za delovanje aparata v načinu kroženja zraka. Potrebno dodatno opremo lahko najdete v ustreznih trgovinah, pooblaščenih servisih ali prek internet trgovine.

5 MENJAVA OGLENEGA FILTRA

OGLENI FILTER



Slika 6: OGLENI FILTER

- 1- Namestite ogljeni filter v njegovo ohišje (Slika 6).
- 2- Obrnite ogljeni filter v smeri urinega kazalca in preverite ali je pravilno nameščen. (Slika 6).



Če ogljeni filter ni pravilno nameščen, lahko izpade in poškoduje izdelek.



NEVARNOST!

Nikoli ne perite oglenih filtrov. Držite ogljene filtre dlje od otrok.

ČIŠČENJE IN PREVENTIVNO VZDRŽEVANJE

Čiščenje v stroju za pomivanje posode

6 ČIŠČENJE IN PREVENTIVNO VZDRŽEVANJE



POZOR!

Otroci ne smejo čistiti oz. vzdrževati izdelka.

- Nikoli ne uporabljajte grobih čistilnih sredstev ali pripomočkov, saj lahko poškodujejo površino izdelka. Nabavite primerna sredstva za čiščenje in zaščito za vaš izdelek od pooblaščenega servisa. Površina aparata in upravljalnih elementov je občutljiva na praske.
- Očistite površine z mehko, vlažno krpo, sredstvom za pranje posode ali blagim sredstvom za čiščenje stekel. Zmehčajte posušeno in zapečeno umazanijo z vlažno krpo. Ne drgnite po aparatu!
- Uporaba suhih krp, grobih gobic, sredstev za ribanje, sredstev ki vsebujejo trdne delce, sodo, kisline, klor ali druge agresivne sestavine, ni primerna.
- Površine iz nerjavečega jekla čistite samo v smeri brušenja.
- Ne uporabljajte sredstev za čiščenje nerjavečega jekla ali mokre krpe na upravljalnih elementih. Čiščenje kovinskih filtrov za maščobo: Kovinski filtri ujamejo delce maščobe iz pare v kuhinji. Pri normalni uporabi (1-2 uri dnevno), je filtre potrebno čistiti približno vsake tri mesece.
- Ne uporabljajte preveč agresivne, preveč kisle ali bazične raztopine za čiščenje.
- Pri čiščenju kovinskega filtra za maščobo, očistite tudi naložene delce na notranji strani nape z vlažno krpo.
- Kovinske filtre za maščobo lahko operete v stroju za pomivanje posode ali ročno.

6.1 Čiščenje v stroju za pomivanje posode

V primeru, da uporabljate stroj za pomivanje posode, lahko pride do blažje izgube barve. To ne vpliva na delovanje kovinskega filtra za maščobo.

- Ne pomivajte zelo umazanega filtra skupaj s posodo.
- Kovinske filtre za maščobo postavite v stroj za pranje posode, tako da prosto stoji. Filtri morajo biti postavljeni v stroj tako, da na njih nič ne pritiska.

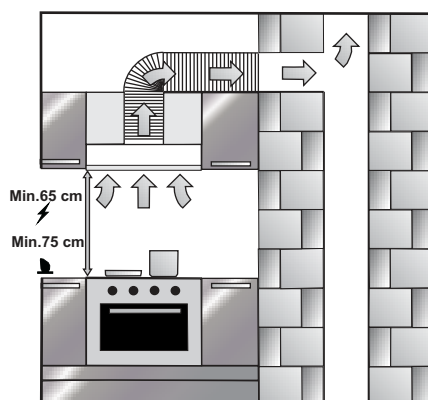
6.2 Ročno pranje



Uporabite lahko posebno oljno raztopino za odstranjevanje trdovratnih madežev. Takšno čistilno sredstvo lahko kupite v pooblaščenem prodajnem centru.

- *Zmehčajte madeže na kovinskih filterih maščobe v topli vodi z detergentom.*
- *Uporabite ščetko in pustite, da se tekočina popolnoma odcedi s kovinskih filtrov.*
- *Po čiščenju podrobno izperite filtre.*

7 MONTAŽA APARATA



Slika 7: Montaža aparata

Pri montaži nape mora biti zagotovljeno najmanj 65 cm prostora med izdelkom in štedilnikom, če gre za električni štedilnik, če pa gre štedilnik na plin ali druga goriva, mora biti ta razdalja najmanj 75 cm. (Slika 7).

7.1 Namestitev in razpakiranje

- Preverite ali so na aparatu prisotne poškodbe.
- V kolikor opazite poškodbe nastale pri prevozu, to takoj sporočite odgovornim osebam.
- Vidne pomanjkljivosti na izdelku morate prav tako nemudoma prijaviti prodajalcu.
- Ne dovolite otrokom, da se igrajo z embalažo.

7.2 Priporočila za varčevanje z energijo



Vaš novi aparat je zasnovan za prihranek energije. Tukaj lahko najdete priporočila v zvezi s prihrankom energije pri uporabi aparata in nasvete v zvezi s pravilnim odlaganjem odpadnega aparata.

- Zagotovite ustrezno moč sesanja za učinkovito obratovanje ob nizki ravni hrupa.
- Prilagodite hitrost ventilatorja količini hlapov v kuhinji. Močnejše nastavitve uporabljajte le, kadar so potrebne. Nižja nastavev pomeni tudi manjšo porabo energije.
- Če je prisotna večja količina dima oz. hlapov vnaprej izberite večjo hitrost ventilatorja. Napa mora obratovati dlje časa, da bi izvlekla dim, ki se je že razširil po kuhinji.
- Ugasnite napo, kadar ni potrebna.

MONTAŽA APARATA

Priporočila za varčevanje z energijo

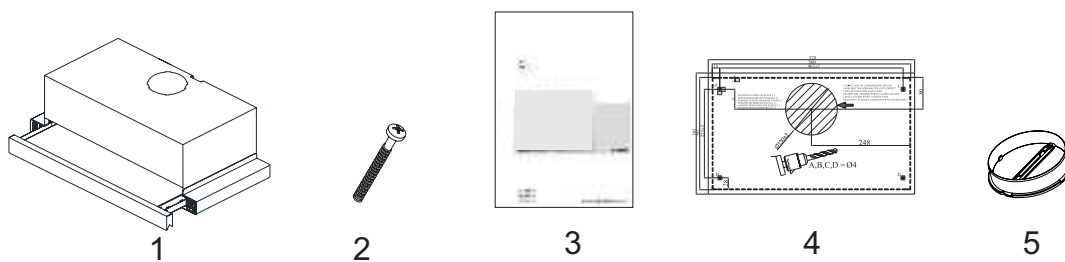
- Redno čistite ali menjajte filter nape, na ta način boste povečali učinkovitost odvajanja hlapov in se izognili nevarnosti požara.

Odlaganje odpadnega izdelka na okolju prijazen način
Embalažo odlagajte na okolju prijazen način.

Ta aparat je označen v skladu z direktivo EU 2012/19/EC (elektronski i električni odpadki - WEEE). Ta direktiva določa okvir za remont in recikliranje odpadnih naprav in povezane uporabe v celotni Evropski Uniji.



8 VSEBINA EMBALAŽE



Slika 8: Vsebina embalaže

- 1- Izdelek
- 2- Kavelj za obešanje 4x4x40
- 3- Uporabniški priročnik
- 4- Plastični vložek Ø120mm

9 IZGLED IZDELKA



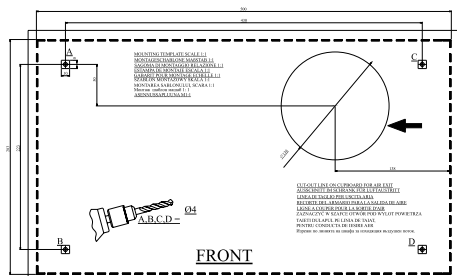
- 1- Izdelek
- 2- Sprednja plošča
- 3- Aluminijski filter
- 4- Osvetlitev

NAMESTITEV APARATA

10 NAMESTITEV APARATA

10.1 Montažni diagram

Vrtanje lukenj za nosilec



Slika 9

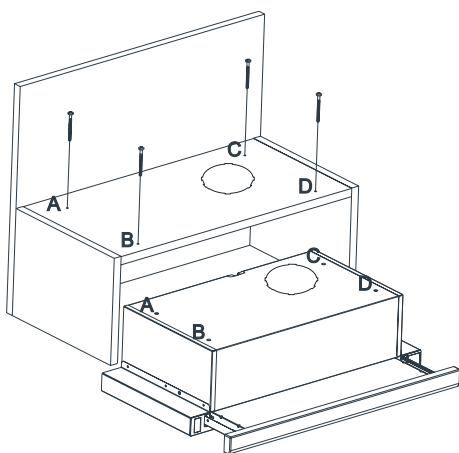
Zalepite shemo za montažo na površino, na katero nameravate montirati aparat.

Izvrтайте luknje za zračni odvod s pomočjo sheme za montažo in navedenimi dimenzijami.

Izvrтайте luknje z $\text{Ø}4$ mm diameter na točkah, označenih kot A, B, C, D s pomočjo sheme za montažo (Slika 9).

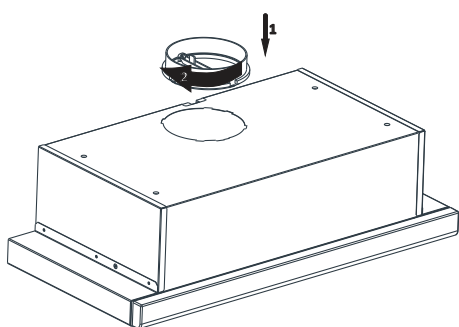


Prikazane dimenzije služijo samo kot ponazoritev. Pozorno sledite shemi za montažo, ki ste jo dobili skupaj z aparatom.



Slika 10

Napravo treba namestiti v položaj s štirimi priloženi vijaki, na točkah A, B, C, D. Sprednja plošča se ne bi smela dotikati vrat visečega pohištva med premikanjem teleskopskih drsnikov. **Slika 10**

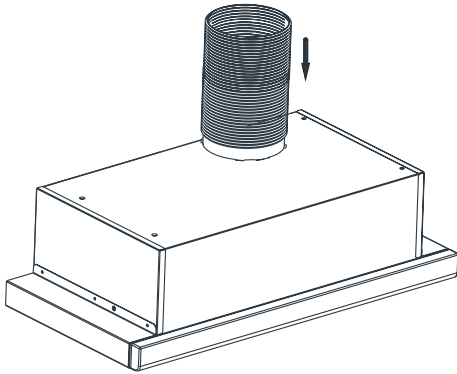


Slika 11

Potisnite jezičke na plastičnem odvodu prek jezičkov na ohišju odprtine za odvod in obrnite plastični odvod smeri urinega kazalca. (Slika 11).

NAMESTITEV APARATA

Potisnite jezičke na plastičnem odvodu prek jezičkov na ohišju odprtine za odvod in obrnite plastični odvod smeri urinega kazalca., pa namestite na vhod dimnika.
Slika 12



Slika 12



OPOZORILO!

Ukrivljanje in upogibanje aluminjske cevi ovira pretok zraka skozi cev, tako da se je treba temu izogibati.



Napo lahko uporabljate v kuhinjah z dimnikom ali brez.

V primeru uporabe z dimnikom/ odvodom;
V primeru uporabe z dimnikom, mora napa biti povezana nanj s karseda kratkim vodom, da bi se zagotovila maksimalna učinkovitost nape. Aparat je izdelan tako, da je primeren za uporabo z dimnikom oz. odvodom.

11 UPORABA IZDELKA

3 stikalo hitrosti



Slika 13

Če želite da naprava obratuje pri hitrosti 1, pritisnite stikalo na zgornji položaj. Slika 13.



Slika 14

Če želite napravo zagnati pri drugi hitrosti, pritisnite stikalo navzgor. Slika 14.



Slika 15

Če želite napravo zagnati pri tretji hitrosti, premaknite prvo in drugo stikalo (slika 14) v položaj 0 in tretje stikalo navzdol. (Slika 15)



Slika 16

Pritisnite ta gumb če želite prižgati luč na izdelku. (Slika 16).



Za vklop luči mora biti drsni komplet ločen.

2 stikalo hitrosti



Slika 17

Če želite napravo zagnati pri prvi hitrosti, premaknite stikalo navzgor (slika 17)

Če želite napravo zagnati pri drugi hitrosti, premaknite (slika 17).

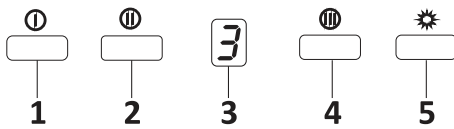
Izdelek ima 1 luč v stikalo za nadzor svetlik.

Če želite prižgati luč, pritisnite stikalo luči navzdol (Slika 17).



Za vklop luči mora biti drsni komplet ločen.

11.1 Uporaba stikala 3 hitrosti




Slika 18: stikalo 3 hitrosti

1. S tem gumbom izklopite oz. vklopite aparat. S tem gumbom se sproži delovanje na 1. stopnji hitrosti. (Sl.18).
2. S tem gumbom se sproži delovanje na 2. stopnji hitrosti. (Sl.18).
3. Digitalni zaslon. Na tem zaslonu lahko vidite na kateri nastavitvi aparat trenutno obratuje. Slika 18
4. S tem gumbom se sproži delovanje na 2. stopnji hitrosti. (Sl.18).
5. Pritisnite ta gumb če želite prižgati luč na izdelku. Sl.18.
6. Če držite katerikoli od gumbov za zagon ventilatorja pritisnjen dlje od dveh sekund, se bo prižgala funkcija časovnika s trajanjem 15 minut. Na prikazovalniku bo prikazano opozorilo, ko se časovnik aktivira, ventilator pa se bo samodejno izklopil po 15 minutah.

Interval čiščenja kovinskega filtra:

Filtre je potrebno čistiti, kadar se prikaže signal "C" na prikazovalniku oz. (v odvisnosti od uporabe) na vsake 2-3 tedne. Kadar filtre očistite in ponovno namestite na njihovo mesto, pritisnite in držite pritisnjeno stikalo za vklop/izklop več kot tri sekunde, da bi odstranili signal 'C' na prikazovalniku. Pojavila se bo črka 'E' in izdelek bo preklopil na običajen način obratovanja. Če želite nadaljevati z uporabo ne da bi izbrisali signal 'C', lahko pritisnete na stikalo za vklop/izklop, nakar se bo po eni sekundi ponovno pojavil signal 'C', ventilator pa bo nato nadaljeval z obratovanjem.

 Signal 'C' se bo pojavil po 60 urah obratovanja aparata.

12 MENJAVA ŽARNICE

12.1 Menjava halogenske žarnice



OPOZORILO!

Izklopite napo iz električnega omrežja. Počakajte, da se žarnica ohladi, da se ne bi opekli.

To kaže na maksimalno porabo žarnice. Pri menjavi žarnice uporabite žarnico enake moči.

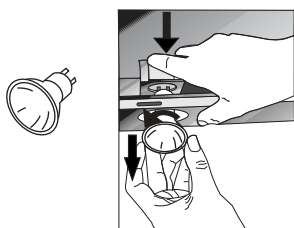


Poglejte nalepnico deklaracije na izdelku, da preverite kakšno moč uporablja aparat.



Uporabljajte samo halogenske volframske žarnice s samodejno zaščito ali halogenske žarnice s kovino.

Slika 19: simbol halogenske žarnice



Pri menjavi halogenskih žarnic, porinite držalo žarnice navzdol z zadnje strani, ga nekoliko obrnite v smeri nasprotni urinemu kazalcu in odstranite, tako da povlečete navzdol. Slika 20

Slika 20: Menjava LED Halogenske Žarnice

12.2 MENJAVA ŽARNICE



OPOZORILO!

Izklopite napo iz električnega omrežja. Počakajte, da se žarnica ohladi, da se ne bi opekli.

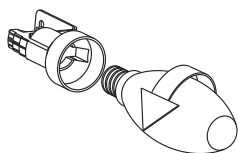
To kaže na maksimalno porabo žarnice. Pri menjavi žarnice uporabite žarnico enake moči.



Poglejte nalepnico deklaracije na izdelku, da preverite kakšno moč uporablja aparat.

MENJAVA ŽARNICE

Menjava žarnice



Odstranite kaseto aluminijskega filtra. Odstranite odsluženo žarnico in jo zamenjajte z novo iste moči. Slika 121

Slika 21: Menjava halogenske žarnice

13 POOBLAŠČENI SERVIS

Osvetlitev ne deluje:

- Preverite ali je vtičač priključen v električno vtičnico ter preverite varovalke.
- Preverite žarnice. Prepričajte se, da je aparat izključen preden preverite žarnice. Zategnite žarnice če je to potrebno. Če tudi po tem ne delujejo, jih zamenjajte.

Možne okvare in ukrepi preden pokličete servis:

A) Aparat ne deluje:

- Preverite ali je aparat vklopljen in ali je vtičač dobro priključen v električno vtičnico.
- Preverite varovalke aparata in glavne varovalke v vašem domu.

Če aparat slabo deluje ali je pri delovanju glasen:

- Ali je dovolj velik premer ventilatorja? (min 120 mm).
- Preverite ali so kovinski filtri čisti.
- Če aparat uporabljate brez ventilatorja, se prepričajte ali ogljeni filtri niso starejši od šestih mesecev.
- Poskrbite, da je kuhinja dobro prezračena. Če še vedno niste zadovoljni z delovanjem aparata, stopite v stik s pooblaščenim servisom.

Reševanje težave

Reševanje težave	Vzrok	Pomoč
Aparat ne deluje	Preverite el. napajanje.	Napetost el. napajanja mora biti 220-240V, aparat mora biti povezan na vtičnico z ozemljitvijo.
Osvetlitev ne deluje.	Preverite el. napajanje.	Napetost el. napajanja mora biti 220-240V, aparat mora biti povezan na vtičnico z ozemljitvijo.
Osvetlitev ne deluje.	Preverite el. napajanje.	Stikalo za osvetlitev mora biti na položaju On - vključeno.
Osvetlitev ne deluje.	Preverite žarnice.	Žarnice morajo biti nepoškodovane.
Aparat slabo vleče zrak	Preverite aluminijski filter	Kaseta aluminijškega filtra se mora prati vsaj enkrat mesečno pri normalnih pogojih uporabe.
Aparat slabo vleče zrak	Preverite dimnik za odvod zraka.	Vod za odvajanje zraka mora biti odprt.
Aparat slabo vleče zrak	Preverite ogljeni filter	Pri izdelki, na katerih se uporablja ogljeni filter, se ti filtri morajo menjati na vsake tri mesece pri normalnih pogojih uporabe.

Reševanje težave	Vzrok	Pomoč
Aparat ne izpušča zrak (uporaba brez dimnika)	Preverite aluminijski filter	Kaseta aluminijskega filtra se mora prati vsaj enkrat mesečno pri normalnih pogojih uporabe.
Aparata ne izpušča zrak (uporaba brez dimnika)	Preverite ogljeni filter	Pri izdelki, na katerih se uporablja ogljeni filter, se ti filtri morajo menjati na vsake tri mesece pri normalnih pogojih uporabe.

14 TEHNIČNA TABELA

Napetost	220 - 240 V 50Hz
Razred izolacije motorja	F
Razred izolacije	Razred I

Ta naprava ustreza veljavnim ES-smernicam 2004/108 / EU za elektromagnetno stabilnost in z zahtevami nizkonapetostne direktive (LVD) 2006/95 / EU.

Ta naprava je označena v skladu z Evropsko direktivo o Odpadni električni in elektronski opremi (OEEO).



VOX
ELECTRONICS

HRV

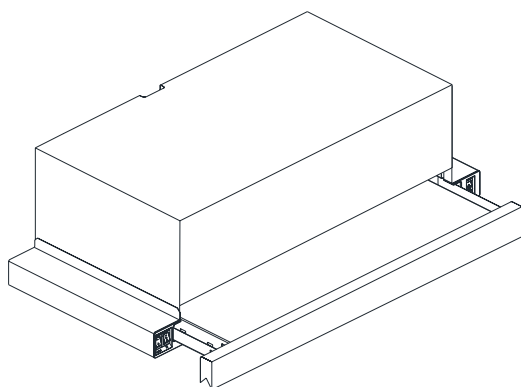
PIO - 650 W

PIO - 650 IX

PIO - 650 GL

UPUTE ZA UPORABU NAPA

UPUTE ZA UPORABU



PIO 650 W
PIO 650 IX
PIO 650 GL

Prije početka svih radova, pročitajte upute!

Sadržaj

1	PODACI.....	4
2	TEHNIČKI CRTEŽ.....	5
3	UPOZORENJA I BEZBEDNOSNE MJERE.....	6
	3.1 OPASNOST PO ŽIVOT OPASNOST OD TROVANJA.....	7
4	KORIŠTENJE SA ILI BEZ FILTERA SA AKTIVNIM UGLJEM.....	12
5	ZAMJENA FILTERA SA AKTIVNIM UGLJEM.....	13
6	ČIŠĆENJE I PREVENTIVNO ODRŽAVANJE.....	14
	6.1 Pranje u perilici posuđa.....	14
	6.2 Ručno pranje.....	15
7	POLOŽAJ UREĐAJA.....	16
	7.1 Montaža i raspakivanje.....	16
	7.2 Preporuke za štednju energije.....	16
8	SADRŽAJ PAKIRANJA.....	18
9	PREGLED DIJELOVA NAPE.....	19
10	MONTAŽA UREĐAJA.....	20
	10.1 Šablon za montažu.....	20
11	KAKO SE UREĐAJ KORISTI.....	22
	11.1 Korištenje uređaja sa 3 brzine.....	23
12	ZAMJENA ŽARULJA.....	24
	12.1 Zamjena halogene žarulje.....	24
	12.2 Zamjena žarulje.....	24
13	OVLAŠTENI SERVIS.....	26
14	TEHNIČKI DIJAGRAM.....	28

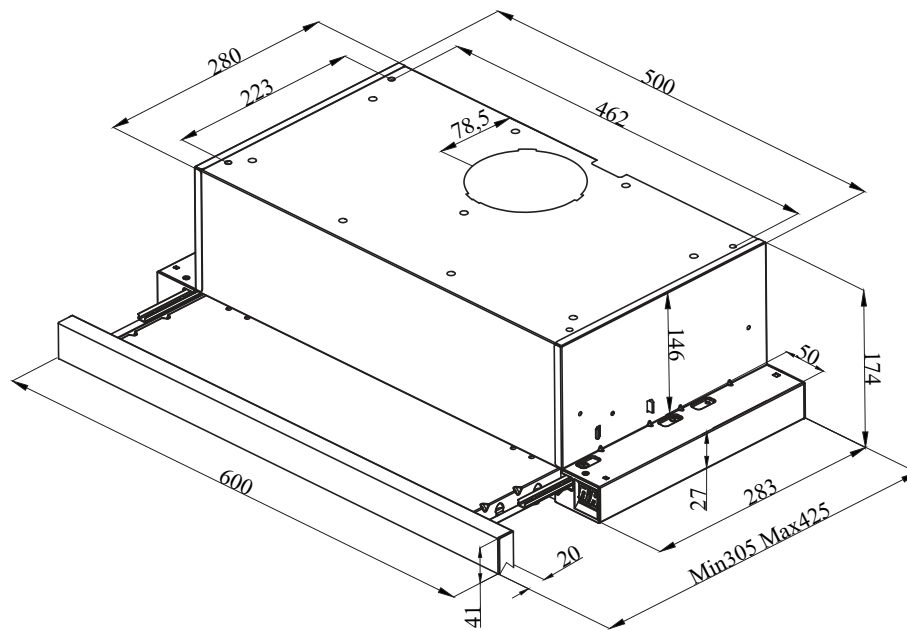
1 PODACI

Ove upute i podaci o bezbjednosti sadrže sve neophodne informacije za bezbjednu montažu, kao i bezbjedno korištenje bez nedostataka.

- Prije uporabe uređaja pročitajte kompletne upute i podatke o bezbjednosti.
- Upute čuvajte na odgovarajućem mjestu.
- Ako uređaj dajete drugom licu pobrinite se da dobije i ove upute i podatke o bezbjednosti.
- Nepoštovanje ovih uputa može dovesti do ozbiljnih ozljeda i nedostataka na uređaju.
- Imajte u vidu da nećemo prihvatiti odgovornost za nedostatke koji se jave zbog nepoštovanja ovih uputa.

Slike u ovim uputama imaju za cilj da vizuelno opišu potrebne radnje. Na ovim slikama je prikazan samo jedan model uređaja. Međutim, sve upute ili slike se odnose i na druge modele.

2 TEHNIČKI CRTEŽ



Slika 1

3 UPOZORENJA I BEZBJEDNOSNE MJERE

UPOZORENJE I BEZBJEDNOSNE MJERE PREDOSTROŽNOSTI

- Ovaj uređaj mogu da koriste djeca od 8 godina i starija, osobe sa fizičkim, čulnim ili mentalnim nedostatkom ili ljudi sa nedostatkom iskustva ili znanja sve dok su obezbjeđeni nadzor i upute za bezbjedno korištenje uređaja i dok oni shvataju opasnosti.
- Djeca ne smiju da se igraju sa uređajem. Djeca ne smiju da čiste ili održavaju aparat bez odgovarajućeg nadzora.
- Ovaj proizvod je namijenjen za kućansku uporabu.
- Napon napajanja vašeg uređaja je 220-240 V~50/60 Hz.
- Kabel za napajanje uređaja ima uzemljenu utičnicu. Ovaj kabel se uvijek mora priključiti u uzemljenu utičnicu.
- Sve električne veze mora da izvede kvalificirani električar.
- Neovlaštena instalacija može da dovede do lošeg rada, oštećenja uređaja i nesreća.
- Kabel za napajanje uređaja ne smije da se zaglavi ili prignječi tijekom instalacije. Kabel za napajanje ne smije da se postavi u blizini štednjaka. To može da izazove topljenje i požar.
- Ne uključujete uređaj u struju prije završetka instalacije.
- Pobrinite se da mjesto instalacije omogućava korisniku da jednostavno izvuče kabel za napajanje u slučaju opasnosti.
- Ne dodirujte žarulje uređaja kada su uključene duže vrijeme. Pazite da se ne opečete na vrućim žaruljama.
- Kuhinjske nape su proizvedene za kućansku uporabu u standardnim uvjetima za kuhanje. Postoji rizik od kvara u slučaju drugačijeg korištenja i tada se poništava jamstvo za proizvod.
- Poštujte propise i pravila nadležnih organa o ispuštanju izduvnih plinova. (Ovo ne važi za modele bez ispuštanja izduvnih plinova.)
- Zapaljiva hrana ne smije da se kuha ispod ovog uređaja.
- Uključite uređaj nakon postavljanja posude, lonca, itd. na štednjak. U suprotnom, visoka temperatura može da izazove da se neki dijelovi uređaja deformišu.
- Isključite gorionik prije nego što šerpe, lonce, itd. sklonite sa štednjaka.
- Ne ostavljajte vruće ulje na štednjaku. Lonci koji sadrže vruće ulje mogu da se zapale.
- Pošto ulje može da se zapali tijekom prženja, pazite na zavjese i stolnjake.
- Vodite računa da se filteri zamjene na vrijeme. Filteri koji se ne zamjene na vrijeme predstavljaju rizik od požara zbog ulja koje se nataložilo u njima.
- Nemojte umjesto filtera da koristite materijal za filtriranje koji nije otporan na vatru.
- Nemojte uključivati uređaj bez filtera i nemojte uklanjati filtere tijekom rada uređaja.
- U slučaju požara, napa i štednjak isključite iz struje. (Uređaj isključite iz struje ili isključite glavni prekidač.)
- Ukoliko se ne čisti redovito, uređaj može da predstavlja rizik od požara.
- Prije održavanja, uređaj isključite iz struje. (Uređaj isključite iz struje ili isključite glavni prekidač.)

UPOZORENJA I BEZBJEDNOSNE MJERE

OPASNOST PO ŽIVOT OPASNOST OD TROVANJA

- Negativni pritisak koji se javlja u prostoriji kada se pored nape istovremeno koriste uređaji koji se ne napajaju električnom energijom, ne smije da premaši 4 Pa (4 X 10 bara).
- Ukoliko se uređaji koji rade na ulje ili plin, kao što su sobne grijalice, nalaze u prostoriji u kojoj se koristi vaš uređaj, izduvni plinovi iz ovih uređaja se moraju potpuno izolirati ili uređaj ne smije da propušta zrak.
- Prilikom povezivanja izduvnih kanala uređaja, koristite cijevi prečnika 150 mm ili 120 mm. Kanal veze mora da bude što kraći, sa najmanjim mogućim brojem kolena.
- Djeca ne smiju da se igraju sa uređajem.
- Zbog vaše bezbjednosti, u navi koristite osigurač od maksimalno 6 A.
- Ambalažu držite dalje od djece, jer ona može biti opasna.
- Ukoliko se kabel za napajanje ošteti, mora ga zamijeniti proizvođač, njegov ovlašteni servis ili lica odgovarajućih kvalifikacija da bi se izbjegle opasnosti.
- U slučaju požara, napu i štednjak isključite iz struje i pokrijte plamen. Nikada ne koristite vodu za gašenje požara.
- Pristupačni dijelovi mogu biti veoma topli tijekom rada štednjaka.
- Ovaj uređaj ne smiju da koriste osobe sa ograničenim fizičkim, čulnim ili mentalnim sposobnostima (uključujući djecu), niti osobe koje nemaju dovoljno znanja i iskustva u korištenju ovog uređaja, osim ako su pod nadzorom osobe koja je odgovorna za njihovu bezbjednost i ako su od nje dobile upute o pravilnom korištenju ovog uređaja.
- Prilikom montaže nape, između uređaja i električnog štednjaka mora da se ostavi najmanje 65 cm prostora ili 75 cm prostora između uređaja i štednjaka koji rade na plin ili druga goriva.
- Odvod kuhinjske nape ne smije da se povezuje na izduvne kanale na koje su priključeni drugi proizvođači dima.
 - Vodite računa kada uređaj koristite sa drugim uređajima (npr. grijalice koje rade na plin, dizel gorivo, ugalj ili drvo, grijalice u kupatilu itd.) koji koriste isti zrak u istom okruženju. Treba voditi računa kada se koriste istovremeno. Ovo je važno zato što napa može da ima negativan uticaj na sagorijevanje, jer vraća zrak u prostoriju.
- Ovo ne važi za korištenje bez izduvnih kanala.
- Prostorija mora da ima dovoljnu ventilaciju kada se štednjak, napa i uređaji koji rade na plin i druga goriva koriste istovremeno (ovo možda neće važiti za uređaje koji dovode do cirkulacije zraka u prostoriji).

3.1 OPASNOST PO ŽIVOT OPASNOST OD TROVANJA



OPASNOST!

Upozorenje - Opasnost od gušenja

Ambalaža je opasna za djecu. Nikada ne dozvolite djeci da se igraju ambalažom.

UPOZORENJA I BEZBJEDOSNE MJERE

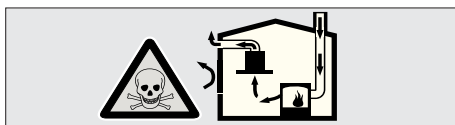
OPASNOST PO ŽIVOT OPASNOST OD TROVANJA



OPASNOST!

Upozorenje - Opasnost po život

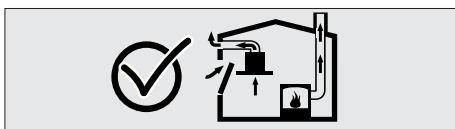
Postoji opasnost po život i opasnost od trovanja zbog ponovnog uvlačenja dimnih plinova. Osim ako se ne obezbjedi odgovarajući dovod zraka, izduvni kanal ovog uređaja nemojte koristiti u kombinaciji sa uređajima koji ispuštaju opasne dimne plinove, kao što su peći za grijanje na plin, lož-ulje ili ugalj, uređaji za zagrijavanje vode itd. Slika 2



Slika 2: Opasnost od trovanja

Uređaji koji ispuštaju plinove (npr. grijalice koji rade na plin, ulje, drvo ili ugalj, grijalice za kupatilo, uređaji za zagrijavanje vode) uzimaju zrak za sagorijevanje iz prostorije u kojoj su instalirani, a dimove odvođe preko sustava za odvod dimova (npr. izduvnih kanala). Uključena napa usisava zrak iz kuhinje i susjednih prostorija. Ukoliko se ne omogući odgovarajući dovod zraka, stvara se vakuum. U tom slučaju, otrovni plinovi izlaze iz izduvnog kanala i ponovo ulaze u prostoriju. Slika 2

- Zbog toga, uvijek treba da se obezbjedi dovoljan dovod svježeg zraka. Slika 3



Slika 3

UPOZORENJA I BEZBJEDNOSNE MJERE

OPASNOST PO ŽIVOT OPASNOST OD TROVANJA



OPASNOST!

Opasnost od požara!

- Ostatak ulja u filteru za ulje može izazvati požar. **Filter za ulje čistite najmanje jednom na svaka 3 mjeseca.** Nikada ne koristite uređaj bez filtera za ulje.
- Ostatak ulja u filteru za ulje može izazvati požar. Nikada ne radite sa otvorenim plamenom (npr. vatra) u blizini uređaja. Aparat treba da bude postavljen u blizini grijalice na čvrsto gorivo (npr. drvo ili ugalj) samo ako ima poklopac koji ne može da se ukloni. Varničenje nije dozvoljeno.
- Vruća ulja i masnoće se mogu lako zapaliti. Vruća ulja i masnoće nikada ne treba ostaviti bez nadzora. Nikada ne pokušavajte da vatru ugasisite vodom. Isključite štednjak. Pažljivo ugasisite plamen pomoću poklopca, protivpožarne deke ili slične tkanine.
- Ringle koji rade na plin, a na kojima se ne nalazi kuhinjska posuda, stvaraju veću toplinu tijekom rada. Može doći do oštećenja ili pregrijavanja ventilacionog uređaja ako je postavljen iznad štednjaka. Uključite ringle koje rade na plin samo kada se na njima nalazi kuhinjska posuda.
- Veća toplina se stvara kada istovremeno radi više ringli na plin. Može doći do oštećenja ili pregrijavanja ventilacionog uređaja ako je postavljen iznad štednjaka. Nikada ne koristite dve ringle na plin podešene na visok plamen duže od 15 minuta. Veći gorionik preko 5kW (Wok) ima snagu dva gorionika na plin.

OPASNOST!

Opasnost od električnog udara!

- Neispravan uređaj može izazvati strujni udar. Nikada ne uključujte neispravan uređaj. Izvucite utikač i isključite osigurač. Pozovite korisnički servis.
- Neodgovarajuće popravke predstavljaju opasnost. Popravke i zamjenu oštećenih kablova smije da vrši samo tehničko lice korisničkog servisa koje smo mi obučili. Ako je uređaj neispravan, izvucite utikač i isključite osigurač. Pozovite korisnički servis.
- Prodor vode u uređaj može izazvati strujni udar. Visok pritisak ili paročistači ne smiju da se koriste.

UPOZORENJA I BEZBJEDNOSNE MJERE

OPASNOST PO ŽIVOT OPASNOST OD TROVANJA



OPASNOST!

Opasnost od tjelesne povrede!

- Tijekom instalacije postoji opasnost od povrede zbog oštih rubova. Prilikom instalacije uređaja, uvijek nosite zaštitne rukavice.
- Zbog rizika od pada uređaja, svi sigurnosni zavrtnji i poklopci treba da se postave na način opisan u uputama za uporabu.
- Predmeti koji se stavljaju na uređaj mogu pasti. Ne postavljajte nikakve predmete na uređaj.
- LED svjetla su veoma jaka i mogu da oštete oči (Grupa rizika 1). Ne smijete da gledate direktno u LED svjetla duže od 100 sekundi.



OPASNOST!

Opasnost od opekline, opasnost od strujnog udara!

- Prije čišćenja i održavanja, sačekajte da se uređaj ohladi. Izvucite osigurač ili isključite mrežni prekidač iz struje.
- Postoji rizik od oštećenja uslijed nakupljanja vlage na električnim dijelovima. Kontrolne elemente nikada nemojte čistiti vlažnom krpom.
- Uslijed nepravilnog čišćenja može doći do oštećenja površine. Površine od nehrđajućeg čelika čistite samo u smjeru četkanja. Za kontrolne elemente nemojte koristiti sredstva za čišćenje nehrđajućeg čelika.
- Može doći do oštećenja površine zbog agresivnih ili abrazivnih sredstava za čišćenje. Nikada ne koristite agresivna ili abrazivna sredstva za čišćenje.



OPASNOST!

Opasnost od požara i tjelesne povrede!

Ako je vršena nestručna ili pogrešna popravka, izvucite osigurač ili isključite uređaj iz struje. Popravke smije da vrši samo ovlašteni servis ili ovlašteno stručno osoblje.



NAPOMENA!

U slučaju kvara ili oštećenja uređaja, izvucite osigurač ili isključite uređaj iz struje i pozovite ovlašteni servis.

UPOZORENJA I BEZBJEDOSNE MJERE

OPASNOST PO ŽIVOT OPASNOST OD TROVANJA



NAPOMENA!

Ukoliko se kabel za napajanje ošteti, mora ga zamijeniti proizvođač, njegov ovlaštenu servis ili lica odgovarajućih kvalifikacija da bi se izbjegle opasnosti.



NAPOMENA!

Kada su žarulja uređaja neispravne, isključite osigurač i izvucite utikač iz utičnice. Odmah zamijenite neispravne žarulje (prvo sačekajte da se žarulje ohlade) da biste zaštitili preostale žarulje od preopterećenja.



OPREZ!

Kada se koriste zajedno sa štednjacima, pristupačni dijelovi mogu da se zagriju.



OPASNOST!

Izduvna cijev za zrak ovog uređaja ne smije da se poveže na izduvni kanal koji se koristi za izbacivanje izduvnih plinova koje ispuštaju uređaji na plin ili druga goriva.

Razlozi oštećenja



OPREZ!

Opasnost oštećenja zbog korozije. Tjekom kuhanja uređaj treba uvijek da radi da biste spriječili formiranje kondenzata. Kondenzati mogu izazvati oštećenja od korozije. Odmah zamijenite neispravnu žarulju da biste spriječili preopterećenje ostalih žarulja. Vlaga koja prodre u električne dijelove predstavlja opasnost od oštećenja. Kontrolne elemente nikada nemojte čistiti vlažnom krpom. Uslijed nepravilnog čišćenja može doći do oštećenja površine. Površine od nehrđajućeg čelika čistite samo u smjeru četkanja. Za kontrolne elemente nemojte koristiti sredstva za čišćenje nehrđajućeg čelika. Može doći do oštećenja površine zbog agresivnih ili abrazivnih sredstava za čišćenje. Nikada ne koristite agresivna ili abrazivna sredstva za čišćenje. Postoji rizik od oštećenja uslijed vraćanja tekućina kondenzata. Postavite izlazni kanal za zrak sa malim silaznim nagibom (1° nagiba) iz uređaja.

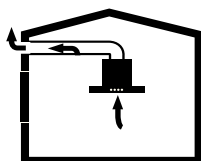
4 KORIŠTENJE SA ILI BEZ FILTERA SA AKTIVNIM UGLJEM



Ovaj uređaj možete koristiti u načinu izduvnih plinova ili u režimu cirkulacije zraka.

Način izduvnih plinova

Usisani zrak se prečišćava u filterima za ulje i odvodi putem sustava cijevi. Slika 4



Slika 4: Odvod zraka bez filtera sa aktivnim ugljem



NAPOMENA!

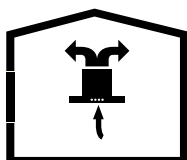
Izduvni plin nikada ne smije da se vodi u aktivni dimnjak ili u kanal izduvnog plina, niti smije da se vodi u dimnjak koji se koristi za ventilaciju oblasti sa instaliranim izvorima grijanja.

- Ukoliko je potrebno da se izduvni plin vodu u neaktivni dimnjak ili kanal izduvnog plina, trebalo bi da dobijete dozvolu od ovlaštenog servisa za čišćenje dimnjaka.
- Ukoliko se izduvni plinovi izbacuju preko vanjskog zida, treba da se koristi spoljna zidna ventilaciona klapna.

Način cirkulacije zraka



Usisani zrak prečišćavaju filteri za ulje i filter sa aktivnim ugljem koji se vraća u kuhinju. Slika 5



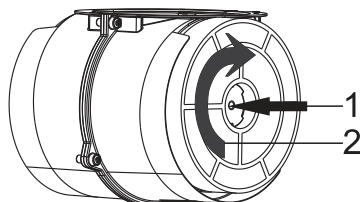
Slika 5: Cirkulacija zraka sa filterom sa aktivnim ugljem



Treba da priključite filter sa aktivnim ugljem da bi zadržao supstance koje odaju mirise u načinu cirkulacije zraka. Obratite se ovlaštenom distributeru u vezi različitih mogućnosti koje su potrebne za rad uređaja u renačinužimu cirkulacije zraka. Dodatnu opremu potrebnu za ovaj proces možete dobiti u odgovarajućim prodavnicama, ovlaštenim servisima ili putem internet prodajnog centra.

5 ZAMJENA FILTERA SA AKTIVNIM UGLJEM

FILTER SA AKTIVNIM UGLJEM



Slika 6: FILTER SA AKTIVNIM UGLJEM

Uređaj koji ste kupili je pogodan za korištenje sa filterom sa aktivnim ugljem.

- 1 - Postavite filter sa aktivnim ugljem u njegovo kućište. Slika 6
- 2 - Zarotirajte filter sa aktivnim ugljem u smjeru kazaljke na satu dok potpuno ne nalegne. Slika 6



Ukoliko ne nalegne u potpunosti, filter sa aktivnim ugljem može da padne i ošteti uređaj.



OPASNOST!

Nikada nemojte prati filter sa aktivnim ugljem.

Filtere sa aktivnim ugljem držite dalje od djece.

6 ČIŠĆENJE I PREVENTIVNO ODRŽAVANJE



OPREZI!

Čišćenje i servisiranje koje obavlja korisnik ne treba da obavljaju djeca koja nisu pod nadzorom.

- Može doći do oštećenja površine zbog agresivnih ili abrazivnih sredstava za čišćenje. Nikada ne koristite agresivna ili abrazivna sredstva za čišćenje. Kod ovlaštenog servisa nabavite odgovarajuća sredstva za čišćenje i zaštitu za vaš uređaj. Površina uređaja i kontrolnih jedinica je osjetljiva na ogrebotine.
- Površine čistite mekom, vlažnom krpom, sredstvom za pranje sudova ili blagim sredstvom za čišćenje stakla. Sasušenu i očvrslu prljavštinu omekšajte vlažnom krpom. Nemojte strugati!
- Korišćenje suhih krpa, spužvi koji mogu da izazovu ogrebotine, sredstava koja zahtevaju trljanje, sredstava za čišćenje koja sadrže pijesak, sodu, kiselinu, klor ili druge jake supstance nije prikladno.
- Površine od nehrđajućeg čelika čistite samo u smjeru brušenja.
- Za kontrolne jedinice nemojte koristiti sredstva za čišćenje nehrđajućeg čelika i vlažne krpe. Čišćenje metalnih filtera za ulje: Korišćeni filteri za ulje hvataju samo čestice ulja koje se nalaze u vlažnom zraku i pari u kuhinji. Kod normalnog korištenja (1-2 sata dnevno), metalne filtere za ulje čistite na svaka tri mjeseca.
- Nemojte koristiti previše jaka, kisela sredstva niti sredstva za čišćenje na bazi klora.
- Tjekom čišćenja metalnog filtera za ulje, vlažnom krpom očistite i rešetke na metalnim filterima za ulje.
- Metalne filtere za ulje možete oprati u perilici posuđa ili ručno.

6.1 Pranje u perilici posuđa

U slučaju pranja u perilici, može doći do blagog gubitka boje. To nema uticaja na funkcioniranje metalnog filtera za ulje.

- Veoma zaprljane metalne filtere za ulje nemojte prati zajedno sa sudovima.
- Metalne filtere za ulje stavite u perilicu tako da stoje slobodno. Metalni filteri za ulje treba da se stave u perilicu posuđa tako da se na njih ne primenjuje nikakav pritisak.

6.2 Ručno pranje



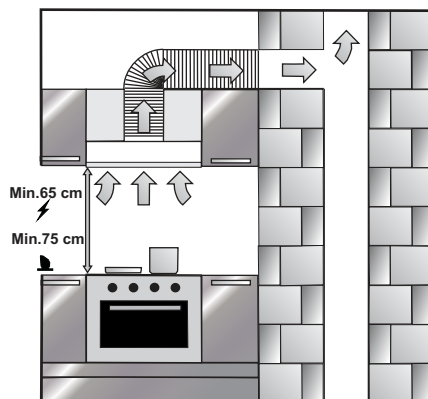
Za uklanjanje tvrdokornih mrlja, možete da koristite specijalni rastvarač ulja. Ovaj rastvarač možete kupiti u ovlaštenom prodajnom centru.

- *Omekšajte mrlje na metalnom filteru za ulje tako što ćete ga staviti u toplu vodu sa deterdžentom za pranje sudova.*
- *Za čišćenje koristite četku i potpuno ispraznite tekućinu iz metalnih filtera za ulje.*
- *Nakon čišćenja, temeljno isperite filtere.*

POLOŽAJ UREĐAJA

Preporuke za štednju energije

7 POLOŽAJ UREĐAJA



Slika 7: MIN.-MAKS. DIMENZIJE ZA MONTAŽU

Prilikom montaže nape, između uređaja i električnih štednjaka mora da se ostavi najmanje 65 cm prostora ili 75 cm prostora između uređaja i štednjaka koji rade na plin ili druga goriva (Slika 7).

7.1 Montaža i raspakivanje

- Provjerite da li postoje bilo kakva oštećenja na uređaju.
- Oštećenja prilikom transporta odmah moraju da se prijave osobi odgovornoj za transport.
- Vidljivi nedostaci moraju da se prijave i prodavcu.
- Ne dozvolite djeci da se igraju ambalažom.

7.2 Preporuke za štednju energije



Vaš novi uređaj je predviđen za štednju energije. Ovde možete pronaći preporuke u vezi uštede energije tijekom korištenja uređaja i savjete u vezi pravilnog odlaganja uređaja.

Ušteda energije

- Obezbedite odgovarajuću usisnu snagu za efikasan rad sa niskom razinom buke.
- Podesite brzinu ventilatora prema jačini pare u kuhinji. Koristite podešavanje veće jačine samo u slučaju potrebe. Podešavanje ventilatora na manju brzinu znači manju potrošnju energije.
- Unapred izaberite veću brzinu ventilatora ukoliko su prisutne veće količine kuhinjskog dima. Napa treba da radi duže da bi otklonio kuhinjski dim koji se već raširio po kuhinji.
- Isključite napu kada nije u upotrebi.

- Očistite ili zamijenite filter u određenim intervalima vremena; na taj način možete da povećate efikasnost ventilacije i izbjegnute opasnost od požara.

■

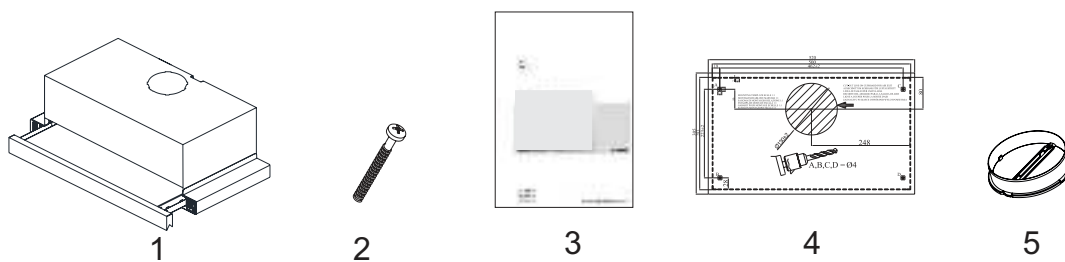
Odlaganje na ekološki prihvatljiv način

Odlažite ambalažu na ekološki prihvatljiv način.

Ovaj uređaj je označen u skladu sa europskom direktivom 2012/19/EC (elektronski i električni otpad - WEEE). Ova direktiva postavlja okvir za obnovu i recikliranje starih uređaja i povezanih primena širom Europske unije.



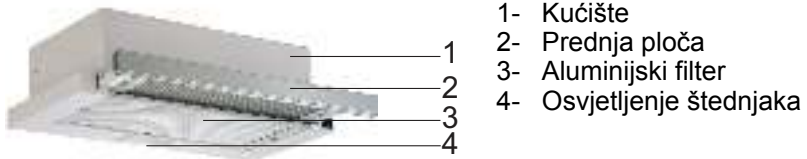
8 SADRŽAJ PAKIRANJA



Slika 8: Ambalaža

- 1- Klizna napa
- 2- Zavrtnanj za montažu 4x 4x40
- 3- Upute za uporabu
- 4- Adapter izduvnog kanala od plastike Ø120mm

9 PREGLED DIJELOVA NAPE



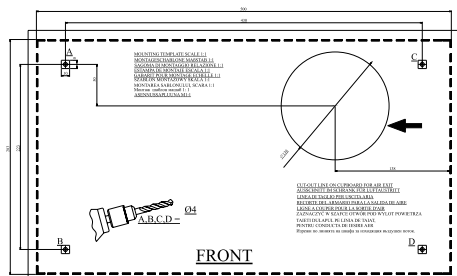
MONTAŽA UREĐAJA

Šablon za montažu

10 MONTAŽA UREĐAJA

10.1 Šablon za montažu

Bušenje montažnih otvora



Slika 9

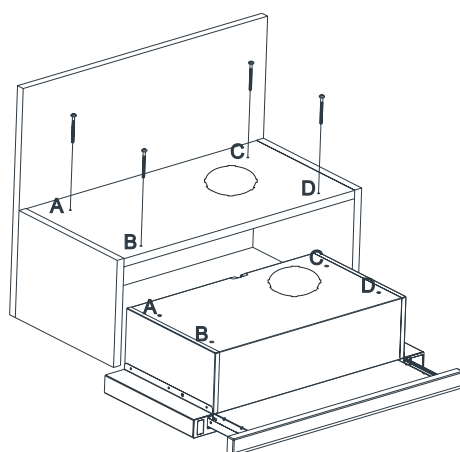
Zalijepite šablon za montažu na površinu na koju uređaj treba da se montira.

Izbušite otvore prečnika $\varnothing 4$ mm u točkama obilježenim sa A, B, C, D na šablonu za montažu (Slika 9).

Probušite rupe za odvod za izduvni kanal kroz šablon za montažu sa navedenim veličinama.

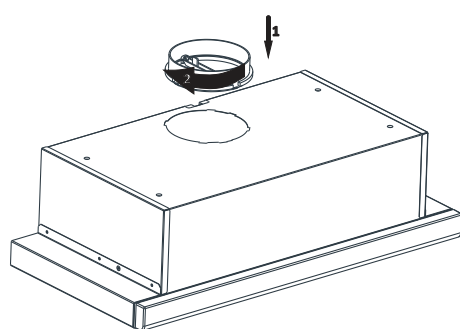


Prikazane veličine služe samo kao ilustracija. Pažljivo koristite šablon za montažu koji ste dobili sa kupljenim uređajem.



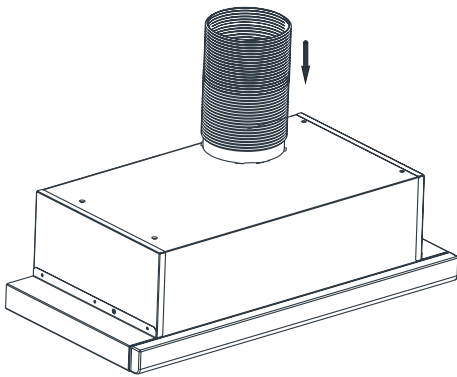
Slika 10

Uređaj treba da se montira na orman u točkama A, B, C, D pomoću 4 x 40 zavrtnja koji su isporučeni uz uređaj. Prednja ploča ne treba da dolazi u dodir sa vratima ormara prilikom pomijeranja kliznog mehanizma (Slika 10).



Slika 11

Plastičnu cijev isporučenu uz uređaj postavite na odvod za izduvni kanal uređaja. Plastičnu cijev zarotirajte u smjeru kretanja kazaljke na satu (Slika 11).



Slika 12

Fleksibilnu aluminijsku cijev postavite na plastični odvod za izduvni kanal. Drugi kraj cijevi postavite na otvor kanala na zidu (Slika 12).



UPOZORENJE!

Pošto će krivine i koljena u aluminijskoj cijevi dovesti do smanjenja usisne snage uređaja, izbjegavajte korištenje krivina i koljena što je moguće više.



Nape se koriste u kuhinjama sa ili bez izduvnog kanala.

U slučaju korištenja sa izduvnim kanalom;

Kod korištenja sa povezanim izduvnim kanalom, napa mora biti povezana na izduvni kanal koji će odvoditi zrak. Da biste ostvarili maksimalnu efikasnost nape, sustav cijevi koji vodi do izduvnog kanala povežite na najkraći mogući način. Vaš proizvod je proizveden u obliku koji odgovara korištenju sa izduvnim kanalom.

11 KAKO SE UREĐAJ KORISTI

PREKLOPNI PREKIDAČ SA 3 BRZINE



Slika 13

Ako želite da uređaj prebacite u prvu brzinu, prekidač pomjerite nagore (Slika 13).



Slika 14

Ako želite da uređaj prebacite u drugu brzinu, prekidač pomjerite nadolje (Slika 14).



Slika 15

Ako želite da uređaj prebacite u treću brzinu, prvi i drugi preklopni prekidač (Slika 14) pomjerite u položaj 0, a treći preklopni prekidač nadolje (Slika 15).



Slika 16

Prekidač za svjetlo okrenite u položaj za uključivanje svjetla uređaja (Slika 16).



Da biste upalili svjetlo, izvucite klizni mehanizam.

PREKLOPNI PREKIDAČ SA 2 BRZINE



Slika 17

Ako želite da uređaj prebacite u prvu brzinu, prekidač pomjerite nagore (Slika 17).

Ako želite da uređaj prebacite u drugu brzinu, prekidač pomjerite nadolje (Slika 17).

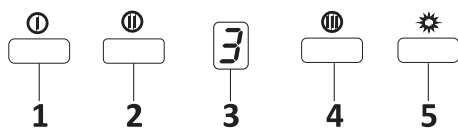
Uređaj ima 1 žarulju i prekidač za kontrolu osvijetljenja.

Da biste upalili svjetlo, prekidač za svjetlo pomjerite nadolje (Slika 17).



Da biste upalili svjetlo, izvucite klizni mehanizam.

11.1 Korištenje uređaja sa 3 brzine



Slika 18: Prekidač za 3 brzine

1. Pritisnite ovaj prekidač za uključivanje i uređaja. Kada se pritisne ovaj prekidač, uređaj će raditi i na razini 1. brzine. Slika 18
2. Kada se pritisne ovaj prekidač, uređaj će raditi na razini 2. brzine. Slika 18
3. Digitalni displej. Na ovom displeju možete pratiti kojom brzinom uređaj trenutno radi. Slika 18
4. Kada se pritisne ovaj prekidač, uređaj će raditi na razinu 3. brzine. Slika 18
5. Pritisnite ovaj prekidač za uključivanje i isključivanje svjetla. Slika 18
6. Funkcija tajmera od 15 minuta se pokreće pritiskom i držanjem bilo kog tastera za rad motora duže od 2 sekunde. Znak se prikazuje jednom nakon pokretanja tajmera, a motor se automatski zaustavlja nakon 15 minuta. Slika 18

Periodi čišćenja metalnih filtera:

Filteri treba da se očiste kada se znak „C“ pojavi na displeju (u zavisnosti od korištenja) nakon svake 2 ili 3 nedelje. Da biste obrišali znak „C“, nakon čišćenja i zamjene filtera, pritisnite i zadržite prekidač (ⓐ) duže od 3 sekunde (kada je uređaj isključen). Slovo „E“ će se pojaviti na displeju i uređaj će preći u normalan način rada. Ako je potrebno da uređaj radi prije brisanja znaka „C“, aktivna brzina motora će se pojaviti u roku od 1 sekunde kada pritisnete prekidač (ⓐ), a zatim će motor nastaviti da radi.



Znak „C“ će se pojaviti nakon isteka 60 sati rada.

ZAMJENA ŽARULJA

Zamjena žarulja

12 ZAMJENA ŽARULJA

12.1 Zamjena halogene žarulje



UPOZORENJE!

Isključite napu iz struje. Sačekajte da se žarulje ohlade pošto mogu da opeku vaše ruke kada su vruće.



To ukazuje na maksimalnu potrošnju sijalice. Prilikom zamjene žarulje treba koristiti žarulju iste snage.

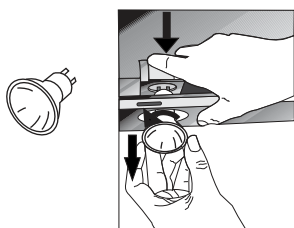


Pogledajte etiketu deklaracije na proizvodu da biste saznali koju snagu koristi uređaj.



IEC

Slika 19: znak halogene žarulje



Slika 20: Zamjena led halogene žarulje

Treba koristiti samo halogenu volfram žarulju sa samozaštitom ili halogenu žarulju sa metalom.

Za zamjenu halogenih žarulja, gurnite držač žarulje nadolje sa zadnje strane, malo ga okrenite u smjeru suprotnom smeru kretanja kazaljke na satu i izvadite tako što ćete ga povući nadolje. Slika 20

12.2 Zamjena žarulje



UPOZORENJE!

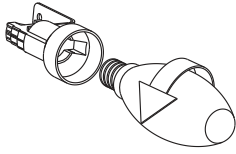
Isključite napu iz struje. Sačekajte da se žarulje ohlade pošto mogu da opeku vaše ruke kada su vruće.



To ukazuje na maksimalnu potrošnju žarulje. Prilikom zamjene žarulje treba koristiti žarulje iste snage.



Pogledajte etiketu deklaracije na proizvodu da biste saznali koju snagu koristi uređaj.



Skinite aluminijski umjetak filtera. Skinite neispravnu žarulju i zamijenite je novom iste jačine. Slika 21

Slika 21: Zamjena halogene žarulje

13 OVLAŠTENI SERVIS

Rasvjeta ne radi:

- Provjerite da li je uređaj uključen u struju i da li su osigurači pregorjeli.
- Provjerite žarulje. Tjekom ove provjere, obavezno isključite uređaj iz struje. Zategnite žarulje ako su se olabavile. Ukoliko i dalje ne rade, zamijenite ih.

Mogući kvarovi i radnje koje možete obaviti bez pozivanja servisa:

A) Uređaj uopće ne radi:

- Provjerite da li je uređaj uključen u struju i da li je utikač dobro pričvršćen u utičnicu.
- Provjerite osigurač na koji je uređaj priključen, kao i glavni osigurač u vašoj kući.

Ukoliko uređaj slabo radi ili pravi jaku buku dok radi:

- Da li uređaj ima odgovarajući prečnik izduvnog kanala? (min. 120mm).
- Da li su metalni filteri čisti? Pregledajte ih.
- Ukoliko koristite napu bez izduvnog kanala, pobrinite se da filteri sa aktivnim ugljem ne budu stariji od 6 mjeseci.
- Vodite računa da kuhinja ima dovoljnu ventilaciju da bi se osigurao protok zraka. Ukoliko ste i dalje nezadovoljni radom uređaja, kontaktirajte ovlaštenu servis.

Problemi i rješenja

Opis neispravnosti	Uzrok	Pomoć
Proizvod ne radi	Provjerite električne veze.	Mrežni napon mora da bude 220-240 V i uređaj mora da bude povezan na uzemljenu utičnicu.
Rasvjeta ne radi.	Provjerite električne veze.	Mrežni napon mora da bude 220-240 V i uređaj mora da bude povezan na uzemljenu utičnicu.
Rasvjeta ne radi.	Provjerite prekidač za svjetlo.	Prekidač za svjetlo mora biti u položaju „on“ (uključeno).
Rasveta ne radi.	Provjerite žarulje.	Žarulje uređaja ne smiju biti u kvaru.
Usisna snaga uređaja je slaba	Provjerite aluminijski filter	Aluminijski umjetak filtera u normalnim uvjetima mora da se pere najmanje jednom mjesečno.
Usisna snaga uređaja je slaba	Provjerite kanal za izduvne plinove.	Kanal za izduvne gasove mora biti otvoren.
Usisna snaga uređaja je slaba	Provjerite filter sa aktivnim ugljem	Kod uređaja kod kojih se koriste filteri sa aktivnim ugljem, pod normalnim uvjetima oni moraju da se zamjene jednom u 3 mjeseca.

Opis neispravnosti	Uzrok	Pomoć
Ne izbacuje zrak (korištenje bez izduvnog kanala)	Proverite aluminijski filter	Aluminijski umjetak filtera u normalnim uvjetima mora da se pere najmanje jednom mjesečno.
Ne izbacuje zrak (korištenje bez izduvnog kanala)	Provjerite filter sa aktivnim ugljem	Kod uređaja koji koriste filtere sa aktivnim ugljem, pod normalnim uvjetima oni moraju da se zamijene jednom u 3 mjeseca.

14 TEHNIČKI DIJAGRAM

Napon	220 - 240 V 50Hz
Klasa izolacije motora	F
Klasa izolacije	KLASA I



Ovaj uređaj je u skladu sa Direktivom 2004/108/EU za elektromagnetsku stabilnost i sa Direktivom o niskom naponu (LVD) 2006/95/EU.



Ovaj uređaj je u skladu sa Direktivom za elektronski i električni otpad (WEEE).



VOX
ELECTRONICS

PRT

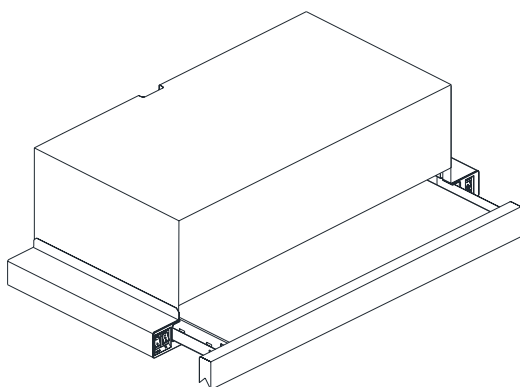
PIO - 650 W

PIO - 650 IX

PIO - 650 GL

MANUAL DO USUÁRIO EXAUSTOR

MANUAL DO USUÁRIO EXAUSTOR



PIO 650 W
PIO 650 IX
PIO 650 GL

Leia atentamente as instruções !

Internet: www.voxelectronics.com

CONTEÚDO

1 DADOS	4
2 DESENHO TÉCNICO	5
3 ADVERTENCIAS E PRECAUÇÕES DE SEGURANÇA	6
3.1 Perigo de morte, risco de envenenamento	7
4 UTILIZAÇÕES COM E SEM USO DE CARBONO	12
5 SUBSTITUIÇÃO DO FILTRO DE CARBONO	13
6 LIMPEZA E MANUTENÇÃO PREVENTIVA	14
6.1 Lavando na Máquina de Lavar Louça	14
6.2 Lavagem com as mãos	15
7 INSTALAÇÃO DO APARELHO	16
7.1 Instalação e Desembalagem do Aparelho	16
7.2 Conselhos para Poupar Energia	16
8. CONTEÚDO DA EMBALAGEM	18
9 VISÃO GERAL DO APARELHO	19
10 MONTAGEM DO PRODUTO	20
10.1 Desenho da Montagem	20
11 USO DO PRODUTO	22
11.1 Uso do Interruptor com 3 Velocidades	24
12 SUBSTITUIÇÃO DE LAMPADAS	24
12.1 Substituição da Lâmpada de Halogénio	24
12.2 Substituição da Lâmpada de Ignição	24
13 SERVIÇO TÉCNICO AUTORIZADO	26
14 TABELA TÉCNICA	28

1 DADOS

Este manual do utilizador e os dados de segurança contêm todas as informações necessárias para uma instalação e uso seguros e sem quaisquer deficiências.

- Antes de utilizar o aparelho, leia o manual completo do utilizador e a ficha de dados de segurança.

- Mantenha este manual num local apropriado.

- Se partilhar o aparelho com outra pessoa, certifique-se de que esta recebe este manual e os dados de segurança.

- O não cumprimento das regras inscritas neste manual pode resultar em ferimentos graves e danos no aparelho.

- Por favor, atente que serão rejeitadas responsabilidades da nossa parte por quaisquer defeitos que possam surgir de um uso não conforme com este manual.

As imagens deste manual visam apresentar visualmente as ações recomendadas e apenas um modelo do aparelho é mostrado nessas fotos. No entanto, todas as instruções ou imagens presentes são aplicáveis a outros modelos.

2 DESENHO TÉCNICO

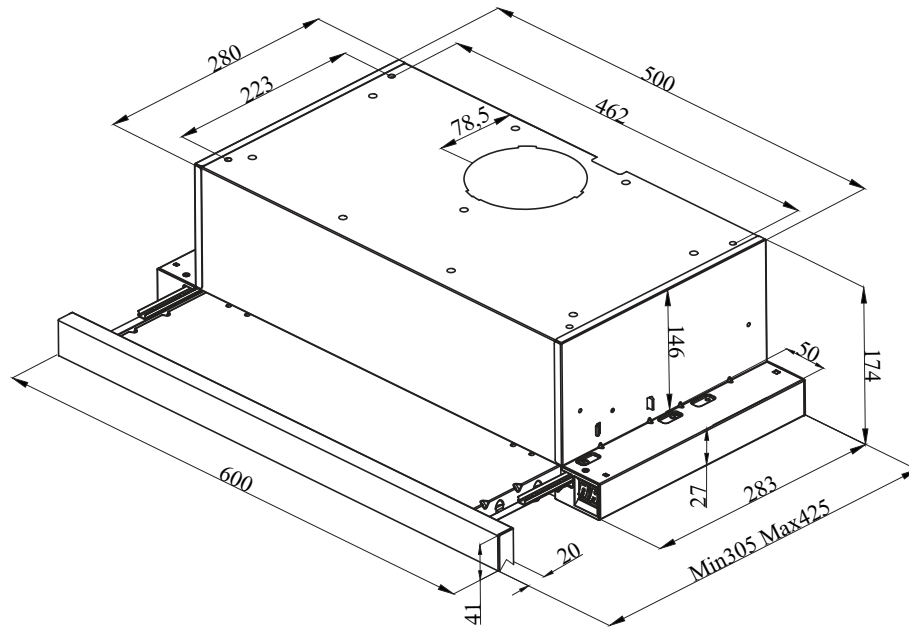


Figura 1

AVISOS E PRECAUÇÕES DE SEGURANÇA

3 AVISOS E PRECAUÇÕES DE SEGURANÇA

- Este aparelho pode ser utilizado por crianças com idade igual ou superior a 8 anos e pessoas com capacidades físicas, sensoriais ou mentais reduzidas ou com falta de experiência e conhecimento, se tiverem recebido supervisão ou instruções relativas ao uso do aparelho de forma segura e compreenderem os perigos envolvidos.
- Este produto é projetado para uso doméstico.
- A tensão de uso do seu produto é de 220-240 Volts ~ 50 Hz.
- O cabo de alimentação do seu produto está equipado com uma ficha terra. Esta deve ser conectada a uma tomada correspondente.
- Toda a fiação elétrica deve ser instalada por um electricista qualificado.
- A instalação por pessoas não autorizadas pode resultar em mau desempenho operacional, danos no produto e acidentes.
- O cabo do alimentador do aparelho não deve ficar exposto a obstruções ou falhas durante a montagem.
- O cabo do alimentador não deve ser colocado perto do fogão. Em tais casos, este pode derreter e causar fogo.
- Não ligue o aparelho antes da instalação.
- Certifique-se de que o local de instalação permite ao utilizador desconectar facilmente o cabo de alimentação em caso de qualquer perigo.
- Não toque nas lâmpadas do seu produto quando elas funcionarem por um longo período, pois tornam-se quentes, podendo causar queimaduras.
- Os exaustores de cozinha são projetados para cozinhar e usar em casa. Para usos diferentes dos especificados, existe o risco de falha e o aparelho não será abrangido pela garantia.
- Deve cumprir as regras e instruções relativas à descarga de saída de ar, estipuladas pelas autoridades competentes. (Este aviso não se aplica a usos sem chaminé.)
- Alimentos inflamáveis não devem ser cozidos sob o aparelho.
- Ligue o aparelho depois de colocar uma panela, frigideira, etc. no fogão. Caso contrário, a alta temperatura pode causar deformação em alguns componentes do produto.
- Desligue o queimador antes de retirar a panela, frigideira ou outros do fogão.
- Não deixe óleo quente no seu fogão. Os recipientes que contêm óleo quente podem causar inflamação.
- Uma vez que os óleos podem incendiar-se quando cozinhar alimentos fritos em particular e tenha cuidado com suas cortinas e toalhas de mesa.
- Assegure a substituição oportuna dos filtros. Filtros não substituídos em tempo útil apresentam risco de incêndio devido a depósitos de resíduos neles acumulados.
- Não use materiais filtrantes e não resistentes ao fogo em vez do filtro
- Não opere o produto sem filtro e não remova os filtros quando o produto estiver em uso. Em caso de deflagração, desligue o exaustor e os aparelhos de cozimento. (Desligue o aparelho ou desligue o interruptor principal).
- Se a limpeza periódica do seu produto não for feita regularmente, tal pode representar um risco de incêndio.
- Desligue o aparelho antes de qualquer operação de manutenção. (Desligue o aparelho ou desligue o interruptor principal.)
- Quando a placa elétrica e os dispositivos alimentados com outra energia além da eletricidade operam simultaneamente, a pressão negativa na sala não deve exceder 4 Pa (4 X 10 bar).
- Aparelhos de queima de gás ou óleo combustível como aquecedores, que compartilham o mesmo ambiente com o produto, devem ser totalmente isolados deste produto ou ser herméticos.

- Quando fizer uma conexão de combustão do seu produto, use tubos com um diâmetro de 150 mm ou 120 mm.
- O comprimento da conexão do tubo, bem como o número de dobradiças, deve ser o mínimo possível.
- As crianças não devem brincar com o aparelho.
- Para sua segurança, use o fusível "MAX 6 A" no sistema de exaustor.
- Os materiais de embalagem podem ser perigosos, mantenha-os longe das crianças.
- Se o cabo do alimentador estiver danificado, deve ser substituído pelo fabricante ou pelo serviço técnico autorizado ou qualquer outro pessoal qualificado no mesmo nível, a fim de evitar qualquer situação perigosa.
- Em caso de deflagração, desligue o exaustor e os aparelhos de cozimento e cubra a chama. Nunca use água para extinguir o fogo.
- Quando aparelhos de cozinha estão em operação, as partes acessíveis podem estar quentes.
- Este aparelho não se destina a ser utilizado por pessoas com deficiências físicas, sensoriais ou mentais (incluindo crianças) ou que não tenham experiência e conhecimentos adequados quanto à sua utilização, a menos que estejam sob a supervisão de uma pessoa responsável pela segurança do aparelho.
- Após a instalação do exaustor, a distância mínima deve ser de 65 cm entre o produto e qualquer fogão elétrico e 75 cm entre ele e quaisquer fontes de gás ou fogos queimando outros combustíveis.
- A saída do exaustor não deve ser ligada a condutas de ar, onde existam outros fumos.
- Deve ter cuidado ao usar a aplicação espontaneamente com outros aparelhos (por exemplo, gás, combustível diesel, aquecedores a carvão ou a lenha, aquecedores de chuveiro, etc.), deve-se prestar atenção ao usá-los simultaneamente, dado que o exaustor pode afectar a combustão e o ambiente da sala.
- Este aviso não se aplica ao uso sem chaminé.
- Quando o exaustor elétrico é usado simultaneamente com dispositivos que usam gás ou outros combustíveis, deve haver ventilação suficiente na sala (pode não ser aplicável a dispositivos que descarregam o ar de volta para a sala).
- A sala deve ter ventilação suficiente sempre que o fogão, o exaustor e os aparelhos que queimam gás e outros combustíveis forem usados simultaneamente (tal poderá não se aplicar a dispositivos que criam circulação de ar na sala).

AVISOS E PRECAUÇÕES DE SEGURANÇA

Perigo de morte e de envenenamento

3.1 PERIGO DE MORTE - PERIGO DE ENVENENAMENTO

PERIGO!

Aviso - Perigo de envenenamento

Os materiais de embalagem são perigosos para as crianças. Não permita que as crianças brinquem com os materiais de embalagem.



PERIGO!

AVISO - Perigo de morte

Existe perigo de vida e envenenamento devido a gases de combustão que podem ser reabsorvidos. Durante o fluxo das saídas de descarga de ar, a menos que haja uma suficiente circulação e renovação de ar. Não use o dispositivo em simultâneo com outros capazes de emitir gases tóxicos através de chaminés, como aquecedores ventilados (a gás, óleo, madeira ou carvão), aquecedores de água, etc. Figura 2

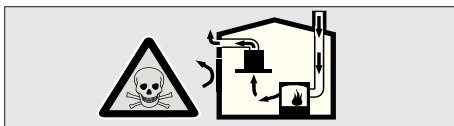


Figura 2: Perigo de envenenamento

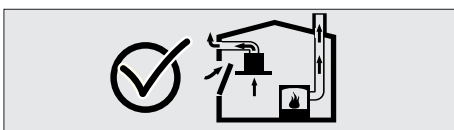


Figura 3

Aparelhos ventilados (aquecedores a gás, óleo, madeira ou carvão, esquentadores ou similares) retiram o ar de combustão do local de instalação e descarregam gás residual através de um sistema de gás residual (por exemplo, chaminés). Quando o exaustor está ativo, absorve o ar da cozinha e divisões próximas. Se não houver uma boa circulação de ar, o vácuo surge. Nesse caso, os gases tóxicos são absorvidos pelo canal de exaustão e gás de exaustão e são levados novamente para a porta. Fig. 2

■ Como tal, uma boa circulação de ar deve ser sempre assegurada. Fig. 3.

AVISOS E PRECAUÇÕES DE SEGURANÇA

Perigo de morte e de envenenamento



AVISO!

Risco de incêndio!

–O resíduo de óleo no filtro de óleo pode causar incêndio.

Limpe o filtro de óleo pelo menos uma vez a cada 3 meses e nunca use o aparelho sem o filtro de óleo.

–O resíduo de óleo no filtro de óleo é inflamável. Nunca trabalhe com uma chama aberta perto do aparelho. O aparelho pode ser instalado próximo de um aquecedor de combustível sólido (madeira ou carvão), mas apenas se este tiver uma cobertura não-removível e protegido de faíscas.

–Óleos e gorduras quentes pegam fogo facilmente. Óleos e gorduras quentes nunca devem ser deixados sem vigilância. Nunca tente apagar o fogo com água. Desligue o fogão e apague as chamas cuidadosamente usando uma toalha, pano ou material similar.

–Bicos a gás que não tenham uma panela ou frigideira quando ligados criam muito calor. Um dispositivo de ventilação colocado sobre os fogões pode ser danificado ou queimado por esse motivo. Use fogões a gás somente quando houver panela ou frigideira em cima.

–Vários bicos a gás a funcionar simultaneamente, criam calor elevado e qualquer aparelho instalado em cima pode ser danificado ou queimado por esse motivo. Nunca opere dois bicos a gás no máximo, por mais de 15 minutos. Note também que um grande queimador (tipo WOK) com potência de 5kW tem o mesmo poder de dois bicos a gás.

AVISO!

Risco de Choque Eléctrico!

–Um aparelho com defeito pode causar choque elétrico. Nunca ligue um aparelho com defeito. Desligue a ficha elétrica e o disjuntor e ligue para o atendimento ao cliente.

–Reparações inadequadas representam riscos. Reparos e substituição de cabos danificados devem ser realizados somente por um técnico autorizado. Se o dispositivo não funcionar corretamente, desligue a ficha elétrica e o disjuntor e ligue para o atendimento ao cliente.

–Infiltração de água no aparelho pode causar choque elétrico. Aparelhos de limpeza de alta pressão ou a vapor não devem ser usados.

AVISOS E PRECAUÇÕES DE SEGURANÇA

Perigo de morte e de envenenamento



PERIGO!

Perigo de lesões corporais!

- Durante a instalação do aparelho, existe o perigo de ferimentos causados por arestas e esquinas. Use luvas de proteção durante a instalação do aparelho.
- Devido ao risco de queda do aparelho, a montagem de todos os parafusos e tampas de segurança deve ser executada conforme as instruções do manual.
- Os objetos colocados no aparelho podem cair.
- Não coloque objetos no aparelho.
- As luzes LED têm um brilho forte e podem causar danos nos olhos (grupo de risco 1). Não olhe diretamente para as luzes LED por mais de 100 segundos.

AVISO!

Risco de queimaduras, risco de choque eléctrico!

- Deixe o aparelho arrefecer antes do processo de limpeza ou manutenção. Desligue o fusível ou retire a ficha da tomada.
- Existe o risco de danos devido ao contacto de água com o sistema eléctrico. Não limpe os componentes de controle com um pano húmido.
- A superfície pode danificar-se devido a um processo de limpeza incorreto. Limpe as superfícies de aço inoxidável somente na direção de escovação. Não use um esfregão de aço para os componentes de controle.
- A superfície pode danificar-se devido a agentes de limpeza agressivos e abrasivos. Nunca use agentes de limpeza agressivos e abrasivos.

AVISO!

Risco de fogo e de lesões corporais!

No caso da reparação não se realizar de acordo com as regras ou conforme necessário, desligue o fusível ou desconecte o cabo do alimentador do seu eletrodoméstico. A reparação deve ser realizada apenas pelo serviço técnico autorizado ou especialistas autorizados.



OBSERVAÇÃO!

Se o aparelho estiver com defeito ou danificado, desligue o fusível ou desligue o cabo alimentador do seu aparelho e ligue para o serviço autorizado.

AVISOS E PRECAUÇÕES DE SEGURANÇA

Perigo de morte e de envenenamento



OBSERVAÇÃO!

Se o cabo alimentador estiver danificado, deve ser substituído pelo fabricante, pelo serviço técnico autorizado ou por qualquer outro técnico qualificado, a fim de evitar qualquer situação perigosa.



OBSERVAÇÃO!

Quando a lâmpada do aparelho apresentar defeito, desligue o disjuntor e a ficha do aparelho da tomada. Deixe-a arrefecer e substitua de imediato a lâmpada defeituosa, para proteger as lâmpadas restantes contra sobrecarga.

ATENÇÃO!

Componentes de fácil acesso podem aquecer quando usados com recipientes de confecção de comida.

PERIGO!

O tubo de saída de ar deste aparelho não deve ser ligado a mesma chaminé usada por aparelhos que usam gás ou outros combustíveis.

Causas de danos

ATENÇÃO!

Perigo de danos devido à corrosão. Ligue sempre o aparelho para evitar a formação de condensado durante a confecção de alimentos. A condensação pode causar danos por corrosão. Substitua sempre e de imediato qualquer lâmpada com defeito, para evitar sobrecarga em outras lâmpadas. A humidade no sistema elétrico representa um risco de danos. Nunca limpe os elementos de controle com um pano húmido. A superfície pode ser danificada por processos de limpeza errados. Limpe as superfícies de aço somente na direção de escovação. Não use um esfregão de aço para os elementos de controle. A superfície pode ser danificada devido a agentes de limpeza agressivos e abrasivos. Nunca use agentes de limpeza agressivos e abrasivos.

Existe o risco de danos causados por refluxo de líquido condensado. Instale o canal de saída com ligeira inclinação descendente (1° inclinação) do aparelho.

4 USO COM E SEM O FILTRO DE CARBONO



Pode usar este aparelho nos modos exaustão de ar e ar ventilado.

Modo de exaustão de ar

O ar absorvido é limpo pelos filtros de gordura e descarregado através de um sistema de tubulação. Fig. 4

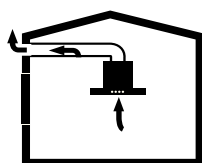


Fig. 4: Saída de ar sem filtro de carbono



OBSERVAÇÃO!

Ar de exaustão não deve ser transferido para uma chaminé ativa, para tubo de saída de gás, para qualquer sistema de ventilação da sua casa ou onde outras fontes de calor estejam instaladas.

- Se deseja transferir o ar da exaustão para uma chaminé inativa ou uma tubulação de gás residual, deve procurar autorização junto de uma autoridade competente e proceder a uma limpeza profunda da chaminé
- Se o ar da exaustão for descarregado por uma parede externa, deve usar um sistema telescópico de parede seguro.

Modo de ar ventilado



O ar absorvido é limpo pelos filtros de gordura e um filtro de carbono ativo e transferido de volta para a cozinha. Fig. 5

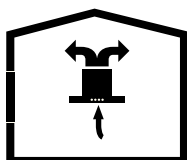


Fig. 5: Circulação de ar com filtro de carbono.



Deve instalar um filtro de carbono ativo, a fim de capturar as substâncias que causam mau cheiro no ar circulante. Consulte o seu revendedor autorizado para conhecer as diferentes oportunidades disponíveis para o aparelho funcionar no modo de circulação de ar. Pode adquirir os acessórios necessários para este processo em pontos de venda relevantes, no serviço técnico autorizado ou no centro de vendas on-line.

5 Substituição de filtro de carbono

FILTRO DE CARBONO

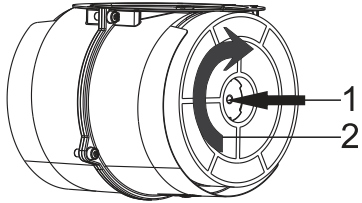


Figura 6: FILTRO DE CARBONO

O aparelho que adquiriu é apropriado para uso com filtros de carbono.

1. Coloque o filtro de carbono no aparelho. Fig. 6
2. Rodando o filtro de carbono no sentido dos ponteiros do relógio, certifique-se de que está completamente encaixado. Fig.6



Se o filtro de carbono não encaixar completamente, pode cair e danificar o produto.

PERIGO!

Nunca lave os filtros de carbono.
Mantenha os filtros de carbono longe das crianças.

6 LIMPEZA E MANUTENÇÃO PREVENTIVA



ATENÇÃO! A limpeza e a manutenção do aparelho não devem ser realizadas por crianças

⇒ A superfície pode ser danificada devido a agentes de limpeza agressivos e abrasivos. Nunca use agentes de limpeza agressivos e abrasivos. Adquira as substâncias de limpeza e proteção apropriadas para o seu aparelho num agente ou serviço técnico autorizado. A superfície do aparelho e as unidades de controle são sensíveis a arranhões.

⇒ Limpe as superfícies com um pano macio e húmido em detergente líquido ou detergente de vidro suave. Amoleça os resíduos secos e pegajosos com um pano húmido. Não raspe o aparelho!

⇒ Não é apropriado usar panos secos, esponjas que possam riscar, materiais que causem fricção e outros agentes de limpeza agressivos que contenham areia, ácido ou cloro.

⇒ Limpe as superfícies de aço inoxidável apenas na direção da escovação.

⇒ Não use agentes de limpeza de aço inoxidável e roupas molhadas para unidades de controle. Limpeza de filtros metálicos de gordura. Os filtros metálicos de gordura usados retêm as partículas gordurosas na humidade e o vapor gerado na cozinha. Limpe os filtros metálicos de gordura a cada três meses, se forem usados em condições normais (1 a 2 horas por dia).

⇒ Não use agentes de limpeza excessivamente eficazes, ácidos ou alcalinos.

⇒ Para limpar os filtros metálicos de gordura, limpe as partes do suporte dos filtros metálicos de gordura no aparelho, com um pano húmido.

⇒ Pode limpar os filtros metálicos de gordura a mão ou na máquina de lavar louça.

⇒ Não aplique nenhum spray de limpeza directamente no aparelho.

⇒ Não mantenha produtos decorativos e/ou inflamáveis no aparelho.

6.1 Lavagem na máquina de lavar louça

Em caso de lavagem na máquina de lavar louça, poderá ocorrer uma ligeira alteração na cor. Isso não tem efeito sobre a função do filtro de graxa de metal.

■ Não coloque na máquina filtros metálicos de gordura em conjunto com outros produtos.

■ Coloque os filtros metálicos de gordura soltos na máquina de lavar louça e sem qualquer obstrução.

6.2 Lavagem Manual



Para resíduos de difícil remoção, deve usar um solvente especial para gordura que poderá comprar num agente ou centro de vendas autorizado.

–Amoleça os filtros metálicos de gordura em água quente com detergente para louça.

–Use uma escova para limpeza e aguarde até que o líquido nos filtros metálicos de gordura flua completamente.

–Lave bem os filtros após a limpeza.

POSIÇÃO DO APARELHO

Conselhos para poupar energia

7 POSIÇÃO DO APARELHO

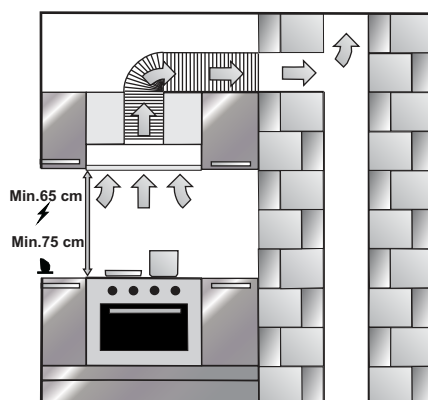


Fig. 7: INSTALANDO O APARELHO

Após conclusão da instalação do exaustor, a distância mínima deve ser de 65 cm entre o aparelho e qualquer fogão elétrico e 75 cm entre este e qualquer fogão a gás ou a outros combustíveis (Fig. 7).

7.1 Instalação e desembalamento do Aparelho

- Verifique se o seu aparelho não apresenta defeitos.
- Em caso de problemas com a entrega, contacte de imediato a empresa responsável pelo serviço.
- Outros defeitos devem também ser reportados ao agente autorizado onde adquiriu o equipamento.
- Não deixe as crianças brincar com os materiais da embalagem!

7.2 Recomendações para poupança de energia



- ↔ Substitua regularmente os filtros de carbono.
- ↔ Limpe regularmente os filtros de alumínio.
- Como os filtros sujos bloqueariam a passagem de ar, talvez seja necessário usar o aparelho a uma velocidade maior.
- ↔ Use o produto de acordo com suas velocidades normais.
- ↔ O uso do aparelho a velocidade elevada irá causar um aumento do consumo energético.

Poupar energia

- Garanta um adequado poder de aspiração para uma operação eficiente e com baixos níveis de ruído.
- Defina a velocidade do ventilador para a potência de vapor na cozinha. Use uma configuração de volume mais elevada somente quando necessário. Ajustar o ventilador a uma velocidade menor significa menos consumo de energia.
- Selecione antecipadamente uma velocidade de ventilação maior se houverem maiores quantidades de fumo na cozinha. O exaustor deve funcionar durante mais tempo para remover o fumo espalhado na cozinha.
- Desligue o exaustor quando não for necessário.

POSIÇÃO DO APARELHO

Conselhos para poupar energia

- Limpe ou substitua o filtro em determinados intervalos de tempo dado que tal aumenta a eficiência da ventilação e evita risco de incêndio.

Eliminação do aparelho de forma ecológica

Elimine a embalagem de maneira ecologicamente correta.

Este produto foi marcado como estando em conformidade com a Directiva da UE 2012/19/EC (Resíduos de Equipamentos Elétricos e Eletrónicos - WEEE). A presente directiva estabelece um quadro para a renovação e reciclagem de aparelhos usados e respectivos resíduos em toda a União Europeia.



8 CONTEÚDO DA EMBALAGEM

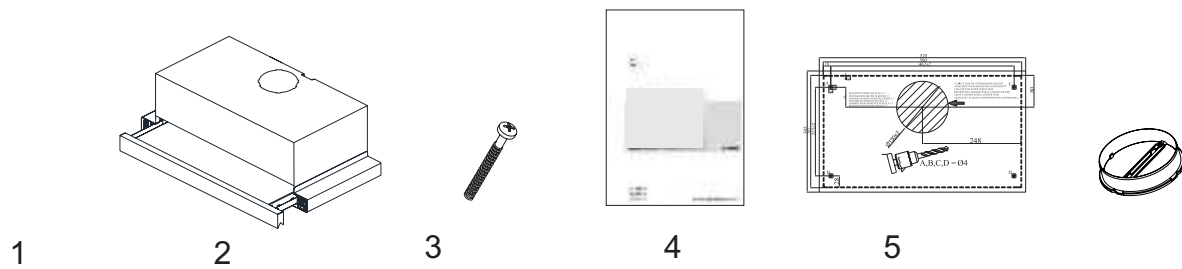


Figura 8: CONTEÚDO DA EMBALAGEM

- 1- Aparelho
- 2- Parafuso 4x4x40
- 3- Manual do utilizador
- 4- ADAPTOR PLASTICO PARA TUBOS DE EXAUSTÃO Ø120mm

9 VISÃO GERAL DO APARELHO



- 1- Aparelho
- 2- Painel frontal
- 3- Filtro de aluminio
- 4- Iluminação

MONTAGEM DO PRODUTO

Montagem do produto

10 MONTAGEM DO PRODUTO

10.1 Montagem do produto

Abrir os furos do suporte

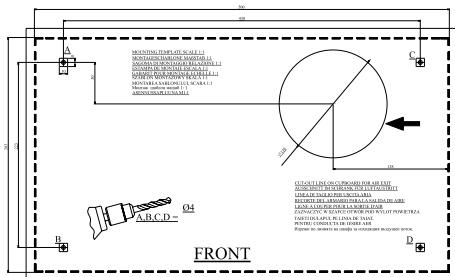


Figura 9

Cole o modelo de montagem na superfície onde pretende instalar a unidade.
Abra furos com $\varnothing 4$ mm de diâmetro nos pontos marcados como A, B, C, D no esquema de montagem. (Figura 9).
Abria furos para a saída de fumos através do modelo de montagem e com os tamanhos especificados.



Os tamanhos exibidos servem apenas como ilustração.
Use com cuidado o modelo de montagem fornecido com o aparelho adquirido.

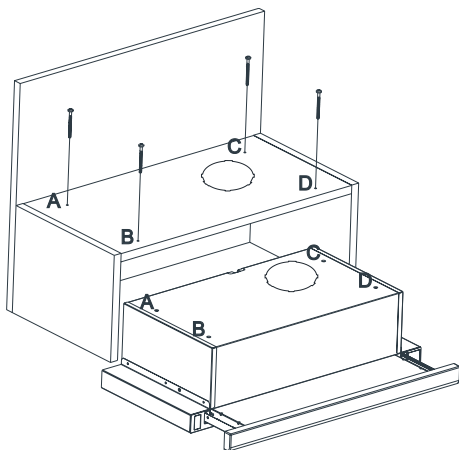


Figura 10

O aparelho deve ser montado nos furos dos pontos A, B, C, D usando parafusos 4 x 40 fornecidos com o aparelho. O painel frontal não deve ser empurrado contra a tampa do gabinete quando o conjunto deslizante se move (Figura 10).

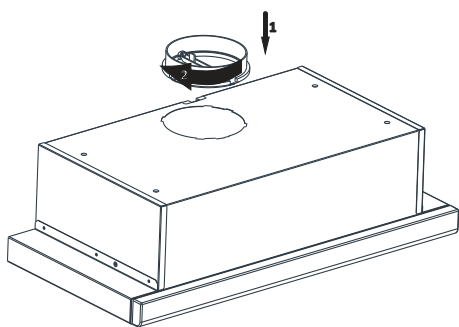


Figura 11

Coloque a chaminé de plástico fornecida com o aparelho na saída de fumos do aparelho. Gire a tubo de plástico no sentido horário. (Figura 11).

MONTAGEM DO PRODUTO

Montagem do produto

Instale o tubo de alumínio flexível na saída de fumos de plástico. Instale a outra extremidade do tubo no orifício de combustão na parede. (Figura 12)

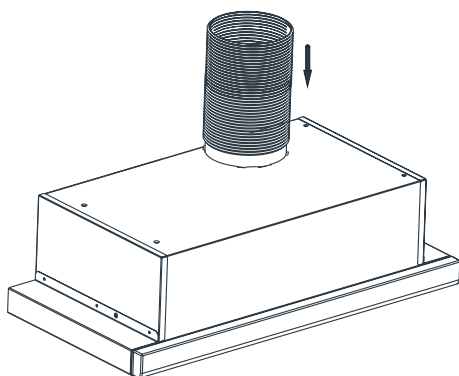


Figura 12



ATENÇÃO!

Desde torções e curvas no tubo de alumínio levará a redução no poder de sucção de ar, evite usar torções e curvas tanto quanto possível.



Exaustor é usado em cozinhas com ou sem combustão.

Em caso de uso com chaminé;

No uso ligado à chaminé, o exaustor deve ser ligado a uma chaminé que descarregará o ar. Prefira o caminho mais curto para o sistema de tubagem que conduz à combustão, a fim de obter a máxima eficiência do seu exaustor. Seu produto é fabricado em uma forma apropriada para uso com combustão.

11 USO DO PRODUTO

3 velocidades interruptor



Figura 13

Se quiser executar o aparelho na primeira velocidade, mova o interruptor para cima Figura 13.



Figura 14

Se quiser executar o aparelho na segunda velocidade, mova o interruptor para cima Figura 14.



Figura 15

Se pretender utilizar o aparelho à terceira velocidade, mova o primeiro e o segundo interruptor (Figura 14) na posição 0 e o terceiro desligue. (Figura 15)



Figura 16

Gire o interruptor de luz na posição de ligar a luz do aparelho. (Figura 16)



O conjunto deslizante deve ser destacado para acender as luzes.

2 velocidades interruptor



Figura 17

Se você quiser rodar o aparelho na primeira velocidade, mova o interruptor para cima (Figura 17)

Se você quiser executar o aparelho na segunda velocidade, mova o desligue (Figura 17).

O aparelho possui 1 lâmpada e interruptor para controle de iluminação.

Para acender a luz, pressione o interruptor de luz para baixo (Figura 17).



O conjunto deslizante deve ser destacado para acender as luzes.

11.1 Uso do 3 velocidades interruptor

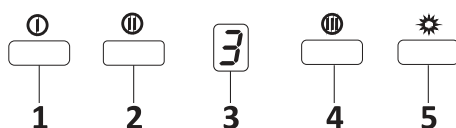


Figure 18: 3 velocidades interruptor

①

Períodos de limpeza dos filtros:

1. Pressione este botão para reiniciar o seu produto. Ao pressionar este botão, o produto irá funcionar no primeiro nível de velocidade. (Fig.18).
2. Ao pressionar este botão, o produto irá funcionar no segundo nível de velocidade. (Fig.18).
3. Visor digital Pode rastrear a velocidade de operação do aparelho neste visor. Figura 18
4. Ao pressionar este botão, o produto irá funcionar no terceiro nível de velocidade. (Fig.18).
5. Pressione este botão para ligar e desligar a lâmpada. Fig.18.
6. Todas as funções ativas que funcionaram antes de ativar a função "cronómetro" serão desativadas após 15 minutos. Todas as funções ativas executadas depois de ativar a função do cronómetro serão reativadas após 15 minutos. Figure 18

Períodos de limpeza dos filtros:

Os filtros devem ser limpos quando o sinal "c" aparecer no visor ou (dependendo do uso) a cada 2-3 semanas. Quando os filtros forem limpos e montados em seus lugares, pressione o botão por mais de 3 segundos para excluir o sinal "c" (quando o aparelho estiver inactivo) . A letra "E" aparecerá no visor e o produto mudará para operação normal. Se a operação desejada continuar sem apagar o sinal "c", quando você pressiona o botão (①), a operação ativa será observada por 1 segundo. e então o sinal "C" reaparecerá e o motor continuará a funcionar.



A marca "C" aparecerá no final do período de uso do produto de 60 horas.

SUBSTITUIÇÃO DE LUZES

Substituição da lâmpada

12 SUBSTITUIÇÃO DE LUZES

12.1 Substituição da lâmpada de halogéneo



Figura 19: símbolo da lâmpada de halogéneo

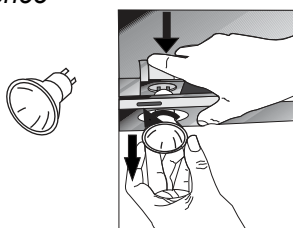


Figura 20: Substituição da Lâmpada LED

12.2 SUBSTITUIÇÃO DE LUZES



PERIGO!

Desligue a alimentação elétrica do exaustor. Deixe as lâmpadas esfriarem primeiro porque podem queimar suas mãos quando estão quentes.

Indica o consumo máximo de energia da lâmpada. Dever ser substituída por Uma lâmpada com a mesma potência.



Para saber da potência atribuída ao seu produto, confira na etiqueta do produto.

Use somente lâmpadas de halogéneo de tungsténio auto-protegidas ou lâmpadas de iodetos metálicos auto-protegidas.

Para substituir as lâmpadas de halogéneo, empurre o suporte da lâmpada para baixo a partir da parte traseira, rode-o ligeiramente no sentido contrário ao dos ponteiros do relógio e retire-o puxando-o para baixo.



PERIGO!

Desligue a alimentação elétrica do exaustor. Deixe as lâmpadas esfriarem primeiro porque podem queimar suas mãos quando estão quentes.

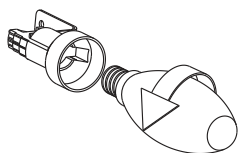
Indica o consumo máximo de energia da lâmpada. Dever ser substituída por Uma lâmpada com a mesma potência.



Para saber da potência atribuída ao seu produto, confira na etiqueta do produto.

SUBSTITUIÇÃO DE LUZES

Substituição da lâmpada



Remova o filtro do cartucho de alumínio. Remova a lâmpada defeituosa e substitua-a por uma nova com a mesma classificação.
Fig.21

Fig. 21: Substituição da lâmpada de halogéneo

13 SERVIÇO TÉCNICO AUTORIZADO

A iluminação não estiver funcionando:

- Certifique-se de que a ficha esta conectada e de que os fusíveis estão intactos.
- Verifique as lâmpadas. Certifique-se de desconectar o dispositivo antes de realizar essa verificação. Aperte as lâmpadas se estiverem soltas; você pode substituir as lâmpadas se elas ainda não funcionarem.

Possíveis falhas e o que fazer antes de chamar o serviço técnico:

A) Se o aparelho não funcionar de alguma forma:

- Verifique se o exaustor está conectado ou se a ficha está encaixada corretamente.
- Verifique o fusível, ao qual o aparelho está ligado, bem como o fusível principal da sua casa.

Se o desempenho do aparelho for insuficiente ou se operar com muito ruído:

- O diâmetro de saída do tubo do aparelho é adequado? (min. 120 mm).
- Se você usar o exaustor sem chaminé, verifique se os filtros de carbono não têm mais de 6 meses.
- Se você usar o exaustor sem chaminé, verifique se os filtros de carbono não têm mais de 6 meses.
- Esteja atento a sua cozinha adequadamente, a fim de fornecer um fluxo de ar. Se ainda estiver satisfeito com o desempenho do aparelho, consulte o serviço técnico autorizado.

Falhas Potenciais e Soluções

Descrição do falha	Motivo	Ajuda
O aparelho não funciona.	Verifique a ligação eléctrica	A tensão de rede deve ser de 220-240 V e o produto deve ser conectado a uma tomada terra.
A lâmpada não funciona.	Verifique a ligação eléctrica	A tensão de rede deve ser de 220-240 V e o produto deve ser conectado a uma tomada terra.
A lâmpada não funciona.	Verifique a ligação eléctrica	O interruptor deve estar na posição "on"
A lâmpada não funciona.	Verifique o interior da lâmpada	A lâmpada não pode estar fundida
A entrada de ar do produto é fraca	Verifique o filtro de alumínio	O filtro de cartucho de alumínio deve ser lavado uma vez por mês em condições normais.
A entrada de ar do produto é fraca	Verifique o filtro de combustão	O filtro de combustão deve estar aberto
A entrada de ar do produto é fraca	Verifique o filtro de carbono	Em condições normais, produtos que trabalham com filtros de carbono, o filtro de carbono deve ser substituído uma vez a cada 3 meses.
Não faz descarga de ar (após a combustão)	Verifique o filtro de alumínio	O filtro de cartucho de alumínio deve ser lavado uma vez por mês em condições normais.
Não faz descarga de ar (após a combustão)	Verifique o filtro de carbono	Em condições normais, produtos que trabalham com filtros de carbono, o filtro de carbono deve ser substituído uma vez a cada 3 meses.

14 TABELA TÉCNICA

Tensão	220 - 240 V 50Hz
Classe de isolamento do Motor	F
Classe de isolamento	CLASSE I



Este aparelho está em conformidade com a Diretiva da UE 2004/108/EC para a estabilidade eletromagnética e a Diretiva de Baixa Voltagem (LVD) 2006/95/EU.



Este aparelho está em conformidade com a Diretiva da UE para Resíduos de Equipamentos Elétricos e Eletrónicos (WEEE).

Ovaj dokument je originalno proizveden i objavljen od strane proizvođača, brenda Vox, i preuzet je sa njihove zvanične stranice. S obzirom na ovu činjenicu, Tehnoteka ističe da ne preuzima odgovornost za tačnost, celovitost ili pouzdanost informacija, podataka, mišljenja, saveta ili izjava sadržanih u ovom dokumentu.

Napominjemo da Tehnoteka nema ovlašćenje da izvrši bilo kakve izmene ili dopune na ovom dokumentu, stoga nismo odgovorni za eventualne greške, propuste ili netačnosti koje se mogu naći unutar njega. Tehnoteka ne odgovara za štetu nanесenu korisnicima pri upotrebi netačnih podataka. Ukoliko imate dodatna pitanja o proizvodu, ljubazno vas molimo da kontaktirate direktno proizvođača kako biste dobili sve detaljne informacije.

Za najnovije informacije o ceni, dostupnim akcijama i tehničkim karakteristikama proizvoda koji se pominje u ovom dokumentu, molimo posetite našu stranicu klikom na sledeći link:

<https://tehnoteka.rs/p/vox-aspirator-pio-650-ix-akcija-cena/>