

Uputstvo za upotrebu

VOX aspirator CHM 650 IX



Tehnoteka je online destinacija za upoređivanje cena i karakteristika bele tehnike, potrošačke elektronike i IT uređaja kod trgovinskih lanaca i internet prodavnica u Srbiji. Naša stranica vam omogućava da istražite najnovije informacije, detaljne karakteristike i konkurentne cene proizvoda.

Posetite nas i uživajte u ekskluzivnom iskustvu pametne kupovine klikom na link:

<https://tehnoteka.rs/p/vox-aspirator-chm-650-ix-akcija-cena/>



GBR

SRB

CHM 650IX

OPERATING INSTRUCTIONS COOKER HOOD

UPUTSTVO ZA UPOTREBU ASPIRATOR

NAVODILA ZA UPORABO KUHINJSKA NAPA

UPUTE ZA UPORABU KUHINJSKA NAPA

MANUAL DE INSTRUÇÕES EXAUSTOR



CHM-650IX

OPERATING INSTRUCTIONS **COOKER HOOD**

MODEL: CHM650IX



Read the User Manual Carefully!

1 TECHNICAL DRAWING	4
2 WARNINGS AND SAFETY PRECAUTIONS	5
2.1 Life-Threatening Danger, Poisoning Danger	7
3 USAGES WITH AND WITHOUT CARBON FILTER	9
3.1 Replacement of Carbon Filter	9
3.2 Replacement of Carbon Filter	9
4 CLEANING AND PREVENTIVE MAINTENANCE	10
4.1 Washing in Dishwasher	11
4.2 Hand Wash	11
5 INSTALLATION OF APPLIANCE	12
5.1 Installation ascheme	12
5.2 Installation and Unpacking of the Appliance	12
5.3 Recommendation for Saving Energy	12
6 CONTENT OF PACKAGE	13
7 OVERVIEW OF COOKER HOOD	14
8 ASSEMBLY OF PRODUCT	15
8.1 Installation Diagram and Components	15
9 ASSEMBLY OF FLUE	16
10 USE OF PRODUCT	17
11 REPLACEMENT OF LAMPS	18
11.1 Replacement of Spark Plug Lamp	18
12 AUTHORIZED TECHNICAL SERVICE	19
12.1 Potential Failures and Solutions	20
12.2 Technical Table	20



1 TECHNICAL DRAWING

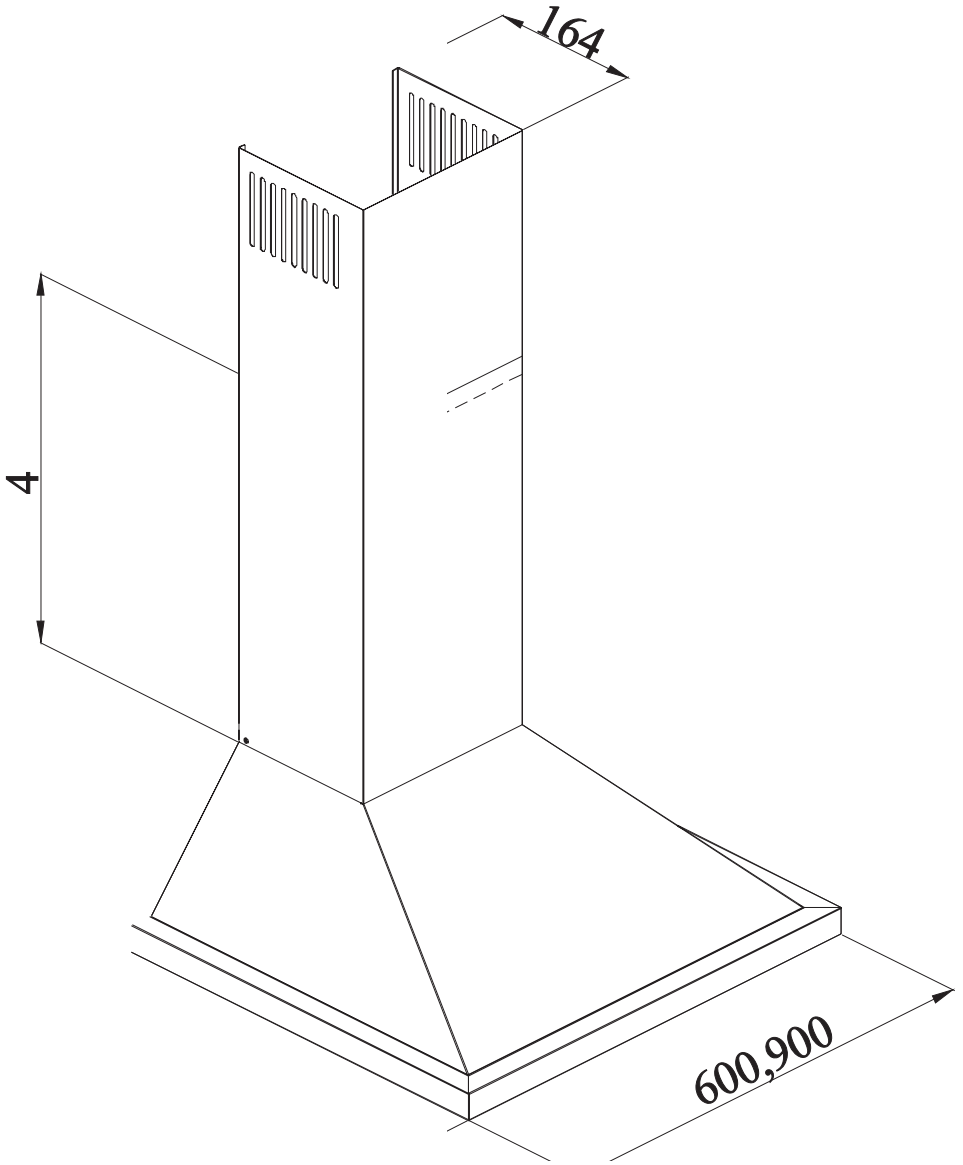


Figure 1: 2240 60_90 TECHNICAL DRAWING OF DOUBLE „FLUE “

2 WARNINGS AND SAFETY PRECAUTIONS

- This appliance can be used by children aged from 8 years and above and persons with reduced physical, sensory or mental capabilities or lack of experience and knowledge if they have been given supervision or instruction concerning use of the appliance in a safe way and understand the hazards involved.
- This product is designed for home use.
- Usage voltage of your product is 220-240 Volt~50 Hz.
- Power cord of your product is fitted with a grounded plug. That cable must definitely be connected to a grounded socket.
- The whole electrical wiring must be installed by a qualified electrician.
- Installation by unauthorized persons could lead to poor operation performance, damage to the product, and accidents.
- Feeder cable of the appliance mustn't be exposed to jamming or crashing during assembly. Feeder cable mustn't be placed near the cooker. In such cases, it might melt down and lead to fire.
- Do not plug in the appliance before the installation.
- Make sure that the installation place allows the user to easily unplug the power cable in case of any danger.
- Do not touch your product's lamps when they work for a long time. Since they would be hot, they could burn your hand.
- Kitchen cooker hoods are designed for normal cooking and home use. For uses other than specified, there is the risk of failure and the appliance becomes out of warranty.
- Comply with the rules and instructions regarding discharge of outgoing air, stipulated by the relevant authorities. (This warning does not apply to uses without flue.)
- Flammable foods must not be cooked under the appliance.
- Turn on the appliance after placing a saucepan, pan, etc. on the cooker. Otherwise, high temperature might lead to deformation on some components of your product.
- Turn off the cooker's burner before taking the saucepan, pan, etc. off the cooker.
- Do not leave hot oil on your cooker. Pots that contain hot oil might lead to inflammation.
- Since oils could catch fire when you cook fried foods in particular, be careful about your curtains and tablecloths.
- Ensure timely replacement of the filters. Filters not replaced in a timely manner pose risk of fire due to accumulated grease deposits on them.
- Do not use non-fire-resistant filtering materials instead of the filter.
- Do not operate your product without filter, and do not remove the filters when the product is in use.
- In case of any deflagration, de-energize the cooker hood and cooking appliances. (Plug off the appliance or turn off the main switch).
- If your product's periodic cleaning is not made in a timely manner, it could pose risk of fire.
- De-energize the appliance before any maintenance operations. (Plug off the appliance or turn off the main switch.)
- When electric cooker hood and devices fed with energies other than electricity operate simultaneously, the negative pressure in the room must not exceed 4 Pa (4 X 10 bar).
- Gas or fuel oil burning appliances, such as room heaters, which share the same environ-

ment with your product, must be fully insulated from the exhaust of this product or they must be hermetical.

- When you make a flue connection for your product, use pipes with a diameter of 150mm or 120 mm.

- The length of the pipe connection as well as the number of elbows must be as minimum as possible.

- Children should not tamper with the device.

- For your safety, use "MAX 6 A" fuse in the cooker hood system.

- Since the packing materials could be dangerous, keep them away from children.

- If the feeder cable is damaged, it must be replaced by its manufacturer or authorized technical service or any other personnel qualified at the same level, in order to avoid any dangerous situation.

- In case of any deflagration, de-energize the cooker hood and cooking appliances, and cover the flame. Never use water to extinguish the fire.

- When cooking appliances are in operation, their accessible parts could be hot.

- This appliance is not intended to be used by people with physical, sensory and mental disabilities (including children) or those who have not adequate experience and knowledge regarding its use, unless they are under the supervision of a person responsible for the safety of the appliance.

- After the installation of the cooker hood, the minimum distance must be 65 cm between the product and any electric cooker; and 75 cm between it and any gas ranges or cookers burning other fuels.

- Output of the cooker hood must not be connected to air ducts, where there exist another smokes.

- You must be careful when using the appliance spontaneously with other appliances (e.g. gas, diesel fuels, coal or wood burning heaters, shower heaters, etc.) which use the same air in the same environment. It is because the cooker hood could adversely affect the combustion, by discharging the ambient air.

- This warning does not apply to uses without flue.

- When electric cooker hood is used simultaneously with devices that use gas or other fuels, there must be sufficient ventilation in the room (might not apply to devices that discharges the air back into the room).

2.1 Life-Threatening Danger, Poisoning Danger

DANGER

There are life-threatening danger and poisoning danger due to reabsorbed combustion gases. During the air discharge outlet use, unless sufficient air supply is provided, do not use the appliance simultaneously with devices that discharge toxic gases through flue such as ventilated, gas, oil, wood or coal burning heaters, shower heaters, water heaters, etc.

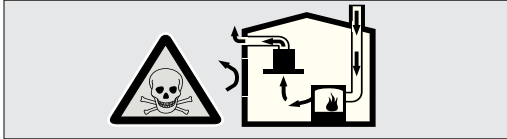


Fig. 2: Poisoning Danger

Ventilated devices (e.g. gas, oil, wood or coal burning heaters, shower heaters, water heaters) take combustion air from the installation location, and discharge the waste gas through a waste gas system (e.g. flue). When the cooker hood is active, it absorbs air from the kitchen and neighbouring rooms. If adequate air entry is not provided vacuum emerges. In such a case, the toxic gases are absorbed from the flue and waste gas channel, and are taken into to door again. Fig. 2 Therefore, adequate fresh air ingress must always be ensured. Fig. 3



Fig. 3

DANGER

Fire danger!

Due to sparkling. Installation of appliance over a heating device that is heated by using solid fuels (for ex. wood or coal) is only allowed if a non-detachable cover is present. For the installation process, attention must be paid to current applicable construction regulations and regulations of local electric and gas companies. Appliance might lead to fire unless it is produced in accordance with cleaning instructions.

DANGER

2.2 Danger of electric shock!

Do not bend or jam the connection cable during installation due to danger of damaged connection cable.

DANGER

2.3 Danger of physical injury!

- During the installation, there is a danger of physical injury due to the sharp edges. Use protective gloves throughout the installation process of the appliance.
- Due to risk of dropping the appliance, assembly of all safety bolts and covers must be performed as specified in the user manual.

⚠ DANGER**Danger of burn, danger of electric shock!**

- Allow the appliance to cool before cleaning or maintenance process. Switch off the fuse or pull out the mains plug from the socket.
- There is risk of damage due to ingress of moisture in the electronics. Do not clean the control components with a wet cloth.
- The surface could be damaged due to a wrong cleaning process. Clean stainless steel surfaces only in their brushing direction. Do not use a stainless steel cleaner for the control elements.
- The surface could be damaged due to aggressive and abrasive cleaning agents. Never use aggressive and abrasive cleaning agents.
- There is risk of damage due to backflow of condensate. Mount the air outlet channel downwards from the appliance (slope of 1°).

⚠ DANGER**Dangers of fire and physical injury!**

In case of repairing that is not performed according to the rules or as required, turn off the fuse or unplug the feeder cable of your appliance. Repairing must be performed only by the authorized technical service or authorized experts.

NOTE

If the appliance is faulty or damages, turn off the fuse or unplug the feeder cable of your appliance and call the authorized service.

NOTE

If the feeder cable is damaged, it must be replaced by its manufacturer or its authorized technical service or any other personnel qualified at the same level, in order to avoid any dangerous situation.

NOTE

If the bulbs of your appliance are faulty, turn off the fuse or unplug the feeder cable of your appliance. Replace the bulbs immediately to avoid overload on other bulbs (wait for the bulbs to cool down first)

⚠ DANGER

Accessible components might be heated when used with cooking devices.

⚠ DANGER

Air outlet pipe of this appliance mustn't be connected in the flue used to discharge the fume generated by devices that use gas or other fuels.

3 USAGE WITH AND WITHOUT CARBON FILTER

3.1 Replacement of Carbon Filter

In environments without flue, active carbon filter must be used for filtering the air and resending it in. Active carbon filter must be supplied from service or your dealer. De-energize the appliance before replacing the carbon filter. Since carbon filter is used in kitchens with no flue outlet, it must be replaced in every 3-5 months depending on the use.

Carbon filter must never be washed. Grease filters must be installed in the product, regardless of whether or not carbon filters are used. Do not use your product without grease filter.

3.2 Replacement of Carbon Filter

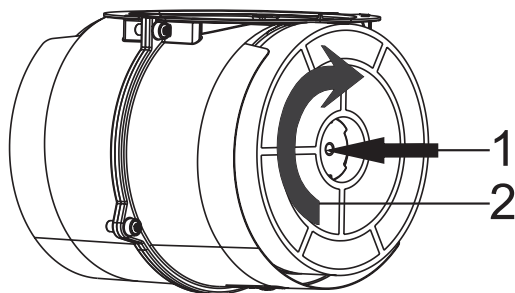


Fig. 4: CARBON FILTER

The appliance you have purchased is appropriate for use with carbon filters.

1. Place the carbon filter in its housing. Fig. 4
2. Rotating the carbon filter clockwise, ensure that it is completely fit. Fig. 4



If carbon filter does not fit in completely, it might drop and damage your product.

⚠ DANGER

Do not wash carbon filters. Keep the carbon filters away from children.

4 CLEANING AND PREVENTIVE MAINTENANCE

DANGER

- Prior to each maintenance and cleaning, cooker hood must be unplugged, and appliance must be dead
- Cleaning and user maintenance of the appliance shall not be performed by unattended children.
- The surface could be damaged due to aggressive and abrasive cleaning agents. Never use aggressive and abrasive cleaning agents. Supply your cleaning and protective substances that are appropriate for your appliance from the authorized technical service. Surface of appliance and control units are sensitive to scratching.
- Clean the surfaces with a soft and damp cloth, dish-washing liquid or mild glass cleaning agent. Soften the dry, sticky dirt with a damp cloth. Do not scrape!
- It is not appropriate to use dry cloths, sponges that may scratch, materials that require rubbing, and other aggressive cleaning agents containing sand, soda, acid or chlorine.
- Clean the stainless steel surfaces in their brushing direction only.
- Do not use stainless steel cleaning agents and wet clothes for control units. Cleaning of metal grease filters Used metal grease filters retain the greasy particles in the moisture and vapour generated in the kitchen. Clean the metal grease filters about every three months, under normal use conditions (1 to 2 hours a day).
- Do not use excessively effective, acidic or alkaline cleaning agents.

- For cleaning the metal grease filters, clean the holder parts of the metal grease filters in the appliance, with a damp cloth as well.
- You can clean the metal grease filters in the dishwasher or by hand.

4.1 Washing in Dishwasher

- In case of washing in dishwasher, a slight change might occur in colour. This has no effect on the function of the metal grease filter.
- Do not wash the excessively dirty metal grease filters together with dishes.
- Place the metal grease filters loosely and freely in the dishwasher. Metal grease filters must be placed in the dishwasher without jamming.

4.2 Hand Wash

For stubborn dirt, you can use a special grease solvent. You can buy such an agent from the authorized sales centre.

- Soften the metal grease filters in a hot water with dish-washing liquid.
- Use a brush for cleaning and wait for the liquid in metal grease filters to flow off completely.
- Rinse the filters thoroughly after cleaning.

5 INSTALLATION OF APPLIANCE

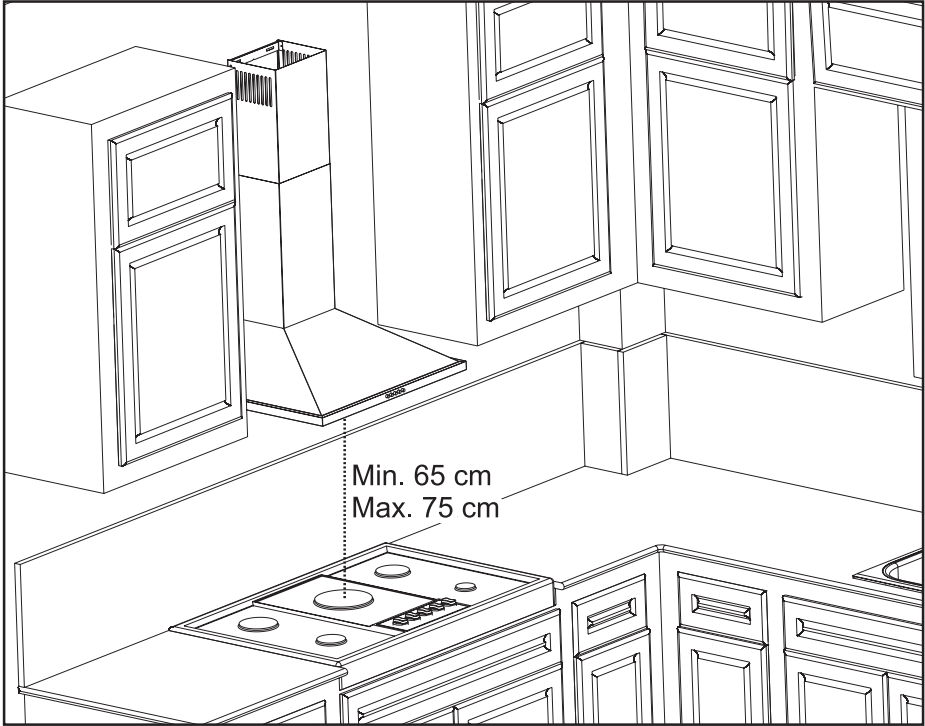


Fig. 5: INSTALLATION OF APPLIANCE

After completing the installation of cooker hood, the minimum distance must be 65 cm between the product and any electric cooker; and 75 cm between it and any gas ranges or cookers burning other fuels. Fig. 5

5.1 Installation scheme

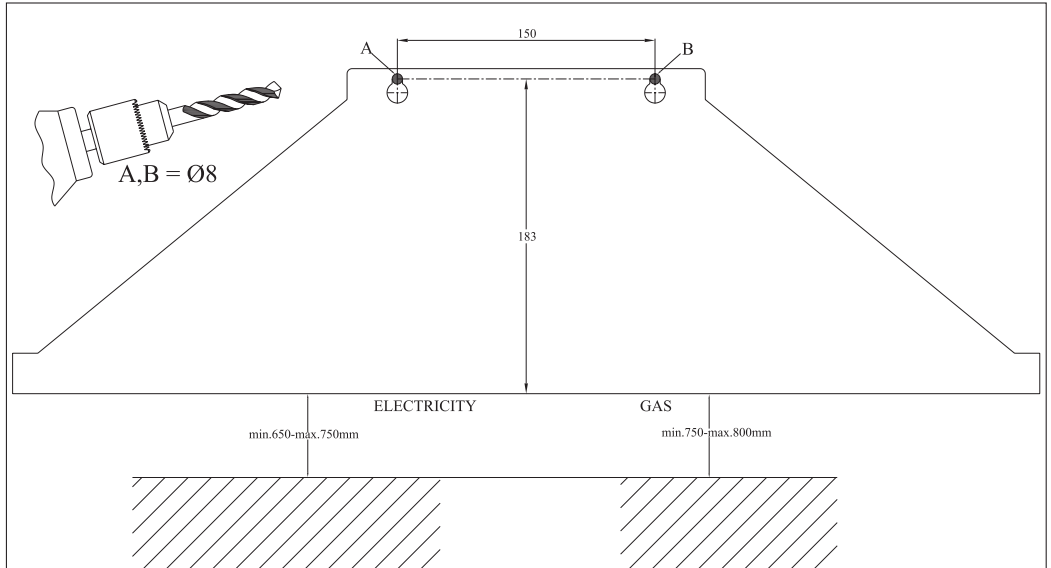


Figure 6: 2240 INSTALLATION SCHEME

5.2 Installation and Unpacking of the Appliance

Check that your appliance is not deformed.

- Report the transport issues immediately to transport operator.
- Any faults encountered shall be reported to the dealer, too.
- Do not allow children to play the with packing materials !!!

5.3 Recommendation for energy saving

- Replace the carbon filters on a regular basis.
- Regularly clean your aluminium filters. Since dirty filters would block the air passage, you might have to use the appliance at a higher speed.
- Use your product according to its normal speeds.
- Use at higher speed would cause an increase in the energy consumption.

6 CONTENT OF PACKAGE

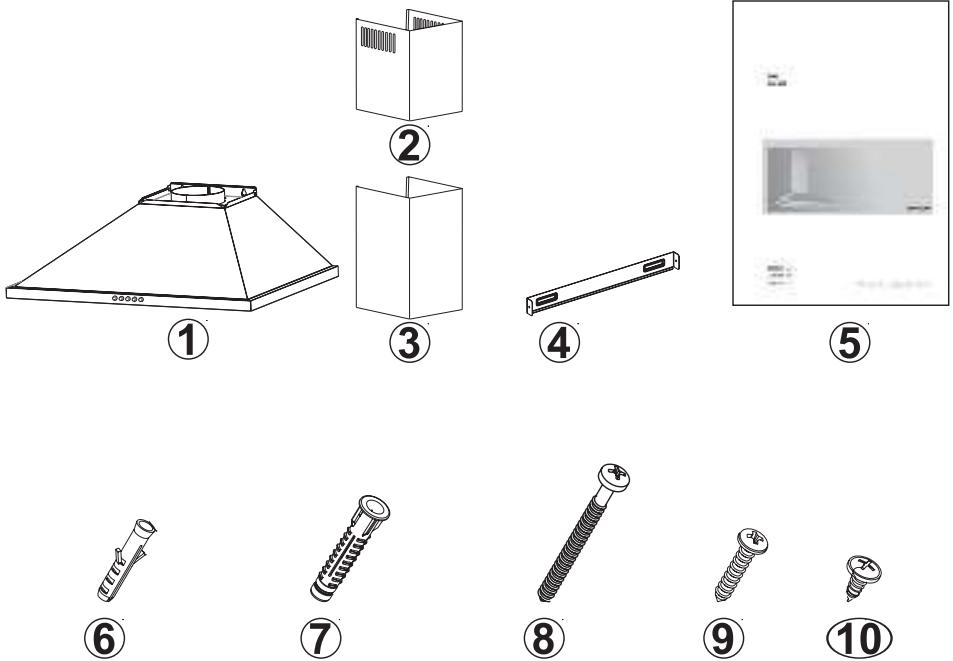


Fig. 7: CONTENT OF PACKAGE

1. Product
2. Inner Flue
3. Outer Flue
4. Flue Connection Plate
5. User Manual
6. Ø6mm Plastic Dowel
7. Ø10mm Plastic Dowel
8. 5.5x60 Wall Mount Screw
9. 3.9x22 Flue Connection Plate Screw
10. 3.5x9.5 Flue Connection Screw

7 OVERVIEW OF COOKER HOOD

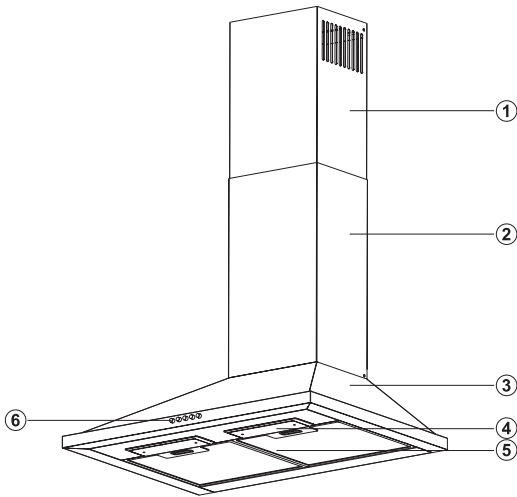


Fig. 8: OVERVIEW OF COOKER HOOD

1. Inner Flue
2. Outer Flue
3. Hood body
4. Cooker Hood Lighting
5. Aluminum filter
6. Control Panel

8 ASSEMBLY OF PRODUCT

8.1 Installation Diagram and Components

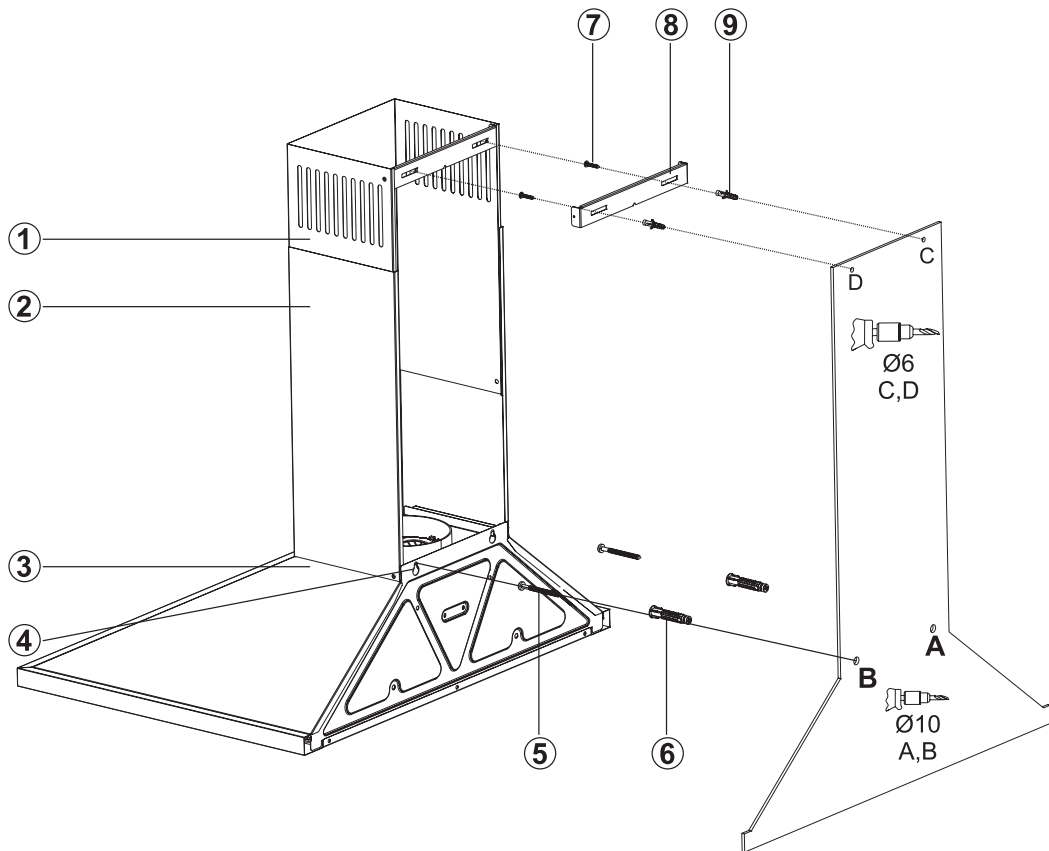


Figure 9: INSTALLATION AND COMPONENTS

- 1 - Inner Flue
- 2 - Outer Flue
- 3 - „Body“ of the appliance
- 4 - Product Wall Plate
- 5- 3x 5.5x60 Wall Mount Screw
- 6- 3x Ø10mm Plastic Dowel
- 7- 2x 3.9x22 Screw
- 8- Flue Connection Plate
- 9- 2x Ø6mm Plastic Dowel

Install the cooker hood using this installation diagram.

- Check the minimum and the maximum distance from the worktop and the drilling holes A, B and C (Figure 9).
- Place x10 mm plastic dowels into drilled holes A and B and secure the screws to A + B points leaving a 5-mm distance between the screw top and the wall (Figure 9).
- Mount the cooker hood on the wall using the points A and B.

9 INSTALLATION OF FLUE

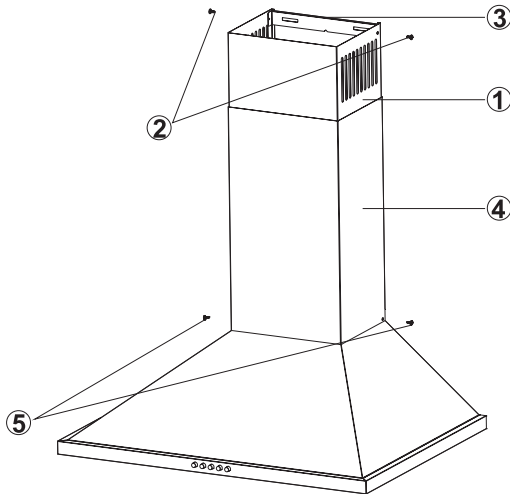


Figure 10: INSTALLATION OF FLUE

- 1 - Inner Flue
- 2 - Dowels for securing the plate connecting the inner flue
- 3- Flue Connection Metal Plate
- 4 - Outer Flue
- 5 - Screw for adjusting the outer flue

- Install the air outlet connection to the unit.
- The inner and outer flues are inserted into each other. "Installation Diagram and Components"

- Center the plate to connect the cooker hood to the flue (3), keep it under the cover and measure and mark the points C and D (Figure 10).
- Drill the points C and D using the 0.6 mm drill bit and place 0.6 mm plastic dowels. Place the plate connecting the flue on the surface where the 3.9x22 screws will be inserted (Figure 10).
- Pull out the inner flue (1) with the screw (2) and tighten it to the flue connection plate on both the right and left sides (3) (Figure 10).
- Place the outer flue (4) on the cooker hood body (5) using 2 dowels (6) (Figure 10).

10 USE OF PRODUCT

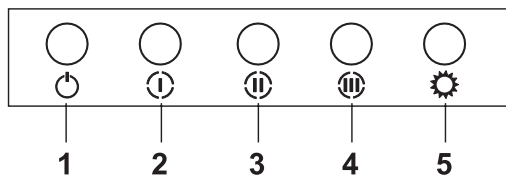


Figure 11: Touch button

1. Press this button to turn on the product.
2. When this button is pressed, product will operate at speed level 1.
3. When this button is pressed, product will operate at speed level 2.
4. When this button is pressed, product will operate at speed level 3.
5. Press this button to turn on or off the lamp.

11 REPLACEMENT OF LAMPS

DANGER

Disconnect the electrical supply of the cooker hood. Leave the lamps to cool down first because they could burn your hands when they are hot.

11.1 Replacement of Spark Plug Lamp

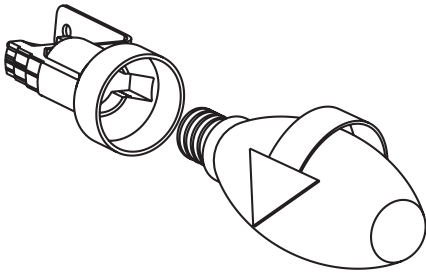


Fig. 12: Replacement of Spark Plug Lamp

Remove the aluminium cartridge filter. Remove the faulty bulb and replace with a new one with the same rating. Fig. 12

12 AUTHORIZED TECHNICAL SERVICE

If Lighting is Not Functioning:

- Make sure that the plug is plugged in, and that the fuses are intact.
- Check the bulbs. Unplug the appliance without fail, when performing this control. Tighten the bulbs if they are loose, and replace them if they do not glow even after that process.

Possible Faults and What-to-Do Before Calling the Technical Service:

A) If the appliance does not work in any way:

- Check to see if the cooker hood is plugged in or if the plug is fit properly into the socket.
- Check the fuse, to which the appliance is connected, as well as the main fuse of your house.

If the performance of appliance is insufficient or it operates with too much noise:

- Is the outlet diameter of the appliance's flue adequate? (min.120 mm).
- Are the metal filters clean? Control them.
- If you use the cooker hood without flue, make sure that the carbon filters are not older than 6 months.
- Be attentive to ventilate your kitchen adequately, in order to provide an airflow. If you are still not satisfied with the performance of the appliance, consult the authorized technical service.

12.1 Potential Failures and Solutions

Description of Failure	Reason	Help
Appliance Does Not Work.	Check the power connection.	Mains voltage must be 220-240 V, and product must be plugged into a grounded socket.
Lighting Lamp Does Not Operate.	Check the power connection.	Mains voltage must be 220-240 V, and product must be plugged into a grounded socket.
Lighting Lamp Does Not Operate.	Check the power connection.	Lamp switch must be at "on" position.
Lighting Lamp Does Not Operate.	Check the bulbs.	Bulbs must be operative.
Product's Air Intake is Weak.	Check the aluminium filter.	The aluminium cartridge filter should be washed once a month under normal conditions.
Product's Air Intake is Weak.	Check the air outlet flue.	Air Outlet Flue Must Be Open.
Product's Air Intake is Weak.	Check the carbon filter.	In products that work with carbon filters, carbon filter must be replaced once in every 3 months under normal conditions.
It Does Not Discharge Air (in flueless use)	Check the aluminium filter.	The aluminium cartridge filter should be washed once a month under normal conditions.
It Does Not Discharge Air (in flueless use)	Check the carbon filter.	In products that work with carbon filters, carbon filter must be replaced once in every 3 months under normal conditions.

12.2 Technical Table

Supply Voltage	220 - 240 V 50Hz
Insulation Class of Motor	F
Insulation Class	CLASS I

MODEL: CHM650IX



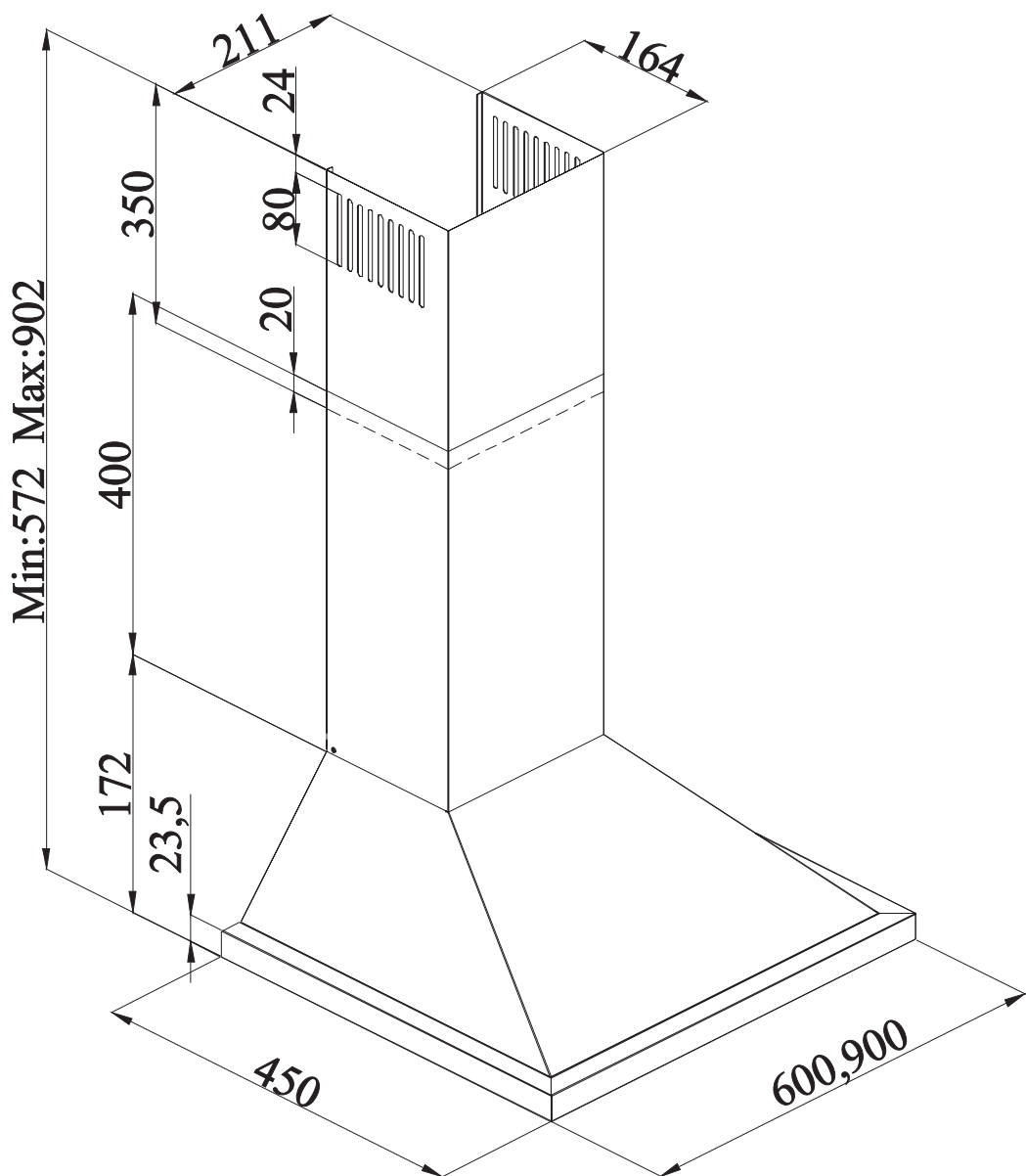
Pažljivo pročítajte uputstvo pre upotrebe!

Sadržaj

1 TEHNIČKI CRTEŽ	4
2 UPOZORENJA I MERE BEZBEDNOSTI	5
2.1 Rizik od smrti - Rizik od trovanja	7
3 UPOTREBA SA ILI BEZ KARBON (UGLJENIK) FILTERA	9
3.1 Zamena karbon (ugljenik) filtera	9
3.2 Zamena karbon (ugljenik) filtera	9
4 ČIŠĆENJE I PREVENTIVNO ODRŽAVANJE	10
4.1 Pranje u mašini za sudove	10
4.1 Ručno pranje	10
5 MONTAŽA UREĐAJA	11
5.1 Šema montaže	12
5.2 Montaža i raspakivanje	12
5.3 Saveti za uštedu energije	12
6 SADRŽAJ PAKOVANJA	13
7 PREGLED ASPIRATORA	14
8 PODIZANJE PROIZVODA	15
8.1 Šema montaže i delova	15
9 MONTIRANJE DIMNJAKA	16
10 KAKO KORISTITI PROIZVOD	17
11 ZAMENA LAMPE	18
11.1 Zamena utične lampe	18
12 OVLAŠĆENI SERVIS	19
12.1 Rešavanje problema	20
12.2 Tehnička tabela	20



1 TEHNIČKI CRTEŽ



Slika 1: 2240 60_90 TEHNIČKI CRTEŽ DVOJNOG „DIMNJAKA“

2 UPOZORENJA I MERE BEZBEDNOSTI

Ovaj aparat mogu koristiti samo deca starija od 8 godina i pojedinci bez fizičkih, čulnih ili mentalnih nedostataka, sa potrebnim iskustvom i znanjem, onda kada su ima dati nadzor ili uputstva o bezbednom korišćenju i konstatovano je da razumeju opasnosti.

Ovaj proizvod je namenjen za upotrebu u domaćinstvu.

Upotrebni napon uređaja je 220-240 Volt~50 Hz.

Kabl za napajanje vašeg uređaja je opremljen utikačem za uzemljenje. Ovaj kabl mora biti uključen u kabl za uzemljenje.

Sve strujne konekcije mora da poveže kvalifikovani tehničar.

Neovlašćena montaža može da izazove loše performanse uređaja, oštećenje uređaja ili nezgode.

Kabl uređaja ne sme biti zapetljan ili polomljen tokom montaže. Kabl za napajanje ne sme da se uključuje blizu šporeta. Ovo može izazvati topljenje ili požar.

Nemojte priključivati uređaj pre nego što je montaža gotova.

Uverite se da priključak lako dostupan kako biste isključili mašinu u slučaju nužde.

Ne dirajte lampe aparata kada su duže vreme otvorene. Lampe mogu izazvati opekotine na vašim rukama jer mogu biti vrele.

Aspiratori su projektovani za upotrebu u domaćinstvu kod uobičajenog kuvanja. Ako se koriste u druge svrhe može doći do kvara ili prestanka garancije.

Pratite pravila i zvanične odredbe u vezi ispuštanja izduvnog vazduha. (Ovo ne važi za korišćenje bez dimnjaka).

Hrana koja se pali tokom kuvanja ne sme da se kuva ispod ovog aparata.

Pokrenite aparat nakon što ste stavili posude, lonce itd. na šporet. U suprotnom, visoka temperatura može da izazove deformacije na nekim delovima uređaja.

Isključite aparat nakon što ste uklonili posude, lonce itd. sa šporeta.

Ne ostavljajte vruće ulje na šporetu. Tiganji sa vrelim uljem mogu izazvati samo-zapaljivanje i požar.

Ulje može da se zapali tokom prženja i sl. Budite oprezni sa zavesama i pokrivačima.

Postarajte se da su filteri zamenjeni na vreme. Filteri koji nisu zamenjeni na vreme predstavljaju rizik od požara, zbog nagomilanog ulja u njima.

Nemojte koristiti materijal za filtriranje koji nije otporan na vatru umesto filtera.

Nemojte koristiti ovaj proizvod bez filtera. Nemojte uklanjati filtere dok se proizvod koristi.

U slučaju požara, isključite aspirator i šporet. (Isključite uređaj ili isključite glavni prekidač).

Ako ne čistite aparat redovno, on može predstavljati rizik od požara.

Isključite aparat pre radova na održavanju. (Isključite uređaj ili isključite glavni prekidač).

Negativan pritisak u sobi, dok su uključeni aspirator i uređaji koji rade na drugim izvorima električne energije i koriste se u isto vreme, ne sme da pređe 4 PA (4 k 10 bar).

Ako postoje uređaji koji koriste gorivo ili gas, kao što su sobne grejalice u oblasti gde se koristi vaš aparat, izduvni put ovih uređaja mora biti potpuno izolovan ili uređaj mora biti hermetičan.

Kada povezujete dimnjake vašeg aparata koristite cevi prečnika 150 ili 120 mm. Priključak mora biti što je kraći moguće i sa što manje pregiba.

Deca ne smeju da se igraju sa aparatom.

Iz bezbednosnih razloga, koristite „MAX 6 A“ osigurač u aparatu.

Držite ambalažni materijal dalje od dece jer to može biti opasno.

Ako je oštećen kabl napajanja, mora biti zamenjen od strane proizvođača, njegove servisne agencije ili bilo kog osoblja ekvivalentnih kvalifikacija, da bi se izbegla bilo kakva opasna situacija.

U slučaju požara, isključite aspirator i šporet i ugasite vatru. Nikada ne koristite vodu za gašenje.

Dostupni delovi mogu biti vrući kada radi šporet.

Ovaj aparat nije namenjen za upotrebu od strane pojedinaca sa ograničenim fizičkim, čulnim ili mentalnim sposobnostima (uključujući i decu) ili osoba sa ograničenim znanjem ili iskustvom, osim nadzor i administracija nisu obezbeđeni od strane osobe odgovorne za sigurnost aparata.

Kada se montira aspirator, mora da postoji najmanje 65 cm razdaljine između proizvoda i električnih šporeta i 75 cm za šporete koji rade na gas ili druga goriva.

Izlazni delovi aspiratora ne smeju biti povezani na vazdušne kanale koji uključuju druge oblike dima.

Mora se voditi računa kada se uređaj koristi sa uređajima koji koriste vazduh i gorivo (npr. grejači, bojleri koji rade na gas, dizel gorivo, ugalj ili drva). To je zato što se sagorevanje može umanjiti kada se u prostoriju otpušta vazduh iz aspiratora.

Ovo ne važi za korišćenje bez dimnjaka.

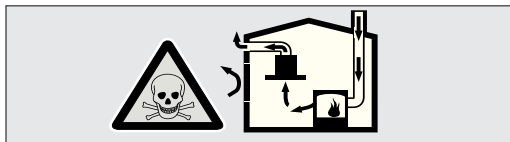
Prostorija mora imati dovoljnu ventilaciju kada se šporet, aspirator i uređaji koji rade na gas i druga goriva koriste u isto vreme (ovo ne može da se primeni na uređaje koji vrše

circulaciju vazduha u prostoriji).

2.1 Rizik od smrti- Rizik od trovanja

⚠ OPASNOST

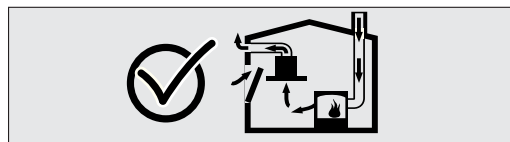
Opasnost od trovanja zbog ponovne apsorpcije gasova sagorevanja. Osim ukoliko je adekvatan ulaz vazduha obezbeđen tokom izlaska vazduha, uređaj ne koristite istovremeno sa spravama koje izduvavaju otrovne gasove kroz dimnjak kao što su peći, grejači, bojleri i sl. koji se baziraju na cirkulaciji vazdušnog gasa, ulja, drveta ili uglja.



Slika 2: Rizik od trovanja

Uređaji u kojima cirkuliše vazduh (npr. peći, grejači, bojleri koji rade na gas, ulje, drvo ili ugalj) uzimaju vazduh za sagorevanje iz mesta instalacije i izbacuju izduvne gasove kroz sistem za ispušt vazduha (npr. dimnjak). Vazduh se apsorbuje iz kuhinje i soba pored kroz aspirator u radu. Vakuum se javlja ukoliko adekvatan ulaz vazduha nije predviđen. U tom slučaju, otrovni gasovi se ponovno apsorbuju iz dimnjaka i kanala za izduvavanje vazduha i ponovo ulaze u kuću. Slika 2

Iz tog razloga, uvek treba osigurati adekvatan unos svežeg vazduha. Slika 3



Slika 3

⚠ OPASNOST

Rizik od požara!

Zbog letećih varnica. Instalacija uređaja na grednoj opremi koja se zagreva pomoću čvrstog goriva (npr. drvo ili ugalj) može biti dozvoljena samo ako postoji ne odvojiv poklopac. Potrebno je obratiti pažnju na ažurirane postojeće građevinske propise i propise za lokalne kompanije za električnu energiju i vodovod prilikom montaže.

Ako uređaj nije očišćen u skladu sa uputstvima za čišćenje, može izazvati požar.

⚠ OPASNOST

Opasnost od strujnog udara!

Zbog oštećenog kabl. Nemojte savijati ni pritiskati kabl za povezivanje tokom montaže.

⚠ OPASNOST

Opasnost od povreda!

– Postoji opasnost od povreda tokom montiranja zbog oštih ivica. Uvek koristite zaštitne rukavice tokom ugradnje uređaja.

- Sve sigurnosne zavrtnje i poklopce treba montirati kao što je opisano u uputstvu za rukovanje zbog rizika od padanja uređaja.

⚠ OPASNOST**Opasnost od opekotina, opasnost od strujnog udara!**

- Sačekajte da se uređaj ohladi pre čišćenja i održavanja. Isključite osigurač ili isključite uređaj iz struje.

- Postoji opasnost od oštećenja zbog vlažnog kapanja na elektronske komponente. Nikada ne čistite kontrolne elemente vlažnom krpom.

- Površina može da se ošteti kao rezultat pogrešnog čišćenja. Čistite površine od nerđajućeg čelika samo u pravcu brušenja. Nemojte koristiti sredstva za čišćenje nerđajućeg čelika na kontrolnim elementima.

- Površine mogu da se oštete zbog oštih ili ribajućih sredstava za čišćenje. Nikad ne koristite sredstva za čišćenje koja su oštra ili zahtevaju ribanje.

⚠ OPASNOST**Opasnost od požara, opasnost od povreda!**

Isključite osigurač ili isključite uređaj iz struje kod vanrednih popravki. Popravke uvek treba da obavlja samo ovlašćeni servis ili ovlašćeni stručnjak.

NAPOMENA

U slučaju greške ili oštećenja uređaja, isključite osigurač ili isključite uređaj iz struje kod vanrednih popravki i pozovite ovlašćeni servis.

NAPOMENA

Ako je oštećen kabl napajanja, mora biti zamenjen od strane proizvođača, njegove servisne agencije ili bilo kog osoblja ekvivalentnih kvalifikacija, da bi se izbegla bilo kakva opasna situacija.

NAPOMENA

Ukoliko je sijalica uređaja oštećena, isključite osigurač ili isključite uređaj iz struje. Da biste izbegli preopterećenje ostalih sijalica, odmah zameniti pokvarenu sijalicu (sačekajte da se sijalica ohladi).

⚠ OPREZ

Kada se koriste sa šporetom, dostupni delovi uređaja se mogu ugrejati.

⚠ OPASNOST

Odvodna cev za vazduh ovog uređaja nikada ne sme da bude povezana unutar dimnjaka za izbacivanje gasova koji izlaze iz uređaja koji koriste gas ili druga goriva.

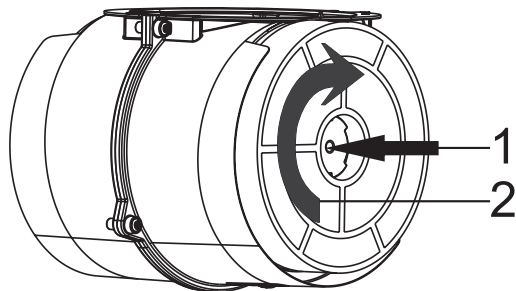
3 UPOTREBA SA ILI BEZ KARBON (UGLJENIK) FILTERA

3.1 Zamena karbon (ugljenik) filtera

Kada nema dimnjaka, filter sa aktivnim ugljem treba koristiti da bi se ponovo poslao unutrašnji vazduh putem ponovnog filtriranja. Filter sa aktivnim ugljem treba biti nabavljen od servisa ili od vašeg distributera. Isključite uređaj pre zamene karbon (ugljenik) filtera. Pošto se karbon filter koristi u kuhinjama bez dimnjaka, treba ga zameniti novim nakon svakih 3 do 5 meseci korišćenja.

Karbon filter nikada nemojte prati. U svakom slučaju filteri treba da budu prikačeni na proizvod bez obzira na to da li se koristi karbon filter ili ne. Ne koristite proizvod bez filtera ulja.

3.2 Zamena karbon (ugljenik) filtera



Slika 4: Karbon (ugljenik) filter

Uređaj koji ste kupili je pogodan za upotrebu ugljen-filtera. 1-Stavite karbon filter u njegovo kućište. Slika 4

2-Okrenite karbon filter u pravcu kazaljke na satu i proverite da li je potpuno postavljen. Slika 4



Ako nije u potpunosti postavljen, karbon filter može da padne i oštetiti proizvod.

⚠ OPASNOST

Nikada nemojte prati karbon filtere. Držite karbon filter van domašaja dece.

4 ČIŠĆENJE I PREVENTIVNO ODRŽAVANJE

OPREZ

Deca bez nadzora ne bi smela da čiste niti servisiraju proizvod.

- Površine mogu da se oštete zbog oštrih ili ribajućih sredstava za čišćenje. Nikad ne koristite sredstva za čišćenje koja su oštra ili zahtevaju ribanje. Nabavite sredstva za čišćenje i zaštitu koja su adekvatna za vaš proizvod od ovlašćenog servisa. Površina uređaja i komandne jedinice su osetljivi na ogrebotine.

Očistite površine mekom, vlažnom krpom, deterđentom za sudove ili blagim sredstvom za čišćenje stakla. Omekušajte sasušenu i zaglavljenu prljavštinu vlažnom krpom. Nemojte strugati po uređaju!

- Korišćenje suvih krpa, sundera koji mogu ogrebat uređaj, sredstava koja zahtevaju ribanje, sadrže pesak, sodu, kiseline, hlor ili druge jake supstance nije prikladna.

- Čistite površine od nerđajućeg čelika samo u pravcu brušenja.

- Nemojte koristiti sredstva za čišćenje nerđajućeg čelika i mokre krpe na kontrolnim elementima. Čišćenje metalnih filtera za ulje. Korišćeni metalni filteri za ulje hvataju uljane čestice iz vlažnosti i pare u kuhinji. Kod normalne upotrebe (1-2 sata dnevno), čistite metalne filtere za ulje otprilike na svaka tri meseca.

- Ne koristite preterano jake, kisele ili hlor-rastvore kao sredstva za čišćenje.

- Dok čistite metalni filter za ulje, očistite takođe i nakupljene čestice metalnih filtera ulja u uređaju vlažnom krpom.

- Možete očistiti metalne filtere ulja u mašini za pranje sudova ili ručno.

4.1 Pranje u mašini za sudove

U slučaju da perete u mašini za sudove, može doći do blažeg gubljenja boje. Ovo nema uticaja na funkcije metalnog filtera ulja.

- Ne perite teško zaprljane metalne filtere za ulje zajedno sa posuđem.

- Postavite metalne filtere ulja u mašinu za sudove tako da komotno stoje u njoj. Metalne filtere ulja treba postaviti u mašinu za sudove tako da ih ništa ne pritiska.

4.1 Ručno pranje

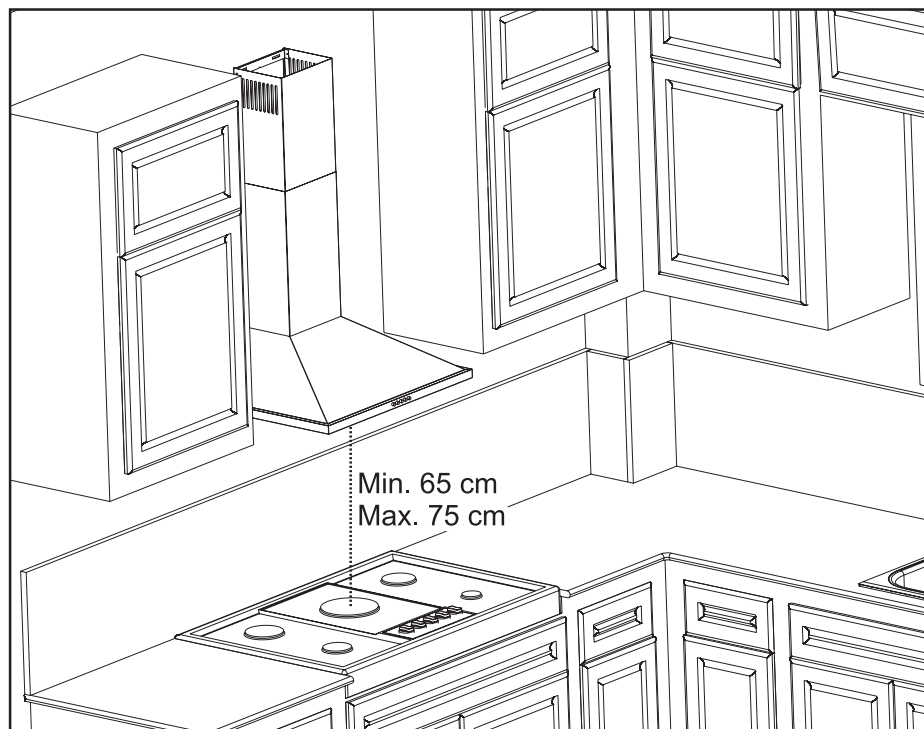
Omekšajte fleke na metalnim filterima ulja u toploj vodi sa deterđentom.

- Koristite četku za čišćenje u ostavite da se tečnost na metalnim filterima ulja da se potpuno osuši.

- Isperite filtere detaljno posle čišćenja.

Možete koristiti posebni uljani rastvor da uklonite uporne fleke. Možete dobiti ovaj proizvod preko ovlašćenog prodajnog centra.

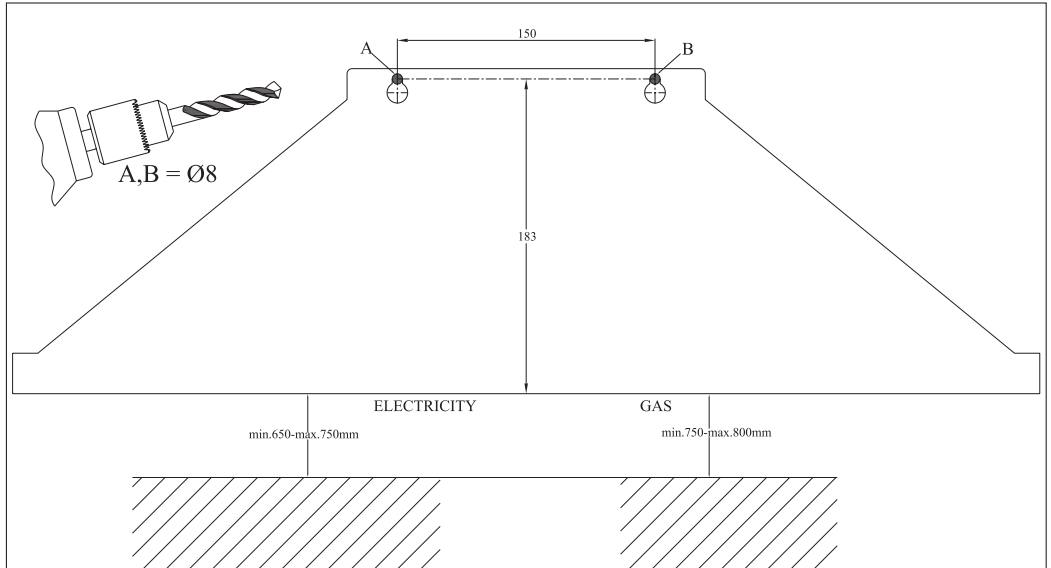
5 MONTAŽA UREĐAJA



Slika 5: MONTAŽA UREĐAJA

Kada se montira aspirator, mora da postoji najmanje 65 cm razdaljine između proizvoda i električnih šporeta i 75 cm za šporete koji rade na gas ili druga goriva. Slika 5

5.1 Šema montaže



Slika 6: 2240 ŠEMA MONTAŽE

5.2 Montaža i raspakivanje

Proverite da li postoje oštećenja na vašem uređaju.

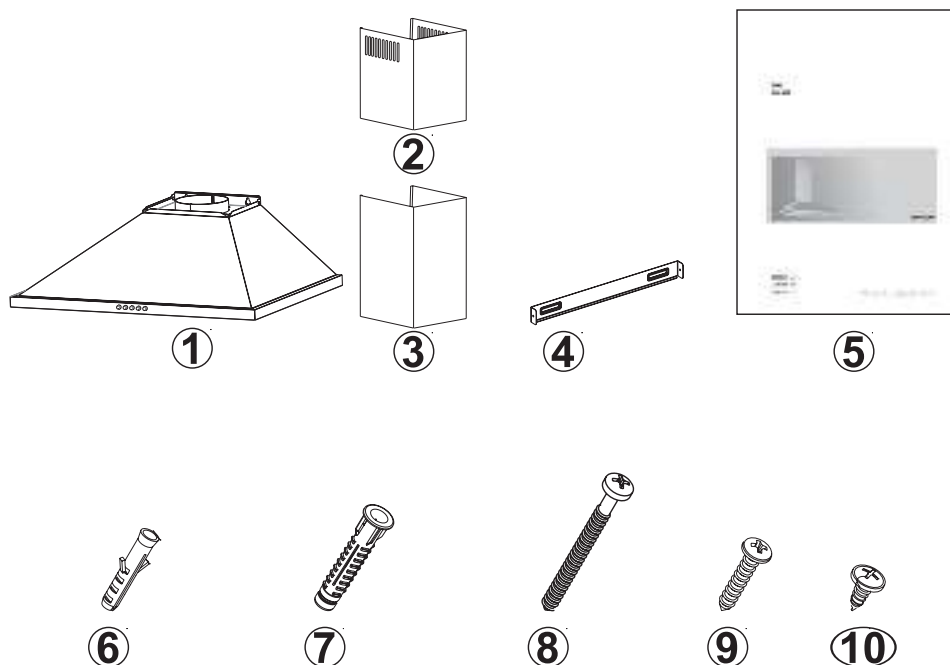
- Ukoliko postoje oštećenja zbog transporta to treba odmah javiti odgovornim licima.
- Vidljivi defekti se takođe moraju preneti prodavcu.
- Sprečite decu da se igraju sa ambalažom.

5.3 Montaža i raspakivanje

Redovno menjajte karbon (ugljenik) filtere.

- Čistite aluminijumske filtere redovno. Možda ćete morati da koristite vaš uređaj na visokom nivou jer prljav filter može da blokira ulaz vazduha.
- Koristite nivoe upotrebe uređaja pravilno.
- Upotreba na visokim nivoima će povećati potrošnju energije.

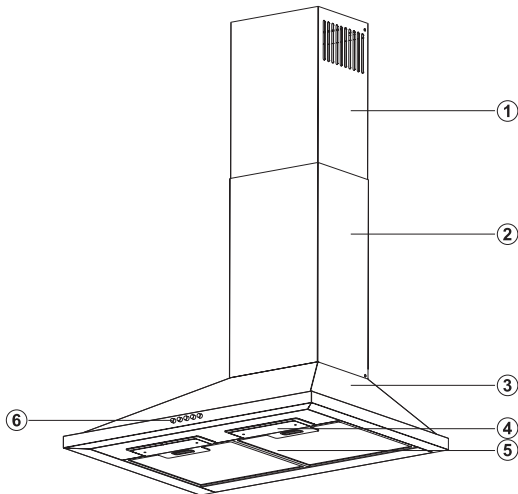
6 SADRŽAJ PAKOVANJA



Slika 7: SADRŽAJ PAKOVANJA

- 1 - Proizvod
- 2 - Unutrašnji dimnjak
- 3 - Spoljni dimnjak
- 4 - Metalna ploča za povezivanje dimnjaka
- 5 - Uputstvo za upotrebu
- 6- Ø6mm plastični ekser
- 7- Ø10mm plastični ekser
- 8- 5.5x60 zavrtnaj za montiranje na zid
- 9- 3.9x22 zavrtnaj za povezivanje dimnjaka
- 10- 3.5x9.5 zavrtnaj za povezivanje dimnjaka

7 PREGLED ASPIRATORA

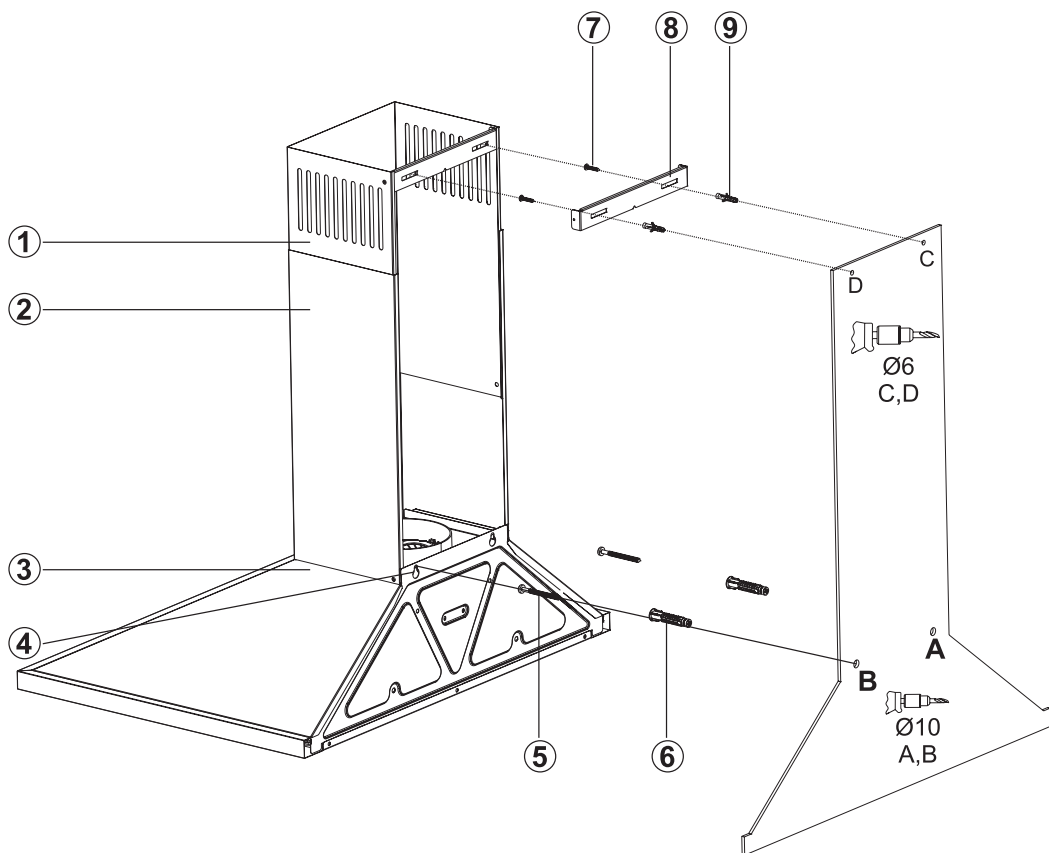


Slika 8: PREGLED ASPIRATORA

- 1 - Unutrašnji dimnjak
- 2 - Spoljni dimnjak
- 3 - „Telo“ uređaja
- 4 - Osvetljenje šporeta
- 5 - Aluminijumski filter
- 6 - Kontrolna tabla

8 PODIZANJE PROIZVODA

8.1 Šema montaže i delova

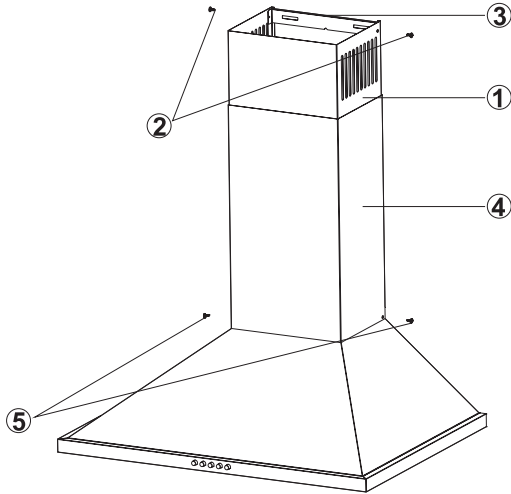


Slika 9: MONTAŽA I DELOVI

- 1 - Unutrašnji dimnjak
- 2 - Spoljni dimnjak
- 3 - „Telo“ uređaja
- 4 - Mrežna ploča proizvoda
- 5- 2x 5.5x60 zidna mrežna ploča
- 6- 2x Ø10mm plastični eksere
- 7- 2x 3.9x22 zavrtnaj
- 8- Metalna ploča za povezivanje dimnjaka
- 9- 2x Ø6mm plastični eksere

- Montirajte aspirator uz pomoć šeme montaže.
- Proverite minimalnu i maksimalnu udaljenost prema radnoj ploči i tačkama za bušenje A, B. (Slika 9)
 - Postavite Ø10mm plastične eksere u A, B probušene tačke i zavrtnje do A+B tačka ostavljajući 5 mm prostora između glave zavrtnja i zida. (Slika 9)
 - Zakačite aspirator na zid koristeći tačke A, B.

9 MONTIRANJE LIMENIH DIMNJAKA



Slika 10: MONTIRANJE DIMNJAKA

- 1 - Unutrašnji dimnjak
- 2 - Zavrtnji za fiksiranje ploče koja povezuje unutrašnji dimnjak
- 3 - Metalna ploča za povezivanje dimnjaka
- 4 - Spoljni dimnjak
- 5 - Zavrtnj za podešavanje spoljnjeg dimnjaka

Montirajte vezu odvoda vazduha na uređaj. Unutrašnji i spoljašnji dimnjaci se ubacuju jedan u drugog. „Šema montaže i delova“.

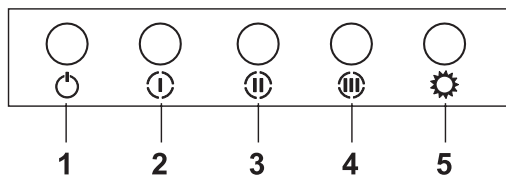
Centrirajte ploču za povezivanje dimnjaka (3) na aspirator, držite je ispod poklopca ili izmerite i obeležite tačke C, D. (Slika 10)

- Probušite tačke C, D koristeći $\varnothing 6\text{mm}$ bušilicu i postavite $\varnothing 6\text{mm}$ plastične eksere. Postavite ploču za povezivanje dimnjaka na površinu gde će se montirati 3.9x22 zavrtnji. (Slika 10)

- Izvucite unutrašnji dimnjak (1) pomoću zavrtnja (2) i pričvrstite ga na ploču za povezivanje dimnjaka sa desne i leve strane (3). (Slika 10)

- Postavite spoljni dimnjak (4) na telo aspiratora koristeći 2 zavrtnja (5). (Slika 10)

10 KAKO KORISTITI PROIZVOD



Slika 11: Pritisnite taster

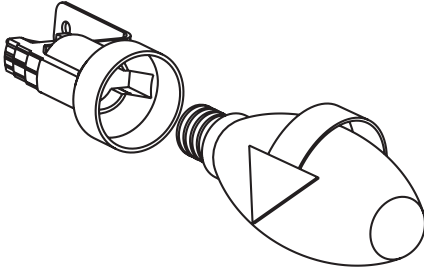
1. Pritisnite ovaj taster za resetovanje proizvoda.
2. Kada je ovaj taster pritisnut proizvod će raditi na prvom nivou brzine.
3. Kada je ovaj taster pritisnut proizvod će raditi na drugom nivou brzine.
4. Kada je ovaj taster pritisnut proizvod će raditi na trećem nivou brzine.
5. Pritisnite ovaj taster da uključite i isključite lampu.

11 ZAMENA LAMPE

OPASNOST

Isključite aspirator iz struje. Sačekajte da se lampa ohladi jer možete opeći ruke.

11.1 Zamena utične lampe



Slika 12: Zamena utične lampe

Uklonite kertridž aluminijskog filtera. Uklonite oštećenu sijalicu i zamenite je novom iste jačine. Slika 12

12 OVLAŠĆENI SERVIS

Ako osvetljenje ne radi:

- Uverite se da je uređaj uključen i osigurači nisu neispravni.
- Proverite sijalice. Uverite se da set isključili uređaj dok vršite ovu proveru. Zategnite lampe ako su labave. Zamenite ih ako i dalje ne rade.

Mogući kvarovi i radnje koje možete preduzeti bez pozivanja servisa:

A) Uređaj uopšte ne radi:

- Proverite da li je uređaj uključen i da li je utikač dobro postavljen u utičnici.
- Proverite osigurač aparata i glavnog prekidača vaše kuće.

Ako uređaj pokazuje nizak učinak ili pravi buku dok radite:

- Da li uređaj ima dovoljan prečnik dimnjaka? (min. 120 mm).
- Da li su metalni filteri čisti? Proverite.
- Ako koristite aspirator bez dimnjaka, uverite se da karbon (ugljenik) filteri nisu stariji od 6 meseci.
- Uverite se da je kuhinja dobro provetrena da omogući protok vazduha. Ako ste i dalje nezadovoljni radom uređaja, kontaktirajte ovlašćeni servis.

12.1 Rešavanje problema

Rešavanje problema	Razlog	Pomoć
Uređaj uopšte ne radi	Proverite dovod struje.	Napon mora biti 220-240V i proizvod mora biti povezan na utičnicu za uzemljenje.
Lampa ne radi.	Proverite dovod struje.	Napon mora biti 220-240V i proizvod mora biti povezan na utičnicu za uzemljenje.
Lampa ne radi.	Proverite prekidač lampe.	Prekidač lampe mora biti u poziciji „on“ (uključeno).
Lampa ne radi.	Proverite lampe.	Lampe proizvoda ne smeju biti falične.
Usisavanje vazduha na uređaju je slabo	Proverite aluminijske filtere	Kertridž aluminijskog filtera mora da se pere bar jednom mesečno u normalnim uslovima.
Usisavanje vazduha na uređaju je slabo	Proverite dimnjak za odvod vazduha.	Dimnjak za odvod vazduha mora biti otvoren.
Usisavanje vazduha na uređaju je slabo	Proverite karbon (ugljenik) filter	Kod proizvoda koji koriste karbon filtere, oni moraju da se menjaju jednom u tri meseca u normalnim uslovima.
Ne ispušta vazduh (korišćenje bez dimnjaka)	Proverite aluminijske filtere	Kertridž aluminijskog filtera mora da se pere bar jednom mesečno u normalnim uslovima.
Ne ispušta vazduh (korišćenje bez dimnjaka)	Proverite karbon (ugljenik) filter	Kod proizvoda koji koriste karbon filtere, oni moraju da se menjaju jednom u tri meseca u normalnim uslovima.

12.2 Tehnička tabela

Napon	220 - 240 V 50Hz
Klasa izolacije motora	F
Klasa izolacije	KLASA I



SVN

CHM-650IX

NAVODILA ZA UPORABO KUHINJSKA NAPA

MODEL: CHM650IX

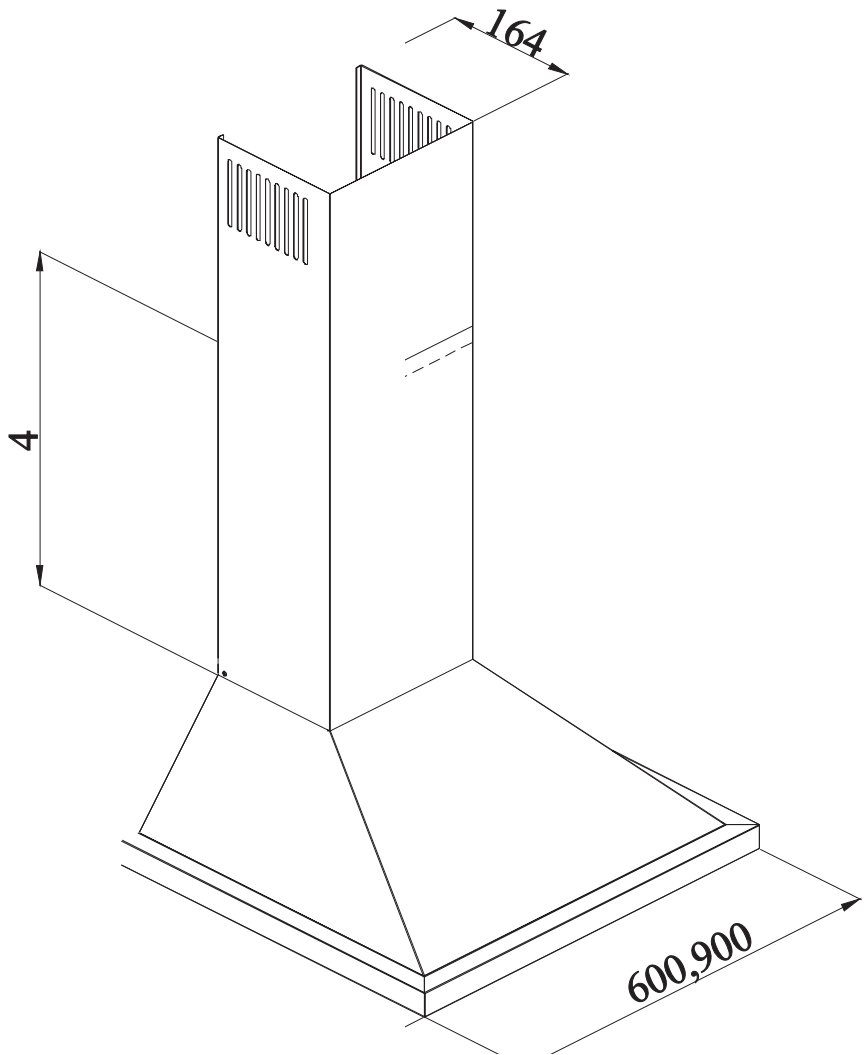


Pozorno preberite navodila!

Vsebina

1.	TEHNIČNA RISBA	2
2.	OPOZORILA IN VARNOSTNI UKREPI	3
	2.1 Nevarnost smrtnih poškodb – Nevarnost zastrupitve	5
3.	UPORABA Z ALI BREZ OGLENEGA FILTRA	7
	3.1 Menjava oglenega filtra	7
	3.2 Menjava oglenega filtra	7
4.	ČIŠČENJE IN PREVENTIVNO VZDRŽEVANJE	10
	4.1 Pranje v stroju za pomivanje posode	10
	4.2 Ročno pranje	10
5.	MONTAŽA APARATA	11
	5.1 Shema montaže	12
	5.2 Montaža in razpakiranje	12
	5.3 Montaža in razpakiranje	12
6.	VSEBINA EMBALAŽE	13
7.	PREGLED NAPE	14
8.	MONTAŽA APARATA	15
	8.1 Shema montaže in delov	15
9.	SESTAVLJANJE PLOŠČASTIH VODOV	16
10.	KAKO UPORABLJATI IZDELEK	17
11.	MENJAVA ŽARNIC	18
	11.1 Menjava žarnic	18
12.	POOBLAŠČENI SERVIS	19
	12.1 Odpravljanje težav	20
	12.2 Tehnična tabela	20

1 TEHNIČNA RISBA



Slika 1: Tehnična risba

2 OPOZORILA IN VARNOSTNI UKREPI

- Aparat smejo uporabljati otroci starejši od 8 let in posamezniki brez fizičnih, zaznavnih ali intelektualnih motenj, vendar le pod nadzorom in z navodili za varno uporabo ter pod pogojem, da razumejo nevarnosti.
- Izdelek je namenjen izključno uporabi v gospodinjstvu.
- Aparata zahteva napajanje 220-240 V pri 50 Hz.
- Kabel za napajanje vašega aparata je opremljen vtikačem, ki ima ozemljitev. Ta vtikač mora biti vključen v ozemljeno vtičnico.
- Vse električne povezave mora opraviti ustrezno usposobljeno osebje.
- Nepooblaščen montaža lahko povzroči slabše delovanje ali poškodbe aparata in nesrečo.
- Kabel aparata se ne sme zavozlati ali poškodovati med montažo. Kabla ne smete priključiti v bližini štedilnika, saj lahko tako povzročite topljenje materiala ali požar.
- Aparata ne priključujte preden je montaža končana.
- Poskrbite da je el. vtičnica lahko dostopna, tako da lahko v sili izključite aparat.
- Po daljšem delovanju se ne dotikajte žarnic, saj lahko zaradi visoke temperature povzročijo opekline.
- Nape so načrtovane za uporabo v gospodinjstvu, pri običajnem kuhanju. Če se uporabljajo v druge namene, lahko pride do okvare ali prenehanja veljavnosti garancije.
- Sledite predpisom in odredbam v zvezi z odvajanjem zraka. (To ne velja v primeru uporabe brez ventilatorja.)
- Vnetljiva hrana se ne sme pripravljati pod tem aparatom.
- Zaženite aparat po postavljanju posod, loncev itn. na štedilnik. V nasprotnem lahko visoka temperatura povzroči deformacija na nekaterih delih aparata.
- Ko odstranite posode in lonce s štedilnika, izklopite grelne plošče.
- Ne puščajte vročega olja na štedilniku. Kozice z vročim oljem se lahko vnamejo in povzročijo požar.
- Pri praženju lahko pride do vnetja olja. Bodite pozorni z zavesami in pokrivali.
- Poskrbite za pravočasno menjavo filtrov. Filtri, ki se ne zamenjajo pravočasno, predstavljajo požarno nevarnost zaradi v njih nakopičene maščobe.
- Ne uporabljajte materiala za filtriranje, ki ni odporen na ogenj, namesto filtrov.
- Izdelka ne uporabljajte brez filtrov. Ne odstranjujte filtrov med uporabo.
- V primeru požara, izključite aparat in štedilnik.
(Izključite aparat iz el. vtičnice ali z glavnim stikalom)
- Če aparata ne čistite redno, lahko predstavlja požarno nevarnost.
- Pred vzdrževalnimi dejavnostmi izklopite aparat. (Izključite aparat iz el. vtičnice ali z glavnim stikalom)
- Negativni tlak v prostoru med uporabo nape in aparatov, ki delujejo z drugih virov el. energije istočasno, ne sme presegati 4 PA (4 k 10 bar).
- Če so prisotni aparati, ki uporabljajo gorivo ali plin, kot so sobni grelci, mora biti odvajanje teh aparatov popolnoma ločeno, ali pa morajo biti aparati hermetično zaprti.
- Pri povezovanju dimnikov vašega aparata uporabljajte cevi prečnika 150 ali 120 mm.

- Odvod mora biti čim krajši in s čim manj koleni.
- Otroci se ne smejo igrati z aparatom.
- Iz varnostnih razlogov za aparat uporabljajte »MAX 6 A« varovalke.
- Ne dovolite otrokom blizu embalaže, saj lahko predstavlja nevarnost zanje.
- Če je poškodovan napajalni kabel, ga mora zamenjati proizvajalec, pooblaščen serviser ali ustrezno usposobljena oseba, da ne bi prišlo do nevarnih situacij.
- V primeru požara, izklopite napo in štedilnik ter pogasite ogenj. Nikoli ne uporabljajte vode za gašenje.
- Izpostavljeni deli aparata so lahko med delovanjem štedilnika vroči.
- Ta aparat ne smejo uporabljati posamezniki z zmanjšanimi fizičnimi, zaznavnimi ali intelektualnimi sposobnostmi (vključno z otroci) ali osebe brez ustreznega znanja in izkušenj, razen v primeru da jih nadzira oseba odgovorna za varnost aparata.
- Pri montaži nape, mora biti med električnim štedilnikom in napo najmanj 65 cm prostora, pri štedilnikih, ki uporabljajo plin ali drugo gorivo pa mora razdalja biti najmanj 75 cm.
- Izhodni deli nape ne smejo biti povezani na zračne odvode, ki vlečejo druge oblike dima.
- Potrebno je biti pozoren pri uporabi z aparati, ki uporabljajo gorivo in zrak (npr. grelci, kotli na plin, dizel, oglje ali drva). To pa zato, ker odvajanje zraka prek nape lahko zmanjša izgorevanje v prostoru.
- To ne velja za uporabo brez ventilatorja.
- Prostor mora imeti zadostno prezračevanje v primeru istočasne uporabe štedilnika, nape in aparatov na plin ali druga goriva (to ne velja za aparate, ki povzročajo kroženje zraka v prostoru.)

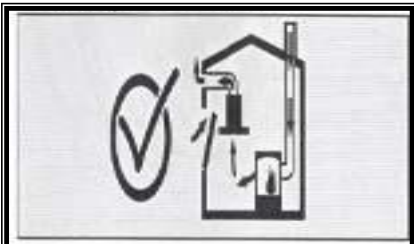
2.1 Nevarnost smrtnih poškodb – nevarnost zastrupitve **! NEVARNOST**

Nevarnost zastrupitve zaradi ponovne absorpcije plinov izgorevanja. Razen v primeru, da je pri odvajanju zraka z nape zagotovljen tudi ustrezen dotok svežega zraka, nape ne uporabljajte istočasno z napravami, ki odvajajo strupene pline skozi dimnik, kot so peči, gorilniki, kotli itn., ki uporabljajo zemeljski plin, nafto, oglje ali drva kot gorivo.



Slika 2: Nevarnost zastrupitve

Naprave v katerih kroži zrak (npr. peči, gorilniki, kotli itn., ki uporabljajo zemeljski plin, nafto, oglje ali drva kot gorivo) jemljejo zrak za izgorevanje iz prostora v katerem so nameščeni. Pri delovanju nape se zrak se odreja iz kuhinje in sosednjih sob. Če ni poskrbljeno za ustrezen dovod zraka, pride do vakuumu. V tem primeru se strupeni plini vračajo v prostor iz dimnika oz. odvoda. Slika 2



Slika 3

Zaradi tega je potrebno vedno zagotoviti ustrezen dotok svežega zraka. Slika 3

! NEVARNOST

Nevarnost požara!

Zaradi letečih isker. Namestitev aparata nad štedilniki, ki uporabljajo čvrsto gorivo, kot so drva ali oglje je dovoljena samo če imajo nepredušen pokrov. Potrebno je upoštevati veljavne gradbene, električne, in vodovodne predpise pri montaži.

Če se aparat ne čisti v skladu z navodili, lahko povzroči požar.

! NEVARNOST

Nevarnost električnega udara!

Pri poškodbi električnega kabla.

Ne pregibajte in ne pritiskajte napajalni kabel pri montaži aparata.

! NEVARNOST

Nevarnost telesnih poškodb!

Obstaja nevarnost telesnih poškodb pri montaži, zaradi ostrih robov. Pri vgradnji aparata, vedno uporabljajte zaščitne rokavice.

Vse varnostne vijake in pokrove je potrebno namestiti tako, kot je opisano v navodilih, da ne bi prišlo do padanja aparata.

! NEVARNOST

Nevarnost opeklin, nevarnost električnega udara!

Pred čiščenjem aparata, počakajte da se ohladi. Izvlecite varovalko ali izklopite aparat iz električnega omrežja.

Obstaja nevarnost poškodb zaradi kapljanja na elektronske dele aparata. Nikoli ne čistite upravljalnih elementov z vlažno krpo.

Površina aparata se lahko ob nepravilnem čiščenju poškoduje. Površine iz nerjavečega jekla čistite izključno v smeri brušenja. Ne uporabljajte sredstva za čiščenje nerjavečega jekla na upravljalnih elementih.

Površine lahko poškodujete z grobimi čistilnimi sredstvi ali pripomočki. Nikoli ne uporabljajte pripomočkov za čiščenje, ki so ostri ali zahtevajo ribanje.

! NEVARNOST

Nevarnost požara, nevarnost telesnih poškodb!

Izvlecite varovalko ali izklopite aparat iz električne vtičnice pred vsakršnim popravilom. Popravila mora opraviti pooblašteni serviser ali ustrezno usposobljena oseba.

OPOMBA

V primeru okvare ali poškodbe aparata, izvlecite varovalko ali izklopite aparat iz električne vtičnice in pokličite pooblašteni servis.

OPOMBA

Če je poškodovan napajalni kabel, ga mora zamenjati proizvajalec, pooblašteni serviser ali ustrezno usposobljena oseba, da ne bi prišlo do nevarnih situacij.

OPOMBA

V kolikor je poškodovana žarnica na aparatu, izvlecite varovalko ali izklopite aparat iz električne vtičnice. Da ne bi prišlo do preobremenitve ostalih žarnic, takoj zamenjajte poškodovano (počakajte da se ohladi).

! POZOR:

Kadar je uporabljate štedilnik se lahko izpostavljeni deli aparata močno segrejejo.

! NEVARNOST

Odvodna cev aparata nikoli ne sme biti povezana na dimnik, ki služi za odvajanje dima iz peči ali drugih naprav, ki uporabljajo plin ali druga goriva.

3 UPORABA Z ALI BREZ OGLENEGA FILTRA

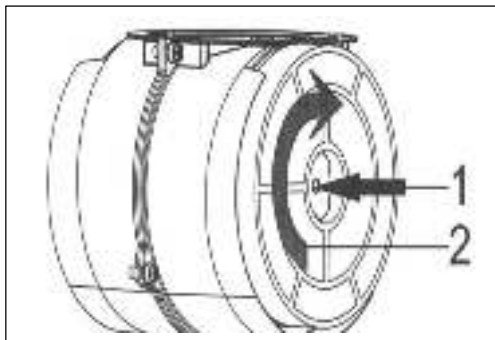
3.1 Menjava ogljenega filtra

Kadar ne uporabljate ventilatorja oz. ne odvajate zraka iz prostora prek nape, je potrebno uporabljati filter z aktivnim ogljem, za recirkulacijo zraka v prostoru. Filter z aktivnim ogljem nabavite pri serviserju ali vašem prodajalcu. Pred menjavo ogljenega filtra izklopite aparat. Ker se ogljeni filter uporablja v kuhinjah brez ventilatorja, ga je potrebno po 3-5 mesecih uporabe zamenjati.

Oglenega filtra nikoli ne perite. V vsakem primeru morajo biti filtri nameščeni na napo tudi v primeru da oglenega filtra ne uporabljate. Ne uporabljajte nape brez filtra za maščobo.

3.2 Menjava ogljenega filtra

Kadar nimate voda za odvajanje zraka iz prostora, je potrebno uporabljati filter z aktivnim ogljem, da bi se zračni tok prečistil preden ponovno vstopi v prostor. Filter z aktivnim ogljem nabavite pri serviserju ali pri vašem distributerju. Pred menjavo ogljenega filtra izključite aparat. Glede na to, da se ogljeni filter uporablja v kuhinjah brez zračnega odvoda, se mora zamenjati na vsakih 3-5 mesecev uporabe. Ogljeni filter nikoli ne perite. Filtri za maščobo morajo biti nameščeni na aparatu, ne glede na to ali uporabljate ogljeni filter ali ne. Ne uporabljajte aparata brez nameščenih filtrov za maščobo.



Slika 4: Ogljeni filter

Aparat, ki ste ga kupili, je primeren za uporabo z ogljenim filtrom.

1. Namestite ogljeni filter v njegovo ohišje. Slika 4
2. Obrnite ogljeni filter v smeri urinega kazalca in preverite ali je pravilno nameščen. Slika 4

i

Če ogljeni filter ni pravilno nameščen, lahko izpade in poškoduje izdelek.

! NEVARNOST

Nikoli ne perite ogljenih filtrov. Držite ogljene filtre dlje od otrok.

4 ČIŠČENJE IN PREVENTIVNO VZDRŽEVANJE

POZOR

- Otroci ne smejo čistiti aparata brez nadzora.
- Nikoli ne uporabljajte grobih čistilnih sredstev ali pripomočkov, saj lahko poškodujejo površino izdelka. Nabavite primerna sredstva za čiščenje in zaščito za vaš izdelek od pooblaščenega servisa. Površina aparata in upravljalnih elementov je občutljiva na praske.
- Očistite površine z mehko, vlažno krpo, sredstvom za pranje posode ali blagim sredstvom za čiščenje stekel. Zmehčajte posušeno in zapečeno umazanijo z vlažno krpo. Ne drgnite po aparatu!
- Uporaba suhih krp, grobih gobic, sredstev za ribanje, sredstev ki vsebujejo trdne delce, sodo, kisline, klor ali druge agresivne sestavine, ni primerna.
- Površine iz nerjavečega jekla čistite samo v smeri brušenja.
- Ne uporabljajte sredstev za čiščenje nerjavečega jekla ali mokre krpe na upravljalnih elementih. Čiščenje kovinskih filtrov za maščobo: Kovinski filtri ujamejo delce maščobe iz pare v kuhinji. Pri normalni uporabi (1-2 uri dnevno), je filtre potrebno čistiti približno vsake tri mesece.
- Ne uporabljajte preveč agresivne, preveč kisle ali bazične raztopine za čiščenje.
- Pri čiščenju kovinskega filtra za maščobo, očistite tudi naložene delce na notranji strani nape z vlažno krpo.

4.1 Pranje v stroju za pomivanje posode

- V primeru, da uporabljate stroj za pomivanje posode, lahko pride do blažje izgube barve. To ne vpliva na delovanje kovinskega filtra za maščobo.
- Ne pomivajte zelo umazanega filtra skupaj s posodo.
- Filter za maščobo v stroj za pomivanje posode postavite tako, da je dovolj prostora okoli njega. Ne sme biti postavljen tako, da kaj pritiska nanj.

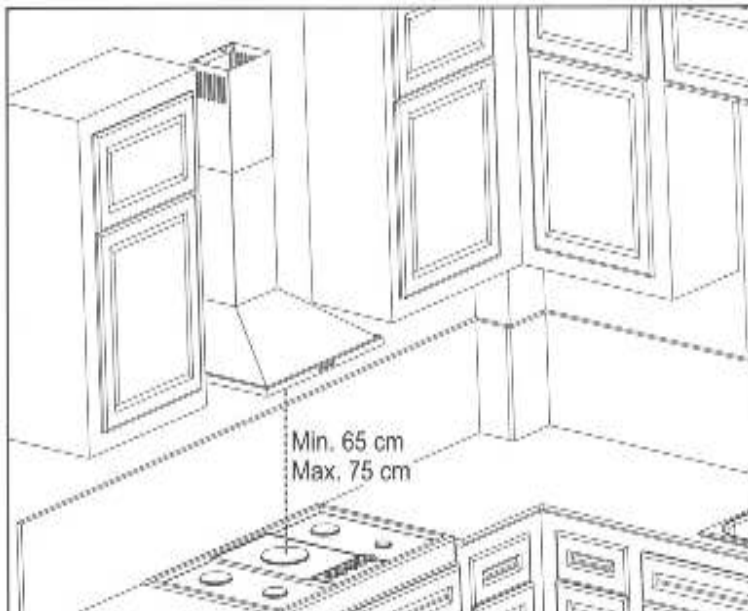
4.2 Ročno pranje

Uporabite lahko posebno oljno raztopino za odstranjevanje trdovratnih madežev. Takšno čistilno sredstvo lahko kupite v pooblaščenem prodajnem centru.

- Zmehčajte madeže na kovinskih filterih maščobe v topli vodi z detergentom.
- Uporabite ščetko in pustite, da se tekočina popolnoma odcedi s kovinskih filtrov.
- Po čiščenju podrobno izperite filtre.

Uporabite lahko posebno oljno raztopino za odstranjevanje trdovratnih madežev. Takšno čistilno sredstvo lahko kupite v pooblaščenem prodajnem centru.

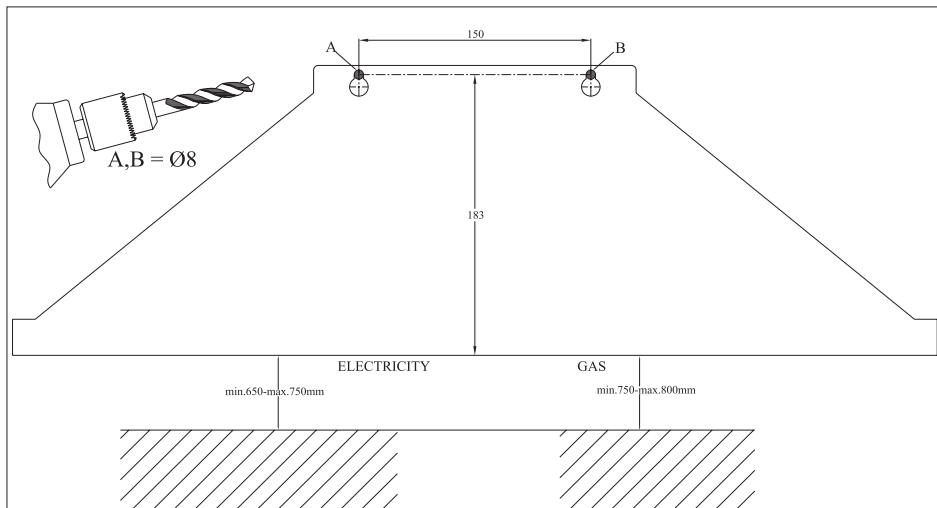
5 MONTAŽA APARATA



Slika 5

Pri montaži nape mora biti zagotovljeno najmanj 65 cm prostora med izdelkom in štedilnikom, če gre za električni štedilnik, če pa gre štedilnik na plin ali druga goriva, mora biti ta razdalja najmanj 75 cm.

5.1 Shema montaže



Slika 6: Shema montaže

5.2 Montaža in razpakiranje

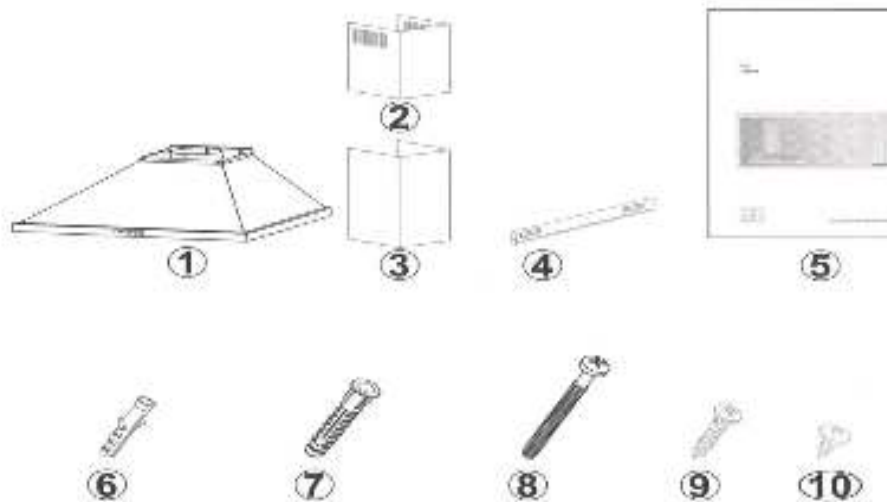
Preverite ali so na aparatu prisotne poškodbe.

- V kolikor opazite poškodbe nastale pri prevozu, to takoj sporočite odgovornim osebam.
- Vidne pomanjkljivosti na izdelku morate prav tako nemudoma prijaviti prodajalcu. Ne dovolite otrokom, da se igrajo z embalažo.

5.3 Montaža in razpakiranje

- Redno menjajte ogljeni filter.
- Redno čistite aluminjske filtre. Možno je, da boste prisiljeni uporabljati napo pri visoki nastavitvi pretoka zraka, saj umazan filter lahko ovira odvod zraka.
- Pravilno uporabljajte nastavitve moči delovanja aparata.
- Uporaba višjih nastavitvev odvajanja zraka bo povečala potrošnjo električne energije.

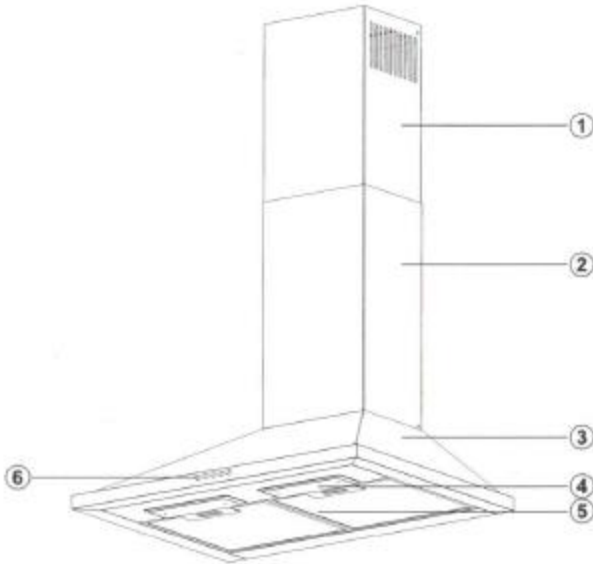
6 VSEBINA EMBALAŽE



Slika 7: VSEBINA EMBALAŽE

1. Izdelek
2. Notranji vod
3. Splošnji vod
4. Plošča za povezovanje dimnika
5. Uporabniški priročnik
6. Ø6 mm plastični zidni vložek
7. Ø10 mm plastični zidni vložek
8. 5,5x60 vijak za montažo na zid
9. 3,9x22 vijak za povezovanje dimnika
10. 3,5x9,5 vijak za povezovanje ventilatorja

7 PREGLED NAPE

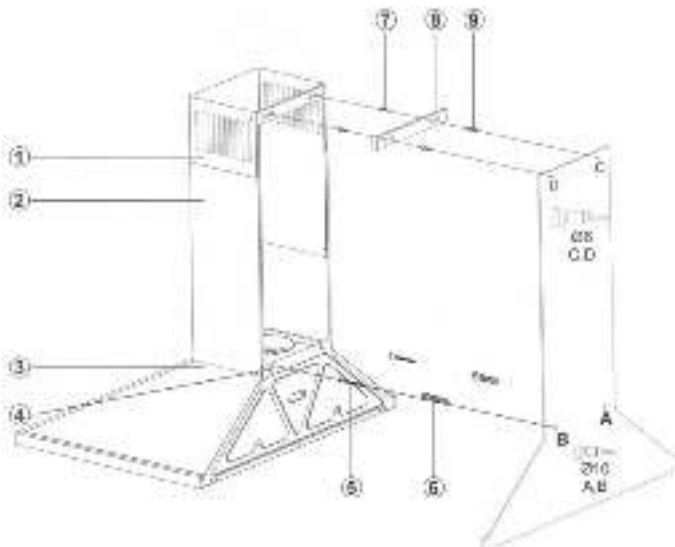


Slika 8: PREGLED NAPE

1. Notranji dimnik
2. Zunanji dimnik
3. Telo naprave
4. Osvetlitev štedilnika
5. Aluminjski filter
6. Nadzorna plošča

8 MONTAŽA APARATA

8.1 Shema montaže in delov



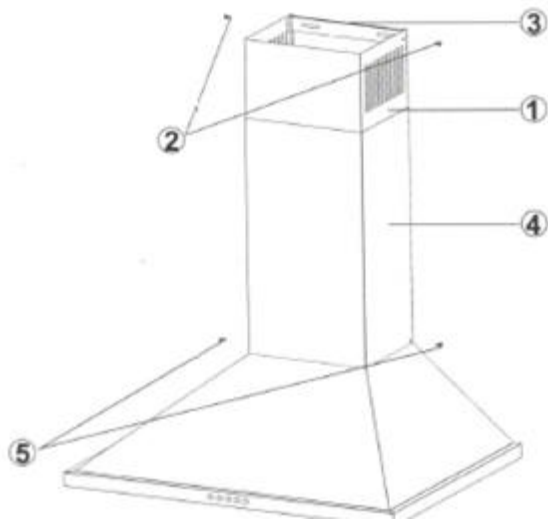
Slika 9: MONTAŽA IN DELI

1. Notranji vod
2. Zunanji vod
3. Telo aparata
4. Mrežna plošča izdelka
5. 2x 5,5x60 vijak za montažo na zid
6. 2x Ø10 mm plastični zidni vložek
7. 2x 3,9x22 vijak
8. Kovinska ploščica za povezovanje dimnika
9. 2x Ø 6 mm plastični zidni vložek

Namestite napo s pomočjo sheme za namestitev.

- Preverite najmanjšo in največjo razdaljo do površine kuhališča in temu primerno določite točke za vrtanje A, B. (Slika 9)
- Postavite Ø 10 mm plastične zidne vložke v izvrtane luknje A in B in privijte vijake v A in B, vendar pustite 5 mm prostora med glavo vijakov in zidom. (Slika 9)
- Obesite napo na zid na točkah A in B.

9 NAMESTITEV KOVINSKIH DIMNIKOV



Slika 10: NAMESTITEV DIMNIKA

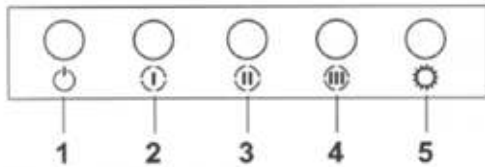
- 1 – Notranji vod
- 2 – Vijaki za pritrnitev plošče, ki povezuje notranji vod
- 3 – Kovinska plošča za povezovanje dimnika
- 4 – Zunanji vod
- 5 – Vijak za prilagajanje položaja zunanjega voda

Namestite povezavo zračnega odvoda na aparat. Notranji vod se vstavi v zunanji.
»Shema montaže in delov.«

Centrirajte ploščo za povezovanje dimnika (3) na napo, držite jo pod pokrovom ali izmerite in označite točke C in D. (Slika 10)

- Izvrtajte luknji v točki C in D s svedrom premera 6 mm ter vstavite zidne vložke istega premera. Postavite ploščo za povezovanje dimnika na površino kjer boste privili 3,9x22 vijake. (Slika 10)
- Izvlecite notranji dimnik (1) s pomočjo vijaka (2) in ga pritrдите na ploščo za povezovanje dimnika z desne in leve strani (3).
- Namestite zunanji dimnik (4) na telo nape s pomočjo dveh vijakov (5). (Slika 10)

10 KAKO UPORABLJATI IZDELEK



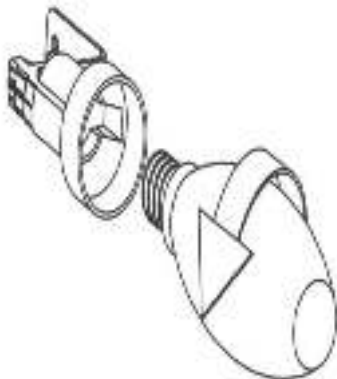
Slika 11: Pritisnite gumb

1. Gumb za vklop/izklop
2. Gumb za prvo nastavitev hitrosti
3. Gumb za drugo nastavitev hitrosti
4. Gumb za tretjo nastavitev hitrosti
5. Gumb za svetilko

11. MENJAVA ŽARNICE ! NEVARNOST

Izklopite napo iz električnega omrežja.
Počakajte, da se žarnica ohladi, da se
ne bi opekli.

11.1 Menjava žarnice



Slika 12: Menjava žarnice
Odstranite kaseto aluminijskega filtra.
Odstranite odsluženo žarnico in jo
zamenjajte z novo iste moči. Slika 12

12 POOBLAŠČENI SERVIS

- Če ne deluje osvetlitev:

Preverite ali je vtikač priključen v električno vtičnico ter preverite varovalke.

- Preverite žarnice. Prepričajte se, da je aparat izključen preden preverite žarnice. Zategnite žarnice če je to potrebno. Če tudi po tem ne delujejo, jih zamenjajte.

Možne okvare in ukrepi preden pokličete servis:

A) Aparat ne deluje

- Preverite ali je aparat vklopljen in ali je vtikač dobro priključen v električno vtičnico.
- Preverite varovalke aparata in glavne varovalke v vašem domu.

Če aparat slabo deluje ali je pri delovanju glasen:

- Ali je dovolj velik premer ventilatorja? (min 120 mm).
- Preverite ali so kovinski filtri čisti.
- Če aparat uporabljate brez ventilatorja, se prepričajte ali ogljeni filtri niso starejši od šestih mesecev.
- Poskrbite, da je kuhinja dobro prezračena. Če še vedno niste zadovoljni z delovanjem aparata, stopite v stik s pooblaščenim servisom.

12.1 Odpravljanje težav

Reševanje težave	Vzrok	Pomoč
Aparat ne deluje.	Preverite el. napajanje.	Napetost el. napajanja mora biti 220-240V, proizvod mora biti povezan na vtičnico z ozemljitvijo.
Osvetlitev ne deluje.	Preverite el. napajanje.	Napetost el. napajanja mora biti 220-240V, proizvod mora biti povezan na vtičnico z ozemljitvijo.
Osvetlitev ne deluje.	Preverite el. napajanje.	Stikalo za osvetlitev mora biti na položaju »on« (vključeno)
Osvetlitev ne deluje.	Preverite žarnice.	Žarnice morajo biti nepoškodovane
Aparat slabo vleče zrak.	Preverite aluminijški filter.	Kaseta aluminijškega filtra se mora prati vsaj enkrat mesečno pri normalnih pogojih uporabe
Aparat slabo vleče zrak.	Preverite dimnik za odvod zraka.	Vod za odvajanje zraka mora biti odprt
Aparat slabo vleče zrak.	Preverite ogleni filter.	Pri izdelkih, na katerih se uporablja ogleni filter, se ti filtri morajo menjati na vsake tri mesece pri normalnih pogojih uporabe
Aparat ne izpušča zraka (uporaba brez dimnika)	Preverite aluminijški filter.	Kaseta aluminijškega filtra se mora prati vsaj enkrat mesečno pri normalnih pogojih uporabe
Aparat ne izpušča zraka (uporaba brez dimnika)	Preverite ogleni filter.	Pri izdelkih, na katerih se uporablja ogleni filter, se ti filtri morajo menjati na vsake tri mesece pri normalnih pogojih uporabe

12.2 Tehnična tabela

Napetost	220 – 240 V, 50 Hz
Razred izolacije motorja	F
Razred izolacije	Razred I



CHM - 650 IX

UPUTE ZA UPORABU NAPA

MODEL: CHM650IX



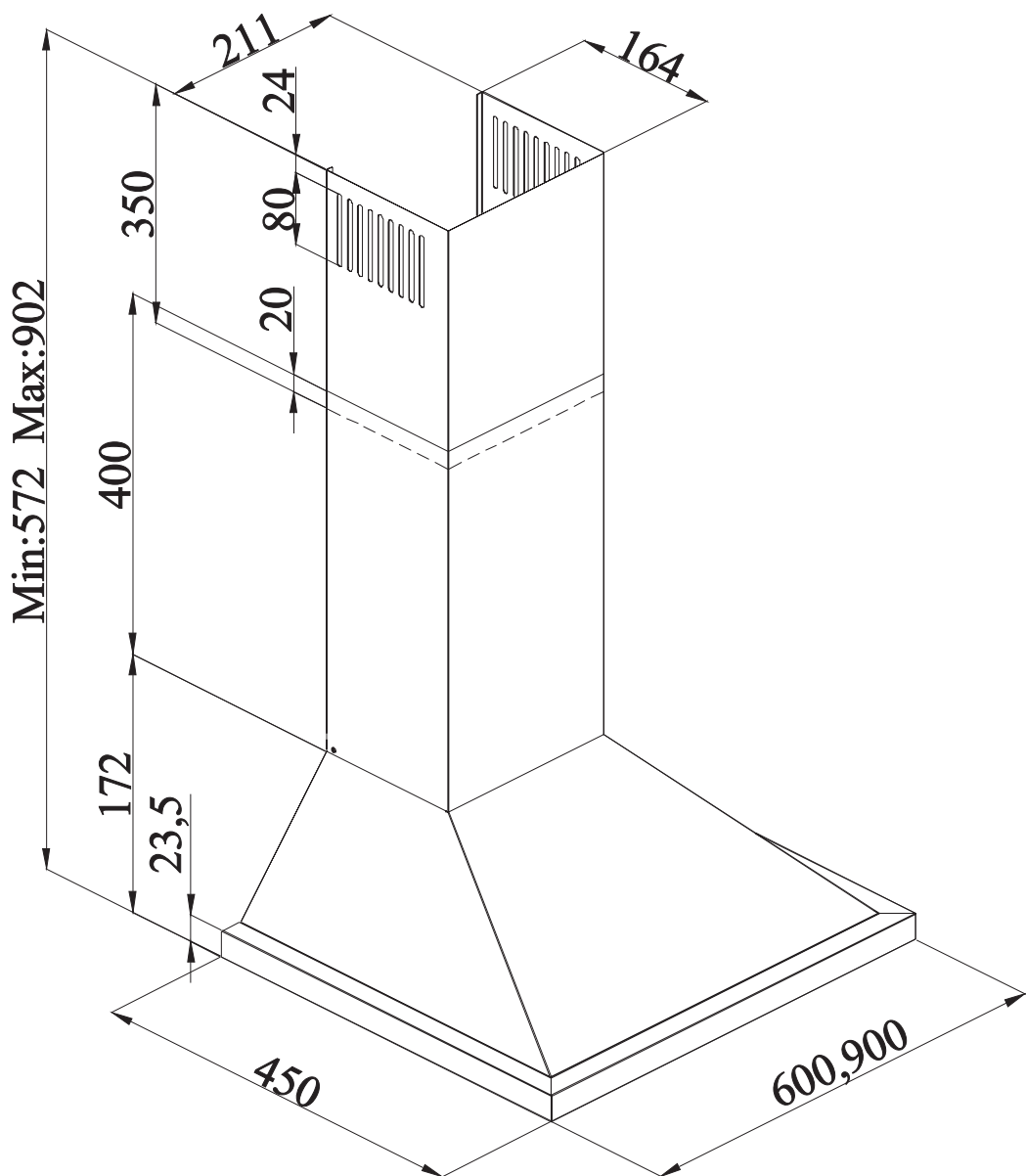
Pročitajte upute prije početka bilo kakvih radova!

Sadržaj

1 TEHNIČKI CRTEŽ	4
2 UPOZORENJA I MJERE BEZBJEDNOSTI	5
2.1 Rizik od smrti - Rizik od trovanja	7
3 UPORABA SA ILI BEZ KARBON (UGLJENIK) FILTERA	9
3.1 Zamjena karbon (ugljenik) filtera	9
3.2 Zamjena karbon (ugljenik) filtera	9
4 ČIŠĆENJE I PREVENTIVNO ODRŽAVANJE	10
4.1 Pranje u perilici posuđa	10
4.1 Ručno pranje	10
5 MONTAŽA UREĐAJA	11
5.1 Šema montaže	12
5.2 Montaža i raspakiranje	12
5.3 Savjeti za uštedu energije	12
6 SADRŽAJ PAKIRANJA	13
7 PREGLED NAPE	14
8 PODIZANJE PROIZVODA	15
8.1 Šema montaže i dijelovi	15
9 MONTIRANJE DIMNJAKA	16
10 KAKO KORISTITI PROIZVOD	17
11 ZAMJENA ŽARULJE	18
11.1 Zamjena utične žarulje	18
12 OVLAŠTENI SERVIS	19
12.1 Šema montaže i dijelovi	20
12.2 Tehnička tabela	20



1 TEHNIČKI CRTEŽ



Slika 1: 2240 60_90 TEHNIČKI CRTEŽ DVOJNOG „DIMNJAKA“

2 UPOZORENJA I MJERE BEZBJEDNOSTI

Ovaj aparat mogu koristiti samo djeca starija od 8 godina i pojedinci bez fizičkih, čulnih ili mentalnih nedostataka, sa potrebnim iskustvom i znanjem, onda kada su im dati nadzor ili upute o bezbjednom korištenju i konstatovano je da razumiju opasnosti.

Ovaj proizvod je namijenjen za uporabu u kućanstvu.

Uporabni napon uređaja je 220-240 Volt~50 Hz.

Kabel za napajanje vašeg uređaja je opremljen utikačem za uzemljenje. Ovaj kabel mora biti uključen u kabel za uzemljenje.

Sve strujne konekcije mora da poveže kvalificirani tehničar.

Neovlaštena montaža može da izazove loše performanse uređaja, oštećenje uređaja ili nezgode.

Kabel uređaja ne smije biti zapetljan ili polomljen tijekom montaže. Kabel za napajanje ne smije da se uključuje blizu štednjaka. Ovo može izazvati topljenje ili požar.

Nemojte priključivati uređaj prije nego što je montaža gotova.

Uvjerite se da je priključak lako dostupan kako biste isključili mašinu u slučaju nužde.

Ne dirajte žarulje aparata kada su duže vrijeme otvorene. Žarulje mogu izazvati opekotine na vašim rukama jer mogu biti vrelе.

Nape su projektovane za uporabu u kućanstvu kod uobičajenog kuhanja. Ako se koriste u druge svrhe može doći do kvara ili prestanka jamstva.

Pratite pravila i zvanične odredbe u vezi ispuštanja izduvnog zraka. (Ovo ne važi za korištenje bez dimnjaka).

Hrana koja se pali tijekom kuhanja ne smije da se kuha ispod ovog aparata.

Pokrenite aparat nakon što ste stavili posude, lonce itd. na štednjak. U suprotnom, visoka temperatura može da izazove deformacije na nekim dijelovima uređaja.

Isključite aparat nakon što ste uklonili posude, lonce itd. sa štednjaka.

Ne ostavljajte vruće ulje na štednjaku. Tave sa vrelim uljem mogu izazvati samo-zapaljivanje i požar.

Ulje može da se zapali tijekom prženja i sl. Budite oprezni sa zavjesama i pokrivačima.

Postarajte se da su filteri zamijenjeni na vrijeme. Filteri koji nisu zamijenjeni na vrijeme predstavljaju rizik od požara, zbog nagomilanog ulja u njima.

Nemojte koristiti materijal za filtriranje koji nije otporan na vatru umesto filtera.

Nemojte koristiti ovaj proizvod bez filtera. Nemojte uklanjati filtere dok se proizvod koristi.

U slučaju požara, isključite napu i štednjak. (Isključite uređaj ili isključite glavni prekidač).

Ako ne čistite aparat redovito, on može predstavljati rizik od požara.

Isključite aparat prije radova na održavanju. (Isključite uređaj ili isključite glavni prekidač).

Negativan pritisak u sobi, dok su uključeni napa i uređaji koji rade na drugim izvorima električne energije i koriste se u isto vrijeme, ne smije da pređe 4 PA (4 k 10 bar).

Ako postoje uređaji koji koriste gorivo ili plin, kao što su sobne grijalice u oblasti gdje se koriste vaš aparat, izduvni put ovih uređaja mora biti potpuno izoliran ili uređaj mora biti hermetičan.

Kada povezujete dimnjake vašeg aparata koristite cijevi prečnika 150 ili 120 mm. Priključak mora biti što je kraći moguće i sa što manje pregiba.

Djeca ne smiju da se igraju sa aparatom.

Iz bezbjednosnih razloga, koristite „MAX 6 A“ osigurač u aparatu.

Držite ambalažni materijal dalje od djece jer to može biti opasno.

Ako je oštećen kabel napajanja, mora biti zamijenjen od strane proizvođača, njegovog servisnog agenta ili bilo kog osoblja ekvivalentnih kvalifikacija, da bi se izbjegla bilo kakva opasna situacija.

U slučaju požara, isključite napu i štednjak i ugascite vatru. Nikada ne koristite vodu za gašenje.

Dostupni dijelovi mogu biti vrući kada radi štednjak.

Ovaj aparat nije namijenjen za uporabu od strane pojedinaca sa ograničenim fizičkim, čulnim ili mentalnim sposobnostima (uključujući i djecu) ili osoba sa ograničenim znanjem ili iskustvom, osim ukoliko su pod nadzorom i obavješteni su o rizicima od strane osobe odgovorne za njihovu bezbjednost.

Kada se montira napa, mora da postoji najmanje 65 cm razdaljine između proizvoda i električnih štednjaka i 75 cm za štednjake koji rade na plin ili druga goriva.

Izlazni dijelovi nape ne smiju biti povezani na zračne kanale koji uključuju druge oblike dima.

Mora se voditi računa kada se uređaj koristi sa uređajima koji koriste zrak i gorivo (npr. grijači, bojleri koji rade na plin, dizel gorivo, ugalj ili drva). To je zato što se sagorijevanje može umanjiti kada se u prostoriju otpušta zrak iz nape.

Ovo ne važi za korištenje bez dimnjaka.

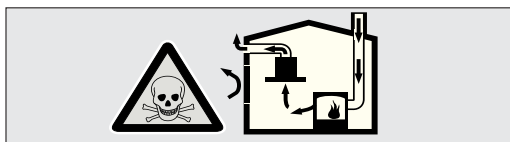
Prostorija mora imati dovoljnu ventilaciju kada se štednjak, napa i uređaji koji rade na plin i druga goriva koriste u isto vrijeme (ovo ne može da se primjeni na uređaje koji vrše

circulaciju zraka u prostoriji).

2.1 Rizik od smrti- Rizik od trovanja

⚠ OPASNOST

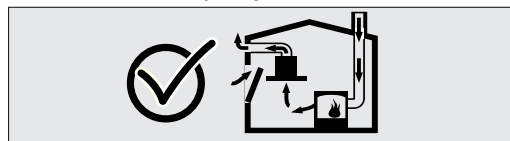
Opasnost od trovanja zbog ponovne apsorpcije plinova sagorijevanja. Osim ukoliko je adekvatan ulaz zraka obezbjeđen tijekom izlaska zraka, uređaj ne koristite istovremeno sa spravama koje izduvavaju otrovne plinove kroz dimnjak kao što su peći, grijači, bojleri i sl. koji se baziraju na cirkulaciji zračnog gasa, ulja, drveta ili uglja.



Slika 2: Rizik od trovanja

Uređaji u kojima cirkulira zrak (npr. peći, grijači, bojleri koji rade na plin, ulje, drvo ili ugalj) uzimaju zrak za sagorijevanje iz mjesta instalacije i izbacuju izduvne plinove kroz sustav za ispuštanje zraka (npr. dimnjak). Zrak se apsorbuje iz kuhinje i soba pored kroz napu u radu. Vakuum se javlja ukoliko adekvatan ulaz zraka nije predviđen. U tom slučaju, otrovni plinovi se ponovno apsorbiraju iz dimnjaka i kanala za izduvanje zraka i ponovo ulaze u kuću. Slika 2

Iz tog razloga, uvijek treba osigurati adekvatan unos svježeg zraka. Slika 3



Slika 3

⚠ OPASNOST

Rizik od požara!

Zbog letećih iskri, instalacija uređaja na grijnoj opremi koja se zagrijeva pomoću čvrstog goriva (npr. drvo ili ugalj) može biti dozvoljena samo ako postoji neodvojiv poklopac. Potrebno je obratiti pažnju na ažurirane postojeće građevinske propise i propise za lokalne kompanije za električnu energiju i vodovod tijekom montaže.

Ako uređaj nije očišćen u skladu sa uputama za čišćenje, može izazvati požar.

⚠ OPASNOST

Opasnost od strujnog udara!

Zbog oštećenog kabela. Nemojte savijati ni pritiskati kabel za povezivanje tijekom montaže.

⚠ OPASNOST

Opasnost od povreda!

– Postoji opasnost od ozljeda tijekom montiranja zbog oštih rubova. Uvijek koristite zaštitne rukavice tijekom ugradnje uređaja.

- Sve sigurnosne zavrtnje i poklopce treba montirati kao što je opisano u uputama za rukovanje zbog rizika od padanja uređaja.

⚠ OPASNOST**Opasnost od opekotina, opasnost od strujnog udara!**

- Sačekajte da se uređaj ohladi prije čišćenja i održavanja. Isključite osigurač ili isključite uređaj iz struje.

- Postoji opasnost od oštećenja zbog vlažnog kapanja na elektronske komponente. Nikada ne čistite kontrolne elemente vlažnom krpom.

- Površina može da se ošteti kao rezultat pogrešnog čišćenja. Čistite površine od nehrđajućeg čelika samo u pravcu brušenja. Nemojte koristiti sredstva za čišćenje nehrđajućeg čelika na kontrolnim elementima.

- Površine mogu da se oštete zbog oštih ili ribajućih sredstava za čišćenje. Nikad ne koristite sredstva za čišćenje koja su oštra ili zahtijevaju ribanje.

⚠ OPASNOST**Opasnost od požara, opasnost od povreda!**

Isključite osigurač ili isključite uređaj iz struje kod vanrednih popravki. Popravke uvijek treba da obavlja samo ovlašteni servis ili ovlašteni stručnjak.

NAPOMENA

U slučaju greške ili oštećenja uređaja, isključite osigurač ili isključite uređaj iz struje kod vanrednih popravki i pozovite ovlašteni servis.

NAPOMENA

Ako je oštećen kabel napajanja, mora biti zamijenjen od strane proizvođača, njegovog servisera ili bilo kog osoblja ekvivalentnih kvalifikacija, da bi se izbjegla bilo kakva opasna situacija.

NAPOMENA

Ukoliko je žarulja uređaja oštećena, isključite osigurač ili isključite uređaj iz struje. Da biste izbjegli preopterećenje ostalih žarulja, odmah zamijeniti pokvarenu žarulju (sačekajte da se žarulja ohladi).

⚠ OPREZ

Kada se koriste štednjakom, dostupni dijelovi uređaja se mogu ugrijati.

⚠ OPASNOST

Odvodna cijev za zrak ovog uređaja nikada ne smije da bude povezana unutar dimnjaka za izbacivanje plinova koji izlaze iz uređaja koji koriste plin ili druga goriva.

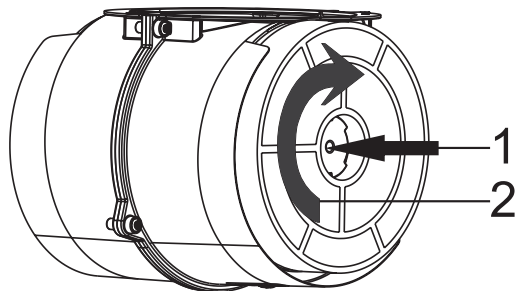
3 UPORABA SA ILI BEZ KARBON (UGLJENIK) FILTERA

3.1 Zamijena karbon (ugljenik) filtera

Kada nema dimnjaka, filter sa aktivnim ugljem treba koristiti da bi se ponovo poslao unutarnji zrak putem ponovnog filtriranja. Filter sa aktivnim ugljem treba biti nabavljen od servisa ili od vašeg distributera. Isključite uređaj prije zamjene karbon (ugljenik) filtera. Pošto se karbon filter koristi u kuhinjama bez dimnjaka, treba ga zamijeniti novim nakon svakih 3 do 5 mjeseci korištenja.

Karbon filter nikada nemojte prati. U svakom slučaju filteri treba da budu prikačeni na proizvod bez obzira na to da li se koristi karbon filter ili ne. Ne koristite proizvod bez filtera ulja.

3.2 Zamjena karbon (ugljenik) filtera



Slika 4: Karbon (ugljenik) filter

Uređaj koji ste kupili je pogodan za uporabu ugljen-filtera.

- 1-Stavite karbon filter u njegovo kućište. Slika 4
- 2-Okrenite karbon filter u pravcu kazaljke na satu i provjerite da li je potpuno postavljen. Slika 4



Ako nije u potpunosti postavljen, karbon filter može da padne i ošteti proizvod.

⚠ OPASNOST

Nikada nemojte prati karbon filtere. Držite karbon filter van domašaja djece.

4 ČIŠĆENJE I PREVENTIVNO ODRŽAVANJE

OPREZ

Djeca bez nadzora ne bi smjela da čiste niti servisiraju proizvod.

- Površine mogu da se oštete zbog oštih ili ribajućih sredstava za čišćenje. Nikad ne koristite sredstva za čišćenje koja su oštra ili zahtijevaju ribanje. Nabavite sredstva za čišćenje i zaštitu koja su adekvatna za vaš proizvod od ovlaštenog servisa. Površina uređaja i komandne jedinice su osjetljivi na ogrebotine. Očistite površine mekom, vlažnom krpom, deterdžentom za sudove ili blagim sredstvom za čišćenje stakla. Omekšajte sasušenu i zaglavljenu prljavštinu vlažnom krpom. Nemojte strugati po uređaju!
- Korišćenje suhih krpa, spužvi koje mogu ogrebat i uređaj, sredstava koja zahtijevaju ribanje, sadrže pijesak, sodu, kiseline, klor ili druge jake supstance nije prikladna.
- Čistite površine od nehrđajućeg čelika samo u pravcu brušenja.
- Nemojte koristiti sredstva za čišćenje nehrđajućeg čelika i mokre krpe na kontrolnim elementima. Čišćenje metalnih filtera za ulje. Korišćeni metalni filteri za ulje hvataju uljane čestice iz vlažnosti i pare u kuhinji. Kod normalne uporabe (1-2 sata dnevno), čistite metalne filtere za ulje otprilike na svaka tri mjeseca.
- Ne koristite preterano jake, kisele ili klor-rastvore kao sredstva za čišćenje.
- Dok čistite metalni filter za ulje, očistite takođe i nakupljene čestice metalnih filtera ulja u uređaju vlažnom krpom.
- Možete očistiti metalne filtere ulja u perilici posuđa.

4.1 Pranje u perilici posuđa

U slučaju da perete u perilici posuđa, može doći do blažeg gubljenja boje. Ovo nema utjecaja na funkcije metalnog filtera ulja.

- Ne perite teško zaprljane metalne filtere za ulje zajedno sa posuđem.
- Postavite metalne filtere ulja u perilicu posuđa tako da komotno stoje u njoj. Metalne filtere ulja treba postaviti u perilicu posuđa tako da ih ništa ne pritiska.

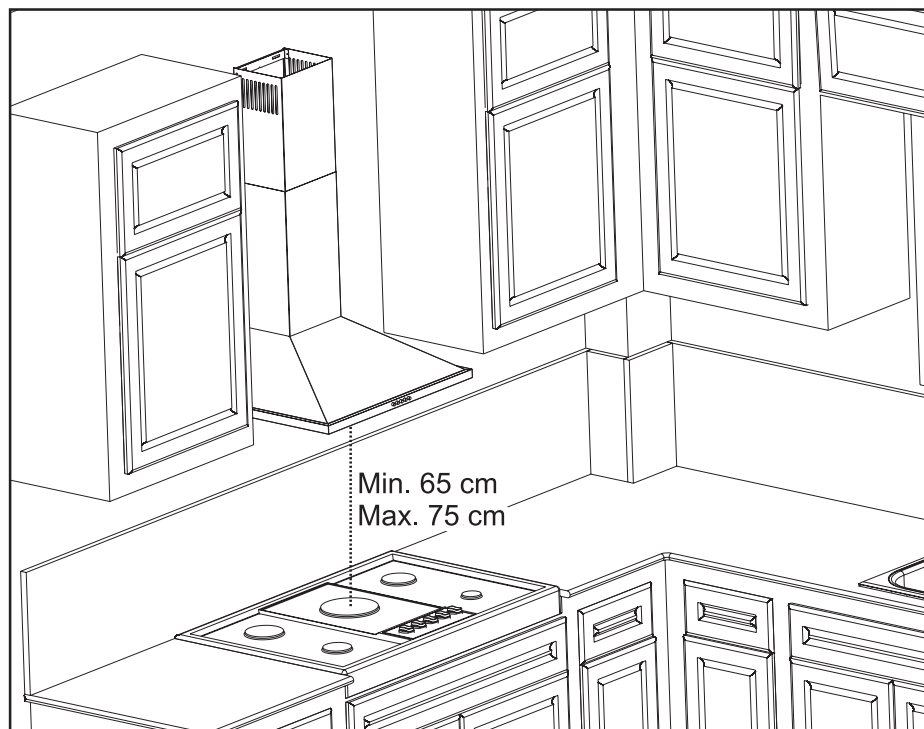
4.1 Ručno pranje

Omekšajte mrlje na metalnim filterima ulja u toploj vodi sa deterdžentom.

- Koristite četku za čišćenje u ostavite da se tekućina na metalnim filterima ulja potpuno osuši.
- Isperite filtere detaljno posle čišćenja.

Možete koristiti posebni uljani rastvor da uklonite uporne mrlje. Možete dobiti ovaj proizvod preko ovlaštenog prodajnog centra.

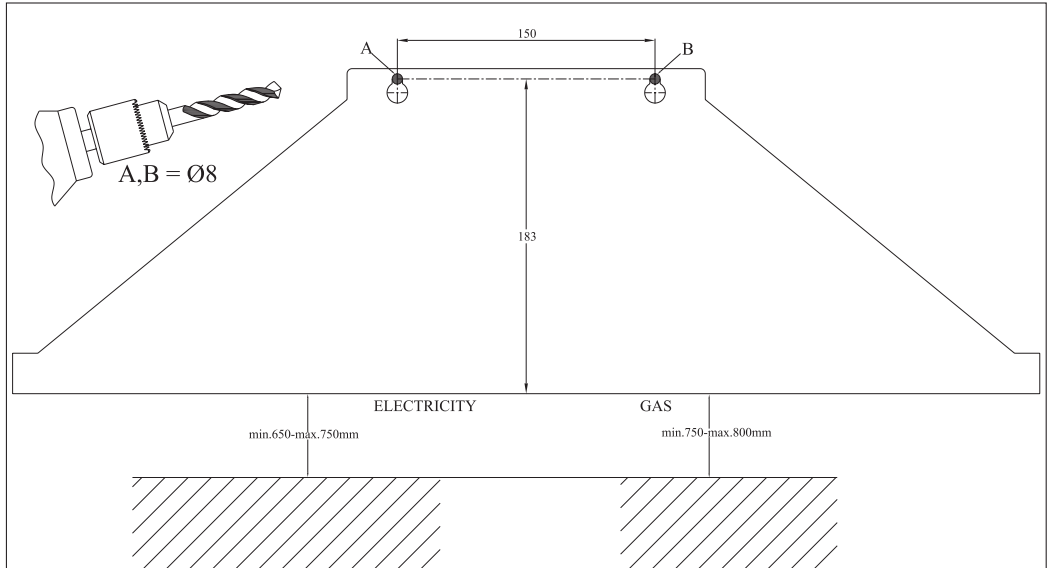
5 MONTAŽA UREĐAJA



Slika 5: MONTAŽA UREĐAJA

Kada se montira napa, mora postojati najmanje 65 cm razdaljine između proizvoda i električnih štednjaka i 75 cm za štednjake koji rade na plin ili druga goriva. Slika 5

5.1 Šema montaže



Slika 6: 2240 ŠEMA MONTAŽE

5.2 Montaža i raspakiranje

Provjerite da li postoje oštećenja na vašem uređaju.

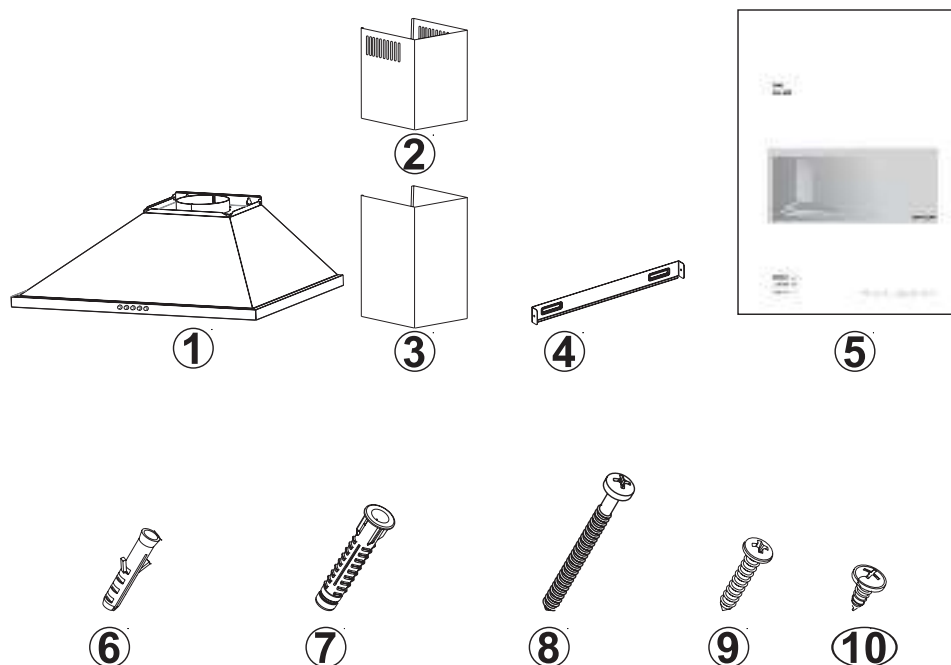
- Ukoliko postoje oštećenja zbog transporta to treba odmah javiti odgovornim licima.
- Vidljivi defekti se takođe moraju prenijeti prodavcu.
- Sprečite djecu da se igraju sa ambalažom.

5.3 Savjeti za uštedu energije

Redovito mijenjajte karbon (ugljenik) filtere.

- Čistite aluminijske filtere redovito. Možda ćete morati da koristite vaš uređaj na visokoj razini jer prljav filter može da blokira ulaz zraka.
- Koristite razine uporabe uređaja pravilno.
- Uporaba na visokim razinama će povećati potrošnju energije.

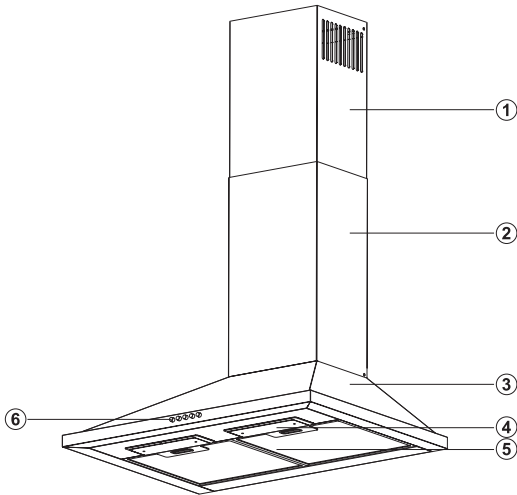
6 SADRŽAJ PAKIRANJA



Slika 7: SADRŽAJ PAKIRANJA

- 1 - Proizvod
- 2 - Unutarnji dimnjak
- 3 - Vanjski dimnjak
- 4- Metalna ploča za povezivanje dimnjaka
- 5 - Upute za uporabu
- 6- Ø6mm plastični vijak
- 7- Ø10mm plastični vijak
- 8- 5.5x60 zavrtnaj za montiranje na zid
- 9- 3.9x22 zavrtnaj za povezivanje dimnjaka
- 10- 3.5x9.5 zavrtnaj za povezivanje dimnjaka

7 PREGLED NAPE

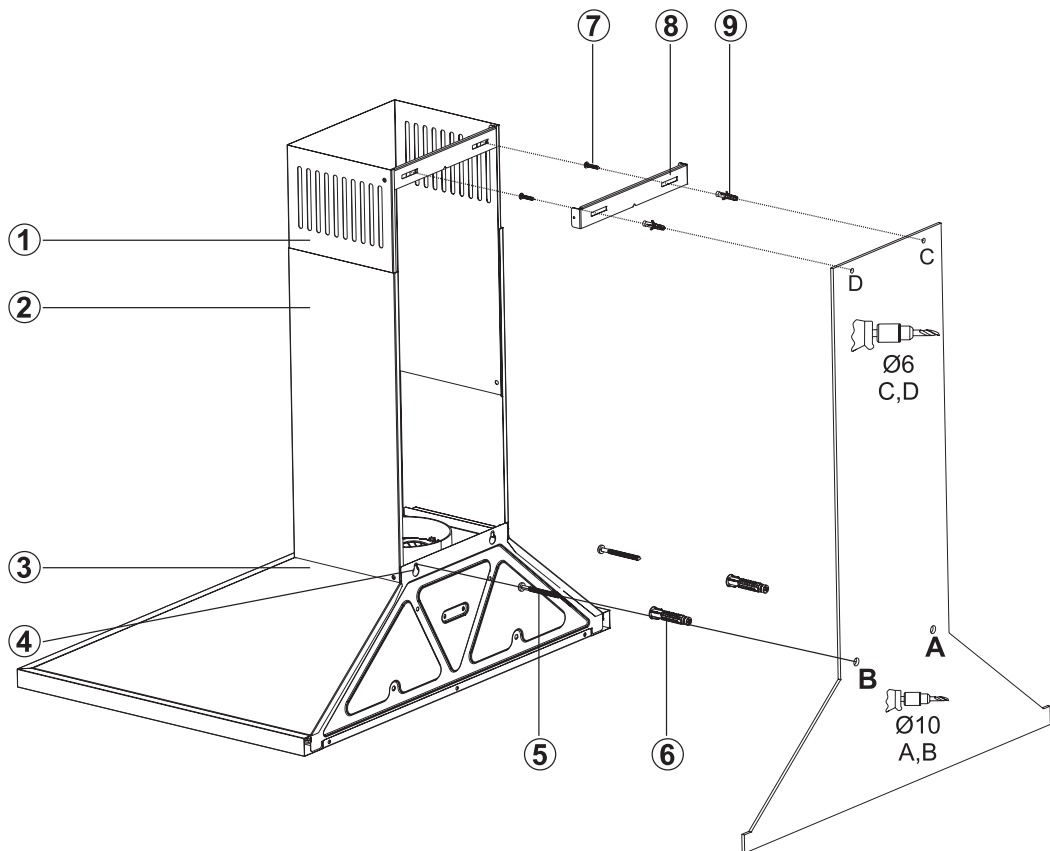


Slika 8: PREGLED NAPE

- 1 - Unutarnji dimnjak
- 2 - Vanjski dimnjak
- 3 - „Tijelo“ uređaja
- 4 - Osvjetljenje nape
- 5 - Aluminijski filter
- 6 - Kontrolna tabla

8 PODIZANJE PROIZVODA

8.1 Šema montaže i dijelovi



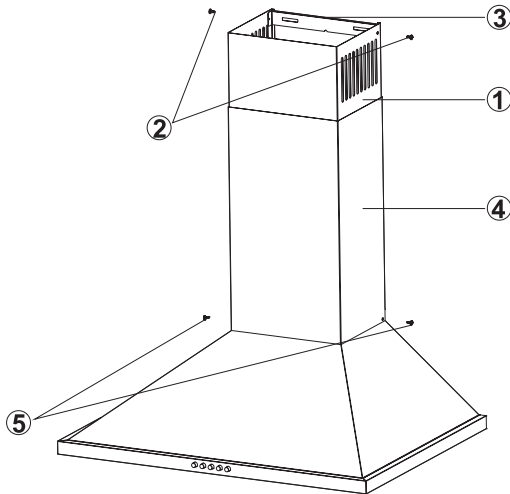
Slika 9: MONTAŽA I DIJELOVI

- 1 - Unutarnji dimnjak
- 2 - Vanjski dimnjak
- 3 - „Tijelo“ uređaja
- 4 - Mrežna ploča proizvoda
- 5- 2x 5.5x60 zidna mrežna ploča
- 6- 2x Ø10mm plastični vijak
- 7- 2x 3.9x22 zavrtnj
- 8- Metalna ploča za povezivanje dimnjaka
- 9- 2x Ø6mm plastični vijak

Montirajte napu uz pomoć šeme montaže.

- Provjerite minimalnu i maksimalnu udaljenost prema radnoj ploči i točkama za bušenje A, B. (Slika 9)
- Postavite Ø10mm plastične vijke u A, B probušene točke i zavrtnje do A+B točaka ostavljajući 5 mm prostora između glave zavrtnja i zida. (Slika 9)
- Zakačite napu na zid koristeći točke A, B.

9 MONTIRANJE LIMENIH DIMNJAKA



Slika 10: MONTIRANJE DIMNJAKA

- 1 - Unutarnji dimnjak
- 2 - Zavrtnji za fiksiranje ploče koja povezuje unutarnji dimnjak
- 3- Metalna ploča za povezivanje dimnjaka
- 4 - Vanjski dimnjak
- 5 - Zavrtnj za podešavanje vanjskog dimnjaka

Montirajte vezu odvoda zraka na uređaj.
Unutarnji i vanjski dimnjaci se ubacuju jedan u drugog. „Šema montaže i dijelova“.

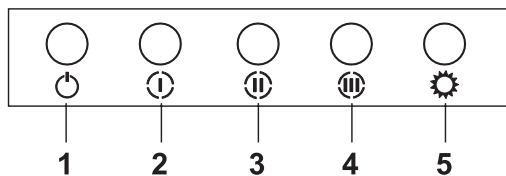
Centrirajte ploču za povezivanje dimnjaka (3) na napu, držite je ispod poklopca ili izmjerite i obeležite točke C, D. (Slika 10)

- Probušite točke C, D koristeći Ø6mm bušilicu i postavite Ø6mm plastične vijke. Postavite ploču za povezivanje dimnjaka na površinu gdje će se montirati 3.9x22 zavrtnji. (Slika 10)

- Izvucite unutarnji dimnjak (1) pomoću zavrtnja (2) i pričvrstite ga na ploču za povezivanje dimnjaka sa desne i lijeve strane (3). (Slika 10)

- Postavite vanjski dimnjak (4) na tijelo nape koristeći 2 zavrtnja (5). (Slika 10)

10 KAKO KORISTITI PROIZVOD



Slika 11: Pritisnite taster

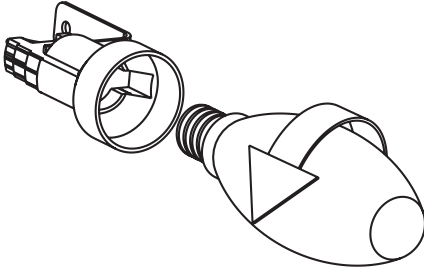
1. Pritisnite ovaj taster za resetiranje proizvoda.
2. Kada je ovaj taster pritisnut proizvod će raditi na prvoj razini brzine.
3. Kada je ovaj taster pritisnut proizvod će raditi na drugoj razini brzine.
4. Kada je ovaj taster pritisnut proizvod će raditi na trećoj razini brzine.
5. Pritisnite ovaj taster da uključite i isključite žarulju.

11 ZAMJENA ŽARULJE

OPASNOST

Isključite napu iz struje. Sačekajte da se žarulja ohladi jer možete opeći ruke.

11.1 Zamjena utične žarulje



Slika 12: Zamjena utične žarulje

Uklonite kertridž aluminijskog filtera. Uklonite oštećenu žarulju i zamijenite je novom iste jačine. Slika 12

12 OVLAŠTENI SERVIS

Ako osvijetljenje ne radi:

- Uvjerite se da je uređaj uključen i osigurači nisu neispravni.
- Proverite žarulje. Uvjerite se da ste isključili uređaj dok vršite ovu provjeru. Zategnite žarulje ako su labave. Zamijenite ih ako i dalje ne rade.

Mogući kvarovi i radnje koje možete poduzeti bez pozivanja servisa:

A) Uređaj uopće ne radi:

- Provjerite da li je uređaj uključen i da li je utikač dobro postavljen u utičnici.
- Provjerite osigurač aparata i glavnog prekidača vaše kuće.

Ako uređaj pokazuje nizak učinak ili pravi buku dok radite:

- Da li uređaj ima dovoljan prečnik dimnjaka? (min. 120 mm).
- Da li su metalni filteri čisti? Provjerite.
- Ako koristite napu bez dimnjaka, uvjerite se da karbon (ugljenik) filteri nisu stariji od 6 mjeseci.
- Uvjerite se da je kuhinja dobro provjetrena da omogući protok zraka. Ako ste i dalje nezadovoljni radom uređaja, kontaktirajte ovlašteni servis.

12.1 Rješavanje problema

Rješavanje problema	Razlog	Pomoć
Uređaj uopće ne radi	Provjerite dovod struje.	Napon mora biti 220-240V i proizvod mora biti povezan na utičnicu za uzemljenje.
Žarulja ne radi.	Provjerite dovod struje.	Napon mora biti 220-240V i proizvod mora biti povezan na utičnicu za uzemljenje.
Žarulja ne radi.	Provjerite prekidač lampe.	Prekidač žarulja mora biti u poziciji „on“ (uključeno).
Žarulja ne radi.	Provjerite žarulje.	Žarulje proizvoda ne smiju biti falične.
Usisavanje zraka na uređaju je slabo	Provjerite aluminijske filtere	Kertridž aluminijskog filtera mora da se pere bar jednom mjesečno u normalnim uvjetima.
Usisavanje zraka na uređaju je slabo.	Provjerite dimnjak za odvod zraka.	Dimnjak za odvod zraka mora biti otvoren.
Usisavanje zraka na uređaju je slabo	Provjerite karbon (ugljenik) filter	Kod proizvoda koji koriste karbon filtere, oni moraju da se mijenjaju jednom u tri mjeseca u normalnim uvjetima.
Ne ispušta zrak (korišćenje bez dimnjaka)	Provjerite aluminijske filtere	Kertridž aluminijskog filtera mora da se pere bar jednom mjesečno u normalnim uvjetima.
Ne ispušta vazduh (korišćenje bez dimnjaka)	Proverite karbon (ugljenik) filter	Kod proizvoda koji koriste karbon filtere, oni moraju da se mijenjaju jednom u tri mjeseca u normalnim uvjetima.

12.2 Tehnička tabela

Napon	220 - 240 V 50Hz
Klasa izolacije motora	F
Klasa izolacije	KLASA I



PRT

CHM - 650 IX

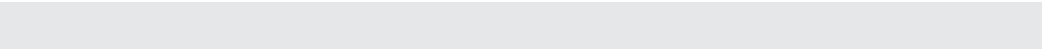
MANUAL DO USUÁRIO EXAUSTOR

CHM650ix



Leia atentamente as instruções !

1 DESENHO TÉCNICO	4
2 ADVERTENCIAS E PRECAUÇÕES DE SEGURANÇA	5
2.1 Perigo de morte, risco de envenenamento	7
3 UTILIZAÇÕES COM E SEM USO DE CARBONO	9
3.1 Substituição do Filtro de Carbono	9
3.2 Substituição do Filtro de Carbono	9
4 LIMPEZA E MANUTENÇÃO PREVENTIVA	10
4.1 Lavando na Máquina de Lavar Louça	10
4.2 Lavagem com as mãos	10
5 INSTALAÇÃO DO APARELHO	11
5.1 Desenho de montagem	12
5.2 Instalação e Desembalagem do Aparelho	12
5.3 Conselhos para poupar energia	12
6 CONTEÚDO DA EMBALAGEM	13
7 VISÃO GERAL DO APARELHO	14
8 MONTAGEM DO PRODUTO	15
8.1 Desenho de montagem e componentes	15
9 INSTALAÇÃO DA CHAMINÉ	16
10 COMO USAR O APARELHO	17
11 SUBSTITUIÇÃO DE LAMPADAS	18
11.1 Substituição da Lâmpada	18
12 SERVIÇO TÉCNICO AUTORIZADO	19
12.1 Falhas potenciais e Soluções	20
12.2 Tabela técnica	20



1 DESENHO TÉCNICO

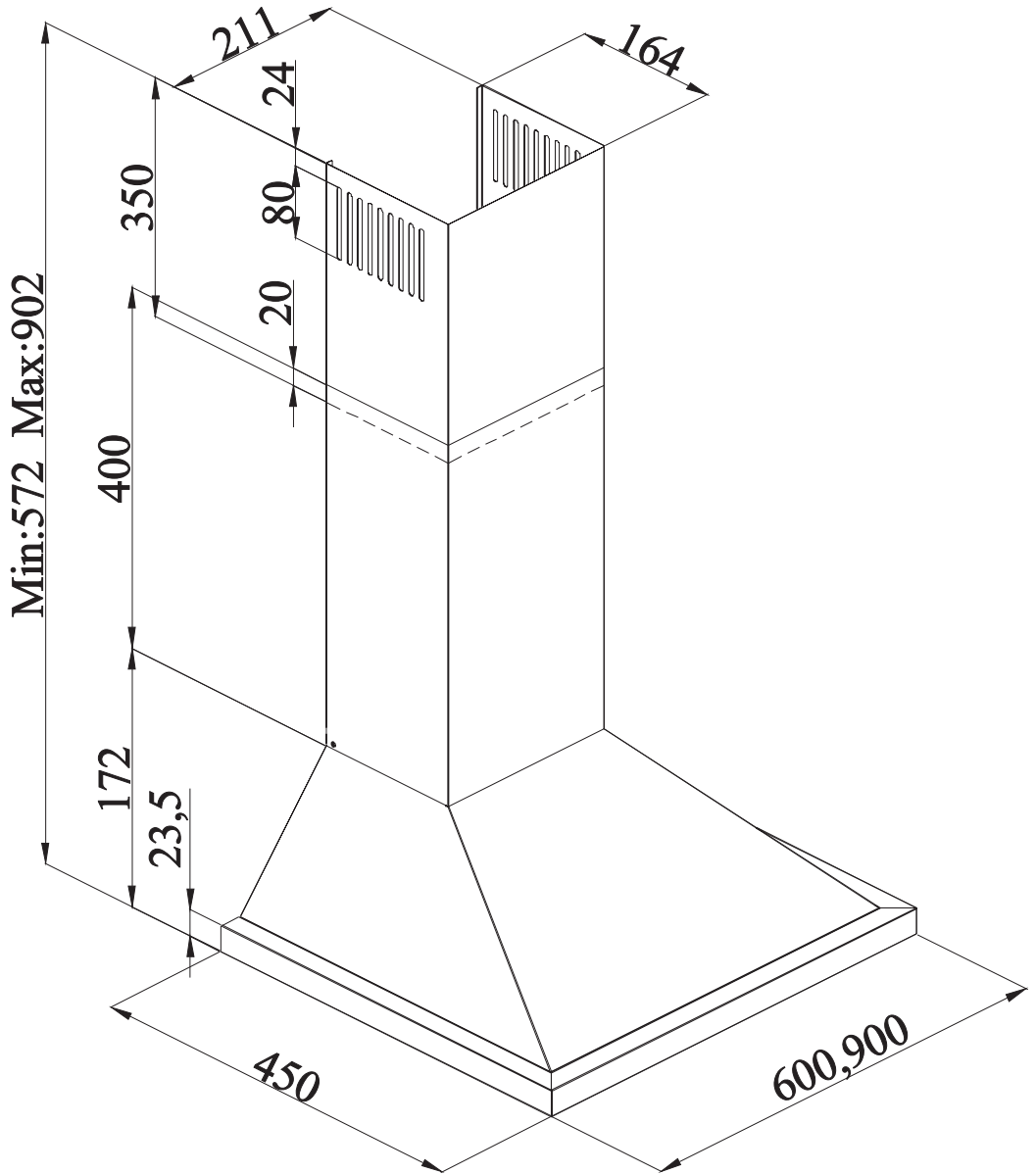


Figura 1: 2240 60_90 DESENHO TÉCNICO DA "CHAMINÉ" DUPLA

2 AVISOS E PRECAUÇÕES DE SEGURANÇA

- Este aparelho pode ser utilizado por crianças com idade igual ou superior a 8 anos e pessoas com capacidades físicas, sensoriais ou mentais reduzidas ou com falta de experiência e conhecimento, se tiverem recebido supervisão ou instruções relativas ao uso do aparelho de forma segura e compreenderem os perigos envolvidos.
- Este produto é projetado para uso doméstico.
- A tensão de uso do seu produto é de 220-240 Volts ~ 50 Hz.
- O cabo de alimentação do seu produto está equipado com uma ficha terra. Esta deve ser conectada a uma tomada correspondente.
- Toda a fiação elétrica deve ser instalada por um electricista qualificado.
- A instalação por pessoas não autorizadas pode resultar em mau desempenho operacional, danos no produto e acidentes.
- O cabo do alimentador do aparelho não deve ficar exposto a obstruções ou falhas durante a montagem.
- O cabo do alimentador não deve ser colocado perto do fogão. Em tais casos, este pode derreter e causar fogo.
- Não ligue o aparelho antes da instalação.
- Certifique-se de que o local de instalação permite ao utilizador desconectar facilmente o cabo de alimentação em caso de qualquer perigo.
- Não toque nas lâmpadas do seu produto quando elas funcionarem por um longo período, pois tornam-se quentes, podendo causar queimaduras.
- Os exaustores de cozinha são projetados para cozinhar e usar em casa. Para usos diferentes dos especificados, existe o risco de falha e o aparelho não será abrangido pela garantia.
- Deve cumprir as regras e instruções relativas à descarga de saída de ar, estipuladas pelas autoridades competentes. (Este aviso não se aplica a usos sem chaminé.)

- Alimentos inflamáveis não devem ser cozidos sob o aparelho.
- Ligue o aparelho depois de colocar uma panela, frigideira, etc. no fogão. Caso contrário, a alta temperatura pode causar deformação em alguns componentes do produto.
- Desligue o queimador antes de retirar a panela, frigideira ou outros do fogão.
- Não deixe óleo quente no seu fogão. Os recipientes que contêm óleo quente podem causar inflamação.
- Uma vez que os óleos podem incendiar-se quando cozinhar alimentos fritos em particular e tenha cuidado com suas cortinas e toalhas de mesa.
- Assegure a substituição oportuna dos filtros. Filtros não substituídos em tempo útil apresentam risco de incêndio devido a depósitos de resíduos neles acumulados.
- Não use materiais filtrantes e não resistentes ao fogo em vez do filtro
- Não opere o produto sem filtro e não remova os filtros quando o produto estiver em uso. Em caso de deflagração, desligue o exaustor e os aparelhos de cozimento. (Desligue o aparelho ou desligue o interruptor principal).
- Se a limpeza periódica do seu produto não for feita regularmente, tal pode representar um risco de incêndio.
- Desligue o aparelho antes de qualquer operação de manutenção. (Desligue o aparelho ou desligue o interruptor principal.)
- Quando a placa elétrica e os dispositivos alimentados com outra energia além da eletricidade operam simultaneamente, a pressão negativa na sala não deve exceder 4 Pa (4 X 10 bar).
- Aparelhos de queima de gás ou óleo combustível como aquecedores, que compartilham o mesmo ambiente com o produto, devem ser totalmente isolados deste produto ou ser herméticos.

- Quando fizer uma conexão de combustão do seu produto, use tubos com um diâmetro de 150 mm ou 120 mm.
- O comprimento da conexão do tubo, bem como o número de dobradiças, deve ser o mínimo possível.
- As crianças não devem brincar com o aparelho. Para sua segurança, use o fusível "MAX 6 A" no sistema de exaustor.
- Os materiais de embalagem podem ser perigosos, mantenha-os longe das crianças.
- Se o cabo do alimentador estiver danificado, deve ser substituído pelo fabricante ou pelo serviço técnico autorizado ou qualquer outro pessoal qualificado no mesmo nível, a fim de evitar qualquer situação perigosa.
- Em caso de deflagração, desligue o exaustor e os aparelhos de cozimento e cubra a chama. Nunca use água para extinguir o fogo.
- Quando aparelhos de cozinha estão em operação, as partes acessíveis podem estar quentes.
- Este aparelho não se destina a ser utilizado por pessoas com deficiências físicas, sensoriais e mentais (incluindo crianças) ou que não tenham experiência e conhecimentos adequados quanto à sua utilização, a menos que estejam sob a supervisão de uma pessoa responsável pela segurança do aparelho.
- Após a instalação do exaustor, a distância mínima deve ser de 65 cm entre o produto e qualquer fogão elétrico e 75 cm entre ele e quaisquer fontes de gás ou fogões queimando outros combustíveis.
- A saída do exaustor não deve ser ligada a condutas de ar, onde existam outros fumos.
- Deve ter cuidado ao usar a aplicação espontaneamente com outros aparelhos (por exemplo, gás, combustível diesel, aquecedores a carvão ou a lenha, aquecedores de chuveiro, etc.), deve-se prestar atenção ao usá-los simultaneamente, dado que o exaustor pode afectar a combustão e o ambiente da sala.
- Este aviso não se aplica ao uso sem chaminé.
- Quando o exaustor elétrico é usado simultaneamente com dispositivos que usam gás ou outros combustíveis, deve haver ventilação suficiente na sala (pode não ser aplicável a dispositivos que descarregam o ar de volta para a sala).

2.1 Perigo de morte e de envenenamento

PERIGO

Existe perigo de vida e envenenamento devido a gases de combustão que podem ser reabsorvidos. Durante o fluxo das saídas de descarga de ar, a menos que haja uma suficiente circulação e renovação de ar. Não use o dispositivo em simultâneo com outros capazes de emitir gases tóxicos através de chaminés, como aquecedores ventilados (a gás, óleo, madeira ou carvão), aquecedores de água, etc.

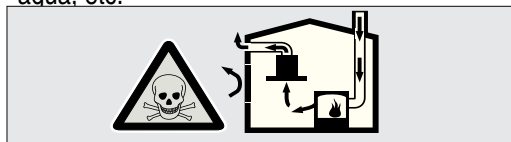


Fig. 2: Perigo de envenenamento

Dispositivos ventilados como aquecedores (gás, óleo, madeira ou carvão) ou aquecedores de água retiram usam ar para combustão no local onde se encontram instalados e descarregam gás residual através de um sistema de gás residual (p. e. combustão). Quando o exaustor está ativo ele absorve o ar da cozinha e das salas vizinhas. Assim, se uma entrada de ar adequada não for fornecida, o vácuo surge. Nesse caso, os gases tóxicos são absorvidos pelo canal de exaustão e gases de exaustão são expelidos novamente. Fig. 2 Concluindo, uma entrada adequada de ar fresco deve sempre ser garantida. Fig. 3

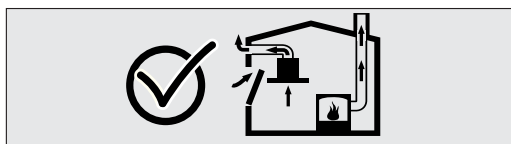


Fig 3

PERIGO

Perigo de fogo!

Devido a faíscas. A instalação do aparelho sobre um dispositivo de aquecimento aquecido com combustíveis sólidos (p.e. madeira ou carvão) só é permitida se estiver presente uma tampa não amovível. Para o processo de instalação, deve-se prestar atenção aos atuais regulamentos de construção aplicáveis das empresas elétricas e de gás locais. O aparelho pode causar incêndio, a menos que seja produzido de acordo com as instruções de limpeza.

PERIGO

2.2 Risco de choque eléctrico!

Não dobre ou aperte o cabo de conexão durante a instalação, devido aos diversos riscos que representa um cabo danificado.

PERIGO

2.3 Perigo de danos físicos!

- Durante a instalação, existe o perigo de ferimentos físicos devido as bordas afiadas. Use luvas de proteção durante todo o processo de instalação do aparelho.
- Devido ao risco de queda do aparelho, a montagem de todos os parafusos e tampas de segurança deve ser executada conforme especificado no manual de instruções.

PERIGO

2.4. Perigo de queimadura e de choque elétrico!

- Deixe o aparelho arrefecer antes de limpeza ou manutenção. Desligue o fusível ou retire a ficha da tomada.
- Há risco de danos devido à entrada de humidade nos componentes electrónicos. Não limpe os componentes de controle com um pano húmido.
- A superfície pode ser danificada devido a um processo de limpeza incorreto. Limpe as superfícies de aço inoxidável somente na direção de escova. Não use um limpador de aço inoxidável para os elementos de controle.
- A superfície pode ser danificada devido a agentes de limpeza agressivos e abrasivos. Nunca use agentes de limpeza agressivos e abrasivos.
- Há risco de danos devido ao refluxo do ar condensado. Monte o canal de saída de ar para baixo a partir do aparelho (inclinação de 1 °).

PERIGO

2.5 Perigos de fogo e ferimentos físicos!

No caso da reparação não se realizar de acordo com as regras ou conforme necessário, desligue o fusível ou desconecte o cabo do alimentador do seu eletrodoméstico. A reparação deve ser realizada apenas pelo serviço técnico autorizado ou especialistas autorizados.

NOTA

Se o aparelho apresentar defeitos ou danos, desligue o fusível ou desconecte o cabo de alimentação de seu aparelho e ligue para o serviço autorizado.

NOTA

Se o cabo do alimentador estiver danificado, ele deve ser substituído pelo fabricante ou pelo serviço técnico autorizado ou qualquer outro pessoal qualificado com o mesmo nível, a fim de evitar qualquer situação perigosa.

NOTA

Se as lâmpadas do aparelho estiverem com defeito, desligue o fusível ou desconecte o cabo do alimentador do aparelho. Substitua as lâmpadas imediatamente para evitar sobrecarga em outras lâmpadas (espere que as lâmpadas arrefeçam primeiro)

ATENÇÃO

Os componentes acessíveis podem sobreaquecer quando usados com dispositivos de cozinha.

PERIGO

A tubulação de saída de ar deste aparelho não deve ser conectada na chaminé usada para descarregar o fumo gerado pelos dispositivos que usam gás ou outros combustíveis.

3 UTILIZAÇÕES COM E SEM USO DE CARBONO

3.1 Substituição do Filtro Carbono

Em ambientes sem chaminé, o filtro carbono activo deve ser usado para filtrar o ar e reencaminhá-lo. O filtro de carbono activo deve ser fornecido pelo serviço ou pelo seu revendedor. Desligue o aparelho antes de substituir o filtro de carbono. Como o filtro de carbono é usado em cozinhas sem saída de combustão, ele deve ser substituído a cada 3-5 meses, dependendo do uso. O filtro de carbono nunca deve ser lavado. Filtros de resíduos gordurosos devem ser instalados no produto, independentemente do uso dos filtros de carbono. Não use seu produto sem filtro de resíduos gordurosos.

3.2 Substituição do filtro de carbono

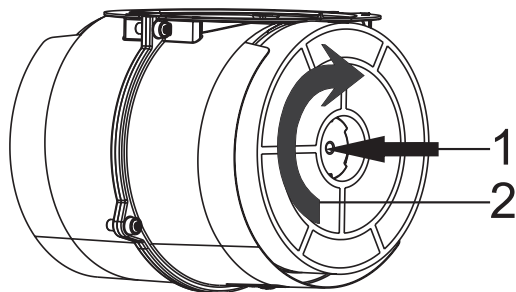


Fig. 4: FILTRO DE CARBONO

O aparelho que adquiriu é apropriado para uso com filtros de carbono.

1. Coloque o filtro de carbono no aparelho. Fig. 4
2. Rodando o filtro de carbono no sentido dos ponteiros do relógio, certifique-se de que está completamente encaixado. Fig.4
3. Coloque o filtro de carbono em seu aparelho. Fig. 4
4. Girando o filtro de carbono no sentido horário, assegure-se de que esteja completamente em forma. Fig. 4

PERIGO

Não lave os filtros de carbono. Mantenha os filtros de carbono longe das crianças.



Se o filtro de carbono não encaixar completamente, pode cair e danificar o seu produto.

4 LIMPEZA E MANUTENÇÃO PREVENTIVA

ATENÇÃO

- Antes de cada manutenção e limpeza, o exaustor deve ser desligado e o aparelho deve estar desconectado da ficha eléctrica.
- A limpeza e a manutenção do aparelho não devem ser realizadas por crianças.
- A superfície pode ser danificada devido a agentes de limpeza agressivos e abrasivos. Nunca use agentes de limpeza agressivos e abrasivos. Adquirir as substâncias de limpeza e proteção apropriadas para o seu aparelho no serviço técnico autorizado. A superfície do aparelho e unidades de controle são sensíveis a riscos.
- Limpe as superfícies com um pano macio e húmido, detergente líquido ou detergente para limpeza de vidros suaves. Amoleça os resíduos secos e pegajosos com um pano húmido. Não raspe!
- Não é apropriado usar panos secos, esponjas que possam riscar, materiais que exijam fricção e outros agentes de limpeza agressivos que contenham areia, ácido ou cloro.
- Limpe as superfícies de aço inoxidável apenas na direção da escovagem.
- Não use agentes de limpeza de aço inoxidável e panos molhados nas unidades de controle. Faça a limpeza de partes metálicas que retêm as partículas gordurosas e humidade do vapor gerado na cozinha. Limpe os filtros de gordura metalizados a cada três meses, em condições normais de uso (1 a 2 horas por dia).

- Não use agentes de limpeza excessivamente agressivos, ácidos ou alcalinos.

- Para limpar os filtros metálicos, limpe as partes do suporte dos filtros de metal no aparelho, com um pano húmido.

- Pode limpar os filtros de metal na máquina de lavar louça ou com a mão.

4.1 Lavar na Máquina de Lavar Louça

- Em caso de lavagem na máquina de lavar louça, pode ocorrer uma ligeira alteração na cor. Isso não tem efeito sobre a função do filtro de metal.

- Não lave os filtros de gordura excessivamente sujos de metal juntamente com as louças.

- Coloque os filtros metálicos soltos na máquina de lavar louça. Os filtros metálicos devem ser colocados na máquina de lavar louça sem obstrução.

4.2 Lavagem a mão

Para sujidades difíceis, pode usar um solvente especial. Você pode comprar um solvente desse tipo no centro de vendas autorizado.

- Suavize os filtros de gordura de metal em água quente com detergente para louça.

- Use um pincel para limpeza e aguarde até que o líquido nos filtros metálicos escorra completamente.

- Seque bem os filtros após a limpeza.

5 INSTALANDO O APARELHO

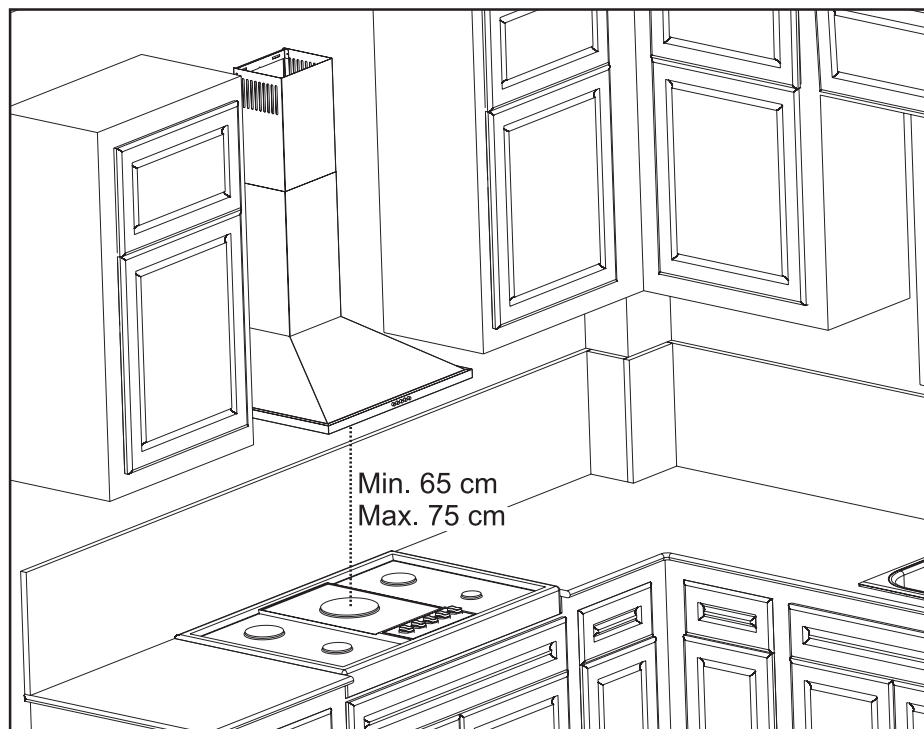


Fig. 5: INSTALANDO O APARELHO

Após completar a instalação do exaustor, a distância mínima deve ser de 650 mm entre o produto e qualquer fogão elétrico e 750 mm entre ele e quaisquer faixas de gás ou fogões queimando outros combustíveis. Fig. 5

5.1 Desenho da montagem

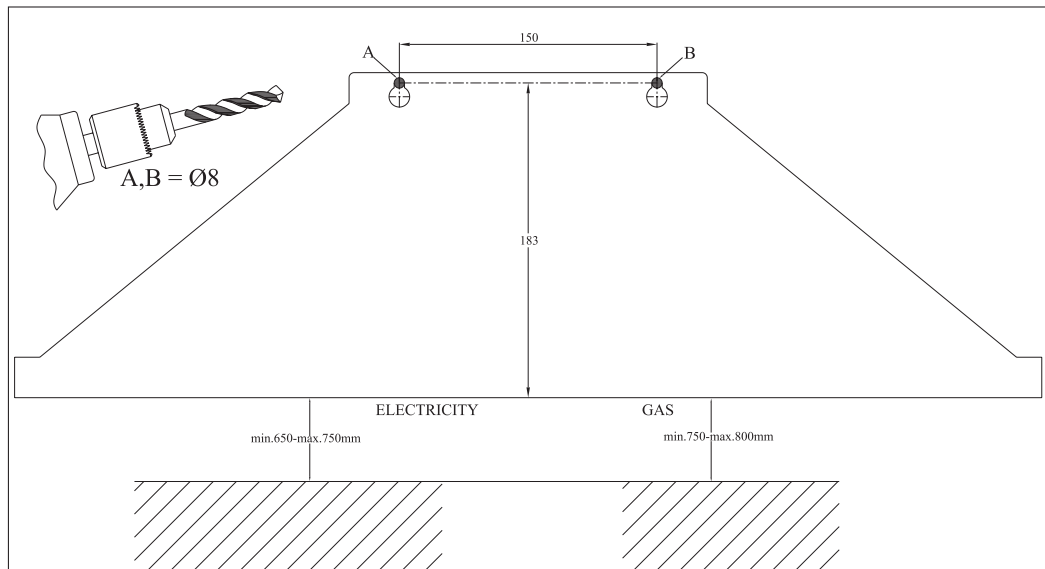


Figura 6: 2240 Desenho da montagem

5.2 Montagem e desembalagem

Verifique se há danos no seu aparelho.

- Se houver algum dano devido ao transporte, deve informar imediatamente as pessoas responsáveis.
- Defeitos visíveis também devem ser repassados ao vendedor.
- Evite que as crianças brinquem com as embalagens.

5.3 Conselhos para poupar energia

Altere os filtros de carbono regularmente.

- Limpar filtros de alumínio regularmente. Pode ser necessário usar o dispositivo em um nível alto, pois um filtro sujo pode bloquear a entrada de ar.
- Use os níveis de uso do dispositivo corretamente.
- Uso em níveis elevados aumentará o consumo de energia.

6 CONTEÚDO DA EMBALAGEM

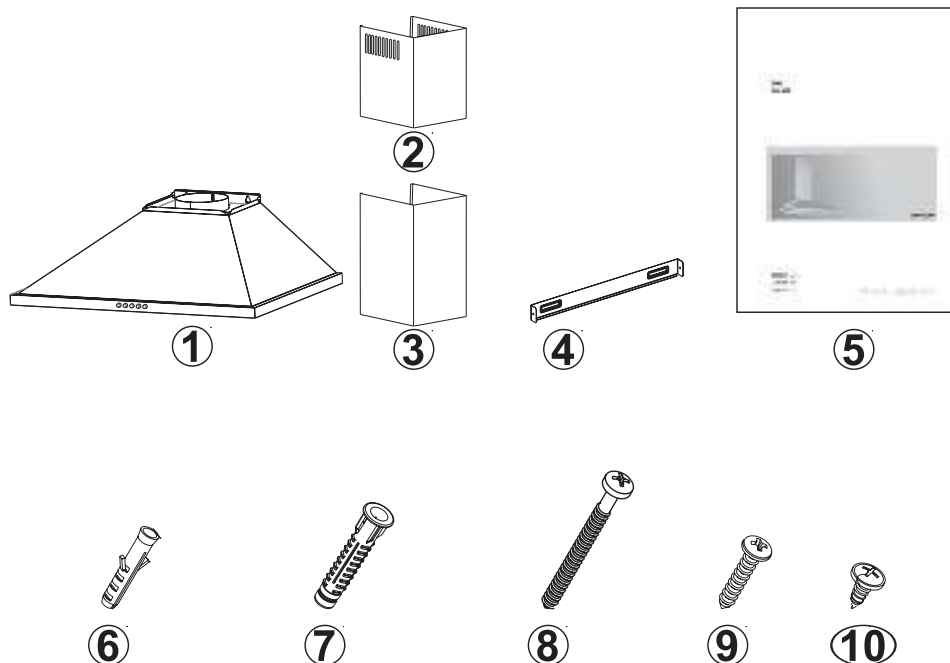


Figura 7: CONTEÚDO DA EMBALAGEM

1 - Produto

2 - Chaminé interna

3 - Chaminé externa

4- Placa de metal para ligar a chaminé

5 - Instruções de uso

6- 6mm parafuso de plástico

7 - Parafuso de plástico Ø10mm

8 - Parafuso 5.5x60 para montagem na parede

9- 3.9x22 parafuso para conectar a chaminé

10 - Conexão de parafuso 3.5x9.5 mm para a chaminé

7 VISÃO GERAL DO EXAUSTOR

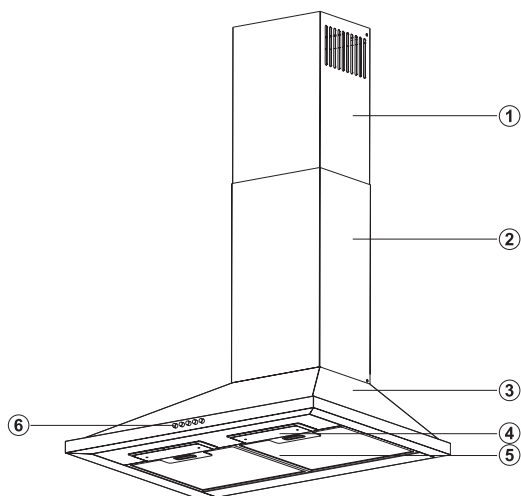


Figura 8: VISÃO GERAL DO EXAUSTOR

- 1 - Chaminé interna
- 2 - Chaminé externa
- 3 - "Corpo" do aparelho
- 4 - Iluminação do fogão
- 5 - Filtro de alumínio
- 6 - Painel de controle

8 MONTAGEM DO APARELHO

8.1 Desenho da montagem e componentes

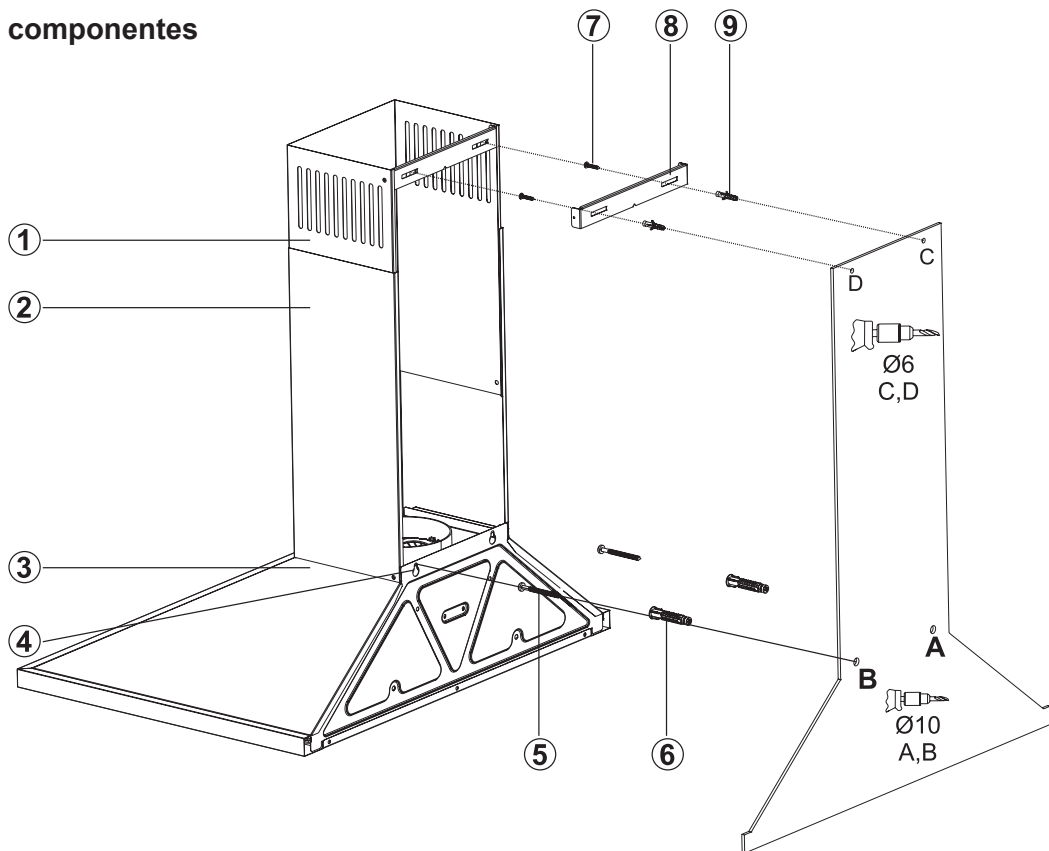


Figura 9: CONJUNTOS E PEÇAS

- 1 - Chaminé interna
- 2 - Chaminé externa
- 3 - "Corpo" do aparelho
- 4 - A rede de metal do produto (grelha de arame)
- 5 - Pannel da grelha da parede de 2x 5.5x60
- 6 - Parafuso de plástico 2x Ø10mm
- 7 - Parafuso 2x 3,9x22
- 8 - Chapa de metal para ligar a chaminé
- 9 - Parafuso de plástico 2x Ø6mm

Instale o exaustor usando o esquema de instalação.

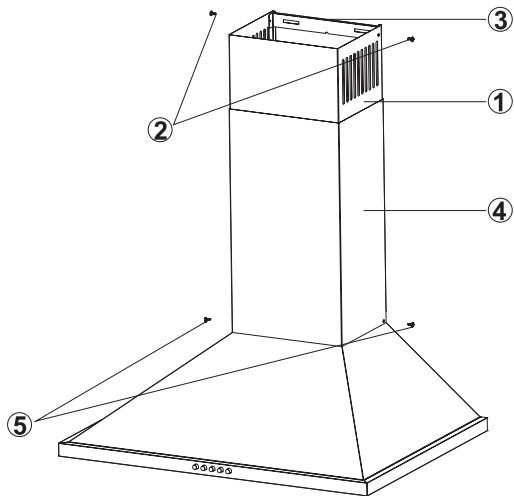
- Verifique a distância mínima e máxima até a bancada e os pontos de perfuração A, B.

(Figura 9)

- Coloque os parafusos de plástico de Ø10 mm em A, B das pontas perfuradas e aperte os parafusos aos pontos A + B, deixando um espaço de 5 mm entre a cabeça do parafuso e a parede. (Figura 9)

- Coloque o exaustor na parede usando os pontos A e B.

9 MONTAGEM DAS CHAMINÉS METÁLICAS



Centralize a placa para conectar a chaminé (3) a cobertura, segure-a sob a tampa ou meça e marque os pontos C, D. (Figura 10)

- Perfure os pontos C, D com uma broca de Ø6 mm e coloque um parafuso de plástico de Ø6 mm. Coloque a chaminé conectando a placa a superfície onde os parafusos 3.9x22 serão montados. (Figura 10)

- Retire a chaminé interior (1) utilizando o parafuso (2) e aperte-a na placa de ligação da chaminé nos lados direito e esquerdo (3). (Figura 10)

- Coloque a chaminé externa (4) no corpo do exaustor com os 2 parafusos (5). (Figura 10)

Figura 10: INSTALANDO A CHAMINÉ

1 - Chaminé interna

2 - Parafusos para fixação de placa para conexão da chaminé interna

3- Placa de metal para conectar a chaminé

4 - Chaminé externa

5 - Um parafuso para ajustar a chaminé externa

Monte a conexão da saída de ar ao dispositivo.

As chaminés internas e externas são inseridas umas nas outras.

"Instalação e esquema de peças".

10 COMO USAR O PRODUTO

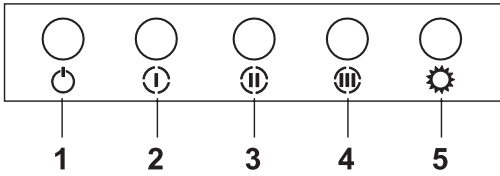


Figura 11: Pressione a tecla

1. Pressione este botão para redefinir o produto.
2. Quando este botão é pressionado, o produto irá operar no primeiro nível de velocidade.
3. Quando esta tecla é pressionada, o produto irá operar num outro nível de velocidade.
4. Quando este botão é pressionado, o produto irá operar no terceiro nível de velocidade.
5. Pressione este botão para ligar e desligar a lâmpada.

11 SUBSTITUIÇÃO DA LAMPADA

PERIGO

Desligue a alimentação elétrica do exaustor. Deixe as lâmpadas esfriarem primeiro porque podem queimar suas mãos quando estão quentes.

11.1 Substituição da Lâmpada

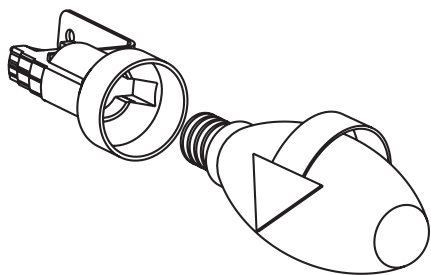


Fig. 12: Substituição da lâmpada

Remova o filtro do cartucho de alumínio. Remova a lâmpada defeituosa e substitua-a por uma nova com a mesma classificação. Figura 12

12 SERVIÇO TÉCNICO AUTORIZADO

Se a iluminação não estiver funcionando:

- Certifique-se de que a ficha esta conectada e de que os fusíveis estão intactos.
- Verifique as lâmpadas. Certifique-se de desconectar o dispositivo antes de realizar essa verificação. Aperte as lâmpadas se estiverem soltas; você pode substituir as lâmpadas se elas ainda não funcionarem.

Possíveis falhas e o que fazer antes de chamar o serviço técnico:

A) Se o aparelho não funcionar de alguma forma:

- Verifique se o exaustor está conectado ou se a ficha está encaixada corretamente.
- Verifique o fusível, ao qual o aparelho está ligado, bem como o fusível principal da sua casa.

Se o desempenho do aparelho for insuficiente ou se operar com muito ruído:

- O diâmetro de saída do tubo do aparelho é adequado? (min. 120 mm).
- Se você usar o exaustor sem chaminé, verifique se os filtros de carbono não têm mais de 6 meses.
- Se você usar o exaustor sem chaminé, verifique se os filtros de carbono não têm mais de 6 meses.
- Esteja atento a sua cozinha adequadamente, a fim de fornecer um fluxo de ar. Se ainda estiver satisfeito com o desempenho do aparelho, consulte o serviço técnico autorizado.

12.1 Falhas Potenciais e Soluções

Descrição do falha	Motivo	Ajuda
O aparelho não funciona.	Verifique a ligação eléctrica	A tensão de rede deve ser de 220-240 V e o produto deve ser conectado a uma tomada terra.
A lâmpada não funciona.	Verifique a ligação eléctrica	A tensão de rede deve ser de 220-240 V e o produto deve ser conectado a uma tomada terra.
A lâmpada não funciona.	Verifique a ligação eléctrica	O interruptor deve estar na posição "on"
A lâmpada não funciona.	Verifique o interior da lâmpada	A lâmpada não pode estar fundida
A entrada de ar do produto é fraca	Verifique o filtro de alumínio	O filtro de cartucho de alumínio deve ser lavado uma vez por mês em condições normais.
A entrada de ar do produto é fraca	Verifique o filtro de combustão	O filtro de combustão deve estar aberto
A entrada de ar do produto é fraca	Verifique o filtro de carbono	Em condições normais, produtos que trabalham com filtros de carbono, o filtro de carbono deve ser substituído uma vez a cada 3 meses.
Não faz descarga de ar (após a combustão)	Verifique o filtro de alumínio	O filtro de cartucho de alumínio deve ser lavado uma vez por mês em condições normais.
Não faz descarga de ar (após a combustão)	Verifique o filtro de carbono	Em condições normais, produtos que trabalham com filtros de carbono, o filtro de carbono deve ser substituído uma vez a cada 3 meses.

12.2 Tabela técnica

Tensão	220 - 240 V 50Hz
Classe de isolamento do Motor	F
Classe de isolamento	CLASSE I

Ovaj dokument je originalno proizveden i objavljen od strane proizvođača, brenda Vox, i preuzet je sa njihove zvanične stranice. S obzirom na ovu činjenicu, Tehnoteka ističe da ne preuzima odgovornost za tačnost, celovitost ili pouzdanost informacija, podataka, mišljenja, saveta ili izjava sadržanih u ovom dokumentu.

Napominjemo da Tehnoteka nema ovlašćenje da izvrši bilo kakve izmene ili dopune na ovom dokumentu, stoga nismo odgovorni za eventualne greške, propuste ili netačnosti koje se mogu naći unutar njega. Tehnoteka ne odgovara za štetu nanесenu korisnicima pri upotrebi netačnih podataka. Ukoliko imate dodatna pitanja o proizvodu, ljubazno vas molimo da kontaktirate direktno proizvođača kako biste dobili sve detaljne informacije.

Za najnovije informacije o ceni, dostupnim akcijama i tehničkim karakteristikama proizvoda koji se pominje u ovom dokumentu, molimo posetite našu stranicu klikom na sledeći link:

<https://tehnoteka.rs/p/vox-aspirator-chm-650-ix-akcija-cena/>