

## Uputstvo za upotrebu

VOX aspirator CGL 950 IX



Tehnoteka je online destinacija za upoređivanje cena i karakteristika bele tehnike, potrošačke elektronike i IT uređaja kod trgovinskih lanaca i internet prodavnica u Srbiji. Naša stranica vam omogućava da istražite najnovije informacije, detaljne karakteristike i konkurentne cene proizvoda.

Posetite nas i uživajte u ekskluzivnom iskustvu pametne kupovine klikom na link:

<https://tehnoteka.rs/p/vox-aspirator-cgl-950-ix-akcija-cena/>



GBR

SRB

# CGL650IX / CGL950IX

OPERATING INSTRUCTIONS COOKER HOOD

UPUTSTVO ZA UPOTREBU ASPIRATOR

NAVODILA ZA UPORABO KUHINJSKA NAPA

UPUTE ZA UPORABU KUHINJSKA NAPA

MANUAL DE ISTRUÇÕES EXAUSTOR



**CGL650IX / CGL950IX**

**OPERATING INSTRUCTIONS COOKER HOOD**

MODEL: CGL650IX



MODEL: CGL950IX



Read the User Manual Carefully!

<b>1 TECHNICAL DRAWING</b>	<b>4</b>
<b>2 WARNINGS AND SAFETY PRECAUTIONS</b>	<b>5</b>
2.1 Life-Threatening Danger, Poisoning Danger	7
2.2 Danger of electric shock!	7
2.3 Danger of physical injury!	7
2.4 Danger of burn, danger of electric shock!	8
2.5 Dangers of fire and physical injury!	8
<b>3 USAGES WITH AND WITHOUT CARBON FILTER</b>	<b>9</b>
3.1 Replacement of Carbon Filter	10
3.2 Replacement of Carbon Filter	10
<b>4 CLEANING AND PREVENTIVE MAINTENANCE</b>	<b>11</b>
4.1 Washing in Dishwasher	11
4.2 Hand Wash	11
4.3 Removal/Installation of Aluminium Filter	11
<b>5 INSTALLATION OF APPLIANCE</b>	<b>12</b>
5.1 Installation and Unpacking of the Appliance	12
5.2 Installation and Unpacking of the Appliance	12
5.3 Exhaust Air Mode	13
5.4 Air Discharge Line	13
5.5 Checking the Wall	13
5.6 Electrical Connection	13
5.7 Danger of Electric Shock!	13
<b>6 CONTENT OF PACKAGE</b>	<b>14</b>
<b>7 OVERVIEW OF COOKER HOOD</b>	<b>15</b>
<b>8 ASSEMBLY OF PRODUCT</b>	<b>16</b>
8.1 Installation Diagram and Components	16
8.2 Assembly of Plastic Flue	17
<b>9 ASSEMBLY OF PLATE FUELS</b>	<b>18</b>
<b>10 USE OF PRODUCT</b>	<b>19</b>
10.1 On Glass 3 Spd Touch Button	19
10.2 Push Button	19
<b>11 REPLACEMENT OF LAMPS</b>	<b>20</b>
11.1 Replacement of Halogen Lamp	20
11.2 Replacement of Spark Plug Lamp	20
<b>12 AUTHORIZED TECHNICAL SERVICE</b>	<b>21</b>
12.1 Potential Failures and Solutions	22
12.2 Technical Table	22

# 1 TECHNICAL DRAWING

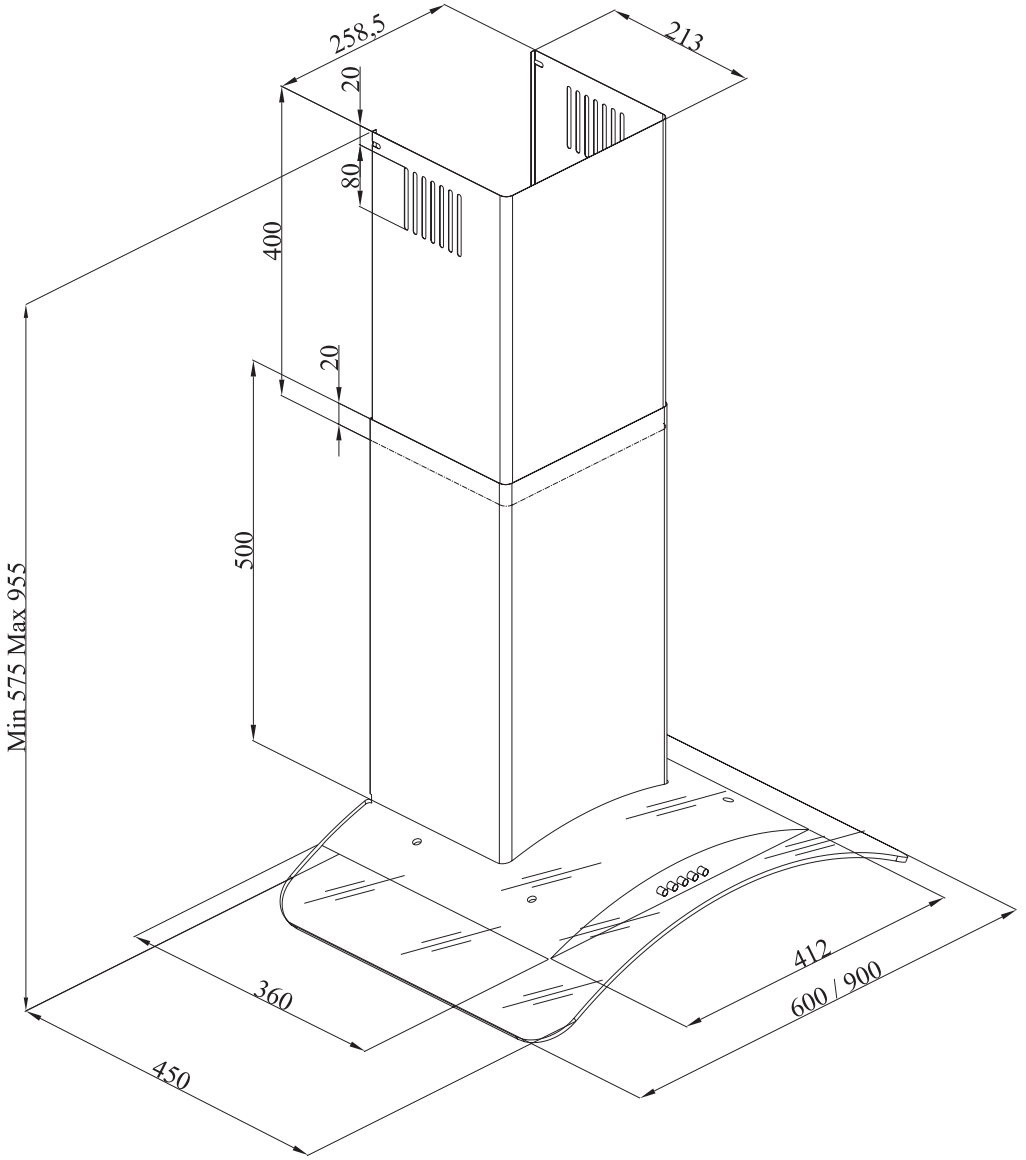


Fig. 1: TECHNICAL DRAWING

## 2 WARNINGS AND SAFETY PRECAUTIONS

- This appliance can be used by children aged from 8 years and above and persons with reduced physical, sensory or mental capabilities or lack of experience and knowledge if they have been given supervision or instruction concerning use of the appliance in a safe way and understand the hazards involved.
- This product is designed for home use.
- Usage voltage of your product is 220-240 Volt~50 Hz.
- Power cord of your product is fitted with a grounded plug. That cable must definitely be connected to a grounded socket.
- The whole electrical wiring must be installed by a qualified electrician.
- Installation by unauthorized persons could lead to poor operation performance, damage to the product, and accidents.
- Feeder cable of the appliance mustn't be exposed to jamming or crashing during assembly. Feeder cable mustn't be placed near the cooker. In such cases, it might melt down and lead to fire.
- Do not plug in the appliance before the installation.
- Make sure that the installation place allows the user to easily unplug the power cable in case of any danger.
- Do not touch your product's lamps when they work for a long time. Since they would be hot, they could burn your hand.
- Kitchen cooker hoods are designed for normal cooking and home use. For uses other than specified, there is the risk of failure and the appliance becomes out of warranty.
- Comply with the rules and instructions regarding discharge of outgoing air, stipulated by the relevant authorities. (This warning does not apply to uses without flue.)
- Flammable foods must not be cooked under the appliance.
- Turn on the appliance after placing a saucepan, pan, etc. on the cooker. Otherwise, high temperature might lead to deformation on some components of your product.
- Turn off the cooker's burner before taking the saucepan, pan, etc. off the cooker.
- Do not leave hot oil on your cooker. Pots that contain hot oil might lead to inflammation.
- Since oils could catch fire when you cook fried foods in particular, be careful about your curtains and tablecloths.
- Ensure timely replacement of the filters. Filters not replaced in a timely manner pose risk of fire due to accumulated grease deposits on them.
- Do not use non-fire-resistant filtering materials instead of the filter.
- Do not operate your product without filter, and do not remove the filters when the product is in use.
- In case of any deflagration, de-energize the cooker hood and cooking appliances. (Plug off the appliance or turn off the main switch).
- If your product's periodic cleaning is not made in a timely manner, it could pose risk of fire.
- De-energize the appliance before any maintenance operations. (Plug off the appliance or turn off the main switch.)
- When electric cooker hood and devices fed with energies other than electricity operate simultaneously, the negative pressure in the room must not exceed 4 Pa ( 4 X 10 bar ).
- Gas or fuel oil burning appliances, such as room heaters, which share the same environ-

## WARNINGS AND SAFETY PRECAUTIONS

ment with your product, must be fully insulated from the exhaust of this product or they must be hermetical.

- When you make a flue connection for your product, use pipes with a diameter of 150mm or 120 mm.

- The length of the pipe connection as well as the number of elbows must be as minimum as possible.

- Children should not tamper with the device.

- For your safety, use "MAX 6 A" fuse in the cooker hood system.

- Since the packing materials could be dangerous, keep them away from children.

- If the feeder cable is damaged, it must be replaced by its manufacturer or authorized technical service or any other personnel qualified at the same level, in order to avoid any dangerous situation.

- In case of any deflagration, de-energize the cooker hood and cooking appliances, and cover the flame. Never use water to extinguish the fire.

- When cooking appliances are in operation, their accessible parts could be hot.

- This appliance is not intended to be used by people with physical, sensory and mental disabilities (including children) or those who have not adequate experience and knowledge regarding its use, unless they are under the supervision of a person responsible for the safety of the appliance.

- After the installation of the cooker hood, the minimum distance must be 65 cm between the product and any electric cooker; and 75 cm between it and any gas ranges or cookers burning other fuels.

- Output of the cooker hood must not be connected to air ducts, where there exist another smokes.

- You must be careful when using the appliance spontaneously with other appliances (e.g. gas, diesel fuels, coal or wood burning heaters, shower heaters, etc.) which use the same air in the same environment. It is because the cooker hood could adversely affect the combustion, by discharging the ambient air.

- This warning does not apply to uses without flue.

- When electric cooker hood is used simultaneously with devices that use gas or other fuels, there must be sufficient ventilation in the room (might not apply to devices that discharges the air back into the room).

- Simultaneous operation of more than one gas cooker leads to generation of high heat. A ventilation appliance placed on the surface of cookers might therefore get damaged or burn. Do not operate two gas cookers in high heat for more than 15 minutes. One large burner with more than 5kW (Work) power generates power equal to that of two gas burners.



## 2.1 Life-Threatening Danger, Poisoning Danger

### DANGER

There are life-threatening danger and poisoning danger due to reabsorbed combustion gases. During the air discharge outlet use, unless sufficient air supply is provided, do not use the appliance simultaneously with devices that discharge toxic gases through flue such as ventilated, gas, oil, wood or coal burning heaters, shower heaters, water heaters, etc.

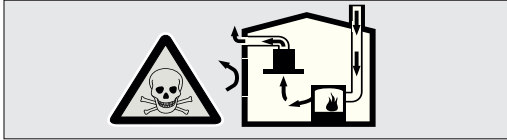


Fig. 2: Poisoning Danger

Ventilated devices (e.g. gas, oil, wood or coal burning heaters, shower heaters, water heaters) take combustion air from the installation location, and discharge the waste gas through a waste gas system (e.g. flue). When the cooker hood is active, it absorbs air from the kitchen and neighbouring rooms. If adequate air entry is not provided vacuum emerges. In such a case, the toxic gases are absorbed from the flue and waste gas channel, and are taken into to door again. Fig. 2 Therefore, adequate fresh air ingress must always be ensured. Fig. 3



Fig. 3

### DANGER

#### Fire danger!

Due to sparkling. Installation of appliance over a heating device that is heated by using solid fuels (for ex. wood or coal) is only allowed if a non-detachable cover is present. For the installation process, attention must be paid to current applicable construction regulations and regulations of local electric and gas companies. Appliance might lead to fire unless it is produced in accordance with cleaning instructions.

### DANGER

#### 2.2 Danger of electric shock!

Do not bend or jam the connection cable during installation due to danger of damaged connection cable.

### DANGER

#### 2.3 Danger of physical injury!

- During the installation, there is a danger of physical injury due to the sharp edges. Use protective gloves throughout the installation process of the appliance.
- Due to risk of dropping the appliance, assembly of all safety bolts and covers must be performed as specified in the user manual.

**⚠ DANGER****2.4 Danger of burn, danger of electric shock!**

- Allow the appliance to cool before cleaning or maintenance process. Switch off the fuse or pull out the mains plug from the socket.
- There is risk of damage due to ingress of moisture in the electronics. Do not clean the control components with a wet cloth.
- The surface could be damaged due to a wrong cleaning process. Clean stainless steel surfaces only in their brushing direction. Do not use a stainless steel cleaner for the control elements.
- The surface could be damaged due to aggressive and abrasive cleaning agents. Never use aggressive and abrasive cleaning agents.
- There is risk of damage due to backflow of condensate. Mount the air outlet channel downwards from the appliance (slope of 1°).

**⚠ DANGER****2.5 Dangers of fire and physical injury!**

In case of repairing that is not performed according to the rules or as required, turn off the fuse or unplug the feeder cable of your appliance. Repairing must be performed only by the authorized technical service or authorized experts.

**NOTE**

*If the appliance is faulty or damages, turn off the fuse or unplug the feeder cable of your appliance and call the authorized service.*

**NOTE**

*If the feeder cable is damaged, it must be replaced by its manufacturer or its authorized technical service or any other personnel qualified at the same level, in order to avoid any dangerous situation.*

**NOTE**

*If the bulbs of your appliance are faulty, turn off the fuse or unplug the feeder cable of your appliance. Replace the bulbs immediately to avoid overload on other bulbs (wait for the bulbs to cool down first)*

**⚠ DANGER**

Accessible components might be heated when used with cooking devices.

**⚠ DANGER**

Air outlet pipe of this appliance mustn't be connected in the flue used to discharge the fume generated by devices that use gas or other fuels.

### 3 USAGES WITH AND WITHOUT CARBON FILTER

You can use this appliance in exhaust air mode and ventilated air mode.

#### Exhaust air mode

The absorbed air is cleaned by the grease filters, and is discharged through a piping system. Fig.4

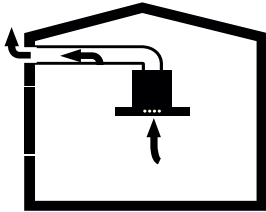


Fig. 4: Air Outlet without Carbon Filter

**⚠ WARNING**

**Death Risk!**



Exhaust gases that are reabsorbed might lead to poisoning. Exhaust air must not be transferred to an active smoke or waste gas flue; or a flue used for ventilation of the places, where heat sources are installed.

- If you want to transfer exhaust air to an inactive smoke or waste gas flue, you need to obtain permission from an authorized chimney sweep.
- If exhaust air is discharged through the external wall, a telescopic wall safe must be used.

#### Ventilated air mode

**i** Absorbed air is cleaned by the grease filters and an active carbon filter, and then it is transferred back to the kitchen. Fig.5

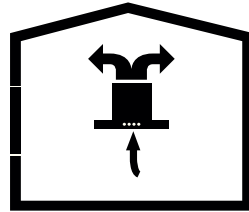


Fig. 5: Air Outlet with Carbon Filter

**i** To retain the substances that lead to odour in ventilated air mode, you must attach an active carbon filter. Consult your authorized dealer for various options available to use your appliance in ventilated air mode. You can purchase the accessories required for this process for related sales points, authorized services or online sales centre

### 3.1 Replacement of Carbon Filter

In environments without flue, active carbon filter must be used for filtering the air and resending it in. Active carbon filter must be supplied from service or your dealer. De-energize the appliance before replacing the carbon filter. Since carbon filter is used in kitchens with no flue outlet, it must be replaced in every 3-5 months depending on the use.

Carbon filter must never be washed. Grease filters must be installed in the product, regardless of whether or not carbon filters are used. Do not use your product without grease filter.

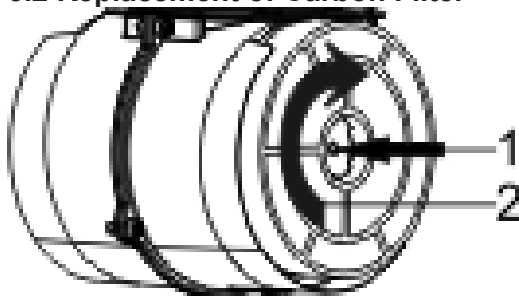


*If carbon filter does not fit in completely, it might drop and damage your product.*

**⚠ DANGER**

Do not wash carbon filters. Keep the carbon filters away from children.

### 3.2 Replacement of Carbon Filter



*Fig. 6: CARBON FILTER*

*The appliance you have purchased is appropriate for use with carbon filters.*

- 1. Place the carbon filter in its housing. Fig. 6*
- 2. Rotating the carbon filter clockwise, ensure that it is completely fit. Fig. 6*

## 4 CLEANING AND PREVENTIVE MAINTENANCE

### DANGER

- Prior to each maintenance and cleaning, cooker hood must be unplugged, and appliance must be dead
- Cleaning and user maintenance of the appliance shall not be performed by unattended children.
- The surface could be damaged due to aggressive and abrasive cleaning agents. Never use aggressive and abrasive cleaning agents. Supply your cleaning and protective substances that are appropriate for your appliance from the authorized technical service. Surface of appliance and control units are sensitive to scratching.
- Clean the surfaces with a soft and damp cloth, dish-washing liquid or mild glass cleaning agent. Soften the dry, sticky dirt with a damp cloth. Do not scrape!
- It is not appropriate to use dry cloths, sponges that may scratch, materials that require rubbing, and other aggressive cleaning agents containing sand, soda, acid or chlorine.
- Clean the stainless steel surfaces in their brushing direction only.
- Do not use stainless steel cleaning agents and wet clothes for control units. Cleaning of metal grease filters Used metal grease filters retain the greasy particles in the moisture and vapour generated in the kitchen. Clean the metal grease filters about every three months, under normal use conditions (1 to 2 hours a day).
- Do not use excessively effective, acidic or alkaline cleaning agents.

- For cleaning the metal grease filters, clean the holder parts of the metal grease filters in the appliance, with a damp cloth as well.
- You can clean the metal grease filters in the dishwasher or by hand.

### 4.1 Washing in Dishwasher

- In case of washing in dishwasher, a slight change might occur in colour. This has no effect on the function of the metal grease filter.
- Do not wash the excessively dirty metal grease filters together with dishes.
- Place the metal grease filters loosely and freely in the dishwasher. Metal grease filters must be placed in the dishwasher without jamming.

### 4.2 Hand Wash

For stubborn dirt, you can use a special grease solvent. You can buy such an agent from the authorized sales centre.

- Soften the metal grease filters in a hot water with dish-washing liquid.
- Use a brush for cleaning and wait for the liquid in metal grease filters to flow off completely.
- Rinse the filters thoroughly after cleaning.

### DANGER

*Thanks to timely cleaning of metal grease filter, the fire danger caused by excessive heat that is generated during frying is avoided.*

### 4.3 Removal/Installation of Aluminium Filter

Pull the aluminium filter towards you by pressing on its tab. Reverse the process to install the filter.

## 5 INSTALLATION OF APPLIANCE

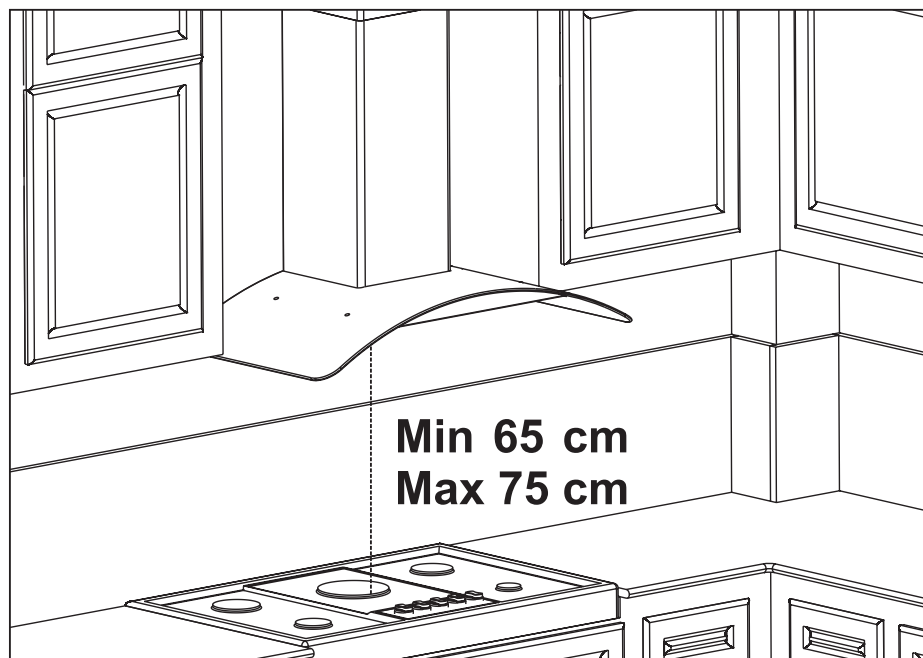


Fig. 7: INSTALLATION OF APPLIANCE

After completing the installation of cooker hood, the minimum distance must be 650 mm between the product and any electric cooker; and 750 mm between it and any gas ranges or cookers burning other fuels. Fig. 7

### 5.1 Installation and Unpacking of the Appliance

Check that your appliance is not deformed.

- Report the transport issues immediately to transport operator.
- Any faults encountered shall be reported to the dealer, too.
- Do not allow children to play the with packaging materials !!!

### 5.2 Recommendation for Energy Saving

- Replace the carbon filters on a regular basis.
- Regularly clean your aluminium filters. Since dirty filters would block the air passage, you might have to use the appliance at a higher speed.
- Use your product according to its normal speeds.
- Use at higher speed would cause an increase in the energy consumption.

### 5.3 Exhaust Air Mode

#### WARNING

#### Death Risk!

Exhaust gases that are reabsorbed might lead to poisoning. Exhaust air must not be transferred to an active smoke or waste gas flue; or a flue used for ventilation of the places, where heat sources are installed. If you want to transfer exhaust air to an inactive smoke or waste gas flue, you need to obtain permission from an authorized chimney sweep.

If exhaust air is discharged over the external wall, a telescopic wall case must be used..

### 5.4 Air Discharge Line

**Information:** Manufacturer of appliance cannot be held responsible for defects caused by laid pipes.

- Appliance shows the highest performance when a short and flat air outlet pipe and a pipe diameter as large as possible is used.
- Optimum ventilation performance cannot be reached and noise of fan increases when long and rough air outlet pipes and multiple pipe elbows or pipe diameters smaller than 150mm are used.
- Pipes or hoses used in laying the air outlet line must be made of inflammable materials.

#### Circular Pipes

It is recommended that inner diameter should be 150 mm or at least 120 mm.

#### Flat Channels

Inner Section must be appropriate to the diameter of circular pipes.

**Ø150 mm approx. 177 cm<sup>2</sup>**

**Ø150 mm approx. 173 cm<sup>2</sup>**

- Flat channels shouldn't have sharp elbows.
- Use sealing strips for different pipe diameters.

### 5.5 Checking the Wall

- Wall must be flat, straight and have the sufficient bearing capacity.
- Depth of drilling holes must comply with the length of bolts. Dowels must fit in properly.
- Bolts and dowels in the enclosure are appropriate for use in rigid monolithic walls. Use appropriate fastening materials for different constructions (for ex. plasterboard, aerated concrete, proton bricks).
- Maximum weight of your cooker hood is **40 Kg.**

### 5.6 Electrical Connection

#### WARNING

#### Electric Shock Danger!

Components in the appliance might have sharp edges. Connection cable can be damaged. Do not bend or jam the connection cable during installation.

Necessary connection data is provided on the type label found inside your appliance; metal grease filters must be removed to see the label.

**Length of connection line: approx. 1.3 m**

This appliance complies with EU interference elimination guidelines.

#### WARNING

### 5.7 Danger of Electric Shock!

It must always be possible to disconnect the appliance from the electric network. Appliance must be plugged in a protected contact outlet that is mounted in accordance with the rules. If the plug cannot be reached after installation or during the required fixed connection, there must be many pole separation assemblies available with at least 3 mm contact distance to the installation. Fixed connection must be performed by an electronics expert only.

## 6 CONTENT OF PACKAGE

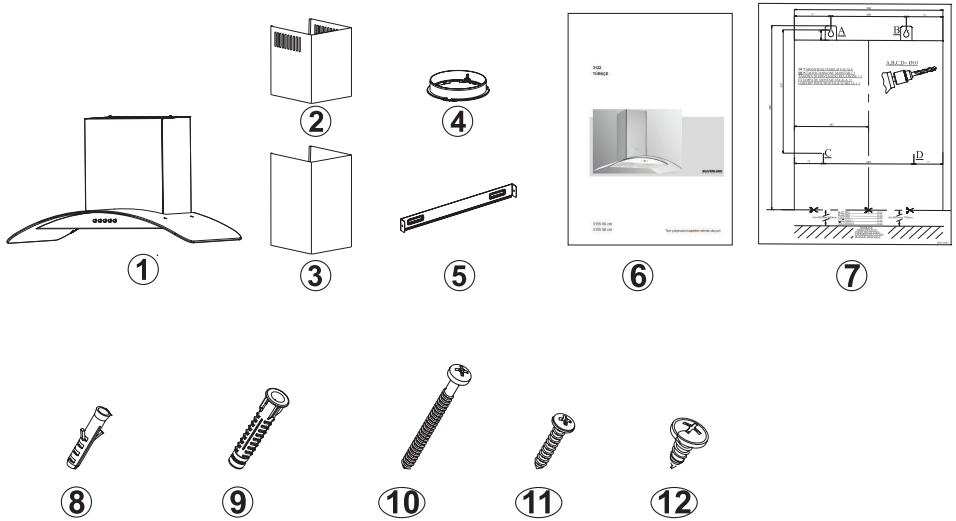
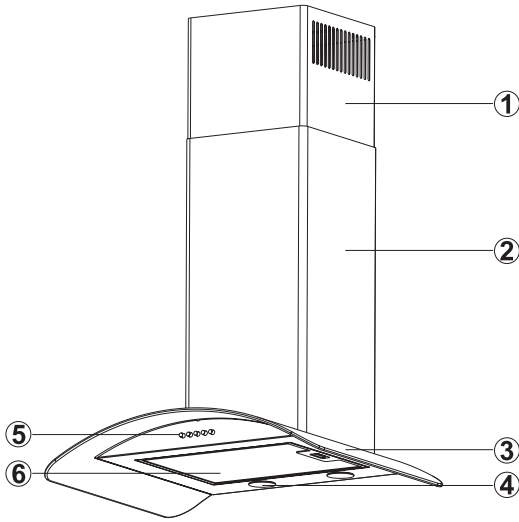


Fig. 8: CONTENT OF PACKAGE

1. Product
2. Inner Flue
3. Outer Flue
4. 120mm Plastic Flue
5. Flue Connection Plate
6. User Manual
7. Assembly Pattern
8. 2x Ø6mm Plastic Dowel
9. x Ø10mm Plastic Dowel
10. 3x 5.5x60 Wall Mount Screw
11. 2x 3.9x22 Flue Connection Plate Screw
12. 3.5x9.5 Flue Connection Screw



## 7 OVERVIEW OF COOKER HOOD



*Fig. 9: OVERVIEW OF COOKER HOOD*

1. Inner Flue
2. Outer Flue
3. Glass
4. Cooker Lighting
5. Control Panel Layout
6. Filter

## 8 ASSEMBLY OF PRODUCT

### 8.1 Installation Diagram and Components

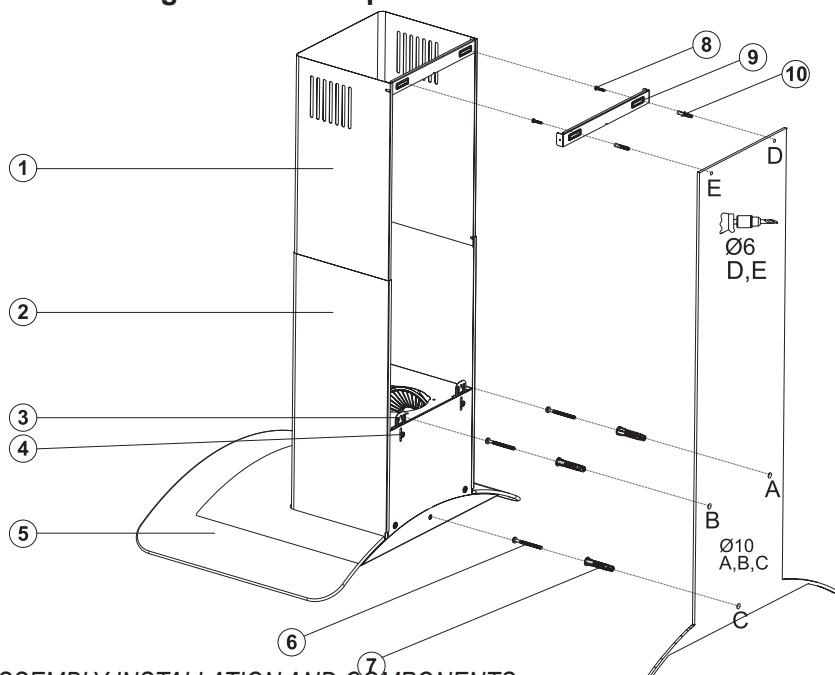


Fig. 10: ASSEMBLY INSTALLATION AND COMPONENTS

1. Inner Flue
2. Outer Flue
3. Product Hanging Plate
4. Product Hanging Plate Fixing Screw
5. Glass
6. 3x 5.5x60 Wall Mount Screw
7. 3x Ø10mm Plastic Dowel
8. 2x 3.9x22 Screw
9. Flue Connection Plate
10. 2x Ø6mm Plastic Dowel

■ Loosening the product hanging plate fixing screw (4) pull the hanging plates (3) upwards, and fix the hanging plate by re-tightening the fixing screw. Fig 10

■ Assemble the cooker hood with the help of the assembly scheme. (Fig. 8 / 7)

■ Affix the assembly pattern on the wall, at the

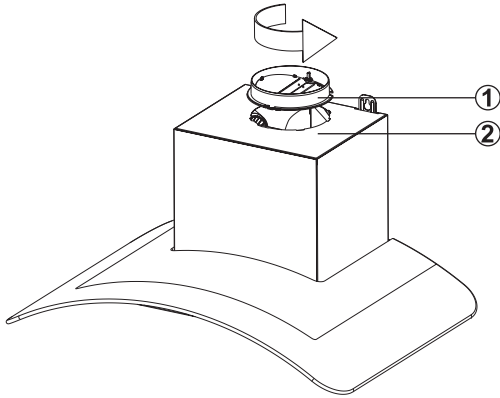
specified height (See the minimum and maximum distances intended for the worktop, in the assembly pattern). Perforate points A, B and C.(Fig. 10)

■ Insert Ø10mm dowels (7) into the holes drilled as A, B, C and D, and screw down the screws at the points A + B so that 5mm space remains between the screw head and the wall. (Fig. 10)

■ Hang it on the wall with the hanging plate of the cooker hood.

■ Tighten A + B fixing screws on the wall, and completely secure the product at point C.

## 8.2 Assembly of Plastic Flue

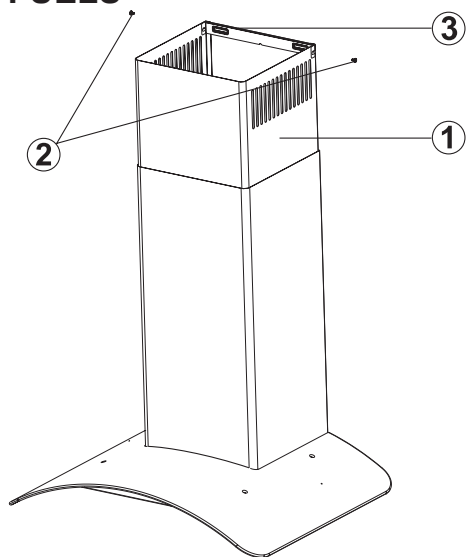


*Fig. 11: PLASTIC FLUE CONNECTION*

1. 120 mm Flue Adapter
2. Body

- Attach the plastic flue (1) in the product body (2), and rotate it in the arrow direction (Fig. 11).
- Make the air outlet connection of the product

## 9 ASSEMBLY OF PLATE FUELS



By pulling the inner flue (1) with screw (2) upwards and left, screw it to the flue connection plate (3) on the right and left (Fig.12).

*Fig. 12: ASSEMBLY OF PLATE FUELS*

1. Inner Flue
2. Flue Connection Plate Fixing Screws
3. Flue Connection Plate

The outer and inner sheet metal flues are assembled one within the other.

The cooker hood is set in the midst, and then the flue connecting plate (3) is directly affixed to the wall, under the cover or points E and F are marked after performing a measurement. (Page 16 Fig.10)

Drill points E and F with Ø6mm drill bit, and insert Ø6mm and plastic dowels. Insert the flue connection plate with 3.9x22 screws (Page 16 Fig.10)

## 10 USE OF PRODUCT

### 10.1 On Glass 3 Spd Touch Button

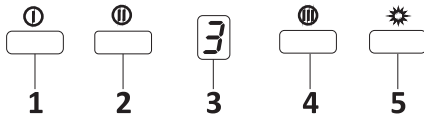


Fig. 11: Touch Button

1. Press this button to turn on the product. When this button is pressed, product will also operate at speed level 1 (Fig.11).
2. When this button is pressed, product will operate at speed level 2 (Fig.11).
3. Dgt Display: You can see the operation rate of product on this screen (Fig.11).
4. When this button is pressed, product will operate at speed level 3 (Fig.11).
5. Press this button to turn on or off the lamp (Fig.11).

**i**

To activate timer function, press and hold any of buttons 1, 2 and 3 for 3 seconds. Then, 15 minute timer function will be activated and the product will turn off automatically after 15 minutes.

All active functions operated prior to activation of timer function will be deactivated after 15 minutes. All active functions operated after activation of timer function will be reactivated after 15 minutes.

### 10.2 Push Button

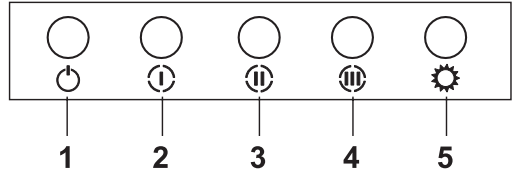


Fig. 12: Push Button

1. Press this button to reset the product.
2. When this button is pressed, product will operate at speed level 1.
3. When this button is pressed, product will operate at speed level 2.
4. When this button is pressed, product will operate at speed level 3.
5. Press this button to turn on or off the lamp.

### Cleaning Periods of the Metal Filter:

The filters must be cleaned when “C” signal appears on the display or (depending on usage) after every 2-3 weeks. When the filters are cleaned and mount-ed in their places, press button (Ⓧ) for more than 3 seconds in order to delete “C” signal (when the product is inactive). Letter “E” will appear on the display, and the product will switch to nor-mal operation. If it is desired to

go on operation without deleting “C” signal, active rate will appear for 1sec when (Ⓧ) button is pressed and then, “C” signal will reappear and motor will continue to operate.

**i**

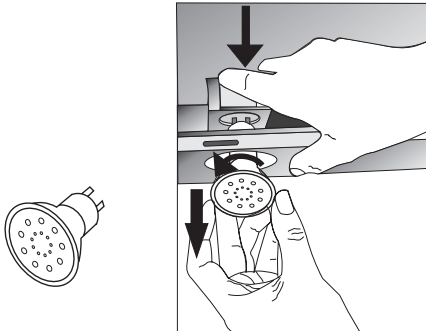
“C” mark will appear at the end of the product’s usage period of 60 hours.

## 11 REPLACEMENT OF LAMPS

### **⚠ DANGER**

Disconnect the electrical supply of the cooker hood. Leave the lamps to cool down first because they could burn your hands when they are hot.

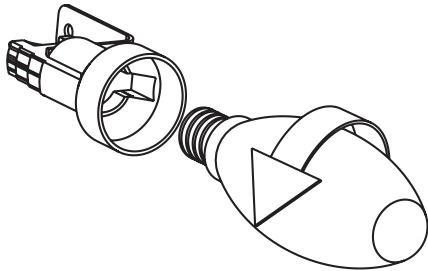
### 11.1 Replacement of Halogen Lamp



*Fig. 13: Replacement of Halogen Lamp*

Remove the aluminium cartridge filter. Remove the faulty bulb and replace with a new one with the same rating. Fig. 13

### 11.2 Replacement of Spark Plug Lamp



*Fig. 14: Replacement of Spark Plug Lamp*

Remove the aluminium cartridge filter. Remove the faulty bulb and replace with a new one with the same rating. Fig. 14

## 12 AUTHORIZED TECHNICAL SERVICE

If Lighting is Not Functioning:

- Make sure that the plug is plugged in, and that the fuses are intact.
- Check the bulbs. Unplug the appliance without fail, when performing this control. Tighten the bulbs if they are loose, and replace them if they do not glow even after that process.

### **Possible Faults and What-to-Do Before Calling the Technical Service:**

#### **A) If the appliance does not work in any way:**

- Check to see if the cooker hood is plugged in or if the plug is fit properly into the socket.
- Check the fuse, to which the appliance is connected, as well as the main fuse of your house.

#### **If the performance of appliance is insufficient or it operates with too much noise:**

- Is the outlet diameter of the appliance's flue adequate? (min.120 mm).
- Are the metal filters clean? Control them.
- If you use the cooker hood without flue, make sure that the carbon filters are not older than 6 months.
- Be attentive to ventilate your kitchen adequately, in order to provide an airflow. If you are still not satisfied with the performance of the appliance, consult the authorized technical service.

## 12.1 Potential Failures and Solutions

Description of Failure	Reason	Help
Appliance Does Not Work.	Check the power connection.	Mains voltage must be 220-240 V, and product must be plugged into a grounded socket.
Lighting Lamp Does Not Operate.	Check the power connection.	Mains voltage must be 220-240 V, and product must be plugged into a grounded socket.
Lighting Lamp Does Not Operate.	Check the power connection.	Lamp switch must be at "on" position.
Lighting Lamp Does Not Operate.	Check the bulbs.	Bulbs must be operative.
Product's Air Intake is Weak.	Check the aluminium filter.	The aluminium cartridge filter should be washed once a month under normal conditions.
Product's Air Intake is Weak.	Check the air outlet flue.	Air Outlet Flue Must Be Open.
Product's Air Intake is Weak.	Check the carbon filter.	In products that work with carbon filters, carbon filter must be replaced once in every 3 months under normal conditions.
It Does Not Discharge Air (in flueless use)	Check the aluminium filter.	The aluminium cartridge filter should be washed once a month under normal conditions.
It Does Not Discharge Air (in flueless use)	Check the carbon filter.	In products that work with carbon filters, carbon filter must be replaced once in every 3 months under normal conditions.

## 12.2 Technical Table

Supply Voltage	220 - 240 V 50Hz
Insulation Class of Motor	F
Insulation Class	CLASS I



SRB



**CGL 650IX / CGL 950IX**

UPUTSTVA ZA UPOTREBU KUHINJSKI ASPIRATOR

MODEL: CGL650IX



MODEL: CGL950IX

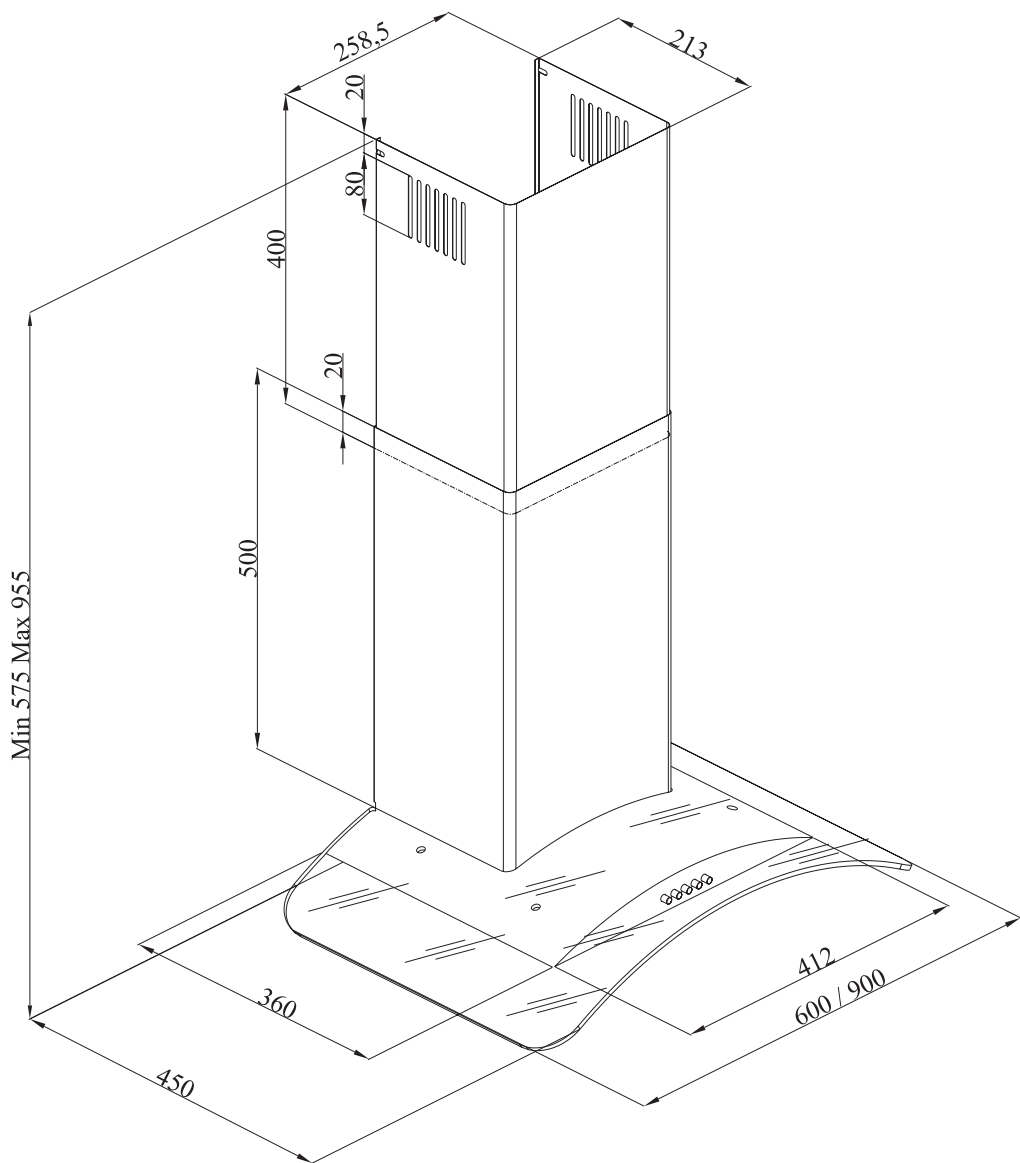


Pažljivo pročitajte korisnički priručnik!

## Sadržaj

<b>1 TEHNIČKI CRTEŽ</b>	<b>4</b>
<b>2 UPOZORENJA I MERE BEZBEDNOSTI</b>	<b>5</b>
2.1 Opasnost po život, opasnost od trovanja	7
2.2 Opasnost od strujnog udara!	7
2.3 Opasnost od fizičke povrede!	7
2.4 Opasnost od opekotina, opasnost od strujnog udara!	8
2.5 Opasnost od požara i fizičke povrede!	8
<b>3 UPOTREBA SA ILI BEZ KARBON (UGLJENIK) FILTERA</b>	<b>9</b>
3.1 Zamena karbon filtera	10
3.2 Zamena karbon filtera	10
<b>4 ČIŠĆENJE I PREVENTIVNO ODRŽAVANJE</b>	<b>11</b>
4.1 Pranje u mašini za sudove	11
4.2 Ručno pranje	11
4.3 Uklanjanje/ montaža aluminijum filtera	11
<b>5 MONTAŽA UREĐAJA</b>	<b>12</b>
5.1 Montaža i raspakivanje	12
5.2 Montaža i raspakivanje	12
5.3 Režim izduvavanja vazduha	13
5.4 Linija pražnjenja vazduha	13
5.5 Provera zida	13
5.6 Električni priključak	13
5.7 Opasnost od strujnog udara!	13
<b>6 SADRŽAJ PAKETA</b>	<b>14</b>
<b>7 PREGLED KUHINJSKOG ASPIRATORA</b>	<b>15</b>
<b>8 SKLAPANJE PROIZVODA</b>	<b>16</b>
8.1 Dijagram montaže i komponenta	16
8.2 Sastavljanje plastičnog ventilatora	17
<b>9 SKLAPANJE PLOČASTIH VENTILATORA</b>	<b>18</b>
<b>10 UPOTREBA PROIZVODA</b>	<b>19</b>
10.1 On Glass 3 Spd taster na dodir	19
10.2 Pritisni taster	19
<b>11 ZAMENA LAMPI</b>	<b>20</b>
11.1 Zamena halogene lampe	20
11.2 Zamena svećice	20
<b>12 OVLAŠĆENI TEHNIČKI SERVIS</b>	<b>21</b>
12.1 Potencijalni kvarovi i rešenja	22
12.2 Tehnička tabela	22

# 1 TEHNIČKI CRTEŽ



Slika 1: TEHNIČKI CRTEŽ

## 2 UPOZORENJA I MERE BEZBEDNOSTI

- Ovaj aparat mogu koristiti samo deca starija od 8 godina i pojedinci bez fizičkih, čulnih ili mentalnih nedostataka, sa potrebnim iskustvom i znanjem, onda kada su ima dati nadzor ili uputstva o bezbednom korišćenju i konstatovano je da razumeju opasnosti.
- Ovaj proizvod je namenjen za kućnu upotrebu.
- Upotrebni napon uređaja je 220-240 Volt~50 Hz.
- Kabl za napajanje vašeg proizvoda je opremljen priključkom za uzemljenje. Taj kabl mora definitivno biti priključen na uzemljenu utičnicu.
- Kompletna električna instalacija mora biti postavljena od strane kvalifikovanog električara.
- Instalacija od strane neovlašćenih lica može da dovede do lošeg rada uređaja, oštećenja proizvoda i nesreća.
- Napojni kabl uređaja ne sme biti zapetljan ili polomljen tokom montaže. Kabl za napajanje ne sme da se postavlja blizu šporeta. U takvim slučajevima, može doći do požara.
- Nemojte priključivati uređaj pre nego što je montaža gotova.
- Uverite se da mesto montaže omogućava korisniku da lako isključuje napojni kabl u slučaju opasnosti.
- Ne dirajte lampe aparata kada su duže vreme radile. Pošto mogu biti vruće, opeći će vam ruke.
- Kuhinjski aspiratori su projektovani za normalno kuvanje i kućnu upotrebu. Ako se koriste u druge svrhe može doći do kvara ili prestanka garancije.
- Pridržavajte se pravila i uputstava relevantnih institucija u vezi ispuštanja vazduha u atmosferu. (Ovo ne važi za korišćenje bez ventilatora.)
- Zapaljive hrana ne sme da se kuva ispod uređaja.
- Pokrenite aparat nakon što ste stavili posude, lonce itd. na šporet. U suprotnom, visoka temperatura može da izazove deformacije na nekim delovima uređaja.
- Isključite grejač šporeta pre nego što ste uklonili posude, lonce itd. sa šporeta.
- Ne ostavljajte vruće ulje na šporetu. Posude sa vrelim uljem mogu izazvati požar.
- Pošto ulje može da izazove požar posebno kad pržite hranu, budite pažljivi sa stolnjacima i zavesama.
- Obezbedite pravovremenu zamenu filtera. Filteri koji nisu zamenjeni na vreme predstavljaju rizik od požara, zbog nagomilane masti u njima.
- Nemojte koristiti materijal za filtriranje koji nije otporan na vatru umesto filtera.
- Nemojte koristiti ovaj proizvod bez filtera, i ne uklanjajte filtere kada je proizvod u upotrebi.
- U slučaju deflagracije, prekinite dovod energije do aspiratora i šporeta. (Isključite uređaj ili isključite glavni prekidač).
- Ako ne čistite aparat redovno, on može predstavljati rizik od požara.
- Isključite aparat pre radova na održavanju. (Isključite uređaj ili isključite glavni prekidač).
- Negativan pritisak u sobi, dok su istovremeno uključeni aspirator električnog šporeta i uređaji koji rade na drugim izvorima električne energije, ne sme da pređe 4 PA (4 k 10 bar).
- Ako postoje uređaji koji koriste gorivo ili gas u oblasti gde se koristi vaš uređaj, kao što su sobne grejalice na primer, oni moraju biti potpuno izolovani od izduvnog puta ovog uređaja

ili hermetični.

■ Kada pravite ventilacijski priključak na vaš uređaj, koristite cevi prečnika 150mm ili 120 mm.

■ Dužina cevi kao i broj pregiba moraju biti što manji.

■ Deca ne smeju da se igraju sa aparatom.

■ Iz bezbednosnih razloga, koristite „MAX 6 A“ osigurač u aspiratoru el. šporeta.

■ Držite ambalažni materijal dalje od dece jer to može biti opasno.

■ Ako je oštećen kabl napajanja, mora biti zamenjen od strane proizvođača, njegove servisne agencije ili bilo kog osoblja ekvivalentnih kvalifikacija, da bi se izbegla bilo kakva opasna situacija.

■ U slučaju deflagracije, prekinite dovod energije do aspiratora i šporeta i ugasite vatru. Nikada ne koristite vodu za gašenje vatre.

■ Dostupni delovi mogu biti vrući kada radi šporet.

■ Ovaj aparat nije predviđen za korišćenje od strane osoba sa fizičkim, mentalnim ili čulnim invaliditetom (uključujući i decu) ili sa nedostatkom potrebnog iskustva i znanja, osim ako su pod nadzorom osobe koja je odgovorna za sigurnost aparata.

■ Kada se montira aspirator, mora da postoji najmanje 65 cm razdaljine između proizvoda i bilo koje vrste električnih šporeta i 75 cm za šporete koji rade na gas ili druga goriva.

■ Izlazni delovi aspiratora ne smeju biti povezani na vazdušne kanale koji uključuju druge oblike dima.

■ Mora se voditi računa kada se uređaj koristi istovremeno sa drugim uređajima (npr. grejači, bojleri koji rade na gas, dizel gorivo, ugalj ili drva) koji koriste isti vazduh u istom prostoru kao i uređaj. To je zato što se sagorevanje može umanjiti kada se u prostoriju otpušta vazduh iz

aspiratora.

■ Ovo ne važi za korišćenje bez ventilatora.

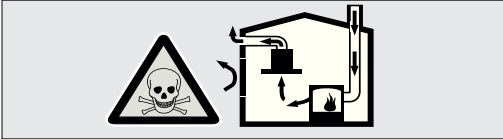
■ Prostorija mora imati dovoljnu ventilaciju kada se aspirator i uređaji koji rade na gas i druga goriva koriste u isto vreme (ovo nije obavezno za uređaje koji vrše cirkulaciju vazduha u prostoriji).

■ Istovremeni rad više od jednog šporeta na plin dovodi do stvaranja visokih temperatura. Ventilacioni aparat postavljen na površinu šporeta može stoga biti oštećen ili spaljen. Nemojte koristiti dva šporeta na plin pri visokoj temperaturi duže od 15 min. Jedan veliki grejač sa više od 5kW (radne) snage generiše snagu jednaku dva plinska grejača.

## 2.1 Opasnost po život, opasnost od trovanja

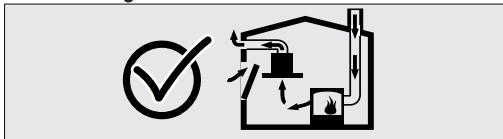
### ⚠ OPASNOST

Postoji opasnost po život i opasnost od trovanja zbog ponovne apsorpcije gasova sagorevanja. Osim ukoliko je adekvatan ulaz vazduha obezbeđen tokom izlaska vazduha, uređaj ne koristite istovremeno sa uređajima koji izduvavaju otrovne gasove kroz ventilator kao što su ventilacione grejalice, bojleri i sl. koji sagorevaju gas, ulje, drvo ili ugalj.



Slika 2: Opasnost od trovanja

Uređaji u kojima cirkuliše vazduh (npr. grejalice, bojleri koji rade na gas, ulje, drvo ili ugalj) uzimaju vazduh za sagorevanje iz mesta instalacije i izbacuju izduvne gasove kroz sistem za ispuštanje vazduha (npr. ventilator). Vazduh se apsorbuje iz kuhinje i soba pored kroz aspirator u radu. Ukoliko adekvatan ulaz vazduha nije predviđen javlja se vakuum. U tom slučaju, otrovni gasovi se apsorbuju iz ventilatora i kanala za izduvanje vazduha i ponovo ulaze u kuću. Slika 2 Iz tog razloga, uvek treba osigurati adekvatan unos svežeg vazduha. Slika 3



Slika 3

### ⚠ OPASNOST

#### Opasnost od požara!

Zbog varnica. Instalacija uređaja na grejnoj opremi koja se zagreva pomoću čvrstog goriva (npr. drvo ili ugalj) može biti dozvoljena samo ako postoji ne odvojiv poklopac. Potrebno je obratiti pažnju na postojeće građevinske propise i propise za lokalne kompanije za električnu energiju i gas prilikom montaže.

Ako uređaj nije očišćen u skladu sa uputstvima za čišćenje, može izazvati požar.

### ⚠ OPASNOST

#### 2.2 Opasnost od strujnog udara!

Nemojte savijati ni zapetljivati kabl za povezivanje tokom montaže zbog opasnosti od oštećenja kabla.

### ⚠ OPASNOST

#### 2.3 Opasnost od fizičke povrede!

- Postoji opasnost od povreda tokom montiranja zbog oštih ivica. Koristite zaštitne rukavice tokom ugradnje uređaja.
- Sve sigurnosne zavrtnje i poklopce treba montirati kao što je opisano u uputstvu za rukovanje zbog rizika od padanja uređaja.

**⚠ OPASNOST****2.4 Opasnost od opekotina, opasnost od strujnog udara!**

- Sačekajte da se uređaj ohladi pre čišćenja i održavanja. Isključite osigurač ili isključite uređaj iz struje.
- Postoji opasnost od oštećenja zbog vlažnog kapanja na elektronske komponente. Nemojte čistiti kontrolne elemente vlažnom krpom.
- Površina može da se ošteti kao rezultat pogrešnog čišćenja. Čistite površine od nerđajućeg čelika samo u pravcu brušenja. Nemojte koristiti sredstva za čišćenje nerđajućeg čelika na kontrolnim elementima.
- Površina može da se ošteti kao rezultat sredstva za čišćenje koja su agresivna i abrazivna. Nikad ne koristite sredstva za čišćenje koja su oštra ili zahtevaju ribanje.
- Postoji opasnost od oštećenja zbog povratnog kapanja kondenzata. Montirajte kanal za izlaz vazduha prema dole u odnosu na uređaj (nagib od 1°).

**⚠ OPASNOST****2.5 Opasnost od požara i fizičke povrede!**

U slučaju popravki koje nisu u skladu sa zahtevanim pravilima, isključite osigurač ili naponski kabl vašeg aparata. Popravke uvek treba da obavlja samo ovlašćeni servis ili ovlašćeni stručnjak.

**NAPOMENA**

*U slučaju greške ili oštećenja uređaja, isključite osigurač ili isključite uređaj iz struje kod vanrednih popravki i pozovite ovlašćeni servis.*

**NAPOMENA**

*Ako je oštećen kabl napajanja, mora biti zamenjen od strane proizvođača, njegove servisne agencije ili bilo kog osoblja ekvivalentnih kvalifikacija, da bi se izbegla bilo kakva opasna situacija.*

**NAPOMENA**

*Ukoliko je sijalica uređaja oštećena, isključite osigurač ili isključite uređaj iz struje. Da biste izbegli preopterećenje ostalih sijalica, odmah zameniti pokvarenu sijalicu (sačekajte da se sijalica ohladi)*

**⚠ OPASNOST**

Kada se koriste sa šporetom, dostupni delovi uređaja se mogu ugrejati.

**⚠ OPASNOST**

Odvodna cev za vazduh ovog uređaja nikada ne sme da bude povezana unutar ventilatora za izbacivanje gasova koji izlaze iz uređaja koji koriste gas ili druga goriva.

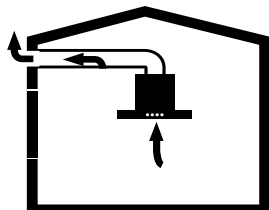


### 3 UPOTREBA SA ILI BEZ KARBON (UGLJENIK) FILTERA

Možete koristiti ovaj uređaj u režimu izduvanja vazduha i režimu ventilacije vazduha.

#### Režim izduvanja vazduha

Apsorbovani vazduh se čisti filterima masti, a zatim se izbacuje kroz sistem cevi. Slika 4



Slika 4: Izlaz za vazduh bez karbon filtera

#### **UPOZORENJE**

#### Rizik od smrti!

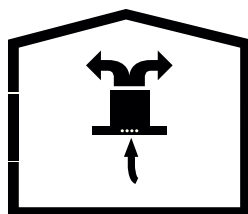


Izduvni gasovi koji se ponovno apsorbuju mogu izazvati trovanje. Izduvni vazduh ne sme da se prebacuje u ventilator za aktivan dim ili otpadne gasove; ili ventilator za ventilaciju prostora, tamo gde postoje montirani izvori grejanja.

- Ako želite da prebacite izduvni vazduh u ventilator za aktivan dim ili otpadne gasove, morate dobiti dozvolu od ovlašćenih čistača dimnjaka.
- Ako se izduvni vazduh ispušta kroz spoljni zid, mora se koristiti teleskopski zid.



Apsorbovani vazduh se čisti filterima masti i filterom sa aktivnim ugljem, a zatim se prebacuje nazad u kuhinju. Slika 5



Slika 5: Izlaz za vazduh sa karbon filterom

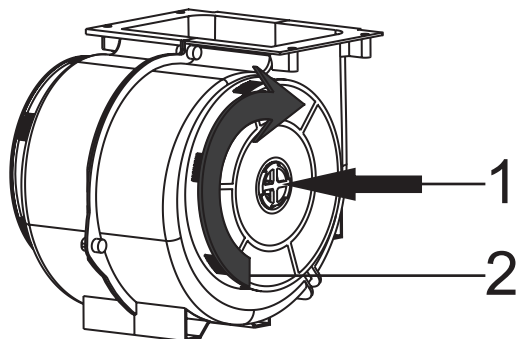


Da biste zadržali supstance koje stvaraju neprijatne mirise u režimu ventilacije vazduha, morate priključiti filter sa aktivnim ugljem. Obratite se vašem ovlašćenom distributeru za različite opcije na raspolaganju za korišćenje uređaja u režimu ventilacije vazduha. Možete da kupite opremu potrebnu za ovaj proces u prodajnim mestima, ovlašćenom servisu i Internet prodajnom centru

### 3.1 Zamena karbon filtera

Kada nema ventilatora, filter sa aktivnim ugljem treba koristiti da bi se ponovo poslao unutrašnji vazduh putem filtriranja. Filter sa aktivnim ugljem treba biti nabavljen od servisa ili od vašeg distributera. Isključite aparat pre zamene karbon filtera. Budući da se karbon filter koristi u kuhinjama sa bez ventilacije, mora se zameniti na svakih 3-5 meseci u zavisnosti od upotrebe. Karbon filter nikada nemojte prati. Filteri masnoća moraju biti instalirani na proizvodu, bez obzira da li se koriste karbon filteri ili ne. Ne koristite proizvod bez filtera masnoća.

### 3.2 Zamena karbon filtera



Slika 6: karbon filter

Uređaj koji ste kupili je pogodan za upotrebu ugljen-filtera.

1. Stavite karbon filter u njegovo kućište. Slika 6
2. Okrenite karbon filter u pravcu kazaljke na satu i proverite da li je potpuno postavljen. Slika 6

*Ako nije u potpunosti postavljen, karbon filter može da padne i oštetiti proizvod.*

#### **⚠ OPASNOST**

Nemojte prati karbon filtere. Držite karbon filter van domašaja dece.



## 4 ČIŠĆENJE I PREVENTIVNO ODRŽAVANJE

### OPASNOST

- Pre svakog održavanja i čišćenja, aspirator mora biti isključen, kao i čitav aparat
- Čišćenje i održavanje ne smeju da vrše deca bez nadzora.
- Površina može da se ošteti kao rezultat sredstva za čišćenje koja su agresivna i abrazivna. Nikad ne koristite sredstva za čišćenje koja su agresivna ili abrazivna. Nabavite sredstva za čišćenje i zaštitu koja su adekvatna za vaš proizvod od ovlašćenog servisa. Površina uređaja i komandne jedinice su osetljivi na ogrebotine.
- Očistite površine mekom, vlažnom krpom, deterdžentom za sudove ili blagim sredstvom za čišćenje stakla. Omekšajte suhu, lepljivu prljavštinu vlažnom krpom. Nemojte strugati po uređaju!
- Korišćenje suvih krpa, sundera koji mogu ogrebat i uređaj, sredstava koja zahtevaju ribanje, sadrže pesak, sodu, kiseline, hlor ili druge jake supstance nije prikladna.
- Čistite površine od nerđajućeg čelika samo u pravcu brušenja.
- Nemojte koristiti sredstva za čišćenje nerđajućeg čelika i mokre krpe na kontrolnim elementima. Čišćenje metalnih filtera za masnoće. Korišćeni metalni filteri za masnoće hvataju čestice masnoće iz vlažnosti i pare u kuhinji. Kod normalne upotrebe (1-2 sata dnevno), čistite metalne filtere za ulje otprilike na svaka tri meseca.
- Ne koristite preterano jake, kisele ili alkalne rastvora kao sredstva za čišćenje.
- Kod čišćenja metalnih filtera za masnoću,

očistite držače filtera za masnoću u uređaju koristeći takođe vlažnu krpom.

- Možete očistiti metalne filtere za masnoću u mašini za pranje sudova ili ručno.

### 4.1 Pranje u mašini za sudove

- U slučaju da perete u mašini za sudove, može doći do blaže promene boje. Ovo nema uticaja na funkcije metalnog filtera za masnoću.
- Ne perite teško zaprljane metalne filtere za masnoću zajedno sa posuđem.
- Postavite metalne filtere masnoće u mašinu za sudove tako da komotno stoje u njoj. Metalne filtere masnoće treba postaviti u mašinu za sudove tako da ih ništa ne pritiska.

### 4.2 Ručno pranje

Možete koristiti posebni rastvarač masti da uklonite uporne fleke. Možete kupiti takav agens preko ovlašćenog prodajnog centra.

- Omekšajte metalne filtere masnoće u toploj vodi sa deterdžentom.
- Koristite četku za čišćenje u ostavite da se tečnost na metalnim filterima masnoće da potpuno oteče.
- Isperite filtere detaljno posle čišćenja.

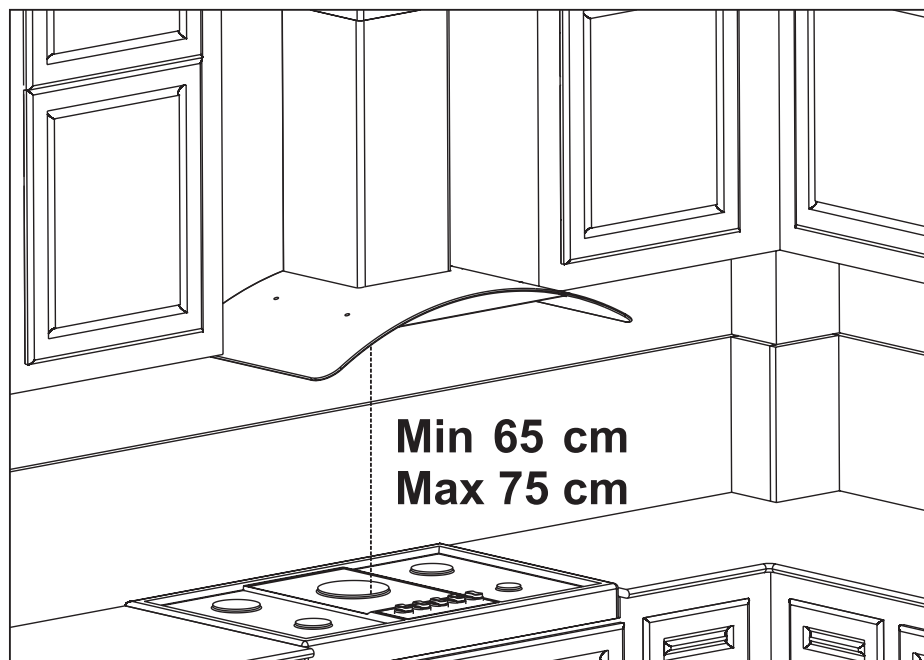
### OPASNOST

*Zahvaljujući blagovremenom čišćenju metalnog filtera masnoće, opasnosti od požara prouzrokovane prekomernom toplotom koja se stvara tokom prženja je izbegnuta.*

### 4.3 Uklanjanje/ montaža aluminijum filtera

Povucite aluminijumski filter prema vama pritiskom na ovu karticu. Obrnite proces da montirate filter.

## 5 MONTAŽA UREĐAJA



Slika 7: MONTAŽA UREĐAJA

Kada se montira aspirator, mora da postoji najmanje 650 mm razdaljine između proizvoda i bilo koje vrste električnih šporeta i 750 mm za šporete koji rade na gas ili druga goriva. Slika 7

### 5.1 Montaža i raspakivanje uređaja

Proverite da li postoje oštećenja na vašem uređaju.

- Ukoliko postoje oštećenja zbog transporta to treba odmah javiti odgovornim licima.
- Vidljivi defekti se takođe moraju preneti prodavcu.
- Sprečite decu da se igraju sa ambalažom!!!

### 5.2 Preporuke za uštedu energije

- Redovno menjajte karbon (ugljenik) filtere.
- Čistite aluminijumske filtere redovno. Možda ćete morati da koristite vaš uređaj pri visokoj brzini jer prljav filter može da blokira ulaz vazduha.
- Koristite proizvod u skladu sa njegovim normalnim brzinama.
- Upotreba na visokim brzinama će povećati potrošnju energije.

### 5.3 Režim izduvavanja vazduha

#### ⚠ UPOZORENJE

#### Rizik od smrti!

Izduvni gasovi koji se ponovno apsorbuju mogu izazvati trovanje. Izduvni vazduh ne sme da se prebacuje u ventilator za aktivan dim ili otpadne gasove; ili ventilator za ventilaciju prostora, tamo gde postoje montirani izvori grejanja. Ako želite da prebacite izduvni vazduh u ventilator za aktivan dim ili otpadne gasove, morate dobiti dozvolu od ovlašćenih čistača dimnjaka.

Ako se izduvni vazduh ispušta kroz spoljni zid, mora se koristiti teleskopski zid.

### 5.4 Linija pražnjenja vazduha

**Informacije:** Proizvođač uređaja neće biti odgovoran za nedostatke izazvane položenim cevima.

- Uređaj pokazuje najbolje performanse kada se koristi kratka i ravna odvodna cev vazduha i prečnik cevi što je moguće veći.

- Optimalna performansa ventilacije ne može postići i buka ventilatora se povećava kada se koriste duge i oštre cevi za izlaz vazduha, kao i više zglobova cevi ili cevi prečnika manjeg od 150mm.

- Cevi ili creva koja se koriste pri polaganju linije ispusta vazduha moraju biti napravljene od zapaljivih materijala.

#### Kružne cevi

Preporučuje se da bi unutrašnji prečnik trebalo da bude 150 mm ili najmanje 120 mm.

#### Ravni kanali

Unutrašnji deo mora da odgovara prečniku kružnih cevi.

**Ø150 mm oko 177 cm<sup>2</sup>**

**Ø150 mm oko 173 cm<sup>2</sup>**

- Ravni kanali ne bi smeli da imaju oštre pregrebe.

- Koristite trake za zaptivanje za različite prečnike cevi.

### 5.5 Provera zida

- Zid mora biti ravan, prav i da ima dovoljnu nosivost.

- Dubina rupa mora biti u skladu sa dužinom zavrtanja. Klinovi moraju da se uklapaju kako treba.

- Zavrtnji i tiplovi u prilogu su pogodni za upotrebu kod krutih monolitnih zidova. Koristite odgovarajući materijal za vezivanje za različite konstrukcije (na primer gips, aerisani beton, proton cigle).

- Maksimalna težina vašeg aspiratora je **40 kg**.

### 5.6 Električni priključak

#### ⚠ UPOZORENJE

#### Opasnost od strujnog udara!

Komponente uređaja mogu imati oštre ivice. Kabl za povezivanje se može oštetiti. Nemojte savijati ni zapetljivati kabl za povezivanje tokom montaže.

Neophodni podaci o povezivanju su prikazani na etiketi unutar vašeg uređaja; morate ukloniti metalne filtere masnoće da biste videli etiketu.

**Dužina linije povezivanja: oko 1.3 m**

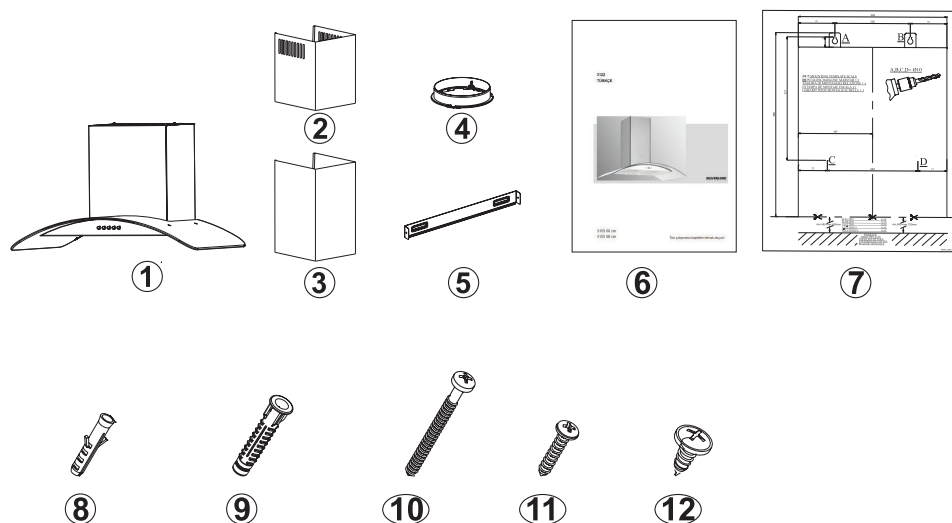
Ovaj uređaj je u skladu sa EU smernicama eliminacije interferencije.

#### ⚠ UPOZORENJE

#### 5.7 Opasnost od strujnog udara!

Uvek mora biti moguće da se isključite aparat iz električne mreže. Aparat mora biti priključen u zaštićenu kontakt utičnicu koja je montirana u skladu sa pravilima. Ako do utikača ne može da dođe nakon montaže ili za vreme potrebnog fiksnog priključka, mora da postoji mnogo razdvajачa polova dostupnih na najmanje 3 mm kontaktne udaljenosti od instalacije. Fiksiranje priključka sme da obavlja samo ekspert u oblasti elektronike.

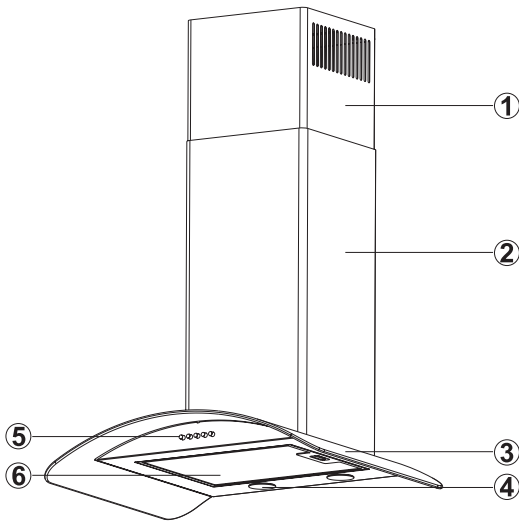
## 6 SADRŽAJ PAKETA



Slika 8: SADRŽAJ PAKOVANJA

1. Proizvod
2. Unutrašnji ventilator
3. Spoljašnji ventilator
4. 120mm plastični ventilator
5. Ploča za povezivanje ventilatora
6. Korisnički priručnik
7. Šema sklapanja
8. 2x Ø6mm plastični ekser
9. 1x Ø10mm plastični ekser
10. 3x 5.5x60 zavrtnanj za montiranje na zid
11. 2x 3.9x22 zavrtnanj ploče za povezivanje ventilatora
12. 3.5x9.5 zavrtnanj za povezivanje ventilatora

## 7 PREGLED KUHINJSKOG ASPIRATORA

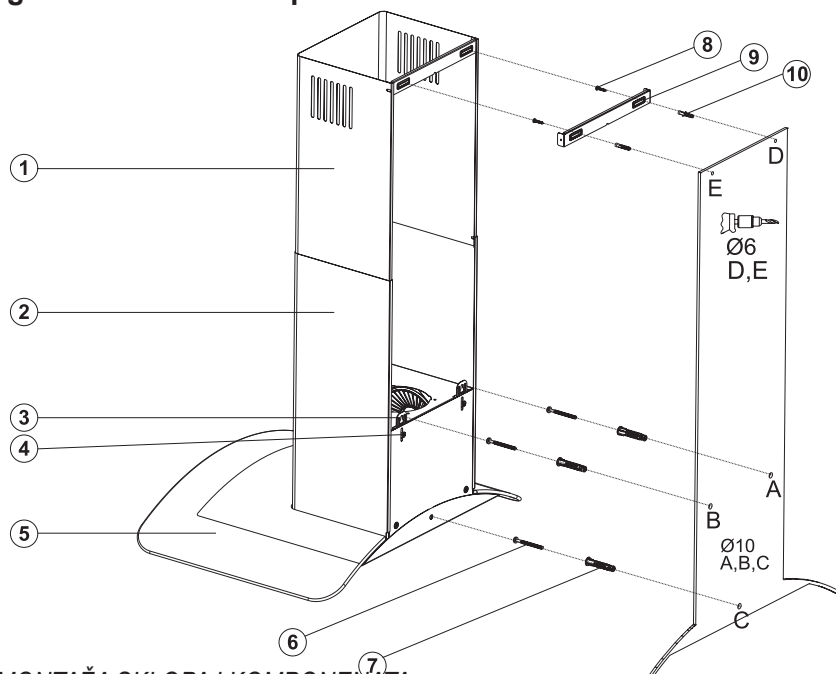


Slika 9: PREGLED KUHINJSKOG ASPIRATORA

1. Unutrašnji ventilator
2. Spoljašnji ventilator
3. Staklo
4. Osvetljenje aspiratora
5. Kontrolna tabla
6. Filter

## 8 SKLAPANJE PROIZVODA

### 8.1 Dijagram montaže i komponentata



Slika 10: MONTAŽA SKLOPA I KOMPONENATA

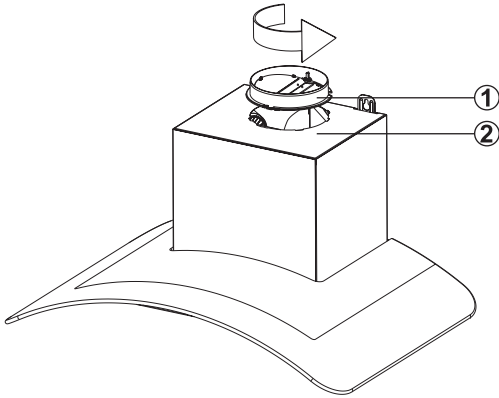
1. Unutrašnji ventilator
2. Spoljašnji ventilator
3. Ploča za kačenje proizvoda
4. Fiksirajući zavrtnaj ploče za kačenje proizvoda
5. Staklo
6. 3x 5.5x60 zavrtnaj za montiranje na zid
7. 3x Ø10mm plastični ekser
8. 2x 3.9x22 zavrtnaj
9. Ploča za povezivanje ventilatora
10. 2x Ø6mm plastični ekser

- Odvrćući zavrtnaj ploče za kačenje proizvoda (4) povucite ploče za kačenje (3) na gore i fiksirajte viseću ploču ponovnim zavrtnanjem fiksirajućeg zavrtnja. Slika 10
- Sastavite aspirator uz pomoć šeme za sklapanje. (Slika 8 / 7)

- Pričvrstite šablon za sklapanje na zid, na određenoj visini (vidi minimalna i maksimalna odstojanja za radnu površinu u šablonu za sklapanje). Probušite tačke A, B i C. (Slika 10)
- Ubacite Ø10mm tiplove (7) u rupe izbušene kao A, B, C i D, i zašrafite zavrtnje na mestima A + B, tako da 5mm prostora ostaje između glave šrafa i zida. (Slika 10)
- Okačite ga na zid pomoću ploče za kačenje aspiratora.
- Zategnite A + B zavrtnje na zidu i potpuno pričvrstite proizvod u tački C.



## 8.2 Sastavljanje plastičnog ventilatora

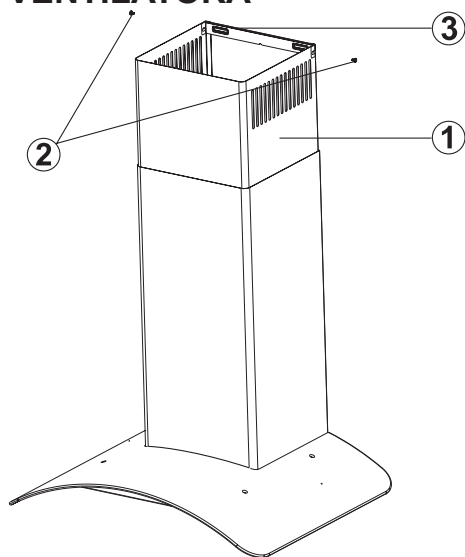


Slika 11: PLASTIČNI KONEKTOR VENTILATORA

1. 120 mm adapter ventilatora
2. „Telo“ uređaja

- Pričvrstite plastični ventilator (1) na telo proizvoda (2) i okrenite ga u pravcu strelice (Slika 11.)
- Formirajte konekciju izlaza vazduha proizvoda

## 9 SKLAPANJE PLOČASTIH VENTILATORA



16 slika 10)

Povlačenjem unutrašnjeg ventilatora (1) zavrtnjem (2) nagore i levo, zavrtnite ga na ploču za povezivanje ventilatora (3) sa desne i leve strane (strana 12).

Slika 12: SKLAPANJE PLOČASTIH VENTILATORA

1. Unutrašnji ventilator
2. Zavrtnji ploče za povezivanje ventilatora
3. Ploča za povezivanje ventilatora

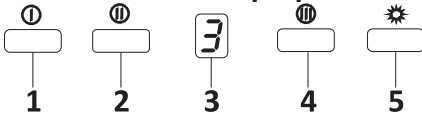
Unutrašnji i spoljašnji pločasti metalni ventilatori se ubacuju jedan u drugog.

Aspirator je postavljen u sredini, a zatim se ploča za povezivanje ventilatora (3) je direktno pričvršćuje za zid, pod poklopcem ili tačkama E i F koje su označene posle izvršenog merenja. (Strana 16 Slika 10)

Izbušite tačke E i F sa Ø6mm bušilicom i ubacite Ø6mm i plastične tiplove. Ubacite 3.9x22 zavrtnje ploče za povezivanje ventilatora (strana

## 10 UPOTREBA PROIZVODA

### 10.1 Na staklu 3 Spd pritisno dugme



Slika 11: Pritisnite taster

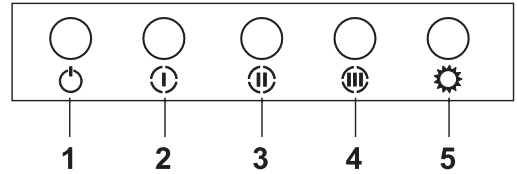
1. Pritisnite ovaj taster da uključite proizvod. Kada je ovaj taster pritisnut proizvod će raditi na prvom nivou brzine (Slika 11).
2. Kada je ovaj taster pritisnut proizvod će raditi na drugom nivou brzine (Slika 11).
3. Digitalni displej: Možete videti stopu rada proizvoda na ovom ekranu (slika 11).
4. Kada je ovaj taster pritisnut proizvod će raditi na trećem nivou brzine (Slika 11).
5. Pritisnite ovaj taster da uključite i isključite lampu (Slika 11).

## i

Da biste aktivirali tajmer funkciju, pritisnite i držite bilo koji od tastera 1, 2 i 3 na 3 sekunde. Tada, biće aktivirana funkcija tajmera od 15 minuta i proizvod će se automatski isključiti nakon 15 min.

Sve aktivne funkcije koje su radile pre aktivacije tajmera biće deaktivirane posle 15 minuta. Sve aktivne funkcije koje su radile posle aktivacije tajmera biće re-aktivirane posle 15 minuta.

### 10.2 Pritisni taster



Slika 12: Pritisnite taster

1. Pritisnite ovaj taster za resetovanje proizvoda.
2. Kada je ovaj taster pritisnut proizvod će raditi na prvom nivou brzine.
3. Kada je ovaj taster pritisnut proizvod će raditi na drugom nivou brzine.
4. Kada je ovaj taster pritisnut proizvod će raditi na trećem nivou brzine.
5. Pritisnite ovaj taster da uključite i isključite lampu.

### Intervali čišćenja metalnog filtera:

Filteri se moraju očistiti kada se "C" signal pojavi na ekranu ili (u zavisnosti od upotrebe) nakon svake 2-3

nedelje. Kada su filteri očišćeni i montirani na svojim mestima, pritisnite taster (Ⓢ) duže od 3 sekunde kako biste izbrisali "C" signal (kada je proizvod neaktivan). Slovo "E" će se pojaviti na displeju, a proizvod će se prebaciti na normalan rad. Ako želite

da nastavite rad bez brisanja signala „C“, aktivna stopa će se pojaviti na 1 sekundu kada je taster (Ⓢ) pritisnut, a zatim će se signal „C“ ponovo pojaviti i motor će nastaviti sa radom.

## i

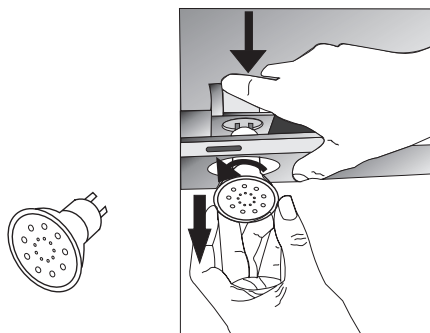
“C” oznaka će se pojaviti na kraju perioda korišćenja proizvoda od 60 sati.

## 11 ZAMENA LAMPI

### **⚠ OPASNOST**

Isključite električno napajanje aspiratora. Sačekajte da se lampa ohladi jer možete opeći ruke.

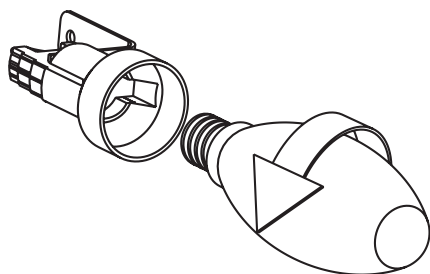
### 11.1 Zamena halogene lampe



Slika 13: Zamena LED lampe

Uklonite kertridž aluminijumskog filtera. Uklonite oštećenu sijalicu i zamenite je novom iste jačine. Slika 13.

### 11.2 Zamena svećice



Slika 14: Zamena svećice

Uklonite kertridž aluminijumskog filtera. Uklonite oštećenu sijalicu i zamenite je novom iste jačine. Slika 14.

## 12 OVLAŠĆENI TEHNIČKI SERVIS

Ako osvetljenje ne radi:

- Uverite se da utikač priključen, kao i da su osigurači netaknuti.
- Proverite sijalice. Isključite aparat bez kvara kada sprovedite ovu kontrolu. Zategnite sijalice ako su labave i zamenite ih ako ne sijaju čak i nakon tog procesa.

### **Moguće greške i šta uraditi pre Pozivanja tehničke službe:**

#### **A) Ako uređaj uopšte ne radi:**

- Proverite da li aspirator je priključen ili da li je utikač uglavljen pravilno u utičnicu.
- Proverite osigurač na koji je uređaj povezan, kao i glavni osigurač kuće.

### **Ako su performanse uređaja nezadovoljavajuće ili radi sa previše buke:**

- Da li uređaj ima dovoljan prečnik ventilatora? (min. 120 mm).
- Da li su metalni filteri čisti? Proverite ih.
- Ako koristite aspirator bez ventilatora, uverite se da karbon (ugljenik) filteri nisu stariji od 6 meseci.
- Budite pažljivi da se adekvatno provetrava kuhinja kako bi se obezbedio protok vazduha. Ako još uvek niste zadovoljni radom aparata, konsultujte ovlašćenu tehničku službu.

## 12.1 Potencijalni kvarovi i rešenja

Opis kvara	Razlog	Pomoć
Uređaj uopšte ne radi.	Proverite kabl za napajanje.	Napon mora biti 220-240 V i proizvod mora biti priključen na uzemljenu utičnicu.
Lampa ne radi.	Proverite kabl za napajanje.	Napon mora biti 220-240 V i proizvod mora biti priključen na uzemljenu utičnicu.
Lampa ne radi.	Proverite kabl za napajanje.	Prekidač lampe mora biti u poziciji „on“ (uključeno).
Lampa ne radi.	Proverite sijalice.	Sijalice moraju biti ispravne.
Usisavanje vazduha na uređaju je slabo.	Proverite aluminijumski filter.	Kertridž aluminijumskog filtera mora da se pere bar jednom mesečno u normalnim uslovima.
Usisavanje vazduha na uređaju je slabo.	Proverite ventilator izlaza vazduha.	Ventilator izlaza vazduha mora biti otvoren.
Usisavanje vazduha na uređaju je slabo.	Proverite karbon filter.	Kod proizvoda koji koriste karbon filtere, oni moraju da se menjaju jednom u tri meseca u normalnim uslovima.
Ne ispušta vazduh (korišćenje bez ventilatora)	Proverite aluminijumski filter.	Kertridž aluminijumskog filtera mora da se pere bar jednom mesečno u normalnim uslovima.
Ne ispušta vazduh (korišćenje bez ventilatora)	Proverite karbon filter.	Kod proizvoda koji koriste karbon filtere, oni moraju da se menjaju jednom u tri meseca u normalnim uslovima.

## 12.2 Tehnička tabela

Napon	220 - 240 V 50Hz
Klasa izolacije motora	F
Klasa izolacije	KLASA I



# CGL 650IX / CGL 950IX

NAVODILA ZA UPORABO KUHINJSKA NAPA

MODEL: CGL650IX



MODEL: CGL950IX



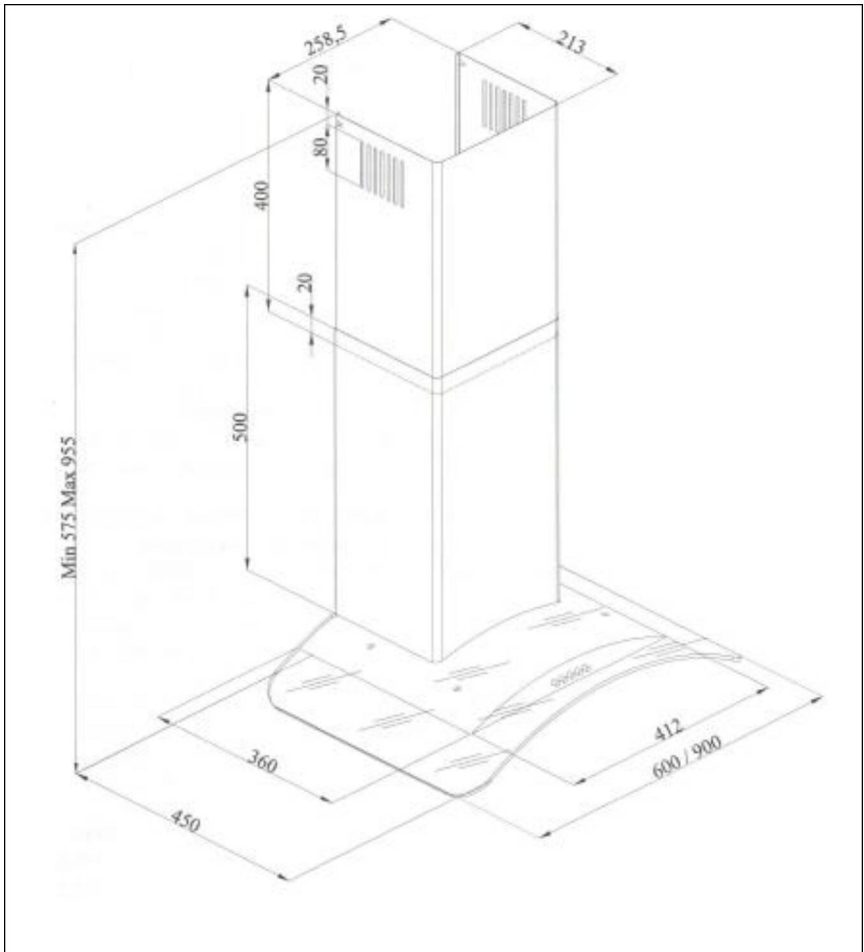
Pozorno preberite navodila!



# Vsebina

1. TEHNIČNA RISBA	4
2. OPOZORILA IN VARNOSTNI UKREPI	5
2.1 Nevarnost smrtnih poškodb - Nevarnost zastrupitve	7
2.2 Nevarnost električnega udara	7
2.3 Nevarnost telesnih poškodb	7
2.4 Nevarnost opeklin, nevarnost el. udara	8
2.5 Nevarnost požara in telesnih poškodb	8
3. UPORABA Z ALI BREZ OGLENEGA FILTRA	9
3.1 Menjava ogljenega filtra	10
3.2 Menjava ogljenega filtra	10
4. ČIŠČENJE IN PREVENTIVNO VZDRŽEVANJE	11
4.1 Pranje v stroju za pomivanje posode	11
4.2 Ročno pranje	11
4.3 Odstranjevanje aluminijskega filtra	11
5. MONTAŽA APARATA	12
5.1 Montaža in razpakiranje	12
5.2 Montaža in razpakiranje	12
5.3 Način delovanja	13
5.4 Odvodna napeljava	13
5.5 Preverjanje zida	13
5.6 Električni priključek	13
5.7 Nevarnost električnega udara	13
6. VSEBINA EMBALAŽE	14
7. PREGLED NAPE	15
8. MONTAŽA APARATA	16
8.1 Shema montaže in delov	16
8.2 Nameščanje ventilatorja	17
9. SESTAVLJANJE PLOŠČASTIH VODOV	18
10. KAKO UPORABLJATI IZDELEK	19
10.1 Stikala	19
10.2 Stikala	19
11. MENJAVA ŽARNIC	20
12. POOBLAŠČENI SERVIS	21

# 1 TEHNIČNA RISBA



Slika 1: Tehnična risba

## 2 OPOZORILA IN VARNOSTNI UKREPI

- Aparat smejo uporabljati otroci starejši od 8 let in posamezniki brez fizičnih, zaznavnih ali intelektualnih motenj, vendar le pod nadzorom in z navodili za varno uporabo ter pod pogojem, da razumejo nevarnosti.
- Izdelek je namenjen izključno uporabi v gospodinjstvu.
- Aparata zahteva napajanje 220-240 V pri 50 Hz.
- Kabel za napajanje vašega aparata je opremljen vtikačem, ki ima ozemljitev. Ta vtikač mora biti vključen v ozemljeno vtičnico.
- Vse električne povezave mora opraviti ustrezno usposobljeno osebje.
- Nepooblaščen montaža lahko povzroči slabše delovanje ali poškodbe aparata in nesrečo.
- Kabel aparata se ne sme zavozlati ali poškodovati med montažo. Kabla ne smete priključiti v bližini štedilnika, saj lahko tako povzročite topljenje materiala ali požar.
- Aparata ne priključujte preden je montaža končana.
- Poskrbite da je el. vtičnica lahko dostopna, tako da lahko v sili izključite aparat.
- Po daljšem delovanju se ne dotikajte žarnic, saj lahko zaradi visoke temperature povzročijo opekline.
- Nape so načrtovane za uporabo v gospodinjstvu, pri običajnem kuhanju. Če se uporabljajo v druge namene, lahko pride do okvare ali prenehanja veljavnosti garancije.
- Sledite predpisom in odredbam v zvezi z odvajanjem zraka. (To ne velja v primeru uporabe brez ventilatorja.)
- Vnetljiva hrana se ne sme pripravljati pod tem aparatom.
- Zaženite aparat po postavljanju posod, loncev itn. na štedilnik. V nasprotnem lahko visoka temperatura povzroči deformacija na nekaterih delih aparata.
- Ko odstranite posode in lonce s štedilnika, izklopite grelne plošče.
- Ne puščajte vročega olja na štedilniku. Kozice z vročim oljem se lahko vnamejo in povzročijo požar.
- Pri praženju lahko pride do vnetja olja. Bodite pozorni z zavesami in pokrivali.
- Poskrbite za pravočasno menjavo filtrov. Filtri, ki se ne zamenjajo pravočasno, predstavljajo požarno nevarnost zaradi v njih nakopičene maščobe.
- Ne uporabljajte materiala za filtriranje, ki ni odporen na ogenj, namesto filtrov.
- Izdelka ne uporabljajte brez filtrov. Ne odstranjujte filtrov med uporabo.
- V primeru požara, izključite aparat in štedilnik.  
(Izključite aparat iz el. vtičnice ali z glavnim stikalom)
- Če aparata ne čistite redno, lahko predstavlja požarno nevarnost.
- Pred vzdrževalnimi dejavnostmi izklopite aparat. (Izključite aparat iz el. vtičnice ali z glavnim stikalom)
- Negativni tlak v prostoru med uporabo nape in aparatov, ki delujejo z drugih virov el. energije istočasno, ne sme presegati 4 PA (4 k 10 bar).
- Če so prisotni aparati, ki uporabljajo gorivo ali plin, kot so sobni grelci, mora biti odvajanje teh aparatov popolnoma ločeno, ali pa morajo biti aparati hermetično zaprti.
- Pri povezovanju dimnikov vašega aparata uporabljajte cevi prečnika 150 ali 120 mm.

- Odvod mora biti čim krajši in s čim manj koleni.
- Otroci se ne smejo igrati z aparatom.
- Iz varnostnih razlogov za aparat uporabljajte »MAX 6 A« varovalke.
- Ne dovolite otrokom blizu embalaže, saj lahko predstavlja nevarnost zanje.
- Če je poškodovan napajalni kabel, ga mora zamenjati proizvajalec, pooblaščen servisier ali ustrezno usposobljena oseba, da ne bi prišlo do nevarnih situacij.
- V primeru požara, izklopite napo in štedilnik ter pogasite ogenj. Nikoli ne uporabljajte vode za gašenje.
- Izpostavljeni deli aparata so lahko med delovanjem štedilnika vroči.
- Ta aparat ne smejo uporabljati posamezniki z zmanjšanimi fizičnimi, zaznavnimi ali intelektualnimi sposobnostmi (vključno z otroci) ali osebe brez ustreznega znanja in izkušenj, razen v primeru da jih nadzira oseba odgovorna za varnost aparata.
- Pri montaži nape, mora biti med električnim štedilnikom in napo najmanj 65 cm prostora, pri štedilnikih, ki uporabljajo plin ali drugo gorivo pa mora razdalja biti najmanj 75 cm.
- Izhodni deli nape ne smejo biti povezani na zračne odvode, ki vlečejo druge oblike dima.
- Potrebno je biti pozoren pri uporabi z aparati, ki uporabljajo gorivo in zrak (npr. grelci, kotli na plin, dizel, oglje ali drva). To pa zato, ker odvajanje zraka prek nape lahko zmanjša izgorevanje v prostoru.
- To ne velja za uporabo brez ventilatorja.
- Prostor mora imeti zadostno prezračevanje v primeru istočasne uporabe štedilnika, nape in aparatov na plin ali druga goriva (to ne velja za aparate, ki povzročajo kroženje zraka v prostoru.)
- Istočasno delovanje več gorilnikov na plin povzroča veliko segrevanje. Prezračevalni aparat, ki je postavljen čez štedilnik se lahko zaradi tega poškoduje ali zgori. Ne uporabljajte dveh plinskih gorilnikov hkrati pri visoki temperaturi dlje od 15 minut. Ena grelna plošča z močjo več kot 5 kW proizvaja toploto enako dvema plinskim gorilnikoma.

## 2.1 Nevarnost smrtnih poškodb – nevarnost zastrupitve

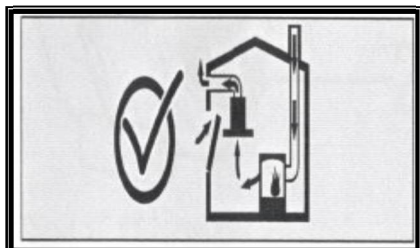
### ! NEVARNOST

Nevarnost zastrupitve zaradi ponovne absorpcije plinov izgorevanja. Razen v primeru, da je pri odvajanju zraka z nape zagotovljen tudi ustrezen dotok svežega zraka, nape ne uporabljajte istočasno z napravami, ki odvajajo strupene pline skozi dimnik, kot so peči, gorilniki, kotli itn., ki uporabljajo zemeljski plin, nafto, oglje ali drva kot gorivo.



Slika 2: Nevarnost zastrupitve

Naprave v katerih kroži zrak (npr. peči, gorilniki, kotli itn., ki uporabljajo zemeljski plin, nafto, oglje ali drva kot gorivo) jemljejo zrak za izgorevanje iz prostora v katerem so nameščeni. Pri delovanju nape se zrak se odvaja iz kuhinje in sosednjih sob. Če ni poskrbljeno za ustrezen dovod zraka, pride do vakuumu. V tem primeru se strupeni plini vračajo v prostor iz dimnika oz. odvoda.



Slika 3

Zaradi tega je potrebno vedno zagotoviti ustrezen dotok svežega zraka.

### ! NEVARNOST

Nevarnost požara!

Zaradi letečih isker. Namestitvev aparata nad štedilniki, ki uporabljajo čvrsto gorivo, kot so drva ali oglje je dovoljena samo če imajo nepredušen pokrov. Potrebno je upoštevati veljavne gradbene, električne, in vodovodne predpise pri montaži.

Če se aparat ne čisti v skladu z navodili, lahko povzroči požar.

### ! NEVARNOST

Nevarnost električnega udara!

Pri poškodbi električnega kabla.

Ne pregibajte in ne pritiskajte napajalni kabel pri montaži aparata.

### ! NEVARNOST

Nevarnost telesnih poškodb!

Obstaja nevarnost telesnih poškodb pri montaži, zaradi ostrih robov. Pri vgradnji aparata, vedno uporabljajte zaščitne rokavice.

Vse varnostne vijake in pokrove je potrebno namestiti tako, kot je opisano v navodilih, da ne bi prišlo do padanja aparata.

## **! NEVARNOST**

Nevarnost opeklín, nevarnost električnega udara!

Pred čiščenjem aparata, počakajte da se ohladi. Izvlecite varovalko ali izklopite aparat iz električnega omrežja.

Obstaja nevarnost poškodb zaradi kapljanja na elektronske dele aparata. Nikoli ne čistite upravljalnih elementov z vlažno krpo.

Površina aparata se lahko ob nepravilnem čiščenju poškoduje. Površine iz nerjavečega jekla čistite izključno v smeri brušenja. Ne uporabljajte sredstva za čiščenje nerjavečega jekla na upravljalnih elementih.

Površine lahko poškodujete z grobimi čistilnimi sredstvi ali pripomočki. Nikoli ne uporabljajte pripomočkov za čiščenje, ki so ostri ali zahtevajo ribanje.

Obstaja nevarnost poškodbe aparata zaradi povratnega kapljanja kondenzata. Montirajte kanal za izhod zraka z rahlim nagibom navzdol od aparata (pod kotom 1°)

## **! NEVARNOST**

Nevarnost požara, nevarnost telesnih poškodb!

Izvlecite varovalko ali izklopite aparat iz električne vtičnice pred vsakršnim popravilom.

Popravila mora opraviti pooblaščen servisler ali ustrezno usposobljena oseba.

## **OPOMBA**

V primeru okvare ali poškodbe aparata, izvlecite varovalko ali izklopite aparat iz električne vtičnice in pokličite pooblaščen servis.

## **OPOMBA**

Če je poškodovan napajalni kabel, ga mora zamenjati proizvajalec, pooblaščen servisler ali ustrezno usposobljena oseba, da ne bi prišlo do nevarnih situacij.

## **OPOMBA**

V kolikor je poškodovana žarnica na aparatu, izvlecite varovalko ali izklopite aparat iz električne vtičnice. Da ne bi prišlo do preobremenitve ostalih žarnic, takoj zamenjajte poškodovano (počakajte da se ohladi).

## **! POZOR:**

Kadar je uporabljate štedilnik se lahko izpostavljeni deli aparata močno segrejejo.

## **! NEVARNOST**

Odvodna cev aparata nikoli ne sme biti povezana na dimnik, ki služi za odvajanje dima iz peči ali drugih naprav, ki uporabljajo plin ali druga goriva.

### 3 UPORABA Z ALI BREZ OGLENEGA FILTRA

Ta aparat lahko uporabljate z zračnim odvodom ali brez.

#### Uporaba z zračnim odvodom

Vsesani zrak se prečisti na filterih maščobe in nato zapušča prostor skozi sistem cevi. Slika 4



Slika 4: Odvod za zrak brez oglenege filtra

#### OPOZORILO!

##### **Smrtna nevarnost!**

Izpušni plini, ki ponikajo v prostor lahko povzročijo zastrupitev. Zrak, ki ga vleče napa ne sme biti speljan v vod, ki odvaja dim oz. pline, ki nastajajo z izgorevanjem.

Če napa želite priključiti na vod, ki odvaja dim oz. pline, ki nastajajo z izgorevanjem, morate imeti dovoljenje od ustrezno kvalificiranih dimnikarjev.

Če se zrak odvaja skozi zunanji zid, se mora uporabljati teleskopski zid.

#### Uporaba brez zračnega odvoda

Vsesani zrak se prečisti na filterih za maščobo in filtru z aktivnim ogljem, in nato kroži nazaj v kuhinjo.



Da bi nevtralizirali snovi, ki povzročajo neprijetne vonjave pri uporabi nape brez zračnega odvoda, morate namestiti filter z aktivnim ogljem. Stopite v stik z pooblaščenim distributerjem, da bi izvedeli katere so možnosti za uporabo aparata brez zračnega odvoda. Opremo za ta način delovanja lahko kupite na prodajnih mestih, pri pooblaščenem serviserju ali v spletni prodaji.

### 3.1 Menjava oglenega filtra

Kadar ne uporabljate ventilatorja oz. ne odvajate zraka iz prostora prek nape, je potrebno uporabljati filter z aktivnim ogljem, za recirkulacijo zraka v prostoru. Filter z aktivnim ogljem nabavite pri serviserju ali vašem prodajalcu. Pred menjavo oglenega filtra izklopite aparat. Ker se ogljeni filter uporablja v kuhinjah brez ventilatorja, ga je potrebno po 3-5 mesecih uporabe zamenjati.

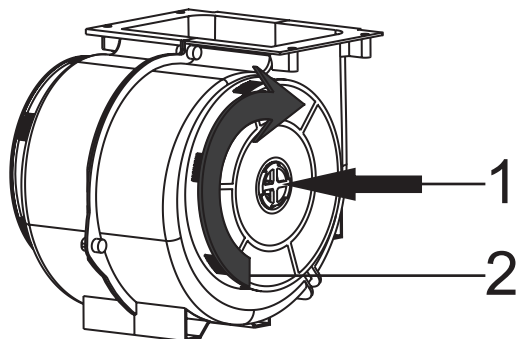
Oglenega filtra nikoli ne perite. V vsakem primeru morajo biti filtri nameščeni na napo tudi v primeru da oglenega filtra ne uporabljate. Ne uporabljajte nape brez filtra za maščobo.

Če ogljeni filter ni pravilno nameščen, lahko izpade in poškoduje izdelek.

#### **⚠ NEVARNOST**

Nikoli ne perite ogleh filterov. Držite ogleh filtre dlje od otrok.

### 3.2 Menjava oglenega filtra



Slika 4: ogleni filter

Aparat, ki ste ga kupili, je primeren za uporabo z oglenim filtrom.

1. Namestite ogleni filter v njegovo ohišje. Slika 4
2. Obrnite ogleni filter v smeri urinega kazalca in preverite ali je pravilno nameščen. Slika 4





## 4 ČIŠČENJE IN PREVENTIVNO VZDRŽEVANJE

### POZOR

- Pred vzdrževanjem oz. čiščenjem popolnoma izklopite aparat.
- Otroci ne smejo čistiti aparata brez nadzora.
- Nikoli ne uporabljajte grobih čistilnih sredstev ali pripomočkov, saj lahko poškodujejo površino izdelka. Nabavite primerna sredstva za čiščenje in zaščito za vaš izdelek od pooblaščenega servisa. Površina aparata in upravljalnih elementov je občutljiva na praske.
- Očistite površine z mehko, vlažno krpo, sredstvom za pranje posode ali blagim sredstvom za čiščenje stekel. Zmehčajte posušeno in zapečeno umazanijo z vlažno krpo. Ne drgnite po aparatu!
- Uporaba suhih krp, grobih gobic, sredstev za ribanje, sredstev ki vsebujejo trdne delce, sodo, kisline, klor ali druge agresivne sestavine, ni primerna.
- Površine iz nerjavečega jekla čistite samo v smeri brušenja.
- Ne uporabljajte sredstev za čiščenje nerjavečega jekla ali mokre krpe na upravljalnih elementih. Čiščenje kovinskih filtrov za maščobo: Kovinski filtri ujamejo delce maščobe iz pare v kuhinji. Pri normalni uporabi (1-2 uri dnevno), je filtre potrebno čistiti približno vsake tri mesece.
- Ne uporabljajte preveč agresivne, preveč kisle ali bazične raztopine za čiščenje.
- Pri čiščenju kovinskega filtra za maščobo, očistite tudi naložene delce na notranji strani nape z vlažno krpo.

#### **4.1 Pranje v stroju za pomivanje posode**

- V primeru, da uporabljate stroj za pomivanje posode, lahko pride do blažje izgube barve. To ne vpliva na delovanje kovinskega filtra za maščobo.
- Ne pomivajte zelo umazanega filtra skupaj s posodo.
- Filter za maščobo v stroj za pomivanje posode postavite tako, da je dovolj prostora okoli njega. Ne sme biti postavljen tako, da kaj pritiska nanj.

#### **4.2 Ročno pranje**

Uporabite lahko posebno oljno raztopino za odstranjevanje trdovratnih madežev. Takšno čistilno sredstvo lahko kupite v pooblaščenem prodajnem centru.

- Zmehčajte madeže na kovinskih filterih maščobe v topli vodi z detergentom.
- Uporabite ščetko in pustite, da se tekočina popolnoma odcedi s kovinskih filtrov.
- Po čiščenju podrobno izperite filtre.

#### **NEVARNOST**

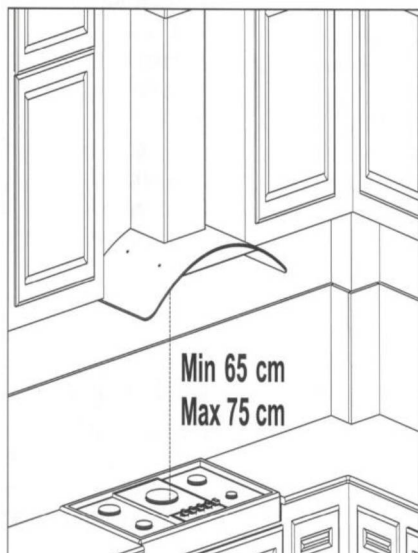
Če filter za maščobo ne čistite redno, lahko nastane požarna nevarnost pri višjih temperaturah oz. cvrenju.

#### **4.3 Odstranjevanje/namestitev aluminijskega filtra**

Povlecite aluminjski filter k sebi s pritiskom na to kartico. Storite obratno, kadar ga želite ponovno namestiti.

## 5 MONTAŽA APARATA

Pri montaži nape mora biti zagotovljeno najmanj 65 cm prostore med izdelkom in štedilnikom, če gre za električni štedilnik, če pa gre štedilnik na plin ali druga goriva, mora biti ta razdalja najmanj 75 cm.



Slika 7

### 5.1 Montaža in razpakiranje

Preverite ali so na aparatu prisotne poškodbe.

- V kolikor opazite poškodbe nastale pri prevozu, to takoj sporočite odgovornim osebam.
- Vidne pomanjkljivosti na izdelku morate prav tako nemudoma prijaviti prodajalcu. Ne dovolite otrokom, da se igrajo z embalažo.

### 5.2 Montaža in razpakiranje

- Redno menjajte ogljeni filter.
- Redno čistite aluminjske filtre. Možno je, da boste prisiljeni uporabljati napo pri visoki nastavitvi pretoka zraka, saj umazan filter lahko ovira odvod zraka.
- Pravilno uporabljajte nastavitve moči delovanja aparata.
- Uporaba višjih nastavitev odvajanja zraka bo povečala potrošnjo električne energije.

### 5.3 Način delovanja

#### OPOZORILO!

Smrtna nevarnost!

Izpušni plini, ki ponikajo v prostor lahko povzročijo zastrupitev. Zrak, ki ga vleče napa ne sme biti speljan v vod, ki odvaja dim oz. pline, ki nastajajo z izgorevanjem.

Če napo želite priključiti na vod, ki odvaja dim oz. pline, ki nastajajo z izgorevanjem, morate imeti dovoljenje od ustrezno kvalificiranih dimnikarjev.

Če se zrak odvaja skozi zunanji zid, se mora uporabljati teleskopski zid.

### 5.4 Odvodna napeljava

Informacije: Proizvajalec aparata ne odgovarja za pomankljivosti zaradi neprimerno nameščenih cevi.

Aparat najučinkoviteje deluje kadar se uporablja ravna in kratka odvodna cev, čim večjega premera.

Če uporabljate dolge in ozke cevi oz. s premerom manjšim od 150 mm in z velikim številom pregibov, se zmanjša zmogljivost odvajanja in poveča hrup ventilatorja.

Cevi, ki jih uporabljate za odvodno napeljavo morajo biti iz negorečih materialov.

Okrogle cevi

Priporočamo premer 150 mm oz. ne manj od 120 mm.

Ravni kanali

Notranji del mora ustrezati premeru okroglih cevi.

150 mm okoli 177 cm<sup>2</sup>

150 mm okoli 173 cm<sup>2</sup>

Ravni kanali ne smejo imeti pregibov pod ostrimi koti.

Če imate cevi različnega premera uporabite tesnilni trak.

### 5.5 Preverjanje zida

Zid mora biti raven in imeti dovoljšnjo nosilnost.

Globina lukenj mora ustrezati dolžini vijakov. Klini se morajo ustrezno prilagajati.

Vijaki in zidni vložki, ki jih dobite z aparatom, so primerni za zidove iz trdnega, enakomernega materiala. Uporabljajte ustrezen material za spajanje različnih konstrukcij (npr. gips, beton, proton opeke).

Največja dovoljena teža nape je 40 kg.

### 5.6 Električni priključek

Opozorilo!

Nevarnost električnega udara.

Nekateri deli aparata imajo ostre robove, na katerih se lahko poškoduje napajalni kabel. Kabla ne zvijajte in ne zapletajte med montažo.

Podatki v zvezi z električnim priključkom so prikazani na napisni tablici v notranjosti aparata. Če želite prebrati podatke s tablice, morate odstraniti kovinske filtre za maščobo.

## Dolžina napajalnega voda: okoli 1,3 m

Ta aparat ustreza EU smernicam proti motenju signalov

### 5.7 Nevarnost električnega udara!

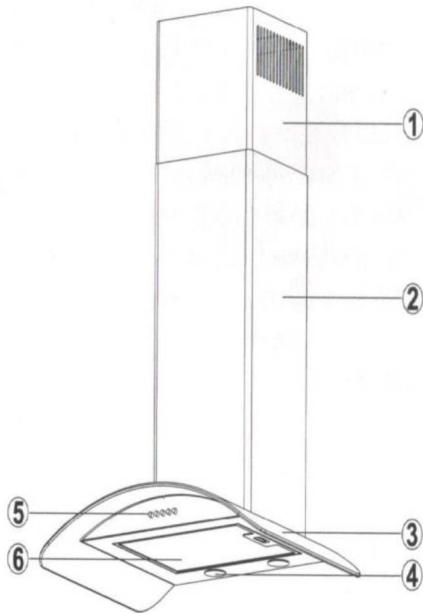
Aparat mora biti priključen tako, da ga lahko v kateremkoli trenutku izklopite iz električnega omrežja. Priključen mora biti na zaščiteno kontaktno vtičnico, ki je nameščen v skladu s predpisi. Če aparat mora biti nameščen tako, da vtičnica ni dostopna oz. ima fiksni priključek, mora imeti ločilno stikalo z najmanj 3 mm prostora med kontakti. Fiksni priključek mora opraviti ustrezno usposobljen električar.

## 6 VSEBINA EMBALAŽE



Slika 8: VSEBINA EMBALAŽE

1. Izdelek
2. Notranji vod
3. Notranji vod
4. 120 mm plastični ventilator
5. Plošča za povezovanje dimnika
6. 150 mm adapter ventilatorja (opcija)
7. Daljinski upravljalnik (opcija)
8. Uporabniški priročnik
9. Shema montaže
10. Ø6 mm plastični zidni vložek
11. Ø10 mm plastični zidni vložek
12. 5,5x60 vijak za montažo na zid
13. 3,9x22 vijak za povezovanje dimnika
14. 3,5x9,5 vijak za povezovanje ventilatorja

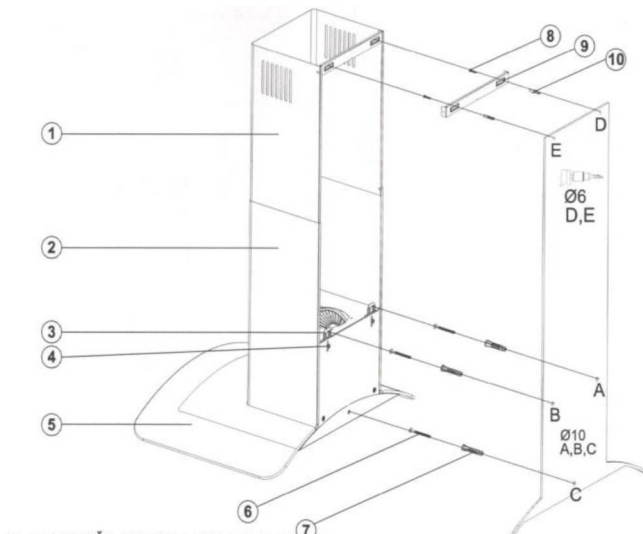


Slika 9: PREGLED NAPE

1. Notranji vod
2. Zunanji vod
3. Steklo
4. Osvetlitev štedilnika
5. Upravljalna plošča
6. Filter

## 8 MONTAŽA APARATA

### 8.1 Shema montaže in delov



Slika 10: MONTAŽA IN DELI

1. Notranji vod
2. Zunanji vod
3. Plošča za obešanje izdelka
4. Vijak plošče za obešanje izdelka
5. Steklo
6. 3x 5,5x60 vijak za montažo na zid
7. 2x Ø10 mm plastični zidni vložek
8. 2x 3,9x22 vijak
9. Plošča za povezovanje odvoda
10. 2x Ø6 mm plastični zidni vložek

Odvijte vijak plošče za obešanje izdelka (4) in ploščo (4) povlecite navzgor, da bi jo potem fiksirali z vijakom. Slika 10

Montirajte napo s pomočjo sheme montaže. Slika 8/7

Pričvrstite sklop na zid na ustrezni višini (glej minimalno in maksimalno razdaljo od kuhalne površine v shemi za montažo). Izvrтайте luknje v točkah A, B, C (Slika 10)

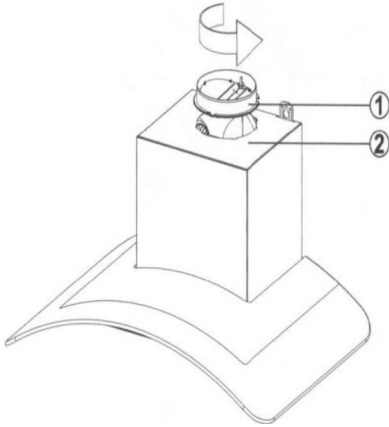
Postavite Ø10 mm plastične zidne vložke v A, B, C, ter privijte vijake na točke A+B, s tem da pustite 5 mm prostora med glavo vijaka in zidom. (Slika 10)

Obesite napo na zid s pomočjo plošče za obešanje.

Zategnite A+B vijake na zidu in popolnoma pričvrstite izdelek v točki C.

## 8 MONTAŽA APARATA

### 8.2 Sestavljanje plastičnega ventilatorja



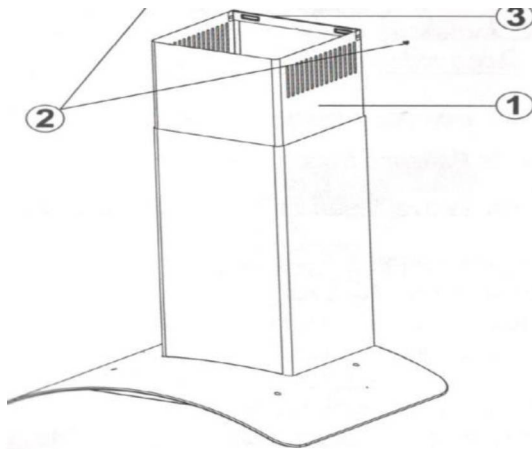
Slika 11: PLASTIČNI SPOJ VENTILATORJA

1. Ø120 mm adapter ventilatorja
2. »Telo« aparata

- Pričvrstite plastični ventilator (1) na telo aparata (2) in ga obrnite v smeri urinega kazalca (Slika 11).
- Namestite priključek zračnega odvoda na aparat.



## 9 MONTAŽA PLOŠČASTIH VODOV



Slika 11: MONTAŽA PLOŠČASTIH VODOV

1. Notranji vod
2. Vijaki za povezovanje voda
3. Plošča za povezovanje voda

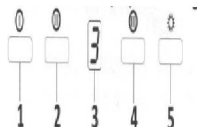
Notranji in zunanji ploščasti vod se nameščajo eden v drugega.

Plošča za povezovanje voda se direktno pritrjuje na zid, pod pokrovom, s centriranjem nape na točke E ali F, ki so označene po izvršenem merjenju. (Stran 16 Slika 10)

Izvrstite točke E in F s svedom premera 6 mm in vstavite zidne vložke tega premera. Pričvrstite ploščo za povezovanje ventilatorja z 3,9x22 vijaki. (Stran 16 Slika 10)

Izvlcite notranji vod (1) s pomočjo vijaka (2) in ga pričvrstite na ploščo za povezovanje voda z desne in leve strani (3). (Slika 12)

## 10 KAKO UPORABLJATI IZDELEK



### 10.1

Slika 11: Stikala

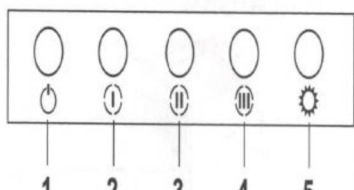
1. S tem gumbom se sproži delovanje na prvi stopnji hitrosti
2. S tem gumbom se sproži delovanje na drugi stopnji hitrosti
3. Digitalni prikazovalnik stopnje hitrosti
4. S tem gumbom se sproži delovanje na tretji stopnji hitrosti
5. Stikalo za osvetlitev

*i*

Za aktivacijo funkcije programske ure, pritisnite in držite katerikoli od gumbov 1,2 ali 3 pritisnjen 3 sekunde. Tako boste sprožili funkcijo programske ure, ki bo samodejno izključila napo po 15 minutah delovanja.

Vse funkcije, ki so bile aktivne preden ste aktivirali funkcijo programske ure se bodo izključile po izteku 15-ih minut. Vse funkcije, ki so bile aktivne po aktivaciji programske ure bodo nadaljevale z delovanjem po izteku 15-ih minut.

### 10.2



Slika 12: Stikala

1. Stikalo za vklop/izklop
2. S tem gumbom se sproži delovanje na prvi stopnji hitrosti
3. S tem gumbom se sproži delovanje na drugi stopnji hitrosti
4. S tem gumbom se sproži delovanje na tretji stopnji hitrosti
5. Stikalo za osvetlitev

Intervali čiščenja kovinskega filtra:

Filtri se morajo očistiti kadar se pojavi črka C na prikazovalniku ali pa (v odvisnosti od uprabe) vsake 2-3 tedne.

Kadar filtre očistite in namestite, pritisnite stikalo za vklop/izklop in ga držite 3 sekunde, da bi umaknili opozorilo za čiščenje s prikazovalnika. Na prikazovalniku se bo prikazala črka E, aparat pa bo začel normalno obratovati.

Če želite nadaljevati z uporabo aparata tudi brez odstranitve opozorila na prikazovalniku, se bo po pritisku na gumb za vklop/izklop na kratko prikazala izbrana stopnja hitrosti, nakar bo vidna črka C, motor pa bo nadaljeval z obratovanjem.

Opozorilna črka »C« se pojavi po 60-urnem intervalu uporabe.

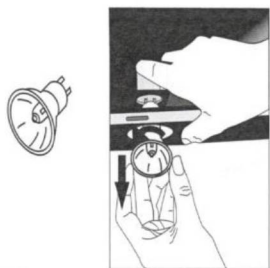
## 11. MENJAVA ŽARNICE

### ! NEVARNOST

Izklopite napo iz električnega omrežja.

Počakajte, da se žarnica ohladi, da se ne bi opekli.

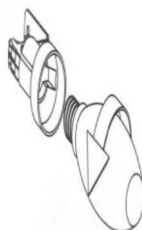
### 11.1 Menjava halogenske žarnice



Slika 12: Menjava halogenske žarnice  
Odstranite kaseto aluminijskega filtra.  
Odstranite odsluženo žarnico in jo zamenjajte z novo iste moči. Slika 12

### 11.2 Menjava žarnice

Slika 14: Menjava žarnice  
Odstranite kaseto aluminijskega filtra.  
Odstranite odsluženo žarnico in jo zamenjajte z novo iste moči. Slika 14



## 12 POOBLAŠČENI SERVIS

- Če ne deluje osvetlitev:

Preverite ali je vtikač priključen v električno vtičnico ter preverite varovalke.

- Preverite žarnice. Prepričajte se, da je aparat izključen preden preverite žarnice. Zategnite žarnice če je to potrebno. Če tudi po tem ne delujejo, jih zamenjajte.

**Možne okvare in ukrepi preden pokličete servis:**

### **A) Aparat ne deluje**

- Preverite ali je aparat vklopljen in ali je vtikač dobro priključen v električno vtičnico.

- Preverite varovalke aparata in glavne varovalke v vašem domu.

**Če aparat slabo deluje ali je pri delovanju glasen:**

- Ali je dovolj velik premer ventilatorja? (min 120 mm).
- Preverite ali so kovinski filtri čisti.
- Če aparat uporabljate brez ventilatorja, se prepričajte ali ogljeni filtri niso starejši od šestih mesecev.
- Poskrbite, da je kuhinja dobro prezračena. Če še vedno niste zadovoljni z delovanjem aparata, stopite v stik s pooblaščenim servisom.

## 12.1 Shema montaže in delov

Reševanje težave	Vzrok	Pomoč
Aparat ne deluje.	Preverite el. napajanje.	Napetost el. napajanja mora biti 220-240V, proizvod mora biti povezan na vtičnico z ozemljitvijo.
Osvetlitev ne deluje.	Preverite el. napajanje.	Napetost el. napajanja mora biti 220-240V, proizvod mora biti povezan na vtičnico z ozemljitvijo.
Osvetlitev ne deluje.	Preverite el. napajanje.	Stikalo za osvetlitev mora biti na položaju »on« (vključeno)
Osvetlitev ne deluje.	Preverite žarnice.	Žarnice morajo biti nepoškodovane
Aparat slabo vleče zrak.	Preverite aluminjski filter.	Kaseta aluminjskega filtra se mora prati vsaj enkrat mesečno pri normalnih pogojih uporabe
Aparat slabo vleče zrak.	Preverite dimnik za odvod zraka.	Vod za odvajanje zraka mora biti odprt
Aparat slabo vleče zrak.	Preverite ogljeni filter.	Pri izdelkih, na katerih se uporablja ogljeni filter, se ti filtri morajo menjati na vsake tri mesece pri normalnih pogojih uporabe
Aparat ne izpušča zraka (uporaba brez dimnika)	Preverite aluminjski filter.	Kaseta aluminjskega filtra se mora prati vsaj enkrat mesečno pri normalnih pogojih uporabe
Aparat ne izpušča zraka (uporaba brez dimnika)	Preverite ogljeni filter.	Pri izdelkih, na katerih se uporablja ogljeni filter, se ti filtri morajo menjati na vsake tri mesece pri normalnih pogojih uporabe

### 12.2 Tehnična tabela

Napetost	220 – 240 V, 50 Hz
Razred izolacije motorja	F
Razred izolacije	Razred I



# CGL 650IX / CGL 950IX

UPUTE ZA UPORABU KUHINJSKA NAPA

MODEL: CGL650IX



MODEL: CGL950IX



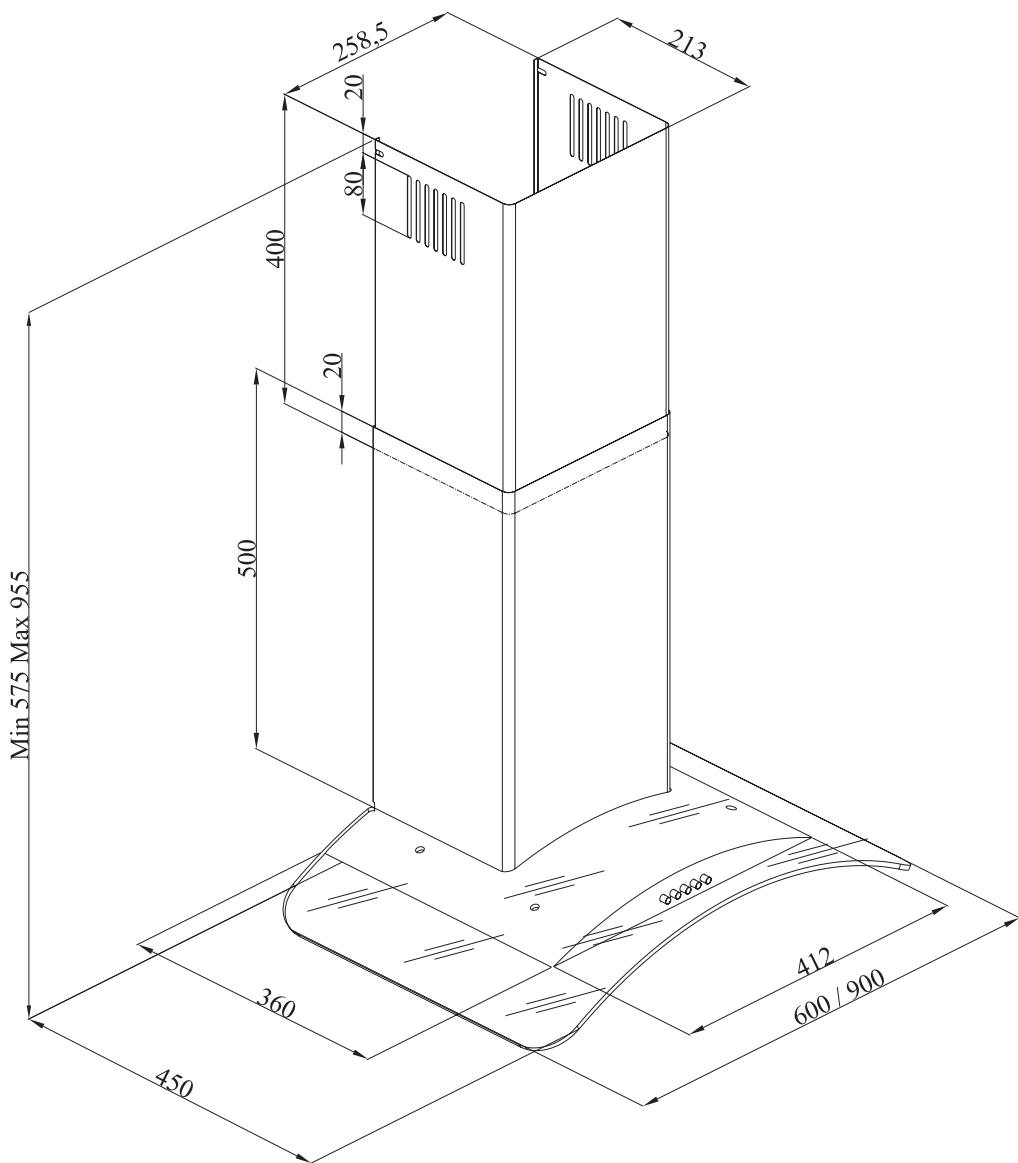
Pažljivo pročitajte korisničke upute!

## Sadržaj

<b>1 TEHNIČKI CRTEŽ</b>	<b>4</b>
<b>2 UPOZORENJA I MJERE BEZBJEDNOSTI</b>	<b>5</b>
2.1 Opasnost po život, opasnost od trovanja	7
2.2 Opasnost od strujnog udara!	7
2.3 Opasnost od fizičke ozljede!	7
2.4 Opasnost od opekline, opasnost od strujnog udara!	8
2.5 Opasnost od požara i fizičke ozljede!	8
<b>3 UPORABA SA ILI BEZ UGLJENOG FILTRA</b>	<b>9</b>
3.1 Zamjena ugljenog filtra	10
3.2 Zamjena ugljenog filtra	10
<b>4 ČIŠĆENJE I PREVENTIVNO ODRŽAVANJE</b>	<b>11</b>
4.1 Pranje u perilici posuđa	11
4.2 Ručno pranje	11
4.3 Uklanjanje/ montaža aluminijskog filtra	11
<b>5 MONTAŽA UREĐAJA</b>	<b>12</b>
5.1 Montaža i raspakiranje	12
5.2 Savjeti za uštedu energije	12
5.3 Način izduvavanja zraka	13
5.4 Linija pražnjenja zraka	13
5.5 Provjera zida	13
5.6 Električni priključak	13
5.7 Opasnost od strujnog udara!	13
<b>6 SADRŽAJ PAKETA</b>	<b>14</b>
<b>7 PREGLED KUHINJSKE NAPE</b>	<b>15</b>
<b>8 SKLAPANJE PROIZVODA</b>	<b>16</b>
8.1 Šablon montaže i komponenata	16
8.2 Sastavljanje plastičnog ventilatora	17
<b>9 SKLAPANJE PLOČASTIH VENTILATORA</b>	<b>18</b>
<b>10 UPORABA PROIZVODA</b>	<b>19</b>
10.1 On Glass 3 Spd taster na dodir	19
10.2 Pritisni taster	19
<b>11 ZAMIJENA ŽARULJA</b>	<b>20</b>
11.1 Zamjena halogene lampe	20
11.2 Zamjena svećice	20
<b>12 OVLAŠTENI TEHNIČKI SERVIS</b>	<b>21</b>
12.1 Potencijalni kvarovi i rješenja	22
12.2 Tehnička tabela	22



# 1 TEHNIČKI CRTEŽ



Slika 1: TEHNIČKI CRTEŽ

## 2 UPOZORENJA I MJERE BEZBJEDNOSTI

- Ovaj aparat mogu koristiti samo djeca starija od 8 godina i pojedinci bez fizičkih, čulnih ili mentalnih nedostataka, sa potrebnim iskustvom i znanjem, onda kada su im dati nadzor ili upute o bezbjednom korištenju i konstatirano je da razumiju opasnosti.
- Ovaj proizvod je namijenjen za kućansku uporabu.
- Uporabni napon uređaja je 220-240 Volt~50 Hz.
- Kabel za napajanje vašeg proizvoda je opremljen priključkom za uzemljenje. Taj kabel mora definitivno biti priključen na uzemljenu utičnicu.
- Kompletna električna instalacija mora biti postavljena od strane kvalificiranog električara.
- Instalacija od strane neovlaštenih lica može da dovede do lošeg rada uređaja, oštećenja proizvoda i nesreća.
- Napojni kabel uređaja ne smije biti zapetljan ili polomljen tijekom montaže. Kabel za napajanje ne smije da se postavlja blizu štednjaka. U takvim slučajevima, može doći do požara.
- Nemojte priključivati uređaj prije nego što je montaža gotova.
- Uvjerite se da mjesto montaže omogućava korisniku da lako isključuje napojni kabel u slučaju opasnosti.
- Ne dirajte žarulje aparata kada su duže vrijeme radile. Pošto mogu biti vruće, opeći će vam ruke.
- Kuhinjske nape su projektirane za normalno kuhanje i kućansku uporabu. Ako se koriste u druge svrhe može doći do kvara ili prestanka jamstva.

- Pridržavajte se pravila i uputa relevantnih institucija u vezi ispuštanja zraka u atmosferu. (Ovo ne važi za korištenje bez ventilatora.)
- Zapaljive hrana ne smije da se kuha ispod uređaja.
- Pokrenite aparat nakon što ste stavili posude, lonce itd. na štednjak. U suprotnom, visoka temperatura može da izazove deformacije na nekim dijelovima uređaja.
- Isključite grijač štednjaka prije no što ste uklonili posude, lonce itd. sa štednjaka.
- Ne ostavljajte vruće ulje na štednjaku. Posude sa vrelin uljem mogu izazvati požar.
- Pošto ulje može da izazove požar posebno kad pržite hranu, budite pažljivi sa stolnjacima i zavjesama.
- Obezbjedite pravovremenu zamjenu filtera. Filteri koji nisu zamijenjeni na vrijeme predstavljaju rizik od požara, zbog nagomilane masti u njima.
- Nemojte koristiti materijal za filtriranje koji nije otporan na vatru umesto filtera.
- Nemojte koristiti ovaj proizvod bez filtera, i ne uklanjajte filtere kada je proizvod u uporabi.
- U slučaju deflagracije, prekinite dovod energije do nape i štednjaka. (Isključite uređaj ili isključite glavni prekidač).
- Ako ne čistite aparat redovito, on može predstavljati rizik od požara.
- Isključite aparat prije radova na održavanju. (Isključite uređaj ili isključite glavni prekidač).
- Negativan pritisak u sobi, dok su istovremeno uključeni napa električnog štednjaka i uređaji koji rade na drugim izvorima električne energije, ne smije da pređe 4 PA (4 k 10 bar).
- Ako postoje uređaji koji koriste gorivo ili plin u oblasti gde se koristi vaš uređaj, kao što su sobne grijalice na primjer, oni moraju biti potpuno izolirani od izduvnog puta ovog uređaja

ili hermetični.

- Kada pravite ventilacijski priključak na vaš uređaj, koristite cijevi prečnika 150mm ili 120 mm.
- Dužina cijevi kao i broj pregiba moraju biti što manji.
- Djeca se ne smiju igrati sa aparatom.
- Iz bezbjednosnih razloga, koristite „MAX 6 A“ osigurač u kuhinjskoj napi.
- Držite ambalažni materijal dalje od djece jer to može biti opasno.
- Ako je oštećen kabel napajanja, mora biti zamijenjen od strane proizvođača, njegovog servisnog agenta ili bilo kog osoblja ekvivalentnih kvalifikacija, da bi se izbjegla bilo kakva opasna situacija.
- U slučaju deflagracije, prekinite dovod energije do nape i štednjaka i ugasite vatru. Nikada ne koristite vodu za gašenje vatre.
- Dostupni dijelovi mogu biti vrući kada radi štednjak.
- Ovaj aparat nije predviđen za korištenje od strane osoba sa fizičkim, mentalnim ili čulnim invaliditetom (uključujući i djecu) ili sa nedostatkom potrebnog iskustva i znanja, osim ako su pod nadzorom osobe koja je odgovorna za njihovu sigurnost.
- Kada se montira napa, mora da postoji najmanje 65 cm razdaljine između proizvoda i bilo koje vrste električnih štednjaka i 75 cm za štednjake koji rade na plin ili druga goriva.
- Izlazni dijelovi nape ne smiju biti povezani na zračne kanale koji uključuju druge oblike dima.
- Mora se voditi računa kada se uređaj koristi istovremeno sa drugim uređajima (npr. grijači, bojleri koji rade na plin, dizel gorivo, ugalj ili drva) koji koriste isti zrak u istom prostoru kao i uređaj. To je zato što se sagorijevanje može umanjiti kada se u prostoriju otpušta

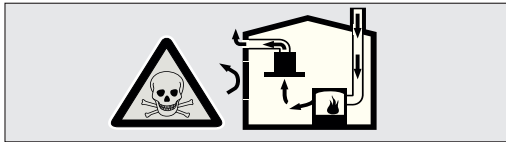
zrak iz nape.

- Ovo ne važi za korištenje bez ventilatora.
- Prostorija mora imati dovoljnu ventilaciju kada se napa i uređaji koji rade na plin i druga goriva koriste u isto vrijeme (ovo nije obavezno za uređaje koji vrše cirkulaciju zraka u prostoriji).
- Istovremeni rad više od jednog štednjaka na plin dovodi do stvaranja visokih temperatura. Ventilacioni aparat postavljen na površinu štednjaka može stoga biti oštećen ili spaljen. Nemojte koristiti dva štednjaka na plin pri visokoj temperaturi duže od 15 min. Jedan veliki grijač sa više od 5kW (radne) snage generiše snagu jednaku dva plinska grijača.

## 2.1 Opasnost po život, opasnost od trovanja

### ⚠ OPASNOST

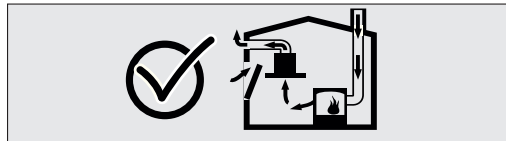
Postoji opasnost po život i opasnost od trovanja zbog ponovne apsorpcije plinova sagorijevanja. Osim ukoliko je adekvatan ulaz zraka obezbjeđen tijekom izlaska zraka, uređaj ne koristite istovremeno sa uređajima koji izduvavaju otrovne plinove kroz ventilator kao što su ventilacione grijalice, bojleri i sl. koji sagorijevaju plin, ulje, drvo ili ugalj.



Slika 2: Opasnost od trovanja

Uređaji u kojima cirkulira zrak (npr. grijalice, bojleri koji rade na plin, ulje, drvo ili ugalj) uzimaju zrak za sagorijevanje iz mjesta instalacije i izbacuju izduvne plinove kroz sustav za ispuštanje zraka (npr. ventilator). Zrak se apsorbira iz kuhinje i soba pored kroz napu u radu. Ukoliko adekvatan ulaz zraka nije predviđen javlja se vakuum. U tom slučaju, otrovni plinovi se apsorbiraju iz ventilatora i kanala za izduvavanje zraka i ponovo ulaze u kuću. Slika 2

Iz tog razloga, uvijek treba osigurati adekvatan unos svježeg zraka. Slika 3



Slika 3

### ⚠ OPASNOST

#### Opasnost od požara!

Zbog iskri, instalacija uređaja na grijnoj opremi koja se zagrijeva pomoću čvrstog goriva (npr. drvo ili ugalj) može biti dozvoljena samo ako postoji ne odvojiv poklopac. Potrebno je obratiti pažnju na postojeće građevinske propise i propise za lokalne kompanije za električnu energiju i plin prilikom montaže.

Ako uređaj nije očišćen u skladu sa uputama za čišćenje, može izazvati požar.

### ⚠ OPASNOST

#### 2.2 Opasnost od strujnog udara!

Nemojte savijati ni zapetljivati kabel za povezivanje tijekom montaže zbog opasnosti od oštećenja kabela.

### ⚠ OPASNOST

#### 2.3 Opasnost od fizičke povrede!

- Postoji opasnost od povreda tijekom montiranja zbog oštih rubova. Koristite zaštitne rukavice tijekom ugradbe uređaja.
- Sve sigurnosne zavrtnje i poklopce treba montirati kao što je opisano u uputama za rukovanje zbog rizika od padanja uređaja.

**⚠ OPASNOST****2.4 Opasnost od opekotina, opasnost od strujnog udara!**

- Sačekajte da se uređaj ohladi prije čišćenja i održavanja. Isključite osigurač ili isključite uređaj iz struje.
- Postoji opasnost od oštećenja zbog vlažnog kapanja na elektronske komponente. Nemojte čistiti kontrolne elemente vlažnom krpom.
- Površina može da se ošteti kao rezultat pogrešnog čišćenja. Čistite površine od nehrđajućeg čelika samo u pravcu brušenja. Nemojte koristiti sredstva za čišćenje nehrđajućeg čelika na kontrolnim elementima.
- Površina može da se ošteti kao rezultat sredstva za čišćenje koja su agresivna i abrazivna. Nikad ne koristite sredstva za čišćenje koja su oštra ili zahtijevaju ribanje.
- Postoji opasnost od oštećenja zbog povratnog kapanja kondenzata. Montirajte kanal za izlaz zraka prema dolje u odnosu na uređaj (nagib od 1°).

**⚠ OPASNOST****2.5 Opasnost od požara i fizičke povrede!**

U slučaju popravki koje nisu u skladu sa zahtijevanim pravilima, isključite osigurač ili naponski kabel vašeg aparata. Popravke uvijek treba da obavlja samo ovlašteni servis ili ovlašteni stručnjak.

**NAPOMENA**

*U slučaju greške ili oštećenja uređaja, isključite osigurač ili isključite uređaj iz struje kod vanrednih popravki i pozovite ovlašteni servis.*

**NAPOMENA**

*Ako je oštećen kabel napajanja, mora biti zamijenjen od strane proizvođača, njegovog servisnog agenta ili bilo kog osoblja ekvivalentnih kvalifikacija, da bi se izbjegla bilo kakva opasna situacija.*

**NAPOMENA**

*Ukoliko je žarulja uređaja oštećena, isključite osigurač ili isključite uređaj iz struje. Da biste izbjegli preopterećenje ostalih žarulja, odmah zamijeniti pokvarenu žarulju (sačekajte da se žarulja ohladi)*

**⚠ OPASNOST**

Kada se koriste sa štednjakom, dostupni dijelovi uređaja se mogu ugrijati.

**OPASNOST**

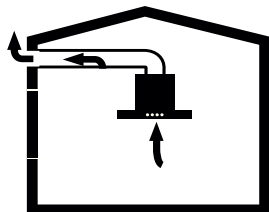
Odvodna cijev za zrak ovog uređaja nikada ne smije da bude povezana unutar ventilatora za izbacivanje plinova koji izlaze iz uređaja koji koriste plin ili druga goriva.

### 3 UPORABA SA ILI BEZ KARBON (UGLJENIK) FILTRA

Možete koristiti ovaj uređaj u načinu izduvanja zraka i načinu ventilacije zraka.

#### Način izduvanja zraka

Apsorbirani zrak se čisti filterima masti, a zatim se izbacuje kroz sustav cijevi. Slika 4



Slika 4: Izlaz za zrak bez karbon filtera

#### **UPOZORENJE**

#### Rizik od smrti!

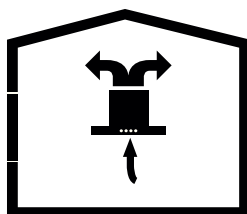


Izduvni plinovi koji se ponovno apsorbiraju mogu izazvati trovanje. Izduvni zrak ne smije da se prebacuje u ventilator za aktivan dim ili otpadne plinove; ili ventilator za ventilaciju prostora, tamo gdje postoje montirani izvori grijanja.

- Ako želite da prebacite izduvni zrak u ventilator za aktivan dim ili otpadne plinove, morate dobiti dozvolu od ovlaštenih čistača dimnjaka.
- Ako se izduvni zrak ispušta kroz vanjski zid, mora se koristiti teleskopski zid.



Apsorbirani zrak se čisti filterima masti i filterom sa aktivnim ugljem, a zatim se prebacuje nazad u kuhinju. Slika 5



Slika 5: Izlaz za zrak sa karbon filterom

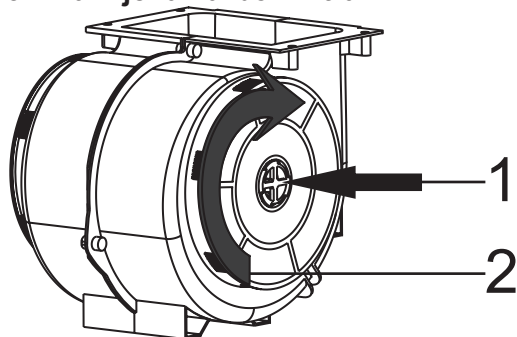


Da biste zadržali supstance koje stvaraju neprijatne mirise u načinu ventilacije zraka, morate priključiti filter sa aktivnim ugljem. Obratite se vašem ovlaštenom distributeru za različite opcije na raspolaganju za korištenje uređaja u načinu ventilacije zraka. Možete da kupite opremu potrebnu za ovaj proces u prodajnim mjestima, ovlaštenom servisu i Internet prodajnom centru.

### 3.1 Zamjena karbon filtra

Kada nema ventilatora, filter sa aktivnim ugljem treba koristiti da bi se ponovo poslao unutarnji zrak putem filtriranja. Filtar sa aktivnim ugljem treba biti nabavljen od servisa ili od vašeg distributera. Isključite aparat prije zamjene karbon filtra. Budući da se karbon filter koristi u kuhinjama bez ventilacije, mora se zamijeniti na svakih 3-5 mjeseci u zavisnosti od uporabe. Karbon filter nikada nemojte prati. Filteri masnoća moraju biti instalirani na proizvodu, bez obzira da li se koriste karbon filteri ili ne. Ne koristite proizvod bez filtera masnoća.

### 3.2 Zamijena karbon filtra



Slika 6: karbon filter

Uređaj koji ste kupili je pogodan za uporabu ugljen-filtera.

1. Stavite karbon filter u njegovo kućište. Slika 6
2. Okrenite karbon filter u pravcu kazaljke na satu i provjerite da li je potpuno postavljen. Slika 6

*Ako nije u potpunosti postavljen, karbon filter može da padne i ošteti proizvod.*

#### **⚠ OPASNOST**

Nemojte prati karbon filtere. Držite karbon filter van domašaja djece.



## 4 ČIŠĆENJE I PREVENTIVNO ODRŽAVANJE

### OPASNOST

- Prije svakog održavanja i čišćenja, aspirator mora biti isključen, kao i čitav aparat
- Čišćenje i održavanje ne smiju da vrše djeca bez nadzora.
- Površina može da se ošteti kao rezultat sredstva za čišćenje koja su agresivna i abrazivna. Nikad ne koristite sredstva za čišćenje koja su agresivna ili abrazivna. Nabavite sredstva za čišćenje i zaštitu koja su adekvatna za vaš proizvod od ovlaštenog servisa. Površina uređaja i komandne jedinice su osjetljivi na ogrebotine.
- Očistite površine mekom, vlažnom krpom, deterdžentom za sudove ili blagim sredstvom za čišćenje stakla. Omekšajte suhu, ljepljivu prljavštinu vlažnom krpom. Nemojte strugati po uređaju!
- Korištenje suhih krpa, spužvi koje mogu ogrebat i uređaj, sredstava koja zahtijevaju ribanje, sadrže pijesak, sodu, kiseline, hlor ili druge jake supstance nije prikladna.
- Čistite površine od nehrđajućeg čelika samo u pravcu brušenja.
- Nemojte koristiti sredstva za čišćenje nehrđajućeg čelika i mokre krpe na kontrolnim elementima. Čišćenje metalnih filtera za masnoće. Korišćeni metalni filteri za masnoće hvataju čestice masnoće iz vlažnosti i pare u kuhinji. Kod normalne uporabe (1-2 sata dnevno), čistite metalne filtere za ulje otprilike na svaka tri mjeseca.
- Ne koristite preterano jake, kisele ili alkalne rastvore kao sredstva za čišćenje.
- Kod čišćenja metalnih filtera za masnoću,

očistite držače filtera za masnoću u uređaju koristeći također vlažnu krpou.

- Možete očistiti metalne filtere za masnoću u perilici posuđa ili ručno.

### 4.1 Pranje u perilici posuđa

■ U slučaju da perete u perilici posuđa, može doći do blaže promjene boje. Ovo nema uticaja na funkcije metalnog filtera za masnoću.

■ Ne perite teško zaprljane metalne filtere za masnoću zajedno sa posuđem.

■ Postavite metalne filtere masnoće u perilicu posuđa tako da komotno stoje u njoj. Metalne filtere masnoće treba postaviti u perilicu posuđa tako da ih ništa ne pritiska.

### 4.2 Ručno pranje

Možete koristiti posebni rastvarač masti da uklonite uporne mrlje. Možete kupiti takav agens preko ovlaštenog prodajnog centra.

- Omekšajte metalne filtere masnoće u toploj vodi sa deterdžentom.
- Koristite četku za čišćenje i ostavite da tekućina na metalnim filterima masnoće potpuno oteče.
- Isperite filtere detaljno posle čišćenja.

### OPASNOST

*Zahvaljujući blagovremenom čišćenju metalnog filtera masnoće, opasnosti od požara prouzrokovane prekomjernom toplinom koja se stvara tijekom prženja je izbjegnuta.*

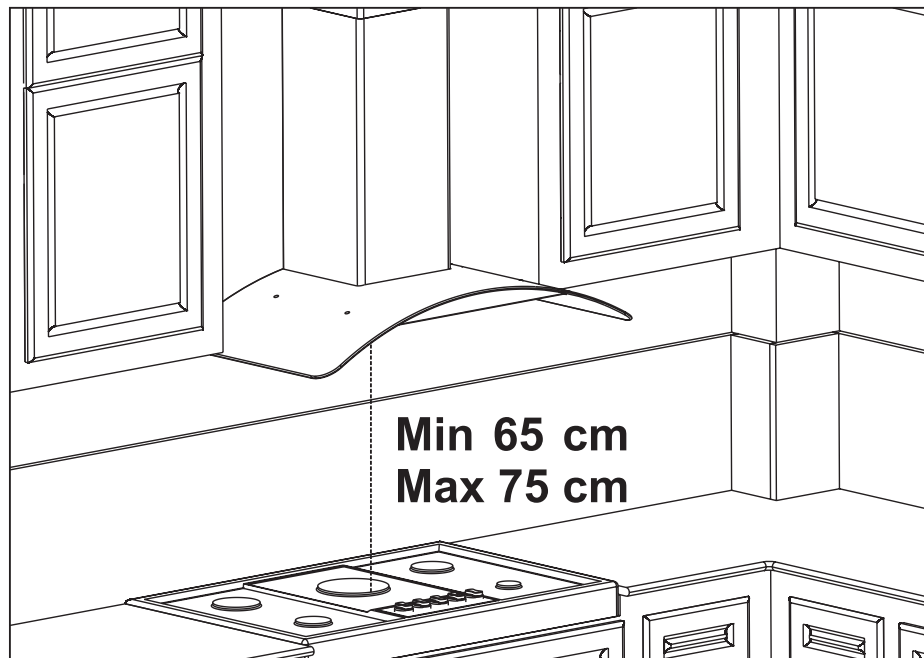
### 4.3 Uklanjanje/ montaža

#### alumijskog filtera

Povucite alumijski filter prema vama pritiskom na ovu karticu. Obrnite proces da montirate filter.



## 5 MONTAŽA UREĐAJA



Slika 7: MONTAŽA UREĐAJA

Kada se montira napa, mora da postoji najmanje 650 mm razdaljine između proizvoda i bilo koje vrste električnih štednjaka i 750 mm za štednjake koji rade na plin ili druga goriva. Slika 7

### 5.1 Montaža i raspakiranje uređaja      5.2 Savjeti za uštedu energije

Provjerite da li postoje oštećenja na vašem uređaju.

- Ukoliko postoje oštećenja zbog transporta to treba odmah javiti odgovornim licima.
- Vidljivi defekti se takođe moraju prenijeti prodavcu.
- Spriječite djecu da se igraju sa ambalažom!!!

- Redovito mijenjajte karbon (ugljenik) filtere.
- Čistite aluminijske filtere redovito. Možda ćete morati da koristite vaš uređaj pri visokoj brzini jer prljav filter može da blokira ulaz zraka.
- Koristite proizvod u skladu sa njegovim normalnim brzinama.
- Uporaba na visokim brzinama će povećati potrošnju energije.

### 5.3 Način izduvavanja zraka

#### ⚠ UPOZORENJE

#### Rizik od smrti!

Izduvni plinovi koji se ponovno apsorbiraju mogu izazvati trovanje. Izduvni zrak ne smije da se prebacuje u ventilator za aktivan dim ili otpadne plinove; ili ventilator za ventilaciju prostora, tamo gdje postoje montirani izvori grijanja. Ako želite da prebacite izduvni zrak u ventilator za aktivan dim ili otpadne plinove, morate dobiti dozvolu od ovlaštenih čistača dimnjaka.

Ako se izduvni zrak ispušta kroz vanjski zid, mora se koristiti teleskopski zid.

### 5.4 Linija pražnjenja zraka

**Informacije:** Proizvođač uređaja neće biti odgovoran za nedostatke izazvane položenim cijevima.

- Uređaj pokazuje najbolje performanse kada se koristi kratka i ravna odvodna cijev zrak i prečnik cijevi što je moguće veći.

- Optimalna performansa ventilacije ne može postići i buka ventilatora se povećava kada se koriste duge i oštre cijevi za izlaz zraka, kao i više zglobova cijevi ili cijevi prečnika manjeg od 150mm.

- Cijevi ili crijeva koja se koriste pri polaganju linije ispusta zraka moraju biti napravljene od zapaljivih materijala.

#### Kružne cijevi

Preporučuje se da bi unutarnji prečnik trebalo da bude 150 mm ili najmanje 120 mm.

#### Ravni kanali

Unutarnji dio mora da odgovara prečniku kružnih cijevi.

**Ø150 mm oko 177 cm<sup>2</sup>**

**Ø150 mm oko 173 cm<sup>2</sup>**

- Ravni kanali ne bi smjeli da imaju oštre pregrebe.

- Koristite trake za zaptivanje za različite prečnike cijevi.

### 5.5 Provjera zida

- Zid mora biti ravan, prav i da ima dovoljnu nosivost.

- Dubina rupa mora biti u skladu sa dužinom zavrtanja. Klinovi moraju da se uklapaju kako treba.

- Zavrtnji i tiplovi u prilogu su pogodni za uporabu kod krutih monolitnih zidova. Koristite odgovarajući materijal za vezivanje za različite konstrukcije (na primer gips, armirani beton, proton cigle).

- Maksimalna težina vaše nape je **40 kg**.

### 5.6 Električni priključak

#### ⚠ UPOZORENJE

#### Opasnost od strujnog udara!

Komponente uređaja mogu imati oštre rubove. Kabel za povezivanje se može oštetiti. Nemojte savijati ni zapetljivati kabel za povezivanje tijekom montaže.

Neophodni podaci o povezivanju su prikazani na etiketi unutar vašeg uređaja; morate ukloniti metalne filtere masnoće da biste videli etiketu.

#### Dužina linije povezivanja: oko 1.3 m

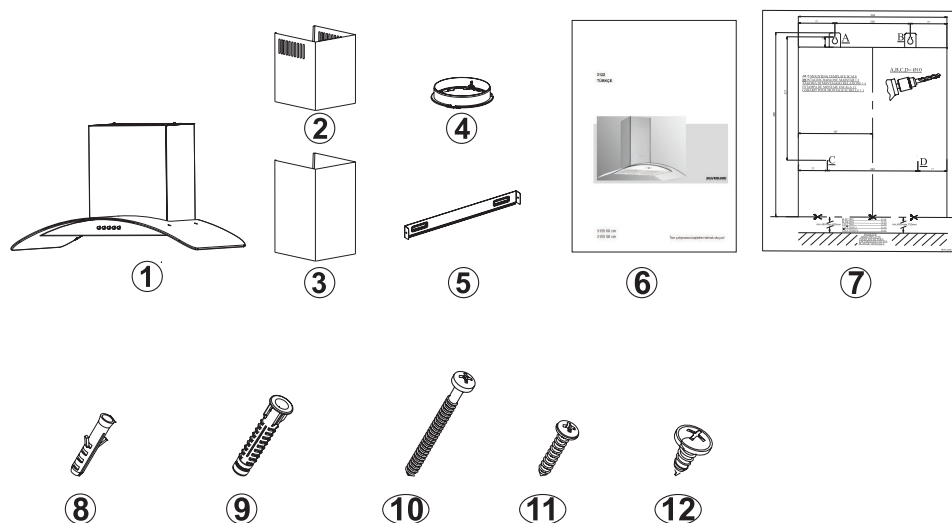
Ovaj uređaj je u skladu sa EU smjernicama eliminacije interferencije.

#### ⚠ UPOZORENJE

#### 5.7 Opasnost od strujnog udara!

Uvijek mora biti moguće da se isključi aparat iz električne mreže. Aparat mora biti priključen u zaštićenu kontakt utičnicu koja je montirana u skladu sa pravilima. Ako do utikača ne može da dođe nakon montaže ili za vrijeme potrebnog fiksnog priključka, mora da postoji mnogo razdvajaača polova dostupnih na najmanje 3 mm kontaktne udaljenosti od instalacije. Fiksiranje priključka smije da obavlja samo ekspert u oblasti elektronike.

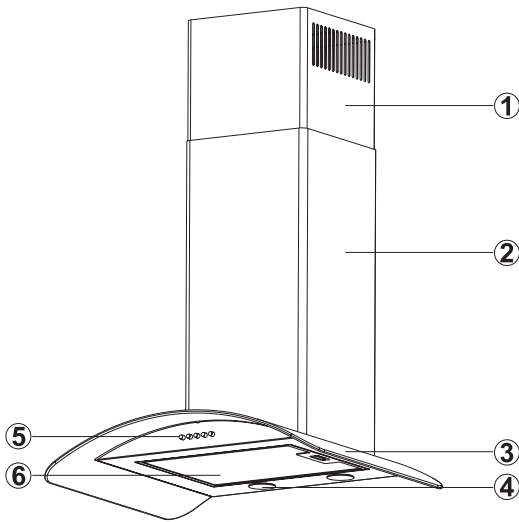
## 6 SADRŽAJ PAKETA



Slika 8: SADRŽAJ PAKIRANJA

1. Proizvod
2. Unutarnji ventilator
3. Vanjski ventilator
4. 120mm plastični ventilator
5. Ploča za povezivanje ventilatora
6. Korisnički priručnik
7. Šema sklapanja
8. 2x Ø6mm plastični vijak
9. x Ø10mm plastični vijak
10. 3x 5.5x60 zavrtnaj za montiranje na zid
11. 2x 3.9x22 zavrtnaj ploče za povezivanje ventilatora
12. 3.5x9.5 zavrtnaj za povezivanje ventilatora

## 7 PREGLED NAPE

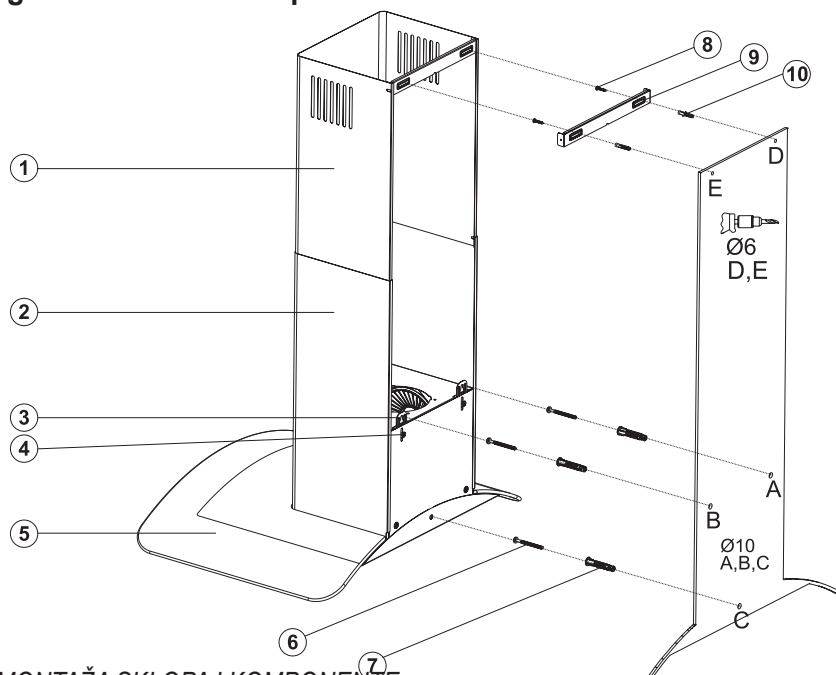


Slika 9: PREGLED KUHINJSKE NAPE

1. Unutarnji ventilator
2. Vanjski ventilator
3. Staklo
4. Osvjetljenje nape
5. Kontrolna tabla
6. Filtar

## 8 SKLAPANJE PROIZVODA

### 8.1 Dijagram montaže i komponente



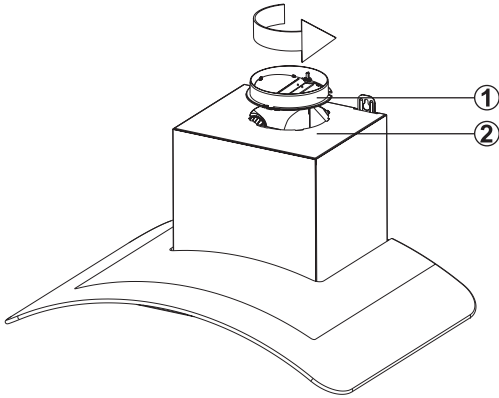
Slika 10: MONTAŽA SKLOPA I KOMPONENTE

1. Unutarnji ventilator
2. Vanjski ventilator
3. Ploča za kačenje proizvoda
4. Fiksirajući zavrtanj ploče za kačenje proizvoda
5. Staklo
6. 3x 5.5x60 zavrtanj za montiranje na zid
7. 3x Ø10mm plastični vijak
8. 2x 3.9x22 zavrtanj
9. Ploča za povezivanje ventilatora
10. 2x Ø6mm plastični vijak

- Odvrćući zavrtanj ploče za kačenje proizvoda (4) povucite ploče za kačenje (3) na gore i fiksirajte viseću ploču ponovnim zavrtanjem fiksirajućeg zavrtnja. Slika 10
- Sastavite aspirator uz pomoć šeme za sklapanje. (Slika 8 / 7)

- Pričvrstite šablon za sklapanje na zid, na određenoj visini (vidi minimalna i maksimalna odstojanja za radnu površinu u šablonu za sklapanje). Probušite tačke A, B i C. (Slika 10)
- Ubacite Ø10mm tiplove (7) u rupe izbušene kao A, B, C i D, i zašrafite zavrtnje na mestima A + B, tako da 5mm prostora ostaje između glave vijka i zida. (Slika 10)
- Okačite ga na zid pomoću ploče za kačenje nape.
- Zategnite A + B zavrtnje na zidu i potpuno pričvrstite proizvod u tački C.

## 8.2 Sastavljanje plastičnog ventilatora

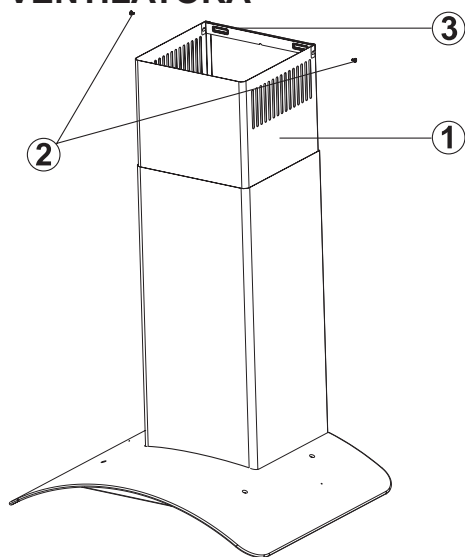


Slika 11: PLASTIČNI KONEKTOR VENTILATORA

1. 120 mm adapter ventilatora
2. „Tijelo“ uređaja

- Pričvrstite plastični ventilator (1) na tijelo proizvoda (2) i okrenite ga u pravcu strelice (Slika 11.)
- Formirajte konekciju izlaza zraka proizvoda

## 9 SKLAPANJE PLOČASTIH VENTILATORA



16 slika 10)

Povlačenjem unutarnjeg ventilatora (1) zavrtanjem (2) nagore i lijevo, zavrnite ga na ploču za povezivanje ventilatora (3) sa desne i lijeve strane (strana 12).

Slika 12: SKLAPANJE PLOČASTIH VENTILATORA

1. Unutarnji ventilator
2. Zavrtnji ploče za povezivanje ventilatora
3. Ploča za povezivanje ventilatora

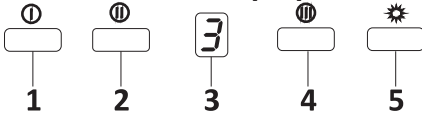
Unutarnji i vanjski pločasti metalni ventilatori se ubacuju jedan u drugog.

Aspirator je postavljen u sredini, a zatim se ploča za povezivanje ventilatora (3) je direktno pričvršćuje za zid, pod poklopcem ili tačkama E i F koje su označene posle izvršenog merenja. (Strana 16 Slika 10)

Izbušite točke E i F sa Ø6mm bušilicom i ubacite Ø6mm i plastične tiplove. Ubacite 3.9x22 zavrtne ploče za povezivanje ventilatora (strana

## 10 UPORABA PROIZVODA

### 10.1 Na staklu 3 Spd pritisni taster



Slika 11: Pritisnite taster

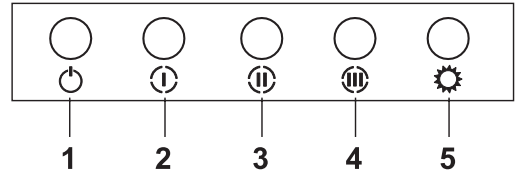
1. Pritisnite ovaj taster da uključite proizvod. Kada je ovaj taster pritisnut proizvod će raditi na prvoj razini brzine (Slika 11).
2. Kada je ovaj taster pritisnut proizvod će raditi na drugoj razini brzine (Slika 11).
3. Digitalni zaslou: Možete videti stopu rada proizvoda na ovom zaslonu (slika 11).
4. Kada je ovaj taster pritisnut proizvod će raditi na trećoj razini brzine (Slika 11).
5. Pritisnite ovaj taster da uključite i isključite žarulju (Slika 11).

## i

Da biste aktivirali tajmer funkciju, pritisnite i držite bilo koji od tastera 1, 2 i 3 na 3 sekunde. Tada, biće aktivirana funkcija tajmera od 15 minuta i proizvod će se automatski isključiti nakon 15 min.

Sve aktivne funkcije koje su radile prije aktivacije tajmera biće deaktivirane posle 15 minuta. Sve aktivne funkcije koje su radile posle aktivacije tajmera biće reaktivirane posle 15 minuta.

### 10.2 Pritisni taster



Slika 12: Pritisnite taster

1. Pritisnite ovaj taster za resetiranje proizvoda.
2. Kada je ovaj taster pritisnut proizvod će raditi na prvoj razini brzine.
3. Kada je ovaj taster pritisnut proizvod će raditi na drugoj razini brzine.
4. Kada je ovaj taster pritisnut proizvod će raditi na trećoj razini brzine.
5. Pritisnite ovaj taster da uključite i isključite žarulju.

### Intervali čišćenja metalnog filtera:

Filteri se moraju očistiti kada se "C" signal pojavi na zaslonu ili (u zavisnosti od uporabe) nakon svake 2-3 nedelje. Kada su filteri očišćeni i montirani na svojim mjestima, pritisnite taster (⏻) duže od 3 sekunde kako biste izbrisali "C" signal (kada je proizvod neaktivan). Slovo "E" će se pojaviti na zaslonu, a proizvod će se prebaciti na normalan rad. Ako želite da nastavite rad bez brisanja signala „C“, aktivna stopa će se pojaviti na 1 sekundu kada je taster (⏻) pritisnut, a zatim će se signal „C“ ponovo pojaviti i motor će nastaviti sa radom.

## i

"C" oznaka će se pojaviti na kraju perioda korištenja proizvoda od 60 sati.

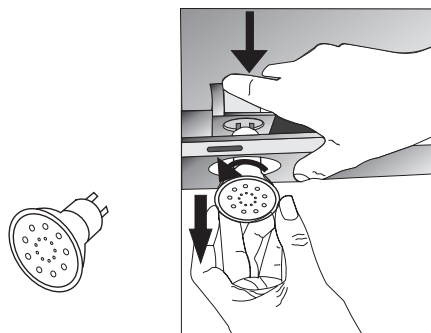


## 11 ZAMJENA ŽARULJA

### **⚠ OPASNOST**

Isključite električno napajanje nape. Sačekajte da se žarulja ohladi jer možete opeći ruke.

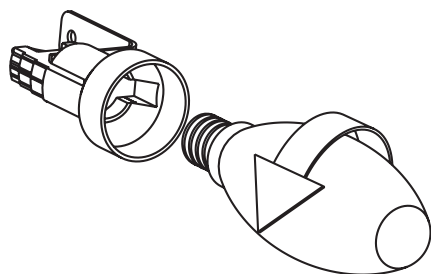
### 11.1 Zamjena halogene žarulje



Slika 13: Zamjena LED žarulje

Uklonite kertridž aluminijskog filtera. Uklonite oštećenu žarulju i zamijenite je novom iste jačine. Slika 13.

### 11.2 Zamijena svećice



Slika 14: Zamijena svećice

Uklonite kertridž aluminijskog filtera. Uklonite oštećenu žarulju i zamijenite je novom iste jačine. Slika 14.

## 12 OVLAŠTENI TEHNIČKI SERVIS

Ako osvjetljenje ne radi:

- Uvjerite se da utikač priključen, kao i da su osigurači netaknuti.
- Provjerite žarulje. Isključite aparat bez kvara kada sprovedite ovu kontrolu. Zategnite žarulje ako su labave i zamijenite ih ako ne sijaju čak i nakon tog procesa.

### **Moguće greške i šta uraditi prije Pozivanja tehničke službe:**

#### **A) Ako uređaj uopće ne radi:**

- Provjerite da li je napa priključena ili da li je utikač uglavljen pravilno u utičnicu.
- Provjerite osigurač na koji je uređaj povezan, kao i glavni osigurač kuće.

### **Ako su performanse uređaja nezadovoljavajuće ili radi sa previše buke:**

- Da li uređaj ima dovoljan prečnik ventilatora? (min. 120 mm).
- Da li su metalni filteri čisti? Provjerite ih.
- Ako koristite napu bez ventilatora, uvjerite se da karbon (ugljenik) filteri nisu stariji od 6 mjeseci.
- Budite pažljivi da se adekvatno provjetrava kuhinja kako bi se obezbjedio protok zraka. Ako još uvijek niste zadovoljni radom aparata, konsultujte ovlaštenu tehničku službu.

## 12.1 Potencijalni kvarovi i rješenja

Opis kvara	Razlog	Pomoć
Uređaj uopće ne radi.	Provjerite kabel za napajanje.	Napon mora biti 220-240 V i proizvod mora biti priključen na uzemljenu utičnicu.
Žarulja ne radi.	Provjerite kabel za napajanje.	Napon mora biti 220-240 V i proizvod mora biti priključen na uzemljenu utičnicu.
Žarulja ne radi.	Provjerite kabel za napajanje.	Prekidač žarulje mora biti u poziciji „on“ (uključeno).
Žarulja ne radi.	Provjerite žarulje.	Sijalice moraju biti ispravne.
Usisavanje zraka na uređaju je slabo.	Provjerite aluminijski filter.	Kertridž aluminijskog filtera mora da se pere bar jednom mjesečno u normalnim uvjetima.
Usisavanje zraka na uređaju je slabo.	Provjerite ventilator izlaza zraka.	Ventilator izlaza zraka mora biti otvoren.
Usisavanje zraka na uređaju je slabo.	Provjerite karbon filter.	Kod proizvoda koji koriste karbon filtere, oni moraju da se mijenjaju jednom u tri mjeseca u normalnim uvjetima.
Ne ispušta zrak (korištenje bez ventilatora)	Provjerite aluminijski filter.	Kertridž aluminijskog filtera mora da se pere bar jednom mjesečno u normalnim uvjetima.
Ne ispušta zrak (korištenje bez ventilatora)	Provjerite karbon filter.	Kod proizvoda koji koriste karbon filtere, oni moraju da se mijenjaju jednom u tri mjeseca u normalnim uvjetima.

## 12.2 Tehnička tabela

Napon	220 - 240 V 50Hz
Klasa izolacije motora	F
Klasa izolacije	KLASA I



**VOX**  
**ELECTRONICS**

PRT

CGL650IX / CGL950IX

MANUAL DE INSTRUÇÕES EXAUSTOR

MODEL: CGL650IX



MODEL: CGL950IX



Leia atentamente as instruções !

# Conteúdos

1.	DESENHO TÉCNICO	4
2.	AVISOS DE SEGURANÇA	5
2.1	Perigo de vida - Risco de envenenamento	7
2.2	Risco de choque elétrico	7
2.3	Opasnost od fizičkih povreda	7
2.4	Perigo de queimaduras, Risco de choque elétrico	8
2.5	Perigo de incêndio e ferimentos físicos	8
3.	USE COM OU SEM FILTRO DE CARBONO	9
3.1	Substituindo o filtro de carbono	10
3.2	Substituição do filtro de carbono AF 100	10
4.	LIMPEZA E MANUTENÇÃO PREVENTIVA	11
4.1	Lavagem na máquina de lavar louça	11
4.2	Lavagem à mão	11
4.3	Removendo / instalando filtro de alumínio	11
5.	INSTALAÇÃO DO DISPOSITIVO	12
5.1	Montagem e descompactação	12
5.2	Conselhos para poupar energia	12
5.3	Regime de ventilação	13
5.4	Modo de drenagem de ar	13
5.5	Verificar a parede	13
5.6	Conexão elétrica	13
5.7	Perigo de choque elétrico	13
6.	CONTEÚDO DA EMBALAGEM	14
7.	REVISÃO DO ASPIRADOR	15
8.	MONTAGEM DO DISPOSITIVO	16
8.1	Esquema de montagem e peças	16
8.2	Instalação do ventilador	17
9.	MONTAGEM DO VENTILADOR DE PLACA	18
10.	USANDO O DISPOSITIVO	19
10.1	Botões de toque	19
10.2	Botões de pressão	19
11.	Substituição das lâmpadas	20
12.	SERVIÇO TÉCNICO AUTORIZADO	21

## 1 1.DESENHO TÉCNICO

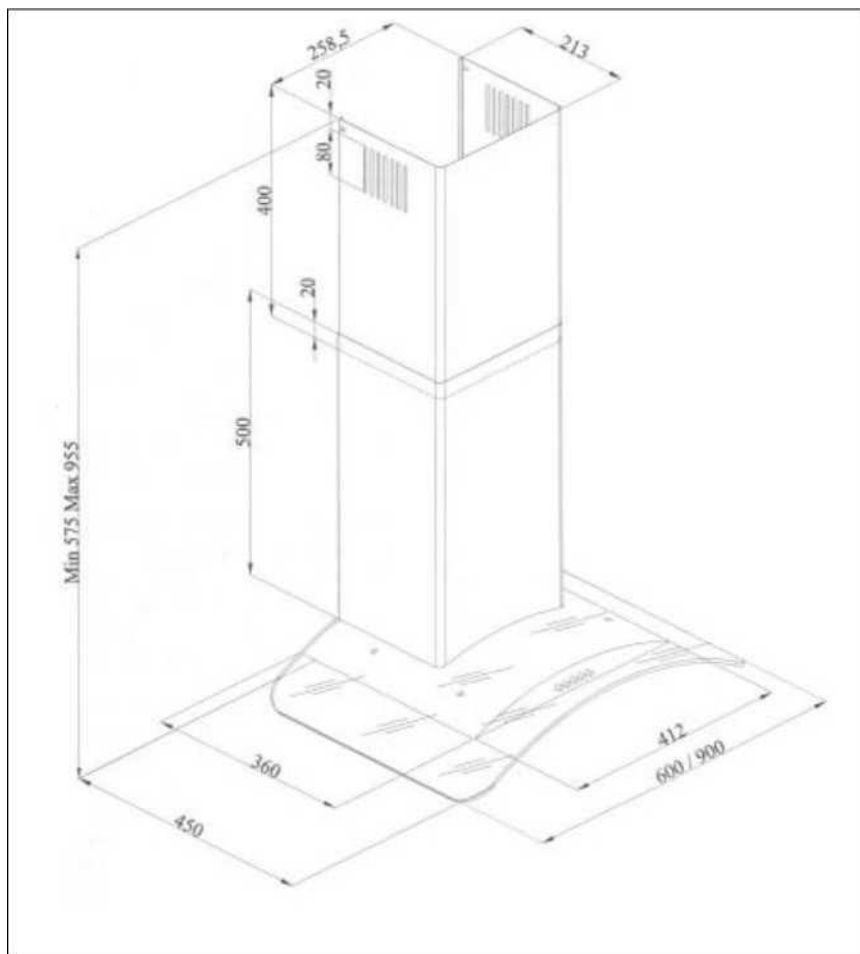


Figura 1: Desenho Técnico

## 2 AVISOS E PRECAUÇÕES

- Este aparelho pode ser utilizado por crianças com 8 anos ou mais e por pessoas com capacidades físicas, sensoriais ou mentais reduzidas se forem supervisionadas por um adulto que seja responsável pela sua segurança ou tiverem recebido instruções sobre o uso do aparelho de forma segura e compreendem os perigos envolvidos.
- Este produto foi concebido exclusivamente para uso doméstico.
- O aparelho está concebido para uma alimentação de 220-240 V a 50 Hz.
- O cabo de alimentação do seu aparelho está equipado com um plugue que possui ligação à terra. O plugue deve ser conectado a uma tomada aterrada.
- Todas as ligações eléctricas devem ser realizadas por pessoal qualificado. Um conjunto não autorizado pode resultar em mau desempenho ou danos ao aparelho e acidentes.
- O cabo do dispositivo não deve ser dobrado ou danificado durante a montagem. Não conecte o cabo na proximidade do fogão, pois isso pode causar o derretimento ou o fogo do material.
- Não conecte o aparelho antes do fim da instalação.
- Certifique-se de que a posição de montagem permite ao usuário desconectar facilmente o cabo de alimentação em caso de perigo.
- Após uma longa operação, não toque as lâmpadas, elas podem causar queimaduras devido à alta temperatura.

Os exaustores são projetados apenas para uso doméstico, para cozimento normal.

E se usado para outros fins, pode resultar em falha ou expiração da garantia.

- Siga os regulamentos e as regras relativas à descarga de ar. (Isso não se aplica ao usar sem um ventilador).
- Os alimentos inflamáveis não devem ser preparados sob este aparelho.
- Inspeccione o aparelho depois de instalar recipientes, panelas, etc. no fogão. Ao contrário, a alta temperatura pode causar deformação em algumas partes do aparelho.
- Ao remover recipientes e vasos do fogão, desligue as placas de aquecimento.
- Não deixe óleo quente no esporo. Os recipientes com óleo quente podem causar fogo.
- Como o óleo pode causar fogo, especialmente quando fritar alimentos, tenha cuidado com toalhas de mesa e cortinas.
- Certifique-se de substituir os filtros no tempo. Filtros que não foram substituídos a tempo, representam um risco de incêndio devido a gorduras acumuladas neles.
- Não use material de filtragem que não seja resistente ao fogo em vez de filtros.
- Não use o produto sem filtros. Não remova filtros durante o uso.
- Em caso de incêndio, desligue o aparelho e o fogão. (Desconecte o aparelho da tomada eléctrica ou com o interruptor principal)
- Se você não limpa o aparelho regularmente, pode apresentar um risco de incêndio.
- Desligue o aparelho antes das atividades de manutenção. (Desconecte o aparelho da tomada ou do interruptor principal)
- Pressão negativa na sala durante o uso dos exaustores e aparelhos que operam com outras fontes de eletricidade ao mesmo tempo, não deve exceder 4 PA (4 a 10 bar).
- Se os aparelhos que utilizam combustível ou gás, como aquecedores de sala, estejam presentes na sala, esses aparelhos devem estar completamente separados do caminho exaustivo de exaustor.



- Ao fazer uma ranhura de ventilação no seu dispositivo, use mangueiras de 150mm ou 120mm de diâmetro
- A drenagem deve ser o mais curto possível e com o menor número possível de curvas.
- As crianças não devem brincar com o aparelho.
- Por razões de segurança, use fusíveis "MAX 6 A".
- Não permita que crianças perto da embalagem, pois pode representar um risco para elas.
- Se um cabo de alimentação esteve danificado, deve ser substituído por o fabricante, um técnico de serviço autorizado ou uma pessoa devidamente qualificada para evitar situações perigosas.
- Em caso de incêndio, desligue o exaustor e apague o fogo. Nunca use água para extinção.
  - As peças expostas do aparelho podem estar quentes durante o funcionamento do aparelho.
  - Este aparelho não deve ser utilizado por indivíduos com habilidades físicas, perceptivas ou intelectuais reduzidas (incluindo crianças) ou pessoas sem conhecimento e experiência adequados, a menos que sejam supervisionados pela pessoa responsável pela segurança do aparelho.
    - Ao instalar o exaustor, deve haver pelo menos 65 cm de espaço entre o fogão elétrico e o exaustor, e para fogões usando gás ou outro combustível, a distância deve ser de pelo menos 75 cm.
  - As partes de saída do aspirador não devem ser conectadas aos canais de ar que incluam outras formas de fumaça
  - É necessário prestar atenção ao uso com aparelhos que utilizam combustível e ar (por exemplo, aquecedores, aquecedores de gás, corantes, carvão ou madeira). Isso ocorre porque a drenagem do ar através do exaustor pode reduzir a combustão na sala.
- Isso não se aplica ao uso sem ventilador.
- A sala deve ser adequadamente ventilada em caso de uso simultâneo do fogão, coifas e eletrodomésticos em gases ou outros combustíveis (isto não se aplica aos aparelhos que causam a circulação do ar na sala).
- A operação simultânea de vários queimadores no gás causa muito aquecimento. Um aparelho de ventilação colocado sobre o fogão pode estar danificado ou queimado. Não use dois queimadores a gás simultaneamente a altas temperaturas por mais de 15 minutos. Um painel de aquecimento com mais de 5 kW produz calor igual a dois queimadores de gás.

## 2.1 Perigo de morte - perigo de envenenamento!

### PERIGO

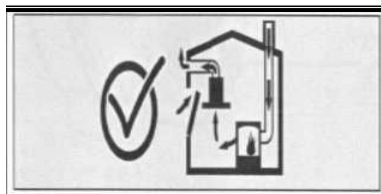
Existe um risco de vida e o risco de intoxicação devido à reabsorção de gases de combustão. A menos que seja fornecida uma entrada de ar adequada durante a saída de ar, não use o dispositivo simultaneamente com dispositivos que extinguem gases tóxicos através de um ventilador, como aquecedores de ventilação, caldeiras e combustíveis semelhantes, gás, óleo ou carvão.



Slika 2: Nevarnost zastrupitve

### Figura 2: risco de intoxicação

Dispositivos em que circuitos de ar (por exemplo, aquecedores, queimadores, caldeiras, etc., usando gás natural, óleo, carvão ou madeira como combustível), retirem o ar de combustão da sala em que estão instalados. Quando o exaustor está em operação, o ar é descarregado da cozinha e das salas. Se não houve um fornecimento adequado de ar, ocorre um vácuo. Neste caso, os gases tóxicos retornam à sala da chaminé ou do dreno.



### Figura 3

Portanto, é sempre necessário garantir um fornecimento adequado de ar fresco.

### ! PERIGO

Perigo de fogo!

Devido a faíscas, instalar o aparelho sobre fogões que usam combustível sólido, como madeira ou carvão vegetal é permitida somente se eles têm uma tampa removível. É necessário prestar atenção aos regulamentos de construção e regulamentos existentes para as empresas locais de eletricidade e gás durante a montagem.

Se a unidade não tiver sido limpa de acordo com as instruções de limpeza, pode causar fogo.

### ! PERIGO

Perigo de choque elétrico!

Não obstrua e não pressione o cabo de alimentação ao montar o aparelho.

### ! PERIGO

Perigo de ferimentos físicos!

Existe risco de lesões corporais durante a montagem, devido a bordas afiadas. Use sempre luvas de proteção ao instalar o aparelho.

Todos os parafusos e tampas de segurança devem ser instalados conforme descrito nas instruções, de modo a que o dispositivo não caia.

## **! PERIGO**

Risco de queimaduras, perigo de choque elétrico!

Aguarde até esfriar antes de limpar o aparelho. Retire o fusível ou desligue o aparelho da rede elétrica.

## **PERIGO**

Existe um risco de danos causados pelo gotejamento nas peças eletrônicas do aparelho. Nunca limpe os elementos de controle com um pano úmido.

A superfície do aparelho pode ser danificada no caso de limpeza inadequada. Limpe a superfície do aço inoxidável exclusivamente na direção da moagem. Não use produtos de limpeza em aço inoxidável nos elementos de controle.

As superfícies podem ser danificadas por limpeza em bruto ou acessórios. Nunca use ferramentas de limpeza que sejam afiadas ou exijam limpeza.

Existe um risco de danos ao dispositivo devido à condensação. Posicione a saída de ar com uma ligeira inclinação para baixo do aparelho (com um ângulo de 1 °)

## **PERIGO**

Perigo de fogo, perigo de ferimentos físicos!

Remova o fusível ou desconecte o aparelho da tomada elétrica antes de qualquer reparo. As reparações devem ser realizadas por um técnico de serviço autorizado ou pessoa devidamente treinada.

## **NOTA**

Em caso de avaria ou danos ao aparelho, retire o fusível ou desconecte o aparelho da tomada elétrica e ligue para um centro de assistência autorizado.

## **NOTA**

Se um cabo de alimentação tiver sido danificado, ele deve ser substituído por um fabricante, um técnico de serviço autorizado ou uma pessoa devidamente qualificada para evitar situações perigosas.

## **NOTA**

Se a lâmpada estiver danificada no aparelho, retire o fusível ou desligue o aparelho da tomada elétrica. Para não sobrecarregar outras lâmpadas, substitua imediatamente o que está danificada (espere até esfriar).

## **! ATENÇÃO:**

Ao usar um fogão, as partes expostas do aparelho podem ficar muito quentes.

## **! PERIGO**

A mangueira de drenagem do aparelho nunca deve ser conectada a uma chaminé que sirva para extrair fumaça do ventilador ou outros aparelhos que utilizem gás ou outros combustíveis.

### 3 UTILIZAR COM OU SEM FILTRO (CARBONO)

Este aparelho pode ser usado no modo de extracção..

#### O REGIME DE EXAUSTÃO DO AR

O ar de entrada é purificado nos filtros de graxa, e depois através do sistema de tubulação. Figura 4



Figura 4: Saída de ar sem filtro de carvão

AVISO!

#### Perigo fatal!

Os gases de escape que entram na sala podem causar envenenamento. O ar desenhado pelo capuz não deve ser transportado para uma linha que descarrega o fumo ou o gás produzido pela combustão.

Se você quiser se conectar a uma linha que descarrega gases de combustão, deve ter uma licença de varredores de chaminé devidamente qualificados.

Se o ar for descarregado através da parede exterior, deve-se usar uma parede telescópica.

#### Uso sem duto de ar

Todo o ar é purificado nos filtros de mascote e no filtro de carbon ativo, e então ele circula de volta para a cozinha.



Para neutralizar substâncias que causam odores desagradáveis ao usar um exaustor sem uma saída de ar, você precisa instalar um filtro de carbono ativo. Entre em contato com um distribuidor autorizado para descobrir quais opções estão disponíveis para usar o aparelho sem duto de ar. Você pode comprar equipamentos para este modo de operação em pontos de venda, com um reparador autorizado ou vendas on-line.

### 3.1 Substituindo o filtro de carbono

Quando você não está usando um ventilador ou não descarregue o ar da sala através do exaustor, use um filtro de carbono ativo, para recircular o ar na sala. Obter o filtro de carbono ativo do seu vendedor ou do seu revendedor. Desligue o aparelho antes de mudar o filtro de carbono. Como o filtro de carbono é usado em cozinhas sem ventilador, é necessário substituí-lo após 3 a 5 meses de uso.

Nunca lave o filtro de carbono. Em qualquer caso, os filtros devem ser instalados no exaustor independentemente de o filtro de carbono ativo ser usado ou não. Não use o exaustor sem um filtro de graxa.

### 2.2 AF 100 Substituição do filtro de carbono

Quando você não tem um dreno para descarregar o ar da sala, você precisa usar um filtro de carbono ativo para limpar o fluxo de ar antes de voltar a entrar na sala. Obter o filtro de carbono ativo de uma oficina ou de seu distribuidor. Desligue o aparelho antes de mudar o filtro de carbono. Uma vez que o filtro de carbono é usado em cozinhas sem duto de ar, ele deve ser substituído a cada 3-5 meses de uso. Não lave o filtro de carbono. Os filtros de gordura devem ser instalados no aparelho, independentemente de usar ou não um filtro de carbono. Não use o aparelho sem o filtro de gordura.

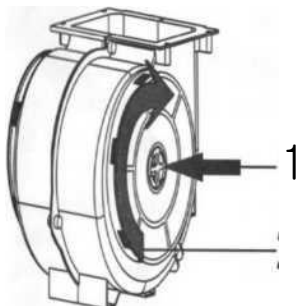


Figura 4: AF 100 filtro de carbono

1. dispositivo que você comprou é adequado para uso com o filtro de carvão AF 90.
1. Coloque o filtro de carbono no chassi. Figura 4
2. Gire o filtro de carvão no sentido horário e verifique se ele está corretamente instalado. Figura 4

**i**

Se o filtro de carbono não estiver corretamente instalado, ele pode cair e danificar o produto.

**! PERIGO**

Nunca lave seus filtros de carbono. Mantenha os filtros de carbono mais afastados das crianças.

### **3 LIMPEZA E MANUTENÇÃO PREVENTIVA CUIDADO**

- Desligue o aparelho completamente antes da manutenção ou limpeza.
- As crianças não devem limpar o aparelho sem supervisão.
- Nunca use nenhum limpador abrasivo e agressivo, pois podem danificar a superfície do produto. Obtenha produtos de limpeza e proteção adequados para o seu produto a partir de serviços autorizados. A superfície da unidade e a unidade de controle são sensíveis a arranhões.
- Limpe as superfícies com um pano macio e úmido, um detergente para máquinas de lavar louça ou um limpador de vidro suave. Embeba sujeira seca e pegajosa com um pano úmido. Não arraste o dispositivo.
- O uso de panos secos, esponjas grosseiras, esfoliantes, agentes contendo partículas sólidas, refrigerante, ácidos, cloretos de outros ingredientes agressivos não é apropriado.
- Limpe a superfície do aço inoxidável somente na direção da moagem.
- Não use ferramentas para limpar o aço inoxidável ou panos molhados nos elementos de controle. Limpeza de máscaras de filtro de metal: os filtros metálicos capturam partículas de gordura do vapor na cozinha. Em uso normal (1-2 horas por dia), os filtros devem ser limpos aproximadamente a cada três meses.
- Não use uma solução de limpeza muito agressiva, muito ácida ou básica.
- Ao limpar o filtro metálico de graxa, limpe as partículas carregadas no interior do exaustor com um pano úmido.

#### **4.1. Lavar na máquina de lavar louça**

- Se você usa uma máquina de lavar louça, pode ocorrer uma leve perda de cor. Isso não afeta a performance do filtro metálico de graxa.
- Não lave um filtro muito sujo junto com o prato.
  - Coloque o filtro de graxa na máquina de lavar louça para que ele tenha espaço suficiente em torno dele. Não deve ser colocado de modo que algo exerça pressão sobre ele.

##### **4.1 Lavagem manual**

Você pode usar um solucionador de graxa especial para remover manchas difíceis. Você pode comprar este agente de limpeza em um centro de vendas autorizado.

- Amolece filtros de graxa em água morna com detergente.
- use uma escova de limpeza e deixe o líquido sobre os filtros de metal se encher completamente
- Após a limpeza, lave bem os filtros.

##### **PERIGO**

Se você não limpa o filtro de graxa regularmente, pode causar um risco de incêndio a temperaturas mais elevadas ou, cremação.

#### **4.1 Removendo / instalando o filtro de alumínio**

Puxe o filtro de alumínio para você pressionando esta aba. Faça o contrário ao reinstalá-lo.

## 5 MONTAGEM

Pelo menos 75 cm de espaço devem ser incluídos na instalação do exaustor com um fogão a gás e outros combustíveis e o fogão elétrico deve ter pelo menos 65 cm de diâmetro.

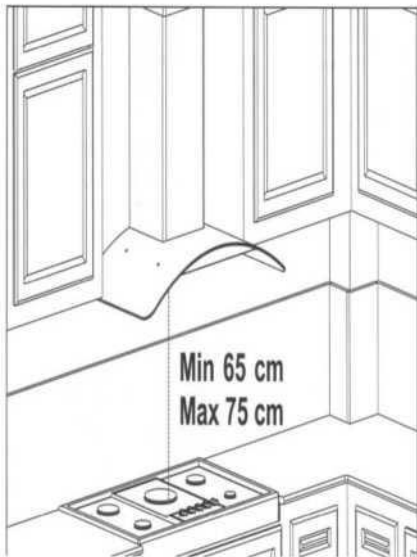


Figura 7

### Slika 7

#### 5.1. Montagem e desembalagem

Verifique se há danos no aparelho.

- Se você nota os danos causados pelo transporte, informe imediatamente as pessoas responsáveis.
- Você também deve notificar o vendedor de quaisquer defeito no produto imediatamente.

Não permita que as crianças brinquem com a embalagem.

#### 5.2. Conselhos de poupar energia

- Mude o filtro de carbono regularmente.
- Limpe sempre os filtros de alumínio. Você pode precisar usar o exaustor em alta velocidade, pois um filtro sujo pode dificultar a saída de ar.
- Use corretamente as configurações para o funcionamento do aparelho.
- Usar configurações mais altas de descarga de ar aumentará o consumo de eletricidade.



### **5.3 Método de operação**

**AVISO!**

Perigo fatal!

O ar de exaustão não deve ser transferido para um ventilador para o fumo activo ou gases residuais, ou ventoinha de ventilação, onde estão montadas as fontes de aquecimento. Se o ar de exaustão for liberado através da parede externa, a parede telescópica deve ser usada.

### **5.4 Drenagem**

Informações: O fabricante do dispositivo não será responsável pelos defeitos causados pelos tubos colocados.

A unidade mostra o melhor desempenho quando se utiliza tubo de saída curta e recta e diâmetro do tubo de ar tão grande quanto possível.

O desempenho óptimo da ventilação não pode ser alcançado e o ruído do ventilador aumenta ao usar tubos de saída de ar longos e afiados, bem como juntas de tubulação e tubos com o diâmetro inferior a 150 mm.

Os tubos e mangueiras utilizados para colocar as linhas de saída de ar devem ser feitos de materiais não inflamáveis.

Tubos redondos

Recomendamos um diâmetro de 150 mm ou não inferior a 120 mm.

Canais diretos

A parte interna deve corresponder ao diâmetro dos tubos redondos.

150 mm cerca de 177 cm<sup>2</sup> 150 mm cerca de 173 cm<sup>2</sup>

Os canais não devem ser torções em ângulos agudos.

Se você tem tubos de diâmetro diferente, use fita de vedação.

### **5.5 Verificar a parede**

A parede deve ser plana e tem capacidade de carga suficiente.

A profundidade do furo deve corresponder ao comprimento do parafuso.

Pinos devem encaixar corretamente.

Os parafusos e as âncoras conectados são adequados para uso em paredes monolíticas rígidas. Use material de ligação apropriado para diferentes estruturas (por exemplo, gesso, concreto celular, tijolos de protões).

O peso máximo admissível do exaustor é de 40 kg.

### **5.6 Conexão elétrica**

Atenção!

Risco de choque elétrico.

Algumas partes do aparelho têm bordas afiadas nas quais o cabo de alimentação pode estar danificado. Não torça o cabo e não o dobre durante a montagem.

As informações conectadas à conexão elétrica são mostradas na placa de classificação dentro do aparelho. Para ler os dados da tabela, você deve remover os filtros de metal para a graxa.

Comprimento da linha: aproximadamente 1,3 m  
Este dispositivo cumpre as Diretrizes Anti-Sinalização da UE

### 5.7 Risco de choque elétrico!

O aparelho deve estar conectado para que ele possa ser desconectado da fonte de alimentação a qualquer momento. Ele deve ser conectado a uma porta de contato protegida, que é instalada de acordo com os regulamentos. Se o aparelho deve ser instalado para que o conector não seja acessível ou tenha uma conexão fixa, ele deve ter um interruptor separado com pelo menos 3 mm de espaçamento entre os contatos. Uma conexão fixa deve ser realizada por um electricista qualificado.

## 6 CONTEÚDO DO EMBALAGEM



Figura 8: CONTEÚDO DO EMBALAGEM

1. Produto
2. Ventilador interno
3. Ventilador externo
4. Ventilador plástico de 120 mm
5. Placa para conectar o ventilador
6. Manual do usuário
7. Esquema de instalação
8. Tomada de parede de plástico de 10 mm.
9. Tomada de parede de plástico de 010 mm
10. Parafuso 5.5x60 para montagem na parede
11. Parafuso 3.9x22 para conectar o ventilador
12. Parafuso do conector do ventilador 3.5x9.5

## 7 Descrição do exaustor

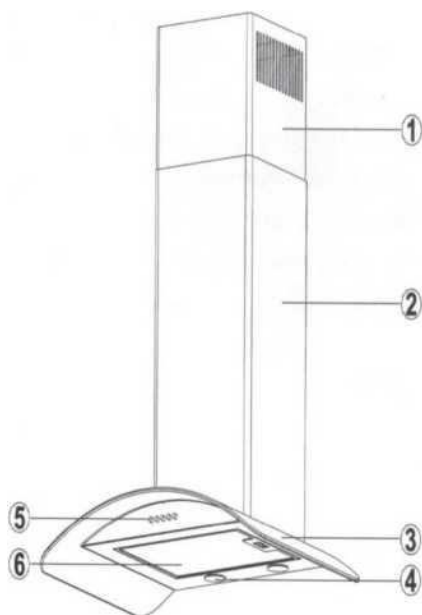


Figura 9: Descrição do exaustor

1. Ventilador interno
2. Ventilador externo
3. Vidro
4. Iluminação do fogão
5. Painel de controle
6. Filtro

## 8 MONTAGEM DO APARELHO

### 8.1 Esquema de instalação e peças

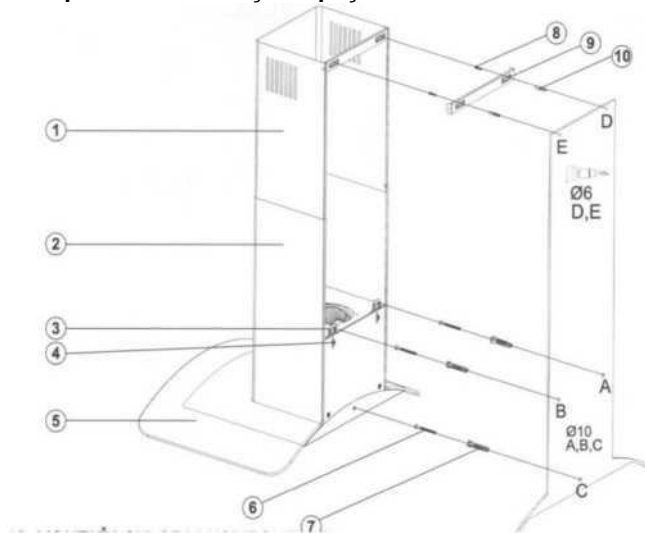


Figura 10: MONTAGEM E PARTES

1. Ventilador interno
2. Ventilador externo
3. Placa para pendurar o produto
4. Parafuso de placa para pendurar o produto
5. Vidro
6. 3x 5.5x60 parafuso para montagem na parede
7. Pregos de plástico 2x 010 mm
8. 2x 3.9x22 parafuso
9. Placa para conexão de ventilador
10. Pregos de plástico 2x 0 6 mm

Desaperte o parafuso da placa para pendurar o produto (4) e puxe a placa (4) para cima em seguida, fixe-o com um parafuso. Figura 10

Monte o exaustor usando o esquema de montagem. Figura 8/7

Anexe o conjunto à parede na altura apropriada (veja a distância mínima e máxima da placa no esquema de montagem). Furos de perfuração A, B, C (Figura 10) - -

Coloque as bases de parede de plástico de 010 mm em A, B, C e aperte os parafusos para A + B, deixando 5 mm de espaço entre a cabeça do parafuso e a parede. (Imagem 10)

Pendure na parede com a ajuda da placa pendurada.

Aperte os parafusos A + B na parede e conserte totalmente o produto no ponto C

## 8 MONTAGEM DO DISPOSITIVO

### 8.2 Conjunto de ventilador de plástico

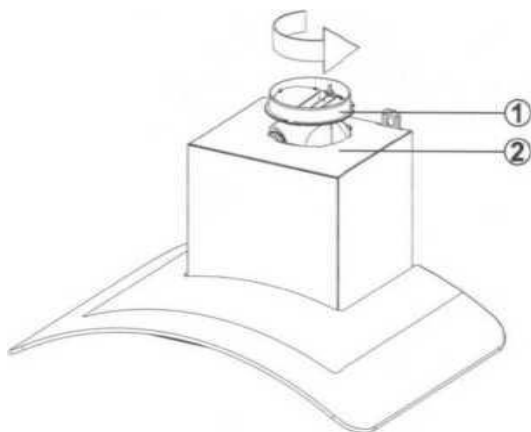


Figura 11: CONECTOR DE PLÁSTICO DE VENTILADOR

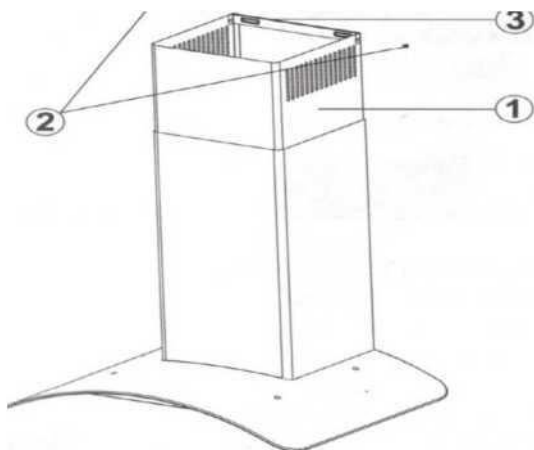
1. adaptador de ventilador de 120 mm

2. "Corpo" do dispositivo

• Conecte o ventilador de plástico (1) ao corpo do dispositivo (2) e gire-o na direção setas (Figura 11).

Conecte a saída de ar do dispositivo.

## 9 MONTAGEM DOS VENTILADORES DE PLÁSTICO



### 11: MONTAGEM DOS VENTILADORES DE PLÁSTICO

1. Ventilador interno
2. Parafusar placas para conectar o ventilador
3. Placa de ligação do ventilador

Os ventiladores internos e externos de ventiladores de placa metálicos são inseridos um no outro.

O exaustor está posicionado no meio e, em seguida, a placa de conexão do ventilador (3) está diretamente ligada à parede, sob a tampa ou os pontos E e F, que são marcados após a medição realizada. (Página 16 Figura 10)

Broca os pontos E e F 6 mm de diâmetro e insira as âncoras de plástico. Insira a placa de parafuso 3,9x22 para o conjunto do ventilador.

(Página 16 Figura 10)

Ao puxar o ventilador interno (1) com o parafuso (2) para cima e para a esquerda, rodem-o na placa de montagem do ventilador nos lados direito e esquerdo (3). (Figura 12)

## 10 USO DO APARELHO

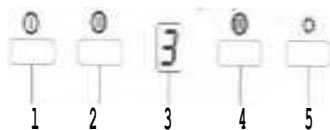


Figura 11: Botões

1. Pressione este botão para iniciar o dispositivo  
Quando este botão é pressionado, o dispositivo funcionará no primeiro nível de velocidade
2. Quando este botão é pressionado, o dispositivo funcionará no segundo nível de velocidade
3. Visor digital: você pode ver a velocidade de operação do dispositivo neste visor
4. Quando este botão é pressionado, o dispositivo funcionará no terceiro nível de velocidade
5. Pressione este botão para ligar e desligar a lâmpada.

### i

Para ativar a função do temporizador, pressione e mantenha pressionado qualquer dos botões 1,2 ou 3 por 3 segundos. Em seguida, a função do temporizador de 15 minutos será ativada e o dispositivo será desligado automaticamente após 15 minutos.

Todas as funções ativas que foram ativadas antes da ativação do temporizador serão desativadas após 15 minutos. Todas as funções ativas que foram ativadas após a ativação do temporizador serão reativadas após 15 minutos.

### 10.2

#### 12: Botões

Pressione este botão para reiniciar o dispositivo

1. Quando este botão é pressionado, o dispositivo funcionará no primeiro nível de velocidade
  2. Quando este botão é pressionado, o dispositivo funcionará no segundo nível de velocidade
  3. Quando este botão é pressionado, o dispositivo funcionará no terceiro nível de velocidade
- Pressione este botão para ligar e desligar a lâmpada.

Intervalos de limpeza do filtro de metal:

Os filtros devem ser limpos quando um sinal C aparece no visor ou (dependendo do uso) após cada 2-3 semanas.

Quando os filtros são limpos e montados em seus lugares, pressione o botão ligar / desligar por mais de 3 segundos para limpar o sinal C (quando o dispositivo está inativo). O sinal E aparecerá no visor e o produto continuará com operação normal.

Se quiser continuar a operação sem excluir o sinal C, a taxa ativa aparecerá por 1 segundo quando o botão ligar / desligar for pressionado, e então o sinal C reaparecerá e o motor continuará a operar.

A marca "C" aparecerá no final do período de 60 horas do produto.

## 11. SUBSTITUIÇÃO DA LÂMPADA! !PERIGO

Desligue a fonte de alimentação do exaustor.

Espere até que a lâmpada arrefeça porque você pode assar suas mãos.

### 11.1 Substituindo a lâmpada de halogéneo

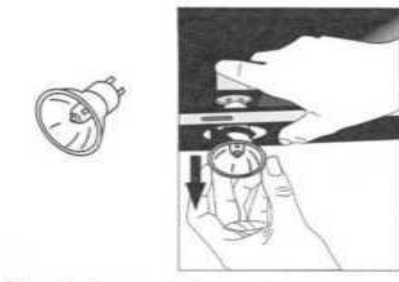
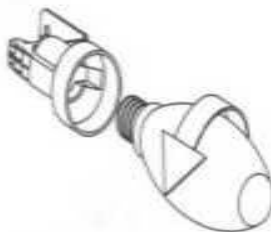


Figura 12: Substituindo a lâmpada de halogéneo

Remova o cartucho de filtro de alumínio.

Remova a lâmpada danificada e substitua-a com uma nova pelo mesmo volume.

### 11.2 SUBSTITUIÇÃO DA LÂMPADA



Figura

Remova o cartucho de filtro de alumínio. Remova lâmpada danificada e substitua-o com uma nova pelo mesmo volume.



## 12. Assistência autorizada

- Se a iluminação não funciona:

Certifique-se de que a ficha está conectada a uma tomada elétrica e verifique os fusíveis.

- Verifique as lâmpadas. Certifique-se de que o aparelho está desligado antes de verificar as lâmpadas. Aperte as lâmpadas se necessário. Se eles não funcionarem depois disso, substitua-os.

Possíveis falhas e ações antes de chamar um serviço:

A) O aparelho não funciona

- Verifique se o aparelho está ligado e se a ficha está bem conectada à tomada elétrica.
- Verifique os fusíveis do aparelho e os fusíveis principais em sua casa.

Se o dispositivo estiver funcionando mal ou faz ruído:

- O diâmetro do ventilador é suficientemente grande? (min 120 mm).
- Verifique se os filtros metálicos estão limpos.
- Se você usa o aparelho sem o ventilador, certifique-se de que os filtros de carbono não tenham mais de seis meses.

Certifique-se de que a cozinha esteja bem ventilada. Se você está sempre infeliz com o funcionamento do aparelho, entre em contato com um centro de assistência autorizado.

## 12.1 Falhas Potenciais e Soluções

Solução de problemas	Razão	Ajuda
O dispositivo não funciona.	Verifique a fonte de alimentação.	A tensão deve ser 220-240V e o produto deve ser conectado à tomada de aterramento.
A lâmpada não funciona.	Verifique a fonte de alimentação.	A tensão deve ser 220-240V e o produto deve ser conectado à tomada de aterramento.
A lâmpada não funciona.	Verifique a fonte de alimentação.	O interruptor da lâmpada deve estar ligado
A lâmpada não funciona.	Verifique a lâmpada.	As lâmpadas do produto não devem ser danificadas
A sucção do ar é fraca.	Verifique o filtro de alumínio.	O cartucho do filtro de alumínio deve ser lavado pelo menos uma vez por mês em condições normais.
A sucção do ar é fraca.	Verifique a mangueira do extractor de ar.	A chaminé de entrada de ar deve estar aberta.
A sucção do ar é fraca.	Verifique o filtro de carvão.	Para produtos que utilizam filtros de carbono, eles devem ser alterados uma vez em três meses em condições normais.
O aparelho não libera ar (uso sem chaminé)	Verifique o filtro de alumínio.	O cartucho do filtro de alumínio deve ser lavado pelo menos uma vez por mês em condições normais.

### 12.2 Tabela técnica

Tensão	220 – 240 V, 50 Hz
Classe de isolamento do motor	F
Classe de isolação	Classe I



Ovaj dokument je originalno proizveden i objavljen od strane proizvođača, brenda Vox, i preuzet je sa njihove zvanične stranice. S obzirom na ovu činjenicu, Tehnoteka ističe da ne preuzima odgovornost za tačnost, celovitost ili pouzdanost informacija, podataka, mišljenja, saveta ili izjava sadržanih u ovom dokumentu.

Napominjemo da Tehnoteka nema ovlašćenje da izvrši bilo kakve izmene ili dopune na ovom dokumentu, stoga nismo odgovorni za eventualne greške, propuste ili netačnosti koje se mogu naći unutar njega. Tehnoteka ne odgovara za štetu nanесenu korisnicima pri upotrebi netačnih podataka. Ukoliko imate dodatna pitanja o proizvodu, ljubazno vas molimo da kontaktirate direktno proizvođača kako biste dobili sve detaljne informacije.

Za najnovije informacije o ceni, dostupnim akcijama i tehničkim karakteristikama proizvoda koji se pominje u ovom dokumentu, molimo posetite našu stranicu klikom na sledeći link:

<https://tehnoteka.rs/p/vox-aspirator-cgl-950-ix-akcija-cena/>