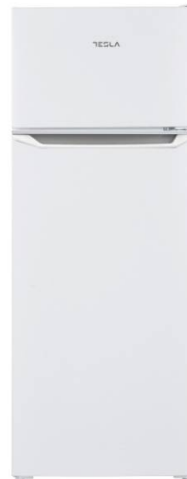


## Uputstvo za upotrebu

TESLA kombinovani frižider RD2101H1

TESLA



Tehnoteka je online destinacija za upoređivanje cena i karakteristika bele tehnike, potrošačke elektronike i IT uređaja kod trgovinskih lanaca i internet prodavnica u Srbiji. Naša stranica vam omogućava da istražite najnovije informacije, detaljne karakteristike i konkurentne cene proizvoda.

Posetite nas i uživajte u ekskluzivnom iskustvu pametne kupovine klikom na link:

<https://tehnoteka.rs/p/tesla-kombinovani-frizider-rd2101h1-akcija-cena/>

TESLA

# REFRIGERATOR FREEZER

RD2101H1

## User Manual

ENG

BiH/  
CG

GR

HR

RO

SLO

SRB



Product images are for illustrative purposes only and may differ from the actual product.

## SAFETY INFORMATION

---


In the interest of your safety and to ensure the correct use, before installing and first using the appliance, read this user manual carefully, including its hints and warnings. To avoid unnecessary mistakes and accidents, it is important to ensure that all people using the appliance are thoroughly familiar with its operation and safety features. Save these instructions and make sure that they remain with the appliance if it is moved or sold, so that everyone using it through its life will be properly informed on appliance use and safety.


For the safety of life and property keep to the precautions of these user instructions as the manufacturer is not responsible for damages caused by omission.

### Children and vulnerable people safety

- This appliance can be used by children aged of 8 years and above and persons with reduced physical, sensory or mental capabilities, or lack of experience and knowledge if they have supervision or have been given instructions concerning the use of the appliance in a safe way and understand the hazards involved.
- Children aged from 3 to 8 years are allowed to load and unload this appliance.
- Children should be supervised to ensure that they do not play with the appliance.
- Cleaning and user maintenance should not be done by children unless they are aged from 8 years and above and supervised.
- Keep all packaging well away from children. There is risk of suffocation.
- If you are discarding the appliance pull the plug out of the socket, cut the connection cable (as close to the appliance as you can) and remove the door to prevent playing children from suffering electric shock or closing themselves in.
- If this appliance features a magnetic door seal to replace an older appliance having a spring lock (latch) on the door or lid, be sure to make that spring lack unusable before you discard the old appliance. This will prevent it from becoming a death trap for a child.

### General safety

** WARNING!** Keep ventilation openings, in the appliance enclosure or in the built-in structure, clear of obstruction.

** WARNING!** Do not use mechanical devices or other means to accelerate the defrosting process, other than those recommended by the manufacturer.

**⚠ WARNING!** Do not damage the refrigerant circuit.

**⚠ WARNING!** Do not use other electrical appliances (such as ice cream makers) inside of refrigerating appliances, unless they are approved for this purpose by the manufacture.

**⚠ WARNING!** Do not touch the light bulb if it has been on for a long period of time because it could be very hot.<sup>1</sup>

**⚠ WARNING!** When positioning the appliance, ensure the supply cord is not trapped or damaged.

**⚠ WARNING!** Do not locate multiple portable socket-outlets or portable power suppliers at the rear of the appliance.

- Do not store explosive substances such as aerosol cans with a flammable propellant in this appliance.
- The refrigerant isobutene (R600a) is contained within the refrigerant circuit of the appliance, a natural gas with a high level of environmental compatibility, which is nevertheless flammable.
- During transportation and installation of the appliance, be certain that none of the components of the refrigerant circuit become damaged.
  - avoid open flames and sources of ignition
  - thoroughly ventilate the room in which the appliance is situated
- It is dangerous to alter the specifications or modify this product in any way. Any damage to the cord may cause a short circuit, fire and/or electric shock.
- This appliance is intended to be used in a household and similar applications such as
  - staff kitchen areas in shops, offices and other working environments;
  - farm houses and by clients in hotels, motels and other residential type environments;
  - bed and breakfast type environments;
  - catering and similar non-retail applications.

**⚠ WARNING!** Any electrical components (plug, power cord, compressor and etc.) must be replaced by a certified service agent or qualified service personnel.

**⚠ WARNING!** The light bulb supplied with this appliance is a "special use light bulb" usable only with the appliance supplied. This "special use lamp" is not usable for domestic lighting.<sup>1</sup>

- Power cord must not be lengthened.
- Make sure that the power plug is not squashed or damaged by the back of the appliance. A squashed or damaged power plug may overheat and cause a fire.

<sup>1</sup> If there is a light in the compartment.

- Make sure that you can come to the main plug of the appliance.
- Do not pull the main cable.
- If the power plug socket is loose, do not insert the power plug. There is a risk of electric shock or fire.
- You must not operate the appliance without the lamp.
- This appliance is heavy. Care should be taken when moving it.
- Do not remove nor touch items from the freezer compartment if your hands are damp/wet, as this could cause skin abrasions or frost/freezer burns.
- Avoid prolonged exposure of the appliance to direct sunlight.

## Daily use

- Do not put hot things on the plastic parts in the appliance.
- Do not place food products directly against the rear wall.
- Frozen food must not be re-frozen once it has been thawed out.<sup>2</sup>
- Store pre-packed frozen food in accordance with the frozen food manufacture, s instructions.<sup>2</sup>
- Appliance, s manufactures storage recommendations should be strictly adhered to. Refer to relevant instructions.
- Do not place carbonated or fizzy drinks in the freezer compartment as it creates pressure on the container, which may cause it to explode, resulting in damage to the appliance.<sup>2</sup>
- Ice lollies can cause frost burns if consumed straight from the appliance.<sup>2</sup>

To avoid contamination of food, please respect the following instructions

- Opening the door for long periods can cause a significant increase of the temperature in the compartments of the appliance.
- Clean regularly surfaces that can come in contact with food and accessible drainage systems.
- Clean water tanks if they have not been used for 48h; flush the water system connected to a water supply if water has not been drawn for 5 days.
- Store raw meat and fish in suitable containers in the refrigerator, so that it is not in contact with or drip onto other food.
- Two-star frozen-food compartments (if they are presented in the appliance) are suitable for storing pre-frozen food, storing or making ice-cream and making ice cubes.
- One-, two- and three -star compartments (if they are presented in the appliance) are not suitable for the freezing of fresh food.

<sup>2</sup> If there is a freezer compartment.

- If the appliance is left empty for long periods, switch off, defrost, clean, dry and leave the door open to prevent mould developing within the appliance.

## Care and cleaning

- Before maintenance, switch off the appliance and disconnect the main plug from the power socket.
- Do not clean the appliance with metal objects.
- Do not use sharp objects to remove frost from the appliance. Use a plastic scraper.<sup>2</sup>
- Regularly examine the drain in the refrigerator for defrosted water. If necessary, clean the drain. If the drain is blocked, water will collect at the bottom of the appliance.<sup>3</sup>

## Installation

- **IMPORTANT!** For electrical connection carefully follow the instructions given in specific paragraphs.
- Unpack the appliance and check if there are damages on it. Do not connect the appliance if it is damaged. Report possible damages immediately to the place you bought it. In that case retain packing.
- It is advisable to wait at least four hours before connecting the appliance to allow the oil to flow back in the compressor.
- Adequate air circulation should be provided around the appliance, lacking this leads to overheating. To achieve sufficient ventilation, follow the instructions relevant to installation.
- Wherever possible the spacers of the product should be against a wall to avoid touching or catching warm parts (compressor, condenser) to prevent possible burn.
- The appliance must not be located close to radiators or cookers.
- Make sure that the main plug is accessible after the installation of the appliance.

## Service

- Any electrical work required to do the servicing of the appliance should be carried out by a qualified electrician or competent person.
- This product must be serviced by an authorized Service Center, and only genuine spare parts must be used.


<sup>2</sup> If there is a freezer compartment.


<sup>3</sup> If there is a fresh-food storage compartment.

## Energy saving

- Do not put hot food in the appliance;
- Do not pack food close together as this prevents air circulating;
- Make sure food does not touch the back of the compartment(s);
- If electricity goes off, do not open the door(s);
- Do not open the door(s) frequently;
- Do not keep the door(s) open for a long time;
- Do not set the thermostat on exceeding cold temperatures;
- All accessories, such as drawers, shelves balconies, should be kept there for lower energy consumption.

## Environment Protection

 This appliance does not contain gasses which could damage the ozone layer, in either its refrigerant circuit or insulation materials. The appliance shall not be discarded together with the urban refuse and rubbish. The insulation foam contains flammable gases: the appliance shall be disposed according to the appliance regulations which can be obtained from your local authorities. Avoid damaging the cooling unit, especially the heat exchanger. The materials used on this appliance marked by the ♻ symbol are recyclable.

 The symbol on the product or on its packaging indicates that this product may not be treated as household waste. Instead it should be taken to the appropriate collection point for the recycling of electrical and electronic equipment. By ensuring this product is disposed of correctly, you will help prevent potential negative consequences to the environment and human health, which could otherwise be caused by inappropriate waste handling of this product. For more detailed information about recycling of this product, please contact your local council, your household waste disposal service or the shop where you purchased the product.

## Packaging materials

The materials with the symbol are recyclable.

Dispose the packaging in a suitable collection container to recycle it.

## Disposal of the appliance

1. Disconnect the mains plug from the mains socket.
2. Cut off the mains cable and discard it.



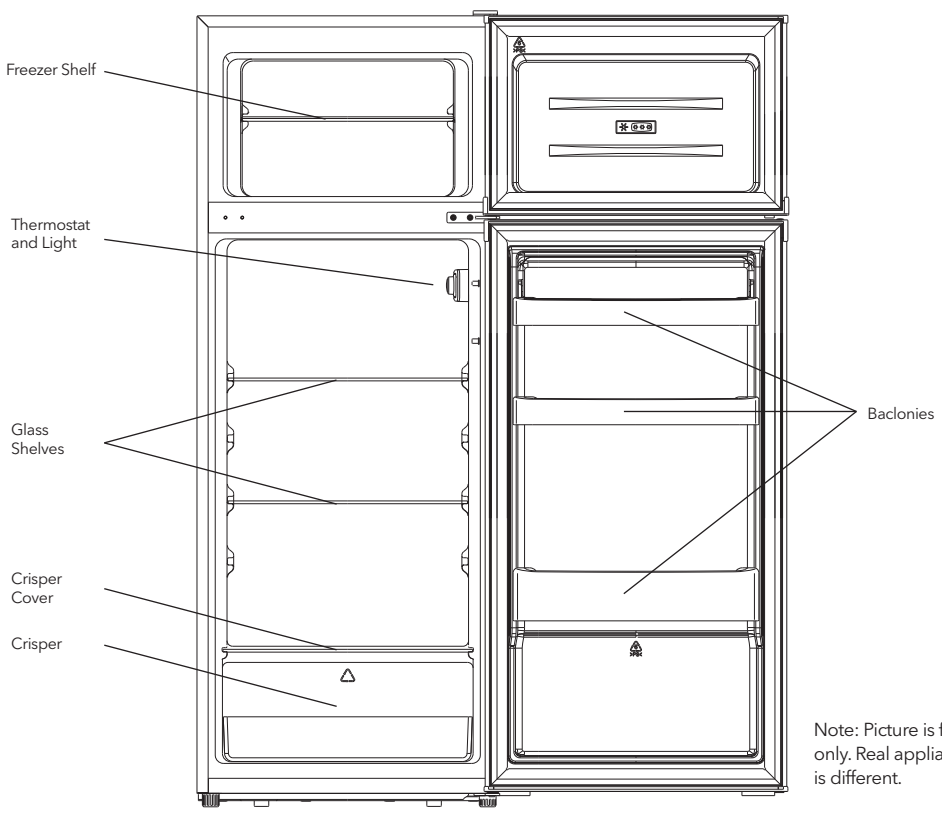
**WARNING!**

During using, service and disposal the appliance, please pay attention to symbol similar as left side, which is located on rear of appliance (rear panel or compressor) and with yellow or orange color.

It's risk of fire warning symbol. There are flammable materials in refrigerant pipes and compressor.

Please be far away fire source during using, service and disposal.

## OVERVIEW

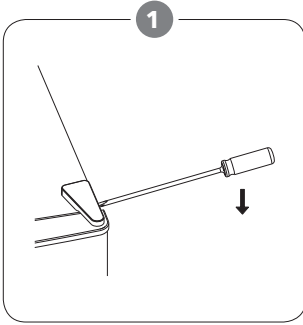




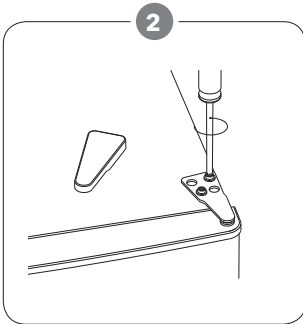
# REVERSE DOOR

Tools required: Philips screwdriver, Flat bladed screwdriver, Hexagonal spanner.

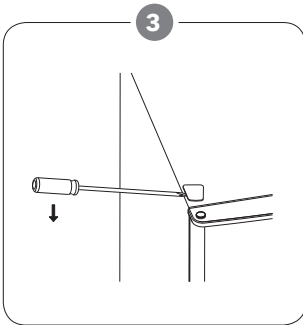
- Ensure the unit is unplugged and empty.
- To take the door off, it is necessary to tilt the unit backwards. You should rest the unit on something solid so that it will not slip during the door reversing process.
- All parts removed must be saved to do the reinstallation of the door.
- Do not lay the unit flat as this may damage the coolant system.
- It's better that 2 people handle the unit during assembly.



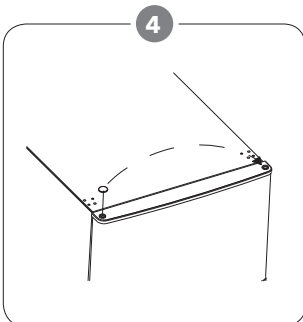
Carefully remove the top hinge cover with a flat screw driver.



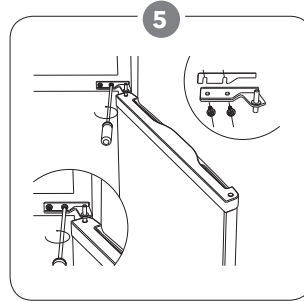
Unscrew the top hinge with a philips screw driver.



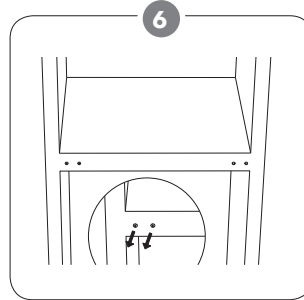
Remove the hole cover with a flat screw driver.



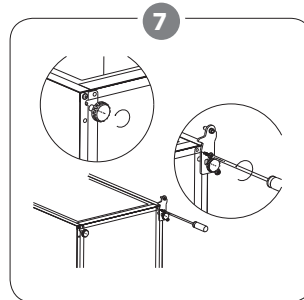
Move the core cover from left side to right side. And then lift the upper door and place it on a padded surface to prevent it from scratching.



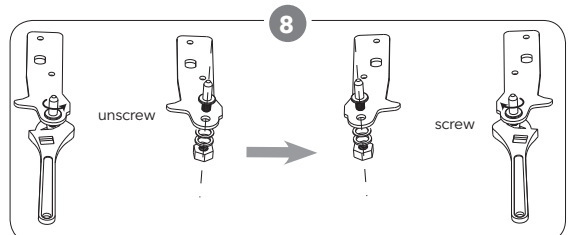
Unscrew the middle hinge and then lift the bottom door and put it on a soft pad to avoid scratch.



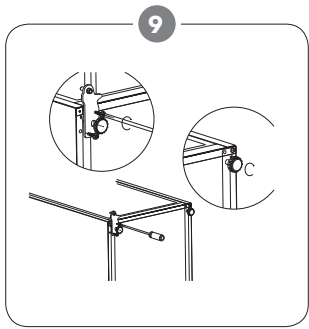
Move two middle hole covers from left to right.



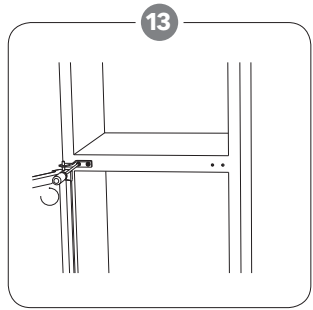
Lie down the rear of cabinet on a soft pad. And unscrew the bottom hinge and leveling foot.



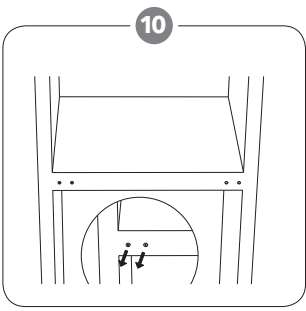
Unscrew and remove the bottom hinge pin, turn the bracket over and replace it.



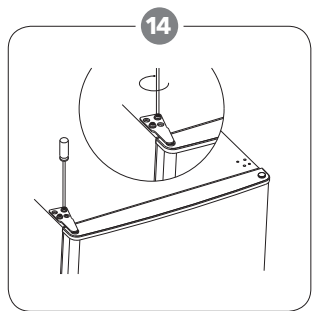
Install the hinge at left side and foot base at right side. Then screw two leveling feet with their original parts.



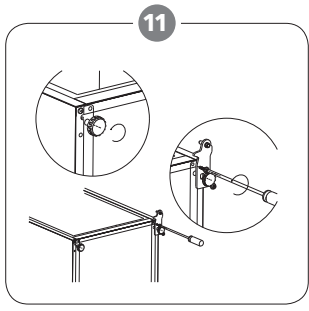
Install the middle hinge.



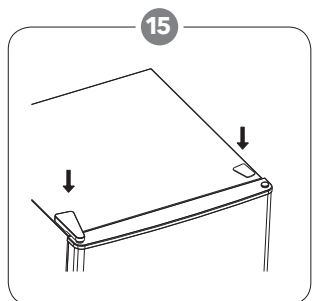
Move two middle hole covers from left to right.



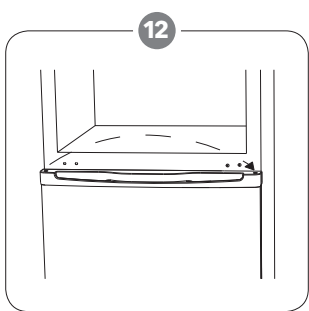
Install the upper door with the upper hinge.



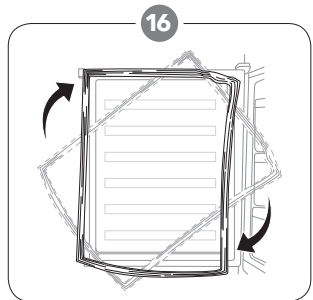
Lie down the rear of cabinet on a soft pad. And unscrew the bottom hinge and leveling foot.



Clap in the hinge cover and hole cover on the top of unit.



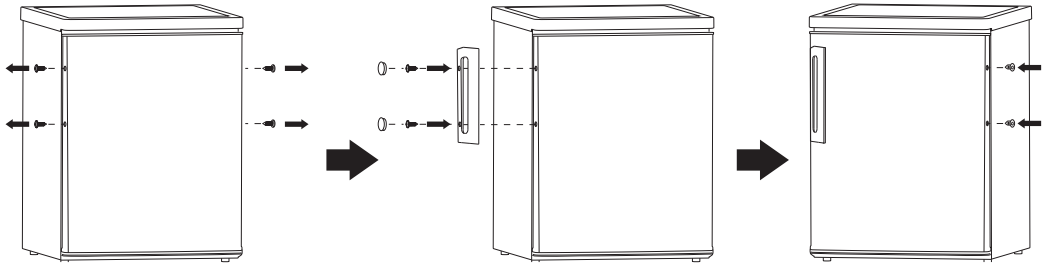
Stand up the unit and put the door on the bottom hinge. Make sure the bottom hinge core is inserted in the door hole. Then move the hinge hole cover of bottom door from left side to right side.



Detach the Fridge and the Freezer door gaskets and then attach them after rotating.

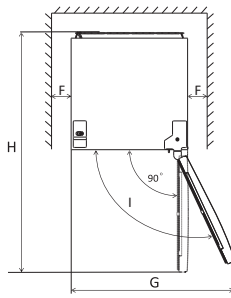
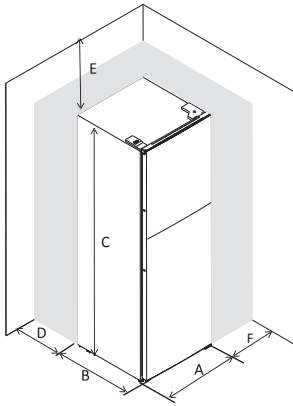
# INSTALLATION

Install door external handle (if external handle is present)



## Space Requirement

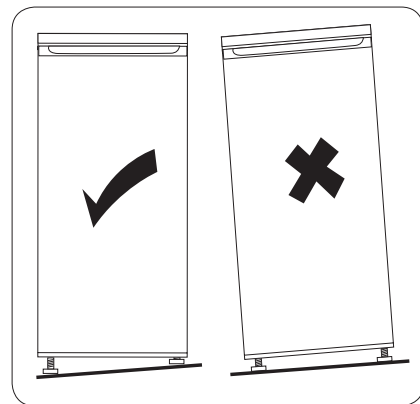
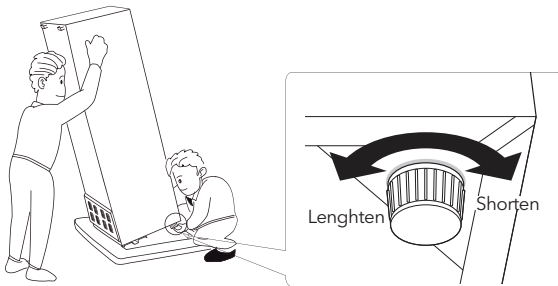
- Keep enough space for opening of doors.



A	555
B	555
C	1430
D	min=50
E	min=50
F	min=50
G	1110
H	1110
I	135°

## Levelling the unit

To do this adjust the two levelling feet at front of the unit.  
If the unit is not level, the doors and magnetic seal alignments will not be covered properly.



## Positioning

Install this appliance at a location where the ambient temperature corresponds to the climate class indicated on the rating plate of the appliance:

Climate class	Ambient temperature
SN	+10°C to +32°C
N	+16°C to +32°C
ST	+16°C to +38°C
T	+16°C to +43°C

## Location

The appliance should be installed well away from sources of heat such as radiators, boilers, direct sunlight etc. Ensure that air can circulate freely around the back of the cabinet to ensure best performance. If the appliance is positioned below an overhanging wall unit, the minimum distance between the top of the cabinet and the wall unit must be at least 50 mm. Ideally, however, the appliance should not be positioned below overhanging wall units. Accurate

leveling is ensured by one or more adjustable feet at the base of the cabinet.

### **WARNING!**

It must be possible to disconnect the appliance from the mains power supply; the plug must therefore be easily accessible after installation.

## Electrical connection

Before plugging in, ensure that the voltage and frequency shown on the rating plate correspond to your domestic power supply. The appliance must be grounded. The power supply cable plug is provided with a contact for this purpose. If the domestic power supply socket is not grounded, connect the appliance to a separate ground in compliance with current regulations, consulting a qualified electrician.

The manufacturer declines all responsibility if the above safety precautions are not observed. This appliance complies with the E.E.C. Directives.

# DAILY USE

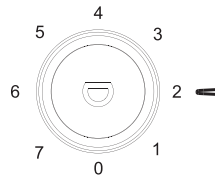
## First use

### Cleaning the interior

Before using the appliance for the first time, wash the interior and all internal accessories with lukewarm water and some neutral soap so as to remove the typical smell of a brand new product, then dry thoroughly.

**IMPORTANT!** Do not use detergents or abrasive powders, as these will damage the finish.

## Temperature Setting

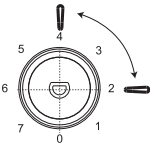
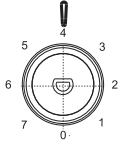
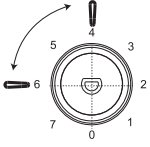


- Plug in your appliance. The internal temperature is controlled by a thermostat. There are 8 setting levels 1 is warmest setting, 7 is coldest setting and 0 is off.
- The appliance may not operate at the correct temperature if it is in a particularly hot environment or if you open the door often.

## Position different food in different compartments according to be below table

Refrigerator compartments	Type of food
Door or balconies of fridge compartment	<ul style="list-style-type: none"> <li>• Foods with natural preservatives, such as jams, juices, drinks, condiments.</li> <li>• Do not store perishable foods.</li> </ul>
Crisper drawer (salad drawer)	<ul style="list-style-type: none"> <li>• Fruits, herbs and vegetables should be placed separately in the crisper bin.</li> <li>• Do not store bananas, onions, potatoes, garlic in the refrigerator.</li> </ul>
Fridge shelf - middle	<ul style="list-style-type: none"> <li>• Dairy products, eggs</li> </ul>
Fridge shelf - top	<ul style="list-style-type: none"> <li>• Foods that do not need cooking, such as ready-to-eat foods, deli meats, leftovers.</li> </ul>
Freezer drawer(s)/shelf	<ul style="list-style-type: none"> <li>• Foods for long-term storage.</li> <li>• Bottom drawer/shelf for raw meat, poultry, fish.</li> <li>• Middle drawer/shelf for frozen vegetables, chips</li> <li>• Top drawer/shelf for ice cream, frozen fruit, frozen baked goods.</li> </ul>

## Temperature setting recommendation

Environment Temperature	Freezer compartment	Fridge compartment
Summer (Above 38°C)	/	 Set on 2~4
Normal	/	 Set on 4
Winter (Below 16°C)	/	 Set on 4~6

- Information above give users recommendation of temperature setting.

## Impact on Food Storage

- Under Recommended setting, the best storage time of fridge is no more than 3 days.
- Under Recommended setting, the best storage time of freezer is no more than 1 month.
- The best storage time may reduce under other settings.

## Freezing fresh food

- The freezer compartment is suitable for freezing fresh food and storing frozen and deep-frozen food for a long time.
- Place the fresh food to be frozen in the freezer compartment.
- The maximum amount of food that can be frozen in 24 hours is specified on the rating plate.
- The freezing process lasts 24 hours: during this period do not add other food to be frozen.

## Storing frozen food

When first starting-up or after a period out of use, before putting food in the compartment let the appliance run at least 2 hours on a higher setting.

**IMPORTANT!** In the event of accidental defrosting, for example the power has been off for longer than the value shown in the technical characteristics chart under "rising time", the defrosted food must be consumed quickly or cooked immediately and then re-frozen (after cooked).

## Thawing

- Deep-frozen or frozen food, prior to being used, can be thawed in the fridge compartment or at room temperature, depending on the time available for this operation.
- Small pieces may even be cooked still frozen, directly from the freezer. In this case, cooking will take longer.

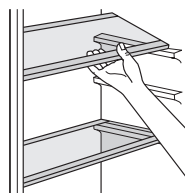
## Ice-cube

This appliance may be equipped with one or more ice-cube trays to produce ice.

## Accessories

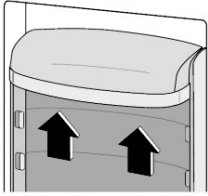
### Movable shelves

The walls of the refrigerator are equipped with a series of runners so that the shelves can be positioned as desired.



## Positioning the door balconies

To permit storage of food packages of various sizes, the door balconies can be placed at different heights. To make these adjustments proceed as follows: gradually pull the balcony in the direction of the arrows until it comes free, then reposition as required.



## Helpful hints and tips

To help you make the most of the freezing process, here are some important hints:

- the maximum quantity of food which can be frozen in 24 hrs. is shown on the rating plate;
- the freezing process takes 24 hours. No further food to be frozen should be added during this period;
- only freeze top quality, fresh and thoroughly cleaned, foodstuffs;
- prepare food in small portions to enable it to be rapidly and completely frozen and to make it possible subsequently to thaw only the quantity required;
- wrap up the food in aluminium foil or polythene and make sure that the packages are airtight;
- do not allow fresh, unfrozen food to touch food which is already frozen, thus avoiding a rise in temperature of the latter;
- lean foods store better and longer than fatty ones; salt reduces the storage life of food;
- water ices, if consumed immediately after removal from the freezer compartment, can possibly cause the skin to be freeze burnt;
- removal from the freezer compartment, can possibly cause the skin to be freeze burnt; it is advisable to show the freezing in date on each individual pack to enable you to keep tab of the storage time.
- it is advisable to show the freezing in date on each individual pack to enable you removal from the freezer compartment, can possibly cause the skin to be freeze burnt;
- it is advisable to show the freezing in date on each individual pack to enable you to keep tab of the storage time.

## Hints for storage of frozen food

To obtain the best performance from this appliance, you should:

- make sure that the commercially frozen foodstuffs were adequately stored by the retailer;
- be sure that frozen foodstuffs are transferred from the food store to the freezer in the shortest possible time;
- do not open the door frequently or leave it open longer than absolutely necessary.
- once defrosted, food deteriorates rapidly and cannot be re-frozen;
- do not exceed the storage period indicated by the food manufacture.

## Hints for fresh food refrigeration

To obtain the best performance:

- Do not store warm food or evaporating liquids in the refrigerator
- Do cover or wrap the food, particularly if it has a strong flavor
- Meat (all types): wrap in polythene bags and place on the glass shelves above the vegetable drawer.
- For safety, store in this way only one or two days at the most.
- Cooked foods, cold dishes, etc... these should be covered and may be placed on any shelf.

- Fruit and vegetables: these should be thoroughly cleaned and placed in the special drawer(s) provided.
- Butter and cheese: these should be placed in special airtight containers or wrapped in aluminium foil or polythene bags to exclude as much air as possible.
- Milk bottle: these should have a cap and should be stored in the balconies on the door.
- Bananas, potatoes, onions and garlic, if not packed, must not be kept in the fridge.

## Cleaning

For hygienic reasons the appliance interior, including interior accessories, should be cleaned regularly.

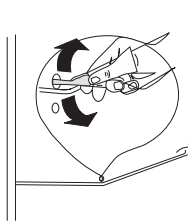
### ! CAUTION!

The appliance may not be connected to the mains during cleaning. Danger of electrical shock! Before cleaning switch the appliance off and remove the plug from the mains, or switch off or turn out the circuit breaker or fuse. Never clean the appliance with a steam cleaner. Moisture could accumulate in electrical components, danger of electrical shock! Hot vapors can lead to the damage of plastic parts. The appliance must be dry before it is placed back into service.

**IMPORTANT!** Ethereal oils and organic solvents can attack plastic parts, e.g. lemon juice or the juice from orange peel, butyric acid, cleanser that contain acetic acid.

## Clean drain hole

To avoid defrost water overflowing into the fridge, periodically clean the drain hole at back of fridge compartment. Use a cleaner to clean the hole as showed in the picture.



- Do not allow such substances to come into contact the appliance parts.
- Do not use any abrasive cleaners
- Remove the food from the freezer. Store them in a cool place, well covered.
- Switch the appliance off and remove the plug from the socket, or switch off the circuit breaker or fuse.
- Clean the appliance and the interior accessories with a cloth and lukewarm water. After cleaning wipe with fresh water and rub dry.
- After everything is dry place appliance back into service.

## Defrosting of the freezer

The freezer compartment, however, will become progressively covered with frost. This should be removed. Never use sharp metal tools to scrape off frost from the evaporator as you could damage it. However, when the ice becomes very thick on the inner liner, complete defrosting should be carried out as follows:

- pull out the plug from the socket;
- remove all stored food, wrap it in several layers of newspaper and put it in a cool place;
- keep the door open, and placing a basin underneath of the appliance to collect the defrost water;
- when defrosting is completed, dry the interior thoroughly
- replace the plug in the power socket to run the appliance again.

<sup>1</sup> If the condenser is at the back of appliance.

## Replace the lamp

### ! CAUTION!

The product is equipped with LED light, please contact after sales service in case of replacement.



## TROUBLESHOOTING

### ! CAUTION!

Before troubleshooting, disconnect the power supply. Only a qualified electrician or competent person must do the troubleshooting that is not in this manual.

**IMPORTANT!** There are some sounds during normal use (compressor, refrigerant circulation).

Problem	Possible cause	Solution
Appliance does not work	Temperature regulation knob is set at number "0".	Set the knob at other number to switch on the appliance.
	Power plug is not plugged in or is loose	Insert power plug.
	Fuse has blown or is defective	Check fuse, replace if necessary.
	Socket is defective	Socket malfunctions are to be corrected by an electrician.
The food is too warm.	Temperature is not properly adjusted.	Please look in the initial Temperature Setting section.
	Door was open for an extended period.	Open the door only as long as necessary.
	A large quantity of warm food was placed in the appliance within the last 24 hours.	Turn the temperature regulation to a colder setting temporarily.
	The appliance is near a heat source.	Please look in the installation location section.
Appliance cools too much	Temperature is set too cold.	Turn the temperature regulation knob to a warmer setting temporarily.
Unusual noises	Appliance is not level.	Re-adjust the feet.
	The appliance is touching the wall or other objects.	Move the appliance slightly.
	A component, e.g. a pipe, on the rear of the appliance is touching another part of the appliance or the wall.	If necessary, carefully bend the component out of the way.
Water on the floor	Water drain hole is blocked.	See the Cleaning section.
Side panel is hot	Condenser is inside the panel.	It's normal.

If the malfunction shows again, contact the Service Center.

## BEZBEDNOSNA UPUTSTVA

Radi sopstvene bezbjednosti obezbedite sigurnu upotrebu, prije instalacije i prve upotrebe uređaja, pročitajte ovo korisničko uputstvo, uključujući i savjete i upozorenja. Da biste izbjegli nepotrebne greške i nezgode, važno je da se postarate da sve osobe koje koriste uređaj budu detaljno upoznate s njegovim operacijama i bezbjedonosnim funkcijama. Sačuvajte ova uputstva i pobrinite se da budu u sklopu uređaja ako bude premješten ili prodat, kako bi svako, ko ga koristi tokom svog života bio upoznat sa pravilnom upotrebom i bezbjednošću uređaja.


Imajte na umu ovo korisničko uputstvo radi svoje lične sigurnosti i sigurnosti imovine, budući da proizvođač nije odgovoran za štetu učinjenu propustima.

### Bezbjednost djece i nesamostalnih osoba

- Ovaj uređaj mogu koristiti djeca starosti 8 ili više godina i osobe sa smanjenim fizičkim, čulnim ili mentalnim sposobnostima, ili manjkom iskustva i znanja ukoliko su pod nadzorom, ili su im data uputstva u vezi sa bezbjednom upotrebom uređaja, i svjesni su mogućeg rizika.
- Djeci uzrasta od 3 do 8 godina je dozvoljeno da stavljaju predmete u i uzimaju predmete iz ovog uređaja.
- Djeca bi trebalo da budu pod nadzorom, kako biste osigurali da se ne igraju uređajem.
- Čišćenjem i održavanjem ne bi trebalo da se bave djeca, osim ako nisu starosti 8 ili više godina i moraju biti pod obaveznim nadzorom.
- Svu ambalažu čuvajte van domašaja djece. Postoji opasnost od gušenja.
- Ukoliko ste odlučili da više ne koristite uređaj, prekinite napajanje uređaja strujom, presijecite kabl za napajanje (što je bliže moguće uređaju) i uklonite vrata, kako biste spriječili mogućnost da djeca, koja se igraju, pretrpe strujni udar ili se zatvore u uređaj.
- Ukoliko ovaj uređaj ima magnetnu gumu na vratima, a želite da njime zamijenite stariji uređaj, koji se zatvarao pomoću opruge na vratima ili poklopcu, onemogućite funkcionisanje zatvaranja starijeg uređaja pomoću opruge. Na ovaj način ćete spriječiti da uređaj postane smrtonosna zamka za dijete.

### Opšta bezbjednost

** UPOZORENJE!** Održavajte ventilacione otvore u kućištu frižidera ili ugradnoj strukturi čistima od začepljenja.

** UPOZORENJE!** Nemojte koristiti mehaničke uređaje ili druge naprave kako biste ubrzali proces odmrzavanja, osim proizvoda preporučenih od



strane proizvođača uređaja.

**⚠ UPOZORENJE!** Nemojte oštetiti sistem za hlađenje.

**⚠ UPOZORENJE!** Nemojte stavljati druge električne uređaje (kao što su uređaji za pravljenje sladoleda) u uređaj za hlađenje, osim ako ih proizvođač nije odobrio u ovu svrhu.

**⚠ UPOZORENJE!** Ne dirajte sijalicu ukoliko radi duže vremena, jer može biti veoma vruća.<sup>1</sup>

**⚠ UPOZORENJE!** PPrilikom postavljanja uređaja, uvjerite se da ništa ne pritiska priključni kabl, kao i da kabl nije oštećen.

**⚠ UPOZORENJE!** Ne postavljajte višestruke prenosive utičnice ili prenosivo napajanje iza uređaja.

- Nemojte čuvati eksplozivne supstance, kao što su ambalaže sprejeva sa zapaljivim gasom u ovom uređaju.
- Supstanca za hlađenje, izobutan (R600a), se nalazi u sistemu za hlađenje uređaja, to je prirodni gas s visokim nivoom ekološke kompatibilnosti, ali izuzetno zapaljiv.
- obrinite se da tokom transporta ili postavljanja uređaja ne bude oštećena nijedna komponenta sistema za hlađenje uređaja.
  - izbjegavajte otvoren plamen i izvore zapaljivosti
  - temeljno provjetrite prostoriju, u kojoj se nalazi uređaj
- Opasno je menjati specifikacije ili modifikovati proizvod na bilo koji način. Bilo kakvo oštećenje kabla može prouzrokovati kratak spoj, požar i/ili strujni udar.
- Ovaj uređaj je namenjen za upotrebu u domaćinstvima i za slične primjene, kao što su
  - prostori za zaposlene u kuhinji, u prodavnicama, kancelarije i druga radna okruženja;
  - poljoprivredna domaćinstva i od strane hotelskih i motelskih gostiju, kao i drugih vrsta ovakvih objekata;
  - objekti koji pružaju uslugu noćenja sa doručkom;
  - catering i slične neprodajne namjene.

**⚠ UPOZORENJE!** Bilo koju električnu komponentu (utikač, kabl za napajanje, kompresor itd.) mora zamijeniti ovlašćeni serviser ili kvalifikovano osoblje.

**⚠ UPOZORENJE!** Sijalica, dostavljena sa ovim uređajem, je "sijalica za specijalnu namjenu" i može se koristiti samo za uređaj uz koji je dostavljena. Ova "sijalica za specijalnu namjenu" se ne može koristiti za kućno osvjetljenje<sup>1</sup>

- Kabl za napajanje se ne smije produžavati.
- Provjerite da li je utikač, na zadnjoj strani uređaja, zgnječen ili oštećen.

<sup>1</sup> Ukoliko u uređaju postoji.

Zgnječen ili oštećen utikač može dovesti do pregrijavanja i izazvati požar.

- Pobrinite se da vam glavni utikač uređaja bude dostupan.
- Nemojte izvlačiti glavni kabl.
- Ukoliko utičnica nije fiksirana, nemojte priključivati aparat. Postoji rizik od strujnog udara ili vatre.
- Ne smijete raditi ništa na uređaju bez osvetljenja.
- Uređaj je težak. Budite oprezni tokom pomijeranja uređaja.
- Nemojte uklanjati ili dodirivati elemente iz dijela za zamrzavanje ako su vam ruke vlažne/mokre, budući da to može prouzrokovati ogrebotine ili promrzline na koži.
- Izbjegavajte duže izlaganje aparata direktnoj sunčevoj svijetlosti.

## Dnevna upotreba

- Ne stavljajte vruće stvari na plastične dijelove uređaja.
- Ne stavljate prehrambene proizvode uza zadnji zid.
- Zamrznuta hrana se ne smije ponovo zamrzavati nakon što se otopi.<sup>2</sup>
- Već zapakovanu zamrznutu hranu čuvajte u skladu sa instrukcijama proizvođača, u vezi sa zamrznutom hranom.<sup>2</sup>
- Striktno se pridržavajte preporuka proizvođača u pogledu držanja stvari u uređaju. Pridržavajte se relevantnih instrukcija.
- Ne stavljate gazirana pića u dio za zamrzavanje, budući da to stvara pritisak, koji može prouzrokovati pucanje ambalaže, što može dovesti do oštećenja uređaja.<sup>2</sup>
- Voćni sladoledi mogu izazvati promrzline ukoliko se konzumiraju odmah po uzimanju iz uređaja.<sup>2</sup>

Kako biste izbjegli kontaminiranje hrane, pratite sledeća uputstva

- Držanje uređaja otvorenim tokom dugih vremenskih perioda može da dovede do značajnog rasta temperature unutar odjeljaka uređaja.
- Redovno čistite površine koje mogu da dođu u dodir sa hranom, kao i pristupačne djelove odvodnog sistema.
- Očistite rezervoare za vodu ukoliko ih niste koristili tokom vremenskog perioda dužeg od 48 h; ukoliko tokom vremenskog perioda od 5 dana niste uzimali vodu iz uređaja, isperite sistem za protok vode vodom iz vodovodne mreže.
- Sirovo meso i ribu unutar frižidera držite u odgovarajućim posudama, kako ove namirnice ne bi došle u dodir sa ili kako ne bi kapale po ostaloj hrani.
- Odjeljci za smrznutu hranu označeni sa dvije zvjezdice (ukoliko postoje u okviru uređaja) pogodni su za držanje prethodno smrznute hrane, za držanje ili pravljenje sladoleda i za pravljenje kockica leda.

<sup>2</sup> Ukoliko postoji dio za zamrzavanje.

- Odjeljci označeni jednom, dvijema i trima zvjezdicama (ukoliko postoje u okviru uređaja) nijesu pogodni za zamrzavanje svježe hrane.
- Ukoliko će uređaj biti prazan tokom dužeg vremenskog perioda, isključite ga, odledite, očistite i osušite, a zatim ostavite vrata uređaja otvorenim kako biste spriječili razvoj buđi u unutrašnjosti uređaja.

## Održavanje i čišćenje

- Prije održavanja, isključite uređaj, ili prekinite dotok električne energije.
- Uređaj nemojte čistiti metalnim predmetima.
- Ne koristite oštre predmete, da bi uklonili led sa uređaja. Koristite plastična sredstva za struganje.
- Redovno provjeravajte odvod za odleđenu vodu u frižideru. Ukoliko je potrebno, očistite odvod. Ukoliko je odvod blokiran, voda će se sakupljati na dnu uređaja.<sup>3</sup>

## Instalacija uređaja

- **VAŽNO!** Za priključivanje na električnu mrežu, pažljivo pratite uputstva data u specifičnim dijelovima uputstva.
- Raspakujte uređaj i provjerite da li postoje na njemu oštećenja. Ne povezujte uređaj na struju, ukoliko je oštećen. Moguća oštećenja odmah prijavite u mjestu gdje ste ga kupili. U tom slučaju zadržite ambalažu uređaja.
- Preporučuje se, da sačekate najmanje četiri sata prije nego što priključite uređaj, kako bi se ulje vratilo u kompresor.
- Potrebno je obezbijediti adekvatno strujanje vazduha oko uređaja, nepostojanje ovoga može dovesti do pregrijavanja. Za postizanje odgovarajućeg protoka vazduha, pratite uputstva potrebna za instalaciju uređaja.
- Gdje god je moguće, razmaknica mora biti postavljena između uređaja i zida, kako bi se izbjeglo dodirivanje ili hvatanje za vruće dijelove (kompresor, kondenzator) kako bi se izbjegle moguće opekotine.
- Uređaj ne smije biti postavljen blizu radijatora ili štednjaka.
- Pobrinite se da bude obezbijeđen lak pristup glavnom utikaču i nakon postavljanja uređaja.

## Servisiranje

- Bilo kakvo servisiranje uređaja, koje zahtjeva električne radove, treba da bude obavljen od strane kvalifikovanog električara ili kompetentne osobe.

<sup>2</sup> Ukoliko postoji dio za zamrzavanje.


<sup>3</sup> Ukoliko postoji dio za čuvanje svježe hrane


- Samo ovlašćeni centar za servisiranje može obaviti popravke na uređaju, i mogu se koristiti samo originalni rezervni dijelovi.

## Ušteda energije

- Ne stavljate vruću hranu u uređaj;
- Ne pakujte svu hranu zajedno, budući da to sprječava cirkulaciju vazduha;
- Pobrinite se da hrana ne dotiče zadnji dio pregrade(a);
- Ukoliko nestane struje, ne otvarajte vrata;
- Ne otvarajte često vrata;
- Ne držite vrata otvorena drugo;
- Nemojte postavljati termostat na izuzetno niske temperature
- Potrebno je sve dodatne elemente, poput fioka, polica, polica u vratima uređaja, tamo držati u cilju smanjenja utroška energije.

## Zaštita životne sredine

 Ovaj uređaj ne sadrži gasove, koji mogu oštetiti ozonski omotač, ni u sistemu za hlađenje, ni u materijalima za izolaciju. Uređaj ne bi trebalo odlagati zajedno sa gradskim ili kućnim otpadom. Izolaciona pjena sadrži zapaljive gasove: uređaj bi trebalo odložiti u skladu sa propisima za uređaje, koje su izdale lokale vlasti. Izbjegavajte pravljenje oštećenja dijela za hlađenje, posebno dijela za razmjenu toplote. Materijali korišćeni za ovaj uređaj, mogu se reciklirati ukoliko su označeni simbolom za reciklažu. ♻

 Oznaka na proizvodu, ili njegovom pakovanju, ukazuje da ovaj proizvod ne smije biti tretiran kao otpad nastao u domaćinstvu. Umjesto toga, treba ga ostaviti na odgovarajućem mjestu, na kojem se sakuplja električna i elektronska oprema.

Osiguravanjem da je proizvod ispravno odložen, pomoćićete sprečavanju potencijalnih negativnih posljedica po životnu sredinu i ljudsko zdravlje, koje inače mogu biti uzrokovane nepravilnim odlaganjem otpada ovog uređaja. Za više detalja o recikliranju ovog proizvoda, molimo vas da kontaktirate svoju lokalni organ za zaštitu životne sredine, preduzeće za odlaganje komunalnog otpada ili prodavnicu, u kojoj ste kupili proizvod.

### **Materijali ambalaže**

Materijali označeni ovim simbolom mogu se reciklirati. Ambalažu odložite u odgovarajući konterjner za prikupljanje otpada za reciklažu.

### **Odlaganje uređaja**

1. Prekinite napajanje uređaja strujom.
2. Odsijecite kabl za napajanje i odložite ga.

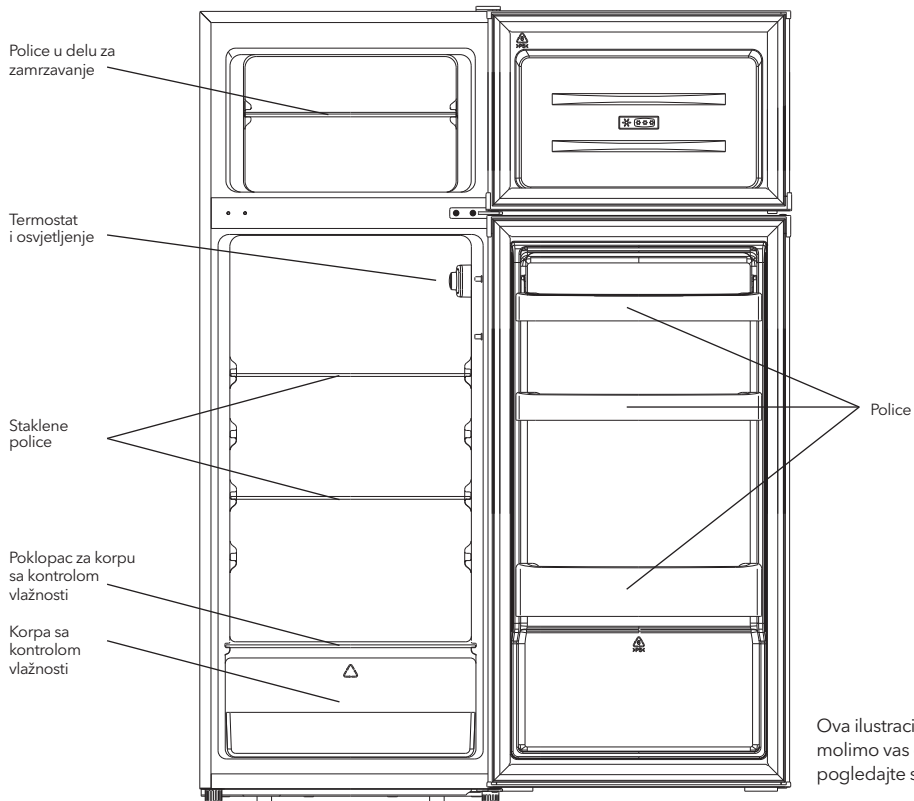


## UPOZORENJE!

Prilikom upotrebe, servisiranja i odlaganja uređaja, imajte u vidu oznaku nalik oznaci prikazanoj na slici lijevo, koja se nalazi na zadnjem dijelu uređaja (tabla ili kompresor na zadnjem delu uređaja), a koja je žute ili narandžaste boje.

Ova oznaka predstavlja simbol rizika od požara. U cijevima za rashladno sredstvo i u kompresoru se nalaze zapaljivi materijali. Molimo Vas da tokom upotrebe, servisiranja i odlaganja, uređaj držite dalje od izvora požara.

## PREGLED

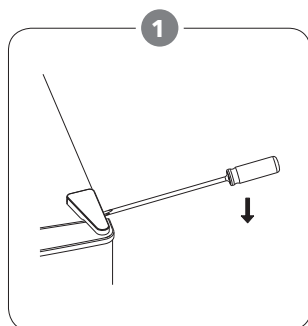


Ova ilustracija je samo okvirna, molimo vas da za detalje pogledajte svoj uređaj.

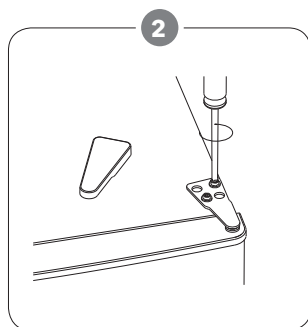
# ZAMJENA SMERA OTVARANJA VRATA

Potreban alat: Philips odvijač, ravni odvijač, šestougaoni ključ.

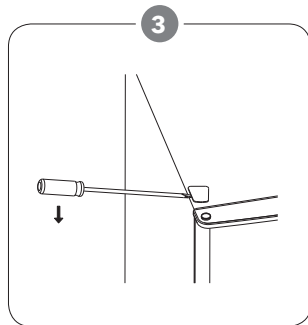
- Pobrinite se da uređaj bude isključen i prazan.
- Da biste skinuli vrata, potrebno je da uređaj nagnete unazad. Uređaj treba da bude postavljen na tvrdu podlogu, kako se ne bi dogodilo da isklizne prilikom zamjene položaja vrata.
- Svi uklonjeni dijelovi moraju biti sačuvani radi ponovnog instaliranja vrata.
- Uređaj nemojte stavljati u horizontalan položaj, jer to može oštetiti sistem za hlađenje.
- Preporučuje se da dvije osobe učestvuju u montiranju.



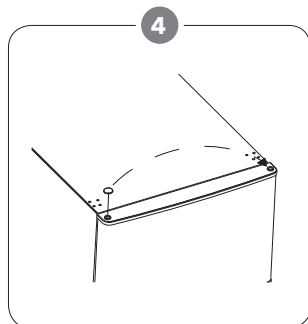
Pažljivo skinite poklopac gornje šarke pomoću ravnog odvijača.



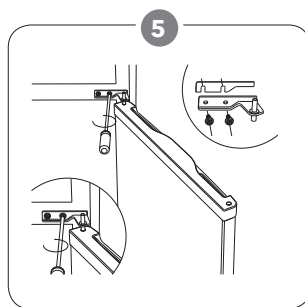
Odšrafite gornju šarku pomoću krstastog odvijača.



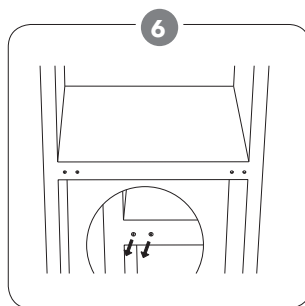
Skinite poklopac za otvor pomoću ravnog odvijača.



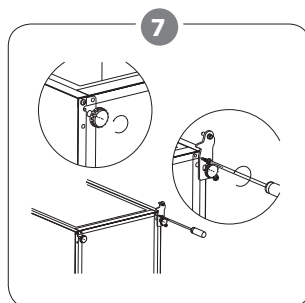
Premestite poklopac osovine sa leve na desnu stranu, a zatim podignite gornja vrata i smestite ih na mekanu površinu kako biste sprečili nastanak ogrebotina.



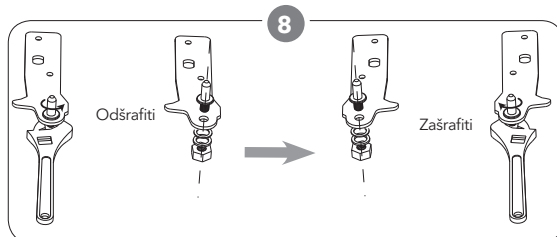
Odšrafite središnju šarku, a zatim podignite donja vrata i smestite ih na mekanu površinu kako biste sprečili nastanak ogrebotina.



Premestite dva poklopca za središnje otvore sa leve na desnu stranu.

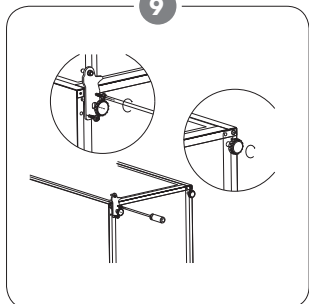


Postavite kućište na mekanu površinu, u horizontalni položaj, tako da leži na poledini, a zatim odšrafite donju šarku i nožicu za podešavanje visine.



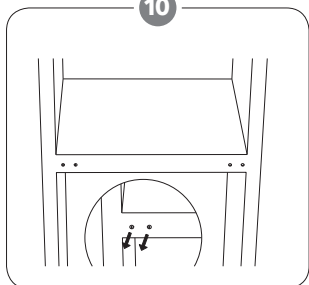
Odšrafite i skinite osovinu na donjoj šarki, obrnite nosač i ponovo ga postavite.

9



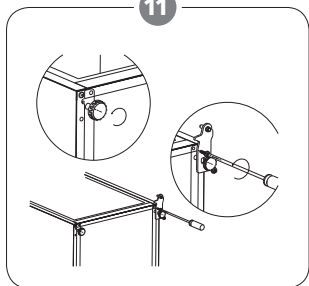
Postavite šarku na levu stranu, a postolje na desnu stranu. Zatim zašrafite dve nožice za podešavanje visine zajedno sa njihovim originalnim delovima.

10



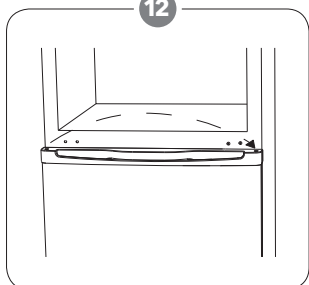
Premestite dva poklopca za središnje otvore sa leve na desnu stranu.

11



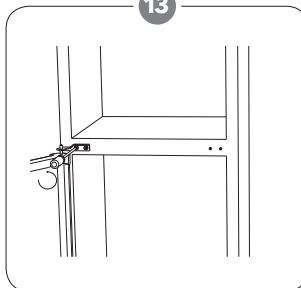
Postavite kućište na mekanu površinu, u horizontalni položaj, tako da leži na poledini, a zatim odšrafite donju šarku i nožicu za podešavanje visine.

12



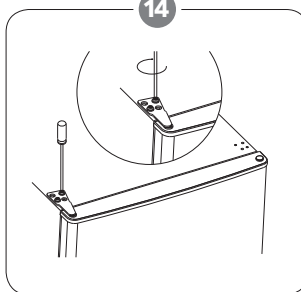
Vratite jedinicu u vertikalni položaj i postavite vrata na donju šarku. Uverite se da je osovina donje šarke umetnuta u otvor u vratima. Zatim premestite poklopac otvora za šarku na donjim vratima sa leve na desnu stranu.

13



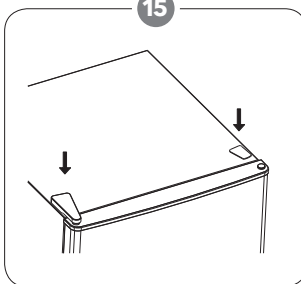
Postavite središnju šarku.

14



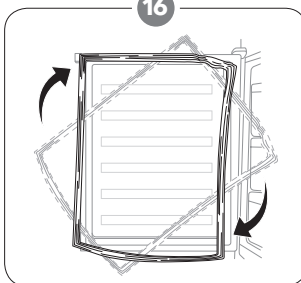
Postavite gornja vrata pomoću gornje šarke.

15



Umetnite poklopac za šarku i poklopac za otvor na gornji deo jedinice.

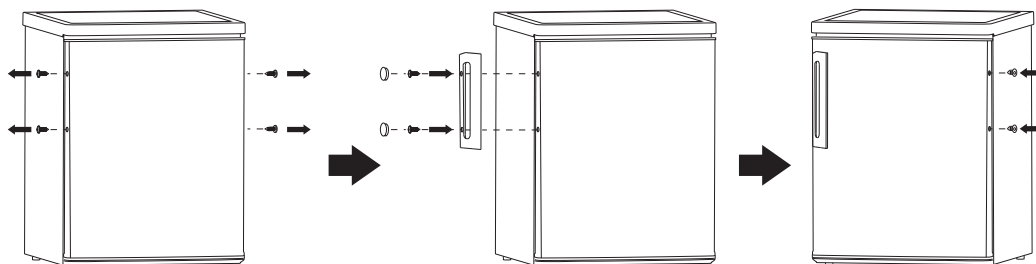
16



Skinite zaptivke za vrata sa frižidera i zamrzivača, a zatim ih ponovo postavite nakon što ih zarotirate.

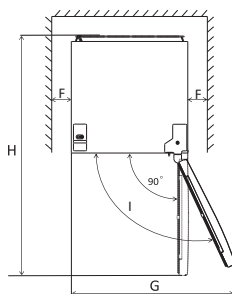
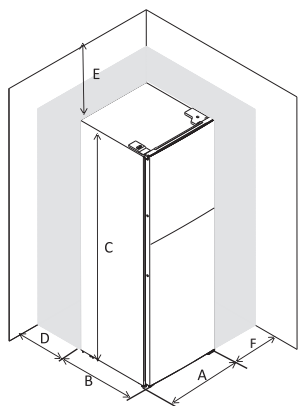
# UGRADNJA UREĐAJA

Postavite spoljnu ručku za vrata (ukoliko spoljna ručka postoji)



## Potrebe prostora

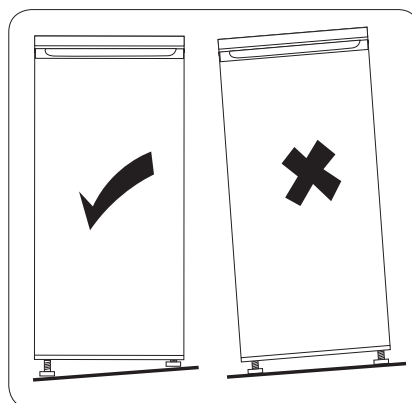
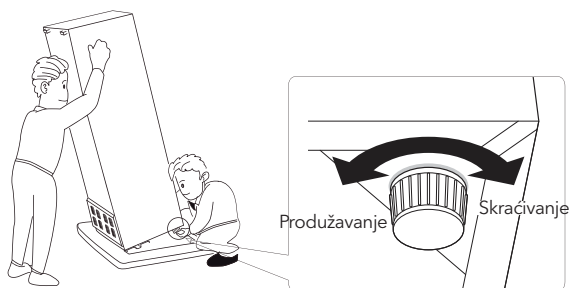
- Ostavite dovoljno mesta za otvaranje vrata.



A	555
B	555
C	1430
D	min=50
E	min=50
F	min=50
G	1110
H	1110
I	135°

## Nivelacija uređaja

Kako biste ovo uradili, podesite dvije podesne nožice s prednje strane uređaja. Ukoliko uređaj nije nivelisan, vrata i magnetna guma neće pravilno prijanjati.





## Postavljanje uređaja

Postavite ovaj uređaj na mesto, na kojem će sobna temperatura odgovarati klimatskom razredu, naznačenom na specifikaciji proizvođača:

Klimatska klasa	Sobna temperatura
SN	+10°C do +32°C
N	+16°C do +32°C
ST	+16°C do +38°C
T	+16°C do +43°C

## Lokacija

Uređaj treba da bude postavljen daleko od izvora toplote, kao što su radijatori, bojleri, izlaganje direktnim sunčevim zracima itd. Postarajte se da vazduh slobodno cirkuliše oko zadnjeg dela frižidera, kako biste osigurali najbolju učinak. Ukoliko je uređaj postavljen ispod visećeg dela, minimalni razmak između vrha uređaja i visećeg

dela treba da bude bar 50 mm. Idealno bi bilo da uređaj ne bude postavljen ispod visećeg dela. Odgovarajuća nivelacija se postiže uz pomoć jedne ili više podesnih nožica, u zavisnosti od uređaja.

### ⚠ UPOZORENJE!

Prekidanje napajanja uređaja mora biti omogućeno; iz tog razloga, utičnica mora biti dostupna nakon postavljanja uređaja.

## Povezivanje na struju

Pre uključivanja, proverite da napon i frekvencija prikazana na tablici specifikacije odgovaraju naponu struje domaćinstva. Uređaj mora biti uzemljen. Kabl za napajanje električnom energijom je opremljen kontaktom za ovu namenu. Ukoliko utičnica u domaćinstvu nema uzemljenje, priključite uređaj na izdvojeno uzemljenje u skladu sa trenutnim propisima; konsultujte se sa kvalifikovanim električarem. Proizvođač ne snosi nikakvu odgovornost, ukoliko gore navedene preventivne mere nisu ispoštovane. Ovaj uređaj ispunjava uslove EEC direktiva.

# DNEVNA UPOTREBA

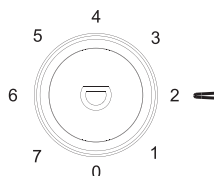
## Prva upotreba

### Čišćenje unutrašnjosti uređaja

Prije korišćenja uređaja po prvi put, očistite unutrašnjost i sve unutrašnje elemente mlakom vodom i neutralnim sapunom, kako biste uklonili tipičan miris novog proizvoda, a zatim ga dobro osušite.

**VAŽNO!** Ne koristite deterdžente ili abrazivna sredstva, budući da mogu da oštete površinu.

## Podешavanje temperature

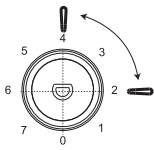
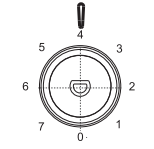
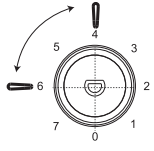


- Uključite svoj uređaj. Unutrašnju temperaturu regulišete termostatom. Postoji 8 nivoa temperature, 1 je najtopliji nivo, 7 je najhladniji, i 0 znači da je uređaj isključen.
- Uređaj možda neće raditi na pravoj temperaturi, ako se nalazi u veoma toplom okruženju ili ako često otvarate vrata.

Različite vrste namirnica raspoređujte u različite odjeljke, prema podacima navedenim u sljedećoj tabeli

Odjeljci frižidera	Vrste namirnica
Vrata ili police u vratima odjeljka za rashlađivanje	<ul style="list-style-type: none"> <li>• Namirnice sa prirodnim konzervansima, poput džemova, sokova, pića, dodataka jelima.</li> <li>• Nemojte držati kvarljive namirnice.</li> </ul>
Crisper fioka za čuvanje svježine (fioka za čuvanje salate)	<ul style="list-style-type: none"> <li>• Voće, začinsko bilje i povrće treba držati zasebno u crisper fioci za čuvanje svježine.</li> <li>• Banane, crni luk, paradajz i bijeli luk ne treba držati u frižideru.</li> </ul>
Polica frižidera - srednja	<ul style="list-style-type: none"> <li>• Mlječni proizvodi, jaja</li> </ul>
Polica frižidera - gornja	<ul style="list-style-type: none"> <li>• Hrana koju nije potrebno termički obrađivati, poput gotove hrane, mesnih preradevina, ostataka hrane.</li> </ul>
Fioka(e)/polica zamrzivača	<ul style="list-style-type: none"> <li>• Namirnice koje se drže tokom dužeg vremenskog perioda.</li> <li>• Donja fioka/polica za svježe meso, živinsko meso, ribu.</li> <li>• Srednja fioka/polica za smrznuto povrće, pomfrit.</li> <li>• Gornja fioka/polica za sladoled, smrznuto voće, smrznutu kuhanu hranu.</li> </ul>

## Preporuke za podešavanje temperaturnih vrijednosti

Ambijentalna temperatura	Odjeljak za zamrzavanje	Odjeljak za rashlađivanje
Ljetna (iznad 38°C)	/	 <p>Podesiti na 2~4</p>
Normalna	/	 <p>Podesiti na 4</p>
Zimska (ispod 16°C)	/	 <p>Podesiti na 4~6</p>

- Gore navedeni podaci korisnicima pružaju preporuke u vezi sa temperaturnim podešavanjima.

## Efekat na skladištenje hrane

- Pri preporučenim podešavanjima, optimalni period čuvanja hrane u frižideru iznosi ne duže od 3 dana.
- Pri preporučenim podešavanjima, optimalni period čuvanja hrane u zamrzivaču iznosi ne duže od 1 meseca.
- Pri drugim vrednostima podešavanja, optimalni period čuvanja hrane može biti kraći.

## Zamrzavanje svježe hrane

- Dio za zamrzavanje je pogodan za zamrzavanje svježe hrane i čuvanje zaleđene i duboko zamrznute hrane na duži vremenski period.
- Svežu hranu stavite u dio za zamrzavanje, kako biste je zamrzli.
- Maksimalna količina hrane koja može biti zaleđena u 24 sata je navedena u tablici specifikacije.
- Proces zamrzavanja traje 24 sata: tokom ovog perioda nemojte dodavati još hrane, predviđene da se zamrzne.

## Čuvanje zamrznute hrane

Ukoliko se uključuje po prvi put, ili nakon dužeg perioda van upotrebe, prije stavljanja hrane u pregradu, uređaj treba da radi najmanje 2 sata podešen na najviše vrednosti.

**VAŽNO!** Ukoliko dođe do slučajnog odmrzavanja, na primijer, ukoliko nema struje duže nego što je prikazano u tehničkim karakteristikama pod dijelom "rising time", zamrznuta hrana se mora brzo upotrebiti, ili odmah termički obraditi i onda ponovo zamrznuti (nakon što je spremljena).

## Odmrzavanje

- Duboko zamrznuta ili zaleđena hrana, prije upotrebe, može biti odmrznuta ili u pregradama frižidera ili na sobnoj temperaturi, u zavisnosti od raspoloživog vremena.
- Manji komadi se mogu čak pripremati za jelo iako su i dalje zaleđeni, direktno iz zamrzivača. U ovom slučaju priprema hrane traje duže.

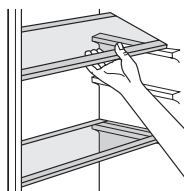
## Kocke leda

Ovaj uređaj možda nije opremljen jednom ili više posuda za pravljenje kocki leda.

## Prateći elementi

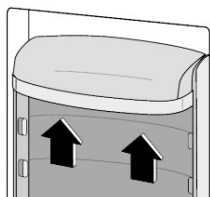
### Police koje se mogu pomjerati

Zidovi frižidera imaju niz žljebova, tako da se police mogu podešavati po želji.



## Podešavanje policica na vratima

Kako biste omogućili odlaganje hrane različitih veličina, police na vratima mogu biti podešena na različite nivoe. Kako biste ovo prilagodili, učinite sljedeće: postepeno spuštajte policu u smjeru strelice, dok se bude slobodna, a onda je pozicionirajte po potrebi.



## Korisni saveti

Kako bismo vam pomogli da što bolje iskoristite proces zamrzavanja, evo nekih važnih savjeta:

- maksimalna količina hrane koja može biti zaleđena u 24 sata je navedena na tablici specifikacije;
- proces zamrzavanja traje 24 sata. Tokom ovog perioda ne bi bilo poželjno dodavanje hrane za zamrzavanje;
- zamrzavajte samo kvalitetnu, svežu i potpuno očišćenu hranu;
- hrana treba da bude podijeljena u manje porcije, kako bi bilo omogućeno brže i potpuno zamrzavanje, i kako bi se kasnije mogla odmrznuti samo potrebna količina;
- hranu zavijte u aluminijumsku ili polietilensku foliju i pobrinite se da pakovanja ne propuštaju vazduh; nemojte da dozvolite da nezaleđena hrana dodiruje već zaleđenu, kako biste joj izbegli porast temperature.
- nemasna hrana se čuva bolje i duže do masne; so smanjuje vijek trajanja čuvane hrane;
- ukoliko se kockice leda upotrijebe odmah nakon što su izvadene iz zamrzivača, mogu izazvati promrzline na koži;
- uklanjanje hrane iz dijela za zamrzavanje može izazvati promrzline na koži;
- savjetuje se, da na svakom paketiću smrznute hrane navedete datum zamrzavanja, da biste znali koliko dugo se čuva.

## Savjeti za čuvanje zamrznute hrane

Kako biste dobili najbolji učinak od ovog uređaja, treba da:

- da provjerite, da je komercijalno zamrznutu hranu adekvatno čuvao prodavac;
- postarajte se da hrana bude prenesena od prodavnice do zamrzivača u najkraćem mogućem roku;
- Ne otvarajte vrata često, i ne ostavljajte ih otvorena duže nego što je potrebno. Hrana koja se jednom odmrzne brzo propada i ne može biti ponovo zamrznuta.
- Nemojte prekoračivati rok za čuvanje, koji je naznačio proizvođač.

## Savjeti za hlađenje sveže hrane

Kako biste dobili najbolji učinak:

- Ne čuvajte vruću hranu ili tečnosti koje isparavaju u frižideru
- Pokrijte ili uvijte hranu, naročito ako ima jak miris
- Meso: uvijte u polietilenske kese i stavite na staklene police iznad fioke za povrće.
- Radi sigurnosti, hranu na ovaj način čuvajte jedan dan, najviše dva.
- Kuhana hrana, hladna jela, itd...: treba ih pokriti i mogu se odložiti na bilo koju policu.
- Voće i povrće: treba da bude temeljno oprano i odloženo u fioke, namenjene za njihovo čuvanje.
- Buter i sir: treba da budu stavljeni u specijalne posude koje ne propuštaju vazduh, ili zavijeni u aluminijumske folije ili polietilenske kese kako bi se uklonilo što više vazduha.

<sup>1</sup> Ukoliko je kondenzator pozicioniran na poleđini uređaja.

- Boce s mlijekom/jogurtom: treba da budu zatvorene i da se čuvaju u policama na vratima.
- Banane, krompir, luk i bijeli luk, ukoliko nisu zapakovani, ne smiju biti čuvani u frižideru.

## Čišćenje

Iz higijenskih razloga unutrašnjost uređaja, uključujući i unutrašnje elemente, treba čistiti redovno.

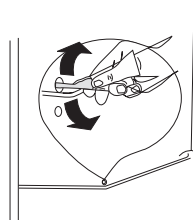
### ! OPREZI

Uređaj ne smije biti povezan strujom tokom čišćenja. Postoji opasnost od strujnog udara! Prije čišćenja uređaja, isključite ga i prekinite dotok električne energije, ili isključite automatsku sklopku ili osigurač. Uređaj nikako ne čistite paročistačem. Vлага može da se nakupi u električnim komponentama, opasnost od strujnog udara! Vrela isparenja mogu dovesti do oštećenja plastičnih dijelova. Uređaj mora biti suh prije ponovne upotrebe..

**VAŽNO!** Eterična ulja i organski rastvarači mogu nagrasti plastične dijelove, na primjer limunov sok, ili sok od pomorandžine kore, karboksilne kiseline, sredstva za čišćenje koja sadrže sircetnu kiselinu.

## Čišćenje odvoda

Kako biste izbjegli da odleđena voda ulazi u frižider, povremeno očistite odvod na zadnjoj strani dijela za hlađenje. Koristite sredstvo za čišćenje, kako biste očistili rupu kako je prikazano na slici.



- Ne dozvolite da ovakve supstance dođu u kontakt sa dijelovima uređaja.
- Nemojte koristiti abrazivna sredstva za čišćenje
- Uklonite hranu iz zamrzivača. Hranu čuvajte na hladnom mjestu, i dobro je pokrijte.
- Isključite uređaj i prekinite dotok električne energije, ili isključite automatsku sklopku ili osigurač.
- Očistite uređaj i unutrašnje elemente tkaninom i mlakom vodom. Nakon čišćenja isperite čistom vodom i osušite krpom.
- Nakon što sve bude suho, ponovo uključite uređaj.

## Otapanje zamrzivača

Vremenom će dio za zamrzavanje biti prekriven slojem leda. Njega treba ukloniti. Nikad ne koristite oštre metalne alate da biste skinuli led sa isparivača, budući da ga tako možete oštetiti.

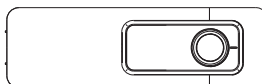
Međutim, ukoliko je sloj leda veoma debeo sa unutrašnje strane, potpuni proces odleđivanja treba obaviti na sljedeći način:

- prekinite napajanje uređaja strujom;
- uklonite svu hranu iz uređaja, umotajte je u nekoliko slojeva novina i odložite je na hladno mjesto;
- držite vrata otvorena, i postavite ne previše duboku posudu ispod uređaja, kako bi se tu sakupljala odleđena voda;
- kada proces odleđivanja bude gotov, temeljno osušite unutrašnjost, ponovo povežite uređaj na napajanje.

## Menjanje sijalice

### ! OPREZ!

Unutrašnje svjetlo je tipa LED. Kako biste uklonili sijalicu, molimo vas da kontaktirate kvalifikovanog majstora.



## RJEŠAVANJE PROBLEMA

### ! OPREZ!

Prije rešavanja problema, prekinite napajanje električnom energijom. Samo kvalifikovani električar ili kompetentna osoba treba da riješi problem koji nije naveden u ovom uputstvu.

**VAŽNO!** Postoje određeni zvukovi, koje uređaj proizvodi tokom normalne upotrebe (kompresor, rashladni dio uređaja).

Problem	Mogući uzrok	Rješenje
Uređaj ne radi	Regulator temperature je postavljen na "0".	Postavite regulator temperature na neki drugi broj, kako biste uključili uređaj.
	Uređaj nije priključen na strujno kolo.	Utaknite utikač.
	Osigurač je ispao ili je neispravan.	Provjerite osigurač, zamijenite ga ako je potrebno.
	Utičnica je neispravna.	Kvarove utikača treba da popravi električar.
Hrana je pretopla.	Temperatura nije pravilno podešena.	Molimo vas, pogledajte odjeljak za osnovni nivo temperature.
	Vrata su bila otvorena duže vremena.	Držite vrata otvorenim samo onoliko, koliko je potrebno.
	Velika količina tople hrane je stavljena u uređaj u poslednja 24 sata.	Podesite regulator temperature na privremeno na nižu temperaturu.
	Uređaj je blizu izvora toplote.	Molimo vas, pogledajte odeljak za lokaciju i instalaciju.
Uređaj previše hladi	Regulator temperature je podešen na hladno.	Podesite regulator temperature na privremeno na višu temperaturu
Neobični zvukovi	Uređaj nije nivelisan.	Ponovo podesite nožice.
	Uređaj dodiruje zid ili druge predmete.	Malo pomjerite uređaj.
	Dio, kao što je cjevovod na zadnjoj strani uređaja, dodiruje druge dijelove uređaja ili zid.	Ukoliko je potrebno, pažljivo uklonite dio koji predstavlja prepreku.
Voda na podu	Odvod je blokiran.	Pogledajte odjeljak za čišćenje.
Ploča sa strane je vruća	Kondenzator je unutar ploče.	To je normalno.

Ukoliko se kvar pojavi ponovo, kontaktirajte Servisni centar.

## ΠΛΗΡΟΦΟΡΙΕΣ ΓΙΑ ΤΗΝ ΑΣΦΑΛΕΙΑ


Προς το συμφέρον της ασφάλειάς σας και για να εξασφαλίσετε τη σωστή χρήση, πριν εγκαταστήσετε και χρησιμοποιήσετε για πρώτη φορά τη συσκευή διαβάστε προσεκτικά το παρόν εγχειρίδιο χρήστη, συμπεριλαμβανομένων των υποδείξεων και των προειδοποιήσεών του. Για να αποφύγετε περιττά λάθη και ατυχήματα, είναι σημαντικό να εξασφαλίσετε ότι όλα τα άτομα που χρησιμοποιούν τη συσκευή είναι πλήρως εξοικειωμένα με τη λειτουργία και τα χαρακτηριστικά ασφαλείας της. Αποθηκεύστε αυτές τις οδηγίες και βεβαιωθείτε ότι παραμένουν στη συσκευή σε περίπτωση που μετακινηθεί ή πωληθεί, ώστε όλοι όσοι θα τη χρησιμοποιούν καθ' όλη τη διάρκεια της ζωής της να ενημερώνονται σωστά για τη χρήση και την ασφάλεια της συσκευής.

Για την ασφάλεια της ζωής και της περιουσίας, τηρήστε τις προφυλάξεις αυτών των οδηγιών χρήσης, αφού ο κατασκευαστής δεν φέρει ευθύνη για τις ζημιές που θα προκληθούν από παράλειψη.

### Ασφάλεια παιδιών και ευάλωτων ατόμων

- Αυτή η συσκευή μπορεί να χρησιμοποιείται από παιδιά ηλικίας 8 ετών και άνω και από άτομα με μειωμένες σωματικές, αισθητικές ή διανοητικές ικανότητες ή έλλειψη πείρας και γνώσης, εφόσον είναι υπό επίβλεψη ή τους έχουν δοθεί οδηγίες για τη χρήση της συσκευής με ασφαλή τρόπο και έχουν κατανοήσει τους κινδύνους που υπάρχουν.
- Παιδιά ηλικίας από 3 έως 8 ετών επιτρέπεται να τοποθετούν και να αφαιρούν τρόφιμα από αυτήν τη συσκευή.
- Πρέπει να υπάρχει επίβλεψη των παιδιών ώστε να μην παίζουν με τη συσκευή.
- Ο καθαρισμός και η συντήρηση από τον χρήστη δεν πρέπει να γίνονται από παιδιά, εκτός εάν είναι άνω των 8 ετών και βρίσκονται υπό επίβλεψη.
- Κρατήστε όλα τα υλικά συσκευασίας μακριά από παιδιά. Υπάρχει κίνδυνος ασφυξίας.
- Για να απορρίψετε τη συσκευή, τραβήξτε το βύσμα από την πρίζα, κόψτε το καλώδιο σύνδεσης (όσο πιο κοντά στη συσκευή μπορείτε) και αφαιρέστε την πόρτα για να αποτρέψετε την ηλεκτροπληξία ή τον εγκλωβισμό παιδιών.
- Εάν αυτή η συσκευή διαθέτει μαγνητικό λάστιχο στεγανοποίησης της πόρτας για την αντικατάσταση παλαιότερης συσκευής που έχει κλειδαριά με ελατήριο (μάνδαλο) στην πόρτα ή το καπάκι, φρονίστε να αχρηστεύσετε την κλειδαριά με ελατήριο πριν απορρίψετε την παλιά συσκευή. Με αυτόν τον τρόπο θα αποτραπεί ο θανάσιμος εγκλωβισμός κάποιου παιδιού.

### Γενική ασφάλεια

** ΠΡΟΕΙΔΟΠΟΙΗΣΗ!** Διατηρήστε ελεύθερες τις οπές εξαερισμού, στο περίβλημα της συσκευής ή στην ενσωματωμένη δομή της, απομακρύνοντας τυχόν εμπόδια.

**⚠️ ΠΡΟΕΙΔΟΠΟΙΗΣΗ!** Μην χρησιμοποιείτε μηχανικές συσκευές ή οποιαδήποτε άλλα μέσα για να επιταχύνετε τη διαδικασία απόψυξης, εκτός από αυτά που συνιστώνται από τον κατασκευαστή.

**⚠️ ΠΡΟΕΙΔΟΠΟΙΗΣΗ!** Μην προκαλείτε ζημιά στο κύκλωμα ψυκτικού υγρού.

**⚠️ ΠΡΟΕΙΔΟΠΟΙΗΣΗ!** Μην χρησιμοποιείτε άλλες ηλεκτρικές συσκευές (όπως παγωτομηχανές) μέσα σε ψυκτικές συσκευές, εκτός εάν έχουν εγκριθεί για το σκοπό αυτό από τον κατασκευαστή.

**⚠️ ΠΡΟΕΙΔΟΠΟΙΗΣΗ!** Μην αγγίζετε τη λάμπα εάν ήταν αναμμένη για μεγάλο χρονικό διάστημα, διότι θα μπορούσε να είναι καυτή.<sup>1</sup>

**⚠️ ΠΡΟΕΙΔΟΠΟΙΗΣΗ!** Κατά την τοποθέτηση της συσκευής, βεβαιωθείτε ότι το καλώδιο τροφοδοσίας δεν είναι παγιδευμένο ή κατεστραμμένο.

**⚠️ ΠΡΟΕΙΔΟΠΟΙΗΣΗ!** Μην τοποθετείτε φορητά πολύπριζα ή φορητά τροφοδοτικά στο πίσω μέρος της συσκευής

- Μην αποθηκεύετε εκρηκτικές ουσίες, όπως δοχεία αεροζόλ με εύφλεκτο προωθητικό, σε αυτήν τη συσκευή.
- Το κύκλωμα ψυκτικού της συσκευής περιέχει το ψυκτικό «ισοβουτένιο» (R600a), το οποίο είναι φυσικό αέριο με υψηλό επίπεδο περιβαλλοντικής συμβατότητας, όμως είναι εύφλεκτο.
- Κατά τη μεταφορά και την εγκατάσταση της συσκευής, βεβαιωθείτε ότι κανένα από τα εξαρτήματα του κυκλώματος ψυκτικού υγρού δεν έχει υποστεί ζημιά.
  - αποφεύγετε τις ανοιχτές φλόγες και τις πηγές ανάφλεξης
  - αερίζετε σχολαστικά τον χώρο όπου βρίσκεται η συσκευή
- Είναι επικίνδυνο να αλλάξετε τις προδιαγραφές ή να τροποποιήσετε αυτό το προϊόν με οποιονδήποτε τρόπο. Τυχόν ζημιά στο καλώδιο μπορεί να προκαλέσει βραχυκύκλωμα, πυρκαγιά ή/και ηλεκτροπληξία.
- Αυτή η συσκευή προορίζεται για χρήση σε οικιακές και παρόμοιες εφαρμογές όπως
  - χώροι κουζίνας προσωπικού σε καταστήματα, γραφεία και άλλους χώρους εργασίας·
  - αγροικίες και πελάτες σε ξενοδοχεία, μοτέλ και άλλα περιβάλλοντα τύπου κατοικίας·
  - χώροι καταλυμάτων με πρβινό·
  - τροφοδοσία και παρόμοιες εφαρμογές μη λιανικής πώλησης.

**⚠️ ΠΡΟΕΙΔΟΠΟΙΗΣΗ!** Τυχόν ηλεκτρικά εξαρτήματα (βύσμα, καλώδιο τροφοδοσίας, συμπιεστής κ.λπ.) πρέπει να αντικαθίστανται από πιστοποιημένο αντιπρόσωπο σέρβις ή εξειδικευμένο προσωπικό σέρβις.

**⚠️ ΠΡΟΕΙΔΟΠΟΙΗΣΗ!** Το λαμπτήρας που παρέχεται με αυτήν τη συσκευή είναι «λαμπτήρας ειδικής χρήσης» που μπορεί να χρησιμοποιηθεί μόνο με

<sup>1</sup> Εάν υπάρχει φως στο διαμέρισμα.

την παρεχόμενη συσκευή. Αυτή η «λάμπα ειδικής χρήσης» δεν μπορεί να χρησιμοποιηθεί για οικιακό φωτισμό.<sup>1</sup>

- Το καλώδιο τροφοδοσίας δεν πρέπει να επιμηκυνθεί.
- Φροντίστε ώστε το βύσμα τροφοδοσίας να μη συνθλιβεί ή φθαρεί από το πίσω μέρος της συσκευής. Ένα συνθλιμμένο ή φθαρμένο βύσμα μπορεί να υπερθερμανθεί και να προκαλέσει πυρκαγιά.
- Βεβαιωθείτε ότι μπορείτε να προσεγγίσετε το βύσμα τροφοδοσίας της συσκευής.
- Μην τραβάτε το καλώδιο ρεύματος.
- Εάν η πρίζα είναι χαλαρή, μην εισαγάγετε το βύσμα. Υπάρχει κίνδυνος ηλεκτροπληξίας ή πυρκαγιάς.
- Δεν πρέπει να χρησιμοποιείτε τη συσκευή χωρίς τη λάμπα.
- Αυτή η συσκευή είναι βαριά. Πρέπει να προσέχετε κατά τη μετακίνηση.
- Μην αφαιρείτε ή αγγίζετε αντικείμενα από το διαμέρισμα κατάψυξης εάν τα χέρια σας είναι υγρά/βρεγμένα, αφού αυτό μπορεί να προκαλέσει εκδορές ή κρυογενή εγκαύματα στο δέρμα.
- Αποφεύγετε την παρατεταμένη έκθεση της συσκευής στο άμεσο ηλιακό φως.

## Καθημερινή χρήση

- Μην βάζετε καυτά αντικείμενα στα πλαστικά μέρη της συσκευής.
- Μην ακουμπάτε τα τρόφιμα απευθείας στον πίσω τοίχο.
- Τα κατεψυγμένα τρόφιμα δεν πρέπει να καταψύχονται πάλι αφού ξεπαγώσουν.<sup>2</sup>
- ποθηκεύετε τα προσυσκευασμένα κατεψυγμένα τρόφιμα σύμφωνα με τις οδηγίες του παρασκευαστή κατεψυγμένων τροφίμων, .<sup>2</sup>
- Οι συστάσεις του κατασκευαστή της συσκευής σχετικά με την αποθήκευση θα πρέπει να τηρούνται αυστηρά. Ανατρέξτε στις σχετικές οδηγίες.
- Μην τοποθετείτε ανθρακούχα ή αεριούχα ποτά στο διαμέρισμα της κατάψυξης, διότι αυτό δημιουργεί πίεση στο δοχείο, η οποία μπορεί να προκαλέσει έκρηξη, με αποτέλεσμα να προκληθεί ζημιά στη συσκευή.<sup>2</sup>
- Τα γλειφιτζούρια πάγου μπορεί να προκαλέσουν κρυογενή εγκαύματα εάν καταναλωθούν κατευθείαν από τη συσκευή.<sup>2</sup>

Για να αποφύγετε τη μόλυνση των τροφίμων, ακολουθείτε τις παρακάτω οδηγίες

- Το άνοιγμα της πόρτας για πολλή ώρα μπορεί να προκαλέσει σημαντική αύξηση της θερμοκρασίας στα διαμερίσματα της συσκευής.
- Καθαρίζετε τακτικά τις επιφάνειες που μπορούν να έρθουν σε επαφή με τρόφιμα και τα προσβάσιμα συστήματα αποχέτευσης.
- Καθαρίζετε τα δοχεία νερού εάν δεν έχουν χρησιμοποιηθεί για 48 ώρες. Ξεπλένετε το σύστημα νερού που είναι συνδεδεμένο σε παροχή νερού εάν δεν έχει ληφθεί νερό για 5 ημέρες.

<sup>2</sup> Εάν υπάρχει διαμέρισμα κατάψυξης.

- Φυλάσσετε το ωμό κρέας και τα ωμά ψάρια σε κατάλληλα δοχεία στο ψυγείο, ώστε να μην έρχονται σε επαφή ή στάζουν σε άλλα τρόφιμα.
- Τα διαμερίσματα κατάψυξης δύο αστέρων (εάν υπάρχουν στη συσκευή) είναι κατάλληλα για αποθήκευση προκατεψυγμένων τροφίμων, την αποθήκευση ή παρασκευή παγωτού και την παρασκευή παγοκύβων.
- Τα διαμερίσματα ενός, δύο και τριών αστέρων (εάν υπάρχουν στη συσκευή) δεν είναι κατάλληλα για την κατάψυξη φρέσκων τροφίμων.
- Εάν η συσκευή παραμείνει κενή για μεγάλα χρονικά διαστήματα, απενεργοποιήστε τη, κάντε απόψυξη, καθαρίστε τη, στεγνώστε τη και αφήστε την πόρτα ανοιχτή για να αποτρέψετε την ανάπτυξη μούχλας μέσα στη συσκευή.

## Φροντίδα και καθαρισμός

- Πριν από τη συντήρηση, απενεργοποιήστε τη συσκευή και αποσυνδέστε το βύσμα από την πρίζα.
- Μην καθαρίζετε τη συσκευή με μεταλλικά αντικείμενα.
- Μην χρησιμοποιείτε αιχμηρά αντικείμενα για να αφαιρέσετε τον πάγο από τη συσκευή. Χρησιμοποιείτε πλαστική ξύστρα.
- Ελέγχετε τακτικά μήπως υπάρχει νερό που προέρχεται από απόψυξη στην οπή αποστράγγισης του ψυγείου. Εάν είναι απαραίτητο, καθαρίστε την αποστράγγιση. Εάν η αποστράγγιση είναι φραγμένη, θα συγκεντρωθεί νερό στο κάτω μέρος της συσκευής.<sup>3</sup>

## Εγκατάσταση

- **ΣΗΜΑΝΤΙΚΟ!** Για ηλεκτρική σύνδεση, ακολουθήστε προσεκτικά τις οδηγίες που δίνονται σε συγκεκριμένες παραγράφους.
- Αποσυνδεύστε τη συσκευή και ελέγξτε αν παρουσιάζει ζημιές. Μην συνδέσετε τη συσκευή εάν έχει υποστεί ζημιά. Αναφέρετε αμέσως πιθανές ζημιές στο κατάστημα όπου τη αγοράσατε. Σε αυτήν την περίπτωση, φυλάξτε τη συσκευασία.
- Συνιστάται να περιμένετε τουλάχιστον τέσσερις ώρες πριν συνδέσετε τη συσκευή, για να μπορέσει το λάδι να επιστρέψει στον συμπιεστή.
- Πρέπει να εξασφαλίζεται επαρκής κυκλοφορία αέρα γύρω από τη συσκευή, ειδάλλως προκαλείται υπερθέρμανση. Για να επιτύχετε επαρκή αερισμό, ακολουθήστε τις οδηγίες που αφορούν την εγκατάσταση.
- Όπου είναι δυνατόν, οι αποστάτες του προϊόντος θα πρέπει να εφάπτονται σε τοίχο για να αποφεύγεται η επαφή ή το πιάσιμο θερμών μερών (συμπιεστής, συμπυκνωτής), για την αποτροπή πιθανού εγκαύματος.
- Η συσκευή δεν πρέπει να βρίσκεται κοντά σε θερμαντικά σώματα ή κουζίνες μαγειρέματος.
- Βεβαιωθείτε ότι μετά την εγκατάσταση της συσκευής υπάρχει πρόσβαση στο βύσμα τροφοδοσίας

<sup>2</sup> Εάν υπάρχει διαμέρισμα κατάψυξης.

<sup>3</sup> Εάν υπάρχει διαμέρισμα αποθήκευσης φρέσκων τροφίμων.




## Σέρβις


- Τυχόν ηλεκτρολογικές εργασίες που απαιτούνται για τη συντήρηση της συσκευής θα πρέπει να εκτελούνται από εξειδικευμένο ηλεκτρολόγο ή αρμόδιο πρόσωπο.
- Αυτό το προϊόν πρέπει να συντηρείται από εξουσιοδοτημένο κέντρο συντήρησης και πρέπει να χρησιμοποιούνται μόνο γνήσια ανταλλακτικά.

## Εξοικονόμηση ενέργειας

- Μην βάζετε καυτό φαγητό στη συσκευή.
- Μην τοποθετείτε τα τρόφιμα κοντά το ένα με το άλλο, αφού αυτό εμποδίζει την κυκλοφορία του αέρα.
- Βεβαιωθείτε ότι τα τρόφιμα δεν αγγίζουν το πίσω μέρος του διαμερίσματος.
- Σε περίπτωση διακοπής ρεύματος, μην ανοίγετε την πόρτα ή τις πόρτες.
- Μην ανοίγετε συχνά την πόρτα ή τις πόρτες.
- Μην κρατάτε την πόρτα ή τις πόρτες ανοιχτές για πολλή ώρα.
- Μην ρυθμίζετε το θερμοστάτη σε υπερβολικά χαμηλή θερμοκρασία.
- Όλα τα αξεσουάρ, όπως συρτάρια και μπαλκόνια ραφιών, θα πρέπει να φυλάσσονται εκεί για χαμηλότερη κατανάλωση ενέργειας.

## Προστασία του περιβάλλοντος

 Αυτή η συσκευή δεν περιέχει, είτε στο κύκλωμα ψυκτικού υγρού είτε στα μονωτικά υλικά, αέρια που θα μπορούσαν να καταστρέψουν τη στιβάδα του όζοντος. Η συσκευή δεν πρέπει να απορριφθεί μαζί με τα οικιακά απόβλητα και τα απορρίμματα. Ο μονωτικός αφρός περιέχει εύφλεκτα αέρια: η συσκευή πρέπει να απορριφθεί σύμφωνα με τους κανονισμούς για τις συσκευές, τους οποίους μπορείτε να λάβετε από τις τοπικές αρχές. Αποφύγετε να προκαλέσετε ζημιά στη μονάδα ψύξης, ιδίως στον εναλλάκτη θερμότητας. Τα υλικά που χρησιμοποιούνται σε αυτήν τη συσκευή με το σύμβολο O είναι ανακυκλώσιμα.

 Το σύμβολο στο προϊόν ή στη συσκευασία του υποδεικνύει ότι το συγκεκριμένο προϊόν δεν πρέπει να απορριφθεί ως οικιακό απόβλητο. Αντιθέτως θα πρέπει να μεταφερθεί σε κατάλληλο σημείο συλλογής για την ανακύκλωση ηλεκτρικού και ηλεκτρονικού εξοπλισμού. Φροντίζοντας για την ορθή απόρριψη του προϊόντος αυτού συμβάλλετε στην αποτροπή πιθανών αρνητικών επιπτώσεων στο περιβάλλον και την ανθρώπινη υγεία, οι οποίες διαφορετικά ενδέχεται να προκληθούν από την ακατάλληλη απόρριψη αυτού του προϊόντος. Για αναλυτικότερες πληροφορίες σχετικά με την ανακύκλωση αυτού του προϊόντος, επικοινωνήστε με τις τοπικές αρχές, την υπηρεσία απόρριψης των οικιακών σας απορριμμάτων ή το κατάστημα από το οποίο αγοράσατε το προϊόν.

## Υλικά συσκευασίας

Τα υλικά με αυτό το σύμβολο είναι ανακυκλώσιμα.

Απορρίψτε τη συσκευασία σε κατάλληλο κάδο συλλογής για ανακύκλωση.

## Απόρριψη της συσκευής

1. Αποσυνδέστε το βύσμα από την πρίζα.
2. Κόψτε το καλώδιο τροφοδοσίας και πετάξτε το.



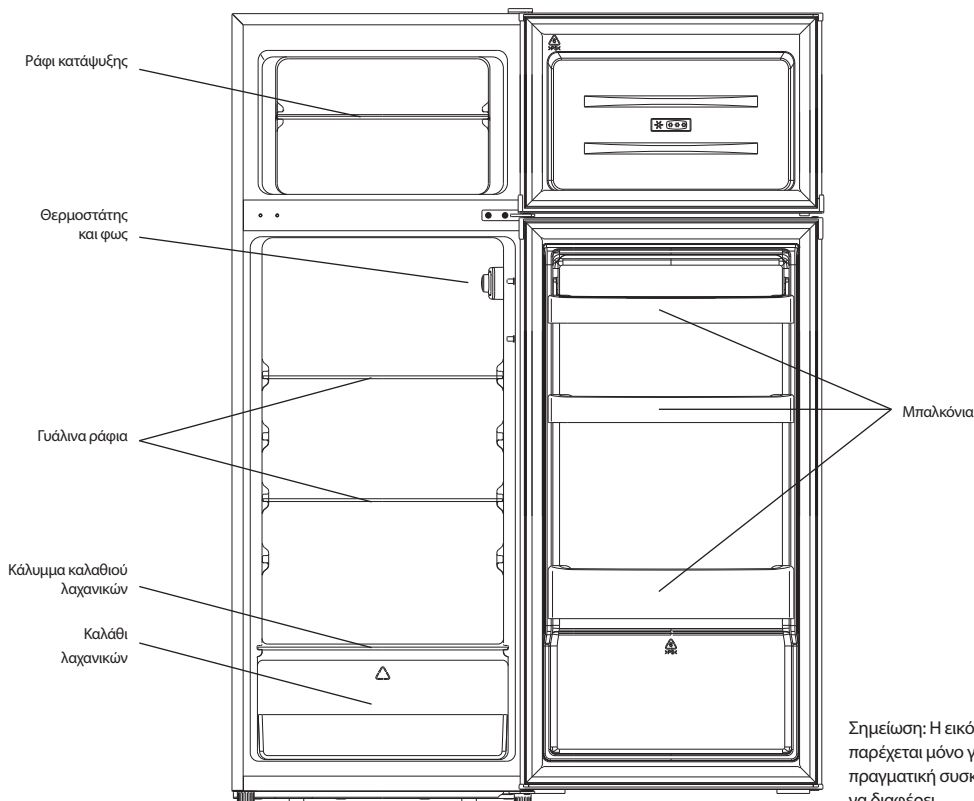
### ΠΡΟΕΙΔΟΠΟΙΗΣΗ!

Κατά τη χρήση, τη συντήρηση και την απόρριψη της συσκευής, προσέξτε ένα σύμβολο παρόμοιο με της αριστερής πλευράς, το οποίο βρίσκεται στο πίσω μέρος της συσκευής (πίσω πλαίσιο ή συμπιεστής) και με κίτρινο ή πορτοκαλί χρώμα.

Είναι σύμβολο προειδοποίησης για τον κίνδυνο πυρκαγιάς. Στους σωλήνες ψυκτικού υγρού και στον συμπιεστή υπάρχουν εύφλεκτα υλικά.

Κατά τη χρήση, τη συντήρηση και την απόρριψη, παραμένετε μακριά από φωτιές.

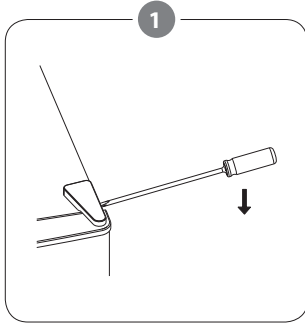
## ΕΠΙΣΚΟΠΗΣΗ



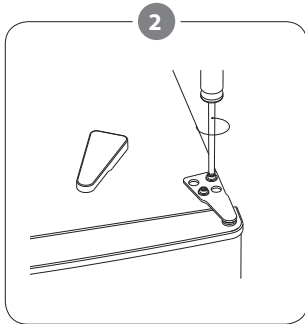
# ΑΝΑΣΤΡΟΦΗ ΠΟΡΤΑΣ

Απαιτούμενα εργαλεία: Κατσαβίδι τύπου Phillips, κατσαβίδι με επίπεδη μύτη, εξαγωνικό κλειδί.

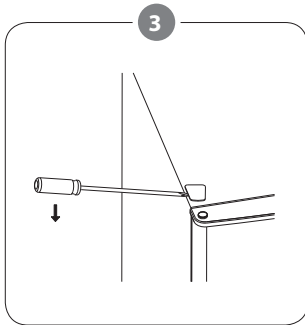
- Βεβαιωθείτε ότι η συσκευή δεν είναι συνδεδεμένη με την πρίζα και είναι κενή.
- Για να αφαιρέσετε την πόρτα είναι απαραίτητο να γείρετε τη συσκευή προς τα πίσω. Θα πρέπει να ακουμπήσετε τη συσκευή σε κάτι γερό, ώστε να μην γλιστρήσει κατά τη διαδικασία αναστροφής της πόρτας.
- Όλα τα εξαρτήματα που αφαιρέθηκαν πρέπει να αποθηκευτούν για να γίνει η επανεγκατάσταση της πόρτας.
- Μην ξαπλώσετε τη συσκευή οριζοντίως, διότι αυτό μπορεί να βλάψει το σύστημα ψυκτικού.
- Είναι προτιμότερο να χειρίζονται τη συσκευή 2 άτομα κατά τη συναρμολόγηση.



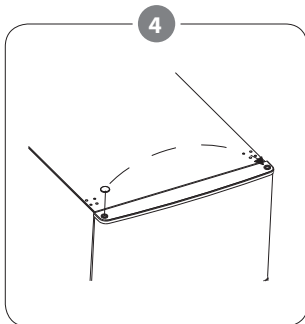
Αφαιρέστε προσεκτικά το επάνω μεντεσέ κάλυμμα με ένα επίπεδο κατσαβίδι.



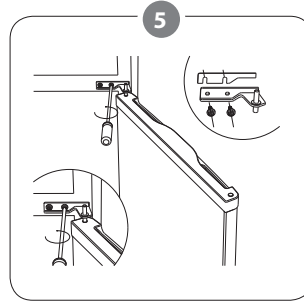
Ξεβιδώστε τον επάνω μεντεσέ με ένα κατσαβίδι Philips.



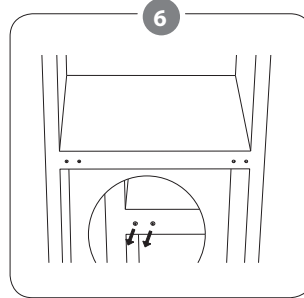
Αφαιρέστε το κάλυμμα της οπής με ένα επίπεδο κατσαβίδι.



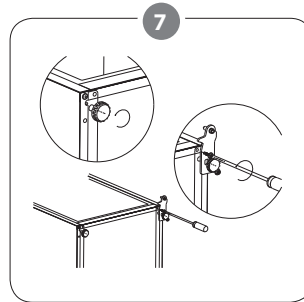
Μετακινήστε το κάλυμμα του πυρήνα από την αριστερή στη δεξιά πλευρά. Στη συνέχεια σηκώστε την άνω πόρτα και τοποθετήστε τη σε μια επενδεδυμένη επιφάνεια για να μην γρατσουνιστεί.



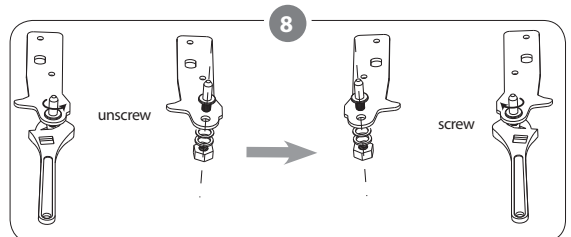
Ξεβιδώστε τον μεσαίο μεντεσέ και στη συνέχεια σηκώστε την κάτω πόρτα και βάλτε την πάνω σε μαλακό υπόστρωμα για να μην γρατσουνιστεί.



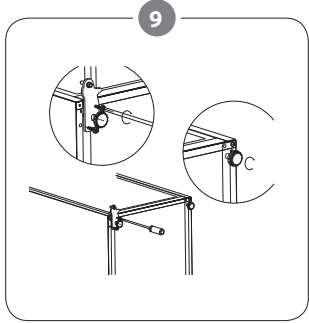
Μετακινήστε δύο καλύμματα της μεσαίας οπής από τα αριστερά στα δεξιά.



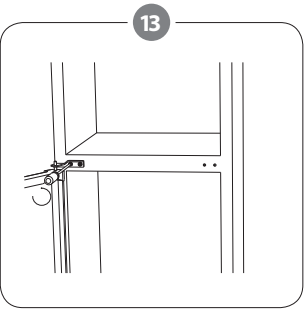
Ξαπλώστε το πίσω μέρος του θαλάμου σε ένα μαλακό υπόστρωμα. Και ξεβιδώστε τον κάτω μεντεσέ και το πόδι οριζοντίως.



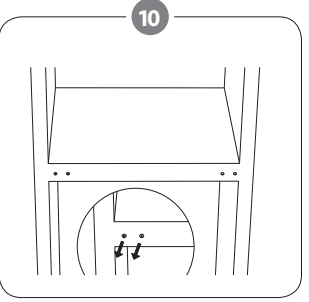
Ξεβιδώστε και αφαιρέστε τον πείρο του κάτω μεντεσέ, αναποδογυρίστε τον βραχίονα και επανατοποθετήστε τον.



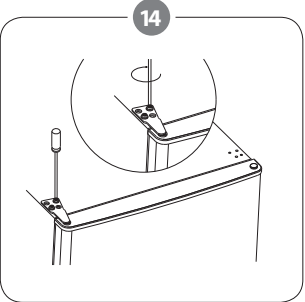
9  
Εγκαταστήστε τον μεντεσέ στην αριστερή πλευρά και τη βάση ποδιών στη δεξιά πλευρά. Στη συνέχεια βιδώστε δύο πόδια οριζοντίως με τα αρχικά τους εξαρτήματα.



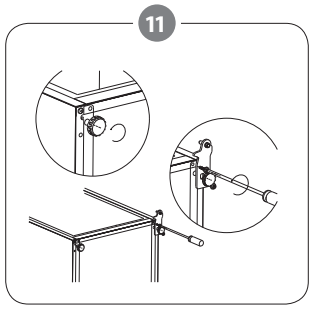
13  
Τοποθετήστε τον μεσαίο μεντεσέ.



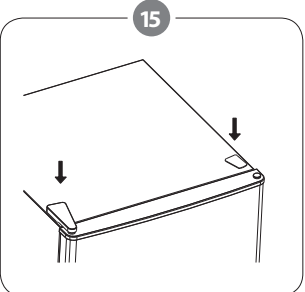
10  
Μετακινήστε δύο καλύμματα της μεσαίας οπής από αριστερά στα δεξιά.



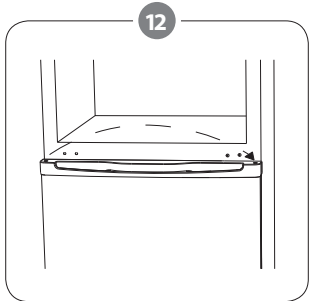
14  
Εγκαταστήστε την άνω πόρτα με τον άνω μεντεσέ.



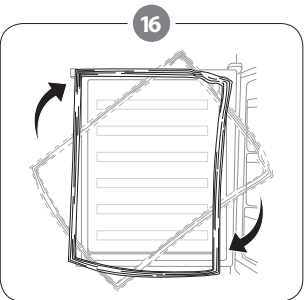
11  
Ξαπλώστε το πίσω μέρος του ντουλαπιού σε ένα μαλακό υπόστρωμα. Και ξεβιδώστε τον κάτω μεντεσέ και το πόδι οριζοντίως.



15  
Πιέστε προς τα μέσα το κάλυμμα του μεντεσέ και το κάλυμμα της οπής στο πάνω μέρος της συσκευής.



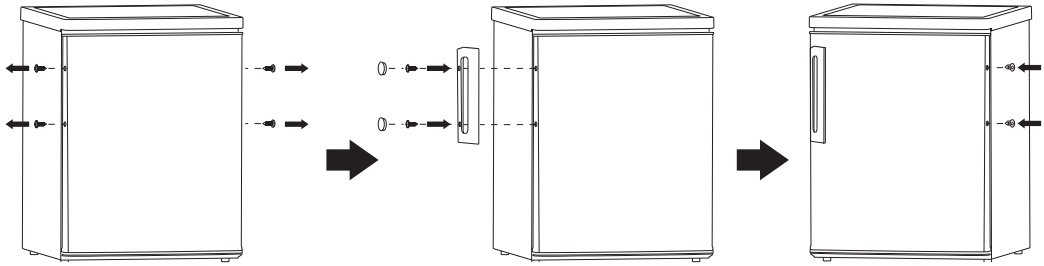
12  
Σηκώστε όρθια τη συσκευή και τοποθετήστε τον μεσαίο μεντεσέ. Βεβαιωθείτε ότι ο πυρήνας του κάτω μεντεσέ έχει εισαχθεί στην οπή της πόρτας. Στη συνέχεια, μετακινήστε το κάλυμμα της οπής του μεντεσέ της κάτω πόρτας από την αριστερή πλευρά στη δεξιά πλευρά.



16  
Αποσυνδέστε τα λάστιχα στεγανοποίησης της πόρτας του ψυγείου και της κατάψυξης και στη συνέχεια συνδέστε τα, αφού πρώτα τα περιστρέψετε.

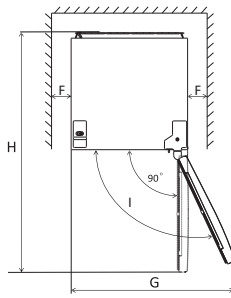
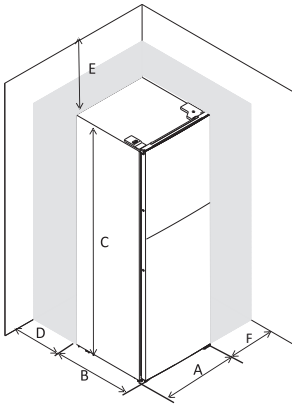
# ΕΓΚΑΤΑΣΤΑΣΗ

Εγκατάσταση εξωτερικής λαβής πόρτας (εάν υπάρχει εξωτερική λαβή)



## Απαιτήσεις χώρου

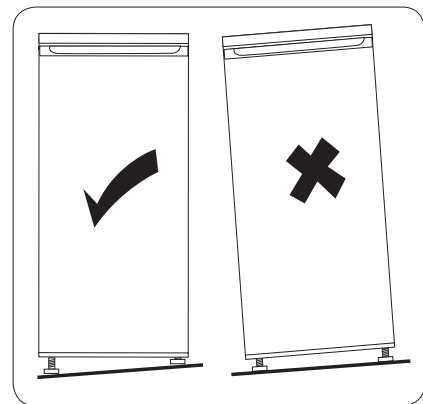
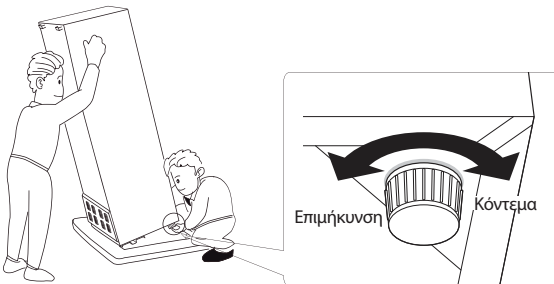
Αφήστε αρκετό χώρο για το άνοιγμα των θυρών.



A	555
B	555
C	1430
D	min=50
E	min=50
F	min=50
G	1110
H	1110
I	135°

## Οριζοντίωση της συσκευής

Για να γίνει αυτό, ρυθμίστε τα δύο πόδια οριζοντίωσης στο μπροστινό μέρος της συσκευής. Αν η συσκευή δεν είναι οριζοντιωμένη, η πόρτα και το μαγνητικό λάστιχο στεγανοποίησης δεν θα ευθυγραμμίζονται σωστά.



## Τοποθέτηση

Εγκαταστήστε αυτήν τη συσκευή σε θέση όπου η θερμοκρασία περιβάλλοντος αντιστοιχεί στην κλιματική κλάση που αναφέρεται στην πινακίδα χαρακτηριστικών της συσκευής:

Κλιματική κλάση	Θερμοκρασία περιβάλλοντος
SN	+10°C έως 32°C
N	+16°C έως 32°C
ST	+16°C έως +38°C
T	+16°C έως 43°C

## Θέση

Η συσκευή θα πρέπει να εγκατασταθεί πολύ μακριά από πηγές θερμότητας, όπως σώματα καλοριφέρ, λέβητες, άμεσο ηλιακό φως κ.λπ. Βεβαιωθείτε ότι ο αέρας μπορεί να κυκλοφορεί ελεύθερα γύρω από το πίσω μέρος του θαλάμου, για να εξασφαλίσετε την καλύτερη απόδοση. Εάν η συσκευή τοποθετηθεί κάτω από αναρτημένη συσκευή τοίχου, η ελάχιστη απόσταση μεταξύ του άνω μέρους του θαλάμου και της συσκευής τοίχου πρέπει να είναι τουλάχιστον 50 mm. Ωστόσο, η συσκευή ιδανικά δεν θα πρέπει

να τοποθετείται κάτω από αναρτημένες συσκευές τοίχου. Η ακριβής οριζοντίωση εξασφαλίζεται με ένα ή περισσότερα ρυθμιζόμενα πόδια στη βάση του θαλάμου.



### ΠΡΟΕΙΔΟΠΟΙΗΣΗ!

Πρέπει να είναι δυνατή η αποσύνδεση της συσκευής από το δίκτυο τροφοδοσίας. Για τον λόγο αυτό, το βύσμα πρέπει να είναι εύκολα προσβάσιμο μετά την εγκατάσταση.

## Ηλεκτρική σύνδεση

Πριν συνδέσετε το βύσμα, βεβαιωθείτε ότι η τάση και η συχνότητα που αναγράφονται στην πινακίδα χαρακτηριστικών αντιστοιχούν στην τροφοδοσία του σπιτιού σας. Η συσκευή χρειάζεται γείωση. Το βύσμα του καλωδίου τροφοδοσίας διαθέτει μια επαφή για τον σκοπό αυτό. Εάν η πρίζα δεν είναι γειωμένη, συνδέστε τη συσκευή σε χωριστή γείωση σύμφωνα με τους ισχύοντες κανονισμούς. Συμβουλευτείτε εξειδικευμένο ηλεκτρολόγο. Ο κατασκευαστής αρνείται κάθε ευθύνη εάν δεν τηρηθούν οι παραπάνω προφυλάξεις ασφαλείας. Αυτή η συσκευή συμμορφώνεται με τις οδηγίες ΕΚ.

## ΚΑΘΗΜΕΡΙΝΗ ΧΡΗΣΗ

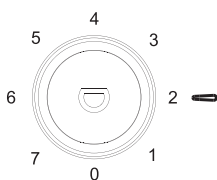
### Πρώτη χρήση

#### Καθαρισμός του εσωτερικού

Πριν χρησιμοποιήσετε τη συσκευή για πρώτη φορά, πλύνετε το εσωτερικό και όλα τα εσωτερικά αξεσουάρ με χλιαρό νερό και λίγο ουδέτερο σαπούνι, για να αφαιρέσετε την τυπική μυρωδιά ενός ολοκαίνουργιου προϊόντος, και μετά στεγνώστε τα καλά.

**ΣΗΜΑΝΤΙΚΟ!** Μην χρησιμοποιείτε απορρυπαντικά ή λειαντικές σκόνες, διότι αυτά θα προκαλέσουν ζημιά στο φινιρίσμα.

### Ρύθμιση θερμοκρασίας

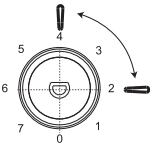
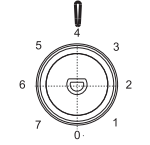
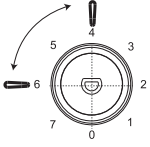


- Σύνδεση της συσκευής σας Η εσωτερική θερμοκρασία ελέγχεται από θερμοστάτη. Υπάρχουν 8 επίπεδα ρύθμισης: το 1 είναι η πιο ζεστή ρύθμιση, το 7 είναι η πιο κρύα ρύθμιση και το 0 είναι απενεργοποίηση.
- Η συσκευή ενδέχεται να μην λειτουργεί στη σωστή θερμοκρασία, εάν βρίσκεται σε ιδιαίτερα ζεστό περιβάλλον ή εάν ανοίγετε συχνά την πόρτα.

Τοποθετείτε τα διαφορετικά τρόφιμα σε διαφορετικά διαμερίσματα, σύμφωνα με τον παρακάτω πίνακα

Διαμερίσματα του ψυγείου	Τύπος τροφίμων
Πόρτα ή μπαλκόνια ψυγείου	<ul style="list-style-type: none"> <li>• Τρόφιμα με φυσικά συντηρητικά, όπως μαρμελάδες, χυμοί, ποτά, καρυκεύματα.</li> <li>• Μην αποθηκεύετε ευπαθή τρόφιμα.</li> </ul>
Συρτάρι καλαθιού λαχανικών (συρτάρι σαλάτας)	<ul style="list-style-type: none"> <li>• Τα φρούτα, τα χόρτα και τα λαχανικά πρέπει να τοποθετούνται χωριστά στον καλάθι λαχανικών.</li> <li>• Μην αποθηκεύετε μπανάνες, κρεμμύδια, πατάτες και σκόρδο στο ψυγείο.</li> </ul>
Ράφι ψυγείου - μεσαίο	<ul style="list-style-type: none"> <li>• Γαλακτοκομικά προϊόντα, αυγά</li> </ul>
Ράφι ψυγείου - πάνω	<ul style="list-style-type: none"> <li>• Τρόφιμα που δεν χρειάζονται μαγείρεμα, όπως έτοιμα προς κατανάλωση τρόφιμα, αλλαντικά, υπολείμματα.</li> </ul>
Συρτάρι(α)/ ράφι κατάψυξης	<ul style="list-style-type: none"> <li>• Τρόφιμα για μακροχρόνια αποθήκευση.</li> <li>• Κάτω συρτάρι/ράφι για ωμό κρέας, πουλερικά, ψάρια.</li> <li>• Μεσαίο συρτάρι/ράφι για κατεψυγμένα λαχανικά, κομμένες πατάτες.</li> <li>• Άνω συρτάρι/ράφι για παγωτό, κατεψυγμένα φρούτα, κατεψυγμένα μαγειρεμένα προϊόντα.</li> </ul>

## Σύσταση για τη ρύθμιση της θερμοκρασίας

Θερμοκρασία περιβάλλοντος	Διαμέρισμα κατάψυξης	Διαμέρισμα ψύξης
Καλοκαίρι (Πάνω από 38°C)	/	 <p>Ρυθμίστε σε 2~4</p>
Κανονική	/	 <p>Ρυθμίστε σε 4</p>
Χειμώνας (κάτω από 16°C)	/	 <p>Ρυθμίστε σε 4~6</p>

- Οι παραπάνω πληροφορίες παρέχουν στους χρήστες σύσταση για τη ρύθμιση της θερμοκρασίας.

## Επιπτώσεις στην αποθήκευση τροφίμων

- Στη Συνιστώμενη ρύθμιση, ο καλύτερος χρόνος αποθήκευσης του ψυγείου δεν υπερβαίνει τις 3 ημέρες.
- Στη Συνιστώμενη ρύθμιση, ο καλύτερος χρόνος αποθήκευσης της κατάψυξης δεν υπερβαίνει τον 1 μήνα.
- Ο καλύτερος χρόνος αποθήκευσης μπορεί να μειωθεί αν γίνουν άλλες ρυθμίσεις

## Κατάψυξη φρέσκων τροφίμων

- Το διαμέρισμα κατάψυξης είναι κατάλληλο για την κατάψυξη φρέσκων τροφίμων και την αποθήκευση κατεψυγμένων και υπερκατεψυγμένων τροφίμων για μεγάλο χρονικό διάστημα.
- Τοποθετήστε στο διαμέρισμα κατάψυξης τα νωπά τρόφιμα που πρόκειται να καταψυχθούν.
- Η μέγιστη ποσότητα τροφίμων που μπορούν να καταψυχθούν σε 24 ώρες καθορίζεται στην πινακίδα χαρακτηριστικών.
- Η διαδικασία κατάψυξης διαρκεί 24 ώρες: κατά τη διάρκεια αυτής της περιόδου μην προσθέτετε άλλα τρόφιμα που πρόκειται να καταψυχθούν.

## Αποθήκευση κατεψυγμένων τροφίμων

Κατά την πρώτη εκκίνηση ή ύστερα από μια περίοδο εκτός χρήσης, πριν τοποθετήσετε τρόφιμα στο διαμέρισμα, βάλτε τη συσκευή να λειτουργήσει τουλάχιστον 2 ώρες σε υψηλότερη ρύθμιση.

**ΣΗΜΑΝΤΙΚΟ!** Σε περίπτωση τυχαίου ξεπαγώματος, για παράδειγμα σε περίπτωση διακοπής ρεύματος για χρονικό διάστημα μεγαλύτερο από την τιμή που αναφέρεται στον πίνακα τεχνικών χαρακτηριστικών, στην ενότητα «χρόνος ανύψωσης», τα τρόφιμα που ξεπαγώσαν πρέπει να καταναλωθούν γρήγορα ή να μαγειρευτούν αμέσως και στη συνέχεια να καταψυχθούν πάλι (μετά το μαγείρεμα).

## Ξεπάγωμα

- Τα υπερκατεψυγμένα ή κατεψυγμένα τρόφιμα πριν καταναλωθούν μπορούν να ξεπαγώσουν στο ψυγείο ή σε θερμοκρασία δωματίου, ανάλογα με τον χρόνο που είναι διαθέσιμος για αυτήν τη διαδικασία.
- Τα μικρά κομμάτια μπορούν να μαγειρευτούν ακόμη και όταν είναι κατεψυγμένα, απευθείας από την κατάψυξη. Σε αυτήν την περίπτωση, το μαγείρεμα θα διαρκέσει περισσότερο.

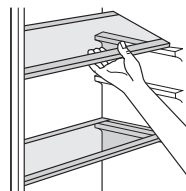
## Παγάκια

Αυτή η συσκευή μπορεί να είναι εξοπλισμένη με έναν ή περισσότερους δίσκους για παγάκια για την παραγωγή παγοκύβων.

## Αξεσουάρ

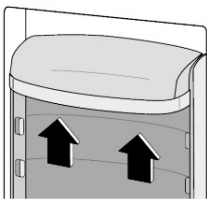
### Κινητά ράφια

Τα τοιχώματα του ψυγείου είναι εξοπλισμένα με μια σειρά οδηγών, για να μπορούν τα ράφια να τοποθετούνται όπως επιθυμείτε.



## Τοποθέτηση μπαλκονιών πόρτας

Για να είναι δυνατή η αποθήκευση συσκευασίων τροφίμων διαφόρων μεγεθών, τα μπαλκόνια των θυρών μπορούν να τοποθετούνται σε διαφορετικά ύψη. Για να κάνετε αυτές τις ρυθμίσεις, προχωρήστε ως εξής: τραβήξτε βαθμιαία το μπαλκόνι προς την κατεύθυνση των βελών μέχρι να ελευθερωθεί και στη συνέχεια επανατοποθετήστε το όπως απαιτείται.



## Χρήσιμες υποδείξεις και συμβουλές

Για να μπορέσετε να αξιοποιήσετε στο έπακρο τη διαδικασία κατάψυξης, ακολουθούν μερικές σημαντικές συμβουλές:

- Η μέγιστη ποσότητα τροφίμων που μπορούν να καταψυχθούν σε 24 ώρες αναγράφεται στην πινακίδα χαρακτηριστικών.
- η διαδικασία κατάψυξης διαρκεί 24 ώρες. Κατά την περίοδο αυτή δεν πρέπει να προστεθούν επιπλέον τρόφιμα που πρόκειται να καταψυχθούν.
- Καταψύξτε μόνο κορυφαίας ποιότητας, φρέσκα και καλά καθαρισμένα, τρόφιμα.
- χωρίστε τα τρόφιμα σε μικρές μερίδες για να μπορέσουν να καταψυχθούν γρήγορα και εντελώς και να είναι δυνατό στη συνέχεια να ξεπαγώσει μόνο η απαιτούμενη ποσότητα.
- Τυλίξτε τα τρόφιμα σε αλουμινοχαρτό ή μεμβράνη από πολυαιθυλένιο και βεβαιωθείτε ότι οι συσκευασίες είναι αεροστεγείς.
- Μην αφήνετε φρέσκα, μη κατεψυγμένα τρόφιμα να αγγίζουν τρόφιμα που είναι ήδη κατεψυγμένα, για να αποφύγετε την αύξηση της θερμοκρασίας των τελευταίων.
- Τα άπαχα τρόφιμα αποθηκεύονται καλύτερα και περισσότερο από τα λιπαρά. Το αλάτι μειώνει τη διάρκεια αποθήκευσης των τροφίμων.
- Τα παγάκια, εάν καταναλωθούν αμέσως μετά την απομάκρυνση από το διαμέρισμα κατάψυξης, ενδέχεται να προκαλέσουν κρουστική εγκαύματα στο δέρμα.
- Η αφαίρεση από το διαμέρισμα κατάψυξης, μπορεί πιθανώς να προκαλέσει κρουστική εγκαύματα. Συνιστάται σε κάθε μεμονωμένη συσκευασία να αναγράφεται η ημερομηνία εισόδου στην κατάψυξη, ώστε να μπορείτε να παρακολουθείτε τον χρόνο αποθήκευσης.
- Συνιστάται να αναγράφεται η ημερομηνία εισόδου στην κατάψυξη σε κάθε μεμονωμένη συσκευασία, για να μπορείτε να αφαιρείτε τα τρόφιμα από το διαμέρισμα κατάψυξης. Μπορεί ενδεχομένως να προκληθούν κρουστική εγκαύματα.
- Συνιστάται να αναγράφεται η ημερομηνία εισόδου στην κατάψυξη σε κάθε μεμονωμένη συσκευασία, ώστε να μπορείτε να παρακολουθείτε τον χρόνο αποθήκευσης.

## Υποδείξεις για την αποθήκευση κατεψυγμένων τροφίμων

Για να έχετε την καλύτερη απόδοση από αυτήν τη συσκευή, θα πρέπει:

- Να βεβαιωθείτε ότι τα τρόφιμα που διατίθενται κατεψυγμένα είχαν αποθηκευτεί κατάλληλα από τον λιανοπωλητή.
- Να βεβαιωθείτε ότι τα κατεψυγμένα τρόφιμα μεταφέρονται από το κατάστημα τροφίμων στην κατάψυξη το συντομότερο δυνατό.
- Μην ανοίγετε συχνά την πόρτα και μην την αφήνετε ανοιχτή περισσότερο από όσο είναι απολύτως απαραίτητο.
- Μόλις αποψυχθούν, τα τρόφιμα αλλοιώνονται γρήγορα και δεν μπορούν να καταψυχθούν εκ νέου.
- Μην υπερβαίνετε την περίοδο αποθήκευσης που υποδεικνύεται από τον παρασκευαστή των τροφίμων.

## Υποδείξεις για ψύξη με φρέσκα τρόφιμα

Για να επιτύχετε την καλύτερη απόδοση:

- Μην αποθηκεύετε στο ψυγείο ζεστά τρόφιμα ή υγρά που εξατμίζονται
- Καλύπτετε ή τυλίγετε τα τρόφιμα, ιδίως αν έχουν έντονη οσμή
- Κρέας (όλων των τύπων): τυλιγείτε το σε σακούλες από πολυαιθυλένιο και τοποθετείτε το στα γυάλινα ράφια πάνω από το συρτάρι λαχανικών.
- Για ασφάλεια, αποθηκεύετε το με αυτόν τον τρόπο το πολύ για μία ή δύο ημέρες.
- Μαγειρεμένα φαγητά, κρύα πιάτα κ.λπ.: αυτά θα πρέπει να καλύπτονται και μπορούν να τοποθετούνται σε οποιοδήποτε ράφι.
- Φρούτα και λαχανικά: αυτά θα πρέπει να πλένονται καλά και να τοποθετούνται στο ειδικό συρτάρι ή συρτάρια που παρέχονται.
- Βούτυρο και τυρί: αυτά θα πρέπει να τοποθετούνται σε ειδικά αεροστεγή δοχεία ή να τυλιγούνται σε αλουμινοχαρτό ή σακούλες από πολυαιθυλένιο, για να αποκλείεται όσο το δυνατόν περισσότερος αέρας.
- Μπουκάλι γάλα: αυτά θα πρέπει να έχουν πώμα και να αποθηκεύονται στα μπαλκόνια της πόρτας.
- Οι μπανάνες, οι πατάτες, τα κρεμμύδια και το σκόρδο, εάν δεν είναι συσκευασμένα, δεν πρέπει να φυλάσσονται στο ψυγείο.

## Καθαρισμός

Για λόγους υγιεινής, το εσωτερικό της συσκευής, συμπεριλαμβανομένων των αξεσουάρ εσωτερικού χώρου, πρέπει να καθαρίζεται τακτικά.

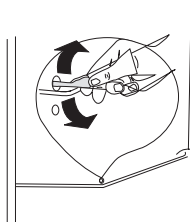
### ΠΡΟΣΟΧΗ!

Η συσκευή δεν πρέπει να είναι συνδεδεμένη στο δίκτυο κατά τον καθαρισμό. Κίνδυνος ηλεκτροπληξίας! Πριν από τον καθαρισμό, απενεργοποιήστε τη συσκευή και αποσυνδέστε το βύσμα από το δίκτυο, ή απενεργοποιήστε ή κατεβάστε τον διακόπτη ή την ασφάλεια. Ποτέ μην καθαρίζετε τη συσκευή με ατμοκαθαριστή. Θα μπορούσε να συσσωρευτεί υγρασία σε ηλεκτρικά εξαρτήματα. Υπάρχει κίνδυνος ηλεκτροπληξίας! Οι καυτοί ατμοί μπορούν να προκαλέσουν ζημιά στα πλαστικά μέρη. Η συσκευή πρέπει να στεγνώσει πριν τεθεί πάλι σε λειτουργία.

**ΣΗΜΑΝΤΙΚΟ!** Τα αιθέρια έλαια και οι οργανικοί διαλύτες μπορούν να προσβάλουν τα πλαστικά μέρη, π.χ. χυμός λεμονιού ή το χυμός από φλούδα πορτοκαλιού, βουτυρικό οξύ, καθαριστικό που περιέχει οξικό οξύ.

## Καθαρίστε την οπή αποστράγγισης

Για να αποφύγετε την υπερχείλιση του νερού απόψυξης μέσα στο ψυγείο, καθαρίζετε περιοδικά την οπή αποστράγγισης στο πίσω μέρος του ψυγείου. Χρησιμοποιήστε καθαριστικό για να καθαρίσετε την οπή, όπως φαίνεται στην εικόνα.



- Μην αφήνετε τέτοιες ουσίες να έρθουν σε επαφή με τα μέρη της συσκευής.
- Μην χρησιμοποιείτε λιπαντικά καθαριστικά.
- Αφαιρέστε τα τρόφιμα από την κατάψυξη. Αποθηκεύστε τα σε δροσερό, καλά καλυμμένο μέρος.
- Απενεργοποιήστε τη συσκευή και αποσυνδέστε το βύσμα από την πρίζα, ή απενεργοποιήστε τον διακόπτη ή την ασφάλεια.
- Καθαρίστε τη συσκευή και τα αξεσουάρ εσωτερικού χώρου με ένα πανί και χλιαρό νερό. Μετά τον καθαρισμό, σκουπίστε με γλυκό νερό και στεγνώστε.
- Αφού όλα στεγνώσουν, θέστε τη συσκευή πάλι σε λειτουργία.

<sup>1</sup> Εάν ο συμπυκνωτής βρίσκεται στο πίσω μέρος της συσκευής.



## Απόψυξη της κατάψυξης

Ωστόσο, το διαμέρισμα της κατάψυξης καλύπτεται προοδευτικά με πάγο. Αυτός θα πρέπει να απομακρυνθεί. Ποτέ μην χρησιμοποιείτε αιχμηρά μεταλλικά εργαλεία για να ζύσετε τον παγετό από τον εξατμιστή, διότι θα μπορούσατε να του προκαλέσετε ζημιά. Ωστόσο, όταν ο πάγος γίνεται πολύ παχύς στην εσωτερική επένδυση, πρέπει να πραγματοποιηθεί πλήρης απόψυξη ως εξής:

- Τραβήξτε το βύσμα από την πρίζα.
- Αφαιρέστε όλα τα αποθηκευμένα τρόφιμα, τυλίξτε τα σε πολλές στρώσεις εφημερίδων και τοποθετήστε τα σε όροσερό μέρος.
- Κρατήστε την πόρτα ανοιχτή και τοποθετήστε μια λεκάνη κάτω από τη συσκευή για να συλλέξει το νερό απόψυξης.
- Όταν ολοκληρωθεί η απόψυξη, στεγνώστε καλά το εσωτερικό.
- Βάλτε πάλι το βύσμα στην πρίζα για να ενεργοποιήσετε ξανά τη συσκευή.

## Αντικαταστήστε τον λαμπτήρα

### ΠΡΟΣΟΧΗ!

Το προϊόν είναι εξοπλισμένο με φως LED. Σε περίπτωση αντικατάστασης, επικοινωνήστε με την υπηρεσία εξυπηρέτησης μετά την πώληση.



## ΑΝΤΙΜΕΤΩΠΙΣΗ ΠΡΟΒΛΗΜΑΤΩΝ

### ΠΡΟΣΟΧΗ!

Πριν από την αντιμετώπιση προβλημάτων, αποσυνδέστε την τροφοδοσία. Μόνο εξειδικευμένος ηλεκτρολόγος ή αρμόδιο πρόσωπο μπορεί να εκτελέσει την αντιμετώπιση προβλημάτων που δεν περιλαμβάνεται σε αυτό το εγχειρίδιο.

**ΣΗΜΑΝΤΙΚΟ!** Κατά την κανονική χρήση ακούγονται ορισμένοι ήχοι (συμπιεστής, κυκλοφορία ψυκτικού υγρού).

Πρόβλημα	Πιθανή αιτία	Λύση
Η συσκευή δεν λειτουργεί	Το κουμπί ρύθμισης θερμοκρασίας έχει ρυθμιστεί στον αριθμό «0».	Ρυθμίστε το κουμπί στον άλλο αριθμό για να ενεργοποιήσετε τη συσκευή.
	Το βύσμα τροφοδοσίας δεν είναι συνδεδεμένο ή είναι χαλαρό	Τοποθετήστε το βύσμα τροφοδοσίας.
	Η ασφάλεια έχει καεί ή είναι ελαττωματική	Ελέγξτε την ασφάλεια και αντικαταστήστε την εάν είναι απαραίτητο.
	Η πρίζα είναι ελαττωματική	Οι δυσλειτουργίες της πρίζας πρέπει να διορθωθούν από ηλεκτρολόγο.
Το φαγητό είναι πολύ ζεστό.	Η θερμοκρασία δεν έχει ρυθμιστεί σωστά.	Ανατρέξτε στην αρχική ενότητα «Ρύθμιση θερμοκρασίας».
	Η πόρτα παρέμεινε ανοιχτή για μεγάλο χρονικό διάστημα.	Ανοίξτε την πόρτα μόνο για όσο χρόνο είναι απαραίτητο.
	Μια μεγάλη ποσότητα ζεστού φαγητού τοποθετήθηκε στη συσκευή μέσα στις τελευταίες 24 ώρες.	Γυρίστε προσωρινά το κουμπί ρύθμισης θερμοκρασίας σε ψυχρότερη ρύθμιση.
	Η συσκευή βρίσκεται κοντά σε πηγή θερμότητας.	Ανατρέξτε στην ενότητα «Θέση εγκατάστασης».
Η συσκευή ψύχει υπερβολικά	Η θερμοκρασία έχει ρυθμιστεί πολύ χαμηλά.	Γυρίστε προσωρινά το κουμπί ρύθμισης θερμοκρασίας σε θερμότερη ρύθμιση.
Ασυνήθιστοι θόρυβοι	Η συσκευή δεν είναι οριζοντιωμένη.	Επαναρυθμίστε τα πόδια.
	Η συσκευή αγγίζει τον τοίχο ή άλλα αντικείμενα.	Μετακινήστε ελαφρώς τη συσκευή.
	Ένα εξάρτημα, π.χ. ένας σωλήνας, στο πίσω μέρος της συσκευής αγγίζει ένα άλλο μέρος της συσκευής ή τον τοίχο.	Εάν είναι απαραίτητο, λυγίστε προσεκτικά το εξάρτημα για να μην εμποδίζει.
Νερό στο δάπεδο	Η οπή αποστράγγισης είναι βουλωμένη.	Δείτε την ενότητα «Καθαρισμός».
Το πλευρικό πλαίσιο καίει	Ο συμπυκνωτής βρίσκεται στο εσωτερικό του πλαισίου.	Είναι φυσιολογικό.

Εάν η δυσλειτουργία παρουσιαστεί ξανά, επικοινωνήστε με το κέντρο συντήρησης.

## SIGURNOSNA UPUTSTVA

Zbog vlastite sigurnosti osigurajte si sigurnu upotrebu, prije instalacije i prve upotrebe uređaja, pročitajte ovo korisničko uputstvo, uključujući i savjete i upozorenja. Kako biste izbjegli nepotrebne greške i nezgode, važno je da se pobrinite da sve osobe koje koriste uređaj budu detaljno upoznate s njegovim operacijama i sigurnosnim funkcijama. Sačuvajte ovo uputstvo i pobrinite se da bude u sklopu uređaja ako bude premješten ili prodat, kako bi svatko, tko ga koristi tijekom svog života bio upoznat s pravilnom upotrebom i sigurnošću uređaja.


Imajte na umu ovo korisničko uputstvo zbog svoje vlastite sigurnosti i sigurnosti imovine, budući da proizvođač nije odgovoran za štetu učinjenu propustima.

### Sigurnost djece i nesamostalnih osoba

- Ovaj uređaj mogu koristiti djeca starosti 8 ili više godina i osobe sa smanjenim fizičkim, čulnim ili mentalnim sposobnostima, ili manjkom iskustva i znanja ukoliko su pod nadzorom, ili su im data uputstva u vezi sa sigurnom upotrebom uređaja, i svjesni su mogućeg rizika.
- Djeci uzrasta od 3 do 8 godina je dozvoljeno stavljati predmete u i uzimati predmete iz ovog uređaja.
- Djeca bi trebala biti pod nadzorom, kako biste osigurali da se ne igraju uređajem.
- Čišćenjem i održavanjem se ne bi trebala baviti djeca, osim ako nisu starosti 8 ili više godina i moraju biti pod obaveznim nadzorom.
- Svu ambalažu čuvajte van dometa djece. Postoji opasnost od gušenja.
- Ukoliko ste odlučili više ne koristiti uređaj, prekinite napajanje uređaja strujom, presijecite kabel za napajanje (što je bliže mogućem uređaju) i uklonite vrata, kako biste spriječili mogućnost da djeca, koja se igraju, pretrpe strujni udar ili se zatvore u uređaj.
- Ukoliko ovaj uređaj ima magnetnu gumu na vratima, a želite njime zamijeniti stariji uređaj, koji se zatvarao pomoću opruge na vratima ili poklopcu, onemogućite funkcioniranje zatvaranja starijeg uređaja pomoću opruge. Na ovaj način ćete spriječiti da uređaj postane smrtonosna zamka za dijete.

### Opća sigurnost

** UPOZORENJE!** Održavajte ventilacijske otvore u kućištu frižidera ili ugradbenoj strukturi čistima od začepljenja..

** UPOZORENJE!** Nemojte koristiti mehaničke uređaje ili druge naprave

kako biste ubrzali proces odmrzavanja, osim proizvoda preporučenih od strane proizvođača uređaja

**⚠ UPOZORENJE!** Nemojte oštetiti sistem za hlađenje.

**⚠ UPOZORENJE!** Nemojte stavljati druge električne uređaje (kao što su uređaji za sladoled) u uređaj za hlađenje, osim ako ih proizvođač nije odobrio u ovu svrhu.

**⚠ UPOZORENJE!** Ne dirajte žarulju ukoliko radi duže vrijeme, jer može biti jako vruća.<sup>1</sup>

**⚠ UPOZORENJE!** Prilikom postavljanja uređaja, pobrinite se da ništa ne pritišće priključni kabel, kao i da kabel nije oštećen.

**⚠ UPOZORENJE!** Ne postavljajte višestruke prenosive utičnice ili prenosivo napajanje iza uređaja.

- Nemojte čuvati eksplozivne substance, kao što su ambalaže sprejeva sa zapaljivim plinom u ovom uređaju.
- Substanca za hlađenje, izobutan (R600a), se nalazi u sistemu za hlađenje uređaja, to je prirodni plin s visokim nivoom ekološke kompatibilnosti, ali izuzetno zapaljiv.
- Pobrinite se da tijekom transporta ili postavljanja uređaja ne bude oštećena nijedna komponenta sistema za hlađenje uređaja.
  - izbjegavajte otvoren plamen i izvore zapaljivosti
  - temeljno provjetrite prostoriju, u kojoj se nalazi uređaj
- Opasno je mijenjati specifikacije ili modificirati proizvod na bilo koji način. Bilo kakvo oštećenje kabla može prouzrokovati kratak spoj, požar i/ili strujni udar.
- Ovaj uređaj je namijenjen za upotrebu u domaćinstvima i za slične primjene, kao što su
  - prostori za zaposlene u kuhinji, u prodavaonicama, uredima i drugim radnim okruženjima;
  - poljoprivredna domaćinstva i od strane hotelskih i motelskih gostiju, kao i drugih vrsta ovakvih objekata;
  - objekti koji pružaju uslugu noćenja s doručkom;
  - catering i slične neprodajne namjene.

**⚠ UPOZORENJE!** Bilo koju električnu komponentu (utikač, kabel za napajanje, kompresor itd.) mora zamijeniti ovlašteni serviser ili kvalificirano osoblje.

**⚠ UPOZORENJE!** Žarulja, dostavljena s ovim uređajem, je "žarulja za specijalnu namjenu" i može se koristiti samo za uređaj uz koji je dostavljena. Ova "žarulja za specijalnu namjenu" se ne može koristiti za kućno osvjetljenje<sup>1</sup>

- Kabel za napajanje se ne smije produžavati.
- Provjerite da li je utikač, na zadnjoj strani uređaja, zgnječen ili oštećen.

<sup>1</sup> Ukoliko u uređaju postoji.

Zgnječen ili oštećen utikač može dovesti do pregrijavanja i izazvati požar.

- Pobrinite se da vam glavni utikač uređaja bude dostupan.
- Nemojte izvlačiti glavni kabel.
- Ukoliko utičnica nije fiksirana, nemojte priključivati aparat. Postoji rizik od strujnog udara ili vatre.
- Ne smijete raditi ništa na uređaju bez osvjetljenja.
- Uređaj je težak. Budite oprezni tijekom pomicanja uređaja.
- Nemojte uklanjati ili dodirivati elemente iz dijela za zamrzavanje ako su vam ruke vlažne/mokre, budući da to može prouzrokovati ogrebotine ili ozeblina na koži.
- Izbjegavajte duže izlaganje aparata direktnoj sunčevoj svjetlosti.

## Dnevna upotreba

- Ne stavljajte vruće stvari na plastične dijelove uređaja.
- Ne stavljate prehrambene proizvode uza zadnji zid.
- Zamrznuta hrana se ne smije ponovo zamrzavati nakon što se otopi.<sup>2</sup>
- Već zapakiranu zamrznutu hranu čuvajte u skladu s instrukcijama proizvođača, u vezi sa zamrznutom hranom.<sup>2</sup>
- Striktno se pridržavajte preporuka proizvođača u pogledu držanja stvari u uređaju. Pridržavajte se relevantnih instrukcija.
- Ne stavljate gazirana pića u dio za zamrzavanje, budući da to stvara pritisak, koji može prouzrokovati pucanje ambalaže, što može dovesti do oštećenja uređaja.<sup>2</sup>
- Voćni sladoledi mogu izazvati promrzline ukoliko se konzumiraju odmah po uzimanju iz uređaja.<sup>2</sup>

Kako biste izbjegli kontaminiranje hrane, pratite sljedeća uputstva

- Držanje uređaja otvorenim tijekom dugih vremenskih perioda može dovesti do značajnog rasta temperature unutar odjeljaka uređaja.
- Redovito čistite površine koje mogu doći u dodir sa hranom, kao i pristupačne dijelove odvodnog sistema.
- Očistite rezervoare za vodu ukoliko ih niste koristili tijekom vremenskog perioda dužeg od 48 h; ukoliko tijekom vremenskog perioda od 5 dana niste uzimali vodu iz uređaja, isperite sistem za protok vode vodom iz vodovodne mreže.
- Sirovo meso i ribu unutar frižidera držite u odgovarajućim posudama, kako ove namirnice ne bi došle u dodir sa ili kako ne bi kapale po ostaloj hrani.
- Odjeljci za smrznutu hranu označeni s dvije zvjezdice (ukoliko postoje u okviru uređaja) pogodni su za držanje prethodno smrznute hrane, za držanje ili izradu sladoleda i za izradu kockica leda.

<sup>2</sup> Ukoliko postoji dio za zamrzavanje.

- Odjeljci označeni s jednom, dvije i tri zvjezdice (ukoliko postoje u okviru uređaja) nisu pogodni za zamrzavanje svježe hrane.
- Ukoliko će uređaj biti prazan tijekom dužeg vremenskog perioda, isključite ga, odledite, očistite i osušite, a zatim ostavite vrata uređaja otvorenim kako biste spriječili razvoj plijesni u unutrašnjosti uređaja.

## Održavanje i čišćenje

- Prije održavanja, isključite uređaj, ili prekinite dotok električne energije.
- Uređaj nemojte čistiti metalnim predmetima.
- Ne koristite oštre predmete za uklanjanje leda s uređaja. Koristite plastična sredstva za struganje.<sup>2</sup>
- Redovno provjeravajte odvod za odleđenu vodu u hladnjaku. Ukoliko je potrebno, očistite odvod. Ukoliko je odvod blokiran, voda će se skupljati na dnu uređaja<sup>3</sup>

## Instalacija uređaja

- **VAŽNO!** Za priključivanje na električnu mrežu, pažljivo pratite uputstva dana u specifičnim dijelovima uputstva.
- Raspakirajte uređaj i provjerite da li postoje na njemu oštećenja. Ne povezujte uređaj na struju, ukoliko je oštećen. Moguća oštećenja odmah prijavite u mjestu gdje ste ga kupili. U tom slučaju zadržite ambalažu uređaja.
- Preporučuje se pričekati najmanje četiri sata prije nego što priključite uređaj, kako bi se ulje vratilo u kompresor.
- Potrebno je osigurati adekvatno strujanje zraka oko uređaja, nepostojanje ovoga može dovesti do pregrijavanja. Za postizanje odgovarajućeg protoka zraka, pratite uputstva potrebna za instalaciju uređaja.
- Gdje god je moguće, razmak mora biti postavljen između uređaja i zida, kako bi se izbjeglo dodirivanje ili hvatanje za vruće dijelove (kompresor, kondenzator) kako bi se izbjegle moguće opekline.
- Uređaj ne smije biti postavljen blizu radijatora ili štednjaka.
- Pobrinite se da bude osiguran lak pristup glavnoj utičnici i nakon postavljanja uređaja.

## Servisiranje

- Bilo kakvo servisiranje uređaja, koje zahtjeva električne radove, treba biti obavljeno od strane kvalificiranog električara ili kompetentne osobe.
- Samo ovlašteni centar za servisiranje može obaviti popravke na uređaju, i mogu se koristiti samo originalni rezervni dijelovi.


<sup>2</sup> Ukoliko postoji dio za zamrzavanje.



<sup>3</sup> Ukoliko postoji dio za čuvanje svježe hrane

## Ušteda energije

- Ne stavljate vruću hranu u uređaj;
- Ne pakirajte svu hranu zajedno, budući da to sprječava cirkulaciju zraka;
- Pobrinite se da hrana ne dotiče zadnji dio pregrade(a);
- Ukoliko nestane struje, ne otvarajte vrata;
- Ne otvarajte često vrata;
- Ne držite vrata otvorena drugo;
- Nemojte postavljati termostat na izuzetno niske temperature
- Potrebno je sve dodatne elemente, poput ladica, polica, polica u vratima uređaja, tamo držati u cilju smanjenja utroška energije.

## Zaštita životne sredine

 Ovaj uređaj ne sadrži plinove, koji mogu oštetiti ozonski omotač, ni u sistemu za hlađenje, ni u materijalima za izolaciju. Uređaj ne bi trebalo odlagati zajedno s gradskim ili kućnim otpadom. Izolacijska pjena sadrži zapaljive plinove : uređaj bi trebalo odložiti u skladu s propisima za uređaje, koje su izdale lokalne vlasti. Izbjegavajte oštećenja dijela za hlađenje, posebno dijela za razmjenu topline. Materijali korišteni za ovaj uređaj, mogu se reciklirati ukoliko su označeni simbolom za reciklažu. ♻️

 Oznaka na proizvodu, ili njegovom pakiranju, ukazuje da ovaj proizvod ne smije biti tretiran kao otpad nastao u domaćinstvu. Umjesto toga,  treba ga ostaviti na odgovarajućem mjestu, na kojem se skuplja električna i elektronska oprema.

Osiguravanjem da je proizvod ispravno odložen, pomoći ćete sprječavanju potencijalnih negativnih posljedica za životnu sredinu i ljudsko zdravlje, koje inače mogu biti uzrokovane nepravilnim odlaganjem otpada ovog uređaja. Za više detalja o recikliranju ovog proizvoda, molimo vas da kontaktirate svoju lokalni organ za zaštitu životne sredine, poduzeće za odlaganje komunalnog otpada ili prodavaonicu, u kojoj ste kupili proizvod.

## Materijali ambalaže

Materijali označeni ovim simbolom mogu se reciklirati. Ambalažu odložite u odgovarajući kontenjer za prikupljanje otpada za reciklažu.

## Odlaganje uređaja

1. Prekinite napajanje uređaja strujom.
2. Odsijecite kabel za napajanje i odložite ga.

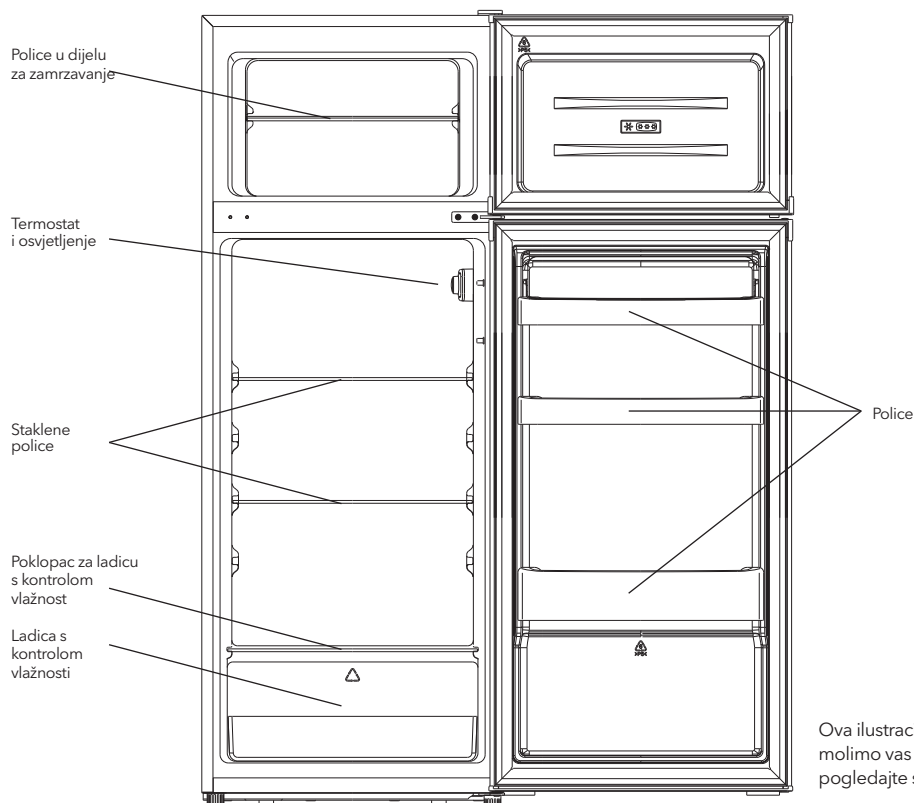


## UPOZORENJE!

Prilikom upotrebe, servisiranja i odlaganja uređaja, imajte u vidu oznaku nalik oznaci prikazanoj na slici lijevo, koja se nalazi na zadnjem dijelu uređaja (tabla ili kompresor na zadnjem dijelu uređaja), a koja je žute ili narančaste boje.

Ova oznaka predstavlja simbol rizika od požara. U cijevima za rashladno sredstvo i u kompresoru se nalaze zapaljivi materijali. Molimo Vas da tijekom upotrebe, servisiranja i odlaganja, uređaj držite dalje od izvora požara.

## PREGLED

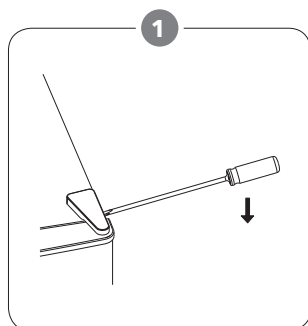


Ova ilustracija je samo okvirna, molimo vas da za detalje pogledajte svoj uređaj.

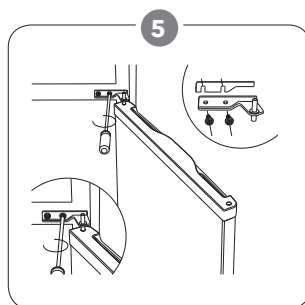
# ZAMJENA SMJERA OTVARANJA VRATA

Potreban alat: Philips odvijač, ravni odvijač, šestokutni ključ.

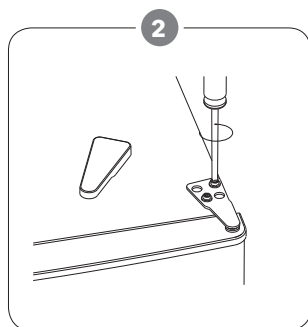
- Pobrinite se da uređaj bude isključen i prazan.
- Za skidanje vrata, potrebno je uređaj nagnuti unatrag. Uređaj treba postaviti na tvrdu podlogu, kako se ne bi dogodilo da isklizne prilikom zamjene položaja vrata.
- Svi uklonjeni dijelovi moraju biti sačuvani zbog ponovnog instaliranja vrata.
- Uređaj nemojte stavljati u horizontalan položaj, jer to može oštetiti sistem za hlađenje.
- Preporučuje se da dvije osobe sudjeluju u montiranju.



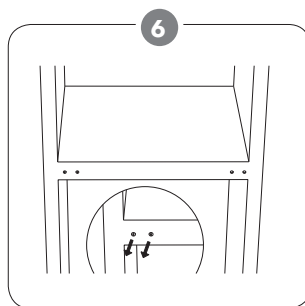
Pažljivo skinite poklopac gornjeg nosača pomoću ravnog odvijača.



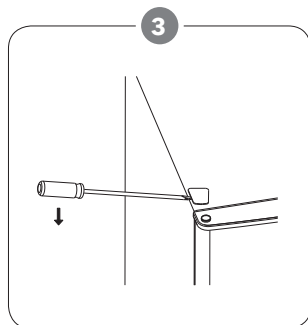
Odvrnite središnji nosač, a zatim podignite donja vrata i smjestite ih na mekanu površinu kako biste spriječili nastanak ogrebotina.



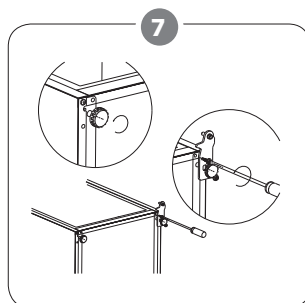
Odvrnite gornji nosač pomoću krstastog odvijača



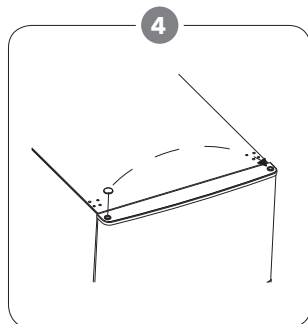
Premjestite dva poklopca za središnje otvore sa lijeve na desnu stranu.



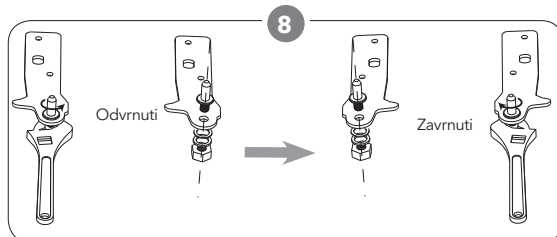
Skinite poklopac za otvor pomoću ravnog odvijača.



Postavite kućište na mekanu površinu, u horizontalni položaj, tako da leži na poledini, a zatim odvrnite Donji nosač i nožicu za podešavanje visine.



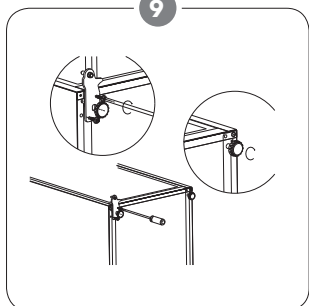
Premjestite poklopac osovine sa lijeve na desnu stranu, a zatim podignite gornja vrata i smjestite ih na mekanu površinu kako biste spriječili nastanak ogrebotina.



Odvrnite i skinite osovinu na donjem nosaču, obrnite nosač i ponovno ga postavite.

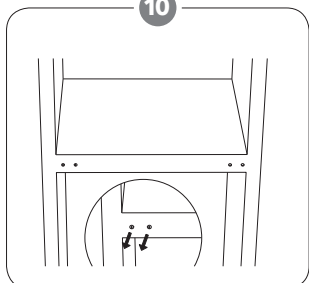


9



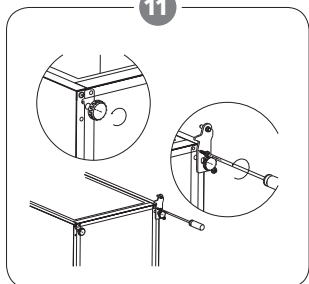
Postavite nosač na lijevu stranu, a postolje na desnu stranu. Zatim zavrnite dvije nožice za podešavanje visine zajedno s njihovim originalnim dijelovima.

10



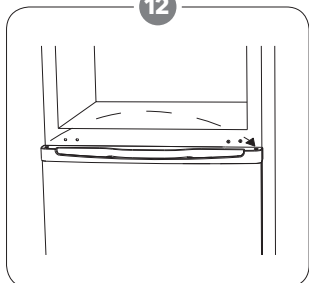
Premjestite dva poklopca za središnje otvore s lijeve na desnu stranu.

11



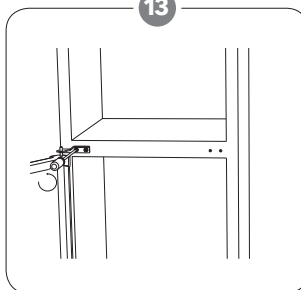
Postavite kućište na mekanu površinu, u horizontalni položaj, tako da leži na poledini, a zatim odvrnite Donji nosač i nožicu za podešavanje visine.

12



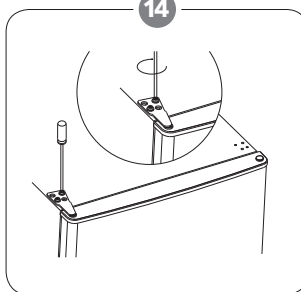
Vratite jedinicu u vertikalni položaj i postavite vrata na donji nosač. Pobrinite se da je osovinu donjeg nosača umetnuta u otvor u vratima. Zatim premjestite poklopac otvora za nosač na donjim vratima s lijeve na desnu stranu.

13



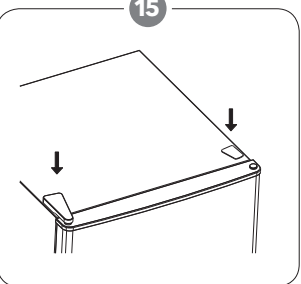
Postavite središnji nosač.

14



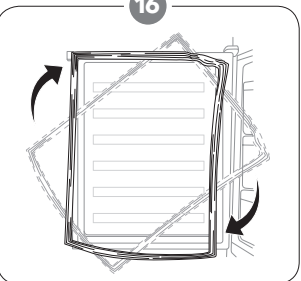
Postavite gornja vrata pomoću gornjeg nosača.

15



Umetnite poklopac za nosač i poklopac za otvor na gornji dio jedinice.

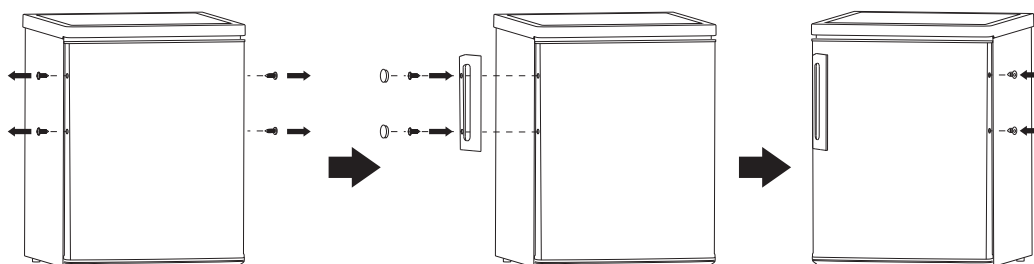
16



Skinite brtve za vrata sa hladnjaka i zamrzivača, a zatim ih ponovno postavite nakon što ih zarotirate.

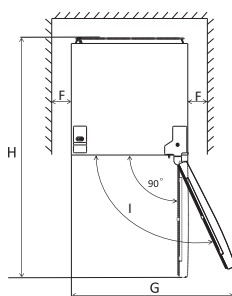
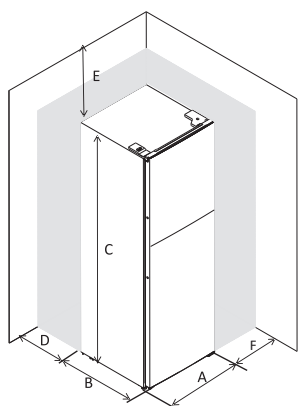
# UGRADNJA UREĐAJA

Postavite vanjsku ručku za vrata (ukoliko vanjska ručka postoji)



## Potrebe prostora

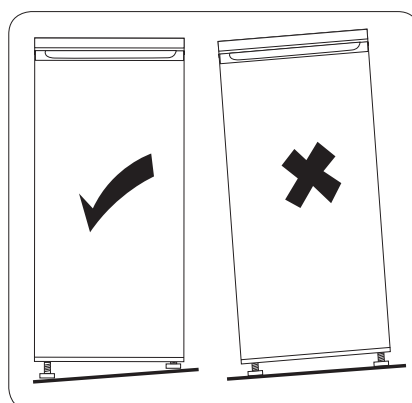
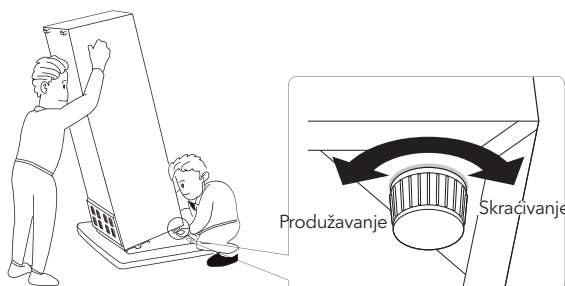
- Ostavite dovoljno mjesta za otvaranje vrata.



A	555
B	555
C	1430
D	min=50
E	min=50
F	min=50
G	1110
H	1110
I	135°

## Nivelacija uređaja

Kako biste ovo napravili, podesite dvije podesne nožice s prednje strane uređaja. Ukoliko uređaj nije niveliran, vrata i magnetna guma neće pravilno prijanjati.



## Postavljanje uređaja

Postavite ovaj uređaj na mjesto, na kojem će sobna temperatura odgovarati klimatskom razredu, naznačenom na specifikaciji proizvoda:

Klimatski razred	Sobna temperatura
SN	+10°C do +32°C
N	+16°C do +32°C
ST	+16°C do +38°C
T	+16°C do +43°C

## Lokacija

Uređaj treba biti postavljen daleko od izvora topline, kao što su radijatori, bojleri, izlaganje direktnim sunčevim zrakama itd. Pobrinite se da zrak slobodno cirkulira oko zadnjeg dijela hladnjaka, kako biste osigurali najbolju učinak. Ukoliko je uređaj postavljen ispod visećeg dijela, minimalni razmak između vrha uređaja i visećeg

dijela treba biti bar 50 mm. Idealno bi bilo da uređaj nije postavljen ispod visećeg dijela. Odgovarajuća nivelacija se postiže uz pomoć jedne ili više podesnih nožica, ovisno o uređaju.

### **UPOZORENJE!**

Prekidanje napajanja uređaja mora biti omogućeno; iz tog razloga, utičnica mora biti dostupna nakon postavljanja uređaja.

## Povezivanje na struju

Prije uključivanja, provjerite da napon i frekvencija prikazana na tablici specifikacije odgovaraju naponu struje domaćinstva. Uređaj mora biti uzemljen. Kabel za napajanje električnom energijom je opremljen kontaktom za ovu namjenu. Ukoliko utičnica u domaćinstvu nema uzemljenje, priključite uređaj na izdvojeno uzemljenje u skladu s trenutnim propisima; konzultirajte se s kvalificiranim električarom. Proizvođač ne snosi nikakvu odgovornost, ukoliko gore navedene preventivne mjere nisu ispoštovane. Ovaj uređaj ispunjava uvjete EEC direktiva.

# DNEVNA UPOTREBA

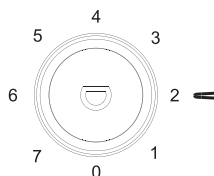
## Prva upotreba

### Čišćenje unutrašnjosti uređaja

Prije korištenja uređaja po prvi put, očistite unutrašnjost i sve unutrašnje elemente mlakom vodom i neutralnim sapunom, kako biste uklonili tipičan miris novog proizvoda, a zatim ga dobro osušite.

**VAŽNO!** Ne koristite deterdžente ili abrazivna sredstva, budući da mogu oštetiti površinu.

## Podešavanje temperature

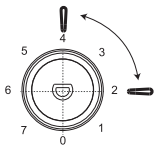
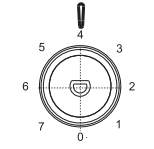
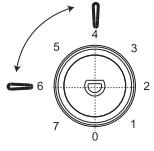


- Uključite svoj uređaj. Unutrašnju temperaturu regulira termostat. Postoji 8 nivoa temperature, 1 je najtopliji nivo, 7 je najhladniji, i 0 znači da je uređaj isključen.
- Uređaj možda neće raditi na pravoj temperaturi, ako se nalazi u jako toplom okruženju ili ako često otvarate vrata.

Različite vrste namirnica raspoređujte u različite odjeljke, prema podacima navedenim u sljedećoj tabeli

Odjeljci hladnjaka	Vrste namirnica
Vrata ili police u vratima odjeljka za rashlađivanje	<ul style="list-style-type: none"> <li>Namirnice s prirodnim konzervansima, poput džemova, sokova, pića, dodataka jelima.</li> <li>Nemojte držati kvarljive namirnice.</li> </ul>
Crisper ladica za čuvanje svježine (ladica za čuvanje salate)	<ul style="list-style-type: none"> <li>Voće, začinsko bilje i povrće treba držati zasebno u crisper ladici za čuvanje svježine.</li> <li>Banane, crni luk, rajčica i bijeli luk ne treba držati u frižideru.</li> </ul>
Polica frižidera - srednja	<ul style="list-style-type: none"> <li>Mlječni proizvodi, jaja</li> </ul>
Polica frižidera - gornja	<ul style="list-style-type: none"> <li>Hrana koju nije potrebno termički obrađivati, poput gotove hrane, mesnih prerađevina, ostataka hrane.</li> </ul>
Ladica (e)/polica zamrzivača	<ul style="list-style-type: none"> <li>Namirnice koje se drže tijekom dužeg vremenskog perioda.</li> <li>Donja ladica/polica za svježe meso, životinjsko meso, ribu.</li> <li>Srednja ladica /polica za smrznuto povrće, pomfrit.</li> <li>Gornja ladica/polica za sladoled, smrznuto voće, smrznutu kuhanu hranu.</li> </ul>

## Preporuke za podešavanje temperaturnih vrijednosti

Ambijentalna temperatura	Odjeljak za zamrzavanje	Odjeljak za rashlađivanje
Ljetna (iznad 38°C)	/	 <p>Podesiti na 2~4</p>
Normalna	/	 <p>Podesiti na 4</p>
Zimska (ispod 16°C)	/	 <p>Podesiti na 4~6</p>

- Gore navedeni podaci korisnicima pružaju preporuke vezane uz temperaturna podešavanja.

## Efekt na skladištenje hrane

- Pri preporučenim podešavanjima, optimalni period čuvanja hrane u hladnjaku iznosi ne duže od 3 dana.
- Pri preporučenim podešavanjima, optimalni period čuvanja hrane u zamrzivaču iznosi ne duže od 1 mjeseca.
- Pri drugim vrijednostima podešavanja, optimalni period čuvanja hrane može biti kraći.

## Zamrzavanje svježe hrane

- Dio za zamrzavanje je pogodan za zamrzavanje svježe hrane i čuvanje zaleđene i duboko zamrznute hrane na duži vremenski period.
- Svježu hranu stavite u dio za zamrzavanje, kako biste je zamrznuli
- Maksimalna količina hrane koja može biti zaleđena u 24 sata je navedena u tablici specifikacije.
- Proces zamrzavanja traje 24 sata: tijekom ovog perioda nemojte dodavati još hrane, predviđene da se zamrzne.

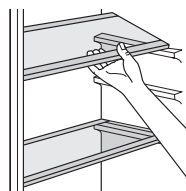
## Kocke leda

Ovaj uređaj možda nije opremljen jednom ili više posuda za izradu kocki leda.

## Prateći elementi

### Police koje se mogu pomicati

Zidovi hladnjaka imaju niz utora, tako da se police mogu podešavati po želji.



## Čuvanje zamrznute hrane

Ukoliko se uključuje po prvi put, ili nakon dužeg perioda van upotrebe, prije stavljanja hrane u pregradu, uređaj treba raditi najmanje 2 sata podešen na najviše vrijednosti.

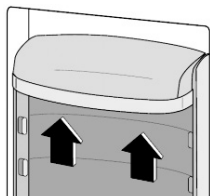
**VAŽNO!** Ukoliko dođe do slučajnog odmrzavanja, na primjer, ukoliko nema struje duže nego što je prikazano u tehničkim karakteristikama pod dijelom "rising time", zamrznuta hrana se mora brzo upotrijebiti, ili odmah termički obraditi i onda ponovno zamrznuti (nakon što je spremljena).

## Odmrzavanje

- Duboko zamrznuta ili zaleđena hrana, prije upotrebe, može biti odmrznuta ili u pregradama frižidera ili na sobnoj temperaturi, u zavisnosti od raspoloživog vremena.
- Manji komadi se mogu čak pripremati za jelo iako su i dalje zaleđeni, direktno iz zamrzivača. U ovom slučaju priprema hrane traje duže.

## Podešavanje policica na vratima

Kako biste omogućili odlaganje hrane različitih veličina, police na vratima mogu biti podešena na različite razine. Kako biste ovo prilagodili, učinite sljedeće: postepeno spuštajte policu u smjeru strelice, dok ne bude slobodna, a onda je pozicionirajte po potrebi.



## Korisni savjeti

Kako bismo vam pomogli da što bolje iskoristite proces zamrzavanja, evo nekih važnih savjeta:

- maksimalna količina hrane koja može biti zaleđena u 24 sata je navedena na tablici specifikacije;
- proces zamrzavanja traje 24 sata. Tijekom ovog perioda nije poželjno dodavanje hrane za zamrzavanje;
- zamrzavajte samo kvalitetnu, svježiu i potpuno očišćenu hranu;
- hrana treba biti podijeljena u manje porcije, kako bi bilo omogućeno brže i potpuno zamrzavanje, i kako bi se kasnije mogla odmrznuti samo potrebna količina;
- hranu stavite u aluminijsku ili polietilensku foliju i pobrinite se da pakiranje ne propušta zrak; nemojte dozvoliti da nezaleđena hrana dodiruje već zaleđenu, kako biste joj izbjegli porast temperature.
- nemasna hrana se čuva bolje i duže do masne; no smanjuje vijek trajanja čuvane hrane;
- ukoliko se kockice leda upotrijebe odmah nakon što su izvadene iz zamrzivača, mogu izazvati ozeblina na koži;
- uklanjanje hrane iz dijela za zamrzavanje može izazvati ozeblina na koži;
- savjetuje se, da na svakom paketiću smrznute hrane navedete

## Savjeti za čuvanje zamrznute hrane

Kako biste dobili najbolji učinak od ovog uređaja, trebate:

- provjeriti, da je komercijalno zamrznutu hranu adekvatno čuvao prodavač;
- pobrinite se da hrana bude prenesena od prodavaonice do zamrzivača u najkraćem mogućem roku;
- Ne otvarajte vrata često, i ne ostavljajte ih otvorena duže nego što je potrebno. Hrana koja se jednom odmrzne brzo propada i ne može biti ponovo zamrznuta.
- Nemojte prekoračivati rok za čuvanje, koji je naznačio proizvođač.

## Savjeti za hlađenje svježih hrane

Kako biste dobili najbolji učinak:

- Ne čuvajte vruću hranu ili tekućine koje isparavaju u hladnjaku
- Pokrijte hranu, naročito ako ima jak miris
- Meso: stavite u polietilenske vrećice i stavite na staklene police iznad ladicica za povrće.
- Zbog sigurnosti, hranu na ovaj način čuvajte jedan dan, najviše dva.
- Kuhana hrana, hladna jela, itd... treba ih pokriti i mogu se odložiti na bilo koju policu.
- Voće i povrće: treba biti temeljito oprano i odloženo u ladice, namijenjene za njihovo čuvanje.
- Maslac i sir: treba ih staviti u specijalne posude koje ne propuštaju zrak, ili staviti u aluminijske folije ili polietilenske vrećice kako bi se uklonilo što više zraka.

- Boce s mlijekom/jogurtom: trebaju biti zatvorene i čuvati u policama na vratima.
- Banane, krumpir, luk i bijeli luk, ukoliko nisu zapakirani, ne smiju biti čuvani u hladnjaku.

## Čišćenje

Iz higijenskih razloga unutrašnjost uređaja, uključujući i unutrašnje elemente, treba čistiti redovno.

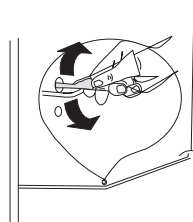
### ! OPREZ!

Uređaj ne smije biti povezan strujom tijekom čišćenja. Postoji opasnost od strujnog udara! Prije čišćenja uređaja, isključite ga i prekinite dotok električne energije, ili isključite automatsku sklopku ili osigurač. Uređaj nikako ne čistite parocistačem. Vлага se može nakupiti u električnim komponentama, opasnost od strujnog udara! Vrela isparenja mogu dovesti do oštećenja plastičnih dijelova. Uređaj mora biti suh prije ponovne upotrebe.

**VAŽNO!** Eterična ulja i organski rastvarači mogu nagrasti plastične dijelove, na primjer limunov sok, ili sok od narančine kore, karboksilne kiseline, sredstva za čišćenje koja sadrže octenu kiselinu.

## Čišćenje odvoda

Kako biste izbjegli da odleđena voda ulazi u hladnjak, povremeno očistite odvod na zadnjoj strani dijela za hlađenje. Koristite osušeno za čišćenje, kako biste očistili rupu kako je prikazano na slici.



- Ne dozvolite da ovakve supstance dođu u kontakt s dijelovima uređaja.
- Nemojte koristiti abrazivna sredstva za čišćenje
- Uklonite hranu iz zamrzivača. Hranu čuvajte na hladnom mjestu, i dobro je pokrijte.
- Isključite uređaj i prekinite dotok električne energije, ili isključite automatsku sklopku ili osigurač.
- Očistite uređaj i unutrašnje elemente tkaninom i mlakom vodom. Nakon čišćenja isperite čistom vodom i osušite krpom.
- Nakon što sve bude suho, ponovno uključite uređaj.

## Otapanje zamrzivača

S vremenom će dio za zamrzavanje biti prekriven slojem leda. Njega treba ukloniti. Nikad ne koristite oštre metalne alate da biste skinuli led sa isparivača, budući da ga tako možete oštetiti.

Međutim, ukoliko je sloj leda jako zadebljao s unutrašnje strane, potpuni proces odleđivanja treba obaviti na sljedeći način:

- prekinite napajanje uređaja strujom;
- uklonite svu hranu iz uređaja, umotajte je u nekoliko slojeva novina i odložite je na hladno mjesto;
- držite vrata otvorena, i postavite ne previše duboku posudu ispod uređaja, kako bi se tu skupljala odleđena voda;
- kada proces odleđivanja bude gotov, temeljito osušite unutrašnjost, ponovno povežite uređaj na napajanje.

<sup>1</sup> Ukoliko je kondenzator pozicioniran na poleđini uređaja.

## Mijenjanje žarulje

### ! OPREZ!

Unutrašnje svjetlo je tipa LED. Kako biste uklonili žarulju, molimo vas da kontaktirate kvalificiranog majstora.



## RJEŠAVANJE PROBLEMA

### ! OPREZ!

Prije rješavanja problema, prekinite napajanje električnom energijom. Samo kvalificirani električar ili kompetentna osoba treba riješiti problem koji nije naveden u ovom uputstvu.

**VAŽNO!** Postoje određeni zvukovi, koje uređaj proizvodi tijekom normalne upotrebe (kompresor, rashladni dio uređaja).

Problem	Mogući uzrok	Rješenje
Uređaj ne radi	Regulator temperature je postavljen na "0".	Postavite regulator temperature na neki drugi broj, kako biste uključili uređaj.
	Uređaj nije priključen na strujni krug.	Utaknite utikač.
	Osigurač je ispao ili je neispravan.	Provjerite osigurač, zamijenite ga ako je potrebno.
	Utičnica je neispravna.	Kvarove utikača treba popraviti električar.
Hrana je pretopla.	Temperatura nije pravilno podešena.	Molimo vas, pogledajte odjeljak za osnovni nivo temperature.
	Vrata su bila otvorena duže vremena.	Držite vrata otvorenim samo onoliko, koliko je potrebno.
	Velika količina tople hrane je stavljena u uređaj u posljednja 24 sata.	Podesite regulator temperature na privremeno na nižu temperaturu.
	Uređaj je blizu izvora topline.	Molimo vas, pogledajte odjeljak za lokaciju i instalaciju.
Uređaj previše hladi	Regulator temperature je podešen na hladno.	Podesite regulator temperature na privremeno na višu temperaturu
Neobični zvukovi	Uređaj nije niveliran.	Ponovo podesite nožice.
	Uređaj dodiruje zid ili druge predmete.	Malo pomaknite uređaj.
	Dio, kao što je cjevovod na zadnjoj strani uređaja, dodiruje druge dijelove uređaja ili zid.	Ukoliko je potrebno, pažljivo uklonite dio koji predstavlja prepreku.
Voda na podu	Odvod je blokiran.	Pogledajte odjeljak za čišćenje.
Ploča sa strane je vruća	Kondenzator je unutar ploče.	To je normalno.

Ukoliko se kvar pojavi ponovno, kontaktirajte Servisni centar.

## INFORMAȚII DE SIGURANȚĂ


În interesul siguranței dvs. și pentru a vă asigura o utilizare corectă, înainte de instalare și prima utilizare a aparatului, citiți cu atenție acest manual de utilizare, inclusiv indicii și avertismente. Pentru a evita greșelile și accidentele inutile, este important să vă asigurați că toate persoanele care folosesc aparatul sunt familiarizate cu funcționarea și siguranța acestuia. Salvați aceste instrucțiuni și asigurați-vă că rămân cu aparatul dacă este mutat sau vândut, astfel încât toată lumea care îl utilizează de-a lungul funcționării sale să fie informat în mod corespunzător cu privire la utilizarea și siguranța aparatului.


Pentru siguranța vieții și a proprietății, păstrați măsurile de precauție din aceste instrucțiuni ale utilizatorului, deoarece producătorul nu este responsabil pentru daunele cauzate de omisiune.

### Siguranța copiilor și a persoanelor vulnerabile

- Acest aparat poate fi utilizat de copii cu vârsta peste 8 ani și mai mari și persoane cu capacități fizice, senzoriale sau mentale reduse sau lipsă de experiență și cunoștințe dacă au supraveghere sau li s-au dat instrucțiuni privind utilizarea aparatului într-un mod sigur și înțeleg pericolele implicate.
- Copiii cu vârste între 3 și 8 ani au voie să încarce și să descarce acest aparat.
- Copiii trebuie supravegheați pentru a se asigura că nu se joacă cu aparatul.
- Curățarea și întreținerea nu trebuie să fie efectuate de către copii, cu excepția cazului în care au vârsta peste 8 ani și supravegheat.
- Păstrați toate ambalajele departe de copii. Există risc de sufocare.
- Dacă aruncați aparatul scoateți ștecherul din priză, tăiați cablul de conectare (cât mai aproape de aparat) și scoateți ușa pentru a împiedica copiii să sufere electrocutare sau să îl închidă.
- Dacă acest aparat dispune de o etanșare magnetică a ușii pentru a înlocui un aparat mai vechi care are blocare cu arc (zăvor) pe ușă sau capac, asigurați-vă că nu este utilizabil acest arc înainte de a arunca aparatul vechi. Acest lucru îl va împiedica să devină un pericol pentru un copil.

### Siguranță generală

** AVERTISMENT!** Păstrați orificiile de ventilație, în incinta aparatului sau în structura încorporată, fără obstacole.

** AVERTISMENT!** Nu folosiți dispozitive mecanice sau alte mijloace pentru a accelera procesul de decongelare, altele decât cele recomandate de producător..

** AVERTISMENT!** Nu deteriorați circuitul refrigerantului.

**⚠️ AVERTISMENT!** Nu folosiți alte aparate electrice (cum ar fi aparate de înghețată) în interiorul aparatelor frigorifice, cu excepția cazului în care acestea sunt aprobate în acest scop de către fabricație.

**⚠️ AVERTISMENT!** Nu atingeți becul dacă a fost aprins o perioadă lungă de timp, deoarece ar putea fi foarte cald.<sup>1</sup>

**⚠️ AVERTISMENT!** Când poziționați aparatul, asigurați-vă că cablul de alimentare nu este prins sau deteriorat.

**⚠️ AVERTISMENT!** Nu localizați mai multe prizele portabile sau furnizori de energie portabilă în partea din spate a aparatului.

- Nu depozitați substanțe explozive, cum ar fi cutii de aerosoli, cu un propulsor inflamabil în acest aparat.
- Izobutena frigorifică (R600a) este în circuitul de refrigerare al aparatului, un gaz natural cu un nivel ridicat de compatibilitate cu mediul, care este totuși inflamabil.
- În timpul transportului și instalării aparatului, asigurați-vă că niciuna dintre componentele circuitului frigorific nu este deteriorată.
  - evitați flăcările deschise și sursele de aprindere
  - ventilați complet camera în care se află aparatul
- Este periculos să modificați specificațiile sau să modificați acest produs în orice fel. Orice deteriorare a cablului poate provoca un scurtcircuit, incendiu și / sau șoc electric.
- Acest aparat este destinat să fie utilizat într-o gospodărie și aplicații similare cum ar fi:
  - bucătării personalului din magazine, birouri și alte medii de lucru;
  - case ferme și de către clienți din hoteluri, moteluri și alte medii de tip pensiune;
  - medii tip pensiune;
  - catering.

**⚠️ AVERTISMENT!** Orice componente electrice (ștecher, cablul de alimentare, compresor etc.) trebuie înlocuite de un service autorizat sau personal de service calificat.

**⚠️ AVERTISMENT!** Becul furnizat cu acest aparat este un „bec de uz special” utilizabil numai la aparatul furnizat. Această „lampă cu uz special” nu este utilizabilă pentru iluminatul casnic.<sup>1</sup>

- Cablul de alimentare nu trebuie să fie întins.
- Asigurați-vă că ștecherul nu este stropit sau deteriorat de partea din spate a aparatului. Un conector de alimentare ghemuit sau deteriorat se poate supraîncălzi și poate provoca un incendiu.

<sup>1</sup> Dacă există o lumină în compartiment.



- Asigurați-vă că puteți accesa mufa principală a aparatului. Nu trageți cablul principal.
- Nu trageți cablul principal.
- Dacă priza de alimentare este liberă, nu introduceți fișa de alimentare. Există riscul de electrocutare sau incendiu.
- Nu trebuie să acționați aparatul fără lampă.
- Acest aparat este greu. Trebuie să aveți grijă atunci când îl mutați.
- Nu îndepărtați și nu atingeți obiectele din compartimentul congelatorului dacă mâinile sunt umede / ude, deoarece acest lucru ar putea provoca abraziuni ale pielii sau arsuri la îngheț / congelator.
- Evitați expunerea prelungită a aparatului la lumina directă a soarelui.

## Utilizare zilnică

- Nu puneți obiecte calde pe piesele de plastic din aparat.
  - Nu așezați produsele alimentare direct pe peretele din spate.
  - Alimentele congelate nu trebuie re-congelate odată ce au fost decongelate<sup>2</sup>
  - Depozitați alimentele congelate preambalate în conformitate cu instrucțiunile de fabricare a alimentelor congelate.<sup>2</sup>
  - Recomandările de stocare trebuie respectate cu strictețe. Consultați instrucțiunile relevante.
  - Nu așezați gaze carbogazoase în compartimentul congelator, deoarece creează presiune pe recipient, ceea ce poate provoca explozie, ceea ce duce la deteriorarea aparatului.<sup>2</sup>
  - Cuburile de gheață pot provoca arsuri de îngheț dacă sunt consumate direct din aparat.<sup>2</sup>
  - Cuburile de gheață pot provoca arsuri de îngheț dacă sunt consumate direct din aparat.<sup>2</sup>
- Pentru a evita contaminarea alimentelor, respectați instrucțiunile următoare
- Deschiderea ușii pentru perioade lungi poate provoca o creștere semnificativă a temperaturii în compartimentele aparatului.
  - Curățați cu regularitate suprafețele care pot intra în contact cu alimentele și sistemele de drenare accesibile.
  - Rezervoarele de apă curată dacă nu au fost folosite timp de 48 ore; spălați sistemul de apă conectat la o alimentare cu apă, dacă apa nu a fost extrasă timp de 5 zile.
  - Depozitați carnea crudă și peștele în recipiente adecvate la frigider, astfel

<sup>2</sup> Dacă există un compartiment congelator.

încât să nu intre în contact cu sau să se scurgă pe alte alimente.

- Compartimentele cu două stele pentru alimente congelate (dacă sunt prezentate în aparat) sunt potrivite pentru depozitarea alimentelor precongelate, pentru depozitarea sau prepararea înghețatei și pentru fabricarea cuburilor de gheață.
- Compartimentele cu una, două și trei stele (dacă sunt prezentate în aparat) nu sunt potrivite pentru înghețarea alimentelor proaspete.
- Dacă aparatul este lăsat gol pentru perioade îndelungate, opriți, dezghețați, curățați, uscați și lăsați ușa deschisă

## Îngrijire și curățare

- Înainte de întreținere, opriți aparatul și deconectați mufa principală de la priza electrică.
- Nu curățați aparatul cu obiecte metalice.
- Nu folosiți obiecte ascuțite pentru a îndepărta gheața din aparat. Folosiți un răzuitor de plastic.<sup>2</sup>
- Examinați regulat scurgerea din frigider pentru apă decongelată. Dacă este necesar, curățați. Dacă scurgerea este blocată, apa se va colecta în partea inferioară a aparatului.<sup>3</sup>

## Instalarea

- **IMPORTANT!** Pentru conexiune electrică, urmați cu atenție instrucțiunile din paragrafele specifice.
- Despachetați aparatul și verificați dacă există daune. Nu conectați aparatul dacă este deteriorat. Raportați posibile daune imediat locului în care l-ați cumpărat. În acest caz, păstrați ambalajul.
- Este recomandabil să așteptați cel puțin patru ore înainte de conectarea aparatului pentru a permite uleiului să revină în compresor.
- Ar trebui să fie asigurată o circulație adecvată a aerului în jurul aparatului, ceea ce duce la supraîncălzire. Pentru a obține o ventilație suficientă, urmați instrucțiunile relevante pentru instalare.
- Ori de câte ori este posibil, distanțierile produsului trebuie să fie împotriva unui perete pentru a evita atingerea sau prinderea părților calde (compresor, condensator) pentru a preveni o posibilă ardere.
- Aparatul nu trebuie să fie amplasat în apropierea caloriferelor sau aragazelor.
- Asigurați-vă că mufa principală este accesibilă după instalarea aparatului.

<sup>2</sup> Dacă există un compartiment congelator.

<sup>3</sup> Dacă există un compartiment de depozitare a alimentelor proaspete.


## Service



- Orice lucrare electrică necesară pentru efectuarea service-ului aparatului trebuie efectuată de un electrician calificat sau de o persoană calificată.
- Acest produs trebuie deservit de un centru de service autorizat și trebuie utilizate doar piese de schimb autentice.

## Economisirea energiei

- Nu puneți alimente calde în aparat;
- Nu împachetați alimentele strâns, deoarece acest lucru împiedică circulația aerului;
- Asigurați-vă că mâncarea nu atinge partea din spate a compartimentului;
- Dacă energia electrică se oprește, nu deschideți ușile;
- Nu deschideți ușile frecvent;
- Nu mențineți ușile deschise mult timp;
- Nu setați termostatul la depășirea temperaturilor reci;
- Toate accesoriile, cum ar fi sertarele, rafturile trebuie păstrate acolo pentru un consum mai mic de energie.

## Protecția mediului

 Acest aparat nu conține gaze care ar putea deteriora stratul de ozon, nici în circuitul său de refrigerare, nici în materialele de izolare. Aparatul nu trebuie aruncat împreună cu deșeurile și gunoiul urban. Spuma de izolație conține gaze inflamabile: aparatul trebuie aruncat în conformitate cu reglementările aparatului care pot fi obținute de la autoritățile locale. Evitați deteriorarea unității de răcire, în special schimbătorul de căldură. Materialele utilizate pe acest aparat marcate cu simbolul ♻ sunt reciclabile.

 Simbolul de pe produs sau de pe ambalajul său indică faptul că acest produs nu poate fi tratat ca deșeuri menajere. În schimb, ar trebui dus la  punctul de colectare corespunzător pentru reciclarea echipamentelor electrice și electronice. Prin asigurarea că acest produs este eliminat în mod corect, veți ajuta la prevenirea consecințelor negative potențiale asupra mediului și sănătății umane, care ar putea fi cauzate în alt mod de manipulara necorespunzătoare a acestui produs. Pentru informații mai detaliate despre reciclarea acestui produs, vă rugăm să contactați consiliul local, serviciul de eliminare a deșeurilor menajere sau magazinul de unde ați achiziționat produsul.

## Materiale de ambalare

Materialele cu acest simbol sunt reciclabile. Eliminați ambalajul într-un recipient de colectare adecvat pentru a-l recicla.

## Eliminarea aparatului

1. Deconectați mufa de la priză.
2. Tăiați cablul de alimentare și aruncați-l.



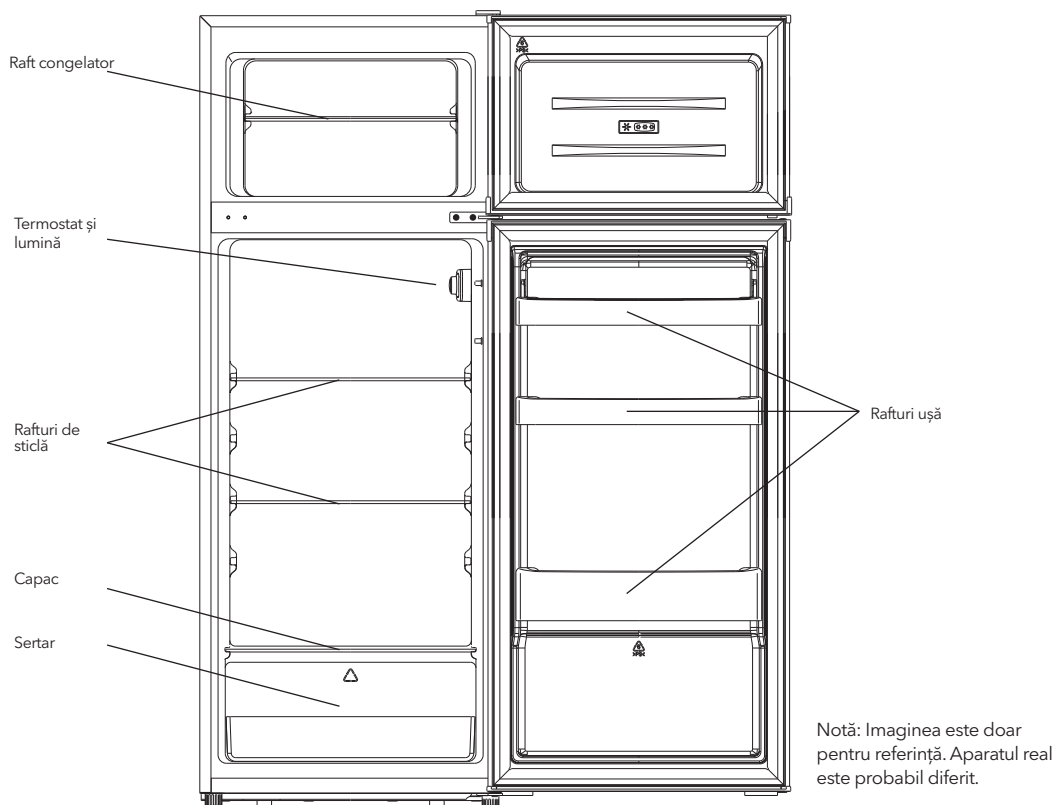
### **AVERTISMENT!**

În timpul utilizării, deservirii și eliminării aparatului, vă rugăm să acordați atenție simbolurilor similare din partea stângă, care se află în spatele aparatului (panoul din spate sau compresor) și cu culoare galbenă sau portocalie.

Este riscul simbolului de avertizare la incendiu. Există materiale inflamabile în interior conducte frigorifice și compresor.

Vă rugăm să fiți departe sursa de incendiu în timpul utilizării, al serviciului și al eliminării.

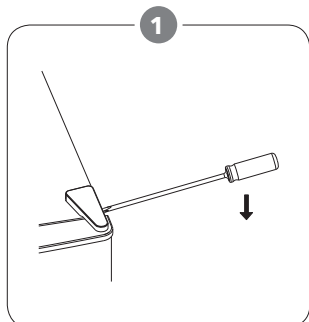
## PREZENTARE GENERALĂ



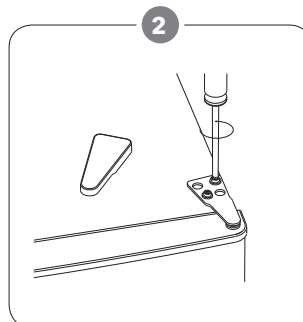
## UȘA REVERSIBILĂ

Instrumente necesare: șurubelniță Philips, șurubelniță cu capăt drept, cheie hexagonală.

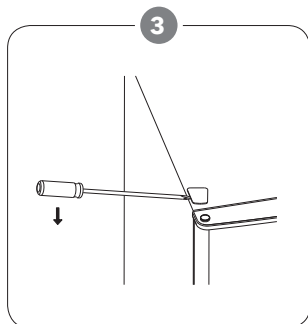
- Asigurați-vă că unitatea este deconectată și goală.
- Pentru a scoate ușa, este necesar să înclinați unitatea pe spate. Așezați unitatea pe ceva solid, astfel încât să nu alunece în timpul procesului de inversare a ușii.
- Toate piesele scoase trebuie păstrate pentru a face reînălțarea ușii.
- Nu așezați unitatea pe spate deoarece acest lucru poate deteriora sistemul de răcire.
- Este mai bine ca două persoane să se ocupe de unitate în timpul asamblării.



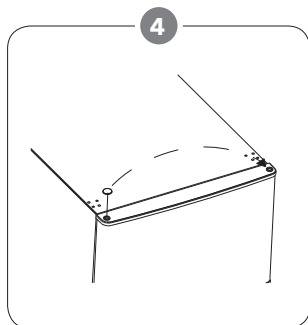
Îndepărtați cu atenție capacul balamalei superioare cu o șurubelniță cu capăt drept.



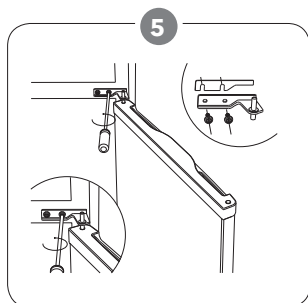
Deșurubați balamaua superioară cu o șurubelniță philips.



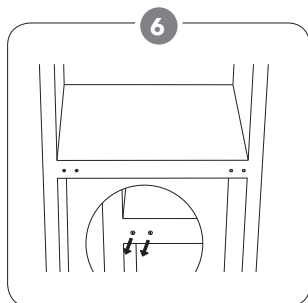
Îndepărtați capacul cu o șurubelniță cu capăt drept.



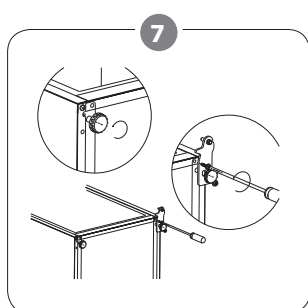
Deplasați mijlocul capacului din partea stângă spre partea dreaptă. Apoi ridicați ușa superioară și așezați-o pe o suprafață dreaptă pentru a nu o zgâria



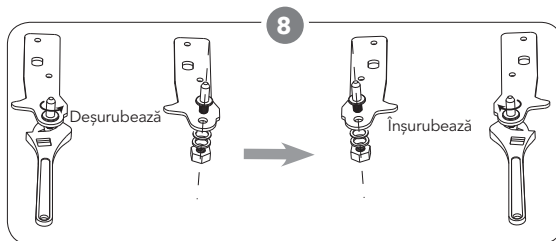
Deșurubați balamaua din mijloc și apoi ridicați ușa de jos și puneți-o pe un tampon moale pentru a evita zgârirea.



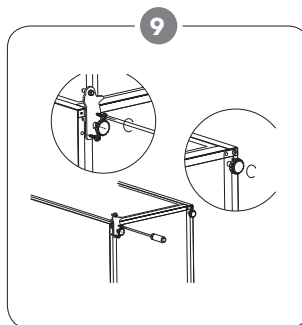
Deplasați două capace din mijloc de la stânga la dreapta



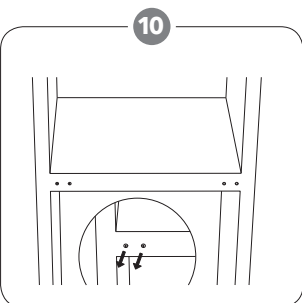
Așezați spatele carcasi pe un tampon moale. Și deșurubați balamaua inferioară și piciorul de nivelare.



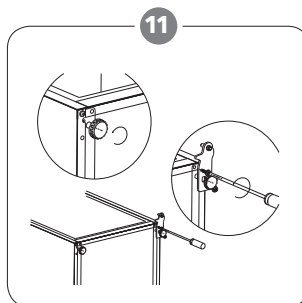
Deșurubați și îndepărtați știftul de la balama de jos, întoarceți suportul și înlocuiți-l.



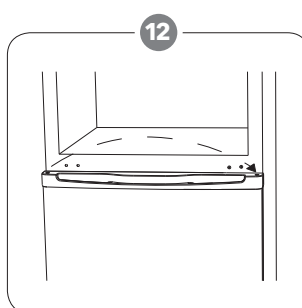
Instalați balamaua în partea stângă și baza piciorului în partea dreaptă. Apoi înșurubați cele două picioare de nivelare cu piesele lor originale.



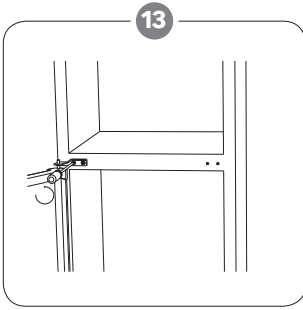
Deplasați două capace din mijloc de la stânga la dreapta.



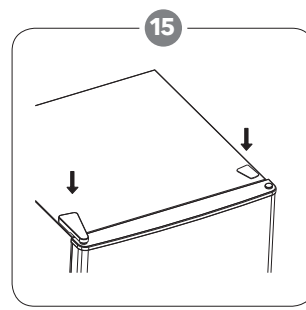
Așezați spatele carcasi pe un tampon moale. Și deșurubați balamaua inferioară și piciorul de nivelare.



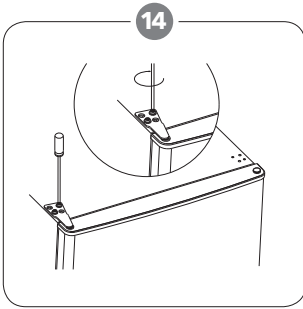
Ridicați unitatea și puneți ușa pe balama de jos. Asigurați-vă că mijlocul din partea de jos este introdus în orificiul ușii. Apoi mutați capacul găurii de balamale a ușii de jos din partea stângă în partea dreaptă



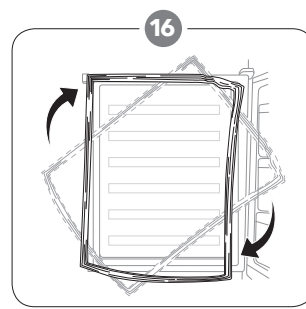
Instalați balamaua din mijloc.



Apăsați capatul balamalei și capatul din partea superioară a unității.



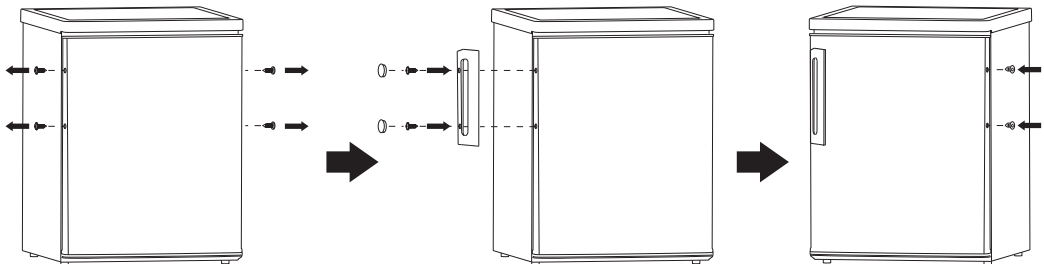
Instalați ușa superioară cu balamaua superioară.



Desprindeți frigiderul și garniturile ușii congelatorului și apoi fixați-le după rotire.

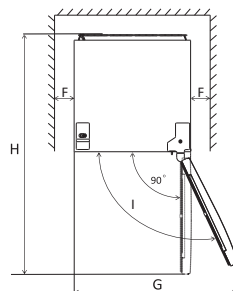
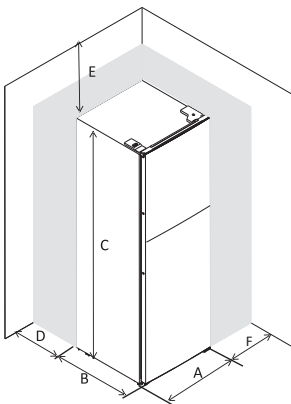
## INSTALAREA

Instalați mânerul exterior al ușii (dacă există mâner extern)



## Spațiu Necesar

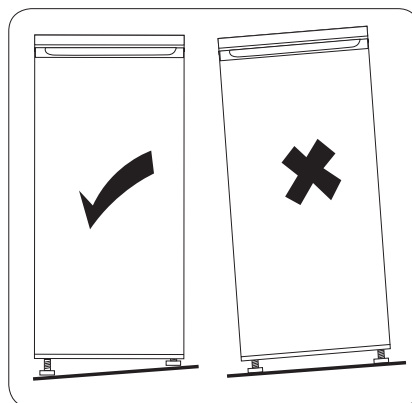
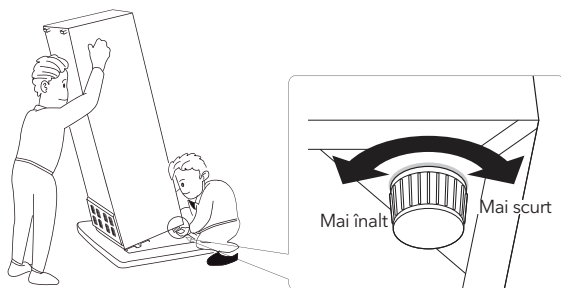
- Păstrați suficient spațiu pentru deschiderea ușilor.



A	555
B	555
C	1430
D	min=50
E	min=50
F	min=50
G	1110
H	1110
I	135°

## Stabilizare

Pentru a face acest lucru, reglați cele două picioare de nivelare din fața unității. Dacă unitatea nu este la nivel, ușile și alinierea magnetice nu vor fi acoperite corespunzător.



## Poziționare

Instalați acest aparat într-o locație în care temperatura ambientală corespunde clasei de climă indicate pe placa de identificare a aparatului:

Clasă climatică	Temperatură Ambientală
SN	+10°C to +32°C
N	+16°C to +32°C
ST	+16°C to +38°C
T	+16°C to +43°C

## Amplasare

Aparatul trebuie instalat departe de surse de căldură, cum ar fi radiatoare, cazane, lumina directă a soarelui, etc. Asigurați-vă că aerul poate circula liber în spatele carcasei pentru a asigura performanțe optime. Dacă aparatul este poziționat sub o unitate de perete înclinată, distanța minimă dintre partea superioară a carcasei și unitatea de perete trebuie să fie de cel puțin 50 mm. În mod ideal, însă, aparatul nu trebuie poziționat sub unități de perete înclinate.

Nivelarea exactă este asigurată de unul sau mai multe picioare reglabile la baza dulapului.

### ⚠ ATENȚIE!

Trebuie să fie posibil să deconectați aparatul de la sursa de alimentare; prin urmare, mufa trebuie să fie ușor accesibilă după instalare.

## Conexiune Electrică

Înainte de conectare, asigurați-vă că tensiunea și frecvența afișate pe plăcuța de identificare corespund cu sursa de alimentare internă. Aparatul trebuie să fie împământat. Mufa cablului de alimentare este prevăzută cu un contact în acest scop. Dacă priza de alimentare electrică nu este împământată, conectați aparatul la o împământare separată în conformitate cu reglementările actuale, consultând un electrician calificat. Producătorul își declină orice responsabilitate dacă nu sunt respectate măsurile de siguranță de mai sus. Acest aparat este în conformitate cu E.E.C. Directive.

## UTLIZARE ZILNICĂ

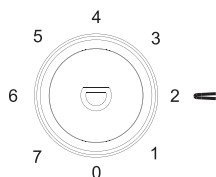
### Prima Utilizare

#### Curățarea interiorului

Înainte de a folosi aparatul pentru prima dată, spălați interiorul și toate accesoriile interne cu apă caldă și săpun neutru, astfel încât să îndepărtați mirosul tipic al unui produs nou, apoi uscați bine.

**IMPORTANT!** Nu folosiți detergenți sau pulberi abrazive, deoarece acestea vor deteriora finisajul.

### Setarea Temperaturii



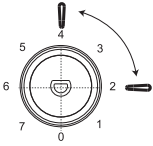
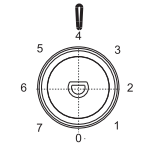
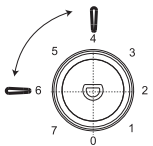
- Conectați aparatul. Temperatura internă este controlată de un termostat. Există 8 niveluri de setare, 1 este cea mai caldă setare, 7 este cea mai rece și 0 este oprit.
- Aparatul poate să nu funcționeze la temperatura corectă dacă se află într-un mediu deosebit de cald sau dacă deschideți ușa des.



## Poziționează alimente diferite în compartimente diferite, în conformitate cu tabelul de mai jos

Compartimente frigider	Tip mancare
Ușa sau balcoanele compartimentului frigiderului	<ul style="list-style-type: none"> <li>Alimente cu conservanți naturali, precum gemuri, sucuri, băuturi, condimente.</li> <li>Nu depozitați alimente perisabile.</li> </ul>
Sertar proștețime (sertar pentru salate)	<ul style="list-style-type: none"> <li>Fructele, ierburile și legumele trebuie introduse separat în coșul de proștețime.</li> <li>Nu depozitați banane, ceapă, cartofi, usturoi la frigider.</li> </ul>
Raft frigider - mijloc	<ul style="list-style-type: none"> <li>Produse lactate, ouă</li> </ul>
Raft frigider - Superior	<ul style="list-style-type: none"> <li>Alimente care nu au nevoie de gătit, cum ar fi alimentele gata de consum, carne, resturi.</li> </ul>
Sertare congelatoare / raft	<ul style="list-style-type: none"> <li>Alimente pentru păstrare pe termen lung.</li> <li>Sertarul / raftul de jos pentru carne crudă, păsări de curte, pește</li> <li>Sertar / raft mediu pentru legume congelate, chipsuri.</li> <li>Sertar / raft superior pentru înghețată, fructe congelate</li> </ul>

## Recomandare pentru setarea temperaturii

Temperatura mediului	Compartiment congelator	Compartiment frigider
Vara (Peste 38°C)	/	 <p>Setare 2~4</p>
Normal	/	 <p>Setare 4</p>
Iarnă (Sub 16°C)	/	 <p>Setare 4~6</p>

- Informațiile de mai sus oferă utilizatorilor recomandări privind setarea temperaturii.

## Impact asupra depozitării alimentelor

- În setarea recomandată, cel mai bun timp de depozitare a frigiderului este de cel mult 3 zile.
- În setarea recomandată, cel mai bun timp de depozitare a congelatorului este de cel mult 1 lună.
- Cel mai bun timp de stocare se poate reduce în alte setări.

## Congelarea alimentelor proaspete

- Compartimentul congelator este potrivit pentru congelarea alimentelor proaspete și depozitarea alimentelor congelate și înghețate mult timp.
- Așezați mâncarea proaspătă care trebuie înghețată în congelator.
- Cantitatea maximă de hrană care poate fi înghețată în 24 de ore este specificată pe tabelul de clasificare.
- Procesul de îngheț durează 24 de ore: în această perioadă nu adăugați alte alimente pentru a fi congelate.

## Depozitarea alimentelor congelate

La prima pornire sau după o perioadă de utilizare, înainte de a pune mâncare în compartiment, lăsați aparatul să funcționeze cel puțin 2 ore pe o setare mai mare.

**IMPORTANT!** În cazul decongelării accidentale, de exemplu, puterea a fost oprită mai mult decât valoarea indicată în graficul de caracteristici tehnice la „timp de creștere”, alimentele dezghețate trebuie consumate rapid sau gătite imediat și apoi re-congelate (după gătit).

## Dezghețarea

- Alimentele înghețate sau congelate, înainte de a fi utilizate, pot fi decongelate în compartimentul frigiderului sau la temperatura camerei, în funcție de timpul disponibil pentru această operație.
- Piese mici pot fi chiar fierse încă congelate, direct de la congelator. În acest caz, gătitul va dura mai mult.

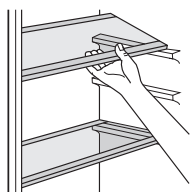
## Cuburi de gheață

Acest aparat poate fi echipat cu una sau mai multe tăvi cu cuburi de gheață pentru a produce gheață.

## Accesorii

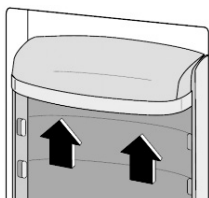
### Rafturi mobile

Pereții frigiderului sunt echipate cu o serie de șine, astfel încât rafturile să poată fi poziționate după dorință.



## Poziționarea rafturilor de pe ușă

Pentru a permite depozitarea pachetelor alimentare cu diferite dimensiuni, rafturile ușii pot fi amplasate la diferite înălțimi. Pentru a face aceste ajustări, procedați după cum urmează: trageți treptat balconul în direcția săgeților până când se eliberează, apoi re-poziționați după cum este necesar.



## Sugestii și sfaturi utile

Pentru a vă ajuta să profitați la maximum de procesul de îngheț, iată câteva sfaturi importante:

- cantitatea maximă de alimente care poate fi înghețată în 24 de ore - este afișat pe tabelul de rating;
- procesul de îngheț durează 24 de ore. Nu trebuie adăugate alte alimente care trebuie înghețate în această perioadă;
- congelați numai produsele alimentare de cea mai bună calitate, proaspete și curățate complet;
- pregătiți mâncarea în porții mici pentru a permite înghețarea rapidă și completă a acestora și pentru a face posibilă dezghețarea numai a cantității necesare;
- ambalați alimentele în folie de aluminiu sau polietilen și asigurați-vă că pachetele sunt etanșe;
- să nu permiteți muncării proaspete să atingă alimentele care sunt deja înghețate, evitând astfel o creștere a temperaturii acestora;
- alimentele slabe se păstrează mai bine și mai mult decât cele grase; sarea reduce durata de depozitare a alimentelor;
- glazurile de apă, dacă sunt consumate imediat după scoaterea din congelator, pot cauza înghețarea pielii;
- scoaterea din congelator, poate provoca înghețarea pielii; este indicat să afișați data de îngheț pe fiecare pachet individual pentru a vă permite să păstrați fila timpului de stocare.
- Este recomandabil să afișați data de îngheț pe fiecare ambalaj individual pentru a vă permite scoaterea din compartimentul congelatorului, posibil să provoace înghețarea pielii;
- Este recomandabil să afișați data de îngheț pe fiecare pachet individual pentru a vă permite să păstrați fila timpului de stocare

## Sugestii pentru depozitarea alimentelor congelate

Pentru a obține cele mai bune performanțe de la acest aparat, trebuie să:

- asigurați-vă că produsele alimentare congelate comercial au fost depozitate în mod adecvat de către comerciant;
- asigurați-vă că produsele alimentare congelate sunt transferate de la magazinul alimentar la congelator în cel mai scurt timp posibil;
- nu deschideți ușa frecvent și nu o lăsați deschisă mai mult decât este absolut necesar.
- odată decongelate, alimentele se deteriorează rapid și nu pot fi re-congelate;
- nu depășiți perioada de depozitare indicată de fabricația alimentară.

## Sugestii pentru refrigerarea alimentelor proaspete

Pentru a obține cele mai bune performanțe:

- Nu păstrați mâncarea caldă sau lichidele care se evaporă în frigider
- Acoperiți sau ambalați mâncarea, în special dacă are o aromă puternică
- Carne (de toate tipurile): ambalați în pungi de polietilen și așezați pe rafturile de sticlă deasupra sertarului pentru fructe și legume.
- Pentru siguranță, păstrați în acest fel doar una sau două zile cel mult.
- Alimente gătite, muncăruri reci, etc ... acestea trebuie acoperite și pot fi amplasate pe orice raft.
- Fructe și legume: acestea trebuie curățate bine și introduse în sertarul special prevăzut.
- Unt și brânză: acestea trebuie plasate în recipiente speciale etanșe sau învelite în folie de aluminiu sau pungi de polietilen pentru a exclude cât mai mult aer.
- Flacon de lapte: acestea trebuie să aibă capac și trebuie depozitate în rafturile din ușă
- Bananele, cartofii, ceapa și usturoiul, dacă nu sunt ambalate, nu trebuie păstrate la frigider.

<sup>1</sup> Dacă condensatorul se află în spatele aparatului.

## Curățare

Din motive igienice, interiorul aparatului, inclusiv accesoriile interioare, trebuie curățate regulat.

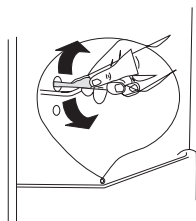
### ! AVERTIZARE!

Aparatul nu trebuie să fie conectat la rețea în timpul curățării. Pericol de electrocutare! Înainte de curățare, comutați aparatul opriți și scoateți ștecherul de la rețeaua electrică sau opriți sau stingeți întrerupătorul sau siguranța. Nu curățați niciodată aparatul cu un aparat de curățat cu abur. Umiditatea s-ar putea acumula în componente electrice, pericol de șoc electric! Vaporii fierbinți pot duce la deteriorarea pieselor din plastic. Aparatul trebuie să fie uscat înainte să fie pus din nou în funcțiune.

**IMPORTANT!** Uleiurile eterice și solvenții organici pot ataca părțile din plastic, de ex. sucul de lămâie sau sucul formează coaja de portocală, acid butiric, demachiant care conține acid acetic.

## Curățarea orificiului de scurgere

Pentru a evita decongelarea apei care curge în frigider, curățați periodic orificiul de scurgere din spatele compartimentului frigiderului. Utilizați un produs de curățare pentru a curăța gaura așa cum se arată în imagine.



- Nu permiteți ca aceste substanțe să intre în contact cu piesele aparatului.
- Nu folosiți substanțe de curățare abrazive
- Scoateți alimentele din congelator. Depozitați-le într-un loc răcoros, bine acoperite.
- Opriți aparatul și scoateți ștecherul din priză sau opriți întrerupătorul sau siguranța.
- Curățați aparatul și accesoriile interioare cu o cârpă și apă caldă. După curățare ștergeți cu apă proaspătă și ștergeți-le
- După ce totul este uscat, puneți aparatul din nou în funcțiune.

## Dezghetarea congelatorului

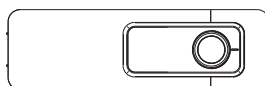
Compartimentul congelator va deveni progresiv acoperit de îngheț. Aceasta trebuie înlăturată. Nu folosiți niciodată instrumente ascuțite din metal pentru a scoate gheața din evaporator, deoarece îl puteți deteriora. Cu toate acestea, atunci când gheața devine foarte groasă pe stratul interior, decongelarea completă trebuie efectuată după cum urmează:

- scoateți ștecherul din priză;
- scoateți toate produsele alimentare stocate, ambalați-le în mai multe straturi de ziar și puneți-l într-un loc răcoros;
- mențineți ușa deschisă și așezați un bazin sub aparat pentru a colecta apa de decongelare;
- la finalizarea dezghetului, uscați bine interiorul
- văgați ștecherul în priza pentru a porni din nou aparatul.

## Înlocuirea becului

### ! AVERTIZARE!

Produsul este echipat cu lumină LED, vă rugăm să contactați serviciul autorizat în cazul înlocuirii.



# DIAGNOSTICARE

## ! AVERTIZARE!

Înainte de depanare, deconectați sursa de alimentare. Doar un electrician calificat trebuie să efectueze depanarea dacă nu este o problemă din acest manual. **IMPORTANT!** Există unele sunete în timpul utilizării normale (compresor, circulația agentului frigorific).

Problemă	Cauză posibilă	Soluție
Aparatul nu funcționează	Butonul de reglare a temperaturii este setat la numărul „0”.	Setați butonul la alt număr pentru a porni aparatul.
	Mufa de alimentare nu este conectată	Conectați la priză
	Siguranța este defectă	Verificați siguranța, înlocuiți dacă este necesar.
	Priza este defectă	Defecțiunile la priză trebuie corectate de un electrician.
Mâncarea este prea caldă.	Temperatura nu este reglată corespunzător.	Vă rugăm să consultați secțiunea inițială Setare temperatură.
	Ușa a fost deschisă pentru o perioadă îndelungată.	Deschideți ușa doar cât este necesar.
	O cantitate mare de mâncare caldă a fost introdusă în aparat în ultimele 24 de ore.	Întoarceți temporar reglarea temperaturii la o temperatură mai rece.
	Aparatul este aproape de o sursă de căldură.	Vă rugăm să consultați secțiunea locației de instalare.
Aparatul răcește prea tare	Temperatura setată este prea rece.	Rotiți temporar butonul de reglare a temperaturii la o setare mai caldă.
Zgomote neobișnuite	Aparatul nu este stabilizat.	Ajustați picioarele
	Aparatul atinge peretele sau alte obiecte.	Mutați puțin aparatul
	O componentă, de ex. o conductă, în partea din spate a aparatului atinge o altă parte a aparatului sau a peretelui.	Dacă este necesar, îndoiiți cu atenție componenta
Apă pe podea	Orificiul de scurgere a apei este blocată.	Consultați secțiunea Curățare
Panoul lateral este fierbinte	Condenserul se află în interiorul panoului.	Este normal

Dacă defecțiunea apare din nou, contactați centrul de service.

## VARNOSTNE INFORMACIJE


Pred nameščanjem gospodinjskega aparata in pred prvo uporabo zaradi lastne varnosti in pravilne uporabe natančno preberite ta uporabniški priročnik, vključno z nasveti in opozorili. Da preprečite nepotrebne napake in nesreče, je pomembno poskrbeti, da bodo vse osebe, ki bodo aparat upravljale, dobro seznanjene z njegovim delovanjem in varnostnimi funkcijami. Ta navodila shranite in poskrbite, da bodo priložena aparatu, če bo premaknjen ali prodan, tako da bodo vse osebe, ki ga bodo v njegovi življenjski dobi uporabljale, pravilno seznanjene z njegovo uporabo in varnostjo.


Da zavarujete življenje in premoženje, upoštevajte previdnostne ukrepe v teh navodilih za uporabnika, saj proizvajalec ni odgovoren za škodo, ki bi nastala v nasprotnem primeru.

### Varnost otrok in ranljivih oseb

- Ta aparat lahko uporabljajo otroci, stari 8 in več let, ter osebe s telesnimi, senzoričnimi ali duševnimi okvarami ali pa osebe brez izkušenj in znanja, če so pod nadzorom ali pa so jim bila podana navodila za varno uporabo aparata in če razumejo nevarnosti, povezane z njegovo uporabo.
- Otrokom, starim od 3 do 8 let, je v ta aparat dovoljeno dajati živila in jih jemati iz njega.
- Da se otroci zagotovo ne bodo igrali z aparatom, jih je treba nadzorovati.
- Otroci ne smejo čistiti in vzdrževati aparata, razen če so stari 8 in več let ter so pod nadzorom.
- Poskrbite, da bo vsa embalaža zunaj dosega otrok. Obstaja tveganje zadušitve.
- Če boste aparat odstranili, izvlecite vtič iz vtičnice, prerežite napajalni kabel (na mestu, ki je čim bližje aparatu) in odstranite vrata, da preprečite električni udar pri otrocih, ki se igrajo, ali pa zaprtje otrok v aparat.
- Če ima ta gospodinjski aparat na vratih magnetno tesnilo in želite z njim nadomestiti starejši aparat, ki se zaklepa na vzmet (zapah) na vratih ali pokrovu, pred odstranjevanjem starega aparata poskrbite, da zaklep na vzmet ne bo več deloval. S tem boste preprečili, da stari aparat ne bo postal smrtna past za otroke.

### Splošna varnost

** OPOZORILO!** Poskrbite, da odprtine za prezračevanje v okrovu aparata ali v vgrajeni strukturi ne bodo zamašene.

** OPOZORILO!** Odtaljevanja ne poskušajte pospeševati z mehanskimi napravami ali z drugimi sredstvi, razen s tistimi, ki jih priporoča proizvajalec.

**⚠ OPOZORILO!** Ne poškodujte krogotoka hladilne tekočine.

**⚠ OPOZORILO!** V notranjosti hladilnih gospodinjskih aparatov ne uporabljajte drugih električnih naprav (kot so aparati za izdelovanje sladoleda), razen če jih za ta namen ni odobril proizvajalec.

**⚠ OPOZORILO!** Če je žarnica svetila dlje časa, se je ne dotikajte, saj je lahko zelo vroča.<sup>1</sup>

**⚠ OPOZORILO!** Pri nameščanju aparata poskrbite, da napajalni kabel ne bo zagozden ali poškodovan.

**⚠ OPOZORILO!** Na zadnji strani aparata ne nameščajte prenosnih električnih razdelilnikov z več vtičnicami ali prenosnih akumulatorjev.

- V tem gospodinjskem aparatu ne shranjujte eksplozivnih snovi, kot so aerosolne pločevinke z vnetljivim potisnim plinom.
- V hladilnem krogotoku gospodinjskega aparata je hladilno sredstvo izobutan (R600a), naravni plin, katerega raven okoljske združljivosti je visoka, a je vseeno vnetljiv.
- Med prevozom in namestitvijo aparata poskrbite, da se noben od sestavnih delov hladilnega krogotoka ne bo poškodoval.
  - Izogibajte se odprtemu ognju in virom vžiga.
  - Dobro prezračite prostor, v katerem je gospodinjski aparat.
- Kakršno koli spreminjanje specifikacij ali tega izdelka je nevarno. Zaradi kakršne koli poškodbe kabla lahko pride do kratkega stika, požara in/ali električnega udara
- Ta gospodinjski aparat je predviden je za uporabo v gospodinjstvu in temu podobnih okoljih, kot so
  - kuhinje za osebje v trgovinah, pisarnah in drugih delovnih okoljih,
  - kmetije ter hoteli, moteli in nastanitve drugih vrst, kjer je ta aparat na voljo gostom,
  - nastanitve z nočitvijo in zajtrkom,
  - catering ter podobni načini uporabe, ki niso namenjeni prodaji.

**⚠ OPOZORILO!** Vse električne sestavne dele (vtič, kabel, kompresor itd.) mora zamenjati pooblaščen servisier ali usposobljeno servisno osebje.

**⚠ OPOZORILO!** Žarnica, ki je priložena temu aparatu, je „žarnica za posebno uporabo“, ki se uporablja samo v dobavljenem aparatu. Te „žarnice za posebno uporabo“ ni mogoče uporabiti pri hišni razsvetljavi.<sup>1</sup>

- Napajalnega kabla ni dovoljeno podaljševati.
- Poskrbite, da aparat z zadnjo stranjo ne bo zmečkal ali poškodoval vtiča napajalnega kabla. Zmečkan ali poškodovan vtič napajalnega kabla se lahko pregreje in povzroči požar.
- Poskrbite, da boste lahko dostopali do glavnega vtiča aparata.

- Glavnega kabla ne vlecite.
- Če je napajalna vtičnica razrahljana, vtiča napajalnega kabla ne priklaplajte vanjo. Obstaja tveganje električnega udara ali požara.
- Aparata brez luči ne smete upravljati.
- Ta aparat je težak. Premikajte ga previdno.
- Z vlažnimi/mokrimi rokami se ne dotikajte predmetov iz predelka zamrzovalnika, saj se lahko na rokah pojavijo odrgnine ali pa ozeblina zaradi zmrzali/zamrzovalnika.
- Preprečite daljšo izpostavljenost aparata neposredni sončni svetlobi.

## Vsakodnevna uporaba

- Na plastične dele aparata ne postavljajte vročih predmetov.
- Živil ne postavljajte neposredno ob zadnjo steno.
- Ko zamrznjena živila enkrat odtalite, jih ne smete ponovno zamrzniti.<sup>2</sup>
- Vnaprej pakirana zamrznjena živila shranite v skladu z navodili proizvajalcev teh živil.<sup>2</sup>
- Natančno se držite priporočil, ki jih za shranjevanje podajajo proizvajalci aparata. Upoštevajte ustrezna navodila.
- Pijač z dodanim ogljikovim dioksidom oziroma gaziranih pijač ne shranjujte v predelku zamrzovalnika, saj se ustvarja pritisk na posodo, zaradi katerega ta lahko eksplodira, aparat pa se poškoduje.<sup>2</sup>
- Če sladoleadne lučke zaužijemo neposredno po tem, ko jih vzamemo iz aparata, lahko povzročijo ozeblino<sup>2</sup>

Da preprečite onesnaženje živil, upoštevajte naslednja navodila:

- Če vrata dlje časa pustite odprta, se temperatura v predelkih aparata lahko precej zviša.
- Redno čistite površine, ki so v stiku z živili, in dostopne odvodne sisteme.
- Če posod za vodo 48 ur niste uporabljali, jih očistite; če iz aparata 5 dni niste jemali vode, sperite sistem za vodo, priključen na dovod vode.
- Surovo meso in ribe v hladilniku shranjujte v primernih posodah, tako da ta živila ne pridejo v stik z drugimi ali da z njih ne kaplja na druga živila.
- Predelki za zamrznjena živila, označeni z dvema zvezdicama (če so v aparatu), so primerni za shranjevanje predhodno zamrznjenih živil, shranjevanje ali izdelovanje sladoleda in izdelovanje ledenih kock.
- Predelki, označeni z eno, dvema in tremi zvezdicami (če so v aparatu), niso primerni za zamrzovanje svežih živil.
- Če je bil hladilni aparat dlje časa prazen, ga izklopite, odtalite, očistite in osušite, nato pa vrata pustite odprta, da preprečite nastajanje plesni v aparatu.

<sup>1</sup> Če je v predelku luč.

<sup>2</sup> Če obstaja predelek za zamrzovanje.

## Nega in čiščenje

- Pred vzdrževalnimi deli izklopite aparat in odklopite vtič napajalnega kabla z napajalne vtičnice.
- Ne čistite aparata s kovinskimi predmeti.
- Za odstranjevanje ledu iz aparata ne uporabljajte ostrih predmetov. Uporabljajte plastično strgalo.<sup>2</sup>
- Redno preverjajte, ali se je v odtoku hladilnika zaradi odtaljevanja ledu nabrala voda. Po potrebi odtok očistite. Če je odtok zamašen, se bo voda zbirala na dnu aparata.<sup>3</sup>

## Namestitev

- **POMEMBNO!** Pri priklopu električnih instalacij natančno upoštevajte navodila v posameznih odstavkih.
- Aparat vzemite iz embalaže in preverite, ali je poškodovan. Če je poškodovan, ga ne priklaplajte. O morebitnih poškodbah takoj poročajte na mesto, kjer ste aparat kupili. V tem primeru shranite embalažo.
- Preden priklopite aparat, je priporočljivo počakati vsaj 4 ure, da bo olje steklo nazaj v kompresor.
- Poskrbljeno mora biti za zadostno kroženje zraka okrog aparata; v nasprotnem primeru se lahko pregreje. Da bo prezračevanje zadostno, upoštevajte navodila, ki se nanašajo na namestitev.
- Kjer koli je to mogoče, morajo biti distančniki izdelka naslonjeni na steno, tako da se vročih delov (kompresorja, kondenzatorja) ni mogoče dotakniti ali jih prijeti, s tem pa so preprečene morebitne opekline.
- Aparat ne sme biti nameščen blizu radiatorjev ali štedilnikov.
- Poskrbite, da bo po namestitvi aparata mogoč dostop do glavnega vtiča.

## Servis

- Kakršna koli servisna dela na električnih instalacijah aparata mora izvesti kvalificirani električar ali usposobljena oseba.
- Ta izdelek mora servisirati pooblaščen servisni center, uporabljeni pa morajo biti samo originalni nadomestni deli.

## Varčevanje z energijo

- V aparatu ne shranjujte vročih živil.
- Živil ne nagnetite, saj to preprečuje kroženje zraka.
- Poskrbite, da se živila ne bodo dotikala zadnje strani predelkov.
- Če se elektrika izklopi, ne odpirajte vrat.
- Vrat ne odpirajte pogosto.
- Ko jih odprete, naj ne bodo predolgo odprta.



<sup>2</sup> Če obstaja predelek za zamrzovanje.


<sup>3</sup> Če obstaja predelek za shranjevanje svežih živil.



- Termostata ne nastavite na prenizko temperaturo.
- Da je poraba energije manjša, mora biti tu shranjena vsa dodatna oprema, kot so predali, police in police na vratih.

## Varovanje okolja

 Ta aparat niti v krogotoku za hladilno sredstvo niti v izolativnih materialih ne vsebuje plinov, ki bi lahko poškodovali ozonski plašč. Aparata ni dovoljeno odstranjevati skupaj z mestnimi odpadki in smetmi. Izolacijska pena vsebuje vnetljive pline: aparat je treba odstraniti v skladu s predpisi za gospodinjske aparate, ki jih lahko pridobite pri lokalnih organih. Preprečite, da bi prišlo do poškodb hladilne enote, še posebej izmenjevalnika toplote. Materiale, ki so uporabljeni pri tem aparatu in so označeni s simbolom , je mogoče reciklirati.

 Simbol na izdelku ali njegovi embalaži kaže, da tega izdelka ni dovoljeno obravnavati kot gospodinjski odpadek. Namesto tega ga je treba odpeljati na ustrezno zbirno točko za recikliranje električne in elektronske opreme. S tem, ko boste zagotovili pravilno odstranjevanje tega izdelka, boste pomagali preprečiti morebitne negativne posledice za okolje in zdravje ljudi, do katerih bi sicer lahko prišlo zaradi nepravilnega ravnanja s tem izdelkom. Za podrobnejše informacije o recikliranju tega izdelka se obrnite na lokalne oblasti, komunalno podjetje ali trgovino, v kateri ste izdelek kupili.

## Materiali za embalažo

Materiale, označene s simbolom, je mogoče reciklirati. Da bo embalaža reciklirana, jo odložite v ustrezen zabojnik za zbiranje odpadkov.

## Odstranjevanje gospodinjskih aparatov

1. Izklopite vtič napajalnega kabla iz napajalne vtičnice.
2. Izklopite napajalni kabel in ga odstranite.



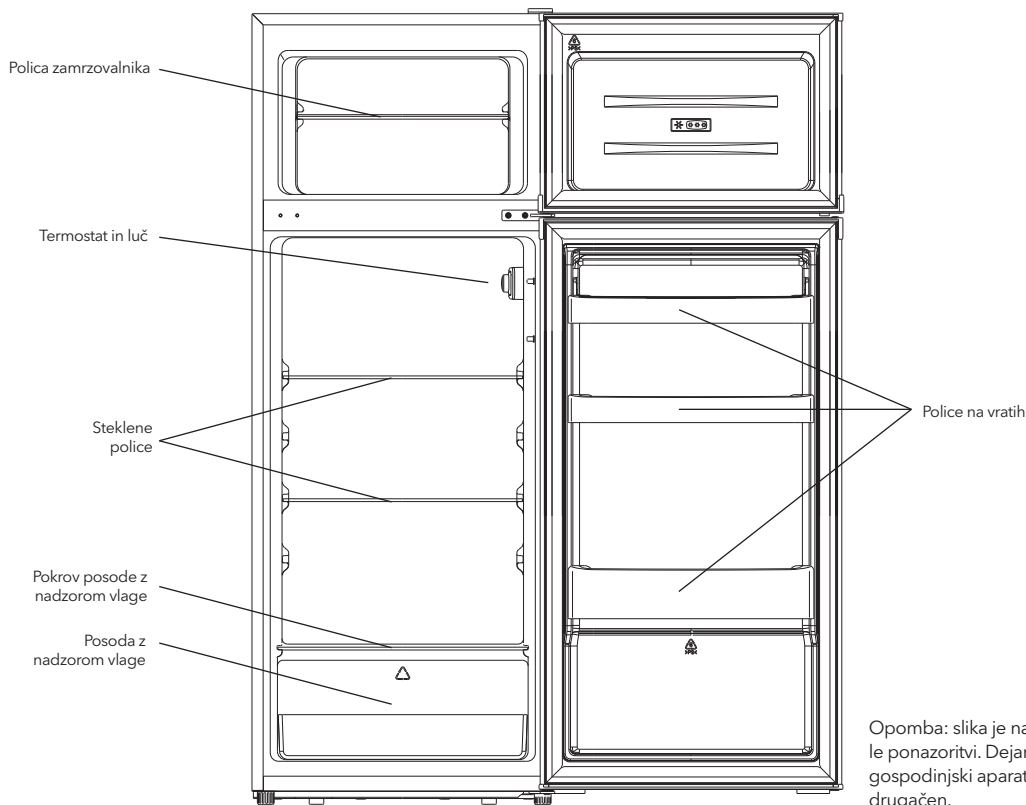
### OPOZORILO!

Med uporabo, servisiranjem in odstranjevanjem aparata bodite pozorni na simbol, podoben simbolu na levi strani, ki je na zadnjem delu aparata (zadnji plošči ali kompresorju) in je rumene ali oranžne barve.

Gre za simbol, ki opozarja na tveganje požara. V ceveh za hladilno sredstvo in kompresorju so vnetljive snovi.

Med uporabo, servisiranjem in odstranjevanjem naj aparat ne bo v bližini vira ognja.

# PREGLLED

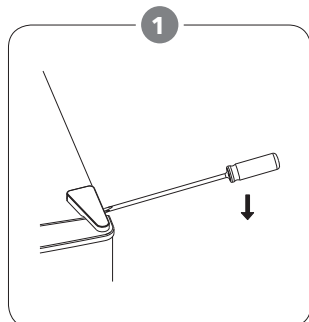


Opomba: slika je namenjena le ponazoritvi. Dejanski gospodinjiski aparat je verjetno drugačen.

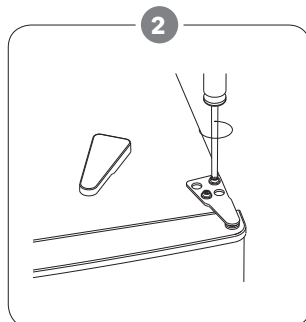
## VRATA Z MOŽNOSTJO ZAMENJAVE STRANI ODPIRANJA

Potrebna orodja: križni izvijač, ploščati izvijač, šestkotni nasadni ključ

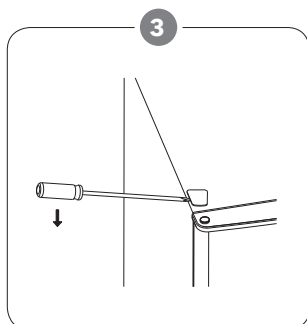
- Prepričajte se, da je enota izključena in prazna.
- Če želite vrata sneti, morate enoto nagniti nazaj. Enota naj bo naslonjena na nekaj trdnega, tako da med postopkom zamenjave strani ne bo zdrsnila.
- Vse odstranjene dele je treba shraniti, da boste vrata lahko znova namestili.
- Enote ne postavljajte v ležeč položaj, saj se sistem za hladilno tekočino lahko poškoduje.
- Med sestavljanjem sta za ravnanje z enoto priporočljivi dve osebi.



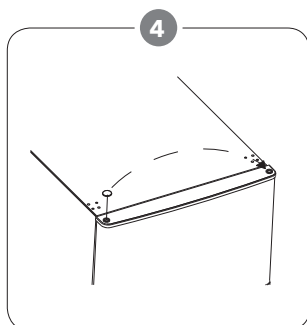
S ploskim izvijačem previdno odstranite pokrov zgornjega tečaja.



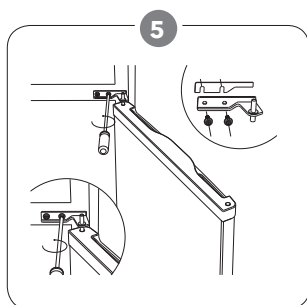
S križnim izvijačem odvijte zgornji tečaj.



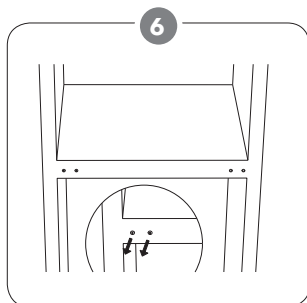
S ploskim izvijačem odstranite pokrov odprtine



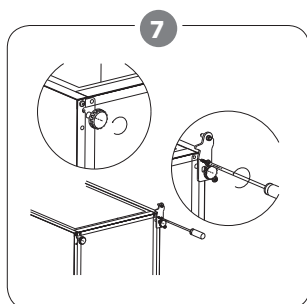
Premaknite pokrov za zaščito vrat z leve na desno stran. Nato dvignite zgornja vrata in jih položite na oblazinjeno površino, da se ne bodo opraskala.



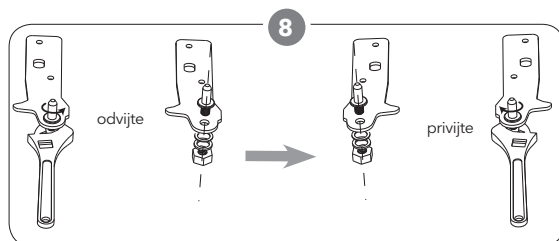
Odvijte srednji tečaj, nato pa dvignite spodnja vrata in jih položite na mehko blazino, da se ne bodo opraskala.



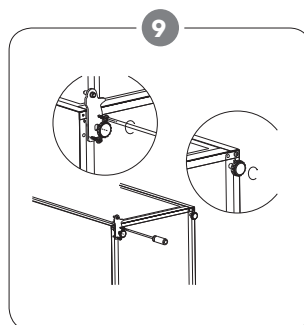
Premaknite pokrova srednjih odprtin z leve na desno stran.



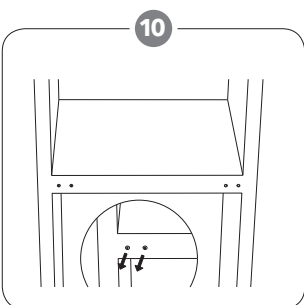
Zadnjo stran omarice položite na mehko blazino. Nato odvijte spodnji tečaj in regulacijsko nogico



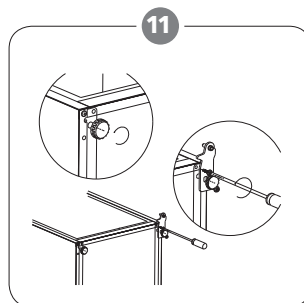
Odvijte in odstranite spodnji zatič tečaja, obrnite nosilec in ga zamenjajte.



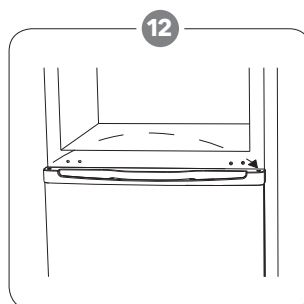
Namestite tečaj na levi strani in podnožje nogice na desni. Nato regulacijski nogici privijte v njuna originalna dela.



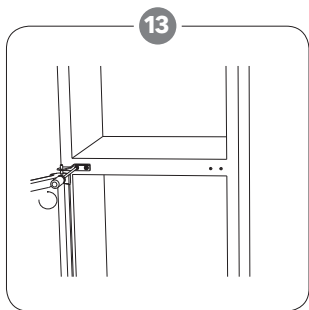
Premaknite pokrova srednjih odprtin z leve na desno stran.



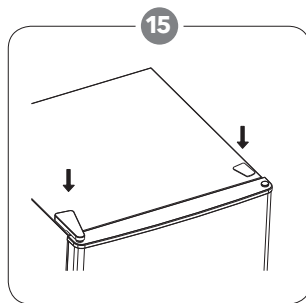
Zadnjo stran omarice položite na mehko blazino. Nato odvijte spodnji tečaj in regulacijsko nogico.



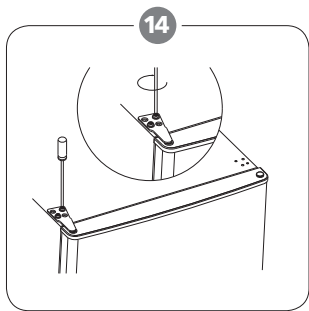
Postavite enoto in namestite vrata na spodnji tečaj. Poskrbite, da bo jedro spodnjega tečaja vstavljeno v odprtno vrata. Nato premaknite pokrov za odprtno tečaja spodnjih vrat z leve na desno stran.



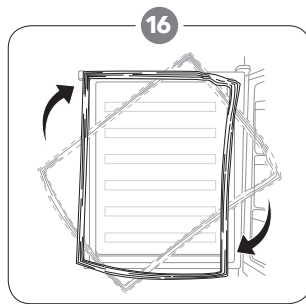
13 Namestite srednji tečaj.



15 Vpnite pokrov tečaja in pokrov odprtine na vrhu enote



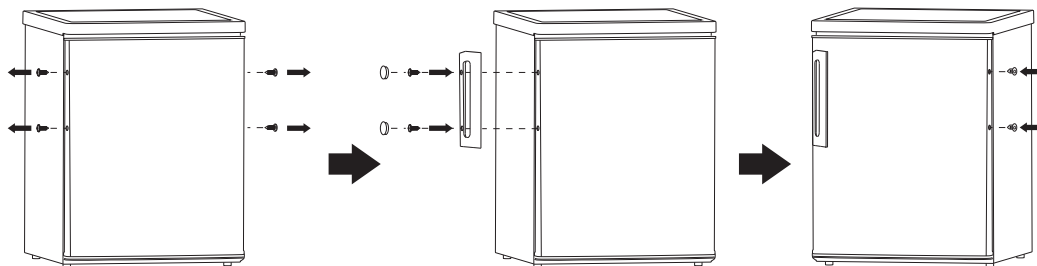
14 Namestite zgornja vrata z zgornjim tečajem



16 Odstranite tesnila vrat hladilnika in zamrzovalnika, po vrtenju pa jih nato znova pritrdite.

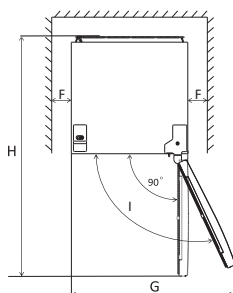
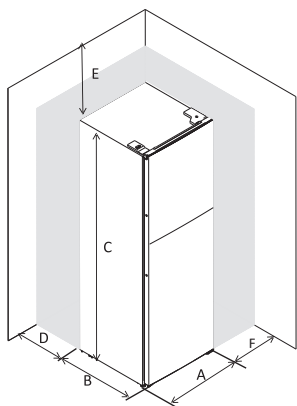
## NAMESTITEV

Namestite zunanji ročaj vrat (če je prisoten).



## Zahteve glede prostora

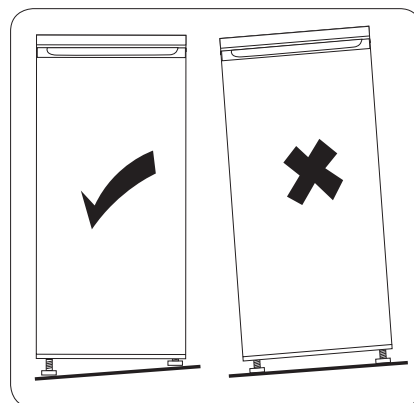
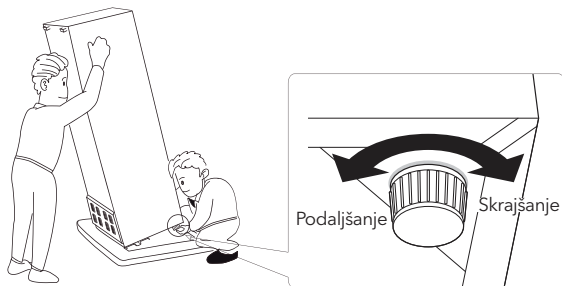
- Pustite dovolj prostora, da se bodo vrata lahko odpirala.



A	555
B	555
C	1430
D	min=50
E	min=50
F	min=50
G	1110
H	1110
I	135°

## Izravnavanje enote

Če želite enoto izravnati, prilagodite regulacijski nogici na sprednji strani enote. Če enota ne bo izravnana, vrata in magnetna tesnila ne bodo dobro tesnila



## Določanje položaja

Ta aparat namestite tja, kjer se temperatura okolja ujema s klimatskim razredom, označenim na tablici z nazivnimi podatki na aparatu:

Klimatski razred	Temperatura okolja
SN	od +10°C do +32°C
N	od +16°C do +32°C
ST	od +16°C do +38°C
T	od +16°C do +43°C

## Mesto

Gospodinjski aparat mora biti nameščen precej stran od virov toplote, kot so radiatorji, grelniki vode, neposredna sončna svetloba itd. Da bo delovanje čim boljše, poskrbite, da bo zrak lahko prosto krožil okrog zadnjega dela ohišja. Če je aparat nameščen pod visečo stensko enoto, mora biti najmanjša razdalja med zgornjim delom ohišja in stensko enoto vsaj 50 mm. Vendar je najbolje, da aparat

pod visečimi stenskimi enotami sploh ni nameščen. Z eno ali več prilagodljivimi nogicami na dnu ohišja je mogoče aparat natančno izravnati.

### ⚠ OPOZORILO!

Obstajati mora možnost odklopa aparata z omrežnega napajanja; po namestitvi mora biti vtič zato zlahka dostopen.

## Električni priključek

Pred priklopom se prepričajte, ali napetost in frekvenca, ki sta navedeni na tablici z nazivnimi podatki, ustrežata vašemu domačemu omrežnemu napajanju. Aparat mora biti ozemljen. V ta namen je na vtiču napajalnega kabla nameščen kontakt. Če domača napajalna vtičnica ni ozemljena, aparat po posvetu s kvalificiranim električarjem priključite na ločeno ozemljitev, skladno s trenutno veljavnimi predpisi.

Če zgornji varnostni previdnostni ukrepi niso upoštevani, proizvajalec zavrača vso odgovornost. Ta gospodinjski aparat je skladen z direktivami EGS.

## VSAKODNEVNA UPORABA

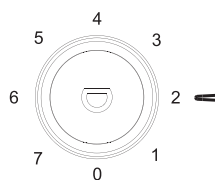
### Prva uporaba

#### Čiščenje notranjosti

Pred prvo uporabo očistite notranjost aparata in vso notranjo dodatno opremo z mlačno vodo in nekaj nevtralnega mila, da odstranite značilni vonj povsem novega izdelka, nato pa ga temeljito osušite.

**POMEMBNO!** Ne uporabljajte detergentov ali abrazivnih praškov, saj lahko poškodujejo premaz.

### Nastavitev temperature

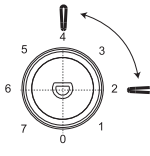
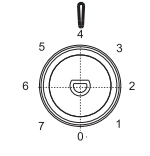
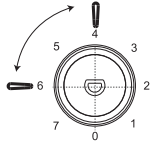


- Vklopite aparat. Notranjo temperaturo nadzira termostat. Ima 8 nastavitvev. Nastavitev 1 pomeni najtoplejšo, nastavitev 7 najhladnejšo, nastavitev 0 pa pomeni izklop.
- Če je aparat v zelo vročem okolju ali če pogosto odpirate vrata, morda ne bo deloval pri pravilni temperaturi.

Različna živila postavite v različne predelke, kot prikazuje spodnja preglednica.

Predelki hladilnika	Vrsta živila
Vrata ali police na vratih predelka hladilnika	<ul style="list-style-type: none"> <li>Živila z naravnimi konzervansi, kot so marmelade, sokovi, pijače in začimbe.</li> <li>Ne shranjujte pokvarljivih živil</li> </ul>
Posoda z nadzorom vlage (posoda za solato)	<ul style="list-style-type: none"> <li>V posodo z nadzorom vlage ločeno shranjujte sadje, zelišča in zelenjavo.</li> <li>V hladilniku ne shranjujte banan, čebule, krompirja in česna.</li> </ul>
Polica hladilnika – srednja	<ul style="list-style-type: none"> <li>Mlečni izdelki, jajca</li> </ul>
Polica hladilnika – zgornja	<ul style="list-style-type: none"> <li>Živila, ki jih ni treba kuhati, kot so že pripravljena živila, delikatesne mesnine, ostanki.</li> </ul>
Predali/polica zamrzovalnika	<ul style="list-style-type: none"> <li>Živila za dolgotrajno shranjevanje.</li> <li>Spodnji predal/polica za surovo meso, perutnino, ribe</li> <li>Srednji predal/polica za zamrznjeno zelenjavo, zamrznjen krompirček.</li> <li>Zgornji predal/polica za sladoled, zamrznjeno sadje, zamrznjene pekovske izdelke.</li> </ul>

## Priporočilo za nastavitve temperature

Temperatura okolja	Predelek zamrzovalnika	Predelek hladilnika
Poletje (nad 38 °C)	/	 <p>Nastavite na 2~4.</p>
Normalno	/	 <p>Nastavite na 4.</p>
Zima (pod 16 °C)	/	 <p>Nastavite na 4~6.</p>

- Zgornje informacije so priporočilo uporabnikom glede nastavitve temperature.

## Vpliv na shranjevanje živil

- Pri priporočenih nastavitvah je najoptimalnejši čas shranjevanja v hladilniku največ 3 dni.
- Pri priporočenih nastavitvah je najoptimalnejši čas shranjevanja v zamrzovalniku največ en mesec.
- Pri drugih nastavitvah se ta čas lahko skrajša.

## Zamrzovanje svežih živil

- Predelek za zamrzovanje je primeren za zamrzovanje svežih živil ter dolgotrajno shranjevanje zamrznjenih in globoko zamrznjenih živil.
- Sveža živila, ki jih želite zamrzniti, shranite v predelku za zamrzovanje.
- Največja količina živil, ki jih je mogoče zamrzniti v 24 urah, je navedena na tablici z nazivnimi podatki.
- Postopek zamrzovanja traja 24 ur: med tem časom ne dodajajte nobenih drugih živil, ki bi jih bilo treba zamrzniti.

## Shranjevanje zamrznjenih živil

Ob prvem vklopu ali po daljšem obdobju neuporabe naj aparat vsaj 2 uri, preden vanj shranite živila, deluje na višji nastavitvi.

**POMEMBNO!** Če pride do nenamernega odtaljevanja, na primer, če je bilo napajanje izklopljeno dlje, kot določa vrednost, navedena v tehničnih karakteristikah pod postavko „rising time“ (čas dviga temperature do vrednosti, pri kateri se živila pokvarijo), je treba odtaljena živila hitro zaužiti ali pa jih takoj skuhati in nato (po kuhanju) znova zamrzniti.

## Odtaljevanje

- Globoko zamrznjena ali zamrznjena živila je mogoče pred uporabo odtaliti v predelku hladilnika ali na sobni temperaturi, odvisno od tega, koliko časa je za to na voljo.
- Manjše koščke je mogoče skuhati celo zamrznjene, neposredno iz zamrzovalnika. V tem primeru bo kuhanje trajalo dlje.

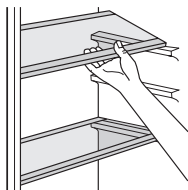
## Ledene kocke

Ta aparat je lahko opremljen z enim ali več pladnji za izdelavo ledenih kock.

## Dodatna oprema

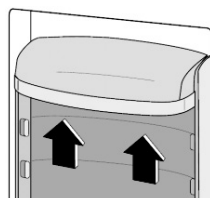
### Premakljive police

Stene hladilnika imajo več vodil, tako da je mogoče police namestiti po želji.



## Nameščanje polic na vratih

Za shranjevanje različno velikih paketov z živilami je mogoče police na vratih namestiti na različne višine. Če jih želite prilagoditi, naredite naslednje: postopno vlecite polico v smeri puščic, dokler se ne sprostijo, nato pa jo znova namestite tako, kot želite.



## Koristni nasveti in namigi

Da boste postopek zamrzovanja čim bolj izkoristili, je tu nekaj pomembnih nasvetov:

- Največja količina živil, ki jo je mogoče zamrzniti v 24 urah, je navedena na tablici z nazivnimi podatki.
- Postopek zamrzovanja traja 24 ur. V tem času ne dodajajte nobenih drugih živil, ki bi jih bilo treba zamrzniti.
- Zamrzujte le živila, ki so visokokakovostna, sveža in temeljito očiščena.
- Živila pripravljajte v majhnih porcijah, da jih boste lahko hitro in popolnoma zamrznili in da boste potem lahko odtalili le potrebno količino.
- Živila zavijte v aluminijasto ali polietilensko folijo in poskrbite, da bodo paketi nepredušno zaprti.
- Preprečite, da bi se sveža, še ne zamrznjena živila dotikala živil, ki so že zamrznjena, saj se zaradi tega lahko temperatura slednjih zviša.
- Shranjevanje živil z manj maščobami je boljše in lahko traja dlje od shranjevanja živil z več maščobami; zaradi soli se čas shranjevanja živil skrajša.
- Če kocke ledu zaužijete takoj, ko jih vzamete iz predelka za zamrzovanje, se lahko na koži pojavijo ozeblina.
- Pri jemanju iz predelka za zamrzovanje se lahko na koži pojavijo ozeblina. Na vsak paket je priporočljivo napisati datum zamrzovanja, da boste vedeli, kako dolgo je že shranjen.
- Pri jemanju iz predelka za zamrzovanje se lahko na koži pojavijo ozeblina.
- Na vsak paket je priporočljivo napisati datum zamrzovanja, da boste vedeli, kako dolgo je že shranjen.

## Nasveti za shranjevanje zamrznjenih živil

Za čim boljše delovanje aparata:

- preverite, ali so bila komercialno zamrznjena živila pri trgovcu pravilno shranjena;
- poskrbite, da boste zamrznjena živila iz trgovine čim prej prenesli v zamrzovalnik;
- vrat ne odpirajte pogosto in ne puščajte jih odprtih dlje, kot je potrebno;
- se zavedajte, da se živila hitro pokvarijo, ko jih odtalite, in jih ne morete znova zamrzniti;
- živil ne shranjujte dlje od obdobja, ki ga navaja proizvajalec živila.

## Nasveti za hlajenje svežih živil

Najboljši učinek dosežete z naslednjim:

- v hladilniku ne shranjujte toplih živil ali hlapnih tekočin;
- živila pokrijte ali zavijte, še posebej, če imajo močan vonj;
- meso (vseh vrst): zavijte v polietilenske vrečke in postavite na stekleno polico nad predal za zelenjavo;
- zaradi varnosti meso shranite na ta način le za en dan ali največ dva;
- kuhana živila, hladne jedi itd.: treba jih je pokriti in lahko jih postavite na katero koli polico.
- sadje in zelenjava: temeljito ju je treba očistiti in shraniti v enega ali več priloženih posebnih predalov.
- maslo in sir: postaviti ju je treba v posebne, nepredušne posode ali pa zaviti v aluminijasto folijo ali polietilenske vrečke, da je zrak čim bolj iztisnjen;
- steklenice z mlekom: morajo imeti pokrovček in treba jih je shraniti v stojalu za steklenice na vratih;
- če banane, krompir, čebula in česen niso pakirani, jih ne smete shranjevati v hladilniku.

<sup>1</sup> Če je kondenzator na zadnji strani aparata.

## Čiščenje

Iz higienskih razlogov morate notranjost aparata, vključno z dodatno opremo v notranjosti, redno čistiti.

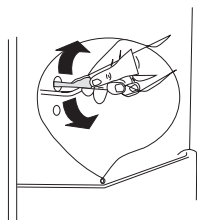
### ! POZORI!

Med čiščenjem aparat ne sme biti priključen na omrežno napajanje. Obstaja nevarnost električnega udara! Pred čiščenjem odklopite aparat in vtič izklopite iz vtičnice ali pa izklopite odklopnik tokokroga ali varovalko. Aparata nikoli ne čistite s parnim čistilnikom. V električnih delih bi se lahko nabrala vlaga; obstaja nevarnost električnega udara! Vroča para lahko poškoduje plastične dele. Preden aparat spet začne delovati, mora biti suh.

**POMEMBNO!** Eterična olja in organska topila, npr. limonov sok ali tekočina iz pomarančnih olupkov, butanojska kislina ali čistila, ki vsebujejo ocetno kislino, lahko poškodujejo plastične dele..

## Očistite odprtino odtoka

Da preprečite pretakanje vode, ki je nastala pri odtaljevanju, v hladilnik, redno čistite odprtino odtoka na zadnjem delu predelka hladilnika. Za čiščenje odprtine uporabljajte čistilo, kot je prikazano na sliki.



- Preprečite stik tovrstnih snovi z deli aparata.
- Ne uporabljajte abrazivnih čistil.
- Vzemite živila iz zamrzovalne skrinje. Dobro pokrita shranite na hladnem mestu.
- Odklopite aparat in izklopite vtič iz vtičnice ali pa izklopite odklopnik tokokroga ali varovalko.
- Aparat in dodatno opremo v notranjosti očistite s krpo in mlačno vodo. Po čiščenju obrišite s krpo, prepojeno s svežo vodo, nato pa s suho krpo obrišite do suhega.
- Ko bo vse suho, aparat znova vklopite.

## Odtaljevanje zamrzovalnika

Predelek za zamrzovanje bo postopoma postajal vedno bolj prekrit z ledom. Led je treba odstraniti. Ledu z uparjalnika nikoli ne strgajte z ostrimi kovinskimi orodji, saj ga lahko poškodujete. Ko pa se na notranji oblogi nabere debela plast ledu, je treba popolno odtaljevanje izvesti na naslednji način:

- izvlecite vtič iz vtičnice,
- odstranite vsa shranjena živila, jih zavijte v več plasti časopisnega papirja in jih shranite na hladnem mestu,
- vrata pustite odprta in pod aparat postavite škafo, da zberete vodo, nastalo zaradi odtaljevanja,
- ko je odtaljevanje končano, notranjost temeljito osušite,
- vtič vklopite nazaj v napajalno vtičnico, da znova zaženete aparat.

## Zamenjava luči

### ! POZORI!

Izdelek je opremljen z lučjo LED; če jo želite zamenjati, se obrnite na poprodajno službo.





# ODPRAVLJANJE TEŽAV

## ! POZOR!

Pred odpravljanjem težav odklopite napajanje. Težave, ki niso navedene v tem priročniku, lahko odpravlja samo kvalificirani električar ali usposobljena oseba.

**POMEMBNO!** Med normalno uporabo se pojavljajo določeni zvoki (kompresorja, kroženja hladilnega sredstva).

Težava	Možni vzrok	Rešitev
Aparat ne deluje.	Gumb za nadzor temperature je nastavljen na številko „0“.	Če želite vklopiti aparat, nastavite gumb na drugo številko.
	Vtič napajalnega kabla ni priklopljen ali pa je razrahljan.	Priklopite vtič napajalnega kabla.
	Varovalka je pregorela ali pa je okvarjena.	Preverite varovalko in jo po potrebi zamenjajte.
	Vtičnica je okvarjena.	Okvaro vtičnice mora popraviti električar.
Hrana je pretopla.	Temperatura ni pravilno nastavljena.	Oglejte si začetni razdelek o nastavljanju temperature.
	Vrata so bila dlje časa odprta.	Vrata pustite odprta le toliko časa, kolikor je potrebno.
	V zadnjih 24 urah je bila v aparatu shranjena velika količina toplih živil.	Regulator temperature začasno premaknite na nastavev za nižjo temperaturo.
	Aparat je v bližini vira toplote.	Oglejte si razdelek o mestu namestitve.
Aparat premočno hladi.	Temperatura je nastavljena na prenizko vrednost.	Začasno premaknite gumb za nadzor temperature na višjo temperaturo.
Nenavadni zvoki	Aparat ni izravnán.	Znova nastavite nogico.
	Aparat se dotika stene ali drugih predmetov.	Aparat nekoliko premaknite.
	Sestavni del, npr. cev, na zadnji strani aparata se dotika drugega dela aparata ali stene.	Sestavni del po potrebi previdno upognite stran.
Voda na tleh	Odprtina odtoka za vodo je zamašena.	Glejte razdelek o čiščenju.
Stranska plošča je vroča.	Znotraj plošče je kondenzator.	To je normalno.

Če spet pride do nepravilnega delovanja, se obrnite na servisni center.

## BEZBEDNOSNA UPUTSTVA


Radi sopstvene bezbednosti obezbedite sigurnu upotrebu, pre instalacije i prve upotrebe uređaja, pročitajte ovo korisničko uputstvo, uključujući i savete i upozorenja. Da biste izbegli nepotrebne greške i nezgode, važno je da se postarate da sve osobe koje koriste uređaj budu detaljno upoznate s njegovim operacijama i bezbedonosnim funkcijama. Sačuvajte ova uputstva i pobrinite se da budu u sklopu uređaja ako bude premešten ili prodat, kako bi svako, ko ga koristi tokom svog života bio upoznat sa pravilnom upotrebom i bezbednošću uređaja. Imajte na umu ovo korisničko uputstvo radi svoje lične sigurnosti i sigurnosti imovine, budući da proizvođač nije odgovoran za štetu učinjenu propustima.

### Bezbednost dece i nesamostalnih osoba

- Ovaj uređaj mogu koristiti deca starosti 8 ili više godina i osobe sa smanjenim fizičkim, čulnim ili mentalnim sposobnostima, ili manjkom iskustva i znanja ukoliko su pod nadzorom, ili su im data uputstva u vezi sa bezbednom upotrebom uređaja, i svesni su mogućeg rizika.
- Deci uzrasta od 3 do 8 godina je dozvoljeno da stavljaju predmete u i uzimaju predmete iz ovog uređaja.
- Deca bi trebalo da budu pod nadzorom, kako biste osigurali da se ne igraju uređajem.
- Čišćenjem i održavanjem ne bi trebalo da se bave deca, osim ako nisu starosti 8 ili više godina i moraju biti pod obaveznim nadzorom.
- Svu ambalažu čuvajte van domašaja dece. Postoji opasnost od gušenja.
- Ukoliko ste odlučili da više ne koristite uređaj, prekinite napajanje uređaja strujom, preseците kabl za napajanje (što je bliže moguće uređaju) i uklonite vrata, kako biste sprečili mogućnost da deca, koja se igraju, pretrpe strujni udar ili se zatvore u uređaj.
- Ukoliko ovaj uređaj ima magnetnu gumu na vratima, a želite da njime zamenite stariji uređaj, koji se zatvarao pomoću opruge na vratima ili poklopcu, onemogućite funkcionisanje zatvaranja starijeg uređaja pomoću opruge. Na ovaj način ćete sprečiti da uređaj postane smrtonosna zamka za dete.

### Opšta bezbednost

** UPOZORENJE!** Održavajte ventilacione otvore u kućištu frižidera ili ugradnoj strukturi čistima od začepljenja.

** UPOZORENJE!** Nemojte koristiti mehaničke uređaje ili druge naprave kako biste ubrzali proces odmrzavanja, osim proizvoda preporučenih od strane proizvođača uređaja.

**⚠ UPOZORENJE!** Nemojte oštetiti sistem za hlađenje.

**⚠ UPOZORENJE!** Nemojte stavljati druge električne uređaje (kao što su uređaji za pravljenje sladoleda) u uređaj za hlađenje, osim ako ih proizvođač nije odobrio u ovu svrhu.

**⚠ UPOZORENJE!** Ne dirajte sijalicu ukoliko radi duže vremena, jer može biti veoma vruća.<sup>1</sup>

**⚠ UPOZORENJE!** Prilikom postavljanja uređaja, uverite se da ništa ne pritiska priključni kabl, kao i da kabl nije oštećen.

**⚠ UPOZORENJE!** Ne postavljajte višestruke prenosive utičnice ili prenosivo napajanje iza uređaja.

- Nemojte čuvati eksplozivne supstance, kao što su ambalaže sprejeva sa zapaljivim gasom u ovom uređaju.
- Supstanca za hlađenje, izobutan (R600a), se nalazi u sistemu za hlađenje uređaja, to je prirodni gas s visokim nivoom ekološke kompatibilnosti, ali izuzetno zapaljiv.
- Pobrinite se da tokom transporta ili postavljanja uređaja ne bude oštećena nijedna komponenta sistema za hlađenje uređaja.
  - izbegavajte otvoren plamen i izvore zapaljivosti
  - temeljno provetrite prostoriju, u kojoj se nalazi uređaj
- Opasno je menjati specifikacije ili modifikovati proizvod na bilo koji način. Bilo kakvo oštećenje kabla može prouzrokovati kratak spoj, požar i/ili strujni udar.
- Ovaj uređaj je namenjen za upotrebu u domaćinstvima i za slične primene, kao što su
  - prostori za zaposlene u kuhinji, u prodavnicama, kancelarije i druga radna okruženja;
  - poljoprivredna domaćinstva i od strane hotelskih i motelskih gostiju, kao i drugih vrsta ovakvih objekata;
  - objekti koji pružaju uslugu noćenja sa doručkom;
  - catering i slične neprodajne namene.

**⚠ UPOZORENJE!** Bilo koju električnu komponentu (utikač, kabl za napajanje, kompresor itd.) mora zameniti ovlašćeni serviser ili kvalifikovano osoblje.

**⚠ UPOZORENJE!** Sijalica, dostavljena sa ovim uređajem, je "sijalica za specijalnu namenu" i može se koristiti samo za uređaj uz koji je dostavljena. Ova "sijalica za specijalnu namenu" se ne može koristiti za kućno osvetljenje.<sup>1</sup>

- Kabl za napajanje se ne sme produžavati.
- Proverite da li je utikač, na zadnjoj strani uređaja, zgnječen ili oštećen.

<sup>1</sup> Ukoliko u uređaju postoji.

Zgnječen ili oštećen utikač može dovesti do pregrevanja i izazvati požar.

- Pobrinite se da vam glavni utikač uređaja bude dostupan.
- Nemojte izvlačiti glavni kabl.
- Ukoliko utičnica nije fiksirana, nemojte priključivati aparat. Postoji rizik od strujnog udara ili vatre.
- Ne smete raditi ništa na uređaju bez osvetljenja.
- Uređaj je težak. Budite oprezni tokom pomeranja uređaja.
- Nemojte uklanjati ili dodirivati elemente iz dela za zamrzavanje ako su vam ruke vlažne/mokre, budući da to može prouzrokovati ogrebotine ili promrzline na koži.
- Izbegavajte duže izlaganje aparata direktnoj sunčevoj svetlosti.

## Dnevna upotreba

- Ne stavljajte vruće stvari na plastične delove uređaja.
- Ne stavljate prehrambene proizvode uza zadnji zid.
- Zamrznuta hrana se ne sme ponovo zamrzavati nakon što se otopi.<sup>2</sup>
- Već zapakovanu zamrznutu hranu čuvajte u skladu sa instrukcijama proizvođača, u vezi sa zamrznutom hranom.<sup>2</sup>
- Striktno se pridržavajte preporuka proizvođača u pogledu držanja stvari u uređaju. Pridržavajte se relevantnih instrukcija.
- Ne stavljate gazirana pića u deo za zamrzavanje, budući da to stvara pritisak, koji može prouzrokovati pucanje ambalaže, što može dovesti do oštećenja uređaja.<sup>2</sup>
- Voćni sladoledi mogu izazvati promrzline ukoliko se konzumiraju odmah po uzimanju iz uređaja.<sup>2</sup>

Kako biste izbegli kontaminiranje hrane, pratite sledeća uputstva

- Držanje uređaja otvorenim tokom dugih vremenskih perioda može da dovede do značajnog rasta temperature unutar odeljaka uređaja.
- Redovno čistite površine koje mogu da dođu u dodir sa hranom, kao i pristupačne delove odvodnog sistema.
- Očistite rezervoare za vodu ukoliko ih niste koristili tokom vremenskog perioda dužeg od 48 h; ukoliko tokom vremenskog perioda od 5 dana niste uzimali vodu iz uređaja, isperite sistem za protok vode vodom iz vodovodne mreže.
- Sirovo meso i ribu unutar frižidera držite u odgovarajućim posudama, kako ove namirnice ne bi došle u dodir sa ili kako ne bi kapale po ostaloj hrani.
- Odeljci za smrznutu hranu označeni sa dve zvezdice (ukoliko postoje u okviru uređaja) pogodni su za držanje prethodno smrznute hrane, za držanje ili pravljenje sladoleda i za pravljenje kockica leda.

<sup>2</sup> Ukoliko postoji deo za zamrzavanje.

- Odeljci označeni jednom, dvema i trima zvezdicama (ukoliko postoje u okviru uređaja) nisu pogodni za zamrzavanje sveže hrane.
- Ukoliko će uređaj biti prazan tokom dužeg vremenskog perioda, isključite ga, odledite, očistite i osušite, a zatim ostavite vrata uređaja otvorenim kako biste sprečili razvoj buđi u unutrašnjosti uređaja.

## Održavanje i čišćenje

- Pre održavanja, isključite uređaj, ili prekinite dotok električne energije.
- Uređaj nemojte čistiti metalnim predmetima.
- Ne koristite oštre predmete, da bi uklonili led sa uređaja. Koristite plastična sredstva za struganje.<sup>2</sup>
- Redovno proveravajte odvod za odleđenu vodu u frižideru. Ukoliko je potrebno, očistite odvod. Ukoliko je odvod blokiran, voda će se sakupljati na dnu uređaja<sup>3</sup>

## Instalacija uređaja

- **VAŽNO!** Za priključivanje na električnu mrežu, pažljivo pratite uputstva data u specifičnim delovima uputstva.
- Raspakujte uređaj i proverite da li postoje na njemu oštećenja. Ne povezujte uređaj na struju, ukoliko je oštećen. Moguća oštećenja odmah prijavite u mestu, gde ste ga kupili. U tom slučaju zadržite ambalažu uređaja.
- Preporučuje se, da sačekate najmanje četiri sata pre nego što priključite uređaj, kako bi se ulje vratilo u kompresor.
- Potrebno je obezbediti adekvatno strujanje vazduha oko uređaja, nepostojanje ovoga može dovesti do pregrevanja. Za postizanje odgovarajućeg protoka vazduha, pratite uputstva potrebna za instalaciju uređaja.
- Gde god je moguće, razmaknica mora biti postavljena između uređaja i zida, kako bi se izbeglo dodirivanje ili hvatanje za vruće delove (kompresor, kondenzator) kako bi se izbegle moguće opekotine.
- Uređaj ne sme biti postavljen blizu radijatora ili štednjaka.
- Pobrinite se da bude obezbeđen lak pristup glavnom utikaču i nakon postavljanja uređaja.

## Servisiranje

- Bilo kakvo servisiranje uređaja, koje zahteva električne radove, treba da bude obavljen od strane kvalifikovanog električara ili kompetentne osobe.

<sup>2</sup> Ukoliko postoji deo za zamrzavanje.


<sup>3</sup> Ukoliko postoji deo za čuvanje sveže hrane



- Samo ovlašćeni centar za servisiranje može obaviti popravke na uređaju, i mogu se koristiti samo originalni rezervni delovi.

## Ušteda energije

- Ne stavljate vruću hranu u uređaj;
- Ne pakujte svu hranu zajedno, budući da to sprečava cirkulaciju vazduha;
- Pobrinite se da hrana ne dotiče zadnji deo pregrade(a);
- Ukoliko nestane struje, ne otvarajte vrata;
- Ne otvarajte često vrata;
- Ne držite vrata otvorena drugo;
- Nemojte postavljati termostat na izuzetno niske temperature
- Potrebno je sve dodatne elemente, poput fioka, polica, polica u vratima uređaja, tamo držati u cilju smanjenja utroška energije.

## Zaštita životne sredine

 Ovaj uređaj ne sadrži gasove, koji mogu oštetiti ozonski omotač, ni u sistemu za hlađenje, ni u materijalima za izolaciju. Uređaj ne bi trebalo odlagati zajedno sa gradskim ili kućnim otpadom. Izolaciona pena sadrži zapaljive gasove: uređaj bi trebalo odložiti u skladu sa propisima za uređaje, koje su izdale lokale vlasti. Izbegavajte pravljenje oštećenja dela za hlađenje, posebno dela za razmenu toplote. Materijali korišćeni za ovaj uređaj, mogu se reciklirati ukoliko su označeni simbolom za reciklažu. ♻️

 Oznaka na proizvodu, ili njegovom pakovanju, ukazuje da ovaj proizvod ne sme biti tretiran kao otpad nastao u domaćinstvu. Umesto toga,  treba ga ostaviti na odgovarajućem mestu, na kojem se sakuplja električna i elektronska oprema. Osiguravanjem da je proizvod ispravno odložen, pomoćićete sprečavanju potencijalnih negativnih posledica po životnu sredinu i ljudsko zdravlje, koje inače mogu biti uzrokovane nepravilnim odlaganjem otpada ovog uređaja. Za više detalja o recikliranju ovog proizvoda, molimo vas da kontaktirate svoju lokalni organ za zaštitu životne sredine, preduzeće za odlaganje komunalnog otpada ili prodavnicu, u kojoj ste kupili proizvod.

## Materijali ambalaže

Materijali označeni ovim simbolom mogu se reciklirati. Ambalažu odložite u odgovarajući konterjner za prikupljanje otpada za reciklažu.

## Odlaganje uređaja

1. Prekinite napajanje uređaja strujom.
2. Odsecite kabl za napajanje i odložite ga.

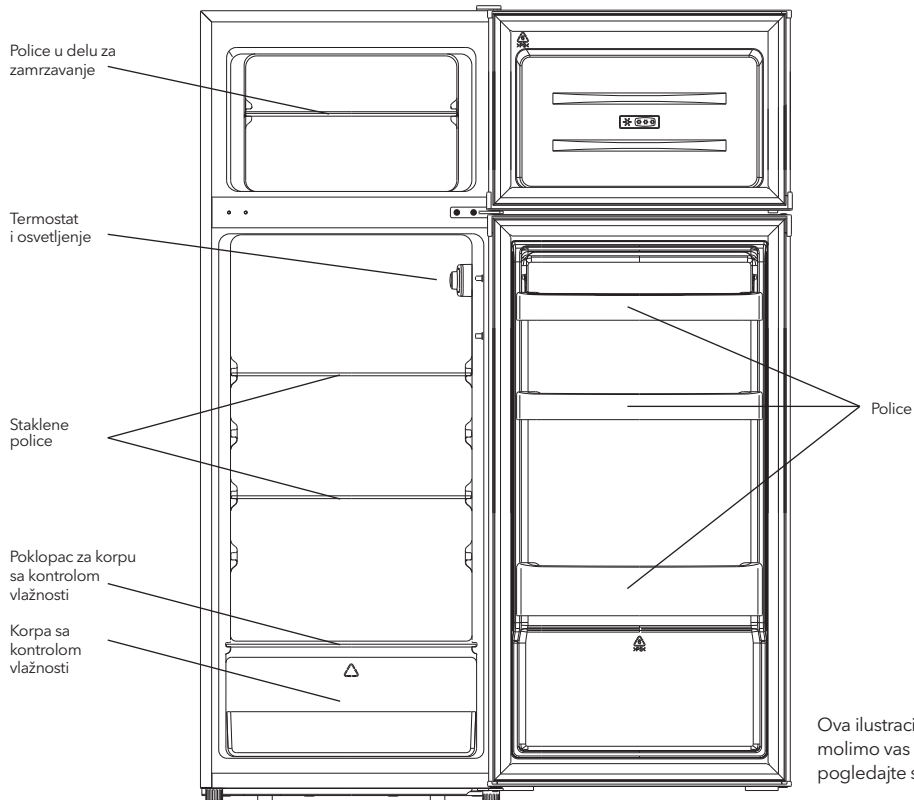


## UPOZORENJE!

Prilikom upotrebe, servisiranja i odlaganja uređaja, imajte u vidu oznaku žute ili narandžaste boje, sličnu onoj prikazanoj na slici levo, koja se nalazi na poledini uređaja (tabla ili kompresor na poledini uređaja).

Ova oznaka predstavlja simbol rizika od požara. U cevima za rashladno sredstvo i u kompresoru se nalaze zapaljivi materijali. Molimo Vas da tokom upotrebe, servisiranja i odlaganja, uređaj držite dalje od izvora vatre.

## PREGLED

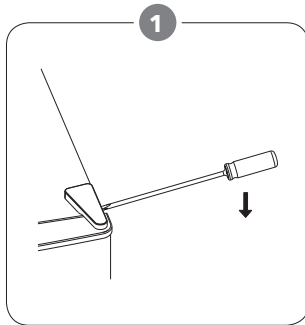


Ova ilustracija je samo okvirna, molimo vas da za detalje pogledajte svoj uređaj.

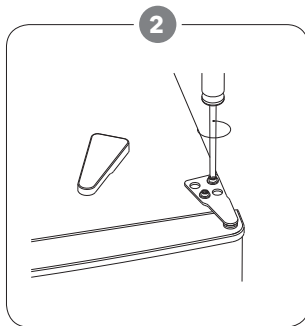
# ZAMENA SMERA OTVARANJA VRATA

Potreban alat: Philips odvijač, ravni odvijač, šestougaoni ključ.

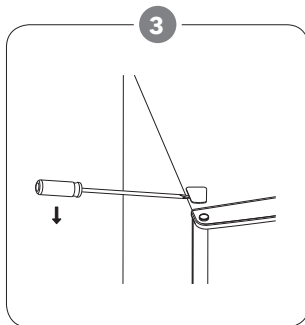
- Pobrinite se da uređaj bude isključen i prazan.
- Da biste skinuli vrata, potrebno je da uređaj nagnete unazad. Uređaj treba da bude postavljen na tvrdu podlogu, kako se ne bi dogodilo da isklizne prilikom zamene položaja vrata.
- Svi uklonjeni delovi moraju biti sačuvani radi ponovnog instaliranja vrata.
- Uređaj nemojte stavljati u horizontalan položaj, jer to može oštetiti sistem za hlađenje.
- Preporučuje se da dve osobe učestvuju u montiranju.



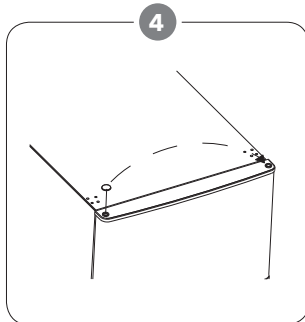
Pažljivo skinite poklopac gornje šarke pomoću ravnog odvijača.



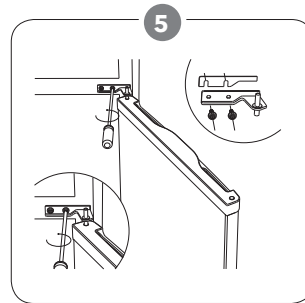
Odšrafite gornju šarku pomoću krstastog odvijača.



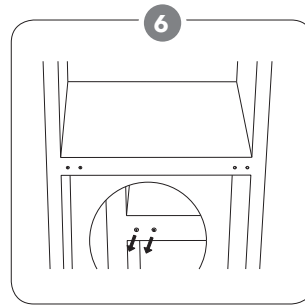
Skinite poklopac za otvor pomoću ravnog odvijača.



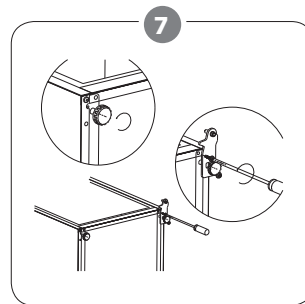
Premestite poklopac osovine sa leve na desnu stranu, a zatim podignite gornja vrata i smestite ih na mekanu površinu kako biste sprečili nastanak ogrebotina.



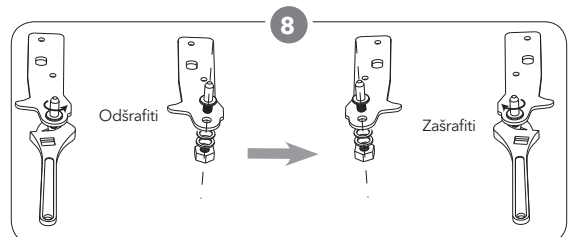
Odšrafite središnju šarku, a zatim podignite donja vrata i smestite ih na mekanu površinu kako biste sprečili nastanak ogrebotina.



Premestite dva poklopca za središnje otvore sa leve na desnu stranu.



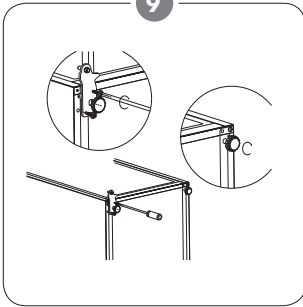
Postavite kućište na mekanu površinu, u horizontalni položaj, tako da leži na poledini, a zatim odšrafite donju šarku i nožicu za podešavanje visine.



Odšrafite i skinite osovinu na donjoj šarki, obrnite nosač i ponovo ga postavite.

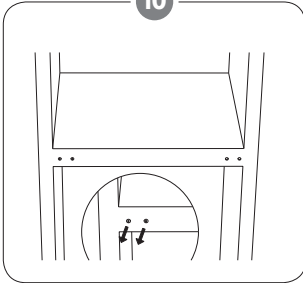


9



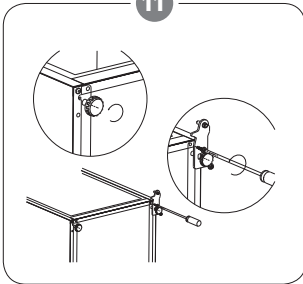
Postavite šarku na levu stranu, a postolje na desnu stranu. Zatim zašrafite dve nožice za podešavanje visine zajedno sa njihovim originalnim delovima.

10



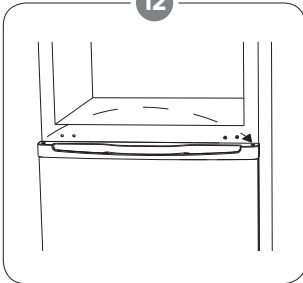
Premestite dva poklopca za središnje otvore sa leve na desnu stranu.

11



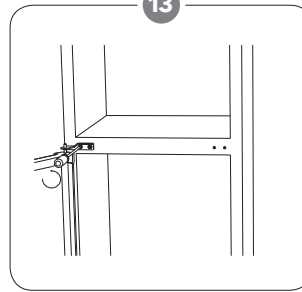
Postavite kućište na mekanu površinu, u horizontalni položaj, tako da leži na poledini, a zatim odšrafite donju šarku i nožicu za podešavanje visine.

12



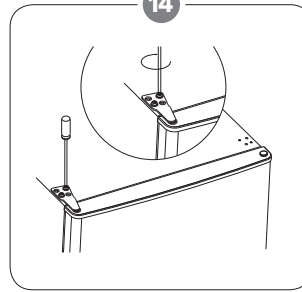
Vratite jedinicu u vertikalni položaj i postavite vrata na donju šarku. Uverite se da je osovina donje šarke umetnuta u otvor u vratima. Zatim premestite poklopac otvora za šarku na donjim vratima sa leve na desnu stranu.

13



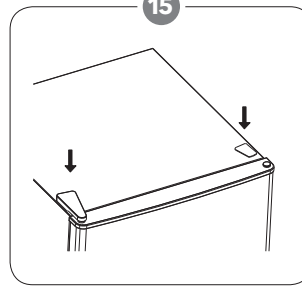
Postavite središnju šarku.

14



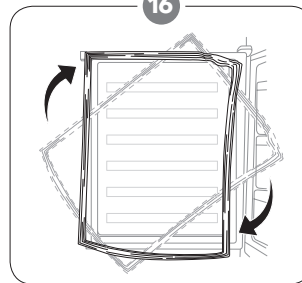
Postavite gornja vrata pomoću gornje šarke.

15



Umetnite poklopac za šarku i poklopac za otvor na gornji deo jedinice.

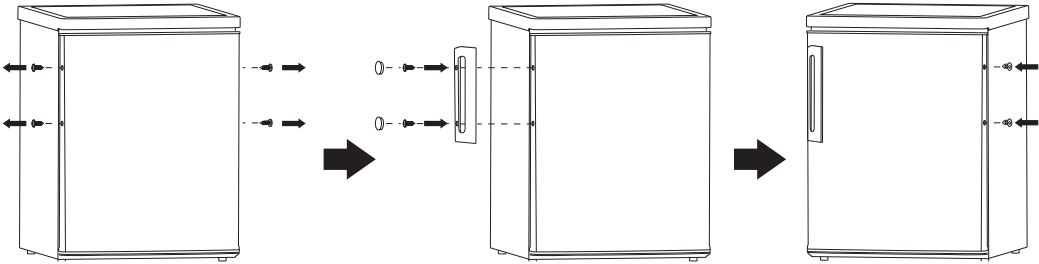
16



Skinite zaptivke za vrata sa frižidera i zamrzivača, a zatim ih ponovo postavite nakon što ih zarotirate.

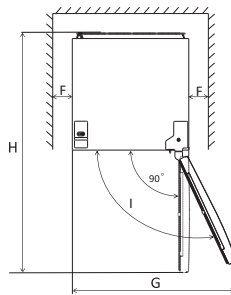
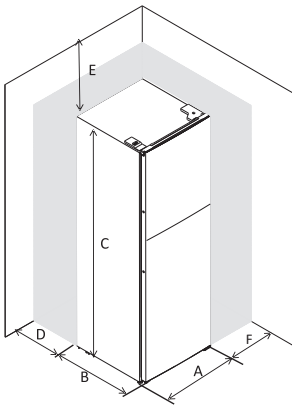
# UGRADNJA UREĐAJA

Postavite spoljnu ručku za vrata (ukoliko spoljna ručka postoji)



## Potrebe prostora

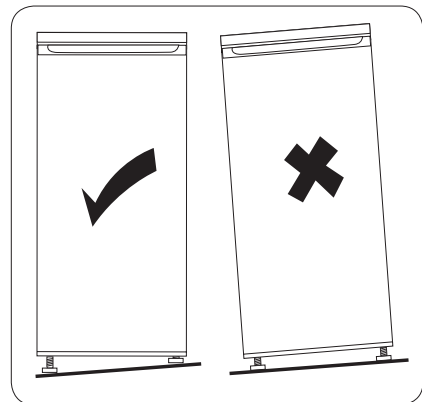
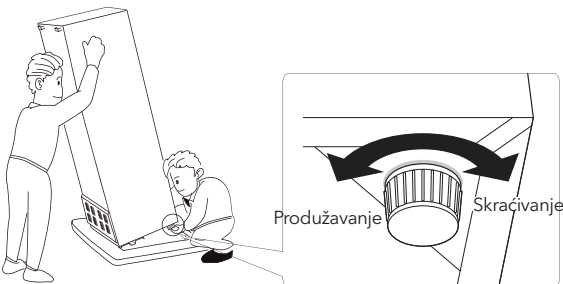
- Ostavite dovoljno mesta za otvaranje vrata.



A	555
B	555
C	1430
D	min=50
E	min=50
F	min=50
G	1110
H	1110
I	135°

## Nivelacija uređaja

Kako biste ovo uradili, podesite dve podesne nožice s prednje strane uređaja. Ukoliko uređaj nije nivelisan, vrata i magnetna guma neće pravilno prijanjati.



## Postavljanje uređaja

Postavite ovaj uređaj na mesto, na kojem će sobna temperatura odgovarati klimatskom razredu, naznačenom na specifikaciji proizvođača:

Klimatska klasa	Sobna temperatura
SN	+10°C do +32°C
N	+16°C do +32°C
ST	+16°C do +38°C
T	+16°C do +43°C

## Lokacija

Uređaj treba da bude postavljen daleko od izvora toplote, kao što su radijatori, bojleri, izlaganje direktnim sunčevim zracima itd. Postarajte se da vazduh slobodno cirkuliše oko zadnjeg dela frižidera, kako biste osigurali najbolju učink. Ukoliko je uređaj postavljen ispod visećeg dela, minimalni razmak između vrha uređaja i visećeg

dela treba da bude bar 50 mm. Idealno bi bilo da uređaj ne bude postavljen ispod visećeg dela. Odgovarajuća nivelacija se postiže uz pomoć jedne ili više podesnih nožica, u zavisnosti od uređaja.

### **UPOZORENJE!**

Prekidanje napajanja uređaja mora biti omogućeno; iz tog razloga, utičnica mora biti dostupna nakon postavljanja uređaja.

## Povezivanje na struju

Pre uključivanja, proverite da napon i frekvencija prikazana na tablici specifikacije odgovaraju naponu struje domaćinstva. Uređaj mora biti uzemljen. Kabl za napajanje električnom energijom je opremljen kontaktom za ovu namenu. Ukoliko utičnica u domaćinstvu nema uzemljenje, priključite uređaj na izdvojeno uzemljenje u skladu sa trenutnim propisima; konsultujte se sa kvalifikovanim električarem. Proizvođač ne snosi nikakvu odgovornost, ukoliko gore navedene preventivne mere nisu ispoštovane. Ovaj uređaj ispunjava uslove EEC direktiva.

# DNEVNA UPOTREBA

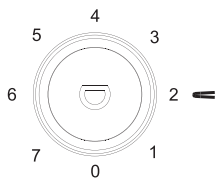
## Prva upotreba

### Čišćenje unutrašnjosti uređaja

Pre korišćenja uređaja po prvi put, očistite unutrašnjost i sve unutrašnje elemente mlakom vodom i neutralnim sapunom, kako biste uklonili tipičan miris novog proizvoda, a zatim ga dobro osušite.

**VAŽNO!** Ne koristite deterdžente ili abrazivna sredstva, budući da mogu da oštete površinu.

## Podešavanje temperature

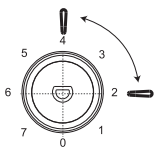
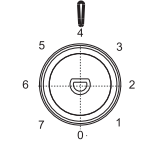
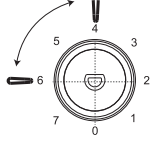


- Uključite svoj uređaj. Unutrašnju temperaturu reguliše termostat. Postoji 8 nivoa temperature, 1 je najtopliji nivo, 7 je najhladniji, i 0 znači da je uređaj isključen.
- Uređaj možda neće raditi na pravoj temperaturi, ako se nalazi u veoma toplom okruženju ili ako često otvarate vrata.

Različite vrste namirnica raspoređujte u različite odeljke, prema podacima navedenim u sledećoj tabeli

Odeljci frižidera	Vrste namirnica
Vrata ili police u vratima odeljka za rashlađivanje	<ul style="list-style-type: none"> <li>• Namirnice sa prirodnim konzervansima, poput džemova, sokova, pića, dodatka jelima.</li> <li>• Nemojte držati kvarljive namirnice.</li> </ul>
Crisper fioka za čuvanje svežine (fioka za čuvanje salate)	<ul style="list-style-type: none"> <li>• Voće, začinsko bilje i povrće treba držati zasebno u crisper fioci za čuvanje svežine.</li> <li>• Banane, crni luk, paradajz i beli luk ne treba držati u frižideru.</li> </ul>
Polica frižidera - srednja	<ul style="list-style-type: none"> <li>• Mlečni proizvodi, jaja</li> </ul>
Polica frižidera - gornja	<ul style="list-style-type: none"> <li>• Hrana koju nije potrebno termički obrađivati, poput gotove hrane, mesnih prerađevina, ostataka hrane.</li> </ul>
Fioka(e)/polica zamrzivača	<ul style="list-style-type: none"> <li>• Namirnice koje se drže tokom dužeg vremenskog perioda.</li> <li>• Donja fioka/polica za sveže meso, živinsko meso, ribu.</li> <li>• Srednja fioka/polica za smrznuto povrće, pomfrit.</li> <li>• Gornja fioka/polica za sladoled, smrznuto voće, smrznutu kuvanu hranu.</li> </ul>

## Preporuke za podešavanje temperaturnih vrednosti

Ambijentalna temperatura	Odeljak za zamrzavanje	Odeljak za rashlađivanje
Letnja (iznad 38°C)	/	 <p>Podesiti na 2~4</p>
Normalna	/	 <p>Podesiti na 4</p>
Zimska (ispod 16°C)	/	 <p>Podesiti na 4~6</p>

- Gore navedeni podaci korisnicima pružaju preporuke u vezi sa temperaturnim podešavanjima.

## Efekat na skladištenje hrane

- Pri preporučenim podešavanjima, optimalni period čuvanja hrane u frižideru iznosi ne duže od 3 dana.
- Pri preporučenim podešavanjima, optimalni period čuvanja hrane u zamrzivaču iznosi ne duže od 1 meseca.
- Pri drugim vrednostima podešavanja, optimalni period čuvanja hrane može biti kraći.

## Zamrzavanje sveže hrane

- Deo za zamrzavanje je pogodan za zamrzavanje sveže hrane i čuvanje zaleđene i duboko zamrznute hrane na duži vremenski period.
- Svežu hranu stavite u pregradu na dnu, kako biste je zamrzli.
- Maksimalna količina hrane koja može biti zaleđena u 24 sata je navedena u tabeli specifikacije. Proces zamrzavanja traje 24 sata: tokom ovog perioda nemojte dodavati još hrane, predviđene da se zamrzne.

## Čuvanje zamrznute hrane

Ukoliko se uključuje po prvi put, ili nakon dužeg perioda van upotrebe, pre stavljanja hrane u pregradu, uređaj treba da radi najmanje 2 sata podešen na najviše vrednosti.

**VAŽNO!** Ukoliko dođe do slučajnog odmrzavanja, na primer, ukoliko nema struje duže nego što je prikazano u tehničkim karakteristikama pod delom "rising time", zamrznuta hrana se mora brzo upotrebiti, ili odmah termički obraditi i onda ponovo zamrznuti (nakon što je spremljena).

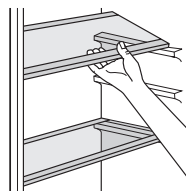
## Kocke leda

Ovaj uređaj možda nije opremljen jednom ili više posuda za pravljenje kocki leda.

## Prateći elementi

### Police koje se mogu pomerati

Zidovi frižidera imaju niz žljebova, tako da se police mogu podešavati po želji.

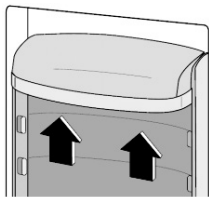


## Odmrzavanje

- Duboko zamrznuta ili zaleđena hrana, pre upotrebe, može biti odmrznuta ili u pregradama frižidera ili na sobnoj temperaturi, u zavisnosti od raspoloživog vremena.
- Manji komadi se mogu čak pripremati za jelo iako su i dalje zaleđeni, direktno iz zamrzivača. U ovom slučaju priprema hrane traje duže.

## Podešavanje polica na vratima

Kako biste omogućili odlaganje hrane različitih veličina, police na vratima mogu biti podešena na različite nivoe. Kako biste ovo prilagodili, učinite sledeće: postepeno spuštajte policu u smeru strelice, dok se bude slobodna, a onda je pozicionirajte po potrebi.



## Korisni saveti

Kako bismo vam pomogli da što bolje iskoristite proces zamrzavanja, evo nekih važnih saveta:

- maksimalna količina hrane koja može biti zaleđena u 24 sata je navedena na tablici specifikacije;
- proces zamrzavanja traje 24 sata. Tokom ovog perioda ne bi bilo poželjno dodavanje hrane za zamrzavanje;
- zamrzavajte samo kvalitetnu, svežu i potpuno očišćenu hranu;
- hrana treba da bude podeljena u manje porcije, kako bi bilo omogućeno brže i potpuno zamrzavanje, i kako bi se kasnije mogla odmrznuti samo potrebna količina;
- hranu zavijte u aluminijumsku ili polietilensku foliju i pobrinite se da pakovanja ne propuštaju vazduh; nemojte da dozvolite da nezaleđena hrana dodiruje već zaleđenu, kako biste joj izbegli porast temperature.
- nemasna hrana se čuva bolje i duže do masne; so smanjuje vek trajanja čuvane hrane;
- ukoliko se kockice leda upotrebe odmah nakon što su izvađene iz zamrzivača, mogu izazvati promrzline na koži;
- uklanjanje hrane iz dela za zamrzavanje može izazvati promrzline na koži;
- savetuje se, da na svakom paketiću smrznute hrane navedete datum zamrzavanja, da biste znali koliko dugo se čuva.

## Saveti za čuvanje zamrznute hrane

Kako biste dobili najbolji učinak od ovog uređaja, treba da:

- da proverite, da je komercijalno zamrznutu hranu adekvatno čuvao prodavac;
- postarajte se da hrana bude prenesena od prodavnice do zamrzivača u najkraćem mogućem roku;
- Ne otvarajte vrata često, i ne ostavljajte ih otvorena duže nego što je potrebno. Hrana koja se jednom odmrzne brzo propada i ne može biti ponovo zamrznuta.
- Nemojte prekoračivati rok za čuvanje, koji je naznačio proizvođač.

## Saveti za hlađenje sveže hrane

Kako biste dobili najbolji učinak:

- Ne čuvajte vruću hranu ili tečnosti koje isparavaju u frižideru
- Pokrijte ili uvijte hranu, naročito ako ima jak miris
- Meso: uvijte u polietilenske kese i stavite na staklene police iznad fioke za povrće.
- Radi sigurnosti, hranu na ovaj način čuvajte jedan dan, najviše dva.
- Kuvana hrana, hladna jela, itd... treba ih pokriti i mogu se odložiti na bilo koju policu.
- Voće i povrće: treba da bude temeljno oprano i odloženo u fioke, namenjene za njihovo čuvanje.
- buter i sir: treba da budu stavljeni u specijalne posude koje ne propuštaju vazduh, ili zavijeni u aluminijumske folije ili polietilenske kese kako bi se uklonilo što više vazduha.

- Boce s mlekom/jogurtom: treba da budu zatvorene i da se čuvaju u policama na vratima.
- Banane, krompir, luk i beli luk, ukoliko nisu zapakovani, ne smeju biti čuvani u frižideru.

## Čišćenje

Iz higijenskih razloga unutrašnjost uređaja, uključujući i unutrašnje elemente, treba čistiti redovno.

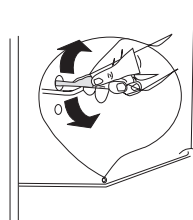
### ! OPREZI

Uređaj ne sme biti povezan strujom tokom čišćenja. Postoji opasnost od strujnog udara! Pre čišćenja uređaja, isključite ga i prekinite dotok električne energije, ili isključite automatsku sklopku ili osigurač. Uređaj nikako ne čistite paročistačem. Vлага može da se nakupi u električnim komponentama, opasnost od strujnog udara! Vrela isparenja mogu dovesti do oštećenja plastičnih delova. Uređaj mora biti suv pre ponovne upotrebe.

**VAŽNO!** Eterična ulja i organski rastvarači mogu nagrasti plastične delove, na primer limunov sok, ili sok od pomorandžine kore, karboksilne kiseline, sredstva za čišćenje koja sadrže sircetnu kiselinu.

## Čišćenje odvoda

Kako biste izbegli da odleđena voda ulazi u frižider, povremeno očistite odvod na zadnjoj strani dela za hlađenje. Koristite sredstvo za čišćenje, da biste očistili rupu, kako je prikazano na desnoj slici.



- Ne dozvolite da ovakve supstance dođu u kontakt sa delovima uređaja.
- Nemojte koristiti abrazivna sredstva za čišćenje
- Uklonite hranu iz zamrzivača. Hranu čuvajte na hladnom mestu, i dobro je pokrijte.
- Isključite uređaj i prekinite dotok električne energije, ili isključite automatsku sklopku ili osigurač.
- Očistite uređaj i unutrašnje elemente tkaninom i mlakom vodom. Nakon čišćenja isperite čistom vodom i osušite krpom.
- Nakon što sve bude suvo, ponovo uključite uređaj.

## Otapanje zamrzivača

Vremenom će deo za zamrzavanje biti prekriven slojem leda. Njega treba ukloniti. Nikad ne koristite oštre metalne alate da biste skinuli led sa isparivača, budući da ga tako možete oštetiti.

Međutim, ukoliko je sloj leda veoma debeo sa unutrašnje strane, potpuni proces odleđivanja treba obaviti na sledeći način:

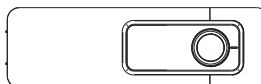
- prekinite napajanje uređaja strujom;
- uklonite svu hranu iz uređaja, umotajte je u nekoliko slojeva novina i odložite je na hladno mesto;
- držite vrata otvorena, i postavite ne previše duboku posudu ispod uređaja, kako bi se tu sakupljala odleđena voda;
- kada proces odleđivanja bude gotov, temeljno osušite unutrašnjost, ponovo povežite uređaj na napajanje.

<sup>1</sup> Ukoliko je kondenzator pozicioniran na poledini uređaja.

## Menjanje sijalice

### ! OPREZ!

Unutrašnje svetlo je tipa LED. Kako biste uklonili sijalicu, molimo vas da kontaktirate kvalifikovanog majstora.



## REŠAVANJE PROBLEMA

### ! OPREZ!

Pre rešavanja problema, prekinite napajanje električnom energijom. Samo kvalifikovani električar ili kompetentna osoba treba da reši problem koji nije naveden u ovom uputstvu.

**VAŽNO!** Postoje određeni zvukovi, koje uređaj proizvodi tokom normalne upotrebe (kompresor, rashladni deo uređaja).

Problem	Mogući uzrok	Rešenje
Uređaj ne radi	Regulator temperature je postavljen na "0".	Postavite regulator temperature na neki drugi broj, kako biste uključili uređaj.
	Uređaj nije priključen na strujno kolo.	Utaknite utikač.
	Osigurač je ispao ili je neispravan.	Proverite osigurač, zamenite ga ako je potrebno.
	Utičnica je neispravna.	Kvarove utikača treba da popravi električar.
Hrana je pretopla.	Temperatura nije pravilno podešena.	Molimo vas, pogledajte odeljak za osnovni nivo temperature.
	Vrata su bila otvorena duže vremena.	Držite vrata otvorenim samo onoliko, koliko je potrebno.
	Velika količina tople hrane je stavljena u uređaj u poslednja 24 sata.	Podesite regulator temperature na privremeno na nižu temperaturu.
	Uređaj je blizu izvora toplote.	Molimo vas, pogledajte odeljak za lokaciju i instalaciju.
Uređaj previše hladi	Regulator temperature je podešen na hladno.	Podesite regulator temperature na privremeno na višu temperaturu
Neobični zvukovi	Uređaj nije nivelisan.	Ponovo podesite nožice.
	Uređaj dodiruje zid ili druge predmete.	Malo pomerite uređaj.
	Deo, kao što je cevovod na zadnjoj strani uređaja, dodiruje druge delove uređaja ili zid.	Ukoliko je potrebno, pažljivo uklonite deo koji predstavlja prepreku.
Voda na podu	Odvod je blokiran.	Pogledajte odeljak za čišćenje.
Ploča sa strane je vruća	Kondenzator je unutar ploče.	To je normalno.

Ukoliko se kvar pojavi ponovo, kontaktirajte Servisni centar.

TESLA

[tesla.info](http://tesla.info)

Ovaj dokument je originalno proizveden i objavljen od strane proizvođača, brenda Tesla, i preuzet je sa njihove zvanične stranice. S obzirom na ovu činjenicu, Tehnoteka ističe da ne preuzima odgovornost za tačnost, celovitost ili pouzdanost informacija, podataka, mišljenja, saveta ili izjava sadržanih u ovom dokumentu.

Napominjemo da Tehnoteka nema ovlašćenje da izvrši bilo kakve izmene ili dopune na ovom dokumentu, stoga nismo odgovorni za eventualne greške, propuste ili netačnosti koje se mogu naći unutar njega. Tehnoteka ne odgovara za štetu nanесenu korisnicima pri upotrebi netačnih podataka. Ukoliko imate dodatna pitanja o proizvodu, ljubazno vas molimo da kontaktirate direktno proizvođača kako biste dobili sve detaljne informacije.

Za najnovije informacije o ceni, dostupnim akcijama i tehničkim karakteristikama proizvoda koji se pominje u ovom dokumentu, molimo posetite našu stranicu klikom na sledeći link:

<https://tehnoteka.rs/p/tesla-kombinovani-frizider-rd2101h1-akcija-cena/>