

Uputstvo za upotrebu

TESLA kombinovani frižider RD1600H1

TESLA



Tehnoteka je online destinacija za upoređivanje cena i karakteristika bele tehnike, potrošačke elektronike i IT uređaja kod trgovinskih lanaca i internet prodavnica u Srbiji. Naša stranica vam omogućava da istražite najnovije informacije, detaljne karakteristike i konkurentne cene proizvoda.

Posetite nas i uživajte u ekskluzivnom iskustvu pametne kupovine klikom na link:

<https://tehnoteka.rs/p/tesla-kombinovani-frizider-rd1600h1-akcija-cena/>

TESLA

REFRIGERATOR FREEZER

RD1600H1

RD2100H1

RD2500H1

User Manual

ENG

BiH/
CG

MK

RO

SLO

SRB



Product images are for illustrative purposes only and may differ from the actual product.

SAFETY INFORMATION


In the interest of your safety and to ensure the correct use, before installing and first using the appliance, read this user manual carefully, including its hints and warnings. To avoid unnecessary mistakes and accidents, it is important to ensure that all people using the appliance are thoroughly familiar with its operation and safety features. Save these instructions and make sure that they remain with the appliance if it is moved or sold, so that everyone using it through its life will be properly informed on appliance use and safety.


For the safety of life and property keep to the precautions of these user instructions as the manufacturer is not responsible for damages caused by omission.

Children and vulnerable people safety

- This appliance can be used by children aged of 8 years and above and persons with reduced physical, sensory or mental capabilities, or lack of experience and knowledge if they have supervision or have been given instructions concerning the use of the appliance in a safe way and understand the hazards involved.
- Children aged from 3 to 8 years are allowed to load and unload this appliance.
- Children should be supervised to ensure that they do not play with the appliance.
- Cleaning and user maintenance should not be done by children unless they are aged from 8 years and above and supervised.
- Keep all packaging well away from children. There is risk of suffocation.
- If you are discarding the appliance pull the plug out of the socket, cut the connection cable (as close to the appliance as you can) and remove the door to prevent playing children from suffering electric shock or closing themselves in.
- If this appliance features a magnetic door seal to replace an older appliance having a spring lock (latch) on the door or lid, be sure to make that spring lock unusable before you discard the old appliance. This will prevent it from becoming a death trap for a child.

General safety

 **WARNING!** Keep ventilation openings, in the appliance enclosure or in the built-in structure, clear of obstruction.

 **WARNING!** Do not use mechanical devices or other means to accelerate the defrosting process, other than those recommended by the manufacturer.

⚠ WARNING! Do not damage the refrigerant circuit.

⚠ WARNING! Do not use other electrical appliances (such as ice cream makers) inside of refrigerating appliances, unless they are approved for this purpose by the manufacture.

⚠ WARNING! Do not touch the light bulb if it has been on for a long period of time because it could be very hot.¹

⚠ WARNING! When positioning the appliance, ensure the supply cord is not trapped or damaged.

⚠ WARNING! Do not locate multiple portable socket-outlets or portable power suppliers at the rear of the appliance.

- Do not store explosive substances such as aerosol cans with a flammable propellant in this appliance.
- The refrigerant isobutene (R600a) is contained within the refrigerant circuit of the appliance, a natural gas with a high level of environmental compatibility, which is nevertheless flammable.
- During transportation and installation of the appliance, be certain that none of the components of the refrigerant circuit become damaged.
 - avoid open flames and sources of ignition
 - thoroughly ventilate the room in which the appliance is situated
- It is dangerous to alter the specifications or modify this product in any way. Any damage to the cord may cause a short circuit, fire and/or electric shock.
- This appliance is intended to be used in a household and similar applications such as
 - staff kitchen areas in shops, offices and other working environments;
 - farm houses and by clients in hotels, motels and other residential type environments;
 - bed and breakfast type environments;
 - catering and similar non-retail applications.

⚠ WARNING! Any electrical components (plug, power cord, compressor and etc.) must be replaced by a certified service agent or qualified service personnel.

⚠ WARNING! The light bulb supplied with this appliance is a "special use light bulb" usable only with the appliance supplied. This "special use lamp" is not usable for domestic lighting.¹

- Power cord must not be lengthened.
- Make sure that the power plug is not squashed or damaged by the back of the appliance. A squashed or damaged power plug may overheat and cause a fire.

¹ If there is a light in the compartment.

- Make sure that you can come to the main plug of the appliance.
- Do not pull the main cable.
- If the power plug socket is loose, do not insert the power plug. There is a risk of electric shock or fire.
- You must not operate the appliance without the lamp.
- This appliance is heavy. Care should be taken when moving it.
- Do not remove nor touch items from the freezer compartment if your hands are damp/wet, as this could cause skin abrasions or frost/freezer burns.
- Avoid prolonged exposure of the appliance to direct sunlight.

Daily use

- Do not put hot things on the plastic parts in the appliance.
- Do not place food products directly against the rear wall.
- Frozen food must not be re-frozen once it has been thawed out.²
- Store pre-packed frozen food in accordance with the frozen food manufacture, s instructions.²
- Appliance, s manufactures storage recommendations should be strictly adhered to. Refer to relevant instructions.
- Do not place carbonated or fizzy drinks in the freezer compartment as it creates pressure on the container, which may cause it to explode, resulting in damage to the appliance.²
- Ice lollies can cause frost burns if consumed straight from the appliance.²

To avoid contamination of food, please respect the following instructions

- Opening the door for long periods can cause a significant increase of the temperature in the compartments of the appliance.
- Clean regularly surfaces that can come in contact with food and accessible drainage systems.
- Clean water tanks if they have not been used for 48h; flush the water system connected to a water supply if water has not been drawn for 5 days.
- Store raw meat and fish in suitable containers in the refrigerator, so that it is not in contact with or drip onto other food.
- Two-star frozen-food compartments (if they are presented in the appliance) are suitable for storing pre-frozen food, storing or making ice-cream and making ice cubes.
- One-, two- and three -star compartments (if they are presented in the appliance) are not suitable for the freezing of fresh food.

² If there is a freezer compartment.

- If the appliance is left empty for long periods, switch off, defrost, clean, dry and leave the door open to prevent mould developing within the appliance.

Care and cleaning

- Before maintenance, switch off the appliance and disconnect the main plug from the power socket.
- Do not clean the appliance with metal objects.
- Do not use sharp objects to remove frost from the appliance. Use a plastic scraper.²
- Regularly examine the drain in the refrigerator for defrosted water. If necessary, clean the drain. If the drain is blocked, water will collect at the bottom of the appliance.³

Installation

- **IMPORTANT!** For electrical connection carefully follow the instructions given in specific paragraphs.
- Unpack the appliance and check if there are damages on it. Do not connect the appliance if it is damaged. Report possible damages immediately to the place you bought it. In that case retain packing.
- It is advisable to wait at least four hours before connecting the appliance to allow the oil to flow back in the compressor.
- Adequate air circulation should be provided around the appliance, lacking this leads to overheating. To achieve sufficient ventilation, follow the instructions relevant to installation.
- Wherever possible the spacers of the product should be against a wall to avoid touching or catching warm parts (compressor, condenser) to prevent possible burn.
- The appliance must not be located close to radiators or cookers.
- Make sure that the main plug is accessible after the installation of the appliance.

Service

- Any electrical work required to do the servicing of the appliance should be carried out by a qualified electrician or competent person.
- This product must be serviced by an authorized Service Center, and only genuine spare parts must be used.



² If there is a freezer compartment.


³ If there is a fresh-food storage compartment.

Energy saving

- Do not put hot food in the appliance;
- Do not pack food close together as this prevents air circulating;
- Make sure food does not touch the back of the compartment(s);
- If electricity goes off, do not open the door(s);
- Do not open the door(s) frequently;
- Do not keep the door(s) open for a long time;
- Do not set the thermostat on exceeding cold temperatures;
- All accessories, such as drawers, shelves balconies, should be kept there for lower energy consumption.

Environment Protection

 This appliance does not contain gasses which could damage the ozone layer, in either its refrigerant circuit or insulation materials. The appliance shall not be discarded together with the urban refuse and rubbish. The insulation foam contains flammable gases: the appliance shall be disposed according to the appliance regulations which can be obtained from your local authorities. Avoid damaging the cooling unit, especially the heat exchanger. The materials used on this appliance marked by the  symbol are recyclable.

 The symbol on the product or on its packaging indicates that this product may not be treated as household waste. Instead it should be taken to the appropriate collection point for the recycling of electrical and electronic equipment. By ensuring this product is disposed of correctly, you will help prevent potential negative consequences to the environment and human health, which could otherwise be caused by inappropriate waste handling of this product. For more detailed information about recycling of this product, please contact your local council, your household waste disposal service or the shop where you purchased the product.

Packaging materials

The materials with the symbol are recyclable.

Dispose the packaging in a suitable collection container to recycle it.

Disposal of the appliance

1. Disconnect the mains plug from the mains socket.
2. Cut off the mains cable and discard it.

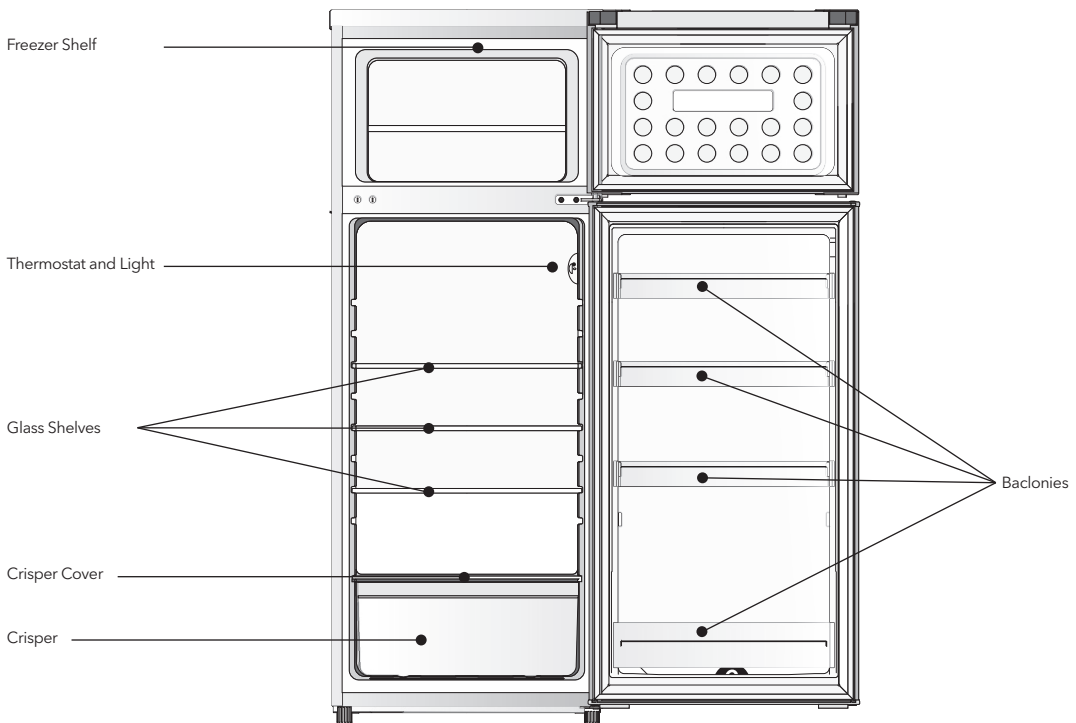
**WARNING!**

During using, service and disposal the appliance, please pay attention to symbol similar as left side, which is located on rear of appliance (rear panel or compressor) and with yellow or orange color.

It's risk of fire warning symbol. There are flammable materials in refrigerant pipes and compressor.

Please be far away fire source during using, service and disposal.

OVERVIEW

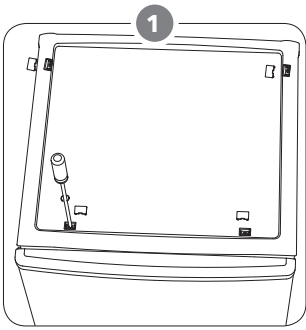


Note: Picture is for reference only. Real appliance probably is different.

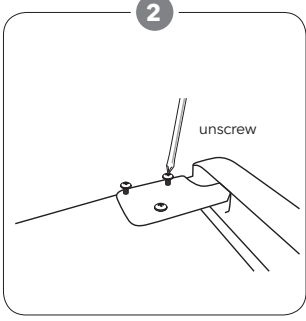
REVERSE DOOR

Tools required: Philips screwdriver, Flat bladed screwdriver, Hexagonal spanner.

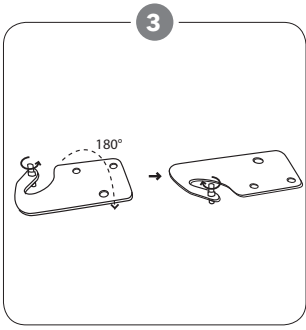
- Ensure the unit is unplugged and empty.
- To take the door off, it is necessary to tilt the unit backwards. You should rest the unit on something solid so that it will not slip during the door reversing process.
- All parts removed must be saved to do the reinstallation of the door.
- Do not lay the unit flat as this may damage the coolant system.
- It's better that 2 people handle the unit during assembly.



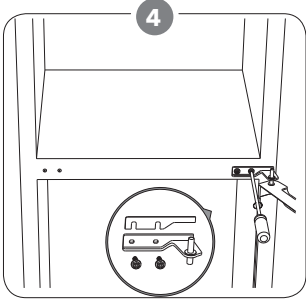
1 Remove four screws in top cover and then lift it.



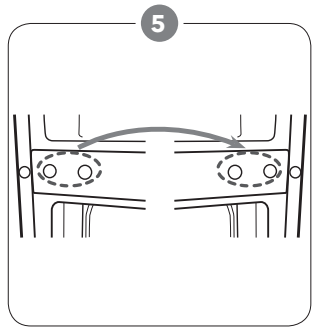
2 Unscrew top hinge and then remove upper door and place it on a soft pad to avoid scratching.



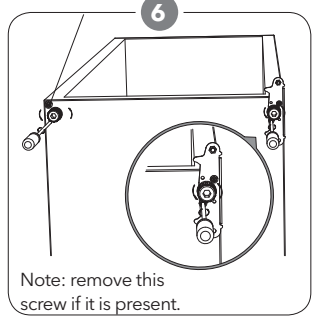
3 Remove the pin with a screwdriver and flip the hinge bracket. Then refit the pin to hinge bracket.



4 Unscrew middle hinge. Then lift lower door and place it on a soft pad to avoid scratching.

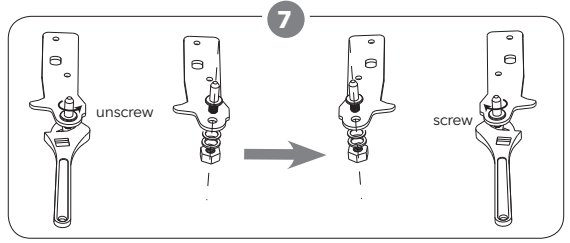


5 Move the hinge hole covers from left side to right side.

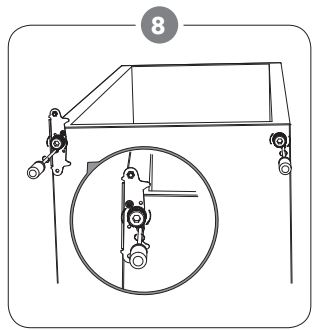


6 Unscrew bottom hinge. Then remove the adjustable feet from both sides.

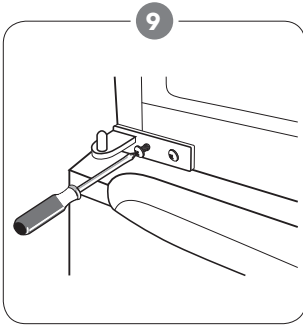
Note: remove this screw if it is present.



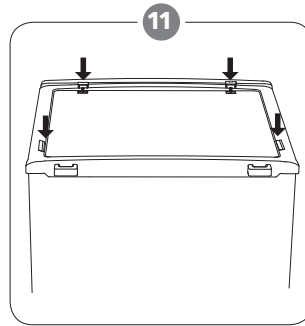
7 Unscrew and remove the bottom hinge pin, turn the bracket over and replace it.



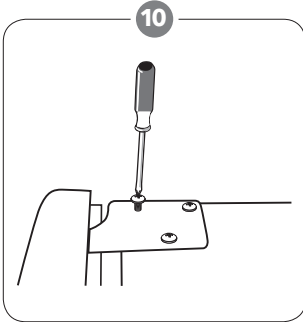
8 Refit the bracket fitting the bottom hinge pin. Replace both adjustable feet. Transfer the lower door to the property position.



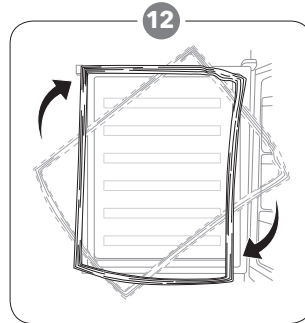
Reverse the middle hinge by 180°, then transfer it to the left side position. Make the middle hinge pin in the upper hole of the lower door, then tighten the bolts.



Put the top cover and then screw back into place.



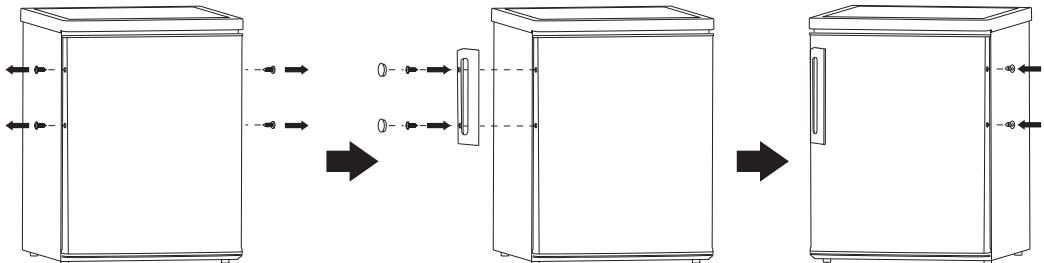
Place the upper door back on. Ensure the door is aligned horizontally and vertically so that the seal is closed on all sides before finally tightening the top hinge. Then insert the hinge and screw it to the top of the unit.



Detach the Fridge and the Freezer door gaskets and then attach them after rotating.

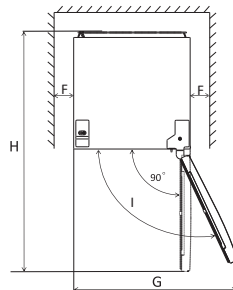
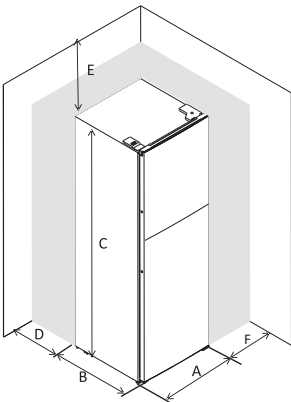
INSTALLATION

Install door external handle (if external handle is present)



Space Requirement

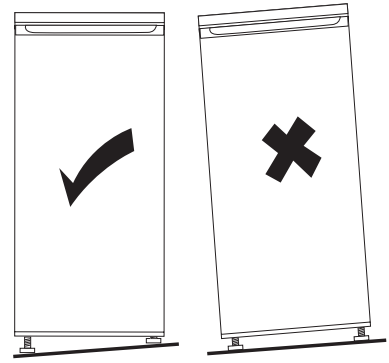
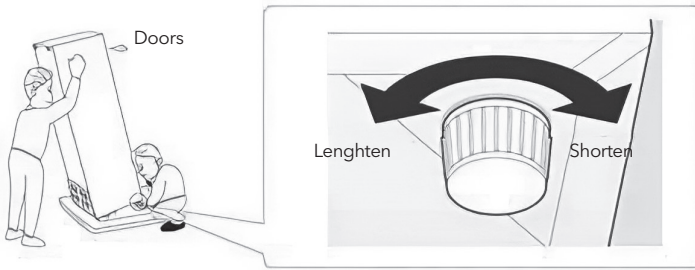
- Keep enough space for opening of doors.



A	500
B	580
C	1230
D	min=50
E	min=50
F	min=50
G	1000
H	1080
I	135°

Levelling the unit

To do this adjust the two levelling feet at front of the unit.
If the unit is not level, the doors and magnetic seal alignments will not be covered properly.



Positioning

Install this appliance at a location where the ambient temperature corresponds to the climate class indicated on the rating plate of the appliance:

For refrigerating appliances with climate class:

- extended temperate: this refrigerating appliance is intended to be used at ambient temperatures ranging from 10 °C to 32 °C (SN);
- temperate: this refrigerating appliance is intended to be used at ambient temperatures ranging from 16 °C to 32 °C (N);
- subtropical: this refrigerating appliance is intended to be used at ambient temperatures ranging from 16 °C to 38 °C (ST);
- tropical: this refrigerating appliance is intended to be used at ambient temperatures ranging from 16 °C to 43 °C (T);

Location

The appliance should be installed well away from sources of heat such as radiators, boilers, direct sunlight etc. Ensure that air can circulate freely around the back of the cabinet to ensure best performance. If the appliance is positioned below an overhanging wall unit, the minimum distance between the top of the cabinet and the wall unit must be at least 50 mm. Ideally, however, the appliance should not be positioned below overhanging wall units. Accurate

levelling is ensured by one or more adjustable feet at the base of the cabinet.

This refrigerating appliance is not intended to be used as a built-in appliance.

WARNING!

It must be possible to disconnect the appliance from the mains power supply; the plug must therefore be easily accessible after installation.

Electrical connection

Before plugging in, ensure that the voltage and frequency shown on the rating plate correspond to your domestic power supply.

The appliance must be grounded. The power supply cable plug is provided with a contact for this purpose. If the domestic power supply socket is not grounded, connect the appliance to a separate ground in compliance with current regulations, consulting a qualified electrician.

The manufacturer declines all responsibility if the above safety precautions are not observed. This appliance complies with the E.E.C. Directives.

DAILY USE

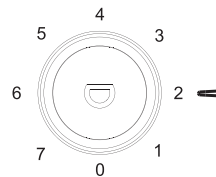
First use

Cleaning the interior

Before using the appliance for the first time, wash the interior and all internal accessories with lukewarm water and some neutral soap so as to remove the typical smell of a brand new product, then dry thoroughly.

IMPORTANT! Do not use detergents or abrasive powders, as these will damage the finish.

Temperature Setting



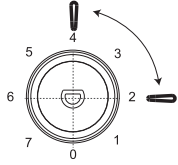
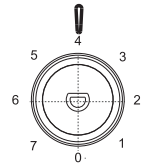
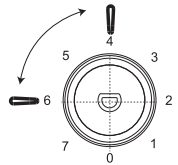
- Plug in your appliance. The internal temperature is controlled by a thermostat. There are 8 setting levels 1 is warmest setting, 7 is coldest setting and 0 is off.
- The appliance may not operate at the correct temperature if it is in a particularly hot environment or if you open the door often.

Daily use

Position different food in different compartments according to be below table

Refrigerator compartments	Type of food
Door or balconies of fridge compartment	<ul style="list-style-type: none"> Foods with natural preservatives, such as jams, juices, drinks, condiments. Do not store perishable foods.
Crisper drawer (salad drawer)	<ul style="list-style-type: none"> Fruits, herbs and vegetables should be placed separately in the crisper bin. Do not store bananas, onions, potatoes, garlic in the refrigerator.
Fridge shelf - middle	<ul style="list-style-type: none"> Dairy products, eggs
Fridge shelf - top	<ul style="list-style-type: none"> Foods that do not need cooking, such as ready-to-eat foods, deli meats, leftovers.
Freezer drawer(s)/shelf	<ul style="list-style-type: none"> Foods for long-term storage. Bottom drawer/shelf for raw meat, poultry, fish. Middle drawer/shelf for frozen vegetables, chips Top drawer/shelf for ice cream, frozen fruit, frozen baked goods.

Temperature setting recommendation

Environment Temperature	Freezer compartment	Fridge compartment
Summer (Above 38°C)	/	 <p>Set on 2~4</p>
Normal	/	 <p>Set on 4</p>
Winter (Below 16°C)	/	 <p>Set on 4~6</p>

- Information above give users recommendation of temperature setting.

Impact on Food Storage

- Under Recommended setting, the best storage time of fridge is no more than 3 days.
- Under Recommended setting, the best storage time of freezer is no more than 1 month.
- The best storage time may reduce under other settings.

Freezing fresh food

- The freezer compartment is suitable for freezing fresh food and storing frozen and deep-frozen food for a long time.
- Place the fresh food to be frozen in the freezer compartment.
- The maximum amount of food that can be frozen in 24 hours is

specified on the rating plate.

- The freezing process lasts 24 hours: during this period do not add other food to be frozen.

Storing frozen food

When first starting-up or after a period out of use, before putting food in the compartment let the appliance run at least 2 hours on a higher setting.

IMPORTANT! In the event of accidental defrosting, for example the power has been off for longer than the value shown in the technical characteristics chart under "rising time", the defrosted food must be consumed quickly or cooked immediately and then re-frozen (after cooked).

Thawing

- Deep-frozen or frozen food, prior to being used, can be thawed in the fridge compartment or at room temperature, depending on the time available for this operation.
- Small pieces may even be cooked still frozen, directly from the freezer. In this case, cooking will take longer.

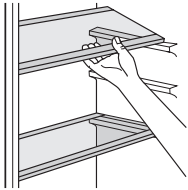
Ice-cube

This appliance may be equipped with one or more ice-cube trays to produce ice.

Accessories

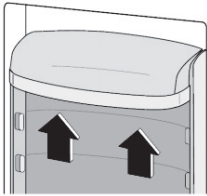
Movable shelves

The walls of the refrigerator are equipped with a series of runners so that the shelves can be positioned as desired.



Positioning the door balconies

To permit storage of food packages of various sizes, the door balconies can be placed at different heights. To make these adjustments proceed as follows: gradually pull the balcony in the direction of the arrows until it comes free, then reposition as required.



Helpful hints and tips

To help you make the most of the freezing process, here are some important hints:

- the maximum quantity of food which can be frozen in 24 hrs. is shown on the rating plate;
- the freezing process takes 24 hours. No further food to be frozen should be added during this period;
- only freeze top quality, fresh and thoroughly cleaned, foodstuffs;
- prepare food in small portions to enable it to be rapidly and completely frozen and to make it possible subsequently to thaw only the quantity required;
- wrap up the food in alumi num foil or polythene and make sure that the packages are airtight;
- do not allow fresh, unfrozen food to touch food which is already frozen, thus avoiding a rise in temperature of the latter;
- lean foods store better and longer than fatty ones; salt reduces the storage life of food;
- water ices, if consumed immediately after removal from the freezer compartment, can possibly cause the skin to be freeze burnt;
- removal from the freezer compartment, can possibly cause the skin to be freeze burnt; it is advisable to show the freezing in date on each individual pack to enable you to keep tab of the storage time.

Hints for storage of frozen food

To obtain the best performance from this appliance, you should:

- make sure that the commercially frozen foodstuffs were adequately stored by the retailer;
- be sure that frozen foodstuffs are transferred from the food store to the freezer in the shortest possible time;
- do not open the door frequently or leave it open longer than absolutely necessary.
- once defrosted, food deteriorates rapidly and cannot be re-frozen;
- do not exceed the storage period indicated by the food manufacture.

Hints for fresh food refrigeration

To obtain the best performance:

- Do not store warm food or evaporating liquids in the refrigerator
- Do cover or wrap the food, particularly if it has a strong flavor
- Meat (all types): wrap in polythene bags and place on the glass shelves above the vegetable drawer.
- For safety, store in this way only one or two days at the most.
- Cooked foods, cold dishes, etc...: these should be covered and may be placed on any shelf.
- Fruit and vegetables: these should be thoroughly cleaned and placed in the special drawer(s) provided.
- Butter and cheese: these should be placed in special airtight containers or wrapped in aluminum foil or polythene bags to exclude as much air as possible.
- Milk bottle: these should have a cap and should be stored in the balconies on the door.
- Bananas, potatoes, onions and garlic, if not packed, must not be kept in the fridge.

Cleaning

For hygienic reasons the appliance interior, including interior accessories, should be cleaned regularly.

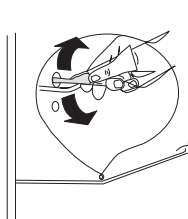
! CAUTION!

The appliance may not be connected to the mains during cleaning. Danger of electrical shock! Before cleaning switch the appliance off and remove the plug from the mains, or switch off or turn out the circuit breaker or fuse. Never clean the appliance with a steam cleaner. Moisture could accumulate in electrical components, danger of electrical shock! Hot vapors can lead to the damage of plastic parts. The appliance must be dry before it is placed back into service.

IMPORTANT! Ethereal oils and organic solvents can attack plastic parts, e.g. lemon juice or the juice from orange peel, butyric acid, cleanser that contain acetic acid.

Clean drain hole

To avoid defrost water overflowing into the fridge, periodically clean the drain hole at back of fridge compartment. Use a cleaner to clean the hole as showed in the picture.



- Do not allow such substances to come into contact the appliance parts.
- Do not use any abrasive cleaners

¹ If the condenser is at the back of appliance.

- Remove the food from the freezer. Store them in a cool place, well covered.
- Switch the appliance off and remove the plug from the socket, or switch off the circuit breaker or fuse.
- Clean the appliance and the interior accessories with a cloth and lukewarm water. After cleaning wipe with fresh water and rub dry.
- After everything is dry place appliance back into service.
- keep the door open, and placing a basin underneath of the appliance to collect the defrost water;
- when defrosting is completed, dry the interior thoroughly
- replace the plug in the power socket to run the appliance again.

Defrosting of the freezer

The freezer compartment, however, will become progressively covered with frost. This should be removed. Never use sharp metal tools to scrape off frost from the evaporator as you could damage it. However, when the ice becomes very thick on the inner liner, complete defrosting should be carried out as follows:

- pull out the plug from the socket;
- remove all stored food, wrap it in several layers of newspaper and put it in a cool place;

Replace the lamp

! CAUTION!

The product is equipped with LED light, please contact after sales service in case of replacement.



TROUBLESHOOTING

! CAUTION!

Before troubleshooting, disconnect the power supply. Only a qualified electrician or competent person must do the troubleshooting that is not in this manual.

IMPORTANT! There are some sounds during normal use (compressor, refrigerant circulation).

Problem	Possible cause	Solution
Appliance does not work	Temperature regulation knob is set at number "0".	Set the knob at other number to switch on the appliance.
	Power plug is not plugged in or is loose	Insert power plug.
	Fuse has blown or is defective	Check fuse, replace if necessary.
	Socket is defective	Socket malfunctions are to be corrected by an electrician.
The food is too warm.	Temperature is not properly adjusted.	Please look in the initial Temperature Setting section.
	Door was open for an extended period.	Open the door only as long as necessary.
	A large quantity of warm food was placed in the appliance within the last 24 hours.	Turn the temperature regulation to a colder setting temporarily.
	The appliance is near a heat source.	Please look in the installation location section.
Appliance cools too much	Temperature is set too cold.	Turn the temperature regulation knob to a warmer setting temporarily.
Unusual noises	Appliance is not level.	Re-adjust the feet.
	The appliance is touching the wall or other objects.	Move the appliance slightly.
	A component, e.g. a pipe, on the rear of the appliance is touching another part of the appliance or the wall.	If necessary, carefully bend the component out of the way.
Water on the floor	Water drain hole is blocked.	See the Cleaning section.
Side panel is hot	Condenser is inside the panel.	It's normal.

If the malfunction shows again, contact the Service Center.

BEZBEDNOSNA UPUTSTVA

Radi sopstvene bezbjednosti obezbedite sigurnu upotrebu, prije instalacije i prve upotrebe uređaja, pročitajte ovo korisničko uputstvo, uključujući i savjete i upozorenja. Da biste izbjegli nepotrebne greške i nezgode, važno je da se postarate da sve osobe koje koriste uređaj budu detaljno upoznate s njegovim operacijama i bezbjedonosnim funkcijama. Sačuvajte ova uputstva i pobrinite se da budu u sklopu uređaja ako bude premješten ili prodat, kako bi svako, ko ga koristi tokom svog života bio upoznat sa pravilnom upotrebom i bezbjednošću uređaja.


Imajte na umu ovo korisničko uputstvo radi svoje lične sigurnosti i sigurnosti imovine, budući da proizvođač nije odgovoran za štetu učinjenu propustima.

Bezbjednost djece i nesamostalnih osoba

- Ovaj uređaj mogu koristiti djeca starosti 8 ili više godina i osobe sa smanjenim fizičkim, čulnim ili mentalnim sposobnostima, ili manjkom iskustva i znanja ukoliko su pod nadzorom, ili su im data uputstva u vezi sa bezbjednom upotrebom uređaja, i svjesni su mogućeg rizika.
- Djeci uzrasta od 3 do 8 godina je dozvoljeno da stavljaju predmete u i uzimaju predmete iz ovog uređaja.
- Djeca bi trebalo da budu pod nadzorom, kako biste osigurali da se ne igraju uređajem.
- Čišćenjem i održavanjem ne bi trebalo da se bave djeca, osim ako nisu starosti 8 ili više godina i moraju biti pod obaveznim nadzorom.
- Svu ambalažu čuvajte van domašaja djece. Postoji opasnost od gušenja.
- Ukoliko ste odlučili da više ne koristite uređaj, prekinite napajanje uređaja strujom, presijecite kabl za napajanje (što je bliže moguće uređaju) i uklonite vrata, kako biste spriječili mogućnost da djeca, koja se igraju, pretrpe strujni udar ili se zatvore u uređaj.
- Ukoliko ovaj uređaj ima magnetnu gumu na vratima, a želite da njime zamijenite stariji uređaj, koji se zatvarao pomoću opruge na vratima ili poklopcu, onemogućite funkcionisanje zatvaranja starijeg uređaja pomoću opruge. Na ovaj način ćete spriječiti da uređaj postane smrtonosna zamka za dijete.

Opšta bezbjednost

 UPOZORENJE! Održavajte ventilacione otvore u kućištu frižidera ili ugradnoj strukturi čistima od začepljenja.

 UPOZORENJE! Nemojte koristiti mehaničke uređaje ili druge naprave kako biste ubrzali proces odmrzavanja, osim proizvoda preporučenih od

strane proizvođača uređaja.

⚠ UPOZORENJE! Nemojte oštetiti sistem za hlađenje.

⚠ UPOZORENJE! Nemojte stavljati druge električne uređaje (kao što su uređaji za pravljenje sladoleda) u uređaj za hlađenje, osim ako ih proizvođač nije odobrio u ovu svrhu.

⚠ UPOZORENJE! Ne dirajte sijalicu ukoliko radi duže vremena, jer može biti veoma vruća.¹

⚠ UPOZORENJE! Prilikom postavljanja uređaja, uvjerite se da ništa ne pritiska priključni kabl, kao i da kabl nije oštećen.

⚠ UPOZORENJE! Ne postavljajte višestruke prenosive utičnice ili prenosivo napajanje iza uređaja.

- Nemojte čuvati eksplozivne supstance, kao što su ambalaže sprejeva sa zapaljivim gasom u ovom uređaju.
- Supstanca za hlađenje, izobutan (R600a), se nalazi u sistemu za hlađenje uređaja, to je prirodni gas s visokim nivoom ekološke kompatibilnosti, ali izuzetno zapaljiv.
- obrinite se da tokom transporta ili postavljanja uređaja ne bude oštećena nijedna komponenta sistema za hlađenje uređaja.
 - izbjegavajte otvoren plamen i izvore zapaljivosti
 - temeljno provjetrite prostoriju, u kojoj se nalazi uređaj
- Opasno je menjati specifikacije ili modifikovati proizvod na bilo koji način. Bilo kakvo oštećenje kabla može prouzrokovati kratak spoj, požar i/ili strujni udar.
- Ovaj uređaj je namenjen za upotrebu u domaćinstvima i za slične primjene, kao što su
 - prostori za zaposlene u kuhinji, u prodavnicama, kancelarije i druga radna okruženja;
 - poljoprivredna domaćinstva i od strane hotelskih i motelskih gostiju, kao i drugih vrsta ovakvih objekata;
 - objekti koji pružaju uslugu noćenja sa doručkom;
 - catering i slične neprodajne namjene.

⚠ UPOZORENJE! Bilo koju električnu komponentu (utikač, kabl za napajanje, kompresor itd.) mora zamijeniti ovlašćeni serviser ili kvalifikovano osoblje.

⚠ UPOZORENJE! Sijalica, dostavljena sa ovim uređajem, je "sijalica za specijalnu namjenu" i može se koristiti samo za uređaj uz koji je dostavljena. Ova "sijalica za specijalnu namjenu" se ne može koristiti za kućno osvjetljenje¹

- Kabl za napajanje se ne smije produžavati.
- Provjerite da li je utikač, na zadnjoj strani uređaja, zgnječen ili oštećen.

¹ Ukoliko u uređaju postoji.

Zgnječen ili oštećen utikač može dovesti do pregrijavanja i izazvati požar.

- Pobrinite se da vam glavni utikač uređaja bude dostupan.
- Nemojte izvlačiti glavni kabl.
- Ukoliko utičnica nije fiksirana, nemojte priključivati aparat. Postoji rizik od strujnog udara ili vatre.
- Ne smijete raditi ništa na uređaju bez osvetljenja.
- Uređaj je težak. Budite oprezni tokom pomijeranja uređaja.
- Nemojte uklanjati ili dodirivati elemente iz dijela za zamrzavanje ako su vam ruke vlažne/mokre, budući da to može prouzrokovati ogrebotine ili promrzline na koži.
- Izbjegavajte duže izlaganje aparata direktnoj sunčevoj svijetlosti.

Dnevna upotreba

- Ne stavljajte vruće stvari na plastične dijelove uređaja.
- Ne stavljate prehrambene proizvode uza zadnji zid.
- Zamrznuta hrana se ne smije ponovo zamrzavati nakon što se otopi.²
- Već zapakovanu zamrznutu hranu čuvajte u skladu sa instrukcijama proizvođača, u vezi sa zamrznutom hranom.²
- Striktno se pridržavajte preporuka proizvođača u pogledu držanja stvari u uređaju. Pridržavajte se relevantnih instrukcija.
- Ne stavljate gazirana pića u dio za zamrzavanje, budući da to stvara pritisak, koji može prouzrokovati pucanje ambalaže, što može dovesti do oštećenja uređaja.²
- Voćni sladoledi mogu izazvati promrzline ukoliko se konzumiraju odmah po uzimanju iz uređaja.²

Kako biste izbjegli kontaminiranje hrane, pratite sledeća uputstva

- Držanje uređaja otvorenim tokom dugih vremenskih perioda može da dovede do značajnog rasta temperature unutar odjeljaka uređaja.
- Redovno čistite površine koje mogu da dođu u dodir sa hranom, kao i pristupačne djelove odvodnog sistema.
- Očistite rezervoare za vodu ukoliko ih niste koristili tokom vremenskog perioda dužeg od 48 h; ukoliko tokom vremenskog perioda od 5 dana niste uzimali vodu iz uređaja, isperite sistem za protok vode vodom iz vodovodne mreže.
- Sirovo meso i ribu unutar frižidera držite u odgovarajućim posudama, kako ove namirnice ne bi došle u dodir sa ili kako ne bi kapale po ostaloj hrani.
- Odjeljci za smrznutu hranu označeni sa dvije zvjezdice (ukoliko postoje u okviru uređaja) pogodni su za držanje prethodno smrznute hrane, za držanje ili pravljenje sladoleda i za pravljenje kockica leda.

² Ukoliko postoji dio za zamrzavanje.

- Odjeljci označeni jednom, dvijema i trima zvjezdicama (ukoliko postoje u okviru uređaja) nijesu pogodni za zamrzavanje svježe hrane.
- Ukoliko će uređaj biti prazan tokom dužeg vremenskog perioda, isključite ga, odledite, očistite i osušite, a zatim ostavite vrata uređaja otvorenim kako biste spriječili razvoj buđi u unutrašnjosti uređaja.

Održavanje i čišćenje

- Prije održavanja, isključite uređaj, ili prekinite dotok električne energije.
- Uređaj nemojte čistiti metalnim predmetima.
- Ne koristite oštre predmete, da bi uklonili led sa uređaja. Koristite plastična sredstva za struganje. ²
- Redovno provjeravajte odvod za odleđenu vodu u frižideru. Ukoliko je potrebno, očistite odvod. Ukoliko je odvod blokiran, voda će se sakupljati na dnu uređaja. ³

Instalacija uređaja

- **VAŽNO!** Za priključivanje na električnu mrežu, pažljivo pratite uputstva data u specifičnim dijelovima uputstva.
- Raspakujte uređaj i provjerite da li postoje na njemu oštećenja. Ne povezujte uređaj na struju, ukoliko je oštećen. Moguća oštećenja odmah prijavite u mjestu gdje ste ga kupili. U tom slučaju zadržite ambalažu uređaja.
- Preporučuje se, da sačekate najmanje četiri sata prije nego što priključite uređaj, kako bi se ulje vratilo u kompresor.
- Potrebno je obezbijediti adekvatno strujanje vazduha oko uređaja, nepostojanje ovoga može dovesti do pregrijavanja. Za postizanje odgovarajućeg protoka vazduha, pratite uputstva potrebna za instalaciju uređaja.
- Gdje god je moguće, razmaknica mora biti postavljena između uređaja i zida, kako bi se izbjeglo dodirivanje ili hvatanje za vruće dijelove (kompresor, kondenzator) kako bi se izbjegle moguće opekotine.
- Uređaj ne smije biti postavljen blizu radijatora ili štednjaka.
- Pobrinite se da bude obezbijeđen lak pristup glavnom utikaču i nakon postavljanja uređaja.

Servisiranje

- Bilo kakvo servisiranje uređaja, koje zahtjeva električne radove, treba da bude obavljen od strane kvalifikovanog električara ili kompetentne osobe.

² Ukoliko postoji dio za zamrzavanje.


³ Ukoliko postoji dio za čuvanje svježe hrane


- Samo ovlašćeni centar za servisiranje može obaviti popravke na uređaju, i mogu se koristiti samo originalni rezervni dijelovi.

Ušteda energije

- Ne stavljate vruću hranu u uređaj;
- Ne pakujte svu hranu zajedno, budući da to sprječava cirkulaciju vazduha;
- Pobrinite se da hrana ne dotiče zadnji dio pregrade(a);
- Ukoliko nestane struje, ne otvarajte vrata;
- Ne otvarajte često vrata;
- Ne držite vrata otvorena drugo;
- Nemojte postavljati termostat na izuzetno niske temperature
- Potrebno je sve dodatne elemente, poput fioka, polica, polica u vratima uređaja, tamo držati u cilju smanjenja utroška energije.

Zaštita životne sredine

 Ovaj uređaj ne sadrži gasove, koji mogu oštetiti ozonski omotač, ni u sistemu za hlađenje, ni u materijalima za izolaciju. Uređaj ne bi trebalo odlagati zajedno sa gradskim ili kućnim otpadom. Izolaciona pjena sadrži zapaljive gasove: uređaj bi trebalo odložiti u skladu sa propisima za uređaje, koje su izdale lokale vlasti. Izbjegavajte pravljenje oštećenja dijela za hlađenje, posebno dijela za razmjenu toplote. Materijali korišćeni za ovaj uređaj, mogu se reciklirati ukoliko su označeni simbolom za reciklažu. ♻

 Oznaka na proizvodu, ili njegovom pakovanju, ukazuje da ovaj proizvod ne smije biti tretiran kao otpad nastao u domaćinstvu. Umjesto toga, treba ga ostaviti na odgovarajućem mjestu, na kojem se sakuplja električna i elektronska oprema.

Osiguravanjem da je proizvod ispravno odložen, pomoćićete sprečavanju potencijalnih negativnih posljedica po životnu sredinu i ljudsko zdravlje, koje inače mogu biti uzrokovane nepravilnim odlaganjem otpada ovog uređaja. Za više detalja o recikliranju ovog proizvoda, molimo vas da kontaktirate svoju lokalni organ za zaštitu životne sredine, preduzeće za odlaganje komunalnog otpada ili prodavnicu, u kojoj ste kupili proizvod.

Materijali ambalaže

Materijali označeni ovim simbolom mogu se reciklirati. Ambalažu odložite u odgovarajući konterjner za prikupljanje otpada za reciklažu.

Odlaganje uređaja

1. Prekinite napajanje uređaja strujom.
2. Odsijecite kabl za napajanje i odložite ga.

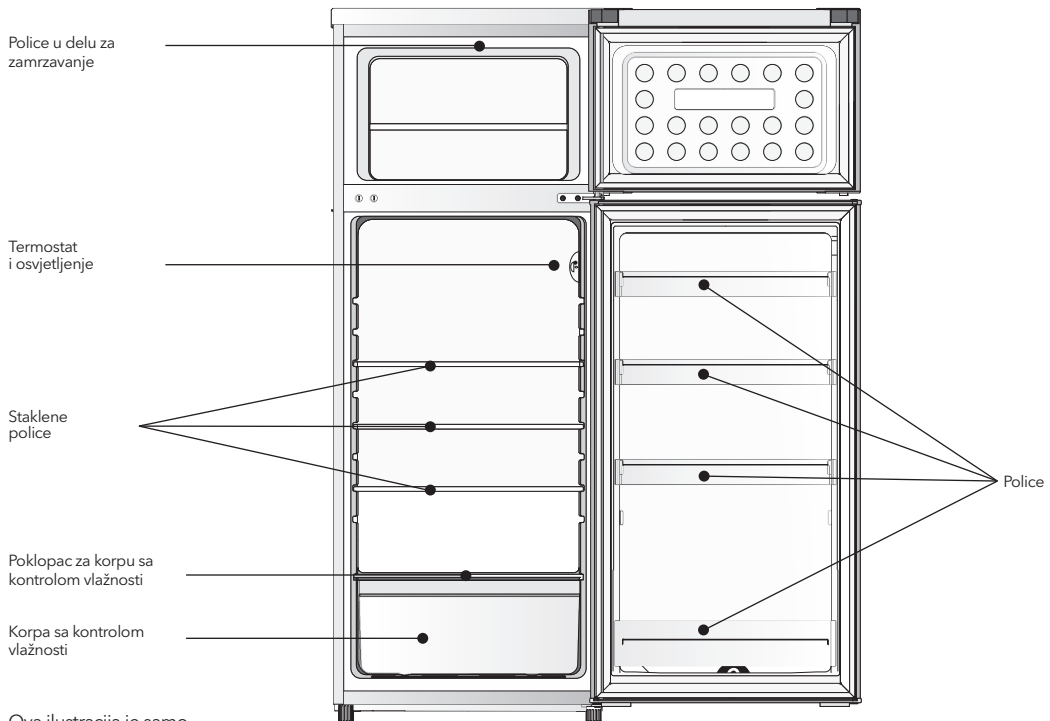


UPOZORENJE!

Prilikom upotrebe, servisiranja i odlaganja uređaja, imajte u vidu oznaku nalik oznaci prikazanoj na slici lijevo, koja se nalazi na zadnjem dijelu uređaja (tabla ili kompresor na zadnjem delu uređaja), a koja je žute ili narandžaste boje.

Ova oznaka predstavlja simbol rizika od požara. U cijevima za rashladno sredstvo i u kompresoru se nalaze zapaljivi materijali. Molimo Vas da tokom upotrebe, servisiranja i odlaganja, uređaj držite dalje od izvora požara.

PREGLED

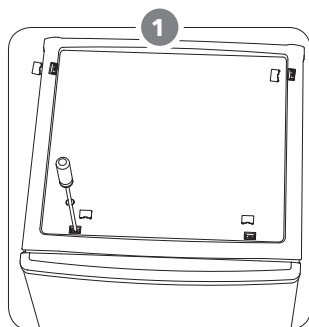


Ova ilustracija je samo okvirna, molimo vas da za detalje pogledajte svoj uređaj.

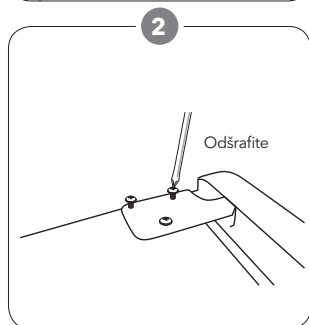
ZAMENA SMERA OTVARANJA VRATA

Potreban alat: Philips odvijač, ravni odvijač, šestougaoni ključ.

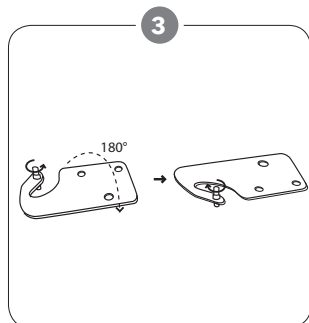
- Pobrinite se da uređaj bude isključen i prazan.
- Da biste skinuli vrata, potrebno je da uređaj nagnete unazad. Uređaj treba da bude postavljen na tvrdu podlogu, kako se ne bi dogodilo da isklizne prilikom zamjene položaja vrata.
- Svi uklonjeni dijelovi moraju biti sačuvani radi ponovnog instaliranja vrata.
- Uređaj nemojte stavljati u horizontalan položaj, jer to može oštetiti sistem za hlađenje.
- Preporučuje se da dvije osobe učestvuju u montiranju.



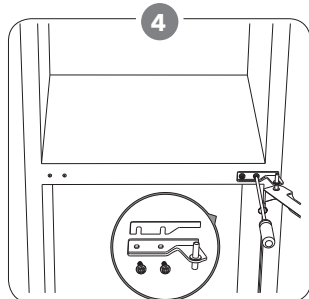
Uklonite četiri šrafa sa gornjeg poklopca, i onda ga podignite.



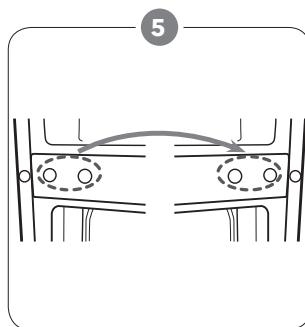
Odšrafite gornju šarku i onda uklonite vrata i odložite ih na meku površinu, kako biste izbjegli ogrebotine.



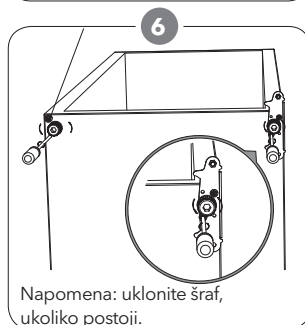
Uklonite iglu pomoću odvijača i obrnite šarku. Zatim ponovo stavite iglu u šarku.



Odšrafite srednju šarku. Zatim podignite donji dio vrata, i stavite na meku podlogu, kako biste izbjegli ogrebotine.

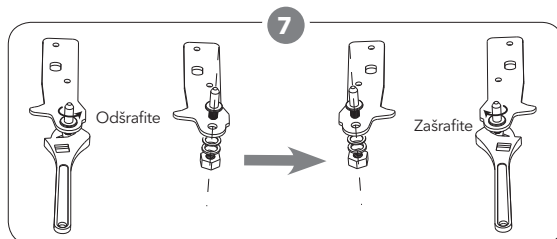


Premjestite štitnike rupe za šarke sa lijeve na desnu.

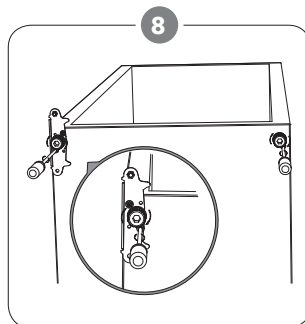


Odšrafite donju šarku. Zatim uklonite podesive nožice s obje strane.

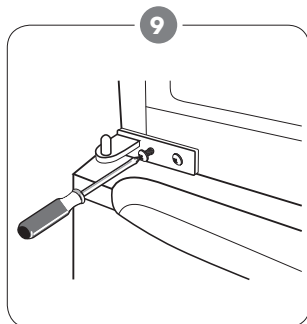
Napomena: uklonite šraf, ukoliko postoji.



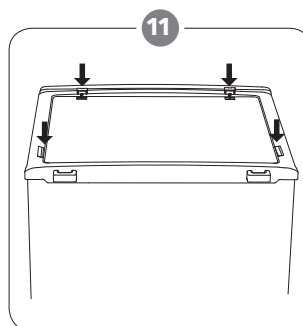
Odvrnite i uklonite donju iglu na šarci, i okrenite podupirač, zatim ga vratite.



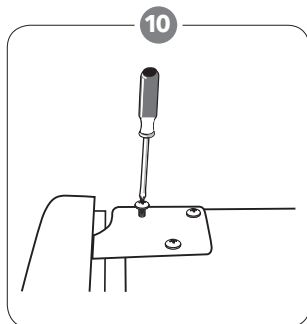
Ponovo postavite podupirač, tako što ćete staviti iglu. Vratite obje podesive nožice. Premjestite donja vrata na odgovarajuću poziciju.



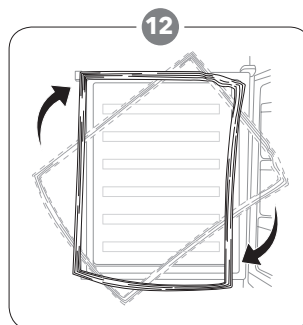
Obrnite donju šarku za 180°, zatim je premjestite na lijevu stranu. Postavite srednju iglu sa srednje šarke u gornju rupu donjih vrata, zatim zategnite vijke.



Stavite poklopac i onda ga zašrafite.



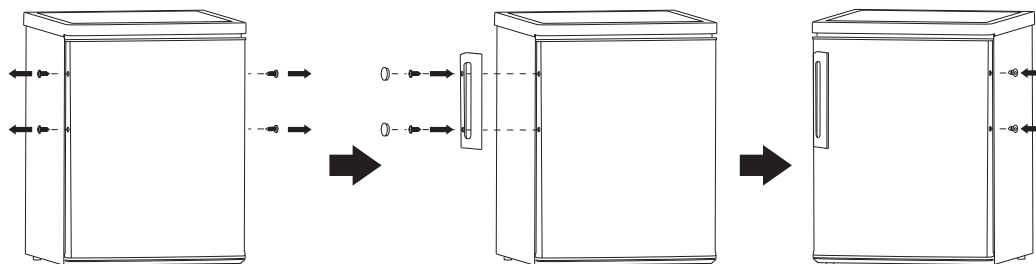
Postavite ponovo gornja vrata. Pobrinite se da vrata budu poravnana horizontalno i vertikalno, tako da guma prijanja sa svih strana, prije nego što konačno pričvrstite gornju šarku. Zatim stavite šarku, i zašrafite je na vrhu uređaja.



Uklonite zaptivke sa vrata frižidera i zamrzivača, a zatim ih zarotirajte i, nakon toga, ponovo postavite.

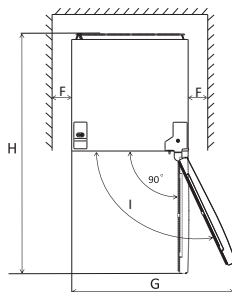
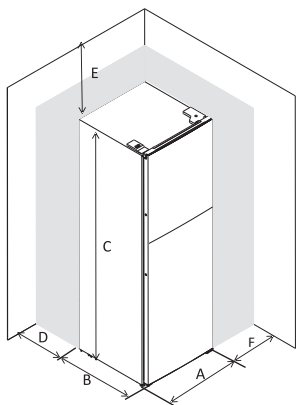
UGRADNJA UREĐAJA

Postavite spoljnu ručku za vrata (ukoliko spoljna ručka postoji)



Potrebe prostora

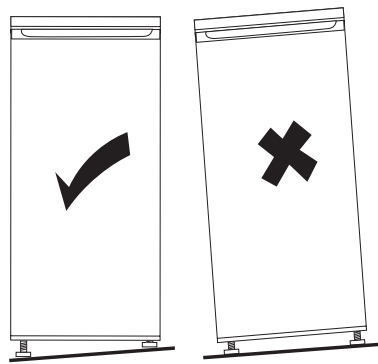
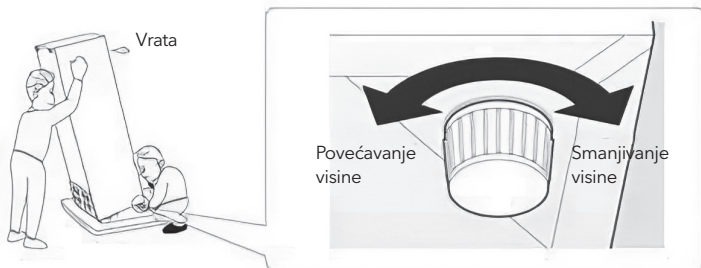
- Ostavite dovoljno mesta za otvaranje vrata.



A	500
B	580
C	1230
D	min=50
E	min=50
F	min=50
G	1000
H	1080
I	135°

Nivelacija uređaja

Kako biste ovo uradili, podesite dvije podesne nožice s prednje strane uređaja. Ukoliko uređaj nije nivelisan, vrata i magnetna guma neće pravilno prijanjati.



Pozicioniranje

Postavite ovaj uređaj na mjesto čija sobna temperatura odgovara klimatskoj klasi navedenoj na pločici sa podacima o uređaju:

Kod uređaja za rashlađivanje sa sledećim klimatskim klasama:

- prošireno umjerena: ovaj uređaj za rashlađivanje je namijenjen za upotrebu na sobnim temperaturama koje se kreću u opsegu od 10°C do 32°C (SN);
- umjerena: ovaj uređaj za rashlađivanje je namijenjen za upotrebu na sobnim temperaturama koje se kreću u opsegu od 16°C do 32°C (N);
- subtropska: ovaj uređaj za rashlađivanje je namijenjen za upotrebu na sobnim temperaturama koje se kreću u opsegu od 16°C do 38°C (ST);
- tropska: ovaj uređaj za rashlađivanje je namijenjen za upotrebu na sobnim temperaturama koje se kreću u opsegu od 16°C do 43°C (T);

Lokacija

Uređaj treba da bude postavljen daleko od izvora toplote, kao što su radijatori, bojleri, izlaganje direktnim sunčevim zracima itd. Postarajte se da vazduh slobodno cirkuliše oko zadnjeg dela frižidera, kako biste osigurali najbolju učinak. Ukoliko je uređaj postavljen ispod

visećeg dela, minimalni razmak između vrha uređaja i visećeg dela treba da bude bar 50 mm. Idealno bi bilo da uređaj ne bude postavljen ispod visećeg dela. Odgovarajuća nivelacija se postiže uz pomoć jedne ili više podesnih nožica, u zavisnosti od uređaja. Nije predviđeno da se ovaj uređaj za rashlađivanje upotrebljava kao ugradni uređaj;

⚠ UPOZORENJE!

Prekidanje napajanja uređaja mora biti omogućeno; iz tog razloga, utičnica mora biti dostupna nakon postavljanja uređaja.

Povezivanje na struju

Pre uključivanja, proverite da napon i frekvencija prikazana na tablici specifikacije odgovaraju naponu struje domaćinstva. Uređaj mora biti uzemljen. Kabl za napajanje električnom energijom je opremljen kontaktom za ovu namenu. Ukoliko utičnica u domaćinstvu nema uzemljenje, priključite uređaj na izdvojeno uzemljenje u skladu sa trenutnim propisima; konsultujte se sa kvalifikovanim električarem. Proizvođač ne snosi nikakvu odgovornost, ukoliko gore navedene preventivne mere nisu ispoštovane. Ovaj uređaj ispunjava uslove EEC direktiva.

DNEVNA UPOTREBA

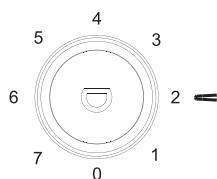
Prva upotreba

Čišćenje unutrašnjosti uređaja

Prije korišćenja uređaja po prvi put, očistite unutrašnjost i sve unutrašnje elemente mlakom vodom i neutralnim sapunom, kako biste uklonili tipičan miris novog proizvoda, a zatim ga dobro osušite.

VAŽNO! Ne koristite deterdžente ili abrazivna sredstva, budući da mogu da oštete površinu.

Podešavanje temperature



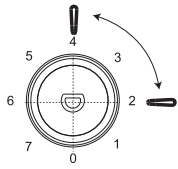
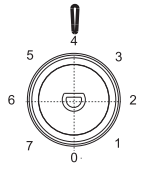
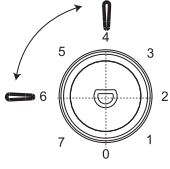
- Uključite svoj uređaj. Unutrašnju temperaturu reguliše termostat. Postoji 8 nivoa temperature, 1 je najtopliji nivo, 7 je najhladniji, i 0 znači da je uređaj isključen.
- Uređaj možda neće raditi na pravoj temperaturi, ako se nalazi u veoma toplom okruženju ili ako često otvarate vrata.

Svakodnevna upotreba

Različite vrste namirnica raspoređujte u različite odjeljke, prema podacima navedenim u sljedećoj tabeli

Odjeljci frižidera	Vrste namirnica
Vrata ili police u vratima odjeljka za rashlađivanje	<ul style="list-style-type: none"> Namirnice sa prirodnim konzervansima, poput džemova, sokova, pića, dodataka jelima. Nemojte držati kvarljive namirnice.
Crisper fioka za čuvanje svježine (fioka za čuvanje salate)	<ul style="list-style-type: none"> Voće, začinsko bilje i povrće treba držati zasebno u crisper fioci za čuvanje svježine. Banane, crni luk, paradajz i bijeli luk ne treba držati u frižideru.
Polica frižidera - srednja	<ul style="list-style-type: none"> Mlječni proizvodi, jaja
Polica frižidera - gornja	<ul style="list-style-type: none"> Hrana koju nije potrebno termički obrađivati, poput gotove hrane, mesnih preradevina, ostataka hrane.
Fioka(e)/polica zamrzivača	<ul style="list-style-type: none"> Namirnice koje se drže tokom dužeg vremenskog perioda. Donja fioka/polica za svježe meso, živinsko meso, ribu. Srednja fioka/polica za smrznuto povrće, pomfrit. Gornja fioka/polica za sladoled, smrznuto voće, smrznutu kuhanu hranu.

Preporuka za temperaturna podešavanja

Spoljašnja temperatura	Odjeljak zamrzivača	Odjeljak frižidera
Ljetnja (iznad 38°C)	/	 <p>Podesite na 2~4</p>
Normalna	/	 <p>Podesite na 4</p>
Zimska (ispod 16°C)	/	 <p>Podesite na 4~6</p>

- Gorenavedeni podaci predstavljaju preporuke u vezi sa temperaturnim podešavanjima, koje su namijenjene korisnicima.

Uticaj na čuvanje hrane

- Pri preporučenim podešavanjima, hranu je u frižideru najbolje čuvati ne duže od 3 dana.
- Pri preporučenim podešavanjima, hranu je u zamrzivaču najbolje čuvati ne duže od 1 meseca.
- Preporučeni period čuvanja hrane može postati kraći pri drugim vrijednostima podešavanja.

Zamrzavanje svježije hrane

- Dio za zamrzavanje je pogodan za zamrzavanje svježije hrane i čuvanje zaleđene i duboko zamrznute hrane na duži vremenski period.
- Svežu hranu stavite u dio za zamrzavanje, kako biste je zamrzli.

- Maksimalna količina hrane koja može biti zaleđena u 24 sata je navedena u tablici specifikacije.
- Proces zamrzavanja traje 24 sata: tokom ovog perioda nemojte dodavati još hrane, predviđene da se zamrzne.

Čuvanje zamrznute hrane

Ukoliko se uključuje po prvi put, ili nakon dužeg perioda van upotrebe, prije stavljanja hrane u pregradu, uređaj treba da radi najmanje 2 sata podešen na najviše vrednosti.

VAŽNO! Ukoliko dođe do slučajnog odmrzavanja, na primjer, ukoliko nema struje duže nego što je prikazano u tehničkim karakteristikama pod dijelom "rising time", zamrznuta hrana se mora brzo upotrebiti, ili odmah termički obraditi i onda ponovo zamrznuti (nakon što je spremljena).

Odmrzavanje

- Duboko zamrznuta ili zaleđena hrana, prije upotrebe, može biti odmrznuta ili u pregradama frižidera ili na sobnoj temperaturi, u zavisnosti od raspoloživog vremena.
- Manji komadi se mogu čak pripremati za jelo iako su i dalje zaleđeni, direktno iz zamrzivača. U ovom slučaju priprema hrane traje duže.

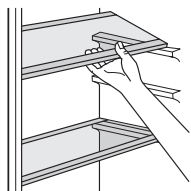
Kocke leda

Ovaj uređaj možda nije opremljen jednom ili više posuda za pravljenje kocki leda.

Prateći elementi

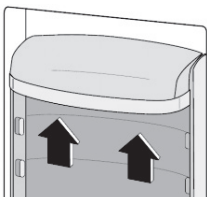
Police koje se mogu pomjerati

Zidovi frižidera imaju niz žljebova, tako da se police mogu podešavati po želji.



Podešavanje polica na vratima

Kako biste omogućili odlaganje hrane različitih veličina, police na vratima mogu biti podešena na različite nivoe. Kako biste ovo prilagodili, učinite sljedeće: postepeno spuštajte policu u smjeru strelice, dok se bude slobodna, a onda je pozicionirajte po potrebi.



Korisni saveti

Kako bismo vam pomogli da što bolje iskoristite proces zamrzavanja, evo nekih važnih savjeta:

- maksimalna količina hrane koja može biti zaleđena u 24 sata je
- navedena na tablici specifikacije;
- proces zamrzavanja traje 24 sata. Tokom ovog perioda ne bi bilo poželjno dodavanje hrane za zamrzavanje;
- zamrzavajte samo kvalitetnu, svežu i potpuno očišćenu hranu;
- hrana treba da bude podeljena u manje porcije, kako bi bilo omogućeno brže i potpuno zamrzavanje, i kako bi se kasnije mogla odmrznuti samo potrebna količina;
- hranu zavijte u aluminijumsku ili polietilensku foliju i pobrinite se da pakovanja ne propuštaju vazduh; nemojte da dozvolite da nezaleđena hrana dodiruje već zaleđenu, kako biste joj izbegli porast temperature.
- nemasna hrana se čuva bolje i duže do masne; so smanjuje vijek trajanja čuvane hrane;
- ukoliko se kockice leda upotrijebe odmah nakon što su izvađene iz zamrzivača, mogu izazvati promrzline na koži;
- uklanjanje hrane iz dijela za zamrzavanje može izazvati promrzline na koži;
- savjetujte se, da na svakom paketiću smrznute hrane navedete datum zamrzavanja, da biste znali koliko dugo se čuva.

Savjeti za čuvanje zamrznute hrane

Kako biste dobili najbolji učinak od ovog uređaja, treba da:

- da provjerite, da je komercijalno zamrznutu hranu adekvatno čuvao prodavac;
- postarajte se da hrana bude prenesena od prodavnice do zamrzivača u najkraćem mogućem roku;
- Ne otvarajte vrata često, i ne ostavljajte ih otvorena duže nego što je potrebno. Hrana koja se jednom odmrzne brzo propada i ne može biti ponovo zamrznuta.
- Nemojte prekoračivati rok za čuvanje, koji je naznačio proizvođač.

Savjeti za hlađenje sveže hrane

Kako biste dobili najbolji učinak:

- Ne čuvajte vruću hranu ili tečnosti koje isparavaju u frižideru
- Pokrijte ili uvijte hranu, naročito ako ima jak miris
- Meso: uvijte u polietilenske kese i stavite na staklene police iznad fioke za povrće.
- Radi sigurnosti, hranu na ovaj način čuvajte jedan dan, najviše dva.
- Kuhana hrana, hladna jela, itd...: treba ih pokriti i mogu se odložiti na bilo koju policu.
- Voće i povrće: treba da bude temeljno oprano i odloženo u fioke, namenjene za njihovo čuvanje.
- Buter i sir: treba da budu stavljeni u specijalne posude koje ne propuštaju vazduh, ili zavijeni u aluminijumske folije ili polietilenske kese kako bi se uklonilo što više vazduha.
- Boce s mlijekom/jogurtom: treba da budu zatvorene i da se čuvaju u policama na vratima.
- Banane, krompir, luk i bijeli luk, ukoliko nisu zapakovani, ne smiju biti čuvani u frižideru.

Čišćenje

Iz higijenskih razloga unutrašnjost uređaja, uključujući i unutrašnje elemente, treba čistiti redovno.

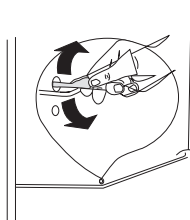
! OPREZI!

Uređaj ne smije biti povezan strujom tokom čišćenja. Postoji opasnost od strujnog udara! Prije čišćenja uređaja, isključite ga i prekinite dotok električne energije, ili isključite automatsku sklopku ili osigurač. Uređaj nikako ne čistite paročistačem. Vлага može da se nakupi u električnim komponentama, opasnost od strujnog udara! Vrela isparenja mogu dovesti do oštećenja plastičnih dijelova. Uređaj mora biti suh prije ponovne upotrebe.

VAŽNO! Eterična ulja i organski rastvarači mogu nagristi plastične dijelove, na primjer limunov sok, ili sok od pomorandžine kore, karboksilne kiseline, sredstva za čišćenje koja sadrže sircetnu kiselinu.

Čišćenje odvoda

Kako biste izbjegli da odleđena voda ulazi u frižider, povremeno očistite odvod na zadnjoj strani dijela za hlađenje. Koristite sredstvo za čišćenje, kako biste očistili rupu kako je prikazano na slici.



- Ne dozvolite da ovakve supstance dođu u kontakt sa dijelovima uređaja.
- Nemojte koristiti abrazivna sredstva za čišćenje
- Uklonite hranu iz zamrzivača. Hranu čuvajte na hladnom mjestu, i dobro je pokrijte.
- Isključite uređaj i prekinite dotok električne energije, ili isključite automatsku sklopku ili osigurač.

¹ Ukoliko je kondenzator pozicioniran na poledini uređaja.

- Očistite uređaj i unutrašnje elemente tkaninom i mlakom vodom. Nakon čišćenja isperite čistom vodom i osušite krpom.
- Nakon što sve bude suho, ponovo uključite uređaj.

Otapanje zamrzivača

Vremenom će dio za zamrzavanje biti prekriven slojem leda. Njega treba ukloniti. Nikad ne koristite oštre metalne alate da biste skinuli led sa isparivača, budući da ga tako možete oštetiti.

Međutim, ukoliko je sloj leda veoma deo sa unutrašnje strane, potpuni proces odleđivanja treba obaviti na sljedeći način:

- prekinite napajanje uređaja strujom;
- uklonite svu hranu iz uređaja, umotajte je u nekoliko slojeva novina i odložite je na hladno mjesto;

- držite vrata otvorena, i postavite ne previše duboku posudu ispod uređaja, kako bi se tu sakupljala odleđena voda;
- kada proces odleđivanja bude gotov, temeljno osušite unutrašnjost, ponovo povežite uređaj na napajanje.

Menjanje sijalice



OPREZ!

Unutrašnje svjetlo je tipa LED. Kako biste uklonili sijalicu, molimo vas da kontaktirate kvalifikovanog majstora.



RJEŠAVANJE PROBLEMA



OPREZ!

Prije rešavanja problema, prekinite napajanje električnom energijom. Samo kvalifikovani električar ili kompetentna osoba treba da riješi problem koji nije naveden u ovom uputstvu.

VAŽNO! Postoje određeni zvukovi, koje uređaj proizvodi tokom normalne upotrebe (kompresor, rashladni dio uređaja).

Problem	Mogući uzrok	Rješenje
Uređaj ne radi	Regulator temperature je postavljen na "0".	Postavite regulator temperature na neki drugi broj, kako biste uključili uređaj.
	Uređaj nije priključen na strujno kolo.	Utaknite utikač.
	Osigurač je ispao ili je neispravan.	Provjerite osigurač, zamijenite ga ako je potrebno.
	Utičnica je neispravna.	Kvarove utikača treba da popravi električar.
Hrana je pretopla.	Temperatura nije pravilno podešena.	Molimo vas, pogledajte odjeljak za osnovni nivo temperature.
	Vrata su bila otvorena duže vremena.	Držite vrata otvorenim samo onoliko, koliko je potrebno.
	Velika količina tople hrane je stavljena u uređaj u poslednja 24 sata.	Podesite regulator temperature na privremeno na nižu temperaturu.
	Uređaj je blizu izvora toplote.	Molimo vas, pogledajte odeljak za lokaciju i instalaciju.
Uređaj previše hladi	Regulator temperature je podešen na hladno.	Podesite regulator temperature na privremeno na višu temperaturu
Neobični zvukovi	Uređaj nije nivelisan.	Ponovo podesite nožice.
	Uređaj dodiruje zid ili druge predmete.	Malo pomjerite uređaj.
	Dio, kao što je cjevovod na zadnjoj strani uređaja, dodiruje druge dijelove uređaja ili zid.	Ukoliko je potrebno, pažljivo uklonite dio koji predstavlja prepreku.
Voda na podu	Odvod je blokiran.	Pogledajte odjeljak za čišćenje.
Ploča sa strane je vruća	Kondenzator je unutar ploče.	To je normalno.

Ukoliko se kvar pojavi ponovo, kontaktirajte Servisni centar.


БЕЗБЕДНОСНИ УПАТСТВА

Поради сопствена безбедност и обезбедување на сигурна употреба, пред инсталацијата и првата употреба на уредот, прочитајте го ова Корисничко упатство, вклучувајќи ги и советите на внимателност. Со цел да се избегнат непотребни грешки и незгоди, важно е сите личности кои ќе го користат уредот да бидат детално запознаени со неговите операции и безбедносни функции. Зачувајте го ова упатство и погрижете се да биде во целина со уредот ако истиот биде преместен или продаден, како би, секој кој би го користел во текот на својот живот, би бил запознат со правилната употреба и безбедноста на уредот. Ова корисничко упатство, имајте го во предвид поради својата лична сигурност и сигурноста на имотот, бидејќи производителот не е одговорен за штетата која би настанала поради Ваши направени пропусти.

Безбедност за деца и несамостојни личности

- Овој уред може да го користат деца на возраст од 8 години и повеќе, како и лица со намалени физички, сетилни или ментални способности, или со помалу искуство доколку се под надзор или им се дадени насоки за безбедна употреба на уредот, како и за можниот ризик.
- На децата на возраст од 3 до 8 години им е дозволено да ставаат предмети и да земаат предмети од овој уред.
- Децата би требали да бидат под надзор, како би биле сигурни дека не си играат со уредот.
- Чистењето и одржувањето не би требало да го прават деца, доколку не се на возраст од 8 години или повеќе и мораат да бидат под задолжителен надзор.
- Целата амбалажа чувајте ја надвор од дофат на деца. Постои опасност од гушење.
- Доколку одлучите повеќе да не го користите уредот, прекинете го напојувањето на уредот со струја, пресечете го кабелот за напојување (што е можно поблиску до уредот) и отстранете ја вратата, како би спречиле можност децата при играње да претпрат струен удар или да се затворат во уредот.
- Доколку овој уред има магнетна гума на вратата, а сакате да ја замените на некој постар уред кој се затворал со помош на пружина или поклопувач, тогаш оневозможете го затворањето на стариот уред со пружина. На тој начин ќе спречите смртоносна замка за детето.

Општа безбедност

 ПРЕДУПРЕДУВАЊЕ! Одржувајте ги вентилационите отвори во куќиштето на фрижидерот или во вградената структура чисти од запушување.

⚠ ПРЕДУПРЕДУВАЊЕ! Не користете механички уреди или други предмети со цел да го забрзате процесот на одмрзнување, освен производи препорачани од страна на производителот на уредот.

⚠ ПРЕДУПРЕДУВАЊЕ! Не го оштетувајте системот за ладење.

⚠ ПРЕДУПРЕДУВАЊЕ! Не поставувајте други електрични уреди (како на пример уред за правење на сладолед) во уредот за ладење, освен ако производителот не ја одобрил и таа намена.

⚠ ПРЕДУПРЕДУВАЊЕ! Не ја допирајте сијалицата доколку работела подолго време, бидејќи може да биде многу жешка.¹

⚠ ПРЕДУПРЕДУВАЊЕ! Кога го поставувате уредот, уверете се дека ништо не го притиска кабелот за напојување идека кабелот не е оштетен.

⚠ ПРЕДУПРЕДУВАЊЕ! Не ставајте повеќекратни преносни приклучници или преносно напојување зад уредот.

- Не чувајте експлозивни супстанции, како што е амбалажа за спреј со запаллив гас во овој уред.
- Супстанца за ладење, изобутан (R600a), се наоѓа во системот за ладење на уредот – тоа е природен гас со високо ниво на еколошка компатибилност, но исклучително запаллив.
- Погрижете се во текот на транспортот или поставувањето на уредот да не биде оштетена ниту една компонента од системот за ладење на уредот.
 - избегнувајте отворен пламен и извори на запалливост
 - темелно проветрете ја просторијата, каде што се наоѓа уредот
- Опасно е да се менува спецификацијата или модифицира производот на било кој начин. Било какво оштетување на кабелот може да предизвика краток спој, пожар и/или струен удар.
- Овој уред е наменет за употреба во домаќинства и за случна примена, како што се
 - простории за вработени во кујна, во продавница, канцеларија и други работни простории;
 - замјоделски домаќинства, како и од страна на хотелски и мотелски гости и други видови на вакви објекти;
 - објекти кои пружаат услуга за ноќевање со доручек;
 - кетеринг и слична намена.

⚠ ПРЕДУПРЕДУВАЊЕ! Било која електрична компонента (приклучок, кабел за напојување, компресор и сл.) мора да биде заменет од страна на овластен сервисер или квалификуван работник.

⚠ ПРЕДУПРЕДУВАЊЕ! Сијалицата, која е доставена со овој уред, е

¹ Доколку постои во уредот.

“сијалица за специјална намена” и може да се користи за уредот со кој е доставена. Оваа “сијалица за специјална намена” не може да се користи за куќно осветлување.¹

- Кабелот за напојување не смее да се продолжува.
- Проверете дали приклучокот, на задната страна на уредот е притиснат или оштетен. Притиснат или оштетен уред може да доведе до прегревање и да предизвика пожар.
- Погрижете се, главниот приклучок на уредот да биде достапен.
- Не го извлекувајте главниот кабел.
- Доколку приклучокот не е фиксиран, не го приклучувајте апаратот. Постои ризик од струен удар или оган.
- Не смеете да работите ништо на уредот доколку е без осветлување.
- Уредот е тежок. Бидете внимателни при негово поместување.
- Не ги отстранувајте или допирајте елементите од делот за замрзнување ако имате влажни/мокри раце, бидејќи може да се предизвикаат гребаници или подмрзнување на кожата.
- Избегнувајте долготрајно изложување на апаратот на директна сончева светлина.

Дневна употреба

- Не оставајте загреани предмети на пластичниот дел од уредот.
- Не оставајте прехранбени производи позади задниот дел.
- Замрзнатата храна не смее повторно за се замрзнува, откако ќе се растопи.²
- Веќе спакуваната замрзната храна, чувајте ја во согласност со инструкциите на производителот, а во врска со користење на замрзната храна.²
- Придружувајте се стриктно до препораките на производителот на уредот. Придржувајте се на релевантните инструкции.
- Не оставајте газирани пијалоци во делот за замрзнување, бидејќи тоа може да создаде притисок кој може да предизвика пукање на амбалажата и може да доведе до оштетување на уредо.²
- Плодовите од овошје може да предизвикаат смрзнатини ако се конзумираат веднаш по земање од уредот.²

За да избегнете контаминирање на храната, следете ги следните упатства

- Држење на уредот отворен во текот на подолг временски период може да доведе до значителен пораст на температурата во делот на уредот.

² Доколку постои дел за замрзнување.

- Редовно чистете ја површината која може да дојде во допир со храна, како и пристапните делови до одводните системи.
- Исчистете ги резервоарите за вода доколку не сте ги користеле во временски период подолг од 48 часа; доколку во временски период од 5 дена не сте земале вода од уредот, исплакнете го системот за проток на вода со вода од водоводната мрежа.
- Сурово месо и риба во фрижидерот држете во соодветни садови, за овие намирници да не дојдат во допир со или да не капат врз останатата храна.
- Делоците за смрзната храна се означени со две ѕвездички (доколку постои во рамки на уредот) погодни се за држење на претходно смрзната храна, за држење или прваење сладолед и за правење коцки мраз..
- Деловите означени со една, две и три ѕвездички (доколку постојат во рамки на уредот) не се погодни за замрзнување на свежа храна.
- Доколку уредот биде празен за подолг временски период, исклучете го, одмрзнете го, исчистите го и исушете го, а потоа оставете ја вратата на уредот отворена за да спречите развој на мувла во внатрешноста на уредот.

Одржување и чистење

- Пред одржувањето, исклучете го уредот или прекинете го дотокот на електрична енергија.
- Не го чистете уредот со метални предмети.
- Не користете остри предмети, со цел да отстраните лед од уредот. Користете пластични средства за стругање.²
- Редовно проверувајте го одводот за одмрзната вода во фрижидерот. Доколку е потребно, исчистете го одводот. Доколку одводот е блокиран, водата ќе се собира на дното од уредот.³

Инсталација на уредот

- **ВАЖНО!** За приклучување на електрична мрежа, внимателно проверети ги и следете ги упатствата дадени во посебните делови на упатството.
- Распакувајте го уредот и проверете дали на него има оштетувања. Не го приклучувајте уредот на струја, доколку истиот е оштетен. Можните оштетувања, веднаш пријавете ги на местото каде што е купен уредот. Во тој случај, зачувајте ја амбалажата на уредот.

² Доколку постои дел за замрзнување.

³ Доколку постои дел за чување на свежа храна.

- Се препорачува да почекате најмалку 4 часа, пред да го вклучите уредот, како би можело уљето да се врати во компресорот.
- Потребно е да се обезбеди соодветно струење на воздухот околу уредот, бидејќи без струење може да се предизвика прегревање. За постигнување на потребниот проток на воздух, следете ги упатствата за инсталација на уредот.
- Каде што е возможно, мора да биде оставен простор помеѓу уредот и сидот, како би се избегнал допир со загреаните делови (компресор, кондензатор) а со цел да се избегнат можни прегорувања.
- Уредот не смее да биде поставен во близина на радијатор или шпорет.
- Погрижете се да биде обезбеден лесен пристап до главниот приклучок по поставувањето на уредот.


Сервисирање

- Било какво сервисирање на уредот, кое бара електрична работа, треба да биде извршено од страна на квалификуван електричар или компетентна личност.
- Само овластениот сервисен центар за сервисирање може да врши поправки на уредот и може да се користат само оригинални резервни делови.

Заштеда на енергија

- Не ставајте жешка храна во уредот;
- Не ја пакувајте ја целата храна на едно место, бидејќи тоа го спречува циркулирањето на воздухот;
- Погрижете се храната да не го допира задниот дел од преградата(те);
- Доколку настане прекин на струја во просторијата, не ја отварајте вратата;
- Не ја отварајте вратата премногу често;
- Не ја држете вратата отворена премногу долго;
- Не го поставувајте термостатот на исклучително ниски температури
- Сите додатоци, како што се фиоки, полица балкони, треба да се чуваат таму за помала потрошувачка на енергија.

Заштита на животната средина

 Овој уред не содржи гасови, кои можат да ја оштетат озонската обвивка, ниту во системот за ладење, ниту во материјалите за излација. Уредот не би требало да се одложува заедно со градскиот или куќниот отпад. Изолационата пена содржи запалливи гасови: уредот би

требало да се одложи во согласност со прописите кои се издадени од страна на локалната власт. Изгинувајте предизвикување на оштетувања на деловите за ладење, посебно да деловите за рамена на топлина. Материјалите кои се користени за овој уред може да се рециклираат доколку се означени со симболот за рециклажа. ♻️



Ознаката на производот, или на неговото пакување, укажува дека овој производ не смее да се третира како отпад која е настанат во докаќинство. Наместо тоа, треба да се одложи на соодветно место, каде што се собира електрична или електронска опрема.

Доколку се осигурате дека производот е правилно одложен, ќе помогнете во спречување на негативни последици по животната средина или човековото здравје, кои можат да бидат загрозувачи со неправилно одложување на отпадно место на овој уред. За повеќе детали во поглед на рециклирање на овој производ, Ве молиме да ги контактирате своите локални органи за заштита на животната средина, јавни претпријатија за одлагање на комунален отпад или продавницата каде што е купен овој производ.

Материјали од амбалажата

Материјалите кои се означени со такви симболи можат да се рециклираат. Амбалажата можете да ја одложите во соодветен контејнер за прибирање на отпад за амбалажа.

Одложување на уредот

1. Прекинете го напојувањето на уредот од струја.
2. Отсечете го кабелот за напојување и одложете го.

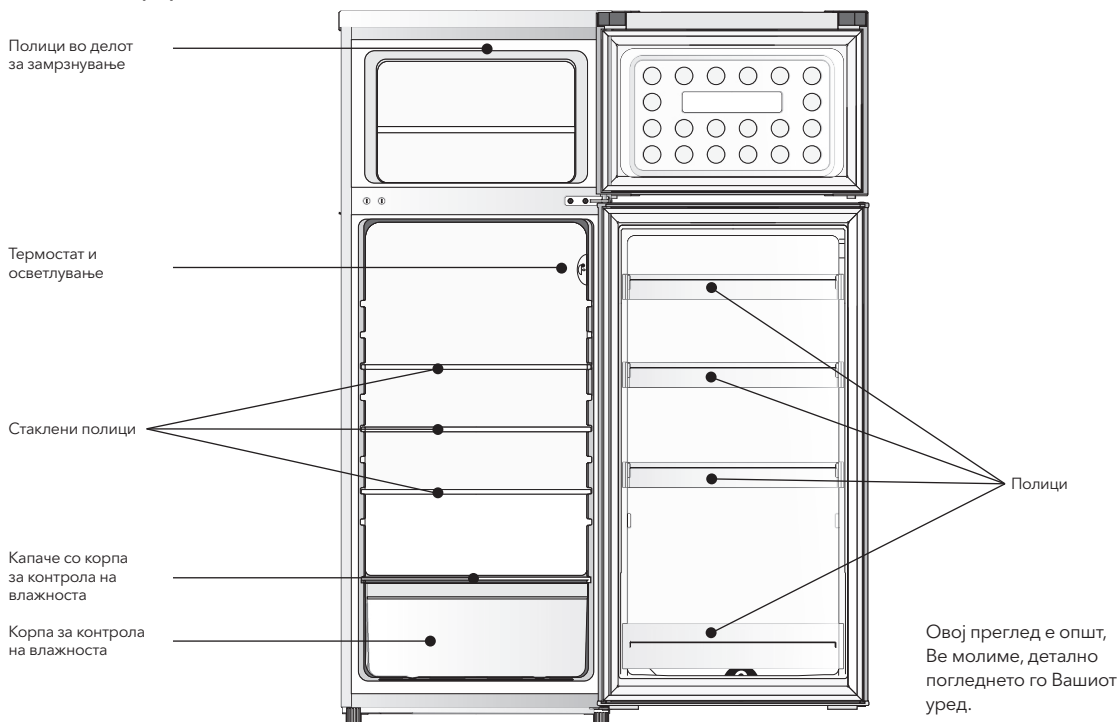


ПРЕДУПРЕДУВАЊЕ!

При употреба, сервисирање и отстранување на уредот, имајте ја на ум ознаката како ознаката прикажана на сликата лево, која се наоѓа на задниот дел на уредот (табла или компресор на задниот дел на уредот), а која е со жолта или портокалова боја. Оваа ознака претставува симбол за ризик од пожар. Во цевките за разладно средство и во компресорот се наоѓаат запаливи материјали.

Ве молиме за време на употребата, сервисирањето и отстранувањето, уредот да го држите подалеку од извор на пожар.

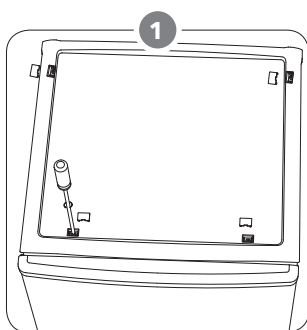
ПРЕГЛЕД



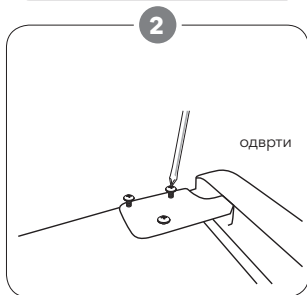
ЗАМЕНА НА НАСОКАТА НА ОТВОРАЊЕ НА ВРАТАТА

Потребен алат: Philips-одвртувач, рамен одвртувач, шестоаголен клуч.

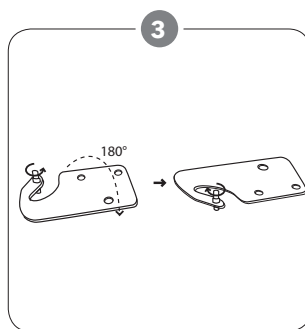
- Погрижете се уредот да биде исклучен и празен.
- Со цел да се отстрани вратата, потребно е уредот да го повлечете наназад. Уредот треба да биде поставен на тврда подлога, како не би се лизнал при отстранување на вратата.
- Сите отстранети делови мораат да бидат сочувани поради повторно инсталирање на вратата.
- Уредот не го поставувајте во хоризонтална положба, бидејќи така може да се оштети системот за ладење.
- Се препорачува две личности да учествуваат во монтирањето.



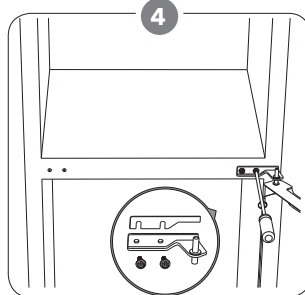
Отстранете ги четирите штрафа од горниот капак, а потоа подигнете го.



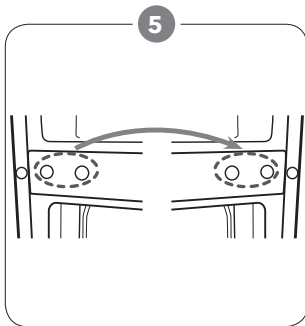
Одштрафете ги горните шарки и потоа отстранете ја вратата и одложете ја на мека површина, како би избегнале гребаници.



Отстранете ја иглата со помош на одвртувач и свртете ја шарката. Потоа ставете ја повторно иглата во шарката.



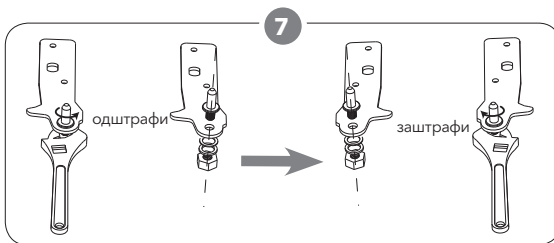
Одштрафете ја средната шарка. Потоа подгнете го долниот дел на вратата и ставете го на мека површина, како би избегнале гребаници.



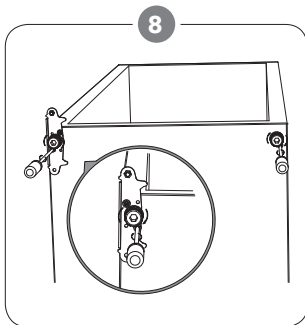
Поместете ги заштитните делови од дупките за шарки од лева на десна страна.



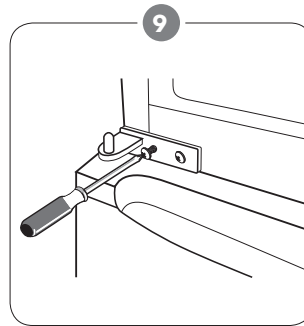
Одштрафете ја долната шарка. Потоа отстранете ги ногалките за подесување.



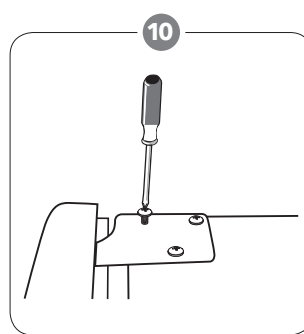
Одвртете ја и отстранете ја долната игла на шарката, свртете го потпирачот, а потоа вратете ги назад.



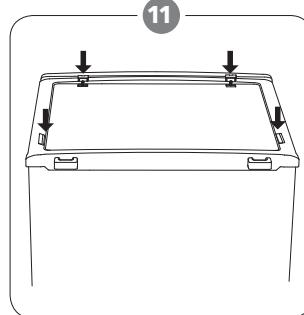
Повторно поставете го потпирачот, така што ќе ја поставите иглата. Вратете ги двете ногалки за подесување. Поместете ја долната врата на позиција која одговара.



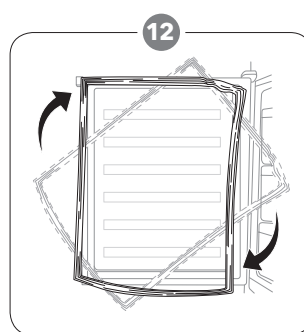
Свртете ја долната шарка за 180°, а потоа преместете ја на левата страна. Поставете ја средната игла за средната шарка во горната дупка на долната врата, а потоа затегнете ги навоите.



Повторно поставете ја горната врата. Погрижете се да вратата биде порамнета хоризонтално и вертикално, така што гумата ќе ги допира сите страна, пред конечно да ја прицврстите горната шарка, а потоа заштрафете ја на врвот од уредот.



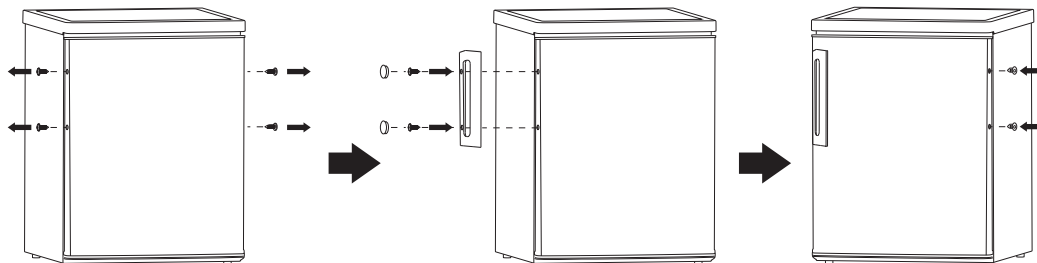
Поставете го капакот, а потоа заштрафете го.



Отстранете ги запитвиките од вратата на фрижидерот и замрзнувачот и потоа прикачете ги откако ќе ги ротирате.

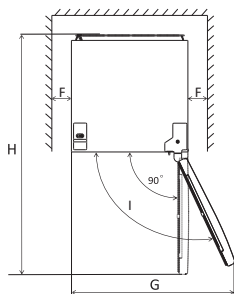
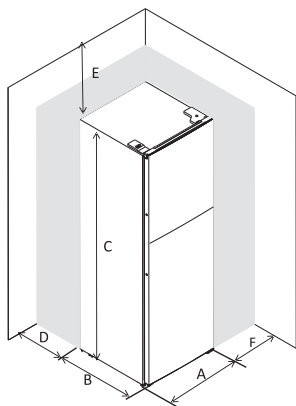
ВГРАДУВАЊЕ НА УРЕДОТ

Поставете надворешна рачка за врата (доколку постои надворешна рачка за врата)



Потребен простор

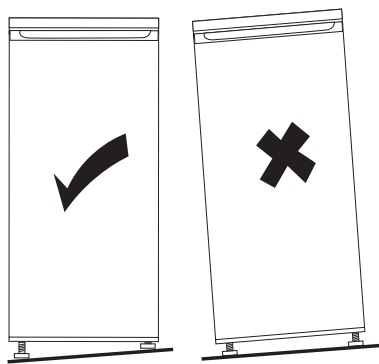
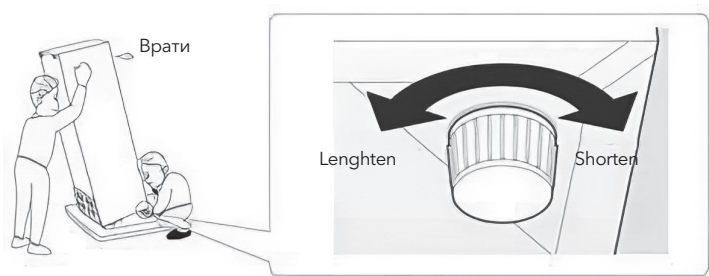
- Оставете доволно место за отворање на вратата.



A	500
B	580
C	1230
D	min=50
E	min=50
F	min=50
G	1000
H	1080
I	135°

Нивелирање на уредот

Како би го направиле ова, подесете ги двете ногалки за подесување од предната страна на уредот. Доколку уредот не е нивелиран, вратата и магнетната гума нема правилно да се порамнат.



Позиционирање

Инсталирајте го овој уред на локација каде што температурата на околината одговара на климатската класа наведена на табличката за оценување на апаратот:

За уреди за ладење со клима класа:

- проширено умерена: овој уред за ладење е наменет да се користи на амбиентални температури од 10 °C до 32 °C (SN);
- умерена: овој уред за ладење е наменет да се користи на амбиентални температури од 16 °C до 32 °C (N);
- суптропски: овој уред за ладење е наменет да се користи на амбиентални температури од 16 °C до 38 °C (ST);
- тропски: овој уред за ладење е наменет да се користи на амбиентални температури од 16 °C до 43 °C (T);

Локација

Уредот треба да биде поставен подалеку од извори на топлина како што се шпорети, радијатори, болјери, изложување на директна сончева светлина и сл. Погрижете се, воздухот да може слободно да циркулира околу задниот дел од фрижидерот, како би можеле да постигнете оптимални перформанси. Доколку уредот е поставен под висечки елементи, минималниот простор помеѓу горниот дел од уредот и висечкиот елемент треба да биде барем 50 mm. Иделано би

било, кога уредот не би се поставувал под висечки елементи. Нивелацијата која Ви одговара се постигнува со помош на една или повеќе ногалки кои се подесуваат, во зависност од уредот. Овој уред за ладење не е наменет да се користи како вграден апарат;

ПРЕДУПРЕДУВАЊЕ!

Прекилот на напојување на уредот мора да биде овозможен. Од тие причини, приклучокот мора да биде достапен, по поставувањето на уредот.

Приклучување на струја

Пред вклучувањето, проверете дали напонот и фреквенцијата прикажани на табелата со спецификации, одговараат со напонот на струјата во домаќинството. Уредот мора да има заземјување. Кабелот за електрично напојување е опремен со контакт за таа намена. Доколку приклучните места во домаќинството немаат заземјување, тогаш приклучете го уредот на издвоено заземјување, во согласност со важечките прописи; консултирајте се со квалификуван електричар. Производителот не сноси никаква одговорност, доколку погоре наведените превентивни мерки не се запазени. Овој уред ги исполнува условите од ЕЕС-директивите.

ДНЕВНА УПОТРЕБА

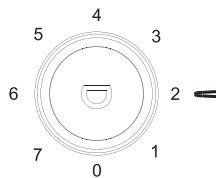
Прва употреба

Чистење на внатрешноста на уредот

Пред првото користење, очистете ја внатрешноста и сите внатрешни елементи со млека вода и неутрален сапун, како би го отстраниле типичниот мирис на нов производ, а потоа добро исушете го.

ВАЖНО! Не користете детергенти или абразивни средства, бидејќи истите можат да ја оштетат површината.

Подесување на температурата



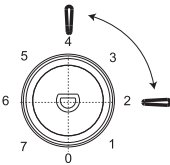
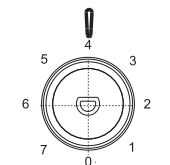
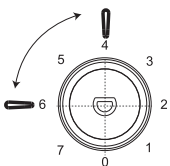
- Вклучете го својот уред. Внатрешната температура е регулирана со термостат. Постојат 8 нивоа на температура, 1 е најтопло ниво, 7 е најладно ниво, и 0 значи дека уредот е исклучен.
- Уредот можеби нема да работи на правилната температура доколку е поставен во топло опкружување или доколку често ја отворате вратата.

Дневна употреба

Поставете различна храна во различни делови според табелата подолу

Делови на фрижидерот	Вид на храна
Врата или прегради на фрижидерот	<ul style="list-style-type: none"> • Храна со природни конзерванси, како што се мармалади, сокови, пијалоци, мируиди. • Не чувајте храна што може да се расипе
Фиока (фиока за салата)	<ul style="list-style-type: none"> • Овошјето, билките и зеленчукот треба да се стават одделно во фиоката. • Не чувајте банани, кромид, компир, лук во фрижидер.
Полица на фрижидерот - средна	<ul style="list-style-type: none"> • Млечни производи, јајца
Полица на фрижидерот - горна	<ul style="list-style-type: none"> • Храна за која не е потребно готвење, како што е готова храна, деликатесни меса, остатоци.
Фиока / полица на замрзнувач	<ul style="list-style-type: none"> • Храна за долгорочно складирање. • Долна фиока / полица за сурово месо, живина, риба. • Средна фиока / полица за замрзнат зеленчук, чипс. • Горна фиока / полица за сладолед, замрзнато овошје, замрзнати печива.

Препорака за поставување температура

Температура на околината	Дел на замрзнувачот	Дел на фрижидерот
Лето (над 38°C)	/	 <p>Поставен на 2~4</p>
Нормално	/	 <p>Поставен на 4</p>
Зима (под 16°C)	/	 <p>Поставен на 4~6</p>

- Информациите дадени погоре им даваат препораки на корисниците за поставувањето на температурата.

Влијание врз складирањето храна

- Под Препорачана поставка, најдобро време за складирање во фрижидер е не подолго од 3 дена.
- Под Препорачана поставка, најдобро време за складирање во замрзнувач е не повеќе од 1 месец.
- Најдоброто време за складирање може да се намали под други поставки

Замрзнување на свежа храна

- Делот за замрзнување е погоден за замрзнување на свежа храна и чување на заледена и длабоко замрзната храна на подолг временски период.
- Максималната количина на храна која може да се заледи во 24 часа е наведена во табелата со спецификации.
- Процесот на замрзнување трае 24 часа: во текот на тој период не додавајте повеќе храна, која е предвидена за се замрзне.

Чување на замрзната храна

Доколку се вклучи за првпат или после подолг период бил неупотребен, пред поставувањето на храна во преградите, уредот треба да работи најмалку 2 часа, подесен на највисока вредност.

ВАЖНО! Доколку дојде до случајно одмрзнување, на пример, доколку сними струја на подолг временски период отколку што е прикажано во техничките карактеристики во делот “rising time”, замрзнатата храна мора брзо да се употреби и веднаш термички да се обработи, а потоа повторно да се замрзне (откако е припремена).

- Длабоко замрзнатата или заледена храна, пред употреба може да се одмрзне или во преградите на фрижидерот или на собна температура, во зависност од расположливото време.
- Помалите парчиња можат и веднаш да се припремаат за јадење, иако и понатаму се заледени, директно од

замрзнувачот. Во овој случај припремата на храна трае подолго.

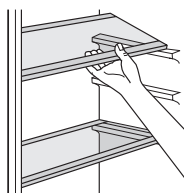
Коцки лед

Овој уред можеби не е опремен со еден или повеќе садови за правење на коцки лед.

Пратечки елементи

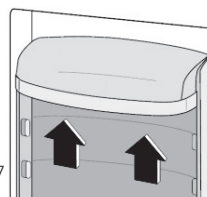
Полици кој можат да се поместат

Сидовите на фрижидерот имаат низа на жлебови, така што полиците можат да се подесуваат по желба.



Подесување на полиците на вратите

Со цел да се овозможи одложување на храна од различни величини, полиците на вратите можат да бидат подесени на различни нивоа. Како би можеле да се прилагодат, потребно е да се направи следното: постепено спуштајте ја полицата во насока на стрелките, се додека не биде слободна, а потоа позиционирајте ја по потреба.



Корисни совети

Како би можеле што подобро да го искористите процесот на замрзнување, Ви нудиме неколку важни совети:

- максималната количина на храна која може да се замрзне е наведена на табелата со спецификации;
- процесот на замрзнување трае 24 часа. Во текот на тој период не додавајте повеќе храна, која е предвидена да се замрзне;
- замрзнувајте само квалитетна, свежа и потполно исчистена храна;
- храната треба да биде поделена во помали порции, како би било овозможено брзо и потполно замрзнување, и како би можела подоцна да се одмрзне само потребната количина;
- храната завиткајте ја во алуминиумски или полиетиленски фолии и погрижете се пакувањето да не пропушта воздух;
- не дозволувајте свежата, незаледена храна да дојде во допир со веќе заледената, како би одбегнале пораст на температурата;
- безмастната храна се чува подобро и подолго од храната со масти;
- доколку коцките лед се употребат веднаш штом се извадени од замрзнувачот, можат да предизвикаат осип (смрзнатина) на кожата;
- отстранувањето храна од делот за замрзнување може да предизвика осип (смрзнатина) на кожата;
- се советува, на секое покување храна која е смрзната да се наведе датум на замрзнување, да би знаеле колку долго се чува.

Совети за чување на замрзната храна

Како би можеле да добиете најдобар перформанс од овој уред, треба да:

- проверете, дали комерцијално замрзнатата храна е адекватно чувана од страна на нејзиниот продавач;
- погрижете храната да биде пренесена од продавницата до замрзнувачот во најкраток можен рок;
- не ја отворајте вратата често, и не оставајте ја отворена подолго отворена отколку што е потребно. Храната која еднаш веќе е одмрзната брзо пропаѓа и не може да биде повторно замрзната;
- внимавате на рокот на чување, кој е назначен од страна на производителот.

Совети за ладење на свежа храна

Како би можеле да добиете најдобар перформанс:

- не чувајте храна или течност која испарува во фрижидерот;
- покријте ја или завиткајте ја храната, особено ако има јак мирис;
- сите видови: завиткајте ги во полиетиленски кеси и поставете ги на стаклени плочи над фиоките за зеленчук;
- поради сигурност, храната на овој начин чувајте ја еден ден, најмногу два;
- овошје и зеленчук: треба да бидат темелно измиени и одложени во фиока наменета за нивно чување;
- готвените јадења, ладните јадења и сл., треба да бидат покриени и можат да се одложат на било која полица;
- путер и сирење: треба да бидат ставени во посебни садови кои не пропуштаат воздух, или завиткани во алуминиумски фолии или полиетиленски кеси, како би се отстранил што повеќе воздух;
- шишињата со млеко/јогурт: треба да бидат затворени и да се чуваат на полиците на вратите;
- банани, компири, лук и кромид, доколку не се спакувани, не треба да се чуваат во фрижидерот.

Чистење

Од хигиенски причини, внатрешноста на уредот, вклучувајќи ги и внатрешните елементи, треба да се чистат редовно.

! ВНИМАНИЕ!

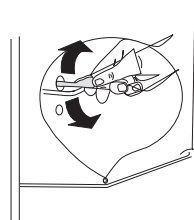
Уредот не смее да биде поврзан на струја во текот на чистењето. Постои опасност од струен удар! Пред чистење на уредот, исклучете го и прекинете го напојувањето на електрична енергија, или исклучете ја автоматската склопка или осигурувач.

Уредот не го чистете со други чистачи на пара. Влагата може да се насобере во електричните компоненти и да предизвика струен удар! Жешкото миенење може да доведе до оштетување на пластичните делови. Уредот мора да биде сув, пред повторно да се употребува.

ВАЖНО! Етеричните уља и органските растворувачи можат да ги нагрзаат пластичните делови, на пример, лимонев сок, сок од кора од портокал, карбоксилна киселина или средства кои користат млечна киселина.

Чистење на одводот

Како би избегнале да одледената вода навлегува во фрижидерот, повремено зачистете го делот за одвод на задната страна од делот за ладење. Користете средство за чистење како што е прикажано на сликата.



- не користете абразивни средства за чистење;
- отстранете ја храната од замрзнувачот. Храната чувајте ја на ладно место и добро покријте ја;
- исклучете го уредот и прекинете го дотоколот на електрична енергија или исклучете ја автоматската склопка или осигурувач;
- очистете го уредот и внатрешните елементи со ткаенина и млека вода. По чистењето измијте ги со чиста вода и исуштете ги со крпа;
- откако се ќе биде суво, повторно вклучете го уредот.

Подмрзнување на замрзнувачот

Со текот на времето делот за замрзнување може да биде прекриен со слој од лед. Тој треба да се отстрани. Никогаш немојте да користите остри метални алати да би го отстраниле ледот, бидејќи на тој начин може да се оштети.

Сепак, доколку слојот од лед е прилично дебел од внатрешната страна, процесот за одледување треба да се изработи на следниот начин:

- прекинете го напојувањето со струја на уредот;
- отстранете ја храната од уредот, замотајте ја во неколку слоеви на новина и одложете ја на ладно место;
- држете ја вратата отворена, и не поставувајте премногу длабок сад под уредот, као би се собрала одледената вода;
- кога процесот на одледување ќе биде готов, темелно исуштете ја внатрешноста, а потоа повторно поврзете го уредот на напојување.

Менување на сијалици

! ВНИМАНИЕ!

Внатрешното светло е од типот на LED-светла. За да ја отстраните сијалицата, Ве молиме да контактирате со квалификуван мајстор.



¹ If the condenser is at the back of appliance.

РЕШАВАЊЕ НА ПРОБЛЕМИ

! ВНИМАНИЕ!

Пред решавањето на проблемите, прекинете го напојувањето со електрична енергија. Само квалификуван електричар или компетентна личност треба да го решат проблемот кој не е наведен во ова упатство.

ВАЖНО! Постојат одредени звуци, кои уредот ги произведува при нормално работење и употреба (компресор, разладниот дел од уредот).

Проблем	Можна причина	Решение
Уредот не работи	Регулаторот за температура е поставен на "0".	Поставете го регулаторот за температура на некој друг број, како би го вклучиле уредот.
	Врата била отворена долг период.	Чувајте ја вратата отворена толку, колку што е потребно.
	Поголема количина на топла храна е ставена во уредот во последните 24 часа.	Подесете го регулаторот на температура, привремено, на ниска температура.
	Уредот е блиску до извор на топлина.	Ве молиме, погледнете го делот за локација и инсталација.
Храната е претопла.	Температурата не е правилно подесена.	Ве молиме, погледнете го делот за основно ниво на температура.
	Врата била отворена долг период.	Чувајте ја вратата отворена толку, колку што е потребно.
	Поголема количина на топла храна е ставена во уредот во последните 24 часа.	Подесете го регулаторот на температура, привремено, на ниска температура.
	Уредот е блиску до извор на топлина.	Ве молиме, погледнете го делот за локација и инсталација.
Уредот премногу лади.	Регулаторот на температура е подесен на многу ладно.	Подесете го регулаторот, привремено, на висока температура.
Необични звуци.	Уредот не е нивелиран.	Повторно подесете ги ногалките.
	Уредот допира до сид или други предмети.	Малку поместете го уредот.
	Дел, како што е цевковод на задната страна од уредот, допира други делови од уредот или сид.	Доколку е потребно, внимателно отстранете го делот кој претставува препрека.
Вода на под.	Одводот е блокиран.	Погледнете го делот - Чистење и одржување.
Плочите на страна се топли.	Кондензаторот е во внатрешноста на плочите.	Тоа е нормално.

Доколку повторно се појави дефект, контактирајте го Сервисниот центар.

INFORMAȚII DE SIGURANȚĂ


În interesul siguranței dvs. și pentru a vă asigura o utilizare corectă, înainte de instalare și prima utilizare a aparatului, citiți cu atenție acest manual de utilizare, inclusiv indicii și avertismente. Pentru a evita greșelile și accidentele inutile, este important să vă asigurați că toate persoanele care folosesc aparatul sunt familiarizate cu funcționarea și siguranța acestuia. Salvați aceste instrucțiuni și asigurați-vă că rămân cu aparatul dacă este mutat sau vândut, astfel încât toată lumea care îl utilizează de-a lungul funcționării sale să fie informat în mod corespunzător cu privire la utilizarea și siguranța aparatului.


Pentru siguranța vieții și a proprietății, păstrați măsurile de precauție din aceste instrucțiuni ale utilizatorului, deoarece producătorul nu este responsabil pentru daunele cauzate de omisiune.

Siguranța copiilor și a persoanelor vulnerabile

- Acest aparat poate fi utilizat de copii cu vârsta peste 8 ani și mai mari și persoane cu capacități fizice, senzoriale sau mentale reduse sau lipsă de experiență și cunoștințe dacă au supraveghere sau li s-au dat instrucțiuni privind utilizarea aparatului într-un mod sigur și înțeleg pericolele implicate.
- Copiii cu vârste între 3 și 8 ani au voie să încarce și să descarce acest aparat.
- Copiii trebuie supravegheați pentru a se asigura că nu se joacă cu aparatul.
- Curățarea și întreținerea nu trebuie să fie efectuate de către copii, cu excepția cazului în care au vârsta peste 8 ani și supravegheat.
- Păstrați toate ambalajele departe de copii. Există risc de sufocare.
- Dacă aruncați aparatul scoateți ștecherul din priză, tăiați cablul de conectare (cât mai aproape de aparat) și scoateți ușa pentru a împiedica copiii să sufere electrocutare sau să îl închidă.
- Dacă acest aparat dispune de o etanșare magnetică a ușii pentru a înlocui un aparat mai vechi care are blocare cu arc (zăvor) pe ușă sau capac, asigurați-vă că nu este utilizabil acest arc înainte de a arunca aparatul vechi. Acest lucru îl va împiedica să devină un pericol pentru un copil.

Siguranță generală

 AVERTISMENT! Păstrați orificiile de ventilație, în incinta aparatului sau în structura încorporată, fără obstacole.

 AVERTISMENT! Nu folosiți dispozitive mecanice sau alte mijloace pentru a accelera procesul de decongelare, altele decât cele recomandate de producător..

 AVERTISMENT! Nu deteriorați circuitul refrigerantului.

⚠️ AVERTISMENT! Nu folosiți alte aparate electrice (cum ar fi aparate de înghețată) în interiorul aparatelor frigorifice, cu excepția cazului în care acestea sunt aprobate în acest scop de către fabricație.

⚠️ AVERTISMENT! Nu atingeți becul dacă a fost aprins o perioadă lungă de timp, deoarece ar putea fi foarte cald.¹

⚠️ AVERTISMENT! Când poziționați aparatul, asigurați-vă că cablul de alimentare nu este prins sau deteriorat.

⚠️ AVERTISMENT! Nu localizați mai multe prizele portabile sau furnizori de energie portabilă în partea din spate a aparatului.

- Nu depozitați substanțe explozive, cum ar fi cutii de aerosoli, cu un propulsor inflamabil în acest aparat.
- Izobutena frigorifică (R600a) este în circuitul de refrigerare al aparatului, un gaz natural cu un nivel ridicat de compatibilitate cu mediul, care este totuși inflamabil.
- În timpul transportului și instalării aparatului, asigurați-vă că niciuna dintre componentele circuitului frigorific nu este deteriorată.
 - evitați flăcările deschise și sursele de aprindere
 - ventilați complet camera în care se află aparatul
- Este periculos să modificați specificațiile sau să modificați acest produs în orice fel. Orice deteriorare a cablului poate provoca un scurtcircuit, incendiu și / sau șoc electric.
- Acest aparat este destinat să fie utilizat într-o gospodărie și aplicații similare cum ar fi:
 - bucătării personalului din magazine, birouri și alte medii de lucru;
 - case ferme și de către clienți din hoteluri, moteluri și alte medii de tip pensiune;
 - medii tip pensiune;
 - catering.

⚠️ AVERTISMENT! Orice componente electrice (ștecher, cablul de alimentare, compresor etc.) trebuie înlocuite de un service autorizat sau personal de service calificat.

⚠️ AVERTISMENT! Becul furnizat cu acest aparat este un „bec de uz special” utilizabil numai la aparatul furnizat. Această „lampă cu uz special” nu este utilizabilă pentru iluminatul casnic.¹

- Cablul de alimentare nu trebuie să fie întins.
- Asigurați-vă că ștecherul nu este stropit sau deteriorat de partea din spate a aparatului. Un conector de alimentare ghemuit sau deteriorat se poate supraîncălzi și poate provoca un incendiu.

¹ Dacă există o lumină în compartiment.

- Asigurați-vă că puteți accesa mufa principală a aparatului. Nu trageți cablul principal.
- Nu trageți cablul principal.
- Dacă priza de alimentare este liberă, nu introduceți fișa de alimentare. Există riscul de electrocutare sau incendiu.
- Nu trebuie să acționați aparatul fără lampă.
- Acest aparat este greu. Trebuie să aveți grijă atunci când îl mutați.
- Nu îndepărtați și nu atingeți obiectele din compartimentul congelatorului dacă mâinile sunt umede / ude, deoarece acest lucru ar putea provoca abraziuni ale pielii sau arsuri la îngheț / congelator.
- Evitați expunerea prelungită a aparatului la lumina directă a soarelui.

Utilizare zilnică

- Nu puneți obiecte calde pe piesele de plastic din aparat.
 - Nu așezați produsele alimentare direct pe peretele din spate.
 - Alimentele congelate nu trebuie re-congelate odată ce au fost decongelate²
 - Depozitați alimentele congelate preambalate în conformitate cu instrucțiunile de fabricare a alimentelor congelate.²
 - Recomandările de stocare trebuie respectate cu strictețe. Consultați instrucțiunile relevante.
 - Nu așezați gaze carbogazoase în compartimentul congelator, deoarece creează presiune pe recipient, ceea ce poate provoca explozie, ceea ce duce la deteriorarea aparatului.²
 - Cuburile de gheață pot provoca arsuri de îngheț dacă sunt consumate direct din aparat.²
 - Cuburile de gheață pot provoca arsuri de îngheț dacă sunt consumate direct din aparat.²
- Pentru a evita contaminarea alimentelor, respectați instrucțiunile următoare
- Deschiderea ușii pentru perioade lungi poate provoca o creștere semnificativă a temperaturii în compartimentele aparatului.
 - Curățați cu regularitate suprafețele care pot intra în contact cu alimentele și sistemele de drenare accesibile.
 - Rezervoarele de apă curată dacă nu au fost folosite timp de 48 ore; spălați sistemul de apă conectat la o alimentare cu apă, dacă apa nu a fost extrasă timp de 5 zile.
 - Depozitați carnea crudă și peștele în recipiente adecvate la frigider, astfel încât să nu intre în contact cu sau să se scurgă pe alte alimente.

² Dacă există un compartiment congelator.

- Compartimentele cu două stele pentru alimente congelate (dacă sunt prezentate în aparat) sunt potrivite pentru depozitarea alimentelor precongelate, pentru depozitarea sau prepararea înghețatei și pentru fabricarea cuburilor de gheață.
- Compartimentele cu una, două și trei stele (dacă sunt prezentate în aparat) nu sunt potrivite pentru înghețarea alimentelor proaspete.
- Dacă aparatul este lăsat gol pentru perioade îndelungate, opriți, dezghețați, curățați, uscați și lăsați ușa deschisă

Îngrijire și curățare

- Înainte de întreținere, opriți aparatul și deconectați mufa principală de la priza electrică.
- Nu curățați aparatul cu obiecte metalice.
- Nu folosiți obiecte ascuțite pentru a îndepărta gheața din aparat. Folosiți un răzuitor de plastic.²
- Examinați regulat scurgerea din frigider pentru apă decongelată. Dacă este necesar, curățați. Dacă scurgerea este blocată, apa se va colecta în partea inferioară a aparatului.³

Instalarea

- **IMPORTANT!** Pentru conexiune electrică, urmați cu atenție instrucțiunile din paragrafele specifice.
- Despachetați aparatul și verificați dacă există daune. Nu conectați aparatul dacă este deteriorat. Raportați posibile daune imediat locului în care l-ați cumpărat. În acest caz, păstrați ambalajul.
- Este recomandabil să așteptați cel puțin patru ore înainte de conectarea aparatului pentru a permite uleiului să revină în compresor.
- Ar trebui să fie asigurată o circulație adecvată a aerului în jurul aparatului, ceea ce duce la supraîncălzire. Pentru a obține o ventilație suficientă, urmați instrucțiunile relevante pentru instalare.
- Ori de câte ori este posibil, distanțierile produsului trebuie să fie împotriva unui perete pentru a evita atingerea sau prinderea părților calde (compresor, condensator) pentru a preveni o posibilă ardere.
- Aparatul nu trebuie să fie amplasat în apropierea caloriferelor sau aragazelor.
- Asigurați-vă că mufa principală este accesibilă după instalarea aparatului.

² Dacă există un compartiment congelator.

³ Dacă există un compartiment de depozitare a alimentelor proaspete.


Service


- Orice lucrare electrică necesară pentru efectuarea service-ului aparatului trebuie efectuată de un electrician calificat sau de o persoană calificată.
- Acest produs trebuie deservit de un centru de service autorizat și trebuie utilizate doar piese de schimb autentice.

Economisirea energiei

- Nu puneți alimente calde în aparat;
- Nu împachetați alimentele strâns, deoarece acest lucru împiedică circulația aerului;
- Asigurați-vă că mâncarea nu atinge partea din spate a compartimentului;
- Dacă energia electrică se oprește, nu deschideți ușile;
- Nu deschideți ușile frecvent;
- Nu mențineți ușile deschise mult timp;
- Nu setați termostatul la depășirea temperaturilor reci;
- Toate accesoriile, cum ar fi sertarele, rafturile trebuie păstrate acolo pentru un consum mai mic de energie.

Protecția mediului

 Acest aparat nu conține gaze care ar putea deteriora stratul de ozon, nici în circuitul său de refrigerare, nici în materialele de izolare. Aparatul nu trebuie aruncat împreună cu deșeurile și gunoiul urban. Spuma de izolație conține gaze inflamabile: aparatul trebuie aruncat în conformitate cu reglementările aparatului care pot fi obținute de la autoritățile locale. Evitați deteriorarea unității de răcire, în special schimbătorul de căldură. Materialele utilizate pe acest aparat marcate cu simbolul ♻ sunt reciclabile.

 Simbolul de pe produs sau de pe ambalajul său indică faptul că acest produs nu poate fi tratat ca deșeuri menajere. În schimb, ar trebui dus la punctul de colectare corespunzător pentru reciclarea echipamentelor electrice și electronice. Prin asigurarea că acest produs este eliminat în mod corect, veți ajuta la prevenirea consecințelor negative potențiale asupra mediului și sănătății umane, care ar putea fi cauzate în alt mod de manipulara necorespunzătoare a acestui produs. Pentru informații mai detaliate despre reciclarea acestui produs, vă rugăm să contactați consiliul local, serviciul de eliminare a deșeurilor menajere sau magazinul de unde ați achiziționat produsul.

Materiale de ambalare

Materialele cu acest simbol sunt reciclabile. Eliminați ambalajul într-un recipient de colectare adecvat pentru a-l recicla.

Eliminarea aparatului

1. Deconectați mufa de la priză.
2. Tăiați cablul de alimentare și aruncați-l.



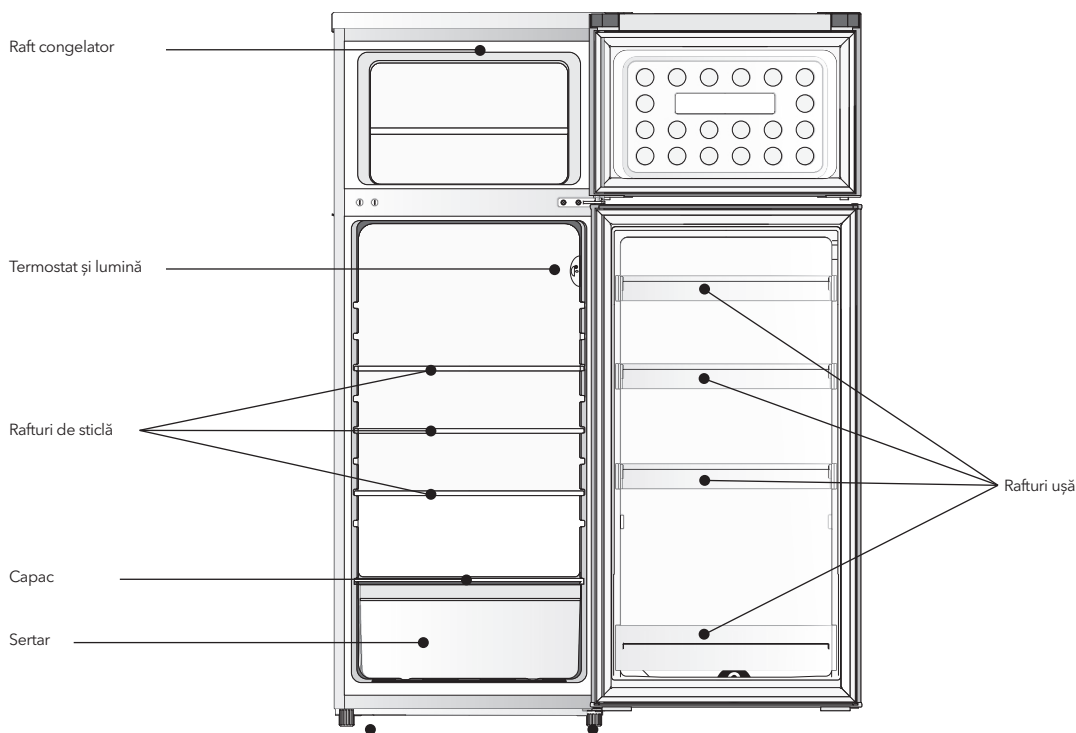
AVERTISMENT!

În timpul utilizării, deservirii și eliminării aparatului, vă rugăm să acordați atenție simbolurilor similare din partea stângă, care se află în spatele aparatului (panoul din spate sau compresor) și cu culoare galbenă sau portocalie.

Este riscul simbolului de avertizare la incendiu. Există materiale inflamabile în interior conducte frigorifice și compresor.

Vă rugăm să fiți departe sursa de incendiu în timpul utilizării, al serviciului și al eliminării.

PREZENTARE GENERALĂ

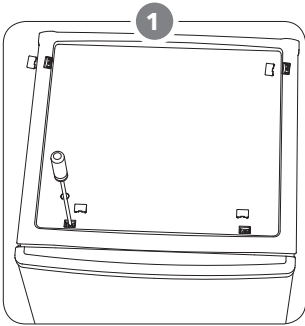


Notă: Imaginea este doar pentru referință. Aparatul real este probabil diferit.

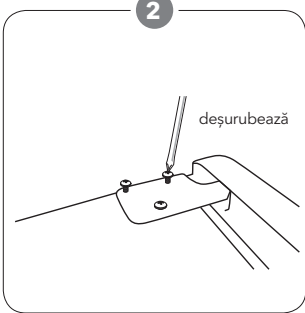
UȘA REVERSIBILĂ

Instrumente necesare: șurubelniță Philips, șurubelniță cu capăt drept, cheie hexagonală.

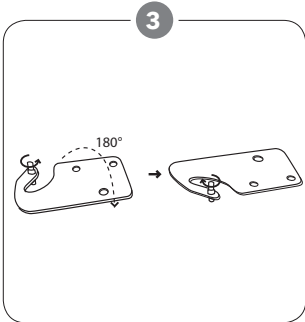
- Asigurați-vă că unitatea este deconectată și goală.
- Pentru a scoate ușa, este necesar să înclinați unitatea pe spate.
- Așezați unitatea pe ceva solid, astfel încât să nu alunece în timpul procesului de inversare a ușii.
- Toate piesele scoase trebuie păstrate pentru a face reinstalarea ușii.
- Nu așezați unitatea pe spate deoarece acest lucru poate deteriora sistemul de răcire.
- Este mai bine ca două persoane să se ocupe de unitate în timpul asamblării.



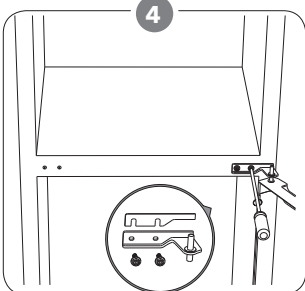
Îndepărtați cele patru șuruburi din capacul superior și apoi ridicați-l.



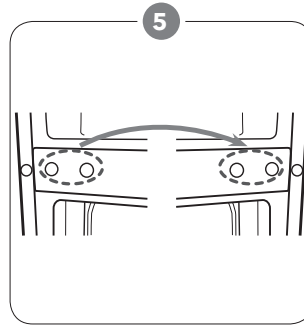
Deșurubați balamaua superioară și apoi scoateți ușa superioară și așezați-o pe o suprafață moale pentru a evita zgărirea.



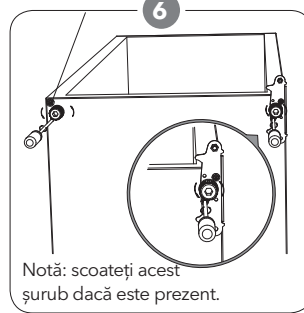
Scoateți balamaua cu o șurubelniță și întoarceți suportul balamalei. Apoi potriviți știftul la suportul de balamale.



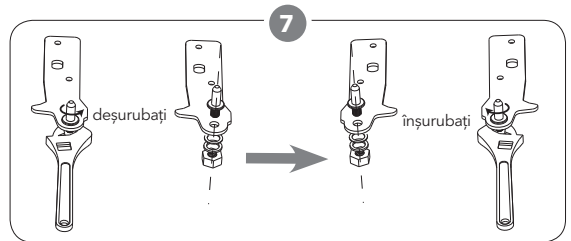
Deșurubați balamaua mijlocie. Apoi ridicați ușa inferioară și așezați-o pe o suprafață moale pentru a evita zgărirea.



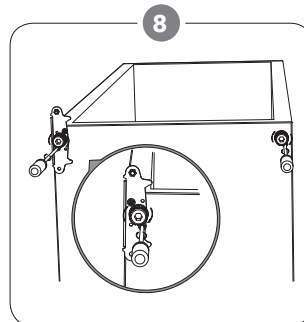
Deplasați capacele gaurilor de balama din partea stângă spre partea dreaptă.



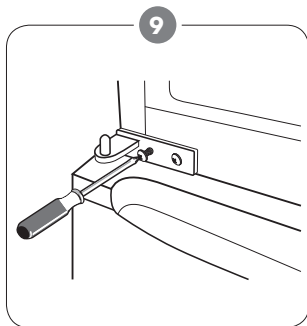
Deșurubați balamaua de jos. Apoi scoateți picioarele reglabile din ambele părți.



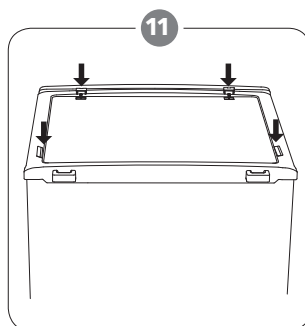
Deșurubați și îndepărtați știftul de la balama de jos, întoarceți suportul și înlocuiți-l.



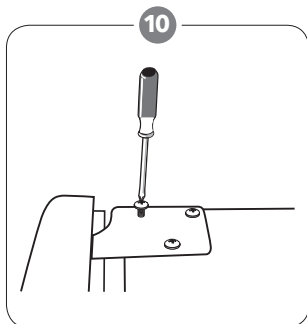
Reinstalați suportul care se potrivește cu știftul articulației de jos. Înlocuiți ambele picioare reglabile. Transferați ușa inferioară în poziție.



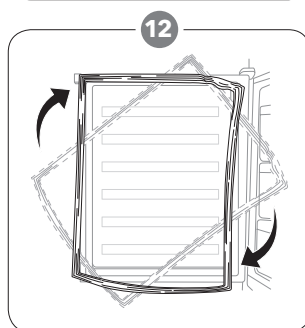
Inversați balamaua mijlocie cu 180o, apoi transferați-o în poziția din partea stângă. Băgați știftul de balama din mijloc în gaura superioară a ușii inferioare, apoi strângeți șuruburile.



Puneți capacul superior și apoi înșurubați-l în loc.



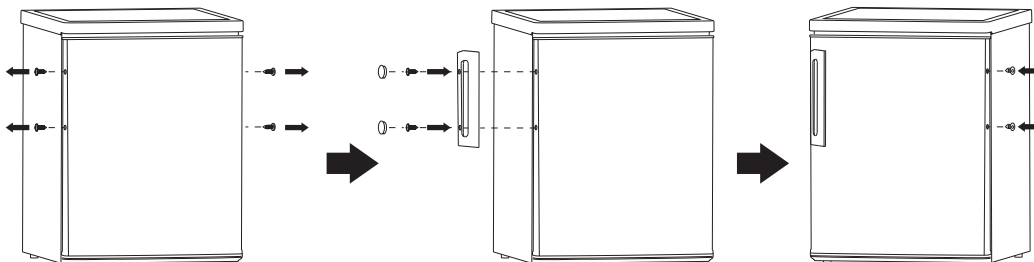
Așezați ușa superioară din nou. Asigurați-vă că ușa este aliniată orizontal și vertical, astfel încât sigiliul să fie închis pe toate părțile înainte de a strânge în sfârșit balamaua superioară. Apoi inserați balamaua și înșurubați-o în partea de sus a unității.



Desprindeți frigiderul și gamiturile ușii congelatorului și apoi fixați-le după rotire.

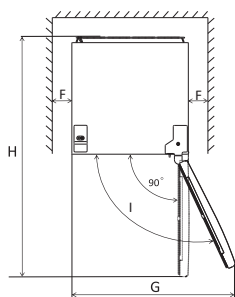
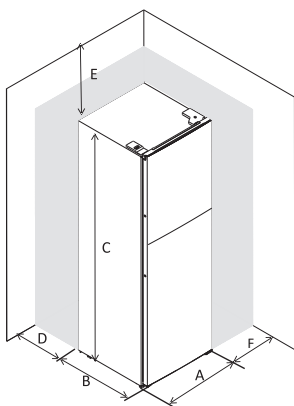
INSTALAREA

Instalați mânerul exterior al ușii (dacă există mâner extern)



Spațiu Necesar

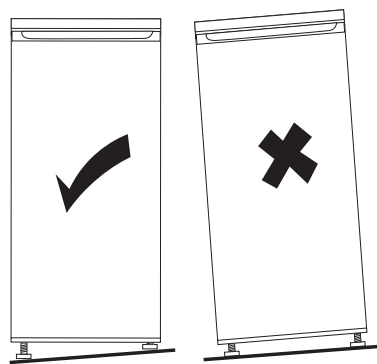
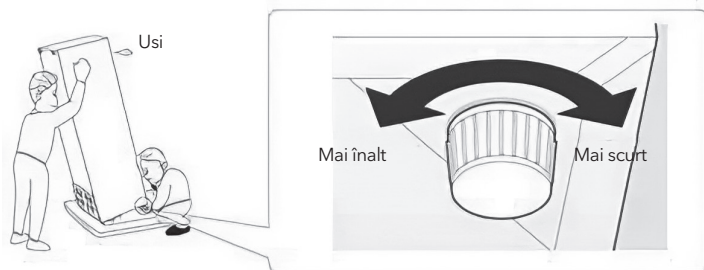
- Păstrați suficient spațiu pentru deschiderea ușilor.



A	500
B	580
C	1230
D	min=50
E	min=50
F	min=50
G	1000
H	1080
I	135°

Stabilizare

Pentru a face acest lucru, reglați cele două picioare de nivelare din fața unității. Dacă unitatea nu este la nivel, ușile și alinierea magnetice nu vor fi acoperite corespunzător.



Poziționare

Instalați acest aparat într-o locație în care temperatura mediului corespunde clasei de climă indicate pe placa de identificare a aparatului:

Pentru aparate frigorifice cu clasă climatică:

- temperat extins: acest aparat frigorific este destinat să fie utilizat la temperaturi ambientale cuprinse între 10 și 32 (SN)
- temperat: acest aparat frigorific este destinat să fie utilizat la temperaturi ambientale cuprinse între 16 și 32 (SN)
- subtropical: acest aparat frigorific este destinat să fie utilizat la temperaturi ambientale cuprinse între 16 și 38 (SN)
- tropical: acest aparat frigorific este destinat să fie utilizat la temperaturi ambientale cuprinse între 16 și 43 (SN)

Amplasare

Aparatul trebuie instalat departe de surse de căldură, cum ar fi radiatoare, cazane, lumina directă a soarelui, etc. Asigurați-vă că aerul poate circula liber în spatele carcasei pentru a asigura performanțe optime. Dacă aparatul este poziționat sub o unitate de perete înclinată, distanța minimă dintre partea superioară a carcasei și

unitatea de perete trebuie să fie de cel puțin 50 mm. În mod ideal, însă, aparatul nu trebuie poziționat sub unități de perete înclinate. Acest aparat frigorific nu este destinat a fi folosit ca aparat încorporat.

ATENȚIE!

Este posibil să deconectați aparatul de la sursa de alimentare; prin urmare, mufa trebuie să fie ușor accesibilă după instalare.

Conexiune electrică

Înainte de conectare, asigurați-vă că tensiunea și frecvența afișate pe plăcuța de identificare corespund cu sursa de alimentare internă. Aparatul trebuie să fie împământat. Mufa cablului de alimentare este prevăzută cu un contact în acest scop. Dacă priza de alimentare electrică nu este împământată, conectați aparatul la o împământare separată în conformitate cu reglementările actuale, consultând un electrician calificat. Producătorul își declină orice responsabilitate dacă nu sunt respectate măsurile de siguranță de mai sus. Acest aparat este în conformitate cu E.E.C. Directive.

UTILIZARE ZILNICĂ

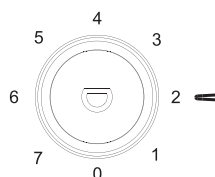
Prima Utilizare

Curățarea interiorului

Înainte de a folosi aparatul pentru prima dată, spălați interiorul și toate accesoriile interne cu apă caldă și săpun neutru, astfel încât să îndepărtați mirosul tipic al unui produs nou, apoi uscați bine.

IMPORTANT! Nu folosiți detergenți sau pulberi abrazive, deoarece acestea vor deteriora finisajul.

Setarea Temperaturii



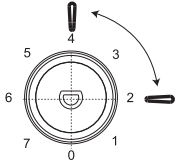
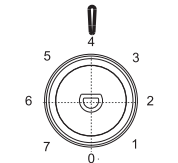
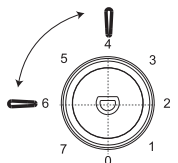
- Conectați aparatul. Temperatura internă este controlată de un termostat. Există 8 niveluri de setare, 1 este cea mai caldă setare, 7 este cea mai rece și 0 este oprit.
- Aparatul poate să nu funcționeze la temperatura corectă dacă se află într-un mediu deosebit de cald sau dacă deschideți ușa des.

Utilizare zilnică

Poziționează alimente diferite în compartimente diferite, în conformitate cu tabelul de mai jos

Compartimente frigider	Tip mancare
Ușa sau balcoanele compartimentului frigiderului	<ul style="list-style-type: none"> Alimente cu conservanți naturali, precum gemuri, sucuri, băuturi, condimente. Nu depozitați alimente perisabile.
Sertar prosopețime (sertar pentru salate)	<ul style="list-style-type: none"> Fructele, ierburile și legumele trebuie introduse separat în coșul de prosopețime. Nu depozitați banane, ceapă, cartofi, usturoi la frigider.
Raft frigider - mijloc	<ul style="list-style-type: none"> Produce lactate, ouă
Raft frigider - Superior	<ul style="list-style-type: none"> Alimente care nu au nevoie de gătit, cum ar fi alimentele gata de consum, carne, resturi.
Sertare congelatoare / raft	<ul style="list-style-type: none"> Alimente pentru păstrare pe termen lung. Sertarul / raftul de jos pentru carne crudă, păsări de curte, pește Sertar / raft mediu pentru legume congelate, chipsuri. Sertar / raft superior pentru înghețată, fructe congelate

Setarea Temperaturii Recomandate

Temperatura mediului	Compartiment frigider	Compartiment congelator
Vară (Peste 38°C)	/	 <p>Setat la 2~4</p>
Normal	/	 <p>Setat la 4</p>
Iarnă (Sub 16°C)	/	 <p>Setat la 4~6</p>

- Informațiile de mai sus oferă utilizatorilor recomandări privind setarea temperaturii.

Impact asupra depozitării alimentelor

- În setarea recomandată, cel mai bun timp de depozitare a frigiderului este de cel mult 3 zile.
- În setarea recomandată, cel mai bun timp de depozitare a congelatorului este de cel mult 1 lună.
- Cel mai bun timp de stocare se poate reduce în alte setări.

Congelarea alimentelor proaspete

- Compartimentul congelator este potrivit pentru congelarea alimentelor proaspete și depozitarea alimentelor congelate și înghețate mult timp.
- Așezați mâncarea proaspătă care trebuie înghețată în congelator.

- Cantitatea maximă de hrană care poate fi înghețată în 24 de ore este specificată pe tabelul de clasificare.
- Procesul de îngheț durează 24 de ore: în această perioadă nu adăugați alte alimente pentru a fi congelate.

Depozitarea alimentelor congelate

La prima pornire sau după o perioadă de utilizare, înainte de a pune mâncare în compartiment, lăsați aparatul să funcționeze cel puțin 2 ore pe o setare mai mare.

IMPORTANT! În cazul decongelării accidentale, de exemplu, puterea a fost oprită mai mult decât valoarea indicată în graficul de caracteristici tehnice la „timp de creștere”, alimentele dezghețate trebuie consumate rapid sau gătite imediat și apoi re-congelate (după gătit).

Dezghețarea

- Alimentele înghețate sau congelate, înainte de a fi utilizate, pot fi decongelate în compartimentul frigiderului sau la temperatura camerei, în funcție de timpul disponibil pentru această operație.
- Piese mici pot fi chiar fierte încă congelate, direct de la congelator. În acest caz, gătitul va dura mai mult.

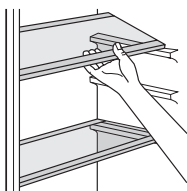
Cuburi de gheață

Acest aparat poate fi echipat cu una sau mai multe tăvi cu cuburi de gheață pentru a produce gheață.

Accesorii

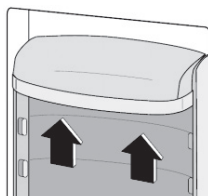
Rafturi mobile

Pereții frigiderului sunt echipate cu o serie de șine, astfel încât rafturile să poată fi poziționate după dorință.



Poziționarea rafturilor de pe ușă

Pentru a permite depozitarea pachetelor alimentare cu diferite dimensiuni, rafturile ușii pot fi amplasate la diferite înălțimi. Pentru a face aceste ajustări, procedați după cum urmează: trageți treptat balconul în direcția săgeților până când se eliberează, apoi re poziționați după cum este necesar.



Sugestii și sfaturi utile

Pentru a vă ajuta să profitați la maximum de procesul de îngheț, iată câteva sfaturi importante:

- cantitatea maximă de alimente care poate fi înghețată în 24 de ore - este afișat pe tabelul de rating;
- procesul de îngheț durează 24 de ore. Nu trebuie adăugate alte alimente care trebuie înghețate în această perioadă;
- congealați numai produsele alimentare de cea mai bună calitate, proaspete și curățate complet;
- pregătiți mâncarea în porții mici pentru a permite înghețarea rapidă și completă a acestora și pentru a face posibilă dezghețarea numai a cantității necesare;
- ambalați alimentele în folie de aluminiu sau polietilen și asigurați-vă că pachetele sunt etanșe;
- să nu permiteți mănării proaspete să atingă alimentele care sunt deja înghețate, evitând astfel o creștere a temperaturii acestora;
- alimentele slabe se păstrează mai bine și mai mult decât cele grase; sarea reduce durata de depozitare a alimentelor;
- glazurile de apă, dacă sunt consumate imediat după scoaterea din congelator, pot cauza înghețarea pielii;
- scoaterea din congelator, poate provoca înghețarea pielii; este indicat să afișați data de îngheț pe fiecare pachet individual pentru a vă permite să păstrați fila timpului de stocare

Sugestii pentru depozitarea alimentelor congelate

Pentru a obține cele mai bune performanțe de la acest aparat, trebuie să:

- asigurați-vă că produsele alimentare congelate comerciale au fost depozitate în mod adecvat de către comerciant;
- asigurați-vă că produsele alimentare congelate sunt transferate de la magazinul alimentar la congelator în cel mai scurt timp posibil;
- nu deschideți ușa frecvent și nu o lăsați deschisă mai mult decât este absolut necesar.
- odată decongelate, alimentele se deteriorează rapid și nu pot fi re-congelate;
- nu depășiți perioada de depozitare indicată de fabricația alimentară.

Sugestii pentru refrigerarea alimentelor proaspete

Pentru a obține cele mai bune performanțe:

- Nu păstrați mâncarea caldă sau lichidele care se evaporă în frigider
- Acoperiți sau ambalați mâncarea, în special dacă are o aromă puternică
- Carne (de toate tipurile): ambalați în pungi de polietilen și așezați pe rafturile de sticlă deasupra sertarului pentru fructe și legume.
- Pentru siguranță, păstrați în acest fel doar una sau două zile cel mult.
- Alimente gătite, mâncăruri reci, etc ... acestea trebuie acoperite și pot fi amplasate pe orice raft.
- Fructe și legume: acestea trebuie curățate bine și introduse în sertarul special prevăzut.
- Unt și brânză: acestea trebuie plasate în recipiente speciale etanșe sau învelite în folie de aluminiu sau pungi de polietilen pentru a exclude cât mai mult aer.
- Flacon de lapte: acestea trebuie să aibă capac și trebuie depozitate în rafturile din ușă
- Bananele, cartofii, ceapa și usturoiul, dacă nu sunt ambalate, nu trebuie păstrate la frigider.

Curățare

Din motive igienice, interiorul aparatului, inclusiv accesoriile interioare, trebuie curățate regulat.

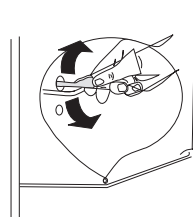
! AVERTIZARE!

Aparatul nu trebuie să fie conectat la rețea în timpul curățării. Pericol de electrocutare! Înainte de curățare, comutați aparatul oprîți și scoateți ștecherul de la rețeaua electrică sau oprîți sau stingeți întrerupătorul sau siguranța. Nu curățați niciodată aparatul cu un aparat de curățat cu abur. Umiditatea s-ar putea acumula în componente electrice, pericol de șoc electric! Vaporii fierbinți pot duce la deteriorarea pieselor din plastic. Aparatul trebuie să fie uscat înainte să fie pus din nou în funcțiune.

IMPORTANT! Uleiurile eterice și solvenții organici pot ataca părțile din plastic, de ex. sucul de lămâie sau sucul formează coaja de portocală, acid butiric, demachiant care conține acid acetic.

Curățarea orificiului de scurgere

Pentru a evita decongelarea apei care curge în frigider, curățați periodic orificiul de scurgere din spatele compartimentului frigiderului. Utilizați un produs de curățare pentru a curăța gaura așa cum se arată în imagine.



¹ Dacă condensatorul se află în spatele aparatului.

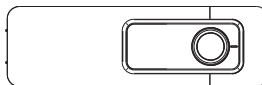
- Nu permiteți ca aceste substanțe să intre în contact cu piesele aparatului.
- Nu folosiți substanțe de curățare abrazive
- Scoateți alimentele din congelator. Depozitați-le într-un loc răcoros, bine acoperite.
- Oprțiți aparatul și scoateți ștecherul din priză sau oprțiți întrerupătorul sau siguranța.
- Curățați aparatul și accesoriile interioare cu o cârpă și apă caldă. După curățare ștergeți cu apă proaspătă și ștergeți-le
- După ce totul este uscat, puneți aparatul din nou în funcțiune.

- scoateți ștecherul din priză;
- scoateți toate produsele alimentare stocate, ambalați-le în mai multe straturi de ziar și puneți-l într-un loc răcoros;
- mențineți ușa deschisă și așezați un bazin sub aparat pentru a colecta apa de decongelare;
- la finalizarea dezghețului, uscați bine interiorul
- văgați ștecherul în priză pentru a porni din nou aparatul.

Înlocuirea becului

! AVERTIZARE!

Produsul este echipat cu lumină LED, vă rugăm să contactați serviciul autorizat în cazul înlocuirii.



Dezghețarea congelatorului

Compartimentul congelator va deveni progresiv acoperit de îngheț. Aceasta trebuie înlăturată. Nu folosiți niciodată instrumente ascuțite din metal pentru a scoate gheața din evaporator, deoarece îl puteți deteriora. Cu toate acestea, atunci când gheața devine foarte groasă pe stratul interior, decongelarea completă trebuie efectuată după cum urmează:

DIAGNOSTICARE

! AVERTIZARE!

Înainte de depanare, deconectați sursa de alimentare. Doar un electrician calificat trebuie să efectueze depanarea dacă nu este o problemă din acest manual. **IMPORTANT!** Există unele sunete în timpul utilizării normale (compresor, circulația agentului frigorific).

Problemă	Cauză posibilă	Soluție
Aparatul nu funcționează	Butonul de reglare a temperaturii este setat la numărul „0”.	Setați butonul la alt număr pentru a porni aparatul.
	Mufa de alimentare nu este conectată	Conectați la priză
	Siguranța este defectă	Verificați siguranța, înlocuiți dacă este necesar.
	Priza este defectă	Defecțiunile la priză trebuie corectate de un electrician.
Mâncarea este prea caldă.	Temperatura nu este reglată corespunzător.	Vă rugăm să consultați secțiunea inițială Setare temperatură.
	Ușa a fost deschisă pentru o perioadă îndelungată.	Deschideți ușa doar cât este necesar.
	O cantitate mare de mâncare caldă a fost introdusă în aparat în ultimele 24 de ore.	Întoarceți temporar reglarea temperaturii la o temperatură mai rece.
Aparatul este aproape de o sursă de căldură.	Vă rugăm să consultați secțiunea locației de instalare.	
Aparatul răcește prea tare	Temperatura setată este prea rece.	Rotiți temporar butonul de reglare a temperaturii la o setare mai caldă.
Zgomote neobișnuite	Aparatul nu este stabilizat.	Ajustați picioarele
	Aparatul atinge perețele sau alte obiecte.	Mutați puțin aparatul
	O componentă, de ex. o conductă, în partea din spate a aparatului atinge o altă parte a aparatului sau a peretelui.	Dacă este necesar, îndoiți cu atenție componenta
Apă pe podea	Orificiul de scurgere a apei este blocat.	Consultați secțiunea Curățare
Panoul lateral este fierbinte	Condenserul se află în interiorul panoului.	Este normal

Dacă defecțiunea apare din nou, contactați centrul de service.

VARNOSTNE INFORMACIJE


Pred nameščanjem gospodinjskega aparata in pred prvo uporabo zaradi lastne varnosti in pravilne uporabe natančno preberite ta uporabniški priročnik, vključno z nasveti in opozorili. Da preprečite nepotrebne napake in nesreče, je pomembno poskrbeti, da bodo vse osebe, ki bodo aparat upravljale, dobro seznanjene z njegovim delovanjem in varnostnimi funkcijami. Ta navodila shranite in poskrbite, da bodo priložena aparatu, če bo premaknjen ali prodan, tako da bodo vse osebe, ki ga bodo v njegovi življenjski dobi uporabljale, pravilno seznanjene z njegovo uporabo in varnostjo.


Da zavarujete življenje in premoženje, upoštevajte previdnostne ukrepe v teh navodilih za uporabnika, saj proizvajalec ni odgovoren za škodo, ki bi nastala v nasprotnem primeru.

Varnost otrok in ranljivih oseb

- Ta aparat lahko uporabljajo otroci, stari 8 in več let, ter osebe s telesnimi, senzoričnimi ali duševnimi okvarami ali pa osebe brez izkušenj in znanja, če so pod nadzorom ali pa so jim bila podana navodila za varno uporabo aparata in če razumejo nevarnosti, povezane z njegovo uporabo.
- Otrokom, starim od 3 do 8 let, je v ta aparat dovoljeno dajati živila in jih jemati iz njega.
- Da se otroci zagotovo ne bodo igrali z aparatom, jih je treba nadzorovati.
- Otroci ne smejo čistiti in vzdrževati aparata, razen če so stari 8 in več let ter so pod nadzorom.
- Poskrbite, da bo vsa embalaža zunaj dosega otrok. Obstaja tveganje zadužitve.
- Če boste aparat odstranili, izvlecite vtič iz vtičnice, prerežite napajalni kabel (na mestu, ki je čim bližje aparatu) in odstranite vrata, da preprečite električni udar pri otrocih, ki se igrajo, ali pa zaprtje otrok v aparat.
- Če ima ta gospodinjski aparat na vratih magnetno tesnilo in želite z njim nadomestiti starejši aparat, ki se zaklepa na vzmet (zapah) na vratih ali pokrovu, pred odstranjevanjem starega aparata poskrbite, da zaklep na vzmet ne bo več deloval. S tem boste preprečili, da stari aparat ne bo postal smrtna past za otroke.

Splošna varnost

 OPOZORILO! Poskrbite, da odprtine za prezračevanje v okrovu aparata ali v vgrajeni strukturi ne bodo zamašene.

 OPOZORILO! Odtaljevanja ne poskušajte pospeševati z mehanskimi napravami ali z drugimi sredstvi, razen s tistimi, ki jih priporoča proizvajalec.

⚠ OPOZORILO! Ne poškodujte krogotoka hladilne tekočine.

⚠ OPOZORILO! V notranjosti hladilnih gospodinjskih aparatov ne uporabljajte drugih električnih naprav (kot so aparati za izdelovanje sladoleda), razen če jih za ta namen ni odobril proizvajalec.

⚠ OPOZORILO! Če je žarnica svetila dlje časa, se je ne dotikajte, saj je lahko zelo vroča.¹

⚠ OPOZORILO! Pri nameščanju aparata poskrbite, da napajalni kabel ne bo zagozden ali poškodovan.

⚠ OPOZORILO! Na zadnji strani aparata ne nameščajte prenosnih električnih razdelilnikov z več vtičnicami ali prenosnih akumulatorjev.

- V tem gospodinjskem aparatu ne shranjujte eksplozivnih snovi, kot so aerosolne pločevinke z vnetljivim potisnim plinom.
- V hladilnem krogotoku gospodinjskega aparata je hladilno sredstvo izobutan (R600a), naravni plin, katerega raven okoljske združljivosti je visoka, a je vseeno vnetljiv.
- Med prevozom in namestitvijo aparata poskrbite, da se noben od sestavnih delov hladilnega krogotoka ne bo poškodoval.
 - Izogibajte se odprtemu ognju in virom vžiga.
 - Dobro prezračite prostor, v katerem je gospodinjski aparat.
- Kakršno koli spreminjanje specifikacij ali tega izdelka je nevarno. Zaradi kakršne koli poškodbe kabla lahko pride do kratkega stika, požara in/ali električnega udara
- Ta gospodinjski aparat je predviden je za uporabo v gospodinjstvu in temu podobnih okoljih, kot so
 - kuhinje za osebje v trgovinah, pisarnah in drugih delovnih okoljih,
 - kmetije ter hoteli, moteli in nastanitve drugih vrst, kjer je ta aparat na voljo gostom,
 - nastanitve z nočitvijo in zajtrkom,
 - catering ter podobni načini uporabe, ki niso namenjeni prodaji.

⚠ OPOZORILO! Vse električne sestavne dele (vtič, kabel, kompresor itd.) mora zamenjati pooblaščen servisier ali usposobljeno servisno osebje.

⚠ OPOZORILO! Žarnica, ki je priložena temu aparatu, je „žarnica za posebno uporabo“, ki se uporablja samo v dobavljenem aparatu. Te „žarnice za posebno uporabo“ ni mogoče uporabiti pri hišni razsvetljavi.¹

- Napajalnega kabla ni dovoljeno podaljševati.
- Poskrbite, da aparat z zadnjo stranjo ne bo zmečkal ali poškodoval vtiča napajalnega kabla. Zmečkan ali poškodovan vtič napajalnega kabla se lahko pregreje in povzroči požar.
- Poskrbite, da boste lahko dostopali do glavnega vtiča aparata.

- Glavnega kabla ne vlecite.
- Če je napajalna vtičnica razrahljana, vtiča napajalnega kabla ne priklaplajte vanjo. Obstaja tveganje električnega udara ali požara.
- Aparata brez luči ne smete upravljati.
- Ta aparat je težak. Premikajte ga previdno.
- Z vlažnimi/mokrimi rokami se ne dotikajte predmetov iz predelka zamrzovalnika, saj se lahko na rokah pojavijo odrgnine ali pa ozeblina zaradi zmrzali/zamrzovalnika.
- Preprečite daljšo izpostavljenost aparata neposredni sončni svetlobi.

Vsakodnevna uporaba

- Na plastične dele aparata ne postavljajte vročih predmetov.
- Živil ne postavljajte neposredno ob zadnjo steno.
- Ko zamrznjena živila enkrat odtalite, jih ne smete ponovno zamrzniti.²
- Vnaprej pakirana zamrznjena živila shranite v skladu z navodili proizvajalcev teh živil.²
- Natančno se držite priporočil, ki jih za shranjevanje podajajo proizvajalci aparata. Upoštevajte ustrezna navodila.
- Pijač z dodanim ogljikovim dioksidom oziroma gaziranih pijač ne shranjujte v predelku zamrzovalnika, saj se ustvarja pritisk na posodo, zaradi katerega ta lahko eksplodira, aparat pa se poškoduje.²
- Če sladoleadne lučke zaužijemo neposredno po tem, ko jih vzamemo iz aparata, lahko povzročijo ozeblino.²

Da preprečite onesnaženje živil, upoštevajte naslednja navodila:

- Če vrata dlje časa pustite odprta, se temperatura v predelkih aparata lahko precej zviša.
- Redno čistite površine, ki so v stiku z živilom, in dostopne odvodne sisteme.
- Če posod za vodo 48 ur niste uporabljali, jih očistite; če iz aparata 5 dni niste jemali vode, sperite sistem za vodo, priključen na dovod vode.
- Surovo meso in ribe v hladilniku shranjujte v primernih posodah, tako da ta živila ne pridejo v stik z drugimi ali da z njih ne kaplja na druga živila.
- Predelki za zamrznjena živila, označeni z dvema zvezdicama (če so v aparatu), so primerni za shranjevanje predhodno zamrznjenih živil, shranjevanje ali izdelovanje sladoleda in izdelovanje ledenih kock.
- Predelki, označeni z eno, dvema in tremi zvezdicami (če so v aparatu), niso primerni za zamrzovanje svežih živil.
- Če je bil hladilni aparat dlje časa prazen, ga izklopite, odtalite, očistite in osušite, nato pa vrata pustite odprta, da preprečite nastajanje plesni v aparatu.

¹ Če je v predelku luč.

² Če obstaja predelek za zamrzovanje.

Nega in čiščenje

- Pred vzdrževalnimi deli izklopite aparat in odklopite vtič napajalnega kabla z napajalne vtičnice.
- Ne čistite aparata s kovinskimi predmeti.
- Za odstranjevanje ledu iz aparata ne uporabljajte ostrih predmetov. Uporabljajte plastično strgalo.²
- Redno preverjajte, ali se je v odtoku hladilnika zaradi odtaljevanja ledu nabrala voda. Po potrebi odtok očistite. Če je odtok zamašen, se bo voda zbirala na dnu aparata.³

Namestitev

- **POMEMBNO!** Pri priklopu električnih instalacij natančno upoštevajte navodila v posameznih odstavkih.
- Aparat vzemite iz embalaže in preverite, ali je poškodovan. Če je poškodovan, ga ne priklaplajte. O morebitnih poškodbah takoj poročajte na mesto, kjer ste aparat kupili. V tem primeru shranite embalažo.
- Preden priklopite aparat, je priporočljivo počakati vsaj 4 ure, da bo olje steklo nazaj v kompresor.
- Poskrbljeno mora biti za zadostno kroženje zraka okrog aparata; v nasprotnem primeru se lahko pregreje. Da bo prezračevanje zadostno, upoštevajte navodila, ki se nanašajo na namestitev.
- Kjer koli je to mogoče, morajo biti distančniki izdelka naslonjeni na steno, tako da se vročih delov (kompresorja, kondenzatorja) ni mogoče dotakniti ali jih prijeti, s tem pa so preprečene morebitne opekline.
- Aparat ne sme biti nameščen blizu radiatorjev ali štedilnikov.
- Poskrbite, da bo po namestitvi aparata mogoč dostop do glavnega vtiča.

Servis

- Kakršna koli servisna dela na električnih instalacijah aparata mora izvesti kvalificirani električar ali usposobljena oseba.
- Ta izdelek mora servisirati pooblaščen servisni center, uporabljeni pa morajo biti samo originalni nadomestni deli.

Varčevanje z energijo



- V aparatu ne shranjujte vročih živil.
- Živil ne nagnetite, saj to preprečuje kroženje zraka.
- Poskrbite, da se živila ne bodo dotikala zadnje strani predelkov.
- Če se elektrika izklopi, ne odpirajte vrat.
- Vrat ne odpirajte pogosto.
- Ko jih odprete, naj ne bodo predolgo odprta.


² Če obstaja predelek za zamrzovanje.

³ Če obstaja predelek za shranjevanje svežih živil.

- Termostata ne nastavite na prenizko temperaturo.
- Da je poraba energije manjša, mora biti tu shranjena vsa dodatna oprema, kot so predali, police in police na vratih.

Varovanje okolja

 Ta aparat niti v krogotoku za hladilno sredstvo niti v izolativnih materialih ne vsebuje plinov, ki bi lahko poškodovali ozonski plašč. Aparata ni dovoljeno odstranjevati skupaj z mestnimi odpadki in smetmi. Izolacijska pena vsebuje vnetljive pline: aparat je treba odstraniti v skladu s predpisi za gospodinjske aparate, ki jih lahko pridobite pri lokalnih organih. Preprečite, da bi prišlo do poškodb hladilne enote, še posebej izmenjevalnika toplote. Materiale, ki so uporabljeni pri tem aparatu in so označeni s simbolom , je mogoče reciklirati.

 Simbol na izdelku ali njegovi embalaži kaže, da tega izdelka ni dovoljeno obravnavati kot gospodinjski odpadek. Namesto tega ga je treba odpeljati na ustrezno zbirno točko za recikliranje električne in elektronske opreme. S tem, ko boste zagotovili pravilno odstranjevanje tega izdelka, boste pomagali preprečiti morebitne negativne posledice za okolje in zdravje ljudi, do katerih bi sicer lahko prišlo zaradi nepravilnega ravnanja s tem izdelkom. Za podrobnejše informacije o recikliranju tega izdelka se obrnite na lokalne oblasti, komunalno podjetje ali trgovino, v kateri ste izdelek kupili.

Materiali za embalažo

Materiale, označene s simbolom, je mogoče reciklirati. Da bo embalaža reciklirana, jo odložite v ustrezen zabojnik za zbiranje odpadkov.

Odstranjevanje gospodinjskih aparatov

1. Izklopite vtič napajalnega kabla iz napajalne vtičnice.
2. Izklopite napajalni kabel in ga odstranite.



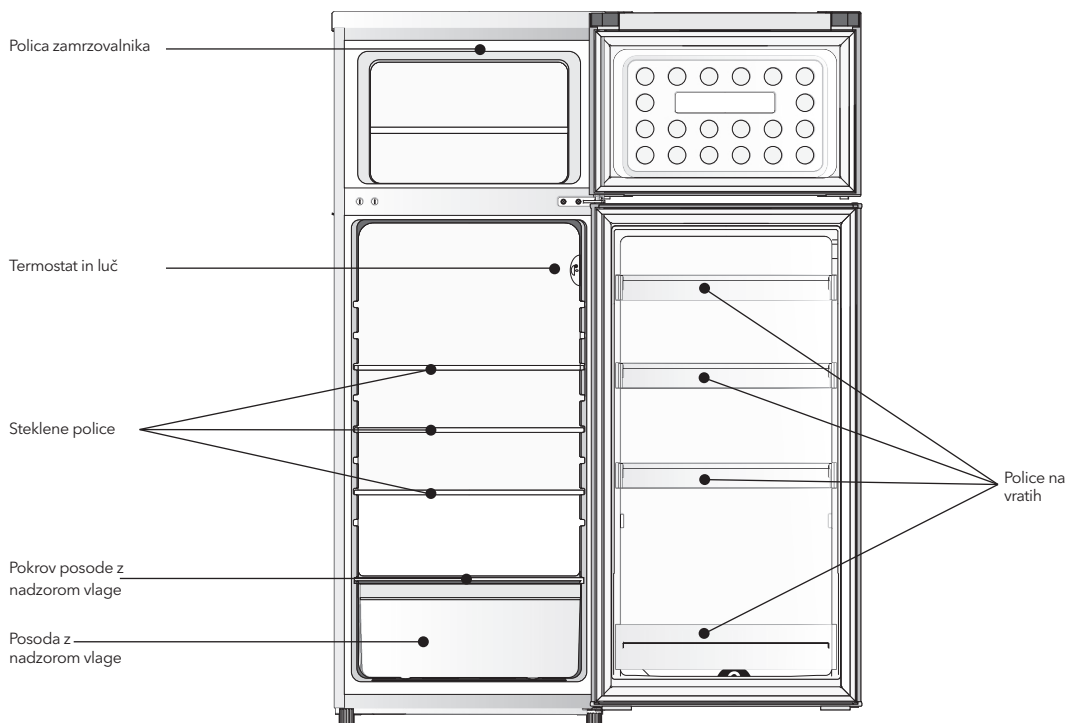
OPOZORILO!

Med uporabo, servisiranjem in odstranjevanjem aparata bodite pozorni na simbol, podoben simbolu na levi strani, ki je na zadnjem delu aparata (zadnji plošči ali kompresorju) in je rumene ali oranžne barve.

Gre za simbol, ki opozarja na tveganje požara. V ceveh za hladilno sredstvo in kompresorju so vnetljive snovi.

Med uporabo, servisiranjem in odstranjevanjem naj aparat ne bo v bližini vira ognja.

PREGLED

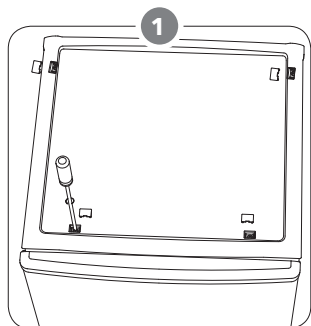


Opomba: slika je namenjena le ponazoritvi. Dejanski gospodinjski aparat je verjetno drugačen.

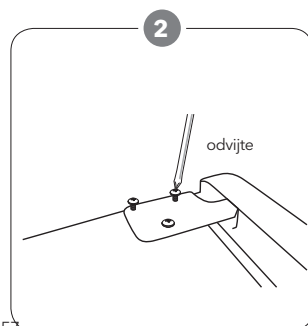
VRATA Z MOŽNOSTJO ZAMENJAVE STRANI ODPIRANJA

Potrebna orodja: izvijač Philips, ploščati izvijač, šestkotni nasadni ključ.

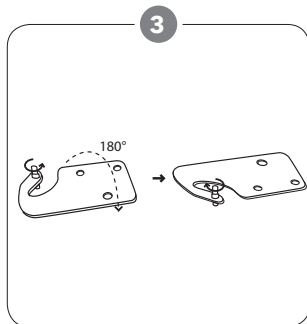
- Prepričajte se, da je enota izključena in prazna.
- Če želite vrata sneti, morate enoto nagniti nazaj. Enota naj bo naslonjena na nekaj trdnega, tako da med postopkom zamenjave strani ne bo zdrsnila.
- Vse odstranjene dele je treba shraniti, da boste vrata lahko znova namestili.
- Enote ne postavljajte v ležeč položaj, saj se sistem za hladilno tekočino lahko poškoduje.
- Med sestavljanjem sta za ravnanje z enoto priporočljivi dve osebi.



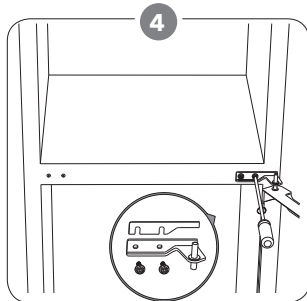
Odstranite štiri vijake na zgornjem pokrovu in pokrov nato dvignite.



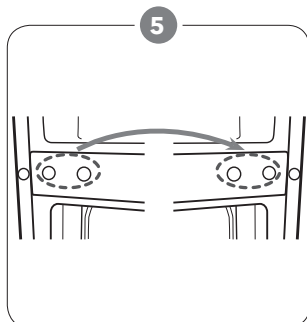
Odvijte zgornji tečaj, nato pa odstranite zgornja vrata in jih položite na mehko blazino, da se ne bodo opraskala.



Odstranite zatič z izvijačem in obrnite nosilec tečaja. Nato znova namestite zatič na nosilec tečaja.



Odvijte srednji tečaj. Nato dvignite spodnja vrata in jih položite na mehko blazino, da se ne bodo opraskala.

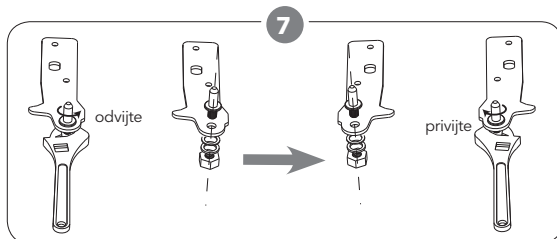


Premaknite pokrove za odprtino tečaja z leve na desno stran.

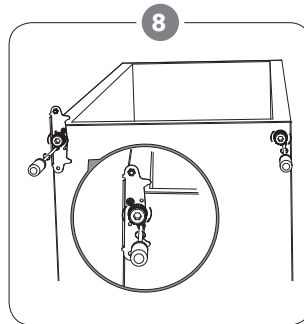


Odvijte spodnji tečaj. Nato odstranite regulacijski nogici na obeh straneh.

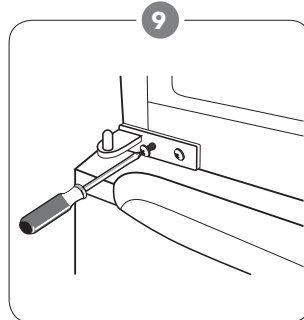
Opomba: če je ta vijak prisoten, ga odstranite.



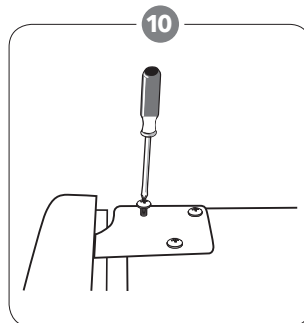
Odvijte in odstranite spodnji zatič tečaja, obrnite nosilec in ga zamenjajte.



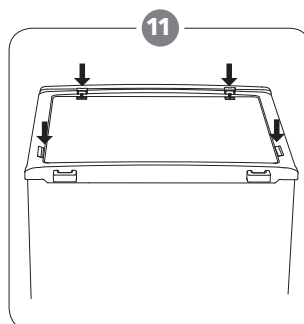
Pritrdite spodnji zatič tečaja in tako znova namestite nosilec. Zamenjajte obe regulacijski nogici. Spodnja vrata prenesite v pravilni položaj.



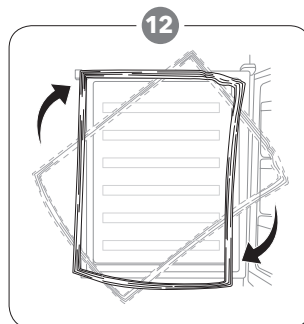
Zavrtite srednji ležaj za 180 stopinj, nato pa ga premestite na levo stran. Srednji tečaj pritisnite v zgornjo odprtino spodnjih vrat in nato privijte vijake.



Namestite zgornja vrata nazaj. Poskrbite, da bodo vrata končnim privijanjem zgornjega tečaja vrata poravnana v obeh smereh, vodoravni in navpični, tako da bo tesnilo na vseh straneh zaprto. Nato vstavite tečaj in ga privijte na zgornji del enote.



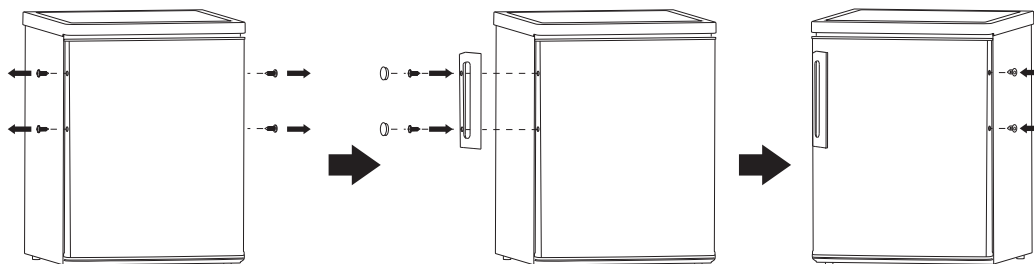
Namestite zgornji pokrov in ga nato privijte nazaj na njegovo mesto.



Odstranite tesnila vrat hladilnika in zamrzovalnika, po vrtenju pa jih nato znova pritrdite.

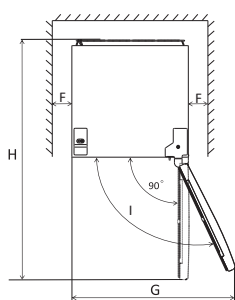
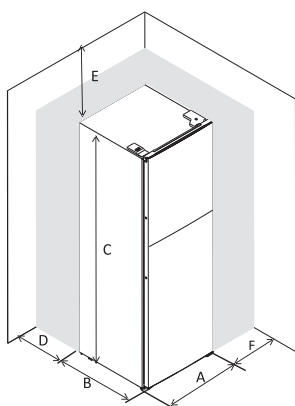
NAMESTITEV

Namestite zunanji ročaj vrat (če je prisoten).



Zahteve glede prostora

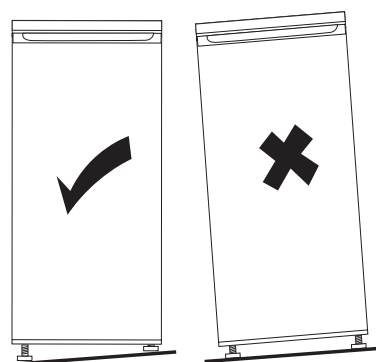
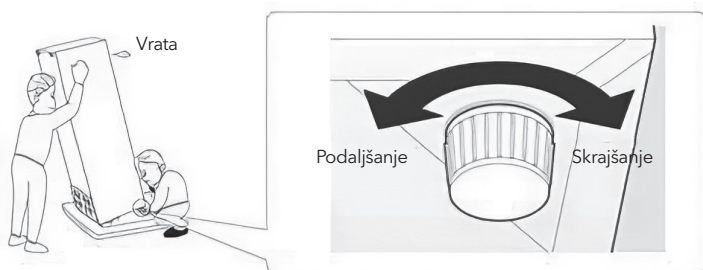
- Pustite dovolj prostora, da se bodo vrata lahko odpirala.



A	500
B	580
C	1230
D	min=50
E	min=50
F	min=50
G	1000
H	1080
I	135°

Izravnavanje enote

Če želite enoto izravnati, prilagodite regulacijski nogici na sprednji strani enote. Če enota ne bo izravnana, vrata in magnetna tesnila ne bodo dobro tesnila.



Določanje položaja

Ta aparat namestite tja, kjer se temperatura okolja ujema s klimatskim razredom, označenim na tablici z nazivnimi podatki na aparatu:

Za hladilne aparate s klimatskim razredom:

- razširjeni zmerni: ta hladilni aparat je namenjen uporabi pri temperaturah okolja od 10 °C do 32 °C (SN);
- zmerni: ta hladilni aparat je namenjen uporabi pri temperaturah okolja od 16 °C do 32 °C (N);
- subtropski: ta hladilni aparat je namenjen uporabi pri temperaturah okolja od 16 °C do 38 °C (ST);
- tropski: ta hladilni aparat je namenjen uporabi pri temperaturah okolja od 16 °C do 43 °C (T).

Mesto

Gospodinjski aparat mora biti nameščen precej stran od virov toplote, kot so radiatorji, grelniki vode, neposredna sončna svetloba itd. Da bo delovanje čim boljše, poskrbite, da bo zrak lahko prosto krožil okrog zadnjega dela ohišja. Če je aparat nameščen pod visečo stensko enoto, mora biti najmanjša razdalja med zgornjim delom ohišja in stensko enoto vsaj 50 mm. Vendar je najbolje, da aparat pod visečimi stenskimi enotami sploh ni nameščen. Z eno ali več

prilagodljivimi nogicami na dnu ohišja je mogoče aparat natančno izravnati.

Ta hladilni aparat ni namenjen temu, da bi bil uporabljen kot vgradni aparat.



Obstajati mora možnost odklopa aparata z omrežnega napajanja; po namestitvi mora biti vtič zato zlahka dostopen.

Električni priključek

Pred priklopom se prepričajte, ali napetost in frekvenca, ki sta navedeni na tablici z nazivnimi podatki, ustrežata vašemu domačemu omrežnemu napajanju. Aparat mora biti ozemljen. V ta namen je na vtiču napajalnega kabla nameščen kontakt. Če domača napajalna vtičnica ni ozemljena, aparat po posvetu s kvalificiranim električarjem priključite na ločeno ozemljitev, skladno s trenutno veljavnimi predpisi.

Če zgornji varnostni previdnostni ukrepi niso upoštevani, proizvajalec zavrta vso odgovornost. Ta gospodinjski aparat je skladen z direktivami EGS.

VSAKODNEVNA UPORABA

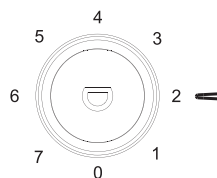
Prva uporaba

Čiščenje notranjosti

Pred prvo uporabo očistite notranjost aparata in vso notranjo dodatno opremo z mlačno vodo in nekaj nevtralnega mila, da odstranite značilni vonj povsem novega izdelka, nato pa ga temeljito osušite.

POMEMBNO! Ne uporabljajte detergentov ali abrazivnih praškov, saj lahko poškodujejo premaz.

Nastavitev temperature

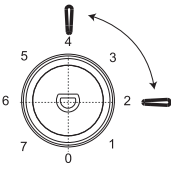
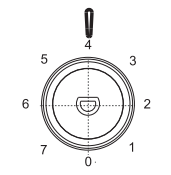
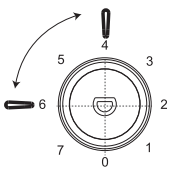


- Vključite aparat. Notranjo temperaturo nadzira termostat. Ima 8 nastavitvev. Nastavitev 1 pomeni najtoplejšo, nastavitev 7 najhladnejšo, nastavitev 0 pa pomeni izklop.
- Če je aparat v zelo vročem okolju ali če pogosto odpirate vrata, morda ne bo deloval pri pravilni temperaturi.

Različna živila postavite v različne predelke, kot prikazuje spodnja preglednica.

Predelki hladilnika	Vrsta živila
Vrata ali police na vratih predelka hladilnika	<ul style="list-style-type: none"> • Živila z naravnimi konzervansi, kot so marmelade, sokovi, pijače in začimbe. • Ne shranjujte pokvarljivih živil
Posoda z nadzorom vlage (posoda za solato)	<ul style="list-style-type: none"> • V posodo z nadzorom vlage ločeno shranjujte sadje, zelišča in zelenjavo. • V hladilniku ne shranjujte banan, čebule, krompirja in česna.
Polica hladilnika - srednja	<ul style="list-style-type: none"> • Mlečni izdelki, jajca
Polica hladilnika - zgornja	<ul style="list-style-type: none"> • Živila, ki jih ni treba kuhati, kot so že pripravljena živila, delikatesne mesnine, ostanki.
Predali/polica zamrzovalnika	<ul style="list-style-type: none"> • Živila za dolgotrajno shranjevanje. • Spodnji predal/polica za surovo meso, perutnino, ribe • Srednji predal/polica za zamrznjeno zelenjavo, zamrznjen krompirček. • Zgornji predal/polica za sladoled, zamrznjeno sadje, zamrznjene pekovske izdelke.

Priporočilo za nastavitve temperature

Temperatura okolja	Predelek zamrzovalnika	Predelek hladilnika
Poletje (nad 38°C)	/	 Nastavite na 2-4
Normalno	/	 Nastavite na 4
Zima (pod 16°C)	/	 Nastavite na 4-6

- Zgornje informacije so priporočilo uporabnikom glede nastavitve temperature.

Vpliv na shranjevanje živil

- Pri priporočenih nastavitvah je najoptimalnejši čas shranjevanja v hladilniku največ 3 dni.
- Pri priporočenih nastavitvah je najoptimalnejši čas shranjevanja v zamrzovalniku največ en mesec.
- Pri drugih nastavitvah se ta čas lahko skrajša.

Zamrzovanje svežih živil

- Predelek za zamrzovanje je primeren za zamrzovanje svežih živil ter dolgotrajno shranjevanje zamrznjenih in globoko zamrznjenih živil.
- Sveža živila, ki jih želite zamrzniti, shranite v predelku za zamrzovanje.
- Največja količina živil, ki jih je mogoče zamrzniti v 24 urah, je navedena na tablici z nazivnimi podatki.
- Postopek zamrzovanja traja 24 ur: med tem časom ne dodajajte nobenih drugih živil, ki bi jih bilo treba zamrzniti.

Shranjevanje zamrznjenih živil

Ob prvem vklopu ali po daljšem obdobju neuporabe naj aparat vsaj 2 uri, preden vanj shranite živila, deluje na višji nastavitvi.

POMEMBNO! Če pride do nenamernega odtaljevanja, na primer, če je bilo napajanje izklopljeno dlje, kot določa vrednost, navedena v tehničnih karakteristikah pod postavko „rising time“ (čas dviga temperature do vrednosti, pri kateri se živila pokvarijo), je treba odtaljena živila hitro zaužiti ali pa jih takoj skuhati in nato (po kuhanju) znova zamrzniti.

Odtaljevanje

- Globoko zamrznjena ali zamrznjena živila je mogoče pred uporabo odtaliti v predelku hladilnika ali na sobni temperaturi, odvisno od tega, koliko časa je za to na voljo.
- Manjše koščke je mogoče skuhati celo zamrznjene, neposredno iz zamrzovalnika. V tem primeru bo kuhanje trajalo dlje.

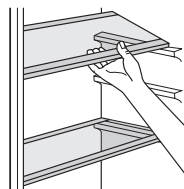
Ledene kocke

Ta aparat je lahko opremljen z enim ali več pladnji za izdelavo ledenih kock.

Dodatna oprema

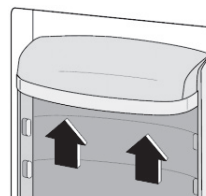
Premakljive police

Stene hladilnika imajo več vodil, tako da je mogoče police namestiti po želji.



Nameščanje polic na vratih

Da je mogoče shranjevati različne velikosti paketov z živil, je mogoče police na vratih namestiti na različne višine. Če jih želite prilagoditi, naredite naslednje: postopno vlecite polico v smeri puščic, dokler se ne sprostijo, nato pa jo znova namestite tako, kot želite.



Koristni nasveti in namigi

Da boste postopek zamrzovanja čim bolj izkoristili, je tu nekaj pomembnih nasvetov:

- Največja količina živil, ki jo je mogoče zamrzniti v 24 urah, je navedena na tablici z nazivnimi podatki.
- Postopek zamrzovanja traja 24 ur. V tem času ne dodajajte nobenih drugih živil, ki bi jih bilo treba zamrzniti.
- Zamrzujte le živila, ki so visokokakovostna, sveža in temeljito očiščena.
- Živila pripravljajte v majhnih porcijah, da jih boste lahko hitro in popolnoma zamrznili in da boste potem lahko odtalili le potrebno količino.
- Živila zavijte v aluminijasto ali polietilensko folijo in poskrbite, da bodo paketi nepredušno zaprti.
- Preprečite, da bi se sveža, še ne zamrznjena živila dotikala živil, ki so že zamrznjena, saj se zaradi tega lahko temperatura slednjih zviša.
- Shranjevanje živil z manj maščobami je boljše in lahko traja dlje od shranjevanja živil z več maščobami; zaradi soli se čas shranjevanja živil skrajša.
- Če kocke ledu zaužijete takoj, ko jih vzamete iz predelka za zamrzovanje, se lahko na koži pojavijo ozeblina.
- Pri jemanju iz predelka za zamrzovanje se lahko na koži pojavijo ozeblina. Na vsak paket je priporočljivo napisati datum zamrzovanja, da boste vedeli, kako dolgo je že shranjen.

Nasveti za shranjevanje zamrznjenih živil

Za čim boljše delovanje aparata:

- preverite, ali so bila komercialno zamrznjena živila pri trgovcu pravilno shranjena;
- poskrbite, da boste zamrznjena živila iz trgovine čim prej prenesli v zamrzovalno skrinjo;
- vrat ne odpirajte pogosto in ne puščajte jih odprtih dlje, kot je potrebno;
- se zavedajte, da se živila hitro pokvarijo, ko jih odtalite, in jih ne morete znova zamrzniti;
- živil ne shranjujte dlje od obdobja, ki ga navaja proizvajalec živila.

Nasveti za hlajenje svežih živil

Najboljši učinek dosežete z naslednjim:

- v hladilniku ne shranjujte toplih živil ali hlapnih tekočin;
- živila pokrijte ali zavijte, še posebej, če imajo močan vonj;
- meso (vseh vrst): zavijte v polietilenske vrečke in postavite na stekleno polico nad predal za zelenjavo;
- zaradi varnosti meso shranite na ta način le za en dan ali največ dva;
- kuhana živila, hladne jedi itd.: treba jih je pokriti in lahko jih postavite na katero koli polico;
- sadje in zelenjava: temeljito jih je treba očistiti in shraniti v enega ali več priloženih posebnih predalov;
- maslo in sir: postaviti ju je treba v posebne, nepredušne posode ali pa zaviti v aluminijasto folijo ali polietilenske vrečke, da je zrak čim bolj iztisnjen;
- steklenice z mlekom: morajo imeti pokrovček in treba jih je shraniti v stojalu za steklenice na vratih;
- če banane, krompir, čebula in česen niso pakirani, jih ne smete shranjevati v hladilniku.

Čiščenje

Iz higienskih razlogov morate notranjost aparata, vključno z dodatno opremo v notranjosti, redno čistiti.

! POZOR!

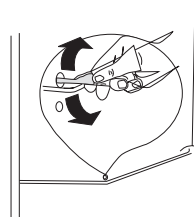
Med čiščenjem aparat ne sme biti priključen na omrežno napajanje. Obstaja nevarnost električnega udara! Pred čiščenjem odklopite

aparat in vtič izklopite iz vtičnice ali pa izklopite odklopnik tokokroga ali varovalko. Aparata nikoli ne čistite s parnim čistilnikom. V električnih delih bi se lahko nabrala vlaga; obstaja nevarnost električnega udara! Vroča para lahko poškoduje plastične dele. Preden aparat spet začne delovati, mora biti suh.

POMEMBNO! Eterična olja in organska topila, npr. limonov sok ali tekočina iz pomarančnih olupkov, butanojska kislina ali čistila, ki vsebujejo ocetno kislino, lahko poškodujejo plastične dele.

Očistite odprtino odtoka

Da preprečite pretakanje vode, ki je nastala pri odtaljevanju, v hladilnik, redno čistite odprtino odtoka na zadnjem delu predelka hladilnika. Za čiščenje odprtine uporabljajte čistilo, kot je prikazano na sliki.



- Preprečite stik tovrstnih snovi z deli aparata.
- Ne uporabljajte abrazivnih čistil.
- Vzemite živila iz zamrzovalne skrinje. Dobro pokrita shranite na hladnem mestu.
- Odklopite aparat in izklopite vtič iz vtičnice ali pa izklopite odklopnik tokokroga ali varovalko.
- Aparat in dodatno opremo v notranjosti očistite s krpo in mlačno vodo. Po čiščenju obrišite s krpo, prepojeno s svežo vodo, nato pa s suho krpo obrišite do suhega.
- Ko bo vse suho, aparat znova vklopite.

Odtaljevanje zamrzovalne skrinje

Predelek za zamrzovanje bo postopoma postajal vedno bolj prekrit z ledom. Led je treba odstraniti. Ledu z uparjalnika nikoli ne strgajte z ostrimi kovinskimi orodji, saj ga lahko poškodujete. Ko pa se na notranji oblogi nabere debela plast ledu, je treba popolno odtaljevanje izvesti na naslednji način:

- izvlecite vtič iz vtičnice,
- odstranite vsa shranjena živila, jih zavijte v več plasti časopisnega papirja in jih shranite na hladnem mestu,
- vrata pustite odprta in pod aparat postavite škafo, da zberete vodo, nastalo zaradi odtaljevanja,
- ko je odtaljevanje končano, notranjost temeljito osušite,
- vtič vklopite nazaj v napajalno vtičnico, da znova zaženete aparat.

Zamenjava luči

! POZOR!

Izdelek je opremljen z lučjo LED; če jo želite zamenjati, se obrnite na prodajno službo.



¹ Če je kondenzator na zadnji strani aparata.

ODPRAVLJANJE TEŽAV

! POZOR!

Pred odpravljanjem težav odklopite napajanje. Težave, ki niso navedene v tem priročniku, lahko odpravlja samo kvalificirani električar ali usposobljena oseba.

POMEMBNO! Med normalno uporabo se pojavljajo določeni zvoki (kompresorja, kroženja hladilnega sredstva).

Težava	Možni vzrok	Rešitev
Aparat ne deluje.	Gumb za nadzor temperature je nastavljen na številko „0“.	Če želite vklopiti aparat, nastavite gumb na drugo številko.
	Vtič napajalnega kabla ni priključen ali pa je razrahljan.	Priključite vtič napajalnega kabla.
	Varovalka je pregorela ali pa je okvarjena.	Preverite varovalko in jo po potrebi zamenjajte.
	Vtičnica je okvarjena.	Okvaro vtičnice mora popraviti električar.
Hrana je pretopla.	Temperatura ni pravilno nastavljena.	Oglejte si začetni razdelek o nastavljanju temperature.
	Vrata so bila dlje časa odprta.	Vrata pustite odprta le toliko časa, kolikor je potrebno.
	V zadnjih 24 urah je bila v aparatu shranjena velika količina toplih živil.	Regulator temperature začasno premaknite na nižjo temperaturo.
	Aparat je v bližini vira toplote.	Oglejte si razdelek o mestu namestitve.
Aparat premočno hladi.	Temperatura je nastavljena na prenizko vrednost.	Začasno premaknite gumb za nadzor temperature na višjo temperaturo.
Nenavadni zvoki	Aparat ni izravnán.	Znova nastavite nogico.
	Aparat se dotika stene ali drugih predmetov.	Aparat nekoliko premaknite.
	Sestavni del, npr. cev, na zadnji strani aparata se dotika drugega dela aparata ali stene.	Sestavni del po potrebi previdno opognite stran.
Voda na tleh	Odprtina odtoka za vodo je zamašena.	Glejte razdelek o čiščenju.
Stranska plošča je vroča.	Znotraj plošče je kondenzator.	To je normalno.

Če spet pride do nepravilnega delovanja, se obrnite na servisni center.

BEZBEDNOSNA UPUTSTVA


Radi sopstvene bezbednosti obezbedite sigurnu upotrebu, pre instalacije i prve upotrebe uređaja, pročitajte ovo korisničko uputstvo, uključujući i savete i upozorenja. Da biste izbegli nepotrebne greške i nezgode, važno je da se postarate da sve osobe koje koriste uređaj budu detaljno upoznate s njegovim operacijama i bezbedonosnim funkcijama. Sačuvajte ova uputstva i pobrinite se da budu u sklopu uređaja ako bude premešten ili prodat, kako bi svako, ko ga koristi tokom svog života bio upoznat sa pravilnom upotrebom i bezbednošću uređaja. Imajte na umu ovo korisničko uputstvo radi svoje lične sigurnosti i sigurnosti imovine, budući da proizvođač nije odgovoran za štetu učinjenu propustima.

Bezbednost dece i nesamostalnih osoba

- Ovaj uređaj mogu koristiti deca starosti 8 ili više godina i osobe sa smanjenim fizičkim, čulnim ili mentalnim sposobnostima, ili manjkom iskustva i znanja ukoliko su pod nadzorom, ili su im data uputstva u vezi sa bezbednom upotrebom uređaja, i svesni su mogućeg rizika.
- Deci uzrasta od 3 do 8 godina je dozvoljeno da stavljaju predmete u i uzimaju predmete iz ovog uređaja.
- Deca bi trebalo da budu pod nadzorom, kako biste osigurali da se ne igraju uređajem.
- Čišćenjem i održavanjem ne bi trebalo da se bave deca, osim ako nisu starosti 8 ili više godina i moraju biti pod obaveznim nadzorom.
- Svu ambalažu čuvajte van domašaja dece. Postoji opasnost od gušenja.
- Ukoliko ste odlučili da više ne koristite uređaj, prekinite napajanje uređaja strujom, preseците kabl za napajanje (što je bliže moguće uređaju) i uklonite vrata, kako biste sprečili mogućnost da deca, koja se igraju, pretrpe strujni udar ili se zatvore u uređaj.
- Ukoliko ovaj uređaj ima magnetnu gumu na vratima, a želite da njime zamenite stariji uređaj, koji se zatvarao pomoću opruge na vratima ili poklopcu, onemogućite funkcionisanje zatvaranja starijeg uređaja pomoću opruge. Na ovaj način ćete sprečiti da uređaj postane smrtonosna zamka za dete.

Opšta bezbednost

 UPOZORENJE! Održavajte ventilacione otvore u kućištu frižidera ili ugradnoj strukturi čistima od začepljenja.

 UPOZORENJE! Nemojte koristiti mehaničke uređaje ili druge naprave kako biste ubrzali proces odmrzavanja, osim proizvoda preporučenih od strane proizvođača uređaja.

⚠ UPOZORENJE! Nemojte oštetiti sistem za hlađenje.

⚠ UPOZORENJE! Nemojte stavljati druge električne uređaje (kao što su uređaji za pravljenje sladoleda) u uređaj za hlađenje, osim ako ih proizvođač nije odobrio u ovu svrhu.

⚠ UPOZORENJE! Ne dirajte sijalicu ukoliko radi duže vremena, jer može biti veoma vruća.¹

⚠ UPOZORENJE! Prilikom postavljanja uređaja, uverite se da ništa ne pritiska priključni kabl, kao i da kabl nije oštećen.

⚠ UPOZORENJE! Ne postavljajte višestruke prenosive utičnice ili prenosivo napajanje iza uređaja.

- Nemojte čuvati eksplozivne supstance, kao što su ambalaže sprejeva sa zapaljivim gasom u ovom uređaju.
- Supstanca za hlađenje, izobutan (R600a), se nalazi u sistemu za hlađenje uređaja, to je prirodni gas s visokim nivoom ekološke kompatibilnosti, ali izuzetno zapaljiv.
- Pobrinite se da tokom transporta ili postavljanja uređaja ne bude oštećena nijedna komponenta sistema za hlađenje uređaja.
 - izbegavajte otvoren plamen i izvore zapaljivosti
 - temeljno provetrite prostoriju, u kojoj se nalazi uređaj
- Opasno je menjati specifikacije ili modifikovati proizvod na bilo koji način. Bilo kakvo oštećenje kabla može prouzrokovati kratak spoj, požar i/ili strujni udar.
- Ovaj uređaj je namenjen za upotrebu u domaćinstvima i za slične primene, kao što su
 - prostori za zaposlene u kuhinji, u prodavnicama, kancelarije i druga radna okruženja;
 - poljoprivredna domaćinstva i od strane hotelskih i motelskih gostiju, kao i drugih vrsta ovakvih objekata;
 - objekti koji pružaju uslugu noćenja sa doručkom;
 - catering i slične neprodajne namene.

⚠ UPOZORENJE! Bilo koju električnu komponentu (utikač, kabl za napajanje, kompresor itd.) mora zameniti ovlašćeni serviser ili kvalifikovano osoblje.

⚠ UPOZORENJE! Sijalica, dostavljena sa ovim uređajem, je "sijalica za specijalnu namenu" i može se koristiti samo za uređaj uz koji je dostavljena. Ova "sijalica za specijalnu namenu" se ne može koristiti za kućno osvetljenje.¹

- Kabl za napajanje se ne sme produžavati.
- Proverite da li je utikač, na zadnjoj strani uređaja, zgnječen ili oštećen.

¹ Ukoliko u uređaju postoji.

Zgnječen ili oštećen utikač može dovesti do pregrevanja i izazvati požar.

- Pobrinite se da vam glavni utikač uređaja bude dostupan.
- Nemojte izvlačiti glavni kabl.
- Ukoliko utičnica nije fiksirana, nemojte priključivati aparat. Postoji rizik od strujnog udara ili vatre.
- Ne smete raditi ništa na uređaju bez osvetljenja.
- Uređaj je težak. Budite oprezni tokom pomeranja uređaja.
- Nemojte uklanjati ili dodirivati elemente iz dela za zamrzavanje ako su vam ruke vlažne/mokre, budući da to može prouzrokovati ogrebotine ili promrzline na koži.
- Izbegavajte duže izlaganje aparata direktnoj sunčevoj svetlosti.

Dnevna upotreba

- Ne stavljajte vruće stvari na plastične delove uređaja.
- Ne stavljate prehrambene proizvode uza zadnji zid.
- Zamrznuta hrana se ne sme ponovo zamrzavati nakon što se otopi.²
- Već zapakovanu zamrznutu hranu čuvajte u skladu sa instrukcijama proizvođača, u vezi sa zamrznutom hranom.²
- Striktno se pridržavajte preporuka proizvođača u pogledu držanja stvari u uređaju. Pridržavajte se relevantnih instrukcija.
- Ne stavljate gazirana pića u deo za zamrzavanje, budući da to stvara pritisak, koji može prouzrokovati pucanje ambalaže, što može dovesti do oštećenja uređaja.²
- Voćni sladoledi mogu izazvati promrzline ukoliko se konzumiraju odmah po uzimanju iz uređaja.²

Kako biste izbegli kontaminiranje hrane, pratite sledeća uputstva

- Držanje uređaja otvorenim tokom dugih vremenskih perioda može da dovede do značajnog rasta temperature unutar odeljaka uređaja.
- Redovno čistite površine koje mogu da dođu u dodir sa hranom, kao i pristupačne delove odvodnog sistema.
- Očistite rezervoare za vodu ukoliko ih niste koristili tokom vremenskog perioda dužeg od 48 h; ukoliko tokom vremenskog perioda od 5 dana niste uzimali vodu iz uređaja, isperite sistem za protok vode vodom iz vodovodne mreže.
- Sirovo meso i ribu unutar frižidera držite u odgovarajućim posudama, kako ove namirnice ne bi došle u dodir sa ili kako ne bi kapale po ostaloj hrani.
- Odeljci za smrznutu hranu označeni sa dve zvezdice (ukoliko postoje u okviru uređaja) pogodni su za držanje prethodno smrznute hrane, za držanje ili pravljenje sladoleda i za pravljenje kockica leda.

² Ukoliko postoji deo za zamrzavanje.

- Odeljci označeni jednom, dvema i trima zvezdicama (ukoliko postoje u okviru uređaja) nisu pogodni za zamrzavanje sveže hrane.
- Ukoliko će uređaj biti prazan tokom dužeg vremenskog perioda, isključite ga, odledite, očistite i osušite, a zatim ostavite vrata uređaja otvorenim kako biste sprečili razvoj buđi u unutrašnjosti uređaja.

Održavanje i čišćenje

- Pre održavanja, isključite uređaj, ili prekinite dotok električne energije.
- Uređaj nemojte čistiti metalnim predmetima.
- Ne koristite oštre predmete, da bi uklonili led sa uređaja. Koristite plastična sredstva za struganje.²
- Redovno proveravajte odvod za odleđenu vodu u frižideru. Ukoliko je potrebno, očistite odvod. Ukoliko je odvod blokiran, voda će se sakupljati na dnu uređaja³

Instalacija uređaja

- **VAŽNO!** Za priključivanje na električnu mrežu, pažljivo pratite uputstva data u specifičnim delovima uputstva.
- Raspakujte uređaj i proverite da li postoje na njemu oštećenja. Ne povezujte uređaj na struju, ukoliko je oštećen. Moguća oštećenja odmah prijavite u mestu, gde ste ga kupili. U tom slučaju zadržite ambalažu uređaja.
- Preporučuje se, da sačekate najmanje četiri sata pre nego što priključite uređaj, kako bi se ulje vratilo u kompresor.
- Potrebno je obezbediti adekvatno strujanje vazduha oko uređaja, nepostojanje ovoga može dovesti do pregrevanja. Za postizanje odgovarajućeg protoka vazduha, pratite uputstva potrebna za instalaciju uređaja.
- Gde god je moguće, razmaknica mora biti postavljena između uređaja i zida, kako bi se izbeglo dodirivanje ili hvatanje za vruće delove (kompresor, kondenzator) kako bi se izbegle moguće opekotine.
- Uređaj ne sme biti postavljen blizu radijatora ili štednjaka.
- Pobrinite se da bude obezbeđen lak pristup glavnom utikaču i nakon postavljanja uređaja.

Servisiranje

- Bilo kakvo servisiranje uređaja, koje zahteva električne radove, treba da bude obavljen od strane kvalifikovanog električara ili kompetentne osobe.

² Ukoliko postoji deo za zamrzavanje.


³ Ukoliko postoji deo za čuvanje sveže hrane



- Samo ovlašćeni centar za servisiranje može obaviti popravke na uređaju, i mogu se koristiti samo originalni rezervni delovi.

Ušteda energije

- Ne stavljate vruću hranu u uređaj;
- Ne pakujte svu hranu zajedno, budući da to sprečava cirkulaciju vazduha;
- Pobrinite se da hrana ne dotiče zadnji deo pregrade(a);
- Ukoliko nestane struje, ne otvarajte vrata;
- Ne otvarajte često vrata;
- Ne držite vrata otvorena drugo;
- Nemojte postavljati termostat na izuzetno niske temperature
- Potrebno je sve dodatne elemente, poput fioka, polica, polica u vratima uređaja, tamo držati u cilju smanjenja utroška energije.

Zaštita životne sredine

 Ovaj uređaj ne sadrži gasove, koji mogu oštetiti ozonski omotač, ni u sistemu za hlađenje, ni u materijalima za izolaciju. Uređaj ne bi trebalo odlagati zajedno sa gradskim ili kućnim otpadom. Izolaciona pena sadrži zapaljive gasove: uređaj bi trebalo odložiti u skladu sa propisima za uređaje, koje su izdale lokale vlasti. Izbegavajte pravljenje oštećenja dela za hlađenje, posebno dela za razmenu toplote. Materijali korišćeni za ovaj uređaj, mogu se reciklirati ukoliko su označeni simbolom za reciklažu. ♻️

 Oznaka na proizvodu, ili njegovom pakovanju, ukazuje da ovaj proizvod ne sme biti tretiran kao otpad nastao u domaćinstvu. Umesto toga,  treba ga ostaviti na odgovarajućem mestu, na kojem se sakuplja električna i elektronska oprema. Osiguravanjem da je proizvod ispravno odložen, pomoćićete sprečavanju potencijalnih negativnih posledica po životnu sredinu i ljudsko zdravlje, koje inače mogu biti uzrokovane nepravilnim odlaganjem otpada ovog uređaja. Za više detalja o recikliranju ovog proizvoda, molimo vas da kontaktirate svoju lokalni organ za zaštitu životne sredine, preduzeće za odlaganje komunalnog otpada ili prodavnicu, u kojoj ste kupili proizvod.

Materijali ambalaže

Materijali označeni ovim simbolom mogu se reciklirati. Ambalažu odložite u odgovarajući konterjner za prikupljanje otpada za reciklažu.

Odlaganje uređaja

1. Prekinite napajanje uređaja strujom.
2. Odsecite kabl za napajanje i odložite ga.

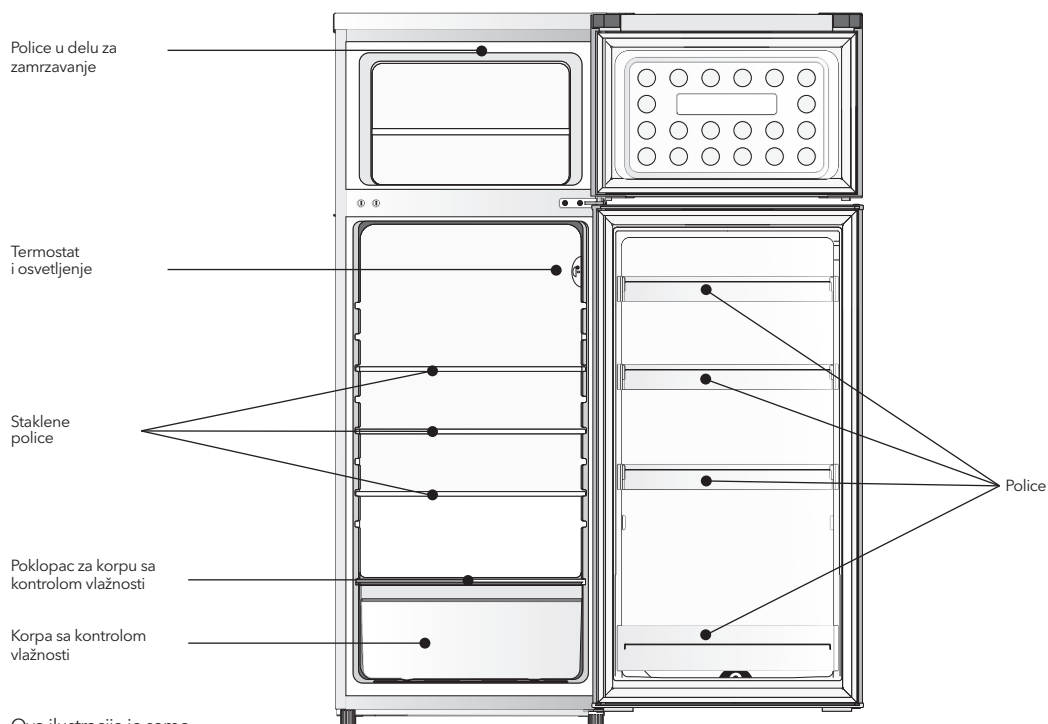


UPOZORENJE!

Prilikom upotrebe, servisiranja i odlaganja uređaja, imajte u vidu oznaku žute ili narandžaste boje, sličnu onoj prikazanoj na slici levo, koja se nalazi na poledini uređaja (tabla ili kompresor na poledini uređaja).

Ova oznaka predstavlja simbol rizika od požara. U cevima za rashladno sredstvo i u kompresoru se nalaze zapaljivi materijali. Molimo Vas da tokom upotrebe, servisiranja i odlaganja, uređaj držite dalje od izvora vatre.

PREGLED

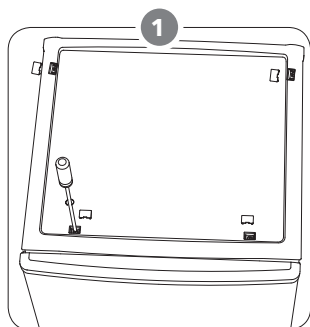


Ova ilustracija je samo okvirna, molimo vas da za detalje pogledajte svoj uređaj.

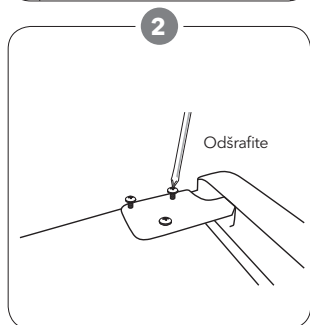
ZAMENA SMERA OTVARANJA VRATA

Potreban alat: Philips odvijač, ravni odvijač, šestougaoni ključ.

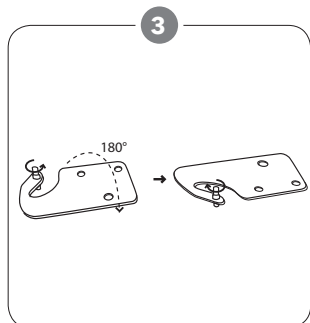
- Pobrinite se da uređaj bude isključen i prazan.
- Da biste skinuli vrata, potrebno je da uređaj nagnete unazad. Uređaj treba da bude postavljen na tvrdu podlogu, kako se ne bi dogodilo da isklizne prilikom zamene položaja vrata.
- Svi uklonjeni delovi moraju biti sačuvani radi ponovnog instaliranja vrata.
- Uređaj nemojte stavljati u horizontalan položaj, jer to može oštetiti sistem za hlađenje.
- Preporučuje se da dve osobe učestvuju u montiranju.



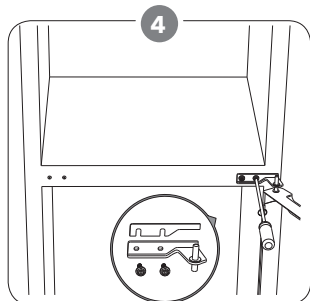
Uklonite četiri šrafa sa gornjeg poklopca, i onda ga podignite.



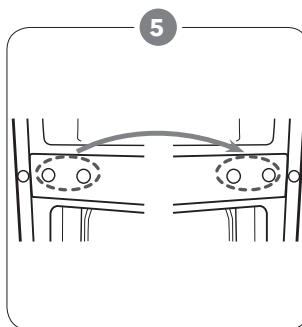
Odšrafite gornju šarku i onda uklonite vrata i odložite ih na meku površinu, kako biste izbegli ogrebotine.



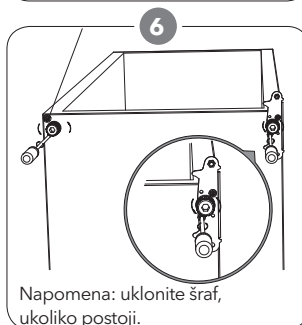
Uklonite iglu pomoću odvijača i obrnite šarku. Zatim ponovo stavite iglu u šarku.



Odšrafite srednju šarku. Zatim podignite donji deo vrata, i stavite na meku podlogu, kako biste izbegli ogrebotine.

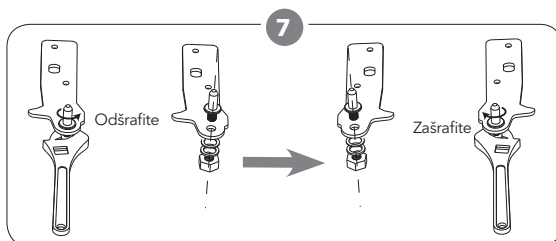


Premestite štitnike rupe za šarke sa leve na desnu

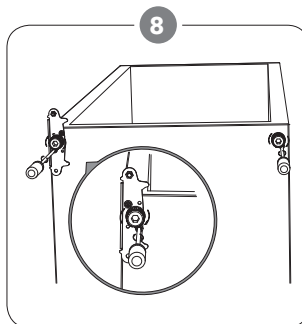


Odšrafite donju šarku. Zatim uklonite podesive nožice s obe strane.

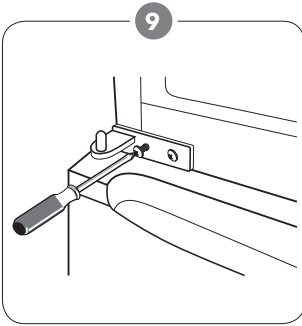
Napomena: uklonite šraf, ukoliko postoji.



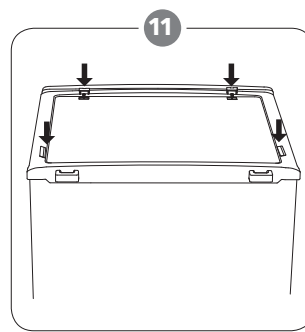
Odvrnite i uklonite donju iglu na šarci, i okrenite podupirač, zatim ga vratite.



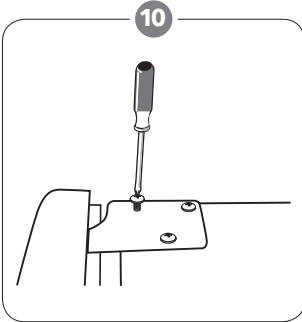
Ponovo postavite podupirač, tako što ćete staviti iglu. Vratite obe podesive nožice. Premestite donja vrata na odgovarajuću poziciju.



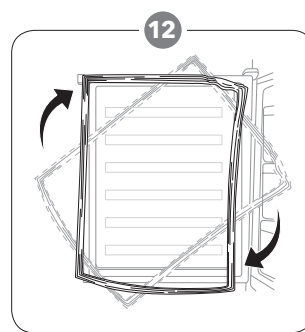
Obrnite donju šarku za 180°, zatim je premestite na levu stranu. Postavite srednju iglu sa srednje šarke u gornju rupu donjih vrata, zatim zategnite vijke.



Stavite poklopac i onda ga zašrafite.



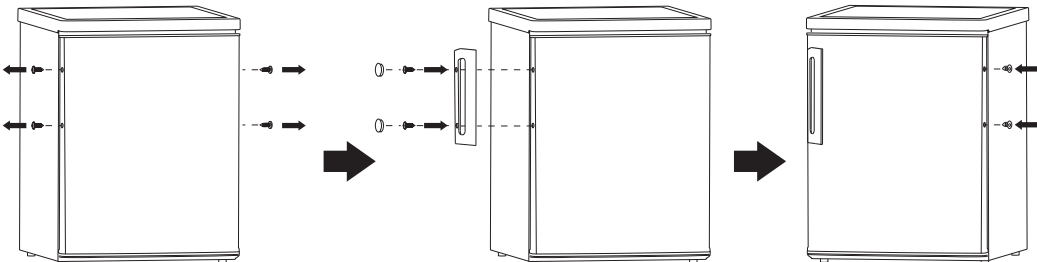
Postavite ponovo gornja vrata. Pobrinite se da vrata budu poravnana horizontalno i vertikalno, tako da guma prijanja sa svih strana, pre nego što konačno pričvrstite gornju šarku. Zatim stavite šarku, i zašrafite je na vrhu uređaja.



Uklonite zaptivke sa vrata frižidera i zamrzivača, a zatim ih zarotirajte i, nakon toga, ponovo postavite.

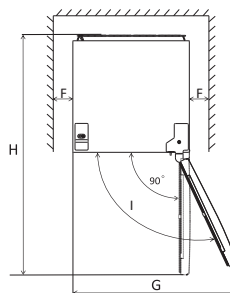
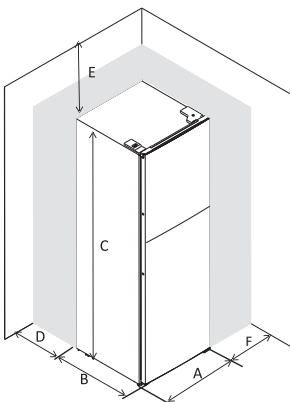
UGRADNJA UREĐAJA

Postavite spoljnu ručku za vrata (ukoliko spoljna ručka postoji)



Potrebe prostora

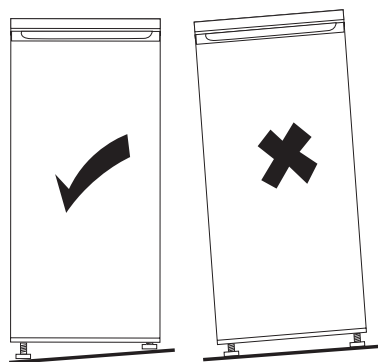
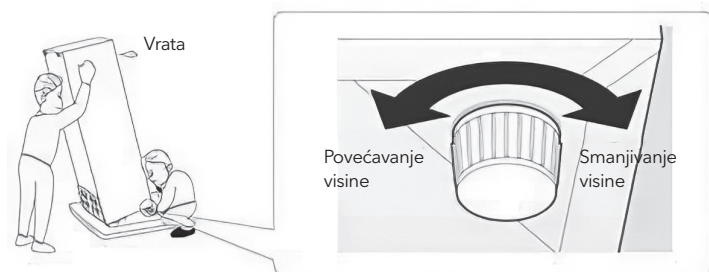
- Ostavite dovoljno mesta za otvaranje vrata.



A	500
B	580
C	1230
D	min=50
E	min=50
F	min=50
G	1000
H	1080
I	135°

Nivelacija uređaja

Kako biste ovo uradili, podesite dve podesne nožice s prednje strane uređaja. Ukoliko uređaj nije nivelisan, vrata i magnetna guma neće pravilno prijanjati.



Pozicioniranje

Postavite ovaj uređaj na mesto čija sobna temperatura odgovara klimatskoj klasi navedenoj na pločici sa podacima o uređaju:

Kod uređaja za rashlađivanje sa sledećim klimatskim klasama:

- prošireno umerena: ovaj uređaj za rashlađivanje je namenjen za upotrebu na sobnim temperaturama koje se kreću u opsegu od 10°C do 32°C (SN);
- umerena: ovaj uređaj za rashlađivanje je namenjen za upotrebu na sobnim temperaturama koje se kreću u opsegu od 16°C do 32°C (N);
- subtropska: ovaj uređaj za rashlađivanje je namenjen za upotrebu na sobnim temperaturama koje se kreću u opsegu od 16°C do 38°C (ST);
- tropska: ovaj uređaj za rashlađivanje je namenjen za upotrebu na sobnim temperaturama koje se kreću u opsegu od 16°C do 43°C (T);

Lokacija

Uređaj treba da bude postavljen daleko od izvora toplote, kao što su radijatori, bojleri, izlaganje direktnim sunčevim zracima itd. Postarajte se da vazduh slobodno cirkuliše oko zadnjeg dela frižidera, kako biste osigurali najbolju učinak. Ukoliko je uređaj postavljen ispod visećeg dela, minimalni razmak između vrha uređaja i visećeg

dela treba da bude bar 50 mm. Idealno bi bilo da uređaj ne bude postavljen ispod visećeg dela. Odgovarajuća nivelacija se postiže uz pomoć jedne ili više podesnih nožica, u zavisnosti od uređaja. Nije predviđeno da se ovaj uređaj za rashlađivanje upotrebljava kao ugradni uređaj;

⚠ UPOZORENJE!

Prekidanje napajanja uređaja mora biti omogućeno; iz tog razloga, utičnica mora biti dostupna nakon postavljanja uređaja.

Povezivanje na struju

Pre uključivanja, proverite da napon i frekvencija prikazana na tablici specifikacije odgovaraju naponu struje domaćinstva. Uređaj mora biti uzemljen. Kabl za napajanje električnom energijom je opremljen kontaktom za ovu namenu. Ukoliko utičnica u domaćinstvu nema uzemljenje, priključite uređaj na izdvojeno uzemljenje u skladu sa trenutnim propisima; konsultujte se sa kvalifikovanim električarem. Proizvođač ne snosi nikakvu odgovornost, ukoliko gore navedene preventivne mere nisu ispoštovane. Ovaj uređaj ispunjava uslove EEC direktiva.

DNEVNA UPOTREBA

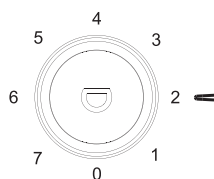
Prva upotreba

Čišćenje unutrašnjosti uređaja

Pre korišćenja uređaja po prvi put, očistite unutrašnjost i sve unutrašnje elemente mlakom vodom i neutralnim sapunom, kako biste uklonili tipičan miris novog proizvoda, a zatim ga dobro osušite.

VAŽNO! Ne koristite deterdžente ili abrazivna sredstva, budući da mogu da oštete površinu.

Podešavanje temperature



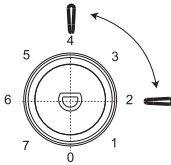
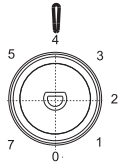
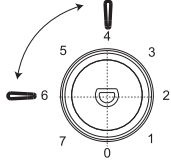
- Uključite svoj uređaj. Unutrašnju temperaturu reguliše termostat. Postoji 8 nivoa temperature, 1 je najtopliji nivo, 7 je najhladniji, i 0 znači da je uređaj isključen.
- Uređaj možda neće raditi na pravoj temperaturi, ako se nalazi u veoma toplom okruženju ili ako često otvarate vrata.

Svakodnevna upotreba

Različite vrste namirnica raspoređujte u različite odeljke, prema podacima navedenim u sledećoj tabeli

Odeljci frižidera	Vrste namirnica
Vrata ili police u vratima odeljka za rashlađivanje	<ul style="list-style-type: none"> Namirnice sa prirodnim konzervansima, poput džemova, sokova, pića, dodataka jelima. Nemojte držati kvarljive namirnice.
Crisper fioka za čuvanje svežine (fioka za čuvanje salate)	<ul style="list-style-type: none"> Voće, začinsko bilje i povrće treba držati zasebno u crisper fioci za čuvanje svežine. Banane, crni luk, paradajz i beli luk ne treba držati u frižideru.
Polica frižidera - srednja	<ul style="list-style-type: none"> Mlečni proizvodi, jaja
Polica frižidera - gornja	<ul style="list-style-type: none"> Hrana koju nije potrebno termički obrađivati, poput gotove hrane, mesnih prerađevina, ostataka hrane.
Fioka(e)/polica zamrzivača	<ul style="list-style-type: none"> Namirnice koje se drže tokom dužeg vremenskog perioda. Donja fioka/polica za sveže meso, živinsko meso, ribu. Srednja fioka/polica za smrznuto povrće, pomfrit. Gornja fioka/polica za sladoled, smrznuto voće, smrznutu kuvanu hranu.

Preporuka za temperaturna podešavanja

Spoljašnja temperatura	Odeljak zamrzivača	Odeljak frižidera
Letnja (iznad 38°C)	/	 <p>Podesite na 2~4</p>
Normalna	/	 <p>Podesite na 4</p>
Zimska (ispod 16°C)	/	 <p>Podesite na 4~6</p>

- Gorenavedeni podaci predstavljaju preporuke u vezi sa temperaturnim podešavanjima, koje su namenjene korisnicima.

Efekat na skladištenje hrane

- Pri preporučenim podešavanjima, optimalni period čuvanja hrane u frižideru iznosi ne duže od 3 dana.
- Pri preporučenim podešavanjima, optimalni period čuvanja hrane u zamrzivaču iznosi ne duže od 1 meseca.
- Pri drugim vrednostima podešavanja, optimalni period čuvanja hrane može biti kraći.

Zamrzavanje sveže hrane

- Deo za zamrzavanje je pogodan za zamrzavanje sveže hrane i čuvanje zaleđene i duboko zamrznute hrane na duži vremenski period.
- Svežu hranu stavite u pregradu na dnu, kako biste je zamrzli.
- Maksimalna količina hrane koja može biti zaleđena u 24 sata je navedena u tablici specifikacije. Proces zamrzavanja traje 24 sata: tokom ovog perioda nemojte dodavati još hrane, predviđene da se zamrzne.

Čuvanje zamrznute hrane

Ukoliko se uključuje po prvi put, ili nakon dužeg perioda van upotrebe, pre stavljanja hrane u pregradu, uređaj treba da radi najmanje 2 sata podešen na najviše vrednosti.

VAŽNO! Ukoliko dođe do slučajnog odmrzavanja, na primer, ukoliko nema struje duže nego što je prikazano u tehničkim karakteristikama pod delom "rising time", zamrznuta hrana se mora brzo upotrebiti, ili odmah termički obraditi i onda ponovo zamrznuti (nakon što je spremljena).

Odmrzavanje

- Duboko zamrznuta ili zaleđena hrana, pre upotrebe, može biti odmrznuta ili u pregradama frižidera ili na sobnoj temperaturi, u zavisnosti od raspoloživog vremena.
- Manji komadi se mogu čak pripremati za jelo iako su i dalje zaleđeni, direktno iz zamrzivača. U ovom slučaju priprema hrane traje duže.

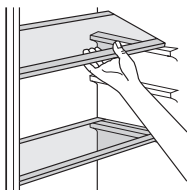
Kocke leda

Ovaj uređaj možda nije opremljen jednom ili više posuda za pravljenje kocki leda.

Prateći elementi

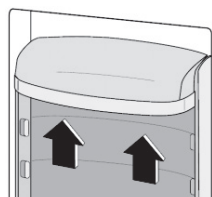
Police koje se mogu pomeriti

Zidovi frižidera imaju niz žljebova, tako da se police mogu podešavati po želji.



Podešavanje policica na vratima

Kako biste omogućili odlaganje hrane različitih veličina, police na vratima mogu biti podešene na različite nivoe. Kako biste ovo prilagodili, učinite sledeće: postepeno spuštajte policu u smeru strelice, dok se bude slobodna, a onda je pozicionirajte po potrebi.



Korisni saveti

Kako bismo vam pomogli da što bolje iskoristite proces zamrzavanja, evo nekih važnih saveta:

- maksimalna količina hrane koja može biti zaleđena u 24 sata je navedena na tablici specifikacije;
- proces zamrzavanja traje 24 sata. Tokom ovog perioda ne bi bilo poželjno dodavanje hrane za zamrzavanje;
- zamrzavajte samo kvalitetnu, svežu i potpuno očišćenu hranu;
- hrana treba da bude podeljena u manje porcije, kako bi bilo omogućeno brže i potpuno zamrzavanje, i kako bi se kasnije mogla odmrznuti samo potrebna količina;
- hranu zavijte u aluminijumsku ili polietilensku foliju i pobrinite se da pakovanja ne propuštaju vazduh; nemojte da dozvolite da nezaleđena hrana dodiruje već zaleđenu, kako biste joj izbegli porast temperature.
- nemasna hrana se čuva bolje i duže do masne; so smanjuje vek trajanja čuvane hrane;
- ukoliko se kockice leda upotrebe odmah nakon što su izvađene iz zamrzivača, mogu izazvati promrzline na koži;
- uklanjanje hrane iz dela za zamrzavanje može izazvati promrzline na koži;
- savetuje se, da na svakom paketiću smrznute hrane navedete datum zamrzavanja, da biste znali koliko dugo se čuva.

Saveti za čuvanje zamrznute hrane

Kako biste dobili najbolji učinak od ovog uređaja, treba da:

- da proverite, da je komercijalno zamrznutu hranu adekvatno čuvao prodavac;
- postarajte se da hrana bude prenesena od prodavnice do zamrzivača u najkraćem mogućem roku;
- Ne otvarajte vrata često, i ne ostavljajte ih otvorena duže nego što je potrebno. Hrana koja se jednom odmrzne brzo propada i ne može biti ponovo zamrznuta.
- Nemojte prekoračivati rok za čuvanje, koji je naznačio proizvođač.

Saveti za hlađenje sveže hrane

Kako biste dobili najbolji učinak:

- Ne čuvajte vruću hranu ili tečnosti koje isparavaju u frižideru
- Pokrijte ili uvijte hranu, naročito ako ima jak miris
- Meso: uvijte u polietilenske kese i stavite na staklene police iznad fioke za povrće.
- Radi sigurnosti, hranu na ovaj način čuvajte jedan dan, najviše dva.
- Kuvana hrana, hladna jela, itd...: treba ih pokriti i mogu se odložiti na bilo koju policu.
- Voće i povrće: treba da bude temeljno oprano i odloženo u fioke, namenjene za njihovo čuvanje.
- buter i sir: treba da budu stavljeni u specijalne posude koje ne propuštaju vazduh, ili zavijeni u aluminijumske folije ili polietilenske kese kako bi se uklonilo što više vazduha.
- Boce s mlekom/jogurtom: treba da budu zatvorene i da se čuvaju u policama na vratima.
- Banane, krompir, luk i beli luk, ukoliko nisu zapakovani, ne smeju biti čuvani u frižideru.

Čišćenje

Iz higijenskih razloga unutrašnjost uređaja, uključujući i unutrašnje elemente, treba čistiti redovno.

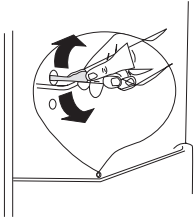
! OPREZ!

Uređaj ne sme biti povezan strujom tokom čišćenja. Postoji opasnost od strujnog udara! Pre čišćenja uređaja, isključite ga i prekinite dotok električne energije, ili isključite automatsku sklopku ili osigurač. Uređaj nikako ne čistite paročistačem. Vлага može da se nakupi u električnim komponentama, opasnost od strujnog udara! Vrela isparenja mogu dovesti do oštećenja plastičnih delova. Uređaj mora biti suv pre ponovne upotrebe.

VAŽNO! Eterična ulja i organski rastvarači mogu nagristi plastične delove, na primer limunov sok, ili sok od pomorandžine kore, karboksilne kiseline, sredstva za čišćenje koja sadrže sircetnu kiselinu.

Čišćenje odvoda

Kako biste izbegli da odleđena voda ulazi u frižider, povremeno očistite odvod na zadnjoj strani dela za hlađenje. Koristite sredstvo za čišćenje, da biste očistili rupu, kako je prikazano na desnoj slici.



- Ne dozvolite da ovakve supstance dođu u kontakt sa delovima uređaja.
- Nemojte koristiti abrazivna sredstva za čišćenje
- Uklonite hranu iz zamrzivača. Hranu čuvajte na hladnom mestu, i dobro je pokrijte.
- Isključite uređaj i prekinite dotok električne energije, ili isključite automatsku sklopku ili osigurač.
- Očistite uređaj i unutrašnje elemente tkaninom i mlakom vodom. Nakon čišćenja isperite čistom vodom i osušite krpom.
- Nakon što sve bude suvo, ponovo uključite uređaj.

¹ Ukoliko je kondenzator pozicioniran na poledini uređaja.

Otapanje zamrzivača

Vremenom će deo za zamrzavanje biti prekriven slojem leda. Njega treba ukloniti. Nikad ne koristite oštre metalne alate da biste skinuli led sa isparivača, budući da ga tako možete oštetiti.

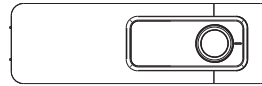
Međutim, ukoliko je sloj leda veoma debeo sa unutrašnje strane, potpuni proces odleđivanja treba obaviti na sledeći način:

- prekinite napajanje uređaja strujom;
- uklonite svu hranu iz uređaja, umotajte je u nekoliko slojeva novina i odložite je na hladno mesto;
- držite vrata otvorena, i postavite ne previše duboku posudu ispod uređaja, kako bi se tu sakupljala odleđena voda;
- kada proces odleđivanja bude gotov, temeljno osušite unutrašnjost, ponovo povežite uređaj na napajanje.

Menjanje sijalice

! OPREZI!

Unutrašnje svetlo je tipa LED. Kako biste uklonili sijalicu, molimo vas da kontaktirate kvalifikovanog majstora.



REŠAVANJE PROBLEMA

! OPREZI!

Pre rešavanja problema, prekinite napajanje električnom energijom. Samo kvalifikovani električar ili kompetentna osoba treba da reši problem koji nije naveden u ovom uputstvu.

VAŽNO! Postoje određeni zvukovi, koje uređaj proizvodi tokom normalne upotrebe (kompresor, rashladni deo uređaja).

Problem	Mogući uzrok	Rešenje
Uređaj ne radi	Regulator temperature je postavljen na "0".	Postavite regulator temperature na neki drugi broj, kako biste uključili uređaj.
	Uređaj nije priključen na strujno kolo.	Utaknite utikač.
	Osigurač je ispio ili je neispravan.	Proverite osigurač, zamenite ga ako je potrebno.
	Utičnica je neispravna.	Kvarove utikača treba da popravi električar.
Hrana je pretopla.	Temperatura nije pravilno podešena.	Molimo vas, pogledajte odeljak za osnovni nivo temperature.
	Vrata su bila otvorena duže vremena.	Držite vrata otvorenim samo onoliko, koliko je potrebno.
	Velika količina tople hrane je stavljena u uređaj u poslednja 24 sata.	Podesite regulator temperature na privremeno na nižu temperaturu.
	Uređaj je blizu izvora toplote.	Molimo vas, pogledajte odeljak za lokaciju i instalaciju.
Uređaj previše hladi	Regulator temperature je podešen na hladno.	Podesite regulator temperature na privremeno na višu temperaturu
Neobični zvukovi	Uređaj nije nivelisan.	Ponovo podesite nožice.
	Uređaj dodiruje zid ili druge predmete.	Malo pomerite uređaj.
	Deo, kao što je cevovod na zadnjoj strani uređaja, dodiruje druge delove uređaja ili zid.	Ukoliko je potrebno, pažljivo uklonite deo koji predstavlja prepreku.
Voda na podu	Odvod je blokiran.	Pogledajte odeljak za čišćenje.
Ploča sa strane je vruća	Kondenzator je unutar ploče.	To je normalno.

Ukoliko se kvar pojavi ponovo, kontaktirajte Servisni centar.

TESLA

tesla.info

Ovaj dokument je originalno proizveden i objavljen od strane proizvođača, brenda Tesla, i preuzet je sa njihove zvanične stranice. S obzirom na ovu činjenicu, Tehnoteka ističe da ne preuzima odgovornost za tačnost, celovitost ili pouzdanost informacija, podataka, mišljenja, saveta ili izjava sadržanih u ovom dokumentu.

Napominjemo da Tehnoteka nema ovlašćenje da izvrši bilo kakve izmene ili dopune na ovom dokumentu, stoga nismo odgovorni za eventualne greške, propuste ili netačnosti koje se mogu naći unutar njega. Tehnoteka ne odgovara za štetu nanесenu korisnicima pri upotrebi netačnih podataka. Ukoliko imate dodatna pitanja o proizvodu, ljubazno vas molimo da kontaktirate direktno proizvođača kako biste dobili sve detaljne informacije.

Za najnovije informacije o ceni, dostupnim akcijama i tehničkim karakteristikama proizvoda koji se pominje u ovom dokumentu, molimo posetite našu stranicu klikom na sledeći link:

<https://tehnoteka.rs/p/tesla-kombinovani-frizider-rd1600h1-akcija-cena/>