

Uputstvo za upotrebu

TESLA frižider RS1100M1

TESLA



Tehnoteka je online destinacija za upoređivanje cena i karakteristika bele tehnike, potrošačke elektronike i IT uređaja kod trgovinskih lanaca i internet prodavnica u Srbiji. Naša stranica vam omogućava da istražite najnovije informacije, detaljne karakteristike i konkurentne cene proizvoda.

Posetite nas i uživajte u ekskluzivnom iskustvu pametne kupovine klikom na link:

<https://tehnoteka.rs/p/tesla-frizider-rs1100m1-akcija-cena/>

TESLA

REFRIGERATOR

RS1100M1

User Manual

ENG

BiH/
CG

HR

MK

RO

SLO

SRB



Product images are for illustrative purposes only and may differ from the actual product.

DEAR CUSTOMER:

Thank you for buying this refrigerator. To ensure that you get the best results from your new refrigerator, please take time to read through the simple instructions in this booklet.

Please ensure that the packing material is disposed of in accordance with the current environmental requirements.

When disposing of any refrigerator equipment please contact your local waste disposal department for advice on safe disposal.

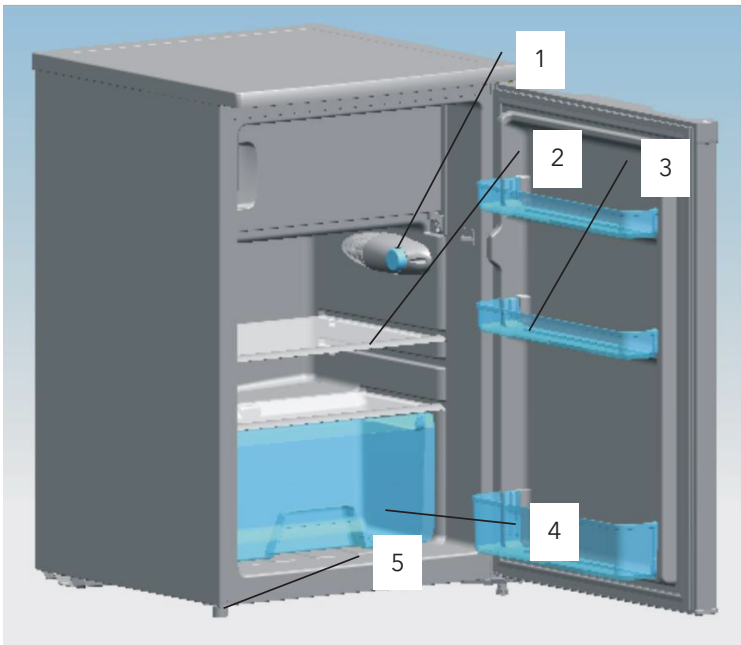
This appliance must be only used for its intended purpose.

CAUTION:

The appliance is not intended for use by young children or infirm persons without supervision. Young children should be supervised to ensure that they do not play with the appliance.

GENERAL

This type of refrigerator is widely used in places such as hotels ,offices, student dormitories and houses. It is mostly suitable for preserving foods such as fruits and beverage. It enjoys the advantages of small size, lightweight, low electric consumption and easy use.



Main configuration:

- | | |
|-------------------|----------------|
| 1. Thermostat | 4. Crisper |
| 2. Glass shelf | 5. Leveler leg |
| 3. Plastic pallet | |

UNPACKING YOUR REFRIGERATOR

WARNING: Use two or more people to move refrigerator.

Failure to do so can result in back or other injury.

- Remove tape and any labels from your refrigerator before using (except the rating label).
- To remove any remaining tape or glue, rub the area briskly with your thumb.
- Tape or glue residue can also be easily removed by rubbing a small amount of liquid dish soap over the adhesive with your fingers. Wipe with warm water and dry.
- Do not use sharp instruments, rubbing alcohol, flammable fluids, or abrasive cleaners to remove tape or glue. These products can damage the surface of your refrigerator.
- When moving the refrigerator, do not tilt the refrigerator beyond 45° from upright position.

CLEANING BEFORE USE:

After you remove all of the packaging materials, especially the foam between outside condenser and cabinet should be removed clean the inside of your refrigerator before using it.

SPACE REQUIREMENTS

WARNING: Keep flammable materials and vapors, such as gasoline, away from refrigerator.

Failure to do so can result in death, explosion, fire or burns.

- To ensure proper ventilation for your refrigerator, allow for 200mm space on each side between walls, 200mm space between back of your refrigerator and the wall, and 300mm space between counter top and the roof or ceiling.
- If you are installing your refrigerator next to a fixed wall, leave sufficient space on the hinge side to allow for the door to swing open.
- Never install your refrigerator near a heat source and direct sun light.

ELECTRICAL REQUIREMENT

WARNING: DO NOT REMOVE GROUND PRONG.

DO NOT USE AN ADAPTOR.

DO NOT USE EXTENSION CORD.

Failure to follow these instructions can result in death, fire or electrical shock.

Before you move your refrigerator into its final location, it is important to make sure you have the proper electrical connection.

Recommended Earthing Method

A 220~240 Volt /50 Hz AC only 10 ampere fused and properly earthed electrical supply is required. It is recommended that a separate circuit serving only this appliance be provided. Use a receptacle which cannot be turned off with a switch or pull chain. Do not use an extension cord.

NOTE: Before performing any type of installation, disconnect the refrigerator from the electrical source. When you are finished, connect the refrigerator to the electrical source and reset the control to the desired setting.

LEVELING

If the refrigerator is not leveled during installation. The doors may not close or seal properly, causing cooling, frost, or moisture problems. It is very important of the refrigerator to be level in order to function properly. To level your refrigerator you may either turn the level leg clockwise to raise that side to the refrigerator or turn counter - clockwise to lower that side.

NOTE: Having someone push against the top of the refrigerator take some weight off the leveling leg. This makes it easier to adjust the leveling leg.

USE OF THE APPLIANCE

To obtain the best possible results form your refrigerator, it is important that you operate it properly.

Temperature Control

Controls for the refrigerator and freezer are located at the top shelf of the refrigerating compartment.

When you first install your refrigerator, set the Thermostat knob at 3. Give your refrigerator time to cool down completely before adding food. It is best to wait 24 hours before adding food.

The thermostat knob controls the temperature. The higher number setting, the longer the compressor will run to keep the temperature colder.

When the thermostat control knob is set to **OFF**, the refrigerator is not running,

Fresh Food Storage

Wrap or store food in the refrigerator in airtight and moisture - proof material. This prevents food odor and taste transfer throughout refrigerator.

Fruit	Wash, let dry and store in refrigerator in plastic bags or crisper.
Leafy vegetables	Remove wrapping and trim or tear off bruised and discolored areas, wash in cold water and drain. Place in plastic bag or plastic container and store in crisper.
Fish	Use fresh fish the same day as purchased.
Meat	Store most meat in original wrapping as long as it is airtight and moistureproof. Rewrap if necessary.
Leftovers	Over leftovers with plastic wrap or aluminum foil. Plastic containers with tight lid can also be used.

Frozen Food Storage

The freezer compartment is designed for storing frozen food and for freezing food at home.

Successful freezing depends on the correct packaging. When you close and seal the package you must not allow air or moisture in or out. If you do, you could have food odor and taste transfer throughout the refrigerator, and also dry out frozen food.

Note: Never put bottled food or drinks in the freezer compartment. For best performance, leave enough space in the freezer and refrigerator compartment for air to circulate around the packages. Also let enough room at the front so the door can close tightly.

Defrosting

Refrigerator compartment	Defrosting process is automatic by thermostat knob. Melted frost flows into the drip tray and evaporates.
Freezer compartment	Defrosting for the freezer compartment is by manual process.

- Turn the thermostat knob to set at OFF position and leave open the freezer door.
- Remove all foods, ice cube tray and shelf or transfer to refrigerating compartment.
- Clean and wipe out the melted frost with a cloth.
- After defrosting, turn thermostat knob to origin position.

Note: To avoid damaging the freezing compartment wall, do not use any sharp objects to remove the frost or separate the frozen food.

Cleaning your refrigerator

Before you start to clean your refrigerator remove the mains plug from the power supply.

Use a clean sponge or soft and a mild detergent in warm water. Do not use abrasive or harsh cleaners. Hand wash, rinse and dry all surfaces thoroughly.

Do not use cleaning waxes, concentrated detergents, bleaches or cleaners containing petroleum on plastics and rubber parts.

Never use paper towels, window sprays, scouring cleansers or flammable fluids on plastic parts as these can scratch or damage material.

Clean with a cloth soaked in this solution and then dry with a soft cloth.

PROLONGED OFF PERIODS

If the refrigerator is not in use for a long period of time, proceed as follows: Disconnect the refrigerator from the main supply by removing the plug from the wall socket.

Clean and dry the inside as instructed under the heading of cleaning the refrigerator.

Leave the door open to prevent any unpleasant smells from building up while the refrigerator is not in use.

TROUBLESHOOTING

In case of malfunction, you can solve many common problems easily.

If your refrigerator will not operate, check if:

- The power supply cord is unplugged.
- The thermostat knob is set to **OFF** position.

If the light is not working, check if:

- The power supply cord is unplugged.
- The thermostat knob is set to OFF position.
- A light bulb is loose in the socket.
- A light bulb has burned out.

If food in the refrigerator compartment is freezing, check if:

- The thermostat knob is set too cold.
- The position of food stored touches the refrigerant power of refrigerator back wall.

If food in the refrigerator compartment is not cold, check if:

- The air vents are blocked in the compartment. This prevents the movement of cold air.
- The door(s) are opened too often or not close properly.
- A large amount of food has just been added to the refrigerator or refrigerator compartment.
- The position of thermostat knob is adjusted too low.

If melted frost leak over compartment inside or on floor, check if:

- The drain - off mouth entrance is blocked.
- Evaporator pan is in place

If the refrigerator seems to make unusual noise, check if:

- The refrigerator is leveled on the floor.
- The body of the refrigerator touches the wall.
- The drip tray is not placed properly

If there is interior moisture build - up, check if:

- The air vents are blocked in the refrigerator.
- The door is opened often.
- The room is humid.
- The food is not packaged correctly.
- The control is not set correctly of the surrounding conditions.

If the doors will not close completely, check if:

- The shelves are out of position
- The gaskets are dirty.
- The fridge is not level.

1. **WARNING:** Keep ventilation openings, in the appliance enclosure or in the built-in structure, clear of obstruction.
2. **WARNING:** Do not use mechanical devices or other means to accelerate the defrosting process, other than those recommended by the manufacturer.
3. **WARNING:** Do not damage the refrigerant circuit.
4. **WARNING:** Do not use electrical appliances inside the food storage compartments of the appliance, unless they are of the type recommended by the manufacturer.
5. The appliance has to be unplugged after use and before carrying out user maintenance on the appliance.
6. This appliance is not intended for use by persons (including children) with reduced physical, sensory or mental capabilities, or lack of experience and knowledge, unless they have been given supervision or instruction concerning use of the appliance by a person responsible for their safety.
7. Children should be supervised to ensure that they do not play with the appliance.
8. If the supply cord is damaged, it must be replaced by the manufacturer, its service agent or similarly qualified persons in order to avoid a hazard.
9. Please abandon the refrigerator according to local regulators for its use flammable blowing gas and refrigerant.
10. Please according to local regulations regarding disposal of the appliance for its flammable refrigerant and blowing gas. Before you scrap the appliance, please take off the doors to prevent children trapped.

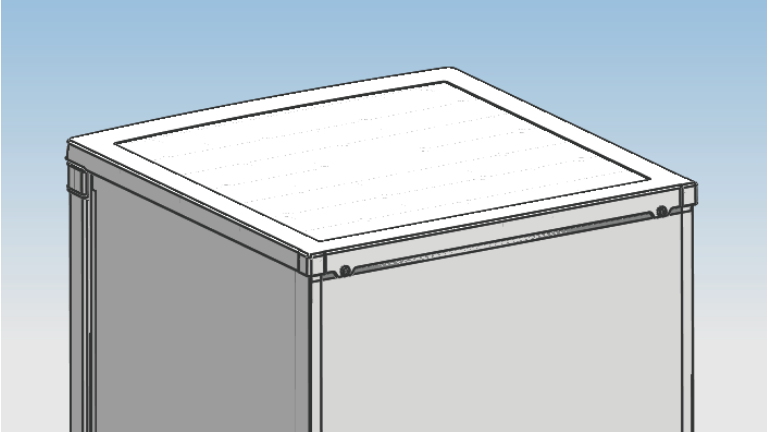


Correct Disposal of this product

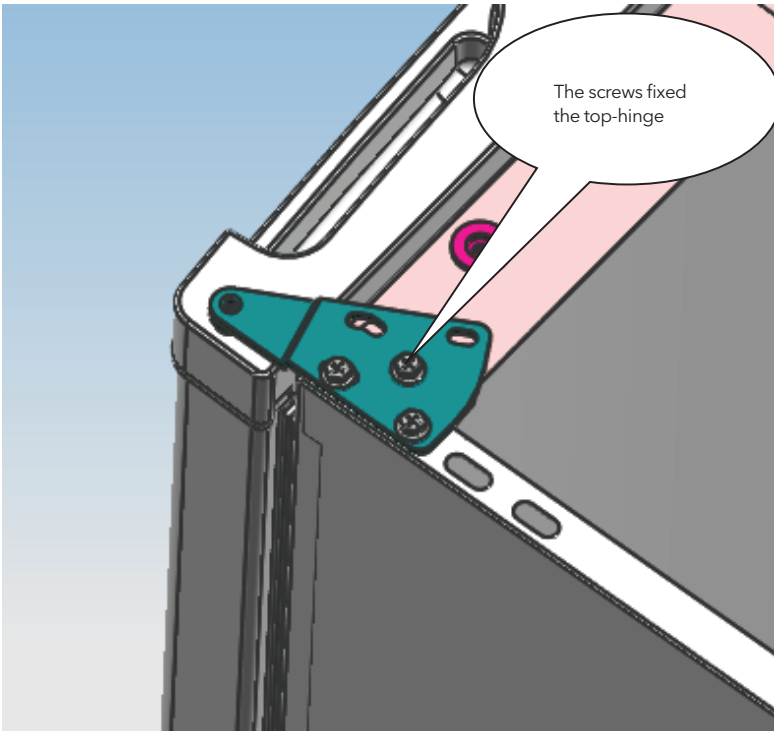
This marking indicates that this product should not be disposed with other household wastes throughout the EU. To prevent possible harm to the environment or human health from uncontrolled waste disposal, recycle it responsibly to promote the sustainable reuse of material resources. To return your used device, please use the return and collection systems or contact the retailer where the product was purchased. They can take this product for environmental safe recycling.

Refrigerator door install guidelines about swapping left&right

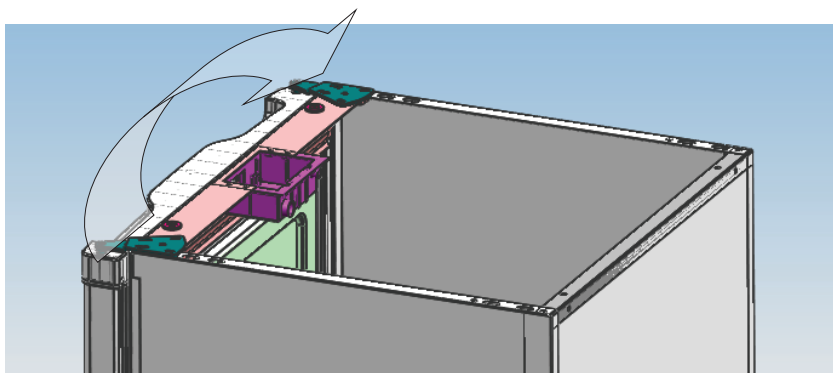
1. Disassemble the screws behind the fixed roof with cross-slot screwdriver and remove the cover from the refrigerator.



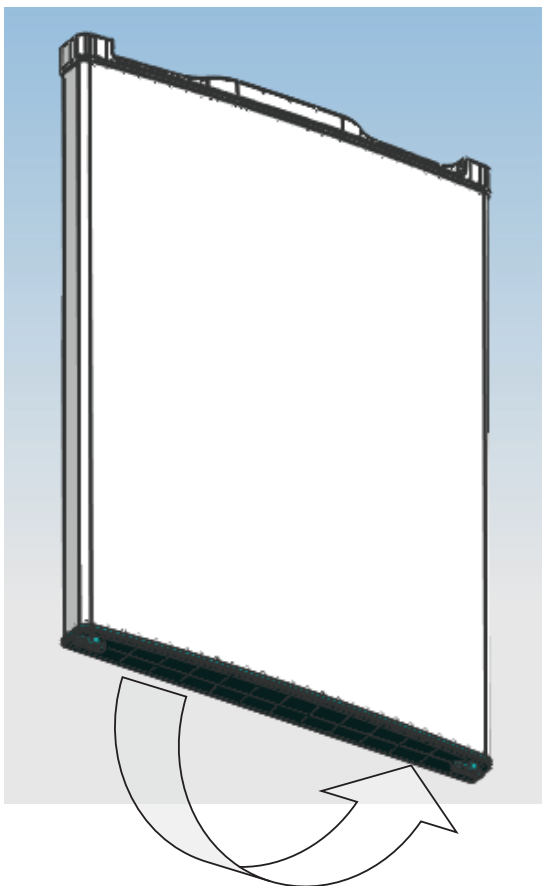
2. Remove the screws fixed the top-hinge with cross-slot screwdriver.



3. Replace the top-hinge and the door limit block and the door bearing bush to the other side
- A. Replace the top-hinge.

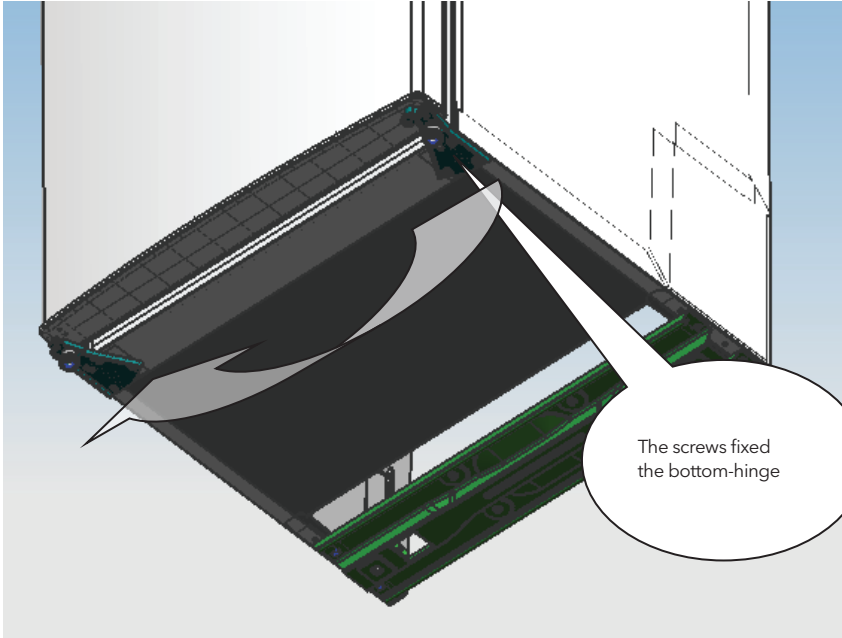


- B. Replace the door bearing bush and the limit block.

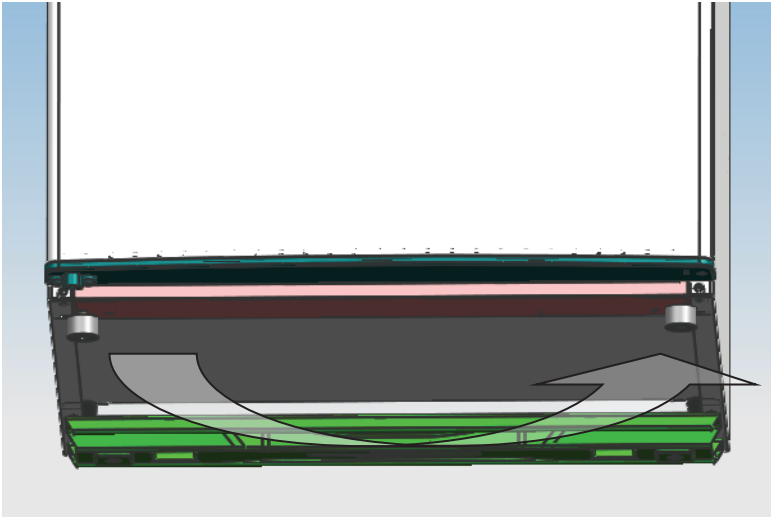


4. Disassemble the screws fixed the bottom-hinge with cross-slot screwdriver and replace the hinge to the other side then fix it with screws.

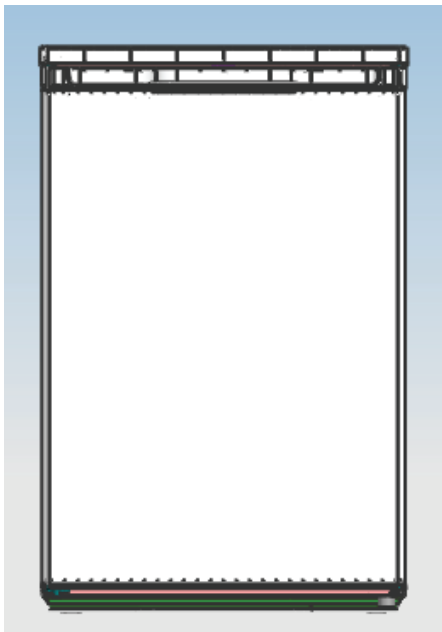
Note: The refrigerator incline angle less 45°.



5. Replace the leveler to the other side and adjust it to make sure the cabinet level



6. Set the door right position,fix the top-hinge and then the roof cover.



- Ensure the Appliance is unplugged and empty.
- Adjust the two leveling feet to their highest position.
- We recommend you have someone to assist you.

NOTE:

To take the door off it is necessary to tilt the Appliance backward.
You should rest the Appliance on something solid e.g.a chair just below the top panel.

Do not lay the Appliance completely flat as this may damage the coolant system.

POŠTOVANOM POTROŠAČU:

Hvala što ste kupili ovaj frižider. Da biste na najbolji način koristili svoj novi frižider, odvojite vrijeme da pročitate jednostavna uputstva sadržana u ovoj brošuri.

Uvjerite se da je odlaganje pakovanog materijala obavljeno u skladu sa važećim zahtjevima o zaštiti životne sredine.

Prilikom odlaganja bilo kakve opreme za frižider, za savjete o bezbjednom odlaganju se obratite svom lokalnom sektoru za odlaganje otpada.

Ovaj uređaj se mora koristiti isključivo u svrhe za koje je namjenjen.

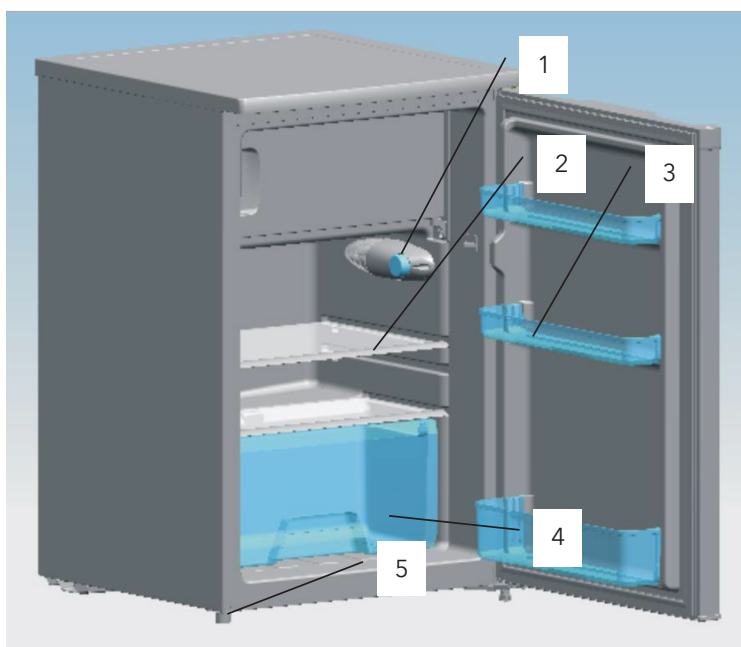
OPREZ:

Ovaj uređaj ne treba da bez nadzora koriste mala djeca ili nemoćne osobe.

Malu djecu je potrebno nadgledati kako biste bili sigurni da se ne igraju uređajem.

OPŠTI PODACI

Ovaj tip frižidera je u širokoj upotrebi u objektima poput hotela, kancelarija, studentskih domova i u domaćinstvima. Najpogodniji je za čuvanje hrane poput voća i pića. Njegova prednost su male dimenzije, mala težina, mala potrošnja električne energije i jednostavna upotreba.



Glavna konfiguracija:

- | | |
|---------------------|--------------------------------------|
| 1. Termostat | 4. Crisper fioka za čuvanje svježine |
| 2. Staklena polica | 5. Nožica za nivelisanje |
| 3. Plastična polica | |

RASPAKIVANJE VAŠEG FRIŽIDERA

UPOZORENJE: Frižider treba da pomjeraju dvije ili više osoba.

Ukoliko se ne pridržavate ovog upozorenja, možete povrijediti leđa ili izazvati neku drugu povredu.

- Prije upotrebe, uklonite selotejp i sve naljepnice (osim naljepnice sa razredom).
- Kako biste uklonili preostali selotejp ili ljepek, energično protrljajte površinu palcem.
- Ostaci selotejpa ili ljepka se lako mogu ukloniti i utrljavanjem male količine tečnosti za posude prstima preko sloja ljepka. Obrišite toplom vodom i osušite.
- Ne upotrebljavajte oštre predmete i ne utrljavajte alkohol, zapaljive tečnosti ili abrazivna sredstva za čišćenje da uklonite selotejp ili ljepek. Pomenuti proizvodi mogu da oštete površinu vašeg frižidera.
- Prilikom premještanja frižidera, ne naginjte ga više od 45° u odnosu na njegov uspravni položaj.

ČIŠĆENJE PRIJE UPOTREBE:

Nakon što uklonite sav pakovani materijal (treba posebno povesti računa da se ukloni pjenasta zaštita između spoljašnjeg kondenzatora i vitrine), a prije upotrebe frižidera, očistite njegovu unutrašnjost.

ZAHTJEVI U VEZI SA PROSTOROM

UPOZORENJE: Zapaljive materijale i isparenja, poput plina, držite dalje od frižidera. Ukoliko ovo ne učinite, možete izazvati smrt, eksploziju, požar ili opekotine.

- Kako biste osigurali odgovarajuću ventilaciju frižidera, ostavite razmak od 200 mm sa obje strane frižidera, 200 mm između zadnjeg dijela frižidera i zida, i 300 mm između gornje površine uređaja i površine koja ga natkriva ili plafona.
- Ukoliko svoj frižider postavljate pored fiksnog zida, ostavite dovoljno prostora za otvaranje vrata na strani na kojoj se nalaze šarke.
- Nikada ne postavljajte frižider u blizini izvora toplote i na mjestima izloženim direktnim sunčevim zrakama.

ZAHTJEV U VEZI SA ELEKTRONIKOM

**UPOZORENJE: NE UKLANJAJTE KRAK ZA UZEMLJENJE.
NE UPOTREBLJAVAJTE ADAPTER.
NE UPOTREBLJAVAJTE PRODUŽNI KABL.**

Ukoliko se ne pridržavate pomenutih uputstava, možete izazvati smrt, požar ili strujni udar. Prije nego što svoj frižider donesete na njegovu trajnu lokaciju, važno je provjeriti da li raspoložete odgovarajućim električnim priključcima.

Preporučeni način uzemljenja

Potrebna je dovod struje od 220~240 volti /50 Hz AC, koji je povezan na osigurač od 10 ampera i propisno uzemljen. Preporučuje se da se za ovaj uređaj obezbijedi posebna strujna linija. Upotrebljavajte utičnicu koja se ne isključuje prekidačem ili lancem. Ne upotrebljavajte produžni kabl.

NAPOMENA: Prije nego što započnete sa bilo kakvom instalacijom, isključite frižider iz struje. Kada završite, priključite frižider na struju i podesite kontrole na željena podešavanja.

NIVELISANJE

Ukoliko frižider tokom instalacije nije iznivelisan vrata se možda neće dobro zatvarati ili neće dobro naleći, što izaziva probleme sa hlađenjem, formiranjem leda ili vlagom. Da bi radio pravilno, veoma je važno da frižider bude iznivelisan. Da iznivelirate svoj frižider, okrećite nožicu za nivelisanje u smjeru kretanja kazaljke na satu kako biste podigli tu stranu frižidera, ili u smjeru suprotnom od kretanja kazaljke na satu kako biste spustili tu stranu frižidera.

NAPOMENA: Neka vam neko pomogne tako što će odgurнути gornji deo frižidera, i na taj način umanjiti težinu koja pritiska nožicu za nivelisanje. Tako ćete lakše podesiti nožicu za nivelisanje.

UPOTREBA UREĐAJA

Da biste frižider koristili na najbolji način, važno je da njime rukujete na odgovarajući način.

Kontrola temperaturnih vrijednosti

Kontrolni tasteri za frižider i zamrzivač nalaze se na najvišoj polici rashladne pregrade. **Prilikom prvog postavljanja frižidera, dugme termostata podesite na 3.** Prije nego što počnete da odlažete hranu, ostavite frižider da se potpuno ohladi. Najbolje je sačekati 24 sata prije stavljanja hrane u frižider. Dugmetom termostata se kontroliše temperatura. Što je podešeni broj veći, kompresor će duže raditi da temperaturu zadrži na što nižem nivou.

Ukoliko je dugme za kontrolu termostata podešeno na **ISKLUČENO (OFF)**, frižider neće raditi..

Čuvanje svježih hrane

Hranu čuvajte u frižideru bilo umotanu, bilo u hermetički zatvorenim posudama, otpornim na vlagu. Na ovaj način sprječavate da se miris i ukus hrane širi frižiderom.

Voće	Operite, ostavite da se osuši i držite u frižideru u plastičnim kesama ili u Crisper fioci za čuvanje svježine.
Lisnato povrće	Skinite omotač i odsijecite ili otkinute dijelove koji su oštećeni ili koji su promijenili boju, operite hladnom vodom i ocijedite. Stavite u plastičnu kesu ili plastičnu posudu i čuvajte u Crisper fioci za čuvanje svježine.
Riba	Svježu ribu upotrebite istog dana kada je i kupite.
Meso	Većinu mesa čuvajte u originalnoj ambalaži ukoliko je hermetički zatvorena i otporna na vlagu. Po potrebi, ponovo umotajte.
Ostaci hrane	Ostatke hrane pokrijte plastičnom ili aluminijumskom folijom. Mogu se koristiti i plastične posude sa poklopcem koji čvrsto naliježe.

Čuvanje smrznute hrane

Pregrada za zamrzavanje je napravljena za čuvanje smrznute hrane i za zamrzavanje hrane u domaćinstvu. Da li će proces zamrzavanja biti uspješan zavisi od toga u kojoj mjeri je pakovanje odgovarajuće. Kada hermetički zatvorite pakovanje, vazduh ili vlaga ne smiju ulaziti u ili izlaziti iz pakovanja. Ukoliko se dogodi suprotno, miris i ukus hrane se može proširiti frižiderom, ali i dovesti do sušenja smrznute hrane.

Napomena: Nikada ne stavljajte flaširanu hranu ili pića u pregradu zamrzivača. Za najbolji učinak, ostavite dovoljno prostora u pregradama zamrzivača i frižidera kako bi vazduh mogao da cirkuliše oko pakovanja. Također, ostavite dovoljno prostora u prednjem dijelu kako bi vrata mogla da se dobro zatvore.

Otapanje

Pregrada frižidera	Postupak otapanja se obavlja automatski pomoću dugmeta termostata. Otopljeni led se sliva u posudu za skupljanje vode i automatski isparava.
Pregrada zamrzivača	Otapanje pregrade zamrzivača se vrši ručno.

- Okrenite dugme termostata i postavite ga u poziciju **ISKLJUČENO (OFF)**, a vrata zamrzivača ostavite otvorena.
- Uklonite svu hranu, posudu za kocke leda i police ili sve ovo prebacite u rashladnu pregradu.
- Otopljeni led očistite i obrišite krpom.
- Nakon otapanja, vratite dugme termostata na prethodnu poziciju.

Napomena: Kako biste izbjegli oštećenje zidova pregrade za zamrzavanje, ne upotrebljavajte oštre predmete za uklanjanje leda ili odvajanje smrznute hrane.

Čišćenje vašeg frižidera

Prije nego što počnete da čistite frižider, izvucite utikač iz struje.

Koristite čistu spužvu ili mekanu krpu i blagi deterdžent rastvoren u toploj vodi. Ne upotrebljavajte abrazivna ili agresivna sredstva za čišćenje.

Rukom temeljno operite, isperite i osušite sve površine.

Ne upotrebljavajte paste za poliranje, koncentrovane deterdžente, izbjeljivače ili sredstva za čišćenje koja sadrže naftu pri čišćenju plastičnih i gumenih dijelova.

Nikada ne upotrebljavajte papirne ubruse, tečnost za pranje prozora, abrazivna sredstva za čišćenje ili zapaljive tečnosti pri čišćenju plastičnih dijelova, jer mogu izgubiti ili oštetiti materijal.

Očistite krpom potopljenom u pomenuti rastvor, a zatim osušite mekanom krpom.

PERIODI DUŽE NEUPOTREBE

Ukoliko se frižider ne upotrebljava tokom dužeg vremenskog perioda, pristupite sljedećim koracima:

- Isključite frižider iz struje tako što ćete utikač izvući iz utičnice.
- Očistite i osušite unutrašnjost uređaja na način predstavljen u odjeljku koji se bavi čišćenjem frižidera.
- Vrata ostavite otvorena kako biste spriječili stvaranje neprijatnih mirisa tokom perioda neupotrebe frižidera.

OTKLANJANJE PROBLEMA

U slučaju kvara, mnoge uobičajene probleme možete lako otkloniti.

Vaš frižider ne radi, provjerite da li je:

- Kabl za napajanje isključen iz struje.
- Dugme termostata podešeno na **ISKLJUČENO (OFF)**.

Lampica ne radi, provjerite da li je:

- Kabl za napajanje isključen iz struje.
- Osigurač ili sklopka iskočila.
- Sijalica izgubila kontakt sa grlom.
- Sijalica pregorjela.

Hrana se ledi unutar pregrade frižidera, provjerite da li je:

- Dugme termostata podešeno tako da uređaj pretjerano hladi.
- Hrana u frižideru pozicionirana tako da dodiruje dio kojim cirkuliše rashladno sredstvo na zadnjem zidu frižidera.

Hrana unutar pregrade frižidera nije hladna, provjerite sljedeće:

- Da li su ventilacioni otvori unutar pregrade blokirani. Na ovaj način se sprječava cirkulisanje hladnog vazduha.
- Da li se vrata previše često otvaraju ili se ne zatvaraju pravilno.
- Da li je u frižider ili u pregradu frižidera nedavno ostavljena velika količina hrane.
- Da li je dugme termostata postavljeno na pretjerano male vrijednosti.

Led koji se otopio je procureo po unutrašnjosti pregrade ili na pod, provjerite da li je:

- Otvor slivnika blokiran.
- Posuda za isparavanje na svom mjestu.

Čini se da frižider pravi neobičnu buku, provjerite da li je:

- Frižider iznivelisan.
- Tijelo frižidera postavljeno tako da dodiruje zid.
- Posuda za skupljanje vode pravilno postavljena.

Dolazi do formiranja vlage u unutrašnjosti uređaja, provjerite sledeće:

- Da li su ventilacioni otvori unutar frižidera blokirani.
- Da li se vrata često otvaraju.
- Da li je vlažnost u prostoriji povišena.
- Da li je hrana nepravilno spakovana.
- Da li su kontrolna podešavanja neodgovarajuća za okolne uslove.

Vrata se ne zatvaraju u potpunosti, provjerite sledeće:

- Da li su police nepravilno postavljene
- Da li su zaptivke zaprljane.
- Da li je frižider iznivelisan.

1. **UPOZORENJE** - Povedite računa da ventilacioni otvori ne budu blokirani unutar ugradbenog dijela ili ugradbene konstrukcije za uređaj.
2. **UPOZORENJE** - Ne upotrebljavajte mehanička sredstva ili druge postupke za ubrzavanje procesa otapanja, ukoliko nisu preporučeni od strane proizvođača.
3. **UPOZORENJE** - Ne oštećujte instalacije za rashladno sredstvo.
4. **UPOZORENJE** - Ne upotrebljavajte električne uređaje unutar pregrada za čuvanje hrane ovog uređaja, osim ukoliko su u pitanju tipovi preporučeni od strane proizvođača.
5. Uređaj je potrebno isključiti iz struje nakon upotrebe, a prije njegovog korisničkog održavanja.
6. Ovaj uređaj ne treba da upotrebljavaju osobe (uključujući djecu) sa umanjnim fizičko-senzornim ili mentalnim sposobnostima ili nedostatkom iskustva i znanja, osim ukoliko su pod nadzorom ili ako ih je za korištenje uređaja obučila osoba odgovorna za njihovu bezbjednost.
7. Djecu je potrebno nadgledati kako biste bili sigurni da se ne igraju uređajem.
8. Ukoliko je kabl za napajanje oštećen, potrebno je da njegovu zamjenu obavi proizvođač, njegov ovlašteni serviser ili lica sa sličnim kvalifikacijama kako bi se izbjegao nastanak opasnosti.
9. Frižider odložite u skladu sa lokalnim propisima jer se za njegov rad upotrebljavaju zapaljivi eksplozivni gas i rashladno sredstvo.
10. Poštujte lokalne propise prilikom odlaganja uređaja, jer se za njegov rad upotrebljavaju zapaljivo rashladno sredstvo i eksplozivni gas. Prije nego što odložite uređaj, skinite vrata kako biste spriječili zatvaranje djece unutar uređaja.

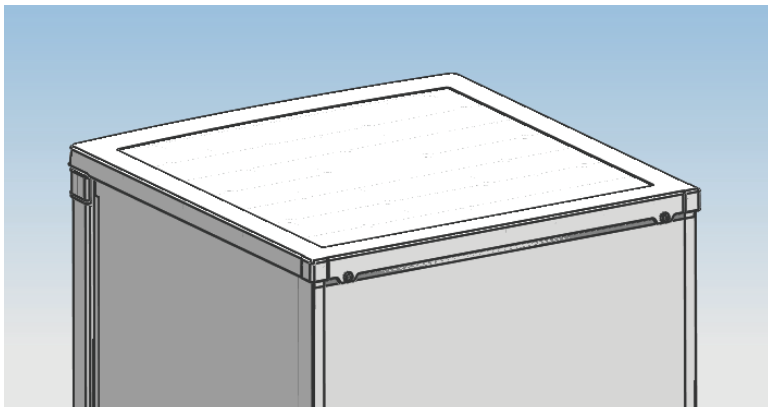


Pravilno odlaganje ovog proizvoda

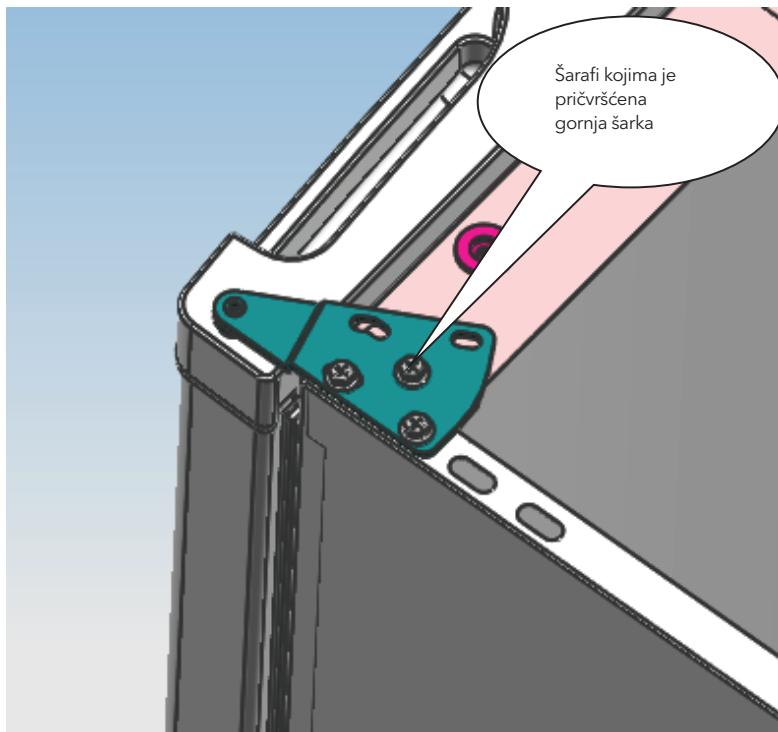
Ova oznaka ukazuje da u EU ovaj proizvod ne treba odlagati zajedno sa ostalim otpadom iz domaćinstva. Kako biste spriječili potencijalnu štetu po životnu sredinu ili zdravlje ljudi nastalu nekontrolisanim odlaganjem otpada, odgovorno ga reciklirajte kako biste promovisali održivu ponovnu upotrebu materijalnih resursa. Molimo Vas da svoj polovni uređaj vratite putem sistema za vraćanje i prikupljanje otpada ili da kontaktirate prodavnicu u kojoj ste proizvod kupili. Ovim putem se proizvod može reciklirati na način bezbjedan po životnu sredinu.

Smjernice za postavljanje vrata frižidera prilikom promjene strane na kojoj se nalaze

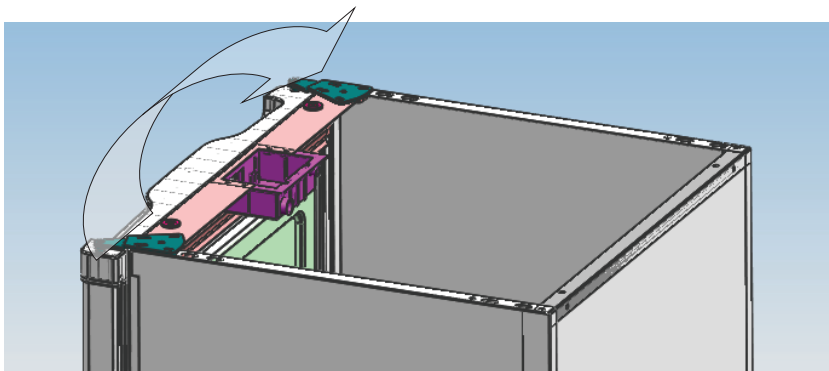
1. Pomoću krstastog odvijača, skinite šarave iza pričvršćene gornje površine i skinite poklopac sa frižidera.



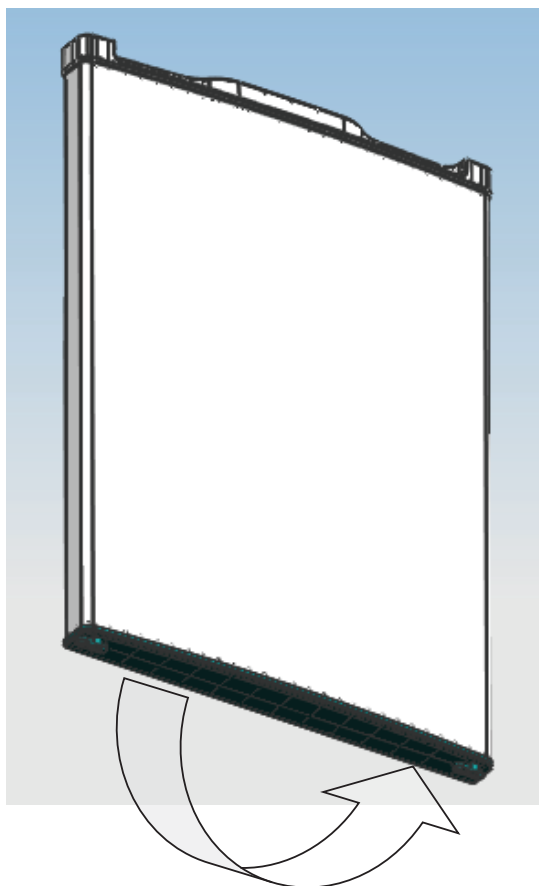
2. Pomoću krstastog odvijača, uklonite šarave kojima je pričvršćena gornja šarka.



3. Premjestite gornju šarku i graničnik za vrata, kao i nosač vrata na drugu stranu.
A. Ponovo postavite gornju šarku.

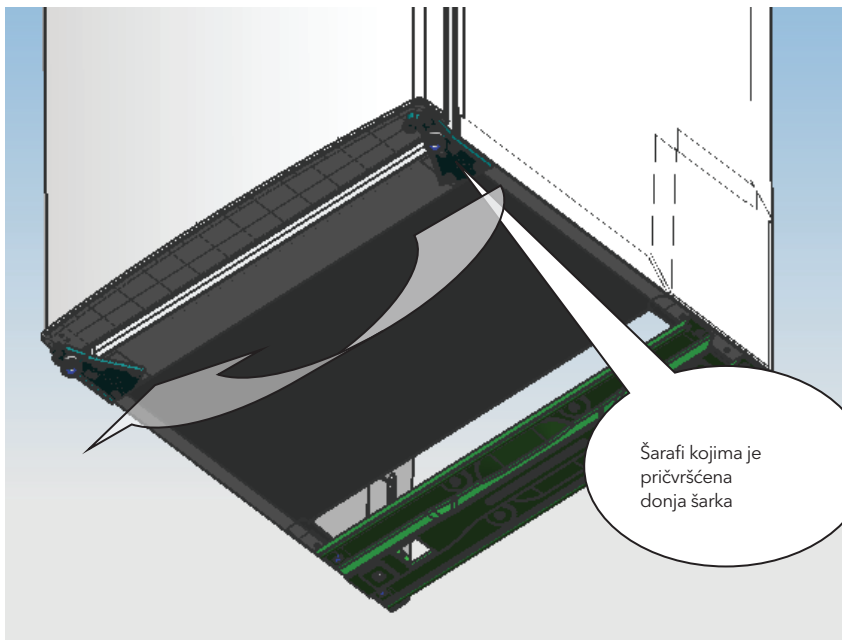


- B. Ponovo postavite nosač vrata i graničnik.

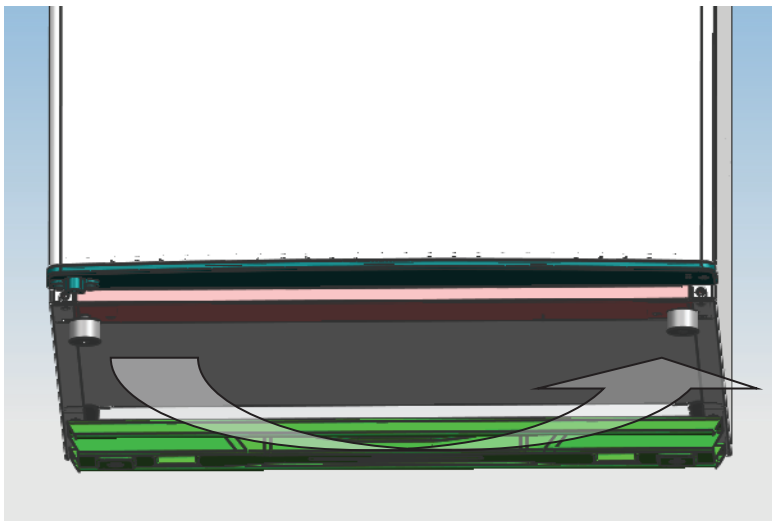


4. Pomoću krstastog odvijača, skinite šarafe kojima je pričvršćena donja šarka i premjestite šarku na drugu stranu, a zatim je pričvrstite šarafima.

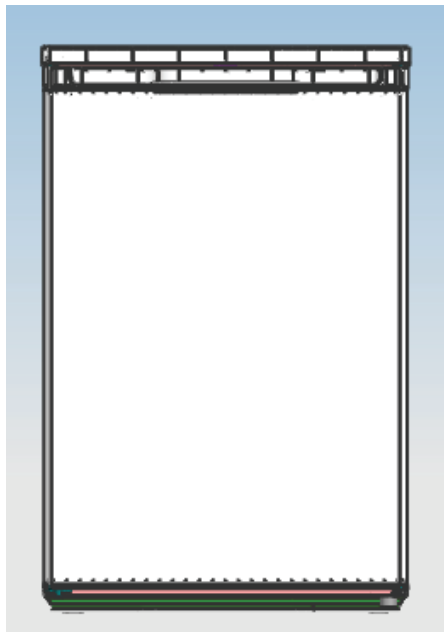
Napomena: ugao nagnjanja frižidera je manje od 45°.



5. Premjestite nivelator na drugu stranu i podesite ga tako da budete sigurni da je vitrina iznivelisana.



6. Postavite vrata u odgovarajuću poziciju, pričvrstite gornju šarku i poklopac na vrhu frižidera.



- Uvjerite se da je uređaj isključen iz struje i ispražnjen.
- Dvije nožice za nivelisanje podesite na najvišu poziciju.
- Preporučujemo vam da pronađete nekoga ko bi vam u ovome pomogao.

NAPOMENA:

Da biste skinuli vrata, uređaj morate nakrenuti unazad.

Uređaj bi trebalo da oslonite na neki čvrst predmet, npr. stolicu, dijelom koji se nalazi odmah ispod gornje površine.

Ne poležite uređaj na pod jer se tako može oštetiti sistem za rashlađivanje.

POŠTOVANOM POTROŠAČU:

Hvala što ste kupili ovaj hladnjak. Da biste na najbolji način koristili svoj novi hladnjak, odvojite vrijeme da pročitate jednostavna uputstva sadržana u ovoj brošuri.

Osigurajte da je odlaganje materijala za pakiranje izvršeno u skladu sa važećim zahtjevima zaštite okoliša. Prilikom odlaganja bilo kakve opreme za frižider, za savjete o sigurnom odlaganju se obratite svom lokalnom sektoru za odlaganje otpada.

Ovaj uređaj se mora koristiti isključivo u svrhe za koje je namjenjen.

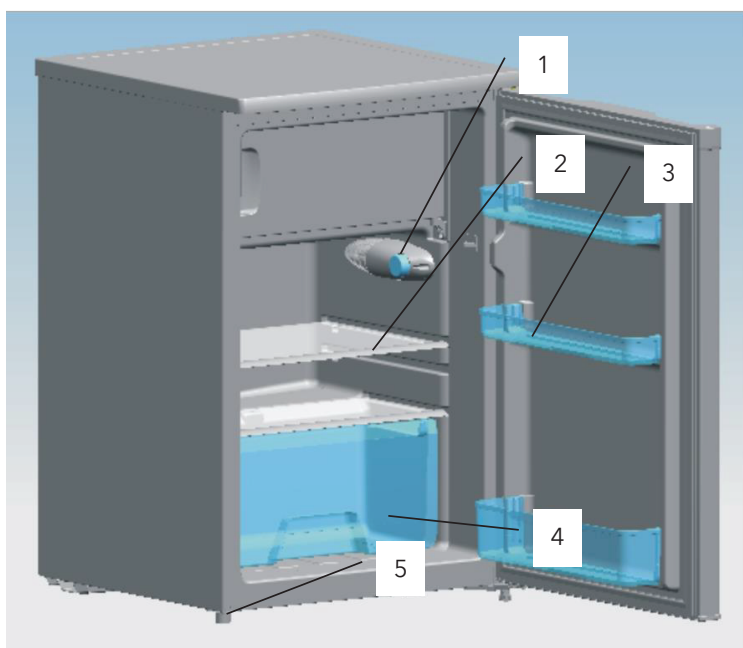
OPREZ:

Ovaj uređaj ne smije se koristiti bez nadzora koriste li mala djeca ili nemoćne osobe.

Malu djecu je potrebno nadgledati kako biste bili sigurni da se ne igraju uređajem.

OPĆI PODACI

Ova vrsta hladnjaka je u širokoj upotrebi u objektima poput hotela, ureda, studentskih domova i u kućanstvima. Najpogodniji je za skladištenje hrane poput voća i pića. Njegova prednost su male dimenzije, mala težina, niska potrošnja električne energije i jednostavno korištenje.



Glavna konfiguracija:

- | | |
|---------------------|---------------------------------------|
| 1. Termostat | 4. Crisper ladica za čuvanje svježine |
| 2. Staklena polica | 5. Nožica za niveliranje |
| 3. Plastična polica | |

RASPAKIRANJE VAŠEG HLADNJAKA

UPOZORENJE: Hladnjak trebaju pomicati dvije ili više osoba.

Ukoliko se ne pridržavate ovog upozorenja, možete povrijediti leđa ili izazvati neku drugu ozljedu.

- Prije upotrebe, uklonite selotejp i sve naljepnice (osim naljepnice sa razredom).
- Kako biste uklonili preostali selotejp ili ljepilo, energično trljajte površinu palcem.
- Ostaci selotejpa ili ljepila se lako mogu ukloniti i utrljavanjem male količine tekućine za pranje posuda prstima preko sloja ljepila. Obrišite toplom vodom i osušite.
- Nemojte koristiti oštre predmete i ne trljajte alcohol, zapaljive tekućine ili abrazivna sredstva za čišćenje da biste uklonili mrlje ili ljepilo. Ovi proizvodi mogu oštetiti površinu Vašeg hladnjaka
- Prilikom premještanja frižidera, ne naginjite ga više od 45° u odnosu na njegov uspravni položaj.

ČIŠĆENJE PRIJE UPOTREBE:

Nakon uklanjanja svih materijala za pakiranje (posebnu pažnju treba posvetiti uklanjanju zaštite od pjene između vanjskog kondenzatora i kućišta), a prije upotrebe hladnjaka očistiti unutrašnjost.

ZAHOTJEVI U VEZI SA PROSTOROM

UPOZORENJE: Zapaljive materijale i isparenja, poput plina, držite dalje od frižidera.

Ukoliko ovo ne učinite, možete izazvati smrt, ekspoziju, požar ili opekotine.

- Kako biste osigurali odgovarajuću ventilaciju frižidera, ostavite razmak od 200 mm sa obje strane frižidera, 200 mm između zadnjeg djela frižidera i zida, i 300 mm između gornje površine uređaja i površine koja ga natkriva ili stropa.
- Ukoliko svoj frižider postavljate pored fiksnog zida, ostavite dovoljno prostora za otvaranje vrata na strani na kojoj se nalaze šarke.
- Nikada ne postavljajte frižider u blizini izvora topline i na mjestima izloženim direktnim zracima sunca.

ZAHOTJEV U VEZI SA ELEKTRIČNOM ENERGIJOM

UPOZORENJE: NE UKLANJAJTE KRAK ZA UZEMLJENJE.

NE UPOTREBLJAVAJTE ADAPTER.

NE UPOTREBLJAVAJTE PRODUŽNI KABL.

Ukoliko se ne pridržavate spomenutih uputstava, možete izazvati smrt, požar ili strujni udar.

Prije nego što svoj frižider donesete na njegovu trajnu lokaciju, važno je provjeriti da li raspoložete odgovarajućim električnim priključcima.

Preporučeni način uzemljenja

Potrebna je dovod struje od 220~240 volti /50 Hz AC, koji je povezan na osigurač od 10 ampera i propisno uzemljen. Preporučuje se da se za ovaj uređaj osigura posebna strujna linija. Upotrebjavajte utičnicu koja se ne isključuje prekidačem ili lancem. Ne upotrebjavajte produžni kabl.

NAPOMENA: Prije nego što krenete sa bilo kakvom instalacijom, isključite frižider iz struje. Kada završite, priključite frižider na struju i podesite kontrole na željena podešavanja.

NIVELIRANJE

Ukoliko frižider tokom instalacije nije izniveliran, vrata se možda neće dobro zatvarati ili neće dobro naleći, što izaziva probleme sa hlađenjem, formiranjem leda ili vlagom. Da bi radio pravilno, veoma je važno da frižider bude izniveliran. Da iznivelirate svoj frižider, okrećite nožicu za niveliranje u smjeru kretanja kazaljke na satu kako biste podigli tu stranu frižidera, ili u smjeru suprotnom od kretanja kazaljke na satu kako biste spustili tu stranu frižidera.

NAPOMENA: Neka vam neko pomogne tako što će odgurnuti gornji dio frižidera, i na taj način umanjiti težinu koja pritiska nožicu za niveliranje. Tako ćete lakše podesiti nožicu za niveliranje.

UPOTREBA UREĐAJA

Da biste frižider koristili na najbolji način, važno je da njime rukujete na odgovarajući način.

Kontrola temperaturnih vrijednosti

Kontrolni tipke za frižider i zamrzivač nalaze se na najvišoj polici rashladne pregrade. **Prilikom prvog postavljanja frižidera, tipku termostata podesite na 3.** Prije nego što počnete odlagati hranu, ostavite frižider da se potpuno ohladi. Najbolje je pričekati 24 sata prije stavljanja hrane u frižider. Tipkom termostata se kontrolira temperatura. Što je podešeni broj veći, kompresor će duže raditi da temperaturu zadrži na što nižem nivou.

Ukoliko je tipka za kontrolu termostata podešeno na **ISKLUČENO (OFF)**, frižider neće raditi.

Čuvanje svježe hrane

Hranu čuvajte u frižideru bilo umotanu, bilo u hermetički zatvorenim posudama, otpornim na vlagu. Na ovaj način sprječavate da se miris i ukus hrane širi frižiderom.

Voće	Operite, ostavite da se osuši i držite u frižideru u plastičnim vrećicama ili u Crisper ladicu za čuvanje svježine.
Lisnato povrće	Skinite omotač i odsjecite ili otkinite dijelove koji su oštećeni ili koji su promijenili boju, operite hladnom vodom i ocjedite. Stavite u plastičnu vrećicu ili plastičnu posudu i čuvajte u Crisper ladicu za čuvanje svježine.
Riba	Svježu ribu upotrijebite istog dana kada je i kupite.
Meso	Većinu mesa čuvajte u originalnoj ambalaži ukoliko je hermetički zatvorena i otporna na vlagu. Po potrebi, ponovo umotajte
Ostaci hrane	Ostatke hrane pokrijte plastičnom ili aluminijumskom folijom. Mogu se koristiti i plastične posude sa poklopcem koji čvrsto naleže.

Čuvanje smrznute hrane

Pregrada za zamrzavanje je napravljena za čuvanje smrznute hrane i za zamrzavanje hrane u kućanstvu.

Da li će proces zamrzavanja biti uspješan ovisi od toga u kojoj je mjeri ambalaža prikladna. Kada hermetički zatvorite pakiranje, zrak ili vlaga ne smiju ulaziti u ili izlaziti iz pakiranja. Ukoliko se dogodi suprotno, miris i okus hrane može se proširiti frižiderom, ali i dovesti do sušenja smrznute hrane.

Napomena: Nikada ne stavljajte hranu ili pića u pregradu zamrzivača. Za najbolji učinak, ostavite dovoljno prostora u pregradama zamrzivača i frižidera kako bi zrak mogao da cirkulira oko pakiranja. Također, ostavite dovoljno prostora u prednjem dijelu kako bi se vrata mogla dobro zatvoriti

Otapanje

Pregrada frižidera	Postupak otapanja se obavlja automatski pomoću tipke termostata. Otopljeni led se slijeva u posudu za skupljanje vode i automatski isparava.
Pregrada zamrzivača	Otapanje pregrade zamrzivača se vrši ručno.

- Okrenite tipku termostata i postavite ga u poziciju **ISKLUČENO (OFF)**, a vrata zamrzivača ostavite otvorena.
- Uklonite svu hranu, posudu za kocke leda i police ili sve ovo prebacite u rashladnu pregradu.
- Otopljeni led očistite i obrišite krpom.
- Nakon otapanja, vratite tipku termostata na prethodnu poziciju.

Napomena: Kako biste izbjegli oštećenje zidova pregrade za zamrzavanje, ne koristite oštre predmete za uklanjanje leda ili odvajanje smrznute hrane.

Čišćenje vašeg frižidera

Prije nego što krenete čistiti frižider, izvucite utikač iz struje.

Koristite čistu spužvu ili meku krpu i blagi deterdžent otopljen u toploj vodi. Nemojte koristiti abrazivna ili agresivna sredstva za čišćenje.

Temeljito operate ruke, isperite i osušite sve površine.

Nemojte koristiti pastu za poliranje, koncentrirane deterdžente, izbjeljivače ili sredstva za čišćenje koja sadrže benzin pri čišćenju plastičnih i gumenih dijelova.

Nikada nemojte koristiti papirnate ručnike, tekućinu za pranje prozora, abrazivna sredstva za čišćenje plastičnih dijelova, jer oni mogu ogrepsti ili oštetiti material.

Očistite krpom namočenom u otopinu a zatim osušite mekom krpom.

PERIODI DUŽEG PRESTANKA KORIŠTENJA UREĐAJA

Ukoliko se frižider ne upotrebljava tokom dužeg vremenskog perioda, pristupite sljedećim koracima:

- Isključite frižider iz struje tako što ćete utikač izvući iz utičnice.
- Očistite i osušite unutrašnjost uređaja na način predstavljen u odjeljku koji se bavi čišćenjem frižidera.
- Vrata ostavite otvorena kako biste spriječili nastanak neugodnih mirisa tokom perioda kada se uređaj ne upotrebljava.

OTKLANJANJE PROBLEMA

U slučaju kvara, mnoge uobičajene probleme možete lako otkloniti.

Vaš frižider ne radi, provjerite da li je:

- Kabl za napajanje isključen iz struje.
- Tipka termostata podešena na **ISKLUČENO (OFF)**.

Lampica ne radi, provjerite da li je:

- Kabl za napajanje isključen iz struje.
- Osigurač ili sklopka iskočila.
- Žarulja izgubila kontakt sa grlom.
- Žarulja pregorila.

Hrana se ledi unutar pregrade frižidera, provjerite da li je:

- Tipka termostata podešena tako da uređaj pretjerano hladi.
- Hrana u frižideru pozicionirana tako da dodiruje dio kojim cirkulira rashladno sredstvo na zadnjem zidu frižidera.

Hrana unutar pregrade frižidera nije hladna, provjerite sljedeće:

- Da li su ventilacijski otvori unutar pregrade blokirani. Na ovaj način se spriječava cirkuliranje hladnog zraka.
- Da li se vrata previše često otvaraju ili se ne zatvaraju pravilno.
- Da li je u frižider ili u pregradu frižidera nedavno ostavljena velika količina hrane.
- Da li je tipka termostata postavljena na pretjerano male vrijednosti.

Led koji se otopio je procurio po unutrašnjosti pregrade ili na pod, provjerite da li je:

- Ispusni otvor je blokiran.
- Posuda za isparavanje na svom mjestu.

Čini se da frižider pravi neobičnu buku, provjerite da li je:

- Frižider izniveliran.
- Tijelo frižidera postavljeno tako da dodiruje zid.
- Posuda za skupljanje vode pravilno postavljena.

Dolazi do formiranja vlage u unutrašnjosti uređaja, provjerite sljedeće:

- Da li su ventilacijski otvori unutar frižidera blokirani.
- Da li se vrata često otvaraju.
- Da li je vlažnost u prostoriji povišena.
- Da li je hrana nepravilno pakirana.
- Da li su kontrolna podešavanja neodgovarajuća za okolne uvjete.

Vrata se ne zatvaraju u potpunosti, provjerite sljedeće:

- Da li su police nepravilno postavljene.
- Da li su brtve zaprljane.
- Da li je frižider izniveliran.

1. **UPOZORENJE** - Povedite računa da ventilacijski otvori ne budu blokirani unutar ugradnog dijela ili ugradne konstrukcije za uređaj.
2. **UPOZORENJE** - Ne upotrebljavajte mehanička sredstva ili druge postupke za ubrzavanje procesa otapanja, ukoliko nisu preporučeni od strane proizvođača.
3. **UPOZORENJE** - Ne oštećujte instalacije za rashladno sredstvo.
4. **UPOZORENJE** - Ne upotrebljavajte električne uređaje unutar pregrada za čuvanje hrane ovog uređaja, osim ukoliko su u pitanju tipovi preporučeni od strane proizvođača.
5. Uređaj je potrebno isključiti iz struje nakon upotrebe, a prije njegovog korisničkog održavanja.
6. Ovaj uređaj ne bi trebale upotrebljavati osobe (uključujući djecu) sa umanjanim fizičko-senzornim ili mentalnim sposobnostima ili nedostatkom iskustva i znanja, osim ukoliko su pod nadzorom ili ako ih je za korištenje uređaja obučila osoba odgovorna za njihovu sigurnost.
7. Djecu je potrebno nadgledati kako biste bili sigurni da se ne igraju uređajem.
8. Ukoliko je kabl za napajanje oštećen, potrebno je da njegovu zamjenu obavi proizvođač, njegov ovlašćeni serviser ili osobe sa sličnim kvalifikacijama kako bi se izbjegao nastanak opasnosti.
9. Frižider odložite u skladu sa lokalnim propisima jer se za njegov rad upotrebljavaju zapaljivi eksplozivni plin i rashladno sredstvo.
10. Poštujte lokalne propise prilikom odlaganja uređaja, jer se za njegov rad upotrebljavaju zapaljivo rashladno sredstvo i eksplozivni plin. Prije nego što odložite uređaj, skinite vrata kako biste spriječili zatvaranje djece unutar uređaja.

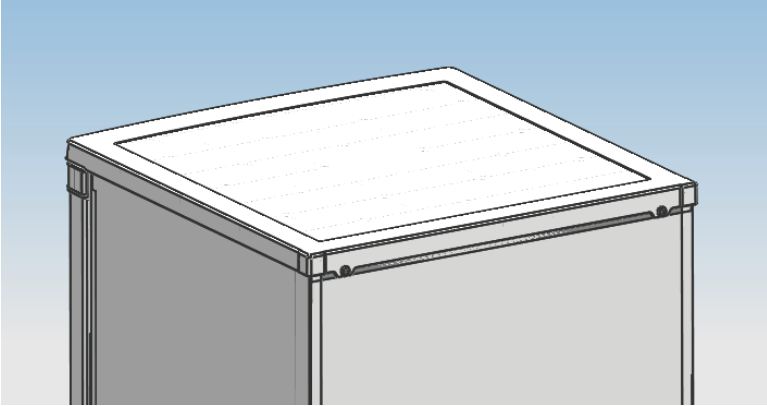


Pravilno odlaganje ovog proizvoda

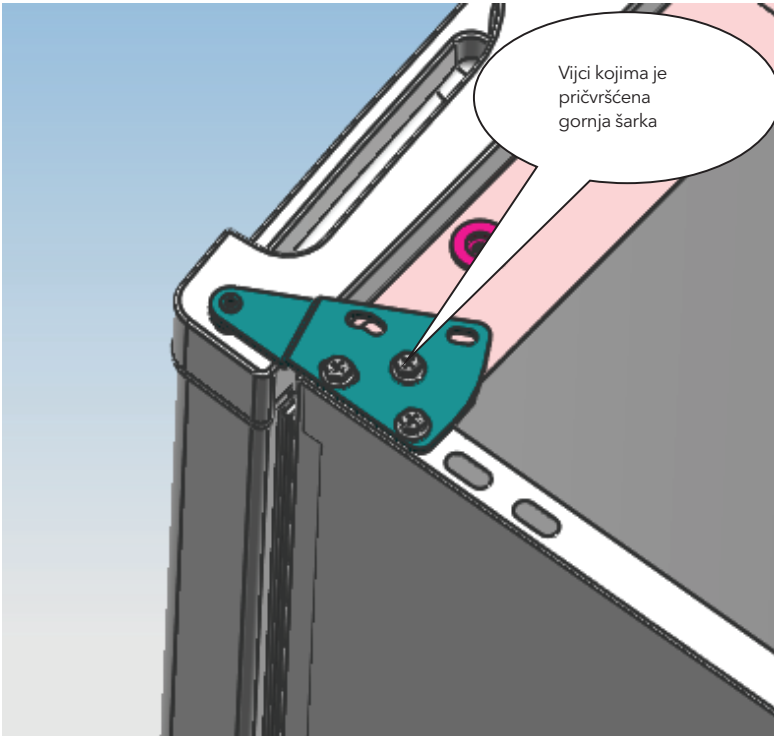
Ova oznaka ukazuje da u EU ovaj proizvod ne treba odlagati zajedno sa ostalim otpadom iz kućanstava. Kako biste spriječili potencijalnu štetu po životnu sredinu ili zdravlje ljudi nastalu nekontroliranim odlaganjem otpada, odgovorno ga reciklirajte kako biste promovirali održivu ponovnu upotrebu materijalnih resursa. Molimo Vas da svoj polovni uređaj vratite putem sistema za vraćanje i prikupljanje otpada ili da kontaktirate trgovinu u kojoj ste proizvod kupili. Ovim putem se proizvod može reciklirati na način siguran po životnu sredinu.

Smjernice za postavljanje vrata frižidera prilikom promjene strane na kojoj se nalaze

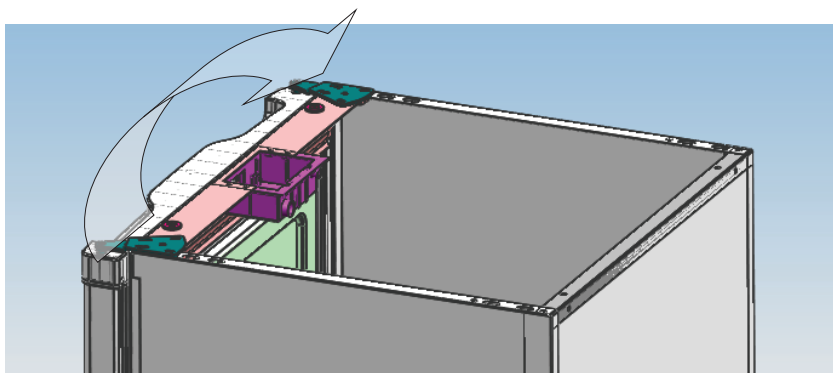
1. Pomoću križnog odvijača, skinite vijke iza pričvršćene gornje površine i skinite poklopac sa frižidera.



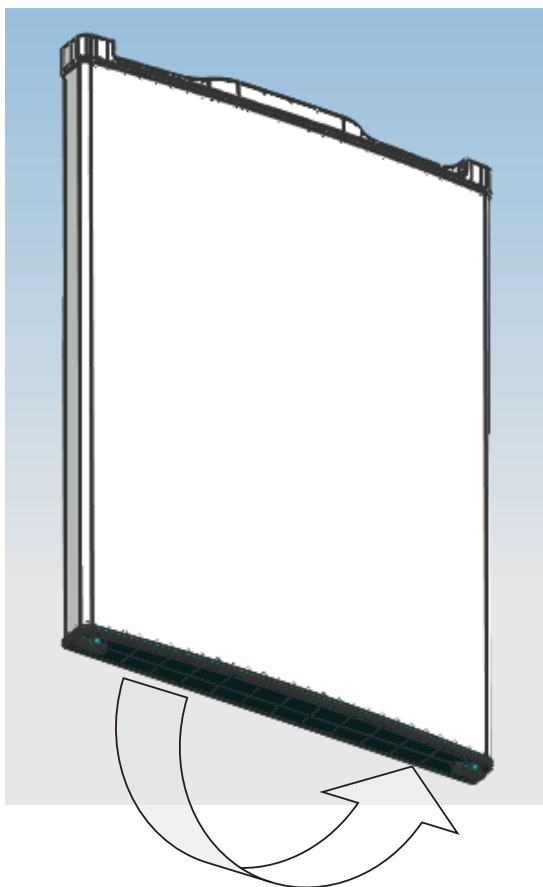
2. Pomoću križnog odvijača, uklonite vijke kojima je pričvršćena gornja šarka.



3. Premjestite gornju šarku i graničnik za vrata, kao i nosač vrata na drugu stranu.
A. Ponovo postavite gornju šarku.

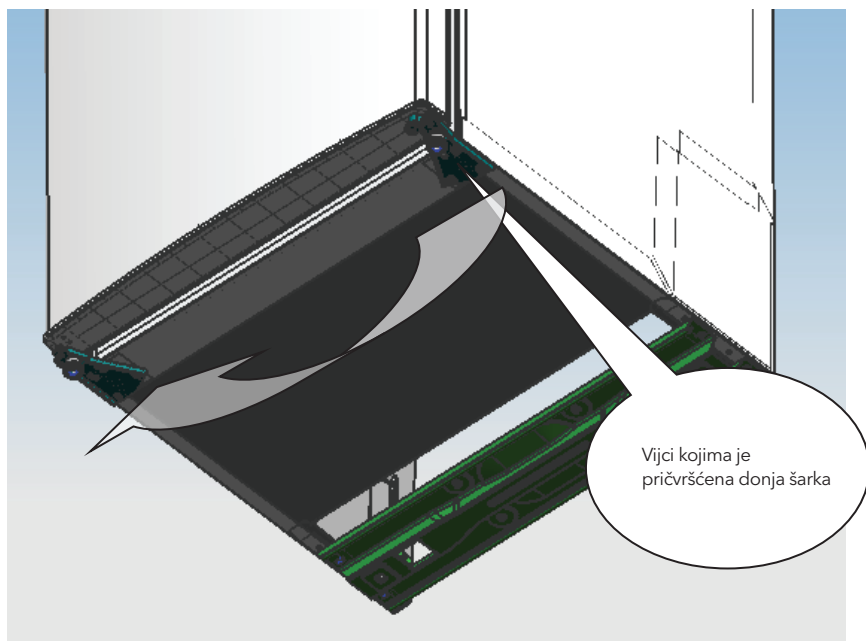


- B. Ponovo postavite nosač vrata i graničnik.

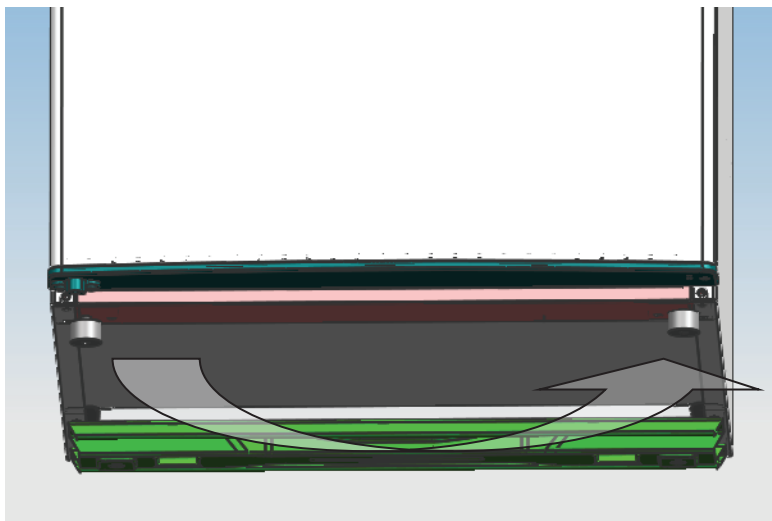


4. Pomoću križnog odvijača, skinite vijke kojima je pričvršćena donja šarka i premjestite šarku na drugu stranu, a zatim je pričvrstite vijcima.

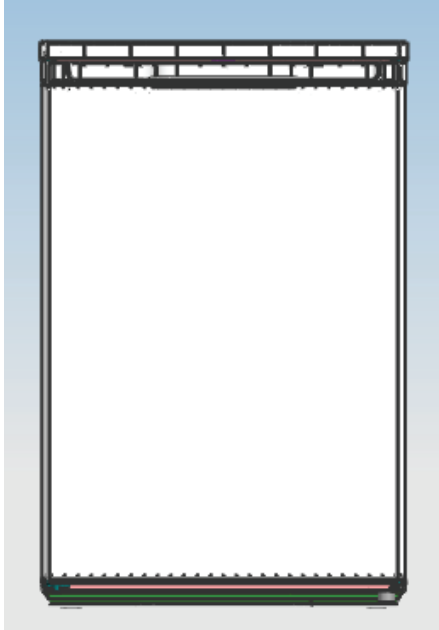
Napomena: ugao naginjanja frižidera je manje od 45°.



5. Premjestite nivelator na drugu stranu i podesite ga tako da budete sigurni da je vitrina iznivelirana.



6. Postavite vrata u odgovarajuću poziciju, pričvrstite gornju šarku i poklopac na vrhu frižidera.



- Uvjerite se da je uređaj isključen iz struje i ispražnjen.
- Dvije nožice za niveliranje podesite na najvišu poziciju.
- Preporučujemo vam da pronađete nekoga ko bi vam u ovome pomogao.

NAPOMENA:

Da biste skinuli vrata, uređaj morate okrenuti unazad.

Uređaj bi trebalo osloniti na neki čvrst predmet, npr. stolicu, dijelom koji se nalazi odmah ispod gornje površine.

Ne stavljajte uređaj polegnut na pod jer se tako može oštetiti sistem za rashlađivanje.

ПОЧИТУВАН КОРИСНИКУ:

Ви благодариме што го купивте овој фрижидер. За да можете на најдобар начин да го користите својот нов уред, одвојте време да ги прочитате едноставните упатства во оваа брошура.

Уверете се дека одложувањето на материјалот за пакување е извршено во согласност со важечките барања за заштита на животната средина.

При одложување на која било опрема на уредот, за совети околу безбедното одложување обратете се до својот локален сектор за одложување на отпад.

Овој уред мора да се користи исклучиво во цели за кои е наменет.

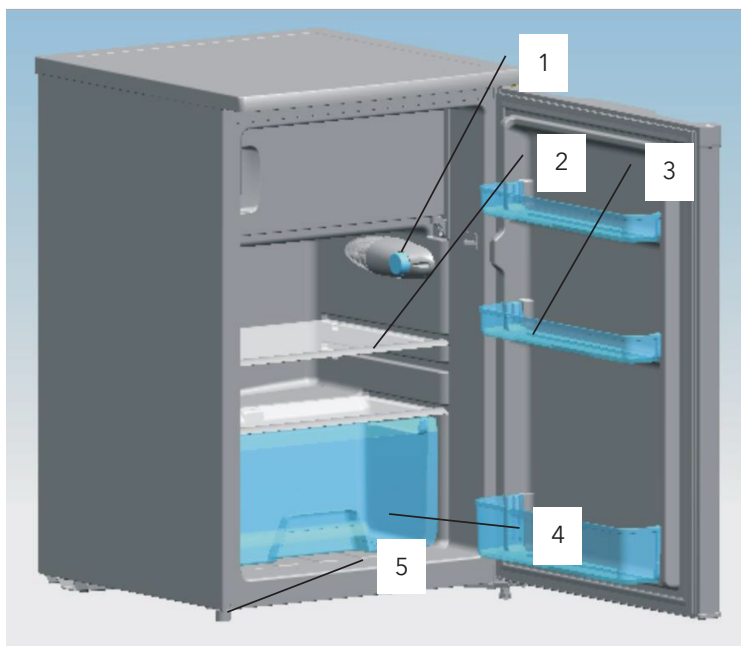
ВНИМАНИЕ:

Уредот не треба да го користат мали деца или немоќни лица без надзор.

Малите деца е потребно да се надгледуваат како би биле сигурни дека не си играат со уредот.

ОПШТИ ПОДАТОЦИ

Овој тип на фрижидер се користи за широка употреба во објекти како хотели, канцеларии, студентски домови и домаќинства. Најпогоден е за чување на храна, на пр., овошје и зеленчук. Негова предност се малите димензии, малата тежина, малата потрошувачка на електрична енергија и едноставната употреба.



Главна конфигурација:

- | | |
|---------------------|---|
| 1. Термостат | 4. Crisper фиока за чување на свежината |
| 2. Стаклена полица | 5. Ногарка за нивелирање |
| 3. Пластична полица | |

РАСПАКУВАЊЕ НА ВАШИОТ ФРИЖИДЕР

ПРЕДУПРЕДУВАЊЕ: Уредот треба да го поместат две или повеќе лица.

Доколку не се придржувате до ова предупредување, може да го повредите грбот или да предизвикате друга повреда.

- Пред употреба, отстранете го селотејлот и сите налепници (освен налепниците со класа).
- Како би го отстраниле преостанатиот селотејл или лепак, енергично истријте ја површината со палецот.
- Остатоците од селотејл или лепак лесно може да се отстранат и со протривање мала количина на течност за садови со прстите преку слојот од лепак. Искристите со топла вода и исушете.
- Не употребувајте остри предмети и не протривајте со алкохол, запаливи течности или абразивни средства за чистење на селотејлот или лепакот. Споменатите производи може да го оштетат уредот.
- При преместување на фрижидерот, не го наклонувајте повеќе од 45° во однос на неговата исправена положба.

ЧИСТЕЊЕ ПРЕД УПОТРЕБА:

Откако ќе ја отстраните целата амбалажа (особено водете сметка за отстранување на пенестата заштита меѓу надворешниот кондензатор и витрините), а пред употреба на уредот, искристите ја внатрешноста.

БАРАЊА ВО ВРСКА СО ПРОСТОРОТ

ПРЕДУПРЕДУВАЊЕ: Запаливи и испарливи материјали, од типот на плин, држете ги подалеку од фрижидерот.

Доколку не го сторите тоа, може да предизвикате смрт, експлозија, пожар или изгореници.

- Како би овозможиле соодветна вентилација на уредот, оставете простор од 200 mm од обете страни на фрижидерот, 200 mm меѓу задниот дел на уредот и ѕидот, и 300 mm меѓу горната површина на уредот и површината која го наткрилува или плафонот.
- Доколку уредот го поставите покрај фиксен ѕид, оставете доволно простор за отворање на вратата на страната каде се наоѓа шарката. Никогаш не го поставувајте фрижидерот во близина на извори на топлина и на места изложени на директни сончеви зраци.

БАРАЊА ВО ВРСКА СО ЕЛЕКТРИКАТА

ПРЕДУПРЕДУВАЊЕ: НЕ ГО ОТСТРАНУВАЈТЕ КРАКОТ ЗА ЗАЗЕМЈУВАЊЕ.

НЕ УПОТРЕБУВАЈТЕ АДАПТЕР.

НЕ УПОТРЕБУВАЈТЕ ПРОДОЛЖЕН КАБЕЛ.

Доколку не се придржувате до споменатите упатства, може да предизвикате смрт, пожар или струен удар.

Пред уредот да го поставите на неговата трајна локација, важно е да проверите дали располагате со соодветен електричен приклучок.

Препорачан начин на заземјување

Потребен е довод на струја од 220~240V /50Hz AC, поврзан на осигурувач од 10A и соодветно заземјен. Се препорачува за уредот да обезбедите посебна струјна линија. Користете штекер кој не се исклучува со прекинувач или ланец. Не користете продолжен кабел.

НАПОМЕНА: Пред да започнете со какво било инсталирање, исклучете го уредот од струја. Штом завршите, приклучете го уредот на струја и прилагодете ја контролата на посакуваните поставки.

НИВЕЛИРАЊЕ

Ако уредот не е изнивелиран при инсталирањето, вратата можеби нема добро да се затвора или нема добро да налегне, што предизвикува проблеми со ладењето, формирање лед или влага. За да работи правилно, важно е уредот да биде изнивелиран. За таа цел, движете ги ногарките за нивелирање во насока на стрелките на часовникот како би ја подигнале таа страна на уредот, или во насока спротивна од стрелките на часовникот како би ја спуштиле таа страна на уредот.

НАПОМЕНА: Нека ви помогне некој така што ќе го подигне горниот дел на фрижидерот, и на тој начин ќе ја намали тежината која ги притиска ногарките за нивелирање, со што полесно ќе ги прилагодите.

УПОТРЕБА НА УРЕДОТ

Како би го користеле фрижидерот на најдобар начин, важно е со него соодветно да ракувате.

Контрола на температурните вредности

Контролните тастери за фрижидерот и замрзнувачот се наоѓаат на највисоката полица за ладење.

При првото поставување на уредот, копчето на термостатот поставете го на 3. Пред да почнете со складирање на храната, оставете уредот потполно да се излади. Најдобро е да се почека 24 часа пред ставање на храна во уредот.

Со копчето на термостатот се контролира температурата. Колку е повисок поставениот број, компресорот ќе работи подолго за да ја задржи температурата на што пониско ниво.

Доколку копчето за контрола на термостатот е поставено на **ИСКЛУЧЕНО (OFF)**, фрижидерот нема да работи.

Чување на свежа храна

Храната во уредот чувајте ја или завиткана или во херметички затворени садови, отпорни на влага. На овој начин спречувате мирисот и вкусот на храната да се шири низ фрижидерот.

Овошје	Измијте го, оставете да се исуши и држете го во уредот во пластични ќесиња или во Crisper фиоката за чување на свежината.
Зеленчук	Отстранете ја обвивката и отсечете ги или откинете ги деловите кои ја смениле бојата, измијте го со ладна вода и исушете го. Ставете го во пластични ќесиња или во пластични садови и чувајте го во Crisper фиоката за чување на свежината.
Риба	Свежата риба искористете ја истиот ден штом ја купите.
Месо	Месото чувајте го во оригиналната амбалажа доколку е херметички затворена и отпорна на влага. По потреба, повторно завиткајте го.
Остатоци	Остатоците од храна покријте ги со пластична или алуминиумска фолија. Може да се користат и пластични садови со цврст капак.

Чување на замрзната храна

Преградата за замрзнување е направена за чување на замрзната храна и за замрзнување на храна во домаќинството.

Дали процесот на замрзнување ќе биде успешен зависи од тоа во која мера е соодветно пакувањето. Кога херметички ќе го затворите пакувањето, воздух и влага не смее да влегуваат или излегуваат од него. Доколку се случи спротивното, мирисот и вкусот на храната може да се прошири низ уредот, но и да доведе до сушење на замрзнатата храна.

Напомена: Никогаш не ставајте флаширана храна или пијалаци во преградата на замрзнувачот. За најдобар ефект, оставете доволно простор во преградите на замрзнувачот и фрижидерот како воздухот би можел да циркулира околу пакувањето. Исто така, оставете доволно простор во предниот дел како вратата би можела добро да се затвори.

Одмрзнување

Преграда на фрижидерот Постапката на одмрзнување се врши автоматски со помош на копчето на термостатот. Одмрзнатиот лед се слеза во садот за собирање вода.

Преграда на замрзнувачот Одмрзнувањето на преградата се врши рачно.

- Свртете го копчето на термостатот и поставете го во позиција **ИСКЛУЧЕНО (OFF)**, а вратата на замрзнувачот оставете ја отворена.
- Тргнете ја сета храна, садот за лед и полиците или сето тоа префрлете го во преградата за ладење.
- Стопениот лед исчистете го и избришете го со крпа.
- По одмрзнувањето, вратете го копчето на претходната позиција.

Напомена: Како би избегнале оштетување на сидовите на преградата за замрзнување, не употребувајте остри предмети за отстранување на ледот или одвојување на замрзнатата храна.

Чистење на Вашиот фрижидер

Пред да започнете со чистење на уредот, извадете го приклучокот од струја. Користете чист сунѓер или мека крпа и благ детергент растворен во топла вода. Не користете абразивни или агресивни средства за чистење.

Со рака темелно исчистете ги и избришете ги сите површини.

Не користете пасти за полирање, концентрирани детергенти, избелувачи или средства за чистење кои содржат нафта при чистење на пластичните и гумените делови.

Никогаш не користете хартиени крпи, течност за перење на прозорци, абразивни средства или запаливи течности при чистење на пластичните делови, бидејќи може да ја изгребат или оштетат нивната површина.

Исчистете со крпа потопена во споменатиот раствор, а потоа исушете со мека крпа.

ПЕРИОДИ НА ПОДОЛГА НЕУПОТРЕБА

Доколку фрижидерот не се употребува подолг временски период, следете ги следните чекори:

- Исклучете го уредот од струја со извлекување на приклучокот од штекер.
- Исчистете ја и исушете ја внатрешноста на уредот на начин прикажан во одделот за чистење на фрижидерот.
- Вратата оставете ја отворена како би спречиле создавање на непријатна миризма во периодот на неупотреба на уредот.

ОТСТРАНУВАЊЕ НА ПРОБЛЕМИ

Во случај на дефект, може лесно да ги отстраните вообичаените проблеми.

Вашиот уред не работи, проверете дали:

- Кабелот за напојување е исклучен од струја.
- Копчето на термостатот е поставено на **ИСКЛУЧЕНО (OFF)**.

Сијаличката не работи, проверете дали:

- Кабелот за напојување е исклучен од струја.
- Осигурувачот или склопката се извлечени.
- Сијаличката изгубила контакт со грлото.
- Сијаличката прегорела.

Храната се заледува во преградата на уредот, проверете дали:

- Копчето на термостатот е поставено така што уредот лади премногу.
- Храната во уредот е позиционирана така што го допира делот во кој циркулира средството за ладење на задниот ѕид на уредот.

Храната во преградата на уредот не е ладна, проверете:

- Дали вентилациските отвори во преградата се блокирани. На овој начин се спречува циркулирање на ладниот воздух.
- Дали вратата премногу често се отвора или не се затвора правилно.
- Дали во уредот или во преградата на уредот неодамна е оставена голема количина на храна.
- Дали копчето на термостатот е поставено на премали вредности.

Стопениот лед се шири во внатрешноста на преградата или на подот, проверете дали:

- Отворот за слевање е блокиран.
- Садот за слевање е на своето место.

Фрижидерот создава необична бучава, проверете дали:

- Фрижидерот е изнивелиран.
- Телото на фрижидерот е поставено така што го допира ѕидот.
- Садот за собирање на вода е правилно поставен.

Доаѓа до формирање влага во внатрешноста на уредот, проверете:

- Дали вентилациските отвори во рамки на уредот се блокирани.
- Дали вратата често се отвора.
- Дали влажноста во просторијата е зголемена.
- Дали храната е несоодветно спакувана.
- Дали контролните прилагодувања се несоодветни за околностите.

Вратата не се затвора во потполност, проверете:

- Дали полиците се неправилно поставени.
- Дали заптивката е извалкана.
- Дали фрижидерот е изнивелиран.

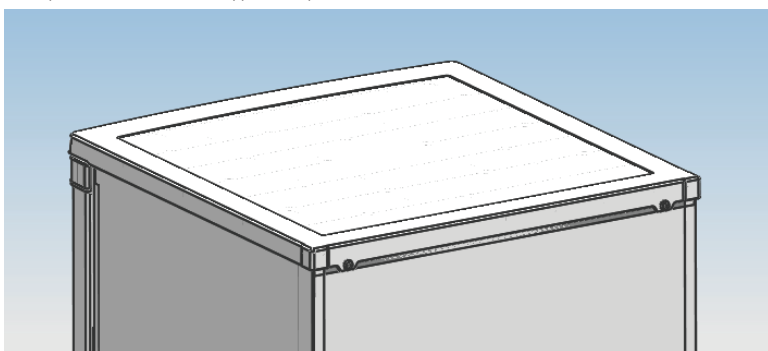
1. **ПРЕДУПРЕДУВАЊЕ** - Водете сметка вентилациските отвори да не бидат блокирани во рамки на вградениот дел или конструкции на уредот.
2. **ПРЕДУПРЕДУВАЊЕ** - Не употребувајте механички средства или други постапки за забрзување на процесот на одмрзнување, доколку не се препорачани од страна на производителот.
3. **ПРЕДУПРЕДУВАЊЕ** - Не ги оштетувајте инсталациите на средството за ладење.
4. **ПРЕДУПРЕДУВАЊЕ** - Не употребувајте електрични уреди во рамки на преградата за чување на храна во уредот, освен ако се работи за типови кои се препорачани од страна на производителот.
5. Уредот е потребно да го исклучите од струја по употребата, а пред неговото корисничко одржување.
6. Уредот не треба да го употребуваат лица (вклучувајќи деца) со намалени физичко-сензорни или ментални способности или недостаток на искуство и знаење, освен ако се под надзор или ако за користење на уредот ги има обучено лице одговорно за нивната безбедност.
7. Децата е потребно да ги надгледувате како би биле сигурни дека не си играат со уредот.
8. Доколку кабелот за напојување е оштетен, потребно е негова замена да изврши производителот, негов овластен сервисер или лице со слични квалификации како би се избегнале опасности.
9. Уредот одложете го согласно локалните прописи бидејќи за неговото работење се користат запалив експлозивен гас и средство за ладење.
10. Почитувајте ги локалните прописи при одложување на уредот, бидејќи за неговото работење се користат запалив експлозивен гас и средство за ладење. Пред одложување на уредот, отстранете ја вратата како би спречиле затворање на децата во рамки на уредот.

Правилно одложување на овој производ

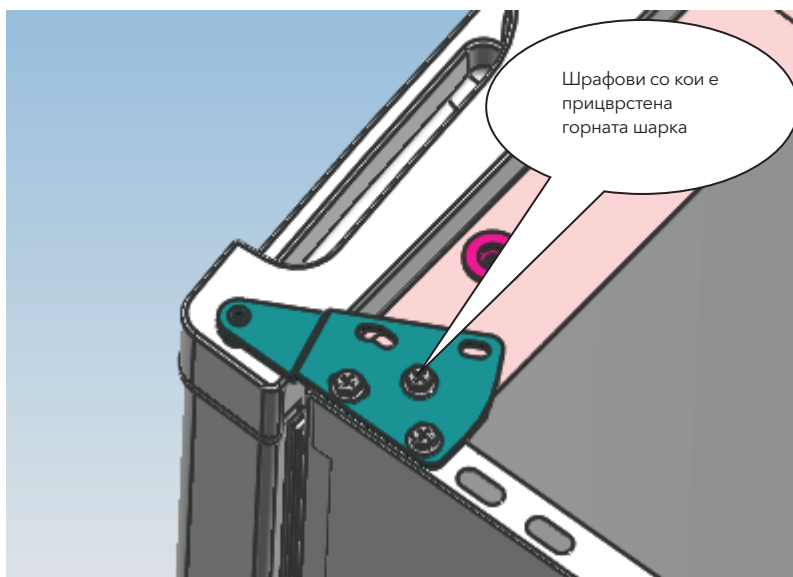
Оваа ознака укажува дека во ЕУ овој производ не треба да се одложува заедно со останатиот отпад од домаќинството. Како би спречиле потенцијални штети по животната средина или здравјето на луѓето настанати со неконтролирано одложување на отпадот, рециклирајте го одговорно со што би ја промовирале одржливата повторна употреба на материјалните ресурси. Ве молиме својот половен уред да го вратите по пат на системот за враќање и собирање на отпад или да ја контактирате продавницата во која сте го купиле производот. Со тоа, производот ќе може да се рециклира на безбеден начин по животната средина.

Насоки за поставување на вратата на уредот при промена на страната на која се наоѓа

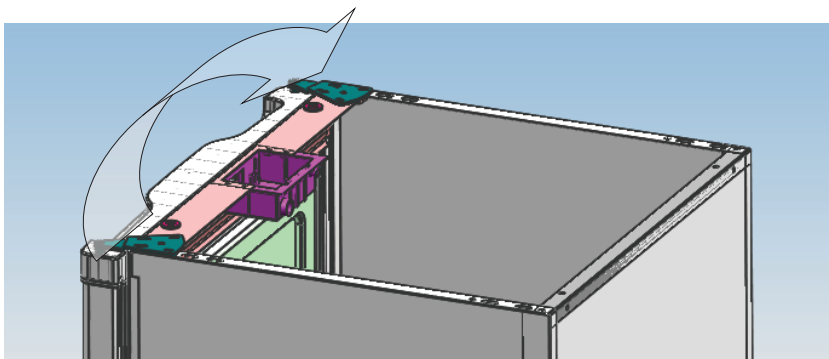
1. Со помош на крстест одвртувач, отстранете ги шрафовите зад прицврстената горна површина и отстранете го капакот од фрижидерот.



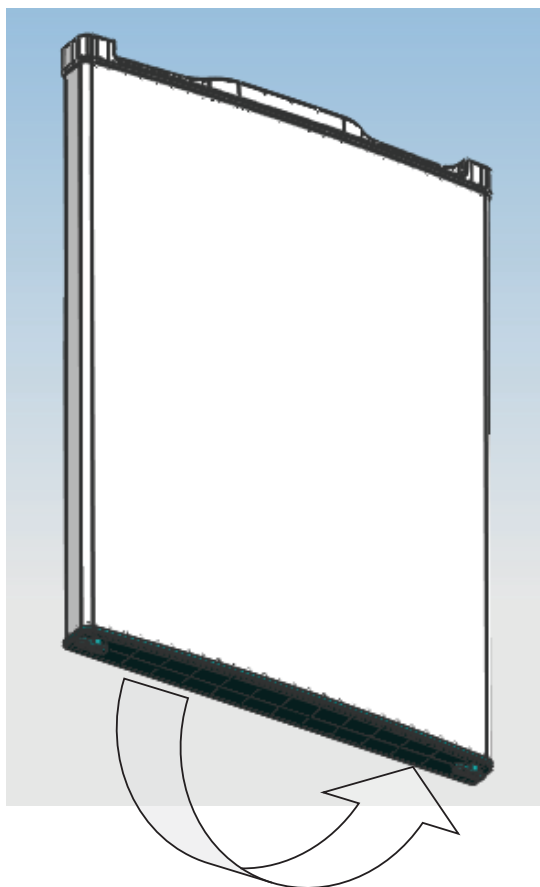
2. Со помош на крстест одвртувач, отстранете ги шрафовите со кои е прицврстена горната шарка.



3. Преместете ги горната шарка и граничникот на вратата, како и носачот на вратата на другата страна.
- A. Повторно поставете ја горната шарка.

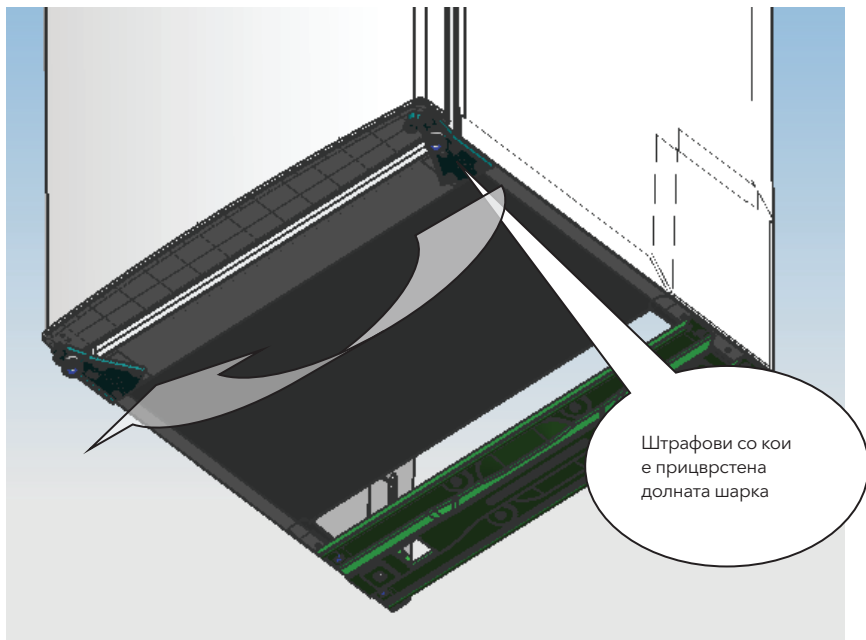


- B. Повторно поставете ги носачот на вратата и граничникот.

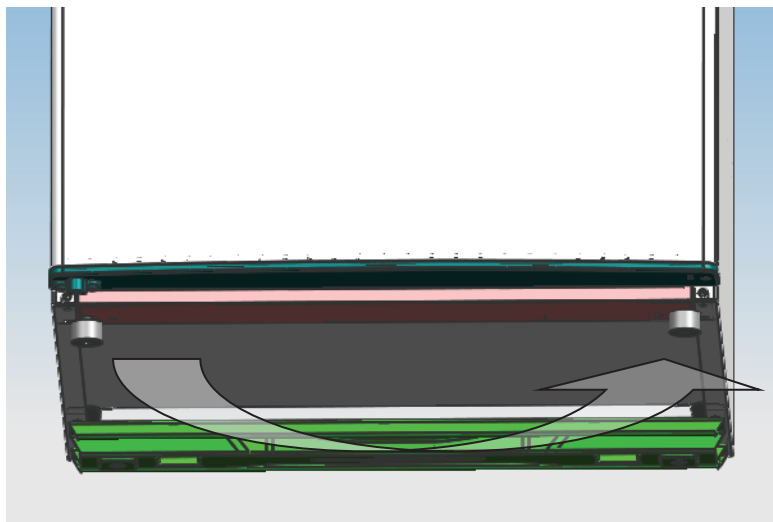


4. Со помош на крстест одвртувач, отстранете ги шрафовите со кои е прицврстена долната шарка и преместете ја шарката на другата страна, а потоа прицврстете ги шрафовите.

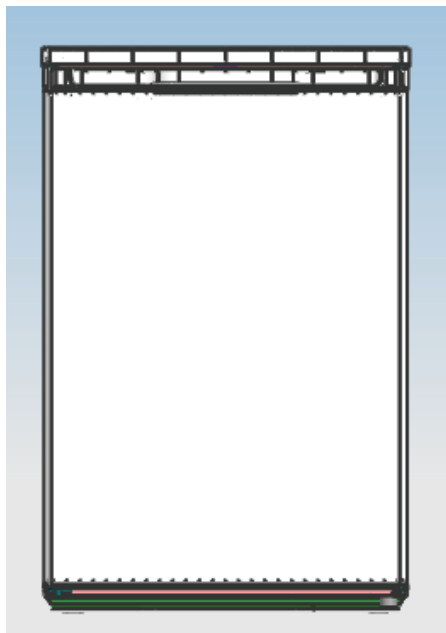
Напомена: аголот на наклонување на фрижидерот е помал од 45° .



5. Преместете го нивелаторот на другата страна и поставете го така што ќе бидете сигурни дека витрината е изнивелирана.



6. Поставете ја вратата во соодветна позиција, прицврстете ги горната шарка и капакот на врвот од фрижидерот.



- Уверете се дека уредот е исклучен од струја и испразнет.
- Двете ногарки за нивелирање поставете ги на највисока позиција.
- Ви препорачуваме некој да ви помогне во сето ова.

НАПОМЕНА:

За да ја отстраните вратата, уредот мора да го навалите наназад.

Уредот би требало да го потпрете на некој цврст предмет, пр. столица, на делот кој се наоѓа веднаш под горната површина.

Не го потпирајте уредот на под бидејќи така може да се оштети системот за ладење.

DRAGĂ CUMPĂRĂTOR:

Vă mulțumim că ați cumpărat acest frigider. Pentru a vă asigura că obțineți cele mai bune rezultate de la noul dvs. frigider, vă rugăm să acordați timp pentru a citi instrucțiunile simple din această broșură.

Vă rugăm să vă asigurați că materialul de ambalare este eliminat în conformitate cu cerințele de mediu actuale.

Când aruncați orice echipament frigorific, vă rugăm să contactați departamentul local de eliminare a deșeurilor pentru sfaturi cu privire la eliminarea în siguranță.

Acest aparat trebuie utilizat numai pentru scopul propus.

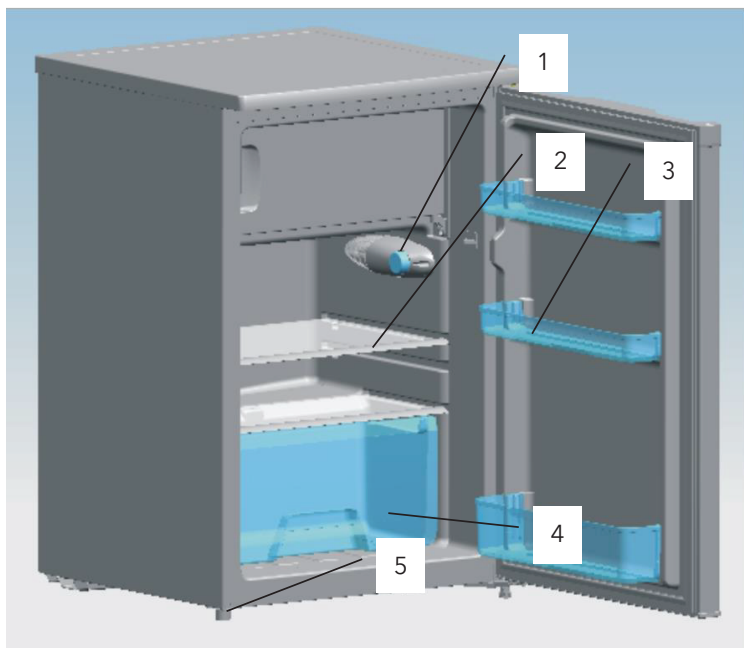
ATENȚIE:

Aparatul nu este destinat utilizării de către copii mici sau persoane infirme fără supraveghere.

Copiii mici trebuie supravegheați pentru a vă asigura că nu se joacă cu aparatul.

GENERAL

Acest tip de frigider este utilizat pe scară largă în locuri precum hoteluri, birouri, cămine studențești și case. Este potrivit în special pentru conservarea alimentelor precum fructele și băuturile. Se bucură de avantajele dimensiunilor mici, ușor, consum redus de energie electrică și utilizare ușoară.



Configurație principală:

- | | |
|---------------------|--------------------------|
| 1. Termostat | 4. Sertar fructe/ legume |
| 2. Raft de sticlă | 5. Picior de stabilizare |
| 3. Raft din plastic | |

DESPACHETAREA FRIGIDERULUI

ATENȚIE: Folosiți două sau mai multe persoane pentru a muta frigiderul.

Nerespectarea acestui lucru poate duce la vătămare la spate sau alte leziuni.

- Scoateți banda și orice etichete din frigider înainte de utilizare (cu excepția etichetei de evaluare).
- Pentru a îndepărta orice bandă adezivă sau adeziv rămas, frecăți zona rapid cu degetul mare.
- Banda sau reziduurile de lipici pot fi, de asemenea, îndepărtate cu ușurință, frecând cu degetele și o cantitate mică de săpun lichid pentru vase peste adeziv. Ștergeți cu apă caldă și uscați.
- Nu utilizați instrumente ascuțite, alcool pentru frecare, lichide inflamabile sau produse de curățare abrazive pentru a îndepărta banda sau lipiciul. Aceste produse pot deteriora suprafața frigiderului.
- Când mutați frigiderul, nu înclinați frigiderul peste 45 ° din poziția verticală.

CURĂȚARE ÎNAINTE DE UTILIZARE:

După ce îndepărtați toate materialele de ambalare, în special spuma dintre condensatorul exterior și carcasă trebuie îndepărtată, curățați interiorul frigiderului înainte de al utiliza.

CERINȚE SPAȚIU

ATENȚIE: Păstrați materialele și vaporii inflamabili, cum ar fi benzina, departe de frigider.

Nerespectarea acestui lucru poate duce la moarte, explozie, amendă sau arsuri.

- Pentru a asigura o ventilație adecvată frigiderului, lăsați spațiu de 200 mm pe fiecare parte între pereți, spațiu de 200 mm între spatele frigiderului și perete și spațiu de 300 mm între blat și acoperiș sau tavan.
- Dacă instalați frigiderul lângă un perete fix, lăsați suficient spațiu pe partea balamalei pentru a permite deschiderea ușii.
- Nu instalați niciodată frigiderul lângă o sursă de căldură și lumina directă a soarelui.

CERINȚE ELECTRICE

ATENȚIE: DO NOT REMOVE GROUND PRONG.

NU FOLOȘIȚI UN ADAPTOR DE PRIZĂ

NU FOLOȘIȚI UN PRELUNGITOR

Nerespectarea acestor instrucțiuni poate duce la deces, incendiu sau electrocutare.

Înainte de a muta frigiderul în locația sa finală, este important să vă asigurați că aveți conexiunea electrică adecvată.

Metoda de împământare recomandată

Este necesară o sursă de alimentare de la 220 ~ 240 Volt / 50 Hz AC doar 10 amperă fuzionată și împământată corespunzător. Se recomandă furnizarea unui circuit separat care să deservească numai acestui aparat. Utilizați un recipient care nu poate fi oprit cu un întrerupător sau cu un lanț de tragere. Nu utilizați un prelungitor.

NOTĂ: Înainte de a efectua orice tip de instalare, deconectați frigiderul de la sursa electrică. Când ați terminat, conectați frigiderul la sursa electrică și resetați comanda la setarea dorită.

STABILIZARE

Dacă frigiderul nu este nivelat în timpul instalării. Este posibil ca ușile să nu se închidă sau să nu se sigileze corespunzător, cauzând probleme de răcire, îngheț sau umiditate. Este foarte important ca frigiderul să fie stabilizat pentru a funcționa corect. Pentru a vă echilibra frigiderul, puteți roti piciorul de nivel în sensul acelor de ceasornic pentru a ridica acea parte la frigider sau rotiți în sens invers acelor de ceasornic pentru a coborî acea parte.

NOTĂ: Făcând pe cineva să împingă partea superioară a frigiderului, ia o greutate de pe piciorul de nivelare. Acest lucru face mai ușoară reglarea piciorului de nivelare.

UTILIZAREA APARATULUI

Pentru a obține cele mai bune rezultate posibile din frigiderul dvs., este important să îl utilizați corect.

Controlul Temperaturii

Comenzile pentru frigider și congelator sunt amplasate în raftul superior al compartimentului frigorific.

Când instalați frigiderul pentru prima dată, setați butonul termostatului la 3. Acordați frigiderului timp să se răcească complet înainte de a adăuga alimente. Cel mai bine este să așteptați 24 de ore înainte de a adăuga alimente.

Butonul termostatului controlează temperatura. Cu cât setarea este mai mare, cu atât compresorul va funcționa mai mult pentru a menține temperatura mai rece.

Când butonul de control al termostatului este setat pe **OFF**, frigiderul nu funcționează,

Depozitarea alimentelor proaspete

Înfășurați sau depozitați alimentele în frigider în materiale etanșe și rezistente la umiditate. Aceasta previne transferul mirosului și gustului alimentelor în frigider.

Fructe	Se spală, se lasă să se usuce și se păstrează la frigider în pungi de plastic.
Legume cu frunze	Îndepărtați ambalajul și tăiați sau rupeți zonele învinețite și decolorate, spălați-le în apă rece și scurgeți-le. Așezați-l într-o pungă de plastic sau într-un recipient din plastic.
Pește	Folosiți pește proaspăt în aceeași zi în care l-ați cumpărat.
Carne	Păstrați cea mai mare parte a cărnii în ambalaj original, atât timp cât este etanș și rezistent la umiditate. Reambalați dacă este necesar.
Resturi	Puneți peste resturi folie de plastic sau folie de aluminiu. De asemenea, pot fi folosite recipiente din plastic.

Depozitarea alimentelor congelate

Compartimentul congelator este conceput pentru depozitarea alimentelor congelate și pentru congelarea alimentelor acasă.

Congelarea cu succes depinde de ambalajul corect. Când închideți și sigilați ambalajul, nu trebuie să lăsați aer sau umezeală să intre sau să iasă. Dacă faceți acest lucru, ați putea transfera mirosul și gustul alimentelor în frigider și, de asemenea, să uscați alimentele congelate.

NOTĂ: Nu puneți niciodată mâncare sau băuturi îmbuteliolate în compartimentul congelatorului. Pentru cele mai bune performanțe, lăsați suficient spațiu în congelator și compartimentul frigider pentru ca aerul să circule în jurul ambalajelor. De asemenea, lăsați suficient spațiu în față, astfel încât ușa să se poată închide bine.

Dezghetare

Compartiment Frigider	Procesul de dezghetare este automat prin butonul termostatului. Curge gheață topită în tava de scurgere și se evaporă.
Compartiment Congelator	Dezghetarea pentru compartimentul congelator se realizează manual.

- Rotiți butonul termostatului pentru a seta în poziția OFF și lăsați deschisă ușa congelatorului.
- Îndepărtați toate alimentele, tava de cuburi de gheață și raftul sau transferați-le în compartimentul frigorific.
- Curățați și ștergeți gheața topită cu o cârpă.
- După dezghețare, rotiți butonul termostatului în poziția de origine.

NOTĂ: Pentru a evita deteriorarea peretelui compartimentului de congelare, nu folosiți obiecte ascuțite pentru a îndepărta gheața sau a separa alimentele congelate.

Curățarea Frigiderului

Înainte de a începe curățarea frigiderului, scoateți ștecherul de la sursa de alimentare.

Utilizați un burete curat sau moale și un detergent ușor în apă caldă. Nu utilizați produse de curățare abrazive sau dure. Spălați manual, clătiți și uscați bine toate suprafețele.

Nu utilizați ceruri de curățat, detergenți concentrați, înălbitori sau detergenți care conțin petrol pe piese din plastic și cauciuc.

Nu folosiți niciodată prosoape de hârtie, spray-uri pentru geamuri, produse de curățare sau lichide inflamabile pe piesele din plastic, deoarece acestea pot zgăria sau deteriora materialul.

Curățați cu o cârpă îmbibată în această soluție și apoi uscați cu o cârpă moale..

PERIOADE LUNGI DE NEUTILIZARE

Dacă frigiderul nu este utilizat pentru o perioadă lungă de timp, procedați după cum urmează:

Deconectați frigiderul de la sursa principală scoțând ștecherul din priză de perete.

Curățați și uscați interiorul conform instrucțiunilor de la rubrica Curățarea frigiderului.

Lăsați ușa deschisă pentru a preveni formarea mirosurilor neplăcute în timp ce frigiderul nu este utilizat.

DIAGNOSTICARE

În caz de defecțiune, puteți rezolva cu ușurință multe probleme comune.

Dacă frigiderul dvs. nu funcționează, verificați dacă:

- Cablul de alimentare este deconectat.
- Butonul termostatului este setat în poziția **OFF**.

Dacă lumina nu funcționează, verificați dacă:

- Cablul de alimentare este deconectat.
- Butonul termostatului este setat în poziția **OFF**.
- Un bec este slăbit în priză.
- S-a ars un bec.

Dacă alimentele din compartimentul frigiderului congelează, verificați dacă:

- Butonul termostatului este prea rece.
- Poziția alimentelor depozitate atinge puterea de agent frigorific a peretelui din spate al frigiderului.

Dacă alimentele din compartimentul frigiderului nu sunt reci, verificați dacă:

- Gurile de aerisire sunt blocate în compartiment. Acest lucru previne mișcarea aerului rece.
- Ușa (ușile) sunt deschise prea des pentru a nu se închide corect.
- Tocmai a fost adăugată o cantitate mare de alimente în frigider sau în compartimentul pentru frigider.
- Poziția butonului termostatului este reglată prea jos.

Dacă se scurge gheață topită peste compartimentul din interior sau pe podea, verificați dacă:

- Intrarea gurii de scurgere este blocată.
- Vasul evaporatorului este în poziție

Dacă frigiderul pare să facă zgomot neobișnuit, verificați dacă:

- Frigiderul este nivelat pe podea.
- Corpul frigiderului atinge peretele.
- Tava de scurgere nu este așezată corect

Dacă există umiditate interioară, verificați dacă:

- Aerisirile sunt blocate în frigider.
- Ușa este deschisă des.
- Camera este umedă.
- Mâncarea nu este ambalată corect.
- Controlul nu este setat corect pentru condițiile din jur.

Dacă ușile nu se vor închide complet, verificați dacă:

- Rafturile sunt deplasate
- Garniturile sunt murdare.
- Frigiderul nu este egal.

1. **ATENȚIE:** Păstrați deschiderile de ventilație, în carcasa aparatului sau în structura încorporată, ferite de obstacole.
2. **ATENȚIE:** Nu utilizați dispozitive mecanice sau alte mijloace pentru a accelera procesul de dezghețare, altele decât cele recomandate de producător.
3. **ATENȚIE:** Nu deteriorați circuitul agentului frigorific.
4. **ATENȚIE:** Nu utilizați aparate electrice în interiorul compartimentelor de depozitare a alimentelor ale aparatului, decât dacă sunt de tipul recomandat de producător.
5. Aparatul trebuie deconectat de la priză după utilizare și înainte de a efectua întreținerea de către utilizator a aparatului.
6. Acest aparat nu este destinat utilizării de către persoane (inclusiv copii) cu capacități fizice, senzoriale sau mentale reduse sau cu lipsă de experiență și cunoștințe, cu excepția cazului în care au fost supravegheați sau instruiți cu privire la utilizarea aparatului de către o persoană responsabilă pentru siguranța lor.
7. Copiii trebuie supravegheați pentru a se asigura că nu se joacă cu aparatul.
8. În cazul în care cablul de alimentare este deteriorat, acesta trebuie înlocuit de producător, agentul de service sau de persoane calificate în mod similar pentru a evita un pericol.
9. Vă rugăm să abandonați frigiderul în conformitate cu autoritățile de reglementare locale, pentru că acesta folosește gaze inflamabile și agent frigorific.
10. Vă rugăm să respectați reglementările locale privind eliminarea aparatului pentru agentul frigorific inflamabil și gazul de suflare. Înainte de a deșeuza aparatul, vă rugăm să scoateți ușile pentru a preveni blocarea copiilor.

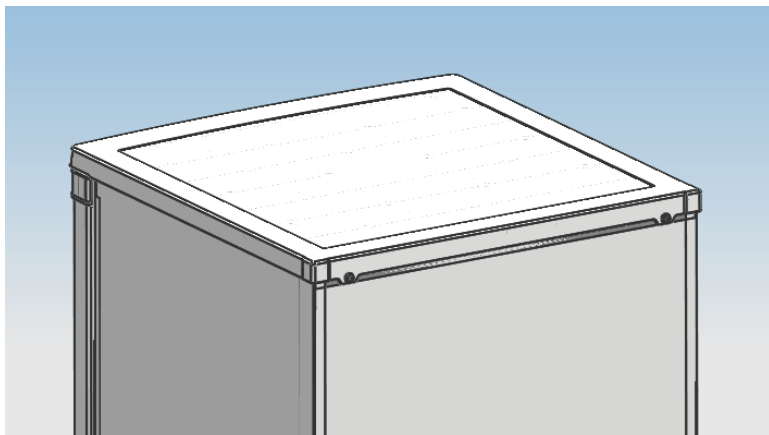


Eliminarea corectă a acestui produs

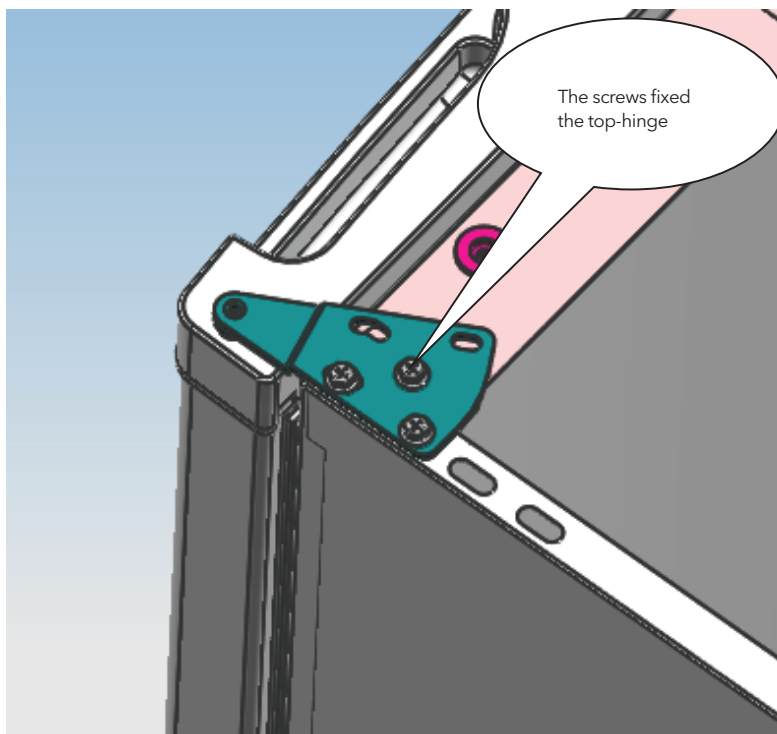
Acest marcaj indică faptul că acest produs nu trebuie aruncat împreună cu alte deșeuri menajere în întreaga UE. Pentru a preveni posibilele daune aduse mediului sau sănătății umane prin eliminarea necontrolată a deșeurilor, reciclați-le în mod responsabil pentru a promova reutilizarea durabilă a resurselor materiale. Pentru a returna dispozitivul folosit, vă rugăm să utilizați sistemele de returnare și colectare sau contactați distribuitorul de la care a fost achiziționat produsul. Aceștia pot lua acest produs pentru reciclare sigură pentru mediu.

Instrucțiuni de instalare a ușii frigiderului dinspre stânga și dreapta

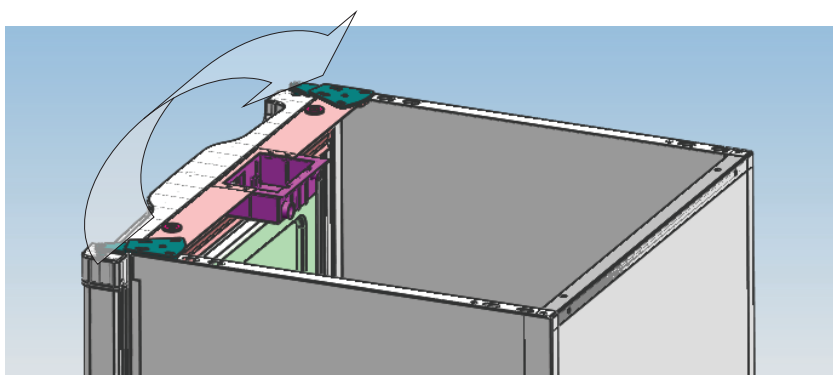
1. Demontați șuruburile din spatele capacului fix cu o șurubelniță cu fantă transversală și scoateți capacul.



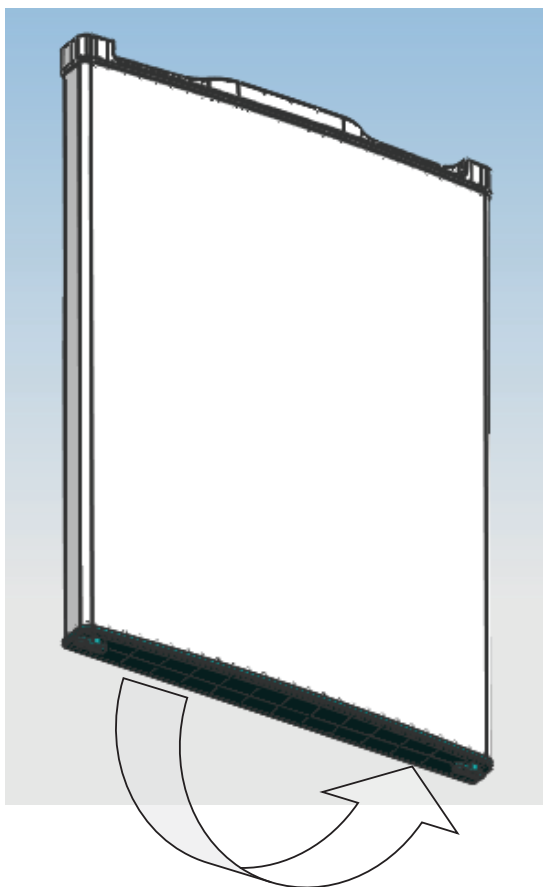
2. Scoateți șuruburile fixate de balama superioară cu șurubelniță cu fantă transversală.



3. Remontați balamaua superioară și blocul de limită al ușii și bucașa rulmentului ușii pe cealaltă parte
A. Înlocuiți balamaua superioară.

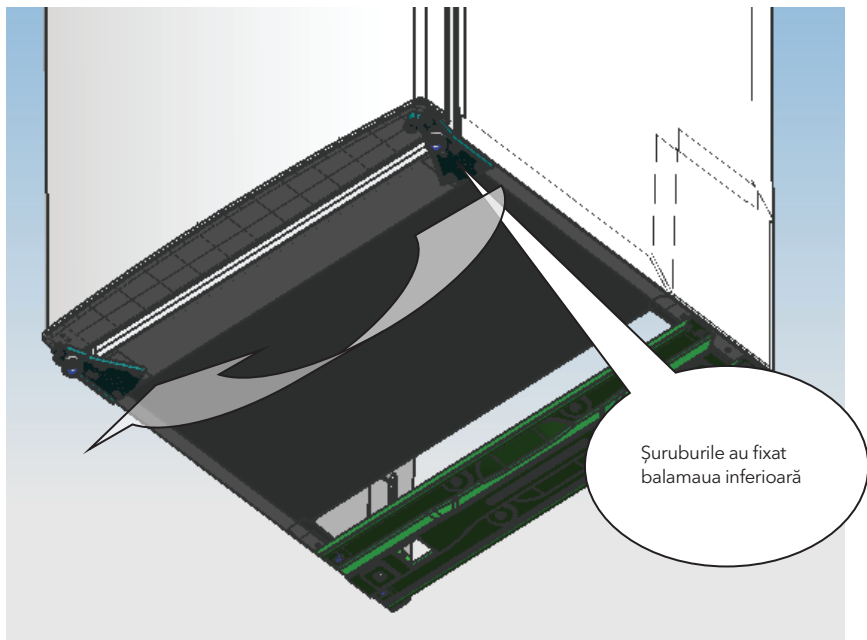


- B. Înlocuiți bucașa rulmentului ușii și blocul de limită.

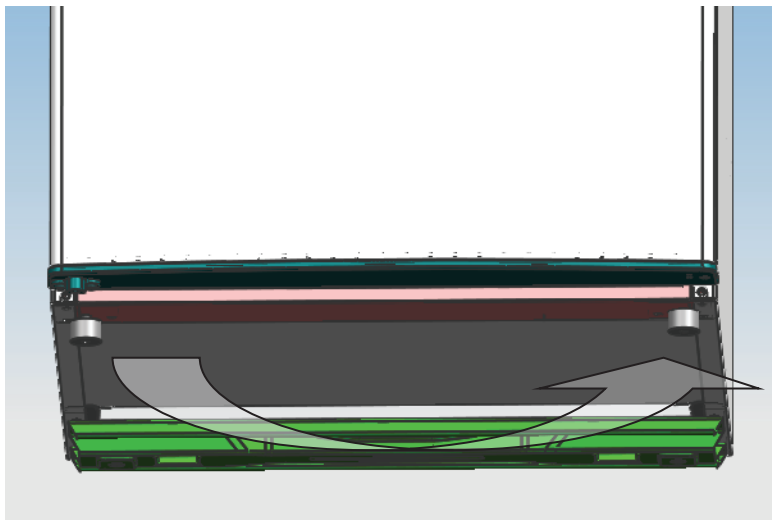


4. Demontați șuruburile fixate de balama inferioară cu șurubelniță cu fantă transversală și înlocuiți balamaua de cealaltă parte, apoi fixați-o cu șuruburi.

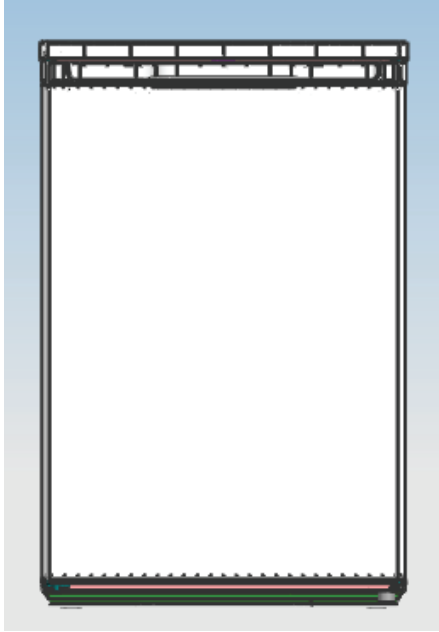
NOTĂ: Unghiul de înclinare a frigiderului este mai



5. Înlocuiți nivelatorul pe cealaltă parte și reglați-l pentru a vă asigura că este stabilizat.



6. Setati poziția dreaptă a ușii, fixați balamaua superioară și apoi capacul



- Asigurați-vă că aparatul este deconectat și gol.
- Reglați cele două picioare de nivelare în poziția cea mai înaltă.
- Vă recomandăm să aveți pe cineva care să vă ajute.

NOTĂ:

Pentru a scoate ușa, este necesar să înclinați aparatul pe spate.

Ar trebui să sprijiniți aparatul pe ceva solid, de exemplu un scaun chiar sub panoul superior.

Nu așezați aparatul pe o suprafață complet plată, deoarece acest lucru poate deteriora sistemul de răcire.

SPOŠTOVANI POTROŠNIK:

Hvala, ker ste kupili ta hladilnik. Da bi lahko svoj novi hladilnik uporabljali na kar najboljši način, si vzemite nekaj časa in preberite enostavna navodila v tej brošuri.

Poskrbite, da se embalažni material odstrani v skladu z veljavnimi predpisi za varovanje življenjskega okolja.

Pri odstranjevanju kakršnekoli opreme za hladilnik se za nasvete o varnem odstranjevanju obrnite na vašo lokalno organizacijo za odvoz odpadkov.

To napravo lahko uporabljate samo za njene namene.

PREVIDNO:

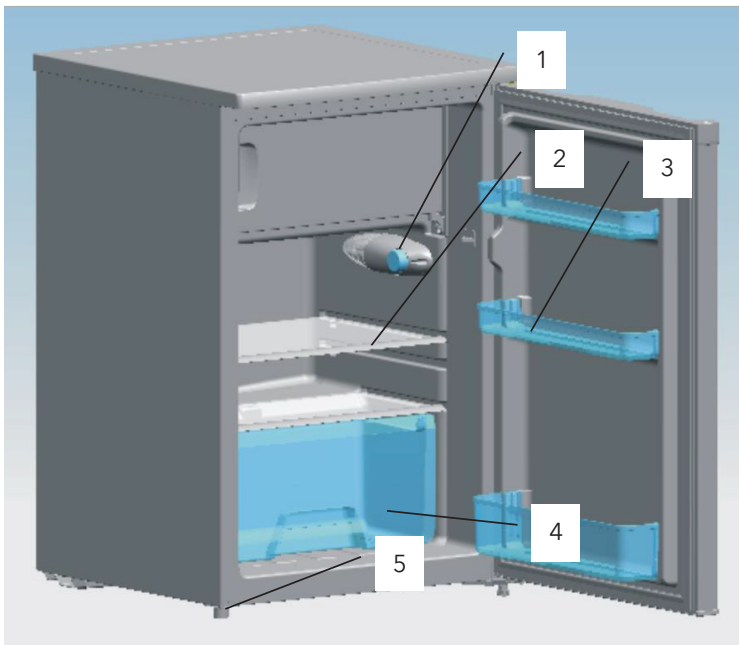
Te naprave brez nadzora ne smejo uporabljati majhni otroci ali prizadete osebe.

Majhne otroke je potrebno nadzirati, da ste prepričani, da se ne igrajo z napravo.

SPLOŠNI PODATKI

Ta naprava se običajno uporablja v objektih, kot so hoteli, pisarne, študentski domovi in gospodinjstva.

Najprimernejša je za hranjenje živil, kot so sadje in pijače. Njegova prednost so majhne dimenzije, majhna teža, majhna poraba električne energije in enostavna uporaba.



Glavna konfiguracija:

- | | |
|---------------------|------------------------|
| 1. Termostat | 4. Predal za zelenjavo |
| 2. Steklena polica | 5. Nožica za poravnavo |
| 3. Plastična polica | |

RAZPAKIRANJE VAŠEGA HLADILNIKA

OPOZORILO: Hladilnik morata prenašati vsaj dve osebi.

Če ne upoštevate tega navodila, si lahko poškodujete hrbet ali kaj drugega.

- Pred uporabo odstranite lepilni trak in vse nalepke (razen nalepke z nazivnimi podatki naprave).
- Za odstranitev ostanka lepilnega traka ali lepila površino energično podrgnite s prstom.
- Ostanke lepilnega traka ali lepila lahko odstranite tudi z vtiranjem majhne količine tekočega sredstva za pomivanje posode v sloj lepila. Površine obrišite s toplo vodo in osušite.
- Za odstranjevanje lepilnega traku ali lepila ne uporabljajte ostrih predmetov in ne vtirajte alkohola, vnetljivih sredstev ali abrazivnih čistilnih sredstev. Te snovi lahko poškodujejo površino vašega hladilnika.
- Pri prestavljanju hladilnika ne nagnite preko 45° od njegovega pokončnega položaja.

ČIŠČENJE PRED UPORABO:

Potem, ko odstranite ves embalažni material (pazite, da odstranite tudi penasto zaščito med zunanjim kondenzatorjem in vitrine) še pred uporabo hladilnika očistite njegovo notranjost.

ZAHTEVE ZA PROSTOR

OPOZORILO: Vnetljivih in hlapljivih snovi, kot je plin, ne smete imeti v bližini hladilnika.

V nasprotnem primeru lahko to povzroči smrt, eksplozijo, požar ali opekline.

- Za ustrezno zračenje hladilnika pustite na obeh straneh razmik najmanj 200 mm, med zadnjo stranjo in steno najmanj 200 mm in med zgornjo površino hladilnika in površino, ki se nahaja nad njo ali stoprom najmanj 300 mm.
- Če svoj hladilnik postavite bočno ob steno, pustite dovolj prostora za odpiranje vrat na strani, kjer se nahajajo tečaji.
- Nikoli ne postavljajte hladilnika na mesta, ki so v bližini virov toplote ali izpostavljeni direktnim sončnim žarkom.

ZAHTEVE ZA ELEKTRIČNO NAPELJAVO

OPOZORILO: NE ODSTRANITE OZEMLJITVENEGA VODNIKA.

NE UPORABLJAJTE RAZDELILNIKOV.

NE UPORABLJAJTE KABELSKIH PODALJŠKOV.

Neupoštevanje teh navodil lahko povzroči smrt, požar ali udarec električnega toka.

Preden prenesete hladilnik na njegovo predvideno lokacijo, preverite ali razpolaga z ustreznim priključkom na električno omrežje.

Priporočeni način ozemljitve

Potrebna je vtičnica z omrežno električna napetostjo 220~240 V /50 Hz AC, ki je priključena preko 10 A varovalke in je ozemljena v skladu s predpisi. Priporočamo, da za to napravo zagotovite ločen dovod električne energije. Uporabljajte vtičnico, ki se ne izklaplja s stikalom ali vrvcico. Ne uporabljajte kabelskih podaljškov.

OPOMBA: Pre nego što začnete sa bilo kakvom instalacijom, izključite frižider iz struje. Kada završite, priključite frižider na struju i podesite kontrole na željena podešavanja.

PORAVNAVANJE

Izvedite, če hladilnik pri postavitvi ni bil poravnan. Morebiti vrata se vrata ne bodo dobro zapirala ali ne bodo dobro nalegala, kar povzroča probleme pri hlajenju, nastajanje ivja ali vlage. Za pravilno delo hladilnika je zelo pomembno, da je vodoravno poravnan. Za poravnavo obračajte poravnalno nožico v smeri urnega kazalca za dvig tiste strani hladilnika ali v obratni smeri za njegov spust.

OPOMBA: Naj van nekdo pri tem pomaga tako, da potiska zgornji del hladilnika navzgor in s tem zmanjša težo, ki pritiska na poravnalno nožico. Tako boste nožico lažje nastavili.

UPORABA NAPRAVE

Da boste frižider koristili na najboljši način, važno je da njime rukujete na odgovarajući način.

Krmiljenje vrednosti temperatur

Krmilne tipke za hladilnik in zamrzovalnik se nahajajo na najvišji polici hladilnega predala. **Pri prvem vklopu hladilnika nastavite gumb termostata na 3.** Preden začnete vstavljati živila počakajte, da se hladilnik povsem ohladi. Pred vstavljanjem hrane je najbolje počakati 24 ur po vklopu hladilnika. Z gumbom termostata krmilite temperaturo. Pri večji nastavljeni številki bo kompresor deloval dalj čas, da bo obdržal temperaturo na nastavljenem nivoju. Če je krmilni gumb termostata nastavljen na **IZKLOPLJENO (OFF)**, hladilnik ne bo delal.

Hranjenje svežih živil

Živila hranite v hladilniku zavita ali v hermetično zaprtih posodah, ki so odporne na vlago. Na ta način boste preprečili, da se vonj in okus živil razširi po hladilniku.

Sadje	Operite, počakajte, da se osuši in ga hranite v hladilniku v plastičnih vrečkah ali predalu za zelenjavo.
Listnata zelenjava	Snemite ovoj in odrežite poškodovane in razbarvane dele, operite pod hladno vodo in ocedite. Zelenjavo dajte v plastično vrečko ali plastično posodo in jo shranite v predal za zelenjavo.
Ribe	Sveže ribe porabite isti dan, ko ste jih kupili.
Meso	Večino mesa hranite v originalni embalaži, če je ta hermetično zaprta in odporna na vlago. Po potrebi ga ponovno zavijte.
Ostanki hrane	Ostanke hrane pokrijte s plastično ali aluminijasto folijo. Lahko uporabljate tudi plastične posode s pokrovom, ki se tesno nalega.

Hranjenje zamrznjenih živil

Predal za zamrzovanje je narejen za hranjenje zamrznjenih živil in za zamrzovanje živil v gospodinjstvu. Uspešnost postopka zamrzovanja je odvisna od ustreznosti pakiranja. Ko pakiranje hermetično zaprete iz njega ali vanj ne smeta več prehajati zrak ali vlaga. Če temu ni tako, se lahko po hladilniku razširi vonj in okus živila, pride pa lahko tudi do sušenja zamrznjenega živila.

Opomba: V predal za zamrzovanje nikoli ne vstavljajte živil ali pijač v steklenici. Za najboljši učinek v predalih zamrzovalnika in hladilnika pustite dovolj prostora okoli živil, da bi hladni zrak lahko krožil okoli njih. Prav tako pustite dovolj prostora v srednjem delu, da se lahko vrata dobro zaprejo.

Odtajanje

Predal hladilnika	Postopek odtajanja poteka avtomatsko s pomočjo gumba termostata. Stopljeni led se zliva v posodo za zbiranje vode in avtomatsko izpareva.
Predal zamrzovalnika	Odtajanje predala zamrzovalnika poteka ročno.

- Zavrtite gumb termostata in ga postavite v položaj **IZKLOPLJENO (OFF)** in pustite vrata zamrzovalnika odprta.
- Odstranite vsa živila, posode za led v kockah in police ali pa vse prestavite v predal za ohlajevanje.
- Stopljeni led odstranite in površine obrišite s krpo.
- Po odtajanju obrnite gumb termostata v prejšnji položaj.

Opomba: Pri odtajanju ne uporabljajte ostrih predmetov za odstranjevanje ledu ali ločevanje zamrznjenih živil, da ne poškodujete sten predala za zamrzovanje.

Čiščenje vašega hladilnika

Pred čiščenjem izvlcite vtič kabla iz električne vtičnice.

Uporabljajte čisto gobico ali mehko krpo in blago čistilno sredstvo, ki ste ga dodali v toplo vodo. Ne uporabljajte abrazivnih ali agresivnih čistilnih sredstev.

Ročno temeljito umijte, sperite in osušite vse površine.

Za čiščenje plastičnih in gumijastih delov ne uporabljajte polirne paste, koncentriranih pralnih praškov, belil ali sredstev, ki vsebujejo nafto.

Nikoli ne uporabljajte papirnih brisač, tekočin za umivanje oken, abrazivnih sredstev za čiščenje ali vnetljivih tekočin za čiščenje plastičnih delov, saj lahko opraskajo ali poškodujejo material.

Dele očistite s krpo, namočeno v navedeno raztopino in jih potem do suhega obrišite z mehko krpo.

DALJŠA OBDOBJA NEUPORABE

Če hladilnika dalj časa ne boste uporabljali, ravnajte takole:

- Odklopite hladilnik iz električnega omrežja tako, da izvlčete vtič kabla iz električne vtičnice.
- Očistite in osušite notranjost hladilnika po navodilih iz poglavja o čiščenju hladilnika.
- Pustite vrata hladilnika odprta, da se v njem med mirovanjem ne morejo ustvarjati neprijetne vonjave.

ODPRAVA NAPAK

V primeru okvare lahko sami enostavno odpravite veliko običajnih problemov.

Vah hladilnik ne dela. Preverite, ali je:

- Napajalni kabel izvlečen iz električne vtičnice.
- Gumb termostata nastavljen na **IZKLOPLJENO (OFF)**.

Lučka ne sveti. Preverite, ali je:

- Napajalni kabel izvlečen iz električne vtičnice.
- Varovalka staljena ali avtomatska varovalka izklopljena.
- Žarnica izgubila stik z grlom.
- Žarnica pregorela.

Živila v pregradi hladilnika ledenijo. Preverite, ali je:

- Gumb termostata nastavljen tako, da naprava preveč hladi.
- Hrana v hladilniku postavljena tako, da se dotika dela, v katerem kroži hladilno sredstvo na zadnji steni hladilnika.

Živila v pedalu hladilnika niso hladna, preverite naslednje:

- Ali so prezačevalne odprtine v predalu blokirane. To preprečuje kroženje hladnega zraka.
- Ali se vrata prepogosto odpirajo in ali se pravilno zapirajo.
- Je bila v hladilnik ali predal hladilnika pred časom vstavljena velika količina živil.
- Je gumb termostata nastavljen na pretirano majhno vrednost.

Staljeni led je stekel po notranjosti predala in na dno hladilnika. Preverite, ali je:

- Blokirana odprtina odtoka.
- Posoda za izparevanje na svojem mestu.

Zdi se, da hladilnik proizvaja nenavaden hrup. Preverite, ali je:

- Hladilnih poravnan (vodoraven).
- Telo hladilnika postavljeno tako, da se dotika zidu.
- Posoda za vodo pravilno vstavljena.

Prihaja do nastajanja vlage v notranjosti naprave, preverite naslednje:

- Ali so prezračevalne odprtine v predalu blokirane.
- Ali se vrata pogosto odpirajo.
- Ali je v prostoru povečana vlažnost zraka.
- Ali je hrana pravilno zapakirana.
- Ali so krmilne nastavitve neprimerne za razmere v okolju.

Vrata se ne zapirajo povsem, preverite naslednje:

- So police pravilno postavljene?
- So tesnila onesnažena?
- Je hladilnik poravnan?

1. OPOZORILO - Poskrbite, da prezračevalne odprtine ne bodo blokirane v notranjosti ohišja naprave ali v notranjosti vgrajene konstrukcije.
2. OPOZORILO - Ne uporabljajte mehanskih sredstev ali drugih postopkov za pospeševanje procesa taljenja, razen če jih proizvajalec posebej priporoča.
3. OPOZORILO - Ne poškodujte napeljav za hladilno sredstvo.
4. OPOZORILO - Ne uporabljajte električnih naprav med pregradami za čuvanje hrane za čuvanje hrane te naprave, razen če to njihov proizvajalec priporoča.
5. Napravo morate pred izvedbo vzdrževanja, ki ga izvaja uporabnik, odklopiti od električne napetosti.
6. Te naprave ne smejo uporabljati osebe (vključno z otroci) z zmanjšanimi fizično-čutnimi ali umskimi sposobnostmi ali s pomanjkanjem izkušenj in znanja, razen če so pod nadzorom ali pa jih je o varni uporabi naprave poučila oseba, ki odgovarja za njihovo varnost.
7. Otroke je potrebno nadzirati, da ste prepričani, da se ne igrajo z napravo.
8. Če se električni priključni kabel poškoduje, ga mora zamenjati proizvajalec, njegov pooblaščen servisier ali oseba s podobnimi kvalifikacijami, da se prepreči nastanek nevarnosti.
9. Hladilnik neškodljivo odstranite v skladu z lokalnimi predpisi, saj za svoje delovanje uporablja vnetljivo hladilno sredstvo in eksplozivni plin.
10. Pri odstranjevanju naprave spoštujte lokalne predpise, saj se za njeno delovanje delo uporablja vnetljivo hladilno sredstvo in eksplozivni plin. Pred odstranjevanjem naprave snemite vrata, da se otroci ne morejo zapreti vanjo.

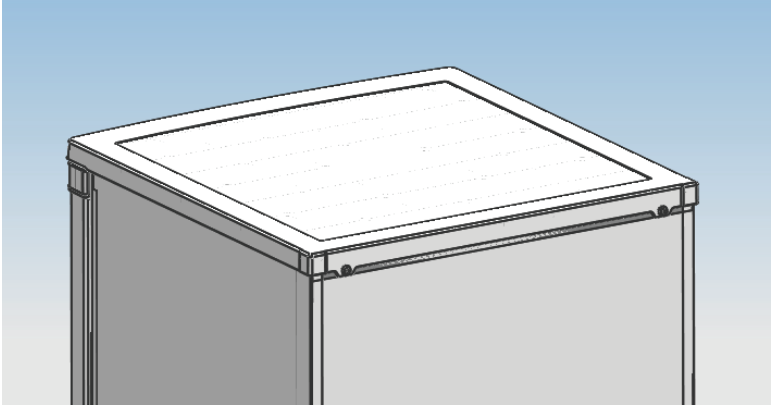
Pravilno odstranjevanje tega proizvoda



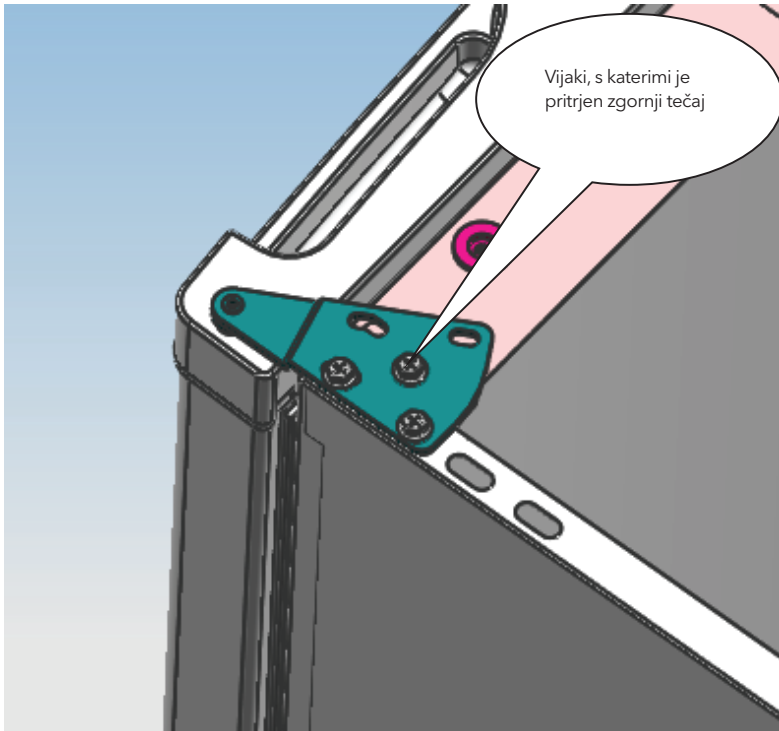
Ta oznaka prikazuje, da tega proizvoda v EU ne smete odstraniti v odpadke iz gospodinjstva. Zaradi preprečitve morebitne škode za življenjsko okolje in zdravje ljudi, ki bi lahko nastala zaradi nenadzorovanega odlaganja odpadkov, napravo reciklirajte in s tem podprite trajnostno ponovno uporabo materialnih virov. Prosimo, da vašo nerabno napravo predate v sistem za vračanje in zbiranje odpadkov ali pa se povežite s prodajalno, kjer ste napravo kupili. Na ta način se lahko proizvod reciklira na neškodljiv način za življenjsko okolje.

Navodila za nameščanje vrat hladilnika pri spremembi strani odpiranja

1. S križnim izvijačem odvijte vijake, ki se nahajajo pod pritrjeno zgornjo površino in snemite pokrov hladilnika.

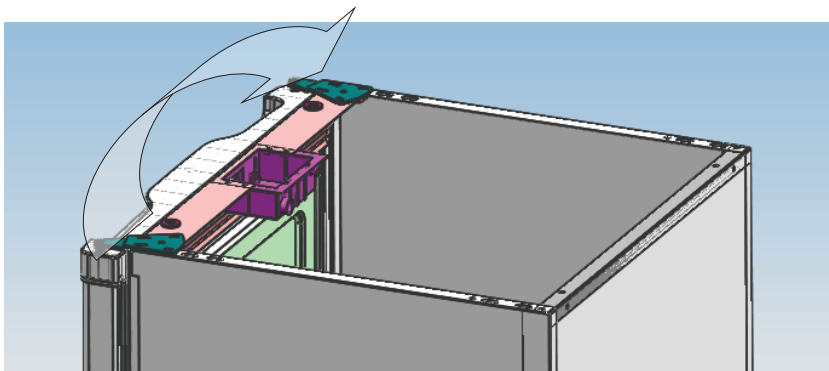


2. S križnim izvijačem odvijte vijake, s katerimi je pritrjen zgornji tečaj.

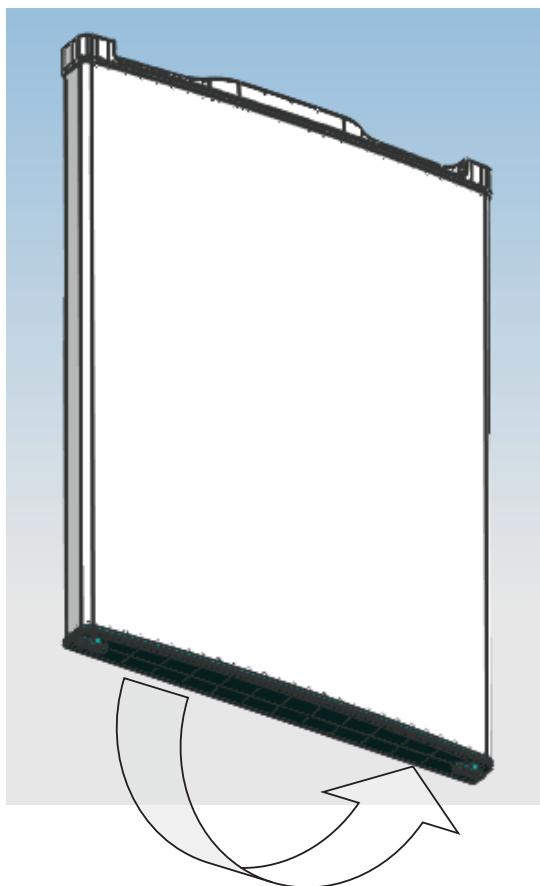


3. Prestavite zgornji tečaj in zgornji naslon vrat ter nosilec vrat na drugo stran.

A. Ponovno namestite zgornji tečaj.

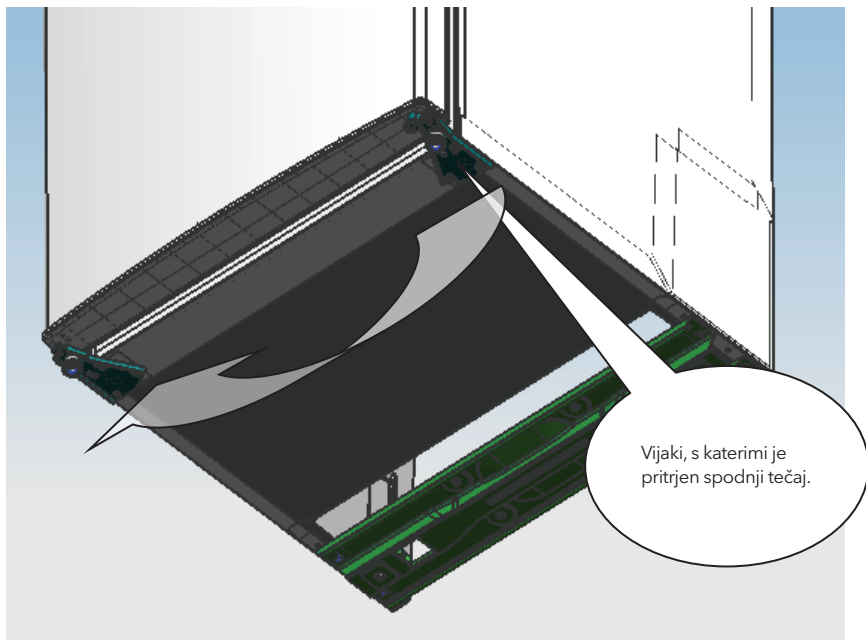


B. Ponovno namestite nosilec vrat in naslon.

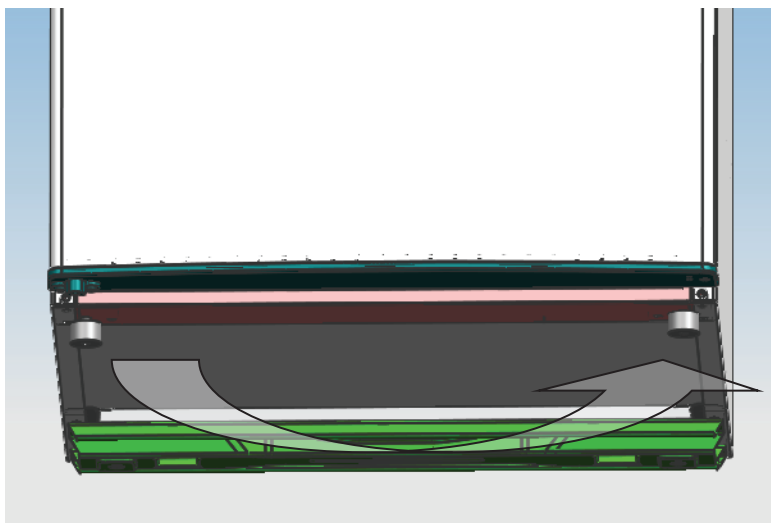


4. S križnim izvijačem snemite vijake, s katerimi je pritrjen spodnji tečaj in ga prestavite na drugo stran teg ga pritrdite z vijaki.

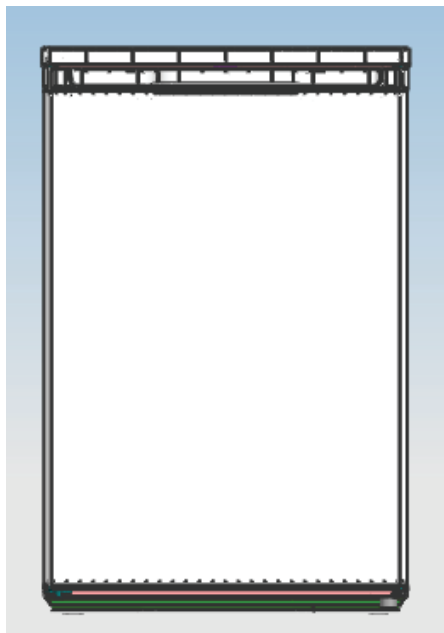
Opomba: Pri tem hladilnika ne smete nagniti preko 45°.



5. Prestavite vodno tehtnico na drugo stran in nastavite nožice tako, da bo naprava stala povsem vodoravno.



6. Prestavite zgornja vrata v ustrezen položaj, pritrdite zgornji tečaj in pokrov na vrhu hladilnika.



- Preverite, da je naprava odklopljena od električnega omrežja in prazna.
- Dve nožici za poravnavanje nastavite na najvišji položaj.
- Priporočamo, da vam pri tem nekdo pomaga.

OPOMBA:

Za snemanje vrat morate napravo nagniti nazaj.

Napravo naslonite na čvrst predmet, na primer kuhinjski stol z delom, ki se nahaja neposredno pod zgornjo površino.

Ne polagajte naprave na tla, saj lahko pri tem poškodujete sistem za hlajenje.

POŠTOVANOM POTROŠAČU:

Hvala što ste kupili ovaj frižider. Da biste na najbolji način koristili svoj novi frižider, odvojite vreme da pročitate jednostavna uputstva sadržana u ovoj brošuri.

Uverite se da je odlaganje pakovnog materijala obavljeno u skladu sa važećim zahtevima o zaštiti životne sredine.

Prilikom odlaganja bilo kakve opreme za frižider, za savete o bezbednom odlaganju se obratite svom lokalnom sektoru za odlaganje otpada.

Ovaj uređaj se mora koristiti isključivo u svrhe za koje je namenjen.

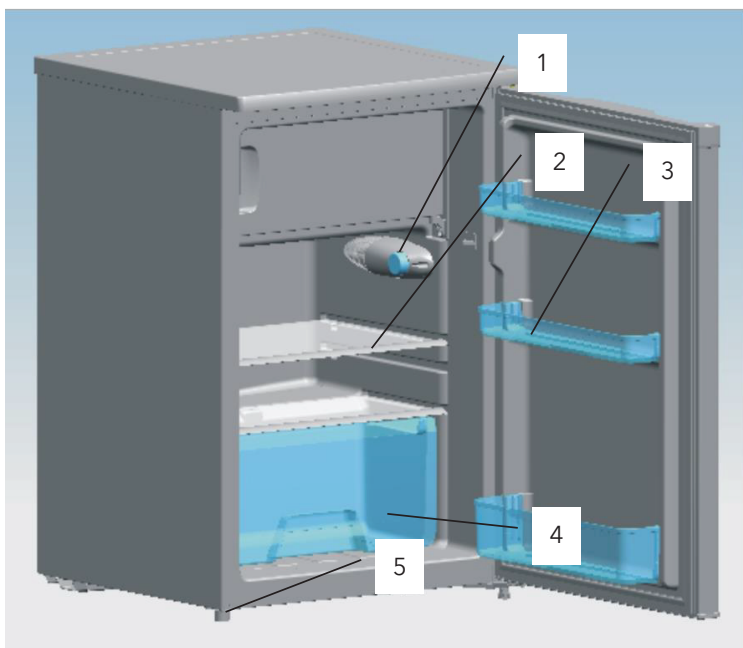
OPREZ:

Ovaj uređaj ne treba da bez nadzora koriste mala deca ili nemoćne osobe.

Malu decu je potrebno nadgledati kako biste bili sigurni da se ne igraju uređajem.

OPŠTI PODACI

Ovaj tip frižidera je u širokoj upotrebi u objektima poput hotela, kancelarija, studentskih domova i u domaćinstvima. Najpogodniji je za čuvanje hrane poput voća i pića. Njegova prednost su male dimenzije, mala težina, mala potrošnja električne energije i jednostavna upotreba.



Glavna konfiguracija:

- | | |
|---------------------|-------------------------------------|
| 1. Termostat | 4. Crisper fioka za čuvanje svežine |
| 2. Staklena polica | 5. Nožica za nivelisanje |
| 3. Plastična polica | |

RASPAKIVANJE VAŠEG FRIŽIDERA

UPOZORENJE: Frižider treba da pomeraju dve ili više osoba.

Ukoliko se ne pridržavate ovog upozorenja, možete povrediti leđa ili izazvati neku drugu povredu.

- Pre upotrebe, uklonite selotejp i sve nalepnice (osim nalepnice sa razredom).
- Kako biste uklonili preostali selotejp ili lepak, energično protrljajte površinu palcem.
- Ostaci selotejpa ili lepka se lako mogu ukloniti i utrljavanjem male količine tečnosti za sudove prstima preko sloja lepka. Obrišite toplom vodom i osušite.
- Ne upotrebljavajte oštre predmete i ne utrljavajte alkohol, zapaljive tečnosti ili abrazivna sredstva za čišćenje da uklonite selotejp ili lepak. Pomenuti proizvodi mogu da oštete površinu vašeg frižidera.
- Prilikom premeštanja frižidera, ne naginjite ga više od 45° u odnosu na njegov uspravni položaj.

ČIŠĆENJE PRE UPOTREBE:

Nakon što uklonite sav pakovni materijal (treba posebno povesti računa da se ukloni penasta zaštita između spoljašnjeg kondenzatora i vitrine), a pre upotrebe frižidera, očistite njegovu unutrašnjost.

ZAHTEVI U VEZI SA PROSTOROM

UPOZORENJE: Zapaljive materijale i isparenja, poput plina, držite dalje od frižidera.

Ukoliko ovo ne učinite, možete izazvati smrt, eksploziju, požar ili opekotine.

- Kako biste osigurali odgovarajuću ventilaciju frižidera, ostavite razmak od 200 mm sa obe strane frižidera, 200 mm između zadnjeg dela frižidera i zida, i 300 mm između gornje površine uređaja i površine koja ga natkrijuje ili plafona.
- Ukoliko svoj frižider postavljate pored fiksnog zida, ostavite dovoljno prostora za otvaranje vrata na strani na kojoj se nalaze šarke.
- Nikada ne postavljajte frižider u blizini izvora toplote i na mestima izloženim direktnim zracima sunca.

ZAHTEV U VEZI SA ELEKTRIKOM

UPOZORENJE: NE UKLANJAJTE KRAK ZA UZEMLJENJE.

NE UPOTREBLJAVAJTE ADAPTER.

NE UPOTREBLJAVAJTE PRODUŽNI KABL.

Ukoliko se ne pridržavate pomenutih uputstava, možete izazvati smrt, požar ili strujni udar.

Pre nego što svoj frižider donesete na njegovu trajnu lokaciju, važno je proveriti da li raspolazete odgovarajućim električnim priključcima.

Preporučeni način uzemljenja

Potreban je dovod struje od 220~240 volti /50 Hz AC, koji je povezan na osigurač od 10 ampera i propisno uzemljen. Preporučuje se da se za ovaj uređaj obezbedi posebna strujna linija. Upotrebljavajte utičnicu koja se ne isključuje prekidačem ili lancem. Ne upotrebljavajte produžni kabl.

NAPOMENA: Pre nego što započnete sa bilo kakvom instalacijom, isključite frižider iz struje. Kada završite, priključite frižider na struju i podesite kontrole na željena podešavanja

NIVELISANJE

Ukoliko frižider tokom instalacije nije iznivelisan. Vrata se možda neće dobro zatvarati ili neće dobro naleći, što izaziva probleme sa hlađenjem, formiranjem leda ili vlagom. Da bi radio pravilno, veoma je važno da frižider bude iznivelisan. Da iznivelišete svoj frižider, okrećite nožicu za nivelisanje u smeru kretanja kazaljke na satu kako biste podigli tu stranu frižidera, ili u smeru suprotnom od kretanja kazaljke na satu kako biste spustili tu stranu frižidera.

NAPOMENA: Neka vam neko pomogne tako što će odgurnuti gornji deo frižidera, i na taj način umanjiti težinu koja pritiska nožicu za nivelisanje. Tako ćete lakše podesiti nožicu za nivelisanje.

UPOTREBA UREĐAJA

Da biste frižider koristili na najbolji način, važno je da njime rukujete na odgovarajući način.

Kontrola temperaturnih vrednosti

Kontrolni tasteri za frižider i zamrzivač nalaze se na najvišoj polici rashladne pregrade. **Prilikom prvog postavljanja frižidera, dugme termostata podesite na 3.** Pre nego što počnete da odlažete hranu, ostavite frižider da se potpuno ohladi. Najbolje je sačekati 24 sata pre stavljanja hrane u frižider. Dugmetom termostata se kontroliše temperatura. Što je podešeni broj veći, kompresor će duže raditi da temperaturu zadrži na što nižem nivou.

Ukoliko je dugme za kontrolu termostata podešeno na **ISKLUČENO (OFF)**, frižider neće raditi.

Čuvanje sveže hrane

Hranu čuvajte u frižideru bilo umotanu, bilo u hermetički zatvorenim posudama, otpornim na vlagu. Na ovaj način sprečavate da se miris i ukus hrane širi frižiderom.

Voće	Operite, ostavite da se osuši i držite u frižideru u plastičnim kesama ili u Crisper fioci za čuvanje svežine.
Lisnato povrće	Skinite omotač i odsecite ili otkinite delove koji su oštećeni ili koji su promenili boju, operite hladnom vodom i ocedite. Stavite u plastičnu kesu ili plastičnu posudu i čuvajte u Crisper fioci za čuvanje svežine.
Riba	Svežu ribu upotrebite istog dana kada je i kupite.
Meso	Većinu mesa čuvajte u originalnoj ambalaži ukoliko je hermetički zatvorena i otporna na vlagu. Po potrebi, ponovo umotajte.
Ostaci hrane	Ostatke hrane pokrijte plastičnom ili aluminijumskom folijom. Mogu se koristiti i plastične posude sa poklopcem koji čvrsto naleže.

Čuvanje smrznute hrane

Pregrada za zamrzavanje je napravljena za čuvanje smrznute hrane i za zamrzavanje hrane u domaćinstvu.

Da li će proces zamrzavanja biti uspešan zavisi od toga u kojoj meri je pakovanje odgovarajuće. Kada hermetički zatvorite pakovanje, vazduh ili vlaga ne smeju ulaziti u ili izlaziti iz pakovanja. Ukoliko se dogodi suprotno, miris i ukus hrane se može proširiti frižiderom, ali i dovesti do sušenja smrznute hrane.

Napomena: Nikada ne stavljajte flaširanu hranu ili pića u pregradu zamrzivača. Za najbolji učinak, ostavite dovoljno prostora u pregradama zamrzivača i frižidera kako bi vazduh mogao da cirkuliše oko pakovanja. Takođe, ostavite dovoljno prostora u prednjem delu kako bi vrata mogla da se dobro zatvore.

Otapanje

Pregrada frižidera	Postupak otapanja se obavlja automatski pomoću dugmeta termostata. Otopljeni led se sliva u posudu za skupljanje vode i automatski isparava.
Pregrada zamrzivača	Otapanje pregrade zamrzivača se vrši ručno.

- Okrenite dugme termostata i postavite ga u poziciju **ISKLUČENO (OFF)**, a vrata zamrzivača ostavite otvorena.
- Uklonite svu hranu, posudu za kocke leda i police ili sve ovo prebacite u rashladnu pregradu.
- Otopljeni led očistite i obrišite krpom.
- Nakon otapanja, vratite dugme termostata na prethodnu poziciju.

Napomena: Kako biste izbegli oštećivanje zidova pregrade za zamrzavanje, ne upotrebljavajte oštre predmete za uklanjanje leda ili odvajanje smrznute hrane.

Čišćenje vašeg frižidera

Pre nego što počnete da čistite frižider, izvucite utikač iz struje.

Koristite čist sunder ili meku krpu i blagi deterdžent rastvoren u toploj vodi. Ne upotrebljavajte abrazivna ili agresivna sredstva za čišćenje.

Rukom temeljno operite, isperite i osušite sve površine.

Ne upotrebljavajte paste za poliranje, koncentrovane deterdžente, izbeljivače ili sredstva za čišćenje koja sadrže naftu pri čišćenju plastičnih i gumenih delova.

Nikada ne upotrebljavajte papirne ubruse, tečnost za pranje prozora, abrazivna sredstva za čišćenje ili zapaljive tečnosti pri čišćenju plastičnih delova, jer mogu izgrebati ili oštetiti materijal.

Očistite krpom potopljenom u pomenuti rastvor, a zatim osušite mekom krpom.

PERIODI DUŽEG NEKORIŠĆENJA

Ukoliko se frižider ne upotrebljava tokom dužeg vremenskog perioda, pristupite sledećim koracima:

- Isključite frižider iz struje tako što ćete utikač izvući iz utičnice.
- Očistite i osušite unutrašnjost uređaja na način predstavljen u odeljku koji se bavi čišćenjem frižidera.
- Vrata ostavite otvorena kako biste sprečili stvaranje neprijatnih mirisa tokom perioda nekorišćenja frižidera.

OTKLANJANJE PROBLEMA

U slučaju kvara, mnoge uobičajene probleme možete lako otkloniti.

Vaš frižider ne radi, proverite da li je:

- Kabl za napajanje isključen iz struje.
- Dugme termostata podešeno na **ISKLUČENO (OFF)**.

Lampica ne radi, proverite da li je:

- Kabl za napajanje isključen iz struje.
- Osigurač ili sklopka iskočila.
- Sijalica izgubila kontakt sa gromom.
- Sijalica pregorela.

Hrana se ledi unutar pregrade frižidera, proverite da li je:

- Dugme termostata podešeno tako da uređaj preterano hladi.
- Hrana u frižideru pozicionirana tako da dodiruje deo kojim cirkuliše rashladno sredstvo na zadnjem zidu frižidera.

Hrana unutar pregrade frižidera nije hladna, proverite sledeće:

- Da li su ventilacioni otvori unutar pregrade blokirani. Na ovaj način se sprečava cirkulisanje hladnog vazduha.
- Da li se vrata previše često otvaraju ili se ne zatvaraju pravilno.
- Da li je u frižider ili u pregradu frižidera nedavno ostavljena velika količina hrane.
- Da li je dugme termostata postavljeno na preterano male vrednosti.

Led koji se otopio je procureo po unutrašnjosti pregrade ili na pod, proverite da li je:

- Otvor slivnika blokiran.
- Posuda za isparavanje na svom mestu.

Čini se da frižider pravi neobičnu buku, proverite da li je:

- Frižider iznivelisan.
- Telo frižidera postavljeno tako da dodiruje zid.
- Posuda za skupljanje vode pravilno postavljena.

Dolazi do formiranja vlage u unutrašnjosti uređaja, proverite sledeće:

- Da li su ventilacioni otvori unutar frižidera blokirani.
- Da li se vrata često otvaraju.
- Da li je vlažnost u prostoriji povišena.
- Da li je hrana nepravilno spakovana.
- Da li su kontrolna podešavanja neodgovarajuća za okolne uslove.

Vrata se ne zatvaraju u potpunosti, proverite sledeće:

- Da li su police nepravilno postavljene
- Da li su zaptivke zaprljane.
- Da li je frižider iznivelisan.

1. **UPOZORENJE** - Povedite računa da ventilacioni otvori ne budu blokirani unutar ugradnog dela ili ugradne konstrukcije za uređaj.
2. **UPOZORENJE** - Ne upotrebljavajte mehanička sredstva ili druge postupke za ubrzavanje procesa otapanja, ukoliko nisu preporučeni od strane proizvođača.
3. **UPOZORENJE** - Ne oštećujte instalacije za rashladno sredstvo.
4. **UPOZORENJE** - Ne upotrebljavajte električne uređaje unutar pregrada za čuvanje hrane ovog uređaja, osim ukoliko su u pitanju tipovi preporučeni od strane proizvođača.
5. Uređaj je potrebno isključiti iz struje nakon upotrebe, a pre njegovog korisničkog održavanja.
6. Ovaj uređaj ne treba da upotrebljavaju osobe (uključujući decu) sa umanjnim fizičko-senzornim ili mentalnim sposobnostima ili nedostatkom iskustva i znanja, osim ukoliko su pod nadzorom ili ako ih je za korišćenje uređaja obučila osoba odgovorna za njihovu bezbednost.
7. Decu je potrebno nadgledati kako biste bili sigurni da se ne igraju uređajem.
8. Ukoliko je kabl za napajanje oštećen, potrebno je da njegovu zamenu obavi proizvođač, njegov ovlašćeni serviser ili lica sa sličnim kvalifikacijama kako bi se izbegao nastanak opasnosti.
9. Frižider odložite u skladu sa lokalnim propisima jer se za njegov rad upotrebljavaju zapaljivi eksplozivni gas i rashladno sredstvo.
10. Poštujte lokalne propise prilikom odlaganja uređaja, jer se za njegov rad upotrebljavaju zapaljivo rashladno sredstvo i eksplozivni gas. Pre nego što odložite uređaj, skinite vrata kako biste sprečili zatvaranje dece unutar uređaja.

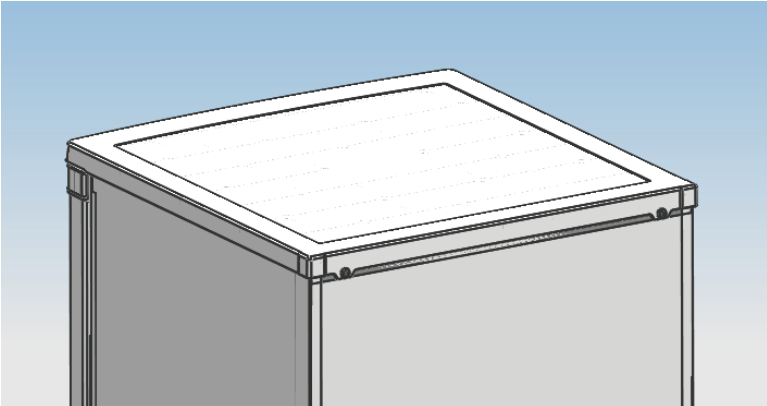


Pravilno odlaganje ovog proizvoda

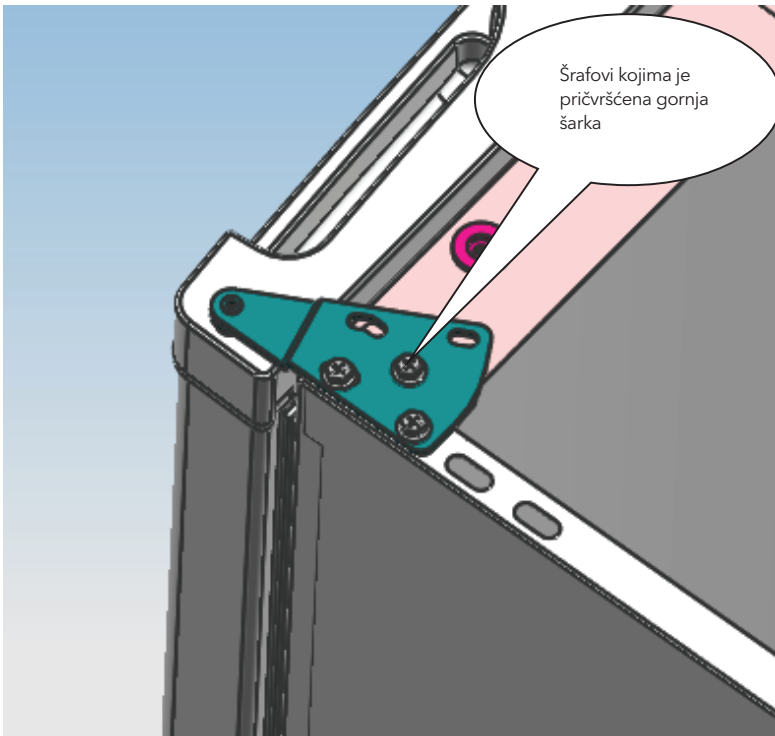
Ova oznaka ukazuje da u EU ovaj proizvod ne treba odlagati zajedno sa ostalim otpadom iz domaćinstva. Kako biste sprečili potencijalnu štetu po životnu sredinu ili zdravlje ljudi nastalu nekontrolisanim odlaganjem otpada, odgovorno ga reciklirajte kako biste promovisali održivu ponovnu upotrebu materijalnih resursa. Molimo Vas da svoj polovni uređaj vratite putem sistema za vraćanje i prikupljanje otpada ili da kontaktirate prodavnicu u kojoj ste proizvod kupili. Ovim putem se proizvod može reciklirati na način bezbedan po životnu sredinu.

Smernice za postavljanje vrata frižidera prilikom promene strane na kojoj se nalaze

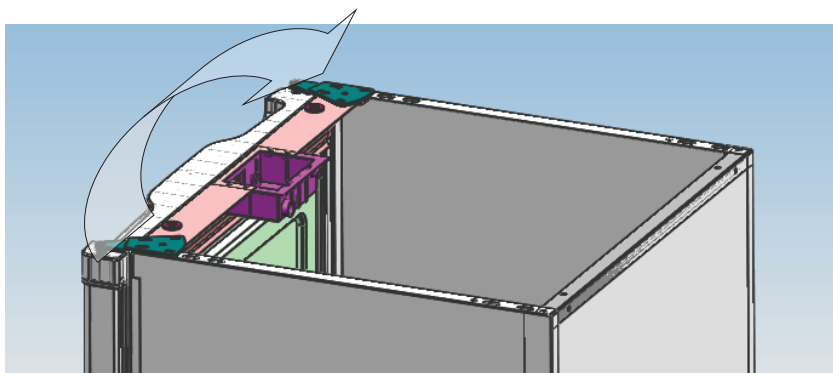
1. Pomoću krstastog odvijača, skinite šrafove iza pričvršćene gornje površine i skinite poklopac sa frižidera.



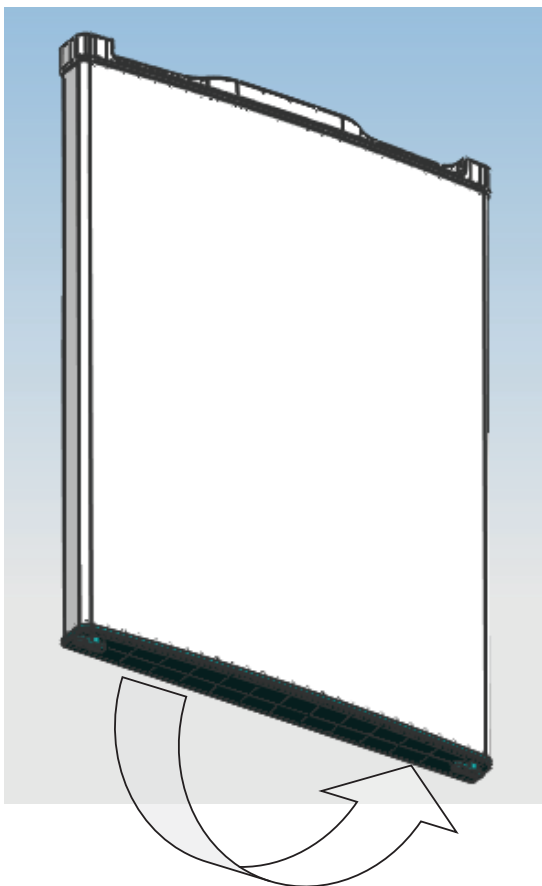
2. Pomoću krstastog odvijača, uklonite šrafove kojima je pričvršćena gornja šarka.



3. Premestite gornju šarku i graničnik za vrata, kao i nosač vrata na drugu stranu.
A. Ponovo postavite gornju šarku.

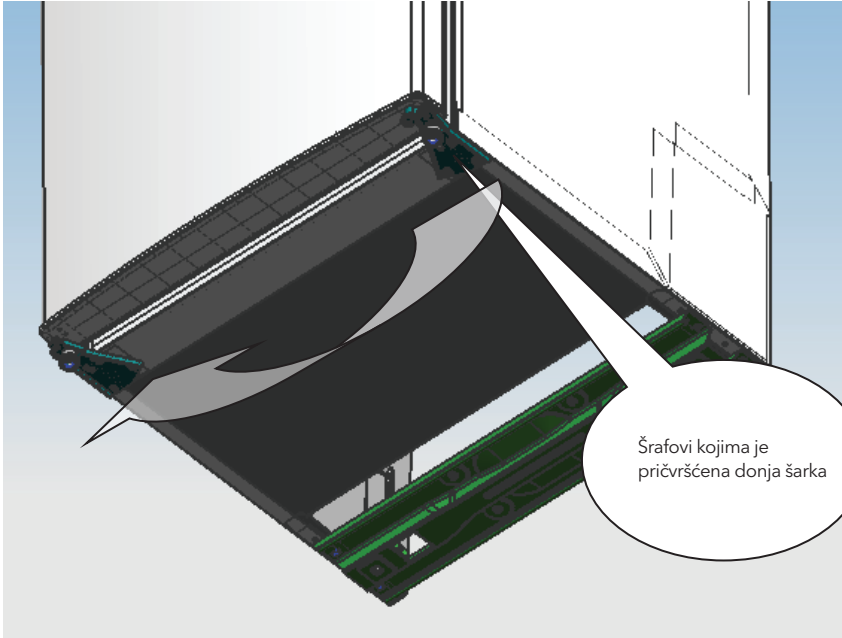


- B. Ponovo postavite nosač vrata i graničnik.

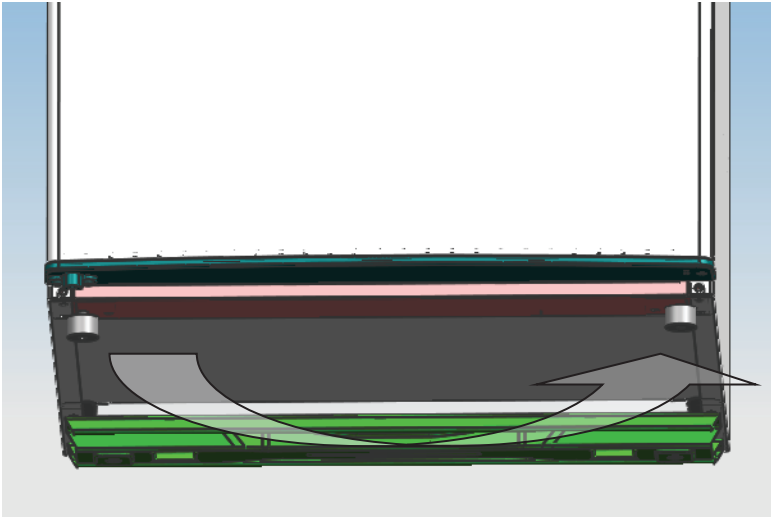


4. Pomoću krstastog odvijača, skinite šrafove kojima je pričvršćena donja šarka i premestite šarku na drugu stranu, a zatim je pričvrstite šrafovim.

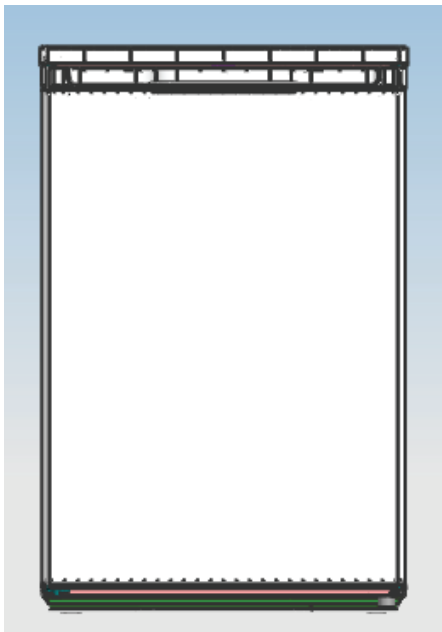
Napomena: ugao naginjanja frižidera je manje od 45°.



5. Premestite nivelator na drugu stranu i podesite ga tako da budete sigurni da je vitrina iznivelisana.



6. Postavite vrata u odgovarajuću poziciju, pričvrstite gornju šarku i poklopac na vrhu frižidera.



- Uverite se da je uređaj isključen iz struje i ispražnjen.
- Dve nožice za nivelisanje podesite na najvišu poziciju.
- Preporučujemo vam da pronađete nekoga ko bi vam u ovome pomogao.

NAPOMENA:

Da biste skinuli vrata, uređaj morate nakrenuti unazad.

Uređaj bi trebalo da oslonite na neki čvrst predmet, npr. stolicu, delom koji se nalazi odmah ispod gornje površine.

Ne poležite uređaj na pod jer se tako može oštetiti sistem za rashlađivanje.

TESLA

tesla.info

Ovaj dokument je originalno proizveden i objavljen od strane proizvođača, brenda Tesla, i preuzet je sa njihove zvanične stranice. S obzirom na ovu činjenicu, Tehnoteka ističe da ne preuzima odgovornost za tačnost, celovitost ili pouzdanost informacija, podataka, mišljenja, saveta ili izjava sadržanih u ovom dokumentu.

Napominjemo da Tehnoteka nema ovlašćenje da izvrši bilo kakve izmene ili dopune na ovom dokumentu, stoga nismo odgovorni za eventualne greške, propuste ili netačnosti koje se mogu naći unutar njega. Tehnoteka ne odgovara za štetu nanесenu korisnicima pri upotrebi netačnih podataka. Ukoliko imate dodatna pitanja o proizvodu, ljubazno vas molimo da kontaktirate direktno proizvođača kako biste dobili sve detaljne informacije.

Za najnovije informacije o ceni, dostupnim akcijama i tehničkim karakteristikama proizvoda koji se pominje u ovom dokumentu, molimo posetite našu stranicu klikom na sledeći link:

<https://tehnoteka.rs/p/tesla-frizider-rs1100m1-akcija-cena/>