

Uputstvo za upotrebu

VOX blender TM 6003



Tehnoteka je online destinacija za upoređivanje cena i karakteristika bele tehnike, potrošačke elektronike i IT uređaja kod trgovinskih lanaca i internet prodavnica u Srbiji. Naša stranica vam omogućava da istražite najnovije informacije, detaljne karakteristike i konkurentne cene proizvoda.

Posetite nas i uživajte u ekskluzivnom iskustvu pametne kupovine klikom na link:

<https://tehnoteka.rs/p/vox-blender-tm-6003-akcija-cena/>



GBR

SRB

ESP

PRT

GRC

SVN

HRV

BIH

MNE

MKD

ALB

TM-6003

OPERATING INSTRUCTIONS STAND BLENDER
UPUTSTVO ZA UPOTREBU BLENDER
MANUAL DE USUARIO LICUADORA
MANUAL DO USUÁRIO LIQUIDIFICADOR
ΕΓΧΕΙΡΙΔΙΟ ΧΡΗΣΤΗ ΜΠΛΕΝΤΕΡ
NAVODILA ZA UPORABO BLENDER
UPUTE ZA UPORABU BLENDER
UPUTSTVO ZA UPOTREBU BLENDER
УПАТСТВА ЗА РАКУВАЊЕ БЛЕНДЕР
MANUALI I PERDORUESIT BLENDER



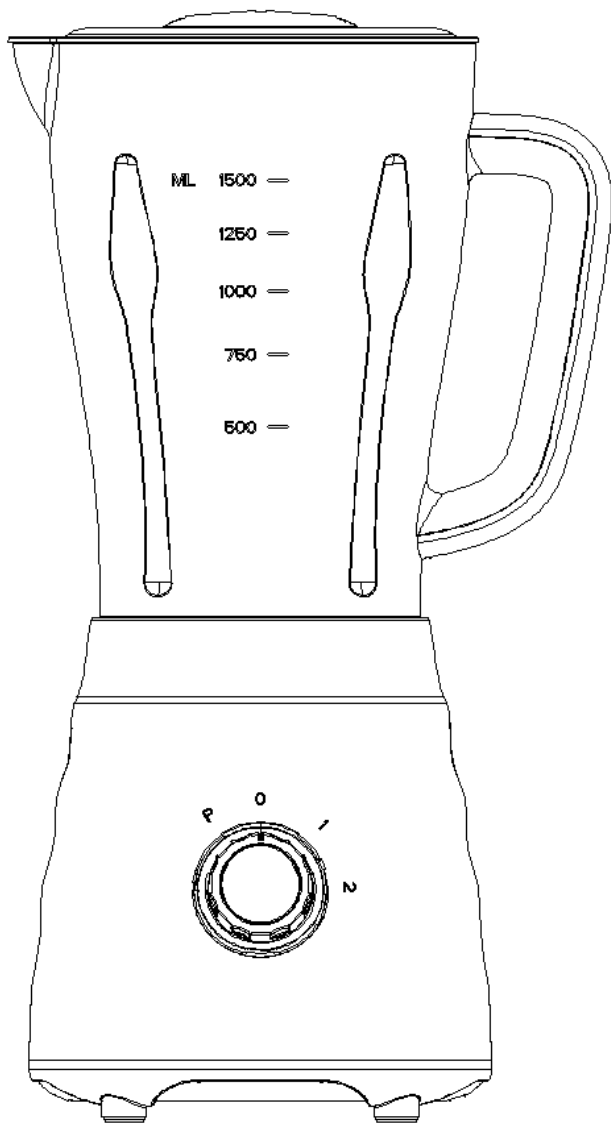
LET'S LIVE TOGETHER

GBR

INSTRUCTION MANUAL

STAND BLENDER

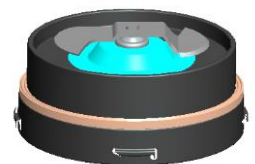
Model: TM-6003



Stand blender



Grinding cup components



chopping cutter head components

IMPORTANT SAFEGUARDS

When using this electrical appliance, basic safety precautions should always be followed, including the following:

1. Read all the instructions.
2. Before using check that the voltage indicated on the product corresponds with the voltage of your electrical outlet.
3. Do not let the cord hang on a hot surface or over the edge of a table or counter.
4. Do not operate any appliance with a damaged cord or plug or after the appliance malfunction or has been damaged in any manner. Return the appliance to the nearest authorized service facility for examination, repair or adjustment.
5. If the supply cord is damaged, it must be replaced by the manufacturer or its service agent or a similarly qualified person in order to avoid a hazard.
6. Close supervision is necessary when any appliance is used by or near children.
7. Avoid contacting the moving parts.
8. Keep hands and utensils out of the container while blending to reduce the risk of severe injury to persons or damage to the blender. A scraper may be used but must be used only when the blender is not running.
9. The use of attachments not recommended or sold by manufacturer may cause on fire, electric shock or injury.
10. Unplug from outlet when not in use, before putting on or taking off parts, and before cleaning. To disconnect, turn any control to "off", then remove plug from wall outlet by grasping the plug, not the cord.
11. To reduce the risk of injury, never place blade assembly on motor unit without the jar properly attached.
12. This appliance is not intended for use by persons (including children) with reduced physical, sensory or mental capabilities, or lack of experience and knowledge, unless they have been given supervision or instruction concerning use of the appliances by a person responsible for their safety.
13. Children should be supervised to ensure that they do not play with the appliance.
14. Do not leave the machine on unattended.
15. When removing the blender from the motor unit, wait until the blades have completely stopped.
16. Always operate blender with the cover in place.
17. Always use the appliance on a secure, dry level surface.
18. Never place this appliance on or near a hot gas or an electric burner or where it could touch any heated appliance.

19. Do not use outdoors.

20. Do not use the appliance for other than its intended use.

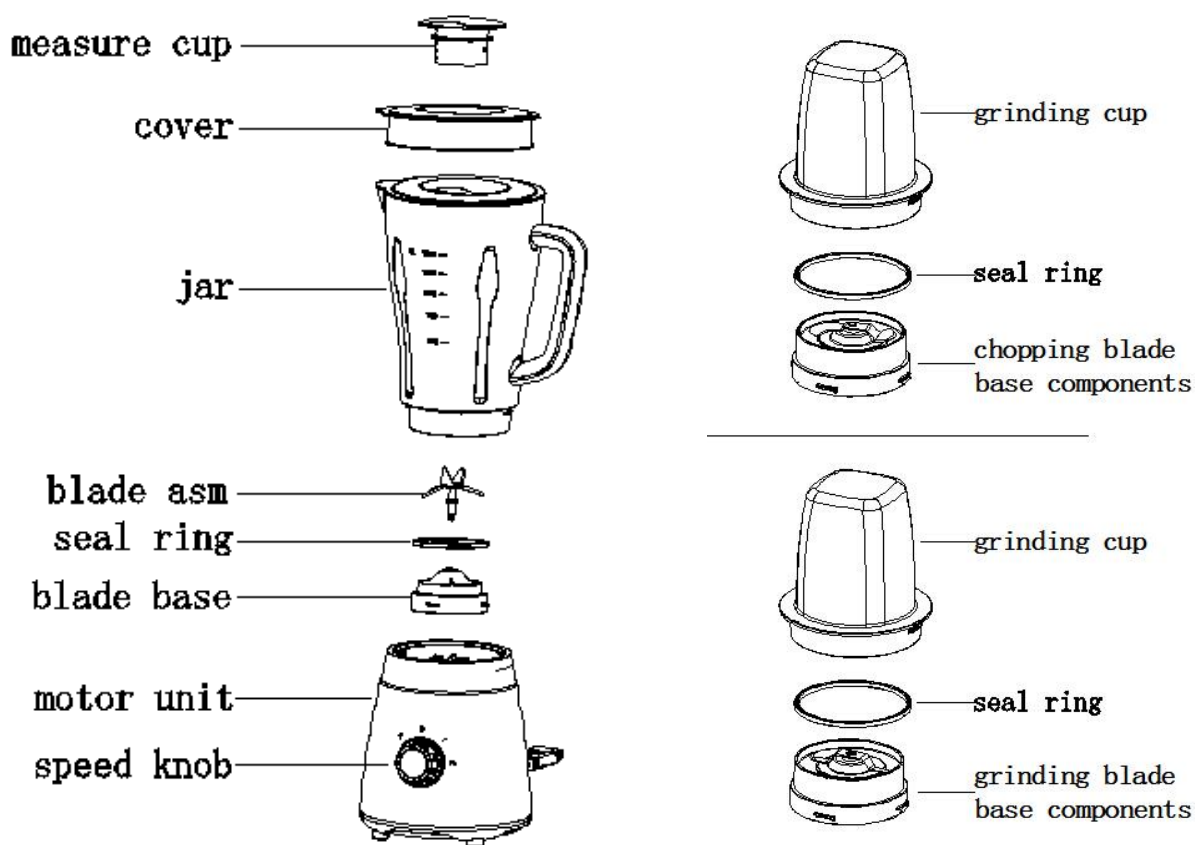
WARNING: Potential injury from misuse. Care shall be taken when handling the sharp cutting blades, emptying the bowl and during cleaning.

CAUTION: Ensure that the blender is switched off before removing it from the stand.

Switch off the appliance and disconnect from supply before changing accessories or approaching parts that move in use.

HOUSEHOLD USE ONLY

KNOW YOUR BLENDER



Main unit/Jar components

(Fig.1A)

(Fig.1)

SPEED KNOB

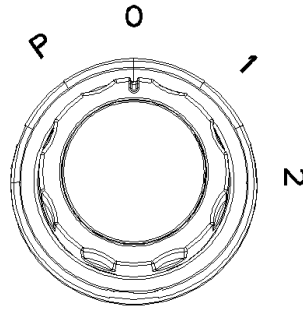


Fig.2

HOW TO USE

Before initial use

1. Before first use, unpack the appliance and place all parts on a horizontal surface.
2. The jar assembly (as Fig.1, including the measure cup, lid, seal ring, jar, cutter head assembly) has already been assembled into the motor unit. Disassemble to wash all detachable parts except the motor unit. Please refer to the latter chapter CARE AND CLEANING.
3. Disassemble the grinding cup components (including grinding cup, seal ring, grinding cutter head parts) and also the chopper components (including chopper, seal ring, chopping cutter head parts) (as Fig.1A). Please refer to the latter chapter CARE AND CLEANING.
4. Once all pieces have been cleaned and dry thoroughly, reassemble them.
 - 1) Invert the jar onto a level surface, holding the jar handle, put the seal ring and blade assembly onto the jar base bottom and secure the cutter head assembly by turning it anti-clockwise up to tightly (See Fig.3)
 - 2) Re-position the jar assembly with its opening upwards, and then put the lid onto the jar assembly. Place the measure cup exactly into the lid by aiming at a fixed position in the middle of the lid and turning the cup clockwise up to tightly. (See Fig.4)
 - 3) Finally, place the assembled jar onto the motor unit by adjusting well the connector at the bottom of the jar, and tight it. (See Fig.5)
 - 4) Assembly the grinding cup components- Place the grinding cup seal ring into grinding cutter head components, and then buckle into the grinding cup. Please turn the cutter head components anticlockwise until tightly to ensure it assembly in place.(See Fig.5A)
 - 5) Assembly the chopper components-Place the grinding cup seal ring into chopping cutter head components, and then buckle into the grinding cup. Please turn the cutter head components anticlockwise until tightly to ensure it assembly in place(See Fig.5B).

Note:only one grinding cup, and it should be share used by grinding cutter head components and chopping cutter head components.

When need to use grinding cup or chopper, please anticlockwise take out the jar from motor base first(See Fig.5C), then place the grinding cup or chopper on the motor base and turn it anticlockwise until tightly to ensure it was assembled in place.(See Fig.5D)

CAUTION: Jar and jar base is now secure. Do not try to twist the jar and jar base onto motor unit

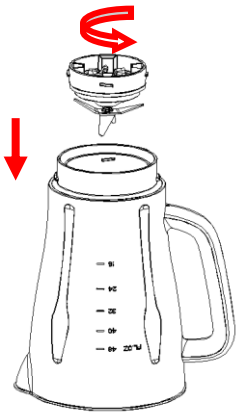


Fig.3

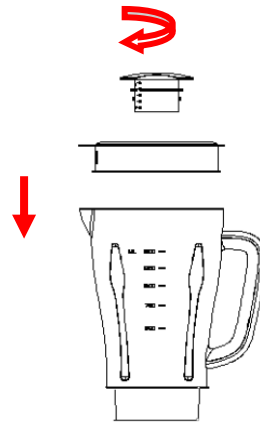


Fig.4

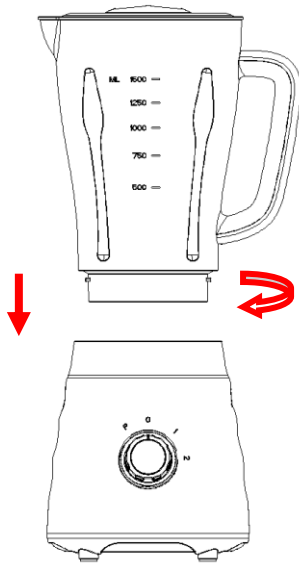


Fig.5

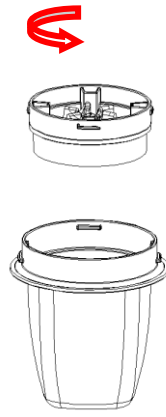


Fig.5A

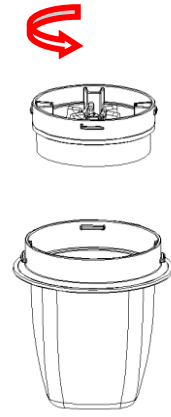


Fig.5B

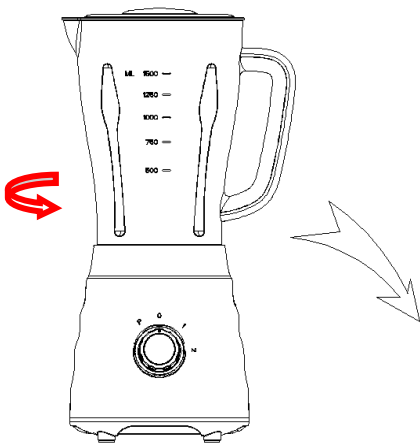


Fig.5C

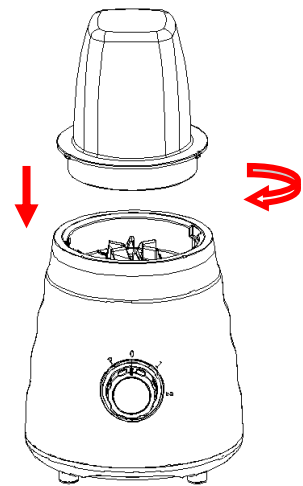


Fig.5D

How to use

The using of jar:

1. Peel or core the fruit or vegetables and then cut it into small dices.
2. Place the food to be blended into the jar (See Fig.6). Usually, certain amount of purified water has to be added to facilitate the smooth running of appliance. The proportion of the food and water is 2:3. The amount of mixture should not exceed the max level as indicated on the jar.

RECIPE

FOOD TYPE	SPEC	WEIGHT	SPEED
Carrot (apple, pear etc)	Cut into 15mm*15mm*15mm	Carrot: 600g Water: 900g	High speed

Note: never use boiling liquids or run the appliance empty.

3. Put the lid on the jar. Be sure the measuring cup is in place.
4. Plug the power cord into a standard wall outlet.
5. Turn the speed knob to the appropriate speed setting for your task.
6. For quick or delicate blending tasks, turn the speed knob to P position and hold for a few seconds and then release, the knob will reset to O position automatically. Operate several times until the consistence you want is obtained. If you want to add ingredients while the blender is working, remove the measuring cup and place through the lid opening. (See Fig.7)
7. When the consistence you desire is obtained, turn the knob to O position.

Note: 1) For each use, the consecutive operation time should not exceed 3 minutes. At least 10 minutes rest time must be maintained between two continuous cycles, let the unit cool to room temperature before performing next operation cycle.

2) If you want to stop the appliance while operating, turn the knob to O position anytime.

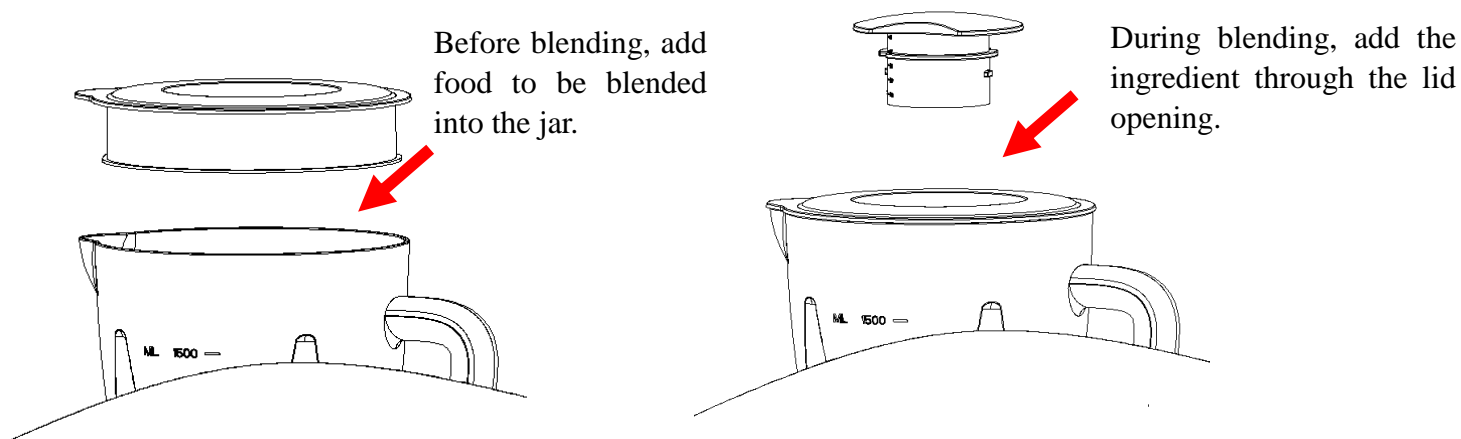


Fig.6

Fig.7

Important operating tips

- For best circulation of food that is to be blended with some liquid, pour the liquid into the jar first, then add solids.
- Some of the tasks that cannot be performed efficiently with a blender are: beating egg whites, whipping cream, mashing potatoes, grinding meat, mixing dough, extracting juice from fruit and vegetable
- The following items should never be placed in the unit as they may cause damage: bones, large pieces of solid, frozen food, or tough foods.

The using of grinding cup:

1. Rotate open the grinding cup from grinding cutter head components and place on the table with open side up
 2. Put bean food into grinding cup (About 50 grams) and turn-lock clasp well the grinding cutter head components, then lock it on the motor unit;
 3. Plug the power cord into a standard wall outlet;
 4. Turn the speed knob to the second speed for your task.(generally need about 30 seconds)
- When achieved the effect you want, turn the knob to O position.

The using of chopper:

1. Rotate open the grinding cup from grinding cutter head components and place on the table with open side up;
 2. Put meat into grinding cup (About 100 grams) and turn-lock clasp well the chopping cutter head components, then lock it on the motor unit;
 3. Plug the power cord into a standard wall outlet;
 4. Turn the speed knob to the second speed for your task.(generally need about 30 seconds)
- When achieved the effect you want, turn the knob to O position.

CARE AND CLEANING

This product contains no user serviceable parts. Refer service to qualified service personnel.

1. Before cleaning, unplug the blender.
2. Always wash immediately after use for easier cleaning. Don't let food dry on the jar assembly as this will make cleaning difficult.
3. Pour a little warm soapy water into the jar and turn the knob to P position for a few seconds. And then empty the jar.
4. Dismantle all detachable parts. Lift the jar assembly off the motor unit, the blade on the jar cannot be detached and should be cleaned with the jar together (see fig.8).
5. When dis-assembly the grinding cup and chopper components, please take out the grinding cup and chopper components from motor base firstly, then detach the grinding cup cutter head components and chopping cutter head components from the grinding cup by clockwise turning, and finally remove the seal ring and cutter head assembly (see fig.8A).

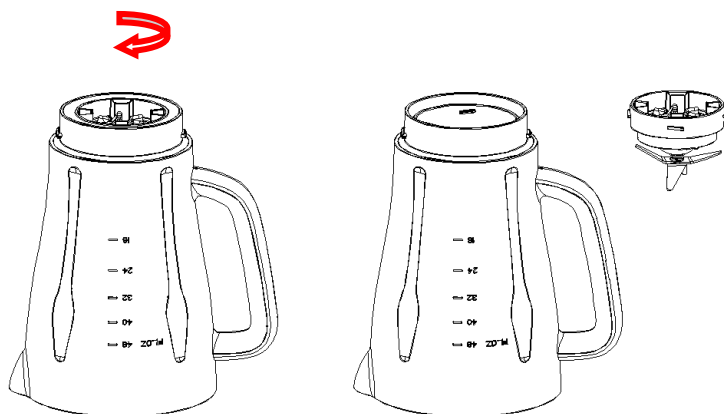


Fig.8



Fig.8A

6. Rinse the measure cup, lid, jar, seal ring, blade assembly, grinder, grinding cutter head components and chopping cutter head components by hands or in a dishwasher and then dry. They are dishwasher safe components, but the temperature setting shall not exceed 70°C.
7. Using warm soapy water to scrub the blade , then rinse thoroughly under the tap. Do not touch the

sharp blades, handle carefully. **Don't immerse the blade assembly, grinding cutter head components and chopping cutter head components in water.** Leave to dry upside down away from children.

8. Wipe the motor unit surface with a damp cloth and dry thoroughly. Remove the stubborn spots by rubbing with non-abrasive cleaner. If liquids spill into the motor unit, first unplug the unit, then wipe with a dry cloth and dry thoroughly.

CAUTION

- 1) **Do not immerse the motor unit in liquid to prevent the risk of electric shock.**
- 2) **Do not use rough scouring pads or cleansers on parts or finish.**
- 3) **Do not place engine base into dishwasher for cleaning. This unit is not available for dishwasher.**

12 Month Warranty



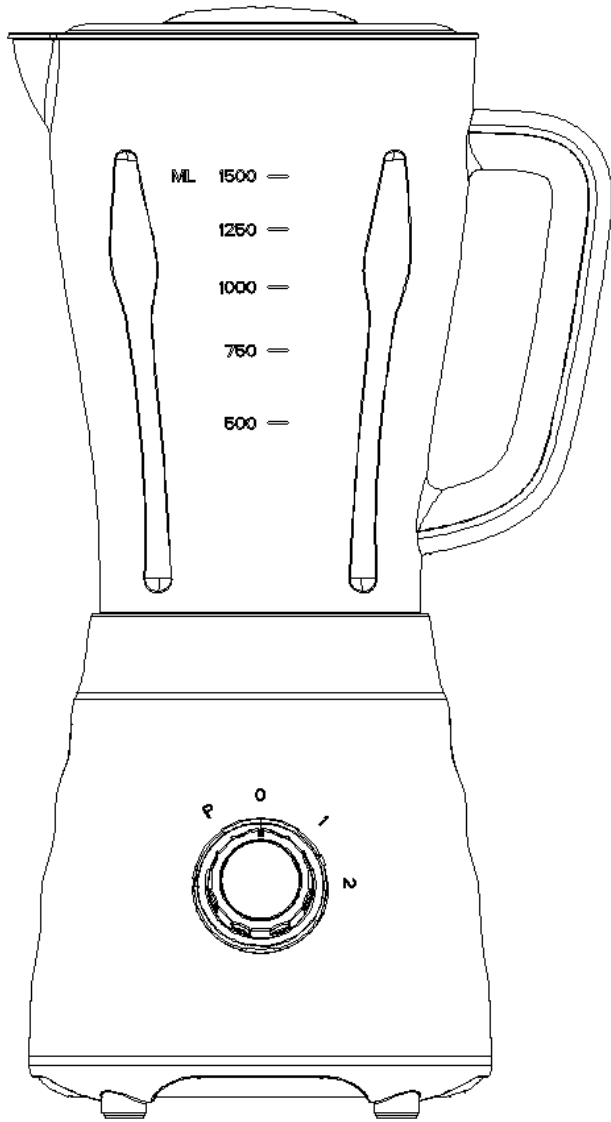
ŽIVIMO ZAJEDNO

SRB

UPUTSTVO ZA UPOTREBU

BLENDER

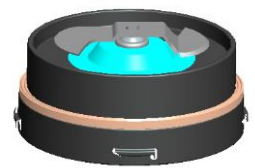
Model: TM-6003



Blender



Delovi posude za blendiranje



Delovi sečiva blendera

VAŽNA BEZBEDNOSNA UPUTSTVA

Pre upotrebe ovog električnog uređaja trebalo bi uvek ispuniti osnovne preuslove uključujući sledeće:

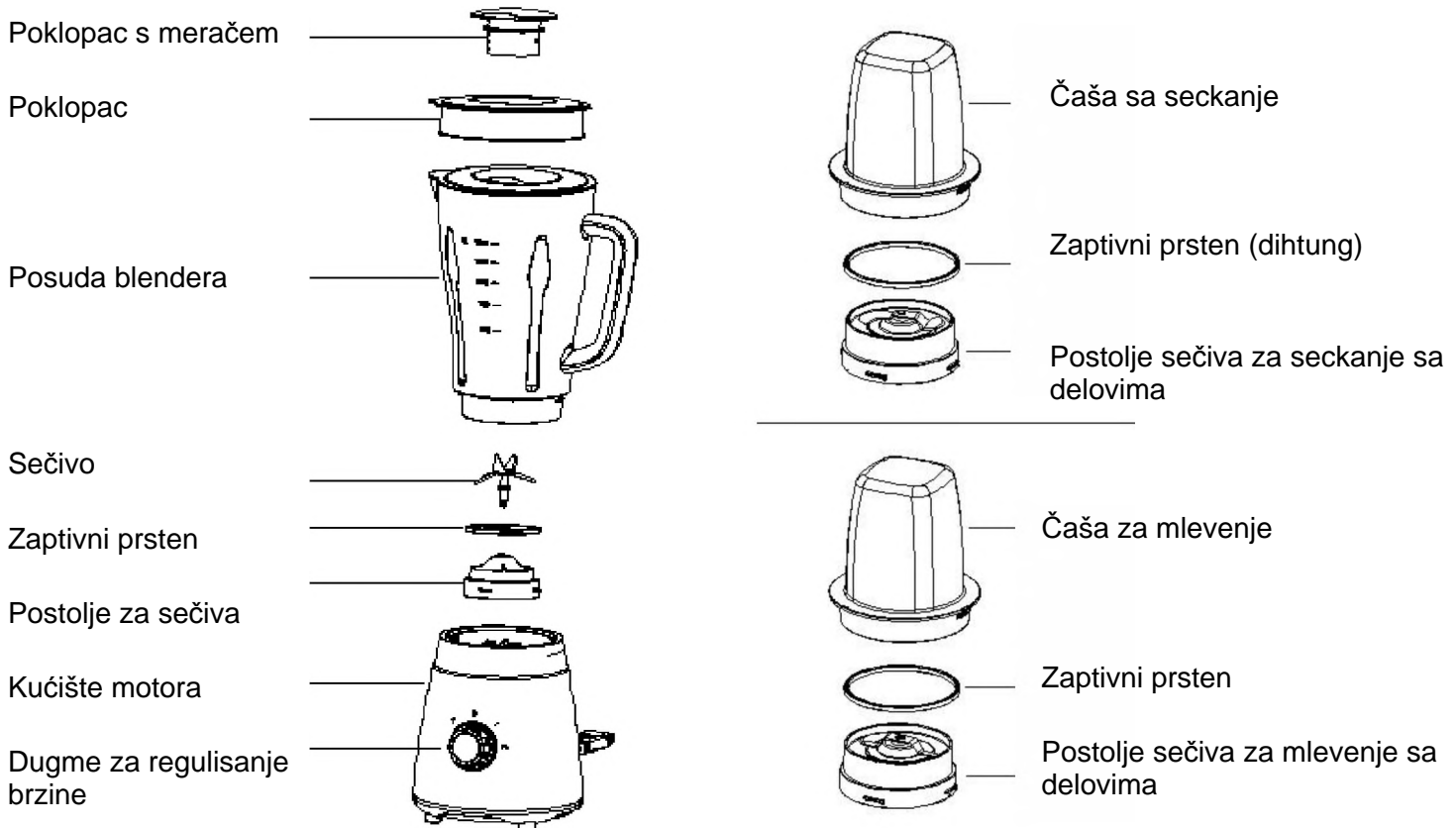
1. Pročitajte sva uputstva.
2. Pre upotrebe proverite da li napon na vašem uređaju odgovara naponu u zidnoj utičnici.
3. Ne dozvolite da kabl za napajanje tokom upotrebe visi sa ivice stola, radne površine ili blizu bilo kakvog grejnog tela.
4. Ne koristite uređaj sa oštećenim kablom za napajanje ili utikačem ili ukoliko je uređaj prestao da radi ili se ošteti na bilo koji način. Vratite uređaj u najbliži ovlašćeni servis na pregled, popravku ili zamenu
5. Ako se kabl za napajanje ošteti, može ga zameniti samo ovlašćeno lice u servisu ili neko drugo kvalifikovano lice, kako biste izbegli moguću povredu.
6. Neophodan je nadzor ukoliko se uređaj koristi od strane dece ili u njihovoj blizini.
7. Izbegavajte kontakt sa delovima koji se pomeraju.
8. Držite ruke ili kuhinjska pomagala van blendera dok je u funkciji kako biste smanjili rizik od ozbiljnih povreda ili nanošenja štete blenderu. Strugač za hranu možete koristiti samo ukoliko uređaj nije u funkciji.
9. Upotreba dodataka koji nisu preporučeni ili kupljeni od strane proizvođača može dovesti do požara, strujnog udara ili povrede korisnika.
10. Isključite uređaj iz utičnice kada nije u upotrebi, pre sastavljanja ili rastavljanja delova, kao i pre čišćenja. Da biste isključili uređaj pritisnite bilo koje dugme na 'off+', zatim isključite uređaj iz zidne utičnice, povlačenjem utikača, nikako samog kabla.
11. Da biste smanjili rizik od povrede, uvek pravilno postavite posudu.
12. Ovaj uređaj nije predviđen za upotrebu od strane osoba (uključujući decu) sa smanjenim psihičkim, senzornim ili mentalnim sposobnostima, ili nedostatkom iskustva ili znanja, osim kada su pod nadzorom ili su im data uputstva za bezbednu upotrebu od strane osobe odgovorne za njihovu bezbednost.
13. Deca treba da budu pod nadzorom da biste se uverili da se ne igraju s uređajem.
14. Nemojte ostavljati uređaj da radi bez nadzora.
15. Kada sklanjate blender sa motorne jedinice, sačekajte da se sečiva zaustave u potpunosti.
16. Uvek koristite blender sa postavljenim poklopcem.
17. Uvek koristite blender na sigurnoj, suvoj i ravnoj podlozi.
18. Nikada ne stavljajte uređaj na ili u blizini vrućeg plina ili električnog gorionika ili tamo gde može doći u dodir s vrućim uređajima.
19. Nemojte koristiti na otvorenom.
20. Koristite uređaj samo za predviđenu namenu.

UPOZORENJE: Moguće povrede u slučaju nepravilnog korišćenja. Budite pažljivi

kada rukujete s oštrim sečivima, prilikom pražnjenja posude i tokom čišćenja.
OPREZ: Proverite da li ste isključili uređaj pre nego što sklonite posudu sa postolja.
Isključite uređaj sa napajanja pre menjanja dodataka i kada prilazite delovima koji se pokreću dok rade.

SAMO ZA KUĆNU UPOTREBU

UPOZNAJTE VAŠ BLENDER

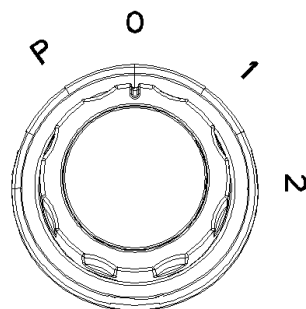


Glavna jedinica / Delovi posude

(Slika 1A)

(Slika 1)

DUGME ZA REGULISANJE BRZINE



UPOTREBA BLENDERA

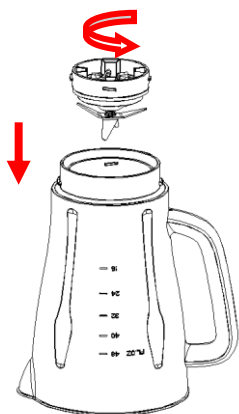
Pre prve upotrebe

1. Pre prve upotrebe, raspakujte uređaj i postavite sve delove na horizontalnu površinu.
2. Posuda sa dodacima (Slika 1, uključujući čašu sa merama, poklopac, zaptivni prsten, posudu, kućište sa sečivima) je već postavljena na kućište motora. Molimo konsultujte deo ČIŠĆENJE I ODRŽAVANJE.
3. Odvojite delove iz posude za mlevenje (uključujući posudu za mlevenje, zaptivni prsten, postolje sečiva za mlevenje) i, takođe delove za seckanje (uključujući seckalicu, zaptivni prsten, postolje za sečiva za seckanje) (kao na Slici 1A). Molimo konsultujte deo ČIŠĆENJE I ODRŽAVANJE.
4. Nakon što ste sve delove očistili i temeljno osušili, ponovo ih sastavite.
5. Okrenite posudu i postavite je na ravnu površinu, držeći ručku posude, postavite zaptivni prsten i dodatak sa sečivima na dno posude i osigurajte postolje sa sečivima okrećući u smeru suprotnom kazaljki na satu dok se dobro ne zatvori. (Vidi sliku 3)
6. Ponovo stavite posudu sa dodacima okrenutu nagore, zatim stavite poklopac na posudu. Postavite čašu za merenje u otvor na sredini poklopca i okrenite posudu u smeru kazaljke na satu dok dobro ne zatvorite. (Vidi sliku 4)
7. Na kraju, postavite posudu sa dodacima na kućište motora, ravnajući indikatore na dnu posude i dobro zategnite. (Vidi sliku 5)
8. Spojite delove posude za mlevenje. Postavite zaptivni prsten posude za mlevenje na postolje sa sečivima za mlevenje, zatim spustite u posudu za mlevenje. Okrenite postolje sa sečivima u smeru suprotnom kazaljki na satu kako biste se uverili da je dobro postavljeno. (Vidi sliku 5A)
9. Spojite delove posude za seckanje –Postavite zaptivni prsten posude za seckanje na delove sa sečivima za seckanje, i spustite u posudu za seckanje. Okrenite postolje sa sečivima u smeru suprotnom kazaljki na satu kako biste se uverili da je dobro postavljeno. (Vidi sliku 5B).

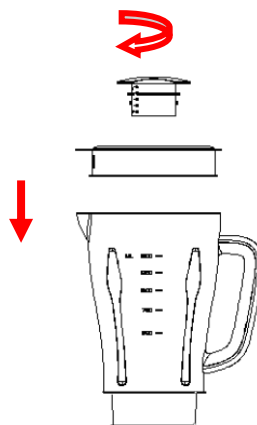
Napomena: samo je jedna posuda za mlevenje i ona se koristi i sa dodacima i postoljem sa sečivima za seckanje.

Kada treba da meljete ili seckate hranu, molimo okrenite u smeru suprotno od kazaljke na satu i odvojite najpre posudu od kućišta motora (Vidi sliku 5C), zatim postavite posudu za mlevenje ili seckanje na kućište motora i čvrsto zategnite u smeru suprotnom od kazaljke na satu da se uverite da je dobro postavljena.(Vidi sliku 5D)

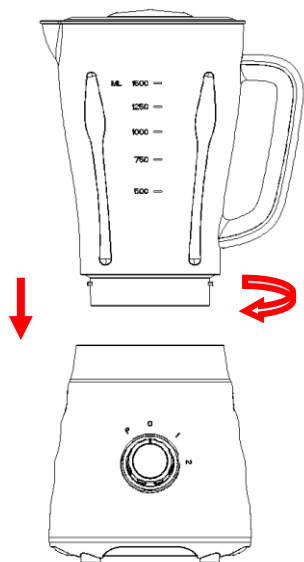
OPREZ: Posuda i baza su sad sigurne. Ne pokušavajte da uvrćete dno posude na motornu jedinicu.



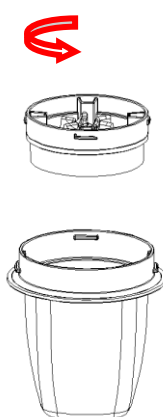
Slika 3



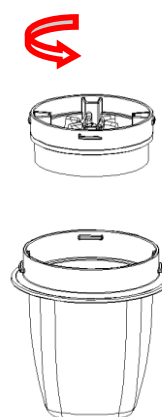
Slika 4



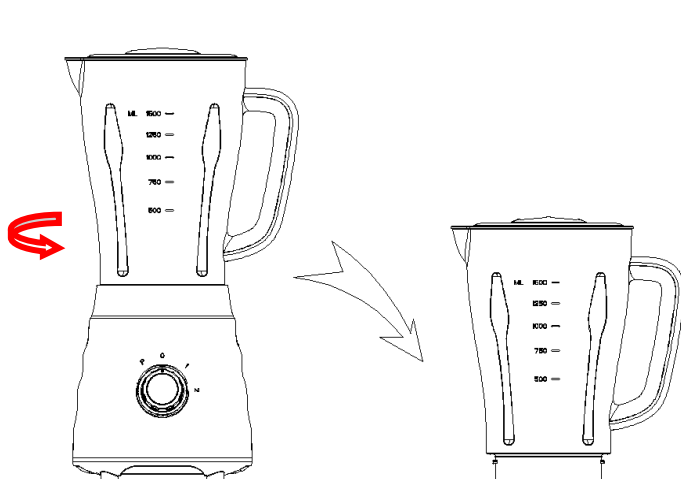
Slika 5



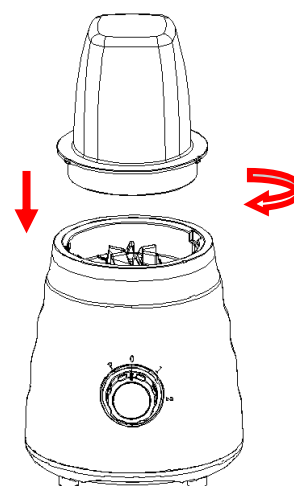
Slika 5A



Slika 5B



Slika 5C



Slika 5D

Kako da koristite blender

Upotreba posude:

1. Oljuštite voće ili povrće i izvadite koštice, zatim ga isecite na male kocke.
2. Stavite hranu u posudu blendera (Vidi Sliku 6). Obično je potrebno dodati određenu količinu čiste vode da bi se olakšao rad blendera. Odnos hrane i vode je 2:3. Količina smese za obradu ne sme preći maksimalni nivo označen na posudi.

RECEPT

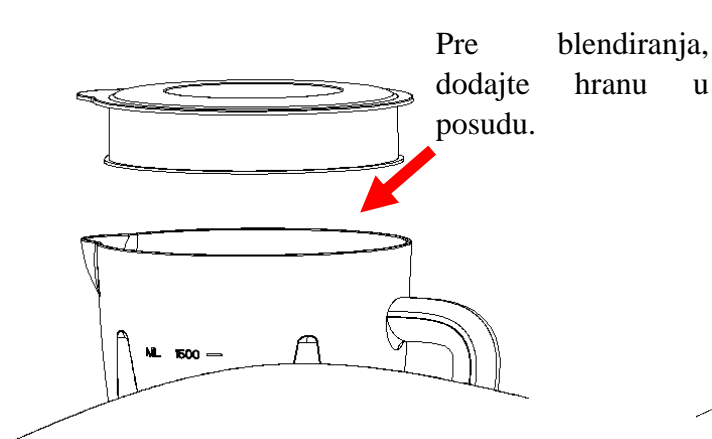
VRSTA HRANE	UPUTSTVO	TEŽINA	BRZINA
Šargarepa (jabuka, kruška itd)	Iseci na kocke veličine 15mm*15mm*15mm	Šargarepa: 600g Voda: 900g	Visoka brzina

Napomena: nikada ne koristite ključalu tečnost niti puštajte uređaj u rad ukoliko je posuda prazna.

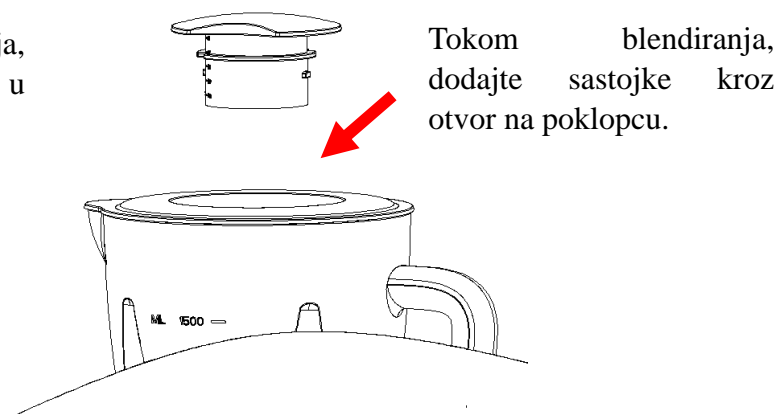
3. Stavite poklopac na posudu. Proverite da li je čaša s merama postavljena u otvor poklopca.
4. Uključite utikač u standardnu zidnu utičnicu.
5. Okrenite dugme za regulisanje brzine na željeni nivo.
6. Za brza ili gruba mlevenja, okrenite regulator brzine na poziciju P i držite nekoliko sekundi, a zatim pustite. Regulator brzine će se automatski vratiti u poziciju O. Ukoliko je to neophodno ponovite ovaj proces više puta dok ne dobijete željeni rezultat. Ukoliko želite da dodate neke sastojke dok blender radi, skinite čašu sa merama sa vrha poklopca i kroz otvor dodajte sastojke. (Vidi Sliku 7)
7. Kada je hrana obrađena u skladu sa Vašim potrebama, stavite regulator u položaj O.

Napomena: 1) Kod svake upotrebe, kontinuirani rad ne sme preći 3 minuta. Najmanje 10 minuta uređaju treba da se ohladi između dva uzastopna ciklusa rada, sačekajte da se uređaj ohladi do nivoa sobne temperature pre nego što nastavite s radom.

2) Ukoliko želite da zaustavite rad mašine tokom korišćenja, stavite regulator u poziciju O u bilo kom trenutku.



Slika 6



Slika 7

Važni saveti

Za najbolju rotaciju hrane koju treba izmešati sa tečnostima, sipajte u posudu prvo tečnost, a čvršću hranu dodajte naknadno.

Neki od zadataka koji se ne mogu najefikasnije izvesti u blenderu su: mućenje belanaca, šlaga, krompir pirea, mlevenje mesa, mešanje testa, ceđenje soka iz voća i povrća.

Sledeće namirnice nikada ne bi trebalo stavljati u blender jer mogu da prouzrokuju štetu na uređaju: kosti, veći komadi čvrste, zaleđene hrane, ili žilavije hrane.

Upotreba posude za mlevenje:

1. Okrenite otvor posude za mlevenje kako biste ga spojili sa postoljem sa sečivima i postavite na radnu površinu okrenutu nagore.
2. Stavite hranu za mlevenje u posudu (oko 50 grama) i zatvorite dobro postolje sa sečivima, zatim ga zaključajte na kućištu motora;
3. Priključite kabl na standardnu zidnu utičnicu;
4. Okrenite regulator brzine na drugi nivo (obično je potrebno oko 30 sekundi rada). Kada dobijete rezultat koji želite, okrenite regulator na položaj O.

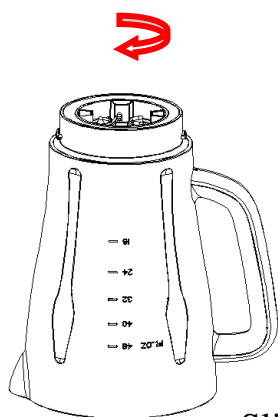
Upotreba posude za seckanje:

1. Okrenite otvor posude za seckanje kako biste ga spojili sa postoljem sa sečivima i postavite na radnu površinu okrenutu nagore.
2. Stavite hranu za seckanje u posudu (oko 50 grama) i zatvorite dobro postolje sa sečivima, zatim ga zaključajte na kućištu motora;
3. Priključite kabl na standardnu zidnu utičnicu;
4. Okrenite regulator brzine na drugi nivo (obično je potrebno oko 30 sekundi rada). Kada dobijete rezultat koji želite, okrenite regulator na položaj 0.

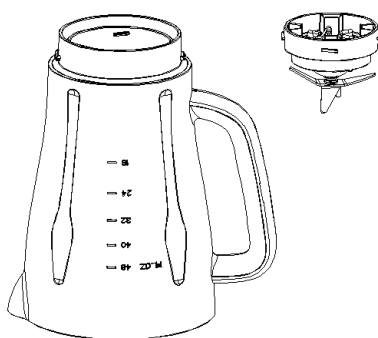
ČIŠĆENJE I ODRŽAVANJE

Ovaj uređaj ne sadrži delove koji se mogu menjati od strane korisnika. Obratite se stručnom osoblju za popravku.

1. Pre čišćenja, isključite blender sa napajanja.
2. Uvek operite odmah nakon upotrebe zbog lakšeg čišćenja. Ne dozvolite hrani da se osuši u posudi jer će to otežati čišćenje.
3. Sipajte malo tople sapunjave vode u posudu i okrenite regulator brzine u poziciju P na nekoliko sekundi, a zatim ispraznite posudu.
4. Rastavite sve rasklopive delove. Podignite posudu sa motorne jedinice. Uklonite jedinicu sa sečivom iz posude tako što ćete je odvrnuti sa dna posude u pravcu kazaljke na satu i uklonite zaptivni prsten 2 i sečivo (vidi sliku 8). Nakon toga, odvrnite i zaptivni prsten 1 sa dna poklopca.
5. Kada rastavlјate delove za mlevenje ili seckanje, molimo da najpre skinete posudu sa kućišta motora, zatim odvojite delove sa sečivima za mlevenje ili seckanje okrećući u smeru kazaljke na satu, i na kraju uklonite zaptivni prsten i postolje sa sečivima (Vidi Sliku 8A).



Slika 8



Slika 8A

6. Operite čašu sa merama, poklopac, posudu, zaptivni prsten, postolje sa sečivima za mlevenje, postolje sa sečivima za seckanje ručno ili u sudomašini. To su delovi bezbedni za pranje u sudomašini, ali temperatura pranja ne sme prelaziti 70°C.
7. Očistite sečivo koristeći toplu, sapunjavu vodu i temeljno isperite pod tekućom vodom. Ne dodirujte oštro sečivo i rukujte njime pažljivo. Ne potapajte sečivo u vodu. Okrenite ga nakon pranja naopačke i ostavite ga da se osuši, držeći ga podalje od dece.
8. Obrišite motornu jedinicu vlažnom krpom i osušite temeljno. Uklonite tvrdokorne fleke nekom neabrazivnom tečnošću. Ako se desi da se prospe tečnost na motornu jedinicu, prvo iskopčajte uređaj iz struje, a zatim prebrišite temeljno suvom krpom i ostavite da se osuši.

PAŽNJA

- 1- Ne potapajte motornu jedinicu u tečnost kako biste sprečili rizik od strujnog udara.
- 2- Ne koristite grube četke za čišćenje i jaka sredstva za čišćenje.
- 3- Ne stavljajte postolje sa motorom u sudomašinu radi čišćenja. Ovaj deo nije prikladan za pranje u sudomašini.

12 meseci garancije



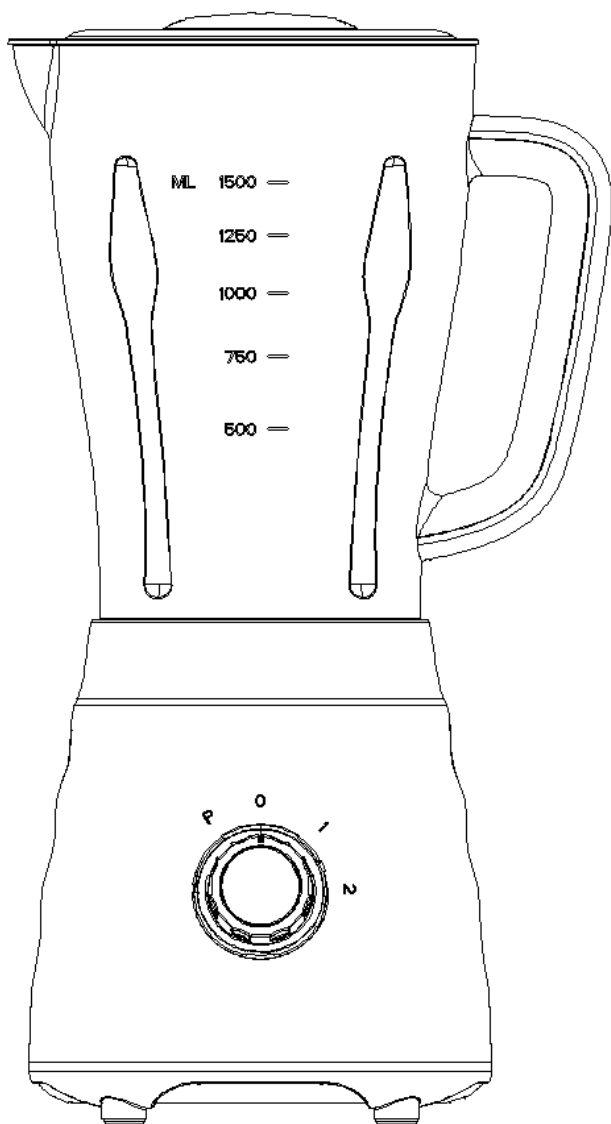
VIVIMOS JUNTOS

ESP

MANUAL DE USO

LICUADORA

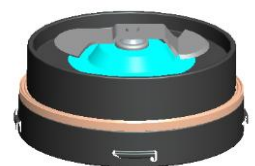
Model: TM-6003



Licuada



Componentes de la taza de molienda



Cabeza del cortador
componentes

POR FAVOR, CONSERVE ESTAS INSTRUCCIONES PARA FUTURAS REFERENCIAS

SALVAGUARDIAS IMPORTANTES

Antes de usar el artefacto eléctrico, siempre se deben seguir las precauciones básicas, incluidas las siguientes:

1. Lea este folleto a fondo antes de usar el aparato y conserve lo para futuras referencias.
2. Antes de usar el aparato, compruebe que el voltaje indicado en el producto corresponde con el voltaje de su toma de corriente.
3. No permita que el cable cuelgue en la superficie caliente o sobre el borde de la mesa o mostrador.
4. No opere ningún aparato con un cable o enchufe dañado o después de un mal funcionamiento o de que el electrodoméstico ha sido dañado de cualquier manera. Lleve el aparato al centro de servicio autorizado más cercano para su examen, reparación o ajuste.
5. Si el cable de alimentación está dañado, debe ser reemplazado por el fabricante o su agente de servicio o una persona calificada similarmente para evitar un peligro.
6. Es necesaria una supervisión estricta cuando cualquier dispositivo es utilizado por niños o cerca de ellos.
7. Evite a contactar las partes móviles.
8. Mantenga las manos y los utensilios fuera del recipiente mientras se licua para reducir el riesgo de lesiones graves a personas o daños a la licuadora. Se puede usar un raspador, pero se debe usar solo cuando la licuadora no esté en funcionamiento.
9. El uso de accesorios no recomendados o vendidos por el fabricante puede causar incendios, descargas eléctricas o lesiones.
10. Siempre desconecte el aparato del suministro si lo deja desatendido y antes de montarlo, desmontarlo o limpiarlo. Para desconectarlo, apague cualquier control presionando "off" y luego desenchúfelo de la toma de corriente sujetando el enchufe, no el cable.
11. Para reducir el riesgo de lesiones, nunca coloque el conjunto de la cuchilla en la unidad del motor sin la jarra correctamente colocada.
12. Este aparato no debe ser utilizado por personas (incluidos niños) con capacidades físicas, sensoriales o mentales reducidas, o por falta de experiencia y conocimiento, a menos que una persona responsable de su seguridad les haya dado supervisión o instrucciones sobre el uso de los dispositivos.
13. Los niños deben ser supervisados para asegurarse de que no jueguen con el aparato.
14. No deje la máquina desatendida.
15. Cuando retire la licuadora de la unidad del motor, espere hasta que las cuchillas se hayan detenido por completo.
16. Siempre opere la licuadora con la tapa en su lugar.
17. Siempre use el aparato en una superficie nivelada, segura y seca.
18. Nunca coloque este artefacto sobre o cerca de un calentador de gas o un quemador eléctrico o donde pueda tocar un artefacto caliente.
19. No lo use en aire libre.
20. No use el aparato para otro uso que no sea el previsto.

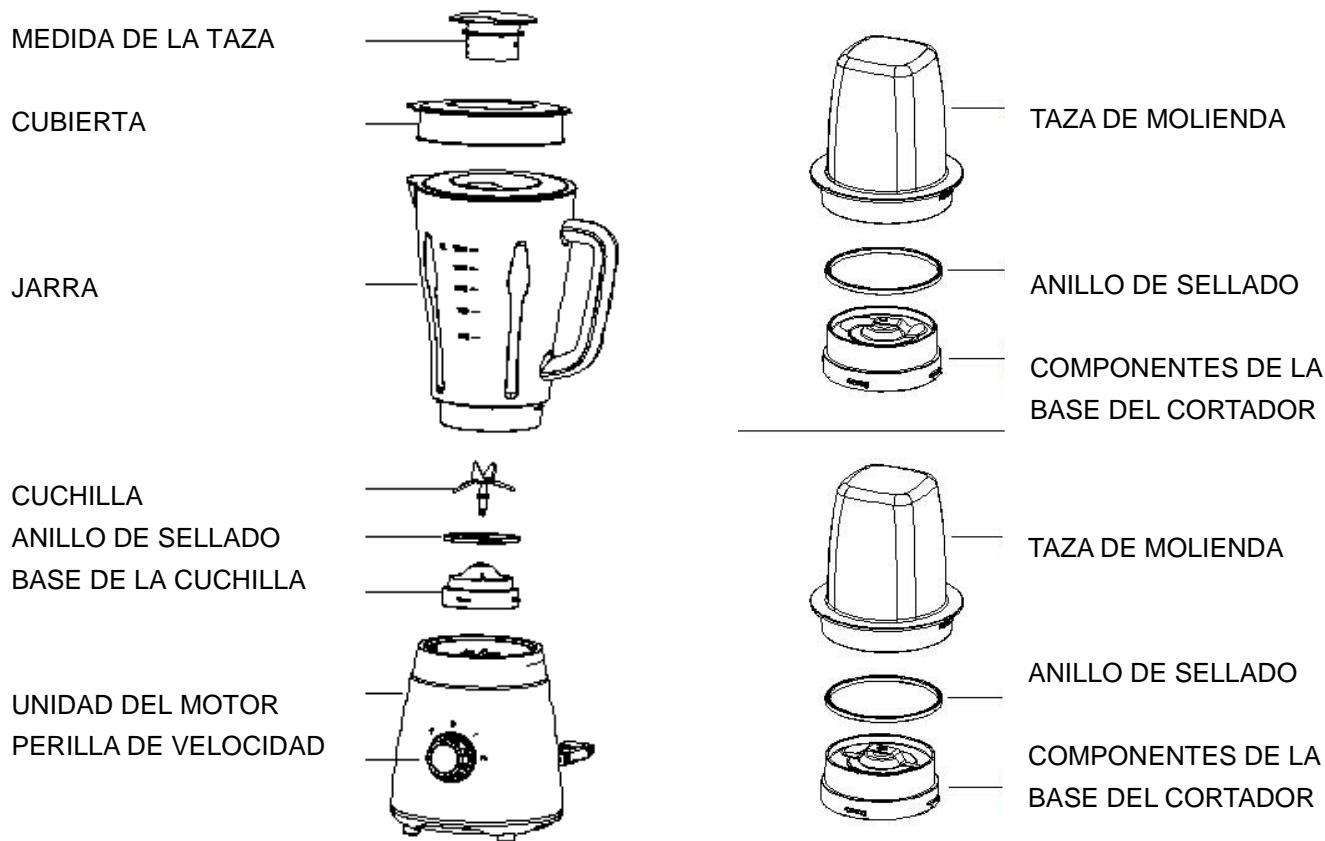
ADVERTENCIA: Posibles lesiones por uso indebido. Se debe tener cuidado al manipular las cuchillas de corte afiladas, vaciar el recipiente y durante la limpieza.

PRECAUCIÓN: asegúrese de que la licuadora esté apagada antes de sacarla del soporte.

Apague el aparato y desconéctelo del suministro antes de cambiar accesorios o acercarse a piezas que se mueven en uso.

SÓLO PARA USO DOMÉSTICO

CONOZCA SU LICUADORA



Unidad principal / Componentes de la jarra

(Fig.1A)

(Fig.1)

PERILLA DE VELOCIDAD

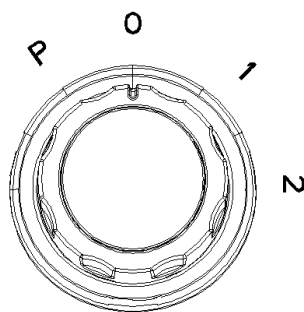


Fig.2

COMO USAR

Antes del primer uso

1. Antes del primer uso, desembale el aparato y coloque todas las piezas en una superficie horizontal.
2. El conjunto de la jarra (incluyendo la jarra de medida, la tapa, el anillo de sellado 1, la jarra, el anillo de sellado 2, el conjunto de la cuchilla y la base de la jarra) ya se ha ensamblado en la unidad del motor. Desarme para lavar todas las partes desmontables excepto la unidad del motor. Consulte el último capítulo CUIDADO Y LIMPIEZA.
3. Una vez que todas las piezas se hayan limpiado y secado completamente, vuelva a armarlas.
 - 1) Invierta la jarra sobre una superficie nivelada, sosteniendo la manija del jarro, coloque el anillo de sello 2 y el conjunto de la cuchilla en la base de la jarra y asegure el conjunto de la cuchilla girándolo en sentido contrario de reloj hasta que quede apretado (Ver la Fig.3).

2) Vuelva a colocar el conjunto de la jarra con su abertura hacia arriba. Envuelva el anillo de sellado 1 alrededor del fondo de la tapa y coloque la tapa en el conjunto de la jarra. Coloque la jarra de medida exactamente en la tapa colocando la pequeña proyección en ambos lados de la jarra en las ranuras de la tapa y girando la taza en el sentido de las agujas del reloj hasta que quede apretada. (Ver la Fig.4).

3) Finalmente, coloque la jarra ensamblada en la unidad del motor alineando la tira en la parte inferior de la jarra ensamblada. (Ver la Fig.5)

CAUSIÓN: La base de la jarra ahora está segura. No intente girar la jarra y la base del vaso en la unidad del motor.

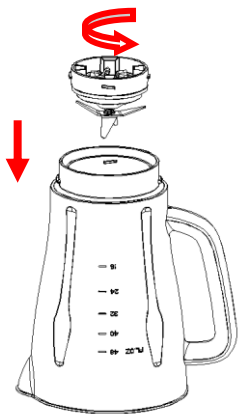


Fig.3

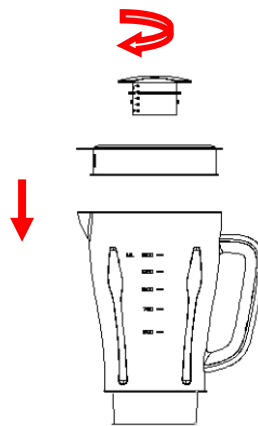


Fig.4

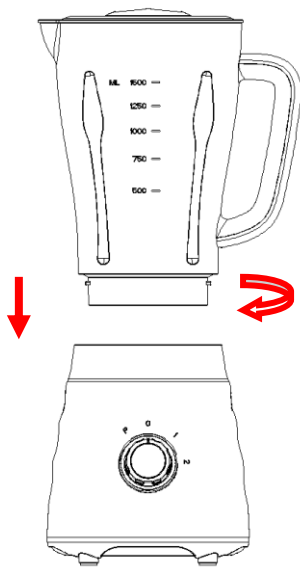


Fig.5

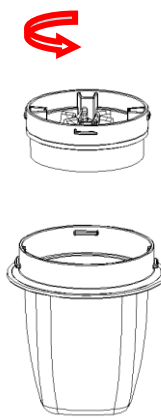


Fig.5A

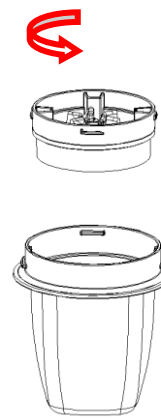


Fig.5B

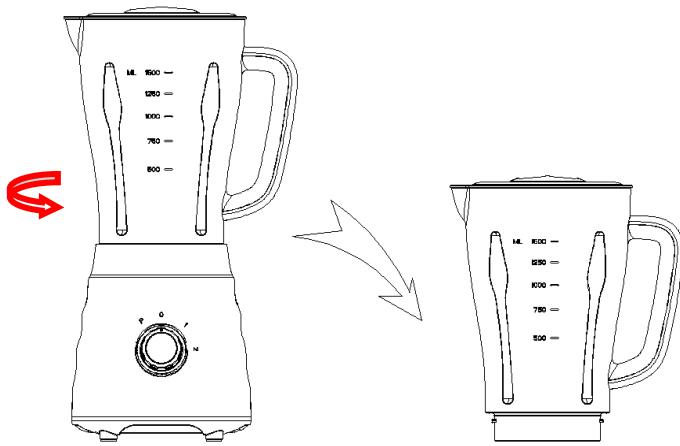


Fig.5C

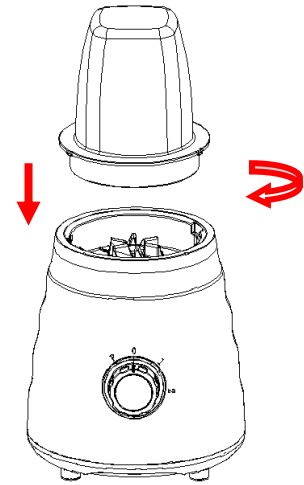


Fig.5D

Cómo utilizar

1. Pelar o cortar el corazón de la fruta o verdura y luego cortarla en pequeños dados.
2. Coloque la comida que se va a mezclar en la jarra (vea la Fig. 6). Por lo general, se debe agregar cierta cantidad de agua purificada para facilitar el buen funcionamiento del electrodoméstico. La proporción de comida y agua es de 2: 3. La cantidad de mezcla no debe exceder el nivel máximo como se indica en la jarra.

RECETA

TIPO DE COMIDA	SPEC	PESO	VELOCIDAD
Zanahoria (manzana, pera, etc.)	Cortar en cubitos de 15mm*15mm*15mm	Zanahoria :600g Agua: 900g	Velocidad alta

Nota: nunca use líquidos hirvientes o deje el artefacto vacío.

1. Ponga la tapa en el tarro. Asegúrese de que el vaso medidor esté en su lugar.
2. Conecte el cable de alimentación a una toma de corriente estándar.
3. Gire la perilla de velocidad a la configuración de velocidad adecuada para su tarea.
4. Para tareas de mezcla rápidas o delicadas, gire la perilla de velocidad a la posición P y manténgala presionada durante unos segundos y luego suéltela, la perilla se reiniciará a la posición O automáticamente. Opere varias veces hasta obtener la consistencia deseada.
5. Si desea agregar ingredientes mientras la licuadora está funcionando, retire la taza de medir y colóquela a través de la abertura de la tapa. (Ver la Fig.7)
6. Al triturar hielo o alimentos duros, mantenga una mano firmemente sobre la tapa.
7. Cuando obtenga la consistencia que desea, gire la perilla a la posición O.

Nota: 1) Para cada uso, el tiempo de operación consecutivo no debe exceder los 3 minutos. Se debe mantener al menos 10 minutos de descanso entre dos ciclos continuos, deje que la unidad se enfríe a temperatura ambiente antes de realizar el siguiente ciclo de operación.

2) Si desea detener la máquina durante el funcionamiento, gire la perilla a la posición O en cualquier momento.

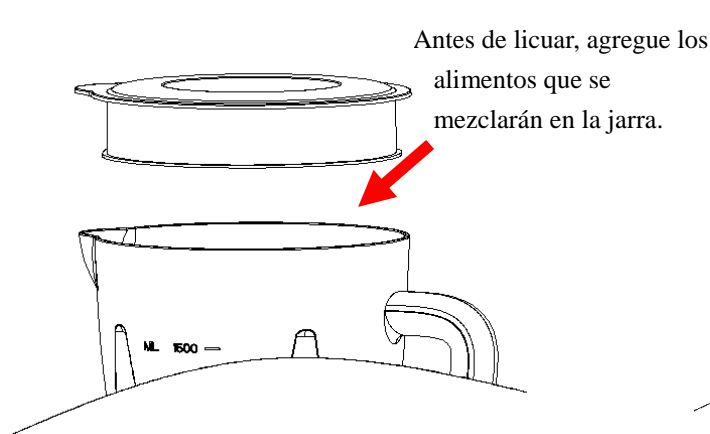


Fig.6

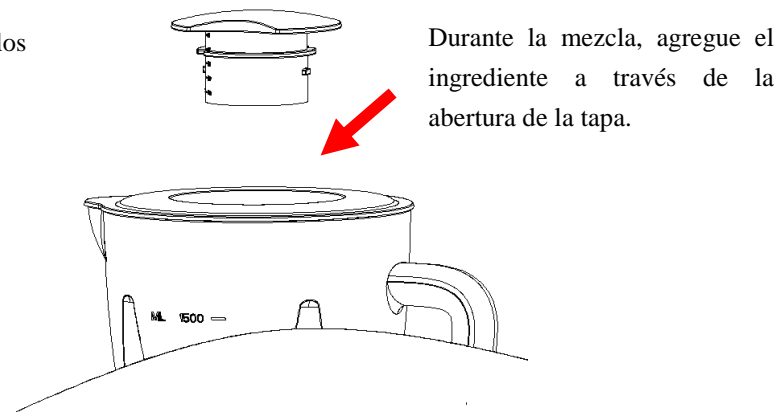


Fig.7

Consejos importantes de funcionamiento

- Para una mejor circulación de los alimentos que se van a mezclar con un poco de líquido, primero vierta el líquido en el recipiente y luego agregue los sólidos.
- Algunas de las tareas que no se pueden realizar de manera eficiente con una licuadora son: batir claras de huevo, batir crema, machacar papas, moler carne, mezclar masa, extraer jugo de frutas y verduras
- Los siguientes artículos nunca deben colocarse en la unidad, ya que pueden causar daños: huesos, pedazos grandes de alimentos sólidos, congelados o alimentos duros como los nabos.
- Para triturar el hielo, agregue hasta 6 cubitos. Si se necesita más hielo, retire la taza y agregue los cubos uno por uno a través de la abertura de la tapa.

El uso de la taza de molienda:

1. Gire para abrir la taza de molienda de los componentes de la cabeza de corte y póngala sobre la mesa con el lado abierto hacia arriba
 2. Coloque los alimentos de frijoles en la taza de molienda (unos 50 gramos) y cierre bien los componentes de la cabeza de corte de la cuchilla, luego fíjelos en la unidad de motor;
 3. Enchufe el cable de alimentación en una toma de corriente estándar;
 4. Gire la perilla de velocidad a la segunda velocidad para su tarea (generalmente se necesitan unos 30 segundos)
- Cuando haya logrado el efecto que desea, gire la perilla a la posición O.

LIMPIEZA Y MANTENIMIENTO

Este producto no contiene piezas reparables por el usuario. Remita el servicio al personal de servicio calificado.

1. Antes de limpiar, desenchufe la licuadora.
2. Lave siempre el aparato inmediatamente después del uso para una limpieza más fácil. No permita que los alimentos se sequen en el ensamblaje de la jarra ya que esto dificultará la limpieza.
3. Vierta un poco de agua tibia y jabón en la jarra y gire el mando a la posición P durante unos segundos y luego vacíe la jarra.
4. Desmonte todas las partes desmontables. Levante el conjunto de la unidad del motor, para separar el conjunto de la cuchilla girándolo en el sentido de las agujas del reloj desde la base de la jarra, y retire el anillo de sellado 2 y el conjunto de la cuchilla (consulte la figura 8). Además, separe el anillo de sellado 1 de la tapa de la jarra.

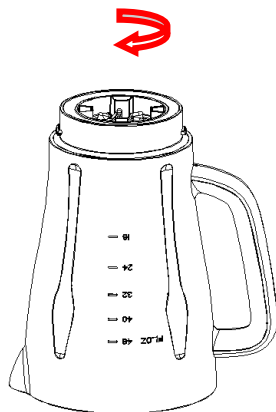


Fig.8

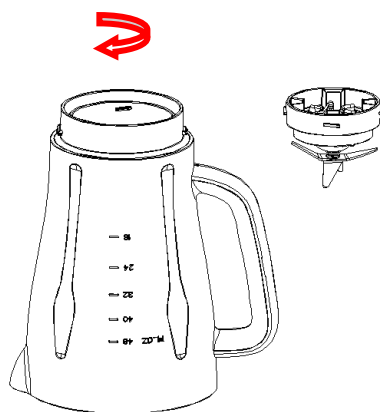


Fig.8A

5. Enjuague la copa de medición, la tapa, el anillo de sellado 1, la jarra, el anillo de sellado 2 y el conjunto de la cuchilla con las manos o en un lavavajillas y luego séquelo. Son componentes seguros para lavavajillas, pero la configuración de temperatura no debe exceder 70 °C.

6. Cepille la cuchilla con agua tibia jabonosa y luego enjuague bien debajo del grifo. No toque las cuchillas afiladas, maneje con cuidado. No sumerja el conjunto de cuchillas en agua. Deje que se seque al revés de los niños.

7. Limpie la unidad del motor con un paño húmedo y seque la completamente. Elimine las manchas difíciles frotando con un limpiador no abrasivo. Si los líquidos se derraman en la unidad del motor; primero desenchufe la unidad, luego limpie con un paño húmedo y seque completamente.

CAUSIÓN

1) No sumerja la unidad del motor en líquido para evitar el riesgo de una descarga eléctrica.

2) No use estropajos o limpiadores ásperos en las piezas o el acabado.

3) No coloque ninguna pieza de esta unidad en el lavavajillas para limpiarla. Esta unidad no está disponible para lavavajillas.

12 meses de garantía.

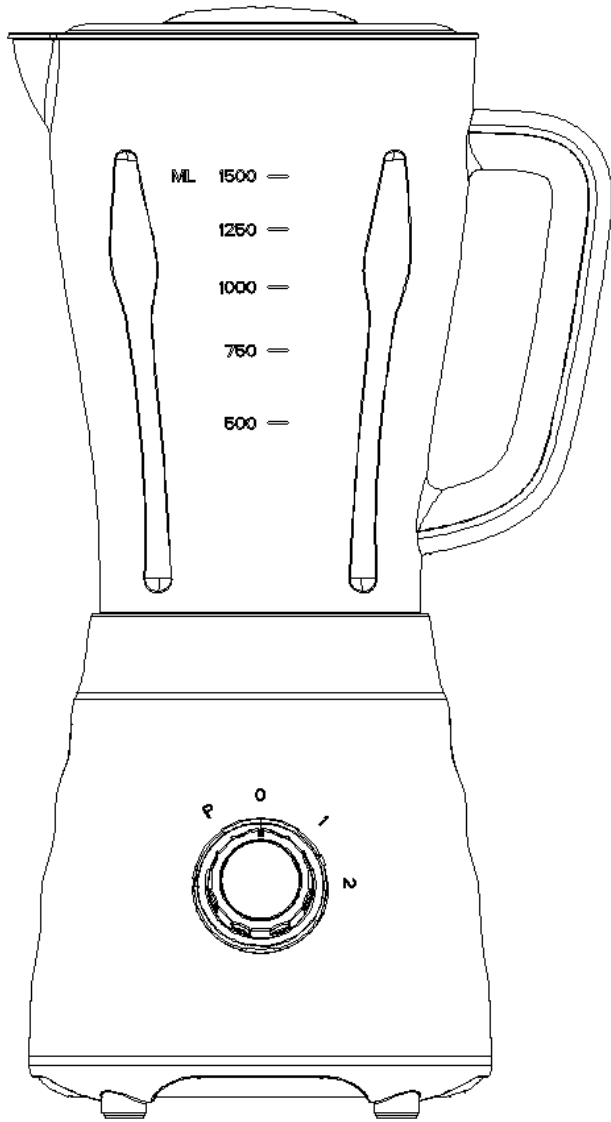


PRT

MANUAL DE INSTRUÇÕES

LIQUIDIFICADOR

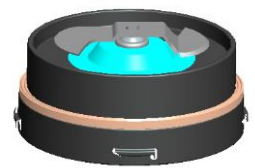
Model:TM-6003



Liquidificador



Componentes da taça de tritar



Componentes da cabeça de cortar

POR FAVOR MANTENHA ESTAS INSTRUÇÕES PARA NECESSIDADES FUTURAS

PRECAUÇÕES IMPORTANTES

Ao usar este aparelho eléctrico, deve seguir sempre precauções básicas de segurança, incluindo as seguintes

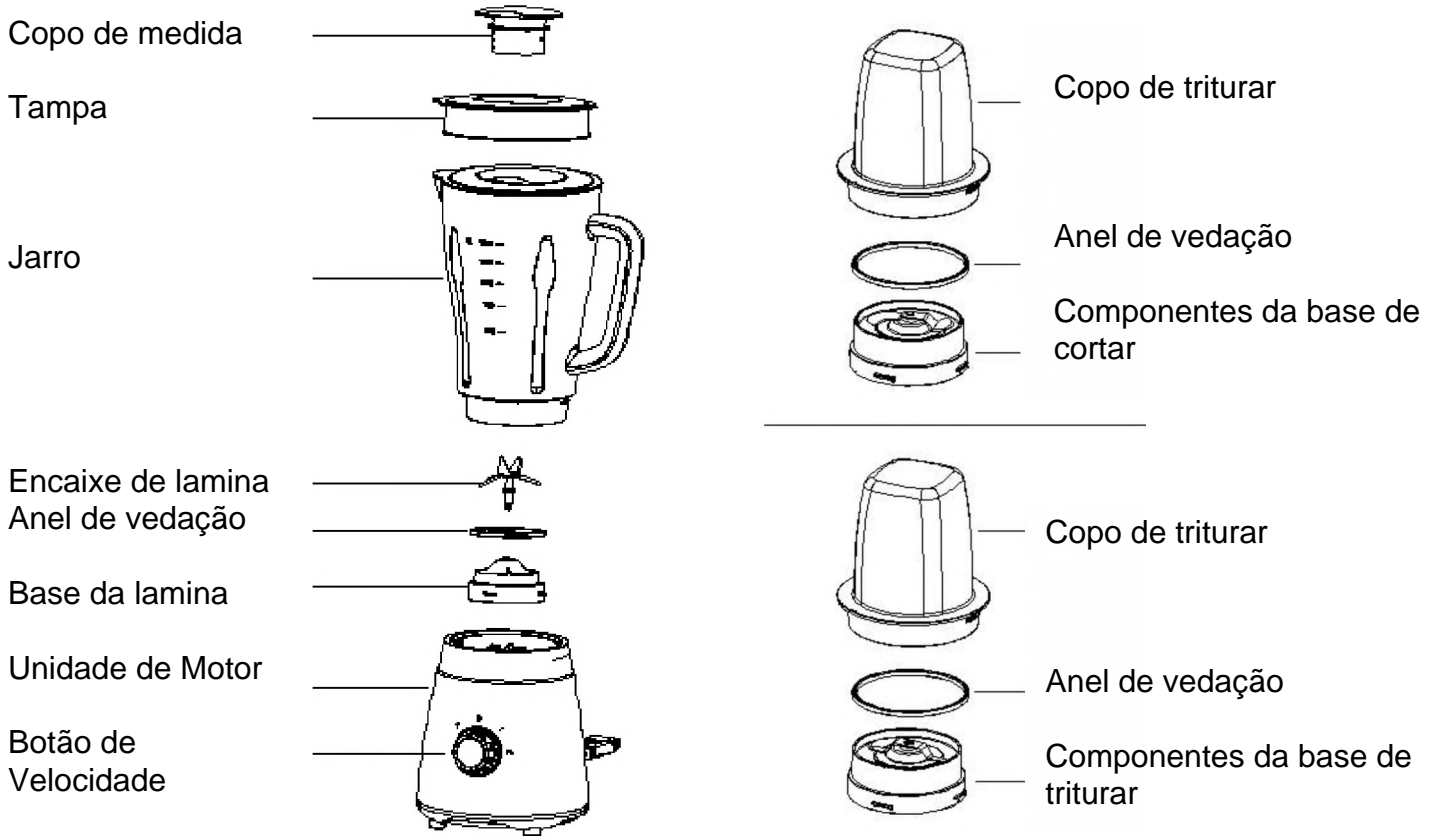
1. Leia cuidadosamente todas as instruções.
2. Antes de usar, verifique se a tensão indicada no produto corresponde à tensão da sua tomada eléctrica.
3. Não deixe o cabo pendurado sobre superfícies quentes ou em bordas de mesas ou balcões.
4. Não utilize nenhum liquidificador com o cabo ou ficha danificada ou após o aparelho demonstrar mau funcionamento por ter sido danificado de qualquer maneira. Devolva o aparelho num centro de serviço autorizado mais próximo para exame, reparo ou ajuste.
5. Se o cabo de alimentação estiver danificado, deve ser substituído pelo fabricante ou por um agente autorizado pela marca ou pessoa qualificada, para evitar qualquer risco.
6. Uma supervisão próxima é necessária quando o aparelho for usado por crianças ou estiver perto delas.
7. Evite entrar em contato com as peças móveis.
8. Mantenha mãos e utensílios fora do recipiente enquanto o liquidificador for usado, para reduzir risco de danos graves a pessoas ou ao liquidificador.
9. O uso de acessórios não recomendados ou vendidos pelo fabricante pode causar fogo, choque eléctrico ou ferimentos.
10. Desligue da tomada sempre que o aparelho não estiver em uso, antes de colocar ou retirar peças e antes de limpar. Para desligar, rode o controle para "desligado" e, em seguida, retire a ficha da tomada de parede, puxando pela a ficha e não pelo cabo.
11. Para reduzir o risco de lesões, nunca coloque o conjunto da lâmina na unidade do motor sem o frasco estar preso e conectado corretamente.
12. Este aparelho não está destinado a ser utilizado por pessoas (incluindo crianças) com capacidades físicas, sensoriais ou mentais reduzidas, ou falta de experiência e conhecimento, a menos que tenham sido supervisionadas ou instruídas sobre o uso do aparelho por pessoa responsável por sua segurança
13. As crianças devem ser supervisionadas para garantir que não brincam com o aparelho.
14. Não deixe a máquina ligada sem vigilância.
15. Ao remover o liquidificador da unidade do motor, espere até as lâminas pararem completamente.
16. Operar sempre o liquidificador com a tampa no lugar.
17. Utilize sempre o aparelho numa superfície plana, seca e segura.
18. Nunca coloque este aparelho em cima ou próximo de um fogão a gás ou eléctrico, nem em local onde possa tocar noutro aparelho quente.
19. Não use o aparelho ao ar livre.
20. Não dê nenhum uso ao aparelho, para além do devido.

AVISO: Risco de feridas por mau uso. Deve tomar cuidado ao manusear as lâminas de corte afiadas, sempre que esvaziar a tigela e durante a limpeza.

CUIDADO: Certifique-se de que o liquidificador está desligado antes de removê-lo do suporte. Desligue o aparelho, inclusive da tomada antes de trocar acessórios ou peças que se desgastadas pelo uso.

EXCLUSIVO PARA USO DOMÉSTICO

CONHEÇA O SEU LIQUIDIFICADOR

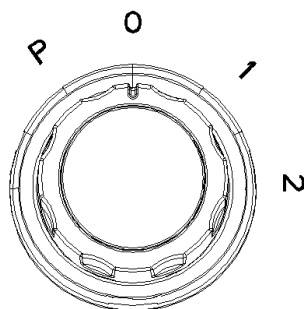


Unidade principal/ Componentes do Jarro

(Figura 1A)

(Figura 1)

BOTÃO DE VELOCIDADE



COMO UTILIZAR

Antes da primeira utilização

1. Antes da primeira utilização, desembale o aparelho e coloque todas as peças sobre uma superfície horizontal.

2. O conjunto de jarro (como a Fig. 1, incluindo o copo de medição, a tampa, o frasco de vidro) já foi montado na base. Desmonte para lavar todas as peças removíveis, excepto a base. Consulte o último capítulo CUIDADO E LIMPEZA.

3. Desmonte os componentes do copo de trituração (incluindo o copo de trituração, o anel de vedação, as peças da cabeça do cortador de trituração) e também os componentes do copo (incluindo o cortador, o anel de vedação, as peças da cabeça do cortador de corte) (como Fig.1A). Por favor, consulte o último capítulo CUIDADO E LIMPEZA.

4. Assim que todas as peças forem limpas e bem secas, volte a montá-las.

1) Coloque o frasco numa superfície nivelada, segurando a pega do jarro, coloque o anel de vedação 2 e o conjunto da lâmina no fundo da base do frasco e fixe o conjunto da lâmina girando-o no sentido contrário aos ponteiros do relógio, até ficar bem apertado (veja a Fig. 3)

2) Reposicione o conjunto do jarro com a abertura para cima. Enrole o anel de vedação 1 em torno da parte inferior da tampa e coloque a tampa no conjunto do frasco. Coloque o copo de medição exatamente na tampa, encaixando a pequena saliência em ambos os lados do copo nas ranhuras da tampa e girando o copo no sentido dos ponteiros do relógio, até ficar apertado. (Ver Fig.4)

3) Finalmente, coloque o frasco montado na unidade do motor alinhando a tira no fundo do jarro montado. (Veja Fig.5)

4) Montagem dos componentes do copo - Coloque o anel de vedação do copo de trituração nos componentes da cabeça do cortador e em seguida, coloque no copo de trituração. Por favor, rode os componentes da cabeça do cortador no sentido contrário ao dos ponteiros do relógio até apertar assegurar a montagem certa (veja Fig. 5B).

Nota :apenas um copo de moagem deve ser usado na moagem dos componentes da cabeça do triturador e os componentes da cabeça do cortador.

Quando precisar usar o copo de moagem ou o cortador de choques, por favor, no sentido anti-horário, retire o frasco da base do motor primeiro (veja a Fig. 5C), então coloque o copo de moagem ou o interruptor na base do motor e gire-o no sentido anti-horário até ficar bem para garantir que ele foi montado lugar (veja Fig. 5D) Quando precisar usar o copo de moagem ou o copo, rode no sentido contrário ao dos ponteiros do relógio para retirar o frasco da base do motor primeiro (veja Fig. 5C) e, em seguida, coloque o copo de moagem ou o copo na base do motor e gire-o no sentido contrário ao dos ponteiros do relógio até ficar bem fixo e montado no lugar . (Ver Fig.5D)

ATENÇÃO: Depois de bem fixos no motor, não volte a tentar torcer o jarro e a base.

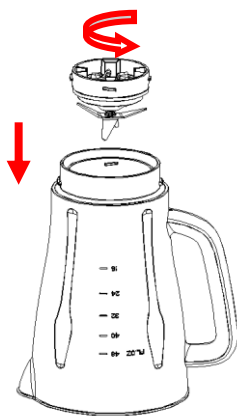


Figura 3

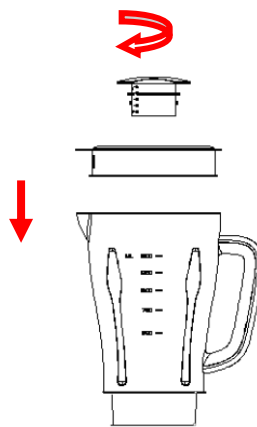


Figura 4

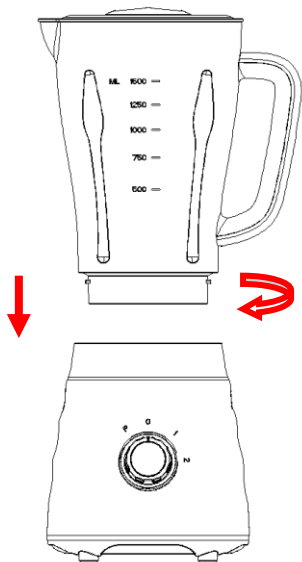


Figura 5

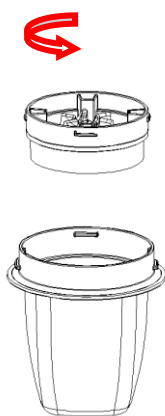


Figura 5A

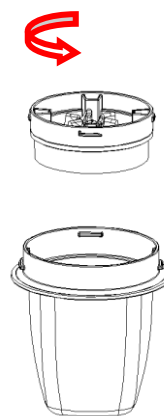


Figura 5B

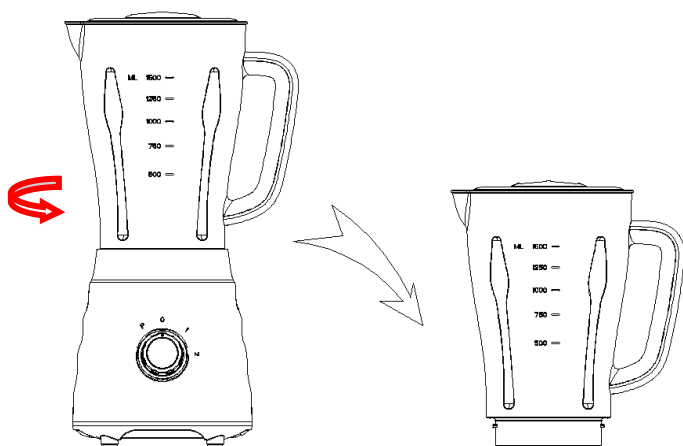


Figura 5C

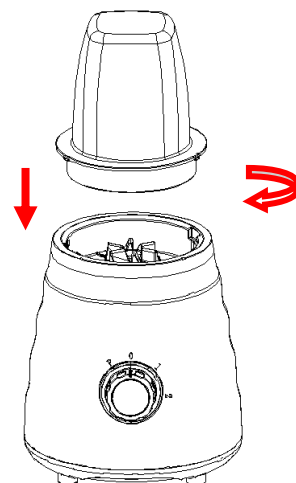


Figura 5D

The using of jar:

1. Descasque e se necessário, retire caroços de frutas ou legumes, em seguida, corte-os em pequenos bocados.

2. Coloque os alimentos a serem misturados no frasco (veja a Fig. 6). Normalmente é necessário adicionar uma certa quantidade de água potável para facilitar o bom funcionamento do aparelho.

A proporção de alimentos e água é de 2:3.

A quantidade da mistura não deve exceder o nível máximo indicado no frasco.

RECEITA

TIPO DE ALIMENTO	ESPECIFICAÇÕES	PESO	VELOCIDADE
Cenoura (maçã, pera, etc.)	Cortar em 15mm*15mm*15mm	Cenoura: 600g Água: 900g	Alta velocidade

Nota: nunca utilize líquidos em ebulição ou deixe o aparelho vazio.

3. Coloque a tampa no frasco. Certifique-se de que o copo de medição esta no lugar.
4. Ligue o cabo de alimentação a uma tomada de parede.
5. Gire o botão de velocidade para a configuração da velocidade apropriada para sua tarefa.
6. Para tarefas de mistura rápidas ou delicadas, gire o botão de velocidade na posição P e mantenha pressionado por alguns segundos e depois solte, o botão será automaticamente reiniciado na posição O. Opere por várias vezes até obter a consistência desejada. Se quiser adicionar ingredientes enquanto o liquidificador estiver funcionando, retire o copo de medição e coloque-o através da abertura da tampa. (Veja a figura 7)
7. Quando obter a consistência desejada, gire o botão para a posição O.

Nota: 1) A cada uso, o tempo de operação consecutivo não deve exceder 3 minutos. Se quiser voltar a usar o aparelho, descanse-o primeiro durante 10 minutos, deixando o motor arrefecer a temperatura ambiente e só depois, realizar o próximo ciclo de operação. 2) Se deseja parar o aparelho durante o funcionamento, gire a qualquer momento o botão para a posição 0.

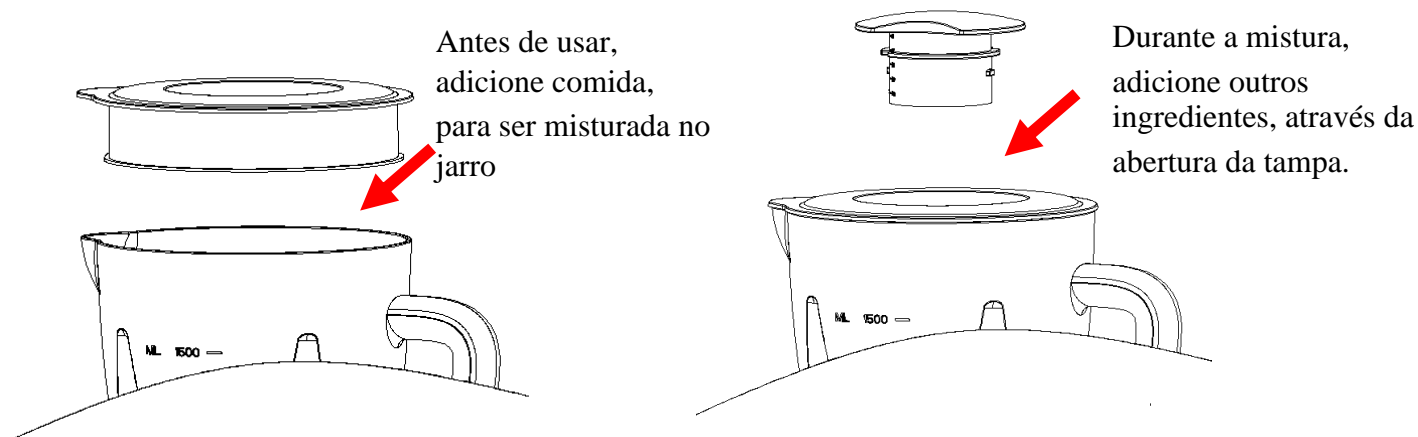


Figura 6

Figura 7

Dicas de uso importantes

- Para uma melhor circulação dos alimentos a misturar, coloque no frasco, primeiro os líquidos e só depois adicione os sólidos.
- Algumas exemplos de tarefas que não podem ser eficazmente realizadas no liquidificador são: chantilly, claras em castelo, puré de batatas, ralar carne, bater massa, espremer sumos de frutas e vegetais
- Os seguintes itens nunca devem ser colocados no aparelho dado que podem causar danos: ossos, grandes pedaços de alimentos sólidos, congelados ou alimentos duros.

O uso do copo triturador:

1. Rode o copo triturador da cabeça do cortador até abrir e coloque na mesa com o lado aberto para cima
2. Coloque o feijão no copo triturador (cerca de 50 gramas), feche e aperte bem os componentes da cabeça do cortador, em seguida, prenda-o na unidade do motor;
3. Ligue o cabo elétrico a uma tomada de parede;
4. Rode o botão de velocidade para a segunda velocidade, ideal para esta tarefa que geralmente precisa de cerca de 30 segundos. Quando atingir o efeito desejado, rode o botão para a posição O.

O uso do cortador:

1. Rode o copo triturador da cabeça do cortador até abrir e coloque na mesa com o lado aberto para cima;
2. Coloque a carne no copo triturador (cerca de 100 gramas), feche bem, tal como os componentes da cabeça do cortador e em seguida, prenda-o na unidade do motor;
3. Ligue o cabo eléctrico a uma tomada de parede;
4. Rode o botão de velocidade para a segunda velocidade, ideal para esta tarefa que geralmente precisa de cerca de 30 segundos. Quando atingir o efeito desejado, rode o botão para a posição O.

CUIDADO E LIMPEZA

Este produto não contém peças reparáveis pelo consumidor. Consulte o agente autorizado para obter o serviço de pessoal qualificado.

1. Antes de limpar, desligue o liquidificador.
2. Para uma limpeza mais fácil, lave sempre imediatamente após cada uso. Não deixe os alimentos secarem no frasco, pois tal dificultará a limpeza.
3. Despeje um pouco de água com sabão quente no jarro e gire o botão para a posição P durante alguns segundos, em seguida, esvazie o frasco.
4. Desmonte todas as peças removíveis. Retire o jarro da base, o conjunto da lâmina no frasco não pode ser removível e deve ser limpa em conjunto com o frasco. (veja fig.8)
5. Ao desmontar os componentes do copo triturador e cortador, retire-os da base do motor e em seguida, retire os componentes da cabeça do cortador do copo triturados e rode os componentes da cabeça do cortador, girando no sentido dos ponteiros do relógio e finalmente, remova o anel de vedação e o conjunto da cabeça de corte (ver fig.8A).

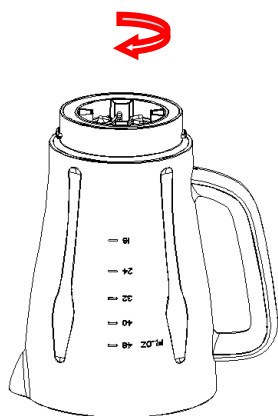


Figura 8

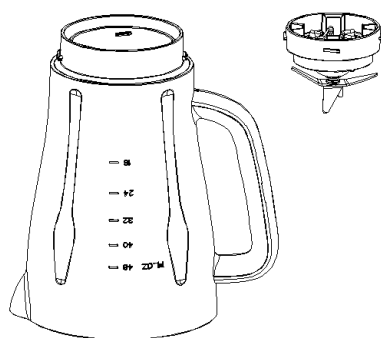


Figura 8A

6. Lave o copo de medição, a tampa, o frasco, o anel de vedação, o conjunto da lamina, com as mãos ou na máquina de lavar louça, e depois seque.
Pode lavar estes componentes na máquina de lavar louça, mas a temperatura da água não deve exceder os 70 °C.
7. Use água morna com sabão, para esfregar a lamina e lavá-la na torneira. Não toque nas lâminas afiadas, manipule com cuidado. Coloque o aparelho de cabeça para baixo para secar e num local fora do alcance das crianças. **Não coloque o conjunto da lamina na água durante muito tempo.**
8. Limpe a superfície da base com um pano húmido e seque completamente. Remova as manchas difíceis esfregando-as com um limpador não abrasivo. Se os líquidos derramarem na base, desligue primeiro o aparelho e depois limpe-o com um pano seco, secando-o depois.

CUIDADO

- 1) Não mergulhe a unidade do motor em líquidos para evitar choque eléctrico.
- 2) Não use pastilhas de limpeza ou limpadores abrasivos em peças ou partes principais.
- 3) Não leve nenhuma peça deste aparelho na máquina de lavar louça. Este aparelho não deve nunca ir a máquina de lavar louça.

12 Meses de Garantia

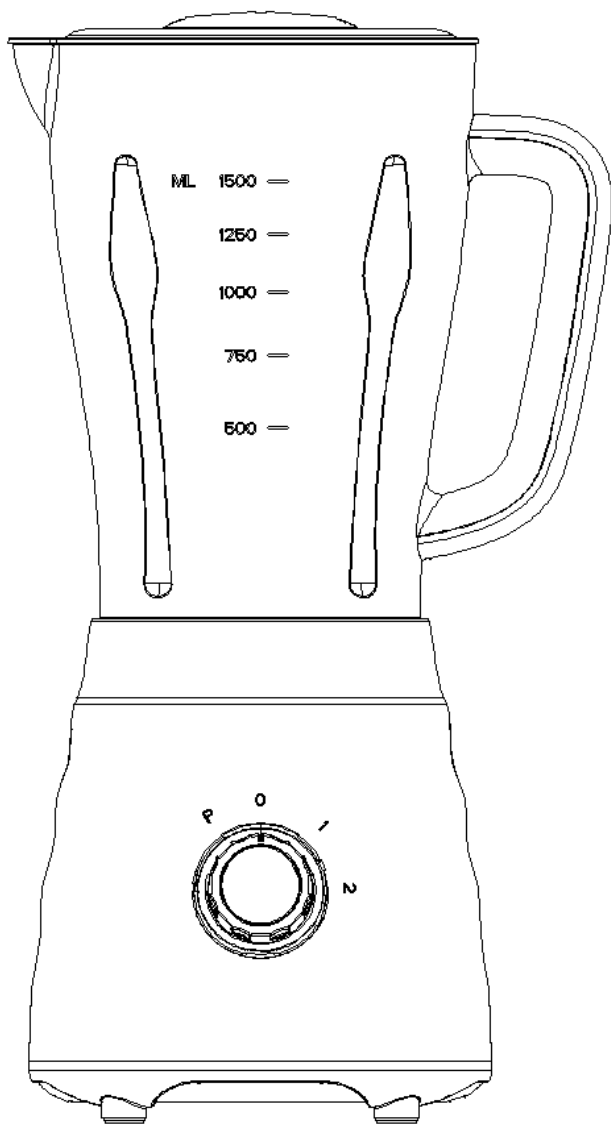


ΖΟΥΜΕ ΜΑΖΙ

GRC

ΟΔΗΓΙΕΣ ΧΡΗΣΗΣ ΜΠΛΕΝΤΕΡ

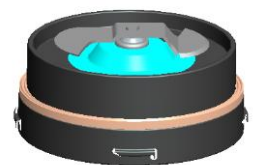
Μοντέλο: TM-6003



Μπλέντερ επιτραπέζιο



Εξαρτήματα άλεσης



Εξαρτήματα τεμαχισμού

ΣΗΜΑΝΤΙΚΕΣ ΠΡΟΦΥΛΑΞΕΙΣ ΑΣΦΑΛΕΙΑΣ

Πριν από τη χρήση αυτής της ηλεκτρικής συσκευής, πάντα πρέπει να ακολουθήσετε τις εξής βασικές προφυλάξεις:

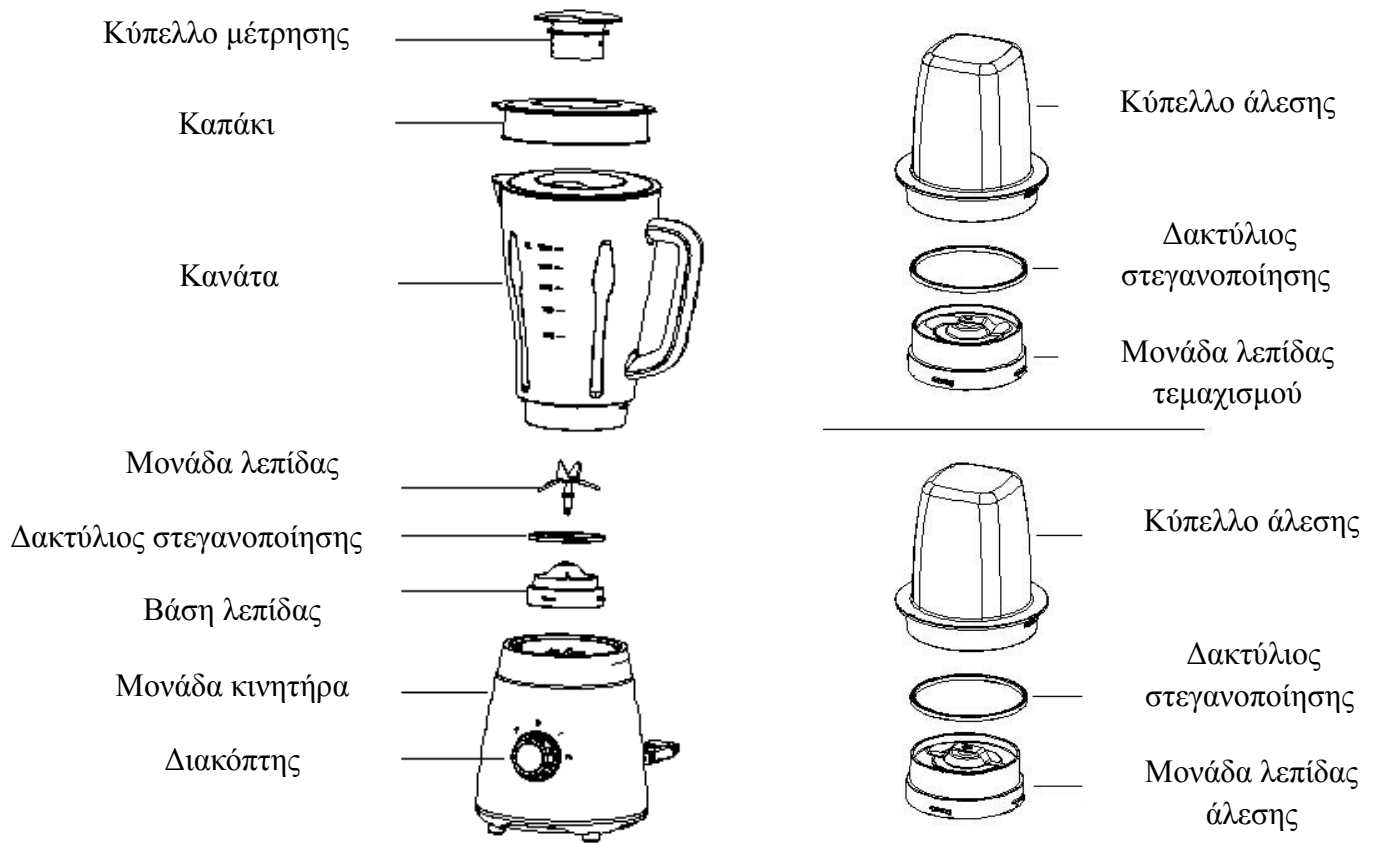
1. Διαβάστε όλες τις οδηγίες.
2. Πριν από τη χρήση επιβεβαιώστε ότι η ένταση της συσκευής αντιστοιχεί στην ένταση του ηλεκτρικού ρεύματος στο σπίτι σας.
3. Μην αφήνετε το καλώδιο να κρέμεται από το τραπέζι ή μια ζεστή επιφάνεια.
4. Μη χρησιμοποιείτε καμιά συσκευή με βλαμμένο καλώδιο, βύσμα ή μετά από μια δυσλειτουργία ή οποιαδήποτε άλλη βλάβη. Φέρτε τη συσκευή στο πλησιέστερο εξουσιοδοτημένο κέντρο σέρβις για έλεγχο, επισκευή ή προσαρμογή.
5. Εάν το καλώδιο ρεύματος είναι βλαμμένο, πρέπει να το αλλάξει ο παρασκευαστής, ένας τεχνικός του εξουσιοδοτημένου σέρβις ή παρόμοιος εξουσιοδοτημένος τεχνικός για να αποφύγετε κινδύνους.
6. Ιδιαίτερη προσοχή πρέπει να δώσετε όταν η συσκευή βρίσκεται δίπλα σε ή χρησιμοποιείτε από παιδιά.
7. Αποφύγετε επαφή με τα περιστρεφόμενα εξαρτήματα.
8. Κρατήστε τα δάχτυλά σας και άλλα αντικείμενα έξω από το δοχείο κατά την επεξεργασία για να αποφύγετε ρίσκο τραυματισμού ή ζημιάς στη συσκευή. Μπορείτε να χρησιμοποιείτε μια σπάτουλα, αλλά μόνο όταν το μπλέντερ είναι απενεργοποιημένο.
9. Χρήση εξαρτημάτων που δεν παρέχονται ή πουλώνται από τον κατασκευαστή μπορεί να προκαλέσει πυρκαγιά, ηλεκτροπληξία ή τραυματισμό.

10. Πάντα αποσυνδέστε τη συσκευή από την τροφοδοσία όταν δεν τη χρησιμοποιείτε και πριν από την (απο)συναρμολόγηση ή τον καθαρισμό. Για να την αποσυνδέσετε, γυρίστε το διακόπτη στη θέση off, μετά βγάλτε το καλώδιο από την πρίζα τραβώντας το βύσμα, ποτέ το ίδιο το καλώδιο.
 11. Για να αποφύγετε ρίσκο τραυματισμού, ποτέ μην τοποθετείτε τη μονάδα λεπίδας στη μονάδα κινητήρα χωρίς να έχετε συνδέσει σωστά την κανάτα.
 12. Τη συσκευή μπορούν να τη χρησιμοποιούν παιδιά και άτομα με μειωμένη σωματική, αισθητηριακές ή διανοητικές ικανότητες ή έλλειψη εμπειρίας και γνώσεων εάν βρίσκονται υπό επίβλεψη ή υπεύθυνα άτομα τους έδωσαν οδηγίες που αφορούν χρήση της συσκευής με ασφάλεια και καταλαβαίνουν τους κινδύνους που υπάρχουν.
 13. Παιδιά πρέπει να επιβλέπονται ώστε να μην παίζουν με τη συσκευή.
 14. Μην αφήνετε την ενεργοποιημένη συσκευή χωρίς επίβλεψη.
 15. Όταν βγάζετε το μπλέντερ από τη μονάδα κινητήρα, περιμένετε πρώτα να σταματήσουν εντελώς οι λεπίδες.
 16. Πάντα χρησιμοποιείτε το μπλέντερ με το κάλυμμα στη θέση του.
 17. Πάντα χρησιμοποιείτε τη συσκευή πάνω σε μια σταθερή, στεγνή, επίπεδη επιφάνεια.
 18. Ποτέ μην τοποθετείτε τη συσκευή επάνω ή δίπλα σε ζεστό ηλεκτρικό ή καυστήρα φυσικού αερίου ή όπου μπορεί να αγγίξει ζεστές επιφάνειες.
 19. Μη χρησιμοποιείτε τη συσκευή έξω.
 20. Μη χρησιμοποιείτε τη συσκευή για άλλη από την προορισμένη χρήση.
- ΠΡΟΕΙΔΟΠΟΙΗΣΗ:** Πιθανός τραυματισμός λόγω λανθασμένης χρήσης. Πρέπει να δώσετε προσοχή όταν χρησιμοποιείτε τις κοφτερές λεπίδες, όταν αδειάζετε το δοχείο και κατά τον καθαρισμό.

ΠΡΟΣΟΧΗ: Επιβεβαιώστε ότι ο μπλέντερ είναι απενεργοποιημένο πριν το βγάλετε από τη βάση του. Απενεργοποιήστε τη συσκευή και αποσυνδέστε την από την τροφοδοσία πριν αλλάξετε ή αγγίξετε τα περιστρεφόμενα εξαρτήματα.

ΑΠΟΚΛΕΙΣΤΙΚΑ ΓΙΑ ΟΙΚΙΑΚΗ ΧΡΗΣΗ

ΕΞΟΙΚΕΙΩΘΕΙΤΕ ΜΕ ΤΟ ΜΠΛΕΝΤΕΡ ΣΑΣ

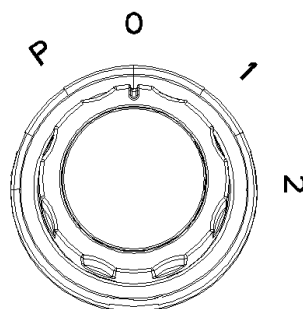


Κύρια μονάδα/Κύρια εξαρτήματα

(Εικ. 1Α)

(Εικ. 1)

ΔΙΑΚΟΠΤΗΣ



Εικ. 2

ΠΩΣ ΝΑ ΤΟ ΧΡΗΣΙΜΟΠΟΙΕΙΤΕ

Πριν από την πρώτη χρήση

1. Πριν από την πρώτη χρήση, βγάλτε τη συσκευασία και τοποθετήστε όλα τα εξαρτήματα σε μια οριζόντια επιφάνεια.
2. Τα εξαρτήματα με την κανάτα (όπως στην Εικ. 1, κύπελλο μέτρησης, καπάκι, δακτύλιος στεγανοποίησης, κανάτα, μονάδα λεπίδας) είναι ήδη συνδεδεμένα με τη μονάδα κινητήρα. Αποσυναρμολογήστε τα για να πλύνετε όλα τα εξαρτήματα εκτός από τη μονάδα κινητήρα. Παρακαλούμε βλέπετε την παρακάτω παράγραφο ΣΥΝΤΗΡΗΣΗ ΚΑΙ ΚΑΘΑΡΙΣΜΟΣ.
3. Αποσυναρμολογήστε τα εξαρτήματα άλεσης (κύπελλο άλεσης, δακτύλιο στεγανοποίησης, λεπίδες άλεσης) και επίσης τα εξαρτήματα τεμαχισμού (κοπτήριο, δακτύλιο στεγανοποίησης, λεπίδες τεμαχισμού) (όπως στην Εικ. 1 Α). Παρακαλούμε βλέπετε την παρακάτω παράγραφο ΣΥΝΤΗΡΗΣΗ ΚΑΙ ΚΑΘΑΡΙΣΜΟΣ.

4. Όταν καθαρίσετε και στεγνώσετε διεξοδικά όλα τα εξαρτήματα, ξανασυναρμολογήστε τα.

1) Τοποθετήστε την κανάτα ανάποδα σε μια επίπεδη επιφάνεια. Κρατώντας τη λαβή κανάτας, βάλτε το δακτύλιο στεγανοποίησης και τη μονάδα λεπίδας στο κάτω μέρος της βάσης κανάτας και ασφαλίστε τη μονάδα λεπίδας γυρίζοντας την αριστερόστροφα, ώσπου να ταιριάξει. (Βλ. Εικ. 3)

2) Ξανατοποθετήστε την κανάτα με τα εξαρτήματα όρθια και βάλτε το καπάκι επάνω. Βάλτε το κύπελλο μέτρησης ακριβώς μέσα στο καπάκι με στόχο το κέντρο στο καπάκι και γυρίστε το δεξίστροφα ώσπου να ταιριάξει. (Βλ. Εικ. 4)

3) Τελικά, τοποθετήστε την έτοιμη κανάτα με τα εξαρτήματα επάνω στη μονάδα κινητήρα προσαρμόζοντάς την ώστε να ταιριάξει στη βάση. (Βλ. Εικ. 5)

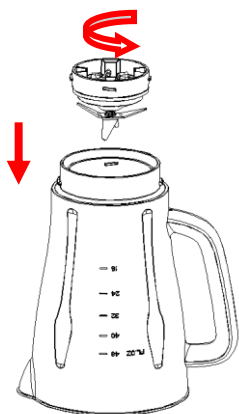
4) Συναπμολογήστε τη μονάδα άλεσης - Τοποθετήστε το δακτύλιο στεγανοποίησης μέσα στη μονάδα λεπίδας άλεσης και συνδέστε τα με το κύπελλο άλεσης. Παρακαλούμε γυρίστε τη μονάδα λεπίδας αριστερόστροφα ώσπου να ταιριάξει ασφαλιστικά στη θέση της. (Βλ. Εικ. 5Α)

5) Συναπμολογήστε τη μονάδα τεμαχισμού - Τοποθετήστε το δακτύλιο στεγανοποίησης μέσα στη μονάδα λεπίδας τεμαχισμού και συνδέστε τα με το κύπελλο άλεσης. Παρακαλούμε γυρίστε τη μονάδα λεπίδας αριστερόστροφα ώσπου να ταιριάξει ασφαλιστικά στη θέση της. (Βλ. Εικ. 5Β)

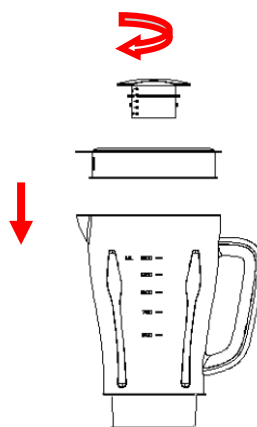
Προσοχή: υπάρχει μόνο ένα κύπελλο άλεσης και πρέπει να το χρησιμοποιείτε μαζί με τη μονάδα λεπίδας άλεσης και τη μονάδα λεπίδας τεμαχισμού.

Όταν πρέπει να χρησιμοποιήσετε το κύπελλο για άλεση ή τεμαχισμό, παρακαλούμε γυρίστε την κανάτα αριστερόστροφα για να την αποσπάσετε από τη μονάδα κινητήρα (Βλ. Εικ. 5C), μετά τοποθετήστε το κύπελλο άλεσης στη μονάδα κινητήρα και γυρίστε την αριστερόστροφα ώσπου να ταιριάξει ασφαλιστικά στη θέση της. (Βλ. Εικ. 5D)

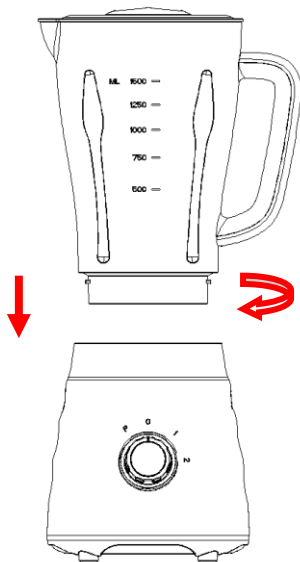
ΠΡΟΣΟΧΗ: Η κανάτα και η βάση της τωρά είναι ασφαλής. Μην προσπαθείτε να τα γυρίσετε επάνω στη μονάδα κινητήρα.



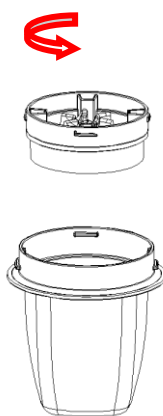
Εικ. 3



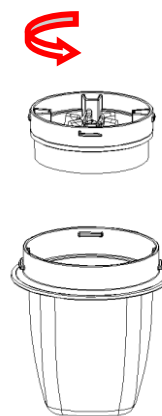
Εικ. 4



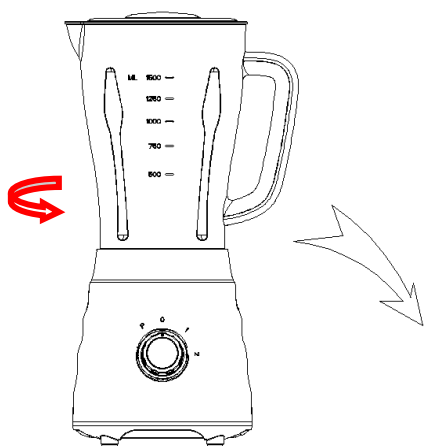
Εικ. 5



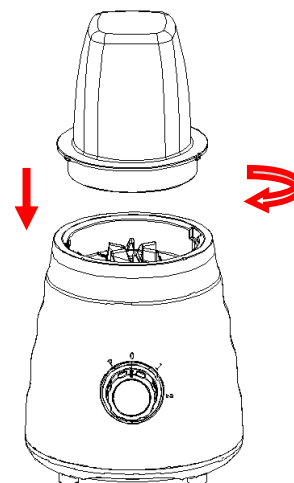
Εικ. 5A



Εικ. 5B



Εικ. 5C



Εικ. 5D

Πώς να το χρησιμοποιείτε

Πώς να χρησιμοποιείτε την κανάτα:

1. Ξεφλουδίστε και βγάλτε κουκούτσια από τα φρούτα και λαχανικά και κόψτε τα καρέ.
2. Βάλτε την τροφή για επεξεργασία μέσα στο κύπελλο (Βλ. Εικ. 6). Συνήθως πρέπει να προσθέσετε λίγο καθαρό νερό ώστε να γίνει ο τεμαχισμός πιο εύκολος. Η αναλογία τροφή-νερό πρέπει να είναι 2:3. Η ποσότητα συστατικών δεν πρέπει να υπερβαίνει το μέγιστο επίπεδο όπως αναφέρεται στο κύπελλο.

ΣΥΝΤΑΓΗ

ΕΙΔΟΣ ΤΡΟΦΗΣ	ΠΡΟΕΤΟΙΜΑΣΙΑ	ΒΑΡΟΣ	ΤΑΧΥΤΗΤΑ
Καρότα (μήλα, αχλάδια, κλπ.)	Κόψτε τα 15mm*15mm*15mm	Καρότα: 600γρ Νερό: 900γρ	Υψηλή

Προσοχή: Ποτέ μη χρησιμοποιείτε βραστά υγρά και μη λειτουργείτε τη συσκευή άδεια.

3. Βάλτε το κάλυμμα στην κανάτα. Επιβεβαιώστε ότι το κύπελλο μέτρησης είναι στη θέση του.

4. Συνδέστε το καλώδιο ρεύματος στην τροφοδοσία.

5. Γυρίστε το διακόπτη στην επιθυμητή ταχύτητα.

6. Για σύντομη ή λεπτή επεξεργασία, γυρίστε το διακόπτη σε θέση P και κρατήστε λίγα δευτερόλεπτα και αφήστε το, ο διακόπτης θα γυρίσει αυτόματα στη θέση 0. Επαναλάβετε τη διαδικασία μερικές φορές ώσπου να πετύχετε την επιθυμητή συνοχή.

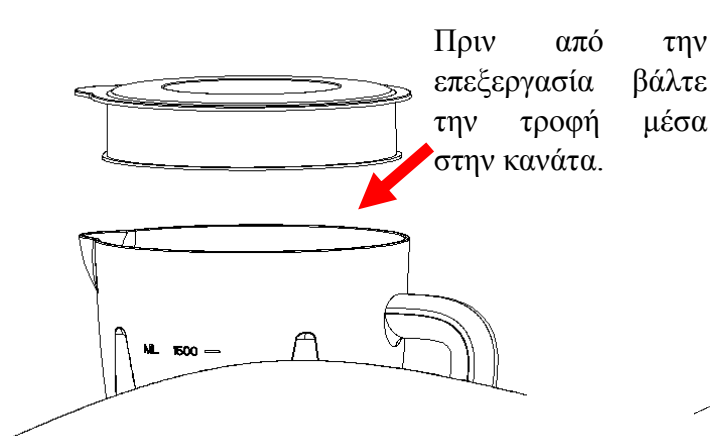
7. Εάν θέλετε να προσθέσετε συστατικά κατά την επεξεργασία, αφαιρέστε το κύπελλο μέτρησης και προσθέστε τα μέσα από το κάλυμμα. (Βλ. Εικ. 7)

8. Στη συντριβή πάγου ή στερεών τροφών, κρατήστε ένα χέρι σφιχτά στο καπάκι.

9. Όταν πετύχετε την επιθυμητή συνοχή, γυρίστε το διακόπτη σε θέση 0.

Προσοχή: 1) Σε κάθε χρήση, η συνεχόμενη λειτουργία δεν πρέπει να υπερβαίνει 3 λεπτά. Τουλάχιστον 10 λεπτά αδράνειας πρέπει να υπάρχει ανάμεσα σε δύο συνεχόμενους κύκλους. Αφήστε τη συσκευή να κρυώσει σε θερμοκρασία δωματίου πριν από τον επόμενο κύκλο.

2) Εάν θέλετε να σταματήσετε τη συσκευή κατά τη λειτουργία, οποιαδήποτε στιγμή μπορείτε να γυρίσετε το διακόπτη στη θέση 0.



Εικ. 6



Εικ. 7

Σημαντικές συμβουλές για τον χρήστη

- Για καλύτερη κυκλοφορία τροφής που επεξεργάζετε με λίγο υγρό - χύστε πρώτα το υγρό μέσα στην κανάτα και μετά προσθέστε την τροφή.

- Ορισμένα συστατικά δεν μπορείτε να επεξεργάσετε με το μπλέντερ: ασπράδι αβγού, κρέμα γάλακτος, πουρέ πατάτας, ζύμες, αποχύμωση φρούτων και λαχανικών.

- Τα εξής συστατικά ποτέ δεν πρέπει να τα βάζετε μέσα στο μπλέντερ διότι μπορεί να το ζημιώσουν: κόκκαλα, μεγάλα κομμάτια σκληρών και κατεψυγμένων τροφών.

Χρήση του κυπέλλου για άλεση:

1. Γυρίστε και βγάλτε το κύπελλο άλεσης από τη μονάδα λεπίδας και τοποθετήστε το ανάποδα, με το άνοιγμα προς τα πάνω.

2. Βάλτε τα φασόλια μέσα στο κύπελλο άλεσης (γύρω στα 50γρ) και στεγανοποιήστε καλά τη μονάδα λεπίδας άλεσης και κλειδώστε τη στη μονάδα κινητήρα.

3. Συνδέστε το καλώδιο στην τροφοδοσία ρεύματος.

4. Γυρίστε το διακόπτη στην υψηλή ταχύτητα για την επεξεργασία. (γενικά χρειάζονται 30 δευτερόλεπτα). Όταν πετύχετε την επιθυμητή συνοχή, γυρίστε το διακόπτη σε θέση 0.

Χρήση του κύπελλου για τεμαχισμό:

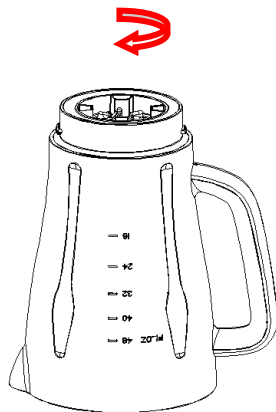
1. Γυρίστε και βγάλτε το κύπελλο άλεσης από τη μονάδα λεπίδας και τοποθετήστε το ανάποδα, με το άνοιγμα προς τα πάνω.
2. Βάλτε το κρέας μέσα στο κύπελλο άλεσης (γύρω στα 100γρ) και στεγανοποιήστε καλά τη μονάδα λεπίδας τεμαχισμού και κλειδώστε τη στη μονάδα κινητήρα.
3. Συνδέστε το καλώδιο στην τροφοδοσία ρεύματος.
4. Γυρίστε το διακόπτη στην υψηλή ταχύτητα για την επεξεργασία αυτή. (γενικά χρειάζονται περίπου 30 δευτερόλεπτα).

Όταν πετύχετε την επιθυμητή υφή, γυρίστε το διακόπτη στη θέση 0.

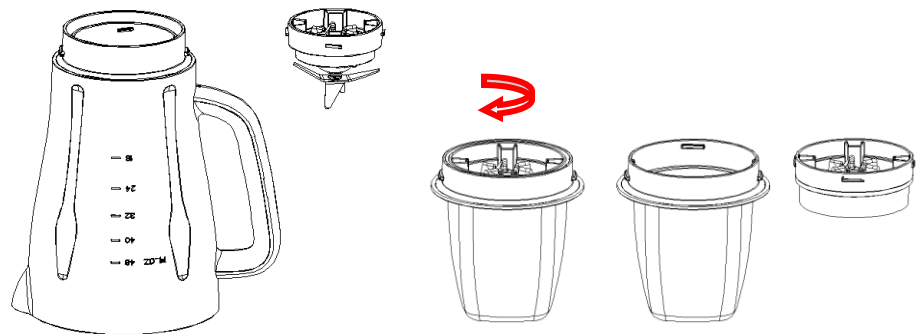
ΣΥΝΤΗΡΗΣΗ ΚΑΙ ΚΑΘΑΡΙΣΜΟΣ

Αυτή η συσκευή δεν έχει εξαρτήματα που μπορείτε να επισκευάσετε μόνοι σας. Επικοινωνήστε με το πλησιέστερο κέντρο σέρβις.

1. Πριν από τον καθαρισμό, αποσυνδέστε το μπλέντερ.
2. Πάντα πλύνετε τα εξαρτήματα αμέσως μετά τη χρήση για πιο εύκολο καθαρισμό. Μην αφήνετε τροφή να στεγνώσει στην κανάτα διότι αυτό θα κάνει το καθαρισμό πιο δύσκολο.
3. Χύστε λίγο ζεστό σαπουνόνερο μέσα στην κανάτα και γυρίστε το διακόπτη στη θέση P για λίγα δευτερόλεπτα. Μετά αδειάστε την κανάτα.
4. Αποσυναρμολογήστε όλα τα εξαρτήματα. Σηκώστε την κανάτα από τη μονάδα κινητήρα. Για να αφαιρέσετε τη μονάδα λεπίδας, γυρίστε τη δεξιάστροφα από τη βάση κανάτας και αφαιρέστε το δίσκο στεγανοποίησης και τη μονάδα λεπίδας. (Βλ. Εικ. 8)
5. Όταν αποσυναρμολογείτε το κύπελλο άλεσης και τα εξαρτήματά του, παρακαλούμε βγάλτε πρώτα το κύπελλο άλεσης και τα εξαρτήματά του από τη μονάδα κινητήρα, μετά αφαιρέστε μονάδα λεπίδας άλεσης και μονάδα λεπίδας τεμαχισμού από το κύπελλο άλεσης γυρίζοντάς τα δεξιάστροφα και τελικά βγάλτε το δίσκο στεγανοποίησης και τη μονάδα λεπίδας. (Βλ. Εικ. 8Α).



Εικ. 8



Εικ. 8Α

6. Ξεπλύνετε το κύπελλο μέτρησης, το καπάκι, το δίσκο στεγανοποίησης, το κύπελλο άλεσης, τη μονάδα λεπίδας άλεσης και τη μονάδα λεπίδας τεμαχισμού στα χέρια ή στο πλυντήριο πιάτων και στεγνώστε τα. Τα εξαρτήματα είναι κατάλληλα για πλύσιμο στο πλυντήριο, αλλά όχι σε θερμοκρασίες πάνω από 70°C.

7. Πλύνετε τα υπολείμματα τροφής από τις λεπίδες με ζεστό σαπουνόνερο και ξεπλύνετε τα διεξοδικά στο τρεχούμενο νερό. Μην αγγίζετε τις κοφτερές λεπίδες, χειριστείτε τις με προσοχή. Μη βουτάτε τη μονάδα λεπίδας μπλέντερ, τη μονάδα λεπίδας άλεσης και τη μονάδα λεπίδας τεμαχισμού σε νερό. Αφήστε τα ανάποδα να στεγνώσουν, μακριά από παιδιά.

8. Σκουπίστε τη μονάδα κινητήρα με νωπό πανί και στεγνώστε τη διεξοδικά. Αφαιρέστε τους επίμονους λεκέδες με μη λειαντικό καθαριστικό. Εάν χύσετε υγρά στη μονάδα κινητήρα, σκουπίστε τα με νωπό πανί και στεγνώστε διεξοδικά.

ΠΡΟΣΟΧΗ

- 1) Μη βουτάτε τη μονάδα κινητήρα σε υγρά για να αποφύγετε ρίσκο ηλεκτροπληξίας.**
- 2) Μη χρησιμοποιείτε σκληρά μαξιλάρια καθαρισμού ή καθαριστικά να μη ζημιώσετε το φινίρισμα.**
- 3) Μη βάζετε τη μονάδα κινητήρα στο πλυντήριο πιάτων. Αυτή η συσκευή δεν είναι κατάλληλη για πλύσιμο σε πλυντήριο.**

12 μήνες εγγύησης



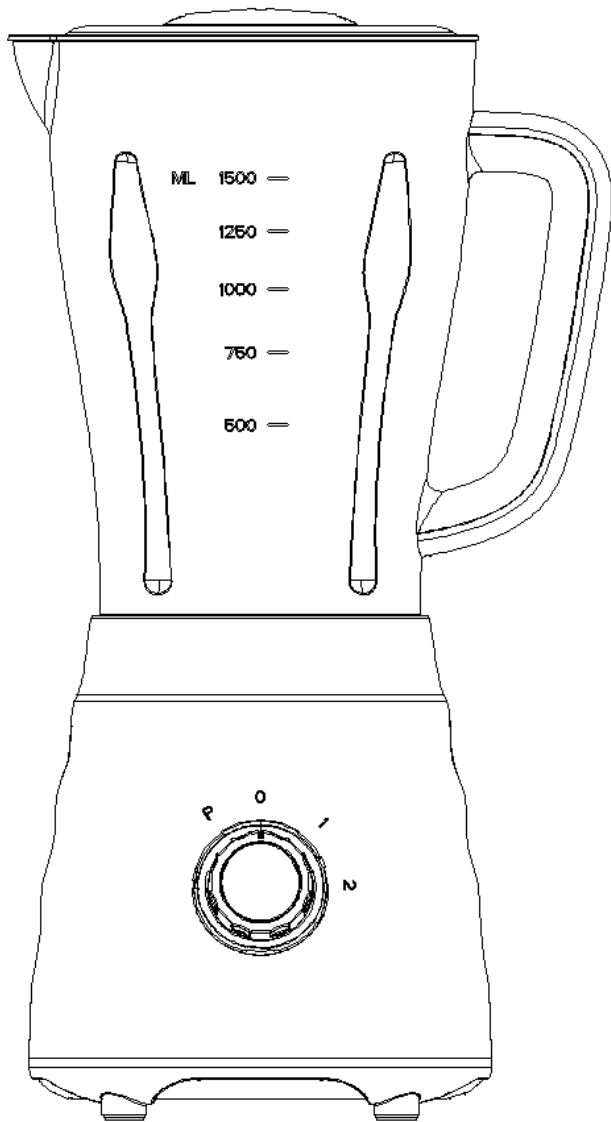
ŽIVIMO SKUPAJ

SVN

NAVODILO ZA UPORABO

BLENDER

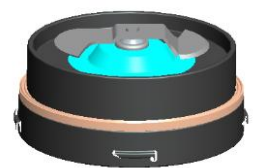
Model: TM-6003



Blender



Deli posode za blendiranje



Deli rezila blenderja

PROSIMO SHRANITE TA NAVODILA ZA POZNEJŠO UPORABO

POMEMBNI VARNOSTNI NAPOTKI

Pred uporabo električnega aparata, vedno upoštevajte naslednje osnovne varnostne napotke:

1. Pred uporabo preučite navodila v celoti.
 2. Pred uporabo preverite, da napetost navedena na izdelku ustreza napetosti Vaše električne napeljave.
 3. Ne dovolite, da napajalni kabel visi čez rob mize ali da se dotika vroče površine.
 4. Ne uporabljajte naprave v kolikor je poškodovan napajalni kabel ali vtič, ali če je naprava v okvari ali je na kakršen koli način poškodovana. Odnosite napravo v najbližji pooblaščen servis za pregled, popravilo ali zamenjavo.
 5. Če pride do poškodbe napajalnega kabla, ga mora zamenjati proizvajalec, pooblaščen serviser ali ustrezno usposobljeno osebje, da ne bi prišlo do nevarnosti telesnih poškodb.
 6. Če se v bližini aparata nahajajo otroci, ga ne smete puščati brez nadzora.
 7. Izogibajte se stiku s premičnimi deli.
 8. Med obratovanjem ne vstavljajte roke ali kuhinjskih pripomočkov v aparat, da ne bi prišlo do hudih telesnih poškodb in poškodbe aparata. Strgalo za hrano lahko uporabite samo, kadar je aparat ugasnjen.
 9. Uporaba dodatne opreme, ki jo ne priporoča proizvajalec, lahko privede do požara, električnega udara in telesnih poškodb.
 10. Aparat po uporabi in preden jo pustite brez nadzora vedno izključite iz električne vtičnice, prav tako jo izključite iz vtičnice pred sestavljanjem, razstavljanjem ali čiščenjem. Za izklop pritisnite na kateri koli gumb 'off+', nato pa izvlecite vtič iz električne vtičnice, vendar primite in povlecite samo vtič, nikakor ne kabel.
 11. Da bi zmanjšali tveganje telesnih poškodb, vedno pravilno nastavite posodo.
 12. Osebe z zmanjšanimi telesnimi, zaznavnimi in umskimi zmožnostmi ali s pomanjkljivim znanjem lahko uporabljajo aparat le pod nadzorom osebe odgovorne za njihovo varnost.
 13. Otroke morate nadzorovati, da se ne bi igrali z aparatom.
 14. Aparata nikoli ne puščajte delovati brez nadzora.
 15. Preden odstranite posodo z pogonske enote, počakajte, da se rezila popolnoma ustavijo.
 16. Aparat vedno uporabljajte z nameščenim pokrovom.
 17. Aparat vedno uporabljajte na varni, suhi in ravni podlagi.
 18. Aparata nikoli ne sestavljajte v bližini vročega plina ali električnega gorilnika, oz. tam, kjer lahko pride v stik z vročimi aparati.
 19. Aparata ne uporabljajte na odprtem.
 20. Aparat uporabljajte samo za predvidene namene.
- OPOZORILO:** V primeru nepravilne uporabe obstaja nevarnost telesnih poškodb.

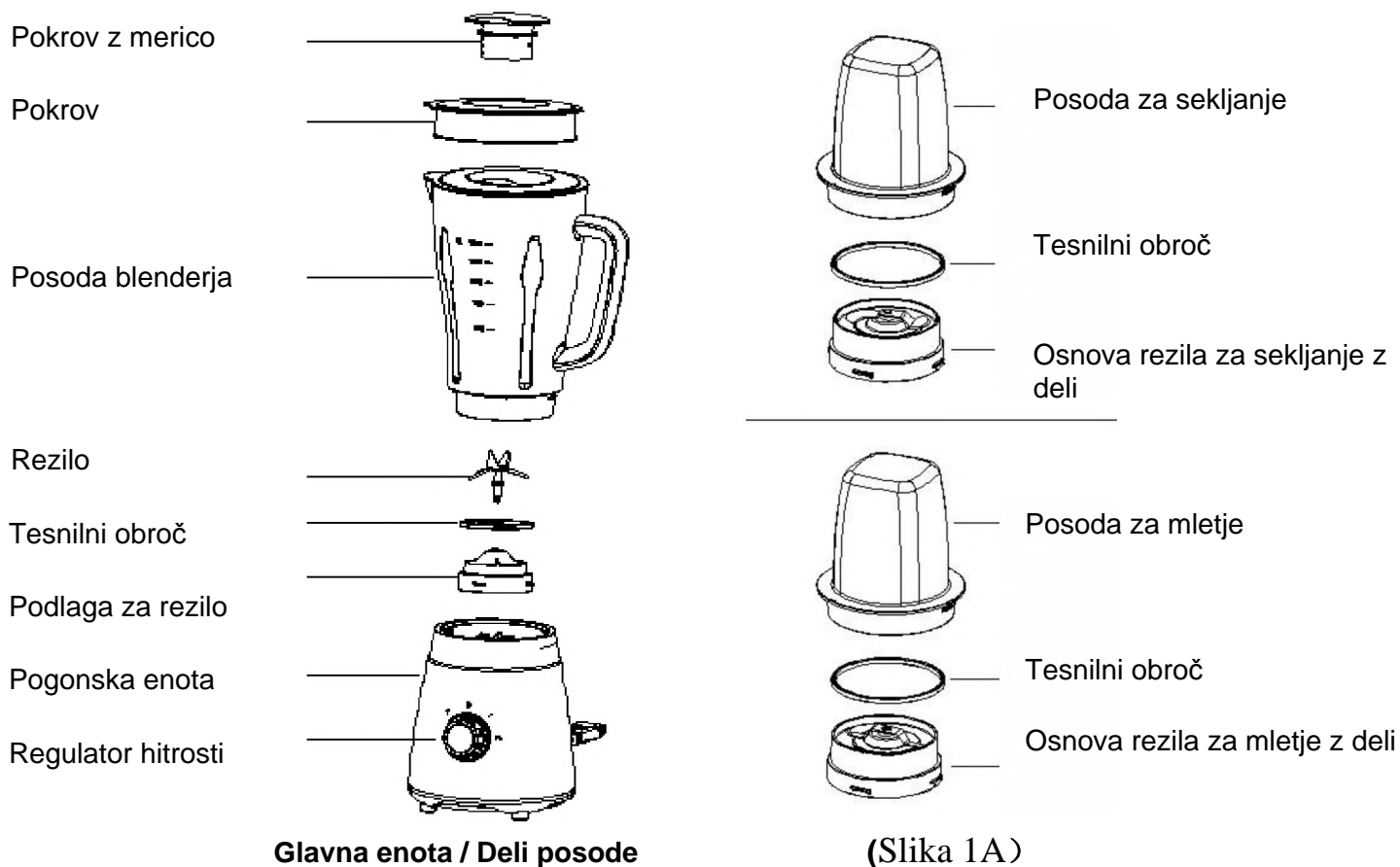
Pazljivo rokujte z ostrimi rezili pri praznjenju posode in čiščenju.

POZOR: Preden odstranite posodo s pogonske enote, preverite ali ste ugasnili aparat.

Pred zamenjavo dodatkov in kadar nameravate rokovati s premičnimi deli, izključite aparat iz električnega omrežja.

SAMO ZA GOSPODINJSKO UPORABO

SPOZNAJTE VAŠ BLENDER

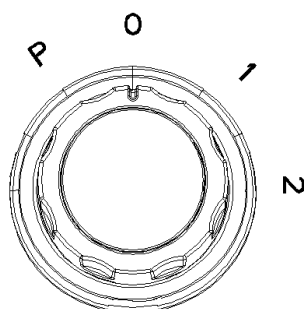


Glavna enota / Deli posode

(Slika 1A)

(Slika 1)

REGULATOR HITROSTI



UPORABA BLENDERJA

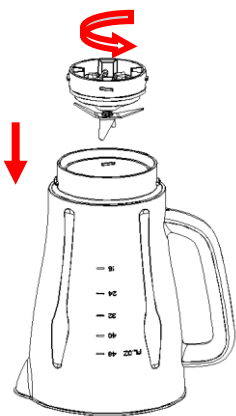
Pred prvo uporabo

1. Pred prvo uporabo, odstranite aparat iz embalaže in postavite vse dele na ravno površino.
2. Posoda z dodatki (Slika 1, vključujoč merico, pokrov, tesnilni obroč, posodo, nastavek z rezili) je že postavljena na pogonsko enoto. Razstavite vse dele razen pogonske enote, da bi jih oprali. Glej navodila za ČIŠČENJE IN VZDRŽEVANJE.
3. Odvojite delove iz posode za mletenje (vključujoči posodu za mletenje, zaptivni prsten, postolje sečiva za mletenje) i, takođe delove za seckanje (vključujoči seckalico, zaptivni prsten, postolje za sečiva za seckanje) (kao na Slici 1A). Glej navodila za ČIŠČENJE I VZDRŽEVANJE.
4. Kadar vse dele očistite in temeljito posušite, jih ponovno sestavite.
5. Obrnite posodo in jo postavite na ravno površino, primite ročaj in postavite tesnilni obroč 2 in nastavek za rezila na dno posode ter zaklenite podlago za rezila tako da obračate v smeri nasprotni urinemu kazalcu dokler ne zaskoči. (Glej sliko 3)
6. Ponovno postavite posodo z dodatki obrnjeno navzgor. Postavite tesnilni obroč 1 pod pokrov, nato pa namestite pokrov na posodo. Postavite merico v odpritno na pokrovu in jo obrnite v smeru urine kazalke, dokler ne zaskoči. (Glej sliko 4)
7. Na koncu, nastavite posodo z dodatki na pogonsko enoto, tako da poravnate oznake na dnu posode in dobro zategnete. (Glej sliko 5)
8. Sestavite dele posode za mletje. Postavite tesnilni obroč na osnovo rezila za mletje, nato spustite v posodo zamletje. Privijte osnovo rezila za mletje v smeri nasprotni urinemu kazalcu in se prepričajte da je dobro pritrjeno. (Glej sliko 5A)
9. Sestavite dele posode za sekljanje. Postavite tesnilni obroč na osnovo rezila za sekljanje, nato spustite v posodo za sekljanje. Privijte osnovo rezila za sekljanje v smeri nasprotni urinemu kazalcu in se prepričajte da je dobro pritrjeno. (Glej sliko 5B)

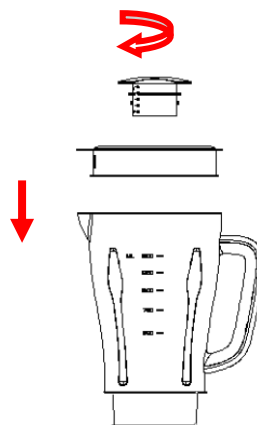
Opomba: Posoda za mletje je samo ena, ta se uporablja z dodatki in osnovo z rezili za sekljanje.

Kadar hočete sekljati ali mleti hrano, najprej odstranite posodo s pogonske enote tako, da jo obrnete v smeri urinega kazalca (Glej sliko 5C). Nato postavite posodo za sekljanje ali mletje in čvrsto zategnite v smeri nasprotni gibanju urinega kazalca, da bi se prepričali da je dobro nameščena.(Glej sliko 5D)

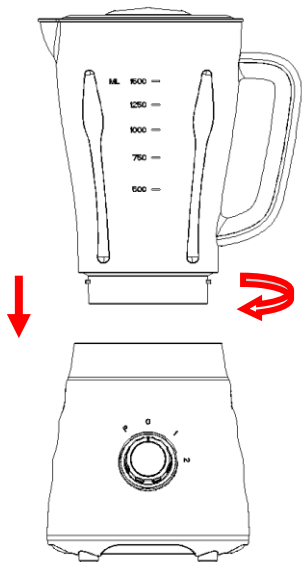
POZOR: Posoda in osnova so zdaj trdno nameščene. Ne poskušajte privijati posode na pogonsko enoto.



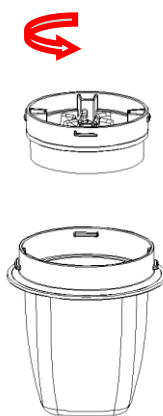
Slika 3



Slika 4



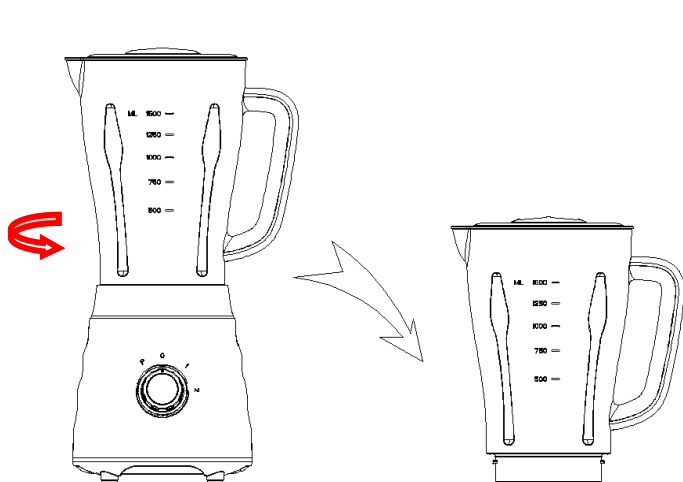
Slika 5



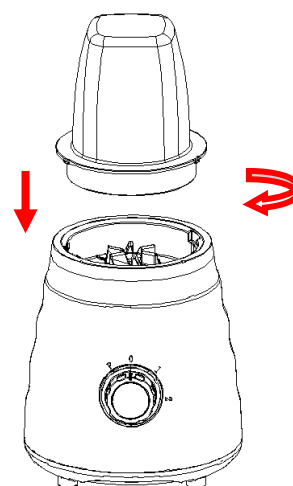
Slika 5A



Slika 5B



Slika 5C



Slika 5D

Kako uporabljati blender

Upotreba posode:

1. Olupite sadje oz. zelenjavo, odstranite koščice, nato pa ga narežite na majhne kocke.
2. Dodajte hrano v posodo (glej sliko 6). Navadno je potrebno dodati določeno količino čiste vode, da bi blender lažje deloval. Odnos hrane in vode je 2:3. Količina zmesi za obdelavo ne sme preči največjo oznako za največjo dovoljeno raven na posodi.

RECEPT

Vrsta hrane	Navodilo	Teža	Hitrost
Korenje (jabolko, hruška itd.)	Narežite na 15 mm kocke	Korenje: 600g Voda: 900g	Velika hitrost

Opomba: nikoli ne vlivajte vrele tekočine in nikoli ne prižigajte aparata s prazno posodo.

3. Namestite pokrov na posodo. Prverite ali je merica vstavljena v odprtino na pokrovu.

4. Vključite vtičač v standardno zidno vtičnico.

5. Izberite zeleno hitrost z regulatorjem hitrosti.

6. Za hitro in grobo mletje, obrnite regulator hitrosti na položaj P i držite nekaj sekund, nato pustite. Regulator hitrosti se bo samodejno vrnil na položaj O. V kolikor je potrebno, ponovite postopek večkrat, dokler ne dobite želeni rezultat.

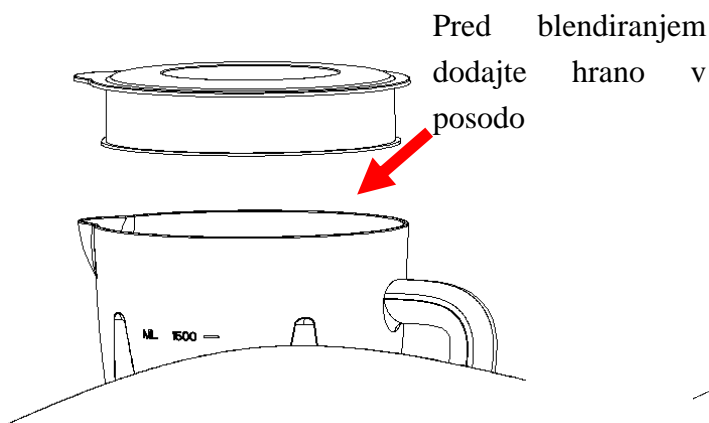
7. V kolikor želite dodati sestavine med delovanjem blenderja, snemite merico z vrha pokrova in vstavite sestavine skozi odprtino. (glej sliko 7)

8. Kadar lomite led ali trdo hrano, trdno primite pokrov.

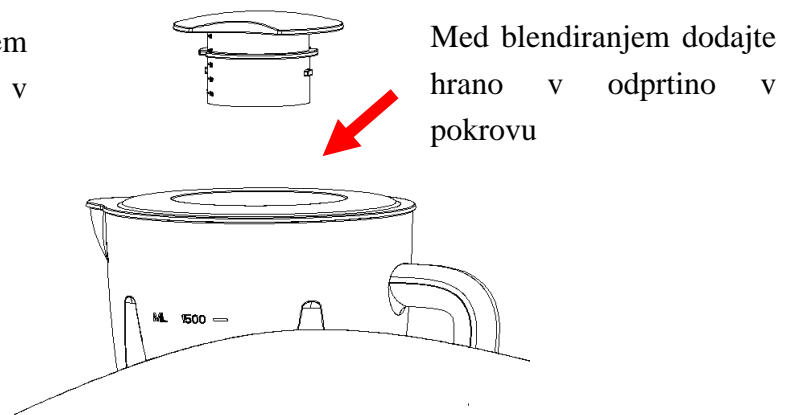
9. Kadar ste zadovoljni z obdelavo hrane, nastavite regulator na položaj O.

Opomba: 1) Naprava ne sme obratovati dlje od 3 minut naenkrat. Aparat potrebuje vsaj 10 minut premora med vsakim 3-minutnim ciklom delovanja, počakajte, da se ohladi na sobno temperaturo pred nadaljevanjem.

2) Med uporabo lahko kadarkoli ustavite obratovanje aparata tako, da premaknete regulator hitrosti na položaj 0.



Slika 6



Slika 7

Pomembni nasveti

Za najboljše kroženje bolj trde hrane v posodi, najprej vlijte tekočino, tršo hrano pa dodajte za tem. Nekateri od postopkov, ki se lahko najbolj učinkovito opravijo z blenderjem: stepanje beljaka, smetane, krompir pirea, mletje mesa, mešanje testa, priprava sadnega ali zelenjavnega soka.

Naslenja živila nikoli ne vstavljajte v blender, saj lahko povzročijo poškodbe in okvaro: kosti, večji kosi trde, zamrznjene hrane ali žilave hrane kot je repa.

Pri lomljenju ledu, dodajte do 6 kock ledu. V kolikor Vam je potrebno več ledu, odstranite merico in dodajte kocke eno po eno skozi odprtino na pokrovu.

Uporaba posode za mletje:

1. Obrnite odprtino posode za mletje, da sestavili z osnovo z rezili in vse postavite na delovno površino, obrnjeno navzgor.

2. Dodajte hrano za mletje v posodo (okoli 50 gramov) in trdno zaprite osnovo z rezili, nato pa ga zaklenite na pogonski enoti;

3. Priključite kabel na standardnu električno vtičnico;

4. Obrnite regulator hitrosti na drugo nastavitvev (običajno je potrebno 30 sekund obratovanja).

Kadae dobite želeni rezultate, obrnite regulator na položaj O.

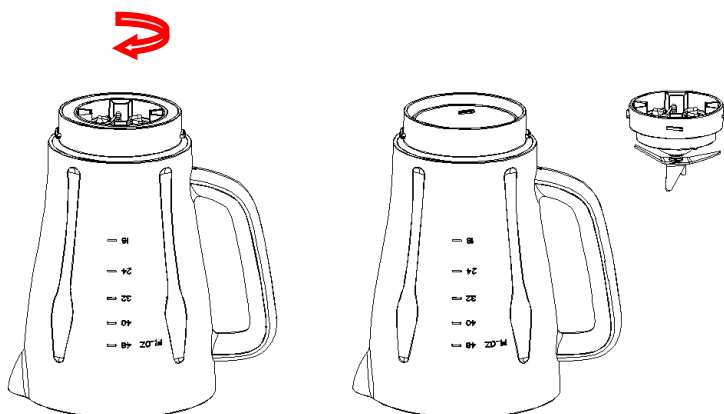
Uporaba posode za sekljanje:

1. Obrnite odprtino posode za sekljanje, da sestavili z osnovo z rezili in vse postavite na delovno površino, obrnjeno navzgor.
2. Dodajte hrano za sekljanje v posodo (okoli 50 gramov) in trdno zaprite osnovo z rezili, nato pa ga zaklenite na pogonski enoti;
3. Priključite kabel na standardnu električno vtičnico;
4. Obrnite regulator hitrosti na drugo nastavitvev (običajno je potrebno 30 sekund obratovanja). Kadae dobite zelene rezultate, obrnite regulator na položaj O.

ČIŠČENJE IN VZDRŽEVANJE

Aparat ne vsebuje dele, ki bi jih lahko zamenjal uporabnik. Za popravilo se obrnite na strokovno osebje.

1. Pred čiščenjem izključite aparat iz električne vtičnice.
2. Zaradi lažjega čiščenja, vedno pomijte aparat takoj po uporabi. Ne dovolite, da se hrana zasuši v posodi, saj bo čiščenje veliko težje.
3. Vlijte nekaj vode in čistilnega sredstva v posodo ter nastavite regulator hitrosti na položaj P za nekaj sekund, nato pa razstavite posodo.
4. Razstavite vse odstranljive dele. Dvignite posodo s pogonske enote. Odstranite podlago za rezila tako, da jo odvijete z dna posode v smeri urinega kazalca ter odstranite tesnilni obroč 2 i rezilo (vidi sliku 8). Zatemo, odvijte tudi tesnilni obroč 1 z dna pokrova.
5. Kadar razstavljate delel za mletje ali sekljanje, najprej odstranite posodo s pogonske enote, nato odstranite dele z rezili za mletje ali sekljanje z obratom v smeri urinega kazalca, in na koncu odstranite tesnilni obroč in osnovo za rezila (Vidi Sliku 8A).



Slika 8



Slika 8A

6. Merico, pokrov, posodo, tesnilni obroč, osnovo za rezila za mletje, lahko pomijete ročno ali v pomivalnem stroju. Ti deli so primerni za pomivanje v stroju, vendar temperatura pri pomivanju ne sme presegati 70°C.
7. Očistite rezilo s toplo vodo in čistilnim sredstvom ter ga temeljito izperite pod tekočo vodo. Ne dotikajte se samega rezila in z njim ravnajte pazljivo. Ne potaplajte rezilo v vodo. Po pranju ga obrnite na glavo in ga pustite, da se posuši, izven dosega otrok.
8. Obrišite pogonsko enoto z vlažno krpo in jo temeljito posušite. Trdovratne madeže odstranite z blagim čistilnim sredstvom. Če se zgodi, da se po pogonski enoti polije tekočina, najprej izključite aparat iz električne vtičnice, nato pa temeljito prebršite s suho krpo in pustite, da se posuši.

POZOR

- 1- Ne potaplajte pogonske enote v tekočino, da ne bi prišlo do električnega udara.
- 2- Ne koristite grobih ščetk in agresivnih čistilnih sredstev.
- 3- Pogonska enota ni primerna za pomivanje v pomivalnem stroju.

12 mesecev garancije



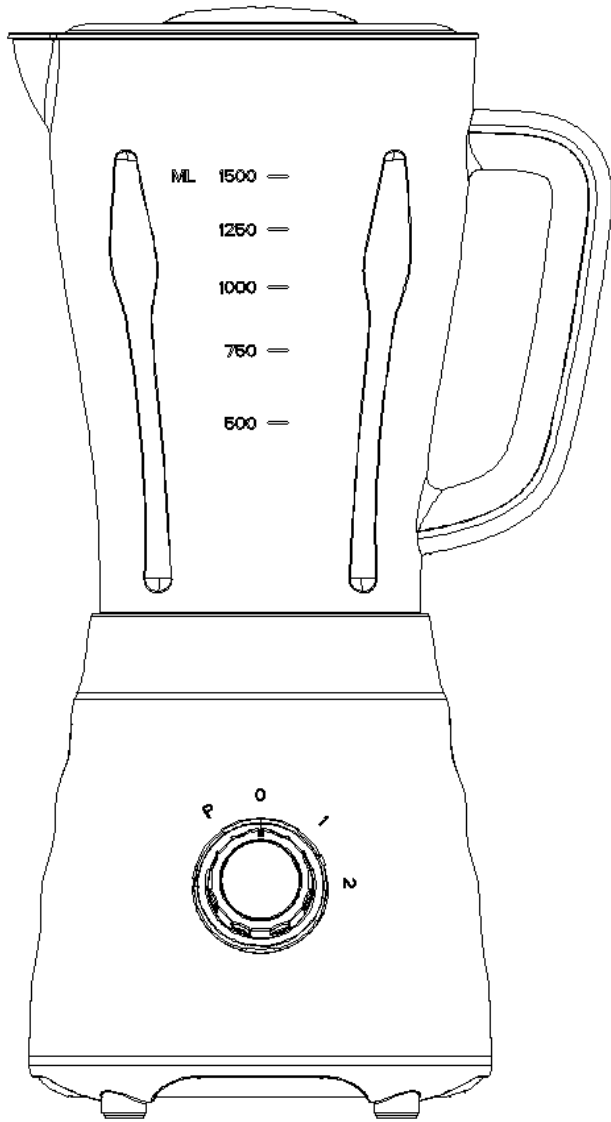
ŽIVIMO ZAJEDNO

HRV

UPUTE ZA UPORABU

BLENDER

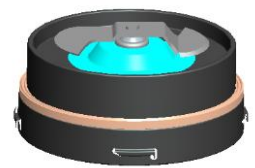
Model: TM-6003



Blender



Dijelovi posude za blendiranje



Dijelovi sječiva blendera

VAŽNE BEZBJEDNOSNE UPUTE

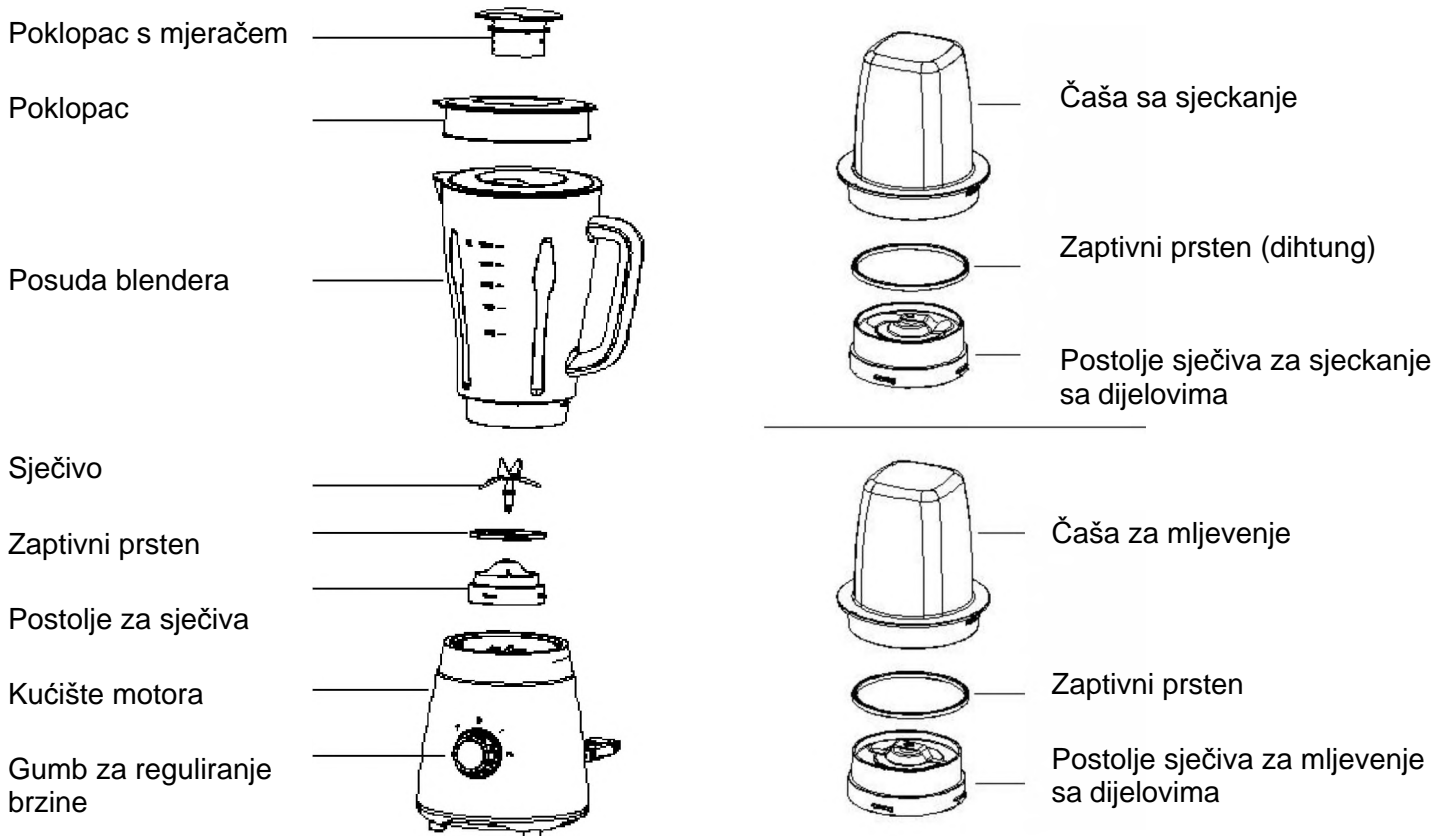
Prije uporabe ovog električnog uređaja trebalo bi uvijek ispuniti osnovne preduvjete uključujući sljedeće:

1. Pročitajte sve upute.
2. Prije uporabe provjerite da li napon na vašem uređaju odgovara naponu u zidnoj utičnici.
3. Ne dozvolite da kabel za napajanje tijekom uporabe visi sa ruba stola, radne površine ili blizu bilo kakvog grijnog tijela.
4. Ne koristite uređaj sa oštećenim kabelom za napajanje ili utikačem ili ukoliko je uređaj prestao raditi ili se oštetio na bilo koji način. Vratite uređaj u najbliži ovlaštenu servis na pregled, popravku ili zamjenu
5. Ako se kabel za napajanje ošteti, može ga zamijeniti samo ovlašteno lice u servisu ili neko drugo kvalificirano lice, kako biste izbjegli moguću povredu.
6. Neophodan je nadzor ukoliko se uređaj koristi od strane djece ili u njihovoj blizini.
7. Izbjegavajte kontakt sa dijelovima koji se pomjeraju.
8. Držite ruke ili kuhinjska pomagala van blendera dok je u funkciji kako biste smanjili rizik od ozbiljnih povreda ili nanošenja štete blenderu. Strugač za hranu možete koristiti samo ukoliko uređaj nije u funkciji.
9. Uporaba dodataka koji nisu preporučeni ili kupljeni od strane proizvođača može dovesti do požara, strujnog udara ili povrede korisnika.
10. Isključite uređaj iz utičnice kada nije u uporabi, prije sastavljanja ili rastavljanja dijelova, kao i prije čišćenja. Da biste isključili uređaj pritisnite bilo koje dugme na 'off+', zatim isključite uređaj iz zidne utičnice, povlačenjem utikača, nikako samog kabela.
11. Da biste smanjili rizik od povrede, uvijek pravilno postavite posudu.
12. Ovaj uređaj nije predviđen za uporabu od strane osoba (uključujući djecu) sa smanjenim psihičkim, senzornim ili mentalnim sposobnostima, ili nedostatkom iskustva ili znanja, osim kada su pod nadzorom ili su im date upute za bezbjednu uporabu od strane osobe odgovorne za njihovu bezbjednost.
13. Djeca treba da budu pod nadzorom da biste se uvjerali da se ne igraju s uređajem.
14. Nemojte ostavljati uređaj da radi bez nadzora.
15. Kada sklanjate blender sa motorne jedinice, sačekajte da se sječiva zaustave u potpunosti.
16. Uvijek koristite blender sa postavljenim poklopcem.
17. Uvijek koristite blender na sigurnoj, suhoj i ravnoj podlozi.
18. Nikada ne stavljajte uređaj na ili u blizini vrućeg plina ili električnog gorionika ili tamo gde može doći u dodir s vrućim uređajima.
19. Nemojte koristiti na otvorenom.
20. Koristite uređaj samo za predviđenu namenu.

UPOZORENJE: Moguće povrede u slučaju nepravilnog korištenja. Budite pažljivi kada rukujete s oštrim sječivima, prilikom pražnjenja posude i tijekom čišćenja.
POZOR: Provjerite da li ste isključili uređaj prije nego što sklonite posudu sa postolja. Isključite uređaj sa napajanja prije mijenjanja dodataka i kada prilazite dijelovima koji se pokreću dok rade.

SAMO ZA KUĆNU UPORABU

UPOZNAJTE VAŠ BLENDER

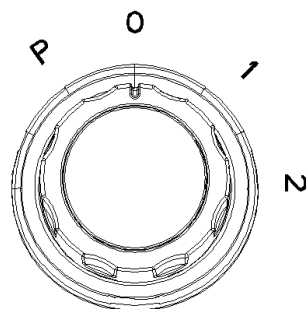


Glavna jedinica / Dijelovi posude

(Slika 1A)

(Slika 1)

GUMB ZA REGULIRANJE BRZINE



UPORABA BLENDERA

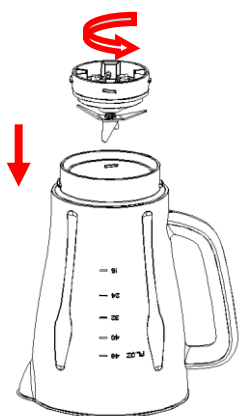
Prije prve uporabe

1. Prije prve uporabe, raspakirajte uređaj i postavite sve dijelove na horizontalnu površinu.
2. Posuda sa dodacima (Slika 1, uključujući čašu sa mjerama, poklopac, zaptivni prsten, posudu, kućište sa sječivima) je već postavljena na kućište motora. Molimo konsultujte dio ČIŠĆENJE I ODRŽAVANJE.
3. Odvojite dijelove iz posude za mljevenje (uključujući posudu za mljevenje, zaptivni prsten, postolje sječiva za mljevenje) i, takođe dijelove za sjeckanje (uključujući sjeckalicu, zaptivni prsten, postolje za sječiva za sjeckanje) (kao na Slici 1A). Molimo konsultujte dio ČIŠĆENJE I ODRŽAVANJE.
4. Nakon što ste sve dijelove očistili i temeljno osušili, ponovo ih sastavite.
5. Okrenite posudu i postavite je na ravnu površinu, držeći ručku posude, postavite zaptivni prsten i dodatak sa sječivima na dno posude i osigurajte postolje sa sječivima okrećući u smjeru suprotnom kazaljci na satu dok se dobro ne zatvori. (Vidi sliku 3)
6. Ponovo stavite posudu sa dodacima okrenutu nagore, zatim stavite poklopac na posudu. Postavite čašu za mjerenje u otvor na sredini poklopca i okrenite posudu u smjeru kazaljke na satu dok dobro ne zatvorite. (Vidi sliku 4)
7. Na kraju, postavite posudu sa dodacima na kućište motora, ravnajući indikatore na dnu posude i dobro zategnite. (Vidi sliku 5)
8. Spojite dijelove posude za mljevenje. Postavite zaptivni prsten posude za mljevenje na postolje sa sječivima za mljevenje, zatim spustite u posudu. Okrenite postolje sa sječivima u smjeru suprotnom kazaljci na satu kako biste se uvjerali da je dobro postavljeno. (Vidi sliku 5A)
9. Spojite dijelove posude za sjeckanje –Postavite zaptivni prsten posude za sjeckanje na dijelove sa sječivima za sjeckanje, i spustite u posudu za sjeckanje. Okrenite postolje sa sječivima u smjeru suprotnom kazaljci na satu kako biste se uvjerali da je dobro postavljeno. (Vidi sliku 5B).

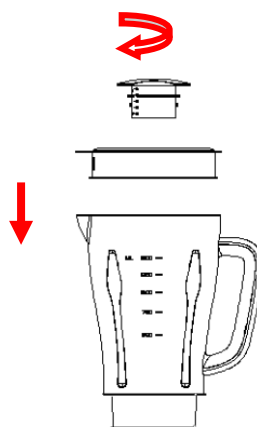
Napomena: samo je jedna posuda za mljevenje i ona se koristi i sa dodacima i postoljem sa sječivima za sjeckanje.

Kada treba da meljete ili sjeckate hranu, molimo okrenite u smjeru suprotno od kazaljke na satu i odvojite najpre posudu od kućišta motora (Vidi sliku 5C), zatim postavite posudu za mljevenje ili sjeckanje na kućište motora i čvrsto zategnite u smjeru suprotnom od kazaljke na satu da se uvjerite da je dobro postavljena.(Vidi sliku 5D)

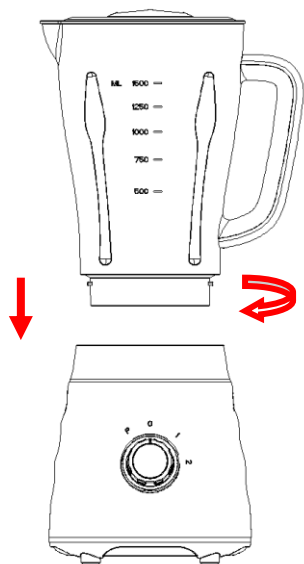
OPREZ: Posuda i baza su sad sigurne. Ne pokušavajte da uvrćete dno posude na motornu jedinicu.



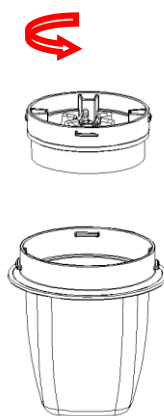
Slika 3



Slika 4



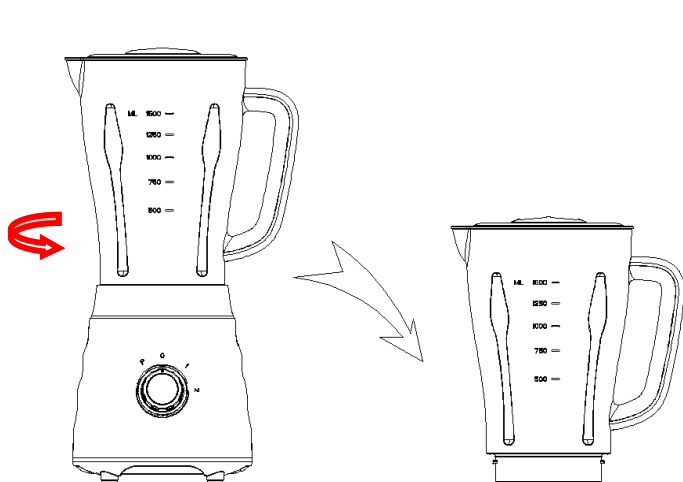
Slika 5



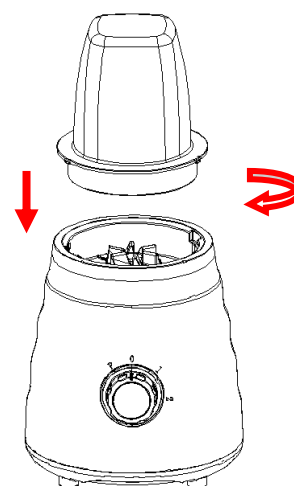
Slika 5A



Slika 5B



Slika 5C



Slika 5D

Kako da koristite blender

Uporaba posude:

1. Oljuštite voće ili povrće i izvadite koštice, zatim ga isjecite na male kocke.
2. Stavite hranu u posudu blendera (Vidi Sliku 6). Obično je potrebno dodati određenu količinu čiste vode da bi se olakšao rad blendera. Odnos hrane i vode je 2:3. Količina smjese za obradu ne smije preći maksimalni nivo označen na posudi.

RECEPT

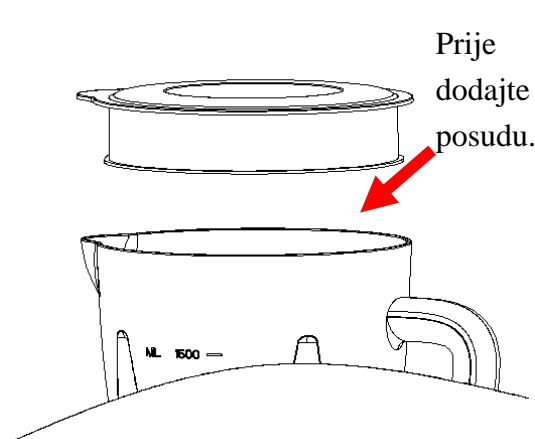
VRSTA HRANE	UPUTA	TEŽINA	BRZINA
Mrkva (jabuka, kruška itd)	Isjeći na kocke veličine 15mm*15mm*15mm	Mrkva: 600g Voda: 900g	Visoka brzina

Napomena: nikada ne koristite ključalu tekućinu niti puštajte uređaj u rad ukoliko je posuda prazna.

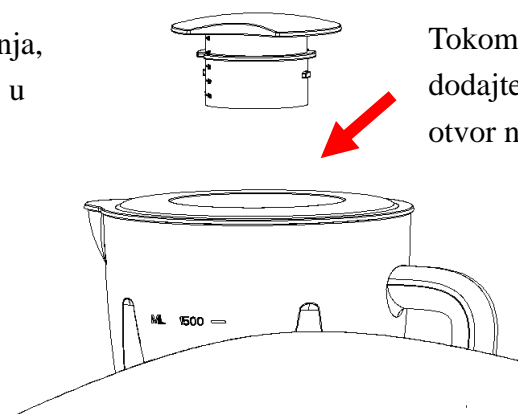
3. Stavite poklopac na posudu. Provjerite da li je čaša s mjerama postavljena u otvor poklopca.
4. Uključite utikač u standardnu zidnu utičnicu.
5. Okrenite gumb za reguliranje brzine na željeni nivo.
6. Za brza ili gruba mljevenja, okrenite regulator brzine na poziciju P i držite nekoliko sekundi, a zatim pustite. Regulator brzine će se automatski vratiti u poziciju O. Ukoliko je to neophodno ponovite ovaj proces više puta dok ne dobijete željeni rezultat. Ukoliko želite da dodate neke sastojke dok blender radi, skinite čašu sa mjerama sa vrha poklopca i kroz otvor dodajte sastojke. (Vidi Sliku 7)
7. Kada je hrana obrađena u skladu sa Vašim potrebama, stavite regulator u položaj O.

Napomena: 1) Kod svake uporabe, kontinuirani rad ne smije preći 3 minuta. Najmanje 10 minuta uređaju treba da se ohladi između dva uzastopna ciklusa rada, sačekajte da se uređaj ohladi do nivoa sobne temperature prije nego što nastavite s radom.

2) Ukoliko želite da zaustavite rad mašine tokom korišćenja, stavite regulator u poziciju O u bilo kom trenutku.



Prije blendiranja, dodajte hranu u posudu.



Tokom blendiranja, dodajte sastojke kroz otvor na poklopcu.

Slika 6

Slika 7

Važni savjeti

Za najbolju rotaciju hrane koju treba izmješati s tekućinama, sipajte u posudu prvo tekućinu, a čvršću hranu dodajte naknadno.

Neki od zadataka koji se ne mogu najefikasnije izvesti u blenderu su: mućenje bjelanca, šlaga, krompir pirea, mljevenje mesa, miješanje testa, cjeđenje soka iz voća i povrća.

Sljedeće namirnice nikada ne bi trebalo stavljati u blender jer mogu da prouzrokuju štetu na uređaju: kosti, veći komadi čvrste, zaleđene hrane, ili žilavije hrane.

Uporaba posude za mljevenje:

1. Okrenite otvor posude za mljevenje kako biste ga spojili sa postoljem sa sječivima i postavite na radnu površinu okrenutu nagore.
2. Stavite hranu za mljevenje u posudu (oko 50 grama) i zatvorite dobro postolje sa sječivima, zatim ga zaključajte na kućištu motora;
3. Priključite kabel na standardnu zidnu utičnicu;
4. Okrenite regulator brzine na drugu razinu (obično je potrebno oko 30 sekundi rada). Kada dobijete rezultat koji želite, okrenite regulator na položaj O.

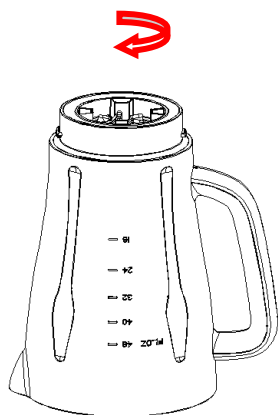
Uporaba posude za sjeckanje:

1. Okrenite otvor posude za sjeckanje kako biste ga spojili sa postoljem sa sječivima i postavite na radnu površinu okrenutu nagore.
2. Stavite hranu za sjeckanje u posudu (oko 50 grama) i zatvorite dobro postolje sa sječivima, zatim ga zaključajte na kućištu motora;
3. Priključite kabl na standardnu zidnu utičnicu;
4. Okrenite regulator brzine na drugu razinu (obično je potrebno oko 30 sekundi rada). Kada dobijete rezultat koji želite, okrenite regulator na položaj O.

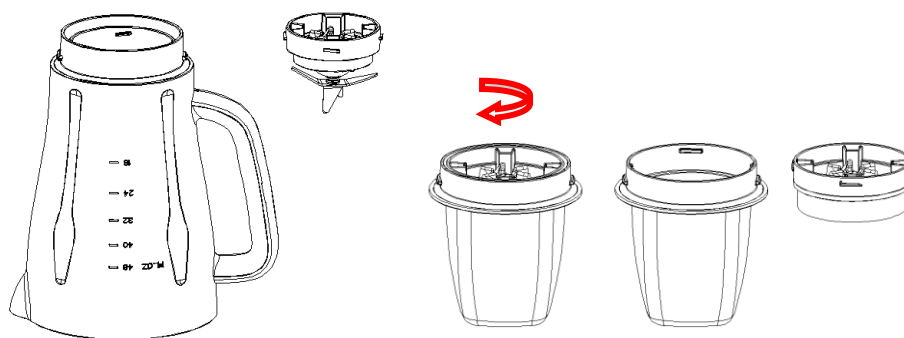
ČIŠĆENJE I ODRŽAVANJE

Ovaj uređaj ne sadrži dijelove koji se mogu mijenjati od strane korisnika. Obratite se stručnom osoblju za popravku.

1. Prije čišćenja, isključite blender sa napajanja.
2. Uvijek operite odmah nakon uporabe radi lakšeg čišćenja. Ne dozvolite hrani da se osuši u posudi jer će to otežati čišćenje.
3. Sipajte malo tople sapunjave vode u posudu i okrenite regulator brzine u poziciju P na nekoliko sekundi, a zatim ispraznite posudu.
4. Rastavite sve rasklopive dijelove. Podignite posudu sa motorne jedinice. Uklonite jedinicu sa sječivom iz posude tako što ćete je odvrnuti sa dna posude u pravcu kazaljke na satu i uklonite zaptivni prsten 2 i sječivo (vidi sliku 8). Nakon toga, odvrnite i zaptivni prsten 1 sa dna poklopca.
5. Kada rastavlјate dijelove za mljevenje ili sjeckanje, molimo da najpre skinete posudu sa kućišta motora, zatim odvojite dijelove sa sječivima za mljevenje ili sjeckanje okrećući u smjeru kazaljke na satu, i na kraju uklonite zaptivni prsten i postolje sa sječivima (Vidi Sliku 8A).



Slika 8



Slika 8A

6. Operite čašu sa mjerama, poklopac, posudu, zaptivni prsten, postolje sa sječivima za mljevenje, postolje sa sječivima za sjeckanje ručno ili u perilici posuđa. To su dijelovi bezbjedni za pranje u perilici, ali temperatura pranja ne smije prelaziti 70°C.
7. Očistite sječivo koristeći toplu, sapunjavu vodu i temeljno isperite pod tekućom vodom. Ne dodirujte oštro sječivo i rukujte njime pažljivo. Ne uranjajte sječivo u vodu. Okrenite ga nakon pranja naopačke i ostavite ga da se osuši, držeći ga podalje od djece.
8. Obrišite motornu jedinicu vlažnom krpom i osušite temeljno. Uklonite tvrdokorne mrlje nekom neabrazivnom tekućinom. Ako se desi da se prospe tekućina na motornu jedinicu, prvo iskopčajte uređaj iz struje, a zatim prebrišite temeljno suhom krpom i ostavite da se osuši.

PAŽNJA

- 1- Ne uranjajte motornu jedinicu u tekućinu kako biste spriječili rizik od strujnog udara.**
- 2- Ne koristite grube četke za čišćenje i jaka sredstva za čišćenje.**
- 3- Ne stavljajte postolje sa motorom u perilicu posuđa radi čišćenja. Ovaj dio nije prikladan za pranje u perilici posuđa.**

12 mjeseci jamstva



ŽIVIMO ZAJEDNO

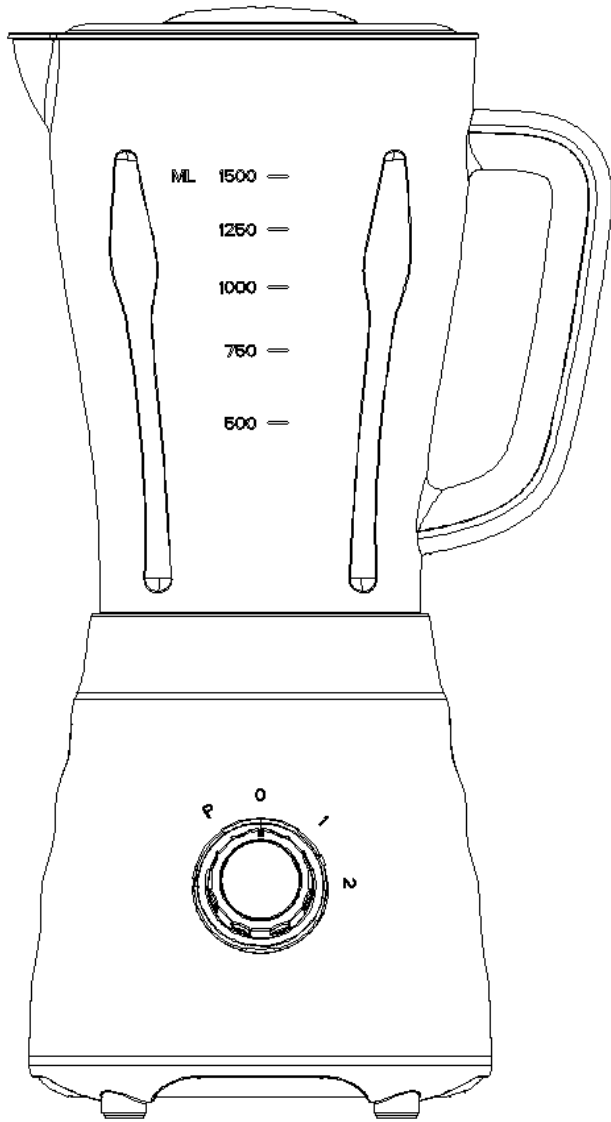
BIH

MNE

UPUTSTVO ZA UPOTREBU

BLENDER

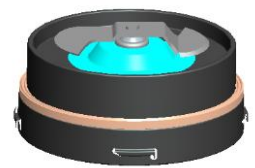
Model: TM-6003



Blender



Dijelovi posude za blendiranje



Dijelovi sječiva blendera

VAŽNA BEZBJEDNOSNA UPUTSTVA

Prije upotrebe ovog električnog uređaja trebalo bi uvijek ispuniti osnovne predušlove uključujući sljedeće:

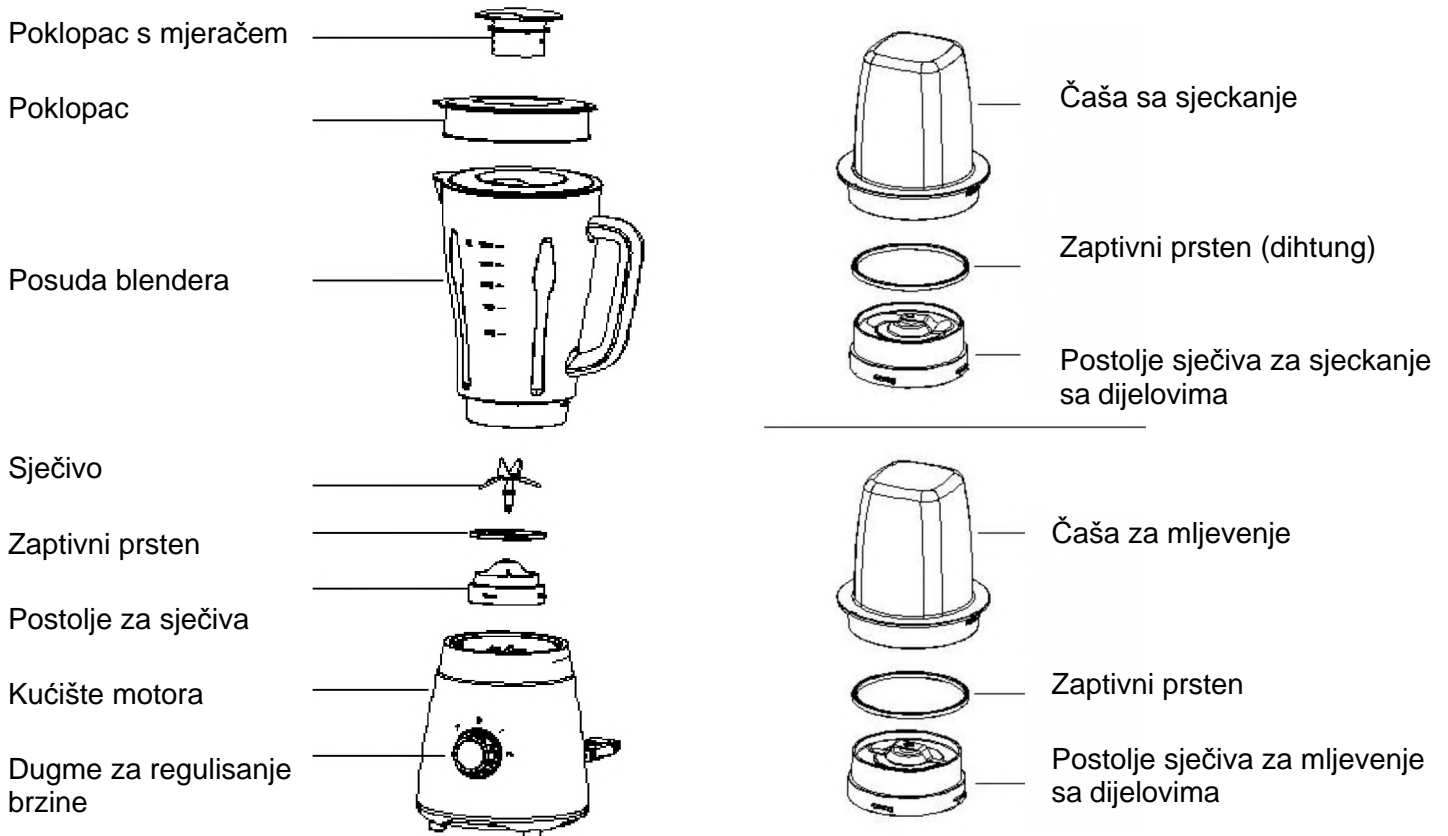
1. Pročitajte sva uputstva.
2. Prije upotrebe provjerite da li napon na vašem uređaju odgovara naponu u zidnoj utičnici.
3. Ne dozvolite da kabl za napajanje tokom upotrebe visi sa ivice stola, radne površine ili blizu bilo kakvog grijnog tijela.
4. Ne koristite uređaj sa oštećenim kablom za napajanje ili utikačem ili ukoliko je uređaj prestao da radi ili se ošteti na bilo koji način. Vratite uređaj u najbliži ovlašćeni servis na pregled, popravku ili zamjenu
5. Ako se kabl za napajanje ošteti, može ga zamijeniti samo ovlašćeno lice u servisu ili neko drugo kvalifikovano lice, kako biste izbjegli moguću povredu.
6. Neophodan je nadzor ukoliko se uređaj koristi od strane djece ili u njihovoj blizini.
7. Izbjegavajte kontakt sa dijelovima koji se pomjeraju.
8. Držite ruke ili kuhinjska pomagala van blendera dok je u funkciji kako biste smanjili rizik od ozbiljnih povreda ili nanošenja štete blenderu. Strugač za hranu možete koristiti samo ukoliko uređaj nije u funkciji.
9. Upotreba dodataka koji nisu preporučeni ili kupljeni od strane proizvođača može dovesti do požara, strujnog udara ili povrede korisnika.
10. Isključite uređaj iz utičnice kada nije u upotrebi, prije sastavljanja ili rastavljanja dijelova, kao i prije čišćenja. Da biste isključili uređaj pritisnite bilo koje dugme na 'off+', zatim isključite uređaj iz zidne utičnice, povlačenjem utikača, nikako samog kabla.
11. Da biste smanjili rizik od povrede, uvijek pravilno postavite posudu.
12. Ovaj uređaj nije predviđen za upotrebu od strane osoba (uključujući djecu) sa smanjenim psihičkim, senzornim ili mentalnim sposobnostima, ili nedostatkom iskustva ili znanja, osim kada su pod nadzorom ili su im data uputstva za bezbjednu upotrebu od strane osobe odgovorne za njihovu bezbjednost.
13. Djeca treba da budu pod nadzorom da biste se uvjerali da se ne igraju s uređajem.
14. Nemojte ostavljati uređaj da radi bez nadzora.
15. Kada sklanjate blender sa motorne jedinice, sačekajte da se sječiva zaustave u potpunosti.
16. Uvijek koristite blender sa postavljenim poklopcem.
17. Uvijek koristite blender na sigurnoj, suvoj i ravnoj podlozi.
18. Nikada ne stavljajte uređaj na ili u blizini vrućeg plina ili električnog gorionika ili tamo gde može doći u dodir s vrućim uređajima.
19. Nemojte koristiti na otvorenom.
20. Koristite uređaj samo za predviđenu namenu.

UPOZORENJE: Moguće povrede u slučaju nepravilnog korišćenja. Budite pažljivi kada rukujete s oštrim sječivima, prilikom pražnjenja posude i tokom čišćenja.

OPREZ: Provjerite da li ste isključili uređaj prije nego što sklonite posudu sa postolja. Isključite uređaj sa napajanja prije mijenjanja dodataka i kada prilazite dijelovima koji se pokreću dok rade.

SAMO ZA KUĆNU UPOTREBU

UPOZNAJTE VAŠ BLENDER

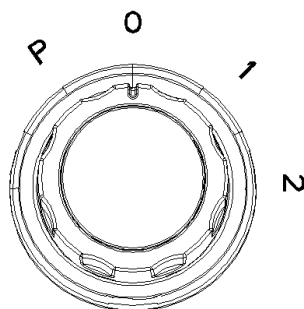


Glavna jedinica / Dijelovi posude

(Slika 1)

(Slika 1A)

DUGME ZA REGULISANJE BRZINE



UPOTREBA BLENDERA

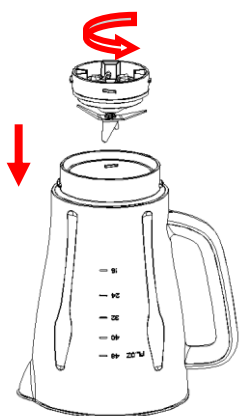
Prije prve upotrebe

1. Prije prve upotrebe, raspakujte uređaj i postavite sve dijelove na horizontalnu površinu.
2. Posuda sa dodacima (Slika 1, uključujući čašu sa mjerama, poklopac, zaptivni prsten, posudu, kućište sa sječivima) je već postavljena na kućište motora. Molimo konsultujte dio ČIŠĆENJE I ODRŽAVANJE.
3. Odvojite dijelove iz posude za mljevenje (uključujući posudu za mljevenje, zaptivni prsten, postolje sječiva za mljevenje) i, takođe dijelove za sjeckanje (uključujući sjeckalicu, zaptivni prsten, postolje za sječiva za sjeckanje) (kao na Slici 1A). Molimo konsultujte dio ČIŠĆENJE I ODRŽAVANJE.
4. Nakon što ste sve dijelove očistili i temeljno osušili, ponovo ih sastavite.
5. Okrenite posudu i postavite je na ravnu površinu, držeći ručku posude, postavite zaptivni prsten i dodatak sa sječivima na dno posude i osigurajte postolje sa sječivima okrećući u smjeru suprotnom kazaljci na satu dok se dobro ne zatvori. (Vidi sliku 3)
6. Ponovo stavite posudu sa dodacima okrenutu nagore, zatim stavite poklopac na posudu. Postavite čašu za mjerenje u otvor na sredini poklopca i okrenite posudu u smjeru kazaljke na satu dok dobro ne zatvorite. (Vidi sliku 4)
7. Na kraju, postavite posudu sa dodacima na kućište motora, ravnajući indikatore na dnu posude i dobro zategnite. (Vidi sliku 5)
8. Spojite dijelove posude za mljevenje. Postavite zaptivni prsten posude za mljevenje na postolje sa sječivima za mljevenje, zatim spustite u posudu. Okrenite postolje sa sječivima u smjeru suprotnom kazaljci na satu kako biste se uvjerali da je dobro postavljeno. (Vidi sliku 5A)
9. Spojite dijelove posude za sjeckanje –Postavite zaptivni prsten posude za sjeckanje na dijelove sa sječivima za sjeckanje, i spustite u posudu za sjeckanje. Okrenite postolje sa sječivima u smjeru suprotnom kazaljci na satu kako biste se uvjerali da je dobro postavljeno. (Vidi sliku 5B).

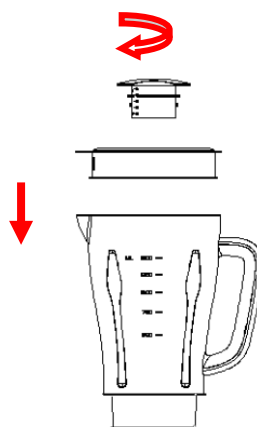
Napomena: samo je jedna posuda za mljevenje i ona se koristi i sa dodacima i postoljem sa sječivima za sjeckanje.

Kada treba da meljete ili sjeckate hranu, molimo okrenite u smjeru suprotno od kazaljke na satu i odvojite najpre posudu od kućišta motora (Vidi sliku 5C), zatim postavite posudu za mljevenje ili sjeckanje na kućište motora i čvrsto zategnite u smjeru suprotnom od kazaljke na satu da se uvjerite da je dobro postavljena.(Vidi sliku 5D)

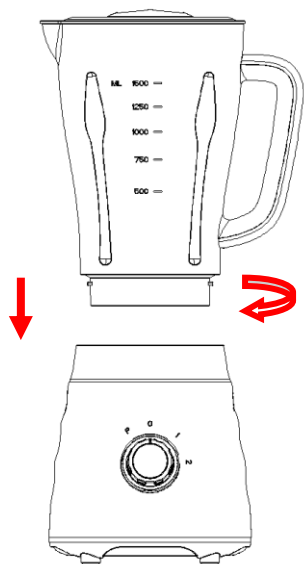
OPREZ: Posuda i baza su sad sigurne. Ne pokušavajte da uvrćete dno posude na motornu jedinicu.



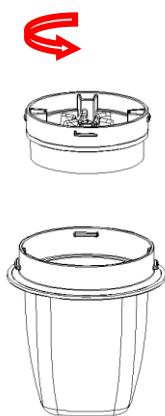
Slika 3



Slika 4



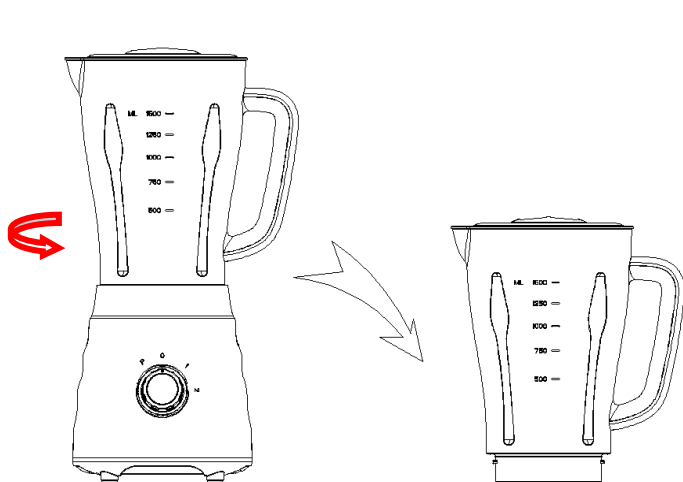
Slika 5



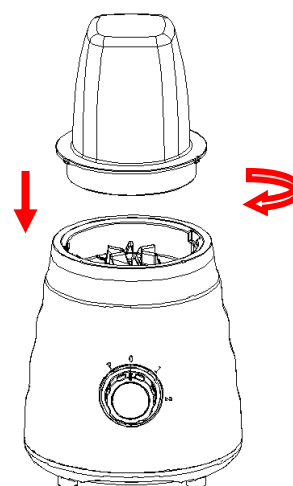
Slika 5A



Slika 5B



Slika 5C



Slika 5D

Kako da koristite blender

Upotreba posude:

1. Oljuštite voće ili povrće i izvadite koštice, zatim ga isjecite na male kocke.
2. Stavite hranu u posudu blendera (Vidi Sliku 6). Obično je potrebno dodati određenu količinu čiste vode da bi se olakšao rad blendera. Odnos hrane i vode je 2:3. Količina smjese za obradu ne smije preći maksimalni nivo označen na posudi.

RECEPT

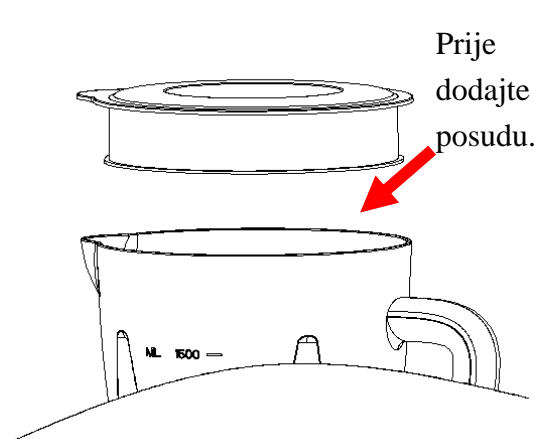
VRSTA HRANE	UPUTSTVO	TEŽINA	BRZINA
Mrkva (jabuka, kruška itd)	Isjeći na kocke veličine 15mm*15mm*15mm	Mrkva: 600g Voda: 900g	Visoka brzina

Napomena: nikada ne koristite ključalu tečnost niti puštajte uređaj u rad ukoliko je posuda prazna.

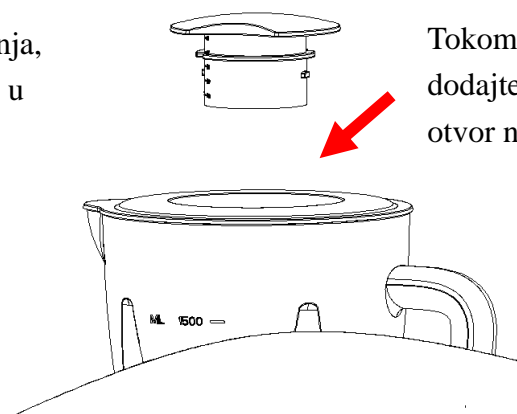
3. Stavite poklopac na posudu. Provjerite da li je čaša s mjerama postavljena u otvor poklopca.
4. Uključite utikač u standardnu zidnu utičnicu.
5. Okrenite dugme za regulisanje brzine na željeni nivo.
6. Za brza ili gruba mljevenja, okrenite regulator brzine na poziciju P i držite nekoliko sekundi, a zatim pustite. Regulator brzine će se automatski vratiti u poziciju O. Ukoliko je to neophodno ponovite ovaj proces više puta dok ne dobijete željeni rezultat. Ukoliko želite da dodate neke sastojke dok blender radi, skinite čašu sa mjerama sa vrha poklopca i kroz otvor dodajte sastojke. (Vidi Sliku 7)
7. Kada je hrana obrađena u skladu sa Vašim potrebama, stavite regulator u položaj O.

Napomena: 1) Kod svake upotrebe, kontinuirani rad ne smije preći 3 minuta. Najmanje 10 minuta uređaju treba da se ohladi između dva uzastopna ciklusa rada, sačekajte da se uređaj ohladi do nivoa sobne temperature prije nego što nastavite s radom.

2) Ukoliko želite da zaustavite rad mašine tokom korišćenja, stavite regulator u poziciju O u bilo kom trenutku.



Prije blendiranja, dodajte hranu u posudu.



Tokom blendiranja, dodajte sastojke kroz otvor na poklopcu.

Slika 6

Slika 7

Važni savjeti

Za najbolju rotaciju hrane koju treba izmješati sa tečnostima, sipajte u posudu prvo tečnost, a čvršću hranu dodajte naknadno.

Neki od zadataka koji se ne mogu najefikasnije izvesti u blenderu su: mućenje bjelanca, šlaga, krompir pirea, mljevenje mesa, miješanje testa, cjeđenje soka iz voća i povrća.

Sljedeće namirnice nikada ne bi trebalo stavljati u blender jer mogu da prouzrokuju štetu na uređaju: kosti, veći komadi čvrste, zaleđene hrane, ili žilavije hrane.

Upotreba posude za mljevenje:

1. Okrenite otvor posude za mljevenje kako biste ga spojili sa postoljem sa sječivima i postavite na radnu površinu okrenutu nagore.
2. Stavite hranu za mljevenje u posudu (oko 50 grama) i zatvorite dobro postolje sa sječivima, zatim ga zaključajte na kućištu motora;
3. Priključite kabl na standardnu zidnu utičnicu;
4. Okrenite regulator brzine na drugi nivo (obično je potrebno oko 30 sekundi rada). Kada dobijete rezultat koji želite, okrenite regulator na položaj O.

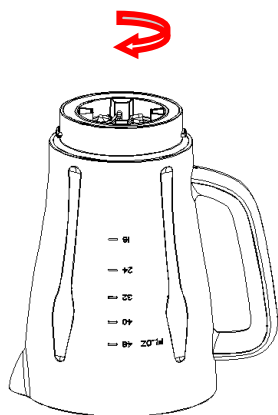
Upotreba posude za sjeckanje:

1. Okrenite otvor posude za sjeckanje kako biste ga spojili sa postoljem sa sječivima i postavite na radnu površinu okrenutu nagore.
2. Stavite hranu za sjeckanje u posudu (oko 50 grama) i zatvorite dobro postolje sa sječivima, zatim ga zaključajte na kućištu motora;
3. Priključite kabl na standardnu zidnu utičnicu;
4. Okrenite regulator brzine na drugi nivo (obično je potrebno oko 30 sekundi rada). Kada dobijete rezultat koji želite, okrenite regulator na položaj O.

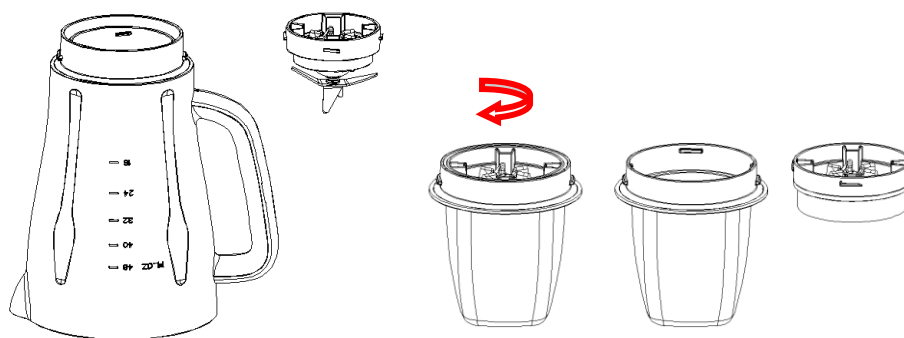
ČIŠĆENJE I ODRŽAVANJE

Ovaj uređaj ne sadrži dijelove koji se mogu mijenjati od strane korisnika. Obratite se stručnom osoblju za popravku.

1. Prije čišćenja, isključite blender sa napajanja.
2. Uvijek operite odmah nakon upotrebe zbog lakšeg čišćenja. Ne dozvolite hrani da se osuši u posudi jer će to otežati čišćenje.
3. Sipajte malo tople sapunjave vode u posudu i okrenite regulator brzine u poziciju P na nekoliko sekundi, a zatim ispraznite posudu.
4. Rastavite sve rasklopive dijelove. Podignite posudu sa motorne jedinice. Uklonite jedinicu sa sječivom iz posude tako što ćete je odvrnuti sa dna posude u pravcu kazaljke na satu i uklonite zaptivni prsten 2 i sječivo (vidi sliku 8). Nakon toga, odvrnite i zaptivni prsten 1 sa dna poklopca.
5. Kada rastavlјate dijelove za mljevenje ili sjeckanje, molimo da najpre skinete posudu sa kućišta motora, zatim odvojite dijelove sa sječivima za mljevenje ili sjeckanje okrećući u smjeru kazaljke na satu, i na kraju uklonite zaptivni prsten i postolje sa sječivima (Vidi Sliku 8A).



Slika 8



Slika 8A

6. Operite čašu sa mjerama, poklopac, posudu, zaptivni prsten, postolje sa sječivima za mljevenje, postolje sa sječivima za sjeckanje ručno ili u sudomašini. To su dijelovi bezbjedni za pranje u sudomašini, ali temperatura pranja ne smije prelaziti 70°C.
7. Očistite sječivo koristeći toplu, sapunjavu vodu i temeljno isperite pod tekućom vodom. Ne dodirujte oštro sječivo i rukujte njime pažljivo. Ne potapajte sječivo u vodu. Okrenite ga nakon pranja naopačke i ostavite ga da se osuši, držeći ga podalje od djece.
8. Obrišite motornu jedinicu vlažnom krpom i osušite temeljno. Uklonite tvrdokorne fleke nekom neabrazivnom tečnošću. Ako se desi da se prospe tečnost na motornu jedinicu, prvo iskopčajte uređaj iz struje, a zatim prebrišite temeljno suvom krpom i ostavite da se osuši.

PAŽNJA

- 1- Ne potapajte motornu jedinicu u tečnost kako biste spriječili rizik od strujnog udara.**
- 2- Ne koristite grube četke za čišćenje i jaka sredstva za čišćenje.**
- 3- Ne stavljajte postolje sa motorom u sudomašinu radi čišćenja. Ovaj dio nije prikladan za pranje u sudomašini.**

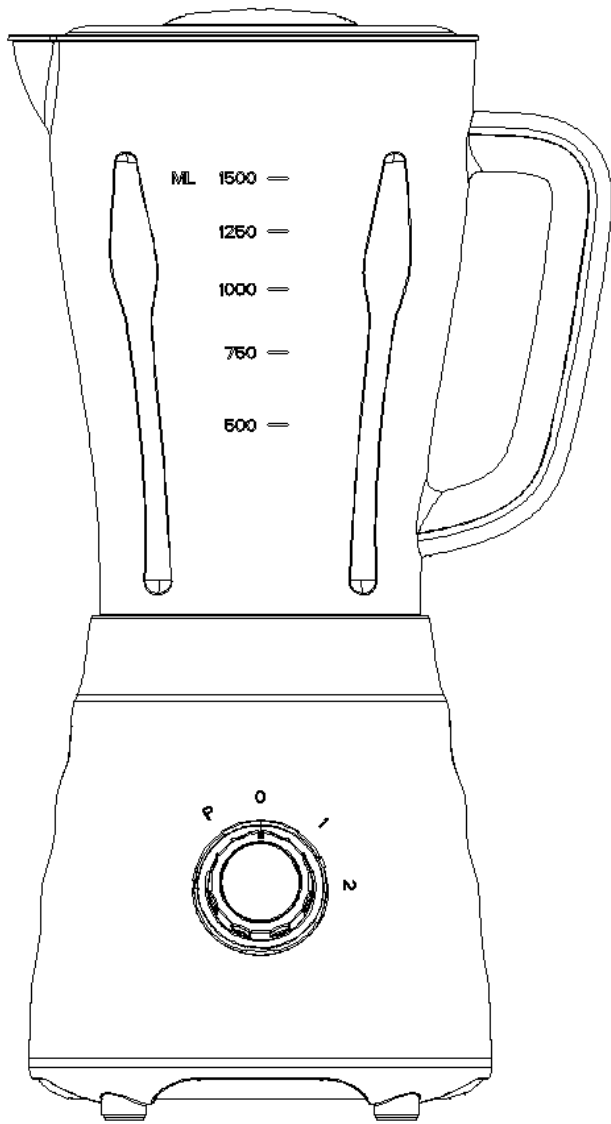
12 mjeseci garancije



УПАТСТВО ЗА УПОТРЕБА

БЛЕНДЕР

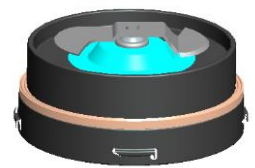
Модел: ТМ-6003



Блендер



Делови на садот за блендирање



Делови на сечилата на блендерот

ВАЖНИ БЕЗБЕДНОСНИ УПАТСТВА

Пред употреба на овој електричен уред секогаш треба да се придржувате на основните мерки на претпазливост, вклучително и следните:

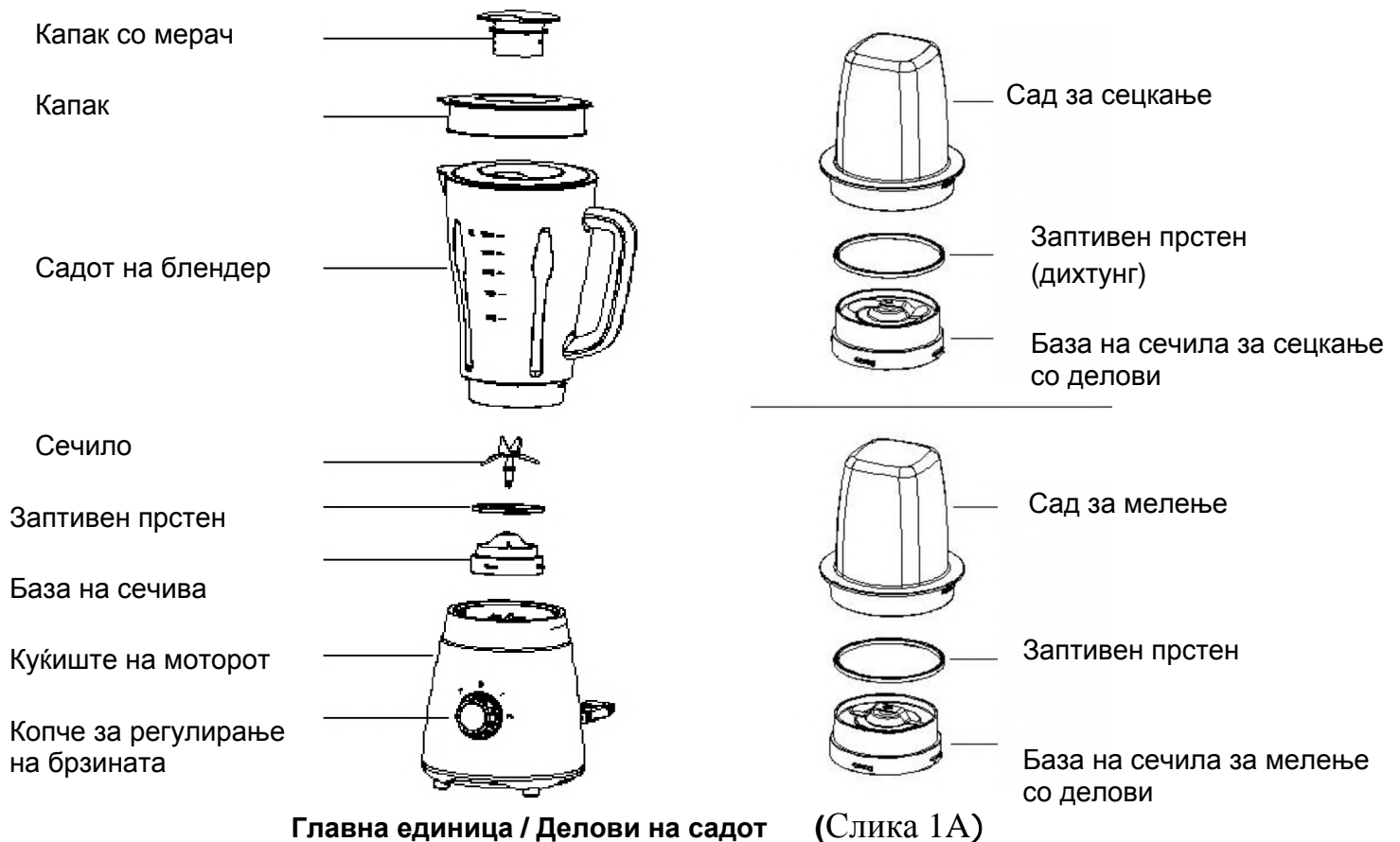
1. Прочитајте ги сите упатства.
 2. Пред употреба проверете да ли напонот кај Вас одговара со работниот напон на уредот.
 3. Не дозволувајте струјниот кабел да виси преку остри рабови на масата или да допира врели површини или било кои грелни тела.
 4. Не го користете уредот со оштетен кабелот, или ако уредот се расипе, ако ви падне или се оштети на било кој начин. Врнето го уредот во најблискиот овластен сервис на преглед, поправка или замена.
 5. Ако кабелот се оштети може да го замени само овластено лице во сервис или некое друго квалификувано лице за да избегнете можна повреда.
 4. Неопходен е надзор доколку уредот се користи од страна на деца или во нивна близина.
 5. Избегнувајте контакт со подвижните делови на уредот.
 6. Држете ги рацете или кујнските помагала надвор од блендерот додека е во функција за да го намалите ризикот од озбилни повреди или нанесување штети на блендерот. Стругачот за храна можете да го користите само ако уредот не е во функција.
 7. Употреба на додатоци кои не се препорачани или купени од страна на производителот можат да доведат до пожар, струен удар или повреди на корисникот.
 8. Кога уредот не е во употреба, исклучете го кабелот из штекер пред чистење, одстранување или поставување на додатоци. Исклучете го уредот со вртење на било која контрола во позиција OFF, потоа извадете го кабелот из штекер тако што го фатете приклучокот за гумениот дел, а не да го влечете кабел.
 9. За да го намалите ризикот од повреди, секогаш поставете го добро садот.
 10. Овој уред не е наменет за употреба од страна на лица (вклучително деца) со намелени физички, сетилни или ментални способности, или со недостаток на искуство и знаење, освен доколку не се надгледувани или упатени во работата на уредот од страна на лицата одговорни за нивната безбедност.
 11. Децата треба да бидат под надзор за да се осигурате дека не си играат со уредот.
 12. Немојте да го оставате уредот да работи без надзор.
 13. Кога сакате да го раздвојите блендер од моторната единица, сачекајте прво да сечила сосема станаат со работа.
 14. Секогаш користете го блендерот со поставен капак.
 15. Уредот секогаш мора да се користи на безбедна, рамна и сува површина.
 16. Никогаш не го ставајте уредот на или во близина на врел плин или електричен шпорет или некаде каде што може да дојде во допир со врели уреди.
 17. Не го користете уредот на отворено.
 18. Користете го уредот само во согласност со предвидената намена.
- ПРЕДУПРЕДУВАЊЕ:** Можни повреди во случај на неправилно користење.

Бидете внимателни кога ракувате со острите сечила при празнење на садот во текот на чистењето.

ВНИМАНИЕ: Проверете дали сте го исклучите уредот пред да го одвоите садот со постоље. Исклучете го уредот од напојување пред менување на додатоци и кога се приближувате до делови кои се подвижни при работење.

САМО ЗА ДОМАШНА УПОТРЕБА

ЗАПОЗНАЈТЕ ГО ВАШИОТ БЛЕНДЕР



(Слика 1)

КОПЧЕ ЗА РЕГУЛИСАЊЕ НА БРЗИНАТА

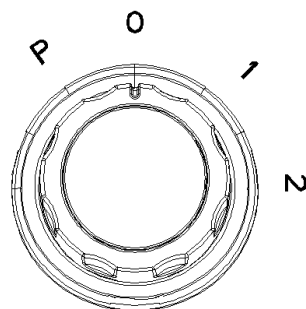


图 1

Слика 2

УПОТРЕБА НА БЛЕНДЕРОТ

Пред прва употреба

1. Пред прва употреба, распакујте го уредот, и ставете ги сите делови во хоризонтална површина.
2. Сет со садот (Слика 1, вклучувајќи шача со мерки, капак, заптивен прстен, садот, база со сечила) веќе е поврзан со моторната единица. Ве молиме видете го делот за Одржување и чистење.
3. Одвојте ги деловите од садот за мелење(вклучувајќи ги садот за мелење, заптивниот прстен, базата со сечила за мелење), и исто така деловите за сецкање(вклучувајќи ги сецкалката, заптивниот прстен, базата со сечилата за сецкање)(како на Слика 1A) . Ве молиме видете го делот за ЧИСТЕЊЕ И ОДРЖУВАЊЕ.

4. Откако ќе ги исчистите сите делови и темелно ќе ги исушите, повторно составете ги.
5. Завртете го садот и ставете го на рамна површина држејќи ја рачката на садот, поставете го заптивниот прстен и додатокот со сечила на дното на садот и осигурајте се базата со сечила да се врти во спротивна насока од стрелките на часовникот додека добро не се затвори. (Види слика 3)

6. Повторно поставете го садот со додатоци свртени нагоре, потоа поставете го капакот на садот. Поставете ја чашата за мерење во отворот на средината од капакот и свртете го садот во правец од стрелките на часовникот сè додека добро се затвори. (Види слика 4)

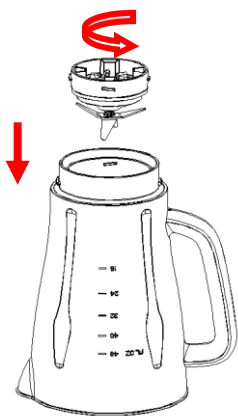
7. На крај, ставете го садот на моторна единица со изједначување на индикаторите на дното на садот и на врвот на моторна единица. (види слика 5)

8. Спојте ги деловите од садот за мелење. Поставете го заптивниот прстен од садот за мелење на базата со сечилата за мелење, потоа спуштете ја во садот за мелење. Свртете ја базата со сечила во спротивен правец од стрелките на часовникот за да се осигурате дека е добро поставена. (Види слика 5A)

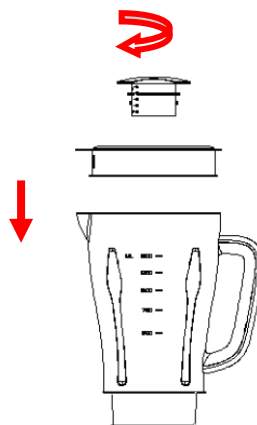
9. Спојте ги деловите на садот за сецкање- Поставете го заптивниот прстен од садот за сецкање на деловите со сечила за сецкање и спуштете го во садот за сецкање. Свртете ја базата со сечилата во спротивен правец од стрелките на часовникот за да се осигурате дека е добро поставена. (Види слика 5B).

Забелешка: има само еден сад за мелење и тој се користи со додатоците и со базата со сечилата за сецкање. Кога треба да мелите или да сецкате храна, ве молиме свртете во правец спротивен од стрелките на часовникот и најпрво одвојте го садот од куќиштето на моторот(Види слика 5C), потоа поставете го садот за мелење и сецкање на куќиштето од моторот и цврсто затворите во спротивен правец од стрелките на часовникот за да се осигурате дека е добро поставен. (Види слика 5D)

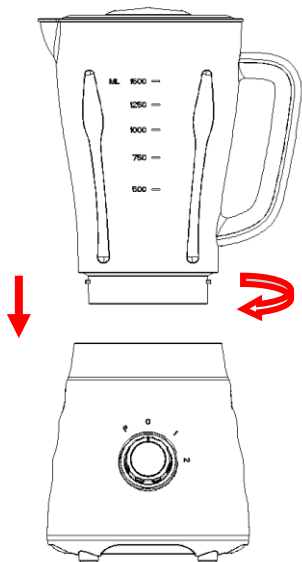
Забелешка: Садот и база сега се осигурани. Не обидувајте да ја вртете базата на садот на моторна единица.



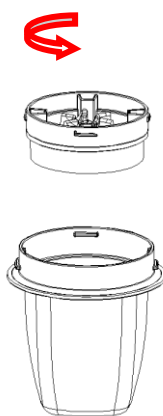
Слика 3



Слика 4



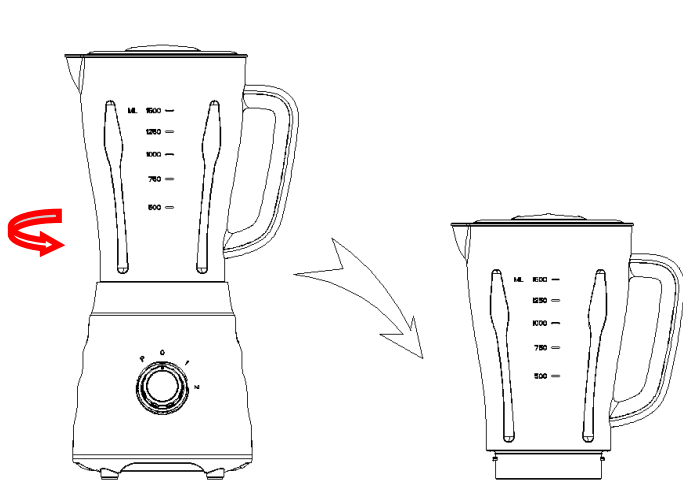
Слика 5



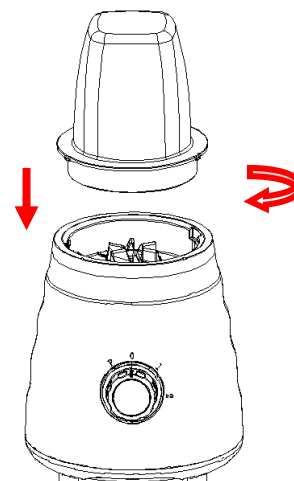
Слика 5А



Слика 5В



Слика 5С



Слика 5D

Како да користите блендерот

Употреба на блендерот:

1. Олуштете го овошје или зеленчук, исчистете ги од семките, потоа исечете го на мали коцки.
2. Внесете ја посакувана храна во садот на блендер (Види слика 6). Во суштина потребно е да се додаде одредена количина на чиста вода за да се олесни работа на уредот. Однос на храна и водата треба да биде 2:3. Износот на смесата не сме да надмине над индикаторот за максимален ниво на течност при врвот на садот.

РЕЦЕПТ

Тип на храна	Упатство	Тежина	Брзина
Морков (јаболка, круша, итн)	Исечете на коцки 15mm*15mm*15mm	Морков: 600g Вода: 900g	Голема брзина

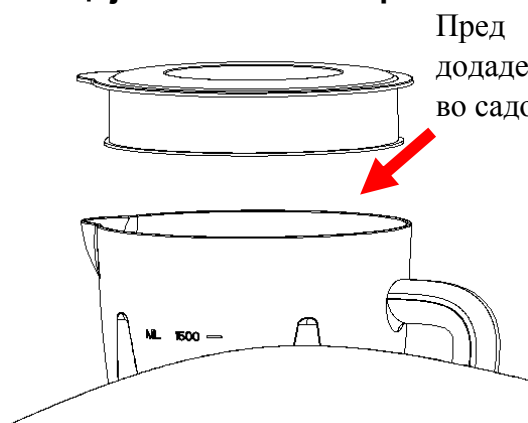
Внимание: никогаш не користете течности шти вриет и не го ставајте блендерот да работи, а да не се стави нешто во него.

3. Ставете го капакот на садот. Осигурајте се дека мерица е на место на отвор од капакот.
4. Вклучете го кабелот во стандарден штекер.
5. Заврнете го регулатор на брзина во посакувана брзина.
6. За брза или погруба мелења, заврнете го регулатор во позицијата Р и држете неколку секунди, а потоа отпуштете го. Регулатор ќе се автоматски врне во положба О. Ако е потребно повторите го овој процес неколку пати додека не се добие посакуваниот резултат. Ако сакате да ги додадете состојки за камшикување додека блендер је во функција, одвртете ја мерица и додадете состојки кроз отвор на капакот. (Види Слика 7)
7. Кога ќе го добиете саканиот резултат, врнете го регулатор за брзина во позиција О.

Внимание:

1) При секоја употреба, работно оптеретување на уредот не треба да надминува 3 минути, а пауза помеѓу два континуирана циклуса треба да трае најмалку 10 минути, така што се уредот стави да се излади до собна температура.

2) Ако сакате да се запре работа на уредот, ставете го регулатор на брзината во позицијата О во секое време.



Слика 6



Слика 7

Важни совети

За најдобра ротација на храна која треба да се измеша со телност, се става во садот прво течност, а потоа додадете цврста храна.

- Некоји од задаќи што не можат да се најефикасно работат во блендер са: камшикување на белки, пире од кромпири, мелено месо, матење на тесто, цеден сок од овошје и зеленчук.
- Следната храна не треба да се става во блендер, бидејќи таа може да предизвика оштетување на уредот: коските, поголеми парчиња на цврста, замрзната храна, или потешка храна.

Употреба на садот за мелење:

1. Сврете го отворот на садот за мелење за да го споите со базата со сечила и поставете го на работна површина свртен нагоре.
2. Ставете ја храната за мелење во садот (околу 50 грама) и затворете ја добро базата со сечила. Потоа заклучете ја на куќиштето од моторот;
3. Приклучете го кабелот на стандарден сиден штекер;
4. Сврете го регулаторот на брзината на второ ниво (обично е потребно околу 30 секунди работа). Кога ќе го добиете посакуваниот резултат, сврете го регулаторот на положба О.

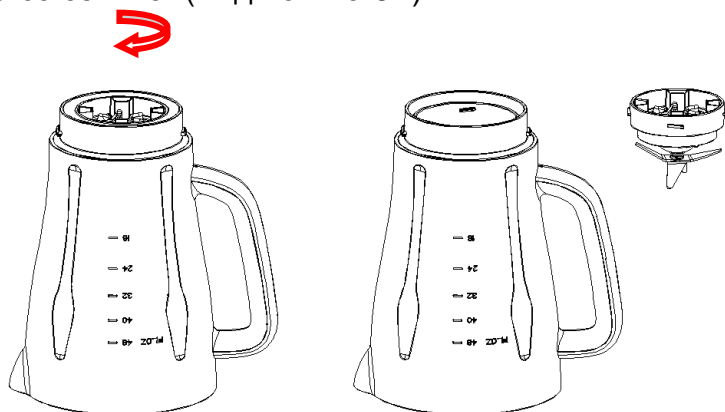
Употреба на садот за сецкање:

1. Сврете го отворот на садот за сецкање за да го споите со базата со сечила и поставете го на работна површина свртен нагоре.
2. Ставете ја храната за сецкање во садот (околу 50 грама) и затворете ја добро базата со сечила. Потоа заклучете ја на куќиштето од моторот;
3. Приклучете го кабелот на стандарден сиден штекер;
4. Сврете го регулаторот на брзината на второ ниво (обично е потребо околу 30 секунди работа). Кога ќе го добиете посакуваниот резултат, сврете го регулаторот на положба 0.

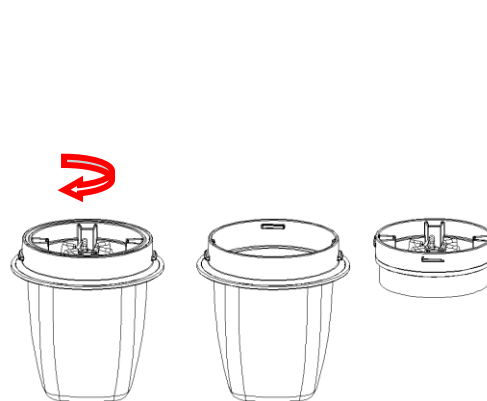
ЧИСТЕЊЕ И ОДРЖУВАЊЕ

Овој уред не смее да се поправи од страна на корисник. Поправка може да се врши само од страна на овластени сервиси.

1. Пред чистење, исклучете го блендерот од штекерот.
2. Секогаш измијте го уредот веднаш по употребата за лесно чистење. Не дозволувајте да се храната исуши во сад, бидејќи тоа ќе биде тешко да се исчисти.
3. Сипајте малку топла вода со сапуница во садот и свртете го регулатор на брзина во позицијата P на неколку секунди, а потоа го испразните садот.
4. Расклопете ги сите одделиви делови. Дигните го садот од моторната единица. Склонете ја единица со сечило од садот тако што ќе го одвртете во насока на стрелките на часовникот и извадете го заптивен прстен 2 и сечило (слика 8). Потоа, одвртете го заптивен прстен 1 од дното на капакот.
5. Кога ги раздвојувате деловите за мелење или сецкање, ве молиме на прво да го тргнете садот од моторната единица, потоа одвојте ги деловите со сечилата за мелење или сецкање вртејќи во правец од стрелките на часовникот и на крај отстранете го заптивниот прстен и базата со сечила. (Види слика 8А).



Слика 8



Слика 8А

6. Измијте ја мерица, капак, заптивен прстен 1, садот, заптивен прстен 2 и сечило рачно или во машина за миење садови, а потоа ги сите осушете. Ако ги мијете во машина за миење садови, температура не треба да биде повисока од 70°C.
7. Очистете го сечило со топла вода со сапуница и исплакнете темелно под млаз на вода. Не допирајте го остро сечило и внимателно работувајте со него. Не го потопувајте уредот во вода. По миењето, превртете го наопаку и оставете за да се исуши, подалеку од дофат на деца.
8. Избришете ја моторна единица со влажна крпа и темелно исушете. Потврдокорните дамки исчистете со благи средства за чистење. Ако се проспе некоа течност на моторна единица, прво го исклучете средот од штекер, потоа избришете ја темелно со сува крпа и оставете да се исуши.

ВНИМАНИЕ

- 1) Не ја потопувајте моторна единица во течност за да препречите ризик од струен удар.
- 2) Не користете груби четки и силни средства за чистење.
- 3) Не ја ставајте базата на моторот во машина за миење садови. Овој дел не е наменет за миење во машина за садови.

12 месеци гаранција



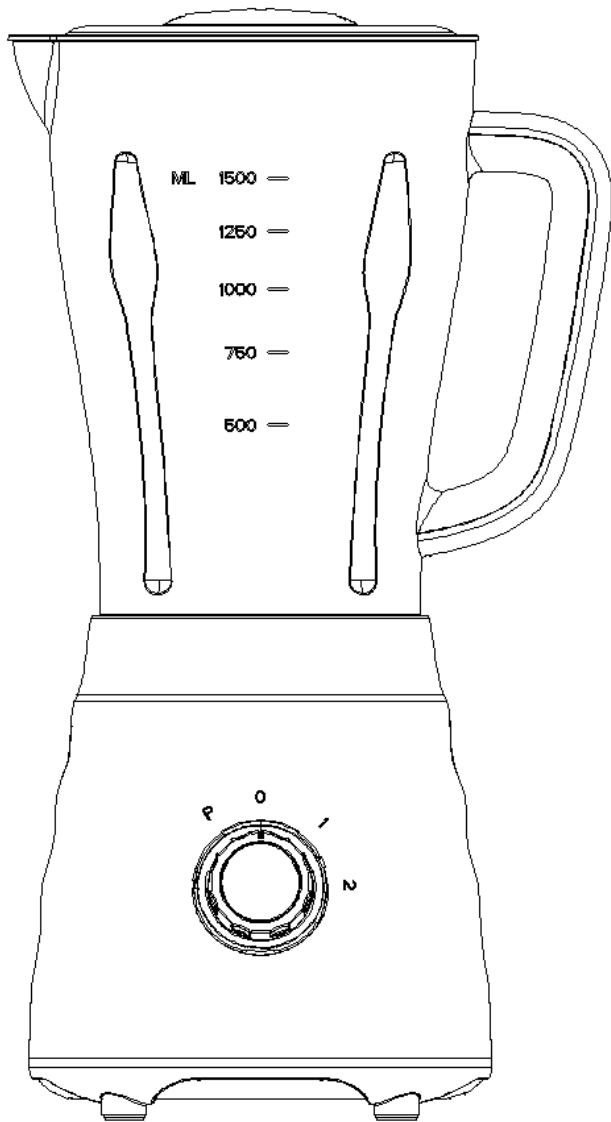
JETOJMË SË BASHKU

ALB

UDHËZIMI I PËRDORIMIT

BLENDER

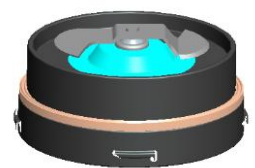
Modeli: TM-6003



Blenderi



Jesët e enës për blendim



Pjesët e prerësit të blenderit

UDHËZIME TË RËNDËSISHME TË SIGURISË

Para përdorimit të kësaj pajisjeje elektrike duhet gjithmonë të përmbushen parakushtet të cilat përfshijnë si në vijim:

1. Lexoni këto udhëzime.
2. Para përdorimit kontrolloni nëse tensioni i pajisjes i përgjigjet tensionit në prizën e murit.
 1. Mos lejoni që kablli i rrymës gjatë përdorimit të mos varet nga tehu i tavolinës, sipërfaqja e punës ose afër çfarëdo mjeti ngrohës.
 2. Mos e përdorni pajisjen me kablllo të dëmtuar ose prizë të dëmtuar ose nëse pajisja ndalon së punuari ose është dëmtuar në çfarëdo mënyre. Ktheni pajisjen në servis në më të afërm të autorizuar për riparim ose ndërrim.
 3. Nëse kablli i rrymës dëmtohet, atë mund t'a ndërrojë vetëm personi i autorizuar në servis ose ndonjë person tjetër i kualifikuar, për të shmangur lëndimet e mundshme.
4. Nevojitet mbikëqyrje nëse pajisjen e përdorin fëmijët ose nëse pajisja përdoret në afërsinë e tyre.
5. Shmangni kontaktin me pjesët të cilat lëvizin.
6. Mbani duart ose ndihmesat e kuzhinës largë nga blenderi deri sa është në funksion për të zvogëluar rrezikun nga lëndimet serioze ose për shkak të dëmtimit të blenderit. Gëdhendësin për ushqim mund ta përdorni vetëm nëse pajisja nuk është në funksion.
7. Përdorimi i shtojcave të cilat nuk rekomandohen ose nuk blihen te prodhuesi mund të shkaktojnë zjarr, goditje të rrymës ose lëndime te përdoruesi.
8. Shkyqni pajisjen nga rryma kur nuk është në përdorim, para montimit ose çmontimit të pjesëve, si dhe para pastrimit. Për të shkyqur pajisjen shtypni cilindro buton në 'off+', pastaj hiqni pajisjen nga foleja e murit, duke tërhehequr prizën jo vetëm kabllin.
9. Për të zvogëluar rrezikun nga lëndimet, gjithmonë vendosni enën në mënyrë të drejtë.
10. Kjo pajisje nuk është e parashikuar për përdorim nga personat me aftësi të zvogëluara psikike, ndijore ose mendore (duke përfshirë edhe fëmijët) ose me mungesë të njohurive ose përvojës për përdorim të sigurtë nga personat përgjegjës për sigurinë e tyre.
11. Fëmijët duhet të jenë nën mbikëqyrje për t'u siguruar që të mos luajnë me pajisjen.
12. Mos e lini pajisjen që të punojë pa mbikëqyrje.
13. Kur e hiqni blenderin nga njësia motorike, pritni që prerëset të ndalen tërësisht.
14. Gjithmonë përdoreni blenderin me kapak të vendosur.
15. Gjithmonë përdoreni blenderin në bazë të thatë, të sigurtë dhe të rrafshët.
16. Kurrë mos e lini pajisjen në ose afër gazit të nxehtë, ose ngrohësve elektrik ose aty mund të vijë në kontakt me pajisje të ngrohta.
17. Mos e përdorni në ambient të hapur.

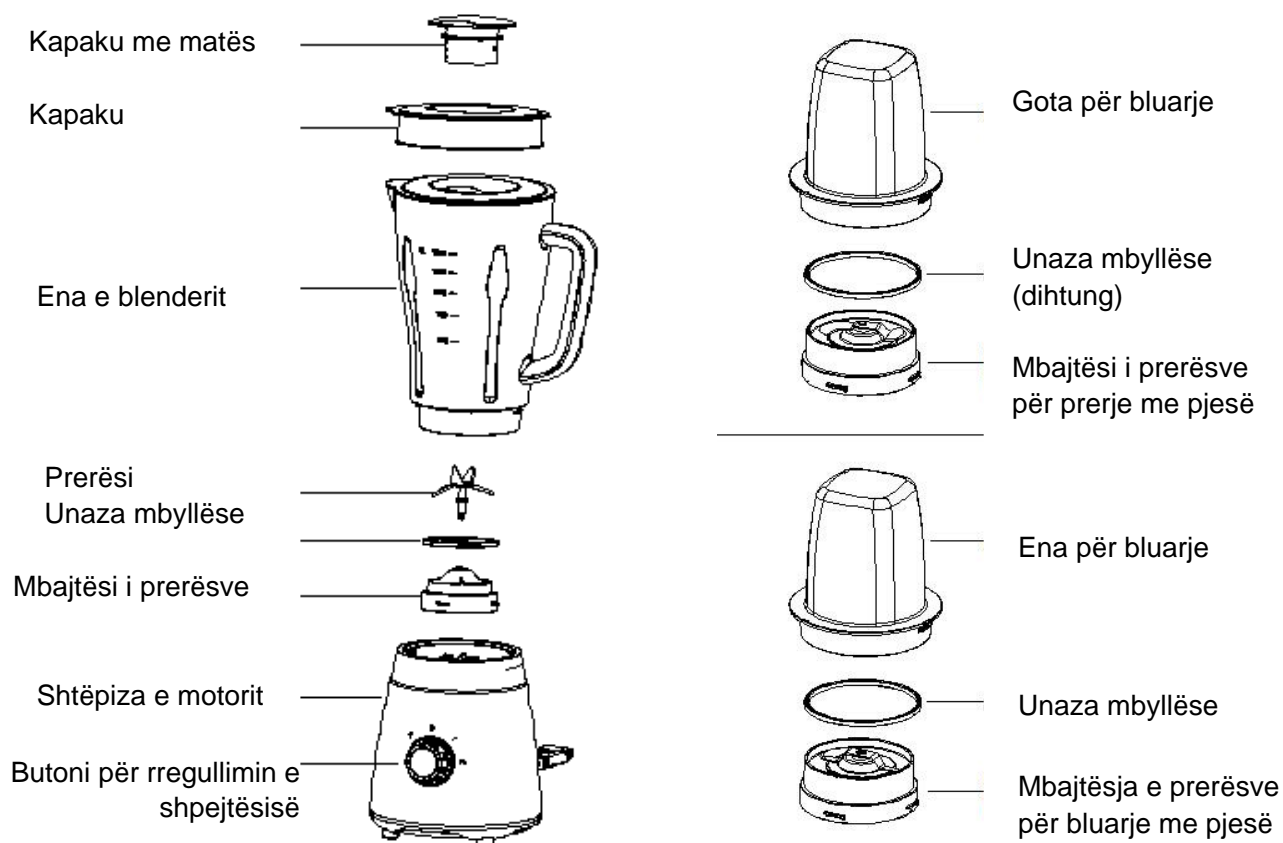
18. Përdoreni pajisjen vetëm për qëllimet e parashikuara.

VËREJTJE: Lëndimet e mundshme në rast të përdorimit jo të drejtë. Kini kujdes kur punoni me prerës të mprehtë, gjatë derdhjes së enës ose gjatë pastrimit.

KUJDES: Kontrolloni nëse keni shkyqur pajisjen para se të hiqni enën nga mbajtësja. Shkyqeni pajisjen nga rryma para ndërrimit të shtojcave dhe kur i afroheni pjesëve të cilat sillen deri sa janë në funksion.

VETËM PËR PËRDORIM NË AMVISËRI

NJIHUNI ME BLENDERIN TUAJ



Njësia kryesore/Komponentat e gotës

(Foto 1A)

(Foto 1)

BUTONI PËR RREGULLIMIN E SHPEJTËSISË

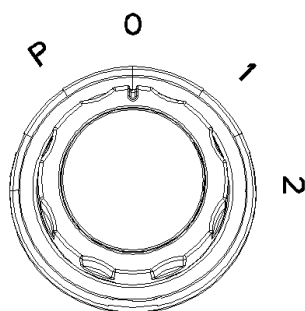


图 1

Foto 2

PËRDORIMI I BLENDERIT

Para përdorimit të parë

1. Para përdorimit të parë, çmontoni pajisjen dhe vendosni të gjitha pjesët në sipërfaqe horizontale.
2. Ena me shtojca (Foto 1, duke përfshirë gotën me masë, kapak, unazën mbyllëse, enën, shtëpizën me prerës) është vendosur në shtëpizën e motorit. Ju lutemi konsultoni pjesën PASTRIMI DHE MIRËMBAJTJA.

3. Ndani pjesët nga ena për bluarje (duke përfshirë enën për bluarje, unazën mbyllëse, mbajtësen e prerësve për bluarje), dhe gjithashtu edhe pjesët për prerje (duke përfshirë prerësin, unazën mbyllëse, mbajtësin për prerje për grirje) (si në Foton 1A). Ju lutemi që të konsultoni pjesën PASTRIMI DHE MIRËMBAJTJA.

4. Pasi që të keni pastruar të gjitha pjesët dhe ti thani tërësisht, montoni përsëri.

5. Lakoni enën dhe vendosni në sipërfaqe të rrafshët, duke e mbajtur dorezën e enës, vendosni unazën mbyllëse dhe shtojcën me prerës në fund të enës dhe siguroni mbajtësin me prerës duke e sillur në drejtim të kundërt me treguesit e orës deri sa të mbyllet mirë. (Shih foton 3.).

6. Përsëri vendosni enën me shtojca të kthyer lartë, pastaj vendosni kapakun në enë. Vendosni gotën për matje në hapësirën në mes të kapakut dhe silleni enën në drejtim të treguesve të orës deri sa të mbyllet mirë. (Shih foton 4.).

1. Në fund, vendosni enën me shtojca në shtëpizën e motorit, duke rrafshuar indikatorët në fund të enës dhe shtrëngoni mirë. (shih foton 5).

2. Bashkoni pjesët e enës për bluarje. Vendosni unazën mbyllëse për bluarje në mbajtëse me prerës për bluarje, pastaj vendosni në enën për bluarje. Ktheni mbajtësin me prerës në drejtim të kundërt me treguesit e orës për t'u siguruar se janë vendosur mirë (Shih foton 5A)

3. Bashkoni pjesët e enës për grirje- Vendosni unazën mbyllëse të enës në pjesët me prerës për grirje dhe vendoseni në enën për grirje. Ktheni mbajtësen e prerësve në drejtim të kundërt me treguesit e orës për t'u siguruar se është vendosur mirë. (Shih foton 5B).

Vërejtje: është vetëm një enë për bluarje dhe ajo përdoret edhe me shtojca dhe mbajtësen për prerës për grirje.

Kur duhet të bluani ose të grini ushqimin, ju lutemi silleni në drejtim të kundërt me treguesit e orës dhe së pari hiqeni enën nga shtëpiza e motorit (Shih foton 5C), pastaj vendosni enën për bluarje ose grirje në shtëpizën e motorit dhe shtrëngoni fort në drejtim të kundërt me treguesit e orës që të siguroheni se është vendosur mirë. (Shih foton 5D)

KUJDES: Ena dhe baza tani janë të sigurta. Mos provoni që të sillni fundin e enës në njësinë motorike.

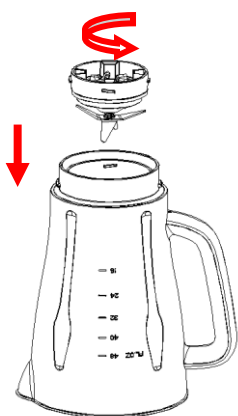


Foto 3

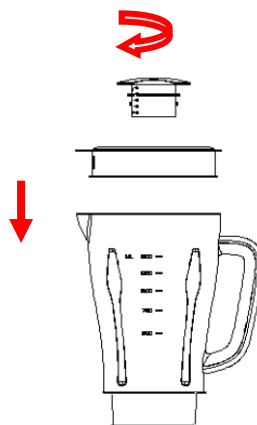


Foto 4

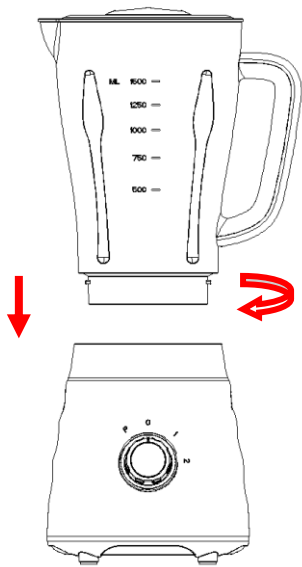


Foto 5

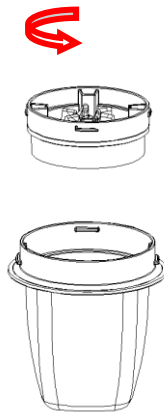


Foto 5A

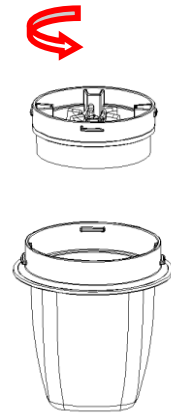


Foto 5B

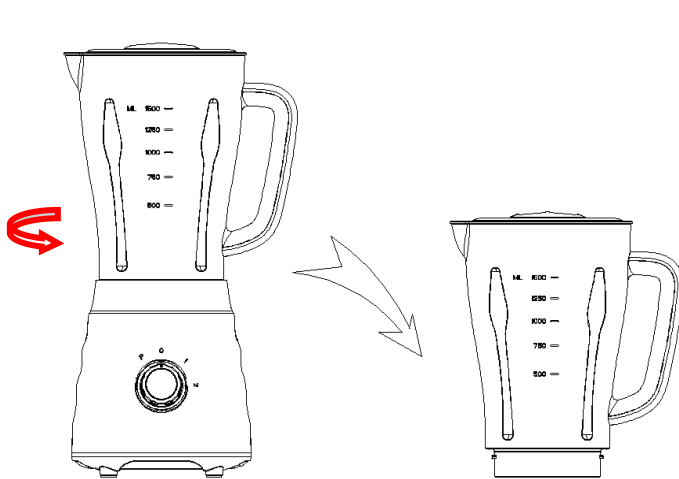


Foto 5C

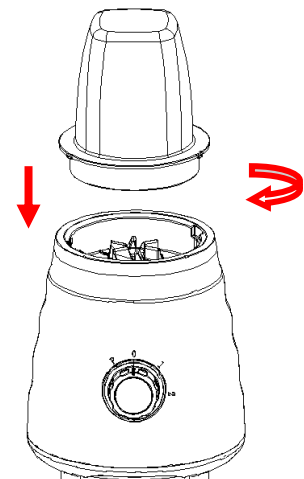


Foto 5D

Si të përdorni blenderin

Përdorimi i enës:

1. Qëroni pemët dhe perimet dhe nxirni farat, pastaj preni në katrorë të vegjël.
2. Vendosni ushqimin në enën e blenderit (Shih Foton 6). Zakonisht duhet të shtohet një sasi e caktuar e ujit të pastër për të lehtësuar punën e blenderit. Proporcioni i ushqimit dhe ujit është 2:3. Sasia e përbërësve për përpunim nuk duhet të tejkalojë nivelin maksimal të shënuar në enë.

RECETA

LLOJI I USHQIMIT	UDHËZIMI	PESHA	SHPEJTËSIA
Karrota (molla, dardha, etj.)	Të pritet në katrorë me madhësi prej 15mm*15mm*15mm	Karrota: 600g Ujë: 900g	Shpejtësia e lartë

Vërejtje: asnjëherë mos përdorni lëng të vluar as mos e lini pajisjen në funksion deri sa të jetë e zbrazët.

3. Vendosni kapakun në enë. Kontrolloni nëse gota për matje është vendosur në hapësirën e kapakut.
4. Vendosni kabllin në prizë standarde të murit.
5. Sillni butonin për rregullimin e shpejtësisë në nivelin e dëshiruar.
6. Për bluarje të shpejta ose të vrazhda, ktheni rregullatorin e shpejtësisë në pozicionin P dhe mbani për disa sekonda, pastaj lironi.

Rregullatori i shpejtësisë automatikisht do të kthehet në pozicionin 0. Nëse nevojitet, përsëritni procesin disa herë deri sa të merrni rezultatin e dëshiruar. Nëse dëshironi që të shtoni ndonjë përbërës deri sa blenderi është duke punuar, hiqni gotën për matje nga maja e kapakut dhe nëpër hapësirë shtoni përbërësit. (Shih foton 7)

7. Kur ushqimi përpunohet në harmoni me nevojat tuaja, vendosni rregullatorin në pozicionin O.

Vërejtje: 1) Te çdo përdorim, puna në kontinuitet nuk duhet të kalojë 3 minuta. Më së paku 10 minuta duhet që të lihet të ftohet në mes të dy cikleve të një pas njëshme të punës, pritni që pajisja të ftohet në nivel të temperaturës së dhomës para se të vazhdoni punën.

2) Nëse dëshironi të ndaloni punën e makinës gjatë përdorimit, vendosni rregullatorin në pozicionin O në çdo moment.

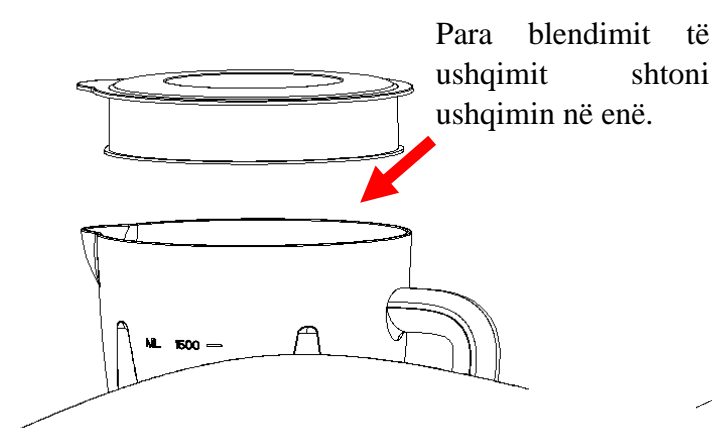


Foto 6

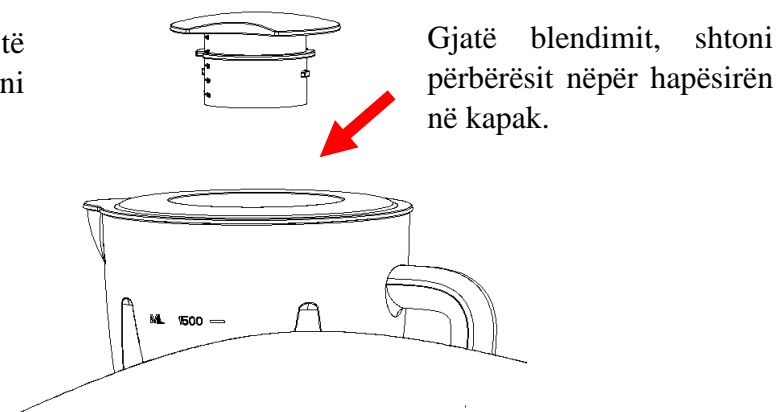


Foto 7

Këshilla të rëndësishme

Për rotacionin më të mirë të ushqimit i cili duhet të përzihet me lëngje, hidhni në enë së pari lëngun, pastaj shtoni ushqimin e fortë.

Disa nga funksionet të cilat nuk mund të kryhen në mënyrë efikase në blender janë: përzierja e të bardhëve të vezëve, kremi, pureja e patateve, bluarja e mishit, përzierja e brumit, shtrydhja e lëngut nga pemët dhe perimet.

Përbërësit në vazhdim kurrsesi nuk duhet të vendosen në blender sepse mund të dëmtojnë pajisjen: eshtrat, pjesët e mëdha të ushqimit të fortë ose të ngrirë.

Përdorimi i enës për bluarje:

1. Ktheni hapësirën e enës për bluarje për t'a bashkuar me mbajtësen me prerës dhe vendosne në sipërfaqe të punës të kthyer nga lartë.
2. Vendosni ushqimin për bluarje në enë (rreth 50 gram) dhe mbylleni mirë mbajtësin me prerës pastaj mbylleni në shtëpizën e motorit;

3. Vendosni kabllin në prizën standarde të murit;
4. Ktheni rregullatorin e shpejtësisë në nivelin e dytë (zakonisht nevojiten rreth 30 sekonda pune). Kur të merrni rezultatin të cilin e dëshironi, ktheni rregullatorin në pozicionin O.

Përdorimi i enës për prerje:

1. Ktheni hapësirën e enës për prerje për t'a bashkuar me mbajtësin për prerës dhe vendoseni në sipërfaqe të punës të kthyer nga lartë.
2. Vendosni ushqimin për prerje në enë (rreth 50 gram) dhe mbylleni mirë mbajtësin me prerës, pastaj mbylleni në shtëpizën e motorit;
3. Kyqeni kabllin në prizën standarde të murit;
4. Ktheni rregullatorin e shpejtësisë në nivelin e dytë (zakonisht nevojiten rreth 30 sekonda punë). Kur të arrini rezultatin e dëshiruar, ktheni rregullatorin në pozicionin O.

PASTRIMI DHE MIRËMBAJTJA

Kjo pajisje nuk përmban pjesë të cilat mund të ndërrohen nga përdoruesi. Pajisjen dërgone te personi i kualifikuar për riparim.

1. Para pastrimit, hiqeni blenderin nga rryma.
2. Gjithmonë lani menjëherë pas përdorimit për shkak të pastrimit më të lehtë. Mos lejoni që të thahet në enë sepse kjo mund të vështirësojë pastrimin.
3. Hidhni pak ujë të ngrohtë me sapun në enë dhe ktheni rregullatorin e shpejtësisë në pozicionin P për disa sekonda, pastaj zbrazeni enën.
4. Çmontoni të gjitha pjesët që mund të çmontohen. Ngritni enën nga njësia motorike. Hiqeni njësinë me prerës nga ena ashtu që do ta ktheni në drejtim të treguesve të orës dhe largoni unazën mbyllëse 2 dhe prerësin (shih foton 8). Pas kësaj, hiqni edhe unazën mbyllëse 1 nga fundi i kapakut.
5. Kur të çmontoni pjesët për bluarje ose prerje, ju lutemi që së pari të hiqni enën nga shtëpiza e motorit, pastaj pjesët e ndashme me prerës për bluarje ose grirje duke i kthyer në drejtim të treguesve të orës dhe në fund hiqni unazën mbyllëse dhe mbajtësin me prerës (Shih foton 8A).

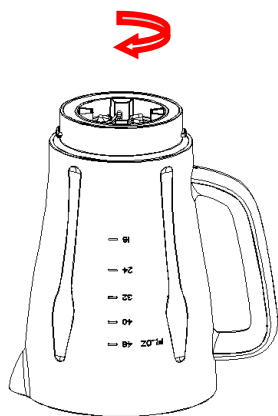


Foto 8

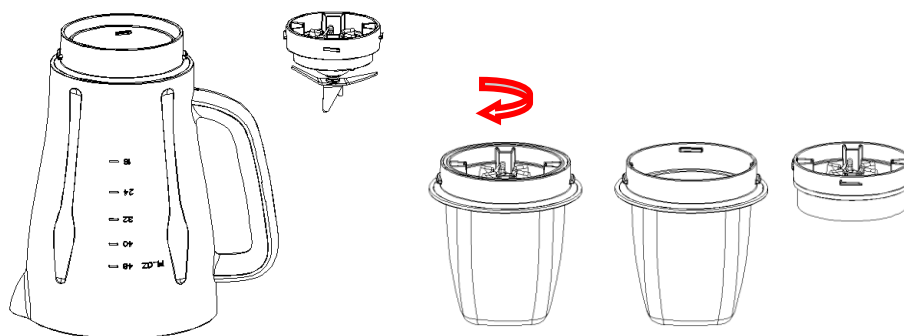


Foto 8A

6. Lani gotën për matje, kapakun, enën, unazën mbyllëse, mbajtësin me prerës për bluarje, mbajtësin me prerës për grirje, me dorë ose në enëlarëse. Këto pjesë janë të sigurta për larje në enëlarëse, por temperatura nuk duhet të tejkalojë 70°C.
7. Pastroni prerësin me ujë të ngrohtë, me sapun dhe lani tërësisht me ujë të rrjedhshëm. Mos e prekni prerësin e mprehtë dhe përdoreni atë me kujdes. Mos e futni prerësin në ujë. Pas larjes kthene mbrapshtë dhe lili le të thahet, sa më largë nga fëmijët.
8. Fshini njësinë motorike me leckë të lagur dhe thani tërësisht. Pastroni njollat e forta me ndonjë

pastrues abraziv. Nëse ndodh që lëngu të derdhet në njësinë motorike, së pari hiqeni pajisjen nga rryma, pastaj fshinë tërësisht me leckë të thatë dhe lini le të thahet.

KUJDES

- 1- Mos e futni njësinë motorike në ujë për të shmangur rrezikun nga goditja elektrike.**
- 2- Mos përdorni furça të forta për pastrim dhe mjete të forta pastrimi.**
- 3- Mos e vendosni njësinë me motor në enëlarëse për ta pastruar. Kjo pjesë nuk është e përshtatshme për larje në enëlarëse.**

12 muaj garancion

Ovaj dokument je originalno proizveden i objavljen od strane proizvođača, brenda Vox, i preuzet je sa njihove zvanične stranice. S obzirom na ovu činjenicu, Tehnoteka ističe da ne preuzima odgovornost za tačnost, celovitost ili pouzdanost informacija, podataka, mišljenja, saveta ili izjava sadržanih u ovom dokumentu.

Napominjemo da Tehnoteka nema ovlašćenje da izvrši bilo kakve izmene ili dopune na ovom dokumentu, stoga nismo odgovorni za eventualne greške, propuste ili netačnosti koje se mogu naći unutar njega. Tehnoteka ne odgovara za štetu nanесenu korisnicima pri upotrebi netačnih podataka. Ukoliko imate dodatna pitanja o proizvodu, ljubazno vas molimo da kontaktirate direktno proizvođača kako biste dobili sve detaljne informacije.

Za najnovije informacije o ceni, dostupnim akcijama i tehničkim karakteristikama proizvoda koji se pominje u ovom dokumentu, molimo posetite našu stranicu klikom na sledeći link:

<https://tehnoteka.rs/p/vox-blender-tm-6003-akcija-cena/>