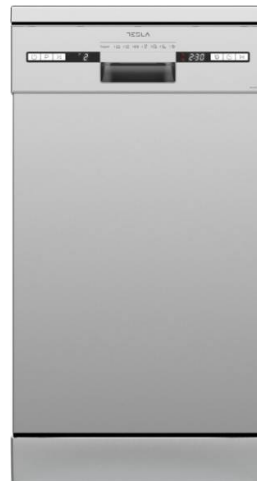


## Uputstvo za upotrebu

TESLA mašina za pranje sudova WD460MX

TESLA



Tehnoteka je online destinacija za upoređivanje cena i karakteristika bele tehnike, potrošačke elektronike i IT uređaja kod trgovinskih lanaca i internet prodavnica u Srbiji. Naša stranica vam omogućava da istražite najnovije informacije, detaljne karakteristike i konkurentne cene proizvoda.

Posetite nas i uživajte u ekskluzivnom iskustvu pametne kupovine klikom na link:

<https://tehnoteka.rs/p/tesla-masina-za-pranje-sudova-wd460mx-akcija-cena/>

TESLA

# DISHWASHER

WD460M

WD460MX

## User Manual

ENG

BiH/  
CG

MK

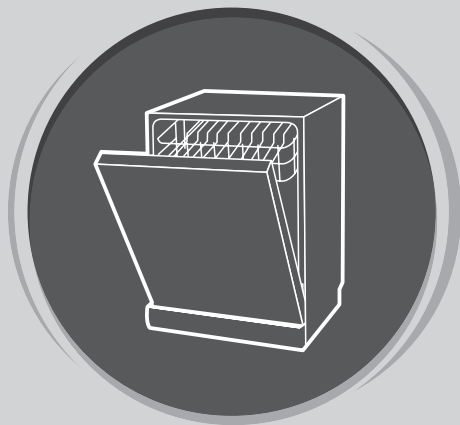
RO

SRB



Product images are for illustrative purposes only and may differ from the actual product.





# **DISHWASHER**

## User Manual

### **PART I: GENERIC VERSION**

Please read this manual carefully before using the dishwasher and  
Keep this manual for future reference.

# SAFETY INSTRUCTIONS

## WARNING!

When using your dishwasher, follow the precautions listed below:

- This appliance is intended to be used in household and similar applications such as:
  - staff kitchen areas in shops, offices and other working environments;
  - farm houses;
  - by clients in hotels, motels and other residential type environments;
  - bed and breakfast type environments.
- This appliance can be used by children aged from 8 years and above and persons with reduced physical, sensory or mental capabilities or lack of experience and knowledge if they have been given supervision or instruction concerning use of the appliance in a safe way and understand the hazards involved. Children should not play with the appliance. Cleaning and user maintenance should not be done by children without supervision. (For EN60335-1)
- This appliance is not intended for use by persons (including children) with reduced physical, sensory or mental capabilities, or lack of experience and knowledge, unless they have been given supervision or instruction concerning use of the appliance by a person responsible for their safety. (For IEC60335-1)
- Packaging material could be dangerous for children! This appliance is for indoor household use only.
- To protect against the risk of electrical shock, do not immerse the unit, cord or plug in water or other liquids. Please unplug before cleaning and performing maintenance on the appliance.
- Use a soft cloth moistened with mild soap, and then use a dry cloth to wipe it again.

## Grounding Instructions

- This appliance must be grounded. In the event of a malfunction or breakdown, grounding will reduce the risk of an electric shock by providing a path of least resistance for the electric current. This appliance is equipped with a grounding conductor plug.
- The plug must be plugged into an appropriate outlet that is installed and grounded in accordance with all local codes and ordinances.
- Improper connection of the grounding conductor can result in the risk of an electric shock.
- Check with a qualified electrician or service representative if you are in doubt whether the appliance is properly grounded.
- Do not modify the plug provided with the appliance; If it does not fit the outlet.
- Have a proper outlet installed by a qualified electrician.
- Do not abuse, sit on, or stand on the door or dish rack of the dishwasher.

- Do not operate your dishwasher unless all enclosure panels are properly in place.
- Open the door very carefully if the dishwasher is operating, there is a risk of water squirting out.
- Do not place any heavy objects on, or stand on the door when it is open. The appliance could tip forward.
- When loading items to be washed:
  1. Locate sharp items so that they are not likely to damage the door seal;
  2. Warning: Knives and other utensils with sharp points must be loaded in the basket with their points facing down or placed in a horizontal position.
- Some dishwasher detergents are strongly alkaline. They can be extremely dangerous if swallowed. Avoid contact with the skin and eyes and keep children away from the dishwasher when the door is open.
- Check that the detergent powder case is empty after completion of the wash cycle.
- Do not wash plastic items unless they are marked "dishwasher safe" or equivalent.
- For plastic items not so marked, check the manufacturer's recommendations.
- Use only detergents and rinse agents recommended for use in an automatic dishwasher.
- Never use soap, laundry detergent, or hand washing detergent in your dishwasher.
- The door should not be left open, since this could increase the risk of tripping.
- If the supply cord is damaged, it must be replaced by the manufacturer or its service agent or a similarly qualified person in order to avoid a hazard.
- During installation, the power supply must not be excessively or dangerously bent or flattened.
- Do not tamper with controls.
- The appliance needs to be connected to the main water valve using new hose sets. Old sets should not be reused.
- To save energy, in standby mode, the appliance will switch off automatically when there is no operation for 30 minutes.

## Disposal



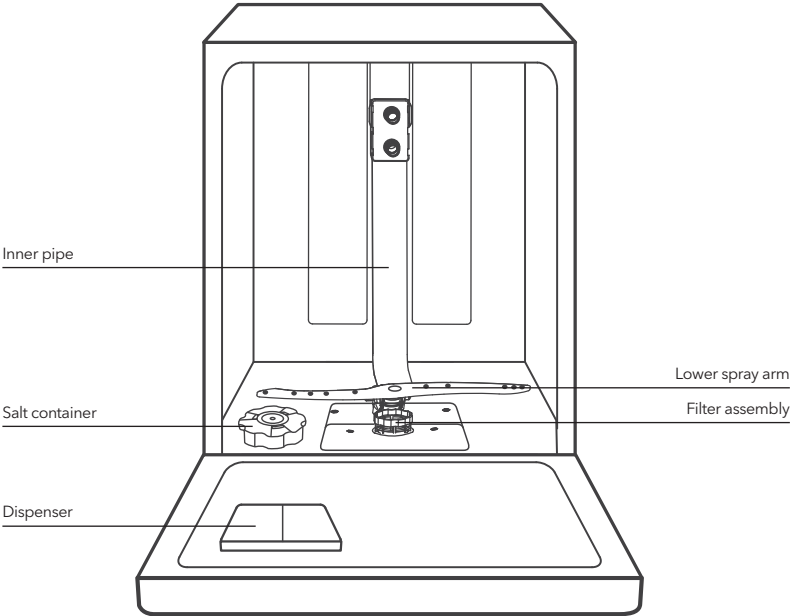
- For disposing of packaging and the appliance please go to a recycling center. Cut off the power supply cable and make the door closing device unusable.
- Cardboard packaging is manufactured from recycled paper and should be disposed of in a paper waste collection bin for recycling.
- By ensuring this product is disposed of correctly, you will help prevent potential negative consequences for the environment and human health, which could otherwise be caused by inappropriate waste handling of this product.

- For more detailed information about recycling of this product, please contact your local city office and your household waste disposal service.
- **DISPOSAL:** Do not dispose this product as unsorted municipal waste. Collection of such waste separately for special treatment is necessary.

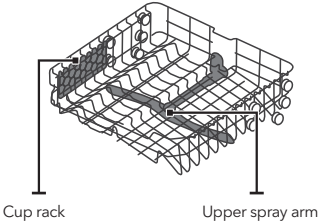
# PRODUCT OVERVIEW

**! IMPORTANT**

To get the best performance from your dishwasher, read all operating instructions before using it for the first time.



Cutlery basket



Cup rack      Upper spray arm  
Upper basket



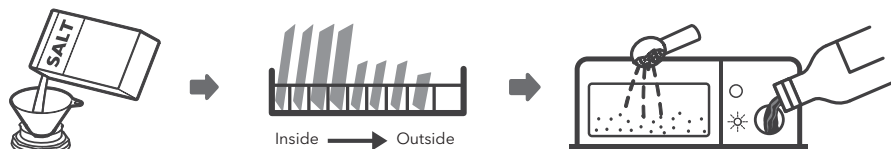
Lower basket

**≡ NOTE**

Pictures are only for reference; different models may be different. Please prevail in kind.

# USING YOUR DISHWASHER

Before using your dishwasher:



1. Set the water softener
2. Loading salt into the softener compartment
3. Loading the basket
4. Filling the dispenser

## NOTE

Please check the section 1 "Water Softener" of PART IV: Special Version, If you need to set the water softener .

## Loading The Salt Into The Softener

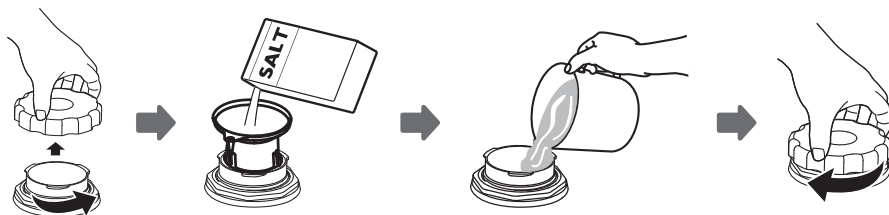
## NOTE

If your model does not have any water softener compartment, you may skip this section. Always use salt that is intended for dishwasher use. The salt container is located beneath the lower basket and should be filled as explained in the following:

## WARNING!

- **Only use salt specifically designed for dishwashers use!**  
Every other type of salt not specifically designed for dishwasher use, especially table salt, will damage the water softener compartment. In case of damages caused by the use of unsuitable salt the manufacturer does not give any warranty nor is liable for any damages caused.
- **Only fill with salt before running a cycle.**  
This will prevent any grains of salt or salty water, which may have been spilled, remaining on the bottom of the machine for any period of time, which may cause corrosion.

Please follow the steps below for adding dishwasher salt:



1. Remove the lower basket and unscrew the reservoir cap.
2. Place the end of the funnel (supplied) into the hole and pour in about 1.5kg of dishwasher salt.
3. Fill the salt container to its maximum limit with water, it is normal for a small amount of water to come out of the salt container.
4. After filling the container, screw back the cap tightly.
5. The salt warning light will stop shining after the salt container has been filled with salt.
6. Immediately after filling the salt into the salt container, a washing program should be started (We suggest using a short program). Otherwise the filter system, pump or other important parts of the machine may be damaged by salty water. This is void of warranty.

**NOTE**

- The salt container must only be refilled when the salt warning light (⚠) in the control panel comes on. Depending on how well the salt dissolves, the salt warning light may still be on even though the salt container is filled.
- If there is no salt warning light in the control panel (for some Models), you can estimate when to fill the salt into the softener by the cycles that the dishwasher has run.
- If salt has spilled, run a soak or quick program to remove it.

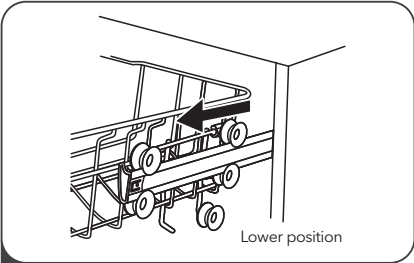
# Basket - user tips

## Adjusting the upper basket

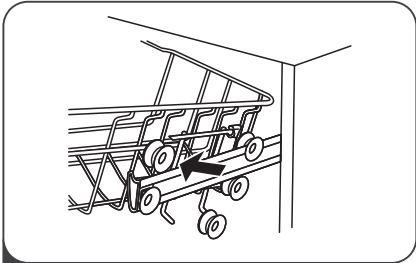
### Type 1:

The height of the upper basket can be easily adjusted to accommodate taller dishes in either the upper or lower basket.

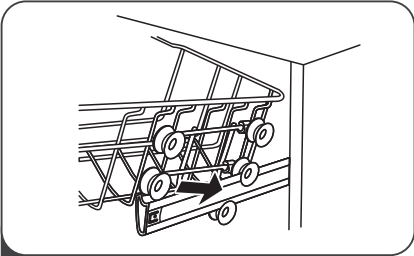
To adjust the height of the upper rack, follow these steps:



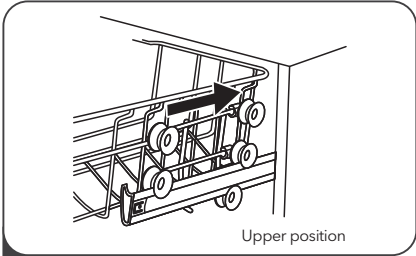
1 Pull out upper basket.



2 Remove upper basket.

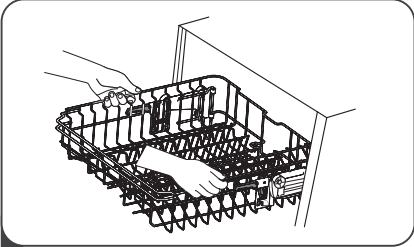


3 Re-attach upper basket to the upper or lower rollers.

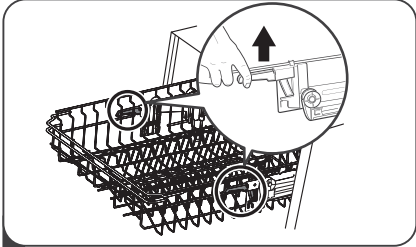


4 Push in upper basket.

### Type 2:



1 To raise the rack to the upper position, lift rack until both sides are at the same height. The rack will secure into place.

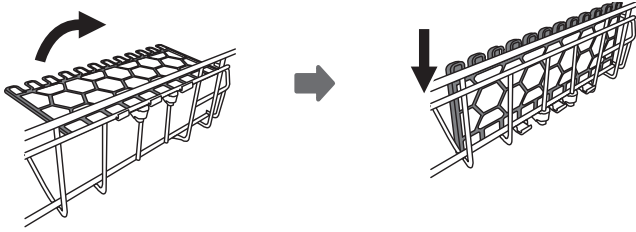


2 To lower the rack, push down on the handle and release.



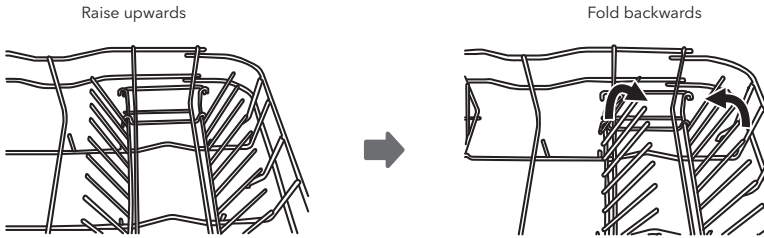
### Folding back the cup shelves

To make room for taller items in the dishwasher basket, raise the cup rack upwards. You can then lean the tall glasses against it. You can also remove it when it is not required for use.



### Folding back the rack shelves

The spikes are used for holding plates and a platter. They can be lowered to make more room for large items.



## MAINTENANCE AND CLEANING

### External Care

#### The door and door seal

Clean the door seals regularly with a soft damp cloth to remove food deposits. When the dishwasher is being loaded, food and drink residues may drip onto the sides of the dishwasher door. These surfaces are outside the wash cabinet and are not accessed by water from the spray arms. Any deposits should be wiped off before the door is closed.

#### The control panel

If cleaning is required, the control panel should be wiped with a soft damp cloth **ONLY**.

#### **WARNING!**

- To avoid penetration of water into the door lock and electrical components, do not use a spray cleaner of any kind.
- Never use abrasive cleaners or scouring pads on the outer surfaces because they may scratch the finish. Some paper towels may also scratch or leave marks on the surface.

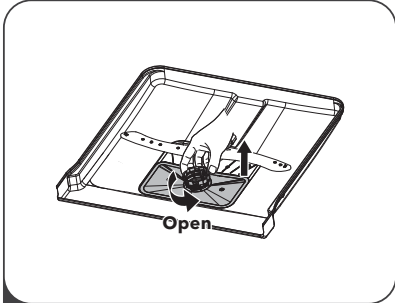
### Internal Care

#### Filtering system

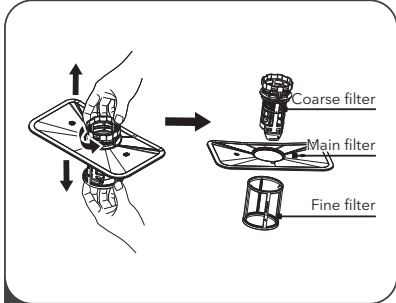
The filtering system in the base of the wash cabinet retains coarse debris from the washing cycle. The collected coarse debris may cause the filters to clog. Check the condition of the filters regularly and clean them if necessary under running water. Follow the steps below to clean the filters in the wash cabinet.

**NOTE**

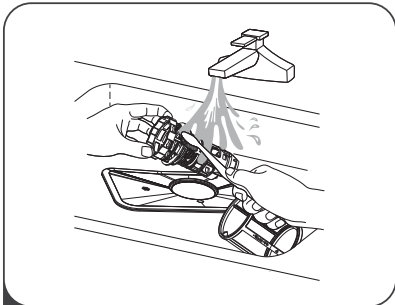
Pictures are only for reference, different models of the filtering system and spray arms may be different. Please prevail in kind.



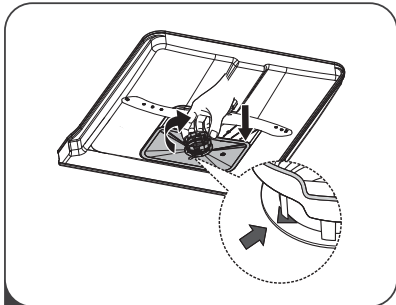
**1** Hold the coarse filter and rotate it counterclockwise to unlock the filter. Lift the filter upwards and out of the dishwasher.



**2** The fine filter can be pulled off the bottom of the filter assembly. The coarse filter can be detached from the main filter by gently squeezing the tabs at the top and pulling it away.



**3** Larger food remnants can be cleaned by rinsing the filter under running water. For a more thorough clean, use a soft cleaning brush.



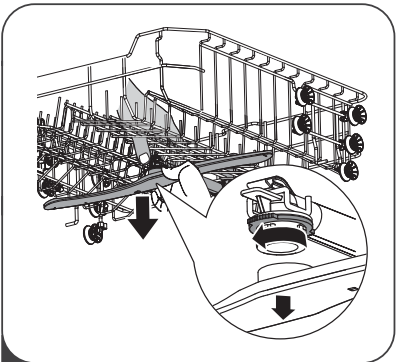
**4** Reassemble the filters in the reverse order of the disassembly, replace the filter insert, and rotate clockwise to the close arrow.

**WARNING!**

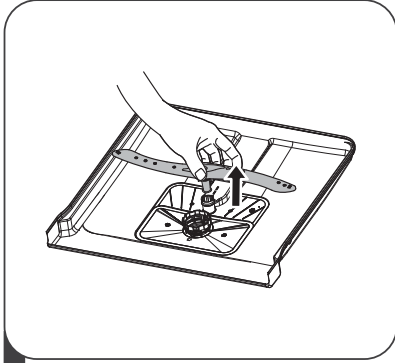
- Do not over tighten the filters. Put the filters back in sequence securely, otherwise coarse debris could get into the system and cause a blockage.
- NEVER use the dishwasher without filters in place. Improper replacement of the filter may reduce the performance level of the appliance and damage dishes and utensils.

**Spray arms**

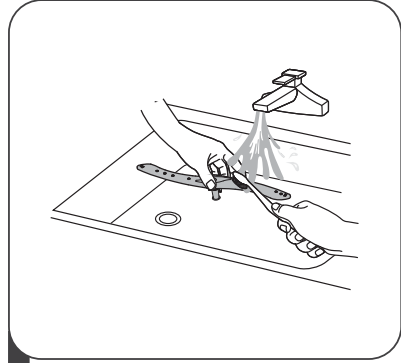
It is necessary to clean the spray arms regularly for hard spray arm jets and bearings. To clean the spray arms, follow the instructions:



**1** To remove the upper spray arm, hold the nut in the center still and rotate the spray arm counterclockwise to remove it.



**2** To remove the lower spray arm, pull out the spray arm upward.



**3** Wash the arms in soapy and warm water and use a soft brush to clean the jets. Replace them after rinsing them thoroughly.

## Caring For The Dishwasher

### Frost precaution

Please take frost protection measures on the dishwasher in winter. After every washing cycles, please operate as follows:

1. Cut off the electrical power to the dishwasher at the power source.
2. Turn off the water supply and disconnect the water inlet pipe from the water valve.
3. Drain the water from the inlet pipe and water valve. (Use a pan to gather the water)
4. Reconnect the water inlet pipe to the water valve.
5. Remove the filter at the bottom of the tub and use a sponge to soak up water in the sump.

### After every wash

After every wash, turn off the water supply to the appliance and leave the door slightly open so that moisture and odours are not trapped inside.

### Remove the plug

Before cleaning or performing maintenance, always remove the plug from the socket.

### No solvents or abrasive cleaning

To clean the exterior and rubber parts of the dishwasher, do not use solvents or abrasive cleaning products. Only use a cloth with warm soapy water.

To remove spots or stains from the surface of the interior, use a cloth dampened with water and a little vinegar, or a cleaning product made specifically for dishwashers.

### When not in use for a longtime

It is recommended that you run a wash cycle with the dishwasher empty and then remove the plug from the socket, turn off the water supply and leave the door of the appliance slightly open. This will help the door seals to last longer and prevent odours from forming within the appliance.

### Moving the appliance

If the appliance must be moved, try to keep it in the vertical position. If absolutely necessary, it can be positioned on its back.

# INSTALLATION INSTRUCTION

## WARNING!



### Electrical Shock Hazard

Disconnect electrical power before installing dishwasher.  
Failure to do so could result in death or electrical shock.

## ATTENTION!

The installation of the pipes and electrical equipments should be done by professionals.

## About Power Connection

### WARNING!

- For personal safety:
- Do not use an extension cord or an adapter plug with this appliance.
- Do not, under any circumstances, cut or remove the grounding connection from the power cord.

### Electrical requirements

Please look at the rating label to know the rating voltage and connect the dishwasher to the appropriate power supply. Use the required fuse 10A/13A/16A, time delay fuse or circuit breaker recommended and provide separate circuit serving only this appliance.

### Electrical connection

Ensure the voltage and frequency of the power being corresponds to those on the rating plate. Only insert the plug into an electrical socket which is grounded properly. If the electrical socket to which the appliance must be connected is not appropriate for the plug, replace the socket, rather than using a adaptors or the like as they could cause overheating and burns.

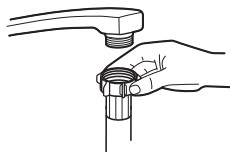
 **Ensure that proper grounding exists before use.**

## Water Supply and Drain

### Cold water connection

Connect the cold water supply hose to a threaded 3/4(inch) connector and make sure that it is fastened tightly in place.

If the water pipes are new or have not been used for an extended period of time, let the water run to make sure that the water is clear. This precaution is needed to avoid the risk of the water inlet to be blocked and damage the appliance.



Ordinary supply hose



Safety supply hose

### About the safety supply hose

The safety supply hose consists of double walls. The hose's system guarantees its intervention by blocking the flow of water in case of the supply hose breaking and when the air space between the supply hose itself and the outer corrugated hose is full of water.

## WARNING!

A hose that attaches to a sink spray can burst if it is installed on the same water line as the dishwasher. If your sink has one, it is recommended that the hose be disconnected and the hole plugged.

**How to connect the safety supply hose**

1. Pull the safety supply hoses completely out from storage compartment located at the rear of dishwasher.
2. Tighter the screws of the safety supply hose to the faucet with thread 3/4inch.
3. Turn water fully on before starting the dishwasher.

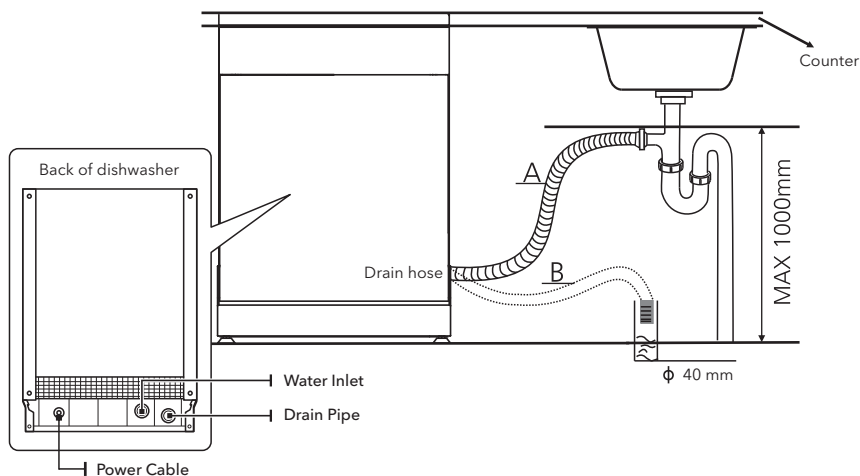
**How to disconnect the safety supply hose**

1. Turn off the water.
2. Unscrew the safety supply hose from the faucet.

## Connection of Drain Hoses

Insert the drain hose into a drain pipe with a minimum diameter of 4 cm, or let it run into the sink, making sure to avoid bending or crimping it. The height of drain pipe must be less than 1000mm. The free end of the hose must not be immersed in water to avoid back flow.

**⚠** Please securely fix the drain hose in either position A or position B

**How to drain excess water from hoses**

If the sink is 1000 higher from the floor, the excess water in hoses cannot be drained directly into the sink. It will be necessary to drain excess water from hoses into a bowl or suitable container that is held outside and lower than the sink.

**Water outlet**

Connect the water drain hose. The drain hose must be correctly fitted to avoid water leaks. Ensure that the water drain hose is not kinked or squashed.

**Extension hose**

If you need a drain hose extension, make sure to use a similar drain hose. It must be no longer than 4 meters; otherwise the cleaning effect of the dishwasher could be reduced.

**Syphon connection**

The waste connection must be at a height less than 100 cm (maximum) from the bottom of the dish. The water drain hose should be fixed.

## Position The Appliance

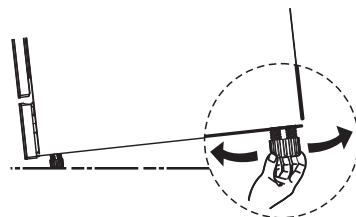
Position the appliance in the desired location. The back should rest against the wall behind it, and the sides, along the adjacent cabinets or walls. The dishwasher is equipped with water supply and drain hoses that can be positioned either to the right or the left sides to facilitate proper installation.

### Levelling the appliance

Once the appliance is positioned for levelling, the height of the dishwasher may be altered via adjustment of the screwing level of the feet.

#### NOTE

Only apply to the free standing dishwasher.

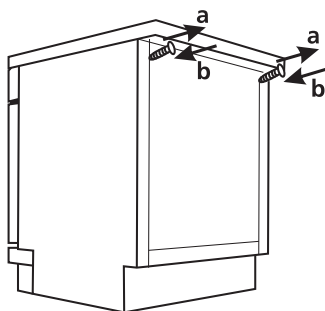
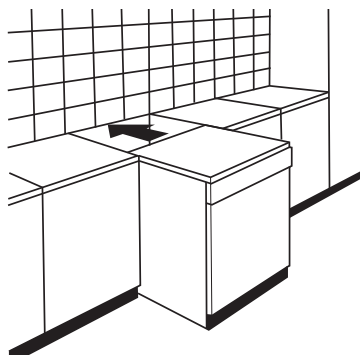


## Free Standing Installation

### Fitting between existing cabinets

The height of the dishwasher, 845 mm, has been designed in order to allow the machine to be fitted between existing cabinets of the same height in modern fitted kitchens. The feet can be adjusted so that correct height is reached.

The laminated top of the machine does not require any particular care since it is heatproof, scratchproof and stain proof.



### Underneath existing work top

(when fitting beneath a work top)

In most modern fitted kitchens there is only one single work top under which cabinets and electrical appliances are fitted. In this case remove the work top of the dishwasher by unscrewing the screws under the rear edge of the top (a).

#### ATTENTION!

After removing the work top, the screws **MUST BE** screwed in again under the rear edge of the top (b).

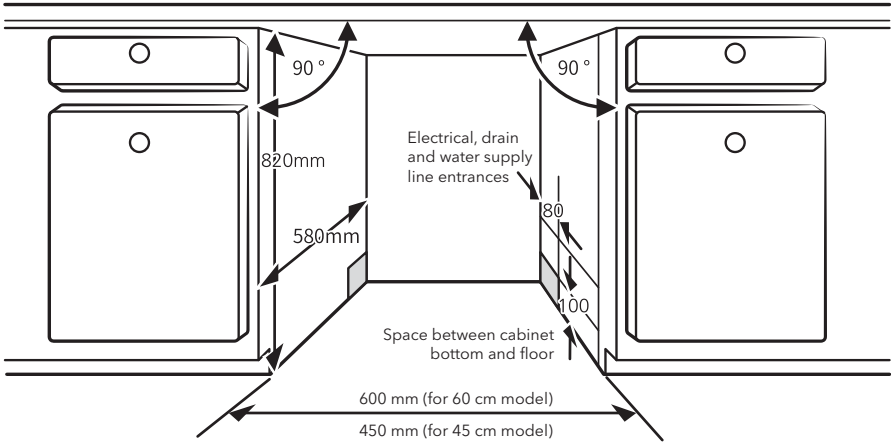
The height will then be reduced to 815 mm, as designated by the International Regulations (ISO) and the dishwasher will fit perfectly under the kitchen working top.

## Built-In Installation (for the integrated model)

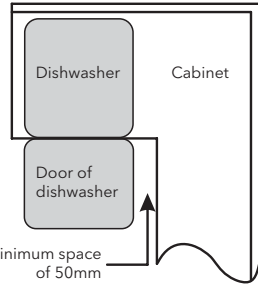
### Step 1. Selecting the best location for the dishwasher

The installation position of dishwasher should be near the existing inlet and drain hoses and power cord. Illustrations of cabinet dimensions and installation position of the dishwasher.

1. Less than 5 mm between the top of dishwasher and cabinet and the outer door aligned to cabinet.



2. If dishwasher is installed at the corner of the cabinet, there should be some space left for when the door is opened.



**NOTE**

Depending on where your electrical outlet is, you may need to cut a hole in the opposite cabinet side.

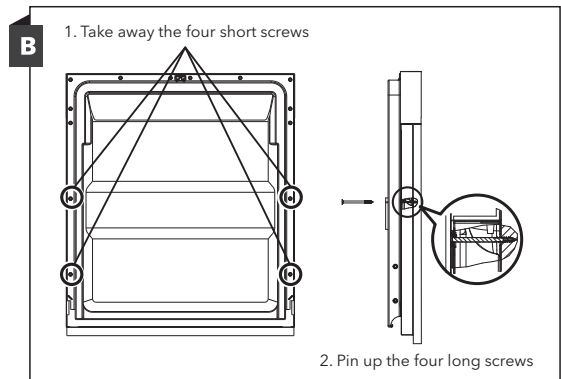
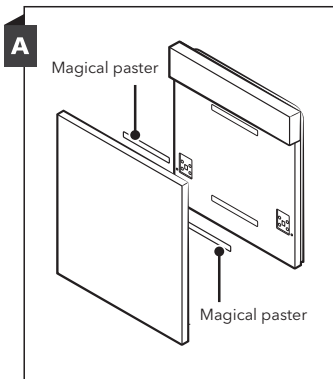
**Step 2. Aesthetic panel's dimensions and installation**

**NOTE**

The aesthetic wooden panel could be processed according to the installation drawings.

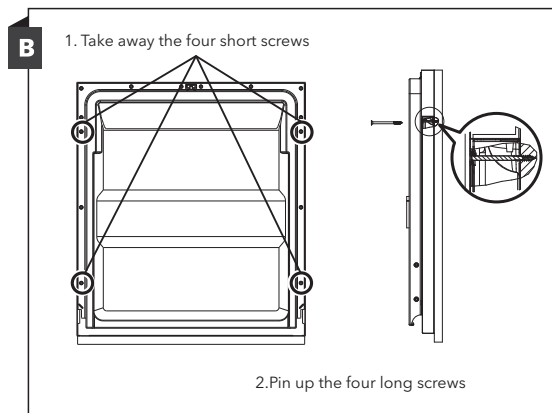
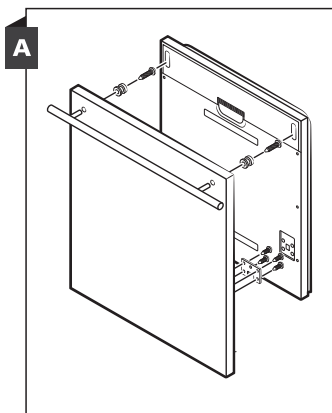
**Semi-integrated model**

Connector A and connector B can be fitted as following: connector A on the aesthetic wooden panel and connector B on the outer door of the dishwasher (see figure A). After positioning the panel, fix the panel onto the outer door by screws and bolts (See figure B).



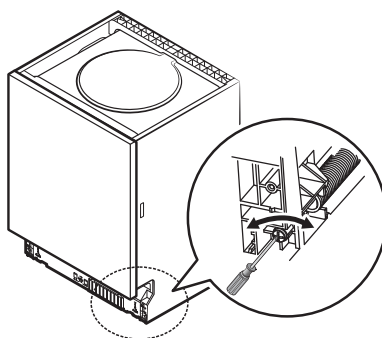
### Full-integrated model

Install the hook on the aesthetic wooden panel and put the hook into the slot of the outer door of dishwasher (see figure A). After positioning of the panel, fix the panel onto the outer door by screws and bolts (See figure B).



### Step 3. Tension adjustment of the door

1. The door springs are set at the factory to
2. the proper tension for the outer door. If an aesthetic wooden panel is installed, you will have to adjust the door spring tension. Rotate the adjusting screw to drive the adjuster to strain or relax the steel cable. Door spring tension is correct when the door remains horizontal in the fully opened position, yet rises to a close with the slight lift of a finger.



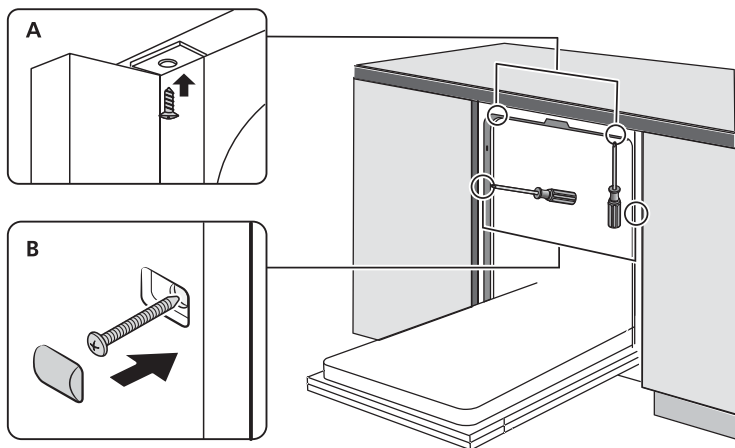
### Step 4. Dishwasher installation steps

#### NOTE

Please refer to the specified installation steps in the installation drawings.

1. Fix the condensation strip under the work surface of cabinet. Please ensure the condensation strip is line with the edge of the work surface. (Step 2)
2. Connect the inlet hose to the cold water supply.
3. Connect the drain hose.
4. Connect the power cord.
5. Place the dishwasher into position. (Step 4)
6. Level the dishwasher. The rear foot can be adjusted from the front of the dishwasher by turning the Philips screw in the middle of the base of dishwasher use a Philips screw. To adjust the front feet, use a flat screw driver and turn the front feet until the dishwasher is level. (Step 5 to Step 6)
7. Install the furniture door to the outer door of the dishwasher. (Step 7 to Step 10)
8. Adjust the tension of the door springs by using an Allen key turning in a clockwise motion to tighten the left and right door springs. Failure to do this could cause damage to your dishwasher. (Step 11)
9. The dishwasher must be secured in place. There are two ways to do this:
  - A: Normal work surface: Put the installation hook into the slot of the side plane and secure it to the work surface with the wood screws.
  - B. Marble or granite work top: Fix the side with Screw.

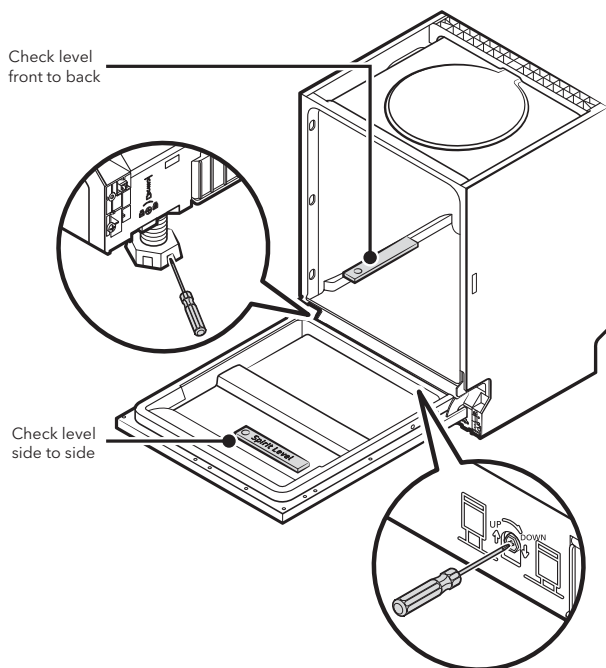




### Step 5. Levelling the dishwasher

Dishwasher must be level for proper dish rack operation and wash performance.

1. Place a spirit level on door and rack track inside the tub as shown to check that the dishwasher is level.
2. Level the dishwasher by adjusting the three levelling legs individually.
3. When level the dishwasher, please pay attention not to let the dishwasher tip over.



#### NOTE

The maximum adjustment height of the feet is 50 mm.

# TROUBLESHOOTING TIPS

## Before Calling for Service

Reviewing the charts on the following pages may save you from calling for service.

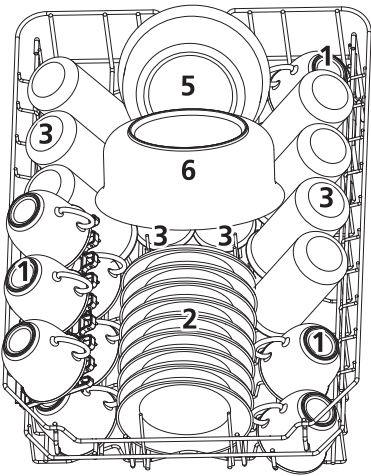
Problem	Possible Causes	What to Do
Dishwasher doesn't start	Fuse blown, or the circuit break tripped.	Replace fuse or reset circuit breaker. Remove any other appliances sharing the same circuit with the dishwasher.
	Power supply is not turned on.	Make sure the dishwasher is turned on and the door is closed securely. Make sure the power cord is properly plugged into the wall socket.
	Water pressure is low	Check that the water supply is connected properly and the water is turned on.
	Door of dishwasher not properly closed.	Make sure to close the door properly and latch it.
Water not pumped form dishwasher	Twisted or trapped drain hose.	Check the drain hose.
	Filter clogged.	Check coarse the filter.
	Kitchen sink clogged.	Check the kitchen sink to make sure it is draining well. If the problem is the kitchen sink that is not draining, you may need a plumber rather than a serviceman for dishwashers.
Suds in the tub	Wrong detergent.	Use only the special dishwasher detergent to avoid suds. If this occurs, open the dishwasher and let suds evaporate. Add 1 gallon of cold water to the bottom of the dishwasher. Close the dishwasher door, then select any cycle. Initially, the dishwasher will drain out the water. Open the door after draining stage is complete and check if the suds have disappeared. Repeat if necessary.
	Spilled rinse-aid.	Always wipe up rinse-aid spills immediately.
Stained tub interior	Detergent with colorant may have been used.	Make sure that the detergent has no colorant.
White film on inside surface	Hard water minerals.	To clean the interior, use a damp sponge with dishwasher detergent and wear rubber gloves. Never use any other cleaner than dishwasher detergent otherwise, it may cause foaming or suds.

<b>Problem</b>	<b>Possible Causes</b>	<b>What to Do</b>
There are rust stains on cutlery	The affected items are not corrosion resistant.	Avoid washing items that are not corrosion resistant in the dishwasher.
	A program was not run after dishwasher salt was added. Traces of salt have gotten into the wash cycle.	Always run a wash program without any crockery after adding salt. Do not select the Turbo function (if present).
	The lid of the softer is loose.	Check the softener lid is secure.
Knocking noise in the dishwasher	A spray arm is knocking against an item in a basket	Interrupt the program and rearrange the items which are obstructing the spray arm.
Rattling noise in the dishwasher	Items of crockery are loose in the dishwasher.	Interrupt the program and rearrange the items of crockery.
Knocking noise in the water pipes	This may be caused by on-site installation or the cross-section of the piping.	This has no influence on the dishwasher function. If in doubt, contact a qualified plumber.
The dishes are not clean	The dishes were not loaded correctly.	See notes in "Loading & unloading your dishwasher".
	The program was not powerful enough.	Select a more intensive program.
	Not enough detergent was dispensed	Use more detergent, or change your detergent.
	Items are blocking the movement of the spray arms.	Rearrange the items so that the spray can rotate freely.
	The filter combination is not clean or is not correctly fitted in the base of wash cabinet. This may cause the spray arm jets to get blocked.	Clean and fit the filter correctly. Clean the spray arm jets.
Cloudiness on glassware.	Combination of soft water and too much detergent.	Use less detergent if you have soft water and select a shorter cycle to wash the glassware and to get them clean.
White spots appear on dishes and glasses.	Hard water area can cause lime scale deposits.	Add more detergent.
Black or grey marks on dishes	Aluminum utensils have rubbed against dishes	Use a mild abrasive cleaner to eliminate those marks.
Detergent left in dispenser	Dishes block detergent dispenser	Re-loading the dishes properly.
The dishes are not drying	Improper loading	Load the dishwasher as suggested in the directions.
	Dishes are removed too soon	Do not empty your dishwasher immediately after washing. Open the door slightly so that the steam can come out. Take out the dishes until the inside temperature is safe to touch. Unload the lower basket first to prevent the dropping water from the upper basket.

Problem	Possible Causes	What to Do
The dishes are not drying	The wrong program has been selected.	With a short program, the washing temperature is lower, decreasing cleaning performance. Choose a program with a long washing time.
	Use of cutlery with a low-quality coating.	Water drainage is more difficult with these items. Cutlery or dishes of this type are not suitable for washing in the dishwasher.

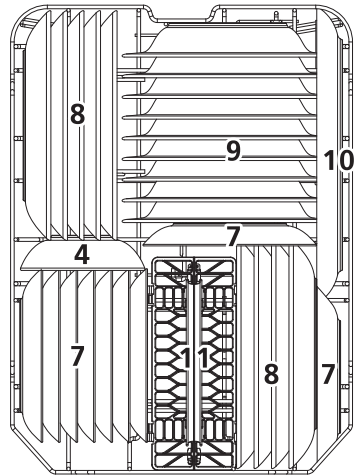
# LOADING THE BASKETS ACCORDING TO EN50242

## 1. Upper basket:



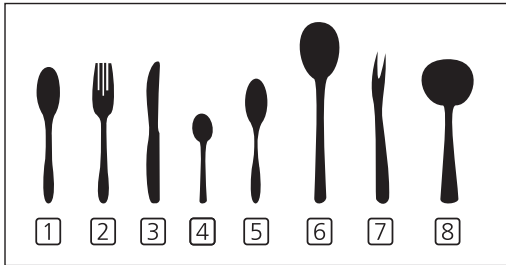
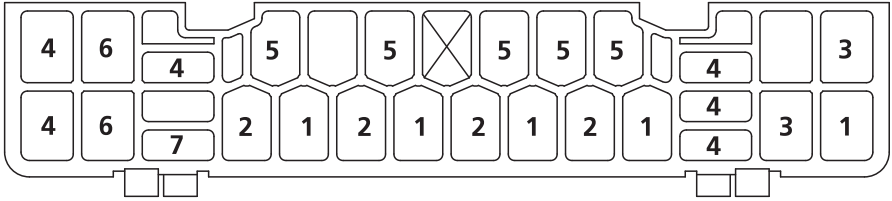
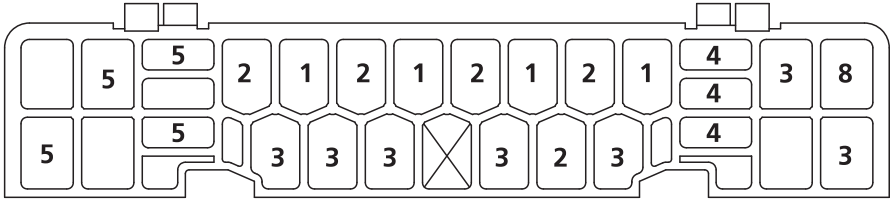
Number	Item
1	Cups
2	Saucers
3	Glasses
4	Small serving bowl
5	Medium serving bowl
6	Large serving bowl

## 2. Lower basket:



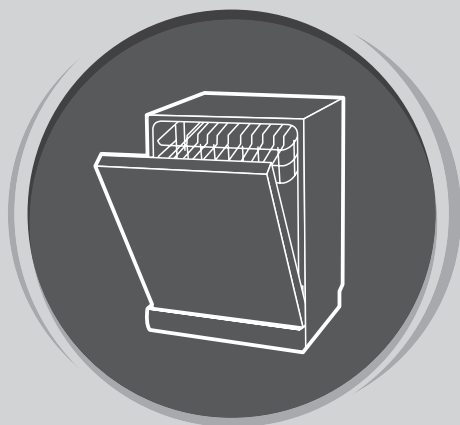
Number	Item
7	Dessert dishes
8	Dinner plates
9	Soup plates
10	Oval platter
11	Cutlery basker

3. Cutlery basket:



Number	Item
1	Soup spoons
2	Forks
3	Knives
4	Teaspoons
5	Dessert spoons
6	Serving spoons
7	Serving forks
8	Gravy ladles

Information for comparability tests in accordance with EN 50242  
 Capacity: 9 place settings  
 Position of the upper basket: lower  
 position Program: ECO  
 Rinse aid setting: 6  
 Softener setting: H3



# **DISHWASHER**

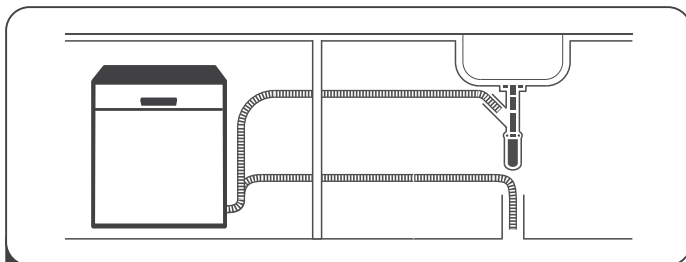
## User Manual

**PART II: SPECIAL VERSION**  
**WD460M / WD460MX**

Please read this manual carefully before using the dishwasher and  
Keep this manual for future reference.

# QUICK USER GUIDE

Please read the corresponding content on the instruction manual for detailed operating method.

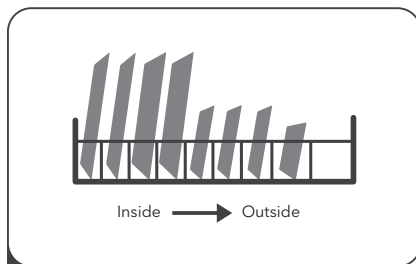


**1** Install the dishwasher

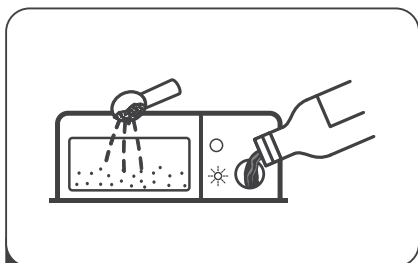
**(Please check the section 5 "INSTALLATION INSTRUCTION" of PART I: Generic Version.)**



**2** Removing larger residue on the cutlery



**3** Loading the baskets



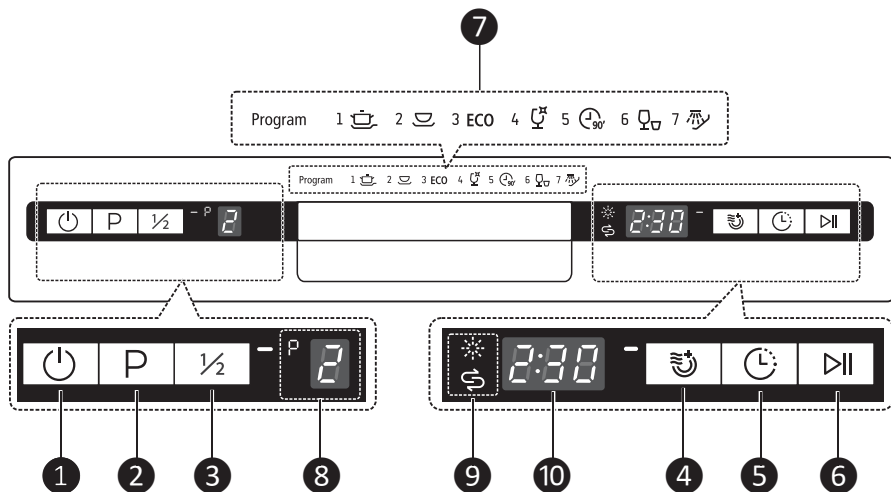
**4** Filling the dispenser



**5** Selecting a program and running the dishwasher

# USING YOUR DISHWASHER

## Control Panel



### Operation

- 1** Power Press this button to turn on your dishwasher, the screen lights up.
- 2** Program Select the appropriate washing program, the selected program indicator will be lit.
- 3** Half-load For small loads, you may use just the upper or lower rack to save energy. Each press of the Half Load button cycles between upper rack only and lower rack only.
- 4** Extra Drying To dry dishes more completely. (It can only be used with Intensive, Normal, ECO, Glass, 90 min).
- 5** Delay Press this button to set the delayed hours for washing. You can delay the start of washing up to 24 hours. One press on this button delays the start of washing by one hour.
- 6** Start / Pause To start the selected washing program or pause it when the dishwasher is working.

### Display



#### Intensive

Heavily soiled items include pots and pans. With dried on food.



#### Normal

For normally soiled loads, such as pots, plates, glasses and lightly soiled pans.

- 7** Program indicator

#### ECO ECO

This is the standard program suitable for normally soiled loads, such as pots, plates, glasses and lightly soiled pans.



## 7 Program indicator



### Glass

For lightly soiled crockery and glass.



### 90 Min

For normally soiled loads that need quick wash.



### Rapid

A shorter wash for lightly soiled loads that do not need drying.



### Soak

To rinse dishes that you plan to wash later that day.

## 8 Screen



Selected program indicator.

## 9 Warning indicator



### Rinse Aid

If the ☼ icon is lit, it means the dishwasher is low on dishwasher rinse aid and requires a refill.



### Salt

If the ₤ icon is lit, it means the dishwasher is low on dishwasher salt and needs to be refilled.

## 10 Screen

To start the selected washing program or pause it when the dishwasher is working.

## Water Softener

The water softener must be set manually, using the water hardness dial.

The water softener is designed to remove minerals and salts from the water, which would have a detrimental or adverse effect on the operation of the appliance.

The more minerals there are, the harder your water is.

The softener should be adjusted according to the hardness of the water in your area. Your local Water Authority can advise you on the hardness of the water in your area.

### Adjusting salt consumption

The dishwasher is designed to allow for adjustment in the amount of salt consumed based on the hardness of the water used. This is intended to optimize and customize the level of salt consumption.

Please follow the steps below for adjustment in salt consumption.

1. Switch on the appliance;
2. Press the Start/Pause button for more than 5 seconds to start the water softener set model within 60seconds after the appliance was switched on;
3. Press the Start/Pause button to select the proper set according to your local environment, the sets will change in the following sequence: H1->H2->H3->H4->H5->H6;
4. Press the Power button to end the set up model.

WATER HARDNESS				Water softener level	Salt consumption (gram/cycle)
German dH *	French fH **	British Clarke ***	Mmol/l		
0 - 5	0 - 9	0 - 6	0 - 0.94	H1	0
6 - 11	10 - 20	7 - 14	1.0 - 2.0	H2	9
12 - 17	21 - 30	15 - 21	2.1 - 3.0	H3	12
18 - 22	31 - 40	22 - 28	3.1 - 4.0	H4	20
23 - 34	41 - 60	29 - 42	4.1 - 6.0	H5	30
35 - 55	61 - 98	43 - 69	6.1 - 9.8	H6	60

1°dH=1.25

°fH=0.178mmol/l

°Clarke=1.78

The factory setting: H3

Contact your local water board for information on the hardness of your water supply.

### NOTE

Please check the section 3 “Loading The Salt into The Softener compartment” of PART I: Generic Version, if your dishwasher lacks salt.

### NOTE

**If your model does not have any water softener compartment, you may skip this section.**

#### Water Softener

The hardness of the water varies from place to place. If hard water is used in the dishwasher, deposits will form on the dishes and utensils.

The appliance is equipped with a special softener that uses a salt container specifically designed to eliminate lime and minerals from the water.

## Preparing and Loading Dishes

- Consider buying utensils which are identified as dishwasher-proof.
- For particular items, select a program with the lowest possible temperature.
- To prevent damage, do not take glass and cutlery out of the dishwasher immediately after the program has ended.

#### For washing the following cutlery/dishes

##### Are not suitable

- Cutlery with wooden, horn china or mother-of-pearl handles
- Plastic items that are not heat resistant
- Older cutlery with glued parts that are not temperature resistant
- Bonded cutlery items or dishes
- Pewter or cooper items
- Crystal glass
- Steel items subject to rusting
- Wooden platters
- Items made from synthetic fibers

##### Are of limited suitability

- Some types of glasses can become dull after a large number of washes
- Silver and aluminum parts have a tendency to discolor during washing
- Glazed patterns may fade if machine washed frequently

#### Recommendations for loading the dishwasher

Scrape off any large amounts of leftover food. Soften remnants of burnt food in pans. It is not necessary to rinse the dishes under running water.

For best performance of the dishwasher, follow these loading guidelines. **(Features and appearance of baskets and cutlery baskets may vary from your model.)**

Place objects in the dishwasher in following way:

- Items such as cups, glasses, pots/pans, etc. are faced downwards.
- Curved items, or ones with recesses, should be loaded aslant so that water can run off.
- All utensils should be stacked securely so to not tip over.
- All utensils are placed in the way that the spray arms can rotate freely during washing.
- Load hollow items such as cups, glasses, pans etc. With the opening facing downwards so that water cannot collect in the container or a deep base.
- Dishes and items of cutlery must not lie inside one another, or cover each other. To avoid damage, glasses should not touch one another.
- The upper basket is designed to hold more delicate and lighter dishware such as glasses, coffee and tea cups.

- Long bladed knives stored in an upright position are a potential hazard!
- Long and / or sharp items of cutlery such as carving knives must be positioned horizontally in the upper basket.
- Please do not overload your dishwasher. This is important for good results and for reasonable consumption of energy.

### NOTE

Very small items should not be washed in the dishwasher as they could easily fall out of the basket.

### Removing the dishes

To prevent water dripping from the upper basket into the lower basket, we recommend that you empty the lower basket first, followed by the upper basket.

### WARNING!



**Items will be hot!** To prevent damage, do not take glass and cutlery out of the dishwasher for around 15 minutes after the program has ended.

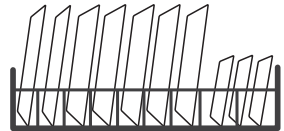
### Loading the upper basket

The upper basket is designed to hold more delicate and lighter dishware such as glasses, coffee and tea cups and saucers, as well as plates, small bowls and shallow pans (as long as they are not too dirty). Position the dishes and cookware so that they will not get moved by the spray of water.



### Loading the lower basket

We suggest that you place large items, and the most difficult to clean, into the lower basket: such as pots, pans, lids, serving dishes and bowls, as shown in the figure below. It is preferable to place serving dishes and lids on the side of the racks in order to avoid blocking the rotation of the top spray arm. The maximum diameter advised for plates in front of the detergent dispenser is 19 cm, this is so not to hamper the opening of it..



### Loading the cutlery basket

Cutlery should be placed in the cutlery rack separately from each other in the appropriate positions, and do make sure the utensils do not nest together, this may cause bad performance.

### WARNING!



Do not let any item extend through the bottom.  
Always load sharp utensils with the sharp point down!

### NOTE

For the best washing effect,, load the baskets in reference to standard loading options on last section of PART I: Generic Version


## Function of The Rinse Aid and Detergent

The rinse aid is released during the final rinse to prevent water from forming droplets on your dishes, which can leave spots and streaks. It also improves drying by allowing water to roll off the dishes. Your dishwasher is designed to use liquid rinse aids.

### WARNING!

Only use a branded rinse aid for dishwasher. Never fill the rinse aid dispenser with any other substances (e.g. Dishwasher cleaning agent, liquid detergent). This would damage the appliance.

### When to refill the rinse aid dispenser

Unless the rinse-aid warning light  on the control panel is on, you can always estimate the amount from the color of the optical level indicator located next to the cap. When the rinse-aid container is full, the indicator will be fully dark. The size of the dark dot decreases as the rinse-aid diminishes. You should never let the rinse aid level be less than 1/4 full.

As the rinse aid diminishes, the size of the black dot on the rinse aid level indicator changes, as illustrated below.

- Full
- 3/4 full
- 1/2 full
- 1/4 full
- Empty

### Function of detergent

The chemical ingredients that compose the detergent are necessary to remove, crush and dispense all dirt out of the dishwasher. Most of the commercial quality detergents are suitable for this purpose.

### WARNING!

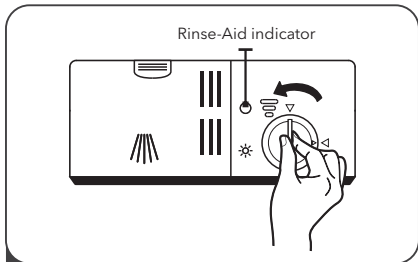
#### Proper Use of Detergent

Use only detergent specifically made for dishwashers use. Keep your detergent fresh and dry. Don't put powdered detergent into the dispenser until you are ready to wash dishes.

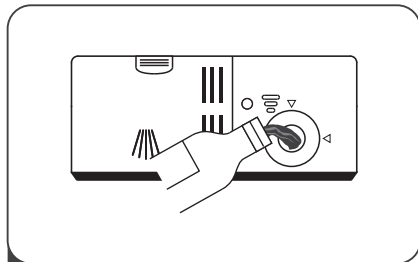


**Dishwasher detergent is corrosive! Keep dishwasher detergent out of the reach of children.**

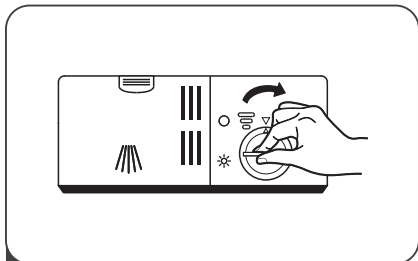
## Filling The Rinse Aid Reservoir



**1** To open the dispenser, turn the cap to the "open" (left) arrow and lift it out.



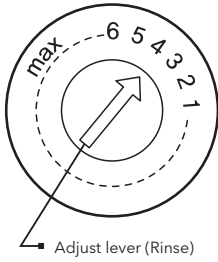
**2** Carefully pour in the rinse-aid into its dispenser, whilst avoiding it to overflow.



**3** Replace the cap by inserting it aligned with „open“ arrow and turning it to the closed (right) arrow.

### NOTE

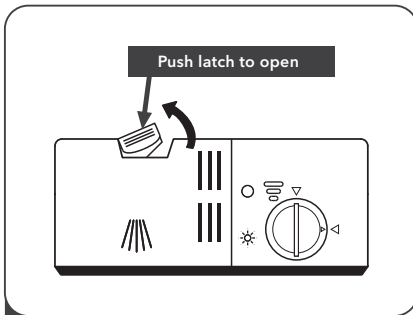
Clean up any spilled rinse aid with an absorbent cloth to avoid excessive foaming during the next wash.



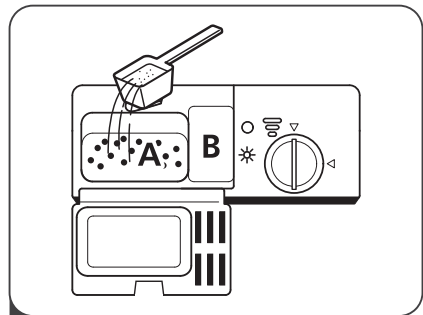
### Adjusting the rinse aid reservoir

The rinse aid reservoir has six settings. Both the recommended setting and the factory setting is "4". If the dishes are not drying properly or are spotted, adjust the dial to the next higher number until your dishes are spotless. Reduce it if there are sticky whitish stains on your dishes or a bluish film on glassware or knife blades.

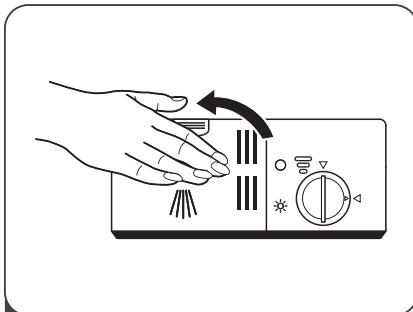
## Filling The Detergent Dispenser



- 1 Press the release catch on the detergent dispenser to open the cover.



- 2 Add detergent into the larger cavity (A) for the main wash cycle.  
For more heavily soiled wash loads, also add some detergent into the smaller cavity (B) for the pre-wash cycle.



- 3 Close the cover and press on it until it locks into place.

### NOTE







- Be aware that depending on the soiling of water, setting may be different.
- Please observe the manufacturer's recommendations on the detergent packaging.

# PROGRAMMING THE DISHWASHER

## Wash Cycle Table

The table below shows which programs are best for the levels of food residue on them and how much detergent is needed. It also shows various information about the programs.

● Means: need to fill rinse into the Rinse-Aid Dispenser.

Program	Description Of Cycle	Detergent Pre/Main	Running Time(min)	Energy (Kwh)	Water (L)	Rinse Aid
 <b>Intensive</b>	Pre-wash(50 °C)					
	Wash(60 °C)					
	Rinse	$\frac{5/22 \text{ g}}$	165	1.4	16.5	●
	Rinse(70 °C)	(1 piece)				
	Drying					
 <b>Normal</b>	Pre-wash(45 °C)					
	Wash(55 °C)					
	Rinse	$\frac{5/22 \text{ g}}$	175	1.1	13	●
	Rinse(65 °C)	(1 piece)				
	Drying					
<b>ECO</b> (*EN 5 0242)	Pre-wash					
	Wash(45 °C)	$\frac{5/22 \text{ g}}$	205	0.69	9	●
	Rinse(62 °C)	(1 piece)				
	Drying					
 <b>Glass</b>	Pre-wash					
	Wash(40 °C)					
	Rinse	$\frac{5/22 \text{ g}}$	125	0.75	13.5	●
	Rinse(60 °C)	(1 piece)				
	Drying					
 <b>90 Min</b>	Wash(65 °C)					
	Rinse	$\frac{27 \text{ g}}$	90	1.15	11.5	●
	Rinse(65 °C)	(1 piece)				
	Drying					
 <b>Rapid</b>	Wash (45 °C)					
	Rinse (50 °C)	20 g	30	0.7	10	○
	Rinse (55 °C)					
 <b>Soak</b>	Prewash		15	0.02	3.5	○

### NOTE

**EN 50242:** This program is the test cycle. The information for comparability test in accordance with EN 50242.

## Starting A Cycle Wash

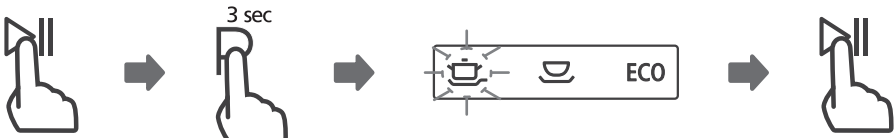
1. Draw out the lower and upper basket, load the dishes and push them back. It is commended to load the lower basket first, then the upper one.
2. Pour in the detergent.
3. Insert the plug into the socket. The power supply refer to last page "Product fiche". Make sure that the water supply is turned on to full pressure.

4. Close the door, press the Power button, to switch on the machine.
5. Choose a program, the response light will turn on. Then press the Start/Pause button, the dishwasher will start its cycle.

## Changing The Program Mid-cycle

A wash cycle can only be changed if it has been running for a short time otherwise, the detergent may have already been released and the dishwasher may have already drained the wash water. If this is the case, the dishwasher needs to be reset and the detergent dispenser must be refilled. To reset the dishwasher, follow the instructions below:

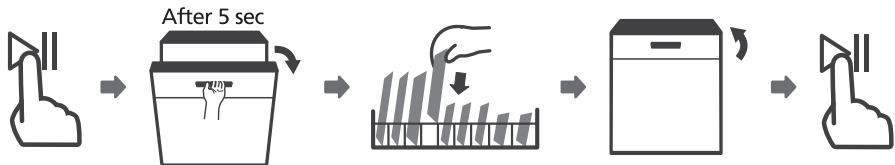
1. Press the Start/Pause button to pause the washing.
2. Press Program button for more than 3 seconds - the program will cancel.
3. Press the Program button to select the desired program.
4. Press the Start/Pause button, after 10 seconds, the dishwasher will start.



## Forget To Add A Dish?

A forgotten dish can be added any time before the detergent dispenser opens. If this is the case, follow the instructions below:

1. Press the Start/Pause button to pause the washing.
2. Wait 5 seconds then open the door.
3. Add the forgotten dishes.
4. Close the door.
5. Press the Start/Pause button after 10 seconds, the dishwasher will start.



### **⚠ WARNING!**



It is dangerous to open the door mid-cycle, as hot steam may scald you.

# ERROR CODES

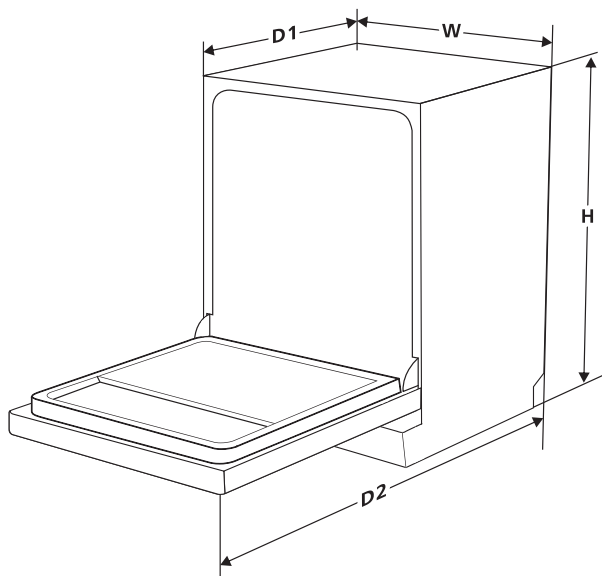
If there is a malfunction, the dishwasher will display error codes to identify these:

Codes	Meanings	Possible
E1	Longer inlet time.	Faucet is not opened, or water intake is restricted, or water pressure is too low.
E3	Not reaching required.	Malfunction of heating element.
E4	Overflow.	Some element of dishwasher leaks.

## WARNING!

- If overflow occurs, turn off the main water supply before calling a service.
- If there is water in the base pan because of an overflow or small leak, the water should be removed before restarting the dishwasher.

# TECHNICAL INFORMATION



**Height (H)** 845 mm

**Width (W)** 448 mm

**Depth (D1)** 600 mm (with the door closed)

**Depth (D2)** 1175 mm (with the door opened 90°)



## Product Fiches

Sheet of household dishwasher according to EU Directive 1016/2010 & 1059/2010:

Manufacturer	TESLA HOME
Type / Description	WD460MX / WD460M
Standard place settings	9
Energy efficiency class <b>①</b>	A++
Annual energy consumption <b>②</b>	197 kWh
Energy consumption of the standard cleaning cycle	0.91 kWh
Power consumption of off-mode	0.45 W
Power consumption of left-on mode	0.49W
Annual water consumption <b>③</b>	2520 liter
Drying efficiency class <b>④</b>	A
Standard cleaning cycle <b>⑤</b>	ECO 45 °C
Program duration of the standard cleaning cycle	205 min
Noise level	49 dB(A) re 1 pW
Mounting	Free standing
Could be built-in	YES
Power consumption	1760-2100W
Rated voltage / frequency	220-240V/50Hz
Water pressure (flow pressure)	0.04-1.0MPa=0.4-10 bar

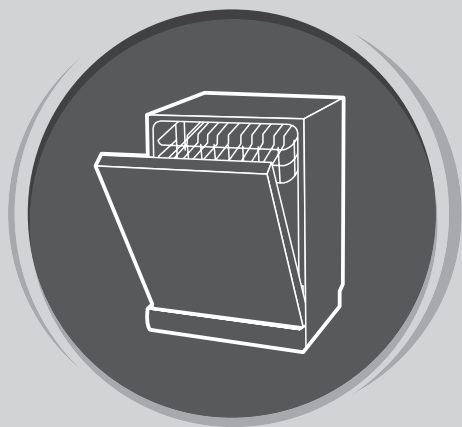
**①** A + + + (highest efficiency) to D (lowest efficiency)

**②** Energy consumption based on 280 standard cleaning cycles using cold water fill and the consumption of the low power modes. Actual energy consumption will depend on how the appliance is used.

**③** Water consumption based on 280 standard cleaning cycles. Actual water consumption will depend on how the appliance is used.

**④** A (highest efficiency) to G (lowest efficiency)

**⑤** This program is suitable for cleaning normally soiled tableware and that it is the most efficient program in terms of its combined energy and water consumption for that type of tableware.



# MAŠINA ZA SUĐE

Korisničko  
uputstvo

## DIO I: UOPŠTENO UPUTSTVO

Prije upotrebe mašine za pranje suda, pažljivo pročitajte ovo uputstvo i sačuvajte ga za buduću upotrebu.

# BEZBJEDNOSNA UPUTSTVA

## UPOZORENJE!

Prilikom upotrebe mašine za pranje sudova, pridržavajte se sljedećih mjera predostrožnosti:

- Ovaj uređaj je predviđen za upotrebu u domaćinstvu i u sličnim okruženjima, poput:
  - kuhinjskih prostorija za osoblje u prodavnicama, kancelarijama i u drugim poslovnim okruženjima;
  - kuća na farmi;
  - hotela, motela i drugih okruženja rezidencijalnog tipa, gdje je predviđeno da ih koriste klijenti;
  - apartmana u kojima se pružaju usluge tipa noćenja sa doručkom.
- Ovaj uređaj mogu da upotrebljavaju djeca starija od 8 godina, kao i osobe sa umanjenim fizičkim, čulnim ili mentalnim sposobnostima ili osobe bez iskustva i znanja, ukoliko su pod nadzorom ili ukoliko su dobili uputstva o bezbjednoj upotrebi uređaja i shvataju opasnosti koje upotreba istog nosi.
- Djeca ne treba da se igraju uređajem. Djeca ne treba da obavljaju čišćenje i održavanje uređaja bez nadzora. (Prema EN60335-1)
- Nije predviđeno da ovaj uređaj upotrebljavaju osobe (uključujući djecu) sa umanjenim fizičkim, čulnim ili mentalnim sposobnostima ili osobe bez iskustva i znanja, osim ukoliko su pod nadzorom ili ukoliko su dobile uputstva o upotrebi uređaja od osobe odgovorne za njihovu bezbjednost. (Prema IEC60335-1)
- Ambalaža može biti opasna za djecu!
- Ovaj proizvod je predviđen isključivo za upotrebu u domaćinstvu i u zatvorenom prostoru.
- Kako biste smanjili rizik od strujnog udara, ne potapajte proizvod, kabl ili utikač u vodu ili neku drugu tečnost.
- Prije čišćenja i održavanja uređaja, izvucite utikač iz utičnice.
- Za čišćenje koristite meku krpu navlaženu blagom sapunicom, a zatim ponovo obrišite suhom krpom.

## Uputstva u vezi sa uzemljenjem

- Ovaj uređaj mora imati uzemljenje. U slučaju nepravilnog rada ili kvara, uzemljenje će umanjiti rizik od pojave strujnog udara tako što će električnoj struji omogućiti da nađe put sa najmanjim otporom. Ovaj uređaj je opremljen priključkom za sprovođenje uzemljenja.
- Neophodno je da priključak bude povezan sa odgovarajućim izlazom postavljenim i uzemljenim u skladu sa svim lokalnim kodeksima i naredbama.
- Neodgovarajuće povezivanje opreme sa provodnikom uzemljenja može da izazove pojavu rizika od strujnog udara.
- Ukoliko imate nedoumice u vezi sa pravilnim uzemljenjem uređaja, provjerite uzemljenje zajedno sa kvalifikovanim električarom ili predstavnikom servisa.
- Ukoliko priključak koji ste dobili uz uređaj ne odgovara izlazu, nemojte ga prepravljati.
- Neka Vam kvalifikovani električar postavi odgovarajući izlaz.

- Nemojte na agresivan način rukovati vratima ili policama za posude u okviru mašine za pranje sudova i nemojte sjediti, niti stajati na njima.
- Nemojte puštati u rad svoju mašinu za pranje sudova ukoliko sve table kućišta nisu na svojim pozicijama.
- Budite veoma pažljivi prilikom otvaranja vrata mašine za pranje sudova dok ona radi, jer postoji rizik da Vas isprska mlaz vode.
- Ne stavljajte teške predmete na otvorena vrata mašine i nemojte stajati na njima. Uređaj bi se mogao prevrnuti.
- Prilikom raspoređivanja posuda koje je potrebno oprati:
  1. Oštre predmete rasporedite tako da ne mogu da oštete zaptivku na vratima;
  2. Upozorenje: Noževi i ostali pribor oštrih vrhova morate rasporediti u korpi tako da im vrhovi budu okrenuti ka dole ili ih morate postaviti u horizontalni položaj.
- Neki deterđženti za mašinsko pranje sudova su jako alkalni. Ukoliko dođe do njihovog gutanja, mogu biti izuzetno opasni. Izbijegavajte kontakt sa kožom i očima, a djecu držite dalje od mašine za pranje sudova ukoliko su vrata otvorena.
- Po završetku ciklusa pranja, provjerite da li ima još praha od deterđženta.
- Nemojte prati plastično posuđe, osim ukoliko nosi oznaku "bezbjedno za mašinsko pranje" ili slično.
- Kod plastičnog posuđa koje ne nosi nikakvu oznaku, provjerite preporuke proizvođača.
- Upotrebljavajte isključivo deterđžente i sredstva za ispiranje preporučena za upotrebu u automatskim mašinama za pranje sudova.
- Nikada nemojte u mašinu za pranje sudova stavljati sapun, deterđžent za pranje veša ili deterđžent za pranje ruku.
- Ne ostavljajte otvorena vrata, jer time povećavate rizik od saplitanja.
- Ukoliko je priključni kabl oštećen, njegovu zamjenu mora da obavi proizvođač, servis koji je proizvođač angažovao ili lica sa sličnim kvalifikacijama, kako bi se izbjegla opasnost.
- Prilikom postavljanja, priključni kabl se ne smije savijati ili pritiskati na prekomjeran ili opasan način.
- Nemojte nepropisno prepravljati kontrolne tastere.
- Uređaj je potrebno povezati sa glavnim ventilom za vodu pomoću novog kompleta crijeva. Nemojte upotrebljavati stare komplete crijeva.
- U cilju uštede energije, uređaj će se u režimu pripravnosti automatski isključiti ukoliko mašina nije aktivna tokom perioda od 30 minuta.

## Odlaganje



- Za odlaganje ambalaže i samog uređaja, obratite se centru za recikliranje. Isijecite priključni kabl i onesposobite mehanizam za zatvaranje vrata na uređaju.

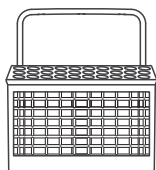
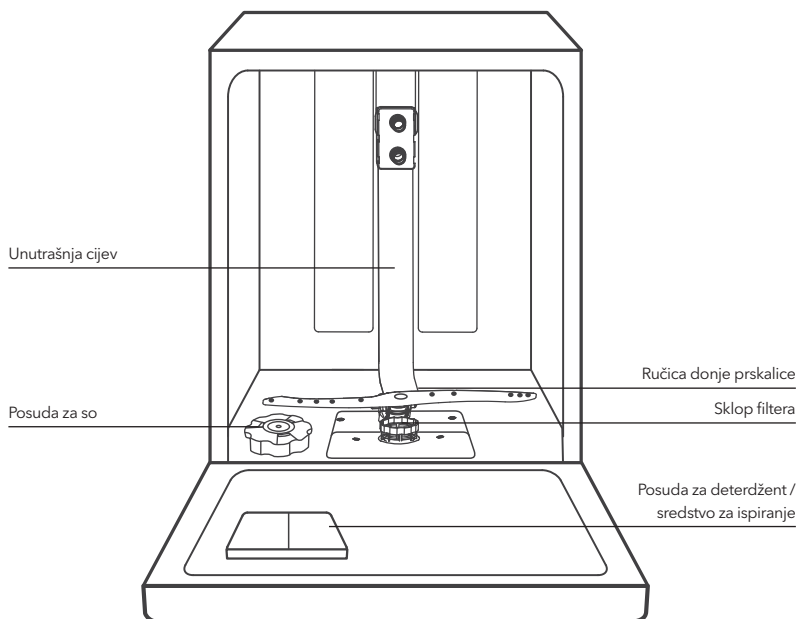
- Kartonska ambalaža je proizvedena od recikliranog papira i treba je odložiti na mjesto za prikupljanje papirnog otpada radi ponovnog recikliranja.
- Pravilnim odlaganjem ovog proizvoda, pomoći ćete u sprečavanju pojave potencijalno negativnih posljedica po životnu sredinu i zdravlje ljudi, koje bi se inače javile usljed neodgovarajućeg odlaganja ovog proizvoda.
- Za više informacija o recikliranju ovog proizvoda, kontaktirajte lokalno predstavništvo u svom gradu i svoju kompaniju za odlaganje otpada iz domaćinstva.
- **ODLAGANJE: Ne odlažite ovaj proizvod kao nerazvrstan komunalni otpad. Ovakav otpad je neophodno zasebno sabirati radi njegovog posebnog tretiranja.**

## PRIKAZ PROIZVODA

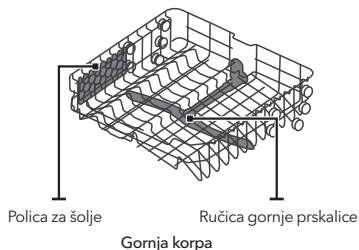


**VAŽNO!**

Za maksimalni učinak Vaše mašine za pranje sudova, prije prve upotrebe pročitajte kompletno uputstvo za upotrebu.



Korpa za pribor za jelo



Gornja korpa



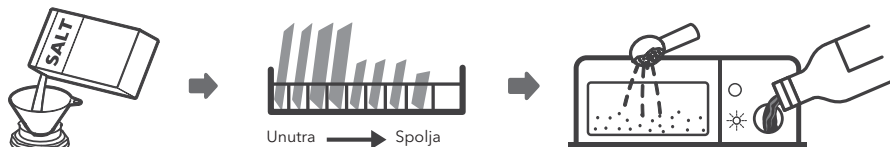
Donja korpa

### NAPOMENA!

Slike su date isključivo u ilustrativne svrhe. Pogledajte izgled svog proizvoda.

# UPOTREBA VAŠE MAŠINE ZA PRANJE SUDOVA

Prije nego što počnete da koristite svoju mašinu za pranje sudova:



1. Podesite omekšivač vode
2. Stavite so u omekšivač
3. Rasporedite posude u korpe
4. Napunite posudu za deterdžent / sredstvo za ispiranje

## NAPOMENA!

Ukoliko je potrebno da podesite omekšivač vode, pogledajte odjeljak 1 „Omekšivač vode“, koji se nalazi u DIJELU II: Uputstvo za određeni model.

## Stavljanje soli u omekšivač

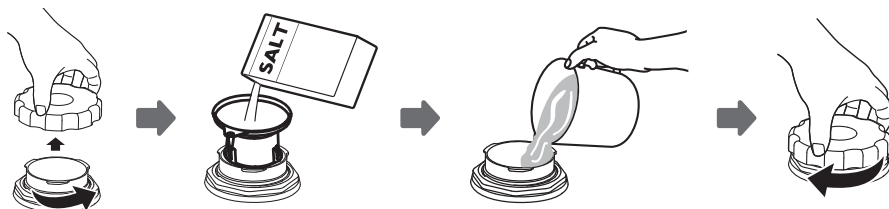
## NAPOMENA!

Ukoliko se u okviru Vašeg modela mašine ne upotrebljava omekšivač vode, ovaj odjeljak možete preskočiti. Uvijek koristite isključivo so koja je namijenjena za mašinu za pranje sudova. Posuda za so se nalazi ispod donje korpe, a dopunjuje se na način prikazan dalje u tekstu:

## UPOZORENJE!


- **Koristite isključivo so koja je posebno proizvedena za mašine za pranje sudova!**  
Svaka druga vrsta soli, koja nije posebno proizvedena za mašinu za pranje sudova, a naročito jestiva so, oštetit će omekšivač vode. U slučaju oštećenja nastalih usljed upotrebe neodgovarajuće vrste soli, proizvođač ne pruža nikakve garancije, niti je odgovoran za bilo kakvo oštećenje nastalo tom prilikom.
- **So dopunjujte isključivo neposredno prije nego što mašina započne ciklus pranja.**  
Na taj način ćete spriječiti zadržavanje potencijalno prosutih zrna soli ili slane vode na dnu mašine tokom određenog vremenskog perioda, što može izazvati rđanje.

Pratite sljedeće korake kako biste dodali so za mašinu za pranje sudova:



1. Skinite donju korpu i odšrafite poklopac rezervoara.
2. Stavite donji dio lijevka (koji se dostavlja uz proizvod) u otvor i naspete oko 1,5 kg soli za mašinu za pranje sudova.
3. Dopunite posudu za so vodom do njene maksimalne granice. Uobičajeno je da se, tom prilikom, iz posude za so prospe manja količina vode.
4. Nakon što napunite posudu, ponovo stavite poklopac i dobro ga zašrafite.
5. Nakon što naspete so u posudu za so, lampica upozorenja za količinu soli će prestati da svijetli.
6. Neki od programa pranja bi trebalo pokrenuti odmah po stavljanju soli u posudu za so (Predlažemo upotrebu nekog od kraćih programa). U suprotnom, slana voda bi mogla da ošteti sistem za filtriranje, pumpu ili neke druge važne dijelove mašine. U tom slučaju, garancija se neće primjenjivati

### NAPOMENA!

- Posuda za so se mora dopunjavati samo kada se na kontrolnoj tabli uključi lampica upozorenja za količinu soli . Zavisno od stepena rastvorljivosti soli, lampica upozorenja za količinu soli može nastaviti da svijetli iako je posuda za so dopunjena. Ukoliko uređaj na kontrolnoj tabli nema lampicu upozorenja za količinu soli (kod nekih modela), na osnovu broja ciklusa mašine možete procijeniti kada ćete staviti so u omekšivač.
- Ukoliko je došlo do prosipanja soli, uključite program natapanja ili neki od kraćih programa kako biste je uklonili.

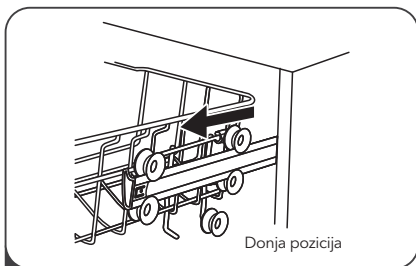
## Saveti za upotrebu korpi

### Podešavanje gornje korpe

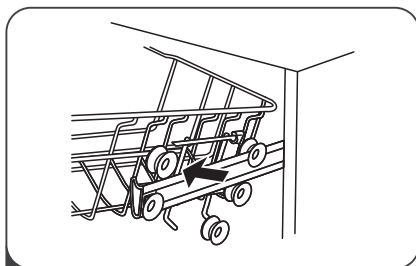
#### Tip 1:

Visina gornje korpe se može lako podesiti tako da visoko posude možete smjestiti bilo u gornju ili u donju korpu.

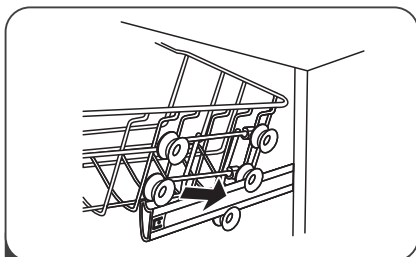
Da podesite visinu gornje police, pratite sljedeće korake:



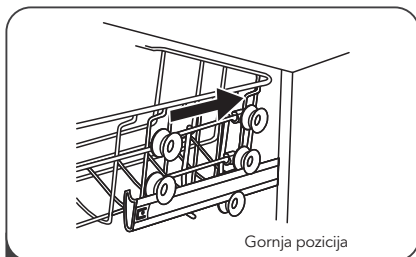
1 Izvucite gornju korpu.



2 Skinite gornju korpu.

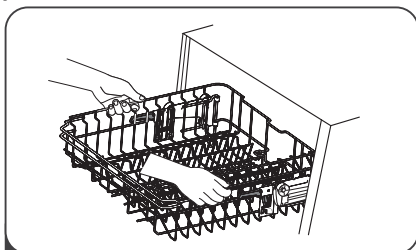


3 Ponovo postavite gornju korpu pomoću gornjih ili donjih točkica.

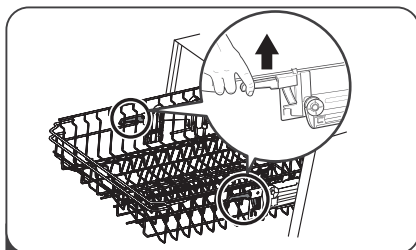


4 Gurnite gornju korpu u mašinu.

#### Tip 2:



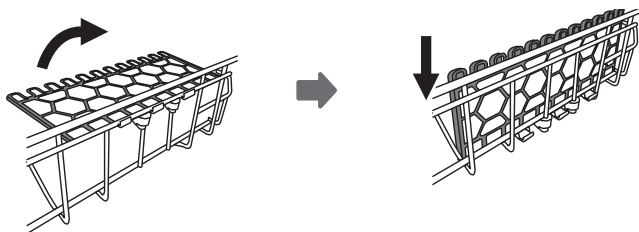
1 Da podignete policu u gornju poziciju, podižite je sve dok obje strane ne budu na istoj visini. Polica će biti pričvršćena.



2 Da spustite policu, pritisnite dršku ka dole i otpustite.

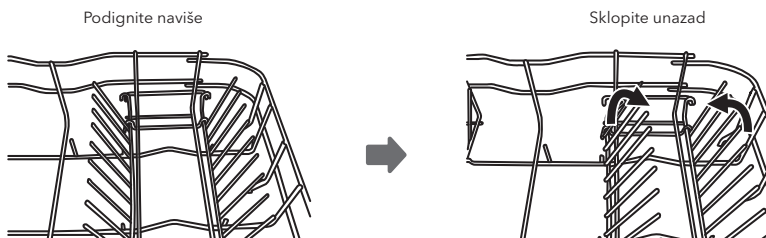
### Sklapanje polica za šolje

Da u korpi mašine za pranje sudova napravite više prostora za visoko posuđe, podignite полицu za šolje ka naviše. Na taj način, uz nju možete prisloniti visoke čaše. Možete je i skinuti ukoliko Vam nije potrebna.



### Sklapanje polica sa šiljcima

Šiljci se koriste za pridržavanje tanjira i ovala. Mogu se spustiti kako bi se napravilo više prostora za veće posuđe.



## ODRŽAVANJE I ČIŠĆENJE

### Održavanje spoljašnjosti uređaja

#### Vrata i zaptivka za vrata

Zaptivke za vrata redovno čistite mekom, vlažnom krpom kako biste uklonili naslage hrane. Prilikom raspoređivanja posuđa u mašini za pranje sudova, ostaci hrane i pića mogu kapati po bočnim stranama vrata mašine za pranje sudova. Ove površine se nalaze izvan prostora za pranje i voda iz ručica prskalice ih ne može dohvatiti. Prije nego što zatvorite vrata, obrišite eventualne naslage.

#### Kontrolna tabla

Ukoliko je kontrolnu tablu potrebno očistiti, brišite je ISKLJUČIVO mekom, vlažnom krpom.



#### UPOZORENJE!

- Da biste izbjegli prodiranje vode u bravu vrata i u električne komponente, nemojte koristiti nikakva sredstva za čišćenje u spreju.
- Nikada ne upotrebljavajte abrazivna sredstva za čišćenje ili abrazivne sundere prilikom čišćenja spoljašnjih površina, jer tako možete izgubiti završni sloj. Neki papirni ubrusi također mogu izgubiti površinu ili ostaviti tragove na njoj.

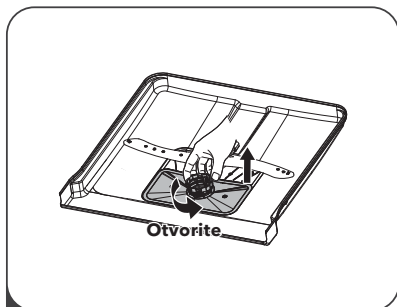
### Održavanje unutrašnjosti uređaja

#### Sistem za filtriranje

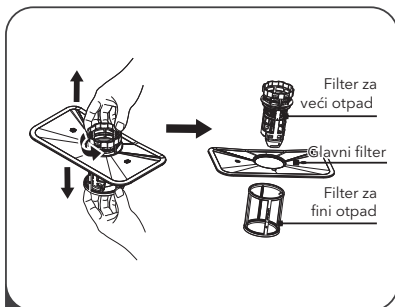
Sistem za filtriranje, koji se nalazi u donjem dijelu prostora za pranje, zadržava veći otpad nastao tokom ciklusa pranja. Prikupljeni veći otpad može da dovede do začepljenja filtera. Redovno provjeravajte filtere i po potrebi ih čistite pod mlazom vode. Za čišćenje filtera u prostoru za pranje, pratite sljedeće korake.

## NAPOMENA!

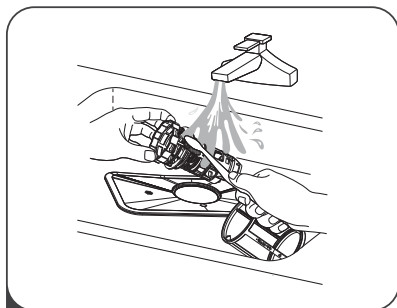
Slike su date isključivo u ilustrativne svrhe. Kod različitih modela, sistemi za filtriranje i ručice prskalice se mogu razlikovati. Pogledajte izgled svog proizvoda.



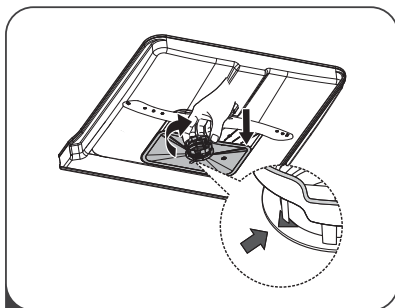
- 1 Uхватite filter za veći otpad i okrenite ga u smjeru suprotnom od smjera kazaljke na satu kako biste ga otključali. Podignite filter naviše i izvucite ga iz mašine za pranje sudova.



- 2 Filter za fini otpad se može izvući sa dna montažnog dijela za filter. Filter za veći otpad se može odvojiti od glavnog filtera laganim pritiskanjem jezičaka na vrhu i izvlačenjem.



- 3 Veći ostaci hrane se mogu očistiti ispiranjem filtera pod mlazom vode. Za temeljnije čišćenje, koristite meku četku za čišćenje.



- 4 Filtere ponovo postavite obrnutim redoslijedom u odnosu na redoslijed kojim ste ih rasklapali, ponovo postavite uložak filtera i okrenite ga u smjeru kazaljke na satu, sve do strelice.

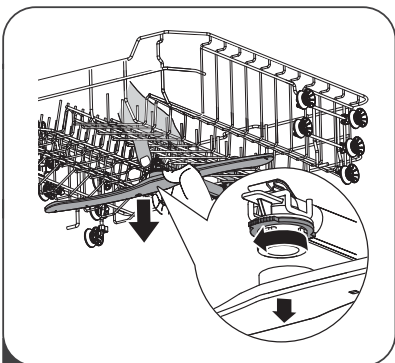
## ⚠ UPOZORENJE!

- Nemojte prejako pričvršćivati filtere. Vratite filtere određenim redoslijedom i dobro ih pričvrstite. U suprotnom, veći komadi otpada bi mogli ući u sistem i izazvati začepljenje.
- NIKADA ne upotrebljavajte mašinu za pranje sudova ako filteri nisu na odgovarajući način postavljeni. Nepravilno postavljanje filtera može smanjiti nivo radnog učinka uređaja i oštetiti posuđe i pribor.

## Ručice prskalice

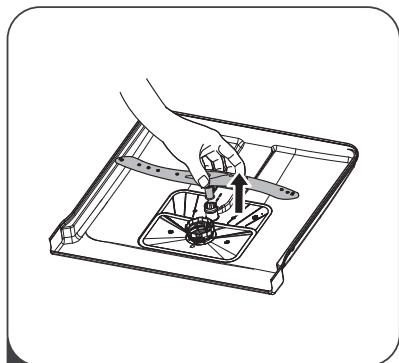
Ručice prskalice je neophodno redovno čistiti, jer će, u suprotnom, hemikalije iz tvrde vode začeptiti mlaznice i blokirati ležajeve ručica prskalice.

Za čišćenje ručica prskalice, pratite sljedeća uputstva:

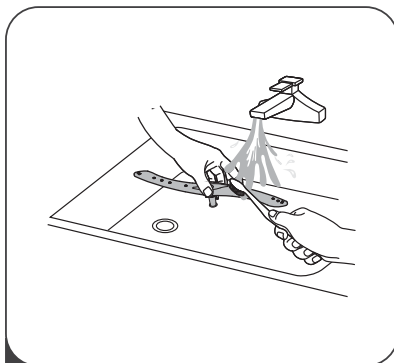


- 1 Da biste skinuli ručicu gornje prskalice, pritisnite centralni zavrtnj tako da se ne kreće, a zatim zarotirajte ručicu prskalice u smjeru suprotnom od smjera kazaljke na satu.





**2** Da biste skinuli ručicu donje prskalice, povucite ručicu prskalice uvis.



**3** Ručice operite u toploj vodi sa sapunicom, a za čišćenje mlaznica upotrebite meku četku. Nakon temeljnog ispiranja, ponovo ih postavite u uređaj.

## Briga o mašini za pranje sudova

### Mjere zaštite od mržnjenja

Tokom zime, preduzmite sve mjere da zaštitite mašinu za pranje sudova od mržnjenja. Nakon svakog ciklusa pranja, obavite sljedeće:

1. Izvucite utikač mašine za pranje sudova iz utičnice.
2. Isključite dovod vode i skinite dovodnu cijev za vodu sa ventila za vodu.
3. Istočite vodu iz dovodne cijevi i iz ventila za vodu. (Za prikupljanje vode, upotrijebite lavor)
4. Ponovo povežite dovodnu cijev za vodu sa ventilom za vodu.
5. Skinite filter sa dna prostora za pranje i sunderom pokupite vodu iz slivnika.

### Nakon svakog pranja

Nakon svakog pranja isključite dovod vode do uređaja i ostavite vrata djelimično otvorena kako se vlaga i mirisi ne bi zadržavali u uređaju.

### Izvucite utikač iz utičnice

Prije svakog čišćenja ili postupka održavanja izvucite utikač iz utičnice.

### Ne upotrebljavajte rastvarače ili abrazivna sredstva za čišćenje

Ne upotrebljavajte rastvarače ili abrazivne proizvode prilikom čišćenja spoljašnjeg dijela i gumenih elemenata uređaja. Upotrebljavajte isključivo krpu natoplenu toplom vodom sa sapunicom.

Za uklanjanje fleka ili mrlja sa unutrašnjih površina uređaja koristite krpu navlaženu vodom sa malo sirćeta ili specijalizovan proizvod za čišćenje mašina za pranje sudova.

### Kada se uređaj ne upotrebljava tokom dužeg vremenskog perioda

Preporučuje se da praznu mašinu za pranje sudova uključite da radi jedan ciklus, a zatim da izvučete utikač iz utičnice, isključite dovod vode i ostavite vrata uređaja delimično otvorena. Ovim postupkom ćete produžiti životni vijek zaptivkama na vratima i sprečiti stvaranje neprijatnih mirisa unutar uređaja.

### Transport uređaja

Ukoliko je neophodno preseliti uređaj, pokušajte da ga tokom tog procesa držite u uspravnom položaju. Samo ako je to zaista neophodno, uređaj položite na njegov zadnji dio.

# UPUTSTVA ZA POSTAVLJANJE

## ⚠ UPOZORENJE!



### Opasnost od strujnog udara

Prije postavljanja mašine za pranje sudova, prekinite dovod struje. Ukoliko to ne učinite, možete izazvati nečiju smrt ili nekoga izložiti strujnom udaru.

## ⚠ PAŽNJA!

Postavljanje crijeva i električne opreme treba da obavi profesionalno lice.

## ○ električnom povezivanju

## ⚠ UPOZORENJE!

Radi lične bezbednosti:

- Za povezivanje ovog uređaja sa strujom ne upotrebljavajte produžne kablove ili adaptere.
- Nemojte ni pod kojim okolnostima sjeći ili skidati vezu za uzemljenje sa priključnog kabela.

### Zahtevi u vezi sa električnom opremom

Pogledajte pločicu sa nominalnim podacima kako biste znali koji nominalni napon Vaša mašina za pranje sudova koristi i kako biste je priključili na odgovarajuću utičnicu. Koristite preporučeni osigurač sa zahtjevanim naponom od 10A/13A/16A, vremenski osigurač ili prekidač i obezbjedite zasebno strujno kolo namijenjeno isključivo ovom uređaju.

### Električno povezivanje

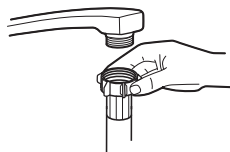
Uvjerite se da napon i frekvencija struje odgovaraju vrijednostima navedenim na pločici sa nominalnim podacima. Povežite utikač isključivo sa utičnicom koja je pravilno uzemljena. Ukoliko utičnica na koju morate priključiti uređaj ne odgovara utikaču, zamijenite utičnicu. Nemojte upotrebljavati adaptere i sličnu opremu, jer mogu dovesti do pregrijavanja i izazvati opekotine.

**⚠ Prije upotrebe se uvjerite da postoji odgovarajuće uzemljenje.**

## Dovod i odvod vode

### Povezivanje sa hladnom vodom

Povežite dovodno crijevo za hladnu vodu na konektor od 3/4 (cola) sa navojima i uvjerite se da je ono dobro pričvršćeno. Ukoliko su cijevi za vodu nove ili ako nisu upotrebljavane tokom dužeg vremenskog perioda, propustite kroz njih vodu i provjerite da li je voda čista. Ovu mjeru predostrožnosti je neophodno obaviti kako bi se izbjegao rizik od blokiranja protoka vode na ulazu i oštećenja uređaja.



obično dovodno crevo



sigurnosno dovodno crevo

### ○ sigurnosnom dovodnom crijevu

Sigurnosno dovodno crijevo se sastoji od duplih zidova. Sistem na ovom crijevu pruža garanciju da će ono blokirati protok vode u slučaju pucanja dovodnog crijeva i onda kada se prostor između samog dovodnog crijeva i spoljašnjeg rebrastog crijeva, koji je ispunjen vazduhom, napuni vodom.

## ⚠ UPOZORENJE!

Crijevo povezano sa tušem za sudoperu može da pukne ukoliko je postavljeno na isti dovod vode kao i mašina za pranje sudova. Ukoliko takvo crijevo imate u svojoj sudoperi, preporučuje se da ga skinete i zatvorite otvor.

**Kako da povežete sigurnosno dovodno crijevo**

1. Potpuno izvadite sigurnosna dovodna crijeva iz skladišnog prostora na zadnjem dijelu mašine za pranje sudova.
2. Pričvrstite zavrtne sigurnosnog dovodnog crijeva na slavinu od 3/4 cola sa navojima.
3. Pre nego što mašinu za pranje sudova pustite u rad, potpuno odvrnite vodu.

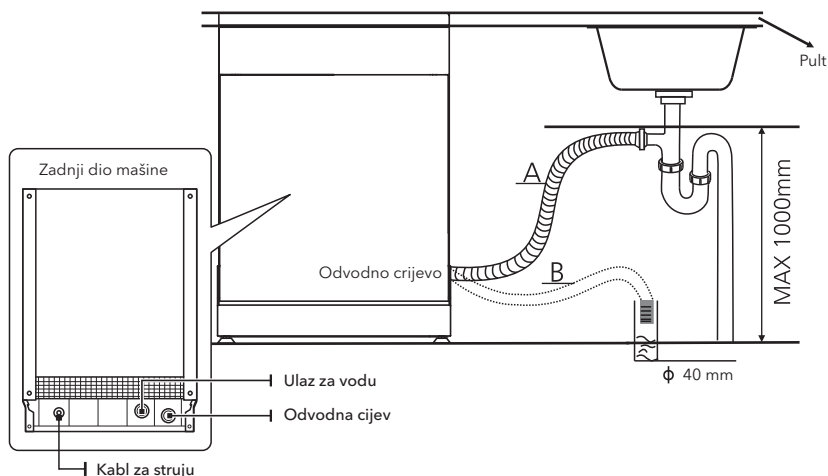
**Kako da skinete sigurnosno dovodno crevo**

1. Isključite vodu.
2. Odšrafite sigurnosno dovodno crevo sa slavine.

## Povezivanje odvodnih crijeva

Ubacite odvodno crijevo u odvodnu cijev minimalnog prečnika od 4 cm ili ga ostavite da ističe u slivnik, vodeći pritom računa da ga ne savijate i ne prelamate. Odvodna cijev mora biti locirana na visini manjoj od 1000 mm. Slobodni dio crijeva se ne smije uranjati u vodu kako bi se izbjeglo vraćanje vode.

⚠ Dobro pričvrstite odvodno crijevo i u slučaju pozicije A i u slučaju pozicije B.

**Kako da ispustite višak vode iz crijeva**

Ukoliko je slivnik na visini većoj od 1000 mm od poda, višak vode u crijevima neće moći da se ispusti direktno u slivnik. Neophodno je da višak vode iz crijeva ispustite u neku činiju ili odgovarajući sud koji ćete držati izvan slivnika i na nižem nivou od njega.

**Odvod vode**

Povežite odvodno crijevo za vodu. Odvodno crijevo mora biti pravilno povezano kako bi se izbjeglo curenje vode. Uvjerite se da odvodno crijevo za vodu nije prelomljeno ili pritisnuto.

**Produžno crijevo**

Ukoliko vam je potrebno produžno odvodno crijevo, uvjerite se da bude slično onome na koje ga nastavljate. Ne smije biti duže od 4 metra; u suprotnom, efekat čišćenja mašine za pranje sudova će biti umanjen.

**Povezivanje sifona**

Veza sa kanalizacijom mora biti na visini manjoj od 100 cm (maksimalno) od dna mašine za pranje sudova. Odvodno crijevo za vodu je potrebno fiksirati.

## Pozicioniranje uređaja

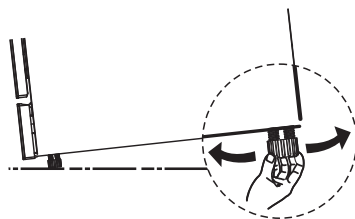
Postavite uređaj na željeno mjesto. Zadnji dio uređaja treba da se naslanja na zid iza njega, a bočne strane treba da budu poravnate sa okolnim kuhinjskim elementima ili zidovima. Mašina za pranje sudova je opremljena dovodnim i odvodnim crijevima za vodu koja se mogu postaviti bilo sa desne ili lijeve strane, čime se olakšava pravilno postavljanje.

### Nivelisanje uređaja

Kada je uređaj postavljen za nivelisanje, visinu mašine za pranje sudova možete promijeniti podešavanjem visine šrafova na nožicama.

#### NAPOMENA!

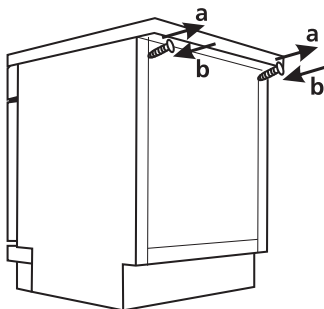
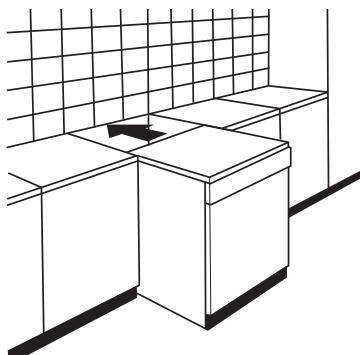
Primenjuje se isključivo na samostojeće mašine za pranje sudova.



## Postavljanje samostojećeg uređaja

### Postavljanje između postojećih kuhinjskih elemenata

Visina mašine za pranje sudova, koja iznosi 845 mm, dizajnirana je tako da omogući njeno postavljanje između postojećih kuhinjskih elemenata, koji u modernim kuhinjama rađenim po mjeri imaju pomenutu visinu. Nožice se mogu podesiti tako da se dostigne odgovarajuća visina. Laminirani gornji dio mašine ne zahtjeva posebno održavanje, jer je otporan na toplotu, ogrebotine i fleke.



### Ispod postojeće radne površine

(kada se uređaj postavlja ispod radne površine)

Većina modernih kuhinja rađenih po mjeri ima samo jednu jedinstvenu radnu površinu, ispod koje se postavljaju kuhinjski elementi i električni uređaji. U ovom slučaju, skinite radnu površinu mašine za pranje sudova tako što ćete odšrafiti zavrtnje koji se nalaze na zadnjoj ivici gornje površine (a).

#### PAŽNJA!

Nakon skidanja gornje radne površine, zavrtnje MORATE ponovo pričvrstiti na dio ispod zadnje ivice gornje površine (b).

Visina uređaja će se tako smanjiti na 815 mm, kako je navedeno u Međunarodnim uredbama (ISO), a mašina za pranje sudova će se savršeno uklopiti pod kuhinjsku radnu površinu.

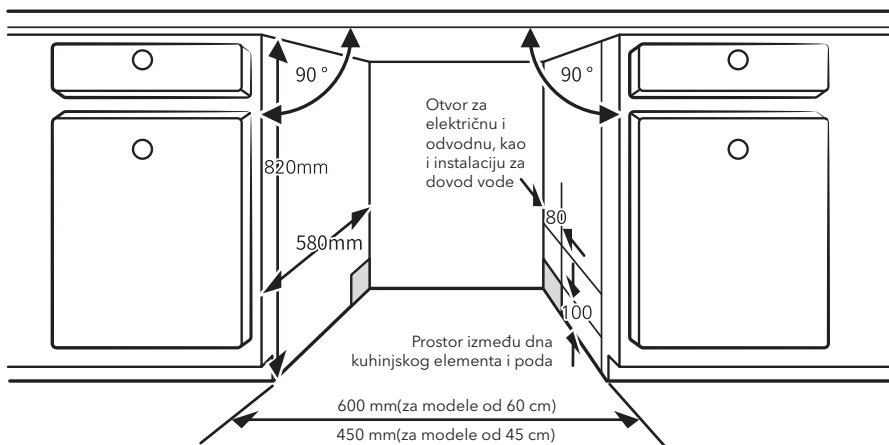
## Postavljanje ugradnog uređaja (kod integrisanog modela)

### Korak 1. Izbor najbolje lokacije za mašinu za pranje sudova

Mašina za pranje sudova treba da bude postavljena u blizini postojećih dovodnih i odvodnih crijeva i priključnog kabela.

Ilustracija dimenzija kuhinjskih elemenata i mjesta postavljanja mašine za pranje sudova.

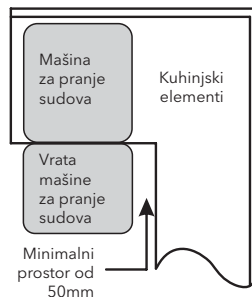
1. Manje od 5 mm između gornje površine mašine za pranje sudova i kuhinjskog elementa, kao i spoljnih vrata u ravni sa kuhinjskim elementom.



2. Ako mašinu za pranje sudova postavljate u krajnji ugao u odnosu na kuhinjske elemente, potrebno je da ostavite dovoljno mjesta za otvaranje vrata.

#### NAPOMENA!

Zavisno od toga gdje se nalazi otvor za električne instalacije, možda ćete morati da prosječete otvor na suprotnoj strani kuhinjskog elementa.



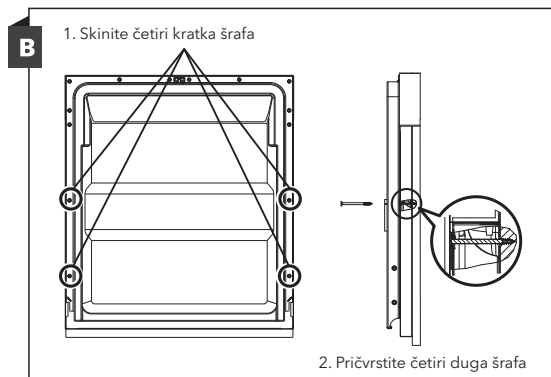
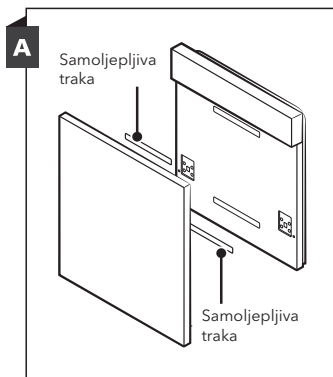
## Korak 2. Dimenzije i postavljanje dekorativnog front panela

#### NAPOMENA!

Drveni front panel biste mogli napraviti na osnovu crteža koji se odnose na postavljanje uređaja.

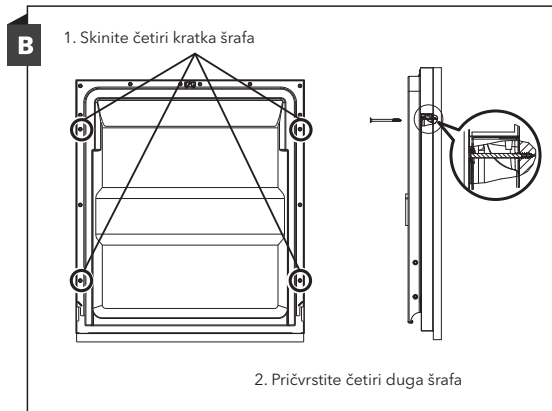
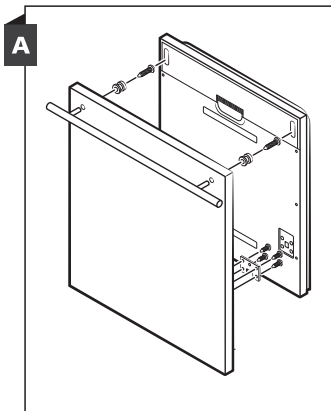
### Poluintegrirani model

Odljepite samoljepljivu traku A od samoljepljive trake B, pa samoljepljivu traku A nalijepite na drveni front panel, a filcanu samoljepljivu traku B na spoljašnju stranu vrata mašine za pranje sudova (pogledajte sliku A). Nakon što pozicionirate panel, pričvrstite je za spoljašnju stranu vrata pomoću šrafova i zavrtanja (pogledajte sliku B).



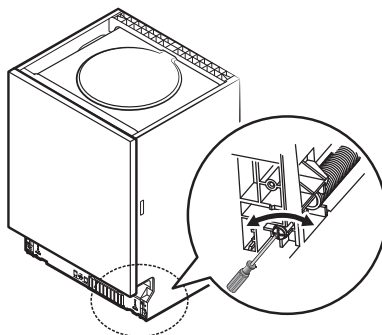
### Potpuno integrisani model

Pričvrstite nosač na drveni front panel i postavite ga u otvor koji se nalazi na spoljašnjoj strani vrata mašine za pranje sudova (pogledajte sliku A). Nakon pozicioniranja panela, pričvrstite je za spoljašnju stranu vrata pomoću šrafova i zavrtnja (pogledajte sliku B).



### Korak 3. Podešavanje zategnutosti opruge na vratima

- Zategnutost opruga na spoljašnjim vratima je fabrički pravilno podešena. Ukoliko postavljate drvene front panele, morate podesiti zategnutost opruge na vratima. Okrećite šraf za podešavanje kako biste regulator dodatno zategli ili kako biste opustili čeličnu sajlju.
- Zategnutost opruga na vratima je pravilno podešena ako vrata ostaju u horizontalnom položaju kada su potpuno otvorena i ako se u zatvoreni položaj vraćaju podizanjem prstom uz najmanji napor.

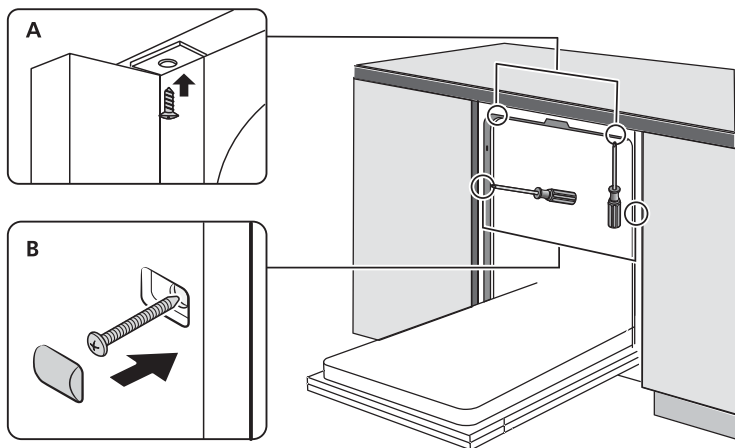


### Korak 4. Koraci za postavljanje mašine za pranje sudova

#### NAPOMENA!

Pogledajte navedene korake za postavljanje uređaja na crtežima za postavljanje.

- Ispod radne površine kuhinjskih elemenata pričvrstite bandaž traku. Uvjerite se da bandaž traka dobro naleže na ivicu radne površine. (Korak 2)
- Povežite ulazno crijevo sa dovodom hladne vode.
- Povežite odvodno crijevo.
- Povežite priključni kabl.
- Postavite mašinu za pranje sudova na za nju predviđeno mjesto. (Korak 4)
- Iznivelište mašinu za pranje sudova. Zadnja nožica se može podešavati sa prednje strane mašine za pranje sudova okretanjem krstastog šrafa koji se nalazi u sredini dna mašine za pranje sudova. Da podesite prednje nožice, upotrebite ravni odvijač i okrećite prednje nožice sve dok ne iznivelišete mašinu za pranje sudova. (Korak 5 i Korak 6)
- Postavite ukrasna vrata na spoljnu stranu vrata mašine za pranje sudova. (Koraci 7 do 10)
- Podesite zategnutost opruga na vratima pomoću imbus ključa koji ćete okretati u smjeru kretanja kazaljke na satu, čime ćete zategnuti i levu i desnu oprugu. Ukoliko to ne učinite, možete oštetiti svoju mašinu za pranje sudova. (Korak 11)
- Mašina za pranje sudova mora biti dobro pričvršćena. Ovo se radi na dva načina:
  - Normalna radna površina: Postavite nosač za pričvršćivanje u otvor na bočnom dijelu i pričvrstite ga za radnu površinu šrafova za drvo.
  - Mermerna ili granitna radna površina: Pričvrstite šrafom sa bočne strane.

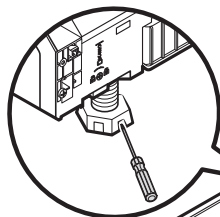


### Korak 5. Nivelisanje mašine za pranje sudova

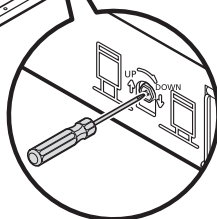
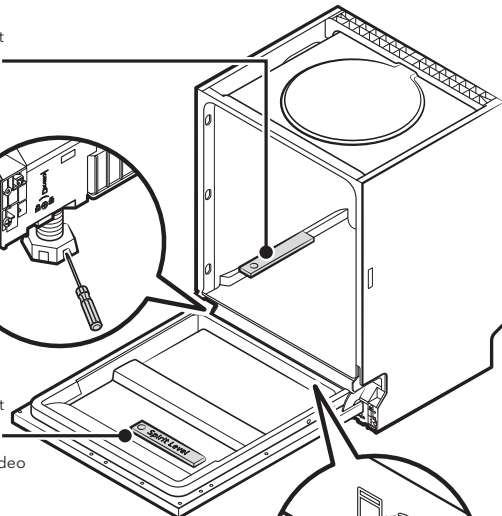
Mašina za pranje sudova mora biti iznivelisana radi pravilne upotrebe police za sudove i boljeg učinka prilikom pranja.

1. Postavite libelu na vrata i na šinu police unutar prostora za pranje na način prikazan na slici kako biste provjerili da li je mašina za pranje sudova iznivelisana.
2. Iznivelišite mašinu za pranje sudova tako što ćete zasebno podesiti svaku od tri nožice za nivelisanje.
3. Prilikom nivelisanja mašine za pranje sudova, povedite računa da se mašina za pranje sudova ne prevrne.

Provjerite iznivelisanost prednjeg u odnosu na zadnji deo



Provjerite iznivelisanost jednog u odnosu na drugi bočni deo



#### NAPOMENA!

Maksimalna visina podešavanja nožice iznosi 50 mm.

# SAVJETI ZA OTKLANJANJE KVAROVA

## Prije nego što pozovete servis

Pročitajte informacije prikazane na stranama koje slijede jer na taj način možete izbjeći pozivanje servisa.

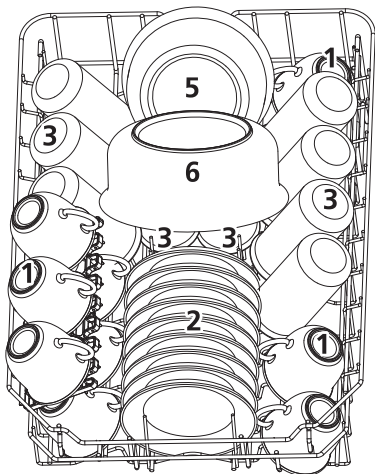
Problem	Mogući uzroci	Šta možete učiniti
Mašina za pranje sudova ne počinje da radi	Osigurač je pregoreo ili je prekidač prekinuo strujno kolo.	Zamijenite osigurač ili ponovo uključite prekidač. Isključite sve uređaje koji koriste isto strujno kolo kao i mašina za pranje sudova.
	Napajanje je prekinuto.	Uvjerite se da je mašina za pranje sudova uključena i da su vrata dobro zatvorena. Uvjerite se da je priključni kabl pravilno priključen u utičnicu.
	Pritisak vode je nizak.	Provjerite da li je mašina pravilno povezana na dovod vode i da li je voda puštena.
	Vrata mašine za pranje sudova nisu pravilno zatvorena.	Uvjerite se da su vrata pravilno zatvorena i da su se zaključala.
Mašina za pranje sudova ne izbacuje vodu	Ovodno crijevo je presavijeno ili pritisnuto.	Provjerite odvodno crijevo.
	Filter je začepljen.	Provjerite filter za veći otpad.
	Sudopera je začepljena.	Provjerite sudoperu kako biste se uvjerali da dobro odvodi vodu. Ukoliko je problem izazvala sudopera koja ne odvodi vodu, vjerovatno će Vam vodoinstalater biti potrebniji od servisera mašina za pranje sudova.
Sapunica u prostoru za pranje	Neodgovarajući deterđžent.	Upotrebjavajte isključivo specijalni deterđžent za mašinsko pranje sudova kako biste izbjegli stvaranje sapunice. Ukoliko se ovo dogodi, otvorite mašinu za pranje sudova i sačekajte da sapunica ispari. Prospite otprilike 4 litra hladne vode na dno mašine. Zatvorite vrata mašine, a zatim izaberite bilo koji ciklus pranja. Mašina će, na početku, ispustiti vodu. Po završetku faze ispuštanja vode, otvorite vrata i proverite da li ima još sapunice. Po potrebi ponovite ovaj postupak.
	Sredstvo za ispiranje se prosulo.	Uvijek i odmah obrišite sredstvo za ispiranje ukoliko se prospe.
Fleke po unutrašnjem dijelu prostora za pranje	Možda je upotrebljavan deterđžent koji sadrži sredstvo za bojenje.	Uverite se da deterđžent ne sadrži sredstvo za bojenje.
Bijeli film po unutrašnjim površinama prostora za pranje	Minerali tvrde vode.	Za čišćenje unutrašnjosti koristite vlažni sunder koji sadrži deterđžent za mašinsko pranje sudova. Nosite gumene rukavice. Nikada ne koristite druga sredstva za čišćenje jer može doći do stvaranja pjene ili sapunice.
Na priboru za jelo se javljaju mrlje od rđe	Pribor za jelo je napravljen od materijala koji nisu otporni na rđu.	Izbegavajte da u mašini za pranje sudova perete posude koje nije otporno na rđu.
	Mašinu niste pustili u rad odmah po dodavanju soli. Tragovi soli su dospjeli u ciklus pranja.	Po dodavanju soli, uvijek uključite neki od programa pranja bez sudova u mašini. Ne uključujte opciju Turbo (ukoliko je mašina ima).
	Poklopac posude za omekšivač nije dobro zatvoren.	Provjerite da li je poklopac posude za omekšivač dobro zatvoren.



<b>Problem</b>	<b>Mogući uzroci</b>	<b>Šta možete učiniti</b>
U mašini za pranje sudova se čuje udaranje	Ručica prskalice udara o neku posudu u korpi	Prekinite program i ponovo rasporedite posude koje blokira ručicu prskalice.
U mašini za pranje sudova se čuje zveckanje	Lomljivo posuđe u mašini za pranje sudova nije raspoređeno tako da stoji stabilno.	Prekinite program i ponovo rasporedite lomljivo posuđe.
U cijevima za vodu se čuje udaranje	Razlog ovome može biti postavljanje na samom mjestu ili ukrštanje cijevovoda.	Ovo ni na koji način ne utiče na rad mašine za pranje sudova. Ukoliko imate bilo kakvih nedoumica, kontaktirajte kvalifikovanog vodoinstalatera.
Posude nije čisto	Posude nije pravilno raspoređeno.	Pogledajte napomene u odeljku „Raspoređivanje u i uklanjanje posuda iz Vaše mašine za pranje sudova“.
	Program nije dovoljno snažan.	Uključite intenzivniji program.
	Nije stavljeno dovoljno deterdženta.	Stavite više deterdženta ili promijenite deterdžent.
	Posude blokira kretanje ručica prskalice.	Ponovo rasporedite posude tako da prskalice mogu da se neometano okreću.
	Komplet filtera je zaprljan ili nije pravilno postavljen na dno prostora za pranje u mašini. Na ovaj način mogu se zablokirati mlaznice na ručicama prskalice.	Očistite i/ili pravilno postavite filter. Očistite mlaznice na ručicama prskalice.
Posude od stakla je mutno.	Kombinacija meke vode i prevelike količine deterdženta.	Ukoliko je voda koju koristite meka, upotrebljavajte manje deterdženta i koristite kraće cikluse za pranje staklenog posuda.
Na posudu u čašama se javljaju bijele mrlje.	Upotreba tvrde vode može da izazove formiranje naslaga kamenca.	Stavite više deterdženta.
Na posudu se javljaju crne ili sive mrlje	Posude je bilo u snažnijem kontaktu sa priborom od aluminijuma.	Za uklanjanje pomenutih mrlja, koristite blago abrazivno sredstvo za čišćenje.
U posudi za deterdžent je ostao deterdžent	Posude blokira otvaranje posude za deterdžent.	Ponovo rasporedite posude na odgovarajući način.
Posude se ne suši	Posude nije pravilno raspoređeno.	Rasporedite posude na način prikazan u uputstvu.
	Posude je prebrzo izvađeno iz mašine.	Nemojte vaditi posude iz mašine za pranje sudova odmah po završetku ciklusa pranja. Malo otvorite vrata kako biste ispuštili paru. Izvucite posude tak kada se temperatura unutar prostora za pranje dovoljno spusti da možete da dodirujete predmete. Najpre izvadite posude sa donje korpe, kako voda sa gornje korpe ne bi kapala po donjoj.
Posude se ne suši	Uključili ste pogrešan program.	Kod kraćih programa, temperatura pranja je niža, što umanjuje učinak pranja. Izaberite program koji ima dugi period pranja.
	Upotreba pribora za jelo sa nekvalitetnim završnim slojem.	Postupak ocedivanje vode je teži kod ovakvog posuda. Pribor za jelo ili posude ovog tipa nisu pogodni za pranje u mašini za pranje sudova.

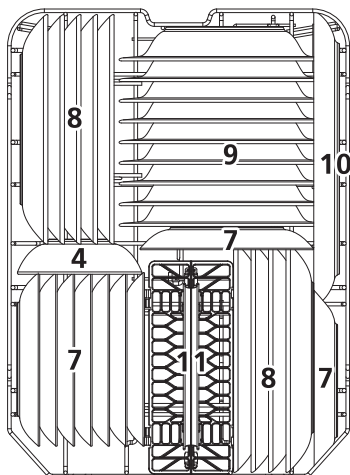
# RASPOREĐIVANJE POSUĐA U KORPAMA U SKLADU SA EN50242

## 1. Gornja korpa



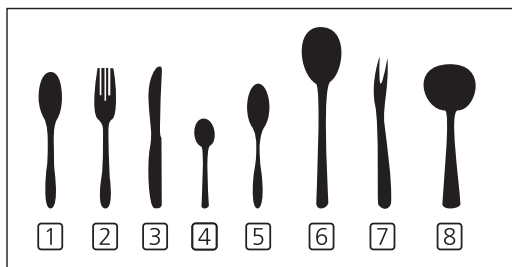
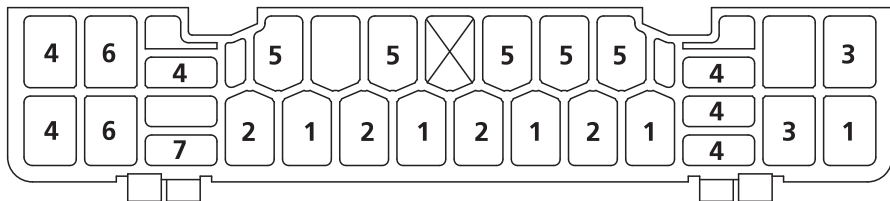
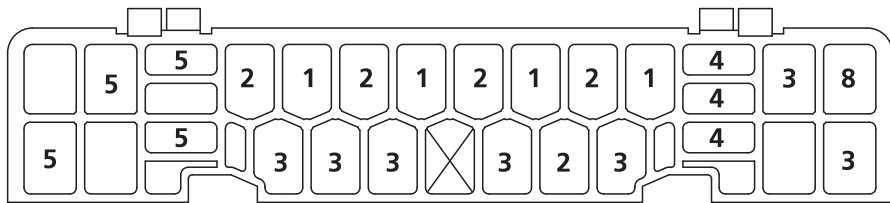
Broj	Posuda
1	Šolje
2	Tacne
3	Čaše
4	Manje činije
5	Srednje činije
6	Velike činije

## 2. Donja korpa



Broj	Posuda
7	Tanjiri za dezert
8	Plitki tanjiri
9	Duboki tanjiri
10	Ovali
11	Korpa za pribor za jelo

## 3. Korpa za pribor za jelo:



Broj	Element pribora za jelo
1	Supene kašike
2	Viljuške
3	Noževi
4	Kafene kašike
5	Kašike za dezert
6	Kašike za serviranje
7	Viljuške za serviranje
8	Kutlače za sos

Podaci dobijeni uporednim testiranjem su  
u skladu sa EN 50242

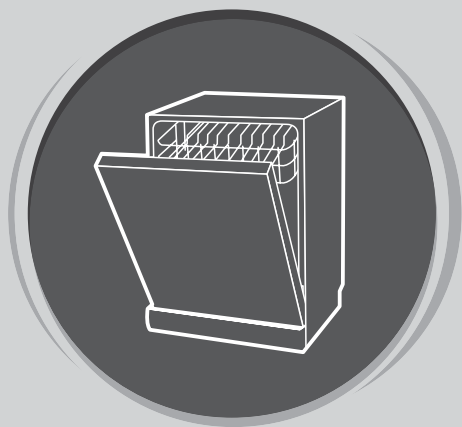
Kapacitet: 12 pozicija

Pozicija gornje korpe: donja pozicija

Program: ECO (EKO)

Podšavanje sredstva za ispiranje: 6

Podšavanje omekšivača: H3



# MAŠINA ZA SUĐE

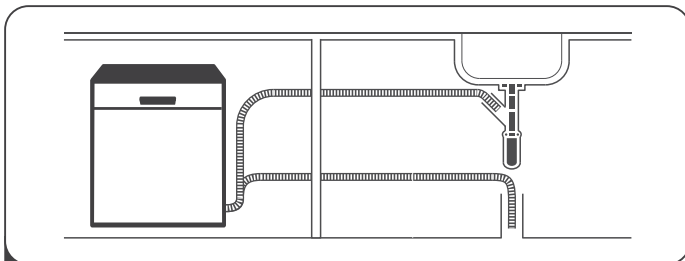
Korisničko  
uputstvo

**DIO II: UPUTSTVO  
ZA ODREĐENI MODEL  
WD460M / WD460MX**

Prije upotrebe mašine za pranje sudova, pažljivo pročitajte ovo uputstvo i sačuvajte ga za buduću upotrebu.

# KRATKI VODIČ ZA UPOTREBU

Za detaljnije informacije o načinu rukovanja, pročitajte odgovarajući sadržaj u uputstvu za upotrebu.

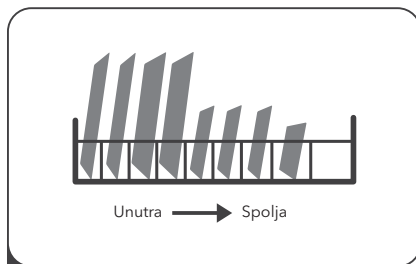


**1** Postavite mašinu za pranje sudova

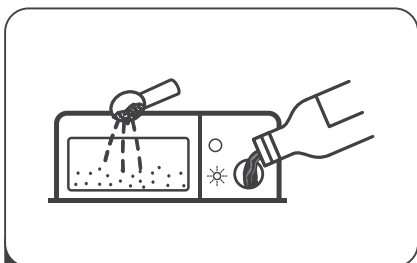
**(Pogledajte odeljak 5 „UPUTSTVA ZA POSTAVLJANJE“ u okviru DIJELA I: Uopšteno uputstvo.)**



**2** Uklanjanje većih ostataka hrane sa pribora za jelo



**3** Slaganje sudova u korpe



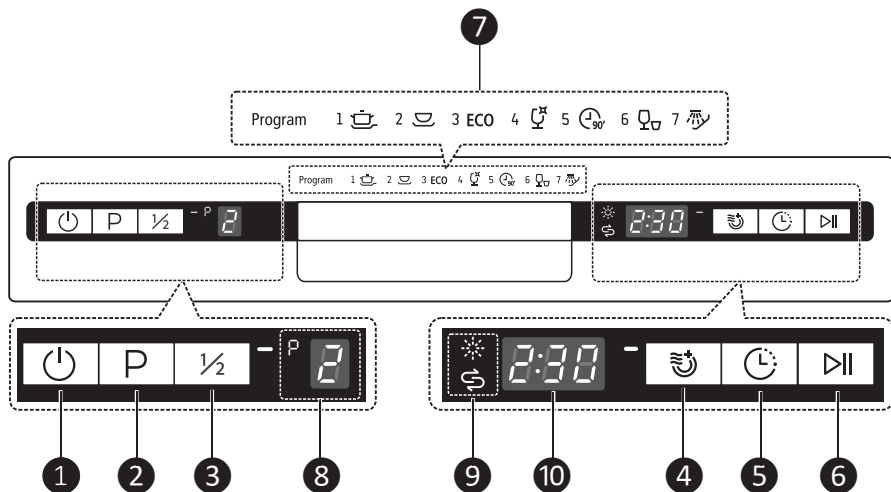
**4** Punjenje posude za deterdžent / sredstvo za ispiranje



**5** Odabir programa i puštanje u rad mašine za pranje sudova

# UPOTREBA VAŠE MAŠINE ZA SUĐE



## Kontrolna tabla












### Opcija (taster)

- 1** Uključivanje Da biste uključili svoju mašinu za pranje sudova, pritisnite ovaj taster. Nakon toga će se uključiti ekran.
- 2** Program Za odabir odgovarajućeg programa pranja. Na indikatoru izabranog programa uključuje se svijetlo.
- 3** Polovina kapaciteta Kako biste uštedeli energiju prilikom pranja male količine posuđa, možete koristiti samo gornju ili samo donju policu. Uzastopnim pritiskanjem tastera Polovina kapaciteta možete birati između opcija samo gornja polica ili samo donja polica.
- 4** Dodatno sušenje Za potpunije sušenje posuđa. (Može se koristiti samo sa programima Intenzivno, Normalno, EKO, Čaše, 90 min).
- 5** Odloženi početak Pritisnite ovaj taster kako biste podesili broj sati do početka pranja. Početak pranja možete odložiti i do 24 sata. Svakim pritiskom na ovaj taster, početak pranja se odlaže za jedan sat.
- 6** Početak / Pauziranje Za pokretanje izabranog programa pranja ili za njegovo pauziranje u toku rada mašine za pranje sudova.

### Displej

-  **Intenzivno**  
Izuzetno zaprljano posuđe, uključujući šerpe i tiganje, sa skorelom hranom.
-  **Normalno**  
Za normalno zaprljano posuđe, poput šerpi, tanjira, čaša i blago zaprljanih tiganja.
- ECO EKO**  
Ovo je standardni program podesan za normalno zaprljano posuđe, poput šerpi, tanjira, čaša i blago zaprljanih tiganja.

- 7** Indikator programa
-  **Čaše**  
Za blago zaprljano zemljano posuđe i čaše.
  -  **90 Min**  
Za normalno zaprljano posuđe koje treba brzo oprati.
  -  **Ubrzano**  
Kraći program pranja za blago zaprljano posuđe koje ne treba da se suši.
  -  **Natapanje**  
Za ispiranje posuđa koje planirate da perete kasnije u toku dana.
- 8** Ekran
-  Prikaz odabranog programa.
- 9** Indikator upozorenja
-  **Sredstvo za ispiranje**  
Ukoliko je uključena ikonica indikatora , u mašini za pranje sudova nema dovoljno sredstva za ispiranje i potrebno ga je dopuniti.
  -  **So**  
Ukoliko je uključena ikonica indikatora , u mašini za pranje sudova nema dovoljno soli i potrebno je dopuniti.
- 10** Ekran
- Za prikaz preostalog vremena, vremena odloženog početka, oznake greške itd.

## Omekšivač vode

Omekšivač vode se mora ručno podesiti pomoću brojčanika za tvrdoću vode.

Omekšivač vode je napravljen da iz vode ukloni minerale i soli, koji bi inače imali štetno ili nepovoljno dejstvo po rad uređaja.

Što je veći sadržaj minerala u vodi koju koristite, to je ona tvrđa.

Količinu omekšivača treba podesiti prema tvrdoći vode u oblasti u kojoj živite.

Od lokalnog nadležnog organa zaduženog za vodu možete dobiti informacije u vezi sa tvrdoćom vode u oblasti u kojoj živite.

### Podešavanje utroška soli

Mašina za pranje sudova je napravljena tako da omogućava podešavanje količine utrošene soli na osnovu tvrdoće vode koja je u upotrebi. Cilj je da se nivo utroška soli optimizuje i prilagodi svakom zasebnom slučaju.

Za podešavanje utroška soli, pratite sljedeće korake.

- Uključite uređaj;
- Zadržite pritisak na tasteru Početak/Pauziranje u trajanju od preko 5 sekundi kako bi se u roku od 60 sekundi od uključivanja uređaja aktivirao režim podešavanja za omekšivač vode;
- Pritisnite taster Početak/Pauziranje kako biste izabrali odgovarajuće podešavanje prema sredini u kojoj se nalazite. Podešavanja će se smenjivati sljedećim redosledom: H1->H2->H3->H4->H5->H6
- Pritisnite taster Uključivanje/Isključivanje kako bi ste napustili režim podešavanja.

TVRDOĆA VODE				Nivo omekšivača vode	Potrošnja soli (grama/ciklusu)
Njemački °dH	Francuski °fH	Britanski °Klarkov	Mmol/l		
0 - 5	0 - 9	0 - 6	0 - 0.94	H1	0
6 - 11	10 - 20	7 - 14	1.0 - 2.0	H2	9
12 - 17	21 - 30	15 - 21	2.1 - 3.0	H3	12
18 - 22	31 - 40	22 - 28	3.1 - 4.0	H4	20
23 - 34	41 - 60	29 - 42	4.1 - 6.0	H5	30
35 - 55	61 - 98	43 - 69	6.1 - 9.8	H6	60

1°dH=1.25

°fH=0.178mmol/l

°Klarkov=1.78

Fabričko podešavanje: H3

Za informacije u vezi sa tvrdoćom vode koju koristite, kontaktirajte lokalni nadležni organ zadužen za vodu.

### ☰ NAPOMENA!

Ukoliko nema dovoljno soli u mašini za pranje sudova, pogledajte odeljak 3 „Sipanje soli u omekšivač“, koji se nalazi u DIJELU I: Upošteno uputstvo.

### ☰ NAPOMENA!

**Ukoliko Vaš model uređaja nema opciju upotrebe omekšivača za vodu, ovaj dio možete preskočiti. Omekšivač za vodu**

Tvrdoća vode varira od mjesta do mjesta. Ukoliko se prilikom pranja sudova u mašini upotrebljava tvrda voda, na posudu i priboru će se formirati naslage. Uređaj je opremljen posebnom pregradom za omekšivač i ima posudu za so, što je posebno dizajnirano za eliminisanje kamenca i minerala iz vode.

## Pripremanje i raspoređivanje posuđa u mašini

- Razmislite o tome da kupujete posude koje se može prati u mašini za pranje sudova.
- Prilikom pranja određenih predmeta, izaberite program sa najmanjom mogućom temperaturom.
- Kako biste spriječili oštećenja, nemojte vaditi čaše i pribor za jelo iz mašine za pranje sudova odmah po završetku programa.

### Sljedeći tipovi pribora za jelo/posuđa nisu pogodni za pranje:

- Pribor za jelo sa drvenim, rožanim, porcelanskim ili sedefnim drškama
- Plastični predmeti koji nisu otporni na visoke temperature
- Stariji tipovi pribora za jelo sa zalepljenim dijelovima koji nisu otporni na visoke temperature
- Lepljeni pribor za jelo ili posude
- Posude od legure kalaja i olova ili od bakra
- Kristalne čaše
- Posude od čelika podložnog rđanju
- Drveni ovali
- Posude od sintetičkih vlakana

### su delimično pogodni za pranje:

- Neke vrste čaša mogu da posle većeg broja ciklusa pranja izgube sjaj
- Dijelovi od srebra i aluminijuma obično promijene boju tokom pranja
- Ukoliko se često peru u mašini, glazirani elementi mogu da potamne

### Preporuke za raspoređivanje posuđa u mašini

Uklonite veće komade preostale hrane. Razmekšajte ostatke zagorjele hrane u tiganjima. Nije neophodno isprati posude tekućom vodom. Za najbolji učinak mašine za pranje sudova, pratite sljedeće smjernice za raspoređivanje posuđa u mašini.

### (Karakteristike i izgled korpi i korpi za pribor za jelo mogu se razlikovati od korpi u okviru Vašeg modela.)

Predmete rasporedite u mašini za pranje sudova na sljedeći način:

- Posude poput šolja, čaša, šerpi/tiganja itd. postavite u obrnuti položaj.
- Zakrivljeno posude i posude sa nepristupačnim dijelovima treba postaviti dijagonalno, kako bi voda mogla da se nesmetano sliva.
- Kompletan pribor treba naslagati tako da bude stabilan i da se ne prevrne.
- Kompletan pribor treba postaviti tako da ručice prskalica mogu da se slobodno okreću tokom procesa pranja.
- Šuplje posude, poput šolja, čaša, tiganja itd., postavite tako da otvor bude okrenut ka dole, kako se voda ne bi sakupljala u posudi ili dubokom dnu.
- Posude i pribor za jelo se ne smiju smještati jedni u druge i zaklanjati jedni druge.
- Kako biste izbjegli oštećenje čaša, povedite računa da se one ne dodiruju.
- Gornja korpa je predviđena za delikatnije i lakše posude, poput čaša i šolja za kafu i čaj.
- Noževi dugih sečiva postavljeni u uspravan položaj predstavljaju potencijalnu opasnost!



- Dugi i / ili oštri komadi pribora za jelo, poput noževa za siječenje, moraju se postavljati u gornju korpu, u horizontalnom položaju.
- Nemojte pretjerano opteretiti svoju mašinu za pranje sudova. Postoje dobri razlozi zbog kojih je ovu smjernicu važno ispoštovati, a jedan od razloga je i razumna potrošnja energije.

### ☰ NAPOMENA!

Izuzetno male predmete ne treba prati u mašini za pranje sudova, jer mogu lako ispasti iz korpi.

### Vađenje posuda

Kako biste sprečili kapanje vode sa gornje na donju korpu, preporučujemo Vam da najpre izvadite sadržaj donje, a onda i gornje korpe.

### ⚠ UPOZORENJE!



**Posude će biti vrelo!** Kako ne bi došlo do oštećenja, sačekajte da od završetka programa prođe oko 15 minuta, pa onda izvadite čaše i pribor za jelo iz mašine za pranje sudova.

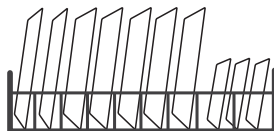
### Raspoređivanje posuda u gornju korpu

Gornja korpa je predviđena za delikatnije i lakše posude, poput čaša, šolja za kafu i čaj i tacni, kao i tanjira, malih činija i plitkih tiganja (ukoliko nisu pretjerano zaprljani). Posude i elemente za kuhanje postavite tako da ne može da ih pomjeri mlaz vode.



### Raspoređivanje posuda u donju korpu

Predlažemo Vam da u donju korpu rasporedite veliko posude, kao i posude koje se najteže pere, poput šerpi, tiganja, poklopaca, servisnog posuđa i činija, na način prikazan na slici. Najbolje je da servisno posuđe i poklopce postavite sa strane police, kako ne biste blokirali okretanje gornje ručice prskalice. Savetuje se da se ispred posude za deterženje ne stavljaju tanjiri čiji je prečnik veći od 19 cm, da ne bi došlo do njenog blokiranja.



### Raspoređivanje posuda u korpu za pribor za jelo

Pribor za jelo treba razvrstati u polici za pribor za jelo, tako da svaki element pribora za jelo stoji zasebno, na za njega predviđenom mjestu. Osim toga, povedite računa da pribor ne bude pregusto grupisan, jer to za rezultat može imati loš učinak mašine.

### ⚠ UPOZORENJE!



Ne dozvolite da dijelovi posuđa proviruju kroz dno.  
Oštar pribor uvijek postavljajte sa oštrim vrhom okrenutim ka dole!

### ☰ NAPOMENA!

Za najbolji efekat pranja, posude raspoređujte u korpe u skladu sa standardnim načinima raspoređivanja, navedenim u posljednjem odeljku DIJELA I: Uopšteno uputstvo

## Uloga sredstva za ispiranje i deterdženta

Sredstvo za ispiranje se ispušta tokom posljednjeg ispiranja kako bi spriječilo da se voda na Vašem posudu formira u kapi, koje mogu da ostave kružne i prugaste mrlje. Osim toga, ovo sredstvo poboljšava sušenje jer vodi omogućava da sklizne sa posuda. Predviđeno je da se u Vašoj mašini za pranje sudova upotrebljavaju tečna sredstva za ispiranje.

### ⚠ UPOZORENJE!

U mašinu za pranje sudova stavljajte samo brendirana sredstva za ispiranje. Nikada ne stavljajte neke druge supstance (npr. sredstvo za čišćenje mašine za pranje sudova, tečni deterdžent) u posudu za sredstvo za ispiranje. Na taj način možete oštetiti uređaj.

### Kada je potrebno dopuniti posudu za ispiranje

Osim ukoliko se na kontrolnoj tabli ne uključi lampica upozorenja o nedovoljnoj količini sredstva za ispiranje, njegovu količinu uvijek možete procijeniti na osnovu boje optičkog indikatora nivoa sredstva za ispiranje, koji se nalazi odmah pored poklopca. Kada je posuda za ispiranje puna, indikator će biti u potpunosti zatamnjen. Veličina tamne tačke će se smanjivati sa smanjivanjem količine sredstva za ispiranje. Nikada ne bi trebalo dozvoliti da se nivo sredstva za ispiranje spusti ispod 1/4 punog kapaciteta.

Kako se količina sredstva za ispiranje bude smanjivala, veličina crne tačke na indikatoru nivoa sredstva za ispiranje će se menjati na dole prikazan način.

- Pun kapacitet  
  3/4 punog kapaciteta  
  1/2 punog kapaciteta  
  1/4 punog kapaciteta  
  Prazno

### Uloga deterđženta

Hemijski sastojci u deterđžentu su neophodni za skidanje, usitnjavanje i izbacivanje svih vrsta prljavštine iz mašine za pranje sudova. Većina deterđženata komercijalnog kvaliteta odgovara ovoj svrsi.

#### **UPOZORENJE!**

#### Odgovarajuća upotreba deterđženta

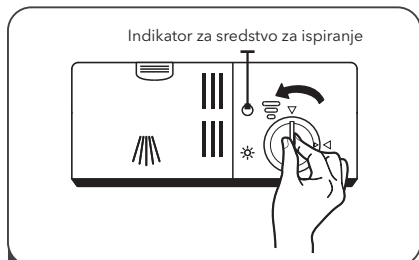
Upotrebljavajte isključivo deterđžente posebno napravljene za mašine za pranje sudova. Čuvajte deterđžente tako da ostanu svježiji i suhi. Ne stavljajte praškaste deterđžente u posudu za deterđžent sve dok ne budete spremni da uključite mašinu za pranje sudova.



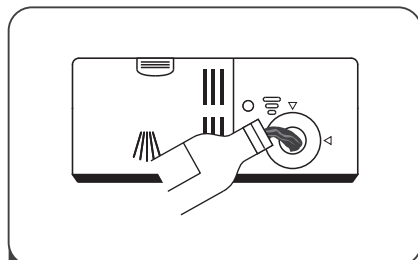
**Deterđžent za mašinsko pranje sudova je korozivan!**

**Držite deterđžent za mašinsko pranje sudova van dohvata djece.**

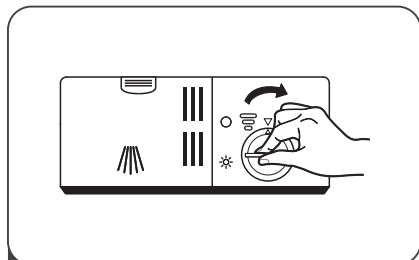
## Dopuna sredstva za ispiranje



- 1** Kako biste otvorili posudu, okrenite poklopac u pravcu strelice „otvoreno“ (ulijevo) i izvucite ga.



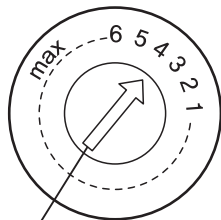
- 2** Pažljivo uspite sredstvo za ispiranje u posudu, vodeći računa da ne dođe do prelijanja.



- 3** Ponovo stavite poklopac tako što ćete ga poravnati sa strelicom „otvoreno“ i okrenuti u pravcu strelice „zatvoreno“ (udesno)

#### **NAPOMENA!**

Kako biste izbjegli prekomjerno formiranje pijene prilikom sljedećeg ciklusa pranja, počistite sredstvo za ispiranje koje prospete.

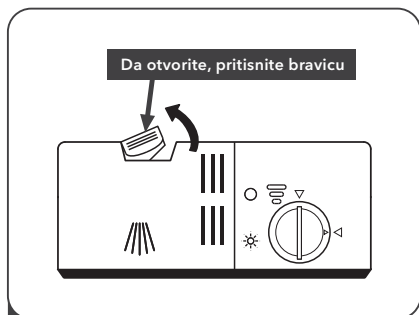


— Podesite ručicu (ispiranje)

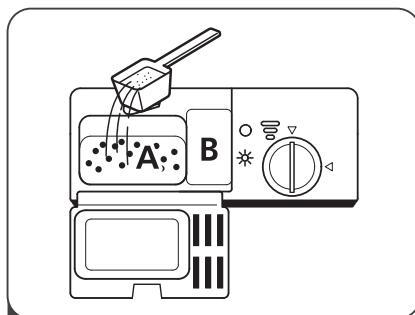
### Podešavanje rezervoara za sredstvo za ispiranje

Rezervoar za sredstvo za ispiranje ima šest stepena podešavanja. Step 4 predstavlja i preporučeno i fabričko podešavanje. Ukoliko se posude ne suši na odgovarajući način ili ako je isflekano, podesite brojčanic na sljedeći, viši, stepen. Ovo ponavljajte sve dok posude ne bude imalo fleke. Ukoliko se na Vašem posudu pojave ljepljive, bijeličaste fleke, a na staklenom posudu ili sječivima noža plavkasti film, vratite brojčanic na niži stepen.

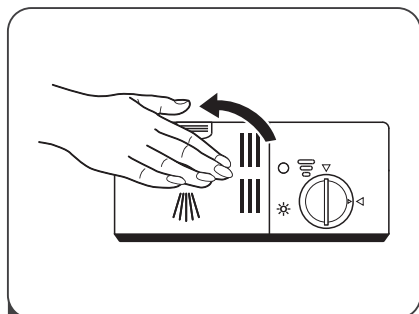
## Punjenje posude za deterdžent



**1** Da otvorite poklopac, pritisnite bravicu za otpuštanje na posudi za deterdžent.



**2** U veću pregradu (A), dodajte deterdžent koji će se koristiti tokom glavnog ciklusa pranja. Za zaprljanije posude, dodajte nešto deterdženta i u manju pregradu (B), koja se koristi prilikom pretpranja.



**3** Zatvorite poklopac i pritisnite ga tako da se čuje zvuk zaključavanja.

### NAPOMENA!








- Imajte u vidu da podešavanja mogu da se razlikuju zavisno od stepena zaprljanosti vode.
- Pridržavajte se preporuka proizvođača navedenih na ambalaži deterdženta.

# PROGRAMIRANJE MAŠINE ZA SUĐE

## Tabela ciklusa pranja

U tabeli ispod prikazani su najprikladniji programi prema stepenu ostataka hrane na posudu i potrebnoj količini deterdženta. Osim toga, prikazani su i razni podaci u vezi sa programima.

Oznaka ● označava potrebu za dodavanjem sredstva za ispiranje u posudu za sredstvo za ispiranje.

Program	Opis ciklusa	Deterdžent za pretpranje/ glavno pranje	Vrijeme trajanja ciklusa (min)	Energija (kWh)	Voda (L)	Sredstvo za ispiranje
 Intenzivno	Pretpranje (50°C) Pranje (60°C) Ispiranje Ispiranje Ispiranje (70°C) Sušenje	$\frac{5/22 \text{ g}}{(1 \text{ komad})}$	165	1.4	16.5	●
 Normalno	Pretpranje (45°C) Pranje (55°C) Ispiranje Ispiranje (65°C) Sušenje	$\frac{5/22 \text{ g}}{(1 \text{ komad})}$	175	1.1	13	●
 ECO (*EN 5 0242)	Pretpranje Pranje (45°C) Ispiranje (62°C) Sušenje	$\frac{5/22 \text{ g}}{(1 \text{ komad})}$	205	0.69	9	●
 Čaše	Pretpranje Pranje (40°C) Ispiranje Ispiranje (60°C) Sušenje	$\frac{5/22 \text{ g}}{(1 \text{ komad})}$	125	0.75	13.5	●
 90 Min	Pranje (65°C) Ispiranje Ispiranje (65°C) Sušenje	$\frac{27 \text{ g}}{(1 \text{ komad})}$	90	1.15	11.5	●
 Ubrzano	Pranje (45°C) Ispiranje (50°C) Ispiranje (55°C)	20 g	30	0.7	10	○
 Natapanje	Pretpranje		15	0.02	3.5	○

### ☰ NAPOMENA!

**EN 50242:** Ovaj program predstavlja test ciklus. Informacije za uporedni test su u skladu sa EN 50242.

## Započinjanje ciklusa pranja

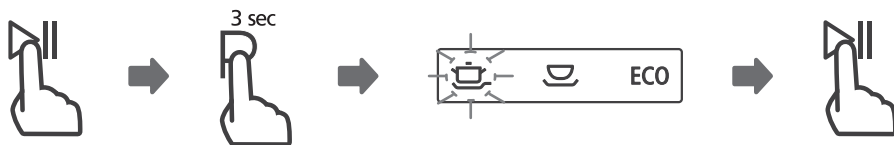
- Izvučite donju i gornju korpu, rasporedite posude i vratite ih u mašinu. Preporučuje se da najpre rasporedite posude na donjoj, a zatim na gornjoj korpi.

2. Sipajte deterdžent.
3. Priključite utikač u utičnicu. Za podatke o napajanju, pogledajte odeljak "Karakteristike proizvoda" na posljednjoj strani.
4. Zatvorite vrata i pritisnite taster Uključivanje/Isključivanje kako biste uključili mašinu.
5. Zaberite program, nakon čega će se uključiti svjetlo indikacije. Zatim pritisnite taster Početak/Pauziranje i mašina za pranje sudova će započeti svoj ciklus.

## Mijenjanje programa u toku započetog ciklusa

Ciklus pranja koji je u toku se može promeniti samo ukoliko nije proteklo mnogo vremena od početka rada mašine. U suprotnom, mašina je možda već ubacila deterdžent u ciklus pranja i isпустиła vodu sa sapunicom. U tom slučaju, mašinu je neophodno ponovo podesiti, a posudu za deterdžent dopuniti. Da ponovo podesite mašinu za pranje sudova, pratite dole prikazana uputstva:

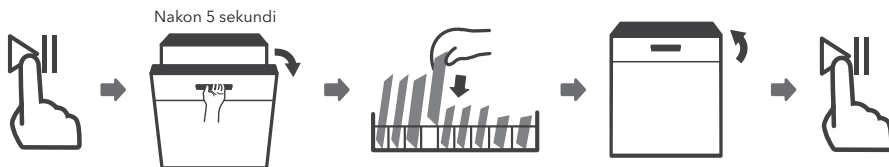
1. Pritisnite taster Početak/Pauziranje kako biste pauzirali ciklus.
2. Pritisnite taster Program u trajanju od preko 3 sekunde. Na taj način ćete opozvati program.
3. Pritisnite taster Program da izaberete željeni program.
4. Pritisnite taster Početak/Pauziranje. Mašina za pranje sudova će nakon 10 sekundi početi da radi.



## Zaboravili ste da dodate posudu?

Posudu koju ste zaboravili da stavite u mašinu možete dodati u bilo kom trenutku prije nego što se otvori posuda za deterdžent. U tom slučaju, pratite sljedeća uputstva:

1. Pritisnite taster Početak/Pauziranje. Mašina za pranje sudova će nakon 10 sekundi početi da radi.
2. Sačekajte 5 sekundi, a zatim otvorite vrata.
3. Dodajte posude koje ste zaboravili da stavite u mašinu.
4. Zatvorite vrata.
5. Pritisnite taster Početak/Pauziranje. Mašina za pranje sudova će nakon 10 sekundi početi da radi.



### UPOZORENJE!



Opasno je otvarati vrata mašine u toku započetog ciklusa, jer možete zadobiti opekotine od vrele pare.

# OZNAKE GREŠAKA

U slučaju nepravilnog rada, na mašini za pranje sudova će biti prikazane oznake grešaka, kojima se identifikuju sljedeći slučajevi:

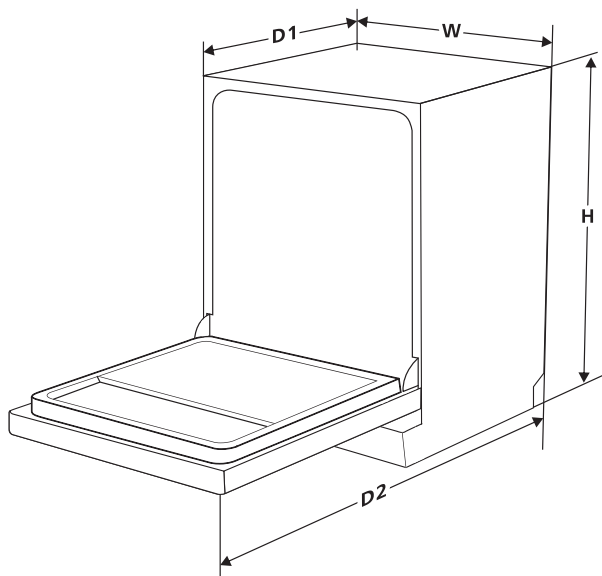
Oznake	Značenje	Mogući razlozi
E1	Produženo vrijeme primanja vode.	Slavine nisu odvrnute ili je ulaz vode blokiran ili je pritisak vode prenizak.
E3	Ne može se dostići zadata temperatura.	Neispravan grijač.
E4	Prelivanje.	Neki dio mašine za pranje sudova propušta vodu.



## UPOZORENJE!

- Ukoliko dođe do preliivanja vode, prije nego što pozovete servis, isključite glavni ventil za vodu.
- Ukoliko na dnu mašine ima vode zbog preliivanja ili manjeg propuštanja vode, prije ponovnog pokretanja mašine za pranje sudova ovu vodu treba ukloniti.

## TEHNIČKI PODACI



**Visina (H)** 845 mm

**Širina (W)** 448 mm

**Dubina (D1)** 600 mm (sa zatvorenim vratima)

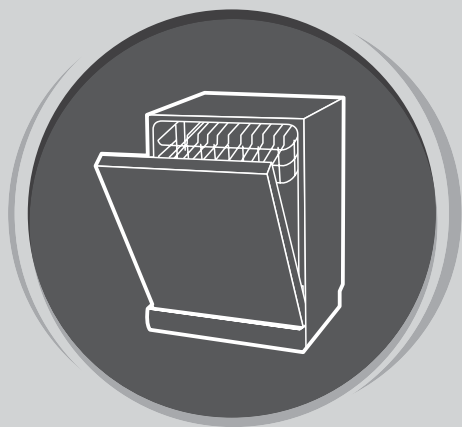
**Dubina (D2)** 1175 mm (sa vratima otvorenim pod uglom od 90°)

## Karakteristike proizvoda

Lista karakteristika mašine za pranje sudova u domaćinstvu u skladu sa EU Direktivom 1016/2010 i 1059/2010:

Proizvođač	TESLA
Model / Opis	WD460MX / WD460M
Broj kompleta posuđa	9
Klasa energetske efikasnosti <b>1</b>	A++
Godišnja potrošnja energije <b>2</b>	197 kWh
Potrošnja energije tokom standardnog ciklusa pranja	0,91 kWh
Potrošnja energije u režimu isključeno (off)	0,45 W
Potrošnja energije u režimu Ostavljeno uključeno (Left-on)	0,49 W
Godišnja potrošnja vode <b>3</b>	2520 litara
Klasa efikasnosti sušenja <b>4</b>	A
Standardni ciklus pranja <b>5</b>	ECO 45°C
Trajanje programa tokom standardnog ciklusa pranja	205 min
Nivo buke	49 dB(A) re 1 pW
Montiranje	Samostojeća
Mogućnost ugrađivanja	DA
Utrošak energije	1760-2100 W
Nominalni napon / frekvencija	220-240V/50 Hz
Pritisak vode (pritisak protoka)	0,04-1,0 MPa=0,4-10 bar

- 1** A + + + (najviši nivo efikasnosti) do D (najniži nivo efikasnosti)
- 2** Potrošnja energije na osnovu 280 standardnih ciklusa pranja, uz primanje hladne vode i potrošnju u režimima sa malom snagom. Realna potrošnja energije zavisice od načina na koji se uređaj upotrebljava.
- 3** Potrošnja vode na osnovu 280 standardnih ciklusa pranja. Realna potrošnja vode zavisice od načina na koji se uređaj upotrebljava.
- 4** A (najviši nivo efikasnosti) do G (najniži nivo efikasnosti).
- 5** Ovaj program je pogodan za pranje normalno zaprljanog posuđa i predstavlja najefikasniji program u smislu kombinovane potrošnje energije i vode za pomenuti tip posuđa.



# МАШИНА ЗА ПЕРЕЊЕ САДОВИ

Упатство  
за употреба

## ДЕЛ I: ОПШТО УПАТСТВО

Pre upotrebe mašine za pranje sudova, pažljivo pročitajte ovo uputstvo i sačuvajte ga za buduću upotrebu.



# БЕЗБЕДНОСНИ УПАТСТВА

## ПРЕДУПРЕДУВАЊЕ!

При употреба на машината за перење садови, следете ги наведените мерки на претпазливост:

- Овој уред е предвиден за употреба во домаќинството и во слични објекти, како:
  - кујнски простории за персонал во продавници, канцеларии и други деловни опкружувања;
  - куќа на фарма;
  - хотели, мотели и други опкружувања од резиденцијален тип, наменети за клиенти;
  - Апартаменти во кои се нудат услуги од типот на ноќевање со појадок.
- Уредот може да го користат деца постари од 8 години, како и лица со намалени физички, сетилни или ментални способности или лица без искуство и знаење, ако се под надзор и ако добиле упатства за безбедна употреба на уредот и ги сфаќаат опасностите од неговата употреба.
- Децата не треба да играат со уредот. Децата не треба да вршат чистење или одржување на уредот без надзор. (Според EN60335-1)
- Не е предвидено уредот да го употребуваат лица (вклучително и деца) со намалени физички, сетилни или ментални способности или лица без искуство и знаење, освен ако се под надзор и ако добиле упатства за употреба на уредот од лица одговорни за нивната безбедност. (Според IEC60335-1)
- Амбалажата може да биде опасна за децата!
- Овој производ е предвиден исклучиво за употреба во домаќинството и во затворен простор.
- За да го намалите ризикот од струен удар, не го напонувајте производот, кабелот или штекерот во вода или некоја друга течност.
- Пред чистење и одржување на уредот, извадете го приклучокот од штекер.
- За чистење користете мека крпа навлажнета со блага сапуница, а потоа избришете со сува крпа.

## Упатство за заземјување

- Уредот мора да биде заземјен. Во случај на неправилно работење или дефект, заземјувањето го намалува ризикот од струен удар така што ќе ѝ овозможи на електричната струја да најде пат со најмал отпор. Уредот е опремен со приклучок за заземјување.
- Неопходно е приклучокот да биде поврзан со соодветен излез поставен и заземјен во согласност со сите локални прописи.
- Несоодветното поврзување на опремата со проводникот за заземјување може да предизвика појава на ризик од струен удар.
- Доколку се двоумите во врска со правилното заземјување на уредот, проверете го заземјувањето со квалификуван електричар или претставник на сервис.
- Доколку приклучокот кој сте го добиле со уредот не одговара на излезот, не го преправајте.
- Квалификуван електричар нека го постави соодветниот излез.
- Немојте на агресивен начин да ракувате со

вратата или полиците за садови во машината и немојте да стоите или седите на нив.

- Немојте да ја вклучувате машината за перење садови доколку сите табли на кукиштето не се на своите позиции.
- Бидете многу внимателни при отворање на вратата на машината додека работи, бидејќи постои ризик да Ве испрска млаз вода.
- Не ставајте тешки предмети на отворената врата од машината и немојте да се потпирате на неа. Уредот би можел да се преврти.
- При распоредување на садовите за перење:
  1. Острите предмети распоредете ги така да не може да ги оштетат заптивките на вратата;
  2. Предупредување: Ножевите и останатиот прибор со остри врвови мора да го распоредите во корпата така да острите делови бидат свртени кон долу или мора да ги поставите во хоризонтална положба.
- Некои детергенти за машинско перење садови се силно алкални. Ако дојде до нивно проголтување, може да бидат многу опасни. Избегнувајте контакт со кожата и очите, а децата држете ги подалеку од машината доколку вратата е отворена.
- По завршување на циклусот на перење, проверете дали има уште прав од детергентот.
- Немојте да перете пластични садови, освен ако носат ознака "безбедно за машинско перење" или слично.
- Кај пластичните садови без ознака, проверете ги препораките на производителот.
- Употребувајте исклучиво детергенти и средства за плаќење препорачани за употреба во автоматски машини за перење садови.
- Никогаш немојте во машината да ставате сапун, детергент за перење алишта или детергент за рачно перење.
- Не ја оставајте отворена вратата, бидејќи така се зголеμουва ризикот од препнување.
- Доколку приклучниот кабел е оштетен, неговата замена мора да ја изврши производителот, сервис ангажиран од него или лице со слични квалификации, како би се избегнала опасност.
- При поставување, приклучниот кабел не смее да се витка или притиски на прекумерен или опасен начин.
- Немојте непрописно да ги преправате контролните тастери.
- Уредот е потребно да го поврзете со главниот вентил за вода со помош на нов комплет црева. Немојте да употребувате стари црева.
- Со цел заштеда на енергија, уредот во режим на подготвеност автоматски ќе се исклучи ако машината не е активна во текот на 30 минути.



## Odlaganje

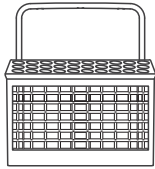
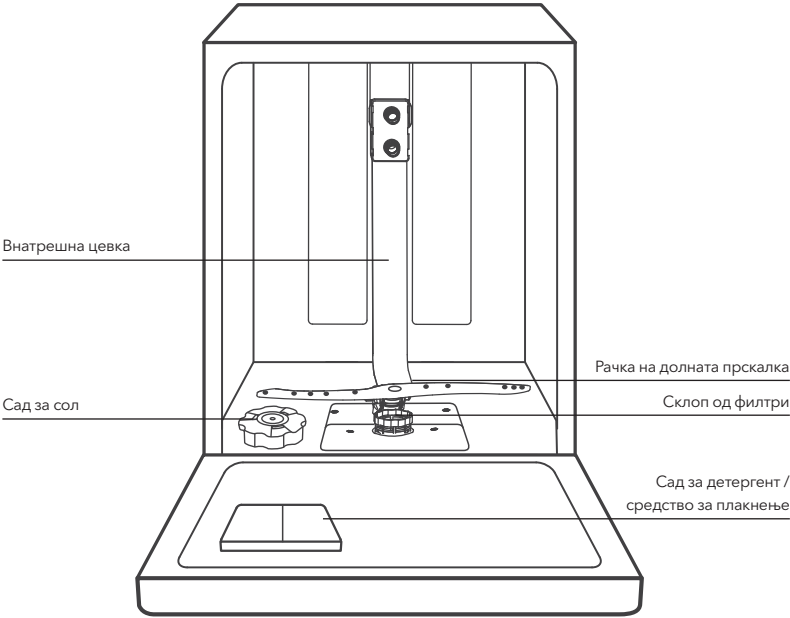
- За одложување на амбалажата и на самиот уред, обратете се до центрите за рециклирање. Исечете го приклучниот кабел и онеспособете го механизмот за затворање на вратата на уредот.

- Картонската амбалажа е произведена од рециклирана хартија и треба да се одложи на место за собирање хартиен отпад заради повторно рециклирање.
- Со правилно одложување на уредот, помагате во спречување на појави со потенцијално негативни последици по животната средина и здравјето на луѓето, кои би се јавиле при neodgovorno одложување на уредот.
- За повеќе информации околу рециклирањето на овој уред, контактирајте го локалното претставништво во својот град и компанијата за одложување отпад од домаќинството..
- **Одложување: Не одложувајте го овој производ како неселектиран комунален отпад. Ваквиот отпад е неопходно засебно да се собере заради негово посебно третирање.**

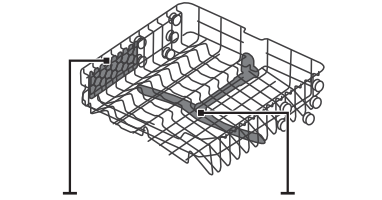
# ПРИКАЗ НА ПРОИЗВОДОТ

**ВАЖНО!**

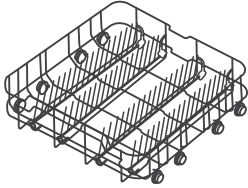
За максимална ефикасност на Вашата машина за перење садови, пред првата употреба прочитајте го комплетното упатство за употреба.



Корпа за прибор за јадење



Полица за шолји      Рачка на горната прскалка  
Горна корпа



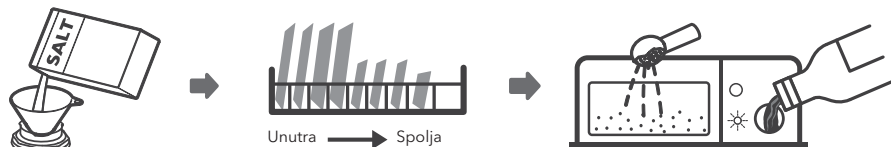
Долна корпа

**НАПОМЕНА!**

Сликите се дадени исклучиво за илустративни цели. Погледнете го изгледот на својот производ.

# УПОТРЕБА НА МАШИНАТА ЗА ПЕРЕЊЕ САДОВИ

Пред да почнете да ја користите машината за перење садови:



1. Нагодете го омекнувачот на вода
2. Ставете сол во омекнувачот
3. Распоредете ги садовите во корпата
4. Наполнете го садот за детергент / средство за плакнење

## НАПОМЕНА!

Доколку е потребно да го нагодите омекнувачот за вода, погледнете го одделот 1 „Омекнувач на вода“, кој се наоѓа во ДЕЛ II: Упатство за одредени модели.

## Ставање сол во омекнувачот

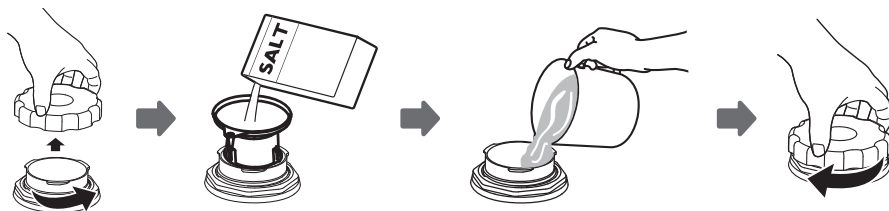
## НАПОМЕНА!

Доколку во рамки на Вашиот модел на машина не се употребува омекнувач на вода, може да го прескокнете овој оддел. Секогаш користете сол која е наменета исклучиво за машини за перење садови. Садот за сол се наоѓа под долната корпа, а се полни на начин прикажан подолу во текстот:

## ⚠ ПРЕДУПРЕДУВАЊЕ!

- **Користете исклучиво сол која е посебно произведена за машини за перење садови!**  
Секој друг вид на сол, која не е посебно произведена за машина за перење садови, а особено готварска сол, ќе го оштети омекнувачот на вода. Во случај на оштетувања настанати од употреба на несоодветна сол, производителот не нуди никаква гаранција, ниту е одговорен за какви било настанати оштетувања.
- **Сол се дополнува исклучиво непосредно пред машината да го започне циклусот на перење.**  
На тој начин ќе спречите задржување на потенцијално истурени зрна сол или солена вода на дното од машината во текот на одреден временски период, што може да доведе до рѓосување

Следете ги следните чекори за да додадете сол во машината за перење садови:



1. Тргнете ја долната корпа и отшрафете го капакот на резервоарот.
2. Ставете го долниот дел на инката (се доставува со производот) во отворот и сипете околу 1,5 kg сол за машина за перење садови.
3. Дополнете го садот за сол со вода до неговата максимална граница. Притоа е вообичаено од садот за сол да се истури помала количина на вода.
4. Откако ќе го наполните садот, повторно ставете го капакот и добро зашрафете го.
5. Откако ќе сипете сол во садот, ламбата за предупредување за количината на сол ќе престане да свети.
6. Некои од програмите за перење би требало да се вклучат веднаш по ставањето сол во садот за сол (Предлагаме употреба на некоја од пократките програми). Во спротивно, солена вода би можела да го оштети системот за филтрирање, пумпата или други важни делови на машината. Во тој случај, гаранцијата не важи.

НАПОМЕНА!

- Садот за сол мора да се дополнува само кога на контролната табла ќе се вклучи ламбата за предупредување. Зависно од степенот на растворливост на солта, ламбата за предупредување за количината на сол може да продолжи да свети иако садот за сол е дополнет. Доколку уредот на контролната табла нема ламба за предупредување за количината на сол (кај некои модели), врз основа на бројот на циклуси на машината може да процените кога да ставите сол во омекнувачот.
- Доколку дојде до истурање на сол, вклучете ја програмата за натопување или некоја од пократките програми.

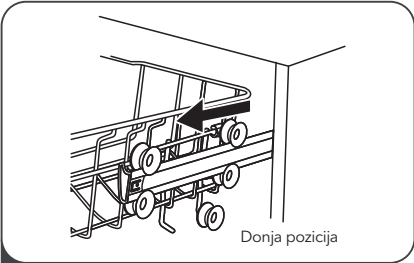
## Совети за употреба на корпите

### Нагодување на горната корпа

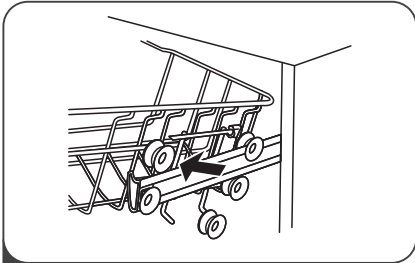
#### Тип 1:

Висината на горната корпа лесно се нагодува за високите садови да ги сместите и во горната и во долната корпа.

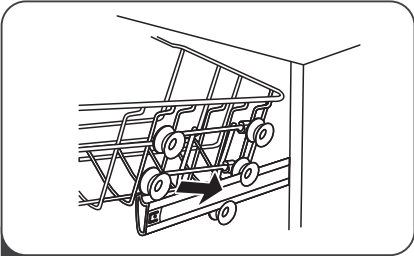
За да ја нагодите висината на горната полица, следете ги наведените чекори:



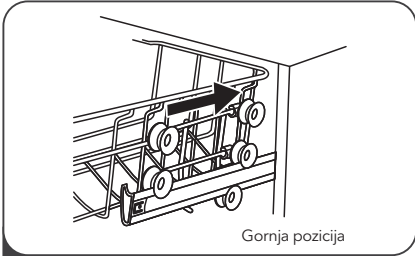
1 Извлечете ја горната корпа.



2 Отстранете ја горната корпа.

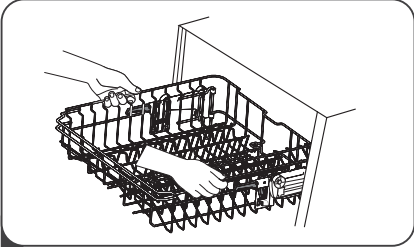


3 Повторно поставете ја горната корпа со помош на горните или долните тркалца.

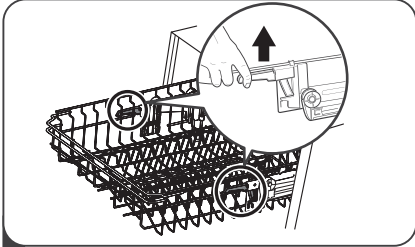


4 Турнете ја горната корпа во машината.

#### Тип 2:



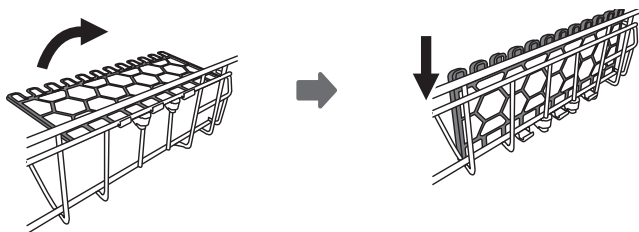
1 За да ја подигнете полицата во горната позиција, подигајте ја додека обете страни не бидат на иста висина. Полицата ќе биде прицврстена.



2 За да ја спуштите полицата, притиснете ја дршката надолу и пуштете.

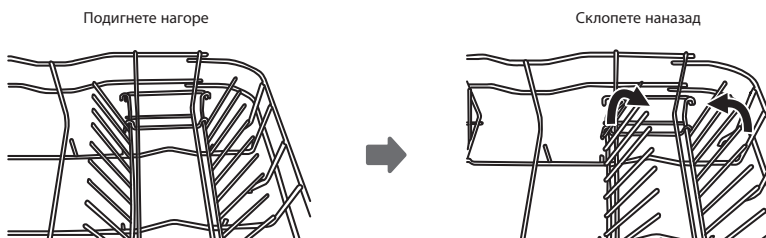
### Склопување на полицата за шолји

За да направите повеќе простор во корпата за високи садови, подигнете ја полицата за шолји нагоре. На тој начин, на неа може да потпирате високи чаши. Може и да ја тргнете доколку не Ви е потребна.



### Склопување на полицата со шилци

Шилците се користат за придржување на чинии. Може да се спуштат за да се отвори простор за поголеми садови.



## ОДРЖУВАЊЕ И ЧИСТЕЊЕ

### Одржување на надворешноста на уредот

#### Врата и заптивка за врата

Заптивките за врата редовно чистете ги со мека, влажна крпа за да ги отстраните наслагите од храна. При распоредување на садовите во машината, остатоци од храна и пијалок може да капат по страничните делови на вратата од машината. Овие површини се надвор од просторот за перење и водата од прскалката не може да ги дофати. Пред да ја затворите вратата, отстранете ги евентуалните наслагги.

#### Контролна табла

Ако е потребно да ја исчистите контролната табла, бришете ја ИСКЛУЧИВО со мека, влажна крпа.



#### ПРЕДУПРЕДУВАЊЕ!

- За да избегнете продирање на вода во бравата на вратата и во електричните компоненти, немојте да користите никакви средства за чистење во вид на спреј.
- Никогаш не употребувајте абразивни средства за чистење или абразивни сунѓери при чистење на надворешните површини, бидејќи може да го изгребат завршниот слој. Некои хартиени бришачи исто така може да ја изгребат површината или да остават траги на неа.

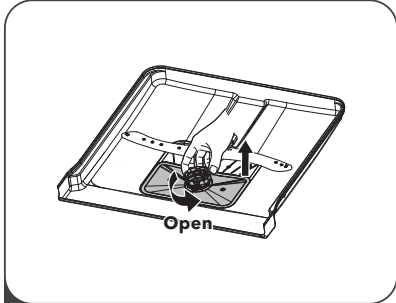
### Одржување на внатрешноста на уредот

#### Систем за филтрирање

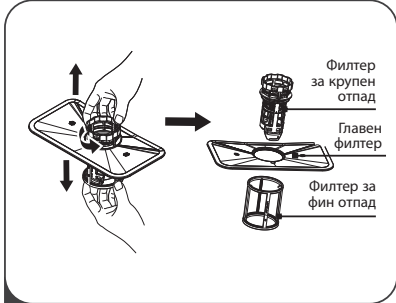
Системот за филтрирање, сместен во долниот дел на просторот за перење, задржува покрупен отпад настанат при циклусот на перење. Насобраниот отпад може да доведе до затнување на филтрите. Редовно проверувајте ги филтрите и по потреба чистете ги под млаз вода. За чистење на филтрите, следете ги наведените чекори:

**НАПОМЕНА!**

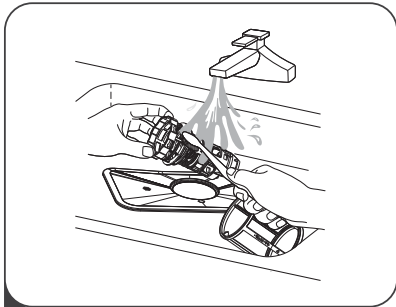
Сликите се дадени исклучиво за илустративни цели. Кај различни модели, системите за филтрирање и рачките на прскалната може да се разликуваат. Погледнете го изгледот на својот производ.



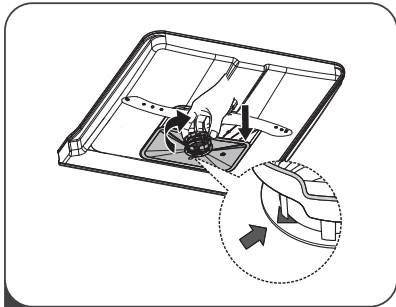
**1** Фатете го филтерот за крупен отпад и вртете го во насока спротивна од стрелките на часовникот за да го отклучите. Подигнете го филтерот нагоре и извлечете го од машината за перење садови.



**2** Филтерот за фин отпад може да се извлече од дното на монтажниот дел за филтер. Филтерот за крупен отпад може да се одвои од главниот филтер со лесно притискање на јазичето на врвот и извлекување.



**3** Поголемите остатоци од храна може да се исчистат со плакнење на филтерот под млаз вода. За темелно чистење, користете мека четка.



**4** Повторно поставете ги филтрите по обратен редослед од оној при расклопувањето, повторно поставете го влезот на филтерот и вртете го во насока на стрелките на часовникот, сè до стрелката.

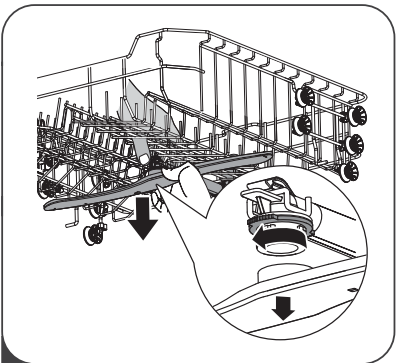
**⚠ ПРЕДУПРЕДУВАЊЕ!**

- Немојте прејакно да ги прицврстувате филтрите. Вратете ги филтрите редоследно и прицврстете ги соодветно. Во спротивно, парчиња крупен отпад може да доведат до затнување.
- НИКОГАШ не ја користете машината за перење садови ако филтрите не се соодветно поставени. Неправилното поставување на филтрите може да ја намали работната ефикасност на уредот и да ги оштети садовите и приборот.

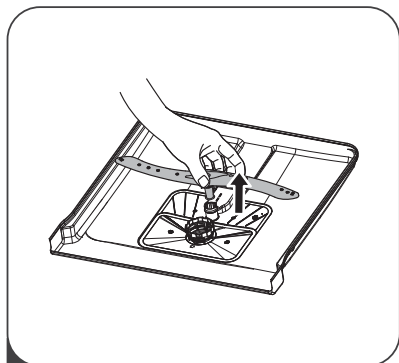
**Рачки на прскалната**

Рачките на прскалната е неопходно редовно да се чистат, бидејќи, во спротивно, хемикалиите од тврдата вода ќе ја затнат млазницата и ќе ги блокираат лежиштата на прскалната.

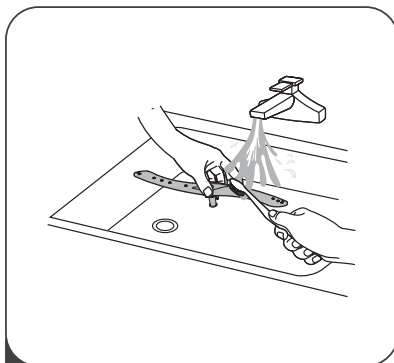
За чистење на рачките на прскалната, следете ги наведените чекори:



**1** За да ја тргнете рачката од горната прскалка, притиснете ја централната завртка така да не се движи, а потоа изротирајте ја рачката на прскалната во насока спротивна од стрелките на часовникот.



**2** За да ја тргнете рачката од горната прскалка, повлечете ја рачката нагоре.



**3** Рачките исчистете ги во топла вода со сапуница, а за чистење на млазницата употребете мека четка. По темелното плакнење, повторно поставете ги во уредот.

## Грижа за машината за перење садови

### Мерки на заштита од замрзнување

Во зимски период преземете ги сите мерки за заштита на машината од замрзнување. По секој циклус на перење, сторете го следното:

1. Извлечете го приклучокот на машината за перење алишта од штекер.
2. Запрете го доводот на вода и тргнете ја доводната цевка за вода од вентилот за вода.
3. Отстранете ја водата од доводната цевка и од вентилот за вода. (За собирање на водата, употребете леген)
4. Повторно поврзете ја доводната цевка за вода со вентилот за вода.
5. Тргнете го филтерот од дното на просторот за перење и со сунѓер соберете ја водата од одводот.

### После секое перење

После секое перење, запрете го доводот на вода до уредот и оставете ја вратата делумно отворена за да не се задржуваат влага и мириси во уредот.

### Извлечете го приклучокот од штекер

Пред секое чистење или постапка на одржување, извлечете го приклучокот од штекер.

### Не употребувајте растворувачи или абразивни средства за чистење

Не употребувајте растворувачи или абразивни средства при чистење на надворешниот дел и гумените елементи на уредот. Употребувајте исклучиво крпа натопена во топла вода со сапуница.

За отстранување дамки од внатрешната површина на уредот користете крпа натопена во вода со малку оцет или специјализирани производи за чистење машини за перење садови.

### Кога уредот не се употребува подолг временски период

Се препорачува празната машина за перење садови да ја вклучите да работи еден циклус, а потоа да го извлечете приклучокот од штекер, да го запрете доводот на вода и да ја оставите вратата на уредот делумно отворена. Со оваа постапка ќе го продолжите животниот век на заптивките на вратата и ќе спречите создавање непријатни мириси во внатрешноста на уредот.

### Транспорт на уредот

Доколку е неопходно да го преместите уредот, обидете се да го направите тоа држејќи го во исправена положба. Само ако тоа е навистина нужно, положете го на неговиот заден дел.

# УПАТСТВА ЗА ПОСТАВУВАЊЕ

## ⚠ ПРЕДУПРЕДУВАЊЕ!



### Опасност од струен удар

Пред поставување на машината за перење садови, прекинете го доводот на струја. Доколку не го сторите тоа, може да предизвикате нечија смрт или изложување на струен удар.

## ! ВНИМАНИЕ!

Поставувањето на цревата и електричната опрема треба да ја изврши професионално лице.

## За електричното поврзување

## ⚠ ПРЕДУПРЕДУВАЊЕ!

Заради лична безбедност:

- За поврзување на овој уред со струја не употребувајте продолжни кабли или адаптери.
- Во ниеден случај немојте да ги сечете или отстранувате врските за заземјување од приклучниот кабел.

### Побарувања во врска со електричната опрема

Погледнете ја плочката со номинални податоци за да го дознаете номиналниот напон кој го користи Вашата машина за перење садови и како соодветно да ја приклучите во штекер. Користете препорачан осигурувач со побарувачка на напон од 10A/13A/16A, временски осигурувач или прекинувач и засебно струјно коло наменето исклучиво за овој уред.

### Електрично поврзување

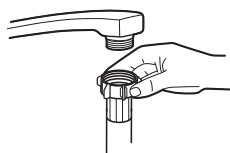
Уверете се дека напонот и фреквенцијата на струја одговараат на вредностите наведени на плочката со номинални вредности. Поврзете го приклучокот исклучиво со штекер кој е правилно заземјен. Доколку штекерот на кој треба да ја приклучите машината не одговара, променете го штекерот. Немојте да употребувате адаптери и слична опрема, бидејќи може да доведат до прегрејување и да предизвикаат изгореници.

⚠ Пред употреба, уверете дека постои соодветно заземјување.

## Довод и одвод на вода

### Поврзување со ладна вода

Поврзете го доводното црево за ладна вода на конектор од 3/4 (инчи) со навој и уверете се дека е добро прицврстено. Ако цевките за вода се нови или ако не се употребувани подолг временски период, пропуштете вода низ нив и проверете дали е чиста. Оваа мерка на претпазливост е неопходна за да се избегне ризик од блокирање на протокот на вода при влезот и оштетување на уредот



obično dovodno crevo



sigurnosno dovodno crevo

### За сигурносното доводно црево

Сигурносното доводно црево се состои од дупли сидови. Системот на ова црево нуди гаранција дека ќе го блокира протокот на вода во случај на пукање на доводното црево и тогаш кога просторот помеѓу самото доводно црево и надворешното ребресто црево, кој е исполнет со воздух, ќе се наполни со вода.

## ⚠ ПРЕДУПРЕДУВАЊЕ!

Цревето поврзано со туш за мијалникот може да пукне ако е поставено на ист довод на вода како и машината за перење садови. Ако имате такво црево во мијалникот, се препорачува да го тргнете и да го затворите отворот.



**Како да го поврзете сигурносното доводно црево**

1. Потполно извадете ги сигурносните доводни црева од складишниот простор на задниот дел од машината.
2. Прицврстете ја завртката на сигурносното доводно црево на славината од 3/4 инчи со навој.
3. Пред да ја вклучите машината, целосно отпуштете ја водата.

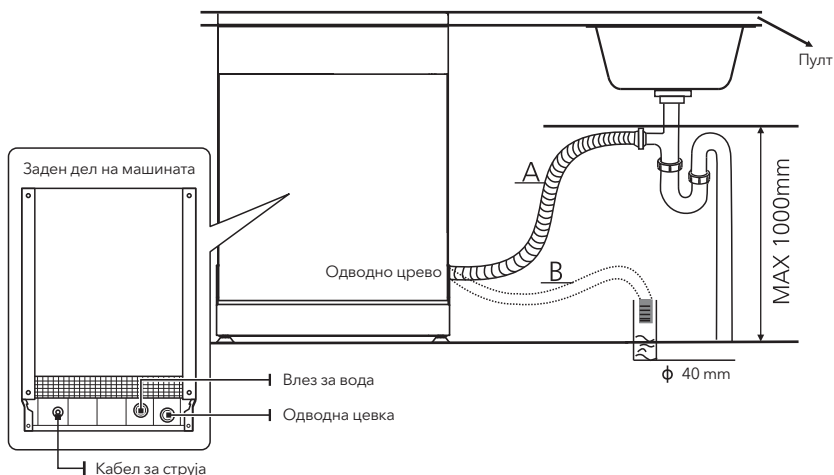
**Како да го отстраните сигурносното доводно црево**

1. Запрете ја водата.
2. Отшрафете го сигурносното доводно црево од славината.

**Поврзување на одводните црева**

Вметнете го одводното црево во одводната цевка со минимален пречник од 4 cm или оставете го да истекува во одводот, притоа водејќи сметка да не го превиткувате. Одводната цевка мора да биде лоцирана на висина помала од 1000 mm. Слободниот дел од цревето не смее да биде потопен во вода како би се избегнало враќање на водата.

⚠ Добро прицврстете го одводното црево и во случај на позиција A и во случај на позиција B.

**Како да го испуштите вишокот вода од цревата**

Доколку одводот е на висина над 1000 mm од подот, вишокот вода во цревата не ќе може да се испушти директно во одводот. Неопходно е вишокот вода да го испуштите во некоја чинија или соодветен сад што ќе го држите вон одводот и на пониско ниво од него.

**Одвод на вода**

Поврзете го одводното црево за вода. Одводното црево мора да биде правилно поврзано за да се избегне протекување на вода. Уверете се дека одводното црево за вода не е превиткано или притиснато.

**Продолжено црево**

Доколку Ви е потребно продолжено одводно црево, уверете дека е слично на тоа на кое го поставувате. Не смее да биде подолго од 4 метри; во спротивно, ефикасноста на машината за перење садови ќе се намали.

**Поврзување на сифон**

Врската со канализацијата мора да биде на висина помала од 100 cm (максимално) од дното на машината за перење садови. Одводното црево за вода е потребно да се фиксира.

## Позиционирање на уредот

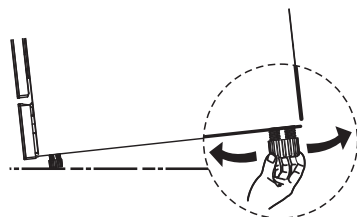
Поставете го уредот на посакуваното место. Задниот дел на уредот треба да се потпира на сидот зад него, а страничните делови треба да бидат израмнети со околните кујнски елементи или сидови. Машината за перење садови е опремена со доводни и одводни црева за вода кои може да се постават или од левата или од десната страна, со што се олеснува правилното поставување.

### Нивелирање на уредот

Кога уредот е поставен за нивелирање, висината на машината можете да ја промените со нагодување на висината на шрафовите на ногарките.

#### НАПОМЕНА!

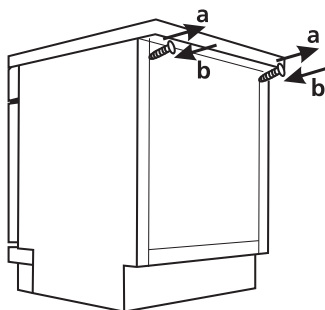
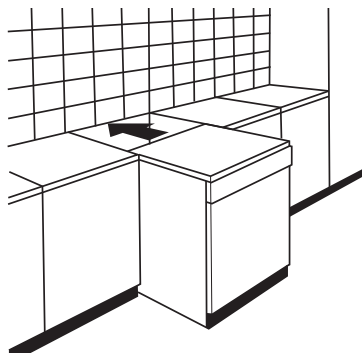
Применује се исклучиво на самостојечје маџине за прanje sudova.



## Поставување на самостојечки уред

### Поставување помеѓу постоечки кујнски елементи

Висината на машината за перење садови, која изнесува 845 mm, дизајнирана е така да овозможи нејзино поставување помеѓу постоечки кујнски елементи, кои во модерните кујни изработени по мерка ја имаат споменатата висина. Ногарките може да се нагодат за да ја достигнат соодветната висина. Ламинираниот горен дел на машината не бара посебно одржување, бидејќи е отпорен на топлина, гребаници и дамки.



### Под постоечка работна површина

(кога уредот се поставува под работна површина)

Повеќето модерни кујни изработени по мерка имаат една единствена работна површина, под која се поставуваат кујнските елементи и електрични уреди. Во овој случај, тргнете ја работната површина на машината за перење алишта така што ќе ги отшрафите завртките кои се наоѓаат на задниот раб на горната површина (a).

#### ВНИМАНИЕ!

По отстранување на горната работна површина, завртките **МОРАТЕ** повторно да ги прицврстите на делот под задниот раб на горната површина (b). Висината на уредот така ќе се намали на 815 mm, како што е наведено во Меѓународните уредби (ISO), а машината за перење садови совршено ќе се вклопи под кујнската работна површина.

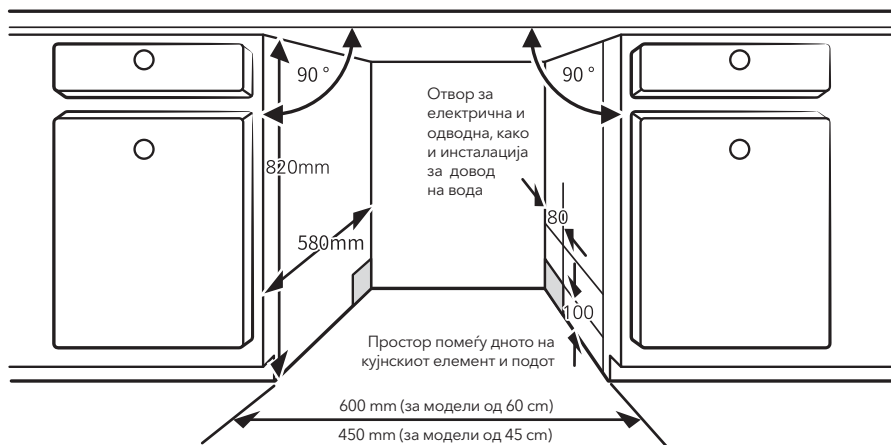
## Поставување на вграден уред (кај интегрирани модели)

### Чекор 1. Избор на најдобра локација за машината за перење садови

Машината за перење садови треба да биде поставена во близина на постоечките доводни и одводни црева и приклучен кабел.

Илустрација на димензиите на кујнските елементи и местото за поставување на машината за перење садови.

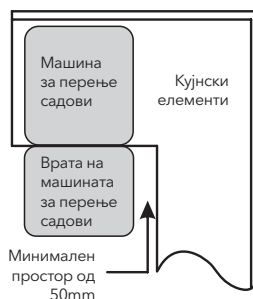
1. Помалку од 5 mm помеѓу горната површина на машината за перење садови и кујнскиот елемент, со надворешната врата на ниво со кујнскиот елемент.



2. Ако машината за перење садови ја поставите во крајниот агол во однос на кујнските елементи, потребно е да оставите доволно простор за отворање на вратата.

#### НАПОМЕНА!

Зависно од тоа каде се наоѓа отворот за електрична инсталација, можеби ќе треба да пресечете отвор на спротивната страна на кујнскиот елемент.



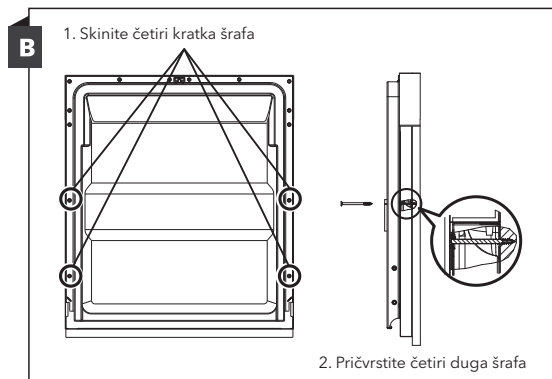
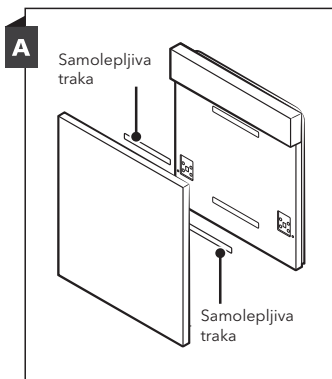
## Чекор 2. Димензии и поставување на декоративен панел

#### НАПОМЕНА!

Дрвениот декоративен панел би можеле да го направите врз основа на цртежите наменети за поставување на уредот.

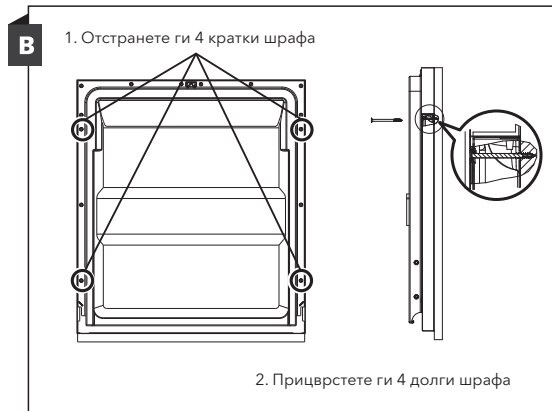
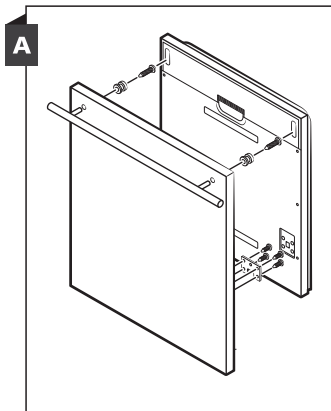
### Полуинтегриран модел

Одлепете ја самолепливата лента А од самолепливата лента В, па самолепливата лента А залепете ја на дрвениот панел, а филцаната самолеплива лента В на надворешната страна од вратата на машината за перење садови (видете слика А). Откако ќе го позиционирате панелот, прицврстете го за надворешната страна на вратата со помош на шрафови и завртки (видете слика В).



### Потполно интегриран модел

Прицврстете го носачот на дрвениот панел и поставете го во отворот кој се наоѓа на надворешната страна од вратата на машината за перење садови (видете слика А). По позиционирање на панелот, прицврстете го за надворешната страна на вратата со помош на шrafoви и завртки (видете слика В).

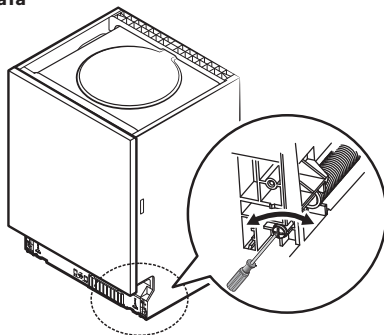


1. Отстранете ги 4 кратки шrafoва

2. Прицврстете ги 4 долги шrafoва

### Чекор 3. Нагодување на затегнатоста на спрегите на вратата

3. Затегнатоста на спрегите на надворешната врата е фабрички правилно нагодена. Доколку поставите дрвен панел, морате да ја нагодите затегнатоста. Свртете го шrafoзот за нагодување за дополнително затегнување на регулаторот или отпуштање на челичната сајла.
4. Затегнатоста на спрегите на вратата е правилно нагодена ако вратата останува во хоризонтална положба кога е потполно отворена и ако се враќа во затворена положба со подигнување на прстот при најмал напор.

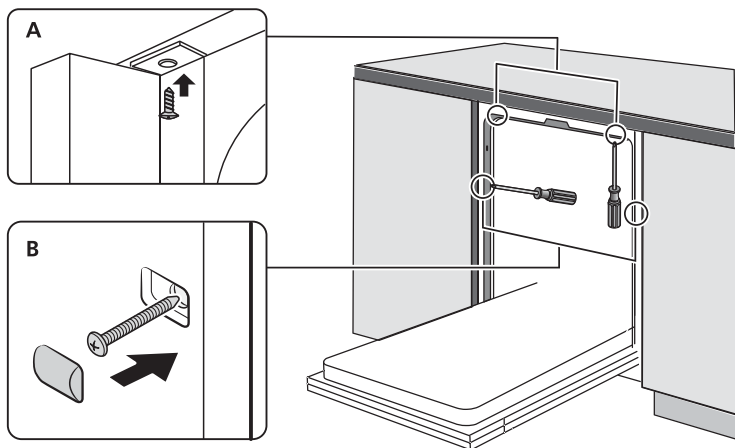


### Чекор 4. Поставување на машината за перење садови

#### НАПОМЕНА!

Погледнете ги наведените чекори за поставување на уредот на цртежите за поставување.

1. Под работната површина на кујнскиот елемент прицврстете бандаж-лента. Уверете се дека лентата добро налегува на работ од работната површина. (Чекор 2)
2. Поврзете го влезното црево со довод на ладна вода.
3. Поврзете го одводното црево.
4. Поврзете го приклучниот кабел.
5. Поставете ја машината за перење садови на местото предвидено за неа. (Чекор 4)
6. Изнивелирајте ја машината за перење садови. Задните ногарки може да се нагодат од предната страна на машината за перење садови со вртење на крстестиот шrafo кој се наоѓа во средината на дното на машината. За да ги нагодите предните ногарки, употребете рамен одвртувач и вртете ги предните ногарки сè додека не ја изнивелирате машината за перење садови. (Чекор 5 и Чекор 6)
7. Поставете ја украсната врата на надворешната врата од машината за перење садови. (Чекори 7 до 10)
8. Нагодете ја затегнатоста на спрегите на вратата со помош на имбус-клуч кој ќе го вртите во насока на стрелките на часовникот, со што ќе ја затегнете и левата и десната спрега. Доколку тоа не го сторите, може да ја оштетите машината за перење садови. (Чекор 11)
9. Машината за перење садови мора да биде добро прицврстена. Ова се прави на два начина:
  - А. Номинална работна површина: Поставете го носачот за прицврстување во отворот на страничниот дел и прицврстете го за работната површина со шrafoви за дрво.
  - В. Мермерна или гранитна работна површина: Прицврстете со шrafo за странични делови.

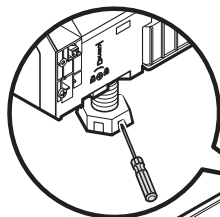


### Чекор 5. Нивелирање на машината за перење садови

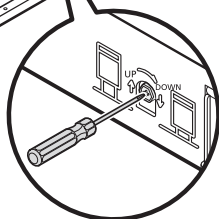
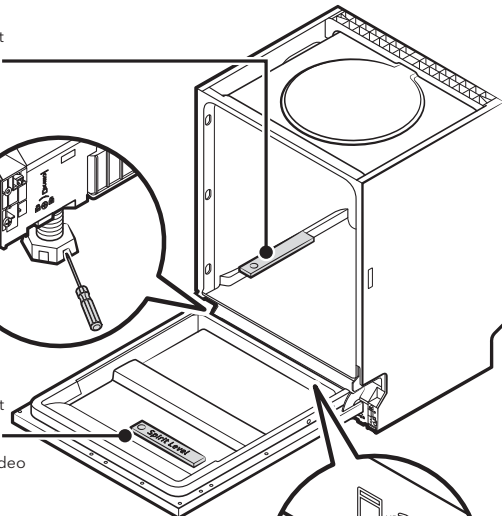
Машината за перење садови мора да биде изнивелирана заради правилна употреба и поголема ефикасност при перењето.

1. Поставете либела на вратата и на шината на полицата во рамки на просторот за перење, на начин прикажан на сликата, за да проверите дали машината е изнивелирана.
2. Изнивелирајте ја машината така што посебно ќе ја нагодите секоја од трите ногарки за нивелирање.
3. При нивелирањето, поведете сметка машината за перење садови да не се преврти.

Proverite iznivelisanost prednjeg u odnosu na zadnji deo



Proverite iznivelisanost jednog u odnosu na drugi bočni deo



#### НАПОМЕНА!

Максималната висина на нагудување на ногарките изнесува 50 mm.

# СОВЕТИ ЗА ОТСТРАНУВАЊЕ ДЕФЕКТИ

## Пред да повикате сервис

Прочитајте ги информациите дадени на страниците кои следат како би избегнале повикување сервис

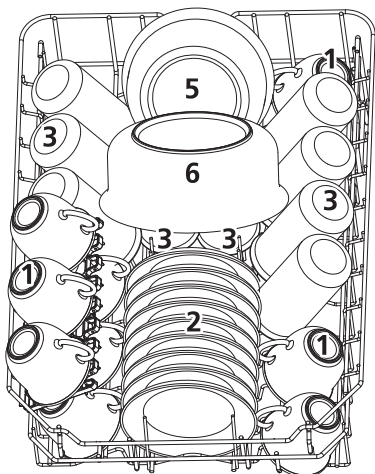
Проблем	Можна причина	Што може да се направи
Машината за перење садови не почнува со работа	Осигурувачот прегорел или прекинувачот го прекинал струјното коло.	Заменете го осигурувачот или повторно вклучете го прекинувачот. Исклучете ги сите уреди кои го користат истото струјно коло како и машината.
	Напојувањето е прекинато.	Уверете се дека машината е вклучена и дека вратата е затворена. Уверете се дека приклучниот кабел е правилно внесен во штекер.
	Притисокот на вода е низок.	Проверете дали машината е правилно поврзана на доводот за вода и дали водата е пуштена.
	Вратата на машината не е правилно затворена.	Уверете се дека вратата е правилно затворена и заклучена.
Машината за перење садови не ја исфрла водата	Одводното црево е превиткано или притиснато.	Проверете го одводното црево.
	Филтерот е затнат.	Проверете го филтерот за крупен отпад.
	Мијалникот е затнат.	Проверете дали мијалникот добро ја одведува водата. Доколку проблемот го создава мијалникот, веројатно ќе Ви биде повеќе потребен водоинсталатер отколку сервисер на машини за перење садови.
Сапуница во просторот за перење	Несоодветен детергент.	Употребувајте исклучиво специјален детергент за машинско перење садови со што би избегнале создавање сапуница. Ако се случи ова, отворете ја машината и почекајте сапуницата да испари. Истурете отприлика 4 литри ладна вода на дното од машината. Затворете ја вратата на машината, а потоа изберете кој било циклус на перење. Машината, на почеток, ќе ја испушти водата. По таа фаза, отворете ја вратата и проверете дали сè уште има сапуница. По потреба, повторете ја постапката.
	Се истурило средство за плакнење	Секогаш и веднаш избришете го средството за плакнење доколку се истури.
Дамки на внатрешниот дел од просторот за перење	Употребен е детергент кој содржи средство за фарбање.	Уверете се дека детергентот не содржи средство за фарбање.
Бел филм на внатрешната површина од просторот за перење	Минерали на тврда вода.	За чистење на внатрешноста користете влажен сунѓер кој содржи детергент за машинско перење садови. Носете гумени ракавици. Не користете други средства за чистење бидејќи може да дојде до создавање пена или сапуница.

Проблем	Можна причина	Што може да се направи
На приборот за јадење се појавуваат дамки од 'рѓа.	Приборот за јадење е направен од материјал кој не е отпорен на 'рѓа.	Избегнувајте да перете садови кои не се отпорни на 'рѓа.
	Машината не сте ја пуштиле да работи веднаш по додавање сол. Траги од солта стигнале до циклусот на перење.	По додавањето сол, секогаш вклучете некоја од програмите на перење без садови во машината. Не ја вклучувајте опцијата Турбо(ако ја има машината).
	Капакот на садот за омекнувач не е добро затворен.	Проверете дали капакот на садот за омекнувач е добро затворен.
Во машината се слушаат удари	Рачката на прскалката удира во некој од садовите во корпата.	Прекинете ја програмата и повторно распоредете ги садовите кои ја блокираат рачката на прскалката.
Во машината се слуша свечкање	Кршливите садови не се стабилно распоредени во машината.	Прекинете ја програмата и повторно распоредете ги кршливите садови.
Во цевките за вода се слушаат удари	Причина може да биде самото место на поставување или вкрстување на цевководи.	Ова на никаков начин не влијае врз машината за перење садови. Ако се двоумите, контактирајте квалификуван водоинсталатер.
Садовите не се чисти	Садовите не се соодветно распоредени.	Погледнете ги напомените во одделот „Распоредување и отстранување на садовите од Вашата машина за перење садови“.
	Програмата не е доволно силна.	Вклучете поинтензивна програма.
	Не е ставено доволно детергент.	Ставете повеќе детергент или променете го.
	Садовите го блокираат движењето на рачката на прскалката.	Повторно распоредете ги садовите така што прскалката ќе може непречено да се движи.
	Комплетот филтри е валкан или не е правилно поставен на дното од просторот за перење во машината. На овој начин може да се блокира млазницата на прскалката.	Исчистете ги и/или правилно поставете ги филтрите. Исчистете ја млазницата на рачката од прскалката.
Садовите од стакло се матни	Комбинација на мека вода и преголема количина детергент.	Доколку водата која ја користите е мека, користете помалку детергент и пократки циклуси за перење на стаклените садови.
На садовите и чашите се јавуваат бели дамки	Употребата на тврда вода може да предизвика создавање наслаги од бигор	Ставете повеќе детергент.
На садовите се јавуваат црни или сиви дамки	Садовите биле во силен контакт со приборот од алуминиум.	За отстранување на споменатите дамки, користете благо абразивно средство за чистење.
Во садот за детергент има останато детергент	Садовите го блокираат отворањето на садот за детергент.	Повторно распоредете ги садовите на соодветен начин.
Садовите не се сушат	Садовите не се правилно распоредени.	Распоредете ги садовите на начин прикажан во упатството.
	Садовите се пребрзо извадени од машината.	Не ги вадете садовите од машината веднаш по завршување на циклусот на перење. Отворете ја малку вратата за да ја испуштите пареата. Извадете ги садовите дури кога температурата во просторот за перење ќе се спушти доволно за да може да ги допрете предметите. Најпрво извадете ги садовите од долната корпа, со цел водата од горната корпа да не капе врз долната.

Проблем	Можна причина	Што може да се направи
Posude se ne suši	Сте вклучиле погрешна програма.	Кај кратките програми, температурата на перење е ниска, што ја намалува ефикасноста на перењето. Изберете програма со долг период на перење.
	Употреба на прибор за јадење со некавалитетен завршен слој.	Постапката на цедење на водата е потешка кај овој тип на прибор. Овој тип на прибор не е погоден за перење во машина за перење садови.

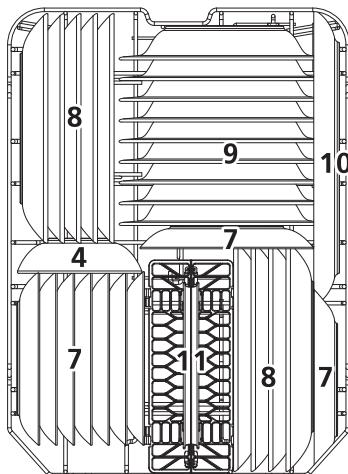
## РАСПОРЕДУВАЊЕ НА САДОВИТЕ ВО КОРПИТЕ ВО СОГЛАСНОСТ СО EN50242

### 1. Горна корпа



Број	Садови
1	Шолји
2	Тацни
3	Чаши
4	Мали чинии
5	Средни чинии
6	Големи чинии

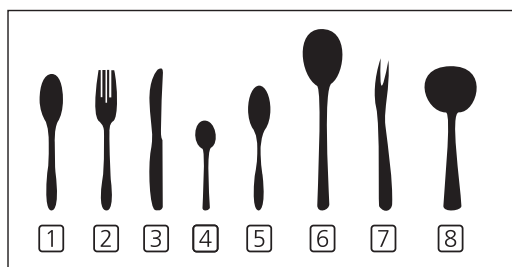
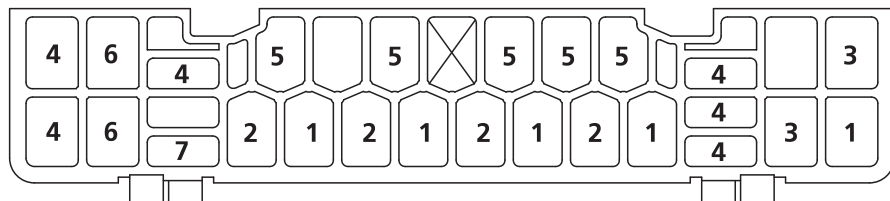
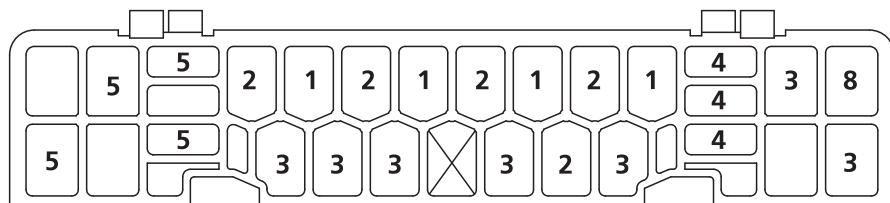
### 2. Долна корпа



Број	Садови
7	Чинии за десерт
8	Плитки чинии
9	Длабоки чинии
10	Овални садови
11	Корпа за прибор за јадење



### 3. Корпа за прибор за јадење:



Број	Елемент од приборот
1	Супена лажица
2	Виљушка
3	Нож
4	Кафена лажица
5	Лажица за десерт
6	Лажица за сервирање
7	Виљушка за сервирање
8	Црпалка за сос

Податоците добиени со паралелно тестирање се во согласност со EN 50242

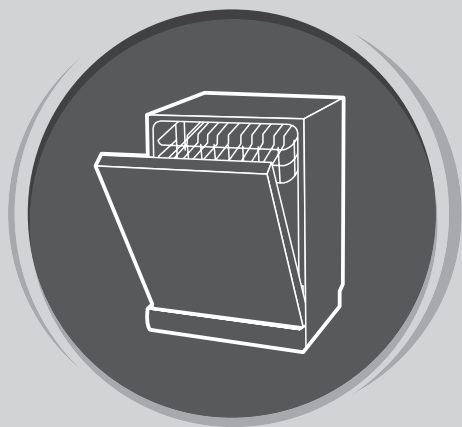
Капацитет: 12 позиции

Позиција на горна корпа: долна

Програма: ECO (EKO)

Нагудување на средства за плакнење: 6

Нагудување на омекнувач: N3



# МАШИНА ЗА ПЕРЕЊЕ САДОВИ

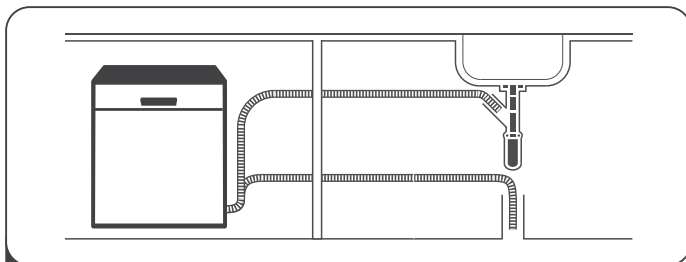
Упатство  
за употреба

**ДЕЛ II: УПАТСТВО ЗА  
ОДРЕДЕНИ МОДЕЛИ  
WD460M / WD460MX**

Пред употреба на машината за перење садови, внимателно прочитајте го ова упатство и чувајте го за идна употреба

# КРАТОК ВОДИЧ ЗА УПОТРЕБА

За подетални информации околу начинот на ракување, прочитајте го упатството за употреба.

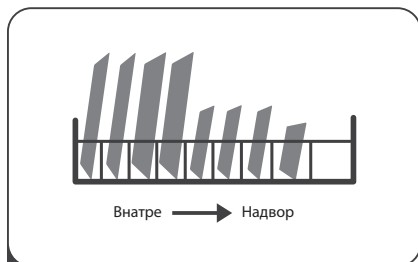


**1** Поставете ја машината за перење садови

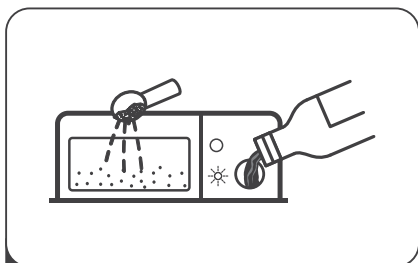
**(Видете го одделот 5 „УПАТСТВО ЗА ПОСТАВУВАЊЕ“ во ДЕЛ I: Општо упатство.)**



**2** Отстранување крупни остатоци храна од приборот за јадење



**3** Селектирање на сатовите во корпа



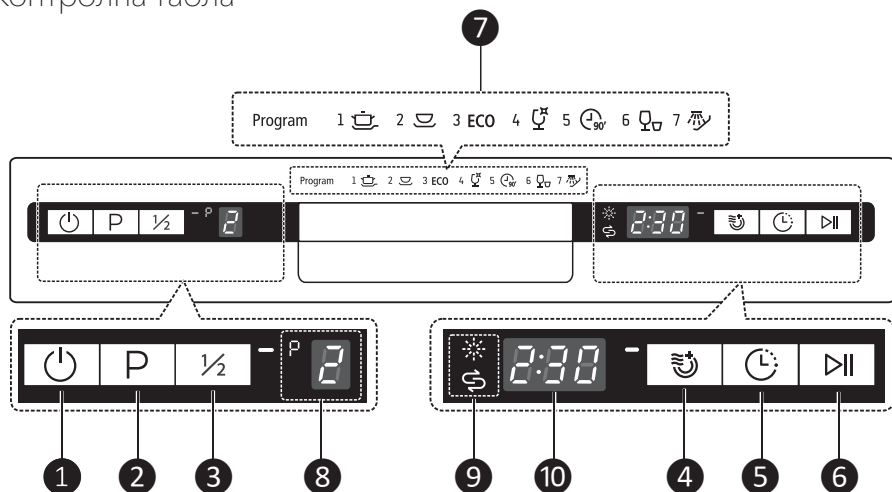
**4** Полнење на садот со детергент / средство за плакнење



**5** Избор на програма и пуштање во работа на машината за перење садови

# УПОТРЕБА НА ВАШАТА МАШИНА ЗА ПЕРЕЊЕ САДОВИ

## Контролна табла



### Опција (тастер)

- |                              |  |
|------------------------------|--|
| <b>1</b> Вклучување          | За да ја вклучите машината за перење садови, притиснете го овој тастер. Потоа, ќе се вклучи екранот.   |
| <b>2</b> Програма            | За избор на соодветна програма на перење. На индикаторот за избраната програма ќе се вклучи светло.  |
| <b>3</b> Половина капацитет  | За да заштедите енергија при перење мали количини садови, можете да ја користите само горната или само долната полица, а со последователно притискање на тастерот Половина капацитет и избор на саканата опција. |
| <b>4</b> Дополнително сушење | За потполно сушење на садовите. (Може да се користи само со програмите Интензивно, Нормално, ЕКО, Чаша, 90 min).   |
| <b>5</b> Одложен почеток     | Притиснете го тастерот за да го нагодите бројот на часови до почетокот на перењето. Одложувањето може да биде и до 24 часа. Со секое притискање на тастерот, почетокот на перењето го одложувате за еден час.    |
| <b>6</b> Почеток / Пауза     | За започнување на избраната програма на перење или за нејзино паузирање во тек на работењето на машината за перење садови.   |

### Дисплеј



#### Интензивно

Исклучително валкани садови, вклучувајќи тенџериња и тави, со засушена храна.

- 7** Индикатор на програма



#### Нормално

За normalno zaprljano posude, poput šerpi, tanjira, čaša i blago zaprljanih tiganja.

#### ЕКО ЕКО

Ова е стандардна програма нагодена за нормално извалкани садови..

**Чаши**

За благо валкани земјени садови и чаши.

**90 Min**

За нормално валкани садови кои треба брзо да се исперат.

**Забрзано**

Кратка програма за перење благо валкани садови кои не треба да се сушат.

**Натопување**

За плакнење садови кои планирате да ги перете подоцна.

**7** Индикатор на програма**8** Екран

Приказ на избрана програма.

**9** Индикатор за препрекување**Средство за плакнење**

Доколку е вклучена иконата на индикаторот ☀, во машината нема доволно средство за плакнење и потребно е да дополните.

**Сол**

Доколку е вклучена иконата на индикаторот ⚖, во машината нема доволно сол и потребно е да дополните.

**10** Екран

За приказ на преостанато време, време на одложен почеток, грешки итн.

## Омекнувач на вода

Омекнувачот на вода може рачно да се нагоди со помош на бројчаникот за тврдост на водата. Омекнувачот е направен за да ги отстранува солите и минералите од водата, кои инаку би имале штетно или неповолно дејство врз работењето на уредот.

Колку е поголема содржината на минерали во водата, толку е поголема нејзината тврдост. Количината на омекнувач треба да ја нагодите според тврдоста на водата во областа каде живеете. Од локалните надлежни органи може да добиете информации во врска со тврдоста на водата.

### Нагодување на потрошувачката на сол

Машината за перење садови е направена така да овозможува нагодување на количината на потрошувачка на сол врз основа на тврдоста на водата која се користи. Целта е нивото на потрошувачка на сол да се оптимизира и прилагоди на секој поединечен случај.

За нагодување на потрошувачката на сол, следете ги наведените чекори:

1. Вклучете го уредот;
2. Држете го притиснат тастерот Почеток/Пауза во траење од над 5 секунди за во рок од 60 секунди од вклучувањето на уредот да се активира режимот за нагодување на омекнувачот на вода;
3. Притиснете го тастерот Почеток/Пауза како би избрале соодветно нагодување според средината во која се наоѓате. Нагодувањето ќе се менува според следниот редослед: H1->H2->H3->H4->H5->H6
4. Притиснете го тастерот Вклучување/Исклучување како би го напуштиле режимот нагодување.

ТВРДОСТ НА ВОДА				Ниво на омекнувач на вода	Потрошувачка на сол (грам/циклус)
Германски °dH	Француски °fH	Британски °Кларков	Mmol/l		
0 - 5	0 - 9	0 - 6	0 - 0.94	H1	0
6 - 11	10 - 20	7 - 14	1.0 - 2.0	H2	9
12 - 17	21 - 30	15 - 21	2.1 - 3.0	H3	12
18 - 22	31 - 40	22 - 28	3.1 - 4.0	H4	20
23 - 34	41 - 60	29 - 42	4.1 - 6.0	H5	30
35 - 55	61 - 98	43 - 69	6.1 - 9.8	H6	60

1°dH=1.25

°fH=0.178mmol/l

°Кларков=1.78

Фабричко нагодување: Н3

За информации во врска со тврдоста на водата која ја користите, контактирајте ги локалните надлежни органи.

### НАПОМЕНА!

Доколку нема доволно сол во машината за перење садови, погледнете го одделот 3 „Сипење сол во омекнувачот“, кој се наоѓа во ДЕЛ I: Општо упатство.

### НАПОМЕНА!

**Ако Вашиот модел на уред нема опција за употреба на омекнувач на водата, овој дел може да го прескокнете.**

#### Omekšivač za vodu

Тврдоста на водата варира од место до место. Ако при перењето садови во машината се користи тврда вода, на садовите и приборот ќе се формираат наслагги. Уредот е опремен со посебна преграда за омекнувач и има сад за сол, што е посебно дизајнирано за елимирање на бигорот и минералите од водата.

## Подготовка и распоредување на садовите во машината

- Водете сметка да купувате садови кои може да се перат во машина за перење садови.
- При перење одредени предмети, изберете програма со најмала можна температура.
- За да спречите оштетувања, немојте да ги вадите чашите и приборот за јадење од машината веднаш по завршување на програмата на перење.

### Следниот тип на прибор за јадење/садови

#### не е погоден за перење:

- Прибор за јадење со дрвени, порцелански или седефни дршки
- Пластични предмети кои не се отпорни на високи температури
- Постар прибор за јадење со залепени делови кои не се отпорни на високи температури
- Лепен прибор за јадење или садови
- Садови од легури на калај и олово или од бакар
- Кристални чаши
- Садови од челик подложен на 'рѓосување
- Дрвени овални садови
- Садови од синтетички влакна

#### е делумно погоден за перење:

- Некои видови чаши после поголем број циклуси на перење може да го изгубат сјајот
- Деловите од сребро и алуминиум обично ја менуваат бојата во тек на перењето
- Доколку често се перат во машина, глазираните елементи може да потемнат

### Препораки за распоредување на садовите во машината

Отстранете ги крупните парчиња преостаната храна. Омекнете ги остатоците од загорена храна во тавите. Не е неопходно да ги исплакнете садовите со проточна вода. За најдобра ефикасност на машината за перење садови, следете ги следните насоки за распоредување на садовите во машината.

### (Карактеристиките и изгледот на корпите може да се разликува од корпите во Вашиот модел.)

- Предметите распоредете ги во машината за перење садови на следниот начин:
- Садовите како шолји, чаши, тенџериња, тави итн. поставете ги во обратна положба.
  - Закривените садови и садовите со непристапни делови треба да се постават дијагонално, со цел водата непрекинато да се слева.
  - Комплетниот прибор треба да се постави така што ќе биде стабилен и нема да се преврти.
  - Комплетниот прибор треба да биде поставен така што рачката на прскалката ќе може слободно да се движи.
  - Шупливите садови како шолји, чаши, тави итн. поставете ги така што отворот ќе биде свртен кон долу, за водата да не се собира во садот или длабокото дно.
  - Садовите и приборот за јадење не смеа да се поставуваат едни до други и да се попречуваат едни со други.
  - За да избегнете оштетувања на чашите, водете сметка да не се допираат меѓусебно.
  - Горната корпа е предвидена за поделикатни и полесни садови, од типот на чаши и шолји за кафе и чај.
  - Ножевите со долги сечила поставени во исправена положба претставуваат потенцијална опасност!

- Долгите и/или остри парчиња прибор за јадење, од типот на ножеви за сечење, мора да се постават во горната корпа, во хоризонтална положба.
- Немојте претерано да ја оптоварувате машината за перење садови. Постојат добри причини за да го следите овој совет, а една од нив е и разумната потрошувачка на енергија.

### НАПОМЕНА!

Исклучително мали предмети не треба да перете во машината, бидејќи може лесно да испаднат од корпата.

### Вадење на садовите

За да спречите капење вода од горната врз долната корпа, Ви препорачуваме најпрво да ја извадите содржината на долната, а потоа на горната корпа.

### ПРЕДУПРЕДУВАЊЕ!



**Садовите се врели!** За да не дојде до оштетувања, почекајте да поминат околу 15 минути од завршување на програмата, па тогаш извадете ги чашите и приборот за јадење од машината.

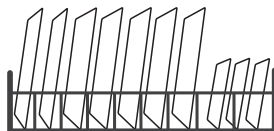
### Распоредување на садовите во горната корпа

Горната корпа е предвидена за поделикатни и полесни предмети, од типот на чаши, шолји и тацни за кафе и чај, како и чинии, мали чинии и плитки тави (ако не се премногу извалкани). Садовите и елементите за готвење поставете ги така да не може да ги помести млазот вода.



### Распоредување на садовите во долната корпа

Ви предлагаме во долната корпа да ги распоредите големите садови, како и садовите кои најтешко се перат, од типот на тенџериња, тави, капаци, сервисни садови и чинии, на начин прикажан на сликата. Најдобро е сервисните садови и капаци да ги поставите странично на полицата, за да не ја блокираат прскалката. Се советува пред садот за детергент да не се ставаат чинии со пречник над 19 cm, за да се спречи негово блокирање.



### Распоредување на садовите во корпата за прибор за јадење

Приборот за јадење треба да се селектира во соодветната корпа, така што секој елемент ќе стои посебно, на за него предвиденото место. Освен тоа, поведете сметка приборот да не биде прегусто групиран, бидејќи тоа може да ја намали ефикасноста на машината.

### ПРЕДУПРЕДУВАЊЕ!



Не дозволувајте делови од садовите да провираат низ дното. Остриот прибор секогаш поставувајте го со острите врвови надолу!

### НАПОМЕНА!

За најдобар ефект при перењето, садовите распоредувајте ги во корпите во согласност со стандардните начини на распоредување, наведени во последниот оддел на ДЕЛ I: Општо упатство.

## Улогата на средствата за плакнење и детергентите

Средството за плакнење се испушта при последното плакнење со што би се спречило водата на Вашите садови да формира капки, кои може да остават кружни или пругасти дамки. Освен тоа, ова средство го подобрува сушењето бидејќи ѝ овозможува на водата да се лизне од садовите. Предвидено е во Вашата машина за перење садови да се користат течни средства за плакнење.

### ПРЕДУПРЕДУВАЊЕ!

Во машината за перење садови ставајте само брендираны средства за плакнење. Никогаш не ставајте други супстанции (пр. средство за чистење машини за перење садови, течен детергент) во садот за средство за плакнење. На тој начин може да се оштети уредот.

### Кога е потребно да го дополните садот за средство за плакнење

Освен ако на контролната табла не се вклучи ламбата за предупредување за недоволна количина средство за плакнење, неговата количина може секогаш да ја процените врз основа на бојата на оптичкиот индикатор за нивото на средството за плакнење, кој се наоѓа веднаш покрај капакот. Кога садот за средството за плакнење е полн, индикаторот во потполност ќе биде затемнет. Големината на затемнетите точки ќе се намалува со намалување на количината на средството за плакнење. Нивото на средството за плакнење не смее да биде под 1/4 од полниот капацитет.

Како што ќе се намалува количината на средството за плакнење, така големината на црните точки на индикаторот за нивото на средство за плакнење ќе се менува на долуприкажаниот начин.

- Полн капацитет
- 3/4 од капацитетот
- 1/2 од капацитетот
- 1/4 од капацитетот
- Празно

### Улогата на детергентот


Хемиските состојки во детергентот се неопходни за отстранување, ситнење и исфрлување на сите видови нечистотија од машината за перење садови. Повеќето детергенти со комерцијален квалитет одговараат на оваа цел.

### **!** ПРЕДУПРЕДУВАЊЕ!

#### Соодветна употреба на детергенти

Употребувајте исклучиво детергенти посебно направени за машини за перење садови. Чувајте ги детергентите свежи и суви. Не ставајте прашкасти детергенти во садот за детергент сè додека не бидете спремни да ја вклучите машината за перење садови.

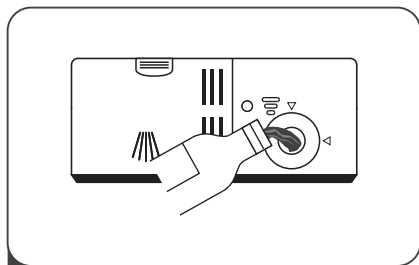
**Детергентот за машинско перење садови е корозивен!**  
**Држете го детергентот за машинско перење садови подалеку од дофат на деца.**



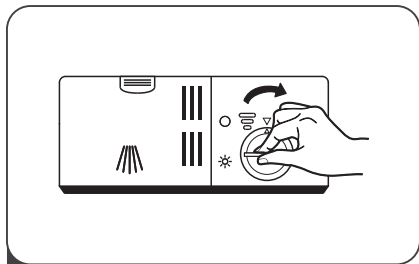
## Дополнување на средството за плакнење



**1** За да го отворите садот, свртете го капакот во насока на стрелката „отворено“ (налево) и извлекете го.



**2** Внимателно сипете средство за плакнење во садот, водејќи сметка да не дојде до прелевање.

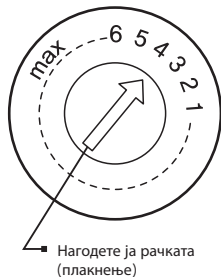


**3** Повторно ставете го капакот така што ќе го израмните со стрелката „затворено“ и ќе го свртите во насока на стрелката „затворено“ (надесно)

### ☰ НАПОМЕНА!

За да избегнете прекумерно формирање пена при следниот циклус на перење, исчистете го средството за плакнење кое ќе го истурите.



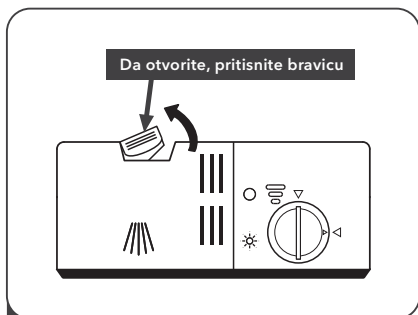


Нагодете ја рачката (плакнење)

### Нагодување на резервоарот на средството за плакнење

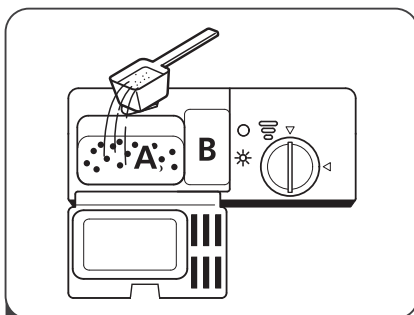
Резервоарот на средството за плакнење има шест степени на нагодување. Степенот 4 претставува препорачано и фабричко нагодување. Ако садовите не се сушат на соодветен начин или ако имаат дамки, нагодете го бројчаникот на следниот, повисок степен. Ова повторувајте го додека не исчезнат дамките од садовите. Ако на Вашиот прибор се јават лепливи, белузлави дамки, а на стаклените садови или сечилата на ножевите син филм, вратете го бројчаникот на понизок степен.

## Полнење на садот за детергент



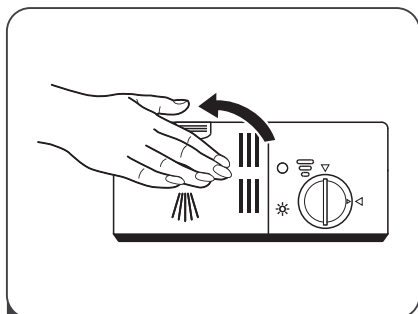
Da otvorite, pritisnite bravicu

- 1** За да го отворите капакот, притиснете ја бравата за отпуштање на садот за детергент.



- 2** Во поголемата преграда (A) додајте детергент кој ќе се користи при главниот циклус на перење.

За поизвалканите садови, додајте малку детергент и во помалата преграда (B), која се користи при претперење.



- 3** Затворете го капакот и притиснете го така што ќе се слушне звук на заклучување.

### НАПОМЕНА!














- Имајте предвид дека нагодувањата може да се разликуваат зависно од степенот на валканост на садовите.
- Придржувајте се до препораките на производителот наведени на амбалажата од детергентот.

# ПРОГРАМИРАЊЕ НА МАШИНАТА ЗА ПЕРЕЊЕ САДОВИ

## Табела со циклуси на перење

Во долната табела се прикажани најсоодветните програми според степенот на остатоци од храна на садовите и потребната количина детергент. Освен тоа, прикажани се и разни податоци во врска со програмите.

Ознаката  укажува на потребата од додавање средство за плакнење во садот за средство за плакнење.

Програма	Опис на циклус	Детергент за претперење/ главно перење	Време на траење на циклус (min)	Енергија (kWh)	Вода (L)	Средство за плакнење
 <b>Интензивно</b>	Претперење (50°C) Перење (60°C) Плакнење Плакнење (70°C) Сушење	$\frac{5/22 \text{ g}}{(1 \text{ парче})}$	165	1.4	16.5	
 <b>Нормално</b>	Претперење (45°C) Перење (55°C) Плакнење Плакнење (65°C) Сушење	$\frac{5/22 \text{ g}}{(1 \text{ парче})}$	175	1.1	13	
<b>ECO</b> (*EN 5 0242)	Претперење Перење (45°C) Плакнење (62°C) Сушење	$\frac{5/22 \text{ g}}{(1 \text{ парче})}$	205	0.69	9	
 <b>Чаши</b>	Претперење Перење (40°C) Плакнење Плакнење (60°C) Сушење	$\frac{5/22 \text{ g}}{(1 \text{ парче})}$	125	0.75	13.5	
 <b>90 Min</b>	Перење (65°C) Плакнење Плакнење (65°C) Сушење	$\frac{27 \text{ g}}{(1 \text{ парче})}$	90	1.15	11.5	
 <b>Забрзано</b>	Перење (45°C) Плакнење (50°C) Плакнење (55°C)	20 g	30	0.7	10	
 <b>Натопување</b>	Претперење		15	0.02	3.5	

 НАПОМЕНА!

**EN 50242:** Ovaj program predstavlja test ciklus. Informacije za uporedni test su u skladu sa EN 50242.

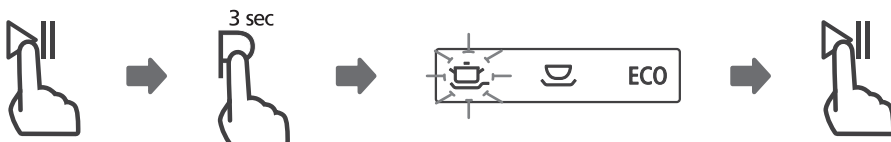
## Започнување на циклусот на перење

1. Извлекете ја долната и горната корпа, распоредете ги садовите и вратете ги во машината. Се препорачува најпрво да ги распоредите садовите на долната, а потоа на горната корпа.
2. Сипете детергент.
3. Ставете го приклучокот во штекер. За податоци околу напојувањето, погледнете го одделот „**Карактеристики на производот**“ на последната страница.
4. Затворете ја вратата и притиснете го тастерот Вклучување/Исклучување за да ја вклучите машината.
5. Изберете програма, по што ќе се вклучи светлото за индикација. Потоа притиснете го тастерот Почеток/Пауза и машината за перење садови ќе го започне циклусот.

## Менување програма во текот на започнат циклус

Циклусот на перење кој е во тек може да се промени само ако нема поминато многу време од почетокот на работење на машината. Во спротивно, машината можеби веќе внесла детергент во циклусот на перење и испуштила вода со сапуница. Во тој случај, машината е потребно повторно да се нагоди, а садот за детергент да се дополни. За повторно да ја нагодите машината, следете ги долунаведените упатства:

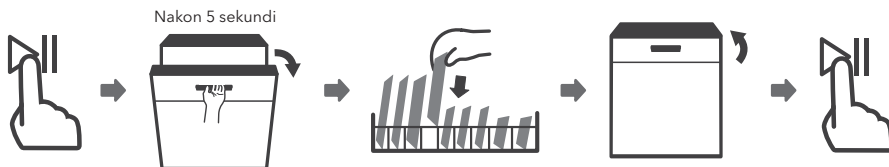
6. Притиснете го тастерот Почеток/Пауза за да го паузирате циклусот.
7. Држете го притиснат тастерот Програма во траење од над 3 секунди. На тој начин ќе ја отпвикате програмата.
8. Притиснете го тастерот Програма за да ја изберете саканата програма.
9. Притиснете го тастерот Почеток/Пауза. Машината за перење садови ќе почне да работи после 10 секунди.



## Сте заборавиле да додадете садови?

Садовите кои сте заборавиле да ги ставите во машината може да ги додадете во кој било момент пред да се отвори садот за детергент. Во тој случај, следете ги овие упатства:

1. Притиснете го тастерот Почеток/Пауза. Машината за перење садови ќе почне да работи после 10 секунди.
2. Почекајте 5 секунди, а потоа отворете ја вратата.
3. Додајте ги садовите кои сте заборавиле да ги ставите во машината.
4. Затворете ја вратата.
5. Притиснете го тастерот Почеток/Пауза. Машината за перење садови ќе почне да работи после 10 секунди.



### ⚠ ПРЕДУПРЕДУВАЊЕ!



Опасно е да се отвора вратата на машината во тек на започнат циклус, бидејќи може да добиете изгореници од врелата пара.

## ОЗНАКИ НА ГРЕШКИ

Во случај на неправилно работење, на машината за перење садови ќе се прикажат ознаки на грешки, со кои се идентификуваат следните случаи:

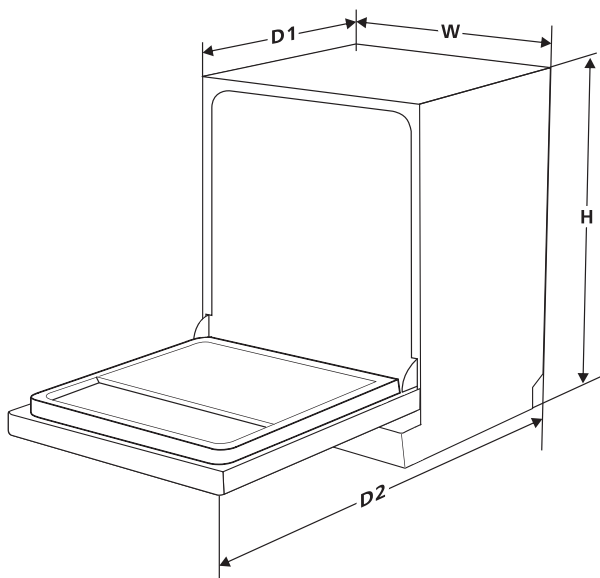
Ознака	Значење	Можна причина
E1	Продолжено време на примање вода.	Славината не е одвртена или влезот на вода е блокиран или притисокот на водата е низок.
E3	Не може да се постигне зададената температура.	Неисправен грејач.
E4	Прелевање.	Некој дел од машината пропушта вода.



### ПРЕДУПРЕДУВАЊЕ!

- Доколку дојде до прелевање на вода, пред да повикате сервис, исклучете го главниот вентил за вода.
- Доколку на дното од машината има вода поради прелевање или помало пропуштање на вода, пред повторното пуштање на машината потребно е да се отстрани таа вода.

## ТЕХНИЧКИ ПОДАТОЦИ



**Висина (H)** 845 mm

**Ширина (W)** 448 mm

**Длабочина (D1)** 600 mm (со затворена врата)

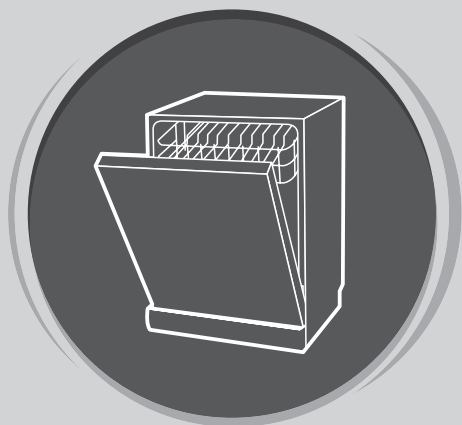
**Длабочина (D2)** 1175 mm (со врата отворена под агол од 90°)

## Карактеристики на производот

Листата карактеристики на машината за перење садови во домаќинството е во согласност со EU Директивата 1016/2010 и 1059/2010:

Производител	TESLA
Модел / Опис	WD460MX / WD460M
Број на комплети за садови	9
Класа на енергетска ефикасност <b>1</b>	A++
Годишна потрошувачка на енергија <b>2</b>	197 kWh
Потрошувачка на енергија во тек на стандарден циклус на перење	0,91 kWh
Потрошувачка на енергија во режим Исклучено (off)	0,45 W
Потрошувачка на енергија во режим Оставено вклучено (Left-on)	0,49 W
Годишна потрошувачка на вода <b>3</b>	2520 литри
Класа на ефикасност на сушење <b>4</b>	A
Стандарден циклус на перење <b>5</b>	ECO 45°C
Траење на програма во тек на стандарден циклус на перење	205 min
Ниво на бучава	49 dB(A) re 1 pW
Монтирање	Самостоечка
Можност за вградување	ДА
Потрошувачка на енергија	1760-2100 W
Номинален напон / фреквенција	220-240V/50 Hz
Притисок на вода (Притисок на проток)	0,04-1,0 MPa=0,4-10 bar

- 1** A + + (највисоко ниво на ефикасност) до D (најниско ниво на ефикасност)
- 2** Потрошувачка на енергија врз основа на 280 стандардни циклуси на перење, со примање ладна вода и потрошувачка во режими со мала сила. Реалната потрошувачка на енергија ќе зависи од начинот на кој се употребува уредот.
- 3** Потрошувачка на вода врз основа на 280 стандардни циклуси на перење. Реалната потрошувачка на вода ќе зависи од начинот на кој се употребува уредот.
- 4** A (највисоко ниво на ефикасност) до G (најниско ниво на ефикасност).
- 5** Оваа програма е погодна за перење нормално извалкани садови и претставува најефикасна програма во смисла на комбинирање на потрошувачката на енергија и вода за споменатиот тип на садови.



# MAȘINA DE SPĂLAT VASE

Manual de  
instrucțiuni

**PARTEA I: VERSIUNEA  
GENERALĂCITIȚI**

Citiți cu atenție acest manual înainte de a folosi mașina de spălat vase și.  
Păstrați acest manual pentru referințe viitoare.

# INSTRUCȚIUNI DE SIGURANȚĂ

## PERICOL!

Când folosiți mașina de spălat vase, urmați precauțiile enumerate mai jos:

- Acest aparat este destinat să fie utilizat în gospodării și în spații similare, cum ar fi:
  - bucătării personalului din magazine, birouri și alte medii de lucru;
  - case sau ferme;
  - de către clienții din hoteluri, moteluri și alte spații de tip hotel;
  - spații de tip pensiune similare.
- Aparatul poate fi folosit de copiii cu peste 8 ani și de persoane cu capacități fizice, senzoriale sau mentale reduse sau lipsă de experiență și cunoștințe, dacă li s-a oferit supraveghere sau instrucțiuni privind utilizarea aparatului
- Într-un mod sigur și înțeleg pericolurile implicate. Copiii nu se vor juca cu aparatul. Curățarea și întreținerea dispozitivului nu trebuie făcute de copii fără supraveghere.
- Acest aparat nu este destinat utilizării de către persoane (inclusiv copii) cu capacități fizice, senzoriale sau mentale reduse sau lipsă de experiență și cunoștințe, cu excepția cazului în care au primit o supraveghere sau instrucțiuni cu privire la utilizarea aparatului de către o persoană responsabilă pentru siguranța acestora. (Pentru IEC60335-1)
- Materialul de ambalare poate fi periculos pentru copii! Acest aparat este doar pentru uz casnic.
- Pentru a vă proteja împotriva pericolului de electrocutare, nu scufundați unitatea, cablul sau mufa în apă sau alte lichide. Vă rugăm să deconectați înainte de a curăța și de a efectua întreținerea pe aparat.
- Folosiți o cârpă moale umezită cu detergent, apoi folosiți o cârpă uscată pentru a șterge din nou.

## Instrucțiuni de împământare

- Acest aparat trebuie să fie împământat. În cazul unei defecțiuni, împământarea va reduce riscul de electrocutare, oferind o cale de rezistență minimă pentru curentul electric. Acest aparat este echipat cu un conector pentru împământare.
- Mufa trebuie conectată la o priză adecvată care este instalată și împământată în conformitate cu toate codurile și ordonanțele locale.
- Conectarea necorespunzătoare a conductorului de împământare poate duce la riscul de electrocutare. Verificați cu un electrician calificat sau un reprezentant de service dacă aveți îndoieli dacă aparatul este împământat corect.
- Nu modificați ștecherul furnizat împreună cu aparatul. Trebuie să aveți o priză adecvată de către un electrician calificat.
- Nu abuzați, așezați și nu stați pe ușa sau suportul de vase al mașinii de spălat vase.
- Nu folosiți mașina de spălat vase decât dacă toate panourile din carcasă sunt în poziție corectă.
- Deschideți ușa cu atenție dacă mașina de spălat vase funcționează, există riscul ca apa să vă stropască.

- Nu așezați obiecte grele sau stați în picioare pe ușa când este deschisă. Aparatul ar putea să se miște
- La încărcarea vaselor care trebuie spălate:
  1. Plasați obiectele ascuțite astfel încât să nu poată deteriora garnitura ușii;
  2. Avertisment: Cuțitele și alte ustensile cu puncte ascuțite trebuie să fie încărcate în coș cu punctele orientate în jos sau așezate în poziție orizontală.
- Unii detergenți pentru mașina de spălat vase sunt puternic alcalini. Pot fi extrem de periculoase dacă sunt înghițite. Evitați contactul cu pielea și ochii și țineți copiii departe de mașina de spălat vase atunci când ușa este deschisă.
- Verificați dacă cutia de detergent solid este goală după finalizarea ciclului de spălare.
- Nu spălați materialele din plastic decât dacă sunt marcate „Mașina de spălat vase” sau similar
- Pentru articole din plastic care nu sunt marcate, verificați recomandările producătorului.
- Folosiți doar detergenți și agenți de clătire recomandați pentru utilizare într-o mașină de spălat vase automată.
- Nu folosiți niciodată săpun, detergent pentru rufe sau detergent pentru spălarea mâinilor în mașina de spălat vase.
- Ușa nu trebuie lăsată deschisă, deoarece acest lucru ar putea crește riscul de accidente.
- În cazul în care cablul de alimentare este deteriorat, acesta trebuie înlocuit de către producător sau aservise-ul autorizat sau de o persoană calificată pentru a evita un pericol.
- În timpul instalării, sursa de alimentare nu trebuie îndoită sau aplăzată excesiv.
- Nu schimbați controlarele.
- Aparatul trebuie conectat la robinetul principal de apă folosind seturi noi de furtunuri. Seturile vechi nu trebuie reutilizate.
- Pentru a economisi energie, în modul de așteptare, aparatul se va opri automat atunci când nu există nicio funcționare timp de 30 de minute.

## Odlaganje



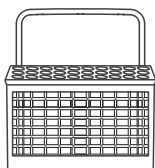
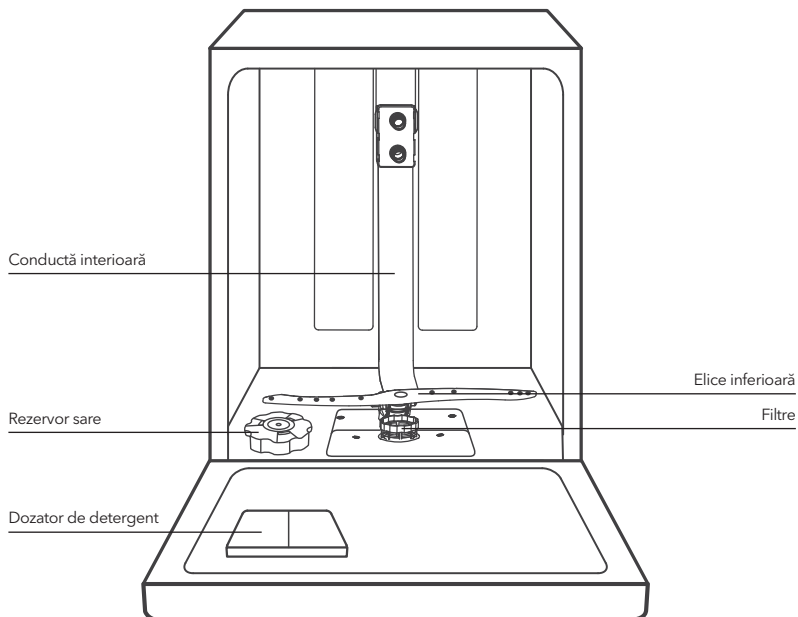
- Acest produs este conform cu Directiva DEEE a UE (2012/19/UE).
- Acest produs poartă simbolul de clasificare pentru deșeurile de echipamente electrice și electronice (DEEE). Acest produs a fost fabricat cu componente și materiale de calitate ridicată, care pot fi reutilizate și sunt potrivite pentru a fi reciclate. La sfârșitul duratei de viață a produsului, nu îl eliminați împreună cu deșeurile casnice sau alte tipuri de deșeurile. Transportați-l la un centru de colectare pentru reciclarea echipamentului electric și electronic. Vă rugăm să consultați autoritățile locale pentru a afla locația centrelor de colectare.

- Pentru informații mai detaliate despre reciclarea acestui produs, vă rugăm să contactați autoritatea locală a orașului și serviciul de eliminare a deșeurilor menajere.
- **ELIMINARE:** Nu aruncați acest produs ca deșeurii municipale nesortate. Este necesară colectarea acestor deșeurii separat pentru tratarea specială.

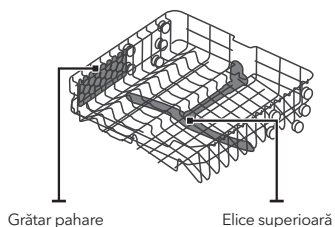
## PREZENTAREA PRODUSULUI

### ! IMPORTANT

Pentru a obține cele mai bune performanțe de la mașina de spălat vase, citiți toate instrucțiunile de utilizare înainte de a o utiliza pentru prima dată.



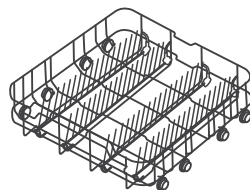
Coș tacâmuri



Grătar pahare

Coș superior

Elice superioară



Coș inferior

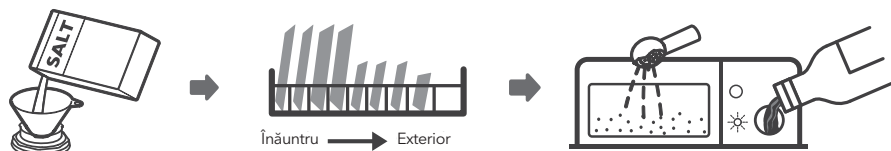
### ☰ NOTA

Imaginile sunt doar pentru referință; modelele pot fi diferite.



# UTILIZAREA MAȘINII DE SPĂLAT VASE

Înainte de utilizarea mașinii de spălat vase:



1. Setezi dozatorul pentru detergentul de clătire
2. Adăugați sare în rezervorul de sare
3. Încărcați coșurile cu vase
4. Adăugați detergent

## NOTA

Vă rugăm să verificați secțiunea 1 „Detergent de clătire: din PARTEA II: Versiune specială, Dacă doriți să setați detergentul de dedurizare.

## Încărcarea sării în rezervor

### NOTA

Dacă modelul dvs. nu are niciun compartiment pentru sare, puteți săriți această secțiune. Utilizați întotdeauna sare destinată utilizării mașinii de spălat vase. Recipientul de sare este situat sub coșul inferior și trebuie umplut așa cum este explicat în următoarele:

### ⚠ PERICOL!

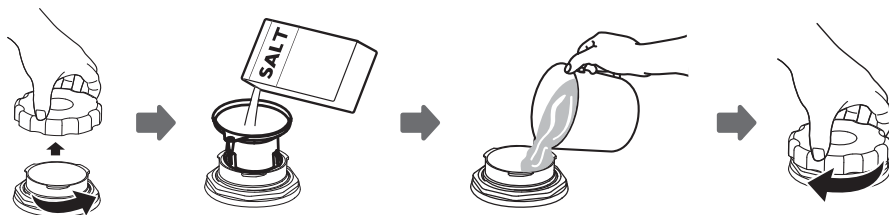
#### • Folosiți numai sare special concepută pentru utilizarea mașinilor de spălat vase!

Orice alt tip de sare care nu este conceput special pentru utilizarea mașinii de spălat vase, în special sarea de masă, va deteriora compartimentul de dedurizare a apei. În cazul daunelor cauzate de utilizarea sării necorespunzătoare, producătorul nu oferă nicio garanție și nici nu este responsabil pentru daunele cauzate.

#### • Umpleți cu sare numai înainte de a rula un ciclu.


Acest lucru va împiedica orice parte din sare sau apă sărată, care ar putea fi vărsată, rămânând pe fundul mașinii pentru orice perioadă de timp, care poate provoca coroziune.

Vă rugăm să urmați pașii de mai jos pentru adăugarea de sare pentru mașina de spălat vase:



1. Scoateți coșul inferior și deșurubați capacul rezervorului.
2. Introduceți capătul pânliei (furnizat) în orificiu și turnați aproximativ 1,5 kg de sare pentru mașina de spălat vase.
3. Umpleți recipientul cu sare până la limita maximă cu apă, este normal ca o cantitate mică de apă să iasă din recipientul de sare.
4. După umplerea recipientului, înșurubați capacul înapoi.
5. LED-ul de avertizare pentru sare va înceta să clipească după ce recipientul cu sare a fost umplut.
6. Imediat după umplerea sării în recipientul cu sare, trebuie început un program de spălare (Vă recomandăm să folosiți un program scurt). În caz contrar, sistemul de filtrare, pompa sau alte părți importante ale mașinii pot fi deteriorate de apa sărată. Acest lucru este nul la garanție.

## NOTA

- Recipientul de sare trebuie reumplut numai atunci când se aprinde indicatorul de sare (  ) din panoul de control. În funcție de cât de bine se dizolvă sarea, LED-ul de avertizare al sării poate fi aprins chiar dacă recipientul de sare este umplut.
- Dacă nu există nicio lumină de avertizare pentru sare în panoul de control (pentru unele modele), puteți estima când să completați sarea în rezervor prin ciclurile pe care le-a desfășurat mașina de spălat vase.
- Dacă s-a vărsat sare, executați un program clătire sau rapid pentru a se elimina.

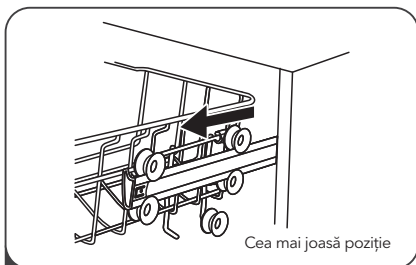
## Coș - sfaturi pentru utilizator

### Reglarea coșului superior

#### Tip 1:

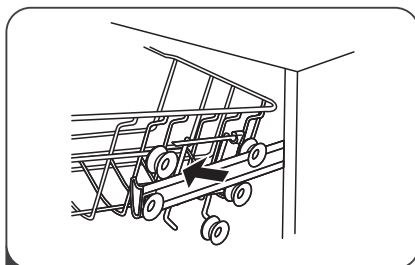
Înălțimea coșului superior poate fi ajustată cu ușurință pentru a pune vase mai înalte, fie în coșul superior sau inferior.

Pentru a regla înălțimea coșului superior, urmați acești pași:

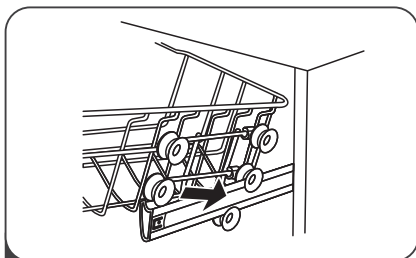


Cea mai joasă poziție

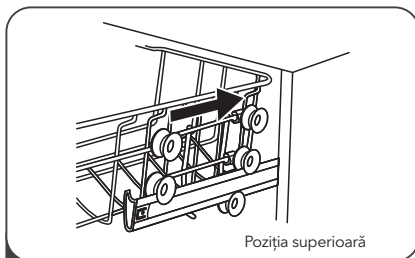
1 Trageți coșul superior.



2 Scoateți coșul superior.



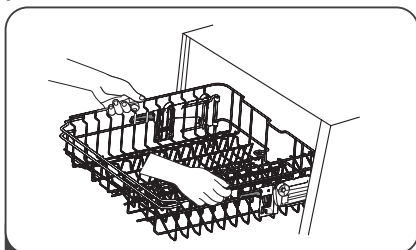
3 Re-atașați coșul superior pe rolele superioare sau inferioare.



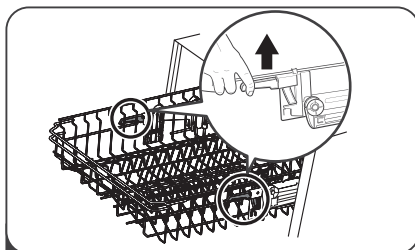
Poziția superioară

4 Coș superior

#### Type 2:



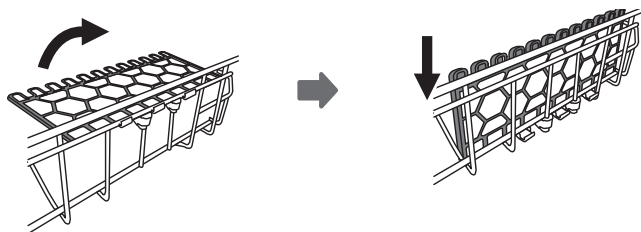
1 Pentru a ridica coșul în poziția superioară, ridicați coșul până când ambele părți sunt la aceeași înălțime. Coșul se va fixa.



2 Pentru a coborî coșul, apăsați în jos pe mâner și eliberați.

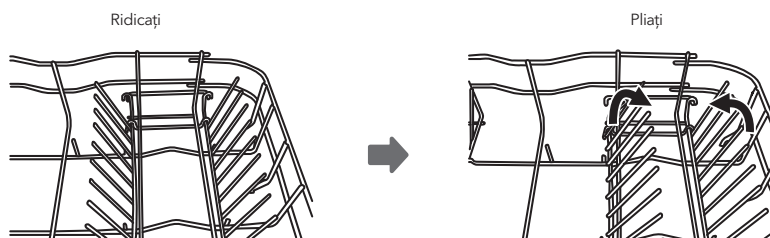
### Plierea suportului de pahare/căni

Pentru a face loc obiectelor mai înalte din coșul mașinii de spălat vase, ridicați suportul pentru pahare în sus. Puteți apoi apleca paharele înalte. Le puteți elimina, de asemenea, atunci când nu sunt necesare pentru utilizare.



### Plierea suportului de vase

Vârfurile sunt utilizate pentru susținerea farfuriilor. Pot fi pliate pentru a face mai mult loc obiectelor mari.



## ÎNTREȚINERE ȘI CURĂȚARE

### Îngrijire externă

#### Ușa și garnitura ușii

Curățați garnitura ușii în mod regulat cu o cârpă moale umedă pentru a îndepărta depozitele de alimente. Atunci când mașina de spălat vase este încărcată, reziduurile de mâncare și băutură pot picura pe părțile laterale ale ușii mașinii de spălat vase.

Aceste suprafețe se află în afara dulapului de spălare și nu sunt accesate de apă de la brațele de pulverizare. Orice depuneri trebuie șterse înainte de închiderea ușii.

#### Panoul de Control

Dacă este necesară curățarea, panoul de control trebuie șters DOAR cu o cârpă moale umedă.

#### PERICOL!

- Pentru a evita pătrunderea apei în învelișul ușii și a componentelor electrice, nu folosiți un produs de curățare prin pulverizare de niciun fel.
- Nu folosiți niciodată produse de curățare abrazive sau plăcuțe de curățare pe suprafețele exterioare, deoarece acestea pot zgâria finisajul. Unele prosoape de hârtie pot, de asemenea, să zgârie sau să lase urme pe această suprafață.

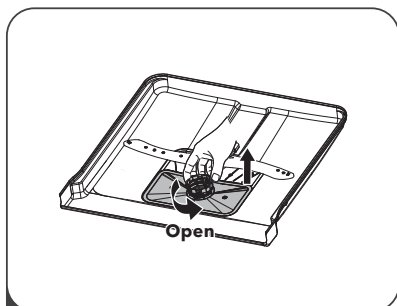
### Îngrijire internă

#### Sistem de filtrare

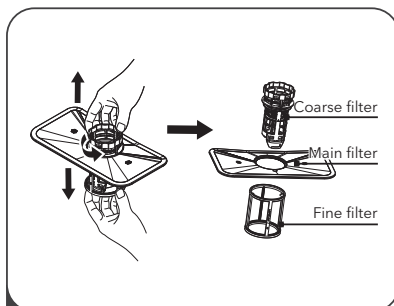
Sistemul de filtrare de la baza interiorului mașinii de spălat reține resturile grosiere din ciclul de spălare. Resturile grosiere colectate pot determina blocarea filtrelor. Verificați starea filtrelor în mod regulat și curățați-le, dacă este necesar, sub jet de apă. Urmați pașii de mai jos pentru a curăța filtrele din mașina de spălat.


**NOTA**

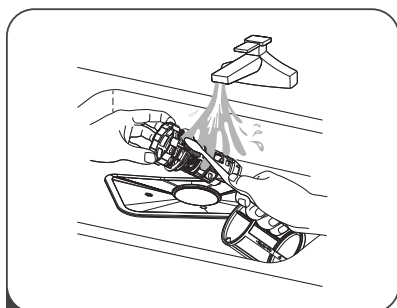
Imaginile sunt doar pentru referință; modelele pot fi diferite.



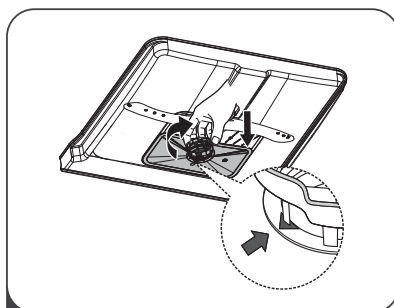
- 1** Țineți filtrul grosier și rotiți-l în sens invers acelor de ceasornic pentru a debloca filtrul. Ridicați filtrul în sus și în afara mașinii de spălat vase.



- 2** Filtrul fin poate fi extras de pe partea inferioară a ansamblului filtrului. Filtrul grosier poate fi detașat de filtrul principal prin strângerea ușoară a filetelor în partea de sus și scoaterea acestuia.



- 3** Resturile alimentare mai mari pot fi curățate prin clătirea filtrului sub jet de apă. Pentru o curățare mai minuțioasă, utilizați o perie moale de curățare.



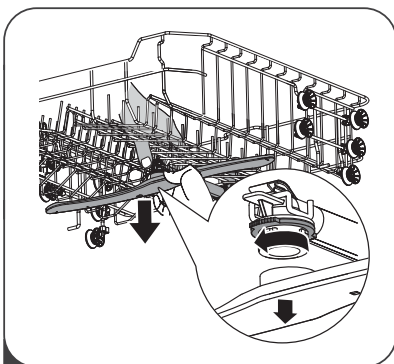
- 4** Reasamblați filtrele în ordinea inversă dezamblării, înlocuiți inserția de filtru și rotiți în sens orar până la săgeata închisă.


**PERICOL!**

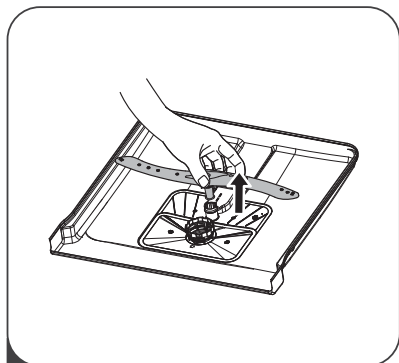
- Nu strângeți prea mult filtrele. Puneți filtrele înapoi în secvență în siguranță, în caz contrar, resturile grosiere ar putea intra în sistem și pot provoca un blocaj.
- Niciodată nu folosiți mașina de spălat vase fără filtre. Înlocuirea necorespunzătoare a filtrului poate reduce nivelul de performanță al aparatului și poate deteriora vasele și ustensilele.

**Elice**

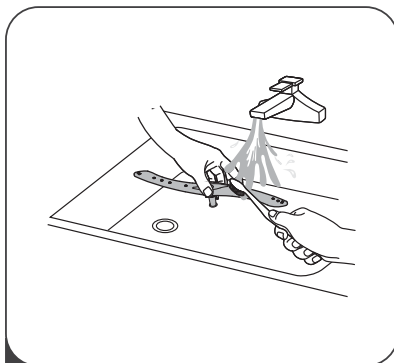
Este necesar să curățați regulat elicele pentru jeturi și rulmenți pentru elice. Pentru a curăța elicele, urmați instrucțiunile:



- 1** Pentru a îndepărta elicea superioară, țineți piulița în centru și rotiți elica în sens invers acelor de ceasornic pentru a o scoate.



**2** Pentru a scoate elicea inferioară, scoateți elicea în sus.



**3** Spălați elicele în apă cu săpun, caldă folosind o perie moale pentru a curăța rezidurile. Înlocuiți-le după clătirea completă.

## Îngrijirea mașinii de spălat vase

### Măsuri împotriva înghețului

Vă rugăm să luați măsuri de protecție împotriva înghețului pentru mașina de spălat vase pe timp de iarnă. După fiecare ciclu de spălare, vă rugăm să acționați după cum urmează:

1. Opriti energia electrică la mașina de spălat vase de la sursa de alimentare.
2. Opriti alimentarea cu apă și deconectați conducta de intrare a apei de la supapa de apă.
3. Scurgeți apa de la conducta de admisie și de la robinetul de apă. (Folosiți o tigeaie pentru a aduna apa)
4. Reconectați conducta de admisie a apei la supapa de apă.
5. Îndepărtați filtrul din partea de jos a mașinii și folosiți un burete pentru a scoate apă.

### După fiecare spălare

După fiecare spălare, opriti alimentarea cu apă a mașinii și lăsați ușa ușor deschisă astfel încât umiditatea și mirosurile să nu fie blocate în interior.

### Scoateți ștecherul

Înainte de a curăța sau de a efectua întreținerea, scoateți întotdeauna ștecherul din priză.

### Fără solvenți sau curățare abrazivă

Pentru a curăța părțile exterioare și de cauciuc ale mașinii de spălat vase, nu utilizați solvenți sau produse de curățare abrazive. Folosiți numai o cârpă cu apă caldă și detergent.

Pentru a îndepărta petele de pe suprafața interiorului, folosiți o cârpă umezită cu apă și puțină oțet sau un produs de curățare realizat special pentru mașinile de spălat vase.

### Când nu este folosită mașina pentru o lungă perioadă de timp

Este recomandat să efectuați un ciclu de spălare cu mașina de spălat vase goală și apoi scoateți ștecherul din priză, opriti alimentarea cu apă și lăsați ușa aparatului ușor deschis. Acest lucru va ajuta sigiliile ușii să se păstreze mai mult și va împiedica formarea mirosurilor în interiorul aparatului.

### Mutarea mașinii de spălat vase

Dacă mașina de spălat vase trebuie mutată, încercați să o mențineți în poziție verticală. Dacă este absolut necesar, poate fi poziționată pe spate.

# INSTRUCȚIUNI DE INSTALARE

## ⚠ PERICOL!



### Pericol de șoc electric

Deconectați energia electrică înainte de a instala mașina de spălat vase.  
Nerespectarea acestui lucru poate duce la moarte sau șoc electric.

## ! AVERTIZARE!

Instalarea conductelor și a echipamentelor electrice ar trebui să fie făcută de persoane profesionale.

## Alimentarea la curent electric

## ⚠ PERICOL!

- Pentru siguranță personală:
- Nu folosiți un prelungitor
- În niciun caz nu tăiați și nu scoateți conexiunea la împământare de pe cablul de alimentare.

### Cerințe electrice

Vă rugăm să consultați eticheta de rating pentru a cunoaște tensiunea de rating și conectați mașina de spălat vase la sursa de alimentare corespunzătoare. Folosiți siguranța necesară 10A / 13A / 16A, siguranța cu întârziere sau întrerupătorul de circuit recomandat și asigurați un circuit separat care servește numai acestui aparat.

### Conexiunea electrică

Asigurați-vă că tensiunea și frecvența puterii corespund cu cele de pe placa nominală. Introduceți numai ștecherul într-o priză electrică care este împământată corect. Dacă priza electrică la care trebuie conectat aparatul nu este adecvată pentru priză, înlocuiți priza, mai degrabă decât să folosiți un adaptor sau altele asemenea, deoarece acestea ar putea provoca supraîncălzire și arsuri.

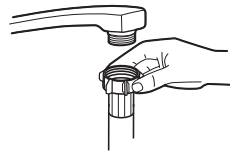
**⚠ Asigurați-vă că există o împământare adecvată înainte de utilizare.**

## Alimentarea cu apă și Scurgerea

### Conectarea la apă rece

Conectați furtunul de alimentare cu apă rece la un conector filetat de 3/4 (inch) și asigurați-vă că acesta este fixat bine.

Dacă conductele de apă sunt noi sau nu au fost utilizate pentru o perioadă lungă de timp, lăsați apa să curgă pentru a vă asigura că apa este limpede. Această precauție este necesară pentru a evita riscul ca alimentarea apei să



Furtun de alimentare classic



Furtun de alimentare de siguranță

### Despre furtunul de alimentare cu siguranță

Furtunul de alimentare cu siguranță este format din pereți dubli. Sistemul furtunului garantează intervenția sa prin blocarea fluxului de apă în cazul rupei furtunului de alimentare și când spațiul de aer dintre furtunul de alimentare în sine și furtunul ondulat exterior este plin de apă.

## ⚠ PERICOL!

Un furtun care se atașează la un spray de chiuvetă poate izbucni dacă este instalat pe aceeași linie de apă ca mașina de spălat vase. Dacă chiuveta are una, se recomandă ca furtunul să fie deconectat.

### Cum să conectați furtunul de alimentare cu siguranță

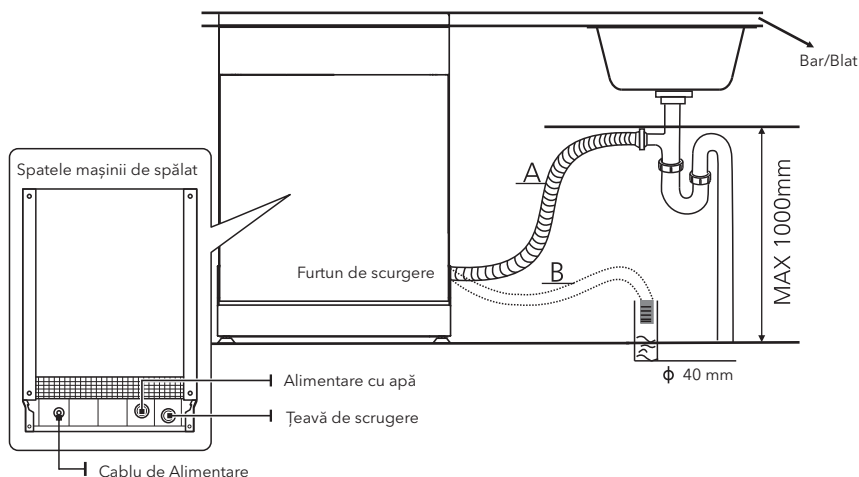
1. Scoateți complet furtunurile de alimentare cu siguranță din compartimentul de depozitare situat în partea din spate a mașinii de spălat vase.
2. Strângeți șuruburile furtunului de alimentare cu siguranță la robinet cu fir de 3 / 4 inch.
3. Porniți la maxim apa înainte de a porni mașina de spălat vase.

### Cum să deconectați furtunul de alimentare cu siguranță

1. Opriti apa.
2. Deșurubați furtunul de alimentare de siguranță de la robinet.

## Conectarea Furtunului de scurgere

Introduceți furtunul de scurgere într-o conductă de scurgere cu un diametru de minim de 4 cm sau lăsați-l să curgă în chiuvetă, asigurându-vă că evitați îndoirea sau sertizarea acestuia. Înălțimea conductei de scurgere trebuie să fie mai mică de 1000mm. Capătul liber al furtunului nu trebuie scufundat în apă pentru a evita curgerea înapoi.



⚠ Vă rugăm să fixați sigur furtunul de evacuare în poziția A sau în poziția B

### Cum se scurge excesul de apă din furtun

Dacă chiuveta este cu 1000 mai înaltă de podea, excesul de apă din furtun nu poate fi evacuat direct în chiuvetă. Va fi necesar să scurgeți excesul de apă din furtun într-un vas sau recipient adecvat, care este ținut afară și mai jos decât chiuveta.

### Scurgerea apei

Conectați furtunul de scurgere a apei. Furtunul de golire trebuie montat corect pentru a evita scurgeri de apă. Asigurați-vă că furtunul de scurgere a apei nu este zgâriat sau stropit.

### Furtun extensibil

Dacă aveți nevoie de o extensie a furtunului de scurgere, asigurați-vă că folosiți un furtun similar. Trebuie să nu depășească 4 metri; altfel, efectul de curățare al mașinii de spălat vase ar putea fi redus.

### Conexiune cu sifon

Racordul la deșeuri trebuie să fie la o înălțime mai mică de 100 cm (maxim) de la baza vasului. Furtunul de scurgere a apei trebuie să fie fixat.

## Poziționarea Mașinii de Spălat

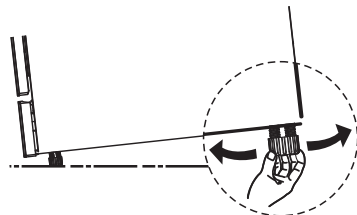
Poziționează aparatul în locația dorită. Spatele trebuie să se sprijine de peretele din spatele său, iar părțile laterale, de-a lungul dulapurilor sau pereților adiacenți. Mașina de spălat vase este echipată cu furtunuri de alimentare cu apă și de scurgere care pot fi poziționate fie pe partea dreaptă, fie pe partea stângă, pentru a facilita instalarea corectă.

### Stabilizarea mașinii de spălat

Odată ce aparatul este poziționat pentru nivelare, înălțimea a mașinii de spălat vase poate fi modificată prin reglarea înșurubarea nivelului picioarelor.

#### NOTA

Se aplică numai la mașina de spălat independentă.

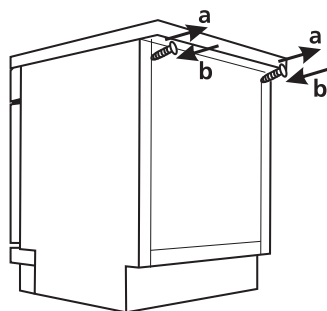
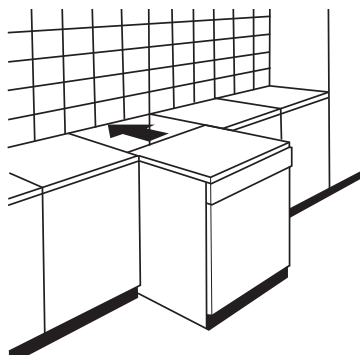


## Instalare în picioare

### Montarea între dulapurile existente

Înălțimea mașinii de spălat vase, 845 mm, a fost proiectat pentru a permite montarea mașinii între dulapurile existente de aceeași înălțime în bucătării moderne deja montate. Picioarele pot fi reglate astfel încât se atingă înălțimea corectă.

Partea laminată a mașinii nu necesită orice îngrijire specială, deoarece este rezistent la căldură, antigrafiu și rezistență la pete.



### Sub blatul de lucru existent

(când se montează sub un blat de lucru)

În cele mai multe bucătării moderne, există un singur blat de lucru sub care sunt montate dulapurile și aparate electrice. În acest caz, îndepărtați partea de lucru a mașinii de spălat vase deșurubând șuruburile sub marginea din spate a părții superioare (a).

#### ! AVERTISMENT!

După scoaterea blatului de lucru, șuruburile TREBUIE SĂ se înșurubeze din nou sub marginea din spate a vârfului (b). Înălțimea va fi apoi redusă la 815 mm, așa cum este stabilit de Regulamentul internațional (ISO), iar mașina de spălat vase se va potrivi perfect sub blatul de lucru al bucătăriei.

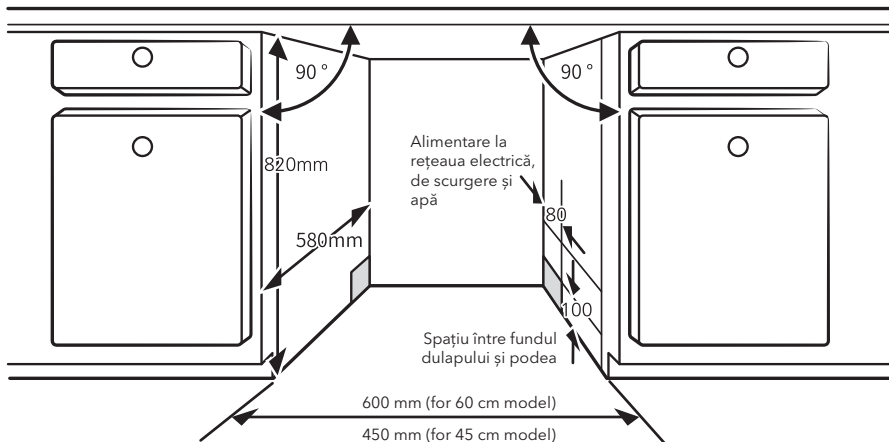
## Instalare încorporată (pentru modelul încorporat)

### Pasul 1. Selectarea celei mai bune locații pentru mașina de spălat vase

Poziția de instalare a mașinii de spălat vase trebuie să fie aproape de furtunurile de alimentare și de scurgere existente și de cablul de alimentare. Ilustrații despre dimensiunile dulapului și poziția de instalare a mașinii de spălat vase.



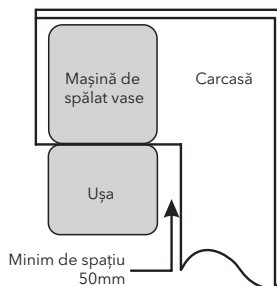
1. Mai puțin de 5 mm între partea de sus a mașinii de spălat vase și dulap și ușa exterioră aliniată la dulap.



2. Dacă mașina de spălat vase este instalată la colțul dulapului, ar trebui să rămână ceva spațiu pentru deschiderea ușii.

#### NOTA

În funcție de locul unde se află priză electrică, poate fi necesar să faceți o gaură în partea opusă a dulapului.



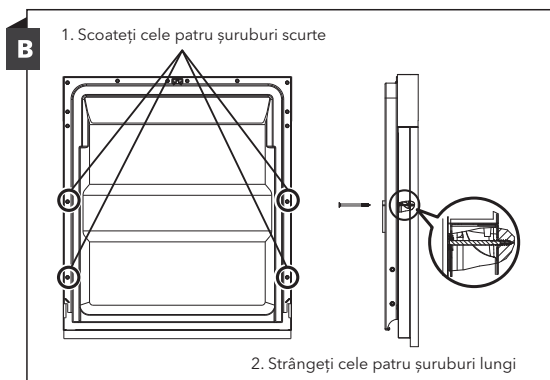
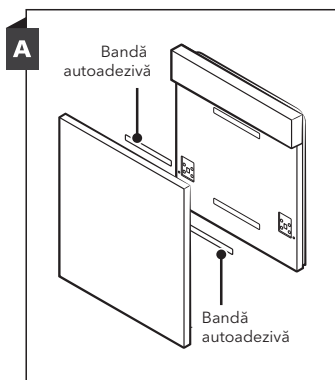
## Pasul 2. Dimensiunile și instalarea panoului estetic

#### NOTA

Panoul estetic din lemn poate fi procesat conform desenelor de instalare.

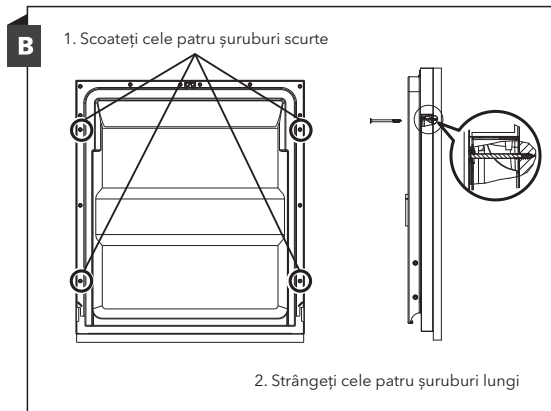
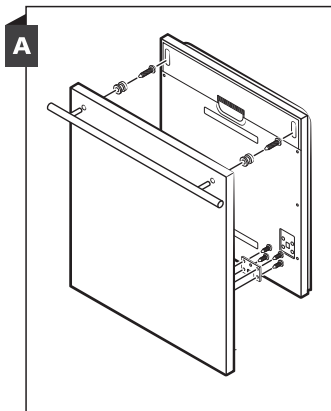
### Model semi-integrat

Conectorul A și conectorul B pot fi montate după cum urmează: conectorul A pe panoul estetic din lemn și conectorul B de pe ușa exterioră a mașinii de spălat vase (vezi figura A). După poziționarea panoului, fixați panoul pe ușa exterioră cu șuruburi (Vezi figura B).



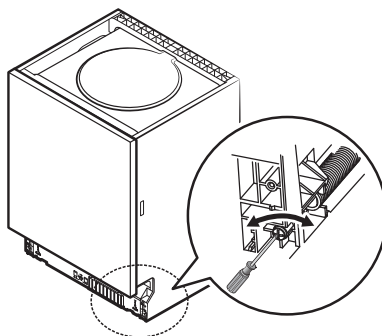
### Model integrat

Montați cârligul pe panoul estetic din lemn și puneți cârligul în fanta ușii exterioare a mașinii de spălat vase (a se vedea figura A). După poziționarea panoului, fixați panoul pe ușa exterioară cu șuruburi (Vezi figura B).



### Pasul 3. Reglarea tensiunii ușii

Arcurile ușilor sunt reglate la fabrică la tensiunea corespunzătoare pentru ușa exterioară. Dacă este instalat un panou estetic din lemn, va trebui să reglați tensiunea arcului ușii. Rotiți șurubul de reglare pentru a conduce reglarea la încordarea sau relaxarea cablului de oțel. Tensiunea arcului ușii este corectă atunci când ușa rămâne orizontală în poziția complet deschisă, dar se ridică cu ușoara ridicare a degetului.

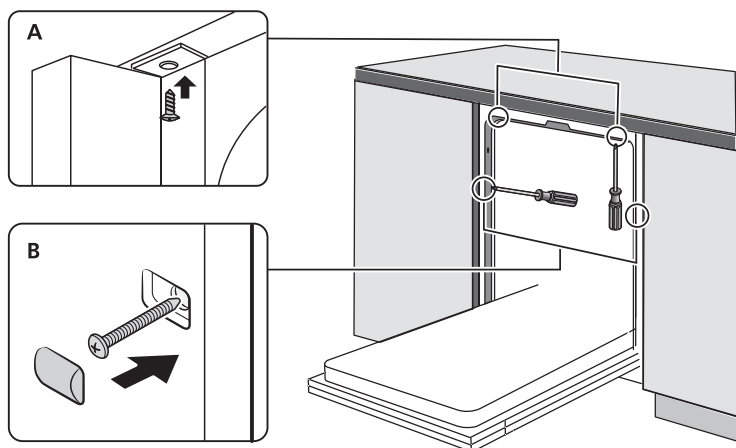


### Pasul 4. Etapele de instalare a mașinii de spălat vase

#### NOTA

Vă rugăm să consultați etapele de instalare specificate în desenele de instalare.

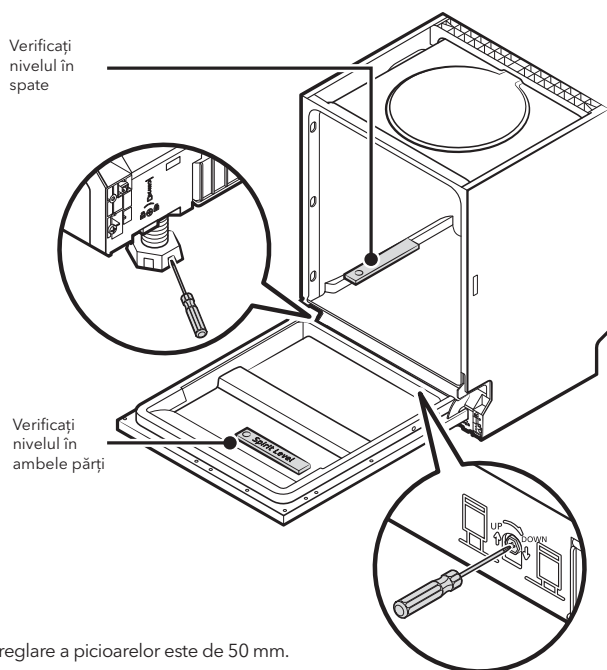
1. Fixați banda de condens sub suprafața de lucru a dulapului. Vă rugăm să vă asigurați că banda de condensare este aliniată la marginea suprafeței de lucru. (Pasul 2)
2. Conectați furtunul de intrare la alimentarea cu apă rece.
3. Conectați furtunul de scurgere.
4. Conectați cablul de alimentare.
5. Puneți mașina de spălat vase în poziție. (Pasul 4)
6. Stabilizați mașina de spălat vase. Mâncarea din spate poate fi reglată din fața mașinii de spălat vase prin rotirea șurubului Philips în mijlocul bazei mașinii de spălat vase, folosind o șurubelniță Philips. Pentru a regla picioarele din față, utilizați o șurubelniță dreaptă și rotiți picioarele din față până când mașina de spălat vase este stabilizată. (Pasul 5 la Pasul 6)
7. Instalați ușa mobilierului pe ușa exterioară a mașinii de spălat vase. (Pasul 7 - Pasul 10)
8. Reglați tensiunea arcurilor ușii utilizând o cheie Allen care se rotește într-o mișcare în sensul acelor de ceasornic pentru a strânge arcurile ușii stânga și dreapta. Nerespectarea acestui lucru poate provoca deteriorarea mașinii de spălat vase. (Pasul 11)
9. Mașina de spălat vase trebuie să fie asigurată în locul poziționării. Există două moduri de a face acest lucru:
  - R: Suprafață normală de lucru: introduceți cârligul de instalare în fanta planului lateral și fixați-l pe suprafața de lucru cu șuruburile din lemn.
  - B: Blat de lucru din marmură sau granit: fixați partea cu șurub.



### Pasul 5. Stabilizarea mașinii de spălat vase

Mașina de spălat vase trebuie să fie stabilizată pentru funcționarea corectă a suportului de vase și performanțe de spălare corecte.

1. Verificați pe ușă și șina în interior, așa cum este indicat pentru a verifica dacă mașina de spălat vase este la nivel.
2. Stabilizați mașina de spălat vase reglând individual cele trei nivele.
3. Când stabilizați mașina de spălat vase, vă rugăm să acordați atenție.



**NOTA**

Înălțimea maximă de reglare a picioarelor este de 50 mm.

# SFATURI DE DIAGNOSTICARE

## Înainte de a apela la service-ul autorizat

Revizuirea graficelor din paginile următoare vă poate salva să apelați la service.

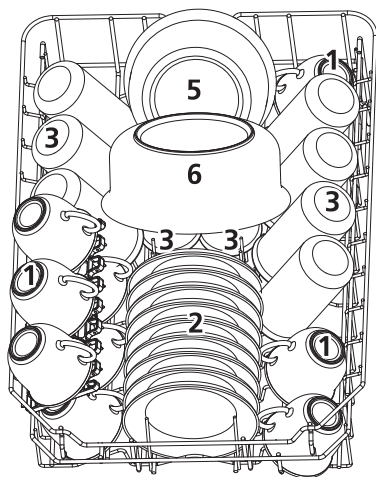
Problemă	Cauză Posibilă	Soluție
Mașina de spălat vase nu pornește	Siguranță arsă sau întrerupătorul nu s-a declanșat.	Înlocuiți siguranța sau resetați întrerupătorul. Îndepărtați orice alte aparate care au același circuit cu mașina de spălat vase.
	Alimentarea nu este pornită.	Asigurați-vă că mașina de spălat vase este pornită și ușa este închisă. Asigurați-vă că cablul de alimentare este bine conectat la priza de perete.
	Presiunea apei este scăzută.	Verificați dacă alimentarea cu apă este corectă și că apa este pornită.
	Ușa mașinii de spălat vase nu este bine închisă.	Asigurați-vă că închideți ușa în mod corespunzător.
Apa care nu este pompată din mașina de spălat vase	Furtun de scurgere răsucit sau blocat.	Verificați furtunul de scurgere.
	Filtrul înfundat.	Verificați filtrul.
	Chiuveța de bucătărie înfundată.	Verificați chiuveța de bucătărie pentru a vă asigura că se scurge bine. Dacă problema e chiuveța de bucătărie care nu se scurge, este posibil să aveți nevoie de un instalator, mai degrabă decât de un serviciu pentru mașin spălat vase.
Spumă în interior	Detergent greșit.	Folosiți numai detergent special pentru mașina de spălat vase pentru a evita apariția. În acest caz, deschideți mașina de spălat vase și lăsați spuma să se evapore. Adăugați 1 l de apă rece pe fundul mașinii de spălat vase. Închideți ușa mașinii de spălat vase, apoi selectați orice ciclu. Inițial, mașina de spălat vase va scurge apa. Deschideți ușa după ce etapa de scurgere este completă și verificați dacă spuma a dispărut. Repetați dacă este necesar.
	Lichid de clătire vărsat	Ștergeți întotdeauna scurgerile lichidului de clătire.
Interiorul cuvei pătat	Este posibil să fi fost folosit detergent cu colorant	Asigurați-vă că detergentul nu are colorant.
Pete albe pe suprafața interioară	Apă dură.	Pentru a curăța interiorul, folosiți un buret umed cu detergent pentru mașina de spăla vase și purtați mănuși de cauciuc. Nu folosiți niciodată alt produs de curățare decât detergentul pentru mașina de spălat vase, în caz contrar, acesta poate cauza spumă sau suduri.

<b>Problemă</b>	<b>Cauză Posibilă</b>	<b>Soluție</b>
Pe tacâmuri există pete de rugină	Articolele afectate nu sunt rezistente la coroziune.	Evitați spălarea obiectelor care nu rezistă în mașina de spălat.
	Un program nu a fost rulat după ce sa adăugat sare de mașină de spălat vase. Urmele de sare au ajuns în ciclul de spălare.	Rulați întotdeauna un program de spălare fără veselă după adăugarea de sare. Nu selectați funcția Turbo (dacă există).
	Capacul de la lichidul de clătire este liber.	Verificați capacul de la lichidul de clătire.
Zgomot puternic în mașina de spălat vase	O elice se lovește de un produs din mașină.	Întrerupeți programul și rearanjați elementele care blochează elicea.
Zgomot ciudat în mașina de spălat vase	Articole de vesela sunt libere in mașina de spalato vase.	Întrerupeți programul și rearanjați articolele de veselă.
Zgomot in conductele de apă	Aceasta poate fi cauzată de instalarea propriu-zisă sau de secțiunea transversală a conductelor.	Aceasta nu are nicio influență asupra func de spălat vase. Dacă aveți îndoieli, contact un instalator.
Vasele nu sunt curate	Vasele nu au fost încărcate corect.	Consultați notele din „Încărcarea și descărcarea mașinii de spălat vase”.
	Programul nu a fost suficient de puternic.	Selectați un program mai intensiv.
	Nu a fost folosit suficient detergent.	Folosiți mai mult detergent sau schimbați detergentul.
	Elementele blochează mișcarea elicele.	Reorganizați elementele astfel încât elicele să se poată roti liber.
	Combinăția de filtru nu este curată sau nu este montată corect în baza dulapului de spălare. Acest lucru poate determina blocarea jeturilor elicelor.	Curățați și potriviți corect filtrul. Curățați elicele.
Pahare pătate.	Combinăție de lichid de clătire și prea mult detergent.	Folosiți mai puțin detergent dacă aveți apă mai puțin dură și selectați un ciclu mai scurt pentru a spăla sticle și pentru a le curăța.
Pete albe pe farfurii și pahare	Apa dură poate provoca depuneri de calcar.	Adăugați mai mult detergent.
Semnele negre sau gri pe vase	Ustensilele din aluminiu s-au frecat de vase	Folosiți un produs de curățare abraziv ușor pentru a elimina aceste semne.
Detergentul lăsat în dozator	Vasele blochează dozatorul de detergent	Reîncărcați vasele în mod corespunzător.
Vasele nu se usucă	Încărcare incorectă	Încărcați mașina de spălat vase conform indicațiilor din instrucțiuni.
	Vasele sunt scoase prea devreme	Nu goliți mașina de spălat vase imediat după spălare. Deschide ușa ușor, astfel încât aburul să poată ieși. Scoateți vasele până când temperatura interioară este sigură de atingere. Descărcați mai întâi coșul inferior pentru a preveni căderea apei din coșul superior.

Problemă	Cauză Posibilă	Soluție
Vasele nu se usucă	A fost selectat programul greșit.	Cu un program scurt, temperatura de spăl este mai scăzută, scăzând performanțele de curățare. Alegeți un program cu o perioadă lungă de spălare.
	Utilizarea tacâmurilor cu o acoperire de calitate scăzută.	Drenarea apei este mai dificilă cu aceste elemente. Tacâmurile sau vasele de acest tip nu sunt potrivite pentru spălarea în mașina de spălat vase.

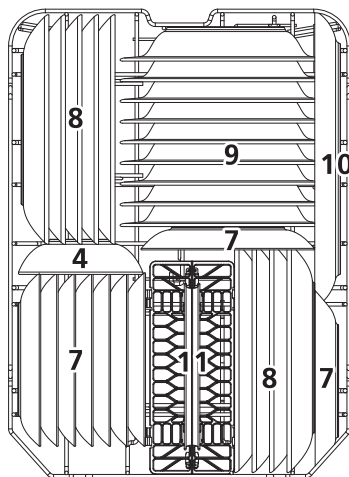
## ÎNCĂRCAREA COȘURILOR ÎN ACORD CU EN50242

### 1. Coșul superior:



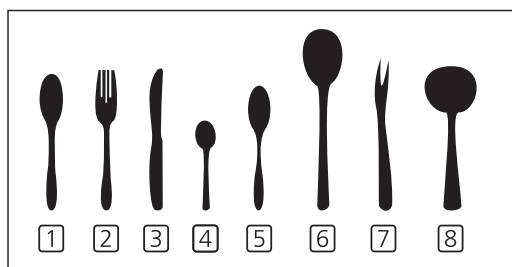
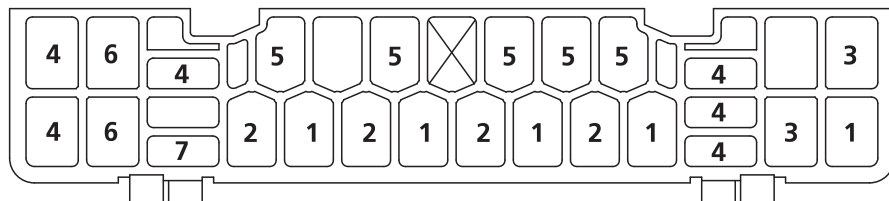
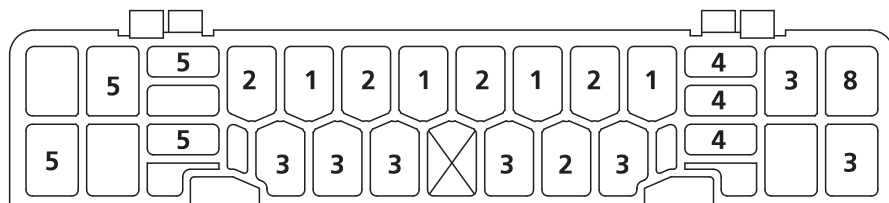
Număr	Item
1	Căni
2	Farfurii
3	Pahare
4	Bol mic de servire
5	Bol mediu de servire
6	Bol mare de servire

### 2. Coșul inferior:



Număr	Item
7	Farfurii de desert
8	Farfurii pentru cină
9	Farfurii pentru supă
10	Platou oval
11	Coș de tacâmurii

## 3. Coș de tacâmuri:



Informații pentru testele de comparabilitate în conformitate cu EN 50242

Capacitate: 9 setări loc

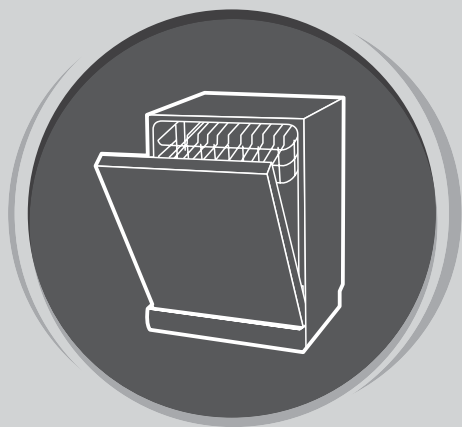
Poziția coșului superior: poziție inferioară

Program: ECO

Setarea ajutorului de clătire: 6

Setare de dedurizare: H3

Număr	Item
1	Linguri de supă
2	Furculițe
3	Cuțițe
4	Lingurițe
5	Linguri de desert
6	Linguri de servire
7	Furculițe de servire
8	Polonice



# MAȘINA DE SPĂLAT VASE

Manual de  
instrucțiuni

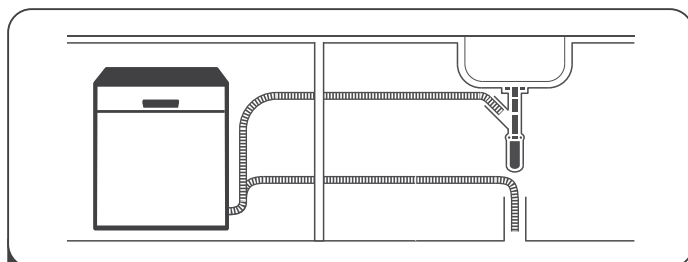
**PARTEA II:  
VERSIUNE SPECIALĂ  
WD460M / WD460MX**

Citiți cu atenție acest manual înainte de a folosi mașina de spălat vase.  
Păstrați acest manual pentru referințe viitoare.



# GHID DE UTILIZARE RAPID

Vă rugăm să citiți conținutul corespunzător din manualul de instrucțiuni pentru o metodă de operare detaliată.

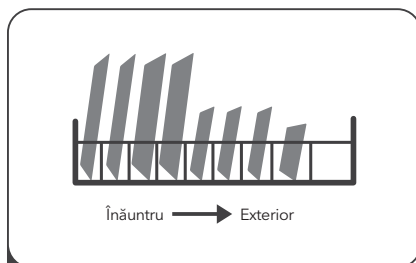


**1** Instalați mașina de spălat vase

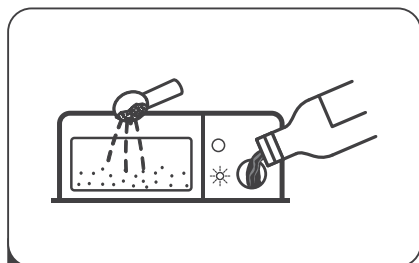
**Vă rugăm să consultați secțiunea 5 „INSTRUCȚIUNI DE INSTALARE” din PARTEA I: Versiune generică.)**



**2** Îndepărtarea reziduurilor mai mari de pe vase



**3** Încărcarea coșurilor



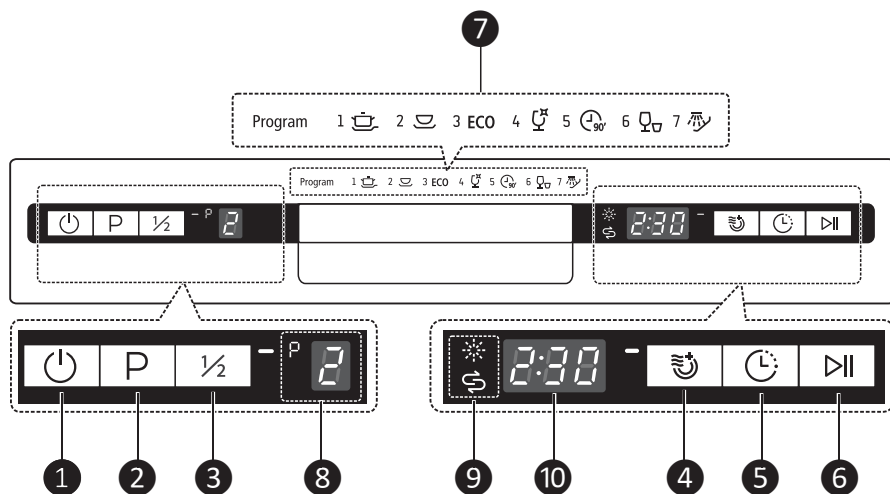
**4** Umplerea dozatorului de detergent



**5** Selectarea unui program și rularea mașinii de spălat vase

# FOLOSIREA MAȘINII DE SPĂLAT VASE

## Panou de control



### Operație

- 1 Buton On/ Off Apăsați acest buton pentru a porni mașina de spălat vase, ecranul se va aprinde.
- 2 Program Selectați programul de spălare corespunzător, indicatorul de program selectat va fi aprins.
- 3 Jumătate de încărcare Când aveți aproximativ sau mai puțin de 6 locuri de setat vase pentru spălat, puteți alege această funcție pentru a economisi energie și apă. (Se poate folosi doar cu intensiv, normal, ECO, sticlă și 90 min). Când apăsați acest buton, indicatorul corespunzător va fi aprins.
- 4 Extra uscare Pentru a usca vasele complet. (Se poate folosi doar cu intensiv, normal, ECO, sticlă, 90 min). Când apăsați acest buton, indicatorul corespunzător va fi aprins.
- 5 Întârziere Apăsați acest buton pentru a seta orele de întârziere pentru spălare. Puteți amâna începerea spălării până la 24 de ore. O singură apăsare pe acest buton întârzie începerea spălării cu o oră.
- 6 Start / Pause Pentru a porni programul de spălare selectat sau a-l întrerupe atunci când mașina de spălat vase funcționează.

### Afișaj



#### Intensive

Articolele foarte murdare includ ghivece și tigăi. Cu urme uscate de mâncare.



#### Normal

Pentru încărcături normal murdare, cum ar fi vase, farfurii, pahare și tigăi ușor murdare.

#### ECO ECO

Acesta este programul standard potrivit pentru încărcături normal murdare, cum ar fi ghivece, farfurii, pahare și tigăi ușor murdare.

- 7 Indicator Program

## 7 Indicator Program



### Glass

Pentru veselă ușor murdară și sticlă.



### 90 Min

Pentru încărcături normal murdare care necesită o spălare rapidă.



### Rapid

O spălare mai scurtă pentru încărcături ușor murdare care nu necesită uscare.



### Soak

Pentru a clăti vasele pe care intenționați să le spălați mai târziu în acea zi.

## 8 Ecran



Program indicator selectat.

## 9 Indicator avertisment



### Lichid de clătire

Dacă indicatorul este aprins, înseamnă că mașina de spălat vase are un nivel scăzut de lichid de clătire și necesită reîncărcare.



### Sare

Dacă indicatorul este aprins, înseamnă că mașina de spălat vase are un nivel scăzut de sare și necesită reîncărcare.

## 10 Screen

Pentru a porni programul de spălare selectat sau a-l întrerupe atunci când mașina de spălat vase funcționează.

## Dedurizare Apă

Dedurizatorul de apă trebuie reglat manual, folosind cadranul de duritate a apei.

Dedurizatorul de apă este conceput pentru a elimina mineralele și sărurile din apă, ceea ce ar avea un efect dăunător sau negativ asupra funcționării aparatului.

Cu cât sunt mai multe minerale, cu atât apa este mai grea.

Dedurizatorul trebuie ajustat în funcție de duritatea apei din zona dvs. Autoritatea locală pentru apă vă poate sfătui cu privire la duritatea apei din zona dvs.

### Reglarea consumului de sare

Mașina de spălat vase este proiectată pentru a permite ajustarea cantității de sare consumată pe baza durității apei utilizate. Acest lucru este destinat să optimizeze și să personalizeze nivelul de consum de sare.

Vă rugăm să urmați pașii de mai jos pentru ajustarea consumului de sare.

1. Porniți aparatul;
2. Apăsăți butonul Start / Pauză timp de mai mult de 5 secunde pentru a porni modelul setului de dedurizare a apei în 60 de secunde după ce aparatul a fost pornit;
3. Apăsăți butonul Start / Pauză pentru a selecta setul adecvat în funcție de mediul dvs. local, seturile se vor schimba în următoarea secvență: H1-> H2-> H3-> H4-> H5-> H6;
4. Apăsăți butonul de pornire pentru a încheia modelul configurat.

DURITATEA APEI				Nivelul de dedurizare	Consum Sare (gram/ciclu)
German dH *	Francez fH **	Englez Clarke ***	Mmol/l		
0 - 5	0 - 9	0 - 6	0 - 0.94	H1	0
6 - 11	10 - 20	7 - 14	1.0 - 2.0	H2	9
12 - 17	21 - 30	15 - 21	2.1 - 3.0	H3	12
18 - 22	31 - 40	22 - 28	3.1 - 4.0	H4	20
23 - 34	41 - 60	29 - 42	4.1 - 6.0	H5	30
35 - 55	61 - 98	43 - 69	6.1 - 9.8	H6	60

1°dH=1.25

°fH=0.178mmol/l

°Clarke=1.78

Setarea din fabrică: H3

Contactați furnizorul apă local pentru informații despre duritatea alimentării cu apă.

### NOTA

Vă rugăm să consultați secțiunea 3 „Încărcarea sării în compartimentul de dedurizare” din PARTEA I: Versiune generică, Dacă mașina de spălat vase nu are sare.

### NOTA

**Dacă modelul dvs. nu are niciun compartiment de dedurizare a apei, puteți săriți această secțiune.**

#### Dedurizare Apă

Duritatea apei variază de la un loc la altul. Dacă se folosește apă dură în mașina de spălat vase, se vor depune depozite pe vase și ustensile. Mașina de spălat vase este echipat cu un dedurizant special care folosește un recipient de sare special conceput pentru a elimina varul și mineralele din apă

## Pregătirea și încărcarea vaselor

- Luați în considerare achiziționarea de ustensile care sunt identificate ca rezistente la mașina de spălat vase
- Pentru anumite articole, selectați un program cu cea mai mică temperatură posibilă.
- Pentru a preveni deteriorarea, nu scoateți sticlă și tacâmuri din mașina de spălat vase imediat după încheierea programului.

#### Pentru spălarea următoarelor tacâmuri / vase

##### Nu sunt potrivite

- tacâmuri cu mânere din lemn sau diverse modele
- Articole din plastic care nu sunt rezistente la căldură
- tacâmuri mai vechi cu piese lipite care nu sunt rezistente la temperatură
- Articole sau vase pentru tacâmuri lipite
- Articole de împletitură Sticla de cristal
- Articole din oțel supuse ruginii Platouri din lemn
- Articole fabricate din fibre sintetice

##### Sunt adecvate , însă limitat

- Unele tipuri de pahare pot deveni sensibile după un număr mare de spălări
- Piese din argint și aluminiu au tendința de decolorare în timpul spălării
- Modelele vitrate pot dispărea dacă sunt spălate frecvent

#### Recomandări pentru încărcarea mașinii de spălat vase

Răzuiește orice cantitate mare de alimente rămase. Înmuiați resturile de alimente arse în tigăi. Nu este necesar să clătiți vasele sub apă curentă.

Pentru cele mai bune performanțe ale mașinii de spălat vase, urmați aceste instrucțiuni de încărcare.

#### (Caracteristicile și aspectul coșurilor și coșurilor pentru tacâmuri pot varia în funcție de modelul dvs.)

Plasați obiectele în mașina de spălat vase în felul următor:

- Articole precum cupe, pahare, oale / tigăi etc. sunt orientate în jos.
- Articolele curbate, sau cele cu adâncimi, trebuie să fie încărcate ca atare, astfel încât apa să poată scurge. Toate ustensilele trebuie să fie stivuite în siguranță, astfel încât să nu se dea peste cap.
- Toate ustensilele sunt așezate astfel încât elicele să se poată roti liber în timpul spălării.
- Încărcați articole goale, cum ar fi cupe, pahare, tigăi etc. Cu deschiderea orientată în jos, astfel încât apa să nu poată fi colectată în recipient sau într-o bază adâncă.
- Vesela și obiectele de tacâmuri nu trebuie să se întindă unul în celălalt sau să se acopere reciproc. Pentru a evita deteriorarea, paharele nu trebuie să se atingă unul de altul.
- Coșul superior este conceput pentru a menține vasele de mâncare mai delicate și mai ușoare, cum ar fi pahare, pahare de cafea și ceai.
- Cuțitele cu lamă lungă depozitate într-o poziție verticală reprezintă un pericol potențial!

- Articole de tacâmuri lungi și / sau ascuțite, cum ar fi cuțitele de sculptură, trebuie să fie poziționate orizontal în coșul superior. Vă rugăm să nu supraîncărcați mașina de spălat vase. Acest lucru este important pentru rezultate bune și pentru un consum rezonabil de energie.

### NOTA

Obiectele foarte mici nu trebuie spălate în mașina de spălat vase, deoarece acestea ar putea cădea cu ușurință din coș.

### Scoaterea vaselor

Pentru a împiedica scurgerea apei din coșul superior în coșul inferior, vă recomandăm să goliți mai întâi coșul inferior, urmat de coșul superior.

### PERICOL!



**Articolele pot fi fierbinti!** Pentru a preveni deteriorarea, nu scoateți sticlă și tacâmuri din mașina de spălat vase timp de aproximativ 15 minute după încheierea programului.

### Încărcarea coșului superior

Coșul superior este conceput pentru a menține vase mai delicate și mai ușoare cum ar fi pahare, câni de cafea și ceai și farfurioare, precum și farfurii, mici boluri și cratițe mici (atâta timp cât nu sunt prea murdare). Poziționează vasele pentru a nu fi atinse de elicele de apă.



### Încărcarea coșului inferior

Vă sugerăm să plasați obiecte mari și cele mai dificil de curățat coșul inferior: cum ar fi vase, tigăi, capace, mâncăruri și boluri, ca în figura de mai jos. Este de preferat să așezați mâncărurile și capacele pentru a evita blocarea rotirii elice de sus. Diametrul maxim recomandat pentru plăcile din fața detergentului dozatorului este de 19 cm, acest lucru nu înseamnă să împiedică deschiderea acestuia.



### Încărcarea coșului de tacâmuri

Tacâmurile trebuie așezate în suportul pentru tacâmuri separat unul de celălalt în pozițiile corespunzătoare și asigurați-vă că ustensilele nu se amestecă, acest lucru poate duce la performanțe proaste.

### PERICOL!



Nu lăsați niciun element să se extindă prin partea de jos. Încărcați întotdeauna ustensilele ascuțite cu punctul ascuțit în jos!

### NOTA

Pentru cele mai bune efecte la spălare, încărcăți coșurile în referință la opțiunile de încărcare standard din ultima secțiune din PARTEA I: Versiunea generică


## Funcția agentului de clătire și a detergentului

Lichidul de clătire este eliberat în timpul clătirii finale pentru a preveni apariția picăturilor pe vasele tale, care pot lăsa pete și dungă. De asemenea, îmbunătățește uscarea, permițând apei să se rostogolească de pe vase. Mașina de spălat vase este proiectată pentru a utiliza substanțe de spălare lichide.

### PERICOL!

Utilizați numai un agent de clătire pentru mașina de spălat vase. Nu completați niciodată distribuitorul cu substanță de spălare cu alte substanțe (de exemplu, agent de curățare a mașinii de spălat vase, detergent lichid) Acest lucru ar deteriora aparatul.

### Când reumpleți distribuitorul de spălare

Cu excepția cazului în care lumina de avertizare  pentru clătire de pe panoul de control este aprinsă, puteți oricând să estimați cantitatea din culoarea indicatorului de nivel optic situat lângă capac. Când recipientul pentru clătire este plin, indicatorul va fi complet întunecat. Mărimea punctului întunecat scade odată cu reducerea agentului de clătire. Nu trebuie să lăsați niciodată nivelul de agent de clătire să fie mai mic de 1/4.

Pe măsură ce agentul de clătire se micșorează, dimensiunea punctului negru de pe indicatorul de nivel al agentului de clătire se modifică, așa cum este ilustrat mai jos.



### Funcția detergentului

Ingredientele chimice care compun detergentul sunt necesare pentru a îndepărta, zdrobi și arunca toată murdăria din mașina de spălat vase. Majoritatea detergentelor de calitate comercială sunt potriviți în acest scop.



**PERICOL!**

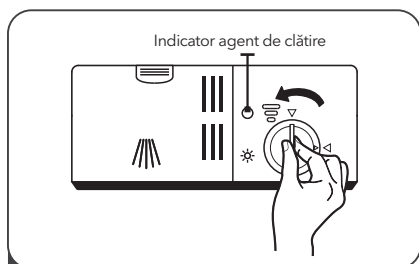
### Utilizarea corectă a detergentului

Folosiți doar detergent special pentru uz de mașini de spălat vase. Păstrați detergentul dvs. proaspăt și uscat. Nu puneți detergent pudră în dozator până nu sunteți gata să spălați vasele.

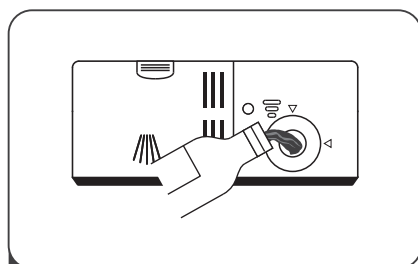


**Detergentul de spălat vase este coroziv! Nu lăsați detergentul pentru mașina de spălat vase la îndemâna copiilor..**

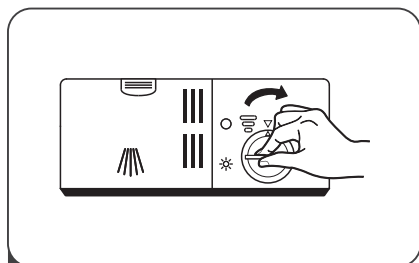
## Umplerea rezervorului pentru agent de clătire



**1** Pentru a deschide dozatorul, rotiți capacul pe săgeata „deschis” (stânga) și ridicați-l.



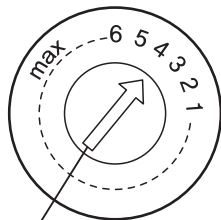
**2** Se toarnă cu grijă în soluția de clătire în distribuitorul său, evitând în același timp să curgă.



**3** Înlocuiți capacul introducându-l aliniat cu săgeata „deschis” și rotindu-l pe săgeata închisă (dreapta).

### NOTA

Curățați orice soluție de clătire vărsat cu o cârpă absorbantă pentru a evita spumarea excesivă în timpul următoarei spălări.

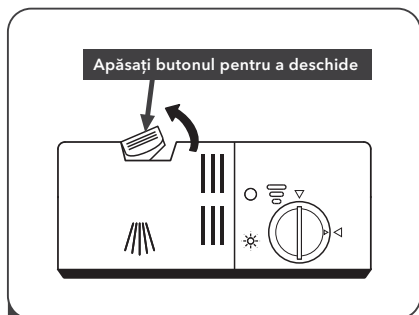


Maneta de reglare (Clătire)

### Reglarea rezervorului de agent de clătire

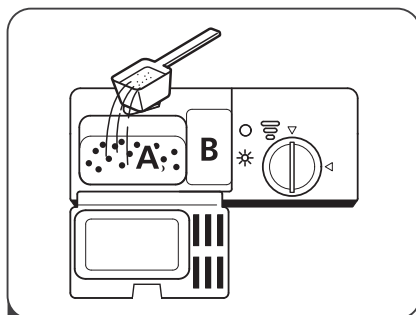
Rezervorul de spălare are șase setări. Atât setarea recomandată, cât și setarea din fabrică este „4”. Dacă vasele nu se usucă în mod corespunzător sau sunt au pete, reglați cadranul la următorul număr mai mare până când vasele sunt impecabile. Reduceți-l dacă există pete lipicioase albicioase pe vasele dvs. sau o peliculă albastruie pe sticlărie sau lame de cuțit.

## Umplerea dozatorului de detergent



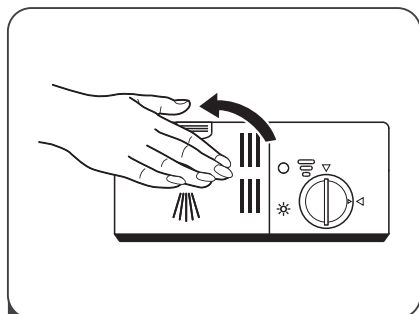
Apăsați butonul pentru a deschide

- 1 Apăsați butonul de pe dozatorul de detergent pentru a deschide capacul



- 2 Se adaugă detergent în cavitatea mai mare (A) pentru ciclul principal de spălare.

Pentru sarcini de spălare mai murdare, adăugați, de asemenea, un pic de detergent în cavitatea mai mică (B) pentru ciclul de pre-spălare.



- 3 Închideți capacul și apăsați pe el până când se blochează.

### NOTA







- Fiți conștienți că, în funcție de murdăria apei, setarea poate fi diferită.
- Vă rugăm să respectați recomandările producătorului privind ambalajul detergentului.

# PROGRAMAREA MAȘINII DE SPĂLAT

## Tabelul de Programe

Tabelul de mai jos arată care programe sunt cele mai bune pentru nivelurile de reziduuri alimentare de ce cantitate de detergent este nevoie. De asemenea, arată diverse informații despre programe.

● Semnificație: trebuie să umpleți compartimentul de lichid de clătire.

Program	Descrierea Ciclului	Detergent Pre/Principal	Timp (min)	Energie (Kwh)	Apă (L)	Agent De clătire
 <b>Intensive</b>	Prespălare (50 °C) Spălare (60 °C) Clătire Clătire Clătire (70 °C) Uscare	$\frac{5/22 \text{ g}}{(1 \text{ piece})}$	165	1.4	16.5	●
 <b>Normal</b>	Prespălare (45 °C) Spălare (55 °C) Clătire Clătire (65 °C) Uscare	$\frac{5/22 \text{ g}}{(1 \text{ piece})}$	175	1.1	13	●
<b>ECO</b> (*EN 5 0242)	Prespălare Spălare (45 °C) Clătire (62 °C) Uscare	$\frac{5/22 \text{ g}}{(1 \text{ piece})}$	205	0.69	9	●
 <b>Glass</b>	Prespălare Spălare (40 °C) Clătire Clătire (60 °C) Uscare	$\frac{5/22 \text{ g}}{(1 \text{ piece})}$	125	0.75	13.5	●
 <b>90 Min</b>	Spălare (65 °C) Clătire Clătire (65 °C) Uscare	$\frac{27 \text{ g}}{(1 \text{ piece})}$	90	1.15	11.5	●
 <b>Rapid</b>	Spălare (45 °C) Clătire (50 °C) Clătire (55 °C)	20 g	30	0.7	10	○
 <b>Soak</b>	Prespălare		15	0.02	3.5	○

### NOTA

**EN 50242:** Acest program este ciclul de testare. Informațiile pentru testul de comparabilitate în conformitate cu EN 50242.

## Pornirea unui Ciclu de Spălare

1. Trageți coșul inferior și superior, încărcați vasele și împingeți-le înapoi. Se recomandă încărcarea coșului inferior mai întâi, apoi cel superior.
2. Turnați în detergent.
3. Introduceți ștecherul în priză. Sursa de alimentare se referă la ultima pagină „Fișă produs”. Asigurați-vă că alimentarea cu apă este pornită la presiune completă.

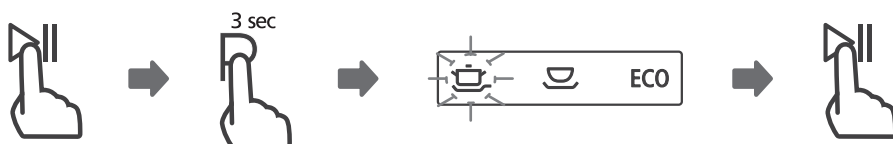


4. Închideți ușa, apăsați butonul de pornire, pentru a porni mașina.
5. Alegeți un program, lumina de răspuns se va aprinde. Apoi apăsați butonul Start / Pauză, mașina de spălat vase își va începe ciclul.

## Modificarea ciclului Intermediar al Programului

Un ciclu de spălare nu poate fi schimbat decât dacă a funcționat pentru o perioadă scurtă de timp, detergentul ar fi fost deja eliberat și poate că mașina de spălat vase ar fi drenat deja apa de spălare. Dacă este cazul, mașina de spălat vase trebuie să fie resetată, iar dozatorul de detergent trebuie să fie reumplut. Pentru a reseta mașina de spălat vase, urmați instrucțiunile de mai jos:

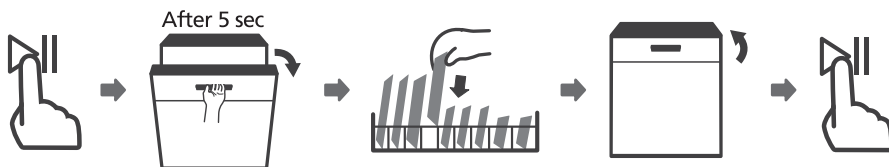
1. Apăsați butonul Start / Pauză pentru a întrerupe spălarea.
2. Apăsați butonul Program pentru mai mult de 3 secunde - programul se va anula.
3. Apăsați butonul Program pentru a selecta programul dorit.
4. Apăsați butonul Start / Pauză, după 10 secunde, mașina de spălat vase va porni.



## Ai uitat să adaugi un vas?

Vasul uitat poate fi adăugat oricând înainte de deschiderea dozatorului de detergent. În acest caz, urmați instrucțiunile de mai jos:

1. Apăsați butonul Start / Pauză pentru a întrerupe spălarea.
2. Așteptați 5 secunde apoi deschideți ușa.
3. Adăugați vasele uitate.
4. Închideți ușa.
5. Apăsați butonul Start / Pauză după 10 secunde, mașina de spălat vase va porni.



### PERICOL!



Este periculos să deschideți ușa în mijlocul ciclului, deoarece aburul fierbinte vă poate stropi.

# CODURI DE EROARE

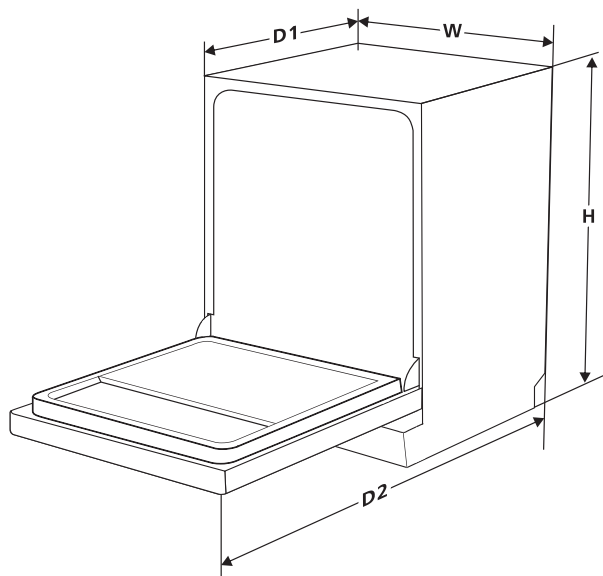
Dacă există o defecțiune, mașina de spălat vase va afișa coduri de eroare pentru a le identifica:

Cod	Semnificație	Cauză posibilă
E1	Timp de alimentare mai lung.	Robinetul nu este deschis, sau admisia apei este restricționată sau presiunea apei este prea mică.
E3	Nerespectarea necesară.	Defecțiune a radiatorului.
E4	Inundație.	Unele elemente din mșina de spălat vase au scurgeri

## **!** PERICOL!

- Dacă apare inundația, opriți alimentarea principală cu apă înainte de a apela la un service
- Dacă există apă în tava de bază din cauza unei supraîncărcări sau a unei scurgeri mici, apa trebuie îndepărtată înainte de a reporni mașina de spălat vase.

# INFORMAȚII TEHNICE



**Înălțime (H)** 845 mm

**Lățime (W)** 448 mm

**Adâncime (D1)** 600 mm (cu ușa închisă)

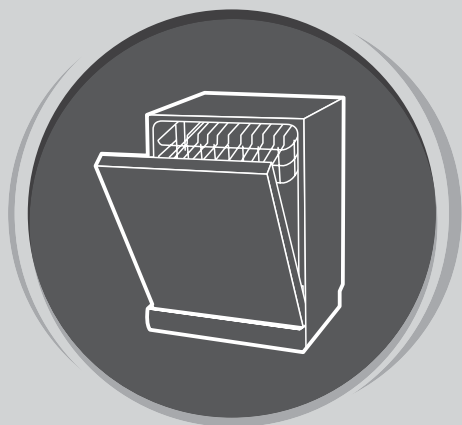
**Adâncime (D2)** 1175 mm (cu ușa deschisă la 90°)

## Fișa Produsului

Foie de mașină de spălat vase casnice în conformitate cu Directivele UE 1016/2010 și 1059/2010:

Producător	TESLA HOME
Tip/Descriere	WD460MX / WD460M
Număr seturi	9
Clasa de eficiență energetică ❶	A++
Consumul anual de energie ❷	197 kWh
Consumul de energie al ciclului standard de curățare	0.91 kWh
Consumul de energie în modul oprit	0.45 W
Consumul de energie al modului left-on	0.49W
Consumul anual de apă ❸	2520 liter
Clasa de eficiență de uscare ❹	A
Ciclul standard de curățare ❺	ECO 45 °C
Durata programului ciclului standard de curățare	205 min
Nivel de zgomot	49 dB(A) re 1 pW
Montare	Independent
Ar putea fi încorporată	DA
Consumul de energie	1760-2100W
Tensiune / frecvență nominală	220-240V/50Hz
Presiunea apei (presiunea de curgere)	0.04-1.0MPa=0.4-10 bar

- ❶ A + + + (cea mai mare eficiență) până la D (cea mai mică eficiență)
- ❷ Consumul de energie bazat pe 280 de cicluri de curățare standard folosind umplerea cu apă rece și consumul de moduri de putere redusă Consumul real de energie va depinde de modul în care este utilizat aparatul.
- ❸ Consumul de apă pe baza a 280 de cicluri de curățare standard. Consumul real de apă va depinde de modul în care este utilizat aparatul.
- ❹ A (cea mai mare eficiență) până la G (cea mai mică eficiență)
- ❺ Acest program este potrivit pentru curățarea tacâmurilor normal murdare și este cel mai eficient program din punct de vedere al consumului combinat de energie și apă pentru acel tip de veselă.



# MAŠINA ZA PRANJE SUDOVA

Uputstvo  
za upotrebu

## DEO I: UOPŠTENO UPUTSTVO

Pre upotrebe mašine za pranje sudova, pažljivo pročitajte ovo uputstvo i sačuvajte ga za buduću upotrebu.

# BEZBEDNOSNA UPUTSTVA

## UPOZORENJE!

Prilikom upotrebe mašine za pranje sudova, pridržavajte se sledećih mera predostrožnosti:

- Ovaj uređaj je predviđen za upotrebu u domaćinstvu i u sličnim okruženjima, poput:
  - kuhinjskih prostorija za osoblje u prodavnicama, kancelarijama i u drugim poslovnim okruženjima;
  - kuća na farmi;
  - hotela, motela i drugih okruženja rezidencijalnog tipa, gde je predviđeno da ih koriste klijenti;
  - apartmana u kojima se pružaju usluge tipa noćenja sa doručkom.
- Ovaj uređaj mogu da upotrebljavaju deca starija od 8 godina, kao i osobe sa umanjanim fizičkim, čulnim ili mentalnim sposobnostima ili osobe bez iskustva i znanja, ukoliko su pod nadzorom ili ukoliko su dobili uputstva o bezbednoj upotrebi uređaja i shvataju opasnosti koje upotreba istog nosi.
- Deca ne treba da se igraju uređajem. Deca ne treba da obavljaju čišćenje i održavanje uređaja bez nadzora. (Prema EN60335-1)
- Nije predviđeno da ovaj uređaj upotrebljavaju osobe (uključujući decu) sa umanjanim fizičkim, čulnim ili mentalnim sposobnostima ili osobe bez iskustva i znanja, osim ukoliko su pod nadzorom ili ukoliko su dobile uputstva o upotrebi uređaja od osobe odgovorne za njihovu bezbednost. (Prema IEC60335-1)
- Ambalaža može biti opasna za decu!
- Ovaj proizvod je predviđen isključivo za upotrebu u domaćinstvu i u zatvorenom prostoru.
- Kako biste smanjili rizik od strujnog udara, ne potapajte proizvod, kabl ili utikač u vodu ili neku drugu tečnost.
- Pre čišćenja i održavanja uređaja, izvucite utikač iz utičnice.
- Za čišćenje koristite meku krpu navlaženu blagom sapunicom, a zatim ponovo obrišite svom krpom.

## Uputstva u vezi sa uzemljenjem

- Ovaj uređaj mora imati uzemljenje. U slučaju nepravilnog rada ili kvara, uzemljenje će umanjiti rizik od pojave strujnog udara tako što će električnoj struji omogućiti da nađe put sa najmanjim otporom. Ovaj uređaj je opremljen priključkom za sprovođenje uzemljenja.
- Neophodno je da priključak bude povezan sa odgovarajućim izlazom postavljenim i uzemljenim u skladu sa svim lokalnim kodeksima i naredbama.
- Neodgovarajuće povezivanje opreme sa provodnikom uzemljenja može da izazove pojavu rizika od strujnog udara.
- Ukoliko imate nedoumice u vezi sa pravilnim uzemljenjem uređaja, proverite uzemljenje zajedno sa kvalifikovanim električarom ili predstavnikom servisa.
- Ukoliko priključak koji ste dobili uz uređaj ne odgovara izlazu, nemojte ga prepravljati.
- Neka Vam kvalifikovani električar postavi odgovarajući izlaz.

- Nemojte na agresivan način rukovati vratima ili policama za posude u okviru mašine za pranje sudova i nemojte sedeti, niti stajati na njima.
- Nemojte puštati u rad svoju mašinu za pranje sudova ukoliko sve table kućišta nisu na svojim pozicijama.
- Budite veoma pažljivi prilikom otvaranja vrata mašine za pranje sudova dok ona radi, jer postoji rizik da Vas isprska mlaz vode.
- Ne stavljajte teške predmete na otvorena vrata mašine i nemojte stajati na njima. Uređaj bi se mogao prevrnuti.
- Prilikom raspoređivanja posuda koje je potrebno oprati:
  1. Oštre predmete rasporedite tako da ne mogu da oštete zaptivku na vratima;
  2. Upozorenje: Noževi i ostali pribor oštrih vrhova morate rasporediti u korpi tako da im vrhovi budu okrenuti ka dole ili ih morate postaviti u horizontalni položaj.
- Neki deterđenti za mašinsko pranje sudova su jako alkalni. Ukoliko dođe do njihovog gutanja, mogu biti izuzetno opasni. Izbegavajte kontakt sa kožom i očima, a decu držite dalje od mašine za pranje sudova ukoliko su vrata otvorena.
- Po završetku ciklusa pranja, proverite da li ima još praha od deterđenta.
- Nemojte prati plastično posuđe, osim ukoliko nosi oznaku "bezbedno za mašinsko pranje" ili slično.
- Kod plastičnog posuđa koje ne nosi nikakvu oznaku, proverite preporuke proizvođača.
- Upotrebljavajte isključivo deterđente i sredstva za ispiranje preporučena za upotrebu u automatskim mašinama za pranje sudova.
- Nikada nemojte u mašinu za pranje sudova stavljati sapun, deterđent za pranje veša ili deterđent za pranje ruku.
- Ne ostavljajte otvorena vrata, jer time povećavate rizik od sapljanja.
- Ukoliko je priključni kabl oštećen, njegovu zamenu mora da obavi proizvođač, servis koji je proizvođač angažovao ili lica sa sličnim kvalifikacijama, kako bi se izbegla opasnost.
- Prilikom postavljanja, priključni kabl se ne sme savijati ili pritiskati na prekomeran ili opasan način.
- Nemojte nepropisno prepravljati kontrolne tastere.
- Uređaj je potrebno povezati sa glavnim ventilom za vodu pomoću novog kompleta creva. Nemojte upotrebljavati stare komplete creva.
- U cilju uštede energije, uređaj će se u režimu pripravnosti automatski isključiti ukoliko mašina nije aktivna tokom perioda od 30 minuta.

## Odlaganje



- Za odlaganje ambalaže i samog uređaja, obratite se centru za recikliranje. Isecite priključni kabl i onesposobite mehanizam za zatvaranje vrata na uređaju.

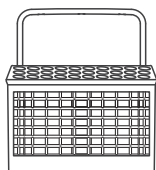
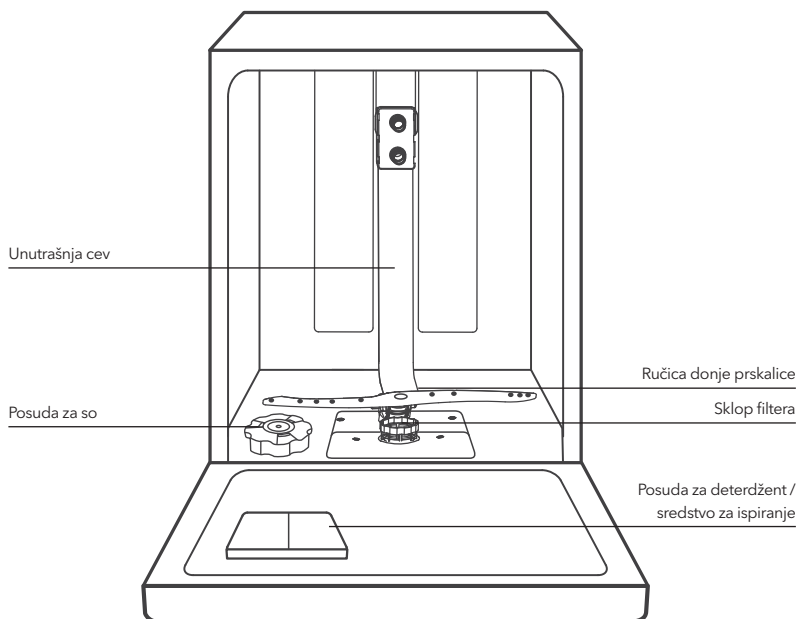
- Kartonska ambalaža je proizvedena od recikliranog papira i treba je odložiti na mesto za prikupljanje papirnog otpada radi ponovnog recikliranja.
- Pravilnim odlaganjem ovog proizvoda, pomoći ćete u sprečavanju pojave potencijalno negativnih posledica po životnu sredinu i zdravlje ljudi, koje bi se inače javile usled neodgovarajućeg odlaganja ovog proizvoda.
- Za više informacija o recikliranju ovog proizvoda, kontaktirajte lokalno predstavništvo u svom gradu i svoju kompaniju za odlaganje otpada iz domaćinstva.
- **ODLAGANJE: Ne odlažite ovaj proizvod kao nerazvrstan komunalni otpad. Ovakav otpad je neophodno zasebno sabirati radi njegovog posebnog tretiranja.**

## PRIKAZ PROIZVODA

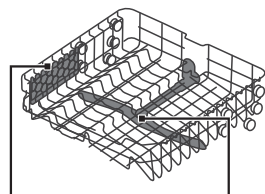


**VAŽNO!**

Za maksimalni učinak Vaše mašine za pranje sudova, pre prve upotrebe pročitajte kompletno uputstvo za upotrebu.



Korpa za pribor za jelo



Gornja korpa



Donja korpa

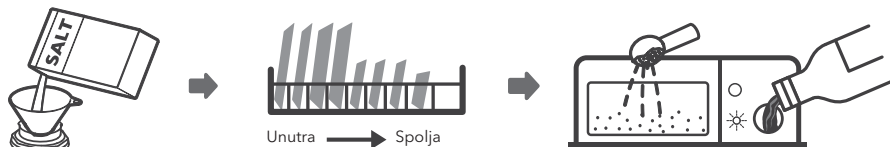


**NAPOMENA!**

Slike su date isključivo u ilustrativne svrhe. Pogledajte izgled svog proizvoda.

# UPOTREBA VAŠE MAŠINE ZA PRANJE SUDOVA

Pre nego što počnete da koristite svoju mašinu za pranje sudova:



1. Podesite omekšivač vode
2. Stavite so u omekšivač
3. Rasporedite posude u korpe
4. Napunite posudu za deterdžent / sredstvo za ispiranje

## ☰ NAPOMENA!

Ukoliko je potrebno da podesite omekšivač vode, pogledajte odeljak 1 „Omekšivač vode“, koji se nalazi u DELU II: Uputstvo za određeni model.

## Stavljanje soli u omekšivač

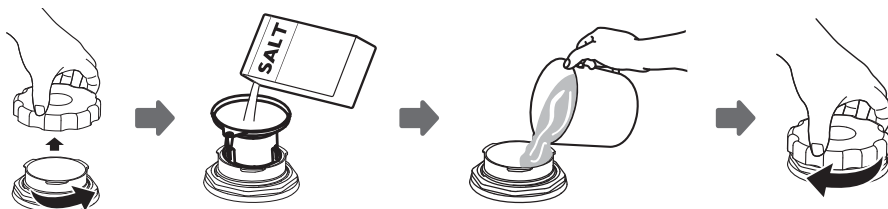
## ☰ NAPOMENA!

Ukoliko se u okviru Vašeg modela mašine ne upotrebljava omekšivač vode, ovaj odeljak možete preskočiti. Uvek koristite isključivo so koja je namenjena za mašinu za pranje sudova. Posuda za so se nalazi ispod donje korpe, a dopunjuje se na način prikazan dalje u tekstu:

## ⚠ UPOZORENJE!


- **Koristite isključivo so koja je posebno proizvedena za mašine za pranje sudova!**  
Svaka druga vrsta soli, koja nije posebno proizvedena za mašinu za pranje sudova, a naročito jestiva so, oštetice omekšivač vode. U slučaju oštećenja nastalih usled upotrebe neodgovarajuće vrste soli, proizvođač ne pruža nikakve garancije, niti je odgovoran za bilo kakvo oštećenje nastalo tom prilikom.
- **So dopunjujte isključivo neposredno pre nego što mašina započne ciklus pranja.**  
Na taj način ćete sprečiti zadržavanje potencijalno prosutih zrna soli ili slane vode na dnu mašine tokom određenog vremenskog perioda, što može izazvati rđanje.

Pratite sledeće korake kako biste dodali so za mašinu za pranje sudova:



1. Skinite donju korpu i odšrafite poklopac rezervoara.
2. Stavite donji deo levka (koji se dostavlja uz proizvod) u otvor i naspite oko 1,5 kg soli za mašinu za pranje sudova.
3. Dopunite posudu za so vodom do njene maksimalne granice. Uobičajeno je da se, tom prilikom, iz posude za so prospe manja količina vode.
4. Nakon što napunite posudu, ponovo stavite poklopac i dobro ga zašrafite.
5. Nakon što naspete so u posudu za so, lampica upozorenja za količinu soli će prestati da svetli.
6. Neki od programa pranja bi trebalo pokrenuti odmah po stavljanju soli u posudu za so (Predlažemo upotrebu nekog od kraćih programa). U suprotnom, slana voda bi mogla da ošteti sistem za filtriranje, pumpu ili neke druge važne delove mašine. U tom slučaju, garancija se neće primenjivati.

### NAPOMENA!

- Posuda za so se mora dopunjavati samo kada se na kontrolnoj tabli uključi lampica upozorenja za količinu soli . Zavisno od stepena rastvorljivosti soli, lampica upozorenja za količinu soli može nastaviti da svetli iako je posuda za so dopunjena. Ukoliko uređaj na kontrolnoj tabli nema lampicu upozorenja za količinu soli (kod nekih modela), na osnovu broja ciklusa mašine možete proceniti kada ćete staviti so u omekšivač.
- Ukoliko je došlo do prosipanja soli, uključite program natapanja ili neki od kraćih programa kako biste je uklonili.

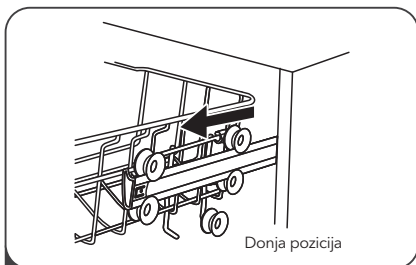
## Saveti za upotrebu korpi

### Podešavanje gornje korpe

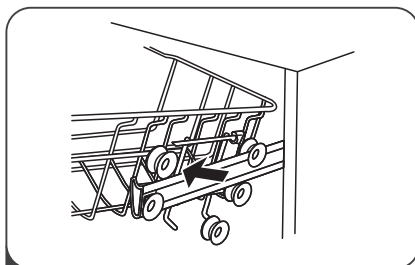
#### Tip 1:

Visina gornje korpe se može lako podesiti tako da visoko posude možete smestiti bilo u gornju ili u donju korpu.

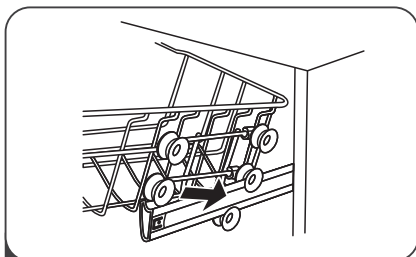
Da podesite visinu gornje police, pratite sledeće korake:



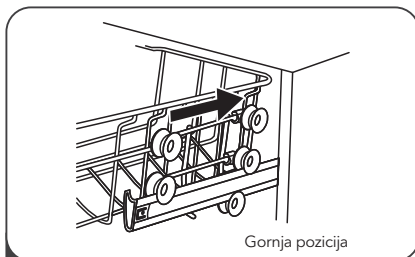
1 Izvucite gornju korpu.



2 Skinite gornju korpu.

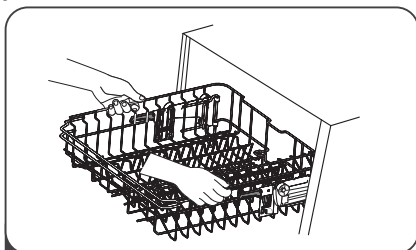


3 Ponovo postavite gornju korpu pomoću gornjih ili donjih točkica.

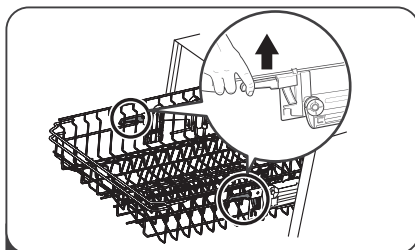


4 Gurnite gornju korpu u mašinu.

#### Tip 2:



1 Da podignete policu u gornju poziciju, podižite je sve dok obe strane ne budu na istoj visini. Polica će biti pričvršćena.

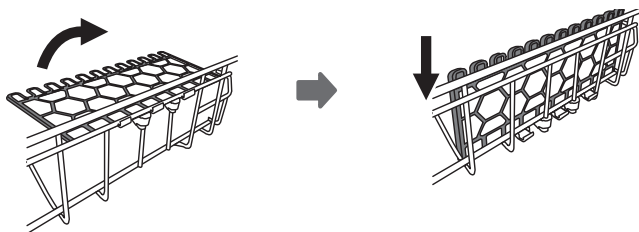


2 Da spustite policu, pritisnite dršku ka dole i otpustite.



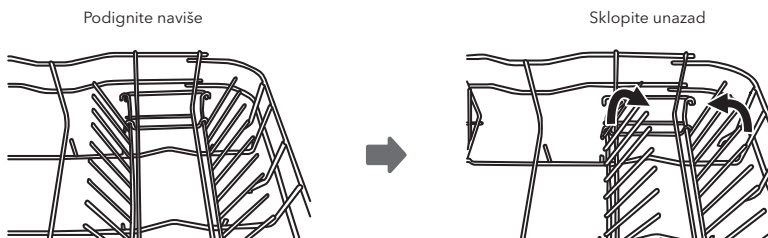
### Sklapanje polica za šolje

Da u korpi mašine za pranje sudova napravite više prostora za visoko posuđe, podignite policu za šolje ka naviše. Na taj način, uz nju možete prisloniti visoke čaše. Možete je i skinuti ukoliko Vam nije potrebna.



### Sklapanje polica sa šiljcima

Šiljci se koriste za pridržavanje tanjira i ovala. Mogu se spustiti kako bi se napravilo više prostora za veće posuđe.



## ODRŽAVANJE I ČIŠĆENJE

### Održavanje spoljašnjosti uređaja

#### Vrata i zaptivka za vrata

Zaptivke za vrata redovno čistite mekom, vlažnom krpom kako biste uklonili naslage hrane. Prilikom raspoređivanja posuđa u mašini za pranje sudova, ostaci hrane i pića mogu kapati po bočnim stranama vrata mašine za pranje sudova. Ove površine se nalaze izvan prostora za pranje i voda iz ručica prskalice ih ne može dohvatiti. Pre nego što zatvorite vrata, obrišite eventualne naslage.

#### Kontrolna tabla

Ukoliko je kontrolnu tablu potrebno očistiti, brišite je ISKLJUČIVO mekom, vlažnom krpom.



#### UPOZORENJE!

- Da biste izbegli prodiranje vode u bravu vrata i u električne komponente, nemojte koristiti nikakva sredstva za čišćenje u spreju.
- Nikada ne upotrebljavajte abrazivna sredstva za čišćenje ili abrazivne sundere prilikom čišćenja spoljašnjih površina, jer tako možete izgubiti završni sloj. Neki papirni ubrusi takode mogu izgubiti površinu ili ostaviti tragove na njoj.

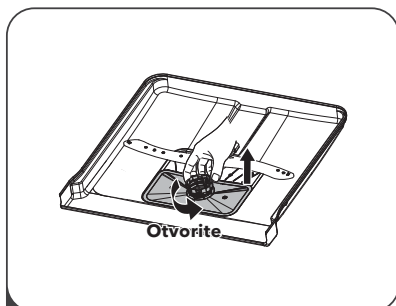
### Održavanje unutrašnjosti uređaja

#### Sistem za filtriranje

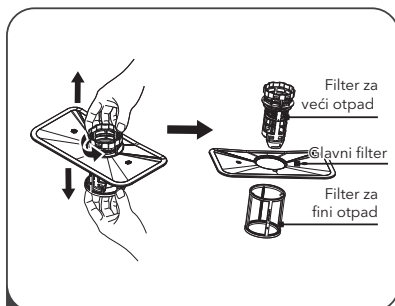
Sistem za filtriranje, koji se nalazi u donjem delu prostora za pranje, zadržava veći otpad nastao tokom ciklusa pranja. Prikupljeni veći otpad može da dovede do začepljenja filtera. Redovno proveravajte filtere i po potrebi ih čistite pod mlazom vode. Za čišćenje filtera u prostoru za pranje, pratite sledeće korake.

## NAPOMENA!

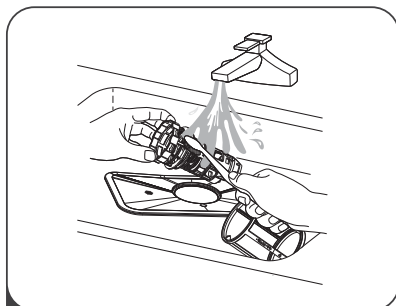
Slike su date isključivo u ilustrativne svrhe. Kod različitih modela, sistemi za filtriranje i ručice prskalice se mogu razlikovati. Pogledajte izgled svog proizvoda.



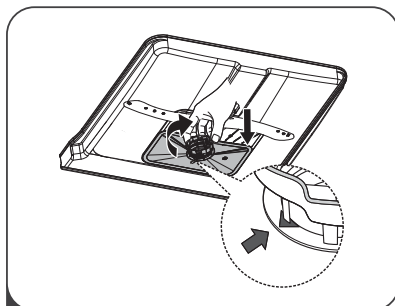
- 1 Uхватite filter za veći otpad i okrenite ga u smeru suprotnom od smeru kazaljke na satu kako biste ga otključali. Podignite filter naviše i izvucite ga iz mašine za pranje sudova.



- 2 Filter za fini otpad se može izvuci sa dna montažnog dela za filter. Filter za veći otpad se može odvojiti od glavnog filtera laganim pritiskanjem jezičaka na vrhu i izvlačenjem.



- 3 Veći ostaci hrane se mogu očistiti ispiranjem filtera pod mlazom vode. Za temeljnije čišćenje, koristite meku četku za čišćenje.



- 4 Filtere ponovo postavite obrnutim redosledom u odnosu na redosled kojim ste ih rasklapali, ponovo postavite uložak filtera i okrenite ga u smeru kazaljke na satu, sve do strelice.

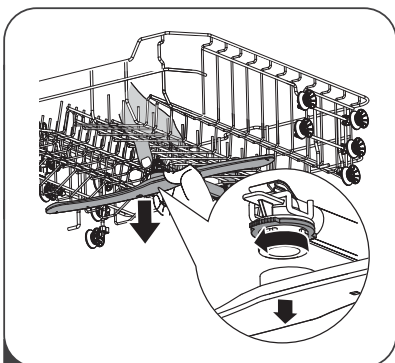
## ⚠ UPOZORENJE!

- Nemojte prejako pričvršćivati filtere. Vratite filtere određenim redosledom i dobro ih pričvrstite. U suprotnom, veći komadi otpada bi mogli ući u sistem i izazvati začepljenje.
- NIKADA ne upotrebljavajte mašinu za pranje sudova ako filteri nisu na odgovarajući način postavljeni. Nepravilno postavljanje filtera može smanjiti nivo radnog učinka uređaja i oštetiti posuđe i pribor.

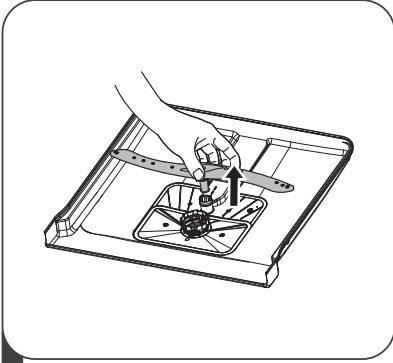
## Ručice prskalice

Ručice prskalice je neophodno redovno čistiti, jer će, u suprotnom, hemikalije iz tvrde vode začepiti mlaznice i blokirati ležajeve ručica prskalice.

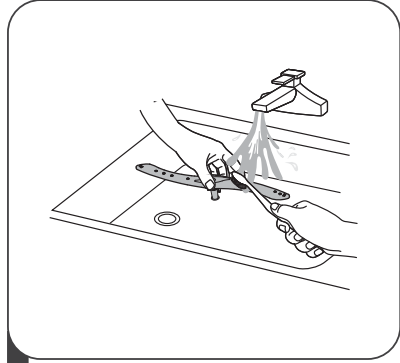
Za čišćenje ručica prskalice, pratite sledeća uputstva:



- 1 Da biste skinuli ručicu gornje prskalice, pritisnite centralni zavrtnj tako da se ne kreće, a zatim zarotirajte ručicu prskalice u smeru suprotnom od smeru kazaljke na satu.



**2** Da biste skinuli ručicu donje prskalice, povucite ručicu prskalice uvis.



**3** Ručice operite u toploj vodi sa sapunicom, a za čišćenje mlaznica upotrebite meku četku. Nakon temeljnog ispiranja, ponovo ih postavite u uređaj.

## Briga o mašini za pranje sudova

### Mere zaštite od mržnjenja

Tokom zime, preduzmite sve mere da zaštitite mašinu za pranje sudova od mržnjenja. Nakon svakog ciklusa pranja, obavite sledeće:

1. Izvucite utikač mašine za pranje sudova iz utičnice.
2. Isključite dovod vode i skinite dovodnu cev za vodu sa ventila za vodu.
3. Istočite vodu iz dovodne cevi i iz ventila za vodu. (Za prikupljanje vode, upotrebite lavor)
4. Ponovo povežite dovodnu cev za vodu sa ventilom za vodu.
5. Skinite filter sa dna prostora za pranje i sunderom pokupite vodu iz slivnika.

### Nakon svakog pranja

Nakon svakog pranja isključite dovod vode do uređaja i ostavite vrata delimično otvorena kako se vlaga i mirisi ne bi zadržavali u uređaju.

### Izvucite utikač iz utičnice

Pre svakog čišćenja ili postupka održavanja izvucite utikač iz utičnice.

### Ne upotrebljavajte rastvarače ili abrazivna sredstva za čišćenje

Ne upotrebljavajte rastvarače ili abrazivne proizvode prilikom čišćenja spoljašnjeg dela i gumenih elemenata uređaja. Upotrebljavajte isključivo krpu natoplenu toplom vodom sa sapunicom.

Za uklanjanje fleka ili mrlja sa unutrašnjih površina uređaja koristite krpu navlaženu vodom sa malo sirćeta ili specijalizovan proizvod za čišćenje mašina za pranje sudova.

### Kada se uređaj ne upotrebljava tokom dužeg vremenskog perioda

Preporučuje se da praznu mašinu za pranje sudova uključite da radi jedan ciklus, a zatim da izvučete utikač iz utičnice, isključite dovod vode i ostavite vrata uređaja delimično otvorena. Ovim postupkom ćete produžiti životni vek zaptivkama na vratima i sprečiti stvaranje neprijatnih mirisa unutar uređaja.

### Transport uređaja

Ukoliko je neophodno preseliti uređaj, pokušajte da ga tokom tog procesa držite u uspravnom položaju. Samo ako je to zaista neophodno, uređaj položite na njegov zadnji deo.

# UPUTSTVA ZA POSTAVLJANJE

## ⚠ UPOZORENJE!



### Opasnost od strujnog udara

Pre postavljanja mašine za pranje sudova, prekinite dovod struje.

Ukoliko to ne učinite, možete izazvati nečiju smrt ili nekoga izložiti strujnom udaru.

## ! PAŽNJA!

Postavljanje creva i električne opreme treba da obavi profesionalno lice.

## ○ električnom povezivanju

## ⚠ UPOZORENJE!

Radi lične bezbednosti:

- Za povezivanje ovog uređaja sa strujom ne upotrebljavajte produžne kablove ili adaptere.
- Nemojte ni pod kojim okolnostima seći ili skidati vezu za uzemljenje sa priključnog kabla.

### Zahtevi u vezi sa električnom opremom

Pogledajte pločicu sa nominalnim podacima kako biste znali koji nominalni napon Vaša mašina za pranje sudova koristi i kako biste je priključili na odgovarajuću utičnicu. Koristite preporučeni osigurač sa zahtevanim naponom od 10A/13A/16A, vremenski osigurač ili prekidač i obezbedite zasebno strujno kolo namenjeno isključivo ovom uređaju.

### Električno povezivanje

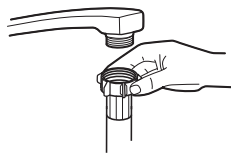
Uverite se da napon i frekvencija struje odgovaraju vrednostima navedenim na pločici sa nominalnim podacima. Povežite utikač isključivo sa utičnicom koja je pravilno uzemljena. Ukoliko utičnica na koju morate priključiti uređaj ne odgovara utikaču, zamenite utičnicu. Nemojte upotrebljavati adaptere i sličnu opremu, jer mogu dovesti do pregrevanja i izazvati opekotine.

**⚠ Pre upotrebe se uverite da postoji odgovarajuće uzemljenje.**

## Dovod i odvod vode

### Povezivanje sa hladnom vodom

Povežite dovodno crevo za hladnu vodu na konektor od 3/4 (cola) sa navojima i uverite se da je ono dobro pričvršćeno. Ukoliko su cevi za vodu nove ili ako nisu upotrebljavane tokom dužeg vremenskog perioda, propustite kroz njih vodu i proverite da li je voda čista. Ovu meru predostrožnosti je neophodno obaviti kako bi se izbegao rizik od blokiranja protoka vode na ulazu i oštećenja uređaja



obično dovodno crevo



sigurnosno dovodno crevo

### ○ sigurnosnom dovodnom crevu

Sigurnosno dovodno crevo se sastoji od duplih zidova. Sistem na ovom crevu pruža garanciju da će ono blokirati protok vode u slučaju pucanja dovodnog creva i onda kada se prostor između samog dovodnog creva i spoljašnjeg rebrastog creva, koji je ispunjen vazduhom, napuni vodom.

## ⚠ UPOZORENJE!

Crevo povezano sa tušem za sudoperu može da pukne ukoliko je postavljeno na isti dovod vode kao i mašina za pranje sudova. Ukoliko takvo crevo imate u svojoj sudoperi, preporučuje se da ga skinete i zatvorite otvor.

**Kako da povežete sigurnosno dovodno crevo**

1. Potpuno izvadite sigurnosna dovodna creva iz skladišnog prostora na zadnjem delu mašine za pranje sudova.
2. Pričvrstite zavrtnje sigurnosnog dovodnog creva na slavinu od 3/4 cola sa navojima.
3. Pre nego što mašinu za pranje sudova pustite u rad, potpuno odvrnite vodu.

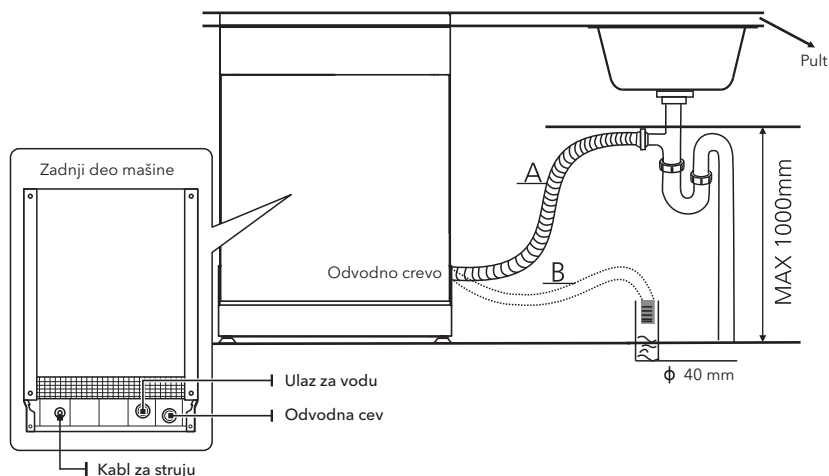
**Kako da skinete sigurnosno dovodno crevo**

1. Isključite vodu.
2. Odšrafite sigurnosno dovodno crevo sa slavine.

## Povezivanje odvodnih creva

Ubacite odvodno crevo u odvodnu cev minimalnog prečnika od 4 cm ili ga ostavite da ističe u slivnik, vodeći pritom računa da ga ne savijate i ne prelamate. Odvodna cev mora biti locirana na visini manjoj od 1000 mm. Slobodni deo creva se ne sme uranjati u vodu kako bi se izbeglo vraćanje vode.

⚠ Dobro pričvrstite odvodno crevo i u slučaju pozicije A i u slučaju pozicije B.

**Kako da isпустite višak vode iz creva**

Ukoliko je slivnik na visini većoj od 1000 mm od poda, višak vode u crevima neće moći da se ispusti direktno u slivnik. Neophodno je da višak vode iz creva isпустite u neku činiju ili odgovarajući sud koji ćete držati izvan slivnika i na nižem nivou od njega.

**Odvod vode**

Povežite odvodno crevo za vodu. Odvodno crevo mora biti pravilno povezano kako bi se izbeglo curenje vode. Uverite se da odvodno crevo za vodu nije prelomljeno ili pritisnuto.

**Produžno crevo**

Ukoliko vam je potrebno produžno odvodno crevo, uverite se da bude slično onome na koje ga nastavljate. Ne sme biti duže od 4 metra; u suprotnom, efekat čišćenja mašine za pranje sudova će biti umanjen.

**Povezivanje sifona**

Veza sa kanalizacijom mora biti na visini manjoj od 100 cm (maksimalno) od dna mašine za pranje sudova. Odvodno crevo za vodu je potrebno fiksirati.

## Pozicioniranje uređaja

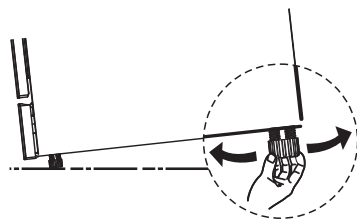
Postavite uređaj na željeno mesto. Zadnji deo uređaja treba da se naslanja na zid iza njega, a bočne strane treba da budu poravnate sa okolnim kuhinjskim elementima ili zidovima. Mašina za pranje sudova je opremljena dovodnim i odvodnim crevima za vodu koja se mogu postaviti bilo sa desne ili leve strane, čime se olakšava pravilno postavljanje.

### Nivelisanje uređaja

Kada je uređaj postavljen za nivelisanje, visinu mašine za pranje sudova možete promeniti podešavanjem visine šrafa na nožicama.

#### NAPOMENA!

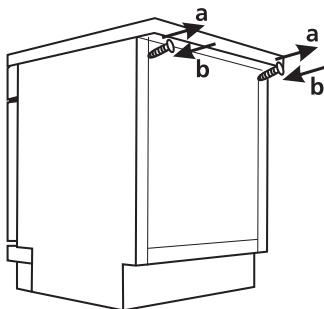
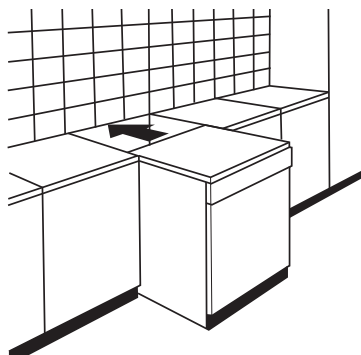
Primenjuje se isključivo na samostojeće mašine za pranje sudova.



## Postavljanje samostojećeg uređaja

### Postavljanje između postojećih kuhinjskih elemenata

Visina mašine za pranje sudova, koja iznosi 845 mm, dizajnirana je tako da omogući njeno postavljanje između postojećih kuhinjskih elemenata, koji u modernim kuhinjama rađenim po meri imaju pomenutu visinu. Nožice se mogu podesiti tako da se dostigne odgovarajuća visina. Laminirani gornji deo mašine ne zahteva posebno održavanje, jer je otporan na toplotu, ogrebotine i fleke.



### Ispod postojeće radne površine

(kada se uređaj postavlja ispod radne površine)

Većina modernih kuhinja rađenih po meri ima samo jednu jedinstvenu radnu površinu, ispod koje se postavljaju kuhinjski elementi i električni uređaji. U ovom slučaju, skinite radnu površinu mašine za pranje sudova tako što ćete odšrafiti zavrtnje koji se nalaze na zadnjoj ivici gornje površine (a).

#### PAŽNJA!

Nakon skidanja gornje radne površine, zavrtnje MORATE ponovo pričvrstiti na deo ispod zadnje ivice gornje površine (b).

Visina uređaja će se tako smanjiti na 815 mm, kako je navedeno u Međunarodnim uredbama (ISO), a mašina za pranje sudova će se savršeno uklopiti pod kuhinjsku radnu površinu.

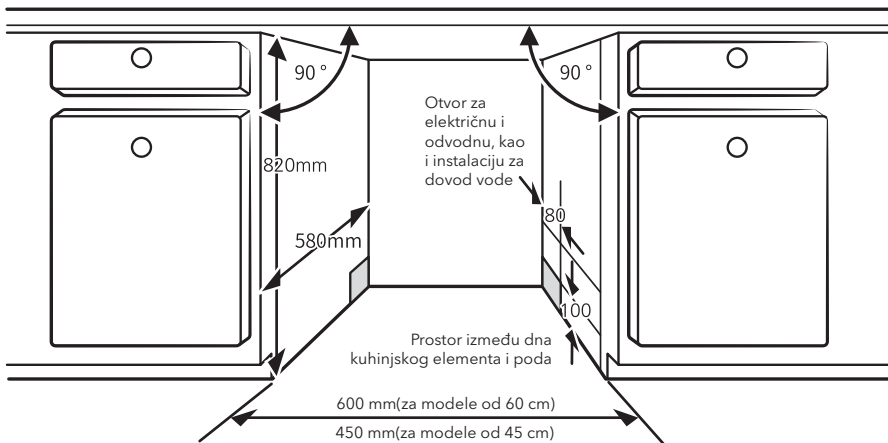
## Postavljanje ugradnog uređaja (kod integrisanog modela)

### Korak 1. Izbor najbolje lokacije za mašinu za pranje sudova

Mašina za pranje sudova treba da bude postavljena u blizini postojećih dovodnih i odvodnih creva i priključnog kabla.

Ilustracija dimenzija kuhinjskih elemenata i mesta postavljanja mašine za pranje sudova.

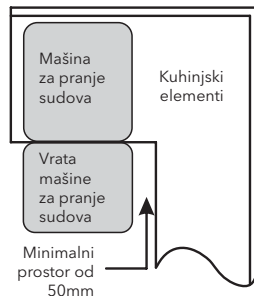
1. Manje od 5 mm između gornje površine mašine za pranje sudova i kuhinjskog elementa, kao i spoljnih vrata u ravni sa kuhinjskim elementom.



2. Ako mašinu za pranje sudova postavljate u krajnji ugao u odnosu na kuhinjske elemente, potrebno je da ostavite dovoljno mesta za otvaranje vrata.

#### NAPOMENA!

Zavisno od toga gde se nalazi otvor za električne instalacije, možda ćete morati da presečete otvor na suprotnoj strani kuhinjskog elementa.



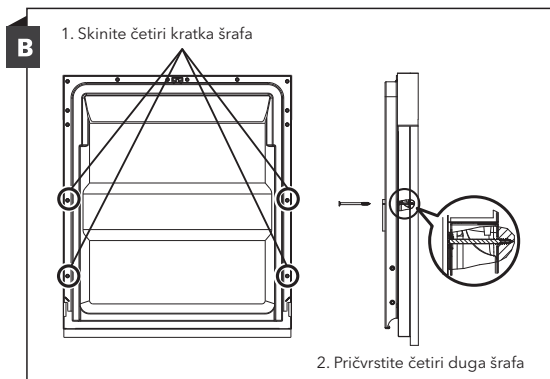
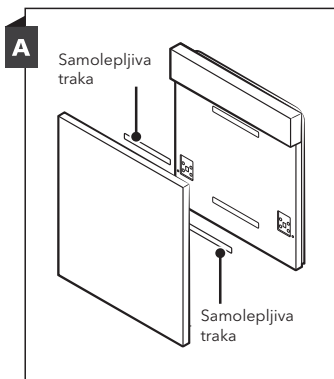
## Korak 2. Dimenzije i postavljanje dekorativnog front panela

#### NAPOMENA!

Drveni front panel biste mogli napraviti na osnovu crteža koji se odnose na postavljanje uređaja.

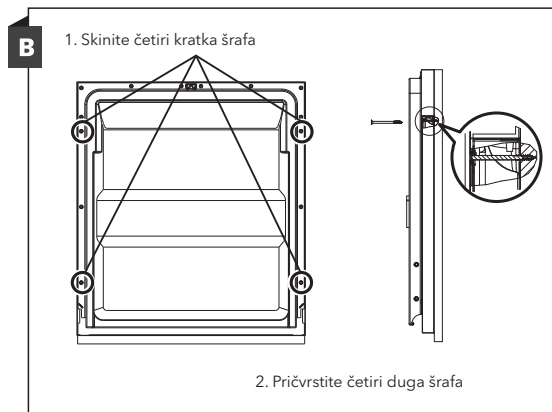
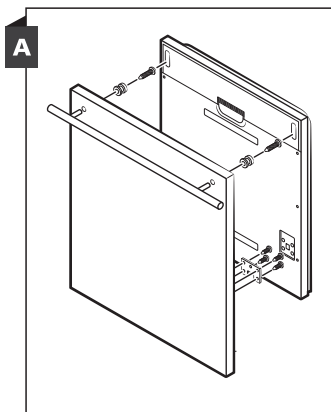
### Poluintegrirani model

Odepite samolepljivu traku A od samolepljive trake B, pa samolepljivu traku A nalepite na drveni front panel, a filcanu samolepljivu traku B na spoljašnju stranu vrata mašine za pranje sudova (pogledajte sliku A). Nakon što pozicionirate panel, pričvrstite je za spoljašnju stranu vrata pomoću šrafova i zavrtanja (pogledajte sliku B).



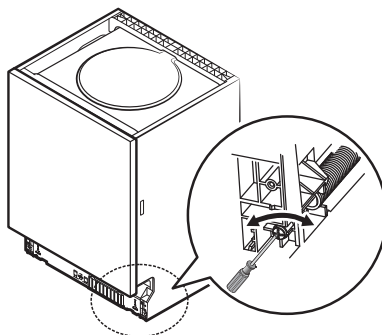
### Potpuno integrisani model

Pričvrstite nosač na drveni front panel i postavite ga u otvor koji se nalazi na spoljašnjoj strani vrata mašine za pranje sudova (pogledajte sliku A). Nakon pozicioniranja panela, pričvrstite je za spoljašnju stranu vrata pomoću šrafova i zavrtanja (pogledajte sliku B).



### Korak 3. Podešavanje zategnutosti opruge na vratima

- Zategnutost opruga na spoljašnjim vratima je fabrički pravilno podešena. Ukoliko postavljate drvene front panele, morate podesiti zategnutost opruge na vratima. Okrećite šraf za podešavanje kako biste regulator dodatno zategli ili kako biste opustili čeličnu sajlu.
- Zategnutost opruge na vratima je pravilno podešena ako vrata ostaju u horizontalnom položaju kada su potpuno otvorena i ako se u zatvoreni položaj vraćaju podizanjem prstom uz najmanji napor.



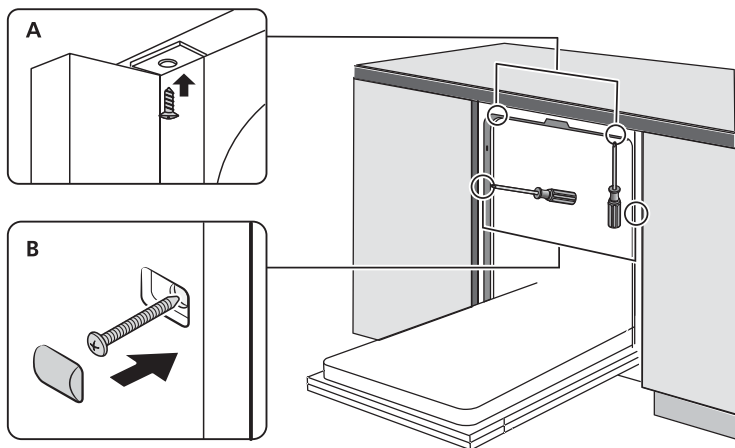
### Korak 4. Koraci za postavljanje mašine za pranje sudova

#### NAPOMENA!

Pogledajte navedene korake za postavljanje uređaja na crtežima za postavljanje.

- Ispod radne površine kuhinjskih elemenata pričvrstite bandaž traku. Uverite se da bandaž traka dobro naleže na ivicu radne površine. (Korak 2)
- Povežite ulazno crevo sa dovodom hladne vode.
- Povežite odvodno crevo.
- Povežite priključni kabl.
- Postavite mašinu za pranje sudova na za nju predviđeno mesto. (Korak 4)
- Iznivelišite mašinu za pranje sudova. Zadnja nožica se može podešavati sa prednje strane mašine za pranje sudova okretanjem krstastog šrafa koji se nalazi u sredini dna mašine za pranje sudova. Da podesite prednje nožice, upotrebite ravni odvijač i okrećite prednje nožice sve dok ne iznivelišete mašinu za pranje sudova. (Korak 5 i Korak 6)
- Postavite ukrasna vrata na spoljnu stranu vrata mašine za pranje sudova. (Koraci 7 do 10)
- Podesite zategnutost opruga na vratima pomoću imbus ključa koji ćete okretati u smeru kretanja kazaljke na satu, čime ćete zategnuti i levu i desnu oprugu. Ukoliko to ne učinite, možete oštetiti svoju mašinu za pranje sudova. (Korak 11)
- Mašina za pranje sudova mora biti dobro pričvršćena. Ovo se radi na dva načina:
  - Normalna radna površina: Postavite nosač za pričvršćivanje u otvor na bočnom delu i pričvrstite ga za radnu površinu šrafova u drvo.
  - Mermerna ili granitna radna površina: Pričvrstite šrafom sa bočne strane.





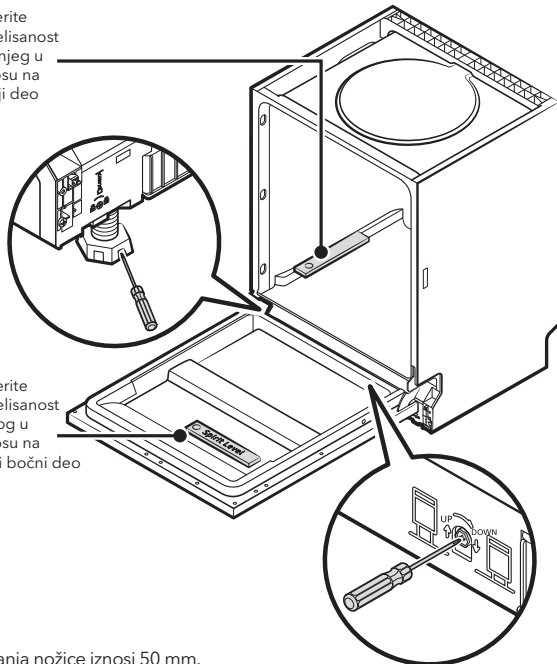
### Korak 5. Nivelisanje mašine za pranje sudova

Mašina za pranje sudova mora biti iznivelisana radi pravilne upotrebe police za sudove i boljeg učinka prilikom pranja.

1. Postavite libelu na vrata i na šinu police unutar prostora za pranje na način prikazan na slici kako biste proverili da li je mašina za pranje sudova iznivelisana.
2. Iznivelišite mašinu za pranje sudova tako što ćete zasebno podešeti svaku od tri nožice za nivelisanje.
3. Prilikom nivelisanja mašine za pranje sudova, povedite računa da se mašina za pranje sudova ne prevrne.

Proverite iznivelisanost prednjeg u odnosu na zadnji deo

Proverite iznivelisanost jednog u odnosu na drugi bočni deo



#### NAPOMENA!

Maksimalna visina podešavanja nožice iznosi 50 mm.

# SAVETI ZA OTKLANJANJE KVAROVA

## Pre nego što pozovete servis

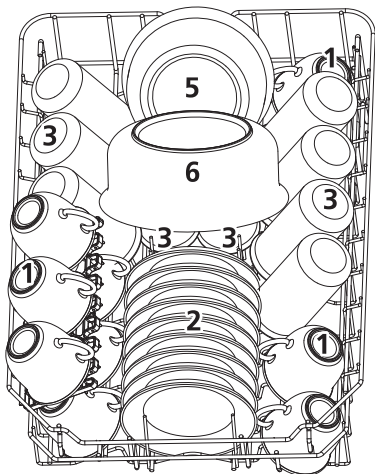
Pročitajte informacije prikazane na stranama koje slede jer na taj način možete izbeći pozivanje servisa.

Problem	Mogući uzroci	Šta možete učiniti
Mašina za pranje sudova ne počinje da radi	Osigurač je pregoreo ili je prekiđač prekinuo strujno kolo.	Zamenite osigurač ili ponovo uključite prekiđač. Isključite sve uređaje koji koriste isto strujno kolo kao i mašina za pranje sudova.
	Napajanje je prekinuto.	Uverite se da je mašina za pranje sudova uključena i da su vrata dobro zatvorena. Uverite se da je priključni kabl pravilno priključen u utičnicu.
	Pritisak vode je nizak.	Proverite da li je mašina pravilno povezana na dovod vode i da li je voda puštena.
	Vrata mašine za pranje sudova nisu pravilno zatvorena.	Uverite se da su vrata pravilno zatvorena i da su se zaključala.
Mašina za pranje sudova ne izbacuje vodu	Odvodno crevo je presavijeno ili pritisnuto.	Proverite odvodno crevo.
	Filter je začepljen.	Proverite filter za veći otpad.
	Sudopera je začepljena.	Proverite sudoperu kako biste se uverili da dobro odvodi vodu. Ukoliko je problem izazvala sudopera koja ne odvodi vodu, verovatno će Vam vodoinstalater biti potrebniji od servisera mašina za pranje sudova.
Sapunica u prostoru za pranje	Neodgovarajući deterdžent.	Upotrebjavajte isključivo specijalni deterdžent za mašinsko pranje sudova kako biste izbegli stvaranje sapunice. Ukoliko se ovo dogodi, otvorite mašinu za pranje sudova i sačekajte da sapunica ispari. Prospite otprilike 4 litra hladne vode na dno mašine. Zatvorite vrata mašine, a zatim izaberite bilo koji ciklus pranja. Mašina će, na početku, ispustiti vodu. Po završetku faze ispuštanja vode, otvorite vrata i proverite da li ima još sapunice. Po potrebi ponovite ovaj postupak.
	Sredstvo za ispiranje se prosulo.	Uvek i odmah obrišite sredstvo za ispiranje ukoliko se prospe.
Fleke po unutrašnjem delu prostora za pranje	Možda je upotrebljavan deterdžent koji sadrži sredstvo za bojenje.	Uverite se da deterdžent ne sadrži sredstvo za bojenje.
Beli film po unutrašnjim površinama prostora za pranje	Minerali tvrde vode.	Za čišćenje unutrašnjosti koristite vlažni sunder koji sadrži deterdžent za mašinsko pranje sudova. Nosite gumene rukavice. Nikada ne koristite druga sredstva za čišćenje jer može doći do stvaranja pene ili sapunice.
Na priboru za jelo se javljaju mrlje od rđe	Pribor za jelo je napravljen od materijala koji nisu otporni na rđu.	Izbegavajte da u mašini za pranje sudova perete posude koje nije otporno na rđu.
	Mašinu niste pustili u rad odmah po dodavanju soli. Tragovi soli su dospeli u ciklus pranja.	Po dodavanju soli, uvek uključite neki od programa pranja bez sudova u mašini. Ne uključujte opciju Turbo (ukoliko je mašina ima).
	Poklopac posude za omekšivač nije dobro zatvoren.	Proverite da li je poklopac posude za omekšivač dobro zatvoren.

<b>Problem</b>	<b>Mogući uzroci</b>	<b>Šta možete učiniti</b>
U mašini za pranje sudova se čuje udaranje	Ručica prskalice udara o neku posudu u korpi	Prekinite program i ponovo rasporedite posude koje blokira ručicu prskalice.
U mašini za pranje sudova se čuje zveckanje	Lomljivo posuđe u mašini za pranje sudova nije raspoređeno tako da stoji stabilno.	Prekinite program i ponovo rasporedite lomljivo posuđe.
U cevima za vodu se čuje udaranje	Razlog ovome može biti postavljanje na samom mestu ili ukrštanje cevovoda.	Ovo ni na koji način ne utiče na rad mašine za pranje sudova. Ukoliko imate bilo kakvih nedoumica, kontaktirajte kvalifikovanog vodoinstalatera.
Posuđe nije čisto	Posuđe nije pravilno raspoređeno.	Pogledajte napomene u odeljku „Raspoređivanje u i uklanjaju posuda iz Vaše mašine za pranje sudova“.
	Program nije dovoljno snažan.	Uključite intenzivniji program.
	Nije stavljeno dovoljno deterdženta.	Stavite više deterdženta ili promenite deterdžent.
	Posuđe blokira kretanje ručica prskalice.	Ponovo rasporedite posuđe tako da prskalice mogu da se neometano okreću.
	Komplet filtera je zaprljan ili nije pravilno postavljen na dno prostora za pranje u mašini. Na ovaj način mogu se zablokirati mlaznice na ručicama prskalice.	Očistite i/ili pravilno postavite filter. Očistite mlaznice na ručicama prskalice.
Posuđe od stakla je mutno.	Kombinacija meke vode i prevelike količine deterdženta.	Ukoliko je voda koju koristite meka, upotrebljavajte manje deterdženta i koristite kraće cikluse za pranje staklenog posuđa.
Na posudu u čašama se javljaju bele mrlje.	Upotreba tvrde vode može da izazove formiranje naslaga kamenca.	Stavite više deterdženta.
Na posudu se javljaju crne ili sive mrlje	Posuđe je bilo u snažnijem kontaktu sa priborom od aluminijuma.	Za uklanjanje pomenutih mrlja, koristite blago abrazivno sredstvo za čišćenje.
U posudi za deterdžent je ostao deterdžent	Posuđe blokira otvaranje posude za deterdžent.	Ponovo rasporedite posuđe na odgovarajući način.
Posuđe se ne suši	Posuđe nije pravilno raspoređeno.	Rasporedite posuđe na način prikazan u uputstvu.
	Posuđe je prebrzo izvađeno iz mašine.	Nemojte vaditi posuđe iz mašine za pranje sudova odmah po završetku ciklusa pranja. Malo otvorite vrata kako biste ispuštali paru. Izvucite posuđe tak kada se temperatura unutar prostora za pranje dovoljno spusti da možete da dodirujete predmete. Najpre izvadite posuđe sa donje korpe, kako voda sa gornje korpe ne bi kapala po donjoj.
Posuđe se ne suši	Uključili ste pogrešan program.	Kod kraćih programa, temperatura pranja je niža, što umanjuje učinak pranja. Izaberite program koji ima dugi period pranja.
	Upotreba pribora za jelo sa nekvalitetnim završnim slojem.	Postupak ocedivanje vode je teži kod ovakvog posuđa. Pribor za jelo ili posuđe ovog tipa nisu pogodni za pranje u mašini za pranje sudova.

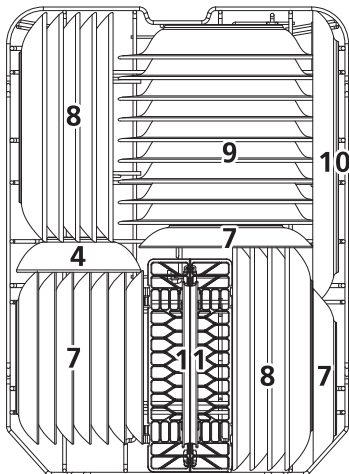
# RASPOREĐIVANJE POSUĐA U KORPAMA U SKLADU SA EN50242

## 1. Gornja korpa



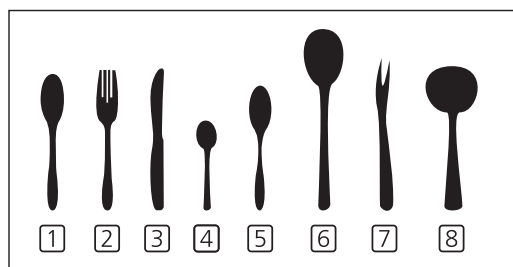
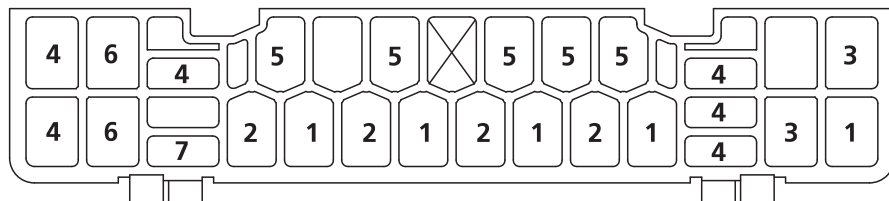
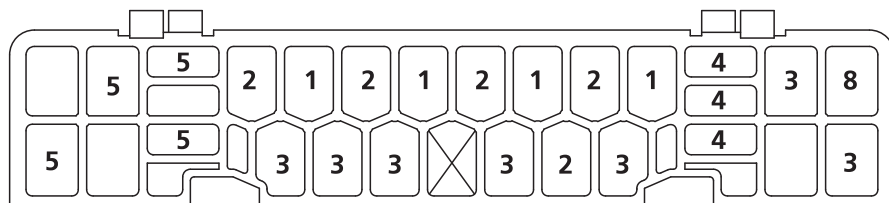
Broj	Posuda
1	Šolje
2	Tacne
3	Čaše
4	Manje činije
5	Srednje činije
6	Velike činije

## 2. Donja korpa



Broj	Posuda
7	Tanjiri za dezert
8	Plitki tanjiri
9	Duboki tanjiri
10	Ovali
11	Korpa za pribor za jelo

## 3. Korpa za pribor za jelo:



Broj	Element pribora za jelo
1	Supene kašike
2	Viljuške
3	Noževi
4	Kafene kašike
5	Kašike za dezert
6	Kašike za serviranje
7	Viljuške za serviranje
8	Kutlače za sos

Podaci dobijeni uporednim testiranjem su u skladu sa EN 50242

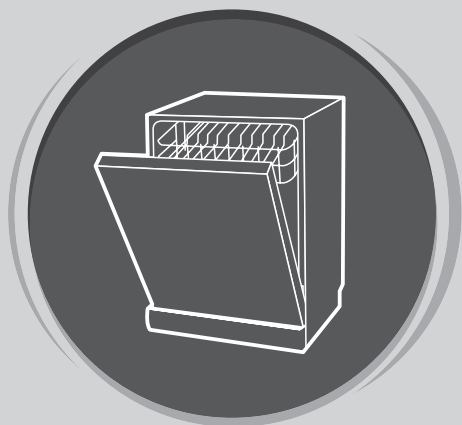
Kapacitet: 12 pozicija

Pozicija gornje korpe: donja pozicija

Program: ECO (EKO)

Podšavanje sredstva za ispiranje: 6

Podšavanje omekšivača: H3



# MAŠINA ZA PRANJE SUDOVA

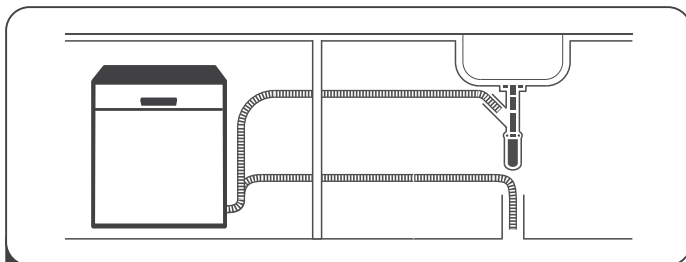
Uputstvo  
za upotrebu

**DEO II: UPUTSTVO  
ZA ODREĐENI MODEL  
WD460M / WD460MX**

Pre upotrebe mašine za pranje sudova, pažljivo pročitajte  
ovo uputstvo i sačuvajte ga za buduću upotrebu.

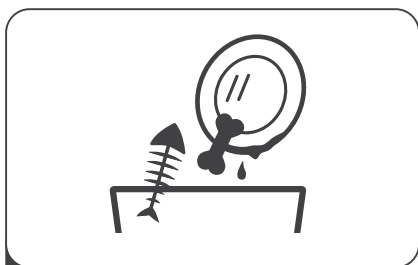
# KRATKI VODIČ ZA UPOTREBU

Za detaljnije informacije o načinu rukovanja, pročitajte odgovarajući sadržaj u uputstvu za upotrebu.

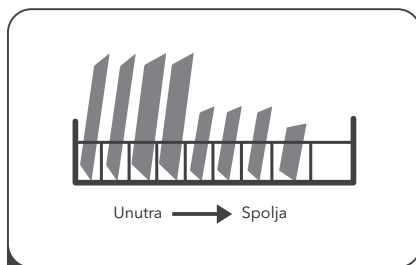


**1** Postavite mašinu za pranje sudova

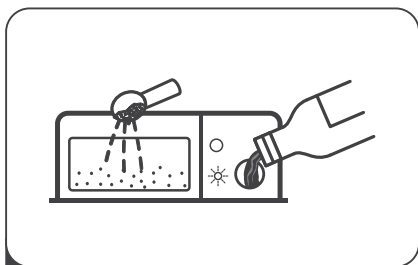
**(Pogledajte odeljak 5 „UPUTSTVA ZA POSTAVLJANJE“ u okviru DELA I: Uopšteno uputstvo.)**



**2** Uklanjanje većih ostataka hrane sa pribora za jelo



**3** Slaganje sudova u korpe



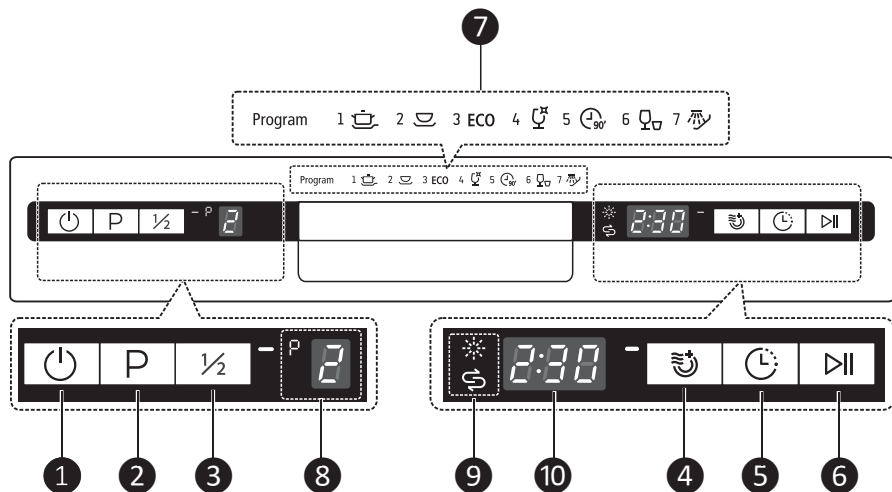
**4** Punjenje posude za deterdžent / sredstvo za ispiranje



**5** Odabir programa i puštanje u rad mašine za pranje sudova

# UPOTREBA VAŠE MAŠINE ZA PRANJE SUDOVA

## Kontrolna tabla



### Opcija (taster)

- 1** Uključivanje

Da biste uključili svoju mašinu za pranje sudova, pritisnite ovaj taster. Nakon toga će se uključiti ekran.
- 2** Program

Za odabir odgovarajućeg programa pranja. Na indikatoru izabranog programa uključuje se svetlo.
- 3** Polovina kapaciteta

Kako biste uštedeli energiju prilikom pranja male količine posuđa, možete koristiti samo gornju ili samo donju policu. Uzastopnim pritiskanjem tastera Polovina kapaciteta možete birati između opcija samo gornja polica ili samo donja polica.
- 4** Dodatno sušenje

Za potpunije sušenje posuđa. (Može se koristiti samo sa programima Intenzivno, Normalno, EKO, Čaše, 90 min).
- 5** Odloženi početak

Pritisnite ovaj taster kako biste podesili broj sati do početka pranja. Početak pranja možete odložiti i do 24 sata. Svakim pritiskom na ovaj taster, početak pranja se odlaže za jedan sat.
- 6** Početak / Pauziranje

Za pokretanje izabranog programa pranja ili za njegovo pauziranje u toku rada mašine za pranje sudova.

### Displej



#### Intenzivno

Izuzetno zaprljano posuđe, uključujući šerpe i tiganje, sa skorelom hranom.



#### Normalno










Za normalno zaprljano posuđe, poput šerpi, tanjira, čaša i blago zaprljanih tiganja.

- 7** Indikator programa

#### ECO EKO

Ovo je standardni program podesan za normalno zaprljano posuđe, poput šerpi, tanjira, čaša i blago zaprljanih tiganja.



- 7** Indikator programa
-  **Čaše**  
Za blago zaprljano zemljano posuđe i čaše.
  -  **90 Min**  
Za normalno zaprljano posuđe koje treba brzo oprati.
  -  **Ubrzano**  
Kraći program pranja za blago zaprljano posuđe koje ne treba da se suši.
  -  **Natapanje**  
Za ispiranje posuđa koje planirate da perete kasnije u toku dana.
- 8** Ekran
-  Prikaz odabranog programa.
- 9** Indikator upozorenja
-  **Sredstvo za ispiranje**  
Ukoliko je uključena ikonica indikatora , u mašini za pranje sudova nema dovoljno sredstva za ispiranje i potrebno ga je dopuniti.
  -  **So**  
Ukoliko je uključena ikonica indikatora , u mašini za pranje sudova nema dovoljno soli i potrebno je dopuniti.
- 10** Ekran
- Za prikaz preostalog vremena, vremena odloženog početka, oznake greške itd.

## Omekšivač vode

Omekšivač vode se mora ručno podesiti pomoću brojčanika za tvrdoću vode.

Omekšivač vode je napravljen da iz vode ukloni minerale i soli, koji bi inače imali štetno ili nepovoljno dejstvo po rad uređaja.

Što je veći sadržaj minerala u vodi koju koristite, to je ona tvrđa.

Količinu omekšivača treba podesiti prema tvrdoći vode u oblasti u kojoj živite.

Od lokalnog nadležnog organa zaduženog za vodu možete dobiti informacije u vezi sa tvrdoćom vode u oblasti u kojoj živite.

### Podešavanje utroška soli

Mašina za pranje sudova je napravljena tako da omogućava podešavanje količine utrošene soli na osnovu tvrdoće vode koja je u upotrebi. Cilj je da se nivo utroška soli optimizuje i prilagodi svakom zasebnom slučaju.

Za podešavanje utroška soli, pratite sledeće korake.

- Uključite uređaj;
- Zadržite pritisak na tasteru Početak/Pauziranje u trajanju od preko 5 sekundi kako bi se u roku od 60 sekundi od uključivanja uređaja aktivirao režim podešavanja za omekšivač vode;
- Pritisnite taster Početak/Pauziranje kako biste izabrali odgovarajuće podešavanje prema sredini u kojoj se nalazite. Podešavanja će se smenjivati sledećim redosledom: H1->H2->H3->H4->H5->H6
- Pritisnite taster Uključivanje/Isključivanje kako bi ste napustili režim podešavanja.

TVRDOĆA VODE				Nivo omekšivača vode	Potrošnja soli (grama/ciklusu)
Nemački °dH	Francuski °fH	Britanski °Klarkov	Mmol/l		
0 - 5	0 - 9	0 - 6	0 - 0.94	H1	0
6 - 11	10 - 20	7 - 14	1.0 - 2.0	H2	9
12 - 17	21 - 30	15 - 21	2.1 - 3.0	H3	12
18 - 22	31 - 40	22 - 28	3.1 - 4.0	H4	20
23 - 34	41 - 60	29 - 42	4.1 - 6.0	H5	30
35 - 55	61 - 98	43 - 69	6.1 - 9.8	H6	60

1°dH=1.25

°fH=0.178mmol/l

°Klarkov=1.78

Fabričko podešavanje: H3

Za informacije u vezi sa tvrdoćom vode koju koristite, kontaktirajte lokalni nadležni organ zadužen za vodu.

### ☰ NAPOMENA!

Ukoliko nema dovoljno soli u mašini za pranje sudova, pogledajte odeljak 3 „Sipanje soli u omekšivač“, koji se nalazi u DELU I: Uopšteno uputstvo.

### ☰ NAPOMENA!

**Ukoliko Vaš model uređaja nema opciju upotrebe omekšivača za vodu, ovaj deo možete preskočiti. Omekšivač za vodu**

Tvrdoća vode varira od mesta do mesta. Ukoliko se prilikom pranja sudova u mašini upotrebljava tvrda voda, na posudu i priboru će se formirati naslage. Uređaj je opremljen posebnom pregradom za omekšivač i ima posudu za so, što je posebno dizajnirano za eliminisanje kamenca i minerala iz vode.

## Pripremanje i raspoređivanje posuđa u mašini

- Razmislite o tome da kupujete posude koje se može prati u mašini za pranje sudova.
- Prilikom pranja određenih predmeta, izaberite program sa najmanjom mogućom temperaturom.
- Kako biste sprečili oštećenja, nemojte vaditi čaše i pribor za jelo iz mašine za pranje sudova odmah po završetku programa.

### Sledeći tipovi pribora za jelo/posuđa

#### nisu pogodni za pranje:

- Pribor za jelo sa drvenim, rožanim, porcelanskim ili sedefnim drškama
- Plastični predmeti koji nisu otporni na visoke temperature
- Stariji tipovi pribora za jelo sa zalepljenim delovima koji nisu otporni na visoke temperature
- Lepljeni pribor za jelo ili posuđe
- Posuđe od legure kalaja i olova ili od bakra
- Kristalne čaše
- Posuđe od čelika podložnog rđanju
- Drveni ovali
- Posuđe od sintetičkih vlakana

#### su delimično pogodni za pranje:

- Neke vrste čaša mogu da posle većeg broja ciklusa pranja izgube sjaj
- Delovi od srebra i aluminijuma obično promene boju tokom pranja
- Ukoliko se često peru u mašini, glazirani elementi mogu da potamne

### Preporuke za raspoređivanje posuđa u mašini

Uklonite veće komade preostale hrane. Razmekšajte ostatke zagorele hrane u tiganjima. Nije neophodno isprati posuđe tekućom vodom. Za najbolji učinak mašine za pranje sudova, pratite sledeće smernice za raspoređivanje posuđa u mašini.

### (Karakteristike i izgled korpi i korpi za pribor za jelo mogu se razlikovati od korpi u okviru Vašeg modela.)

Predmete rasporedite u mašini za pranje sudova na sledeći način:

- Posuđe poput šolja, čaša, šerpi/tiganja itd. postavite u obrnuti položaj.
- Zakrivljeno posuđe i posuđe sa nepristupačnim delovima treba postaviti dijagonalno, kako bi voda mogla da se nesmetano sliva.
- Kompletan pribor treba naslagati tako da bude stabilan i da se ne prevrne.
- Kompletan pribor treba postaviti tako da ručice prskalice mogu da se slobodno okreću tokom procesa pranja.
- Šuplje posuđe, poput šolja, čaša, tiganja itd., postavite tako da otvor bude okrenut ka dole, kako se voda ne bi sakupljala u posudi ili dubokom dnu.
- Posuđe i pribor za jelo se ne smeju smeštati jedni u druge i zaklanjati jedni druge.
- Kako biste izbegli oštećenje čaša, povedite računa da se one ne dodiruju.
- Gornja korpa je predviđena za delikatnije i lakše posuđe, poput čaša i šolja za kafu i čaj.
- Noževi dugih sečiva postavljeni u uspravan položaj predstavljaju potencijalnu opasnost!

- Dugi i / ili oštri komadi pribora za jelo, poput noževa za sečenje, moraju se postavljati u gornju korpu, u horizontalnom položaju.
- Nemojte preterano opteretiti svoju mašinu za pranje sudova. Postoje dobri razlozi zbog kojih je ovu smernicu važno ispoštovati, a jedan od razloga je i razumna potrošnja energije

### ☰ NAPOMENA!

Izuzetno male predmete ne treba prati u mašini za pranje sudova, jer mogu lako ispasti iz korpi.

### Vađenje posuda

Kako biste sprečili kapanje vode sa gornje na donju korpu, preporučujemo Vam da najpre izvadite sadržaj donje, a onda i gornje korpe

### ⚠ UPOZORENJE!



**Posuđe će biti vrelo!** Kako ne bi došlo do oštećenja, sačekajte da od završetka programa prođe oko 15 minuta, pa onda izvadite čaše i pribor za jelo iz mašine za pranje sudova.

### Raspoređivanje posuda u gornju korpu

Gornja korpa je predviđena za delikatanije i lakše posuđe, poput čaša, šolja za kafu i čaj i tacni, kao i tanjira, malih činija i plitkih tiganja (ukoliko nisu preterano zaprljani). Posuđe i elemente za kuvanje postavite tako da ne može da ih pomeri mlaz vode.



### Raspoređivanje posuda u donju korpu

Predlažemo Vam da u donju korpu rasporedite veliko posuđe, kao i posuđe koje se najteže pere, poput šerpi, tiganja, poklopaca, servisnog posuđa i činija, na način prikazan na slici. Najbolje je da servisno posuđe i poklopce postavite sa strane polica, kako ne biste blokirali okretanje gornje ručice prskalice. Savetuje se da se ispred posuđe za deteržent ne stavljaju tanjiri čiji je prečnik veći od 19 cm, da ne bi došlo do njenog blokiranja.



### Raspoređivanje posuda u korpu za pribor za jelo

Pribor za jelo treba razvrstati u polici za pribor za jelo, tako da svaki element pribora za jelo stoji zasebno, na za njega predviđenom mestu. Osim toga, povedite računa da pribor ne bude pregusto grupisan, jer to za rezultat može imati loš učinak mašine.

### ⚠ UPOZORENJE!



Ne dozvolite da delovi posuđa proviruju kroz dno.  
Oštar pribor uvek postavljajte sa oštrim vrhom okrenutim ka dole!

### ☰ NAPOMENA!

Za najbolji efekat pranja, posuđe raspoređujte u korpe u skladu sa standardnim načinima raspoređivanja, navedenim u poslednjem odeljku DELA I: Uopšteno uputstvo

## Uloga sredstva za ispiranje i deterdženta

Sredstvo za ispiranje se ispušta tokom poslednjeg ispiranja kako bi sprečilo da se voda na Vašem posuđu formira u kapi, koje mogu da ostave kružne i prugaste mrlje. Osim toga, ovo sredstvo poboljšava sušenje jer vodi omogućava da sklizne sa posuđa. Predviđeno je da se u Vašoj mašini za pranje sudova upotrebljavaju tečna sredstva za ispiranje.

### ⚠ UPOZORENJE!

U mašinu za pranje sudova stavljajte samo brendirana sredstva za ispiranje. Nikada ne stavljajte neke druge supstance (npr. sredstvo za čišćenje mašine za pranje sudova, tečni deterdžent) u posudu za sredstvo za ispiranje. Na taj način možete oštetiti uređaj.

### Kada je potrebno dopuniti posudu za sredstvo za ispiranje

Osim ukoliko se na kontrolnoj tabli ne uključi lampica upozorenja o nedovoljnoj količini sredstva za ispiranje, njegovu količinu uvek možete proceniti na osnovu boje optičkog indikatora nivoa sredstva za ispiranje, koji se nalazi odmah pored poklopca. Kada je posuda za sredstvo za ispiranje puna, indikator će biti u potpunosti zatamnjen. Veličina tamne tačke će se smanjivati sa smanjivanjem količine sredstva za ispiranje. Nikada ne bi trebalo dozvoliti da se nivo sredstva za ispiranje spusti ispod 1/4 punog kapaciteta.

Kako se količina sredstva za ispiranje bude smanjivala, veličina crne tačke na indikatoru nivoa sredstva za ispiranje će se menjati na dole prikazan način.

- Pun kapacitet  
  3/4 punog kapaciteta  
  1/2 punog kapaciteta  
  1/4 punog kapaciteta  
  Prazno

### Uloga deterdženta

Hemijski sastojci u deterdžentu su neophodni za skidanje, usitnjavanje i izbacivanje svih vrsta prljavštine iz mašine za pranje sudova. Većina deterdženata komercijalnog kvaliteta odgovara ovoj svrsi.

#### **!** UPOZORENJE!

#### Odgovarajuća upotreba deterdženta

Upotrebljavajte isključivo deterdžente posebno napravljene za mašine za pranje sudova. Čuvajte deterdžente tako da ostanu sveži i suvi. Ne stavljajte praškaste deterdžente u posudu za deterdžent sve dok ne budete spremni da uključite mašinu za pranje sudova



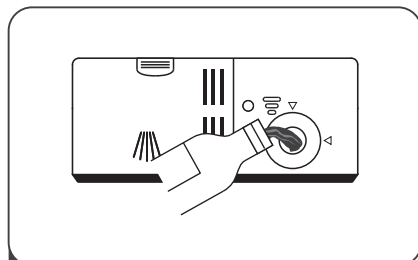
**Deterdžent za mašinsko pranje sudova je korozivan!**

**Držite deterdžent za mašinsko pranje sudova van dohvata dece..**

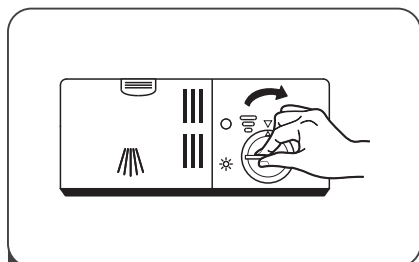
## Dopuna sredstva za ispiranje



- 1** Kako biste otvorili posudu, okrenite poklopac u pravcu strelice „otvoreno“ (ulevo) i izvucite ga.



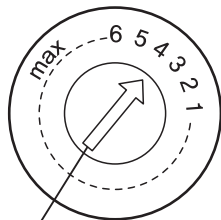
- 2** Pažljivo uspite sredstvo za ispiranje u posudu, vodeći računa da ne dođe do preliivanja.



- 3** Ponovo stavite poklopac tako što ćete ga poravnati sa strelicom „otvoreno“ i okrenuti u pravcu strelice „zatvoreno“ (udesno)

#### **≡** NAPOMENA!

Kako biste izbegli prekomerno formiranje pene prilikom sledećeg ciklusa pranja, počistite sredstvo za ispiranje koje prospete.

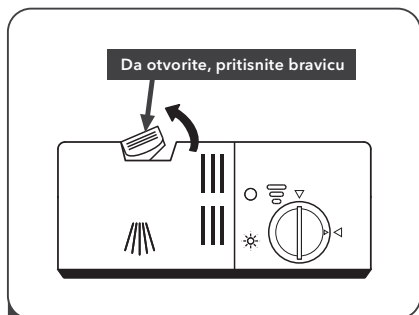


— Podesite ručicu (ispiranje)

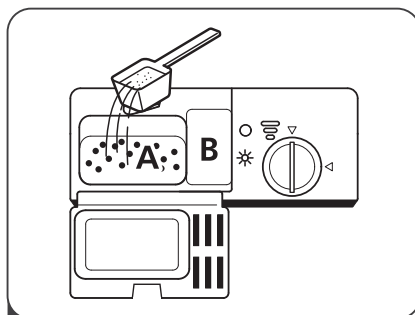
### Podešavanje rezervoara za sredstvo za ispiranje

Rezervoar za ispiranje ima šest stepena podešavanja. Step 4 predstavlja i preporučeno i fabričko podešavanje. Ukoliko se posude ne suši na odgovarajući način ili ako je isflekano, podesite brojčanic na sledeći, viši, stepen. Ovo ponavljajte sve dok posude ne bude imalo fleke. Ukoliko se na Vašem posudu pojave lepljive, beličaste fleke, a na staklenom posudu ili sečivima noža plavkasti film, vratite brojčanic na niži stepen.

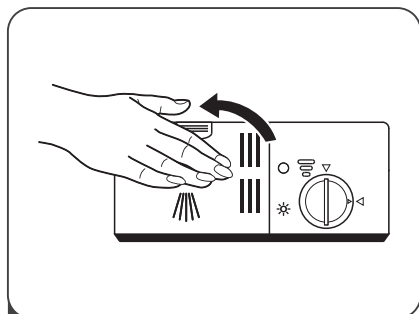
## Punjenje posude za deterđent



**1** Da otvorite poklopac, pritisnite bravicu za otpuštanje na posudi za deterđent.



**2** U veću pregradu (A), dodajte deterđent koji će se koristiti tokom glavnog ciklusa pranja. Za zaprljanije posude, dodajte nešto deterđenta i u manju pregradu (B), koja se koristi prilikom pretpranja.



**3** Zatvorite poklopac i pritisnite ga tako da se čuje zvuk zaključavanja.

### NAPOMENA!







- Imajte u vidu da podešavanja mogu da se razlikuju zavisno od stepena zaprljanosti vode.
- Pridržavajte se preporuka proizvođača navedenih na ambalaži deterđenta.

# PROGRAMIRANJE MAŠINE ZA PRANJE SUDOVA

## Tabela ciklusa pranja

U tabeli ispod prikazani su najprikladniji programi prema stepenu ostataka hrane na posudu i potrebnoj količini deterdženta. Osim toga, prikazani su i razni podaci u vezi sa programima.

Oznaka ● označava potrebu za dodavanjem sredstva za ispiranje u posudu za sredstvo za ispiranje.

Program	Opis ciklusa	Deterdžent za pretpranje/ glavno pranje	Vreme trajanja ciklusa (min)	Energija (kWh)	Voda (L)	Sredstvo za ispiranje
 <b>Intenzivno</b>	Pretpranje (50°C) Pranje (60°C) Ispiranje Ispiranje Ispiranje (70°C) Sušenje	$\frac{5/22 \text{ g}}{(1 \text{ komad})}$	165	1.4	16.5	●
 <b>Normalno</b>	Pretpranje (45°C) Pranje (55°C) Ispiranje Ispiranje (65°C) Sušenje	$\frac{5/22 \text{ g}}{(1 \text{ komad})}$	175	1.1	13	●
<b>ECO</b> (*EN 5 0242)	Pretpranje Pranje (45°C) Ispiranje (62°C) Sušenje	$\frac{5/22 \text{ g}}{(1 \text{ komad})}$	205	0.69	9	●
 <b>Čaše</b>	Pretpranje Pranje (40°C) Ispiranje Ispiranje (60°C) Sušenje	$\frac{5/22 \text{ g}}{(1 \text{ komad})}$	125	0.75	13.5	●
 <b>90 Min</b>	Pranje (65°C) Ispiranje Ispiranje (65°C) Sušenje	$\frac{27 \text{ g}}{(1 \text{ komad})}$	90	1.15	11.5	●
 <b>Ubrzano</b>	Pranje (45°C) Ispiranje (50°C) Ispiranje (55°C)	20 g	30	0.7	10	○
 <b>Natapanje</b>	Pretpranje		15	0.02	3.5	○

### ☰ NAPOMENA!

**EN 50242:** Ovaj program predstavlja test ciklus. Informacije za uporedni test su u skladu sa EN 50242.

## Započinjanje ciklusa pranja

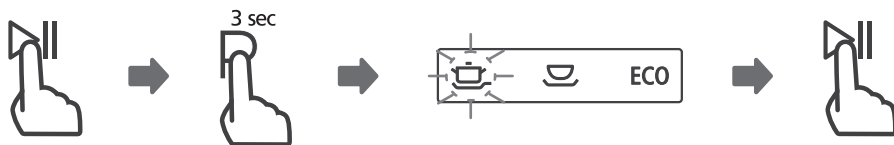
- Izvučite donju i gornju korpu, rasporedite posude i vratite ih u mašinu. Preporučuje se da najpre rasporedite posude na donjoj, a zatim na gornjoj korpi.

2. Sipajte deterdžent.
3. Priključite utikač u utičnicu. Za podatke o napajanju, pogledajte odeljak "Karakteristike proizvoda" na poslednjoj strani.
4. Zatvorite vrata i pritisnite taster Uključivanje/Isključivanje kako biste uključili mašinu.
5. Izaberite program, nakon čega će se uključiti svetlo indicacije. Zatim pritisnite taster Početak/Pauziranje i mašina za pranje sudova će započeti svoj ciklus.

## Menjanje programa u toku započetog ciklusa

Ciklus pranja koji je u toku se može promeniti samo ukoliko nije proteklo mnogo vremena od početka rada mašine. U suprotnom, mašina je možda već ubacila deterdžent u ciklus pranja i isпустиła vodu sa sapunicom. U tom slučaju, mašinu je neophodno ponovo podesiti, a posudu za deterdžent dopuniti. Da ponovo podesite mašinu za pranje sudova, pratite dole prikazana uputstva:

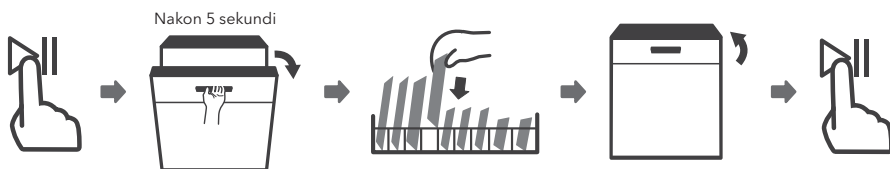
1. Pritisnite taster Početak/Pauziranje kako biste pauzirali ciklus.
2. Pritisnite taster Program u trajanju od preko 3 sekunde. Na taj način ćete opozvati program.
3. Pritisnite taster Program da izaberete željeni program.
4. Pritisnite taster Početak/Pauziranje. Mašina za pranje sudova će nakon 10 sekundi početi da radi.



## Zaboravili ste da dodate posudu?

Posudu koju ste zaboravili da stavite u mašinu možete dodati u bilo kom trenutku pre nego što se otvori posuda za deterdžent. U tom slučaju, pratite sledeća uputstva:

1. Pritisnite taster Početak/Pauziranje. Mašina za pranje sudova će nakon 10 sekundi početi da radi.
2. Sačekajte 5 sekundi, a zatim otvorite vrata.
3. Dodajte posude koje ste zaboravili da stavite u mašinu.
4. Zatvorite vrata.
5. Pritisnite taster Početak/Pauziranje. Mašina za pranje sudova će nakon 10 sekundi početi da radi.



### UPOZORENJE!



Opasno je otvarati vrata mašine u toku započetog ciklusa, jer možete zadobiti opekotine od vrele pare.

# OZNAKE GREŠAKA

U slučaju nepravilnog rada, na mašini za pranje sudova će biti prikazane oznake grešaka, kojima se identifikuju sledeći slučajevi:

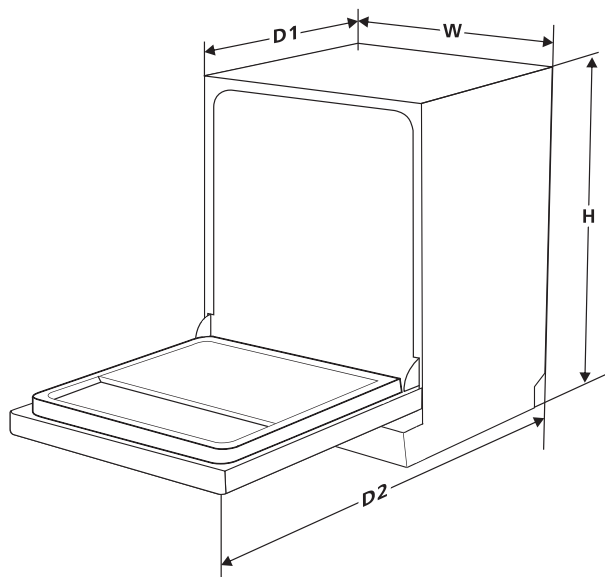
Oznake	Značenje	Mogući razlozi
E1	Produženo vreme primanja vode.	Slavine nisu odvrnute ili je ulaz vode blokiran ili je pritisak vode prenizak.
E3	Ne može se dostići zadata temperatura.	Neispravan grejač.
E4	Prelivanje.	Neki deo mašine za pranje sudova propušta vodu.



## UPOZORENJE!

- Ukoliko dođe do preliivanja vode, pre nego što pozovete servis, isključite glavni ventil za vodu.
- Ukoliko na dnu mašine ima vode zbog preliivanja ili manjeg propuštanja vode, pre ponovnog pokretanja mašine za pranje sudova ovu vodu treba ukloniti.

## TEHNIČKI PODACI



**Visina (H)** 845 mm

**Širina (W)** 448 mm

**Dubina (D1)** 600 mm (sa zatvorenim vratima)

**Dubina (D2)** 1175 mm (sa vratima otvorenim pod uglom od 90°)



## Karakteristike proizvoda

Lista karakteristika mašine za pranje sudova u domaćinstvu u skladu sa EU Direktivom 1016/2010 i 1059/2010:

Proizvođač	TESLA
Model / Opis	WD460MX / WD460M
Broj kompleta posuđa	9
Klasa energetske efikasnosti <b>1</b>	A++
Godišnja potrošnja energije <b>2</b>	197 kWh
Potrošnja energije tokom standardnog ciklusa pranja	0,91 kWh
Potrošnja energije u režimu isključeno (off)	0,45 W
Potrošnja energije u režimu Ostavljeno uključeno (Left-on)	0,49 W
Godišnja potrošnja vode <b>3</b>	2520 litara
Klasa efikasnosti sušenja <b>4</b>	A
Standardni ciklus pranja <b>5</b>	ECO 45°C
Trajanje programa tokom standardnog ciklusa pranja	205 min
Nivo buke	49 dB(A) re 1 pW
Montiranje	Samostojeća
Mogućnost ugrađivanja	DA
Utrošak energije	1760-2100 W
Nominalni napon / frekvencija	220-240V/50 Hz
Pritisak vode (pritisak protoka)	0,04-1,0 MPa=0,4-10 bar

- 1** A + + + (najviši nivo efikasnosti) do D (najniži nivo efikasnosti)
- 2** Potrošnja energije na osnovu 280 standardnih ciklusa pranja, uz primanje hladne vode i potrošnju u režimima sa malom snagom. Realna potrošnja energije zavisice od načina na koji se uređaj upotrebljava.
- 3** Potrošnja vode na osnovu 280 standardnih ciklusa pranja. Realna potrošnja vode zavisice od načina na koji se uređaj upotrebljava.
- 4** A (najviši nivo efikasnosti) do G (najniži nivo efikasnosti).
- 5** Ovaj program je pogodan za pranje normalno zaprljanog posuđa i predstavlja najefikasniji program u smislu kombinovane potrošnje energije i vode za pomenuti tip posuđa.







TESLA

[tesla.info](https://tesla.info)

Ovaj dokument je originalno proizveden i objavljen od strane proizvođača, brenda Tesla, i preuzet je sa njihove zvanične stranice. S obzirom na ovu činjenicu, Tehnoteka ističe da ne preuzima odgovornost za tačnost, celovitost ili pouzdanost informacija, podataka, mišljenja, saveta ili izjava sadržanih u ovom dokumentu.

Napominjemo da Tehnoteka nema ovlašćenje da izvrši bilo kakve izmene ili dopune na ovom dokumentu, stoga nismo odgovorni za eventualne greške, propuste ili netačnosti koje se mogu naći unutar njega. Tehnoteka ne odgovara za štetu nanесenu korisnicima pri upotrebi netačnih podataka. Ukoliko imate dodatna pitanja o proizvodu, ljubazno vas molimo da kontaktirate direktno proizvođača kako biste dobili sve detaljne informacije.

Za najnovije informacije o ceni, dostupnim akcijama i tehničkim karakteristikama proizvoda koji se pominje u ovom dokumentu, molimo posetite našu stranicu klikom na sledeći link:

<https://tehnoteka.rs/p/tesla-masina-za-pranje-sudova-wd460mx-akcija-cena/>