

Uputstvo za upotrebu

BEKO pegla SPA 9130 B

The Beko logo is displayed in a bold, blue, sans-serif font. Below the text, there is a thick blue horizontal line that tapers slightly at the right end.

Tehnoteka je online destinacija za upoređivanje cena i karakteristika bele tehnike, potrošačke elektronike i IT uređaja kod trgovinskih lanaca i internet prodavnica u Srbiji. Naša stranica vam omogućava da istražite najnovije informacije, detaljne karakteristike i konkurentne cene proizvoda.

Posetite nas i uživajte u ekskluzivnom iskustvu pametne kupovine klikom na link:

<https://tehnoteka.rs/p/beko-pegla-spa-9130-b-akcija-cena/>



Steam Iron

User Manual



SPA9130B

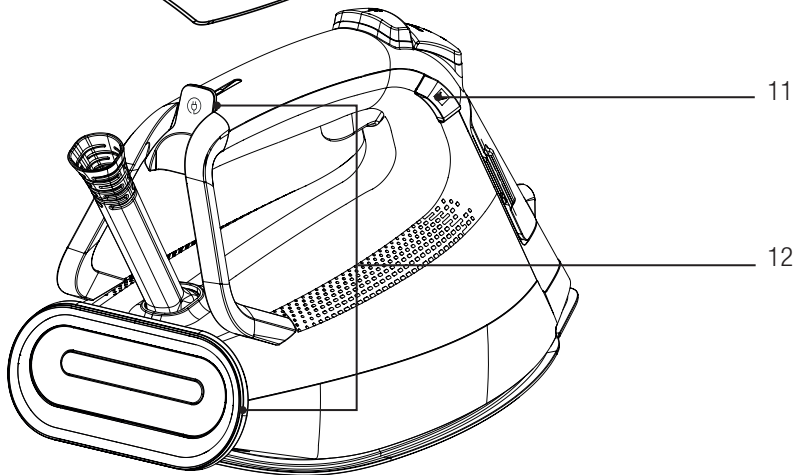
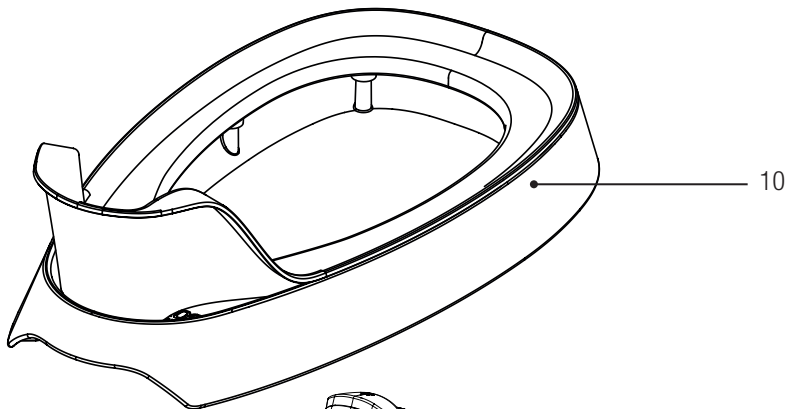
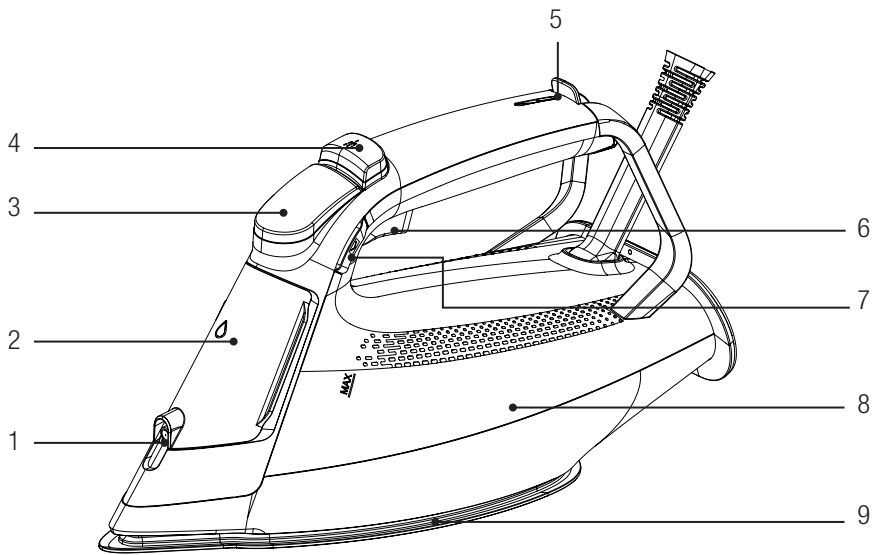
EN - DE - FR - ES - RO - IT - PL - TR - NL - AR











01M-8818473200-1321-02

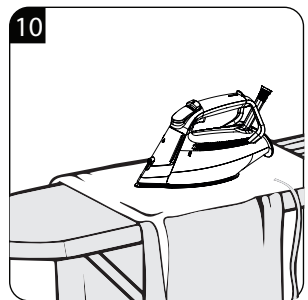
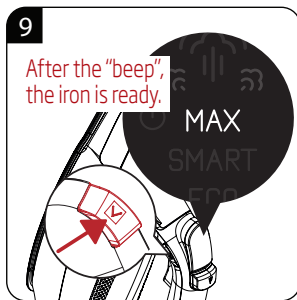
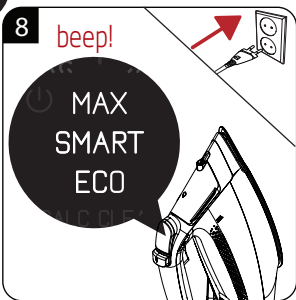
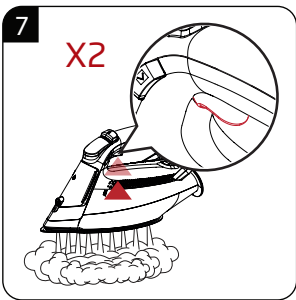
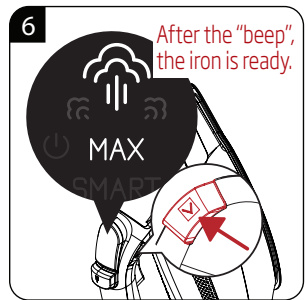
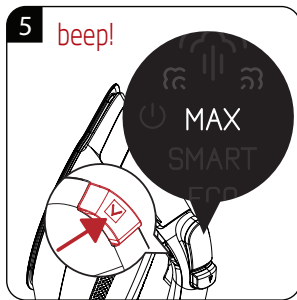
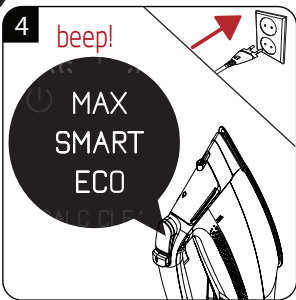
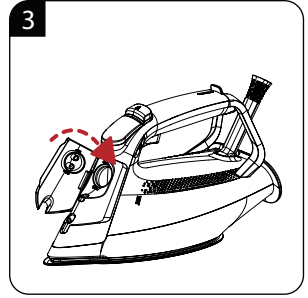
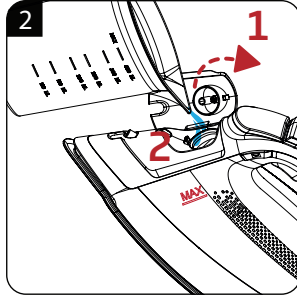
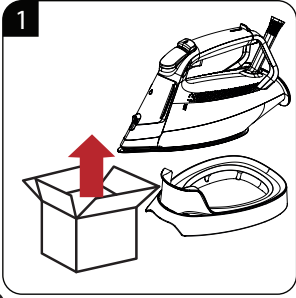
CONTENTS

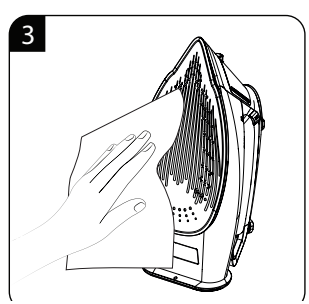
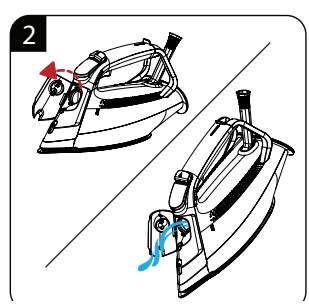
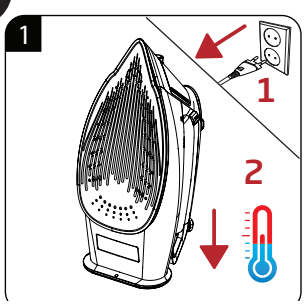
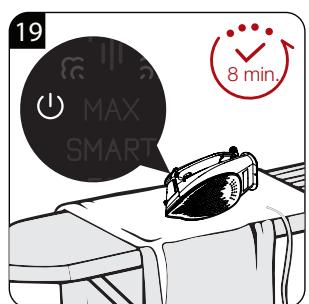
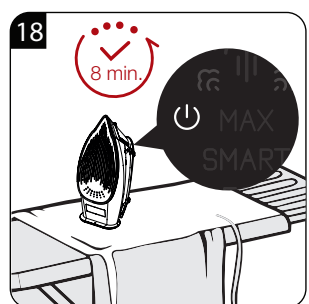
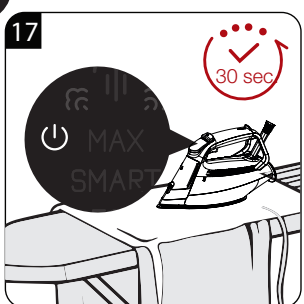
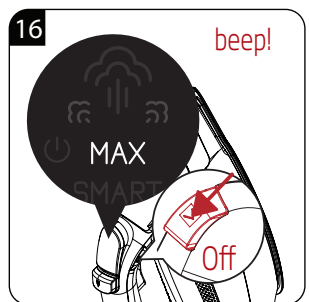
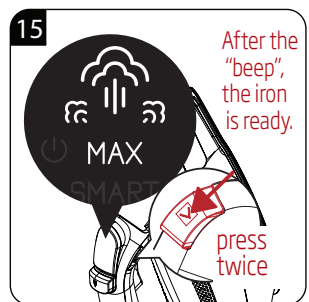
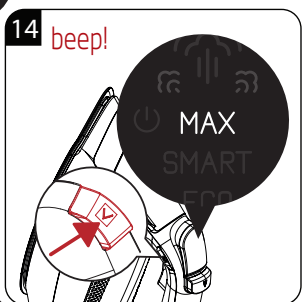
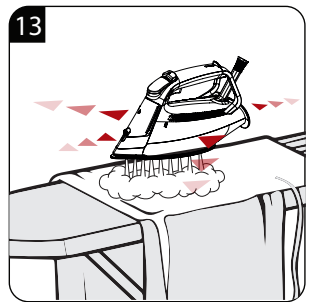
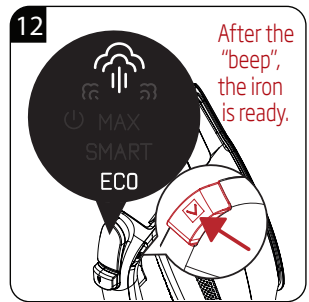
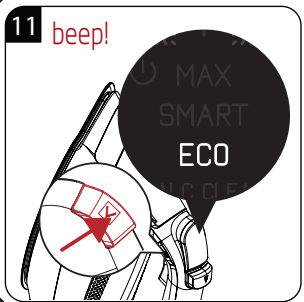
ENGLISH	8-17
DEUTSCH	18-29
FRANÇAIS	30-40
ESPAÑOL	41-52
ROMÂNĂ	53-64
ITALIANO	65-76
POLSKI	77-89
TÜRKÇE	90-103
NEDERLANDS	104-113

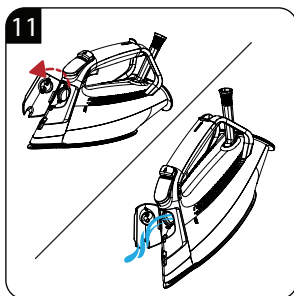
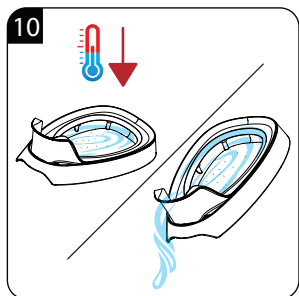
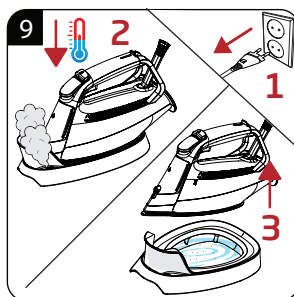
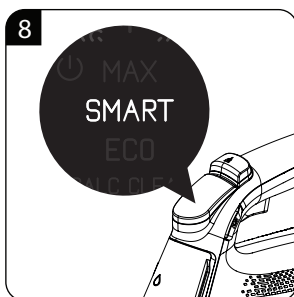
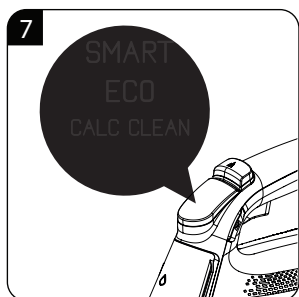
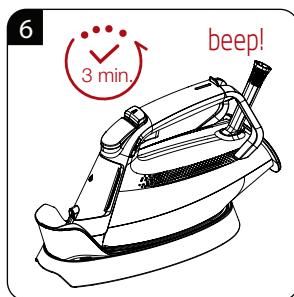
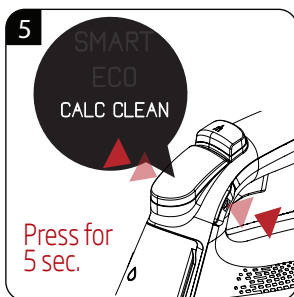
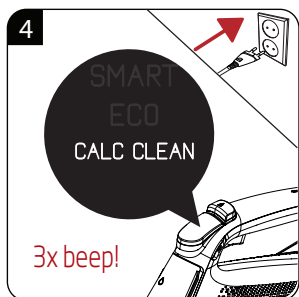
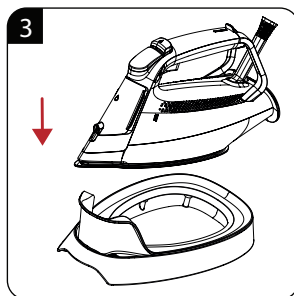
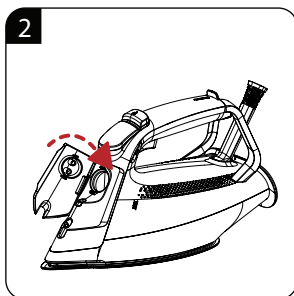
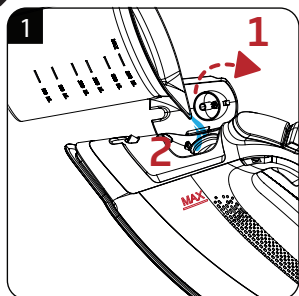


				
EN	FIRST USE	SHOCK STEAM	DRY IRONING	STEAM IRONING
DE	ERSTE INBETRIEBNAHME	DAMPFSTOSS	TROCKENBÜGELN	DAMPFBÜGELN
FR	PREMIÈRE UTILISATION	FONCTION PRESSING	REPASSAGE À SEC	REPASSAGE À LA VAPEUR
ES	PRIMER USO	DESCARGA DE VAPOR	PLANCHADO EN SECO	PLANCHADO CON VAPOR
RO	PRIMA UTILIZARE	JET DE ABUR	CĂLCARE USCATĂ	CĂLCARE CU ABUR
IT	USO INIZIALE	PULIZIA E MANUTENZIONE	STIRATURA A SECCO	STIRATURA A VAPORE
PL	PIERWSZE UŻYCIE	UDERZENIE PARY	PRASOWANIE NA SUCHO	PRASOWANIE PAROWE
TR	İLK KULLANIM	ŞOK BUHAR	KURU ÜTÜLEME	BUHARLI ÜTÜLEME
NL	EERSTE GEBRUIK	SCHOK STOOM	DROOG STRIJKEN	STOOM STRIJKEN
AR	المبدئي الاستخدام	صدمة البخار	الكي الجاف	الكي بالبخار

				
EN	TURBO STEAM	AUTOMATIC SHUTDOWN	CLEANING AND CARE	SELF-CLEAN
DE	TURBO-DAMPF	AUTOMATISCHE ABSCHALTUNG	REINIGUNG UND PFLEGE	SELBSTREINIGUNG
FR	VAPEUR TURBO	ARRÊT AUTOMATIQUE	NETTOYAGE ET ENTRETIEN	AUTO-NETTOYAGE
ES	TURBO VAPOR	APAGADO AUTOMÁTICO	LIMPIEZA Y CUIDADOS	AUTOLIMPIEZA
RO	JET DE ABUR	OPRIRE AUTOMATĂ	CURĂ AREA ŞI ÎNGRIJIREA	AUTOCURĂŢARE
IT	TURBO VAPORE	SPEGNIMENTO AUTOMATICO	PULIZIA E CURA	AUTOPULITURA
PL	PARA TURBO	AUTOMATYCZNE WYŁĄCZANIE	CZYSZCZENIE I KONSERWACJA	SAMOCZYSZCZENIE
TR	TURBO BUHAR	OTOMATİK KAPANMA	TEMİZLİK VE BAKIM	KİREÇ TEMİZLEME
NL	TURBOSTOOM	AUTOMATISCHE UITSCHAKELING	REINIGING EN ONDERHOUD	ZELFREINIGING
AR	بخار التريو	إيقاف تلقائي	التنظيف والعناية	لتنظيف الذاتي







Please read this manual first!

Dear Customer,

Thank you for preferring this Beko product. We hope that you get the best results from your product which has been manufactured with high quality and state-of-the-art technology. Therefore, please read this user manual and all other accompanying documents carefully before using the product and keep it as a reference for future use. If you handover the product to someone else, give the user manual as well. Follow all warnings and information in the user manual.

Meanings of the symbols

Following symbols are used in the various sections of this manual:



Important information and useful hints about usage.



WARNING: Warnings against dangerous situations concerning the security of life and property.



WARNING: Warning for hot surfaces.



WARNING: Risk or burning and scalding due to steam.



This product has been manufactured in environmental friendly modern plants without giving any harm to the nature.

Conforms to the WEEE Directive.

It does not contain PCB.

Control and parts

1. Water spray nozzle
2. Water refill lid
3. LED display
4. Water spray button
5. Thermostat indicator and Auto-Off light
6. Shock steam button
7. Temperature setting button
8. Water tank
9. Soleplate
10. Calc-clean reservoir
11. Steam adjustment button
12. Cable winding bay

Technical data

Voltage	220-240V~50-60Hz
Power consumption	2520-3000W
Shock steam	280 g*
Continuous steam	63 g/min
Insulation class	I



*Measured at maximum temperature level, when shock steam is applied with 3-second intervals for an operating period of 30 minutes.

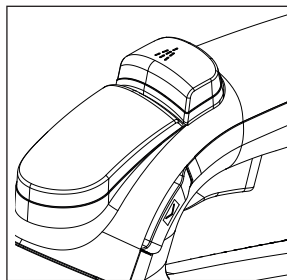
Rights to make technical and design changes are reserved.

LED display;

Control panel	Symbols	Remarks
		Steam mode
		Turbo-steam mode
		Auto-Off indicator
	MAX	Maximum temperature mode
	SMART	Smart mode
	ECO	Eco mode
	CALC CLEAN	Calc-clean warning/mode

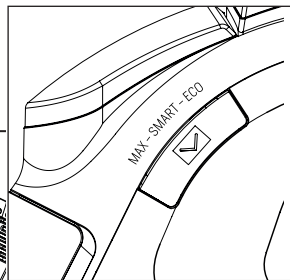
The values which are declared in the markings affixed on your appliance or the other printed documents supplied with it represent the values which were obtained in the laboratories pursuant to the pertinent standards. These values may vary according to the usage of the appliance and ambient conditions.

Button descriptions



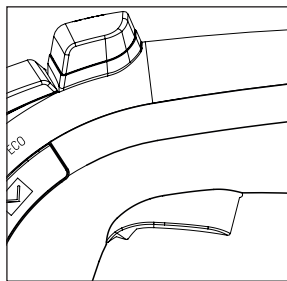
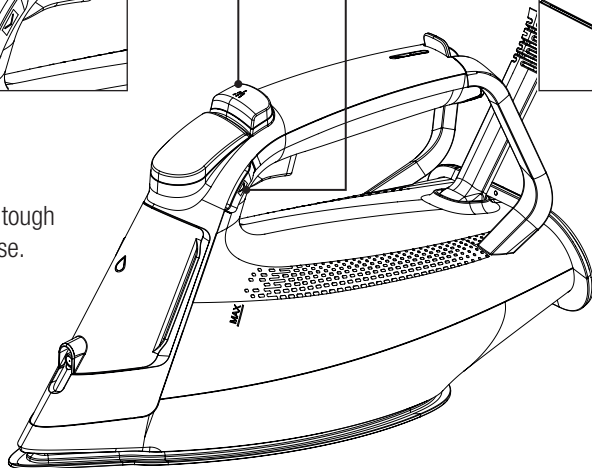
Water spray button (4);

You can remove tough wrinkles with ease.



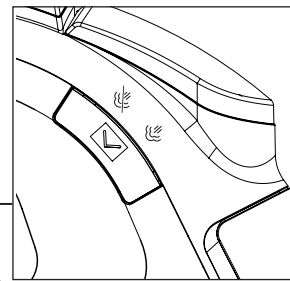
Temperature adjustment button (7);

Select the SMART mode applicable for each fabric type or ECO or MAX modes for professional use with temperature adjustment button.



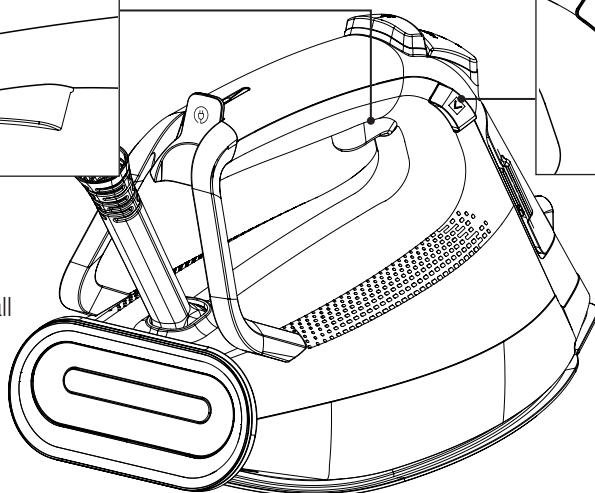
Steam boost button (6);

It provides steam boost feature in all modes.



Steam setting button (11);

You can iron with or without steam.



1 Important safety and environmental instructions

This section contains safety instructions that will help protect from risk of personal injury or property damage.

Failure to follow these instructions invalidates the granted warranty.

1.1 General safety

- This appliance complies with the international safety standards.
- This appliance is intended to be used in household and similar applications such as:
 - Staff kitchen areas in shops, offices and other working environments;
 - Farm houses
 - By clients in hotels, and other residential type environments;
 - Bed and Breakfast type environments.

It is not fit for industrial use.

- This appliance may be used by children who are at the age of 8 or over and the people whose physical, perceptive or mental skills are impaired or who are inexperienced or not knowledgeable about the appliance as long as they are supervised or informed and made understood the safe use of the appliance and the encountered dangers. Children should not play with the appliance. Cleaning and user maintenance procedures should not be performed by children unless they are controlled by their elders.
- Do not leave the product unattended while it is plugged in.
- Unplug the product before filling the water reservoir with water.
- Operate and store the appliance on a stable surface.
- When the appliance is placed on its base plate, ensure that the surface beneath the plate is level.

1 Important safety and environmental instructions

- Do not use the appliance if the power cable or the appliance itself is damaged. Contact an authorised service.
- If the appliance is dropped or leaks water or has other failures, contact the authorised service. Do not use the appliance until it is repaired.
- When the appliance is not in use or left to cool down keep the appliance and power cable out of reach of children under 8 years old.
- The appliance is not suitable for using outdoors.
- Only use the original parts or parts recommended by the manufacturer.
- Do not attempt to dismantle the appliance.
- Your mains power supply should comply with the information supplied on the rating plate of the appliance.
- The mains supply of the appliance must be secured with a minimum 16 A fuse.
- Use the appliance with a grounded outlet only.
- Do not use the appliance with an extension cord.
- Do not pull the power cable when unplugging the appliance.
- Unplug the appliance before cleaning it.
- Do not wrap the cable around the appliance. Wrap the cable around the cable wrapping section provided at the rear of the appliance only.
- Do not touch the appliance or its plug with wet or damp hands when the appliance is plugged in.
- The soleplate and its surrounding area can be extremely hot. Contacting hot surfaces may cause burns. Therefore while or just after using the appliance, pay attention not to touch the hot surfaces.
- Never use the appliance in or near to combustible or inflammable places and materials.

1 Important safety and environmental instructions

- If you keep the packaging materials, store them out of the reach of children.
- Do not open the water filling cover during use.

1.2 Compliance with WEEE Directive and Disposing of the Waste Product

This product complies with EU WEEE Directive (2012/19/EU). This product bears a classification symbol for waste electrical and electronic equipment (WEEE).



This symbol indicates that this product shall not be disposed with other household wastes at the end of its service life. Used device must be returned to official collection point for recycling of electrical and electronic devices. To find these collection systems please contact to your local authorities or retailer where the product was purchased. Each household performs important role in recovering and recycling of old appliance.

Appropriate disposal of used appliance helps prevent potential negative consequences for the environment and human health.

1.3 Compliance with RoHS Directive

The product you have purchased complies with EU RoHS Directive (2011/65/EU). It does not contain harmful and prohibited materials specified in the Directive.

1.4 Package Information



Packaging materials of the product are manufactured from recyclable materials in accordance with our National Environment Regulations. Do not dispose of the packaging materials together with the domestic or other wastes. Take them to the packaging material collection points designated by the local authorities.

2 Operation

2.1 Intended use

This appliance is intended only for household use and ironing; it is not suitable for professional use.

2.2 Initial use

Remove the protective film on the LED screen (3). During initial use, fill the water reservoir and vaporize the water to remove the manufacturing residues. Meanwhile, use shock steam button (6) frequently.



You can smell a mild odour or see white sediments coming out of the soleplate holes during initial use. After performing vaporizing process twice, such odours and sediments will disappear. Also water droplets may form within the water reservoir; this is normal.

2.3 Refilling the water reservoir



WARNING: Do not fill the water reservoir (8) with perfume, vinegar, laundry starch, calc-cleaners or other products or chemicals which can facilitate the ironing process.



Your appliance is suitable for using with tap water. If your tap water is excessively hard, we recommend you to use a mixture of tap water and potable water.

2.4 Temperature setting and dry ironing

When setting the temperature of the appliance, consider the following table.

Fabric Type	Temperature Setting	Steam Setting
Silk	ECO-SMART	With/Without Steam
Wool	SMART	With/Without Steam
Cotton	SMART-MAX	With/Without Steam
Linen-Jean	SMART-MAX	With/Without Steam



WARNING: Take the ironing instructions specified on the label of the fabric into consideration for ironing.



- Your appliance starts in “SMART” mode when it is switched on.
- You can safely iron all fabrics suitable for ironing in “SMART” mode.
- If you don't know the fabric of your garment, first iron an invisible part of your garment and determine a correct ironing temperature for it.
- In order to prevent the bright stains that may form on the synthetic fabrics such as silk, iron on the reverse side of the fabric. Do not use the water spraying feature in order to prevent the stain formation.

2 Operation

2.5 Steam ironing



WARNINGS

- When you set the appliance to steam mode, it will not give out steam unless you move it. The appliance will give out steam when you move it. Appliance is equipped with a movement sensor.
- Noise coming from the appliance may increase if the water level in the water tank decreases. In this case, fill the tank up to the "MAX" level.



WARNING: Thermostat indicator light (5) must go out in order to be able to use the shock steam function.



WARNING: Never direct the steam to people or pets.



WARNING: If the thermostat indicator light (5) turns on during ironing, wait for the light (5) to go out before proceeding with the shock steam process.

2.6 Turbo-steam

You can use the turbo steam function when the temperature is set to "MAX" position.



Use turbo steam function to obtain higher amounts of steam and for fast ironing on thick fabrics.



- Make sure that there is sufficient water in the reservoir (8) before spraying water.
- You can easily remove creases using the water spraying feature.



WARNING: When you set the appliance to steam mode, it will not give out steam unless you move it. The appliance will give out steam when you move it. Appliance is equipped with a movement sensor.

2.7 Shock steam

You may use the shock steam feature in all modes.



WARNINGS

- Wait for a few seconds before pressing the shock steam button (6) again. If you keep pressing the shock steam button (6) repeatedly, water may come through the soleplate (9) together with steam.
- At the beginning of ironing, iron may not produce shock-steam during first couple of trials.

2.8 Spraying water

2.9 Anti-dripping system

The appliance is equipped with an anti-dripping system Iron stops vaporization automatically when the temperature is too low in order to prevent water coming out of the soleplate (9).

Anti-dripping system allows for ironing even the most delicate fabrics.

2.10 Auto-Off



- If the iron is switched off automatically, ☺ symbol flashes.
- It may take around 60 seconds for the soleplate (9) to reach the previous temperature level.
- If the appliance is moved in horizontal position it will be switched on.

3 Cleaning and care

3.1 Cleaning

WARNINGS



- Do not use gasoline, solvent or abrasive cleaning agents or hard brushes to clean the appliance.
- Never put vinegar, descaling agent, laundry starch, perfume or other auxiliary products that help ironing into the appliance.
- Do not wash your appliance under running water or do not soak it in water or other liquids.
- Do not use abrasive cleaning agents to clean the soleplate (9).

3.2 Auto calc-clean

- This process allows for cleaning the calc particles that accumulate in the appliance.
- Use this feature when **“CALC-CLEAN”** warning appears on the display.
- Fill the water reservoir until (8) MAX level.



- Do not move the appliance during cleaning. In such a case, cleaning procedure must be repeated.
- You may perform this procedure by following the same steps without waiting for the **“CALC-CLEAN”** warning.

WARNINGS



- As the descaling reservoir (10) shall heat up and as hot condensing water shall be collected during operation, do not touch the reservoir and the iron, and drain when it is cooled down.
- A high amount of steam shall come out the appliance and the descaling reservoir during the descaling procedure.



Self-cleaning function removes the dirt inside the soleplate. We recommend using this feature every 10-15 days.

3.3 Storage

- If you do not intend to use the appliance for a long time, store it carefully.
- Before lifting the appliance unplug it and then let it cool completely.
- Empty the water reservoir.
- Keep the appliance and its accessories in their original packages.
- Store it in a cool, dry place.
- Always keep the appliance out of the reach of children.

3.4 Handling and transportation

- During handling and transportation, carry the appliance in its original packaging. The packaging of the appliance protects it against physical damages.
- Do not place heavy items on the appliance or on the packaging. The appliance may get damaged.
- Dropping the appliance may render it non-operational or cause permanent damage.



For commissioning, general use and cleaning, please observe the instructions on pages 5 - 6 and 7 of this operating manual.

4 Troubleshooting

Problem	Possible reason	Solution
Although the appliance is plugged in, soleplate (9) does not heat up.	The plug or power cord of the appliance may be faulty.	Contact the authorized service if the appliance does not operate although the appliance is plugged in.
The appliance does not generate steam.	Amount of the water in the water reservoir (8) might be insufficient.	Fill the water reservoir (8) with water up to MAX level.
		Operate the appliance in steam mode.
Sediments and residues fall off from the base (9) while ironing.	If the water you use for your appliance is too limy, such sediments may form.	Fill the water reservoir of the appliance by mixing the tap water and drinking water for your next ironing operations.
		Use the auto descaling feature more frequently if the water in your area is hard.
There are stains at the soleplate (9).	Wet clothes are ironed / scale stains have occurred on the base (9).	Wipe the sediments and residues with a lightly dampened cloth after the appliance is cooled down adequately.
The "CALC CLEAN" symbol flashes on the LED display (3).	The time for descaling has been reached.	Perform the descaling procedure.
Icons on the led screen (3) are not clear.	Protective film on the led screen may be still on.	Remove the protective film on the led screen (3).
Noise from the appliance.	Water level in the water tank (8) may be reduced. Noise occurrence due to decrease in the water tank is normal.	Fill the water up to MAX line in the water tank (8).

Bitte lesen Sie zunächst diese Anleitung!

Sehr geehrte Kundin, sehr geehrter Kunde,

Vielen Dank, dass Sie sich für ein Beko-Produkt entschieden haben. Wir hoffen, dass Sie mit diesem Gerät, das mit den höchsten Qualitätsanforderungen und modernster Technologie hergestellt wurde, beste Ergebnisse erzielen werden. Bitte lesen Sie die gesamte Bedienungsanleitung und alle anderen Begleitdokumente aufmerksam durch, bevor Sie das Gerät verwenden; bewahren Sie diese zum künftigen Nachschlagen sicher auf. Wenn Sie das Gerät an einen Dritten weitergeben, händigen Sie diesem bitte auch die Bedienungsanleitung aus. Befolgen Sie alle Warnhinweise und Informationen in dieser Anleitung.

Bedeutung der Symbole

Folgende Symbole werden in den verschiedenen Abschnitten dieser Anleitung verwendet:



Wichtige Informationen und nützliche Hinweise zur Verwendung.



WARNUNG: Warnhinweise zu gefährlichen Situationen im Hinblick auf die Sicherheit von Leib, Leben und Eigentum.



WARNUNG: Warnung vor heißen Flächen.



WARNUNG: Verbrennungs- und Verbrühungsgefahr aufgrund von Dampf.



Dieses Produkt wurde in umweltfreundlichen, modernen Einrichtungen ohne schädliche Auswirkungen auf die Natur hergestellt.

Bedienelemente und Teile

1. Wassersprühdüse
2. Wasserauffülldeckel
3. LED-Display
4. Wassersprühstrahl-Taste
5. Thermostatanzeige und Auto-Aus-Leuchte
6. Dampfstoßtaste
7. Temperatureinstelltaste
8. Wassertank
9. Sohle
10. Entkalkungsbehälter
11. Dampfeinstelltaste
12. Kabelaufwicklung

Technische Daten

Spannung	220-240V~50-60Hz
Stromverbrauch	2520-3000 W
Dampfstoß	280 g*
Kont. Dampf	63 g/min
Isolationsklasse	I



*Gemessen bei maximalem Temperaturniveau, wenn Schockdampf mit 3-Sekunden-Intervallen für eine Betriebsdauer von 30 Minuten angewendet wird.

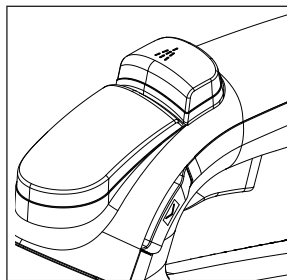
Technische und optische Änderungen vorbehalten.

LED-Display;

Bedienfeld	Symbole	Anmerkungen
		Dampfmodus
		Turbo-Dampf-Modus
		Auto-Aus-Anzeige
	MAX	Maximale-Temperatur-Modus
	SMART	Intelligenter Modus
	ECO	Ökomodus
	CALC CLEAN	Entkalkungswarnung/-modus

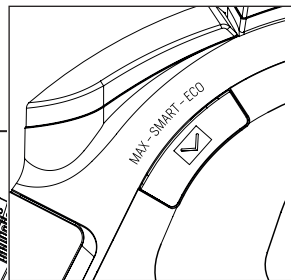
Die an den Kennzeichnungen an Ihrem Gerät oder in den mitgelieferten Anleitungen angegebenen Werte wurden in Laboratorien in Übereinstimmung mit den relevanten Standards ermittelt. Diese Werte können je nach Einsatz- und Umgebungsbedingungen variieren.

Beschreibungen der Tasten



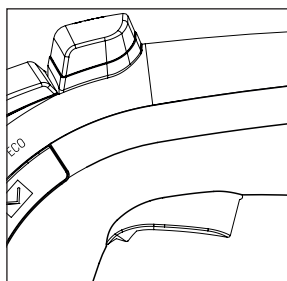
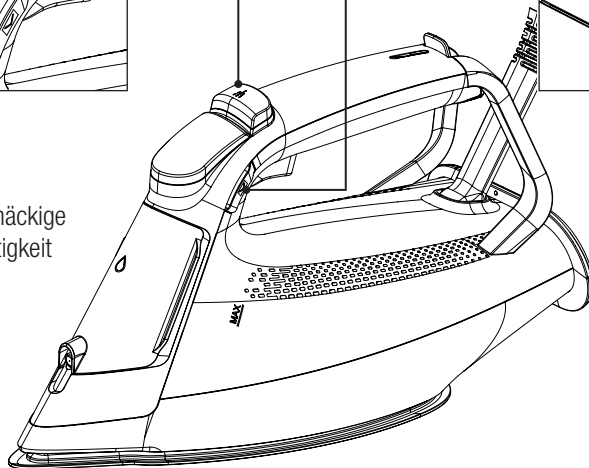
Wassersprüh- taste (4);

Sie können hartnäckige Falten mit Leichtigkeit entfernen.



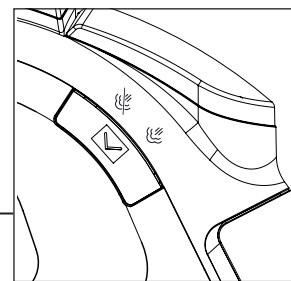
Taste für die t emperaturanpassung (7);

Wählen Sie den für jeden Stofftyp anwendbaren SMART-Modus oder die ECO- oder MAX-Modi für den professionellen Einsatz mit der Taste zur Temperatureinstellung.



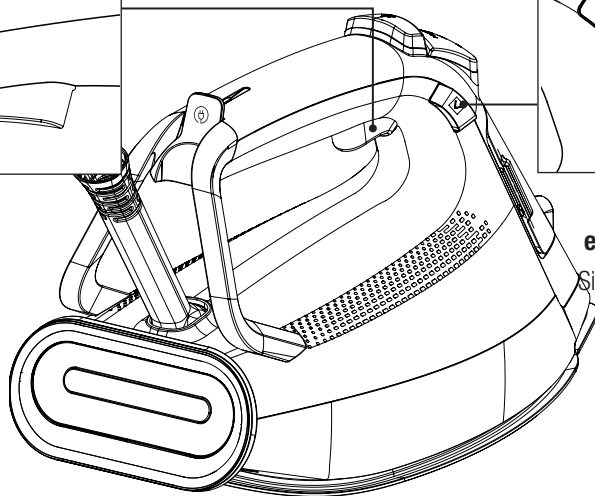
Dampfdruck- taste (6);

Sie bietet eine Dampfstoß Funktion in allen Betriebsarten.



Dampf- einstellungstaste (11);

Sie können mit oder ohne Dampf bügeln.



1 Wichtige Sicherheits- und Umwelanweisungen

Dieser Abschnitt enthält Sicherheitsanweisungen, die zum Schutz vor Personen- und Sachschäden beitragen.

Bei Nichtbeachtung dieser Anweisungen erlischt die gewährte Garantie.

1.1 Allgemeine Sicherheit

- Dieses Gerät erfüllt die internationalen Sicherheitsstandards.
- Dieses Gerät ist für den Einsatz in Haushalten und ähnlichen Bereichen vorgesehen, wie:
 - In Betriebsküchen, Läden, Büros und anderen Arbeitsumgebungen;
 - Bauernhöfen;
 - Von Gästen in Hotels und anderen Wohnumgebungen;
 - Pensionen und Jugendherbergen.

Es eignet sich nicht für den professionellen Einsatz.

- Dieses Gerät darf von Kindern im Alter von mindestens 8 Jahren und Personen mit eingeschränkten physischen und psychischen Fähigkeiten oder einem Mangel an Erfahrung und Wissen im Umgang mit dem Gerät verwendet werden, sofern sie beaufsichtigt werden oder im sicheren Umgang mit dem Gerät unterwiesen wurden und die damit verbundenen Gefahren verstehen. Kinder dürfen nicht mit dem Gerät spielen. Reinigungs- und Wartungsarbeiten dürfen nicht von Kindern ausgeführt werden, sofern diese nicht durch einen Erwachsenen beaufsichtigt werden.
- Lassen Sie das Gerät niemals unbeaufsichtigt, während es angeschlossen ist.
- Ziehen Sie den Netzstecker, bevor Sie den Wasserbehälter auffüllen.
- Verwenden und lagern Sie das Gerät auf einem flachen und stabilen Untergrund.

1 Wichtige Sicherheits- und Umwelanweisungen

- Achten Sie darauf, dass der Untergrund unter der Platte eben ist, wenn Sie das Gerät auf die Basisplatte stellen.
- Verwenden Sie das Gerät nicht, wenn das Netzkabel oder das Gerät selbst beschädigt ist. Wenden Sie sich an einen autorisierten Serviceanbieter.
- Falls das Gerät heruntergefallen ist, leckt oder andere Fehler aufweist, wenden Sie sich bitte an einen autorisierten Serviceanbieter. Verwenden Sie das Gerät erst wieder, nachdem es repariert wurde.
- Halten Sie Gerät und Netzkabel bei Nichtbenutzung oder während des Abkühlens von Kindern unter 8 Jahren fern.
- Das Gerät ist nicht zur Benutzung im Freien geeignet.
- Verwenden Sie nur Originalteile und vom Hersteller empfohlene Teile.
- Versuchen Sie nicht, das Gerät zu demontieren.
- Ihre Stromversorgung muss mit den Angaben am Typenschild des Gerätes übereinstimmen.
- Die Stromversorgung des Gerätes muss mit einer Sicherung von mindestens 16 A abgesichert werden.
- Verwenden Sie das Gerät nur mit einer geerdeten Steckdose.
- Verwenden Sie das Gerät nicht mit einem Verlängerungskabel.
- Ziehen sie zum Trennen der Stromversorgung nicht am Netzkabel sondern nur am Stecker.
- Ziehen Sie vor der Reinigung den Netzstecker.
- Wickeln Sie das Netzkabel nicht um das Gerät herum. Wickeln Sie das Kabel nur um den Kabelwickel abschnitt, der sich auf der Rückseite des Geräts befindet.
- Berühren Sie das eingesteckte Gerät oder den Netzstecker nicht mit feuchten oder gar nassen Händen.

1 Wichtige Sicherheits- und Umwelanweisungen

- Die Sohle und der umliegende Bereich können extrem heiß werden. Bei Berührung heißer Flächen drohen Verbrennungen. Achten Sie daher, mit dem Bügeleisen erhitzte Flächen oder Stoffe nicht sofort zu berühren.
- Benutzen Sie das Gerät niemals in der Nähe leicht brennbarer oder gar explosiver Materialien.
- Falls Sie die Verpackungsmaterialien aufheben möchten, halten Sie sie von Kindern fern.
- Öffnen Sie den Wasserauffülldeckel nicht während des Betriebs.

1.2 Konformität mit WEEE-Richtlinie und Entsorgung von Altgeräten

Dieses Gerät erfüllt die europäische WEEE-Richtlinie (2012/19/EU). Dieses Gerät trägt ein Klassifizierungssymbol für elektrische und elektronische Altgeräte (WEEE).



Dieses Symbol weist darauf hin, dass dieses Gerät am Ende seiner Lebensdauer nicht zusammen mit anderen Haushaltsabfällen entsorgt werden darf. Altgeräte müssen an offizielle

Sammelstellen zum Recycling elektrischer und elektronischer Geräte abgegeben werden.

Nähere Angaben zu diesen Sammelstellen erhalten Sie von Ihrer Stadtverwaltung oder dem Händler, bei dem Sie das Gerät erworben haben. Jeder Haushalt spielt eine wichtige Rolle bei der Rückgewinnung und dem Recycling von Altgeräten. Die sachgemäße Entsorgung von Altgeräten trägt dazu bei, mögliche negative Auswirkungen auf die Umwelt und die menschliche Gesundheit zu vermeiden.

1.3 Konformität mit der RoHS-Richtlinie

Das von Ihnen erworbene Gerät erfüllt die europäische RoHS-Richtlinie (2011/65/EU). Es enthält keine in der Richtlinie angegebenen gefährlichen und verbotenen Materialien.

1.4 Hinweise zur Verpackung



Die Verpackungsmaterialien des Geräts sind gemäß unseren nationalen Umweltschutzbestimmungen aus recyclingfähigen Materialien hergestellt. Entsorgen Sie die Verpackungsmaterialien nicht mit dem Hausmüll oder anderem Müll. Bringen Sie sie zu einer von der Stadtverwaltung bereitgestellten Sammelstelle für Verpackungsmaterial.

2 Betrieb

2.1 Bestimmungsgemäße Verwendung

Dieses Gerät ist nur für den Einsatz in Privathaushalten und für das Bügeln vorgesehen; es eignet sich nicht für den professionellen Einsatz.

2.2 Erste Verwendung

Entfernen Sie die Schutzfolie vom LED-Bildschirm (3). Vor der ersten Benutzung sollten Sie den Wassertank zur Entfernung von Fabrikationsrückständen mit Wasser füllen und das Wasser dann verdampfen lassen. Drücken Sie währenddessen regelmäßig die Dampfstoßtaste (6).



Sie können einen leichten Geruch bemerken oder sehen, wie weiße Ablagerungen aus den Löchern an der Sohle herauskommen. Nach zweimaliger Benutzung der Dampffunktion verschwinden solche Gerüche und Ablagerungen. Zudem können sich Kondensationstropfen im Wasserbehälter bilden; dies ist normal.

2.3 Wassertank auffüllen



WARNUNG: Füllen Sie keine Substanzen wie Parfüm, Essig, Wäschestärke, Kalkentferner oder andere Produkte oder Chemikalien in den Wassertank (8), die das Bügeln vereinfachen sollen.



Dieses Bügeleisen eignet sich zur Benutzung mit normalem Leitungswasser. Falls das Leitungswasser übermäßig hart ist, sollten Sie ein Gemisch aus Leitungswasser und aufbereitetem Wasser verwenden.

2.4 Temperatureinstellung und Trockenbügeln

Beim Einstellen der Temperatur des Gerätes sollte die nachstehende Tabelle beachtet werden.

Textiltyp	Temperatur-einstellung	Dampfeinstel-lung
Seide	ECO-SMART	Mit/ohne Dampf
Wolle	SMART	Mit/ohne Dampf
Baumwolle	SMART-MAX	Mit/ohne Dampf
Leinen-Jeans	SMART-MAX	Mit/ohne Dampf



WARNUNG: Beachten Sie beim Bügeln die Bügelanweisungen am Pflegeetikett des Wäschestücks.



- Ihr Gerät beginnt beim Einschalten im „SMART“-Modus.
- Sie können im „SMART“-Modus beruhigt alle zum Bügeln geeigneten Textilien bügeln.
- Falls Sie sich nicht sicher sind, von welchem Typ der zu bügelnde Stoff ist, bügeln Sie zunächst einen unauffälligen Teil und prüfen Sie daran, ob die Bügeltemperatur geeignet ist.
- Zur Vermeidung heller Flecken, die sich bei Synthetikfasern oder Seide bilden können, bügeln Sie solche Textilien immer auf der Innenseite. Verwenden Sie zur Vermeidung von Fleckenbildung bei solchen Textilien die Wasser-sprühfunktion nicht.

2 Betrieb

2.5 Dampfbügeln



WARNHINWEISE

- Auch wenn Sie das Gerät auf den Dampfmodus einstellen, gibt es noch nicht sofort Dampf aus. Das Gerät gibt nur Dampf aus, wenn Sie es bewegen. Das Gerät ist mit einem Bewegungssensor ausgestattet.
- Das vom Gerät kommende Geräusch kann zunehmen, wenn der Wasserstand im Wassertank abnimmt. Füllen Sie in diesem Fall den Tank bis zum Füllstand „MAX“.

2.6 Turbo-Dampf

Sie können die Turbo-Dampf-Funktion nutzen, wenn die Temperatur auf die „MAX“-Position eingestellt ist.



Mit der Turbo-Dampf-Funktion erzielen Sie mehr Dampf und können dicke Textilien schneller bügeln.



WARNUNG: Auch wenn Sie das Gerät auf den Dampfmodus einstellen, gibt es noch nicht sofort Dampf aus. Das Gerät gibt nur Dampf aus, wenn Sie es bewegen. Das Gerät ist mit einem Bewegungssensor ausgestattet.

2.7 Dampfstoß

Sie können die Schock Dampf-Funktion in allen Modi verwenden.



WARNHINWEISE

- Warten Sie einige Sekunden, bevor Sie die Dampfstoßtaste (6) erneut drücken. Wenn Sie die Dampfstoßtaste (6) wiederholt drücken, könnte über die Sohle (9) auch unverdampftes Wasser austreten.
- Wenn Sie mit dem Bügeln beginnen, erzeugt das Bügeleisen während der ersten Dampf-tastenbetätigungen möglicherweise noch keinen Dampfstoß.



W A R N U N G : Die Thermostatanzeigeleuchte (5) muss erlöschen, damit Sie die Dampfstoßfunktion nutzen können.



WARNUNG: Richten Sie den Dampfstrahl niemals auf Menschen oder Tiere.



WARNUNG: Wenn sich während des Bügelns die Thermostatanzeigeleuchte (5) einschaltet, warten Sie mit dem nächsten Dampfstoß, bis die Leuchte (5) erloschen ist.

2.8 Wasser sprühen



- Achten Sie vor dem Sprühen mit Wasser darauf, dass sich genügend Wasser im Tank (8) befindet.
- Mit der Wassersprühfunktion können Sie mühelos Falten beseitigen.

2 Betrieb

2.9 Tropfschutzsystem

Das Gerät ist mit einem Tropfschutzsystem ausgestattet. Das Bügeleisen stoppt die Verdampfung automatisch, wenn die Temperatur zu niedrig ist. Dadurch wird verhindert, dass Wasser aus der Sohle (9) austritt.

Mit dem Tropfschutzsystem können Sie selbst empfindlichste Textilien bügeln.

2.10 Automatische Abschaltung



- Wenn sich das Bügeleisen automatisch abschaltet, blinkt das Symbol ☹.
- Es kann etwa 60 Sekunden dauern, bis die Sohle (9) die voreingestellte Temperatur erreicht.
- Wenn das Gerät in die horizontale Position bewegt wird, schaltet es sich ein.

3 Reinigung und Pflege

3.1 Reinigung



WARNHINWEISE

- Reinigen Sie das Gerät niemals mit Benzin, Lösungsmitteln oder scheuernden Reinigungsmitteln bzw. harten Bürsten.
- Geben Sie niemals Essig, Entkalkungsmittel, Stärke, Parfüm oder andere Zusatzprodukte, die das Bügeln vereinfachen sollen, in das Gerät.
- Spülen Sie Ihr Gerät nicht unter fließendem Wasser ab, tauchen Sie es nicht in Wasser oder andere Flüssigkeiten.
- Verwenden Sie zur Reinigung der Sohle (9) keine Scheuermittel.



- Bewegen Sie das Gerät während der Reinigung nicht. Andernfalls muss die Reinigung wiederholt werden.
- Sie können dieses Verfahren durchführen, indem Sie die gleichen Schritte befolgen, ohne auf die Warnung "CALC-CLEAN" zu warten.

WARNHINWEISE



- Da sich der Entkalkungsbehälter (10) erwärmen soll und sich während des Betriebs heißes Kondenswasser sammelt, berühren Sie den Behälter und das Bügeleisen nicht und lassen Sie das Wasser ab, wenn es abgekühlt ist.
- Während des Entkalkungsvorgangs muss eine große Menge Dampf aus dem Gerät und dem Entkalkungsbehälter austreten.

3.2 Automatische Entkalkung

- Dieser Vorgang ermöglicht die Entfernung von Kalkpartikeln, die sich im Gerät ansammeln.
- Nutzen Sie diese Funktion, wenn die Warnung "CALC-CLEAN", am Display erscheint.
- Füllen Sie den Wassertank bis zur MAX-Markierung (8).



Die Selbstreinigungsfunktion entfernt Verunreinigungen innerhalb der Sohle. Sie sollten diese Funktion alle 10 bis 15 Tage nutzen.

3 Reinigung und Pflege

3.3 Aufbewahrung

- Verstauen Sie das Gerät sorgfältig, falls Sie es längere Zeit nicht benutzen sollten.
- Ziehen Sie den Netzstecker und lassen Sie das Gerät vollständig abkühlen, bevor Sie es anheben.
- Leeren Sie den Wasserbehälter.
- Bewahren Sie Dampfbügeleisen und Zubehör in der Originalverpackung auf.
- Bewahren Sie es kühl und trocken auf.
- Halten Sie das Gerät immer von Kindern fern.

3.4 Handhabung und Transport

- Transportieren Sie das Gerät am besten in seiner Originalverpackung. Diese Verpackung schützt das Gerät vor Beschädigungen.
- Legen Sie keine schweren Gegenstände auf dem Gerät oder der Verpackung ab. Andernfalls könnte das Gerät beschädigt werden.
- Falls das Gerät herunterfällt, ist es möglicherweise nicht mehr funktionsfähig oder weist dauerhafte Schäden auf.



For commissioning, general use and cleaning, please observe the instructions on pages 5 - 6 and 7 of this operating manual.

4 Problemlösung

Problem	Mögliche Ursache	Lösung
Obwohl das Gerät an die Stromversorgung angeschlossen ist, erhitzt sich die Sohle (9) nicht.	Der Stecker oder das Netzkabel des Geräts kann defekt sein.	Wenden Sie sich an den autorisierten Service, wenn das Gerät nicht funktioniert, obwohl es an das Stromnetz angeschlossen ist.
Das Gerät erzeugt keinen Dampf.	Die Wassermenge im Wassertank (8) reicht nicht aus.	Füllen Sie den Wassertank (8) bis zur MAX-Markierung mit Wasser.
		Betreiben Sie das Gerät im Dampf Modus.
Beim Bügeln fallen Sedimente und Rückstände von der Basis (9) ab.	Falls das Wasser für Ihr Gerät zu kalkhaltig ist, können sich Sedimente bilden.	Füllen Sie den Wasserbehälter des Geräts, indem Sie Leitungswasser und Trinkwasser für Ihre nächsten Bügelarbeiten mischen.
		Verwenden Sie die automatische Entkalkungsfunktion häufiger, wenn das Wasser in Ihrer Gegend hart ist.
Die Sohle weist Flecken (9) auf.	Nasse Kleidung wird gebügelt / es sind Zunder Flecken auf der Unterlage aufgetreten (9).	Wischen Sie die Sedimente und Rückstände mit einem leicht angefeuchteten Tuch ab, nachdem das Gerät ausreichend abgekühlt ist.
Das Symbol "CALC CLEAN" blinkt auf der LED-Anzeige (3).	Der Zeitpunkt für die Entkalkung ist erreicht.	Führen Sie den Entkalkungsvorgang durch.
Die Symbole auf dem LED-Bildschirm (3) sind nicht klar.	Die Schutzfolie auf dem LED-Bildschirm ist möglicherweise noch eingeschaltet.	Entfernen Sie die Schutzfolie auf dem LED-Bildschirm (3).
Geräusche durch das Gerät.	Der Wasserstand im Wassertank (8) kann niedrig sein. Das Auftreten von Geräuschen aufgrund einer Abnahme des Wassertanks ist normal.	Füllen Sie das Wasser bis zur MAX-Leitung in den Wassertank (8).

Vertriebsniederlassung Österreich für Beko Kleingeräte:

Elektra Bregenz AG
Pfarrgasse 77
A-1230, Wien



<http://at.beko.com/>

Sehr geehrter Kunde!

Vielen Dank, dass Sie sich für ein Qualitätsprodukt von Beko entschieden haben!

Unsere Geräte werden nach den neuesten technischen Erkenntnissen entwickelt, produziert und geprüft.

Sollte trotzdem eine Störung auftreten, so bitten wir Sie, sich mit Ihrem **Fachhändler** bzw. mit der Verkaufsstelle in Verbindung zu setzen.

Gewährleistungsansprüche können **nicht direkt bei Beko** geltend gemacht werden! Behalten Sie deshalb immer Ihre Verkaufsquittung als Beleg.

Wir danken Ihnen, für Ihr Vertrauen und wünschen Ihnen viel Freude mit Ihrem neuen Produkt!

Avant toute chose, veuillez lire ce manuel d'utilisation !

Chers clients,

Merci d'avoir choisi les produits Beko. Nous espérons que ce produit, fabriqué dans des installations modernes et soumis à un processus de contrôle qualité rigoureux, vous offre les meilleures performances possibles. C'est pourquoi nous vous recommandons, avant d'utiliser ce produit, de lire attentivement ce manuel et tous les autres documents fournis et de les conserver soigneusement pour toute consultation future. Si vous confiez le produit à quelqu'un d'autre, n'oubliez pas de lui remettre également le manuel d'utilisation. Veuillez à bien respecter les consignes et les instructions figurant dans le manuel d'utilisation.

Signification des symboles

Les symboles suivants sont utilisés tout au long de ce manuel :



Informations importantes et conseils utiles concernant l'utilisation de l'appareil.



AVERTISSEMENT : Avertissement sur les situations dangereuses concernant la sécurité des biens et des personnes.



AVERTISSEMENT : Avertissement en cas de contact avec une surface chaude.



AVERTISSEMENT : Risque de se brûler et de s'ébouillanter à cause de la vapeur



Ce produit a été fabriqué dans des usines écologiques et modernes.facilities.

Commandes et pièces

1. Buse de pulvérisation d'eau
2. Couvercle du réservoir d'eau
3. Affichage LED
4. Bouton pulvérisateur d'eau
5. Indicateur du thermostat et voyant d'arrêt automatique
6. Bouton jet de vapeur
7. Bouton de réglage de la température
8. Réservoir à eau
9. Semelle
10. Réservoir Calc-clean
11. Bouton de réglage de la vapeur
12. Compartiment d'enroulement de câble

Caractéristiques techniques

Tension	220-240V~50-60Hz
Consommation d'énergie	2520-3000 W
Jet de vapeur	280 g*
Quantité de vapeur continue	63 g/min
Classe d'isolement	I



*Mesuré à un niveau de température maximal, lorsque les jets de vapeur sont appliqués à des intervalles de 3 secondes pour une période de fonctionnement de 30 minutes.

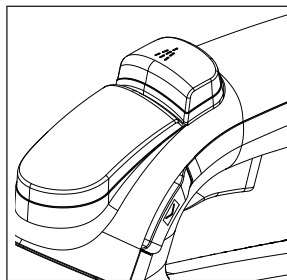
Droits de modifications techniques ou de conception réservés.

Affichage LED ;

Panneau de commande	Symboles	Remarques
		Mode vapeur
		Mode vapeur turbo
		Indicateur Arrêt automatique
	MAX	Mode Température maximale
	SMART	Mode Smart
	ECO	Mode Éco
	CALC CLEAN	Avertissement / mode Calc-clean

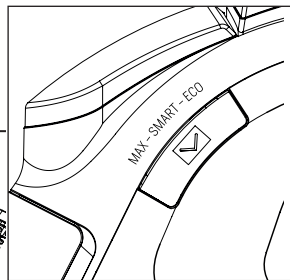
Les valeurs indiquées sur les inscriptions apposées sur votre appareil ou les autres documents fournis avec le produit sont des valeurs obtenues en conditions de laboratoire, conformément aux normes en vigueur. Ces valeurs peuvent varier selon l'utilisation de l'appareil et les conditions ambiantes.

Descriptions des boutons



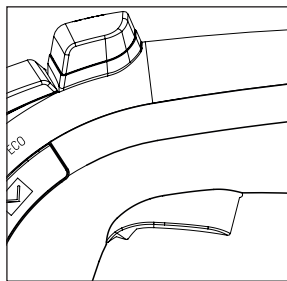
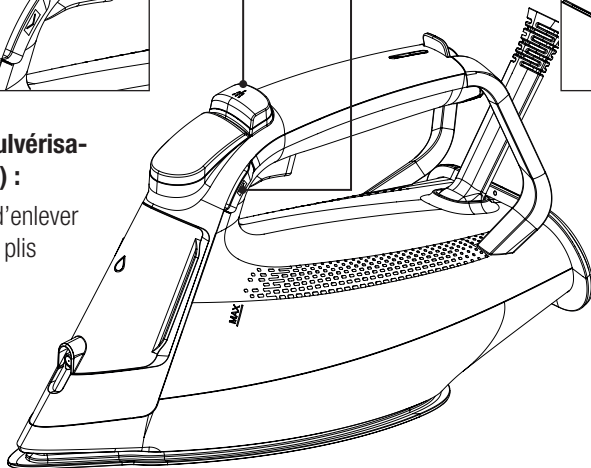
Bouton de pulvérisation d'eau (4) :

Vous permet d'enlever facilement les plis tenaces.



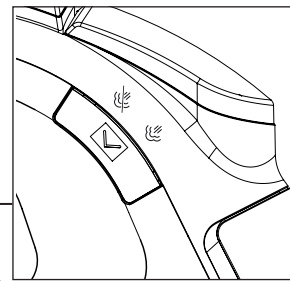
Bouton de réglage de la température (7) :

Sélectionnez le mode SMART applicable pour chaque type de tissu ou les modes ECO ou MAX pour un usage professionnel à l'aide du bouton de réglage de la température.



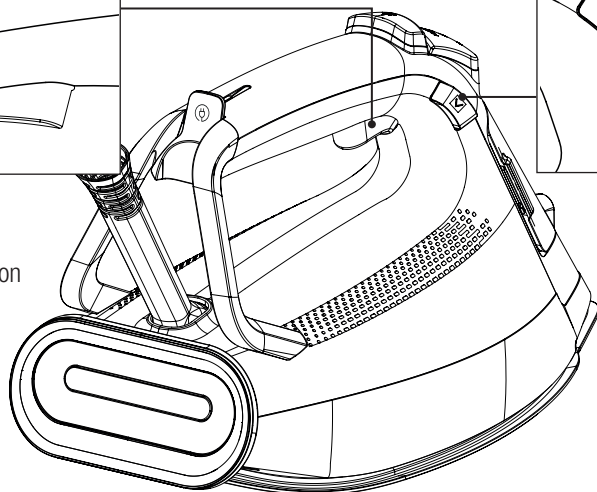
Bouton vapeur boost (6) :

Il assure la fonction de vapeur haute puissance dans tous les modes.



Bouton de réglage de la vapeur (11) :

Vous pouvez repasser avec ou sans vapeur.



1 Instructions importantes en matière de sécurité et d'environnement

Cette section contient les consignes de sécurité qui aident à se prémunir contre les risques de dommages corporels ou matériels.

Le non-respect de ces consignes annule la garantie.

1.1 Consignes générales de sécurité

- Cet appareil est conçu selon les normes internationales de sécurité.
- Cet appareil est conçu pour un usage domestique et des utilisations similaires comme :
 - dans les coins cuisine du personnel dans les magasins, bureaux, et autres environnements de travail ;
 - les fermes
 - Par les clients des hôtels et autres types d'environnements résidentiels ;
 - et dans les chambres d'hôte.

Il ne convient pas à une utilisation industrielle.

- Cet appareil n'est pas conçu pour être utilisé par des enfants de moins de 8 ans et par des personnes dont les capacités physiques, sensorielles ou mentales sont réduites ou qui manquent d'expérience et de connaissances, à moins d'être supervisées par une personne responsable de leur sécurité ou que celle-ci leur ait donné des consignes pour l'utilisation de l'appareil. Les enfants ne doivent pas jouer avec l'appareil. Les procédures de nettoyage et d'entretien par l'utilisateur ne doivent pas être exécutées par les enfants à moins qu'ils soient surveillés par les adultes.
- Ne laissez pas l'appareil sans surveillance lorsqu'il est branché.
- Débranchez l'appareil avant d'en remplir le réservoir d'eau.
- Utilisez et entreposez l'appareil sur une surface stable.

1 Instructions importantes en matière de sécurité et d'environnement

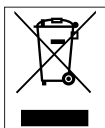
- Lorsque l'appareil est placé sur sa semelle, assurez-vous que la surface en dessous est équilibrée.
- N'utilisez pas l'appareil si le câble d'alimentation ou l'appareil lui-même est endommagé. Contactez un service agréé.
- Si l'appareil tombe, coule ou présente d'autres défauts, contactez un service agréé. N'utilisez pas l'appareil avant qu'il ne soit réparé.
- Lorsque vous n'utilisez pas l'appareil ou si vous l'avez laissé refroidir, gardez-le ainsi que le câble d'alimentation hors de la portée des enfants de moins de 8 ans.
- L'appareil n'est pas adapté pour une utilisation extérieure.
- Utilisez uniquement des pièces d'origine ou pièces recommandées par le fabricant.
- N'essayez pas de démonter l'appareil.
- Assurez-vous que votre source d'alimentation électrique soit conforme aux informations spécifiées sur la plaque signalétique de votre appareil.
- Un minimum de 16 A est nécessaire pour assurer la sécurité de l'alimentation secteur de l'appareil.
- Utilisez l'appareil uniquement avec une prise de terre.
- Ne branchez pas l'appareil sur une rallonge.
- Ne tirez pas sur le câble d'alimentation de l'appareil pour le débrancher de l'alimentation.
- Veillez à toujours débrancher l'appareil avant de le nettoyer.
- N'enroulez pas le câble d'alimentation autour de l'appareil. Enroulez le câble d'alimentation uniquement autour de la section d'enroulement du câble prévue à l'arrière de l'appareil.
- Évitez de toucher l'appareil ou sa fiche avec des mains humides ou mouillées lorsqu'il est branché.

1 Instructions importantes en matière de sécurité et d'environnement

- La semelle et ses parties environnantes peuvent être extrêmement chaudes. Tout contact avec les surfaces chaudes peut entraîner des brûlures. Par conséquent, pendant ou juste après l'utilisation de l'appareil, évitez de toucher les surfaces chaudes.
- N'utilisez jamais l'appareil à proximité des lieux et matériaux combustibles ou inflammables.
- Si vous conservez les matériaux d'emballage, tenez-les hors de la portée des enfants.
- N'ouvrez pas le couvercle de remplissage d'eau pendant l'utilisation.

1.2 Conformité avec la directive DEEE et mise au rebut de l'appareil usagé

Cet appareil est conforme à la directive DEEE (2012/19/UE). Cet appareil porte le symbole de classification pour les déchets des équipements électriques et électroniques (DEEE).



Ce symbole indique que ce produit ne doit pas être jeté avec les déchets ménagers à la fin de sa vie utile. Les appareils usagés doivent être retournés au point de collecte officiel destiné au recyclage des appareils électriques et électroniques.

Pour trouver ces systèmes de collecte, veuillez contacter les autorités locales ou le détaillant auprès duquel vous avez acheté le produit. Chaque ménage joue un rôle important dans la récupération et le recyclage des appareils ménagers usagés. L'élimination appropriée des appareils usagés aide à prévenir les conséquences négatives potentielles pour l'environnement et la santé humaine.

1.3 Conformité avec la directive RoHS

L'appareil que vous avez acheté est conforme à la Directive RoHS de l'UE (2011/65/UE). Il ne contient pas de matières dangereuses et interdites spécifiées dans la directive.

1.4 Informations concernant l'emballage



Les matériaux d'emballage de ce produit ont été fabriqués à partir de matières recyclables, conformément à notre Engagement en matière d'environnement. Ne jetez pas les matériaux d'emballage avec les déchets domestiques et autres déchets. Déposez-les dans l'un des points de collecte de matériaux d'emballage prévus par l'autorité locale.

2 Fonctionnement

2.1 Utilisation conforme

Cet appareil a été conçu uniquement pour une utilisation domestique et pour le repassage ; il ne convient pas à un usage professionnel.

2.2 Première utilisation

Retirez le film de protection de l'écran LED (3). Lors de la première utilisation, remplissez le réservoir d'eau et vaporisez l'eau pour éliminer les résidus de fabrication. Pendant ce temps, utilisez constamment le bouton (6) jet de vapeur.



Vous pouvez percevoir une légère odeur ou observer des sédiments sur les trous de la semelle lors de la première utilisation. Après deux processus de vaporisation, l'odeur et les sédiments disparaissent. En outre, des gouttelettes d'eau peuvent également se former à l'intérieur du réservoir d'eau ; c'est tout à fait normal.

2.3 Remplissage du réservoir d'eau



AVERTISSEMENT : Ne remplissez pas le réservoir (8) de parfum, vinaigre, amidon, de produits de nettoyage du calcaire ou tout autre substance ou produit chimique facilitant le repassage.



Vous pouvez utiliser votre appareil avec de l'eau du robinet. Si l'eau de votre robinet est trop calcaire, nous vous recommandons d'utiliser un mélange d'eau du robinet et d'eau potable.

2.4 Réglage de la température et repassage à sec

Lorsque vous réglez la température de votre appareil, nous vous recommandons de tenir compte des indications du tableau ci-après.

Type de tissu	Réglage de la température	Réglage de la vapeur
Soie	ÉCO-SMART	Avec/sans vapeur
Laine	SMART	Avec/sans vapeur
Coton	SMART-MAX	Avec/sans vapeur
Lin-Jean	SMART-MAX	Avec/sans vapeur



AVERTISSEMENT : Prenez en compte les instructions de repassage mentionnées sur l'étiquette du tissu avant de le repasser.



- Votre appareil démarre en mode « SMART » lorsqu'il est allumé.
- Vous pouvez repasser en toute sécurité tous les tissus adaptés au repassage en mode « SMART ».
- Si vous n'arrivez pas à définir la matière de votre vêtement, repassez d'abord une partie non visible du vêtement, afin de déterminer la température qui lui convient.
- Pour éviter les effets de brillance éventuels sur les matières synthétiques telles que la soie, repassez le vêtement à l'envers. N'utilisez pas la fonction de pulvérisation pour prévenir la formation des taches.

2 Fonctionnement

2.5 Repassage à la vapeur



AVERTISSEMENTS

- Lorsque vous réglez l'appareil en mode vapeur, il ne produit pas de vapeur à moins que vous ne le déplacez. L'appareil dégage de la vapeur lorsque vous le déplacez. L'appareil est équipé d'un capteur de mouvement.
- Le bruit provenant de l'appareil peut augmenter si le niveau d'eau dans le réservoir d'eau diminue. Dans ce cas, remplissez le réservoir jusqu'au niveau «MAX».

2.6 Vapeur turbo

Vous pouvez utiliser la fonction vapeur turbo lorsque la température est réglée sur la position « MAX ».



Utilisez la fonction vapeur turbo pour obtenir de plus grandes quantités de vapeur pour un repassage rapide sur des tissus épais.



AVERTISSEMENT : Lorsque vous réglez l'appareil en mode vapeur, il ne produit pas de vapeur à moins que vous ne le déplacez. L'appareil dégage de la vapeur lorsque vous le déplacez. L'appareil est équipé d'un capteur de mouvement.

2.7 Jet de vapeur

Vous pouvez utiliser la fonction de jet de vapeur dans tous les modes.



AVERTISSEMENTS

- Patientez quelques secondes avant d'appuyer à nouveau sur le bouton jet de vapeur (6). Si vous appuyez plusieurs fois sur le bouton jet de vapeur (6), l'eau peut traverser la semelle (9) en même temps que la vapeur.
- Au début du repassage, le fer peut ne pas produire de jet de vapeur pendant les deux premiers essais.



AVERTISSEMENT : Le témoin lumineux du thermostat (5) doit s'éteindre afin de pouvoir utiliser la fonction jet de vapeur.



AVERTISSEMENT : N'orientez jamais la vapeur vers les personnes ou les animaux domestiques.



AVERTISSEMENT : Si le voyant lumineux du thermostat (5) s'allume pendant le repassage, attendez que le voyant (5) s'éteigne avant de procéder au jet de vapeur.

2.8 Pulvérisation de l'eau



- Assurez-vous qu'il y a suffisamment d'eau dans le réservoir (8) avant de pulvériser l'eau.
- Vous pouvez facilement redresser le vêtement en utilisant la fonction de pulvérisation.

2.9 Système anti-goutte

L'appareil est équipé d'un système anti-goutte. Le fer à repasser arrête automatiquement la vaporisation lorsque la température est trop basse afin d'empêcher l'eau de sortir de la semelle (9).

Le système anti-goutte permet de repasser même les tissus les plus délicats.

2 Fonctionnement

2.10 Arrêt automatique



- Si le fer est éteint automatiquement, le symbole ☺ clignote.
- La semelle (9) peut mettre environ 60 secondes pour atteindre la température précédemment réglée.
- Si vous déplacez l'appareil en position horizontale, il s'allume.

3 Nettoyage et entretien

3.1 Nettoyage



AVERTISSEMENTS

- N'utilisez jamais d'essence, de solvant, d'agent nettoyant abrasif ou de brosses dures pour nettoyer votre fer.
- Ne mettez jamais de vinaigre, de détartrants, d'amidon de blanchisserie, de parfum ou tout autre produit d'aide au repassage dans le fer à vapeur.
- Ne lavez pas votre appareil sous l'eau courante ou ne le trempez pas dans de l'eau ou dans tout autre liquide.
- N'utilisez pas d'agents nettoyants abrasifs pour nettoyer la semelle (9).

3.2 Nettoyage automatique Calc Clean

- Ce procédé permet de nettoyer les particules de calcaire qui s'accumulent dans l'appareil.
- Utilisez cette fonction lorsque l'avertissement « **CALC-CLEAN** » apparaît à l'écran.
- Remplissez le réservoir d'eau jusqu'au niveau (8) MAX.



- Ne déplacez pas l'appareil pendant le nettoyage. Dans un tel cas, la procédure de nettoyage doit être répétée.
- Vous pouvez exécuter cette procédure en suivant les mêmes étapes sans attendre l'avertissement « **CALC-CLEAN** »



AVERTISSEMENTS

- Étant donné que le réservoir de détartrage (10) doit chauffer et que de l'eau de condensation chaude doit être recueillie pendant le fonctionnement, ne touchez pas le réservoir et le fer à vapeur, et videz-le lorsqu'il est refroidi.
- Une grande quantité de vapeur doit sortir de l'appareil et du réservoir de détartrage pendant le processus de détartrage.



La fonction autonettoyante élimine la saleté à l'intérieur de la semelle. Nous recommandons d'utiliser cette fonction tous les 10-15 jours.

3 Nettoyage et entretien

3.3 Entreposage

- Si vous ne comptez pas utiliser votre appareil pendant un certain temps, veuillez le ranger soigneusement.
- Avant de lever l'appareil, débranchez-le, puis laissez-le refroidir complètement.
- Videz le réservoir d'eau.
- Rangez l'appareil et ses accessoires dans leurs emballages d'origine.
- Conservez-le dans un endroit frais et sec.
- Toujours tenir l'appareil hors de portée des enfants.

3.4 Manipulation et transport

- Pendant la manipulation et le transport, portez toujours l'appareil dans son emballage d'origine. L'emballage de l'appareil le protège des dommages physiques.
- Ne placez pas d'articles lourds sur l'appareil ou sur l'emballage. Cela pourrait endommager l'appareil.
- Toute chute de l'appareil peut le rendre non opérationnel ou l'endommager de façon permanente.



Pour la mise en service, l'utilisation générale et le nettoyage, veuillez respecter les instructions figurant aux pages 5-6-7 du présent manuel d'utilisation.

4 Dépannage

Problème	Raison éventuelle	Solution
La semelle (9) ne chauffe plus, alors que le fer est branché.	La fiche ou le cordon d'alimentation de l'appareil peut être défectueux.	Contactez le service agréé si l'appareil ne fonctionne pas malgré qu'il est branché.
L'appareil ne produit pas de vapeur.	La quantité d'eau dans le réservoir d'eau (8) pourrait être insuffisante.	Remplissez le réservoir d'eau (8) avec de l'eau jusqu'au niveau MAX.
		Utilisez l'appareil en mode vapeur.
Des sédiments et des résidus tombent de la base (9) lors du repassage.	Si l'eau que vous utilisez pour votre appareil est trop calcaire, des sédiments peuvent se former.	Remplissez le réservoir d'eau de l'appareil en mélangeant l'eau du robinet et l'eau potable pour vos prochaines opérations de repassage.
		Utilisez plus souvent la fonction de détartrage automatique si l'eau contenue dans votre zone est dure.
La semelle comporte des taches (9).	Les vêtements mouillés sont repassés / des taches de calcaire sont apparues sur la base (9).	Essuyez les sédiments et les résidus avec un chiffon légèrement humide une fois que l'appareil est suffisamment refroidi.
Le symbole « CALC CLEAN » clignote sur l'affichage LED (3).	Il est alors temps de procéder au détartrage.	Effectuez le détartrage.
Les icônes sur l'écran LED (3) ne sont pas claires.	Le film protecteur de l'écran LED peut être encore présent.	Retirez le film de protection de l'écran LED (3).
Le bruit de l'appareil.	Le niveau d'eau dans le réservoir d'eau (8) peut être réduit. L'apparition de bruits dus à la diminution du réservoir d'eau est normale.	Remplissez l'eau jusqu'à la ligne MAX dans le réservoir d'eau (8).

¡Por favor, lea el manual de usuario antes de utilizar el aparato!

Estimados clientes:

Gracias por elegir un producto Beko. Esperamos que obtenga los mejores resultados de nuestro producto, ya que ha sido fabricado con gran calidad y con tecnología de última generación. Por lo tanto, por favor lea este manual de usuario con atención y el resto de documentos que lo acompañan antes de utilizar el producto y manténgalo como una referencia para futuras consultas. Si entrega el producto a otra persona, proporcionele también el manual de usuario. Siga todas las advertencias e información del manual de usuario.

Significado de los símbolos

Los siguientes símbolos se utilizan en varias secciones de este manual:



Información importante y consejos útiles sobre su uso.



ADVERTENCIA: Advertencias sobre situaciones peligrosas concernientes a la seguridad de las personas y la propiedad.



ADVERTENCIA: Advertencia sobre superficies calientes.



ADVERTENCIA: Riesgo de quemadura o escaldadura debido al vapor.



Este aparato ha sido fabricado en unas instalaciones respetuosas con el medio ambiente y en instalaciones de vanguardia.

Control y piezas

1. Boquilla de pulverización de agua
2. Tapa para la recarga de agua
3. Pantalla LED
4. Botón de pulverización de agua
5. Indicador de termostato y luz de apagado automático
6. Botón de descarga de vapor
7. Botón de ajuste de la temperatura
8. Depósito de agua
9. Base
10. Depósito limpiador de cal
11. Botón de ajuste de vapor
12. Compartimento de recogida del cable

Datos técnicos

Voltaje	220-240V~50-60Hz
Consumo de energía	2520-3000W
Descarga de vapor	280 g*
Vapor continuo	63 g/min
Clase de aislamiento	I



*Medido a nivel de temperatura máxima, cuando se aplica un chorro de vapor con intervalos de 3 segundos durante un período de funcionamiento de 30 minutos.

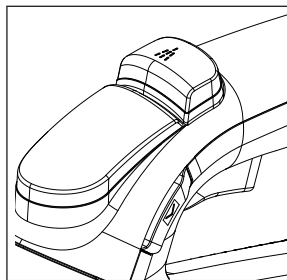
Queda reservado el derecho a modificaciones técnicas y de diseño.

Pantalla LED;

Panel de control	Símbolos	Observaciones
		Modo vapor
		Modo turbo vapor
		Indicador de apagado automático
	MAX	Modo temperatura máxima
	SMART	Modo inteligente
	ECO	Modo Eco
	CALC CLEAN	Advertencia/modo limpiador de cal

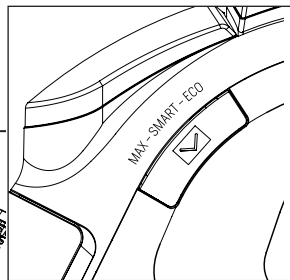
Los valores declarados en los marcadores adjuntos en su aparato o en los demás documentos impresos facilitados junto al mismo representan los valores que fueron obtenidos en los laboratorios conforme a las normas pertinentes. Estos valores pueden variar según el uso que se haga del aparato y de las condiciones ambientales.

Descripción de los botones



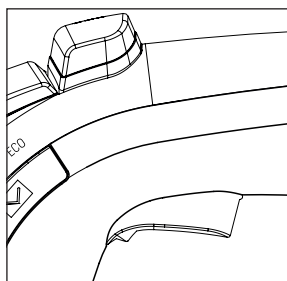
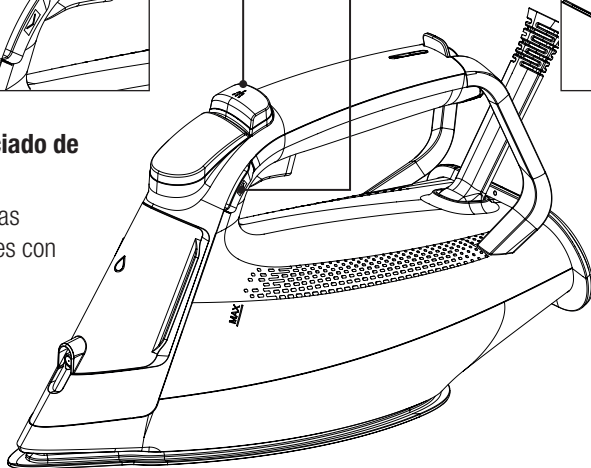
Botón de rociado de agua (4):

Puede quitar las arrugas difíciles con facilidad.



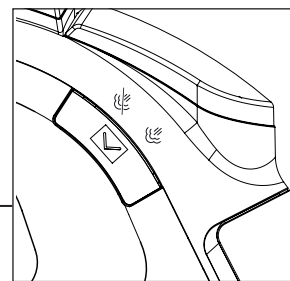
Botón de ajuste de la temperatura (7):

Seleccione el modo SMART aplicable a cada tipo de tejido o los modos ECO o MAX para un uso profesional mediante el botón de ajuste de temperatura.



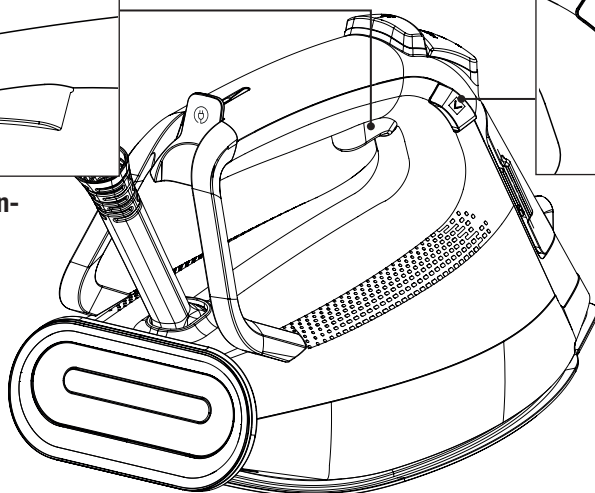
Botón de aumento de vapor (6):

Proporciona una función de aumento de vapor en todos los modos.



Botón de ajuste de vapor (11):

Puede planchar con o sin vapor.



1 Instrucciones importantes para la seguridad y el medio ambiente

Esta sección contiene instrucciones de seguridad que le ayudarán a protegerse contra los riesgos de lesiones personales o daño a la propiedad.

En caso de no seguir estas instrucciones se invalidará la garantía concedida.

1.1 Seguridad general

- Este aparato cumple con los estándares internacionales sobre seguridad.
- Este aparato está destinado al uso doméstico y aplicaciones parecidas, como por ejemplo:
 - Cocinas para uso del personal de tiendas, oficinas y otros entornos laborales;
 - Casa rurales;
 - Por clientes en hoteles o cualquier otro tipo de entorno residencial;
 - Entornos de tipo «Habitación y desayuno» (Bed and Breakfast).

No es conveniente para el uso industrial.

- Los niños a partir de 8 años y los adultos cuyas facultades físicas, sensoriales o mentales estén mermadas o que carezcan de la experiencia o conocimientos necesarios sobre el aparato pueden usar el aparato, siempre y cuando lo hagan bajo supervisión o reciban la información pertinente sobre su uso seguro y los peligros asociados. No deje que los niños jueguen con el aparato. Las tareas de limpieza y mantenimiento no deben dejarse en manos de niños a menos que estén bajo la supervisión de un adulto.
- Nunca deje el producto desatendido mientras esté enchufado.
- Desenchufe el producto antes de cargar el depósito de agua con agua.
- Utilice el aparato sobre una superficie de trabajo estable.
- Cuando el aparato se coloca en su placa base, asegúrese de que la superficie debajo de la placa esté nivelada.

1 Instrucciones importantes para la seguridad y el medio ambiente

- Nunca utilice el aparato si éste o el cable de alimentación están dañados. Póngase en contacto con un servicio de atención al cliente autorizado.
- Si el aparato se cae, pierde agua o tiene otros fallos, póngase en contacto con el servicio de atención al cliente autorizado. No utilice el aparato hasta que esté reparado.
- Cuando el aparato no esté en uso o se haya enfriado mantenga la aplicación y el cable de alimentación fuera del alcance de los niños menores de 8 años.
- El aparato no es apto para su uso en exteriores.
- Utilice únicamente accesorios originales o bien los que recomienda el fabricante.
- No trate de desmontar el aparato.
- Su fuente de alimentación debe ser conforme a la información que se indica en la placa de datos del aparato.
- La fuente de alimentación del aparato debe protegerse con un fusible de 16 A como mínimo.
- Use el aparato únicamente con un enchufe con toma a tierra.
- No utilice este aparato con un cable alargador.
- No tire del cable de alimentación cuando desenchufe el aparato.
- Desenchufe el aparato antes de limpiarlo.
- No envuelva el cable alrededor del aparato. Envuelva el cable en la parte habilitada para ello que se encuentra en la parte trasera del aparato.
- No toque el aparato o su enchufe con las manos húmedas o mojadas cuando esté conectado a la red eléctrica.

1 Instrucciones importantes para la seguridad y el medio ambiente

- La base y su área circundante pueden estar extremadamente calientes. El contacto con superficies calientes puede causar quemaduras. Por lo tanto, tenga cuidado de no tocar las partes calientes durante o justo después de usar el aparato.
- No utilice el aparato en lugares con materiales u objetos combustibles o inflamables, o cerca de ellos.
- Si guarda el material de embalaje, manténgalo fuera del alcance de los niños.
- No abra la tapa de relleno de agua durante su uso.

1.2 Conformidad con la Directiva RAEE y eliminación del producto al final de su vida útil

Este producto cumple con la Directiva RAEE de la UE (2012/19/UE). Este producto lleva un símbolo de clasificación de residuos de aparatos eléctricos y electrónicos (RAEE).



Este símbolo indica que este producto no debe eliminarse con otros residuos domésticos al final de su vida útil. El dispositivo usado debe ser devuelto al punto de recogida oficial para el reciclaje de los dispositivos eléctricos y electrónicos.

Para encontrar estos sistemas de recogida, por favor, póngase en contacto con las autoridades locales o con el distribuidor donde se compró el producto. Cada hogar desempeña un papel importante en la recuperación y el reciclaje de los aparatos antiguos. La eliminación adecuada de los aparatos usados ayuda a prevenir las posibles consecuencias negativas para el medio ambiente y la salud humana.

1.3 Conformidad con la Directiva RoHS

El producto que ha adquirido cumple con la Directiva RoHS de la UE (2011/65/UE). No contiene materiales peligrosos ni prohibidos especificados en la Directiva.

1.4 Información sobre el embalaje



Los materiales de embalaje del producto están fabricados con materiales reciclables de acuerdo con nuestra Normativa nacional de medio ambiente. No elimine los materiales de embalaje junto con los residuos domésticos o de otro tipo. Llévelos a los puntos de recogida de material de embalaje designados por las autoridades locales.

2 Funcionamiento

2.1 Uso previsto

Este aparato está pensado únicamente para uso doméstico y de planchado; no es apto para uso profesional.

2.2 Primer uso

Retire el film protector de la pantalla LED (3). Durante el primer uso, llene el depósito de agua y vaporice el agua para eliminar los residuos del proceso de fabricación. Mientras tanto, utilice a menudo el botón de descarga de vapor (6).



Se puede sentir un leve olor o ver sedimentos blancos que salen de los agujeros de la base durante el primer uso. Después de realizar el proceso de vaporización dos veces, estos olores y sedimentos desaparecerán. También se pueden formar gotitas en el depósito de agua; esto es normal.

2.3 Recarga del depósito de agua



ADVERTENCIA: No llene el depósito de agua (8) con perfume, vinagre, almidón de lavandería, limpiadores de cal u otros productos o sustancias químicas para facilitar el proceso de planchado.



El aparato es apto para su uso con agua del grifo. Si el agua del grifo es demasiado dura, le recomendamos usar una mezcla de agua del grifo con agua potable.

2.4 Ajuste de temperatura y planchado en seco

Cuando ajuste la temperatura del aparato, tenga en cuenta la tabla siguiente.

Tipo de tejido	Ajuste de temperatura	Ajustes de vapor
Seda	ECO-SMART	Con/sin vapor
Lana	SMART	Con/sin vapor
Algodón	SMART-MAX	Con/sin vapor
Lino-Vaqueros	SMART-MAX	Con/sin vapor



ADVERTENCIA: Siga las instrucciones de planchado indicadas en la etiqueta del tejido que vaya a planchar.



- Su aparato, cuando se enciende, se pone en modo "SMART" (Inteligente).
- Puede planchar de forma segura todos los tejidos aptos para ser planchados en modo "SMART".
- Si desconoce el tejido de la prenda, planche primero una parte que no sea visible para determinar cuál es la temperatura correcta para el planchado.
- Para evitar las marcas de brillo en los tejidos sintéticos como la seda, planche la prenda del revés. No utilice la función de vaporizar para evitar la formación de manchas.

2.5 Planchado con vapor



ADVERTENCIA: Al poner el aparato en modo vapor, este no expulsará vapor a menos que lo mueva. El aparato expulsará vapor cuando lo mueva. El aparato está equipado con un sensor de movimiento.

2 Funcionamiento



ADVERTENCIA: El ruido procedente del aparato puede aumentar en caso de que baje el nivel de agua del depósito. En tal caso, rellénelo hasta la marca "MAX" de nivel máximo.

2.6 Turbo vapor

Puede utilizar la función de turbo vapor cuando la temperatura está en la posición "MÁX".



Utilice la función de turbo vapor para obtener mayores cantidades de vapor y para el planchado rápido de tejidos gruesos.



ADVERTENCIA: Al poner el aparato en modo vapor, este no expulsará vapor a menos que lo mueva. El aparato expulsará vapor cuando lo mueva. El aparato está equipado con un sensor de movimiento.

2.7 Descarga de vapor

Puede utilizar la función de chorro de vapor en todos los modos.



ADVERTENCIAS

- Espere unos segundos antes de volver a pulsar el botón de descarga de vapor (6). Si se sigue pulsando repetidamente el botón de descarga de vapor (6), es posible que salga agua por la base (9) junto con el vapor.
- Al principio del planchado, es posible que la plancha no genere una descarga de vapor durante los momentos iniciales de prueba.
- La luz indicadora del termostato (5) tiene que apagarse para poder utilizar la función de descarga de vapor.



ADVERTENCIA: Nunca dirija el vapor hacia las personas o las mascotas.



ADVERTENCIA: Si la luz indicadora del termostato (5) se enciende durante el planchado, espere a que la luz (5) se apague antes de continuar con el proceso de descarga de vapor.

2.8 Pulverización de agua



- Asegúrese de que haya suficiente agua en el depósito (8) antes de pulverizar.
- Puede eliminar fácilmente arrugas con la función de pulverización de agua.

2.9 Sistema antigoteo

El aparato está equipado con un sistema antigoteo. La plancha interrumpe automáticamente la vaporización cuando la temperatura es demasiado baja para evitar que el agua salga por la base (9).

El sistema antigoteo hace posible el planchado incluso de los tejidos más delicados.

2.10 Apagado automático



- Si la plancha se apaga automáticamente, el símbolo ☹ parpadeará.
- Puede que la base (9) tarde alrededor de 60 segundos en alcanzar el nivel de temperatura anterior.
- Si el aparato se mueve en posición horizontal se encenderá.

3 Limpieza y cuidado

3.1 Limpieza



ADVERTENCIAS

- No utilice gasolina, disolventes o agentes de limpieza abrasivos o cepillos duros para limpiar el aparato.
- Nunca ponga vinagre, descalcificador, almidón de lavandería, perfume u otros productos auxiliares que ayuden en el planchado al aparato.
- No lave el aparato bajo un chorro de agua ni lo deje en remojo en agua u otros líquidos.
- No utilice productos de limpieza abrasivos para limpiar la base (9).

3.2 Limpiador de cal automático

- Este proceso permite limpiar las partículas de cal que se acumulan en el aparato.
- Utilice esta opción cuando aparezca en la pantalla la advertencia “**CALC-CLEAN**”.
- Llene el depósito de agua hasta el nivel máximo (8).



- No mueva el aparato durante la limpieza. En tal caso, el procedimiento de limpieza ha de repetirse.
- Puede realizar este procedimiento siguiendo los mismos pasos sin esperar la advertencia de “**CALC-CLEAN**”.



ADVERTENCIAS

- Ya que durante el uso del aparato el depósito de descalcificación (10) se calentará y se acumulará agua de condensación caliente, no toque el depósito o la plancha. Vacíe el depósito de agua cuando el aparato se haya enfriado.
- Una gran cantidad de vapor saldrá del aparato y del depósito de descalcificación durante el procedimiento de descalcificación.



La función de limpieza automática elimina la suciedad del interior de la base. Le recomendamos que utilice esta función cada 10-15 días.

3.3 Almacenaje

- Si no piensa utilizar el aparato durante un periodo prolongado, guárdelo con cuidado.
- Antes de levantar el aparato, desenchúfelo y luego deje que se enfríe completamente.
- Vacíe el depósito de agua.
- Guarde el aparato y sus accesorios en su embalaje original.
- Guárdelo en un lugar fresco y seco.
- Mantenga siempre el aparato fuera del alcance de los niños.

3.4 Manejo y transporte

- Durante el manejo y el transporte, lleve el aparato en su embalaje original. El embalaje del aparato lo protege de daños físicos.
- No coloque objetos pesados encima del aparato o del embalaje. El aparato podría dañarse.
- Dejar caer el aparato podría causar que dejara de funcionar o causar un daño permanente.



Para la puesta en marcha, uso general y limpieza, por favor siga las instrucciones de las páginas 5-6-7 de este manual de instrucciones.

4 Resolución de problemas

Problema	Posible motivo	Solución
Aunque el aparato esté enchufado, la base (9) no se calienta.	El enchufe o el cable de alimentación del aparato puede estar defectuoso.	Póngase en contacto con el servicio técnico autorizado si el aparato no funciona aunque esté enchufado.
El aparato no genera vapor.	Es posible que la cantidad de agua del depósito de agua (8) sea insuficiente.	Llene el depósito de agua (8) con agua hasta el nivel máximo.
		Use el aparato en modo de vapor.
Los sedimentos y residuos caen de la base (9) mientras se plancha.	Si el agua que utiliza para su aparato es demasiado calcárea, se pueden formar sedimentos.	Llene el depósito de agua del aparato mezclando agua del grifo y agua potable en los siguientes planchados.
		Use la función de descalcificación automática con más frecuencia si el agua de su zona es dura.
Hay manchas en la base (9).	Prendas humedecidas planchadas / han aparecido manchas de cal en la base (9).	Limpie los sedimentos y residuos con un paño ligeramente humedecido después de que el aparato se enfríe adecuadamente.
El símbolo "CALC CLEAN" parpadea en la pantalla LED (3).	Se ha alcanzado el tiempo de descalcificación.	Realice el procedimiento de descalcificación.
Los iconos en la pantalla led (3) no están claros.	Es posible que el film protector aún esté colocado en la pantalla.	Retire el film protector de la pantalla LED (3).
Ruido del aparato.	El nivel de agua del depósito de agua (8) puede ser reducido. El ruido del aparato por bajar el nivel de agua del depósito es normal.	Llene con agua hasta la marca MAX en el depósito de agua (8).



**Contacto para asistencia técnica:
902 877 665/ 932 992 581**

CONDICIONES DE GARANTIA - ESPAÑA

El presente certificado cubre la garantía de reparación de su electrodoméstico durante dos años, a partir de la fecha de venta, contra todo defecto de funcionamiento proveniente de fabricación o materiales; o de sustitución del aparato, salvo que una de estas opciones resulte imposible o desproporcionada respecto de la otra. Cuando usted detecte un defecto o anomalía en el aparato contacte de forma inmediata con nosotros, un plazo de dos meses es el límite para informarnos de la falta de conformidad. El cargo de desplazamiento está incluido en la reparación, excepto para pequeños electrodomésticos que pueden ser transportados al taller del servicio oficial de la marca. En caso de sustitución, el plazo de garantía se suspende y el nuevo aparato mantendrá el periodo de vigencia del aparato sustituido, y como mínimo 6 meses de garantía.

La presente garantía sólo será válida si se presenta factura, ticket de compra o el albarán de entrega del producto correspondiente si éste fuera posterior a la fecha de factura. La presente garantía es válida en el territorio español y portugués para los aparatos distribuidos por Beko Electronics España S.L.. La garantía sólo tendrá validez sobre el primer comprador o adquirente del producto. La garantía será válida para aparatos adecuados a las condiciones climáticas y medioambientales en que estén ubicados.

EXCLUSIONES DE LA GARANTIA

El coste de la reparación será a cargo del usuario en los siguientes casos:

- Los aparatos utilizados para uso profesional o no exclusivamente doméstico, en establecimientos públicos, industriales o comerciales.
- Los aparatos desmontados o manipulados por personas ajenas a los servicios técnicos expresamente autorizados.
- Las instalaciones, transporte, sustitución de aparatos, puestas en marcha, cambio de sentido de puertas.
- Intervenciones de mantenimiento o de información sobre el uso de los aparatos.
- Cambio de inyectores en aparatos de gas.
- Las averías provocadas por falta de mantenimiento o limpieza o aquellas provocadas por un uso indebido, sobrecarga, abandono o de manera no conforme a las instrucciones de uso o de instalación de los aparatos.
- Las averías producidas por causas fortuitas, siniestros de fuerza mayor o derivados de instalación incorrecta y en general, averías por causas ajenas al propio aparato.
- Las averías provocadas por conexiones que puedan presentar fluctuaciones, irregularidades o falta de uniformidad en el suministro, por ejemplo: suministro de agua impulsado por grupos de presión, energía solar, energía eólica, generadores eléctricos, u otro tipo de suministro no normalizado.
- La sustitución de materiales rotos o deteriorados por desgaste o uso normal del aparato tales como juntas, plásticos, gomas, correas, cristales, escobillas, bombillas, asas, tiradores, tapas de quemadores, filtros, rejillas, ánodos de sacrificio (magnesio o similares) de calentadores o calderas, etc.
- Los aparatos que presenten oxidación, o daños por corrosión en esmaltes o pinturas, que puedan ser provocados por efectos químicos o electroquímicos del agua o cualquier otra sustancia, o aceleradas por circunstancias ambientales o climáticas no propicias.
- Defectos estéticos en serigrafía o pintura.
- Los daños de transporte o manipulación, golpes, etc.
- Los aparatos deben instalarse de forma accesible para su reparación, debiendo asumir el usuario los costes necesarios para el acceso al aparato para su reparación y sustitución.

La presente garantía no afecta a los derechos de que dispone el consumidor conforme a lo previsto en el Real Decreto 1/2007, de 16 de noviembre, por el que se aprueba el texto refundido de la Ley General para la Defensa de los Consumidores y Usuarios y otras leyes complementarias, y la Ley 3/2014 que la modifica.

El Servicio Oficial de Asistencia Técnica resolverá cualquier incidencia que pudiera precisar su electrodoméstico siempre que el aparato esté instalado de forma accesible.

Para asegurarse que su electrodoméstico va a ser intervenido por un técnico oficial autorizado, rogamos solicite el carnet avalado por ANFEL (Asociación Nacional de Fabricantes de Electrodomésticos) a nuestros técnicos.

Las marcas BEKO, ALTUS, ARDEM, BLOMBERG, NORTLINE y GRUNDIG se distribuyen por Beko Electronics España S.L.

DATOS APARATO (a rellenar por el Distribuidor):

Titular:		Sello Establecimiento:
Modelo:	Núm. serie:	
Establecimiento:	Fecha de compra:	

El garante e importador de su electrodoméstico es: BEKO ELECTRONICS ESPAÑA S.L. Calle Provenza nº 388 3º Barcelona 08025, España. El producto ha sido fabricado por ARÇELIK A.S (Arçelik A.S.Sütlüce Karaağaç Cad. No:2-6 34445 Beyoğlu, İstanbul, Turkey).
Conózcamos mejor en nuestra página: www.beko.es. Conserve este documento, es importante para usted.



**Contacte a assistência técnica:
00351 225191300/
00351 225191309**

CONDIÇÕES DE GARANTIA - PORTUGAL

Este certificado cobre a garantia de reparação do seu eletrodoméstico por dois anos a contar da data de compra, contra defeitos de funcionamento provenientes do fabrico ou dos materiais; ou de substituição do dispositivo, a menos que uma dessas opções seja impossível ou desproporcionada em relação à outra. Quando detetar um defeito ou anomalia no aparelho entre imediatamente em contacto connosco, existe um prazo limite de dois meses para nos informar sobre a falta de conformidade. O valor da deslocação está incluído na reparação, com exceção de pequenos aparelhos que podem ser transportados para a oficina do serviço oficial da marca. Em caso de substituição, o período de garantia fica suspenso e o aparelho irá manter o prazo de validade do aparelho substituído e no mínimo 6 meses de garantia.

Esta garantia só será válida se a fatura, recibo de venda ou a entrega do produto em questão for posterior à data da fatura. Esta garantia é válida em território espanhol e português para aparelhos distribuído pela Beko Electronics Espanha SL. A garantia só é válida para o primeiro comprador ou adquirente do produto. A garantia é válida para dispositivos adaptados às condições climáticas e ambientais em que se situam.

EXCLUSÕES DA GARANTIA

O custo da reparação será pago pelo utilizador nos seguintes casos:

- Aparelhos utilizados para uso profissional ou não exclusivamente doméstico, em estabelecimentos comerciais, industriais ou públicos.
- O equipamento desmontado ou adulterado por alguém que não seja expressamente autorizado pelos serviços técnicos.
- A instalação, transporte, substituição de equipamento, colocação em funcionamento, alteração do sentido das portas.
- Intervenções de manutenção ou informações sobre a utilização dos aparelhos.
- Alteração de injetores em aparelhos a gás.
- As avarias causadas pela falta de manutenção ou limpeza, ou aquelas causadas por um uso inadequado, sobrecarga, abandono ou de forma a não respeitar as instruções de uso ou instalação dos aparelhos.
- As avarias provocadas por causas acidentais, sinistros de força maior ou resultantes de instalação inadequada e em geral, avarias por razões não relacionadas com o produto.
- As avarias causadas por ligações que podem apresentar flutuações, irregularidades ou falta de uniformidade no fornecimento, por exemplo: abastecimento de água, impulsionado por pressão, energia solar, energia eólica, geradores de energia elétrica ou outro tipo de fornecimento não-padrão.
- Os materiais quebrados ou danificados por desgaste ou uso normal do aparelho tais como juntas, plásticos, borracha, correias, vidros, pincéis, lâmpadas, asas, puxadores, tampas de queimadores, filtros, grades, etc.
- Os aparelhos que apresentem oxidação, ou danos por corrosão em esmaltes ou tintas, que possam ter sido causados por efeitos químicos ou eletroquímicos da água ou de qualquer outra substância, ou aceleradas por circunstâncias ambientais ou climáticas não propícias.
- Defeitos estéticos em serigrafia ou pintura.
- Os danos causados por transporte ou manuseio, colisões, etc.
- Os aparelhos devem ser instalados de forma acessível em caso de reparação e o utilizador deve assumir os custos necessários para aceder ao aparelho para reparação e substituição.

As marcas BEKO, ALTUS, ARDEM, BLOMBERG, NORTLINE e GRUNDIG são distribuídas por Beko Electronics Espanha S.L.

DADOS DO APARELHO (a ser preenchido pelo Distribuidor):

Detentor:		Carimbo do estabelecimento:
Modelo:	N.º série:	
Estabelecimento:	Data de compra:	

O fiador e o importador do seu eletrodoméstico é: BEKO ELECTRONICS ESPAÑA S.L. Calle Provenza nº 388 3º Barcelona 08025, Espana. O produto foi fabricado por ARÇELIK A.S (Arçelik A.S.Sütluce Karaağaç Cad. No:2-6 34445 Beyoğlu, Istanbul, Turquia).

Conheça-nos melhor na nossa página: www.beko.es. Conserve este documento, é importante para si.

Vă rugăm să citiți mai întâi acest manual de utilizare!

Stimați clienți,

Vă mulțumim pentru alegerea unui produs marca Beko. Sperăm să obțineți cele mai bune rezultate de la produsul dumneavoastră, care a fost fabricat la o calitate înaltă și cu tehnologii performante. În acest scop, vă rugăm să citiți cu grijă și în întregime acest manual de utilizare și toate celelalte documente însoțitoare înainte de a utiliza produsul și să le păstrați pentru consultări ulterioare. Dacă predați produsul altei persoane, oferiți-i și manualul de utilizare. Respectați toate avertismentele și informațiile din manualul de utilizare.

Semnificația simbolurilor

Următoarele simboluri sunt utilizate în diverse secțiuni ale acestui manual de utilizare:



Informații importante și sugestii utile cu privire la utilizare.



AVERTISMENT: Avertismente pentru situații periculoase privind siguranța vieții și a bunurilor.



AVERTISMENT: Avertisment pentru suprafețe fierbinți.



AVERTISMENT: Risc de arsuri și opărire din cauza aburilor.



Acest produs a fost fabricat în uzine prietenoase cu mediul înconjurător și de ultimă generație.

Control și componentee

1. Duză de pulverizare a apei
2. Capac reumplere cu apă
3. Afișaj LED
4. Buton de pulverizare a apei
5. Indicator termostat și lumină oprire automată
6. Buton abur puternic
7. Buton setare temperatură
8. Rezervor de apă
9. Talpă
10. Rezervor soluție de curățare calcar
11. Buton de reglare abur
12. Nișă înfășurare cablu

Date tehnice

Tensiune	220-240V~50-60Hz
Putere consumată	2520-3000 W
Abur puternic	280 g*
Eliberare continuă de abur	63 g/min
Clasă de izolare	I



*Măsurat la nivelul maxim de temperatură, când se aplică abur de șoc la intervale de 3 de secunde pentru o perioadă de funcționare de 30 de minute.

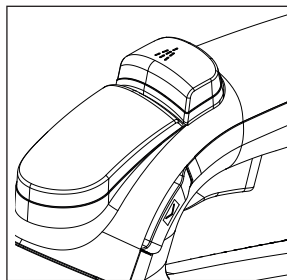
Drepturile pentru efectuarea modificărilor tehnice și de design sunt rezervate.

Afișaj LED;

Panou de comandă	Simboluri	Observații
		Mod abur:
		Modul jet de abur
		Indicator de oprire automată
	MAX	Modul temperatură maximă
	SMART	Modul inteligent
	ECO	Modul Eco
	CALC CLEAN	Avertizare / modul curățare calcar

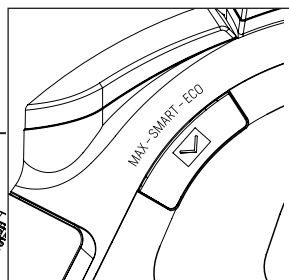
Valorile declarate în marcajele aplicate pe aparat sau în alte materiale imprimate furnizate împreună cu acesta reprezintă valorile obținute în laborator, în conformitate cu standardele relevante. Aceste valori pot varia în funcție de utilizarea produsului și condițiile ambientale.

Descrierea butoanelor



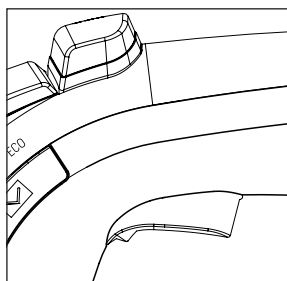
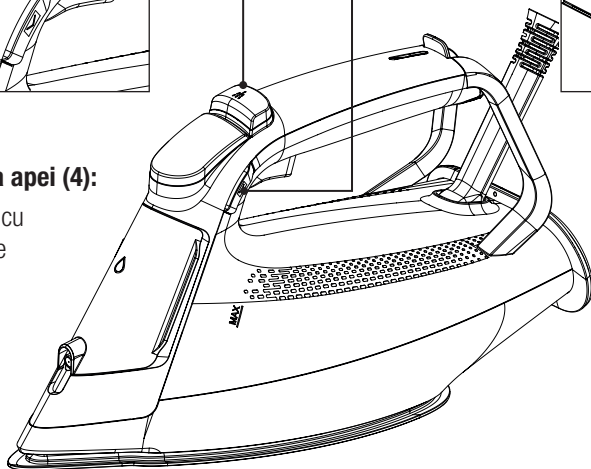
Buton de pulverizare a apei (4):

Puteți elimina cu ușurință cutele dificile.



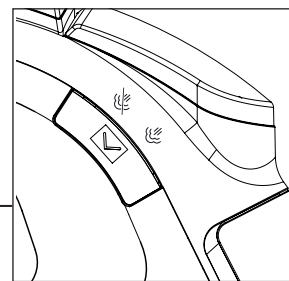
Buton pentru reglarea temperaturii (7):

Selecționați modul SMART aplicabil pentru fiecare tip de material sau modurile ECO sau MAX pentru uz profesional cu ajutorul butonului de reglare a temperaturii.



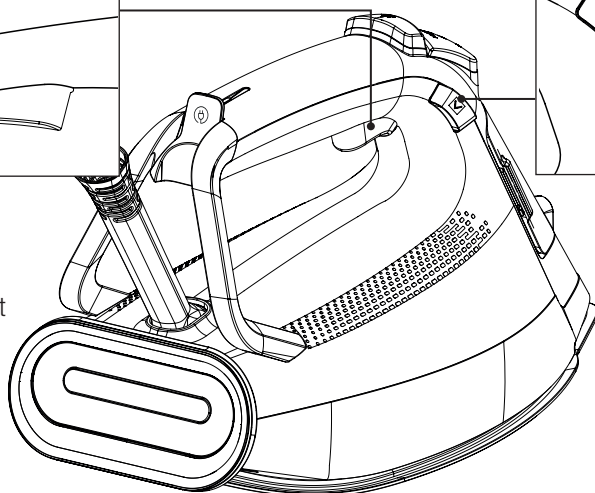
Buton pentru jet de abur (6):

Acesta asigură jet de abur în toate modurile.



Buton pentru setarea aburului (11):

Puteți călca cu sau fără abur.



1 Instrucțiuni importante cu privire la siguranță și mediu

Această secțiune conține instrucțiuni de siguranță care vă vor ajuta să vă protejați de riscul vătărilor personale sau pagubelor materiale.

Nerespectarea acestor instrucțiuni anulează garanția furnizată.

1.1 Siguranță generală

- Acest produs este conform cu standardele internaționale de siguranță.
- Acest aparat este destinat pentru a fi utilizat în scop casnic și aplicații similare cum ar fi:
 - Bucătării pentru personalul din magazine, birouri sau alte medii de lucru;
 - Ferme
 - De către clienți în hoteluri, moteluri sau alte medii de tip rezidențial;
 - Medii de tip pensiune.

Produsul nu este adecvat pentru uz industrial.

- Acest aparat poate fi utilizat de către copiii cu vârsta mai mare de 8 ani, de persoanele cu capacități fizice, perceptivă sau mentale diminuate sau de persoanele care nu sunt experimentate sau nu cunosc informații despre aparat numai dacă aceștia sunt supravegheați sau informați cu privire la utilizarea în siguranță a aparatului și înțeleg riscurile prezente. Copiii nu trebuie să se joace cu produsul. Procedurile de curățare și întreținere nu trebuie să fie efectuate de copii nesupravegheați de adulți.
- Nu lăsați produsul nesupravegheat atunci când acesta este conectat la priză.
- Înaintea umplerii rezervorului cu apă, deconectați produsul de la priză.
- Utilizați și depozitați produsul pe o suprafață stabilă.
- În momentul când produsul este plasat pe placa sa de bază, asigurați-vă că suprafața de sub placă este echilibrată.

1 Instrucțiuni importante cu privire la siguranță și mediu

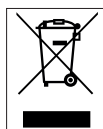
- Nu utilizați produsul dacă cablul de alimentare sau produsul în sine este avariât. Contactați un service autorizat.
- Dacă produsul este scăpat pe jos, pierde apă sau prezintă alte avarii, contactați service-ul autorizat. Nu utilizați produsul până când acesta nu este reparat.
- Atunci când aparatul nu este utilizat sau este lăsat să se răcească, păstrați produsul împreună cu cablul de alimentare la loc inaccesibil copiilor cu vârsta mai mică de 8 ani.
- Produsul nu este potrivit pentru a fi utilizat în exterior.
- Utilizați doar componentele originale sau componentele recomandate de către producător.
- Nu încercați să demontați produsul.
- Tensiunea de alimentare a prizelor trebuie să corespundă cu informațiile furnizate pe eticheta produsului.
- Tensiunea de alimentare a produsului trebuie să fie securizată cu o siguranță de minimum 16 A.
- Utilizați produsul doar cu o priză cu împământare.
- Nu utilizați aparatul cu un prelungitor.
- Nu trageți de cablu atunci când scoateți produsul din priză.
- Înainte de curățarea produsului, scoateți-l din priză.
- Nu înfășurați cablul în jurul aparatului. Înfășurați cablul numai în jurul secțiunii de înfășurare a cablului, în partea din spate a aparatului.
- În momentul când produsul este conectat la priză, nu atingeți produsul sau ștecherul acestuia cu mâinile umede.

1 Instrucțiuni importante cu privire la siguranță și mediu

- Talpa și zona din jurul acesteia pot deveni foarte fierbinți. Contactul cu suprafețele fierbinți poate cauza arsuri. Astfel, în timpul utilizării produsului sau imediat după aceea, fiți atenți să nu atingeți suprafețele fierbinți.
- Nu utilizați niciodată produsul în locuri și materiale combustibile sau inflamabile sau în apropierea acestora.
- Dacă păstrați materialele de ambalare, depozitați-le în locuri inaccesibile copiilor.
- Nu deschideți capacul de reumplere cu apă în timpul utilizării.

1.2 Conformitate cu Directiva DEEE și de eliminarea deșeurilor

Acest produs este conform cu Directiva DEEE a UE (2012/19/UE). Acest produs a fost marcat cu simbolul de clasificare pentru deșeuri de echipamente electrice și electronice (DEEE).



Acest simbol indică faptul că produsul nu trebuie eliminat cu alte deșeuri menajere la finalul perioadei de utilizare. Dispozitivele utilizate trebuie returnate la punctul special de reciclare de dispozitive electrice și electronice. Pentru a găsi aceste sisteme de colectare contactați autoritățile locale sau distribuitorul de la care a fost achiziționat produsul.

Fiecare gospodărie are un rol important în recuperarea și reciclarea electrocasnicelor vechi. Eliminarea corespunzătoare a electrocasnicelor uzate ajută la prevenirea posibilelor consecințe negative pentru mediu și sănătatea umană.

1.3 Conformitatea cu Directiva RoHS

Produsul pe care l-ați achiziționat este conform cu Directiva RoHS UE (2011/65/UE). Acesta nu conține materiale periculoase și interzise, specificate în această Directivă.

1.4 Informații despre ambalaj



Ambalajele produsului sunt fabricate din materiale reciclabile, conform reglementărilor noastre naționale de mediu. Materialele utilizate pentru ambalaj nu trebuie să fie eliminate împreună cu deșeurile menajere sau cu vreun alt tip de deșeu. Transportați-le la punctele de colectare pentru ambalaje, amenajate de autoritățile locale.

2 Operarea

2.1 Destinația de utilizare

Acest produs este destinat doar uzului casnic și pentru călcare; nu este potrivit pentru uzul profesional.

2.2 Prima utilizare

Îndepărtați folia de protecție de pe ecranul LED (3). La prima utilizare, umpleți rezervorul cu apă și vaporizați apa pentru a înlătura reziduurile de fabricare. Între timp, utilizați butonul pentru abur puternic (6) frecvent.



Veți putea sesiza un miros ușor sau vedea sedimente de culoare albă ce cad din găurile de pe talpă. După ce ați efectuat de două ori procesul de vaporizare, astfel de mirosuri și sedimente vor dispărea. De asemenea, se pot forma stropi de apă în interiorul rezervorului de apă; acest lucru este normal.

2.3 Reumplerea rezervorului de apă



AVERTISMENT: Nu umpleți rezervorul de apă (8) cu parfum, oțet, apret de rufe, soluții de curățarea calcarului sau alte produse sau substanțe chimice care ar putea facilita procesul de călcare.



Aparatul este adecvat pentru utilizarea cu apă de la robinet. Dacă apa de la robinet este foarte dură, recomandăm utilizarea unui amestec de apă de robinet și apă potabilă.

2.4 Setarea temperaturii și călcare uscată

La setarea temperaturii produsului, luați în considerare următorul tabel.

Tip material	Setare temperatură	Setare abur
Mătase	ECO-SMART	Cu/Fără abur
Lână	SMART	Cu/Fără abur
Bumbac	SMART-MAX	Cu/Fără abur
În - denim	SMART-MAX	Cu/Fără abur



AVERTISMENT: În momentul călcării, luați în considerare instrucțiunile de călcare specificate pe eticheta articolelor de îmbrăcăminte.



- La pornire aparatul dvs se află în modul SMART.
- Puteți călca în siguranță toate țesăturile adecvate pentru călcare în modul SMART.
- Dacă nu cunoașteți materialul din articolul de îmbrăcăminte, mai întâi călcați o parte invizibilă a acestuia și stabiliți o temperatură corectă de călcare pentru acesta.
- Pentru a preveni formarea petelor deschise pe materialele sintetice cum ar fi mătasea, călcați pe dosul materialului. Pentru prevenirea formării de pete, nu utilizați funcția de pulverizare a apei.

2.5 Călcare cu abur



AVERTISMENT: Atunci când setați aparatul în modul abur, acesta nu va emite abur decât dacă îl mișcați. Aparatul va emite abur atunci când îl mișcați. Aparatul este echipat cu un senzor de mișcare.

2 Operarea



AVERTISMENT: Din aparat se va auzi un zgomot ascendent atunci când nivelul apei din rezervor va scădea. În acest caz umpleți rezervorul până la nivelul "MAX"



AVERTISMENT: Dacă lumina indicatoare a termostatalui (5) se aprinde în timpul călcării, așteptați ca lumina (5) să se stingă înainte de a continua procesul abur puternic.

2.6 Jet de abur

Puteți utiliza funcția Jet de abur atunci când temperatura este setată la poziția MAX.



Utilizați funcția jet de abur pentru a obține o cantitate mai mare de abur și pentru călcarea rapidă a țesăturilor groase.



AVERTISMENT: Atunci când setați aparatul în modul abur, acesta nu va emite abur decât dacă îl mișcați. Aparatul va emite abur atunci când îl mișcați. Aparatul este echipat cu un senzor de mișcare.

2.7 Abur puternic

Puteți utiliza funcția abur de șoc în toate modurile.



AVERTISMENTE

- Așteptați câteva secunde înainte de a apăsa butonul de abur puternic (6) din nou. Dacă apăsați repetat pe butonul de abur puternic (6), prin talpa (9) poate să iasă și apă odată cu aburul.
- La începutul călcării, fierul de călcat poate să nu producă abur puternic la primele câteva încercări.
- Lumina indicatoare a termostatalui (5) trebuie să se stingă pentru a putea utiliza funcția de abur puternic.



AVERTISMENT: Nu direcționați niciodată aburul către oameni sau animale.

2.8 Pulverizarea apei



- Verificați că există suficientă apă în rezervorul (8) înainte de a pulveriza apă.
- Cu ajutorul funcției de pulverizare a apei puteți elimina cu ușurință cutele.

2.9 Sistem anti-picurare

Aparatul este echipat cu un sistem anti-picurare. Fierul de călcat oprește automat vaporizarea dacă temperatura este prea scăzută, pentru a împiedica ieșirea apei prin talpa (9).

Sistemul anti-picurare permite călcarea chiar și pentru cele mai delicate țesături.

2.10 Oprirea automată



- Dacă fierul se oprește automat, simbolul ☺ se aprinde intermitent.
- Poate dura circa 60 de secunde pentru ca talpa (9) să ajungă la temperatura setată anterior.
- Dacă aparatul este mutat într-o poziție orizontală, acesta va porni.

3 Curățare și îngrijire

3.1 Curățarea



AVERTISMENTE

- Nu utilizați benzină, solvent, agenți de curățare abrazivi sau perii aspre pentru curățarea produsului.
- Nu introduceți niciodată în produs oțet, agent de detartrare, apret de rufe, parfum sau alte produse auxiliare care ajută la călcare.
- Nu spălați produsul sub jet de apă și nu îl imersați în apă sau alte lichide.
- Nu utilizați agenți abrazivi de curățare pentru a curăța talpa (9).

3.2 Curățarea automată a calcarului

- Acest proces permite curățarea particulelor de calcar care se acumulează în aparat.
- Folosiți această funcție atunci când avertizarea „**CALC-CLEAN**” apare pe afișaj.
- Umpleți rezervorul de apă (8) până la nivelul MAX.



- Nu mișcați aparatul pe durata curățării. În caz contrar procedura de curățare trebuie repetată.
- Puteți efectua această procedură urmând aceiași pași fără a aștepta avertizarea “CALC-CLEAN”.



AVERTISMENTE

- Deoarece rezervorul de îndepărtare a calcarului (10) se încălzește și apa fierbinte în condensare trebuie colectată în timpul funcționării, nu atingeți rezervorul și fierul de călcat și nu goliți când se răcește.
- În timpul procedurii de îndepărtare a calcarului, din aparat și rezervor trebuie să iasă o mare cantitate de abur.



Funcția de autocurățare elimină murdăria din interiorul tăpii. Recomandăm utilizarea acesteia o dată la 10-15 zile.

3.3 Depozitarea

- Dacă intenționați să nu folosiți aparatul un timp îndelungat, depozitați-l cu grijă.
- Înainte de ridicarea produsului, deconectați-l și apoi lăsați-l să se răcească complet.
- Goliți rezervorul de apă.
- Păstrați produsul și accesoriile acestuia în ambalajele originale.
- Depozitați-l într-un loc răcoros și uscat.
- Întotdeauna păstrați produsul la loc inaccesibil copiilor.

3.4 Manevrarea și transportul

- Pe durata manevrării și transportului, transportați aparatul în ambalajul original. Ambalajul protejează aparatul de deteriorări fizice.
- Nu așezați obiecte grele pe aparat sau pe ambalaj. Aparatul se poate deteriora.
- Scăparea pe jos a aparatului îl poate face nefuncțional sau poate cauza deteriorarea sa iremediabilă.



Pentru punerea în funcțiune, utilizare generală și curățare urmați instrucțiunile de la paginile 5-6-7 ale acestui manual de operare.

4 Depanare

Problemă	Motiv posibil	Soluție
Deși produsul este conectat, talpa acestuia (9) nu se încălzește.	Este posibil ca fișa sau cablul de alimentare ale aparatului să fie defecte.	Dacă aparatul nu funcționează, deși aparatul este conectat la priză, contactați service-ul autorizat.
Aparatul nu generează abur.	Cantitatea de apă din rezervorul (8) poate fi insuficientă.	Umpleți rezervorul de apă (8) cu apă până la nivelul MAX. Utilizați aparatul în modul abur.
În timpul călcatului, cad sedimente și reziduuri din talpa fierului de călcat (9).	Dacă apa pe care o folosiți în aparat are un conținut prea mare de calcar, este posibil să se formeze astfel de reziduuri.	Pentru sesiunile de călcat următoare, umpleți rezervorul de apă al aparatului cu un amestec de apă de la robinet și apă potabilă. Utilizați mai frecvent funcția de îndepărtare automată a calcarului, dacă apa din zona dvs. este dură.
Pe talpa (9) există pete.	Este posibil să fi călcat materiale ude și să fi rămas pete de calcar pe talpa fierului de călcat (9).	După ce aparatul se răcește suficient, ștergeți talpa cu o lavetă umedă.
Simbolul "CALC CLEAN" clipește pe afișajul cu LED (3).	Este momentul pentru îndepărtarea calcarului.	Efectuați operația de îndepărtare a calcarului.
Pictogramele de pe ecranul LED (3) nu sunt clare.	Este posibil ca pe ecranul LED (3) să fie folia de protecție.	Îndepărtați folia de protecție de pe ecranul LED (3).
Zgomot produs de aparat.	Nivelul apei din rezervorul de apă (8) poate fi scăzut. Zgomotul cauzat de scăderea volumului de apă din rezervor, este un fenomen normal	Umpleți rezervorul de apă până la linia MAX. (8)



CERTIFICAT DE GARANȚIE

Tensiune de alimentare/frecvență: 220-240V~, 50-60Hz
Importator: ARCTIC S.A., Găești, Dâmbovița, str. 13 Decembrie nr. 210, email: office@arctic.ro

TIP: Aspirator Fier /Stație de călcat Radiator electric
 Aerotermă Ventilator

Model / Serie:

VÂNZĂTOR

Nr. factură: Data:

Vânzător (firma, localitatea):

CUMPĂRĂTOR

Nume Localitatea

Str. Nr. Bloc Sc. Et. Ap.

Județ Telefon E-mail

S-a efectuat proba de funcționare a aparatului, s-a prezentat modul de folosire, s-au predat instrucțiunile de utilizare și toate accesoriile. Am primit aparatul în perfectă stare de funcționare.

Stimați clienți,

La cumpărare vă recomandăm să solicitați efectuarea probei de funcționare și să verificați existența instrucțiunilor de utilizare și a accesoriilor.

Pentru a putea beneficia de toate avantajele produselor și serviciilor noastre vă rugăm:

- să citiți cu atenție și să respectați recomandările prezentate în "Instrucțiunile de utilizare".

- să păstrați cu grijă acest certificat pentru a-l putea prezenta (împreună cu documentul fiscal de achiziție), personalului SERVICE, la orice sesizare efectuată în perioada de garanție.

Vă mulțumim că ați optat pentru cumpărarea unui produs Beko!

Durata medie de utilizare a produsului este de 5 ani!

Perioada de garanție legală de conformitate este de 2 ani de la intrarea produsului în posesia consumatorului.

Art. 22, alin. 3-6, din L449/2003, modificata de OG 9/2016:

- (3) Timpul de nefuncționare din cauza lipsei de conformitate apărute în cadrul termenului de garanție prelungeste termenul de garanție legală de conformitate și cel al garanției comerciale și curge, după caz, din momentul la care a fost adusă la cunoștința vânzătorului lipsa de conformitate a produsului sau din momentul prezentării produsului la vânzător/unitatea service până la aducerea produsului în stare de utilizare normală și, respectiv, al notificării în scris în vederea ridicării produsului sau predării efective a produsului către consumator.

- (4) Produsele de folosință îndelungată care înlocuiesc produsele defecte în cadrul termenului de garanție vor beneficia de un nou termen de garanție care curge de la data preschimbării produsului.

- (5) Produsele de folosință îndelungată defectate în termenul de garanție legală de conformitate, atunci când nu pot fi reparate sau când durata cumulată de nefuncționare din cauza deficiențelor apărute în termenul de garanție legală de conformitate depășește 10% din durata acestui termen, la cererea consumatorului, vor fi înlocuite de vânzător sau acesta va restitui consumatorului contravaloarea produsului respectiv.

- (6) Termenul de garanție curge de la data intrării bunului respectiv în posesia consumatorului, inclusiv pentru bunurile noi de folosință îndelungată, obținute prin tragere la sorți la tombole, câștigate la concursuri și similare sau acordate cu reducere de preț ori gratuit de către operatorii economici.

Garanția oferită de producător nu exclude garanția de vicii ascunde, conform OG 21/1992 (R2) privind protecția consumatorului și Codul Civil.



Service-ul acestui produs este asigurat de ARCTIC S.A. cu sediul în Găești, Dâmbovița, str. 13 Decembrie nr. 210. • *9010 • www.arctic.ro • www.beko.ro • e-mail: service@beko.ro
Program Call Center: Luni - Vineri 08:30 - 20:00; Sâmbătă 08:30 - 17:00

UNITĂȚILE SERVICE ALE ARCTIC S.A. EXECUTĂ REPARAȚII ÎN TERMENUL DE GARANȚIE ȘI ÎN AFARA ACESTUIA

Nr. crt.	Data Reclamației	Data primirii în reparație	Reparat			Reparația curentă și/sau componenta înlocuită	Prelungirea termenului de garanție	Efectuarea verificării	
			Programat	Data ridicării aparatului	Cauza întârzierii			SERVICE	CLIENT

CONDIȚII DE GARANȚIE LEGALĂ DE CONFORMITATE ȘI GARANȚIE COMERCIALĂ:

Pentru orice defecțiune apărută în perioada de garanție sau post-garanție, apălați la magazinul de unde a fost achiziționat produsul sau direct la Call Center Arctic.

Prelungirea termenului de garanție se va înscrice în certificatul de garanție de către unitatea SERVICE care a efectuat reparația.

Garanția acoperă reparația și/sau înlocuirea pieselor constatate ca defecte (necauzate de consumator) de către tehnicienii Service.

Termenul de realizare a operațiilor de reparare, înlocuire sau întreținere este de 15 zile calendaristice de la data la care cumpărătorul a sesizat defecțiunea la magazinul de unde a achiziționat produsul sau direct la Call Center Arctic.

Reclamațiile referitoare la aspectele prevăzute mai jos, se rezolvă numai contra cost:

- a) nefuncționarea lămpilor de iluminare;
- b) accesoriile care nu au defecte ascunse de material constatate de tehnicienii Service;
- c) piesele și accesoriile care prezintă lovituri, zgărieturi, spărturi sau deformări.

PRODUSUL NU BENEFICIAZĂ DE GARANȚIE LEGALĂ DE CONFORMITATE ȘI DE GARANȚIE COMERCIALĂ ÎN URMĂTOARELE CAZURI:

1. Nu au fost respectate instrucțiunile de transport, manipulare, instalare, utilizare și întreținere prescise.
2. Subansamblurile și accesoriile casabile care se deteriorează în timpul transportului vor fi înlocuite de vânzător (în cazul în care asigură transportul).
3. Garanția nu se acordă subansamblelor și accesoriilor casabile ale produselor care suferă deteriorări din vina consumatorului.
4. Tensiunea de alimentare are valori care nu se încadrează în limitele prevăzute de standarde (SREN 50160).
5. Instalația electrică a utilizatorului prezintă improvizatii sau neconformități.
6. Produsul a fost folosit în alte scopuri decât cel pentru care a fost proiectat.
7. Produsul a suportat intervenții (reparații, modificări) din partea unor persoane neautorizate de producător.

Drepturile consumatorului sunt cele prevăzute în Legea 449/2003 (republicată) și OG 21/1992 (republicată).

Si prega di leggere questo manuale prima dell'uso!

Gentile Cliente,

Grazie per aver scelto un prodotto Beko. Ci auguriamo che riesca ad ottenere i risultati migliori da questo prodotto, realizzato con tecnologia all'avanguardia e di alta qualità. Pertanto, prima di utilizzare il prodotto, La preghiamo di leggere con attenzione e per intero il presente manuale e ogni altro documento allegato, conservandoli come riferimento per impieghi futuri. Nel caso cedesse il prodotto ad altre persone, consegni loro anche queste istruzioni. Segua tutte le avvertenze e le informazioni riportate nel manuale utente.

Significato dei simboli

I seguenti simboli sono utilizzati in diverse sezioni del presente manuale:



Informazioni importanti e suggerimenti utili sull'utilizzo.



AVVERTENZA: Avvisi in merito a situazioni pericolose per la sicurezza di persone e cose.



AVVERTENZA: Avvertenza per superfici calde.



AVVERTENZA: Rischio di scottature e ustioni dovute al vapore.



Questo prodotto è stato realizzato in impianti all'avanguardia e rispettosi dell'ambiente.

Comandi e parti

1. Ugello per la nebulizzazione dell'acqua
2. Coperchio di riempimento dell'acqua
3. Display LED
4. Pulsante di nebulizzazione dell'acqua
5. Spia del termostato e di auto-spegnimento
6. Pulsante per il getto di vapore
7. Pulsante di impostazione della temperatura
8. Serbatoio dell'acqua
9. Piastra
10. Serbatoio per Calc-clean
11. Pulsante regolazione vapore
12. Alloggio per avvolgimento del cavo

Dati tecnici

Alimentazione	220-240V~50-60Hz
Consumo energetico	2520-3000W
Getto di vapore	280 g*
Vapore continuo	63 g/min
Classe di isolamento	I



*Misurato al massimo livello di temperatura, quando il colpo di vapore viene applicato con intervalli di 3 secondi per un periodo di funzionamento di 30 minuti.

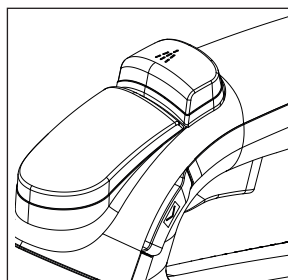
I diritti per le modifiche agli aspetti tecnici e progettuali sono riservati.

Display LED;

Pannello di controllo	Simboli	Note
		Modalità Vapore
		Modalità Turbo vapore
		Indicatore Auto-spegnimento
	MAX	Modalità Massima temperatura
	SMART	Modalità Smart
	ECO	Modalità Eco
	CALC CLEAN	Avvertenza/modalità Calc-clean

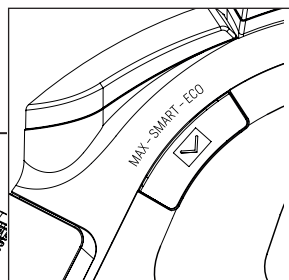
I valori dichiarati nei contrassegni affissi all'apparecchio o gli altri documenti stampati forniti con esso rappresentano i valori ottenuti in laboratorio in accordo agli standard del settore. Questi valori possono variare secondo l'utilizzo dell'apparecchio e le condizioni ambientali.

Descrizione pulsanti



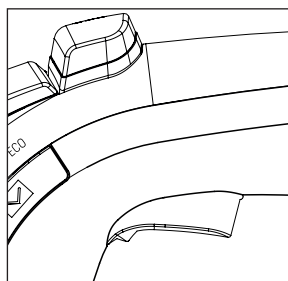
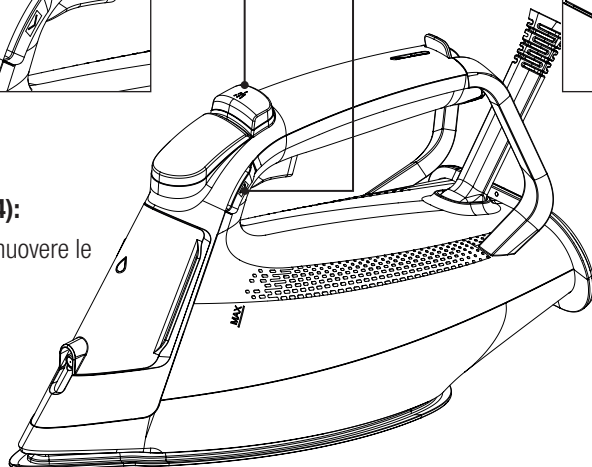
Pulsante di spruzzatura dell'acqua (4):

È possibile rimuovere le grinze più resistenti con facilità.



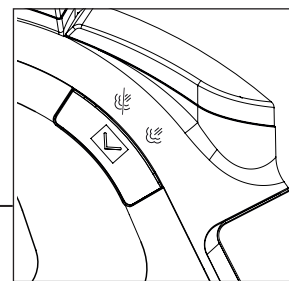
Pulsante di regolazione della temperatura (7):

Selezionare la modalità SMART, adatta a ogni tipo di tessuto o le modalità ECO o MAX per un uso professionale, con il pulsante di regolazione della temperatura..



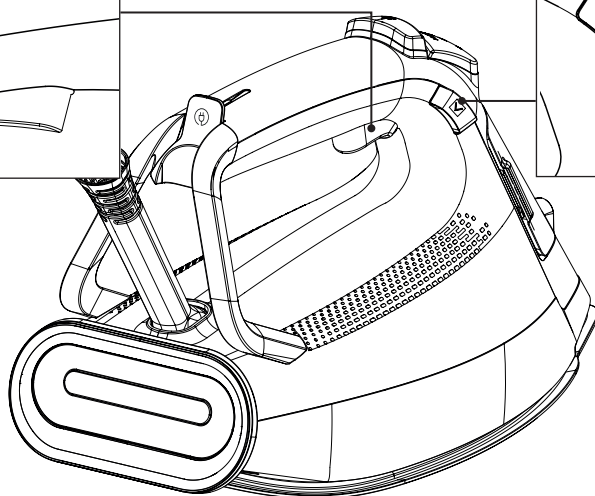
Pulsante di aumento del vapore (6):

Fornisce la funzione aumento del vapore in tutte le modalità.



Pulsante di regolazione del vapore (11):

È possibile stirare con o senza vapore.



1 Istruzioni importanti per la sicurezza e l'ambiente

Questa sezione contiene istruzioni di sicurezza che consentono di prevenire il pericolo di lesioni personali o di danni materiali.

L'inosservanza di queste istruzioni invalida la garanzia accordata.

1.1 Sicurezza generale

- Questo apparecchio risulta conforme agli standard di sicurezza internazionali.
- Questo apparecchio è concepito per l'uso domestico e impieghi affini, come:
 - Aree ristoro per il personale in negozi, uffici ed altri ambienti di lavoro;
 - Agriturismi
 - Clienti di hotel e altri contesti di tipo residenziale;
 - Strutture tipo bed & breakfast.

Non risulta adatto all'uso industriale.

- Questo apparecchio può essere utilizzato da bambini con almeno 8 anni di età e da persone con capacità fisiche, sensoriali o mentali limitate o non in possesso di esperienza e conoscenze dell'apparecchio, a condizione che siano sotto controllo o informate e abbiano compreso l'uso sicuro dell'apparecchio e dei possibili pericoli. I bambini non devono giocare con l'apparecchio. Le procedure di pulizia e manutenzione da parte dell'utente non devono essere eseguite da bambini a meno che non ricevano supervisione da parte di adulti.
- Non lasciare il dispositivo privo di supervisione quando è collegato alla rete.
- Scollegare il prodotto prima di versare l'acqua nel serbatoio.
- Utilizzare e riporre l'apparecchio su una superficie stabile.
- Quando l'apparecchio è posizionato sulla base di appoggio, assicurarsi che la superficie sotto la base sia in piano.

1 Istruzioni importanti per la sicurezza e l'ambiente

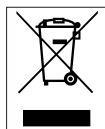
- Non utilizzarlo se il cavo di alimentazione o l'apparecchio stesso è danneggiato. Contattare un servizio di assistenza tecnica autorizzato.
- Se l'apparecchio cade, perde acqua o presenta altri guasti, contattare il centro di assistenza autorizzato. Non utilizzare l'apparecchio fino a quando non viene riparato.
- Quando l'apparecchio non è in uso o si sta raffreddando, tenere l'apparecchio e il cavo di alimentazione fuori dalla portata dei bambini di età inferiore agli 8 anni.
- L'apparecchio non risulta adatto all'uso in ambienti esterni.
- Usare solo parti originali o quelle consigliate dal produttore.
- Non tentare di smontare l'apparecchio.
- L'alimentazione elettrica deve essere conforme alle informazioni fornite sulla targhetta di classificazione dell'apparecchio.
- L'alimentazione dell'apparecchio deve essere protetta con un fusibile da almeno 16 A.
- Usare l'apparecchio solo con una presa con messa a terra.
- Non utilizzare l'apparecchio con una prolunga.
- Non tirare il cavo di alimentazione quando si stacca l'apparecchio.
- Scollegare l'apparecchio prima di effettuare la pulizia.
- Non avvolgere il cavo intorno all'apparecchiatura. Avvolgere il cavo intorno alla sezione di avvolgimento del cavo fornita sul retro dell'apparecchio.
- Non toccare l'apparecchio o la spina con le mani bagnate o umide quando è collegato alla rete.

1 Istruzioni importanti per la sicurezza e l'ambiente

- La piastra e l'area circostante possono diventare molto calde. Toccare la superficie calda può causare ustioni. Pertanto, durante l'uso o subito dopo aver utilizzato l'apparecchio, fare attenzione a non toccare le superfici calde.
- Non usare mai l'apparecchio vicino a sostanze combustibili né in luoghi con materiali e mobili infiammabili.
- Se si desidera conservare i materiali di imballaggio, tenerli fuori dalla portata dei bambini.
- Non aprire la copertura per il versamento dell'acqua durante l'uso.

1.2 Conformità con la direttiva RAEE e smaltimento dei rifiuti

Questo prodotto è conforme alla direttiva UE RAEE (2012/19/UE). Questo prodotto porta un simbolo di classificazione per la strumentazione elettrica ed elettronica di scarto (WEEE).



Questo simbolo indica che questo prodotto non deve essere smaltito con altri rifiuti domestici al termine della sua vita utile. Il dispositivo usato deve essere portato a un punto di raccolta ufficiale per il riciclaggio di dispositivi elettrici ed elettronici.

Per individuare questi punti di raccolta, contattare le proprie autorità locali oppure il rivenditore presso cui è stato acquistato il prodotto. Ciascuna famiglia gioca un ruolo importante nel recupero e riciclaggio di vecchi apparecchi. Lo smaltimento appropriato degli apparecchi usati aiuta a prevenire potenziali conseguenze negative per l'ambiente e la salute umana.

1.3 Conformità alla direttiva RoHS

Il prodotto acquistato è conforme alla direttiva UE RoHS (2011/65/UE). Non contiene materiali dannosi e vietati specificati nella Direttiva.

1.4 Informazioni sull'imballaggio



I materiali che compongono l'imballaggio del prodotto sono realizzati con materiali riciclabili in conformità con le nostre Normative Ambientali Nazionali. Non smaltire i materiali dell'imballaggio con i rifiuti domestici o altri rifiuti. Portarli presso i punti di raccolta materiali di imballaggio indicati dalle autorità locali.

2 Funzionamento

2.1 Uso previsto

Questo apparecchio è concepito solo per uso e stiratura in ambito domestico: non è adatto a usi professionali.

2.2 Uso iniziale

Rimuovere la pellicola protettiva sullo schermo a LED (3). Durante l'uso iniziale, riempire il serbatoio dell'acqua e vaporizzare l'acqua per rimuovere i residui di produzione. Nel frattempo, premere spesso il pulsante getto di vapore (6).



È possibile che si senta un leggero odore o che residui bianchi fuoriescano dai fori della piastra durante l'uso iniziale. Dopo aver eseguito due volte il procedimento di vaporizzazione, tali odori e residui scompariranno. È possibile inoltre che si formino delle gocce d'acqua all'interno del serbatoio dell'acqua: è normale.

2.3 Riempimento del serbatoio dell'acqua



AVVERTENZA: Non riempire il serbatoio dell'acqua (8) con profumo, aceto, amido per bucato, anticalcare o altri prodotti o sostanze chimiche che possano facilitare il procedimento di stiratura.



L'apparecchio è concepito per l'uso di acqua del rubinetto. Se l'acqua del rubinetto è eccessivamente dura, consigliamo l'uso di una miscela di acqua di rubinetto e acqua potabile.

2.4 Impostazioni della temperatura e stiratura a secco

In fase di impostazione della temperatura dell'apparecchio, consultare la seguente tabella.

Tipo di tessuto	Impostazione della temperatura	Impostazione del vapore
Seta	ECO-SMART	Con/Senza vapore
Lana	SMART	Con/Senza vapore
Cotone	SMART-MAX	Con/Senza vapore
Lino-Jeans	SMART-MAX	Con/Senza vapore



AVVERTENZA: Per la stiratura, fare riferimento alle istruzioni di stiratura specificate sull'etichetta del capo.



- L'apparecchio si avvia in modalità "SMART" quando si accende.
- È possibile stirare in modo sicuro tutti i tessuti adatti alla modalità di stiratura "SMART".
- Se non si conosce il tessuto del capo, stirare prima su una parte non visibile dell'indumento e determinare la temperatura corretta di stiratura.
- Per evitare che si formino macchie lucide sui tessuti sintetici come la seta, stirare sul lato inverso del tessuto. Non utilizzare la funzione di nebulizzazione dell'acqua per evitare la formazione di macchie.

2 Funzionamento

2.5 Stiratura a vapore



AVVERTENZE

- Quando si imposta l'apparecchio nella modalità vapore, non emetterà vapore a meno che non lo si sposti. L'apparecchio emetterà vapore quando lo si sposta. L'apparecchio è dotato di un sensore di movimento.
- Il rumore proveniente dall'apparecchio potrebbe aumentare se il livello dell'acqua nel serbatoio dell'acqua diminuisce. In questo caso, riempire il serbatoio fino al livello "MAX".

2.6 Turbo vapore

È possibile utilizzare la funzione turbo vapore quando la temperatura è impostata su posizione "MAX".



Usare la funzione turbo vapore per ottenere maggiori quantità di vapore e per stiratura rapida sui tessuti spessi.



AVVERTENZA: Quando si imposta l'apparecchio nella modalità vapore, non emetterà vapore a meno che non lo si sposti. L'apparecchio emetterà vapore quando lo si sposta. L'apparecchio è dotato di un sensore di movimento.

2.7 Getto di vapore

È possibile utilizzare la funzione di colpo di vapore in tutte le modalità.



AVVERTENZE

- Attendere qualche secondo prima di premere nuovamente il pulsante per il getto di vapore (6). Se si tiene premuto il pulsante per il getto di vapore (6) ripetutamente, insieme al vapore può uscire acqua dalla piastra (9).
- All'inizio della stiratura, il ferro può non produrre il getto di vapore durante le prime due prove.



AVVERTENZA: La spia del termostato (5) deve spegnersi per poter usare la funzione di getto di vapore.



AVVERTENZA: Non dirigere mai il vapore verso persone o animali.



AVVERTENZA: Se la spia del termostato (5) si accende durante la stiratura, attendere che la spia (5) si spenga prima di procedere con il getto di vapore.

2.8 Nebulizzazione d'acqua



- Assicurarsi che vi sia acqua a sufficienza nel serbatoio (8) prima di nebulizzare l'acqua.
- Utilizzando la funzione di nebulizzazione dell'acqua è possibile rimuovere le pieghe con facilità.

2.9 Sistema antigoccia

L'apparecchio è dotato di un sistema antigoccia. Il ferro interrompe la vaporizzazione automaticamente quando la temperatura è troppo bassa per evitare che l'acqua esca dalla piastra (9).

Il sistema antigoccia permette di stirare anche i tessuti più delicati.

2 Funzionamento

2.10 Auto-Spegnimento



- Se il ferro si è spento automaticamente, ☺ il simbolo lampeggia.
- Potrebbero essere necessari 60 secondi affinché la piastra (9) raggiunga il livello di temperatura precedente.
- Se l'apparecchio viene spostato in orizzontale si spegne.

3 Pulizia e manutenzione

3.1 Pulizia



AVVERTENZE

- Non utilizzare benzina, solventi, detergenti abrasivi o spazzole dure per pulire l'apparecchio.
- Non aggiungere mai aceto, agenti disincrostanti, profumo o altri prodotti per la stiratura nel serbatoio dell'acqua.
- Non lavare l'apparecchio sotto l'acqua corrente, non immergerlo in acqua o in altri liquidi.
- Non usare detergenti abrasivi per pulire la piastra (9).

3.2 Auto calc-clean

- Questo procedimento permette di pulire le particelle di calcare che si accumulano nell'apparecchio.
- Usare questa funzione quando sul display appare l'avviso "CALC-CLEAN".
- Riempire il serbatoio dell'acqua fino (8) al livello MAX.



- Non spostare l'apparecchio durante la pulizia. In tal caso, la procedura di pulizia deve essere ripetuta.
- È possibile eseguire questa procedura seguendo gli stessi passi senza attendere l'avviso "CALC-CLEAN".



AVVERTENZE

- Poiché il serbatoio di decalcificazione (10) deve essere riscaldato e l'acqua calda di condensazione deve essere raccolta durante il funzionamento, non toccare il serbatoio e il ferro da stiro e scaricare dall'acqua quando è freddo



AVVERTENZE

- Durante la procedura di decalcificazione deve uscire una grande quantità di vapore dall'apparecchio e dal serbatoio di decalcificazione.



La funzione di auto-pulitura rimuove lo sporco all'interno della piastra. È raccomandato utilizzare questa funzione ogni 10-15 giorni.

3.3 Conservazione

- Se non si intende utilizzare l'apparecchio per un periodo prolungato, riporlo con cura.
- Prima di sollevare l'apparecchio scollegarlo dalla presa e lasciarlo raffreddare completamente.
- Svuotare il serbatoio dell'acqua.
- Conservare l'apparecchio e gli accessori nella confezione originale.
- Conservarlo in un luogo fresco e asciutto.
- Tenere l'apparecchio sempre lontano dalla portata dei bambini.

3.4 Movimentazione e trasporto

- Durante la movimentazione e il trasporto, trasportare l'apparecchio nel suo imballaggio originale. L'imballaggio lo proteggerà contro eventuali danni materiali.
- Non posizionare oggetti pesanti sull'apparecchio o il suo imballaggio. L'apparecchio potrebbe danneggiarsi.
- Un'eventuale caduta dell'apparecchio potrebbe renderlo non funzionante o provocare dei danni permanenti.



Per avviamento, uso generale e pulizia, seguire le istruzioni nelle pagine 5-6-7 di questo manuale operativo.

4 Ricerca e risoluzione dei problemi

Problema	Possibile causa	Soluzione
Anche se l'apparecchio è collegato, la piastra (9) non si riscalda.	La spina o il cavo di alimentazione dell'apparecchio potrebbero essere difettosi.	Contattare il servizio di assistenza autorizzato se l'apparecchio non funziona anche se è collegato alla rete elettrica.
L'apparecchio non genera vapore.	La quantità dell'acqua nel serbatoio dell'acqua (8) può essere insufficiente.	Riempire il serbatoio dell'acqua (8) con acqua fino al livello MAX.
		Utilizzare l'apparecchiatura in modalità a vapore.
Sedimenti e residui fuoriescono dal ferro (9) durante la stiratura.	Se l'acqua utilizzata per l'apparecchio è troppo calcarea, possono formarsi questi sedimenti.	Riempire il serbatoio dell'acqua dell'apparecchio mescolando l'acqua del rubinetto e quella potabile per le successive operazioni di stiratura.
		Utilizzare la funzione di auto decalcificazione più frequentemente se l'acqua a disposizione è dura.
Ci sono macchie sulla piastra (9).	Vengono stirati indumenti bagnati/si sono formate macchie di calcare alla base del ferro (9).	Pulire i sedimenti e i residui con un panno leggermente inumidito dopo che l'apparecchio si è adeguatamente raffreddato.
Il simbolo "CALC CLEAN" lampeggia sul display a LED (3).	Il tempo per la decalcificazione è stato raggiunto.	Eseguire la procedura di decalcificazione.
Le icone sullo schermo a led (3) non sono chiare.	La pellicola protettiva sullo schermo a led potrebbe essere ancora presente.	Rimuovere la pellicola protettiva sullo schermo a led (3).
Rumore proveniente dall'apparecchio.	Il livello dell'acqua nel serbatoio dell'acqua (8) può essere ridotto. Il rumore dovuto alla diminuzione del serbatoio dell'acqua è normale.	Riempire l'acqua fino alla tacca MAX nel serbatoio dell'acqua (8).



CERTIFICATO DI GARANZIA

La presente garanzia commerciale si intende aggiuntiva e non sostitutiva di ogni altro diritto di cui gode il consumatore, intendendo per consumatore esclusivamente colui che utilizza il bene per scopi estranei all'attività imprenditoriale o professionale eventualmente svolta e pertanto per uso domestico/privato, e in particolare non pregiudica in alcun modo i dritti del consumatore stabiliti dal Dlgs 206/05. BEKO Italy S.r.l. in conformità alla facoltà prevista dalla legge, offre al consumatore una garanzia commerciale aggiuntiva, nei termini e nei modi di seguito indicati.

Questo certificato non deve essere spedito per la convalida. E' valido e operante solo se conservato assieme alla ricevuta fiscale o altro documento reso fiscalmente obbligatorio.

Condizioni di Garanzia

1. BEKO Italy S.r.l. garantisce l'apparecchio per un periodo di 2 anni dalla data di acquisto (12 mesi se acquistato con fattura di vendita e non con scontrino fiscale).
2. La garanzia è valida esclusivamente sul territorio italiano compresa la Repubblica di San Marino e la città del Vaticano e deve essere comprovata da scontrino fiscale o fattura, che riporti il nominativo del Rivenditore, la data di acquisto dell'apparecchio nonché gli estremi i identificativi dello stesso (tipo, modello).
3. Per garanzia s'intende la sostituzione o riparazione gratuita delle parti componenti l'apparecchio che sono risultate difettose all'origine, per vizi di fabbricazione.
4. L'utente decade dai dritti di garanzia se non denuncia il difetto di conformità entro 2 mesi dalla scoperta dello stesso.
5. Diritto di Chiamata: gratuita per i primi 12 mesi di garanzia, a pagamento per gli altri 12 mesi nel caso l'utente non sia in grado di provare che il difetto sia dovuto a vizio di conformità del prodotto.
6. Manodopera e ricambi gratuiti per i 24 mesi del periodo di garanzia.
7. L'intervento di riparazione viene effettuato presso il centro di assistenza reperibile presso il call centre e sul sito www.beko.it, fatto salvo i casi di impossibilità oggettiva o di forza maggiore.
8. La riparazione o sostituzione dei componenti o dell'apparecchio stesso, non estendono la durata della garanzia.
9. Tutte le parti asportabili e tutte le parti estetiche, non sono coperte da garanzia.
10. Tutti i materiali soggetti ad usura non sono coperti da garanzia a meno che venga dimostrata la difettosità risalente a vizio di fabbricazione delle stesse.
11. La BEKO Italy S.r.l. declina ogni responsabilità per eventuali danni che possano derivare, direttamente od indirettamente, a persone e cose come conseguenza del mancato rispetto delle istruzioni tutte, incluse nell'apposito Manuale per l'uso dell'apparecchio allegato a ciascuno apparecchio, da parte dell'utente ed in particolare modo per quanto concerne le avvertenze relative alla installazione, all'uso ed alla manutenzione dell'apparecchio stesso.
12. La garanzia non diventa operante e l'assistenza sarà effettuata totalmente a pagamento nei seguenti casi:
 - a. Danni dovuti al trasporto o alla movimentazione delle merci.
 - b. Interventi di installazione e montaggio, così come l'errata connessione o errata erogazione dalle reti di alimentazione, mancanza di allacciamento alla presa di terra.
 - c. Installazione errata, imperfetta o incompleta, per incapacità d'uso da parte dell'Utente, se mancano gli spazi necessari ad operare attorno ai prodotti, per eccessiva o scarsa temperatura dell'ambiente.
 - d. Interventi nei quali non è stato riscontrato il difetto lamentato, o per generici problemi di funzionamento causati da errata impressione del cliente
 - e. Danni causati da agenti atmosferici (fulmini, terremoti, incendi, alluvioni, ecc.)
 - f. Se il numero di matricola risulta asportato, cancellato o manomesso.
 - g. Riparazioni, modifiche o manomissioni effettuate da persone non autorizzate dal produttore o comunque per cause non dipendenti dal prodotto. Per guasti dovuti a mancanza di regolare manutenzione (pulizia e manutenzione del prodotto.)
 - h. Mancanza dei documenti fiscali o se gli stessi risultano contraffatti o non inerenti al prodotto.
 - i. L'uso improprio dell'apparecchio, non di tipo domestico o diverso da quanto stabilito dal produttore, fa decadere il dritto alla Garanzia.
 - j. Per tutte le circostanze esterne che non siano riconducibili a difetti di fabbricazione dell'elettrodomestico.
 - k. Si intendono a pagamento anche tutti gli eventuali trasporti necessari per lo svolgimento degli interventi legati ai casi citati.

Il Servizio Assistenza di BEKO Italy S.r.l. è l'unico autorizzato a riparare i prodotti a marchio BEKO. Per ogni controversia è competente il foro di Milano.

Durante e dopo il periodo di garanzia, vi consigliamo di rivolgervi sempre ai nostri centri di assistenza autorizzati. Per contattare il Centro di Assistenza Tecnica Autorizzato operante nella sua zona chiami il numero unico per l'Italia:

02.03.03

Prima di contattare l'assistenza tecnica, al fine di agevolare la gestione della chiamata, è necessario avere a portata di mano il modello del prodotto e il documento fiscale di acquisto.

Proszę najpierw przeczytać tę instrukcję obsługi!

Szanowni Klienci!

Dziękujemy za wybranie produktu firmy Beko. Mamy nadzieję, że zakupione urządzenie, wyprodukowane z zapewnieniem wysokiej jakości przy użyciu najnowszych technologii, okaże się w pełni zadowalające. Przed użyciem urządzenia należy uważnie przeczytać całą instrukcję obsługi oraz dołączone dokumenty i zachować je do wglądu na przyszłość. Przekazując wyrób innemu użytkownikowi, należy dołączyć również niniejszą instrukcję. Należy przestrzegać wszystkich ostrzeżeń i informacji zawartych w tej instrukcji obsługi.

Znaczenie symboli

W niniejszej instrukcji stosuje się następujące symbole:



Ważne informacje i przydatne wskazówki dotyczące użytkowania.



OSTRZEŻENIE: Ostrzeżenia dotyczące sytuacji zagrażających bezpieczeństwu, życiu i mieniu.



OSTRZEŻENIE: Ostrzeżenie przed gorącymi powierzchniami.



OSTRZEŻENIE: Ryzyko przypalenia i poparzenia parą.



Urządzenie zostało wyprodukowane w bezpiecznych dla środowiska, nowoczesnych zakładach.

Regulacja i budowa

1. Dysza spryskiwacza
2. Pokrywa zbiornika wody
3. Wyświetlacz LED
4. Przycisk spryskiwania wodą
5. Wskaźnik termostatu i dioda automatycznego wyłączenia
6. Przycisk uderzenia parą
7. Przycisk nastawiania temperatury
8. Zbiornik na wodę
9. Stopa żelazka
10. Zbiornik odwapniania
11. Przycisk nastawiania pary
12. Wnęka na przewód zasilający

Dane techniczne

Napięcie	220-240V~50-60Hz
Zużycie energii	2520–3000 W
Uderzenie parą	280 g*
Stała para	63 g/min
Klasa izolacji	I



*Mierzone przy maksymalnym poziomie temperatury, gdy para uderzeniowa jest przyłożona w 3-sekundowych odstępach przez 30 minut.

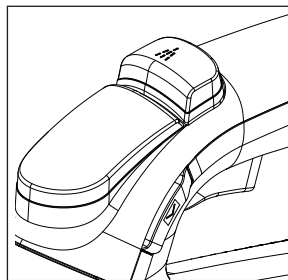
Zastrzega się prawo do zmian technicznych i konstrukcyjnych.

Wyświetlacz LED;

Panel sterowania	Symbole	Uwagi
		Tryb pary
		Tryb pary turbo
		Wskaźnik automatycznego wyłączenia
	MAX	Tryb maksymalnej temperatury
	SMART	Tryb Smart
	ECO	Tryb Eco
	CALC CLEAN	Ostrzeżenie / tryb odwapniania

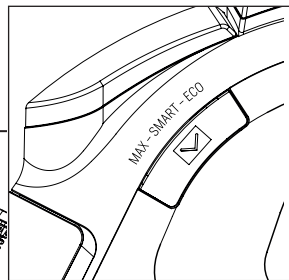
Wartości podane w oznaczeniach umieszczonych na tym urządzeniu lub w innych dostarczanych wraz z nim materiałach drukowanych uzyskano w warunkach laboratoryjnych zgodnie z obowiązującymi normami. Wartości te mogą się różnić w zależności od sposobu użytkowania urządzenia i warunków w jego otoczeniu.

Opisy przycisków



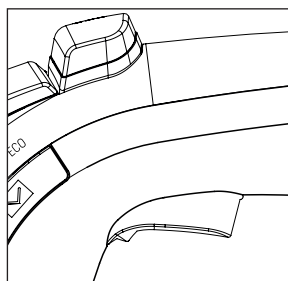
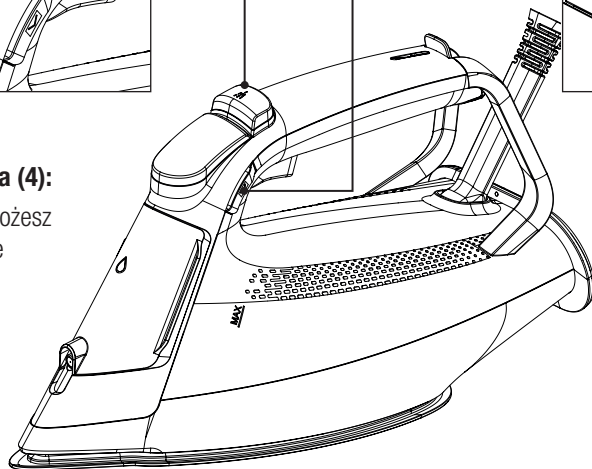
Przycisk spryskiwania (4):

Z łatwością możesz usunąć trudne zagniecenia.



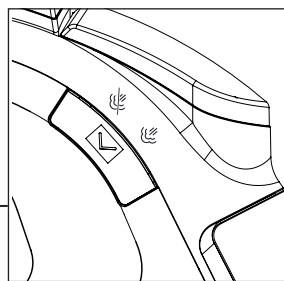
Przycisk regulacji temperatury (7):

Wybierz tryb SMART odpowiedni dla każdego rodzaju tkaniny lub tryby ECO, lub MAX do użytku profesjonalnego za pomocą przycisku regulacji temperatury.



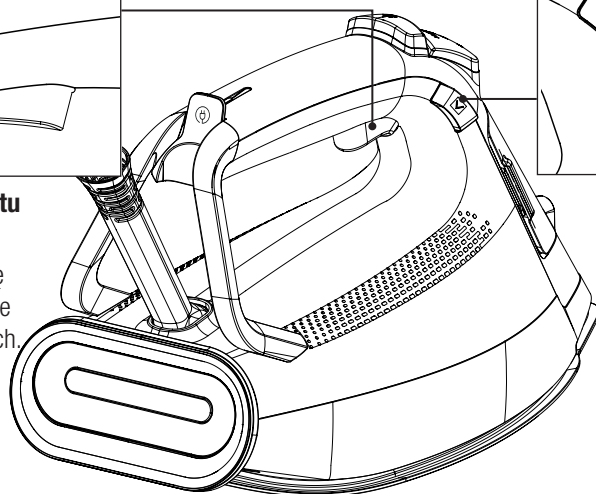
Przycisk wyrzutu pary (6):

Zapewnia funkcję uderzenia pary we wszystkich trybach.



Przycisk ustawienia pary (11):

Możesz prasować z użyciem pary lub bez.



1 Ważne instrukcje dotyczące bezpieczeństwa i ochrony środowiska

Rozdział ten zawiera instrukcje dotyczące bezpieczeństwa, które pomogą uniknąć obrażeń ciała lub uszkodzeń mienia.

Nieprzestrzeganie tych instrukcji spowoduje unieważnienie udzielonej gwarancji.

1.1 Ogólne zasady dotyczące bezpieczeństwa

- Urządzenie jest zgodne z międzynarodowymi normami bezpieczeństwa.
- To urządzenie jest przeznaczone do użytku domowego i podobnych zastosowań, na przykład:
 - na zapleczu kuchennym przez personel sklepów, biur i innych miejsc pracy;
 - w gospodarstwach rolnych;
 - do użytku przez klientów w hotelach i innych obiektach mieszkalnych;
 - w pensjonatach.

Nie nadaje się do zastosowań przemysłowych.

- Produkt może być używany przez dzieci powyżej 8 lat oraz osoby z niepełnosprawnością fizyczną, percepcyjną lub umysłową, a także osoby bez doświadczenia lub wiedzy w zakresie obsługi urządzenia, o ile znajdują się one pod nadzorem lub zostały szczegółowo poinstruowane o bezpiecznym korzystaniu z urządzenia i potencjalnych zagrożeniach. Dzieci nie powinny bawić się tym urządzeniem. Dzieci nie powinny czyścić go ani konserwować, o ile nie są pod nadzorem osoby dorosłej.
- Nie wolno pozostawiać urządzenia bez dozoru, jeśli jest podłączone do zasilania.
- Przed napełnieniem zbiornika wodą należy odłączyć urządzenie od zasilania.
- Urządzenie powinno być używane i przechowywane na stabilnej powierzchni.
- Gdy urządzenie jest ustawione na podstawie, powierzchnia pod nią musi być równa.

1 Ważne instrukcje dotyczące bezpieczeństwa i ochrony środowiska

- Urządzenia nie wolno używać, jeśli przewód zasilający lub samo urządzenie jest uszkodzone. Należy skontaktować się z autoryzowanym punktem serwisowym.
- Jeśli urządzenie zostało upuszczone, wycieka z niego woda lub występują inne awarie, należy skontaktować się z autoryzowanym punktem serwisowym. Nie wolno używać urządzenia, dopóki nie zostanie naprawione.
- Jeśli urządzenie nie jest używane lub zostało pozostawione do ostygnięcia, należy przechowywać je wraz z przewodem zasilającym poza zasięgiem dzieci poniżej 8 lat.
- Wyrób nie nadaje się do stosowania na zewnątrz budynków.
- Należy stosować wyłącznie oryginalne lub zalecane przez producenta części zamienne.
- Nie należy próbować rozkładać tego urządzenia na części.
- Zasilanie z domowej sieci elektrycznej powinno być zgodne z informacjami podanymi na tabliczce znamionowej tego urządzenia.
- Sieć elektryczna musi być zabezpieczona bezpiecznikiem co najmniej 16 A.
- Urządzenia można używać tylko wtedy, gdy jest podłączone do gniazda ściennego z uziemieniem.
- Z tym urządzeniem nie należy używać przedłużaczy.
- Nie należy wyjmować wtyczki z gniazdka, ciągnąc za przewód zasilający.
- Przed przystąpieniem do czyszczenia urządzenia należy wyjąć jego wtyczkę z gniazdka.
- Nie owijaj kabla wokół urządzenia. Owinąć kabel tylko wokół zwijaka kabla znajdującego się z tyłu urządzenia.

1 Ważne instrukcje dotyczące bezpieczeństwa i ochrony środowiska

- Nie wolno dotykać tego urządzenia ani jego wtyczki mokrymi ani wilgotnymi dłońmi, jeśli jest ono podłączone do gniazdka.
- Stopa żelazka i obszar wokół niej mogą być bardzo gorące. Kontakt z gorącymi powierzchniami może powodować poparzenia. W związku z tym podczas używania urządzenia lub zaraz potem należy uważać, aby nie dotknąć gorącej powierzchni.
- Nigdy nie wolno używać tego urządzenia w pobliżu przedmiotów ani materiałów łatwopalnych i palnych.
- Opakowanie urządzenia należy przechowywać poza zasięgiem dzieci.
- Podczas korzystania z urządzenia nie należy otwierać pokrywy wlewu wody.

1.2 Zgodność z dyrektywą WEEE i utylizacja zużytych wyrobów

Wyrób ten jest zgodny z dyrektywą Unii Europejskiej w sprawie zużytego sprzętu elektrycznego i elektronicznego (WEEE) (2012/19/UE). Ten wyrób jest oznaczony symbolem klasyfikacyjnym dla zużytego sprzętu elektrycznego i elektronicznego (WEEE).



Ten symbol oznacza, że produktu nie należy utylizować z innymi domowymi śmieciami po zakończeniu okresu użytkowania. Zużyte urządzenie należy zwrócić do oficjalnego punktu odbioru

odpadów w celu poddania procesowi recyklingu urządzeń elektrycznych i elektronicznych. Aby odnaleźć tego typu miejsce, należy skontaktować się z lokalnymi władzami lub sprzedawcą, u którego zakupiono produkt. Każde gospodarstwo domowe odgrywa ważną rolę w odzyskiwaniu surowców i recyklingu urządzenia. Odpowiednia utylizacja zużytego urządzenia pomaga zapobiegać potencjalnie negatywnym konsekwencjom dla środowiska i zdrowia ludzi.

1.3 Zgodność z dyrektywą RoHS

Wyrób ten jest zgodny z dyrektywą RoHS Unii Europejskiej (2011/65/UE). Nie zawiera szkodliwych ani zakazanych materiałów wyszczególnionych w tej dyrektywie.

1.4 Informacje o opakowaniu



Opakowanie tego wyrobu wykonano z materiałów nadających się do recyklingu zgodnie z odnośnymi krajowymi przepisami ochrony środowiska naturalnego. Nie należy utylizować materiałów opakowaniowych wraz z innymi odpadami domowymi. Należy je oddać do jednego z wyznaczonych przez władze lokalnych punktów zbiórki materiałów opakowaniowych.

2 Obsługa

2.1 Przeznaczenie

Urządzenie jest przeznaczone do użytku i prasowania w gospodarstwie domowym. Nie nadaje się do zastosowań profesjonalnych.

2.2 Pierwsze użycie

Usuń folię ochronną z ekranu LED (3). Podczas pierwszego użycia należy napełnić zbiornik wody i odparować ją, aby usunąć pozostałości produkcyjne. W tym czasie należy często używać przycisku uderzenia parą (6).



Podczas pierwszego użycia z otworów stopy żelazka może wydobywać się mało intensywny odór lub może być widoczny biały osad. Zapach i osad znikną po dwukrotnym odparowaniu żelazka. Ponadto w zbiorniku na wodę mogą zbierać się krople wody – jest to normalne zjawisko.

2.3 Uzupełnianie wody w zbiorniku



OSTRZEŻENIE: Nie wolno napełniać zbiornika na wodę (8) perfumami, octem, krochmalem, środkami do usuwania kamienia lub innymi produktami bądź substancjami chemicznymi, które ułatwiają prasowanie.



Urządzenie umożliwia używanie wody z kranu. Jeśli woda z kranu jest zbyt twarda, zaleca się używanie roztworu wody z kranu i wody zdanej do picia.

2.4 Nastawianie temperatury i prasowanie na sucho

Przy ustawianiu temperatury urządzenia zaleca się skorzystanie z poniższej tabeli.

Rodzaj tkaniny	Nastawa temperatury	Nastawa pary
Jedwab	ECO-SMART	Z parą / bez pary
Wełna	SMART	Z parą / bez pary
Bawełna	SMART-MAX	Z parą / bez pary
Dżins Iniany	SMART-MAX	Z parą / bez pary



OSTRZEŻENIE: Podczas prasowania należy uwzględnić instrukcje prasowania podane na etykiecie tkaniny.



- Po włączeniu urządzenie rozpoczyna pracę w trybie „SMART”.
- Można bezpiecznie prasować wszystkie tkaniny odpowiednie do prasowania w trybie „SMART”.
- Jeśli nie znasz rodzaju materiału, z którego uszyto odzież, wyprasuj najpierw niewidoczny kawałek tkaniny i określ właściwą temperaturę prasowania.
- Aby uniknąć jasnych plam, które mogą powstać na tkaninach z włókien syntetycznych lub z jedwabiu, należy prasować odzież na lewej stronie. Nie należy używać funkcji spryskiwania wodą, aby nie dopuścić do powstawania plam.

2 Obsługa

2.5 Prasowanie parowe



OSTRZEŻENIA

- Kiedy urządzenie zostanie ustawione na tryb pary, para nie będzie się wydobywać, dopóki nie zostanie ono poruszone. Para wydobywa się z urządzenia podczas poruszania nim. Urządzenie jest wyposażone w czujnik ruchu.
- Hałas wydobywający się z urządzenia może się zwiększyć, jeśli obniży się poziom wody w zbiorniku. W takim przypadku napełnij zbiornik do poziomu „MAX”.

2.6 Para turbo

Z funkcji pary turbo można korzystać, gdy temperatura jest ustawiona w pozycji „MAX”.



Z funkcji pary turbo należy korzystać w celu uzyskania większej ilości pary i szybkiego prasowania grubych tkanin.



OSTRZEŻENIE: Kiedy urządzenie zostanie ustawione na tryb pary, para nie będzie się wydobywać, dopóki nie zostanie ono poruszone. Para wydobywa się z urządzenia podczas poruszania nim. Urządzenie jest wyposażone w czujnik ruchu.

2.7 Uderzenie parą

Z funkcji wyrzutu pary można korzystać we wszystkich trybach.



OSTRZEŻENIA

- Odczekać kilka sekund przed ponownym naciśnięciem przycisku uderzenia parą (6). Po wielokrotnym naciskaniu przycisku uderzenia parą (6) ze stopy żelazka (9) wraz z parą może wylać woda.
- Na początku prasowania żelazko może nie wytwarzać uderzenia parą podczas kilku pierwszych prób.



OSTRZEŻENIA

- Aby można było korzystać z funkcji uderzenia parą, dioda wskaźnika termostatu (5) musi się wyłączyć.



OSTRZEŻENIE: Nie wolno kierować strumienia pary na ludzi ani zwierzęta.



OSTRZEŻENIE: Jeśli podczas prasowania włączy się dioda wskaźnika termostatu (5), przed użyciem funkcji uderzenia parą należy zaczekać, aż dioda (5) zgaśnie.

2.8 Spryskiwanie wodą



- Przed spryskiwaniem wodą należy się upewnić, że w zbiorniku (8) jest wystarczająca ilość wody.
- Zagniecenia można łatwo usuwać za pomocą funkcji spryskiwania wodą.

2.9 System zapobiegający kapaniu

Urządzenie jest wyposażone w system zapobiegający kapaniu. Żelazko automatycznie zatrzymuje odparowywanie, gdy temperatura jest zbyt niska, aby zapobiec wylewaniu się wody ze stopy żelazka (9).

2 Obsługa

System zapobiegający kapaniu umożliwia prasowanie nawet najbardziej delikatnych tkanin.

2.10 Automatyczne wyłączenie



- Jeżeli żelazko wyłączy się automatycznie, miga symbol ☹.
- Może upłynąć około 60 sekund, zanim stopa żelazka (9) osiągnie poprzedni poziom temperatury.
- Urządzenie włącza się po ustawieniu go w położeniu poziomym.

3 Czyszczenie i konserwacja

3.1 Czyszczenie



OSTRZEŻENIA

- Do czyszczenia urządzenia nie wolno używać benzyny, rozpuszczalnika, ściernych środków czyszczących ani twardych szczotek.
- Nie wolno wprowadzać do urządzenia octu, środka odkamieniającego, krochmalu, perfum ani innych produktów ułatwiających prasowanie.
- Nie wolno myć urządzenia w bieżącej wodzie ani zanurzać go w wodzie lub innych cieczach.
- Do czyszczenia stopy żelazka (9) nie należy używać środków ściernych.

3.2 Automatyczne odwapnianie

- Proces ten umożliwia oczyszczenie urządzenia z cząstek nagromadzonego wapnia.
- Należy skorzystać z tej funkcji, gdy na wyświetlaczu pojawi się ostrzeżenie „**CALC-CLEAN**”.
- Napełnić zbiornik wody do poziomu MAX (8).



- Podczas czyszczenia nie przenosić urządzenia. W takim przypadku należy powtórzyć czyszczenie.
- Możesz wykonać tę procedurę, wykonując te same czynności, nie czekając na ostrzeżenie „**CALC-CLEAN**”.



OSTRZEŻENIE

- Ponieważ zbiornik odkamieniający (10) nagrzewa się, a gorąca woda kondensacyjna powinna być gromadzona podczas pracy, nie dotykaj zbiornika i żelazka, a wodę spuszczaaj po ostygnięciu.



OSTRZEŻENIE

- Podczas usuwania kamienia z urządzenia i zbiornika odkamieniającego wydostaje się duża ilość pary.



Funkcja samoczyszczenia służy do usuwania zabrudzeń z wnętrza stopy żelazka. Zalecamy korzystanie z tej funkcji co 10–15 dni.

3.3 Przechowywanie

- Jeśli urządzenie nie będzie używane przez dłuższy czas, należy je bezpiecznie przechowywać.
- Przed podniesieniem urządzenia należy odłączyć je od zasilania i zaczekać, aż całkowicie ostygnie.
- Opróżnić zbiornik na wodę.
- Żelazko i jego akcesoria należy przechowywać w oryginalnych opakowaniach.
- Urządzenie należy przechowywać w chłodnym i suchym miejscu.
- Urządzenie należy zawsze przechowywać poza zasięgiem dzieci.

3.4 Przenoszenie i transport

- Urządzenie należy przenosić i transportować w oryginalnym opakowaniu. Zabezpiecza ono urządzenie przed fizycznymi uszkodzeniami.
- Nie wolno umieszczać ciężkich przedmiotów na urządzeniu lub opakowaniu. Może to spowodować uszkodzenie urządzenia.
- Upuszczenie urządzenia może spowodować jego awarię lub trwałe uszkodzenie.



W przypadku pierwszego użycia, ogólnego użytkowania oraz czyszczenia prosimy zapoznać się z instrukcjami dostępnymi na stronach 5, 6 i 7 niniejszej instrukcji.

4 Rozwiązywanie problemów

Problem	Prawdopodobna przyczyna	Rozwiązanie
Urządzenie jest podłączone do gniazdka, ale stopa żelazka (9) nie nagrzewa się.	Wtyczka lub przewód zasilający urządzenia mogą być uszkodzone.	Skontaktuj się z autoryzowanym serwisem, jeśli urządzenie nie działa, mimo że jest podłączone.
Urządzenie nie wytwarza pary.	Ilość wody w zbiorniku (8) może być niewystarczająca.	Napełnij zbiornik (8) wodą do poziomu MAX. Korzystaj z urządzenia w trybie pary.
Osady i pozostałości opadają z podstawy (9) podczas prasowania.	Jeżeli w wodzie używanej w urządzeniu jest zbyt dużo kamienia, mogą tworzyć się takie osady.	Napełnij pojemnik mieszanką wody z kranu i wody pitnej do następnego prasowania. Użyj funkcji automatycznego odkamieniania części, jeśli woda w Twojej okolicy jest twarda.
Na stopie żelazka (9) są plamy.	Prasowanie mokrych ubrań/na podstawie pojawiły się plamy kamienia (9).	Wytrzyj osad i pozostałości lekko zwilżoną ściereczką po odpowiednim schłodzeniu urządzenia.
Symbol "CALC CLEAN" miga na wyświetlaczu LED (3).	Pora na odkamienianie.	Wykonaj odkamienianie.
Ikony na ekranie LED (3) są niewyraźne.	Na ekranie LED (3) wciąż znajduje się folia ochronna.	Usuń folię ochronną z ekranu LED (3).
Urządzenie pracuje głośno.	Poziom wody w zbiorniku wody (8) mógł się obniżyć. Hałas spowodowany obniżeniem się zbiornika na wodę jest normalnym zjawiskiem.	Uzupełnij wodę do linii MAX w pojemniku (8).

Droży Klienci,

Dziękujemy za zakup naszych produktów. Jesteśmy przekonani, że nasze urządzenia będą służyć przez lata. Każdy produkt firmy Beko jest objęty 2-letniem okresem gwarancji.

Warunki gwarancji Beko S.A. (małe urządzenia AGD)

BEKO spółka akcyjna z siedzibą w Warszawie (02-819), przy ulicy Puławskiej 366, wpisana do rejestru przedsiębiorców prowadzonego przez Sąd Rejonowy dla m.st. Warszawy w Warszawie, XIII Wydział Gospodarczy Krajowego Rejestru Sądowego, pod numerem: 0000078147 (dalej: „BEKO”) udziela gwarancji jakości (dalej: „Gwarancja”) na wprowadzone przez BEKO do obrotu na terenie Polski produkty marki BEKO (dalej: „Urządzenia”) osobom, które nabyły te produkty („Użytkownik”) na następujących warunkach:

I. ZAKRES OCHRONY.

BEKO gwarantuje, że Urządzenie zakupione przez Użytkownika jest wolne od wad produkcyjnych lub materiałowych, powstałych z przyczyn tkwiących w tym Urządzeniu (dalej: „Wada”), które ujawnią się w ciągu terminu określonego w części II. niniejszych Warunków Gwarancji (dalej: „Okres Gwarancyjny”).

W razie ujawnienia się Wady Produktu w trakcie Okresu Gwarancyjnego, zostanie ona usunięta na koszt BEKO w sposób uzależniony od właściwości wady, na zasadach i w zakresie określonym w niniejszych Warunkach Gwarancji.

BEKO zobowiązuje się do usunięcia Wady poprzez dokonanie nieodpłatnej naprawy lub wymiany Urządzenia, bądź też reklamacja zgłoszona na podstawie niniejszych Warunków Gwarancji zostanie rozpatrzona w inny sposób uzgodniony przez BEKO i Użytkownika.

Udzielona gwarancja jest ważna na terytorium Rzeczypospolitej Polskiej.

II. CZAS TRWANIA GWARANCJI.

Okres Gwarancyjny wynosi 24 miesiące licząc od daty zakupu Urządzenia przez pierwszego Użytkownika.

III. PROCEDURA ZGŁOSZENIA REKLAMACYJNEGO.

Wady Urządzenia ujawnione w Okresie Gwarancyjnym będą usuwane pod warunkiem przedstawienia przez Użytkownika dowodu zakupu tego Urządzenia zawierającego oznaczenia niezbędne do jego identyfikacji (model, datę zakupu).

Uprawnienia wynikające z niniejszych Warunków Gwarancji mogą być zrealizowane przez Użytkownika wyłącznie w Autoryzowanych Punktach Serwisowych BEKO (dalej: „Serwis”) po uprzednim dokonaniu zgłoszenia na Infolinii BEKO pod numerem telefonu: 22 250 14 14. Urządzenie powinno być odpowiednio zapakowane i zabezpieczone przez Użytkownika na czas transportu do punktu serwisowego Beko.

Wady Urządzenia będą usunięte w terminie 14 dni od daty zgłoszenia Wady na Infolinii BEKO. Jeżeli część zamienna wymieniana w ramach uprawnień wynikających z niniejszych Warunków Gwarancji Urządzenia jest sprowadzana z zagranicy, termin naprawy, o którym mowa w punkcie 5 powyżej, może ulec wydłużeniu jednak, nie więcej niż do 30 dni licząc

odpowiednio od daty zgłoszenia Wady na Infolinii BEKO. Informacje o spodziewanych terminach napraw dostępne są na Infolinii BEKO pod numerem 22 250 14 14. Po usunięciu Wady, Urządzenie zostanie dostarczone Użytkownikowi na koszt BEKO.

IV. WYŁĄCZENIA.

Warunkiem skorzystania z niniejszych Warunków Gwarancji jest:

- użytkowanie Urządzenia zgodnie z Instrukcją Obsługi dołączoną do tego Urządzenia i jego przeznaczeniem, jak również odpowiednie czyszczenie i konserwacje Urządzenia;
- użytkowanie w warunkach indywidualnego gospodarstwa domowego. Urządzenie nie jest używane do celów prowadzenia działalności gospodarczej lub w zastosowaniach eksploatacji masowej, w szczególności w gastronomicznej działalności hoteli, restauracji i innych obiektów turystyczno-rekreacyjnych lub zbiorowego żywienia. Stosowanie osprzętu zalecanego przez producenta; brak ingerencji w Urządzenie przez osoby do tego nieupoważnione; brak ingerencji w tabliczkę znamionową z numerem seryjnym Urządzenia.

Udzielona przez Beko Gwarancja nie obejmuje:

- wad powstałych z przyczyn innych niż tkwiące w Urządzeniu;
- normalnego zużycia elementów eksploatacyjnych tj. akumulatory, baterie, noże, filtry, żarówki, szczotki, itp.;
- czynności przewidzianych w Instrukcji Obsługi, do wykonania których zobowiązany jest Użytkownik Urządzenia we własnym zakresie i na swój koszt, w tym: instruktażu dotyczącego obsługi Urządzenia, instalacji oraz regulacji urządzenia.
- usterek powstałych w wyniku nieprawidłowego lub niewłaściwego użytkowania, niedbalstwa, przypadkowego uszkodzenia Urządzenia, nieodpowiedniego napięcia prądu lub dokonania jakichkolwiek zmian, które mają wpływ na niewłaściwe działanie Urządzenia, i które naprawiane były przez osoby nieupoważnione, używania instalacji niezgodnych z odpowiednimi Polskimi Normami i innych niż wymienione w Instrukcji Obsługi Urządzenia; uszkodzeń mechanicznych, termicznych, chemicznych, korozji, innych uszkodzeń spowodowanych działaniem lub zaniedbaniem Użytkownika lub powstałych na skutek działania sił zewnętrznych (do których zalicza się w szczególności wyładowania atmosferyczne, skoki napięcia, wszystkiego rodzaju awarie domowej instalacji wodno-kanalizacyjnej, itp.), a także powstałych na skutek przedostania się zanieczyszczeń lub ciał obcych do Urządzenia, zakamienienia (proces odkamieniania musi być przeprowadzany zgodnie z instrukcją obsługi z użyciem odpowiednich środków czyszczących) elementów ze szkła, plastiku oraz porcelany; odbarwień Urządzenia lub poszczególnych jego części;
- usterek powstałych na skutek przechowywania i użytkowania Urządzenia w warunkach, które są niezgodne z normalnymi warunkami domowymi określonymi wymaganiami powszechnie obowiązujących przepisów prawa i odpowiednich Polskich Norm;

V. POZOSTAŁE POSTANOWIENIA.

Niniejsze warunki gwarancji mają zastosowanie do Urządzeń zakupionych od dnia 01.03.2019 r. Gwarant oświadcza, że niniejsza Gwarancja jest udzielana Użytkownikowi dodatkowo i nie wyłącza, nie ogranicza ani nie zawiesza uprawnień Użytkownika wynikających z przepisów o rękojmi za wady rzeczy sprzedanej na podstawie Kodeksu cywilnego.

Lütfen önce bu kılavuzu okuyun!

Değerli Müşterimiz,

Beko ürününü tercih ettiğiniz için teşekkür ederiz. Yüksek kalite ve teknoloji ile üretilmiş olan ürününüzün size en iyi verimi sunmasını istiyoruz. Bunun için, bu kılavuzun tamamını ve verilen diğer belgeleri ürünü kullanmadan önce dikkatle okuyun ve bir başvuru kaynağı olarak saklayın. Ürünü başka birisine vererseniz, kullanma kılavuzunu da birlikte verin. Kullanma kılavuzunda belirtilen tüm bilgi ve uyarıları dikkate alarak talimatlara uyun.

Sembollerin anlamları

Bu kullanma kılavuzunun çeşitli kısımlarında aşağıdaki semboller kullanılmıştır:



Cihazın kullanımıyla ilgili önemli bilgiler ve faydalı tavsiyeler.



UYARI: Can ve mal güvenliğiyle ilgili tehlikeli durumlar konusunda uyarılar.



UYARI: Sıcak yüzeylerle ilgili uyarı.



UYARI: Buhardan yanma ve haşlanma tehlikesi.



Bu ürün, çevreye saygılı modern tesislerde doğaya zarar vermeden üretilmiştir.

Kontroller ve parçalar

1. Su püskürtme deliği
2. Su doldurma kapağı
3. LED ekran
4. Su püskürtme düğmesi
5. Termostat göstergesi ve otomatik kapanma (Auto-Off) ışığı
6. Şok buhar düğmesi
7. Sıcaklık ayar düğmesi
8. Su tankı
9. Taban
10. Kireç temizleme haznesi
11. Buhar ayar düğmesi
12. Kablo sarma yeri

Teknik veriler

Gerilim	220-240V~50-60Hz
Güç tüketimi	2520-3000W
Şok buhar	280 g*
Sürekli buhar	63 g/dk
İzolasyon sınıfı	I



*Maksimum sıcaklık kademesinde, 30 dakika kullanım için 3 saniyelik periyotlarla şok buhar verildiği durumda ölçülmüştür.

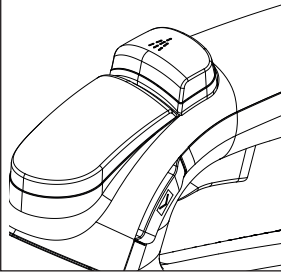
Teknik ve tasarım değişiklikleri yapma hakkı saklıdır.

Led ekran;

Kontrol paneli	Semboller	Açıklamalar
		Buhar modu
		Turbo buhar modu
		Otomatik kapanma göstergesi
	MAX	Maksimum sıcaklık modu
	SMART	Smart (akıllı) mod
	ECO	Eco (ekonomik) mod
	CALC CLEAN	Kireç temizleme uyarısı/modu

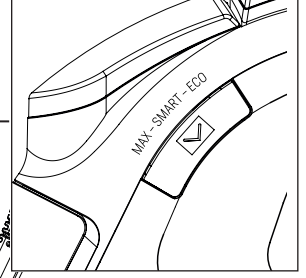
Ürününüz üzerinde bulunan işaretlemelerde veya ürünle birlikte verilen diğer basılı dokümanlarda beyan edilen değerler, ilgili standartlara göre laboratuvar ortamında elde edilen değerlerdir. Bu değerler, ürünün kullanım ve ortam şartlarına göre değişebilir.

Düğme açıklamaları



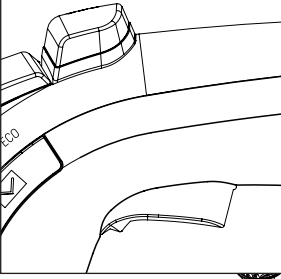
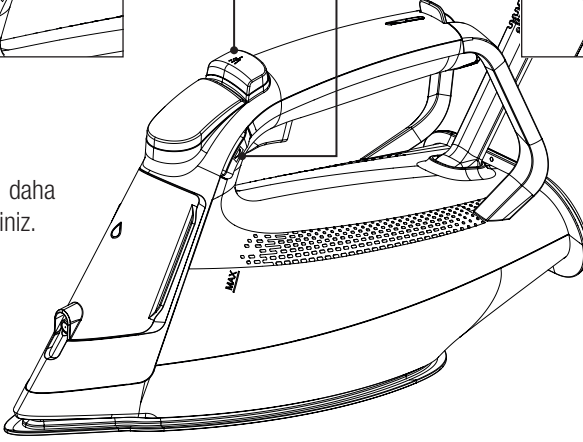
Su püskürtme düğmesi (4);

Zorlu kırışıklıkları daha kolay giderebilirsiniz.



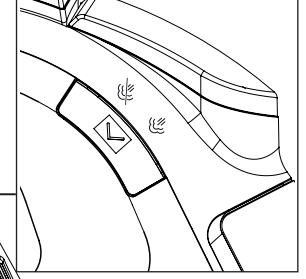
Sıcaklık ayar düğmesi (7);

Her kumaş türünde geçerli SMART mod ya da profesyonel kullanım için ECO veya MAX modlarından birini sıcaklık ayar düğmesi ile seçin.



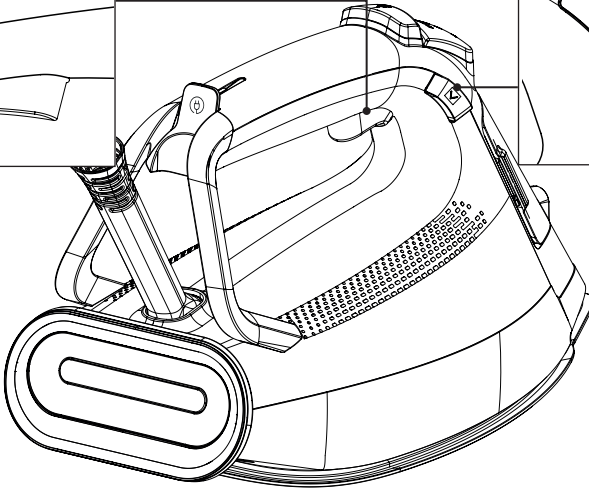
Şok buhar düğmesi (6);

Bütün modlarda şok buhar kullanımı sunar.



Buhar ayar düğmesi (11);

Buharlı ya da buhar-sız ütüleme gerçekleştirebilirsiniz.



1 Önemli güvenlik ve çevre talimatları

Bu bölümde, yaralanma ya da maddi hasar tehlikelerini önlemeye yardımcı olacak güvenlik talimatları yer almaktadır.

Bu talimatlara uyulmaması halinde her türlü garanti geçersiz hale gelir.

1.1 Genel güvenlik

- Bu cihaz, uluslararası güvenlik standartlarına uygundur.
- Bu cihaz ticari kullanım için tasarlanmamıştır, evde ve aşağıdakiler gibi uygulamalarda kullanılmak üzere tasarlanmıştır:
 - Dükkanların, ofislerin ve diğer çalışma ortamlarının personel mutfaklarında;
 - Çiftlik evlerinde;
 - Otel, motel ve diğer konaklama mekânlarında müşteriler tarafından;
 - Pansiyon türü mekanlarda.
- Cihaz, 8 yaş ve üzeri çocuklar ve fiziksel, algısal ve zihinsel yetenekleri azalmış veya tecrübe ve bilgi eksikliği olan kişiler tarafından gözetim altında veya cihazın güvenli bir şekilde kullanımına ve karşılaşılan ilgili tehlikelerin anlaşılmasına dair talimat verilirse kullanılabilir. Çocuklar cihazla oynamamalıdır. Temizlik ve kullanıcı bakım işlemleri, başlarında bir büyük olmadığı sürece çocuklar tarafından yapılmamalıdır.
- Cihazı elektrik fişine bağlıyken gözetimsiz bırakmayın.
- Cihazın su haznesine su doldurmadan önce fişini prizden çekin.
- Cihazı sabit bir yüzeyde kullanın ve muhafaza edin.
- Cihaz altlığı üzerine yerleştirildiğinde, altlığın üzerine konulduğu yüzeyin dengeli olmasını sağlayın.
- Elektrik kablosu veya cihaz hasarlıysa cihazı kullanmayın. Yetkili servise başvurun.

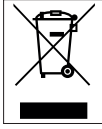
1 Önemli güvenlik ve çevre talimatları

- Cihaz düşürülürse, su sızıntısı yaparsa veya diğer arızalar meydana gelirse, yetkili servise başvurun. Cihazı onarılanaya kadar kullanmayın.
- Cihaz kullanımda iken veya soğumaya bırakıldığında, 8 yaş altı çocukları cihazdan ve elektrik kablosundan uzak tutun.
- Cihaz dış mekanlarda kullanıma uygun değildir.
- Sadece orijinal parçaları veya üretici tarafından tavsiye edilen parçaları kullanın.
- Cihazı parçalarına ayırmayın.
- Şebeke güç kaynağınız cihazın tip etiketinde belirtilen bilgilere uygun olmalıdır.
- Cihazı kullanacağınız şebeke en az 16 A'lık bir sigorta ile emniyete alınmış olmalıdır.
- Cihazı topraklı prizde kullanın.
- Cihazı uzatma kablosuyla kullanmayın.
- Cihazın fişini çıkartırken kablodan çekmeyin.
- Cihazı temizlemeden önce fişini prizden çekin.
- Cihazın kablosunu cihaz etrafına sarmayın. Kabloyu sadece cihazın arka kısmında bulunan kablo sarma kısmına sarın.
- Cihaz elektriğe bağlıyken elleriniz nemli veya ıslaksa cihazın fişine dokunmayın.
- Cihazın tabanı ve tabana yakın kısımları aşırı ısınabilir. Sıcak yüzeylere temas yanıklara yol açabilir. Cihazı kullanırken veya kullandıktan hemen sonra sıcak yüzeylere temas etmeyin.
- Cihazı patlayıcı veya yanıcı ortamların ve maddelerin bulunduğu yerde veya yakınında kullanmayın.
- Ambalaj malzemelerini saklıyorsanız çocukların ulaşamayacağı bir yerde muhafaza edin.
- Kullanım sırasında su doldurma kapağını açmayın.

1 Önemli güvenlik ve çevre talimatları

1.2 AEEE yönetmeliğine uyum ve atık ürünün elden çıkarılması

Bu ürün, T.C. Çevre ve Şehircilik Bakanlığı tarafından yayımlanan “Atık Elektrikli ve Elektronik Eşyaların Kontrolü Yönetmeliği”nde belirtilen zararlı ve yasaklı maddeleri içermez. AEEE Yönetmeliğine uygundur.



Bu ürün, geri dönüşümlü ve tekrar kullanılabilir nitelikteki yüksek kaliteli parça ve malzemelerden üretilmiştir. Bu nedenle, ürünü, hizmet ömrünün sonunda evsel veya diğer atıklarla birlikte atmayın. Elektrikli ve elektronik cihazların geri dönüşümü için bir toplama noktasına götürün. Bu toplama noktalarını bölgenizdeki yerel yönetime sorun. Kullanılmış ürünleri geri kazanıma vererek çevrenin ve doğal kaynakların korunmasına yardımcı olun.

1.3 Ambalaj bilgisi



Ürünün ambalajı, Ulusal Mevzuatımız gereği geri dönüştürülebilir malzemelerden üretilmiştir. Ambalaj atığını evsel veya diğer atıklarla birlikte atmayın, yerel otoritenin belirttiği ambalaj toplama noktalarına atın.

2 Kullanım

2.1 Kullanım amacı

Cihaz sadece evde kullanılmak ve ütü yapmak üzere tasarlanmıştır, profesyonel kullanım için uygun değildir.

2.2 İlk kullanım

LED ekran (3) üzerindeki koruyucu filmi çıkarın. İlk kullanımda, üretim atıklarını gidermek için su haznesine su doldurun ve buharlaştırma işlemi yapın. Bu sırada çok buhar düğmesini de (6) sıkça kullanın.



Cihazın ilk kullanımında, hafif bir koku ve taban deliklerinden beyaz tortular gelebilir. İki kez buharlaştırma işleminden sonra koku ve tortular yok olacaktır. Ayrıca su haznesinde su damlacıkları bulunabilir, bu durum normaldir.

2.3 Su haznesinin doldurulması



UYARI: Su tankına (8) parfüm, sirke, kola, kireç çözücü ürünler, ütüleme-ye yardımcı olacak ürünler veya diğer kimyasalları koymayın.



Cihazınız musluk suyu kullanımına uygun olarak tasarlanmıştır. Eğer bulunduğunuz yerdeki musluk suyu aşırı kireçli ise musluk suyunu içme suyu ile karıştırarak kullanın.

2.4 Sıcaklık ayarı ve kuru ütüleme

Cihazınızda sıcaklık ayarını yaparken aşağıdaki tabloyu dikkate alın.

Kumaş Türü	Sıcaklık Ayarı	Buhar Ayarı
İpekli	ECO-SMART	Buharlı-Buharsız
Yün	SMART	Buharlı-Buharsız
Pamuklu	SMART-MAX	Buharlı-Buharsız
Keten-Kot	SMART-MAX	Buharlı-Buharsız



UYARI: Ütüleme için kumaşın etiketinde belirtilen ütüleme talimatlarını dikkate alın.



- Cihazı ilk çalıştırdığınızda “SMART” moda başlar.
- Ütülenebilir tüm kumaşlar için “SMART” modunu kullanarak güvle ütüleme yapabilirsiniz.
- Giysinizin ne tür kumaştan yapıldığını bilmiyorsanız, giysinizin görünmeyen bir bölümünü ütölerek doğru ütüleme sıcaklığını belirleyin.
- İpek gibi sentetik kumaşlarda oluşan parlak lekeleri engellemek için, kumaşın ters yüzünü ütöleyin. Leke oluşumunu engellemek için su püskürtme özelliğini kullanmayın.

2.5 Buharlı ütüleme



UYARI: Cihaz buharlı moda getirdiğinde hareket etmeden buhar vermez. Hareket ettirdiğinde buhar verir. Cihazda hareket sensörü mevcuttur.

2 Kullanım



UYARI: Cihaz buharlı moda çalışırken su tankındaki su azalursa üründen gelen ses seviyesi artabilir. Bu durumda su tankını "MAX" a kadar doldurun.

2.6 Turbo buhar

Turbo buhar özelliğini sıcaklık ayarı yalnızca "MAX" konumunda iken kullanabilirsiniz.



Daha yüksek miktarda buhar ve kalın kumaşlarda hızlı ütüleme için turbo buhar özelliğini kullanın.



UYARI: Cihaz buharlı moda getirildiğinde hareket etmeden buhar vermez. Hareket ettirildiğinde buhar verir. Cihazda hareket sensörü mevcuttur.

2.7 Şok buhar

Şok buhar özelliğini bütün modlarda kullanabilirsiniz.



UYARILAR

- Şok buhar düğmesine (6) tekrar basmadan önce birkaç saniye bekleyin. Şok buhar düğmesine (6) arka arkaya basmaya devam edilir ise tabandan (9) buhar ile su da gelebilir.
- Ütülemenin başında, ilk birkaç denemenizde ütü şok buhar üretmeyebilir.
- Şok buhar özelliğini kullanmak için termostat gösterge ışığının (5) kapanması gerekir.



UYARI: Buharı hiçbir zaman insanlara veya hayvanlara yöneltmeyin.



UYARI: Ütüleme sırasında termostat gösterge ışığı (5) yandığında, şok buhar işlemine devam etmek için ışığın (5) sönmesini bekleyin.

2.8 Su püskürtme



- Su püskürtme işleminden önce tankta (8) yeterince su olduğundan emin olun.
- Su püskürtme özelliği ile kırışıklıkları daha kolay giderebilirsiniz.

2.9 Damlama önleyici (Anti-dripping) sistem

Cihaz damlama önleyici sistemle donatılmıştır. Suyun tabandan (9) dışarı akmasını engellemek için sıcaklık çok düşük olduğunda ütü otomatik olarak buharlaşmayı durdurur.

Damlama önleyici sistemle, en hassas kumaşları bile mükemmel şekilde ütüleyebilirsiniz.

2.10 Otomatik kapanma (Auto-Off)



- Otomatik kapanma durumunda "U" sembolü yanıp söner.
- Taban (9) sıcaklığının eski düzeyine ulaşması yaklaşık 60 saniye sürebilir.
- Cihaz yatay konumda hareket ettirilirse çalışmaya başlar.

3 Temizlik ve bakım

3.1 Temizlik



UYARILAR

- Cihazı temizlemek için benzin, solvent, aşındırıcı temizleyici veya sert fırça kullanmayın.
- Cihaza asla sirke, kireç çözücü, kola, parfüm veya diğer ütülemeye yardımcı maddelerden koymayın.
- Cihazınızı akan suyun altına tutup yıkamayın veya su ve diğer sıvıların içerisine daldırmayın.
- Tabanı (9) temizlemek için, aşındırıcı temizlik maddeleri kullanmayın.

3.2 Otomatik kireç temizleme teknolojisi (Auto calc-clean)

- Bu işlem, cihazda biriken kireç parçalarının temizlenmesini sağlar.
- Ekranda “**CALC-CLEAN**” uyarısı verdiğinde bu özelliği kullanın.
- Su tankını (8) MAX çizgisine kadar doldurun.



- Temizleme işlemi sırasında cihazı hareket ettirmeyin. Bu durumda temizleme işleminin tekrarlanması gerekir.
- “**CALC-CLEAN**” uyarısını beklemeden de aynı adımları takip ederek bu işlemi yapabilirsiniz.



UYARILAR

- Kireç temizleme haznesi (10) işlem süresince ısınacağı ve sıcak yoğunlaşma suyu birikeceği için hazneye ve ütüye dokunmayın ve soğuduktan sonra boşaltın.
- Kireç temizleme işlemi sırasında cihazdan ve kireç temizleme haznesinden yüksek seviyede buhar çıkışı olacaktır.



Kendi kendini temizleme özelliği, taban plakasının iç kısmındaki kirleri temizler. Bu özelliği 10-15 günde bir kullanmanızı öneririz.

3.3 Saklama

- Cihazı uzun süre kullanmayı düşünmüyorsanız, dikkatli bir şekilde saklayın.
- Cihazı kaldırmadan önce fişini çekin ve tamamen soğumasını bekleyin.
- Su haznesini boşaltın.
- Cihazı ve aksesuarlarını orijinal paketlerinde saklayın.
- Serin ve kuru bir yerde saklayın.
- Cihazı, daima çocukların ulaşamayacağı bir yerde muhafaza edin.

3.4 Taşıma ve nakliye

- Taşıma ve nakliye sırasında cihazı orijinal ambalajı ile birlikte taşıyın. Cihazın ambalajı, cihazı fiziksel hasarlara karşı koruyacaktır.
- Cihazın veya ambalajının üzerine ağır cisimler koymayın. Cihaz zarar görebilir.
- Cihazın düşürülmesi durumunda cihaz çalışmayabilir veya kalıcı hasar oluşabilir.



Devreye alma, genel kullanım ve temizlik işlemleri için lütfen bu kullanım kılavuzunun 4, 5 ve 6. sayfalarında verilen talimatlara uyun.

4 Sorun giderme

Sorun	Olası neden	Çözüm
Cihaz prize takılı olduğu halde taban (9) ısınmıyor.	Cihazın fişi ya da elektrik kablosunda problem olabilir.	Fiş takılı olduğu halde cihaz çalışmıyorsa yetkili servise başvurun.
Cihaz buhar üretmiyor.	Su tankında (8) yeterli miktarda su olmayabilir.	Su tankına (8) MAX çizgisine kadar su doldurun. Ürünü buharlı modda çalıştırın.
Ütüleme sırasında tabandan (9) tortular ve kalıntılar dökülüyor.	Cihazınızda kullandığınız su çok kireçli ise bu tür tortular oluşabilir.	Bir sonraki ütülerde cihazın su haznesini musluk suyu ve içme suyunu karıştırarak doldurun. Bulduğunuz bölgede su kireçliyse otomatik kireç temizleme özelliğini daha sık kullanın.
Tabanda (9) lekeler var.	Tabanda (9) ıslak kumaş ütülenmiş / kireç lekesi oluşmuştur.	Yeterince soğuduktan sonra tortu ve kalıntıları hafif nemli bir bezle silin.
Led ekranda (3) "CALC CLEAN" sembolü yanıp sönüyor.	Kireç temizle zamanı gelmiştir.	Kireç temizleme işlemini yapın.
Led ekran (3) üzerindeki ikonlar net değil.	LED ekran (3) üzerindeki koruyucu film çıkarılmamış olabilir.	LED ekran (3) üzerindeki koruyucu filmi çıkarın.
Cihazdan ses geliyor.	Su tankında (8) su azalmış olabilir. Su tankındaki suyun azalması ile birlikte sesin gelmesi normaldir.	Su tankına (8) MAX çizgisine kadar su doldurun.

Müşteri Memnuniyeti Politikası

- Müşterilerimizin istek ve önerilerini her kanaldan karşılamaktan mutluluk duyarız.

Kanallarımız:

* Çağrı Merkezimiz:

0850 210 0 888

(Sabit telefonlardan veya cep telefonlarından alan kodu çevirmeden arayın*)

* Diğer Numaramız

0216 585 8 888

- Çağrı Merkezimiz haftanın 7 günü 24 saat hizmet vermektedir.
- Çağrı Merkezimiz ile yaptığınız görüşmeler iletişim hizmeti aldığınız operatör firma tarafından sizin için tanımlanan tarifeye göre ücretlendirilir.
- Sabit veya cep telefonlarınızdan alan kodu tuşlamadan çağrı merkezi numaramızı arayarak ürününüz ile ilgili arzu ettiğiniz hizmeti talep edebilirsiniz.

* Whatsapp Numaramız:

0544 444 08 88

* Faks Numaramız:

- **0216 423 2353**

* Web Adresimiz:

- www.beko.com.tr

* e-posta Adresimiz:

- musteri.hizmetleri@beko.com

* Sosyal Medya Hesaplarımız:

- <https://www.instagram.com/bekoturkiye/>

- https://twitter.com/beko_tr

- <https://www.facebook.com/bekoturkiye/>

- <https://www.youtube.com/user/BekoChannel>

* Posta Adresimiz:

- Arçelik A.Ş. Karaağaç Caddesi No:2-6,
34445, Söğütözü / İSTANBUL

* Bayilerimiz,

- <https://www.beko.com.tr/yetkili-saticilar>

* Yetkili servislerimiz,

- <https://www.beko.com.tr/yetkili-servis>

- Müşterilerimizden iletilen istek ve önerilerin Beko'ya ulaştığı bilgisini, müşteri profili ayrımı yapılmaksızın kendilerine 24 saat içinde veririz.
- Müşteri Hizmetleri sürecimiz:
Müşterilerimizin istek ve önerilerini;
 - * İzlenebilir, raporlanabilir, şeffaf ve güvenli tek bir bilgi havuzunda toplarız.
 - * Yasal düzenlemelere uygun, objektif, adil ve gizlilik içinde ele alır ve değerlendiririz.
 - * Bu geri bildirimleri süreçlerimizin daha mükemmel hale getirilmesinde kullanırız.
- Beko olarak, mükemmel müşteri deneyimini yaşatmayı ana ilke olarak kabul eder, müşteri odaklı bir yaklaşım benimseriz.
- Bütün süreçlerimizi yönetim sistemi ile entegre ederek birbirini kontrol eden bir yapı geliştirilmesini sağlarız.
Yönetim hedeflerini de bu sistem üzerinden besleriz.

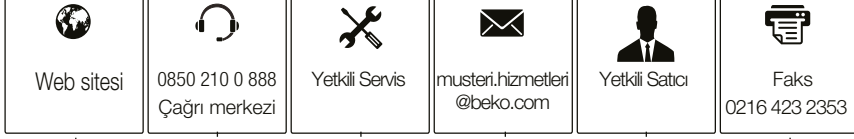
Aşağıdaki önerilere uymanızı rica ederiz.

- Ürününüzü aldığınızda Garanti belgesini Yetkili Satıcınıza onaylattırınız.
- Ürününüzü kullanma kılavuzu esaslarına göre kullanınız.
- Ürününüzü ile ilgili hizmet talebiniz olduğunda yukarıdaki telefon numaralarından Çağrı Merkezimize başvurunuz.
- Hizmet için gelen teknisyene "teknisyen kimlik kartı" nı sorunuz.
- İşiniz bittiğinde Yetkili servis teknisyeninden "Hizmet Fişi" istemeyi unutmayınız. alacağınız "Hizmet Fişi" , ilerde ürününüzde meydana gelebilecek herhangi bir sorunda size yarar sağlayacaktır.
- Ürünün kullanım ömrü: 10 yıldır. (Ürünün fonksiyonunu yerine getirebilmesi için gerekli yedek parça bulundurma süresi)

Hizmet talebinin deęerlendirilmesi

1

Müşteri Başvurusu



2

Başvuru kaydı

Başvuru Konusu
Müşteri Adı, Soyadı
Müşteri Telefonu
Müşteri Adresi

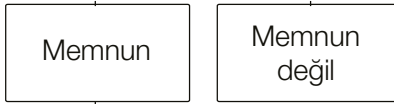
3

Hizmet talebinin alınması

- Hizmet talebi analizi
- Hizmet hakkında müşterinin bilgilendirilmesi (Keşif,nakliye,montaj,bilgi,onarım,deęişim vb.)
- Hizmet hakkında gerekli işlemin gerçekleştirilmesi

4

Müşteri memnuniyetinin alınması



5

Başvuru kaydının kapatılıp, bilgilerin saklanması

Bu kılavuzu okumadan ürününüzü çalıştırmayınız.

Ürününüz ile ilgili garanti şartları, kullanımı ve sorun giderme yöntemleri kılavuzda yer almaktadır.

Uygun Kullanım ve Garanti ile İlgili Dikkat Edilmesi Gereken Hususlar;

Aşağıda belirtilen sorunların giderilmesi ücret karşılığında yapılır. Bu durumlar için garanti şartları uygulanmaz;

1. Kullanım hatalarından kaynaklanan hasar ve arızalar,
2. Malın tüketiciye tesliminden sonraki yükleme, boşaltma, taşıma vb. sırasında oluşan hasar ve arızalar,
3. Malın kullanıldığı yerin elektrik (priz, gerilim, topraklama vb.), su (su basıncı, musluk vb.), doğal-gaz, telefon, internet vb. şebekesi ve/veya altyapısı (gider, zemin, ortam vb.) kaynaklı meydana gelen hasar ve arızalar,
4. Doğa olayları ve yangın, su baskını vb. kaynaklı meydana gelen hasar ve arızalar,
5. Malın tanıtma ve kullanma kılavuzlarında yer alan hususlara aykırı kullanılmasından kaynaklanan hasar ve arızalar,
6. Malın, 6502 sayılı Tüketicinin Korunması Hakkındaki Kanununda tarif edilen şekli ile ticari veya mesleki amaçlarla kullanımı durumunda ortaya çıkan hasar ve arızalar,
7. Mala yetkisiz kişiler tarafından bakım, onarım veya başka bir nedenle müdahale edilmesi

Durumlarında mala verilmiş garanti sona erecektir.

Garanti uygulaması sırasında değiştirilen malın garanti süresi, satın alınan malın kalan garanti süresi ile sınırlıdır.

Ürününüz Arçelik A.Ş. adına Guangdong XINBAO Electrical Appliances Holdings Co., Ltd, South Zhenghe Road, Leliu Town, Shunde District, Foshan City, Guangdong, China, Tel. 86-757-25336534 tarafından üretilmiştir.

Menşei : P.R.C.

GARANTİ ŞARTLARI

- Garanti süresi, malın teslim tarihinden itibaren başlar ve 2 yıldır.
- Malın tanıtma ve kullanma kılavuzunda gösterildiği şekilde kullanılması ve Arçelik A.Ş.'nin yetkili kıldığı servis çalışanları dışındaki şahıslar tarafından bakım, onarım veya başka bir nedenle müdahale edilmemiş olması şartıyla, malın bütün parçaları dahil olmak üzere tamamını; malzeme, işçilik ve üretim hatalarına karşı malın teslim tarihinden itibaren yukarıda belirtilen süre kadar garanti eder.
- Malın ayıplı olduğunun anlaşılması durumunda tüketicici, 6502 sayılı Tüketicinin Korunması Hakkında Kanununun 11 inci maddesinde yer alan;
 - Sözleşmeden dönme,
 - Ücretsiz onarılmasını isteme,
 - Satış bedelinden indirim isteme,
 - Satılmanın ayıpsız bir misli ile değiştirilmesini isteme, haklarından birini kullanabilir.
- Tüketicinin bu haklardan ücretsiz onarım hakkını seçmesi durumunda satıcı; işçilik masrafı, değiştirilen parça bedeli ya da başka herhangi bir ad altında hiçbir ücret talep etmeksizin malın onarımını yapmak veya yaptırmakla yükümlüdür. Tüketicici ücretsiz onarım hakkını üretici veya ithalatçıya karşı da kullanabilir. Satıcı, üretici ve ithalatçı tüketicinin bu hakkını kullanmasından müstesilsen sorumludur.
- Tüketicinin, ücretsiz onarım hakkını kullanması halinde malın;
 - Garanti süresi içinde tekrar arızalanması,
 - Tamiri için gereken azami sürenin aşılması,
 - Tamirinin mümkün olmadığı, yetkili servis istasyonu, satıcı, üretici yada ithalatçı tarafından bir raporla belirlenmesi durumlarında;tüketicici malın bedel iadesini, ayıp oranında bedel indirimini veya imkân varsa malın ayıpsız misli ile değiştirilmesini satıcıdan talep edebilir. Satıcı, tüketicinin talebini reddedemez. Bu talebin yerine getirilmemesi durumunda satıcı, üretici ile ithalatçı müstesilsen sorumludur.
- İlgili mevzuatlarda belirlenen kullanım ömrü süresince malın azami tamir süresi 20 iş gününü, geçemez. Bu süre, garanti süresi içerisinde mala ilişkin arızanın yetkili servis istasyonuna veya satıcıya bildirim tarihi, garanti süresi dışında ise malın yetkili servis istasyonuna teslim tarihinden itibaren başlar. Garanti kapsamı içerisindeki malın arızasının 10 iş günü içerisinde giderilememesi halinde, üretici veya ithalatçı; malın tamiri tamamlanıncaya kadar, benzer özelliklere sahip başka bir malı tüketicinin kullanımına tahsis etmek zorundadır. Benzer özelliklere sahip başka bir malın tüketicici tarafından istenmemesi halinde üretici veya ithalatçılar bu yükümlülüğünden kurtulur. Malın garanti süresi içerisinde arızalanması durumunda, tamirde geçen süre garanti süresine eklenir.
- Malın kullanma kılavuzunda yer alan hususlara aykırı kullanılması kaynaklı hasar ve arızalar garanti kapsamı dışındadır.
- Tüketicici, garantiden doğan haklarının kullanılmasını ile ilgili olarak çıkabilecek uyumsuzluklarda yerleşim yerinin bulunduğu veya tüketicici işleminin yapıldığı yerdeki Tüketicici Hakem Heyetine veya Tüketicici Mahkemesine başvurabilir.
- Satıcı tarafından bu Garanti Belgesinin verilmesi durumunda tüketicici, Ticaret Bakanlığı Tüketicinin Korunması ve Piyasa Gözetimi Genel Müdürlüğüne başvurabilir.

tüketicici malın bedel iadesini, ayıp oranında bedel indirimini veya imkân varsa malın ayıpsız misli ile değiştirilmesini satıcıdan talep edebilir. Satıcı, tüketicinin talebini reddedemez. Bu talebin yerine getirilmemesi durumunda satıcı, üretici ile ithalatçı müstesilsen sorumludur.

İlgili mevzuatlarda belirlenen kullanım ömrü süresince malın azami tamir süresi 20 iş gününü, geçemez. Bu süre, garanti süresi içerisinde mala ilişkin arızanın yetkili servis istasyonuna veya satıcıya bildirim tarihi, garanti süresi dışında ise malın yetkili servis istasyonuna teslim tarihinden itibaren başlar. Garanti kapsamı içerisindeki malın arızasının 10 iş günü içerisinde giderilememesi halinde, üretici veya ithalatçı; malın tamiri tamamlanıncaya kadar, benzer özelliklere sahip başka bir malı tüketicinin kullanımına tahsis etmek zorundadır. Benzer özelliklere sahip başka bir malın tüketicici tarafından istenmemesi halinde üretici veya ithalatçılar bu yükümlülüğünden kurtulur. Malın garanti süresi içerisinde arızalanması durumunda, tamirde geçen süre garanti süresine eklenir.

Malın kullanma kılavuzunda yer alan hususlara aykırı kullanılması kaynaklı hasar ve arızalar garanti kapsamı dışındadır.

Tüketicici, garantiden doğan haklarının kullanılmasını ile ilgili olarak çıkabilecek uyumsuzluklarda yerleşim yerinin bulunduğu veya tüketicici işleminin yapıldığı yerdeki Tüketicici Hakem Heyetine veya Tüketicici Mahkemesine başvurabilir.

Satıcı tarafından bu Garanti Belgesinin verilmesi durumunda tüketicici, Ticaret Bakanlığı Tüketicinin Korunması ve Piyasa Gözetimi Genel Müdürlüğüne başvurabilir.

Üretici veya İthalatçı Firmasının:

Unvanı: Arçelik A.Ş.
Adresi: Arçelik A.Ş. Karaağaç Caddesi No:2-6,
34445, Sıtlıçe / İSTANBUL
Telefonu: 0216 585 8 888
Faks: 0216 423 2353
web adresi: www.beko.com.tr

Malın:

Markası: Beko
Cinsi: Buharlı Ütü
Modeli: SPA9130B
Bandrol ve Seri No:
Garanti Süresi: 2 YIL
Azami Tamir Süresi: 20 iş günü

GENEL MÜDÜR

Hakan Bülent

Arçelik A.Ş.

GENEL MÜDÜR YRD.

Adnan

Satıcı Firmasının:

Unvanı:
Adresi:
Telefonu:
Faks:
e-posta:
Fatura Tarih ve Sayısı:
Teslim Tarihi ve Yeri:
Yetkilinin İmzası:
Firmanın Kaşesi:

Bu bölümü, ürünü aldığınızı Yetkili Satıcı imzalayacak ve kaşeleyecektir.

Lees eerst deze gebruikershandleiding!

Beste klanten,

Wij danken u dat u een product van Beko heeft gekozen. We hopen dat u het beste haalt uit uw product, dat vervaardigd is met hoge kwaliteit en de modernste technologie. Lees daarom deze gehele gebruikershandleiding en alle andere bijgeleverde documenten zorgvuldig door voordat u het product gaat gebruiken en bewaar deze ter referentie in de toekomst. Als u het product aan iemand anders geeft, overhandig dan ook de gebruikershandleiding. Volg alle waarschuwingen en informatie in de gebruikershandleiding op.

Betekenis van de symbolen

De volgende symbolen worden gebruikt in de verschillende delen van deze handleiding:



Belangrijke informatie en nuttige tips over het gebruik.



WAARSCHUWING: Waarschuwingen voor levensgevaarlijke situaties en schade aan eigendommen.



WAARSCHUWING: Waarschuwing voor hete oppervlakken.



WAARSCHUWING: Risico op verbranding door stoom.



Dit product is in een milieuvriendelijke, moderne faciliteit geproduceerd.

Bediening en onderdelen

1. Spuitstuk voor watersproeier
2. Waterbijvuldeksel
3. Leddisplay
4. Knop voor watersproeier
5. Indicatorlampje thermostaat en lampje automatische uitschakeling
6. Stoomstootknop
7. Temperatuurstellingsknop
8. Waterreservoir
9. Bodemplaat
10. Kalkreinigingsreservoir
11. Regelknop stoom
12. Snoeropwindgedeelte

Technische gegevens

Spanning	220-240V~50-60Hz
Stroomverbruik	2520-3000W
Stoomstoot	280 g*
Continue stoom	63 g/min
Isolatieklasse	I



*Gemeten aan het maximale temperatuurniveau, wanneer de stoomstoot wordt toegediend met intervallen van 3 seconden gedurende een periode van 30 minuten.

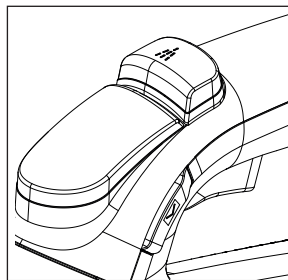
Rechten voor technische wijzigingen en ontwerpaanpassingen zijn voorbehouden.

Leddisplay;

Bedieningspaneel	Symbolen	Opmerkingen
		Stoomstand
		Turbostoomstand
		Lampje automatische uitschakeling
	MAX	Maximale temperatuurstand
	SMART	Slimme stand
	ECO	Eco-modus
	CALC CLEAN	Waarschuwing/stand voor kalkreiniging

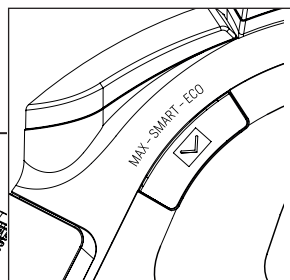
De waarden die u aantreft op de labels die zich op het apparaat bevinden of in de meegeleverde gedrukte documenten vertegenwoordigen de waarden die werden verkregen in de laboratoria conform de relevante standaarden. Deze waarden kunnen variëren, afhankelijk van het gebruik van het apparaat en de omgevingstoestand.

Knopbeschrijvingen



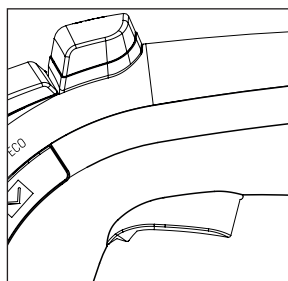
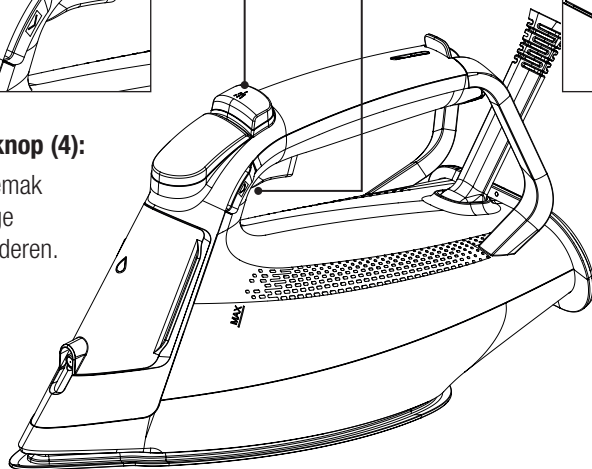
Waterstraalknop (4):

U kunt met gemak de hardnekkige rimpels verwijderen.



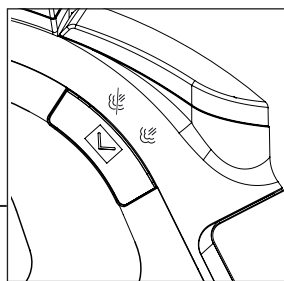
Instelknop voor de temperatuur (7):

Selecteer de SMART-modus die van toepassing is op elk type stof of de ECO- of MAX-modus voor professioneel gebruik met behulp van de temperatuurregelknop.



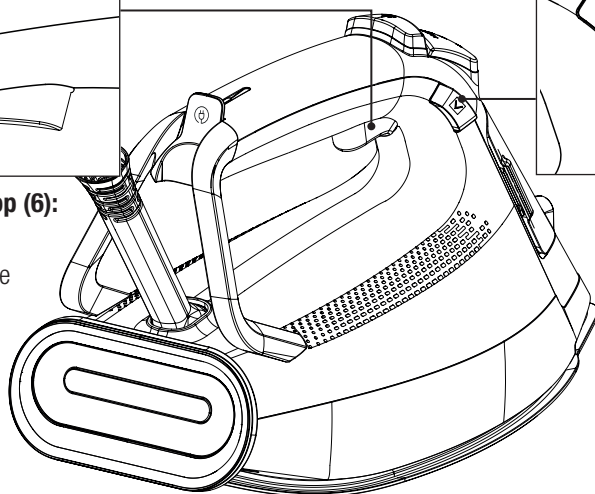
Stoomboostknop (6):

Het biedt een stoomboostfunctie in alle modi.



Instelknop voor stoom (11):

U kunt met of zonder stoom strijken.



1 Belangrijke veiligheids- en milieu-instructies

Dit deel bevat veiligheidsinstructies die u beschermen tegen het risico op persoonlijk letsel of materiële schade.

Het niet naleven van deze instructies laat de garantie vervallen.

1.1 Algemene veiligheid

- Dit apparaat voldoet aan de internationale veiligheidsnormen.
- Dit apparaat is bedoeld voor huishoudelijk gebruik en vergelijkbare toepassingen zoals:
 - personeelskeukens in winkels, kantoren en andere werkomgevingen;
 - boerderijen;
 - bij klanten in hotels en andere types van overnachtingssomgevingen;
 - omgevingen van het type bed-and-breakfast.

Het is niet geschikt voor industrieel gebruik.

- Dit apparaat mag worden gebruikt door kinderen die ouder zijn dan 8 jaar en personen met een fysieke of geestelijke handicap of slechtziende personen of personen die geen ervaring met of kennis hebben van het apparaat, mits ze onder toezicht staan of zijn geïnformeerd over het veilige gebruik van het apparaat en de eventuele gevaren van het gebruik begrijpen. Kinderen mogen niet met het apparaat spelen. Reinigings- en onderhoudsprocedures voor de gebruiker mogen niet door kinderen worden uitgevoerd, tenzij ze onder toezicht staan van anderen.
- Laat het apparaat niet onbeheerd achter terwijl de stekker in het stopcontact steekt.
- Haal de stekker uit het stopcontact voordat u het waterreservoir met water vult.
- Hanteer en bewaar het apparaat op een stabiel oppervlak.

1 Belangrijke veiligheids- en milieu-instructies

- Wanneer het apparaat op de bodemplaat wordt geplaatst, moet u zich ervan vergewissen dat het oppervlak onder de plaat vlak is.
- Gebruik het apparaat nooit als de stroomkabel of het apparaat zelf beschadigd is. Neem contact op met een erkende servicedienst.
- Neem contact op met de erkende service als het apparaat valt, water lekt of andere storingen vertoont. Gebruik het apparaat niet totdat het gerepareerd is.
- Houd het apparaat en het netsnoer buiten het bereik van kinderen jonger dan 8 jaar wanneer u het niet gebruikt of het laat afkoelen.
- Het apparaat is niet geschikt voor gebruik buitenshuis.
- Gebruik alleen de originele onderdelen of onderdelen aanbevolen door de fabrikant.
- Probeer het apparaat niet uit elkaar te halen.
- Uw netstroom moet overeenkomen met de informatie die u aantreft op het typeplaatje van het apparaat.
- De netvoeding van het apparaat moet worden beveiligd met een zekering van minimaal 16 A.
- Gebruik het apparaat uitsluitend met een geaard stopcontact.
- Gebruik het apparaat niet met een verlengsnoer.
- Trek niet aan het stroomsnoer bij het uittrekken van de stekker.
- Trek vóór het reinigen de stekker van het apparaat uit het stopcontact.
- Wikkel het netsnoer niet rond het apparaat. Wikkel het netsnoer uitsluitend rond de netsnoer wikkelsectie achteraan op het apparaat.
- Raak het apparaat of zijn stekker als die in het stopcontact zit niet aan met natte of vochtige handen.

1 Belangrijke veiligheids- en milieu-instructies

- De bodemplaat en de omliggende delen kunnen zeer heet zijn. Het aanraken van hete oppervlakken kan brandwonden veroorzaken. Let er daarom op dat u tijdens of na het gebruik van het apparaat de hete oppervlakken niet aanraakt.
- Gebruik het apparaat nooit in of in de buurt van brandbare of ontvlambare plaatsen en materialen.
- Als u de verpakkingsmaterialen bewaart, berg ze dan op buiten het bereik van kinderen.
- De waterbijkuldeksel tijdens gebruik niet openen.

1.2 Naleving van de WEEE-richtlijn en verwerking van afvalproducten

Dit product voldoet aan de WEEE-richtlijn van de EU (2012/19/EU). Dit product is voorzien van een classificatiesymbool voor verwerking van elektrische en elektronische apparatuur (WEEE).



Dit symbool geeft aan dat dit product niet met ander huishoudelijk afval mag worden weggegooid aan het einde van zijn levensduur. Gebruikte apparaten moeten worden teruggebracht naar een officieel inzamelpunt voor recycling van elektrische en elektronische apparaten.

Om deze inzamelpunten te vinden kunt u contact opnemen met uw lokale autoriteiten of detailhandelaar waar het product werd verkocht. Elk huishouden speelt een belangrijke rol bij het terugwinnen en recyclen van oude apparaten. Een juiste afvalbehandeling levert een bijdrage ter voorkoming van de negatieve gevolgen voor het milieu en de volksgezondheid.

1.3 Naleving van de RoHS-richtlijn

Het door u aangekochte product voldoet aan de EU RoHS-norm (2011/65/EU). Het bevat geen schadelijke en verboden materialen zoals gespecificeerd in de richtlijn.

1.4 Verpakkingsinformatie



Het verpakkingsmateriaal van het product is vervaardigd uit gerecyclede materialen overeenkomstig onze nationale milieunormen. Gooi de verpakkingsmaterialen niet samen met het huishoudelijk of ander afval weg. Breng het naar een door de gemeente aangewezen verzamelpunt voor verpakkingsmateriaal.

2 Bediening

2.1 Bedoeld gebruik

Dit apparaat is uitsluitend bedoeld voor huishoudelijk gebruik en strijken; het is niet geschikt voor professioneel gebruik.

2.2 Eerste gebruik

Verwijder de beschermfolie van het LED-scherm (3). Vul het waterreservoir tijdens het eerste gebruik met water en laat het water verdampen om de fabricageresten te verwijderen. Gebruik onder-tussen de stoomstootknop (6) veelvuldig.



U kunt tijdens het eerste gebruik een milde geur ruiken of een witte afzetting uit de gaten van de grondplaat zien komen. Nadat u het verdampingsproces tweemaal hebt uitgevoerd, verdwijnen deze geuren en afzetting. Ook kunnen zich waterdruppels vormen in het waterreservoir; dit is normaal.

2.3 Het waterreservoir bijvullen



WAARSCHUWING: Vul het waterreservoir (8) niet met parfum, azijn, kledingstijfsel, kalkverwijderaars of andere producten of chemicaliën die het strijkproces kunnen vergemakkelijken.



Uw apparaat is geschikt voor gewoon kraanwater. Als uw leidingwater zeer kalkhoudend is, raden wij u aan een mengsel van leidingwater en drinkwater te gebruiken.

2.4 Temperatuurinstelling en droog strijken

Bij het instellen van de temperatuur van het apparaat raden wij aan rekening te houden met de volgende tabel.

Type stof	Temperatuurinstelling	Stoominstelling
Zijde	ECO-SMART	Met/zonder stoom
Wol	SMART	Met/zonder stoom
Katoen	SMART-MAX	Met/zonder stoom
Linnen-Jeans	SMART-MAX	Met/zonder stoom



WAARSCHUWING: Volg de strijk-instructies op het etiket van de stof.



- Als u uw apparaat aanzet, begint deze in de ‚SMART‘-stand.
- In deze ‚SMART‘-stand kunt u veilig al uw strijkbare stoffen strijken.
- Als u de stof van uw kledingstuk niet kent, strijkt u eerst op een onzichtbaar gedeelte om een juiste strijktemperatuur te bepalen.
- Om te voorkomen dat op synthetische stoffen of zijde glimmende vlekken ontstaan, strijkt u deze stoffen aan de binnenzijde. Maak geen gebruik van de sproeierfunctie om vlekvorming te voorkomen.

2.5 Stoom strijken



WAARSCHUWING: Als u het apparaat in de stoomstand zet, geeft deze alleen stoom als u het beweegt. Het apparaat geeft stoom als u het beweegt. Het apparaat is uitgerust met een bewegingssensor.

2 Bediening



WAARSCHUWING: Geluid van het apparaat kan toenemen als het waterniveau in het waterreservoir daalt. In dat geval moet u het reservoir opvullen tot het "MAX" niveau.

2.6 Turbostoom

U kunt de turbostoomfunctie gebruiken als de temperatuur is ingesteld op de ,MAX'-stand.



Gebruik de turbostoomfunctie om meer stoom te krijgen en dikke stoffen sneller te strijken.



WAARSCHUWING: Als u het apparaat in de stoomstand zet, geeft deze alleen stoom als u het beweegt. Het apparaat geeft stoom als u het beweegt. Het apparaat is uitgerust met een bewegingssensor.

2.7 Stoomstoot

U kunt de stoomstoot functie gebruiken in alle modi



WAARSCHUWINGEN

- Wacht een paar seconden voordat u weer op de knop voor de stoomstoot (6) drukt. Als u herhaaldelijk op de knop voor stoomstoot (6) blijft drukken, kan er samen met de stoom water uit de bodemplaat (9) komen.
- Als u begint te strijken kan het strijkijzer gedurende de eerste paar pogingen geen stoomstoot produceren.
- Het indicatorlampje van de thermostaat (5) moet uitgaan om de stoomstootfunctie te kunnen gebruiken.



WAARSCHUWING: Richt de stoom nooit direct op mensen of huisdieren.



WAARSCHUWING: Als het indicatorlampje van de thermostaat (5) gaat branden tijdens het strijken, wacht dan voordat u verdergaat met het stoomstootproces tot het lampje (5) uitgaat.

2.8 Water sproeien



- Zorg ervoor dat er voldoende water in het reservoir (8) zit voordat u water sproeit.
- U kunt met de watersproeifunctie gemakkelijk kreuken verwijderen.

2.9 Antidruppelsysteem

Het apparaat is uitgerust met een antidruppelsysteem. Het strijkijzer stopt automatisch met verdampen als de temperatuur laag is om te voorkomen dat er water uit de bodemplaat (9) komt.

Het antidruppelsysteem laat u zelfs de fijnste stoffen strijken.

2.10 Automatische uitschakeling



- Als het strijkijzer automatisch uitschakelt, knippert symbool ☺.
- Het kan circa 60 seconden duren voordat de bodemplaat (9) de eerder ingestelde temperatuur bereikt.
- Als het apparaat in horizontale positie wordt bewogen, wordt het ingeschakeld.

3 Reiniging en verzorging

3.1 Reiniging



WAARSCHUWINGEN

- Gebruik geen benzine, oplos- of schuurmiddelen, of harde borstels om dit apparaat schoon te maken.
- Voeg nooit azijn, antikalkmiddel, kledingstijfjel, parfum of andere hulpmiddelen die het strijken bevorderen in het apparaat.
- Was uw apparaat niet af onder stromend water en sop het niet af met water of andere vloeistoffen.
- Gebruik geen schurende schoonmaakmiddelen om de bodemplaat te reinigen (9).

3.2 Automatische kalkreiniging

- Dit proces reinigt de kalkdeeltjes die zich in het apparaat ophopen.
- Gebruik deze functie als de waarschuwing “**CALC-CLEAN**” op het display verschijnt.
- Vul het waterreservoir tot het (8) MAX-niveau.



- Beweeg het apparaat niet tijdens het reinigen. Anders moet de reinigingsprocedure worden herhaald.
- U kunt deze procedure uitvoeren door de dezelfde stappen volgen zonder te wachten op de “**CALC-CLEAN**” waarschuwing.



WAARSCHUWINGEN

- Naarmate het ontkalkingsreservoir (10) opwarmt en terwijl heet condenswater wordt verzameld tijdens de werking, mag u het reservoir en het strijkijzer niet aanraken. Dreneer het wanneer het is afgekoeld.



WAARSCHUWINGEN

- Er zal een grote hoeveelheid stoom vrijkomen uit het apparaat en het ontkalkingsreservoir tijdens de ontkalkingsprocedure.



De zelfreinigingsfunctie verwijdert het vuil dat zich in de bodemplaat bevindt. We raden aan deze functie iedere 10-15 dagen te gebruiken.

3.3 Opbergen

- Als u van plan bent het apparaat gedurende een lange periode niet te gebruiken, berg het dan zorgvuldig op.
- Trek de stekker uit het stopcontact vóór u het apparaat optilt en laat het volledig afkoelen.
- Leeg het waterreservoir.
- Bewaar het apparaat en zijn accessoires in de oorspronkelijke verpakking.
- Bewaar het op een koele, droge plaats.
- Houd het apparaat altijd buiten het bereik van kinderen.

3.4 Hanteren en vervoeren

- Draag het apparaat bij hanteren en vervoeren in de oorspronkelijke verpakking. De verpakking van het apparaat beschermt tegen fysieke schade.
- Plaats geen zware items op het apparaat of op de verpakking. Het apparaat kan beschadigd raken.
- Als het apparaat valt het kan mogelijk niet meer werken of permanent beschadigd worden.



Raadpleeg voor ingebruikneming, algemeen gebruik en reiniging de instructies op pagina's 5-6-7 van deze gebruikshandleiding.

4 Probleemoplossing

Probleem	Mogelijke oorzaak	Oplossing
Hoewel het apparaat is aangesloten, wordt de grondplaat (9) niet verhit.	De stekker of het netsnoer van het apparaat is mogelijk defect.	Neem contact op met de geautoriseerde dienst als het apparaat niet werkt ondanks het feit dat de stekker in het stopcontact zit.
Het apparaat genereert geen stoom.	De hoeveelheid water in het waterreservoir (8) kan onvoldoende zijn.	Vul het waterreservoir (8) met water tot het MAX-niveau.
		Het apparaat bedienen in de stoommodus.
Bezinsel en resten vallen van de basis (9) tijdens het strijken.	Als het water dat u voor uw apparaat gebruikt veel kalk bevat, kunnen dergelijke resten zich vormen.	Vul het waterreservoir van het apparaat door kraantjeswater en drinkwater te mengen voor uw volgende strijkebeurt.
		Gebruik de automatische ontkalkingsfunctie vaker als het water in uw regio hard is.
De bodemplaat (9) vertoont vlekken.	Er werd natte kledij gestreken / er zijn ontkalkingsvlekken op de basis (9).	Wrijf het bezinsel en resten met een licht vochtige doek nadat het apparaat voldoende is afgekoeld.
Het "CALC CLEAN" symbool knippert op het LED-scherm (3).	Het is tijd om het apparaat te ontkalken.	Voer de ontkalkingsprocedure uit.
De pictogrammen op het led-scherm (3) zijn niet duidelijk.	De beschermfolie op het led-scherm (3) is mogelijk nog steeds bevestigd.	Verwijder de beschermfolie van het led-scherm (3).
Lawaai van het apparaat.	Het waterniveau in het waterreservoir (8) is mogelijk verminderd. Geluiden veroorzaakt door een daling in het waterreservoir is normaal.	Vul het water bij tot de MAX-lijn in het waterreservoir (8).

Arçelik A.Ş.
Karaağaç Caddesi No:2-6, 34445,
Sütlüce / İstanbul / Türkiye

4 حل المشكلات

المشكلة	السبب المحتمل	الحل
بالرغم من أن قابس الجهاز متصل بالطاقة، إلا أن اللوح القاعدي (9) لا يسخن.	القابس أو السلك الكهربائي الخاص بالجهاز يمكن أن يكون معيبًا.	اتصل بمركز الصيانة المعتمد إذا لم يعمل الجهاز برغم توصيله بمصدر الطاقة الكهربائية.
الجهاز لا يخرج البخار.	قد يكون مقدار المياه في خزان المياه (8) غير كافي.	املاً خزان المياه (8) بالمياه حتى الحد الأقصى.
		قم بتشغيل الجهاز في وضع البخار.
تسقط الرواسب والبقايا من القاعدة (9) في أثناء الكي.	إذا كانت المياه التي تستخدمها في جهازك بها ترسبات كثيرة، فقد تتكون الترسبات.	املاً خزان الماء الموجود في الجهاز عن طريق مزج ماء الصنبور بماء الشرب من أجل عمليات الكي القادمة.
		استخدم خاصية إزالة القشور الأوتوماتيكية بشكل أكثر تواترًا إذا كان الماء في منطقتك عسرًا.
يوجد أوساخ على اللوح القاعدي (9).	يتم كي ملابس مبتلة / تكونت بقع قشرية على القاعدة (9).	امسح الرواسب والبقايا بقطعة قماش رطبة قليلاً بعد أن يبرد الجهاز بشكل مناسب.
يومش رمز "تنظيف الكلس" على شاشة (3) LED.	لقد تم بلوغ وقت إزالة القشور.	قم بإجراء عملية إزالة القشور.
الرموز الموجودة على شاشة (3) LED غير واضحة.	ربما لم يتم إزالة الشريط الواقي على شاشة (3) LED.	قم بإزالة الشريط الواقي من على شاشة (3) LED.
هناك ضجيج من الجهاز.	يمكن تقليل مستوى الماء في خزان الماء (8). حدوث ضوضاء بسبب انخفاض خزان المياه أمرًا طبيعيًا.	املاً خزان الماء بالماء حتى تصل إلى MAX (الحد الأقصى) (8).

3.1 التنظيف

تحذيرات

- بينما يجري تسخين خزان إزالة القشور (10) وبينما يجري تجميع الماء الساخن المتكثف خلال التشغيل، فلا تلمس الخزان والمكواة، وقم بتصريف الماء عندما يبرد.
- يجب أن تخرج كمية كبيرة من البخار من الجهاز ومن خزان إزالة القشور خلال عملية إزالة القشور.



تحذيرات

- لا تستخدم أبدًا الجازولين، أو مواد التنظيف المذيبة أو التي تؤدي إلى التآكل أو الفرشاة الخشنة لتنظيف هذا الجهاز.
- يحظر نهائيًا وضع الخل أو عوامل إزالة الترسبات أو منعم الغسيل أو العطور أو غيرها من المنتجات المساعدة على الكي داخل الجهاز.
- لا تغسل جهازك تحت المياه الجارية ولا تنقعه في المياه أو السوائل الأخرى.
- لا تستخدم مواد تنظيف كاشطة لتنظيف اللوح القاعدي (9).



- تزيل خاصية التنظيف الذاتي الأوساخ من داخل اللوح القاعدي. نوصي باستخدام تلك الخاصية كل 10 إلى 15 يومًا.



3.3 التخزين

- إذا لم تكن تنوي استخدام الجهاز لمدة طويلة، فقم بتخزينه بعناية.
- قبل رفع الجهاز انزع القابس واتركه ليبرد تمامًا.
- أفرغ خزان المياه.
- احتفظ بالجهاز وكمايلته في عبواته الأصلية.
- عليك تخزينه في مكان بارد وجاف.
- حافظ على الجهاز دائماً بعيداً عن متناول أيدي الأطفال.

3.2 تنظيف الكلس التلقائي

- تتيح هذه العملية تنظيف جزيئات الكلس التي تتراكم في الجهاز.
- استخدم هذه الخاصية عندما يظهر تحذير "CALC-CLEAN" على الشاشة.
- عليك تعبئة خزان المياه (8) حتى مستوى الحد الأقصى.

3.4 التعامل والنقل

- أثناء عمليات التعامل والنقل، قم بحمل الجهاز في مكونات التغليف الأصلي. تساعد تعبئة الجهاز على حمايته من الأضرار المادية.
- لا تضع أحمالاً ثقيلة على الجهاز، أو على العبوة. إذ يمكن أن يتعرض الجهاز للتلف.
- إسقاط الجهاز سيجعله غير قادر على العمل أو سيتسبب في إلحاق أضرار دائمة.

- لا تحرك الجهاز أثناء التنظيف. في هذه الحالة، يجب تكرار عملية التنظيف.
- يمكنك إجراء هذه العملية عن طريق اتباع الخطوات التالية دون انتظار تحذير "تنظيف الكلس".



للتشغيل والاستخدام العام والتنظيف، يُرجى مراعاة التعليمات في الصفحات 5-6-7 من دليل التشغيل هذا.



إن أضاء مصباح مؤشر الترموستات (5) أثناء عملية الكي، فعليك الانتظار حتى ينطفئ المصباح (5) مرة أخرى قبل الاستمرار في عملية صدمة البخار.



تحذير: قد تزداد الضوضاء الصادرة من الجهاز إذا انخفض مستوى الماء في خزان المياه. في هذه الحالة، املاً الخزان حتى مستوى الحد الأقصى "MAX".



2.8 رش المياه

2.6 البخار التريو

- تأكد من وجود مياه كافية في خزان المياه (8) قبل رش المياه.
- يمكنك إزالة كافة التجاعيد بكل سهولة عبر خاصية بخاخ المياه.



يمكنك استخدام وظيفة البخار التريو عند ضبط درجة الحرارة على وضع "MAX".

استخدم وظيفة البخار التريو للحصول على كميات أكبر من البخار وللكي السريع على الأقمشة السميكة



2.9 نظام الحماية من التنقيط

الجهاز مزود بوظيفة منع التنقيط: تتوقف المكواه عن إخراج البخار تلقائيًا عندما تكون درجة الحرارة منخفضة جدًا لمنع المياه من التنقيط من اللوح القاعدي (9).

يمكنك استخدام نظام الحماية من التنقيط، من كيّ الأقمشة الناعمة للغاية.

تحذير: عندما تضبط الجهاز على وضع البخار، فلن يقوم بإصدار البخار إلا إذا قمت بتحريكه. سيصدر الجهاز بخار عندما تقوم بتحريكه. الجهاز مجهز بمستشعر حركة.



2.7 صدمة البخار

يمكنك استخدام خاصية بخار الصدمة في جميع الأوضاع.

2.10 الإيقاف التلقائي

- تم إغلاق المكواه تلقائيًا، ☺ يومض الرمز.
- يتطلب الأمر 60 ثانية لكي تصل لوحة القاعدة (9) إلى درجة الحرارة السابقة.
- إذا تم تحريك الجهاز في وضع أفقي فستعمل تلقائيًا.



تحذيرات

- انتظر بضع دقائق قبل الضغط على زر صدمة البخار (6) مرة أخرى. قد يؤدي الضغط على زر صدمة البخار (6) بشكل متكرر إلى خروج المياه من فتحة اللوح القاعدي (9) مع البخار.
- في بداية الكي، قد لا ينتج الكي صدمة البخار خلال أول تجربتين.
- لتتمكن من استخدام ميزة صدمة البخار ينبغي إطفاء ضوء مصباح مؤشر الترموستات (5).



تحذير: لا توجه البخار باتجاه الأشخاص أو الحيوانات الأليفة أبدًا.



2.4 ضبط درجة الحرارة والكي الجاف

عندما تقوم بضبط درجة حرارة جهازك، نوصيك بالنظر إلى الجدول التالي.

إعدادات البخار	إعدادات درجة الحرارة	نوع الأقمشة
مع/بدون بخار	الاقتصادي الذكي	حرير
مع/بدون بخار	SMART	صوف
مع/بدون بخار	SMART-MAX	قطن (Cotton)
مع/بدون بخار	SMART-MAX	Linen-Jean

تحذير: التزم بإتباع تعليمات الكي الموجودة على بطاقة التعليمات المرفقة بالأقمشة بخصوص نصائح الكي.



2.1 الاستخدام المستهدف

صمم هذا الجهاز للاستخدام المنزلي أو وللكي فقط؛ ولا يصلح للاستخدامات المهنية.

2.2 الاستخدام الأولي

قم بإزالة الشريط الواقي من على شاشة (3) LED. أثناء الاستخدام الأولي، قم بتعبئة خزان المياه وتبخير المياه لإزالة مخلفات عملية التصنيع. في هذه الأثناء، استخدم زر صدمة البخار "6" باستمرار.

يمكنك أن تشتم رائحة خفيفة أو ترى رواسب بيضاء تخرج من فتحات اللوح القاعدي أثناء الاستخدام الأولي. إلا أن تلك الروائح أو الرواسب ستختفي بعد تنظيفها بالبخار لمرتين. كما أنه يحتمل تكون قطرات من المياه داخل خزان المياه، وهذا أمر طبيعي.



2.3 إعادة تعبئة خزان المياه

تحذير: لا تقم بملء خزان المياه (8) بالعطر، أو الخل، أو منع الغسيل، أو منظفات الكلس، أو المنتجات أو الكيماويات الأخرى والتي من شأنها تسهيل عملية الكي.



جهازك صالح للاستخدام مع مياه الصنبور. إن كان ماء الصنبور شديد العسورة، فننصحك باستخدام خليط من ماء الصنبور وماء الشرب.



- يبدأ جهازك في وضع "SMART" عند تشغيله.
- يمكنك كي جميع الأقمشة المناسبة للكي بأمان في وضع "SMART".
- إذا لم تكن تعلم نوع أقمشة ملابس، عليك كي جز غير مرني منها وحدد درجة الحرارة المناسبة للكي لها.
- لمنع نشوء بقع لامعة على ملابسك ذات الأقمشة الصناعية مثل الحرير، عليك الكي على الجانب المعكوس من القماش. لا تستخدم وظيفة البخاخ لمنع تكون البقايا.



2.5 الكي بالبخار

تحذير: عندما تضبط الجهاز على وضع البخار، فلن يقوم بإصدار البخار إلا إذا قمت بتحريكه. سيصدر الجهاز بخار عندما تقوم بتحريكه. الجهاز مجهز بمستشعر حركة.



1 تعليمات السلامة والتعليمات البيئية المهمة

- ينبغي أن تتوافق إمدادات الطاقة الخاصة بك مع المعلومات المقدمة على لوحة تصنيف الجهاز.
- لا بد وأن يكون التيار الموصل بالجهاز محمي بمنصهر 16 أمبير كحد أدنى.

1.2 الالتزام بتوجيهات WEEE والتخلص من نفايات المنتجات

يتوافق هذا المنتج مع التشريعات الخاصة بنفايات المعدات الكهربائية والإلكترونية للاتحاد الأوروبي (EU/2012/19). يحمل هذا المنتج رمزاً تصنيفياً لنفايات المعدات الكهربائية والإلكترونية (WEEE).

يشير هذا الرمز إلى أنه لا يجب التخلص من هذا المنتج مع النفايات المنزلية بعد انتهاء فترة حياته. يجب إعادة الجهاز المستخدم إلى نقطة التجميع الرسمية لإعادة تدوير الأجهزة الكهربائية والإلكترونية. لإيجاد أنظمة التجميع هذه، يرجى الاتصال بالسلطات المحلية لديك أو بائع التجزئة الذي اشترت منه المنتج. لكل أسرة دور هام في استعادة الأجهزة القديمة وإعادة تدويرها. إن التخلص المناسب من الأجهزة المستخدمة يساعد على منع التأثيرات السلبية المحتملة على البيئة وعلى صحة الإنسان.



- لا تستخدم الجهاز سوى مع منفذ به طرف أرضي.
- لا تستخدم الجهاز على كابل تمديد خارجي.
- لا تسحب كابل الكهرباء عند فصل الجهاز.
- انزع قابس الجهاز قبل التنظيف.
- لا تلف السلك حول الجهاز. لف السلك حول قسم غلاف السلك المزود في الجزء الخلفي من الجهاز فقط.
- لا تلمس الجهاز أو القابس أبداً وبداك مبتلتان أو رطبتان أثناء ما يكون الجهاز متصلاً بالطاقة.

1.3 التوافق مع توجيه RoHS

المنتج الذي اشتريته متوافق مع توجيه الاتحاد الأوروبي (2011/65/EU) RoHS. هذا المنتج لا يحتوي على مواد مؤذية أو محظورة من تلك المشار إليها في التوجيه.

1.4 معلومات التعبئة

تم تصنيع مواد التعبئة للمنتج من مواد قابلة لإعادة التدوير وفقاً لتشريعات البيئة الوطنية لدينا. لا تتخلص من أجزاء التعبئة مع النفايات المنزلية أو غيرها من النفايات. خذ مواد التغليف هذه إلى نقاط تجميع مواد التغليف المحددة من قبل السلطات المحلية.



- قد يكون السطح السفلي للجهاز أو المنطقة المحيطة به ساخنة جداً. قد يتسبب الاتصال بالأسطح في حدوث حروق. ولذلك، فأتثناء أو بعد استخدام الجهاز، عليك الانتباه لعدم لمس الأجزاء الساخنة.
- لا تستخدم الجهاز في، أو بالقرب من، الأماكن والمواد القابلة للاحتراق، أو سريعة الاحتراق.

1 تعليمات السلامة والتعليمات البيئية المهمة

لا يجوز للأطفال اللعب بالجهاز.
لا يجوز القيام بعمليات الصيانة والتنظيف من خلال الأطفال ما لم يكونوا خاضعين لرقابة البالغين.

• لا تترك الجهاز بدون رقابة طالما أنه متصل بالطاقة.

• عليك فك قابس الطاقة الخاص بالمنتج قبل تعبئة مستودع المياه بالمياه.

• استخدم الجهاز واجعله دائماً على سطح مستقر.

• عند وضع الجهاز على قاعدته، تأكد من أن السطح تحت القاعدة مستو.

• لا تستخدم الجهاز إذا كان كابل الطاقة أو الجهاز به عطب. اتصل بمركز خدمة معتمد.

• إذا سقط الجهاز أو حدث به تسرب للماء أو حدث به عطل آخر، اتصل بقطاع الخدمة المعتمد. لا تستخدم الجهاز ما لم يكن ذلك مطلوباً.

• عند عدم استخدام الجهاز أو تركه ليبرد، حافظ على الجهاز وكابل الطاقة بعيداً عن متناول الأطفال تحت 8 أعوام.

• هذا الجهاز غير مناسب للاستخدام خارج المنزل.

• استخدم فقط قطع غيار أصلية، أو قطع الغيار الموصى باستخدامها من قبل الشركة المصنعة.

• لا تحاول أبداً فك الجهاز.

يحتوي هذا القسم على تعليمات السلامة التي ستساعدك على تجنب خطر إصابة الأفراد أو الإضرار بالملكات.

عدم اتباع هذه التعليمات يؤدي إلى إبطال الضمان الممنوح.

1.1 السلامة العامة

• يتوافق هذا الجهاز مع المعايير الدولية للسلامة.

• هذا الجهاز مُعد للاستخدام المنزلي وبعض التطبيقات المشابهة مثل:

– مناطق المطابخ في المحلات والمقاهي وبيئات العمل الأخرى؛

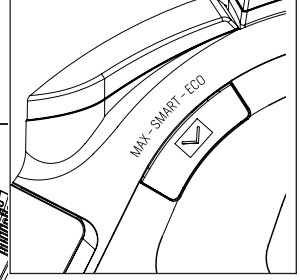
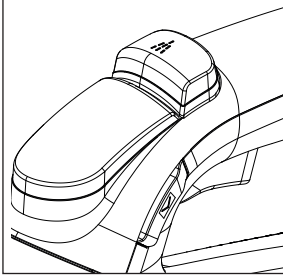
– بيوت المزارع؛

– الاستخدام بواسطة العملاء في الفنادق أو بيئات أنواع الإقامة الأخرى؛

– في غرف النوم وبيئات الإفطار

غير مناسب للاستخدام الصناعي.

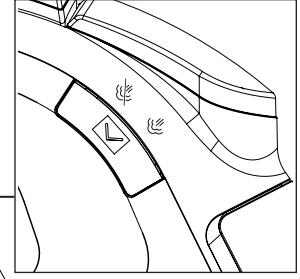
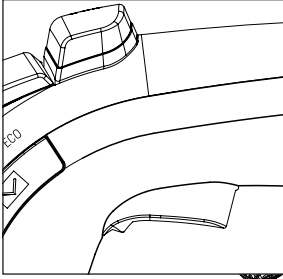
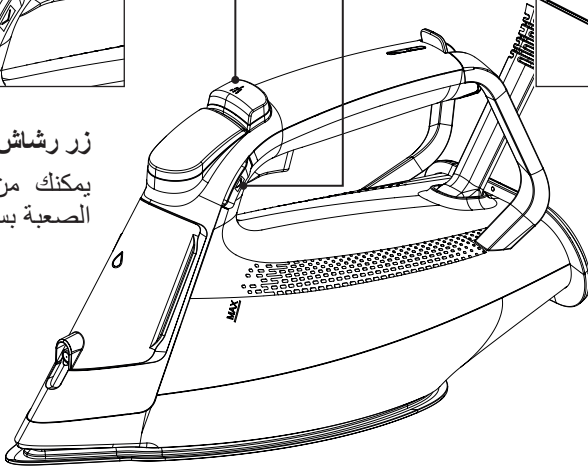
• يجوز استخدام هذا الجهاز من طرف الأطفال في عمر 8 أو أكثر والأفراد ذوي الإعاقة البدنية، أو السمعية، أو الذهنية، أو غير المتمرسين أو الذين ليس لديهم معرفة بهذا الجهاز طالما أنهم يخضعوا للرقابة أو يتم إبلاغهم وإفهامهم بالاستخدام الآمن للجهاز والمخاطر التي قد يواجهونها.



زر رشاش الماء (4):
يمكنك من إزالة التجاعيد
الصعبة بسهولة.

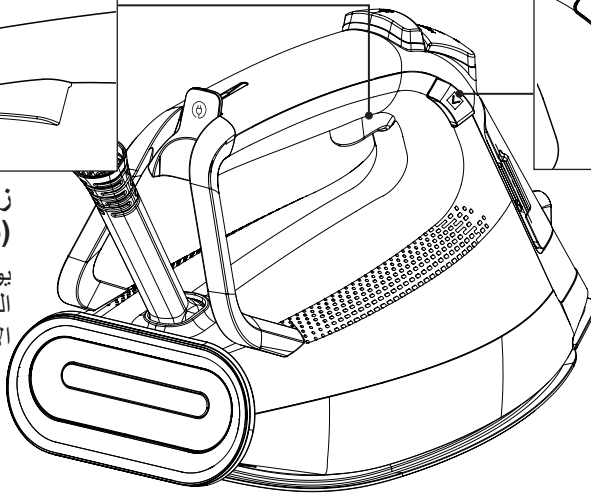
زر تعديل درجة الحرارة (7):

اختر وضع SMART
الذي يمكن استعماله
لكل نوع من أنواع
القماش أو أوضاع
MAX أو ECO
للاستخدامات الخاصة
من خلال زر تعديل
درجة الحرارة.



زر إطلاق البخار (6):
يوفر ميزة إطلاق
البخار في جميع
الأوضاع.

زر ضبط البخار (11):
يمكنك الكي باستخدام
البخار أو بدونه.



البيانات الفنية

الجهد	220 - 240 فولت~60-50 هرتز
استهلاك الطاقة	2520-3000 وات
صدمة البخار	280 جم*
البخار المستمر	63 جم/دقيقة.
فئة العزل:	I

*يُقاس عند أقصى مستوى لدرجة الحرارة، عندما يُستخدم بخار الصدمة كل 3 ثوانٍ خلال فترة تشغيل مدتها 30 دقيقة.



التحكم وقطع الغيار

1. فوهة رش المياه
2. غطاء تعبئة المياه
3. شاشة LED
4. زر رش المياه
5. مؤشر الترموستات ومصباح الإيقاف التلقائي
6. زر صدمة البخار
7. زر ضبط درجة الحرارة
8. خزان المياه
9. لوح قاعدي
10. خزان Calc-clean
11. زر ضبط البخار
12. مبييت لف التلج (أسفل)

حقوق التعديلات الفنية وتعديلات التصميم محفوظة.

شاشة LED؛

العبارات	الرموز	لوحة التحكم
وضع البخار		
وضع البخار التربو		
مؤشر الإيقاف التلقائي		
وضع الحرارة القصوى	MAX	
الوضع الذكي	SMART	
الوضع الاقتصادي	ECO	
تحذير/وضع Calc-clean	CALC CLEAN	

إهلاء لوصلا دتي تلا ميقلا لثمة ممة ةرفوتما ةعويطما ىرخلأا تاندنسملا وأ كزاهج ىلع ةنتبملا تاملاعلما في إهليل راشملا ميقلا به تطيحملا فورظلاو زاهجلا مادختسلا أقفو ميقلا مده فالتخت دق. تخلصلا تاذ ريباعملا أقفو تارتبملا في

يرجى قراءة هذا الدليل يرجى قراءة هذا الدليل أولاً!

عزيزي العميل،

شكراً لك على شرائك هذا المنتج من Beko. نأمل أن تحصل على أفضل النتائج من جهازك والذي قد تم تصنيعه بأعلى جودة وبأحدث التقنيات. ولذلك، يرجى قراءة كامل دليل المستخدم هذا وجميع المستندات المصاحبة له بعناية قبل استخدام المنتج والاحتفاظ بها كمرجع للاستخدام المستقبلي. إذا قمت بتسليم الجهاز لشخص آخر، فأعطه دليل المستخدم أيضاً. اتبع الإرشادات مع إيلاء اهتمام خاص لجميع المعلومات والتحذيرات في دليل المستخدم.

معاني الرموز

تستخدم الرموز التالية في أجزاء متعددة من دليل المستخدم هذا:

معلومات هامة أو تنبيهات مفيدة عن الاستخدام.	
تحذير: تحذيرات بشأن مواقف خطيرة تتعلق بسلامة الحياة والمنشآت.	
تحذير: تحذير أسطح ساخنة.	
تحذير: خطر أو حرق وحرق بسبب البخار.	



وقد تم تصنيع هذا المنتج في مصانع عصرية وصديقة للبيئة دون إلحاق أي ضرر بالطبيعة.

beko

ستيم ستيشن
دليل المستخدم



SPA9130B

AR

CE

01M-8818473200-1321-01

Ovaj dokument je originalno proizveden i objavljen od strane proizvođača, brenda Beko, i preuzet je sa njihove zvanične stranice. S obzirom na ovu činjenicu, Tehnoteka ističe da ne preuzima odgovornost za tačnost, celovitost ili pouzdanost informacija, podataka, mišljenja, saveta ili izjava sadržanih u ovom dokumentu.

Napominjemo da Tehnoteka nema ovlašćenje da izvrši bilo kakve izmene ili dopune na ovom dokumentu, stoga nismo odgovorni za eventualne greške, propuste ili netačnosti koje se mogu naći unutar njega. Tehnoteka ne odgovara za štetu nanесenu korisnicima pri upotrebi netačnih podataka. Ukoliko imate dodatna pitanja o proizvodu, ljubazno vas molimo da kontaktirate direktno proizvođača kako biste dobili sve detaljne informacije.

Za najnovije informacije o ceni, dostupnim akcijama i tehničkim karakteristikama proizvoda koji se pominje u ovom dokumentu, molimo posetite našu stranicu klikom na sledeći link:

<https://tehnoteka.rs/p/beko-pegla-spa-9130-b-akcija-cena/>