

Uputstvo za upotrebu

SENCOR ručni mikser SHM 5207SS

SENCOR



Tehnoteka je online destinacija za upoređivanje cena i karakteristika bele tehnike, potrošačke elektronike i IT uređaja kod trgovinskih lanaca i internet prodavnica u Srbiji. Naša stranica vam omogućava da istražite najnovije informacije, detaljne karakteristike i konkurentne cene proizvoda.

Posetite nas i uživajte u ekskluzivnom iskustvu pametne kupovine klikom na link:

<https://tehnoteka.rs/p/sencor-rucni-mikser-shm-5207ss-akcija-cena/>



EN • Hand mixer

Translation of the original manual

READ CAREFULLY AND STORE FOR FUTURE USE.**General warnings**

- This appliance may not be used by children. Keep the appliance and its power cord away from children.
- The appliance may be used by persons with reduced physical, sensory or mental capabilities or with a lack of experience and knowledge, if they are supervised or have been instructed to use the appliance in a safe manner and understand the potential dangers.
- Children must not play with the appliance.
- Cleaning and maintenance performed by the user must not be performed by unsupervised children.
- In the event that the power cord is damaged, have it repaired at a professional service centre to prevent causing a dangerous situation. It is forbidden to use the appliance if it has a damaged power cord.

**Warning:**

Incorrect use may lead to injuries.

- Be careful when handling and cleaning the attachments.
- The surfaces of the appliance that come into contact with food must always be cleaned according to the instructions in this user's manual.
- Always turn off the appliance and disconnect it from the power socket if you will not be using it and if you will be leaving it without supervision, before assembly, disassembly, cleaning or moving it.

- Before replacing the accessories or accessible parts that move during use, turn the appliance off and disconnect it from the power supply.

Electrical safety

- Before connecting this appliance to a power socket, make sure that the voltage stated on its rating label corresponds to the voltage in your power socket.
- Connect the appliance only to a properly grounded socket. Do not use an extension cord.
- Do not connect and disconnect the power cord to and from the power socket with wet hands.
- Ensure that the power plug contacts do not come into contact with water or moisture.
- Do not disconnect the appliance from the power socket by pulling on the power cord. This could damage the power cord or the power socket. Disconnect the cord from the power socket by gently pulling the plug of the power cord.
- Do not place heavy items on the power cord. Make sure the power cord does not hang over the edge of a table and that it is not touching a hot surface or sharp objects.
- To avoid the danger of injury by electrical shock, do not repair the appliance yourself or make any adjustments to it. Have all repairs or adjustments of the appliance performed at an authorised service centre. Tampering with the appliance during the warranty period may void the warranty.
- To prevent the risk of injury by electrical shock, never submerge the hand mixer, the power cord or the power plug in water or any other liquid.
- Always turn off the appliance and disconnect it from the power socket when you have finished using it.
- This appliance is not designed to be controlled using a programmed device, external timer switch or remote control.

Correct use of the appliance

- Do not use the appliance for a purpose other than that for which it is designed.
- This appliance is designed for use in indoor areas only. Never use it in an outdoor or industrial environment.
- This appliance must be used only in accordance with the instructions contained in this user's manual.
- Only use the appliance with the original accessories that came with it.



Attention:

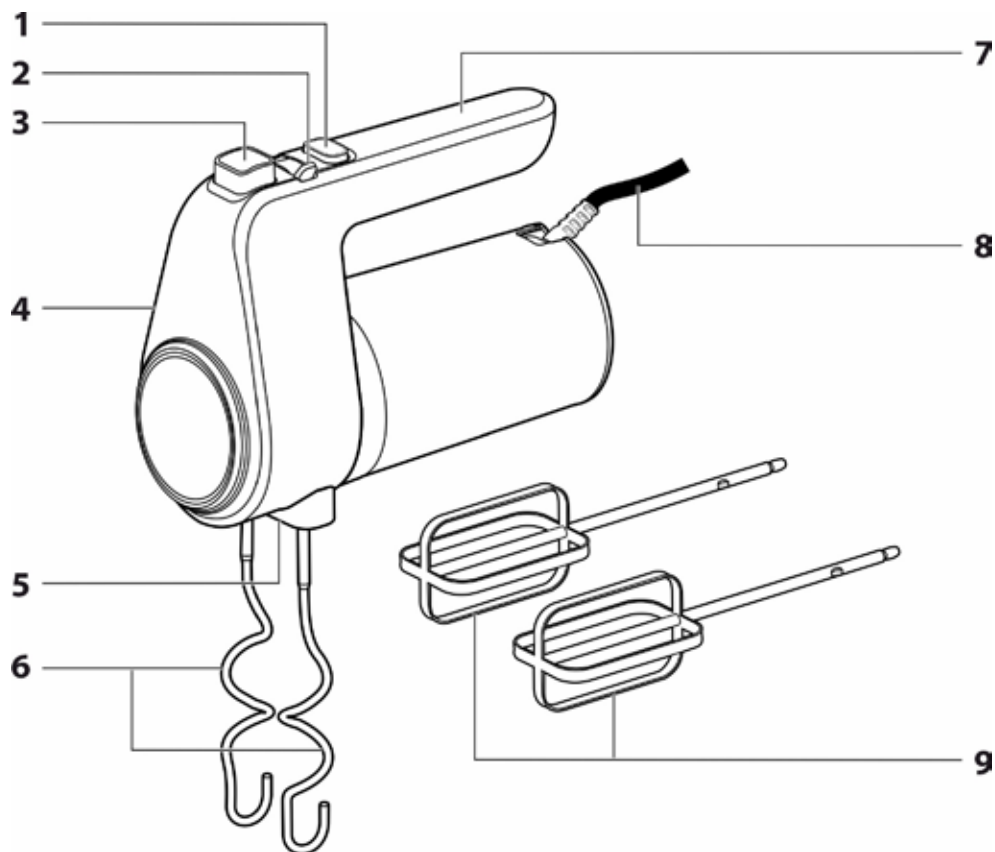
Using non-original accessories may result in a dangerous situation arising.

- Always turn off and disconnect the appliance from the mains power socket when not using it, before cleaning, maintenance or moving it. Never move the appliance during operation.
- Do not use the appliance when it is not functioning correctly or after it has fallen on the floor, been submerged in water or is damaged in any other way. Hand it over to an authorised service centre for inspection or repair.
- It is forbidden to modify the surface of the appliance in any way, e.g. using self-adhesive wallpaper, foil, etc.
- Before first use, it is necessary to thoroughly wash the removable attachments using warm water and kitchen detergent, then rinse then with drinking water and wipe thoroughly until dry using a fine wiping cloth.
- Before turning on the appliance, always make sure that the removable attachments are properly attached to the motor unit. Never combine various types of attachments.
- Do not use the appliance if you have wet hands.
- Do not cover the appliance's vents.
- Do not turn on the appliance when it is empty. Incorrect use of the appliance may negatively affect its lifetime.
- Only start the appliance after submerging the accessories into the container with the ingredients. To prevent food from splashing out, keep the attachments submerged in the container while the appliance is running.
- Avoid coming into contact with the rotating parts of the appliance. Do not place hands, forks or any other utensils into the bowl with the ingredients, and keep hair, clothing, etc. at a sufficient distance from the rotating parts of the appliance during use. If a fork or another utensil falls into the container while the appliance is running, immediately it off.
- Be especially careful when handling hot liquids and foods. Hot steam or splashing hot foods and liquids may cause scalding. For reasons of increased safety, it is recommended to allow hot liquids and foods to cool down before blending them. Never blend hot foods and liquids directly in a pot located on a turned on hotplate.
- If you have just processed hot foods, the removable attachments may be hot after they are used.

Safety during maintenance

- Allow the appliance to always fully cool down before cleaning it.
- Regularly clean the appliance after each use according to the instructions in chapter Maintenance and cleaning. Do not perform any maintenance on the appliance apart from the maintenance procedure described in chapter Maintenance and cleaning.
- Do not wash the motor unit under running water or submerge it in water or another liquid. The motor unit is not designed to be washed in a dishwasher.
- The removable attachments are intended for short term contact with food (including beverages), i.e. max. 4 hours. To prevent damaging their surface, do not leave them submerged, for example in water for extended periods of time.

A



EN Hand mixer

User's manual

- Prior to using this appliance, please read the user's manual thoroughly, even in cases, when one has already familiarised themselves with previous use of similar types of appliances. Only use the appliance in the manner described in this user's manual. Keep this user's manual in a safe place where it can be easily retrieved for future use. In the event that you hand this appliance over to somebody else, make sure to also include this user's manual.
- Carefully unpack the appliance and take care not to throw away any part of the packaging before you find all its parts. We recommend saving the original cardboard box, packaging material, purchase receipt and responsibility statement of the vendor or warranty card for at least the duration of the legal liability for unsatisfactory performance or quality. In the event of transportation, we recommend that you pack the appliance in the original box from the manufacturer.

DESCRIPTION OF THE APPLIANCE

- | | |
|---|---|
| A1 Turbo button for maximum beating/kneading speed | They are appropriate for kneading bread dough, fresh dough for pasta, pizza or biscuits, puff dough, etc. |
| A2 Switch for setting speeds and turning off
It enables six speed levels for all types of recipes | A7 Handle |
| A3 Button for the release of beater/kneading attachments | A8 Power cord |
| A4 Motor unit | A9 Set of stainless beater attachments
They are suitable for beating and whipping creams, mashed potatoes, batters, spreads, egg whites and yolks, etc. |
| A5 Removable attachments mounting holes (underside) | |
| A6 Set of stainless steel kneading attachments | |

APPLICATION OF THE HAND MIXER

- The hand mixer is intended for beating and kneading a standard amount of ingredients in the household.
- Food is processed using two types of stainless steel attachments that are easy to wash and replace.

BEFORE FIRST USE

- Before first use, thoroughly wash the attachments **A6** and **A9**, using warm water and neutral kitchen detergent. Then rinse everything with clean water and allow it to dry naturally or dry it out thoroughly using a wiping cloth. All the attachments are also suitable for washing in a dishwasher.
- Use a dry wiping cloth to wipe the outside parts of the motor unit **A4**.



Attention:

Do not rinse the motor unit **A4** and its power cord under water or submerge it in water. The motor unit is not designed to be washed in a dishwasher.

OPERATION

ASSEMBLY

- Before you start assembling the appliance, check that the switch **A2** is set to position 0 (off) and that the motor unit **A4** is disconnected from the power socket.
- Select the attachment types suitable for the intended task and insert them into the holes **A5** on the underside of the motor unit according to the following instructions:
 - The mounting parts of the beater attachments **A9** are identical and can thus be mounted in either of the holes on the underside of the motor unit.
 - The mounting parts of the beater attachments **A6** differ. The attachment with the ring can only be mounted in the larger hole on the underside of the motor unit, the attachment without the ring can only be inserted into the smaller hole. Be careful not to interchange the attachments or attempt to insert them into the incorrect holes.
- Push the selected attachments in until they safely click into position.



Attention:

Always only install two attachments of the same function into the hand mixer – always either two beater attachments or two kneading attachments. Never insert two different types of attachments, otherwise the hand mixer will be damaged.

TURNING ON AND BEATING

- Place the food and liquids that you wish to process into a sufficiently large container.
- Plug the power cord of the hand mixer into an electric power socket.
- Submerge the attachments into the container and then start the hand mixer by setting switch **A2** to the required speed level in the range from 1 to 6.
- We recommend to start at a lower speed level and to increase it gradually. You can change the speed setting even while the mixer is running. We recommend that runny doughs and sauces are processed at lower speed levels; this will prevent ingredients from splashing out of the bowl.



Attention:

The hand mixer is designed for short operation lasting no longer than 5 minutes. After this time has elapsed, turn off the mixer and allow the motor unit to cool down. The hand mixer can be used again after 2 minutes.

Items such as spoons, kitchen knives, forks, etc. must not be placed into the container while mixing as this could result in injury or damage to the hand mixer.

- If you wish to mix at the highest level, press the TURBO button. To prevent the appliance from overheating, do not use this button for longer than 30 seconds.

TURNING OFF AND REMOVING THE ATTACHMENTS

- After you have finished using the appliance, set switch **A2** to position 0 (off) and disconnect the power cord from the power socket.
- Make sure that the rotating parts have stopped rotating and remove the attachments from the container.
- Press button **A3** to release the attachments. The attachments can only be released when the switch is in position 0. When the switch is in positions 1–6, the attachments are locked in position against removal.
- Remove and clean the used attachments according to the instructions in chapter Cleaning and maintenance.

OVERHEATING PROTECTION

- The hand mixer is equipped with an overheating protection fuse. When it is used for longer than 5 minutes or when very tough ingredients are mixed and the motor unit heats up to a high temperature, the hand mixer will turn off automatically. In such a case, pull out the power plug and allow the hand mixer to cool down sufficiently. Then you can put it into operation again.

CLEANING AND MAINTENANCE



Attention:

Prior to cleaning or maintenance, always disconnect the hand mixer from the power supply and allow it to cool down completely.



Attention:

The motor unit and its power cord are not intended for washing in a dishwasher.

Do not spray these parts with water or any other liquid or submerge them in water or any another liquid.

- Thoroughly wash the removed attachments using warm water and neutral kitchen detergent. Then rinse all these parts with clean water and dry them thoroughly with a fine wiping cloth. The attachments can also be washed in a dishwasher.



Attention:

The attachments are intended for short term contact with food (including beverages), i.e. max. 4 hours. To prevent damaging their surface, do not leave them submerged, for example in water for extended periods of time.

- To clean the outer surface of the motor unit, use a cloth lightly dipped in a weak detergent solution. After applying the detergent solution, wipe the surface with a cloth lightly dampened in clean water and then wipe dry.



Attention:

Never use chemicals, dishwashing wool, steel wool or cleaning agents with an abrasive component since these may seriously damage the surface of the unit.

STORAGE

- Before storing it, the hand mixer must be completely cool, turned off and disconnected from the power supply, clean and dry.
- Store the motor unit and the attachments in a clean, dry place out of reach of children.



Attention:

Keep the stored hand mixer away from extreme temperatures, direct sunlight and excessive humidity and do not store it in an overly dusty environment. Do not place anything on to the hand mixer.

TECHNICAL SPECIFICATIONS

Rated voltage range	220–240 V AC
Rated frequency.....	50 Hz
Rated power input	400 W
Length of the power cord.....	1.2 m
Noise level	85 dB(A)

The declared noise emission level of the appliance is 85 dB(A), which represents a level A of acoustic power with respect to a reference acoustic power of 1 pW.

Explanation of technical terminology

Safety class for electrical shock protection:

Class II – Electrical shock protection is provided by double or heavy-duty insulation.

Changes to text and technical parameters are reserved.

INSTRUCTIONS AND INFORMATION REGARDING THE DISPOSAL OF USED PACKAGING MATERIALS

Dispose of used packaging material at a site designated for waste in your municipality.

DISPOSAL OF USED ELECTRICAL AND ELECTRONIC EQUIPMENT



This symbol on products or original documents means that used electric or electronic products must not be added to ordinary municipal waste. For proper disposal, renewal and recycling, hand these products over to determined collection points. Alternatively, in some European Union states or other European countries you may return your appliances to the local retailer when buying an equivalent new appliance.

Correct disposal of this product helps save valuable natural resources and prevents potential negative effects on the environment and human health, which could result from improper waste disposal. Ask your local authorities or collection facility for more details.

In accordance with national regulations penalties may be imposed for the incorrect disposal of this type of waste.

For business entities in European Union states

If you want to dispose of electric or electronic devices, ask your retailer or supplier for the necessary information.

Disposal in other countries outside the European Union.

This symbol is valid in the European Union. If you wish to dispose of this product, request the necessary information about the correct disposal method from the local council or from your retailer.



This product meets all the basic requirements of EU directives related to it.

Ovaj dokument je originalno proizveden i objavljen od strane proizvođača, brenda Sencor, i preuzet je sa njihove zvanične stranice. S obzirom na ovu činjenicu, Tehnoteka ističe da ne preuzima odgovornost za tačnost, celovitost ili pouzdanost informacija, podataka, mišljenja, saveta ili izjava sadržanih u ovom dokumentu.

Napominjemo da Tehnoteka nema ovlašćenje da izvrši bilo kakve izmene ili dopune na ovom dokumentu, stoga nismo odgovorni za eventualne greške, propuste ili netačnosti koje se mogu naći unutar njega. Tehnoteka ne odgovara za štetu nanесenu korisnicima pri upotrebi netačnih podataka. Ukoliko imate dodatna pitanja o proizvodu, ljubazno vas molimo da kontaktirate direktno proizvođača kako biste dobili sve detaljne informacije.

Za najnovije informacije o ceni, dostupnim akcijama i tehničkim karakteristikama proizvoda koji se pominje u ovom dokumentu, molimo posetite našu stranicu klikom na sledeći link:

<https://tehnoteka.rs/p/sencor-rucni-mikser-shm-5207ss-akcija-cena/>