

## Uputstvo za upotrebu (EN)

SENCOR mesoreznica SFS 3050SL

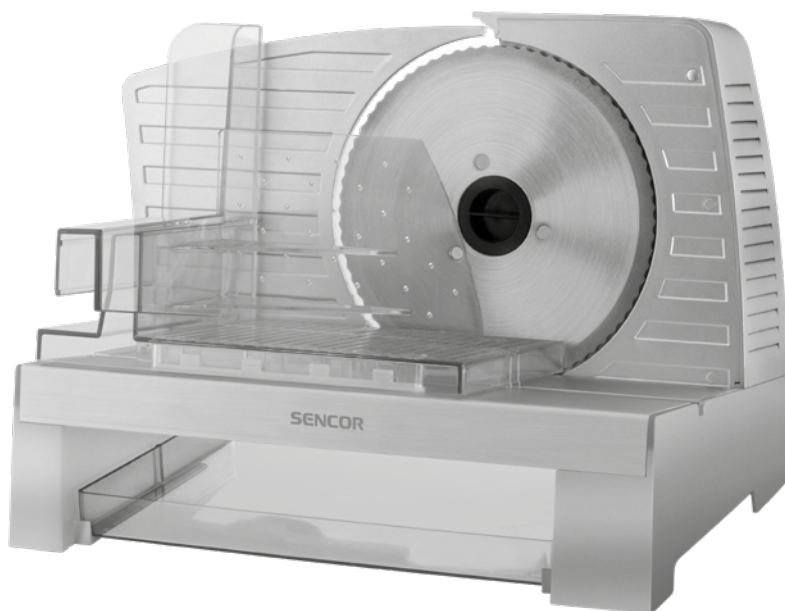
**SENCOR**



Tehnoteka je online destinacija za upoređivanje cena i karakteristika bele tehnike, potrošačke elektronike i IT uređaja kod trgovinskih lanaca i internet prodavnica u Srbiji. Naša stranica vam omogućava da istražite najnovije informacije, detaljne karakteristike i konkurentne cene proizvoda.

Posetite nas i uživajte u ekskluzivnom iskustvu pametne kupovine klikom na link:

<https://tehnoteka.rs/p/sencor-mesoreznica-sfs-3050sl-akcija-cena/>



## EN ■ Electric food slicer

*Translation of the original manual*

**READ CAREFULLY AND STORE FOR FUTURE USE.****General warnings**

- This appliance may not be used by children. Keep the appliance and its power cord away from children.
- The appliance may be used by persons with reduced physical, sensory or mental capabilities or with a lack of experience and knowledge, if they are supervised or have been instructed to use the appliance in a safe manner and understand the potential dangers.
- Children must not play with the appliance. Cleaning and maintenance performed by the user must not be performed by unsupervised children.
- In the event that the power cord is damaged, have it repaired at a professional service centre to prevent causing a dangerous situation. It is forbidden to use the appliance if it has a damaged power cord.
- This appliance must be used with the food carriage and food pusher in their position unless this is impossible due to the shape or size of the food.

**Warning:**

Incorrect use may lead to injuries.

- When handling the cutting disc, especially when removing, cleaning and reinstalling it, be especially careful so as not to injure yourself on its sharp blade.
- Always turn off the appliance and disconnect it from the power socket if you will not be using it and if you will be leaving it

without supervision, before assembly, disassembly, cleaning or moving it.

- Before replacing the accessories or accessible parts that move during use, turn the appliance off and disconnect it from the power supply.

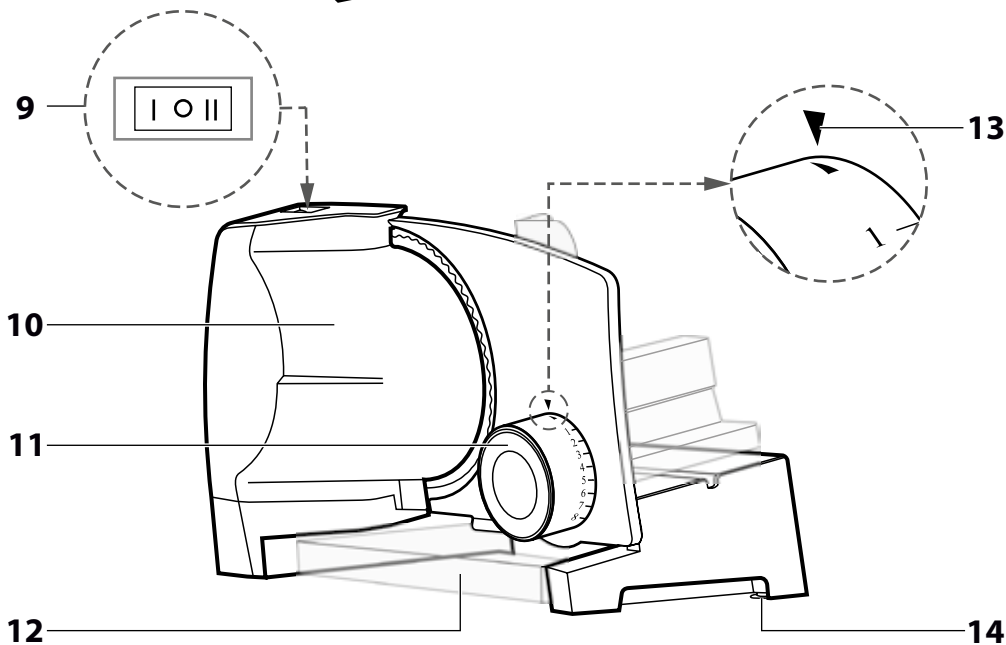
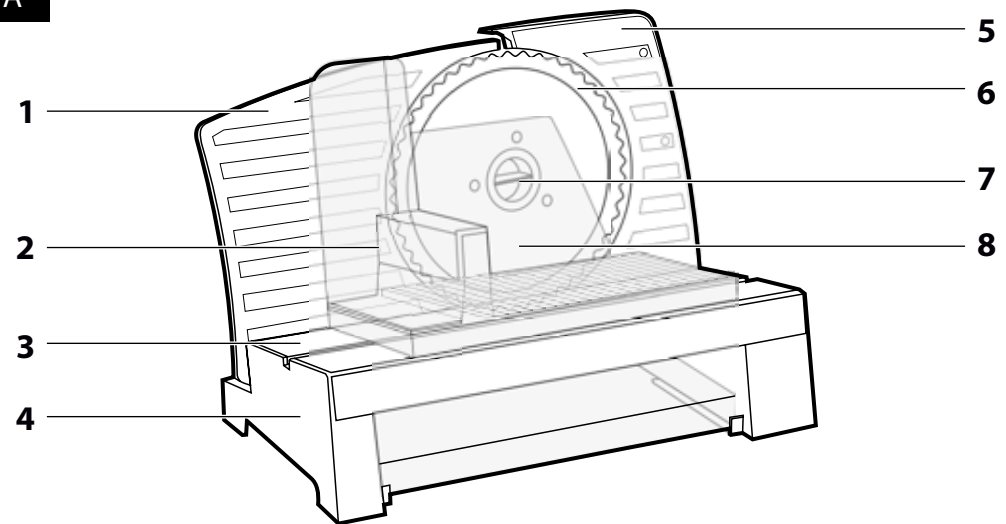
#### **Electrical safety**

- Before connecting this appliance to a power socket, make sure that the voltage stated on its rating label corresponds to the voltage in your power socket.
- Connect the appliance only to a properly grounded socket. Do not use an extension cord.
- To avoid potential injury by electrical shock, do not wash the base motor unit under running water and do not submerge it in water or any liquid.
- Ensure that the power plug contacts do not come into contact with water or moisture.
- Do not place heavy items on the power cord. Make sure the power cord does not hang over the edge of a table and that it is not touching a hot surface or sharp objects.
- Do not disconnect the appliance from the power socket by pulling on the power cord. This could damage the power cord or the power socket. Disconnect the cord from the power socket by gently pulling the plug of the power cord.
- Do not pull or carry the appliance by the power cord.
- To avoid the danger of injury by electrical shock, do not repair the appliance yourself or make any adjustments to it. Have all repairs or adjustments performed at an authorised service centre. By tampering with the appliance, you risk voiding your legal rights arising from unsatisfactory performance or quality warranty.

#### **Safety during use**

- This appliance is designed for household use. Do not use it in an industrial environment or outdoors.
- Never use accessories, which have not been supplied with this appliance or which have not been explicitly recommended by the manufacturer for this appliance.
- Do not place the appliance on window sills or on unstable surfaces. Only place the appliance on an even, dry and stable surface.
- Do not place the appliance in the vicinity of an open flame or appliances that are sources of heat.
- Only use the appliance for slicing food excluding hard baked goods, frozen food, food in plastic or aluminium foils, meat with bones, fruit with hard stones, etc.
- Before every use, check that the cutting disc is properly attached to the appliance.
- For pushing food against the cutting disc, use only the food pusher supplied with this appliance.
- Do not touch the rotating cutting disc.
- If food gets stuck on the cutting disc, clean it using a plastic spatula. Before cleaning the appliance, turn it off and disconnect it from the power socket.
- Do not insert your fingers or any other items, such as knives, forks, etc. into the area between the cutting thickness adjustment plate and the cutting disc.
- Check that the cutting disc has come to a complete stop before taking away the food.
- The maximum time of non-stop operation is 5 minutes. After 10 minutes of operation leave the appliance idle for at least 15 minutes.
- Pay increased attention when handling the cutting disc to prevent injury caused by the blade.

A



# Electric Food Slicer

## User's manual

- Prior to using this appliance, please read the user's manual thoroughly, even in cases, when one has already familiarised themselves with previous use of similar types of appliances. Only use the appliance in the manner described in this user's manual. Keep this user's manual in a safe place where it can be easily retrieved for future use. In the event that you hand this appliance over to somebody else, make sure to also include this user's manual.
- Carefully unpack the appliance and take care not to throw away any part of the packaging before you find all its parts. We recommend saving the original cardboard box, packaging material, purchase receipt and responsibility statement of the vendor or warranty card for at least the duration of the legal liability for unsatisfactory performance or quality. In the event of transportation, we recommend that you pack the appliance in the original box from the manufacturer.

### DESCRIPTION OF THE APPLIANCE

- A1** Adjustable back plate  
**A2** Food carriage with thumb guard  
**A3** Top plate with groove  
**A4** Base unit  
**A5** Fixed back plate  
**A6** Cutting disc  
 Stainless steel design, cutting disc diameter 170 mm, removable  
**A7** Cutting disc central fastener  
**A8** Food pusher  
 It is fitted with grip pins to prevent the food from accidentally slipping while slicing. It can be removed from the slicer when slicing larger pieces of food or for cleaning purposes  
**A9** On/Off switch  
 The switch has three positions:
- O – Off.  
 I – Manual operation. The cutting disc will rotate while the switch is pushed down in this position. The cutting disc will stop when the switch is released.  
 II – Continuous operation. The cutting disc will start rotating and will run continuously until the switch is set to position O.
- A10** Motor unit  
**A11** Cutting thickness adjustment knob  
 Enables variable slicing thickness adjustment 0–23 mm.  
**A12** Removable tray  
**A13** Thickness adjustment knob symbol for required thickness  
**A14** Suction cups

### BEFORE FIRST USE

- Before first use, remove all packaging materials including promotion stickers and labels from the food slicer.
- Wash the removable parts that come into contact with food (removed cutting disc **A6**, food carriage **A2**, food pusher **A8** and removable tray **A12**) in warm water using kitchen detergent. Then thoroughly rinse these parts under flowing water and dry thoroughly with a wiping cloth.
- Using a dry or lightly dampened cloth, also clean the outer parts of the appliance and then wipe it dry. Never submerge the base motor unit in water or any other liquid!



#### Attention:

Be careful when handling the cutting disc to prevent injury caused by the blade.

### ASSEMBLY

- Place the food slicer on an even, dry and stable surface, e.g. on a kitchen countertop.
- Attach the cutting disc to the base motor unit by turning the central fastener **A7** fully anticlockwise.



#### Attention:

When handling the cutting disc use the central fastener. To avoid injury, do not touch the blade.

- Place the food carriage on to the top plate with groove and put the food pusher on to the food carriage.
- Insert the tray into the bottom part of the base unit. To catch the falling slices of food, a plate or tray or food-grade foil can be placed on the tray.

### OPERATION



#### Attention:

The slicer is intended for slicing bread, baked goods, smoked goods, meats, cheeses, vegetables and fruits. Do not use it for slicing hard baked goods, frozen food, food in plastic or aluminium foils, meat with bones, fruit with hard stones, etc.

- Turn the adjustment knob **A11** to set the desired slicing thickness. If intending to slice thin slices or to slice sticky food (e.g. cheeses), it is recommended to slightly wet the cutting disc.
- Connect the power cord to an el. power socket.



#### Attention:

Before connecting the power cord to an electrical power socket, check that the cutting disc is properly attached to the motor unit.

- Move the food carriage to the left side of the top plate of the base unit. Place the food on to the food carriage and push it sideways using the food pusher.
- Turn the food slicer on with your left hand. The motor unit will start and the cutting disc will start to rotate.
- Use your right hand to hold the food carriage and slice the inserted food by moving towards and away from the cutting disc. Exert a slight pressure on the food while slicing it to ensure that the food slices are of the same thickness.



#### Attention:

The slicer can be used with the food carriage without the food pusher or the entire food carriage can be completely removed. In both cases it is always necessary to pay increased attention to avoid injury to the hand or fingers!

- When you have finished slicing, turn off the slicer and wait until the cutting disc comes to a complete stop. Only then may you remove the sliced food from the tray or any remaining pieces of unsliced food from the food carriage.



#### Attention:

The slicer is designed for short operation lasting no longer than 5 minutes. After this time has elapsed, turn the slicer off and allow the motor unit to cool down.

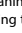


#### Note:

If food sticks to the cutting disc, turn off the food slicer and disconnect it from the power socket. Clean the cutting disc using a plastic spatula. Proceed in the same way if any food jams during slicing. Some food may cause discolouration of plastics. However, this does not have any effect on the functionality of the food slicer.

- When you have finished using the slicer, disconnect it from the power socket. Clean out the slicer according to the instructions in chapter Cleaning and maintenance.

### CLEANING AND MAINTENANCE

- Before cleaning the appliance, always turn it off and disconnect it from the power socket. Using the adjustment knob, set the adjustable back plate to position 0 mm, i.e. set it to symbol  on the adjustment knob **A13** on the rear side of the adjustable back plate.
- After each use, remove any food remains from the food slicer. Clean parts that come into contact with food using a wiping cloth dipped in clean water and then dry with a wiping cloth. For a more thorough clean, remove the cutting disc, food carriage, food pusher and removable plate, and wash these parts in warm water using kitchen detergent. Then thoroughly rinse under flowing water and dry them.



#### Note:

Remove the cutting disc by turning the central fastener clockwise and take it off the motor unit.



#### Attention:

Pay extra attention when handling the cutting disc. To avoid injury, do not touch the blade.

- Using a dry or lightly dampened cloth, also clean the outer parts of the appliance and then wipe it dry. Never submerge the base motor unit in water or any other liquid!



#### Attention:

For cleaning, do not use thinners, solvents or cleaning agents that cause abrasion.

### STORAGE

- When not using the food slicer, store it in a dry place out of children's reach.



#### Attention:

Keep the stored food slicer away from extreme temperatures, direct sunlight and excessive humidity and do not store it in an overly dusty environment. Do not place any heavy items on the stored food slicer.

## TECHNICAL SPECIFICATIONS

Rated voltage range .....	220–240 V AC
Rated frequency.....	50/60 Hz
Rated power input.....	100 W
Cutting disc diameter .....	170 mm
Slice width.....	0-23 mm
Safety class for electrical shock protection.....	Class II

The declared noise emission level of the appliance is 85 dB(A), which represents a level A of sound power with respect to a reference sound power of 1 pW.

### Explanation of technical terminology

Safety class for electrical shock protection:

Class II – Electrical shock protection is provided by double or heavy-duty insulation.

Changes to text and technical parameters are reserved.

## INSTRUCTIONS AND INFORMATION REGARDING THE DISPOSAL OF USED PACKAGING MATERIALS

Dispose of used packaging material at a site designated for waste in your municipality.

## DISPOSAL OF USED ELECTRICAL AND ELECTRONIC EQUIPMENT



This symbol on products or original documents means that used electric or electronic products must not be added to ordinary municipal waste. For proper disposal, renewal and recycling, hand these products over to determined collection points. Alternatively, in some European Union states or other European countries you may return your products to the local retailer when buying an equivalent new product.

Correct disposal of this product helps save valuable natural resources and prevents potential negative effects on the environment and human health, which could result from improper waste disposal. Ask your local authorities or collection facility for more details.

In accordance with national regulations penalties may be imposed for the incorrect disposal of this type of waste.

### For business entities in European Union states

If you want to dispose of electric or electronic devices, ask your retailer or supplier for the necessary information.

### Disposal in other countries outside the European Union.

This symbol is valid in the European Union. If you wish to dispose of this product, request the necessary information about the correct disposal method from the local council or from your retailer.



This product meets all the basic requirements of EU directives related to it.

Ovaj dokument je originalno proizveden i objavljen od strane proizvođača, brenda Sencor, i preuzet je sa njihove zvanične stranice. S obzirom na ovu činjenicu, Tehnoteka ističe da ne preuzima odgovornost za tačnost, celovitost ili pouzdanost informacija, podataka, mišljenja, saveta ili izjava sadržanih u ovom dokumentu.

Napominjemo da Tehnoteka nema ovlašćenje da izvrši bilo kakve izmene ili dopune na ovom dokumentu, stoga nismo odgovorni za eventualne greške, propuste ili netačnosti koje se mogu naći unutar njega. Tehnoteka ne odgovara za štetu nanесenu korisnicima pri upotrebi netačnih podataka. Ukoliko imate dodatna pitanja o proizvodu, ljubazno vas molimo da kontaktirate direktno proizvođača kako biste dobili sve detaljne informacije.

Za najnovije informacije o ceni, dostupnim akcijama i tehničkim karakteristikama proizvoda koji se pominje u ovom dokumentu, molimo posetite našu stranicu klikom na sledeći link:

<https://tehnoteka.rs/p/sencor-mesoreznica-sfs-3050sl-akcija-cena/>