

Uputstvo za upotrebu

KitchenAid toster KA5KMT2204EER

KitchenAid®

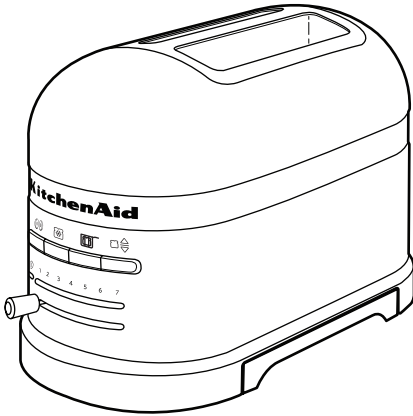


Tehnoteka je online destinacija za upoređivanje cena i karakteristika bele tehnike, potrošačke elektronike i IT uređaja kod trgovinskih lanaca i internet prodavnica u Srbiji. Naša stranica vam omogućava da istražite najnovije informacije, detaljne karakteristike i konkurentne cene proizvoda.

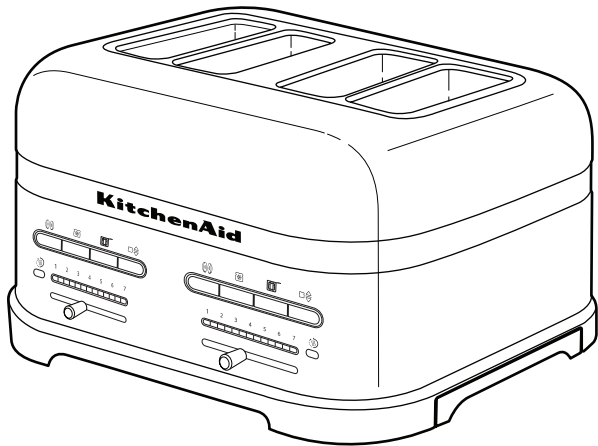
Posetite nas i uživajte u ekskluzivnom iskustvu pametne kupovine klikom na link:

<https://tehnoteka.rs/p/kitchenaid-toster-ka5kmt2204eer-akcija-cena/>

KitchenAid



Model 5KMT2204



Model 5KMT4205

Table of Contents

TOASTER SAFETY	
Important Safeguards.....	6
Electrical Requirements.....	7
Electrical Equipment Waste Disposal	8
PARTS AND FEATURES	
Toaster Parts.....	8
Toaster Features.....	9
Controls.....	10
USING YOUR TOASTER	
Before First Use	11
Making Toast.....	11
SPECIAL TOASTING FUNCTIONS	
Keep Warm.....	12
Toasting Bagels.....	12
Toasting Frozen Items.....	12
Toasting Sandwiches	13
CARE AND CLEANING	14
TROUBLESHOOTING	15
SERVICE AND WARRANTY	15

Your safety and the safety of others are very important.

We have provided many important safety messages in this manual and on your appliance. Always read and obey all safety messages.



This is the safety alert symbol.

This symbol alerts you to potential hazards that can kill or hurt you and others.

All safety messages will follow the safety alert symbol and either the word "DANGER" or "WARNING." These words mean:

! DANGER

You can be killed or seriously injured if you don't immediately follow instructions.

! WARNING

You can be killed or seriously injured if you don't follow instructions.

All safety messages will tell you what the potential hazard is, tell you how to reduce the chance of injury, and tell you what can happen if the instructions are not followed.

IMPORTANT SAFEGUARDS

When using electrical appliances, basic safety cautions should always be followed, including the following:

1. Read all instructions.
2. Do not touch hot surfaces. Use handles or knobs.
3. To protect against electrical shock, do not immerse cord, plugs, or toaster in water or other liquid.
4. This appliance is not intended for use by persons (including children) with reduced physical sensory or mental capabilities, or lack of experience and knowledge, unless they have been given supervision or instruction concerning use of the appliance by a person responsible for their safety.
5. Children should be supervised to ensure that they do not play with the appliance.
6. Unplug toaster from outlet when not in use and before cleaning. Allow to cool before putting on or taking off parts.
7. Do not operate any appliance with a damaged cord or plug or after the appliance malfunctions or has been damaged in any manner. Return appliance to the nearest Authorized Service Facility for examination, repair or adjustment.
8. The use of accessory attachments not recommended by the appliance manufacturer may cause injuries.
9. Do not use outdoors.
10. Do not let cord hang over edge of table or counter, or touch hot surfaces.
11. Do not place on or near a hot gas or electric burner, or in a heated oven.
12. To disconnect, turn any control to "OFF," then remove plug from outlet.
13. Do not use toaster for other than intended use.

SAVE THESE INSTRUCTIONS


IMPORTANT SAFEGUARDS

14. Oversize foods, metal foil packages, or utensils must not be inserted in toaster as they may involve a risk of fire or electric shock.
15. A fire may occur if toaster is covered with or touching flammable material, including curtains, draperies, walls and the like, when in operation.
16. Do not attempt to dislodge food when toaster is plugged in.
17. This product is designed for household use only.

SAVE THESE INSTRUCTIONS

Electrical Requirements

⚠ WARNING



Electrical Shock Hazard

Plug into a grounded outlet.

Do not remove ground prong.

Do not use an adapter.

Do not use an extension cord.

Failure to follow these instructions can result in death, fire, or electrical shock.

Voltage: 220-240 Volts

Frequency: 50/60 Hertz

Wattage: 1250 Watts for the 2-slice model
5KMT2204

2500 Watts for the 4-slice model
5KMT4205

NOTE: If the power cord is damaged, it must be replaced by the manufacturer or its service agent in order to avoid a hazard.


Do not use an extension cord. If the power supply cord is too short, have a qualified electrician or serviceman install an outlet near the appliance.

TOASTER SAFETY

Electrical Equipment Waste Disposal

This appliance is marked according to the European directive 2002/96/EC on Waste Electrical and Electronic Equipment (WEEE).

By ensuring this product is disposed of correctly, you will help avoid potential negative consequences for the environment and human health, which could otherwise be caused by inappropriate waste handling of this product.

The symbol  on the product, or on the documents accompanying the product, indicates that this appliance may not be

treated as household waste. Instead it shall be handed over to the applicable collection point for the recycling of electrical and electronic equipment.

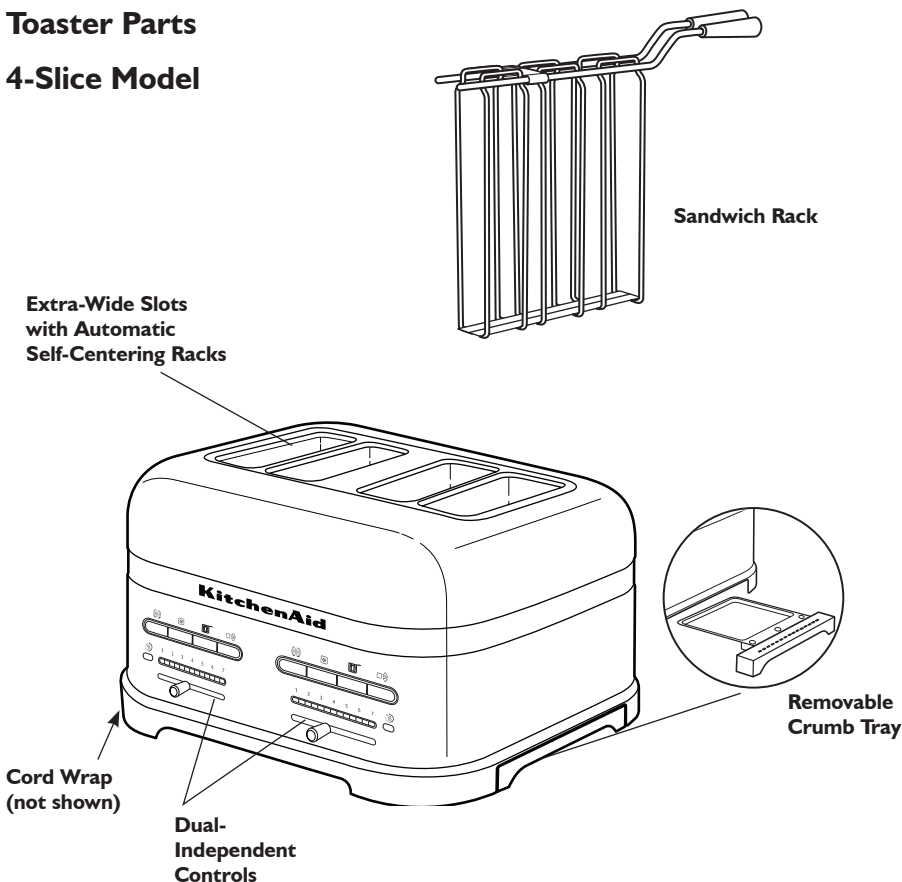
Disposal must be carried out in accordance with local environmental regulations for waste disposal.

For more detailed information about treatment, recovery and recycling of this product, please contact your local city office, your household waste disposal service or the shop where you purchased the product.

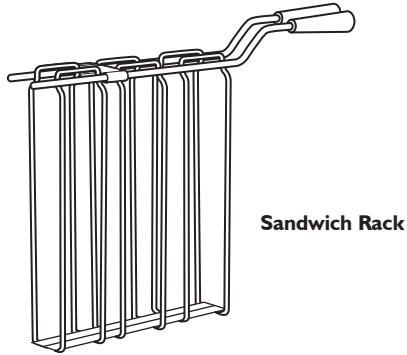
PARTS AND FEATURES

Toaster Parts

4-Slice Model

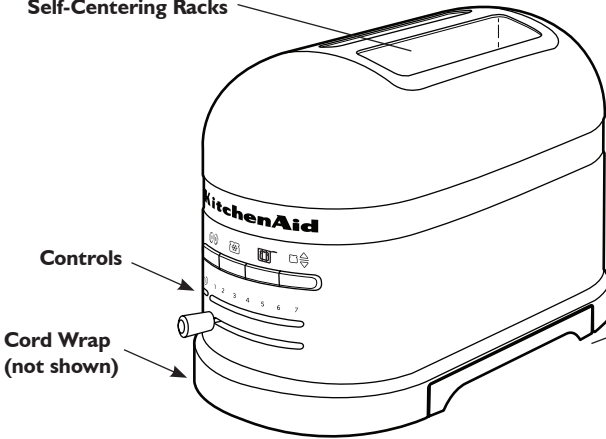


2-Slice Model



Sandwich Rack

Extra-Wide Slots
with Automatic
Self-Centering Racks



Controls

Cord Wrap
(not shown)

Removable
Crumb Tray

Toaster Features

Extra-Wide Slots with Automatic Self-Centering Racks

Extra-wide slots allow you to easily toast bread, bagels, and English muffins up to 2.8 cm (1 1/8") thick. Self-centering racks help ensure even heating of thin or thick breads. An automatic lift mechanism raises and lowers racks.

Controls

Easy-to-use controls allow you to quickly select the desired settings and light to provide visual feedback.

Dual Independent Controls (4-slice models only)

Dual independent controls allow you to select different settings for each pair of slots.

Cord Wrap

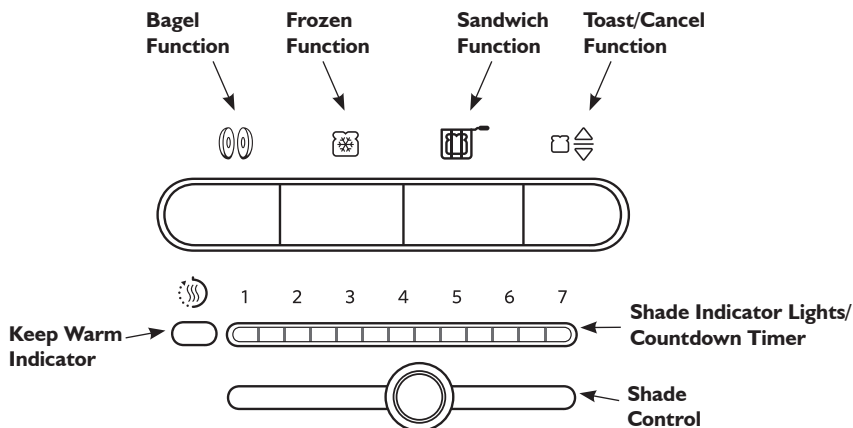
The cord wrap provides convenient storage of the cord when not in use.

Removable Crumb Tray

The removable crumb tray slides out for quick removal of crumbs. Hand-wash only.

PARTS AND FEATURES

Controls



Toast/Cancel Function

This is an automatic toaster. As soon as bread is placed in either slot it will begin

to lower and toasting will begin using the selected settings. Some food may be too light to trigger automatic toasting. If the food does not begin to drop after 3 seconds press TOAST/CANCEL to start the cycle manually. Press again to cancel a toasting cycle already in process, or to end a Keep Warm cycle.

Shade Control & Shade Indicator Lights/Countdown Timer

Precisely sets the desired brownness level. Indicator lights show the setting at a glance. During toasting, lights on the shade setting bar will blink to indicate time left in the toasting cycle.



Keep Warm Indicator

If the food is not removed within 45 seconds of the end of a cycle, the toaster will automatically lower the food and activate a "Keep Warm" cycle using low heat for up to 3 minutes. The KEEP WARM indicator will light while this cycle is active. You can cancel this cycle at any time by pressing TOAST/CANCEL.



Bagel Function

Your toaster features a special setting for toasting bagels, crumpets, muffins, buns or any other round breads that you wish to cut in half and toast only one side. The heating elements will adjust to nicely toast the inside of a cut bagel (or other round bread) without burning the outside surface.



Frozen Function

Your toaster features a Frozen mode that gently defrosts and toasts frozen foods only. Use Frozen for frozen foods only.



Sandwich Function

Your toaster features a special "Sandwich" setting to be used exclusively with the KitchenAid Sandwich Rack to toast sandwiches made with thinly sliced meats and cheese. See "Toasting Sandwiches" for more information.

USING YOUR TOASTER

Before First Use

Before using your toaster, check the extra-wide slots and remove any packing or printed material that might have fallen inside during shipping or handling. Do not probe inside the toaster with a metal object. You may see light smoke the first time you use the toaster. This is normal. The smoke is harmless and will soon disappear.

Making Toast

1. Shorten cord, if necessary, by wrapping cord under the base. The toaster's feet are tall enough to allow the cord to exit from under any side of the toaster.

! WARNING



Electrical Shock Hazard

Plug into a grounded outlet.

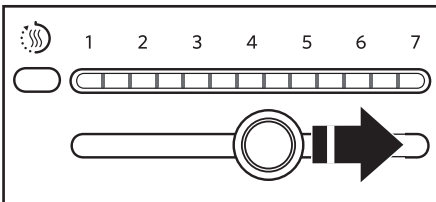
Do not remove ground prong.

Do not use an adapter.

Do not use an extension cord.

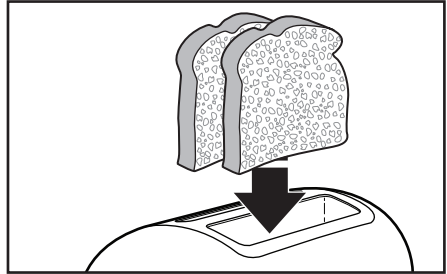
Failure to follow these instructions can result in death, fire, or electrical shock.

2. Plug into a grounded outlet.
3. Move the Shade Control to select the degree of brownness you want. Move the Shade Control to the right for darker toast or to the left for lighter. The indicator lights will display the shade level, from 1 (light) to 7 (dark).



NOTE: Different types of bread and their moisture levels may require different shade settings. For example, dry bread will brown more rapidly than moist bread and will require a lighter setting.

4. Insert bread or other food to be toasted in slot(s).



NOTE: For even toasting on 2-slot models, toast only one bread type and thickness at a time. If toasting two different types or thicknesses of bread with 4-slot models with Dual Independent Controls, be sure to toast only one bread type in each pair of slots.

5. As soon as bread is placed in either slot it will automatically begin to lower and toasting will begin. Some food may be too light to trigger automatic toasting. If the food does not begin to drop after 3 seconds press TOAST/CANCEL to start the cycle manually.



6. (Optional) Press desired special toasting function button within 5 seconds. See the "Special Toasting Functions" section for more information.
7. When the toaster is finished, it will automatically raise the food and a signal will sound. If food is not removed within 45 seconds, the toaster will enter Keep Warm mode.
8. To cancel toasting at any time, press TOAST/CANCEL. The toaster will raise the toast and turn off.

SPECIAL TOASTING FUNCTIONS

Keep Warm

If the food is not removed within 45 seconds of the end of a cycle, the toaster will automatically lower the food and activate a “Keep Warm” cycle using low heat for up to 3 minutes. The KEEP WARM indicator will light while this cycle is active.



To cancel Keep Warm mode and remove toast:

Press the TOAST/CANCEL button once. The toast will come up and the toaster will turn off.

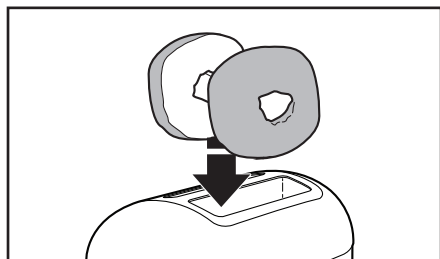
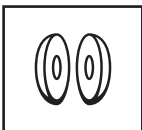


If toast is not removed within 3 minutes, the toast will come up and the toaster will automatically turn off.

Toasting Bagels

Your toaster features a special setting for toasting bagels, crumpets, muffins, buns or any other round breads that you wish to cut in half and toast only one side. The heating elements will adjust to nicely toast the inside of a cut bagel (or other round bread) without burning the outside surface.

1. With the Shade Control set to the desired level of brownness, press the BAGEL button.
2. Insert halves of bagel, or other round breads, with the cut sides facing in, as shown. The toaster will automatically lower the bagel and start toasting.



3. When the bagel is ready, the toaster will raise it and a signal will beep. If bagel is not removed within 45 seconds, the toaster will enter Keep Warm mode.

Toasting Frozen Items

Your toaster features a Frozen mode that gently defrosts and toasts frozen bread. Use Frozen for frozen foods only.

For regular bread and similar foods:

1. With the desired brownness level selected, press the FROZEN button.
2. Insert frozen bread into the toaster slots.
3. The toaster will automatically lower the bread, run a defrosting cycle to thaw the bread, then toast it to the desired brownness setting.



For frozen bagels (or other frozen round breads cut in half):

1. With the desired brownness level selected, press the BAGEL button then the FROZEN button.
2. Insert frozen bagel (or other round bread) into the toaster slots.
3. The toaster will automatically lower, run a defrosting cycle to thaw, then toast to the desired brownness setting.

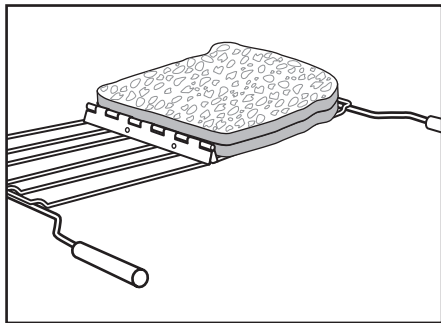
SPECIAL TOASTING FUNCTIONS

Toasting Sandwiches

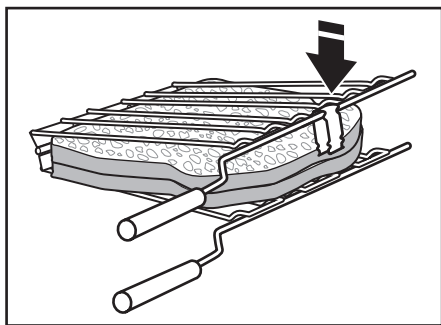
Your toaster features an accessory and a special setting to toast sandwiches made with thinly sliced meats and cheese. The hinged design of the Sandwich Rack accessory opens flat to make inserting and removing sandwiches easy.

Preparing your sandwich:

1. Lightly butter the outside of the sandwich bread – do not butter the side that will face the filling. Buttering the outside of the bread will slow browning and help warm the filling.
2. Fill the sandwich with desired ingredients, but do not overfill it! Thinly sliced ingredients – like ham, turkey, and cheese – work best.
3. Open the rack by spreading the handles apart. Then, place an edge of your sandwich flush with the bottom channel of the rack, as shown.



4. Press the sandwich rack handles together to grip the sandwich. Close the clip to keep grids together.

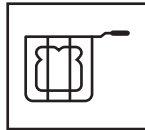


NOTE: Do **NOT** toast sandwiches without the Sandwich Rack, because cheese or other food could melt and stick to the interior of the toaster.

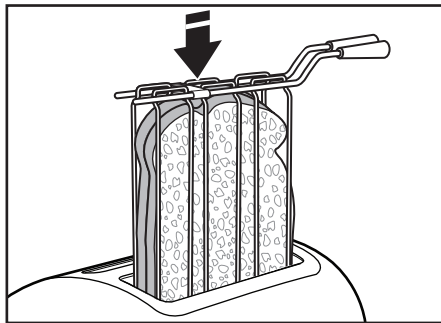
Do **NOT** store your Sandwich Rack in the toaster, or place it back in the toaster once sandwich is toasted and unloaded. This would start a new toasting cycle and prevent toaster from working properly.

Toasting your sandwich:

1. Set the Shade Control to the desired level of brownness, then press the SANDWICH button.



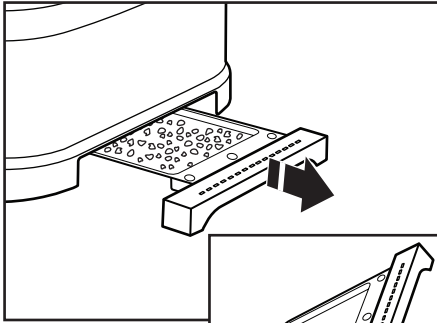
2. Insert the Sandwich Rack into the toaster slot, with your sandwich inside, as shown. The toaster will automatically lower the Sandwich Rack and start toasting.



3. When the sandwich is ready, a signal will beep 3 times, and the Sandwich button light will blink.
4. Remove Sandwich Rack and press either the SANDWICH button or the TOAST/CANCEL button to return the carriage to its proper position.

If Sandwich Rack is not removed, a signal will beep every 30 seconds for 2 minutes and the Sandwich button light will blink to remind you to remove it. If Sandwich Rack is not removed within 2 minutes, the toaster will automatically turn off. In any case, the Sandwich Rack must be removed to operate toaster again.

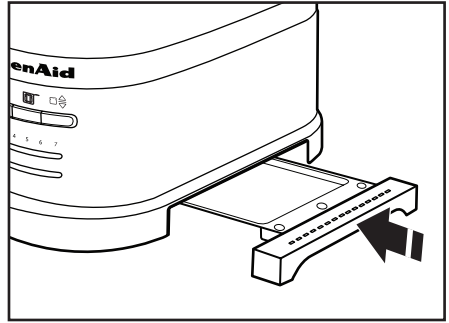
CARE AND CLEANING



Unplug the toaster and let it cool before cleaning.

Grasp the center of the crumb tray then slide it out. Shake the crumbs into a waste container. It is recommended that the crumb tray be emptied after each use. Crumb tray is hand-wash only.

IMPORTANT: The tray will be hot immediately following a toasting cycle.



Wipe toaster with a soft, damp cotton cloth. Do not use paper towels, abrasive cleansers or liquid cleaning products. Do not immerse toaster in water.

NOTE: If grease or oil splatters on the toaster, wipe splatters away immediately using a clean, damp cotton cloth.

Return crumb tray to toaster. Press it in firmly until it clicks into position. Do not use the toaster without the crumb tray in proper position.

NOTE: KitchenAid does not recommend the use of a toaster cover.

Wash the the Sandwich Rack by hand, avoiding the use of abrasive cleansers or scouring pads. Dry thoroughly after washing. You can also wash the Sandwich Rack in the top rack of your dishwasher.

⚠️ WARNING



Electrical Shock Hazard

Plug into a grounded outlet.

Do not remove ground prong.

Do not use an adapter.

Do not use an extension cord.

Failure to follow these instructions can result in death, fire, or electrical shock.

NOTE: You may see light smoke the first time you use the toaster. This is normal. The smoke is harmless and will soon disappear.

If your toaster should fail to operate, check the following:

1. If the toaster does not begin to drop and toast after 3 seconds, it might be that the food inserted is too light to trigger automatic toasting. Press TOAST/CANCEL to start the cycle manually.
2. If the toaster fails to operate and the Sandwich light blinks, it means that a heavy item is preventing the toaster from working properly. Remove the Sandwich Rack or any other heavy items from the toaster, then press the “Sandwich” button or the “Toast/Cancel” button to allow the carriage to return to its proper position.
3. Check that the toaster is plugged into a grounded electrical outlet.
4. If the toaster is plugged in, unplug it, then plug in the toaster again.
5. If the toaster still does not work, check the household fuse or circuit breaker.

If the problem cannot be corrected, contact an authorized service center (see the KitchenAid Warranty and Service sections).

SERVICE AND WARRANTY

Household KitchenAid Toaster Warranty

Length of Warranty:	KitchenAid Will Pay For:	KitchenAid Will Not Pay For:
<p>Europe, Australia and New Zealand:</p> <p>For Models 5KMT2204, and 5KMT4205: Five years Full Warranty from date of purchase.</p>	<p>The replacement parts and repair labor costs to correct defects in materials or workmanship. Service must be provided by an Authorized KitchenAid Service Center.</p>	<p>A. Repairs when Toaster is used for operations other than normal household food preparation.</p> <p>B. Damage resulting from accident, alterations, misuse, abuse, or installation/operation not in accordance with local electrical codes.</p>

KITCHENAID DOES NOT ASSUME ANY RESPONSIBILITY FOR INDIRECT DAMAGES.

Service Centers

All service should be handled locally by an Authorized KitchenAid Service Center. Contact the dealer from whom the unit was purchased to obtain the name of the nearest Authorized KitchenAid Service Center.

In the U.K.:

Call: 0845 6011 287

In Ireland:

M.X. ELECTRIC
Service Department
25 Alymer Crescent
Kilcock, Co. KILDARE

Call: 87 2581574

Fax: 1 628 4368

In Australia:

Call: 1800 990 990

In New Zealand:

Call: 0800 881 200

Customer Service

In U.K. & Ireland:

Tollfree number 0800 988 1266
(Calls from mobile phones are charged standard network rate)

Address:

KitchenAid Europa, Inc.
PO BOX 19
B-2018 ANTWERP 11
BELGIUM

For Southern Ireland:

Tollfree number +44 (0) 20 8616 5148

www.KitchenAid.co.uk
www.KitchenAid.eu

W10506838A

© 2012. All rights reserved.
Specifications subject to change without notice.

KitchenAid

www.KitchenAid.co.uk
www.KitchenAid.eu

W10506838A

© 2012. All rights reserved.
Specifications subject to change without notice.

Ovaj dokument je originalno proizveden i objavljen od strane proizvođača, brenda KitchenAid, i preuzet je sa njihove zvanične stranice. S obzirom na ovu činjenicu, Tehnoteka ističe da ne preuzima odgovornost za tačnost, celovitost ili pouzdanost informacija, podataka, mišljenja, saveta ili izjava sadržanih u ovom dokumentu.

Napominjemo da Tehnoteka nema ovlašćenje da izvrši bilo kakve izmene ili dopune na ovom dokumentu, stoga nismo odgovorni za eventualne greške, propuste ili netačnosti koje se mogu naći unutar njega. Tehnoteka ne odgovara za štetu nanесenu korisnicima pri upotrebi netačnih podataka. Ukoliko imate dodatna pitanja o proizvodu, ljubazno vas molimo da kontaktirate direktno proizvođača kako biste dobili sve detaljne informacije.

Za najnovije informacije o ceni, dostupnim akcijama i tehničkim karakteristikama proizvoda koji se pominje u ovom dokumentu, molimo posetite našu stranicu klikom na sledeći link:

<https://tehnoteka.rs/p/kitchenaid-toster-ka5kmt2204eer-akcija-cena/>