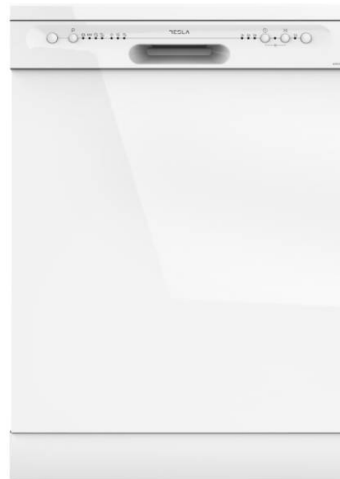


Uputstvo za upotrebu

TESLA mašina za pranje sudova WD630M

TESLA



Tehnoteka je online destinacija za upoređivanje cena i karakteristika bele tehnike, potrošačke elektronike i IT uređaja kod trgovinskih lanaca i internet prodavnica u Srbiji. Naša stranica vam omogućava da istražite najnovije informacije, detaljne karakteristike i konkurentne cene proizvoda.

Posetite nas i uživajte u ekskluzivnom iskustvu pametne kupovine klikom na link:

<https://tehnoteka.rs/p/tesla-masina-za-pranje-sudova-wd630m-akcija-cena/>

TESLA

DISHWASHER

WD630M

User Manual

ENG

BiH/
CG

HR

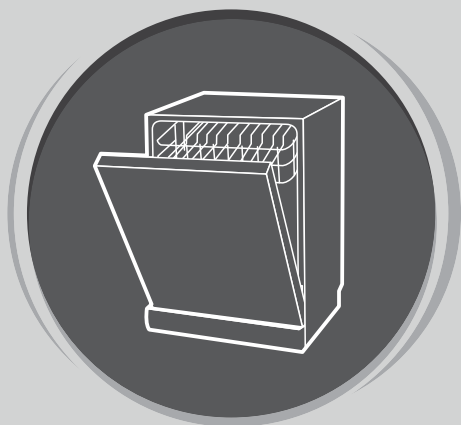
RO

SLO

SRB



Product images are for illustrative purposes only and may differ from the actual product.



DISHWASHER

User Manual

PART I: GENERIC VERSION

Please read this manual carefully before using the dishwasher and
Keep this manual for future reference.

SAFETY INFORMATION

WARNING!

When using your dishwasher, follow the precautions listed below:

- Installation and repair can only be carried out by a qualified technician
- This appliance is intended to be used in household and similar applications such as:
 - staff kitchen areas in shops, offices and other working environments;
 - farm houses;
 - by clients in hotels, motels and other residential type environments;
 - bed and breakfast type environments.
- This appliance can be used by children aged from 8 years and above and persons with reduced physical, sensory or mental capabilities or lack of experience and knowledge if they have been given supervision or instruction concerning use of the appliance in a safe way and understand the hazards involved.
- Children should not play with the appliance. Cleaning and user maintenance should not be done by children without supervision. (For EN60335-1)
- This appliance is not intended for use by persons (including children) with reduced physical, sensory or mental capabilities, or lack of experience and knowledge, unless they have been given supervision or instruction concerning use of the appliance by a person responsible for their safety. (For IEC60335-1)
- Packaging material could be dangerous for children!
- This appliance is for indoor household use only.
- To protect against the risk of electrical shock, do not immerse the unit, cord or plug in water or other liquids.
- Please unplug before cleaning and performing maintenance on the appliance.
- Use a soft cloth moistened with mild soap, and then use a dry cloth to wipe it again.

Grounding Instructions

- This appliance must be grounded. In the event of a malfunction or breakdown, grounding will reduce the risk of an electric shock by providing a path of least resistance for the electric current. This appliance is equipped with a grounding conductor plug.
- The plug must be plugged into an appropriate outlet that is installed and grounded in accordance with all local codes and ordinances.
- Improper connection of the grounding conductor can result in the risk of an electric shock.
- Check with a qualified electrician or service representative if you are in doubt whether the appliance is properly grounded.
- Do not modify the plug provided with the appliance; If it does not fit the outlet.
- Have a proper outlet installed by a qualified electrician.

- Do not abuse, sit on, or stand on the door or dish rack of the dishwasher.
- Do not operate your dishwasher unless all enclosure panels are properly in place.
- Open the door very carefully if the dishwasher is operating, there is a risk of water squirting out.
- Do not place any heavy objects on, or stand on the door when it is open. The appliance could tip forward.
- When loading items to be washed:
 1. Locate sharp items so that they are not likely to damage the door seal;
 2. Warning: Knives and other utensils with sharp points must be loaded in the basket with their points facing down or placed in a horizontal position.
- Some dishwasher detergents are strongly alkaline. They can be extremely dangerous if swallowed. Avoid contact with the skin and eyes and keep children away from the dishwasher when the door is open.
- Check that the detergent powder case is empty after completion of the wash cycle.
- Do not wash plastic items unless they are marked "dishwasher safe" or equivalent.
- For unmarked plastic items not so marked, check the manufacturer's recommendations.
- Use only detergents and rinse agents recommended for use in an automatic dishwasher.
- Never use soap, laundry detergent, or hand washing detergent in your dishwasher.
- The door should not be left open, since this could increase the risk of tripping.
- If the supply cord is damaged, it must be replaced by the manufacturer or its service agent or a similarly qualified person in order to avoid a hazard.
- During installation, the power supply must not be excessively or dangerously bent or flattened.
- Do not tamper with controls.
- The appliance needs to be connected to the main water valve using new hose sets. Old sets should not be reused.
- To save energy, in standby mode, the appliance will switch off automatically when there is no operation for 30 minutes.

Disposal



- For disposing of packaging and the appliance please go to a recycling center. Cut off the power supply cable and make the door closing device unusable.
- Cardboard packaging is manufactured from recycled paper and should be disposed of in a paper waste collection bin for recycling.
- By ensuring this product is disposed of correctly, you will help prevent potential negative consequences for the environment and human health, which

could otherwise be caused by inappropriate waste handling of this product.

- For more detailed information about recycling of this product, please contact your local city office and

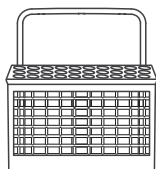
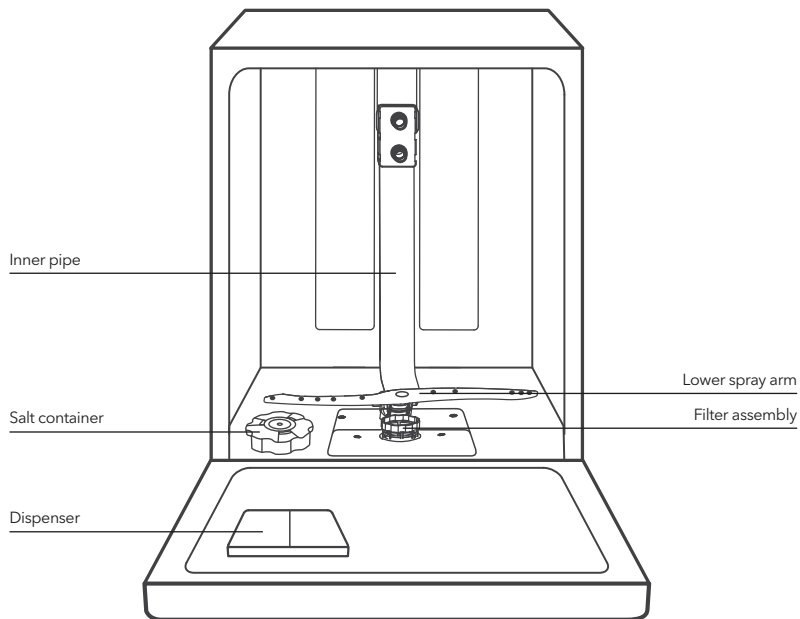
your household waste disposal service.

- **DISPOSAL: Do not dispose this product as unsorted municipal waste. Collection of such waste separately for special treatment is necessary.**

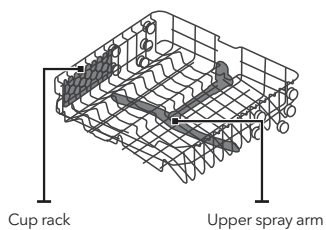
PRODUCT OVERVIEW

! IMPORTANT

To get the best performance from your dishwasher, read all operating instructions before using it for the first time.



Cutlery basket



Upper basket



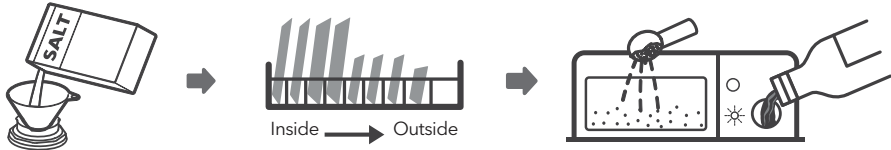
Lower basket

☰ NOTE

Pictures are only for reference; different models may be different.

USING YOUR DISHWASHER

Before using your dishwasher:



1. Set the water softener
2. Loading salt into the softener compartment
3. Loading the basket
4. Filling the dispenser

NOTE

Please check the section 1 "Water Softener" of PART II: Special Version, If you need to set the water softener .

Loading The Salt Into The Softener

NOTE

If your model does not have any water softener compartment, you may skip this section. Always use salt that is intended for dishwasher use. The salt container is located beneath the lower basket and should be filled as explained in the following:

WARNING!

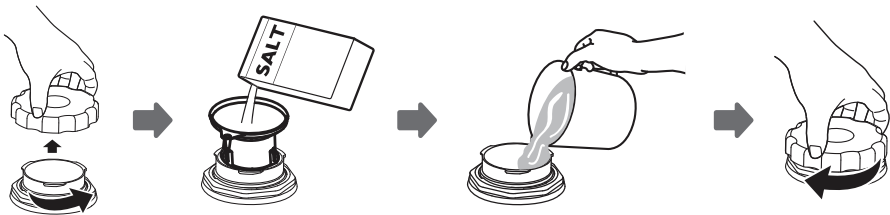
• Only use salt specifically designed for dishwashers use!

Every other type of salt not specifically designed for dishwasher use, especially table salt, will damage the water softener compartment. In case of damages caused by the use of unsuitable salt the manufacturer does not give any warranty nor is liable for any damages caused.

• Only fill with salt before running a cycle.


This will prevent any grains of salt or salty water, which may have been spilled, remaining on the bottom of the machine for any period of time, which may cause corrosion.

Please follow the steps below for adding dishwasher salt:



1. Remove the lower basket and unscrew the reservoir cap.
2. Place the end of the funnel (supplied) into the hole and pour in about 1.5kg of dishwasher salt.
3. Fill the salt container to its maximum limit with water, it is normal for a small amount of water to come out of the salt container.
4. After filling the container, screw back the cap tightly.
5. The salt warning light will stop shining after the salt container has been filled with salt.
6. Immediately after filling the salt into the salt container, a washing program should be started (We suggest using a short program). Otherwise the filter system, pump or other important parts of the machine may be damaged by salty water. This is void of warranty.

 NOTE

- The salt container must only be refilled when the salt warning light () in the control panel comes on. Depending on how well the salt dissolves, the salt warning light may still be on even though the salt container is filled.
If there is no salt warning light in the control panel (for some Models), you can estimate when to fill the salt into the softener by the cycles that the dishwasher has run.
- If salt has spilled, run a soak or quick program to remove it.

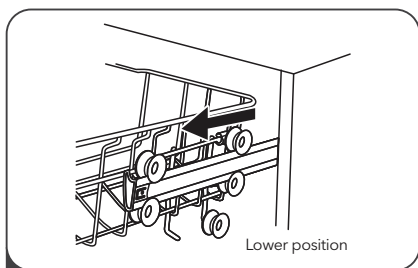
Basket - user tips

Adjusting the upper basket

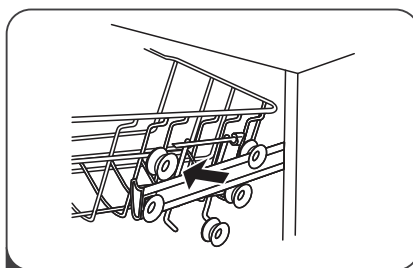
Type 1:

The height of the upper basket can be easily adjusted to accommodate taller dishes in either the upper or lower basket.

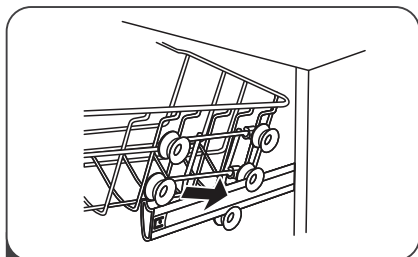
To adjust the height of the upper rack, follow these steps:



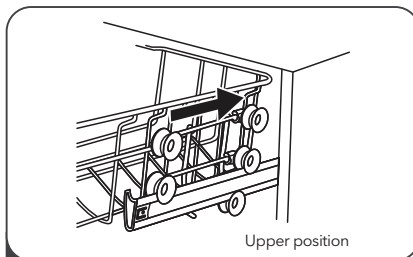
1 Pull out upper basket.



2 Remove upper basket.

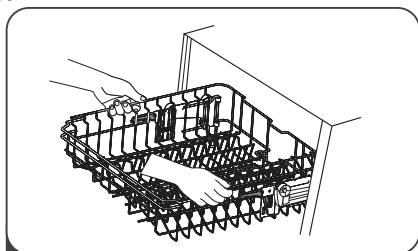


3 Re-attach upper basket to the upper or lower rollers.

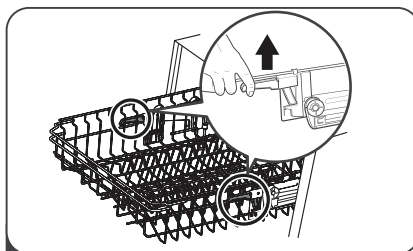


4 Push in upper basket.

Type 2:



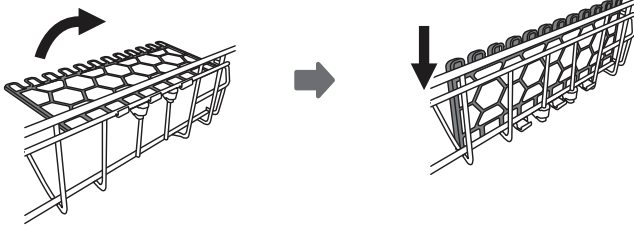
1 To raise the upper basket, just lift the upper basket at the center of each side until the basket locks into place in the upper position. It is not necessary to lift the adjuster handle.



2 To lower the upper basket, lift the adjust handles on each side to release the basket and lower it to the lower position.

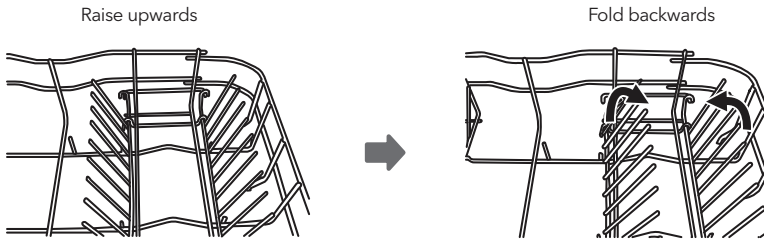
Folding back the cup shelves

To make room for taller items in the upper basket, raise the cup rack upwards. You can then lean the tall glasses against it. You can also remove it when it is not required for use.



Folding back the rack shelves

The spikes are used for holding plates and a platter. They can be lowered to make more room for large items.



MAINTENANCE AND CLEANING

External Care

The door and door seal

Clean the door seals regularly with a soft damp cloth to remove food deposits. When the dishwasher is being loaded, food and drink residues may drip onto the sides of the dishwasher door. These surfaces are outside the wash cabinet and are not accessed by water from the spray arms. Any deposits should be wiped off before the door is closed.

The control panel

If cleaning is required, the control panel should be wiped with a soft damp cloth ONLY.

WARNING!

- To avoid penetration of water into the door lock and electrical components, do not use a spray cleaner of any kind.
- Never use abrasive cleaners or scouring pads on the outer surfaces because they may scratch the finish. Some paper towels may also scratch or leave marks on the surface.

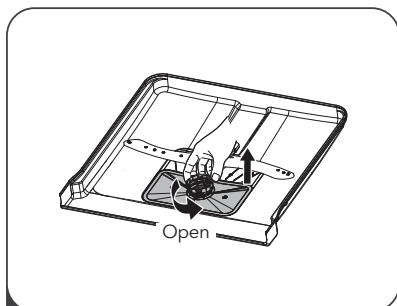
Internal Care

Filtering system

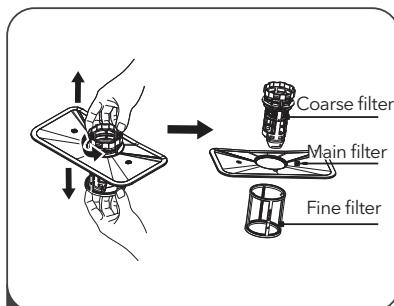
The filtering system in the base of the wash cabinet retains coarse debris from the washing cycle. The collected coarse debris may cause the filters to clog. Check the condition of the filters regularly and clean them if necessary under running water. Follow the steps below to clean the filters in the wash cabinet.

 **NOTE**

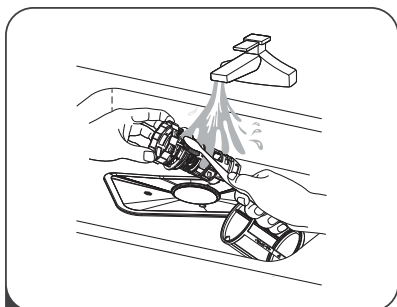
Pictures are only for reference, different models of the filtering system and spray arms may be different. Please prevail in kind.



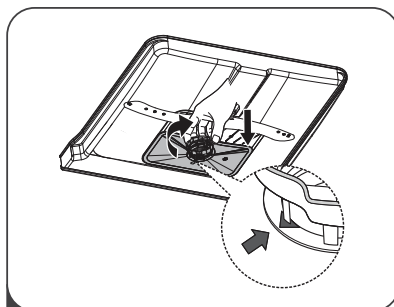
- 1** Hold the coarse filter and rotate it counterclockwise to unlock the filter. Lift the filter upwards and out of the dishwasher.



- 2** The fine filter can be pulled off the bottom of the filter assembly. The coarse filter can be detached from the main filter by gently squeezing the tabs at the top and pulling it away.



- 3** Larger food remnants can be cleaned by rinsing the filter under running water. For a more thorough clean, use a soft cleaning brush.



- 4** Reassemble the filters in the reverse order of the disassembly, replace the filter insert, and rotate clockwise to the close arrow.

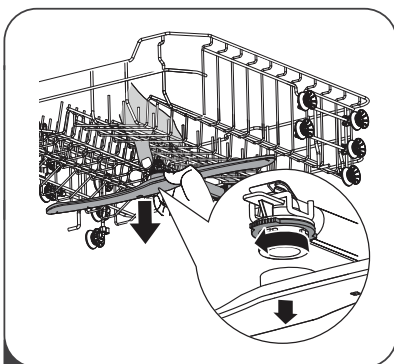
 **WARNING!**

- Do not over tighten the filters. Put the filters back in sequence securely, otherwise coarse debris could get into the system and cause a blockage.
- NEVER use the dishwasher without filters in place. Improper replacement of the filter may reduce the performance level of the appliance and damage dishes and utensils.

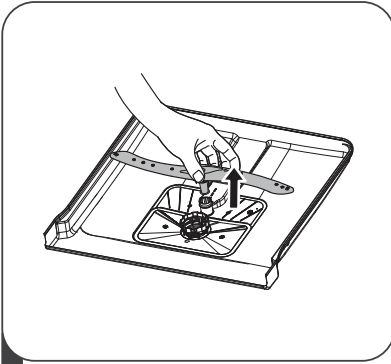
Spray arms

It is necessary to clean the spray arms regularly for hard spray arm jets and bearings.

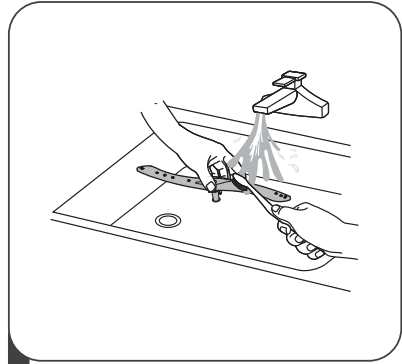
To clean the spray arms, follow the instructions:



- 1** To remove the upper spray arm, hold the nut in the center still and rotate the spray arm counterclockwise to remove it.



2 To remove the lower spray arm, pull out the spray arm upward.



3 Wash the arms in soapy and warm water and use a soft brush to clean the jets. Replace them after rinsing them thoroughly.

Caring For The Dishwasher

Frost precaution

Please take frost protection measures on the dishwasher in winter. After every washing cycles, please operate as follows:

1. Cut off the electrical power to the dishwasher at the power source.
2. Turn off the water supply and disconnect the water inlet pipe from the water valve.
3. Drain the water from the inlet pipe and water valve. (Use a pan to gather the water)
4. Reconnect the water inlet pipe to the water valve.
5. Remove the filter at the bottom of the tub and use a sponge to soak up water in the sump.

After every wash

After every wash, turn off the water supply to the appliance and leave the door slightly open so that moisture and odours are not trapped inside.

Remove the plug

Before cleaning or performing maintenance, always remove the plug from the socket.

No solvents or abrasive cleaning

To clean the exterior and rubber parts of the dishwasher, do not use solvents or abrasive cleaning products. Only use a cloth with warm soapy water.

To remove spots or stains from the surface of the interior, use a cloth dampened with water and a little vinegar, or a cleaning product made specifically for dishwashers.

When not in use for a longtime

It is recommended that you run a wash cycle with the dishwasher empty and then remove the plug from the socket, turn off the water supply and leave the door of the appliance slightly open. This will help the door seals to last longer and prevent odours from forming within the appliance.

Moving the appliance

If the appliance must be moved, try to keep it in the vertical position. If absolutely necessary, it can be positioned on its back.

Seals

One of the factors that cause odours to form in the dishwasher is food that remains trapped in the seals. Periodic cleaning with a damp sponge will prevent this from occurring.

INSTALLATION INSTRUCTION

⚠ WARNING!



Electrical Shock Hazard

Disconnect electrical power before installing dishwasher.
Failure to do so could result in death or electrical shock.

⚠ ATTENTION!

The installation of the pipes and electrical equipments should be done by professionals.

About Power Connection

⚠ WARNING!

For personal safety:

- Do not use an extension cord or an adapter plug with this appliance.
- Do not, under any circumstances, cut or remove the grounding connection from the power cord.

Electrical requirements

Please look at the rating label to know the rating voltage and connect the dishwasher to the appropriate power supply. Use the required fuse 10A/13A/16A, time delay fuse or circuit breaker recommended and provide separate circuit serving only this appliance.

Electrical connection

Ensure the voltage and frequency of the power being corresponds to those on the rating plate. Only insert the plug into an electrical socket which is grounded properly. If the electrical socket to which the appliance must be connected is not appropriate for the plug, replace the socket, rather than using a adaptors or the like as they could cause overheating and burns.

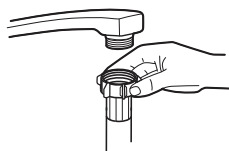
⚠ Ensure that proper grounding exists before use.

Water Supply and Drain

Cold water connection

Connect the cold water supply hose to a threaded 3/4(inch) connector and make sure that it is fastened tightly in place.

If the water pipes are new or have not been used for an extended period of time, let the water run to make sure that the water is clear. This precaution is needed to avoid the risk of the water inlet to be blocked and damage the appliance.



Ordinary supply hose



Safety supply hose

About the safety supply hose

The safety supply hose consists of double walls. The hose's system guarantees its intervention by blocking the flow of water in case of the supply hose breaking and when the air space between the supply hose itself and the outer corrugated hose is full of water.

⚠ WARNING!

A hose that attaches to a sink spray can burst if it is installed on the same water line as the dishwasher. If your sink has one, it is recommended that the hose be disconnected and the hole plugged.

How to connect the safety supply hose

1. Pull the safety supply hoses completely out from storage compartment located at the rear of dishwasher.
2. Tighten the screws of the safety supply hose to the faucet with thread 3/4inch.
3. Turn water fully on before starting the dishwasher.

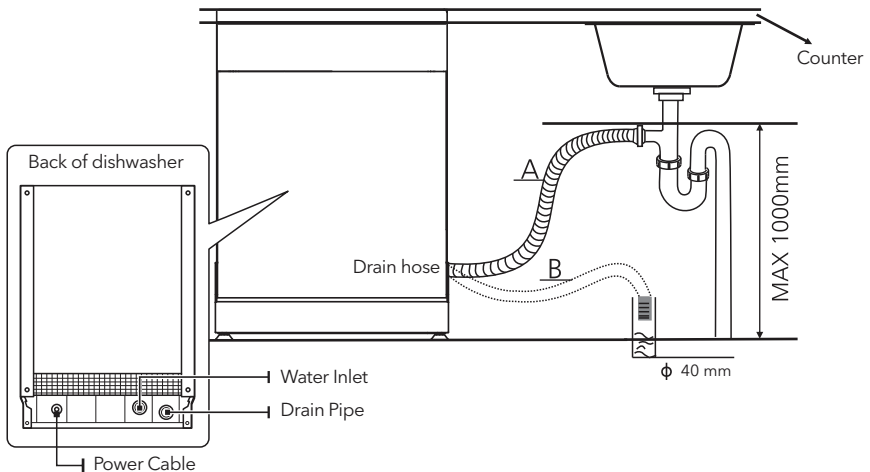
How to disconnect the safety supply hose

1. Turn off the water.
2. Unscrew the safety supply hose from the faucet.

Connection of Drain Hoses

Insert the drain hose into a drain pipe with a minimum diameter of 4 cm, or let it run into the sink, making sure to avoid bending or crimping it. The height of drain pipe must be less than 1000mm. The free end of the hose must not be immersed in water to avoid the back flow of it.

⚠ Please securely fix the drain hose in either position A or position B

**How to drain excess water from hoses**

If the sink is 1000 higher from the floor, the excess water in hoses cannot be drained directly into the sink. It will be necessary to drain excess water from hoses into a bowl or suitable container that is held outside and lower than the sink.

Water outlet

Connect the water drain hose. The drain hose must be correctly fitted to avoid water leaks. Ensure that the water drain hose is not kinked or squashed.

Extension hose

If you need a drain hose extension, make sure to use a similar drain hose. It must be no longer than 4 meters; otherwise the cleaning effect of the dishwasher could be reduced.

Syphon connection

The waste connection must be at a height less than 100 cm (maximum) from the bottom of the dish. The water drain hose should be fixed.

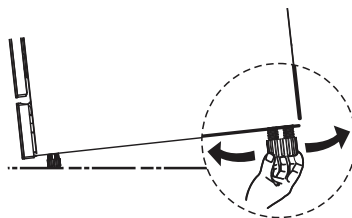
Position The Appliance

Position the appliance in the desired location. The back should rest against the wall behind it, and the sides, along the adjacent cabinets or walls. The dishwasher is equipped with water supply and drain hoses that can be positioned either to the right or the left sides to facilitate proper installation.

Levelling the appliance

Once the appliance is positioned for levelling, the height of the dishwasher may be altered via adjustment of the screwing level of the feet.

In any case, the appliance should not be inclined more than 2°.



NOTE

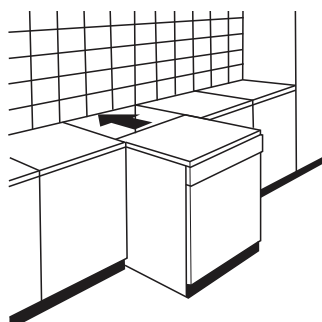
Only apply to the free standing dishwasher.

Free Standing Installation

Fitting between existing cabinets

The height of the dishwasher, 845 mm, has been designed in order to allow the machine to be fitted between existing cabinets of the same height in modern fitted kitchens. The feet can be adjusted so that correct height is reached.

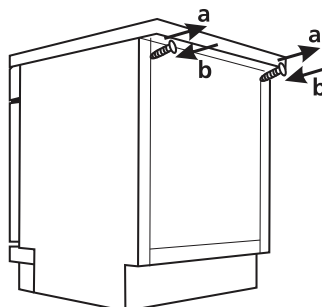
The laminated top of the machine does not require any particular care since it is heatproof, scratchproof and stainproof.



Underneath existing work top

(When fitting beneath a work top)

In most modern fitted kitchens there is only one single work top under which cabinets and electrical appliances are fitted. In this case remove the work top of the dishwasher by unscrewing the screws under the rear edge of the top (a).



ATTENTION!

After removing the work top, the screws must be screwed again under the rear edge of the top (b).

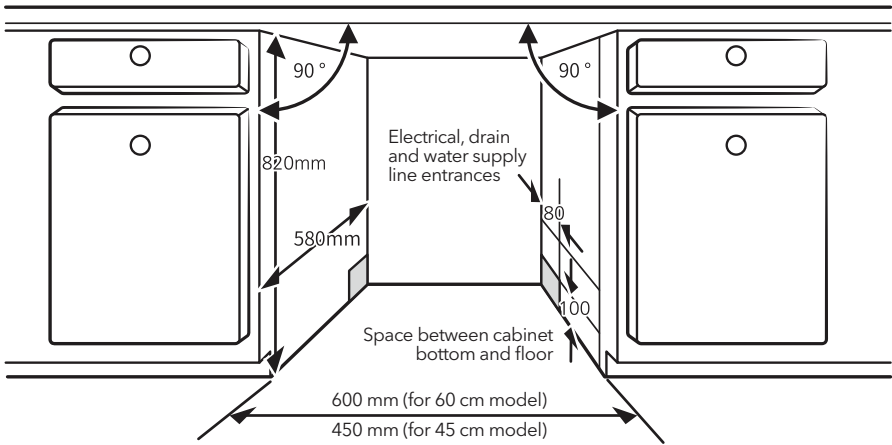
The height will then be reduced to 815 mm, as scheduled by the International Regulations (ISO) and the dishwasher will fit perfectly under the kitchen working top.

Built-In Installation (for the integrated model)

Step 1. Selecting the best location for the dishwasher

The installation position of dishwasher should be near the existing inlet and drain hoses and power cord. Illustrations of cabinet dimensions and installation position of the dishwasher.

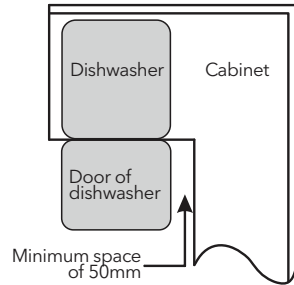
1. Less than 5 mm between the top of dishwasher and cabinet and the outer door aligned to cabinet.



2. If dishwasher is installed at the corner of the cabinet, there should be some space when the door is opened.

NOTE

Depending on where your electrical outlet is, you may need to cut a hole in the opposite cabinet side.



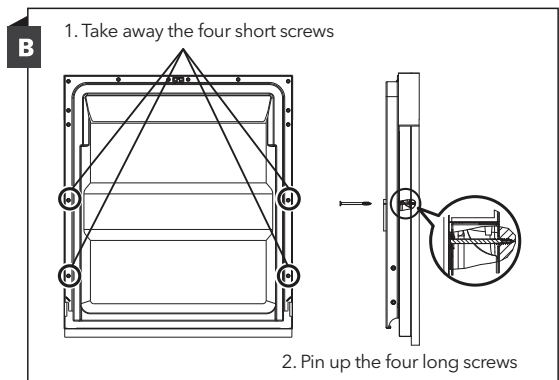
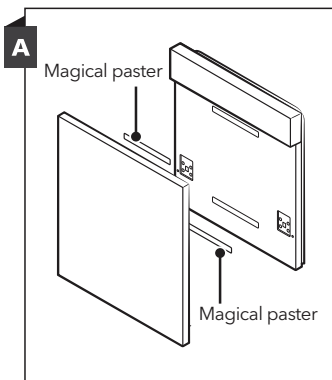
Step 2. Aesthetic panel's dimensions and installation

NOTE

The aesthetic wooden panel could be processed according to the installation drawings.

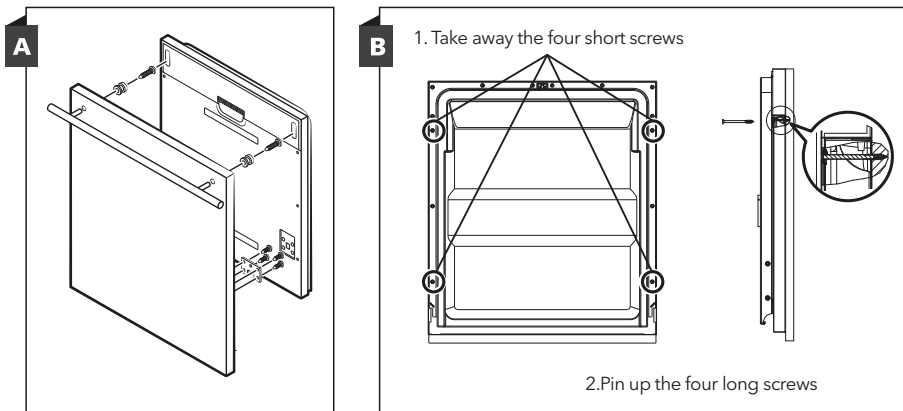
Semi-integrated model

- Magical paster A and magical paster B are disjoined on, magical paster A on the aesthetic wooden panel and felted magical paster B of the outer door of dishwasher (see figure A). After positioning of the panel, fix the panel onto the outer door by screws and bolts (See figure B).



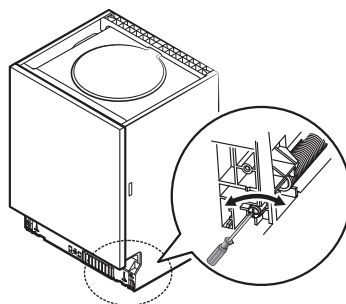
Full-integrated model

Install the hook on the aesthetic wooden panel and put the hook into the slot of the outer door of dishwasher (see figure A). After positioning of the panel, fix the panel onto the outer door by screws and bolts (See figure B).



Step 3. Tension adjustment of the door

1. The door springs are set at the factory to the proper tension for the outer door. If aesthetic wooden panel are installed, you will have to adjust the door spring tension. Rotate the adjusting screw to drive the adjustor to strain or relax the steel cable.
2. Door spring tension is correct when the door remains horizontal in the fully opened position, yet rises to a close with the slight lift of a finger.

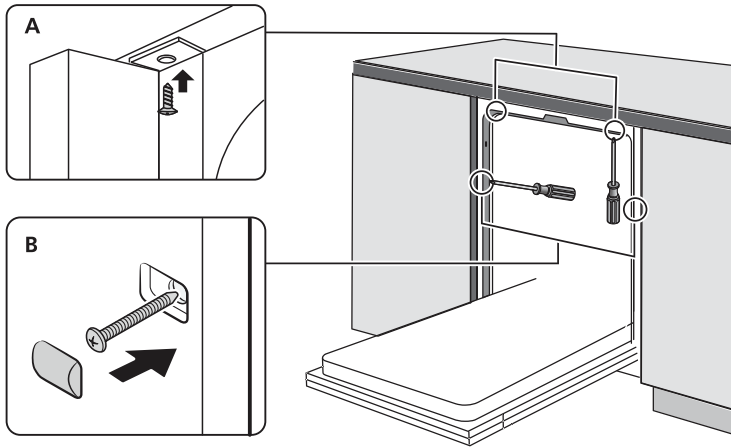


Step 4. Dishwasher installation steps

NOTE

Please refer to the specified installation steps in the installation drawings.

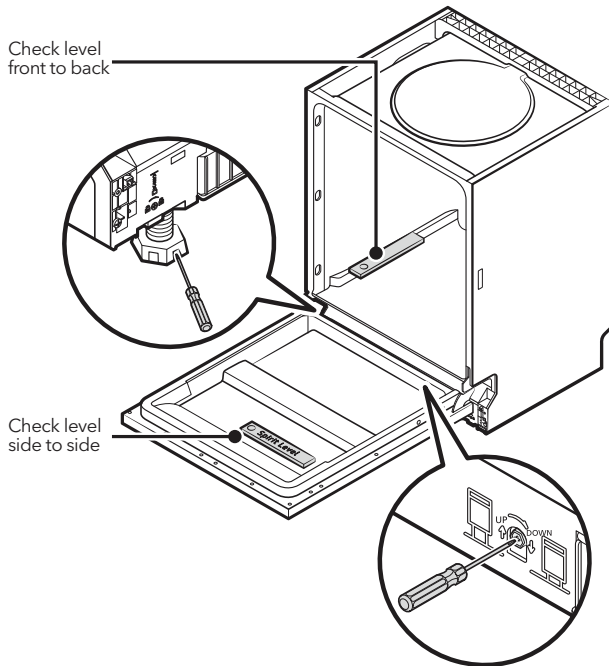
1. Affix the condensation strip under the work surface of cabinet. Please ensure the condensation strip is flush with edge of work surface. (Step 2)
2. Connect the inlet hose to the cold water supply.
3. Connect the drain hose.
4. Connect the power cord.
5. Place the dishwasher into position. (Step 4)
6. Level the dishwasher. The rear foot can be adjusted from the front of the dishwasher by turning the Philips screw in the middle of the base of dishwasher use an Philips screw. To adjust the front feet, use a flat screw driver and turn the front feet until the dishwasher is level. (Step 5 to Step 6)
7. Install the furniture door to the outer door of the dishwasher. (Step 7 to Step 10)
8. Adjust the tension of the door springs by using an Allen key turning in a clockwise motion to tighten the left and right door springs. Failure to do this could cause damage to your dishwasher. (Step 11)
9. The dishwasher must be secured in place. There are two ways to do this:
 - A. Normal work surface: Put the installation hook into the slot of the side plane and secure it to the work surface with the wood screws.
 - B. Marble or granite work top: Fix the side with Screw.



Step 5. Levelling the dishwasher

Dishwasher must be level for proper dish rack operation and wash performance.

1. Place a spirit level on door and rack track inside the tub as shown to check that the dishwasher is level.
2. Level the dishwasher by adjusting the three levelling legs individually.
3. When level the dishwasher, please pay attention not to let the dishwasher tip over.



NOTE

The maximum adjustment height of the feet is 50 mm.

TROUBLESHOOTING TIPS

Before Calling for Service

Reviewing the charts on the following pages may save you from calling for service.

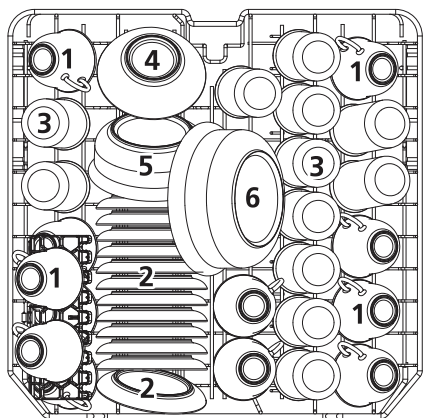
Problem	Possible Causes	What to Do
Dishwasher doesn't start	Fuse blown, or the circuit break tripped.	Replace fuse or reset circuit breaker. Remove any other appliances sharing the same circuit with the dishwasher.
	Power supply is not turned on.	Make sure the dishwasher is turned on and the door is closed securely. Make sure the power cord is properly plugged into the wall socket.
	Water pressure is low	Check that the water supply is connected properly and the water is turned on.
	Door of dishwasher not properly closed.	Make sure to close the door properly and latch it.
Water not pumped form dishwasher	Twisted or trapped drain hose.	Check the drain hose.
	Filter clogged.	Check coarse the filter.
	Kitchen sink clogged.	Check the kitchen sink to make sure it is draining well. If the problem is the kitchen sink that is not draining, you may need a plumber rather than a serviceman for dishwashers.
Suds in the tub	Wrong detergent.	Use only the special dishwasher detergent to avoid suds. If this occurs, open the dishwasher and let suds evaporate. Add 1 gallon of cold water to the bottom of the dishwasher. Close the dishwasher door, then select any cycle. Initially, the dishwasher will drain out the water. Open the door after draining stage is complete and check if the suds have disappeared. Repeat if necessary.
	Spilled rinse-aid.	Always wipe up rinse-aid spills immediately.
Stained tub interior	Detergent with colorant may have been used.	Make sure that the detergent has no colorant.
White film on inside surface	Hard water minerals.	To clean the interior, use a damp sponge with dishwasher detergent and wear rubber gloves. Never use any other cleaner than dishwasher detergent otherwise, it may cause foaming or suds.

Problem	Possible Causes	What to Do
There are rust stains on cutlery	The affected items are not corrosion resistant.	Avoid washing items that are not corrosion resistant in the dishwasher.
	A program was not run after dishwasher salt was added. Traces of salt have gotten into the wash cycle.	Always run a wash program without any crockery after adding salt. Do not select the Turbo function (if present), after adding dishwasher salt.
	The lid of the softer is loose.	Check the softener lid is secure.
Knocking noise in the dishwasher	A spray arm is knocking against an item in a basket	Interrupt the program and rearrange the items which are obstructing the spray arm.
Rattling noise in the dishwasher	Items of crockery are loose in the dishwasher.	Interrupt the program and rearrange the items of crockery.
Knocking noise in the water pipes	This may be caused by on-site installation or the cross-section of the piping.	This has no influence on the dishwasher function. If in doubt, contact a qualified plumber.
The dishes are not clean	The dishes were not loaded correctly.	See PART II "Preparing And Loading Dishes".
	The program was not powerful enough.	Select a more intensive program.
	Not enough detergent was dispensed	Use more detergent, or change your detergent.
	Items are blocking the movement of the spray arms.	Rearrange the items so that the spray can rotate freely.
	The filter combination is not clean or is not correctly fitted in the base of wash cabinet. This may cause the spray arm jets to get blocked.	Clean and fit the filter correctly. Clean the spray arm jets.
Cloudiness on glassware.	Combination of soft water and too much detergent.	Use less detergent if you have soft water and select a shorter cycle to wash the glassware and to get them clean.
White spots appear on dishes and glasses.	Hard water area can cause limescale deposits.	Add more detergent.
Black or grey marks on dishes	Aluminum utensils have rubbed against dishes	Use a mild abrasive cleaner to eliminate those marks.
Detergent left in dispenser	Dishes block detergent dispenser	Re-loading the dishes properly.
The dishes aren't drying	Improper loading	Load the dishwasher as suggested in the directions.
	Dishes are removed too soon	Do not empty your dishwasher immediately after washing. Open the door slightly so that the steam can come out. Take out the dishes until the inside temperature is safe to touch. Unload the lower basket first to prevent the dropping water from the upper basket.

Problem	Possible Causes	What to Do
The dishes aren't drying	Wrong program has been selected.	With a short program, the washing temperature is lower, decreasing cleaning performance. Choose a program with a long washing time.
	Use of cutlery with a low-quality coating.	Water drainage is more difficult with these items. Cutlery or dishes of this type are not suitable for washing in the dishwasher.

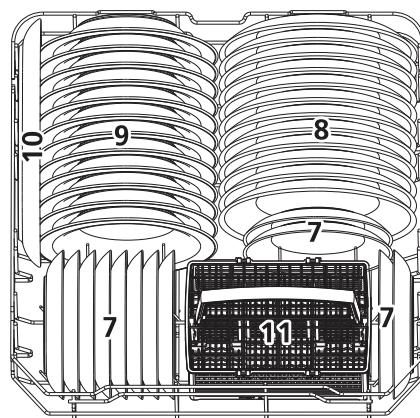
LOADING THE BASKETS ACCORDING TO EN50242

1. Upper basket:



Number	Item
1	Cups
2	Saucers
3	Glasses
4	Small serving bowl
5	Medium serving bowl
6	Large serving bowl

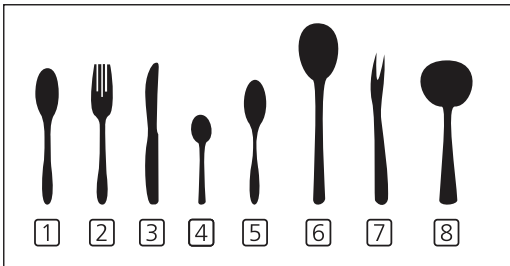
2. Lower basket:



Number	Item
7	Dessert dishes
8	Dinner plates
9	Soup plates
10	Oval platter
11	Cutlery basket

3. Cutlery basket:

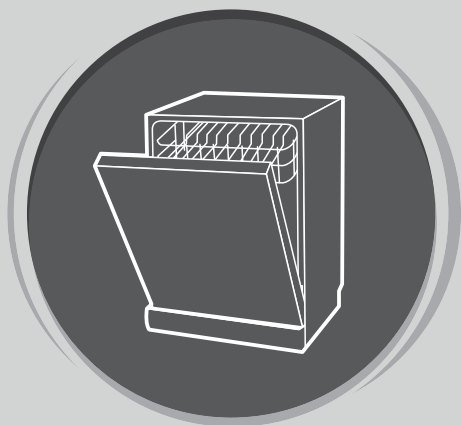
1	2	1		4	4	4	4	4	4		1	2	1
2	2	2			8			7		3	3		2
1	2	1		4	4	4	4	4	4		1	3	1
1	2	1		5	5	5	5	5	5		3	3	3
2	2	2			3			3		3	3	3	3
1	2	1		5	5	5	5	5	5		6		6



Number	Item
1	Soup spoons
2	Forks
3	Knives
4	Teaspoons
5	Dessert spoons
6	Serving spoons
7	Serving forks
8	Gravy ladles

Information for comparability tests in accordance with EN 50242

Capacity: 12 place settings
 Position of the upper basket: lower position
 Program: ECO
 Rinse aid setting: 6
 Softener setting: H3



DISHWASHER

User Manual

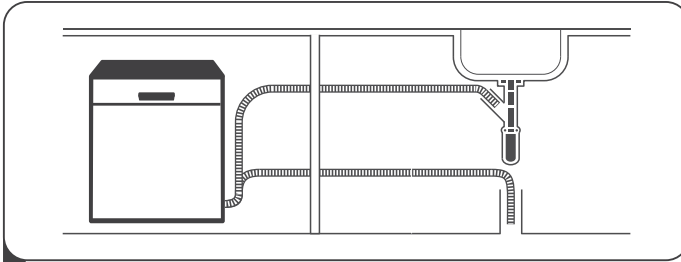
PART II: SPECIAL VERSION

WD630M

Please read this manual carefully before using the dishwasher and
Keep this manual for future reference.

QUICK USER GUIDE

Please read the corresponding content on the instruction manual for detailed operating method.

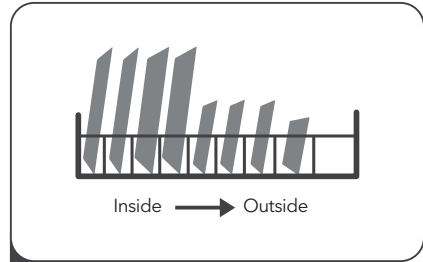


1 Install the dishwasher

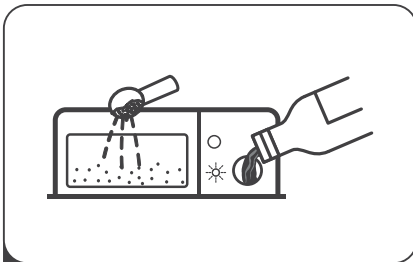
(Please check the section 5 "INSTALLATION INSTRUCTION " of PART I: Generic Version.)



2 Removing the larger residue on the cutlery



3 Loading the baskets



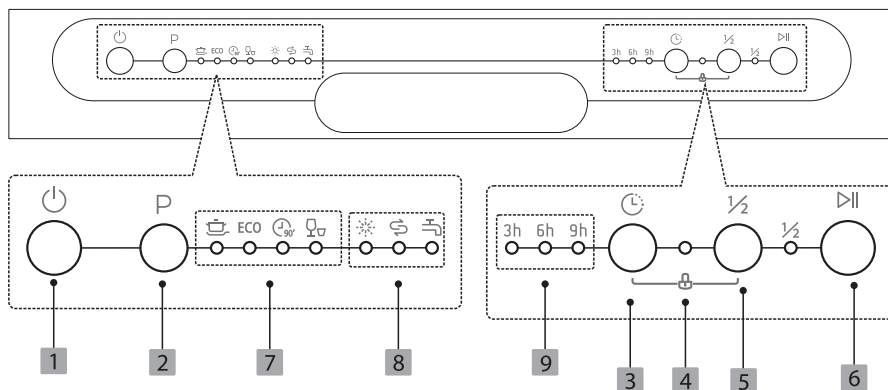
4 Filling the dispenser



5 Selecting a program and running the dishwasher

USING YOUR DISHWASHER

Control Panel




Operation (Button)

- 1** Power Press this button to turn on your dishwasher.
- 2** Program Select the appropriate washing program, the selected program indicator will be lit.
- 3** Delay Press the button to set the delay time, corresponding indicator will be lit.
- 4** Child lock This option allows you to lock the buttons on the control panel except the Power button - so children cannot accidentally start the dishwasher by pressing the buttons on the panel. To lock or unlock the buttons on the control panel, press and hold the Half-load button+Delay button for 3 seconds simultaneously. When you pressing this button, corresponding indicator will be lit.
- 5** Half-load When you have about or less than 6 place setting dishware to wash, you can choose this function to save energy and water. (It can only be used with Intensive, ECO, 90 mins.)
- 6** Start / Pause To start the selected washing program or pause it when the dishwasher is working.

Display

- 7** Program indicator

 -  **Intensive**
Heavily soiled items include pots and pans. With dried on food.
 - ECO**
This is standard program, it is suitable to clean normally soiled tableware and it is the most efficient program in terms of its combined energy and water consumption for that type of tableware.
 - 90 mins**
For normally soiled loads that need quick wash.

7 Program indicator




Rapid

A shorter wash for lightly soiled loads that do not need drying.

8 Warning indicator




Rinse Aid

If the “” indicator is lit, it means the dishwasher is low on dishwasher rinse aid and requires a refill.




Salt

If the “” indicator is lit, it means the dishwasher is low on dishwasher salt and needs to be refilled.



Water Faucet

If the “” indicator is lit, it means the water faucet close

9 Delay Time To show the delay time (3h/6h/9h).



NOTE

Please check the section 3 “Loading The Salt Into The Softener” of PART I: Generic Version, If your dishwasher lacks salt.



NOTE

If your model does not have any water softener, you may skip this section.

Water Softener

The hardness of the water varies from place to place. If hard water is used in the dishwasher, deposits will form on the dishes and utensils.

The appliance is equipped with a special softener that uses a salt container specifically designed to eliminate lime and minerals from the water.

Preparing and Loading Dishes

- Consider buying utensils which are identified as dishwasher-proof.
- For particular items, select a program with the lowest possible temperature.
- To prevent damage, do not take glass and cutlery out of the dishwasher immediately after the program has ended.

For washing the following cutlery/dishes

Are not suitable

- Cutlery with wooden, horn china or mother-of-pearl handles Plastic items that are not heat resistant
- Older cutlery with glued parts that are not temperature resistant Bonded cutlery items or dishes
- Pewter or cooper items Crystal glass
- Steel items subject to rusting Wooden platters
- Items made from synthetic fibres

Are of limited suitability

- Some types of glasses can become dull after a large number of washes
- Silver and aluminum parts have a tendency to discolour during washing
- Glazed patterns may fade if machine washed frequently

Recommendations for loading the dishwasher

Scrape off any large amounts of leftover food. Soften remnants of burnt food in pans. It is not necessary to rinse the dishes under running water. For best performance of the dishwasher, follow these loading guidelines.

(Features and appearance of baskets and cutlery baskets may vary from your model.)

Place objects in the dishwasher in following way:

- Items such as cups, glasses, pots/pans, etc. are faced downwards.
- Curved items, or ones with recesses, should be loaded aslant so that water can run off.
- All utensils are stacked securely and can not tip over.
- All utensils are placed in the way that the spray arms can rotate freely during washing.
- Load hollow items such as cups, glasses, pans etc. With the opening facing downwards so that water cannot collect in the container or a deep base.
- Dishes and items of cutlery must not lie inside one another, or cover each other.
- To avoid damage, glasses should not touch one another.
- The upper basket is designed to hold more delicate and lighter dishware such as glasses, coffee and tea cups.
- Long bladed knives stored in an upright position are a potential hazard!
- Long and / or sharp items of cutlery such as carving knives must be positioned horizontally in the upper basket.
- Please do not overload your dishwasher. This is important for good results and for reasonable consumption of energy.



Very small items should not be washed in the dishwasher as they could easily fall out of the basket.

Removing the dishes

To prevent water dripping from the upper basket into the lower basket, we recommend that you empty the lower basket first, followed by the upper basket.



Items will be hot! To prevent damage, do not take glass and cutlery out of the dishwasher for around 15 minutes after the program has ended.

Loading the upper basket

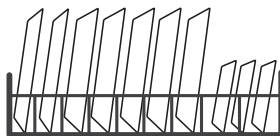
The upper basket is designed to hold more delicate and lighter dishware such as glasses, coffee and tea cups and saucers, as well as plates, small bowls and shallow pans (as long as they are not too dirty). Position the dishes and cookware so that they will not get moved by the spray of water.



Loading the lower basket

We suggest that you place large items and the most difficult to clean items are to be placed into the lower basket: such as pots, pans, lids, serving dishes and bowls, as shown in the figure below. It is preferable to place serving dishes and lids on the side of the racks in order to avoid blocking the rotation of the top spray arm.

The maximum diameter advised for plates in front of the detergent dispenser is of 19 cm, this not to hamper the opening of it.



Loading the cutlery basket

Cutlery should be placed in the cutlery rack separately from each other in the appropriate positions, and do make sure the utensils do not nest together, this may cause bad performance.

**WARNING!**

Do not let any item extend through the bottom.
Always load sharp utensils with the sharp point down!

**NOTE**

For the best washing effect, please load the baskets refer to standard loading options on last section of PART I: Generic Version


FUNCTION OF THE RINSE AID AND DETERGENT

The rinse aid is released during the final rinse to prevent water from forming droplets on your dishes, which can leave spots and streaks. It also improves drying by allowing water to roll off the dishes. Your dishwasher is designed to use liquid rinse aids.

**WARNING!**

Only use branded rinse aid for dishwasher. Never fill the rinse aid dispenser with any other substances (e.g. Dishwasher cleaning agent, liquid detergent). This would damage the appliance.

When to refill the rinse aid dispenser

Unless the rinse-aid warning light () on the control panel is on, you can always estimate the amount from the color of the optical level indicator located next to the cap. When the rinse-aid container is full, the indicator will be fully dark. The size of the dark dot decreases as the rinse-aid diminishes. You should never let the rinse aid level be less than 1/4 full.

As the rinse aid diminishes, the size of the black dot on the rinse aid level indicator changes, as illustrated below.



Full



3/4 full



1/2 full



1/4 full



Empty

Rinse aid level indicator



Function of detergent

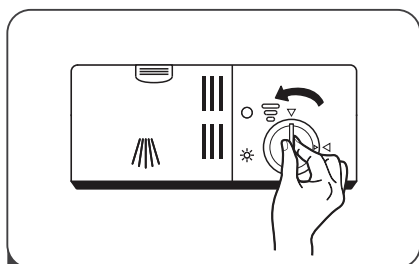
The chemical ingredients that compose the detergent are necessary to remove, crush and dispense all dirt out of the dishwasher. Most of the commercial quality detergents are suitable for this purpose.

**WARNING!****Proper Use of Detergent**

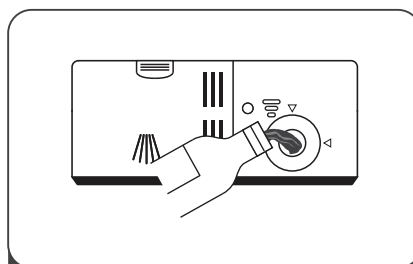
- Use only detergent specifically made for dishwashers use. Keep your detergent fresh and dry. Don't put powdered detergent into the dispenser until you are ready to wash dishes.
- **Dishwasher detergent is corrosive! Keep dishwasher detergent out of the reach of children.**



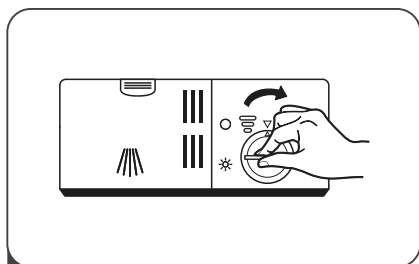
FILLING THE RINSE AID RESERVOIR



- 1** Remove the rinse aid reservoir cap by rotating it counterclockwise.



- 2** Carefully pour in the rinse-aid into its dispenser, whilst avoiding it to overflow.

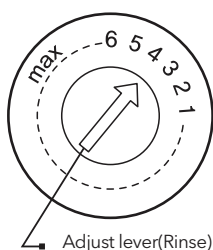


- 3** Close the rinse aid reservoir cap by rotating it clockwise.

NOTE

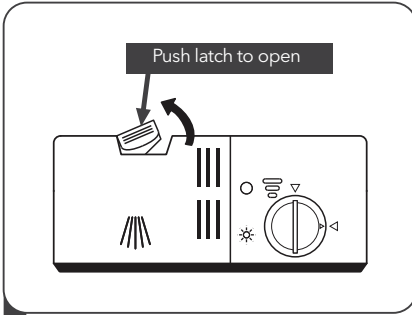
Clean up any spilled rinse aid with an absorbent cloth to avoid excessive foaming during the next wash.

Adjusting the rinse aid reservoir

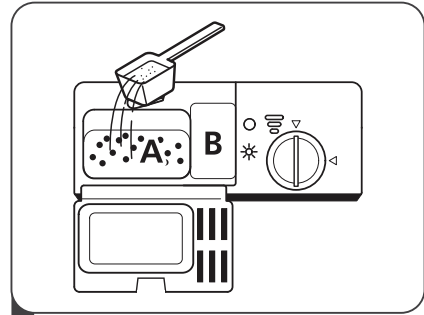


Turn the rinse aid indicator dial to a number between 1 and 6. The higher the number, the more rinse aid the dishwasher uses. If the dishes are not drying properly or are spotted, adjust the dial to the next higher number until your dishes are spot-free. Reduce it if there are sticky whitish stains on your dishes or a bluish film on glassware or knife blades.

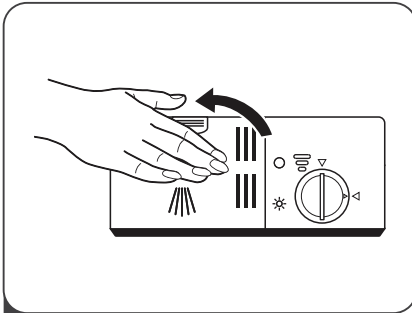
FILLING THE DETERGENT DISPENSER



1 Press the release catch on the detergent dispenser to open the cover.



2 Add detergent into the larger cavity (A) for the main wash cycle .
For more heavily soiled wash loads, also add some detergent into the smaller cavity (B) for the pre-wash cycle.



3 Close the cover and press on it until it locks into place.


NOTE



- Be aware that depending on the soiling of water, setting may be different.
- Please observe the manufacturer's recommendations on the detergent packaging.

PROGRAMMING THE DISHWASHER

Wash Cycle Table

The table below shows which programs are best for the levels of food residue on them and how much detergent is needed. It also show various information about the programs.

Program	Description Of Cycle	Detergent Pre/Main	Running Time(min)	Energy (Kwh)	Water (L)	Rinse Aid
 Intensive	Pre-wash(50°C) Wash(60°C) Rinse Rinse Rinse(70°C) Drying	$\frac{5}{25} \text{ g}$ (1 or 2 pieces)	175	1.6	17.5	●
ECO (*EN 50242)	Pre-wash Wash(45°C) Rinse(60°C) Drying	$\frac{5}{25} \text{ g}$ (1 or 2 pieces)	225	1.02	11	●

Program	Description Of Cycle	Detergent Pre/Main	Running Time(min)	Energy (Kwh)	Water (L)	Rinse Aid
 90 Min	Wash(65°C)	5/25g (1 piece)	90	1.35	12.5	●
	Rinse					
	Rinse(65°C)					
	Drying					
 Rapid	Wash(45°C)	20g	30	0.75	11	○
	Rinse(50°C)					
	Rinse(55°C)					

● Means: need to fill rinse into the Rinse-Aid Dispenser.



EN 50242: This program is the test cycle. The information for comparability test in accordance with EN 50242.

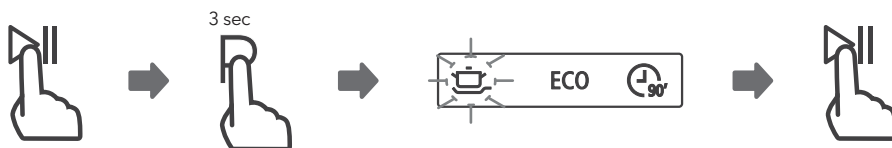
Starting A Cycle Wash

1. Draw out the lower and upper basket, load the dishes and push them back. It is commended to load the lower basket first, then the upper one.
2. Pour in the detergent.
3. Insert the plug into the socket. The power supply refer to last page "Product fiche". Make sure that the water supply is turned on to full pressure.
4. Close the door, press the Power button, to switch on the machine.
5. Choose a program, the response light will turn on. Then press the Start/Pause button, the dishwasher will start its cycle.

Changing The Program Mid-cycle

A wash cycle can only be changed if it has been running for a short time otherwise, the detergent may have already been released and the dishwasher may have already drained the wash water. If this is the case, the dishwasher needs to be reset and the detergent dispenser must be refilled. To reset the dishwasher, follow the instructions below:

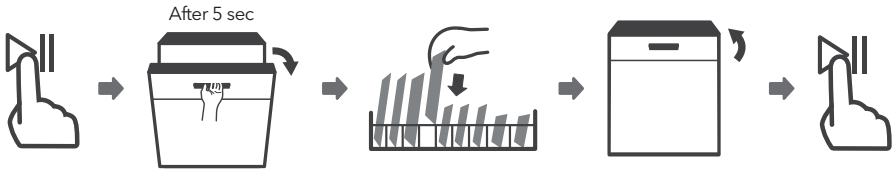
1. Press the Start/Pause button to pause the washing.
2. Press Program button for more than 3 seconds - the program will cancel.
3. Press the Program button to select the desired program.
4. Press the Start/Pause button, after 10 seconds, the dishwasher will start.



Forget To Add A Dish?

A forgotten dish can be added any time before the detergent dispenser opens. If this is the case, follow the instructions below:

1. Press the Start/Pause button to pause the washing.
2. Wait 5 seconds then open the door.
3. Add the forgotten dishes.
4. Close the door.
5. Press the Start/Pause button after 10 seconds, the dishwasher will start.



WARNING!



It is dangerous to open the door mid-cycle, as hot steam may scald you.

ERROR CODES

If there is a malfunction, the dishwasher will display error codes to identify these:

Codes	Meanings	Possible Causes
The Rapid light flicker fleetly	Longer inlet time.	Faucet is not opened, or water intake is restricted, or water pressure is too low.
The Rapid and 90 mins light flicker fleetly	Not reaching required temperature.	Malfunction of heating element.
The ECO light flicker fleetly	Overflow.	Some element of dishwasher leaks.

WARNING!

- If overflow occurs, turn off the main water supply before calling a service.
- If there is water in the base pan because of an overflow or small leak, the water should be removed before restarting the dishwasher.

WATER SOFTENER

The water softener must be set manually, using the water hardness dial.

The water softener is designed to remove minerals and salts from the water, which would have a detrimental or adverse effect on the operation of the appliance.

The more minerals there are, the harder your water is.

The softener should be adjusted according to the hardness of the water in your area. Your local Water Authority can advise you on the hardness of the water in your area.

Adjusting salt consumption

The dishwasher is designed to allow for adjustment in the amount of salt consumed based on the hardness of the water used. This is intended to optimise and customise the level of salt consumption.

Please follow the steps below for adjustment in salt consumption.

1. Switch on the appliance and close the door ;
2. Press the Start/Pause button for more than 5 seconds to start the water softener set model within 60 seconds after the appliance was switched on;
3. Press the Start/Pause button to select the proper set according to your local environment, the sets will change in the following sequence:
H1->H2->H3->H4->H5->H6;
4. Press the Power button to end the set up model.

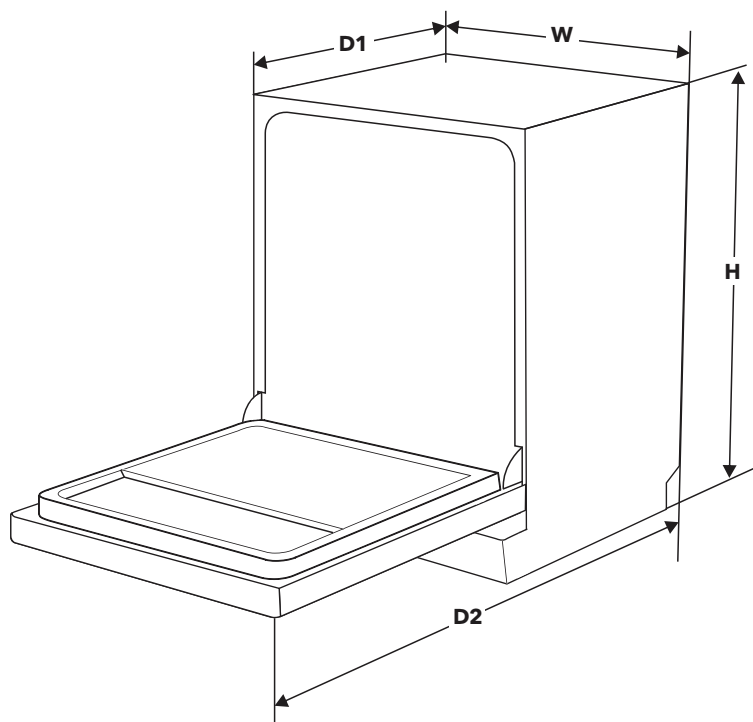
WATER HARDNESS				Water softener level	Salt consumption (gram/cycle)
German °dH	French °fH	British °Clarke	Mmol/l		
0 - 5	0 - 9	0 - 6	0 - 0.94	H1-> Rapid indicators flicker	0
6 - 11	10 - 20	7 - 14	1.0 - 2.0	H2-> 90 mins indicators flicker	9
12 - 17	21 - 30	15 - 21	2.1 - 3.0	H3-> 90 mins, Rapid indicators flicker	12
18 - 22	31 - 40	22 - 28	3.1 - 4.0	H4-> ECO indicators flicker	20
23 - 34	41 - 60	29 - 42	4.1 - 6.0	H5-> ECO, Rapid indicators flicker	30
35 - 55	61 - 98	43 - 69	6.1 - 9.8	H6-> ECO, 90 mins indicators flicker	60

1°dH=1.25 °Clarke=1.78 °fH=0.178mmol/l

The manufactory setting: H3

Contact your local water board for information on the hardness of your water supply.

TECHNICAL INFORMATION



Height (H)	845mm
Width (W)	598mm
Depth (D1)	600mm (with the door closed)
Depth (D2)	1175mm (with the door opened 90°)

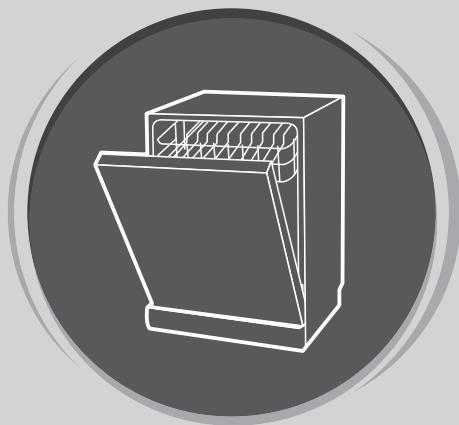
Product Fiches

Sheet of household dishwasher according to EU Directive 1016/2010 & 1059/2010:

Manufacturer	TESLA
Type / Description	WD630M
Standard place settings	12
Energy efficiency class ①	A+
Annual energy consumption ②	290 kWh
Energy consumption of the standard cleaning cycle	1.02 kWh
Power consumption of off-mode	0.45 W
Power consumption of left-on mode	0.49W
Annual water consumption ③	3080 liter
Drying efficiency class ④	A
Standard cleaning cycle ⑤	ECO 45°C
Program duration of the standard cleaning cycle	225 min
Noise level	52 dB(A) re 1 pW
Mounting	Free standing
Could be built-in	YES
Power consumption	1760-2100W
Rated voltage / frequency	220-240V/50Hz
Water pressure (flow pressure)	0.04-1.0MPa=0.4-10 bar

NOTE

- ① A + + + (highest efficiency) to D (lowest efficiency)
- ② Energy consumption based on 280 standard cleaning cycles using cold water fill and the consumption of the low power modes. Actual energy consumption will depend on how the appliance is used.
- ③ Water consumption based on 280 standard cleaning cycles. Actual water consumption will depend on how the appliance is used.
- ④ A (highest efficiency) to G (lowest efficiency)
- ⑤ This program is suitable for cleaning soiled normally soiled tableware and that it is the most efficient program in terms of its combined energy and water consumption for that type of tableware.



MAŠINA ZA PRANJE POSUĐA

Uputstvo
za upotrebu

DIO I: OPŠTE UPUTSTVO

Prije upotrebe mašine za pranje posuda, pažljivo pročitajte ovo uputstvo i sačuvajte ga za buduću upotrebu.

BEZBJEDNOSNI PODACI

UPOZORENJE!

Prilikom upotrebe mašine za pranje posuda, pridržavajte se sljedećih mjera predostrožnosti:

- Postavljanje i popravku može izvesti samo kvalifikovani tehničar
- Uređaj je namijenjen upotrebi u domaćinstvu i za slične namjene, kao što su:
 - kuhinjski prostori za zaposlenje u prodavnicama, kancelarijama i drugim radnim okruženjima;
 - poljoprivredna domaćinstva;
 - od strane hotelskih i motelskih gostiju, kao i drugih vrsta smještajnih objekata;
 - objekti koji pružaju uslugu noćenja sa doručkom;
- Ovaj uređaj mogu koristiti djeca starosti 8 ili više godina i osobe sa smanjenim fizičkim, čulnim ili mentalnim sposobnostima, ili manjkom iskustva i znanja ukoliko su pod nadzorom, ili su im data uputstva u vezi sa bezbjednom upotrebom uređaja, i svjesni su mogućeg rizika.
- Deca ne bi trebalo da se igraju ovim uređajem. Uređaj ne smiju čistiti djeca, osim ako to ne čine pod nadzorom. (Prema EN60335-1)
- Nije predviđeno da ovaj uređaj upotrebljavaju osobe (uključujući djecu) sa umanjenim fizičkim, čulnim ili mentalnim sposobnostima, ili osobe bez iskustva i znanja, osim ukoliko su pod nadzorom ili ukoliko su dobile uputstva o upotrebi uređaja od osobe odgovorne za njihovu bezbjednost. (Prema IEC60335-1) Ambalaža može biti opasna za djecu!
- Ovaj proizvod je predviđen isključivo za upotrebu u domaćinstvu i u zatvorenom prostoru.
- Kako biste smanjili rizik od strujnog udara, ne potapajte proizvod, kabal ili utikač u vodu ili neku drugu tečnost. Prije čišćenja i održavanja uređaja, molimo vas da prekinete napajanje uređaja električnom energijom.
- Za čišćenje koristite mekanu krpnu navlaženu blagom sapunicom, a zatim ponovo obrišite suhom krpom.

Uputstva u vezi sa uzemljenjem

- U slučaju nepravilnog rada ili kvara, uzemljenje će umanjiti rizik od pojave strujnog udara tako što će električnoj struji omogućiti da nađe put sa najmanjim otporom. Ovaj uređaj je opremljen priključkom za sprovođenje uzemljenja.
- Neophodno je da priključak bude povezan sa odgovarajućim izlazom postavljenim i uzemljenim u skladu sa svim lokalnim propisima i naredbama.
- Neodgovarajuće povezivanje opreme sa provodnikom uzemljenja može da izazove rizik od strujnog udara. Ukoliko imate nedoumice u vezi sa pravilnim uzemljenjem uređaja, provjerite uzemljenje zajedno sa kvalifikovanim električarem ili predstavnikom servisa.
- Ukoliko priključak koji ste dobili uz uređaj ne odgovara utičnici, nemojte ga prepravljati.
- Neka Vam kvalifikovani električar postavi odgovarajuću utičnicu.

- Nemojte primjenjivati silu, sjediti ili stajati na vratima ili policama za posude, koje se nalaze u mašini za pranje posuda.
- Nemojte puštati u rad svoju mašinu za pranje posuda ukoliko sve table kućišta nisu na svojim pozicijama.
- Budite veoma pažljivi prilikom otvaranja vrata mašine za pranje posuda dok ona radi, jer postoji rizik da Vas isprska mlaz vode. Ne stavljajte teške predmete na otvorena vrata mašine i nemojte stajati na njima. Uređaj bi se mogao prevrnuti.
- Prilikom raspoređivanja posuda koje je potrebno oprati:
 - 1) Oštre predmete rasporedite tako da ne mogu da oštete zaptivku na vratima;
 - 2) Upozorjenje: Noževe i ostali pribor oštirih vrhova morate rasporediti u korpi tako da im vrhovi budu okrenuti ka doli ili ih morate postaviti u horizontalni položaj.
- Neki deterđenti za mašinsko pranje posuda su veoma alkalni. Ukoliko dođe do njihovog gutanja, mogu biti izuzetno opasni.
- Izbjegavajte kontakt sa kožom i očima, a djecu držite dalje od mašine za pranje posuda ukoliko su vrata otvorena.
- Po završetku ciklusa pranja, provjerite da li ima još praha od deterđenta.
- Nemojte prati plastično posuđe, osim ukoliko nosi oznaku „**bezbjedno za mašinsko pranje**“ ili slično.
- Kod plastičnog posuđa koje ne nosi nikakvu oznaku, provjerite preporuke proizvođača.
- Upotrebljavajte isključivo deterđente i sredstva za ispiranje preporučena za upotrebu u automatskim mašinama za pranje posuda.
- Nikada nemojte u mašinu za pranje posuda stavljati sapun, deterđent za pranje veša ili deterđent za pranje ruku.
- Ne ostavljajte otvorena vrata, jer time povećavate rizik od saplitanja.
- Ukoliko je kabal za napajanje oštećen, mora ga zamjeniti proizvođač, njegov agent za servisiranje ili slično kvalifikovano lice, kako bi se izbjegli mogući rizici.
- Prilikom postavljanja, priključni kabal se ne smije savijati ili pritisnati na prekomjeran ili opasan način.
- Nemojte nepropisno prepravljati kontrolne tastere.
- Uređaj je potrebno povezati sa glavnim ventilom za vodu pomoću novog kompleta crijeva. Nemojte upotrebljavati stare komplete crijeva.
- U cilju uštede energije, uređaj će se u režimu pripravnosti automatski isključiti ukoliko mašina nije aktivna tokom perioda od 30 minuta.

Odlaganje



- Za odlaganje ambalaže i samog uređaja, obratite se centru za recikliranje. Isjecite priključni kabal i onespособite mehanizam za zatvaranje vrata na uređaju.

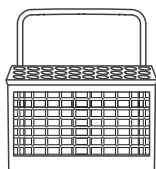
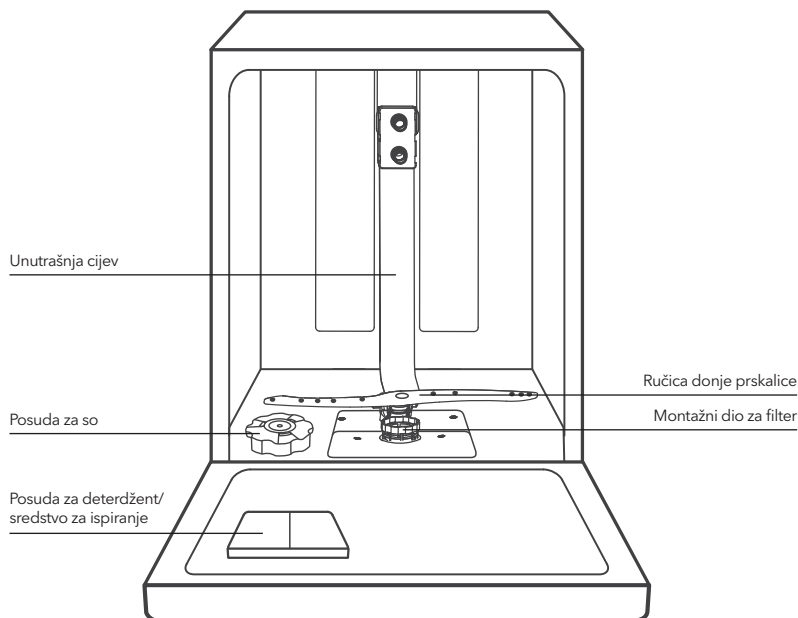
- Kartonska ambalaža je proizvedena od recikliranog papira i treba je odložiti na mjesto za prikupljanje papirnog otpada radi ponovnog recikliranja.
- Ispravnim odlaganjem proizvoda, pomoći ćete sprječavanju potencijalnih negativnih posljedica po životnu sredinu i ljudsko zdravlje, koje inače mogu biti uzrokovane nenepravnim odlaganjem otpada kao što je ovaj uređaj.
- Za više informacija o recikliranju ovog proizvoda, molimo Vas da kontaktirate kancelariju jedinice lokalne samouprave ili komunalni servis za odlaganje kućnog otpada.
- **ODLAGANJE: Ne odlažite ovaj proizvod kao nerazvrstan komunalni otpad. Ovakav otpad je neophodno zasebno sabirati radi njegovog posebnog tretiranja.**

PRIKAZ PROIZVODA

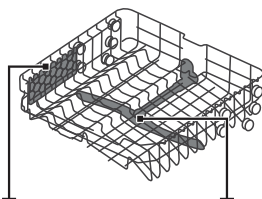


VAŽNO:

Za maksimalni učinak Vaše mašine za pranje posuđa, prije prve upotrebe pročitajte kompletno uputstvo za upotrebu.



Korpa za pribor za jelo



Gornja korpa



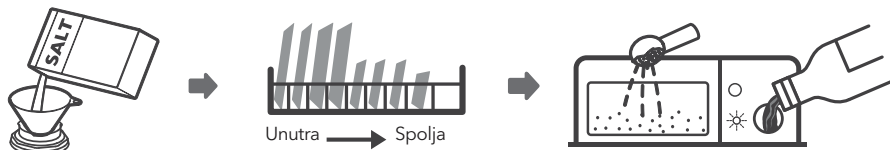
Donja korpa

NAPOMENA

Slike su date isključivo u ilustrativne svrhe, različiti modeli se mogu razlikovati. Pogledajte izgled svog proizvoda.

UPOTREBA VAŠE MAŠINE ZA PRANJE POSUĐA

Prije nego što počnete da koristite svoju mašinu za pranje posuđa:



1. Podesite omekšivač vode
2. Stavite so u omekšivač
3. Rasporedite posude u korpe
4. Napunite posudu za deterdžent / sredstvo za ispiranje

NAPOMENA

Ukoliko je potrebno da podesite omekšivač vode, pogledajte odjeljak 1 „Omekšivač vode“, koji se nalazi u DIJELU II: Uputstvo za određeni model.

Stavite so u omekšivač

NAPOMENA

Ukoliko se u okviru Vašeg modela mašine ne upotrebljava omekšivač vode, ovaj odjeljak možete preskočiti. Koristite isključivo so, koja je namjenjena za mašinu za pranje posuđa.

Posuda za so se nalazi ispod donje korpe, a treba da bude dopunjena na način prikazan dalje u tekstu:

UPOZORENJE!

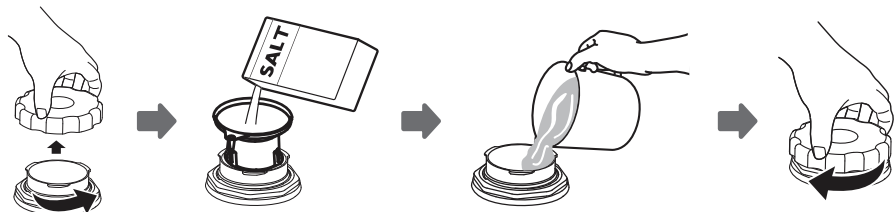
• Koristite isključivo so koja je posebno proizvedena za mašine za pranje posuđa!

Bilo koja druga vrsta soli, koja nije posebno proizvedena za mašinu za pranje posuđa, a naročito jestiva so, oštetit će omekšivač vode. U slučaju oštećenja nastalih usljed upotrebe neodgovarajuće vrste soli, proizvođač ne pruža nikakve garancije, niti je odgovoran za bilo kakvo oštećenje nastalo tom prilikom.

• So dopunjujte isključivo neposredno prije nego što mašina započne ciklus pranja.


Na taj način ćete spriječiti zadržavanje potencijalno prosutih zrna soli ili slane vode na dnu mašine tokom određenog vremenskog perioda, što može izazvati rđanje.

Pratite sljedeće korake kako biste dodali so za mašinu za pranje posuđa:



1. Skinite donju korpu i odšarafite poklopac rezervoara.
2. Stavite donji dio ljevka (koji se dostavlja uz proizvod) u otvor i naspete oko 1,5 kg soli za mašinu za pranje posuđa.
3. Dopunite posudu za so vodom do njene maksimalne granice. Uobičajeno je da se, tom prilikom, iz posude za so prospe manja količina vode.
4. Nakon što napunite posudu, ponovo stavite poklopac i dobro ga zašarafite.
5. Nakon što naspete so u posudu za so, lampica upozorenja za količinu soli će prestati da svijetli.
6. Neki od programa pranja bi trebalo pokrenuti odmah po stavljanju soli u posudu za so (Predlažemo upotrebu nekog od kraćih programa). U suprotnom, slana voda bi mogla da ošteti sistem za filtriranje, pumpu ili neke druge važne dijelove mašine. U tom slučaju, garancija se neće primjenjivati.

NAPOMENA

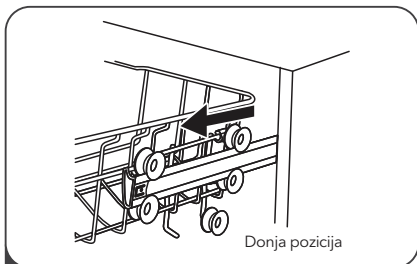
- Posuda za so se mora dopunjavati samo kada se na kontrolnoj tabli uključi lampica upozorenja za količinu soli (). Zavisno od stepena rastvorljivosti soli, lampica upozorenja za količinu soli može nastaviti da svjetli iako je posuda za so dopunjena. Ukoliko uređaj na kontrolnoj tabli nema lampicu upozorenja za količinu soli (kod nekih modela), na osnovu broja ciklusa mašine možete procijeniti kada ćete staviti so u omekšivač.
- Ukoliko je došlo do prosipanja soli, uključite program natapanja ili neki od kraćih programa kako biste je uklonili.

Savjeti za upotrebu korpi

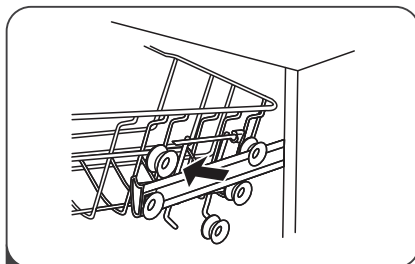
Podešavanje gornje korpe

Tip 1:

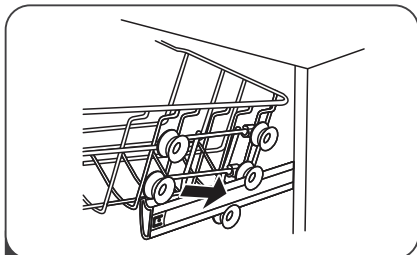
Visina gornje korpe se može lako podesiti tako da visoko posuđe možete smjestiti bilo u gornju ili u donju korpu. Da podesite visinu gornje police, pratite sljedeće korake:



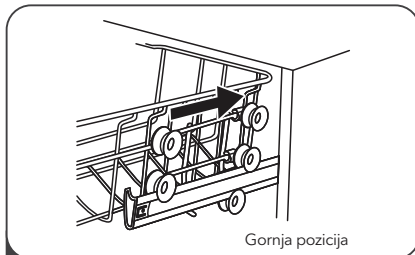
1 Izvucite gornju korpu.



2 Uklonite gornju korpu.

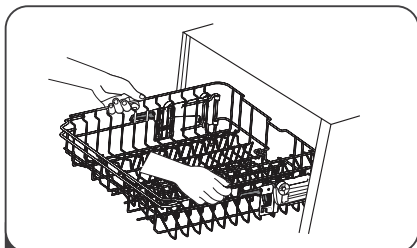


3 Ponovo postavite gornju korpu pomoću gornjih ili donjih točkića.

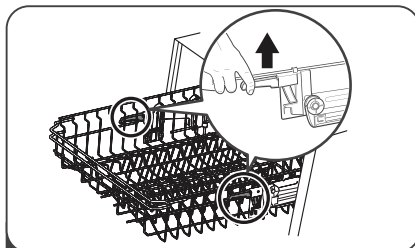


4 Gurnite gornju korpu u mašinu.

Tip 2:



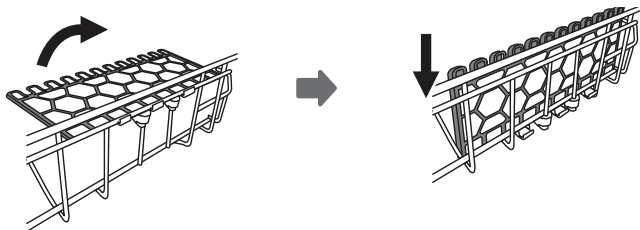
1 Da podignete полицu u gornju poziciju, podižite je sve dok obje strane ne budu na istoj visini. Polica će biti pričvršćena. Nije potrebno da podižete ručku za podešavanje.



2 Da spustite полицu, podignite dršku za prilagošavanje sa svake strane, kako bi se korpa spustila ka dole.

Sklapanje polica za šolje

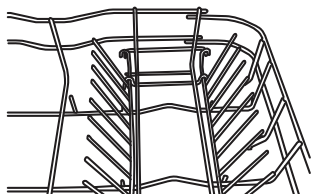
Da u korpi mašine za pranje posuđa napravite više prostora za visoko posuđe, podignite policu za šolje ka naviše. Na taj način, uz nju možete prisloniti visoke čaše. Možete je i skinuti ukoliko Vam nije potrebna.



Sklapanje polica sa šiljcima

Šiljci se koriste za pridržavanje tanjira i ovala. Mogu se spustiti kako bi se napravilo više prostora za veće posuđe.

Podignite naviše



Sklopite unazad



ODRŽAVANJE I ČIŠĆENJE

Održavanje spoljašnosti uređaja

Vrata i zaptivka za vrata

Zaptivke za vrata redovno čistite mekom, vlažnom krpom kako biste uklonili naslage hrane.

Prilikom raspoređivanja posuđa u mašini za pranje posuđa, ostaci hrane i pića mogu kapati po bočnim stranama vrata mašine za pranje posuđa. Ove površine se nalaze izvan prostora za pranje i voda iz ručica prskalice ih ne može dohvatiti. Prije nego što zatvorite vrata, obrišite eventualne naslage.

Kontrolna tabla

Ukoliko je kontrolnu tablu potrebno očistiti, brišite je ISKLJUČIVO mekom, vlažnom krpom.



UPOZORENJE!

- Da biste izbjegli prodiranje vode u bravu vrata i u električne komponente, nemojte koristiti nikakva sredstva za čišćenje u spreju.
- Nikada ne upotrebljavajte abrazivna sredstva za čišćenje ili abrazivne spužve prilikom čišćenja spoljašnjih površina, jer tako možete izgubiti završni sloj. Neki papirni ubrusi takođe mogu izgubiti površinu ili ostaviti

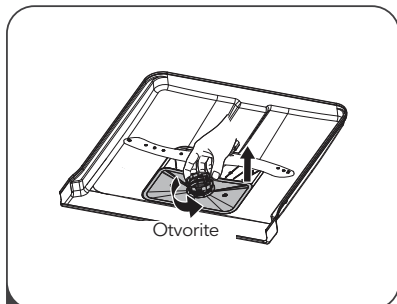
Održavanje unutrašnjosti uređaja

Sistem za filtriranje

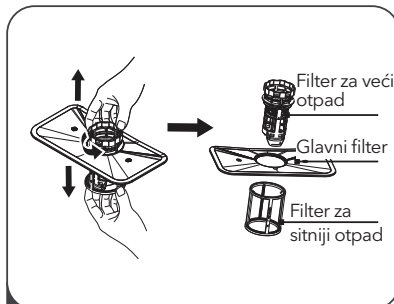
Sistem za filtriranje, koji se nalazi u donjem dijelu prostora za pranje, zadržava veći otpad nastao tokom ciklusa pranja. Prikupljeni veći otpad može da dovede do začepljenja filtera. Redovno proveravajte filtere i po potrebi ih čistite pod mlazom vode. Za čišćenje filtera u prostoru za pranje, pratite sljedeće korake.

NAPOMENA

Slike su date isključivo u ilustrativne svrhe. Kod različitih modela, sistemi za filtriranje i ručice prskalice se mogu razlikovati.

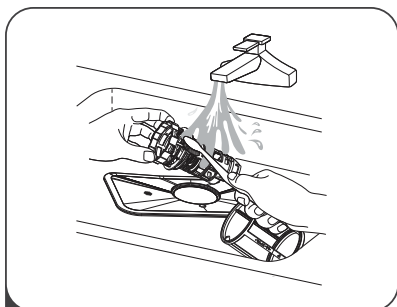


- 1 Uхватite filter za veći otpad i okrenite ga u smjeru suprotnom od smjera kazaljke na satu kako biste ga otključali. Podignite filter naviše i izvucite ga iz mašine za pranje posuda.

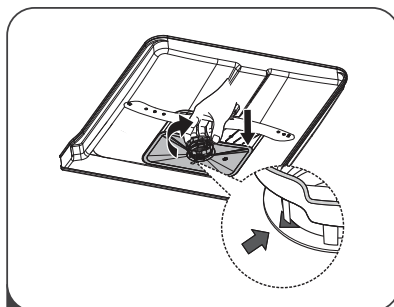


- 2 Filter za sitniji otpad se može izvuci sa dna montažnog dijela za filter.

Filter za veći otpad se može odvojiti od glavnog filtera laganim pritiskanjem jezičaka na vrhu i izvlačenjem.



- 3 Veći ostaci hrane se mogu očistiti ispiranjem filtera pod mlazom vode. Za temeljnije čišćenje, koristite mekanu četku za čišćenje.



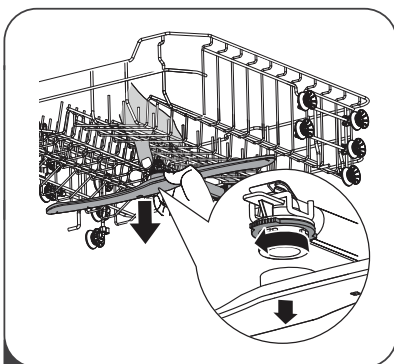
- 4 Filtere ponovo postavite obrnutim redoslijedom u odnosu na redosljed kojim ste ih rasklapali, ponovo postavite uložak filtera i okrenite ga u smjeru kazaljke na satu, sve do strelice.

UPOZORENJE!

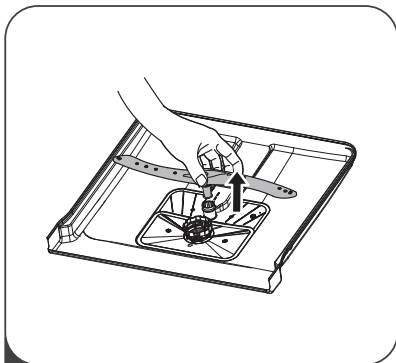
- Nemojte prejako pričvršćivati filtere. Vratite filtere određenim redoslijedom i dobro ih pričvrstite. U suprotnom, veći komadi otpada bi mogli ući u sistem i izazvati začepljenje. NIKADA ne upotrebljavajte mašinu za pranje posuda ako filteri nisu na odgovarajući način postavljeni. Nepravilno postavljanje filtera može smanjiti nivo radnog učinka uređaja i oštetiti

Ručice prskalice

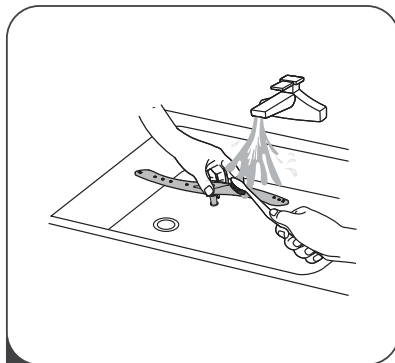
Ručice prskalice je neophodno redovno čistiti, jer će, u suprotnom, sadržaj iz tvrde vode začepiti mlaznice i blokirati ležajeve ručica prskalice. Za čišćenje ručica prskalice, pratite sljedeća uputstva:



- 1 Da biste skinuli ručicu gornje prskalice, pritisnite centralni zavrtnj tako da se ne kreće, a zatim zarotirajte ručicu prskalice u smjeru suprotnom od smjera kazaljke na satu.



2 Da biste skinuli ručicu donje prskalice, povucite ručicu prskalice uvis.



3 Ručice operite u toploj vodi sa sapunicom, a za čišćenje mlaznica upotrebite mekanu četku. Nakon temeljnog ispiranja, ponovo ih postavite u uređaj.

Briga o mašini za pranje posuđa

Mjere zaštite od zamrzavanja

Tokom zime, preduzmite sve mjere da zaštitite mašinu za pranje posuđa od zamrzavanja. Nakon svakog ciklusa pranja, obavite sljedeće:

1. Izvucite utikač mašine za pranje posuđa iz utičnice.
2. Isključite dovod vode i skinite dovodnu cijev za vodu sa ventila za vodu.
3. Istočite vodu iz dovodne cijevi i iz ventila za vodu. (Za prikupljanje vode, upotrebite dublju široku posudu)
4. Ponovo povežite dovodnu cijev za vodu sa ventilom za vodu.
5. Skinite filter sa dna prostora za pranje i spužvom pokupite vodu iz slivnika.

Nakon svakog pranja

Nakon svakog pranja isključite dovod vode do uređaja i ostavite vrata djelimično otvorena kako se vlaga i mirisi ne bi zadržavali u uređaju

Izvucite utikač iz utičnice

Prije svakog čišćenja ili postupka održavanja izvucite utikač iz utičnice.

Ne upotrebljavajte rastvarače ili abrazivna sredstva za čišćenje

Ne upotrebljavajte rastvarače ili abrazivne proizvode prilikom čišćenja spoljašnjeg dijela i gumenih elemenata uređaja. Upotrebljavajte isključivo krpu natopljenu toplom vodom sa sapunicom.

Za uklanjanje fleka ili mrlja sa unutrašnjih površina uređaja koristite krpu navlaženu vodom sa malo sirćeta ili specijalizovan proizvod za čišćenje mašina za pranje posuđa.

Kada se uređaj ne upotrebljava tokom dužeg vremenskog perioda

Preporučuje se da praznu mašinu za pranje posuđa uključite da radi jedan ciklus, a zatim da izvučete utikač iz utičnice, isključite dovod vode i ostavite vrata uređaja djelimično otvorena. Ovim postupkom ćete produžiti životni vijek zaptivkama na vratima i spriječiti stvaranje neprijatnih mirisa unutar uređaja.

Transport uređaja

Ukoliko je neophodno premjestiti uređaj, pokušajte da ga tokom tog procesa držite u uspravnom položaju. Samo ako je to zaista neophodno, uređaj položite na njegov zadnji dio.

Zaptivke

Jedan od razloga nastajanja neprijatnog mirisa u mašini za pranje posuđa jeste hrana, koja je ostala zaglavljena u zaptivkama. Povremeno čišćenje vlažnim spužvom će ovo spriječiti.

UPUTSTVA ZA POSTAVLJANJE

UPOZORENJE!



Opasnost od strujnog udara

Prije postavljanja mašine za pranje posuđa, prekinite dovod struje. Ukoliko to ne učinite, možete izazvati nečiju smrt ili nekoga izložiti strujnom udaru.

OPREZ!

Postavljanje cijevi i električne opreme treba da obavi profesionalno lice.

O električnom povezivanju

UPOZORENJE!

Radi lične bezbjednosti:

- Za povezivanje ovog uređaja sa strujom ne upotrebljavajte produžne kablove ili adaptere.
- Nemojte ni pod kojim okolnostima sjeći ili skidati vezu za uzemljenje sa priključnog kabla.

Zahtjevi u vezi sa električnom opremom

Pogledajte pločicu sa nominalnim podacima kako biste znali koji nominalni napon Vaša mašina za pranje posuđa koristi i kako biste je priključili na odgovarajuću utičnicu. Koristite preporučeni osigurač sa zahtjevanim naponom od 10A/13A/16A, vremenski osigurač ili prekidač i obezbjedite zasebno strujno kolo namjenjeno isključivo ovom uređaju.

Povezivanje na struju

Pobrinite se da napon i frekvencija struje odgovaraju vrijednostima navedenim na pločici sa nominalnim podacima. Povežite utikač isključivo sa utičnicom koja je pravilno uzemljena. Ukoliko utičnica na koju morate priključiti uređaj ne odgovara utikaču, zamijenite utičnicu. Nemojte upotrebljavati adaptere i sličnu opremu, jer mogu dovesti do pregrijavanja i izazvati opekotine.

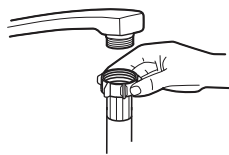
⚠ Prije upotrebe se pobrinite da postoji odgovarajuće uzemljenje.

Dovod i odvod vode

Povezivanje sa hladnom vodom

Povežite dovodno crijevo za hladnu vodu na konektor od 3/4 (cola) sa navojima i pobrinite se da je ono dobro pričvršćeno.

Ukoliko su cijevi za vodu nove ili ako nisu upotrebljavane tokom dužeg vremenskog perioda, propustite kroz njih vodu i provjerite da li je voda čista. Ovu mjeru predostrožnosti je neophodno obaviti kako bi se izbjegao rizik od blokiranja protoka vode na ulazu i oštećenja uređaja.



Obično dovodno
crijevo



Sigurnosno dovodno
crijevo

O sigurnosnom dovodnom crijevu

Sigurnosno dovodno crijevo se sastoji od duplih zidova. Sistem na ovom crijevu pruža garanciju da će ono blokirati protok vode u slučaju pucanja dovodnog crijeva i onda kada se prostor između samog dovodnog crijeva i spoljašnjeg rebrastog crijeva, koji je ispunjen vazduhom, napuni vodom.

UPOZORENJE!

Crijevo povezano sa tušem za sudoper može da pukne ukoliko je postavljeno na isti dovod vode kao i mašina za pranje posuđa. Ukoliko takvo crijevo imate u svom sudoperu, preporučuje se da ga skinete i zatvorite otvor.

Kako da povežete sigurnosno dovodno crijevo

1. Potpuno izvadite sigurnosna dovodna crijeva iz skladišnog prostora na zadnjem dijelu mašine za pranje posuda.
2. Pričvrstite zavrtnje sigurnosnog dovodnog crijeva na slavinu od 3/4 cola sa navojima.
3. Prije nego što mašinu za pranje posuda pustite u rad, potpuno odvrnite vodu.

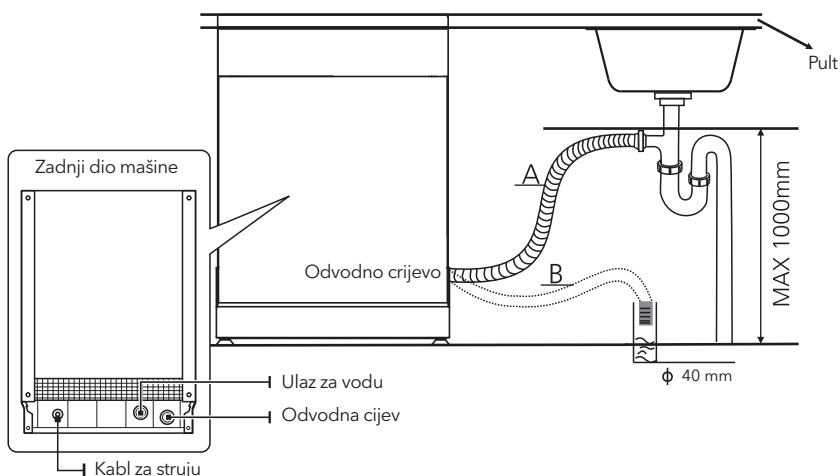
Kako da skinete sigurnosno dovodno crijevo

1. Isključite dovod vode.
2. Odšarafite sigurnosno dovodno crijevo sa slavine.

Povezivanje odvodnih crijeva

Ubacite odvodno crijevo u odvodnu cijev minimalnog prečnika od 4 cm ili ga ostavite da ističe u slivnik, vodeći pritom računa da ga ne savijate i ne prelamate. Odvodna cijev mora biti locirana na visini manjoj od 1000 mm. Slobodni dio crijeva se ne smije uranjati u vodu kako bi se izbjeglo vraćanje vode.

⚠ Dobro pričvrstite odvodno crijevo i u slučaju pozicije A i u slučaju pozicije B.



Kako da isпустite višak vode iz crijeva

Ukoliko je slivnik na visini većoj od 1000 mm od poda, višak vode u crijevima neće moći da se ispusti direktno u slivnik. Neophodno je da višak vode iz crijeva isпустite u neku činjicu ili odgovarajuće posuđe koji ćete držati izvan slivnika i na nižem nivou od njega.

Odvod vode

Povežite odvodno crijevo za vodu. Odvodno crijevo mora biti pravilno povezano kako bi se izbjeglo curenje vode. Pobrinite se da odvodno crijevo za vodu nije prelomljeno ili pritisnuto.

Produžno crijevo

Ukoliko vam je potrebno produžno odvodno crijevo, pobrinite se da bude slično onome na koje ga nastavljate. Ne smije biti duže od 4 metra; u suprotnom, efekat čišćenja mašine za pranje posuda će biti umanjn.

Povezivanje sifona

Veza sa kanalizacijom mora biti na visini manjoj od 100 cm (maksimalno) od dna mašine za pranje posuda. Odvodno crijevo za vodu je potrebno fiksirati.

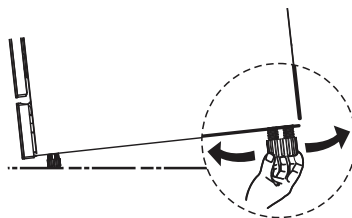
Pozicioniranje uređaja

Postavite uređaj na željeno mjesto. Zadnji dio uređaja treba da se naslanja na zid iza njega, a bočne strane treba da budu poravnate sa okolnim kuhinjskim elementima ili zidovima. Mašina za pranje posuda je opremljena dovodnim i odvodnim crijevima za vodu koja se mogu postaviti bilo sa desne ili lijeve strane, čime se olakšava pravilno postavljanje.

Nivelisanje uređaja

Kada je uređaj postavljen za nivelisanje, visinu mašine za pranje posuda možete promijeniti podešavanjem visine šarafa na nožicama.

Ni u kom slučaju, uređaj ne smije biti nagnut



NAPOMENA

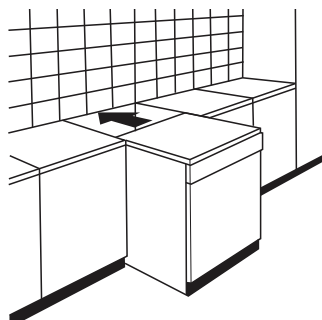
Primjenjuje se isključivo na samostojeće mašine za pranje posuda.

Postavljanje samostojećeg uređaja

Postavljanje između postojećih kuhinjskih elemenata

Visina mašine za pranje posuda, koja iznosi 845 mm, dizajnirana je tako da omogući njeno postavljanje između postojećih kuhinjskih elemenata, koji u modernim kuhinjama rađenim po mjeri imaju pomenutu visinu. Nožice se mogu podesiti tako da se dostigne odgovarajuća visina.

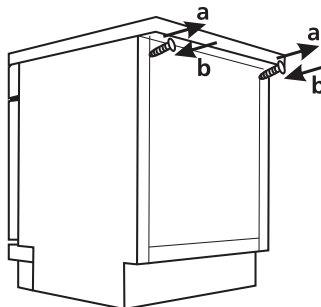
Laminirani gornji dio mašine ne zahtjeva posebno održavanje, jer je otporan na toplotu, ogrebotine i fleke.



Ispod postojeće radne površine

(kada se uređaj postavlja ispod radne površine)

Većina modernih kuhinja rađenih po mjeri ima samo jednu jedinstvenu radnu površinu, ispod koje se postavljaju kuhinjski elementi i električni uređaji. U ovom slučaju, skinite radnu površinu mašine za pranje posuda tako što ćete odšarafiti zavrtnje koji se nalaze na zadnjoj ivici gornje površine (a).



OPREZI

Nakon skidanja gornje radne površine, zavrtnje MORATE ponovo pričvrstiti na dio ispod zadnje ivice gornje površine (b). Visina uređaja će se tako smanjiti na 815 mm, kako je navedeno u Međunarodnim uredbama (ISO), a mašina za pranje posuda će se savršeno uklopiti pod kuhinjsku radnu površinu.

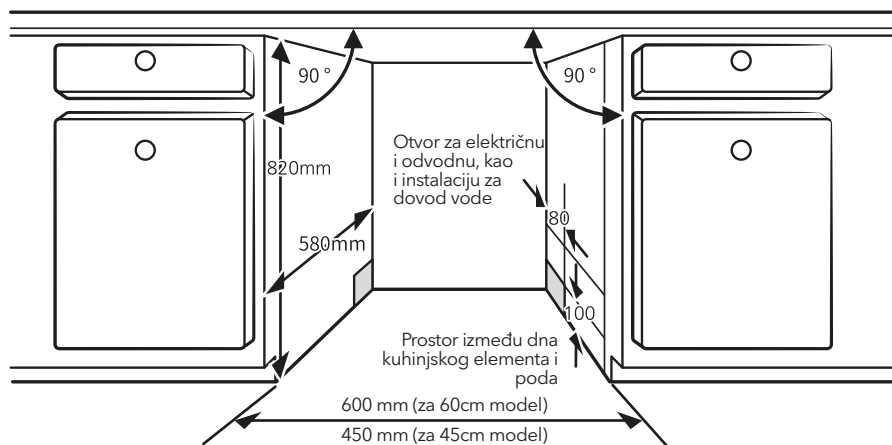
Postavljanje ugradbenog uređaja (kod integrisanog modela)

Korak 1. Izbor najbolje lokacije za mašinu za pranje posuda

Mašina za pranje posuda treba da bude postavljena u blizini postojećih dovodnih i odvodnih crijeva i priključnog kabla.

Ilustracija dimenzija kuhinjskih elemenata i mjesta postavljanja mašine za pranje posuda.

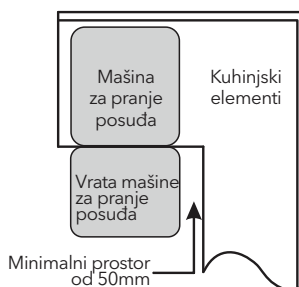
1. Manje od 5 mm između gornje površine mašine za pranje posuda i kuhinjskog elementa, kao i spoljnih vrata u ravni sa kuhinjskim elementom.



2. Ako mašinu za pranje posuda postavljate u krajnji ugao u odnosu na kuhinjske elemente, potrebno je da ostavite dovoljno mjesta za otvaranje vrata.

NAPOMENA

Zavisno od toga gdje se nalazi otvor za električne instalacije, možda ćete morati da proširite otvor na suprotnoj strani kuhinjskog elementa.



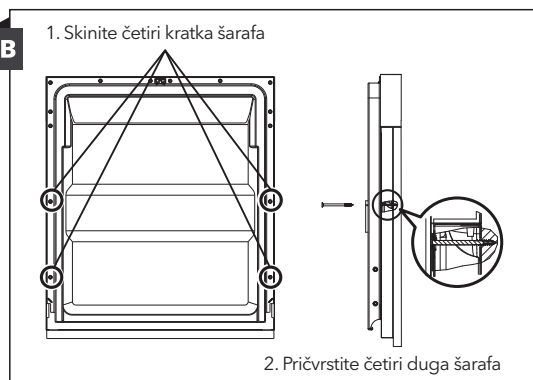
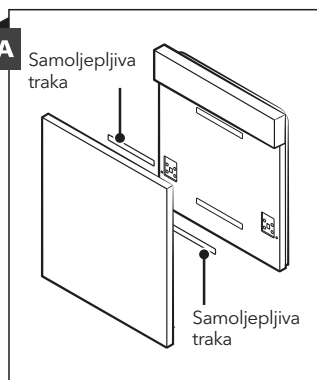
Korak 2. Dimenzije i instalacija ukrasne table

NAPOMENA

Ukrasnu drvenu tablu biste mogli napraviti na osnovu crteža koji se odnose na postavljanje uređaja.

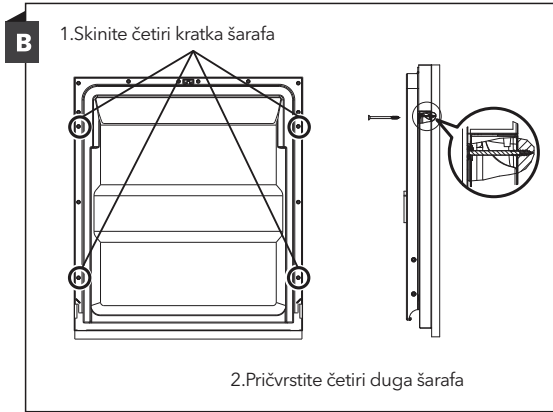
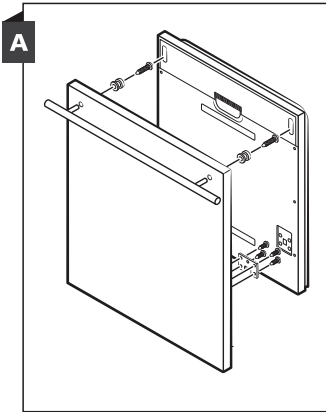
Poluintegrirani model

- Odljepite samoljepljivu traku A od samoljepljive trake B, pa samoljepljivu traku A nalijepite na ukrasnu drvenu tablu, a filcanu samoljepljivu traku B na spoljašnju stranu vrata mašine za pranje posuda (pogledajte sliku A). Nakon što pozicionirate tablu, pričvrstite je za spoljašnju stranu vrata pomoću šarafa i zavrtanja (pogledajte sliku B).



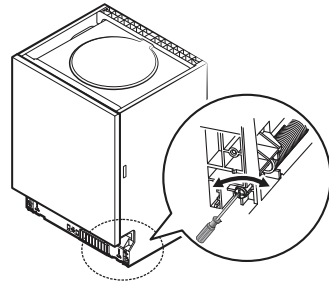
Potpuno integrisani model

Pričvrstite nosač na ukrasnu drvenu tablu i postavite ga u otvor koji se nalazi na spoljašnjoj strani vrata mašine za pranje posuđa (pogledajte sliku A). Nakon pozicioniranja table, pričvrstite je za spoljašnju stranu vrata pomoću šarafa i zavrtanja (pogledajte sliku B).



Korak 3. Podešavanje zategnutosti opruge na vratima

1. Zategnutost opruga na spoljašnjim vratima je fabrički pravilno podešena. Ukoliko postavljate ukrasne drvene table, morate podesiti zategnutost opruge na vratima. Okrećite šaraf za podešavanje kako biste regulator dodatno zategli ili kako biste opustili čeličnu sajlju.
2. Zategnutost opruge na vratima je pravilno podešena ako vrata ostaju u horizontalnom položaju kada su potpuno otvorena i ako se u zatvoreni položaj vraćaju podizanjem prstom uz najmanji napor.

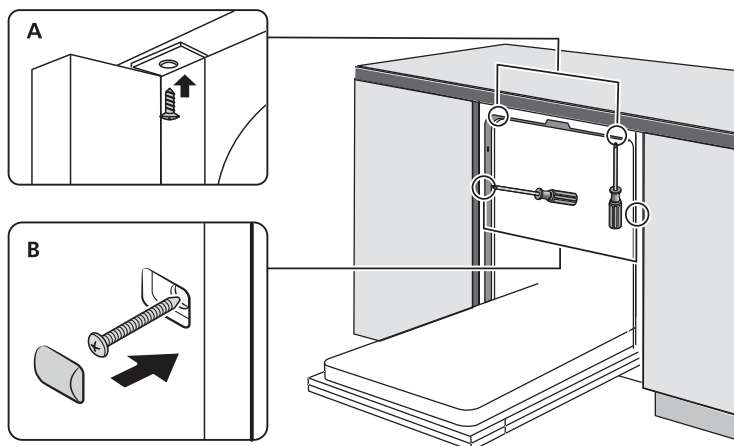


Korak 4. Koraci za postavljanje mašine za pranje posuđa

NAPOMENA

Pogledajte navedene korake za postavljanje uređaja na crtežima za postavljanje.

1. Ispod radne površine kuhinjskih elemenata pričvrstite bandaž traku. Pobrinite se da bandaž traka dobro naliježe na ivicu radne površine. (Korak 2)
2. Povežite ulazno crijevo sa dovodom hladne vode.
3. Povežite odvodno crijevo.
4. Povežite priključni kabal.
5. Postavite mašinu za pranje posuđa na za nju predviđeno mjesto. (Korak 4)
6. Iznivelišite mašinu za pranje posuđa. Zadnja nožica se može podešavati sa prednje strane mašine za pranje posuđa okretanjem krstastog šarafa koji se nalazi u sredini dna mašine za pranje posuđa i koristite krstati šarafciger. Da podesite prednje nožice, upotrebite ravni odvijač i okrećite prednje nožice sve dok ne iznivelišete mašinu za pranje posuđa. (Korak 5 i Korak 6)
7. Postavite ukrasna vrata na spoljnu stranu vrata mašine za pranje posuđa. (Koraci 7 do 10)
8. Podesite zategnutost opruga na vratima pomoću imbus ključa koji ćete okretati u smjeru kretanja kazaljke na satu, čime ćete zategnuti i levu i desnu oprugu. Ukoliko to ne učinite, možete oštetiti svoju mašinu za pranje posuđa. (Korak 11)
9. Mašina za pranje posuđa mora biti dobro pričvršćena. Ovo se može učiniti na dva načina:
 - A. Normalna radna površina: Postavite nosač za pričvršćivanje u otvor na bočnom dijelu i pričvrstite ga za radnu površinu šarafima za drvo.
 - B. Mermerna ili granitna radna površina: Pričvrstite šarafom sa bočne strane.

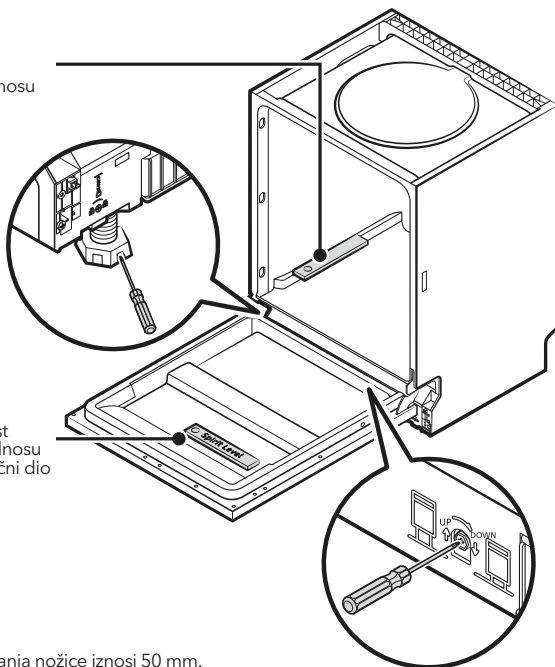


Korak 5. Nivelisanje mašine za pranje posuđa

Mašina za pranje posuđa mora biti iznivelisana radi pravilne upotrebe police za posuđe i boljeg učinka prilikom pranja.

1. Postavite libelu na vrata i na šinu police unutar prostora za pranje na način prikazan na slici kako biste provjerili da li je mašina za pranje posuđa iznivelisana.
2. Iznivelišite mašinu za pranje posuđa tako što ćete zasebno podesiti svaku od tri nožice za nivelisanje.
3. Prilikom nivelisanja mašine za pranje posuđa, povedite računa da se mašina za pranje posuđa ne prevrne.

Provjerite iznivelisanost prednjeg u odnosu na zadnji dio



Provjerite iznivelisanost jednog u odnosu na drugi bočni dio

NAPOMENA

Maksimalna visina podešavanja nožice iznosi 50 mm.

SAVJETI ZA OTKLANJANJE KVAROVA

Prije nego što pozovete servis

Pročitajte informacije prikazane na stranim koje slijede jer na taj način možete izbjeći pozivanje servisa.

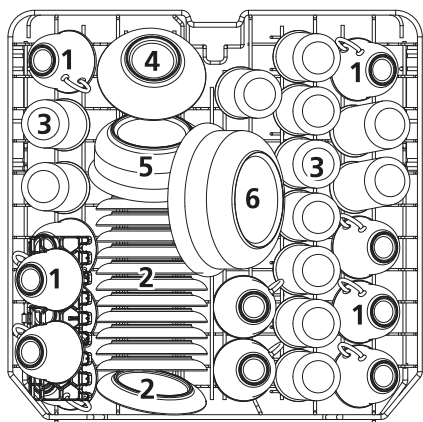
Problem	Mogući uzroci	Šta uraditi
Mašina za pranje posuda ne počinje da radi	Osigurač je pregorio ili je prekidač prekinuo strujno kolo.	Zamjenite osigurač ili ponovo uključite prekidač. Isključite sve uređaje koji koriste isto strujno kolo kao i mašina za pranje posuda.
	Napajanje nije uključeno.	Pobrinite se da je mašina za pranje posuda uključena i da su vrata dobro zatvorena. Pobrinite se da je priključni kabal pravilno priključen u utičnicu.
	Pritisak vode je nizak.	Provjerite da li je mašina pravilno povezana na dovod vode i da li je voda puštena.
	Vrata mašine za pranje posuda nisu pravilno zatvorena.	Pobrinite se da su vrata pravilno zatvorena i da su se zaključala.
Mašina za pranje posuda ne izbacuje vodu	Odvodno crijevo je presavijeno ili pritisnuto.	Provjerite odvodno crijevo.
	Filter je začepljen.	Provjerite filter za veći otpad.
	Sudoper je začepljen.	Provjerite sudoper kako biste se uvjerali da dobro odvodi vodu. Ukoliko je problem izazvao sudoper koji ne odvodi vodu, vjerovatno će Vam vodoinstalater biti potrebni od servisera mašina za pranje posuda.
Sapunica u prostoru za pranje	Neodgovarajući deterdžent.	Upotrebljavajte isključivo specijalni deterdžent za mašinsko pranje posuda kako biste izbjegli stvaranje sapunice. Ukoliko se ovo dogodi, otvorite mašinu za pranje posuda i sačekajte da sapunica ispari. Prospite otprilike 4 litra hladne vode na dno mašine. Zatvorite vrata mašine, a zatim izaberite bilo koji ciklus pranja. Mašina će, na početku, ispustiti vodu. Po završetku faze ispuštanja vode, otvorite vrata i provjerite da li ima još sapunice. Po potrebi ponovite ovaj postupak.
	Sredstvo za ispiranje se prosulo.	Uvijek i odmah obrišite sredstvo za ispiranje ukoliko se prospe.
Fleke po unutrašnjem dijelu prostora za pranje	Možda je upotrebljavan deterdžent koji sadrži sredstvo za bojenje.	Uvjerite se da deterdžent ne sadrži sredstvo za bojenje.
Bijeli film po unutrašnjim površinama prostora za pranje	Minerali tvrde vode.	Za čišćenje unutrašnjosti koristite vlažnu spužvu koji sadrži deterdžent za mašinsko pranje posuda. Nosite gumene rukavice. Nikada ne koristite druga sredstva za čišćenje jer može doći do stvaranja pjene ili sapunice.

Problem	Mogući uzroci	Šta uraditi
Na priboru za jelo se javljaju mrlje od rde	Pribor za jelo je napravljen od materijala koji nisu otporni na rđu.	Izbjegavajte da u mašini za pranje posuda perete posuđe koje nije otporno na rđu.
	Mašinu niste pustili u rad odmah po dodavanju soli. Tragovi soli su dospeli u ciklus pranja.	Po dodavanju soli, uvijek uključite neki od programa pranja bez posuda u mašini. Ne uključujte opciju Turbo (ukoliko je mašina ima).
	Poklopac omekšivača je labav.	Provjerite da li je poklopac omekšivača bezbjedno postavljen.
U mašini za pranje posuda se čuje udaranje	Ručica prskalice udara o neku posudu u korpi.	Prekinite program i ponovo rasporedite posuđe koje blokira ručicu prskalice.
U mašini za pranje posuda se čuje zveckanje	Lomljivo posuđe u mašini za pranje posuda nije raspoređeno tako da stoji stabilno.	Prekinite program i ponovo rasporedite lomljivo posuđe.
U cijevima za vodu se čuje udaranje	Razlog ovome može biti postavljanje na samom mjestu ili ukrštanje cijevovoda.	Ovo ni na koji način ne utiče na rad mašine za pranje posuda. Ukoliko imate bilo kakvih nedoumica, kontaktirajte kvalifikovanog vodoinstalatera.
Posuđe nije čisto	Posuđe nije pravilno raspoređeno.	Pogledajte napomene DIJELU II „Priprema i raspoređivanje posuda u mašini za pranje posuda“.
	Program nije dovoljno snažan.	Uključite intenzivniji program.
	Nije stavljeno dovoljno deterdženta.	Stavite više deterdženta ili promijenite deterdžent.
	Posuđe blokira kretanje ručica prskalice.	Ponovo rasporedite posuđe tako da prskalice mogu da se neometano okreću.
	Komplet filtera je zaprljan ili nije pravilno postavljen na dno prostora za pranje u mašini. Na ovaj način mogu se zablokirati mlaznice na ručicama prskalice.	Očistite i/ili pravilno postavite filter. Očistite mlaznice na ručicama prskalice.
Posuđe od stakla je mutno.	Upotreba tvrde vode može da izazove formiranje naslaga kamenca.	Ukoliko je voda koju koristite mekana, upotrebljavajte manje deterdženta i koristite kraće cikluse za pranje staklenog posuđa.
Na posudu i čašama se javljaju bijele mrlje.	Tvrda voda može uzrokovati formiranje bijelih mrlja.	Stavite više deterdženta.
Na posudu se javljaju crne ili sive mrlje	Posuđe je bilo u snažnijem kontaktu sa priborom od aluminijuma.	Za uklanjanje pomenutih mrlja, koristite blago abrazivno sredstvo za čišćenje.
U posudi za deterdžent je ostao deterdžent	Posuđe blokira otvaranje posude za deterdžent.	Ponovo rasporedite posuđe na odgovarajući način.
Posuđe se ne suši	Posuđe nije pravilno raspoređeno.	Rasporedite posuđe na način prikazan u uputstvu.
	Posuđe je prebrzo izvadeno iz mašine.	Nemojte vaditi posuđe iz mašine za pranje posuda odmah po završetku ciklusa pranja. Malo otvorite vrata kako biste ispustili paru. Izvucite posuđe tak kada se temperatura unutar prostora za pranje dovoljno spusti da možete da dodirujete predmete. Najprije izvadite posuđe sa donje korpe, kako voda sa gornje korpe ne bi kapala po donjoj.

Problem	Mogući uzroci	Šta uraditi
Posuđe se ne suši	Uključili ste pogrešan program.	Kod kraćih programa, temperatura pranja je niža, što umanjuje učinak pranja. Izaberite program koji ima dugi period pranja.
	Upotreba pribora za jelo sa nekvalitetnim završnim slojem.	Postupak ocjeđivanja vode je teži kod ovakvog posuđa. Pribor za jelo ili posuđe ovog tipa nisu pogodni za pranje u mašini za pranje posuđa.

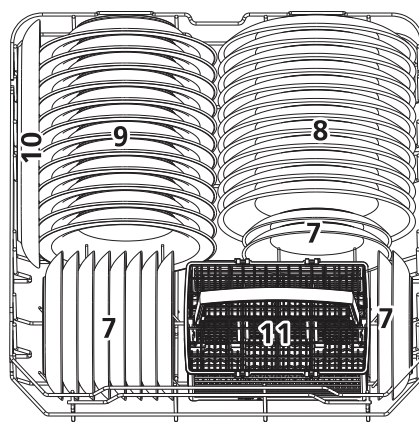
RASPOREĐIVANJE POSUĐA U KORPAMA U SKLADU SA EN50242:

1. Gornja korpa:



Broj	Posuda
1	Šolje
2	Tacne
3	Čaše
4	Manje činije
5	Srednje činije
6	Velike činije

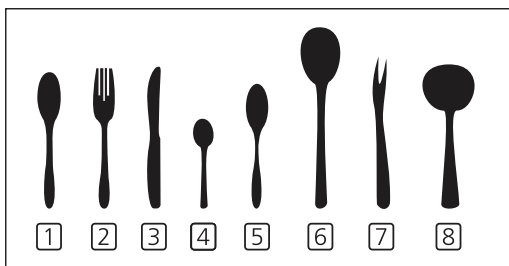
2. Donja korpa:



Broj	Posuda
7	Tanjiri za desert
8	Plitki tanjiri
9	Duboki tanjiri
10	Ovali
11	Korpa za pribor za jelo

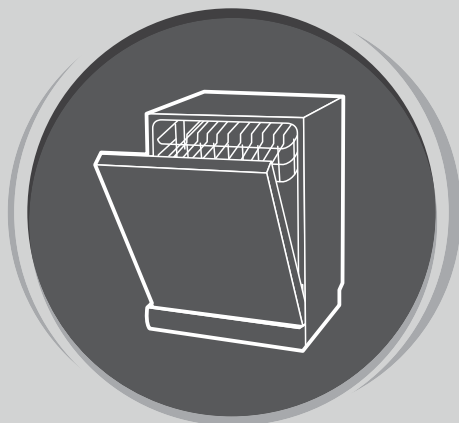
3. Korpa za pribor za jelo:

1	2	1		4	4	4	4	4	4		1	2	1
2	2	2			8			7		3	3		2
1	2	1		4	4	4	4	4	4		1	3	1
1	2	1		5	5	5	5	5	5		3	3	3
2	2	2			3			3		3	3	3	3
1	2	1		5	5	5	5	5	5		6		6



Podaci dobijeni uporednim testiranjem su u skladu sa EN 50242
 Kapacitet: 12 pozicija
 Pozicija gornje korpe: donja pozicija
 Program: ECO
 Podešavanje sredstva za ispiranje: 6
 Podešavanje omekšivača: H3

Broj	Posuda
1	Supene kašike
2	Viljuške
3	Noževi
4	Kafene kašike
5	Kašikice za desert
6	Kašike za serviranje
7	Viljuške za serviranje
8	Kutlače za sos



MAŠINA ZA PRANJE POSUĐA

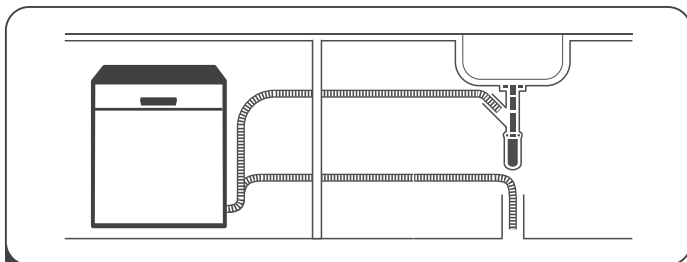
Uputstvo
za upotrebu

**DIO II: UPUTSTVO ZA
ODREĐENI MODEL
WD630M**

Prije upotrebe mašine za pranje posuda, pažljivo pročitajte ovo uputstvo i sačuvajte ga za buduću upotrebu.

KRATKO KORISNIČKO UPUTSTVO

Za detaljnije informacije o načinu rukovanja, pročitajte odgovarajući sadržaj u uputstvu za upotrebu.

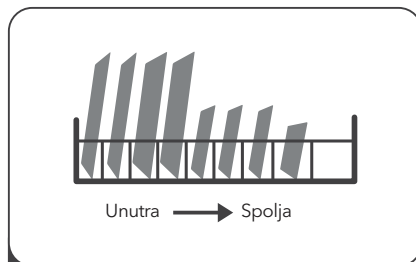


1 Postavite mašinu za posude

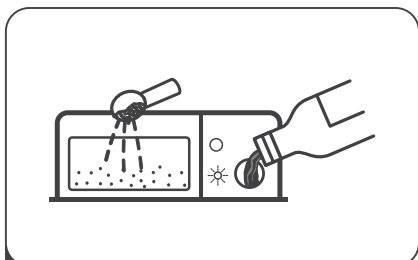
(Pogledajte odjeljak 5 „UPUTSTVA ZA POSTAVLJANJE“ u okviru DIJELA I: Uopšteno uputstvo.)



2 Uklanjanje većih ostataka hrane sa pribora za jelo



3 Slaganje posuda u korpe



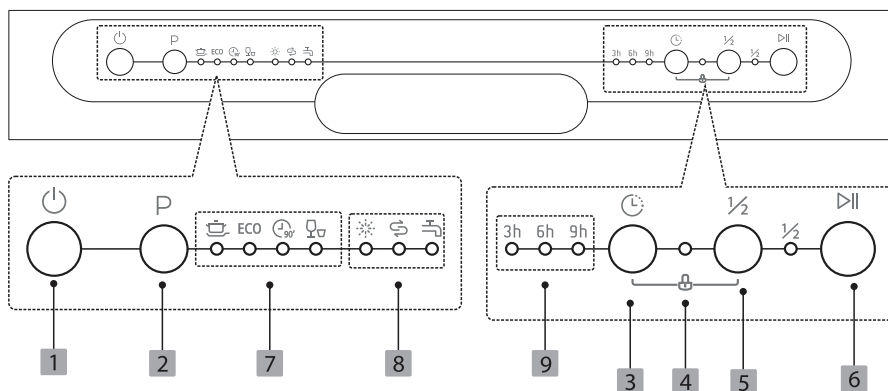
4 Punjenje posude za deterdžent / sredstvo za ispiranje



5 Odabir programa i puštanje u rad mašine za pranje posuda

UPOTREBA VAŠE MAŠINE ZA PRANJE POSUĐA

Kontrolna tabla





Opcija (taster)

- 1** Napon Da biste uključili svoju mašinu za pranje posuđa, pritisnite ovaj taster.
- 2** Program Izaberite odgovarajući program pranja, na indikatoru izabranog programa uključuje se svjetlo.
- 3** Odloženi početak Pritisnite dugme, kako biste odložili vrijeme početka rada uređaja, odgovarajući indikator će zasvijetliti.
- 4** Zaštita za djecu Ova opcija vam omogućava da zaključate sve tastere na kontrolnoj tabli osim dugmeta za uključivanje - kako djeca ne bi slučajno pokrenula rad mašine za pranje posuđa, dodirom dugmadi na kontrolnoj tabli. Kako biste zaključali ili otključali dugmad na kontrolnoj tabli, pritisnite i držite tri sekunde istovremeno dugme za rad s Polovinom kapaciteta + Dugme za odloženi početak. Kada pritisnete ovo dugme, odgovarajući indikator će zasvijetliti
- 5** Polovina kapaciteta Kada imate oko ili manje od 6 pozicija s posuđem za pranje, možete izabrati ovu funkciju, kako biste uštedili energiju i vodu. (Može se koristiti samo u programima Intenzivno, ECO, 90 min.)
- 6** Početak/ Pauziranje Za pokretanje izabranog programa pranja ili za njegovo pauziranje u toku rada mašine za pranje posuđa.

Ekran

- 7** Indikator programa

 -  **Intenzivno**
Izuzetno zaprljano keramičko posuđe, i normalno zaprljane tiganje, šerpe itd. Sa zakorijelom hranom.
 - ECO**
Ovo je standardni program podešen za normalno zaprljano stono posuđe i ovo je najpodesniji program u pogledu kombinovanja upotrebe vode i nergije za ovu vrstu posuđa.
 -  **90 minuta**
Za normalno zaprljano posuđe koje treba brzo oprati.

7 Indikator programa



Ubrzano

Kraći program pranja za blago zaprljano posuđe koje ne treba da se suši.

8 Indikator upozorenja



Sredstvo za ispiranje

Ukoliko je uključena ikonica "☀️", u mašini za pranje posuđa nema dovoljno sredstva za ispiranje i potrebno ga je dopuniti.



So

Ukoliko je uključena ikonica "↻" indikatora, u mašini za pranje posuđa nema dovoljno soli i potrebno je dopuniti.



Slavina za vodu

Ukoliko je uključena ikonica "🚰" indikatora, to znači da je slavina za vodu zavtorena.

9 Vrijeme odloženog početka

Pokazuje vrijeme odloženog početka (3h/6h/9h).



NAPOMENA

Provjerite odjeljak 3 "Stavljanje soli u omekšivač", DIO I: Uopštenog uputstva, ukoliko u vašoj veš mašini nema dovoljno soli.



NAPOMENA

Ukoliko se u okviru Vašeg modela mašine ne upotrebljava omekšivač vode, ovaj odjeljak možete preskočiti.

Omekšivač vode

Tvrdoća vode se razlikuje od mjesta do mjesta. Ukoliko mašina za pranje posuđa koristi tvrdu vodu, pojavice se naslage na posudu i priboru za jelo.

Uređaj je opremljen posebnom pregradom za omekšivač i ima posudu za so, što je posebno dizajnirano za eliminisanje kamenca i minerala iz vode.

Priprema i raspoređivanje posuđa u mašini

- Razmislite o kupovini pribora za jelo, koji je označen kao "bezbjedan za pranje u mašini".
- Za određene posude izaberite program s najnižom mogućom temperaturom.
- Kako biste izbjegli oštećenja, čaše i pribor za jelo ne vadite iz mašine za pranje posuđa odmah nakon što program završi s radom.

Sljedeći tipovi pribora za jelo/posuđa

nisu pogodni za pranje:

- Pribor za jelo sa drvenim, rožanim, porcelanskim ili sedefnim drškama
- Plastični predmeti koji nisu otporni na visoke temperature
- Stariji tipovi pribora za jelo sa zaljepljenim dijelovima koji nisu otporni na visoke temperature
- Ljepljeni pribor za jelo ili posuđe
- Posuđe od kalaja ili barka
- Kristalne čaše
- Posuđe od čelika podložnog rđanju
- Drveni ovali
- Posuđe od sintetičkih vlakana

su djelimično pogodni za pranje:

- Neke vrste čaša mogu da poslije većeg broja ciklusa pranja izgube sjaj
- Dijelovi od srebra i aluminijuma obično promjene boju tokom pranja
- Ukoliko se često peru u mašini, glazirani elementi mogu da potamne

Preporuke za raspoređivanje posuđa u mašini

Uklonite veće komade preostale hrane. Razmekšajte ostatke zagorjele hrane u tiganjima. Nije neophodno isprati posude tekućom vodom.

Za najbolji učinak mašine za pranje posuđa, pratite sljedeće smjernice za raspoređivanje posuđa u mašini.

(Karakteristike i izgled korpi i korpi za pribor za jelo mogu se razlikovati od korpi u okviru Vašeg modela.)

Predmete rasporedite u mašini za pranje posuđa na sljedeći način:

- Posude poput šolja, čaša, šerpi/tiganja itd. postavite u obrnuti položaj.
- Zakrivljeno posude i posude sa nepristupačnim dijelovima treba postaviti dijagonalno, kako bi voda mogla da se nesmetano sliva.
- Kompletan pribor treba naslagati tako da bude stabilan i da se ne prevrne.
- Kompletan pribor treba postaviti tako da ručice prskalice mogu da se slobodno okreću tokom procesa pranja.
- Šuplje posude, poput šolja, čaša, tiganja itd., postavite tako da otvor bude okrenut ka dole, kako se voda ne bi sakupljala u posudi ili dubokom dnu.
- Posude i pribor za jelo se ne smiju smještati jedni u druge i zaklanjati jedni druge. Kako biste izbjegli oštećenje čaša, povedite računa da se one ne dodiruju.
- Gornja korpa je predviđena za delikatnije i lakše posude, poput čaša i šolja za kafu i čaj.
- Noževi dugih sječiva postavljeni u uspravan položaj predstavljaju potencijalnu opasnost!
- Dugi i / ili oštri komadi pribora za jelo, poput noževa za sječenje, moraju se postavljati u gornju korpu, u horizontalnom položaju.
- Nemojte pretjerano opteretiti svoju mašinu za pranje posuđa. Postoje dobri razlozi zbog kojih je ovu smjernicu važno ispoštovati, a jedan od razloga je i razumna potrošnja energije.

NAPOMENA

Izuzetno male predmete ne treba prati u mašini za pranje posuđa, jer mogu lako ispasti iz korpi.

Vađenje posuđa

Kako biste spriječili kapanje vode sa gornje na donju korpu, preporučujemo Vam da najprije izvadite sadržaj donje, a onda i gornje korpe.

UPOZORENJE!

Posude će biti vrelo! Kako biste izbjegli oštećenja, čaše i pribor za jelo ne vadite iz mašine za pranje posuđa najmanje 15 minuta nakon što program završi s radom.

Raspoređivanje posuđa u gornju korpu

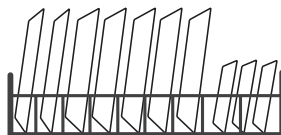
Gornja korpa je predviđena za osjetljivije i lakše posude, poput čaša, šolja za kafu i čaj i tacni, kao i tanjira, malih činija i plitkih tiganja (ukoliko nisu pretjerano zaprljani). Posude i elemente za kuhanje postavite tako da ne može da ih pomjeri mlaz vode.



Raspoređivanje posuđa u donju korpu

Predlažemo Vam da u donju korpu rasporedite veliko posude, kao i posude koje se najteže pere, poput šerpi, tiganja, poklopaca, servisnog posuđa i činija, na način prikazan na slici. Najbolje je da servisno posude i poklopce postavite sa strane polica, kako ne biste blokirali okretanje gornje ručice prskalice.

Savjetuje se da se ispred posude za deteržent ne stavljaju tanjiri čiji je prečnik veći od 19 cm, da ne bi došlo do njenog blokiranja.



Raspoređivanje posuđa u korpu za pribor za jelo

Pribor za jelo treba razvrstati u polici za pribor za jelo, tako da svaki element pribora za jelo stoji zasebno, na za njega predviđenom mjestu. Osim toga, povedite računa da pribor ne bude pregusto grupisan, jer to za rezultat može imati loš učinak mašine.



UPOZORENJE!



Ne dozvolite da dijelovi posuđa proviruju kroz dno.
Oštar pribor uvijek postavljajte sa oštirim vrhom okrenutim ka dole!



NAPOMENA

Za najbolji efekat pranja, posuđe raspoređujte u korpe u skladu sa standardnim načinima raspoređivanja, navedenim u posljednjem odjeljku DIJELA I: OPŠTE UPUTSTVO

ULOGA SREDSTVA ZA ISPIRANJE I DETERDŽENTA

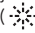
Sredstvo za ispiranje se ispušta tokom posljednjeg ispiranja kako bi spriječilo da se voda na Vašem posudu formira u kapi, koje mogu da ostave kružne i prugaste mrlje. Osim toga, ovo sredstvo poboljšava sušenje jer vodi omogućava da sklizne sa posuda. Predviđeno je da se u Vašoj mašini za pranje posuda upotrebljavaju tečna sredstva za ispiranje.



UPOZORENJE!

U mašinu za pranje posuđa stavljajte samo brendirana sredstva za ispiranje. Nikada ne stavljajte neke druge supstance (npr. sredstvo za čišćenje mašine za pranje posuđa, tečni deterdžent) u posudu za sredstvo za ispiranje. Na taj način možete oštetiti uređaj.

Kada je potrebno dopuniti posudu za sredstvo za ispiranje

Osim ukoliko se na kontrolnoj tabli ne uključi lampica upozorenja o nedovoljnoj količini sredstva za ispiranje () njegovu količinu uvijek možete procijeniti na osnovu boje optičkog indikatora nivoa sredstva za ispiranje, koji se nalazi odmah pored poklopca. Kada je posuda za ispiranje puna, indikator će biti u potpunosti zatamnjen. Veličina tamne tačke će se smanjivati sa smanjivanjem količine sredstva za ispiranje. Nikada ne bi trebalo dozvoliti da se nivo sredstva za ispiranje spusti ispod 1/4 punog kapaciteta.

Kako se količina sredstva za ispiranje bude smanjivala, veličina crne tačke na indikatoru nivoa sredstva za ispiranje će se mijenjati na dole prikazan način.

Indikator nivoa sredstva za ispiranje



- Pun kapacitet
 3/4 kapaciteta
 1/2 kapaciteta
 1/4 kapaciteta
 Prazno

Uloga deterdženta

Hemijski sastojci u deterdžentu su neophodni za skidanje, usitnjavanje i izbacivanje svih vrsta prljavštine iz mašine za pranje posuđa. Većina deterdženata komercijalnog kvaliteta odgovara ovoj svrsi.



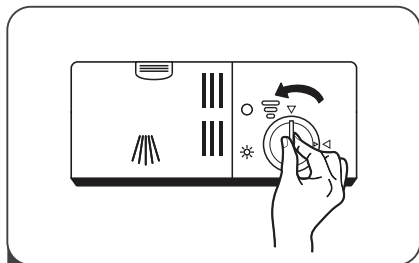
UPOZORENJE!

Pravilna upotreba deterdženta

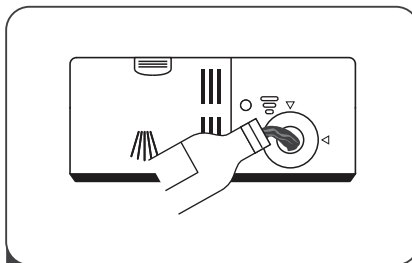
- Upotrebljavajte isključivo deterdžente posebno napravljene za mašine za pranje posuđa. Čuvajte deterdžente tako da ostanu svježiji i suhi. Ne stavljajte praškaste deterdžente u posudu za deterdžent sve dok ne budete spremni da uključite mašinu za pranje posuđa.
- **Deterdžent za mašinsko pranje posuđa je korozivan! Držite deterdžent za mašinsko pranje posuđa van domašaja dece.**



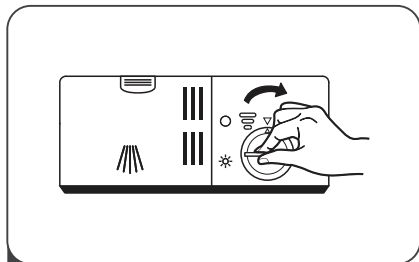
PUNJENJE REZERVOARA ZA SREDSTVO ZA ISPIRANJE



1 Okrenite poklopac rezervoara sredstva za ispiranje okrećući ga u suprotno od smjera kazaljke na satu.



2 Pažljivo uspite sredstvo za ispiranje u posudu, vodeći računa da ne dođe do prelijanja.

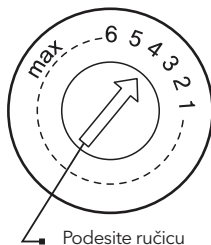


3 Zatvorite rezervoar sredstva za ispiranje okrećući ga u smjeru kazaljke na satu.

NAPOMENA

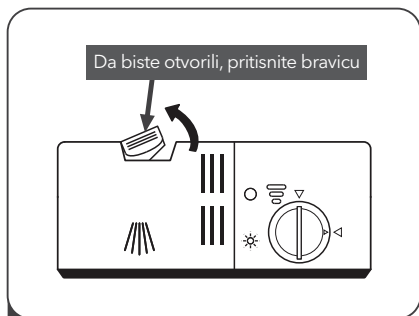
Kako biste izbjegli prekomjerno formiranje pjene prilikom sledećeg ciklusa pranja, počistite sredstvo za ispiranje koje prospete.

Podlašavanje rezervoara za sredstvo za ispiranje

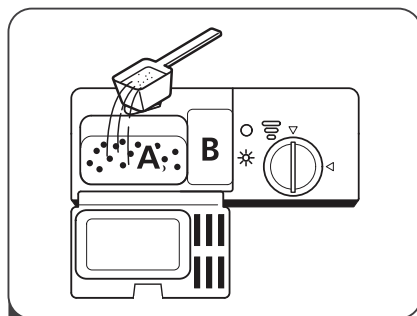


Okrenite indikator sredstva za ispiranje na broj između 1 i 6. Što je broj veći, više sredstva za ispiranje će koristiti mašina za pranje posuda. Ukoliko se posude ne suši na odgovarajući način ili ako je isflekano, podesite brojčanik na sljedeći, viši, stepen. Ovo ponavljajte sve dok posude ne bude imalo fleke. Ukoliko se na Vašem posudu pojave ljepljive, bjeličaste fleke, a na staklenom posudu ili sječivima noža plavkasti film, vratite brojčanik na niži stepen.

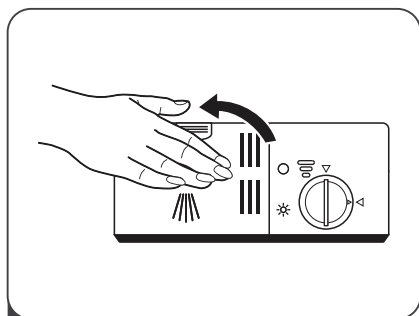
PUNJENJE POSUDE ZA DETERDŽENT



1 Da otvorite poklopac, pritisnite bravicu za otpuštanje na posudi za deterđžent.



2 U veću pregradu (A), dodajte deterđžent (A) koji će se koristiti tokom glavnog ciklusa pranja. Za zaprljanije posude, dodajte nešto deterđženta i u manju pregradu (B), koja se koristi prilikom pretpranja.



3 Zatvorite poklopac i pritisnite ga tako da se čuje zvuk zaključavanja.


NAPOMENA

- Imajte u vidu da podešavanja mogu da se razlikuju zavisno od stepena zaprljanosti vode.
- Pridržavajte se preporuka proizvođača navedenih na ambalaži deterđženta.

PROGRAMIRANJE MAŠINE ZA PRANJE POSUĐA

Tabela ciklusa pranja

U tabeli ispod prikazani su najprikladniji programi prema stepenu ostataka hrane na posudi i potrebnoj količini deterđženta. Osim toga, prikazani su i razni podaci u vezi sa programima.

Program	Opis ciklusa	Deterđžent za pretpranje/ glavno pranje	Vrijeme trajanja ciklusa (min)	Energija (kWh)	Voda (L)	Sredstvo za ispiranje
 Intenzivno	Pretpranje (50°C)					
	Pranje (60°C)					
	Ispiranje	5/25 g	175	1.6	17.5	●
	Ispiranje (70°C)	(1 ili 2 komada)				
	Sušenje					
ECO (*EN 50242)	Pretpranje					
	Pranje (45°C)	5/25 g	225	1.02	11	●
	Ispiranje (60°C)	(1 ili 2 komada)				
	Sušenje					

Program	Opis ciklusa	Deterdžent za pretpranje/ glavno pranje	Vrijeme trajanja ciklusa (min)	Energija (kWh)	Voda (L)	Sredstvo za ispiranje
90 minuta	Pranje (65°C)	5/25g (1 komad)	90	1.35	12.5	●
	Ispiranje (65°C)					
	Sušenje					
Rapid	Pranje (45°C)	20g	30	0.75	11	○
	Ispiranje (50°C)					
	Ispiranje (55°C)					

Oznaka (●) predstavlja potrebu za dodavanjem sredstva za ispiranje u posudu za sredstvo za ispiranje.



NAPOMENA

EN 50242: Ovaj program predstavlja test ciklus. Informacije za uporedni test su u skladu sa EN 50242.

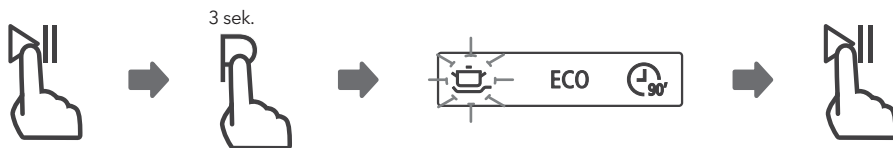
Započinjanje ciklusa pranja

- Izvučite donju i gornju korpu, rasporedite posuđe i vratite ih u mašinu. Preporučuje se da najprije rasporedite posuđe na donjoj, a zatim na gornjoj korpi.
- Sipajte deterdžent.
- Priključite utikač u utičnicu. Za podatke o napajanju, pogledajte odjeljak „**Karakteristike proizvoda**“, na posljednjoj strani. Postarajte se da dovod vode bude uključen i pod punim pritiskom.
- Zatvorite vrata, pritisnite dugme za uključivanje, kako biste pustili uređaj u rad.
- Izaberite program, nakon čega će se uključiti svjetlo indikacije. Zatim pritisnite taster Početak/Pauziranje i mašina za pranje posuda će započeti svoj ciklus.

Mjenjanje programa u toku započetog ciklusa

Ciklus pranja koji je u toku se može promijeniti samo ukoliko nije proteklo mnogo vremena od početka rada mašine. U suprotnom, mašina je možda već ubacila deterdžent u ciklus pranja i ispuстила vodu sa sapunicom. U tom slučaju, mašinu je neophodno ponovo podesiti, a posudu za deterdžent dopuniti. Da ponovo podesite mašinu za pranje posuda, pratite dole prikazana uputstva:

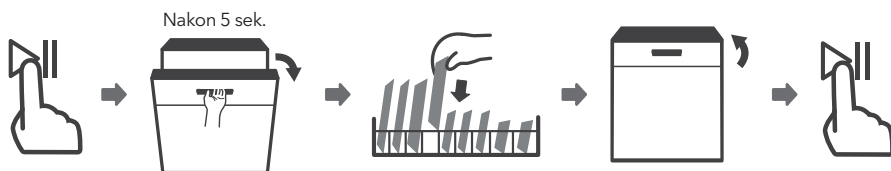
- Pritisnite taster Početak/Pauziranje kako biste pauzirali ciklus.
- Pritisnite taster Program u trajanju od preko 3 sekunde. Na taj način ćete opozvati program.
- Pritisnite taster Program da izaberete željeni program.
- Pritisnite taster Početak/Pauziranje. Mašina za pranje posuda će nakon 10 sekundi početi da radi.



Zaboravili ste da dodate posudu?

Posudu koju ste zaboravili da stavite u mašinu možete dodati u bilo kom trenutku prije nego što se otvori posuda za deterdžent. U tom slučaju, pratite sljedeća uputstva:

1. Pritisnite taster Početak/Pauziranje kako biste pauzirali ciklus.
2. Sačekajte 5 sekundi, a zatim otvorite vrata.
3. Dodajte posude koje ste zaboravili da stavite u mašinu.
4. Zatvorite vrata.
5. Pritisnite taster Početak/Pauziranje. Mašina za pranje posuda će nakon 10 sekundi početi da radi.



⚠ UPOZORENJE!



Opasno je otvarati vrata mašine u toku započetog ciklusa, jer možete zadobiti opekotine od vrele pare.

OZNAKE GREŠAKA

U slučaju nepravilnog rada, na mašini za pranje posuda će biti prikazane oznake grešaka, kojima se identifikuju sljedeći slučajevi:

Oznake	Značenje	Mogući uzroci
Indikator ubrzanog pranja neprekidno treperi	Produženo vrijeme primanja vode.	Slavine nisu odvrnute ili je ulaz vode blokiran ili je pritisak vode prenizak.
Indikator ubrzanog i pranja na 90 minuta neprekidno trepere	Ne može se dostići zadata temperatura.	Neispravan grijač.
Indikator ECO pranja neprekidno treperi	Prelivanje.	Neki dio mašine za pranje posuda propušta vodu.

⚠ UPOZORENJE!

- Ukoliko dođe do preliivanja vode, prije nego što pozovete servis, isključite glavni ventil za vodu.
- Ukoliko na dnu mašine ima vode zbog preliivanja ili manjeg propuštanja vode, prije ponovnog pokretanja mašine za pranje posuda ovu vodu treba ukloniti.

OMEKŠIVAČ VODE

Omekšivač vode se mora ručno podesiti pomoću brojčanika za tvrdoću vode.

Omekšivač vode je napravljen da iz vode ukloni minerale i soli, koji bi inače imali štetno ili nepovoljno dejstvo po rad uređaja.

Što je veći sadržaj minerala u vodi koju koristite, to je ona tvrđa.

Količinu omekšivača treba podesiti prema tvrdoći vode u oblasti u kojoj živite. Od lokalnog nadležnog organa zaduženog za vodu možete dobiti informacije u vezi sa tvrdoćom vode u oblasti u kojoj živite.

Podešavanje utroška soli

Mašina za pranje posuda je napravljena tako da omogućava podešavanje količine utrošene soli na osnovu tvrdoće vode koja je u upotrebi. Cilj je da se nivo utroška soli optimizuje i prilagodi svakom zasebnom slučaju.

Za podešavanje utroška soli, pratite sljedeće korake.

1. Uključite uređaj i zatvorite vrata;
2. Zadržite pritisak na tasteru Početak/Pauziranje u trajanju od preko 5 sekundi kako bi se u roku od 60 sekundi od uključivanja uređaja aktivirao režim podešavanja za omekšivač vode;
3. Pritisnite taster Početak/Pauziranje kako biste izabrali odgovarajuće podešavanje prema sredini u kojoj se nalazite. Podešavanja će se smjenjivati sljedećim redoslijedom:
H1->H2->H3->H4->H5->H6;
4. Pritisnite taster Uključivanje/Isključivanje kako bi ste napustili režim podešavanja.

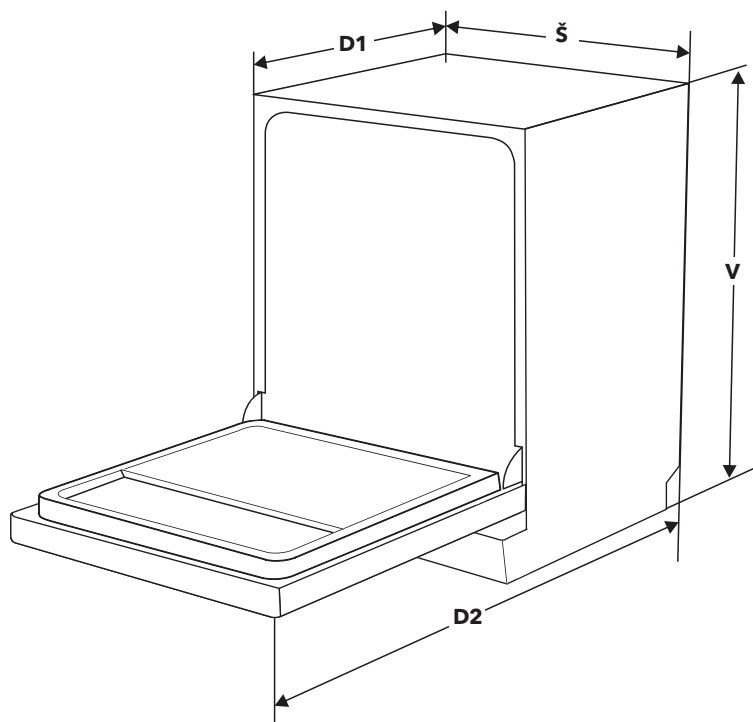
TVRDOĆA VODE				Mmol/l	Nivo omekšivača vode	Potrošnja soli (grama/ciklusu)
Njemački °dH	Francuski °fH	Britanski °Clarke				
0 - 5	0 - 9	0 - 6	0 - 0.94	H1-> Indikatori ubrzanog pranja trepere	0	
6 - 11	10 - 20	7 - 14	1.0 - 2.0	H2-> Indikatori 90-minutnog pranja trepere	9	
12 - 17	21 - 30	15 - 21	2.1 - 3.0	H3-> Indikatori 90-minutnog i ubrzanog pranja trepere	12	
18 - 22	31 - 40	22 - 28	3.1 - 4.0	H4-> Indikatori ECO pranja trepere	20	
23 - 34	41 - 60	29 - 42	4.1 - 6.0	H5-> Indikatori ECO i ubrzanog pranja trepere	30	
35 - 55	61 - 98	43 - 69	6.1 - 9.8	H6-> Indikatori ECO i 90-minutnog pranja trepere	60	

1°dH=1.25 °Clarke=1.78 °fH=0.178mmol/l

Fabričko podešavanje: H3

Za informacije u vezi sa tvrdoćom vode koju koristite, kontaktirajte lokalni nadležni organ zadužen za vodu.

TEHNIČKI PODACI



Visina (H)	845mm
Širina (W)	598mm
Dubina (D1)	600mm (sa zatvorenim vratima)
Dubina (D2)	1175mm (s vratima otvorenim pod uglom od 90°)

Karakteristike proizvoda

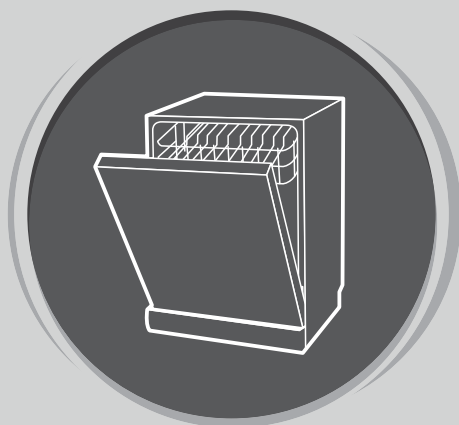
Lista karakteristika mašine za pranje posuda u domaćinstvu u skladu sa EU Direktivom 1016/2010 i 1059/2010:

Proizvođač	TESLA
Vrsta/Opis	WD630M
Podešavanja standardnih pozicija	12
Klasa energetske efikasnosti ①	A+
Godišnja potrošnja energije ②	290 kWh
Potrošnja energije tokom standardnog ciklusa pranja	1.02 kWh
Potrošnja energije u režimu isključeno (off)	0.45 W
Potrošnja energije u režimu Ostavljeno uključeno (Left-on)	0.49W
Godišnja potrošnja vode ③	3080 litara
Klasa efikasnosti sušenja ④	A
Standardni ciklus pranja ⑤	ECO 45°C
Trajanje programa tokom standardnog ciklusa pranja	225 min
Nivo buke	52 dB(A) re 1 pW
Montiranje	Samostojeća
Mogućnost ugrađivanja	DA
Utrošak energije	1760-2100W
Nominalni napon / frekvencija	220-240V/50Hz
Pritisak vode (pritisak protoka)	0.04-1.0MPa=0.4-10 bar



NAPOMENA

- ① A + + + (najviši nivo efikasnosti) do D (najniži nivo efikasnosti)
- ② Potrošnja energije na osnovu 280 standardnih ciklusa pranja, uz primanje hladne vode i potrošnju u režimima sa malom snagom. Realna potrošnja energije zavisiće od načina na koji se uređaj upotrebljava.
- ③ Potrošnja vode na osnovu 280 standardnih ciklusa pranja. Realna potrošnja vode zavisiće od načina na koji se uređaj upotrebljava.
- ④ A (najviši nivo efikasnosti) do G (najniži nivo efikasnosti)
- ⑤ Ovaj program je pogodan za pranje normalno zaprljanog posuda i predstavlja najefikasniji program u smislu kombinovane potrošnje energije i vode za pomenuti tip posuda.



PERILICA POSUĐA

Uputstvo za upotrebu

DIO I: OPĆA UPUTSTVA

Prije upotrebe mašine za pranje suda, pažljivo pročitajte ovo uputstvo i sačuvajte ga za buduću upotrebu.

SIGURNOSNI PODACI

UPOZORENJE!

Prilikom upotrebe mašine za pranje suda, pridržavajte se sljedećih mjera predostrožnosti:

- Postavljanje i popravak može izvesti samo kvalificirani tehničar
- Uređaj je namijenjen upotrebi u kućanstvu i za slične namjene, kao što su:
 - kuhinjski prostori za zaposlenje u trgovinama, uredima i drugim radnim okruženjima;
 - poljoprivredna kućanstva;
 - od strane hotelskih i motelskih gostiju, kao i drugih vrsta smještajnih objekata;
 - objekti koji pružaju uslugu noćenja sa doručkom;
- Ovaj uređaj mogu koristiti djeca starosti 8 ili više godina i osobe sa smanjenim fizičkim, senzornim ili mentalnim sposobnostima, ili manjkom iskustva i znanja ukoliko su pod nadzorom, ili su im dana uputstva u vezi sa sigurnosnom upotrebom uređaja, i svjesni su mogućeg rizika.
- Djeca ne bi trebala se igrati ovim uređajem. Uređaj ne smiju čistiti djeca, osim ako to ne čine pod nadzorom. (Prema EN60335-1)
- Nije predviđeno da ovaj uređaj upotrebljavaju osobe (uključujući djecu) sa umanjnim fizičkim, senzornim ili mentalnim sposobnostima, ili osobe bez iskustva i znanja, osim ukoliko su pod nadzorom ili ukoliko su dobile uputstva o upotrebi uređaja od osobe odgovorne za njihovu sigurnost. (Prema IEC60335-1) Ambalaža može biti opasna za djecu!
- Ovaj proizvod je predviđen isključivo za upotrebu u kućanstvima i u zatvorenom prostoru.
- Kako biste smanjili rizik od strujnog udara, ne potapajte proizvod, kabl ili utikač u vodu ili neku drugu tekućinu. Prije čišćenja i održavanja uređaja, molimo vas da prekinete napajanje uređaja električnom energijom.
- Za čišćenje koristite meku krpnu navlaženu blagom sapunicom, a zatim ponovo obrišite suhom krpom.

Uputstva u vezi sa uzemljenjem

- Ovaj uređaj mora biti uzemljen. U slučaju nepravilnog rada ili kvara, uzemljenje će umanjiti rizik od pojave strujnog udara tako što će električnoj struji omogućiti da nađe put sa najmanjim otporom. Ovaj uređaj je opremljen priključkom za sprovođenje uzemljenja.
- Neophodno je da priključak bude povezan sa odgovarajućim izlazom postavljenim i uzemljenim u skladu sa svim lokalnim propisima i naredbama.
- Neodgovarajuće povezivanje opreme sa proizvodnikom uzemljenja može izazvati rizik od strujnog udara. Ukoliko imate nedoumice u vezi sa pravilnim uzemljenjem uređaja, provjerite uzemljenje zajedno sa kvalificiranim električarom ili predstavnikom servisa.
- Ukoliko priključak koji ste dobili uz uređaj ne odgovara utičnici, nemojte ga prepravljati.
- Neka Vam kvalificirani električar postavi odgovarajuću utičnicu.

- Nemojte primjenjivati silu, sjediti ili stajati na vratima ili policama za posude, koje se nalaze u mašini za pranje suda.
- Nemojte puštati u rad svoju mašinu za pranje suda ukoliko sve table kućišta nisu na svojim pozicijama.
- Budite veoma pažljivi prilikom otvaranja vrata mašine za pranje suda dok ona radi, jer postoji rizik da Vas poprska mlaz vode. Ne stavljajte teške predmete na otvorena vrata mašine i nemojte stajati na njima. Uređaj bi se mogao prevrnuti.
- Prilikom raspoređivanja posuda koje je potrebno oprati:
 - 1) Oštre predmete rasporedite tako da ne mogu da oštete zaptivku na vratima;
- 2 Upozorenje: Noževe i ostali pribor oštih vrhova morate rasporediti u košari tako da im vrhovi budu okrenuti prema dolje ili ih morate postaviti u horizontalni položaj.
- Neki deterđenti za mašinsko pranje suda su veoma alkalni. Ukoliko dođe do njihovog gutanja, mogu biti izuzetno opasni.
- Izbegavajte kontakt sa kožom i očima, a djecu držite dalje od mašine za pranje suda ukoliko su vrata otvorena.
- Po završetku ciklusa pranja, provjerite da li ima još praha od deterđenta.

- Nemojte prati plastično posuđe, osim ukoliko nosi oznaku „sigurno za mašinsko pranje“ ili slično.
- Kod plastičnog posuđa koje ne nosi nikakvu oznaku, provjerite preporuke proizvođača.
- Upotrebljavajte isključivo deterđente i sredstva za ispiranje preporučena za upotrebu u automatskim mašinama za pranje suda.
- Nikada nemojte u mašinu za pranje suda stavljati sapun, deterđent za pranje rublja ili deterđent za pranje ruku.
- Ne ostavljajte otvorena vrata, jer time povećavate rizik od spoticanja.
- Ukoliko je kabl za napajanje oštećen, mora ga zamijeniti proizvođač, njegov agent za servisiranje ili slično kvalificirano osoblje, kako bi se izbjegli mogući rizici.
- Prilikom postavljanja, priključni kabl se ne smije savijati ili pritisicati na prekomjeran ili opasan način.
- Nemojte nepropisno prepravljati kontrolne tipke.
- Uređaj je potrebno povezati sa glavnim ventilom za vodu pomoću novog kompleta crijeva. Nemojte upotrebljavati stare komplete crijeva.
- U cilju uštede energije, uređaj će se u režimu pripravnosti automatski isključiti ukoliko uređaj nije aktivan tokom perioda od 30 minuta.

Odlaganje



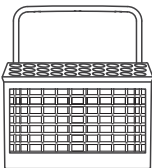
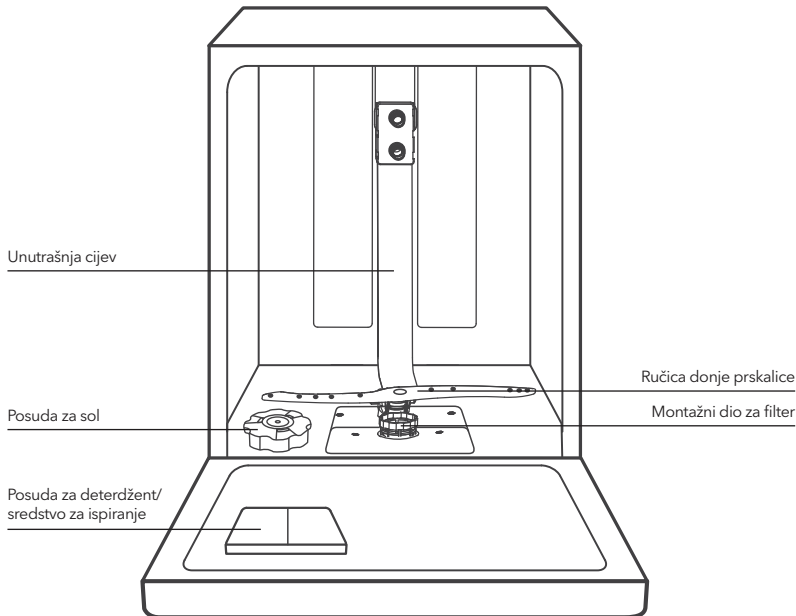
- Za odlaganje ambalaže i samog uređaja, obratite se centru za recikliranje. Isjecite priključni kabl i onespособite mehanizam za zatvaranje vrata na uređaju.

- Kartonska ambalaža je proizvedena od recikliranog papira i treba je odložiti na mjesto za prikupljanje papirnog otpada radi ponovnog recikliranja.
- Ispravnim odlaganjem proizvoda, pomoći ćete sprječavanju potencijalnih negativnih posljedica po životnu sredinu i ljudsko zdravlje, koje inače mogu biti uzrokovane nepravilnim odlaganjem otpada kao što je ovaj uređaj.
- Za više informacija o recikliranju ovog proizvoda, molimo Vas da kontaktirate ured jedinice lokalne samouprave ili komunalni servis za odlaganje kućnog otpada.
- **ODLAGANJE: Ne odlažite ovaj proizvod kao nerazvrstan komunalni otpad. Ovakav otpad je neophodno zasebno prikupiti radi njegovog posebnog tretiranja.**

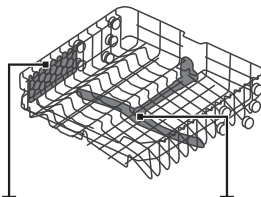
PRIKAZ PROIZVODA

! VAŽNO:

Za maksimalni učinak Vaše mašine za pranje suđa, prije prve upotrebe pročitajte kompletno uputstvo za upotrebu.



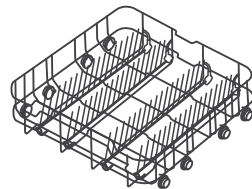
Košara za pribor za jelo



Polica za šalice

Ručica gornje prskalice

Gornja košara



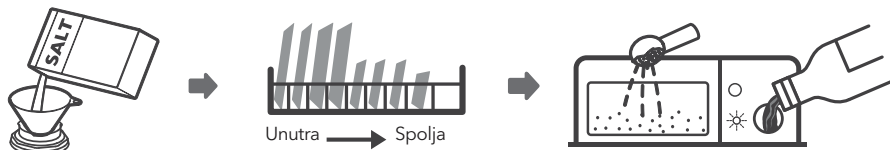
Donja košara

☰ NAPOMENA

Slike su isključivo u ilustrativne svrhe, različiti modeli se mogu razlikovati. Pogledajte izgled svog proizvoda.

UPOTREBA VAŠE MAŠINE ZA PRANJE SUĐA

Prije nego što počnete koristiti svoju mašinu za pranje suda:



1. Podesite omekšivač vode
2. Stavite sol u omekšivač
3. Rasporedite posude u košaru
4. Napunite posudu za deterdžent / sredstvo za ispiranje

NAPOMENA

Ukoliko je potrebno da podesite omekšivač vode, pogledajte odeljak 1 „Omekšivač vode“, koji se nalazi u DIJELU II: Uputstvo za određeni model.

Stavite sol u omekšivač

NAPOMENA

Ukoliko se u okviru Vašeg modela mašine ne upotrebljava omekšivač vode, ovaj odjeljak možete preskočiti. Koristite isključivo sol, koja je namjenjena za mašinu za pranje suda.

Posuda za sol se nalazi ispod donje košare, a treba da bude dopunjena na način prikazan dalje u tekstu:

UPOZORENJE!

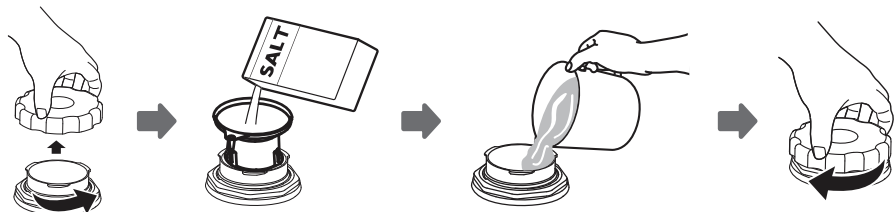
• Koristite isključivo sol koja je posebno proizvedena za mašine za pranje suda!

Bilo koja druga vrsta soli, koja nije posebno proizvedena za mašinu za pranje suda, a naročito jestiva sol, oštetit će omekšivač vode. U slučaju oštećenja nastalih usljed upotrebe neodgovarajuće vrste soli, proizvođač ne pruža nikakve garancije, niti je odgovoran za bilo kakvo oštećenje nastalo tom prilikom.

• Sol dopunjujte isključivo neposredno prije nego što perilica započne ciklus pranja.


Na taj način ćete spriječiti zadržavanje potencijalno prosutih zrna soli ili slane vode na dnu perilice tokom određenog vremenskog perioda, što može izazvati hrdanje.

Pratite sljedeće korake kako biste dodali sol za mašinu za pranje suda:



1. Skinite donju košaru i odšrafite poklopac rezervoara.
2. Stavite donji dio ljevka (koji se dostavlja uz proizvod) u otvor i naspite oko 1,5 kg soli za mašinu za pranje suda.
3. Dopunite posudu za sol vodom do njene maksimalne granice. Uobičajeno je da se, tom prilikom, iz posude za sol prospe manja količina vode.
4. Nakon što napunite posudu, ponovo stavite poklopac i dobro ga zašrafite.
5. Nakon što stavite sol u posudu za sol, lampica upozorenja za količinu soli će prestati svijetlit.
6. Neki od programa pranja bi trebalo pokrenuti odmah po stavljanju soli u posudu za sol (Predlažemo upotrebu nekog od kraćih programa). U suprotnom, slana voda bi mogla oštetiti sistem za filtriranje, pumpu ili neke druge važne dijelove mašine. U tom slučaju, garancija se neće primjenjivati.

NAPOMENA

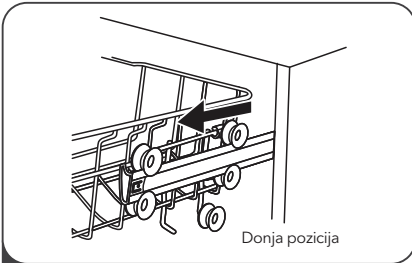
- Posuda za sol se mora dopuniti samo kada se na kontrolnoj tabli uključi lampica upozorenja za količinu soli (). Zavisno od stupnja topljivosti soli, lampica upozorenja za količinu soli može nastaviti svetlit iako je posuda za sol dopunjena. Ukoliko uređaj na kontrolnoj tabli nema lampicu upozorenja za količinu soli (kod nekih modela), na osnovu broja ciklusa mašine možete procijeniti kada ćete staviti sol u omekšivač.
- Ukoliko je došlo do prosipanja soli, uključite program natapanja ili neki od kraćih programa kako biste je uklonili.

Savjeti za upotrebu košare

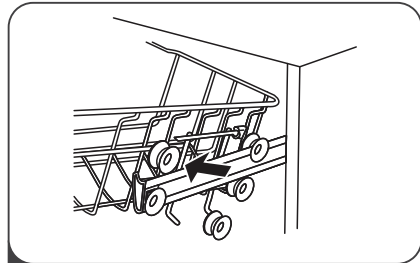
Podешavanje gornje košare

Tip 1:

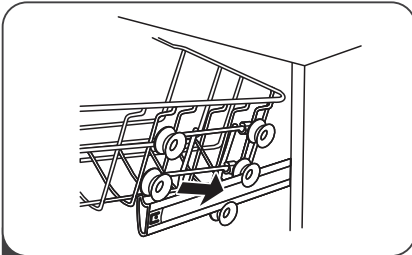
Visina gornje košare se može lako podesiti tako da visoko posuđe možete smjestiti bilo u gornju ili u donju košaru. Da biste podesili visinu gornje police, pratite sljedeće korake:



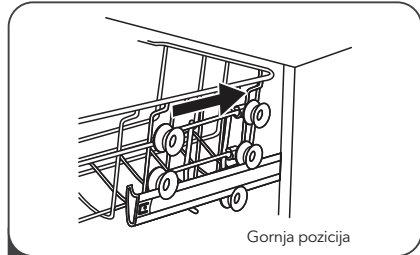
1 Izvucite gornju košaru.



2 Uklonite gornju košaru.

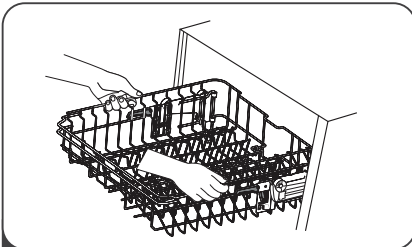


3 Ponovo postavite gornju košaru pomoću gornjih ili donjih kotačića.

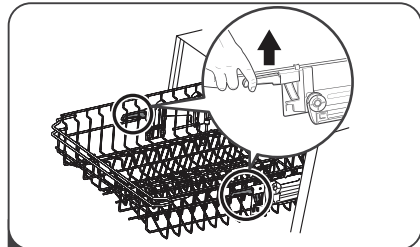


4 Gurnite gornju košaru u mašinu.

Tip 2:



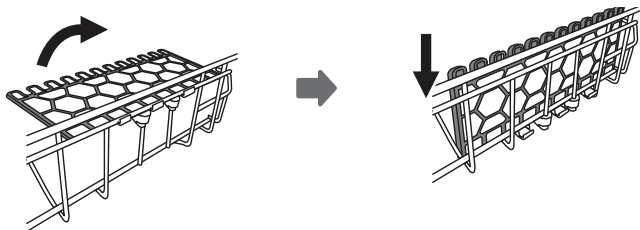
1 Da podignete полицu u gornju poziciju, podižite je sve dok obje strane ne budu na istoj visini. Polica će biti pričvršćena. Nije potrebno podizati ručku za podešavanje.



2 Da spustite полицu, podignite dršku za prilagođavanje sa svake strane, kako bi se košara spustila prema dolje.

Sklapanje polica za šalice

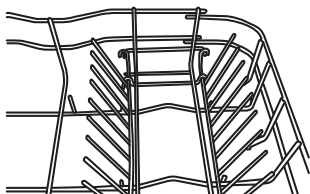
Da u polici mašine za pranje suda napravite više prostora za visoko posuđe, podignite полицu za šalice prema najvišem. Na taj način, uz nju možete prisloniti visoke čaše. Možete je i skinuti ukoliko Vam nije potrebna.



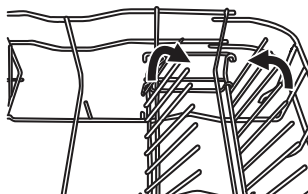
Sastavljanje polica s klinovima

Klinovi se koriste za pridržavanje tanjura i ovala. Mogu se spustiti kako bi se napravilo više prostora za veće posuđe.

Podignite naviše



Sklopite unazad



ODRŽAVANJE I ČIŠĆENJE

Održavanje vanjske strane uređaja

Vrata i zaptivka za vrata

Zaptivke za vrata redovito čistite mekom, vlažnom krpom kako biste uklonili naslage hrane.

Prilikom raspoređivanja posuđa u mašini za pranje suda, ostaci hrane i pića mogu kapati po bočnim stranama vrata mašine za pranje suda. Ove površine se nalaze izvan prostora za pranje i voda iz ručica prskalica ih ne može dohvatiti. Prije nego što zatvorite vrata, obrišite eventualne naslage.

Kontrolna tabla

Ukoliko je kontrolnu tablu potrebno očistiti, brišite je ISKLJUČIVO mekom, vlažnom krpom.

UPOZORENJE!

- Da biste izbjegli prodiranje vode u bravu vrata i u električne komponente, nemojte koristiti nikakva sredstva za čišćenje u spreju.
- Nikada ne upotrebljavajte abrazivna sredstva za čišćenje ili abrazivne spužve prilikom čišćenja vanjskih površina, jer tako možete izgubiti završni sloj. Neki papirni ubrusi takođe mogu izgubiti površinu ili ostaviti tragove na njoj.

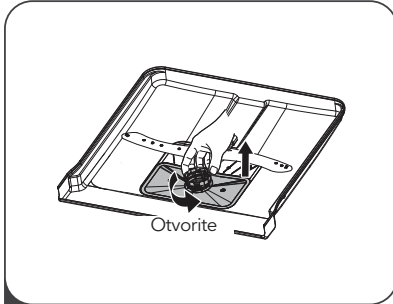
Održavanje unutrašnjosti uređaja

Sistem za filtriranje

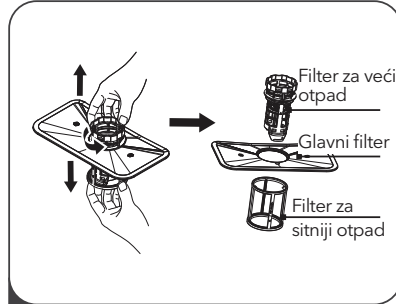
Sistem za filtriranje, koji se nalazi u donjem dijelu prostora za pranje, zadržava veći otpad nastao tokom ciklusa pranja. Prikupljeni veći otpad može dovesti do začepljenja filtera. Redovno provjeravajte filtere i po potrebi ih čistite pod mlazom vode. Za čišćenje filtera u prostoru za pranje, pratite sljedeće korake.

NAPOMENA

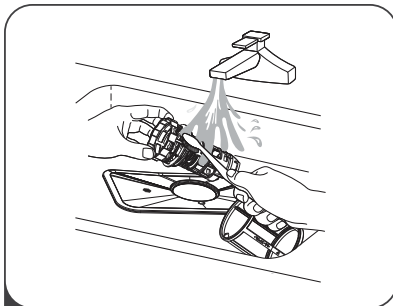
Slike su isključivo u ilustrativne svrhe. Kod različitih modela, sistemi za filtriranje i ručice prskalice se mogu razlikovati.



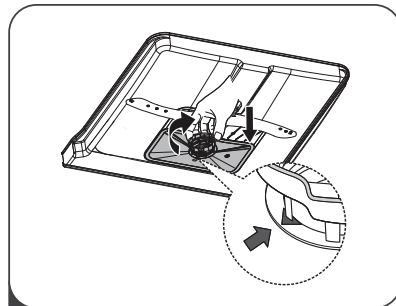
- 1** Uхватite filter za veći otpad i okrenite ga u smjeru suprotnom od smjera kazaljke na satu kako biste ga otključali. Podignite filter naviše i izvucite ga iz mašine za pranje suda.



- 2** Filter za sitniji otpad se može izvuci sa dna montažnog dijela za filter. Filter za veći otpad se može odvojiti od glavnog filtera laganim pritiskanjem jezičaka na vrhu i izvlačenjem.



- 3** Veći ostaci hrane se mogu očistiti ispiranjem filtera pod mlazom vode. Za temeljnije čišćenje, koristite meku četku za čišćenje.



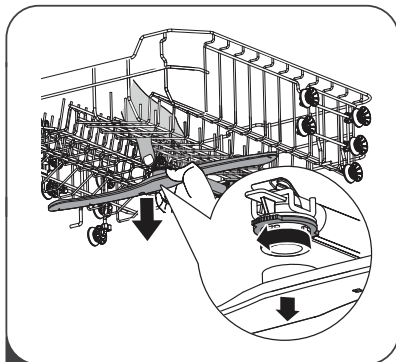
- 4** Filtere ponovo postavite obrnutim redoslijedom u odnosu na redosljed kojim ste ih rasklapali, ponovo postavite uložak filtera i okrenite ga u smjeru kazaljke na satu, sve do strelice.

UPOZORENJE!

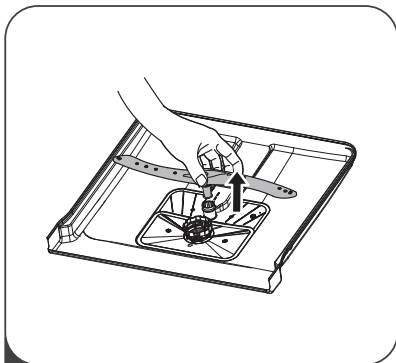
- Nemojte prejako pričvršćivati filtere. Vratite filtere određenim redoslijedom i dobro ih pričvrstite. U suprotnom, veći komadi otpada bi mogli ući u sistem i izazvati začepljenje. NIKADA ne upotrebljavajte mašinu za pranje suda ako filteri nisu na odgovarajući način postavljeni. Nepravilno postavljanje filtera može smanjiti nivo radnog učinka uređaja i oštetiti posude i pribor.

Ručice prskalice

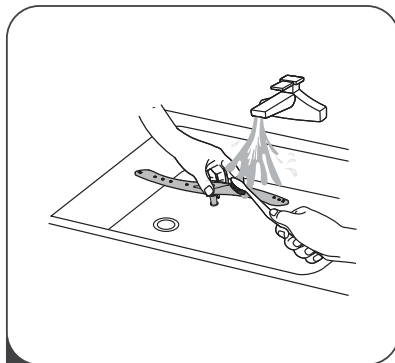
Ručice prskalice je neophodno redovno čistiti, jer će, u suprotnom, sadržaj iz tvrde vode začepliti mlaznice i blokirati ležajeve ručica prskalice. Za čišćenje ručica prskalice, pratite sljedeća uputstva:



- 1** Da biste skinuli ručicu gornje prskalice, pritisnite centralni zavrtnaj tako da se ne kreće, a zatim zarotirajte ručicu prskalice u smjeru suprotnom od smjera kazaljke na satu.



2 Da biste skinuli ručicu donje prskalice, povucite ručicu prskalice uvis.



3 Ručice operite u toploj vodi sa sapunicom, a za čišćenje mlaznica upotrebite meku četku. Nakon temeljnog ispiranja, ponovo ih postavite u uređaj.

Briga o mašini za pranje suđa

Mjere zaštite od zamrzavanja

Tokom zime, poduzmite sve mjere da zaštitite mašinu za pranje suđa od zamrzavanja. Nakon svakog ciklusa pranja, obavite sljedeće:

1. Izvucite utikač mašine za pranje suđa iz utičnice.
2. Isključite dovod vode i skinite dovodnu cijev za vodu sa ventila za vodu.
3. Istočite vodu iz dovodne cijevi i iz ventila za vodu. (Za prikupljanje vode, upotrebite dublju široku posudu)
4. Ponovo povežite dovodnu cijev za vodu sa ventilom za vodu.
5. Skinite filter sa dna prostora za pranje i spužvom pokupite vodu iz slivnika.

Nakon svakog pranja

Nakon svakog pranja isključite dovod vode do uređaja i ostavite vrata djelomično otvorena kako se vlaga i mirisi ne bi zadržavali u uređaju.

Izvucite utikač iz utičnice

Prije svakog čišćenja ili postupka održavanja izvucite utikač iz utičnice.

Ne upotrebljavajte rastvarače ili abrazivna sredstva za čišćenje

Ne upotrebljavajte rastvarače ili abrazivne proizvode prilikom čišćenja vanjskog dijela i gumenih elemenata uređaja. Upotrebljavajte isključivo krpu natopljenu toplom vodom sa sapunicom.

Za uklanjanje fleka ili mrlja sa unutrašnjih površina uređaja koristite krpu navlaženu vodom sa malo octa ili specijaliziran proizvod za čišćenje mašina za pranje suđa.

Kada se uređaj ne upotrebljava tokom dužeg vremenskog perioda

Preporučuje se da praznu mašinu za pranje suđa uključite da radi jedan ciklus, a zatim da izvučete utikač iz utičnice, isključite dovod vode i ostavite vrata uređaja djelomično otvorena. Ovim postupkom ćete produžiti životni vijek zaptivkama na vratima i spriječiti stvaranje neugodnih mirisa unutar uređaja.

Transport uređaja

Ukoliko je neophodno premjestiti uređaj, pokušajte da ga tokom tog procesa držite u uspravnom položaju. Samo ako je to zaista neophodno, uređaj položite na njegov zadnji dio.

Zaptivke

Jedan od razloga nastajanja neugodnog mirisa u mašini za pranje suđa je hrana, koja je ostala zaglavljena u zaptivkama. Povremeno čišćenje vlažnom spužvom će ovo spriječiti.

UPUTSTVA ZA POSTAVLJANJE

⚠ UPOZORENJE!



Opasnost od strujnog udara

Prije postavljanja mašine za pranje suđa, prekinite dovod struje. Ukoliko to ne učinite, možete izazvati nečiju smrt ili nekoga izložiti strujnom udaru.

⚠ OPREZ!

Postavljanje cijevi i električne opreme treba obaviti kvalificirana osoba.

O električnom povezivanju

⚠ UPOZORENJE!

Radi osobne sigurnosti:

- Za povezivanje ovog uređaja sa strujom ne upotrebljavajte produžne kablove ili adaptere.
- Nemojte ni pod kojim okolnostima rezati ili skidati vezu za uzemljenje sa priključnog kabela.

Zahtjevi u vezi sa električnom opremom

Pogledajte pločicu sa nominalnim podacima kako biste znali koji nominalni napon Vaša mašina za pranje suđa koristi i kako biste je priključili na odgovarajuću utičnicu. Koristite preporučeni osigurač sa zahtjevanim naponom od 10A/13A/16A, vremenski osigurač ili prekidač i osigurajte zasebni strujni krug namijenjeno isključivo ovom uređaju.

Povezivanje na struju

Pobrinite se da napon i frekvencija struje odgovaraju vrijednostima navedenim na pločici sa nominalnim podacima. Povežite utikač isključivo sa utičnicom koja je pravilno uzemljena. Ukoliko utičnica na koju morate priključiti uređaj ne odgovara utikaču, zamijenite utičnicu. Nemojte upotrebljavati adaptere i sličnu opremu, jer mogu dovesti do pregrijavanja i izazvati opekline.

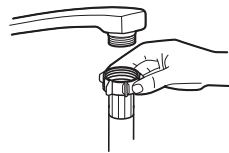
⚠ **Prije upotrebe se pobrinite da postoji odgovarajuće uzemljenje.**

Dovod i odvod vode

Povezivanje sa hladnom vodom

Povežite dovodno crijevo za hladnu vodu na konektor od 3/4 (cola) sa navojima i pobrinite se da je ono dobro pričvršćeno.

Ukoliko su cijevi za vodu nove ili ako nisu upotrebljavane tokom dužeg vremenskog perioda, propustite kroz njih vodu i provjerite da li je voda čista. Ovu mjeru predostrožnosti je neophodno obaviti kako bi se izbjegao rizik od blokiranja protoka vode na ulazu i oštećenja uređaja.



Obično dovodno crijevo



Sigurnosno dovodno crijevo

O sigurnosnom dovodnom crijevu

Sigurnosno dovodno crijevo se sastoji od duplih zidova. Sistem na ovom crijevu pruža garanciju da će ono blokirati protok vode u slučaju pucanja dovodnog crijeva i onda kada se prostor između samog dovodnog crijeva i vanjskog rebrastog crijeva, koji je ispunjen zrakom, napuni vodom.

⚠ UPOZORENJE!

Crijevo povezano sa tušem na sudoperu može puknuti ukoliko je postavljeno na isti dovod vode kao i mašina za pranje suđa. Ukoliko takvo crijevo imate u svojem sudoperu, preporučuje se da ga skinete i zatvorite otvor.

Kako da povežete sigurnosno dovodno crijevo

1. Potpuno izvadite sigurnosna dovodna crijeva iz skladišnog prostora na zadnjem dijelu mašine za pranje suđa.
2. Pričvrstite zavrtnje sigurnosnog dovodnog crijeva na slavinu od 3/4 cola sa navojima.
3. Prije nego što mašinu za pranje suđa pustite u rad, potpuno odvrnite vodu.

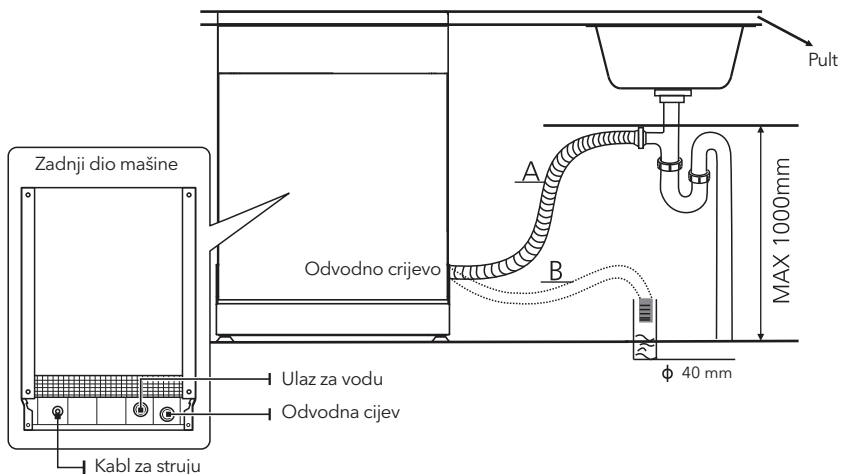
Kako da skinete sigurnosno dovodno crijevo

1. Isključite dovod vode.
2. Odvrnite sigurnosno dovodno crijevo sa slavine.

Povezivanje odvodnih crijeva

Umetnite odvodno crijevo u odvodni vod minimalnog promjera od 4 cm ili ga ostavite da ističe u odvod, vodeći pritom računa da ga ne savijate i ne prelamate. Odvodna cijev mora biti locirana na visini manjoj od 1000 mm. Slobodni dio crijeva se ne smije uranjati u vodu kako bi se izbjeglo vraćanje vode.

⚠ Dobro pričvrstite odvodno crijevo i u slučaju pozicije A i u slučaju pozicije B.

**Kako da ispustite višak vode iz crijeva**

Ukoliko je odvod na visini većoj od 1000 mm od poda, višak vode u crijevima neće moći da se ispusti direktno u odvod. Neophodno je da višak vode iz crijeva ispustite u neku zdjelu ili odgovarajuću posudu koji ćete držati izvan odvoda i na nižoj razini od njega.

Odvod vode

Povežite odvodno crijevo za vodu. Odvodno crijevo mora biti pravilno povezano kako bi se izbjeglo curenje vode. Pobrinite se da odvodno crijevo za vodu nije prelomljeno ili pritisnuto.

Produžno crijevo

Ukoliko vam je potrebno produžno odvodno crijevo, pobrinite se da bude slično onome na koje ga nastavljate. Ne smije biti duže od 4 metra; u suprotnom, efekat čišćenja mašine za pranje suđa će biti umanjen.

Povezivanje sifona

Veza sa kanalizacijom mora biti na visini manjoj od 100 cm (maksimalno) od dna mašine za pranje suđa. Odvodno crijevo za vodu je potrebno fiksirati.

Pozicioniranje uređaja

Postavite uređaj na željeno mesto. Zadnji dio uređaja treba da se naslanja na zid iza njega, a bočne strane treba da budu poravnate sa okolnim kuhinjskim elementima ili zidovima. Mašina za pranje suda je opremljena dovodnim i odvodnim crijevima za vodu koja se mogu postaviti bilo sa desne ili lijeve strane, čime se olakšava pravilno postavljanje.

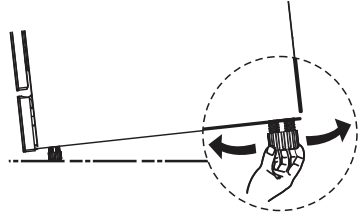
Niveliranje uređaja

Kada je uređaj postavljen za niveliranje, visinu mašine za pranje suda možete promijeniti podešavanjem visine vijaka na nožicama.

Ni u kom slučaju, uređaj ne smije biti nagnut više od 2°.

NAPOMENA

Primenjuje se isključivo na samostojeće mašine za pranje suda.

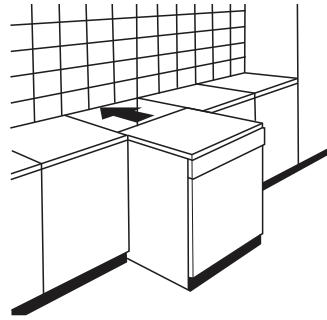


Postavljanje samostojećeg uređaja

Postavljanje između postojećih kuhinjskih elemenata

Visina mašine za pranje suda, koja iznosi 845 mm, dizajnirana je tako da omogući njeno postavljanje između postojećih kuhinjskih elemenata, koji u modernim kuhinjama rađenim po mjeri imaju spomenutu visinu. Nožice se mogu podesiti tako da se dostigne odgovarajuća visina.

Laminirani gornji dio mašine ne zahtjeva posebno održavanje, jer je otporan na toplinu, ogrebotine i fleke.



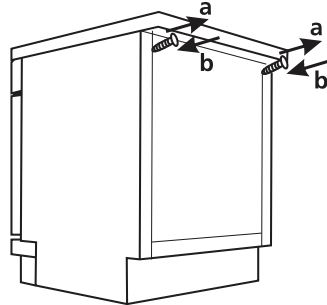
Ispod postojeće radne površine

(kada se uređaj postavlja ispod radne površine)

Većina modernih kuhinja rađenih po mjeri ima samo jednu jedinstvenu radnu površinu, ispod koje se postavljaju kuhinjski elementi i električni uređaji. U ovom slučaju, skinite radnu površinu mašine za pranje suda tako što ćete odšrafiti zavrtnje koji se nalaze na zadnjem rubu gornje površine (a).

OPREZI

Nakon skidanja gornje radne površine, zavrtnje MORATE ponovo pričvrstiti na dio ispod zadnjeg ruba gornje površine (b). Visina uređaja će se tako smanjiti na 815 mm, kako je navedeno u Međunarodnim uredbama (ISO), a mašina za pranje suda će se savršeno uklopiti pod kuhinjsku radnu površinu.

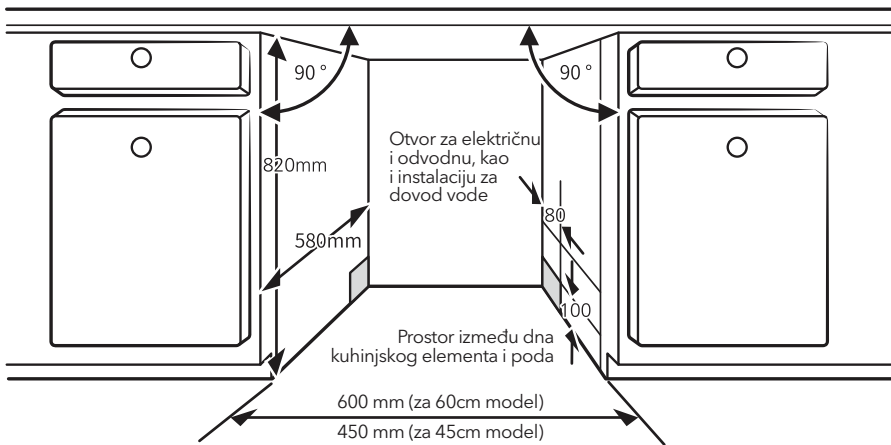


Instaliranje ugrađenog uređaja (kod integiranog modela)

Korak 1. Izbor najbolje lokacije za mašinu za pranje suda

Mašina za pranje suda treba biti postavljena u blizini postojećih dovodnih i odvodnih crijeva i priključnog kabla. Ilustracija dimenzija kuhinjskih elemenata i mjesta postavljanja mašine za pranje sudova.

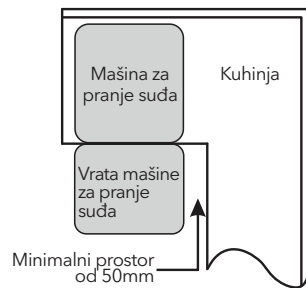
1. Manje od 5 mm između gornje površine mašine za pranje suda i kuhinjskog elementa, kao i vanjskih vrata u ravni sa kuhinjskim elementom.



2. Ako mašinu za pranje suđa postavljate u krajnji ugao u odnosu na kuhinjske elemente, potrebno je da ostavite dovoljno mjesta za otvaranje vrata.

NAPOMENA

Ovisno od toga gdje se nalazi otvor za električne instalacije, možda ćete morati proći kroz otvor na suprotnoj strani kuhinjskog elementa.



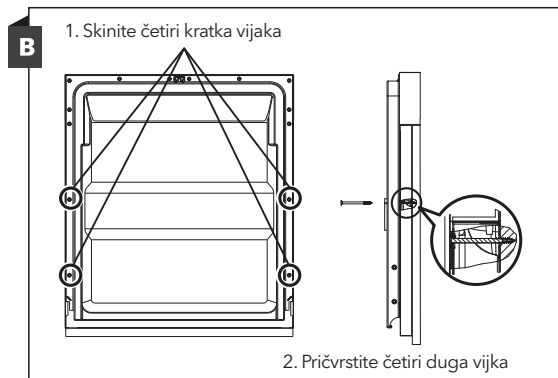
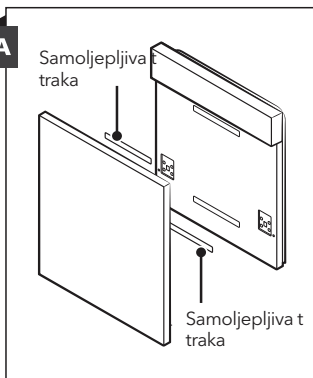
Korak 2. Dimenzije i postavljanje ukrasne table

NAPOMENA

Ukrasnu drvenu tablu biste mogli napraviti na osnovu crteža koji se odnose na postavljanje uređaja.

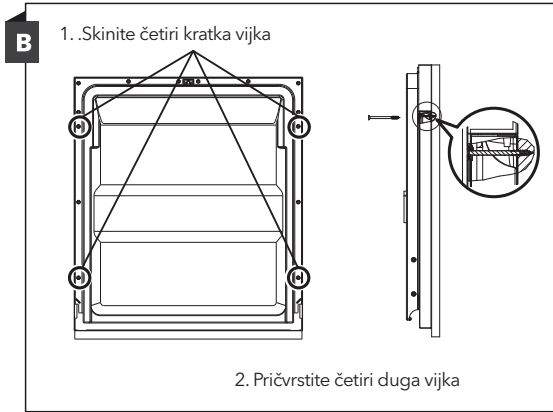
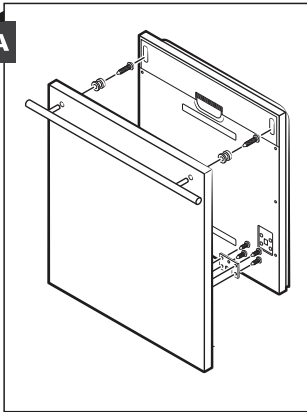
Poluintegrirani model

- Odljepite samolepljivu traku A od samolepljive trake B, pa samolepljivu traku A naljepite na ukrasnu drvenu tablu, a filcanu samolepljivu traku B na vanjsku stranu vrata mašine za pranje suđa (pogledajte sliku A). Nakon što pozicionirate tablu, pričvrstite je za vanjsku stranu vrata pomoću vijaka i zavrtnja (pogledajte sliku B).



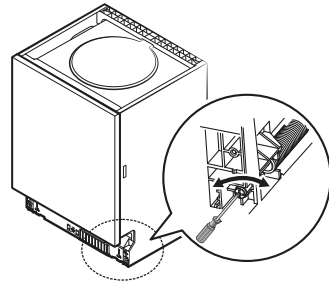
Potpuno integrirani model

Pričvrstite nosač na ukrasnu drvenu tablu i postavite ga u otvor koji se nalazi na vanjskoj strani vrata mašine za pranje suđa (pogledajte sliku A). Nakon pozicioniranja table, pričvrstite je za vanjsku stranu vrata pomoću vijaka i zavrtanja (pogledajte sliku B).



Korak 3. Podešavanje zategnutosti opruge na vratima

1. Zategnutost opruga na vanjskim vratima je tvornički pravilno podešena. Ukoliko postavljate ukrasne drvene table, morate podesiti zategnutost opruge na vratima. Okrećite vijke za podešavanje kako biste regulator dodatno zategli ili kako biste opustili čeličnu sajlju.
2. Zategnutost opruge na vratima je pravilno podešena ako vrata ostaju u horizontalnom položaju kada su potpuno otvorena i ako se u zatvoreni položaj vraćaju podizanjem prstom uz najmanji napor.

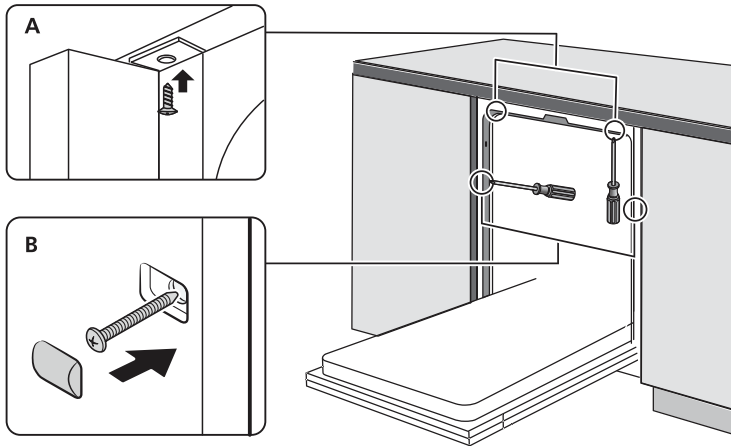


Korak 4. Koraci za postavljanje mašine za pranje suđa

NAPOMENA

Pogledajte navedene korake za postavljanje uređaja na crtežima za postavljanje.

1. Ispod radne površine kuhinjskih elemenata pričvrstite bandaž traku. Pobrinite se da bandaž traka dobro naleže na rub radne površine. (Korak 2)
2. Povežite ulazno crijevo sa dovodom hladne vode.
3. Povežite odvodno crijevo.
4. Povežite priključni kabel.
5. Postavite mašinu za pranje suđa na za nju predviđeno mjesto. (Korak 4)
6. Iznivelirajte mašinu za pranje suđa. Zadnja nožica se može podešavati sa prednje strane mašine za pranje suđa okretanjem križnog vijka koji se nalazi u sredini dna mašine za pranje suđa i koristite križni odvijač. Da podesite prednje nožice, upotrijebite ravni odvijač i okrećite prednje nožice sve dok ne iznivelirate mašinu za pranje suđa. (Korak 5 i Korak 6)
7. Postavite ukrasna vrata na vanjsku stranu vrata mašine za pranje suđa. (Koraci 7 do 10)
8. Podesite zategnutost opruga na vratima pomoću imbus ključa koji ćete okretati u smjeru kretanja kazaljke na satu, čime ćete zategnuti i lijevu i desnu oprugu. Ukoliko to ne učinite, možete oštetiti svoju mašinu za pranje suđa. (Korak 11)
9. Mašina za pranje suđa mora biti dobro pričvršćena. Ovo se može učiniti na dva načina:
 - A. Normalna radna površina: Postavite nosač za pričvršćivanje u otvor na bočnom dijelu i pričvrstite ga za radnu površinu vijcima za drvo.
 - B. Mramor ili granitna radna površina: Pričvrstite vijcima sa bočne strane.

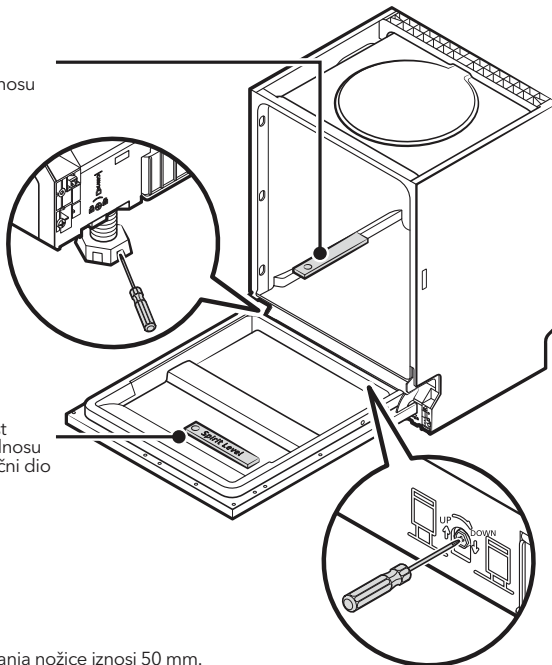


Korak 5. Nivelisanje mašine za pranje sudova

Mašina za pranje suda mora biti iznivelirana radi pravilne upotrebe police za suđe i boljeg učinka prilikom pranja.

1. Postavite libelu na vrata i na šinu police unutar prostora za pranje na način prikazan na slici kako biste provjerili da li je mašina za pranje suda iznivelirana.
2. Iznivelirajte mašinu za pranje suda tako što ćete zasebno podesiti svaku od tri nožice za niveliranje.
3. Prilikom niveliranja mašine za pranje suda, povedite računa da se mašina za pranje suda ne prevrne.

Proverite izniveliranost prednjeg u odnosu na zadnji dio



Proverite izniveliranost jednog u odnosu na drugi bočni dio

NAPOMENA

Maksimalna visina podešavanja nožice iznosi 50 mm.

SAVJETI ZA OTKLANJANJE KVAROVA

Prije nego što nazovete servis

Pročitajte informacije prikazane na stranim koje sljede jer na taj način možete izbjeći pozivanje servisa.

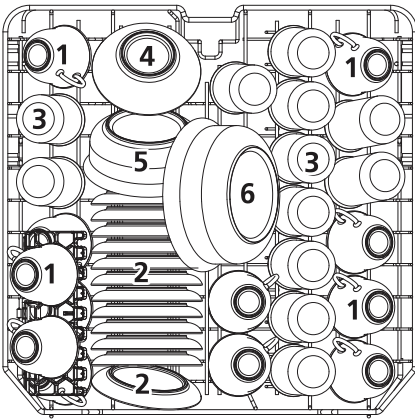
Problem	Mogući uzroci	Šta uraditi
Mašina za pranje suđa ne radi	Osigurač je pregorio ili je prekidač prekinuo strujni krug.	Zamjenite osigurač ili ponovo uključite prekidač. Isključite sve uređaje koji koriste isti strujni krug kao i mašina za pranje suđa.
	Napajanje nije uključeno.	Pobrinite se da je mašina za pranje suđa uključena i da su vrata dobro zatvorena. Pobrinite se da je priključni kabel pravilno priključen u utičnicu.
	Pritisak vode je nizak.	Provjerite da li je mašina pravilno povezana na dovod vode i da li je voda puštena.
	Vrata mašine za pranje suđa nisu pravilno zatvorena.	Pobrinite se da su vrata pravilno zatvorena i da su se zaključala.
Mašina za pranje suđa ne izbacuje vodu	Odvodno crijevo je presavijeno ili pritisnuto.	Provjerite odvodno crijevo.
	Filter je začepljen.	Provjerite filter za veći otpad.
	Sudoper je začepljen.	Provjerite sudoper kako biste se uvjerali da dobro odvodi vodu. Ukoliko je problem izazvao sudoper koji ne odvodi vodu, vjerovatno će Vam vodoinstalater biti potrebniji od serviser mašina za pranje suđa.
Sapunica u prostoru za pranje	Neodgovarajući deterdžent.	Upotrebljavajte isključivo specijalni deterdžent za mašinsko pranje suđa kako biste izbjegli stvaranje sapunice. Ukoliko se ovo dogodi, otvorite mašinu za pranje sudova i pričekajte da sapunica ispari. Prospite otprilike 4 litra hladne vode na dno mašine. Zatvorite vrata mašine, a zatim izaberite bilo koji ciklus pranja. Mašina će, na početku, ispustiti vodu. Po završetku faze ispuštanja vode, otvorite vrata i provjerite da li ima još sapunice. Po potrebi ponovite ovaj postupak.
	Sredstvo za ispiranje se izlilo.	Uvijek i odmah obrišite sredstvo za ispiranje ukoliko se izlije.
Fleke po unutrašnjem dijelu prostora za pranje	Možda je upotrebljavan deterdžent koji sadrži sredstvo za bojenje.	Uvjerite se da deterdžent ne sadrži sredstvo za bojenje.
Bijeli film po unutrašnjim površinama prostora za pranje	Minerali tvrde vode.	Za čišćenje unutrašnjosti koristite vlažnu spužvu koji sadrži deterdžent za mašinsko pranje suđa. Nosite gumene rukavice. Nikada ne koristite druga sredstva za čišćenje jer može doći do stvaranja pjene ili sapunice.

Problem	Mogući uzroci	Šta uraditi
Na priboru za jelo se javljaju mrlje od hrđe	Pribor za jelo je napravljen od materijala koji nisu otporni na hrđu.	Izbjegavajte da u mašini za pranje suđa perete posude koje nije otporno na hrđu.
	Mašinu niste pustili u rad odmah po dodavanju soli. Tragovi soli su dospjeli u ciklus pranja.	Po dodavanju soli, uvijek uključite neki od programa pranja bez suđa u mašini. Ne uključite opciju Turbo (ukoliko je mašina ima).
	Poklopac omekšivača je labav.	Provjerite da li je poklopac omekšivača sigurno postavljen.
U mašini za pranje suđa se čuje udaranje	Ručica prskalice udara o neku posudu u košari.	Prekinite program i ponovo rasporedite posude koje blokira ručicu prskalice.
U mašini za pranje suđa se čuje zveckanje	Lomljivo posude u mašini za pranje suđa nije raspoređeno tako da stoji stabilno.	Prekinite program i ponovo rasporedite lomljivo posude.
U cijevima za vodu se čuje udaranje	Razlog ovome može biti postavljanje na samom mjestu ili križanje cjevovoda.	Ovo ni na koji način ne utječe na rad mašine za pranje suđa. Ukoliko imate bilo kakvih nedoumica, kontaktirajte kvalificiranog vodoinstalatera.
Posude nije čisto	Posude nije pravilno raspoređeno.	Pogledajte napomene DIJELU II „Priprema i raspoređivanje posuda u mašini za pranje suđa“.
	Program nije dovoljno snažan.	Uključite intenzivniji program.
	Nije stavljeno dovoljno deterdženta.	Stavite više deterdženta ili promijenite deterdžent.
	Posude blokira kretanje ručica prskalice.	Ponovo rasporedite posude tako da prskalice mogu da se neometano okreću.
	Komplet filtera je zaprljan ili nije pravilno postavljen na dno prostora za pranje u mašini. Na ovaj način mogu se zablokirati mlaznice na ručicama prskalice.	Očistite i/ili pravilno postavite filter. Očistite mlaznice na ručicama prskalice.
Posude od stakla je mutno.	Kombinacija meke vode i prevelike količine deterdženta.	Ukoliko je voda koju koristite meka, upotrebljavajte manje deterdženta i koristite kraće cikluse za pranje staklenog posuđa.
Na posudu i čašama se javljaju bijele mrlje.	Upotreba tvrde vode može izazvati formiranje naslaga kamenca.	Stavite više deterdženta.
Na posudu se javljaju crne ili sive mrlje	Posude je bilo u snažnijem kontaktu sa priborom od aluminijuma.	Za uklanjanje spomenutih mrlja, koristite blago abrazivno sredstvo za čišćenje.
U posudi za deterdžent je ostao deterdžent	Posude blokira otvaranje posude za deterdžent.	Ponovo rasporedite posude na odgovarajući način.
Posude se ne suši	Posude nije pravilno raspoređeno.	Rasporedite posude na način prikazan u uputstvu.
	Posude je prebrzo izvađeno iz mašine.	Nemojte vaditi posude iz mašine za pranje suđa odmah po završetku ciklusa pranja. Malo otvorite vrata kako biste ispustili paru. Izvucite posude tek kada se temperatura unutar prostora za pranje dovoljno spusti da možete dodirivati predmete. Prvo izvadite posude sa donje košare, kako voda sa gornje košare ne bi kapala po donjoj.

Problem	Mogući uzroci	Šta uraditi
Posuđe se ne suši	Uključili ste pogrešan program.	Kod kraćih programa, temperatura pranja je niža, što umanjuje učinak pranja. Izaberite program koji ima dugi period pranja.
	Upotreba pribora za jelo sa nekvalitetnim završnim slojem.	Postupak ocjeđivanja vode je teži kod ovakvog posuđa. Pribor za jelo ili posuđe ovog tipa nisu pogodni za pranje u mašini za pranje suda.

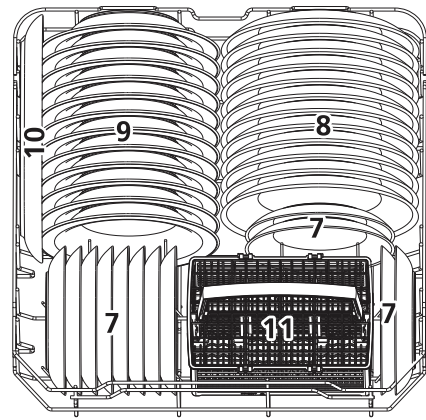
RASPOREĐIVANJE POSUĐA U KORPAMA U SKLADU SA EN50242:

1. Gornja korpa:



Broj	Posuda
1	Šalice
2	Tacne
3	Čaše
4	Manje zdjele
5	Srednje zdjele
6	Velike zdjele

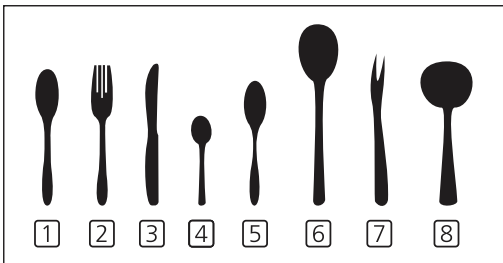
2. Donja korpa:



Broj	Posuda
7	Tanjuri za desert
8	Plitki tanjuri
9	Duboki tanjuri
10	Ovali
11	Košara za pribor za jelo

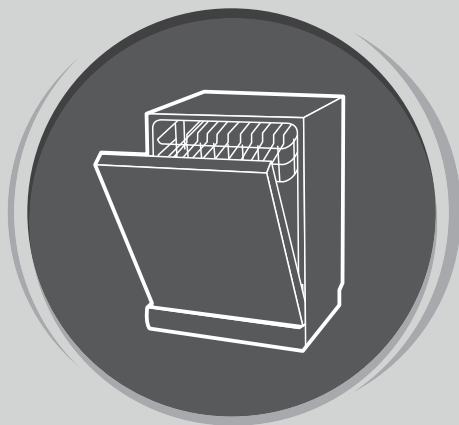
3. Košara za pribor za jelo:

1	2	1		4	4	4	4	4	4		1	2	1
2	2	2			8			7		3	3		2
1	2	1		4	4	4	4	4	4		1	3	1
1	2	1		5	5	5	5	5	5		3	3	3
2	2	2			3			3		3	3	3	3
1	2	1		5	5	5	5	5	5		6		6



Podaci dobijeni uporednim testiranjem su u skladu sa EN 50242
 Kapacitet: 12 pozicija
 Pozicija gornje košare: donja pozicija
 Program: ECO
 Podešavanje sredstva za ispiranje: 6
 Podešavanje omekšivača: H3

Broj	Posuda
1	Žlice
2	Vilice
3	Noževi
4	Žličice za kavu
5	Žličice za desert
6	Žličice za serviranje
7	Vilice za serviranje
8	Šeplja



PERILICA POSUĐA

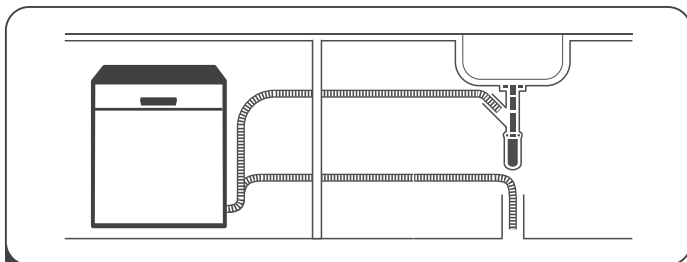
Uputstvo
za upotrebu

**DIO II: KORISNIČKA UPUTSTVA
ZA ODREĐENI MODEL
WD630M**

Prije upotrebe uređaja za pranje suda, pažljivo pročitajte ovo uputstvo i sačuvajte ga za buduću upotrebu.

KRATKE KORISNIČKE UPUTE

Za detaljnije informacije o načinu rukovanja, pročitajte odgovarajući sadržaj u uputstvu za upotrebu.

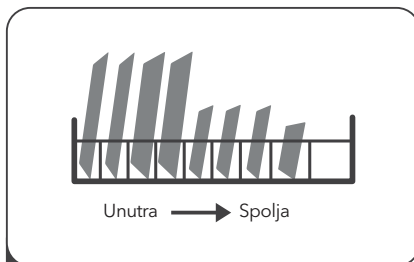


1 Postavite uređaj za pranje suda

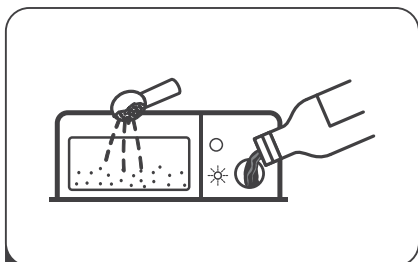
(Pogledajte odeljak 5 „UPUTSTVA ZA POSTAVLJANJE“ u okviru DIJELA I: OPĆE UPUTE.)



2 Uklanjanje većih ostataka hrane sa pribora za jelo



3 Slaganje suda u košare



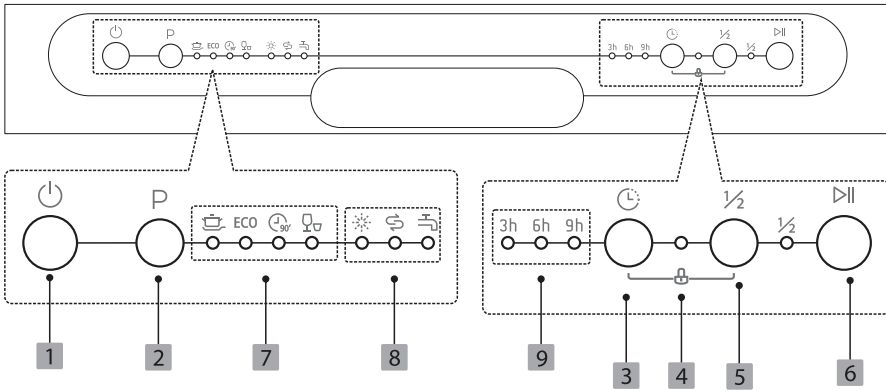
4 Punjenje posude za deterđent / sredstvo za ispiranje



5 Odabir programa i puštanje u rad suđerice

UPOTREBA VAŠE MAŠINE ZA PRANJE SUĐA




Kontrolna tabla



Opcija (taster)

- 1 **Napon** Da biste uključili svoju mašinu za pranje sudova, pritisnite ovaj taster.
- 2 **Program** Izaberite odgovarajući program pranja, na indikatoru izabranog programa uključice se svetlo.
- 3 **Odloženi početak** Pritisnite dugme, kako biste odložili vreme početka rada uređaja, odgovarajući indikator će zasvetleti.
- 4 **Zaštita za djecu** Ova opcija vam omogućava da zaključate sve tastere na kontrolnoj tabli osim dugmeta za uključivanje - kako deca ne bi slučajno pokrenula rad mašine za pranje sudova, dodirom dugmadi na kontrolnoj tabli. Kako biste zaključali ili otključali dugmad na kontrolnoj tabli, pritisnite i držite tri sekunde istovremeno dugme za rad s Polovinom kapaciteta + Dugme za odloženi početak. Kada pritisnete ovo dugme, odgovarajući indikator će zasvetleti
- 5 **Polovina kapaciteta** Kada imate oko ili manje od 6 pozicija s posuđem za pranje, možete izabrati ovu funkciju, kako biste uštedeli energiju i vodu. (Može se koristiti samo u programima Intenzivno, ECO, 90 min.)
- 6 **Početak/ Pauziranje** Za pokretanje izabranog programa pranja ili za njegovo pauziranje u toku rada mašine za pranje sudova.

Ekran

- 7 **Indikator programa**
 -  **Intenzivno**
Izuzetno zaprljano keramičko posuđe, i normalno zaprljani lonci, tave itd. sa zapečenom hranom na posudama.
 -  **ECO**
Ovo je standardni program pogodan za normalno zaprljano posuđe i to je najprikladniji program u smislu kombiniranja upotrebe vode i energije za ovu vrstu posuda.
 -  **90 minuta**
Za normalno zaprljano posuđe koje treba brzo oprati.

7 Indikator programa



Ubrzano

Kraći program pranja za blago zaprljano posuđe koje se ne treba sušiti.

8 Indikator upozorenja



Sredstvo za ispiranje

Ukoliko je uključena ikonica indikatora "☀️", u mašini za pranje suda nema dovoljno sredstva za ispiranje i potrebno ga je dopuniti.



Sol

Ukoliko je uključena ikonica "↻" indikatora, u mašini za pranje sudova nema dovoljno soli i potrebno je dopuniti.



Slavina za vodu

Ukoliko je uključena ikonica "🚰" indikatora, to znači da je slavina za vodu zavtorena.

9 Vrijeme odloženog početka

Pokazuje vrijeme odloženog početka (3h/6h/9h).



NAPOMENA

Provjerite odeljak 3 "Stavljanje soli u omekšivač", DIO I: OPĆA uputstva, ukoliko u vašem uređaju nema dovoljno soli.



NAPOMENA

Ukoliko se u okviru Vašeg modela uređaja ne upotrebljava omekšivač vode, ovaj odjeljak možete preskočiti.

Omekšivač vode

Tvrdoća vode se razlikuje od mjesta do mjesta. Ukoliko mašina za pranje suda koristi tvrdu vodu, pojavit će se naslage na posudama i priboru za jelo.

Uređaj je opremljen posebnom pregradom za omekšivač i ima posudu za sol, što je posebno dizajnirano za eliminiranje kamenca i minerala iz vode.

Priprema i raspoređivanje posuđa u mašini

- Razmislite o kupovini pribora za jelo, koji je označen kao "siguran za pranje u sušerici".
- Za određene posude izaberite program s najnižom mogućom temperaturom.
- Kako biste izbjegli oštećenja, čaše i pribor za jelo ne vadite iz mašine za pranje suda odmah nakon što program završi s radom.

Sledeći tipovi pribora za jelo/posuđa

nisu pogodni za pranje:

- Pribor za jelo sa drvenim, porculanskim ili sedefastim drškama
- Plastični predmeti koji nisu otporni na visoke temperature
- Stariji tipovi pribora za jelo sa zaljepljenim dijelovima koji nisu otporni na visoke temperature
- Ljepljeni pribor za jelo ili posude
- Posuđe od lima ili zdjela
- Kristalne čaše
- Posuđe od čelika podložnog hrđanju
- Drveni ovali
- Posuđe od sintetičkih vlakana

su djelimično pogodni za pranje:

- Neke vrste čaša mogu da posle većeg broja ciklusa pranja izgube sjaj
- Delovi od srebra i aluminijuma obično promene boju tokom pranja
- Ukoliko se često peru u mašini, glazirani elementi mogu da potamne

Preporuke za raspoređivanje posuđa u mašini

Uklonite veće komade preostale hrane. Razmekšajte ostatke zagorene hrane u tavama. Nije neophodno isprati posude tekućom vodom.

Za najbolji učinak mašine za pranje suđa, pratite sljedeće smjernice za raspoređivanje posuđa u mašini.

(Karakteristike i izgled košara i košara za pribor za jelo mogu se razlikovati od košara u okviru Vašeg modela.)

Predmete rasporedite u mašini za pranje suđa na sljedeći način:

- Posude poput šalica, čaša, lonaca/tava itd. postavite u obrnuti položaj.
- Zakrivljeno posuđe i posude sa nepristupačnim dijelovima treba postaviti dijagonalno, kako bi voda mogla da se nesmetano sljeva.
- Kompletan pribor treba naslagati tako da bude stabilan i da se ne prevrne.
- Kompletan pribor treba postaviti tako da ručice prskalica mogu slobodno okretati tokom procesa pranja.
- Šuplje posuđe, poput šalica, čaša, tavi itd., postavite tako da otvor bude okrenut prema dolje, kako se voda ne bi sakupljala u posudi ili dubokom dnu.
- Posude i pribor za jelo se ne smiju smještati jedni u druge i zaklanjati jedni druge. Kako biste izbjegli oštećenje čaša, povedite računa da se one ne dodiruju.
- Gornja košara je predviđena za delikatnije i lakše posuđe, poput čaša i šalica za kavu i čaj.
- Noževi dugih oštrica postavljeni u uspravan položaj predstavljaju potencijalnu opasnost!
- Dugi i / ili oštri komadi pribora za jelo, poput noževa za rezanje, moraju se postavljati u gornju košaru, u horizontalnom položaju.
- Nemojte pretjerano opteretiti svoju mašinu za pranje suđa. Postoje dobri razlozi zbog kojih je ovu smjernicu važno ispoštovati, a jedan od razloga je i razumna potrošnja energije.

NAPOMENA

Izuzetno male predmete ne treba prati u mašini za pranje suđa, jer mogu lako ispasti iz košari.

Vađenje posuđa

Kako biste spriječili kapanje vode sa gornje na donju košaru, preporučujemo Vam da najprije izvadite sadržaj donje, a onda i gornje košare.

UPOZORENJE!

Posuđe će biti vrelo! Kako biste spriječili kapanje vode sa gornje na donju košaru, preporučujemo Vam da najprije izvadite sadržaj donje, a onda i gornje košare.

Raspoređivanje posuđa u gornju košaru

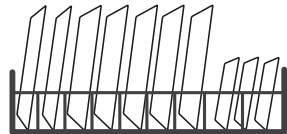
Gornja košara je predviđena za osjetljivije i lakše posuđe, poput čaša, šalica za kavu i čaj i tacni, kao i tanjura, malih zdjela i plitkih tavi (ukoliko nisu pretjerano zaprljani). Posuđe i elemente za kuhanje postavite tako da ne može da ih pomicati mlaz vode.



Raspoređivanje posuđa u donju košaru

Predlažemo Vam da u donju košaru rasporedite veliko posuđe, kao i posuđe koje se najteže pere, poput posuda, tavi, poklopaca, servisnog posuđa i zdjela, na način prikazan na slici. Najbolje je da servisno posuđe i poklopce postavite sa strane polica, kako ne biste blokirali okretanje gornje ručice prskalice.

Savjetujte se da se ispred posude za deteržent ne stavljate tanjure čiji je promjer veći od 19 cm, da ne bi došlo do njenog blokiranja.



Raspoređivanje posuđa u košaru za pribor za jelo

Pribor za jelo treba razvrstati u polici za pribor za jelo, tako da svaki element pribora za jelo stoji zasebno, na za njega predviđenom mjestu. Osim toga, povedite računa da pribor ne bude pregusto grupiran, jer to za rezultat može imati loš učinak uređaja.



UPOZORENJE!



Ne dozvolite da dijelovi posuđa proviruju kroz dno.
Oštar pribor uvijek postavljajte sa oštirim vrhom okrenutim prema dole!



NAPOMENA

Za najbolji efekat pranja, posuđe raspoređujte u košare u skladu sa standardnim načinima raspoređivanja, navedenim u posljednjem odjeljku DIJELA I: OPĆE UPUTE

ULOGA SREDSTVA ZA ISPIRANJE I DETERDŽENTA

Sredstvo za ispiranje se ispušta tokom posljednjeg ispiranja kako bi spriječilo da se voda na Vašem posudu formira u kapi, koje mogu ostaviti kružne i prugaste mrlje. Osim toga, ovo sredstvo poboljšava sušenje jer vodi omogućava da sklizne sa posuđa. Predviđeno je da se u Vašoj mašini za pranje suda upotrebljavaju tekuća sredstva za ispiranje.



UPOZORENJE!

U mašinu za pranje suda stavljajte samo brendirana sredstva za ispiranje. Nikada ne stavljajte neke druge supstance (npr. sredstvo za čišćenje mašine za pranje suda, tekući deterdžent) u posudu za sredstvo za ispiranje. Na taj način možete oštetiti uređaj.

Kada je potrebno dopuniti posudu za sredstvo za ispiranje

Osim ukoliko se na kontrolnoj tabli ne uključi lampica upozorenja o nedovoljnoj količini sredstva za ispiranje (☼) njegovu količinu uvijek možete procijeniti na osnovu boje optičkog indikatora nivoa sredstva za ispiranje, koji se nalazi odmah pored poklopca. Kada je posuda za sredstvo za ispiranje puna, indikator će biti u potpunosti zatamnjen. Veličina tamne točke će se smanjivati sa smanjivanjem količine sredstva za ispiranje. Nikada ne bi trebalo dozvoliti da se nivo sredstva za ispiranje spusti ispod 1/4 punog kapaciteta.

Kako se količina sredstva za ispiranje bude smanjivala, veličina crne točke na indikatoru nivoa sredstva za ispiranje će se mjenjati na dolje prikazan način.

Indikator nivoa sredstva za ispiranje



- Pun kapacitet
 3/4 kapaciteta
 1/2 kapaciteta
 1/4 kapaciteta
 Prazno

Uloga deterdženta

Kemijski sastojci u deterdžentu su neophodni za skidanje, usitnjavanje i izbacivanje svih vrsta prljavštine iz mašine za pranje suda. Većina deterdženata komercijalnog kvaliteta odgovara ovoj svrsi.



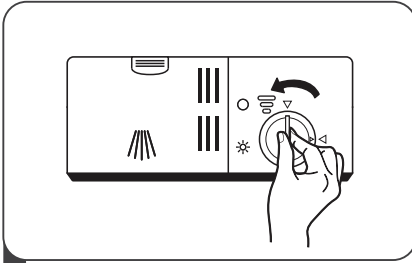
UPOZORENJE!

Pravilna upotreba deterdženta

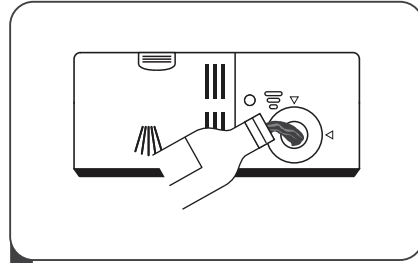
- Upotrebljavajte isključivo deterdžente posebno napravljene za mašine za pranje suda. Čuvajte deterdžente tako da ostanu svježiji i suhi. Ne stavljajte praškaste deterdžente u posudu za deterdžent sve dok ne budete spremni da uključite mašinu za pranje suda.
- **Deterdžent za mašinsko pranje suda je korozivan! Držite deterdžent za mašinsko pranje suda van doseg djece.**



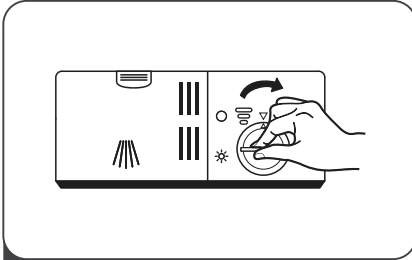
PUNJENJE SPREMNIKA ZA SREDSTVO ZA ISPIRANJE



1 Okrenite poklopac spremnika sredstva za ispiranje okrećući ga u suprotno od smjera kazaljke na satu.



2 Pažljivo uspite sredstvo za ispiranje u posudu, vodeći računa da ne dođe do preliivanja.

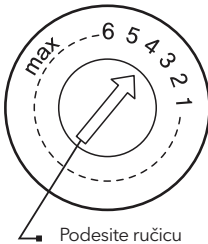


3 Zatvorite spremnik sredstva za ispiranje okrećući ga u smjeru kazaljke na satu.

NAPOMENA

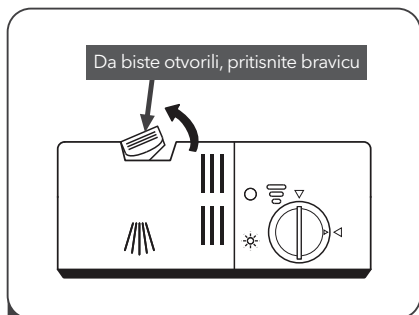
Kako biste izbjegli prekomjerno formiranje pjene prilikom sljedećeg ciklusa pranja, počistite sredstvo za ispiranje koje proliježe.

Podošavanje spremnika za sredstvo za ispiranje

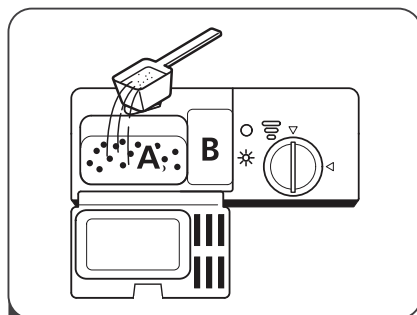


Okrenite indikator sredstva za ispiranje na broj između 1 i 6. Što je broj veći, više sredstva za ispiranje će koristiti mašina za pranje suda. Ukoliko se posude ne suši na odgovarajući način ili ako je isflekano, podesite brojčanik na sljedeći, viši, stupanj. Ovo ponavljajte sve dok posude ne bude imalo mrlje. Ukoliko se na Vašem posudu pojave lejpljive, bijele mrlje, a na staklenom posudu ili noževima plavkasti film, vratite brojčanik na niži stupanj.

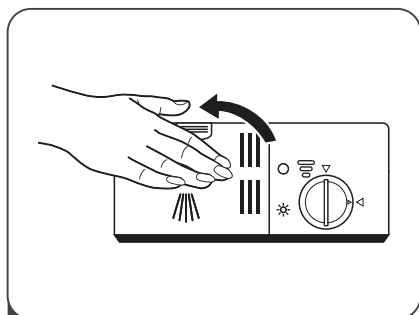
PUNJENJE POSUDE ZA DETERDŽENT



- 1** Da otvorite poklopac, pritisnite bravicu za otpuštanje na posudi za deterđent.



- 2** U veću pregradu (A), dodajte deterđent (A) koji će se koristiti tokom glavnog ciklusa pranja.
Za zaprljanije posude, dodajte nešto deterđenta i u manju pregradu (B), koja se koristi prilikom prepranja.



- 3** Zatvorite poklopac i pritisnite ga tako da se čuje zvuk zaključavanja.


NAPOMENA

- Imajte u vidu da podešavanja mogu da se razlikuju zavisno od stupnja zaprljanosti vode.
- Pridržavajte se preporuka proizvođača navedenih na ambalaži deterđenta.

PROGRAMIRANJE PERILICE POSUĐA

Tabela ciklusa pranja

U tabeli ispod prikazani su najprikladniji programi prema stupnju ostataka hrane na posudu i potrebnoj količini deterđenta. Osim toga, prikazani su i razni podaci u vezi sa programima.

Program	Opis ciklusa	Deterđent za prepranje/ glavno pranje	Vrijeme trajanja ciklusa (min)	Energija (kWh)	Voda (L)	Sredstvo za ispiranje
 Intenzivno	Pretpranje (50°C)					
	Pranje (60°C)					
	Ispiranje	5/25 g	175	1.6	17.5	●
	Ispiranje (70°C)	(1 ili 2 komada)				
	Sušenje					
ECO (*EN 50242)	Pretpranje					
	Pranje (45°C)	5/25 g	225	1.02	11	●
	Ispiranje (60°C)	(1 ili 2 komada)				
	Sušenje					

Program	Opis ciklusa	Deterdžent za pretpranje/ glavno pranje	Vrijeme trajanja ciklusa (min)	Energija (kWh)	Voda (L)	Sredstvo za ispiranje
90 minuta	Pranje (65°C)	5/25g (1 komad)	90	1.35	12.5	●
	Ispiranje (65°C)					
	Sušenje					
Rapid	Pranje (45°C)	20g	30	0.75	11	○
	Ispiranje (50°C)					
	Ispiranje (55°C)					

Oznaka (●) predstavlja potrebu za dodavanjem sredstva za ispiranje u posudu za sredstvo za ispiranje.



NAPOMENA

EN 50242: Ovaj program predstavlja test ciklus. Informacije za uporedni test su u skladu sa EN 50242.

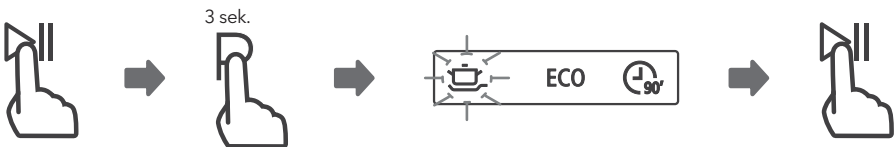
Pokretanje ciklusa pranja

- Izvucite donju i gornju košaru, rasporedite posude i vratite ih u uređaj. Preporučuje se da najprije rasporedite posude na donjoj, a zatim na gornjoj košari.
- Ulijte deterdžent.
- Priključite utikač u utičnicu. Za podatke o napajanju, pogledajte odjeljak „Karakteristike proizvoda“, na posljednjoj strani. Osigurajte se da dovod vode bude uključen i pod punim pritiskom.
- Zatvorite vrata, pritisnite tipku za uključivanje, kako biste pustili uređaj u rad.
- Izaberite program, nakon čega će se uključiti svjetlo indikacije. Zatim pritisnite tipku Početak/Pauziranje i uređaj za pranje posuda će započeti svoj ciklus.

Mjenjanje programa u toku započetog ciklusa

Ciklus pranja koji je u toku se može promijeniti samo ukoliko nije proteklo mnogo vremena od početka rada uređaja. U suprotnom, uređaj je možda već ubacio deterdžent u ciklus pranja i ispuštao vodu sa sapunicom. U tom slučaju, uređaj je neophodno ponovo podesiti, a posudu za deterdžent dopuniti. Da ponovo podesite uređaj, pratite dolje prikazana uputstva:

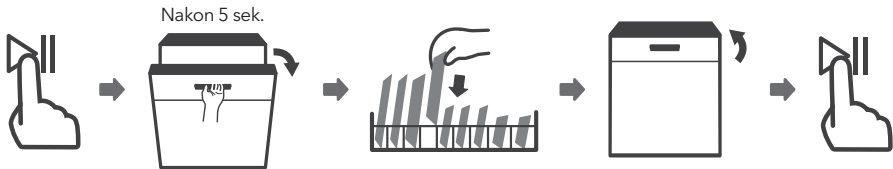
- Pritisnite tipku Početak/Pauziranje kako biste pauzirali ciklus.
- Pritisnite tipku Program u trajanju od preko 3 sekunde. Na taj način ćete opozvati program.
- Pritisnite tipku Program da izaberete željeni program.
- Pritisnite tipku Početak/Pauziranje. Uređaj će nakon 10 sekundi početi raditi.



Zaboravili ste da dodate posudu?

Posudu koju ste zaboravili da stavite u uređaj možete dodati u bilo kom trenutku prije nego što se otvori posuda za deterđent. U tom slučaju, pratite sljedeća uputstva:

1. Pritisnite tipku Početak/Pauziranje kako biste pauzirali ciklus.
2. Pričekajte 5 sekundi, a zatim otvorite vrata.
3. Dodajte posude koje ste zaboravili staviti u uređaj.
4. Zatvorite vrata.
5. Pritisnite tipku Početak/Pauziranje. Uređaj će nakon 10 sekundi početi raditi.



UPOZORENJE!



Opasno je otvarati vrata uređaja u toku započetog ciklusa, jer možete zadobiti opekotine od vrele pare.

OZNAKE GREŠAKA

U slučaju nepravilnog rada, uređaj će biti prikazane oznake grešaka, kojima se identificiraju sljedeći slučajevi:

Oznake	Značenje	Mogući uzroci
Indikator ubrzanog pranja neprekidno treperi	Produženo vrijeme primanja vode.	Slavine nisu odvrnute ili je ulaz vode blokiran ili je pritisak vode prenizak.
Indikator ubrzanog i pranja na 90 minuta neprekidno trepere	Ne može se dostići zadata temperatura.	Neispravan grijač.
Indikator ECO pranja neprekidno treperi	Preljevanje.	Neki dio uređaja propušta vodu.



UPOZORENJE!

- Ukoliko dođe do preljevanja vode, prije nego što pozovete servis, isključite glavni ventil za vodu.
- Ukoliko na dnu mašine ima vode zbog prelijevanja ili manjeg propuštanja vode, prije ponovnog pokretanja uređaja ovu vodu treba ukloniti.

OMEKŠIVAČ VODE

Omekšivač vode se mora ručno podesiti pomoću brojčanika za tvrdoću vode.

Omekšivač vode je napravljen da iz vode ukloni minerale i soli, koji bi inače imali štetno ili nepovoljni utjecaj po rad uređaja.

Što je veći sadržaj minerala u vodi koju koristite, to je ona tvrđa.

Količinu omekšivača treba podesiti prema tvrdoći vode u okrugu u kojem živite. Od lokalnog nadležnog organa zaduženog za vodu možete dobiti informacije u vezi sa tvrdoćom vode u okrugu u kojem živite.

Podešavanje utroška soli

Mašina za pranje posuda je napravljena tako da omogućava podešavanje količine utrošene soli na osnovu tvrdoće vode koja je u upotrebi. Cilj je da se nivo utroška soli optimizira i prilagodi svakom zasebnom slučaju.

Za podešavanje potrošnje soli, pratite sljedeće korake.

1. Uključite uređaj i zatvorite vrata;
2. Zadržite pritisak na gumbu Početak/Pauziranje u trajanju od preko 5 sekundi kako bi se u roku od 60 sekundi od uključivanja uređaja aktivirao režim podešavanja za omekšivač vode;
3. Pritisnite gumb Početak/Pauziranje kako biste izabrali odgovarajuće podešavanje prema sredini u kojoj se nalazite. Podešavanja će se smjenjivati sljedećim redoslijedom:
H1->H2->H3->H4->H5->H6;
4. Pritisnite gumb Uključivanje/Isključivanje kako bi ste napustili režim podešavanja.

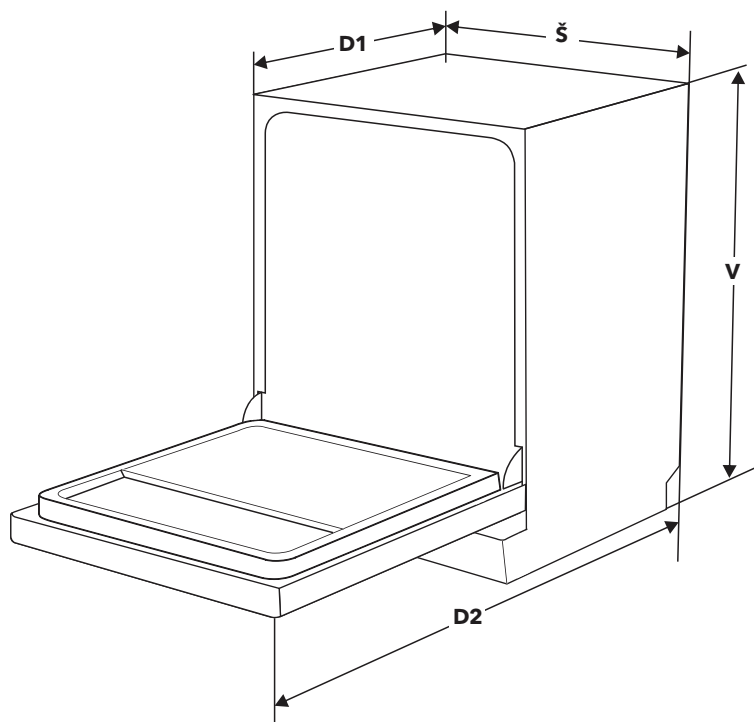
TVRDOĆA VODE				Nivo omekšivača vode	Potrošnja soli (grama/ciklusu)
Njemački °dH	Francuski °fH	Britanski °Clarke	Mmol/l		
0 - 5	0 - 9	0 - 6	0 - 0.94	H1-> Indikatori ubrzanog pranja trepere	0
6 - 11	10 - 20	7 - 14	1.0 - 2.0	H2-> Indikatori 90-minutnog pranja trepere	9
12 - 17	21 - 30	15 - 21	2.1 - 3.0	H3-> Indikatori 90-minutnog i ubrzanog pranja trepere	12
18 - 22	31 - 40	22 - 28	3.1 - 4.0	H4-> Indikatori ECO pranja trepere	20
23 - 34	41 - 60	29 - 42	4.1 - 6.0	H5-> Indikatori ECO i ubrzanog pranja trepere	30
35 - 55	61 - 98	43 - 69	6.1 - 9.8	H6-> Indikatori ECO i 90-minutnog pranja trepere	60

1°dH=1.25 °Clarke=1.78 °fH=0.178mmol/l

Fabričko podešavanje: H3

Za informacije u vezi sa tvrdoćom vode koju koristite, kontaktirajte lokalni nadležni organ zadužen za vodu.

TEHNIČKI PODACI



Visina (H) 845mm

Širina (W) 598mm

Dubina (D1) 600mm (sa zatvorenim vratima)

Dubina (D2) 1175mm (s vratima otvorenim pod uglom od 90°)

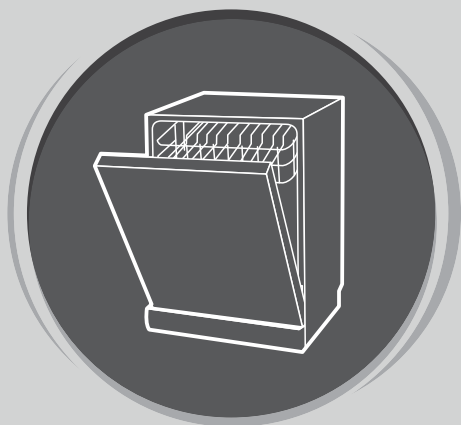
Karakteristike proizvoda

Lista karakteristika mašine za pranje posuda u kućanstvima u skladu sa EU Direktivom 1016/2010 i 1059/2010:

Proizvođač	TESLA
Vrsta/Opis	WD630M
Podešavanja standardnih pozicija	12
Klasa energetske efikasnosti ①	A+
Godišnja potrošnja energije ②	290 kWh
Potrošnja energije tokom standardnog ciklusa pranja	1.02 kWh
Potrošnja energije u režimu isključeno (off)	0.45 W
Potrošnja energije u režimu Ostavljeno uključeno (Left-on)	0.49W
Godišnja potrošnja vode ③	3080 litara
Klasa efikasnosti sušenja ④	A
Standardni ciklus pranja ⑤	ECO 45°C
Trajanje programa tokom standardnog ciklusa pranja	225 min
Nivo buke	52 dB(A) re 1 pW
Montiranje	Samostojeća
Mogućnost ugrađivanja	DA
Utrošak energije	1760-2100W
Nominalni napon / frekvencija	220-240V/50Hz
Pritisak vode (pritisak protoka)	0.04-1.0MPa=0.4-10 bar

NAPOMENA

- ① A + + + (najviši nivo efikasnosti) do D (najniži nivo efikasnosti)
- ② Potrošnja energije na osnovu 280 standardnih ciklusa pranja, uz primanje hladne vode i potrošnju u režimima sa malom snagom. Realna potrošnja energije zavisiće od načina na koji se uređaj upotrebljava.
- ③ Potrošnja vode na osnovu 280 standardnih ciklusa pranja. Realna potrošnja vode zavisiće od načina na koji se uređaj upotrebljava.
- ④ A (najviši nivo efikasnosti) do G (najniži nivo efikasnosti)
- ⑤ Ovaj program je pogodan za pranje normalno zaprjanog posuda i predstavlja najefikasniji program u smislu kombinovane potrošnje energije i vode za pomenuti tip posuda.



MĂȘINA DE SPĂLAT VASE

Manual de
instrucțiuni

PARTEA I: VERSIUNEA GENERALĂ

Citiți cu atenție acest manual înainte de a folosi mașina de spălat vase și
Păstrați acest manual pentru referințe viitoare.

INSTRUCȚIUNI DE SIGURANȚĂ

ATENȚIE!

Când folosiți mașina de spălat vase, urmați precauțiile enumerate mai jos:

- Instalarea și repararea pot fi efectuate numai de către un tehnician calificat
- Acest aparat este destinat să fie utilizat în gospodării și în spații similare, cum ar fi:
 - bucătării personalului din magazine, birouri și alte medii de lucru;
 - case sau ferme;
 - de către clienții din hoteluri, moteluri și alte spații de tip hotel;
 - spații de tip pensiune similare.
- Aparatul poate fi folosit de copii cu peste 8 ani și de persoane cu capacități fizice, senzoriale sau mentale reduse sau lipsă de experiență și cunoștințe, dacă li s-a oferit supraveghere sau instrucțiuni privind utilizarea aparatului într-un mod sigur și înțeleg pericolele implicate. Copiii nu se vor juca cu aparatul. Curățarea și întreținerea dispozitivului nu trebuie făcute de copii fără supraveghere.
- Acest aparat nu este destinat utilizării de către persoane (inclusiv copii) cu capacități fizice, senzoriale sau mentale reduse sau lipsă de experiență și cunoștințe, cu excepția cazului în care au primit o supraveghere sau instrucțiuni cu privire la utilizarea aparatului de către o persoană responsabilă pentru siguranța acestora. (Pentru IEC60335-1)
- Materialul de ambalare poate fi periculos pentru copii!
- Acest aparat este doar pentru uz casnic.
- Pentru a vă proteja împotriva pericolului de electrocutare, nu scufundați unitatea, cablul sau mufa în apă sau alte lichide.
- Vă rugăm să deconectați înainte de a curăța și de a efectua întreținerea pe aparat.
- Folosiți o cârpă moale umezită cu detergent, apoi folosiți o cârpă uscată pentru a șterge din nou.

Instrucțiuni de împământare

- Acest aparat trebuie să fie împământat. În cazul unei defecțiuni, împământarea va reduce riscul de electrocutare, oferind o cale de rezistență minimă pentru curentul electric. Acest aparat este echipat cu un conector pentru împământare.
- Mufa trebuie conectată la o priză adecvată care este instalată și împământată în conformitate cu toate codurile și ordonanțele locale.
- Conectarea necorespunzătoare a conductorului de împământare poate duce la riscul de electrocutare.
- Verificați cu un electrician calificat sau un reprezentant de service dacă aveți îndoieli dacă aparatul este împământat corect.
- Nu modificați ștecherul furnizat împreună cu aparatul
- Trebuie să aveți o priză adecvată de către un electrician calificat.

- Nu folosiți mașina de spălat vase decât dacă toate panourile din carcasă sunt în poziție corectă.
- Deschideți ușa cu atenție dacă mașina de spălat vase funcționează, există riscul ca apa să vă stropească.
- Nu așezați obiecte grele sau stați în picioare pe ușa când este deschisă. Aparatul ar putea să se miște
- La încărcarea vaselor care trebuie spălate:
 1. Plasați obiectele ascuțite astfel încât să nu poată deteriora garnitura ușii;
 2. Avertisment: Cuțitele și alte ustensile cu puncte ascuțite trebuie să fie încărcate în coș cu punctele orientate în jos sau așezate în poziție orizontală.
- Unii detergenți pentru mașina de spălat vase sunt puternic alcalini. Pot fi extrem de periculoase dacă sunt înghițite. Evitați contactul cu pielea și ochii și țineți copiii departe de mașina de spălat vase atunci când ușa este deschisă.
- Verificați dacă cutia de detergent solid este goală după finalizarea ciclului de spălare.
- Nu spălați materialele din plastic decât dacă sunt marcate „Mașina de spălat vase” sau similar
- Pentru articole din plastic care nu sunt marcate, verificați recomandările producătorului.
- Folosiți doar detergenți și agenți de clătire recomandați pentru utilizare într-o mașină de spălat vase automată.
- Nu folosiți niciodată săpun, detergent pentru rufe sau detergent pentru spălarea mâinilor în mașina de spălat vase.
- Ușa nu trebuie lăsată deschisă, deoarece acest lucru ar putea crește riscul de accidentare.
- În cazul în care cablul de alimentare este deteriorat, acesta trebuie înlocuit de către producător sau aserveice-ul autorizat sau de o persoană calificată pentru a evita un pericol.
- În timpul instalării, sursa de alimentare nu trebuie îndoită sau aplatizată excesiv.
- Nu schimbați controalele.
- Aparatul trebuie conectat la robinetul principal de apă folosind seturi noi de furtunuri. Seturile vechi nu trebuie reutilizate.
- Pentru a economisi energie, în modul de așteptare, aparatul se va opri automat atunci când nu există nicio funcționare timp de 30 de minute.

Eliminarea produsului



- Acest produs este conform cu Directiva DEEE a UE (2012/19/UE).
- Acest produs poartă simbolul de clasificare pentru deșeurile de echipamente electrice și electronice (DEEE). Acest produs a fost fabricat cu componente și materiale de calitate ridicată, care pot fi reutilizate și sunt potrivite pentru a fi reciclate. La sfârșitul duratei de viață a produsului, nu îl eliminați împreună cu deșeurile casnice sau alte tipuri de deșeurile. Transportați-l la un centru de colectare pentru reciclarea echipamentului electric și electronic. Vă

rugăm să consultați autoritățile locale pentru a afla locația centrelor de colectare.

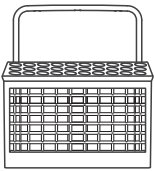
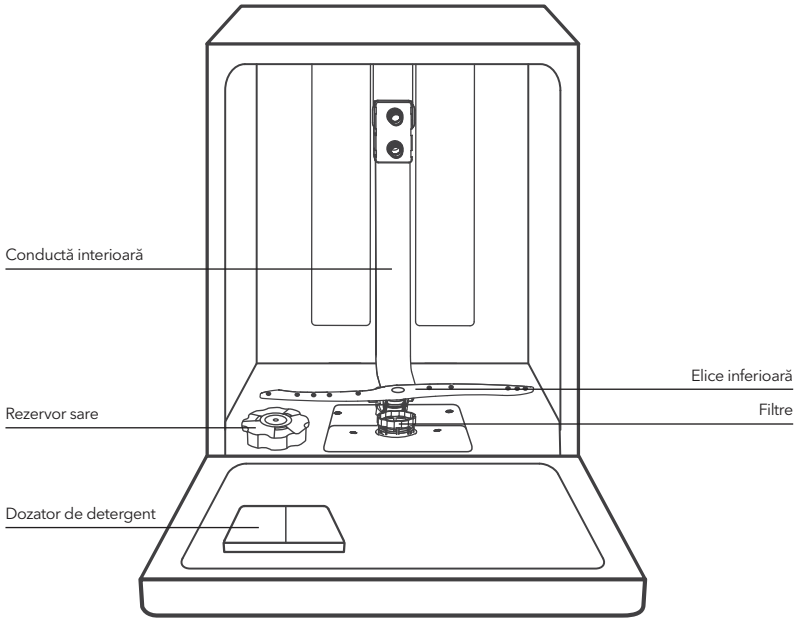
- Pentru informații mai detaliate despre reciclarea acestui produs, vă rugăm să contactați autoritatea locală a orașului și serviciul de eliminare a deșeurilor menajere.

- **ELIMINARE: Nu aruncați acest produs ca deșeurii municipale nesortate. Este necesară colectarea acestor deșeurii separat pentru tratarea specială.**

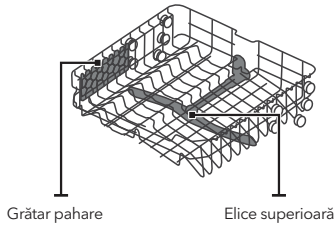
PREZENTAREA PRODUSULUI

! IMPORTANT

Pentru a obține cele mai bune performanțe de la mașina de spălat vase, citiți toate instrucțiunile de utilizare înainte de a o utiliza pentru prima dată.



Coș tacâmuri



Grătar pahare

Elice superioară

Coș superior



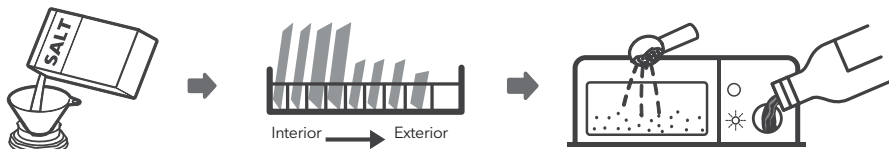
Coș inferior

☰ NOTĂ

Imaginile sunt doar pentru referință; modelele pot fi diferite.

UTILIZAREA MAȘINII DE SPĂLAT VASE

Înainte de utilizarea mașinii de spălat vase:



1. Setezi dozatorul pentru detergentul de clătire
2. Adăugați sare în rezervorul de sare
3. Încărcați coșurile cu vase
4. Adăugați detergent

NOTĂ

Vă rugăm să verificați secțiunea 1 „Detergent de clătire: din PARTEA II: Versiune specială, Dacă doriți să setați detergentul de dedurizare

Încărcarea sării în rezervor

NOTĂ

Dacă modelul dvs. nu are niciun compartiment pentru sare, puteți săriți această secțiune. Utilizați întotdeauna sare destinată utilizării mașinii de spălat vase. Recipientul de sare este situat sub coșul inferior și trebuie umplut așa cum este explicat în următoarele:

ATENȚIE!

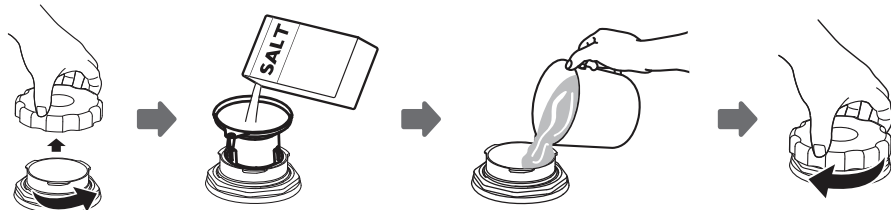
• Folosiți numai sare special concepută pentru utilizarea mașinilor de spălat vase!

Orice alt tip de sare care nu este conceput special pentru utilizarea mașinii de spălat vase, în special sarea de masă, va deteriora compartimentul de dedurizare a apei. În cazul daunelor cauzate de utilizarea sării necorespunzătoare, producătorul nu oferă nicio garanție și nici nu este responsabil pentru daunele cauzate

• Umpleți cu sare numai înainte de a rula un ciclu.

Acest lucru va împiedica orice parte din sare sau apă sărată, care ar putea fi vărsată, rămânând pe fundul mașinii pentru orice perioadă de timp, care poate provoca coroziune.

Vă rugăm să urmați pașii de mai jos pentru adăugarea de sare pentru mașina de spălat vase:



1. Scoateți coșul inferior și deșurubați capacul rezervorului.
2. Introduceți capătul pâlniei (furnizat) în orificiu și turnați aproximativ 1,5 kg de sare pentru mașina de spălat vase.
3. Umpleți recipientul cu sare până la limita maximă cu apă, este normal ca o cantitate mică de apă să iasă din recipientul de sare.
4. După umplerea recipientului, înșurubați capacul înapoi.
5. LED-ul de avertizare pentru sare va înceta să clipească după ce recipientul cu sare a fost umplut.
6. Imediat după umplerea sării în recipientul cu sare, trebuie început un program de spălare (Vă recomandăm să folosiți un program scurt). În caz contrar, sistemul de filtrare, pompa sau alte părți importante ale mașinii pot fi deteriorate de apă sărată. Acest lucru este nul la garanție.

NOTĂ

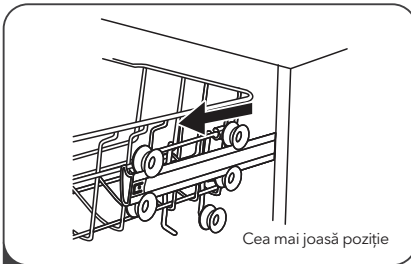
- Recipientul de sare trebuie reumplut numai atunci când se aprinde indicatorul de sare (☞) din panoul de control. În funcție de cât de bine se dizolvă sarea, LED-ul de avertizare al sării poate fi aprins chiar dacă recipientul de sare este umplut.
Dacă nu există nicio lumină de avertizare pentru sare în panoul de control (pentru unele modele), puteți estima când să completați sarea în rezervor prin ciclurile pe care le-a desfășurat mașina de spălat vase.
- Dacă s-a vărsat sare, executați un program clătire sau rapid pentru a se elimina.

Coș - sfaturi pentru utilizator

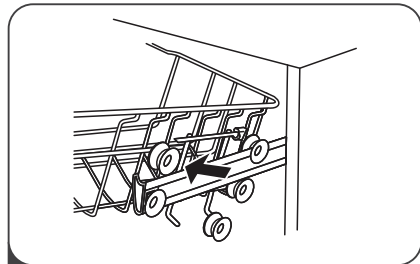
Reglarea coșului superior

Tip 1:

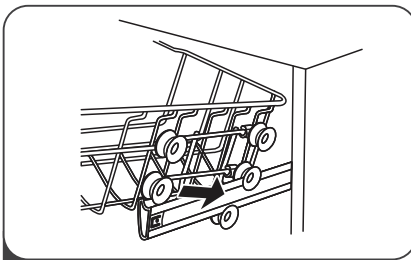
Înălțimea coșului superior poate fi ajustată cu ușurință pentru a pune vase mai înalte, fie în coșul superior sau inferior. Pentru a regla înălțimea coșului superior, urmați acești pași:



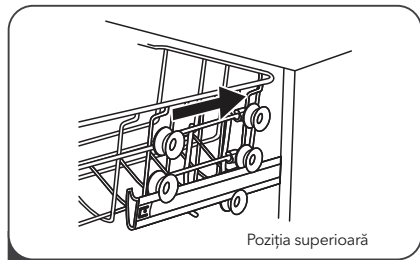
1 Trageți coșul superior.



2 Scoateți coșul superior.

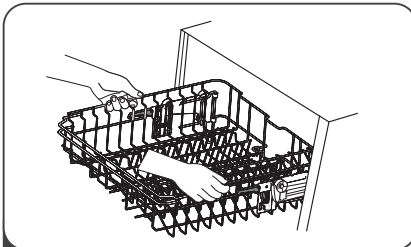


3 Re-atașați coșul superior pe roțile superioare sau inferioare.

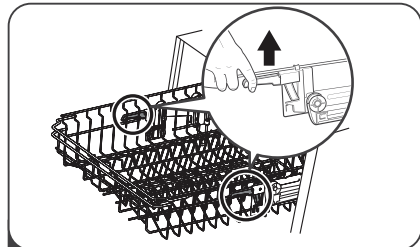


4 Push in upper basket.

Tip 2:



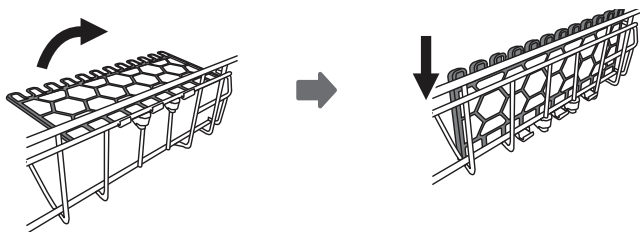
1 Pentru a ridica coșul în poziția superioară, ridicați coșul până când ambele părți sunt la aceeași înălțime. Coșul se va fixa.



2 Pentru a coborî coșul, apăsați în jos pe mâner și eliberați.

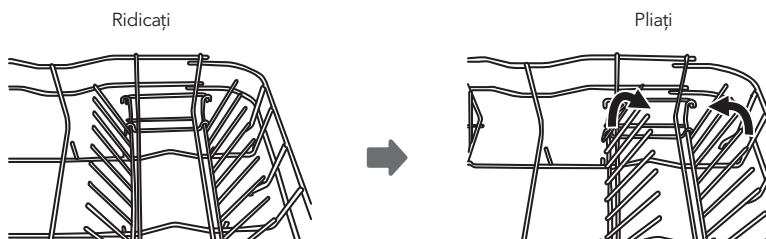
Plierea suportului de pahare/căni

Pentru a face loc obiectelor mai înalte din coșul mașinii de spălat vase, ridicați suportul pentru pahare în sus. Puteți apoi apleca paharele înalte. Le puteți elimina, de asemenea, atunci când nu sunt necesare pentru utilizare



Plierea suportului de vase

Vârfurile sunt utilizate pentru susținerea farfuriilor. Pot fi pliate pentru a face mai mult loc obiectelor mari.



ÎNȚREȚINERE ȘI CURĂȚARE

Îngrijire externă

Ușa și garnitura ușii

Curățați garnitura ușii în mod regulat cu o cârpă moale umedă pentru a îndepărta depozitele de alimente. Atunci când mașina de spălat vase este încărcată, reziduurile de mâncare și băutură pot picura pe părțile laterale ale ușii mașinii de spălat vase. Aceste suprafețe se află în afara dulapului de spălare și nu sunt accesate de apă de la brațele de pulverizare. Orice depuneri trebuie șterse înainte de închiderea ușii.

Panoul de Control

Dacă este necesară curățarea, panoul de control trebuie șters DOAR cu o cârpă moale umedă.



ATENȚIE!

- Pentru a evita pătrunderea apei în încuietorea ușii și a componentelor electrice, nu folosiți un produs de curățare prin pulverizare de niciun fel.
- Nu folosiți niciodată produse de curățare abrazive sau plăcuțe de curățare pe suprafețele exterioare, deoarece acestea pot zgâria finisajul. Unele prosoape de hârtie pot, de asemenea, să zgârie sau să lase urme pe această suprafață

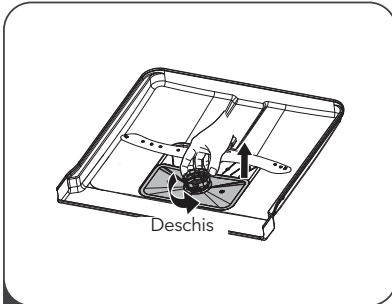
Îngrijire internă

Sistem de filtrare

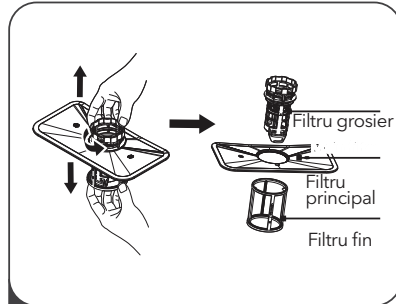
Sistemul de filtrare de la baza interiorului mașinii de spălat reține resturile grosiere din ciclul de spălare. Resturile grosiere colectate pot determina blocarea filtrelor. Verificați starea filtrelor în mod regulat și curățați-le, dacă este necesar, sub jet de apă. Uрмаți pașii de mai jos pentru a curăța filtrele din mașina de spălat

 **NOTĂ**

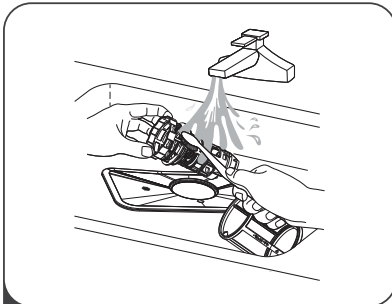
Imaginile sunt doar pentru referință; modelele pot fi diferite.



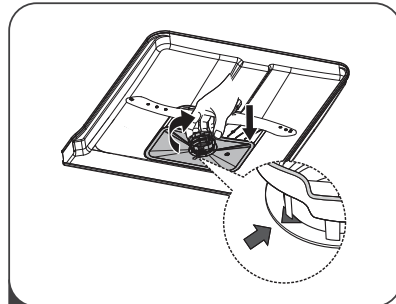
- 1** Țineți filtrul grosier și rotiți-l în sens invers acelor de ceasornic pentru a debloca filtrul. Ridicați filtrul în sus și în afara mașinii de spălat vase



- 2** Filtrul fin poate fi extras de pe partea inferioară a ansamblului filtrului. Filtrul grosier poate fi detașat de filtrul principal prin strângerea ușoară a filetelor în partea de sus și scoaterea acestuia



- 3** Resturile alimentare mai mari pot fi curățate prin clătirea filtrului sub jet de apă. Pentru o curățare mai minuțioasă, utilizați o perie moale de curățare.



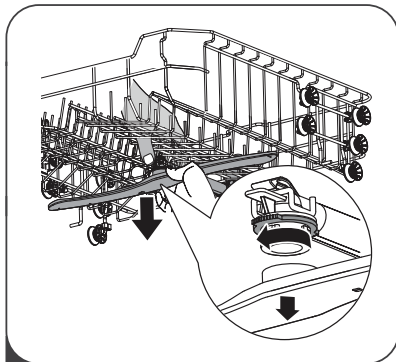
- 4** Reasamblați filtrele în ordinea inversă dezasamblării, înlocuiți inserția de filtru și rotiți în sens orar până la săgeata închisă.

 **ATENȚIE!**

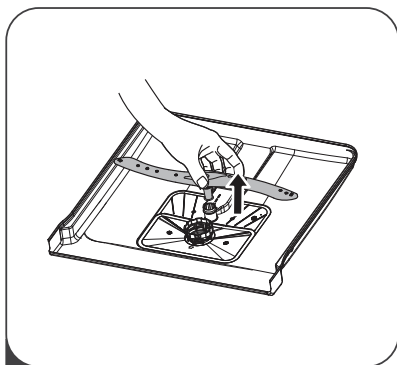
- Nu strângeți prea mult filtrele. Puneți filtrele înapoi în secvență în siguranță, în caz contrar, resturile grosiere ar putea intra în sistem și pot provoca un blocaj.
- Niciodată nu folosiți mașina de spălat vase fără filtre. Înlocuirea necorespunzătoare a filtrului poate reduce nivelul de performanță al aparatului și poate deteriora vasele și ustensilele.

Elice

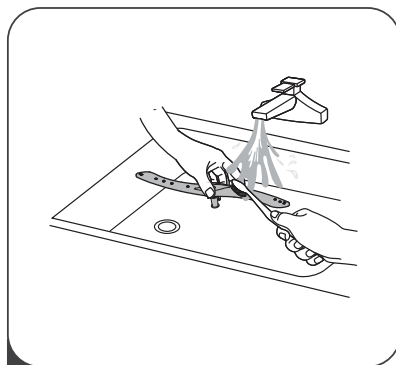
Este necesar să curățați regulat elicele pentru jeturi și rulmenți pentru elice. Pentru a curăța elicele, urmați instrucțiunile:



- 1** Pentru a îndepărta elicea superioară, țineți piulița în centru și rotiți elica în sens invers acelor de ceasornic pentru a o scoate.



2 Pentru a scoate elicea inferioară, scoateți elicea în sus.



3 Spălați elicele în apă cu săpun, caldă folosind o perie moale pentru a curăța rezidurile. Înlocuiți-le după clătirea completă.

Îngrijirea mașinii de spălat vase

Măsuri împotriva înghețului

Vă rugăm să luați măsuri de protecție împotriva înghețului pentru mașina de spălat vase pe timp de iarnă. După fiecare ciclu de spălare, vă rugăm să acționați după cum urmează:

1. Opriti energia electrică la mașina de spălat vase de la sursa de alimentare.
2. Opriti alimentarea cu apă și deconectați conducta de intrare a apei de la supapa de apă.
3. Scurgeți apa de la conducta de admisie și de la robinetul de apă. (Folosiți o tigaie pentru a aduna apa)
4. Reconectați conducta de admisie a apei la supapa de apă.
5. Îndepărtați filtrul din partea de jos a mașinii și folosiți un burete pentru a scoate apă.

După fiecare spălare

După fiecare spălare, opriti alimentarea cu apă a mașinii și lăsați ușa ușor deschisă astfel încât umiditatea și mirosurile să nu fie blocate în interior.

Scoateți ștecherul

Înainte de a curăța sau de a efectua întreținerea, scoateți întotdeauna ștecherul din priză.

Fără solvenți sau curățare abrazivă

Pentru a curăța părțile exterioare și de cauciuc ale mașinii de spălat vase, nu utilizați solvenți sau produse de curățare abrazive.

Folosiți numai o cârpă cu apă caldă și detergent.

Pentru a îndepărta petele de pe suprafața interiorului, folosiți o cârpă umezită cu apă și puțină oțet sau un produs de curățare realizat special pentru mașinile de spălat vase.

Când nu este folosită mașina pentru o lungă perioadă de timp

Este recomandat să efectuați un ciclu de spălare cu mașina de spălat vase goală și apoi scoateți ștecherul din priză, opriti alimentarea cu apă și lăsați ușa aparatului ușor deschis. Acest lucru va ajuta sigiliile ușii să se păstreze mai mult și va împiedica formarea mirosurilor în interiorul aparatului.

Mutarea mașinii de spălat vase

Dacă mașina de spălat vase trebuie mutată, încercați să o mențineți în poziție verticală. Dacă este absolut necesar, poate fi poziționată pe spate.

INSTRUCȚIUNI DE INSTALARE

⚠ ATENȚIE!



Pericol de șoc electric

Deconectați energia electrică înainte de a instala mașina de spălat vase.
Nerespectarea acestui lucru poate duce la moarte sau șoc electric.

⚠ IMPORTANT

Instalarea conductelor și a echipamentelor electrice ar trebui să fie făcută de persoane profesioniște.

Alimentarea la curent electric

⚠ ATENȚIE!

Pentru siguranță personală:

- Nu folosiți un prelungitor
- În niciun caz nu tăiați și nu scoateți conexiunea la împământare de pe cablul de alimentare.

Cerințe electrice

Vă rugăm să consultați eticheta de rating pentru a cunoaște tensiunea de rating și conectați mașina de spălat vase la sursa de alimentare corespunzătoare. Folosiți siguranța necesară 10A / 13A / 16A, siguranța cu întârziere sau întrerupătorul de circuit recomandat și asigurați un circuit separat care servește numai acestui aparat.

Conexiunea electrică

Asigurați-vă că tensiunea și frecvența puterii corespund cu cele de pe placa nominală. Introduceți numai ștecherul într-o priză electrică care este împământată corect. Dacă priza electrică la care trebuie conectat aparatul nu este adecvată pentru priză, înlocuiți priza, mai degrabă decât să folosiți un adaptor sau altele asemenea, deoarece acestea ar putea provoca supraîncălzire și arsuri.

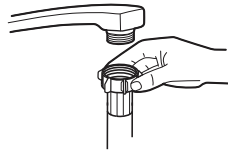
⚠ **Asigurați-vă că există o împământare adecvată înainte de utilizare.**

Alimentarea cu apă și Scurgerea

Conectarea la apă rece

Conectați furtunul de alimentare cu apă rece la un conector filetat de 3/4 (inch) și asigurați-vă că acesta este fixat bine.

Dacă conductele de apă sunt noi sau nu au fost utilizate pentru o perioadă lungă de timp, lăsați apa să curgă pentru a vă asigura că apa este limpede. Această precauție este necesară pentru a evita riscul ca alimentarea apei.



Furtun de alimentare obișnuit



Furtunul de alimentare cu siguranță

Despre furtunul de alimentare cu siguranță

Furtunul de alimentare cu siguranță este format din pereți dubli. Sistemul furtunului garantează intervenția sa prin blocarea fluxului de apă în cazul rușii furtunului de alimentare și când spațiul de aer dintre furtunul de alimentare în sine și furtunul ondulat exterior este plin de apă.

⚠ ATENȚIE!

Un furtun care se atașează la un spray de chiuvetă poate izbucni dacă este instalat pe aceeași linie de apă ca mașina de spălat vase. Dacă chiuveta are una, se recomandă ca furtunul să fie deconectat.

Cum să conectați furtunul de alimentare cu siguranță

1. Scoateți complet furtunurile de alimentare cu siguranță din compartimentul de depozitare situat în partea din spate a mașinii de spălat vase.
2. Strângeți șuruburile furtunului de alimentare cu siguranță la robinet cu fir de 3 / 4inch.
3. Porniți la maxim apa înainte de a porni mașina de spălat vase.

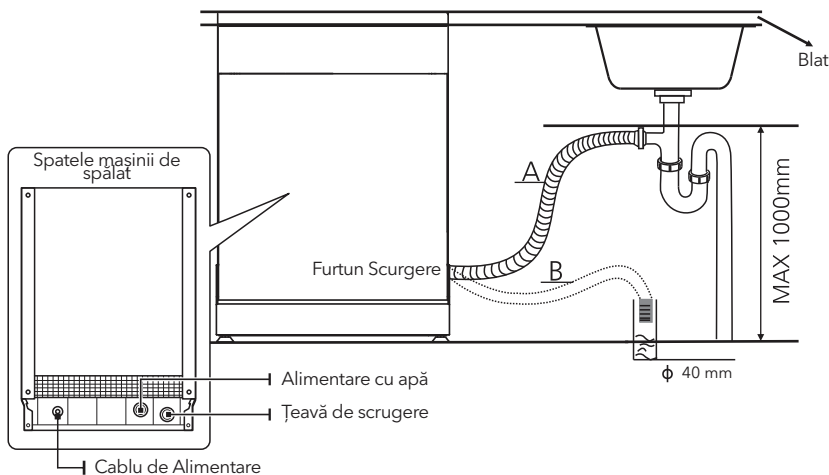
Cum să deconectați furtunul de alimentare cu siguranță

1. Opriți apa.
2. Deșurbați furtunul de alimentare de siguranță de la robinet.

Conectarea Furtunului de Scurgere

Introduceți furtunul de scurgere într-o conductă de scurgere cu un diametru de minim de 4 cm sau lăsați-l să curgă în chiuvetă, asigurându-vă că evitați îndoirea sau sertizarea acestuia. Înălțimea conductei de scurgere trebuie să fie mai mică de 1000mm. Capătul liber al furtunului nu trebuie scufundat în apă pentru a evita curgerea înapoi.

⚠ă rugăm să fixați sigur furtunul de evacuare în poziția A sau în poziția B

**Cum se scurge excesul de apă din furtun**

Dacă chiuveta este cu 1000 mai înaltă de podea, excesul de apă din furtun nu poate fi evacuat direct în chiuvetă. Va fi necesar să scurgeți excesul de apă din furtun într-un vas sau recipient adecvat, care este ținut afară și mai jos decât chiuveta.

Scurgerea apei

Conectați furtunul de scurgere a apei. Furtunul de golire trebuie montat corect pentru a evita scurgeri de apă. Asigurați-vă că furtunul de scurgere a apei nu este zgâriat sau stropit.

Furtun extensibil

Dacă aveți nevoie de o extensie a furtunului de scurgere, asigurați-vă că folosiți un furtun similar. Trebuie să nu depășească 4 metri; altfel, efectul de curățare al mașinii de spălat vase ar putea fi redus.

Conexiune cu sifon

Racordul la deșeuri trebuie să fie la o înălțime mai mică de 100 cm (maxim) de la baza vasului. Furtunul de scurgere a apei trebuie să fie fixat.

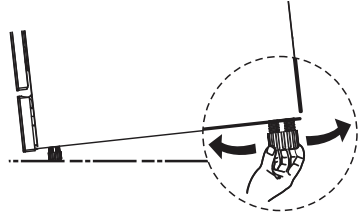
Poziționarea Mașinii de Spălat

Poziționează aparatul în locația dorită. Spatele trebuie să se sprijine de peretele din spatele său, iar părțile laterale, de-a lungul dulapurilor sau pereților adiacenți. Mașina de spălat vase este echipată cu furtunuri de alimentare cu apă și de scurgere care pot fi poziționate fie pe partea dreaptă, fie pe partea stângă, pentru a facilita instalarea corectă.

Stabilizarea mașinii de spălat

Odată ce aparatul este poziționat pentru nivelare, înălțimea a mașinii de spălat vase poate fi modificată prin reglarea înșurubarea nivelului picioarelor.

În orice caz, aparatul nu trebuie să fie înclinat mai mult de 2°.



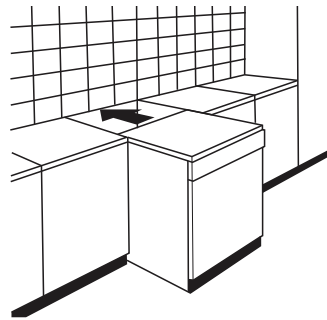
NOTĂ

Se aplică numai la mașina de spălat independentă.

Instalare în picioare

Montarea între dulapurile existente

Înălțimea mașinii de spălat vase, 845 mm, a fost proiectat pentru a permite montarea mașinii între dulapurile existente de aceeași înălțime în bucătării moderne deja montate. Picioarele pot fi reglate astfel încât să atingă înălțimea corectă. Partea laminată a mașinii nu necesită orice îngrijire specială, deoarece este rezistent la căldură, antigrafiu și rezistență la pete.

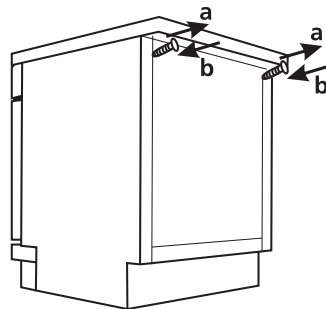


Sub blatul de lucru existent

(când se montează sub un blat de lucru)

În cele mai multe bucătării moderne, există un singur blat de lucru sub care sunt montate dulapuri și aparate electrice.

În acest caz, îndepărtați partea de lucru a mașinii de spălat vase deșurubând șuruburile sub marginea din spate a părții superioare (a).



! IMPORTANT

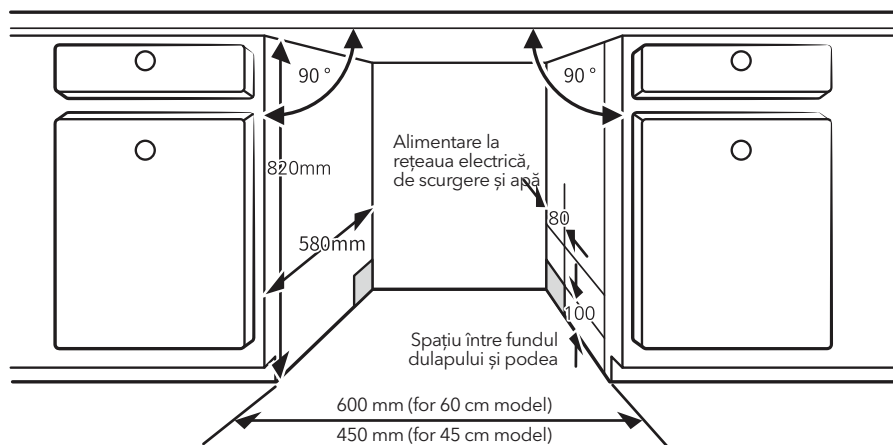
După scoaterea blatului de lucru, șuruburile TREBUIE SĂ se înșurubeze din nou sub marginea din spate a vârfului (b). Înălțimea va fi apoi redusă la 815 mm, așa cum este stabilit de Regulamentul internațional (ISO), iar mașina de spălat vase se va potrivi perfect sub blatul de lucru al bucătăriei.

Instalare încorporată (pentru modelul încorporat)

Pasul 1. Selectarea celei mai bune locații pentru mașina de spălat vase

Poziția de instalare a mașinii de spălat vase trebuie să fie aproape de furtunurile de alimentare și de scurgere existente și de cablul de alimentare. Ilustrații despre dimensiunile dulapului și poziția de instalare a mașinii de spălat vase.

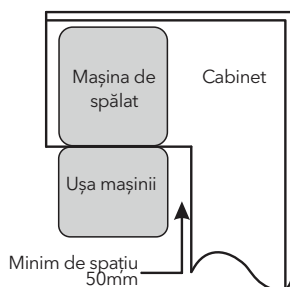
1. Mai puțin de 5 mm între partea de sus a mașinii de spălat vase și dulap și ușa exterioră aliniată la dulap.



2. Dacă mașina de spălat vase este instalată la colțul dulapului, ar trebui să rămână ceva spațiu pentru deschiderea ușii.

NOTĂ

În funcție de locul unde se află priză electrică, poate fi necesar să faceți o gaură în partea opusă a dulapului.



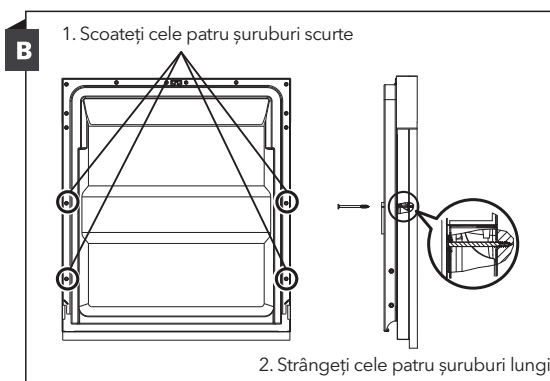
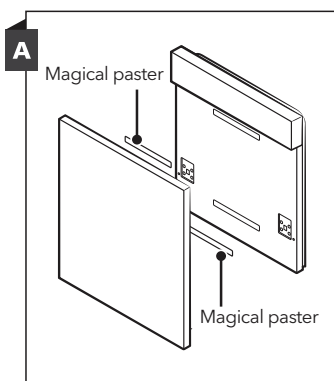
Pasul 2. Dimensiunile și instalarea panoului estetic

NOTĂ

Panoul estetic din lemn poate fi procesat conform desenelor de instalare.

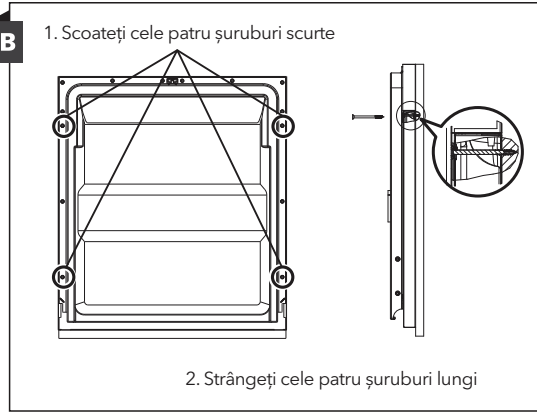
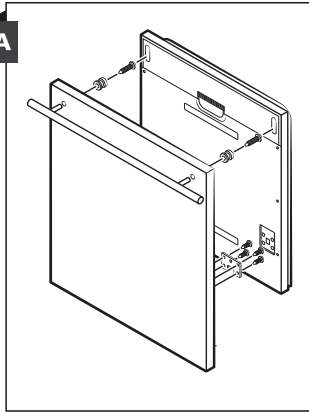
Model semi-integrat

- Conectorul A și conectorul B pot fi montate după cum urmează: conectorul A pe panoul estetic din lemn și conectorul B de pe ușa exterioară a mașinii de spălat vase (vezi figura A). După poziționarea panoului, fixați panoul pe ușa exterioară cu șuruburi (Vezi figura B).



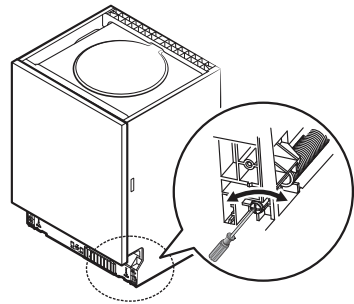
Model integrat

Montați cârligul pe panoul estetic din lemn și puneți cârligul în fanta ușii exterioare a mașinii de spălat vase (a se vedea figura A). După poziționarea panoului, fixați panoul pe ușa exterioară cu șuruburi (Vezi figura B).



Pasul 3. Reglarea tensiunii ușii

1. Arcurile ușilor sunt reglate la fabrică la tensiunea corespunzătoare pentru ușa exterioară. Dacă este instalat un panou estetic din lemn, va trebui să reglați tensiunea arcului ușii. Rotiți șurubul de reglare pentru a conduce reglarea la încordarea sau relaxarea cablului de oțel.
2. Tensiunea arcului ușii este corectă atunci când ușa rămâne orizontală în poziția complet deschisă, dar se ridică cu ușoara ridicare a degetului.

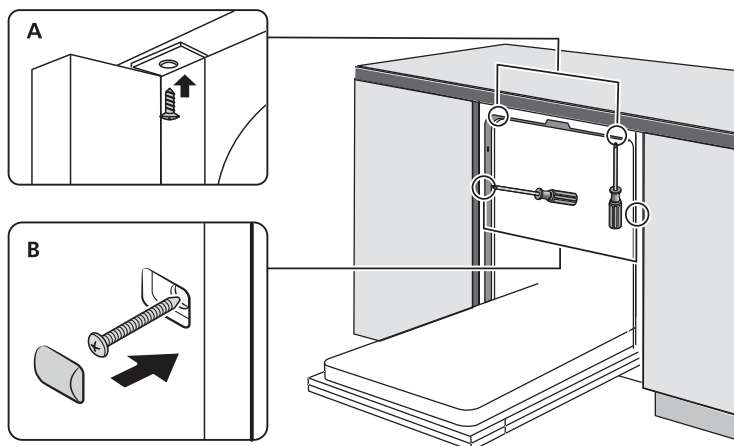


Pasul 4. Etapele de instalare a mașinii de spălat vase

NOTĂ

Vă rugăm să consultați etapele de instalare specificate în desenele de instalare.

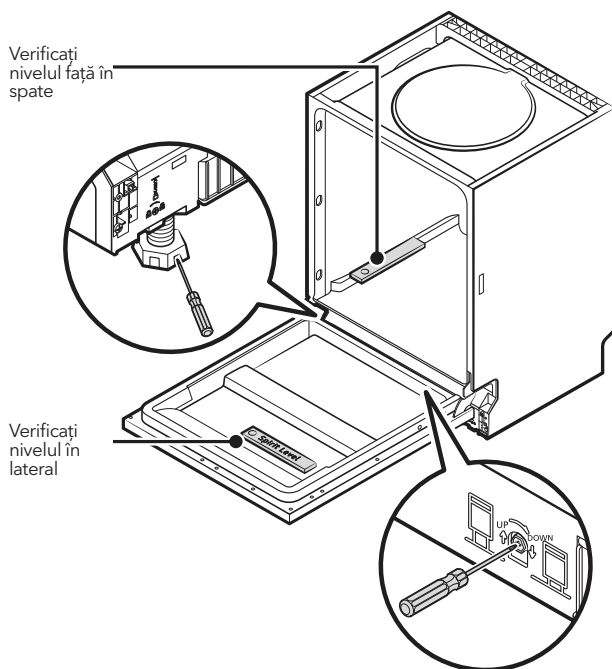
1. Fixați banda de condens sub suprafața de lucru a dulapului. Vă rugăm să vă asigurați că banda de condensare este aliniată la marginea suprafeței de lucru. (Pasul 2)
2. Conectați furtunul de intrare la alimentarea cu apă rece.
3. Conectați furtunul de scurgere.
4. Conectați cablul de alimentare.
5. Puneți mașina de spălat vase în poziție. (Pasul 4)
6. Stabilizați mașina de spălat vase. Mâncarea din spate poate fi reglată din fața mașinii de spălat vase prin rotirea șurubului Philips în mijlocul bazei mașinii de spălat vase, folosind o șurubelniță Philips. Pentru a regla picioarele din față, utilizați o șurubelniță dreaptă și rotiți picioarele din față până când mașina de spălat vase este stabilizată. (Pasul 5 la Pasul 6)
7. Instalați ușa mobilierului pe ușa exterioară a mașinii de spălat vase. (Pasul 7 - Pasul 10)
8. Reglați tensiunea arcurilor ușii utilizând o cheie Allen care se rotește într-o mișcare în sensul acelor de ceasornic pentru a strânge arcurile ușii stânga și dreapta. Nerespectarea acestui lucru poate provoca deteriorarea mașinii de spălat vase. (Pasul 11)
9. Mașina de spălat vase trebuie să fie asigurată în locul poziționării. Există două moduri de a face acest lucru:
R: Suprafață normală de lucru: introduceți cârligul de instalare în fanta planului lateral și fixați-l pe suprafața de lucru cu șuruburile din lemn.
B. Blat de lucru din marmură sau granit: fixați partea cu șurub.



Pasul 5. Stabilizarea mașinii de spălat vase

Mașina de spălat vase trebuie să fie stabilizată pentru funcționarea corectă a suportului de vase și performanțe de spălare corecte.

1. Verificați pe ușă și șina în interior, așa cum este indicat pentru a verifica dacă mașina de spălat vase este la nivel.
2. Stabilizați mașina de spălat vase reglând individual cele trei nivele.
3. Când stabiliți mașina de spălat vase, vă rugăm să acordați atenție.



NOTĂ

Înălțimea maximă de reglare a picioarelor este de 50 mm.

SFATURI DE DIAGNOSTICARE

Înainte de a apela la service-ul autorizat

Revizuirea graficelor din paginile următoare vă poate salva să apelați la service.

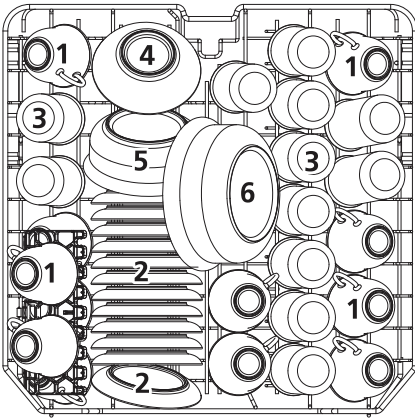
Problemă	Cauză Posibilă	Soluție
Mașina de spălat vase nu pornește	Siguranță arsă sau sau întrerupătorul nu s-a declanșat	Înlocuiți siguranța sau reșetați întrerupătorul. Îndepărtați orice alte aparate care au același circuit cu mașina de spălat vase.
	Alimentarea nu este pornită.	Asigurați-vă că mașina de spălat vase este pornită și ușa este închisă. Asigurați-vă că cablul de alimentare este bine conectat la priza de perete.
	Presiunea apei este scăzută	Verificați dacă alimentarea cu apă este corectă și că apa este pornită.
	Ușa mașinii de spălat vase nu este bine închisă.	Asigurați-vă că închideți ușa în mod corespunzător.
Apa care nu este pompată din mașina de spălat vase	Furtun de scurgere răsucit sau blocat.	Verificați furtunul de scurgere.
	Filtrul înfundat.	Verificați filtrul.
	Chiuveta de bucătărie înfundată.	Verificați chiuveta de bucătărie pentru a vă asigura că se scurge bine. Dacă problema este chiuveta de bucătărie care nu se scurge, este posibil să aveți nevoie de un instalator, mai degrabă decât de un serviciu pentru mașinile de spălat vase.
Spumă în interior	Detergent greșit.	Folosiți numai detergent special pentru mașina de spălat vase pentru a evita apariția. În acest caz, deschideți mașina de spălat vase și lăsați spuma să se evapore. Adăugați 1 l de apă rece pe fundul mașinii de spălat vase. Închideți ușa mașinii de spălat vase, apoi selectați orice ciclu. Inițial, mașina de spălat vase va scurge apa. Deschideți ușa după ce etapa de scurgere este completă și verificați dacă spuma a dispărut. Repetați dacă este necesar.
	Lichid de clătire vărsat	Ștergeți întotdeauna scurgerile lichidului de clătire
Interiorul cuvei pătat	Este posibil să fi fost folosit detergent cu colorant	Asigurați-vă că detergentul nu are colorant.
Pete albe pe suprafața interioară	Apă dură	Pentru a curăța interiorul, folosiți un burete umed cu detergent pentru mașina de spălat vase și purtați mănuși de cauciuc. Nu folosiți niciodată alt produs de curățare decât detergentul pentru mașina de spălat vase, în caz contrar, acesta poate cauza spumă

Problemă	Cauză Posibilă	Soluție
Pe tacâmuri există pete de rugină	Articolele afectate nu sunt rezistente la coroziune.	Evitați spălarea obiectelor care nu rezistă în mașina de spălat.
	Un program nu a fost rulat după ce sa adăugat sare de mașină de spălat vase. Urmele de sare au ajuns în ciclul de spălare.	Rulați întotdeauna un program de spălare fără veselă după adăugarea de sare. Nu selectați funcția Turbo (dacă există).
	Capacul de la lichidul de clătire este liber.	Verificați capacul de la lichidul de clătire
Zgomot puternic în mașina de spălat vase	O elice se lovește de un produs din mașină	Întrepeți programul și rearanjați elementele care blochează elicea.
Zgomot ciudat în mașina de spălat vase	Articolele de vesela sunt libere în mașina de spalato vase.	Întrepeți programul și rearanjați articolele de veselă.
Zgomot în conductele de apă	Aceasta poate fi cauzată de instalarea propriu-zisă sau de secțiunea transversală a conductelor.	Aceasta nu are nicio influență asupra funcției de spălat vase. Dacă aveți îndoieli, contactați un instalator
Vasele nu sunt curate	Vasele nu au fost încărcate corect.	Consultați notele din „Încărcarea și descărcarea mașinii de spălat vase”.
	Programul nu a fost suficient de puternic.	Selectați un program mai intensiv
	Nu a fost folosit suficient detergent	Folosiți mai mult detergent sau schimbați detergentul.
	Elementele blochează mișcarea elicele	Reorganizați elementele astfel încât elicele să se poată roti liber.
	Combi-nația de filtru nu este curată sau nu este montată corect în baza dulapului de spălare. Acest lucru poate determina blocarea jeturilor elicelor	Curățați și potriviți corect filtrul. Curățați elicele
Pahare pătate	Combi-nație de lichid de clătire și prea mult detergent.	Folosiți mai puțin detergent dacă aveți apă moale și selectați un ciclu mai scurt pentru a spăla sticla și pentru a le curăța.
Pete albe pe farfuri și pahare	Apa dură poate provoca depuneri de calcar.	Adăugați mai mult detergent.
Semnele negre sau gri pe vase	Ustensilele din aluminiu s-au frecat de vase	Folosiți un produs de curățare abraziv ușor pentru a elimina aceste semne.
Detergentul rămas în dozator	Vasele blochează dozatorul de detergent	Reîncărcați vasele în mod corespunzător.
Vasele nu se usucă	Încărcare incorectă	Încărcați mașina de spălat vase conform indicațiilor din instrucțiuni.
	Vasele sunt scoase prea devreme	Nu goliți mașina de spălat vase imediat după spălare. Deschide ușa ușor, astfel încât aburul să poată ieși. Scoateți vasele până când temperatura interioară este sigură de atingere. Descărcați mai întâi coșul inferior pentru a preveni căderea apei din coșul superior.

Problemă	Cauză Posibilă	Soluție
Vasele nu se uscă	A fost selectat programul greșit.	Cu un program scurt, temperatura de spălare este mai scăzută, scăzând performanțele de curățare. Alegeți un program cu o perioadă lungă de spălare.
	Utilizarea tacâmurilor cu o acoperire de calitate scăzută.	Drenarea apei este mai dificilă cu aceste elemente. Tacâmurile sau vasele de acest tip nu sunt potrivite pentru spălarea în mașina de spălat vase.

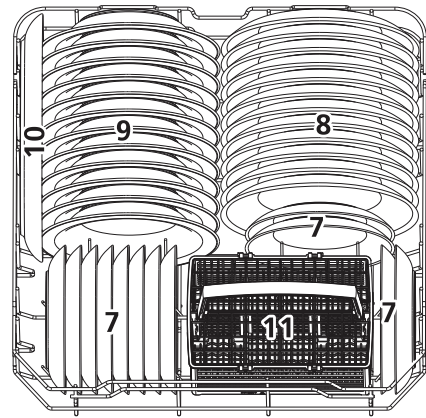
ÎNCĂRCAREA COȘURILOR ÎN ACORD CU EN50242

1. Coșul superior:



Număr	Item
1	Căni
2	Farfurii
3	Pahare
4	Bol mic de servire
5	Bol mediu de servire
6	Bol mare de servire

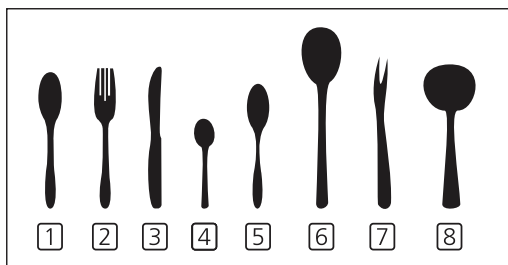
2. Coșul inferior:



Număr	Item
7	Farfurii de desert
8	Farfurii pentru cină
9	Farfurii pentru supă
10	Platou oval
11	Coș de tacâmuri

3. Coș de tacâmuri:

1	2	1		4	4	4	4	4	4		1	2	1
2	2	2			8			7		3	3		2
1	2	1		4	4	4	4	4	4		1	3	1
1	2	1		5	5	5	5	5	5		3	3	3
2	2	2			3			3		3	3	3	3
1	2	1		5	5	5	5	5	5		6		6



Informații pentru testele de comparabilitate în conformitate cu EN 50242

Capacitate: 12 setări

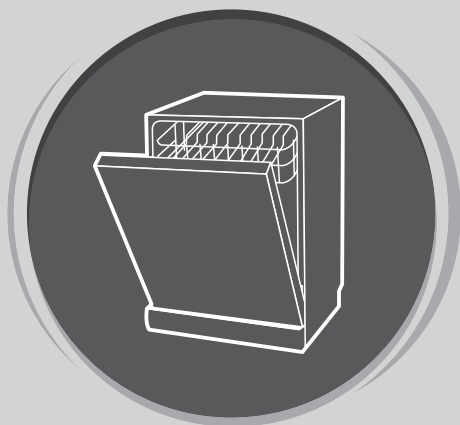
Poziția coșului superior: poziție inferioară

Program: ECO

Setarea ajutorului de clătire: 6

Setare de dedurizare: H3

Număr	Item
1	Linguri de supă
2	Furculițe
3	Cuțițe
4	Lingurițe
5	Linguri de desert
6	Linguri de servire
7	Furculițe de servire
8	Polonice



MAȘINA DE SPĂLAT VASE

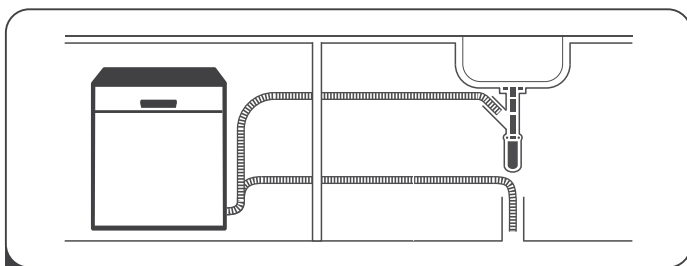
Manual de
instrucțiuni

**PARTEA II: VERSIUNE SPECI
WD630M**

Citiți cu atenție acest manual înainte de a folosi mașina de spălat vase și
Păstrați acest manual pentru referințe viitoare.

GHID DE UTILIZARE RAPID

Vă rugăm să citiți conținutul corespunzător din manualul de instrucțiuni pentru o metodă de operare detaliată.

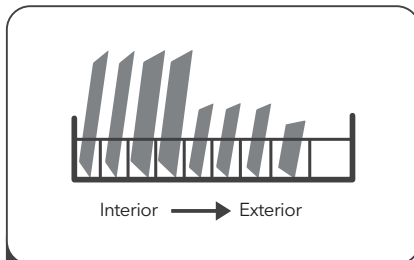


1 Instalați mașina de spălat vase

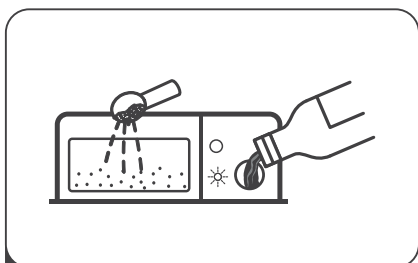
Vă rugăm să consultați secțiunea 5 „INSTRUCȚIUNI DE INSTALARE” din PARTEA I: Versiune generică.)



2 Îndepărtarea reziduurilor mai mari de pe vase



3 Încărcarea coșurilor



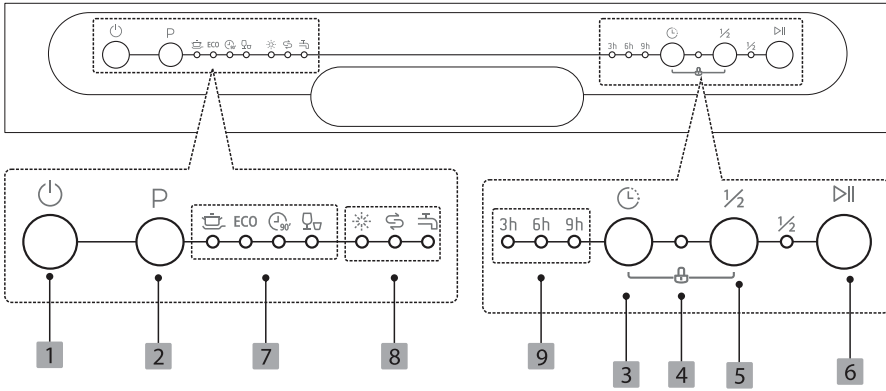
4 Umplerea dozatorului de detergent



5 Selectarea unui program și pornirea mașinii de spălat vase

FOLOSIREA MAȘINII DE SPĂLAT VASE

Panou de control





Operație

- 1** Power Apăsați acest buton pentru a porni mașina de spălat vase, ecranul se va aprinde.
- 2** Program Selectați programul de spălare corespunzător, indicatorul de program selectat va fi aprins.
- 3** Întâr ziere Apăsați acest buton pentru a seta orele de întârziere pentru spălare. Puteți amâna începerea spălării până la 24 de ore. O singură apăsare pe acest buton întârzie începerea spălării cu o oră.
- 4** Child lock Această opțiune vă permite să blocați butoanele de pe panoul de control, cu excepția butonului de pornire, astfel încât copiii nu pot porni accidental mașina de spălat vase apăsând butoanele de pe panou. Pentru a bloca sau a debloca butoanele de pe panoul de control, apăsați și mențineți apăsat butonul Half-butonul de încărcare + butonul de întârziere timp de 3 secunde simultan. Când apăsați acest buton, indicatorul corespunzător va fi aprins.
- 5** Jumătate de încărcare Când aveți aproximativ sau mai puțin de 6 locuri de setat vase pentru spălat, puteți alege această funcție pentru a economisi energie și apă. (Se poate folosi doar cu intensiv, normal, ECO, sticlă și 90 min). Când apăsați acest buton, indicatorul corespunzător va fi aprins.
- 6** Start / Pause Pentru a porni programul de spălare selectat sau a-l întrerupe atunci când mașina de spălat vase funcționează.

Display

- 7** Indicator de program

 - Intensive**  Articolele foarte murdare includ ghivece și țigăi. Cu urme uscate de mâncare.
 - ECO** Acesta este programul standard potrivit pentru încărcături normal murdare, cum ar fi ghivece, farfurii, pahare și țigăi ușor murdare.
 - 90 mins**  Pentru încărcături normal murdare care necesită o spălare rapidă.

7 Indicator de program



Rapid

O spălare mai scurtă pentru încărcături ușor murdare care nu necesită uscare.

8 Indicator de avertizare



Rinse Aid

Dacă "☀️" indicatorul este aprins, înseamnă că mașina de spălat vase are un nivel scăzut de lichid de clătire și necesită reîncărcare.



Salt

Dacă "🧂" indicatorul este aprins, înseamnă că mașina de spălat vase are un nivel scăzut de sare și necesită reîncărcare.



Water Faucet

Dacă "🚰" indicatorul este aprins, înseamnă că robinetul de apă se închide

9 Delay Time Pentru a afișa timpul de întârziere (3h/6h/9h).

NOTĂ

Vă rugăm să consultați secțiunea 3 „Încărcarea sării” din PARTEA I: Versiune generică, Dacă mașina de spălat vase nu are sare.

NOTĂ

În cazul în care modelul dvs. nu are nicio dedurizator, puteți săriți această secțiune.

Dedurizare apă

Duritatea apei variază de la un loc la altul. Dacă apa este dură la folosirea mașinii de spălat vase, se vor depune depozite pe vase și ustensile.

Aparatul este echipat cu un dedurizator special care folosește un recipient de sare special conceput pentru a elimina depunerile din apă.

Pregătirea și încărcarea vaselor

- Luați în considerare achiziționarea de ustensile care sunt identificate ca rezistente la mașina de spălat vase
- Pentru anumite articole, selectați un program cu cea mai mică temperatură posibilă.
- Pentru a preveni deteriorarea, nu scoateți sticlă și tacâmuri din mașina de spălat vase imediat după încheierea programului.

Pentru spălarea următoarelor tacâmuri / vase

Nu sunt potrivite

- tacâmuri cu mânere din lemn, din coarne sau diverse modele
- tacâmuri mai vechi, cu piese lipite care nu sunt rezistente la temperatură ridicată
- Articole din sticlă sau din sticlă de sticlă
- Articole din oțel supuse ruginilor Platuri din lemn
- Articole fabricate din fire sintetice

Sunt adecvate, însă limitat

- Unele tipuri de pahare pot deveni sensibile după un număr mare de spălări
- Piese din argint și aluminiu au tendința de decolorare în timpul spălării
- Modelele vitrate pot dispărea dacă sunt spășate frecvent

Recomandări pentru încărcarea mașinii de spălat vase

Răzuiește orice cantitate mare de alimente rămase. Înmuiați resturile de alimente arse în tigăi. Nu este necesar să clătiți vasele sub apă curentă. Pentru cele mai bune performanțe ale mașinii de spălat vase, urmați aceste instrucțiuni de încărcare.

(Caracteristicile și aspectul coșurilor și coșurilor pentru tacâmuri pot varia în funcție de modelul dvs.)

Plasați obiectele în mașina de spălat vase în felul următor:

- Articole precum cupe, pahare, oale / tigăi etc. sunt orientate în jos.
- Articolele curbate, sau cele cu adâncimi, trebuie să fie încărcate ca atare, astfel încât apa să poată scurge.
- Toate ustensilele trebuie să fie stivuite în siguranță, astfel încât să nu se dea peste cap.
- Toate ustensilele sunt așezate astfel încât elicele să se poată roti liber în timpul spălării.
- Încărcați articole goale, cum ar fi cupe, pahare, tigăi etc. Cu deschiderea orientată în jos, astfel încât apa să nu poată fi colectată în recipient sau într-o bază adâncă.
- Vesela și obiectele de tacâmuri nu trebuie să se întindă unul în celălalt sau să se acopere reciproc. Pentru a evita deteriorarea, paharele nu trebuie să se atingă unul de altul.
- Coșul superior este conceput pentru a menține vasele de mâncare mai delicate și mai ușoare, cum ar fi pahare, pahare de cafea și ceai.
- Cuțitele cu lamă lungă depozitate într-o poziție verticală reprezintă un pericol potențial!
- Articole de tacâmuri lungi și / sau ascuțite, cum ar fi cuțitele de sculptură, trebuie să fie poziționate orizontal în coșul superior.
- Vă rugăm să nu supraîncărcați mașina de spălat vase. Acest lucru este important pentru rezultate bune și pentru un consum rezonabil de energie.

NOTĂ Obiectele foarte mici nu trebuie spălate în mașina de spălat vase, deoarece acestea ar putea cădea cu ușurință din coș.

Scoaterea vaselor

Pentru a împiedica scurgerea apei din coșul superior în coșul inferior, vă recomandăm să goliți mai întâi coșul inferior, urmat de coșul superior.

ATENȚIE! **Articolele pot fi fierbinti!** Pentru a preveni deteriorarea, nu scoateți sticlă și tacâmuri din mașina de spălat vase timp de aproximativ 15 minute după încheierea programului.

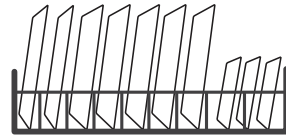
Încărcarea coșului superior

Coșul superior este conceput pentru a menține vase mai delicate și mai ușoare cum ar fi pahare, căni de cafea și ceai și farfurioare, precum și farfurii, mici boluri și cratițe mici (atâta timp cât nu sunt prea murdare). Poziționează vasele pentru a nu fi atinse de elicele de apă.



Încărcarea coșului inferior

Vă sugerăm să plasați obiecte mari și cele mai dificil de curățat coșul inferior: cum ar fi vase, tigăi, capace, mâncăruri și boluri, ca în figura de mai jos. Este de preferat să așezați mâncărurile și capacele pentru a evita blocarea rotirii elice de sus. Diametrul maxim recomandat pentru plăcile din fața detergentului dozatorului este de 19 cm, acest lucru nu înseamnă să împiedică deschiderea acest



Încărcarea coșului de tacâmuri

Tacâmurile trebuie așezate în suportul pentru tacâmuri separat unul de celălalt în pozițiile corespunzătoare și asigurați-vă că ustensilele nu se amestecă, acest lucru poate duce la performanțe proaste.

ATENȚIE!

Nu lăsați niciun element să se extindă prin partea de jos.
Încărcați întotdeauna ustensilele ascuțite cu punctul ascuțit în jos!

NOTĂ

Pentru cele mai bune efecte la spălare, încărcați coșurile în referință la opțiunile de încărcare standard din ultima secțiune din PARTEA I: Versiunea generică


FUNCȚIA AGENTULUI DE CLĂTIRE ȘI A DETERGENTULUI

Lichidul de clătire este eliberat în timpul clătirii finale pentru a preveni apariția picăturilor pe vasele tale, care pot lăsa pete și dungii. De asemenea, îmbunătățește uscarea, permițând apei să se rostogolească de pe vase. Mașina de spălat vase este proiectată pentru a utiliza substanțe de spălare lichide.

ATENȚIE!

Utilizați numai un agent de clătire pentru mașina de spălat vase. Nu completați niciodată distribuitorul cu substanță de spălare cu alte substanțe (de exemplu, agent de curățare a mașinii de spălat vase, detergent lichid) Acest lucru ar deteriora aparatul.

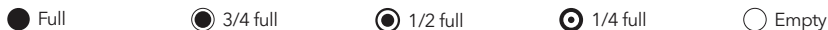
Când reumpleți dispenserul de detergent

Cu excepția cazului în care lumina de avertizare () pentru clătire de pe panoul de control este aprinsă, puteți oricând să estimați cantitatea din culoarea indicatorului de nivel optic situat lângă capac. Când recipientul pentru clătire este plin, indicatorul va fi complet întunecat. Mărimea punctului întunecat scade odată cu reducerea agentului de clătire. Nu trebuie să lăsați niciodată nivelul de agent de clătire să fie mai mic de 1/4.

Indicatorul nivelului de lichid de clătire



Pe măsură ce agentul de clătire se micșorează, dimensiunea punctului negru de pe indicatorul de nivel al agentului de clătire se modifică, așa cum este ilustrat mai jos.



Funcția detergentului

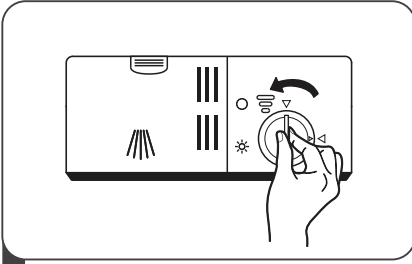
Ingredientele chimice care compun detergentul sunt necesare pentru a îndepărta, zdrobi și arunca toată murdăria din mașina de spălat vase. Majoritatea detergentilor de calitate comercială sunt potriviți în acest scop.

ATENȚIE!**Utilizarea corectă a detergentului**

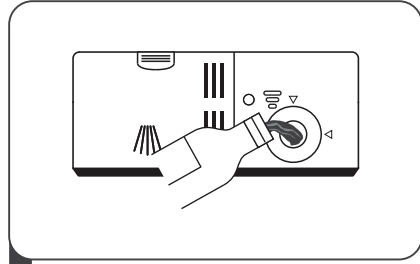
- Folosiți doar detergent special pentru uz de mașini de spălat vase. Păstrați detergentul dvs. proaspăt și uscat.
Nu puneți detergent pudră în dozator până nu sunteți gata să spălați vasele.
- Detergentul de spălat vase este coroziv! Nu lăsați detergentul pentru mașina de spălat vase la îndemâna copiilor.**



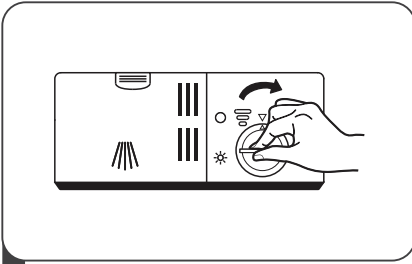
UMPLEREA REZERVORULUI PENTRU AGENT DE CLĂTIRE



1 Îndepărtați capacul rezervorului de spălare rotindu-l în sensul invers acelor de ceasornic.



2 Se toarnă cu grijă în soluția de clătire în distribuitorul său, evitând în același timp să curgă

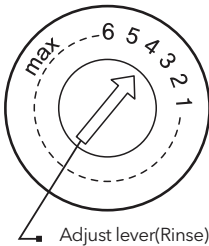


3 Închideți capacul rezervorului pentru clătirea rotindu-l în sens orar.

NOTĂ

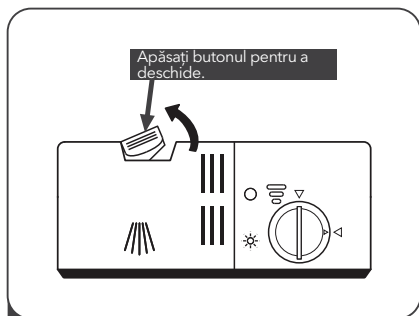
Curățați orice soluție de clătire vărsată cu o cârpă absorbantă pentru a evita spumarea excesivă în timpul următoarei spălări.

Reglarea rezervorului de agent de clătire

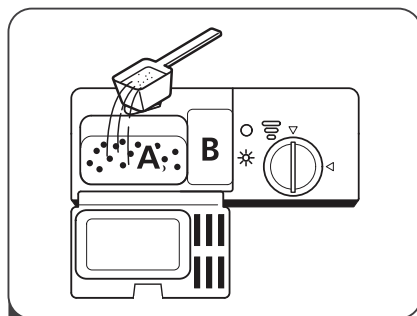


Rezervorul de spălare are șase setări. Atât setarea recomandată, cât și setarea din fabrică este „4”. Dacă vasele nu se usucă în mod corespunzător sau sunt au pete, reglați cadranul la următorul număr mai mare până când vasele sunt impecabile. Reduceți-l dacă există pete lipicioase albicioase pe vasele dvs. sau o peliculă albăstruie pe sticlărie sau lame de cuțit.

UMPLEREA DOZATORULUI DE DETERGENT

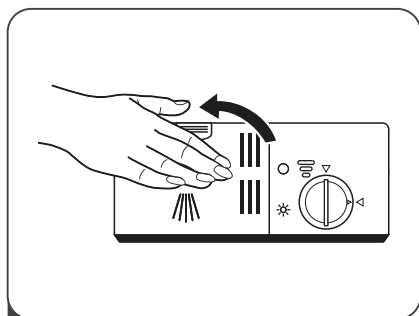


- 1** Apăsați butonul de eliberare de pe distribuitorul de detergent pentru a deschide capacul.



- 2** Se adaugă detergent în cavitatea mai mare (A) pentru ciclul principal de spălare.

Pentru sarcini de spălare mai murdare, adăugați, de asemenea, un pic de detergent în cavitatea mai mică (B) pentru ciclul de pre-spălare.



- 3** Închideți capacul și apăsați pe el până când se blochează.


NOTĂ



- Fiți conștienți că, în funcție de murdăria apei, setarea poate fi diferită.
- Vă rugăm să respectați recomandările producătorului privind ambalajul detergentului.

PROGRAMAREA MAȘINII DE SPĂLAT

Tabelul de Programe

Tabelul de mai jos arată care programe sunt cele mai bune pentru nivelurile de reziduuri alimentare de ce cantitate de detergent este nevoie. De asemenea, arată diverse informații despre programe.

Program	Descrierea Ciclului	Detergent Pre/Principal	Funcționare Timp (min)	Energie (Kwh)	Apă (L)	Agent de clătire
 Intensive	Preșpălare (50°C) Spălare (60°C) Clătire Clătire (70°C) Uscare	$\frac{5}{25}$ g (1 sau 2 bucăți)	175	1.6	17.5	●
ECO (*EN 50242)	Preșpălare Spălare(45°C) Clătire (60°C) Uscare	$\frac{5}{25}$ g (1 sau 2 bucăți)	225	1.02	11	●

Program	Descrierea Ciclului	Detergent Pre/Principal	Funcționare Timp (min)	Energie (Kwh)	Apă (L)	Agent de clătire
 90 Min	Spălare (65°C) Clătire Clătire (65°C) Uscare	5/25g (1 bucata)	90	1.35	12.5	●
 Rapid	Spălare (45°C) Clătire (50°C) Clătire (55°C)	20g	30	0.75	11	○

● Semnificație: trebuie să umpleți compartimentul de lichid de clătire



EN 50242: Acest program este ciclul de testare. Informațiile pentru testul de comparabilitate înconformitate cu EN 50242.

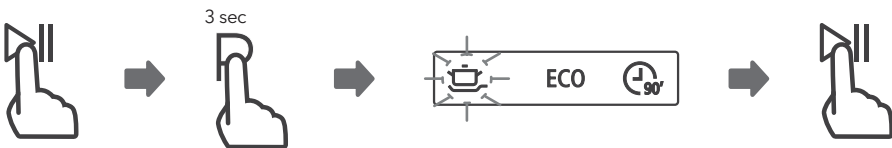
Pornirea unui Ciclu de Spălare

1. Trageți coșul inferior și superior, încărcăți vasele și împingeți-le înapoi. Se recomandă încărcarea coșului inferior mai întâi, apoi cel superior.
2. Turnați în detergent.
3. Introduceți ștecherul în priză. Sursa de alimentare se referă la ultima pagină „Fișă produs”. Asigurați-vă că alimentarea cu apă este pornită la presiune completă.
4. Închideți ușa, apăsați butonul de pornire, pentru a porni mașina.
5. Alegeți un program, lumina de răspuns se va aprinde. Apoi apăsați butonul Start / Pauză, mașina de spălat vase își va începe ciclul.

Modificarea ciclului Intermediar al Programului

Un ciclu de spălare nu poate fi schimbat decât dacă a funcționat pentru o perioadă scurtă de timp, detergentul ar fi fost deja eliberat și poate că mașina de spălat vase ar fi drenat deja apa de spălare. Dacă este cazul, mașina de spălat vase trebuie să fie resetată, iar dozatorul de detergent trebuie să fie reumplut. Pentru a reseta mașina de spălat vase, urmați instrucțiunile de mai jos:

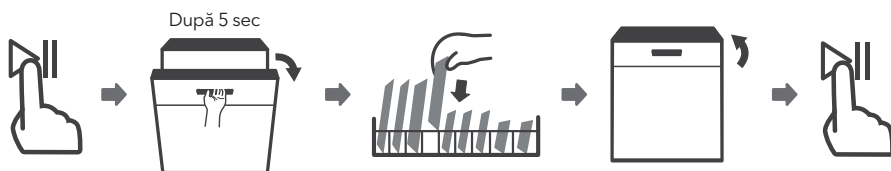
1. Apăsați butonul Start / Pauză pentru a întrerupe spălarea.
2. Apăsați butonul Program pentru mai mult de 3 secunde - programul se va anula.
3. Apăsați butonul Program pentru a selecta programul dorit.
4. Apăsați butonul Start / Pauză, după 10 secunde, mașina de spălat vase va porni.



Ai uitat să adaugi un vas?

Vasul uitat poate fi adăugat oricând înainte de deschiderea dozatorului de detergent. În acest caz, urmați instrucțiunile de mai jos:

1. Apăsați butonul Start / Pauză pentru a întrerupe spălarea.
2. Așteptați 5 secunde apoi deschideți ușa.
3. Adăugați vasele uitate.
4. Închideți ușa.
5. Apăsați butonul Start / Pauză după 10 secunde, mașina de spălat vase va porni.



ATENȚIE!



Este periculos să deschideți ușa în mijlocul ciclului, deoarece aburul fierbinte vă poate stropi.

CODURI DE EROARE

Dacă există o defecțiune, mașina de spălat vase va afișa coduri de eroare pentru a le identifica:

Cod	Semnificație	Cauză posibilă
Lumina rapidă clipește	Timp de alimentare mai lung	Robinetul nu este deschis, sau aportul de apă este restricționat sau presiunea apei este prea mică.
Lumina rapid și 90 de minute clipește ușor	Nu atinge temperatura necesară.	Defect la elementul de încălzire.
Lumina ECO clipește ușor	Inundație	Unele elemente au scurgeri.



ATENȚIE!

- Dacă apare inundația, opriți alimentarea principală cu apă înainte de a apela la un service
- Dacă există apă în tava de bază din cauza unei supraîncărcări sau a unei scurgeri mici, apa trebuie îndepărtată înainte de a reporni mașina de spălat vase.

DEDURIZARE APĂ

Dedurizarea apei trebuie reglată manual, folosind cadranul de duritate a apei.

Dedurizatorul de apă este conceput pentru a elimina mineralele și sărurile din apă, ceea ce ar avea un efect dăunător sau negativ asupra funcționării aparatului.

Cu cât sunt mai multe minerale, cu atât apa este mai dură.

Balsamul trebuie ajustat în funcție de duritatea apei din zona dvs. Autoritatea locală pentru apă vă poate sfătui cu privire la duritatea apei din zona dvs.

Ajustarea consumului de sare

Mașina de spălat vase este proiectată pentru a permite ajustarea cantității de sare consumată pe baza durității apei utilizate. Acest lucru este destinat să optimizeze și să personalizeze nivelul consumului de sare.

Vă rugăm să urmați pașii de mai jos pentru ajustarea consumului de sare.

1. Porniți aparatul și închideți ușa;
2. Apăsăți butonul Start / Pauză timp de mai mult de 5 secunde pentru a porni modelul setului de dedurizare a apei în 60 de secunde de la pornirea aparatului;
3. Apăsăți butonul Start / Pauză pentru a selecta setul adecvat în funcție de mediul dvs. local, seturile se vor schimba în următoarea secvență:
H1-> H2-> H3-> H4-> H5-> H6;
4. Apăsăți butonul de pornire pentru a încheia modelul configurat.

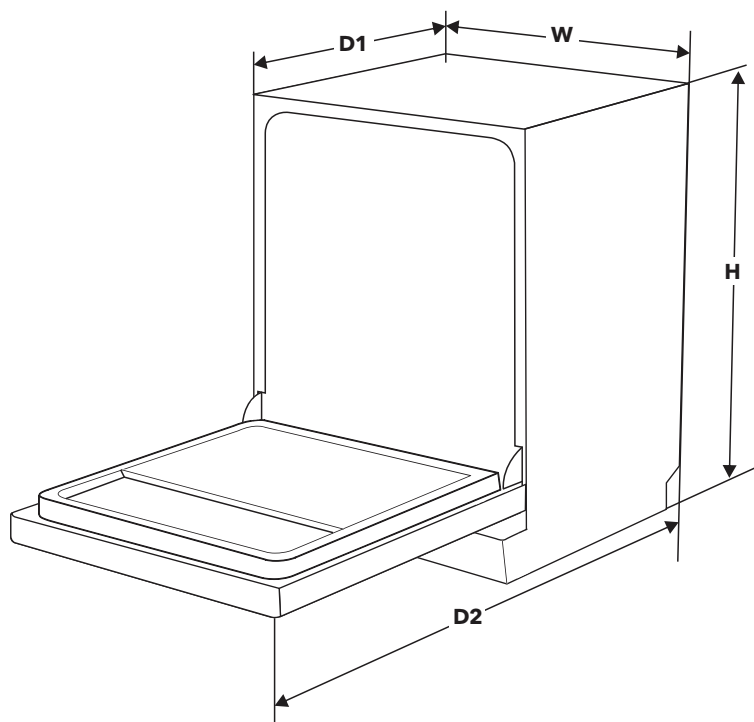
DURITATEA APEI				Mmol/l	Nivelul dedurizării apei	Consum de sare (gram/cycle)
German °dH	French °fH	British °Clarke				
0 - 5	0 - 9	0 - 6	0 - 0.94	H1-> Rapid indicators flicker	0	
6 - 11	10 - 20	7 - 14	1.0 - 2.0	H2-> 90 mins indicators flicker	9	
12 - 17	21 - 30	15 - 21	2.1 - 3.0	H3-> 90 mins, Rapid indicators flicker	12	
18 - 22	31 - 40	22 - 28	3.1 - 4.0	H4-> ECO indicators flicker	20	
23 - 34	41 - 60	29 - 42	4.1 - 6.0	H5-> ECO, Rapid indicators flicker	30	
35 - 55	61 - 98	43 - 69	6.1 - 9.8	H6-> ECO, 90 mins indicators flicker	60	

1°dH=1.25 °Clarke=1.78 °fH=0.178mmol/l

Setarea de fabricație: H3

Contactați furnizorul de apă locală pentru informații despre duritatea alimentării cu apă.

INFORMAȚII TEHNICE



Înălțime (H)	845mm
Lățime (W)	598mm
Adâncime (D1)	600mm (cu ușa închisă)
Adâncime (D2)	1175mm (cu ușa deschisă la 90°)

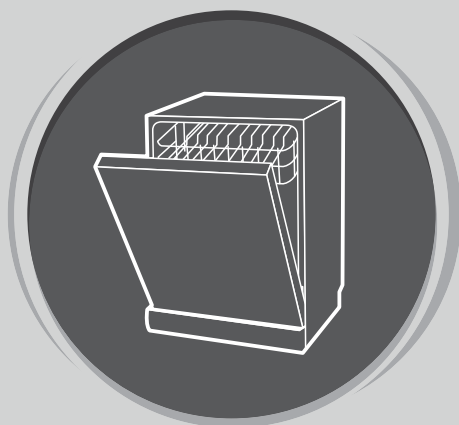
Fișa Produsului

Foaie de mașină de spălat vase casnice în conformitate cu Directivele UE1016/2010 & 1059/2010:

Producător	TESLA
Tip/Descriere	WD630M
Număr seturi	12
Clasa de eficiență energetică ❶	A+
Consumul anual de energie ❷	290 kWh
Consumul de energie al ciclului standard de curățare	1.02 kWh
Consumul de energie în modul oprit	0.45 W
Consumul de energie al modului left-on	0.49W
Consumul anual de apă ❸	3080 liter
Clasa de eficiență de uscare ❹	A
Ciclul standard de curățare ❺	ECO 45°C
Durata programului ciclului standard de curățare	225 min
Nivel de zgomot	52 dB(A) re 1 pW
Montare	Free standing
Ar putea fi încorporată	Da
Consumul de energie	1760-2100W
Tensiune / frecvență nominală	220-240V/50Hz
Presiunea apei (presiunea de curgere)	0.04-1.0MPa=0.4-10 bar

NOTĂ

- ❶ A+++ (cea mai mare eficiență) până la D (cea mai mică eficiență)
- ❷ Consumul de energie bazat pe 280 de cicluri de curățare standard folosind umplerea cu apă rece și consumul de moduri de putere redusă Consumul real de energie va depinde de modul în care este utilizat aparatul.
- ❸ Consumul de apă pe baza a 280 de cicluri de curățare standard . Consumul real de apă va depinde de modul în care este utilizat aparatul.
- ❹ A (cea mai mare eficiență) până la G (cea mai mică eficiență)
- ❺ Acest program este potrivit pentru curățarea tacâmurilor normal murdare și este cel mai eficient program din punct de vedere al consumului combinat de energie și apă pentru acel tip de veselă.



POMIVALNI STROJ

Priročnik
za uporabo

1. DEL: OSNOVNA RAZLIČICA

Pred uporabo pazljivo preberite ta priročnik in ga shranite, ker ga boste mogoče še potrebovali.

VARNOSTNI PODATKI

OPOZORILO!

Ko uporabljate svoj pomivalni stroj, upoštevajte spodaj našete varnostne postopke:

- Namestitev in popravila lahko izvede samo za to usposobljen tehnik.
- Ta stroj je namenjen za uporabo v gospodinjstvih ter za podobno uporabo, kot:
 - v čajnih kuhinjah za osebe v trgovinah, pisarnah in v drugih delovnih okoljih;
 - na kmetijah;
 - za stranke v hotelih, motelih in drugih vrstah stanovanjskih objektov;
 - v turističnih objektih, ki nudijo nočitev z zajtrkom.
- Otroci, ki so starejši od 8 let, predvsem pa osebe z zmanjšanimi fizičnimi, senzoričnimi ali duševnimi zmožnostmi, ali osebe, ki nimajo dovolj izkušenj in znanja, lahko uporabljajo pomivalni stroj pod nadzorom ali potem, ko so dobili navodila o varni uporabi čistilnika in poznajo z njim povezane nevarnosti.
- Otroci se s pomivalnim strojem ne smejo igrati. Otroci pomivalnega stroja ne smejo čistiti in opravljati vzdrževanja brez nadzora. (za EN60335-1).
- Ta stroj ni namenjen za osebe (vključno z otroci) z zmanjšanimi fizičnimi, senzoričnimi ali duševnimi zmožnostmi, ali za osebe, ki nimajo dovolj izkušenj in znanja, razen pod nadzorom oseb, odgovornih za njihovo varnost, ali potem, ko so dobili navodila o varni uporabi pomivalnega stroja. (Za IEC60335-1) Ovojnina je za otroke lahko zelo nevarna!
- Ta stroj je namenjen samo za uporabo v gospodinjstvih v zaprtih prostorih.
- Ne postavljajte stroja, kabelske vrvice ali vtiča v vodo ali drugo tekočino, ker to predstavlja nevarnost električnega udara. Pred čiščenjem ali pred vzdrževalnimi deli na stroju izvalcite vtič iz vtičnice.
- Za čiščenje uporabljajte mehko krpo, navlaženo z blagim milom, nato pa ga obrišite s suho krpo.



Navodila za ozemljitev

- Stroj morate ozemljiti. V primeru slabega delovanja ali okvare bo ozemljitev zmanjšala tveganje električnega udara, ker omogoča pot najmanjšega upora električnega toka. Stroj je opremljen z ozemljitvenim vodnikom z vtičem.
- Vtič morate vtakniti v ustrezno vtičnico, ki je nameščena in ozemljena v skladu z vsemi lokalnimi kodeksi in odloki.
- Nepravilen priklop opreme - vodnika ozemljitve pomeni tveganje za električni udar. Če niste prepričani, da je stroj pravilno ozemljen, naj to preverita za to usposobljen električar ali serviser.
- Ne spreminjajte vtiča, ki ga dobavimo s strojem; če ne ustreza vaši vtičnici.
- Usposobljen električar naj vam namesti ustrezno vtičnico.

- Ne ravnejte grobo s strojem, ne sedajte ali ne stopajte na vrata ali na police za posodo pomivalnega stroja.
- Ne upravljajte s svojim pomivalnim strojem, če vsi paneli ohlajanja niso pravilno nameščeni.
- Predvidno odpirajte vrata, če pomivalni stroj obratuje: obstaja tveganje, da bo voda brizgnila iz stroja. Ko so vrata stroja odprta, nanje ne polagajte težkih predmetov in ne stopajte nanje. Stroj se lahko prevrne naprej.
- Ko vstavljate posodo, ki jo želite pomiti:
 - 1) Ostre kose namestite tako, da ne bodo mogli poškodovati tesnila vrat;
 - 2) Opozorilo: Nože in drug pribor z ostrimi konicami morate naložiti v košaro tako, da bodo konice obrnjene navzdol, ali pa jih položite v vodoraven položaj.
- Nekateri detergenti za pomivalne stroje so zelo alkalni. So izjemno nevarni, če jih zaužijemo.
- Pazite, da ne pridejo v stik s kožo in očmi, otrokom pa ne dovolite, da bi stali v bližini stroja, ko so vrata odprta.
- Po zaključku pomivalnega cikla preverite, ali je v stroju ostalo kaj čistilnega praška.
- Ne pomivajte plastičnih predmetov, razen tistih z oznako »varno pomivanje v pomivalnem stroju«, ali s podobno oznako.
- Če plastični izdelki nimajo take oznake, preverite priporočila proizvajalca.
- Uporabljajte samo detergente in sredstva za izpiranje, ki jih priporočajo za uporabo v avtomatskem pomivalnem stroju.
- V svojem pomivalnem stroju nikoli ne uporabljajte mila, detergentov za pranje perila, ali tekočega mila za roke.
- Ne puščajte odprtih vrat, ker se lahko spotaknete ob njih.
- Ko je električni napajalni kabel poškodovan, ga mora proizvajalec ali njegov pooblaščen serviser ali druga za to usposobljena oseba zamenjati, da ne pride do nesreče.
- Med nameščanjem električni kabel ne sme biti preveč ali nevarno upognjen ali sploščen.
- Ne opravljajte nepooblaščenih sprememb krmilnih gumbov.
- Stroj morate priklopiti na glavni vodovodni ventil s kompletom novih gibljivih cevi. Starih cevi ne smete uporabljati.
- V načinu mirovanja se stroj samodejno izklopi in tako varčuje energijo, če v 30 minutah ne opravimo naslednjega pomivanja.

Odlaganje med odpadke



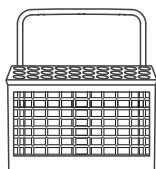
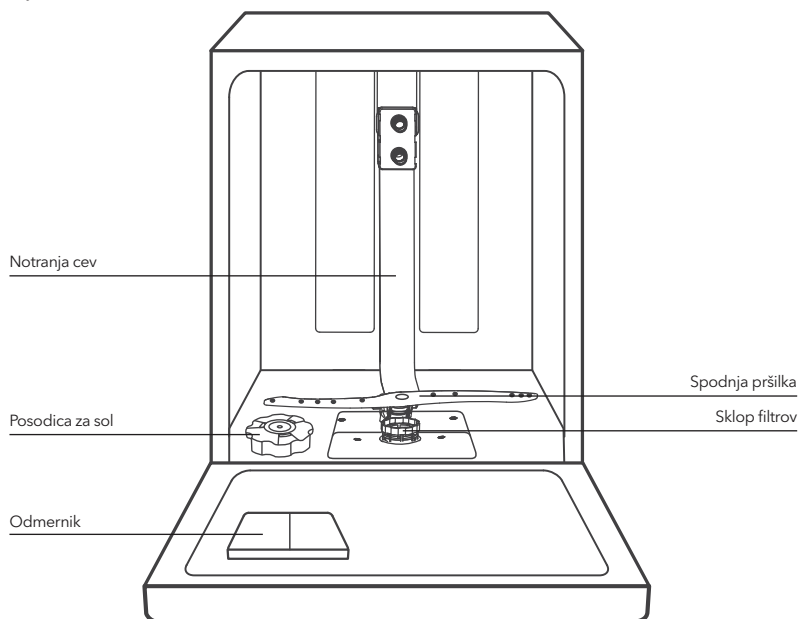
- Prosimo, da ovojnino in stroj, ki sta namenjena za odlaganje med odpadke, oddate v reciklažni center. Zato odrežite električni napajalni kabel in onespodobite napravo za zapiranje vrat.

- Kartonska ovojnina je izdelana iz recikliranega papirja in jo morate odložiti v zaboj za odpadni papir, ki je namenjen za ponovno uporabo.
- S pravilnim odlaganjem izdelka med odpadke pomagate pri preprečevanju morebitnih negativnih posledic za okolje in na zdravje ljudi, ki bi jih sicer povzročili z neprimernim ravnanjem z odpadki tega izdelka.
- Več podrobnih podatkov o ponovni uporabi tega izdelka dobite pri svojem lokalnem mestnem uradu in v svojem centru za odlaganje gospodinjskih odpadkov.
- **ODLAGANJE MED ODPADKE** Izdelka ne smete odložiti med mešane komunalne odpadke. **Potrebno je ločeno zbiranje takih odpadkov, ki gredo v posebno predelavo.**

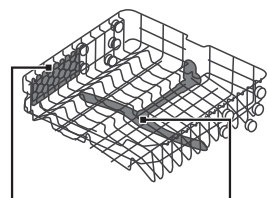
PREGLED IZDELKA

! POMEMBNO:

Pred prvo uporabo pomivalnega stroja preberite celotna navodila za obratovanje, da boste znali stroj učinkovito uporabljati.



Košek za jedilni pribor



Polica za skodelice

Zgornja pršilka

Zgornja košara



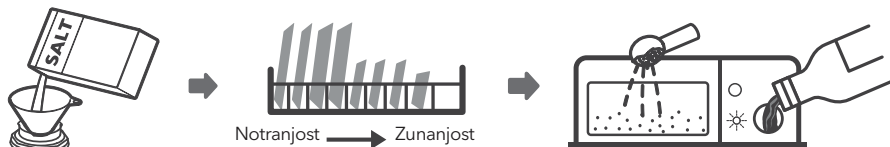
Spodnja košara

OPOMBA!

Slike služijo samo za splošno predstavitev, različni modeli stroja so lahko različni. Prosimo, da to upoštevate.

UPORABA POMIVALNEGA STROJA

Pred uporabo pomivalnega stroja:



1. Nastavite mehčalec vode
2. Dodajte sol v mehčalec
3. Naložite košaro
4. Napolnite odmernik

OPOMBA!

Preberite poglavje »Mehčalec vode« v DELU II: Posebna različica, če morate nastaviti mehčalec vode..

Dodajanje soli v mehčalec

OPOMBA!

Če vaš model ne potrebuje mehčalca vode, lahko ta odstavek spustite. Vedno uporabljajte sol, ki je namenjena za uporabo v pomivalnem stroju. Posodica za sol je nameščena pod spodnjo košaro; napolnite jo tako:

OPOZORILO!

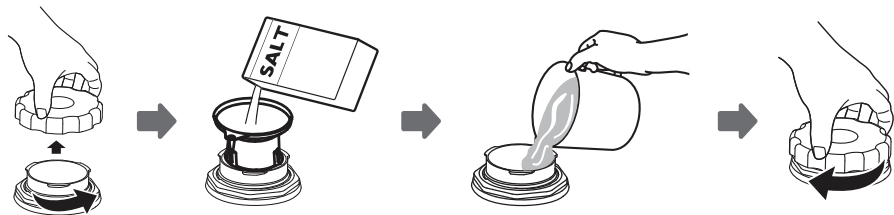
• Vedno uporabljajte sol, ki je namenjena za uporabo v pomivalnem stroju!

Vsaka druga vrsta soli, ki ni posebej namenjena za pomivalni stroj, zlasti kuhinjska sol, poškoduje mehčalec vode. V primeru poškodb zaradi uporabe neprimerne soli proizvajalec ne daje nobene garancije in ne odgovarja za nobeno nastalo škodo.

• Sol dodajajte samo pred začetkom cikla.

Tako preprečite, da bi kakršna koli zrna soli ali slana voda, ki se je morda razlila, ostala daljši čas na dnu stroja, kar lahko povzroči rjavenje.

Pri dodajanju soli postopajte kot sledi:



1. Odstranite spodnjo košaro in odvijte vijake na poklopcu vsebnika.
2. Postavite konec lijaka (dobavljenega) v odprtino in vanj nalijte okoli 1,5 kg soli za pomivalni stroj.
3. Napolnite posodo za sol do zgornje meje z vodo; manjša količina vode lahko pride iz vsebnika soli, kar je normalno.
4. Ko napolnite vsebnik, spet trdno privijte pokrovček.
5. Opozorilna lučka za sol ugasne, ko vsebnik za sol napolnite s soljo.
6. Takoj ko napolnite vsebnik za sol s soljo, lahko zaženete program pomivanja (predlagamo, da uporabite kratek program). V nasprotnem primeru lahko slana voda poškoduje filter, črpalko, ali druge pomembne dele stroja. Tega pa garancija ne pokriva.

OPOMBA!

- V vsebnik za sol morate dodati sol samo takrat, ko zasveti opozorilna lučka (☹) na krmilni plošči. Glede na to, kako hitro se sol topi, lahko opozorilna lučka še vedno sveti, čeprav ste napolnili vsebnik za sol.
- Če na krmilni plošči ni opozorilne lučke za sol (velja za nekatere modele), lahko ocenite, kdaj morate dodati sol v mehčalec, s pomočjo ciklov, ki jih je pomivalni stroj opravil.
- Če se je sol razlila, zaženite namakanje ali kratek program, da jo tako odstranite.

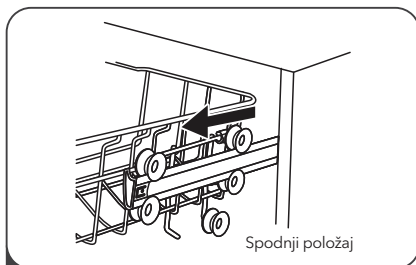
Napotki za uporabo košare

Nastavitev zgornje košare

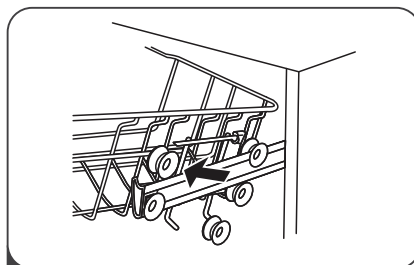
1. način:

Višino zgornje košare lahko enostavno nastavite tako, da boste večjo posodo lahko naložili ali v zgornjo, ali pa v spodnjo košaro.

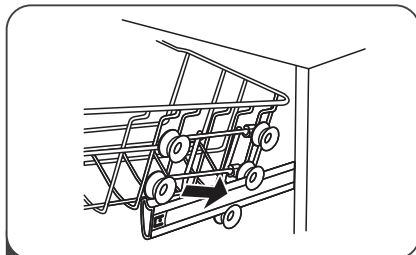
Višino zgornje košare prilagodite tako:



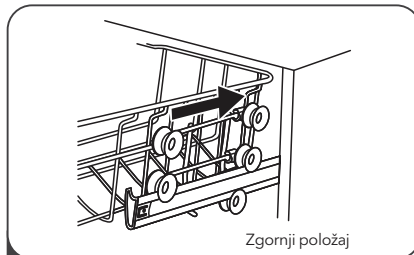
1 Izvlecite zgornjo košaro.



2 Odstranite zgornjo košaro.

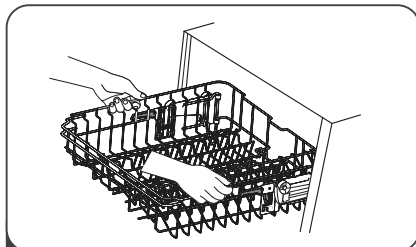


3 Ponovno pritrdite zgornjo košaro na zgornje ali spodnje valjčke.

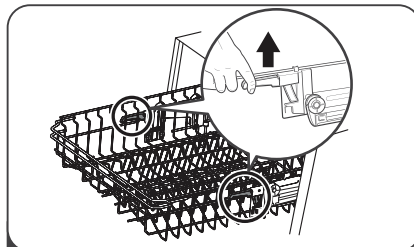


4 Zgornjo košaro potisnite notri.

2. način:



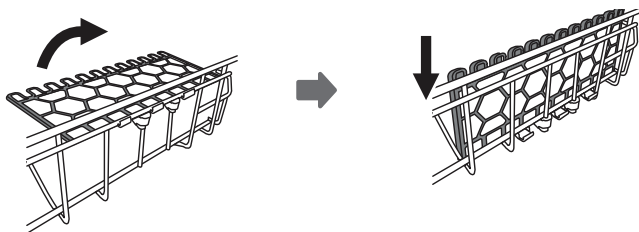
1 Zgornjo košaro namestite na višji položaj tako, da jo držite na sredi vsake od stranic in jo dvigate, dokler se ne zaskoči v svoje mesto na zgornjem položaju. Držaja za uravnavanje ni treba dvigati.



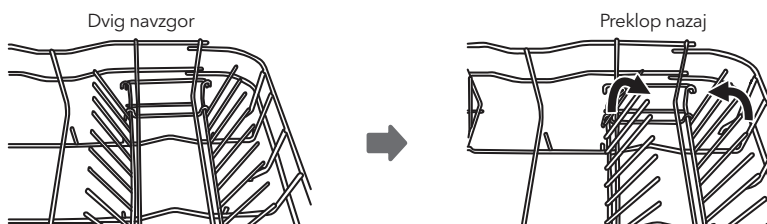
2 Zgornjo košaro namestite na nižji položaj tako, da dvignete držaja za uravnavano na vsaki strani, da sprostite košaro, ter jo spustite na nižji položaj.

Preklop polic za skodelice

Prostor za večje posode na zgornji košari pridobite tako, da dvignete polico za skodelice navzgor. Nato lahko ob njo naslonite visoke kozarce. Patico lahko tudi odstranite, ko jo ne potrebujete.

**Preklop polic**

Palice spodnje košare se uporabljajo za namestitvev krožnikov in pladnjev. Lahko jih znižate, da boste imeli več prostora za večje posode.



VZDRŽEVANJE IN ČIŠČENJE

Nega zunanosti

Vrata in tesnilo vrat

Redno čistite tesnila vrat z mehko vlažno krpo, da odstranite preostanke hrane.

Ko naložite posodo v pomivalni stroj, se lahko ostanki hrane in pijače nabirajo v stranicah pomivalnega stroja.

Te površine so izven pomivalne omarice in jih voda iz pršilk ne doseže. Vse te ostanki morate odstraniti, preden zaprete vrata.

Krmilna plošča

Ko se krmilna plošča umaže, jo morate obrisati z mehko vlažno krpo.

⚠ OPOZORILO!

- Ne uporabljajte nobene vrste čistila v razpršilu, da ne bi prišla tekočina v zaklep vrat in v električne komponente.
- Za čiščenje zunanjih površin nikoli ne uporabljajte abrazivnih čistilnih sredstev ali žičnih gob, ker z njimi lahko opraskate končni premaz. Tudi nekatere papirne brisače lahko povzročijo praske ali druge poškodbe na površini.

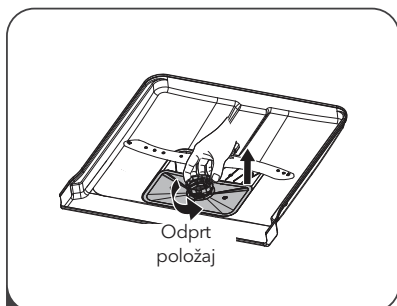
Nega notranosti

Sistem filtrov

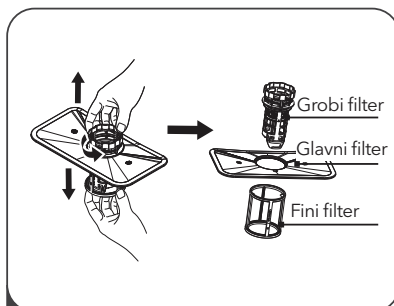
Sistem filtrov v podstavku pomivalne omarice zadržuje grobe ostanki iz pomivalnega cikla. Zbrani grobi ostanki lahko filter zamašijo. Redno preverjajte stanje filtrov in jih očistite pod tekočo vodo, če so umazani. Filtre v pomivalni omarici očistite tako:

 **OPOMBA!**

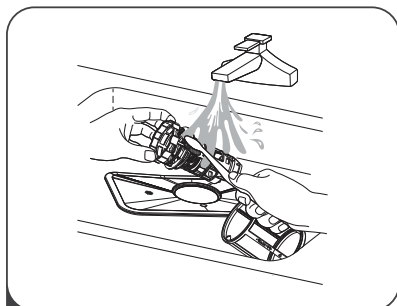
Slike služijo samo za splošno predstavitev, različni modeli filtrov so lahko različni.



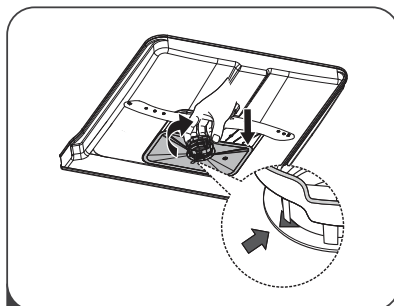
- 1** Držite grobi filter in ga obračajte v nasprotni smeri ure, da ga sprostite. Dvignite filter navzgor in ven iz pomivalnega stroja.



- 2** Fini filter lahko izvlečete z dna sklopa filtrov. Grobi filter lahko odpnete z glavnega filtra tako, da rahlo stisnete zavihke na vrhu, ter ga izvlečete.



- 3** Večje ostanke hrane lahko očistite s izpiranjem filtra pod tekočo vodo. Bolj temeljito očistite filter z mehko čistilno krtačko.



- 4** Ponovno sestavite filtre v obratnem vrstnem redu od razstavljanja, zamenjajte filtrski vložek in ga obračajte v smeri ure do puščice.

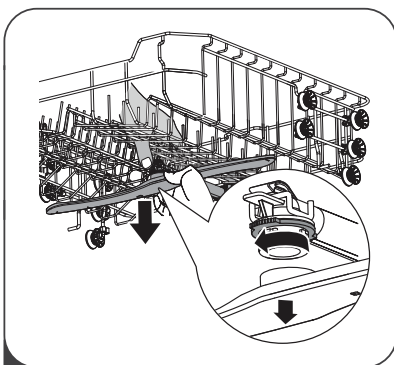
 **OPOZORILO!**

- Filtrov ne smete preveč zategniti. Namestite filtre po vrsti varno nazaj, da grobi delci ne zaidejo v sistem in povzročijo blokado. Nikoli ne smete uporabljati pomivalnega stroja brez nameščenih filtrov. Nepravilno nameščeni filtri lahko zmanjšajo raven učinkovitosti stroja in poškodujejo posodo in pribor.

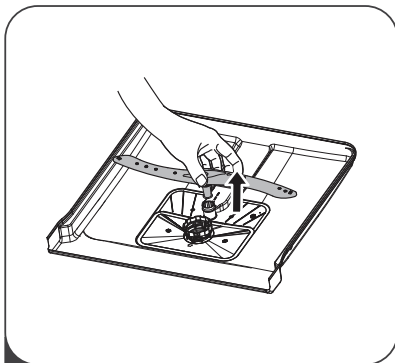
Pršilke

Pršilke morate redno čistiti, ker kemikalije za mehčanje vode lahko zamašijo šobe pršilk in njene ležaje.

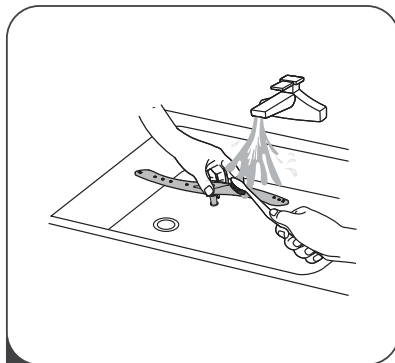
Pršilke očistite po spodnjih navodilih:



- 1** Odstranite zgornjo pršilko, držite matico na sredini, ter obračajte pršilko v smeri ure, da jo odstranite.



2 Spodnjo pršilko odstranite tako, da jo povlečete navzgor.



3 Pršilki operite v milnati topli vodi, šobe pa očistite z mehko krtačko. Ko ste pršilki temeljito splaknili, jih ponovno namestite.

Nega pomivalnega stroja

Varnostni ukrepi pred zamrznitvijo

Pozimi pomivalni stroj zavarujte pred zamrznitvijo. Po vsakem ciklu pomivanja:

1. Odklopite pomivalni stroj iz električnega omrežja na viru napajanja.
2. Izklopite napajanje z vodo in odklopite dovodno cev vode z vodovodnega ventila.
3. Izpustite vodo iz dovodne cevi in iz vodovodnega ventila. (Uporabite pladenj za izteklo vodo)
4. Ponovno priključite vodovodno cev na vodovodni ventil.
5. Odstranite vse filtre na dnu posode in z gobico posrkajte vodo v odtoku.

Po vsakem pomivanju

Po vsakem pomivanju odklopite dovod vode do naprave in pustite vrata malo odprta, tako, da se vlaga in vonjave ne zadržujejo v notranjosti.

Odstranite čep

Pred čiščenjem ali pred vzdrževalnimi posegi morate vedno odstraniti vtič iz vtičnice.

Čiščenje brez raztopil ali abrazivnih čistil

Za čiščenje zunanosti in gumijastih delov pomivalnega stroja ne uporabljajte topil ali abrazivnih čistil. Uporabljajte samo krpo s toplo milnato vodo.

Za odstranjevanje pack ali madežev s površine v notranjosti uporabljajte krpo, namočeno v vodo z malo kisa, ali pa čistilo, namenjeno posebej za pomivalne stroje.

Ko stroja ne uporabljate daljše obdobje

Priporočamo, da zaženete cikel pomivanja s praznim strojem, nato pa izvelčete vtič iz vtičnice, odklopite napajanje vode in pustite vrata stroja malo odprta. Na ta način bodo tesnila vrat trajala dlje časa in preprečevala tvorjenje vonjav v stroju.

Premikanje stroja

Ko morate stroj premakniti, ga skušajte obdržati v navpičnem položaju. Le če ne gre drugače, ga lahko postavite na zadnjo stran.

Tesnila

Eden od dejavnikov, ki povzročajo slabe vonjave v pomivalnem stroju, je hrana, ki se nabira v tesnilih. Občasno jih očistite z vlažno gobico, da boste preprečili ta pojav.

NAVODILA ZA MONTAŽO

⚠ OPOZORILO!



Nevarnost električnega udara

Pred namestitvijo pomivalnega stroja odklopite električno napajanje.
Če tega navodila ne upoštevate, lahko povzročite smrtno poškodbo ali električni udar.

! POZOR!

Namestitev cevi in električne opreme mora opraviti za to usposobljeno osebje.

Priklop na električno omrežje

⚠ OPOZORILO!

Za osebno varnost:

- Na tem stroju ne uporabljajte podaljška kabla ali vtič adapterja.
- Nikakor ne smete prekiniti ali odstraniti ozemljitvenih priključkov iz električnega kabla.

Zahteve glede električne instalacije

Nazivno napetost preverite na napisni tablici in priklopite pomivalni stroj na ustrezno električno napajanje. Uporabljajte varovalko 10A/13A/16A, varovalko za časovni zamik, ali pa odklopnik, ki ga priporočamo, ki zagotavlja ločen tokokrog samo za ta stroj.

Električni priklop

Preverite, ali napetost in frekvenca električne energije odgovarjata napetosti in frekvenci, ki sta navedeni na napisni tablici. Vtič samo vtaknite v električno vtičnico, ki je pravilno ozemljena. Če električna vtičnica, na katero mora biti stroj priklopljen, ni primerna za vtič, raje zamenjajte vtičnico, kot pa da bi uporabljali adaptorje ali podobne naprave, ker bi le-ti lahko povzročili pregretje in opekline.

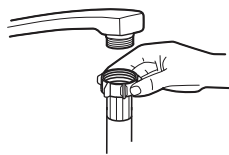
⚠ Zagotovite pravilno ozemljitev pred uporabo stroja.

Napajanje in izpust vode

Priključek za hladno vodo

Priključite cev za dovod mrzle vode na navojni 3/4 palčni priključek in se prepričajte, da je trdno pripeta na svoje mesto.

Če so vodovodne pipe nove ali pa jih daljši čas niste uporabljali, naj voda nekaj časa teče, da se prepričate, da je čista. Ta previdnostni ukrep je nujen, da se izognete tveganju, da pride do zamašitve dovoda vode in poškodbe stroja.



Navadna napajalna cev



Varnostna napajalna
cev

Varnostne napajalne gibljive cevi

Varnostno gibljivo napajalno cev sestavljajo dvojne stene. Sistem gibljive cevi deluje z blokado pretoka vode v primeru okvare napajalne cevi, ter takrat, ko je zračni prostor med napajalno cevjo in zunanjo valovito cevjo poln vode.

⚠ OPOZORILO!

Cev, ki jo priklopite na odtok, lahko počí, če jo namestite na isto vodovodno cev, kot pomivalni stroj. Če ima vaš izliv gibljivo cev, priporočamo, da jo odklopite in odprtino zamašite.

Priklop varnostne napajalne cevi

1. Povlecite varnostno napajalno cev v celoti iz shranjevalnega predelka na zadnji strani pomivalnega stroja.
2. Zategnite vijake varnostne napajalne cevi do vodne pipe s 3/4 palčnim navojem.
3. Do konca odprite vodo, preden vklopite pomivalni stroj.

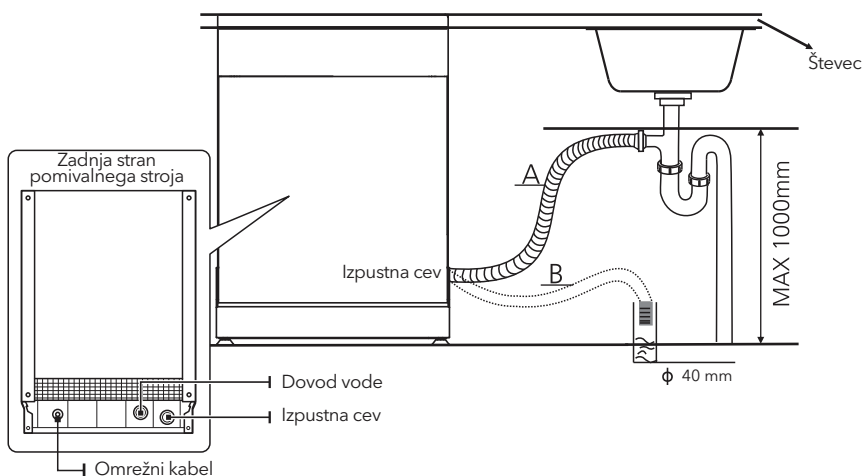
Odklop varnostne napajalne cevi

1. Zaprite dovod vode.
2. Odvijte varnostno napajalno cev z baterije.

Priklop odvodnih cevi

Vstavite odvodno gibljivo cev v odvodno cev s premerom najmanj 4 cm, ali pa pustite, da izteka v odtok, vendar pa se ne sme upogibati ali zvijati. Višina izpustne cevi ne sme biti višja od 1000 mm. Prosti konec cevi ne sme biti potopljen v vodo, da ne bi prišlo do povratnega toka.

⚠ Prosimo, da varno pritrdite izpustno cev ali na položaj A, ali pa na položaj B.



Izpust odvečne vode iz gibljivih cevi

Če je odtok 1000 višji od tal, odvečna voda v ceveh ne more odtekati neposredno v odtok. Odvečno vodo morate izpustiti iz cevi v posodo ali ustrezen vsebnik, ki stoji zunaj odtoka in je nižji od odtoka.

Odtok vode

Priklopite gibljivo cev za izpust vode. Cev za izpust vode mora biti pravilno nameščena, da ne pride do iztekanja. Pazite, da cev za izpust vode ne bo zvita ali zmečkana.

Podaljšek gibljive cevi

Če potrebujete podaljšek odvodne cevi, morate uporabljati podobno odvodno cev. Le-ta ne sme biti daljša od 4 metrov, sicer bo učinek pomivanja pomivalnega stroja zmanjšan.

Sifonski priključek

Priključek za odpadno vodo mora biti na višini, nižji za 100 cm (največ) od dna posode. Gibljivo cev za odtok vode morate pritrditi.

Nameščanje stroja

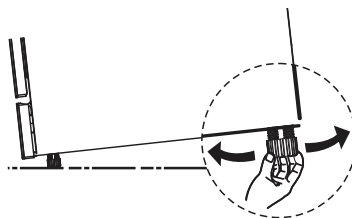
Stroj namestite na želeno mesto. Zadnja stran naj bo naslonjena na steno, stranici pa na sosednje omarice ali stene. Pomivalni stroj je opremljen s cevjo za dovod vode in cevjo za odvod vode, ki jih lahko namestite na desno ali levo stran, da boste lažje izvedli pravilno namestitev.

Izravnavanje stroja

Ko je stroj nameščen za izravnavanje, lahko njegovo višino spreminjate s prilagajanjem ravni privitja nogic. Stroj se v nobenem primeru ne sme nagibati za več kot 2°.

OPOMBA!

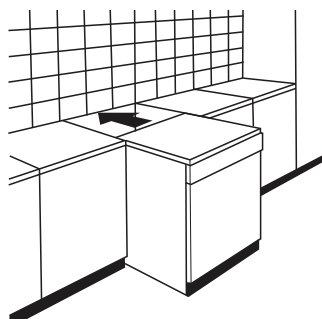
Velja samo za samostoječe pomivalne stroje.



Namestitev samostoječega stroja

Vgradnja med obstoječe omarice

Višina pomivalnega stroja, 845 mm, je zasnovana tako, da omogoča vgradnjo stroja med obstoječe omarice z enako višino v moderno opremljenih kuhinjah. Nogice lahko nastavimo tako, da dosežemo pravilno višino. Laminiran zgornji del stroja ne zahteva posebne nege, ker je odporen proti vročini, na praske in madeže.



Namestitev pod obstoječim delovnim pultom

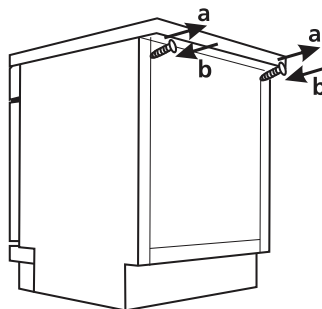
(Ko stroj vgrajujemo pod delovni pult)

V moderno opremljene kuhinje imajo en sam delovni pult, pod katerega vgradimo ogrevalne in električne aparate. V takem primeru odstranite delovni pult pomivalnega stroja tako, da odvijete vijake pod zadnjim robom zgornje ploskve (a).

POZOR!

Ko odstranite delovni pult, morate ponovno priviti vijake pod zadnjim robom vrha (b).

Višina se tako zniža na 815 mm, kot zahtevajo mednarodni predpisi (ISO) in pomivalni stroj lahko vstavite pod kuhinjski delovni pult.



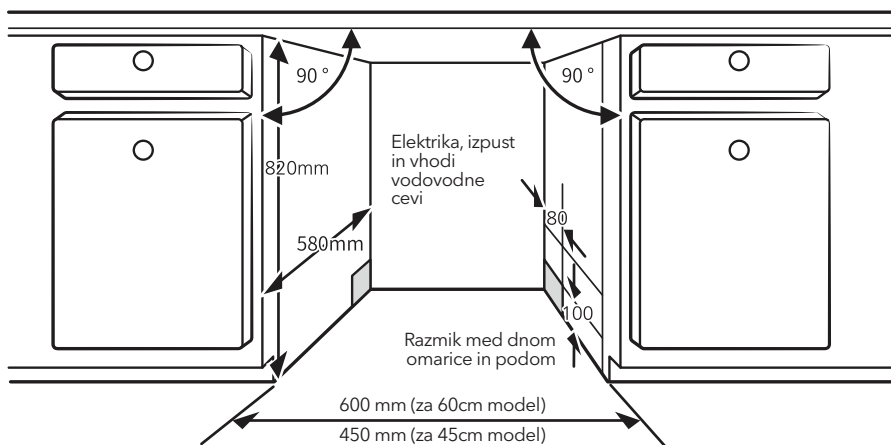
Namestitev vgradnega pomivalnega stroja (za vgradni model)

Korak 1: Izbira najboljšega mesta za pomivalni stroj

Mesto za namestitev pomivalnega stroja mora biti v bližini obstoječih gubljivih cevi za dovod in odvod vode, ter blizu električnega napajanja.

Slike dimenzij omarice in slika položaja pomivalnega stroja.

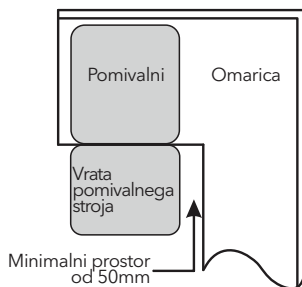
1. Manj kot 5 mm med vrhom pomivalnega stroja in omarico in poravnava zunanji vrat z omarico.



2. Če pomivalni stroj namestite v kot omarice, morate zagotoviti nekaj prostora za odpiranje vrat.

OPOMBA!

Zavisno od toga gde se nahaja otvor za električne instalacije, morda boste morali da presečete otvor na suprotni strani kuhinjskega elementa.



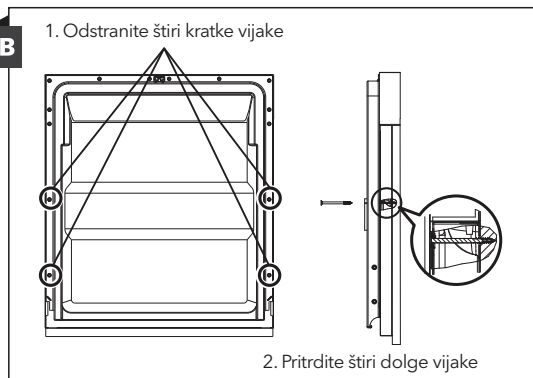
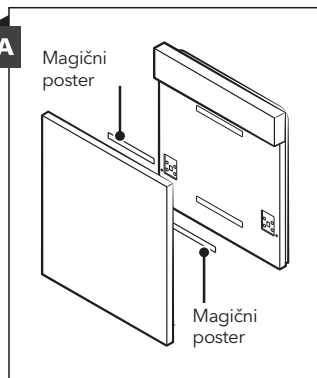
Korak 2: Mere in namestitvev okrasnega panela

OPOMBA!

Lesen okrasni panel se lahko obdelava v skladu z načrti namestitve.

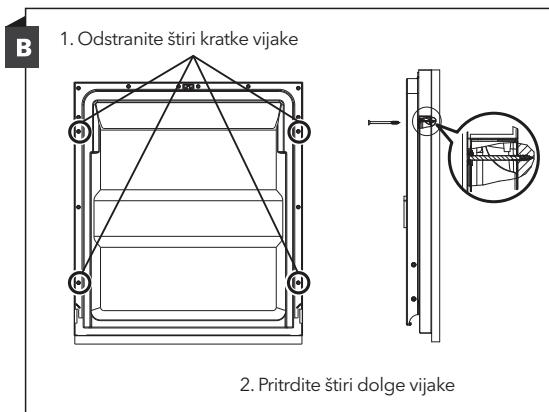
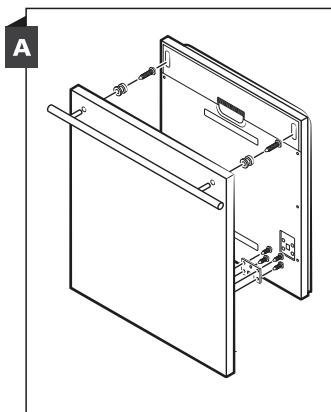
Pol-vgradni model

- Magični poster A in magični poster B se razdelita na magični poster A, okrasni leseni panel in polsten magični poster B zunanjih vrat pomivalnega stroja (glej sliko A). Ko panel namestite, ga pritrдите v zunanja vrata z vijaki in sorniki (glej sliko B).



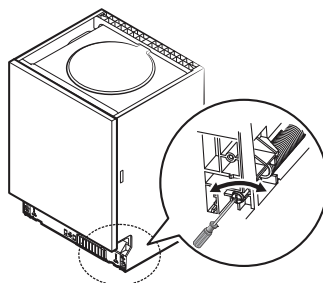
Polno-vgradni model

Namestite kavelj na okrasni leseni panel in ga vstavite v režo zunanjih vrat pomivalnega stroja (glej sliko A). Ko panel namestite, ga pritrдите v zunanja vrata z vijaki in somniki (glej sliko B).



Korak 3: Nastavitev napetosti vzmeti vrat

1. Vzmeti vrat so tovarniško nastavljene na pravilno napetost zunanjih vrat. Če pa namestite leseni okrasni panel, morate vzmeti vrat prilagoditi. Obračajte nastavitveni vijak tako, da bo nastavitveni element jekleni kabel napel, ali pa sprostil.
2. Napetost vzmeti vrat je pravilna, ko vrata v popolnoma odprtem položaju ostanejo v pokončnem položaju, vendar pa se dvignejo z rahlim potiskom s prstom.

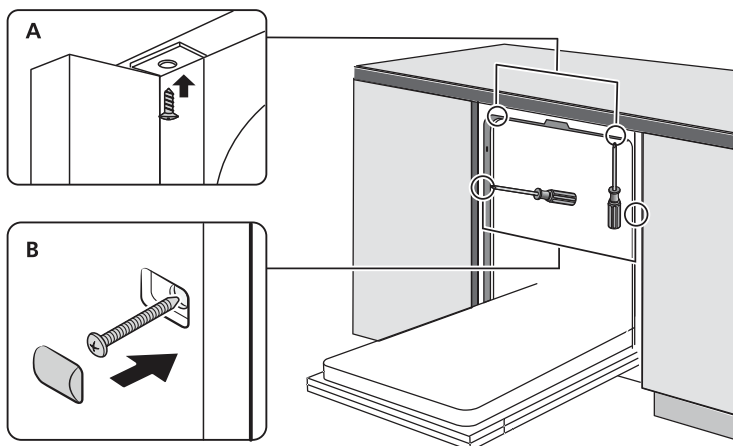


Korak 4: Postopki namestitve pomivalnega stroja

OPOMBA!

Prosimo, postopajte po posebnih napotkih n montažnih načrtih.

1. Pritrdite kondenzacijski trak pod delovno površino omarice. Preverite, ali je kondenzacijski trak poravnán z robom delovne površine. (Korak 2)
2. Priklopite cev za dovod mrzle vode.
3. Priklopite gibljivo odvodno cev.
4. Priklopite električni kabel.
5. Postavite pomivalni stroj na njegovo mesto. (Korak 4)
6. Izravnajte pomivalni stroj. Zadnjo nogico lahko naravnate s sprednje strani pomivalnega stroja z obračanjem z izvijačem Philips na sredini podstavka pomivalnega stroja; uporabite Philipsov izvijač. Za uravnavo sprednjih nogic uporabite ploščati izvijač in sprednje nogice obračajte, dokler stroj ne bo izravnán. (koraka 5 do 6)
7. Namestite vrata pohištva na zunanja vrata pomivalnega stroja. (koraki 7 do 10)
8. Uravnajte napetost vzmeti vrat z obračanjem šestrobrega imbus vijaka v smeri ure in tako zategnite levo in desno vzmet vrat. Če tega ne naredite, se vaš pomivalni stroj lahko poškoduje. (Korak 11)
9. Pomivalni stroj morate zavarovati na njegovem mestu. Za to obstajata dva načina:
 - A. Normalna delovna površina: Položite montažni kavelj v režo stranice in ga varno pritrđite na delovno površino z lesenimi vijaki.
 - B. Marmorna ali granitna delovna površina: Pritrdite stranice z vijaki.

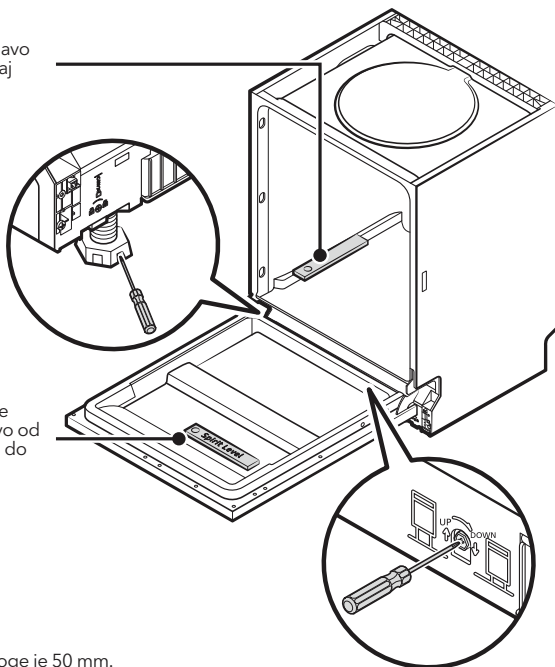


Korak 5: Izravnava pomivalnega stroja

Pomivalni stroj mora biti izravnava, da bodo police za posodo in pomivanje pravilno delovale.

1. Položite vodno tehtnico na vrata in vodilo police znotraj korita, kot je prikazano, da preverite, ali je stroj izravnava.
2. Izravnajte pomivalni stroj z nastavljanjem vsake od treh izravnalnih nog posebej.
3. Pri izravnavanju pomivalnega stroja pazite, da se stroj ne prekucne.

Preverite izravnava
od spredaj nazaj



Preverite izravnava
od stranice do
stranice

OPOMBA!

Največja nastavljiva višina noge je 50 mm.

NAPOTKI ZA ODPRAVLJANJE OKVAR

Preden pokličete serviserja

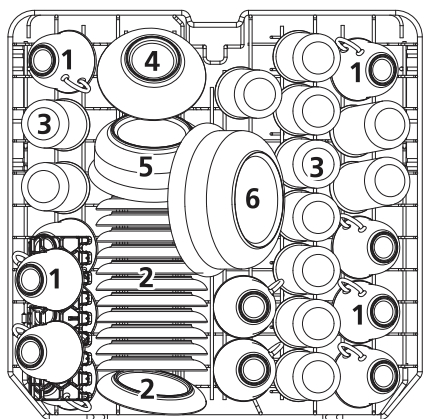
Pregled tabel na naslednjih straneh vam bo morda pomagal, da boste rešili težavo sami, brez serviserja.

Težava	Možni vzrok	Kaj storiti
Mašina za pranje sudova ne počinje da radi	Pregorela je varovalka ali pa se je sprožil odklopnik.	Zamenjajte varovalko ali ponovno nastavite odklopnik. Odstranite vse druge naprave, priključene na isti tokokrog s pomivalnim strojem.
	Električno napajanje ni vklopljeno.	Preverite, ali je pomivalni stroj vklopljen, in, ali so vrata varno zaprta. Preverite, ali je električni kabel pravilno vtaknjen v zidno vtičnico.
	Tlak vode je nizek.	Preverite, ali je napajanje z vodo pravilno priključeno, in, ali je voda vklopljena.
	Vrata pomivalnega stroja niso pravilno zaprta.	Pravilno zaprite vrata z zapahom.
Voda se ne črpa iz pomivalnega stroja	Zavita ali preščipnjena izpustna cev.	Preverite izpustno cev.
	Zamašen filter.	Preverite filter za grobe delce.
	Zamašen kuhinjski odtok.	Preverite, ali izpust v kuhinjskem odtoku v redu deluje. Če je težava v tem, da kuhinjski odtok ne izpušča vode, raje pokličite vodovodnega inštalaterja kot serviserja pomivalnih strojev.
Milnica v posodi.	Nepravi detergent.	Uporabljajte samo detergent, posebej namenjen za pomivalni stroj, ki ne tvori milnice. Če se tvori pena, odprite pomivalni stroj, da milnica izpari. Vlijte 1 galono (4,54 litra) mrzle vode na dno pomivalnega stroja. Zaprite vrata pomivalnega stroja, nato pa izberite cikel. Na začetku bo pomivalni stroj izpuščal vodo. Po končanem izpustu odprite vrata in preverite, ali je milnica izginila. Če je treba, ponovite.
	Razlito sredstvo za izpiranje.	Razlito sredstvo za izpiranje morate takoj obrisati.
Madeži v notranjosti korita.	Morda ste uporabljali detergent z barvilom.	Preverite, ali je detergentu dodano barvilo.
Bel sloj na notranji površini	Trdi vodni minerali.	Za čiščenje notranjosti uporabite vlažno gobico z detergentom za pomivalni stroj, pri tem pa nosite gumijaste rokavice. Nikoli ne uporabljajte drugega čistila kot detergent za pralni stroj, sicer se lahko tvorijo pene ali milnica.
Na jedilnem priboru so rjasti madeži	Pribor ni odporen na rjavenje.	V pomivalnem stroju ne pomivajte pribora, ki ni odporen na rjavenje.
	Niste vklopili programa po dodajanju soli za pomivalni stroj. Sledi soli so prišle v pomivalni cikel.	Vedno vklopite program brez posode po dodajanju soli. Po dodajanju soli ne izberite funkcije Turbo (če jo imate).
	Pokrovček mehčalca je majav.	Preverite, ali je pokrovček mehčalca varno pritrjen.

Težava	Možni vzrok	Kaj storiti
V pomivalnem stroju se sliši trkajoč zvok	Pršilka zadeva ob posodo ali košaro.	Prekinite program in ponovno namestite posodo, ki ovira pršilko.
V pomivalnem stroju se sliši žvenketanje.	Posode v pomivalnem stroju se majejo.	Prekinite program in ponovno namestite posodje.
Trkajoč zvok v vodovodnih ceveh	To lahko povzroči nameščanje na mestu postavitve ali pa prerez cevovoda.	To ne vpliva na delovanje pomivalnega stroja. Če o tem niste prepričani, naj težavo reši usposobljen vodovodni inštalater.
Posoda ni čista.	Posoda ni pravilno naložena.	Glej DEL II, »Priprava in nalaganje posode«
	Program ni bil dovolj zmogljiv.	Izberite bolj intenziven program.
	Ni bilo dovolj odmerjenega detergenta.	Uporabite več detergenta ali pa zamenjajte detergent.
	Posoda ovira premikanje pršilk.	Ponovno naložite posodo tako, da bodo pršilke lahko prosto krožile.
	Sklop filtrov ni čist ali pa trenutno ni pravilno nameščen v podstavek pomivalne omarice. To je lahko vzrok, da so pršilke blokirane.	Očistite in/ali pravilno namestite filtre. Očistite šobe pršilk.
Orošena steklenina.	Kombinacija mehke vode in preveč detergenta.	Če imate mehko vodo, uporabljajte manj detergenta in izberite krajši cikel za pranje steklenine, da bo čista.
Na posodi in na kozarcih se pojavljajo beli madeži.	Trda voda lahko povzroči nalaganje vodnega kamna.	Dodajte več detergenta.
Črne ali sive lise na posodi.	Ob posodo so se drgnili aluminijasti kuhinjski pripomočki.	Uporabljajte blago abrazivno čistilo, da odstranite te lise.
V odmerniku ostaja detergent.	Posoda ovira odmernik detergenta.	Ponovno pravilno naložite posodo.
Posoda se ne suši.	Nepravilno nalaganje.	Naložite posodo v skladu z navodili.
	Posoda se prehitro odstrani.	Ne izpraznite pomivalnega stroja takoj po končanem pomivanju. Rahlo odprite vrata, da bo para lahko uhajala ven. Posodo vzemite ven, ko se notranja temperatura zniža in se posode lahko dotikate. Najprej razložite spodnjo košaro, da nanjo ne bo kapljala voda iz zgornje košare.
	Izbrali ste napačen program.	Pri kratkem programu je pomivalna temperatura nižja, kar znižuje zmogljivost čiščenja. Izberite program z daljšim časom pomivanja.
	Uporaba jedilnega pribora z nizko kakovostjo premaza.	Pri taki posodi je izpust vode težji. Jedilni pribor in posoda te vrste niso primerni za pomivanje v pomivalnem stroju.

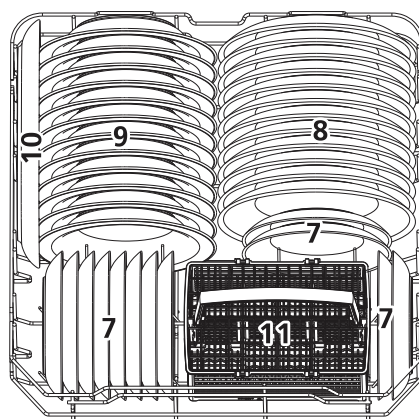
NALAGANJE V KOŠARO V SKLADU Z EN50242:

1. Zgornja košara:



Številka	Predmet
1	Skodelice
2	Krožnički
3	Kozarci
4	Majhna servirna skodelica
5	Srednja servirna skodelica
6	Velika servirna skodelica

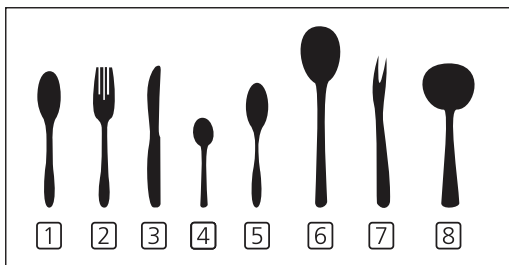
2. Spodnja košara:



Številka	Predmet
7	Posoda za desert
8	Nizki krožniki
9	Jušni kroniki
10	Ovalni pladnji
11	Košek za jedilni pribor

3. Košek za jedilni pribor::

1	2	1		4	4	4	4	4	4		1	2	1
2	2	2			8			7		3	3		2
1	2	1		4	4	4	4	4	4		1	3	1
1	2	1		5	5	5	5	5	5		3	3	3
2	2	2			3			3		3	3	3	3
1	2	1		5	5	5	5	5	5		6		6



Podatek za primerjalne preizkuse v skladu z EN 50242

Zmogljivost: 12 pogrnjkov

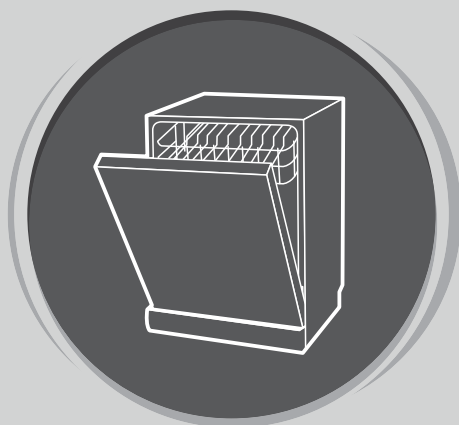
Položaj zgornje košare: spodnji položaj

Program: ECO

Nastavitev sredstva za izpiranje: 6

Nastavitev mehčalca: H3

Številka	Predmet
1	Supene kašike
2	Viljuške
3	Koževi
4	Kafene kašike
5	Kašičke za desert
6	Kašike za serviranje
7	Viljuške za serviranje
8	Kutlače za sos



POMIVALNI STROJ

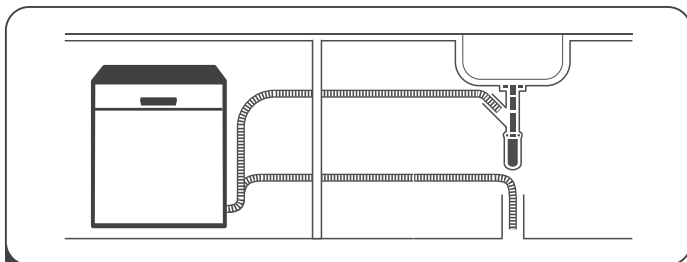
Priročnik
za uporabo

2. DEL: POSEBNA RAZLIČICA WD630M

Pred uporabo pazljivo preberite ta priročnik in ga shranite, ker ga boste mogoče še potrebovali.

HITRI VODIČ ZA UPORABO

Prosimo, preberite odgovarjajočo vsebino v priročniku za uporabo s podrobnejšimi opisi načinov delovanja.

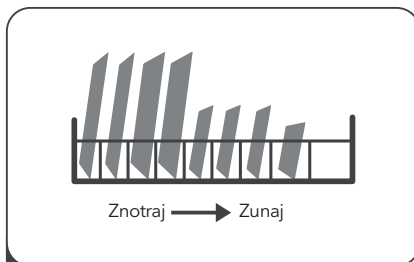


1 Namestitev pomivalnega stroja

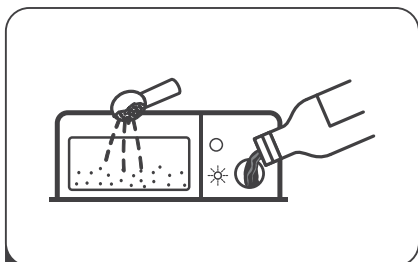
(Preberite poglavje 5 »NAVODILA ZA NAMESTITEV V delu I: Osnovna različica .«)



2 Odstranjevanje večjih ostankov na jedilnem priboru



3 Nalaganje v košare



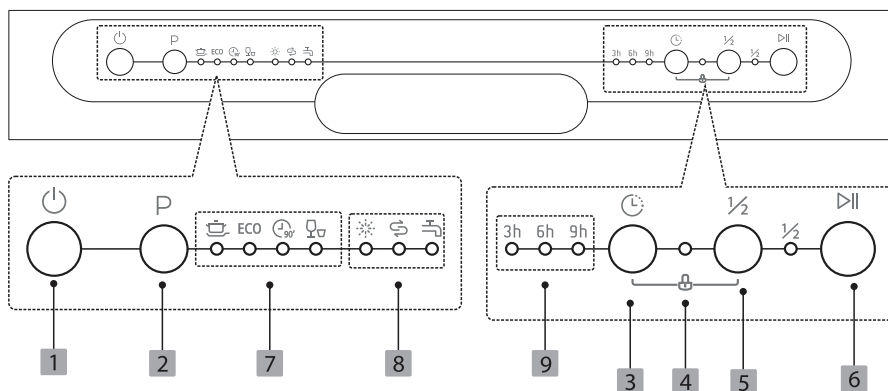
4 Polnjenje odmernika



5 Izbira programa in vklop pomivalnega stroja

UPORABA POMIVALNEGA STROJA

Krmilna plošča



Operacija (gumb)

- 1** Moč Pritisnite na gumb za vklop svojega pomivalnega stroja.
- 2** Program Izberite ustrezen program pomivanja, kazalnik izbranega programa zasveti.
- 3** Zamik S pritiskom na gumb nastavite čas zamika, odgovarjajoč kazalnik zasveti.
- 4** Zaklep za otroke Ta možnost vam omogoča zaklepanje gumbov na krmilni plošči, razen električnega gumba - tako otroci ne morejo po naključju vklopiti pomivalnega stroja s pritiskom na gumb na plošči. Gumbi za zaklepanje ali odklepanje so na krmilni plošči, pritisnite in držite istočasno gumb za polovično obremenitev + gumb za časovni zamik za 3 sekunde. Ko pritisnete ta gumb, zasveti odgovarjajoča signalna lučka.
- 5** Polovična obremenitev Ko morate pomiti okoli 6 pogrinjkov ali manj, lahko izberete to funkcijo, s katero varčujete z energijo in vodo. (Lahko jo uporabljate samo z intenzivnim, ECO, 90 minutnim programom)
- 6** Start / Pavza Vklp izbranega pomivalnega programa ali pavze, ko pomivalni stroj deluje.

Prikaz



Intenzivno pomivanje

Za zelo umazano posodo in normalno umazane lonce, ponve, namizno posodo, itd., z zasušeno hrano.



ECO

ECO

To je standardni program, primeren je za čiščenje normalno umazanih pogrinjkov, in je najbolj učinkovit program v pogledu kombinirane porabe energije in vode za to vrsto pogrinjkov.



90'

90 minuta

Za normalno umazano posodo, ki jo želite hitro pomiti.

- 7** Kazalnik programa

7 Kazalnik programa



Hitri program

Krajše pomivanje za manj umazano posodo, ki je ni treba sušiti.



Sredstvo za izpiranje

Če sveti kazalnik "☀️", to pomeni, da ga v pomivalnem stroju zmanjkuje sredstva za izpiranje posode, ki ga morate doliti.

8 Indikator upozorenja



Sol

Če sveti kazalnik "↻" to pomeni, da v pomivalnem stroju zmanjkuje soli in je treba dodati sol.



Vodovodna pipa

Če sveti kazalnik "🚰" to pomeni, da je vodovodna pipa zaprta.

9 Časovni zamik

Prikaz časovnega zamika (3h/6h/9h).



OPOMBA!

Prosimo, preberite Poglavlje 3, »Polnjenje soli v mehčalec«, DEL 2: Osnovna različica, če v vašem pomivalnem stroju ni dovolj soli.



OPOMBA!

Če vaš model ne potrebuje mehčalca vode, lahko ta odstavek spustite.

Mehčalec vode

Trdota vode se razlikuje od kraja do kraja. Če v pomivalnem stroju uporabljate trdo vodo, se bo na posodi in priboru nalagala usedlina.

Pomivalni stroj je opremljen s posebnim mehčalcem, ki uporablja poseben vsebnik soli, zasnovan tako, da se iz vode izločajo apno in minerali.

Priprava in nalaganje posode

- Razmislite o nakupu pripomočkov, ki so primerni za pomivalni stroj.
- Za določene pripomočke izberite program z najnižjo možno temperaturo.
- Ne jemljite steklenine in jedilnega pribora iz stroja takoj po zaključku programa, da ne pride do poškodbe.

Naslednji jedilni pribor/posoda

niso primerni:

- Jedilni pribor z ročaji iz lesa, roževine, ali biserovine;
- Plastični predmeti, ki niso odporni na vročino
- Starejši jedilni pribor z lepljenimi deli, ki niso odporni na temperaturo
- Lepljen jedilni pribor ali posoda
- Kositrni ali bakreni predmeti
- Kristalno steklo
- Jekleni predmeti, ki rjavijo
- Leseni pladnji
- Predmeti iz sintetičnih vlaken

Predmeti z omejeno primernostjo:

- Nekatere vrste kozarcev lahko postanejo topi po večjem številu pomivanj.
- Srebrni in aluminijasti deli se lahko med pomivanjem razbarvajo.
- Glazirani vzorci lahko zbledijo, če se pogosto pomivajo v stroju.

Priporočila za nalaganje v pomivalni stroj

Postrgajte vse večje količine preostanka hrane. Zmehčajte ostanke zažgane hrane v ponvah. Posode ni treba izpirati pod tekočo vodo.

Pomivalni stroj bo najbolj učinkovito deloval, če boste upoštevali naslednje napotke o nalaganju.

(Lastnosti in videz košar in koškov za jedilni pribor se lahko razlikujejo od vašega modela).

Kose položite v pomivalni stroj tako:

- Predmeti, kot so skodelice, kozarci, lonci/ponve, itd., položite tako, da gledajo navzdol.
- Zaobljene predmete, ali predmete z odprtini, morate naložiti povprek, tako, da lahko voda kroži okoli njih.
- Vsi pripomočki so varno zloženi in se ne morejo prevrniti.
- Vsi pripomočki so položeni tako, da se lahko pršilki med pomivanjem prosto vrtita.
- Votle predmete, kot so skodelice, kozarci, ponve, itd., naložite tako, da bo odprtina gledala navzdol in se voda ne bo mogla zbirati v njih ali v globokem podstavku.
- Posode in jedilni pribor ne smejo ležati ena v drugi, prav tako se ne smejo prekrivati. Kozarci se ne smejo dotikati, da se ne poškodujejo.
- Zgornja košara je namenjena za bolj občutljivo in lažjo posodo, kot so kozarci in skodelice za kavo in čaj.
- Noži z dolgimi rezili, ki so naloženi v pokončnem položaju, so potencialno nevarni!
- Dolgi in / ali ostri kosi jedilnega pribora, kot so noži za razkosanje, morajo biti položeni vodoravno na zgornji košari.
- Pomivalnega stroja ne smete preveč obremeniti. To je pomembno, ker boste tako dosegli dobre rezultate in manjšo porabo energije.

OPOMBA!

Zelo majhnih kosov ne pomivajte v stroju, ker lahko zlahka padejo iz košare

Odstranjevanje posode

Da preprečite kapljanje vode iz zgornje košare v spodnjo košaro, priporočamo, da najprej izpraznite spodnjo košaro, nato pa šele zgornjo košaro.

⚠ OPOZORILO!

Predmeti so vroči! Ne jemljite steklenine in jedilnega pribora iz stroja takoj še okoli 15 minut po zaključku programa, da ne pride do poškodbe.

Nalaganje na zgornjo košaro

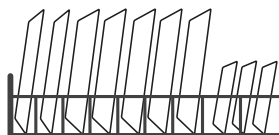
Zgornja košara je namenjena za bolj občutljivo in lažjo posodo, kot so kozarci in skodelice za kavo in čaj ter krožnički, kot tudi za krožnike, majhne skodele in plitve ponve (če le niso preveč umazane). Položite pogrinjke in posodo za kuhanje tako, da jih curki vode ne bodo premikali.



Nalaganje na spodnjo košaro

Predlagamo, da položite večje kose in kose, ki jih je težje pomiti, v spodnjo košaro: lonce, ponve, pokrove, servirne posode in skodele, kot to kaže spodnja slika. Najbolje je, da položite servirne posode in pokrove ob strani polic, da ne bodo blokirali vrtenja zgornje pršilke.

Največji priporočljiv premer krožnikov, ki jih lahko položite pred odmernik detergenta in krožniki ne bodo ovirali odpiranja odmernika, je okoli 19 cm.



Nalaganje v košek za jedilni pribor

Jedilni pribor morate položiti v predelek za jedilni pribor, ločeno eden od drugega v ustreznem položaju, pazite pa, da pripomočki ne bodo preveč stisnjeni skupaj, ker bi bili sicer slabo pomiti.

! OPOZORILO!

Ne dopustite, da bi kateri koli predmet segal skozi dno. Vedno naložite ostre pripomočke z ostro konico navzdol!

☰ OPOMBA!

Najboljši učinek pomivanja dosežete, če naložite košari v skladu z običajnimi načini nalaganja, opisanimi v zadnjem poglavju, DEL I: Osnovna različica

FUNKCIJA SREDSTVA ZA IZPIRANJE IN DETERGENTA

Sredstvo za izpiranje se sprošča med zadnjim splakovanjem in tako preprečuje, da bi voda tvorila kapljice na vaši posodi; kapljice pa za sabo puščajo madeže in črte. Po uporabi sredstva za izpiranje se posoda bolje suši, ker voda lahko kroži okoli nje. Vaš pomivalni stroj je zasnovan za uporabo tekočih sredstev za izpiranje.

! OPOZORILO!

Za pomivalni stroj vedno uporabljajte sredstvo za izpiranje dobre blagovne znamke. Nikoli ne polnite odmernika sredstva za izpiranje z drugimi sredstvi (na primer, čistilom, tekočim detergentom). S temi sredstvi lahko poškodujete stroj.

Kdaj dolivamo sredstvo za izpiranje v odmernik

Razen v primeru, ko opozorilna lučka za sredstvo za izpiranje (☼) na krmilni plošči sveti, lahko vedno ocenite količino po barvi na optičnem kazalniku ravni, ki je nameščen ob pokrovčku. Ko je vsebnik sredstva za izpiranje poln, je kazalnik popolnoma temen. Ko se raven sredstva za izpiranje znižuje, se velikost temne pike zmanjšuje. Nikoli ne smete dopustiti, da se raven sredstva za izpiranje zniža na raven več kot 1/4 polno. Ker se količina sredstva za izpiranje zmanjšuje, črna pika na kazalniku ravni sredstva za pomivanje označuje spreminjanje, kot je prikazano spodaj..

Kazalnik ravni sredstva za izpiranje

 Polno 3/4 polno 1/2 polno 1/4 polno Prazno

Funkcija detergenta

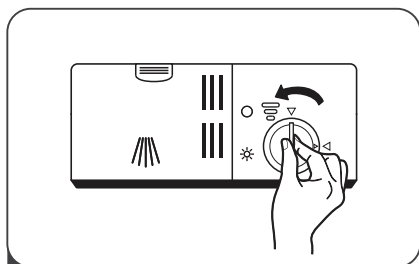
Kemične sestavine, ki sestavljajo detergent, so potrebne za odstranjevanje, drobljenje in odvajanje vse umazanije iz pomivalnega stroja. Večina kakovostnih trgovskih detergentov je primernih za ta namen.

! OPOZORILO!**Pravilna uporaba detergenta**

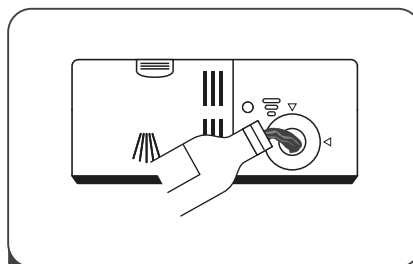
- Uporabljajte samo detergent, narejen posebej za uporabo v pomivalnem stroju. Detergent hranite tako, da bo svež in suh. Praškast detergent naložite v odmernik, ko ste pripravili posodo za pomivanje.
- **Detergent za pomivalni stroj je koroziven! Detergenta za pomivalni stroj ne smete hraniti na mestu, kjer ga otroci lahko dosežejo.**



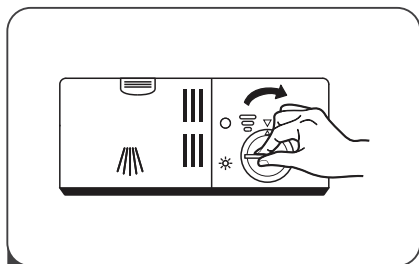
POLNJENJE POSODICE ZA SREDSTVO ZA IZPIRANJE



1 Odstranite pokrovček posodice za sredstvo za izpiranje tako, da ga obračate v nasprotni smeri ure.



2 Skrbno nalijte sredstvo za izpiranje v njegov odmernik in pazite, da se ne bo prelivalo.

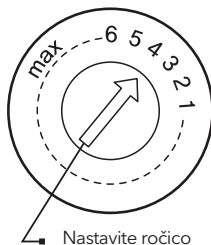


3 Odstranite pokrovček posodice za sredstvo za izpiranje tako, da ga obračate v nasprotni smeri ure.

OPOMBA!

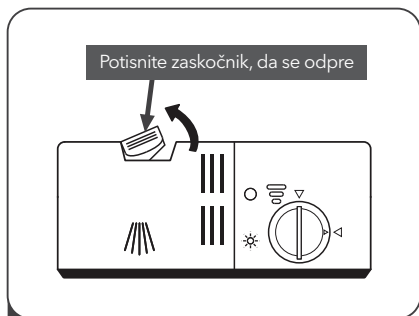
Temeljito očistite razlito sredstvo za izpiranje z vpojno krpo, da ne pride do pretiranega penjenja med naslednjim pomivanjem.

Nastavljanje posodice za sredstvo za izpiranje

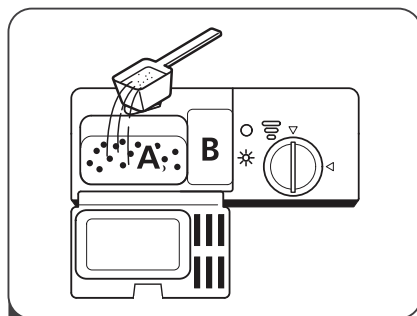


Nastavite števec kazalnika za sredstvo za izpiranje na številko med 1 in 6. Višja kot je številka, več sredstva za izpiranje pomivalni stroj porabi. Če se posoda ne suši pravilno, ali, če je lisasta, naravnajte števec na naslednjo višjo številko, dokler posoda ne bo brez lis. Če so na posodi lepljivi belkasti madeži ali modrikast sloj na steklenini ali na noževih rezilih, znižajte številko.

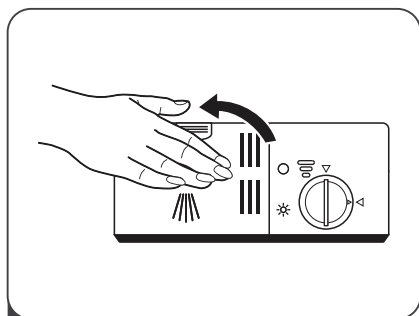
POLNJENJE ODMERNIKA DETERGENTA



- 1** Pokrov odmernika detergenta odprete s pritiskom na zatič za sprostitev pokrova.



- 2** Dodajte detergent v večjo vdolbino (A) za glavni cikel pomivanja.
Pri bolj umazani posodi dodajte nekaj detergenta tudi v manjšo vdolbino (B), namenjeno za predpranje.



- 3** Zaprite pokrov in ga potiskajte navzdol, dokler se ne zaskoči na svoje mesto.

OPOMBA!



- Ne pozabite, da je nastavitev lahko različna glede na onesnaženost vode.
- Upoštevajte priporočila proizvajalca glede ovojnine detergenta.

PROGRAMIRANJE POMIVALNEGA STROJA

Tabela pomivalnih ciklov

V spodnji tabeli so navedeni programi, ki so najbolj ustrezni za različne stopnje ostankov hrane ter potrebne količine detergenta. Tabela prav tako vsebuje različne podatke o programih.

Program	Opis cikla	Detergent Predpranje/ Glavno pranje	Čas delovanja (min)	Energija (Kwh)	Voda (L)	Sredstvo za izpiranje
 Intenzivno	Predpranje (50°C)					
	Pranje (60°C)					
	Izpiranje	5/25 g	175	1.6	17.5	●
	Izpiranje	(1 ili 2 komada)				
	Izpiranje (70°C)					
ECO (*EN 50242)	Sušenje					
	Pretpranje					
	Pranje (45°C)	5/25 g	225	1.02	11	●
	Izpiranje (60°C)	(1 ili 2 komada)				
	Sušenje					

Program	Opis cikla	Detergent Predpranje/ Glavno pranje	Čas delovanja (min)	Energija (Kwh)	Voda (L)	Sredstvo za izpiranje
 90 minuta	Pranje (65°C)	5/25g (1 komad)	90	1.35	12.5	●
	Izpiranje					
	Izpiranje (65°C)					
 Rapid	Sušenje	20g	30	0.75	11	○
	Pranje (45°C)					
	Izpiranje (50°C)					
	Izpiranje (55°C)					

(●) To pomeni: v odmernik sredstva za izpiranje je treba je dodati sredstvo za izpiranje.



EN 50242: Ta program je testni cikelus. Podatek za primerjalne preizkuse v skladu z EN 50242.

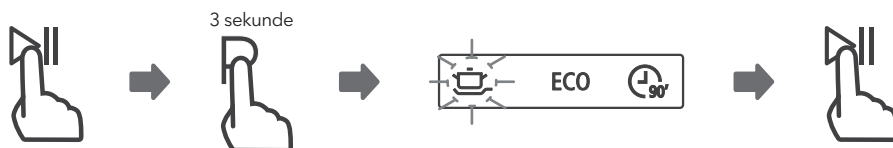
Začetek pomivalnega cikla

- Izvlcite spodnjo in zgornjo košaro, naložite posodo in ju potisnite nazaj. Priporočamo, da najprej naložite spodnjo košaro, nato pa še zgornjo.
- Nalijte detergent.
- Vstavite vtič v vtičnico. Podatek o električnem napajanju je na zadnji strani poglavja "Podatkovna kartica o izdelku". Prepričajte se, da je napajanje z vodo odprto s polnim pritiskom.
- Zaprite vrata in s pritiskom na gumb za vklop vklopite stroj.
- Izberite program in odgovarjajoča označevalna lučka zasveti. Nato pritisnite na gumb Start/Pavza in cikel pomivanja se začne.

Spreminjanje programa med ciklom

Cikel pomivanja lahko spremenite samo, če teče kratek čas, sicer se detergent lahko že sprosti in iz pomivalnega stroja že odteka odpadna voda. V tem primeru morate pomivalni stroj ponovno nastaviti in doliti detergent v odmernik. Pomivalni stroj ponovno nastavite po spodnjih navodilih:

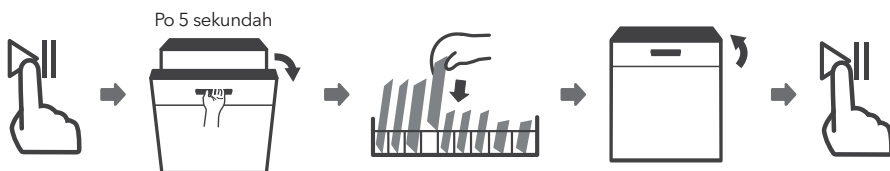
- Pritisnite na gumb Start/Pavza, da prekinete pomivanje.
- Pritisnite na gumb Program in ga držite več kot 3 sekunde - program se prekliče.
- Pritisnite na gumb Program in izberite želeni program.
- Po 10 sekundah pritisnite na gumb Start/Pavza in pomivalni stroj bo začel delovati.



Ste pozabili naložiti posodo?

Če ste pozabili dodati kakšen kos posode, ga lahko dodate v času, preden se odpre odmernik detergenta. V tem primeru postopajte po spodnjih navodilih:

1. Pritisnite na gumb Start/Pavza, da prekinete pomivanje.
2. Počakajte 5 sekund, nato odprite vrata.
3. Vstavite pozabljen kos posode.
4. Zaprite vrata.
5. Po 10 sekundah pritisnite na gumb Start/Pavza in pomivalni stroj bo začel delovati.



OPOZORILO!



Sredi cikla je nevarno odpirati vrata, ker vas vroča para lahko popari.

KODE NAPAK

V primeru slabega delovanja pomivalni stroj prikaže kode napak, da jih identificira:

Kode	Pomen	Možni vzroki
Slabo utripajoča označevalna lučka hitrega programa.	Daljši vstopni čas.	Pipa ni odprta, ali pa je odvzem vode blokiran, ali pa je tlak vode prenizek.
Označevalna lučka za hitri program in za 90 minutni program medlo utripa.	Zahtevana temperatura ni dosežena.	Slabo delovanje grelnega elementa.
Slabo utripajoča označevalna lučka ECO programa.	Prelivanje.	Eden od elementov pomivalnega stroja pušča.



OPOZORILO!

- Če pride do prelivanja, zaprite glavni dovod vode, preden pokličete serviserja.
- Če je v pladnju podstavka voda zaradi prelivanja ali manjšega iztekanja, morate vodo odstraniti, preden ponovno zaženete pomivalni stroj.

MEHČALEC VODE

Mehčalec vode morate nastaviti ročno z uporabo merilnika trdote vode.

Mehčalec vode je namenjen za odstranjevanje mineralov in soli iz vode, ki bi imeli škodljiv ali nasproten učinek na delovanje stroja.

Več kot je mineralov v vodi, večja je trdota vode.

Mehčalec morate prilagajati v skladu s trdoto vode na vašem področju. Vaš lokalni upravljavec vodnih virov vam lahko svetuje glede trdote vode na vašem področju.

Nastavitev porabe soli

Pomivalni stroj je zasnovan tako, da omogoča nastavljanje količine soli, ki jo stroj porabi na osnovi trdote uporabljene vode. Nastavitev je namenjena optimizaciji in prilagajanju ravni porabe soli.

Pri nastavljanju porabe soli postopajte kot sledi:

1. Vključite stroj in zaprite vrata;
2. Pritisnite na gumb Start/Pavza in ga držite več kot 5 sekund, da zaženete nastavljen model mehčalca soli v času 60 sekund po vklopu stroja;
3. Pritisnite na gumb Start/Pavza za izbiro pravilne nastavitve v skladu z vašim lokalnim okoljem; nastavitve se bodo spreminjale v naslednjem zaporedju:
H1->H2->H3->H4->H5->H6;
4. Pritisnite na električni gumb, da zaključite nastavljen model.

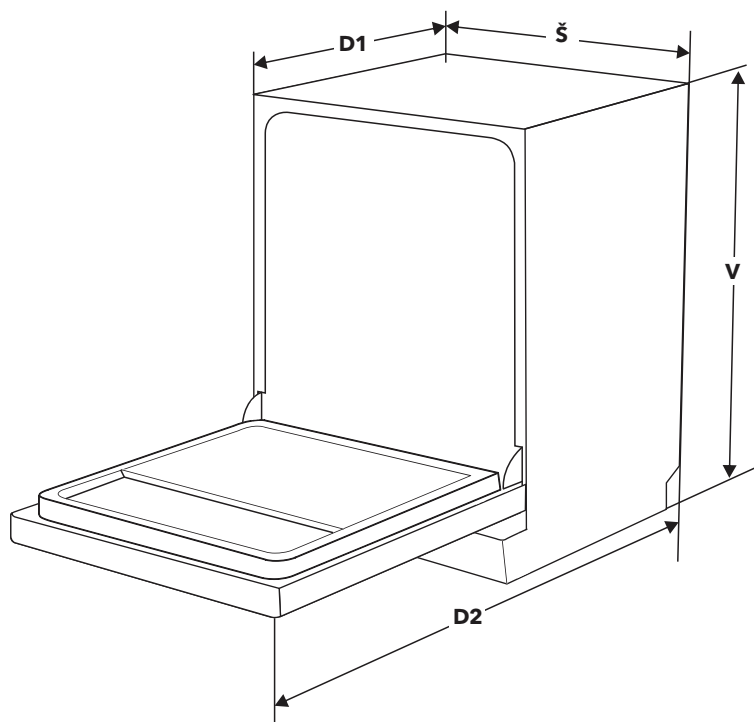
TRDOTA VODE				Raven vodnega mehčalca	Poraba soli (gram/cikel)
Nemško °dH	Francosko °fH	Angleško °Clarke	Mmol/l		
0 - 5	0 - 9	0 - 6	0 - 0.94	H1-> Utripajoča označevalna lučka hitrega programa	0
6 - 11	10 - 20	7 - 14	1.0 - 2.0	H2-> Utripajoča označevalna lučka 90 minutnega programa	9
12 - 17	21 - 30	15 - 21	2.1 - 3.0	H3-> Utripajoča označevalna lučka 90 minutnega, hitrega programa	12
18 - 22	31 - 40	22 - 28	3.1 - 4.0	H4-> Utripajoča označevalna lučka ECO programa	20
23 - 34	41 - 60	29 - 42	4.1 - 6.0	H5-> Utripajoča označevalna lučka ECO in hitrega programa	30
35 - 55	61 - 98	43 - 69	6.1 - 9.8	H6-> Utripajoča označevalna lučka ECO in 90 minutnega programa	60

1°dH=1.25 °Clarke=1.78 °fH=0.178mmol/l

Tovarniške nastavitve: H3

Vaš lokalni upravljavec oskrbe z vodo naj vam pove, kakšno trdoto ima voda iz vašega vira napajanja.

TEHNIČNI PODATKI



Visina (H) 845mm

Širina (W) 598mm

Globina (D1) 600mm (z zaprtimi vrati)

Globina (D2) 1175mm (z odprtimi vrati 90°)

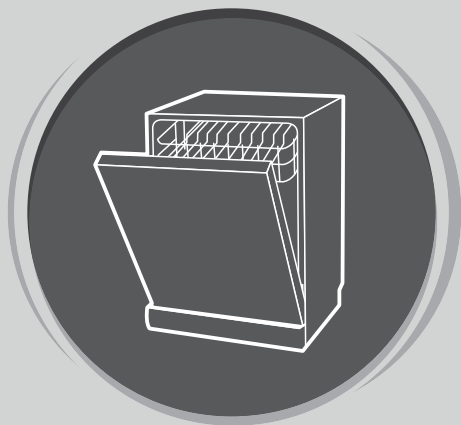
Podatkovna kartica o izdelku

Podatkovni list o gospodinjskem pomivalnem stroju v skladu z EU direktivo 1016/2010 & 1059/2010:

Proizvajalec	TESLA
Tip / opis	WD630M
Standardne nastavitve	12
Razred energetske učinkovitosti ❶	A+
Letna poraba energije ❷	290 kWh
Poraba energije standardnega čistilnega cikla	1.02 kWh
Poraba energije v načinu izklopa (off)	0.45 W
Poraba energije v načinu brez izklopa (Left-on)	0.49W
Letna poraba vode ❸	3080 litrov
Razred učinkovitosti sušenja ❹	A
Standardni čistilni cikel ❺	ECO 45°C
Trajanje programa standardnega čistilnega cikla	225 min
Raven hrupa	52 dB(A) re 1 pW
Postavitev	Prosto stoječa naprava
Mogoča je vgradnja	DA
Poraba električne moči	1760-2100W
Nazivna napetost / frekvenca	220-240V/50Hz
Tlak vode (pretočni tlak)	0.04-1.0MPa=0.4-10 bar

OPOMBA!

- ❶ A+++ (najvišja učinkovitost) do D (najnižja učinkovitost)
- ❷ Poraba energije na osnovi 280 standardnih čistilnih ciklov z uporabo polnjenje s hladno vodo in poraba nižjih načinov moči. Dejanska poraba energije je odvisna od načina uporabe stroja.
- ❸ Poraba vode na osnovi 280 standardnih čistilnih ciklov. Dejanska poraba vode je odvisna od načina uporabe stroja.
- ❹ A (najvišja učinkovitost) do G (najnižja učinkovitost)
- ❺ Ta program je primeren za čiščenje običajno umazane posode in je najbolj učinkovit program v pogledu kombinacije porabe energije in vode za to vrsto posode.



MAŠINA ZA PRANJE SUDOVA

Uputstvo
za upotrebu

DEO I: OPŠTE UPUTSTVO

Pre upotrebe mašine za pranje sudova, pažljivo pročitajte ovo uputstvo i sačuvajte ga za buduću upotrebu.

BEZBEDNOSNI PODACI

UPOZORENJE!

Prilikom upotrebe mašine za pranje sudova, pridržavajte se sledećih mera predostrožnosti:

- Postavljanje i popravku može izvesti samo kvalifikovani tehničar
- Uređaj je namenjen upotrebi u domaćinstvu i za slične namene, kao što su:
 - kuhinjski prostori za zaposlenje u prodavnicama, kancelarijama i drugim radnim okruženjima;
 - poljoprivredna domaćinstva;
 - od strane hotelskih i motelskih gostiju, kao i drugih vrsta smeštajnih objekata;
 - objekti koji pružaju uslugu noćenja sa doručkom;
- Ovaj uređaj mogu koristiti deca starosti 8 ili više godina i osobe sa smanjenim fizičkim, čulnim ili mentalnim sposobnostima, ili manjkom iskustva i znanja ukoliko su pod nadzorom, ili su im data uputstva u vezi sa bezbednom upotrebom uređaja, i svesni su mogućeg rizika.
- Deca ne bi trebalo da se igraju ovim uređajem. Uređaj ne smeju čistiti deca, osim ako to ne čine pod nadzorom. (Prema EN60335-1)
- Nije predviđeno da ovaj uređaj upotrebljavaju osobe (uključujući decu) sa umanjenim fizičkim, čulnim ili mentalnim sposobnostima, ili osobe bez iskustva i znanja, osim ukoliko su pod nadzorom ili ukoliko su dobile uputstva o upotrebi uređaja od osobe odgovorne za njihovu bezbednost. (Prema IEC60335-1) Ambalaža može biti opasna za decu!
- Ovaj proizvod je predviđen isključivo za upotrebu u domaćinstvu i u zatvorenom prostoru.
- Kako biste smanjili rizik od strujnog udara, ne potapajte proizvod, kabl ili utikač u vodu ili neku drugu tečnost. Pre čišćenja i održavanja uređaja, molimo vas da prekinete napajanje uređaja električnom energijom.
- Za čišćenje koristite meku krpu navlaženu blagom sapunicom, a zatim ponovo obrišite suvom krpom.

Uputstva u vezi sa uzemljenjem

- U slučaju nepravilnog rada ili kvara, uzemljenje će umanjiti rizik od pojave strujnog udara tako što će električnoj struji omogućiti da nađe put sa najmanjim otporom. Ovaj uređaj je opremljen priključkom za sprovođenje uzemljenja.
- Neophodno je da priključak bude povezan sa odgovarajućim izlazom postavljenim i uzemljenim u skladu sa svim lokalnim propisima i naredbama.
- Neodgovarajuće povezivanje opreme sa provodnikom uzemljenja može da izazove rizik od strujnog udara. Ukoliko imate nedoumice u vezi sa pravilnim uzemljenjem uređaja, proverite uzemljenje zajedno sa kvalifikovanim električarem ili predstavnikom servisa.
- Ukoliko priključak koji ste dobili uz uređaj ne odgovara utičnici, nemojte ga prepravljati.
- Neka Vam kvalifikovani električar postavi odgovarajuću utičnicu.

- Nemojte primenjivati silu, sedeti ili stajati na vratima ili policama za posuđe, koje se nalaze u mašini za pranje sudova.
- Nemojte puštati u rad svoju mašinu za pranje sudova ukoliko sve table kućišta nisu na svojim pozicijama.
- Budite veoma pažljivi prilikom otvaranja vrata mašine za pranje sudova dok ona radi, jer postoji rizik da Vas isprska mlaz vode. Ne stavljajte teške predmete na otvorena vrata mašine i nemojte stajati na njima. Uređaj bi se mogao prevrnuti.
- Prilikom raspoređivanja posuda koje je potrebno oprati:
 - 1) Oštre predmete rasporedite tako da ne mogu da oštete zaptivku na vratima;
 - 2) Upozorenje: Noževe i ostali pribor oštih vrhova morate rasporediti u korpi tako da im vrhovi budu okrenuti ka doli ili ih morate postaviti u horizontalni položaj.
- Neki deterđenti za mašinsko pranje sudova su veoma alkalni. Ukoliko dođe do njihovog gutanja, mogu biti izuzetno opasni.
- Izbegavajte kontakt sa kožom i očima, a decu držite dalje od mašine za pranje sudova ukoliko su vrata otvorena.
- Po završetku ciklusa pranja, proverite da li ima još praha od deterđenta.
- Nemojte prati plastično posuđe, osim ukoliko nosi oznaku „**bezbedno za mašinsko pranje**“ ili slično.
- Kod plastičnog posuđa koje ne nosi nikakvu oznaku, proverite preporuke proizvođača.
- Upotrebljavajte isključivo deterđente i sredstva za ispiranje preporučena za upotrebu u automatskim mašinama za pranje sudova.
- Nikada nemojte u mašinu za pranje sudova stavljati sapun, deterđent za pranje veša ili deterđent za pranje ruku.
- Ne ostavljajte otvorena vrata, jer time povećavate rizik od saplitanja.
- Ukoliko je kabl za napajanje oštećen, mora ga zameniti proizvođač, njegov agent za servisiranje ili slično kvalifikovano lice, kako bi se izbegli mogući rizici.
- Prilikom postavljanja, priključni kabl se ne sme savijati ili pritiskati na prekomeran ili opasan način.
- Nemojte nepropisno prepravljati kontrolne tastere.
- Uređaj je potrebno povezati sa glavnim ventilom za vodu pomoću novog kompleta creva. Nemojte upotrebljavati stare komplete creva.
- U cilju uštede energije, uređaj će se u režimu pripravnosti automatski isključiti ukoliko mašina nije aktivna tokom perioda od 30 minuta.

Odlaganje



- Za odlaganje ambalaže i samog uređaja, obratite se centru za recikliranje. Isjecite priključni kabl i onespособite mehanizam za zatvaranje vrata na uređaju.

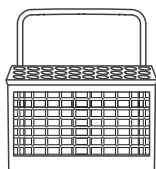
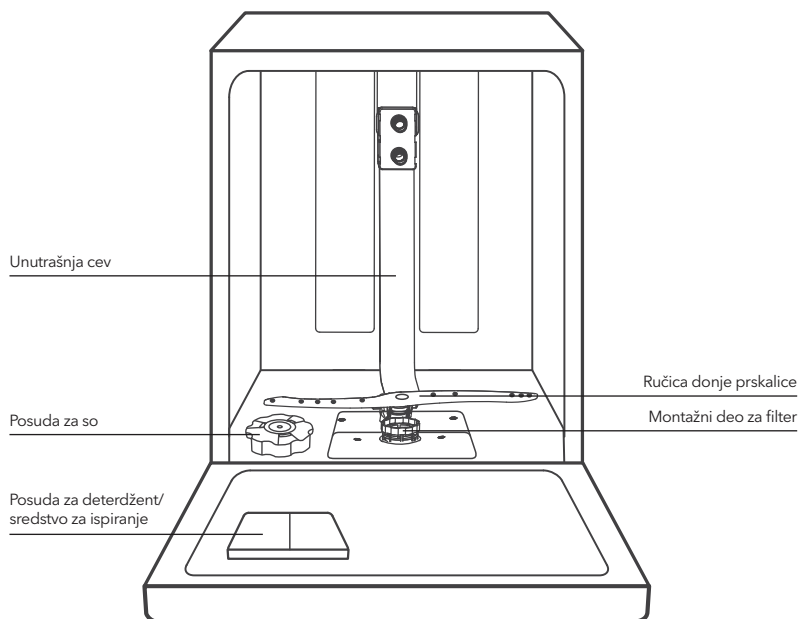
- Kartonska ambalaža je proizvedena od recikliranog papira i treba je odložiti na mesto za prikupljanje papirnog otpada radi ponovnog recikliranja.
- Ispravnim odlaganjem proizvoda, pomoći ćete sprečavanju potencijalnih negativnih posledica po životnu sredinu i ljudsko zdravlje, koje inače mogu biti uzrokovane nenepravnim odlaganjem otpada kao što je ovaj uređaj.
- Za više informacija o recikliranju ovog proizvoda, molimo Vas da kontaktirate kancelariju jedinice lokalne samouprave ili komunalni servis za odlaganje kućnog otpada.
- **ODLAGANJE: Ne odlažite ovaj proizvod kao nerazvrstan komunalni otpad. Ovakav otpad je neophodno zasebno sabirati radi njegovog posebnog tretiranja.**

PRIKAZ PROIZVODA

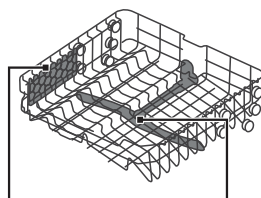


VAŽNO:

Za maksimalni učinak Vaše mašine za pranje sudova, pre prve upotrebe pročitajte kompletno uputstvo za upotrebu.



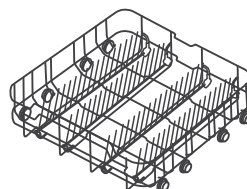
Korpa za pribor za jelo



Polica za šolje

Ručica gornje prskalice

Gornja korpa



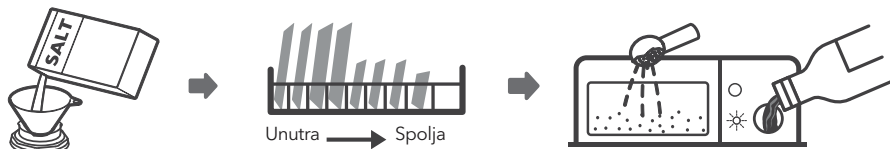
Donja korpa

NAPOMENA

Slike su date isključivo u ilustrativne svrhe, različiti modeli se mogu razlikovati. Pogledajte izgled svog proizvoda.

UPOTREBA VAŠE MAŠINE ZA PRANJE SUDOVA

Pre nego što počnete da koristite svoju mašinu za pranje sudova:



1. Podesite omekšivač vode
2. Stavite so u omekšivač
3. Rasporedite posude u korpe
4. Napunite posudu za deterdžent / sredstvo za ispiranje

NAPOMENA

Ukoliko je potrebno da podesite omekšivač vode, pogledajte odeljak 1 „Omekšivač vode“, koji se nalazi u DELU II: Uputstvo za određeni model.

Stavite so u omekšivač

NAPOMENA

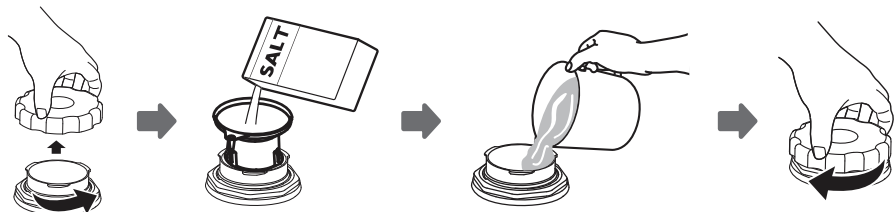
Ukoliko se u okviru Vašeg modela mašine ne upotrebljava omekšivač vode, ovaj odeljak možete preskočiti. Koristite isključivo so, koja je namenjena za mašinu za pranje sudova.

Posuda za so se nalazi ispod donje korpe, a treba da bude dopunjena na način prikazan dalje u tekstu:

UPOZORENJE!

- **Koristite isključivo so koja je posebno proizvedena za mašine za pranje sudova!**
Bilo koja druga vrsta soli, koja nije posebno proizvedena za mašinu za pranje sudova, a naročito jestiva so, oštetiće omekšivač vode. U slučaju oštećenja nastalih usled upotrebe neodgovarajuće vrste soli, proizvođač ne pruža nikakve garancije, niti je odgovoran za bilo kakvo oštećenje nastalo tom prilikom.
- **So dopunjujte isključivo neposredno pre nego što mašina započne ciklus pranja.**
Na taj način ćete sprečiti zadržavanje potencijalno prosutih zrna soli ili slane vode na dnu mašine tokom određenog vremenskog perioda, što može izazvati rđanje.

Pratite sledeće korake kako biste dodali so za mašinu za pranje sudova:



1. Skinite donju korpu i odšrafite poklopac rezervoara.
2. Stavite donji deo levka (koji se dostavlja uz proizvod) u otvor i naspete oko 1,5 kg soli za mašinu za pranje sudova.
3. Dopunite posudu za so vodom do njene maksimalne granice. Uobičajeno je da se, tom prilikom, iz posude za so prospe manja količina vode.
4. Nakon što napunite posudu, ponovo stavite poklopac i dobro ga zašrafite.
5. Nakon što naspete so u posudu za so, lampica upozorenja za količinu soli će prestati da svetli.
6. Neki od programa pranja bi trebalo pokrenuti odmah po stavljanju soli u posudu za so (Predlažemo upotrebu nekog od kraćih programa). U suprotnom, slana voda bi mogla da ošteti sistem za filtriranje, pumpu ili neke druge važne delove mašine. U tom slučaju, garancija se neće primenjivati.

NAPOMENA

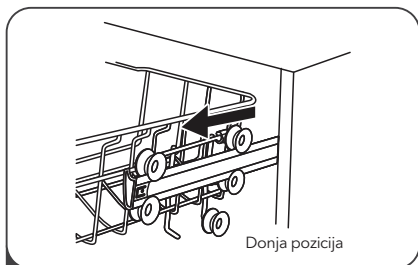
- Posuda za so se mora dopunjavati samo kada se na kontrolnoj tabli uključi lampica upozorenja za količinu soli (☹). Zavisno od stepena rastvorljivosti soli, lampica upozorenja za količinu soli može nastaviti da svetli iako je posuda za so dopunjena. Ukoliko uređaj na kontrolnoj tabli nema lampicu upozorenja za količinu soli (kod nekih modela), na osnovu broja ciklusa mašine možete proceniti kada ćete staviti so u omekšivač.
- Ukoliko je došlo do prosipanja soli, uključite program natapanja ili neki od kraćih programa kako biste je uklonili.

Saveti za upotrebu korpi

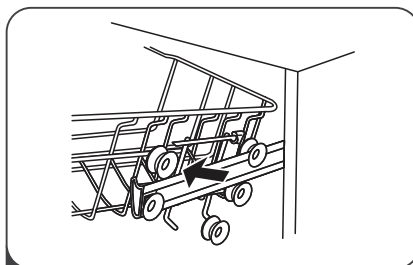
Podešavanje gornje korpe

Tip 1:

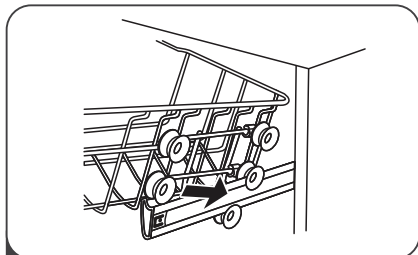
Visina gornje korpe se može lako podesiti tako da visoko posuđe možete smestiti bilo u gornju ili u donju korpu. Da podesite visinu gornje police, pratite sledeće korake:



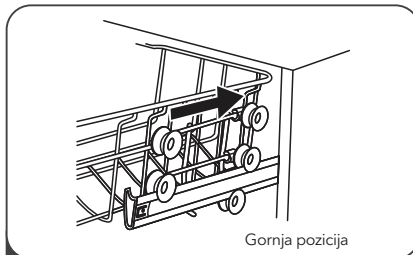
1 Izvucite gornju korpu.



2 Uklonite gornju korpu.

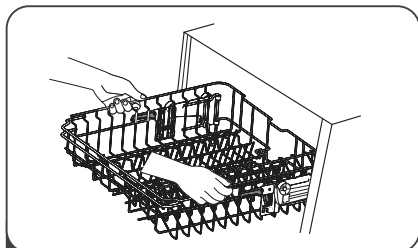


3 Ponovo postavite gornju korpu pomoću gornjih ili donjih točkića.

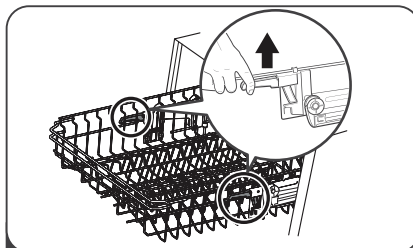


4 Gurnite gornju korpu u mašinu.

Tip 2:



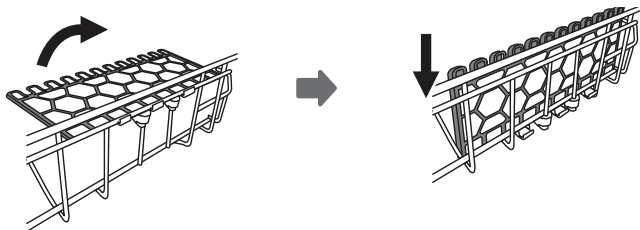
1 Da podignete полицu u gornju poziciju, podižite je sve dok obe strane ne budu na istoj visini. Polica će biti pričvršćena. Nije potrebno da podižete ručku za podešavanje.



2 Da spustite полицu, podignite dršku za prilagošavanje sa svake strane, kako bi se korpa spustila ka dole.

Sklapanje polica za šolje

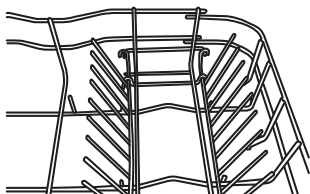
Da u korpi mašine za pranje sudova napravite više prostora za visoko posuđe, podignite policu za šolje ka naviše. Na taj način, uz nju možete prisloniti visoke čaše. Možete je i skinuti ukoliko Vam nije potrebna.



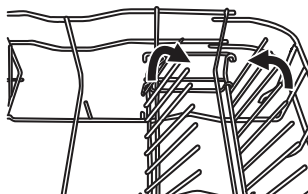
Sklapanje polica sa šiljcima

Šiljci se koriste za pridržavanje tanjira i ovala. Mogu se spustiti kako bi se napravilo više prostora za veće posuđe.

Podignite naviše



Sklopite unazad



ODRŽAVANJE I ČIŠĆENJE

Održavanje spoljašnosti uređaja

Vrata i zaptivka za vrata

Zaptivke za vrata redovno čistite mekom, vlažnom krpom kako biste uklonili naslage hrane.

Prilikom raspoređivanja posuđa u mašini za pranje sudova, ostaci hrane i pića mogu kapati po bočnim stranama vrata mašine za pranje sudova. Ove površine se nalaze izvan prostora za pranje i voda iz ručica prskalice ih ne može dohvatiti. Pre nego što zatvorite vrata, obrišite eventualne naslage.

Kontrolna tabla

Ukoliko je kontrolnu tablu potrebno očistiti, brišite je ISKLJUČIVO mekom, vlažnom krpom.



UPOZORENJE!

- Da biste izbegli prodiranje vode u bravu vrata i u električne komponente, nemojte koristiti nikakva sredstva za čišćenje u spreju.
- Nikada ne upotrebljavajte abrazivna sredstva za čišćenje ili abrazivne sundere prilikom čišćenja spoljašnjih površina, jer tako možete izgubiti završni sloj. Neki papirni ubrusi takođe mogu izgubiti površinu ili ostaviti

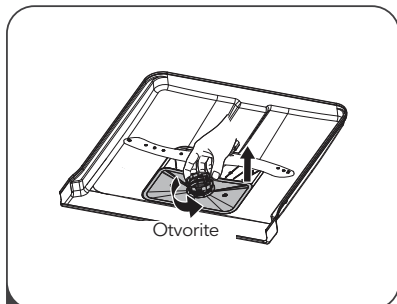
Održavanje unutrašnjosti uređaja

Sistem za filtriranje

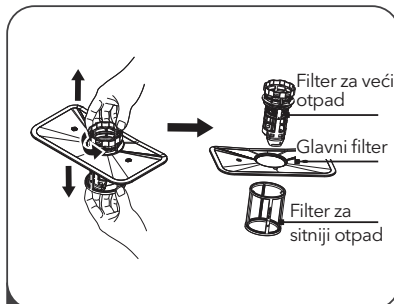
Sistem za filtriranje, koji se nalazi u donjem delu prostora za pranje, zadržava veći otpad nastao tokom ciklusa pranja. Prikupljeni veći otpad može da dovede do začepljenja filtera. Redovno proveravajte filtere i po potrebi ih čistite pod mlazom vode. Za čišćenje filtera u prostoru za pranje, pratite sledeće korake.

NAPOMENA

Slike su date isključivo u ilustrativne svrhe. Kod različitih modela, sistemi za filtriranje i ručice prskalice se mogu razlikovati.

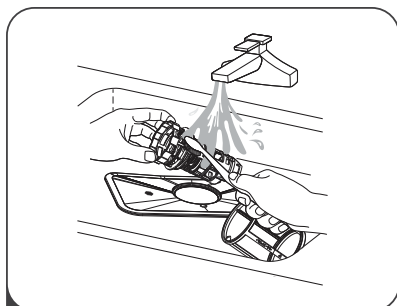


- 1** Uхватite filter za veći otpad i okrenite ga u smeru suprotnom od smeru kazaljke na satu kako biste ga otključali. Podignite filter naviše i izvucite ga iz mašine za pranje sudova.

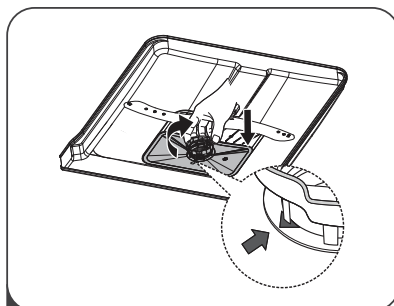


- 2** Filter za sitniji otpad se može izvuci sa dna montažnog dela za filter.

Filter za veći otpad se može odvojiti od glavnog filtera laganim pritiskanjem jezičaka na vrhu i izvlačenjem.



- 3** Veći ostaci hrane se mogu očistiti ispiranjem filtera pod mlazom vode. Za temeljnije čišćenje, koristite meku četku za čišćenje.



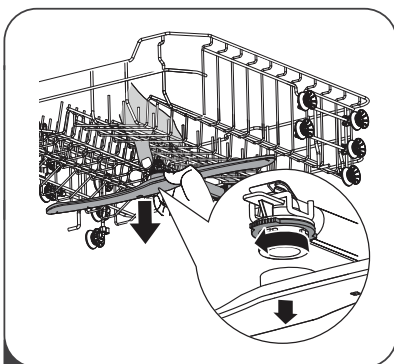
- 4** Filtere ponovo postavite obrnutim redosledom u odnosu na redosled kojim ste ih rasklapali, ponovo postavite uložak filtera i okrenite ga u smeru kazaljke na satu, sve do strelice.

UPOZORENJE!

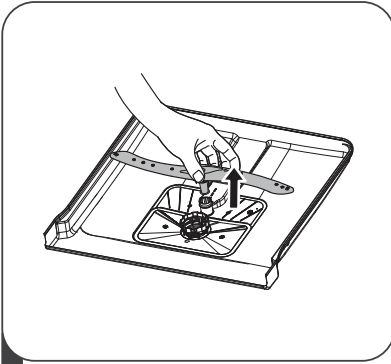
- Nemojte prejako pričvršćivati filtere. Vratite filtere određenim redosledom i dobro ih pričvrstite. U suprotnom, veći komadi otpada bi mogli ući u sistem i izazvati začepljenje. NIKADA ne upotrebljavajte mašinu za pranje sudova ako filteri nisu na odgovarajući način postavljeni. Nepravilno postavljanje filtera može smanjiti nivo radnog učinka uređaja i oštetiti

Ručice prskalice

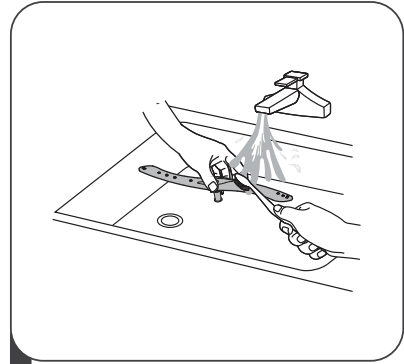
Ručice prskalice je neophodno redovno čistiti, jer će, u suprotnom, sadržaj iz tvrde vode začepiti mlaznice i blokirati ležajeve ručica prskalice. Za čišćenje ručica prskalice, pratite sledeća uputstva:



- 1** Da biste skinuli ručicu gornje prskalice, pritisnite centralni zavrtnj tako da se ne kreće, a zatim zarotirajte ručicu prskalice u smeru suprotnom od smeru kazaljke na satu.



2 Da biste skinuli ručicu donje prskalice, povucite ručicu prskalice uvis.



3 Ručice operite u toploj vodi sa sapunicom, a za čišćenje mlaznica upotrebite meku četku. Nakon temeljnog ispiranja, ponovo ih postavite u uređaj.

Briga o mašini za pranje sudova

Mere zaštite od zamrzavanja

Tokom zime, preduzmite sve mere da zaštitite mašinu za pranje sudova od zamrzavanja. Nakon svakog ciklusa pranja, obavite sledeće:

1. Izvucite utikač mašine za pranje sudova iz utičnice.
2. Isključite dovod vode i skinite dovodnu cev za vodu sa ventila za vodu.
3. Istočite vodu iz dovodne cevi i iz ventila za vodu. (Za prikupljanje vode, upotrebite dublju široku posudu)
4. Ponovo povežite dovodnu cev za vodu sa ventilom za vodu.
5. Skinite filter sa dna prostora za pranje i sunderom pokupite vodu iz slivnika.

Nakon svakog pranja

Nakon svakog pranja isključite dovod vode do uređaja i ostavite vrata delimično otvorena kako se vlaga i mirisi ne bi zadržavali u uređaju

Izvucite utikač iz utičnice

Pre svakog čišćenja ili postupka održavanja izvucite utikač iz utičnice.

Ne upotrebljavajte rastvarače ili abrazivna sredstva za čišćenje

Ne upotrebljavajte rastvarače ili abrazivne proizvode prilikom čišćenja spoljašnjeg dela i gumenih elemenata uređaja. Upotrebljavajte isključivo krpu natopljenu toplom vodom sa sapunicom.

Za uklanjanje fleka ili mrlja sa unutrašnjih površina uređaja koristite krpu navlaženu vodom sa malo sirćeta ili specijalizovan proizvod za čišćenje mašina za pranje sudova.

Kada se uređaj ne upotrebljava tokom dužeg vremenskog perioda

Preporučuje se da praznu mašinu za pranje sudova uključite da radi jedan ciklus, a zatim da izvučete utikač iz utičnice, isključite dovod vode i ostavite vrata uređaja delimično otvorena. Ovim postupkom ćete produžiti životni vek zaptivkama na vratima i sprečiti stvaranje neprijatnih mirisa unutar uređaja.

Transport uređaja

Ukoliko je neophodno premestiti uređaj, pokušajte da ga tokom tog procesa držite u uspravnom položaju. Samo ako je to zaista neophodno, uređaj položite na njegov zadnji deo.

Zaptivke

Jedan od razloga nastajanja neprijatnog mirisa u mašini za pranje sudova jeste hrana, koja je ostala zaglavljena u zaptivkama. Povremeno čišćenje vlažnim sunderom će ovo sprečiti.

UPUTSTVA ZA POSTAVLJANJE

⚠ UPOZORENJE!



Opasnost od strujnog udara

Pre postavljanja mašine za pranje sudova, prekinite dovod struje. Ukoliko to ne učinite, možete izazvati nečiju smrt ili nekoga izložiti strujnom udaru.

⚠ OPREZ!

Postavljanje cevi i električne opreme treba da obavi profesionalno lice.

O električnom povezivanju

⚠ UPOZORENJE!

Radi lične bezbednosti:

- Za povezivanje ovog uređaja sa strujom ne upotrebljavajte produžne kablove ili adaptere.
- Nemojte ni pod kojim okolnostima seći ili skidati vezu za uzemljenje sa priključnog kabla.

Zahtevi u vezi sa električnom opremom

Pogledajte pločicu sa nominalnim podacima kako biste znali koji nominalni napon Vaša mašina za pranje sudova koristi i kako biste je priključili na odgovarajuću utičnicu. Koristite preporučeni osigurač sa zahtevanim naponom od 10A/13A/16A, vremenski osigurač ili prekidač i obezbedite zasebno strujno kolo namenjeno isključivo ovom uređaju.

Povezivanje na struju

Pobrinite se da napon i frekvencija struje odgovaraju vrednostima navedenim na pločici sa nominalnim podacima. Povežite utikač isključivo sa utičnicom koja je pravilno uzemljena. Ukoliko utičnica na koju morate priključiti uređaj ne odgovara utikaču, zamenite utičnicu. Nemojte upotrebljavati adaptere i sličnu opremu, jer mogu dovesti do pregrevanja i izazvati opekotine.

⚠ **Pre upotrebe se pobrinite da postoji odgovarajuće uzemljenje.**

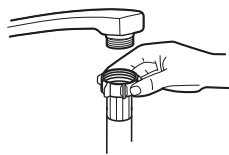
Dovod i odvod vode

Povezivanje sa hladnom vodom

Povežite dovodno crevo za hladnu vodu na konektor od 3/4 (cola) sa navojima i pobrinite se da je ono dobro pričvršćeno.

Ukoliko su cevi za vodu nove ili ako nisu upotrebljavane tokom dužeg vremenskog perioda, propustite kroz njih vodu i proverite da li je voda čista.

Ovu meru predostrožnosti je neophodno obaviti kako bi se izbegao rizik od blokiranja protoka vode na ulazu i oštećenja uređaja.



Obično dovodno crevo



Sigurnosno dovodno crevo

O sigurnosnom dovodnom crevu

Sigurnosno dovodno crevo se sastoji od duplih zidova. Sistem na ovom crevu pruža garanciju da će ono blokirati protok vode u slučaju pucanja dovodnog creva i onda kada se prostor između samog dovodnog creva i spoljašnjeg rebrastog creva, koji je ispunjen vazduhom, napuni vodom.

⚠ UPOZORENJE!

Crevo povezano sa tušem za sudoperu može da pukne ukoliko je postavljeno na isti dovod vode kao i mašina za pranje sudova. Ukoliko takvo crevo imate u svojoj sudoperi, preporučuje se da ga skinete i zatvorite otvor.

Kako da povežete sigurnosno dovodno crevo

1. Potpuno izvadište sigurnosna dovodna creva iz skladišnog prostora na zadnjem delu mašine za pranje sudova.
2. Pričvrstite zavrtne sigurnosnog dovodnog creva na slavinu od 3/4 cola sa navojima.
3. Pre nego što mašinu za pranje sudova pustite u rad, potpuno odvrnite vodu.

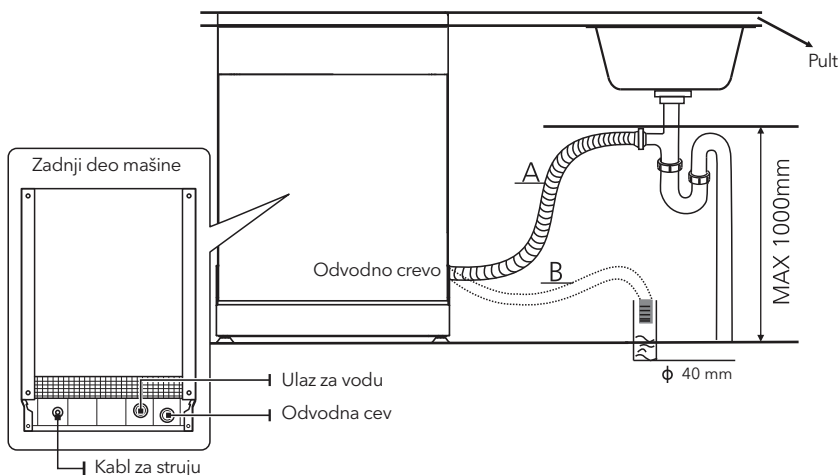
Kako da skinete sigurnosno dovodno crevo

1. Isključite dovod vode.
2. Odšrafite sigurnosno dovodno crevo sa slavine.

Povezivanje odvodnih creva

Ubacite odvodno crevo u odvodnu cev minimalnog prečnika od 4 cm ili ga ostavite da ističe u slivnik, vodeći pritom računa da ga ne savijate i ne prelamate. Odvodna cev mora biti locirana na visini manjoj od 1000 mm. Slobodni deo creva se ne sme uranjati u vodu kako bi se izbeglo vraćanje vode.

⚠ Dobro pričvrstite odvodno crevo i u slučaju pozicije A i u slučaju pozicije B.

**Kako da isпустite višak vode iz creva**

Ukoliko je slivnik na visini većoj od 1000 mm od poda, višak vode u crevima neće moći da se isпусти direktno u slivnik. Neophodno je da višak vode iz creva isпустite u neku činiju ili odgovarajući sud koji ćete držati izvan slivnika i na nižem nivou od njega.

Odvod vode

Povežite odvodno crevo za vodu. Odvodno crevo mora biti pravilno povezano kako bi se izbeglo curenje vode. Pobrinite se da odvodno crevo za vodu nije prelomljeno ili pritisnuto.

Produžno crevo

Ukoliko vam je potrebno produžno odvodno crevo, pobrinite se da bude slično onome na koje ga nastavljate. Ne sme biti duže od 4 metra; u suprotnom, efekat čišćenja mašine za pranje sudova će biti umanjen.

Povezivanje sifona

Veza sa kanalizacijom mora biti na visini manjoj od 100 cm (maksimalno) od dna mašine za pranje sudova. Odvodno crevo za vodu je potrebno fiksirati.

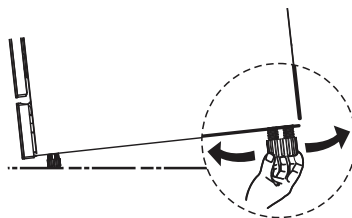
Pozicioniranje uređaja

Postavite uređaj na željeno mesto. Zadnji deo uređaja treba da se naslanja na zid iza njega, a bočne strane treba da budu poravnate sa okolnim kuhinjskim elementima ili zidovima. Mašina za pranje sudova je opremljena dovodnim i odvodnim crevima za vodu koja se mogu postaviti bilo sa desne ili leve strane, čime se olakšava pravilno postavljanje.

Nivelisanje uređaja

Kada je uređaj postavljen za nivelisanje, visinu mašine za pranje sudova možete promeniti podešavanjem visine šrafa na nožicama.

Ni u kom slučaju, uređaj ne sme biti nagnut



NAPOMENA

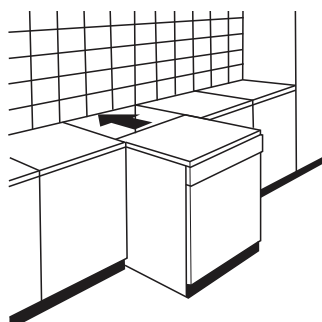
Primenjuje se isključivo na samostojeće mašine za pranje sudova.

Postavljanje samostojećeg uređaja

Postavljanje između postojećih kuhinjskih elemenata

Visina mašine za pranje sudova, koja iznosi 845 mm, dizajnirana je tako da omogući njeno postavljanje između postojećih kuhinjskih elemenata, koji u modernim kuhinjama rađenim po meri imaju pomenutu visinu. Nožice se mogu podesiti tako da se dostigne odgovarajuća visina.

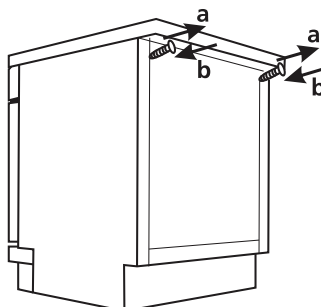
Laminirani gornji deo mašine ne zahteva posebno održavanje, jer je otporan na toplotu, ogrebotine i fleke.



Ispod postojeće radne površine

(kada se uređaj postavlja ispod radne površine)

Većina modernih kuhinja rađenih po meri ima samo jednu jedinstvenu radnu površinu, ispod koje se postavljaju kuhinjski elementi i električni uređaji. U ovom slučaju, skinite radnu površinu mašine za pranje sudova tako što ćete odšrafiti zavrtnje koji se nalaze na zadnjoj ivici gornje površine (a).



OPREZI

Nakon skidanja gornje radne površine, zavrtnje MORATE ponovo pričvrstiti na deo ispod zadnje ivice gornje površine (b). Visina uređaja će se tako smanjiti na 815 mm, kako je navedeno u Međunarodnim uredbama (ISO), a mašina za pranje sudova će se savršeno uklopiti pod kuhinjsku radnu površinu.

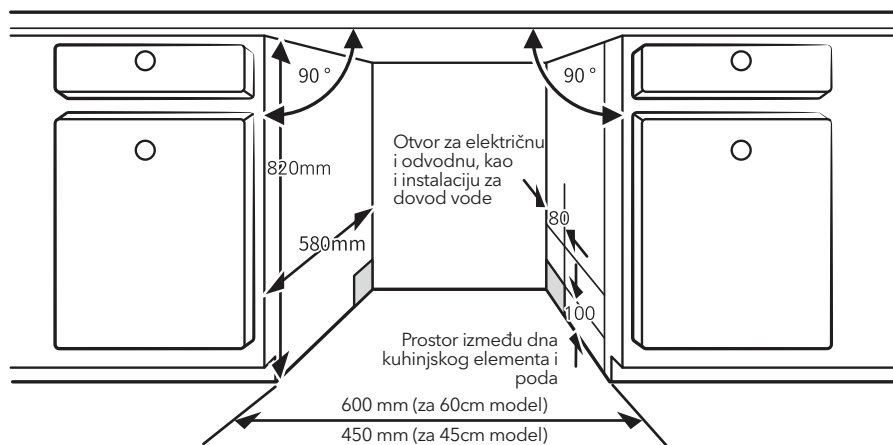
Postavljanje ugradnog uređaja (kod integrisanog modela)

Korak 1. Izbor najbolje lokacije za mašinu za pranje sudova

Mašina za pranje sudova treba da bude postavljena u blizini postojećih dovodnih i odvodnih creva i priključnog kabela.

Ilustracija dimenzija kuhinjskih elemenata i mesta postavljanja mašine za pranje sudova.

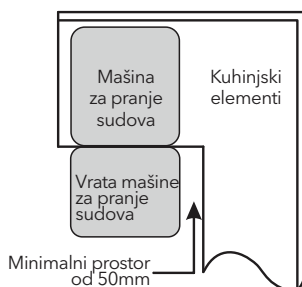
1. Manje od 5 mm između gornje površine mašine za pranje sudova i kuhinjskog elementa, kao i spoljnih vrata u ravni sa kuhinjskim elementom.



2. Ako mašinu za pranje sudova postavljate u krajnji ugao u odnosu na kuhinjske elemente, potrebno je da ostavite dovoljno mesta za otvaranje vrata.

NAPOMENA

Zavisno od toga gde se nalazi otvor za električne instalacije, možda ćete morati da prosečete otvor na suprotnoj strani kuhinjskog elementa.



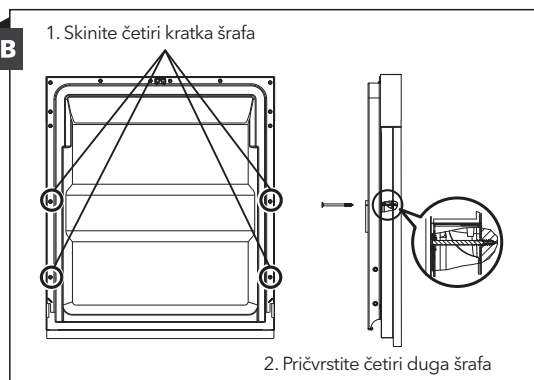
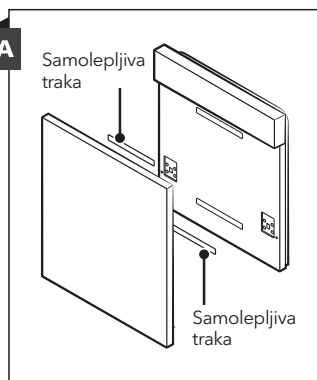
Korak 2. Dimenzije i postavljanje ukrasne table

NAPOMENA

Ukrasnu drvenu tablu biste mogli napraviti na osnovu crteža koji se odnose na postavljanje uređaja.

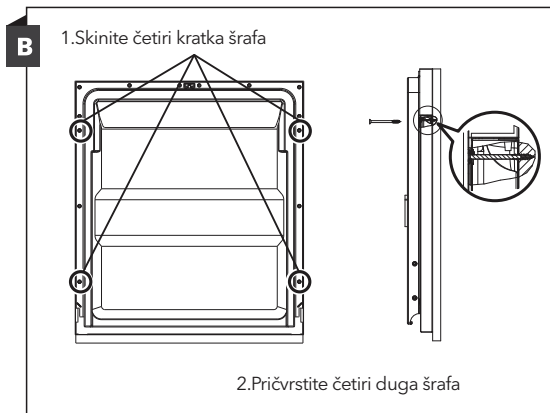
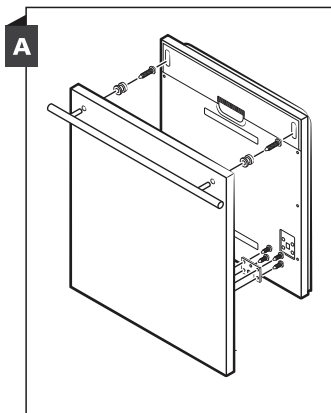
Poluintegrirani model

- Odlepite samolepljivu traku A od samolepljive trake B, pa samolepljivu traku A nalepите na ukrasnu drvenu tablu, a filcanu samolepljivu traku B na spoljašnju stranu vrata mašine za pranje sudova (pogledajte sliku A). Nakon što pozicionirate tablu, pričvrstite je za spoljašnju stranu vrata pomoću šrafova i zavrtnja (pogledajte sliku B).



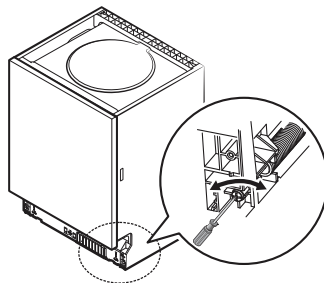
Potpuno integrisani model

Pričvrstite nosač na ukrasnu drvenu tablu i postavite ga u otvor koji se nalazi na spoljašnjoj strani vrata mašine za pranje sudova (pogledajte sliku A). Nakon pozicioniranja table, pričvrstite je za spoljašnju stranu vrata pomoću šrafova i zavrtnja (pogledajte sliku B).



Korak 3. Podešavanje zategnutosti opruge na vratima

1. Zategnutost opruga na spoljašnjim vratima je fabrički pravilno podešena. Ukoliko postavljate ukrasne drvene table, morate podesiti zategnutost opruge na vratima. Okrećite šraf za podešavanje kako biste regulator dodatno zategli ili kako biste opustili čeličnu sajlju.
2. Zategnutost opruge na vratima je pravilno podešena ako vrata ostaju u horizontalnom položaju kada su potpuno otvorena i ako se u zatvoreni položaj vraćaju podizanjem prstom uz najmanji napor.

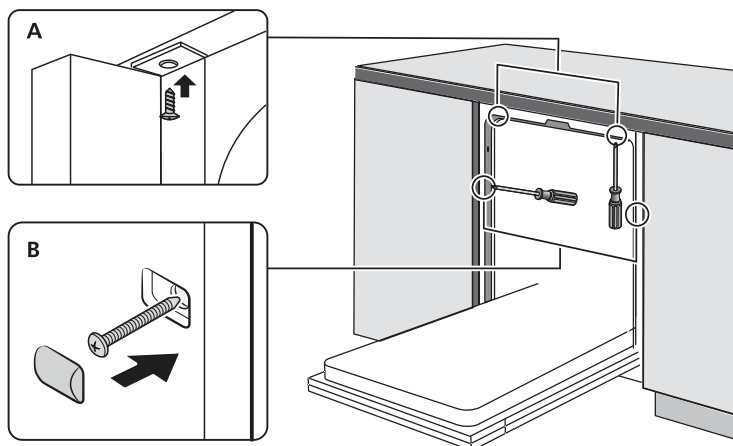


Korak 4. Koraci za postavljanje mašine za pranje sudova

NAPOMENA

Pogledajte navedene korake za postavljanje uređaja na crtežima za postavljanje.

1. Ispod radne površine kuhinjskih elemenata pričvrstite bandaž traku. Pobrinite se da bandaž traka dobro naleže na ivicu radne površine. (Korak 2)
2. Povežite ulazno crevo sa dovodom hladne vode.
3. Povežite odvodno crevo.
4. Povežite priključni kabl.
5. Postavite mašinu za pranje sudova na za nju predviđeno mesto. (Korak 4)
6. Iznivelišite mašinu za pranje sudova. Zadnja nožica se može podešavati sa prednje strane mašine za pranje sudova okretanjem krstastog šrafa koji se nalazi u sredini dna mašine za pranje sudova i koristite krstati šrafciğer. Da podesite prednje nožice, upotrebite ravni odvijatelj i okrećite prednje nožice sve dok ne iznivelišete mašinu za pranje sudova. (Korak 5 i Korak 6)
7. Postavite ukrasna vrata na spoljnu stranu vrata mašine za pranje sudova. (Koraci 7 do 10)
8. Podesite zategnutost opruga na vratima pomoću imbus ključa koji ćete okretati u smeru kretanja kazaljke na satu, čime ćete zategnuti i levu i desnu oprugu. Ukoliko to ne učinite, možete oštetiti svoju mašinu za pranje sudova. (Korak 11)
9. Mašina za pranje sudova mora biti dobro pričvršćena. Ovo se može učiniti na dva načina:
 - A. Normalna radna površina: Postavite nosač za pričvršćivanje u otvor na bočnom delu i pričvrstite ga za radnu površinu šrafova i zavrtnja.
 - B. Mermerna ili granitna radna površina: Pričvrstite šrafom sa bočne strane.

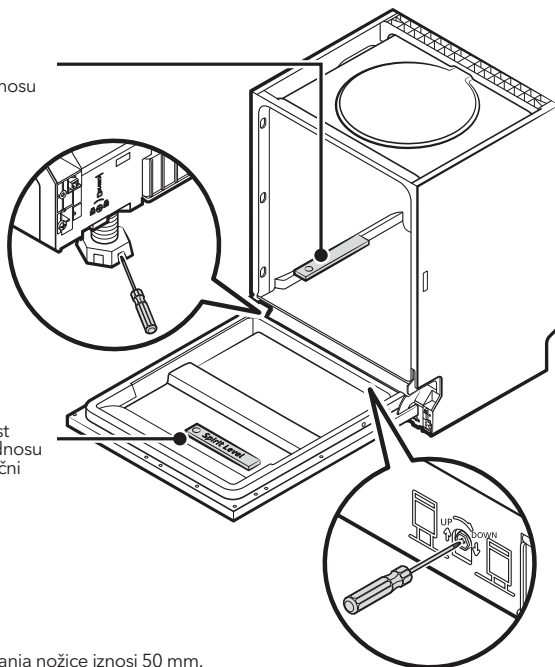


Korak 5. Nivelisanje mašine za pranje sudova

Mašina za pranje sudova mora biti iznivelisana radi pravilne upotrebe police za sudove i boljeg učinka prilikom pranja.

1. Postavite libelu na vrata i na šinu police unutar prostora za pranje na način prikazan na slici kako biste proverili da li je mašina za pranje sudova iznivelisana.
2. Iznivelišite mašinu za pranje sudova tako što ćete zasebno podesiti svaku od tri nožice za nivelisanje.
3. Prilikom nivelisanja mašine za pranje sudova, povedite računa da se mašina za pranje sudova ne prevrne.

Proverite iznivelisanost prednjeg u odnosu na zadnji deo



Proverite iznivelisanost jednog u odnosu na drugi bočni deo

NAPOMENA

Maksimalna visina podešavanja nožice iznosi 50 mm.

SAVETI ZA OTKLANJANJE KVAROVA

Pre nego što pozovete servis

Pročitajte informacije prikazane na stranim koje slede jer na taj način možete izbeći pozivanje servisa.

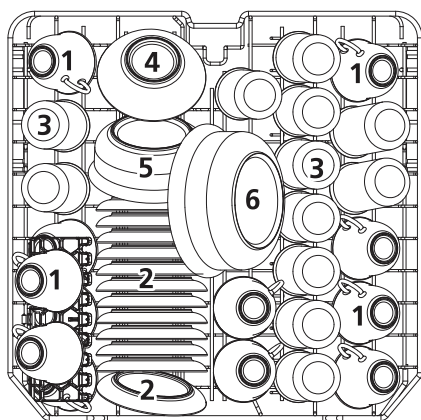
Problem	Mogući uzroci	Šta uraditi
Mašina za pranje sudova ne počinje da radi	Osigurač je pregoreo ili je prekidač prekinuo strujno kolo.	Zamenite osigurač ili ponovo uključite prekidač. Isključite sve uređaje koji koriste isto strujno kolo kao i mašina za pranje sudova.
	Napajanje nije uključeno.	Pobrinite se da je mašina za pranje sudova uključena i da su vrata dobro zatvorena. Pobrinite se da je priključni kabl pravilno priključen u utičnicu.
	Pritisak vode je nizak.	Proverite da li je mašina pravilno povezana na dovod vode i da li je voda puštena.
	Vrata mašine za pranje sudova nisu pravilno zatvorena.	Pobrinite se da su vrata pravilno zatvorena i da su se zaključala.
Mašina za pranje sudova ne izbacuje vodu	Odvodno crevo je presavijeno ili pritisnuto.	Proverite odvodno crevo.
	Filter je začepljen.	Proverite filter za veći otpad.
	Sudopera je začepljena.	Proverite sudoperu kako biste se uverili da dobro odvodi vodu. Ukoliko je problem izazvala sudopera koja ne odvodi vodu, verovatno će Vam vodoinstalater biti potrebniji od servisera mašina za pranje sudova.
Sapunica u prostoru za pranje	Neodgovarajući deterdžent.	Upotrebljavajte isključivo specijalni deterdžent za mašinsko pranje sudova kako biste izbegli stvaranje sapunice. Ukoliko se ovo dogodi, otvorite mašinu za pranje sudova i sačekajte da sapunica ispari. Prospite otprilike 4 litra hladne vode na dno mašine. Zatvorite vrata mašine, a zatim izaberite bilo koji ciklus pranja. Mašina će, na početku, ispustiti vodu. Po završetku faze ispuštanja vode, otvorite vrata i proverite da li ima još sapunice. Po potrebi ponovite ovaj postupak.
	Sredstvo za ispiranje se prosulo.	Uvek i odmah obrišite sredstvo za ispiranje ukoliko se prospe.
Fleke po unutrašnjem delu prostora za pranje	Možda je upotrebljavan deterdžent koji sadrži sredstvo za bojenje.	Uverite se da deterdžent ne sadrži sredstvo za bojenje.
Beli film po unutrašnjim površinama prostora za pranje	Minerali tvrde vode.	Za čišćenje unutrašnjosti koristite vlažni sunder koji sadrži deterdžent za mašinsko pranje sudova. Nosite gumene rukavice. Nikada ne koristite druga sredstva za čišćenje jer može doći do stvaranja pene ili sapunice.

Problem	Mogući uzroci	Šta uraditi
Na priboru za jelo se javljaju mrlje od rđe	Pribor za jelo je napravljen od materijala koji nisu otporni na rđu.	Izbegavajte da u mašini za pranje sudova perete posude koje nije otporno na rđu.
	Mašinu niste pustili u rad odmah po dodavanju soli. Tragovi soli su dospeli u ciklus pranja.	Po dodavanju soli, uvek uključite neki od programa pranja bez sudova u mašini. Ne uključujte opciju Turbo (ukoliko je mašina ima).
	Poklopac omekšivača je labav.	Proverite da li je poklopac omekšivača bezbedno postavljen.
U mašini za pranje sudova se čuje udaranje	Ručica prskalice udara o neku posudu u korpi.	Prekinite program i ponovo rasporedite posude koje blokira ručicu prskalice.
U mašini za pranje sudova se čuje zveckanje	Lomljivo posude u mašini za pranje sudova nije raspoređeno tako da stoji stabilno.	Prekinite program i ponovo rasporedite lomljivo posude.
U cevima za vodu se čuje udaranje	Razlog ovome može biti postavljanje na samom mestu ili ukrštanje cevovoda.	Ovo ni na koji način ne utiče na rad mašine za pranje sudova. Ukoliko imate bilo kakvih nedoumica, kontaktirajte kvalifikovanog vodoinstalatera.
Posude nije čisto	Posude nije pravilno raspoređeno.	Pogledajte napomene DELU II „Priprema i raspoređivanje posuda u mašini za pranje sudova“.
	Program nije dovoljno snažan.	Uključite intenzivniji program.
	Nije stavljeno dovoljno deterđženta.	Stavite više deterđženta ili promenite deterđžent.
	Posude blokira kretanje ručica prskalice.	Ponovo rasporedite posude tako da prskalice mogu da se neometano okreću.
	Komplet filtera je zaprljan ili nije pravilno postavljen na dno prostora za pranje u mašini. Na ovaj način mogu se zablokirati mlaznice na ručicama prskalice.	Očistite i/ili pravilno postavite filter. Očistite mlaznice na ručicama prskalice.
Posude od stakla je mutno.	Upotreba tvrde vode može da izazove formiranje naslaga kamenca.	Ukoliko je voda koju koristite meka, upotrebljavajte manje deterđženta i koristite kraće cikluse za pranje staklenog posuđa.
Na posudu i čašama se javljaju bele mrlje.	Upotreba tvrde vode može da izazove formiranje naslaga kamenca.	Stavite više deterđženta.
Na posudu se javljaju crne ili sive mrlje	Posude je bilo u snažnijem kontaktu sa priborom od aluminijuma.	Za uklanjanje pomenutih mrlja, koristite blago abrazivno sredstvo za čišćenje.
U posudi za deterđžent je ostao deterđžent	Posude blokira otvaranje posude za deterđžent.	Ponovo rasporedite posude na odgovarajući način.
Posude se ne suši	Posude nije pravilno raspoređeno.	Rasporedite posude na način prikazan u uputstvu.
	Posude je prebrzo izvađeno iz mašine.	Nemojte vaditi posude iz mašine za pranje sudova odmah po završetku ciklusa pranja. Malo otvorite vrata kako biste ispustili paru. Izvucite posude tak kada se temperatura unutar prostora za pranje dovoljno spusti da možete da dodirujete predmete. Najpre izvadite posude sa donje korpe, kako voda sa gornje korpe ne bi kapala po donjoj.

Problem	Mogući uzroci	Šta uraditi
Posuđe se ne suši	Uključili ste pogrešan program.	Kod kraćih programa, temperatura pranja je niža, što umanjuje učinak pranja. Izaberite program koji ima dugi period pranja.
	Upotreba pribora za jelo sa nekvalitetnim završnim slojem.	Postupak ocedivanje vode je teži kod ovakvog posuđa. Pribor za jelo ili posuđe ovog tipa nisu pogodni za pranje u mašini za pranje sudova.

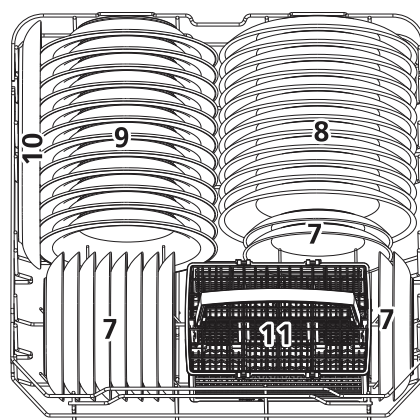
RASPOREĐIVANJE POSUĐA U KORPAMA U SKLADU SA EN50242:

1. Gornja korpa:



Broj	Posuda
1	Šolje
2	Tacne
3	Čaše
4	Manje činije
5	Srednje činije
6	Velike činije

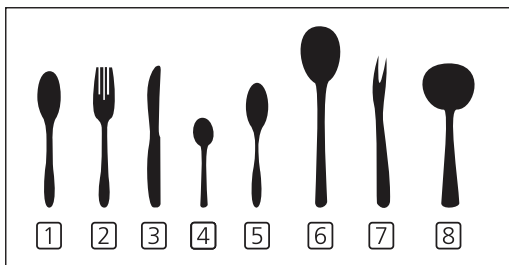
2. Donja korpa:



Broj	Posuda
7	Tanjiri za desert
8	Plitki tanjiri
9	Duboki tanjiri
10	Ovali
11	Korpa za pribor za jelo

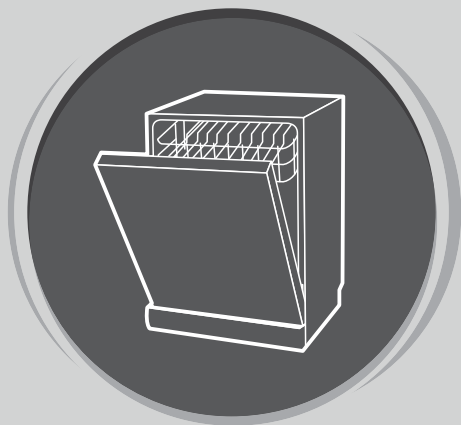
3. Korpa za pribor za jelo:

1	2	1		4	4	4	4	4	4		1	2	1
2	2	2			8			7		3	3		2
1	2	1		4	4	4	4	4	4		1	3	1
1	2	1		5	5	5	5	5	5		3	3	3
2	2	2			3			3		3	3	3	3
1	2	1		5	5	5	5	5	5		6		6



Podaci dobijeni uporednim testiranjem su u skladu sa EN 50242
 Kapacitet: 12 pozicija
 Pozicija gornje korpe: donja pozicija
 Program: ECO
 Podešavanje sredstva za ispiranje: 6
 Podešavanje omekšivača: H3

Broj	Posuda
1	Supene kašike
2	Viljuške
3	Noževi
4	Kafene kašike
5	Kašičice za desert
6	Kašike za serviranje
7	Viljuške za serviranje
8	Kutlače za sos



MAŠINA ZA PRANJE SUDOVA

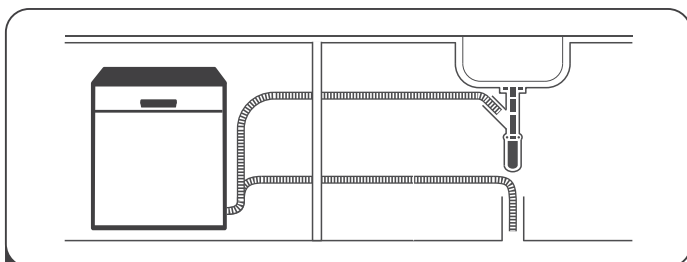
Uputstvo
za upotrebu

**DEO II: UPUTSTVO ZA
ODREĐENI MODEL
WD630M**

Pre upotrebe mašine za pranje sudova, pažljivo pročitajte ovo uputstvo i sačuvajte ga za buduću upotrebu.

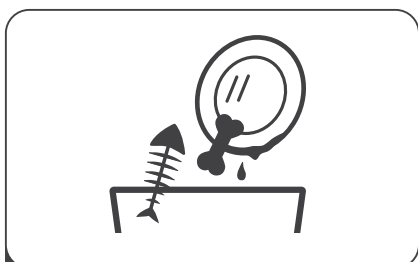
KRATKO KORISNIČKO UPUTSTVO

Za detaljnije informacije o načinu rukovanja, pročitajte odgovarajući sadržaj u uputstvu za upotrebu.

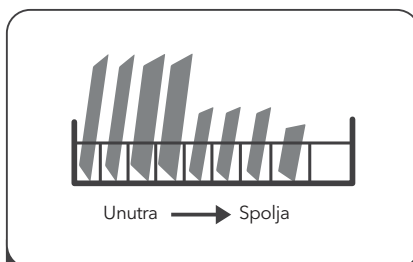


1 Postavite mašinu za sudove

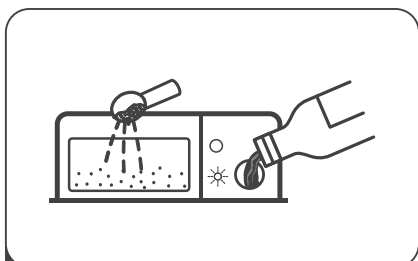
(Pogledajte odeljak 5 „UPUTSTVA ZA POSTAVLJANJE“ u okviru DELA I: Uopšteno uputstvo.)



2 Uklanjanje većih ostataka hrane sa pribora za jelo



3 Slaganje sudova u korpe



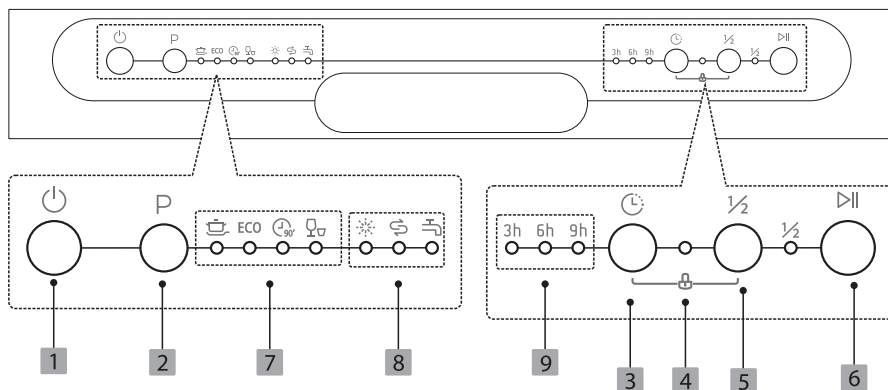
4 Punjenje posude za deterdžent / sredstvo za ispiranje



5 Odabir programa i puštanje u rad mašine za pranje sudova

UPOTREBA VAŠE MAŠINE ZA PRANJE SUDOVA

Kontrolna tabla





Opcija (taster)

- 1** Napon Da biste uključili svoju mašinu za pranje sudova, pritisnite ovaj taster.
- 2** Program Izaberite odgovarajući program pranja, na indikatoru izabranog programa uključuje se svetlo.
- 3** Odloženi početak Pritisnite dugme, kako biste odložili vreme početka rada uređaja, odgovarajući indikator će zasvetleti.
- 4** Zaštita za decu Ova opcija vam omogućava da zaključate sve tastere na kontrolnoj tabli osim dugmeta za uključivanje - kako deca ne bi slučajno pokrenula rad mašine za pranje sudova, dodirom dugmadi na kontrolnoj tabli. Kako biste zaključali ili otključali dugmad na kontrolnoj tabli, pritisnite i držite tri sekunde istovremeno dugme za rad s Polovinom kapaciteta + Dugme za odloženi početak. Kada pritisnete ovo dugme, odgovarajući indikator će zasvetleti
- 5** Polovina kapaciteta Kada imate oko ili manje od 6 pozicija s posuđem za pranje, možete izabrati ovu funkciju, kako biste uštedeli energiju i vodu. (Može se koristiti samo u programima Intenzivno, ECO, 90 min.)
- 6** Početak/ Pauziranje Za pokretanje izabranog programa pranja ili za njegovo pauziranje u toku rada mašine za pranje sudova.

Ekran

- 7** Indikator programa

 - Intenzivno**
 Izuzetno zaprljano keramičko posuđe, i normalno zaprljane tiganje, šerpe itd. Sa skorelom hranom.
 - ECO**
 Ovo je standardni program podesan za normalno zaprljano stono posuđe i ovo je najpodesniji program u pogledu kombinovanja upotrebe vode i nergije za ovu vrstu posuđa.
 - 90 minuta**
 Za normalno zaprljano posuđe koje treba brzo oprati.

7 Indikator programa



Ubrzano

Kraći program pranja za blago zaprljano posuđe koje ne treba da se suši.

8 Indikator upozorenja



Sredstvo za ispiranje

Ukoliko je uključena ikonica "☀️", u mašini za pranje sudova nema dovoljno sredstva za ispiranje i potrebno ga je dopuniti.



So

Ukoliko je uključena ikonica "↻" indikatora, u mašini za pranje sudova nema dovoljno soli i potrebno je dopuniti.



Slavina za vodu

Ukoliko je uključena ikonica "🚰" indikatora, to znači da je slavina za vodu zavtorena.

9 Vreme odloženog početka

Pokazuje vreme odloženog početka (3h/6h/9h).

NAPOMENA

Proverite odeljak 3 "Stavljanje soli u omekšivač", DEO I: Uopštenog uputstva, ukoliko u vašoj veš mašini nema dovoljno soli.

NAPOMENA

Ukoliko se u okviru Vašeg modela mašine ne upotrebljava omekšivač vode, ovaj odeljak možete preskočiti.

Omekšivač vode

Tvrdoća vode se razlikuje od mesta do mesta. Ukoliko mašina za pranje sudova koristi tvrdu vodu, pojaviće se naslage na sudovima i priboru za jelo.

Uređaj je opremljen posebnom pregradom za omekšivač i ima posudu za so, što je posebno dizajnirano za eliminisanje kamenca i minerala iz vode.

Priprema i raspoređivanje posuđa u mašini

- Razmislite o kupovini pribora za jelo, koji je označen kao "bezbedan za pranje u mašini".
- Za određene posude izaberite program s najnižom mogućom temperaturom.
- Kako biste izbegli oštećenja, čaše i pribor za jelo ne vadite iz mašine za pranje sudova odmah nakon što program završi s radom.

Sledeći tipovi pribora za jelo/posuđa

nisu pogodni za pranje:

- Pribor za jelo sa drvenim, rožanim, porcelanskim ili sedefnim drškama
- Plastični predmeti koji nisu otporni na visoke temperature
- Stariji tipovi pribora za jelo sa zalepljenim delovima koji nisu otporni na visoke temperature
- Lepljeni pribor za jelo ili posuđe
- Posuđe od kalaja ili barka
- Kristalne čaše
- Posuđe od čelika podložnog rđanju
- Drveni ovali
- Posuđe od sintetičkih vlakana

su delimično pogodni za pranje:

- Neke vrste čaša mogu da posle većeg broja ciklusa pranja izgube sjaj
- Delovi od srebra i aluminijuma obično promene boju tokom pranja
- Ukoliko se često peru u mašini, glazirani elementi mogu da potamne

Preporuke za raspoređivanje posuđa u mašini

Uklonite veće komade preostale hrane. Razmekšajte ostatke zagorele hrane u tiganjima. Nije neophodno isprati posude tekućom vodom.

Za najbolji učinak mašine za pranje sudova, pratite sledeće smernice za raspoređivanje posuda u mašini.

(Karakteristike i izgled korpi i korpi za pribor za jelo mogu se razlikovati od korpi u okviru Vašeg modela.)

Predmete rasporedite u mašini za pranje sudova na sledeći način:

- Posude poput šolja, čaša, šerpi/tiganja itd. postavite u obrnuti položaj.
- Zakrivljeno posude i posude sa nepristupačnim delovima treba postaviti dijagonalno, kako bi voda mogla da se nesmetano sliva.
- Kompletan pribor treba naslagati tako da bude stabilan i da se ne prevrne.
- Kompletan pribor treba postaviti tako da ručice prskalice mogu da se slobodno okreću tokom procesa pranja.
- Šuplje posude, poput šolja, čaša, tiganja itd., postavite tako da otvor bude okrenut ka dole, kako se voda ne bi sakupljala u posudi ili dubokom dnu.
- Posude i pribor za jelo se ne smeju smeštati jedni u druge i zaklanjati jedni druge. Kako biste izbegli oštećenje čaša, povedite računa da se one ne dodiruju.
- Gornja korpa je predviđena za delikatnije i lakše posude, poput čaša i šolja za kafu i čaj.
- Noževi dugih sečiva postavljeni u uspravan položaj predstavljaju potencijalnu opasnost!
- Dugi i / ili oštri komadi pribora za jelo, poput noževa za sečenje, moraju se postavljati u gornju korpu, u horizontalnom položaju.
- Nemojte preterano opteretiti svoju mašinu za pranje sudova. Postoje dobri razlozi zbog kojih je ovu smernicu važno ispoštovati, a jedan od razloga je i razumna potrošnja energije.



NAPOMENA

Izuzetno male predmete ne treba prati u mašini za pranje sudova, jer mogu lako ispasti iz korpi.

Vađenje posuđa

Kako biste sprečili kapanje vode sa gornje na donju korpu, preporučujemo Vam da najpre izvadite sadržaj donje, a onda i gornje korpe.



UPOZORENJE!

Posude će biti vrelo! Kako biste izbegli oštećenja, čaše i pribor za jelo ne vadite iz mašine za pranje sudova najmanje 15 minuta nakon što program završi s radom.

Raspoređivanje posuđa u gornju korpu

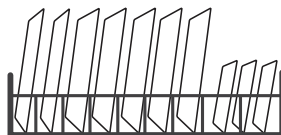
Gornja korpa je predviđena za osetljivije i lakše posude, poput čaša, šolja za kafu i čaj i tacni, kao i tanjira, malih činija i plitkih tiganja (ukoliko nisu preterano zaprljani). Posude i elemente za kuvanje postavite tako da ne može da ih pomeri mlaz vode.



Raspoređivanje posuđa u donju korpu

Predlažemo Vam da u donju korpu rasporedite veliko posude, kao i posude koje se najteže pere, poput šerpi, tiganja, poklopaca, servisnog posuđa i činija, na način prikazan na slici. Najbolje je da servisno posude i poklopce postavite sa strane polica, kako ne biste blokirali okretanje gornje ručice prskalice.

Savetuje se da se ispred posude za deteržent ne stavljaju tanjiri čiji je prečnik veći od 19 cm, da ne bi došlo do njenog blokiranja.



Raspoređivanje posuđa u korpu za pribor za jelo

Pribor za jelo treba razvrstati u polici za pribor za jelo, tako da svaki element pribora za jelo stoji zasebno, na za njega predviđenom mestu. Osim toga, povedite računa da pribor ne bude pregusto grupisan, jer to za rezultat može imati loš učinak mašine.



UPOZORENJE!



Ne dozvolite da delovi posuđa proviruju kroz dno.
Oštar pribor uvek postavljajte sa oštirim vrhom okrenutim ka dole!



NAPOMENA

Za najbolji efekat pranja, posuđe raspoređujete u korpe u skladu sa standardnim načinima raspoređivanja, navedenim u poslednjem odeljku DELA I: OPŠTE UPUTSTVO

ULOGA SREDSTVA ZA ISPIRANJE I DETERDŽENTA

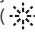
Sredstvo za ispiranje se ispušta tokom poslednjeg ispiranja kako bi sprečilo da se voda na Vašem posudu formira u kapi, koje mogu da ostave kružne i prugaste mrlje. Osim toga, ovo sredstvo poboljšava sušenje jer vodi omogućava da sklizne sa posuda. Predviđeno je da se u Vašoj mašini za pranje sudova upotrebljavaju tečna sredstva za ispiranje.



UPOZORENJE!

U mašinu za pranje sudova stavljajte samo brendirana sredstva za ispiranje. Nikada ne stavljajte neke druge supstance (npr. sredstvo za čišćenje mašine za pranje sudova, tečni deterdžent) u posudu za ispiranje. Na taj način možete oštetiti uređaj.

Kada je potrebno dopuniti posudu za sredstvo za ispiranje

Osim ukoliko se na kontrolnoj tabli ne uključi lampica upozorenja o nedovoljnoj količini sredstva za ispiranje () njegovu količinu uvek možete proceniti na osnovu boje optičkog indikatora nivoa sredstva za ispiranje, koji se nalazi odmah pored poklopca. Kada je posuda za ispiranje puna, indikator će biti u potpunosti zatamnjen. Veličina tamne tačke će se smanjivati sa smanjivanjem količine sredstva za ispiranje. Nikada ne bi trebalo dozvoliti da se nivo sredstva za ispiranje spusti ispod 1/4 punog kapaciteta.

Kako se količina sredstva za ispiranje bude smanjivala, veličina crne tačke na indikatoru nivoa sredstva za ispiranje će se menjati na dole prikazan način.

Indikator nivoa sredstva za ispiranje



Pun kapacitet



3/4 kapaciteta



1/2 kapaciteta



1/4 kapaciteta



Prazno

Uloga deterdženta

Hemijski sastojci u deterdžentu su neophodni za skidanje, usitnjavanje i izbacivanje svih vrsta prljavštine iz mašine za pranje sudova. Većina deterdženata komercijalnog kvaliteta odgovara ovoj svrsi.



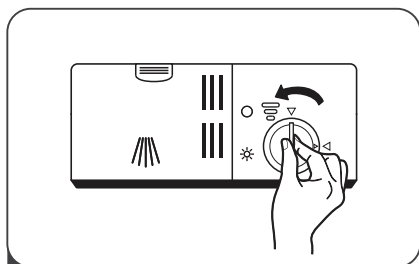
UPOZORENJE!

Pravilna upotreba deterdženta

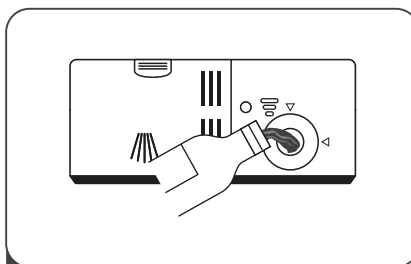
- Upotrebljavajte isključivo deterdžente posebno napravljene za mašine za pranje sudova. Čuvajte deterdžente tako da ostanu sveži i suvi. Ne stavljajte praškaste deterdžente u posudu za deterdžent sve dok ne budete spremni da uključite mašinu za pranje sudova.
- **Deterdžent za mašinsko pranje sudova je korozivan! Držite deterdžent za mašinsko pranje sudova van domašaja dece.**



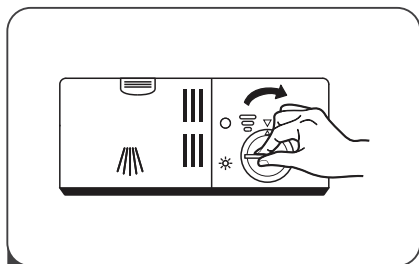
PUNJENJE REZERVOARA ZA SREDSTVO ZA ISPIRANJE



1 Okrenite poklopac rezervoara sredstva za ispiranje okrećući ga u suprotno od smera kazaljke na satu.



2 Pažljivo uspite sredstvo za ispiranje u posudu, vodeći računa da ne dođe do preliivanja.

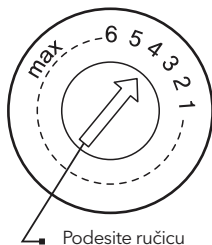


3 Zatvorite rezervoar sredstva za ispiranje okrećući ga u smeru kazaljke na satu.

NAPOMENA

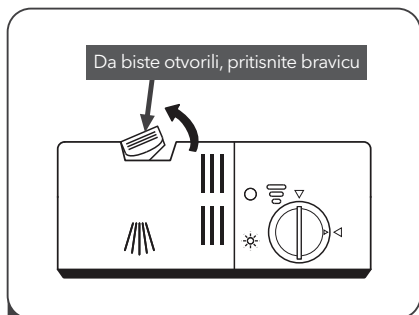
Kako biste izbegli prekomerno formiranje pene prilikom sledećeg ciklusa pranja, počistite sredstvo za ispiranje koje prospete.

Podlašavanje rezervoara za sredstvo za ispiranje

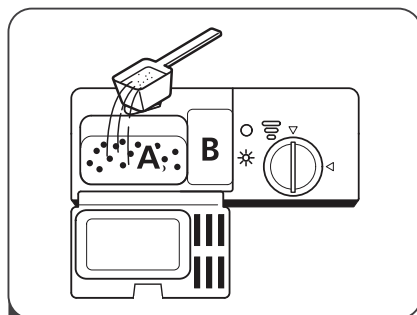


Okrenite indikator sredstva za ispiranje na broj između 1 i 6. Što je broj veći, više sredstva za ispiranje će koristiti mašina za pranje sudova. Ukoliko se posude ne suši na odgovarajući način ili ako je isflekano, podesite brojačnik na sledeći, viši, stepen. Ovo ponavljajte sve dok posude ne bude imalo fleke. Ukoliko se na Vašem posudu pojave lepljive, beličaste fleke, a na staklenom posudu ili sečivima noža plavkasti film, vratite brojačnik na niži stepen.

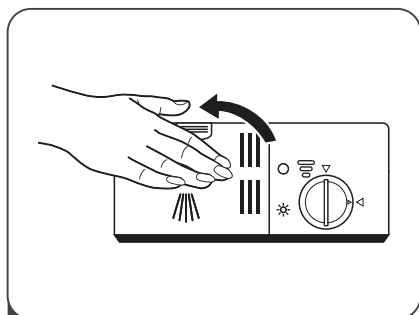
PUNJENJE POSUDE ZA DETERDŽENT



- 1** Da otvorite poklopac, pritisnite bravicu za otpuštanje na posudi za deterđžent.



- 2** U veću pregradu (A), dodajte deterđžent (A) koji će se koristiti tokom glavnog ciklusa pranja. Za zaprljanije posude, dodajte nešto deterđženta i u manju pregradu (B), koja se koristi prilikom prepranja.



- 3** Zatvorite poklopac i pritisnite ga tako da se čuje zvuk zaključavanja.


NAPOMENA

- Imajte u vidu da podešavanja mogu da se razlikuju zavisno od stepena zaprljanosti vode.
- Pridržavajte se preporuka proizvođača navedenih na ambalaži deterđženta.

PROGRAMIRANJE MAŠINE ZA PRANJE SUDOVA

Tabela ciklusa pranja

U tabeli ispod prikazani su najprikladniji programi prema stepenu ostataka hrane na posudi i potrebnoj količini deterđženta. Osim toga, prikazani su i razni podaci u vezi sa programima.

Program	Opis ciklusa	Deterđžent za prepranje/ glavno pranje	Vreme trajanja ciklusa (min)	Energija (kWh)	Voda (L)	Sredstvo za ispiranje
 Intenzivno	Prepranje (50°C)	5/25 g (1 ili 2 komada)	175	1.6	17.5	●
	Pranje (60°C)					
	Ispiranje					
	Ispiranje (70°C)					
	Sušenje					
ECO (*EN 50242)	Prepranje	5/25 g (1 ili 2 komada)	225	1.02	11	●
	Pranje (45°C)					
	Ispiranje (60°C)					
	Sušenje					

Program	Opis ciklusa	Deterdžent za pretpranje/ glavno pranje	Vreme trajanja ciklusa (min)	Energija (kWh)	Voda (L)	Sredstvo za ispiranje
90' 90 minuta	Pranje (65°C)	5/25g (1 komad)	90	1.35	12.5	●
	Ispiranje (65°C)					
	Sušenje					
Rapid	Pranje (45°C)	20g	30	0.75	11	○
	Ispiranje (50°C)					
	Ispiranje (55°C)					

Oznaka (●) predstavlja potrebu za dodavanjem sredstva za ispiranje u posudu za sredstvo za ispiranje.



EN 50242: Ovaj program predstavlja test ciklus. Informacije za uporedni test su u skladu sa EN 50242.

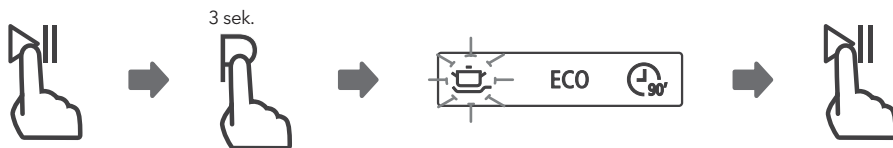
Započinjanje ciklusa pranja

- Izvučite donju i gornju korpu, rasporedite posuđe i vratite ih u mašinu. Preporučuje se da najpre rasporedite posuđe na donjoj, a zatim na gornjoj korpi.
- Sipajte deterdžent.
- Priključite utikač u utičnicu. Za podatke o napajanju, pogledajte odeljak „**Karakteristike proizvoda**“, na poslednjoj strani. Postarajte se da dovod vode bude uključen i pod punim pritiskom.
- Zatvorite vrata, pritisnite dugme za uključivanje, kako biste pustili uređaj u rad.
- Izaberite program, nakon čega će se uključiti svetlo indikacije. Zatim pritisnite taster Početak/Pauziranje i mašina za pranje sudova će započeti svoj ciklus.

Menjanje programa u toku započetog ciklusa

Ciklus pranja koji je u toku se može promeniti samo ukoliko nije proteklo mnogo vremena od početka rada mašine. U suprotnom, mašina je možda već ubacila deterdžent u ciklus pranja i ispustila vodu sa sapunicom. U tom slučaju, mašinu je neophodno ponovo podesiti, a posudu za deterdžent dopuniti. Da ponovo podesite mašinu za pranje sudova, pratite dole prikazana uputstva:

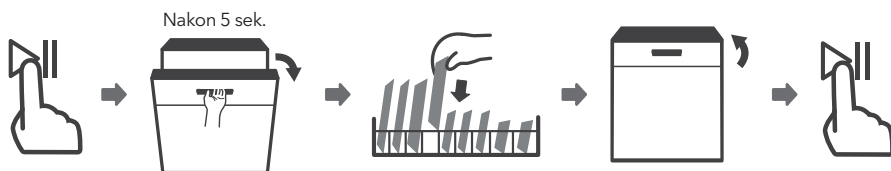
- Pritisnite taster Početak/Pauziranje kako biste pauzirali ciklus.
- Pritisnite taster Program u trajanju od preko 3 sekunde. Na taj način ćete opozvati program.
- Pritisnite taster Program da izaberete željeni program.
- Pritisnite taster Početak/Pauziranje. Mašina za pranje sudova će nakon 10 sekundi početi da radi.



Zaboravili ste da dodate posudu?

Posudu koju ste zaboravili da stavite u mašinu možete dodati u bilo kom trenutku pre nego što se otvori posuda za deterdžent. U tom slučaju, pratite sledeća uputstva:

1. Pritisnite taster Početak/Pauziranje kako biste pauzirali ciklus.
2. Sačekajte 5 sekundi, a zatim otvorite vrata.
3. Dodajte posude koje ste zaboravili da stavite u mašinu.
4. Zatvorite vrata.
5. Pritisnite taster Početak/Pauziranje. Mašina za pranje sudova će nakon 10 sekundi početi da radi.



UPOZORENJE!



Opasno je otvarati vrata mašine u toku započetog ciklusa, jer možete zadobiti opekotine od vrele pare.

OZNAKE GREŠAKA

U slučaju nepravilnog rada, na mašini za pranje sudova će biti prikazane oznake grešaka, kojima se identifikuju sledeći slučajevi:

Oznake	Značenje	Mogući uzroci
Indikator ubrzanog pranja neprekidno treperi	Produženo vreme primanja vode.	Slavine nisu odvrnute ili je ulaz vode blokiran ili je pritisak vode prenizak.
Indikator ubrzanog i pranja na 90 minuta neprekidno trepere	Ne može se dostići zadata temperatura.	Neispravan grejač.
Indikator ECO pranja neprekidno treperi	Prelivanje.	Neki deo mašine za pranje sudova propušta vodu.



UPOZORENJE!

- Ukoliko dođe do preliivanja vode, pre nego što pozovete servis, isključite glavni ventil za vodu.
- Ukoliko na dnu mašine ima vode zbog preliivanja ili manjeg propuštanja vode, pre ponovnog pokretanja mašine za pranje sudova ovu vodu treba ukloniti.

OMEKŠIVAČ VODE

Omekšivač vode se mora ručno podesiti pomoću brojačnika za tvrdoću vode.

Omekšivač vode je napravljen da iz vode ukloni minerale i soli, koji bi inače imali štetno ili nepovoljno dejstvo po rad uređaja.

Što je veći sadržaj minerala u vodi koju koristite, to je ona tvrđa.

Količinu omekšivača treba podesiti prema tvrdoći vode u oblasti u kojoj živite. Od lokalnog nadležnog organa zaduženog za vodu možete dobiti informacije u vezi sa tvrdoćom vode u oblasti u kojoj živite.

Podešavanje utroška soli

Mašina za pranje sudova je napravljena tako da omogućava podešavanje količine utrošene soli na osnovu tvrdoće vode koja je u upotrebi. Cilj je da se nivo utroška soli optimizuje i prilagodi svakom zasebnom slučaju.

Za podešavanje utroška soli, pratite sledeće korake.

1. Uključite uređaj i zatvorite vrata;
2. Zadržite pritisak na tasteru Početak/Pauziranje u trajanju od preko 5 sekundi kako bi se u roku od 60 sekundi od uključivanja uređaja aktivirao režim podešavanja za omekšivač vode;
3. Pritisnite taster Početak/Pauziranje kako biste izabrali odgovarajuće podešavanje prema sredini u kojoj se nalazite. Podešavanja će se smenjivati sledećim redosledom:
H1->H2->H3->H4->H5->H6;
4. Pritisnite taster Uključivanje/Isključivanje kako bi ste napustili režim podešavanja.

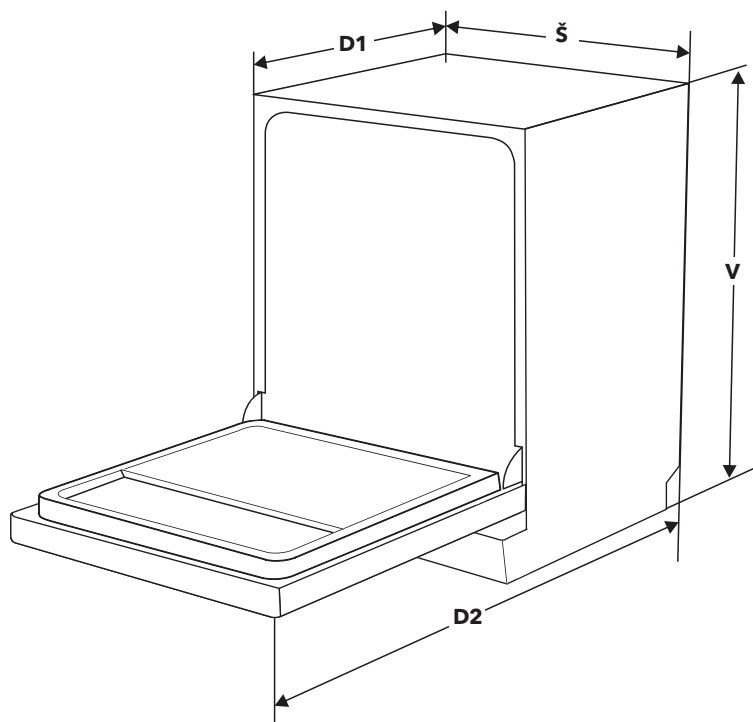
TVRDOĆA VODE				Nivo omekšivača vode	Petrošnja soli (grama/ciklusu)
Nemački °dH	Francuski °fH	Britanski °Clarke	Mmol/l		
0 - 5	0 - 9	0 - 6	0 - 0.94	H1-> Indikatori ubrzanog pranja trepere	0
6 - 11	10 - 20	7 - 14	1.0 - 2.0	H2-> Indikatori 90-minutnog pranja trepere	9
12 - 17	21 - 30	15 - 21	2.1 - 3.0	H3-> Indikatori 90-minutnog i ubrzanog pranja trepere	12
18 - 22	31 - 40	22 - 28	3.1 - 4.0	H4-> Indikatori ECO pranja trepere	20
23 - 34	41 - 60	29 - 42	4.1 - 6.0	H5-> Indikatori ECO i ubrzanog pranja trepere	30
35 - 55	61 - 98	43 - 69	6.1 - 9.8	H6-> Indikatori ECO i 90-minutnog pranja trepere	60

1°dH=1.25 °Clarke=1.78 °fH=0.178mmol/l

Fabričko podešavanje: H3

Za informacije u vezi sa tvrdoćom vode koju koristite, kontaktirajte lokalni nadležni organ zadužen za vodu.

TEHNIČKI PODACI



Visina (H) 845mm

Širina (W) 598mm

Dubina (D1) 600mm (sa zatvorenim vratima)

Dubina (D2) 1175mm (s vratima otvorenim pod uglom od 90°)

Karakteristike proizvoda

Lista karakteristika mašine za pranje sudova u domaćinstvu u skladu sa EU Direktivom 1016/2010 i 1059/2010:

Proizvođač	TESLA
Vrsta/Opis	WD630M
Podešavanja standardnih pozicija	12
Klasa energetske efikasnosti ❶	A+
Godišnja potrošnja energije ❷	290 kWh
Potrošnja energije tokom standardnog ciklusa pranja	1.02 kWh
Potrošnja energije u režimu isključeno (off)	0.45 W
Potrošnja energije u režimu Ostavljeno uključeno (Left-on)	0.49W
Godišnja potrošnja vode ❸	3080 litara
Klasa efikasnosti sušenja ❹	A
Standardni ciklus pranja ❺	ECO 45°C
Trajanje programa tokom standardnog ciklusa pranja	225 min
Nivo buke	52 dB(A) re 1 pW
Montiranje	Samostojeća
Mogućnost ugrađivanja	DA
Utrošak energije	1760-2100W
Nominalni napon / frekvencija	220-240V/50Hz
Pritisak vode (pritisak protoka)	0.04-1.0MPa=0.4-10 bar

NAPOMENA

- ❶ A+++ (najviši nivo efikasnosti) do D (najniži nivo efikasnosti)
- ❷ Potrošnja energije na osnovu 280 standardnih ciklusa pranja, uz primanje hladne vode i potrošnju u režimima sa malom snagom. Realna potrošnja energije zavisiće od načina na koji se uređaj upotrebljava.
- ❸ Potrošnja vode na osnovu 280 standardnih ciklusa pranja. Realna potrošnja vode zavisiće od načina na koji se uređaj upotrebljava.
- ❹ A (najviši nivo efikasnosti) do G (najniži nivo efikasnosti)
- ❺ Ovaj program je pogodan za pranje normalno zaprljanog posuda i predstavlja najefikasniji program u smislu kombinovane potrošnje energije i vode za pomenuti tip posuda.

TESLA

tesla.info

Ovaj dokument je originalno proizveden i objavljen od strane proizvođača, brenda Tesla, i preuzet je sa njihove zvanične stranice. S obzirom na ovu činjenicu, Tehnoteka ističe da ne preuzima odgovornost za tačnost, celovitost ili pouzdanost informacija, podataka, mišljenja, saveta ili izjava sadržanih u ovom dokumentu.

Napominjemo da Tehnoteka nema ovlašćenje da izvrši bilo kakve izmene ili dopune na ovom dokumentu, stoga nismo odgovorni za eventualne greške, propuste ili netačnosti koje se mogu naći unutar njega. Tehnoteka ne odgovara za štetu nanесenu korisnicima pri upotrebi netačnih podataka. Ukoliko imate dodatna pitanja o proizvodu, ljubazno vas molimo da kontaktirate direktno proizvođača kako biste dobili sve detaljne informacije.

Za najnovije informacije o ceni, dostupnim akcijama i tehničkim karakteristikama proizvoda koji se pominje u ovom dokumentu, molimo posetite našu stranicu klikom na sledeći link:

<https://tehnoteka.rs/p/tesla-masina-za-pranje-sudova-wd630m-akcija-cena/>