

Uputstvo za upotrebu

VOX kombinovani frižider KG 2800 F



Tehnoteka je online destinacija za upoređivanje cena i karakteristika bele tehnike, potrošačke elektronike i IT uređaja kod trgovinskih lanaca i internet prodavnica u Srbiji. Naša stranica vam omogućava da istražite najnovije informacije, detaljne karakteristike i konkurentne cene proizvoda.

Posetite nas i uživajte u ekskluzivnom iskustvu pametne kupovine klikom na link:

<https://tehnoteka.rs/p/vox-kombinovani-frizider-kg-2800-f-akcija-cena/>



ENG

SRP

SLV

HRV/BOS

MKD

POR

KG2800F

OPERATING INSTRUCTIONS FRIDGE - FREEZER

UPUTSTVO ZA UPOTREBU FRIZIDER SA ZAMRZIVAČEM

UPUTE ZA UPORABU HLADNJAK SA ZAMRZIVAČEM

NAVODILA ZA UPORABO HLADILNIK - ZAMRZOVALNIK

УПАТСТВА ЗА РАКУВАЊЕ ЛАДИЛНИК - ЗАМРЗОВАЛНИК

MANUAL DO USUÁRIO FRIGORÍFICO - CONGELADOR

EAC



ENG

KG2800F

OPERATING INSTRUCTIONS FRIDGE - FREEZER

EAC

Thank you for choosing this product.

This user manual contains important information on safety and instructions intended to assist you in the operation and maintenance of your appliance.

Please take the time to read this user manual before using your appliance and keep this book for future reference.

Icon	Type	Meaning
	WARNING	Serious injury or death risk
	RISK OF ELECTRIC SHOCK	Dangerous voltage risk
	FIRE	Warning; Risk of fire / flammable materials
	CAUTION	Injury or property damage risk
	IMPORTANT	Operating the system correctly

CONTENTS

1 SAFETY INSTRUCTIONS	5
1.1 General Safety Warnings	5
1.2 Installation warnings	9
1.3 During Usage.....	9
2 DESCRIPTION OF THE APPLIANCE	11
2.1 Dimensions.....	12
3 USING THE APPLIANCE	13
3.1 Information on Less Frost Technology.....	13
3.2 Thermostat Setting	13
3.3 Temperature Settings Warnings	13
3.4 Accessories	14
3.4.1 Ice Tray (<i>In some models</i>).....	14
3.4.2 The Plastic Scraper (<i>In some models</i>).....	14
3.4.3 The Bottle Holder (<i>In some models</i>).....	14
4 FOOD STORAGE	15
4.1 Refrigerator Compartment.....	15
4.2 Freezer Compartment	16
5 CLEANING AND MAINTENANCE.....	18
5.1 Defrosting	19
6 SHIPMENT AND REPOSITIONING.....	20
6.1 Transportation and Changing Positioning	20
6.2 Repositioning the Door.....	20
7 BEFORE CALLING AFTER-SALES SERVICE	20
8 TIPS FOR SAVING ENERGY	21
9 TECHNICAL DATA.....	22
10 INFORMATION FOR TEST INSTITUTES	22
11 CUSTOMER CARE AND SERVICE	22

1 SAFETY INSTRUCTIONS

1.1 General Safety Warnings

Read this user manual carefully.

⚠ WARNING: Keep ventilation openings, in the appliance enclosure or in the built-in structure, clear of obstruction.

⚠ WARNING: Do not use mechanical devices or other means to accelerate the defrosting process, other than those recommended by the manufacturer.

⚠ WARNING: Do not use electrical appliances inside the food storage compartments of the appliance, unless they are of the type recommended by the manufacturer.

⚠ WARNING: Do not damage the refrigerant circuit.

⚠ WARNING: When positioning the appliance, ensure the supply cord is not trapped or damaged.

⚠ WARNING: Do not locate multiple portable socket-outlets or portable power supplies at the rear of the appliance.

⚠ WARNING: In order to avoid any hazards resulting from the instability of the appliance, it must be fixed in accordance with the instructions.

⚠ If your appliance uses R600a as a refrigerant (this information will be provided on the label of the cooler) you should take care during transportation and installation to prevent the cooler elements from being damaged. R600a is an environmentally friendly and

natural gas, but it is explosive. In the event of a leak due to damage of the cooler elements, move your fridge away from open flames or heat sources and ventilate the room where the appliance is located for a few minutes.

- While carrying and positioning the fridge, do not damage the cooler gas circuit.
- Do not store explosive substances such as aerosol cans with a flammable propellant in this appliance.
- This appliance is intended to be used in household and domestic applications such as:
 - staff kitchen areas in shops, offices and other working environments.
 - farm houses and by clients in hotels, motels and other residential type environments.
 - bed and breakfast type environments;
 - catering and similar non-retail applications.
- If the socket does not match the refrigerator plug, it must be replaced by the manufacturer, a service agent or similarly qualified persons in order to avoid a hazard.
- A specially grounded plug has been connected to the power cable of your refrigerator. This plug should be used with a specially grounded socket of 16 amperes. If there is no such socket in your house, please have one installed by an authorised electrician.

- This appliance can be used by children aged from 8 years and above and persons with reduced physical, sensory or mental capabilities or lack of experience and knowledge if they have been given supervision or instruction concerning use of the appliance in a safe way and understand the hazards involved. Children shall not play with the appliance. Cleaning and user maintenance shall not be made by children without supervision.
- Children aged from 3 to 8 years are allowed to load and unload refrigerating appliances. Children are not expected to perform cleaning or user maintenance of the appliance, very young children (0-3 years old) are not expected to use appliances, young children (3-8 years old) are not expected to use appliances safely unless continuous supervision is given, older children (8-14 years old) and vulnerable people can use appliances safely after they have been given appropriate supervision or instruction concerning use of the appliance. Very vulnerable people are not expected to use appliances safely unless continuous supervision is given.
- If the supply cord is damaged, it must be replaced by the manufacturer, an authorised service agent or similar qualified persons, in order to avoid a hazard.
- This appliance is not intended for use at altitudes exceeding 2000 m.

To avoid contamination of food, please respect the following instructions:

- Opening the door for long periods can cause a significant increase of the temperature in the compartments of the appliance.
- Clean regularly surfaces that can come in contact with food and accessible drainage systems
- Store raw meat and fish in suitable containers in the refrigerator, so that it is not in contact with or drip onto other food.
- Two-star frozen-food compartments are suitable for storing pre-frozen food, storing or making ice cream and making ice cubes.
- One-, two- and three-star compartments are not suitable for the freezing of fresh food.
- If the refrigerating appliance is left empty for long periods, switch off, defrost, clean, dry, and leave the door open to prevent mould developing within the appliance.

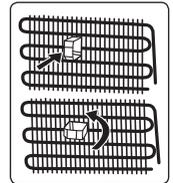
1.2 Installation warnings

Before using your fridge freezer for the first time, please pay attention to the following points:

- The operating voltage for your fridge freezer is 220-240 V at 50Hz.
- The plug must be accessible after installation.
- Your fridge freezer may have an odour when it is operated for the first time. This is normal and the odour will fade when your fridge freezer starts to cool.
- Before connecting your fridge freezer, ensure that the information on the data plate (voltage and connected load) matches that of the mains electricity supply. If in doubt, consult a qualified electrician.
- Insert the plug into a socket with an efficient ground connection. If the socket has no ground contact or the plug does not match, we recommend you consult a qualified electrician for assistance.
- The appliance must be connected with a properly installed fused socket. The power supply (AC) and voltage at the operating point must match with the details on the name plate of the appliance (the name plate is located on the inside left of the appliance).
- We do not accept responsibility for any damages that occur due to ungrounded usage.
- Place your fridge freezer where it will not be exposed to direct sunlight.
- Your fridge freezer must never be used outdoors or exposed to rain.
- Your appliance must be at least 50 cm away from stoves, gas ovens and heater cores, and at least 5 cm away from electrical ovens.
- If your fridge freezer is placed next to a deep freezer, there must be at least 2 cm between them to prevent humidity forming on the outer surface.
- Do not cover the body or top of fridge freezer with lace. This will affect the

performance of your fridge freezer.

- Clearance of at least 150 mm is required at the top of your appliance. Do not place anything on top of your appliance.
- Do not place heavy items on the appliance.
- Clean the appliance thoroughly before use (see Cleaning and Maintenance).
- Before using your fridge freezer, wipe all parts with a solution of warm water and a teaspoon of sodium bicarbonate. Then, rinse with clean water and dry. Return all parts to the fridge freezer after cleaning.
- Use the adjustable front legs to make sure your appliance is level and stable. You can adjust the legs by turning them in either direction. This must be done before placing food in the appliance.
- Install the two plastic distance guides (the parts on the black vanes -condenser- at the rear) by turning it 90° (as shown in the figure) to prevent the condenser from touching the wall.
- The distance between the appliance and back wall must be a maximum of 75 mm.



1.3 During Usage

- Do not connect your fridge freezer to the mains electricity supply using an extension lead.
- Do not use damaged, torn or old plugs.
- Do not pull, bend or damage the cord.
- Do not use plug adapter.
- This appliance is designed for use by adults. Do not allow children to play with the appliance or hang off the door.
- Never touch the power cord/plug with wet hands. This may cause a short circuit or electric shock.
- Do not place glass bottles or cans in the ice-making compartment as they will burst when the contents freeze.
- Do not place explosive or flammable material in your fridge. Place drinks with

high alcohol content vertically in the fridge compartment and make sure their tops are tightly closed.

- When removing ice from the ice-making compartment, do not touch it. Ice may cause frost burns and/or cuts.
- Do not touch frozen goods with wet hands. Do not eat ice-cream or ice cubes immediately after they are removed from the ice-making compartment.
- Do not re-freeze thawed frozen food. This may cause health issues such as food poisoning.

Old and Out-of-order Fridges

- If your old fridge or freezer has a lock, break or remove the lock before discarding it, because children may get trapped inside it and may cause an accident.
- Old fridges and freezers contain isolation material and refrigerant with CFC. Therefore, take care not to harm environment when you are discarding your old fridges.

CE Declaration of conformity

We declare that our products meet the applicable European Directives, Decisions and Regulations and the requirements listed in the standards referenced.

Disposal of your old appliance

The symbol on the product or on its packaging indicates that this product may not be treated as household waste. Instead it shall be handed over to the applicable collection point for the recycling of electrical and electronic equipment. By ensuring this product is disposed of correctly, you will help prevent potential negative consequences for the environment and human health, which could otherwise be caused by inappropriate waste handling of this product. For more detailed information about recycling of this product, please contact your local city office, your household waste disposal service or the shop where you purchased the product.



Packaging and the Environment

Packaging materials protect your machine from damage that may occur during transportation.



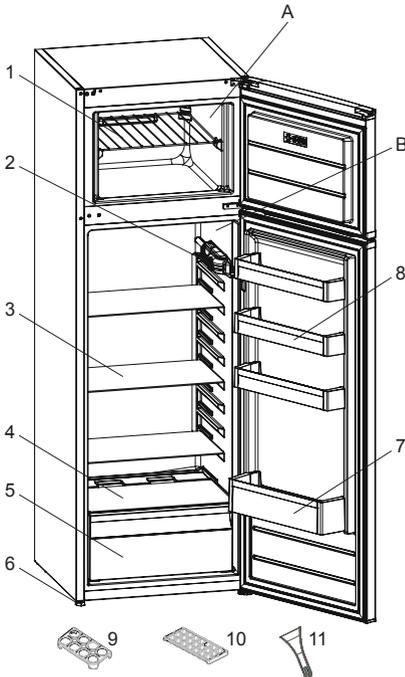
The packaging materials are environmentally friendly as they are recyclable. The use of recycled material reduces raw material consumption and therefore decreases waste production.

Notes:

- Please read the instruction manual carefully before installing and using your appliance. We are not responsible for the damage occurred due to misuse.
- Follow all instructions on your appliance and instruction manual, and keep this manual in a safe place to resolve the problems that may occur in the future.
- This appliance is produced to be used in homes and it can only be used in domestic environments and for the specified purposes. It is not suitable for commercial or common use. Such use will cause the guarantee of the appliance to be cancelled and our company will not be responsible for any losses incurred.
- This appliance is produced to be used in houses and it is only suitable for cooling / storing foods. It is not suitable for commercial or common use and/or for storing substances except for food. Our company is not responsible for any losses incurred by inappropriate usage of the appliance.

2 DESCRIPTION OF THE APPLIANCE

This appliance is not intended to be used as a built-in appliance.



 This presentation is only for information about the parts of the appliance. Parts may vary according to the appliance model.

- A) Freezer compartment
- B) Refrigerator compartment

- 1) Freezer shelf
- 2) Thermostat box
- 3) Refrigerator shelves
- 4) Crisper cover
- 5) Crisper
- 6) Levelling feet
- 7) Bottle shelf
- 8) Door shelves
- 9) Egg holder
- 10) Ice box tray
- 11) Plastic ice scraper *

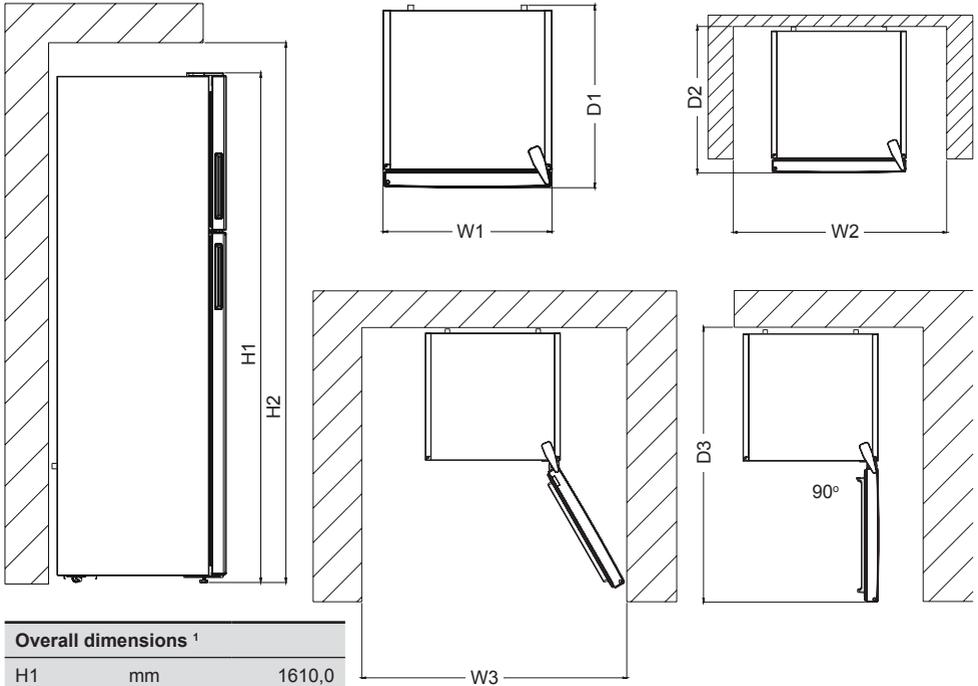
* In some models

General notes:

Fresh Food Compartment (Fridge): Most efficient use of energy is ensured in the configuration with the drawers in the bottom part of the appliance, and shelves evenly distributed, position of door bins does not affect energy consumption.

Freezer Compartment (Freezer): Most Efficient use of energy is ensured in the configuration with the drawers and bins are on stock position.

2.1 Dimensions



Overall dimensions ¹

H1	mm	1610,0
W1	mm	540,0
D1	mm	570,0

¹ the height, width and depth of the appliance without the handle.

Space required in use ²

H2	mm	1760,0
W2	mm	640,0
D2	mm	667,8

² the height, width and depth of the appliance including the handle, plus the space necessary for free circulation of the cooling air.

Overall space required in use ³

W3	mm	658,5
D3	mm	1106,5

³ the height, width and depth of the appliance including the handle, plus the space necessary for free circulation of the cooling air, plus the space necessary to allow door opening to the minimum angle permitting removal of all internal equipment.

3 USING THE APPLIANCE

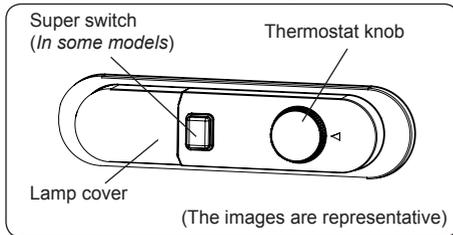
3.1 Information on Less Frost Technology

Thanks to the wrap around evaporator, Less Frost technology offers more efficient cooling, less manual defrost requirement, and more flexible storage room.

3.2 Thermostat Setting

The thermostat automatically regulates the temperature inside the cooler and freezer compartments. Refrigerator temperatures can be obtained by rotating the knob to higher numbers; 1 to 3, 1 to 5 or SF (Maximum numbers on the thermostat depends on your product.)

 **Important note:** Do not try to rotate the knob beyond position 1, it will stop your appliance from working.



Thermostat settings:

- 1 – 2 :** For short-term storage of food
- 3 – 4 :** For long-term storage of food
- 5 :** Maximum cooling position. The appliance will work longer. If required, change the temperature setting.

If device has SF position:

- Turn the knob to SF to freeze fresh food quickly. In this position, the freezer compartment will operate at lower temperatures. After your food freezes, turn the thermostat knob to its normal use position. If you do not change the SF position, your appliance work will automatically return to its last used thermostat position according to the time indicated in the note. Return the thermostat switch to the SF position and return it to normal use according

to the time indicated in the note. If the thermostat switch is in the SF position when your appliance is first started, your appliance work will automatically return to the operation in the thermostat-3 position according to the time indicated in the note.

Super freezing: This switch shall be used as superfreeze switch. For maximum freezing capacity, please turn on this switch before 24 hours placing fresh food. After placing fresh food in the freezer, 24 hours ON position is generally sufficient. In order to save energy, please turn off this switch after 24 hours from placing fresh food.

Winter Switch: If ambient temperature is below 16 °C, this switch shall be used as winter switch and it keeps your fridge above 0 °C while freezer is below -18 °C in low ambients.

3.3 Temperature Settings Warnings

- Your appliance is designed to operate in the ambient temperature ranges stated in the standards, according to the climate class stated in the information label. It is not recommended that your fridge is operated in the environments which are outside of the stated temperature ranges. This will reduce the cooling efficiency of the appliance.
- Temperature adjustments should be made according to the frequency of door openings, the quantity of food kept inside the appliance and the ambient temperature in the location of your appliance.
- When the appliance is first switched on, allow it to run for 24 hours in order to reach operating temperature. During this time, do not open the door and do not keep a large quantity of food inside.
- A 5 minute delay function is applied to prevent damage to the compressor of your appliance when connecting or disconnecting to mains, or when an energy breakdown occurs. Your appliance will begin to operate normally after 5 minutes.

Climate class and meaning:

T (tropical): This refrigerating appliance is intended to be used at ambient temperatures ranging from 16 °C to 43 °C.

ST (subtropical): This refrigerating appliance is intended to be used at ambient temperatures ranging from 16 °C to 38 °C.

N (temperate): This refrigerating appliance is intended to be used at ambient temperatures ranging from 16 °C to 32 °C.

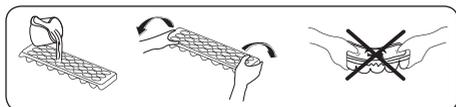
SN (extended temperate): This refrigerating appliance is intended to be used at ambient temperatures ranging from 10 °C to 32 °C.

3.4 Accessories

Visual and text descriptions in the accessories section may vary according to the model of your appliance.

3.4.1 Ice Tray (In some models)

- Fill the ice tray with water and place in the freezer compartment.
- After the water has completely frozen, you can twist the tray as shown below to remove the ice cubes.



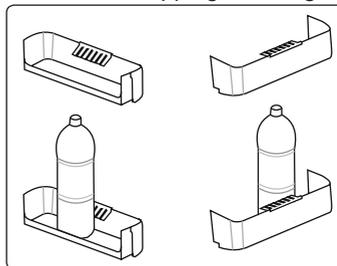
3.4.2 The Plastic Scraper (In some models)

After some time, frost will build up in certain areas of the freezer. The frost accumulated in the freezer should be removed regularly. Use the plastic scraper provided, if necessary. Do not use sharp metal objects for this operation. They could puncture the refrigerator circuit and cause irreparable damage to the unit.



3.4.3 The Bottle Holder (In some models)

Use the bottle holder to prevent bottles from slipping or falling over.



Visual and text descriptions in the accessories section may vary according to the model of your appliance.

4 FOOD STORAGE

4.1 Refrigerator Compartment

- To reduce humidity and avoid the consequent formation of frost, always store liquids in sealed containers in the refrigerator. Frost tends to concentrate in the coldest parts of the evaporating liquid and, in time, your appliance will require more frequent defrosting.
- Cooked dishes must remain covered when they are kept in the fridge. Do not place warm foods in fridge. Place them when they are cool, otherwise the temperature/humidity inside the fridge will increase, reducing the fridge's efficiency.
- Make sure no items are in direct contact with the rear wall of the appliance as frost will develop and packaging will stick to it. Do not open the refrigerator door frequently.
- We recommend that meat and clean fish are loosely wrapped and stored on the glass shelf just above the vegetable bin where the air is cooler, as this provides the best storage conditions.
- Store loose fruit and vegetable items in the crisper containers.
- Storing fruit and vegetables separately helps prevent ethylene-sensitive vegetables (green leaves, broccoli, carrot, etc.) being affected by ethylene-releasing fruits (banana, peach, apricot, fig etc.).
- Do not put wet vegetables into the refrigerator.
- Storage time for all food products depends on the initial quality of the food and an uninterrupted refrigeration cycle before refrigerator storage.
- Water leaking from meat may contaminate other products in the refrigerator. You should package meat products and clean any leakages on the shelves.

- Do not put food in front of the air flow passage.
- Consume packaged foods before the recommended expiry date.

Do not allow food to come into contact with the temperature sensor, which is located in the refrigerator compartment, in order to keep the refrigerator compartment at optimum temperature.

- For normal working conditions, it will be sufficient to adjust the temperature setting of your refrigerator to +4 °C.
- The temperature of the fridge compartment should be in the range of 0-8 °C, fresh foods below 0 °C are iced and rotted, bacterial load increases above 8 °C, and spoils.
- Do not put hot food in the refrigerator immediately, wait for the temperature to pass outside. Hot foods increase the degree of your refrigerator and cause food poisoning and unnecessary spoiling of the food.
- Meat, fish, etc. should be stored in the chiller compartment of the food, and the vegetable compartment is preferred for vegetables. (if available)
- To prevent cross contamination, meat products and fruit vegetables are not stored together.
- Foods should be placed in the refrigerator in closed containers or covered to prevent moisture and odors.

The table below is a quick guide to show you the most efficient way to store the major food groups in your refrigerator compartment.

Food	Maximum storage time	How and where to store
Vegetables and fruits	1 week	Vegetable bin
Meat and fish	2 - 3 days	Wrap in plastic foil, bags, or in a meat container and store on the glass shelf
Fresh cheese	3 - 4 days	On the designated door shelf

Food	Maximum storage time	How and where to store
Butter and margarine	1 week	On the designated door shelf
Bottled products e.g. milk and yoghurt	Until the expiry date recommended by the producer	On the designated door shelf
Eggs	1 month	On the designated egg shelf
Cooked food	2 days	All shelves

NOTE:



Potatoes, onions and garlic should not be stored in the refrigerator.

4.2 Freezer Compartment

- The freezer is used for storing frozen food, freezing fresh food, and making ice cubes.
- Food in liquid form should be frozen in plastic cups and other food should be frozen in plastic folios or bags. For freezing fresh food; wrap and seal fresh food properly, that is the packaging should be air tight and shouldn't leak. Special freezer bags, aluminum foil polythene bags and plastic containers are ideal.
- Do not store fresh food next to frozen food as it can thaw the frozen food.
- Before freezing fresh food, divide it into portions that can be consumed in one sitting.
- Consume thawed frozen food within a short period of time after defrosting
- Always follow the manufacturer's instructions on food packaging when storing frozen food. If no information is provided food, should not be stored for more than 3 months from the date of purchase.
- When purchasing frozen food, make sure that it has been stored under appropriate conditions and that the packaging is not damaged.
- Frozen food should be transported in appropriate containers and placed in the

freezer as soon as possible.

- Do not purchase frozen food if the packaging shows signs of humidity and abnormal swelling. It is probable that it has been stored at an unsuitable temperature and that the contents have deteriorated.
- The storage life of frozen food depends on the room temperature, the thermostat setting, how often the door is opened, the type of food, and the length of time required to transport the product from the shop to your home. Always follow the instructions printed on the packaging and never exceed the maximum storage life indicated.
- If the freezer door has been left open for a long time or not closed properly, frost will form and can prevent efficient air circulation. To resolve this, unplug the freezer and wait for it to defrost. Clean the freezer once it has fully defrosted.
- The freezer volume stated on the label is the volume without baskets, covers, and so on.
- Do not refreeze thawed food. It may pose a danger to your health and cause problems such as food poisoning.

NOTE: If you attempt to open the freezer door immediately after closing it, you will find that it will not open easily. This is normal. Once equilibrium has been reached, the door will open easily.



The table below is a quick guide to show you the most efficient way to store the major food groups in your freezer compartment.

Meat and fish	Preparation	Maximum storage time (months)
Steak	Wrap in foil	6 - 8
Lamb meat	Wrap in foil	6 - 8
Veal roast	Wrap in foil	6 - 8
Veal cubes	In small pieces	6 - 8
Lamb cubes	In pieces	4 - 8
Minced meat	In packaging without using spices	1 - 3
Giblets (pieces)	In pieces	1 - 3
Bologna sausage/salami	Should be kept packaged even if it has a membrane	
Chicken and turkey	Wrap in foil	4 - 6
Goose and duck	Wrap in foil	4 - 6
Deer, rabbit, wild boar	In 2.5 kg portions or as fillets	6 - 8
Freshwater fish (Salmon, Carp, Crane, Catfish)	After cleaning the bowels and scales of the fish, wash and dry it. If necessary, remove the tail and head.	2
Lean fish (Bass, Turbot, Flounder)		4
Fatty fishes (Tuna, Mackerel, Bluefish, Anchovy)		2 - 4
Shellfish	Clean and in a bag	4 - 6
Caviar	In its packaging, or in an aluminium or plastic container	2 - 3
Snails	In salty water, or in an aluminium or plastic container	3

 **NOTE:** Thawed frozen meat should be cooked as fresh meat. If the meat is not cooked after defrosting, it must not be re-frozen.

Vegetables and Fruits	Preparation	Maximum storage time (months)
String beans and beans	Wash, cut into small pieces and boil in water	10 - 13
Beans	Hull, wash and boil in water	12
Cabbage	Clean and boil in water	6 - 8
Carrot	Clean, cut into slices and boil in water	12
Pepper	Cut the stem, cut into two pieces, remove the core and boil in water	8 - 10
Spinach	Wash and boil in water	6 - 9
Cauliflower	Remove the leaves, cut the heart into pieces and leave it in water with a little lemon juice for a while	10 - 12
Eggplant	Cut into pieces of 2cm after washing	10 - 12
Corn	Clean and pack with its stem or as sweet corn	12
Apple and pear	Peel and slice	8 - 10
Apricot and Peach	Cut into two pieces and remove the stone	4 - 6

Vegetables and Fruits	Preparation	Maximum storage time (months)
Strawberry and Blackberry	Wash and hull	8 - 12
Cooked fruits	Add 10 % of sugar to the container	12
Plum, cherry, sourberry	Wash and hull the stems	8 - 12

	Maximum storage time (months)	Thawing time at room temperature (hours)	Thawing time in oven (minutes)
Bread	4 - 6	2 - 3	4-5 (220-225 °C)
Biscuits	3 - 6	1 - 1,5	5-8 (190-200 °C)
Pastry	1 - 3	2 - 3	5-10 (200-225 °C)
Pie	1 - 1,5	3 - 4	5-8 (190-200 °C)
Phyllo dough	2 - 3	1 - 1,5	5-8 (190-200 °C)
Pizza	2 - 3	2 - 4	15-20 (200 °C)

Dairy products	Preparation	Maximum storage time (months)	Storage conditions
Packet (Homogenized) Milk	In its own packet	2 - 3	Pure Milk – in its own packet
Cheese - excluding white cheese	In slices	6 - 8	Original packaging may be used for short-term storage. Keep wrapped in foil for longer periods.
Butter, margarine	In its packaging	6	

5 CLEANING AND MAINTENANCE

-  Disconnect the unit from the power supply before cleaning.
-  Do not wash your appliance by pouring water on it.
-  Do not use abrasive products, detergents or soaps for cleaning the appliance. After washing, rinse with clean water and dry carefully. When you have finished cleaning, reconnect the plug to the mains supply with dry hands.
- Make sure that no water enters the lamp housing and other electrical components.
- The appliance should be cleaned regularly using a solution of bicarbonate of soda and lukewarm water.
- Clean the accessories separately by hand with soap and water. Do not wash accessories in a dish washer.

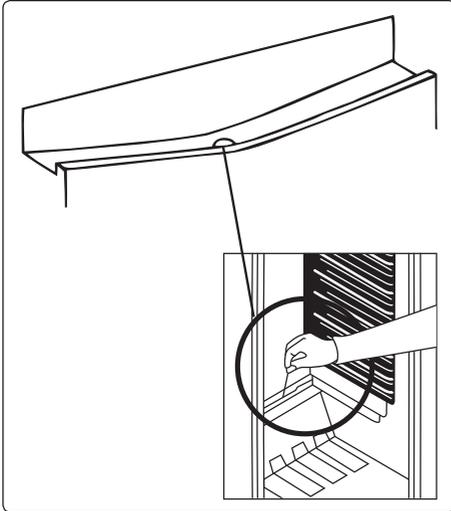
- Clean the condenser with a brush at least twice a year. This will help you to save on energy costs and increase productivity.



The power supply must be disconnected during cleaning.

5.1 Defrosting

Defrosting the Refrigerator Compartment



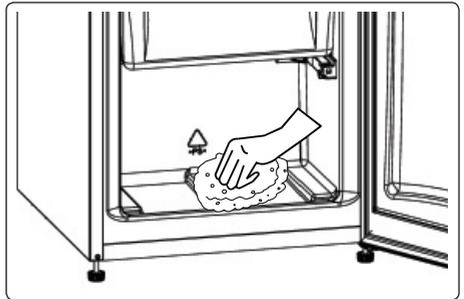
- Defrosting occurs automatically in the refrigerator compartment during operation. The water is collected by the evaporation tray and evaporates automatically.
- The evaporation tray and the water drain hole should be cleaned periodically with the defrost drain plug to prevent the water from collecting at the bottom of the refrigerator instead of flowing out.
- You can also clean the drain hole by pouring half a glass of water down it.

Freezer defrosting process

- Small amounts of frost will accumulate inside the freezer, depending on the length of time the door may be left open or the amount of moisture introduced. It is essential to ensure that no frost or ice is allowed to form in places where it will affect the close fitting of the door seal. This might allow air to penetrate the cabinet, encouraging continuous running of the compressor. Thin frost formation is quite soft and can be removed with a brush or plastic scraper. Do not use metal or sharp scrapers, mechanical devices or other means to accelerate the defrosting

process. Remove all dislodged frost from the cabinet floor. It is not necessary to switch off the appliance for the removal of thin frost.

- For the removal of heavy ice deposits, disconnect the appliance from the mains supply, empty the contents into cardboard boxes and wrap in thick blankets or layers of paper to keep cool. Defrosting will be most effective if carried out when the freezer is nearly empty and should be carried out as quickly as possible to prevent an unnecessary increase in the temperature of the contents.
- Do not use metal or sharp scrapers, mechanical devices or other means to accelerate the defrosting process. An increase in temperature of frozen food during defrosting will shorten the storage life. Keep contents well wrapped and cool while defrosting is taking place.



- Dry the inside of the compartment with a sponge or a clean cloth.
- To accelerate the defrosting process, place one or more bowls of warm water in the freezer compartment.
- Examine the contents when replacing them in the freezer and if some of the packages have thawed out, they should be eaten within 24 hours, or be cooked and re-frozen.
- After defrosting is complete, clean the inside of the appliance with a solution of warm water and a little bicarbonate of soda, then dry thoroughly. Wash all removable parts in the same way and reassemble. Reconnect the appliance

to the mains supply and leave for 2 to 3 hours on setting number MAX before introducing the food back into the freezer.

Replacing LED Lighting

To replace any of the LEDs, please contact the nearest Authorised Service Centre.

 **Note:** The numbers and location of the LED strips may change according to the model.

6 SHIPMENT AND REPOSITIONING

6.1 Transportation and Changing Positioning

- The original packaging and foam may be kept for re-transportation (optional).
- Fasten your appliance with thick packaging, bands or strong cords and follow the instructions for transportation on the packaging.
- Remove all movable parts or fix them into the appliance against shocks using bands when re-positioning or transporting.

 Always carry your appliance in the upright position.

6.2 Repositioning the Door

- It is not possible to change the opening direction of your appliance door if door handles are installed on the front surface of the appliance door.
- It is possible to change the opening direction of the door on models with handle on the side of the door or without handles.
- If the door-opening direction of your appliance can be changed, contact the nearest Authorised Service Centre to change the opening direction.

7 BEFORE CALLING AFTER-SALES SERVICE

If you are experiencing a problem with your **appliance**, please check the following before contacting the after-sales service.

Your appliance is not operating

Check if:

- There is power
- The plug is correctly placed in the socket
- The plug fuse or the mains fuse has blown
- The socket is defective. To check this, plug another working appliance into the same socket.

The appliance performs poorly

Check if:

- The appliance is overloaded
- The appliance door is closed properly
- There is any dust on the condenser
- There is enough space near the rear and side walls.

Your appliance is operating noisily

Normal noises

Cracking noise occurs:

- During automatic defrosting
- When the appliance is cooled or warmed (due to expansion of appliance material).

Short cracking noise occurs: When the thermostat switches the compressor on/off.

Motor noise: Indicates the compressor is operating normally. The compressor may cause more noise for a short time when it is first activated.

Bubbling noise and splash occurs:

Due to the flow of the refrigerant in the tubes of the system.

Water flowing noise occurs: Due to water flowing to the evaporation container. This noise is normal during defrosting.

Air blowing noise occurs: In some models during normal operation of the system due to the circulation of air.

The edges of the appliance in contact

with the door joint are warm

Especially during summer (warm seasons), the surfaces in contact with the door joint may become warmer during the operation of the compressor, this is normal.

There is a build-up of humidity inside the appliance

Check if:

- All food is packed properly. Containers must be dry before being placed in the **appliance**.
- The **appliance** door is opened frequently. Humidity of the room enters the **appliance** when the doors are opened. Humidity increases faster when the doors are opened more frequently, especially if the humidity of the room is high.

The door does not open or close properly

Check if:

- There is food or packaging preventing the door from closing
- The door joints are broken or torn
- Your **appliance** is on a level surface.

Recommendations

- If the appliance is switched off or unplugged, wait at least 5 minutes before plugging the appliance in or restarting it in order to prevent damage to the compressor.
- If you will not use your appliance for a long time (e.g. in summer holidays) unplug it. Clean your appliance according to chapter cleaning and leave the door open to prevent humidity and smell.
- If a problem persists after you have followed all the above instructions, please consult the nearest authorised service centre.
- The appliance you have purchased is designed for domestic use only. It is not suitable for commercial or common use. If the consumer uses the appliance in a way that does not comply with this, we emphasise that the manufacturer and the dealer will not be responsible for any repair and failure within the guarantee period.

8 TIPS FOR SAVING ENERGY

1. Install the appliance in a cool, well-ventilated room, but not in direct sunlight and not near a heat source (such as a radiator or oven) otherwise an insulating plate should be used.
2. Allow warm food and drinks to cool before placing them inside the appliance.
3. Place thawing food in the refrigerator compartment if available. The low temperature of the frozen food will help cool the refrigerator compartment while the food is thawing. This will save energy. Frozen food left to thaw outside of the appliance will result in a waste of energy.
4. Drinks or other liquids should be covered when inside the appliance. If left uncovered, the humidity inside the appliance will increase, therefore the appliance uses more energy. Keeping drinks and other liquids covered helps preserve their smell and taste.
5. Avoid keeping the doors open for long periods and opening the doors too frequently as warm air will enter the appliance and cause the compressor to switch on unnecessarily often.
6. Keep the covers of the different temperature compartments (such as the crisper and chiller if available) closed.
7. The door gasket must be clean and pliable. In case of wear, replace the gasket.

9 TECHNICAL DATA

The technical information is situated in the rating plate on the internal side of the appliance and on the energy label.

The QR code on the energy label supplied with the appliance provides a web link to the information related to the performance of the appliance in the EU EPREL database.

Keep the energy label for reference together with the user manual and all other documents provided with this appliance.

It is also possible to find the same information in EPREL using the link <https://eprel.ec.europa.eu> and the model name and product number that you find on the rating plate , the appliance.

See the link www.theenergylabel.eu for detailed information about the energy label.

10 INFORMATION FOR TEST INSTITUTES

Appliance for any EcoDesign verification shall be compliant with EN 62552.

Ventilation requirements, recess dimensions and minimum rear clearances shall be as stated in this User Manual at Chapter 2. Please contact the manufacturer for any other further information, including loading plans.

11 CUSTOMER CARE AND SERVICE

Always use original spare parts.

When contacting our Authorised Service Centre, ensure that you have the following data available: Model, Serial Number and Service Index.

The information can be found on the rating plate. You can find the rating label inside the fridge zone on the left lower side.

The original spare parts for some specific components are available for a minimum of 7 or 10 years, based on the type of component, from the placing on the market of the last unit of the model.

Visit our website to:
<https://www.voxelectronics.com>



SRP

KG2800F

UPUTSTVO ZA UPOTREBU **FRIŽIDER SA ZAMRZIVAČEM**

EAC

Hvala vam što ste odabrali ovaj proizvod.

Ovaj korisnički priručnik sadrži važne informacije o sigurnosti i uputstva namenjena da vam pomognu u radu i održavanju uređaja.

Odvojite vreme da pročitate ovaj korisnički priručnik pre upotrebe uređaja i sačuvajte ovu knjigu za buduću upotrebu.

Ikona	Vrsta	Značenje
	UPOZORENJE	Rizik od ozbiljne povrede ili smrti
	RIZIK OD ELEKTRIČNOG UDARA	Rizik od opasnog napona
	POŽAR	Upozorenje; rizik od požara / zapaljivih materijala
	OPREZ	Rizik od povrede ili oštećenja imovine
	VAŽNO	Pravilno rukovanje sistemom

Sadržaj

1 BEZBEDNOSNA UPUTSTVA	26
1.1 Opšta bezbednosna upozorenja.....	26
1.2 Upozorenja o instalaciji.....	30
1.3 Tokom upotrebe.....	30
2 OPIS UREĐAJA	32
2.1 Dimenzije.....	33
3 UPOTREBA APARATA.....	34
3.1 Informacije o tehnologiji manje mraza Less Frost	34
3.2 Podešavanje termostata.....	34
3.3 Upozorenja u vezi sa podešavanjem temperature	34
3.4 Pribor	35
3.4.1 Posuda za led (<i>Kod nekih modela</i>)	35
3.4.2 Plastični strugač (<i>Kod nekih modela</i>).....	35
3.4.3 Držač za flaše (<i>Kod nekih modela</i>)	35
4 ČUVANJE HRANE	36
4.1 Odeljak frižidera.....	36
4.2 Odeljak zamrzivačaOdeljak zamrzivača.....	37
5 ČIŠĆENJE I ODRŽAVANJE	39
5.1 Odmrzavanje	40
6 TRANSPORT I PROMENA POLOŽAJA	41
6.1 Transport i promena položaja	41
6.2 Promena položaja vrata.....	41
7 PRE POZIVANJA SERVISA ZA PODRŠKU NAKON KUPOVINE.....	41
8 SAVETI ZA UŠTEDU ENERGIJE	42
9 TEHNIČKI PODACI	43
10 INFORMACIJE ZA INSTITUCIJE ZA TESTIRANJE	43
11 BRIGA O POTROŠAČIMA I SERVIS	44

1 BEZBEDNOSNA UPUTSTVA

1.1 Opšta bezbednosna upozorenja

Pažljivo pročitajte ovaj korisnički priručnik

! UPOZORENJE: Nemojte da blokirate otvore za ventilaciju na kućištu ili strukturi uređaja.

! UPOZORENJE: Nemojte da koristite mehaničke uređaje ili druga sredstva za ubrzavanje procesa odmrzavanja, osim onih koje preporučuje proizvođač.

! UPOZORENJE: Nemojte koristiti električne aparate unutar prostora za čuvanje hrane, osim ako se ne radi o aparatima čiju upotrebu preporučuje proizvođač.

! UPOZORENJE: Nemojte da oštetite kolo sredstva za hlađenje.

! UPOZORENJE: Prilikom pozicioniranja uređaja postarajte se da kabl za napajanje ne bude zaglavljen ili oštećen.

! UPOZORENJE: Nemojte da postavljate više prenosivih strujnih utičnica ili prenosivih jedinica napajanja na zadnjoj strani uređaja.

! UPOZORENJE: Da biste izbegli opasnost usled nestabilnosti uređaja, on se mora fiksirati u skladu sa sledećim uputstvima.

! Ako vaš uređaj koristi R600a kao sredstvo za hlađenje (ova informacija će biti priložena na etiketi na hladnjaku) treba da budete obazrivi tokom prenosa i instalacije da biste sprečili oštećenje elemenata hladnjaka. R600a je ekološki prihvatljiv i prirodan gas,

ali takođe je i eksplozivan. U slučaju curenja usled oštećenja na elementima hladnjaka, premestite svoj frižider dalje od otvorenog plamena ili izvora toplote i provetrite prostoriju gde je uređaj smešten na nekoliko minuta.

- Dok prenosite i smeštate frižider, nemojte oštetiti kolo gasa za hlađenje.
- Nemojte da čuvate eksplozivne supstance kao što su konzerve aerosola sa zapaljivim gasom u ovom uređaju.
- Ovaj uređaj je namenjen za korišćenje u domaćinstvu i za srodne primene kao što su:
 - kuhinjski prostori sa osobljem u prodavnicama, kancelarije i druga poslovna okruženja.
 - farme i gosti u hotelima, motelima i drugim stambenim objektima.
 - pansioni za noćenje sa doručkom;
 - ugostiteljski objekti i slične primene u nemaloprodajnim mestima.
- Ako se utičnica ne poklapa sa utikačem zamrzivača, proizvođač, njegovo servisno osoblje ili slične kvalifikovane osobe treba da zamene utikač da bi se sprečila opasnost.
- Posebni uzemljeni utikač je povezan sa kablom za napajanje vašeg frižidera. Ovaj utikač treba da se koristi sa posebno uzemljenom utičnicom snage 16 ampera. Ako nema takve utičnice u vašem domu, angažujte ovlašćenog tehničara da je instalira.

- Ovaj uređaj mogu da koriste deca starosti 8 godina i više kao i osobe sa smanjenim fizičkim, čulnim ili mentalnim sposobnostima ili nedostatkom iskustva ili znanja ako su pod nadzorom ili su im data uputstva po pitanju bezbedne upotrebe uređaja i ako razumeju opasnosti. Deca ne smeju da se igraju sa ovim uređajem. Deca ne smeju čistiti ili održavati uređaj bez nadzora.
- Deci uzrasta od 3 do 8 godina je dozvoljeno da pune i prazne rashladne uređaje. Od dece se ne očekuje da obavljaju čišćenje ili održavanje uređaja, od vrlo male dece (od 0 do 3 godine) se ne očekuje da koriste uređaje, od male dece (od 3-8 godina) se ne očekuje da koriste uređaje na bezbedan način, osim ako su pod stalnim nadzorom, starija deca (8-14 godina) i ranjiva lica mogu bezbedno da koriste aparate nakon što im je dat odgovarajući nadzor ili instrukcija u vezi sa upotrebom aparata. Od vrlo ranjivih lica se ne očekuje da koriste uređaje na siguran način osim ako im nije dat odgovarajući nadzor.
- Ako se kabl za napajanje ošteti, proizvođač, ovlašćeno servisno osoblje ili slične kvalifikovane osobe moraju da zamene utikač da bi se sprečila opasnost.
- Ovaj uređaj nije namenjen za upotrebu na nadmorskim visinama većim od 2000 m.

Da biste izbegli kontaminaciju hrane, molimo da se pridržavate sledećih uputstava:

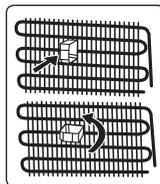
- Otvaranje vrata na duži period može prouzrokovati značajno povećanje temperature u odeljcima uređaja.
- Redovno čistite površine koje mogu doći u dodir sa hranom i dostupnim sistemima za odvodnjavanje
- Sirovo meso i ribu čuvajte u odgovarajućim sudovima u frižideru, tako da ne budu u kontaktu sa ili da ne kaplju na drugu hranu.
- Odeljci sa zamrznutom hranom sa dve zvezdice pogodni su za čuvanje zamrznute hrane, čuvanje ili pravljenje sladoleda i pravljenje kocki leda.
- Odeljci sa jednom, dve i tri zvezdice nisu pogodni za zamrzavanje sveže hrane.
- Ako je rashladni uređaj ostavljen prazan duže vremena, isključite ga, odmrznite, očistite, osušite i ostavite vrata otvorena kako bi se sprečilo stvaranje buđi unutar uređaja.

1.2 Upozorenja o instalaciji

Pre upotrebe vašeg frižidera zamrzivača prvi put, molimo obratite pažnju na sledeće detalje:

- Radni napon vašeg frižidera zamrzivača je od 220 do 240 V na 50 Hz.
- Utikač mora biti dostupan nakon montaže.
- Vaš frižider zamrzivač može imati neprijatan miris pri prvom uključivanju. Ovo je normalno i miris će nestati kada vaš frižider zamrzivač počne da hladi.
- Pre priključivanja vašeg frižidera zamrzivača, vodite računa da informacije na pločici sa podacima (napon i povezano opterećenje) odgovaraju napajanju strujne mreže. Ako imate dilema, konsultujte se sa ovlašćenim električarom.
- Umetnite utikač u utičnicu sa efikasnom vezom na uzemljenje. Ako utikač nema uzemljenje ili utikač ne odgovara, predlažemo da pozovete ovlašćenog električara za pomoć.
- Uređaj mora biti povezan sa ispravno montiranom utičnicom sa osiguračem. Napajanje (AC) i napon u radnoj tački moraju odgovarati detaljima na pločici uređaja (pločica sa imenom je smeštena na unutrašnjoj levoj strani uređaja).
- Ne preuzimamo odgovornost za oštećenja koja nastanu usled upotrebe bez uzemljenja.
- Stavite vaš frižider zamrzivač na mesto na kom neće direktno biti izložen sunčevoj svetlosti.
- Vaš frižider zamrzivač nikada ne treba koristiti na otvorenom prostoru ili izložiti kiši.
- Vaš uređaj treba da se nalazi najmanje 50 cm od šporeta, plinskih rerni i grejača i najmanje 5 cm od električnih rerni.
- Kada se vaš frižider zamrzivač postavi pored dubokog zamrzivača, treba da ima najmanje 2 cm prostora između njih da bi se sprečilo formiranje vlage na spoljnoj površini.

- Nemojte da prekrivate telo ili vrh frižidera zamrzivača miljeima. Ovo će uticati na performanse vašeg frižidera zamrzivača.
- Neophodno je ostaviti najmanje 150 mm prostora od vrha vašeg uređaja. Nemojte ništa da stavljate na vrh svog uređaja.
- Nemojte stavljati teške predmete na uređaj.
- Detaljno očistite uređaj pre korišćenja (vidi Čišćenje i održavanje).
- Pre upotrebe vašeg frižidera zamrzivača, obrišite sve delove rastvorom od tople vode i kašičice sode bikarbone. Zatim isperite čistom vodom i osušite. Vratite sve delove u frižider zamrzivač nakon čišćenja.
- Koristite podesive prednje nožice da osigurate da je vaš uređaj ravan i stabilan. Nožice možete da podesite okretanjem u bilo kom smeru. To treba učiniti pre stavljanja hrane u uređaj.
- Montirajte dve plastične vodilice za rastojanje (deo sa crnim lopaticama -kondenzator-na zadnjoj strani) okretanjem za 90° (kao što je prikazano na slici) da bi se sprečilo da kondenzator dodiruje zid.
- Rastojanje između uređaja i zida pozadi mora da bude najmanje 75 mm.



1.3 Tokom upotrebe

- Nemojte da povezujete svoj frižider zamrzivač sa električnim napajanjem korišćenjem produžnog voda.
- Nemojte da uključujete oštećene, pokidane ili stare utikače.
- Nemojte da povlačite, savijate ili oštećujete kabl.
- Nemojte da koristite adapter za utikač.
- Ovaj uređaj je dizajniran za upotrebu od strane odraslih. Ne dozvolite deci da se igraju sa uređajem ili da vise na vratima.
- Nikada ne dodirujte kabl za napajanje / utikač mokrim rukama. To može izazvati kratki spoj ili strujni udar.
- Nemojte da stavljate staklene flaše ili

konzerve pića u odeljak za pravljenje leda jer mogu da puknu usled zamrzavanja sadržaja.

- Nemojte da stavljate eksplozivni ili zapaljivi materijal u frižider. Pića sa visokim sadržajem alkohola postavljajte u vertikalni položaj u odeljku frižidera i proverite da li su njihovi poklopci čvrsto zatvoreni.
- Prilikom uklanjanja leda iz odeljka za pravljenje leda, nemojte da ga dodirujete. Led može da izazove promrzline i/ili posekotine.
- Nemojte da dodirujete zamrznutu hranu mokrim rukama. Nemojte da jedete sladoled ili kocke leda odmah nakon što ih izvadite iz odeljka za pravljenje leda.
- Nemojte ponovo zamrzavati odmrznutu hranu. To može da izazove zdravstvene probleme kao što je trovanje hranom.

Stari i pokvareni frižideri

- Ako vaš stari frižider ili zamrzivač ima bravu, slomite je ili je uklonite pre odlaganja jer se deca mogu zaglaviti unutra i može doći do nesreće.
- Stari frižideri i zamrzivači sadrže izolacioni materijal i gas za hlađenje sa CFC-om. Stoga, pazite da ne naudite okolini kada odbacujete svoje stare frižidere.

CE Deklaracija o usaglašenosti

Izjavljujemo da naši proizvodi ispunjavaju važeće evropske direktive, odluke i propise i zahteve navedene u standardima koji se navode.

Odlaganje vašeg starog uređaja

Simbol na proizvodu ili ambalaži označava da se ovaj proizvod ne sme tretirati kao kućni otpad. Umesto toga, biće predat u odgovarajuće sabirno mesto za reciklažu električne i elektronske opreme. Pravilnim odlaganjem ovog proizvoda pomoći ćete u sprečavanju potencijalnih negativnih posledica po životnu sredinu i zdravije ljudi, koje bi u protivnom mogle da nastanu neadekvatnim rukovanjem otpadom. Za detaljnije informacije o



recikliranju ovog proizvoda obratite se lokalnoj gradskoj službi, službi za odvoz smeća iz domaćinstva ili prodavnici u kojoj ste kupili proizvod.

Pakovanje i okolina

Materijali za pakovanje štite vašu mašinu od oštećenja do kojih može doći tokom transporta.



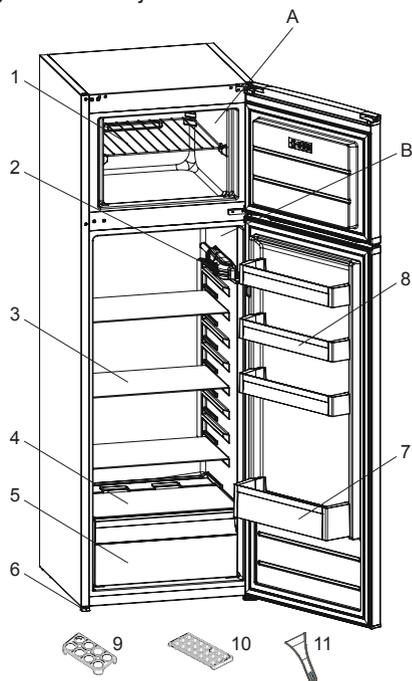
Materijali za pakovanje su ekološki prihvatljiviji jer mogu da se recikliraju. Upotreba recikliranog materijala smanjuje potrošnju sirovina i samim tim smanjuje proizvodnju otpada.

Napomene:

- Pročitajte priručnik sa uputstvima pažljivo pre instalacije i upotrebe uređaja. Nismo odgovorni za oštećenje usled pogrešne upotrebe.
- Pratite sva uputstva na uređaji i iz priručnika za upotrebu i čuvajte ovaj priručnik na bezbednom mestu da biste rešili probleme do kojih može doći u budućnosti.
- Ovaj uređaj je proizveden da se koristi u domaćinstvima i može se koristiti samo u kućnim okruženjima i za navedene namene. Nije prikladan za komercijalnu ili zajedničku upotrebu. Takva upotreba će dovesti do poništavanja garancije na uređaj i naša kompanija neće biti odgovorna za bilo kakve nastale gubitke.
- Ovaj uređaj je proizveden za upotrebu u kućama/stanovima i prikladan je za hlađenje/čuvanje hrane. Nije prikladan za komercijalnu ili zajedničku upotrebu i/ili skladištenje drugih supstancija osim hrane. Naša kompanija nije odgovorna za kakve gubitke nastale neadekvatnom upotrebom uređaja.

2 OPIS UREĐAJA

Ovaj aparat nije predviđen za upotrebu kao ugrađeni uređaj.



 Ova prezentacija je samo za informacije o delovima aparata. Delovi mogu biti različiti zavisno od modela aparata.

A) Odeljak zamrzivača

B) Odeljak frižidera

- 1) Polica zamrzivača
- 2) Kutija termostata
- 3) Police frižidera
- 4) Poklopac odeljka za sveže voće i povrće
- 5) Odeljak za sveže voće i povrće
- 6) Nožice za nivelisanje
- 7) Polica za flaše
- 8) Police na vratima
- 9) Držač za jaja
- 10) Kutija za led
- 11) Plastični strugač za led *

* Kod nekih modela

Opšte napomene:

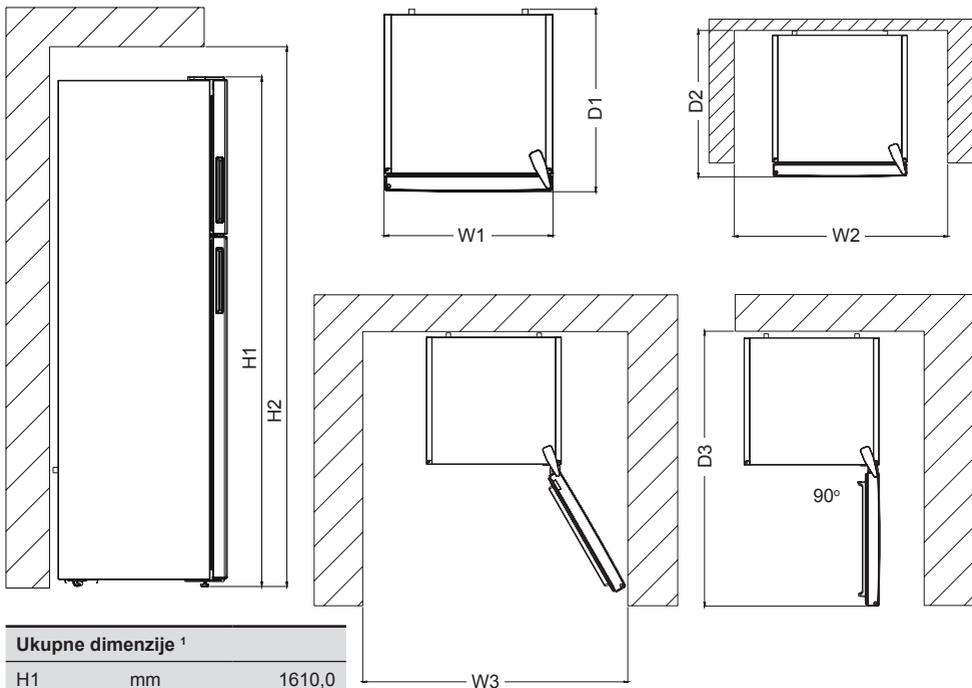
Odeljak za svežu hranu (Frižider):

Najefikasnija upotreba energije se obezbeđuje u konfiguraciji sa fiokama u donjem delu uređaja, i ravnomerno postavljenim policama, položaj korpi za vrata ne utiče na potrošnju energije.

Odeljak zamrzivača (Zamrzivač):

Najefikasnija potrošnja energije osigurana je u konfiguraciji sa fiokama i korpama u položaju zaliha.

2.1 Dimenzije



Ukupne dimenzije ¹		
H1	mm	1610,0
W1	mm	540,0
D1	mm	570,0

¹ visina, širina i dubina uređaja bez ručki

Potreban prostor za upotrebu ²		
H2	mm	1760,0
W2	mm	640,0
D2	mm	667,8

² visina, širina i dubina uređaja sa ručkom, plus prostor potreban za slobodnu cirkulaciju vazduha za hlađenje

Ukupno potreban prostor za upotrebu ³		
W3	mm	658,5
D3	mm	1106,5

³ visina, širina i dubina uređaja sa ručkom, plus prostor potreban za slobodnu cirkulaciju vazduha za hlađenje, plus prostor potreban da se vrata otvore pod minimalnim uglom koji dozvoljava uklanjanje sve unutrašnje opreme

3 UPOTREBA APARATA

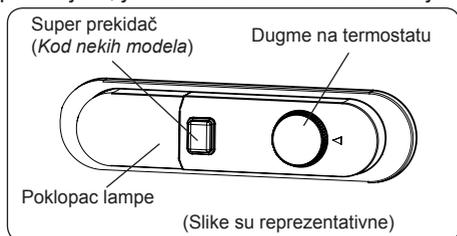
3.1 Informacije o tehnologiji manje mraza Less Frost

Zahvaljujući omotu oko isparivača, tehnologija Less Frost nudi efikasnije hlađenje, manje ručnog odmrzavanja i fleksibilniji prostor za skladištenje.

3.2 Podešavanje termostata

Termostat automatski reguliše temperaturu unutar odeljaka frižidera i zamrzivača. Temperature frižidera se mogu dobiti okretanjem prekidača na veće brojeve; 1 do 3, 1 do 5 ili SF (Maksimalni brojevi na termostatu zavise od vašeg proizvođača.)

 **Važna napomena:** Nemojte da pokušavate da rotirate dugme nakon položaja 1, jer će to zaustaviti vaš uređaj.



Podešavanja termostata:

1 – 2 : Za kratkotrajno skladištenje hrane

3 – 4 : Za dugotrajno skladištenje hrane

5 : Položaj za maksimalno hlađenje.

Uređaj će raditi duže. Ako je potrebno, promenite podešavanje temperature.

Ako uređaj ima položaj SF:

- Okrenite dugme na SF da biste brzo zamrzli svežu hranu. U tom položaju će zamrzivač raditi na nižim temperaturama. Nakon što se hrana zamrzne, okrenite dugme termostata u uobičajeni položaj. Ako ne promenite SF položaj, rad vašeg uređaja automatski će se vratiti u poslednji korišćeni položaj termostata u skladu sa vremenom prikazanim u napomeni. Vratite prekidač termostata na položaj SF i vratite ga na normalan rad u skladu sa vremenom prikazanim u napomeni. Ako je prekidač termostata

u položaju SF kada je vaš uređaj pokrenut prvi put, vaš uređaj će raditi automatski vraćajući se na rad u položaju termostata-3 u skladu sa vremenom prikazanim u napomeni.

Super zamrzavanje: Ovaj prekidač koristi se kao prekidač super zamrzavanja.

Za maksimalan kapacitet zamrzavanja, okrenite prekidač 24 časa pre stavljanja sveže hrane. Nakon stavljanja sveže hrane u zamrzivač, 24 časa u položaju UKLJUČENO (ON) je obično dovoljno.

Da biste uštedeli energiju, isključite ovaj prekidač 24 časa nakon što ubacite svežu hranu.

Zimski prekidač: Ako temperatura prostorije padne pod 16 °C, ovaj prekidač se koristi kao zimski prekidač i održava temperaturu frižidera iznad 0 °C, a temperaturu zamrzivača ispod -18 °C pod niskim temperaturama.

3.3 Upozorenja u vezi sa podešavanjem temperature

- Vaš frižider je projektovan da radi u opsegu sobnih temperatura navedenih u standardima, u skladu sa klimatskom klasom navedenom na etiketi sa informacijama. Ne preporučuje se da frižider koristite u okruženjima koja se nalaze izvan navedenih opsega temperature. To će umanjiti efikasnost hlađenja uređaja.
- Podešavanja temperature treba obaviti u skladu sa učestalošću otvaranja vrata, količinom hrane u uređaju i ambijentalnom temperaturom mesta na kom je postavljen uređaj.
- Kada se uređaj prvi put uključi, ostavite ga da radi 24 časa kako bi dostigao radnu temperaturu. Za to vreme, ne otvarajte vrata i ne držite veliku količinu hrane unutra.
- Funkcija odlaganja na 5 minuta se primenjuje da bi se sprečilo oštećenje kompresora vašeg uređaja, kada priključite ili isključite utikač ili kada dođe do nestanka struje. Vaš uređaj će početi sa normalnim radom nakon 5 minuta.

Klasa klime i značenje:

T (tropska): Ovaj rashladni uređaj predviđen je za upotrebu na sobnoj temperaturi koja varira od 16 °C do 43 °C.

ST (suptropska): Ovaj rashladni uređaj predviđen je za upotrebu na sobnoj temperaturi koja varira od 16 °C do 38 °C.

N (umerena): Ovaj rashladni uređaj predviđen je za upotrebu na sobnoj temperaturi koja varira od 16 °C do 32 °C.

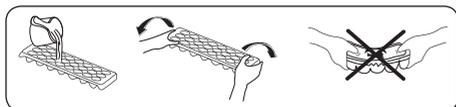
SN (prošireno umerena): Ovaj rashladni uređaj predviđen je za upotrebu na sobnoj temperaturi koja varira od 10 °C do 32 °C.

3.4 Pribor

Vizuelni i tekstualni opisi na odeljku za pribor mogu se razlikovati u zavisnosti od modela vašeg uređaja.

3.4.1 Posuda za led (Kod nekih modela)

- Napunite posudu za led vodom i postavite je u odeljak zamrzivača.
- Nakon što se voda sasvim zamrzne, možete da uvrnete posudu kao što je prikazano ispod da biste dobili kockice leda.



3.4.2 Plastični strugač (Kod nekih modela)

Nakon nekog vremena, mraz će se nakupiti u određenim delovima zamrzivača. Mraz koji se sakuplja u zamrzivaču treba povremeno uklanjati.

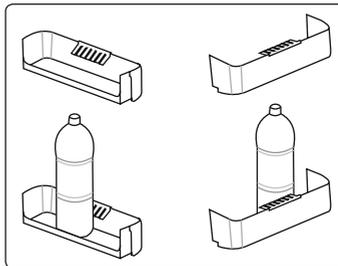
Koristite priloženi i plastični strugač, po potrebi. Nemojte da koristite oštre predmete za ovu aktivnost. Oni mogu da probuše kolo frižidera i izazovu nepovratno oštećenje jedinice.



3.4.3 Držač za flaše (Kod nekih modela)



Koristite držač za flaše da biste sprečili njihovo klizanje ili padanje.



Vizuelni i tekstualni opisi na odeljku za pribor mogu se razlikovati u zavisnosti od modela vašeg uređaja.

4 ČUVANJE HRANE

4.1 Odeljak frižidera

- Da bi se smanjila vlažnost i izbeglo posledično formiranje leda, u frižider uvek stavljajte tečnosti u zatvorenim posudama. Led se stvara u najhladnijim delovima tečnosti koja isparava i vremenom će biti neophodno češće odmrzavanje vašeg uređaja.
- Kuvana jela moraju ostati pokrivena kada se drže u frižideru. Nemojte stavljati toplu hranu u frižider. Stavite je kada se ohladi, u suprotnom će temperatura/vlažnost unutar frižidera rasti, smanjujući efikasnost frižidera.
- Uverite se da nema artikala u direktnom kontaktu sa zadnjim unutrašnjim zidom uređaja jer može da se stvori led i da se zalepe na isti. Nemojte da otvarate vrata frižidera prečesto.
- Preporučujemo da meso i očišćena riba budu labavo umotani i odloženi na staklenu policu odmah iznad dela za povrće gde je vazduh hladniji jer ovo obezbeđuje najbolje uslove za skladištenje.
- Skladištite voće i povrće neupakovane u posudama odeljka za sveže voće i povrće.
- Zasebno skladištenje voća i povrća pomaže da na voće koje je osetljivo na etilen (zeleno listasto povrće, brokula, šargarepa itd.) ne utiče voće koje oslobađa etilen (banana, breskva, kajsija, smokva itd.).
- Nemojte da stavljate vlažno povrće u frižider.
- Vreme skladištenja za sve vrste proizvoda zavisi od početnog kvaliteta hrane i neometanog rashladnog ciklusa pre skladištenja u frižideru.
- Curenje tečnosti iz mesa može da kontaminira druge proizvode u frižideru. Treba da pakujete proizvode od mesa i da čistite tečnosti koje iscuru na policama.

- Nemojte da stavljate hranu ispred prolaza protoka vazduha.
- Treba da iskoristite upakovanu hranu pre isteka roka trajanja.

Ne dozvolite da hrana dođe u kontakt sa temperaturnim senzorom koji se nalazi u odeljku frižidera, kako bi se frižider održavao na optimalnoj temperaturi.

- Za normalne radne uslove biće dovoljno da podesite temperaturu vašeg frižidera na +4 ° C.
- Temperatura frižidera treba da bude u opsegu od 0-8 ° C, sveža hrana ispod 0 ° C ledi se i truli, dok se koncentracija bakterija povećava iznad 8 ° C i hrana se kvari.
- Nemojte odmah stavljati toplu hranu u frižider, ostavite je da se ohladi van frižidera. Topla hrana povećava temperaturu vašeg frižidera i izaziva trovanje hranom i nepotrebno kvarenje hrane.
- Meso, riba itd. treba čuvati u hladnijoj pregradi za hranu, a pregrada za povrće je poželjna za povrće. (ako je na dostupna)
- Da bi se izbegla međusobna kontaminacija, nemojte da čuvate mesne proizvode zajedno sa voćem i povrćem.
- Hranu treba čuvati u frižideru u zatvorenim posudama ili pokrivenu kako bi se sprečili vlaga i mirisi.

Tabela ispod je brzi vodič da vam pokaže najefikasnije načine čuvanja glavnih grupa namirnica u odeljku vašeg frižidera.

Hrana	Maksimalno vreme čuvanja	Kako i gde da čuvate hranu
Povrće i voće	1 nedelja	Odeljak za povrće
Meso i riba	2 - 3 dana	Umotajte u plastičnu foliju, kese ili posude za meso i čuvajte na staklenoj polici
Sveži sir	3 - 4 dana	Na određenoj polici u vratima
Puter i margarin	1 nedelja	Na određenoj polici u vratima

Hrana	Maksimalno vreme čuvanja	Kako i gde da čuvate hranu
Flaširani proizvodi, npr. mleko i jogurt	Do roka trajanja koji je preporučen od strane proizvođača	Na određenoj polici u vratima
Jaja	1 mesec	Na određenoj polici za jaja
Kuvana hrana	2 dana	Sve police

NAPOMENA:



Krompir, crni luk i beli luk ne bi trebalo čuvati u frižideru.

4.2 Odjeljak zamrzivača Odeljak zamrzivača

- Zamrzivač se koristi za skladištenje zamrznute hrane, zamrzavanje sveže hrane i pravljenje kockica leda.
- Hrana u tečnom obliku treba da se zamrzne u plastičnim posudama i druga hrana treba da se zamrzne u plastične folije ili kese. Za zamrzavanje sveže hrane; umotajte i pravilno zatvorite svežu hranu tako da pakovanje bude hermetički zatvoreno i da ne curi. Posebne kese za zamrzavanje, aluminijumska folija, polietilenske kese i plastične posude su idealne.
- Nemojte da čuvate svežu hranu pored zamrznute hrane jer zamrznuta hrana može da se otopi.
- Pre zamrzavanja sveže hrane, podelite istu na porcije koje se mogu konzumirati pri jednom spremanju.
- Konzumirajte odmrznutu hranu u kratkom periodu nakon odmrzavanja
- Uvek pratite uputstva proizvođača na pakovanju hrane kada skladištite zamrznutu hranu. Ako informacije nisu date, namirnice ne treba čuvati duže od 3 meseca od datuma kupovine.
- Kada kupujete zamrznutu hranu, proverite da li je zamrznuta pod odgovarajućim uslovima i da pakovanje nije oštećeno.
- Zamrznutu hranu treba transportovati u

odgovarajućim pakovanjima i smestiti je u zamrzivač u najkraćem mogućem roku.

- Ne kupujte zamrznutu hranu ako se na pakovanju primećuju znaci vlažnosti ili abnormalnog bujanja. Najverovatnije je da je ista skladištena na nepovoljnoj temperaturi i da se sadržaj pokvario.
- Vek trajanja zamrznute hrane zavisi od sobne temperature, postavki termostata, koliko se često otvaraju vrata, vrste hrane i vremena potrebnog za transport proizvoda od trgovine do vaše kuće. Uvek sledite uputstva napisana na pakovanju i nikada nemojte prelaziti maksimalan vek trajanja koji je naznačen.
- Ako su vrata zamrzivača ostavljena otvorena tokom dužeg perioda ili nisu pravilno zatvorena, stvoriće se mraz što može sprečiti efikasno cirkulisanje vazduha. Da biste rešili ovu situaciju, izvucite utikač zamrzivača iz utičnice i sačekajte da se odmrzne. Očistite zamrzivač odmah čim se odmrzne.
- Kapacitet zamrzivača koji je naznačen na etiketi predstavlja kapacitet bez korpi, poklopaca itd.
- Nemojte da zamrzavate odmrznutu hranu. To može da predstavlja opasnost po vaše zdravlje jer može da dovede do problema kao što je trovanje hranom.

NAPOMENA: Ako pokušate da otvorite vrata zamrzivača odmah nakon njihovog zatvaranja, videćete da se ne mogu lako otvoriti. To je normalno. Čim se dostigne ravnoteža, vrata će se lako otvoriti.



Tabela ispod je brzi vodič da vam pokaže najefikasnije načine skladištenja glavnih grupa namirnica u vašem odeljku zamrzivača.

Meso i riba	Priprema	Maksimalno vreme čuvanja (meseći)
Odrezak	Umotajte u foliju	6 - 8
Jagnjeće meso	Umotajte u foliju	6 - 8
Pečena teletina	Umotajte u foliju	6 - 8
Teleće kockice	Na male komadiće	6 - 8
Jagnjeće kockice	Na komadiće	4-8
Mleveno meso	U pakovanjima bez korišćenja začina	1-3
Iznutrice živine (na komadiće)	Na komadiće	1-3
Bolonjska kobasica/ salama	Treba upakovati iako ima foliju	
Piletina i ćuretina	Umotajte u foliju	4-6
Guska i pačetina	Umotajte u foliju	4-6
Jelen, zec, divlja svinja	U porcijama od 2,5 kg ili kao fileti	6 - 8
Slatkovodna riba (losos, šaran, kran, som)	Nakon čišćenja iznutrica i krjušti ribe, operite je i osušite. Po potrebi, odsecite rep i glavu.	2
Posna riba (brancin, raža, iverak)		4
Masna riba (tunj, skuša, lufer, inćun)		2-4
Morski plodovi	Očišćeni i u kesi	4-6
Kavijar	U svom pakovanju, ili u aluminijumskoj ili plastičnoj posudi	2 - 3
Puževi	U slanoj vodi, aluminijumskoj ili plastičnoj posudi	3

 **NAPOMENA:** Zamrznuto mesto treba kuvati kao sveže meso nakon odmrzavanja. Ako se meso ne skuva nakon topljenja, ne sme se ponovo zamrzavati.

Povrće i voće	Priprema	Maksimalno vreme čuvanja (meseći)
Boranija i pasulj	Operite, isecite na male komade i skuvajte u vodi	10-13
Pasulj	Pretrebite i operite i skuvajte u vodi	12
Kupus	Očistite i skuvajte u vodi	6 - 8
Šargarepa	Očistite, isecite na male komade i skuvajte u vodi	12
Paprika	Isecite peteljku, isecite na dva dela, uklonite jezgro i skuvajte u vodi	8-10
Spanać	Operite i skuvajte u vodi	6 - 9
Karfiol	Razdvojite lišće, isecite srce na delove i ostavite nakratko u vodi sa malo limunovog soka	10-12
Plavi patlidžan	Isecite na delove od 2 cm nakon pranja	10-12
Kukuruz	Očistite i pakujte sa peteljkom ili kao sladak kukuruz	12
Jabuka i kruška	Oljuštite i isecite	8-10
Kajsija i breskva	Isecite na dva dela i uklonite jezgro	4-6

Povrće i voće	Priprema	Maksimalno vreme čuvanja (meseci)
Jagoda i kupina	Operite i pretrebite	8–12

Povrće i voće	Priprema	Maksimalno vreme čuvanja (meseci)
Kuvano voće	Dodajte 10% šećera u posudu	12
Šljiva, trešnja, bobice ruja	Operite i pretrebite peteljke	8–12

	Maksimalno vreme čuvanja (meseci)	Vreme topljenja na sobnoj temperaturi (časova)	Vreme topljenja u rerni (minuta)
Hleb	4–6	2 - 3	4–5 (220–225 °C)
Biskviti	3–6	1–1,5	5–8 (190–200 °C)
Testenina	1–3	2 - 3	5–10 (200–225 °C)
Pita	1–1,5	3–4	5–8 (190–200 °C)
Lisnato testo	2 - 3	1–1,5	5–8 (190–200 °C)
Pica	2 - 3	2–4	15-20 (200 °C)

Mlečni proizvodi	Priprema	Maksimalno vreme čuvanja (meseci)	Uslovi čuvanja
Pakovano (homogenizovano) mleko	U svom pakovanju	2 - 3	Obrano mleko – u svom pakovanju
Sir – osim belog sira	Na kriške	6 - 8	Za kratkotrajno skladištenje može se koristiti originalno pakovanje. Treba ga zamotati u foliju u slučaju dužeg čuvanja.
Puter, margarin	U svom pakovanju	6	

5 ČIŠĆENJE I ODRŽAVANJE

 Odvojite jedinicu od napajanja pre čišćenja.

 Nemojte da perete vaš uređaj prosipanjem vode u njega.

 Nemojte da koristite abrazivne proizvode, deterdžente ili sapune za čišćenje uređaja. Nakon pranja, isperite čistom vodom i sušite pažljivo. Kada završite sa čišćenjem, uključite utikač u mrežno napajanje suvim rukama.

- Pazite da voda ne uđe u kućište lampe i druge električne komponente.
- Frižider treba redovno čistiti rastvorom sode bikarbone i tople vode.
- Pribor očistite posebno ručno pomoću

sapuna i vode. Ne perite pribor u mašini za pranje sudova.

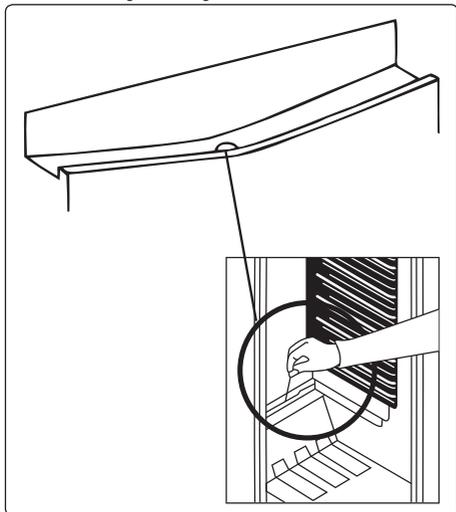
- Kondenzator treba da čistite četkom najmanje dva puta godišnje. Tako štedite energiju i povećavate produktivnost.



Prilikom čišćenja napajanje mora biti isključeno.

5.1 Odmrzavanje

Odmrzavanje odeljka frižidera



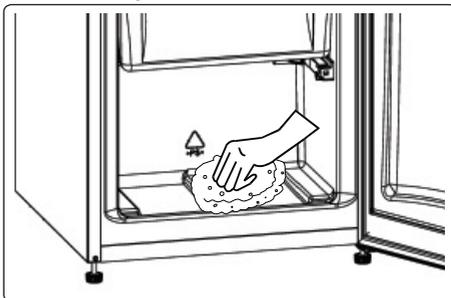
- Odmrzavanje se javlja automatski u odeljku frižidera tokom rada. Voda se skuplja u posudi za isparavanje i automatski isparava.
- Posudu za isparavanje i otvor za drenažu vode od odmrzavanja treba periodično čistiti da bi se sprečilo prikupljanje vode na dno frižidera umesto da ističe.
- Možete takođe čistiti otvor za drenažu ako sipate pola čaše vode u njega.

Postupak odleđivanja zamrzivača

- Unutar zamrzivača se nagomilavaju male količine mraza u zavisnosti od toga koliko dugo ostavite vrata otvorena ili od količine unete vlage. Od suštinskog je značaja da ne dozvolite formiranje mraza ili leda na mestima gde to može da utiče na zatvaranje i zaptivanje vrata. To bi moglo da omogući ulazak vazduha u pregradu i time dovede do stalnog rada kompresora. Stvoreni tanki sloj mraza je prilično mekan i može se skinuti četkom ili plastičnim strugačem. Nemojte koristiti metalne ili oštre strugače, mehaničke uređaje ili druga sredstva za ubrzavanje procesa odmrzavanja. Izvadite sav odvojeni mraz sa dna pregrade. Da biste izvadili tanak mraz nije potrebno

isključivati uređaj.

- Da biste izvadili velike naslage leda, isključite uređaj iz napajanja i izvadite sadržaj u kartonske kutije i umotajte ih u debelu čebad ili slojeve papira da biste ih držali ohlađenim. Odmrzavanje je najdelotvornije ako se obavlja kada je zamrzivač skoro ispražnjen i treba ga obavljati što je brže moguće kako bi se sprečio neželjeni porast temperature sadržaja.
- Nemojte koristiti metalne ili oštre strugače, mehaničke uređaje ili druga sredstva za ubrzavanje procesa odmrzavanja. Porast temperature zamrznute hrane tokom odmrzavanja skraćuje vek trajanja. Držite komponente dobro umotane i hladne dok se obavlja odmrzavanje.



- Osušite unutrašnjost odeljka sunđerom ili čistom krpom.
- Da biste ubrzali proces odmrzavanja stavite jednu ili više posuda sa toplom vodom u odeljak zamrzivača.
- Pregledajte sadržaj kada ga vadite iz zamrzivača i ako su neka pakovanja odmrznuta treba ih pojesti u roku od 24 časa ili skuvati pa ponovo zamrznuti.
- Nakon odmrzavanja, očistite unutrašnjost uređaja rastvorom tople vode i malo sode bikarbone i temeljno osušite. Na isti način operite sve delove koji se vade i sklopite ih ponovo. Povežite uređaj na napajanje i sačekajte 2 do 3 časa na postavci broj MAX pre nego što vratite hranu u zamrzivač.

Zamena LED lampe

Da biste zamenili bilo koju LED lampu,

obratite se najbližem ovlašćenom servisu.



Beleška: Brojevi i položaj LED traka može se razlikovati u zavisnosti od modela.

6 TRANSPORT I PROMENA POLOŽAJA

6.1 Transport i promena položaja

- Originalno pakovanje i pena se mogu zadržati zbog ponovnog transporta (opciono).
- Treba da pričvrstite svoj frižider debelim pakovanjem, trakom ili snažnim kablovima i pratite uputstva za transport na pakovanju.
- Izvadite sve pokretne delove ili ih pričvrstite u aparatu protiv udaraca pomoću traka prilikom promene položaja ili transporta.

 Uvek nosite uređaj u uspravnom položaju.

6.2 Promena položaja vrata

- Nije moguće promeniti smer otvaranja vrata frižidera ako su ručke na vratima postavljene na prednjoj površini vrata uređaja.
- Moguće je promeniti smer otvaranja vrata na modelima bez drške.
- Ako se smer otvaranja vrata na vašem frižideru može promeniti, treba da kontaktirate najbliži ovlašćeni servis da biste promenili smer otvaranja vrata.

7 PRE POZIVANJA SERVISA ZA PODRŠKU NAKON KUPOVINE

Ako imate problema sa vašim **uređajem** molimo proverite sledeće pre nego što se obratite servisnoj službi nakon prodaje.

Vaš uređaj ne radi

Proverite:

- Da li ima struje
- Da li je utikač pravilno priključen na utičnicu
- Da li je pregoreo osigurač utikača ili glavni osigurač
- Utičnica je neispravna. Za proveru, priključite drugi ispravan uređaj u istu utičnicu.

Uređaj radi slabo

Proverite:

- Uređaj je prepunjen
- Vrata uređaja su pravilno zatvorena
- Dali ima prašine na kondenzatoru
- Da li ima dovoljno prostora na zadnjoj i bočnim stranama.

Vaš uređaj radi bučno

Normalna buka

Bučno škljocanje se javlja:

- Tokom automatskog odmrzavanja
- Kada se uređaj hladi ili zagreva (usled širenja materijala uređaja).

Čuje se kratak zvuk pucketanja:

Kada termostat uključuje/isključuje kompresor.

Buka motora: Ukazuje da kompresor radi normalno. Kompresor može da izazove više buke tokom kraćeg perioda kada se prvi put aktivira.

Buka slična mehurićima i prskanju:

Usled protoka gasa za hlađenje u cevima sistema.

Buka tečenja vode javlja se: Usled tečenja vode u posudi za isparavanje. Buka je uobičajena tokom odmrzavanja.

Zvuk duvanja vazduha: Kod nekih modela tokom normalnog rada sistema usled cirkulacije vazduha.

Ivice uređaja u kontaktu sa spojnicama vrata su tople

Posebno tokom leta (toplo vreme), površine u kontaktu sa spojnicama vrata mogu postati tople tokom rada kompresora; to je normalno.

U uređaju se stvorila vlaga.

Proverite:

- Da li je sva hrana pravilno upakovana. Posude moraju biti suve pre stavljanja u **uređaj**.
- Da li se vrata **uređaja** otvaraju često. Vlažnost iz prostorije ulazi u **uređaj** kada se vrata otvore. Vlažnost raste brže ako se vrata češće otvaraju, posebno ako je vlažnost u prostoriji visoka.

Vrata se ne otvaraju ili ne zatvaraju pravilno

Proverite:

- Da li hrana ili pakovanje sprečava zatvaranje vrata
- Da li su zaptivači vrata polomljeni ili pokidani
- Da li se vaš **uređaj** nalazi na ravnoj površini.

Preporuke

- Ako je uređaj isključen ili je utikač izvađen iz utičnice, morate da sačekate najmanje 5 minuta pre nego što ponovo pokrenete uređaj ili ponovo uključite utikač da ne bi došlo do oštećenja kompresora.
- Ako nećete da koristite vaš frižider tokom dužeg vremena (npr. za vreme letnjih praznika) isključite ga. Očistite svoj frižider u skladu sa delom o čišćenju i ostavite vrata otvorena da sprečite vlažnost i miris.
- Ako problem i dalje postoji nakon što ste sledili sva gore navedena uputstva, posavetujte se sa najbližim ovlašćenim servisom.
- Uređaj koji ste kupili je namenjen isključivo za kućnu upotrebu. Nije prikladan za komercijalnu ili zajedničku upotrebu. Ako potrošač koristi uređaj na način koji nije u skladu sa ovim karakteristikama, naglašavamo da proizvođač i trgovac neće biti odgovorni za bilo kakvu popravku i kvar u garantnom roku.

8 SAVETI ZA UŠTEDU ENERGIJE

1. Instalirajte uređaj u hladnu, dobro provetrenu prostoriju ali ne na direktnu sunčevu svetlost ili u blizini izvora toplote (radijator ili šporet), ili koristite panele za izolaciju.
2. Ostavite toplu hranu i piće da se ohlade pre stavljanja u uređaj.
3. Stavite hranu za odmrzavanje u odeljak frižidera. Niska temperatura zamrznute hrane će pomoći kod hlađenja odeljka frižidera dok se hrana otapa. Ovo će uštedeti energiju. Smrznuta hrana koja se ostavi da se otopi izvan uređaja rezultiraće rasipanjem energije.
4. Pića ili druge tečnosti treba pokriti kada ih stavljate u uređaj. Ako se ne pokriju, vlaga unutar uređaja će se povećati, pa uređaj troši više energije. Pokrivanje pića i drugih tečnosti pomaže u otklanjanju neprijatnog mirisa i ukusa.
5. Pokušajte da izbegavate da držite vrata otvorena duže vreme ili da otvarate vrata previše često jer topao vazduh će ući u odeljak i dovešće do toga da se kompresor uključuje nepotrebno često.
6. Držite poklopce odeljaka sa različitom temperaturom zatvorene (kao što su odeljak za sveže voće i povrće i za brzo hlađenje).
7. Zaptivač na vratima mora da bude čist i fleksibilan. U slučaju nošenja, zamenite zaptivač.

9 TEHNIČKI PODACI

Tehničke informacije nalaze se na tipskoj pločici na unutrašnjoj strani uređaja i na energetske nalepnici.

QR kod na energetske nalepnici koji se isporučuje sa uređajem sadrži link do veb adrese sa informacijama o performansima uređaja u EU EPREL bazi podataka.

Sačuvajte energetske nalepnicu za buduću potrebu zajedno sa uputstvom za upotrebu i svim ostalim dokumentima koji se isporučuju sa ovim uređajem.

Takođe je moguće iste informacije pronaći u EPREL-u koristeći link <https://eprel.ec.europa.eu> i naziv modela i broj proizvoda koji se nalaze na tipskoj pločici uređaja.

Pogledajte link www.theenergylabel.eu za detaljne informacije o energetske nalepnici.

10 INFORMACIJE ZA INSTITUCIJE ZA TESTIRANJE

Instalacija i priprema uređaja za bilo kakvu proveru EcoDesign-a mora biti u skladu sa EN 62552. Zahtevi za ventilaciju, dimenzije udubljenja i minimalni razmak zadnje strane su navedeni u ovom korisničkom priručniku u DEO 1. Za sve dodatne informacije, uključujući planove utovara, obratite se proizvođaču.

11 BRIGA O POTROŠAČIMA I SERVIS

Uvek koristite samo originalne rezervne delove.

Kada se obraćate našem ovlašćenom servisnom centru, proverite imate li na raspolaganju sljedeće podatke: Model, Serijski broj.

Informacije se nalaze na natpisnoj tabli.

Nalepnicu sa natpisom možete pronaći unutar zone frižidera na levoj donjoj strani.

Originalni rezervni delovi za neke određene komponente dostupni su najmanje 7 ili 10 godina, na osnovu vrste komponente, od stavljanja na tržište poslednje jedinice modela.

Posetite našu internet stranicu da:

<https://www.voxelectronics.com>



HRV/BOS

KG2800F

UPUTE ZA UPORABU HLADNJAK SA ZAMRZIVAČEM

EAC

Hvala što ste odabrali ovaj proizvod.

Ovaj korisnički priručnik sadrži važne informacije o sigurnosti i upute namijenjene pomoći u radu i održavanju uređaja.

Molimo odvojite vrijeme da pročitate ovaj korisnički priručnik prije uporabe uređaja i sačuvajte ovu knjigu za buduće korištenje.

Ikona	Tip	Značenje
	UPOZORENJE	Rizik od teške ozljede ili smrti
	RIZIK OD ELEKTRIČNOG UDARA	Rizik od opasnog napona
	POŽAR	Upozorenje; Rizik od požara / zapaljivi materijali
	OPREZ	Rizik od ozljede ili oštećenja imovine
	VAŽNO	Pravilno rukovanje sustavom

KAZALO

1 SIGURNOSNE UPUTE	48
1.1 Općenita sigurnosna upozorenja	48
1.2 Instalacijska upozorenja	52
1.3 Tijekom korištenja	52
2 OPIS UREĐAJA	54
2.1 Dimenzije	55
2.2 Informacije o tehnologiji Less Frost	56
2.3 Postavke termostata	56
2.4 Upozorenja o postavkama temperature	56
2.5 Dodaci	57
2.5.1 Posudica za led (<i>Kod nekih modela</i>)	57
2.5.2 Plastična strugalica (<i>Kod nekih modela</i>)	57
2.5.3 Držač za boce (<i>Kod nekih modela</i>)	57
3 POHRANA HRANE	58
3.1 Odjeljak hladnjaka	58
3.2 Odjeljak zamrzivačaOdjeljak zamrzivača	59
4 ČIŠĆENJE I ODRŽAVANJE	61
4.1 Odmrzavanje	62
5 PRIJENOS I PROMJENA POLOŽAJA.....	63
5.1 Prijenos i promjena položaja	63
5.2 Promjena položaja vrata	63
6 PRIJE POZIVANJA POSLIJEPRODAJNOG SERVISA	63
7 SAVJETI ZA UŠTEDU ENERGIJE	64
8 TEHNIČKI PODACI.....	65
9 INFORMACIJE ZA ISPITNE INSTITUTE.....	65
10 KORISNIČKE USLUGE I SERVIS	66

1 SIGURNOSNE UPUTE

1.1 Općenita sigurnosna upozorenja

Pažljivo pročitajte ovaj korisnički priručnik.

⚠ UPOZORENJE: Ne smije biti prepreka kod ventilacijskih otvora na kućištu uređaja i u ugrađenim dijelovima.

⚠ UPOZORENJE: Ne koristite mehaničke uređaje ili druge načine za ubrzavanje procesa odmrzavanja osim onih koje preporučuje proizvođač.

⚠ UPOZORENJE: Nemojte upotrebljavati električne uređaje u odjeljcima za pohranu hrane uređaja, osim ako ih ne preporučuje proizvođač.

⚠ UPOZORENJE: Nemojte oštetiti rashladni krug.

⚠ UPOZORENJE: Kada postavljate uređaj, osigurajte da kabel napajanja nije negdje zaglavljen ili oštećen.

⚠ UPOZORENJE: Nemojte postavljati višestruke prijenosne utičnice ili prijenosne izvore napajanja na stražnji dio uređaja.

⚠ UPOZORENJE: Da bi se izbjegla opasnost zbog nestabilnosti uređaja, morate ga fiksirati u skladu s uputama.

⚠ Ako vaš uređaj koristi R600a kao rashladno sredstvo (ove informacije možete pronaći na naljepnici hladnjaka) trebali biste biti oprezni tijekom prenošenja i postavljanja kako bi se spriječilo oštećenje rashladnih elemenata uređaja. R600a je ekološki prihvatljiv i prirodan plin, ali je i eksplozivan. U slučaju curenja

zbog oštećenih elemenata hladnjaka, odmaknite vaš hladnjak od otvorenog plamena ili izvora topline i prozračite prostoriju gdje je uređaj smješten na par minuta.

- Nemojte oštetiti rashladni krug plina dok nosite i premještate hladnjak.
- Nemojte pohranjivati zapaljive tvari kao što su limenke spreja sa zapaljivim potisnim plinom u ovaj uređaj.
- Ovaj uređaj namijenjen je korištenju u kućanstvu i kućnim okruženjima kao što su:
 - kuhinje za osoblje u trgovinama, uredima i drugim radnim okruženjima.
 - seoske kuće, hoteli, moteli i ostala rezidencijalna okruženja.
 - ugostiteljski objekti koji nude noćenje i doručak;
 - opskrba pripremljenom hranom i pićem i slična okruženja koja nisu maloprodajna.
- Ako utičnica ne odgovara utikaču hladnjaka mora ga zamijeniti proizvođač, serviser ili slično kvalificirana osoba kako bi se izbjegla opasnost.
- Posebno uzemljeni utikač povezan je s kabelom za napajanje hladnjaka. Ovaj utikač treba koristiti s posebno uzemljenom utičnicom snage od 16 ampera. Ako takve utičnice nema u vašem kućanstvu, pozovite ovlaštenog električara da je postavi.

- Ovaj uređaj mogu koristiti djeca starija od 8 godina i osobe sa smanjenim fizičkim, osjetilnim ili mentalnim sposobnostima ili nedostatkom iskustva i znanja ako su pod nadzorom ili ako su upućene u korištenje uređaja na siguran način te razumiju moguće opasnosti. Djeca se ne smiju igrati s uređajem. Čišćenje i održavanje ne smiju obavljati djeca bez nadzora.
- Djeci u dobi od 3 do 8 godina dopušteno je puniti i prazniti rashladne uređaje. Od djece se ne očekuje da obavljaju čišćenje ili održavanje uređaja, od vrlo male djece (0-3 godine) se ne očekuje uporaba aparata, od male djece (3-8 godina) se ne očekuje da koriste uređaje na siguran način, osim ako su pod stalnim nadzorom, starija djeca (8-14 godina starosti) i ranjive osobe mogu koristiti uređaje sigurno nakon što su dobili odgovarajući nadzor ili upute o korištenju aparata. Ne očekuje se da će vrlo ranjive osobe koristiti uređaje na siguran način ako se ne provodi stalni nadzor.
- Ako je kabel za napajanje oštećen mora ga zamijeniti proizvođač, serviser ili slično kvalificirana osoba kako bi se izbjegla opasnost.
- Ovaj uređaj nije namijenjen za uporabu na nadmorskim visinama iznad 2000 m.

Kako biste izbjegli kontaminaciju hrane, molimo vas da se pridržavate sljedećih uputa:

- Otvaranje vrata na dulje vrijeme može uzrokovati značajno povećanje temperature u odjeljcima uređaja.
- Redovito čistite površine koje mogu doći u doticaj s hranom i pristupačnim sustavima odvodnje.
- Sirovo meso i ribu čuvajte u prikladnim posudama u hladnjaku, tako da ne budu u doticaju s drugom hranom ili ne kapaju na drugu hranu.
- Odjeljci sa zamrznutom hranom s dvije zvjezdice prikladni su za pohranu prethodno zamrznute hrane, pohranu ili pripremu sladoleda i pripremu kockica leda.
- Odjeljci s jednom, dvije ili tri zvjezdice nisu prikladni za zamrzavanje svježije hrane.
- Ako je uređaj za hlađenje ostavljen prazan dulje vrijeme, isključite ga, odmrznite, očistite, osušite i ostavite otvorena vrata kako biste spriječili razvoj plijesni unutar uređaja.

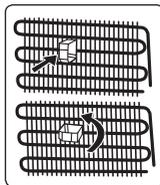
1.2 Instalacijska upozorenja

Prije uporabe vašeg hladnjaka/zamrzivača prvi put, molimo obratite pozornost na sljedeće detalje:

- Radni napon vašeg hladnjaka/zamrzivača je 220-240 V na 50Hz.
- Utikač mora biti dostupan nakon montaže.
- Vaš hladnjak/zamrzivač može imati neugodan miris pri prvom uključivanju. Ovo je normalno i neugodni miris će postepeno nestati kada vaš hladnjak/zamrzivač počne hladiti.
- Prije priključivanja vašeg hladnjaka/zamrzivača, osigurajte se da informacije na pločici s podacima (napon i povezano opterećenje) odgovaraju napajanju strujne mreže. Ako imate dvojbi, konzultirajte se s ovlaštenim električarom.
- Umetnite utikač u utičnicu s učinkovitom vezom na uzemljenje. Ako utikač nema uzemljenje ili utikač ne odgovara, predlažemo da pozovete ovlaštenog električara za pomoć.
- Uređaj mora biti povezan s ispravno montiranom utičnicom s osiguračem. Napajanje (AC) i napon na radnoj točki moraju odgovarati detaljima na pločici uređaja (pločica s imenom je smještena na unutarnjoj lijevoj strani uređaja).
- Ne preuzimamo odgovornost za štete koje nastanu zbog korištenja bez uzemljenja.
- Stavite vaš hladnjak/zamrzivač na mjesto na kojem neće izravno biti izložen sunčevoj svjetlosti.
- Vaš hladnjak/zamrzivač nikada ne treba koristiti na otvorenom prostoru ili izlagati kiši.
- Vaš bi uređaj trebao biti najmanje 50 cm udaljen od štednjaka, plinskih štednjaka i jezgri grijača te bi trebao biti najmanje 5 cm udaljen od električnih pećnica.
- Kad se vaš hladnjak/zamrzivač nalazi pored zamrzivača za duboko zamrzavanje trebalo bi biti najmanje 2 cm udaljenosti između njih kako bi se

sprječilo stvaranje vlage na vanjskoj površini.

- Nemojte prekriti trup ni vrh hladnjaka/zamrzivača čipkom. Ovo će utjecati na učinkovitost vašeg hladnjaka/zamrzivača.
- Potreban je razmak od najmanje 150 mm na vrhu uređaja. Ne stavljajte ništa na vrh vašeg uređaja.
- Nemojte stavljati teške predmete na uređaj.
- Detaljno očistite uređaj prije korištenja (vidi Čišćenje i održavanje).
- Prije uporabe vašeg hladnjaka/zamrzivača, obrišite sve dijelove otopinom izrađenom od tople vode i žličice sode bikarbone. Zatim isperite čistom vodom i osušite. Vratite sve dijelove u hladnjak/zamrzivač nakon čišćenja.
- Koristite podesive prednje nožice da osigurate da je vaš uređaj postavljen ravno i stabilno. Nožice možete postaviti okretanjem u bilo kom smjeru. To je potrebno izvršiti prije stavljanja hrane u hladnjak.
- Postavite dvije plastične vodilice za rastojanje (dijelovi s crnim lopaticama -kondenzator-sa stražnje strane) zakretanjem za 90° (kako je prikazano na slici) da bi se spriječilo da kondenzator dotiče zid.
- Rastojanje između uređaja i stražnjeg zida mora biti najviše 75 mm.



1.3 Tijekom korištenja

- Ne priključujte svoj hladnjak/zamrzivač na mrežno napajanje pomoću produžnog kabela.
- Nemojte priključiti oštećene, potrgane ili stare utikače.
- Nemojte vući, savijati ili oštetiti kabel.
- Nemojte upotrebljavati utični prilagodnik.
- Ovaj je uređaj dizajniran za uporabu od strane odraslih osoba. Ne dozvolite djeci da se igraju s uređajem ili da se vješaju na vrata.

- Nikada ne dirajte napojni kabel/utikač mokrim rukama. To može uzrokovati kratki spoj ili električni udar.
- Ne stavljajte staklene boce ili limenke u odjeljak ledomata jer će puknuti kad se sadržaj smrzne.
- Ne stavljajte eksplozivne ni zapaljive materijale u hladnjak. Pića sa visokim sadržajem alkohola postavljajte u vertikalni položaj u odjeljku hladnjaka i provjerite da li su njihovi poklopci čvrsto zatvoreni.
- Ne dodirujte led kad ga vadite iz pretinca ledomata. Led može uzrokovati opekline od mraza i/ili posjekotine.
- Nemojte dodirivati zamrznute stvari mokrim rukama. Nemojte jesti sladoled ili kocke leda odmah nakon što ih izvadite iz pretinca ledomata.
- Nemojte ponovno zamrzavati odmrznutu hranu. To može uzrokovati zdravstvene probleme poput trovanja hranom.

Stari i neispravni hladnjaci

- Ako vaš stari hladnjak ima bravu, razbije je ili uklonite prije bacanja jer djeca mogu ostati zaglavljena unutar njega što može izazvati nesreću.
- Stari hladnjaci i zamrzivači sadrže izolacijski materijal i rashladni medij s CFC-om. Stoga vodite računa da se ne ošteti okoliš kada odlažete vaš stari hladnjak.

CE Izjava o sukladnosti

Izjavljujemo da naši proizvodi zadovoljavaju vrijedeće europske direktive, odluke i propise te zahtjeve navedene u standardima koji se navode.

Odlaganje vašeg starog uređaja

Oznaka na proizvodu ili pakiranju označava da se ovaj proizvod ne smije tretirati kao kućni otpad. Umjesto toga, odlaže se na odgovarajućem sabirnom mjestu za recikliranje električne i elektroničke opreme. Pravilnim odlaganjem ovog proizvoda pomoći ćete u sprječavanju mogućih negativnih posljedica po okoliš i zdravlje ljudi, koje bi se u protivnom mogle



prouzročiti neprimjerenim rukovanjem otpadom. Za detaljnije informacije o recikliranju ovog proizvoda obratite se lokalnoj gradskoj službi, službi za odvoz smeća iz kućanstva ili trgovini gdje ste kupili proizvod.

Pakiranje i okoliš

Materijali pakiranja štite vaš uređaj od oštećenja koja mogu nastati tijekom transporta.



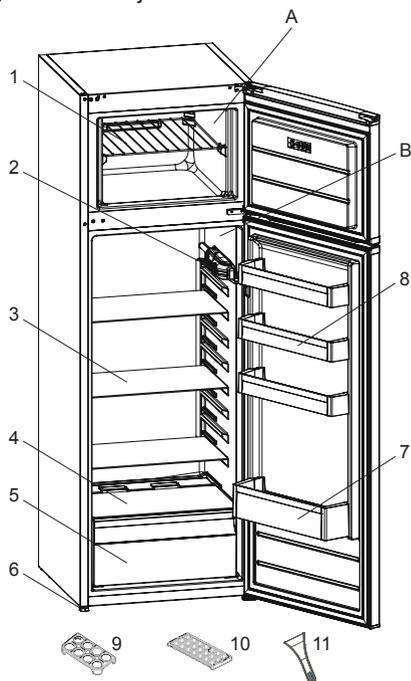
Materijali pakiranja su ekološki prihvatljivi jer se mogu reciklirati. Uporaba recikliranog materijala smanjuje potrošnju sirovina te samim tim smanjuje proizvodnju otpada.

Napomene:

- Pažljivo pročitajte priručnik s uputama prije postavljanja i korištenja uređaja. Nismo odgovorni za štetu nastalu uslijed pogrešne uporabe.
- Slijedite sve upute na uređaju i u priručniku s uputama te ga čuvajte na sigurnom mjestu kako biste riješili probleme koji se mogu pojaviti u budućnosti.
- Ovaj uređaj proizveden je za korištenje kod kuće i može se koristiti samo u takvim okruženjima za naznačene svrhe. Nije prikladan za komercijalnu ni zajedničku uporabu. Takva uporaba prouzročiti će poništenje jamstva uređaja, a naša tvrtka neće biti odgovorna za bilo koje nastale gubitke.
- Ovaj uređaj proizveden je za korištenje kod kuće i prikladan je samo za hlađenje/pohranu hrane. Nije prikladan za komercijalnu ni zajedničku uporabu te za pohranu stvari koje nisu hrana. Naša kompanije nije odgovorna ni za kakve gubitke nastale neadekvatnom uporabom uređaja.

2 OPIS UREĐAJA

Ovaj se uređaj ne upotrebljava kao ugrađeni uređaj.



 Ovaj prikaz služi samo za informacije o dijelovima uređaja. Dijelovi se mogu razlikovati ovisno o modelu uređaja.

A) Odjeljak za zamrzavanje

B) Odjeljak hladnjaka

- 1) Polica zamrzivača
- 2) Kutija termostata
- 3) Police hladnjaka
- 4) Poklopac ladice za voće i povrće
- 5) Ladica za voće i povrće
- 6) Podesive nožice
- 7) Polica za boce
- 8) Police na vratima
- 9) Držač za jaja
- 10) Posudica za led
- 11) Plastična strugalica za led *

* Kod nekih modela

Općenite napomene:

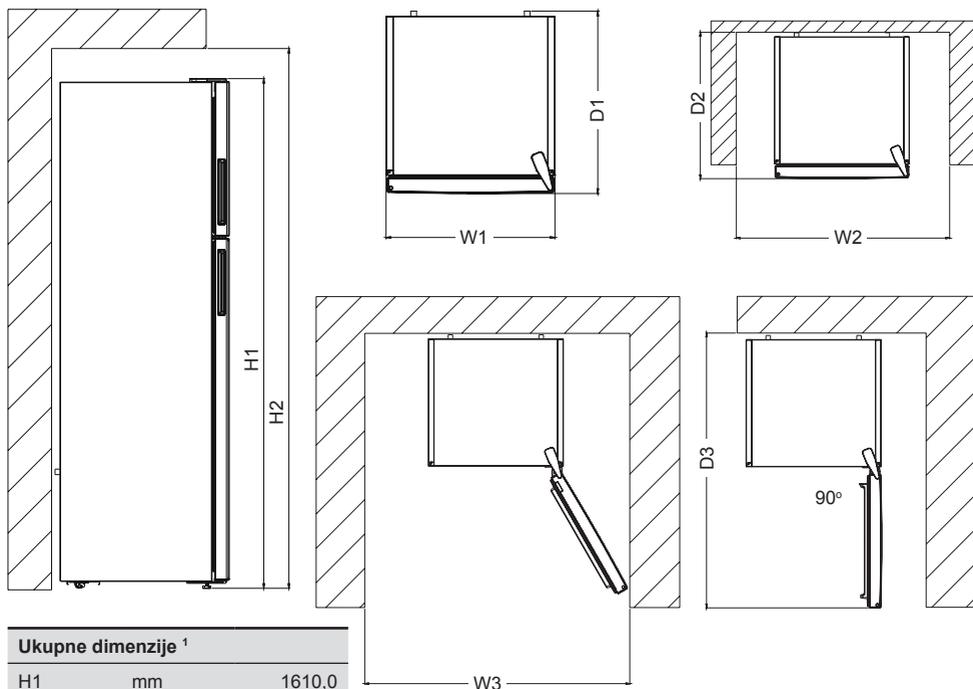
Odjeljak za svježu hranu (Hladnjak):

Najučinkovitija uporaba energije se osigurava u konfiguraciji s ladicama u donjem dijelu uređaja, i ravnomjerno postavljenim policama, položaj košara za vrata ne utječe na potrošnju energije.

Odjeljak zamrzivača (Zamrzivač):

Najučinkovitija uporaba energije se osigurava u konfiguraciji s ladicama i košarama u položaju zaliha.

2.1 Dimenzije



Ukupne dimenzije ¹		
H1	mm	1610,0
W1	mm	540,0
D1	mm	570,0
¹ visina, širina i dubina uređaja bez ručke		

Prostor za uporabu ²		
H2	mm	1760,0
W2	mm	640,0
D2	mm	667,8
² visina, širina i dubina uređaja sa ručkom, plus prostor potreban za slobodnu cirkulaciju rashladnog zraka		

Ukupan prostor za uporabu ³		
W3	mm	658,5
D3	mm	1106,5
³ visina, širina i dubina uređaja sa ručkom, plus prostor potreban za slobodnu cirkulaciju rashladnog zraka, plus prostor potreban za omogućavanje otvaranja vrata do minimalnog kuta koji omogućava uklanjanje cijele unutarnje opreme		

UPORABA UREDAJA

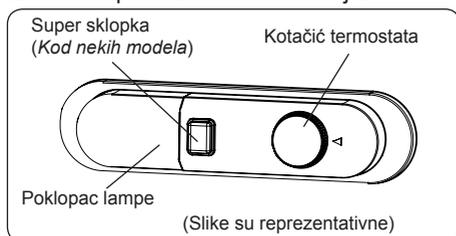
2.2 Informacije o tehnologiji Less Frost

Zahvaljujući omotaču oko isparivača, tehnologija LessFrost nudi učinkovitije hlađenje, manju potrebu za ručno odleđivanje i fleksibilniji prostor za odlaganje.

2.3 Postavke termostata

Termostat automatski regulira unutarnju temperaturu odjeljaka hladnjaka i zamrzivača. Temperature hladnjaka se mogu dobiti zakretanjem sklopke na veće brojeve; 1 do 3, 1 do 5 ili SF (Maksimalni brojevi na termostatu ovise o vašem proizvodu.)

 **Važna napomena:** Gumb nemojte zakretati ispod položaja 1, jer će to uzrokovati prestanak rada uređaja.



Postavke termostata:

1 – 2 : Za kratkotrajno pohranjivanje hrane

3 – 4 : Za dugotrajno pohranjivanje hrane

5 : Maksimalan položaj za hlađenje.

Uređaj će raditi duže. Ako je potrebno, promijenite postavke temperature.

Ako uređaj ima SF položaj:

- Okrenite gumb na SF kako biste brzo zamrznuili svježu hranu. U tom položaju će zamrzivač raditi na nižim temperaturama. Nakon što se hrana smrzne, okrenite gumb termostata u uobičajeni položaj. Ako ne promijenite SF položaj, rad vašeg uređaja automatski će se vratiti u zadnji korišteni položaj termostata sukladno vremenu pokazanom u napomeni. Vratite sklopku termostata na položaj SF i vratite ga na normalan rad sukladno vremenu

prikazanom u napomeni. Ako je sklopka termostata u položaju SF kada je vaš uređaj pokrenut prvi put, vaš će uređaj raditi automatski vraćajući se na rad u položaju termostata-3 sukladno vremenu prikazanom u napomeni.

Super zamrzavanje: Ova sklopka koristi se kao prekidač super smrzavanja. Za maksimalan kapacitet zamrzavanja, okrenite ovaj prekidač 24 sata prije postavljanja svježe hrane. Nakon stavljanja svježe hrane u zamrzivač, obično je dovoljno 24 sata u ON položaju. Kako biste uštedjeli energiju, isključite ovu sklopku 24 sata nakon stavljanja svježe hrane.

Zimska sklopka: Ako je temperatura okoline niža od 16 °C, ovaj prekidač koristi se kao zimski prekidač i drži temperaturu hladnjaka iznad 0 °C i zamrzivača ispod -18 °C.

2.4 Upozorenja o postavkama temperature

- Vaš hladnjak namijenjen je za rad u rasponu temperature okoline navedenom u standardima, prema klimatskom razredu navedenom na naljepnici s informacijama. Ne preporučuje se uporaba hladnjaka pri temperaturi okoline koja nije propisana. Time će se učinkovitost hlađenja uređaja smanjiti.
- Temperatura se treba podesiti ovisno o učestalosti otvaranja vrata, količini hrane koja se čuva u zamrzivaču i temperaturi okoline u kojoj se nalazi vaš uređaj.
- Kada se uređaj prvi put uključi, ostavite ga da radi 24 sata kako bi dostigao radnu temperaturu. Za to vrijeme ne otvarajte vrata i ne držite veliku količinu hrane unutra.
- Funkcija odgode od 5 minuta primjenjuje se da bi se spriječilo oštećenje kompresora zamrzivača kada uključujete ili isključujete zamrzivač iz struje, ili u slučaju prekida napajanja. Vaš uređaj će početi s normalnim radom nakon 5 minuta.

Klimatski razred i značenje:

T (tropska): Ovaj rashladni uređaj predviđen je za uporabu na sobnoj temperaturi u rasponu od 16 °C do 43° C.

ST (suptropska): Ovaj rashladni uređaj predviđen je za uporabu na sobnoj temperaturi u rasponu od 16 °C do 38° C.

N (umjerena): Ovaj rashladni uređaj predviđen je za uporabu na sobnoj temperaturi u rasponu od 16 °C do 32° C.

SN (proširena umjerena): Ovaj rashladni uređaj predviđen je za uporabu na sobnoj temperaturi u rasponu od 10 °C do 32° C.

2.5 Dodaci

Vizualni i tekstualni opisi u dijelu o dodacima mogu se razlikovati ovisno o modelu vašeg uređaja.

2.5.1 Posudica za led (Kod nekih modela)

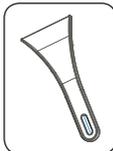
- Napunite posudicu za led vodom i stavite je u odjeljak zamrzivača.
- Nakon što se voda potpuno zaledi, posudicu možete savinuti na način prikazan u nastavku da biste izvadili kocke leda.



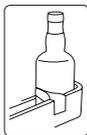
2.5.2 Plastična strugalica (Kod nekih modela)

Nakon određenog vremena, mraz će se nagomilati na određenim površinama zamrzivača. Mraz, koji se nakupi u zamrzivaču, bi trebalo redovito uklanjati.

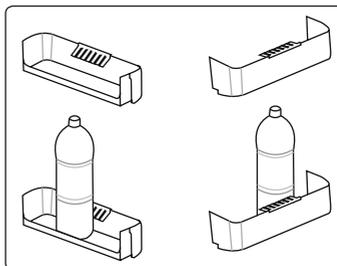
Koristite plastičnu strugalicu koja je isporučena, ako je potrebno. Nemojte koristiti oštre metalne predmete da biste to uradili. Oni bi mogli probušiti kruženje sredstva za hlađenje i prouzročiti nepopravljivu štetu jedinici.



2.5.3 Držać za boce (Kod nekih modela)



Koristite držać za boce da biste spriječili njihovo klizanje ili padanje.



Vizualni i tekstualni opisi u dijelu o dodacima mogu se razlikovati ovisno o modelu vašeg uređaja.

3 POHRANA HRANE

3.1 Odjeljak hladnjaka

- Da bi se smanjila vlažnost i izbjeglo posljedično formiranje leda, u hladnjak uvijek stavljajte tekućine u zatvorenim posudama. Led se stvara u najhladnijim dijelovima tekućine koja isparava te će vremenom biti neophodno češće odmrzavanje vašeg uređaja.
- Kuhana jela moraju ostati pokrivena kada se drže u hladnjaku. Nemojte stavljati toplu hranu u hladnjak. Stavite je kada se ohladi, u suprotnom će temperatura/vlažnost unutar hladnjaka rasti, smanjujući učinkovitost hladnjaka.
- Uvjerite se da nema artikala u izravnom kontaktu sa stražnjim zidom uređaja jer se može stvoriti led te se isti na njega mogu zalijepiti. Nemojte otvarati vrata hladnjaka prečesto.
- Preporučujemo da meso i očišćena riba budu labavo umotani i odloženi na staklenu policu odmah iznad dijela za povrće gdje je zrak hladniji jer ovo osigurava najbolje uvjete za skladištenje.
- Skladištite voće i povrće neupakirane u posudama odjeljka za voće i povrće.
- Zasebno skladištenje voća i povrća pomaže da na povrće koje je osjetljivo na etilen (zeleno lisnato povrće, brokula, mrkva itd.) ne utiče voće koje oslobađa etilen (banana, breskva, kajsija, smokva itd.).
- Nemojte stavljati vlažno povrće u hladnjak.
- Vreme skladištenja za sve vrste proizvoda ovisi od početne kvalitete hrane i neometanog rashladnog ciklusa prije skladištenja u hladnjaku.
- Curenje tekućina iz mesa može kontaminirati druge proizvode u hladnjaku. Trebate pakirati proizvode od mesa te čistiti tekućine koje iscuru na policama.
- Nemojte stavljati hranu ispred prolaza protoka zraka.

- Trebate iskoristiti upakiranu hranu prije isteka roka trajanja.

Nemojte dopustiti da hrana dođe u kontakt s temperaturnim senzorom koji se nalazi u odjeljku hladnjaka, kako bi se hladnjak održavao na optimalnoj temperaturi.

- Za normalne radne uvjete dovoljno je prilagoditi temperaturu vašeg hladnjaka na +4 °C.
- Temperatura hladnjaka mora biti u rasponu od 0-8 °C, svježja hrana ispod 0 °C ledi se i truli, koncentracija bakterija raste iznad 8 °C i kvari se hrana.
- Ne stavljajte vruću hranu u hladnjak odmah, pričekajte da se ohladi van hladnjaka. Vruća hrana povećava temperaturu vašeg hladnjaka i uzrokuje trovanje hranom i nepotrebno kvarenje hrane.
- Meso, riba i slično treba se čuvati u odjeljku za hlađenje hrane, a pregrada za povrće preferira se za povrće. (ako je dostupna)
- Kako bi se spriječila anakrsna kontaminacija, mesni proizvodi i voće i povrće ne pohranjuju se zajedno.
- Hranu treba staviti u hladnjak u zatvorene posude ili pokriti kako bi se spriječili vlaga i neugodni mirisi.

Tablica ispod je brzi vodič da vam pokaže najučinkovitije načine pohrane glavnih skupina namirnica u odjeljku vašeg hladnjaka.

Hrana	Maksimalno vrijeme pohrane	Kako i gdje pohraniti
Povrće i voće	1 tjedan	Spremnik za povrće
Meso i riba	2 - 3 dana	Uvijte u plastičnu foliju, vreće ili posude za meso i čuvajte na staklenoj polici
Svježi sir	3 - 4 dana	Na određenoj polici u vratima
Maslac i margarin	1 tjedan	Na određenoj polici u vratima

Hrana	Maksimalno vrijeme pohrane	Kako i gdje pohraniti
Proizvodi u bocama npr. mlijeko i jogurt	Do istjeka roka kojeg preporučuje proizvođač	Na određenoj polici u vratima
Jaja	1 mjesec	Na određenoj polici za jaja
Kuhana hrana	2 dana	Sve police

NAPOMENA:



Krumpir, luk i češnjak ne bi trebalo čuvati u hladnjaku.

3.2 Odjeljak zamrzivača Odjeljak zamrzivača

- Zamrzivač se koristi za pohranjivanje zamrznute hrane, zamrzavanje svježije hrane i pravljenje kockica leda.
- Hrana u tekućem obliku treba se zamrznuti u plastičnim posudama i druga hrana se treba zamrznuti u plastičnim folijama ili vrećicama. Za zamrzavanje svježije hrane; uvijte i pravilno zatvorite svježu hranu tako da pakiranje bude hermetički zatvoreno te da ne curi. Najbolji su izbor posebne vrećice za zamrzavanje, aluminijska folija, polietilenske vrećice i plastične posude.
- Nemojte stavljati svježu i toplu hranu pored zamrznute hrane jer može doći do odmrzavanja zamrznute hrane.
- Prije zamrzavanja svježije hrane, podijelite istu na porcije koje se mogu konzumirati pri jednom spremanju.
- Konzumirajte odmrznutu hranu u kratkom razdoblju nakon odmrzavanja
- Uvijek slijedite upute proizvođača na pakiranju hrane kada skladištite zamrznutu hranu. Ako na ambalaži nisu navedeni nikakvi podaci, hrana se ne smije držati pohranjena dulje od 3 mjeseca od datuma kupnje.
- Kada kupujete zamrznutu hranu, provjerite je li zamrznuta pod odgovarajućim uvjetima te da pakiranje nije oštećeno.

- Zamrznutu hranu treba transportirati u odgovarajućim pakiranjima i smjestiti je u zamrzivač u najkraćem mogućem roku.
- Ne kupujte zamrznutu hranu ako se na pakiranju primjećuju znaci vlažnosti ili abnormalnog bujanja. Najvjerojatnije je da je ista pohranjena na nepogodnoj temperaturi te da se sadržaj pokvario.
- Vrijeme pohrane zamrznute hrane ovisi o sobnoj temperaturi, postavkama termostata, učestalosti otvaranja vrata, vrsti hrane i vremenu potrebnom da se proizvod prenese iz trgovine do vašeg doma. Uvijek se pridržavajte uputa navedenih na ambalaži i nikada nemojte držati hranu pohranjenu dulje nego što je navedeno.
- Ako su vrata zamrzivača ostavljena otvorena tijekom duljeg razdoblja ili nisu pravilno zatvorena, stvorit će se mraz što može spriječiti učinkovite cirkuliranje zraka. Da biste riješili ovo, izvucite utikač zamrzivača iz utičnice i pričekajte da se isti odmrzne. Očistite zamrzivač odmah čim se sasvim odmrzne.
- Obujam zamrzivača koji je naznačen na etiketi predstavlja obujam bez košara, poklopaca itd.
- Nemojte zamrzavati odmrznutu hranu. To može predstavljati opasnost po vaše zdravlje i uzrokovati probleme kao što je trovanje hranom.

NAPOMENA: Ako pokušate otvoriti vrata zamrzivača odmah nakon njihovog zatvaranja, vidjet ćete da se ne mogu lako otvoriti. To je uobičajeno. Čim se dostigne ravnoteža, vrata će se lako otvoriti.



Tablica ispod je brzi vodič da vam pokaže najučinkovitije načine pohrane glavnih skupina namirnica u vašem odjeljku zamrzivača.

Meso i riba	Priprema	Maksimalno vrijeme pohrane (mjeseci)
Odrezak	Zamotajte u foliju	6 - 8
Janjetina	Zamotajte u foliju	6 - 8
Teleće pečenje	Zamotajte u foliju	6 - 8
Teleće kocke	U malim komadima	6 - 8
Janjeće kocke	U komadima	4 - 8
Mljeveno meso	U pakiranju bez upotrebe začina	1 - 3
Drobljenice (komadi)	U komadima	1 - 3
Bolonjska kobasica/salame	Treba držati zapakirano čak i ako ima membranu	
Piletina i puretina	Zamotajte u foliju	4 - 6
Gusje i pačje meso	Zamotajte u foliju	4 - 6
Meso jelena, zečje i meso divlje svinje	U porcijama od 2,5 kg ili u filetima	6 - 8
Slatkovodna riba (losos, šaran, kran, som)	Nakon čišćenja crijeva i ljusaka ribe, operite je i osušite. Ako je potrebno, uklonite rep i glavu.	2
Nemasna riba (bas, iverak, iver)		4
Masne ribe (tuna, skuša, plava riba, inčuni)		2 - 4
Školjke	Očistite i stavite u kesicu	4 - 6
Kavijar	U svojoj ambalaži ili u aluminijskoj ili plastičnoj posudi	2 - 3
Puževi	U slanoj vodi ili u aluminijskoj ili plastičnoj posudi	3

 **NAPOMENA:** Odmrznuto meso treba kuhati kao svježe meso. Ako se meso nakon odmrzavanja ne skuha, ne smije se ponovno zamrzavati.

Povrće i voće	Priprema	Maksimalno vrijeme pohrane (mjeseci)
Mahunе i grah	Operite, narežite na male komadiće i skuhaјte u vodi	10 - 13
Grah	Očistite, operite i skuhaјte u vodi	12
Kupus	Očistite i skuhaјte u vodi	6 - 8
Mrkva	Očistite, narežite na kriške i skuhaјte u vodi	12
Paprika	Izrežite stabljiku, prerežite na dva dijela, izvadite jezgru i skuhaјte u vodi	8 - 10
Špinat	Operite i skuhaјte u vodi	6 - 9
Cvjetača	Uklonite lišće, izrežite srce na komade i ostavite neko vrijeme u vodi s malo limunovog soka	10 - 12
Patlidžan	Narezati na komade od 2 cm nakon pranja	10 - 12
Kukuruz	Očistite i spakirajte sa stabljikom ili kao kukuruz šećerac	12

Povrće i voće	Priprema	Maksimalno vrijeme pohrane (mjeseci)
Jabuke i kruške	Ogulite i narežite	8 - 10
Marelice i breskve	Izrežite na dva dijela i izvadite sjemenku	4 - 6

Povrće i voće	Priprema	Maksimalno vrijeme pohrane (mjeseci)
Jagoda i kupina	Operite i očistite	8 - 12
Kuhano voće	U posudu dodajte 10% šećera	12
Šljiva, trešnja, višnja	Operite i očistite drške	8 - 12

	Maksimalno vrijeme pohrane (u mjesecima)	Vrijeme otapanja na sobnoj temperaturi (sati)	Vrijeme otapanja u pećnici (minute)
Kruh	4 - 6	2 - 3	4-5 (220-225 °C)
Keksi	3 - 6	1 - 1,5	5-8 (190-200 °C)
Peciva	1 - 3	2 - 3	5-10 (200-225 °C)
Pite	1 - 1,5	3 - 4	5-8 (190-200 °C)
Lisnato tijesto	2 - 3	1 - 1,5	5-8 (190-200 °C)
Pizza	2 - 3	2 - 4	15-20 (200 °C)

Mliječni proizvodi	Priprema	Maksimalno vrijeme pohrane (u mjesecima)	Uvjeti čuvanja
Pakirano (homogenizirano) mlijeko	U vlastitom pakiranju	2 - 3	Čisto mlijeko - u vlastitom pakiranju
Sir - isključujući bijeli sir	Na kriške	6 - 8	Originalno pakiranje može se koristiti za kratkotrajno skladištenje. Držite zamotano u foliji dulje vrijeme.
Maslac, margarin	U svom pakiranju	6	

4 ČIŠĆENJE I ODRŽAVANJE

-  Isključite uređaj iz napajanja prije čišćenja.
-  Nemojte prati vaš uređaj izlivanjem vode.
-  Ne upotrebljavajte abrazivna sredstva, deterdžente ili sapune za čišćenje uređaja. Nakon pranja isperite čistom vodom i dobro osušite. Kad završite s čišćenjem, spojite utikač na mrežno napajanje suhim rukama.
- Pobrinite se da u kućište žarulje i druge električne dijelove ne uđe voda.

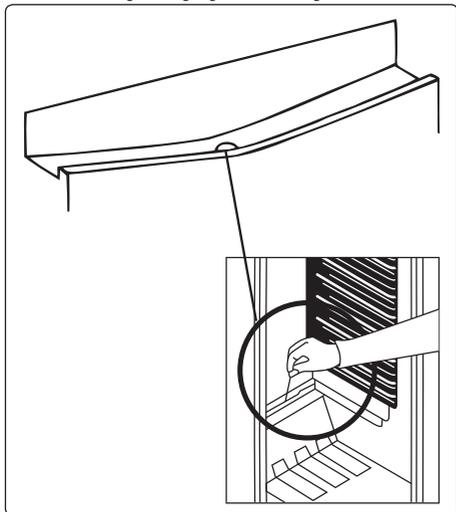
- Uređaj je potrebno redovito čistiti s pomoću otopine sode bikarbone i mlake vode.
- Dodatni pribor čistiti odvojeno ručno sapunom i vodom. Dodatnu opremu ne perite u perilici posuđa.
- Kondenzator čistite četkom najmanje dva puta godišnje. To će vam pomoći da uštedite na troškovima energije i povećate produktivnost.



Napajanje mora biti isključeno tijekom čišćenja.

4.1 Odmrzavanje

Odmrzavanje odjeljka hladnjaka



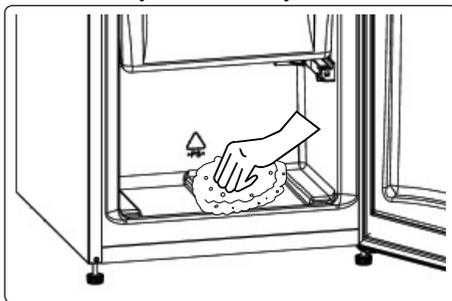
- Odmrzavanje se javlja automatski u odjeljku hladnjaka tijekom rada. Voda se prikuplja u posudi za isparavanje te automatski isparava.
- Posuda za isparavanje i otvor za odvod odmrznute vode bi se trebali čistiti periodično s pomoću odvodnog čepa kako bi se spriječilo skupljanje vode na dnu hladnjaka umjesto da ističe van.
- Možete također čistiti otvor za odvod ako sipate pola čaše vode u njega.

Postupak odmrzavanja zamrzivača

- U zamrzivaču će se nakupiti mala količina mraza ovisno o tome koliko su dugo vrata bila otvorena ili ovisno o količini uvedene vlage. Od ključne je važnosti osigurati da se mraz ili led ne stvori na mjestima gdje će utjecati na prijanjanje brtve vrata. To bi moglo omogućiti ulazak zraka u odjeljak i time potaknuti neprekidan rad kompresora. Tanki sloja mraza vrlo je mekan i može se ukloniti četkom ili plastičnom strugalicom. Ne upotrebljavajte metalne ili oštre strugalice, mehaničke uređaje ili druge načine za ubrzavanje procesa odmrzavanja. Uklonite sav mraz koji se otkinuo s dna odjeljka. Nije neophodno

isključivati uređaj za uklanjanje tankog sloja mraza.

- Za uklanjanje debelih slojeva leda odspojite uređaj od glavnog napajanja, ispraznite sadržaj u kartonske kutije i zamotajte u debele pokrivače ili slojeve papira da biste ih održali hladnima. Odmrzavanje će biti najučinkovitije ako se izvrši kad je zamrzivač gotovo prazan i treba se izvršiti što je brže moguće kako bi se spriječio prekomjerni porast temperature sadržaja.
- Ne upotrebljavajte metalne ili oštre strugalice, mehaničke uređaje ili druge načine za ubrzavanje procesa odmrzavanja. Povećanjem temperature zamrznute hrane tijekom odmrzavanja skratit će se vrijeme pohrane hrane. Držite sadržinu dobro zamotanu i hladnu dok se odvija odmrzavanje.



- Osušite unutrašnjost odjeljaka spužvicom ili čistom krpom.
- Da biste ubrzali proces odmrzavanja, postavite jednu ili više posuda s toplom vodom u odjeljak zamrzivača.
- Pregledajte sadržaj kada ga vraćate u zamrzivač i ako se dio paketa otopio, trebalo bi ga pojesti unutar 24 sata ili ga skuhati i ponovno zalediti.
- Nakon što se odmrzavanje završi, očistite unutrašnjost uređaja topinom tople vode s malo sode bikarbone, a zatim temeljito posušite. Operite sve odvojive dijelove na isti način i ponovno ih sastavite. Ponovno spojite uređaj na glavno napajanje i ostavite na 2 do 3 sata na postavki MAX prije nego što ponovno počnete stavljati hranu u zamrzivač.

Zamjena LED svjetla

Za zamjenu bilo kojeg LED svjetla kontaktirajte najbliži ovlašteni servisni centar.



Napomena: Brojevi i lokacije LED traka mogu se razlikovati ovisno o modelu.

5 PRIJENOS I PROMJENA POLOŽAJA

5.1 Prijenos i promjena položaja

- Izvorno pakiranje i pjena mogu se sačuvati u slučaju ponovnog prijenosa (po želji).
- Trebali biste učvrstiti hladnjak čvrstim pakiranjem, vrpcom ili jakim kabelima i slijediti upute za prienos paketa na pakiranje
- Uklonite sve pomične dijelove ili ih učvrstite u hladnjaku s pomoću vrpce tijekom premještanja i prijenosa.



Uvijek nosite hladnjak u uspravnom položaju.

5.2 Promjena položaja vrata

- Nije moguće promijeniti smjer otvaranja vrata vašeg uređaja ako su ručke na vratima postavljene na prednjoj površini vrata uređaja.
- Moguće je promijeniti smjer otvaranja vrata na modelima bez ručki.
- Ako se smjer otvaranja vrata vašeg hladnjaka može promijeniti, obratite se najbližem ovlaštenom servisnom središtu kako bi vam promijenili smjer otvaranja vrata.

6 PRIJE POZIVANJA POSLIJEPRODAJNOG SERVISA

Ako imate problema s vašim **uređajem**, molimo provjerite sljedeće prije nego što pozovete postprodajni servis.

Vaš uređaj ne radi

Provjerite:

- Ima li struje
- Je li utikač pravilno priključen u utičnicu
- Je li osigurač utikača ili strujni osigurač pregorio
- Je li utičnica neispravna. Za provjeru, priključite drugi ispravan uređaj u istu utičnicu.

Uređaj slabo radi

Provjerite:

- Je li uređaj prepunjen
- Jesu li vrata uređaja pravilno zatvorena
- Ima li prašine na kondenzatoru
- Ima li dovoljno mjesta na stražnjim i bočnim stranama.

Vaš uređaj radi bučno

Uobičajeni zvukovi

Bučno škljocanje javlja se:

- Tijekom automatskog odmrzavanja.
- Kad se uređaj hladi ili zagrijava (zbog širenja materijala uređaja).

Kratka buka pucketanja (pucketanje leda) javlja se: Kada termostat uključi/isključi kompresor.

Buka motora: Ukazuje da kompresor normalno radi. Pri prvoj aktivaciji kompresor može nakratko postati glasniji.

Zvuk ključanja ili šuma: Uslijed protoka rashladne tekućine kroz cijevi unutar sustava.

Buka protoka vode javlja se: Uslijed protoka vode u posudi za isparavanje. Ova je buka uobičajena tijekom odmrzavanja.

Zvuk puhanja zraka: Kod nekih modelatijekom normalnog rada sustava uslijed cirkulacije zraka.

Jesu li rubovi uređaja u kontaktu sa spojnicama topli

Posebice tijekom ljeta (toplo vrijeme), površine u kontaktu sa spojnicama vrata mogu postati tople tijekom rada kompresora; to je normalno.

Ima li stvorene vlažnosti unutar uređaja

Provjerite:

- Je li hrana ispravno zapakirana. Spremnici moraju biti suhi prije stavljanja u uređaj.
- Otvaraju li se vrata **uređaja** često. Vлага iz prostorije ulazi u **uređaj** kad se vrata otvore. Vlažnost brže raste ako se vrata otvaraju češće, posebice ako je vlažnost prostorije visoka.

Vrata se ne otvaraju ili ne zatvaraju pravilno

Provjerite:

- Je li hrana ili pakiranje sprječavaju zatvaranje vrata
- Jesu li brtve vrata neispravne ili potrgane
- Stoji li va^šuređaj na ravnoj podlozi?

Preporuke

- Ako je uređaj isključen ili je utikač izvađen iz utičnice, morate pričekati najmanje 5 minuta prije no ponovno pokrenete uređaj ili ponovno uključite utikač da ne bi došlo do oštećenja kompresora.
- Ako uređaj ne upotrebljavate duže vrijeme (npr. tijekom ljetnih odmor), isključite ga. Očistite va^š uređaj u skladu s odjeljkom čišćenje i ostavite vrata otvorena radi sprječavanja stvaranja vlage i neugodnog mirisa.
- Ako i dalje imate problema iako ste se pridržavali uputa iz ove knjižice, obratite se najbližem ovlaštenom servisnom centru.
- Uređaj koji ste kupili je namijenjen jedino za uporabu u kućanstvu. Nije prikladan za komercijalnu ni zajedničku uporabu. Ističemo da proizvođač i distributer nisu dužni izvršiti bilo kakve popravke niti su odgovorni za kvarove unutar jamstvenog roka ako uređaj upotrebljavate na način koji nije u skladu s navedenim uputama.

7 SAVJETI ZA UŠTEDU ENERGIJE

1. Postavite uređaj u hladnu, dobro prozračenu prostoriju, ali ne na izravnu sunčevu svjetlost niti u blizini izvora topline (kao što je radiator ili pećnica) ili u suprotnom trebate koristiti izolacijsku ploču.
2. Pričekajte dok se topla hrana i piće ne ohlade prije njihovog stavljanja u uređaj.
3. Stavite hranu za odmrzavanje u odjeljak hladnjaka. Niska temperatura zamrznute hrane pomoći će pri hlađenju odjeljka hladnjaka dok se hrana odmrzava. Ovo će uštedjeti energiju. Smrznuta hrana koja se ostavi da se otopi van uređaja rezultat će rasipanjem energije.
4. Piće ili druge tekućine trebaju biti pokriveni unutar uređaja. Ako se ostave nepokriveni, vlaga unutar uređaja će se povećati, zbog čega će uređaj trošiti više energije. Držanje pića i drugih tekućina prekrivenih pomaže u očuvanju njihovog mirisa i okusa.
5. Pokušajte izbjeći držanje vrata otvorenim na duža razdoblja ili česta otvaranja vrata jer će topli zrak ući u uređaj te prouzročiti česta nepotrebna uključivanja kompresora.
6. Neka poklopci svih odjeljaka različitih temperatura u uređaju (kao što je ladica za voće i povrće i odjeljak za hlađenje ako su dostupni) budu zatvoreni.
7. Brtva vrata mora biti čista i savitljiva. U slučaju nošenja, zamijenite brtvu.

8 TEHNIČKI PODACI

Tehničke informacije nalaze se na tipskoj pločici s unutarnje strane uređaja i na energetske naljepnici.

QR kod na energetske naljepnici isporučenoj s uređajem pruža internetsku vezu do podataka koji se odnose na performanse uređaja u bazi podataka EU EPREL.

Zadržite energetske naljepnicu za referencu zajedno s korisničkim priručnikom i svim ostalim dokumentima koji se isporučuju s ovim uređajem.

Isto se informacije mogu naći u EPREL-u putem veze <https://eprel.ec.europa.eu> te naziv modela i broj proizvoda koji se nalaze na tipskoj pločici uređaja.

Posjetite www.theenergylabel.eu za detaljne informacije o energetske naljepnici.

9 INFORMACIJE ZA ISPITNE INSTITUTE

Ugradnja i priprema uređaja za provjeru EcoDesign-a mora biti u skladu s EN 62552. Zahtjevi za provjetranje, dimenzije udubljenja i minimalni razmak stražnje strane moraju biti navedeni u ovom korisničkom priručniku u DIJELU 2. Molimo kontaktirajte proizvođača za sve dodatne informacije, uključujući planove utovara.

10 KORISNIČKE USLUGE I SERVIS

Uvijek koristite jedino originalne pričuvne dijelove.

Kada kontaktirate naš ovlaštenu servisni centar, provjerite imate li na raspolaganju sljedeće podatke: Model, Serijski broj.

Podaci se mogu naći na tipskoj pločici.

Tipsku pločicu možete pronaći unutar zone hladnjaka na lijevoj donjoj strani.

Originalni rezervni dijelovi za neke određene dijelove dostupni su najmanje 7 ili 10 godina, ovisno o vrsti komponente, od stavljanja na tržište posljednje jedinice modela.

Posjetite našu web stranicu da:

<https://www.voxelectronics.com>



SLV

KG2800F

NAVODILA ZA UPORABO HLADILNIK - ZAMRZOVALNIK

EAC

Hvala, ker ste izbrali ta izdelek.

Ta uporabniški priročnik vsebuje pomembne informacije o varnosti in navodila, ki vam bodo pomagala pri delovanju in vzdrževanju naprave.

Prosimo, da si pred uporabo svoje naprave preberete ta navodila za uporabo in obdržite to knjigo za nadaljnjo uporabo.

Ikona	Tip	Pomen
	OPOZORILO	Resna nevarnost poškodb ali smrti
	NEVARNOST ELEKTRIČNEGA UDARA	Nevarno napetostno tveganje
	POŽAR	Opozorilo; Nevarnost požara / vnetljivi materiali
	POZOR	Tveganje škode ali materialne škode
	POMEMBNO	Pravilno delovanje sistema

VSEBINA

1 VARNOSTNA NAVODILA.....	70
1.1 Splošna varnostna opozorila	70
1.2 Opozorila o namestitvi	74
1.3 Med uporabo	74
2 OPIS NAPRAVE	76
2.1 Dimenzije.....	77
3 UPORABA NAPRAVE	78
3.1 Informacije o tehnologiji Less Frost.....	78
3.2 Nastavitev termostata.....	78
3.3 Opozorila za nastavitve temperature.....	78
3.4 Dodatki	79
3.4.1 Pladenj za led (<i>pri nekaterih modelih</i>).....	79
3.4.2 Plastičnoredilo (<i>pri nekaterih modelih</i>).....	79
3.4.3 Držalo za steklenico (<i>pri nekaterih modelih</i>).....	79
4 SHRANJEVANJE HRANE.....	80
4.1 Predel hladilnikaČe	80
4.2 Predel zamrzovalnika	81
5 ČIŠČENJE IN VZDRŽEVANJE	83
5.1 Odtaljevanje.....	84
6 PREVAŽANJE IN SPREMINJANJE POZICIJE.....	85
6.1 Prevoz in spreminjanje pozicije	85
6.2 Premestitev vrat.....	85
7 PREDEN POKLIČETE POPRODAJNEGA SERVISERJA	85
8 NASVETI ZA VARČEVANJE Z ENERGIJO	86
9 TEHNIČNI PODATKI.....	87
10 INFORMACIJE ZA PRESKUSNE INSTITUTE	87
11 SKRB ZA STRANKE IN STORITVE	88

1 VARNOSTNA NAVODILA

1.1 Splošna varnostna opozorila

Pazljivo preberite ta uporabniški priročnik.

⚠ OPOZORILO: Ventilacijske odprtine v ohišju naprave ali v vgrajeni konstrukciji ne smejo biti ovirane.

⚠ OPOZORILO: Za pospeševanje odmrzovanja ne uporabljajte mehanskih naprav ali drugih sredstev, razen tistih, ki jih priporoča proizvajalec.

⚠ OPOZORILO: Ne uporabljajte električnih naprav v notranjosti delov naprave za shranjevanje živil, razen če so takšne vrste, ki jih priporoča proizvajalec.

⚠ OPOZORILO: Ne poškodujte hladilnega sistema.

⚠ OPOZORILO: Pri namestitvi naprave se prepričajte, da napajalni kabel ni zataknjen ali poškodovan.

⚠ OPOZORILO: Na zadnji del naprave ne nameščajte več prenosnih vtičnic ali prenosnih virov napajanja.

⚠ OPOZORILO: Da bi se izognili nevarnosti zaradi nestabilne naprave, jo morate namestiti v skladu z navodili.

⚠ Če vaša naprava kot hladilno sredstvo uporablja R600a (ti podatki bodo navedeni na etiki zamrzovalnika), morate pri prevozu in namestitvi paziti, da se elementi zamrzovalnika ne poškodujejo. R600a je okolju prijazen in zemeljski plin, vendar je

eksploziven. Če pride do puščanja zaradi poškodb hladnejših elementov, hladilnik odmaknite od odprtega ognja ali toplotnih virov in nekaj minut prezračite sobo, v kateri je aparat.

- Medtem ko nosite in nameščate hladilnik, ne poškodujte kroga hladilnega plina.
- V tej napravi ne hranite eksplozivnih snovi, kot so pločevinke aerosola z vnetljivim pogonskim plinom.
- Ta aparat je namenjen za uporabo v hišah in gospodinjskih aplikacijah, kot so:
 - kuhinjska območja za osebje v trgovinah, pisarnah in drugih delovnih okoljih,
 - kmetije in stranke v hotelih in drugih podobnih stanovanjskih okoljih,
 - v hostelih in motelih;
 - gostinske storitve in podobne maloprodajne objekte.
- Če vtičnica ne ustreza vtiču hladilnika, jo mora zamenjati proizvajalec, servis ali podobno usposobljene osebe, da se izognete nevarnosti.
- Na napajalni kabel vašega hladilnika je priključen posebej ozemljen vtič. Ta vtič je treba uporabljati s posebej ozemljeno vtičnico 16 amperov. Če v vaši hiši ni takšne vtičnice, naj vam jo namesti usposobljeni električar.
- To napravo lahko uporabljajo otroci, stari 8 let ali več in osebe, ki imajo zmanjšane telesne, čutne ali umske zmožnosti ali so brez izkušenj in znanja, če

so pod nadzorom ali so prejele navodila za varno uporabo naprave in razumejo vpletena tveganja. Otroci se ne smejo igrati z napravo. Otroci ne smejo opravljati čiščenja ali vzdrževanja naprave brez nadzora.

- Otrokom starosti od 3 do 8 let je dovoljeno napolniti in izprazniti hladilne naprave. Otroci naj ne opravljajo čiščenja ali vzdrževanja naprave, zelo majhni otroci (od 0 do 3 let) naprav naj ne uporabljajo, od majhnih otroci (od 3-8 let) ne pričakujemo, da naprave uporabljajo varno, razen če so pod stalnim nadzorom, starejši otroci (8-14 let) in ranljivi ljudi lahko naprave uporabljajo varno z ustreznim spremstvom ali po navodilih o uporabi naprave. Od bolj ranljivih oseb se ne pričakuje, da naprave uporabljajo varno, razen, če so z ustreznim spremstvom.
- Če je napajalni kabel poškodovan, ga mora zamenjati proizvajalec, serviser ali podobna usposobljena oseba, da bi se izognili tveganjem.
- Ta naprava ni namenjena za uporabo na višini, ki presega 2000 m.

Da se izognete kontaminaciji hrane, upoštevajte naslednja navodila:

- Predolgo odprta vrata lahko povzročajo znatno povečanje temperature v predelih naprave.
- Redno čistite površine, ki lahko pridejo v stik z živili in dostopne drenažne sisteme

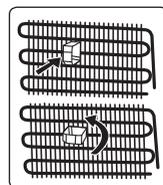
- Surovo meso in ribe shranjujte v primernih posodah v hladilniku, tako da ne pridejo v stik z drugimi živili ali ne kapljajo nanje.
- Predali z zamrznjeno hrano z dvema zvezdicama so primerni za shranjevanje zamrznjene hrane, shranjevanje ali pripravo sladoleda ter pripravo ledenih kock.
- Predali z eno, dvema in tremi zvezdicami niso primerni za zamrzovanje sveže hrane.
- Če je hladilni aparat dlje časa prazen, ga izklopite, odmrznite, očistite, posušite in pustite vrata odprta, da se v aparatu ne razvije plesen.

1.2 Opozorila o namestitvi

Pred prvo uporabo hladilnika z zamrzovalnikom bodite pozorni na naslednje točke:

- Delovna napetost hladilnika z zamrzovalnikom je 220–240 V pri 50 Hz.
- Vtič mora biti po namestitvi dostopen.
- Vaš hladilnik z zamrzovalnikom ima lahko vonj, ko ga prvič uporabljate. To je normalno in vonj bo izginil, ko se bo hladilnik z zamrzovalnikom začel hladiti.
- Preden priključite hladilnika z zamrzovalnikom, se prepričajte, da se podatki na tipski ploščici (napetost in priključena obremenitev) ujemajo z napajanjem iz električnega omrežja. Če dvomite, se posvetujte s kvalificiranim električarjem.
- Vtič vstavite v vtičnico z učinkovito ozemljitvijo. Če vtičnica nima ozemljitve ali če se vtič ne ujema, priporočamo, da se za pomoč obrnete na usposobljenega električarja.
- Naprava mora biti povezana s pravilno nameščeno varovano vtičnico. Napajanje (AC) in napetost v delovni točki se morata ujemati s podrobnostmi na tipski ploščici naprave (tipska plošča se nahaja na notranji levi strani aparata).
- Ne sprejemamo odgovornosti za škodo, ki lahko nastane zaradi uporabe brez nameščene ozemljitve.
- Hladilnika z zamrzovalnikom postavite tam, kjer ne bo izpostavljen neposredni sončni svetlobi.
- Hladilnika z zamrzovalnikom nikoli ne smete uporabljati na prostem ali izpostavljen dežju.
- Vaša naprava mora biti oddaljena najmanj 50 cm od štedilnikov, plinskih pečii in grelnih jeder ter najmanj 5 cm od električnih pečic.
- Če je vaš hladilnik z zamrzovalnikom v bližini zamrzovalne skrinje, morate pustiti prostor vsaj 2 cm med njima, da bi preprečili kondenzacijo na zunanjih površinah.

- Ne pokrivajte ohišje ali zgornjo stran hladilnika z zamrzovalnikom s čipko. To bo vplivalo na delovanje vašega hladilnika z zamrzovalnikom.
- Nad napravo pustite vsaj 150 mm prostora. Na vrh naprave ne polagajte ničesar.
- Na aparat ne postavljajte težkih predmetov.
- Pred uporabo temeljito očistite aparat (glejte Čiščenje in Vzdrževanje).
- Pred uporabo hladilnika z zamrzovalnikom obrišite vse dele z raztopino tople vode in žličko sode bikarbone. Nato sperite s čisto vodo in posušite. Po čiščenju vrnite vse dele v hladilniku z zamrzovalnikom.
- Ustrezno prilagodite nastavljive sprednje nogice, da zagotovite, da je vaša naprava ravna in stabilna. Noge lahko prilagodite tako, da jih obrnete v katero koli smer. To je treba storiti, preden položite hrano v hladilnik.
- Da preprečite kondenzatorju, da se dotika stene, namestite plastična distančnika (črni element s krilci -kondenzator - na zadnji strani), tako, da jih zavrtite za 90 °, kot prikazuje slika.
- Razdalja med napravo in zadnjo steno mora biti največ 75 mm.



1.3 Med uporabo

- Ne priključujte hladilnika na električno omrežje s podaljškom.
- Ne uporabljajte poškodovanih, raztrganih ali starih vtičev.
- Kabla ne vlecite, ne upognite ali poškodujte.
- Ne uporabljajte vtičnega adapterja.
- Ta aparat je zasnovan za uporabo odraslih. Ne dovolite otrokom, da se igrajo z aparatom ali visijo z vrati.
- Nikoli se ne dotikajte napajalnega kabla/vtiča z mokrimi rokami. To lahko povzroči kratek stik ali električni udar.

- V prostor za ustvarjanje ledu ne postavljajte steklenic in pločevink za pijačo, saj lahko počijo, ko vsebina zmrzne.
- V hladilnik ne postavljajte eksplozivnih ali vnetljivih snovi. Pijače z visoko vsebnostjo alkohola postavite navpično v predel hladilnika in poskrbite, da so njihovi vrhovi tesno zaprti.
- Ko odstranite led iz oddelka za led, se ga ne dotikajte. Led lahko povzroči opekline in / ali ureznine.
- Ne dotikajte se zamrznjenih živil z mokrimi rokami. Sladoleda ali kocke ledu ne jejte takoj, ko jih odstranite iz predelka za izdelavo ledu.
- Odmrznjene hrane nikoli ne zamrzujte. To je lahko nevarno za vaše zdravje, saj lahko povzroči težave, kot je zastrupitev s hrano.

Stari in nedelujoči hladilniki

- Če ima vaš stari hladilnik ali zamrzovalnik ključavnico, preden ga zavržete, zaklenite ali odstranite ključavnico, saj se lahko otroci v njej ujamejo in povzročijo nesrečo.
- Stari hladilniki in zamrzovalniki vsebujejo izolacijski material in hladilno sredstvo s CFC-jem. Zato pazite, da ne škodujete okolju, ko se vaši stari hladilniki zavržejo.

Izjava CE o skladnosti

Izjavljamo, da naši izdelki ustrezajo veljavnim evropskim direktivam, odločbam in predpisom ter zahtevam, navedenim v omenjenih standardih.

Odstranjevanje starega aparata

Simbol na izdelku ali na embalaži označuje, da tega izdelka ne smete obravnavati kot gospodinjske odpadke. Namesto tega se izroči ustreznemu zbirnemu mestu za recikliranje električne in elektronske opreme. S pravilnim odlaganjem tega izdelka boste preprečili morebitne negativne posledice za okolje in zdravje ljudi, ki bi sicer lahko nastale zaradi neprimerne ravnanja z odpadki s tem izdelkom. Za podrobnejše informacije



o recikliranju tega izdelka se obrnite na lokalno mestno pisarno, službo za odvoz gospodinjskih odpadkov ali trgovino, kjer ste izdelek kupili.

Embalaža in okolje

Embalažni materiali ščitijo vaš stroj pred poškodbami, ki se lahko pojavijo med prevozom. Embalažni materiali so okolju prijazni, saj jih je mogoče reciklirati. Uporaba recikliranega materiala zmanjšuje porabo surovin in s tem zmanjšuje nastajanje odpadkov.

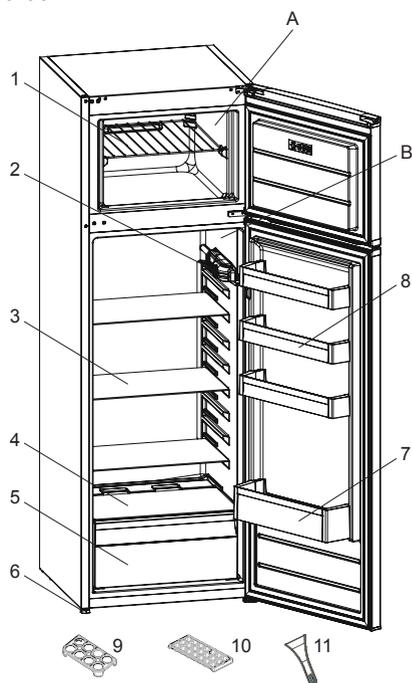


Opombe:

- Prosimo, skrbno preberite navodila za uporabo pred namestitvijo in uporabo vaše naprave. Ne odgovarjamo za škodo, ki je nastala zaradi napačne uporabe.
- Sledite vsem navodilom na napravi in navodilom priročnika za uporabo, in ta priročnik hranite na varnem mestu, da rešite težave, ki se lahko pojavijo v prihodnosti.
- Naprava je proizvedena za uporabo v domovih in se lahko uporablja le v gospodinjskih okoljih in za določene namene. Ni primerna za poslovno ali skupno uporabo. Takšna nenamenska uporaba prekine jamstvo za napravo in naše podjetje ne odgovarja za možno škodo.
- Naprava je proizvedena za uporabo v hišah in je primerna le za hlajenje / shranjevanje hrane. Ni primerna za poslovno ali skupno uporabo in/ali za shranjevanje snovi, razen za hrano. Naše podjetje ne odgovarja za morebitne izgube, ki bi nastale zaradi neustrezne uporabe naprave.

2 OPIS NAPRAVE

Ta aparat ni namenjen uporabi kot vgradni aparat.



 Ta predstavitev je le za informacije o delih naprave. Deli se lahko razlikujejo glede na model vaše naprave.

A) Predel zamrzovalnika

B) Predel hladilnika

- 1) Polica zamrzovalnika
- 2) Termostatska škatla
- 3) Police hladilnika
- 4) Pokrov predala za ohranjanje sadja in zelenjave
- 5) Predal za ohranjanje sadja in zelenjave
- 6) Regulacijske noge
- 7) Polica za steklenice
- 8) Police za vrata
- 9) Nosilec za jajca
- 10) Pladenj za led
- 11) Plastično strgalo za led *

* Pri nekaterih modelih

Splošne opombe:

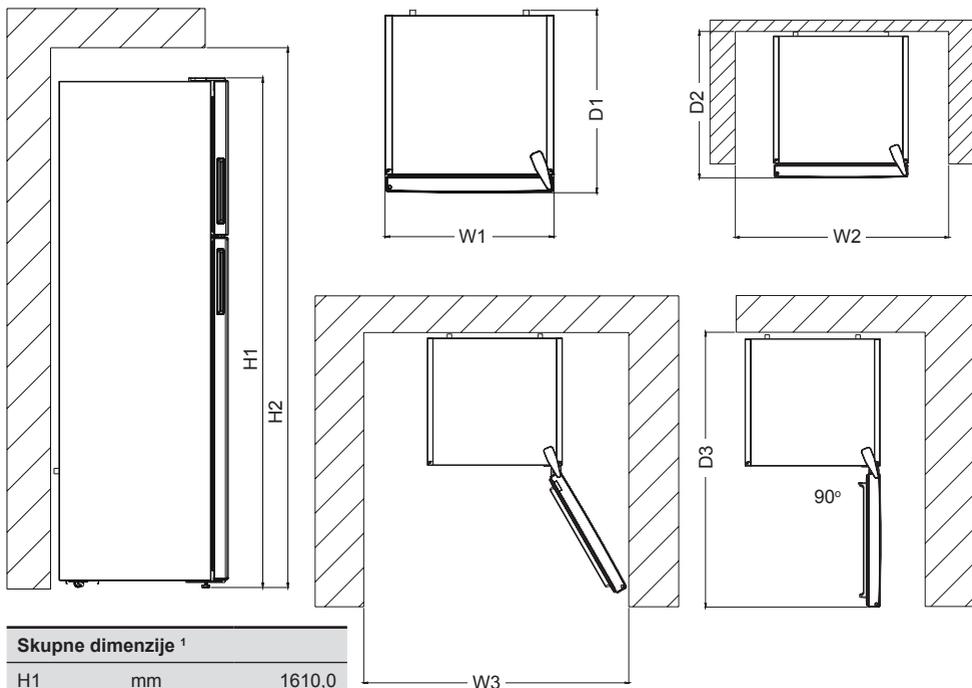
Predel za svežo hrano (hladilnik):

Najučinkovitejša poraba energije je zagotovljena v konfiguraciji s predali v spodnjem delu naprave in enakomerno razporejenimi policami, položaj košev na vratih ne vpliva na porabo energije.

Zamrzovalni predel (Zamrzovalnik):

Najbolj učinkovita poraba energije je zagotovljena v konfiguraciji s predali in koši v osnovnem položaju.

2.1 Dimenzije



Skupne dimenzije ¹		
H1	mm	1610,0
W1	mm	540,0
D1	mm	570,0

¹ višino, širino in globino aparata brez ročaja

Prostor, potreben pri uporabi ²		
H2	mm	1760,0
W2	mm	640,0
D2	mm	667,8

² višina, širina in globina naprave, vključno z ročajem, in prostor, potreben za prosto kroženje hladilnega zraka

Skupni prostor, potreben pri uporabi ³		
W3	mm	658,5
D3	mm	1106,5

³ višina, širina in globina naprave, vključno z ročajem, plus prostor, potreben za prosto kroženje hladilnega zraka, plus prostor, potreben za odpiranje vrat do najmanjšega kota, ki omogoča odstranitev vse notranje opreme

3 UPORABA NAPRAVE

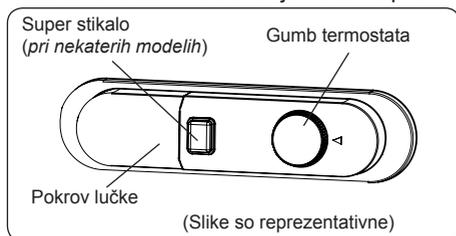
3.1 Informacije o tehnologiji Less Frost

Zahvaljujoč ovoju okoli izparilnika omogoča tehnologija Less Frost učinkovitejše hlajenje, manj ročnega odtajevanja in bolj prilagodljiv prostor za shranjevanje.

3.2 Nastavitev termostata

Termostat samodejno uravnava temperaturo v hladilnem in zamrzovalnem prostoru. Temperature hladilnika lahko dosežemo z vrtenjem gumba na večje število; 1 do 3, 1 do 5 ali SF (največje število na termostatu je odvisno od vašega izdelka.)

 **Pomembna opomba:** Ne poskušajte zavrteti gumba dlje od položaja 1, saj boste tako ustavili delovanje vaše naprave.



Nastavitve termostata:

1 – 2 : Za kratkotrajno shranjevanje živil

3 – 4 : Za dolgoročno shranjevanje živil

5 : Najvišji hladilni položaj. Naprava bo delovala dlje. Po potrebi spremenite nastavitve temperature.

Če ima naprava položaj SF:

- Obrnite gumb na SF, da svežo hrano hitro zamrznete. V tem položaju bo zamrzovalni del deloval pri nižjih temperaturah. Ko vaša hrana zmrzne, obrnite gumb termostata v običajni položaj. Če ne spremenite položaja SF, se naprava samodejno vrne v zadnji uporabljeni položaj termostata glede na čas, naveden v opombi. Vrnite stikalo termostata v položaj SF in ga vrnite v normalno uporabo v skladu s časom, navedenim v opombi. Če je stikalo termostata v položaju SF ob prvem

zagonu, se bo naprava samodejno vrnila v delovanje v položaj termostata-3 glede na čas, naveden v opombi.

Super zamrzovanje: To stikalo se uporablja kot stikalo za super freeze. Za največjo zmogljivost zamrzovanja vklopite to stikalo 24 ur pred vstavljanjem sveže hrane. Po tem, ko vstavite svežo hrano v zamrzovalnik, 24 ur v VKLOPLJENEM položaju običajno zadostuje. Po 24 urah, ko ste v zamrzovalnik vstavili svežo hrano, izklopite stikalo in tako varčujte z energijo.

Stikalo za zimo: Če je temperatura okolice nižja od 16 °C, to stikalo uporabljajte kot stikalo za zimo, ki vzdržuje nizko temperaturo vašega hladilnika nad 0 °C, zamrzovalnika pa pod -18 °C.

3.3 Opozorila za nastavitve temperature

- Hladilnik je zasnovan za delovanje v intervalih temperature okolja, ki so navedeni v standardih glede na razred podnebja, ki je naveden na etiketi s podatki. Ni priporočljivo, da hladilnik obratuje v okoljih, ki so izven navedenih temperaturnih razponov. To bo zmanjšalo učinkovitost hlajenja naprave.
- Prilagoditve temperature je treba izvesti glede na pogostost odpiranja vrat, količino hrane, ki se nahaja v napravi, in temperaturo okolice na lokaciji naprave.
- Ko je aparat prvič vklopljen, pustite, da deluje 24 ur, da doseže delovno temperaturo. V tem času ne odpirajte vrat in ne hranite velike količine hrane v notranjosti..
- Funkcija 5-minutne zakasnitve se uporablja za preprečevanje okvare kompresorja zamrzovalnika, ko ga izklopite in nato ponovno vklopite ali pa ko pride do izpada elektrike. Naprava začne normalno delovati po 5 minutah.

Klimatski razred in pomen

T (tropski): Hladilni aparat je namenjen za uporabo pri zunanjih temperaturah od 16 °C do 43 °C.

ST (subtropski): Hladilni aparat je namenjen za uporabo pri zunanjih

temperaturah od 16 ° C do 38 ° C.

N (zmerno): Hladilni aparat je namenjen za uporabo pri zunanjih temperaturah od 16 ° C do 32 ° C.

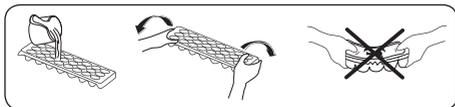
SN (razširjeno zmerno): Hladilni aparat je namenjen za uporabo pri zunanjih temperaturah od 10 ° C do 32 ° C.

3.4 Dodatki

Izgled in besedilni opisi v poglavju dodatkov se lahko razlikujejo glede na model vaše naprave.

3.4.1 Pladenj za led (pri nekaterih modelih)

- Napolnite pladenj za led z vodo in ga položite v predel zamrzovalnika.
- Ko se voda spremeni v led, lahko zavrtite pladenj, kot je prikazano spodaj, da odstranite ledene kocke.



3.4.2 Plastičnoredzilo (pri nekaterih modelih)

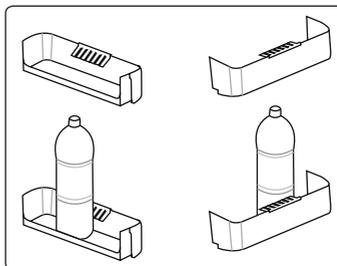
Čez nekaj časa na določenih območjih zamrzovalnika se bo pojavil mraz. Mraz, ki se nabira v predelu zamrzovalnika, je treba redno odstranjevati. Po potrebi uporabite priloženo plastično rezilo. Tega ne počnite z ostrimi kovinskimi predmeti. Lahko predrejo tokokrog hladilnika in povzročijo nepopravljivo škodo naprave.



3.4.3 Držalo za steklenico (pri nekaterih modelih)



Uporabite držalo za steklenice, da preprečite zdrs steklenic ali njihovo padanje.



Izgled in besedilni opisi v poglavju dodatkov se lahko razlikujejo glede na model vaše naprave.

4 SHRANJEVANJE HRANE

4.1 Predel hladilnikaČe

- želite zmanjšati vlažnost in posledično nabiranje ledu, v hladilnik nikoli ne postavljajte tekočin v nezaprthi posodah. Mraz se pogosto nabira na najhladnejših delih izparilnika in sčasoma bo vaša naprava zahtevala pogostejše odtajanje.
- Kuhane jedi morajo ostati pokrite, ko jih hranite v hladilniku. Ne postavljajte toplih živil v hladilnik. Postavite jih, ko so hladni, sicer se bo temperatura / vlažnost v hladilniku povečala in zmanjšala učinkovitost hladilnika.
- Prepričajte se, da noben predmet ni v neposrednem stiku z zadnjo steno naprave, saj se bo zmrzal in embalaža se bo zataknila. Ne odpirajte hladilnika prepogosto.
- Priporočamo, da meso in čiste ribe ohlapno zavijete in shranite na stekleno polico tik nad posodico za zelenjavo, kjer je zrak hladnejši, saj to zagotavlja najboljše pogoje za skladiščenje.
- Ohlapne predmete iz sadja in zelenjave hranite v zaprtih posodah.
- Ločeno shranjevanje sadja in zelenjave omogoča, da zelenjava, ki sprošča etilen (banane, breskve, marelice, fige itd.) ne vpliva na sadje, občutljivo na etilen (listnata zelena zelenjava, brokoli, korenček itd.).
- Mokre zelenjave ne postavljajte v hladilnik.
- Čas skladiščenja vseh živil je odvisen od začetne kakovosti živila in neprekinjenega hladilnega cikla pred shranjevanjem v hladilniku.
- Voda, ki uhaja iz mesa, lahko onesnaži druge izdelke v hladilniku. Pakirajte mesne izdelke in očistite morebitno puščanje na policah.
- Hrane ne postavljajte pred prehodom pretoka zraka.
- Zaužijte pakirano hrano pred priporočenim datumom izteka roka

uporabnosti.

Pazite, da hrana ne pride v stik s temperaturnim senzorjem, ki se nahaja v hladilnem predelu, da hladilnik ostane na optimalni temperaturi.

- V običajnih delovnih pogojih bo zadostovalo, če nastavite temperaturo vašega hladilnika na +4 °C.
- Temperatura predela hladilnika mora biti med 0 in 8 °C, sveža hrana pod 0 °C se zamrzne in zgrije, nastajanje bakterij se nad 8 °C poveča in pokvari hrano.
- Vroče hrane v hladilnik ne vstavljajte takoj, ampak počakajte, da se ohladi zunaj. Vroča hrana poviša temperaturo v hladilniku in povzroči nepotrebno pokvarjeno hrano.
- Meso, ribe ipd. shranjujte v hladilnem predalu, za zelenjavo priporočamo predal za zelenjavo (če je na voljo).
- Da ne bi prišlo do navzkrižne kontaminacije, ne shranjujte mesnih izdelkov skupaj s sadjem in zelenjavo.
- Hrano v hladilnik vstavljajte v zaprtih posodah ali pokrito, da preprečite razširjanje vlage in vonjav.

Spodnja tabela je hiter vodnik, ki vam prikazuje najučinkovitejši način shranjevanja večjih skupin hrane v vašem hladilnem prostoru.

Hrana	Najdaljši čas skladiščenja	Kako in kje shraniti
Zelenjava in sadje	1 teden	Košara za zelenjavo
Meso in ribe	2 – 3 dni	Zavijte v plastično folijo, vrečke ali v posodo za meso in shranite na stekleni polici
Sveži sir	3 – 4 dni	Na določeni polici vrat
Maslo in margarina	1 teden	Na določeni polici vrat
Steklenični izdelki npr. mleko in jogurt	Do izteka roka, ki ga priporoča proizvajalec	Na določeni polici vrat
Jajca	1 mesec	Na določeni polici za jajca

Hrana	Najdaljši čas skladiščenja	Kako in kje shraniti
Kuhana hrana	2 dneva	Vse police

OPOMBA:



Krompirja, čebule in česna ne hranite v hladilniku.

4.2 Predel zamrzovalnika

Zamrzovalnik se uporablja za shranjevanje zamrznjene hrane, zamrzovanje sveže hrane in izdelavo kock ledu.

- Hrano v tekoči obliki je treba zamrzniti v plastičnih skodelicah, druga živila pa v plastičnih folijah ali vrečkah. Za zamrzovanje sveže hrane; pravilno zavijte in zatesnite svežo hrano, to pomeni, da mora biti embalaža zrakotesna in ne sme puščati. Najprimernejše so posebne vrečke za zamrzovanje, aluminijasta folija, polietilenske vrečke in plastične posode.
- Ne shranjujte sveže hrane poleg zamrznjene hrane, saj lahko zamrznjeno hrano odmrzne.
- Pred zamrznitvijo sveže hrane jo razdelite na dele, ki jih lahko zaužijete v enem sedenju.
- Zaužijte odmrznjeno hrano v kratkem času po odmrzovanju
- Pri shranjevanju zamrznjene hrane vedno upoštevajte navodila proizvajalca na embalaži za živila. Če informacije niso navedene, živil ne hranite več kot 3 mesece od datuma nakupa.
- Ko kupujete zamrznjeno hrano, preverite, da je bila zamrznjena v ustreznih pogojih in da embalaža ni strgana.
- Zamrznjeno hrano je treba čim prej prevažati v ustreznih zabojnikih in dati v zamrzovalnik.
- Ne kupujte zamrznjene hrane, če embalaža kaže znake vlažnosti in nenavadno otekanje. Verjetno je bilo shranjeno pri neprimerni temperaturi in da se je vsebina poslabšala.
- Rok trajanja zamrznjenih živil je odvisen od temperature v prostoru, nastavitve

termostata, pogostosti odpiranja vrat zamrzovalnika, vrste živil in časa, ki je potreben za prevoz izdelkov od trgovine do vašega doma. Vedno upoštevajte navodila, natisnjena na embalaži, in nikoli ne uporabljajte izdelka po poteku navedenega roka trajanja.

- Če je bila vrata zamrzovalnika dlje časa odprta ali ni bila pravilno zaprta, bo nastala zmrzal, ki lahko prepreči učinkovito kroženje zraka. Da bi to rešili, izključite zamrzovalnik in počakajte, da se odtali. Ko zamrzovalnik popolnoma odtali, ga očistite.
- Prostornina zamrzovalnika, navedena na etiketi, je prostornina brez košar, pokrovov itd.
- Odmrznjene hrane ne zamrzujte. To je lahko nevarno za vaše zdravje, saj lahko povzroči težave, kot je zastupitev s hrano.

OPOMBA: Če poskusite odpreti vrata zamrzovalnika takoj, ko jih zaprete, boste ugotovili, da se ne bodo zlahka odprla. To je navadno. Ko je ravnotežje doseženo, se bodo vrata enostavno odprla.



Spodnja tabela je hiter vodič, ki vam pokaže najučinkovitejši način shranjevanja glavnih skupin živil v vašem zamrzovalnem predelu.

Meso in ribe	Priprava	Najdaljši čas skladiščenja (mesece)
Zrezek	Zavit v folijo	6 - 8
Meso jagnjetine	Zavit v folijo	6 - 8
Telečja pečenka	Zavit v folijo	6 - 8
Telečje kocke	V majhnih kosih	6 - 8
Jagnječje kocke	V kosih	4-8
Mleto meso	V embalažah brez uporabe začimb	1-3
Drobovina (koščki)	V kosih	1-3
Bolonjska klobasa / salama	Pakirati ga je treba tudi, če ima membrano	
Piščanec in puran	Zavit v folijo	4-6
Goska in raca	Zavit v folijo	4-6
Jelen, zajec, divja svinja	V 2,5 kg porcijah ali v obliki filetov	6 - 8
Sladkovodne ribe (losos, krap, ščuka, som)		2
Pusta riba (morski brancin, robec, morski list)	Po čiščenju črevesja in lusk ribe operemo in osušimo. Po potrebi odstranite rep in glavo.	4
Mastne ribe (Tuna, Skuša, Modra riba, sardel)		2-4
Školjke	Čiste in v vrečki	4-6
Kaviar	V lastni embalaži ali v aluminijasti ali plastični posodi	2 - 3
Polži	V slani vodi ali v aluminijasti ali plastični posodi	3

 **OPOMBA:** Zamrznjeno meso je treba po odtajanju skuhati kot sveže meso. Če meso po odmrzovanju ni kuhano, ga ne smemo ponovno zamrzniti.

Zelenjava in sadje	Priprava	Najdaljši čas skladiščenja (mesece)
Stročji fižol in fižol	Operite, narežite na majhne koščke in zavrite v vodi	10-13
Fižol	Oluščimo in operemo ter zavremo v vodi	12
Zelje	Operemo in zavremo v vodi	6 - 8
Korenček	Očistite, narežite na rezine in zavrite v vodi	12
Paprika	Steblo narežemo na dva kosa, odstranimo sredico in zavremo v vodi	8-10
Špinača	Operite in zavrete v vodi	6 - 9
Cvetača	Odstranite liste, prerežite sredico na koščke in jih nekaj časa pustite v vodi, kateri ste dodali malo limoninega soka	10-12
Jajčevец	Narezan na 2 cm kose, potem ko smo ga sprali	10-12
Koruza	Operemo in pakiramo s stebлом ali kot sladko koruzo	12
Jabolka in hruške	Olpimo in narežemo	8-10

Zelenjava in sadje	Priprava	Najdaljši čas skladiščenja (meseči)
Marelice in breskve	Razrežemo na dva dela in odstranimo sredico	4–6
Jagode in robide	Operemo in oluščimo	8–12

Zelenjava in sadje	Priprava	Najdaljši čas skladiščenja (meseči)
Kuhano sadje	V posodo dodajte 10% sladkorja	12
Slive, češnje, višnje	Operemo in odstranimo peclje	8–12

	Najdaljši čas shranjevanja (meseči)	Čas odtaljevanja pri sobni temperaturi (ure)	Čas odtaljevanja v pečici (minute)
Kruh	4–6	2 - 3	4–5 (220–225 °C)
Keksi	3–6	1–1,5	5-8 (190-200 °C)
Fino pecivo	1–3	2 - 3	5–10 (200–225 °C)
Pita	1–1,5	3–4	5-8 (190-200 °C)
Listnato testo	2 - 3	1–1,5	5-8 (190-200 °C)
Pica	2 - 3	2–4	15-20 (200 °C)

Mlečni izdelki	Priprava	Najdaljši čas shranjevanja (meseči)	Pogoji skladiščenja
Pakirano (homogenizirano) mleko	V lastni embalaži	2 - 3	Čisto mleko – v lastni embalaži
Sir – razen belega sira	V rezinah	6 - 8	Za kratkotrajno skladiščenje se lahko uporabi originalna embalaža. Zavijte v folijo za daljše obdobje.
Maslo, margarina	V lastni embalaži	6	

5 ČIŠČENJE IN VZDRŽEVANJE

 Pred čiščenjem napravo izključite iz električnega omrežja.

 Naprave ne perite tako, da nanjo nalijete vodo.

 Za čiščenje naprave ne uporabljajte abrazivnih izdelkov, detergentov ali mil. Po čiščenju, sperite z vodo in previdno posušite. Ko končate s čiščenjem, priključite vtič v električno omrežje s suhimi rokami.

- Prepričajte se, da v ohišje svetilke in druge električne komponente ne vstopa voda.
- Napravo je treba redno čistiti z raztopino sode bikarbone in mlačne vode.
- Ročno očistite dodatno opremo z milom in vodo. Ne perite dodatkov v pomivalnem stroju.

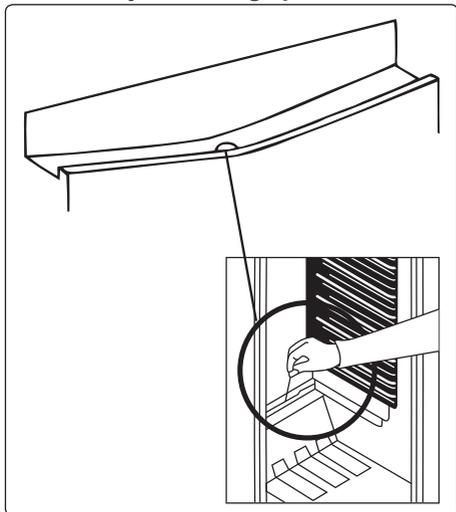
- Kondenzator očistite s čopičem vsaj dvakrat letno. Tako boste prihranili pri stroških energije in povečali produktivnost.



 **Med čiščenjem morate izključiti napajanje.**

5.1 Odtaljevanje

Odmrzovanje hladilnega prostora



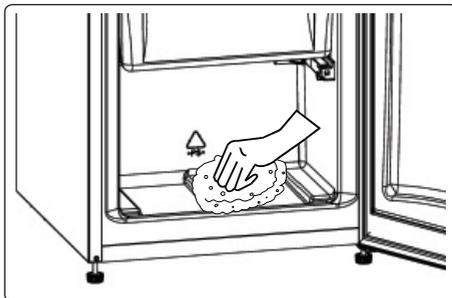
- Med delovanjem se v hladilniku samodejno zgodi odmrzovanje. Vodo zbira pladenj za izhlapevanje in samodejno izhlapi.
- Pladenj za izhlapevanje in odtočno odprtino za vodo je treba redno čistiti s čepom za odmrzovanje, da se prepreči zbiranje vode na dnu hladilnika, namesto da bi stekla ven.
- Odtočno luknjo lahko očistite tudi tako, da ji nalijete pol kozarca vode.

Postopek odmrzovanja zamrzovalnika

- V notranjosti zamrzovalnika se naberejo majhne količine zmrzali, njihova količina pa je odvisna od tega, kako dolgo so vrata zamrzovalnika odprta ali od količine vlage. Bistvenega pomena je, da ne dovolite nabiranja zmrzali ali ledu na mestih, kjer lahko to vpliva na tesnjenje vrat. Na ta način lahko zrak prodre v notranjost ter pospeši neprekinjeno delovanje kompresorja. Tanek sloj zmrzali je precej mehak in se lahko odstrani s krtačko ali plastičnim strgalom. Ne uporabljajte kovinskih ali ostrih strgal, mehanskih naprav ali drugih pripomočkov za pospeševanje postopka odtaljevanja. Odstranite vso zmrzali, ki se je nabrala

na dnu zamrzovalnika. Če želite odstraniti tanko zmrzal, morate izklopiti napravo.

- Če želite odstraniti debele kose ledu, izklopite napravo iz napajanja in izpraznite njeno vsebino v kartonske škatle ter te zavijte v debele odeje ali plasti papirja, da ostane hrana mrzla. Odtaljevanje je najučinkovitejše, če ga izvedete pri skoraj praznem zamrzovalniku, prav tako pa ga je treba izvesti čim hitreje, da preprečite segrevanje izdelkov.
- Ne uporabljajte kovinskih ali ostrih strgal, mehanskih naprav ali drugih pripomočkov za pospeševanje postopka odtaljevanja. Povečana temperatura zamrznjenih živil med postopkom odtaljevanja bo skrajšala rok trajanja živil. Med odtaljevanjem naj bo vsebina dobro zavita in hladna.



- Obrišite notranjost z gobico ali čisto krpo.
- V predel zamrzovalnika postavite eno ali več posod s toplo vodo, da pospešite postopek odtaljevanja.
- Med polaganjem izdelkov nazaj v zamrzovalnik dobro preglejte embalaže. Če je katera embalaža odtaljena, hrano v tej embalaži zaužijte v roku 24 ur ali pa jo skuhajte in nato ponovno zamrznite.
- Ko je postopek odtaljevanja zaključen, očistite notranjost naprave z raztopino tople vode in majhno količino sode bikarbone in jo nato dobro posušite. Na isti način očistite vse odstranljive dele in jih ponovno namestite. Napravo ponovno priključite na električno omrežje in pustite 2 do 3 ure, nastavite številko MAX, preden vstavite hrano nazaj v zamrzovalnik.

Zamenjava LED osvetlitve

če želite zamenjati katero koli LED, se obrnite na najbližji pooblaščen servisni center.

 **Opomba:** Število in mesto LED-trakov se lahko razlikuje glede na model.

6 PREVAŽANJE IN SPREMINJANJE POZICIJE

6.1 Prevoz in spreminjanje pozicije

- Originalno embalažo in peno lahko hranite za ponovni prevoz (neobvezno).
- Napravo pritrdite z debelo embalažo, trakovi ali močnimi vrvicami in sledite navodilom za transport na embalaži.
- Odstranite vse premične dele ali jih pritrdite na aparat pred udarci z uporabo trakov pri premeščanju ali transportu.

 Napravo vedno nosite v pokončnem položaju.

6.2 Premestitev vrat

- Smer odpiranja vrat vaše naprave ni mogoče spremeniti, če so ročaji vrat nameščeni na sprednji površini vrat naprave.
- Smer odpiranja vrat je mogoče spremeniti pri modelih brez ročajev.
- Če lahko smer odpiranja vrat naprave spremenite, se obrnite na najbližji pooblaščen servisni center, da spremenite smer odpiranja.

7 PREDEN POKLIČETE POPRODAJNEGA SERVISERJA

Če imate težave z **aparatom**, preverite naslednje, preden se obrnete na servisno službo.

Vaša naprava ne deluje

Preverite, ali:

- Obstaja električno napajanje
- Ste vtič pravilno vključili v vtičnico
- Pregorela je vtična ali omrežna varovalka
- Vtičnica je pokvarjena. Če želite to preveriti, v isto vtičnico priključite drug delujoč aparat.

Naprava slabo deluje

Preverite, ali:

- je naprava preobremenjena
- Vrata naprave so pravilno zaprta
- Na kondenzatorju je prah
- Je prostora dovolj blizu zadnje in stranske stene.

Vaša naprava deluje hrupno

Običajni zvoki

Pojavi se razpokan zvok:

- Med samodejnim odtaljevanjem
- Ko se naprava ohladi ali segreje (zaradi širitve materiala naprave).

Kratek hrup pokanja se pojavi: Ko termostat vklopi/izklopi kompresor.

Hrup motorja: Ta hrup pomeni, da kompresor navadno deluje. Ko se kompresor prvič zažene, lahko kratek čas deluje glasneje.

Zvok žuborenja in brbotanja: Ko hladilna tekočina teče skozi cevi sistema.

Pojavi se hrup vode, ki teče: Zaradi vode, ki teče v posodo za izhlapevanje. Med odtaljevanjem je ta hrup običajen.

Pojavi se hrup pihanja zraka: Pri nekaterih modelih med normalnim delovanjem sistema zaradi kroženja zraka.

Robovi aparatav stiku z vratnim spojem so topli

Zlasti poleti (tople letne čase) se lahko med

delovanjem kompresorja površine, ki so v stiku z vratnim sklepom, segrejejo, to je normalno.

V napravi se kopiči vlaga

Preverite, ali:

- Vsa hrana je pakirana pravilno. Posode morajo biti suhe, preden jih postavite v **hladilnik**.
- Vrata **hladilnika** se pogosto odpirajo. Vlaga prostora vstopi v **hladilnik**, ko se vrata odprejo. Vlaga se hitreje poveča, če se vrata pogosteje odpirajo, še posebej, če je vlaga v prostoru velika.

Vrata se ne odpirajo ali zapirajo pravilno

Preverite, ali:

- Obstaja hrana ali embalaža, ki preprečujeta, da bi se vrata zaprla
- Zglobi vrat so zlomljeni ali raztrgani
- Vaša **naprava** je na ravni površini.

Priporočila

- Če je aparat izklopljen ali izključen iz električnega omrežja, počakajte vsaj 5 minut, preden vključite aparat ali ga znova zaženite, da preprečite poškodbe kompresorja.
- Če dlje časa ne boste uporabljali vašega hladilnika (npr. poletne počitnice), ga izklopite iz napajanja. Očistite hladilnik v skladu s poglavjem čiščenja in pustite vrata odprta, da preprečite vlago in vonj.
- Če ste upoštevali vsa zgornja navodila in težava ni odpravljena, se obrnite na najbližji pooblaščen servis.
- Nakupljeni aparat je zasnovan samo za domačo uporabo. Ni primerna za poslovno ali skupno uporabo. Če potrošnik uporablja aparat na način, ki temu ni v skladu, poudarjamo, da proizvajalec in prodajalec v garancijskem roku ne bosta odgovorna za morebitna popravila in okvare.

8 NASVETI ZA VARČEVANJE Z ENERGIJO

1. Napravo namestite v hladnem, dobro prezračenem prostoru, vendar ne na neposredni sončni svetlobi in ne v bližini vira toplote (na primer radiatorja ali pečice), sicer je treba uporabiti izolacijsko ploščo.
2. Pustite, da se topla hrana in pijače ohladijo, preden jih postavite v aparat.
3. Če je na voljo, hrano za odmrzovanje postavite v predel hladilnika. Nizka temperatura zamrznjene hrane bo pomagala ohladiti predel hladilnika, medtem ko se hrana odtaja. Tako boste prihranili energijo. Zamrznjena hrana, ki jo pustite odtajati zunaj naprave, bo povzročila izgubo energije.
4. Pijače ali druge tekočine naj bodo pokrite v napravi. Če pustimo nepokrito, se bo vlažnost v napravi povečala, zato naprava porabi več energije. Pokrite pijače in druge tekočine ohranijo svoj vonj in okus dlje.
5. Izogibajte se daljšemu ali prepogostemu odpiranju vrat, saj lahko topel zrak vstopi v notranjost in povzroči nepotrebno pogosto vkapljanje kompresorja.
6. Vse pokrove za različne temperaturne predele imejte zaprte (predal svežega sadja in zelenjave, hladilni predel itd.).
7. Tesnilo na vratih mora biti čisto in prožno. V primeru obrabe zamenjajte tesnilo.

9 TEHNIČNI PODATKI

Tehnični podatki se nahajajo na tipski ploščici na notranji strani naprave in na energijski nalepki.

QR koda na energijski nalepki, ki je priložena napravi, vsebuje spletno povezavo do informacij, povezanih z delovanjem naprave v podatkovni bazi EU EPREL.

Hranite energijsko nalepko za referenco skupaj z uporabniškim priročnikom in vsemi drugimi dokumenti, ki so priloženi tej napravi.

Enake podatke je mogoče najti tudi v EPREL s povezavo na spletno stran <https://eprel.ec.europa.eu> ter ime modela in številko izdelka, ki ga najdete na tipski ploščici naprave.

Za podrobne informacije o energijski nalepki glejte povezavo www.theenergylabel.eu.

10 INFORMACIJE ZA PRESKUSNE INSTITUTE

Namestitev in priprava naprave za vsako EcoDesign preverjanje mora biti v skladu z EN 62552. Zahteve za prezračevanje, mere vdolbine in najmanjši odmiki zadaj morajo biti, kot so navedene v tem Uporabniškem priročniku v NODAŁA 2. Za vse dodatne informacije, vključno z načrti za nakladanje, se obrnite na proizvajalca.

11 SKRB ZA STRANKE IN STORITVE

Uporabljajte samo originalne nadomestne dele.

Ko se obrnete na naš pooblaščen servisni center, preverite, ali imate na voljo naslednje podatke: Model, PNC, Serijsko Številko.

Oznako z oceno najdete v območju hladilnika na levi spodnji strani..

Izvorni nadomestni deli za nekatere posebne sestavne dele so na voljo najmanj 7 ali 10 let, odvisno od vrste sestavnega dela, od dajanja zadnje enote modela na trg.

Obiščite našo spletno stran, če:
<https://www.voxelectronics.com>



MKD

KG2800F

УПАТСТВА ЗА РАКУВАЊЕ ЛАДИЛНИК - ЗАМРЗОВАЛНИК

EAC

Ви благодариме што го одбравте овој производ.

Ова упатство за употреба содржи важни информации за безбедноста и упатства наменети да ви помогнат при работата и одржувањето на овој апарат.

Ве молиме одвојте време да го прочитате ова упатство за употреба пред да го користите вашиот апарат и да го чувате за идна употреба.

Икона	Вид	Значење
	ПРЕДУПРЕДУВАЊЕ	Сериозна повреда или ризик од смрт
	РИЗИК ОД СТРУЕН УДАР	Ризик од опасен напон
	ПОЖАР	Предупредување; Опасност од пожар/запаливи материјали
	ВНИМАНИЕ	Ризик од повреда или оштета на имот
	ВАЖНО	Правилно работење со системот

СОДРЖИНА

1 БЕЗБЕДНОСНИ УПАТСТВА	92
1.1 Општи безбедносни предупредувања.....	92
1.2 Предупредувања за монтирање.....	96
1.3 При користење.....	97
2 ОПИС НА АПАРАТОТ	98
2.1 Димензии	99
3 УПОТРЕБА НА АПАРАТОТ	100
3.1 Информации за технологија Less Frost	100
3.2 Поставување на термостатот.....	100
3.3 Предупредувања за поставки за температурата	100
3.4 Додатоци	101
3.4.1 Сад за мраз (Кај одредени модели)	101
3.4.2 Пластична гребалка (Кај одредени модели).....	101
3.4.3 Држач за шишиња (Кај одредени модели).....	101
4 ЧУВАЊЕ НА ХРАНА	102
4.1 Преграда за ладење.....	102
4.2 Преграда за замрзнување.....	103
5 ЧИСТЕЊЕ И ОДРЖУВАЊЕ	106
5.1 Одмрзнување	106
6 ТРАНСПОРТ И ПРЕМЕСТУВАЊЕ	108
6.1 Транспорт и менување позиција.....	108
6.2 Менување на положбата на вратата	108
7 ПРЕД ДА ПОВИКАТЕ СЕРВИСЕР	108
8 СОВЕТИ ЗА ЗАЧУВУВАЊЕ ЕЛ. ЕНЕРГИЈА.....	110
9 ТЕХНИЧКИ ПОДАТОЦИ.....	110
10 ИНФОРМАЦИИ ЗА ИНСТИТУТИ ЗА ТЕСТИРАЊЕ.....	111
11 ГРИЖА ЗА КОРИСНИЦИ И СЕРВИС	111

1 БЕЗБЕДНОСНИ УПАТСТВА

1.1 Општи безбедносни предупредувања

Внимателно прочитајте го упатството за употреба.

⚠ ПРЕДУПРЕДУВАЊЕ: Одржувајте ги отворите за вентилација во апаратот или во вградениот елемент чисти и без препреки.

⚠ ПРЕДУПРЕДУВАЊЕ: Не користете механички уреди или други средства за да го забрзате процесот на одмрзнување освен оние што ги препорачува производителот.

⚠ ПРЕДУПРЕДУВАЊЕ: Не користете електрични апарати во преградите за чување храна, освен ако тие не се препорачани од производителот.

⚠ ПРЕДУПРЕДУВАЊЕ: Не оштетувајте го колото за ладење.

⚠ ПРЕДУПРЕДУВАЊЕ: Кога го позиционирате апаратот, гледајте кабелот за струја да не биде заглавен или оштетен.

⚠ ПРЕДУПРЕДУВАЊЕ: Немојте да поставувате повеќе продолжни кабли или утикачи на задниот дел од апаратот.

⚠ ПРЕДУПРЕДУВАЊЕ: Апаратот мора да се фиксира согласно упатствата за да се избегне ризикот да биде нестабилен.

⚠ Ако апаратот користи R600a како средство за ладење (овие информации се наведени на

етикетата на ладилникот), тогаш треба да внимавате при транспорт и монтажа за да спречите оштетување на елементите од ладилникот. R600a не е штетен за животната средина и е природен гас, но е експлозивен. Во случај на протекување заради оштетување на елементите во системот за ладење, преместете го подалеку од извори на отворен оган и топлина и проветрете ја просторијата каде што е сместен неколку минути.

- Не оштетувајте го системот со средството за ладење при транспорт и поставување на ладилникот.
- Не чувајте експлозивни материи како што се лименки со аеросоли со запаливо гориво во овој апарат.
- Овој производ е наменет да се користи во домаќинства и слични примени како што се:
 - кујнски простории во дуќани, канцеларии и други работни средини.
 - фарми и од страна на гости во хотели, мотели и други места наменети за престој.
 - објекти наменети за преноќување со појадок;
 - подготовка и испорака на храна и слични други некомерцијални примени.
- Ако штекерот не одговара на приклучокот на ладилникот производителот, сервисерот или соодветно квалификувано лице мора да го смени за да се избегнат ризични состојби.

- Кабелот за напојување на ладилникот има специјално заземјен приклучок на него. Овој приклучок треба да се користи со специјално заземјен штекер рангиран на 16 ампери. Ако таков штекер нема во куќата, повикајте квалификуван електричар да го монтира.
- Овој производ може да го употребуваат деца постари од 8 години и лица со намалени физички, сензорни или ментални способности или без искуство и познавање доколку се под надзор или им се даваат упатства за безбедна употреба на производот и ги разбираат опасностите што доаѓаат. Децата не смее да си играат со апаратот. Уредот не смеат да го чистат и одржуваат деца без надзор.
- Деца на возраст од 3 до 8 години можат да ги полнат и празнат уредите за ладење. Не се очекува деца да го чистат или да го одржуваат апаратот, не се очекува многу мали деца (0-3 години) да ги користат уредите, не се очекува мали деца (3-8 години) да ги користат безбедно уредите доколку не се под постојана контрола, повозрасни деца (8-14 години) и лица со посебни потреби можат да ги користат уредите безбедно по соодветна контрола или насоки за користење на апаратот. Не се очекува лицата со поголеми посебни потреби да ги користат безбедно уредите без континуирана контрола.

- Ако кабелот за напојување е оштетен, производителот, сервисерот или соодветно квалификувано лице мора да го смени за да се избегнат опасности.
- Овој уред не е наменет за употреба на надморска височина повисока од 2000 m.

За да се избегне загадување на храна, ве молиме придржувајте се до следните упатства:

- Отворање на вратата подолго време може да предизвика значително зголемување на температурата во преградите на апаратот.
- Редовно чистете ги површините што можат да дојдат во контакт со храна и достапните системи за одвод
- Чувајте го сировото месо и риба во соодветните садови во ладилникот, со што нема да бидат во контакт или да прокапуваат врз друга храна.
- Деловите за замрзната храна означена со две ѕвездички се соодветни за чување претходно замрзната храна или за правење сладолед или коцки мраз.
- Деловите со една, две и три ѕвездички не се соодветни за замрзнување свежа храна.
- Ако ладилникот е оставен подолго време, исклучете го, одмрзнете го, исчистете го, избришете со сува крпа и оставете ја вратата отворена за да спречите појава на мувла во апаратот.

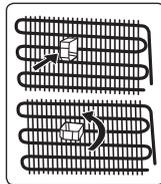
1.2 Предупредувања за монтирање

Пред да го користите ладилникот - замрзнувач прв пат, внимателно погледнете ги следниве работи:

- Работниот напон на ладилникот - замрзнувач е 220-240 V при 50 Hz.
- Приклучокот мора да биде достапен по поставувањето.
- Ладилникот - замрзнувач може да има миризба кога ќе го вклучите за првпат. Ова е вообичаено и миризбата може да изветрее кога ладилникот - замрзнувач ќе почне да лади.
- Пред да го поврзете ладилникот - замрзнувач, проверете дали информациите на плочката со податоци (напон и поврзано напојување) одговараат со главното напојување за струја. Ако се сомневате, консултирајте се со квалификуван електричар.
- Вметнете го приклучокот во штекер со соодветно заземјување. Ако штекерот нема заземјување или приклучокот не соодветствува, ви препорачуваме да повикате овластен електричар за помош.
- Апаратот мора да биде поврзан со правилно поставен штекер со осигурувач. Напојувањето (AC) и напонот на работното место мора да соодветствуваат со деталите посочени на плочката со номинални вредности на апаратот (плочката со номиналните вредности е сместена внатре одлево на апаратот).
- Не прифаќајте одговорност за штетите настанати заради употреба без заземјување.
- Ставете го ладилникот - замрзнувач на место каде што нема да биде изложен на директна сончева светлина.
- Ладилникот - замрзнувач никогаш не смее да се користи на отворено или да се остава на дожд.
- Производот треба да биде оддалечен најмалку 50 cm од шпорети, рерни на гас и грејни тела и најмалку 5 cm од

електрични рерни.

- Кога го ставате ладилникот - замрзнувач непосредно до уред за длабоко замрзнување, треба да има барем 2 cm помеѓу нив за да се спречи влага на надворешната површина.
- Не покривајте го куќиштето на ладилникот - замрзнувач со тантела или не ставајте тантела врз него. Ова ќе влијае на работата на ладилникот - замрзнувач.
- Потребно е да има чист простор без пречки од најмалку 150 mm над вашиот апарат. Не ставајте ништо над вашиот апарат.
- Не ставајте тешки предмети врз производот.
- Темелно исчистете го апаратот пред да го користите (видете Чистење и одржување).
- Пред да го користите ладилникот - замрзнувач, избришете ги сите делови со раствор со топла вода во којашто ќе додадете една лажичка сода бикарбона. Потоа исплакнете ги со чиста вода и исушете ги. По чистењето вратете ги сите делови на ладилникот - замрзнувач.
- Употребете ги прилагодливите предни ногарки за да се порамни производот и да стои стабилно. Може да ги прилагодувате ногарките вртејќи ги во која било насока. Ова треба да го направите пред да ставите храна во ладилникот.
- Поставете ги двата пластични разделници (делот со црни лопатки - кондензатор - одзади) вртејќи го за 90° (како што е прикажано на сликата) за да спречите кондензаторот да го допира сидот.
- Растојанието меѓу уредот и сидот одзади мора да биде максимум 75 mm.



1.3 При користење

- Не поврзувајте го ладилникот-замрзнувачот за главното напојување со струја со помош на продолжен кабел.
- Не приклучувајте во оштетени, изабени или стари штекери.
- Не влечете, виткајте и не оштетувајте го кабелот.
- Не употребувајте продолжеток-адаптер.
- Овој апарат е дизајниран за употреба од страна на возрасни лица. Не дозволувајте деца да си играат со апаратот или да се качуваат на вратата.
- Никогаш не допирајте го кабелот за напојување / штекерот со влажни раце. Ова може да предизвика краток спој или електричен удар.
- Не ставајте стаклени шишиња или конзерви во преградата за правење мраз бидејќи може да прснат како што замрзнуваат содржините.
- Не ставајте експлозивен или запалив материјал во ладилникот. Пијалациите со голема содржина на алкохол ставете ги вертикално во преградата на ладилникот и погрижете се да бидат добро затворени.
- Кога отстранувате мраз од преградата за правење мраз, не допирајте го мразот. Мразот може да предизвика повреди и/или исеченици.
- Не допирајте ја замрзнатата храна со мокри раце. Не јадејте сладолед или коцки мраз веднаш откако ќе ги извадите од преградата за правење мраз.
- Не замрзнувајте повторно веќе одмрзната храна. Може да си наштетите на здравјето со труење од храна.

Стари и расипани ладилници

- Ако стариот ладилник или замрзнувач има брава, скршете ја или извадете ја пред да го фрлите бидејќи децата

може да се заглават внатре и да се предизвика несреќа.

- Старите ладилници и замрзнувачи содржат материјал за изолација и средство за ладење со CFC. Затоа, внимавајте да не и наштетите животната средина кога ги фрлате старите ладилници.

СЕ Декларација за сообразност

Изјавуваме дека нашите производи ги исполнуваат важечките европски директиви, одлуки и прописи и барањата наведени во наведените стандарди.

Одлагање на стариот апарат

Симболот на производот или на амбалажата посочува дека овој производ може да не се третира како куќен отпад. Наместо тоа, ќе биде предаден во соодветното собирно место за рециклирање на електрична и електронска опрема. Со правилно одлагање на овој производ ќе помогнете во спречување на потенцијални негативни последици по животната средина и здравјето на луѓето, кои во спротивно би можеле да настанат поради несоодветно ракување со отпадот од овој производ. За подетални информации околу рециклирањето на овој производ обратете се во локалната градска канцеларија, службата за изнесување отпад од домаќинства или во продавницата каде што сте го набавиле производот.



Амбалажа и животна средина

Амбалажните материјали ја штитат машината од оштети кои може да настанат при транспорт. Амбалажните материјали се еколошки прифатливи, бидејќи може да се рециклираат. Употребата на рециклиран материјал ја намалува потрошувачката на сировини, а со тоа се намалува и производството на отпад.



Забелешки:

- Внимателно прочитајте го упатството за работа пред да го поставите и користите производот. Не одговараме за штети настанати заради погрешна употреба.
- Следете ги упатствата за апаратот и упатството за работа и чувајте го истото на безбедно место за да ги решите проблемите што може да се појават во иднина.
- Овој производ е произведен да се користи во домашни услови и може единствено да се користи во домашни услови и за специфични намени. Не е наменет за комерцијална или заедничка употреба. Таквата употреба ја отфрла гаранцијата и нашата компанија нема да биде одговорна за причинетите загуби.
- Овој апарат е произведен да се користи во домашни услови и е соодветен за ладење / чување храна. Не е соодветен за комерцијална или заедничка употреба и/или за чување разни предмети освен храна. Нашата компанија не сноси одговорност за каква било оштета предизвикана од несоодветна употреба на апаратот.

Општи забелешки:

Преграда за свежа храна (Ладилник):

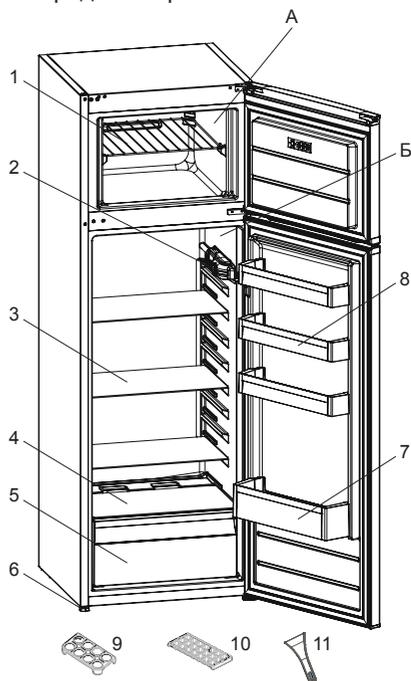
Најефикасна искористеност на енергија се обезбедува доколку фиоките во долниот дел од уредот и полиците се рамномерно распределени, тогаш позицијата на корпите на вратата не влијае на потрошувачката на енергија.

Преграда за замрзнување

(Замрзнувач): Најефикасна искористеност на енергија се обезбедува доколку фиоките и корпите се поставени во положба за складирање.

2 ОПИС НА АПАРАТОТ

Овој уред не е наменет да се користи како вграден апарат.



 Оваа презентација е само за информирање околу деловите на апаратот. Деловите може да се разликуваат во зависност од моделот на апаратот.

А) Оддел на замрзнувачот

Б) Оддел на ладилникот

1) Полица во замрзнувачот

2) Кутија на термостат

3) Полицы на ладилник

4) Капак на комора за свежа храна

5) Комора за свежа храна

6) Ногарка за порамнување

7) Полица за шишиња

8) Полицы на вратата

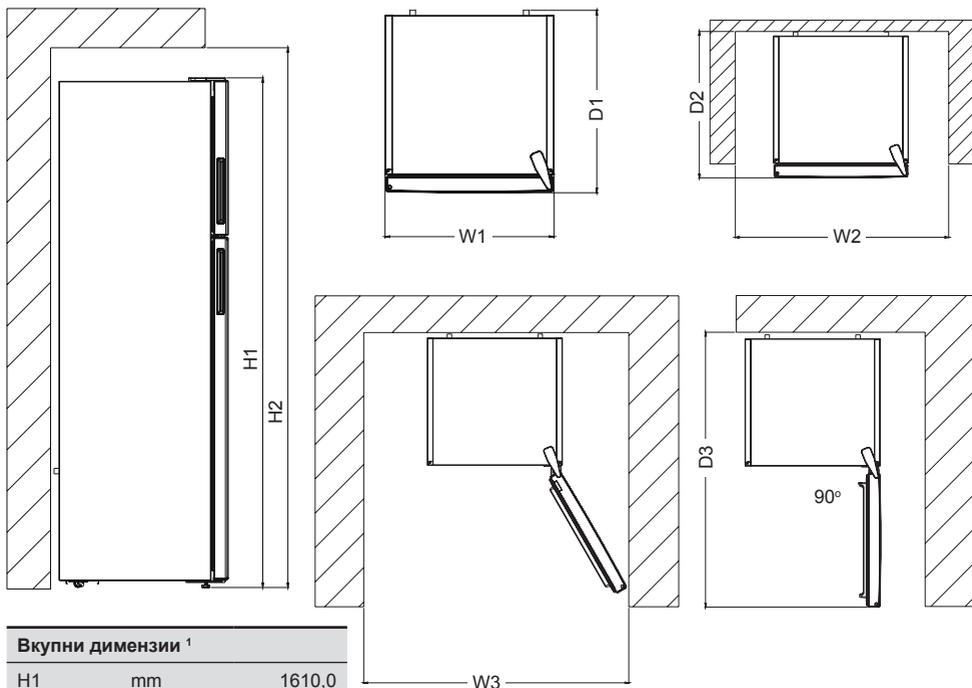
9) Држач за јајца

10) Кутија за мраз

11) Пластична гребалка за мраз *

* Кај одредени модели

2.1 Димензии



Вкупни димензии ¹		
H1	mm	1610,0
W1	mm	540,0
D1	mm	570,0

¹ висината, ширината и длабочината на апаратот без рачката.

Простор потребен за употреба ²		
H2	mm	1760,0
W2	mm	640,0
D2	mm	667,8

² висината, ширината и длабочината на апаратот вклучувајќи ја и рачката, плус просторот неопходен за слободна циркулација на воздухот за ладење.

Вкупен простор потребен за употреба ³		
W3	mm	658,5
D3	mm	1106,5

³ висината, ширината и длабочината на апаратот вклучувајќи ја и рачката, плус просторот неопходен за слободна циркулација на воздухот за ладење, плус просторот потребен за да се овозможи отворање на вратата под минималниот агол што дозволува отстранување на целата внатрешна опрема.

3 УПОТРЕБА НА АПАРАТОТ

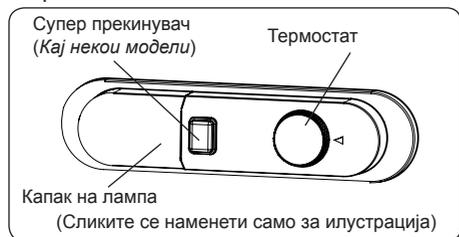
3.1 Информации за технологија Less Frost

Благодарение на облогата околу испарувачот, технологијата Less Frost нуди поефикасно разладување, помала потреба за рачно отстранување мраз и пофлексибилен простор за складирање.

3.2 Поставување на термостатот

Термостатот ја регулира автоматски внатрешната температура во преградите за ладење и замрзнување. Температурата во ладилникот може да се постави со вртење на копчето кон повисоки бројки; 1 до 3, 1 до 5 или SF (Највисоките бројки на термостатот зависат од вашиот производ.)

 **Важна напомена:** Не обидувајте се да го вртите копчето подалеку од положба 1, бидејќи така ќе го исклучите апаратот.



Поставки на термостатот:

1 – 2 : За краткорочно чување храна

3 – 4 : За долгорочно чување храна

5 : Позиција за максимално ладење.

Апаратот ќе работи подолго. Доколку е потребно, променете ја поставката за температура.

Ако апаратот има позиција „SF“:

- Завртете го копчето на SF за да замрзнете храна брзо. Во оваа позиција, преградата за замрзнување ќе работи на пониски температури. Откако ќе замрзне храната, завртете го термостатот во неговата вообичаена позиција. Ако не ја промените SF позицијата, вашиот уред автоматски

ќе се врати на последната користена позиција според времето наведено во забелешката. Вратете го прекинувачот за термостат во позиција SF и вратете го во нормална употреба според времето наведено во забелешката. Ако прекинувачот за термостат е во позиција SF кога прв пат го вклучувате апаратот, тогаш тој автоматски ќе работи на позиција 3 на термостатот, според времето наведено во забелешката.

Супер замрзнување: Овој прекинувач се користи како прекинувач за супер замрзнување. За максимален капацитет на замрзнување, ве молиме завртете го ова копче 24 часа пред да ставите свежа храна. Откако ќе ставите свежа храна во замрзнувачот, 24 часа во положбата ON најчесто е доволна. За да заштедите енергија, исклучете го овој прекинувач по 24 часа од ставањето на свежа храна.

Прекинувач за зима: Кога собната температура е под 16 °C, овој прекинувач се користи како прекинувач за зима и ја одржува температурата во фрижидерот над 0 °C и во замрзнувачот под -18 °C под ниска собна температура.

3.3 Предупредувања за поставки за температурата

- Апаратот е дизајниран да работи во интервалите на амбиентална температура наведени во стандардите, согласно климатската класа посочена на етикетата со информации. Не се препорачува ладилникот да работи во средини коишто се надвор од дадените интервали за температура. Со ова ќе се смали ефикасноста на ладење на апаратот.
- Приспособувањето на температурата треба да се направи согласно зачестеноста на отворањето на вратата, количината храна што се чува во апаратот и температурата во средината каде што е поставен апаратот.

- При првото вклучување на апаратот, дозволете прво да работи 24 часа за да ја постигне температурата на работење. Не отворајте ја вратата отворена и не чувајте големо количество храна внатре додека трае овој период.
- Функцијата за одложена работа од 5 минути се применува за да се спречи оштетување на компресорот на апаратот кога ќе го исклучите или вклучите во струја повторно или кога ќе снема струја. Апаратот ќе започне да работи правилно по 5 минути.

Климатска класа и значење:

T (тропска клима): Овој ладилник е наменет да се користи на собни температури од 16 °C до 43 °C.

ST (суптропска клима): Овој ладилник е наменет да се користи на амбиентални температури од 16 °C до 38 °C.

N (умерена клима): Овој ладилник е наменет да се користи на амбиентални температури од 16 °C до 32 °C.

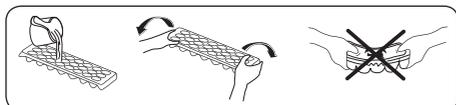
SN (проширена умерена клима): Овој ладилник е наменет да се користи на амбиентални температури од 10 °C до 32 °C.

3.4 Додатоци

Визуелните и текстуалните описи во поглавјето за дополнителната опрема може да се разликуваат во зависност од моделот на производот.

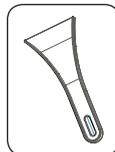
3.4.1 Сад за мраз (Кај одредени модели)

- Наполнете го садот за мраз со вода и ставете го во замрзнувачот.
- Откако водата целосно ќе замрзне, може да го свиткате садот како што е прикажано подолу за да ги извадите коцките мраз.



3.4.2 Пластична гребалка (Кај одредени модели)

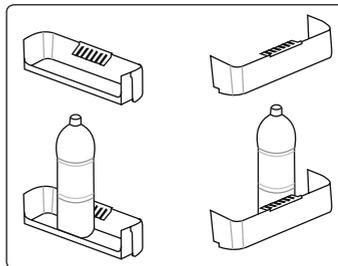
По некое време ќе се наталожи мраз во одредени делови од замрзнувачот. Мразот што се наталожува во замрзнувачот треба редовно да се отстранува. Користете ја доставената пластична гребалка ако е потребно. Не користете остри предмети за оваа работа. Тие може да го дупнат колото на ладилникот и да предизвикаат непоправливо оштетување на апаратот.



3.4.3 Држач за шишиња (Кај одредени модели)



Користете го држачот за шишиња за да спречите шишињата да се лизнат или паднат.



Визуелните и текстуалните описи во поглавјето за дополнителната опрема може да се разликуваат во зависност од моделот на производот.

4 ЧУВАЊЕ НА ХРАНА

4.1 Преграда за ладење

- Секогаш ставајте течности во затворени садови во ладилникот за да ја намалите појавата на влага и да избегнете зголемување на мразот. Мразот се собира во најстудените делови каде што течноста испарува и со време ладилникот треба почесто да се одмрзнува.
- Згответената храна мора да остане покриена тога се чува во ладилникот. Не ставајте топла храна во ладилникот. Ставете ја кога ќе се олади, во спротивно температурата/влажноста во ладилникот се зголемува, намалувајќи ја ефикасноста на ладилникот.
- Погрижете се предметите да не го допираат задниот ѕид на уредот, бидејќи ќе се создаде мраз и амбалажата ќе се залепи за него. Не отворајте ја вратата на ладилникот многу често.
- Се препорачува месото и чистата риба да бидат завиткани и наместени на стаклената полица над фиоката за зеленчук каде што воздухот е поладен, бидејќи ова овозможува најдобри услови за ладење.
- Овошјето и зеленчукот ставајте ги во комората за свежа храна со доволно растојание меѓу нив.
- Чувањето на зеленчукот одделно од овошјето помага на зеленчукот чувствителен на етилен (зелен зеленчук, брокула, морков итн.) да не им влијаат овошјата што испуштаат етилен (банана, праска, кајсија, смоква итн.).
- Не треба да ставате влажен зеленчук во ладилникот.
- Времето на чување на сета храна зависи од првичниот нејзин квалитет и од непрекинатиот циклус на чување во ладилник пред да била ставена повторно во ладилник.

- Водата што протекува од месото може да ги контаминира другите производи во ладилникот. Треба да ги спакувате месните производи и да ги исчистите протекувањата врз полиците.
- Не треба да ставате храна пред отворите каде што протекува воздух.
- Пакуваната храна треба да се консумира пред да истече нејзиниот рок.

Не дозволувајте храната да дојде во контакт со сензорот за температура кој се наоѓа во преградата за ладење, за да се одржи преградата за ладење на оптимална температура.

- За нормални работни услови, ќе биде доволно температурата на вашиот фрижидер да се постави на +4 °C.
- Температурата на одделот за ладилник треба да биде во опсег од 0-8 °C, свежата храна под 0 °C замрзнува и гние, додека над 8 °C концентрацијата на бактерии се зголемува и храната се расипува.
- Не ставајте топла храна веднаш во фрижидерот, почекајте температурата да се намали надвор од фрижидерот. Топлата храна ја зголемува температурата на вашиот фрижидер и предизвикува труење со храна и непотребно расипување на храната.
- Месо, риба и слично треба да се чуваат во преградата за разладување на храната, а преградата за зеленчук е пожелно да се користи за зеленчукот. (ако е достапна)
- За да избегнете меѓусебна контаминација на производите, не ставајте месни производи заедно со зеленчуци и овошје.
- Храната треба да се стави во фрижидер во затворени садови или да се покрие за да се спречи влага и мирис.

Табелата дадена подолу е краток водич кој го покажува најефикасниот начин за складирање на главните групи храна во делот за ладилникот.

Храна	Максимално време за чување	Како и каде да складираат
Овошје и зеленчук	1 седмица	Корпа за зеленчук
Месо и риба	2 - 3 дена	Завиткајте во пластична фолија, кеса или во оддел за месо и складирајте на стаклената полица
Свежо сирење	3 - 4 дена	На назначената полица на вратата
Путер и маргарин	1 седмица	На назначената полица на вратата
Производи во шише, на пр. млеко и јогурт	До истекот на рокот што го одредува производителот	На назначената полица на вратата
Јајца	1 месец	На назначената полица за јајца
Зготвена храна	2 дена	На сите полици

НАПОМЕНА:



Компирите, кромидот и лукот не треба да се чуваат во ладилникот.

4.2 Преграда за замрзнување

- Замрзнувачот се користи за складирање замрзната храна, за замрзнување свежа храна и за правење коцки мраз.
- Храната во течна форма треба да се замрзнува во пластични садови, а другата храна во пластични фолии или кеси. При замрзнување свежа храна, завиткајте ја соодветно свежата храна, во пакувањето не смее да има воздух и не смее да протекува. Најсоодветни се специјални вреќички за замрзнување, алуминиумска фолија, полиетиленски вреќички и пластични садови.
- Не ставајте свежа храна веднаш до замрзнатата храна бидејќи може да ја растопи.
- Пред да замрзнете свежа храна, поделете ја на порции за едно јадење.
- Одмрзнатата храна треба да ја конзумирате набрзо по одмрзнувањето

- Секогаш следете ги упатствата на производителот за пакување храна кога складираат замрзната храна. Доколку нема информации, храната треба да се чува најдолго 3 месеци од датумот на кој сте ја купиле.
- Кога ќе купите замрзната храна, проверете дали е замрзната во соодветни услови и уверете се дека пакувањето не е оштетено.
- Замрзнатата храна треба да се пренесува во соодветни садови и да биде ставена во замрзнувачот што е можно побрзо.
- Не купувајте замрзната храна ако на пакувањето се видливи знаци од влажност и невообичаено наддување. Таквата храна веројатно била чувана на несоодветна температура и нејзините состојки веројатно се во лоша состојба.
- Рокот на употреба на замрзната храна зависи од собната температура, поставката на термостатот, колку често се отвора вратата, видот на храната и времето кое што е потребно да се однесе производот од продавница до дома. Секогаш следете ги упатствата што се дадени на пакувањето и никогаш не надминувајте го максималното посочено време за складирање.
- Ако вратата од замрзнувачот остане отворена подолго време или не е правилно затворена, може да се формира мраз во замрзнувачот и може да се спречи ефикасното циркулирање на воздухот. За да се разреши ова, исклучете го замрзнувачот и чекајте да се одмрзне. Исклучете го замрзнувачот откако целосно ќе се одмрзне.
- Капацитетот на замрзнувачот означен на етикетата е капацитет без корпи, капацитет итн.
- Не замрзнувајте ја повторно веќе одмрзнатата храна. Тоа е опасно по вашето здравје бидејќи може да предизвика проблеми како труење со храна.

НАПОМЕНА: Ако се обидете да го отворите замрзнувачот веднаш откако сте го затвориле, ќе забележите дека нема да се отвори лесно. Ова е нормално. Откако ќе се постигне рамнотежа, вратата лесно ќе се отвори.



Табелата дадена подолу е краток водич кој го покажува најефикасниот начин за складирање на главните групи храна во делот за замрзнувач.

Месо и риба	Подготовка	Максимално време за чување (месеци)
Бифтек	Месото е завиткано во фолија	6 - 8
Јагнешко	Месото е завиткано во фолија	6 - 8
Печено телешко	Месото е завиткано во фолија	6 - 8
Телешко на коцки	На мали парчиња	6 - 8
Јагнешко на коцки	На парчиња	4 - 8
Мелено месо	Во пакување без користење зачини	1 - 3
Пилешки џигер (парчиња)	На парчиња	1 - 3
Колбаси/салама	Треба да се чуваат спакувани дури и ако имаат лушпа	
Пилешко и мисирка	Месото е завиткано во фолија	4 - 6
Гуска и патка	Месото е завиткано во фолија	4 - 6
Елен, зајак и дива свиња	Во порции од 2,5 kg или како филети	6 - 8
Слатководна риба (лосос, крап, сом)	Откако ќе ги исчистите утробата и крлушките на рибата, измијте и исушете ја. Ако е неопходно, исечете ги опашот и главата.	2
Посна риба (морски греч, калкан, лист)		4
Мрсна риба (туна, скуша, ципура, сардела)		2 - 4
Школки, ракови	Чисти и во кеса	4 - 6
Кавијар	Во своето пакување или во алуминиумски или пластичен сад	2 - 3
Полжави	Во солена вода, во своето пакување, во алуминиумски или пластичен сад	3

НАПОМЕНА: Штом ќе се одмрзне смрзнатото месо, треба да се готви како свежото. Ако не го зготвите месото кога ќе се одмрзне, не смее повторно да се замрзнува.

Зеленчук и овошје	Подготовка	Максимално време за чување (месеци)
Боранија и грав	Измијте и исечете на мали парчиња и сварете во вода	10 - 13
Грашок	Исчистете го од мешунките, измијте го и сварете го во вода	12

Зеленчук и овошје	Подготовка	Максимално време за чување (месеци)
Зелка	Исчистете ја и сварете ја во вода	6 - 8
Морков	Исчистете и исечете на мали парчиња и сварете ги во вода	12
Пиперка	Исечете ја дршката, исечете на два дела и извадете ги семките и сварете ја во вода	8 - 10
Спанаќ	Измијте го и сварете го во вода	6 - 9
Карфиол	Извадете ги листовите, исечете ја срцевината на парчиња и оставете го вода со малку лимон	10 - 12

Зеленчук и овошје	Подготовка	Максимално време за чување (месеци)
Модар патлиџан	Исечете го на парчиња од 2 см по миењето	10 - 12
Пченка	Исчистете и спакувајте ја со кочанот или издробена	12
Јаболко и круша	Излупете ги и исечете ги на парчиња	8 - 10
Кајсија и праска	Исечете на два дела и извадете ги семките	4 - 6
Јагоди и капини	Измијте и исчистете ги	8 - 12
Зготвено овошје	Додадете 10 % шеќер во садот	12
Слива, цреша, вишна	Измијте и исчистете ги семките	8 - 12

	Максимално време за чување (месеци)	Време на одмрзнување на собна температура (часови)	Време на одмрзнување во рерна (минути)
Леб	4 - 6	2 - 3	4-5 (220-225° С)
Бисквити	3 - 6	1 - 1,5	5-8 (190-200° С)
Печиво	1 - 3	2 - 3	5-10 (200-225° С)
Пита	1 - 1,5	3 - 4	5-8 (190-200° С)
Лиснато тесто	2 - 3	1 - 1,5	5-8 (190-200° С)
Пица	2 - 3	2 - 4	15-20 (200° С)

Млечни производи	Подготовка	Максимално време за чување (месеци)	Услови на чување
Млеко во кутија (хомогенизирано)	Во своето сопствено пакување	2 - 3	Свежо млеко - во своето сопствено пакување
Кашкавал - со исклучок на сирењето	На парчиња	6 - 8	Може да се користи оригиналното пакување за краткотраен период на чување. Треба да се завитка во фолија за подолготрајно чување.
Путер, маргарин	Во своето пакување	6	

5 ЧИСТЕЊЕ И ОДРЖУВАЊЕ

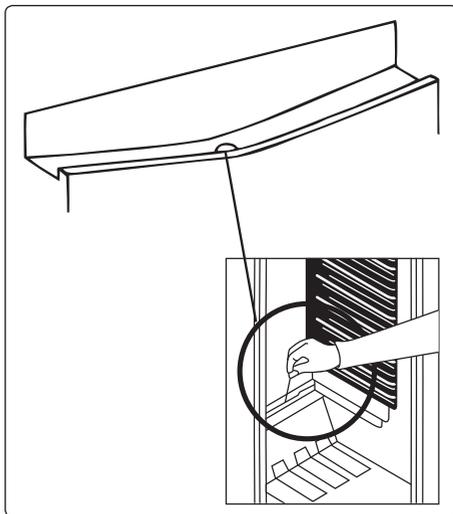
-  Исклучете го апаратот од струја пред чистење.
-  Не чистете го истурајќи вода врз него.
-  Не користете абразивни средства, детергенти или сапун за чистење на апаратот. По миење, исплакнете со чиста вода и исушете темелно. Кога ќе завршите со чистење, со суви дланки повторно поврзете го приклучокот со главното напојување.

- Во куќиштето на светилката не смее да навлезе вода, ниту пак во другите електрични делови.
- Апаратот треба редовно да се чисти со раствор од сода бикарбона и млека вода.
- Дополнителната опрема се чисти засебно, рачно со сапун и вода. Не мијте ги додатоците во машина за перење садови.
- Барем еднаш годишно чистете го кондензаторот со четка. Ова ќе помогне да заштедите на трошоци за енергија и да ја зголемите продуктивноста.

  **Мора да се исклучи електричното напојување за време на чистењето.**

5.1 Одмрзнување

Одмрзнување на одделот со ладилникот



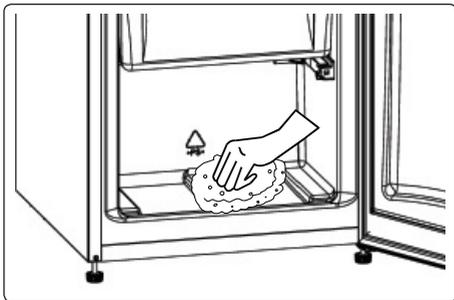
- Одмрзнувањето настанува автоматски во преградата за ладење при работењето. Водата се собира во садот за испарување и автоматски испарува.
- Садот за испарување и отворот за одвод на одмрзнатата вода треба да се чистат од време на време со цевката за одводот за да спречите водата да се собира долу во ладилникот наместо да истекува.
- Отворот за одвод може да го исчистите и со истурање половина чаша вода во него.

Постапка за одмрзнување на замрзнувачот

- Ќе се наталожи мала количина мраз во замрзнувачот во зависност од тоа колку долго е отворена вратата или од количината влага. Важно е да не дозволите создавање мраз на места кои ќе влијаат врз цврстото затворање на гумата на вратата. Така може да навлегува воздух во одделот што доведува до постојана работа на компресорот. Тенкиот слој мраз е мек и може да се извади

со четка или пластична гребалка. Не користете метални или остри гребалки, механички средства или други помагала за да го забрзате процесот на одмрзнување. Извадете ги ситот отстранет мраз од одделот. Не мора да го исклучите апаратот за да отстранувате тенки слоеви мраз.

- Исклучете го апаратот од струја и извадете ја содржината во картонска кутија и завиткајте ја во дебели кебиња или во хартија за да останата студени кога сакате да вадите дебели слоеви мраз. Одмрзнувањето е најефикасно ако се спроведе кога замрзнувачот е речиси празен и треба да се направи што е можно побргу за да се спречи непотребен пад на температурата на содржината.
- Не користете метални или остри гребалки, механички средства или други помагала за да го забрзате процесот на одмрзнување. Зголемувањето на температурата на пакувањата замрзната храна во текот на одмрзнувањето ќе им го скрати рокот на употреба. За време на одмрзнувањето чувајте ја храната завиткана во амбалажа и ладна.



- Исушете ја внатрешноста на одделот со сунѓер или чиста крпа.
- За да го забрзате периодот на одмрзнување, може да ставите еден или повеќе садови со топла вода во одделот на замрзнувачот.
- Проверете ја содржината кога ја ставате одново во замрзнувачот и ако некои од пакувањата се одмрзнати,

тогаш тие треба да се изедат во период од 24 часа или да се зготват пред да се замрзнат одново.

- Кога одмрзнувањето ќе биде готово, исчистете ја внатрешноста на уредот со раствор од топла вода и малку сода бикарбона и потоа исушете темелно. Измијте ги сите делови што може да се извадат на ист начин и повторно ставете ги на место. Поврзете го замрзнувачот во струја и оставете го да работи 2 до 3 часа на поставена вредност MAX пред да ја вратите храната во него.

Замена на ЛЕД-светилката

За замена на ЛЕД-светилките ве молиме контактирајте го најблискиот овластен сервисен центар.



Забелешка: Броевите и локацијата на ЛЕД лентите може да се различни во зависност од моделот.

6 ТРАНСПОРТ И ПРЕМЕСТУВАЊЕ

6.1 Транспорт и менување позиција

- Може да ги зачувате оригиналното пакување и пената за повторен транспорт (по избор).
- Прицврстете го апаратот со дебело пакување, ремени или издржливи јажиња и следете ги упатствата за транспорт дадени на пакувањето.
- Отстранете ги сите отстранливи делови (фиоки, садови за мраз, итн.) или фиксирајте ги на апаратот со самолеплива лента во текот на преместувањето или транспортот.



Секогаш транспортирајте го апаратот во исправена положба.

6.2 Менување на положбата на вратата

- Правецот на отворање на вратата од апаратот не може да се смени доколку рачките на вратата се поставени на надворешната страна на вратата.
- Правецот на отворање на вратата може да се смени само кај модели без рачки.
- Ако правецот на отворање на вратата на апаратот може да се смени, треба да контактирате со најблискиот овластен сервис за да го сменат правецот на отворање.

7 ПРЕД ДА ПОВИКАТЕ СЕРВИСЕР

Ако имате проблем со **апаратот**, ве молиме проверете го следново пред да го контактирате сервисниот центар.

Вашиот апарат не работи

Проверете дали:

- Има електрична енергија
- Приклучокот е правилно поставен во штекерот
- Дали е прегорен осигурувачот за штекерот или главниот осигурувач
- Штекерот е оштетен. За да го проверите ова, вклучете друг функционален апарат во истиот приклучок.

Апаратот лошо работи

Проверете дали:

- Апаратот е преоптоварен
- Вратата на апаратот е соодветно затворена
- Има прашина на кондензаторот
- Има доволно простор одзади и од страните.

Вашиот апарат работи бучно

Нормална бучава

Се појавува звук како крцкање:

- Во текот на автоматското одмрзнување
- Кога апаратот се лади или топли (поради ширење на материјалот на апаратот).

Краток звук на крцкање: Се слуша кога термостатот го вклучува/исклучува компресорот.

Нормален звук на моторот:

Посочува дека компресорот работи нормално. Кога прв пат го вклучувате апаратот, можно е компресорот да е бучен кратко време.

Звук на клокотење и прскање: Оваа бука ја предизвикува протокот на средството за ладење во цевките на системот.

Звук на течење на вода: Се јавува поради садот за испарување. Оваа

бука е нормална при процесот на одмрзнување.

Се појавува звук на дување

воздух: Кај некои модели при нормално работење на системот благодарение на циркулацијата на воздухот.

Работите на апаратот кои ги допираат шарките се топли

Особено летно време (кога е топло), површините кои ги допираат шарките на вратата може да станат топли поради работата на компресорот, ова е нормално.

Ако има наталожување на влажност во апаратот

Проверете дали:

- Целата храна е соодветно спакувана. Садовите се исушени пред да ги ставите во **апаратот**.
- Дали вратите на **апаратот** се отвораат честопати. Влагата од просторијата влегува во **апаратот** кога се отвораат вратите. Влажноста побрзо се зголемува ако вратите се отвораат честопати, особено ако просторијата е многу влажна.

Вратата не се отвора и затвора како што треба

Проверете дали:

- Има храна или амбалажа што спречува затворање на вратата
- Шарките се скршени или избени
- Дали **апаратот** е на рамна површина.

Препораки

- Ако го исклучите апаратот од струја, почекајте барем 5 минути пред повторно да го вклучите или рестартирате за да не го оштетите компресорот.
- Ако не го користите апаратот подолго време (на пр. за време на летниот одмор), исклучете го од струја. Исчистете го апаратот како што е посочено во поглавјето и оставете ја вратата отворена за да спречите појава на влага и миризба.

- Ако проблемот продолжува откако сте ги следеле сите погоре дадени упатства, повикајте го најблискиот овластен сервисен центар.
- Апаратот кој го набавивте е направен исклучиво за домашна употреба. Не е наменет за комерцијална или заедничка употреба. Ако го користите ладилникот на начин којшто не соодветствува со одликите, потенцираме дека производителот и застапникот не се одговорни за поправките или дефектите во периодот на гаранцијата.

8 СОВЕТИ ЗА ЗАЧУВУВАЊЕ ЕЛ. ЕНЕРГИЈА

1. Монтирајте го апаратот во ладна, добро проветрувана просторија, но да не е во директен контакт со сончева светлина и да не биде во близина на извор на топлина (како што е радијатор или рерна), во спротивно, користете плоча за изолација.
2. Дозволете топлата храна и пијалациите да се изладат пред да ги ставите во апаратот.
3. Одмрзнатата храна ставете ја во преградата за ладење, ако има. Ниската температура на замрзнатата храна ќе помогне при ладењето на преградата за ладење додека храната се одмрзнува. Ова ќе заштеди енергија. Замрзнатата храна која е оставена надвор од апаратот да се одмрзне ќе предизвика непотребно трошење енергија.
4. Пијалациите или другите течности треба да се покриени кога се внатре во апаратот. Ако не се покриени, тогаш влажноста во апаратот ќе се зголеми, а со тоа апаратот користи повеќе енергија. Покривањето на пијалациите и другите течности помага при зачувување на нивниот мирис и вкус.
5. Избегнувајте да ги оставате отворени вратите подолги периоди и да ги отворате пречесто, бидејќи ќе влезе топол воздух во апаратот предизвикувајќи компресорот да се вклучува непотребно често.
6. Капаците на преградите со различна температура (како на пример комората за свежа храна и за разладување, ако има) чувајте ги затворени.
7. Гумата на вратите мора да биде чиста и еластична. Доколку гумата е оштетена, заменете ја.

9 ТЕХНИЧКИ ПОДАТОЦИ

Техничките информации се наоѓаат на плочката со спецификации на внатрешната страна на апаратот и на етикетата за енергија.

QR-кодот на етикетата за енергија доставена со апаратот обезбедува линк до веб адреса со информациите поврзани со перформансите на апаратот во базата на податоци на EU EPREL.

Чувајте ја етикетата за енергија за идно користење заедно со упатството за употреба и сите други документи обезбедени со овој уред.

Истите информации можете да ги најдете на EPREL преку линкот <https://eprel.ec.europa.eu> со името на моделот и бројот на производот дадени на плочката со спецификации на уредот.

Посетете ја страната www.theenergylabel.eu за детални информации за етикетата за енергија.

10 ИНФОРМАЦИИ ЗА ИНСТИТУТИ ЗА ТЕСТИРАЊЕ

Инсталирањето и подготовката на апаратот за која било верификација на EcoDesign треба да биде во согласност со EN 62552. Барањата за вентилација, димензиите на уредот и минимално растојание за задниот дел се дадени во ова Упатство за употреба на ДЕЛ 2. Ве молиме контактирајте го производителот за какви било дополнителни информации, вклучително и планови за транспорт.

11 ГРИЖА ЗА КОРИСНИЦИ И СЕРВИС

Секогаш користете само оригинални делови.

Кога контактирате со нашиот овластен сервисен центар, проверете дали ги имате следниве податоци: Модел, PNC, сериски број. Информациите може да се најдат на плочката со спецификации.

Предупредување / Внимание-
Безбедносни информации Општи
информации и совети Информации за
животната средина

Предмет на промени без претходно
известување.

Посетете ја нашата веб-страница за да:
<https://www.voxelectronics.com>



POR

KG2800F

MANUAL DO USUÁRIO FRIGORÍFICO - CONGELADOR

EAC

Obrigado por escolher este produto.

Este Manual de Utilizador contém informações de segurança e instruções importantes relativamente ao manuseamento e manutenção do seu eletrodoméstico.

Por favor, despenda algum tempo a ler este Manual de Utilizador antes de utilizar o seu eletrodoméstico e guarde-o para referência futura.

Ícone	Tipo	Significado
	NOTA	Risco de lesão grave ou morte
	RISCO DE CHOQUE ELÉTRICO	Risco de tensão perigosa
	INCÊNDIO	Aviso; Risco de incêndio/materiais inflamáveis
	PRECAUÇÃO	Risco de danos materiais ou lesão
	IMPORTANTE / AVISO	Manusear corretamente o sistema

ÍNDICE

1 INSTRUÇÕES DE SEGURANÇA	115
1.1 Avisos Gerais de Segurança	115
1.2 Avisos de instalação	120
1.3 Durante a Utilização	121
2 DESCRIÇÃO DO ELETRODOMÉSTICO	122
2.1 Dimensões.....	123
3 UTILIZAR O ELETRODOMÉSTICO	124
3.1 Informações sobre a Tecnologia Less Frost (Menos Gelo).....	124
3.2 Configurações do Termóstato.....	124
3.3 Avisos de Configurações de Temperatura.....	124
3.4 Acessórios	125
3.4.1 Recipiente do gelo.....	125
3.4.2 Espátula de plástico	125
4 ARMAZENAMENTO DE ALIMENTOS	126
4.1 Compartimento do Frigorífico	126
4.2 Compartimento do Congelador	127
5 LIMPEZA E MANUTENÇÃO	130
5.1 Descongelação.....	130
6 ENVIO E REPOSICIONAMENTO	132
6.1 Transportar e alterar o posicionamento.....	132
6.2 Reposicionar a Porta	132
7 ANTES DE CONTACTAR O SERVIÇO PÓS-VENDAS	132
8 DICAS PARA POUPAR ENERGIA	134
9 DADOS TÉCNICOS	134
10 INFORMAÇÃO PARA TESTES	135
11 SERVIÇO E ASSISTÊNCIA AO CONSUMIDOR	135

1 INSTRUÇÕES DE SEGURANÇA

1.1 Avisos Gerais de Segurança

Leia este manual cuidadosamente.

⚠️ NOTA: Mantenha as aberturas de ventilação, no revestimento do eletrodoméstico ou na estrutura embutida, livres de obstruções.

⚠️ NOTA: Não utilize dispositivos mecânicos ou outros meios para acelerar o processo de descongelamento que não os recomendados pelo fabricante.

⚠️ NOTA: Não utilize eletrodomésticos elétricos dentro dos compartimentos de armazenamento de alimentos do eletrodoméstico a menos que tal seja recomendado pelo fabricante.

⚠️ NOTA: Não danifique o circuito de refrigeração.

⚠️ NOTA: Quando posicionar o aparelho, certifique-se de que o cabo de alimentação não está preso ou danificado.

⚠️ NOTA: Não coloque várias tomadas portáteis ou fontes de alimentação portáteis na parte traseira do aparelho.

⚠️ NOTA: De modo a evitar quaisquer perigos resultantes da instabilidade do eletrodoméstico, o mesmo deverá ser fixado de acordo com as instruções.

⚠️ Se o seu eletrodoméstico utilizar R600a como refrigerante (estas informações serão fornecidas na identificação do congelador) deverá tomar cuidado

durante o transporte e instalação para evitar que elementos do congelador fiquem danificados. O R600a é amigo do ambiente e um gás natural, no entanto, explosivo. Na eventualidade de uma fuga devido a danos dos elementos do congelador, afaste o seu frigorífico de chamas vivas ou fontes de calor e ventile, durante alguns minutos, a divisão onde se localiza o frigorífico.

- Enquanto transporta e posiciona o frigorífico, não danifique o circuito de gás do congelador.
- Não armazene substâncias explosivas, como por exemplo, latas de aerossóis com propulsor inflamável neste eletrodoméstico.
- O eletrodoméstico deverá ser utilizado em aplicações domésticas e residenciais, como por exemplo:
 - áreas de cozinha em lojas, escritórios e outros ambientes de trabalho.
 - quintas e por clientes em hotéis, motéis e outros tipos de ambientes residenciais.
 - ambientes tipo residencial;
 - aplicações de não retalho, catering e similares.
- Se a tomada não coincidir com a ficha do frigorífico, deverá ser substituída pelo fabricante, agente de serviço ou pessoa de qualificação similar de modo a evitar perigos.
- Uma tomada de ligação a terra especial foi conectada ao cabo elétrico do seu frigorífico. Esta

tomada deverá ser utilizada com uma tomada de ligação a terra especial de 16 amperes. Se não existir tomada na sua casa, por favor, instale uma com a ajuda de um electricista autorizado.

- Este eletrodoméstico pode ser utilizado por crianças a partir dos 8 anos de idade e superior e por pessoas (incluindo crianças) com capacidades mentais, sensoriais e físicas reduzidas ou com falta de experiência ou conhecimento a menos que tenham sido supervisionados ou tenham recebido instruções relativamente à utilização do eletrodoméstico de forma segura e que tenham entendido os perigos envolvidos. As crianças não devem brincar com o eletrodoméstico. A limpeza e a manutenção por parte do utilizador não deverão ser realizadas por crianças sem supervisão.
- Crianças com idades entre 3 e 8 anos podem encher e esvaziar eletrodomésticos de refrigeração. As crianças não devem efetuar a limpeza ou a manutenção do eletrodoméstico; crianças muito pequenas (0–3 anos) não devem utilizar os eletrodomésticos; crianças pequenas (3–8 anos) apenas podem utilizar os eletrodomésticos de forma segura sob supervisão constante; crianças mais velhas (8–14 anos) e pessoas vulneráveis podem utilizar os eletrodomésticos de forma segura após terem sido supervisionadas ou recebido as instruções adequadas relativamente à utilização do eletrodoméstico. As pessoas muito vulneráveis

apenas podem utilizar os eletrodomésticos em segurança sob supervisão constante.

- Se o cabo elétrico estiver danificado, deverá ser substituído pelo fabricante, agente de serviço ou pessoa qualificada similar de modo a evitar perigos.
- Este eletrodoméstico não tem como objetivo ser utilizado em altitudes que excedam 2000 m.

De forma a evitar que os alimentos fiquem contaminados, respeite as instruções que se seguem:

- Manter a porta aberta durante longos períodos de tempo pode causar um aumento significativo da temperatura nos compartimentos do eletrodoméstico.
- Efetue uma limpeza regular das superfícies que entrem em contacto com qualquer alimento e dos sistemas de drenagem acessíveis.
- Armazene carne e peixe crus em recipientes adequados dentro do frigorífico, de forma que não entrem em contacto com os outros alimentos ou que não vertam para cima dos mesmos.
- Os compartimentos de duas estrelas para alimentos congelados são adequados para armazenar alimentos pré-congelados, para armazenar ou fazer gelado e cubos de gelo.
- Os compartimentos de uma, duas e três estrelas não são adequados para congelar alimentos frescos.

- Se o frigorífico ficar vazio durante longos períodos de tempo, este deve ser desligado, descongelado, limpo e seco, sendo necessário deixar a porta aberta para evitar o aparecimento de bolor dentro do eletrodoméstico.

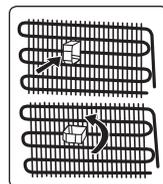
1.2 Avisos de instalação

Antes de utilizar o seu congelador-rigorífico pela primeira vez, tome atenção aos seguintes pontos:

- A tensão operativa do seu congelador-rigorífico é de 220-240 V a 50Hz.
- A tomada deverá ficar acessível após a instalação.
- O seu congelador-frigorífico poderá ter um odor quando for operado pela primeira vez. Isto é normal e o odor irá desaparecer quando o seu congelador-rigorífico começar a refrigerar.
- Antes de ligar o seu congelador-rigorífico, certifique-se de que as informações da placa de informação (tensão e carga conectada) coincidem com a alimentação de eletricidade principal. Se tiver dúvidas, consulte um eletricista qualificado.
- Insira a ficha na tomada com uma conexão de terra eficiente. Se a tomada não tiver contacto de terra ou a ficha não coincidir, recomendamos que contacte um eletricista qualificado para assistência.
- O eletrodoméstico deverá estar conectado com uma tomada com fusíveis instalados adequadamente. A tensão de alimentação (CA) e tensão no ponto operativo devem coincidir com os detalhes na placa de identificação do eletrodoméstico (a placa de identificação localiza-se na parte esquerda interior do eletrodoméstico).
- Não assumimos a responsabilidade por danos que ocorram devido à utilização de equipamento sem ligação a terra.
- Coloque o seu congelador-frigorífico num local em que não fique exposto à luz direta do sol.
- O seu congelador-frigorífico nunca deve ser utilizado no exterior ou ficar exposto à chuva.
- O seu eletrodoméstico deverá estar a, pelo menos, 50 cm de distância de fogões, fornos a gás e aquecedores, e a,

pelo menos, 5 cm de distância de fornos elétricos.

- Se o seu congelador-frigorífico for colocado perto de um congelador, deverão existir, pelo menos, 2 cm entre eles para evitar que se forme humidade na superfície exterior.
- Não cubra o eletrodoméstico ou o topo do congelador-frigorífico com um pano. Isto irá afetar o desempenho do congelador-frigorífico.
- É necessário um espaço de, pelo menos, 150 mm no topo do seu eletrodoméstico. Não coloque nada no topo do seu eletrodoméstico.
- Não coloque itens pesados sobre o eletrodoméstico.
- Limpe o eletrodoméstico adequadamente antes da utilização (consultar Limpeza e Manutenção).
- Antes de utilizar o seu congelador-rigorífico, limpe todas as partes com uma solução de água quente e uma colher de sopa de bicarbonato de sódio. Depois, enxague com água limpa e seque. Volte a colocar as partes no congelador-frigorífico após a limpeza.
- Utilize as pernas dianteiras ajustáveis para se certificar de que o eletrodoméstico está nivelado e estável. Pode ajustar as pernas rodando-as em qualquer direção. Isto deverá ser realizado antes de colocar alimentos no eletrodoméstico.
- Instale o guia de distância de plástico (a parte com palhetas pretas na traseira) rodando-o 90° (tal como indicado na imagem) para evitar que o condensador toque na parede.
- A distância entre o eletrodoméstico e a parede traseira deverá ser, no máximo, de 75 mm.



1.3 Durante a Utilização

- Não conecte o seu frigorífico congelador à alimentação elétrica principal utilizando uma extensão.
- Não utilize tomadas danificadas, desgastadas ou antigas.
- Não puxe, dobre ou danifique o cabo.
- Não use adaptador de ficha.
- Este eletrodoméstico foi criado para ser utilizado por adultos. Não deixe que crianças brinquem com o eletrodoméstico ou se pendurem na porta.
- Nunca toque na ficha/cabo elétrico com as mãos molhadas. Isto pode causar curto circuito ou choque elétrico.
- Não coloque garrafas de vidro ou latas no compartimento de gelo uma vez que rebentam quando o conteúdo congela.
- Não coloque material explosivo ou inflamável no seu frigorífico. Coloque bebidas com elevado conteúdo de álcool verticalmente no compartimento do frigorífico e certifique-se de que as partes superiores estão bem fechadas.
- Aquando da remoção de gelo do compartimento de gelo, não lhe toque. O gelo poderá causar queimaduras e/ou cortes.
- Não toque nos alimentos congelados com as mãos molhadas. Não coma gelado ou cubos de gelo imediatamente após os mesmos terem sido removidos do compartimento de gelo.
- Não volte a congelar alimentos descongelados. Isto poderá causar problemas de saúde como por exemplo, intoxicação alimentar.

Frigoríficos antigos e que não funcionam

- Se o seu frigorífico ou congelador antigo tiver um cadeado, quebre ou remova o cadeado antes de o eliminar, uma vez que crianças podem ficar presas dentro do mesmo e haver um acidente.

- Frigoríficos e congeladores antigos contêm material de isolamento e refrigerante com CFC. Assim, tome cuidado para não danificar o ambiente quando eliminar o seu frigorífico antigo.

Declaração de Conformidade CE

Declaramos que os nossos produtos cumprem com as Diretivas, Decisões e Regulamentações Europeias e com os requisitos listados nos padrões referenciados.

Eliminação do seu eletrodoméstico antigo

O símbolo no produto ou na embalagem indica que este produto não poderá ser tratado como resíduo doméstico. Ao invés disso, deverá ser entregue no ponto de recolha adequado para a reciclagem de equipamento elétrico e eletrónico. Ao assegurar que este produto é eliminado corretamente, irá ajudar a evitar consequências potencialmente negativas para o ambiente e para a saúde humana que poderiam, de outra forma, ser causadas pelo manuseamento inadequado de resíduos deste produto. Para informações mais detalhadas sobre a reciclagem deste produto, por favor, contacte a secretaria da sua cidade, o seu serviço de eliminação de resíduos domésticos ou a loja onde adquiriu o produto.



Embalagem e o Ambiente

Os materiais de embalagem protegem a sua máquina contra danos que possam ocorrer durante o transporte. Os materiais de embalagem são ecologicamente corretos, pois são recicláveis. O uso de material reciclado reduz o consumo de matéria-prima e, por isso, reduz a produção de resíduos.



Notas:

- Por favor, leia o manual de instruções cuidadosamente antes de instalar e utilizar o seu eletrodoméstico. Não nos responsabilizamos por quaisquer danos incorridos devido a má utilização.

- Siga todas as instruções indicadas no seu eletrodoméstico e no manual de instruções e guarde este manual num local seguro para resolver os problemas que possam ocorrer no futuro.
- Este eletrodoméstico é fabricado para ser utilizado em casa e só pode ser utilizado em ambientes domésticos e para os propósitos especificados. Não é adequado para utilização comercial ou comum. Tal utilização irá fazer com que a garantia do eletrodoméstico seja cancelada e a nossa empresa não se responsabilizará por perdas que possam ocorrer.
- Este eletrodoméstico foi fabricado para ser utilizado em casa e só serve para refrigerar/armazenar alimentos. Não é adequado para utilização comercial ou comum e/ou para armazenar substâncias que não alimentos. A nossa empresa não se responsabiliza pelas perdas incorridas em caso contrário.

Notas gerais:

Compartmento de alimentos frescos

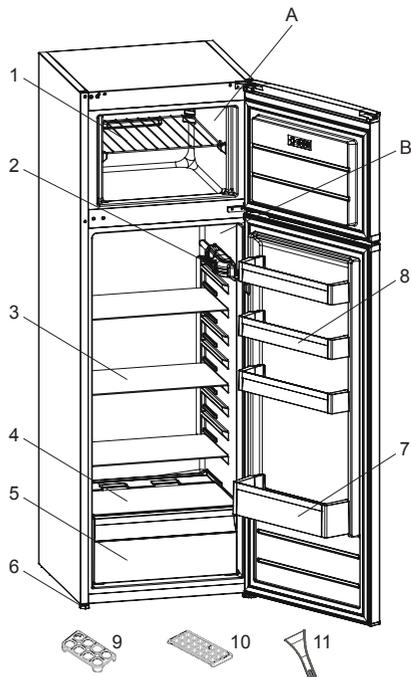
(frigorífico): A utilização eficiente da energia é garantida pela configuração, com as gavetas na parte inferior do eletrodoméstico e uma distribuição uniforme das prateleiras, e a posição dos compartimentos das portas não afeta o consumo energético.

Compartmento para congelados

(congelador): A utilização eficiente da energia é garantida pela configuração, com as gavetas e os compartimentos na posição de stock.

2 DESCRIÇÃO DO ELETRODOMÉSTICO

Este eletrodoméstico não se destina a ser encastrado.



 Esta apresentação serve apenas como informação sobre partes do eletrodoméstico. As partes poderão variar de acordo com o modelo de eletrodoméstico.

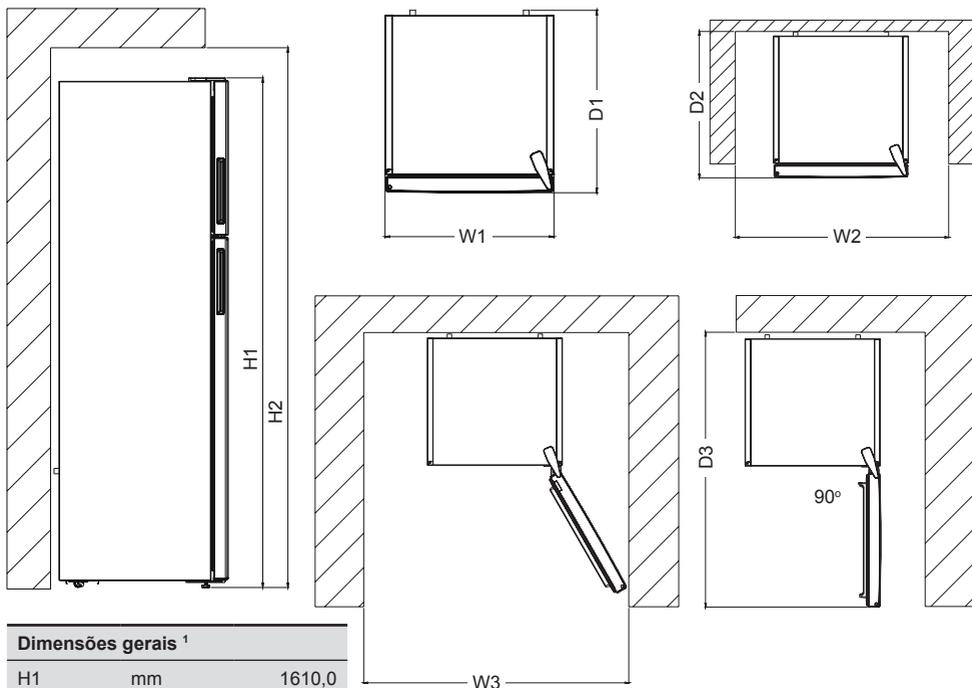
A) Compartimento do congelador

B) Compartimento do Frigorífico

- 1) Prateleira do congelador
- 2) Caixa do termóstato
- 3) Prateleiras do frigorífico
- 4) Tampa da gaveta
- 5) Gaveta
- 6) Pés de nivelção
- 7) Prateleira de garrafas
- 8) Prateleiras de porta
- 9) Suporte de ovos
- 10) Bandeja da caixa de gelo
- 11) Espátula de gelo de plástico *

* Em alguns modelos

2.1 Dimensões



Dimensões gerais ¹		
H1	mm	1610,0
W1	mm	540,0
D1	mm	570,0

¹a altura, largura e profundidade do eletrodoméstico sem o puxador

Espaço necessário para utilização ²		
H2	mm	1760,0
W2	mm	640,0
D2	mm	667,8

² a altura, largura e profundidade do eletrodoméstico, incluindo o puxador, mais o espaço necessário para a livre circulação do ar de refrigeração

Espaço geral necessário para utilização ³		
W3	mm	658,5
D3	mm	1106,5

³ a altura, a largura e a profundidade do eletrodoméstico, incluindo o puxador, mais o espaço necessário para a livre circulação do ar de refrigeração, mais o espaço necessário para permitir a abertura da porta até ao ângulo mínimo para possibilitar a remoção de todo o equipamento interno

3 UTILIZAR O ELETRODOMÉSTICO

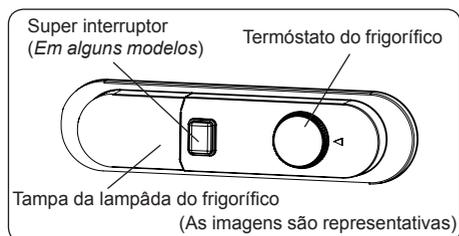
3.1 Informações sobre a Tecnologia Less Frost (Menos Gelo)

Graças ao evaporador envolvente, a tecnologia Less Frost oferece refrigeração mais eficiente, menos necessidade de descongelação manual e mais espaço de armazenamento flexível.

3.2 Configurações do Termóstato

O termóstato regula automaticamente a temperatura no interior dos compartimentos do frigorífico e do congelador. As temperaturas do frigorífico podem ser obtidas rodando o botão para números mais elevados; 1 para 3, 1 para 5 ou SF (os números máximos no termóstato dependem do seu produto).

 **Nota importante:** Não rode o botão giratório além da posição 1 uma vez que irá impedir que o seu eletrodoméstico funcione.



Configurações do Termóstato

- 1 – 2 :** Para armazenamento de alimentos a curto prazo
- 3 – 4 :** Para armazenamento de alimentos a longo prazo
- 5 :** Posição máxima de congelação. O eletrodoméstico irá durar mais tempo. Se necessário, altere a configuração de temperatura.

Se o aparelho tiver a posição SF:

- Rode o botão para SF para congelar rapidamente os alimentos frescos. Nesta posição, o compartimento de congelação irá funcionar a temperaturas mais baixas. Após os alimentos

congelarem, rode o botão do termóstato para a sua posição de utilização normal. Se não mudar a posição SF, o funcionamento do eletrodoméstico irá automaticamente voltar à última posição usada do termóstato, de acordo com o tempo indicado na nota. Volte a rodar o termóstato para a posição SF e regresse à utilização normal de acordo com o tempo indicado na nota. Se o termóstato estiver na posição SF quando o seu eletrodoméstico for ligado pela primeira vez, o funcionamento do seu eletrodoméstico irá automaticamente regressar ao funcionamento na posição 3 do termóstato de acordo com o tempo indicado na nota.

Congelação rápida: Este botão deve ser usado como botão de congelação rápida. Para uma maior capacidade de congelação, ligue este botão 24 horas antes de colocar alimentos frescos. Depois de colocar os alimentos frescos no congelador, 24 horas na posição ON é geralmente suficiente. Para economizar energia, desligue este botão 24 horas após ter colocado os alimentos frescos.

Botão de inverno: Se a temperatura ambiente estiver abaixo dos 16 °C, este botão deve ser usado como botão de inverno, para manter a temperatura do frigorífico acima dos 0 °C e a do congelador abaixo dos -18 °C, em ambientes de baixas temperaturas.

3.3 Avisos de Configurações de Temperatura

- O seu eletrodoméstico foi criado para operar dentro dos limites de temperatura ambiente indicados nos padrões, de acordo com a classe climática indicada na etiqueta de informação. Não se recomenda que o seu frigorífico seja operado em ambientes que estejam fora dos limites de temperatura indicados. Isto irá reduzir a eficiência de refrigeração do eletrodoméstico.
- Os ajustes de temperatura deverão ser realizados de acordo com a frequência

de abertura de porta, com os alimentos mantidos no interior do eletrodoméstico e a temperatura ambiente no local do seu eletrodoméstico.

- Quando liga o eletrodoméstico pela primeira vez, deixe que funcione continuamente durante 24 horas de modo a atingir a temperatura operativa. Durante este período, não abra a porta ou coloque uma grande quantidade de alimentos dentro do eletrodoméstico.
- É aplicada uma função de atraso de 5 minutos para evitar danos ao compressor do seu eletrodoméstico, quando retira a ficha da tomada e a volta a colocar ou quando ocorre uma falha de energia. Após 5 minutos, o eletrodoméstico volta a funcionar normalmente.

Classe climática e significado:

T (tropical): Este aparelho de refrigeração destina-se a ser utilizado com temperaturas ambientes que vão dos 16 °C aos 43 °C.

ST (subtropical): Este aparelho de refrigeração destina-se a ser utilizado com temperaturas ambientes que vão dos 16 °C aos 38 °C.

N (temperado): Este aparelho de refrigeração destina-se a ser utilizado com temperaturas ambientes que vão dos 16 °C aos 32 °C.

SN (temperado prolongado): Este aparelho de refrigeração destina-se a ser utilizado com temperaturas ambientes que vão dos 10 °C aos 32 °C.

3.4 Acessórios

As descrições visuais e textuais na secção de acessórios poderão variar de acordo com o modelo do seu eletrodoméstico.

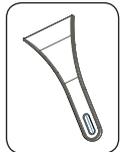
3.4.1 Recipiente do gelo

- Encha a bandeja de gelo com água e coloque-o no compartimento de congelação.
- Após a água estar totalmente congelada, pode torcer a bandeja, tal como indicado abaixo, para remover os cubos de gelo.



3.4.2 Espátula de plástico

Após algum tempo, gelo acumular-se-á em algumas áreas do congelador. O gelo acumulado no congelador deverá ser removido com regularidade. Utilize a espátula de plástico fornecida, se necessário. Não utilize objetos de metal afiados para esta operação. Estes poderão perfurar o circuito do frigorífico e causar danos irreparáveis na unidade.



4 ARMAZENAMENTO DE ALIMENTOS

4.1 Compartimento do Frigorífico

- Para reduzir a humidade e evitar a conseqüente formação de gelo, armazene líquidos sempre em recipientes selados no frigorífico. O gelo tende a concentrar-se nas partes mais frias do líquido de evaporação e, em certas alturas, o seu eletrodoméstico irá exigir uma descongelação mais frequente.
- Cubra quaisquer pratos cozinhados quando os colocar no frigorífico. Não coloque alimentos quentes no frigorífico. Coloque-os quando estiverem frios, caso contrário, a temperatura/humidade no interior do frigorífico irá aumentar, reduzindo assim a eficiência do frigorífico.
- Certifique-se de que nenhum item entra em contacto direto com a parede traseira do eletrodoméstico uma vez que o gelo irá desenvolver-se e a embalagem ficará colada ao mesmo. Não abra a porta do frigorífico com frequência.
- Recomendamos que carne e peixe limpos sejam embrulhados e armazenados na prateleira de vidro mesmo acima do cesto de vegetais onde o ar é mais fresco, uma vez que isto fornece melhores condições de armazenamento.
- Guarde frutas e vegetais soltos nos recipientes de gaveta.
- Guardar frutas e vegetais separadamente ajuda a evitar que vegetais sensíveis ao etileno (couves, brócolos, cenoura, etc.) sejam afetados pelos frutos que libertam etileno (banana, pêsego, alperce, figo, etc.).
- Não coloque vegetais molhados no frigorífico.
- O tempo de armazenamento para todos os produtos alimentares depende da qualidade inicial dos alimentos e de um ciclo de refrigeração ininterrupto antes do armazenamento no frigorífico.

- A água que sai da carne pode contaminar outros produtos no frigorífico. Deverá embalar os produtos de carne e limpar quaisquer fugas nas prateleiras.
- Não coloque alimentos em frente à passagem de fluxo de ar.
- Consuma os bens embalados antes da data de validade recomendada.

Evite que os alimentos toquem no sensor de temperatura, que está localizado no compartimento do frigorífico, para manter uma temperatura ideal no compartimento do frigorífico.

- Para condições normais de funcionamento, bastará ajustar a definição de temperatura do frigorífico para +4 °C.
- A temperatura do compartimento do frigorífico deve estar compreendida entre os 0 e os 8 °C. Abaixo dos 0 °C, os alimentos frescos ficam enregelados e apodrecidos, enquanto que, acima dos 8 °C, a carga bacteriana aumenta e estraga-os.
- Não coloque alimentos quentes imediatamente no frigorífico; aguarde para que a temperatura diminua, no exterior. Os alimentos quentes aumentam os graus de temperatura do frigorífico, o que provoca intoxicações alimentares e a deterioração desnecessária dos alimentos.
- Carnes, peixes, etc., devem ser armazenados no Compartimento do frigorífico dos alimentos, enquanto que o compartimento para legumes é indicado para legumes. (se disponível)
- Para evitar contaminação cruzada, os produtos à base de carne não devem ser armazenados juntamente com fruta e legumes.
- Os alimentos devem ser colocados no frigorífico em recipientes fechados ou cobertos, para impedir a entrada de humidade e maus odores.

A tabela abaixo é um guia rápido para lhe mostrar a forma mais eficiente de armazenar grandes grupos de alimentos no compartimento do frigorífico.

Alimentos	Tempo máximo de armazenamento	Como e onde armazenar
Vegetais e frutas	1 semana	Cesto de vegetais
Carne e peixe	2 - 3 dias	Embrulhe em película, coloque em sacos ou num recipiente de carne e armazene na prateleira de vidro
Queijo Fresco	3 - 4 dias	Na prateleira de porta indicada
Manteiga e margarina	1 semana	Na prateleira de porta indicada
Produtos engarrafados, por exemplo, leite e iogurtes	Até à data de validade recomendada pelo produtor	Na prateleira de porta indicada
Ovos	1 mês	Na prateleira de ovos indicada
Alimentos cozinhados	2 dias	Todas as prateleiras

NOTA:



Batatas, cebolas e alho não devem ser guardados no frigorífico.

4.2 Compartimento do Congelador

- O congelador é utilizado para armazenar alimentos congelados, congelar alimentos frescos e fazer cubos de gelo.
- Os alimentos líquidos devem ser congelados em recipientes de plástico e os outros alimentos devem ser congelados em folha ou sacos de plástico. Para congelar alimentos frescos, envolva-os devidamente numa embalagem hermética e estanque. O ideal são sacos específicos para congelar, folha de alumínio, sacos de polietileno e recipientes de plástico.
- Não armazene alimentos frescos próximo de alimentos congelados uma vez que podem descongelar alimentos congelados.
- Antes de congelar alimentos frescos, divida-os em porções que possam ser consumidos numa refeição.
- Consuma alimentos descongelados dentro de um curto período de tempo após a descongelação.
- Deixe sempre as instruções do fabricante na embalagem dos alimentos quando armazenar alimentos congelados. Se forem indicadas informações nos alimentos, não devem ser armazenados durante mais de 3 meses a partir da data da compra.
- Quando comprar alimentos congelados, certifique-se de que foram armazenados nas condições adequadas e que a embalagem não está danificada.
- Os alimentos congelados devem ser transportados em recipientes adequados e colocados no congelador assim que possível.
- Não adquira alimentos congelados se a embalagem mostrar sinais de humidade e inchaço anormal. É provável que tenham sido armazenados a uma temperatura inadequada e que os conteúdos se deterioraram.
- A vida de armazenamento de alimentos congelados depende da temperatura ambiente, da definição do termóstato, da frequência com que a porta é aberta, do tipo de alimentos e do tempo necessário para transportar o produto da loja até à sua casa. Siga sempre as instruções impressas na embalagem e nunca exceda o tempo máximo de armazenamento indicado.
- Se a porta do congelador ficar aberta durante muito tempo ou não for fechada corretamente, poderá ocorrer formação de gelo, o que pode impedir uma circulação de ar eficiente. Para resolver esta situação, retire a ficha do congelador da tomada e aguarde que este descongele. Quando o congelador estiver descongelado, limpe-o antes de o utilizar novamente.
- O volume do congelador indicado no rótulo é o volume sem cestas, tampas, etc.

- Não congele novamente alimentos que tenham sido descongelados. Isto poderá representar um perigo para a sua saúde e provocar problemas como intoxicações alimentares.

NOTA: Se tentar abrir a porta do congelador imediatamente após a fechar, irá concluir que não irá abrir facilmente. Isto é normal. Assim que o equilíbrio tiver sido atingido, a porta irá abrir facilmente.



A tabela abaixo é um guia rápido para lhe mostrar a forma mais eficiente de armazenar grandes grupos de alimentos no compartimento do congelador.

Carne e peixe	Preparação	Tempo máximo de armazenamento (meses)
Bife	Embrulhar em película	6 - 8
Carne de borrego	Embrulhar em película	6 - 8
Vitela para assar	Embrulhar em película	6 - 8
Cubos de vitela	Em pequenos pedaços	6 - 8
Cubos de borrego	Em pedaços	4 - 8
Carne picada	Em embalagem sem utilizar especiarias	1 - 3
Miúdos (pedaços)	Em pedaços	1 - 3
Salame/salsicha de Bolonha	Deverá ser mantido embalado mesmo que tenha membrana	
Galinha e peru	Embrulhar em película	4 - 6
Ganso e pato	Embrulhar em película	4 - 6
Veado, coelho, javali	Em porções de 2,5 kg ou em bifes	6 - 8
Peixe de água fresca (Salmão, carpa, peixe-gato)	Após limpar as tripas e escamas do peixe, lavar e secar. Se necessário, remover a cauda e a cabeça.	2
Peixe magro (Robalo, rodovalho, solha)		4
Peixes gordos (Atum, cavala, peixe azul, anchovas)		2 - 4
Marisco	Limpo e num saco	4 - 6
Caviar	Na embalagem ou num recipiente de plástico ou alumínio	2 - 3
Caracóis	Em água salgada ou num recipiente de plástico ou alumínio	3



NOTA: Carne congelada que tenha sido descongelada deve ser cozinhada como carne fresca. Se a carne não for cozinhada depois da descongelação, não deverá ser novamente congelada.

Vegetais e frutas	Preparação	Tempo máximo de armazenamento (meses)
Feijão verde e feijões	Lave, corte em pedaços pequenos e ferva em água	10 - 13

Vegetais e frutas	Preparação	Tempo máximo de armazenamento (meses)
Feijões	Descasque, lave e ferva em água	12
Couve	Limpe e ferva em água	6 - 8
Cenoura	Limpe, corte em pedaços e ferva em água	12
Pimento	Corte o pedúnculo, corte em dois pedaços, remova o interior e ferva em água	8 - 10
Espinafre	Lave e ferva em água	6 - 9
Couve-flor	Retire as folhas, corte o coração em pedaços e deixe em água com um pouco de sumo de limão durante algum tempo	10 - 12
Beringela	Corte em pedaços de 2cm após lavar	10 - 12
Milho	Limpe e embale com o carolo ou como milho doce	12

Vegetais e frutas	Preparação	Tempo máximo de armazenamento (meses)
Maçã e pera	Descasque e corte	8 - 10
Alperce e pêsego	Corte em dois pedaços e remova o caroço	4 - 6
Morango e amora	Lave e descasque	8 - 12
Frutos cozinhados	Adicione 10 % de açúcar ao recipiente	12
Ameixa, cereja, bagas	Lave e descasque os pés	8 - 12

	Tempo máximo de armazenamento (meses)	Tempo de descongelamento à temperatura ambiente (horas)	Tempo de descongelamento no forno (minutos)
Pão	4 - 6	2 - 3	4-5 (220-225 °C)
Bolachas	3 - 6	1 - 1,5	5-8 (190-200 °C)
Bolos	1 - 3	2 - 3	5-10 (200-225 °C)
Tarte	1 - 1,5	3 - 4	5-8 (190-200 °C)
Massa leveda	2 - 3	1 - 1,5	5-8 (190-200 °C)
Pizza	2 - 3	2 - 4	15-20 (200 °C)

Produtos lácteos	Preparação	Tempo máximo de armazenamento (meses)	Condições de armazenamento
Pacote de leite (Homogeneizado)	Na embalagem	2 - 3	Leite puro - na embalagem
Queijo - excluindo queijo branco	Em fatias	6 - 8	A embalagem original poderá ser utilizada para armazenamento a curto prazo. Manter embrulhada em película durante longos períodos.
Manteiga, margarina	Na embalagem	6	

5 LIMPEZA E MANUTENÇÃO

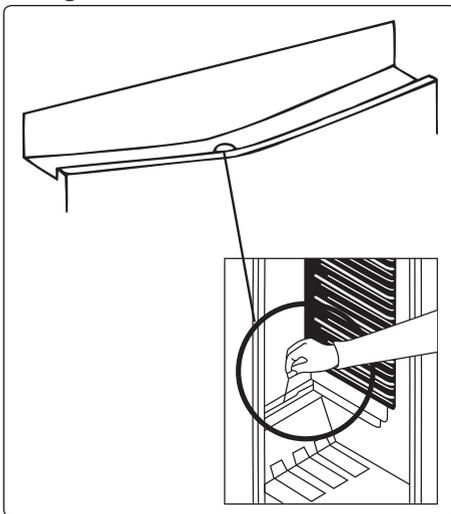
-  Desligue a unidade da corrente elétrica antes de limpar.
-  Não lave o seu eletrodoméstico colocando-lhe água.
-  Não utilize produtos abrasivos, detergentes ou sabões para limpar o eletrodoméstico. Após a lavagem, enxague com água limpa e seque cuidadosamente. Quando tiver terminado a limpeza, volte a ligar a ficha à alimentação elétrica com as mãos secas.

- Certifique-se de que nenhuma água entra no revestimento da lâmpada e outros componentes elétricos.
- O eletrodoméstico deve ser limpo com regularidade utilizando uma solução de bicarbonato de soda e água morna.
- Limpe os acessórios separadamente à mão com sabão e água. Não lave os acessórios na máquina de lavar loiça.
- Limpe o condensador com uma escova, pelo menos, duas vezes por ano. Isto irá ajudar a poupar energia e a aumentar a produtividade.

 **A alimentação elétrica deverá ser desligada durante a limpeza.**

5.1 Descongelação

Descongelar o Compartimento do Frigorífico



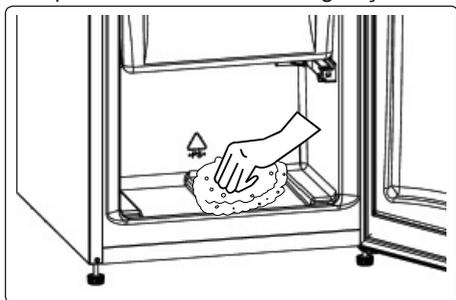
- O descongelamento ocorre automaticamente no compartimento do frigorífico durante o funcionamento. A água é recolhida pela bandeja de evaporação e evapora automaticamente.
- A bandeja de evaporação e o orifício de drenagem de água devem ser limpos periodicamente com a tampa de drenagem de descongelamento para evitar que a água se acumule no fundo do frigorífico ao invés de fluir para fora.
- Poderá ainda limpar o orifício de drenagem deitando meio copo de água no mesmo.

Processo de descongelação do congelador

- Pequenas quantidades de gelo ir-se-ão acumular dentro do congelador, dependendo do tempo que a porta seja deixada aberta ou da quantidade de humidade introduzida. É essencial assegurar que nenhum gelo se forma em locais onde irá afetar a união de fecho do selo da porta. Isto poderá permitir que ar penetre no armário, encorajando o funcionamento contínuo do compressor. A formação de gelo fino

é bastante suave e pode ser removido com uma escova ou espátula de plástico. Não utilize espátulas afiadas ou de metal, dispositivos mecânicos ou outros meios para acelerar o processo de descongelamento. Remova todo o gelo retirado da base do armário. Não é necessário desligar o eletrodoméstico para retirar o gelo fino.

- Para a remoção de depósitos de gelo pesados, desconecte o eletrodoméstico da alimentação elétrica principal, esvazie o conteúdo para caixas de cartão e envolva em cobertores pesados ou camadas de papel para manter tudo fresco. A descongelação será mais eficiente se realizada quando o congelador estiver quase vazio e deverá ser realizada o mais rapidamente possível para evitar um aumento desnecessário da temperatura nos conteúdos.
- Não utilize espátulas afiadas ou de metal, dispositivos mecânicos ou outros meios para acelerar o processo de descongelamento. Um aumento na temperatura dos alimentos congelados durante a descongelação irá encurtar a vida útil de armazenamento. Mantenha os conteúdos bem envolvidos e frescos enquanto decorrer a descongelação.



- Seque o interior do compartimento com uma esponja ou pano limpo.
- Para acelerar o processo de descongelamento, coloque uma ou mais tigelas de água quente no compartimento do congelador.

- Verifique os conteúdos quando os substituir no congelador e, se alguma das embalagens estiver descongelada, deverá ser comida dentro de 24 horas ou ser cozinhada e congelada novamente.
- Após a descongelação estar completa, limpe o interior do eletrodoméstico com uma solução de água quente e um pouco de bicarbonato de sódio, e depois seque bem. Lave todas as partes móveis da mesma forma e volte a montar. Volte a ligar o eletrodoméstico à alimentação elétrica principal e deixe durante 2 ou 3 horas no número “MÁX.” antes de introduzir novamente alimentos no congelador.

Substituir a iluminação LED

Os números e a localização das luzes LED poderá mudar de acordo com o modelo.



Nota: Os números e a localização das luzes LED poderá mudar de acordo com o modelo.

6 ENVIO E REPOSICIONAMENTO

6.1 Transportar e alterar o posicionamento

- A embalagem original e a espuma podem ser guardadas para novo transporte (opcional).
- Segure o seu eletrodoméstico com embalagem espessa, fitas ou cordas fortes e siga as instruções de transporte indicadas na embalagem.
- Remova todas as partes amovíveis e fixe-as ao eletrodoméstico contra choques utilizando fitas aquando da alteração de posicionamento ou transporte.

 Transporte sempre o seu eletrodoméstico na posição vertical.

6.2 Reposicionar a Porta

- Não é possível alterar a direção de abertura da porta do seu eletrodoméstico se as pegas da porta estiverem instaladas na superfície frontal da porta do eletrodoméstico.
- É possível alterar a direção de abertura da porta em modelos sem pegas.
- Se a direção de abertura da porta do seu eletrodoméstico puder ser alterada, contacte o Centro de Serviço Autorizado mais próximo para alterar a direção de abertura.

7 ANTES DE CONTACTAR O SERVIÇO PÓS-VENDAS

Se experienciar um problema com o seu **eletrodoméstico**, verifique o que se indica abaixo antes de contactar o serviço de pós-vendas.

O seu eletrodoméstico não está a funcionar

Verifique se:

- Existe alimentação elétrica
- O seu congelador está ligado à tomada e ligado
- O fusível queimou
- A tomada está avariada. Para verificar isto, ligue outro eletrodoméstico a funcionar à mesma tomada.

O eletrodoméstico tem um desempenho fraco

Verifique se:

- O eletrodoméstico está sobrecarregado
- As portas estão bem fechadas
- Existe qualquer pó no condensador
- Existe espaço suficiente perto das paredes traseiras e laterais

O seu eletrodoméstico está com um desempenho ruidoso

Os ruídos seguintes podem ser ouvidos durante o funcionamento normal do eletrodoméstico.

Ocorre ruído de estalidos:

- Durante o descongelamento automático.
- Quando o eletrodoméstico está refrigerado ou aquecido (devido à expansão de material do eletrodoméstico).

Ocorre ruído de estalidos curtos:

Quando o termóstato coloca o compressor em on/off.

Ruído de motor: indica que o compressor está a funcionar normalmente. O compressor poderá causar mais ruído durante um curto período de tempo quando é ativado pela primeira vez.

Ocorre ruído borbulhento e de chapinhar: provocado pelo fluxo do refrigerante nos tubos do sistema.

Ocorre ruído de fluxo de água: Devido ao fluxo de água para o recipiente de evaporação. Este ruído é normal durante a descongelação.

Ocorre ruído de sopro de ar: Em alguns modelos durante o funcionamento normal do sistema devido à circulação de ar.

As extremidades do eletrodoméstico em contacto com a junta da porta estão quentes

Especialmente durante o verão (tempo quente), as superfícies em contacto com a junta da porta poderão ficar quentes durante a operação do compressor. Isto é normal.

Existe acumulação de humidade no interior do eletrodoméstico

Verifique se:

- Todos os alimentos estão bem embalados. Os recipientes devem estar secos antes de serem colocados no **eletrodoméstico**.
- As portas do **eletrodoméstico** são abertas com frequência. A humidade da divisão irá entrar no **eletrodoméstico** sempre que as portas forem abertas. A humidade aumenta mais rapidamente se as portas forem abertas com frequência, especialmente se a humidade na divisão for elevada.

A porta não estão a abrir ou a fechar adequadamente

Verifique se:

- Existem alimentos ou embalagens que evitam que a porta se feche
- As juntas da porta estão danificadas ou gastas
- O seu **eletrodoméstico** está nivelado.

O compressor pode fazer ruído. Em alguns modelos, o ruído pode aumentar em determinadas situações, tais como quando o aparelho é ligado pela primeira vez, se houver alterações de temperatura ambiente ou se lhe for dada uma utilização diferente. Este é um fator normal. O ruído irá diminuir assim que o aparelho atingir a temperatura normal.

Recomendações

- Uma função de atraso de 5 minutos é aplicada para evitar danos no compressor do seu frigorífico aquando da conexão ou desconexão à alimentação principal ou aquando da ocorrência de uma quebra de energia. O seu frigorífico irá começar a operar normalmente após 5 minutos.
- Se não utilizar o seu eletrodoméstico durante um longo período de tempo (por ex., nas férias de verão), retire a ficha da tomada. Limpe o eletrodoméstico de acordo com o capítulo de limpeza e deixe a porta aberta para evitar humidade e cheiros.
- Se persistir um problema após ter seguido as instruções acima, consulte o centro de serviço autorizado mais próximo.
- O eletrodoméstico que adquiriu foi criado apenas para uso doméstico. Não é adequado para utilização comercial ou comum. Se o consumidor utilizar o eletrodoméstico de forma a que não cumpra com isto, enfatizamos que o fabricante e o revendedor não serão responsáveis por qualquer reparação ou avaria dentro do período de garantia.

8 DICAS PARA POUPAR ENERGIA

1. Instale o eletrodoméstico num local fresco e bem ventilado, mas fora do alcance da luz direta do sol ou longe de uma fonte de calor (como por exemplo, um radiador ou forno) caso contrário, deve ser utilizada uma placa de isolamento.
2. Deixe que alimentos e bebidas quentes arrefeçam antes de os colocar dentro do eletrodoméstico.
3. Coloque alimentos a descongelar no compartimento do frigorífico, se disponível. A baixa temperatura dos alimentos congelados irá ajudar a refrigerar o compartimento do frigorífico enquanto os alimentos são descongelados. Isto irá poupar energia. Alimentos congelados deixados a descongelar fora do eletrodoméstico irão resultar num desperdício de energia.
4. Bebidas e outros líquidos deverão ser tapados quando dentro do eletrodoméstico. Se deixados destapados, a humidade dentro do eletrodoméstico irá aumentar, assim, o eletrodoméstico usa mais energia. Manter bebidas e outros líquidos destapados ajuda a preservar o seu odor e sabor.
5. Evite manter as portas abertas durante longos períodos e abrir as portas com muita frequência uma vez que ar quente irá entrar no eletrodoméstico e fazer com que o compressor ligue com frequência desnecessária.
6. Mantenha as tampas de diferentes compartimentos (como por exemplo, a gaveta da fruta e legumes, e o compartimento de refrigeração, se disponível) fechadas.
7. A junta da porta deve estar limpa e ser maleável. Substitua as juntas, se desgastadas.

9 DADOS TÉCNICOS

As informações técnicas encontram-se na placa de características existente no lado interno do aparelho e na etiqueta de energia.

O código QR na etiqueta de energia fornecida com o aparelho disponibiliza um link da web para a informação relacionada com o desempenho do aparelho na base de dados de EU EPREL. Mantenha a etiqueta de energia para consulta juntamente com o manual do utilizador e todos os outros documentos disponibilizados com este aparelho.

É também possível encontrar a mesma informação na EPREL utilizando o link <https://eprel.ec.europa.eu> e o nome do modelo e número do produto que encontra na placa de classificação do aparelho.

10 INFORMAÇÃO PARA TESTES

A instalação e preparação do aparelho para qualquer verificação EcoDesign deve estar em conformidade com EN 62552.

Os requisitos de ventilação, dimensões de encaixe e folgas traseiras mínimas deverão ser conforme declarado neste Manual do Utilizador na parte 2.

Contacte o fabricante para quaisquer informações adicionais, incluindo planos de carga.

11 SERVIÇO E ASSISTÊNCIA AO CONSUMIDOR

Utilize sempre as peças sobresselentes originais.

Quando entrar em contacto com o nosso Centro de Serviço Autorizado, garanta que tenha os seguintes dados disponíveis: Modelo, Número de Série e o Índice de Serviço (SI).

A informação pode ser encontrada no rótulo do produto. Sujeito a modificações sem aviso prévio.

As peças sobresselentes originais para alguns componentes específicos estão disponíveis por um período de 10 anos desde a colocação no mercado da última unidade do modelo.

Visite o nosso website para:
<https://www.voxelectronics.com>



5236xxxx

Ovaj dokument je originalno proizveden i objavljen od strane proizvođača, brenda Vox, i preuzet je sa njihove zvanične stranice. S obzirom na ovu činjenicu, Tehnoteka ističe da ne preuzima odgovornost za tačnost, celovitost ili pouzdanost informacija, podataka, mišljenja, saveta ili izjava sadržanih u ovom dokumentu.

Napominjemo da Tehnoteka nema ovlašćenje da izvrši bilo kakve izmene ili dopune na ovom dokumentu, stoga nismo odgovorni za eventualne greške, propuste ili netačnosti koje se mogu naći unutar njega. Tehnoteka ne odgovara za štetu nanесenu korisnicima pri upotrebi netačnih podataka. Ukoliko imate dodatna pitanja o proizvodu, ljubazno vas molimo da kontaktirate direktno proizvođača kako biste dobili sve detaljne informacije.

Za najnovije informacije o ceni, dostupnim akcijama i tehničkim karakteristikama proizvoda koji se pominje u ovom dokumentu, molimo posetite našu stranicu klikom na sledeći link:

<https://tehnoteka.rs/p/vox-kombinovani-frizider-kg-2800-f-akcija-cena/>