

Uputstvo za upotrebu

TESLA mikrotalasna rerna MW2030MW

TESLA



Tehnoteka je online destinacija za upoređivanje cena i karakteristika bele tehnike, potrošačke elektronike i IT uređaja kod trgovinskih lanaca i internet prodavnica u Srbiji. Naša stranica vam omogućava da istražite najnovije informacije, detaljne karakteristike i konkurentne cene proizvoda.

Posetite nas i uživajte u ekskluzivnom iskustvu pametne kupovine klikom na link:

<https://tehnoteka.rs/p/tesla-mikrotalasna-rerna-mw2030mw-akcija-cena/>

TESLA

MICROWAVE OVEN

MW2030MW
MW2030MS

User Manual

ENG

BiH/
CG

MK

RO

SLO

SRB



Product images are for illustrative purposes only and may differ from the actual product.

PRECAUTIONS TO AVOID POSSIBLE EXPOSURE TO EXCESSIVE MICROWAVE ENERGY

- Do not attempt to operate this oven with the door open because this can result in harmful exposure to microwave energy. It is important not to break or tamper with the safety interlocks.
- Do not place any object between the oven front face and the door or allow soil or cleaner residue to accumulate on sealing surfaces.

⚠ WARNING!

- If the door or door seals are damaged, the oven must not be operated until it has been repaired by a qualified person.

ADDENDUM

If the appliance is not maintained in a good state of cleanliness, its surface could be degraded and affect the lifespan of the appliance and lead to a dangerous situation.

Specifications

Rated Voltage	230V~ 50Hz
Rated Input Power (Microwave)	1050W
Rated Output Power (Microwave)	700 W
Oven Capacity	20 L
Turntable Diameter	Ø 255 mm
External Dimensions	440x356x259mm
Net Weight	Approx. 10.24kg

IMPORTANT SAFETY INSTRUCTIONS

WARNING!

To reduce the risk of fire, electric shock, injury to persons or exposure to excessive microwave oven energy when using your appliance, follow basic precautions, including the following:

1. Read and follow the specific: "PRECAUTIONS TO AVOID POSSIBLE EXPOSURE TO EXCESSIVE MICROWAVE ENERGY".
2. This appliance can be used by children aged from 8 years and above and persons with reduced physical, sensory or mental capabilities or lack of experience and knowledge if they have been given supervision or instruction concerning use of the appliance in a safe way and understand the hazards involved. Children should not play with the appliance. Cleaning and user maintenance should not be done by children unless they are older than 8 and supervised. Children less than 8 years of age should be kept away unless continuously supervised.
3. Keep the appliance and its cord out of reach of children less than 8 years.
4. If the supply cord is damaged, it must be replaced by the manufacturer, its service agent or similarly qualified persons in order to avoid a hazard. (For appliance with type Y attachment)
5. **WARNING:** Ensure that the appliance is switched off before replacing the lamp to avoid the possibility of electric shock.
6. **WARNING:** It is hazardous for anyone other than a qualified person to carry out any service or repair

operation that involves the removal of a cover which gives protection against exposure to microwave energy.

7. **WARNING:** Liquids and other foods must not be heated in sealed containers since they are liable to explode.
8. When heating food in plastic or paper containers, keep an eye on the oven due to the possibility of ignition.
9. Only use utensils that are suitable for use in microwave ovens.
10. If smoke is emitted, switch off or unplug the appliance and keep the door closed in order to stifle any flames.
11. Microwave heating of beverages can result in delayed eruptive boiling, therefore care must be taken when handling the container.
12. The contents of feeding bottles and baby food jars shall be stirred or shaken and the temperature checked before consumption, in order to avoid burns.
13. Eggs in their shell and whole hard-boiled eggs should not be heated in microwave ovens since they may explode, even after microwave heating has ended.
14. The oven should be cleaned regularly and any food deposits removed.
15. Failure to maintain the oven in a clean condition could lead to deterioration of the surface that could adversely affect the lifespan of the appliance and possibly result in a hazardous situation.
16. The appliance must not be installed behind a decorative door in order to avoid overheating. (This is not applicable for appliances with decorative doors.)
17. Only use the temperature probe recommended for this oven. (for ovens provided with a facility to use a temperature-sensing probe.)
18. The microwave oven shall not be placed in a cabinet unless it has been tested in a cabinet.

19. The microwave oven must be operated with the decorative door open. (for ovens with a decorative door.)
20. This appliance is intended to be used in household and similar applications such as:
 - staff kitchen areas in shops, offices and other working environments;
 - by clients in hotels, motels and other residential type environments;
 - farm houses;
 - bed and breakfast type environments.
21. The microwave oven is intended for heating food and beverages. Drying of food or clothing and heating of warming pads, slippers, sponges, damp cloth and similar may lead to risk of injury, ignition or fire.
22. Metallic containers for food and beverages are not allowed during microwave cooking.
23. The appliance should not be cleaned with a steam cleaner.
24. The appliance is intended to be used freestanding.
25. The rear surface of appliances shall be placed against a wall.

READ CAREFULLY AND KEEP FOR FUTURE REFERENCE

To Reduce the Risk of Injury to Persons Grounding Installation

DANGER!

Electric Shock Hazard Touching some of the internal components can cause serious personal injury or death. Do not disassemble this appliance.

⚠ WARNING!**Electric Shock Hazard**

Improper use of the grounding can result in electric shock. Do not plug into an outlet until appliance is properly installed and grounded.

- This appliance must be grounded. In the event of an electrical short circuit, grounding reduces the risk of electric shock by providing an escape wire for the electric current. This appliance is equipped with a cord having a grounding wire with a grounding plug. The plug must be plugged into an outlet that is properly installed and grounded.
- Consult a qualified electrician or serviceman if the grounding instructions are not completely understood or if doubt exists as to whether the appliance is properly grounded.
- If it is necessary to use an extension cord, use only a 3-wire extension cord.
 1. A short power-supply cord is provided to reduce the risks resulting from becoming entangled in or tripping over a longer cord.
 2. If a long cord set or extension cord is used:
 - 1) The marked electrical rating of the cord set or extension cord should be at least as great as the electrical rating of the appliance.
 - 2) The extension cord must be a grounding-type 3-wire cord.
 - 3) The long cord should be arranged so that it will not drape over the counter top or tabletop where it can be pulled on by children or tripped over unintentionally.

CLEANING

Be sure to unplug the appliance from the power supply.

1. Clean the cavity of the oven after using with a slightly damp cloth.
2. Clean the accessories in the usual way in soapy water.
3. The door frame and seal and neighboring parts must be cleaned carefully with a damp cloth when they are dirty.
4. Do not use harsh abrasive cleaners or sharp metal scrapers to clean the oven door glass since they can scratch the surface, which may result in shattering of the glass.
5. Cleaning Tip---For easier cleaning of the cavity walls that the food cooked can touch: Place half a lemon in a bowl, add 300ml (1/2 pint) water and heat on 100% microwave power for 10 minutes. Wipe the oven clean using a soft, dry cloth.

UTENSILS

CAUTION! Personal Injury Hazard

It is hazardous for anyone other than a competent person to carry out any service or repair operation that involves the removal of a cover which gives protection against exposure to microwave energy.

See the instructions on "Materials you can use in microwave oven or to be avoided in microwave oven." There may be certain non-metallic utensils that are not safe to use for microwaving. If in doubt, you can test the utensil in question following the procedure below.

Utensil Test:

1. Fill a microwave-safe container with 1 cup of cold water (250ml) along with the utensil in question.

2. Cook on maximum power for 1 minute.
3. Carefully feel the utensil. If the empty utensil is warm, do not use it for microwave cooking.
4. Do not exceed 1-minute cooking time.

Materials you can use in microwave oven

Utensils	Remarks
Browning dish	Follow manufacturer's instructions. The bottom of browning dish must be at least 3/16 inch (5mm) above the turntable. Incorrect usage may cause the turntable to break.
Dinnerware	Microwave-safe only. Follow manufacturer's instructions. Do not use cracked or chipped dishes.
Glass jars	Always remove lid. Use only to heat food until just warm. Most glass jars are not heat resistant and may break.
Glassware	Heat-resistant oven glassware only. Make sure there is no metallic trim. Do not use cracked or chipped dishes.
Oven cooking bags	Follow manufacturer's instructions. Do not close with metal tie. Make slits to allow steam to escape.
Paper plates and cups	Use for short-term cooking/warming only. Do not leave oven unattended while cooking.
Paper towels	Use to cover food for reheating and absorbing fat. Use with supervision for a short-term cooking only.
Parchment paper	Use as a cover to prevent splattering or a wrap for steaming.
Plastic	Microwave-safe only. Follow the manufacturer's instructions. Should be labeled "Microwave Safe". Some plastic containers soften, as the food inside gets hot. "Boiling bags" and tightly closed plastic bags should be slit, pierced or vented as directed by package.
Plastic wrap	Microwave-safe only. Use to cover food during cooking to retain moisture. Do not allow plastic wrap to touch food.
Thermometers	Microwave-safe only (meat and candy thermometers).
Wax paper	Use as a cover to prevent splattering and retain moisture.

Materials to be avoided in microwave oven

Utensils	Remarks
Aluminum tray	May cause arcing. Transfer food into microwave-safe dish.
Food carton with metal handle	May cause arcing. Transfer food into microwave-safe dish.
Metal or metal-trimmed utensils	Metal shields the food from microwave energy. Metal trim may cause arcing.

Utensils	Remarks
Metal twist ties	May cause arcing and could cause a fire in the oven.
Paper bags	May cause a fire in the oven.
Plastic foam	Plastic foam may melt or contaminate the liquid inside when exposed to high temperature.
Wood	Wood will dry out when used in the microwave oven and may split or crack.

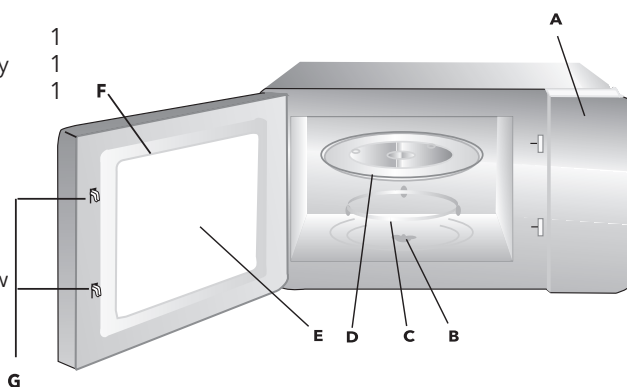
SETTING UP YOUR OVEN

Names of Oven Parts and Accessories

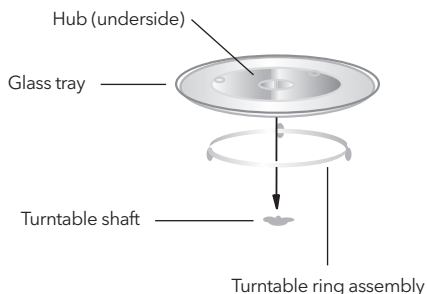
Remove the oven and all materials from the carton and oven cavity. Your oven comes with the following accessories:

Glass tray 1
Turntable ring assembly 1
Instruction Manual 1

- A) Control panel
B) Turntable shaft
C) Turntable ring assembly
D) Glass tray
E) Observation window
F) Door assembly
G) Safety interlock system



Turntable Installation



- Never place the glass tray upside down. The glass tray should never be restricted.
- Both glass tray and turntable ring assembly must always be used during cooking.
- All food and containers of food are always placed on the glass tray for cooking.
- If glass tray or turntable ring assembly cracks or breaks, contact your nearest authorized service center.

Countertop Installation

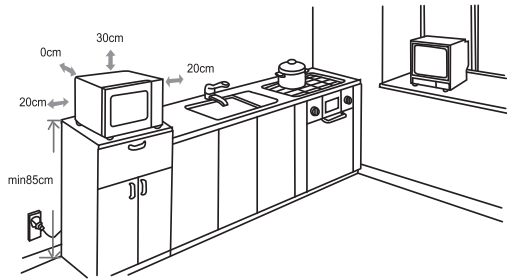
Remove all packing material and accessories. Examine the oven for any damage such as dents or broken door. Do not install if oven is damaged.

Cabinet: Remove any protective film found on the microwave oven cabinet surface. Do not remove the light brown Mica cover that is attached to the oven cavity to protect the magnetron.

INSTALLATION

1. Select a level surface that provides enough open space for the intake and/or outlet vents.

- (1) The minimum installation height is 85cm.



- (2) The rear surface of appliance shall be placed against a wall. Leave a minimum clearance of 30cm above the oven, a minimum clearance of 20cm is required between the oven and any adjacent walls.
- (3) Do not remove the legs from the bottom of the oven.
- (4) Blocking the intake and/ or outlet openings can damage the oven.
- (5) Place the oven as far away from radios and TV as possible. Operation of microwave oven may cause interference to your radio or TV reception.

2. Plug your oven into a standard household outlet. Be sure the voltage and the frequency is the same as the voltage and the frequency on the rating label.

⚠ WARNING!

Do not install oven over a range cooktop or other heat-producing appliance. If installed near or over a heat source, the oven could be damaged and the warranty would be void.



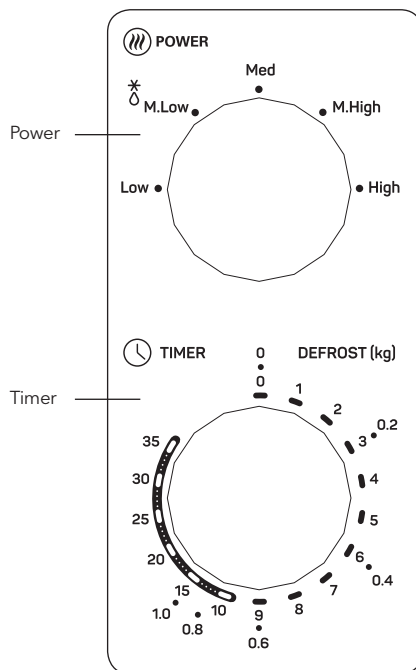
The accessible surface may be hot during operation.

OPERATION

Control Panel and Features

Operation Instructions

1. Set cooking power by turning the power knob to desired level.
2. Set the cooking time by turning the timer knob to the desired time according your food cooking guide.
3. The microwave oven will automatically start cooking after power level and time are set.
4. After the cooking time is up, the unit will "Dong" when finished.
5. If the unit is not in use, always set the time to "0".



Function/Power	Output	Application
Low	17% micro.	Soften ice cream
Med. Low (Defrost)	33% micro.	Soup stew, soften butter or defrost
Med.	55% micro.	Stew, fish
Med. High	77% micro.	Rice, fish, chicken, ground meat
High	100% micro.	Reheat, milk, boil water, vegetables, beverage

Notice: When removing food from the oven, please ensure that the oven power is switched off by turning the timer switch to 0 (zero). Failure to do so, and operating the microwave oven without food in it, can result in overheating and damage to the magnetron.

TROUBLESHOOTING

NORMAL	
Microwave oven interfering TV reception	Radio and TV reception may be interfered when microwave oven operating. It is similar to the interference of small electrical appliances, like mixer, vacuum cleaner, and electric fan. It is normal.
Dim oven light	In low power microwave cooking, oven light may become dim. It is normal.
Steam accumulating on door, hot air out of vents	In cooking, steam may come out of food. Most will get out from vents. But some may accumulate on cool place like oven door. It is normal.
Oven started accidentally with no food in.	It is forbidden to run the unit without any food inside. It is very dangerous.

TROUBLE	POSSIBLE CAUSE	REMEDY
Oven can not be started.	Power cord not plugged in tightly.	Unplug. Then plug again after 10 seconds.
	Fuse blowing or circuit breaker works.	Replace fuse or reset circuit breaker (repaired by professional personnel of our company)
	Trouble with outlet.	Test outlet with other electrical appliances.
Oven does not heat.	Door not closed well.	Close door well.

ENG



According to Waste of Electrical and Electronic Equipment (WEEE) directive, WEEE should be separately collected and treated. If at any time in future, you need to dispose of this product please do NOT dispose of this product with household waste. Please send this product to WEEE collecting points where available.

PREDOSTROŽNOSTI ZA IZBJEGAVANJE MOGUĆEG PREKOMIJERNOG IZLAGANJA MIKROTALASNOJ ENERGIJI

- Ne pokušavajte da koristite ovu rernu sa otvorenim vratima jer to može rezultirati štetnim izlaganjem mikrotalasnoj energiji. Važno je ne lomiti ili ne rotirati bezbjednosne spojeve.
- Ne postavljajte nikakve predmete između prednje strane rerne i vrata, ne dozvoljavajte nakupljanje prljavštine ili sredstava za čišćenje na površinama za dihtovanje..

⚠ UPOZORENJE!

- Ukoliko su vrata ili vratni dihtunzi oštećeni, rerna se ne smije koristiti dok ih ne zameni stručna osoba.

DODATAK

Ukoliko se uređaj ne održava čistim, to može uticati na njegovu površinu i radni vijek i dovesti do opasnih situacija.

Specifikacije

Radni napon	230V~ 50Hz
Nominalna ulazna snaga (mikrotalasi)	1050W
Nominalna izlazna snaga (mikrotalasi)	700 W
Kapacitet rerne	20 L
Prečnik okretnog tanjira	Ø 255 mm
Spoljne dimenzije	440x356x259mm
Neto težina	Oko 10.24kg

VAŽNA SIGURNOSNA UPUTSTVA

UPOZORENJE!

Da biste smanjili rizik od požara, strujnog udara, povrede ili izlaganja prekomjernoj energiji mikrotalasne rerne prilikom njenog korišćenja, slijedite osnovne mjere predostrožnosti koje uključuju sljedeće:

1. Pročitajte i pratite: "MJERE PREDOSTROŽNOSTI KAKO BISTE IZBJEGLI MOGUĆU IZLOŽENOST PREKOMJERENOJ MIKROTALASNOJ ENERGIJI".
2. Upozorenje: Uređaj mogu koristiti djeca starija od 8 godina i osobe sa smanjenim fizičkim, senzornim i mentalnim sposobnostima ili nedostatkom iskustva i znanja samo ako su pod nadzorom ili su im data odgovarajuća uputstva, tako da mogu koristiti rernu na siguran način i da razumeveju opasnost usljed neispravne upotrebe. Djeca ne treba da se igraju sa ovim aparatom. Čišćenje i održavanje ne bi trebalo da obavljaju djeca, osim ako su pod nadzorom i imaju više od 8 godina. Djecu mlađu od 8 godina treba držati dalje od aparata, ukoliko nisu pod neprekidnim nadzorom.
3. Čuvajte aparat i njegove kablove van domašaja djece mlađe od 8 godina.
4. Ako je kabl za napajanje oštećen, mora ga zamijeniti proizvođač, njegov serviser ili slična kvalifikovana lica, kako bi se izbjegla opasnost. (Za uređaj sa priborom tipa Y).
5. **UPOZORENJE:** Uvjerite se da je uređaj isključen prije nego što zamijenite lampu kako biste izbjegli mogućnost električnog udara.
6. **UPOZORENJE:** Opasno je za bilo koga osim kvalifikovane osobe da sprovede servisiranje ili popravku koja uključuje uklanjanje poklopca koji pruža zaštitu od izlaganja mikrotalasnoj energiji.

7. **UPOZORENJE:** Tečnosti i druga hrana se ne smiju zagrijavati u zatvorenim posudama jer mogu da eksplodiraju.
8. Prilikom zagrijavanja hrane u plastičnim ili papirnim posudama, pazite na rernu zbog mogućnosti paljenja.
9. Koristite samo posude koji su pogodne za upotrebu u mikrotalasnim rernama.
10. Ukoliko primijetite dim, ugasite ili isključite uređaj iz struje, i držite zatvorena vrata rerne kako bi se vatra ugasila.
11. Mikrotalasno zagrijavanje napitaka može dovesti do odloženog eruptivnog ključanja, stoga treba voditi računa prilikom rukovanja posudom.
12. Kako bi se izbjegle opekotine, sadržaj dečjih flašica i teglica sa dečjom hranom treba promješati ili protresti prije konzumiranja i proveriti njegovu temperaturu.
13. Jaja u ljusci i tvrdo kuvana jaja ne bi trebalo zagrijavati u mikrotalasnjoj rerni jer mogu da eksplodiraju čak i nakon završetka grijanja u rerni.
14. Rernu bi trebalo redovno čistiti i uklanjati naslage hrane.
15. Neredovno čišćenje rerne može dovesti do propadanja njenih površina, što može skratiti njen vijek trajanja i dovesti do opasnih situacija.
16. Uređaj se ne smije postaviti iza dekorativnih vrata kako bi se izbjeglo pregrevanje (Ovo nije primenljivo za uređaje sa ukrasnim vratima).
17. Koristite samo sondu temeprature koja se preporučuje za ovu rernu (za rerne opremljene instalacijom za korišćenje sonde za provjeru temperature).
18. Mikrotalasna rerna ne bi trebalo da bude postavljena u kuhinjske elemente osim ako nije testirana za to.
19. Prilikom rada, ukrasna vrata moraju ostati otvorena (za rerne sa dekorativnim vratima).

20. Aparat je namijenjen upotrebi u domaćinstvu i sličnim objektima kao što su:
 - kuhinje za osoblje u prodavnicama, kancelarijama i drugim radnim okruženjima;
 - hoteli, moteli i druge smeštajne jedinice;
 - seoske kuće;
 - prenoćišta.
21. Mikrotalasna rerna je namenjena za zagrijavanje hrane i pića. Sušenje hrane ili odjeće ili zagrijavanje mokrih tkanina, papuča, sunđera, krpa i sličnih predmeta može dovesti do povrede, paljenja ili požara.
22. Tokom kuhanja u mikrotalasnoj rerni nije dozvoljeno koristiti metalne posude za hranu i piće.
23. Uređaj ne treba čistiti paročistačem.
24. Uređaj treba da stoji samostalno, neprijljubljen uz druge uređaje.
25. Zadnja strana uređaja trebalo bi da bude okrenuta prema zidu.

PROČITAJTE PAŽLJIVO I ČUVAJTE ZA BUDUĆU UPOTREBU

Za smanjenje rizika od fizičkih povreda
Uzemljenje

⚠ OPASNOST!

Opasnost od strujnog udara.

Dodirivanje nekih komponenti može da izazove ozbiljne povrede ili smrt. Ne rastavljajte ovaj uređaj.

⚠ UPOZORENJE!

Opasnost od strujnog udara.

Neispravno uzemljenje može da rezutira strujnim udarom. Ne uključujte uređaj u utičnicu za struju dok ga ispravno ne instalirate i uzemljite.

- Ovaj uređaj mora da bude uzemljen. U slučaju kratkog strujnog spoja uzemljenje smanjuje opasnost od strujnog udara putem odvodne žice za električnu struju. Ovaj uređaj je opremljen uzemljenim strujnim kablom i utikačem sa kontaktom za uzemljenje. Utikač se mora ispravno uključiti u instaliranu i uzemljenu strujnu utičnicu.
- Konsultujte se sa kvalifikovanim električarem ili serviserom ukoliko u potpunosti ne razumijete uputstva za uzemljenje ili ukoliko niste sigurni da li je uređaj pravilno uzemljen.
- Ukoliko je potrebno da koristite produžni kabl, koristite isključivo produžni kabl sa tri žice.
 1. Obezbjeden je kratak kabl za napajanje kako bi se smanjili rizici od zapetljanja ili spoticanja o duži strujni kabl.
 2. Ukoliko se koristi dugi strujni kabl ili produžni kabl:
 - 1) Nominalna snaga strujnog kabla ili produžnog kabla mora biti jednaka ili veća od nominalne snage uređaja.
 - 2) Produžni kabl mora da bude kabl uzemljenog tipa sa tri žice.
 - 3) Dugi strujni kabl treba da se sprovede tako da ne visi preko ivice radne površine ili stola gdje mogu da ga povuku djeca ili neko može slučajno da se saplete o njega.

ČIŠĆENJE

Obavezno isključite rernu iz strujne utičnice.

1. Nakon upotrebe očistite unutrašnjost rerne vlažnom krpom.
2. Dodatke očistite na uobičajeni način u vodi sa sapunicom.
3. Kada su prljavi, okvir vrata, zaptivku i okolne dijelove treba pažljivo očistiti vlažnom krpom.
4. Ne koristite jaka abrazivna sredstva za čišćenje ili oštre metalne strugalice za čišćenje vrata rerne, pošto oni mogu da ogrebu površinu, što može rezultirati razbijanjem stakla.

5. Savjet za čišćenje - Za lakše čišćenje šupljine zidova koje skuvana hrana može da dodirne: Stavite pola limuna u činiju, dodajte 300 ml vode i zagrejte na 100% snage mikrotalasa na 10 minuta. Obrišite rernu mekom, suvom krpom.

POSUĐE

⚠ OPREZ! Opasnost od povreda

Servisiranje ili popravljanje koje uključuje uklanjanje poklopca koji štiti od izlaganja mikrotalasnoj energiji, opasno je za svakog osim za obučeno lice.

Pogledajte uputstva o "Materijalima koji mogu da se koriste u mikrotalasnoj rerni ili koje treba izbjegavati". Postoji određeno nemetalno posuđe koje nije bezbjedno za upotrebu u mikrotalasnoj rerni. Ukoliko postoji sumnja, posudu možete testirati na dole opisan način.

Test posuđa:

1. Napunite posudu bezbjednu za upotrebu u mikrotalasnoj rerni 1 šoljicom hladne vode (250ml), zajedno sa posudom koju testirate.
2. Kuhajte na maksimalnoj snazi 1 minut.
3. Pažljivo opipajte posudu. Ukoliko je prazna posuda topla, ne koristite je za kuhanje u mikrotalasnoj rerni.
4. Nemojte prekoračiti 1 minut kuhanja.

Materijali bezbjedni za upotrebu u mikrotalasnoj rerni

Posuda	Napomene
Posuda koja služi da se u njoj zapeče jelo	Pridržavajte se uputstava proizvođača. Dno posude mora da bude minimalno 5mm iznad tanjira koji se okreće. Neispravna upotreba može da izazove pucanje tanjira.
Servis za jelo	Isključivo onaj koji je pogodan za upotrebu u mikrotalasnim rernama. Pridržavajte se uputstava proizvođača. Ne koristite napuklo ili oštećeno posuđe.

Posuda	Napomene
Staklene tegle	Uvijek uklonite poklopac. Koristite za zagrijavanje hrane dok ne bude topla. Većina tegli nije otporna na toplotu i može da pukne.
Stakleno posuđe	Koristite isključivo vatrostalno stakleno posuđe. Na sudovima nikako ne smije biti metalnih rubova. Ne koristite napuklo ili oštećeno posuđe.
Kese za kuhanje u rernama	Pridržavajte se uputstava proizvođača. Ne zatvarajte metalnom vezicom. Napravite otvore tako da para može da izlazi.
Papirnati tanjiri i šoljice	Koristite isključivo za kratkotrajno kuhanje / zagrijavanje. Ne ostavljajte bez nadzora tokom kuhanja.
Papirne salвете	Koristite za prekrivanje hrane za podgrijavanje i upijanje masnoće. Koristite pod nadzorom isključivo za kratkotrajno kuhanje.
Papir za kolače	Koristite kao poklopac kako biste sprečili prskanje ili kao omotač za kuhanje u pari.
Plastika	Isključivo ona koja je pogodna za upotrebu u mikrotalasnim rernama. Pridržavajte se uputstava proizvođača. Trebalo bi da bude označena sa "Microwave Safe". Neke plastične posude omekšavaju dok se hrana unutar njih zagrijava. "Kese za kuhanje" i čvrsto zatvorene plastične kese prorezati, probušiti ili ostaviti otvorene prema uputstvu na pakovanju.
Plastična folija	Isključivo ona koja je pogodna za upotrebu u mikrotalasnim rernama. Koristite za prekrivanje hrane tokom kuhanja radi zadržavanja vlage. Plastična folija ne bi smjela da dodiruje hranu.
Termometri	Isključivo oni koji su pogodni za upotrebu u mikrotalasnim rernama (Termometri za meso i kolače).
Masni papir	Koristite kao poklopac za sprečavanje prskanja i zadržavanje vlage.

Materijali nepogodni za upotrebu u mikrotalasnoj rerni

Posuda	Napomene
Aluminijumski tanjir	Može da izazove varničenje. Premjestite hranu u posudu pogodnu za mikrotalasne rerne.
Posude za hranu sa metalnom drškom	Može da izazove varničenje. Premjestite hranu u posudu pogodnu za mikrotalasne rerne.

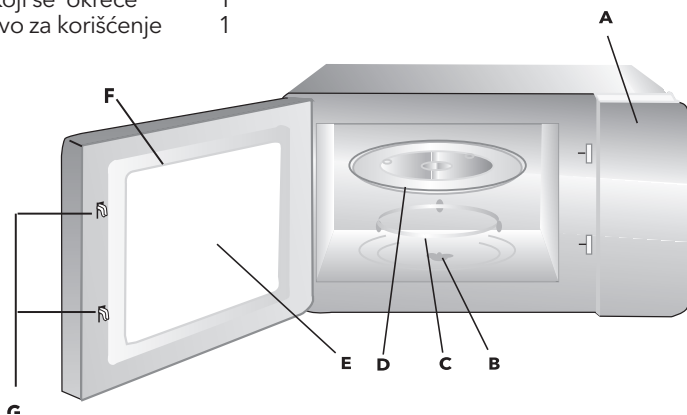
Posuda	Napomene
Metalne posude ili posude sa metalnom ivicom	Metal štiti hranu od mikrotalasne energije. Metalne ivice mogu da izazovu varničenje.
Metalne vezice	Mogu da izazovu varničenje i vatru unutar rerne.
Papirnate kese	Mogu da izazovu vatru u pećnici.
Stiropor	Stiropor može da se otopi ili kontaminira tečnost unutar rerne kada je izložen visokoj temperaturi.
Drvo	Prilikom upotrebe u mikrotalasnoj rerni drvo će se isušiti, i može i da naprsne.

POSTAVLJANJE RERNE

Nazivi dijelova rerne i dodataka

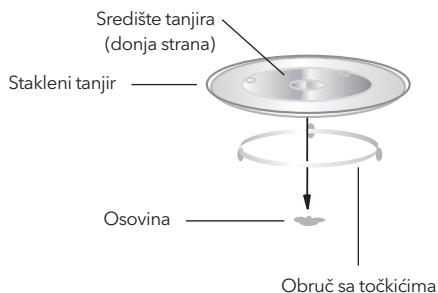
Uklonite rernu i sav materijal iz ambalaže i unutrašnjosti rerne. Uz vašu rernu priloženi su sljedeći dodaci:

- Stakleni tanjir 1
- Tanjir koji se okreće 1
- Uputstvo za korišćenje 1



- A) Kontrolna ploča
- B) Osovina za okretanje
- C) Komplet obrtnog prstena
- D) Stakleni tanjir
- E) Prozor za posmatranje
- F) Vrata
- G) Sistem sigurnosnog blokiranja

Instalacija tanjira koji se okreće



- Nikada ne postavljajte stakleni tanjir naopako. Ništa ne smije da blokira stakleni tanjir.
- Stakleni tanjir i obruč sa točkicama uvijek moraju da se koriste tokom kuhanja.
- Prilikom kuhanja, sva hrana i posude uvijek treba staviti na stakleni tanjir.
- Ukoliko stakleni tanjir ili obruč sa točkicama naprsnu ili se slome, kontaktirajte najbliži ovlašćeni servisni centar.

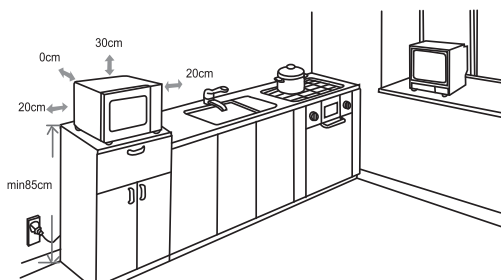
Instalacija na radnu površinu

Uklonite sav ambalažni materijal i dodatke. Provjerite ima li oštećenja na reni, poput ogrebotina ili oštećenih vrata. Ne instalirajte pećnicu ukoliko je oštećena.

Kućište: Uklonite zaštitnu foliju sa površine kućišta mikrotalasne rerne. Ne uklanjajte svijetlosmeđi liskun poklopac koji je pričvršćen za unutrašnjost rerne, a služi za zaštitu magnetrona.

INSTALACIJA

- Izaberite ravnu površinu sa dovoljno slobodnog prostora za dovod/odvod ventilacionog sistema rerne.



- (1) Minimalna visina ugradnje je 85cm.

- (2) Uređaj se postavlja zadnjom stranom uz zid. Iznad rerne ostavite minimalno 30cm slobodnog prostora, a potrebno je najmanje 20 cm između rerne i susjednih zidova.

- (3) Ne uklanjajte nožice sa dna rerne.

- (4) Blokiranje ulaza i/ili izlaza za vazduh može da ošteti rernu.

- (5) Postavite rernu što je dalje moguće od radija i tv prijemnika. Rad mikrotalasne rerne može da izazove smetnje u vašem radijskom ili televizijskom prijemu.
2. Uključite rernu u standardnu kućnu strujnu utičnicu. Napon i frekvencija treba da odgovaraju naponu i frekvenciji rerne, koji su navedeni na etiketi sa tehničkim podacima.

⚠ UPOZORENJE!

Ne postavljajte rernu iznad šporeta ili drugih toplotnih uređaja. Ukoliko se se instalira u blizini ili iznad izvora toplote, rerna bi se mogla oštetiti, i na taj način bi se mogla poništiti garancija za ovaj proizvod.

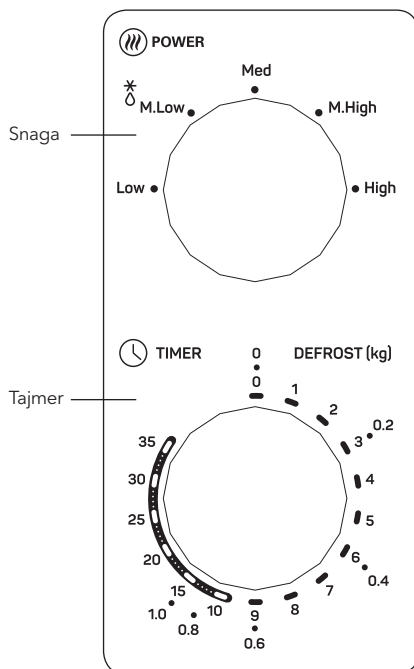


Dostupna površina može biti vruća tokom rada.

UPOTREBA

Kontrolna tabla i funkcije - uputstvo za upotrebu

1. Za podešavanje snage kuhanja postavite dugme snage na željeni nivo.
2. Za postavljanje trajanja kuhanja postavite dugme tajmera na željeni nivo prema vrsti hrane, na osnovu uputstva za kuhanje.
3. Mikrotalasna rerna automatski će da započne s kuhanjem nakon što odredite nivo snage i trajanje kuhanja.
4. Nakon isteka vremena kuhanja, uređaj će vas upozoriti zvučnim signalom.
5. Ukoliko se uređaj ne koristi, uvijek postavite vreme trajanja kuhanja na "0".



Funkcija/Snaga	Izlaz	Primena
Niska	17% mikro.	Omekšavanje sladoleda
Sr.niska (odmrzavanje)	33% mikro.	Čorbe, omekšavanje putera ili odmrzavanje
Srednja	55% mikro.	Gulaš, riba
Srednje visoka	77% mikro.	Pirinač, riba, pileтина, mleveno meso
Visoka	100% mikro.	Podgrijavanje, mlijeko, kuhanje vode, povrće, napici

Pažnja: Prije nego što izvadite hranu iz rerne, molimo da isključite rernu postavljanjem tajmera na položaj 0 (nula). Rad rerne bez hrane u njoj može da uzrokuje pregrijavanje i oštećenje magnetrona.

OTKLANJANJE PROBLEMA

NORMALNO	
Mikrotalasna ometa TV prijem	Tokom rada mikrotalasna rerna može ometati radio i TV prijem. To je slično interferenciji malih kućnih aparata, kao što su mikser, usisivač i fen za kosu. To je normalno.
Prigušeno svjetlo u rerni	Prilikom kuhanja niskom snagom mikrotalasa, svjetlo rerne može postati prigušeno. To je normalno.
Na vratima se kondenzuje vlaga, vruć vazduh izlazi iz otvora	Tokom kuhanja iz hrane može izlaziti para. Veći dio će izaći kroz ventilacione otvore, ali dio se može kondenzovati na hladnijim mjestima poput vrata rerne. To je normalno.
Rerna je slučajno uključena bez hrane u njoj	Zabranjeno je koristiti praznu rernu, bez hrane u njoj. To je veoma opasno.

PROBLEM	MOGUĆI UZROK	REŠENJE
Rerna se ne može pokrenuti	Strujni kabl nije ispravno uključen	Isključite kabl, pa ga nakon 10 sekundi ponovno uključite
	Neispravan osigurač ili prekidač	Zamijenite osigurač ili prekidač (uslugu vrši stručno osoblje naše kompanije)
	Problem sa utičnicom	Testirajte utičnicu na drugim električnim uređajima.

PROBLEM	MOGUĆI UZROK	REŠENJE
Rerna se ne zagrijava	Vrata nisu dobro zatvorena	Dobro zatvorite vrata



Prema odredbi o odlaganju električne i elektronske opreme, takva oprema treba da se posebno sakuplja i obrađuje. Ukoliko u nekom trenutku treba da bacite ovaj uređaj, molimo da ga NE bacate u đubre zajedno sa ostalim kućnim otpadom, već tamo gdje je za to unapred određeno mjesto. Ukoliko je moguće, molimo vas pošaljite ovaj uređaj u centar za prikupljanje električne i elektronske opreme.

МЕРКИ НА ПРЕТПАЗЛИВОСТ ЗА ИЗБЕГНУВАЊЕ НА МОЖНО ПРЕКУМЕРНО ИЗЛОЖУВАЊЕ НА МИКРОБРАНОВА ЕНЕРГИЈА

- Не ја користете оваа рерна со отворена врата бидејќи тоа може да резултира со штетно изложување на микробранова енергија. Важно е да не ги кршите или ротирате безбедносните спојувања.
- Не поставувајте никакви предмети помеѓу предната страна на рерната и вратата, не дозволувајте да се собира нечистотија или средства за чистење на површините за дихтување.

⚠ ПРЕДУПРЕДУВАЊЕ!

- Доколку вратата или вратните дихтунзи се оштетени, рерната не смее да се користи додека не ги замени стручно лице.

ДОДАТОК

Доколку уредот не се одржува чист, тоа може да влијае врз неговата површина и работниот век и да доведе до опасни ситуации.

Спецификации

Работен напон	230V~ 50Hz
Номинална влезна сила (микробранови)	1050W
Номинална излезна сила (микробранови)	700 W
Капацитет на рерна	20 L
Пречник на подвижна чинија	Ø 255 mm
Надворешни димензии	440x356x259mm
Нето тежина	Околу 10.24kg

ВАЖНИ СИГУРНОСНИ УПАТСТВА

⚠ ПРЕДУПРЕДУВАЊЕ!

За да го намалите ризикот од пожар, струен удар, повреди или прекумерно изложување на микробранова енергија при користење на рерната, следете ги основните мерки на претпазливост и тоа:

1. Прочитајте ги и следете ги: “МЕРКИТЕ НА ПРЕТПАЗЛИВОСТ КАКО БИ ЈА ИЗБЕГНАЛЕ МОЖНАТА ИЗЛОЖЕНОСТ НА ПРЕКУМЕРНА МИКРОБРАНОВА ЕНЕРГИЈА”.
2. Предупредување: Уредот може да го користат деца постари од 8 години, како и лица со намалени физички, сетилни и ментални способности или со недостаток на искуство и знаење, само ако се под надзор или ако им се дадени соодветни упатства, така што можат да ја користат рерната на сигурен начин и ги разбираат опасностите од неисправната употреба. Децата не треба да си играат со овој уред. Чистењето и одржувањето не би требало да го вршат деца, освен ако се под надзор и имаат над 8 години. Децата помлади од 8 години треба да се држат подалеку од уредот, доколку не се под постојан надзор.
3. Чувајте го уредот и неговите кабли надвор од дофат на деца помлади од 8 години.
4. Ако кабелот за напојување е оштетен, мора да го замени производителот, негов сервисер или слично квалификувано лице, како би се избегнала опасност. (За уред со прибор од типот Y).
5. **ПРЕДУПРЕДУВАЊЕ:** Уверете се дека уредот е исклучен пред да ја менувате ламбата како би ја избегнале можноста за електричен удар.

6. **ПРЕДУПРЕДУВАЊЕ:** Опасно е за кого било освен за квалификувано лице да спроведе сервисирање или поправка која вклучува отстранување на капакот кој нуди заштита од изложување на микробрановата енергија.
7. **ПРЕДУПРЕДУВАЊЕ:** Течностите и храната не смеат да се загреваат во затворени садови бидејќи можат да експлодираат.
8. При загревање на храната во пластични и хартиени садови, внимавајте на рерната поради можност од запаливост.
9. Користете само садови кои се погодни за употреба во микробранови рерни.
10. Доколку забележите чад, угасете го или исклучете го уредот од струја и држете ја затворена вратата од рерната како би се угасил огнот.
11. Микробрановото загревање на питоци може да доведе до одложено еруптивно зовривање, поради што е потребно да водите сметка при ракување со садовите.
12. За да избегнете изгореници, шишенцата и тегличките со храна за деца треба да ги помешате или протресете пред консумирање и да ја проверите нивната температура.
13. Јајцата во лушпа и тврдо варените јајца не би требало да се загреваат во микробрановата рерна бидејќи може да експлодираат дури и по завршување на загревањето во рерната.
14. Рерната би требало редовно да се чисти и да се отстрануваат наслагите од храна.
15. Нередовното чистење на рерната може да доведе до уништување на нејзината површина, што може да го скрати нејзиниот век на траење и да доведе до опасни ситуации.

16. Уредот не смее да се поставува зад декоративна врата како би се избегнало прегревање (Ова не се применува за уредите со украсна врата).
17. Користете само температурна сонда препорачана за оваа рерна (за рерни опремени со инсталација за користење сонда за проверка на температурата).
18. Микробрановата рерна не би требало да биде поставена во кујнски елемент освен ако не е тестирана за тоа.
19. При работењето, украсната врата мора да биде отворена (за рерните со декоративна врата).
20. Уредот е наменет за употреба во домаќинството и во објекти како што се:
 - кујни за персоналот во продавници, канцеларии и други работни опкружувања;
 - хотели, мотели и други единици за сместување;
 - селски куќи;
 - преноќевалишта.
21. Микробрановата рерна е наменета за загревање храна и пијалоци. Сушење на храна или облека или загревање на влажни ткаенини, обувки, сунѓери, крпи и слични предмети може да доведе до повреди, запалување или пожар.
22. Во текот на готвењето во микробрановата рерна не е дозволена употреба на метални садови за храна и пијалоци.
23. Уредот не треба да се чисти со чистач на параа.
24. Уредот треба да стои самостојно, неприпиен до други уреди.
25. Задната страна би требало да биде завртена кон сидот.

ПРОЧИТАЈТЕ ВНИМАТЕЛНО И ЧУВАЈТЕ ЗА ИДНА УПОТРЕБА

За намалување на ризикот од физички повреди.

Заземјување

⚠ ОПАСНОСТ!

Опасност од струен удар.

Допирањето на некои компоненти може да предизвика сериозни повреди или смрт. Не го расклопувајте овој уред.

⚠ ПРЕДУПРЕДУВАЊЕ!

Опасност од струен удар.

Неисправното заземјување може да резултира со струен удар. Не вклучувајте го уредот во штекер за струја додека исправно не го инсталирате и заземјите.

- Овој уред мора да биде заземјен. Во случај на краток струен спој заземјувањето ја намалува опасноста од струен удар преку одводните жици за електрична струја. Овој уред е опремен со заземјени струјни кабли и приклучок со контакт за заземјување. Приклучокот мора исправно да се вклучи во инсталираниот и заземјен штекер.
- Консултирајте се со квалификуван електричар или сервисер доколку во потполност не ги разбирате упатствата за заземјување или доколку не сте сигурни дали уредот е правилно заземјен.
- Доколку е потребно да користите продолжен кабел, користете единствено кабел со три жици.
 1. Обезбеден е краток кабел за напојување како би се намалил ризикот од заплеткување или сопнување од подолг кабел.
 2. Доколку се користи долг кабел или продолжен кабел:

- 1) Номиналната сила на кабелот мора да биде еднаква или поголема од номиналната сила на уредот.
- 2) Продолжниот кабел мора да биде од заземјен тип со три жици.
- 3) Долгиот кабел треба да се спроведе така што нема да виси преку рабовите на работната површина или маса каде може да го повлечат деца или некој може случајно да се заплетка од него.

ЧИСТЕЊЕ

Задолжително исклучете ја рерната од штекер.

1. По употребата, исчистете ја внатрешноста на рерната со влажна крпа.
2. Додатоците исчистете ги на вообичаен начин, во вода со сапуница.
3. Кога се валкани, рамките на вратата и околните делови треба внимателно да се исчистат со влажна крпа.
4. Не користете силни абразивни средства за чистење или остри метални стругалки за чистење на вратата од рерната, бидејќи може да ја изгребат површината, што пак може да резултира со кршење на стаклото.
5. Совет за чистење – За полесно чистење на шуплините од сидовите кои може да ги допре храната: Ставете половина лимон во чинија, додајте 300 ml вода и загрејте на 100% микробранова сила 10 минути. Избришете ја рерната со мека, сува крпа.

САДОВИ

⚠ ВНИМАНИЕ! Опасност од повреди

Сервисирање или поправка што вклучува отстранување на капакот кој штити од изложеност на микробрановата енергија, опасно е за секого освен за обучено лице.

Погледнете го упатството за „Материјалите кои може да се користат во микробранова рерна или кои треба да се избегнуваат“. Постојат одредени неметални садови кои не се безбедни за употреба во микробранова рерна. Доколку постои сомнеж, садовите може да ги тестирате на долупишаниот начин.

Тестирање на садовите:

1. Наполнете сад безбеден за употреба во микробрановата рерна со 1 шолја ладна вода (250ml), заедно со садот кој го тестирате.
2. Гответе на максимална сила 1 минута.
3. Внимателно опипајте го садот. Доколку празниот сад е топол, не го користете за готвење во микробрановата рерна.
4. Немојте да го пречекорите готвењето од 1 минута.

БЕЗБЕДНИ МАТЕРИЈАЛИ ЗА УПОТРЕБА

Сад	Напомена
Сад кој служи за печење на јадење	Придржувајте се до упатствата на производителот. Дното на садот мора да биде минимално 5 mm над чинијата која се врти. Неисправната употреба може да предизвика пукање на чинијата.
Сервис за јадење	Исклучиво оној кој е погоден за употреба во микробранова рерна. Придржувајте се до упатствата на производителот. Не користете напукнати или оштетени садови.

Сад	Напомена
Стаклени тегли	Секогаш отстранувајте го капакот. Користете ги за загревање додека храната не стане топла. Повеќето тегли не се отпорни на топлина и може да пукнат.
Стаклени садови	Користете исклучиво огноотпорни стаклени садови. На садовите не смее да има метални рабови. Не користете напукнати или оштетени садови.
Ќеси за печење во рерна	Придржувајте се до упатствата на производителот. Не ги затворајте со метална врвка. Направете отвори за да може да излегува пареата.
Хартиени чинии и шолји	Користете ги исклучиво за краткотрајно готвење/загревање. Не ги оставајте без надзор во текот на готвењето.
Хартиени салфети	Користете ги за прекривање на храната за загревање и за упивање на маснотијата. Користете ги под надзор исклучиво за краткотрајно готвење.
Хартија за колачи	Користете ја како капак за да спречите прскање или како обвивка за готвење на пареа.
Пластика	Исклучиво онаа која е погодна за употреба во микробранова рерна. Придржувајте се до упатствата на производителот. Би требало да биде означена со "Microwave Safe". Некои пластични садови омекнуваат додека храната во нив се загрева. „Ќесите за готвење“ и цврсто затворените пластични ќеси засечете ги, продупчете ги или оставете ги отворени според упатството на пакувањето.
Пластична фолија	Исклучиво онаа која е погодна за употреба во микробранова рерна. Користете ја за прекривање на храната во текот на готвењето заради задржување на влагата. Пластичната фолија не би смееа да ја допира храната.
Термометри	Исклучиво оние кои се погодни за употреба во микробранова рерна. (Термометри за месо и колачи).
Масна хартија	Користете ја како капак за спречување на прскањето и за задржување на влагата.

НЕПОГОДНИ МАТЕРИЈАЛИ ЗА УПОТРЕБА

Сад	Напомена
Алуминиумски чинии	Може да предизвикаат искри. Преместете ја храната во сад погоден за микробранова рерна.
Садови за храна со метална дршка	Може да предизвикаат искри. Преместете ја храната во сад погоден за микробранова рерна.

Сад	Напомена
Метални садови или садови со метални рабови	Металот ја штити храната од микробрановата енергија. Металните рабови може да предизвикаат искри.
Метални врвки	Може да предизвикаат искри и оган во рерната.
Хартиени кеси	Може да предизвикаат оган во печката.
Стиропор	Стиропорот може да се стопи или да ја контаминира течноста во рерната кога е изложен на висока температура.
Дрво	При употреба во микробрановата рерна дрвото ќе се исуши и може да се распрсне.

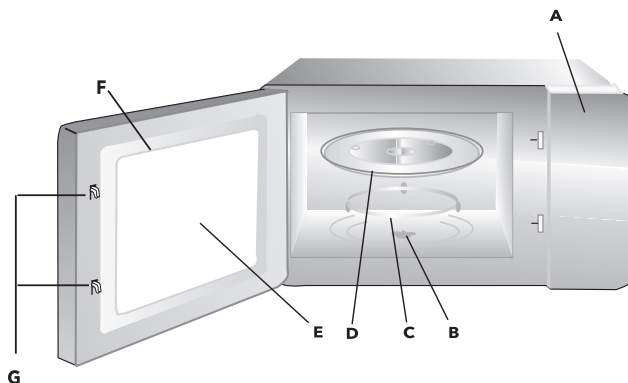
ПОСТАВУВАЊЕ НА РЕРНАТА

Називи на деловите на рерната и додатоките

Извадете ја рерната и целиот материјал од амбалажата и внатрешноста на рерната. Со рерната се приложени следните додатоци:

Стаклена чинија	1
Подвижна чинија	1
Упатство за користење	1

- A) Контролна плоча
- B) Оска за вртење
- C) Комплет ротациски прстени
- D) Стаклена чинија
- E) Прозорец за надгледување
- F) Врата
- G) Систем на сигурносно блокирање



Инсталација на подвижната чинија



- Никогаш не поставувајте ја стаклената чинија наопаку. Ништо не смее да ја блокира стаклената чинија.
- Стаклената чинија и обрачот со тркалца секогаш мора да се користат три готвењо.
- При готовњето, целата храна и садови треба да се стават на стаклената чинија.
- Доколку стаклената чинија или обрачот распукаат или се скршат, контактирајте го најблискиот овластен сервисен центар.

Инсталација на работната површина

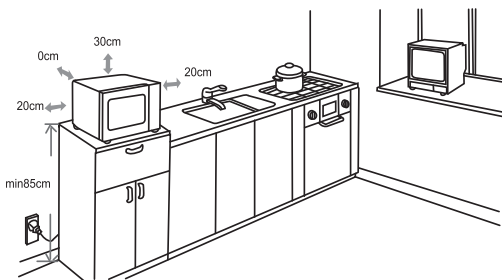
Извадете го сиот амбалажен материјал и додатоци.

Проверете дали има оштетувања на рерната, од типот на гребнатини или оштетена врата. Не ја инсталирајте печката доколку е оштетена.

Куќиште: Извадете ја заштитната фолија од површината на куќиштето на микробрановата рерна. Не го отстранувајте светлокафеавиот капак кој е прицврстен за внатрешноста на рерната, а кој служи за заштита на магнетронот.

ИНСТАЛАЦИЈА

1. Изберете рамна површина со доволен простор за довод/одвод на вентилацискиот систем на рерната.



- (1) Минимална

висина за вградување е 85cm.

(2) Уредот се поставува со задната страна до ѕид. Над рерната оставете минимум 30cm слободен простор, а потребно е најмалку 20cm помеѓу рерната и соседните ѕидови.

(3) Не ги трагајте ножиците од дното на рерната.

(4) Блокирање на влезот и/или излезот за воздух може да ја оштети рерната.

(5) Поставете ја рерната што подалеку од радио и ТВ приемници. Работата на рерната може да предизвика пречки во радискиот и телевизискиот прием.

2. Вклучете ја рерната во стандарден куќен струен штекер. Напонот и фреквенцијата треба да одговараат на напонот и фреквенцијата на рерната, наведени на етикетата со технички податоци.

⚠ ПРЕДУПРЕДУВАЊЕ!

Не ја поставувајте рерната над шпорет или други топлински уреди. Доколку се инсталира во близина или над извори на топлина, рерната може да се оштети, со што се поништува гаранцијата што следи за овој производ.

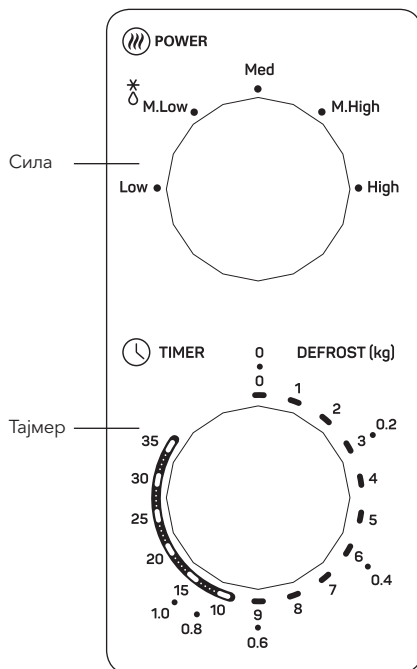


Достапната површина може да биде врела во текот на работата.

УПОТРЕБА

Контролна табла и функции - упатство за употреба

1. За прилагодување на силата на готвење поставете го копчето за сила на посакуваното ниво.
2. За поставување времетраење на готвење поставете го копчето за тајмер на саканото ниво, според видот на храна, а врз основа на упатство за употреба.
3. Микробрановата рерна автоматски ќе го одредите нивото на сила и времетраењето на готовњето.
4. По истекот на времето за готвење, уредот ќе Ве предупреди со звучен сигнал.
5. Доколку уредот не се користи, поставете го времетраењето за готвење на "0".



Функција/Сила	Излез	Примена
Ниска	17% микро.	Омекнување сладолед
Средно ниска (одмрзнување)	33% микро.	Чорби, омекнување путер или одмрзнување
Средна	55% микро.	Гулаш, риба
Средно висока	77% микро.	Ориз, риба, пилешко, мелено месо
Висока	100% микро.	Подгревање, млеко, загревање вода, овошје, напитки

Внимание: Пред да ја извадите храната од рерната, Ве молиме да ја исклучите рерната со поставување на тајмерот во положба „0“ (нула). Работата на рерната без храна во неа може да предизвика прегревање и оштетување на магнетронот.

ОТСТРАНУВАЊЕ НА ПРОБЛЕМИ

НОРМАЛНО	
Микробрановата рерна го попречува ТВ приемот	При работата на микробрановата рерна можно е попречување на радио и ТВ приемот. Тоа е слично со интерференцијата на малите куќни апарати од типот на миксер, правосмукалка или фен за коса. Тоа е нормално.
Пригушено светло во рерната	При готвење со ниска микробранова сила, светлото на рерната може да стане пригушено. Тоа е нормално.
На вратата се кондензира влага, врел воздух излегува од отворот	Во текот на готвењето од храната може да излегува пара. Поголемиот дел ќе излезе од вентилацискиот отвор, но дел може да се кондензира на поладните места како вратата на рерната. Тоа е нормално.
Рерната е случајно вклучена без храна во неа	Забрането е користењето на празна рерна, без храна во неа. Тоа е многу опасно.

ПРОБЛЕМ	МОЖНА ПРИЧИНА	РЕШЕНИЕ
Рерната не може да се вклучи	Струјниот кабел не е исправно вклучен.	Исклучете го кабелот, па по 10 секунди повторно вклучете го
	Неисправен осигурувач или прекинувач.	Заменете го осигурувачот или прекинувачот (услугата ја врши стручен персонал од нашата компанија)
	Проблем со штекерот.	Тестирајте го штекерот на друг електричен уред
Рерната не се загрева	Вратата не е добро затворена.	Добро затворете ја вратата



Според одредбите за одложување на електрична и електронска опрема, таквата опрема треба посебно да се собира и обработува. Доколку во некој момент треба да го фрлите овој уред, Ве замолуваме да НЕ го фрлате во ѓубре заедно со останатиот куќен отпад, туку во однапред одредено соодветно место за тоа. Доколку е можно, Ве замолуваме да го испратите овој уред во некој од центрите за собирање на електрична и електронска опрема.

PRECAUȚII PENTRU A EVITA EXPUNEREA EXCESIVĂ LA ENERGIA CUPTORULUI CU MICROUNDDE

- Nu încercați să porniți/opriți cuptorul cu microundde când acesta are ușa deschisă pentru că vă puteți expune la energia nocivă a cuptorului cu microundde. Este important să nu se rupă sau să fie modificat sistemul de blocare de siguranță
- Nu așezați niciun obiect între fața cuptorului și ușă și nu permiteți acumularea murdăriei sau a reziduurilor produselor de curățare pe suprafețele de etanșare.

ATENȚIE!

- Dacă ușa sau sigiliile ușii au fost deteriorate, cuptorul nu poate fi utilizat până ce nu este reparat de o persoană autorizată

ANEXĂ

Dacă aparatul nu este menținut într-o stare bună de curățenie, suprafața acestuia ar putea fi degradată și să afectează durata de viață a aparatului și poate duce la situații ce vă pot pune în pericol.

Specificații

Capacitatea cuptorului	230V~ 50Hz
Putere Intrare (Microundde)	1050W
Putere ieșire (Microundde)	700 W
Capacitatea cuptorului	20 L
Diametru platan	Ø 255 mm
Dimensiuni exterioare	440x356x259mm
Greutate Netă	Approx. 10.24kg

IMPORTANT INSTRUCȚIUNI DE SIGURANȚĂ

ATENȚIE!

Pentru a reduce riscul de incendiu, șoc electric, vătămare a persoanelor sau expunere la energie excesivă a cuptorului cu microunde atunci când utilizați aparatul, urmați precauțiile de bază, inclusiv următoarele:

1. Citiți și urmați următoarele: „PRECAUȚII PENTRU EVITAREA EXPUNERII POSIBILE LA ENERGIA EXCESIVĂ A CUPTORULUI CU MICROUNDRE”.
2. Acest aparat poate fi utilizat de copii cu vârste PESTE 8 ani și persoane cu capacități fizice, senzoriale sau mentale reduse sau lipsă de experiență și cunoștințe, dacă li s-a oferit supraveghere sau instrucțiuni privind utilizarea aparatului într-un mod sigur și să înțeleagă pericolele implicate. Copiii nu trebuie să se joace cu aparatul. Curățarea și întreținerea nu trebuie să fie făcute de copii decât dacă au vârsta mai mare de 8 ani și supravegheați. Copiii cu vârsta sub 8 ani nu trebuie să îl utilizeze, dacă nu sunt supravegheați în mod continuu.
3. Nu lăsați aparatul și cablul acestuia la îndemâna copiilor mai mici de 8 ani.
4. În cazul în care cablul de alimentare este deteriorat, acesta trebuie înlocuit de producător, agentul său de service sau de persoane calificate pentru a evita un pericol. (Pentru aparate cu atașament de tip Y)
5. **AVERTIZARE:** Asigurați-vă că aparatul este oprit înainte de a înlocui lampa, pentru a evita posibilitatea de electrocutare.
6. **AVERTIZARE:** Este periculos pentru oricine altcineva decât pentru o persoană calificată să efectueze orice operațiune de service sau de reparație care presupune îndepărtarea unui capac care să ofere protecție împotriva expunerii la energia cu microunde.

7. **AVERTIZARE:** Lichidele și alte alimente nu trebuie încălzite în recipiente sigilate, deoarece acestea pot exploda.
8. Când încălziți alimentele în recipiente de plastic sau de hârtie, aveți grijă la cuptor din cauza posibilității de aprindere.
9. Folosiți numai ustensile care sunt adecvate pentru utilizare în cuptoare cu microunde.
10. Dacă apare fum, opriți sau deconectați aparatul și mențineți ușa închisă pentru a înăbuși flăcările.
11. Încălzirea la microunde a băuturilor poate duce la o fierbere eruptivă întârziată, de aceea trebuie să aveți grijă la manipularea recipientului.
12. Conținutul sticlelor și a borcanelor de alimente pentru bebeluși trebuie agitate sau amestecate și temperatura verificată înainte de consum, pentru a evita arsurile.
13. Ouăle în coajă și ouăle întregi fierte nu trebuie încălzite în cuptoare cu microunde, deoarece acestea pot exploda, chiar și după ce încălzirea la microunde s-a încheiat.
14. Cuptorul trebuie curățat regulat și toate depozitele de alimente eliminate.
15. Nerespectarea cuptorului într-o stare curată poate duce la deteriorarea suprafeței care ar putea afecta durata de viață a aparatului și poate duce la o situație periculoasă.
16. Aparatul nu trebuie instalat în spatele unei uși decorative pentru a evita supraîncălzirea.
17. Folosiți numai sonda de temperatură recomandată pentru acest cuptor. (Pentru cuptoarele dotate cu o instalație de utilizare a unei sonde sensibile la temperatură.)
18. Cuptorul cu microunde nu trebuie amplasat într-un dulap decât dacă a fost testat într-un dulap.
19. Cuptorul cu microunde trebuie să funcționeze cu ușa decorativă deschisă. (Pentru cuptoare cu ușă decorativă.)
20. Acest aparat este destinat să fie utilizat în gospodării și în spații similare, cum ar fi:
 - a. bucătăriile personalului din magazine, birouri și alte medii de lucru;

- b. de către clienții din hoteluri, moteluri și alte medi de tip pensiune;
- c. ferme;

21. Cuptorul cu microunde este destinat încălzirii alimentelor și băuturilor. Uscarea alimentelor sau a obiectelor vestimentare și încălzirea tampoanelor de încălzire, papucilor, bureților, pânzei umede și alte materiale similare poate duce la risc de rănire, aprindere sau incendiu.
22. Recipientele metalice pentru alimente și băuturi nu sunt permise în timpul gătitului la cuptorul cu microunde.
23. Aparatul nu trebuie curățat cu un aparat de curățat cu abur.
24. Aparatul este destinat să fie utilizat independent.
25. Suprafața din spate a aparatelor trebuie amplasată pe un perete.

CITIȚI CU ATENȚIE ȘI PĂSTRAȚI PENTRU REFERINȚE VIITOARE

Pentru a reduce riscul de vătămare a persoanelor care efectuează împământarea

PERICOL!

PERICOL DE ELECTROCUTARE! DANGER! Atingerea unora dintre componentele interne poate provoca vătămări corporale grave sau mortale. Nu dezasamblați acest aparat.

ATENȚIE!

Pericol de electrocutare

Utilizarea necorespunzătoare a împământării poate duce la șoc electric. Nu conectați la o priză până când aparatul nu este instalat și împământat corect.

- Acest aparat trebuie să fie împământat. În cazul unui scurtcircuit electric, împământarea reduce riscul de electrocutare prin furnizarea unui fir de evacuare pentru curentul electric. Acest aparat este echipat cu un cablu care are un fir de împământare cu un conector de împământare.

Ștecherul trebuie conectat la o priză care este instalată și conectată la o împământare corespunzătoare.

- Consultați un electrician calificat sau un serviciu dacă instrucțiunile de împământare nu sunt complet înțelese sau dacă există îndoieli cu privire la faptul că aparatul este conectat la o împământare corespunzătoare.
- Dacă este necesar să folosiți un prelungitor, utilizați numai un prelungitor cu 3 fire.
 1. Un fir scurt de alimentare este prevăzut pentru a reduce riscurile rezultate din încurcarea cu un cablu mai lung.
 2. Dacă se utilizează un prelungitor:
- Sarcina electrică marcată a prelungitorului trebuie să fie cel puțin la fel de mare ca puterea electrică a aparatului.
- Cablul de extensie trebuie să fie un cablu cu 3 fire de împământare.
- Firul prelungitorului trebuie să fie aranjat astfel încât să nu se strecoare pe blatul sau masă unde poate fi tras de copii sau trântit în mod neintenționat.

CURĂȚARE

Asigurați-vă că deconectați aparatul de la sursa de alimentare.

1. Curățați interiorul cuptorului după folosirea cu o cârpă ușor umedă.
2. Curățați accesoriile în mod obișnuit cu apă și detergent.
3. Cadrul și garnitura ușii și piesele învecinate trebuie curățate cu grijă cu o cârpă umedă atunci când sunt murdare.
4. Nu folosiți substanțe de curățare abrazive sau răzuitoare de metal ascuțite pentru a curăța geamul ușii cuptorului, deoarece acestea pot zgâria suprafața, ceea ce poate duce la spargerea geamului.
5. Sfat de curățare - Pentru o curățare mai ușoară a pereților interiorului pe care mâncarea gătită o poate atinge: Așezați o jumătate de lămâie într-un bol, adăugați 300 ml apă și încălziți la puterea cu microunde 100% timp de 10 minute. Ștergeți cuptorul curat folosind o cârpă moale și uscată.

USTENSILE

! ATENȚIE! Pericol de vătămare corporală

Este periculos pentru oricine altcineva decât pentru o persoană competentă să efectueze orice operațiune de service sau reparație care presupune îndepărtarea unui capac care să ofere protecție împotriva expunerii la energia cu microunde.

Vedeți instrucțiunile referitoare la „Materiale pe care le puteți utiliza în cuptorul cu microunde sau pe care să le evitați în cuptorul cu microunde.” Pot exista anumite ustensile nemetalice care nu sunt sigure de utilizat pentru microunde. Dacă aveți îndoieli, puteți testa ustensila în cauză urmând procedura de mai jos.

Test de ustensile:

1. Umpleți un recipient sigur pentru microunde cu 1 cană de apă rece (250 ml) împreună cu obiectul respectiv.
2. Gătiți la putere maximă timp de 1 minut.
3. Atingeți cu atenție obiectul. Dacă obiectul este cald, nu îl folosiți pentru gătit cu microunde.
4. Nu depășiți timpul de gătit timp de 1 minut.

Materiale pe care le puteți folosi în cuptorul cu microunde

Materiale	Comentariu
Vas pentru cuptor	Urmați instrucțiunile producătorului. Partea inferioară a vasului de rumenire trebuie să fie de cel puțin 3/16 inci (5mm) deasupra discului turnant. Utilizarea incorectă poate determina ruperea discului turnant.
Farfurii	Doar pentru funcția de microunde. Urmați instrucțiunile producătorului. Nu folosiți farfurii crăpate sau sparte.
Borcane de sticlă	Scoateți întotdeauna capacul. Folosiți numai pentru a încălzi mâncarea până devine caldă. Majoritatea borcanelor de sticlă nu sunt rezistente la căldură și se pot sparge.
Articole de sticlă	Doar sticlă rezistentă la căldură. Asigurați-vă că nu există nici o garnitură metalică. Nu folosiți articole crăpate sau sparte.
Pungi de gătit la cuptor	Urmați instrucțiunile producătorului. Nu închideți cu legătură metalică. Faceți fante pentru a permite aburului să iasă.
Farfurii și câni de hârtie	Utilizați numai pentru gătit / încălzire pe termen scurt. Nu lăsați cuptorul nesupravegheat în timp ce gătiți.

Materiale	Comentariu
Servețele de hârtie	Se folosesc pentru acoperirea alimentelor pentru reîncălzirea și absorbția grăsimilor. Utilizați cu supraveghere doar pentru a găti pe termen scurt.
Hârtie pergament	Utilizați ca un capac și pentru a preveni stropirea sau ca înveliș pentru aburire.
Plastic	Doar pentru funcția de microunde. Urmați instrucțiunile producătorului. Ar trebui să fie etichetat „Microwave Safe”. Unele recipiente de plastic se înmoaie, deoarece mâncarea din interior se încălzește. „Pungile pentru fierbere” și pungile de plastic închise bine trebuie să fie tăiate sau ventilate conform indicațiilor de pe pachet.
Folie de plastic	Doar pentru funcția de microunde. Utilizați pentru a acoperi mâncarea în timpul gătitului pentru a păstra umezeala. Nu permiteți ambalajului din plastic să atingă.
Termometre	Doar pentru funcția de microunde. (termometre pentru carne și bomboane).
Hartie cerată	Folosiți ca un capac pentru a preveni stropirea și reținerea umidității.

Materiale de evitat în cuptorul cu microunde

Materiale	Comentariu
Tavă de aluminiu	Poate provoca apariția unui arc electric. Transferați mâncarea într-un vas sigur pentru microunde.
Carton alimentară cu mâner metalic	Poate provoca apariția unui arc electric. Transferați mâncarea într-un vas sigur pentru microunde.
Ustensile din metal sau care conțin metal	Metalul protejează alimentele de energia cu microunde. Metalele pot provoca apariția unui arc electric.
Legături metalice	Poate provoca apariția unui arc electric și a focului în cuptor.
Pungi de hârtie	Pot provoca un foc în cuptor.
Spumă din plastic	Spuma de plastic poate topi sau contamina lichidul din interior atunci când este expusă la temperaturi ridicate.
Lemn	Lemnul se va usca atunci când este folosit în cuptorul cu microunde și se poate despică sau crăpa.

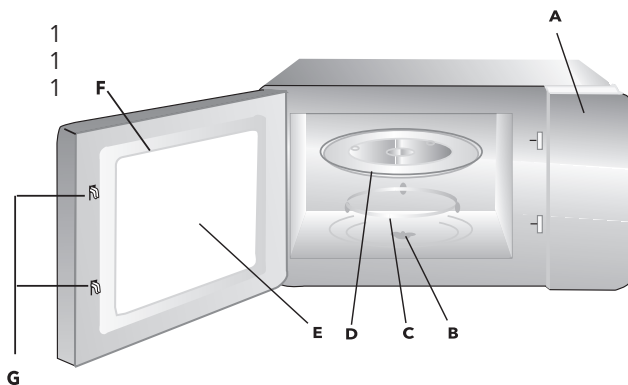
PUNEREA ÎN FUNCȚIUNE A CUPTORULUI

Părți ale cuptorului și accesorii

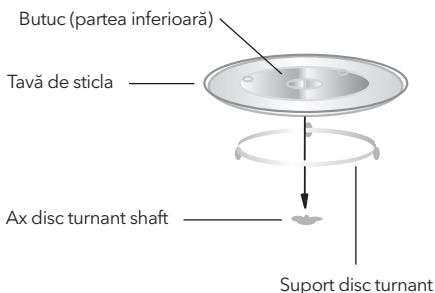
Scoateți cuptorul și toate materialele din cutie și din interiorul cuptorului. Cuptorul dvs. are următoarele accesorii:

Tavă de sticlă 1
Ansamblu ax rotativ 1
Manual de instrucțiuni 1

A) Panou de control
B) Ax disc turnant
C) Suport disc turnant
D) Tavă de sticlă
E) Geam cuptor
F) Grup ușă
G) Sistem de blocare de siguranță a ușii



Montarea axului rotativ



- Nu puneți niciodată tăvița de sticlă cu fața în jos. Tăvița de sticlă trebuie să fie folosită întotdeauna.
- Atât tăvița din sticlă, cât și discul turnant trebuie să fie utilizate întotdeauna la gătit.
- Pentru pregătire, toate alimentele și recipientele alimentelor trebuie să fie așezate întotdeauna pe tăvița de sticlă
- Dacă tăvița de sticlă sau suportul discului turnant se crapă sau se sparg, contactați cel mai apropiat centru service autorizat.

Instalarea blatului

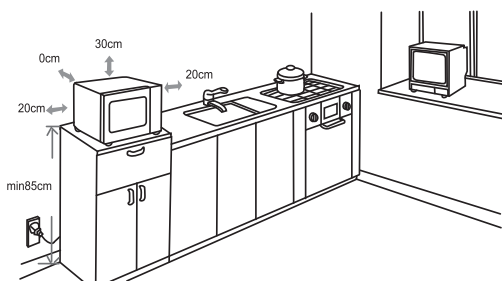
Scoateți toate materialele de ambalare și accesoriile. Examinați cuptorul pentru a vedea dacă prezintă orice fel de avarii, cum ar fi urme de lovitură sau ușă defectă. Dacă cuptorul este avariata, nu-l montați.

Dulap: îndepărtați orice folie de protecție găsită pe suprafața dulapului cuptorului cu microunde. Nu îndepărtați capacul Mica maro deschis care este atașat la cavitatea cuptorului pentru a proteja magnetronul.

INSTALAREA

1. Alegeți o suprafață plană care furnizează spațiu suficient pentru conductele de alimentare și evacuare.

(1) Înălțimea minimă de montare este de 85 de cm



(2) Partea din spate a aparatului trebuie să fie lipită de perete.

Lăsați un spațiu minim de 30 de cm deasupra cuptorului, un spațiu minim de 20 de cm este necesar între cuptor și alți pereți adiacenți.

(3) Nu înlăturați picioarele de la partea inferioară a cuptorului.

(4) Blocarea orificiilor de admisie și / sau evacuare poate avaria cuptorul

(5) Plasați cuptorul la distanță față de aparate de radio și de televiziune. Utilizarea cuptorului cu microunde poate cauza interferențe în recepționarea semnalului radio sau tv.

2. Conectați cuptorul la o priză standard pentru gospodărie. Asigurați-vă că tensiunea și frecvența sunt identice cu tensiunea și frecvența de pe eticheta de rating.

⚠ ATENȚIE!

Nu montați cuptorul peste o hotă sau alte produse ce produc căldură. Dacă este montat lângă sau pe o sursă de căldură, cuptorul poate fi avariat, iar garanția va fi nulă.

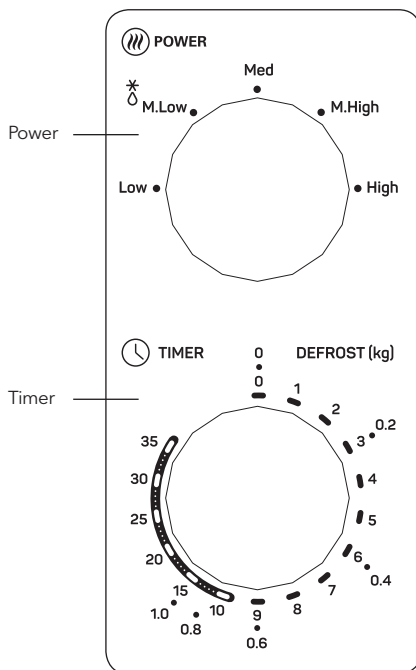


În timpul utilizării, suprafața accesibilă poate fi fierbinte.

OPERARE

Panou de control și Funcții Instrucțiuni de operare

1. Setezi puterea de gătit rotind butonul de alimentare la nivelul dorit.
2. Setezi timpul de gătire rotind butonul cronometru la timpul dorit conform instrucțiunilor dvs. de preparare a mâncării.
3. Cuptorul cu microunde va începe automat să gătească după ce nivelul de putere și timpul sunt setate.
4. După terminarea timpului de gătit, unitatea va „Dong” la final.
5. Dacă aparatul nu este utilizat, setați întotdeauna ora la „0”.



Funcție/Putere	leșire	Aplicație
Low	17% micro.	Înghețată ușor topită
Med. Low (Defrost)	33% micro.	Supă, unt ușor topit, decongelare
Med.	55% micro.	Tocăniță, pește
Med. High	77% micro.	Orez, pește, pui, carne tocată
High	100% micro.	Reîncălzire, lapte, apă fiartă, legume, băuturi

Observație: Atunci când scoateți alimentele din cuptor, asigurați-vă că alimentarea cuptorului este oprită prin rotirea comutatorului de temporizare la 0 (zero). Nerespectarea acestui lucru și funcționarea cuptorului cu microunde fără alimente în el poate duce la supraîncălzirea și deteriorarea magnetronului.

DEPANAREA

NORMAL	
Cuptorul cu microunde interferează cu recepția semnalului TV	În momentul când cuptorul cu microunde este funcțional, recepția semnalului radio și tv poate suferi interferențe. Acest lucru este similar interferențelor cauzate de produsele electrice mici, cum ar fi mixerul, aspiratorul și ventilatorul electric. Acest lucru este normal.
Lumina cuptorului este diminuată	Când se gătește la putere redusă, lumina cuptorului poate fi diminuată. Acest lucru este normal
Acumulare de abur pe ușă, aer cald careiese din orificii	În timpul preparării, se poate produce abur din alimente. Mare parte în această de abur se elimină prin orificiile de ventilare. Dar o anumită cantitate se poate acumula mai rece cum ar fi ușa cuptorului. Acest lucru este normal.
Cuptorul a pornit accidental fără alimente în el.	Nu este permisă utilizarea aparatului fără alimente înăuntru. Este foarte periculos.

PROBLEMĂ	MOTIV POSIBIL	SOLUȚIE
Cuptorul nu pornește	Cablul de alimentare nu este conectat corespunzător	Scoateți din priză. Apoi conectați din nou după 10 secunde.
	Siguranța a sărit sau este activat disjunctorul.	Înlocuiți siguranța sau disjunctorul (reparate de personalul profesionist al companiei noastre).
	Probleme cu priza.	Testați priza cu alte produse electrice.
Cuptorul nu se încălzește.	Ușa nu este închisă corespunzător	Închideți ușa corespunzător.



Acest produs este conform cu Directiva DEEE a UE (2012/19/UE). Acest produs a fost marcat cu simbolul de clasificare pentru deșeuri de echipamente electrice și electronice (DEEE). Acest produs a fost fabricat cu piese și materiale de înaltă calitate, care pot fi refolosite și reciclate. Nu eliminați acest produs împreună cu deșeurile menajere sau cu alte deșeuri la sfârșitul perioadei sale de utilizare. Transportați-l la un punct de colectare pentru reciclarea echipamentelor electrice și electronice. Vă rugăm să contactați autoritățile locale, pentru a afla unde se află aceste puncte de colectare.

PREVIDNOSTNI UKREPI ZA PREPREČEVANJE IZPOSTAVLJENOSTI VISOKI MIKROVALOVNI ENERGIJI

- Pečice ne smete uporabljati, ko so vrata odprta, ker se s tem lahko izpostavite škodljivim vplivom mikrovalovne energije. Paziti morate, da ne pokvarite varnostnih zapiral, prav tako pa jih ne smete spreminjati.
- Med sprednjo stranjo pečice in vrati ne postavljajte nobenih predmetov; pazite, da se na tesnilnih površinah ne bo nabirala zemlja ali ostanki čistila.

⚠ OPOZORILO!

- Če se vrata ali tesnila vrat poškodujejo, pečice ne smete uporabljati, dokler je ne popravi za to usposobljena oseba.

DODATEK

Če naprave ne čistite redno, se lahko kakovost njene površine poslabša, kar pa vpliva na življenjsko dobo naprave in na njeno varno uporabo.

Specifikacije

Naznačena napetost	230V~ 50Hz
Naznačena vhodna moč (mikrovalovna)	1050W
Naznačena izhodna moč (mikrovalovna)	700 W
Zmogljivost pečice	20 L
Premer vrtljive plošče	Ø 255 mm
Zunanje dimenzije	440x356x259mm
Neto teža	Približno 10.24kg

POMEMBNA VARNOSTNA NAVODILA

⚠ OPOZORILO!

Da zmanjšate tveganje požara, električnega udara, telesnih poškodb, ali izpostavljanje visoki energiji mikrovalovne pečice, morate pri uporabi svoje naprave upoštevati osnovne previdnostne ukrepe, vključno z naslednjimi:

1. Preberite in upoštevajte zlasti: »PREVIDNOSTNI UKREPI ZA PREPREČEVANJE MOŽNE IZPOSTAVLJENOSTI VISOKI MIKROVALOVNI ENERGIJI«
2. Otroci, ki so starejši od 8 let, predvsem pa osebe z zmanjšanimi fizičnimi, senzoričnimi ali duševnimi zmožnostmi, ali osebe, ki nimajo dovolj izkušenj in znanja, lahko uporabljajo pečico pod nadzorom ali potem, ko so dobili navodila o varni uporabi pečice in poznajo z njo povezane nevarnosti. Otroci se ne smejo igrati s pečico. Otroci, mlajši od 8 let, smejo čistiti in vzdrževati pečico samo, če jih nadzorujete. Otroci, mlajši od 8 let, se lahko zadržujejo v bližini pečice samo, če jih stalno nadzorujete.
3. Pečico in kabel hranite na mestu, ki ga otroci, mlajši od 8 let, ne morejo doseči.
4. Če je električni napajalni kabel poškodovan, ga mora proizvajalec ali njegov pooblaščen serviser ali druga za to usposobljena oseba zamenjati, da ne pride do nesreče. (Velja za napravo s priključkom tipa Y.)
5. **OPOZORILO:** Preden zamenjate lučko, izklopite napravo, da preprečite možnost električnega udara.
6. **OPOZORILO:** Samo za to usposobljena oseba lahko brez nevarnosti opravlja kakršne koli posege servisiranja ali popravila, ko je treba odstraniti pokrov, ki ščiti pred izpostavljanjem mikrovalovne energije.
7. **OPOZORILO:** Tekočine in ostale hrane ne smete pogrevati v zapečatenih posodah, da ne bi eksplodirale.

8. Ko grejete hrano v plastičnih ali papirnatih posodah, ne puščajte pečice brez nadzora, ker se te posode lahko vnamejo.
9. Uporabljajte samo pribor, ki je primeren za uporabo v mikrovalovni pečici.
10. Če se pojavi dim, izklopite pečico in izključite vtič, vrata pa naj ostanejo zaprta, da se morebitni plameni udušijo.
11. Mikrovalovno gretje pijač lahko povzroči, da kasneje pijača močno zakipi, zato morate s skodelico previdno ravnati.
12. Vsebino stekleničk za hranjenje in kozarčkov z otroško hrano morate premešati ali pretresti ter pred zaužitjem preveriti temperaturo, da ne pride do opeklin.
13. Jajc in jajčni lupin ter celih trdo kuhanih jajc ne smete pogrevati v mikrovalovnih pečicah, ker lahko eksplodirajo tudi po končanem mikrovalovnem gretju.
14. Pečico morate redno čistiti in odstraniti vse ostanke hrane.
15. Če pečice ne čistite redno, se lahko kakovost njene površine poslabša, kar pa vpliva na življenjsko dobo naprave in na njeno varno uporabo.
16. Pečica ne sme biti nameščena za dekorativnimi vrati, ker se sicer lahko pregreje. (To pa ne velja za naprave, opremljene z dekorativnimi vrati.)
17. Uporabljajte samo temperaturno tipalo, ki ga priporočamo za to pečico. (Velja za pečice, ki imajo možnost uporabe temperaturnih tipal.)
18. Mikrovalovne pečice ne smete postaviti v omarico, razen, če je bila preizkušena v omarici.
19. Ko upravljate z mikrovalovno pečico, morajo biti dekorativna vrata odprta. (Velja za pečice z dekorativnimi vrati.)

20. Ta izdelek je namenjen za uporabo v gospodinjstvih ter za podobno uporabo, kot:
- v čajnih kuhinjah za osebje v trgovinah, pisarnah in v drugih delovnih okoljih;
 - za stranke v hotelih, motelih in drugih vrstah stanovanjskih objektov;
 - na kmetijah;
 - v turističnih objektih, ki nudijo nočitev z zajtrkom.
21. Mikrovalovna pečica je namenjena za pogrevanje hrane in pijač. S sušenjem hrane ali oblačil ter gretje blazinic, copat, gobic, vlažnih oblačil, in podobnih predmetov, lahko povzročite telesne poškodbe, vžig, ali požar.
22. Kovinske posodice za hrano in pijačo niso dovoljene za kuhanje v mikrovalovni pečici.
23. Pečice ne smete čistiti s parnim čistilnikom.
24. Pečica je namenjena za prosto stoječo uporabo.
25. Zadnja površina pečice mora biti postavljena ob steno.

PAZLJIVO PREBERITE PRIROČNIK IN GA SHRANITE ZA KASNEJŠO UPORABO

Zmanjšanje tveganja telesnih poškodb
Namestitev ozemljitve

⚠ NEVARNOST!

Nevarnost električnega udara Dotik nekaterih notranjih komponent lahko povzroči težke telesne poškodbe ali smrt. Naprave ne smete razstaviti.

⚠ OPOZORILO!

Nevarnost električnega udara

Nepravilna uporaba ozemljitve lahko povzroči električni udar.

Dokler naprava ni pravilno nameščena in ozemljena ne vtikajte vtiča v vtičnico.

- Naprava mora biti ozemljena. V primeru električnega kratkega stika ozemljitev zmanjša tveganje električnega udara z žico za ubežni električni tok. Ta naprava je opremljena s kablom z ozemljitveno žico z ozemljitvenim vtičem. Vtič morate vstaviti v vtičnico, ki je pravilno instalirana in ozemljena.
- Če navodil za ozemljitev ne razumete v celoti, ali, če niste prepričani, ali je naprava pravilno ozemljena, se posvetujte z usposobljenim električarjem ali serviserjem.
- Če potrebujete podaljšan kabel, uporabljajte samo 3-žični podaljšan kabel.
 1. Krajši močnostni napajalni kabel zmanjša tveganje, da se zapletete ali spotikate ob dolg kabel.
 2. Ko uporabljate komplet dolgih kablov ali podaljšek kabla:
 - 1) Naznačena električna moč, ki je označena na kompletu kablov ali na podaljšku kabla, mora biti vsaj tako velika kot je naznačena moč naprave.
 - 2) Podaljšek kabla mora biti 3-žični kabel ozemljitvenega tipa.
 - 3) Dolg kabel namestite tako, da ne bo segal po plošči pulta ali po mizni ploskvi, kjer ga otroci lahko povlečejo, ali pa se obenj nenamerno spotaknete.

ČIŠČENJE

Ne pozabite izključiti naprave iz električnega napajanja.

1. Po uporabi očistite notranjost pečice z rahlo vlažno krpo.
2. Očistite pribor kot običajno z milnato vodo.
3. Ko se umažejo, morate okvir in tesnilo vrat ter vse bližnje dele skrbno očistiti z vlažno krpo.

4. Za čiščenje stekla na vratih pečice ne uporabljajte ostrih abrazivnih kovinskih strgal, ker z njimi lahko opraskate površino, kar pa lahko povzroči, da se steklo zdrobi.
5. Namig za čiščenje---Stene notranjosti pečice, ki se jih hrana med kuhanjem lahko dotika, boste najlažje očistili tako: V posodo stisnite pol limone, dodajte 300 ml vode in pečico 10 minut segrevajte do 100 %. Do čistega obrišite pečico z mehko, suho krpo.

PRIPOMOČKI

⚠️ POZOR!

Nevarnost telesnih poškodb

Samo za to usposobljena oseba lahko opravlja kakršne koli posege servisiranja ali popravil, ko je treba odstraniti pokrov, ki varuje pred izpostavljanjem mikrovalovni energiji; za vse ostale osebe je to preveč nevarno.

Preberite navodila »Materiali, ki jih lahko uporabljate v svoji pečici in materiali, ki jih ne smete uporabljati«. Nekateri nekovinski pripomočki niso varni za uporabo v mikrovalovni pečici. Če niste prepričani o tem, lahko pripomoček preizkusite z naslednjim postopkom:

Preizkus pripomočkov:

1. Napolnite posodo, ki je varna za uporabo v pečici, z 1 skodelico mrzle vode (250 ml) skupaj s pripomočkom, ki ga preizkušate.
2. 1 minuto ga kuhajte pri največji jakosti.
3. Previdno potipajte pripomoček. Če je prazen pripomoček topel, ga ne uporabljajte za kuhanje v mikrovalovni pečici.
4. Časa kuhanja 1 minute ne smete preseči.

Materiali, ki jih lahko uporabljate v mikrovalovni pečici

Pripomočki	Opombe
Posoda za praženje	Upoštevajte navodila proizvajalca. Dno praženja. Posoda mora biti vsaj 3/16 palce (5 mm) nad vrtljivim krožnikom. Vrtljiv krožnik se zaradi nepravilne uporabe lahko zlomi.
Jedilna posoda	Samo pripomočki, varni za rabo v mikrovalovni pečici. Upoštevajte navodila proizvajalca. Ne uporabljajte počenih ali okrušenih posod.
Stekleni kozarci	Vedno odstranite pokrovček. Uporabljajte jih samo za pogrevanje hrane. Večina steklenih kozarcev ni odporna na vročino in lahko počijo.
Steklovina:	Samo steklenina, odporna na vročino v pečici. Preverite, da posoda nima kovinskega roba. Ne uporabljajte počenih ali okrušenih posod.
Vrečke za kuhanje v pečici	Upoštevajte navodila proizvajalca. Posod ne zapirajte s kovinskimi vezicami. Naredite odprtine, da bo para lahko uhajala.
Papirnati krožniki in skodelice	Uporabljajte jih samo za kratko kuhanje/pogrevanje. Med kuhanjem pečice ne smete puščati brez nadzora.
Papirnate brisače	Pripomočki za pokrivanje hrane pri pogrevanju in za vpijanje maščobe. Uporabljajte jih samo pri kratkotrajnem kuhanju.
Pergamentni papir	Uporabljajte ga za pokrivanje, da preprečite razlivanje, ali pa za zavijanje pri kuhanju v pari.
Plastika	Samo pripomočki, varni za rabo v mikrovalovni pečici. Upoštevajte proizvajalčeva navodila. Imeti morajo nalepko »Varni za rabo v mikrovalovni pečici«. Nekatere plastične posode. Se zmechča, ko se hrana v njej segreje. »Vrečke za kuhanje« in tesno zaprte plastične vrečke morate prerezati, prebosti ali odzračiti, kot je navedeno na ovojnini.
Plastični ovoj	Samo pripomočki, varni za rabo v mikrovalovni pečici. Pokrivanje hrane med kuhanjem, da zadrži vlažnost. Ne dovolite, da se plastični ovoj dotika hrane.
Termometri	Samo termometri, varni za rabo v mikrovalovni pečici (termometri za meso in slaščice).
Povoščen papir za peko	Uporabljajte ga za pokrivanje, da preprečite razlivanje, ali pa za zadrževanje vlažnosti.

Materiali, ki jih ne smete uporabljati v mikrovalovni pečici

Pripomočki	Opombe
Aluminijasti pladenj	Lahko povzroči iskrenje. Premestite hrano v posodo, ki je varna za uporabo v mikrovalovni pečici.
Kartonska škatla za hrano s kovinskim ročajem	Lahko povzročijo iskrenje. Premestite hrano v posodo, ki je varna za uporabo v mikrovalovni pečici.

Pripomočki	Opombe
Kovinski pripomočki ali pripomočki s kovinsko obrobo	Kovina ščiti hrano pred mikrovalovno energijo. Kovinski rob lahko povzroči iskenje.
Kovinske sukane vezice	Lahko povzročijo iskenje ter posledično ogenj v pečici.
Papirnate vrečke	Če je izpostavljena visoki temperaturi se plastična pena lahko stopi ali kontaminira tekočino v posodi.
Les	Če v mikrovalovni pečici uporabljate les, se le-ta izsuši, lahko razcepi in razpoka.
Wood	Wood will dry out when used in the microwave oven and may split or crack.

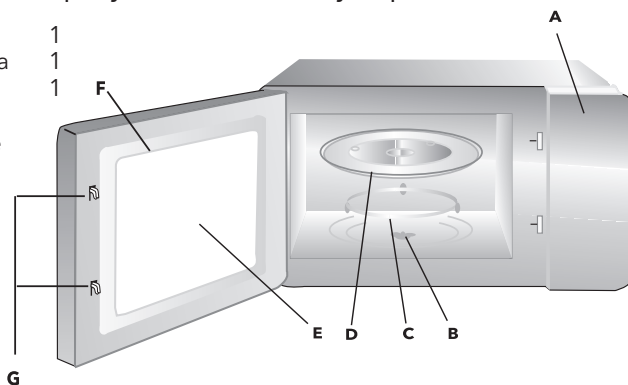
NASTAVITEV PEČICE

Nazivi elementov in pribora pečice

Vzemite pečico in ostali material iz škatle in notranjosti pečice. Svojo pečico prejmete z naslednjim priborom:

Steklen pladenj 1
Sklop vrtljivega krožnika 1
Priročnik za uporabo 1

- A) Panel za upravljanje
B) Gred vrtljivega krožnika
C) Sklop vrtljivega krožnika
D) Steklen pladenj
E) Pregledno okence
F) Sklop vrat
G) Varnostni zaklep



Namestitev vrtljivega krožnika



- Nikoli ne postavljajte steklenega pladnja tako, da bo obrnjen navzdol. Stekleni pladenj ne sme biti nikoli omejen.
- Med kuhanjem morate vedno uporabljati tako stekleni pladenj kot sklop vrtljivega krožnika.
- Hrano in posode s hrano, ki jo želite kuhati, vedno polagajte na stekleni pladenj.
- Če stekleni pladenj ali sklop vrtljivega krožnika počí ali se zlomi, se obrnite na svoj najbližji pooblaščen servis.

Namestitev na kuhinjski pult

Odstranite vso ovojnino in pribor. Preverite, ali je pečica brez poškodb, kot so udarnine ali pokvarjena vrata. Če je pečica poškodovana, je ne nameščajte.

Omarica: Odstranite vso zaščitno folijo s površine omarice mikrovalovne pečice. Ne odstranjujte svetlo rjavega pokrovčka Mica, pritrjenega v notranjosti pečice za zaščito mikrovalovne cevi.

NAMESTITEV

1. Izberite ravno površino, ki zagotavlja dovolj prostora za odprtine za zajem in/ali izpust.

(1) Minimalna višina za namestitev je 85 cm.

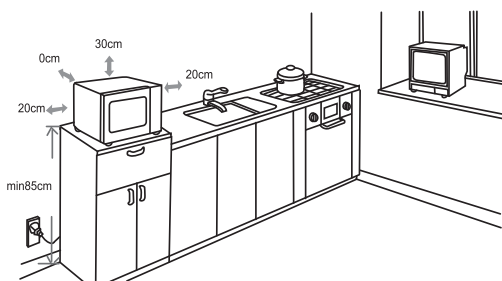
(2) Zadnja površina naprave mora biti postavljena ob steno. Nad pečico pustite minimalno zračnost 30 cm, med pečico in sosednjimi stenami pa mora biti minimalna zračnost 20 cm.

(3) Nogic na spodnji strani pečice ne smete odstraniti.

(4) Če so odprtine za zajem in/ali izpust blokirane, se pečica lahko pokvari.

(5) Pečico postavite kolikor se le da daleč stran od radia in TV sprejemnika. Delovanje mikrovalovne pečice lahko moti sprejem vašega radia ali TV sprejemnika.

2. Pečico priključite na standardno gospodinjsko vtičnico. Bodite pozorni na to, da bosta napetost in frekvenca taki, kot sta navedeni na naznačeni nalepki.



⚠ OPOZORILO!

Pečice ne nameščajte na kuhhalno površino ali na druge naprave, ki se segrevajo. Če pečico namestite v bližini grelne površine ali na njej, se pečica lahko poškoduje in garancija je nična.

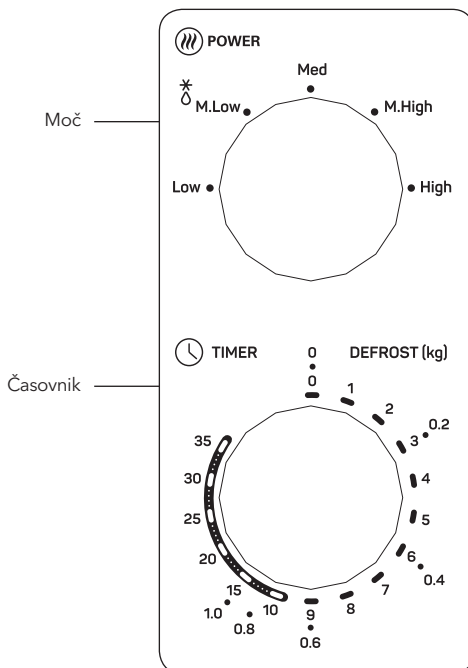


Med delovanjem je površina pečice lahko vroča.

UPRAVLJANJE

Panel za upravljanje in navodila za upravljanje

1. Nastavite moč kuhanja z obračanjem močnostnega gumba na zeleno raven.
2. Nastavite čas kuhanja z obračanjem gumba časovnika na zeleni čas po napotkih za kuhanje.
3. Ko nastavite raven moči in čas, bo mikrovalovna pečica začela samodejno kuhati.
4. Ko čas kuhanja poteče, pečica to sporoči z zvočnim signalom »dong«.
5. Če pečice ne uporabljate, mora biti čas vedno nastavljen na »0«.



Funkcija/Moč	Izhod	Uporaba
Nizka	17% mikro.	Zmehčan sladoled
Srednja Nizka (odleditev)	33% mikro.	Enolončnica, zmehčano maslo ali odleditev
Srednja	55% mikro.	Omaka, ribe
Srednja Visoka	77% mikro.	Riž, ribe, piščanec, mleto meso
Visoka	100% mikro.	Pogrevanje, mleko, vrela voda, zelenjava, pijače

Opomba: Ko jemljete hrano iz pečice, morate izklopiti električno napajanje z obračanjem stikala časovnika na 0 (nič). Če tega ne naredite in pečica deluje brez hrane v njej, lahko pride do pregretja in poškodbe mikrovalovne cevi.

ODPRAVLJANJE TEŽAV

NORMALNE TEŽAVE	
Mikrovalovna pečica moti sprejem TV aparata.	Radijski in TV sprejem sta lahko med delovanjem pečice motena. Motnje so slične motnjam, ki jih povzročajo mali gospodinjski aparati, kot so mešalnik, sesalnik in električni ventilator. To je normalno.
Motna svetloba pečice	Pri kuhanju z mikrovalovi nizke moči lahko svetloba pečice postane motna. To je normalno.
Na vratih se nabira para, iz oddušnikov prihaja vroč zrak.	Pri kuhanju lahko iz hrane prihaja para. Večina pare gre ven skozi oddušnike. Vendar pa se para lahko nabira na hladnih mestih, kot so vrata pečice. To je normalno.
Pečica se sproži po naključju, ko v njej ni hrane.	Prepovedano je vklopiti pečico, ko v njej ni hrane. To je zelo nevarno.

TEŽAVA	MOŽEN VZROK	POPRAVILO
Pečice ni možno zagnati.	Močnostni kabel ni trdno priključen.	Izključite ga. Nato pa ga po 10 sekundah spet priključite.
	Varovalka je pregorela ali pa deluje odklopnik.	Zamenjajte varovalko ali ponovno nastavite odklopnik (popraviti ga mora usposobljeno osebje naše družbe)
	Težave z vtičnico.	Preizkusite vtičnico z drugimi električnimi napravami.
Pečica ne greje.	Vrata niso dobro zaprta.	Dobro zaprite vrata.



V skladu z direktivo o odpadni električni in elektronski opremi (OEEO), je treba OEEO ločeno zbirati in obdelovati. Ko boste kdarkoli v prihodnosti morali ta izdelek odložiti med odpadke, prosimo, da ga NE odlagate skupaj z gospodinjskimi odpadki. Prosimo, da ta izdelek izročite v najbližji zbirni center za OEEO.

PREDOSTROŽNOSTI ZA IZBEGAVANJE MOGUĆEG PREKOMERNOG IZLAGANJA MIKROTALASNOJ ENERGIJI

- Ne pokušavajte da koristite ovu rernu sa otvorenim vratima jer to može rezultirati štetnim izlaganjem mikrotalasnoj energiji. Važno je ne lomiti ili ne rotirati bezbednosne spojeve.
- Ne postavljajte nikakve predmete između prednje strane rerne i vrata, ne dozvoljavajte nakupljanje prljavštine ili sredstava za čišćenje na površinama za dihtovanje.

UPOZORENJE!

- Ukoliko su vrata ili vratni dihtunzi oštećeni, rerna se ne sme koristiti dok ih ne zameni stručna osoba.

DODATAK

Ukoliko se uređaj ne održava čistim, to može uticati na njegovu površinu i radni vek i dovesti do opasnih situacija.

Specifikacije

Radni napon	230V~ 50Hz
Nominalna ulazna snaga (mikrotalasi)	1050W
Nominalna izlazna snaga (mikrotalasi)	700 W
Kapacitet rerne	20 L
Prečnik okretnog tanjira	Ø 255 mm
Spoljne dimenzije	440x356x259mm
Neto težina	Oko 10.24kg

VAŽNA SIGURNOSNA UPUTSTVA

UPOZORENJE!

Da biste smanjili rizik od požara, strujnog udara, povrede ili izlaganja prekomernoj energiji mikrotalasne rerne prilikom njenog korišćenja, sledite osnovne mere predostrožnosti koje uključuju sledeće:

1. Pročitajte i pratite: "MERE PREDOSTROŽNOSTI KAKO BISTE IZBEGLI MOGUĆU IZLOŽENOST PREKOMERENOJ MIKROTALASNOJ ENERGIJI".
2. Upozorenje: Uređaj mogu koristiti deca starija od 8 godina i osobe sa smanjenim fizičkim, senzornim i mentalnim sposobnostima ili nedostatkom iskustva i znanja samo ako su pod nadzorom ili su im data odgovarajuća uputstva, tako da mogu koristiti rernu na siguran način i da razumeveju opasnost usled neispravne upotrebe. Deca ne treba da se igraju sa ovim aparatom. Čišćenje i održavanje ne bi trebalo da obavljaju deca, osim ako su pod nadzorom i imaju više od 8 godina. Decu mlađu od 8 godina treba držati dalje od aparata, ukoliko nisu pod neprekidnim nadzorom.
3. Čuvajte aparat i njegove kablove van domašaja dece mlađe od 8 godina.
4. Ako je kabl za napajanje oštećen, mora ga zameniti proizvođač, njegov serviser ili slična kvalifikovana lica, kako bi se izbegla opasnost. (Za uređaj sa priborom tipa Y).
5. **UPOZORENJE:** Uverite se da je uređaj isključen pre nego što zamenite lampu kako biste izbegli mogućnost električnog udara.
6. **UPOZORENJE:** Opasno je za bilo koga osim kvalifikovane osobe da sprovede servisiranje ili popravku koja uključuje uklanjanje poklopca koji pruža zaštitu od izlaganja mikrotalasnoj energiji.

7. **UPOZORENJE:** Tečnosti i druga hrana se ne smeju zagrevati u zatvorenim posudama jer mogu da eksplodiraju.
8. Prilikom zagrevanja hrane u plastičnim ili papirnim posudama, pazite na renu zbog mogućnosti paljenja.
9. Koristite samo posude koji su pogodne za upotrebu u mikrotalasnim renama.
10. Ukoliko primetite dim, ugastite ili isključite uređaj iz struje, i držite zatvorena vrata rerne kako bi se vatra ugasila.
11. Mikrotalasno zagrevanje napitaka može dovesti do odloženog eruptivnog ključanja, stoga treba voditi računa prilikom rukovanja posudom.
12. Kako bi se izbegle opekotine, sadržaj dečjih flašica i teglica sa dečjom hranom treba promešati ili protresti pre konzumiranja i proveriti njegovu temperaturu.
13. Jaja u ljusci i tvrdo kuvana jaja ne bi trebalo zagrevati u mikrotalasnju rerni jer mogu da eksplodiraju čak i nakon završetka grejanja u rerni.
14. Renu bi trebalo redovno čistiti i uklanjati naslage hrane.
15. Neredovno čišćenje rerne može dovesti do propadanja njenih površina, što može skratiti njen vek trajanja i dovesti do opasnih situacija.
16. Uređaj se ne sme postaviti iza dekorativnih vrata kako bi se izbeglo pregrevanje (Ovo nije primenljivo za uređaje sa ukrasnim vratima).
17. Koristite samo sondu temeprature koja se preporučuje za ovu renu (za rerne opremljene instalacijom za korišćenje sonde za proveru temperature).
18. Mikrotalasna rena ne bi trebalo da bude postavljena u kuhinjske elemente osim ako nije testirana za to.
19. Prilikom rada, ukrasna vrata moraju ostati otvorena (za rerne sa dekorativnim vratima).

20. Aparat je namenjen upotrebi u domaćinstvu i sličnim objektima kao što su:
- kuhinje za osoblje u prodavnicama, kancelarijama i drugim radnim okruženjima;
 - hoteli, moteli i druge smeštajne jedinice;
 - seoske kuće;
 - prenoćišta.
21. Mikrotalasna rerna je namenjena za zagrevanje hrane i pića. Sušenje hrane ili odeće ili zagrevanje mokrih tkanina, papuča, sunđera, krpa i sličnih predmeta može dovesti do povrede, paljenja ili požara.
22. Tokom kuvanja u mikrotalasnoj rerni nije dozvoljeno koristiti metalne posude za hranu i piće.
23. Uređaj ne treba čistiti paročistačem.
24. Uređaj treba da stoji samostalno, nepriljubljen uz druge uređaje.
25. Zadnja strana uređaja trebalo bi da bude okrenuta prema zidu.

PROČITAJTE PAŽLJIVO I ČUVAJTE ZA BUDUĆU UPOTREBU

Za smanjenje rizika od fizičkih povreda
Uzemljenje

⚠ OPASNOST!

Opasnost od strujnog udara.

Dodirivanje nekih komponenti može da izazove ozbiljne povrede ili smrt. Ne rastavljajte ovaj uređaj.

⚠ UPOZORENJE!

Opasnost od strujnog udara.

Neispravno uzemljenje može da rezutira strujnim udarom. Ne uključujte uređaj u utičnicu za struju dok ga ispravno ne instalirate i uzemljite.

- Ovaj uređaj mora da bude uzemljen. U slučaju kratkog strujnog spoja uzemljenje smanjuje opasnost od strujnog udara putem odvodne žice za električnu struju. Ovaj uređaj je opremljen uzemljenim strujnim kablom i utikačem sa kontaktom za uzemljenje. Utikač se mora ispravno uključiti u instaliranu i uzemljenu strujnu utičnicu.
- Konsultujte se sa kvalifikovanim električarem ili serviserom ukoliko u potpunosti ne razumete uputstva za uzemljenje ili ukoliko niste sigurni da li je uređaj pravilno uzemljen.
- Ukoliko je potrebno da koristite produžni kabl, koristite isključivo produžni kabl sa tri žice.
 1. Obezbeđen je kratak kabl za napajanje kako bi se smanjili rizici od zapetljanja ili spoticanja o duži strujni kabl.
 2. Ukoliko se koristi dugi strujni kabl ili produžni kabl:
 - 1) Nominalna snaga strujnog kabla ili produžnog kabla mora biti jednaka ili veća od nominalne snage uređaja.
 - 2) Produžni kabl mora da bude kabl uzemljenog tipa sa tri žice.
 - 3) Dugi strujni kabl treba da se sprovede tako da ne visi preko ivice radne površine ili stola gde mogu da ga povuku deca ili neko može slučajno da se saplete o njega.

ČIŠĆENJE

Obavezno isključite rernu iz strujne utičnice.

1. Nakon upotrebe očistite unutrašnjost rerne vlažnom krpom.
2. Dodatke očistite na uobičajeni način u vodi sa sapunicom.
3. Kada su prljavi, okvir vrata, zaptivku i okolne delove treba pažljivo očistiti vlažnom krpom.
4. Ne koristite jaka abrazivna sredstva za čišćenje ili oštre metalne strugalice za čišćenje vrata rerne, pošto oni mogu da ogrebu površinu, što može rezultirati razbijanjem stakla.

5. Savet za čišćenje - Za lakše čišćenje šupljine zidova koje skuvana hrana može da dodirne: Stavite pola limuna u činiju, dodajte 300 ml vode i zagrejte na 100% snage mikrotalasa na 10 minuta. Obrišite rernu mekom, suvom krpom.

POSUĐE



OPREZ! Opasnost od povreda

Servisiranje ili popravljavanje koje uključuje uklanjanje poklopca koji štiti od izlaganja mikrotalasnoj energiji, opasno je za svakog osim za obučeno lice.

Pogledajte uputstva o "Materijalima koji mogu da se koriste u mikrotalasnoj rerni ili koje treba izbegavati". Postoji određeno nemetalno posuđe koje nije bezbedno za upotrebu u mikrotalasnoj rerni. Ukoliko postoji sumnja, posudu možete testirati na dole opisan način.

Test posuđa:

1. Napunite posudu bezbednu za upotrebu u mikrotalasnoj rerni 1 šoljicom hladne vode (250ml), zajedno sa posudom koju testirate.
2. Kuvajte na maksimalnoj snazi 1 minut.
3. Pažljivo opipajte posudu. Ukoliko je prazna posuda topla, ne koristite je za kuvanje u mikrotalasnoj rerni.
4. Nemojte prekoračiti 1 minut kuvanja.

Materijali bezbedni za upotrebu u mikrotalasnoj rerni

Posuda	Napomene
Posuda koja služi da se u njoj zapeče jelo	Pridržavajte se uputstava proizvođača. Dno posude mora da bude minimalno 5mm iznad tanjira koji se okreće. Neispravna upotreba može da izazove pucanje tanjira.
Servis za jelo	Isključivo onaj koji je pogodan za upotrebu u mikrotalasnim rernama. Pridržavajte se uputstava proizvođača. Ne koristite napuklo ili oštećeno posuđe.

Posuda	Napomene
Staklene tegle	Uvek uklonite poklopac. Koristite za zagrevanje hrane dok ne bude topla. Većina tegli nije otporna na toplotu i može da pukne.
Stakleno posuđe	Koristite isključivo vatrostalno stakleno posuđe. Na sudovima nikako ne sme biti metalnih rubova. Ne koristite napuklo ili oštećeno posuđe.
Kese za kuvanje u rernama	Pridržavajte se uputstava proizvođača. Ne zatvarajte metalnom vezicom. Napravite otvore tako da para može da izlazi.
Papirnati tanjiri i šoljice	Koristite isključivo za kratkotrajno kuvanje / zagrevanje. Ne ostavljajte bez nadzora tokom kuvanja.
Papirnatu salvetu	Koristite za prekrivanje hrane za podgrevanje i upijanje masnoće. Koristite pod nadzorom isključivo za kratkotrajno kuvanje.
Papir za kolače	Koristite kao poklopac kako biste sprečili prskanje ili kao omotač za kuvanje u pari.
Plastika	Isključivo ona koja je pogodna za upotrebu u mikrotalasnim rernama. Pridržavajte se uputstava proizvođača. Trebalo bi da bude označena sa "Microwave Safe". Neke plastične posude omekšavaju dok se hrana unutar njih zagreva. "Kese za kuvanje" i čvrsto zatvorene plastične kese prorezati, probušiti ili ostaviti otvorene prema uputstvu na pakovanju.
Plastična folija	Isključivo ona koja je pogodna za upotrebu u mikrotalasnim rernama. Koristite za prekrivanje hrane tokom kuvanja radi zadržavanja vlage. Plastična folija ne bi smela da dodiruje hranu.
Termometri	Isključivo oni koji su pogodni za upotrebu u mikrotalasnim rernama (Termometri za meso i kolače).
Masni papir	Koristite kao poklopac za sprečavanje prskanja i zadržavanje vlage.

Materijali nepogodni za upotrebu u mikrotalasnoj rerni

Posuda	Napomene
Aluminijumski tanjir	Može da izazove varničenje. Premestite hranu u posudu pogodnu za mikrotalasne rerne.
Posude za hranu sa metalnom drškom	Može da izazove varničenje. Premestite hranu u posudu pogodnu za mikrotalasne rerne.

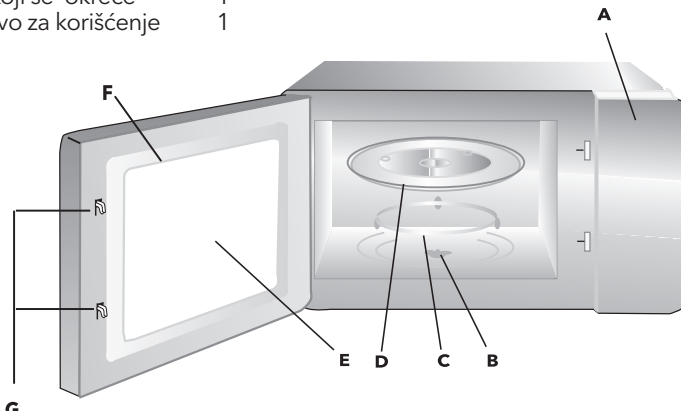
Posuda	Napomene
Metalne posude ili posude sa metalnom ivicom	Metal štiti hranu od mikrotalasne energije. Metalne ivice mogu da izazovu varničenje.
Metalne vezice	Mogu da izazovu varničenje i vatru unutar rerne.
Papirnate kese	Mogu da izazovu vatru u pećnici.
Stiropor	Stiropor može da se otopi ili kontaminira tečnost unutar rerne kada je izložen visokoj temperaturi.
Drvo	Prilikom upotrebe u mikrotalasnoj rerni drvo će se isušiti, i može i da naprsne.

POSTAVLJANJE RERNE

Nazivi delova rerne i dodataka

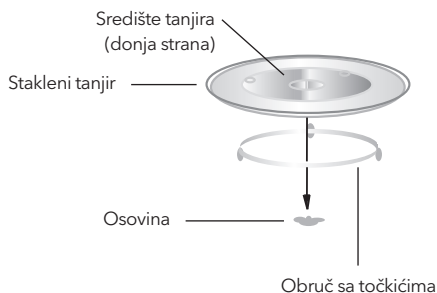
Uklonite rernu i sav materijal iz ambalaže i unutrašnjosti rerne. Uz vašu rernu priloženi su sledeći dodaci:

- Stakleni tanjir 1
- Tanjir koji se okreće 1
- Uputstvo za korišćenje 1



- A) Kontrolna ploča
- B) Osovina za okretanje
- C) Komplet obrtnog prstena
- D) Stakleni tanjir
- E) Prozor za posmatranje
- F) Vrata
- G) Sistem sigurnosnog blokiranja

Instalacija tanjira koji se okreće



- Nikada ne postavljajte stakleni tanjir naopako. Ništa ne sme da blokira stakleni tanjir.
- Stakleni tanjir i obruč sa točkicama uvek moraju da se koriste tokom kuvanja.
- Prilikom kuvanja, sva hrana i posude uvek treba staviti na stakleni tanjir.
- Ukoliko stakleni tanjir ili obruč sa točkicama naprsnu ili se slome, kontaktirajte najbliži ovlašćeni servisni centar.

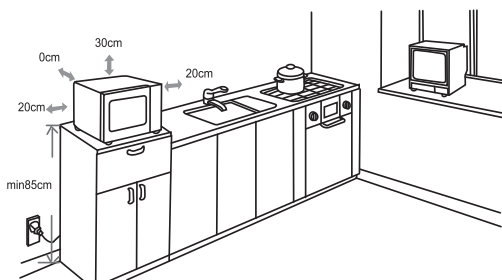
Instalacija na radnu površinu

Uklonite sav ambalažni materijal i dodatke. Proverite ima li oštećenja na rerni, poput ogrebotina ili oštećenih vrata. Ne instalirajte pećnicu ukoliko je oštećena.

Kućište: Uklonite zaštitnu foliju sa površine kućišta mikrotalasne rerne. Ne uklanjajte svetlosmeđi liskun poklopac koji je pričvršćen za unutrašnjost rerne, a služi za zaštitu magnetrona.

INSTALACIJA

- Izaberite ravnu površinu sa dovoljno slobodnog prostora za dovod/odvod ventilacionog sistema rerne.



- (1) Minimalna visina ugradnje je 85cm.
- (2) Uređaj se postavlja zadnjom stranom uz zid. Iznad rerne ostavite minimalno 30cm slobodnog prostora, a potrebno je najmanje 20 cm između rerne i susednih zidova.
- (3) Ne uklanjajte nožice sa dna rerne.
- (4) Blokiranje ulaza i/ili izlaza za vazduh može da ošteti rernu.

- (5) Postavite rernu što je dalje moguće od radija i tv prijemnika. Rad mikrotalasne rerne može da izazove smetnje u vašem radijskom ili televizijskom prijemu.
2. Uključite rernu u standardnu kućnu strujnu utičnicu. Napon i frekvencija treba da odgovaraju naponu i frekvenciji rerne, koji su navedeni na etiketi sa tehničkim podacima.

⚠ UPOZORENJE!

Ne postavljajte rernu iznad šporeta ili drugih toplotnih uređaja. Ukoliko se se instalira u blizini ili iznad izvora toplote, rerna bi se mogla oštetiti, i na taj način bi se mogla poništiti garancija za ovaj proizvod.

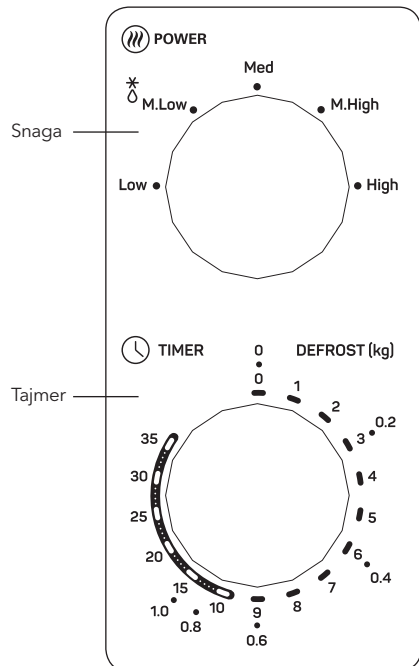


Dostupna površina može biti vruća tokom rada.

UPOTREBA

Kontrolna tabla i funkcije - uputstvo za upotrebu

1. Za podešavanje snage kuvanja postavite dugme snage na željeni nivo.
2. Za postavljanje trajanja kuvanja postavite dugme tajmera na željeni nivo prema vrsti hrane, na osnovu uputstva za kuvanje.
3. Mikrotalasna rerna automatski će da započne s kuvanjem nakon što odredite nivo snage i trajanje kuvanja.
4. Nakon isteka vremena kuvanja, uređaj će vas upozoriti zvučnim signalom.
5. Ukoliko se uređaj ne koristi, uvek postavite vreme trajanja kuvanja na "0".



Funkcija/Snaga	Izlaz	Primena
Niska	17% mikro.	Omekšavanje sladoleda
Sr.niska (odmrzavanje)	33% mikro.	Čorbe, omekšavanje putera ili odmrzavanje
Srednja	55% mikro.	Gulaš, riba
Srednje visoka	77% mikro.	Pirinač, riba, piletina, mleveno meso
Visoka	100% mikro.	Podgrevanje, mleko, kuvanje vode, povrće, napici

Pažnja: Pre nego što izvadite hranu iz rerne, molimo da isključite rernu postavljanjem tajmera na položaj 0 (nula). Rad rerne bez hrane u njoj može da uzrokuje pregrevanje i oštećenje magnetrona.

OTKLANJANJE PROBLEMA

NORMALNO	
Mikrotalasna ometa TV prijem	Tokom rada mikrotalasna rerna može ometati radio i TV prijem. To je slično interferenciji malih kućnih aparata, kao što su mikser, usisivač i fen za kosu. To je normalno.
Prigušeno svetlo u rerni	Prilikom kuvanja niskom snagom mikrotalasa, svetlo rerne može postati prigušeno. To je normalno.
Na vratima se kondenzuje vlaga, vruć vazduh izlazi iz otvora	Tokom kuvanja iz hrane može izlaziti para. Veći deo će izaći kroz ventilacione otvore, ali deo se može kondenzovati na hladnijim mestima poput vrata rerne. To je normalno.
Rerna je slučajno uključena bez hrane u njoj	Zabranjeno je koristiti praznu rernu, bez hrane u njoj. To je veoma opasno.

PROBLEM	MOGUĆI UZROK	REŠENJE
Rerna se ne može pokrenuti	Strujni kabl nije ispravno uključen	Isključite kabl, pa ga nakon 10 sekundi ponovno uključite
	Neispravan osigurač ili prekidač	Zamenite osigurač ili prekidač (uslugu vrši stručno osoblje naše kompanije)
	Problem sa utičnicom	Testirajte utičnicu na drugim električnim uređajima.

PROBLEM	MOGUĆI UZROK	REŠENJE
Rerna se ne zagreva	Vrata nisu dobro zatvorena	Dobro zatvorite vrata



Prema odredbi o odlaganju električne i elektronske opreme, takva oprema treba da se posebno sakuplja i obrađuje. Ukoliko u nekom trenutku treba da bacite ovaj uređaj, molimo da ga NE bacate u đubre zajedno sa ostalim kućnim otpadom, već tamo gde je za to unapred određeno mesto. Ukoliko je moguće, molimo vas pošaljite ovaj uređaj u centar za prikupljanje električne i elektronske opreme.

TESLA

tesla.info

Ovaj dokument je originalno proizveden i objavljen od strane proizvođača, brenda Tesla, i preuzet je sa njihove zvanične stranice. S obzirom na ovu činjenicu, Tehnoteka ističe da ne preuzima odgovornost za tačnost, celovitost ili pouzdanost informacija, podataka, mišljenja, saveta ili izjava sadržanih u ovom dokumentu.

Napominjemo da Tehnoteka nema ovlašćenje da izvrši bilo kakve izmene ili dopune na ovom dokumentu, stoga nismo odgovorni za eventualne greške, propuste ili netačnosti koje se mogu naći unutar njega. Tehnoteka ne odgovara za štetu nanесenu korisnicima pri upotrebi netačnih podataka. Ukoliko imate dodatna pitanja o proizvodu, ljubazno vas molimo da kontaktirate direktno proizvođača kako biste dobili sve detaljne informacije.

Za najnovije informacije o ceni, dostupnim akcijama i tehničkim karakteristikama proizvoda koji se pominje u ovom dokumentu, molimo posetite našu stranicu klikom na sledeći link:

<https://tehnoteka.rs/p/tesla-mikrotalasna-rerna-mw2030mw-akcija-cena/>