

## Uputstvo za upotrebu

GORENJE bojler TGRH80

# gorenje



Tehnoteka je online destinacija za upoređivanje cena i karakteristika bele tehnike, potrošačke elektronike i IT uređaja kod trgovinskih lanaca i internet prodavnica u Srbiji. Naša stranica vam omogućava da istražite najnovije informacije, detaljne karakteristike i konkurentne cene proizvoda.

Posetite nas i uživajte u ekskluzivnom iskustvu pametne kupovine klikom na link:

<https://tehnoteka.rs/p/gorenje-bojler-tgrh80-akcija-cena/>

**gorenje**



***TGRH 50-120***



---

EN	Instructions for Use	4
HR BIH	Upute za upotrebu	10
SR MNE	Uputstva za upotrebu	16
SQ MNE	Udhëzime për përdorim	22
MK	Упатства за употреба	28

# WARNINGS

- ⚠** The appliance may be used by children older than 8 years old, elderly persons and persons with physical, sensory or mental disabilities or lacking experience and knowledge, if they are under supervision or taught about safe use of the appliance and if they are aware of the potential dangers.
- ⚠** Children should not play with the appliance.
- ⚠** Children should not clean or perform maintenance on the appliance without supervision.
- ⚠** Installation should be carried out in accordance with the valid regulations and according to the instructions of the manufacturer and by qualified staff.
- ⚠** In a closed, pressurised system of installation, it is obligatory to install a safety valve on the inlet pipe with a rated pressure of 0.6 MPa (6 bar), 0.9 MPa (9 bar) or 1.0 MPa (10 bar) (see the label), which prevents the elevation of pressure in the boiler by more than 0.1 MPa (1 bar) above the rated pressure.
- ⚠** Water may drip from the outlet opening of the safety valve, so the outlet opening should be set to atmospheric pressure.
- ⚠** The outlet of the safety valve should be installed facing downwards and in a non-freezing area.
- ⚠** To ensure proper functioning of the safety valve, the user should perform regular controls to remove limescale and make sure the safety valve is not blocked.
- ⚠** Do not install a stop valve between the water heater and the safety valve, because it will impair the pressure protection of the heater!
- ⚠** Before connecting it to the power supply, the water heater must be filled with water!
- ⚠** The heater is equipped with an additional thermal cut-off for protection in case of failure of the operating thermostat. In this case, however, the temperature of the water in the heater can reach up to 130 °C according to the safety standards. During the water supply installation, the possibility of temperature overloads should be taken into account.
- ⚠** If the heater is to be disconnected from the power supply, please drain any water from the heater to prevent freezing.
- ⚠** Water can be drained from the heater through the boiler inlet pipe. For this purpose it is advisable to install a T- element with an outlet valve between the inlet pipe and safety valve.
- ⚠** Please do not try to fix any defects of the water heater on your own. Call the nearest authorised service provider.



Our products incorporate components that are both environmentally safe and harmless to health, so they can be disassembled as easily as possible and recycled once they reach their final life stage. Recycling of materials reduces the quantity of waste and the need for production of raw materials (e.g. metals) which requires a substantial amount of energy and causes release of harmful substances. Recycling procedures reduce the consumption of natural resources, as the waste parts

made of plastic and metal can be returned to various production processes. For more information on waste disposal, please visit your waste collection centre or the store where the product was purchased.

**Dear buyer, thank you for purchasing our product. Prior to the installation and first use of the electric water heater, please read these instructions carefully.**

This water heater has been manufactured in compliance with the relevant standards and tested by the relevant authorities as indicated by the Safety Certificate and the Electromagnetic Compatibility Certificate. Its technical characteristics are indicated on the label on the bottom of the heater next to the pipes. The installation must be carried out by qualified staff. All repairs and maintenance work within the water heater, e.g. lime removal or inspection/replacement of the protective anticorrosion anode, must be carried out by an authorised maintenance service provider.

## INSTALLATION

The water heater shall be installed as close as possible to the outlets. When installing the water heater in a room with a bathtub or shower, take into account the requirements defined in IEC Standard 60364-7-701 (VDE 0100, Part 701). It has to be fitted to the wall using appropriate wall screws with a minimum diameter of 8 mm. A wall with a poor load-bearing capacity must be properly reinforced where the heater will be installed. The water heater may only be fixed upon the wall horizontally (see Fig. 1).

	A	B	C	D
TGRH 50	572	25	185	145
TGRH 80	778	122,5	190	345
TGRH 100	938	192,5	200	495
TGRH 120	1093	265	205	645

Connection and installation dimensions of the water heater [mm]

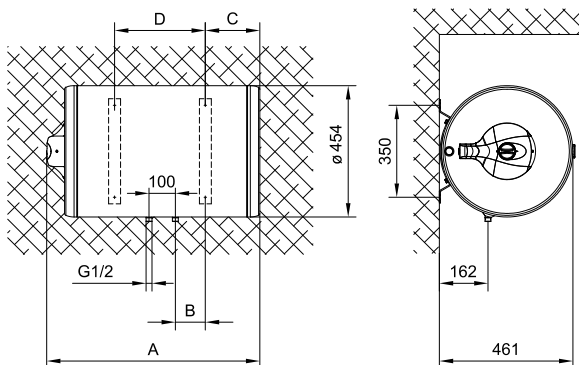


Fig. 1: Horizontal installation on a wall

---

# CONNECTION TO THE WATER SUPPLY

The water heater connections for the inlet and outlet of water are colour-coded. The inlet of cold water is marked with blue colour, while the hot water outlet is marked with red colour.

The water heater can be connected to the water supply in two ways. The closed-circuit pressure system enables several points of use, while the open-circuit gravity system enables a single point of use only. The mixer taps must also be installed in accordance with the selected installation mode.

In a closed, pressurized system (Fig. 2) pressurised mix taps should be used at the outlet points. To ensure safe operation of the heater a safety valve should be installed on the inlet pipe to prevent elevation of pressure for more than 0.1 MPa (1 bar) above the nominal pressure. The outlet opening on the safety valve must be equipped with an outlet for atmospheric pressure. The heating of water in the heater causes the pressure in the tank to increase to the level set by the safety valve. As the water cannot return to the water supply system, this can result in dripping from the outlet of the safety valve. The drip can be piped to the drain by installing a catching unit just below the safety valve. The drain installed below the safety valve outlet must be piped down vertically and placed in an environment that is free from the onset of freezing conditions.

To avoid water dripping from the safety valve, an expansion tank should be installed on the inlet pipe of the heater with the capacity of at least 5 % of the heater volume.

To ensure proper operation of the safety valve, periodical inspections must be carried out to remove limescale and make sure the safety valve is not blocked.

To check the valve, open the outlet of the safety valve by turning the handle or unscrewing the nut of the valve (depending on the type of the valve). The valve is operating properly if the water comes out of the nozzle when the outlet is open.

An open-circuit, non-pressurised system (Fig. 3) requires the installation of a non-return valve at the water inlet to prevent water draining out from the tank in the event of the water supply running dry. This installation mode requires the use of an instantaneous mixing tap.

As the heating of water expands its volume, this causes the tap to drip. The dripping cannot be stopped by tightening it further; on the contrary, the tightening can only damage the tap.

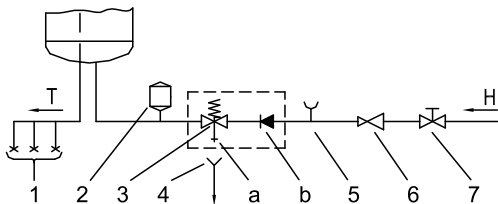


Fig. 2: Closed (pressure) system

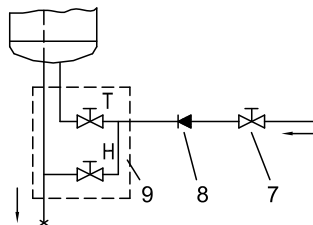


Fig. 3: Open (non-pressure) system

Legend:

- |                                   |                              |
|-----------------------------------|------------------------------|
| 1 - Pressure mixer taps           | 6 - Pressure reduction valve |
| 2 - Expansion tank                | 7 - Closing valve            |
| 3 - Safety valve                  | 8 - Non-return valve         |
| a - Test valve                    | 9 - Low pressure mixer tap   |
| b - Non-return valve              |                              |
| 4 - Funnel with outlet connection | H - Cold water               |
| 5 - Checking fitting              | T - Hot water                |

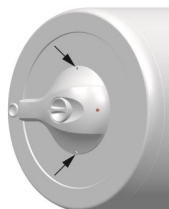
**No closing valve may be built-in between the water heater and return safety valve, because with it the pressure protection would be impeded!**

The heater can be connected to the domestic water supply network without a pressure-reducing valve if the pressure in the network is lower than the nominal pressure. If the pressure in the network exceeds the nominal pressure, a pressure-reducing valve must be installed.

**Before connecting it to the power supply, the water heater must be filled with water.**

When filling the heater for the first time, the tap for the hot water on the mixing tap must be opened. When the heater is filled with water, the water starts to run through the outlet pipe of the mixing tap.

## CONNECTING THE WATER HEATER TO THE POWER SUPPLY NETWORK



Before connecting to the power supply network, install a power supply cord in the water heater, with a min. diameter of 1.5 mm<sup>2</sup> (H05VV-F 3G 1.5 mm<sup>2</sup>). To do this, the protective cap must be removed from the water heater.

In the electrical installation, please install a disconnect switch to separate all poles from the power supply network in accordance with the national regulations.

Fig. 4: Removing the protective cover



Legend:

- 1 - Connection terminal
- 2 - Thermostat and bipolar thermal cut-out
- 3 - Electric heating element
- 4 - Pilot lamp

L - Live conductor

N - Neutral conductor

⊕ - Earthing conductor

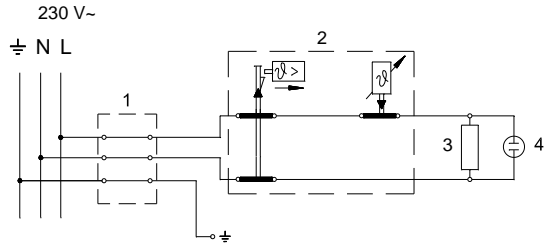


Fig. 5: Electric installation

**CAUTION: Before any intervention into the interior of the water heater, disconnect it from the power supply network! This intervention may only be performed by a trained professional!**

## OPERATION AND MAINTENANCE

After connecting to the water and power supply, the heater is ready for use. By turning the thermostat knob, water temperature can be set between 25 °C and 70 °C. We recommend that the knob be set to the position "eco" ensuring the most economic operation of the water heater. This way, the water temperature is maintained at 55 °C while the operation also results in less lime sediment as well as in less heat losses than is the case at higher temperatures. During the operation of an electric heater can hear noise in the water heater. The light indicator shows the operation of the heating element. On the casing of the water heater a bimetal thermometer is mounted, pointing clockwise (to the right) whenever there is hot water in the water heater. When the water heater is not in use for longer periods of time, it should be protected from freezing by setting the temperature to "∗". Do not disconnect the power. Thus the temperature of water is maintained at about 10 °C.

If you are planning to unplug the heater from power supply, please drain out all the water to prevent freezing. Water can be drained from the heater through the boiler inlet pipe. For this purpose it is advisable to install a T- element with an outlet valve between the inlet pipe and safety valve. Before draining, please unplug the heater from the power supply, open the warm water handle on the mixing tap and drain the warm water. When the water in the heater is cooled, close the flow of cold water into the heater and unscrew the flexible pipe on the warm water outlet. The heater can now be drained through the outlet valve on the inlet pipe. After draining the water through the inlet pipe, a small quantity of water remains in the heater. When refilling the heater with water it is recommended to open the warm water tap on the mixing tap and let the water run for at least two minutes through the outlet pipe (the water stream should be steady, medium strength, about as thick as a pencil).

Clean the exterior of the heater using a soft cloth and mild detergent intended for cleaning smooth varnished surfaces. Do not use detergents that contain alcohol or abrasives.

With regular service inspections you will ensure faultless functioning and long life of the heater. Tank corrosion warranty applies only if all the prescribed regular

inspections of the protective anode wear have been made. The period between regular inspections should not be longer than stated in the warranty certificate. Inspections should be carried out by authorised service providers that will record each inspection on the warranty statement of the product. Upon inspection the service provider will inspect the amount of wear on the anti-corrosion anode and, if necessary, clean the limescale that accumulates depending on the quality, quantity and temperature of the water inside the heater. The service provider will also recommend the date for the next inspection depending on the condition of the heater.

**Please do not attempt to fix any defects of the heater by yourself. Call the nearest authorised service company.**

## TECHNICAL PROPERTIES OF THE APPLIANCE

Type		TGRH 50	TGRH 80	TGRH 100	TGRH 120
Volume	[l]	50	80	100	120
Quantity of mixed water at 40 °C	[l]	80	130	174	210
Rated pressure	[MPa (bar)]	0,6 (6) / 0,9 (9) / 1,0 (10)			
Weight / Filled with water	[kg]	21/71	27/107	31/131	35/155
Anti-corrosion of tank enamelled / Mg Anode		• / •	• / •	• / •	• / •
Power of electrical heater	[W]	2000			
Voltage	[V~]	230			
Protection class		I			
Degree of protection		IP23			
Heating time from 10 °C to 65 °C	[h]	1 <sup>38</sup>	2 <sup>37</sup>	3 <sup>16</sup>	3 <sup>55</sup>

WE RESERVE THE RIGHT TO MAKE CHANGES THAT DO NOT IMPAIR THE FUNCTIONALITY OF THE DEVICE.

The user manual can also be found at our website <http://www.gorenje.com> .

# UPOZORENJA

- ⚠ Uređaj mogu koristiti djeca starija od 8 godina i osobe sa smanjenim tjelesnim, osjetnim ili mentalnim sposobnostima, odnosno nedovoljnim iskustvom ili znanjem samo ako su pod nadzorom ili podučeni o uporabi uređaja na siguran način i ako razumiju potencijalne opasnosti.
- ⚠ Djeca se ne smiju igrati aparatom.
- ⚠ Čišćenja i održavanja uređaja ne smiju obavljati djeca bez nadzora.
- ⚠ Ugradnju treba obaviti sukladno važećim propisima i prema uputama proizvođača. Mora ju obaviti stručno osposobljen monter.
- ⚠ Za zatvoreni tlačni sustav priključenja, na dovodnu cijev grijalice vode obvezatno ugradite sigurnosni ventil s nazivnim tlakom 0,6 MPa (6 bara), 0,9 MPa (9 bara) ili 1,0 MPa (10 bara) (vidi pločicu s natpisom), koji sprječava povećanje tlaka u kotlu za više od 0,1 MPa (1 bar) iznad nazivnoga tlaka.
- ⚠ Voda može kapati iz odvodnog otvora sigurnosnoga ventila, stoga odvodni otvor mora biti otvoren na atmosferski tlak.
- ⚠ Ispust sigurnosnoga ventila mora biti postavljen u smjeru nadolje i na mjestu na kojem neće smrznuti.
- ⚠ Za pravilan rad sigurnosnoga ventila treba periodično obavljati kontrole radi uklanjanja vodenoga kamenca i provjeravati da sigurnosni ventil nije blokiran.
- ⚠ Između grijalice vode i sigurnosnoga ventila nije dozvoljeno ugrađivati zaporni ventil jer bi se time onemogućila tlačna zaštita grijalice!
- ⚠ Prije priključenja na električne instalacije obvezatno prvo napunite grijalicu vodom!
- ⚠ Grijalica je dodatnim termičkim osiguračem zaštićena u slučaju otkazivanja radnoga termostata. U slučaju otkazivanja termostata, sukladno sigurnosnim standardima, voda u grijalici može dostići temperaturu i do 130 °C. Prilikom postavljanja vodovodnih instalacija obvezatno valja uvažavati činjenicu da su moguća navedena preopterećenja temperature.
- ⚠ Ako budete isključivali grijalicu iz električne mreže, morate ispustiti vodu zbog opasnosti od smrzavanja.
- ⚠ Voda iz grijalice ispušta se kroz dovodnu cijev kotla. U tu svrhu preporučamo postaviti poseban T-element s ispusnim ventilom između sigurnosnoga ventila i dovodne cijevi.
- ⚠ Molimo: eventualne kvarove na grijalici nemojte popravljati sami već obavijestite najbliži ovlaštenu servis o tome.



Naši su proizvodi opremljeni ekološki besprijekornim i zdravstveno ispravnim neškodljivim komponentama te su proizvedeni tako da se u svojoj posljednjoj fazi trajanja mogu što jednostavnije rastaviti i reciklirati.

Reciklažom materijala smanjuju se količine otpada i potreba za proizvodnjom osnovnih materijala (naprimjer kovine), što iziskuje puno energije i uzrokuje emisije štetnih tvari. Postupcima reciklaže smanjuju se

potrošnja prirodnih izvora budući da se otpadni dijelovi od plastike i kovine ponovno vraćaju u različite proizvodne procese.  
 Za više informacija o sustavu odlaganja otpadaka posjetite lokalni centar za odlaganje otpadaka ili trgovca kod kojeg ste kupili proizvod.

**Poštovani kupci! Zahvaljujemo na povjerenju koje ste nam iskazali kupnjom našega proizvoda.**

**MOLIMO PRIJE MONTAŽE I PRVE UPORABE POMNO PROČITAJTE UPUTE ZA MONTAŽU, UPORABU I ODRŽAVANJE ELEKTRIČNE GRIJALICE VODE.**

Grijalica je proizvedena sukladno važećim standardima i službeno je ispitana te su joj dodijeljeni sigurnosni certifikat i certifikat o elektromagnetskoj kompatibilnosti. Njezina su osnovna tehnička svojstva navedena na pločici s natpisom koja je nalijepljena na dnu grijalice pored priključnih cijevi. Priklučenje grijalice na vodovodnu i električnu mrežu može obaviti isključivo stručno osposobljena osoba.

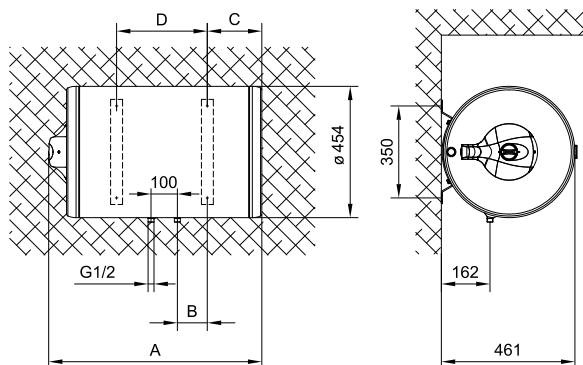
Zahvate u njezinu unutrašnjost zbog popravka, uklanjanja vodenoga kamenca te provjere ili zamjene zaštitne anode protiv korozije obavlja isključivo ovlaštena servisna služba.

## MONTAŽA

Grijalicu montirajte što je moguće bliže potrošačkome mjestu. Ako uređaj za grijanje ugrađujete u prostor u kojem su kada za kupanje ili tuš, obavezno morate uzeti u obzir zahtjeve standarda IEC 60364-7-701 (VDE 0100, Teil 701). Na zid ju pričvrstite vijcima za zid, nazivnoga promjera od najmanje 8 mm. Ako je nosivost zida koji je namijenjen montaži grijalice neodgovarajući, zid treba primjereno ojačati. Grijalica se smije pričvrstiti na zid isključivo u vodoravnom položaju (vidi sl. 1).

	A	B	C	D
TGRH 50	572	25	185	145
TGRH 80	778	122,5	190	345
TGRH 100	938	192,5	200	495
TGRH 120	1093	265	205	645

Priključne i montažne mjere grijalice [mm]



Sl. 1: Vodoravno postavljanje na zid

# PRIKLJUČAK NA VODOVODNU MREŽU

Dovod i odvod vode na cijevima grijalice označeni su u boji. Dovod hladne vode označen je plavom a odvod tople vode crvenom bojom.

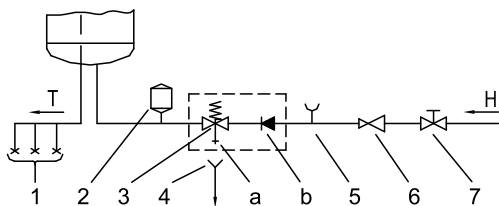
Grijalicu možete priključiti na vodovodnu mrežu na dva načina. Zatvoreni, tlačni sustav priključenja omogućuje odljev vode na više odljevnih mjesta, a otvoreni, netlačni sustav omogućuje prihvat vode na samo jednome mjestu prihvata. Ugradnja i odabir miješalice ovise o izboru sustava priključenja.

Kod zatvorenoga tlačnog sustava priključenja (slika 2) na prihvatnim mjestima valja koristiti tlačne baterije za miješanje. Na dovodnu cijev radi sigurnosti prilikom rada grijača treba ugraditi sigurnosni ventil ili sigurnosni sklop koji sprječava povećanje tlaka u kotlu za više od 0,1 MPa (1 bar) od nominalnoga tlaka. Ispusni otvor na sigurnosnome ventilu obvezatno mora sadržati izlaz na atmosferski tlak. Prilikom zagrijavanja vode u grijalici tlak vode u kotlu povećava se do granice koja je podešena na sigurnosnome ventilu. Budući da je vraćanje vode natrag u vodovodnu mrežu spriječeno, može se pojaviti kapanje vode iz odvodnoga otvora sigurnosnog ventila. Vodu koja kapa možete sprovesti u odvod preko lijevka za prihvat, koji se postavlja ispod sigurnosnoga ventila. Odvodna cijev koja je postavljena ispod ispusta sigurnosnoga ventila mora biti postavljena vodoravno prema dolje na mjestu na kojem ne može smrznuti.

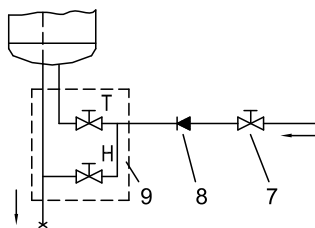
Ako želite izbjeći kapanje vode iz sigurnosnoga ventila, na dovodnu cijev grijača morate ugraditi ekspanzijsku posudu sa zapreminom od najmanje 5% zapremnine grijača.

Za pravilan rad sigurnosnoga ventila treba periodično obavljati kontrole kako biste uklonili vodeni kamenac i provjerili da sigurnosni ventil nije blokiran. Prilikom provjere morate pomicanjem ručke ili odvijanjem matice ventila (ovisno o vrsti ventila) otvoriti istjecanje iz sigurnosnoga ventila. Pritom kroz sapnicu ventila za istjecanje mora priteći voda, što znači da je ventil besprijekoran.

Kod otvorenoga netlačnog sustava priključenja (slika 3) na dovodu vode u grijač treba ugraditi nepovratni ventil koji sprječava ispuštanje vode iz kotla ako u mreži nestane vode. Kod toga sustava priključenja dopušteno je ugraditi samo protočnu bateriju za miješanje. Zapreminna vode u grijalici povećava se uslijed zagrijavanja, što prouzrokuje kapanje vode iz cijevi miješalice. Kapanje vode ne možete spriječiti jakim zatezanjem ručke na miješalici; tako samo možete uništiti miješalicu.



SI. 2: Zatvoreni (tlačni) sustav



SI. 3: Otvoreni (protočni) sustav

Legenda:

- |                                    |                              |
|------------------------------------|------------------------------|
| 1 - Tlačne miješalice              | 6 - Redukcijski ventil tlaka |
| 2 - Ekspanzijska posuda            | 7 - Zaporni ventil           |
| 3 - Sigurnosni ventil              | 8 - Nepovratni ventil        |
| a - Ispitni ventil                 | 9 - Niskotlačna miješalica   |
| b - Nepovratni ventil              |                              |
| 4 - Čašica s priključkom na izljev | H - Hladna voda              |
| 5 - Ispitni nastavak               | T - Topla voda               |

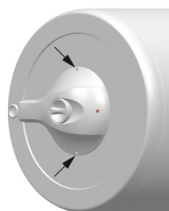
**Između grijača vode i sigurnosnoga ventila nije dopušteno ugraditi zaporni ventil jer biste time onemogućili tlačnu zaštitu grijalice!**

Grijalicu možete priključiti na vodovodnu mrežu objekta bez redukcijskoga ventila ako je tlak u mreži niži od nazivnoga tlaka. Ako tlak u mreži premašuje nazivni tlak, obvezatno ugradite redukcijski ventil.

**Prije električnoga priključenja obvezatno prvo napunite grijalicu vodom!**

Prilikom prvoga punjenja otvorite ručku s toplom vodom na miješalici. Grijalica je puna kada voda protječe kroz cijev miješalice.

## PRIKLJUČIVANJE NA ELEKTRIČNU MREŽU



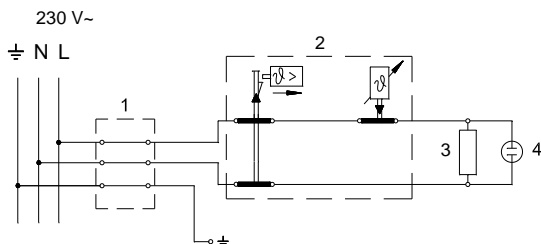
SI. 4: Uklanjanje zaštitnoga poklopca

Prije priključivanja na električnu mrežu u grijalicu treba ugraditi priključnu vrpču minimalna promjera od najmanje 1,5 mm<sup>2</sup> (H05VV-F 3G 1,5 mm<sup>2</sup>), stoga morate ukloniti zaštitni poklopac. U električnoj instalaciji mora biti ugrađen uređaj za odvajanje svih polova sukladno nacionalnim instalacijskim propisima.

Legenda:

- 1 - Priključna spojka
- 2 - Termostat i dvopolni toplinski osigurač
- 3 - Grijač
- 4 - Signalno svjetlo

L - Fazni vodič  
 N - Neutralni vodič  
 ≍ - Zaštitni vodič



Sl. 5: Električna spojna shema

**POZOR! Prije svakoga zahvata u unutarnjost grijalice obavezatno isključiti grijalicu iz električne mreže. Zahvat može obaviti samo osposobljeni stručnjak!**

## UPOTREBA I ODRŽAVANJE

Grijalica je pripravna za uporabu nakon priključenja na vodovodnu i električnu mrežu. Okretanjem gumba na termostatu koji je s donje strane zaštitnoga poklopca, birate željenu temperaturu vode od 25 °C do 70 °C. Preporučuje se podešavanje gumba na položaj "eco". Takvo je podešavanje najekonomičnije; pritom će temperatura vode biti približno 55 °C, a izdvajanje vodenoga kamenca i toplinski gubici manji su od podešavanja na višu temperaturu. Za vrijeme rada električnoga grijača može se čuti šum u grijalici. Rad električne grijalice prikazuje kontrolno svjetlo. S prednje strane grijalica ima bimetalni termometar koji se naginje u smjeru kretanja kazaljki na satu kada je u njoj topla voda. Ako nemate namjeru koristiti grijalicu dulje vrijeme, zaštitite njezin sadržaj od smrzavanja tako da ne prekidate dovod električne energije, a gumb termostata podesite na položaj "\*". Pri tome podešavanju grijalica održava temperaturu vode na oko 10 °C.

Ako isključite grijalicu iz električne mreže, radi opasnosti od smrzavanja, morate ispustiti vodu iz grijalice. Voda iz grijalice prazni se kroz dovodnu cijev grijalice. U tu se svrhu preporuča ugradnja posebnoga T-elementa s ispusnim ventilom između sigurnosnoga ventila i dovodne cijevi. Prije pražnjenja treba isključiti grijalicu iz električne mreže te otvoriti ručicu za toplu vodu na priključenoj bateriji za miješanje i ispustiti toplu vodu. Kad se voda u grijalici ohladi, zatvara se ventil dovoda hladne vode i odvrće elastična cijev na odvodu tople vode grijalice. Zatim možete isprazniti grijalicu kroz ispusni ventil na dovodnoj cijevi. Poslije pražnjenja vode kroz dovodnu cijev u grijalici ostaje manja količina vode. Prilikom ponovnoga punjenja grijalice vodom preporučamo da otvorite ručicu za toplu vodu na bateriji za miješanje i pustite da voda istječe barem 2 minute kroz odvodnu cijev baterije za miješanje (neka mlaz bude ravnomjeran, srednje jakosti, debljine olovke).

Vanjsku stranu grijalice čistite mekanom krpom i blagim tekućim sredstvima za čišćenje, namijenjenim čišćenju glatkih lakiranih površina. Nemojte koristiti sredstva za čišćenje koja sadrže alkohol ili abrazivna sredstva.

Redovitim servisnim pregledima osigurat ćete besprijekoran rad i dug životni vijek grijalice. Jamstvo za protukorozijsku zaštitu kotla vrijedi samo ako ste obavljali propisane redovite preglede istrošenosti zaštitne anode. Intervali između

pojedinačnih redovitih pregleda ne smiju biti dulji od razdoblja koje je navedeno u jamstvenoj izjavi. Preglede mora obavljati ovlaštenu servisnu službu koji evidentira pregled na jamstvenome listu proizvoda. Prilikom pregleda provjerava istrošenost protukorozijske zaštitne anode i prema potrebi čisti vodeni kamenac koji se s obzirom na kvalitetu, količinu i temperaturu potrošene vode nakuplja u unutarnjosti grijalice. Servisna služba poslije pregleda grijalice, s obzirom na utvrđeno stanje, preporuča i datum naredne kontrole.

**Molimo da eventualne kvarove na grijalici ne popravljate sami već o njima izvijestite najbližu ovlaštenu servisnu službu.**

## TEHNIČKA SVOJSTVA UREĐAJA

Tip		TGRH 50	TGRH 80	TGRH 100	TGRH 120
Korisna zapremnina	[l]	50	80	100	120
Količina miješane vode pri 40 °C	[l]	80	130	174	210
Nazivni tlak	[MPa (bar)]	0,6 (6) / 0,9 (9) / 1,0 (10)			
Masa grijalice/napunjene vodom	[kg]	21/71	27/107	31/131	35/155
Zaštita kotla od korozije Emajlirano / Mg anoda		• / •	• / •	• / •	• / •
Snaga električnoga grijača	[W]	2000			
Priključni napon	[V~]	230			
Klasa zaštite		I			
Stupanj zaštite		IP23			
Vrijeme zagrijavanja od 10 °C do 65 °C	[h]	1 <sup>38</sup>	2 <sup>37</sup>	3 <sup>16</sup>	3 <sup>55</sup>

PRIDRŽAVAMO PRAVO NA IZMJENE KOJE NE UTJEČU NA FUNKCIONALNOST UREĐAJA.

Upute za uporabu dostupne su i na našoj internetskoj stranici  
<http://www.gorenje.com> .



# UPOZORENJA

- ⚠ Uređaj mogu da koriste deca starija od 8 godina i osobe sa smanjenim telesnim, osetnim ili mentalnim sposobnostima, odnosno nedovoljnim iskustvom ili znanjem samo ako su pod nadzorom ili podučeni o upotrebi aparata na bezbedan način i ako razumeju potencijalne opasnosti.
- ⚠ Deca ne smeju da se igraju uređajem.
- ⚠ Čišćenja i održavanja uređaja ne smeju da obavljaju deca bez nadzora.
- ⚠ Ugradnja mora biti izvedena u skladu sa važećim propisima i prema uputstvima proizvođača. Mora je obaviti stručno osposobljeni monter.
- ⚠ Kod zatvorenog sistema pritiska, prilikom priključivanja potrebno je na dotočnu cev bojlera obavezno ugraditi sigurnosni ventil sa potrebnim pritiskom 0,6 MPa (6 bar), 0,9 MPa (9 bar) ili 1,0 MPa (10 bar) (vidite tablicu sa natpisom), koji sprečava povećanje pritiska u kotlu za više od 0,1 MPa (1 bar) iznad nazivnog.
- ⚠ Voda može da kaplje iz odvodnog otvora sigurnosnog ventila, zato odvodni otvor mora da bude otvoren na atmosferski pritisak.
- ⚠ Ispust sigurnosnog ventila mora da bude postavljen u smeru na dole i na mestu na kome neće smrznuti.
- ⚠ Za pravilan rad sigurnosnog ventila potrebno je periodično obavljati kontrole, odstranjivati vodeni kamenac i proveravati da sigurnosni ventil nije blokiran.
- ⚠ Između bojlera i sigurnosnog ventila nije dozvoljeno ugrađivati ventil za zatvaranje, jer time onemogućavate zaštitu bojlera pod pritiskom!
- ⚠ Pre električnog priključivanja, potrebno je bojler obavezno najpre napuniti vodom!
- ⚠ Bojler je zaštićen za slučaj otkazivanja radnog termostata dodatnim toplotnim osiguračem. U slučaju otkazivanja termostata, u skladu sa sigurnosnim standardima, voda u bojleru može da dostigne temperaturu i do 130 °C. Prilikom montiranja vodovodnih instalacija, potrebno je obavezno uzeti u obzir da može doći do navedenih temperaturnih preopterećenja.
- ⚠ Ako bojler isključite iz električne mreže, zbog opasnosti od zamrzavanja, morate da ispuštite vodu iz njega.
- ⚠ Voda iz bojlera se prazni kroz dotočnu cev kotla. U tu svrhu preporučljivo je između zaštitnog ventila i dotočne cevi montirati poseban T-član sa ispusnim ventilom.
- ⚠ Molimo da eventualne kvarove ne popravljate sami nego da o njima obavestite najbližu servisnu službu.



Naši proizvodi su opremljeni komponentama koje nisu štetne po zdravlje i životnu sredinu i napravljeni su tako da ih u njihovoj zadnjoj životnoj fazi možemo što jednostavnije rastaviti i reciklirati. Reciklažom materijala smanjujemo količine otpadaka i smanjujemo potrebu za proizvodnjom osnovnih materijala (na primer metala) koja zahteva ogromno energije i uzrokuje ispušte štetnih materija. Reciklažnim

postupcima tako smanjujemo potrošnju prirodnih resursa jer otpadne delove od plastike i metala ponovo vraćamo u različite proizvodne procese. Za više informacija o sistemu odlaganja otpadaka posetite svoj centar za odlaganje otpadaka ili trgovca, kod koga je proizvod kupljen.

## Poštovani kupci, zahvaljujemo vam se što ste kupili naš proizvod. MOLIMO DA PRE MONTAŽE I PRVE UPOTREBE BOJLERA PAŽLJIVO PROČITATE UPUTSTVO.

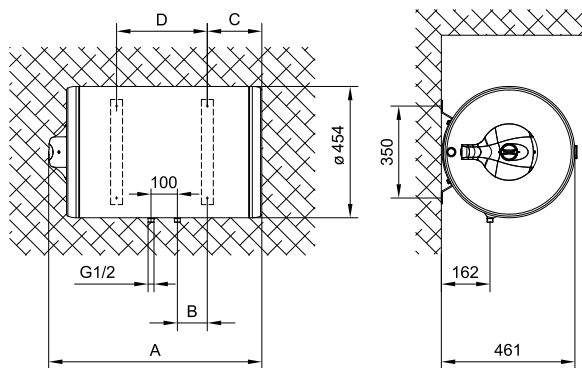
Bojler je proizveden u skladu sa važećim standardima i zvanično je ispitan, za njega je izdat bezbednosni sertifikat i sertifikat o elektromagnetskoj kompatibilnosti. Njegove osnovne tehničke osobine navedene su na tablici sa natpisom nalepljenoj na dnu kotla u blizini priključnih cevi. Priključenje bojlera na vodovodnu i električnu mrežu može da izvrši samo stručnjak koji je osposobljen za to. Bilo kakav zahtav u unutrašnjost bojlera zbog popravljanja, uklanjanja vodenog kamenca i proveravanja ili zamenjivanja antikorozivne zaštitne anode, može da izvrši samo ovlašćena servisna služba.

## MONTAŽA

Montirajte bojler što bliže priključku za vodu i pričvrstite ga na zid odgovarajućim vijcima. Ako bojler ugradite u prostoriju u kojoj je kada za kupanje ili tuš, obavezno bi trebalo da se uvažavaju zahtevi standarda IEC 60364-7-701 (VDE 0100, Teil 701). Pričvrstite bojler na zid zidnim vijcima nominalnog preseka minimalno 8 mm. Ako je nosivost zida neodgovarajuća, mesto na kome montirate bojler morate da ojačate na odgovarajući način. Bojler smete da pričvrstite na zid samo horizontalno (vidi sl. 1).

	A	B	C	D
TGRH 50	572	25	185	145
TGRH 80	778	122,5	190	345
TGRH 100	938	192,5	200	495
TGRH 120	1093	265	205	645

Priključne i montažne mere bojlera [mm]



Sl. 1: Horizontalno postavljanje na zid

---

# PRIKLJUČIVANJE NA VODOVOD

Dovod i odvod vode su označeni bojama na cevima bojlera. Dovod hladne vode je označen plavom, a odvod tople vode crvenom bojom.

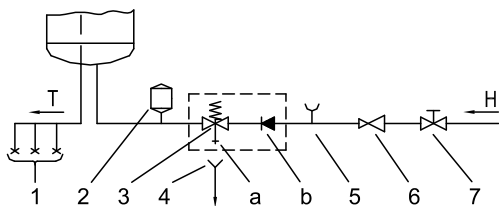
Bojler možete da priključite na vodovodnu mrežu na dva načina. Zatvoreni sistem (pod pritiskom), omogućava ispuštanje vode na više mesta. Otvoreni, sistem bez pritiska omogućava ispuštanje vode samo na jednom mestu za ispuštanje. S obzirom na sistem priključivanja koji izaberete, morate da ugradite i adekvatnu bateriju za mešanje.

Kod priključivanja pri zatvorenom sistemu pod pritiskom (sl. 2) potrebno je na mestima ispuštanja vode upotrebiti baterije za mešanje pod pritiskom. Na dotočnu cev potrebno je, zbog obezbeđivanja sigurnosti poprilikom rada bojlera, ugraditi sigurnosni ventil ili sigurnosnu grupu koja sprečava povećanje pritiska u bojleru za više od 0,1 MPa (1 bar) iznad nominalnog. Otvor za ispuštanje vode na sigurnosnom ventilu mora obavezno da ima izlaz na atmosferski pritisak. Kad se voda u kotlu zagreva, povećava se i pritisak, ali do granice koju dozvoljava sigurnosni ventil. Pošto je vraćanje vode u vodovodnu mrežu blokirano, može doći do kapanja vode iz odlivnog otvora sigurnosnog ventila. Te kapljice vode možete da usmerite u odvod preko posebnog sistema za ispuštanje vode, koji morate da postavite ispod sigurnosnog ventila. Odvodna cev, smeštena ispod elementa za ispuštanje na sigurnosnom ventilu, mora da bude nameštena u smeru pravo nadole i na temperaturi na kojoj ne smrzava.

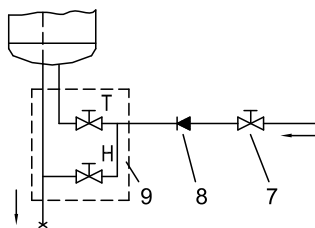
U slučaju da želite da izbegnete kapanje vode iz sigurnosnog ventila, morate na dotočnu cev bojlera ugraditi ekspanzionu posudu zapremine najmanje 5% od zapremine bojlera.

Za pravilan rad sigurnosnog ventila treba periodično obavljati kontrole, odstranjivati vodeni kamenac i proveravati da sigurnosni ventil nije blokirano. Kod proveravanja, pomicanjem ručke ili odvijanjem matice zavrtnja (zavisno od vrste zavrtnja) otvorite ispuštanje iz sigurnosnog ventila. Pri tome kroz mlaznicu ventila za isticanje mora da proteče voda, kao znak da je ventil besprekoran.

Kod otvorenog sistema bez pritiska (sl. 3) potrebno je na ulazu vode u bojler montirati nepovratni ventil, koji sprečava isticanje vode iz bojlera, ako u mreži nestane vode. Kod ovog sistema priključivanja dozvoljeno je montirati samo protočnu bateriju za mešanje vode. U bojleru se zbog zagrevanja povećava zapremina vode, što uzrokuje kapanje iz cevi baterije za mešanje. Jakim zatezanjem ručice baterije za mešanje nećete sprečiti kapanje nego možete samo da pokvarite bateriju.



Sl. 2: Zatvoreni sistem (pod pritiskom)



Sl. 3: Otvoreni sistem (protočni)

Legenda:

- |                                   |                                  |
|-----------------------------------|----------------------------------|
| 1 - Baterije za mešanje           | 6 - Ventil za redukciju pritiska |
| 2 - Ekspanzioni sud               | 7 - Ventil za zatvaranje         |
| 3 - Sigurnosni ventil             | 8 - Nepovratni ventil            |
| a - Ventil za testiranje          | 9 - Niskopritisna baterija       |
| b - Nepovratni ventil             |                                  |
| 4 - Cevak sa priključkom na odvod | H - Hladna voda                  |
| 5 - Ispitni nastavak              | T - Topla voda                   |

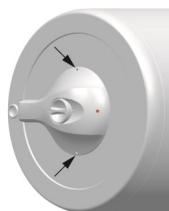
**Između bojlera i sigurnosnog ventila nije dozvoljeno ugrađivati ventil za zatvaranje, jer time onemogućavate osiguranje pritiska u bojleru!**

Bojler možete da priključite na vodovodnu mrežu objekta bez redukcionog ventila ako je pritisak u mreži niži od nominalnog pritiska. Ako pritisak u mreži prevazilazi nominalni pritisak, treba obavezno ugraditi redukcioni ventil.

**Pre električnog priključivanja, bojler treba obavezno prvo napuniti vodom!**

Prilikom prvog punjenja, otvorite slavinu za toplu vodu. Bojler je pun kad počne da teče voda kroz izlivnu cev baterije za mešanje.

## PRIKLJUČIVANJE NA ELEKTRIČNU MREŽU



Sl. 4: Odstranjivanje zaštitnog poklopca

Pre priključenja u električnu mrežu, potrebno je u bojler ugraditi priključno uže minimalnog preseka najmanje  $1,5 \text{ mm}^2$  (H05VV-F 3G  $1,5 \text{ mm}^2$ ), zato morate odstraniti zaštitni poklopac.

U električnu instalaciju mora biti ugrađena priprema za razdvajanje svih polova u skladu sa nacionalnim instalacionim propisima.

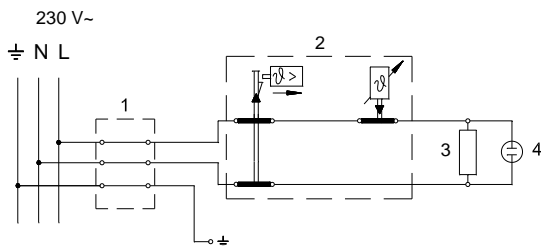
Legenda:

- 1 - Priključne klemme
- 2 - Termostat i dvopolni toplotni osigurač
- 3 - Grejač
- 4 - Kontrolna svetiljka

L - Faza

N - Nula

⊕ - Uzemljenje



Sl. 5: Šema povezivanja električnih provodnika

**UPOZORENJE:** Pre svake intervencije u unutrašnjosti bojlera, obavezno isključite bojler iz električne mreže! Intervenciju može obaviti samo osposobljeni stručnjak!

## UPOTREBA I ODRŽAVANJE

Posle priključivanja na vodovodnu i električnu mrežu bojler je spreman za upotrebu. Okretanjem dugmeta na termostatu, koji je sa donje strane zaštitnog poklopca, birate željenu temperaturu od 25 °C do 70 °C. Preporučuje se podešavanje dugmeta na položaj "eco". Takvo podešavanje je najekonomičnije; pri tome temperatura vode ostaje oko 55 °C, a izdvajanje vodenog kamenca i toplotni gubici biće manji nego kod podešavanja na višu temperaturu. Za vreme rada električnog grejača se može čuti šum u bojleru. Rad električnog grejača pokazuje kontrolna lampica. Bojler sa prednje strane ima bimetalni termometar koji se naginje u smeru kretanja kazaljki na satu kada je u njemu topla voda. Ako nemate nameru da koristite bojler duže vremena, zaštitite njegov sadržaj od smrzavanja tako da ne isključujete električnu energiju, a dugme termostata podesite na položaj "\*". Na tom podešavanju će bojler održavati temperaturu vode na približno 10 °C.

Ako bojler isključite iz električne mreže, morate istočiti vodu iz njega zbog opasnosti od zamrzavanja. Voda iz bojlera se prazni kroz dotočnu cev bojlera. Za tu namenu preporučljivo je prilikom montiranja između sigurnosnog ventila i dotočne cevi montirati poseban T-član sa ispusnim ventilom. Pre pražnjenja bi trebalo isključiti bojler iz električne mreže, a zatim otvoriti ručku za toplu vodu na priključenoj bateriji za mešanje i ispustiti toplu vodu. Kad se voda u bojleru ohladi, zatvara se ventil dovoda hladne vode i odvrtće elastična cev na odvodu tople vode bojlera. Zatim možete da ispraznite bojler kroz ispusni ventil na dovodnoj cevi. Posle pražnjenja vode kroz dotočnu cev, u bojleru ostaje manja količina vode. Prilikom ponovnog punjenja bojlera vodom, preporučujemo da otvorite ručicu za toplu vodu na bateriji za mešanje vode i da pustite da voda teče bar 2 minuta kroz izlivnu cev baterije za mešanje vode (mlaz neka bude ravnomeran, srednje jačine, debljine olovke).

Spoljašnjost bojlera čistite mekom krpom i blagim tečnim sredstvima za čišćenje, namenjenim za čišćenje glatkih lakiranih površina. Ne upotrebljavajte sredstva za čišćenje koja sadrže alkohol ili abrazivna sredstva.

Redovnim servisnim pregledima obezbedićete besprekoran rad i dug životni vek bojlera. Garancija za prerdavanje kotla važi samo ako ste obavljali propisane redovne

preglede istrošenosti zaštitne anode. Period između pojedinih redovnih pregleda ne sme biti duži nego što je navedeno u garancijskoj izjavi. Pregledi moraju biti obavljani od strane ovlašćenog servisera, koji će Vam pregled evidentirati na garancijskom listu proizvoda. Prilikom pregleda, proverava istrošenost antikorozivne zaštitne anode i po potrebi očisti vodeni kamenac koji se, s obzirom na kvalitet, količinu i temperaturu potrošene vode sakuplja u unutrašnjosti bojlera. Servisna služba će vam posle pregleda bojlera, s obzirom na utvrđeno stanje, preporučiti i datum sledeće kontrole.

**Molimo Vas, da eventualne kvarove na bojleru ne popravljate sami, nego da o njima obavestite najbližu ovlašćenu servisnu službu.**

## TEHNIČKE KARAKTERISTIKE BOJLERA

Tip		TGRH 50	TGRH 80	TGRH 100	TGRH 120
Zapremina	[l]	50	80	100	120
Količina mešane vode na 40 °C	[l]	80	130	174	210
Nominalni pritisak	[MPa (bar)]	0,6 (6) / 0,9 (9) / 1,0 (10)			
Masa/napunjen vodom	[kg]	21/71	27/107	31/131	35/155
Antikorozivna zaštita kotla emajlirano / Mg anoda		• / •	• / •	• / •	• / •
Snaga električnog grejača	[W]	2000			
Napon napajanja	[V~]	230			
Klasa zaštite		I			
Stepen zaštite		IP23			
Vreme zagrevanja od 10 °C do 65 °C	[h]	1 <sup>38</sup>	2 <sup>37</sup>	3 <sup>16</sup>	3 <sup>55</sup>

ZADRŽAVAMO PRAVO NA PROMENE, KOJE NE UTIČU NA FUNKCIONALNOST APARATA.

Uputstvo za upotrebu je na raspolaganju i na našoj internet strani <http://www.gorenje.com>.

# VËREJTJE

- ⚠️ Aparatin mund ta përdorin fëmijët e moshës tetëvjeçare dhe më të vjetër, si dhe personat me aftësi të zvogëluara fizike, ndjenjësore dhe mendore, apo me mungesë të përvojës, gjegjësisht të dijes, nëse ata janë nën mbikëqyrje, apo nëse janë të trajnuar rreth përdorimit të aparatit në mënyrë të sigurt dhe që i kuptojnë rreziqet e mundshme.
- ⚠️ Fëmijët nuk guxojnë të luajnë me aparat.
- ⚠️ Pastrimin dhe mirëmbajtjen e aparatit nuk mund ta bëjnë fëmijët pa mbikëqyrje.
- ⚠️ Montimi duhet të bëhet në pajtim me dispozitat ekzistuese si dhe me udhëzimet e prodhuesit. Atë duhet ta bëjë montuesi i aftësuar profesionalisht.
- ⚠️ Te sistemi i mbyllur i presionit i kyçjes, në gypin prurës të bojlerit të ujit duhet medoemos të montohet valvuli i sigurues me presion nominal 0,6 MPa (6 bar), 0,9 MPa (9 bar) apo 1,0 MPa (10 bar) (shih tabelën e shënimeve), që parandalon rritjen e presionit në kazan për më shumë se 0,1 MPa (1 bar) mbi atë nominal.
- ⚠️ Uji nga vrima zbrazëse e valvulit i sigurues mund të pikë, për atë arsye ajo duhet të jetë e hapur në presionin atmosferik.
- ⚠️ Derdhja e valvulit i sigurues duhet të vendoset në drejtim teposhtë dhe në hapësirë që nuk ngrihet.
- ⚠️ Për funksionimin e rregullt të valvulit i sigurues, periodikisht duhet të bëhen kontrollet, që të eliminohet guri i ujit dhe të vërtetohet se valvuli i sigurues nuk është i bllokuar.
- ⚠️ Ndërmjet bojlerit të ujit dhe valvulit i sigurues nuk guxohet të montohet valvul mbyllës, pasi që ashtu pamundësoni sigurimin e bojlerit nga presioni!
- ⚠️ Para lidhjes në rrjetin elektrik, bojleri domosdo duhet të mbushet fillimisht me ujë!
- ⚠️ Në rast të prishjes së termostatit punues bojleri është i mbrojtur me siguresën termike shtesë. Në rast të prishjes së termostatit, në pajtim me standardet e sigurisë, uji mund ta arrijë temperaturën edhe deri në 130 °C. Gjatë bërjes së instalimeve të ujësjellësit duhet medoemos të merret parasysh se mund të vihet deri të tejngarkesave të përmendura të temperaturës.
- ⚠️ Nëse e çkyçni bojlerin nga rrjeti elektrik, duhet ta derdhni ujin për shkak të rrezikut të ngrirjes.
- ⚠️ Uji nga bojleri zbrazet nëpërmes gypit prurës të kazanit. Për këtë arsye preferohet që ndërmjet valvulit i sigurues dhe gypit prurës të montohet një T-element i posaçëm me valvul shfryrës.
- ⚠️ Ju lutemi, që prishjet eventuale në bojler të mos i ndreqni vetë, por për ato lajmërojeni shërbimin më të afërt të autorizuar servisor.



Prodhimet tona janë të pajisura nga komponentët e parrezikshme për mjedisin dhe për shëndetin, si dhe të punuara ashtu, që në fazën e tyre të fundit jetësore t'i demontojmë dhe t'i riciklojmë sa më thjesht. Me riciklimin e materialeve e zvogëlojmë sasinë e mbeturinave dhe e zvogëlojmë nevojën për prodhimin e materialeve themelore (për

shembull metalit), që kërkon energji të madhe dhe shkakton emetim të materieve të dëmshme. Kështu, me proceset e riciklimit e zvogëlojmë harxhimin e burimeve natyrore, pasi që mbeturinat nga plastika dhe metali i kthejmë përsëri në procese të ndryshme prodhuese.

Për më shumë informata mbi sistemin e hedhjes së mbeturinave vizitoni qendrën tuaj për hedhjen e mbeturinave, apo tregtarin, tek i cili është blerë produkti.

**I nderuar blerës, ju falënderojmë për blerjen e prodhimit tonë.**

**JU LUTEMI, QË PARA INSTALIMIT DHE PËRDORIMIT TË PARË TË BOJLERIT, T'I LEXONI ME VËMENDJE UDHËZIMET.**

Bojleri është i prodhuar në pajtim me standardet në fuqi dhe është i sprovuar zyrtarisht, ndërsa për të, janë të lëshuar certifikata e sigurisë dhe certifikata mbi kompatibilitetin elektromagnetik. Karakteristikat themelore teknike të tij janë shënuar në tabelën e shënimeve, që është e ngjitur në fund të bojlerit afër gypave kyçës. Bojlerin mund ta lidhë në rrjetin elektrik dhe të ujësjellësit vetëm profesionisti i aftësuar. Ndërhyrjet në brendësinë e tij për shkak të përmirësimit, evitimit të gurit të ujit dhe kontrollit, ose ndërrimit të anodës mbrojtëse kundër korrozionit mund të bëjë vetëm shërbimi i autorizuar servisor.

## MONTIMI

Bojlerin montojeni sa më afër vendeve shpenzuese. Nëse e instaloni bojlerin në hapësirë ku gjendet vaska apo dushi, medoemos duhet t'i respektoni kërkesat e standardit IEC 60364-7-701 (VDE 0100, Teil 701). E përforconi në mur me vidha muri me diametër nominal minimalisht 8mm. Murin me bartje të dobët në të cilin keni ndërmend të varni bojlerin, duhet ta forconi. Bojlerin mund të përforconi në mur vetëm horizontalisht (shihni fig. 1).

	A	B	C	D
TGRH 50	572	25	185	145
TGRH 80	778	122,5	190	345
TGRH 100	938	192,5	200	495
TGRH 120	1093	265	205	645

Dimensionet e kyçës dhe montimit të bojlerit [mm]

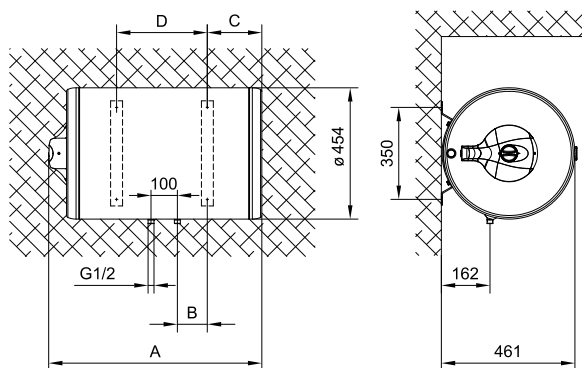


Fig. 1: Montimi horizontal në mur



# LIDHJA NË RRJETIN E UJËSJELLËSIT

Hyrja dhe dalja e ujit janë të shënuar me ngjyra në gypa. Hyrja e ujit të ftohtë ashtë e shënuar me ngjyrë të kaltër, kurse dalja e ujit të ngrohtë me ngjyrë të kuqe.

Bojlerin mund të lidhni në rrjetin e ujësjellësit në dy mënyra. Sistemi i mbyllur nën presion i lidhjes mundëson furnizim me ujë nga më shumë vende, ndërsa sistemi i hapur, jo nën presion, mundëson furnizim vetëm nga një vend. Sipas sistemit të zgjedhur të lidhjes, duhet t'i instaloni edhe bateritë përkatëse të rubinetave të ujit.

Te sistemi i kyçjes i presionit të mbyllur (fig. 2) në vendet e shpenzimit duhet të përdoren bateri përzierëse të presionit. Në gypin prurës, për shkaqe të sigurisë së funksionimit të bojlerit duhet të montohet valvuli siguruës, apo grupi siguruës, që parandalon rritjen e presionit në kazan për më shumë se 0,1 Mpa (1 bar) mbi atë nominal. Vrime e daljes në valvulin siguruës medoemos duhet të ketë dalje në presionin atmosferik. Te nxehtëja e ujit në bojler, shtypja e ujit rritet deri te kufiri që është i rregulluar në valvulin siguruës. Pasi që kthimi i ujit në rrjetin e ujësjellësit është i penguar, mund të vijë deri te pikja e ujit nga vrime dalëse e valvulit siguruës. Ujin që pikon, mund të drejtoni në derdhje nëpërmjet të mbaresës hinkë, të cilën e vendosni nën valvulin siguruës. Gypi i daljes së ujit, që ashtë i vendosur nën valvulin siguruës, duhet të jetë i montuar në vertikalisht teposhtë dhe në ambient që nuk ngrinë.

Nëse dëshironi t'i shmangeni ujit që pikon nga valvuli siguruës, në gypin prurës të bojlerit duhet të montohet ena ekspansive me vëllim së paku 5% të vëllimit të kazanit.

Për funksionimin e drejtë të valvulit siguruës duhet t'i bëni kontrollat periodike, në mënyrë që të evitohet guri i ujit dhe të vërtetohet se valvuli siguruës nuk është io bllokuar. Gjatë kontrollit duhet, (varësisht nga tipi i valvulit) me lëvizjen e dorëzës ose të sjelljen së valvulit të çelni daljen nga valvuli siguruës. Në atë rast, nëpër vrimën dalëse të valvulit të rrjedh uji, kjomë është shenjë, se valvuli është në rregull.

Te sistemi i hapur, jo-presion (fig. 3) në hyrje të ujit në bojler duhet të montohet valvuli jokthyes, që parandalon derdhjen e ujit nga kazan, nëse në rrjet mungon uji. Në sistemin e kyçjes lejohet të montohen vetëm bateri kaluese. Për shkak të ngrohjes së ujit, vjen deri te rritja e vëllimit të ujit në bojler, gjë që shkakton pikjen e ujit nga bateria përzierëse. Me shtrëngimin e tepërt të dorëzës në bateri, nuk do ta ndërpritni pikjen e ujit, por vetëm mund ta prishni baterinë.

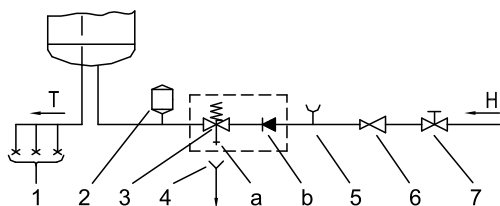


Fig. 2: Sistemi i mbyllur (me presion)

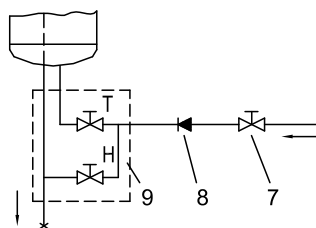


Fig. 3: Sistemi i hapur (pa presion)

Legjenda:

- |                                      |                                     |
|--------------------------------------|-------------------------------------|
| 1 - Bateritë përzierëse të presionit | 6 - Valvuli reduktues i shtypjes    |
| 2 - Ena e ekspansionit               | 7 - Valvuli mbyllës                 |
| 3 - Valvuli sigurues                 | 8 - Valvuli jo-kthyes (ireverzibil) |
| a - Valvuli provues                  | 9 - Bateritë përzierëse qarkulluese |
| b - Valvuli jo-kthyes (ireverzibil)  |                                     |
| 4 - Hinka me kyçësin në derdhje      | H - Uji i ftohtë                    |
| 5 - Shtojca provuese                 | T - Uji i ngrohtë                   |

**Ndërmjet bojlerit të ujit dhe valvulit sigurues nuk guxohet të montohet valvul mbyllës, pasi ashtu pamundësoni mbrojtjen e bojlerit nga presioni!**

Bojlerin mund ta kyçni në rrjetin shtëpiak të ujësjellësit pa valvul reduktues nëse është shtypja në rrjet më e ulët se shtypja nominale. Nëse shtypja në rrjet e tejkalon shtypjen nominale, medoemos duhet instaluar valvulin reduktues.

**Para lidhjes në rrjetin elektrik, bojleri domosdo duhet të mbushet fillimisht me ujë.**

Te mbushja e parë, çelëni dorëzën për ujë të ngrohtë në baterinë përzierëse. Bojleri është i mbushur, kur uji arrin nëpër gypin dalës të baterisë përzierëse.

## LIDHJA NË RRJETIN ELEKTRIK

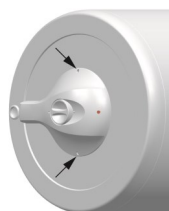


Fig. 4: Largimi i kapakut mbrojtës

Para kyçjes në rrjetin elektrik, në bojler duhet të instaloni kabllon kyçëse me prerje minimale së paku  $1,5 \text{ mm}^2$  (H05VV-F 3G  $1,5 \text{ mm}^2$ ), për ç'arsye duhet ta largoni kapakun mbrojtës.

Në instalimin elektrik duhet të montohet pajisja për ndarjen e të gjitha poleve, në pajtim me dispozitat nacionale për instalime.

Legjenda:

- 1 - Pjesa lidhëse
- 2 - Termostati dhe siguresa dypolëshe termike
- 3 - Rezistuesi (ngrohësi)
- 4 - Llamba kontrolluese

- L - Përçuesi fazor
- N - Përçuesi neutral
- ⊕ - Përçuesi mbrojtës

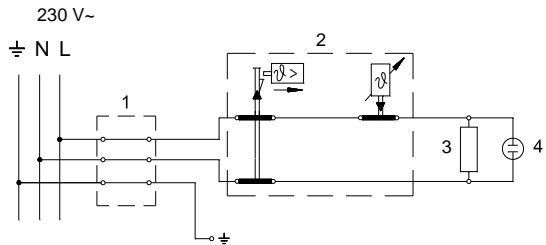


Fig. 5: Skema e lidhjes elektrike

**VËRREJTJE:** Para çdo ndërhyrjeje në brendësi të bojlerit, ç'kyçeni atë medoemos nga rrjeti elektrik! Ndërhyrjen mund ta bëjë vetëm eksperti i aftësuar!

## PËRDORIMI DHE MIRËMBAJTJA

Pas kyçjes në rrjetin e ujit dhe të rrymës elektrike, ngrohësi i ujit (bojleri) është i përgatitur për përdorim. Me rrotullimin e pullës në termostat, e cila gjendet në anën e poshtme të kapakut mbrojtës, zgjidhni temperaturën e dëshiruar të ujit ndërmjet të 25 °C dhe 70 °C. Preferojmë rregullimin e pullës në pozicionin "eco". Rregullimi i tillë është më kursyes; temperatura e ujit do të jetë përafërsisht 55 °C, taitjta e gurit të ujit dhe humbjet e ngrohtësisë do të jenë më të ulëta se te rregullimi i temperaturës më të lartë. Gjatë funksionimit të ngrohësit elektrik mund të dëgjohet zhurma në bojler. Funksionimin e ngrohësit elektrik e tregon llamba kontrolluese. Bojleri ka në pjesën ballore termometrin bimetalik, që lëviz në drejtim të akrepit të orës kah e djathta, kur në bojler gjendet uji i ngrohtë. Nëse nuk e keni ndërmend ta përdorni bojlerin për një kohë të gjatë, sigurojeni përmbytjen e tij nga ngrirja ashtu që të mos ç'kyçni elektrikun, por pullën e termostatit rregullojeni në pozicionin "\*". Te ky rregullim, ngrohësi do të mbaj temperaturën e ujit te përafërsisht në 10 °C.

Nëse do ta ç'kyçni bojlerin nga rrjeti elektrik, duhet ta derdhni ujët nga ai për shkak të rrezikut nga ngrirja. Uji nga bojleri zbrazet nëpërmes gypit prurës të bojlerit. Për këtë arsye preferohet që gjatë montimit të vendoset një element-T i posaçëm me valvul shfryrës ndërmjet valvulit sigurues dhe gypit prurës. Para zbrazjes bojlerin duhet ta ç'kyçim nga rrjeti elektrik si dhe ta hapim dorezën për ujë të ngrohtë në baterinë përzierëse dhe ta derdhim ujin e ngrohtë. Kur të ftohet uji në bojler mbyllet ventili i prurjes së ujit të ftohtë dhe shpërdridhet gypi lakues në daljen e ujit të ngrohtë të bojlerit. Tani bojlerin mund ta zbrazim nëpër ventilin shfryrës në gypin prurës. Gjatë zbrazjes së ujit nëpër gypin prurës, në bojler mbetet një sasi më e vogël e ujit. Gjatë mbushjes së sërishme me ujë preferojmë ta hapni dorezën për ujë të ngrohtë në baterinë përzierëse dhe ta lejonin ujin të rrjedhë së paku 2 minuta nëpër gypin derdhës të baterisë përzierëse (rrjedhja e ujit le të jetë e njëtrajtshme, me intensitet mesatar, me trashësi të lapsit).

Pjesën e jashtme të bojlerit pastrojeni me pastrues të butë të lëngtë, të destinuar për pastrimin e sipërfaqeve të lëmuara me llak. Mos përdorni pastrues që përbëjnë alkool apo mjete abrazive.

Me kontrollet e rregullta të servisit do të garantoni funksionim pa pengesa dhe afat të

gjatë jetësor të bojlerit. Garancia për ndryshkun e kazanit vlen vetëm nëse i keni bërë kontrollat e rregullta të harxhimit të anodës mbrojtëse. Afati ndërmjet kontrolleve të rregullta nuk guxon të jetë më i gjatë seç shkruan në deklaratën e garancisë. Kontrollat duhet të bëhen nga serviseri i autorizuar, që ua evidenton kontrollin në fletëgarancinë e prodhimit. Gjatë kontrollit ai e verifikon harxhimin e anodës mbrojtëse antikorozive dhe sipas nevojës e pastron gurin e ujit, që varësisht nga kualiteti, sasia dhe temperatura e ujit të përdorur bashkohet brenda bojlerit. Shërbimi i servisit pas kontrollit të bojlerit do t'ua preferojë datën e kontrollit tjetër varësisht nga gjendja e konstatuar.

**Ju lutemi që prishjet eventuale në bojler të mos i përmirësoni vetë, por lidhur me to lajmërojeni shërbimin më të afërt të servisit të autorizuar.**

## CILËSITË TEKNIKE TË APARATIT

Tipi		TGRH 50	TGRH 80	TGRH 100	TGRH 120
Vëllimi	[l]	50	80	100	120
Sasia e ujit të përzier te 40 °C	[l]	80	130	174	210
Tensioni nominal	[MPa (bar)]	0,6 (6) / 0,9 (9) / 1,0 (10)			
Masa / i mbushur me ujë	[kg]	21/71	27/107	31/131	35/155
Mbrojtja kundër korrozionit të kazanit emaluar / anoda Mg		• / •	• / •	• / •	• / •
Fuqia kyçëse	[W]	2000			
Tensioni	[V~]	230			
Klasa e mbrojtjes		I			
Shkalla e mbrojtjes nga lagështia		IP23			
Koha e ngrohjes prej 10 °C deri 65 °C	[h]	1 <sup>38</sup>	2 <sup>37</sup>	3 <sup>16</sup>	3 <sup>55</sup>

E RUAJMË TË DREJTËN E NDRYSHIMEVE, QË NUK NDIKOJNË NË FUNKSIONALITETIT E APARATIT.

Udhëzimet për përdorim janë në dispozicion edhe në ueb faqet tona  
<http://www.gorenje.com> .

# ПРЕДУПРЕДУВАЊА

**⚠** Апаратот можат да го употребуваат деца на возраст од 8 години и постари и лица со намалени физички, психички или ментални способности или со недостаток на искуства, односно знаење, доколку се под надзор или се поучени за употреба на апаратот на безбеден начин и ги разбираат можните опасности.

**⚠** Децата не смеат да си играат со апаратот.

**⚠** Чистење и одржување на апаратот не смеат да го вршат деца без надзор.

**⚠** Вградувањето мора да биде изведено во согласност со важечките закони и според упатствата на производителот. Мора да биде изведено од стручно оспособен монтер.

**⚠** Во случај на затворен систем под притисок, на доводната цевка за вода на греалката за вода (бојлерот) при приклучувањето задолжително треба да се вгради сигурносен вентил со номинален притисок од 0,6 МПа (6 бари), 0,9 МПа (9 бари) или 1,0 МПа (10 бари) (видете го запишаното на таблицата за идентификација), кој оневозможува зголемување на притисокот во котелот за повеќе од 0,1 МПа (1 бар) над номиналниот.

**⚠** Од одводниот отвор на безбедносниот вентил може да капи вода. Заради тоа, одводниот отвор мора да биде отворен на атмосферски притисок.

**⚠** Испустот на безбедносниот вентил мора да биде насочен во насока надолу и на простор каде што нема да замрзнува.

**⚠** За правилно работење на сигурносниот вентил, треба периодично да се врши контрола, да се отстрани бигорот и да се провери да не е блокиран сигурносниот вентил.

**⚠** Помеѓу греалката за вода (бојлерот) и сигурносниот вентил не е дозволено да се вградува вентил за затворање, затоа што со тоа се оневозможува притиснатата безбедност на греалката за вода (бојлерот)!

**⚠** Греалката за вода е заштитена во случај на откажување на работниот термостат со додатна топлотна заштита. Во случај на откажување на термостатот, во согласност со безбедносните стандарди, водата во греалката за вода (бојлерот) може да достигне температура до 130 °С. При изведувањето на водоводните инсталации, задолжително треба да се земе предвид дека е можно да дојде до наведените температурни преоптоварувања.

**⚠** Ако сакате греалката за вода (бојлерот) да ја исклучите од електричната мрежа, мора да ја испуштите водата од греалката за вода поради опасност од замрзнување.

**⚠** Водата од греалката за вода (бојлерот) истекува низ доводната цевка во котелот. За таа намена се препорачува да се вгради Т-член со испустен вентил помеѓу безбедносниот вентил и доводната цевка.

**⚠** Ве молиме да не ги поправете сами евентуалните оштетувања на греалката, туку за тоа да го известите најблискиот овластен сервис.



Нашите производи се опремени со компоненти кои што не се штетни за животната средина и здравјето и се изработени со можност што поедноставно да се расклопат и рециклираат во последната фаза од нивниот работен циклус.

Со рециклирањето на материјалите ја намалуваме количината на отпад и ја намалуваме потребата од производство на основни материјали (на пример метали), што бара огромна енергија и предизвикува испуштање штетни материји. Со постапките на рециклажа ја намалуваме потрошувачката на природни ресурси, бидејќи на тој начин можеме повторно да ги вратиме отпадните делови од пластика и метали во различни производни процеси.

За повеќе информации во врска со системот за фрлање отпадоци посетете го својот центар за исфрлање на отпадоците или трговецот каде што бил купен производот.

**Почитуван купувачу, ви благодариме за довербата што ни ја искажувате со купувањето на нашиот производ!**

**ПРЕД ВГРАДУВАЊЕТО И ПРВАТА УПОТРЕБА НА ГРЕАЛКАТА ЗА ВОДА, ВНИМАТЕЛНО ПРОЧИТАЈТЕ ГИ НАШИТЕ УПАТСТВА.**

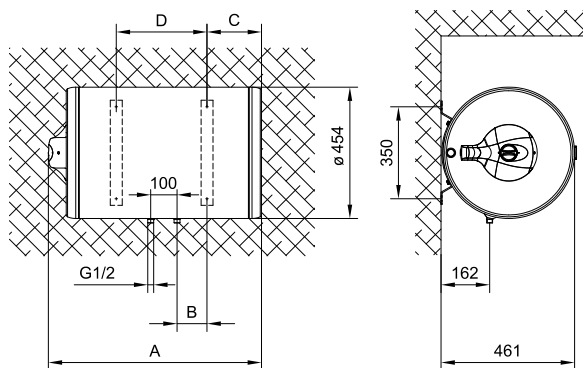
Греалката е изработена согласно важечките стандарди и уредно испробана и за неа се издадени сертификат за безбедност и сертификат за електромагнетна компатибилност. Неговите основни технички карактеристики се наведени на идентификациската таблица, залепена на дното на греалката за вода во близина на приклучната цевка. Приклучувањето на бојлерот на електричната или водоводната мрежа може да го изврши само оспособено стручно лице. Интервенирањето во неговата внатрешност поради поправки, отстранување бигор или поради проверка или замена на антикорозивната заштитна анода, може да го врши само овластена сервисна служба.

## ВГРАДУВАЊЕ

Вградете ја греалката што поблиску до изливното место. Доколку греалката ја вградите во просторот каде што се наоѓа кадата за бањање или туширање, треба задолжително да се почитуваат барањата на стандардот IEC 60364-7-701 (VDE 0100, Teil 701). Прицврстете ја на сидот со сидни завртки со номинална дебелина од најмалку 8 mm. Сидовите и таваните со мала носивост треба соодветно да ги зајакнете на местото каде што ќе ја прикачите греалката. Греалките прицврстувајте ги на сидот само хоризонтално (види сл. 1).

	A	B	C	D
TGRH 50	572	25	185	145
TGRH 80	778	122,5	190	345
TGRH 100	938	192,5	200	495
TGRH 120	1093	265	205	645

Приклучни и монтажни  
димензии на греалката [мм]



Сл. 1: Хоризонтално поставување на ѕид

## ПРИКЛУЧУВАЊЕ НА ВОДОВОДНА МРЕЖА

Доведувањето и одведувањето на водата се означени со боја. Доведувањето на ладната вода е означено со сина боја, а одведувањето на топлата вода со црвена боја.

Бојлерот можете да го приклучите на водоводната мрежа на два начина. Затворениот систем на приклучување (под притисок) ви овозможува одземање вода на повеќе места. Отворениот систем што не е под притисок овозможува одведување на водата само од едно одводно место. Со оглед на одберениот систем на приклучување треба да вградите соодветна батерија за мешање.

За приклучување на затворен систем под притисок (сл. 2), на потрошувачкото место треба да се употребат батерии за мешање на водата под притисок. На доводната цевка, заради овозможување безбедност при работата на греалката за вода (бојлерот), треба да се вгради сигурносен вентил или сигурносна група, кои спречуваат зголемување на притисокот во котелот за повеќе од 0,1 MPa (1 бар) над номиналниот. Одводниот отвор на безбедносниот вентил треба задолжително да има излез за атмосферскиот притисок. Поради зголемувањето на водата при греењето, во котелот се зголемува притисокот до границата што ја дозволува сигурносниот вентил. Бидејќи враќањето на водата назад во водоводната мрежа е спречено, може да дојде до појава на капење вода од одводниот отвор на сигурносниот вентил. Капките вода можете да ги спроведете во одводот со помош на посебна инка која ќе ја наместите под сигурносниот вентил. Одводната цевка наместена под испустот на сигурносниот вентил мора да биде наместена во насока право надолу и во местото каде што не замрзува.

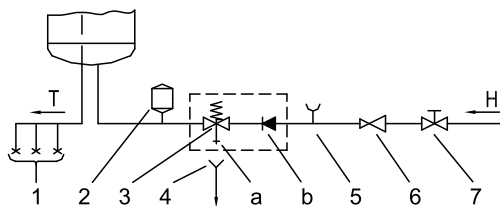
Доколку сакате да избегнете капење на водата од сигурносниот вентил, на доводната цевка на греалката за вода (бојлерот) мора да се вгради

експанзионен сад со волумен од најмалку 5% од волуменот на греалката за вода (бојлерот).

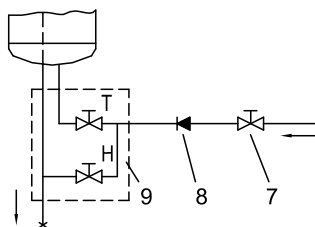
За правилна работа на сигурносниот вентил треба да се вршат повремени контроли за да се отстрани бигорот и да се провери дека не е блокиран сигурносниот вентил.

При проверката треба со поместување на рачката или со одвртување на бурмата на вентилот (зависно од видот на вентилот) да го отворите истекувањето од повратниот безбедносен вентил. При тоа, низ млазницата на вентилот за истекување треба да протече вода, што е знак дека вентилот е беспрекорен.

Во случај на отворен систем под притисок (сл. 3), на доводот на вода во греалката за вода (бојлерот) треба да се вгради неповратен вентил кој спречува истекување вода од котелот кога во мрежата ќе смена вода. Кај тој систем за приклучување е доволно да се вгради и проточна мешална батерија. Поради зголемувањето на водата при греењето се зголемува волуменот, што предизвикува појава на капење вода на одливната цевка на мешалната батерија. Силното затегнување на вентилот на мешалната батерија нема да ја спречи појавата на капење вода, но може да предизвика расипување на мешалната батерија.



Сл. 2: Затворен систем (со притисок)



Сл. 3: Отворен систем (прелевен)

Легенда:

1 - Батерија за мешање

2 - Експанзионен сад

3 - Сигурносен вентил

a - Пробен вентил

б - Неповратен вентил

4 - Одливник со приклучок на одвод

5 - Пробна наставка

6 - Редукциски вентил за притисок

7 - Затворен вентил

8 - Неповратен вентил

9 - Проточна батерија за мешање

H - Ладна вода

T - Топла вода

**Помеѓу греалката за вода (бојлерот) и сигурносниот вентил не е дозволено да се вградува вентил за затворање затоа што со тоа се оневозможува заштита од притисок на греалката за вода (бојлерот)!**

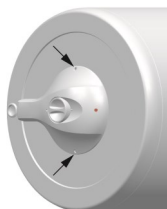
Греалката можете да ја приклучите на куќната водоводна мрежа без редукциски вентил доколку притисокот во мрежата е понизок од номиналниот притисок. Ако притисокот во мрежата го надминува номиналниот притисок, треба задолжително да се вгради редукциски вентил.



**Пред да се приклучи на електричната мрежа, греалката за вода (бојлерот) задолжително треба претходно да се наполни со вода!**

Кај првото полнење отворете ја рачката за топла вода на батеријата за мешање. Греалката е наполнета кога водата протечува низ изливната цевка на мешалната батерија.

## ПРИКЛУЧУВАЊЕ НА ЕЛЕКТРИЧНА МРЕЖА



Сл. 4: Отстранување на заштитниот капак

Пред приклучувањето во електричната мрежа, во грејачот треба да се вгради врвка за приклучување, со минимален пречник од  $1,5 \text{ mm}^2$  (H05VV-F 3G  $1,5 \text{ mm}^2$ ), а за тоа мора да го отстраните заштитниот капак.

Во електричната инсталација мора да биде вградена подготовка за разделување на сите полови во согласност со националните закони за инсталација.

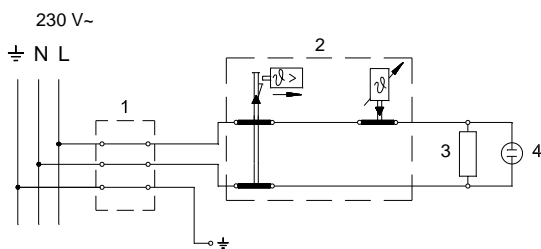
Легенда:

- 1 - Приклучна спојка
- 2 - Термостат и двополен топлотен осигурувач
- 3 - Грејач
- 4 - Контролна ламбичка

L - Фазен спроводник

N - Неутрален спроводник

⊕ - Заштитен спроводник



Сл. 5: Шема на електрично поврзување

**ПРЕДУПРЕДУВАЊЕ:** пред секое навлегување во нејзината внатрешност треба греалката задолжително да ја исклучите од електричната мрежа. Работите може да ги изведува само оспособено стручно лице !

## УПОТРЕБА И ОДРЖУВАЊЕ

После приклучувањето на водоводната и електричната мрежа, греалката е подготвена за употреба. Со вртење на копчето на термостатот што се наоѓа на долната страна на заштитниот капак, ја бирате саканата температура на водата помеѓу  $25 \text{ }^\circ\text{C}$  и  $70 \text{ }^\circ\text{C}$ . Препорачуваме подесување на копчето на положбата "есо". Таквото подесување е најштедливо: температурата на водата ќе биде приближно  $55 \text{ }^\circ\text{C}$ , а излучувањето на бигорот и загубата на топлината ќе бидат помали во споредба со подесувањата на повисока температура. За време на работењето на електричната греалка може да се слуша и звук во грејачот.

Работењето на електричната греалка го покажува контролната сијаличка. На предната страна, греачот има биметален термометар што се подесува во насоката на движењето на казалките на саатот кога во греачот е присутна топлата вода. Доколку греалката не мислите да ја користите подолго време, треба неговата содржина да ја заштитите од замрзнување на таков начин што струјата нема да ја исклучите, а копчето на термостатот ќе го подесите на положбата "\*". При тоа подесување, греалката ќе ја одржува температурата на водата на приближно 10 °C.

Ако сакате да ја исклучите греалката за вода (бојлерот) од електричната мрежа, мора да ја испуштите водата од бојлерот поради опасност од замрзнување. Водата од греалката за вода (бојлерот) истекува низ доводната цевка на бојлерот. За таа намена се препорачува да се вгради посебен Т-член со испустен вентил помеѓу безбедносниот вентил и доводната цевка. Пред празнење, греалката треба да се исклучи од електричната мрежа и да се отвори рачката за топла вода на приклучената батерија за мешање и да истече топлата вода. Откако ќе се излади водата во греалката, се затвора вентилот за довод на ладна вода и се одвртува свитливата цевка на одводот за топла вода на греалката. Сега грејалката може да се испразни преку испусниот вентил на доводната цевка. По испразнувањето на водата низ доводната цевка, во греалката за вода (бојлерот) останува мала количина на вода. При повторното полнење на греалката за вода (бојлерот) со вода, препорачуваме да ја отворите рачката за топла вода на мешалната батерија и да пуштите водата да тече најмалку 2 минути низ одводната цевка на мешалната батерија (млазот нека биде рамномерен, средна јачина, дебелина на пенкало).

Надворешноста на греалката за вода (бојлерот) чистете ја со мека крпа и разредени средства за чистење наменети за чистење мазни лакирани површини. Не употребувајте средства за чистење кои содржат алкохоли или абразивни средства.

Со редовни сервисни прегледи ќе овозможите исправно работење и долг век на употреба на греалката за вода (бојлерот). Гаранцијата за корозијата на котелот важи ако сте ги извршиле пропишаните редовни прегледи за истрошеност на заштитните аноди. Периодот помеѓу поединечните редовни прегледи не смее да биде подолг од наведеното во гарантната изјава. Прегледите мора да ги изведуваат овластени сервисери кои ќе ви го евидентираат прегледот во гарантниот лист за производот. Со прегледот се прегледува истрошеноста на антикорозивната заштитна анода и по потреба се чисти бигорот што се набира во внатрешноста на бојлерот, во зависност од квалитетот, количината и температурата на потрошената вода.

**Не поправајте ги сами евентуалните дефекти на греалката за вода (бојлерот), туку за нив известете ја најблиската сервисна служба.**

# ТЕХНИЧКИ КАРАКТЕРИСТИКИ НА ГРЕАЛКАТА

Тип		TGRH 50	TGRH 80	TGRH 100	TGRH 120
Зафатнина	[l]	50	80	100	120
Кол. на мешана вода при 40 °C	[l]	80	130	174	210
Номинален притисок	[MPa (bar)]	0,6 (6) / 0,9 (9) / 1,0 (10)			
Тежина/наполнето вода	[kg]	21/71	27/107	31/131	35/155
Антикорозивна заштита на котелот емајлирано / Mg анода		• / •	• / •	• / •	• / •
Јакост на електричната греалка	[W]	2000			
Приклучен напон	[V~]	230			
Заштитна класа		I			
Степен на заштита		IP23			
Време за загревање од 10°C до 65°C	[h]	1 <sup>38</sup>	2 <sup>37</sup>	3 <sup>16</sup>	3 <sup>55</sup>

ГО ЗАДРЖУВАМЕ ПРАВОТО ЗА ИЗМЕНИ КОИ НЕ ВЛИЈААТ НА ФУНКЦИОНАЛНОСТА НА АПАРАТОТ.

Упатствата за употреба може да ги најдете и на нашата веб-локација:  
<http://www.gorenje.com>.





Ovaj dokument je originalno proizveden i objavljen od strane proizvođača, brenda Gorenje, i preuzet je sa njihove zvanične stranice. S obzirom na ovu činjenicu, Tehnoteka ističe da ne preuzima odgovornost za tačnost, celovitost ili pouzdanost informacija, podataka, mišljenja, saveta ili izjava sadržanih u ovom dokumentu.

Napominjemo da Tehnoteka nema ovlašćenje da izvrši bilo kakve izmene ili dopune na ovom dokumentu, stoga nismo odgovorni za eventualne greške, propuste ili netačnosti koje se mogu naći unutar njega. Tehnoteka ne odgovara za štetu nanесenu korisnicima pri upotrebi netačnih podataka. Ukoliko imate dodatna pitanja o proizvodu, ljubazno vas molimo da kontaktirate direktno proizvođača kako biste dobili sve detaljne informacije.

Za najnovije informacije o ceni, dostupnim akcijama i tehničkim karakteristikama proizvoda koji se pominje u ovom dokumentu, molimo posetite našu stranicu klikom na sledeći link:

<https://tehnoteka.rs/p/gorenje-bojler-tgrh80-akcija-cena/>