

## Uputstvo za upotrebu

GORENJE mikrotalasna rerna MO23ORAB

# gorenje



Tehnoteka je online destinacija za upoređivanje cena i karakteristika bele tehnike, potrošačke elektronike i IT uređaja kod trgovinskih lanaca i internet prodavnica u Srbiji. Naša stranica vam omogućava da istražite najnovije informacije, detaljne karakteristike i konkurentne cene proizvoda.

Posetite nas i uživajte u ekskluzivnom iskustvu pametne kupovine klikom na link:

<https://tehnoteka.rs/p/gorenje-mikrotalasna-rerna-mo23orab-akcija-cena/>

MO23ORAW  
MO23ORAB

**gorenje**  
BY  
**ora'ito**

---

## DEAR CUSTOMER

We sincerely thank you for your purchase. We believe you will soon find ample evidence that you can really rely on our products. To make the use of the appliance easier, we attach these comprehensive instruction manual.

The instructions should aid you in getting familiar with your new appliance. Please, read them carefully before using the appliance for the first time.

In any case, please make sure the appliance was supplied to you undamaged. Should you identify and transport damage, contact your sales representative or the regional warehouse from where the product was delivered. You will find the telephone number on the receipt or delivery report.

We wish you a lot of pleasure with your new household appliance.



The appliance for household use for heating food and beverages using electromagnetic energy, for indoor use only.

---

## INSTRUCTIONS FOR USE

These instructions are intended for the user. They describe the cooker and how to use it. They also apply to different types of appliances, therefore you may find some descriptions of functions that may not apply to your appliance.

## IMPORTANT SAFETY INSTRUCTIONS



Never touch the surfaces of heating or cooking appliances. They will become hot during operation. Keep children at a safe distance. There is a risk of burning!



Microwave energy & High voltage!  
Do not remove the cover.

**WARNING!** The appliance and its accessible parts become hot during use. Care should be taken to avoid touching heating elements. Children less than 8 years of age shall be kept away unless continuously supervised. Children should be supervised to ensure that they do not play with the appliance.

This appliance can be used by children aged from 8 years and above and persons with reduced physical, sensory or mental capabilities or lack of experience and knowledge if they have been given supervision or instruction concerning use of the appliance in a safe way and understand the hazards involved. Children shall not play with the appliance. Cleaning and maintenance shall not be made by children unless they are older than 8 and supervised.

Keep the appliance and its cord out of reach of children less than 8 years.

- **WARNING:** When the appliance is operated in the combination mode, children should only use the oven under adult supervision due to the temperatures generated; (Only for the model with grill function)

- **WARNING:** If the door or door seals are damaged, the oven must not be operated until it has been repaired by a competent person;
- **WARNING:** It is hazardous for anyone other than a competent person to carry out any service or repair operation that involves the removal of a cover which gives protection against exposure to microwave energy;
- **WARNING:** liquids and other foods must not be heated in sealed containers since they are liable to explode.
- Children should be supervised to ensure that they do not play with the appliance.
- Don't remove oven's feet, do not block air vents of the oven.
- Only use utensils that are suitable for use in microwave ovens.
- When heating food in plastic or paper containers, keep an eye on the oven due to the possibility of ignition;
- If smoke is observed, switch off or unplug the appliance and keep the door closed in order to stifle any flames;
- Microwave heating of beverages can result in delayed eruptive boiling, therefore care must be taken when handling the container;
- The contents of feeding bottles and baby food jars shall be stirred or shaken and the temperature checked before consumption, in order to avoid burns;
- Eggs in their shell and whole hard-boiled eggs should not be heated in microwave ovens since they may explode, even after microwave heating has ended;
- When cleaning surfaces of door, door seal, cavity of the oven, use only mild, nonabrasive soaps, or detergents applied with a sponge or soft cloth.

- The oven should be cleaned regularly and any food deposits removed;
- Failure to maintain the oven in a clean condition could lead to deterioration of the surface that could adversely affect the life of the appliance and possibly result in a hazardous situation;
- If the supply cord is damaged, it must be replaced by the manufacturer, its service agent or similarly qualified persons in order to avoid a hazard.
- Do not let the cord hang over the edge of the table or worktop.
- Never connect this appliance to an external timer switch or remote control system in order to avoid a hazardous situation.
- Never replace the light bulb inside the oven. It must always be replaced by Gorenje service.
- Do not clean the appliance with steam cleaners, high-pressure cleaners, sharp objects, abrasive cleaning agents, and abrasive sponges and stain removers.

## SAFETY INSTRUCTIONS FOR GENERAL USE

Listed below are, as with all appliances, certain rules to follow and safeguards to assure top performance from this oven:

1. Always have the glass tray, roller arms, coupling and roller track in place when operating the oven.
2. Do not use the oven for any reason other than food preparation, such as for drying clothes, paper, or any other nonfood items, or for sterilizing purposes.
3. Do not operate the oven when empty. This could damage the oven.
4. Do not use the oven cavity for any type of storage, such as papers, cookbooks, etc.
5. Do not cook any food surrounded by a membrane, such as egg yolks, potatoes, chicken livers, etc without first being pierced several times with a fork.
6. Do not insert any object into the openings on the outer case.
7. Do not at any time remove parts from the oven such as the feet, coupling, screws, etc.
8. Do not cook food directly on the glass tray. Place food in/on proper cooking utensil before placing in the oven.

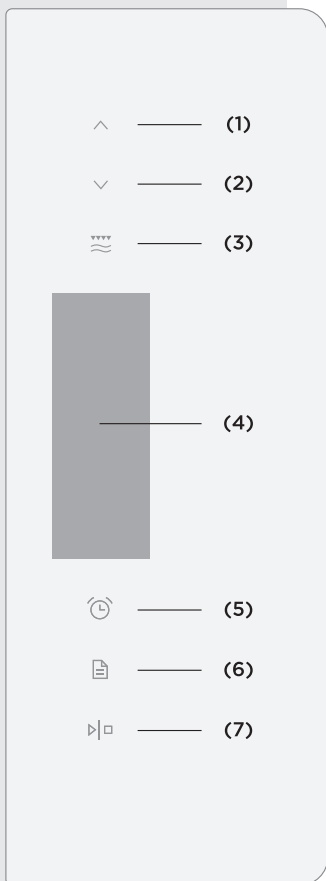
### **IMPORTANT - COOKWARE NOT TO USE IN YOUR MICROWAVE OVEN**

- Do not use metal pans or dishes with metal handles.
  - Do not use anything with metal trim.
  - Do not use paper covered wire twist-ties on plastic bags.
  - Do not use melamine dishes as they contain a material which will absorb microwave energy. This may cause the dishes to crack or char and will slow down the cooking speed.
  - Do not use Centura Tableware. The glaze is not suitable for microwave use. Corelle Livingware closed handle cups should not be used.
  - Do not cook in a container with a restricted opening, such as a pop bottle or sealed oil bottle, as they may explode if heated in a microwave oven.
  - Do not use conventional meat or candy thermometers.
  - There are the thermometers available specifically for microwave cooking. These may be used.
9. Microwave utensils should be used only in accordance with manufacturer's instructions.
  10. Do not attempt to deep-fry foods in this oven.

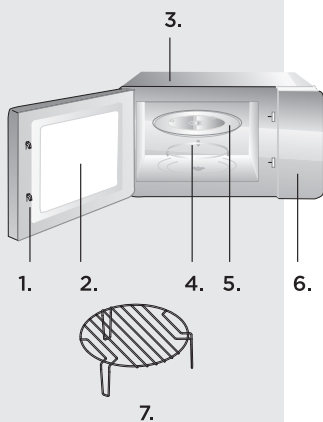
11. Please remember that a microwave oven only heats the liquid in a container rather than the container itself. Therefore, even though the lid of a container is not hot to the touch when removed from the oven, please remember that the food/liquid inside will be releasing the same amount of steam and/or spitting when the lid is removed as in conventional cooking.
12. Always test the temperature of cooked food yourself especially if you are heating or cooking food/liquid for babies. It is advisable never to consume food/liquid straight from the oven but allow it to stand for a few minutes and stir food/liquid to distribute heat evenly.
13. Food containing a mixture of fat and water, e.g. stock, should stand for 30-60 seconds in the oven after it has been turned off. This is to allow the mixture to settle and to prevent bubbling when a spoon is placed in the food/liquid or a stock cube is added.
14. When preparing/cooking food/liquid and remember that there are certain foods, e.g. Christmas puddings, jam and mincemeat, which heat up very quickly. When heating or cooking foods with a high fat or sugar content do not use plastic containers.
15. Cooking utensil may become hot because of heat transferred from the heated food. This is especially true if plastic wrap has been covering the top and handles of the utensil. Potholders may be needed to handle the utensil.
16. To reduce the risk of fire in the oven cavity:
  - a) Do not overcook food. Carefully attend microwave oven if paper, plastic, or other combustible materials are placed inside the oven to facilitate cooking.
  - b) Remove wire twist-ties from bags before placing bag in oven.
  - c) If materials inside the oven should ignite, keep oven door closed, turn the oven off at the wall switch, or shut off power at the fuse or circuit breaker panel.



# CONTROL PANEL



1. Up (+)
2. Down (-)
3. Heating function - MICRO/GRILL
4. Display Window
5. CLOCK/TIMER
6. AUTO MENU
7. START/RESET



1. Door Safety Lock System
2. Oven Window
3. Oven Air Vent
4. Roller Ring
5. Glass Tray
6. Control Panel
7. Grill rack

# INSTRUCTIONS FOR USE

## 1. QUICK START

Use this function to rapidly heat (100% microwave power) or cook your food. In the standby mode, press the START key and the oven will operate for 60 seconds.

**Example:** To heat a glass of milk

- a) Put a glass of milk onto the glass turntable and close the door.
- b) Press the button START/RESET, the microwave oven will work on 100% power for 1 minutes.
- c) You will hear 5 beeps when cooking is completed.

**NOTE:** Pressing the UP key again will prolong the cooking time by 30 seconds in all programs except in automatic mode and in the auto defrost mode.

## 2. MICROWAVE HEATING

**This function has two options.**

### a) Quick microwave heating (100% power)

**Example:** To heat food on 100% power for 5 minutes

1. Set time to »5:00«.
2. Press START/RESET.

### b) Manual-operation microwave heating

**Example:** To heat food on 70% power for 10 minutes

1. Press MICRO/GRILL button, select »70%« power.
2. Set time to »10:00«.
3. Press START/RESET.

**There are 5 power levels and the longest microwave cooking time is 60 minutes.**

Touching times "MICRO/GRILL"	Microwave power	Display
1	100%	P100
2	70%	P70
3	50%	P50
4	30%	P30
5	10%	P10

---

### 3. AUTO DEFROST

The oven allows defrosting of meat, poultry, and seafood. Defrosting time and operating power will be adjusted automatically according to the preset weight. Weight of the food to be defrosted may be between 100 g and 2000 g.

**Example: defrost 0.5 kg of frozen meat**

- a) Press MICRO/GRILL to select »DEF«.
- b) Input weight by pressing UP and DOWN button.
- c) Press the START key to start the program.

---

### 4. GRILL

Grilling is especially suitable for thin slices of meat, escalopes or steaks, meat chops, skewers, sausages, or pieces of chicken. Grilling is also suitable for toasting bread or sandwiches and finishing dishes au gratin.

This function has two options. You may select between the two by pressing the MICRO/GRILL button (the longest cooking time is 60 minutes):

**Option 1:** 85% grill power, display G-1

**Option 2:** 50% grill power, display G-2

**Example:** Cooking food using the grill for 20 minutes

- a) Press MICRO/GRILL until display shows »G-1«.
- b) Set cooking time »20:00«.
- c) Press START/RESET.

**NOTE:** When grilling, food is not heated by microwaves. Heat is radiated from the metal heater at the top of the oven. When grill is working, the cooking time is divided into 2 stages. After the 1st stage, program will automatically pause and sound 2 beeps, indicating you to open the oven and turn over the food. Close the door after turning the food. Press START/RESET button and the cooking will continue for the 2nd stage. If you do not want to turn over the food, the oven will re-start automatically after 1 min pause.

---

### 5. COMBINATION COOKING

**With this appliance you can select between two options of combination cooking.**

**Option 1:** The oven will operate with microwaves 55 percent of the time, and with grill 45 percent of the time. This operating mode is suitable for cooking fish or dishes au gratin. Display will show »C-1«.

**Option 2:** The oven will operate with microwaves 30 percent of the time, and with grill 70 percent of the time. This operating mode is suitable for cooking pudding, souffles, omelettes, baked potatoes, and poultry. Display will show »C-2«.

**Example:** Cooking food using option 2 for 15 minutes

- a) Press MICRO/GRILL until display shows »C-2«.
- b) Set cooking time to »15:00«.
- c) Press START/RESET.

## 6. AUTO-MENU

**For the food in the auto menu, only the type of food and the weight/amount have to be set. The oven will aid you in the setting of power and time.**

**Example:** Auto cooking 0.4 kg fish

- a) Press AUTO MENU button until »A-5« displayed.
- b) Input the weight by pressing the button UP and DOWN.
- c) Press START/RESET.

Menu	Weight/ amount	Microwave power	
A-1 Rice	100 - 500g	16 - 23min	80%
A-2 Vegetable	100 - 600g	2 - 7min 30sec	100%
A-3 Noodles	1 - 2	4min 30sec - 7min 40sec	100%
A-4 Meat	200 - 1000g	7 - 19min	80%
A-5 Fish	200 - 1000g	4 - 12min	80%
A-6 Chicken	200 - 1000g	14min 30sec - 34min	55%
A-7 Liquid	2 - 10dl	2 - 5min	100%
A-8 Popcorn	100g	3min 30sec	100%

---

## 7. CLOCK

The oven is fitted with a digital clock. When the oven is in the standby mode, the clock can be set in the 24-hour mode by pressing the CLOCK key.

**Example:** To set the time to 8:30

- a) Press the CLOCK/TIMER button. Display will start flashing, adjust the hour with UP and DOWN buttons.
- b) Press CLOCK/TIMER again, adjust the minutes with buttons UP and DOWN.
- c) Press CLOCK/TIMER again and the clock will be set.
- d) If you want to change the time, repeat the procedure above.

---

## 8. DELAY START

**This allows you to set the microwave oven to start and finish cooking at pre-set time.**

The clock must be set before you use this feature.

**Example:** The current time is 16:30 and you want to start cooking at 18:15 on 70% power for 10 minutes

- a) Press CLOCK/TIMER, set the time to »18:15« by pressing UP and DOWN buttons.
- b) Press MICRO/GRILL to select 70% power.
- c) Set cooking time to 10 minutes.
- d) Press START/RESET

**NOTE:** If you do not set the power and cooking time and directly press the start button once you have programmed the time, the appliance will only work as a clock. At 18:15 there will be 10 beeps and the appliance will switch off.

---

## 9. CHILD LOCK

**This function is used to prevent uncontrolled or inadvertent use of the oven by children.**

To activate the child safety lock, press UP and DOWN at the same time for 2 seconds.

Pressing UP and DOWN at the same time for 2 seconds again, it will unlock the appliance.

---

## 10. START/RESET

- a) In the course of operation, pressing START/RESET button will stop operation.
- b) If any program was set before pressing start, pressing this button will cancel any set program.

## CARE OF YOUR MICROWAVE OVEN

1. Turn the oven off and remove the power plug from the wall socket before cleaning.
2. Keep the inside of the oven clean. When food splatters of spilled liquids adhere to oven walls, wipe with a damp cloth. The use of harsh detergent or abrasives is not recommended.
3. The outside oven surface should be cleaned with a damp cloth. To prevent damage to the operating parts inside the oven, water should not be allowed to seep into the ventilation openings.
4. Do not allow the Control Panel to become wet. Clean with a soft, damp cloth. Do not use detergents, abrasives or spray-on cleaners on the control Panel.
5. If steam accumulates inside or around the outside of the oven door, wipe with a soft cloth. This may occur when the microwave oven is operated under high humidity conditions and in no way indicates malfunction of the unit.
6. It is occasionally necessary to remove the glass tray for cleaning. Wash the tray in warm sudsy water or in a dishwasher.
7. The roller ring and oven cavity floor should be cleaned regularly to avoid excessive noise. Simply wipe the bottom surface of the oven with mild detergent, water or window cleaner and dry. The roller ring may be washed in mild sudsy water or dishwasher. Cooking vapours collect during repeated use but in no way affect the bottom surface or roller ring wheels. When removing the roller ring from cavity floor for cleaning, be sure to replace it in the proper position.
8. Remove odors from your oven by combining a cup of water with the juice and skin of one lemon in a deep microwavable bowl. Microwave for 5 minutes, wipe thoroughly and dry with a soft cloth.

### ENVIRONMENT

Do not throw away the appliance with the normal household waste at the end of its life, but hand it in at an official collection point for recycling. By doing this, you help to preserve the environment.

# MOUNTING THE MICROWAVE OVEN

## INSTALLATION

1. Make sure all the packing materials are removed from the inside of the door.
2. Inspect the oven after unpacking for any visual damage such as:
  - Misaligned Door
  - Damaged Door
  - Dents or Holes in Door Window and Screen
  - Dents in Cavity

If any of the above are visible, DO NOT use the oven.

3. This Microwave Oven weighs 14,5 kg and must be placed on a horizontal surface strong enough to support this weight.
4. The oven must be placed away from high temperature and steam.
5. DO NOT place anything on top of the oven.
6. Keep the oven at least 20 cm away from both sidewalls and 30 cm away from rear wall to ensure the correct ventilation. Microwave oven should not be placed in a cabinet.
7. DO NOT remove the turn -table drive shaft.
8. As with any appliance, close supervision is necessary when used by children.
9. Make sure that the AC outlet is easily accessible so that the plug can be removed quickly in an emergency. Otherwise, it should be possible to disconnect the device using a switch from the circuit. In this case, the existing provisions of the electrical safety standards are considered.

The product has to be correctly installed on earthed socket with a single-phase AC (230 V/50 Hz).

**WARNING! THIS APPLIANCE MUST BE EARTHED!**

10. This oven requires 1.4 KVA for its input consultation with service engineer is suggested when installing the oven.

**CAUTION: This oven is protected internally by a 250V, 10 Amp Fuse.**

## SPECIFICATIONS

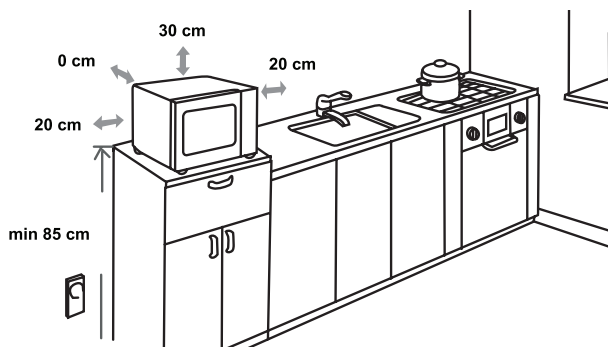
Power consumption.....	230V-50Hz, 1400W
Output power.....	900W
Grill heater.....	1200W
Operating Frequency.....	2450MHz
Outside Dimensions....	510mm(W) x 303mm(H) x 425mm(D)
Oven Capacity .....	23 litres
Uncrated Weight .....	Approx. 14,5 kg
Noise level.....	Lc < 58 dB (A)



**This appliance is marked according to the European directive 2012/19/EU on Waste Electrical and Electronic Equipment (WEEE).**

**This guideline is the frame of a European-wide validity of return and recycling on Waste Electrical and Electronic Equipment.**

## MOUNTING DIMENSIONS



## RADIO INTERFERENCE

Microwave oven may cause interference to your radio, TV, or similar equipment. When interference occurs, it may be eliminated or reduced by the following procedures.

- Clean the door and sealing surface of the oven.
- Place the radio, TV, etc. as far away from your microwave oven as possible.
- Use a properly installed antenna for your radio, TV, etc. to get a strong signal reception.

WE RESERVE THE RIGHT TO MAKE ANY CHANGES THAT DO NOT AFFECT THE FUNCTIONALITY OF THE APPLIANCE.



## BEFORE YOU CALL FOR SERVICE

1. If the oven will not perform at all, the information on the display does not appear or the display disappeared:
  - a) Check to ensure that the oven is plugged in securely. If it is not, remove the plug from the outlet, wait 10 seconds and plug it in again securely.
  - b) Check the premises for a blown circuit fuse or a tripped main circuit breaker. If these seem to be operating properly, test the outlet with another appliance.
2. If the microwave power will not function:
  - a) Check to see whether the timer is set.
  - b) Check to make sure that the door is securely closed to engage the safety interlocks. Otherwise, the microwave energy will not flow into the oven.  
**If none of the above rectify the situation, then contact the nearest authorized service agent.**

**The appliance for household use for heating food and beverages using electromagnetic energy, for indoor use only.**

## GUARANTEE & SERVICE

If you need information or if you have a problem, please contact the Gorenje Customer Care Centre in your country (you find its phone number in the worldwide guarantee leaflet). If there is no Customer Care Centre in your country, go to your local Gorenje dealer or contact the Service department of Gorenje domestic appliances.

Eventual mismatches in colour shades between different appliances or components within a single design line may occur due to various factors, such as different angles under which the appliances are observed, different coloured backgrounds, materials, and room illumination.

### **For personal use only!**

Additional recommendations for cooking with microwave and useful advices can be found on web side:

<http://www.gorenje.com>

**WISHES YOU A LOT OF PLEASURE WHILE USING  
YOUR APPLIANCE**

# **gorenje**

[www.gorenje.com](http://www.gorenje.com)

Ovaj dokument je originalno proizveden i objavljen od strane proizvođača, brenda Gorenje, i preuzet je sa njihove zvanične stranice. S obzirom na ovu činjenicu, Tehnoteka ističe da ne preuzima odgovornost za tačnost, celovitost ili pouzdanost informacija, podataka, mišljenja, saveta ili izjava sadržanih u ovom dokumentu.

Napominjemo da Tehnoteka nema ovlašćenje da izvrši bilo kakve izmene ili dopune na ovom dokumentu, stoga nismo odgovorni za eventualne greške, propuste ili netačnosti koje se mogu naći unutar njega. Tehnoteka ne odgovara za štetu nanесenu korisnicima pri upotrebi netačnih podataka. Ukoliko imate dodatna pitanja o proizvodu, ljubazno vas molimo da kontaktirate direktno proizvođača kako biste dobili sve detaljne informacije.

Za najnovije informacije o ceni, dostupnim akcijama i tehničkim karakteristikama proizvoda koji se pominje u ovom dokumentu, molimo posetite našu stranicu klikom na sledeći link:

<https://tehnoteka.rs/p/gorenje-mikrotalasna-rerna-mo23orab-akcija-cena/>