

Uputstvo za upotrebu

CANDY ugradna ploča CH64BVT

The logo for the brand CANDY, featuring the word in a stylized, italicized blue font.

Tehnoteka je online destinacija za upoređivanje cena i karakteristika bele tehnike, potrošačke elektronike i IT uređaja kod trgovinskih lanaca i internet prodavnica u Srbiji. Naša stranica vam omogućava da istražite najnovije informacije, detaljne karakteristike i konkurentne cene proizvoda.

Posetite nas i uživajte u ekskluzivnom iskustvu pametne kupovine klikom na link:

<https://tehnoteka.rs/p/candy-ugradna-ploca-ch64bvt-akcija-cena/>

CANDY

HOBS

USER INSTRUCTIONS _____

GB

PIANI COTTURA

ISTRUZIONI D'USO E DI INSTALLAZIONE _____

IT

TABLE DE CUISSON

NOTICE D'EMPLOI ET D'INSTALLATION _____

FR

VARNÉ DESKY

NAVOD POUŽITÍ _____

CZ

UGRADNE PLOČE

UPUTE ZA KORISNIKE _____

HR

FŐZŐLAPOK

HASZNÁLATI UTASÍTÁS _____

HU

PŁYTY

INSTUKCJE DLA UŻYTKOWNIKA _____

PL

PLITE

INSTRUCȚIUNI DE UTILIZARE _____

RO

NAVODILA ZA UPORABO

VGRADNJO IN PRIKLJUČITEV _____

SI

UGRADNE PLOČE

UPUTSTVO ZA UPOTREBU _____

SR

ВАРИЛЬНІ ПОВЕРХНІ

ІНСТРУКЦІЯ З ЕКСПЛУАТАЦІЇ _____

UA

КОТЛОНИ

ИНСТРУКЦИИ ЗА ПОТРЕБИТЕЛЯ _____

BG

PLACAS

MANUAL DE INSTRUCCIONES _____

ES

KOOKPLAATS

INSTALLATIE-EN GEBRUIKSINSTRUCTIES _____

NL

KOCHMULDE

GEBRAUCHS - UND INSTALLATIONSANWEISUNGEN _____

DE

ВСТРАИВАЕМЫЕ ВАРОЧНЫЕ ПОВЕРХНОСТИ

ИНСТРУКЦИИ ПО ЭКСПЛУАТАЦИИ И УСТАНОВКЕ _____

RU

ΕΣΤΙΕΣ ΜΑΓΕΙΡΕΜΑΤΟΣ

ΟΔΗΓΙΕΣ ΧΡΗΣΗΣ _____

GR



CONTENT	GB
SAFETY INSTRUCTIONS	04
1. General warnings	05
2. Protection of the environment	05
3. Installation	05
4. Electrical connection	06
5. Hob cookware advice	08
6. Use	08
7. Cleaning and maintenance	10
8. Problem solving	10
9. Aftercare	10

INDICE	IT
ISTRUZIONI DI SICUREZZA	12
1. Avvertenze generali	13
2. Salvaguardia dell'ambiente	13
3. Installazione	13
4. Collegamento elettrico	14
5. Consigli sui recipienti di cottura per il piano	16
6. Uso	16
7. Pulizia e manutenzione	18
8. Risoluzione del problema	18
9. Manutenzione aggiuntiva	19

SOMMAIRE	FR
CONSIGNES DE SÉCURITÉ	20
1. Avertissements généraux	21
2. Protection de l'environnement	21
3. Installation	21
4. Raccordement électrique	22
5. Conseils concernant les ustensiles de cuisine pour la table de cuisson	24
6. Utilisation	24
7. Nettoyage et entretien	26
8. Résolution de problèmes	26
9. Contrôle d'entretien préliminaire	27

OBSAH	CZ
BEZPEČNOSTNÍ OPATŘENÍ	28
1. Všeobecná upozornění	29
2. Ochrana životního prostředí	29
3. Instalace	29
4. Elektrické připojení	30
5. Doporučení ohledně nádobí pro varnou desku	32
6. Použití	32
7. Čištění a údržba	34
8. Řešení problémů	34
9. Následná péče	34

INDICE	HR
SIGURNOSNE UPUTE	36
1. Opća upozorenja	37
2. Zaštita okoliša	37
3. Ugradnja	37
4. Priključivanje na električnu mrežu	38
5. Savjeti za korištenje posuđa za kuhanje na ugradnoj ploči	40
6. Upotreba	40
7. Čišćenje i održavanje	42
8. Rješavanje problema	42
9. Naknadno održavanje	43

TARTALOM	HU
BIZTONSÁGI UTASÍTÁSOK	44
1. Általános figyelmeztetések	45
2. Környezetvédelem	45
3. Beszerelés	45
4. Elektromos csatlakozás	46
5. A főzőlapon használt edényekkel kapcsolatos javaslatok	48
6. Használat	48
7. Tisztítás és karbantartás	50
8. Hibaelhárítás	50
9. Eladást követő szolgáltatás	51

SPIS TREŚCI	PL
INSTRUKCJE DOTYCZĄCE BEZPIECZEŃSTWA	52
1. Ogólne ostrzeżenia	53
2. Ochrona środowiska	53
3. Instalacja	53
4. Przyłącze elektryczne	54
5. Wskazówki dotyczące garnków kuchennych używanych na płycie	56
6. OBSŁUGA	56
7. Czyszczenie i konserwacja	58
8. Rozwiązywanie problemów	58
9. Obsługa posprzedażowa	59

CUPRINS	RO
INSTRUCȚIUNI PRIVIND SIGURANȚA	60
1. Avertismente generale	61
2. Protejarea mediului	61
3. Instalare	61
4. Conexiune electrică	62
5. Recomandări de vase de gătit pentru plită	64
6. Utilizare	64
7. Curățare și întreținere	66
8. Rezolvarea problemelor	66
9. Îngrijire ulterioară	66

VSEBINA	SI
NAVODILA ZA VARNO UPORABO	68
1. Splošna opozorila	69
2. Varovanje okolja	69
3. Namestitvev	69
4. Priključitev na električno napetost	70
5. Nasvet glede posode za kuhalno ploščo	72
6. Uporaba	72
7. Čiščenje in vzdrževanje	74
8. Reševanje težav	74
9. Popravila	74

SADRŽAJ	SR
BEZBEDNOSNA UPUTSTVA	76
1. Opšta upozorenja	77
2. Zaštita životne sredine	77
3. Ugradnja	77
4. Priključivanje na električnu mrežu	78
5. Saveti za korišćenje posuđa na ugradnoj ploči	80
6. Upotreba	80
7. Čišćenje i održavanje	82
8. Rešavanje problema	83
9. Naknadno održavanje	83

ЗМІСТ	UA
ІНСТРУКЦІЯ З ТЕХНІКИ БЕЗПЕКИ	84
1. Основні застереження	85
2. Захист навколишнього середовища	85
3. Встановлення	85
4. Електричне підключення	86
5. Поради щодо вибору посуду для використання на варильній поверхні	88
6. Експлуатація поверхні	88
7. Очищення та обслуговування	90
8. Можливі проблеми та їх вирішення	90
9. Післяпродажне обслуговування	91

СЪДЪРЖАНИЕ	BG
ИНСТРУКЦИИ ЗА БЕЗОПАСНОСТ.....	92
1. Общи предупреждения.....	93
2. Защита на околната среда.....	93
3. Монтаж	93
4. Електрическо свързване	94
5. Съвет относно готварските съдове, подходящи за плотове	96
6. Използване	96
7. Почистване и техническа поддръжка.....	98
8. Разрешаване на проблеми	98
9. Следпродажбено обслужване	99

CONTENIDO	ES
INSTRUCCIONES DE SEGURIDAD.....	100
1. Advertencias generales	101
2. Protección del medio ambiente	101
3. Instalación	101
4. Conexión eléctrica	102
5. Consejo sobre los utensilios de cocina	104
6. Uso	104
7. Limpieza y mantenimiento.....	106
8. Solución de problemas.....	106
9. Cuidado posterior	107

INHOUD	NL
VEILIGHEIDSAANWIJZINGEN.....	108
1. Algemene waarschuwingen.....	109
2. Bescherming van het milieu.....	109
3. Installatie.....	109
4. Elektrische aansluiting.....	110
5. Advies over te gebruiken pannen.....	112
6. Gebruik.....	112
7. Reiniging en onderhoud	114
8. Problemen oplossen	114
9. NAZORG	115

INHALT	DE
SICHERHEITSHINWEISE	116
1. Allgemeine Warnhinweise	117
2. Umweltschutz	117
3. Installation	117
4. Elektrischer Anschluss	118
5. Tipps zum Kochgeschirr	120
6. Benutzung	120
7. Reinigung und Wartung	122
8. Problembehebung	122
9. Kundendienst	123

СОДЕРЖАНИЕ	RU
ПРАВИЛА БЕЗОПАСНОСТИ	124
1. Предупреждения общего характера	125
2. Меры по защите окружающей среды	125
3. Установка	125
4. Подключение к электросети.....	126
5. Рекомендации относительно выбора посуды для варочной поверхности	128
6. Эксплуатация прибора	128
7. Уход и очистка	130
8. Решение проблем	131
9. Послепродажное обслуживание	131

ΠΕΡΙΕΧΟΜΕΝΑ	GR
ΟΔΗΓΙΕΣ ΑΣΦΑΛΕΙΑΣ.....	132
1. Γενικές Προειδοποιήσεις	133
2. Προστασία Του Περιβάλλοντος	133
3. Τοποθέτηση	133
4. Ηλεκτρική Συνδεση	134
5. Συμβουλεσ Για Μαγειρικά Σκευη	136
6. Χρηση	136
7. Καθαρισμός Και Συντήρηση	138
8. Επίλυση Προβλημάτων	138
9. Μεταγοραστική Φροντιδα	139

SAFETY INSTRUCTIONS

We recommend you keep the instructions for installation and use for later reference, and before installing the hob, note its serial number in case you need to get help from the after sales service.

WARNING: the appliance and its accessible parts become hot during use. Care should be taken to avoid touching heating elements. Children under 8 years of age must be kept away from the appliance unless they are continuously supervised.

WARNING: use only hob guards designed by the Manufacturer of the cooking appliance or indicated by the Manufacturer of the appliance in the instructions for use as suitable or hob guards incorporated in the appliance. The use of inappropriate guards can cause accidents.

WARNING: unattended cooking on a hob with fat or oil can be dangerous and may result in fire. NEVER try to extinguish a fire with water, but switch off the appliance and then cover flame e.g. with a lid or a fire blanket.

WARNING: danger of fire: do not store items on the cooking surfaces.

WARNING: if the surface is cracked, do not touch the glass and switch off the appliance to avoid the possibility of electric shock.

This appliance can be used by children aged from 8 years and above and people with reduced physical, sensory or mental capabilities or lack of experience and knowledge if they have been given supervision or instruction concerning use of the appliance in a safe way and understand the hazards involved. Children should be supervised to ensure that they do not play with the appliance. Cleaning and user maintenance shall not be made by children without supervision.

CAUTION: the cooking process must be supervised. A short term cooking process has to be supervised continuously.

It is strongly recommended to keep children away from the cooking zones while they are in operation or when they are switched off, so long as the residual heat indicator is on, in order to prevent the risks of serious burns.

This appliance is not intended to be operated by means of an external timer or separate remote control system.

If present do not to stare into halogen lamp hob elements.

Connect a plug to the supply cable that is able to bear the voltage, current and load indicated on the tag and having the earth contact. The socket must be suitable for the load indicated on the tag and must be having the earth contact connected and in operation. The earth conductor is yellow-green in color. This operation should be carried out by a

suitably qualified professional. In case of incompatibility between the socket and the appliance plug, ask a qualified electrician to substitute the socket with another suitable type. The plug and the socket must be conformed to the current norms of the installation country. Connection to the power source can also be made by placing an omnipolar breaker between the appliance and the power source that can bear the maximum connected load and that is in line with current legislation.

The yellow-green earth cable should not be interrupted by the breaker. The socket or omnipolar breaker used for the connection should be easily accessible when the appliance is installed.

The disconnection may be achieved by having the plug accessible or by incorporating a switch in the fixed wiring in accordance with the wiring rules.

If the supply cord is damaged, it must be replaced by Manufacturer, its service agent or similarly qualified people in order to avoid a hazard. The earth conductor (yellow-green) must be longer than 10 mm on the terminal block side. The internal conductors section should be appropriate to the power absorbed by the hob (indicated on the tag). The type of power cable must be HO5V2V2-F.

Do not put metallic objects such as knives, forks, spoons or lids on the hob. They could heat up.

Aluminum foil and plastic pans must not be placed on heating zones.

After every use, some cleaning of the hob is necessary to prevent the build-up of dirt and grease. If left, this is recooked when the hob is used and burns giving off smoke and unpleasant smells, not to mention the risks of fire propagation.

Never use a steam or high pressure spray to clean the appliance.

Do not touch the heat zones during operation or for a while after use.

Never cook food directly on the glass ceramic hob.

Always use the appropriate cookware. Always place the pan in the center of the unit that you are cooking on.

Do not place anything on control panel.

Do not use the hob as a working surface.

Do not use the surface as a cutting board.

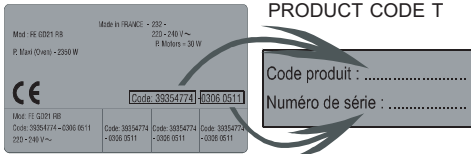
Do not store heavy items above the hob. If they drop onto the hob, they may cause damage.

Do not use the hob for storage of any items.

Do not slide cookware across the hob.

No additional operation/setting is required in order to operate the appliance at the rated frequencies.

Identification Plate (located under the hob's bottom casing)



1. GENERAL WARNINGS

By placing the **CE** mark on this appliance we are assuring compliance to all European Safety, Health and Environment requirements which are applicable for this product category.

2. PROTECTION OF THE ENVIRONMENT



This appliance is marked according to European Directive 2012/19/EU on Waste Electrical and Electronic Equipment (WEEE). WEEE contains both polluting substances (which can cause negative consequences for the environment) and basic components which can be reused. It is important to have WEEE subjected to specific treatments, in order to remove and dispose properly all pollutants and recover and recycle all materials.

Individuals can play an important role in ensuring that the WEEE does not become an environmental issue; it is essential to follow some basic rules:

- WEEE shall not be threatened as household waste.
- WEEE shall be handled over to the relevant collection points managed by the municipality or by registered companies. In many Countries, for large WEEE, home collection could be present.
- In many Countries, when you buy a new appliance, the old one may be returned to the retailer who has to collect it free of charge on a one-to-one basis, as long as the appliance is of equivalent typology and has the same functions as the supplied one.

3. INSTALLATION

Installing a domestic appliance it is a complicated operation which, if not carried out correctly, can seriously have impact on safety of goods, properties or people. For this reason, it should be carried out by a professionally qualified person in accordance with technical regulations.

In the event that this advice is ignored and installation is carried out by an unqualified person, the Manufacturer declines all responsibility for any technical failure of the appliance whether or not it results in damage of goods or properties or in injury of people or animals.

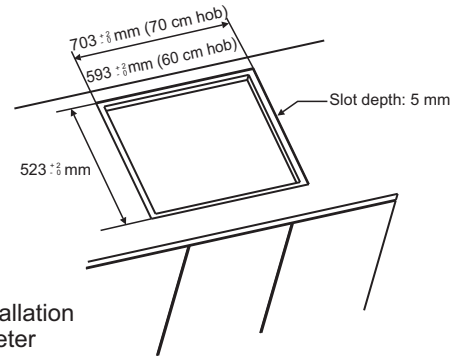
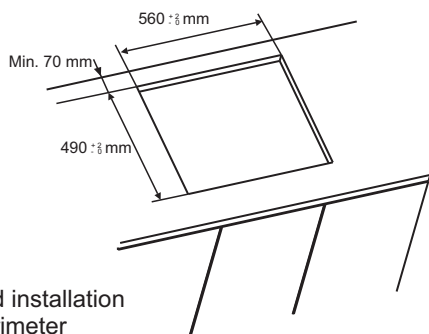
After having removed the packaging please be sure that the appliance it is not damaged, otherwise contact the Retailer or Manufacturer After Sales Service.

Make sure that the furniture in which the appliance will be fitted and all other furniture in the nearby are made with materials which can withstand high temperatures (min 100 °C).

In addition, all decorative laminates should be fixed with high-resistance glue.

Appliance can be installed in a Built-in furniture in "Standard" or "Flush" mode.

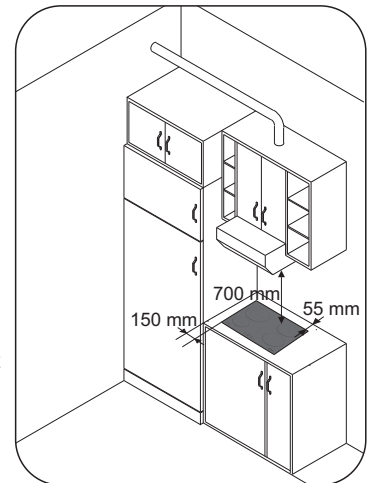
Worktop thickness should be between 25 and 45 mm.



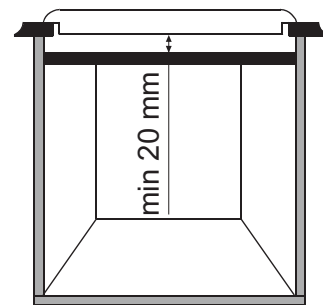
Note: Inner perimeter dimensions are same with standard installation

Leave a distance of at least 55 mm between the hob and the back wall and of at least 150 mm between the hob and the vertical furniture or walls in the lateral side. If a furniture is installed above the hob, the minimum distance required is 700 mm.

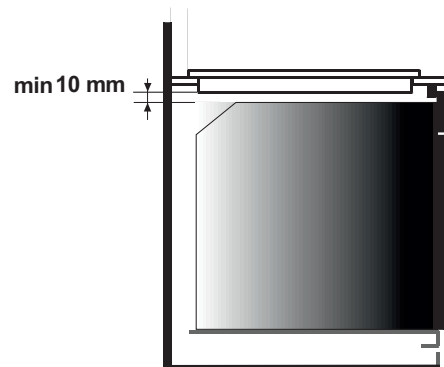
When installing a hood above the hob, please consult the installation requirements specified for the hood but, in any case, the distance between the hob and the hood must not be lower than 700 mm.



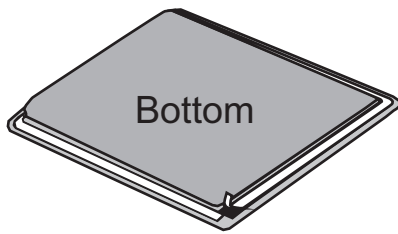
If the bottom part of the hob is adjacent to an area normally accessible for handling or cleaning operations, a separator it must be put 20 mm below the bottom part of the hob.



When installing an oven under the hob, separator must not be put and the minimum distance between the bottom part of the hob and the oven must not be lower than 10 mm. Do not install not cooled oven under this hob and install the oven following its own installation requirements.

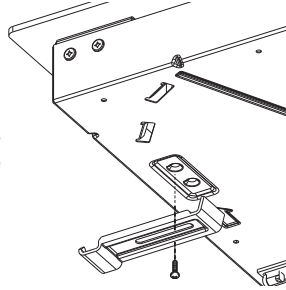


A watertight seal gasket is supplied with the hob. Fit the seal gasket around the bottom hob as described and make sure that it is properly fitted to avoid any leakage into the supporting furniture.

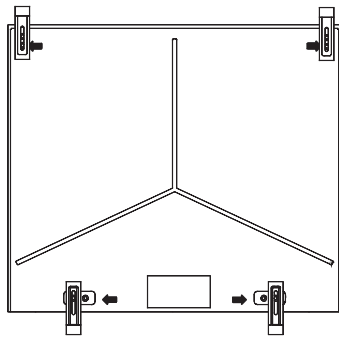


Normal Fixing:

- Get the fixing clips from accessory bag and screw them into the position shown on bottom box. (Do not tighten the screws to block clips, they should move freely)

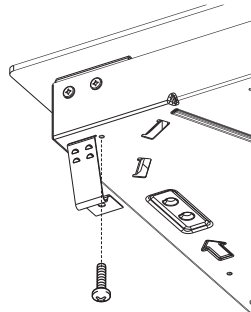


- Insert the hob in center position of cut out.
- Turn the clips and tighten them fully.

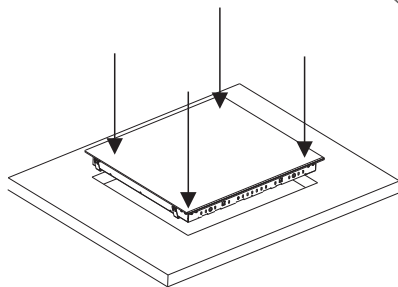


Quick Fixing: (Depending on model)

Get four springs from accessory bag and screw them onto bottom box as shown in figure.

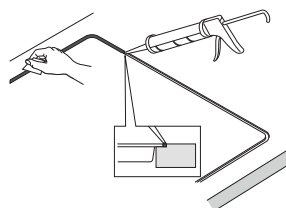


Center and insert the hob. Press the sides of hob until it is supported around its entire perimeter.

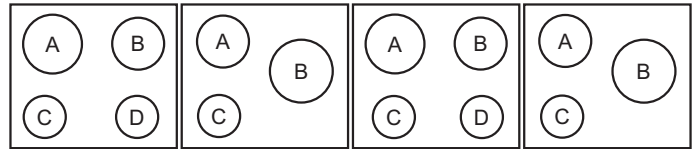


FLUSH INSTALLATION

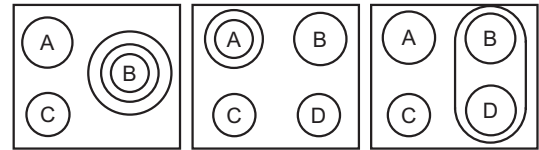
After checking that the position of the hob is correct fill the gap between the worktop and the hob with silicone adhesive. Flatten the silicone layer with a scraper or with wet finger dampened with water and soap before it forms. Do not use the hob until the silicone layer it is completely dry.



4. ELECTRICAL CONNECTION

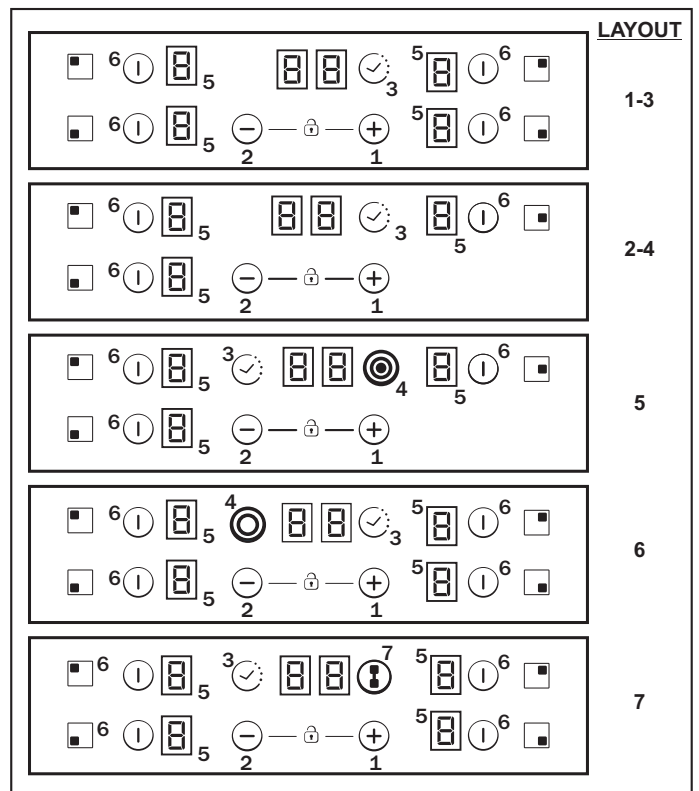


LAYOUT 1 LAYOUT 2 LAYOUT 3 LAYOUT 4



LAYOUT 5 LAYOUT 6 LAYOUT 7

	A	B	C	D
LAYOUT 1	2300W	1800W	1200W	1200W
LAYOUT 2	1800W	2500W	1200W	-
LAYOUT 3	2300W	1800W	1200W	1200W
LAYOUT 4	1800W	2500W	1200W	-
LAYOUT 5	1800W	750+900+1050W	1200W	-
LAYOUT 6	1000+1200 w	1800W	1200W	1200W
LAYOUT 7	1800W	1800W	1200W	1800W



According to model

1. "+"
2. "-"
3. TIMER
4. Additional cooking zone led
5. Cooking zone programming indicator
6. Selection of the zone
7. Bridge

**"Installation must conform to the standards & directives."
 Manufacturer declines all responsibility for any damage that might be caused by unsuitable or unreasonable use.**

WARNING: Manufacturer cannot be held responsible for any incident or its consequences that may arise during the use of an appliance not linked to the earth, or linked to an earth whose continuity is defective. Before any electrical operation, please check the supply tension shown on the electricity meter, the adjustment of the circuit-breaker, the continuity of the connection to earth to the installation and that the fuse is suitable.

The electrical connection to the installation should be made according to the rated power of the Appliance; this should be made via an Omni pole cut-out switch.

If the appliance has a socket outlet, it must be installed so that the socket outlet is accessible.

The yellow/green wire of the power supply cable must be connected to the earth of both power supply and appliance terminals. For any questions regarding power supply cord refer to After Sales Service or a qualified technician.

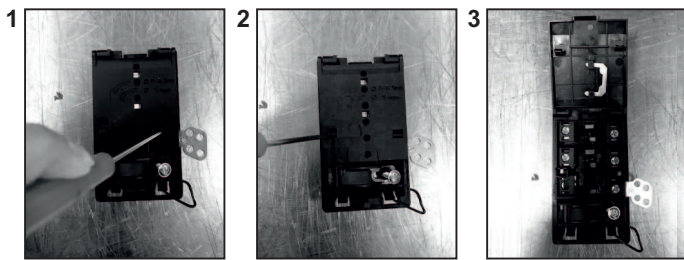
If the hob is fitted with power supply cord, this shall be connected only to a power supply of 220-240 V between phase and neutral.

It is however possible to connect the hob to:

- Three Phase 220-240 V3
- Three Phase 380-415 V2N

To proceed to the new connection, please follow below instructions: Before making the connection, make sure that the installation is protected by a suitable fuse, and that it is fitted with wires of a large enough section to supply the appliance normally. Turn over the hob, glass side against the working top, taking care to protect the glass.

Open the cover in the following sequence:



- unscrew the cable clamp "1";
- find the two tabs located on the sides;
- put the blade of a flat screw-driver in front of each tab "2" e "3", push in and press;
- remove the cover.

To release the power supply cord:

- Remove the screws retaining the terminal block which contains the shunt bars and the conductors of the supply cord;
- Pull out the supply cord.

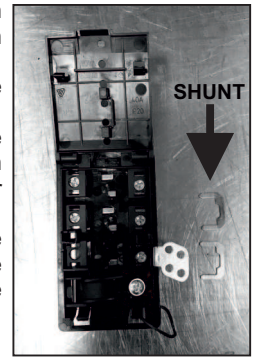
Operations to be carried out to make a new connection:

- Choose the power supply cable in accordance with the recommendations in the table;
- Pass the power supply cable into the clamp;
- Strip the end of each conductor of the supply cord on a 10 mm length, by taking in account the requested length of the cord for the connection to the terminal block;
- According to the installation and with the help of shunt bars which you should have recovered in the first operation, fix the conductor as shown on the chart;
- Fix the cover;
- Screw the cable clamp.

Note: make sure the terminal board screws are tight.

Operations to be carried out to make a new connection:

- Choose the power supply cable in accordance with the recommendations in the table;
- Pass the power supply cable into the clamp;
- Strip the end of each conductor of the supply cord on a 10 mm length, by taking in account the requested length of the cord for the connection to the terminal block;
- According to the installation and with the help of shunt bars which you should have recovered in the first operation, fix the conductor as shown on the chart;
- Fix the cover;
- Screw the cable clamp.



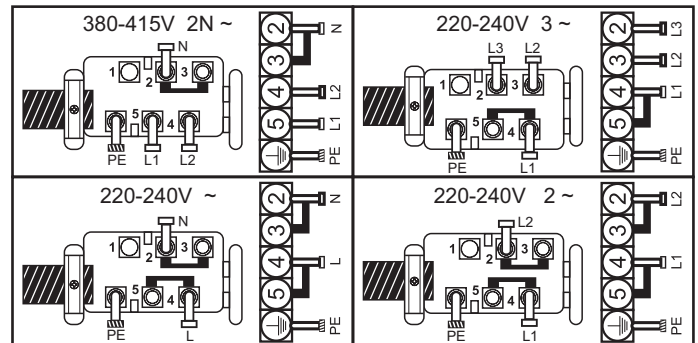
ATTENTION:

If it should be necessary to replace the power supply cord, connect the wire in accordance with following colors/codes:

BLUE	Neutral	(N)
BROWN	Live	(L)
YELLOW-GREEN	Earth	(⊕)

Connection to the terminals on the terminal block

	LAY OUT "1-6"	LAY OUT "7"
MONOPHASE or TWO PHASES 220-240 V~		
Cable HO5V2V2F	3x2,5 mm ²	3x4 mm ²
THREE PHASES 220-240 V3~		
Cable HO5V2V2F	4x1,5 mm ²	4x1,5 mm ²
THREE PHASES 380-415 V2N~		
Cable HO5V2V2F	4x1,5 mm ²	4x1,5 mm ²



L1 / L2 / L3 = Phase N = Neutral PE = Earth

5. HOB COOKWARE ADVICE

Using good quality cookware is critical for setting the best performance from your hob.



- **Always use good quality cookware with perfectly flat and thick bases** : using this type of cookware will prevent hot spots that cause food to stick. Thick metal pots and pans will provide an even distribution of heat.
- **Ensure that the base of the pot or pan is dry** : when filling pans with liquid or using one that has been stored in the refrigerator, ensure that the base of the pan is completely dry before placing it on the hob. This will help to avoid staining the hob.
- **Use pans whose diameter is wide enough to completely cover the surface unit** : the size of the pan should be no smaller than the heating area. If it is slightly wider the energy will be used at its maximum efficiency.

THE CHOICE OF COOKWARE - The following information will help you to choose cookware which will give good performance.

Stainless Steel : *highly recommended*. Especially good with a sandwich clad base. The sandwich base combines the benefits of stainless steel (appearance, durability and stability) with the advantages of aluminium or copper (heat conduction, even heat distribution).

Aluminium : *heavy weight recommended*. Good conductivity. Aluminium residues sometimes appear as scratches on the hob, but can be removed if cleaned immediately. Because of its low melting point, thin aluminium should not be used.

Cast Iron : *usable, but not recommended*. Poor performance. May scratch the surface.

Copper Bottom / stoneware: *heavy weight recommended*. Good performance, but copper may leave residues which can appear as scratches. The residues can be removed, as long as the hob is cleaned immediately. However, do not let these pots boil dry. Overheated metal can bond to glass hobs. An overheated copper pot will leave a residue that will permanently stain the hob.

Porcelain/enamel : Good performance only with a thin smooth, flat base.

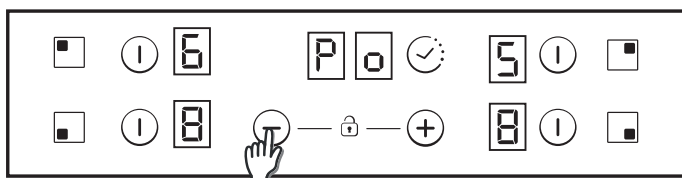
Glass-ceramic : *not recommended*. Poor performance. May scratch the surface.

6. USE

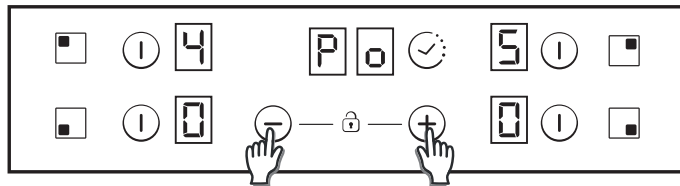
How to choose power management level

Through the "Power management" function, the user can set the maximum power that can be reached by the hob. Power management function is only available during first 30 seconds after switch on the hob. There is even the possibility to repeat this setting switching off and on the power plug. By setting the desired maximum power, the hob automatically adjusts the distribution in the various cooking zones so that this limit is never exceeded; with the added advantage of being able to simultaneously manage all the zones without overload problems. The customer can set the maximum power of hob between 2.5 kW and the maximum related power of the hob (this can change according to the model) (for example if the maximum power of the hob is 7.2 kW. The maximum power level for setting is between 2.5kW and 7.2kW) At the time of purchase, the hob is set to maximum power. After connecting the appliance to the electrical power, within 30 seconds you can set the power level based on the points shown below:

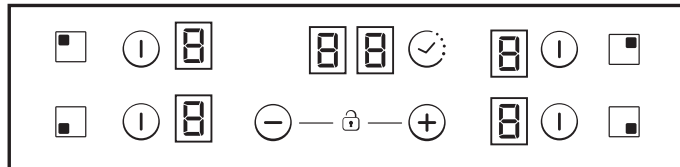
- 1.- Switch on hob.
- 2.- Let touch control finish its initialization process.
- 3.- Before pass 30 seconds touch during 5 seconds ' - ' key.
- 4.- After this moment, this message will appear on display.



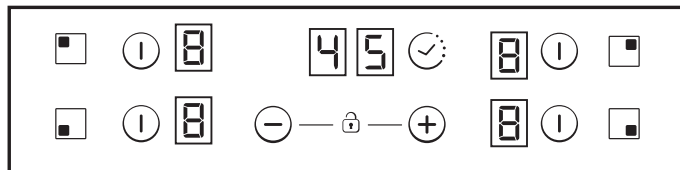
5.- Using 'Plus' and 'Minus' keys Power management value can be adjusted. In this example case between 6500 and 2500w. When required value is selected, touch at the same time 'Plus' & 'Minus' keys during 5 seconds.



6.- When this process is finished, a long beep is heard and a reset is produced. Start-up process will be generated again.

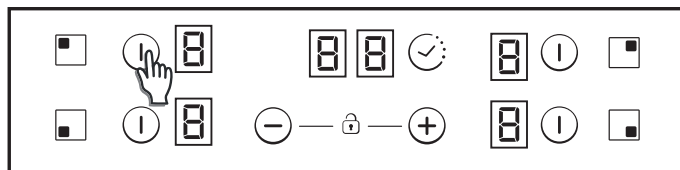


7.- After start-up process, in timer display ECO power management will be showed.



After that, touch control won't allow any combination which can exceed this Eco limit.

Switch ON/OFF a heater zone



To switch ON a heater Touch any heater's zone during 400 msec. Long beep will be heard and "0" value will appear in target zone digit, indicating power level.

1) If any cooking stage is in position 0, this display will switch OFF automatically after 10 seconds and the zone OFF sequence will sound.

2) If there is residual heat indication in the display which is ON but in 0 power, "0" will appear changing over.

3) If lock function is active you cannot switch ON a zone.

To switch OFF a heater Touch any heater's zone during 1,2 sec. 3 Short beeps will be heard and nothing or "H" value will appear in target zone digit if residual heat exists. Zone will be OFF.

1) If any cooking stage is in position 0, this display will switch OFF automatically after 10 seconds and the zone OFF sequence will sound.

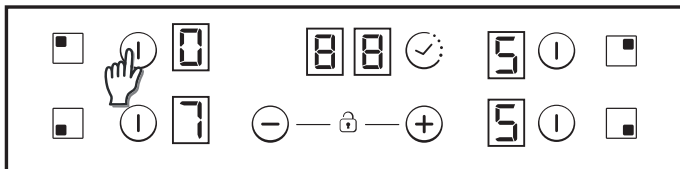
2) If there is residual heat indication in the display which is OFF, "H" will be displayed.

3) Even lock function is active you can switch OFF a zone.

4) If only one heater is active and this one is switched off, 4 Short beep will be heard indicating all cook top is Off.

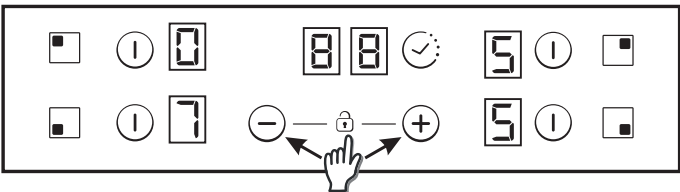
Selecting a zone

When zone is already ON a lower lighting intensity for the not selected zones that are ON is produced.



If only one zone is ON, this zone is already selected by default, without needing to short press (150 msec) over selection key.

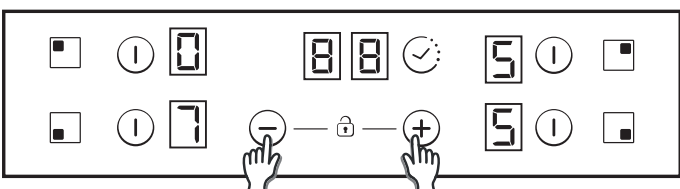
Increase / Decrease power level



With a short press on '+' or '-' keys, Increase or decrease power in the selected zones digit: 0-1-2-3...9-P

1. For Long Presses in + or - keys, power level increases /decreases continuously. With a fast increase, power stops at level 9, and for a higher power another short press is needed on the + key. No beep sound is heard with fast increase / decrease.
2. Once arrived to P power level, pressing + key again does not change power level to 0. Once arrived to 0 power level, pressing - key again does not change power level to P.
3. With a zone ON at 0 power level, if the zone is hot, 0 will blink alternatively. After 10 seconds, 0 will disappear an 'H' letter will appear fixed on display.
4. When a heater is selected and '+' & '-' keys are touched at the same time, power level will go to '0' but heater will maintain selected during 10 seconds. If heater was temporized, timer will go to Off. This action can only be developed in several cases depending touch control configuration. The following examples are for information only. Personal experience should then let you adapt these settings to your taste and habits.

Child Lock option



This action will be done when '+' & '-' keys were touched at the same time.


Then, any time when a key will be touched, displays will show "L" during 2sec. heating remains at the same state.
To deactivate Child Lock, follow the same process explained before. Then Short beep will be heard and displays will show "n" letter. Hob will remain unlocked.

Note: An automatic child lock will produce in 15 minutes after total Switch OFF of the hob.

Double / Triple zones


To switch ON double extension ring, associated main zone must be already ON and Indicating power level must be higher than 0.

8.1- Double zone ON


1st Short Press on extension key Switches ON extension ring. LED over extension key turns ON if Extension ring is ON.
2nd Short Press on extension key Switches OFF extension ring.  Short beep each press on extension key.

8.2- Triple zone ON

1st Short Press on extension key Switches ON 1st extension ring. 1 LED over extension key turns ON if 1st extension ring is ON (left LED in case of triple zone, middle and only LED in case of double zone) 2nd Short Press on extension key Switches ON 2nd extension ring.

2 LEDs over extension key turn ON if 1st and 2nd extension rings are ON 3rd Short Press on extension key. Switches OFF 1st and 2nd extension rings.  Short beep each press on extension key.

Bridge function

The bridge can be enabled only when both heaters are off. One heater of the bridge has been selected, to activate bridge function touch bridge key. 

A beep sounds and the zone LED is switched on if the zone is enabled. Both bridge heaters will be selected at the same time.


Once the heaters selected, if the power level is not the desired power level, by the + - keys.

Both bridge heater displays will show same power level.

The function will finish:

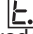
- If the bridge key is touched in setting mode
- If user selects power level "0"

Overflow security

Something (an object or a liquid) is pressing any key during more than 5s. 2 Short Beep + 1 Long beep every 30s while the key is pressed. Cook-top will turn Off.  This symbol will maintain blinking while the matter persist.

Timer

Timer function can be activated with its own key.

Select the zone to be timed. Power level of the zone greater than 0. Static  is displayed in the zone being timed. "0 0" in the digits reserved for the timer.

- 1) With "+" or "-" keys, timer time can be chosen. No Beeps at time change.
- 2) Pressing continuously timer key, the timer is cancelled (goes to 00).
- 3) If timer "+" or "-" keys is maintained pressed there is quick setting.
- 4) When setting timer time, it is possible to go from "00" to "99" with "-" key, and from "99" to "00" with "+" key.
- 5) Maximum time 99 minutes.
- 6) When the time is elapsed and the hob is beeping, press any key and the alarm and digit sequence will end.
- 7) It is possible to adjust the timer time while the timer is previously running.
- 8) Power of timed zone can be modified without consequences on the timer programming.
- 9) Last minute will be displayed by seconds (For Variants only visible if we enter the timer programming while the last minute of the countdown)
- 10) Pressing the Timer key without any selected zone and when no zone is being timed, does nothing.
- 11) Pressing the Timer key without any selected zone and when many zones are being timed, the time shown in time digits changes in a rotatory way, and shows the time whose power display has the decimal point ON.
- 12) Alternatively Power (5s) and (0,5s) is displayed in the zone being timed.

Remaining time is displayed in the digits reserved for the timer. If multiple zones are timed, the smallest remaining time is displayed, and the decimal point is displayed in the corresponding zone.

Residual Heat Indicator (In radiant heaters-> calculated)

The same indicators can be used for "residual heat" indication as well. A time table must be defined on this purpose: Rest Heat time=f (power level, working time).

While a temperature on the cook top glass surface is above 65°C(theory value), this condition will be shown in the associated display, by means of an "H".

To generate a temperature above 65°C a heating element has to be in operation for certain time, this time depends on the power level. Once this time has expired, the residual heat warning will be shown when the heating element is switched off.

Automatic Safety Off

If the power level is not changed during a preset time, the corresponding heater turns off automatically.

The maximum time a heater can stay on, depends on the selected cooking level.

Power level	Max. time on (hours)
1	10
2	5
3	5
4	4
5	3
6	2
7	2
8	2
9	2
P	2

NOTE: while an overheating situation should occur during the operation of the highest power levels, the Hob control will automatically adjust the power level in order to protect the hob from overheating.

7. CLEANING AND MAINTENANCE

. Before carrying out any maintenance work on the hob, allow it to cool down.

. Only products, (creams and scrapers) specifically designed for aglass ceramic surfaces should be used. They are obtainable from hardware stores.

. Avoid spillages, as anything which falls on to the hob surface will quickly burn and will make cleaning more difficult.

. It is advisable to keep away from the hob all substances which are liable to melt, such as plastic items, sugar, or sugar-based products.

MAINTENANCE:

- Place a few drops of the specialised cleaning product on the hob surface.

- Rub any stubborn stains with a soft cloth or with slightly damp kitchen paper.

- Wipe with a soft cloth or dry kitchen paper until the surface is clean.

If there are still some stubborn stains:

- Place a few more drops of specialised cleaning fluid on the surface.

- Scrape with a scraper, holding it at an angle of 30° to the hob, until the stains disappear.

- Wipe with a soft cloth or dry kitchen paper until the surface is clean.

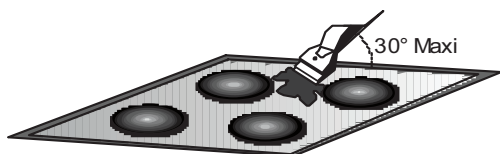
- Repeat the operation if necessary.

A FEW HINTS:

Frequent cleaning leaves a protective layer which is essential to prevent scratches and wear. Make sure that the surface is clean before using the hob again. To remove marks left by water, use a few drops of white vinegar or lemon juice. Then wipe with absorbent paper and a few drops of specialised cleaning fluid.

The glass ceramic surface will withstand scraping from flat-bottomed cooking vessels, however, it is always better to lift them when moving them from one zone to another.

NB:



Do not use a sponge which is too wet.

Never use a knife or a screwdriver.

A scraper with a razor blade will not damage the surface, as long as it is kept at an angle of 30°.

Never leave a scraper with a razor blade within the reach of children.

Never use abrasive products or scouring powders.

. The metal surround : to safely clean the metal surround wash with soap and water, rinse, then dry with a soft cloth.

Any change in the colour of the glass-ceramic surface does not affect its operation or the stability of the surface. Such discolorations are mostly a result of burnt food residues or use of cookware made of materials such as aluminium or copper; these stains are difficult to remove.

8. PROBLEM SOLVING

The cooking zones do not simmer or only fry gently

Only use flat-bottomed pans. If light is visible between the pan and the hob, the zone is not transmitting heat correctly.

The pan bottom should fully cover the diameter of the selected zone.

The cooking is too slow

Unsuitable pans are being used. Only use flatbottomed utensils, that are heavy and have a diameter at least the same as the cooking zone.

Small scratches or abrasions on the hob's glass surface

Incorrect cleaning or rough-bottomed pans are used; particles like grains of sand or salt get between the hob and the bottom of the pan. Refer to the "CLEANING" section; make sure that pan bottoms are clean before use and only use smooth bottomed pans. Scratches can be lessened only the cleaning is done correctly.

Metal marks

Do not slide aluminium pans on the hob. Refer to the cleaning recommendations.

You use the correct materials, but the stains persist.

Use a razor blade and follow the "CLEANING" section.

Dark stains

Use a razor blade and follow the "CLEANING" section.

Light surfaces on the hob

Marks from an aluminium or copper pan, but also mineral, water or food deposits; they can be removed using the cream cleaner.

Caramelisation or melted plastic on the hob.

Refer to the "CLEANING" section.

The hob does not operate or certain zones don't work

The shunts are not positioned correctly on the terminal board.

Have a check made that the connection is done he control panel is locked. Unlock the hob.

The hob does not cut off.

The control panel is locked. Unlock the hob.

Frequency of on/off operations for cooking zones

The on-off cycles vary according to the required heat level:

- low level: short operating time,

- high level: long operating time.

The cooktop is not working.

Check the condition of the fuses / circuit breakers at your location. Check to see if you are experiencing a power failure.

The cooktop has turned itself off.

The main switch (ON/OFF key) was accidentally touched or there is any object above any key. Turn the unit on again without any object about the keyboard. Enter your settings again.

Display F and numbers

If F and numbers appears in the display, your unit has detected a fault. The following table list actions you can take to correct the problem.

9. AFTERCARE

Before calling out a Service Engineer please check the following:

— that the plug is correctly inserted and fused;

If the fault cannot be identified switch off the appliance — do not tamper with it — call the Aftercare Service Centre. The appliance is supplied with a guarantee certificate that ensures that it will be repaired free of charge at the Service Centre.

Heater display	Fault	Action
F0	Touch control software error.	If error has occurred disconnected and connect again the cooktop to the power supply. If error persist, call after-sales service. If error appears suddenly in a normal operation, call after-sales service.
Fc	Touch control zone is too hot and has turned off all the heaters.	Wait until temperature goes down. Cook-top will automatically recovered when temperature reaches a normal value.
Ft	Touch control temperature sensor can be damaged.	Wait until temperature goes down. If message persist when temperature reaches an environment value, call after-sales service.
FE	Touch control temperature sensor can be damaged.	Wait until temperature goes down. If message persist when temperature reaches an environment value, call after-sales service.
Fb	Excessive sensitivity on any key.	See if cook-top is mounted correctly. Be sure that keys touch correctly the glass surface.
FU / FJ	Security keyboard error	This error is a keyboard auto-check. It disappears when autocheck return to secure value. If error persist, call after-sale service.
FA	Security software error	This error is a software auto-check. It disappears when auto-check return to secure value. If error persist, call after-sale service.
FC / Fd	Security software error	This error is a software auto-check. It disappears when auto-check return to secure value. If error persist, call after-sale service.
Fr	Relays security error	Any relay driver can have any problemn. Remove cook-top from the power supply, wait a minute and switch on again. If error persist, call after-sale service.

ISTRUZIONI DI SICUREZZA

Si consiglia di conservare le istruzioni di uso e montaggio per riferimento successivo e, prima di montare il piano di cottura, annotare il suo numero di serie per richiedere assistenza al Servizio post-vendita.

AVVERTENZA: l'elettrodomestico e le sue parti accessibili diventano calde durante l'uso. Prestare attenzione ad evitare qualsiasi contatto con le resistenze di riscaldamento. Mantenere lontani dall'elettrodomestico i bambini di età inferiore agli 8 anni, a meno che non siano continuamente supervisionati.

AVVERTENZA: utilizzare unicamente protezioni per piani di cottura progettate dal produttore della cucina o indicate dal produttore dell'elettrodomestico nelle istruzioni d'uso come adatte, o ancora protezioni incorporate nell'elettrodomestico. L'utilizzo di protezioni non adatte può provocare incidenti.

AVVERTENZA: la cottura senza sorveglianza su un piano di cottura in presenza di grasso o olio nella pentola può essere pericolosa, con rischio di incendi. **NON** cercare **MAI** di spegnere un incendio con acqua, bensì spegnere l'elettrodomestico e coprire la fiamma con un coperchio o una coperta antifiama.

AVVERTENZA: pericolo di incendio: non appoggiare nulla sulle superfici di cottura.

AVVERTENZA: se la superficie è crepata, non toccare la vetroceramica e spegnere l'elettrodomestico per evitare la possibilità di elettrocuzioni.

L'elettrodomestico può essere utilizzato da bambini di età superiore a 8 anni e da persone con ridotte capacità fisiche, sensoriali o mentali, oppure prive di esperienza e conoscenza, se supervisionate o istruite riguardo all'uso dell'elettrodomestico in sicurezza, e se comprendono i rischi che derivano dall'uso dello stesso. I bambini dovrebbero essere supervisionati per assicurarsi che non giochino con l'elettrodomestico. La pulizia e la manutenzione da parte dell'utente non possono essere effettuate da bambini senza supervisione.

ATTENZIONE: il processo di cottura deve essere supervisionato. Un processo di cottura di breve termine deve essere supervisionato in continuo.

Si consiglia vivamente di tenere i bambini a distanza dalle zone di cottura quando queste sono in funzione o quando sono spente, per tutto il tempo durante il quale l'indicatore di calore residuo rimane attivo, per evitare il rischio di ustioni gravi.

Questo elettrodomestico non è concepito per funzionare con temporizzatori esterni o con sistemi di comando a distanza separati.

Se è presente, non guardare direttamente gli elementi riscaldati della lampada alogena.

Collegare al cavo di alimentazione una spina dimensionata per la tensione, la corrente e la potenza indicate nella targhetta e dotata del contatto di terra. La presa deve essere dimensionata per la potenza indicata sulla targhetta e deve avere il contatto di terra collegato e funzionante. Il conduttore di terra è giallo-verde. Questa operazione deve essere eseguita solo da un tecnico adeguatamente

addestrato. In caso di incompatibilità tra presa e spina dell'elettrodomestico, richiedere ad un tecnico specializzato di sostituire la presa con un'altra di tipo compatibile. La spina e la presa devono essere conformi alle normative attuali del paese di installazione.

Il collegamento alla rete di alimentazione può essere effettuato anche collocando un interruttore automatico onnipolare tra l'elettrodomestico e la rete di alimentazione, in grado di supportare il carico massimo collegato, in linea con la legislazione corrente.

Il cavo di terra giallo-verde non deve essere interrotto dall'interruttore automatico. La presa o l'interruttore automatico onnipolare utilizzati per il collegamento devono essere facilmente accessibili al momento del montaggio dell'elettrodomestico.

La disconnessione può essere eseguita con la spina accessibile o aggiungendo un interruttore sul cablaggio fisso, nel rispetto delle normative relative ai cablaggi.

Se il cavo di alimentazione dell'elettrodomestico dovesse essere danneggiato, farlo sostituire dal produttore, dal suo servizio tecnico o da tecnici qualificati, per evitare rischi. Il conduttore di terra (giallo-verde) deve essere più lungo di 10 mm sul lato della morsettiera. La sezione dei conduttori interni deve essere adatta alla potenza assorbita dal piano di cottura (come indicato sulla targhetta). Il cavo di alimentazione deve essere di tipo HO5V2V2-F.

Non appoggiare sul piano di cottura oggetti metallici come coltelli, forchette, cucchiari o coperchi. Potrebbero scaldarsi eccessivamente.

Non appoggiare sulle zone riscaldanti pellicole di alluminio e padelle in plastica.

Dopo ogni utilizzo è necessario pulire il piano di cottura per evitare l'accumulo di sporcizia e grasso. Se ci sono accumuli di questo tipo vengono cotti nuovamente quando il piano di cottura viene acceso, creando fumo e odori sgradevoli per non parlare del rischio di propagazione di incendi.

Non utilizzare mai un getto di vapore o ad alta pressione per la pulizia dell'elettrodomestico.

Non toccare le zone riscaldanti durante il funzionamento o per un breve periodo dopo l'uso.

Non cuocere mai gli alimenti direttamente sul piano di cottura in vetroceramica.

Utilizzare sempre i recipienti di cottura adatti.

Mettere sempre la pentola al centro del gruppo sul quale si sta effettuando la cottura. Non appoggiare nulla sul pannello di comando.

Mai utilizzare il piano di cottura come superficie di lavoro.

Mai utilizzare il piano di cottura come tagliere.

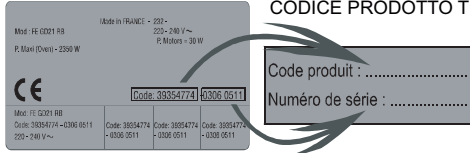
Non appoggiare oggetti pesanti al di sopra del piano di cottura. Se cadono sul piano possono danneggiarlo.

Non utilizzare il piano di cottura per riporvi oggetti.

Non fare scivolare i recipienti sul piano di cottura.

Il funzionamento dell'elettrodomestico alle frequenze nominali non richiede alcuna operazione o impostazione.

Targhetta di identificazione (posta sotto il carter inferiore del piano di cottura)



1. AVVERTENZE GENERALI

Apponendo il marchio **CE** su questo elettrodomestico confermiamo la conformità a tutti i requisiti di legge europei di sicurezza, salute e tutela ambientale applicabili a questa categoria di prodotti.

2. SALVAGUARDIA DELL'AMBIENTE



Questo elettrodomestico dispone di contrassegno ai sensi della direttiva europea 2012/19/UE in materia di rifiuti di apparecchiature elettriche ed elettroniche (RAEE).

I RAEE contengono sostanze inquinanti (che possono causare conseguenze negative per l'ambiente) e i componenti principali che possono essere riutilizzati. È importante che i RAEE siano sottoposti a trattamenti specifici in modo da togliere e smaltire in modo corretto gli inquinanti nonché recuperare e riciclare tutti i materiali.

Spetta ai singoli individui garantire che i RAEE non diventino un problema a livello ambientale. Esistono alcune regole specifiche da rispettare:

- i RAEE non devono essere trattati come rifiuti domestici.
 - i RAEE devono essere affidati agli speciali centri di raccolta gestiti dai comuni o da società autorizzate. In molti stati è disponibile anche un servizio di raccolta porta a porta per i RAEE.
- In molti stati, nel caso di acquisto di nuovi elettrodomestici, quelli vecchi possono essere affidati al venditore che li deve ritirare gratuitamente in numero corrispondente agli elettrodomestici acquistati, a condizione che i singoli elettrodomestici siano di tipo simile e con le stesse funzioni di quelli acquistati.

3- INSTALLAZIONE

Il montaggio di un elettrodomestico può essere un'operazione complicata che, se non viene effettuata correttamente, può minacciare gravemente la sicurezza di prodotti, proprietà o persone. Per questa ragione tale attività deve essere intrapresa da un tecnico professionalmente qualificato che la effettuerà in accordo con le normative tecniche in vigore.

Nel caso in cui questa precauzione non venga rispettata e il montaggio sia effettuato da un tecnico non qualificato, il produttore declina tutte le responsabilità per guasti tecnici dell'elettrodomestico che possano causare o meno danni alle cose o ai beni o lesioni alle persone o agli animali.

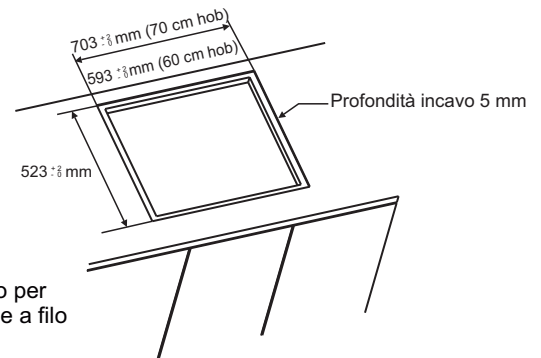
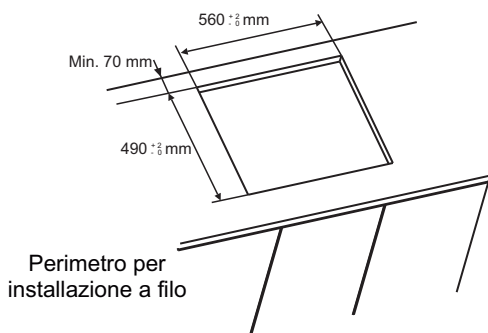
Dopo avere tolto l'imballaggio, accertarsi che l'elettrodomestico non sia danneggiato; in caso contrario contattare il rivenditore o il servizio di assistenza post vendita del produttore.

Accertarsi che il mobile nel quale verrà inserito l'elettrodomestico e tutti gli altri arredi nelle vicinanze siano di un materiale in grado di resistere a temperature elevate (minimo 100°C).

Inoltre, tutti i laminati decorativi devono essere fissati con colla ad alta resistenza.

L'elettrodomestico può essere installato in un mobile ad incasso in modalità "standard" o "a filo".

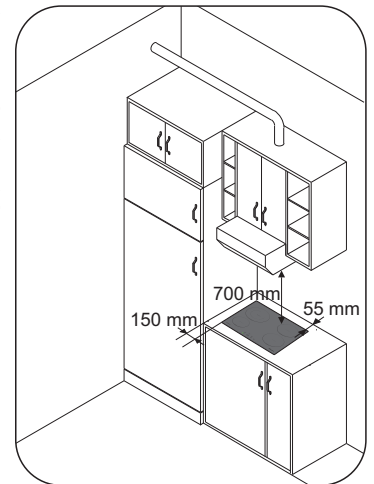
Lo spessore del piano di lavoro deve essere compreso tra 25 e 45 mm.



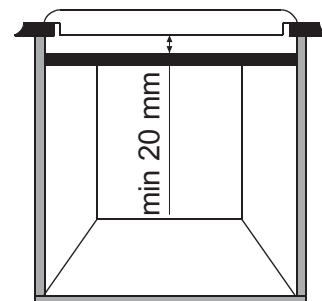
Nota: Le dimensioni del perimetro interno sono le stesse dell'installazione standard

Lasciare una distanza pari a almeno 55 mm tra il piano di cottura e il muro posteriore e di almeno 150 mm tra il piano di cottura e il mobile verticale o le pareti sul lato. Qualora venga installato un pensile sopra il piano cottura, la distanza minima richiesta è pari a 700 mm.

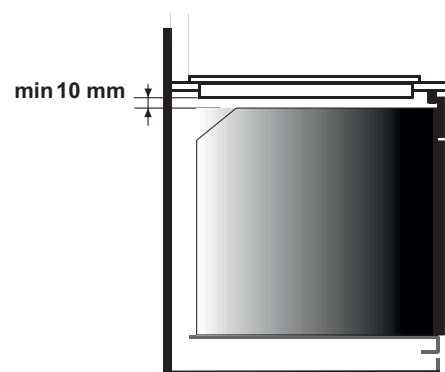
Quando si installa una cappa al di sopra del piano di cottura, consultare i requisiti di montaggio specifici per la cappa, ma, in ogni caso, la distanza tra cappa e piano di cottura non deve essere inferiore a 700 mm.



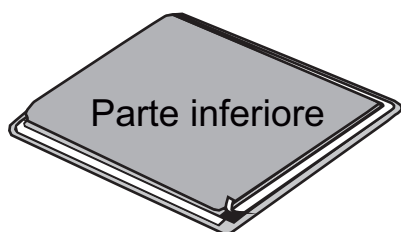
Se la parte inferiore del piano di cottura è adiacente ad un'area normalmente accessibile durante la cottura o la pulizia, inserire un separatore 20 mm sotto alla base del piano di cottura.



Quando si installa un forno al di sotto del piano di cottura, non è necessario inserire un separatore e la distanza minima tra la parte inferiore del piano di cottura ed il forno non deve essere inferiore a 10 mm. Non montare un forno non raffreddato al di sotto di questo piano di cottura e installare il forno seguendo i relativi requisiti di montaggio.

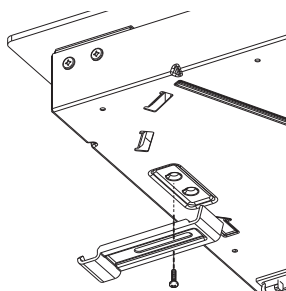


Il piano di cottura viene fornito con una guarnizione di tenuta. Montare la guarnizione di tenuta intorno alla parte inferiore del piano di cottura ed assicurarsi che sia inserita correttamente per evitare perdite sui mobili di supporto sottostanti.

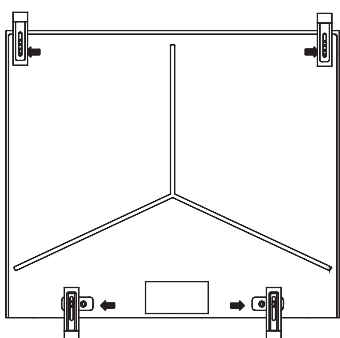


Fissaggio normale:

- Utilizzare le fascette di fissaggio presenti nel sacchetto degli accessori ed avvitare nella posizione indicata sulla scatola inferiore. (Non serrare le viti per bloccare completamente le fascette, dovrebbero muoversi liberamente)

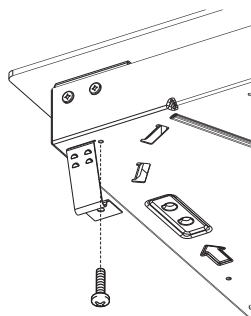


- Inserire il piano di cottura nella posizione centrale dell'incasso.
- Ruotare le fascette e serrarle a fondo.

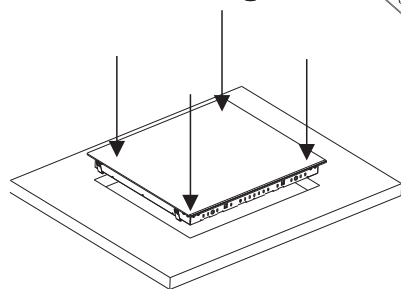


Fissaggio rapido: (A seconda del modello)

Prelevare quattro molle dal sacchetto accessori ed avvitare sulla scatola inferiore come illustrato in figura.

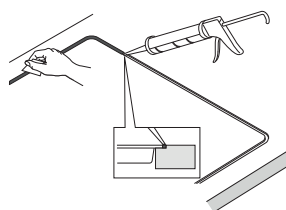


Centrare ed inserire il piano di cottura.
Premere i lati del piano di cottura fino a quando non risulta supportato sull'intero perimetro.

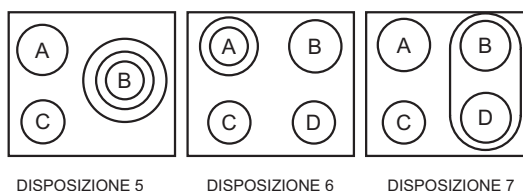
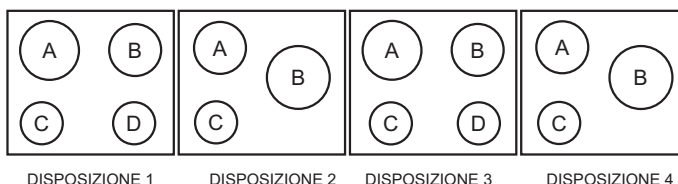


INSTALLAZIONE A FILO

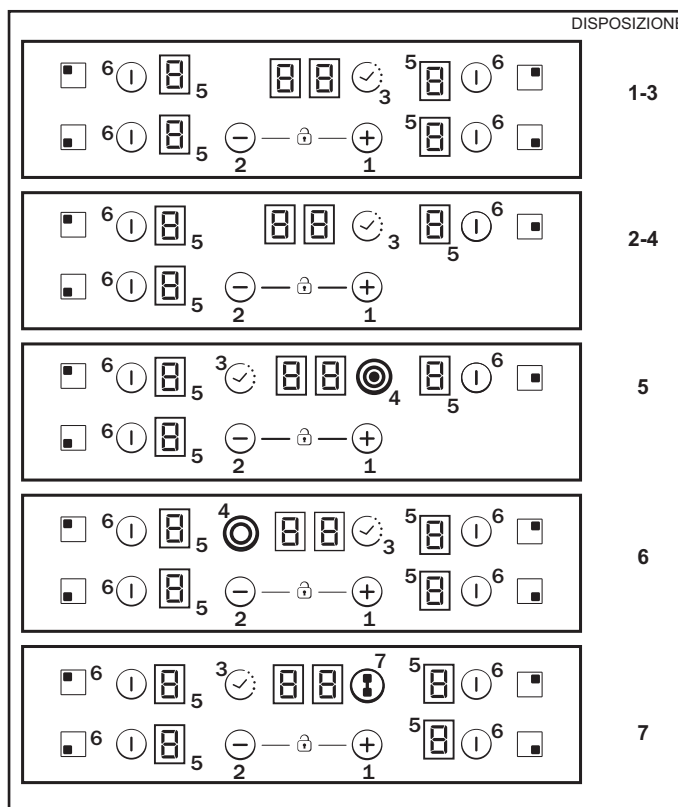
Dopo avere verificato che la posizione del piano di cottura è corretta, riempire lo spazio fra piano di lavoro e piano di cottura con adesivo siliconico. Appiattire lo strato di silicone con un raschiatore o bagnando le dita in acqua e sapone prima che indurisca. Non utilizzare il piano di cottura fino a quando lo strato di silicone non è perfettamente asciutto.



4. COLLEGAMENTO ELETTRICO



	A	B	C	D
DISPOSIZIONE 1	2300W	1800W	1200W	1200W
DISPOSIZIONE 2	1800W	2500W	1200W	-
DISPOSIZIONE 3	2300W	1800W	1200W	1200W
DISPOSIZIONE 4	1800W	2500W	1200W	-
DISPOSIZIONE 5	1800W	750+900+1050W	1200W	-
DISPOSIZIONE 6	1000+1200 w	1800W	1200W	1200W
DISPOSIZIONE 7	1800W	1800W	1200W	1800W



A seconda del modello

1. "+"
2. "-"
3. TIMER
4. LED zona di cottura aggiuntiva
5. Indicatore programmi zona di cottura
6. Selezione della zona
7. Bridge

"Il montaggio deve essere conforme alle direttive e agli standard." Il produttore declina qualsiasi responsabilità per danni che potrebbero essere causati da utilizzo inappropriato o irragionevole.

AVVERTENZA: Il Produttore non può essere ritenuto responsabile di qualsiasi incidente o delle relative conseguenze che potessero insorgere durante l'utilizzo di un elettrodomestico privo di messa a terra, oppure collegato ad una terra avente una continuità difettosa. Prima di qualsiasi funzionamento elettrico, controllare sempre la tensione di alimentazione riportata sul contatore, la regolazione del sezionatore, la continuità del collegamento a terra rispetto all'impianto; verificare anche che il fusibile sia appropriato.

Il collegamento elettrico all'impianto deve essere effettuato rispettando la potenza nominale dell'elettrodomestico; ciò deve essere effettuato tramite un sezionatore multipolare.

Se l'elettrodomestico ha un'uscita a presa, deve essere installato in modo che tale uscita sia accessibile.

Il cavo giallo/verde del cavo di alimentazione elettrica deve essere collegato alla terra dell'alimentazione elettrica ed ai morsetti dell'elettrodomestico.

Per qualsiasi domanda relativa al cavo di alimentazione elettrica rivolgersi al Servizio di Assistenza post-vendita o a un tecnico qualificato.

Se il piano di cottura è dotato di un cavo di alimentazione, collegarlo solo ad un'alimentazione con tensione di 220-240 V tra la fase e il neutro.

È comunque sempre possibile collegare il piano di cottura a:

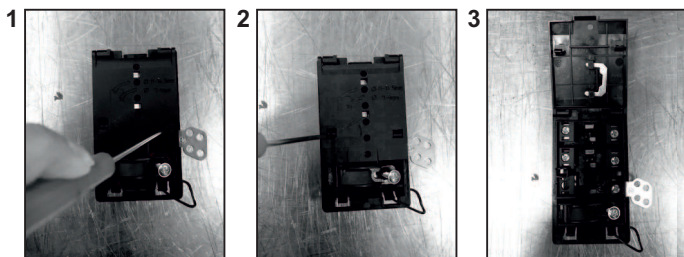
Trifase 220-240 V3
Trifase 380-415 V2N

Per procedere al nuovo collegamento, rispettare le istruzioni che seguono:

Prima di effettuare il collegamento accertarsi che l'impianto sia protetto da un fusibile appropriato e che sia dotato di cavi aventi una sezione sufficientemente grande per alimentare normalmente l'elettrodomestico.

Capovolgere il piano di cottura, con la vetroceramica rivolta verso il piano di lavoro, prestando attenzione a proteggere la vetroceramica.

Aprire il coperchio nella seguente sequenza:



- svitare la fascetta per cavi "1";
- individuare le due linguette sui lati;
- mettere la punta di un cacciavite piatto davanti alle linguette "2" e "3", spingere all'interno e premere;
- togliere il coperchio.

Per staccare il cavo di alimentazione elettrica:

- Togliere le viti che fissano la morsettieria che contiene le derivazioni e i conduttori del cavo di alimentazione;
- Tirare verso l'esterno il cavo di alimentazione.

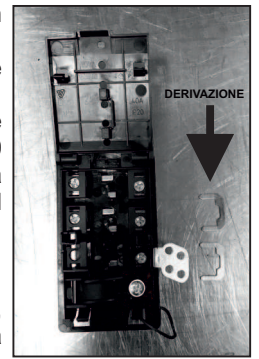
Operazioni da effettuare per un nuovo collegamento:

- Scegliere il cavo di alimentazione in accordo con le indicazioni della tabella;
- Passare il cavo di alimentazione elettrica nella fascetta;
- Spelare l'estremità di ogni conduttore del cavo di alimentazione per circa 10 mm, tenendo in considerazione la lunghezza richiesta del cavo per il collegamento alla morsettieria;
- Secondo il tipo di montaggio, utilizzare le deviazioni recuperate nella prima operazione, fissare il conduttore come indicato sulla tabella;
- Bloccare il coperchio;
- Avvitare la fascetta per cavi.

Nota: accertarsi che le viti della morsettieria siano completamente avvitate.

Operazioni da effettuare per un nuovo collegamento:

- Scegliere il cavo di alimentazione in accordo con le indicazioni della tabella;
- Passare il cavo di alimentazione elettrica nella fascetta;
- Spelare l'estremità di ogni conduttore del cavo di alimentazione per circa 10 mm, tenendo in considerazione la lunghezza richiesta del cavo per il collegamento alla morsettieria;



- A seconda del tipo di montaggio, utilizzare le deviazioni recuperate nella prima operazione, fissare il conduttore come indicato sulla tabella;
- Bloccare il coperchio;
- Avvitare la fascetta per cavi.

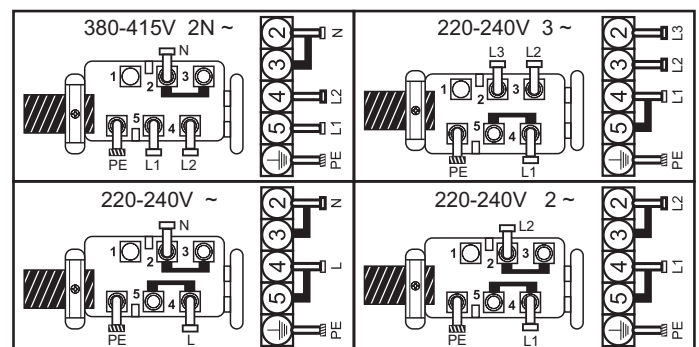
ATTENZIONE:

nel caso in cui fosse necessario sostituire il cavo di alimentazione, collegare i fili in accordo con i seguenti colori/codici:

BLU	Neutro	(N)
MARRONE	Fase	(L)
GIALLO VERDE	Terra	(⊕)

Collegamento ai morsetti della morsettieria

	DISPOSIZIONE "1-6"	DISPOSIZIONE "7"
MONOFASE O BIFASES 220-240 V~		
Cavo HO5V2V2F	3x2,5 mm ²	3x4 mm ²
TRIFASE 220-240 V3~		
Cavo HO5V2V2F	4x1,5 mm ²	4x1,5 mm ²
TRIFASE 380-415 V2N~		
Cavo HO5V2V2F	4x1,5 mm ²	4x1,5 mm ²



L1 / L2 / L3 = Fase N = Neutro PE = Terra

5. CONSIGLI SUI RECIPIENTI DI COTTURA PER IL PIANO

L'utilizzo di recipienti di cottura appropriati è di fondamentale importanza per ottenere le migliori prestazioni dal piano di cottura.



- **Utilizzare sempre recipienti di cottura di buona qualità con basi perfettamente piane e spesse:** l'utilizzo di questo tipo di recipienti di cottura evita la formazione di punti più caldi nei quali si attacca il cibo. Padelle e pentole spesse in metallo garantiscono una distribuzione regolare del calore.

- **Accertarsi che la base della pentola o della padella sia asciutta:** quando si introduce liquido nelle padelle o se ne utilizza una che era stata riposta in frigorifero, accertarsi che la base della padella sia completamente asciutta prima di appoggiarla sul piano di cottura. In questo modo si evita di macchiare il piano di cottura.

- **Utilizzare pentole di diametro sufficientemente largo per coprire completamente la superficie:** le dimensioni della pentola non devono essere inferiori alla zona di riscaldamento. Con una pentola leggermente più grande l'energia viene utilizzata alla massima efficienza.

SCelta DEI RECIPIENTI DI COTTURA - Le informazioni riportate qui di seguito facilitano la scelta dei recipienti di cottura adatti per fornire prestazioni ottimali.

Acciaio inossidabile: *vivamente consigliato.* Particolarmente efficace se dotato di una base con strato doppio placcato. La base doppia abbina i vantaggi dell'acciaio inossidabile (aspetto, durata e stabilità) con i vantaggi di alluminio e rame (conduzione di calore, distribuzione uniforme del calore).

Alluminio: *si consiglia di tipo pesante.* Buona conduttività. A volte i residui di alluminio si presentano come graffi sul piano di cottura, ma si eliminano se si pulisce immediatamente il piano.

Si sconsiglia l'utilizzo di alluminio sottile a causa del suo basso punto di fusione.

Ghisa: *utilizzabile, ma non consigliata.* Scarse prestazioni. Può graffiare la superficie.

Terracotta / fondo in rame: *si consiglia di tipo pesante.* Buone prestazioni, ma il rame può lasciare residui che si possono presentare come graffi. I residui si possono eliminare se il piano di cottura viene pulito immediatamente. È però importante non dimenticare i recipienti vuoti sul fornello acceso. Il metallo surriscaldato può legarsi al piano di cottura in vetroceramica. Un recipiente di cottura in rame surriscaldato lascia residui che macchiano permanentemente il piano di cottura.

Porcellana/smalto: Buone prestazioni solo con una base piana, sottile e liscia.

Vetroceramica: *sconsigliata.* Scarse prestazioni. Può graffiare la superficie.

6. USO

Scelta del livello di gestione della potenza

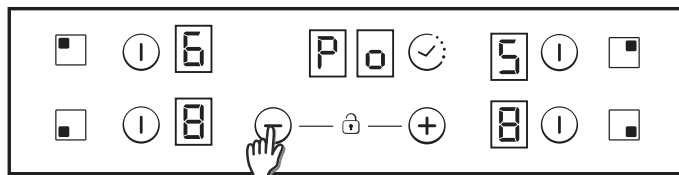
La funzione di gestione della potenza consente all'utente di impostare la potenza massima che può raggiungere il piano cottura. La funzione gestione della potenza è disponibile solo entro 30 secondi dall'accensione del piano cottura. È possibile, comunque, ripetere questa impostazione scollegando e ricollegando il cavo di alimentazione. Impostando la massima potenza desiderata, il piano cottura regola automaticamente la distribuzione delle varie zone di cottura in modo da non superare mai tale limite, con l'ulteriore vantaggio di poter gestire contemporaneamente tutte le zone senza problemi di sovraccarico. Per il piano cottura il cliente può impostare una potenza massima compresa tra 2,5 kW e la massima potenza del piano cottura, che varia in base al modello; se la massima potenza del piano cottura è 7,2 kW, ad esempio, il livello di impostazione possibile è compreso tra 2,5 e 7,2 kW. Al momento dell'acquisto, il piano cottura è impostato sulla massima potenza. Dopo il collegamento dell'elettrodomestico alla rete elettrica, entro 30 secondi è possibile impostare il livello di potenza in base ai punti sopra indicati:

1.- Accendere il piano cottura.

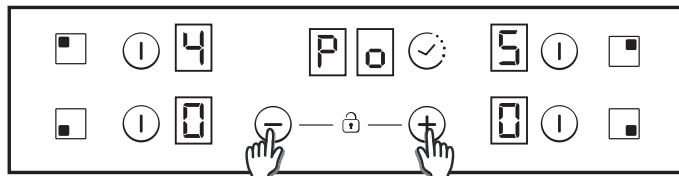
2.- Attendere che il controllo tattile termini il processo di inizializzazione.

3.- Toccare entro 30 secondi il tasto meno (−) per 5 secondi.

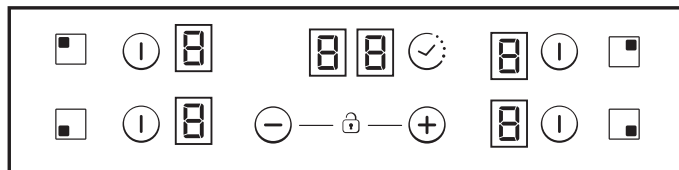
4 - A questo punto, il display visualizza il messaggio seguente.



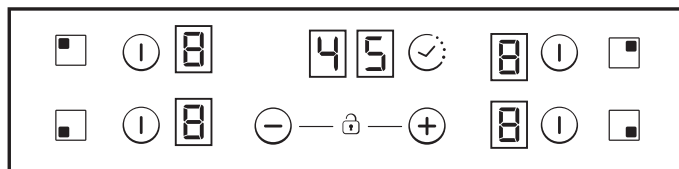
5 - Utilizzando i tasti più (+) e meno (−) del timer, è possibile regolare il valore di gestione della potenza, che in questo esempio è compresa tra 6500 W e 2500 W. Quando viene selezionato il valore richiesto, toccare contemporaneamente i tasti più (+) e meno (−) del timer per 5 secondi.



6 - Al termine di questa procedura, viene emesso un lungo segnale acustico, il sistema si azzerava e la procedura ricomincia.

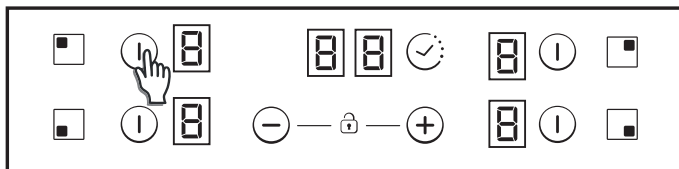


7 - Dopo la procedura di avvio, il display del timer visualizza la gestione della potenza ECO.



Come risultato, il controllo tattile non consentirà alcuna combinazione che superi questo limite ECO.

Come accendere/spegnere una zona di riscaldamento



Per accendere una zona di riscaldamento toccare una qualsiasi zona di riscaldamento per 400 msec. Si sentirà un bip prolungato ed il valore "0" verrà visualizzato nella cifra della zona di destinazione, indicando il livello di potenza.

1) Se una qualsiasi fase di cottura è in posizione 0, il display si spegne automaticamente dopo 10 secondi e la sequenza di spegnimento zona emette un segnale acustico.

2) Se c'è un'indicazione di calore residuo sul display acceso ma con potenza pari a 0, lo "0" viene acceso in commutazione.

3) Se la funzione di blocco è attiva non è possibile accendere una zona.

Per spegnere una zona di riscaldamento toccare una qualsiasi zona di riscaldamento per un periodo di 1,2 sec. Si avvertiranno tre brevi bip nella cifra della zona di destinazione e non verrà visualizzato nulla oppure "H" se è presente calore residuo. La zona sarà spenta.

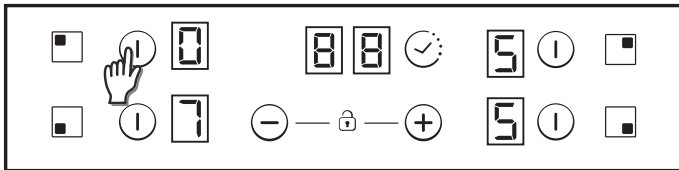
1) Se una qualsiasi fase di cottura è in posizione 0, il display si spegne automaticamente dopo 10 secondi e la sequenza di spegnimento zona emette un segnale acustico.

2) Se c'è un'indicazione di calore residuo sul display spento, verrà visualizzato "H".

- 3) Se la funzione di blocco è attiva è possibile spegnere una zona.
- 4) Se è attiva solo una zona di riscaldamento e anche questa viene spenta, si avvertono 4 brevi bip per indicare che il piano di cottura è spento.

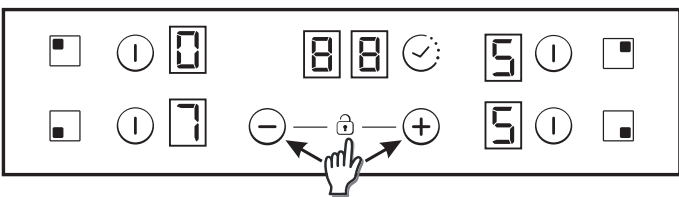
Selezione di una zona

Quando una zona è già accesa, si ottiene un'intensità luminosa inferiore per le zone selezionate che sono accese.



Se è accesa solo una zona, questa zona viene selezionata di default, senza necessità di dover premere il pulsante di selezione per un breve periodo (150 msec).

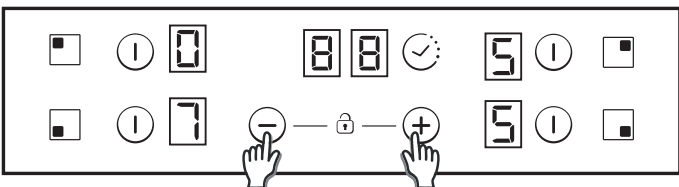
Aumento/diminuzione del livello di potenza



Premendo brevemente i pulsanti '+' o '-' si aumenta o diminuisce la potenza nella cifra delle zone selezionate: 0-1-2-3...9-P

1. Premendo a lungo i pulsanti "+" o "-" il livello di potenza aumenta / diminuisce in continuo. Con un aumento rapido, la potenza si interrompe al livello 9 e per potenza superiore è necessario premere ulteriormente il tasto "+". Non si attiva alcun bip con aumento / diminuzione rapidi.
2. Una volta raggiunto il livello di potenza P, premendo nuovamente "+" il livello di potenza non cambia a 0. Una volta arrivato al livello di potenza 0, premendo nuovamente "-" il livello di potenza non passa a P.
3. Con una zona accesa a livello di potenza 0, se la zona è calda, lo 0 lampeggerà alternativamente. Dopo 10 secondi, lo 0 scompare e sul display viene visualizzata la lettera "H" in continuo.

Opzione Sicurezza Bambini



Questa azione avviene quando i pulsanti "+" e "-" sono premuti in contemporanea.

Quindi, ogni volta che viene premuto un pulsante, il display visualizza "L" per due secondi. Il riscaldamento rimane nelle stesse condizioni. Per disattivare la sicurezza bambini, seguire lo stesso processo sopra indicato. Quindi viene emesso un breve bip e il display visualizza "n". Il piano di cottura si sblocca.

Nota: Una sicurezza bambini automatica si attiva per 15 minuti dopo lo spegnimento completo del piano di cottura. Questa funzione si attiva automaticamente ma è necessario programmarla in precedenza. Fare riferimento al punto Impostazioni Utente.

Zone a doppio / triplo riscaldamento

Per accendere l'anello di estensione doppio, la zona associata deve essere già accesa e l'indicazione di livello di potenza deve essere superiore a 0.

8.1- Zona a doppio riscaldamento accesa

La prima breve pressione sul pulsante dell'estensione accende il primo anello di estensione. Il LED sul pulsante di estensione si accende se l'anello di estensione è acceso.

La seconda breve pressione sul pulsante dell'estensione spegne l'anello di estensione. Si avverte un breve bip ogni volta che si preme il pulsante di estensione.

8.2- Zona a triplo riscaldamento accesa

La prima breve pressione sul pulsante dell'estensione accende il primo anello di estensione. 1 LED sul pulsante di estensione si accende quando il primo anello di estensione è acceso (il LED a sinistra nel caso di triplo riscaldamento, quello centrale e l'unico LED nel caso di zona doppia)

La seconda breve pressione sul pulsante dell'estensione accende il secondo anello di estensione. 2 LED sull'anello di estensione si accendono se il primo e il secondo anello di estensione sono accesi

La terza breve pressione sul pulsante dell'estensione spegne il primo e il secondo anello di estensione Si avverte un breve bip ogni volta che si preme il pulsante di estensione.

Funzione bridge

La funzione bridge può essere abilitata unicamente quando entrambe le zone di riscaldamento sono spente. Una zona di riscaldamento del bridge è stata selezionata; per attivare la funzione bridge sfiorare il pulsante bridge.

Si avverte un bip e il LED della zona si accende se la zona è abilitata.

Entrambe le zone di riscaldamento della funzione bridge sono selezionate contemporaneamente.

Quando le zone di riscaldamento sono selezionate, se il livello di potenza non è quello desiderato, utilizzare i pulsanti "+" e "-".

Entrambi i display della zona di cottura con funzione bridge mostrano lo stesso livello di potenza. La funzione finisce:

- Se in modalità impostazione viene sfiorato il pulsante bridge
- Se l'utente seleziona il livello di potenza "0"

Sicurezza contro le fuoriuscite

Qualcosa (un oggetto o un liquido) sta mantenendo premuto un qualsiasi pulsante per più di 5 secondi. 2 bip veloci + 1 bip lungo ogni 30 secondi mentre viene premuto il pulsante. Il piano di cottura si spegne. Questo simbolo continua a lampeggiare per tutto il tempo in cui questa situazione persiste.

Timer

La funzione timer può essere attivata tramite il relativo pulsante o sfiorando allo stesso tempo i pulsanti "+" e "-".

In entrambi i casi, la zona di riscaldamento deve essere selezionata ed il relativo livello di potenza deve essere superiore a 0.

Selezionare la zona da temporizzare. Il livello di potenza della zona è superiore a 0. viene visualizzato fisso nella zona da temporizzare. "00" nelle cifre riservate al timer.

- 1) Con i pulsanti "+" o "-" è possibile selezionare il tempo del timer. Ogni volta che il tempo varia non si avverte alcun bip.
- 2) Premendo contemporaneamente i pulsanti timer il timer si azzerà (visualizzazione 00).
- 3) Se i pulsanti timer "+" o "-" sono mantenuti premuti durante un tempo da determinare, si ha un'impostazione rapida.
- 4) Durante l'impostazione del tempo del timer, è possibile passare da "00" a "99" con il pulsante "-" e da "99" a "00" con il pulsante "+".
- 5) Il tempo massimo corrisponde a 99 minuti.
- 6) Quando il tempo è trascorso e il piano di cottura emette dei bip, premere un qualsiasi pulsante per terminare la sequenza di inserimento e l'allarme.
- 7) È possibile regolare il tempo del timer quando il timer era già in funzione.
- 8) La potenza delle zone temporizzate può essere modificata senza conseguenza sulla programmazione del timer.
- 9) L'ultimo minuto verrà visualizzato in secondi (per alcune varianti visibile solo accedendo alla programmazione del timer durante il conto alla rovescia dell'ultimo minuto)
- 10) Premendo il pulsante timer senza avere selezionato alcuna zona e quando non ci sono zone temporizzate, non accade nulla.
- 11) Premendo il pulsante timer senza avere selezionato alcuna zona e quando molte sono soggette a temporizzazione, il tempo visualizzato nella cifra del tempo varia in modo rotatorio, indicando il tempo il cui display di potenza ha la virgola decimale accesa.
- 12) Nella zona soggetta a temporizzazione viene visualizzato in alternanza potenza (5 s) e (0,5 s).

Il tempo rimanente è visualizzato nelle cifre riservate al timer. Se molte zone sono temporizzate, il tempo più basso rimanente e la virgola decimale è visualizzata nella zona corrispondente.

Indicatore del calore residuo (in zone di riscaldamento radianti -> calcolato)

Gli stessi indicatori possono essere utilizzati anche per l'indicazione del "calore residuo". È necessario stabilire una tabella oraria a tale proposito: Tempo di calore rimanente = F (livello di potenza, tempo di lavoro).

Quando la temperatura sulla superficie in vetroresina del piano di cottura è superiore a 65°C (valore teorico), questa condizione viene visualizzata sul relativo display, tramite la lettera "H".

Per ottenere una temperatura superiore a 65°C una zona di riscaldamento deve essere in funzione per un certo periodo di tempo, che dipende dal livello di potenza. Una volta trascorso questo tempo, la segnalazione di calore residuo viene visualizzata quando la zona di riscaldamento viene spenta.

Spegnimento automatico di sicurezza

Se il livello di potenza non è variato per un tempo preimpostato, la corrispondente zona di riscaldamento si spegne in automatico.

Il tempo massimo durante il quale una zona di riscaldamento può restare accesa dipende dal livello di cottura selezionato.

Livello di potenza	Tempo massimo di attivazione (ore)
1	10
2	5
3	5
4	4
5	3
6	2
7	2
8	2
9	2
P	2

NOTA: se si verifica una situazione di surriscaldamento durante il funzionamento dei massimi livelli di potenza, il comando del piano di cottura regola automaticamente il livello di potenza per proteggere il piano di cottura dai surriscaldamenti.

7. PULIZIA E MANUTENZIONE

Prima di effettuare qualsiasi attività di manutenzione sul piano di cottura, lasciarlo raffreddare.

- Utilizzare unicamente prodotti (paste detergenti e raschietti) progettati specificatamente per superfici in vetroceramica. Sono reperibili normalmente in commercio.
- Evitare sgocciolamenti, in quanto qualsiasi sostanza che cade sulla superficie del piano di cottura brucia rapidamente e ne rende più difficile la pulizia.
- Si consiglia di tenere lontano dal piano di cottura tutte le sostanze che possono sciogliersi, quali oggetti in plastica, zucchero o prodotti a base di zucchero.

MANUTENZIONE:

- Versare alcune gocce del detergente specifico sulla superficie del piano di cottura.
- Sfregare le eventuali macchie più persistenti con un panno morbido o carta da cucina leggermente inumidita.
- Asciugare con un panno morbido o carta da cucina asciutta fino alla completa pulizia della superficie.

Se ci sono ancora macchie persistenti:

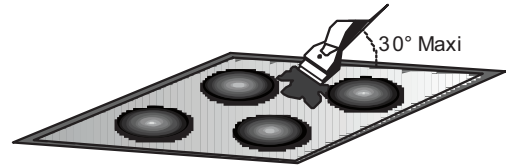
- Versare altre gocce di detergente specifico sulla superficie del piano di cottura.
- Raschiare utilizzando un raschietto, mantenendolo ad un angolo di 30° rispetto al piano di cottura, fino a quando la macchia non scompare.
- Asciugare con un panno morbido o carta da cucina asciutta fino alla completa pulizia della superficie.
- Ripetere l'operazione se necessario.

ALCUNI SUGGERIMENTI:

Una pulizia frequente lascia uno strato protettivo che è fondamentale per evitare graffi e usura. Prima di utilizzare nuovamente il piano di cottura accertarsi che la superficie sia pulita. Per togliere segni lasciati dall'acqua, utilizzare alcune gocce di aceto di vino bianco o di succo di limone. Quindi asciugare con carta assorbente e alcune gocce di detergente specifico.

La superficie in vetroceramica resiste ai graffi causati da recipienti di cottura a fondo piatto, tuttavia si consiglia sempre di sollevarli quando si spostano da una zona all'altra.

N.B.:



Non utilizzare mai una spugna troppo bagnata.

Non utilizzare mai un coltello o un cacciavite.

Un raschietto con lametta non danneggia la superficie, a patto che venga mantenuto ad un angolo di 30°.

Non lasciare mai un raschietto con lametta alla portata dei bambini.

Non utilizzare mai prodotti abrasivi o detergenti in polvere.

Cornice metallica: per pulire in modo sicuro la cornice metallica, lavare con acqua e sapone, risciacquare e quindi asciugare con un panno morbido.

Qualsiasi variazione di colore della superficie in vetroceramica non influenza il relativo funzionamento o la stabilità della superficie. Tali scolorimenti sono principalmente dovuti a residui di alimenti combusti o dall'utilizzo di recipienti di cottura in materiali quali alluminio o rame; questi tipi di macchie sono difficili da eliminare.

8. RISOLUZIONE DEL PROBLEMA

Le zone di cottura non cuociono a fuoco lento oppure friggono solo a bassa temperatura

Utilizzare solo recipienti di cottura a fondo piatto. Se tra il recipiente di cottura ed il piano di cottura si intravede dello spazio, la zona non sta trasmettendo correttamente il calore.

Il fondo del recipiente di cottura deve coprire completamente il diametro della zona selezionata.

La cottura è troppo lenta

Si stanno utilizzando recipienti di cottura inadatti. Utilizzare solo recipienti a fondo piatto, pesanti ed aventi un diametro che corrisponda almeno alla zona di cottura.

Piccoli graffi o abrasioni sulla superficie in vetroceramica del piano di cottura

Pulizia non corretta o utilizzo di recipienti di cottura a fondo ruvido; particelle simili a granelli di sabbia o sale tra il piano di cottura e il fondo del recipiente. Fare riferimento alla sezione "PULIZIA"; accertarsi che i recipienti siano puliti prima dell'uso e utilizzare solo recipienti di cottura a fondo liscio. I graffi si possono ridurre solo se la pulizia

Graffi metallici

Non fare scivolare i recipienti di cottura sul piano di cottura. Fare riferimento ai suggerimenti per la pulizia.

Si utilizzano i materiali appositi, ma le macchie sono ancora presenti. Utilizzare una lametta e seguire quanto indicato nella sezione "PULIZIA".

Macchie scure

Utilizzare una lametta e seguire quanto indicato nella sezione "PULIZIA".

Superfici chiare sul piano di cottura

Segni lasciati da recipienti in alluminio o rame, ma anche depositi di minerali, acqua o alimenti; possono essere ripuliti utilizzando la pasta detergente.

Formazione di caramello o plastica fusa sul piano di cottura.

Fare riferimento alla sezione "PULIZIA".

Il piano di cottura non funziona o alcune zone non funzionano

Le deviazioni non sono posizionate correttamente sulla morsettiara. Verificare se il collegamento è corretto e se il pannello di comando è bloccato. Sbloccare il piano di cottura.

Il piano di cottura non si blocca.

Il pannello comandi è bloccato. Sbloccare il piano di cottura.

Frequenza delle operazioni di accensione/spegnimento delle zone di cottura

Il ciclo di accensione/spegnimento variano a seconda del livello di calore richiesto:

- livello basso: tempo di funzionamento breve,
- livello alto: tempo di funzionamento lungo.

Il piano di cottura non funziona.

Controllare le condizioni dei fusibili / interruttori automatici dell'abitazione. Verificare se si tratta di una mancata alimentazione.

Il piano di cottura si è spento.

L'interruttore principale (pulsante accensione/spegnimento) è stato sfiorato involontariamente o ci sono oggetti su un qualsiasi pulsante. Riaccendere l'elettrodomestico senza appoggiare nulla sui pulsanti. Inserire nuovamente le impostazioni.

Display con F e numeri

Se la lettera F e dei numeri compaiono sul display, l'elettrodomestico ha rilevato un'anomalia. La seguente tabella elenca i provvedimenti correttivi che si possono adottare per correggere il problema. Viene effettuata correttamente.

9. MANUTENZIONE AGGIUNTIVA

Prima di rivolgersi ad un tecnico dell'Assistenza controllare quanto segue:

— che la spina sia inserita correttamente e dotata di fusibili;
Se non è possibile identificare il guasto spegnere l'elettrodomestico — non manometterlo — e chiamare il Centro di Assistenza Tecnica post-vendita. L'elettrodomestico è fornito con un certificato di garanzia che garantisce la riparazione gratuita presso il Centro di Assistenza.

10. GARANZIE

Il prodotto è garantito, oltre che ai sensi di legge, alle condizioni e nei termini riportati sul certificato di garanzia convenzionale inserito nel prodotto. Il certificato dovrà essere conservato e mostrato al nostro Centro di Assistenza Tecnica Autorizzato, in caso di necessità, insieme allo scontrino comprovante l'acquisto dell'elettrodomestico. Puoi consultare le condizioni di garanzia anche sul nostro sito internet.

Per ottenere assistenza compila l'apposito form on-line oppure contattaci al numero che trovi indicato nella pagina di assistenza del nostro sito internet.

Display della zona di riscaldamento	Anomalia	Azione
F0	Errore software comando sfioramento.	Se si è verificato un errore, scollegare e ricollegare il piano di cottura all'alimentazione elettrica. Se l'errore persiste, contattare l'assistenza post-vendita. Se un errore si verifica improvvisamente durante il normale funzionamento, contattare l'assistenza post-vendita.
Fc	La zona comandi a sfioramento è troppo calda ed ha spento tutte le zone di riscaldamento.	Attendere che la temperatura scenda. Il piano di cottura si ripristina automaticamente quando la temperatura raggiunge un valore normale.
Ft	Il sensore temperatura di comando a sfioramento può essere danneggiato.	Attendere che la temperatura scenda. Se il messaggio persiste quando la temperatura raggiunge quella ambientale, contattare l'assistenza post-vendita.
FE	Il sensore temperatura di comando a sfioramento può essere danneggiato.	Attendere che la temperatura scenda. Se il messaggio persiste quando la temperatura raggiunge quella ambientale, contattare l'assistenza post-vendita.
Fb	Pulsante eccessivamente sensibile.	Verificare che il piano di cottura sia montato correttamente. Accertarsi che i pulsanti tocchino correttamente la superficie in vetroresina.
FU / FJ	Errore sicurezza tastiera	Questo errore è un controllo automatico della tastiera. Scompare quando il controllo automatico ritorna ad un valore di sicurezza. Se l'errore persiste, contattare l'assistenza post-vendita.
FA	Errore sicurezza tastiera	Questo errore è un controllo automatico del software. Scompare quando il controllo automatico ritorna ad un valore di sicurezza. Se l'errore persiste, contattare l'assistenza post-vendita.
FC / Fd	Errore sicurezza tastiera	Questo errore è un controllo automatico del software. Scompare quando il controllo automatico ritorna ad un valore di sicurezza. Se l'errore persiste, contattare l'assistenza post-vendita.
Fr	Errore di sicurezza relè	Qualsiasi driver dei relè può presentare dei problemi. Togliere il piano di cottura dall'alimentazione, attendere un minuto e riaccendere. Se l'errore persiste, contattare l'assistenza post-vendita.

CONSIGNES DE SÉCURITÉ

Nous vous recommandons de conserver les instructions d'installation et d'utilisation pour pouvoir les consulter ultérieurement. Avant d'installer la table de cuisson, notez son numéro de série, au cas où vous auriez besoin de l'aide du service après-vente.

AVERTISSEMENT : l'appareil et ses parties accessibles chauffent pendant l'utilisation. Évitez de toucher les éléments chauffants. Les enfants de moins de 8 ans doivent être tenus hors de portée de l'appareil, sauf s'ils sont surveillés en permanence.

AVERTISSEMENT : n'utilisez qu'un dispositif de protection de votre table de cuisson conçu par le fabricant de votre appareil ou indiqué, dans le manuel d'utilisation, comme étant compatible, ou bien le dispositif de protection fourni avec l'appareil. L'utilisation d'un dispositif de protection non approprié peut causer des accidents.

AVERTISSEMENT : l'utilisation de la table de cuisson sans surveillance avec manipulation de graisse ou d'huile peut être dangereux et provoquer un incendie. N'essayez JAMAIS d'éteindre un feu avec de l'eau, mais éteignez l'appareil, puis couvrez la flamme avec un couvercle ou une couverture anti-feu, par exemple.

AVERTISSEMENT, risque d'incendie : ne stockez pas d'éléments sur les surfaces de cuisson.

AVERTISSEMENT : si la surface est fissurée, ne touchez pas le verre de la table et éteignez l'appareil pour éviter tout risque d'électrocution.

Cet appareil peut être utilisé par des enfants âgés de 8 ans et plus, par des personnes dont les capacités physiques, sensorielles ou mentales sont réduites ou par des personnes dénuées d'expérience et de connaissances, mais qui ont été informées sur la manière d'utiliser l'appareil en toute sécurité, si elles comprennent les risques impliqués. Surveillez les enfants afin qu'ils ne jouent pas avec l'appareil. L'entretien et le nettoyage ne doivent pas être effectués par des enfants sans surveillance.

ATTENTION : la cuisson demande d'être surveillée. Les cuissons de courte durée doivent être surveillées en permanence.

Il est chaudement recommandé d'éloigner les enfants de la zone de cuisson lorsqu'elle fonctionne ou même quand elle est éteinte, mais que l'indicateur de chaleur résiduelle est encore visible, afin d'éviter tout risque de brûlures graves.

Cet appareil n'est pas conçu pour être actionné par un temporisateur externe ou un système séparé de commande à distance.

Si votre table de cuisson est dotée d'éléments halogènes, n'en fixez pas la lumière.

Brancher le câble d'alimentation sur une prise de courant qui supporte le voltage (le courant et la charge sont indiqués sur l'étiquette) et vérifier la présence d'une mise à la terre. La prise d'alimentation doit supporter la charge indiquée sur l'étiquette et être dotée d'une mise à la terre en état de fonctionnement. Le câble conducteur de mise à la terre est jaune et vert. Cette opération doit être exécutée par du personnel qualifié. En cas d'incompatibilité entre la prise d'alimentation et la fiche du câble de l'appareil, demander à un électricien professionnel de remplacer la prise d'alimentation par un dispositif compatible. La

fiche du câble d'alimentation et la prise d'alimentation doivent être conformes aux normes en vigueur dans le pays d'installation.

Il est possible de brancher l'appareil à la prise d'alimentation en installant un disjoncteur multipolaire qui supporte la charge électrique maximale, conformément aux lois en vigueur, entre l'appareil et la prise d'alimentation.

Le conducteur jaune et vert de mise à la terre ne doit pas être bloqué par le disjoncteur. La prise d'alimentation ou le disjoncteur multipolaire utilisé pour le branchement doit rester à tout moment accessible lors de l'installation de l'appareil.

Le débranchement doit se faire en accédant à la prise d'alimentation ou en prévoyant un interrupteur sur le circuit électrique fixe, conforme aux normes électriques.

Si le câble d'alimentation est endommagé, il doit être remplacé par le fabricant, son agent d'entretien ou des personnes dotées du même type de qualification, afin d'éviter tout risque. Le conducteur de mise à la terre (jaune et vert) doit être plus long de 10 mm du côté de la plaque à bornes. Le diamètre interne du câble conducteur doit être proportionné à la puissance absorbée par la table de cuisson (indiquée sur l'étiquette). Le câble d'alimentation requis est le suivant : H05V2V2-F.

Ne déposez jamais d'objets en métal, tels que des couteaux, fourchettes, cuillères ou couvercles sur la table de cuisson. Ils pourraient devenir brûlants.

Ne posez jamais de papier aluminium ou de récipients en plastique sur les zones chauffantes.

Après chaque utilisation, il convient de nettoyer la table de cuisson, afin d'éviter l'accumulation de saleté et de graisse. Dans le cas contraire, les résidus risquent de brûler lors de la prochaine utilisation de la table de cuisson, causant fumées et odeurs déplaisantes, pour ne pas mentionner les risques d'incendie.

N'utilisez jamais de vaporisateur, ni de jet à haute pression pour nettoyer l'appareil.

Ne touchez pas les zones chauffantes pendant qu'elles fonctionnent, ni pendant un certain temps après leur utilisation.

Ne faites jamais cuire d'aliments directement sur la table de cuisson vitrocéramique.

Utilisez toujours des ustensiles de cuisson adéquats.

Placez toujours votre casserole au centre du foyer que vous utilisez. Ne déposez jamais aucun objet sur le panneau de commande.

N'utilisez jamais votre table de cuisson comme plan de travail.

N'utilisez pas la surface de la table de cuisson comme planche à découper.

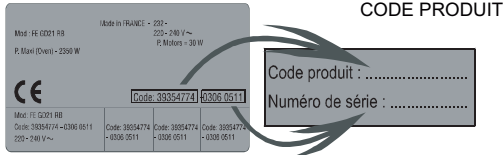
Ne rangez pas d'objets lourds sur votre table de cuisson. S'ils tombaient sur la table de cuisson, ils risqueraient de l'endommager.

N'utilisez pas la table de cuisson pour ranger des objets.

Ne faites pas glisser d'ustensiles de cuisine sur la table de cuisson.

Aucun réglage/opération supplémentaire n'est requis pour faire fonctionner l'appareil aux fréquences nominales.

Plaque d'identification (située sous le caisson de la table de cuisson)



1. AVERTISSEMENTS GÉNÉRAUX

En plaçant la marque **CE** sur cet appareil, nous confirmons sa conformité à toutes les normes européennes de protection de l'environnement, de la santé et de sécurité applicables à sa catégorie de produits.

2. PROTECTION DE L'ENVIRONNEMENT



Cet appareil est marqué du symbole correspondant à la directive européenne 2012/19/EU sur les déchets d'équipements électriques et électroniques (DEEE).

La catégorie DEEE recouvre à la fois les substances polluantes (pouvant avoir des retombées négatives sur l'environnement) et les composants de base pouvant être réutilisés. Il est important de soumettre les produits DEEE à des traitements spécifiques, afin

d'en retirer et éliminer tous les polluants, de manière adéquate, et d'en récupérer et recycler tous les matériaux possibles.

Chaque individu peut jouer un rôle important en veillant à ce que les produits DEEE ne deviennent pas un problème pour l'environnement. Pour cela, il est essentiel de suivre quelques règles de base :

- Les produits DEEE ne doivent pas être traités comme des ordures ménagères.
- Les produits DEEE doivent être remis aux points de collecte compétents gérés par la municipalité ou des sociétés autorisées. Dans de nombreux pays, les produits DEEE encombrants peuvent faire l'objet d'une collecte à domicile.

Dans de nombreux pays, lorsque vous achetez un nouvel appareil, l'ancien peut être retourné au détaillant qui est en devoir de le retirer sans frais sur la base du nouvel achat, lorsqu'il s'agit d'un équipement du même type et ayant les mêmes fonctions.

3. INSTALLATION

L'installation d'un appareil ménager est une opération compliquée qui, si elle n'est pas correctement effectuée, peut avoir des conséquences négatives sur la sécurité des biens, des propriétés et des personnes. C'est pourquoi cette tâche doit être effectuée par un professionnel qualifié et conformément à la réglementation technique en vigueur.

Si cette recommandation n'est pas respectée et que l'installation est effectuée par une personne non qualifiée, le fabricant décline toute responsabilité pour des pannes techniques du produit entraînant ou non des dommages aux biens et propriétés ou des blessures aux personnes et animaux.

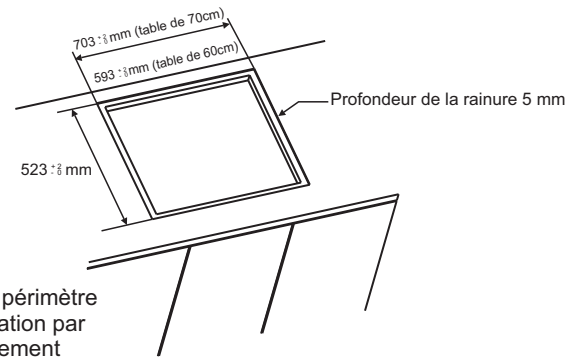
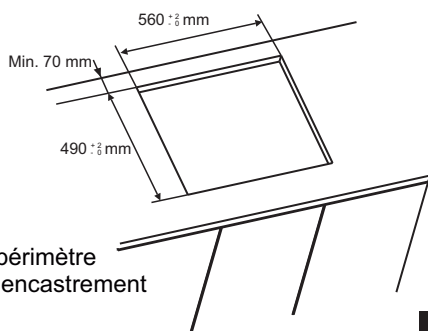
Après avoir retiré l'emballage de votre appareil, vérifiez que celui-ci n'est pas endommagé. Dans le cas contraire, contactez votre détaillant ou notre service après-vente.

Vérifiez que le meuble dans lequel l'appareil sera installé et tous les autres meubles à proximité de celui-ci soient construits avec des matériaux qui supportent les hautes températures (min. 100 °C).

En outre, tous les stratifiés décoratifs doivent être fixés avec une colle résistant à la chaleur.

Il est possible d'installer l'appareil dans un meuble encastré de façon standard ou « au ras ».

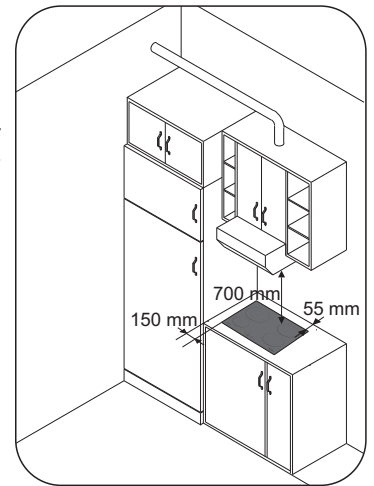
L'épaisseur du plan de travail doit être comprise entre 25 et 45 mm.



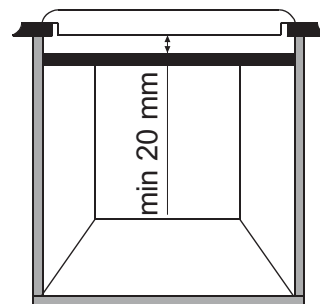
Remarque : les dimensions du périmètre interne sont les mêmes que pour une installation standard.

Laissez une distance minimum de 55 mm entre la table de cuisson et le mur du fond et de 150 mm entre la table de cuisson et le meuble vertical ou mur présent sur le côté. Pour l'installation d'un meuble au-dessus de la table de cuisson, la distance minimum requise est de 700 mm.

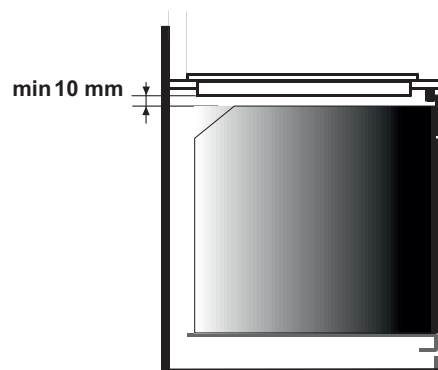
Si vous souhaitez installer une hotte au-dessus de la table de cuisson, veuillez consulter les consignes d'installation de la hotte, tout en sachant que la distance minimum requise entre table de cuisson et hotte ne peut pas être inférieure à 700 mm.



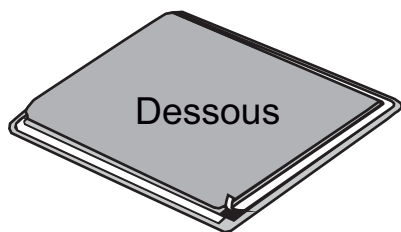
Si la partie inférieure de la table de cuisson confine avec un espace accessible pour des opérations de manutention ou de nettoyage, un panneau de séparation doit être installé 20 mm au-dessous de la table de cuisson



L'installation d'un four au-dessous de la table de cuisson ne requiert pas de panneau de séparation, mais la distance minimum entre la partie inférieure de la table de cuisson et le four doit être de 10 mm. Seul un four avec système de refroidissement peut être installé sous la table de cuisson, selon ses propres consignes d'installation.

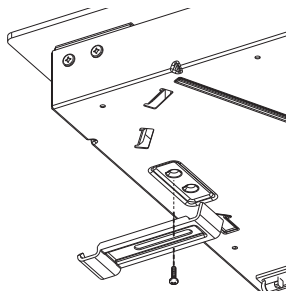


Un joint d'étanchéité à l'eau est fourni avec la table de cuisson. Posez le joint d'étanchéité bien soigneusement tout autour de la partie inférieure de la table de cuisson, comme illustré, afin d'empêcher toute fuite dans le meuble d'encastrement.

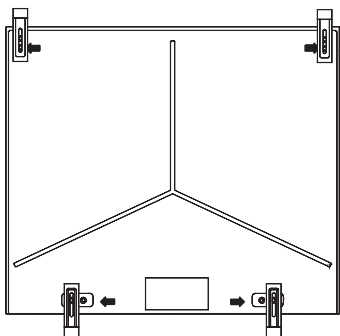


Fixation ordinaire :

- Saisissez les pattes de fixation contenues dans le sachet de visserie et vissez-les dans la position indiquée sur le boîtier inférieur. (ne serrez pas les vis à fond pour ne pas bloquer les pattes : elles doivent rester mobiles).

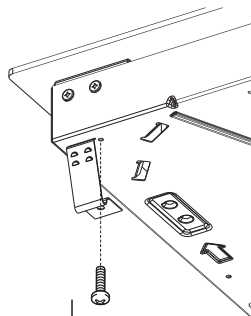


- Insérez la table de cuisson au centre du plan de découpe.
- Tournez les pattes de fixation et serrez-les à fond.

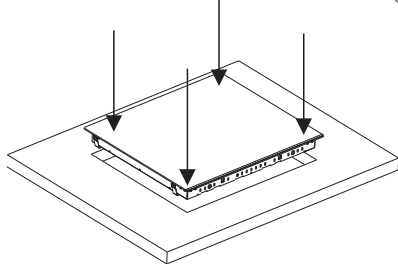


Fixation rapide : (selon le modèle)

Saisissez quatre ressorts contenus dans le sachet de visserie et vissez-les sur le boîtier inférieur, comme illustré.



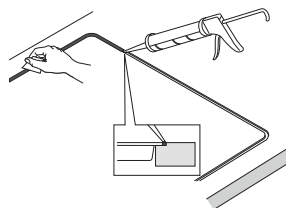
Centrez la table de cuisson et insérez-la. Exercez une pression sur les côtés de la table de cuisson pour qu'elle adhère à son support sur tout son périmètre.



INSTALLATION PAR ENCASTREMENT

Vérifiez que la table de cuisson est correctement installée, puis étalez de la colle au silicone au niveau de l'interstice entre le plan de travail et la table de cuisson. Aplatissez la couche de silicone avec un racloir ou un doigt mouillé à l'eau savonneuse, avant qu'elle ne sèche.

N'utilisez pas la table de cuisson avant que la couche de silicone ne soit complètement sèche



4. RACCORDEMENT ÉLECTRIQUE

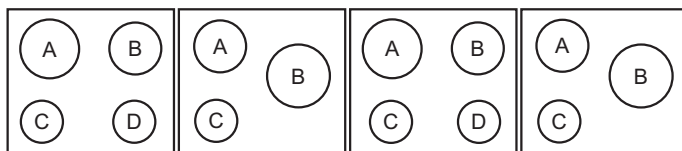


SCHÉMA 1

SCHÉMA 2

SCHÉMA 3

SCHÉMA 4

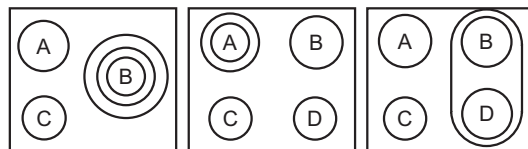
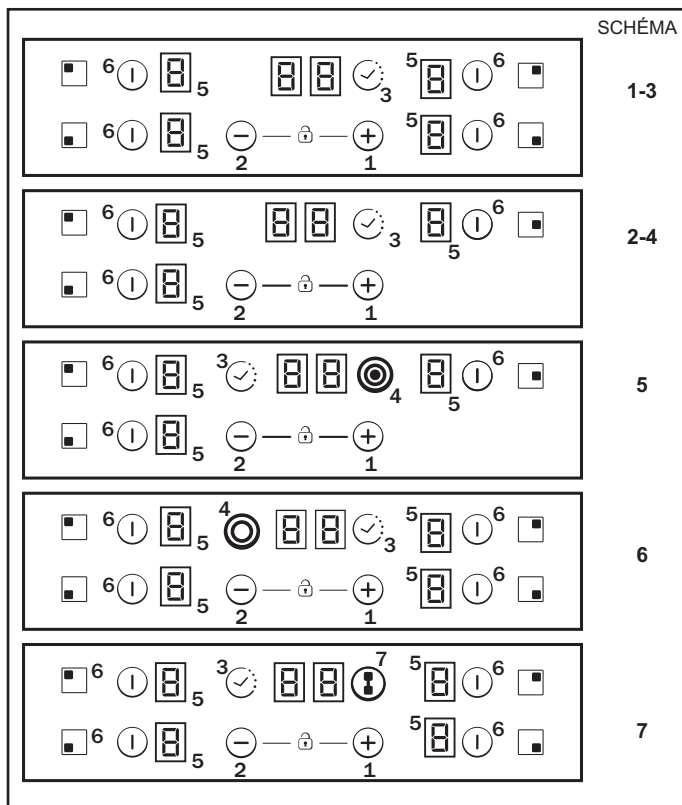


SCHÉMA 5

SCHÉMA 6

SCHÉMA 7

	A	B	C	D
SCHÉMA 1	2300W	1800W	1200W	1200W
SCHÉMA 2	1800W	2500W	1200W	-
SCHÉMA 3	2300W	1800W	1200W	1200W
SCHÉMA 4	1800W	2500W	1200W	-
SCHÉMA 5	1800W	750+900+1050W	1200W	-
SCHÉMA 6	1000+1200 w	1800W	1200W	1200W
SCHÉMA7	1800W	1800W	1200W	1800W



Selon le modèle

- « + »
- « - »
- Minuterie
- LED supplémentaire zone de cuisson
- Indicateur de programmation de la zone de cuisson
- Sélection de la zone de cuisson
- Pont

« L'installation doit être conforme aux normes et directives. » Le fabricant décline toute responsabilité en cas de dommage dû à une utilisation non conforme ou non raisonnable.

AVERTISSEMENT : Le fabricant décline toute responsabilité pour tout incident ou ses conséquences pouvant être dues à l'usage d'un appareil non mis à la terre ou dont la continuité de mise à la terre est défectueuse.

Avant tout branchement électrique, vérifiez toujours la tension d'alimentation indiquée sur le compteur électrique, l'installation du coupe-circuit, la continuité de la mise à la terre de l'installation et la compatibilité du fusible.

Le branchement électrique de l'installation doit correspondre à la puissance nominale de l'appareil : brancher l'appareil à l'aide d'un interrupteur bipolaire.

Si l'appareil est équipé d'une prise de courant, il convient de veiller lors de l'installation à ce que la prise reste accessible.

Le câble jaune et vert du cordon d'alimentation doit être mis à la terre des bornes d'alimentation et des bornes de l'appareil.

Toute question concernant le cordon d'alimentation électrique doit être adressée au service après-vente ou à un technicien qualifié.

Si la table de cuisson est équipée d'un cordon d'alimentation, celui-ci doit obligatoirement être raccordé au secteur 220-240 V entre la phase et le neutre.

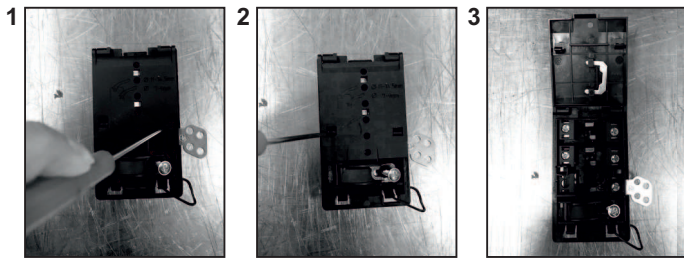
Il est toutefois possible de brancher la table de cuisson à :

- Triphasés 220-240 V3
- Triphasés 380-415 V2N

Pour procéder au nouveau branchement, suivez les instructions ci-dessous :

Avant de réaliser le branchement, assurez-vous que l'installation est protégée par un fusible adéquat et qu'elle est équipée de câbles de section suffisante pour alimenter normalement l'appareil. Retournez la table de cuisson, côté verre, sur le plan de travail, en prenant soin de protéger le verre.

Ouvrez le couvercle selon les étapes suivantes :



- dévissez le serre-câble « 1 » ;
- localisez les deux pattes situées sur les côtés ;
- introduisez un tournevis plat devant les pattes « 2 » et « 3 », enfoncez et appuyez ;
- déposez le couvercle.

Pour retirer le cordon d'alimentation :

- Retirez les vis fixant la plaque à bornes contenant les barres shunt et les conducteurs du cordon d'alimentation ;
- Retirez le cordon d'alimentation.

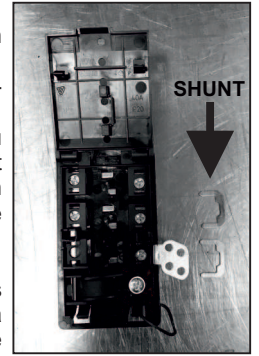
Opérations nécessaires pour réaliser un nouveau branchement :

- choisissez le cordon d'alimentation en fonction des recommandations du tableau ;
- Faites passer le cordon dans le serre-câble ;
- Découpez l'extrémité de chaque fil du cordon d'alimentation sur 10 mm, en tenant compte de la longueur de cordon nécessaire pour le branchement à la plaque à bornes ;
- Selon l'installation et avec l'aide des barres shunt que vous avez récupérées à la première étape, fixez le conducteur comme indiqué sur le graphique ;
- Fixez le couvercle ;
- Vissez le serre-câble.

Remarque : vérifiez que les vis du bornier sont bien serrées.

Opérations nécessaires pour réaliser un nouveau branchement :

- Choisissez le cordon d'alimentation en fonction des recommandations du tableau ;
- Faites passer le cordon dans le serre-câble ;
- Découpez l'extrémité de chaque fil du cordon d'alimentation sur 10 mm, en tenant compte de la longueur de cordon nécessaire pour le branchement à la plaque à bornes ;



- Selon l'installation et avec l'aide des barres shunt que vous avez récupérées à la première étape, fixez le conducteur comme indiqué sur le graphique ;
- Fixez le couvercle ;
- Vissez le serre-câble.

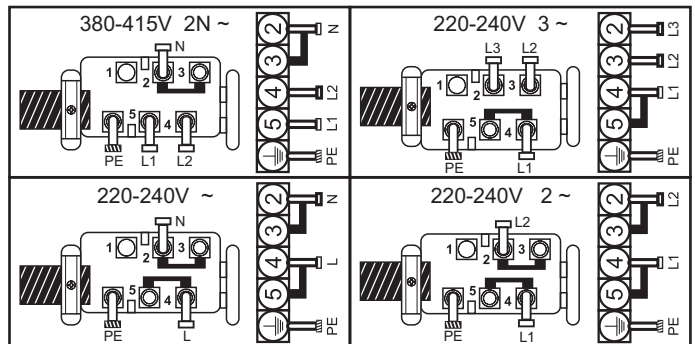
ATTENTION :

Si le cordon d'alimentation doit être remplacé, connectez le nouveau cordon conformément aux couleurs/codes suivants :

BLEU	Neutre	(N)
MARRON	Phase	(L)
JAUNE VERT	Terre	(⊕)

Branchement aux bornes de la plaque à bornes

	DISPOSITION "1-6"	DISPOSITION "7"
MONOPHASÉS ou BIPHASÉS 220-240 V~		
Câble HO5V2V2F	3x2,5 mm ²	3x4 mm ²
TRIPHASÉS 220-240 V3~		
Câble HO5V2V2F	4x1,5 mm ²	4x1,5 mm ²
TRIPHASÉS 380-415 V2N~		
Câble HO5V2V2F	4x1,5 mm ²	4x1,5 mm ²



L1 / L2 / L3 = Phase N = Neutre PE = Terre

5. CONSEILS CONCERNANT LES USTENSILES DE CUISSE POUR LA TABLE DE CUISSON

Il est important d'utiliser des ustensiles de cuisson de bonne qualité afin d'obtenir les meilleurs résultats avec votre table de cuisson



- **Utilisez toujours des ustensiles de cuisson de qualité, aux fonds parfaitement plats et épais** : l'utilisation de ce type d'ustensiles évitera les points chauds causant l'adhérence des aliments. Les casseroles et poêles épaisses assurent une distribution homogène de la chaleur.
- **Assurez-vous que le dessous de la casserole ou de la poêle est sec** : lorsque vous remplissez votre casserole de liquide ou lorsque vous en utilisez une précédemment rangée au réfrigérateur, assurez-vous que le dessous est bien sec avant de le poser sur la table de cuisson. Cela évitera de tâcher la table de cuisson.
- **Utilisez des casseroles dont le diamètre est assez large pour recouvrir toute la surface du foyer** : la taille de la casserole ne doit pas être inférieure à celle du foyer. Si elle est un peu plus grande, l'énergie sera exploitée au maximum.

CHOIX DES USTENSILES DE CUISSON - Les informations suivantes vous aideront à choisir des ustensiles de cuisson performants.

Acier inoxydable : nous le recommandons vivement. Notamment les modèles avec fond plat en sandwich. Le fond en sandwich allie les avantages de l'acier inoxydable (esthétique, durabilité et résistance) et de l'aluminium ou du cuivre (conduction thermique, distribution homogène de la chaleur).

Aluminium : nous recommandons les modèles extra-lourds. Bonne conductivité. Les résidus d'aluminium laissent parfois des rayures sur la table de cuisson, mais elles s'éliminent si elles sont nettoyées immédiatement.

En raison de son point de fusion bas, l'aluminium fin ne doit pas être utilisé.

Fonte : elle peut être utilisée, mais nous ne la recommandons pas. Les performances laissent à désirer. Elle risque de rayer la surface.

Fond en cuivre / faïence : nous recommandons les modèles extra-lourds. Bonnes performances, mais le cuivre risque de laisser des résidus ressemblant à des rayures. Les résidus peuvent être éliminés si la table de cuisson est immédiatement nettoyée. Quoiqu'il en soit, ne laissez pas ces casseroles chauffer à vide. Le métal surchauffé risque d'adhérer aux plaques vitrocéramiques. Une casserole en cuivre surchauffée laissera une trace indélébile sur la table de cuisson.

Porcelaine / émail : bonnes performances uniquement avec un petit fond lisse et plat.

Vitrocéramique : non recommandée. Les performances laissent à désirer. Elle risque de rayer la surface.

6. UTILISATION

Comment choisir le niveau de gestion de la puissance

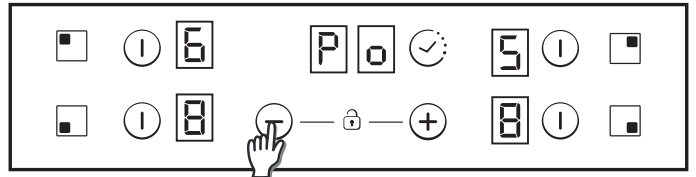
Grâce à la fonction « Gestion de la puissance », l'utilisateur peut définir la puissance maximale qui peut être atteinte par la plaque de cuisson.

La fonction de gestion de la puissance est disponible uniquement durant les 30 premières secondes suivant l'activation de la plaque de cuisson. Il existe également la possibilité de répéter ce réglage en débranchant et rebranchant la prise électrique.

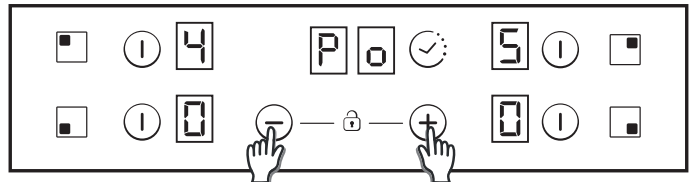
En réglant la puissance maximale souhaitée, la plaque de cuisson ajuste automatiquement la distribution de la puissance dans les différentes zones de cuisson afin de ne jamais dépasser la limite ; cela permet également de gérer simultanément toutes les zones de cuisson sans problème de surcharge.

Le client peut définir la puissance maximale de la plaque de cuisson entre 2,5 kW et la puissance maximale relative de la plaque de cuisson (peut varier en fonction du modèle). (Par exemple, si la puissance maximale de la plaque de cuisson est de 7,2 kW, le niveau de puissance maximale du réglage est compris entre 2,5 kW et 7,2 kW). Au moment de l'achat, la plaque de cuisson est définie sur la puissance maximale. Après avoir branché l'appareil sur l'alimentation électrique, vous avez 30 secondes pour régler le niveau de puissance en vous basant sur les points indiqués ci-dessous :

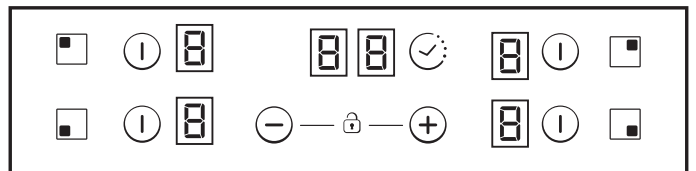
- 1 - Activez la plaque de cuisson
- 2 - Laissez la commande tactile finir son processus d'initialisation
- 3 - Avant que 30 secondes s'écoulent touchez pendant 5 secondes la touche Moins (⊖)
- 4 - Ensuite ce message s'affiche.



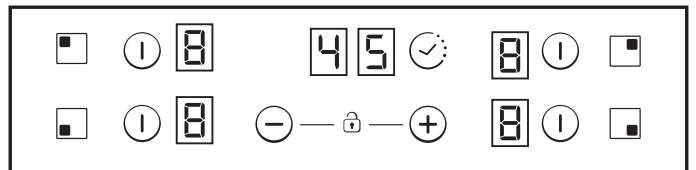
- 5 - Avec les touches Plus et Moins vous pouvez régler la valeur de la gestion de la puissance Dans cet exemple entre 6500 2500w Lorsque la valeur voulue est sélectionnée, touchez en même temps les touches Plus et Moins pendant 5 secondes.



- 6 - Au terme de ce processus un long bip retentit et une remise à zéro est faite. Le processus de démarrage sera généré à nouveau.

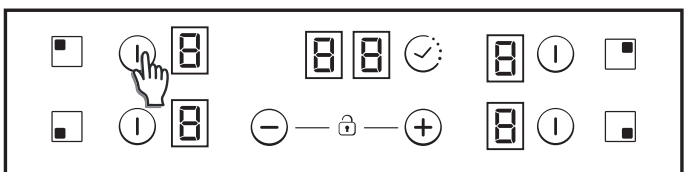


- 7 - Après le processus de démarrage, Gestion de puissance ECO s'affichera sur l'écran de la minuterie.



Par la suite, la commande tactile ne permettra plus de combinaison dépassant cette limite Eco.

Allumer/Éteindre un foyer de cuisson



Pour allumer un foyer de cuisson, touchez la zone de commande correspondante pendant 400 ms. Un long bip retentit et le chiffre « 0 » s'affiche pour cette zone, indiquant le niveau de chauffe.

- 1) Si le niveau de cuisson est sur « 0 », cet affichage s'interrompt automatiquement au bout de 10 secondes et le signal de coupure de cette zone retentit.
- 2) S'il y a présence de chaleur résiduelle avec niveau de chauffe égal à « 0 », ce « 0 » clignote.
- 3) Si la fonction de verrouillage est activée, vous ne pouvez activer de zone de cuisson.

Pour éteindre un foyer, touchez sa zone de commande pendant 1,2s. Trois bips sonores retentissent et, s'il y a chaleur résiduelle, la lettre « H » s'affiche. La zone de commande du foyer est alors éteinte.

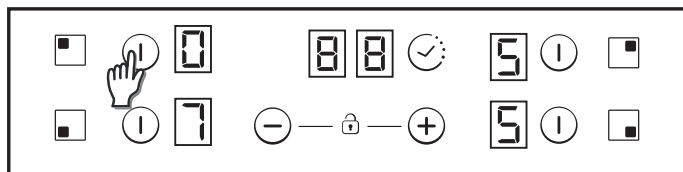
- 1) Si le niveau de cuisson est sur « 0 », cet affichage s'interrompt automatiquement au bout de 10 secondes et le signal de coupure de la zone de commande retentit.
- 2) S'il y a chaleur résiduelle, mais que la zone de commande est éteinte, la lettre « H » s'affiche.

3) Même si la fonction de verrouillage est activée, vous pouvez éteindre une zone de commande.

4) Si un seul foyer de cuisson est activé et que celui-ci est ensuite éteint, 4 bips sonores retentissent pour indiquer que tout le plan de cuisson est éteint.

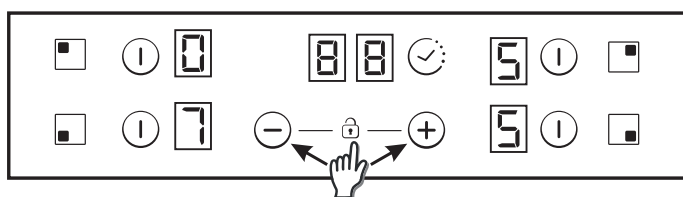
Sélection d'une zone de commande

Quand cette zone est allumée, une intensité lumineuse moindre apparaît en correspondance des zones de commande déjà allumées, mais non sélectionnées.



Si une seule zone de commande est allumée, celle-ci est sélectionnée par défaut, sans qu'il soit nécessaire d'exercer une pression (de 150 ms) sur la touche de commande.

Augmenter/Diminuer le niveau de chauffe.



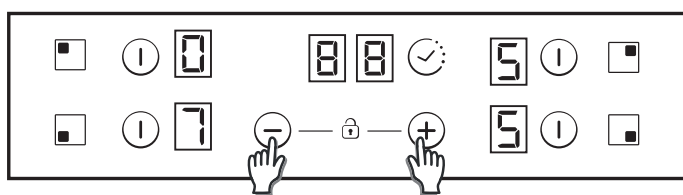
En appuyant brièvement sur « + » ou « - », vous augmentez ou diminuez le niveau de chauffe de la zone sélectionnée : 0 - 1 - 2 - 3 - ... - 9 - P

1. En appuyant plus longuement sur « + » ou « - », le niveau de chauffe augmente ou diminue de manière continue. L'augmentation rapide du niveau de chauffe atteint le niveau 9 et pour un niveau encore plus élevé, appuyez brièvement sur la touche « + ». Aucun bip ne retentit avec l'augmentation ou la diminution rapide du niveau de chauffe.

2. Une fois sur « P », si vous appuyez une nouvelle fois sur la touche « + », cela ne ramène pas le niveau de réglage à « 0 ». De même, une fois sur « 0 », si vous appuyez une nouvelle fois sur la touche « - », cela ne ramène pas le niveau de réglage sur « P ».

3. Si une zone de commande est activée avec réglage sur « 0 » et qu'il y a une chaleur résiduelle, le « 0 » clignote. 10 secondes après, le « 0 » disparaît et la lettre « H » fixe s'affiche.

Option verrouillage enfant



Cette action est activée en appuyant en même temps sur les touches « + » et « - ».

Ensuite, chaque fois qu'on appuie sur une touche, les lettres "Lo" s'affichent pendant 2 secondes et le niveau de chauffe reste le même.

Pour désactiver le verrouillage enfant, suivre la même procédure que celle indiquée plus haut. Ensuite, un bip retentit et l'écran affiche la lettre « n ». La table de cuisson n'est plus verrouillée.

Remarque : Le verrouillage enfant est automatiquement activé 15 minutes après l'arrêt total de la table de cuisson.

Doubler/Tripler la zone de cuisson

Pour activer l'élargissement double de la zone de cuisson, la zone principale associée doit déjà être allumée à un niveau de chauffe supérieur à « 0 ».

8.1-Allumage de la zone double de cuisson

Appuyez brièvement sur la touche d'élargissement qui activera l'élargissement du foyer de cuisson. Le LED de la touche d'élargissement affiche ON si l'élargissement du foyer de cuisson est activé.

Appuyez une deuxième fois brièvement sur la [] la touche d'élargissement qui éteint l'élargissement du foyer de cuisson. Un bip retentit chaque fois que vous appuyez sur la touche d'élargissement.

8.2-Allumage de la zone triple de cuisson

Appuyez brièvement sur la touche d'élargissement qui allumera le 1er élargissement du foyer de cuisson. L'un des LED de la touche d'élargissement affiche ON si le 1er élargissement du foyer de cuisson est activé (LED côté gauche pour un foyer triple de cuisson, LED du milieu, le seul existant, pour un foyer double de cuisson).

Appuyez une deuxième fois brièvement sur la touche d'élargissement qui active le deuxième élargissement du foyer de cuisson. Deux LED de la touche d'élargissement du foyer s'allument si le 1er et le 2e élargissement du foyer de cuisson sont allumés.

Appuyez une troisième fois brièvement sur la touche d'élargissement qui éteint le 1er et le 2e élargissement du foyer de cuisson. []

Un bip retentit chaque fois que vous appuyez sur la touche d'élargissement.

Fonction de pont

La fonction de pont ne peut être activée que lorsque les deux foyers sont éteints. L'un des foyers du pont a été sélectionné ; pour activer la fonction de pont appuyez sur la touche pont. []

Un bip retentit et le LED de la zone s'allume si la zone de commande est activée.

Les deux foyers du pont sont activés en même temps.

Une fois que les deux foyers sont activés, vous pouvez régler le niveau de chauffe en appuyant sur les touches « + » et « - ».

Les deux foyers du pont affichent le même niveau de chauffe. Arrêt de la fonction :

- en appuyant sur la touche fonction de pont en mode de paramétrage.
- Si l'utilisateur règle le niveau de chauffe sur « 0 ».

Sécurité débordement

Un objet ou un liquide fait pression sur une ou plusieurs touches pendant plus de 5 s. 2 bips retentissent suivis d'un long bip toutes les 30 s, aussi longtemps que la ou les touches subissent telle pression. La table de cuisson s'éteint. L'affichage "F1" ou "F2" clignote tant que ce problème persiste.

Minuterie

La fonction de temporisation est activée en appuyant sur la touche correspondante ou en appuyant en même temps sur les touches « + » et « - ».

Dans les deux cas, il faut qu'un foyer ait été sélectionné à un niveau de chauffe supérieur à « 0 ».

Deux options possibles :

Choisissez la zone que vous voulez temporiser. Le niveau de chauffe doit être supérieur à « 0 ». Le symbole [] statique s'affiche en correspondance de la zone choisie pour la temporisation. Les chiffres « 00 » s'affichent en correspondance de la fonction de temporisation.

1) Appuyez sur les touches « + » ou « - » pour choisir la durée de temporisation. Aucun bip ne retentit lorsque vous changez cette durée.

2) En maintenant la touche de temporisation appuyée, la temporisation est annulée (elle affiche 00).

3) En maintenant les touches « + » ou « - » de la minuterie appuyées, vous effectuez un réglage rapide.

4) Pour régler la minuterie, la touche « - » permet d'aller de « 00 » à « 99 » et la touche « + » de « 99 » à « 00 ».

5) Durée maximum 99 minutes.

6) Une fois ce temps écoulé, la table de cuisson commence à sonner : appuyez sur n'importe quelle touche pour faire cesser l'alarme.


7) Il est possible de modifier la valeur de la minuterie alors même qu'il est déjà en fonction.

8) Le niveau de chauffe des zones temporisées peut être modifié sans conséquences pour le réglage la minuterie.

9) La dernière minute s'affichera en secondes (sur certaines versions visible uniquement si vous entrez dans la programmation la minuterie pendant la dernière minute du compte à rebours).

10) Si vous appuyez sur la touche de temporisation sans avoir sélectionné de zone et quand aucune zone n'est temporisée, cela n'a pas de suite.

11) Si vous appuyez sur la touche de temporisation sans avoir sélectionné de zone et quand plusieurs zones sont temporisées, la durée indiquée change dans le sens des aiguilles d'une montre et indique la durée de l'affichage dont le point des décimales est activé.

12) Sinon l'affichage du niveau de puissance du foyer temporisé alterne entre niveau de puissance (5s) et le symbole  (0,5s). Le compte à rebours s'affiche dans les espaces d'affichage de la temporisation. Si plusieurs zones sont temporisées, c'est la valeur la plus petite du compte à rebours qui s'affiche et les décimales s'affichent en correspondance de la zone concernée.

Indicateur de chaleur résiduelle (pour les foyers à rayonnement -> calculé)

De même, on peut utiliser les mêmes indicateurs pour montrer la « chaleur résiduelle ». Un tableau des durées est défini dans ce but : Durée de chaleur résiduelle = f (niveau de chauffe, durée de fonctionnement).

Quand la température sur le plan de cuisson vitrocéramique est égale à environ 65 °C (valeur théorique), cette condition est indiquée par un « H » s'affichant en correspondance du foyer concerné.

Pour générer une température supérieure à 65 °C, tel foyer doit fonctionner depuis un certain temps et cette durée dépend du niveau de chauffe. Une fois ce temps écoulé, l'avertissement de chaleur résiduelle s'affiche au moment où le foyer est éteint.

Arrêt automatique

Si le niveau de chauffe ne change pas pendant un certain temps prédéterminé, il y a arrêt automatique du foyer correspondant. La durée maximale de fonctionnement d'un foyer dépend du niveau de chauffe réglé.

Niveau de chauffe	Durée max. (heures)
1	10
2	5
3	5
4	4
5	3
6	2
7	2
8	2
9	2
P	2

REMARQUE : s'il y a risque de surchauffe dû à l'activation du niveau de chauffe maximum, la table de cuisson règle automatiquement son niveau de chauffe pour se protéger.

7. NETTOYAGE ET ENTRETIEN

. Avant toute opération d'entretien, laissez refroidir la table de cuisson.

. Utilisez uniquement des produits (crèmes et racleurs) spécifiquement conçus pour les surfaces vitrocéramiques. Ils s'achètent dans le commerce.

. Évitez les débordements, car toute substance se renversant sur la table de cuisson brûle rapidement et rendra le nettoyage plus difficile.

. Nous recommandons d'éviter d'utiliser des substances risquant de fondre (plastique, sucre, produits à base de sucre) à proximité de la table de cuisson.

ENTRETIEN :

- Versez quelques gouttes d'un détergent spécifique sur la table de cuisson.

- Frottez les taches tenaces à l'aide d'un chiffon doux ou de papier absorbant légèrement humide.

- Essuyez avec un chiffon doux ou du papier absorbant sec jusqu'à ce que la surface soit propre.

Si des taches subsistent :

- Versez quelques gouttes supplémentaires de détergent spécifique sur la table de cuisson.

- Grattez à l'aide d'un racleur en le tenant à un angle de 30° par rapport à la table de cuisson, jusqu'à disparition de la tache.

- Essuyez avec un chiffon doux ou du papier absorbant sec jusqu'à ce que la surface soit propre.

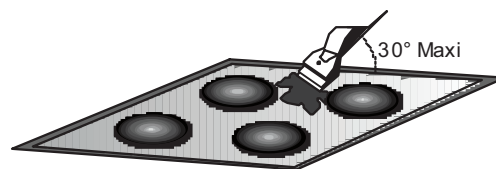
- Recommencez si nécessaire.

QUELQUES CONSEILS :

Le nettoyage fréquent crée une couche protectrice essentielle pour éviter les rayures et l'usure de la table de cuisson. Assurez-vous que la surface de la table de cuisson est propre avant de la réutiliser. Pour éliminer les traces d'eau, utilisez quelques gouttes de vinaigre blanc ou de jus de citron. Puis essuyez avec du papier absorbant et quelques gouttes de détergent spécifique.

La surface vitrocéramique résiste aux rayures des ustensiles de cuisson à fond plat. Toutefois, il est préférable de les soulever pour les déplacer d'une zone de cuisson à l'autre.

N.B.:



Ne pas utiliser d'éponge trop humide.

Ne jamais utiliser de couteau ou de tournevis.

Un racleur équipé d'une lame de rasoir n'endommage pas la surface, tant qu'il est maintenu à un angle de 30°.

Ne pas laisser le racleur avec lame de rasoir à la portée des enfants.

Ne jamais utiliser de produits abrasifs ou de poudre à récurer.

Bordure métallique : Pour nettoyer la bordure métallique en toute sécurité, lavez à l'eau et au savon, rincez, puis séchez avec un chiffon doux.

Toute variation de la couleur du verre vitrocéramique n'a pas d'influence sur son fonctionnement, ni sur la solidité de sa surface. Les variations de couleur sont pour la plupart dues à des résidus alimentaires brûlés ou à des ustensiles de cuisine en aluminium ou en cuivre (ces dernières sont difficiles à éliminer).

8. RÉOLUTION DE PROBLÈMES

Les zones de cuisson ne permettent pas de faire mijoter ou ne font frire qu'à petit feu

Utilisez uniquement des casseroles à fond plat. Si de la lumière passe entre la casserole et la table de cuisson, la zone de cuisson ne peut pas correctement transmettre la chaleur.

Le fond de casserole doit couvrir entièrement le diamètre de la zone sélectionnée.

La cuisson est trop lente

Les casseroles utilisées ne sont pas adaptées. Utilisez uniquement des ustensiles de cuisson à fond plat, lourd et dont le diamètre est au moins égal à celui de la zone de cuisson.

Petites rayures ou traces d'abrasion sur la surface vitrocéramique

Nettoyage inadapté ou utilisation de casseroles à fond non lisse ; particules, telles que des grains de sable ou du sel, entre la plaque de cuisson et le fond de la casserole. Consultez le chapitre « NETTOYAGE ». Assurez-vous que le fond des casseroles est propre avant de vous en servir et utilisez uniquement des casseroles à fond lisse. Vous pouvez réduire le nombre de rayures par un nettoyage soigné.

Traces de métal

Ne faites pas glisser les casseroles en aluminium sur la surface vitrocéramique. Reportez-vous aux recommandations de nettoyage.

Vous utilisez le bon matériel, mais les taches persistent. Utilisez une lame de rasoir et suivez les consignes du chapitre « NETTOYAGE ».

Taches foncées

Utilisez une lame de rasoir et suivez les consignes du chapitre « NETTOYAGE ».

Zones claires sur la table de cuisson

Il s'agit peut-être de traces de casseroles en aluminium ou en cuivre, ou encore de dépôts minéraux, d'eau ou d'aliments : vous pouvez les éliminer à l'aide d'un détergent en crème.

Caramélisation ou plastique fondu sur la table de cuisson

Consultez le chapitre « NETTOYAGE ».

La table de cuisson ou certaines zones de cuisson ne fonctionnent pas.

Les shunts ne sont pas bien positionnés sur le bornier.

Faites vérifier que la connexion est conforme et contrôlez que le panneau de commande est verrouillé. Déverrouillez la table de cuisson.

La table de cuisson ne s'arrête pas.

Le panneau de commande est verrouillé. Déverrouillez la table de cuisson.

Fréquence des cycles de marche-arrêt des zones de cuisson

Les cycles de marche-arrêt varient en fonction du niveau de

chaleur requis :

- niveau faible : temps d'activité court,
- niveau élevé: temps d'activité long.

Le plan de cuisson ne fonctionne pas.

Contrôlez l'état des fusibles et du disjoncteur de votre circuit électrique. Vérifiez s'il y a une panne de courant.

Le plan de cuisson s'est éteint.

Le commutateur principal (touche ON/OFF) a été actionné accidentellement ou un objet quelconque est présent sur une ou plusieurs touches. Éliminez le ou les objets présents sur le panneau de commande. Saisissez à nouveau vos paramètres de réglage.

La lettre « F » et des chiffres sont affichés

Si un « F » et des chiffres s'affichent, votre appareil a détecté une défaillance. Le tableau suivant vous indique les actions possibles de résolution du problème.

9. SERVICE APRES VENTE

Avant de faire appel à un technicien SAV, veuillez vérifier les points suivants :

- la prise est correctement branchée et le fusible est en bon état ;
Si vous ne parvenez pas à identifier l'erreur, éteignez l'appareil. Ne le modifiez pas. Appelez le centre SAV. L'appareil est fourni avec certificat de garantie, qui vous assure une réparation gratuite au centre SAV.

Affichage foyer de cuisson	Problème	Solution
F0	Erreur du logiciel de commande tactile	Si une erreur s'est produite, débranchez puis rebranchez le câble d'alimentation. Si l'erreur persiste, appelez le service après-vente. Si l'erreur apparaît à l'improviste au cours du fonctionnement ordinaire, appelez le service après-vente
Fc	La zone de commande tactile est trop chaude, ce qui a désactivé tous les foyers de cuisson.	Attendez que la température ait chuté. La table de cuisson se remettra en marche dès que la température sera redevenue normale.
Ft	Le capteur de température à commande tactile est peut-être endommagé.	Attendez que la température ait chuté. Si ce message persiste quand la température atteint la température ambiante, appelez le service après-vente.
FE	Le capteur de température à commande tactile est peut-être endommagé.	Attendez que la température ait chuté. Si ce message persiste quand la température atteint la température ambiante, appelez le service après-vente.
Fb	Sensibilité excessive de toutes les touches.	Vérifiez que la table de cuisson est correctement montée. Contrôlez que les touches sont bien au contact de la plaque en verre vitrocéramique.
FU / FJ	Erreur sécurité du clavier	Cette erreur résulte d'un contrôle automatique du clavier. Elle disparaît quand le contrôle automatique détecte une valeur acceptable. Si l'erreur persiste, appelez le service après-vente.
FA	Erreur sécurité du clavier	Cette erreur résulte d'un contrôle automatique du logiciel. Elle disparaît quand le contrôle automatique détecte une valeur acceptable. Si l'erreur persiste, appelez le service après-vente.
FC / Fd	Erreur sécurité du clavier	Cette erreur résulte d'un contrôle automatique du logiciel. Elle disparaît quand le contrôle automatique détecte une valeur acceptable. Si l'erreur persiste, appelez le service après-vente
Fr	Erreur sécurité des relais	Les pilotes de relais sont susceptibles d'une multitude de problèmes. Coupez l'alimentation de la table de cuisson pendant une minute, puis rebranchez. Si l'erreur persiste, appelez le service après-vente.

BEZPEČNOSTNÍ OPATŘENÍ

Doporučujeme vám, abyste si uchovali pokyny pro instalaci a použití pro pozdější potřebu, a před instalací varné desky si poznamenejte její sériové číslo pro případ, že byste potřebovali pomoc poprodejního servisu.

UPOZORNĚNÍ: Spotřebič a jeho přístupné části se během používání zahřívají na vysokou teplotu. Dávejte pozor, abyste se nedotkli topných článků. Děti do 8 let věku musejí být mimo dosah spotřebiče, pokud nejsou pod neustálým dohledem.

UPOZORNĚNÍ: Používejte pouze ochrannou zábranu varné desky navrženou výrobcem varného spotřebiče nebo zábranu, kterou výrobce spotřebiče označí v návodu k použití za vhodnou, nebo zábranu zabudovanou do spotřebiče. Použití nevhodných ochranných zábran může způsobit nehody.

UPOZORNĚNÍ: Vaření bez dozoru na varné desce s tukem nebo olejem může být nebezpečné a způsobit požár. Nikdy se nepokoušejte uhasit požár vodou; vypněte spotřebič, a potom zakryjte plamen např. pokličkou nebo protipožární dekou.

UPOZORNĚNÍ: Nebezpečí požáru: na varném povrchu nic neskladujte.

UPOZORNĚNÍ: Pokud je povrch prasklý, nedotýkejte se skla a spotřebič vypněte, aby nedošlo k úrazu elektrickým proudem.

Tento spotřebič smějí používat děti starší 8 let a osoby se sníženými fyzickými, smyslovými nebo duševními schopnostmi nebo bez patřičných zkušeností a znalostí, pokud jsou pod dohledem osoby odpovědné za jejich bezpečnost, případně byly poučeny o bezpečném používání spotřebiče a rozumějí možným nebezpečím. Děti by měly být dohledem, aby se zajistilo, že si se spotřebičem nebudou hrát. Děti nesmějí bez dozoru dospělých spotřebič čistit, ani provádět činnosti údržby.

POZOR: Vaření musí probíhat pod dohledem. Na krátký proces vaření je nutné dohlížet neustále.

Důrazně doporučujeme, aby se děti nepřibližovaly k varným zónám v době, kdy jsou v provozu nebo jsou vypnuté, ale indikátor zbytkového tepla svítí, aby se zabránilo riziku vážných popálenin.

Tento spotřebič není určen k používání pomocí externího časovače nebo samostatného dálkového ovládání.

Je-li jimi varná deska vybavena, nedívejte se po delší dobu na prvky varné desky s halogenovými žárovkami

Připojte zástrčku k napájecímu kabelu, který je schopen vydržet napětí, proud a zátěž uvedené na štítku a který je opatřen uzemňovacím kontaktem. Zásuvka musí být vhodná pro zatížení uvedené na štítku a musí mít zapojený a funkční uzemňovací kontakt. Uzemňovací vodič má žlutozelenou barvu. Tuto operaci by měl provádět odborník s vhodnou kvalifikací. V případě

neslučitelnosti mezi zásuvkou a zástrčkou spotřebičů požádejte kvalifikovaného elektrikáře, aby zásuvku nahradil jiným vhodným typem. Zástrčka i zásuvka musejí odpovídat platným normám země instalace.

Připojení k napájecímu zdroji lze provést také tak, že mezi spotřebičem a zdrojem energie, který zvládne maximální připojenou zátěž a který je v souladu se stávajícími právními předpisy, je umístěn omnipolární vypínač.

Žlutozelený uzemňovací kabel by neměl být přerušen vypínačem. Zásuvka nebo omnipolární vypínač používaný pro připojení by měl být při instalaci spotřebiče snadno přístupný.

Odpojení lze zajistit přístupnou zástrčkou nebo začleněním spínače v pevném zapojení v souladu s pravidly elektroinstalace.

Je-li napájecí kabel poškozen, musí jej vyměnit výrobce, jeho autorizovaný servis nebo podobně kvalifikované osoby, aby nedošlo ke vzniku nebezpečných situací. Zemnicí vodič (žlutozelený) musí být na straně svorkovnice delší než 10 mm. Vnitřní část vodičů by měla odpovídat výkonu absorbovanému varnou deskou (uvedeno na štítku). Typ napájecího kabelu musí být HO5V2V2-F.

Na varnou desku nepokládejte žádné kovové předměty jako nože, vidličky, lžice nebo pokličky. Mohly by se zahřát na velmi vysokou teplotu.

Na zóny ohřevu se nesmějí umisťovat hliníkové fólie ani plastové nádoby.

Po každém použití je nutné varnou desku vyčistit, aby se zabránilo hromadění nečistot a mastnoty. Pokud se tyto nečistoty a mastnota na varné desce ponechají, jsou při jejím používání znovu zahřívány a spalovány za vzniku kouře a nepříjemných zápachů, nemluvě o riziku šíření požáru.

K čištění spotřebiče nikdy nepoužívejte páru ani vysokotlaký postřik.

Nedotýkejte se tepelných zón během provozu a po nějakou dobu po použití

Jídlo nepřipravujte nikdy přímo na sklokeramické varné desce.

Vždy používejte odpovídající nádoby.

Nádobu vždy umísťte do středu jednotky, na které vaříte. Nic nepokládejte na ovládací panel.

Varnou desku nepoužívejte jako pracovní plochu. Povrch desky nepoužívejte jako krájecí prkénko.

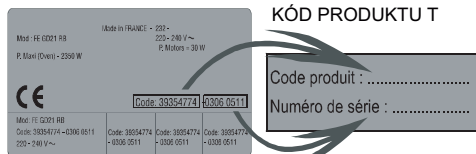
Nad varnou deskou neukládejte těžké předměty. Pokud by na desky spadly, mohly by způsobit její poškození.

Na varnou desku neodkládejte žádné předměty.


Nádobí po varné desce neposunujte.

K provozování spotřebiče při jmenovitých frekvencích nejsou nutné žádné další úkony ani nastavování.

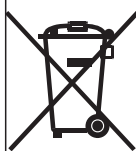
Identifikační štítek (umístěný pod spodním krytem varné desky)



1. VŠEOBECNÁ UPOZORNĚNÍ

Umístěním značky CE  na tento spotřebič jsme potvrdili shodu se všemi příslušnými evropskými požadavky na bezpečnost, ochranu zdraví a životního prostředí, které se vztahují na tuto kategorii výrobků.

2. OCHRANA ŽIVOTNÍHO PROSTŘEDÍ



Tento spotřebič je označen v souladu s evropskou směrnicí 2012/19/EU o likvidaci elektrického a elektronického zařízení (WEEE).

WEEE obsahuje znečišťující látky (které mohou mít negativní dopad na životní prostředí) a základní součástky, které lze znovu použít. Je nutné provést speciální zpracování WEEE, aby se odstranily a správně zlikvidovaly všechny znečišťující látky a získaly a zrecyklovaly všechny materiály.

Jednotlivci mohou hrát důležitou roli při zajišťování toho, aby se WEEE nestala zátěží pro životní prostředí. Je nezbytné dodržovat několik základních pravidel:

- WEEE se nesmí likvidovat jako domovní odpad.
- WEEE se musí předat na příslušné sběrné místo pod správou obce nebo autorizovaných společností. V mnoha zemích je zaveden odběr WEEE v domácnostech.

V mnoha zemích lze při zakoupení nového spotřebiče vrátit starý spotřebič prodejci, který je povinen jej odebrat bezplatně kus za kus, pokud je spotřebič obdobného typu a má stejnou funkci jako dodaný spotřebič.

3- INSTALACE

Instalace domácího spotřebiče může být komplikovaná operace, která, pokud není provedena správně, může vážně ovlivnit bezpečnost zboží, majetku či osob. Z tohoto důvodu ji musí provádět odborně kvalifikovaná osoba v souladu s technickými předpisy.

V případě, že by se tato doporučení ignorovala a instalaci provedla nekvalifikovaná osoba, výrobce odmítá veškerou odpovědnost za případné technické selhání spotřebiče, bez ohledu na to, zda má nebo nemá za následek poškození zboží či majetku nebo zranění osob či zvířat.

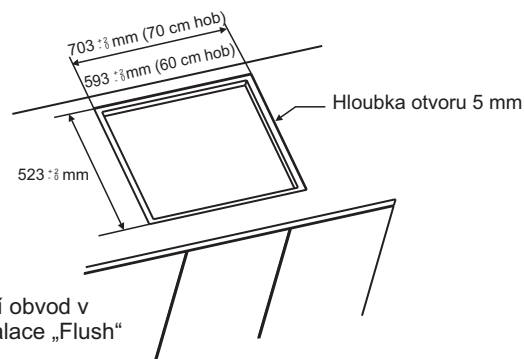
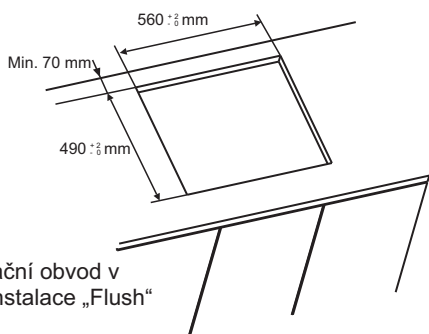
Po odstranění obalu se ujistěte, že spotřebič není poškozen. V opačném případě se obraťte na oddělení poprodejních služeb prodejce nebo výrobce.

Ujistěte se, že nábytek, do kterého se spotřebič instaluje, a veškerý přilehlý nábytek je vyroben z materiálů, které odolávají vysokým teplotám (min. 100 °C).

Kromě toho by měly být všechny dekorativní lamináty upevněny pomocí tepelně odolného lepidla.

Spotřebič lze nainstalovat do vestavěného nábytku v režimu „Standard“ nebo „Flush“.

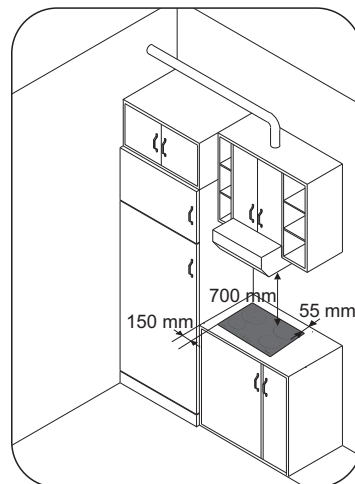
Pracovní deska musí mít tloušťku 25-45 mm.



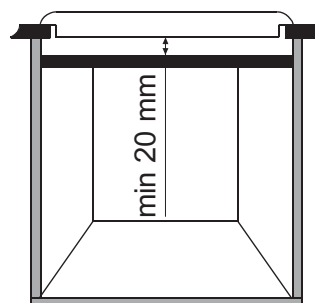
Poznámka: Vnitřní obvodové rozměry jsou shodné se standardní instalací

Nechte mezi varnou deskou a zadní stěnou mezeru nejméně 55 mm a mezi varnou deskou a vertikálním nábytkem nebo stěnami na boční straně nejméně 150 mm. Pokud je nad varnou deskou instalován nábytek, požadovaná minimální vzdálenost je 700 mm.

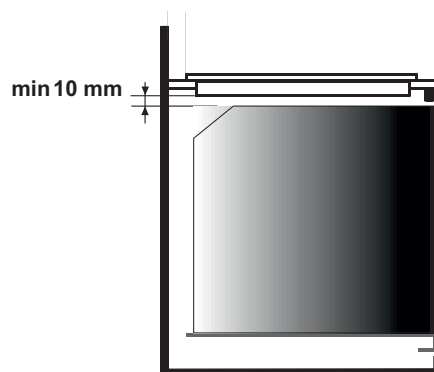
Při instalaci odsavače par nad varnou deskou se řiďte požadavky na instalaci odsavače par, ale v žádném případě nesmí být vzdálenost mezi varnou deskou a odsavačem par kratší než 700 mm.



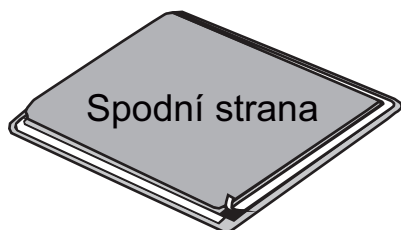
Sousedí-li spodní část varné desky s oblastí, která je běžně přístupná pro manipulaci nebo čištění, je nutné umístit pod spodní část varné desky oddělovač o tloušťce 20 mm.



Při instalaci trouby pod varnou deskou nelze oddělovač použít a minimální vzdálenost mezi spodní částí varné desky a troubou nesmí být kratší než 10 mm. Neinstalujte pod tuto varnou deskou troubu bez chlazení. Troubu nainstalujte podle jejich vlastních požadavků na instalaci.

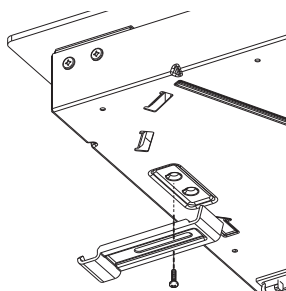


Voděodolné těsnění je dodáváno s varnou deskou. Namontujte těsnění na spodní stranu dle popisu a ujistěte si, že je správně upevněno, abyste se vyhnuli úniku do nosného nábytku.

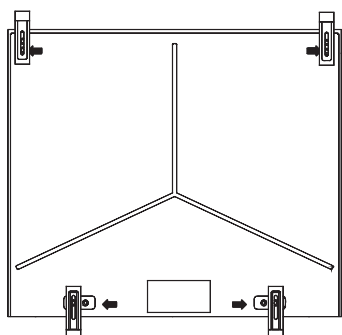


Normální upevnění:

- Vyjměte upevňovací svorky ze sáčku s příslušenstvím a zašroubujte je do polohy zobrazené ve spodní straně. (Neutahujte šrouby ve svorkách, měly by se volně pohybovat)

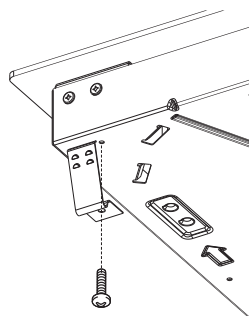


- Umístěte varnou desku do středu výřezu.
- Otáčejte svorkami a zcela je utáhněte.

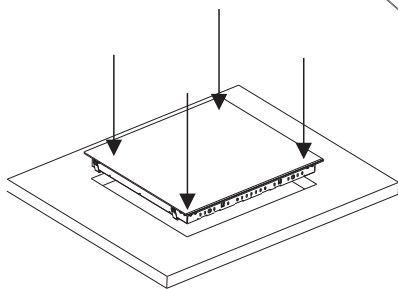


Rychlé upevnění: (V závislosti na modelu)

Vyjměte čtyři pružiny ze sáčku s příslušenstvím a zašroubujte je do spodní strany, jak je zobrazeno na obrázku.



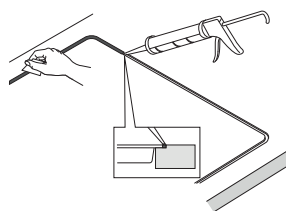
Zarovnejte a vložte varnou desku. Stlačujte strany varné desky, dokud nebude deska po celém obvodu podložena.



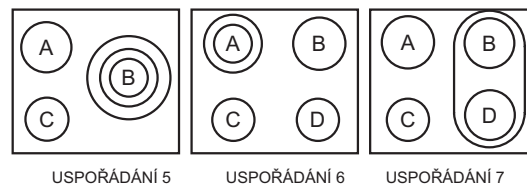
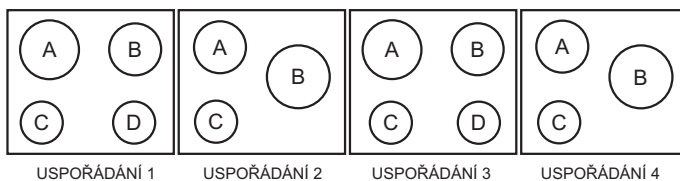
INSTALACE FLUSH

Po zkontrolování správné polohy varné desky vyplňte mezery mezi pracovní deskou a varnou deskou silikonovým lepidlem. Silikonovou vrstvu zarovnejte škrabkou nebo mokrým prstem namočeným do vody s mýdlem, než zatvrdne.

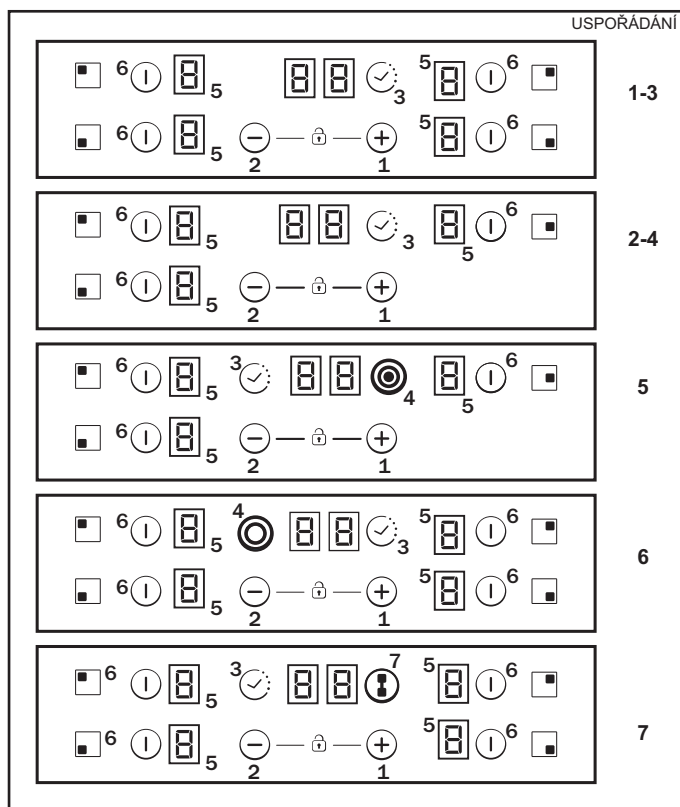
Varnou desku nepoužívejte, dokud nebude silikonová vrstva zcela suchá.



4. ELEKTRICKÉ PŘIPOJENÍ



	A	B	C	D
USPOŘÁDÁNÍ 1	2300W	1800W	1200W	1200W
USPOŘÁDÁNÍ 2	1800W	2500W	1200W	-
USPOŘÁDÁNÍ 3	2300W	1800W	1200W	1200W
USPOŘÁDÁNÍ 4	1800W	2500W	1200W	-
USPOŘÁDÁNÍ 5	1800W	750+900+1050W	1200W	-
USPOŘÁDÁNÍ 6	1000+1200 w	1800W	1200W	1200W
USPOŘÁDÁNÍ 7	1800W	1800W	1200W	1800W



V závislosti na modelu

1. „+“
2. „-“
3. ČASOVAČ
4. Kontrolka přídavné varné zóny
5. Kontrolka programování varné zóny
6. Výběr zóny
7. Můstek

„Instalace musí odpovídat normám a směrnici.“ Výrobce neodpovídá za žádné škody, které byly způsobeny nevhodným nebo nepřiměřeným použitím.

VAROVÁNÍ: Výrobce nezodpovídá za žádné nehody způsobené při používání spotřebiče, který není uzemněn nebo není uzemněn správně, ani za následky takových nehod.

Před každou elektrickou operací zkontrolujte napájecí napětí, které je uvedené na elektroměru, nastavení jističe, kontinuitu uzemnění zařízení a vhodnost pojistky.

Elektrické připojení k zařízení je nutné provést podle jmenovitého výkonu spotřebiče. To se provede přes vypínač s otvory. Pokud je spotřebič vybaven zásuvkou, musí být nainstalován tak, aby byla zásuvka přístupná.

Žlutý/zelený vodič napájecího kabelu musí být připojen k uzemnění napájecího zdroje a pólů zařízení.

Jakékoli dotazy týkající se napájecího kabelu směřujte na poprodejní servis nebo kvalifikovaného technika.

Pokud je varná deska napájena napájecím kabelem, může být připojen pouze k napájecímu napětí 220-240 V mezi fází a středem.

Varnou desku je však možné připojit k:

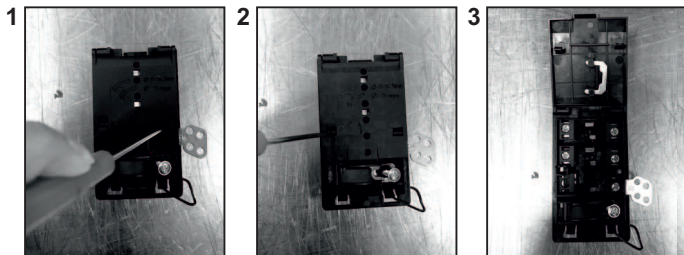
- Tři fáze 220-240 V3
- Tři fáze 380-415 V2N

Chcete-li přejít k novému připojení, postupujte podle následujících pokynů:

Před připojením se ujistěte, že je zařízení chráněno vhodnou pojistkou a že je opatřeno vodiči dostatečně velkého průřezu pro normální napájení spotřebiče.

Otočte varnou desku skleněnou stranou proti pracovní ploše a dbejte na ochranu skla.

Otevřete kryt v následujícím pořadí:



- odšroubujte kabelovou svorku „1“;
- najděte dva jazýčky umístěné po stranách;
- položte čepel plochého šroubováku před každý jazýček „2“ a „3“, zatlačte a stiskněte;
- odejměte kryt.

Uvolnění napájecího kabelu:

- Vyjměte šrouby, které drží svorkovnici, která obsahuje zkratovací tyče a vodiče napájecího kabelu;
- Vytáhněte napájecí kabel.

Operace nezbytné k vytvoření nového připojení:

- Zvolte napájecí kabel v souladu s doporučeními uvedenými v tabulce.
- Napájecí kabel přetáhněte do svorky.
- Sloupněte konec každého vodiče napájecího kabelu na délce 10 mm, přičemž přihlédněte k požadované délce kabelu pro připojení ke svorkovnici.
- V závislosti na zařízení upevněte pomocí zkratovacích tyčí, které byste měli mít z prvního kroku, vodič podle obrázku.
- Upevněte kryt.
- Zašroubujte kabelovou svorku.

Poznámka: Ujistěte se, že jsou šrouby svorkovnice těsně utažené.

Operace nezbytné k vytvoření nového připojení:

- Zvolte napájecí kabel v souladu s doporučeními uvedenými v tabulce.
- Napájecí kabel přetáhněte do svorky.
- Sloupněte konec každého vodiče napájecího kabelu na délce 10 mm, přičemž přihlédněte k požadované délce kabelu pro připojení ke svorkovnici.



- V závislosti na zařízení upevněte pomocí zkratovacích tyčí, které byste měli mít z prvního kroku, vodič podle obrázku.
- Upevněte kryt.
- Zašroubujte kabelovou svorku.

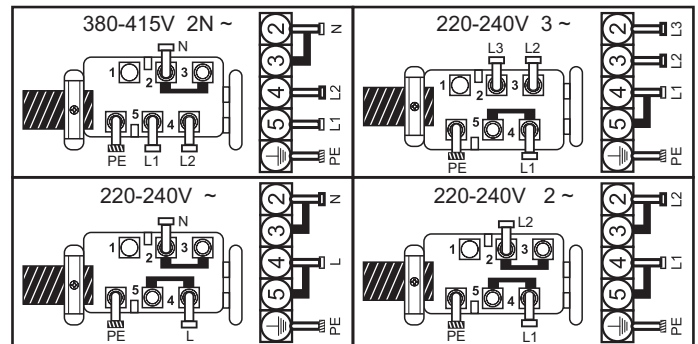
UPOZORNĚNÍ:

Bude-li nutné vyměnit napájecí kabel, zapojte dráty podle následujících barev/ kódů:

MODRÁ	Střední	(N)
HNĚDÁ	Fázový	(L)
ŽLUTO-ZELENÝ	Zemnicí	(⊕)

Připojení ke svorkám na svorkovnici

	USPOŘADÁNÍ "1-6"	USPOŘADÁNÍ "7"
JEDNA FÁZE nebo DVĚ FÁZE 220-240 V~		
Kabel HO5V2V2F	3x2,5 mm ²	3x4 mm ²
TŘI FÁZE 220-240 V3~		
Kabel HO5V2V2F	4x1,5 mm ²	4x1,5 mm ²
TŘI FÁZE 380-415 V2N~		
Kabel HO5V2V2F	4x1,5 mm ²	4x1,5 mm ²



L1 / L2 / L3 = Fáze N = Střed PE = Zemnění

5. DOPORUČENÍ OHLEDNĚ NÁDOBÍ PRO VARNOU DESKU

Použití kvalitního nádobí je rozhodující pro získání nejlepšího výkonu z varné desky



• **Vždy používejte kvalitní nádobí s dokonale plochým a silným dnem:** používání tohoto typu nádobí zabrání vytváření horkých míst, které způsobují přilnutí potravin. Silné kovové hrnce a pánve zajistí rovnoměrné rozložení tepla.

• **Zajistěte, aby dno hrnce nebo pánve bylo suché:** pokud plníte nádobu tekutinou nebo používáte tekutinu, která byla uložena v ledničce, tak se před umístěním nádoby na varnou desku ujistěte, že dno nádoby je zcela suché. To pomůže zamezit znečištění varné desky.

• **Používejte nádoby, jehož průměr je dostatečně široký na to, aby zcela zakrylo povrchovou jednotku:** velikost pánve by neměla být menší než plocha ohřevu. Pokud je o něco širší, je to zárukou využití energie s maximální účinností.

VOLBA NÁDOBÍ - Následující informace vám pomohou vybrat nádobí, které zajistí dobrý výkon.

Nerezová ocel: výrazně doporučeno. Obzvláště dobré se sendvičovým dnem. Sendvičové dno spojuje výhody nerezové oceli (vzhled, odolnost a stabilita) s výhodami hliníku nebo mědi (vedení tepla, rovnoměrné rozložení tepla).

Hliník: doporučuje se vyšší hmotnost. Dobrá vodivost. Hliníkové zbytky někdy vypadají jako škrábance na varné desce, ale lze je odstranit okamžitým vyčištěním.

Vzhledem k nízkému bodu tavení by se neměl používat tenký hliník.

Litina: použitelná, ale nedoporučuje se. Nízký výkon. Může povrch poškrábat.

Měděné dno / kamenina: doporučuje se vyšší hmotnost. Dobrý výkon, ale měď může zanechat zbytky, které mohou vypadat jako škrábance. Tyto zbytky lze odstranit, pokud varnou desku okamžitě vyčistíte. Nenechávejte však tyto hrnce vařit nasucho. Přehřátý kov se může ke skleněným varným deskám přilepit. Přehřátý měděný hrnec zanechá zbytky, které varnou desku trvale poskvrní.

Porcelán / smalt: Dobrý výkon pouze s tenkým, hladkým a plochým dnem.

Sklo-keramika: nedoporučuje se. Nízký výkon. Může povrch poškrábat.

6. POUŽITÍ

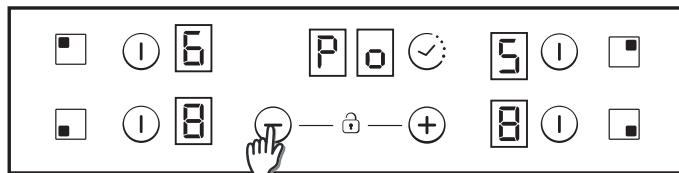
Jak zvolit stupeň řízení výkonu

Prostřednictvím funkce "Řízení výkonu" může uživatel nastavit maximální výkon, kterého může varná deska dosáhnout. Funkce řízení výkonu je k dispozici pouze během prvních 30 sekund po zapnutí varné desky. Toto nastavení lze dokonce opakovat tak, že se vypne a zapne přívod napájení.

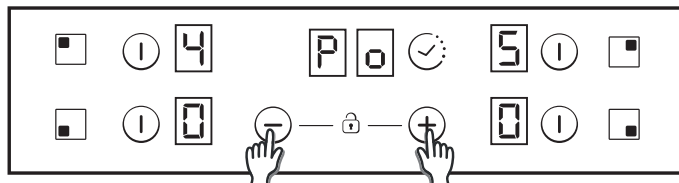
Při nastavení požadovaného maximálního výkonu varná deska automaticky upravuje rozvod do různých varných zón tak, aby tento limit nikdy nebyl překročen; další výhodou je schopnost současně řídit všechny zóny, aniž by docházelo k problémům s přetížením. Zákazník může nastavit maximální výkon varné desky mezi 2,5 kW a příslušným maximálním výkonem varné desky (ten se může lišit podle modelu) (pokud je například maximální výkon varné desky 7,2 kW, lze nastavit hodnotu maximálního výkonu mezi 2,5 kW a 7,2 kW). Po zakoupení je varná deska nastavena na maximální výkon. Po připojení spotřebiče k elektrickému napájení můžete do 30 sekund nastavit stupeň výkonu podle níže uvedených bodů:

- 1 - Zapněte varnou desku.
- 2 - Počkejte, než se dokončí inicializace dotykového ovládání.
- 3 - Než uplyne 30 sekund, na 5 sekund stiskněte tlačítko "⊖".

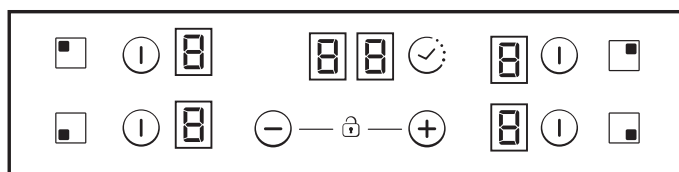
4 - Potom se na displeji zobrazí hlášení.



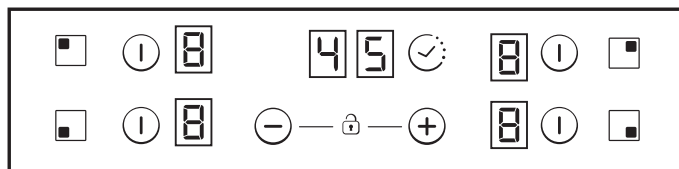
5 - Pomocí tlačítek "Plus" a "Mínus" lze upravovat hodnotu řízení výkonu. V tomto příkladu se jedná o hodnotu mezi 6500 a 2500 W. Až vyberete požadovanou hodnotu, na 5 sekund současně stisknete tlačítka "Plus" a "Mínus".



6 - Po dokončení tohoto postupu se ozve dlouhé pípnutí a provede se reset. Znovu se aktivuje spouštěcí postup.

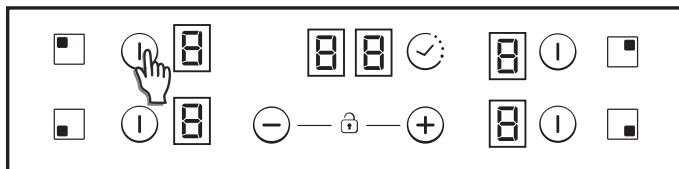


7 - Po spuštění se na displeji časovače zobrazovat řízení výkonu v režimu ECO.



Potom dotykové ovládání nedovolí žádnou kombinaci, která by překročila tento limit Eco.

Zapnutí/vypnutí zóny ohřevu



Pro zapnutí plotýnky podržte stisknutou zónu kterékoli plotýnky po dobu 400 ms. Zazní dlouhé pípnutí a na místě číslice cílové zóny se objeví hodnota „0“. Tato číslice označuje úroveň výkonu.

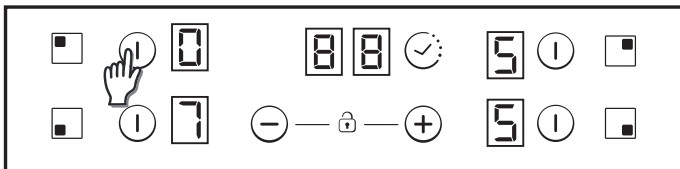
- 1) Je-li nějaký stupeň vaření v poloze 0, displej se po 10 sekundách automaticky vypne a zazní tón vypnutí zóny.
- 2) Pokud na displeji, který je zapnutý, avšak v poloze 0, svítí indikátor zbytkového tepla, bude blikat „0“.
- 3) Je-li aktivní funkce zámku, nelze zónu zapnout.

Pro vypnutí plotýnky podržte stisknutou zónu kterékoli plotýnky po dobu 1,2 s. Zazní tři krátká pípnutí a na místě číslice cílové zóny se neobjeví nic nebo se objeví hodnota „H“, pokud je na plotýnce zbytkové teplo. Zóna bude vypnutá.

- 1) Je-li nějaký stupeň vaření v poloze 0, displej se po 10 sekundách automaticky vypne a zazní tón vypnutí zóny.
- 2) Pokud na displeji, který je vypnutý, svítí indikátor zbytkového tepla, zobrazí se „H“.
- 3) Zónu lze vypnout, i pokud je aktivní funkce zámku.
- 4) Je-li aktivní pouze jedna plotýnka a tu vypnete, zazní čtyři krátká pípnutí, která značí, že je celá varná deska vypnutá.

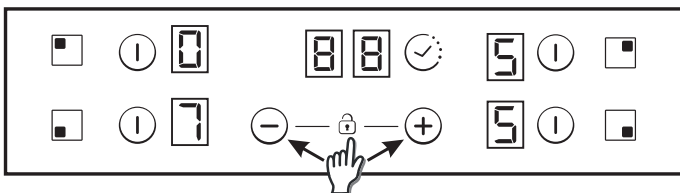
Výběr zóny

Když je zóna zapnutá, vytvoří se nižší intenzita osvětlení nezvolených zón, které jsou zapnuté.



Je-li zapnutá pouze jedna zóna, je již zvolena automaticky, aniž by bylo nutné krátce stisknout (150 ms) tlačítko výběru.

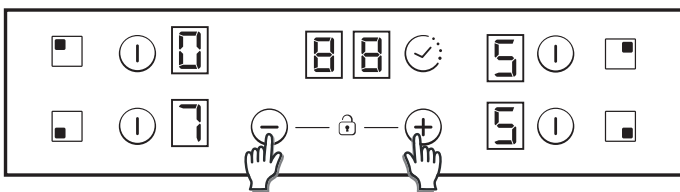
Zvýšení / snížení úrovně výkonu



Krátkým stisknutím tlačítek „+“ a „-“ zvýšíte nebo snížíte výkon prostřednictvím číslice zvolených zón: 0-1-2-3...9-P

1. V případě dlouhého stisknutí tlačítek + nebo - se výkon zvyšuje nebo snižuje rychle. V případě rychlého zvyšování se výkon zastaví na 9 a vyšší výkon vyžaduje další krátké stisknutí tlačítka +. Během rychlého zvyšování nebo snižování výkonu nezazní žádný zvukový signál.
2. Jakmile dosáhnete úrovně výkonu P, opětovné stisknutí tlačítka + nezmění úroveň výkonu na 0. Jakmile dosáhnete úrovně výkonu 0, opětovné stisknutí tlačítka - nezmění úroveň výkonu na P.
3. Pokud je zóna vypnutá s úrovní výkonu 0, pak v případě, že je horká, bude blikat 0. Po 10 vteřinách 0 zmizí a na displeji se již bez blikání objeví písmeno „H“.

Možnost dětské pojistky



Tento krok provedete současným stisknutím tlačítek „+“ a „-“.

Poté, kdykoli se dotknete tlačítka, na displeji se zobrazí „L“ po dobu 2 sekund. Ohřev zůstane beze změny.

Přejete-li si dětskou pojistku deaktivovat, opakujte výše popsany postup. Poté zazní krátké pípnutí a na displeji se zobrazí písmeno „n“. Varná deska zůstane odemknutá.

Poznámka: Automatická dětská pojistka se zapne 15 minut po celkovém vypnutí varné desky. Tato funkce se spustí automaticky, ale je nezbytné ji nejprve naprogramovat. Viz bod Uživatelské nastavení.

Dvojitě / trojitě zóny

Přejete-li si zapnout dvojitou rozšiřovací plotýnku, musí již být přidružená hlavní zóna zapnutá a uvedená úroveň výkonu musí být vyšší než 0.

8.1- Zapnutí dvojitě zóny

První krátké stisknutí tlačítka rozšíření zapne rozšiřovací plotýnku. Pokud je rozšiřovací plotýnka zapnutá, rozsvítí se kontrolka nad tlačítkem rozšíření.

Druhé krátké stisknutí tlačítka rozšíření vypne rozšiřovací plotýnku.

☉ Krátké pípnutí při každém stisknutí tlačítka rozšíření.

8.2- Zapnutí trojitě zóny

První krátké stisknutí tlačítka rozšíření zapne první rozšiřovací plotýnku. Pokud je zapnutá první rozšiřovací plotýnka, rozsvítí se jedna kontrolka nad tlačítkem rozšíření (levá kontrolka v případě trojitě zóny, prostřední a jediná kontrolka v případě dvojitě zóny).

Druhé krátké stisknutí tlačítka rozšíření zapne druhou rozšiřovací plotýnku. Pokud je zapnutá první i druhá rozšiřovací plotýnka, rozsvítí se dvě kontrolky nad tlačítkem rozšíření.

Třetí krátké stisknutí tlačítka rozšíření vypne první i druhou rozšiřovací plotýnku. ☉

Krátké pípnutí při každém stisknutí tlačítka rozšíření.

Funkce můstku

Můstek lze aktivovat pouze v případě, že jsou obě plotýnky vypnuté. Po zvolení jedné plotýnky z můstku aktivujte funkci můstku dotykem tlačítka můstku. ☉

Bude-li zóna aktivována, zazní pípnutí a zapne se kontrolka zóny.

Obě plotýnky můstku budou zvoleny současně.

Po zvolení plotýnek lze úroveň výkonu upravit dle potřeby pomocí tlačítek + a -.

Oba displeje propojených plotýnek budou ukazovat stejnou úroveň výkonu. Ukončení funkce:

- Dotknete-li se tlačítka můstku v režimu nastavení
- Zvolí-li uživatel úroveň výkonu „0“

Zabezpečení proti přetečení

Něco (předmět nebo tekutina) tlačí na jakékoli tlačítko po dobu delší než 5s. 2 krátká pípnutí + 1 dlouhé pípnutí každých 30 s při současném stisknutí tlačítka. Varná deska se vypne. ☹ Po dobu tohoto problému bude tento symbol neustále blikat.

Časovač

Funkci časovače lze aktivovat jeho vlastním tlačítkem nebo současným dotykem tlačítek „+“ a „-“.

V obou případech je nutné zvolit plotýnku a její úroveň výkonu musí být vyšší než 0.

Dvě různé možnosti:

Zvolte zónu, u níž si přejete nastavit časovač. Úroveň výkonu zónu musí být vyšší než 0. V časované zóně se objeví statické ☹.

. A na místě číslic vyhrazených pro časovač se objeví „00“.

- 1) Čas časovače lze nastavit pomocí tlačítek „+“ a „-“. Při změně času nezazní zvukový signál.
- 2) Současným stisknutím tlačítka časovače se časovač zruší (přejde na 00).
- 3) Pokud tlačítka časovače „+“ nebo „-“ zůstanou stisknuta po určitou dobu, dojde k rychlému nastavení.
- 4) Při nastavování časovače lze přejít z „00“ na „99“ pomocí tlačítka „-“ a „99“ na „00“ pomocí tlačítka „+“.
- 5) Maximální doba je 99 minut.
- 6) Když čas vyprší a varná deska bude pípat, stiskněte jakékoli tlačítko, alarm a odpočítávání se vypnou.
- 7) Čas časovače lze změnit i během odpočítávání.
- 8) Výkon časované zóny lze změnit bez vlivu na programování časovače.
- 9) Poslední minuta se odpočítává po sekundách (u některých možnostech je to viditelné pouze v případě, že zadáme programování časovače během poslední minuty odpočtu).
- 10) Stisknutí tlačítka časovače bez zvolení konkrétní zóny, pokud není časovaná žádná zóna, nebude mít žádný účinek.
- 11) Stisknutí tlačítka časovače bez zvolení konkrétní zóny, pokud je odpočítáváno několik zón, způsobí, že se pomocí číslic zobrazí časy jeden po druhém s tím, že se zobrazuje čas plotýnky, na jejímž displeji je tečka.
- 12) Případně se v časované zóně zobrazí výkon (5s) a (0,5s).

Zbývající čas se zobrazí na místě číslic vyhrazených pro časovač. Je-li časováno několik zón, zobrazí se nejkratší zbývající čas a v příslušné zóně se zobrazí tečka.

Kontrolka zbytkového tepla (u sálavých ohřivačů -> vypočteno)

Stejně kontrolky lze také použít pro oznamování „zbytkového tepla“. Pro tento účel je nutné definovat harmonogram: Doba zbytkového tepla = f (úroveň výkonu, doba spuštění).

Když je teplota na skleněném povrchu varné desky vyšší než 65 °C (teoretická hodnota), bude to zobrazeno na příslušném displeji pomocí hodnoty „H“.

Aby se vygenerovala teplota vyšší než 65 °C, musí být topný článek v provozu po určitou dobu, přičemž tato doba závisí na úrovni výkonu. Jakmile tato doba uplyne, po vypnutí topného článku se zobrazí upozornění na zbytkové teplo.

Funkce automatického bezpečnostního vypnutí

Pokud po předem nastavenou dobu nedojde ke změně úrovně výkonu, příslušná plotýnka se automaticky vypne. Maximální doba, po kterou může plotýnka zůstat zapnutá, závisí na zvolené úrovni vaření.

Stupeň výkonu	Max. doba spuštění (hodiny)
1	10
2	5
3	5
4	4
5	3
6	2
7	2
8	2
9	2
P	2

POZNÁMKA: Pokud dojde při provozu s nejvyššími úrovněmi výkonu k přehřátí, ovládání varné desky automaticky změní úroveň výkonu, aby tak chránilo varnou desku před přehřátím.

7. ČIŠTĚNÍ A ÚDRŽBA

Před prováděním jakékoliv údržby na varné desce ji nechte nejprve vychladnout.

Používejte pouze výrobky (krémy a škrabky), které jsou speciálně určeny pro sklokeramické povrchy. Jsou k dostání v příslušných obchodech.

Vyhnete se rozliti, protože vše, co spadne na plochu varné desky, se rychle spálí a čištění pak bude obtížnější.

Doporučuje se udržovat v dostatečné vzdálenosti od varné desky všechny látky, které se mohou roztavit, jako jsou například plastové předměty, cukr nebo výrobky na bázi cukru.

ÚDRŽBA:

- Umístěte na povrch varné desky několik kapek speciálního čistícího prostředku.
- Nečistoty odstraňujte pomocí měkkého hadříku nebo mírně navlhčeného kuchyňského papíru.
- Utírejte měkkým hadříkem nebo suchým kuchyňským papírem dokud povrch nebude čistý.

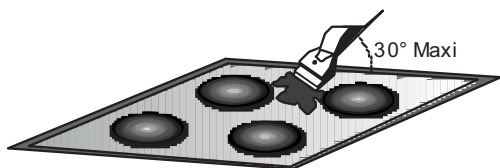
V případě, že se stále vyskytují odolné skvrny:

- Umístěte na povrch několik kapek speciální čistící kapaliny.
- Oškrábejte je škrabkou, kterou držíte k varné desce pod úhlem 30° dokud skvrny nezmizí.
- Utírejte měkkým hadříkem nebo suchým kuchyňským papírem dokud povrch nebude čistý.
- V případě potřeby postup opakujte.

NĚKOLIK POZNÁMEK:

Časté čištění zanechává ochrannou vrstvu, která je nezbytná k ochraně před poškrábáním a opotřebením. Před opětovným použitím varné desky se ujistěte, že je povrch čistý. Chcete-li odstranit skvrny způsobené vodou, použijte několik kapek bílého octa nebo citronové šťávy. Pak utřete absorpčním papírem a několika kapkami speciální čistící kapaliny. Sklokeramický povrch je odolný vůči poškrábání od nádob s plochým dnem, nicméně je vždy vhodné je při přesunu z jedné zóny do druhé zvednout.

POZN.:



Nepoužívejte příliš mokrou houbu.

Nikdy nepoužívejte nůž ani šroubovák.

Škrabka s žiletkou nepoškodí povrch, pokud se používá pod úhlem 30.

Nikdy nenechávejte škrabku s žiletkou v dosahu dětí.

Nikdy nepoužívejte abrazivní přípravky ani prací prášky.

Kovové okraje: kovové okraje bezpečně vyčistíte, pokud je umyjete mýdlem a vodou, opláchnete a poté osušíte měkkým hadříkem.

Případná změna barvy sklokeramického povrchu nemá vliv na jeho provoz ani na stabilitu povrchu. Takové zbarvení je většinou výsledkem zbytků spálených potravin nebo používání nádob z materiálů, jako je hliník nebo měď. Tyto skvrny se těžko odstraňují.

8. ŘEŠENÍ PROBLÉMU

Varné zóny mají slabý výkon

Používejte pouze pánve s plochým dnem. Je-li mezi pánví a deskou vidět světlo, zóna nepřenáší správně teplo.

Dno pánve by mělo zcela pokrýt průměr zvolené zóny.

Vaření je příliš pomalé

Používáte nevhodné nádoby. Používejte pouze nádoby s plochým dnem, které je těžké a má průměr přinejmenším stejný jako varná zóna.

Malé škrábance nebo oděrky na povrchu skla varné desky

Špatně ji čistíte nebo používáte pánve s hrubou spodní částí. Mezi varnou deskou a spodní část pánve se dostaly částice jako písek nebo sůl. Viz kapitola „ČIŠTĚNÍ“. Před použitím se ujistěte, že spodní část pánve je čistá, a používejte pouze pánve s hladkým dnem. Škrábance lze správným čištěním omezit.

Stopy po kovu

Neposunujte hliníkové nádoby po varné desce. Viz doporučení pro čištění.

Používáte správné materiály, ale skvrny přetrvávají. Používejte žiletku a postupujte podle kapitoly „ČIŠTĚNÍ“.

Tmavé skvrny

Používejte žiletku a postupujte podle kapitoly „ČIŠTĚNÍ“.

Světlé plošky na varné desce

Stopy po hliníkovém nebo měděném nádobí, ale také zbytky minerálů, vody nebo potravin. Lze je odstranit pomocí krémového čistícího prostředku.

Karamelizace nebo roztavený plast na varné desce.

Viz kapitola „ČIŠTĚNÍ“.

Varná deska nefunguje nebo některé zóny nefungují

Zkracovací propojky nejsou správně umístěny na svorkovnici.

Ujistěte se, že je správně zapojení. Ovládací panel je uzamčen. Odemkněte varnou desku.

Varná deska nelze vypnout.

Ovládací panel je uzamčen. Odemkněte varnou desku.

Frekvence zapínání/vypínání varných zón

Cykly zapínání a vypínání závisí na požadované úrovni tepla:

- nízká úroveň: krátká doba provozu,
- vysoká úroveň: dlouhá doba provozu.

Varná deska nefunguje.

Zkontrolujte stav pojistek/jističů. Zkontrolujte, zda nedošlo k výpadku proudu.

Varná deska se sama vypne.

Došlo k náhodnému doteku hlavního spínače (tlačítko zapnutí/vypnutí) nebo je na nějakém tlačítku nějaký předmět. Znovu spotřebič zapněte bez předmětu na tlačítkách. Znovu zadejte své nastavení.

F a čísla na displeji

Pokud se na displeji objeví F a čísla, spotřebič zjistil závadu. V následující tabulce jsou uvedeny kroky k odstranění problému.

9. NÁSLEDNÁ PÉČE

Dříve, než zavoláte servisního technika, zkontrolujte následující:

— zda je zástrčka správně vložena a opatřena pojistkou.

Pokud nelze zjistit vadu, vypněte zařízení — neupravujte ho — zavolejte servisní středisko následné péče. Zařízení je dodáváno s garančním certifikátem, který zajišťuje, že bude bezplatně opraveno v servisním středisku.

Displej plotýnky	Porucha	Krok
F0	Chyba softwaru dotykového ovládání.	Pokud došlo k chybě, varnou desku odpojte a znovu připojte k napájení. Pokud chyba přetrvává, zavolejte poprodejní servis. Pokud se chyba náhle objeví během běžného provozu, zavolejte poprodejní servis.
Fc	Zóna dotykového ovládání je příliš horká a vypnula všechny plotýnky.	Počkejte, až teplota poklesne. Až teplota dosáhne normální hodnoty, varná deska se automaticky vrátí do původního stavu.
Ft	Může být poškozeno čidlo teploty dotykového ovládání.	Počkejte, až teplota poklesne. Pokud upozornění přetrvává, když teplota dosáhne teploty okolního prostředí, zavolejte poprodejní servis.
FE	Může být poškozeno čidlo teploty dotykového ovládání.	Počkejte, až teplota poklesne. Pokud upozornění přetrvává, když teplota dosáhne teploty okolního prostředí, zavolejte poprodejní servis.
Fb	Nadměrná citlivost na některém tlačítku.	Podívejte se, zda je varná deska správně nainstalovaná. Ujistěte se, že se tlačítka správně dotýkají skleněného povrchu.
FU / FJ	Chyba tlačítek	Tato chyba je automatickou kontrolou tlačítek. Zmizí, když se automatická kontrola navrátí na bezpečnou hodnotu. Pokud chyba přetrvává, zavolejte poprodejní servis.
FA	Chyba tlačítek	Tato chyba je automatickou kontrolou softwaru. Zmizí, když se automatická kontrola navrátí na bezpečnou hodnotu. Pokud chyba přetrvává, zavolejte poprodejní servis.
FC / Fd	Chyba tlačítek	Tato chyba je automatickou kontrolou softwaru. Zmizí, když se automatická kontrola navrátí na bezpečnou hodnotu. Pokud chyba přetrvává, zavolejte poprodejní servis.
Fr	Chyba bezpečnosti relé	Problém může být u kteréhokoli reléového článku. Odpojte varnou desku od napájení, chvíli počkejte a znovu ji připojte. Pokud chyba přetrvává, zavolejte poprodejní servis.

SIGURNOSNE UPUTE

Preporučujemo vam da upute za ugradnju i upotrebu sačuvate za kasnije korištenje, a prije ugradnje ugradne ploče zapišite njezin serijski broj u slučaju da vam zatreba pomoć postprodajnog servisa.

UPOZORENJE: uređaj i njegovi dostupni dijelovi zagrijavaju se tijekom upotrebe. Obratite pozornost i ne dirajte dijelove koji se zagrijavaju. Djeca mlađa od 8 godina ne smiju dirati uređaj ako nisu pod neprekidnim nadzorom.

UPOZORENJE: Koristite samo štitnike ugradne ploče proizvođača uređaja za kuhanje ili one za koje proizvođač uređaja navede u uputama da su pogodne, ili štitnike ugradne ploče priložene uz uređaj. Upotreba neodgovarajućih štitnika može prouzročiti nesreće.

UPOZORENJE: kuhanje na ugradnoj ploči bez nadzora, uz upotrebu masti ili ulja, opasno je i može izazvati požar. NIKAD nemojte pokušavati ugasiti vatru vodom, već isključite uređaj i pokrijte plamen npr. poklopcem ili vatrootpornom dekom.

UPOZORENJE: opasnost od požara: nemojte odlagati predmete na površine za kuhanje.

UPOZORENJE: ako je površina napukla, nemojte dirati staklo i isključite uređaj kako biste izbjegli mogućnost strujnog udara.

Ovaj uređaj smiju koristiti djeca starosti 8 i više godina te osobe smanjenih fizičkih, osjetilnih ili mentalnih sposobnosti ili bez iskustva i znanja ako su pod nadzorom ili ako su dobili upute o sigurnoj upotrebi uređaja i ako razumiju moguće opasnosti. Djecu treba nadzirati kako biste se osigurali da se ne igraju uređajem. Djeca bez nadzora ne smiju čistiti niti održavati uređaj.

OPREZ: Proces kuhanja mora se nadzirati. Kratkotrajno kuhanje mora se neprestano nadzirati.

Strogo se preporučuje držanje djece podalje od površina za kuhanje kada su one u upotrebi, kao i kada su isključene, dokle god je pokazatelj preostale topline uključen, kako bi se spriječio rizik od ozbiljnih opekлина.

Ovaj uređaj nije namijenjen radu pomoću vanjskog vremenskog programatora ili zasebnog sustava na daljinsko upravljanje.

Ako postoje elementi ugradne ploče koji sadrže halogene lampice, nemojte gledati u njih duže vrijeme.

Povežite utikač kabelom za napajanje koji može podnijeti napon, struju i opterećenje navedene na etiketi, te koji ima kontakt za uzemljenje. Utičnica mora biti prikladna opterećenju navedenom na oznaci i mora imati kontakt za uzemljenje koji je spojen i radi. Žica za uzemljenje je žuto-zelene boje. Ovu radnju treba obaviti primjereno kvalificirani profesionalac. U slučaju da su utičnica i utikač na uređaju nekompatibilni, zamolite

kvalificiranog električara da vam zamijeni utičnicu drugom prikladnog tipa. Utikač i utičnica moraju biti u skladu s važećim normama u zemlji ugradnje.

Priključivanje na električnu mrežu moguće je i s pomoću omnipolarnog prekidača koji se postavlja između uređaja i izvora napajanja, a koji mora biti u stanju podnijeti maksimalno napajanje koje se prenosi i koji mora biti u skladu s važećim propisima. Prekidač ne smije prekidati žuto-zelene kabel uzemljenja. Nakon postavljanja uređaja, utičnica ili višepolni prekidač koji se koriste za priključivanje, moraju biti lako dostupni.

Isključivanje se može vršiti putem utikača – ako je dostupan ili ugradnjom sklopke u fiksno ožičenje, sukladno pravilima ožičenja.

Ako se kabel za napajanje, ošteti mora ga zamijeniti proizvođač, ovlaštenu servisera ili jednako kvalificirana osoba kako bi se izbjegla opasnost. Žica za uzemljenje (žuto-zelene boje) mora biti duža od 10 mm na strani stezaljke. Interni odjeljak s provodnicima treba odgovarati napajanju koje koristi ugradna ploča (naznačeno na etiketi). Kabel za napajanje mora biti tipa HO5V2V2-F.

Nemojte stavljati metalne predmete poput noževa, viljušaka, žlica ili poklopaca na ugradnu ploču. Mogli bi se zagrijati.

Zabranjeno je postavljanje aluminijske folije i plastičnih posuda na grijaća polja.

Nakon svake upotrebe neophodno je očistiti ugradnu ploču kako bi se spriječio gomilanje prljavštine i masnoće. Ako se ne uklone, te se naslage prilikom ponovne upotrebe ugradne ploče ponovo kuhaju i zagrijavaju i uzrokuju dim i neugodne mirise, a povećava se i rizik širenja požara.

Nikad ne čistite uređaj parom ili raspršivačem pod visokim tlakom.

Nemojte dodirivati grijaća polja dok uređaj radi ili još neko vrijeme nakon upotrebe.

Nikada nemojte kuhati hranu izravno na staklokeramičkoj ugradnoj ploči.

Uvijek koristite prikladno posuđe.

Uvijek stavite tavu u središte površine na kojoj kuhate. Nemojte stavljati ništa na kontrolnu ploču.

Nemojte koristiti ugradnu ploču kao radnu površinu.

Nemojte koristiti površinu kao dasku za rezanje.

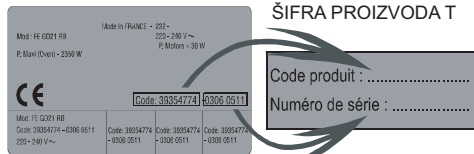
Nemojte odlagati teške predmete iznad ugradne ploče. Ako padnu na ugradnu ploču, mogli bi je oštetiti.

Nemojte koristiti ugradnu ploču za odlaganje bilo kakvih predmeta

Nemojte vući posuđe za kuhanje po ugradnoj ploči.

Nisu potrebne dodatne radnje/postavke za rad uređaja na nazivnim frekvencijama.

Identifikacijska pločica (ispod donjeg kućišta ugradne ploče)



1. OPĆA UPOZORENJA

Postavljanjem oznake **CE** na ovaj uređaj, potvrđujemo daje izrađen u skladu sa svim europskim propisima koji se tiču sigurnosti, zdravlja i zaštite životne sredine i koji se primjenjuju na ovu kategoriju proizvoda.

2. ZAŠTITA OKOLIŠA



Ovaj je uređaj označen u skladu s europskom Direktivom 2012/19/EU o otpadnoj električnoj i elektroničkoj opremi (OEEO). OEEO sadrži zagađujuće tvari (koje mogu imati loše posljedice na okoliš) i osnovne komponente (koje se mogu ponovno koristiti). Važno je podvrgnuti OEEO posebnim obradama radi uklanjanja i pravilnog zbrinjavanja svih zagađujućih tvari te prikupljanja i recikliranja svih materijala.

Pojedinci mogu imati važnu ulogu pri brizi da OEEO ne postane ekološki problem; potrebno je slijediti nekoliko osnovnih pravila:

- OEEO se ne odlaže isto kao kućni otpad.
- OEEO treba predati relevantnim prikupnim mjestima kojima upravljaju općine ili registrirana poduzeća. U mnogim zemljama velike količine OEEO-a preuzimaju se od vlasnika na kućnoj adresi. U mnogim zemljama, kada kupite novi uređaj, stari možete vratiti trgovcu koji ga mora preuzeti besplatno, u okviru zamjene jedan za jedan; ako je riječ o uređaju iste vrste koji je imao iste funkcije kao i isporučeni uređaj.

3- UGRADNJA

Ugradnja uređaja za domaćinstvo komplicirana je radnja koja može imati ozbiljne posljedice za sigurnost stvari, imovine i osoba ako se ne obavi ispravno. Zbog toga to treba obaviti kvalificirana osoba u skladu s tehničkim propisima.

U slučaju da se ova preporuka ne uzme u obzir i da ugradnju obavi osoba koja nije kvalificirana za to, proizvođač ne snosi nikakvu odgovornost za bilo kakve tehničke kvarove uređaja, bez obzira na to jesu li oni prouzročili oštećenje stvari ili imovine ili povredu osoba ili životinja.

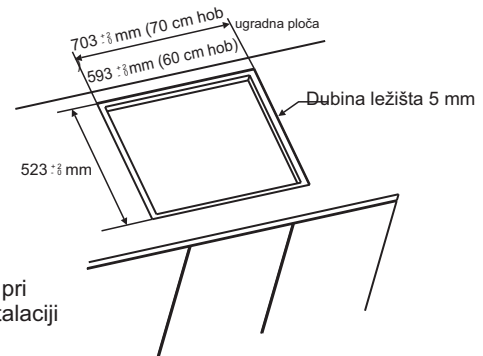
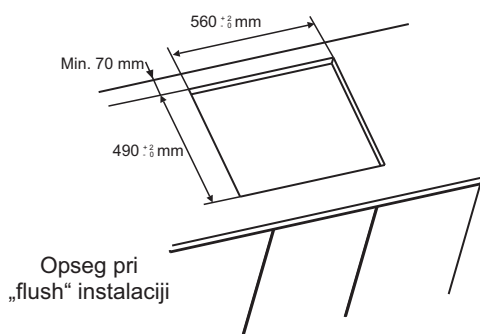
Kada otpakirate uređaj, provjerite je li oštećen i u tom slučaju kontaktirajte postprodajni servis prodavača ili proizvođača.

Provjerite jesu li element u koji će uređaj biti ugrađen i sav ostali namještaj u blizini napravljeni od materijala koji mogu podnijeti visoke temperature (minimalno 100 °C).

Nadalje, svi ukrasni laminati moraju biti pričvršćeni veoma otpornim ljepljivom.

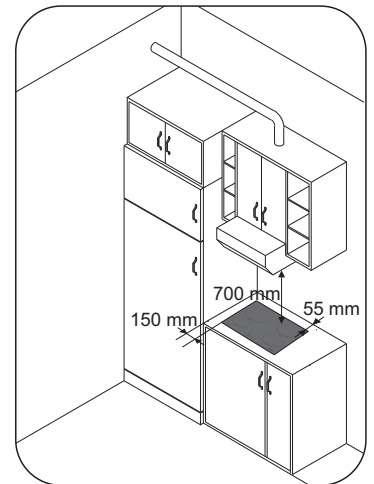
Uređaj se može ugraditi u elemente na standardni ili „flush“ način.

Debljina radnog dijela treba biti između 25 i 45 mm.

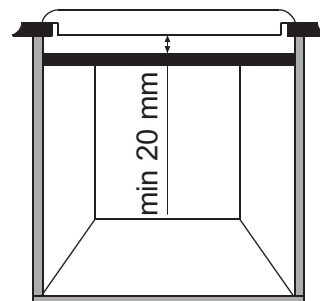


Napomena: Unutarnji opseg isti je kao kod standardne ugradnje.

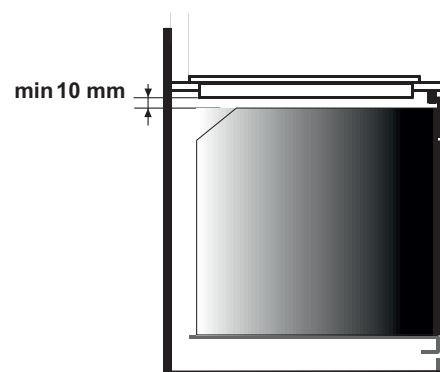
Ostavite razmak od 55 mm između ugradne ploče i zida sa stražnje strane i razmak od najmanje 150 mm između ugradne ploče i elementa ili zidova s bočnih strana. Ako ugrađujete kuhinjski element iznad ugradne ploče, neophodna minimalna udaljenost iznosi 700 mm. Kada ugrađujete napu iznad ugradne ploče, pridržavajte se zahtjeva za ugradnju nape, ali u svakom slučaju, udaljenost između ugradne ploče i nape ne smije biti manja od 700 mm.



Ako je donji dio ugradne ploče postavljen iznad prostora koji je uglavnom dostupan za rukovanje ili čišćenje, 20 mm ispod donjeg dijela ugradne ploče mora se postaviti separator.



Kada ugrađujete pećnicu ispod ugradne ploče, separator se ne smije postavljati, a udaljenost između donjeg dijela ugradne ploče i pećnice ne smije biti manja od 10 mm. Nemojte ugrađivati pećnicu koja se nije ohladila ispod ove ugradne ploče i ugradite ju u skladu sa zahtjevima za ugradnju pećnice.

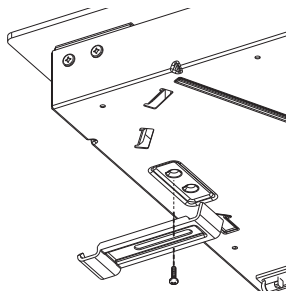


Vodonepropusna brtva isporučuje se uz ugradnu ploču. Postavite brtvu oko donjeg dijela ugradne ploče i provjerite je li pravilno namještena kako biste spriječili curenje u element u koji se ugrađuje ploča.



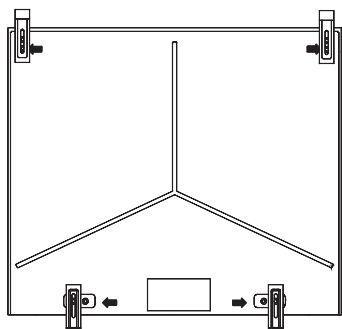
Normalno pričvršćivanje

- Uzmite štipaljke za pričvršćivanje iz vrećice s dodatcima i pričvrstite ih u položaj prikazan na donjem dijelu kućišta. (Nemojte zategnuti vijke tako da onemogućite pomicanje štipaljki, trebali bi se moći slobodno pokretati.)



- Postavite ugradnu ploču na sredinu područja ograničenog štipaljkama.

- Okrenite štipaljke i potpuno ih pričvrstite.

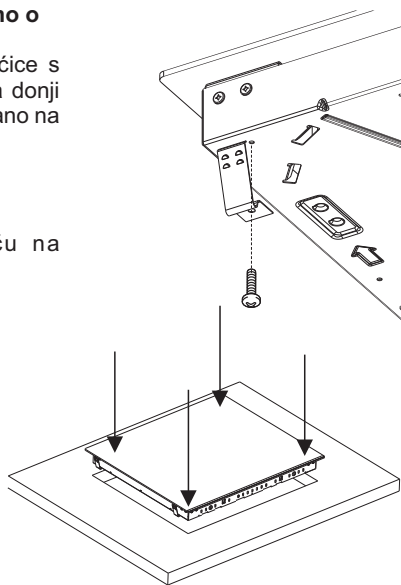


Brzo pričvršćivanje (Ovisno o modelu)

Uzmite četiri opruge iz vrećice s dodatcima i pričvrstite ih na donji dio kućišta kao što je prikazano na slici.

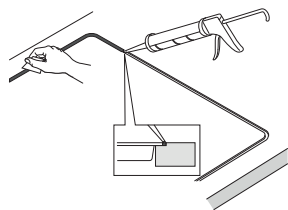
Postavite ugradnu ploču na sredinu.

Pritisnite rub ugradne ploče dok ne bude pričvršćena duž cijelog opsega.

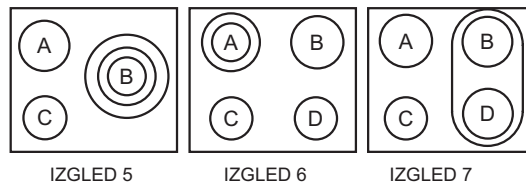
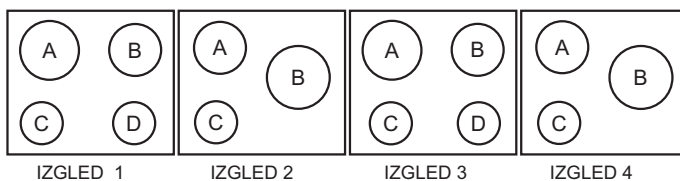


„FLUSH“ UGRADNJA

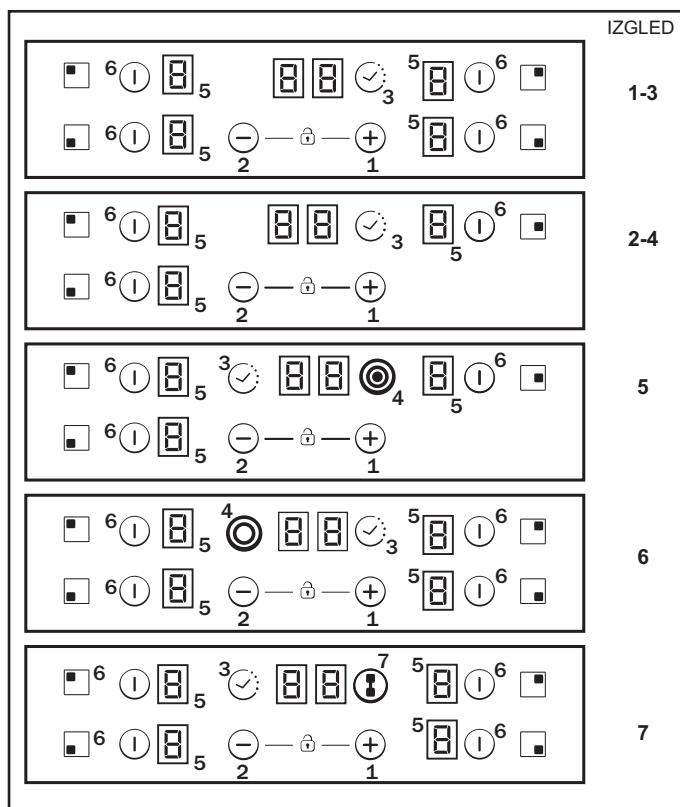
Nakon što se uvjerite da je ugradna ploča pravilno postavljena, popunite razmak između radnog dijela i ugradne ploče silikonskim ljepljivom. Poravnajte sloj silikona špatulom ili mokrim i nasapananim prstima prije nego što se stvrdne. Nemojte koristiti ugradnu ploču dok se sloj silikona potpuno ne osuši.



4. PRIKLJUČIVANJE NA ELEKTRIČNU MREŽU



	A	B	C	D
IZGLED 1	2300W	1800W	1200W	1200W
IZGLED 2	1800W	2500W	1200W	-
IZGLED 3	2300W	1800W	1200W	1200W
IZGLED 4	1800W	2500W	1200W	-
IZGLED 5	1800W	750+900+1050W	1200W	-
IZGLED 6	1000+1200 w	1800W	1200W	1200W
IZGLED 7	1800W	1800W	1200W	1800W



Prema modelu

1. "+"
2. "-"
3. TAJMER
4. Dodatna led lampica polja za kuhanje
5. Pokazivač programiranja polja za kuhanje
6. Odabir polja
7. Most

**Ugradnja mora biti u skladu sa standardima i direktivama.“
Proizvođač ne snosi nikakvu odgovornost za bilo kakvu štetu nastalu uslijed neprikladne ili neopravdane upotrebe.**

UPOZORENJE: Proizvođač nije odgovoran ni za kakve incidente ili njihove posljedice koje mogu nastati tijekom upotrebe uređaja koji nije uzemljen ili je uzemljen, ali je kabel za uzemljenje oštećen. Prije bilo kakve električne radnje provjerite napon napajanja prikazan na strujomeru, postavke automatskog prekidača, kontinuitet uzemljenja instalacija te je li osigurač odgovarajući. Električna veza s instalacijama treba biti u skladu s određenom snagom uređaja; ona se treba uspostaviti preko višepolarne sklopke.

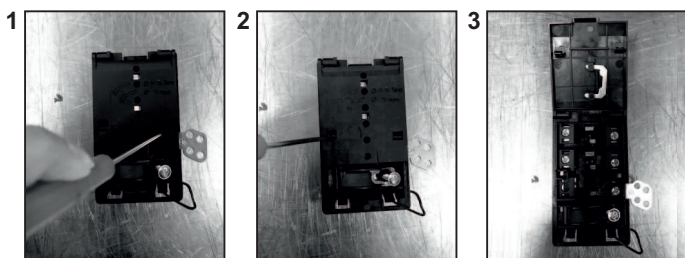
Ako uređaj ima utičnicu, treba ga ugraditi na način da je utičnica dostupna.
Žuto-zelena žica kabela za napajanje treba biti uzemljena kako na terminalu za napajanje tako i na terminalu uređaja.

Ako imate bilo kakva pitanja u vezi s kabelom napajanja, obratite se postprodajnom servisu ili kvalificiranom tehničaru.
Ako se ugradna ploča povezuje s kabelom napajanja, trebalo bi ju povezati samo na napajanje od 220 V do 240 V između faznog i neutralnog.

No, ugradnu ploču moguće je priključiti:
trofaznim napajanjem 220 – 240 V3
trofaznim napajanjem 380 – 415 V2N

Kako biste uspostavili novu vezu, pratite upute.
Prije spajanja, provjerite da je sustav zaštićen prikladnim osiguračem i da je pričvršćen žicama dovoljno velikima za normalan dovod napona u uređaj.
Okrenite ugradnu ploču. Staklena strana mora biti uz gornju radnu površinu. Ne zaboravite zaštititi staklo.

Otvorite poklopac sljedećim redoslijedom:



- odvrnite stezaljku kabela „1“;
- pronađite dva ispusta na bočnim stranama;
- stavite vrh ravnog odvijača ispred svakog ispusta „2“ i „3“, ugurajte i pritisnite,
- uklonite poklopac.

Za otpuštanje kabela za napajanje:

- Uklonite vijke koji pričvršćuju terminalni blok, koji sadrži paralelne poluge i vodiče kabela za napajanje.
- Izvucite kabel za napajanje.

Radnje koje treba izvesti za novo spajanje:

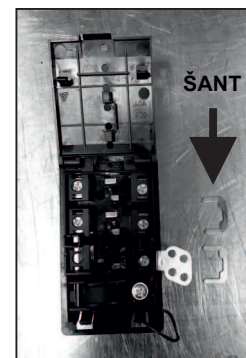
- zaberite kabel za napajanje u skladu s preporukama u tablici;
- Stavite kabel za napajanje u stezaljku;
- Skinite izolaciju s kraja svakog vodiča kabela za napajanje na 10 mm dužine, uzimajući u obzir traženu dužinu kabela za spajanje na terminalni blok;
- Sukladno sustavu i pomoću paralelnih poluga koje ste trebali izvući prilikom prve radnje, pričvrstite vodič sukladno tablici;
- Pričvrstite kućište;
- Pričvrstite stezaljku kabela.

Napomena: vijci ploče terminala moraju biti čvrsto stegnuti.

Radnje koje treba izvesti za novo spajanje:

- Izaberite kabel za napajanje u skladu s preporukama u tablici;
- Stavite kabel za napajanje u stezaljku;
- Skinite izolaciju s kraja svakog vodiča kabela za napajanje na 10 mm dužine, uzimajući u obzir traženu dužinu kabela za spajanje na terminalni blok;

- Sukladno sustavu i pomoću paralelnih poluga koje ste trebali izvući prilikom prve radnje, pričvrstite vodič sukladno tablici;
- Pričvrstite kućište;
- Pričvrstite stezaljku kabela.



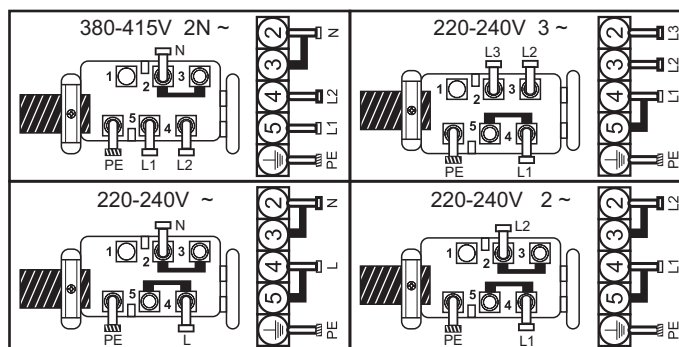
PAŽNJA:

Ako je potrebno zamijeniti kabel za napajanje, spojite žicu sukladno sljedećim bojama/šiframa:

PLAVO	Neutralna	(N)
SMEĐA	Fazna	(L)
ŽUTO-ZELENA	Uzemljenje	(⊕)

Spajanje na terminale na terminalnom bloku

	IZGLED "1-6"	IZGLED "7"
MONOFAZNO ili DVOFAZNO 220-240 V~		
Kabel HO5V2V2F	3x2,5 mm ²	3x4 mm ²
TROFAZNO 220 – 240 V3~		
Kabel HO5V2V2F	4x1,5 mm ²	4x1,5 mm ²
TROFAZNO 380 – 415 V2N~		
Kabel HO5V2V2F	4x1,5 mm ²	4x1,5 mm ²



L1 / L2 / L3 = Faza N = Neutralno PE = Uzemljenje

5. SAVJETI ZA KORIŠTENJE POSUĐA ZA KUHANJE NA UGRADNOJ PLOČI

Upotreba kvalitetnog posuđa za kuhanje ključna je za uspješan rad ugradne ploče.



- **Uvijek koristite kvalitetno posuđe za kuhanje koje ima potpuno ravno i debelo dno:** upotreba ove vrste posuđa za kuhanje sprječava mrlje od topline zbog kojih se hrana lijepi. Zahvaljujući debelim metalnim posudama i tavama, toplina se raspoređuje ravnomjerno.

- **Pobrinite se da je dno posude ili tave suho:** kad punite tave tekućinom ili koristite tavu koja je bila u hladnjaku, provjerite je li dno tave potpuno suho prije nego je stavite na ugradnu ploču. Tako se sprječava stvaranje mrlja na ugradnoj ploči.

- **Koristite tave čiji je promjer dovoljno širok da potpuno prekrije površinu:** tava ne smije biti manja od površine za zagrijavanje. Ako je nešto šira, osigurava se maksimalna iskoristivost energije.

IZBOR POSUĐA – sljedeće informacije pomoći će vam u odabiru posuđa koje osigurava dobar rad ugradne ploče.

Nehrđajući čelik: *preporuča se*, osobito dobar kod posuda sa sendvič dnom. Sendvič dno spaja prednosti nehrđajućeg čelika (izgled, trajnost i stabilnost) s prednostima aluminija ili bakra (vođenje topline, ravnomjerna raspodjela topline).

Aluminij: *preporuča se tvrdi aluminij*. Dobra vodljivost. Ostaci aluminija nekad izgledaju kao ogrebotine na ugradnoj ploči, no mogu se ukloniti ako se odmah očiste.

Tanki aluminij ne bi se smio upotrebljavati zbog niskog tališta.

Lijevano željezo: *može se koristiti, ali ne preporuča se*. Loši rezultati. Može izgredsti površinu.

Bakreno dno / kameno posuđe: *preporuča se tvrdo*. Dobri rezultati, no bakar može ostati na površini, a ti ostaci mogu izgledati kao ogrebotine. Ostaci se mogu ukloniti ako se ugradna ploča odmah očisti. Ipak, te posude ne bi smjele uzavreti na suhom. Pregrijani metal može se vezati za staklene ugradne ploče. Pregrijana bakrena posuda uzrokuje ostatak koji ostavlja trajne mrlje na ugradnoj ploči.


Porculan/emajl Dobri rezultati samo uz tanko, glatko i ravno dno.

Staklena keramika: *ne preporuča se*- Loši rezultati. Može izgredsti površinu.

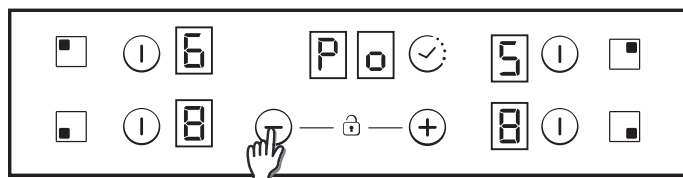
6. UPOTREBA

Kako odabrati razinu upravljanja snagom.

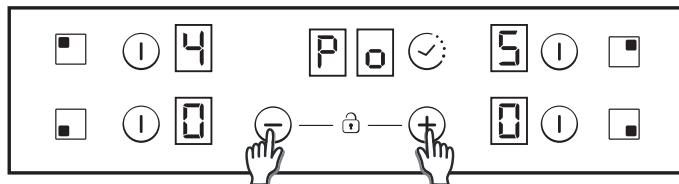
Korištenjem funkcije „Upravljanje snagom“ korisnik može postaviti najveću snagu koja se može postići uporabom gumba. Funkcija Upravljanje snagom dostupna je samo tijekom prvih 30 sekundi nakon pritiskanja prekidača na gumbu. Čak postoji i mogućnost ponavljanja ove postavke izvlačenjem i ponovnim umetanjem kabela za napajanje. Nakon što se postavi željene najviša snaga, gumbom se automatski prilagođava distribucija na različitim dijelovima površine za kuhanje kako se navedeno ograničenje nikada ne bi prekoračilo. Osim toga, postoji dodatna mogućnost istovremenog upravljanja svim dijelovima pri čemu ne dolazi do preopterećenja. Korisnik može postaviti najveću snagu gumbom između 2,5 kW i najveće pripadajuće snage gumba (ovo se razlikuje od modela do modela) (na primjer, ako je najveća snaga gumba 7,2 kW, najveća je razina snage za postavku između 2,5 kW i 7,2 kW). Prilikom kupnje gumb je namješten na najveću snagu. Nakon priključivanja uređaja na izvor napajanja električnom energijom, razinu snage možete postaviti unutar 30 sekundi na osnovu točaka u nastavku:

- 1.- Okrenite gumb.
- 2.- Pustite da dodirni upravljački elementi završe svoj postupak pokretanja.
- 3.- Prije nego što istekne 30 sekundi, držite gumb “” pritisnutim pet sekundi.

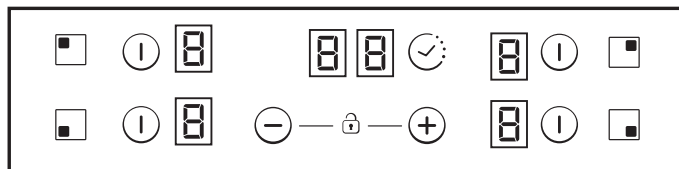
4 - Nakon toga poruka se prikazuje na zaslonu.



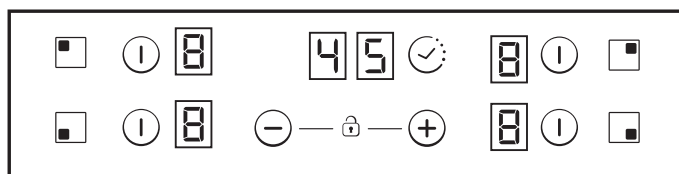
5 - Korištenjem gumba „više“ i „manje“ vrijednost upravljanja snagom može se namjestiti. U ovom slučaju između 6500 W i 2500 W. Kada se željena vrijednost odabere, dodirnite u isto vrijeme gumb „više“ i gumb „manje“ i držite ih pet sekundi.



6 - Kada se postupak završi, dugi se zvučni signal čuje i postupak poništavanja obavlja se. Postupak ponovnog postavljanja obavlja se.

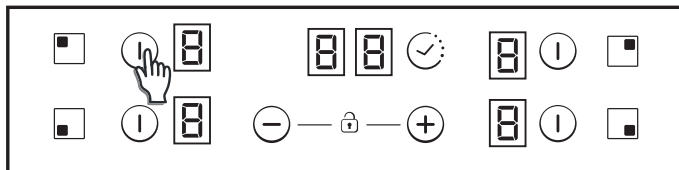


7 - Nakon što se obavi početni postupak, upravljanje snagom ECO prikazuje se na zaslonu brojača vremena.



Nakon završetka postupka dodirni upravljački elementi ne dopuštaju nijednu kombinaciju koja može prijeći ovo ograničenje Eco

UKLJUČI/ISKLJUČI (prekidačem ON/OFF) polje grijača



Za UKLJUČIVANJE grijača pritisnite bilo koje polje grijača na 40 milisekundi. Čut će se dug zvučni signal i vrijednost „0“ pojaviti će se na ciljnom polju, ukazujući na razinu struje.

1) Ako je bilo koja faza kuhanja u poziciji 0, ovaj zaslon automatski će se ISKLJUČITI nakon 10 sekundi, a čut će se zvučni signal ISKLJUČIVANJA polja.

2) Ako zaslon pokazuje preostalu toplinu na polju koje je UKLJUČENO, ali je vrijednost napajanja 0, na zaslonu će se pojaviti „0“.

3) Ako je funkcija zaključavanja uključena, nećete moći UKLJUČITI polje.

Za ISKLJUČIVANJE grijača pritisnite bilo koje polje grijača na 1, 2 sekunde. Čut će se tri kratka zvučna signala, a na ciljnom se polju neće ništa pojaviti ili će se pojaviti vrijednost „H“ ako ima preostale topline. Polje će se ISKLJUČITI.

1) Ako je bilo koja faza kuhanja u poziciji 0, ovaj zaslon automatski će se ISKLJUČITI nakon 10 sekundi, a čut će se zvučni signal ISKLJUČIVANJA polja.

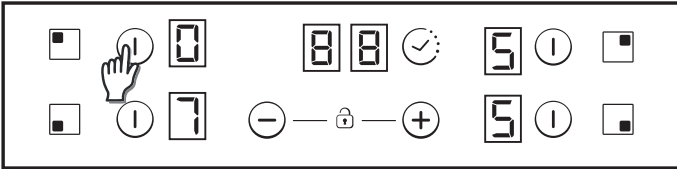
2) Ako zaslon pokazuje preostalu toplinu na polju koje je ISKLJUČENO, na zaslonu će se pojaviti „H“.

3) Čak i ako je funkcija zaključavanja uključena, moći ćete ISKLJUČITI polje.

4) Ako je samo jedan grijač aktivan i on se isključi, čut će se četiri kratka zvučna signala, označavajući da je cijela površina za kuhanje isključena.

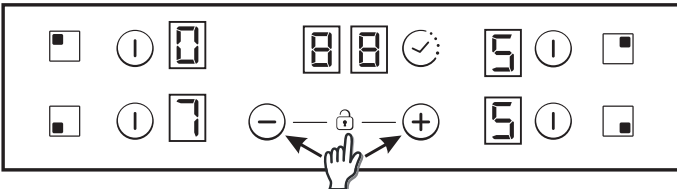
Odabir polja

Kad je polje već UKLJUČENO, javlja se svjetlo blagog intenziteta za polja koja nisu odabrana, a koja su UKLJUČENA.



Ako je UKLJUČENO samo jedno polje, to je polje u pravilu već odabrano, i nema potrebe za kratkim pritiskom (150 milisekundi) gumba za odabir.

Povećanje / smanjenje razine napajanja



Kratkim pritiskom na gumbе „+“ i „-“ povećajte ili smanjite napajanje na odabranim poljima s brojkama: 0-1-2-3...9-P

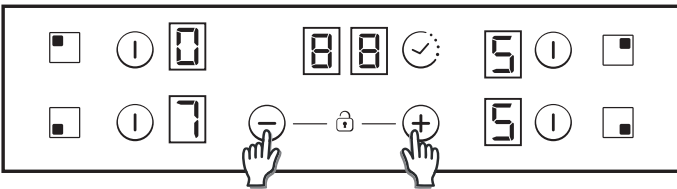
1. Dugim pritiskom na gumbе „+“ i „-“ napajanje se povećava/smanjuje u kontinuitetu. Brzim povećavanjem napajanje se zaustavlja na devetoj razini, a za veće napajanje potreban je još jedan kratak pritisak na gumb „+“. Ne čuje se nikakav zvučni signal kada se napajanje brzo povećava/smanjuje.

2. Kada se dosegne razina napajanja P, pritiskanje gumba „+“ ne mijenja razinu napajanja na 0. Kada se dosegne razina napajanja 0, pritiskanje gumba „-“ ne mijenja razinu napajanja na P.

3. Kada je polje UKLJUČENO na razini napajanja 0, ako je polje vrelo, treptat će znak 0. Nakon 10 sekundi 0 će nestati, a slovo „H“ pojaviti će se na zaslonu.

4. Kada je grijač odabran i gumbi „+“ i „-“ pritisnu se istovremeno, razina napajanja bit će „0“, ali će grijač ostati odabran još 10 sekundi. Ako je za grijač postavljen tajmer, on će se isključiti. Ova radnja može se obaviti samo u nekoliko slučajeva ovisno o konfiguraciji upravljanja na dodir. Sljedeći su primjeri samo informativne prirode. Kasnije se možete osloniti na osobno iskustvo prilikom prilagodbe ove postavke svom ukusu i navikama.

Opcija zaključavanja za zaštitu djece



Ova se radnja izvršava kada se gumbi „+“ i „-“ pritisnu istovremeno. Zatim će pri pritiskanju bilo kojega gumba zasloni pokazivati „L“ tijekom dvije sekunde, a stanje ugradne ploče ostat će nepromijenjeno.

Da biste isključili opciju zaključavanja za zaštitu djece, pratite gore objašnjen postupak. Čut će se kratak zvučni signal, a zasloni će pokazati slovo „n“. Ugradna ploča bit će otključana.

Napomena: Automatsko zaključavanje za zaštitu djece uključit će se 15 minuta nakon potpunog isključivanja ugradne ploče. Ova radnja odvija se automatski, ali ju je neophodno prethodno isprogramirati. Pogledajte Korisničke postavke.

Dvostruka/trostruka polja

Kako biste UKLJUČILI dvostruki prsten za proširenje, povezano glavno polje mora već biti UKLJUČENO a ukazujuća razina struje mora biti veća od 0.

8.1- Dvostruko polje UKLJUČENO

Prvi kratak pritisak na gumb za proširenje UKLJUČUJE prsten za proširenje. LED lampica iznad gumba za proširenje UKLJUČUJE se ako je prsten za proširenje UKLJUČEN.

Drugi kratak pritisak na gumb za proširenje ISKLJUČUJE prsten za proširenje. Kratak zvučni signal prati svaki pritisak na gumb za proširenje.

8.2- Trostruko polje UKLJUČENO

Prvi kratak pritisak na gumb za proširenje UKLJUČUJE prvi prsten za proširenje. Jedna LED lampica iznad gumba za proširenje UKLJUČUJE se ako je prvi prsten za proširenje UKLJUČEN (lijeva LED lampica u slučaju trostrukog polja, srednja i jedina LED lampica u slučaju dvostrukog polja).

Drugi kratak pritisak na gumb za proširenje UKLJUČUJE drugi prsten za proširenje. Dvije LED lampice iznad gumba za proširenje UKLJUČUJU se ako su prvi i drugi prsten za proširenje UKLJUČENI.

Treći kratak pritisak na gumb za proširenje ISKLJUČUJE prvi i drugi prsten za proširenje.

Kratak zvučni signal prati svaki pritisak gumba za proširenje.

Funkcija mosta

Most se može aktivirati samo kada su oba grijača ugašena. Kada je jedan grijač mosta odabran, pritisnite gumb za most da biste aktivirali funkciju mosta.

Čuje se zvučni signal, a LED lampica polja uključuje se ako je polje aktivirano.

Oba grijača mosta bit će odabrana istovremeno.

Kada su grijači odabrani, možete namjestiti razinu napajanja pritiskom na gumbе „+“ i „-“.

Oba zaslona grijača mosta pokazivat će istu razinu napajanja.

Funkcija se obustavlja:

- ako se pritisne gumb za most u načinu postavki
- ako korisnik odabere razinu napajanja „0“.

Osiguravanje od izlivanja

Nešto (predmet ili tekućina) pritišće bilo koji gumb duže od 5 sekundi. 2 kratka zvučna signala + 1 dugi zvučni signal svakih 30 sekundi dok je gumb pritisnut. Površina za kuhanje će se isključiti. Ovaj će simbol nastaviti treptati dok je gumb nečim pritisnut.

Tajmer

Funkcija tajmera može se uključiti posebnim gumbom ili pritiskanjem gumba „+“ i „-“ istovremeno.

U oba slučaja grijač mora biti odabran, a njegova razina napajanja mora biti veća od 0.

Odaberite polje za koje želite namjestiti tajmer. Razina napajanja polja veća je od 0. Statično je prikazano na polju koje kontrolira tajmer. Brojke „00“ rezervirane su za tajmer.

- 1) Tajmer se može odabrati s pomoću gumba „+“ i „-“. Nema zvučnog signala pri promjeni vremena.
- 2) Tajmer se otkazuje (prikazuje 00) istovremenim pritiskom na gumbе.
- 3) Ako se gumbi tajmera „+“ i „-“ drže pritisnuti tijekom vremena TBD, postoji brzo podešavanje.
- 4) Vrijeme tajmera može se namjestiti gumbom „-“ od „00“ do „99“, a gumbom „+“ od „99“ do „00“.
- 5) Maksimalno vrijeme je 99 minuta.
- 6) Kada vrijeme istekne i ugradna se ploča oglasi zvučnim signalom, pritisnite bilo koji gumb i alarm i odbrojavanje će se zaustaviti.
- 7) Vrijeme tajmera moguće je namjestiti dok tajmer već odbrojava.
- 8) Napajanje polja za koje je namješten tajmer može se izmijeniti bez narušavanja programa tajmera.
- 9) Posljednja minuta bit će prikazana u sekundama (za određene inačice, ovo je vidljivo samo kada uđemo u programiranje tajmera tijekom posljednje minute odbrojavanja).
- 10) Pritiskanjem gumba tajmera bez odabranog polja, kada ni za jedno polje nije namješten tajmer, ne događa se ništa.
- 11) Pritiskanjem gumba tajmera bez odabranog polja, kao i kada je tajmer namješten za više polja, vrijeme prikazano brojkama mijenja se ukруг i prikazuje vrijeme polja za koje je razina napajanja izražena decimalnim brojem.
- 12) U polju za koje je namješten tajmer naizmjenično se prikazuje napajanje (5 s) i (0,5 s).

Preostalo vrijeme prikazano je brojkama rezerviranim za tajmer. Ako je tajmer namješten za više polja, prikazano je najkraće preostalo vrijeme, a decimale se prikazuju u odgovarajućem polju.

Pokazatelj preostale topline (u slučaju svjetlećih grijača-> izračunano)

Isti pokazatelji mogu se koristiti za pokazivanje „preostale topline“. Za ovu svrhu mora se definirati raspored: Preostalo vrijeme topline = f (razina napajanja, vrijeme rada).

Dok je temperatura na staklenoj površini za kuhanje iznad 65°C (teoretska vrijednost), ovo će stanje biti prikazano na povezanom zaslonu simbolom „H“.

Za generiranje temperature iznad 65°C grijač mora biti u upotrebi neko vrijeme, a to vrijeme ovisi o razini napajanja. Kada ovo vrijeme prođe, upozorenje o preostaloj toplini prikazat će se kada se grijač isključuje.

Automatsko osiguranje isključeno

Ako se razina napajanja ne promijeni tijekom unaprijed predviđenog vremena, odgovarajući se grijač automatski isključuje.

Maksimalno vrijeme za koje grijač može biti uključen ovisi o odabranoj razini kuhanja.

Razina struje	Maksimalno vrijeme rada (u satima)
1	10
2	5
3	5
4	4
5	3
6	2
7	2
8	2
9	2
P	2

NAPOMENA: Iako se situacija pregrijavanja događa tijekom radnje na najvišoj razini napajanja, kontrola ugradne ploče automatski će prilagoditi razinu napajanja kako bi se spriječilo pregrijavanje ugradne ploče

7. ČIŠĆENJE I ODRŽAVANJE

. Prije bilo kakvih radnji održavanja na ugradnoj ploči, pričekajte da se ohladi.

. Smiju se koristiti samo proizvodi posebno namijenjeni čišćenju staklenih površina (kreme i strugalice). Možete ih nabaviti u trgovinama metalne robe.

. Pazite da vam se nešto ne prolje jer sve što padne na površinu ugradne ploče brzo izgara i otežava čišćenje.

. Savjetuje vam se da sve stvari koje se mogu lako rastopiti držite podalje od ugradne ploče, npr. plastične predmete, šećer ili proizvode na bazi šećera.

ODRŽAVANJE:

- Ulijte nekoliko kapi specijaliziranog proizvoda na čišćenje na površinu ugradne ploče.

- Izribajte tvrdokorne mrlje mekanom krpom ili lagano vlažnim kuhinjskim papirom.

- Brišite mekanom krpom ili suhim kuhinjskim papirom dok površina ne bude čista.

Ako još uvijek ima mrlja koje ne možete očistiti:

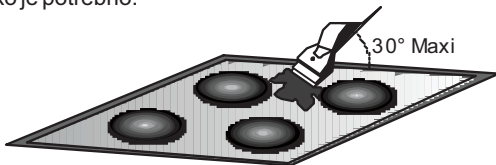
- Ulijte još nekoliko kapi specijaliziranog fluida za čišćenje na površinu.

- Stružite strugalicom držeći je pod kutom od 30° u odnosu na ugradnu ploču dok mrlje ne nestanu.

- Brišite mekanom krpom ili suhim kuhinjskim papirom dok površina ne bude čista.

- Ponovite ako je potrebno.

Napomena:



Nmojte koristiti previše mokru spužvu.

Nikad nemojte koristiti nož ili odvijač

Strugalica s britvom ne oštećuje površinu ako je držite pod kutom od 30°.

Nikad ne ostavljajte strugalicu s britvom na dohvata djece. Nikad nemojte koristiti abrazivne proizvode ili prašak za čišćenje.

Metal koji okružuje ploču sigurno čišćenje metala koji okružuje ploču: operite sapunom i vodom, isperite, a zatim osušite suhom krpom.

Bilo koja promjena boje na površini od staklene keramike ne utječe na njezin rad ili stabilnost površine. Takva gubljenja boje većinom nastaju zbog ostataka izgorjene hrane ili upotrebe posuđa od materijala kao što su aluminij ili bakar; takve je mrlje teško ukloniti.

8. RJEŠAVANJE PROBLEMA

U zonama kuhanja hrana ne ključa ili se samo lagano prži

Koristite samo tave s ravnim dnom. Ako se vidi svjetlo između tave i ugradne ploče, zona ne prenosi svjetlo ispravno.

Dno tave treba potpuno prekrivati promjer odabrane zone.

Kuhanje je presporo

Koriste se neprikladne tave. Koristite samo teško posuđe s ravnim dnom, čiji je promjer barem jednak promjeru zone kuhanja.

Male ogrebotine ili abrazije na staklenoj površini ugradne ploče

Nepravilno čišćenje ili upotreba tava s grubim dnom; čestice poput zrna pijeska ili soli upadnu između ugradne ploče i dna tave. Pogledajte odjeljak „ČIŠĆENJE“, provjerite da su dna tava čista prije upotrebe i koristite samo tave s glatkim dnom. Ogrebotine se mogu ublažiti samo ako se čišćenje pravilno izvodi.

Metalni tragovi

Ne gurajte aluminijske tave po ugradnoj ploči. Pogledajte preporuke za čišćenje.

Koristite pravilne materijale, ali mrlje ostaju. Upotrijebite britvu i slijedite upute iz odjeljka „ČIŠĆENJE“.

Tamne mrlje

Upotrijebite britvu i slijedite upute iz odjeljka „ČIŠĆENJE“.

Svijetle površine na ugradnoj ploči

Tragovi aluminijske ili bakrene tave, ali i naslage minerala, vode ili hrane; možete ih ukloniti kremom za čišćenje.

Karamelizacija ili rastopljena plastika na ugradnoj ploči.

Pogledajte odjeljak „ČIŠĆENJE“.

Ugradna ploča ne radi ili određene zone ne rade

Šantovi nisu položeni pravilno na ploči terminala.

Provjerite da je spojeno da je blokirana upravljačka ploča. Odblokirajte ugradnu ploču.

Ugradna ploča se ne isključuje.

Upravljačka je ploča blokirana. Odblokirajte ugradnu ploču.

Učestalost uključivanja/isključivanja za zone kuhanja

Ciklusi uključivanja/isključivanja variraju sukladno potrebnoj razini topline:

- niska razina: kratko vrijeme rada,
- visoka razina: dugo vrijeme rada.

Nijedna površina za kuhanje ne radi.

Provjerite stanje osigurača / automatskih prekidača na vašoj lokaciji. Proverite je li nestalo struje.

Sve su se površine za kuhanje ugasile.

Glavni prekidač (gumb ON/OFF (UKLJUČI/ISKLUČI)) slučajno je pritisnut ili se neki predmet nalazi na bilo kojem gumbu. Ponovno uključite površinu i sklonite sve predmete s gumba. Ponovno unesite postavke.

F i brojke na zaslonu

Ako se na zaslonu pojave slovo F i brojke, vaš uređaj otkrio je kvar. Sljedeća tablica navodi postupke kojima možete pokušati riješiti problem.

9. NAKNADNO ODRŽAVANJE

Prije nego pozovete servisnog inženjera, molimo provjerite sljedeće:

- da je utikač pravilno uključen i osiguran osiguračem;
- ako ne možete ustanoviti kvar, isključite uređaj – nemojte ga dirati – i nazovite Službu za pomoć nakon prodaje. Uređaj ima jamstveni list kojim se jamči besplatan popravak u Službi za servis i popravke.

Zaslon grijača	Kvar	Radnja
F0	Greška softvera upravljanja na dodir.	Ako dođe do greške, isključite uređaj iz struje i ponovno ga uključite. Ako se greška i dalje javlja, nazovite ovlašteni servis za naknadno održavanje. Ako se greška pojavi odjednom tijekom uobičajene radnje, nazovite ovlašteni servis za naknadno održavanje.
Fc	Pregrijalo se polje upravljanja na dodir i isključilo sve grijače.	Pričekajte dok se temperatura ne spusti. Površina za kuhanje automatski će se ponovno pokrenuti kada temperatura dosegne normalnu vrijednost.
Ft	Senzor za temperaturu s upravljanjem na dodir može se oštetiti.	Pričekajte dok se temperatura ne spusti. Ako poruka ostane i kada temperatura dosegne razinu temperature okružja, nazovite ovlašteni servis za naknadno održavanje.
FE	Senzor za temperaturu s upravljanjem na dodir može se oštetiti.	Pričekajte dok se temperatura ne spusti. Ako poruka ostane i kada temperatura dosegne razinu temperature okružja, nazovite ovlašteni servis za naknadno održavanje.
Fb	Pretjerana osjetljivost nekoga gumba.	Provjerite je li površina za kuhanje pravilno ugrađena. Provjerite dodiruju li gumbi pravilno staklenu površinu.
FU / FJ	Greška sigurnosti gumba.	Ova je greška automatska provjera gumba. Nestaje kada se automatska provjera vrati na sigurnu vrijednost. Ako se greška i dalje javlja, nazovite ovlašteni servis za naknadno održavanje.
FA	Greška sigurnosti gumba.	Ova je greška automatska provjera softvera. Nestaje kada se automatska provjera vrati na sigurnu vrijednost. Ako se greška i dalje javlja, nazovite ovlašteni servis za naknadno održavanje.
FC / Fd	Greška sigurnosti gumba.	Ova je greška automatska provjera softvera. Nestaje kada se automatska provjera vrati na sigurnu vrijednost. Ako se greška i dalje javlja, nazovite ovlašteni servis za naknadno održavanje.
Fr	Greška sigurnosti releja.	Bilo koji relejni driver može pogoditi bilo koji problem. Isključite uređaj iz struje, pričekajte minutu i ponovno ga uključite. Ako se greška i dalje javlja, nazovite ovlašteni servis za naknadno održavanje.

Ajánlatos megtartani az útmutatót a beszereléshez és a későbbi hivatkozások céljából, valamint a főzőlap beszerelését megelőzően jegyezze fel annak sorozatszámát, hogy szükség esetén fel tudja venni a kapcsolatot az értékesítés utáni szolgáltatással.

FIGYELMEZTETÉS: a készülék és annak hozzáférhető részei használat közben felforrósodnak. Ne érintse meg a fűtőelemeket. 8 éven aluli gyermekek csak folyamatos felnőtt felügyelet mellett tartózkodhatnak a készülék közelében.

FIGYELMEZTETÉS: csak olyan főzőlap védőrácsot használjon, amelyet a készülék gyártója készít, illetve javasol a készülék használati utasításában, vagy ami a készülékkel egybe van építve. A nem megfelelő védőrácsok használata balesetet okozhat.

FIGYELMEZTETÉS: a főzőlapon őrizetlenül hagyott zsír vagy olaj veszélyes lehet, és tüzet okozhat. Tűz esetén SOHA ne próbálja azt vízzel oltani. Kapcsolja ki a készüléket, majd pl. egy edényfedővel vagy tűzálló takaróval fojtsa el a tüzet.

FIGYELMEZTETÉS: tűzveszély: ne tároljon semmilyen tárgyat a főzőlap felületén.

FIGYELMEZTETÉS: ha a főzőlap felülete megrepedt, az áramütés elkerülése érdekében kapcsolja ki a készüléket.

A készüléket 8 év fölötti gyermekek, csökkent fizikai, érzékszervi és mentális képességekkel rendelkező, illetve kellő tapasztalattal nem rendelkező személyek, csak felügyelet mellett, illetve akkor használhatják, ha már rendelkeznek a készülék biztonságos használatára és a kockázatokra vonatkozó tudással. Felügyelje a gyermekeket, hogy azok ne játsszanak a készülékkel. A tisztítást és a karbantartást gyermekek nem végezhetik felügyelet nélkül.

VIGYÁZAT: főzés során ne hagyja felügyelet nélkül a készüléket. A rövid ideig tartó főzési folyamatokat folyamatosan felügyelni kell.

A súlyos égési sérülések kockázatának megelőzése érdekében erősen ajánlott távol tartani a gyermekeket a főzőzónától azok működése alatt, vagy kikapcsolt állapotukban, amíg a maradékhő jelző bekapcsolt állapotban van.

A készülék nem használható külső időzítővel vagy távirányító rendszerrel.

Ne nézzen bele a főzőlap halogén lámpáiba, amennyiben van ilyen.

A tápkábelre olyan dugaszt kell felszerelni, amely képes elviselni az adattáblán feltüntetett feszültséget, áramerősséget és terhelést, valamint földelt. Az aljzatnak alkalmasnak kell lennie az adattáblán feltüntetett terhelés elviselésére, és bekötött földelővezetékekkel kell rendelkeznie. A védőföldelés vezetéke sárga-zöld színű. A bekötési műveletet csak szakember végezheti el. Ha a készülék dugasa nem illik a

táphálózati aljzatba, akkor a dugaszt képzett villanyszerelővel kell kicseréltetni a megfelelő típusúra. Mind a dugasznak, mind az aljzatnak meg kell felelnie az adott országban érvényes telepítési előírásoknak.

A táphálózathoz történő csatlakoztatás elvégezhető egy olyan kétsarkú megszakító beiktatásával a készülék és az áramforrás közé, amely elbírja a maximális csatlakoztatott terhelést és megfelel a hatályos jogszabályoknak.

A sárga-zöld földelőkábel a megszakítónak nem szabad megszakítania. A csatlakoztatáshoz használt aljzatnak vagy kétsarkú megszakítónak a készülék telepítésekor könnyen hozzáférhető helyen kell lennie.

A tápellátás megszakíthatóságáról vagy úgy kell gondoskodni, hogy a dugaszolóaljzatot hozzáférhető helyen van, vagy a fix vezetékvezetésbe a villanyszerelési szabályok betartásával be kell kötni egy kapcsolót.

Ha a tápkábel megsérül, a kockázatok elkerülése végett a gyártó által megadott márkaszerviznek vagy megfelelően képzett szakembernek kell gondoskodnia a cseréjéről. A védőföldelés (sárga-zöld) vezetékének 10 mm-nél hosszabbnak kell lennie a sorkapocs oldalán. A vezetékek keresztmetszete meg kell feleljen a főzőlap által felvett teljesítménynek (lásd az adattáblát). HO5V2V2-F típusú tápkábel kell használni.

Ne tegyen fémből készült tárgyakat, például kést, villát, kanalat vagy fedőt a főzőlapra. Ezek felmelegedhetnek.

Alumíniumfóliát és műanyag edényeket tilos a fűtési zónákra helyezni.

Használat után tisztítsa meg a főzőlapot a kosz és a zsír felgyülemelésének megelőzése érdekében. Ellenkező esetben a főzőlap ismételt használatakor ezek füstöt és nemkívánatos szagokat hozhatnak létre, továbbá fennáll a veszély, hogy elősegítik egy esetleges tűz terjedését.

Ne tisztítsa a készüléket gőzzel vagy magas nyomású spray-vel.

Üzemelés közben, vagy azt követően ne érintse meg a főzőzónákat.

Ne főzzön ételeket közvetlenül az üvegkerámia főzőlapon.

Minden esetben használjon megfelelő főzőedényeket.

Minden esetben a főzésre használt egység közepére helyezze az edényeket. Ne tegyen semmit a vezérlőpanelre.

Ne használja a főzőlapot munkafelületként.

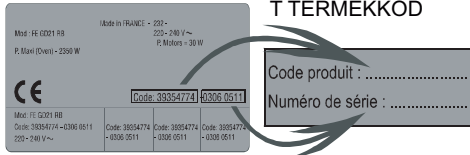
Ne használja a felületet vágódeszkaként.

Ne tároljon nehéz tárgyakat a főzőlap felett. Megkárosíthatják a főzőlapot, ha ráesnek.

Ne tároljon semmit a főzőlapon.

Ne húzza keresztül a főzőedényeket a főzőlapon. A készülék névleges frekvencián történő működtetéséhez nincs szükség további műveletre/beállításra.

Azonosító tábla (a főzőlap burkolatának alsó felén)



T TERMÉKKÓD

1. ÁLTALÁNOS FIGYELMEZTETÉSEK

A **CE** jelzés elhelyezésével a készüléken megerősítjük, hogy a termék megfelel valamennyi európai biztonsági, egészségügyi és környezetvédelmi követelménynek, amely az adott termék kategóriára érvényes.

2. KÖRNYEZETVÉDELLEM



Jelen eszköz a 2012/19/EU Az elektromos és elektronikus berendezések hulladékairól szóló irányelvnek (WEEE) megfelelően van megjelölve.

A elektronikai hulladékok szennyező anyagokat (amelyek negatív hatással lehetnek a környezetre) és újrahasznosítható alkatrészeket is tartalmaznak.

Fontos, hogy az elektronikai hulladékok egyedi kezelésen essenek át a szennyező anyagok megfelelő eltávolítása és ártalmatlanítása, valamint az anyagok visszanyerése és újrahasznosítása érdekében.

A magánszemélyeknek ebben fontos szerepe lehet, amikor megbizonyosodnak róla, hogy az elektronikai hulladékok nem válnak környezetvédelmi problémává; létfontosságú egyes alapvető szabályok betartása:

- Az elektronikai hulladékok nem kezelhetők háztartási hulladékként.

- Az elektronikai hulladékokat a megfelelő, az önkormányzat vagy a regisztrált vállalatok által kezelt begyűjtési pontokon kell leadni. Nagy méretű elektronikai hulladékok esetén több országban is működik a háztól történő elszállítás.

Több országban új berendezés vásárlásakor az ilyen hulladékot ingyen vissza lehet vinni a kereskedőhöz, amennyiben a régi berendezés ugyanolyanra szolgál, mint az új.

3- BESZERELÉS

A háztartási berendezés beszerelése bonyolult művelet lehet, amely nem megfelelő végrehajtás esetén hatással lehet a termék, vagyontárgyak vagy a fogyasztó biztonságára. Ezért csak szakképzett személy végezheti el a műszaki előírásoknak megfelelően.

Amennyiben ezt figyelmen kívül hagyják, és a beszerelést szakképzetlen személy végzi el, a gyártó visszautasít minden felelősséget a készülék műszaki meghibásodásával kapcsolatban, függetlenül attól, hogy az személyi sérülést, ill. állatok sérülését, illetve anyagi kárt okoz, vagy sem.

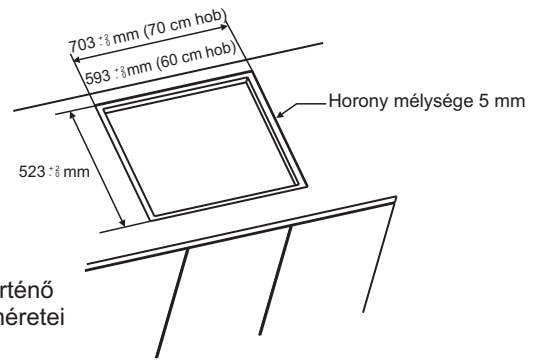
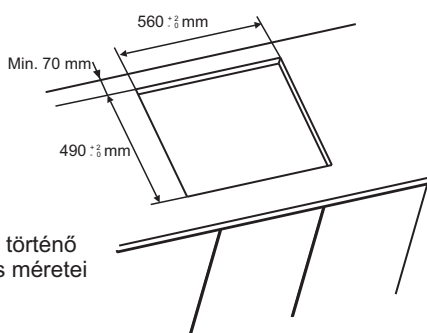
A csomagolás eltávolítását követően ellenőrizze, hogy a készülék sértetlen, és amennyiben nem az, lépjen kapcsolatba a forgalmazó vagy a gyártó eladást követő szolgáltatásával.

Ellenőrizze, hogy a bútor, amelybe be fogják építeni a készüléket, és a közelben lévő bútorok olyan anyagból készültek, amely ellenáll a magas hőmérsékletnek (min. 100 °C).

Továbbá, valamennyi dekoratív réteget hőálló ragasztóval kell rögzíteni.

A készüléket standard módon vagy síkban is be lehet építeni a konyhabútorba.

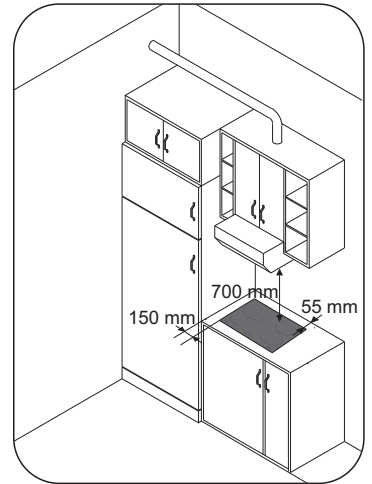
A munkalap vastagsága 25 mm és 45 mm közötti lehet.



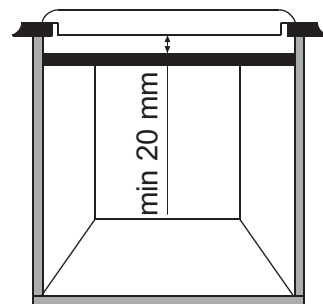
Megjegyzés: A belső kerület méretei ugyanezek standard beépítés esetén

Hagyjon legalább 55 mm távolságot a fal és a főzőlap között, valamint legalább 150 mm távolságot oldalt a főzőlap és a függőleges bútorok vagy fal között. Amennyiben a főzőlap fölé bútort szerelnek, legalább 700 mm távolságot kell hagyni közöttük.

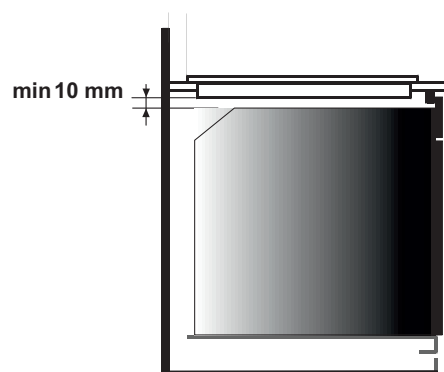
Ha elszívót szerelnek a főzőlap fölé, ellenőrizze az elszívóra meghatározott beszerelési előírásokat, de a főzőlap és az elszívó közötti távolság nem lehet kevesebb, mint 700 mm.



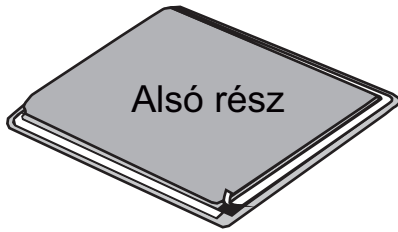
Ha a főzőlap alatti rész hozzáférhető a tisztítás és karbantartás céljából, a főzőlap alsó részéről 20 mm-re elválasztót kell tenni.



Ha sütőt szerelnek be a főzőlap alá, nem szabad elválasztót tenni, és legalább 10 mm-t kell hagyni a főzőlap alsó része és a sütő között. Ne szereljen hűtéssel nem rendelkező sütőt a főzőlap alá, továbbá tartsa be a sütő beszerelési előírásait

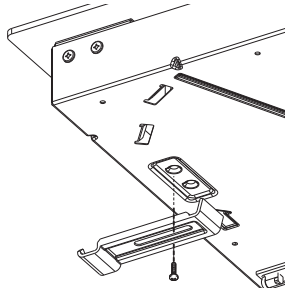


A főzőlap mellé vízálló tömitést biztosítunk. Illessze a tömitést a főzőlap alsó részére, és ellenőrizze, hogy megfelelően felfekszik, hogy az alátámasztó bútornál ne legyen szivárgás.



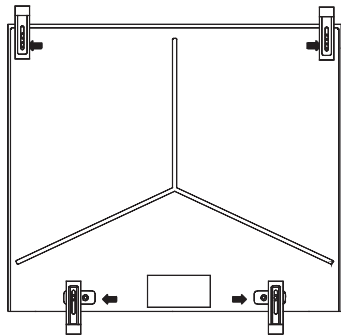
Normál rögzítés:

- Vegye ki a tartozék tasakból a rögzítőkapcsokat, és tekerje be őket az alsó burkolaton látható helyekre. (Ne húzza meg a csavarokat, hogy a kapcsok megszoruljanak, mivel azoknak szabadon kell mozogniuk.)



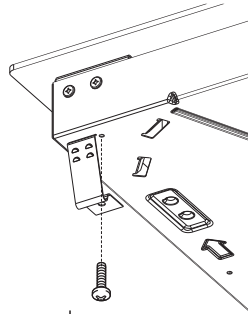
- Helyezze a főzőlapot a nyílás közepébe.

- Fordítsa el a kapcsokat, és szorítsa meg őket teljesen.

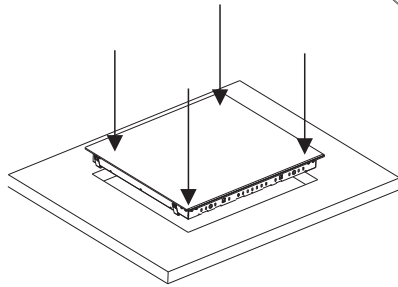


Gyors rögzítés: (Modelltől függően)

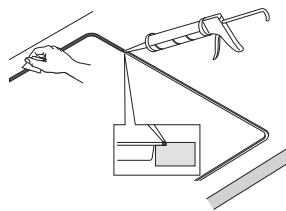
Vegye ki a négy rugót a tartozék tasakból, és tekerje be őket az alsó burkolatba az ábrán látható helyekre.



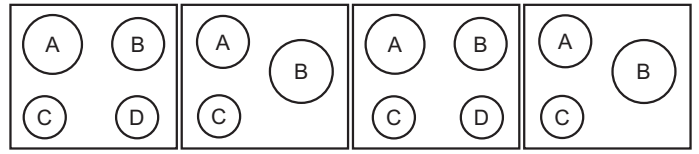
Állítsa be középre a főzőlapot, és illessze a helyére. Nyomja le a főzőlap oldalait, amíg a teljes területén fel nem fekszik.



SÍKBAN TÖRTÉNŐ BESZERELÉS Miután ellenőrizte, hogy a főzőlap megfelelő pozícióban van, töltsse ki a munkalap és a főzőlap közötti hézagot szilikonragasztóval. Lapisítsa el a szilikonréteget szappanos vízzel nedvesített spaklival vagy a nedves ujjával, mielőtt megköt. Ne használja a főzőlapot, amíg a szilikonréteg teljesen meg nem szárad.



4. ELEKTROMOS CSATLAKOZÁS

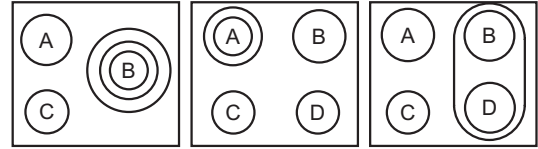


ELRENDEZÉS 1

ELRENDEZÉS 2

ELRENDEZÉS 3

ELRENDEZÉS 4

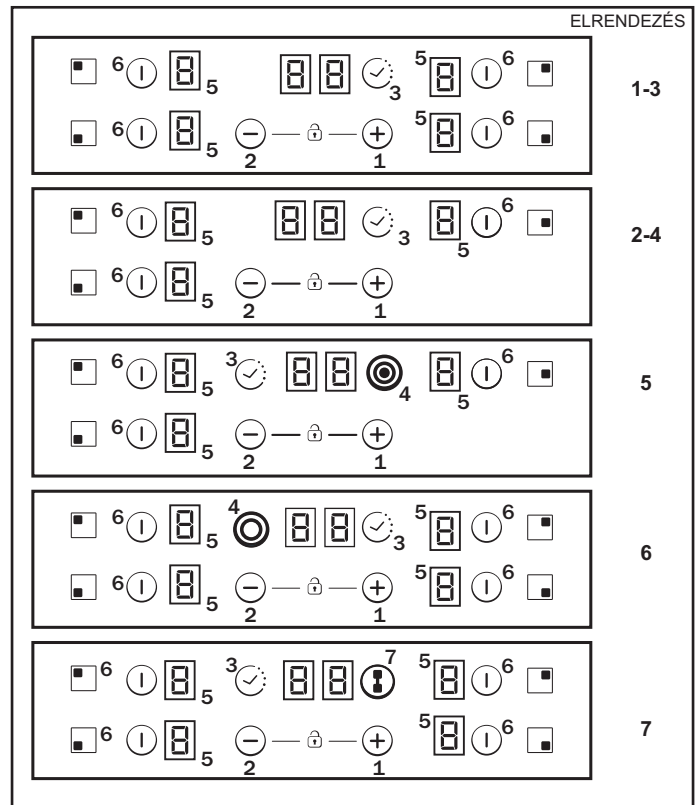


ELRENDEZÉS 5

ELRENDEZÉS 6

ELRENDEZÉS 7

	A	B	C	D
ELRENDEZÉS 1	2300W	1800W	1200W	1200W
ELRENDEZÉS 2	1800W	2500W	1200W	-
ELRENDEZÉS 3	2300W	1800W	1200W	1200W
ELRENDEZÉS 4	1800W	2500W	1200W	-
ELRENDEZÉS 5	1800W	750+900+1050W	1200W	-
ELRENDEZÉS 6	1000+1200 w	1800W	1200W	1200W
ELRENDEZÉS 7	1800W	1800W	1200W	1800W



Modelltől függően

1. "+"
2. "-"
3. IDŐZÍTŐ
4. Kiegészítő főzőzóna led
5. Főzőzóna programozási jelzőfénye
6. Főzőzóna beállítása
7. Összekapcsolás

"A beszerelést a szabványok és irányelvek alapján kell végezni." A gyártó nem vállal felelősséget a nem megfelelő vagy ésszerűtlen használatból adódó károkért.

FIGYELMEZTETÉS: A gyártó nem vállal felelősséget olyan esetekért, vagy azok következményeiért, amelyeket hiányos- vagy nem megfelelő földelésű készülék okoz.

Áram alá helyezés előtt minden esetben ellenőrizze az árammérőn látható ellátási feszültséget, a megszakító beállítását, a földelés folytonosságát, valamint a biztosíték megfelelőségét.

A készülék elektromos csatlakoztatását a névleges teljesítménynek megfelelően kell elvégezni egy kétsarkú megszakítón keresztül.

Ha az eszköz rendelkezik csatlakozóaljzattal, azt úgy kell telepíteni, hogy az aljzat elérhető helyen legyen.

Az áramforrás sárga/zöld vezetékét csatlakoztatni a tápkábellel kapcsolatban felmerülő kérdéseit az eladást követő szolgáltatás vagy egy képzett szakember felé intézze.

Ha a főzőlap tápkábellel kapható, azt kizárólag 220-240 V-os áramforráshoz lehet csatlakoztatni a fázis és a nulla között.

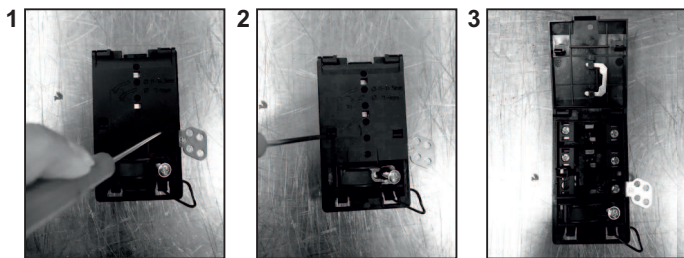
A főzőlap ennek ellenére az alábbi forráshoz csatlakoztatható:

Háromfázisú 220-240 V3
Háromfázisú 380-415 V2N

A bekötés folytatásához tartsa be az alábbi utasításokat: A csatlakozás létrehozása előtt bizonyosodjon meg róla, hogy a berendezést megfelelő biztosíték védi, valamint hogy a vezetékek képesek arra, hogy megfelelően ellássák a készüléket.

Fordítsa meg a főzőlapot, az üveg oldala nézzen a munkalap felé, ügyelve arra, hogy ne sértse fel az üveget. Kell az áramforrás és a készülék földelő csatlakozásához is.

Az alábbi sorrendben nyissa fel a fedelet:



- csavarja ki az "1"-es kábelzárt;
- keresse meg az oldalt található két fület;
- tegye a lapos fejtű csavarhúzó fejét a "2"-es és a "3"-as fül elé, majd nyomja be és tartsa lenyomva;
- távolítsa el a fedelet.

A tápkábel kioldása:

- távolítsa el a sönt rudakat és a tápkábel vezetőit tartalmazó sorkapcsot rögzítő csavarokat;
- Húzza ki a tápkábelt.

Az új csatlakozás létrehozásához szükséges műveletek:

- A táblázat ajánlásai alapján válassza ki a tápkábelt;
- Helyezze be a tápkábelt a kábelzárba;
- Csípje le a tápkábel vezetőinek a végét 10 mm hosszúságban, a sorkapocshoz történő csatlakozáshoz szükséges hosszúság figyelembe vétele mellett;
- A beszerelésnek megfelelően és a sönt rudak - amelyeket az előző művelet alatt nyert ki - segítségével rögzítse a vezetőt az ábrán látható módon;
- Rögzítse a fedelet;
- Csavarja vissza a kábelzárt.

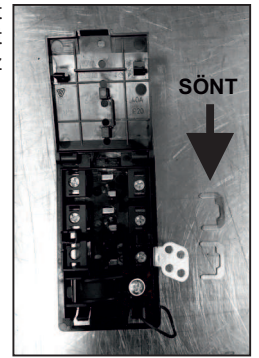
Megjegyzés: bizonyosodjon meg róla, hogy a kapcsolótábla csavarjai szorosak.

Az új csatlakozás létrehozásához szükséges műveletek:

- A táblázat ajánlásai alapján válassza ki a tápkábelt;
- Helyezze be a tápkábelt a kábelzárba;
- Csípje le a tápkábel vezetőinek a végét 10 mm hosszúságban, a

sorkapocshoz történő csatlakozáshoz szükséges hosszúság figyelembe vétele mellett;

- A beszerelésnek megfelelően és a sönt rudak - amelyeket az előző művelet alatt nyert ki - segítségével rögzítse a vezetőt az ábrán látható módon;
 - Rögzítse a fedelet;
- Csavarja vissza a kábelzárt



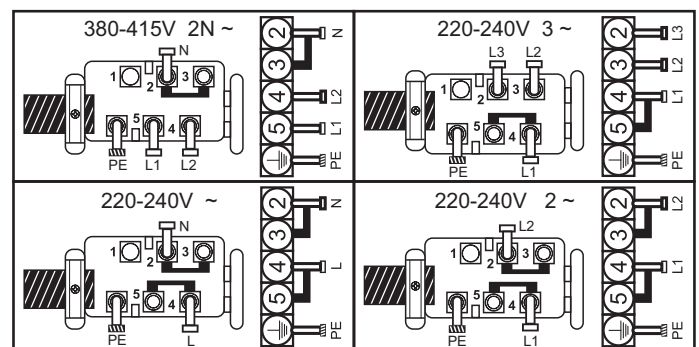
FIGYELEM:

Ha a tápkábelt ki kell cserélni, a vezetékeket a következő színek/kódok alapján csatlakoztassa:

KÉK	Nulla	(N)
BARNA	Fázis	(L)
SÁRGA ZÖLD	Föld	(⊕)

Csatlakoztatás a sorkapocson található érintkezőkhöz

	ELRENDEZ "1-6"	ELRENDEZ "7"
EGYFÁZISÚ vagy KÉTFÁZISÚ 220-240 V~		
kábel HO5V2V2F	3x2,5 mm ²	3x4 mm ²
HÁROMFÁZISÚ 220-240 V3~		
kábel HO5V2V2F	4x1,5 mm ²	4x1,5 mm ²
HÁROMFÁZISÚ 380-415 V2N~		
kábel HO5V2V2F	4x1,5 mm ²	4x1,5 mm ²



L1 / L2 / L3 = Fázis

N = Nulla

PE = Föld

5. A FŐZŐLAPON HASZNÁLT EDÉNYEKEL KAPCSOLATOS JAVASLATOK

A jó minőségű főzőedények használata elengedhetetlen a főzőlap legjobb teljesítményének elérése érdekében.



• **Minden esetben jó minőségű, teljesen lapos és vastag aljú főzőedényeket használjon:** ezen főzőedények használata meggátolja a forró foltok kialakulását, amelyek általában leragadnak az ételek. A vastag fém edények és serpenyők egyenlően osztják el a hőt.

• **Bizonyosodjon meg róla, hogy az edény vagy a serpenyő alja száraz:** ha folyadékkal tölt meg egy edényt, vagy olyan edényt használ, amelyet korábban a hűtőben tárolt, bizonyosodjon meg róla, hogy az edény alja teljesen száraz, mielőtt a főzőlapra helyezné. Ezzel elkerülhető a főzőlap elszíneződése.

• **Olyan edényeket használjon, melyek elég szélesek ahhoz, hogy teljesen eltakarják a főzőzóna felületét:** az edény mérete nem lehet kisebb a főzőterületnél. A maximális hatékonyságot akkor érheti el, ha az edény egy kicsit nagyobb a felületnél.

FŐZŐEDÉNYEK KIVÁLASZTÁSA - Az alábbi információ segíthet Önnek kiválasztani a megfelelő teljesítményű főzőedényeket.

Rozsdamentes acél: *nagyon ajánlott.* Különösen jó, ha többrétegű aljjal rendelkezik. A többrétegű alj egyesíti a rozsdamentes acél előnyeit (megjelenés, tartósság és stabilitás) az alumínium vagy réz előnyeivel (hővezetés, egyenletes hőelosztás).

Alumínium: *nehéz súlyút ajánljuk.* Jó vezetőképesség. Az alumíniumszemcsék karcolásnak tűnhetnek a főzőlap felületén, de azonnali tisztítás esetén eltávolíthatók.

Az alacsony olvadási pont miatt a vékony alumínium nem ajánlott.

Öntöttvas: *használható, de nem ajánlott.* Gyenge teljesítmény. Megkarcolhatja a felületet.

Réz fenekű / kőedény: *nehéz súlyút ajánljuk.* Jó teljesítmény, de a réz nyomokat hagyhat, amelyek karcolásnak tűnhetnek. A nyomok eltávolíthatók azonnali tisztítás esetén. Azonban ne hagyja, hogy elpárologjon belőlük az összes víz. A túlhevült fém hozzáragadhat az üveg főzőlaphoz. A túlhevült rézedény maradandó nyomokat hagyhat a főzőlapon.

Porcelán/zománc: Jó teljesítményű, kizárólag vékony, sima, lapos aljú edényeket használjon.

Üvegkerámia: *nem ajánlott.* Gyenge teljesítmény. Megkarcolhatja a felületet.

6. HASZNÁLAT

Teljesítménykezelési szint kiválasztása

A „Teljesítménykezelés” funkcióval a kezelőnek lehetősége van a főzőlap által elérhető maximális teljesítmény beállítására. A teljesítménykezelés funkció csak a főzőlap bekapcsolását követő első 30 másodpercben érhető el. A beállítást megismételheti a hálózati csatlakozó kihúzásával és csatlakoztatásával is. Az alkalmazni kívánt maximális teljesítmény beállításával a főzőlap automatikusan úgy állítja be a főzőzónák közötti elosztást, hogy a maximális teljesítmény értéket ne haladja meg; alkalmazva azt az előnyt, hogy túlterhelés nélkül képes kezelni valamennyi zónát. Az ügyfél a főzőlap maximális teljesítményét 2,5 kW és a főzőlap maximális teljesítménye (ez a modelltől függően változhat) között állíthatja be (például: ha a főzőlap maximális teljesítménye 7,2 kW, a maximálisan beállítható teljesítményszint 2,5kW és 7,2KW között van). A vásárlás pillanatában a főzőlap teljesítménye maximális értékre van beállítva.

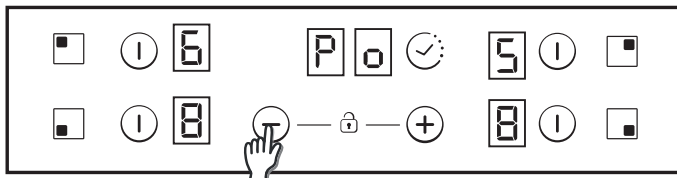
A készülék hálózati csatlakoztatását követő 30 másodpercen belül az alábbi pontok alapján beállíthatja a teljesítmény szintet.

1 - Kapcsolja be a főzőlapot.

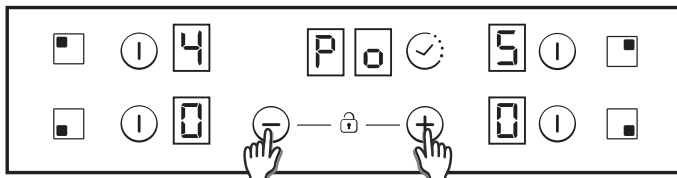
2 - Hagyja, hogy az érintésvezérlés befejezze az inicializálási eljárást.

3 - 30 másodperc letelte előtt nyomja meg és tartsa lenyomva 5 másodpercig a “-” gombot.

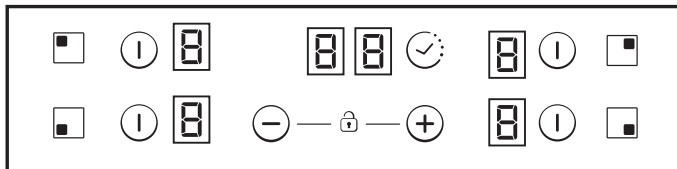
4 - Ezt követően ez az üzenet jelenik meg a kijelzőn.



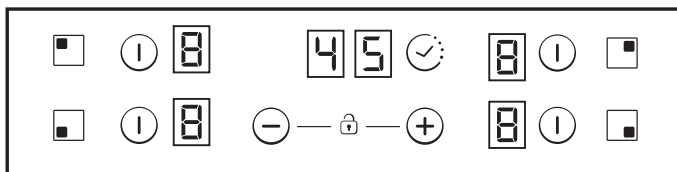
5 - A “Plusz” és “Mínusz” gombokkal beállítható a teljesítmény kezelési szint. Ebben az esetben 6500 és 2500 W közötti tartományban. A kívánt érték kiválasztását követően tartsa lenyomva egyszerre 5 másodpercig a “Plusz” és “Mínusz” gombokat.



6 - Az eljárás befejezését követően hosszú sípszó hallható, majd sor kerül az újraindításra. Az indítási folyamat ismét kezdetét veszi.

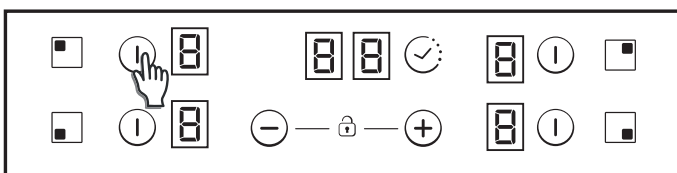


7 - Az indítási folyamatot követően az időzítő kijelzőn az ECO teljesítménykezelés jele lesz látható.



Ezt követően az érintésvezérlés nem engedélyez semmilyen, az Eco határértéket meghaladó kombinációt

Főzőzónák be- és kikapcsolása



A főzőzónák bekapcsolásához érintse meg bármely főzőzóna jelét 400 ms-ig. Hosszú sípolást fog hallani, és a főzőzóna számértékénél megjelenik a "0", ami a teljesítményszintet jelzi.

1) Ha bármelyik főzőzóna 0-n áll, a kijelző automatikusan kikapcsol 10 mp elteltével, és a zóna kikapcsolás jelzése hallható.

2) Ha maradékhő kijelzés van egy bekapcsolt főzőzónánál, amelyiknek a teljesítményszintje 0, a "0" jelenik meg.

3) Ha be van kapcsolva a gyerekszár, nem lehet bekapcsolni a zónákat.

A főzőzónák kikapcsolásához érintse meg bármely főzőzóna jelét 1,2 mp-ig. Három rövid sípolást fog hallani, és eltűnik a kijelzőről a szám, vagy "H" látható, ha maradékhő van. A zóna kikapcsol.

1) Ha bármelyik főzőzóna 0-n áll, a kijelző automatikusan kikapcsol 10 mp elteltével, és a zóna kikapcsolás jelzése hallható.

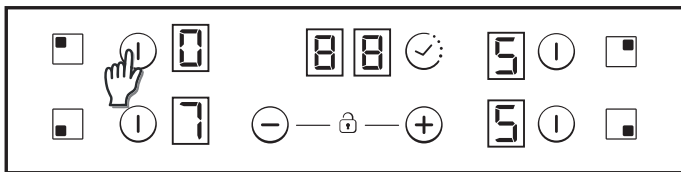
2) Ha maradékhő kijelzés van egy kikapcsolt főzőzónánál, a "H" jelenik meg.

3) A zónákat akkor is ki lehet kapcsolni, ha be van kapcsolva a gyerekszár.

4) Ha csak egy főzőzóna aktív, és azt kikapcsolják, 4 rövid sípolás hallható, ami jelzi, hogy az egész főzőlap kikapcsolt.

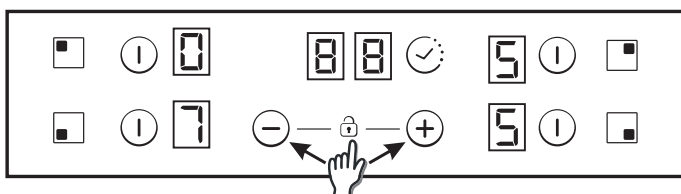
Főzőzóna kiválasztása

Ha egy főzőzóna már be van kapcsolva, a ki nem választott, de bekapcsolt zónáknál gyengébb megvilágítás látható.



Ha csak egy főzőzóna van bekapcsolva, az alapértelmezés szerint ki is van választva anélkül, hogy röviden (150 ms) meg kellene nyomni a kiválasztó gombot.

Teljesítményszint növelése / csökkentése



A '+' vagy '-' gombok rövid megnyomásával növelheti vagy csökkentheti a kiválasztott főzőzóna teljesítményszintjét: 0-1-2-3...9-P

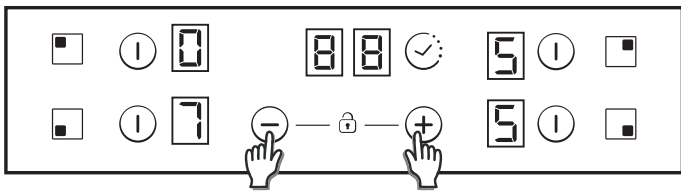
1. Ha hosszan nyomja le a + vagy - gombot, a teljesítményszint folyamatosan növekszik / csökken. A gyors növelésnél a teljesítményszint 9-esen megáll, ennél nagyobb teljesítményhez újra meg kell nyomni röviden a + gombot. Gyors növelés / csökkentés esetén nem hallható sípolás.

2. AP teljesítményszint elérésekor a + gomb újbóli megnyomására a teljesítményszint nem vált 0-ra. A 0 teljesítményszint elérésekor a - gomb újbóli megnyomására a teljesítményszint nem vált P-re.

3. Ha egy főzőzóna be van kapcsolva, és a teljesítményszint 0, a 0 villogni fog, amikor a főzőzóna forró. 10 másodperc elteltével a 0 eltűnik, és helyette 'H' jelzés jelenik meg a kijelzőn.

4. Amikor egy főzőzóna ki van választva, és a '+' és '-' gombokat egyszerre megnyomja, a teljesítményszint '0'-ra csökken, de a főzőzóna kiválasztása még 10 másodpercig megmarad. Ha időzítő volt bekapcsolva a főzőzónához, az kikapcsol. Az érintőképernyő konfigurációjától függően ez számos esetben előfordulhat. Az alábbi példák csak tájékoztató jellegűek. Ezt követően a személyes tapasztalata segítségével alkalmazni tudja ezeket a beállításokat a saját izléséhez és szokásaihoz.

Gyerekszár opció



A '+' és '-' gomb egyidejű megnyomásával aktiválhatja.

Ezután bármely gomb megnyomására 2 mp-ig az "L" jelzés látható, a főzőzónák pedig ugyanabban az állapotban maradnak.

A gyerekszár kioldásához az előbbiek szerint kell eljárnia. Ekkor rövid sípolás hallható, és megjelenik a kijelzőn az "n" jelzés. A főzőlap kiold.

Megjegyzés: A főzőlap teljes kikapcsolását követően 15 perccel automatikusan aktiválódik a gyerekszár. Ezt előzőleg be kell programozni, ezt követően viszont automatikus. Lásd a felhasználói beállítások pontot.

Dupla / Tripla zónák

A dupla zóna bekapcsolásához a fő zónának már bekapcsolva kell lennie, és a teljesítményszintnek 0-tól nagyobb értéket kell mutatnia.

8.1-Dupla zóna bekapcsolás

Az összekapcsoló gomb 1. rövid megnyomására bekapcsol az összekapcsoló gyűrű. Ha az összekapcsoló gyűrű bekapcsolt, az összekapcsoló gomb LED-je világítani kezd.

Az összekapcsoló gomb 2. rövid megnyomására kikapcsol az összekapcsoló gyűrű.

Az összekapcsoló gomb minden megnyomását rövid sípolás kíséri.

8.2-Tripla zóna bekapcsolás

Az összekapcsoló gomb 1. rövid megnyomására bekapcsol az 1. összekapcsoló gyűrű (bal oldali LED tripla zóna esetén, a középső és az egyedüli LED a dupla zónára vonatkozik). Az összekapcsoló gomb 1. LED-je világítani kezd, ha az 1. összekapcsoló gyűrű bekapcsolt (bal oldali LED tripla zóna esetén, a középső és az egyedüli LED a dupla zónára vonatkozik)

Az összekapcsoló gomb 2. rövid megnyomására bekapcsol a 2. összekapcsoló gyűrű. Az összekapcsoló gomb két LED-ke világítani kezd, ha az 1. és 2. összekapcsoló gyűrű is bekapcsol.

Az összekapcsoló gomb 3. rövid megnyomására kikapcsol az 1. és 2. összekapcsoló gyűrű.

Az összekapcsoló gomb minden megnyomását rövid sípolás kíséri.

Híd funkció

A híd funkciót akkor lehet aktiválni, ha mindkét főzőzóna ki van kapcsolva. Miután kiválasztotta a híd egyik főzőzónáját, a híd funkció aktiválásához érintse meg a híd gombot.

Sípolás hallható, és a zóna LED-je világítani kezd, ha a zóna aktiválva van.

A híd mindkét zónáját egyidejűleg kell kiválasztani.

A zónák kiválasztását követően a teljesítményszint a + - gombokkal állítható.

A híd mindkét zónáján azonos lesz a teljesítményszint. A funkció kikapcsolása:

- Érintse meg beállítás módban a híd gombot.
- Válassza a '0' teljesítményszintet.

Kifutási biztonság

Ha bármi (például tárgy vagy folyadék) több mint 5 mp-ig nyomva tartja valamelyik gombot. 2 rövid sípolás + 1 hosszú sípolás 30 mp-enként, amíg a gomb nyomva marad. A főzőlap kikapcsol. Ez a jel továbbra is villog, amíg a probléma fennáll.

Időzítő

Az időzítőt a saját gombjával, vagy a '+' és '-' gomb egyidejű megnyomásával lehet aktiválni.

Mindkét esetben ki kell választani a főzőzónát, és a teljesítményszintnek nagyobbobbnak kell lennie 0-nál.

Válassza ki az időzíteni kívánt zónát. A zóna teljesítményszintje legyen nagyobb, mint 0. Az időzítendő zónánál statikusan megjelenik a "00" az időzítőnek fenntartott számjegyek helyén.

1) A "+" és "-" gombokkal ki lehet választani az időzítést. Az idő változtatásakor nem hallható sípolás.

2) Az időzítő gombjainak egyidejű megnyomására az időzítő lenulláz (00-ra áll).

3) Ha az időzítő "+" vagy "-" gombját folyamatosan nyomva tartja a beállításnál, gyorsbeállítást végezhet.

4) Az időzítő idejének beállításakor a "00" értékről "99"-re lehet váltani a "-" gombbal, és a "99"-ről "00"-ra a "+" gombbal.

5) A maximális idő 99 perc.

6) Az idő leteltével a főzőlap sípol; nyomja meg bármelyik gombot, és a riasztás véget ér, az időzítő pedig lenulláz.

7) Az időzítés idejét akkor is be lehet állítani, ha korábban már bekapcsolta az időzítőt.

8) Az időzített zóna teljesítményszintjét módosítani lehet, ennek nincs hatása az időzítőre.

9) Az utolsó perc másodpercekben jelenik meg (egy-egy változatoknál csak akkor látható, ha belépünk az időzítő programozásba a visszaszámolás utolsó percében).

10) Ha nincs kiválasztva zóna, és egyik zóna sincs időzítve az időzítő gomb megnyomására nem történik semmi.

11) Ha nincs kiválasztva zóna, és több zóna is időzítve van, az időzítő gomb megnyomásával felváltva megjelennek az idők, illetve megjelenik az idő, ahol a teljesítmény kijelzőn be van kapcsolva a tizedesvessző.

12) Vagy az időzíteni kívánt zónán a teljesítmény (5s) és (0,5s) jelenik meg.

A maradék idő az időzítőnek fenntartott számjegyek helyén jelenik meg. Ha több zónát időzít, a legrövidebb hátralévő idő jelenik meg, és a tizedesvessző a kapcsolódó zónánál látható.

Maradékő kijelzés (sugárzásos főzőzónánál -> számított)

Ugyanazok a jelzések használhatók a "maradékő" kijelzésére is. Erre a célra idő táblázatot kell meghatározni: Maradékő ideje=f (teljesítményszint, üzemeleti idő)

Amikor a főzőlap üvegfelületének hőmérséklete 65°C fölötti (elméleti érték), a megfelelő kijelzőn egy "H" jelzi ezt.

65°C fölötti hőmérséklet eléréséhez a főzőzónának bizonyos ideig üzemelnie kell, ez a teljesítményszinttől is függ. Ezen idő leteltével a maradékő kijelzés megjelenik a főzőzóna kikapcsolását követően.

Automatikus biztonsági kikapcsolás

Ha előre meghatározott ideig nem változik a teljesítményszint, az érintett főzőzóna automatikusan kikapcsol.

A főzőzóna maximális bekapcsolási ideje a kiválasztott teljesítményszinttől függ.

Teljesítményszint	Max. bekapcsolási idő (óra)
1	10
2	5
3	5
4	4
5	3
6	2
7	2
8	2
9	2
P	2

MEGJEGYZÉS: Bár a legnagyobb teljesítményszintek használatakor előfordulhat túlmelegedés, a főzőlap vezérlése automatikusan beállítja a teljesítményszintet, hogy megelőzze a főzőlap túlmelegedését.

7. TISZTÍTÁS ÉS KARBANTARTÁS

. A karbantartási munkálatok megkezdése előtt hagyjon elég időt a főzőlap számára a lehűléshez.

. Kizárólag üvegkerámia felületekre kifejlesztett termékeket (krémek és kaparók) használjon. Ezeket a barkácsboltokban szerezheti be.

. Ne engedje, hogy az ételek kifolyjanak a főzőlap felületére, hiszen azok gyorsan odaégnek, és megnehezítik a tisztítást.

. Ajánlott távol tartani a főzőlaptól minden olyan anyagot, amely megoldadhat, mint pl. műanyag tárgyak, cukor, vagy cukor alapú termékek.

KARBANTARTÁS:

- Öntsön pár csepp speciális tisztító folyadékot a főzőlap felületére.
- Egy puha kendővel vagy enyhén nedves konyhai papírtörővel dörzsölje meg a makacs foltokat.
- Puha kendővel vagy száraz konyhai papírtörővel törölje tisztára a főzőlap felületét.

Ha még ezt követően is maradtak makacs foltok:

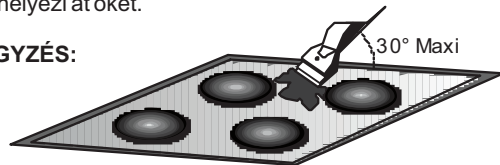
- Öntsön még pár csepp speciális tisztító folyadékot a főzőlap felületére.
- A főzőlaphoz képest 30°-ban tartott kaparóval kaparja meg a szennyeződéseket, amíg azok el nem tűnnek.
- Puha kendővel vagy száraz konyhai papírtörővel törölje tisztára a főzőlap felületét.
- Szükség esetén ismételje meg az eljárást.

NÉHÁNY TIPP:

A gyakori tisztítás védőréteget alakít ki a főzőlap felületén, amely elengedhetetlen a karcok és a kopás megelőzése érdekében. A főzőlap ismételt használata előtt bizonyosodjon meg róla, hogy a felülete tiszta. A vízfoltok eltávolításához használjon pár csepp ecetet vagy citromlé. Ezt követően pár csepp speciális tisztító folyadékkal és nedvszívó papírral törölje le a felületet.

Az üvegkerámia felület ellenáll a lapos aljú főzőedények által okozott karcokhoz, azonban jobb felemelni azokat, ha az egyik zónáról a másikra helyezi át őket.

MEGJEGYZÉS:



Ne használjon túlságosan nedves szivacsot.

Sose használjon kést vagy csavarhúzó.

A pengével ellátott kaparó nem károsítja a főzőlap felületét, amíg azt 30°-os dőlésszögben tartja.

A pengés kaparót minden esetben a gyermekektől elzárva tartsa. Sose használjon dörzsölő hatású termékeket vagy súroló porokat.

A fém perem tisztítása: a hatásos tisztításhoz mossa le a fém peremet szappanos vízzel, öblítse le, majd egy puha kendő segítségével törölje szárazra.

Az üvegkerámia felületében beállít színelváltozások nem befolyásolják annak működését vagy a felület stabilitását. Ezen elszíneződések leginkább az odaégett ételek maradékainak vagy az alumíniumból vagy rézből készült főzőedények eredményeként jönnek létre; ezen foltokat nehéz eltávolítani.

8. HIBAELHÁRÍTÁS

A főzőzónák nem főznek megfelelően vagy csak gyengén sülnek
Kizárólag lapos aljú edényeket használjon. Ha fény látható az edény és a főzőlap között, a zóna nem megfelelően továbbítja a hőt. Az edény aljának teljesen le kell fednie a kiválasztott zónát.

Túl lassú a főzés

Nem megfelelő edényeket használ. Kizárólag lapos aljú eszközöket használjon, amelyek nagy súlyal rendelkeznek és legalább akkora az átmérőjük mint a főzőzónaé.

Kiseb karcok vagy horzsolások találhatóak a főzőlap üveg felületén

Nem megfelelő tisztítás vagy durva fenekű edények használata; homok- vagy sószemcsék kerülnek a főzőlap és az edény alja közé. Tekintse meg a "TISZTÍTÁS" c. fejezetet; bizonyosodjon meg róla, hogy az edények alja lapos, és kizárólag sima aljú edényeket használjon. Megfelelő tisztítás segítségével csökkenthető a karcok száma.

Fémes nyomok

Ne húzza az alumínium edényeket a főzőlapon át. Tekintse meg a tisztítási ajánlásokat.

Megfelelő anyagokat használ a tisztításhoz, de a foltok nem tűnnek el. Használjon pengét, és kövesse a "TISZTÍTÁS" c. fejezetben leírtakat.

Sötét foltok

Használjon pengét, és kövesse a "TISZTÍTÁS" c. fejezetben leírtakat.

Fényes felületek a főzőlapon

Alumínium vagy réz edények nyomot hagyhatnak, de lehetnek ásványi-, víz- vagy ételmaradványok is; ezeket a tisztítókrém segítségével eltávolíthatja.

Karamell vagy olvadt műanyag található a főzőlapon.

Tekintse meg a "TISZTÍTÁS" c. fejezetet.

A főzőlap vagy egyes zónák nem működnek

A söntök nem megfelelően helyezkednek el a kapcsolótáblán. Ellenőrizze, hogy a csatlakozás megfelelő-e, és a vezérlőpanel le van-e zárva. Oldja ki a gyerekszárat.

A főzőlap nem kapcsol ki.

A vezérlőpanel le van zárva. Oldja ki a gyerekszárat.

A be- és kikapcsolás gyakorisága főzőzónák esetében

A be- és kikapcsolási ciklusok a szükséges hőmennyiség alapján eltérőek lehetnek:

- kis hőmennyiség: rövid bekapcsolás,
- nagy hőmennyiség: hosszú bekapcsolás.

A főzőlap nem működik.

Ellenőrizze a biztosítékokat és áramköri megszakítókat. Ellenőrizze, hogy nincs-e áramkimaradás.

A főzőlap magától kikapcsolt.

Véletlenül megnyomták a főkapcsolót (ON/OFF gomb), vagy bármilyen tárgy került a gombra. Vegyen le mindent a vezérlőpanelről, és kapcsolja be újra a készüléket. Végezze el újra a beállítást.

F és számok láthatók

Ha megjelenik a kijelzőn egy F betű és számok követik, a készülék hibát észlelt. Az alábbi táblázat felsorolja, hogy mit tehet a hiba elhárítása érdekében.

9. ELADÁST KÖVETŐ SZOLGÁLTATÁS

A szervizmérnökkel történő kapcsolatfelvétel előtt ellenőrizze a következőket:

— a dugasz megfelelően be van illesztve és kötve.

Ha nem tudja beazonosítani a hibát, kapcsolja ki az eszközt — ne módosítsa azt — hívja fel az Eladást követő szolgáltatást. A készülékhez jótállási jegyet mellékelünk, amely garanzálja a Szervizközpontban történő ingyenes javítást.

Főzőlap kijelző	Hiba	Intézkedés
F0	Érintővezérlés szoftverhibája.	Ha megjelenik a hiba, kapcsolja ki, majd vissza a főzőlap áramellátását. Ha továbbra is fennáll a hiba, hívja az eladást követő szolgáltatást. Ha normál működés közben hirtelen jelenik meg a hiba, hívja az eladást követő szolgáltatást.
Fc	Az érintővezérlés területe túl meleg, és kikapcsolta az összes főzőzónát.	Várjon, amíg lehűl. A főzőlap működése automatikusan helyreáll, ha a hőmérséklet eléri a normál értéket.
Ft	Meghibásodhatott az érintővezérlés hőmérséklet érzékelője	Várjon, amíg lehűl. Ha a hőmérséklet eléri a környezeti értéket, de a hibaüzenet továbbra is fennáll, hívja az eladást követő szolgáltatást.
FE	Meghibásodhatott az érintővezérlés hőmérséklet érzékelője.	Várjon, amíg lehűl. Ha a hőmérséklet eléri a környezeti értéket, de a hibaüzenet továbbra is fennáll, hívja az eladást követő szolgáltatást.
Fb	Bármelyik gomb túlérzékeny.	Ellenőrizze, hogy a főzőlap megfelelően van-e beszerelve. Ellenőrizze, hogy a gombok megfelelően hozzáférnek az üvegfelülethez.
FU / FJ	Biztonsági érintővezérlés hiba	Ennél a hibánál az érintővezérlés önellenőrzést hajt végre. A hiba eltűnik, ha az önellenőrzés végrehajtása kész. Ha továbbra is fennáll a hiba, hívja az eladást követő szolgáltatást.
FA	Biztonsági érintővezérlés hiba	Ennél a hibánál a szoftver önellenőrzést hajt végre. A hiba eltűnik, ha az önellenőrzés végrehajtása kész. Ha továbbra is fennáll a hiba, hívja az eladást követő szolgáltatást.
FC / Fd	Biztonsági érintővezérlés hiba	Ennél a hibánál a szoftver önellenőrzést hajt végre. A hiba eltűnik, ha az önellenőrzés végrehajtása kész. Ha továbbra is fennáll a hiba, hívja az eladást követő szolgáltatást.
Fr	Relé biztonsági hiba	Valamelyik relé meghajtó meghibásodott. Szüntesse meg a főzőlap áramellátását, majd egy perc elteltével kapcsolja vissza. Ha továbbra is fennáll a hiba, hívja az eladást követő szolgáltatást.

Zalecamy zachowanie instrukcji instalacji i obsługi na przyszłość, a przed zainstalowaniem płyty odnotowanie numeru seryjnego urządzenia, gdyby konieczne było skorzystanie z pomocy obsługi posprzedażowej.

OSTRZEŻENIE: urządzenie i niektóre z jego elementów nagrzewają się w trakcie działania. Należy zachować ostrożność, aby nie dotknąć elementów grzejnych. Dzieci poniżej 8 roku życia powinny przebywać z dala od urządzenia, chyba że są one pod stałym nadzorem osoby dorosłej.

OSTRZEŻENIE: należy korzystać wyłącznie z osłon płyty kuchennej zaprojektowanych przez producenta urządzenia lub wskazanych przez niego w instrukcji obsługi jako odpowiednie lub z osłon płyty kuchennej wbudowanych w urządzenie. Stosowanie nieprawidłowych osłon może doprowadzić do wypadków.

OSTRZEŻENIE: przyrządzanie na płycie potraw z użyciem tłuszczu lub oleju może być niebezpieczne i może skutkować pożarem. **NIGDY** nie należy próbować gasić pożaru wodą. Należy wyłączyć urządzenie, a następnie zakryć płomień, na przykład pokrywką lub kocem gaśniczym.

OSTRZEŻENIE: niebezpieczeństwo pożaru: powierzchnie płyty kuchennej nie służą do przechowywania przedmiotów.

OSTRZEŻENIE: jeśli powierzchnia jest pęknięta, nie dotykaj szyby i wyłącz urządzenie, aby uniknąć ryzyka porażenia prądem.

Urządzenie to może być obsługiwane przez dzieci powyżej 8 roku życia oraz osoby o ograniczonej zdolności fizycznej, czuciowej lub psychicznej bądź nieposiadające doświadczenia i wiedzy, jeśli są one pod nadzorem lub poinstruowano je w zakresie bezpiecznej obsługi urządzenia i rozumiały one ewentualne zagrożenia. Dzieci powinny być pod nadzorem osoby dorosłej, która zapewni, że nie będą się one bawić tym urządzeniem. Czyszczenie i konserwacja urządzenia nie powinny być przeprowadzane przez dzieci bez nadzoru.

PRZESTROGA: proces gotowania powinien być nadzorowany. Krótki proces gotowania powinien być stale nadzorowany.

Aby uniknąć ryzyka mocnych oparzeń, dzieci powinny przebywać z dala od działających powierzchni grzejnych, również tuż po wyłączeniu ich, dopóki świeci się lampka informująca o gorącej jeszcze powierzchni.

Urządzenie to nie powinno być sterowane przez zewnętrzny regulator czasowy lub osobny system sterowania zdalnego.

W przypadku urządzeń z wbudowanymi lampami halogenowymi nie należy się w lampy te wpatrywać. Podłączyć wtyczkę do kabla zasilającego odpowiedniego do wymaganego napięcia, prądu i obciążenia wskazanego na tabliczce oraz posiadającego styk uziemiający. Gniazdko musi być odpowiednie do obciążenia wskazanego na tabliczce i musi posiadać podłączony oraz działający styk uziemiający. Przewód uziemiający jest koloru żółto-zielonego. Czynność tę powinien przeprowadzić odpowiednio wykwalifikowany

specjalista. W razie niekompatybilności pomiędzy gniazdkiem a wtyczką urządzenia należy poprosić wykwalifikowanego elektryka o wymianę gniazdka na inne odpowiedniego typu. Wtyczka oraz gniazdko powinny być zgodne z obowiązującymi w danym kraju przepisami w zakresie instalacji elektrycznej.

Podłączenie do źródła zasilania można wykonać również poprzez umieszczenie pomiędzy urządzeniem a źródłem zasilania wielobiegunowego wyłącznika, który wytrzyma maksymalne podłączone obciążenie i który będzie zgodny z obowiązującymi przepisami.

Żółto-zielony kabel uziemiający nie powinien być przerwany przez ten wyłącznik. Gniazdko oraz wyłącznik wielobiegunowy zastosowany do podłączenia powinien być po zainstalowaniu urządzenia łatwo dostępny.

Rozłączania można dokonywać dzięki dostępnej wtyczce lub wbudowanemu przełącznikowi w stałym okablowaniu, zgodnie z obowiązującymi przepisami w zakresie okablowania.

W razie uszkodzenia kabla zasilającego powinien go wymienić producent, serwisant lub inna wykwalifikowana osoba, aby uniknąć zagrożenia. Przewód uziemiający (żółto-zielony) na stronie zacisku musi być dłuższy niż 10 mm. Przekrój przewodów wewnętrznych musi być dostosowany do wartości mocy pobieranej przez płytę kuchenną (podanej na tabliczce znamionowej). Kabel zasilający musi być typu HO5V2V2-F.

Nie umieszczać na płycie kuchennej przedmiotów metalowych, takich jak noże, widelce, łyżki lub pokrywki. Mogą się one nagrzać.

Nie umieszczać na strefach grzejnych folii aluminiowej i naczyń plastikowych.

Po każdym użyciu płytę kuchenną należy przynajmniej w pewnym stopniu wyczyścić, aby zapobiec nawarstwianiu się brudu i tłuszczu. Pozostawiony brud lub tłuszcz przy kolejnym użyciu płyty kuchennej będzie się przypalał, powodując nieprzyjemny zapach, a także mogąc doprowadzić do ryzyka powstania pożaru.

Nigdy nie używać do czyszczenia urządzenia pary lub wody rozpylanej pod wysokim ciśnieniem.

Nie dotykać stref grzejnych podczas ich działania lub tuż po wyłączeniu ich.

Nigdy nie gotować jedzenia bezpośrednio na szklano-ceramicznej płycie kuchennej.

Zawsze korzystać z odpowiednich garnków.

Zawsze umieszczać patelnię na środku strefy, na której zamierza się gotować. Nie umieszczać nic na panelu sterowania.

Nie używać płyty kuchennej jako blatu roboczego.

Nie używać powierzchni jako deski do krojenia.

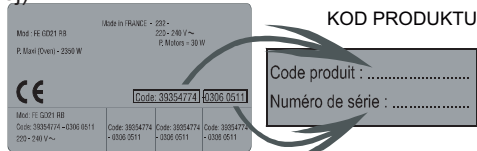
Nie przechowywać nad płytą kuchenną ciężkich przedmiotów. Jeśli spadną one na płytę kuchenną, mogą spowodować uszkodzenia.

Nie używać płyty kuchennej do przechowywania jakichkolwiek elementów.

Nie przesuwaj garnków/patelni po płycie kuchennej.

Do obsługi urządzenia na częstotliwościach znamionowych nie jest wymagane wykonanie żadnej dodatkowej operacji/ustawienia.

Tabliczka znamionowa (znajduje się pod dolną obudową płyty kuchennej)



KOD PRODUKTU

Code produit :
Numéro de série :

1. OGÓLNE OSTRZEŻENIA

Poprzez umieszczenie oznaczenia **CE** na tym urządzeniu potwierdzamy, że urządzenie to jest zgodne z wszelkimi dotyczącymi tej kategorii produktu obowiązującymi prawnie wymogami europejskimi w zakresie bezpieczeństwa, zdrowia i środowiska

2. OCHRONA ŚRODOWISKA



Urządzenie to posiada oznaczenie zgodne z dyrektywą europejską 2012/19/UE w sprawie zużytego sprzętu elektrycznego i elektronicznego (WEEE).

WEEE zawiera zarówno substancje zanieczyszczające (które mogą powodować negatywne skutki dla środowiska), jak i podstawowe komponenty (które mogą zostać ponownie użyte).

Ważne jest poddawanie WEEE specyficznej obróbce, aby usunąć i prawidłowo utylizować wszelkie elementy zanieczyszczające, a także odzyskiwać i poddawać recyklingowi wszelkie możliwe materiały.

Ludzie mogą odgrywać ważną rolę w zapewnianiu, że WEEE nie stanie się problemem środowiskowym; ważne jest przestrzeganie pewnych podstawowych zasad:

- WEEE nie powinien być traktowany tak samo jak inne odpady domowe.

- WEEE powinien być przekazywany do właściwych punktów zbiórki odpadów obsługiwanych przez gminę lub zarejestrowane przedsiębiorstwa. W wielu krajach w przypadku dużych WEEE może być przewidziany odbiór bezpośrednio z posesji.

W wielu krajach, kiedy kupuje się nowe urządzenie, stare urządzenie można zwrócić sprzedawcy, który odbierze je za darmo na zasadzie „urządzenie za urządzenie”, pod warunkiem, że urządzenie jest odpowiedniego typu i posiada te same funkcje co nowy dostarczony sprzęt.

3- INSTALACJA

Instalacja urządzenia domowego to dosyć skomplikowana czynność, która - jeśli zostanie przeprowadzona nieprawidłowo - może mieć poważne skutki dla bezpieczeństwa dóbr, mienia lub osób. Dlatego powinny ją przeprowadzać odpowiednio wykwalifikowane osoby zgodnie z obowiązującymi przepisami technicznymi.

W razie zignorowania powyższego zalecenia i powierzenia instalacji osobie niewykwalifikowanej producent zrzeka się wszelkiej odpowiedzialności za usterki techniczne urządzenia, niezależnie od tego, czy doprowadzą one czy nie do uszkodzeń dóbr lub mienia bądź obrażeń osób czy zwierząt.

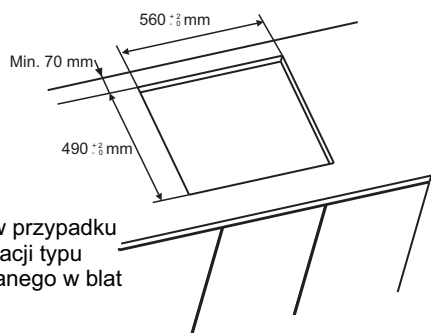
Po wyjęciu urządzenia z opakowania należy się upewnić, czy nie jest ono uszkodzone. W przeciwnym razie skontaktować się ze sprzedawcą lub działem obsługi posprzedażowej producenta.

Upewnić się, że mebel, w którym urządzenie to będzie instalowane oraz wszelkie inne pobliskie meble wykonane są z materiałów odpornych na działanie wysokiej temperatur (min. 100°C).

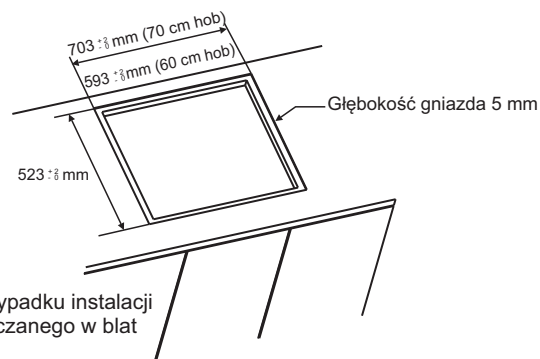
Ponadto wszystkie powłoki dekoracyjne powinny być umocowane przy użyciu kleju o wysokiej wytrzymałości.

Urządzenie może być wbudowane w mebel w sposób standardowy lub wpuszczany w blat.

Blat kuchenny powinien mieć grubość od 25 do 45 mm.



Obwód w przypadku instalacji typu wpuszczanego w blat

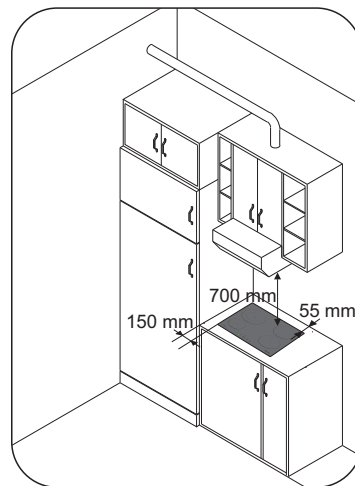


Obwód w przypadku instalacji typu wpuszczanego w blat

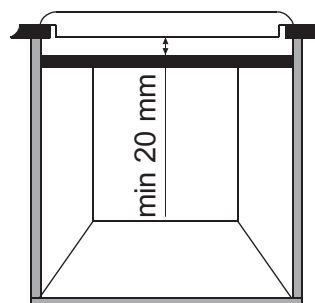
Uwaga: Wymiary obwodu wewnętrznego są jednakowe jak w przypadku instalacji standardowej

Należy pozostawić odległość wynoszącą przynajmniej 55 mm pomiędzy płytą kuchenną i ścianką tylną oraz przynajmniej 150 mm pomiędzy płytą kuchenną i pionowym meblem lub ścianami na stronie bocznej. Jeśli nad płytą kuchenną instalowany jest mebel, minimalna wymagana odległość to 700 mm.

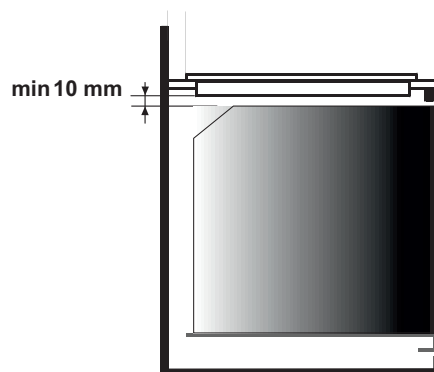
W przypadku instalacji okapu kuchennego nad płytą kuchenną należy zapoznać się z wymogami w zakresie instalacji okapu kuchennego, jednak zazwyczaj odległość pomiędzy płytą kuchenną i okapem nie powinna być mniejsza niż 700 mm.



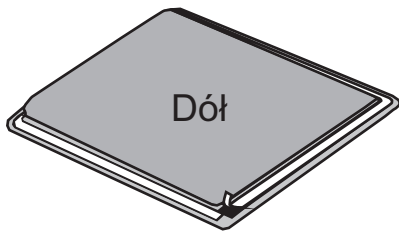
Jeśli dolna część płyty kuchennej przylega do miejsca, które zwykle jest dostępne i wykonuje się w nim czyszczenie lub inne czynności, należy 20 mm pod dolną częścią płyty kuchennej umieścić element oddzielający.



W przypadku instalowania pod płytą kuchenną piekarnika element oddzielający nie jest wymagany, a minimalna odległość pomiędzy dolną częścią płyty kuchennej i piekarnikiem nie powinna być mniejsza niż 10 mm. Nie instalować pod płytą kuchenną nieochołodzonego piekarnika i zainstalować piekarnik zgodnie z wymogami w zakresie jego instalacji.

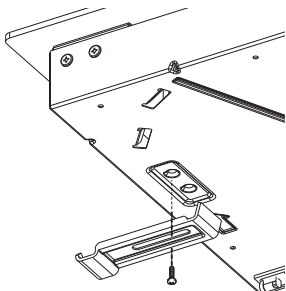


Do płyty kuchennej dołączono wodoszczelną uszczelkę. Ułożyć uszczelkę wokół dolnej części płyty zgodnie z opisem i upewnić się, że jest ona prawidłowo umocowana, aby uniknąć wycieków do znajdującego się pod nią mebla.



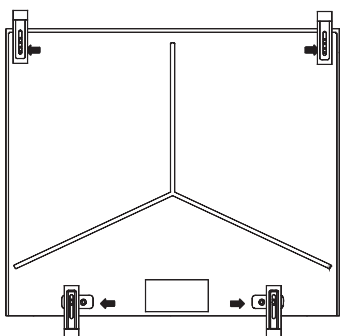
Normalny montaż:

- Wyjąć z worka z akcesoriami zaczepy mocujące i przykręcić je w miejscu wskazanym na dolnej obudowie. (Nie dokręcać śrub do zaczepów mocujących, powinny się one swobodnie poruszać).



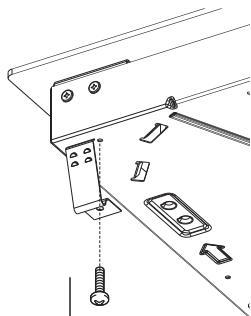
- Umieścić płytę w środkowej części wycięcia w blacie.

- Obrócić zaczepami i całkowicie je dokręcić.



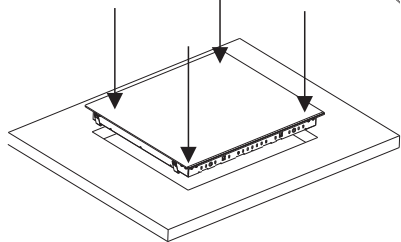
Szybki montaż: (W zależności od modelu)

Wyjąć z worka z akcesoriami cztery sprężyny i przykręcić je do dolnej obudowy, jak pokazano na rysunku.



Wyśrodkować i włożyć płytę na miejsce.

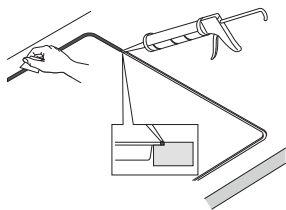
Docisnąć boki płyty do momentu, w którym będzie ona całkowicie oparta o blat na całym jej obwodzie.



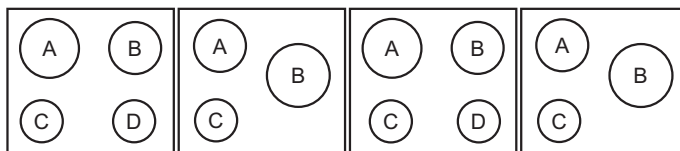
INSTALACJA PRZEWDUJĄCA WPUSZCZENIE W BLAT

Po upewnieniu się, że pozycja płyty kuchennej jest prawidłowa wypełnić szczelinę pomiędzy blatem kuchennym a płytą silikonem. Wyrównać warstwę silikonu specjalną szpachelką lub palcem zwilżonym wodą z mydłem, zanim silikon stwardnieje.

Nie używać płyty kuchennej, dopóki warstwa silikonu nie będzie całkowicie sucha.



4. PRZYŁĄCZE ELEKTRYCZNE

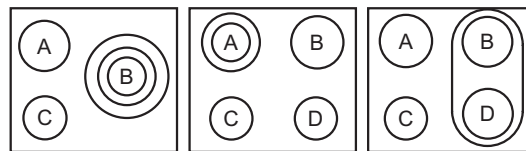


UKŁAD NR 1

UKŁAD NR 2

UKŁAD NR3

UKŁAD NR 4

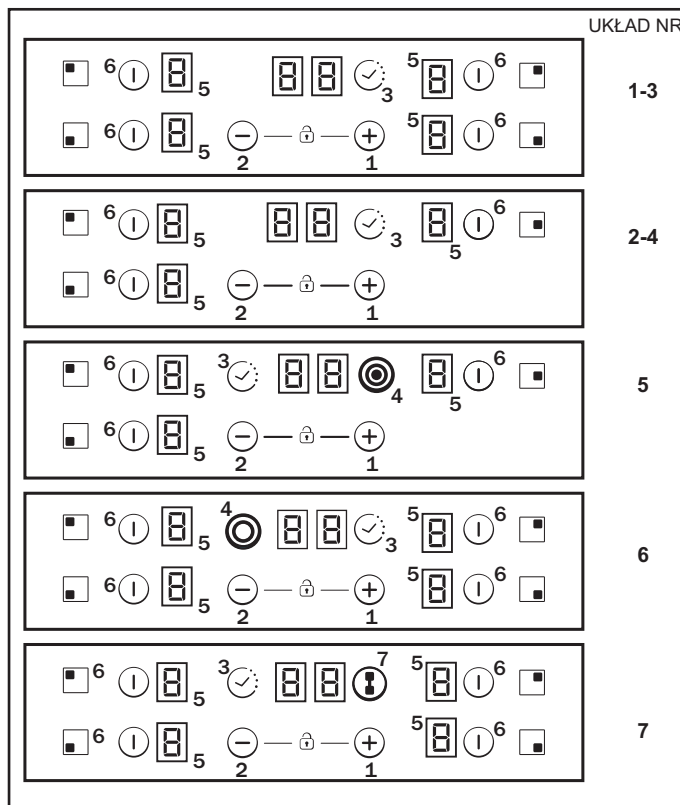


UKŁAD NR 5

UKŁAD NR 6

UKŁAD NR 7

	A	B	C	D
UKŁAD NR 1	2300W	1800W	1200W	1200W
UKŁAD NR 2	1800W	2500W	1200W	-
UKŁAD NR 3	2300W	1800W	1200W	1200W
UKŁAD NR 4	1800W	2500W	1200W	-
UKŁAD NR 5	1800W	750+900+1050W	1200W	-
UKŁAD NR 6	1000+1200 w	1800W	1200W	1200W
UKŁAD NR 7	1800W	1800W	1200W	1800W



W zależności od modelu

1. „+”
2. „-”
3. MINUTNIK
4. Dioda dodatkowej strefy gotowania
5. Wskaźnik programowania strefy gotowania
6. Wybór strefy
7. Strefa połączona

Instalacja musi być zgodna z obowiązującymi normami i przepisami". Producent zrzeka się wszelkiej odpowiedzialności za jakiegokolwiek uszkodzenia, które mogą być efektem nieprawidłowego lub nierozsądnego użytkowania urządzenia.

OSTRZEŻENIE: Producent nie ponosi odpowiedzialności za jakiegokolwiek wypadki lub ich konsekwencje, które mogą mieć miejsce podczas użytkowania urządzenia nieuziemionego lub którego uzimienie nie ma zapewnionej prawidłowej ciągłości.

Przed podjęciem jakichkolwiek czynności w zakresie instalacji elektrycznej należy sprawdzić za pomocą miernika elektrycznego napięcie zasilania, regulację wyłącznika głównego, ciągłość uzimienia i prawidłowość zastosowanego bezpiecznika.

Przyłącze elektryczne do instalacji powinno zostać wykonane zgodnie z mocą znamionową urządzenia; należy zastosować wyłącznik wielobiegunowy.

Jeśli urządzenie posiada wyjście gniazdowe, musi być tak zainstalowane, aby możliwy był dostęp do takiego wyjścia.

Żółto-zielony przewód kabla zasilającego musi być podłączony do uzimienia zarówno źródła zasilania, jak i zacisków urządzenia.

W razie jakichkolwiek pytań dotyczących kabla zasilającego należy się zwracać do działu obsługi posprzedażowej lub do wykwalifikowanego technika.

Jeśli płyta kuchenna jest wyposażona w kabel zasilający, powinien on być podłączony do zasilania 220-240 V uwzględniającego właściwe fazy i przewód neutralny.

Można również podłączyć płytę kuchenną do następujących źródeł zasilania:

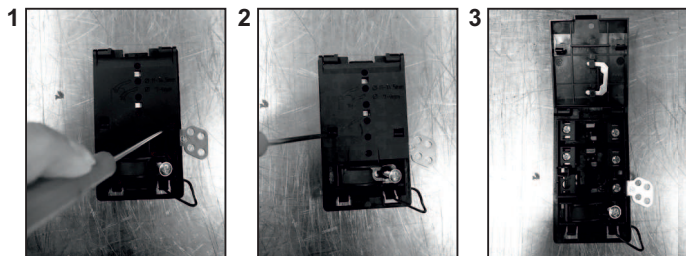
- Trójfazowe 220-240 V3
- Trójfazowe 380-415 V2N

Aby wykonać nowe przyłącze, należy postępować zgodnie z poniższymi instrukcjami:

Przed wykonaniem przyłącza upewnić się, że instalacja jest zabezpieczona odpowiednim bezpiecznikiem i że posiada przewody o odpowiednim przekroju, by możliwe było prawidłowe zasilanie urządzenia.

Odwrócić płytę kuchenną tak, aby szklana strona była oparta o blat kuchenny, dbając o odpowiednie zabezpieczenie powierzchni szklanej.

Otworzyć pokrywę w następującej kolejności:



- odkręcić zacisk kabla „1”;
- znaleźć dwa zaczepy znajdujące się na bokach;
- umieścić końcówkę płaskiego śrubokręta w przedniej części zaczepu „2” i „3”, docisnąć do wewnątrz i nacisnąć;
- wyjąć pokrywę.

Odlączenie przewodu zasilającego:

- Odkręcić śruby mocujące kostkę zaciskową, która zawiera boczniki i przewody kabla zasilającego;
- Wyciągnąć przewód zasilający.

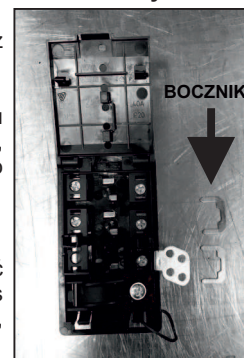
Czynności, jakie należy przeprowadzić w celu wykonania nowego przyłącza:

- Wybrać kabel zasilający zgodnie z zaleceniami widocznymi w tabeli;
- Przełożyć kabel zasilający do zacisku;
- Odizolować końcówkę każdego przewodu kabla zasilającego na długości 10 mm, uwzględniając wymaganą długość kabla do podłączenia do kostki zaciskowej;
- Zgodnie z instalacją, posługując się bocznikami, które pozyskano podczas pierwszej czynności, umocować przewód, jak pokazano na schemacie;
- Zamocować pokrywę;
- Przykręcić zacisk kabla.

Uwaga: należy się upewnić, że śruby płyty zaciskowej są prawidłowo dokręcone.

Czynności, jakie należy przeprowadzić w celu wykonania nowego przyłącza:

- Wybrać kabel zasilający zgodnie z zaleceniami widocznymi w tabeli;
- Przełożyć kabel zasilający do zacisku;
- Odizolować końcówkę każdego przewodu kabla zasilającego na długości 10 mm, uwzględniając wymaganą długość kabla do podłączenia do kostki zaciskowej;



- W zależności od typu instalacji należy użyć boczników, które pozyskano podczas pierwszej czynności i umocować przewód, jak pokazano w tabeli;
- Zamocować pokrywę;
- Przykręcić zacisk kabla.

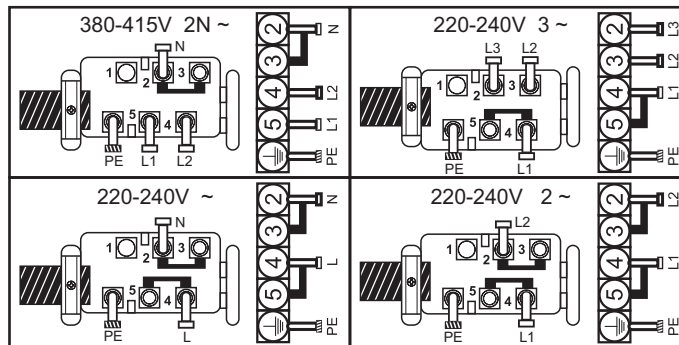
UWAGA:

Jeśli konieczna jest wymiana kabla zasilającego, należy podłączyć przewody zgodnie z następującymi kolorami/kodami:

NIEBIESKI	Neutralny	(N)
BRAZOWY	Faza	(L)
ŻÓŁTO-ZIELONY	Uziemienie	(⊕)

Podłączenie do zacisków na kostce zaciskowej

	UKŁAD NR "1-6"	UKŁAD NR "7"
JEDNOFAZOWE lub DWUFUZOWE 220 - 240 V~		
Kabel HO5V2V2F	3x2,5 mm ²	3x4 mm ²
TRÓJFAZOWE 220 - 240 V3		
Kabel HO5V2V2F	4x1,5 mm ²	4x1,5 mm ²
TRÓJFAZOWE 380 - 415 V2N~		
Kabel HO5V2V2F	4x1,5 mm ²	4x1,5 mm ²



L1 / L2 / L3 = Faza N = Neutralny PE = Uziemienie

5. WSKAZÓWKI DOTYCZĄCE GARNKÓW KUCHENNYCH UŻYWANYCH NA PŁYTCIE

Używanie dobrej jakości garnków ma kluczowe znaczenie dla jak najlepszego działania posiadanej płyty kuchennej.



• **Należy zawsze stosować wysokiej jakości garnki o idealnie równym i odpowiednio grubym dnie:** używanie takich garnków zapobiegnie powstawaniu gorących punktów, które powodują przywieranie żywności. Grube metalowe garnki i patelnie zapewnią równomierne rozprowadzanie ciepła.

• **Upewnić się, że dół garnka lub patelni jest suchy:** podczas napełniania garnków płynem lub używania garnka, który umieszczony był w lodówce, należy się upewnić, że dół takiego garnka jest całkowicie suchy i dopiero wówczas umieścić go na płycie. Dzięki temu można zapobiec powstawaniu plam na płycie kuchennej.

• **Używać garnków, których średnica jest dostatecznie duża, aby całkowicie zakryć strefę grzejną:** rozmiar garnka powinien być nie mniejszy niż dana strefa grzejna. Jeśli będzie nieco większy, energia będzie wykorzystywana na maksymalnym poziomie.

WYBÓR GARNKÓW - Poniższa informacja powinna ułatwić wybór garnków, które będą odpowiednio działać.

Stal nierdzewna: *wysoce zalecana*. Zwłaszcza dobre są garnki z dnem kilkuwarstwowym. Dno kilkuwarstwowe łączy w sobie korzyści związane z zastosowaniem stali nierdzewnej (wygląd, trwałość i stabilność) z zaletami aluminium i miedzi (przewodzenie ciepła, równomierne rozprowadzanie ciepła).

Aluminium: *zalecane ciężkie*. Dobra przewodność. Pozostałości z aluminium czasami mogą wydawać się rysami na płycie kuchennej, ale można je usunąć, jeśli płyta zostanie od razu wyczyszczona.

Ze względu na niską temperaturę topnienia cienkie aluminium nie powinno być używane.

Żeliwo: *użytkowanie możliwe, ale niezalecane*. Niezapewnione odpowiednie działanie. Może porysować powierzchnię płyty.

Dno miedziane/kamionka: *zalecane ciężkie*. Dobre działanie, ale miedź może pozostawiać resztki, które mogą wydawać się rysami na płycie. Resztki takie można usunąć, pod warunkiem, że płyta zostanie od razu wyczyszczona. Nie należy jednak dopuścić do wygotowania się wody w tego typu garnkach. Przegrzany metal może przywrzeć do szklanych płyt kuchennych. Przegrzany garnek miedziany pozostawi po sobie trwałą plamę na płycie kuchennej.

Porcelana/emalia: Dobre działanie wyłącznie w przypadku cienkiego, gładkiego i płaskiego dna.

Szkło/ceramika: *niezalecane*. Niezapewnione odpowiednie działanie. Może porysować powierzchnię płyty.

6. OBSŁUGA

Wybór poziomu zarządzania mocą.

Dzięki funkcji "Zarządzanie energią" użytkownik może ustawić maksymalną moc, jaką może osiągnąć płyta kuchenna. Funkcja zarządzania energią jest dostępna tylko przez pierwsze 30 sekund po włączeniu płyty kuchennej. Istnieje nawet możliwość powtórzenia tego ustawienia wyciągając i wkładając z powrotem wtyczkę do gniazdka.

Ustawiając żądaną maksymalną moc, płyta kuchenna automatycznie dostosuje rozprowadzanie ciepła w różnych strefach gotowania tak, aby ta granica nigdy nie została przekroczona, z dodatkową korzyścią równoczesnego zarządzania wszystkimi strefami bez problemów związanych z przeciążeniem.

Klient może ustawić maksymalną moc płyty kuchennej pomiędzy 2,5 kW a maksymalną mocą płyty kuchennej (wartość ta może się różnić w zależności od modelu) (na przykład jeśli maksymalna moc płyty kuchennej wynosi 7,2 kW, to maksymalny poziom mocy ustawienia wynosi od 2,5 kW do 7,2 kW).

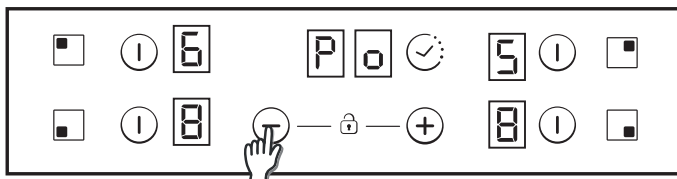
W momencie zakupu płyta jest ustawiona na maksymalną moc. Po podłączeniu urządzenia do zasilania elektrycznego w ciągu 30 sekund można ustawić poziom mocy na podstawie punktów pokazanych poniżej:

1 - Włączyć płytę.

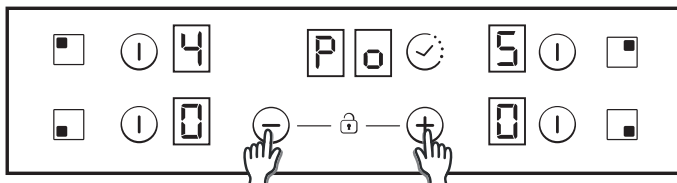
2 - Zaczekać, aż panel dotykowy zakończy inicjalizację.

3 - Przed upływem 30 sekund od włączenia płyty dotknąć i przytrzymać przez 5 sekund przycisk ' - '.

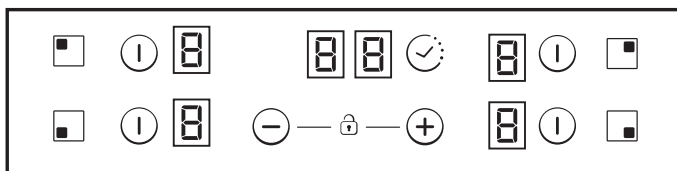
4 - Następnie na wyświetlaczu pojawi się komunikat.



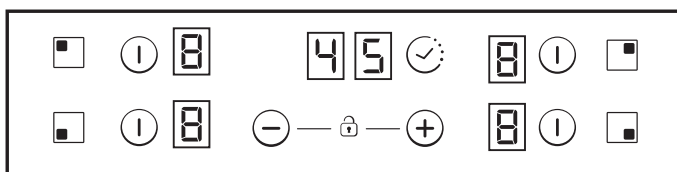
5 - Za pomocą przycisków 'Plus' i 'Minus' key można wyregulować wartość zarządzania mocą. W przykładzie jest to wartość między 6500 W i 2500 W. Po wybraniu żądanej wartości dotknąć jednocześnie przycisków Plus i Minus i przytrzymać je przez 5 sekund.



6 - Po zakończeniu tego procesu rozlegnie się długi dźwięk i zostanie wykonany reset. Nastąpi ponowne uruchomienie.

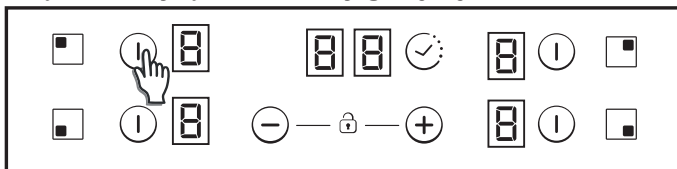


7 - Po uruchomieniu wyświetlacz timera będzie wskazywać zarządzanie mocą ECO.



Po wykonaniu tego ustawienia panel dotykowy nie zezwoli na żadne ustawienie, które przekracza limit ECO.

Włączanie/wyłączanie strefy grzejnej



Abby włączyć daną strefę grzejną, dotknij przycisku włączania strefy na 400 ms. Usłyszysz długi sygnał dźwiękowy i przy danej strefie pojawi się wartość „0”, która oznacza poziom mocy.

1) Jeśli poziom mocy dla którejkolwiek strefy grzejnej to 0, strefa taka wyłączy się automatycznie po 10 sekundach i zostanie wówczas wyemitowany sygnał wyłączenia.

2) Jeśli widoczne jest wskazanie nadal gorącej strefy grzejnej, na włączonym wskaźniku, ale z poziomem mocy 0, wskazanie „0” będzie migać.

3) Jeśli włączona jest funkcja blokady, nie można włączyć danej strefy grzejnej.

Abby wyłączyć daną strefę grzejną, dotknij jej przycisk i przytrzymaj przez około 1,2 s. Usłyszysz 3 krótkie sygnały dźwiękowe i jeśli dana strefa grzejna nadal jest gorąca, będzie widoczne wskazanie „H”. Strefa grzejna zostanie wyłączona.

1) Jeśli poziom mocy dla którejkolwiek strefy grzejnej to 0, strefa taka wyłączy się automatycznie po 10 sekundach i zostanie wówczas

wyemitowany sygnał wyłączenia.

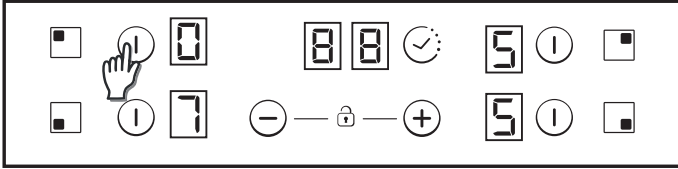
2) Jeśli wyłączona strefa grzejna nadal jest gorąca, będzie wyświetlane dla niej wskazanie „H”.

3) Nawet jeśli włączona jest funkcja blokady, daną strefę grzejną można włączyć.

4) Jeśli tylko jedna strefa grzejna jest aktywna i zostanie ona wyłączona, usłyszysz 4 krótkie sygnały dźwiękowe, które oznaczają, że cała płyta kuchenna została wyłączona.

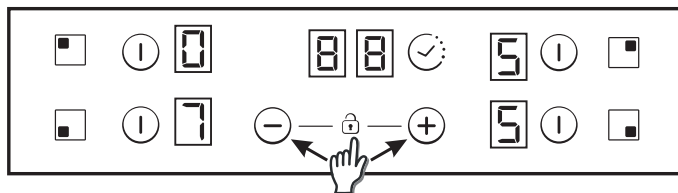
Opcja blokady rodzicielskiej

Gdy dana strefa jest już włączona, generowana jest mniejsza intensywność światła dla wybranych stref, które są włączone.



Gdy tylko jedna strefa jest włączona, strefa ta jest już wybrana domyślnie, więc nie jest wymagane krótkie naciśnięcie (150 ms) przycisku wyboru.

Zwiększanie/zmniejszanie poziomu mocy



Krótkie naciśnięcie przycisku '+' lub '-' powoduje zwiększanie lub zmniejszanie mocy danej strefy grzejnej: 0-1-2-3...9-P

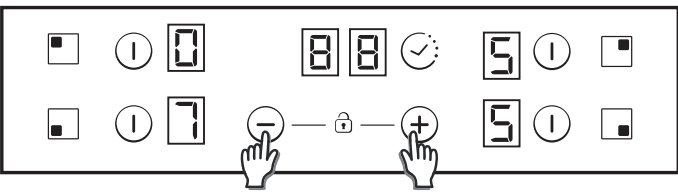
1. Dłuższe naciśnięcie przycisku '+' lub '-' powoduje ciągłe zwiększanie/zmniejszanie poziomu mocy. W przypadku szybkiego zwiększania mocy następuje zatrzymanie na poziomie 9 i w celu dodatkowego zwiększenia mocy konieczne jest kolejne krótkie naciśnięcie przycisku +. W przypadku szybkiego zwiększania/zmniejszania mocy nie słychać żadnego sygnału dźwiękowego.

2. W momencie osiągnięcia poziomu mocy P ponowne naciśnięcie przycisku + nie zmienia poziomu mocy na 0. I podobnie, osiągnięcie poziomu mocy 0 poprzez naciskanie przycisku - nie powoduje przejścia na poziom mocy P.

3. Jeśli dana strefa jest włączona i jej poziom mocy to, jeśli jest ona ciepła, 0 będzie migać. Po 10 sekundach 0 zniknie i zamiast niego będzie wyświetlana litera 'H'.

W przypadku wybrania danej strefy grzejnej i równoczesnego naciskania przycisków '+' i '-' poziom mocy zostanie zmieniony na '0', ale dana strefa grzejna nadal będzie wybrana przez 10 sekund. Jeśli dla danej strefy grzejnej ustawiono regulację czasową, regulator czasowy zostanie wyłączony. Działanie takie można podjąć wyłącznie w kilku sytuacjach w zależności od konfiguracji sterowania dotykowego. Poniższe przykłady podano jedynie w celach orientacyjnych. Osobiste doświadczenia powinny pozwolić użytkownikowi dostosować te ustawienia do własnych upodobań i przyzwyczajeń.

Opcja blokady rodzicielskiej



Włączenie jej następuje w momencie równoczesnego naciśnięcia przycisków '+' i '-'.

Następnie przy każdorazowym naciśnięciu przycisku wyświetlane będzie na 2 sekundy wskazanie „L”. Stan elementów grzejnych nie ulegnie zmianie.

Aby wyłączyć blokadę rodzicielską, postępuj zgodnie z procedurą objaśnioną powyżej. Usłyszysz krótki sygnał dźwiękowy i wyświetlane będzie wskazanie „n”. Płyta kuchenna pozostanie odblokowana.


Uwaga: Automatyczna blokada rodzicielska włącza się na 15 minut po całkowitym wyłączeniu płyty kuchennej. Funkcja ta będzie się uruchamiać automatycznie, ale wcześniej wymagane jest zaprogramowanie jej. Patrz punkt dotyczący ustawień użytkownika.

Strefy podwójne/potrójne

Aby włączyć podwójne rozszerzenie, powiązana strefa główna musi być już włączona i wskazywany poziom mocy musi być wyższy niż 0.


8.1- Strefa podwójna włączona

1. krótkie naciśnięcie przycisku rozszerzeń powoduje włączenie rozszerzenia. Dioda nad tym przyciskiem zaświeca się, jeśli rozszerzenie zostanie włączone.

2. krótkie naciśnięcie przycisku stref połączonych powoduje włączenie strefy połączonej.  Każdemu naciśnięciu przycisku stref połączonych towarzyszy krótki sygnał dźwiękowy

8.2- Strefa potrójna włączona


1. krótkie naciśnięcie przycisku rozszerzeń powoduje włączenie 1. rozszerzenia. 1 dioda nad tym przyciskiem zaświeca się, jeśli 1. rozszerzenie zostanie włączone (lewa dioda w przypadku strefy potrójnej, środkowej i pojedyncza dioda w przypadku strefy podwójnej).

2. krótkie naciśnięcie przycisku rozszerzeń powoduje włączenie 2. rozszerzenia. 2 diody nad przyciskiem rozszerzeń zaświecają się, jeśli zostaną włączone 1. i 2. rozszerzenie. 

3. krótkie naciśnięcie przycisku rozszerzeń powoduje wyłączenie 1. i 2. rozszerzenia

Każdemu naciśnięciu przycisku rozszerzeń towarzyszy krótki sygnał dźwiękowy.

Funkcja „Bridge”

Funkcję „Bridge” można włączyć wyłącznie wówczas, kiedy obie strefy grzejne są wyłączone. Po wybraniu jednej strefy grzejnej w celu włączenia funkcji „Bridge” dotknij przycisku funkcji „Bridge”.  Emitowany jest sygnał dźwiękowy i zaświeca się dioda, jeśli dana strefa jest aktywna.


Oba elementy grzejne funkcji „Bridge” będą wybrane równocześnie. Po wybraniu stref grzejnych, jeśli poziom mocy nie jest taki, jak oczekiwano, należy go zmienić za pomocą przycisków + i -.

Dla obu stref grzejnych funkcji „Bridge” będzie wskazywany jednakowy poziom mocy. Funkcja ta zostanie wyłączona:

- jeśli przycisk funkcji „Bridge” zostanie dotknięty w trybie ustawień;
- jeśli użytkownik wybierze poziom mocy „0”.

Zabezpieczenie przed zalaniem

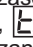
Kiedy coś (przedmiot lub płyn) naciska na dowolny przycisk przez ponad 5 sekund, co 30 sekund słychać 2 krótkie sygnały dźwiękowe i 1 sygnał długi. Płyta kuchenna zostanie wówczas wyłączona.

 Symbol ten będzie nadal migał, jeśli problem nie ustąpi.

Regulator czasowy

Funkcję regulatora czasowego można włączyć wyznaczonym przyciskiem lub poprzez równoczesne dotknięcie przycisków '+' i '-'.

W obu przypadkach musi być wybrana strefa grzejna i jej poziom mocy musi być ustawiony na wartość wyższą niż „0”.

Wybierz strefę, dla której ma być włączony regulator czasowy. Ustaw poziom mocy dla tej strefy na większy niż 0. Dla strefy,  dla której ma być ustawiony regulator czasowy, pojawia się wskazanie.

Na wyświetlaczu regulatora czasowego widnieje wskazanie „00”.

1) Czas działania regulatora można wybrać za pomocą przycisków „+” lub „-”. Przy zmianie czasu nie jest emitowany żaden sygnał akustyczny.

2) Równoczesne naciśnięcie przycisków regulatora powoduje wyzerowanie czasu (00).

3) Przytrzymanie naciśniętego przycisku „+” lub „-” podczas ustawiania czasu umożliwia szybsze wprowadzenie właściwego czasu.

4) W przypadku ustawiania czasu po osiągnięciu wartości „00” można przejść do „99” przyciskiem „-” i od „99” do „00” za pomocą przycisku „+”.

5) Maksymalny możliwy do ustawienia czas to 99 minut.

6) Po upływie ustawionego czasu i usłyszaniu sygnału dźwiękowego należy nacisnąć dowolny przycisk, a wtedy alarm ustaje i wskazanie na regulatorze jest zerowane.

7) Ustawienie regulatora czasowego można zmienić, gdy ten już działa.

8) Poziom mocy regulowanych czasowo stref można zmieniać bez wpływu na ustawiony czas.

9) Ostatnia minuta będzie wyświetlana z uwzględnieniem sekund (w niektórych wersjach odliczanie takie jest widoczne wyłącznie wówczas, jeśli wejdziemy do trybu ustawiania czasu podczas

odliczania ostatniej minuty).

10) Naciśnięcie przycisku regulatora czasowego bez wybrania jakiegokolwiek strefy grzejnej i kiedy żadna strefa nie jest regulowana czasowo, nic nie powoduje.

11) Naciśnięcie przycisku regulatora czasowego bez wybrania jakiegokolwiek strefy grzejnej i kiedy kilka stref jest regulowanych czasowo powoduje, że czas pokazywany za pomocą cyfr zmienia się w trybie obrotowym i pokazywany jest, którego wskaźnik mocy ma zaświecony znak dziesiętny.

12) Alternatywnie dla strefy, która jest regulowana czasowo, wyświetlana jest moc (5 s) i (0,5 s).

Na wyświetlaczu regulatora czasowego widnieje pozostały czas. Jeśli kilka stref jest regulowanych czasowo, wyświetlany jest najkrótszy pozostały czas i znak dziesiętny dla danej strefy grzejnej.

Wskazanie nadal gorącej strefy grzejnej (w strefach promieniujących -> obliczone)

Te same wskaźniki mogą być również wykorzystywane do wskazywania nadal gorącej strefy grzejnej. W tym celu konieczne jest określenie specjalnej tabeli czasu: Pozostały czas nagrzania = f (poziom mocy, czas działania).

Jeśli temperatura na powierzchni szklanej płyty kuchennej wynosi powyżej 65°C (wartość teoretyczna), o sytuacji takiej będzie świadczyć na danym wyświetlaczu wskazanie „H”.

Aby temperatura wynosiła ponad 65°C, element grzejny musi działać przez określony czas. Czas taki zależy od poziomu mocy. Po upływie takiego czasu będzie widoczne ostrzeżenie o nadal gorącej strefie grzejnej po wyłączeniu danego elementu grzejnego.

Automatyczne bezpieczne wyłączenie

Jeśli poziom mocy nie ulegnie zmianie przez określony czas, dana strefa grzejna automatycznie wyłączy się.

Maksymalny czas, przez jaki dana strefa grzejna może być włączona, zależy od wybranego poziomu mocy.

Poziom mocy	Maksymalny czas włączenia (w godzinach)
1	10
2	5
3	5
4	4
5	3
6	2
7	2
8	2
9	2
P	2

UWAGA: gdyby w trakcie działania na najwyższych poziomach mocy mogło dość do przegrzania, układ sterujący płyty kuchennej spowoduje automatyczne wyregulowanie poziomu mocy, aby zabezpieczyć płytę przed przegrzaniem.

7. CZYSZCZENIE I KONSERWACJA

Przed przeprowadzeniem jakichkolwiek czynności konserwacyjnych w zakresie płyty kuchennej należy pozwolić jej schłodzić się.

Należy stosować wyłącznie produkty (środki czyszczące i skrobaki) zaprojektowane specjalnie do powierzchni szklano-ceramicznych. Można je nabyć w sklepach z artykułami przemysłowymi.

Unikać rozlewania płynów, ponieważ mogą one szybko ulec przypaleniu na powierzchni płyty, a to utrudni ich wyczyszczenie.

Zaleca się trzymać z dala od płyty kuchennej wszelkie substancje, które łatwo ulegają roztopieniu, na przykład elementy plastikowe, cukier lub produkty na bazie cukru.

KONSERWACJA:

- Nanieść kilka kropel specjalnego produktu do czyszczenia powierzchni płyt kuchennych.

- Przetrzeć wszelkie uciążliwe plamy miękką szmatką lub delikatnie zwilżonym ręcznikiem papierowym.

- Wyrzeć miękką szmatką lub ręcznikiem papierowym dopóki powierzchnia nie będzie czysta.

Jeśli wciąż na powierzchni są uciążliwe plamy:

- Nanieść nieco więcej kropel specjalnego produktu do czyszczenia powierzchni płyt kuchennych.

- Zeskrobać skrobakiem, trzymając go pod kątem 30° w stosunku do płyty kuchennej, dopóki plama nie zniknie.

- Wyrzeć miękką szmatką lub ręcznikiem papierowym dopóki powierzchnia nie będzie czysta.

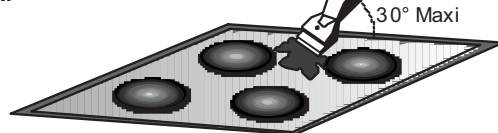
- W razie potrzeby czynność powtórzyć.

KILKA WSKAZÓWEK:

Częste mycie pozostawia warstwę zabezpieczającą, która jest niezbędna, aby zapobiec powstawaniu rys i zużyciu się powierzchni płyty. Upewnić się, czy powierzchnia jest czysta przed ponownym użyciem płyty kuchennej. Aby pozbyć się plam pozostawionych przez wodę, należy użyć kilku kropel białego octu lub soku cytrynowego. Następnie wytrzeć pochłaniającym ręcznikiem papierowym i kilkoma kroplami specjalnego środka czyszczącego.

Powierzchnia szklano-ceramiczna będzie odporna na zarysowania przez garnki o płaskim dnie, jednak zawsze lepiej jest podnosić je w celu przestawienia z danej strefy grzejnej na inną.

UWAGA:



Nie używać zbyt mokrej gąbki.

Nigdy nie używać noża ani śrubokręta.

Skrobak z ostrym ostrzem nie uszkodzi powierzchni pod warunkiem, że będzie trzymany pod kątem 30°.

Nigdy nie pozostawiać skrobaka z ostrym ostrzem w miejscu, do którego mają dostęp dzieci.

Nigdy nie używać produktów ściernych lub proszków czyszczących.

Metalowa obwódka: aby bezpiecznie wyczyścić metalową obwódkę, należy użyć wody z mydłem, przepłukać, a następnie przetrzeć do sucha miękką szmatką.

Wszelkie zmiany koloru powierzchni szklano-ceramicznej nie wpływają na działanie płyty ani stabilność powierzchni. Odbarwienia takie są zazwyczaj skutkiem przypalonych resztek żywności lub stosowania garnków wykonanych z takich materiałów, jak aluminium czy miedź; są to plamy trudne do usunięcia.

8. ROZWIĄZYWANIE PROBLEMÓW

Strefy grzejne nie umożliwiają gotowania na wolnym ogniu lub pozwalają na jedynie delikatne smażenie

Stosować wyłącznie patelnie z płaskim dnem. Jeśli pomiędzy patelnią a płytą grzejną jest szczelina, strefa grzejna nie przekazuje prawidłowo ciepła.

Dno patelni powinno całkowicie zakrywać daną strefę grzejną na całej jej średnicy.

Gotowanie trwa zbyt długo

Stosowane są nieodpowiednie garnki. Należy stosować wyłącznie garnki z płaskim dnem, które są ciężkie i których średnica jest przynajmniej jednakowa jak średnica strefy grzejnej.

Niewielkie rysy lub ślady otarcia na szklanej powierzchni płyty

Nieodpowiednie wyczyszczenie lub stosowanie garnków z szorstkim dnem; takie cząsteczki, jak ziarenka piasku lub soli pomiędzy płytą a dnem garnka. Patrz sekcja dotycząca czyszczenia: należy się upewnić, że dna garnków są czyste przed użyciem ich i używać jedynie garnków z równym płaskim dnem. Rysy można zmniejszyć wyłącznie poprzez prawidłowo wykonane czyszczenie.

Pozostałości metalu

Nie przesuwac aluminiowych garnków po powierzchni płyty kuchennej. Patrz zalecenia dotyczące czyszczenia.

Używasz prawidłowych materiałów, ale plamy nadal są widoczne. Użyj skrobaka z ostrym ostrzem i postępuj zgodnie ze wskazówkami w sekcji dotyczącej czyszczenia.

Ciemne plamy

Użyj skrobaka z ostrym ostrzem i postępuj zgodnie ze wskazówkami w sekcji dotyczącej czyszczenia.

Jasne powierzchnie na płycie kuchennej

Ślady po użyciu garnka aluminiowego lub miedzianego, ale również osady mineralne, po wodzie lub żywności; można je usunąć za pomocą mleczka do czyszczenia.

Karmelizacja lub stopniowy plastik na powierzchni płyty kuchennej

Patrz sekcja dotycząca czyszczenia.

Płyta kuchenna nie działa lub niektóre strefy grzejne nie działają

Boczniki nie są prawidłowo umieszczone na płycie zaciskowej.

Należy sprawdzić, czy przyłącze jest wykonane prawidłowo i czy panel sterowania nie jest zablokowany. Odblokować płytę kuchenną.

Płyta kuchenna nie wyłącza się.

Panel sterowania jest zablokowany. Odblokować płytę kuchenną.

Częstotliwość włączania/wyłączenia stref grzejnych

Cykle włączania/wyłączania są różne w zależności od wymaganego poziomu grzania:

- niski poziom: krótki czas działania;
- wysoki poziom: długi czas działania.

Płyta kuchenna nie działa.

Sprawdzić stan bezpieczników/wyłączników w budynku. Sprawdzić, czy nie nastąpiła przerwa w dostawie energii elektrycznej.

Płyta kuchenna sama się wyłączyła.

Wyłącznik główny (przycisk WŁ./WYŁ.) został przypadkowo dotknięty lub na przycisku tym znajduje się jakiś przedmiot. Włączyć urządzenie ponownie po usunięciu wszelkich przedmiotów z przycisków. Wprowadzić ponownie swoje ustawienia.

Wyświetlana litera F i numery

Jeśli na wyświetlaczu widoczna jest litera F, a obok niej numery, w urządzeniu wystąpiła usterka. W poniższej tabeli przedstawiono działania, jakie można podjąć, aby naprawić dany problem.

9. OBSŁUGA POSPRZEDAŻOWA

Przed wezwaniem serwisanta należy sprawdzić, co następuje:

— czy wtyczka jest prawidłowo podłączona i czy nie zadziałał bezpiecznik;

Jeśli usterki nie można zidentyfikować, należy wyłączyć urządzenie, nie próbując podejmować samodzielnej naprawy, po czym wezwać serwisanta z punktu obsługi posprzedażowej. Urządzenie to posiada gwarancję, która zapewnia, że zostanie ono naprawione nieodpłatnie w punkcie serwisowym.

Wskazanie na wyświetlaczu	Usterka	Działanie
F0	Błąd oprogramowania sterowania dotykowego.	W razie pojawienia się takiego błędu należy odłączyć i ponownie podłączyć płytę kuchenną do źródła zasilania. Jeśli błąd nadal ma miejsce, należy wezwać serwisanta. Jeśli błąd taki pojawia się nagle w trakcie normalnego działania, należy wezwać serwisanta.
Fc	Strefa sterowania dotykowego jest zbyt gorąca i spowodowała wyłączenie wszystkich elementów grzejnych.	Poczekać na obniżenie się temperatury. Płyta kuchenna zostanie automatycznie przywrócona do działania w momencie osiągnięcia przez temperaturę normalnej wartości.
Ft	Czujnik temperatury sterowania dotykowego mógł ulec uszkodzeniu.	Poczekać na obniżenie się temperatury. Jeśli błąd taki nadal będzie miał miejsce, kiedy temperatura osiągnie wartość temperatury otoczenia, należy wezwać serwisanta.
FE	Czujnik temperatury sterowania dotykowego mógł ulec uszkodzeniu.	Poczekać na obniżenie się temperatury. Jeśli błąd taki nadal będzie miał miejsce, kiedy temperatura osiągnie wartość temperatury otoczenia, należy wezwać serwisanta.
Fb	Nadmierna czułość wszystkich przycisków.	Sprawdzić, czy płyta kuchenna jest prawidłowo zamontowana. Upewnić się, że przyciski stykają się prawidłowo z powierzchnią szklaną.
FU / FJ	Błąd zabezpieczenia przycisków	Błąd ten świadczy o autokontroli przycisków. Zniknie w momencie przywrócenia autokontroli do bezpiecznych wartości. Jeśli błąd nadal ma miejsce, należy wezwać serwisanta.
FA	Błąd zabezpieczenia przycisków	Błąd ten świadczy o autokontroli oprogramowania. Zniknie w momencie przywrócenia autokontroli do bezpiecznych wartości. Jeśli błąd nadal ma miejsce, należy wezwać serwisanta.
FC / Fd	Błąd zabezpieczenia przycisków	Błąd ten świadczy o autokontroli oprogramowania. Zniknie w momencie przywrócenia autokontroli do bezpiecznych wartości. Jeśli błąd nadal ma miejsce, należy wezwać serwisanta.
Fr	Błąd zabezpieczenia przekaźników	Mógł wystąpić problem z którymkolwiek ze sterowników przekaźników. Odłączyć płytę kuchenną od zasilania, poczekać minutę i podłączyć ponownie. Jeśli błąd nadal ma miejsce, należy wezwać serwisanta.

INSTRUCȚIUNI PRIVIND SIGURANȚA

Vă recomandăm să păstrați instrucțiunile de instalare și utilizare pentru o consultare ulterioară și, înainte de a instala plita, rețineți numărul de serie în caz că aveți nevoie de ajutor de la serviciul post-vânzare.

AVERTISMENT: aparatul și piesele accesibile devin fierbinți în timpul funcționării. Încercați să nu atingeți elementele de încălzire. Copiii cu vârsta sub 8 ani nu trebuie lăsați în apropierea aparatului dacă nu sunt permanent supravegheați.

AVERTISMENT: utilizați numai protecții de plită concepute de către producătorul aparatului de gătit sau indicate de către producătorul aparatului în instrucțiunile de utilizare astfel cum este adecvat sau protecții de plită încorporate în aparat. Utilizarea unor protecții necorespunzătoare pot produce accidente.

AVERTISMENT: gătitul nesupravegheat pe o plită cu grăsime sau ulei poate fi periculos și poate duce la producerea unui incendiu. Nu încercați NICIODATĂ să stingeți un incendiu cu apă, ci opriți aparatul și apoi acoperiți flacăra cu, de exemplu, un capac sau un material anti-incendiu.

AVERTISMENT: pericol de incendiu: nu depozitați articole pe suprafețele de gătit.

AVERTISMENT: dacă suprafața este fisurată, nu atingeți sticla și opriți aparatul pentru a evita posibilitatea electrocutării.

Acest aparat poate fi utilizat de copii cu vârstă de cel puțin 8 ani și de persoane cu abilități fizice, senzoriale sau mentale sau lipsite de experiență și cunoștințe dacă sunt supravegheate sau instruite cu privire la utilizarea în siguranță a aparatului și dacă înțeleg pericolele aferente. Copiii trebuie supravegheați pentru a vă asigura că nu se joacă cu aparatul. Curățarea și întreținerea efectuată de către utilizator nu se va face de către copii fără a fi supravegheați.

ATENȚIE: procesul de gătit trebuie supravegheat. Un proces de gătit pe termen scurt trebuie supravegheat continuu.

Recomandăm cu căldură să nu lăsați copiii în apropierea zonelor de gătit atunci când le folosiți sau atunci când sunt oprite, atâta timp cât indicatorul de căldură reziduală este aprins, pentru a împiedica riscul de arsuri severe.

Acest aparat nu este destinat utilizării cu ajutorul unui temporizator extern sau al unui sistem separat de comandă la distanță.

Dacă există elemente cu lampă cu halogen, nu priviți fix în acestea.

Conectați un ștecher la cablul de alimentare care să poată suporta tensiunea, curentul și sarcina indicate pe etichetă și care să aibă contact de împământare. Priza trebuie să fie adecvată pentru sarcina indicată pe etichetă și trebuie să aibă contactul de împământare conectat și în funcțiune. Conductorul de împământare are culoarea galben-verde. Această operațiune

trebuie efectuată de un specialist având calificarea adecvată. În cazul incompatibilității dintre priză și ștecherul aparatului, solicitați unui electrician calificat să înlocuiască priza cu un alt model adecvat. Ștecherul și priza trebuie să fie în conformitate cu normele curente din țara unde se efectuează instalarea.

Conexiunea la o sursă de alimentare poate fi realizată de asemenea prin așezarea unui disjuncter omnipolar între aparat și sursa de alimentare care să suporte sarcina maximă conectată și care să respecte legislația actuală.

Cablul de împământare verde-galben nu trebuie să fie întrerupt de disjuncter. Priza și disjuncterul omnipolar utilizate pentru conexiune trebuie să fie ușor accesibile atunci când aparatul este instalat.

Deconectarea se poate realiza dacă ștecherul este accesibil sau dacă este încorporat un comutator în schema electrică fixă în conformitate cu regulile referitoare la schema electrică.

Dacă cablul de alimentare este deteriorat, trebuie înlocuit de către producător, de agenții săi de service sau de persoane calificate similar pentru a evita pericolele. Conductorul de împământare (galben-verde) trebuie să fie mai lung de 10 mm pe partea cutiei de borne. Secțiunea conductorilor interni trebuie să fie corespunzătoare cu puterea absorbită de plită (indicată pe etichetă). Cablul de curent trebuie să fie de tip HO5V2V2-F.

Nu așezați obiecte metalice, cum ar fi cuțite, furculițe, linguri sau capace pe plită. Acestea s-ar putea încălzi.

Folia de aluminiu și vasele de plastic nu trebuie așezate pe zonele de încălzire.

După fiecare utilizare este necesară curățarea parțială a plitei pentru a preveni acumularea de murdărie și grăsime. Dacă rămâne, aceasta este gătită din nou atunci când se folosește plita și arde, producând fum și mirosuri neplăcute și reprezintă un risc de propagare a incendiului.

Nu utilizați niciodată abur sau spray sub presiune pentru a curăța aparatul.

Nu atingeți zonele de încălzire în timpul funcționării sau la scurt timp după utilizare.

Nu gătiți niciodată mâncarea direct pe plita vitroceramică.

Utilizați întotdeauna vasele de gătit corespunzătoare.

Așezați întotdeauna vasul în centrul zonei pe care gătiți. Nu așezați nimic pe panoul de comandă.

Nu utilizați plita ca suprafață de lucru.

Nu utilizați suprafața ca tocător.

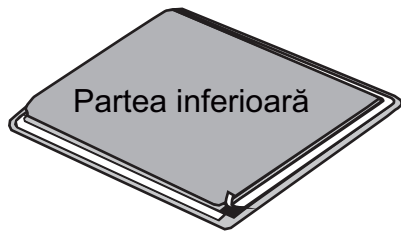
Nu depozitați articole grele deasupra plitei. Dacă acestea cad pe plită, o pot deteriora.

Nu utilizați plita pentru a depozita diverse articole.

Nu goliți vasele de gătit pe suprafața plitei.

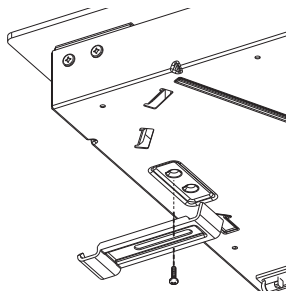
Nu este necesară nicio operațiune/setare suplimentară pentru a acționa aparatul la frecvențele specificate.

Împreună cu plita este livrată o garnitură de etanșare rezistentă la apă. Montați garnitura de etanșare în jurul părții inferioare a plitei, astfel cum este descris și asigurați-vă că este montată corespunzător pentru a evita orice scurgere în mobilierul de susținere.

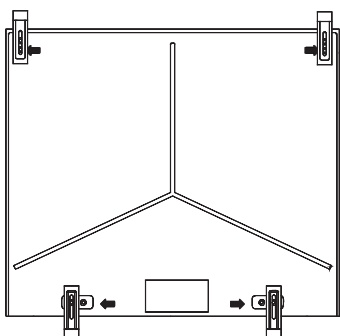


Fixare normală:

- Scoateți clamele de fixare din geanta cu accesoriu și înșurubați-le în poziția prezentată pe cutia inferioară. (Nu strângeți șuruburile pentru a bloca clamele, acestea trebuie să se miște liber)

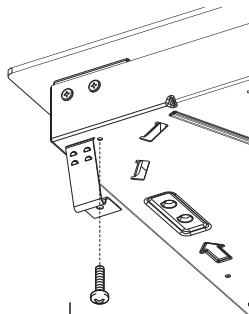


- Introduceți plita în poziția centrală a conturului.
- Rotiți clamele și strângeți-le complet.

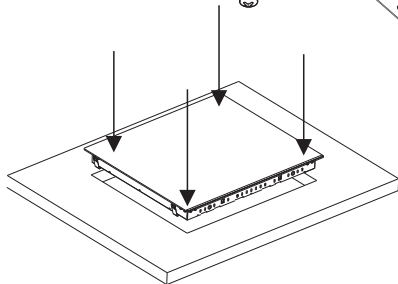


Fixare rapidă: (în funcție de model)

Luați patru arcuri din geanta de accesoriu și înșurubați-le în cutia inferioară, astfel cum este prezentat în figură.

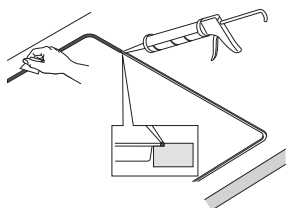


Centrați și introduceți plita.
Apăsați părțile laterale ale plitei până când este susținută în jurul întregului său perimetru

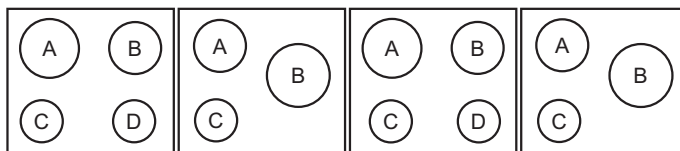


INSTALARE FLUSH

După ce ați verificat ca poziția plitei să fie corectă, umpleți golul dintre blatul de lucru și plită cu adeziv de silicon. Aplicați stratul de silicon cu o racletă sau cu un deget umed, umezit cu apă și săpun înainte de a forma. Nu utilizați plita până când stratul de silicon este complet uscat.



4. CONEXIUNE ELECTRICĂ

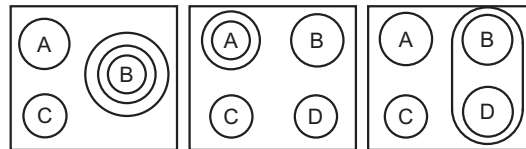


SCHEMA 1

SCHEMA 2

SCHEMA 3

SCHEMA 4

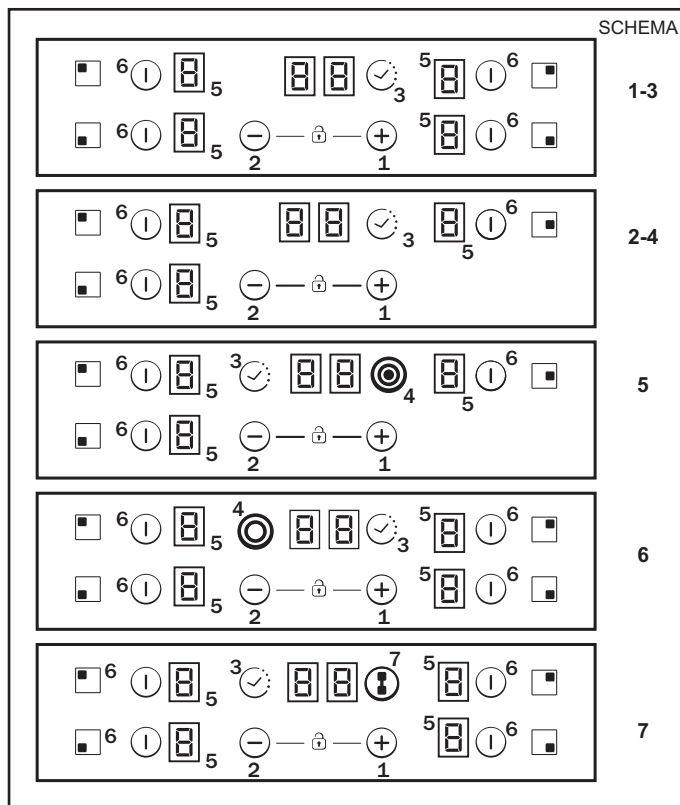


SCHEMA 5

SCHEMA 6

SCHEMA 7

	A	B	C	D
SCHEMA 1	2300W	1800W	1200W	1200W
SCHEMA 2	1800W	2500W	1200W	-
SCHEMA 3	2300W	1800W	1200W	1200W
SCHEMA 4	1800W	2500W	1200W	-
SCHEMA 5	1800W	750+900+1050W	1200W	-
SCHEMA 6	1000+1200 w	1800W	1200W	1200W
SCHEMA 7	1800W	1800W	1200W	1800W



În conformitate cu modelul

1. „+”
2. „-”
3. TEMPORIZATOR
4. Led suplimentar pentru zona de gătit
5. Indicator de programare pentru zona de gătit
6. Selectarea zonei
7. Punte

„Instalarea trebuie să respecte standardele și directivele.“
Producătorul nu își asumă responsabilitatea pentru orice daune ce ar putea fi cauzate de utilizarea inadecvată sau irațională.

AVERTISMENT: Producătorul nu poate fi considerat răspunzător pentru niciun incident sau consecință a acestuia ce poate apărea în timpul utilizării unui aparat care nu este împământat sau care este împământat, dar cu continuitate deficitară.

Verificați întotdeauna, înaintea oricărei operațiuni electrice, tensiunea curentului afișată pe contorul electric, reglarea disjuncteurului, continuitatea legării la pământ a instalației și caracterul adecvat al siguranței.

Conexiunea electrică a instalației trebuie realizată în conformitate cu puterea nominală a aparatului; aceasta trebuie realizată printr-un comutator de deconectare cu pol Omni.

Dacă aparatul are ieșire de priză, trebuie instalat astfel încât ieșirea de priză să fie accesibilă.

Firul galben/verde al cablului de alimentare trebuie legat la împământarea rețelei de curent și a bornelor aparatului.
 Orice întrebare aveți referitoare la cablul de alimentare trebuie adresată serviciului post-vânzare sau unui tehnician calificat.

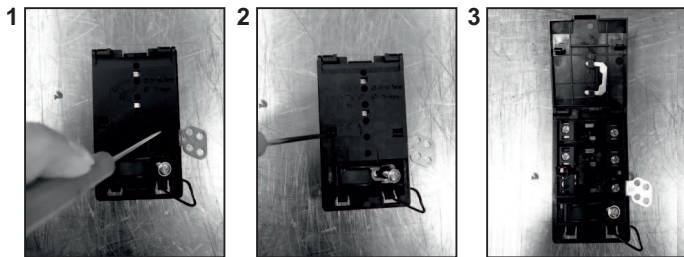
Plita este prevăzută cu un cablu de alimentare care trebuie conectat numai la o alimentare cu curent de 220-240 V, între fază și neutru.

Cu toate acestea, plita poate fi conectată la:
 Trifazic 220-240 V3
 Trifazic 380-415 V2N

Pentru a trece la noua conexiune, urmați instrucțiunile de mai jos:
 Înainte de a realiza conexiunea, asigurați-vă că instalația este protejată de o siguranță corespunzătoare și că este prevăzută cu fire cu o secțiune suficient de mare pentru a alimenta aparatul în mod normal.

Întoarceți plita, punând partea de sticlă pe blatul de lucru, având grijă să protejați sticla.

Deschideți capacul în următoarea ordine:



- deșurubați clema pentru fixarea cablului „1“;
- găsiți cele două urechi amplasate pe laturi;
- puneți lama unei șurubelnițe cu cap plat în fața fiecărei urechi „2“ și „3“, introduceți și apăsați;
- îndepărtați capacul.

Pentru a desface cablul de alimentare:

- Scoateți șuruburile care fixează cutia de borne ce conține barele de derivație și conductorii cablului de alimentare;
- Scoateți cablul de alimentare.

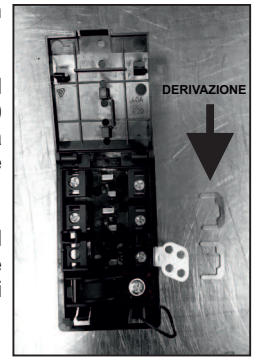
Operații ce trebuie efectuate pentru o conexiune nouă:

- Alegeți cablul de alimentare în conformitate cu recomandările din tabel;
- Treceți cablul de alimentare prin clemă;
- Dezveliți capătul fiecărui conductor al cablului de alimentare pe o lungime de 10 mm, luând în calcul lungimea necesară a cablului pentru conexiunea la cutia de borne;
- În conformitate cu instalația și cu ajutorul barelor de derivație pe care trebuia să le recuperați după prima operațiune, montați conductorul așa cum se indică în diagramă;
- Montați capacul;
- Înșurubați clema pentru fixarea cablului.

Observație: asigurați-vă că șuruburile cutiei de borne sunt strânse.

Operații ce trebuie efectuate pentru o conexiune nouă:

- Alegeți cablul de alimentare în conformitate cu recomandările din tabel;
- Treceți cablul de alimentare prin clemă;
- Dezveliți capătul fiecărui conductor al cablului de alimentare pe o lungime de 10 mm, luând în calcul lungimea necesară a cablului pentru conexiunea la cutia de borne;



- În conformitate cu instalația și cu ajutorul barelor de derivație pe care trebuia să le recuperați după prima operațiune, montați conductorul așa cum se indică în diagramă;
- Montați capacul;
- Înșurubați clema pentru fixarea cablului.

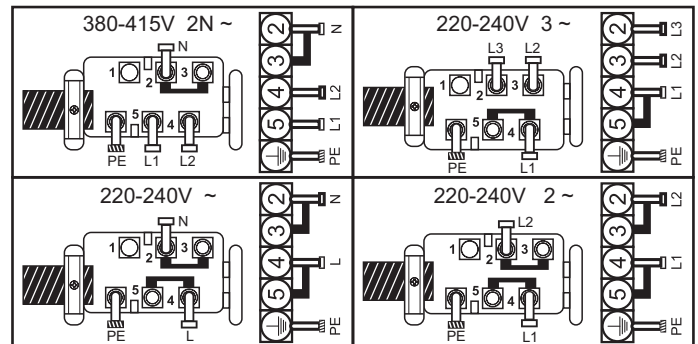
ATENȚIE:

Dacă trebuie să înlocuiți cablul de alimentare, conectați firul în conformitate cu următoarele culori/coduri:

ALBASTRU	Neutru	(N)
MARO	Timp real	(L)
GALBEN VERDE	Împământare	(⊕)

Conexiunea la bornele din cutia de borne

	SCHEMA "1-6"	SCHEMA "7"
MONOFAZIC sau BIFAZIC 220-240 V~		
Cablul HO5V2V2F	3x2,5 mm ²	3x4 mm ²
TRIFAZIC 220-240 V3~		
Cablul HO5V2V2F	4x1,5 mm ²	4x1,5 mm ²
TRIFAZIC 380-415 V2N~		
Cablul HO5V2V2F	4x1,5 mm ²	4x1,5 mm ²



L1 / L2 / L3 = Fază N = Neutru PE = Împământare

5. RECOMANDĂRI DE VASE DE GĂTIT PENTRU PLITĂ

Utilizarea unor vase de gătit de bună calitate este esențială pentru atingerea unei performanțe optime a plitei dvs.



- **Utilizați întotdeauna vase de gătit de bună calitate, cu bază perfect plată și groasă:** utilizarea acestui tip de vase de gătit va preveni formarea de puncte fierbinți care determină lipirea mâncării. Oalele și tigăile din metal gros vor asigura o distribuție uniformă a căldurii.
- **Asigurați-vă că baza oalei sau tigăii este uscată:** atunci când umpleți tigaia cu lichid sau folosiți una care a fost depozitată în frigider, asigurați-vă că baza tigăii este complet uscată înainte de a o pune pe plită. Astfel nu veți păta plita.
- **Utilizați tigăi ale căror diametru să fie suficient de mare pentru a acoperi suprafața unității:** dimensiunea tigăii nu trebuie să fie mai mică decât zona de încălzire. Dacă este puțin mai mare, energia va fi folosită cu eficiență maximă.

ALEGEREA VASELOR DE GĂTIT - Următoarele informații vă vor ajuta să alegeți vasele de gătit cu cea mai bună performanță.

Oțel inoxidabil: foarte recomandat. Bun în special cu bază tip sandviș. Baza tip sandviș combină avantajele oțelului inoxidabil (aspect, durabilitate și stabilitate) cu cele ale aluminiului sau cuprului (conductivitate termică, distribuție uniformă a căldurii)

Aluminiu: se recomandă pentru greutate mare. Conductivitate bună. Uneori, reziduurile de aluminiu apar ca zgârieturi pe plită, dar pot fi îndepărtate dacă sunt șterse imediat.

Din cauza punctului de topire scăzut, nu trebuie utilizat aluminiu subțire.

Fontă: se poate utiliza, dar nu este recomandat. Performanță slabă. Poate zgâria suprafața.

Bază din cupru/faianță: se recomandă pentru greutate mare. Performanță bună, dar cuprul poate lăsa reziduuri ce se văd ca zgârieturi. Reziduurile pot fi îndepărtate, dacă plita este curățată imediat. Cu toate acestea, nu lăsați vasele să fiarbă până se evaporă toată apa. Metalul supraîncălzit se poate lipi de plitele de sticlă. Cuprul supraîncălzit poate lăsa reziduuri care formează pete permanente pe plită.

Porțelan/email: Performanță bună doar dacă au o bază subțire, fină și plată.

Vitroceramică: nu se recomandă. Performanță slabă. Poate zgâria suprafața.

6. UTILIZARE

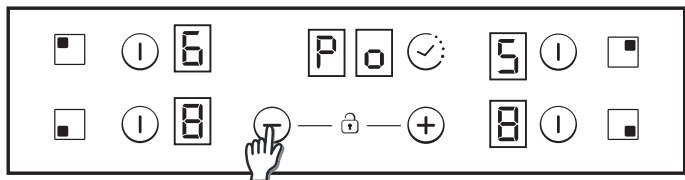
Cum să alegeți nivelul de administrare a energiei.

Cu ajutorul funcției „Administrare energie”, utilizatorul poate seta puterea maximă pe care o poate atinge plita.

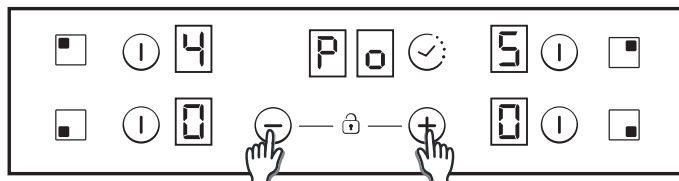
Funcția de administrare a energiei este disponibilă numai în timpul primelor 30 de secunde după pornirea plitei. Există chiar și posibilitatea de a repeta această setare prin oprirea și reluarea alimentării.

Prin setarea energiei maxime dorite, plita ajustează automat distribuția în diverse zone de gătit, astfel încât această limită nu este depășită niciodată; cu avantajul suplimentar al capacității de a administra simultan toate zonele fără probleme de suprasarcină. Clientul poate seta energia maximă a plitei între 2,5 kW și energia maximă aferentă a plitei (aceasta se poate modifica conform modelului) (de exemplu, dacă energia maximă a plitei este 7,2 kW, nivelul maxim de energie pentru această setare este între 2,5 kW și 7,2 kW). În momentul achiziției, plita este setată la puterea maximă. După conectarea aparatului la energia electrică, în decurs de 30 de secunde, puteți seta nivelul de putere pe baza punctelor prezentate mai jos:

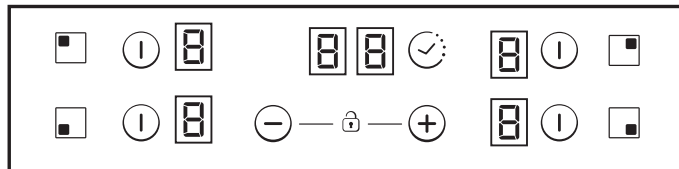
- 1 - Porniți plita.
- 2 - Lăsați comenzile digitale să-și termine procesul de inițializare.
- 3 - Înainte să se scurgă 30 de secunde, atingeți în decurs de 5 secunde tasta „-”.
- 4 - După acest moment, pe afișaj va apărea acest mesaj.



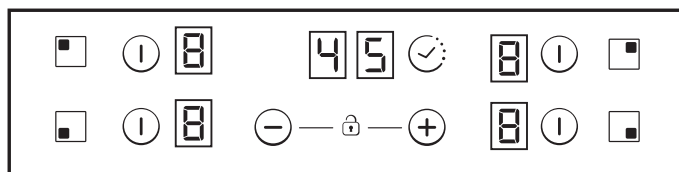
5 - Utilizând tasta CRONOMETRULUI „Plus” și tasta „Minus”, se pot ajusta valorile de administrare a energiei. În acest exemplu, între 6500 și 2500w. Când se selectează valoarea necesară, atingeți în același timp tastele „Plus” și „Minus” în cele 5 secunde.



6 - Atunci când încheiați acest proces, se aude un sunet lung și se produce resetarea. Procesul de inițializare va fi regenerat.

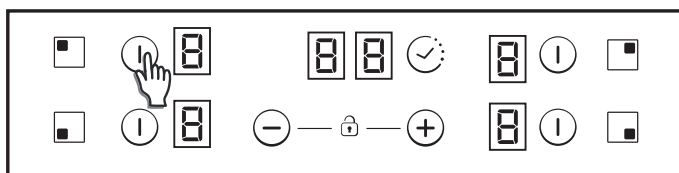


7 - După procesul de inițializare, pe afișajul cronometrului va fi arătat nivelul energiei ECO.



După aceea, controlul digital nu va mai permite nicio combinație, care să poată depăși limita Eco

Porniți/opriți o zonă de încălzire



Pentru a porni un încălzitor, atingeți orice zonă a încălzitorului timp de 400 msec. Se va auzi un bip lung și va apărea valoarea „0” în zona cifrei, indicând nivelul de putere.

1) Dacă orice etapă de gătit este în poziția 0, acest afișaj se va opri automat după 10 secunde, iar secvența zonei oprite va scoate un sunet.

2) Dacă există o indicație de căldură reziduală pe afișajul care este pornit, dar cu putere 0, va apărea „0”.

3) Dacă funcția de blocare este activă, nu puteți porni o zonă.

Pentru a opri un încălzitor, atingeți orice zonă a încălzitorului timp de 1,2 sec. Se vor auzi trei bipuri scurte și nu va apărea nimic sau va apărea valoarea „H” în zonă

1) Dacă orice etapă de gătit este în poziția 0, acest afișaj se va opri automat după 10 secunde, iar secvența zonei oprite va scoate un sunet.

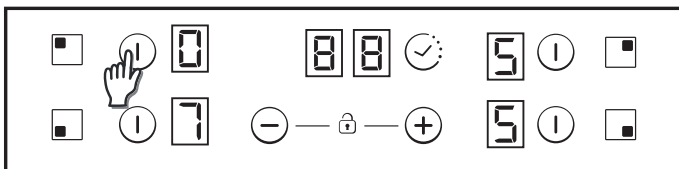
2) Dacă există o indicație de căldură reziduală pe afișajul care este oprit, se va afișa „H”.

3) Dacă funcția de blocare este activă, puteți opri o zonă.

4) Dacă este activ numai un încălzitor, iar acesta este oprit, se vor auzi patru bipuri scurte, indicând că toate părțile superioare de gătit sunt oprite. a cifrei, dacă există căldură reziduală. Zona va fi oprită.

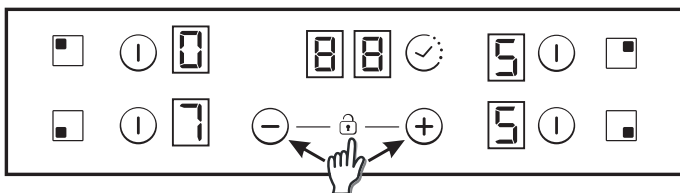
Selectarea unei zone

Când zona este deja pornită, se produce o intensitate scăzută a luminii pentru zonele pornite care nu sunt selectate.



Dacă este pornită numai o zonă, această zonă este deja selectată în mod implicit, fără a fi nevoie să apăsați scurt (150 msec) pe tasta de selectare.

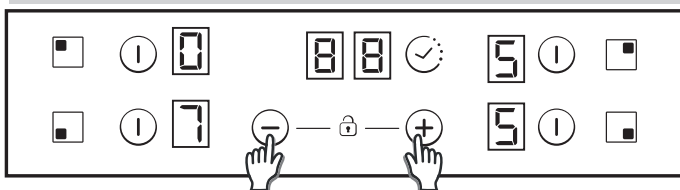
Creșterea/scăderea nivelului de putere



Cu o apăsare scurtă pe „+” sau „-”, creșteți sau reduceți puterea din cifrele zonelor selectate: 0-1-2-3...9-P

1. Pentru apăsări lungi pe tastele + sau -, nivelul de putere crește/scade continuu. Cu o creștere rapidă, puterea se oprește la nivelul 9, iar pentru o putere ridicată este necesară o altă apăsare scurtă pe tasta +. Nu se aude niciun bip la creșterea/scăderea rapidă.
2. Odată ajuns la nivelul de putere P, apăsarea tastei + din nou nu schimbă nivelul de putere la 0. Odată ajuns la nivelul de putere 0, apăsarea tastei - din nou nu schimbă nivelul de putere la P.
3. Cu o zonă pornită la nivelul de putere 0, dacă zona este fierbinte, 0 va clipi alternativ. După 10 secunde, 0 va dispărea, va apărea o literă „H” fixă pe afișaj.
4. Când un încălzitor este selectat, iar tastele „+” și „-” sunt atinse în același timp, nivelul de putere va fi „0”, dar încălzitorul se va menține selectat timp de 10 secunde. Dacă încălzitorul a fost temporizat, temporizatorul se va opri. Această acțiune poate fi desfășurată numai în anumite cazuri, în funcție de configurația comenzii tactile. Următoarele exemple au doar rol informativ. Experiența personală este cea care vă va permite să adaptați aceste setări la gusturile și obiceiurile dvs.

Opțiuni de blocare pentru copii



Această acțiune va fi efectuată când sunt atinse tastele „+” și „-” în același timp.

Apoi, de fiecare dată când va fi atinsă o tastă, afișajul va arăta „L” timp de 2 sec., căldura rămânând în același stadiu.

Pentru a dezactiva funcția de blocare pentru copii, urmați aceiași proces explicat anterior. Apoi, se va auzi un scurt bip, iar afișajul va arăta litera „n”. Plita va rămâne deblocată.

Observație: O funcție automată de blocare pentru copii se va produce în 15 minute după oprirea completă a plitei. Această funcție va avea loc automat, dar este necesar să fie programată anterior. Consultați punctul privind setările de utilizare.

Zone duble/triple

Pentru a porni inelul de extensie dublu, zona principală asociată trebuie să fie deja pornită, iar nivelul de putere indicat trebuie să fie mai mare decât 0.

8.1 - Zonă dublă pornită

Prima apăsare scurtă pe tasta de extensie pornește inelul de extensie. Ledul de pe tasta de extensie se aprinde dacă inelul de extensie este pornit.

A doua apăsare scurtă pe tasta de extensie oprește inelul de extensie.

☉ Bip scurt la fiecare apăsare pe tasta de extensie.

8.2 - Zonă triplă pornită

Prima apăsare scurtă pe tasta de extensie pornește primul inel de extensie. Primul led de pe tasta de extensie se aprinde dacă primul inel de extensie este pornit (ledul din partea stângă, în cazul zonei triple, singurul led și cel din mijloc, în cazul zonei duble)

A doua apăsare scurtă pe tasta de extensie pornește al doilea inel de extensie. Cele două leduri de pe tasta de extensie se aprind dacă cele două inele de extensie sunt pornite

A treia apăsare scurtă pe tasta de extensie oprește primul și al doilea inel de extensie. ☉

Bip scurt la fiecare apăsare pe tasta de extensie.

Funcție punte

Funcția punte poate fi activată numai atunci când ambele încălzitoare sunt oprite. Un încălzitor al punții a fost selectat, pentru a activa funcția punte atingeți tasta punte. ☉

Sună un bip, iar ledul zonei pornește, dacă zona este activată.

Ambele încălzitoare ale punții vor fi selectate în același timp.

Cu încălzitoarele selectate, dacă nivelul de putere nu este nivelul de putere dorit, prin tastele + -.

Ambele afișaje de încălzire ale punții vor arăta același nivelul de putere. Funcția se va finaliza:

- Dacă tasta punții este atinsă în modul de setare
- Dacă utilizatorul selectează nivelul de putere „0”

Siguranța depășirii

Ceva (un obiect sau un lichid) apasă orice tastă mai mult de 5 s. Două bipuri scurte + un bip lung la fiecare 30 s în timp ce tasta este apăsată. Părțile superioare de gătit se vor opri. ☉ Acest simbol va clipi cât timp aspectul persistă.

Temporizator

Funcția de temporizare poate fi activată cu propria tastă sau atingând tastele „+” și „-” în același timp.

În ambele cazuri, încălzitorul trebuie selectat, iar nivelul său de putere trebuie să fie mai mare de 0.

Selectați zona care urmează să fie temporizată. Nivelul de putere al zonei mai mare decât 0. ☉ static este afișat în zona temporizată. „0 0” în cifrele rezervate pentru temporizator.

- 1) Cu tastele „+” sau „-” poate fi ales timpul temporizatorului. Nu se aud bipuri în timpul schimbării.
 - 2) Apăsați simultan tastele ale temporizatorului, temporizatorul este anulat (trece la 00).
 - 3) Dacă tastele „+” sau „-” ale temporizatorului se mențin apăstate în timpul TBD, există o setare rapidă.
 - 4) Când se setează timpul temporizatorului, este posibil să se ajungă de la „00” la „99” cu tasta „-” și de la „99” la „00” cu tasta „+”.
 - 5) Timpul maxim este de 99 de minute.
 - 6) După ce a trecut timpul, iar plita scoate bipuri, apăsați orice tastă, iar alarma și secvența cifrei se va sfârși.
 - 7) Puteți regla timpul temporizatorului în timp ce temporizatorul funcționează anterior.
 - 8) Puterea zonei temporizate poate fi modificat fără consecințe asupra programării temporizatorului.
 - 9) Ultimul minut va fi afișat în secunde (pentru variante vizibile numai dacă introducem programarea temporizatorului în ultimul minut din numărătoarea inversă)
 - 10) Apăsând tasta temporizatorului fără nicio zonă selectată și atunci când nicio zonă nu este temporizată, nu face nimic.
 - 11) Apăsând tasta temporizatorului fără nicio zonă selectată și atunci când mai multe zone sunt temporizate, timpul indicat în cifre se schimbă în mod rotativ și arată timpul a cărui afișare de putere are un punct zecimal pornit.
 - 12) Puterea alternativă (5 s) și (0,5 s) este afișată în zona temporizată.
- Timpul rămas este afișat în cifrele rezervate pentru temporizator. Dacă sunt temporizate mai multe zone, este afișat timpul cel mai mic rămas, iar punctul zecimal este afișat în zona corespunzătoare.

Indicator de căldură reziduală (în încălzitoare radiante -> calculate)

Aceiași indicatori pot fi utilizați pentru și pentru indicarea „căldurii reziduale”. Trebuie definit un calendar în acest scop: Timp repaus căldură = f(nivel de putere, timp de lucru).

În timp ce temperatura pe suprafața de sticlă pentru gătit este peste 65°C (valoare teoretică), această condiție va fi prezentată pe afișajul asociat, prin intermediul unui „H”.

Pentru a genera o temperatură de peste 65°C, trebuie pus în funcțiune un element de încălzire pentru un anumit timp, acest timp depinde de nivelul de putere. Odată ce timpul a expirat, avertismentul privind căldura reziduală va fi afișat atunci când elementul de încălzire este oprit.

Siguranță automată oprită

Dacă nivelul de putere nu se schimbă pe durata unui timp prestabilit, încălzitorul corespunzător se oprește automat. Timpul maxim în care un încălzitor poate sta pornit depinde de nivelul de gătit selectat.

Nivelul de putere	Durata max. (ore)
1	10
2	5
3	5
4	4
5	3
6	2
7	2
8	2
9	2
P	2

OBSERVAȚIE: în timp ce ar putea avea loc o situație de supraîncălzire în timpul funcționării la niveluri ridicate de putere, comanda plitei va regla automat nivelul de putere pentru a proteja plita de supraîncălzire.

7. CURĂȚARE ȘI ÎNTREȚINERE

Înainte de a efectua orice lucrare de întreținere asupra plitei, permiteți-i să se răcească.

Se pot utiliza doar produsele (creme și raclete) create special pentru suprafețele vitroceramice. Acestea pot fi achiziționate din magazinele de bricolaj.

Evitați vărsarea de lichide, deoarece orice element care cade pe suprafața plitei se va arde rapid și va îngreuna curățarea.

Se recomandă să nu lăsați lângă plită substanțe care se pot topi, ca de exemplu articole din plastic, zahăr sau produse pe bază de zahăr.

ÎNTREȚINERE:

- Puneți câteva picături de produs de curățare special pe suprafața plitei.
- Frecați petele greu de îndepărtat cu o bucată de material moale sau cu prosoape de bucătărie din hârtie ușor umede.
- Ștergeți cu o bucată de material moale sau cu un prosop de bucătărie din hârtie uscat până când suprafața este curată.

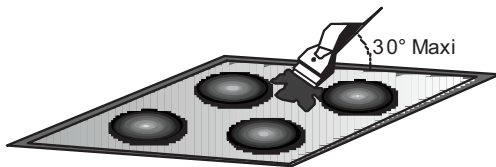
Dacă rămân pete greu de îndepărtat:

- Mai puneți câteva picături de lichid de curățare special pe suprafață.
- Răzuți cu o racletă, ținând-o la un unghi de 30° față de plită, până când pata dispăre.
- Ștergeți cu o bucată de material moale sau cu un prosop de bucătărie din hârtie uscat până când suprafața este curată.
- Repetați operațiunea, dacă este necesar.

CÂTEVA SUGESTII:

Curățarea frecventă formează un strat de protecție, esențial pentru prevenirea zgârieturilor și uzurii. Asigurați-vă că suprafața este curată înainte de a utiliza din nou plita. Pentru a îndepărta urmele lăsate de apă, folosiți câteva picături de oțet alb sau suc de lămâie. Ștergeți apoi cu hârtie absorbantă și cu câteva picături de lichid de curățare special. Suprafața vitroceramică va rezista la mișcările făcute de vasele de gătit cu baza plată, cu toate acestea, se recomandă să le ridicați atunci când le mutați dintr-o zonă în alta.

Observație:



Nu utilizați un burete prea ud.

Nu utilizați niciodată un cuțit sau o șurubelniță.

O racletă cu lamă nu va deteriora suprafața atâta timp cât o țineți la un unghi de 30°.

Nu lăsați niciodată racleta cu lamă la îndemâna copiilor.

Nu utilizați niciodată produse abrazive sau prafuri de curățat.

Partea metalică: pentru a curăța în siguranță partea metalică, spălați cu apă și săpun, clătiți și apoi ștergeți cu o cârpă uscată.

Nicio modificare a culorii suprafeței vitroceramice nu îi va afecta funcționarea sau stabilitatea acesteia. De regulă, astfel de decolorări se datorează reziduurilor de mâncare arsă sau utilizării de vase pentru gătit fabricate din materiale cum ar fi aluminiu sau cupru; aceste pete sunt greu de îndepărtat.

8. REZOLVAREA PROBLEMELOR

Zonele de gătit nu fierb mâncarea la foc mic sau prădesc doar încet

Utilizați tigăi cu baza plată. Dacă se vede lumină între tigele și plită, înseamnă că zona nu transmite corect căldura.

Baza tigăii trebuie să acopere în totalitate zona selectată.

Gătitul este prea lent

Se utilizează tigăi inadecvate. Utilizați doar ustensile cu bază plată, grele și cu un diametru cel puțin la fel de mare cu zona de gătit.

Mici zgârieturi sau abraziuni pe suprafața de sticlă a plitei

Curățarea este incorectă sau se utilizează tigăi cu bază aspră; particule de tipul granulelor, nisipului sau sării dintre plită și baza tigăii. Consultați secțiunea „CURĂȚARE”; asigurați-vă că baza tigăilor este curată înainte de utilizare și folosiți doar tigăi cu baza fină. Zgârieturile pot fi diminuate doar dacă se efectuează corect curățarea.

Urme de metal

Nu glisați vasele de aluminiu pe plită. Consultați recomandările privind curățarea.

Utilizați materialele corecte, dar petele persistă. Utilizați o racletă și urmați instrucțiunile din secțiunea „CURĂȚARE”.

Pete închise la culoare

Utilizați o racletă și urmați instrucțiunile din secțiunea „CURĂȚARE”.

Suprafețe deschise la culoare pe plită

Urme de la tigăile de aluminiu sau cupru, dar și depozite minerale, de apă sau mâncare; pot fi îndepărtate utilizând un agent de curățare cremos.

Caramelizare sau plastic topit pe plită

Consultați secțiunea „CURĂȚARE”.

Plita nu funcționează sau anumite zone nu funcționează

Derivațiile nu sunt poziționate corect pe cutia de borne.

Verificați dacă este făcută conexiunea și dacă panoul de comandă este blocat. Deblocați plita.

Plita nu se decuplează.

Panoul de comandă este blocat. Deblocați plita.

Frecvența operațiilor de pornire/oprire pentru zonele de gătit

Ciclurile pornit-oprit variază în funcție de nivelul de căldură dorit:

- nivel scăzut: timp de funcționare scurt,
- nivel ridicat: timp de funcționare lung.

Partea superioară pentru gătit nu funcționează.

Verificați starea siguranțelor/disjunctorului la locația dvs. Verificați pentru a vedea dacă are loc o întrerupere de energie.

Partea superioară pentru gătit s-a oprit.

Comutatorul principal (tasta PORNIT/OPRIT) a fost atins accidental sau există un obiect deasupra oricărei taste. Porniți din nou unitatea fără nicio obiecție cu privire la tastatură. Introduceți setările din nou.

Afișare F și numere

Dacă F și numerele apar pe afișaj, unitatea dvs. a detectat o defecțiune. Următorul tabel enumeră acțiuni pe care le puteți întreprinde pentru a corecta problema.

9. ÎNGRIJIRE ULTERIOARĂ

Înainte de a chema un inginer de service, verificați următoarele:

- dacă ștecherul este corect introdus și legat la siguranță;

Dacă nu puteți identifica eroarea, opriți aparatul - nu îl forțați - și apelați centrul de servicii pentru îngrijire ulterioară. Aparatul este furnizat cu un certificat de garanție care specifică faptul că va fi reparat gratuit la centrul de service.

Afișaj încălzitor	Defecțiune	Acțiune
F0	Eroare software comandă tactilă.	Dacă eroarea a avut loc, deconectați și conectați din nou partea superioară de gătit la rețeaua de alimentare. Dacă eroarea persistă, apălați la serviciul post-vânzare. Dacă apare brusc o eroare într-o funcționare normală, apălați la serviciul post-vânzare.
Fc	Zona de comandă tactilă este prea caldă și a oprit toate încălzitoarele.	Așteptați până la scăderea temperaturii. Partea superioară de gătit se va recupera complet atunci când temperatura atinge o valoare normală.
Ft	Senzorul de temperatură al comenzii tactile poate fi deteriorat.	Așteptați până la scăderea temperaturii. Dacă mesajul persistă atunci când temperatura atinge o valoare de mediu, apălați la serviciul post-vânzare.
FE	Senzorul de temperatură al comenzii tactile poate fi deteriorat.	Așteptați până la scăderea temperaturii. Dacă mesajul persistă atunci când temperatura atinge o valoare de mediu, apălați la serviciul post-vânzare.
Fb	Sensibilitate excesivă la orice tastă.	Verificați dacă suprafața superioară de gătit este montată corect. Asigurați-vă că tastele ating corect suprafața de sticlă.
FU / FJ	Eroare tastatură de siguranță	Această eroare este o auto-verificare a tastaturii. Aceasta dispare când auto-verificarea revine la valoarea sigură. Dacă eroarea persistă, apălați la serviciul post-vânzare.
FA	Eroare tastatură de siguranță	Această eroare este o auto-verificare a software-ului. Aceasta dispare când auto-verificarea revine la valoarea sigură. Dacă eroarea persistă, apălați la serviciul post-vânzare.
FC / Fd	Eroare tastatură de siguranță	Această eroare este o auto-verificare a software-ului. Aceasta dispare când auto-verificarea revine la valoarea sigură. Dacă eroarea persistă, apălați la serviciul post-vânzare.
Fr	Eroare de securitate relee	Orice unitate de releu poate avea o problemă. Îndepărtați partea superioară de gătit de la rețeaua de alimentare, așteptați un minut și porniți din nou. Dacă eroarea persistă, apălați la serviciul post-vânzare.

Priporočamo vam, da navodila za namestitev in uporabo shranite za poznejšo uporabo in pred namestitvijo kuhalne plošče zabeležite njeno serijsko številko v primeru, če potrebujete pomoč prodajnega servisa.

OPOZORILO: Naprava in dostopni deli se med uporabo segrejejo. Pazite, da se ne dotikate grelnih elementov. Otroci mlajši od 8 let ne smejo uporabljati naprave, razen če so pod stalnim nadzorom.

OPOZORILO: Uporabljajte samo zaščite kuhalnih plošč, ki jih je izdelal proizvajalec naprave za kuhanje ali ki jih je proizvajalec navedel v uporabniških navodilih kot primerne, ali zaščite, ki so vgrajene v napravi. Uporaba neustreznih zaščit lahko povzroči nesreče.

OPOZORILO: Nenadzorovano kuhanje na plošči z mastjo ali oljem je lahko nevarno in lahko privede do požara. NIKOLI ne poskušajte gasiti požara z vodo, temveč izklopite napravo in nato pokrijte ogenj, npr. s pokrovom ali požarno odejo.

OPOZORILO: Nevarnost požara: na kuhalnih površinah ne hranite predmetov.

OPOZORILO: Če je površina počena se ne dotikajte stekla in izklopite napravo, da bi se izognili morebitnemu električnemu udaru.

To napravo lahko uporabljajo otroci od osmega leta naprej in osebe z zmanjšanimi telesnimi, senzoričnimi ali razumskimi sposobnostmi oziroma osebe s pomanjkanjem izkušenj ter znanja lahko uporabljajo napravo samo pod nadzorom ali če so dobili ustrezna navodila glede varne uporabe naprave in če se zavedajo nevarnosti, ki jih njena uporaba prinaša. Zagotovite ustrezen nadzor otrok in preprečite igranje z napravo. Čiščenja in vzdrževanja otroci ne smejo izvajati brez nadzora.

POZOR: Postopek kuhanja mora biti pod nadzorom. Kratkotrajni postopek kuhanja mora biti pod stalnim nadzorom.

Zelo priporočljivo je, da se otroci zadržujejo proč od območja kuhanja medtem, ko so kuhalne cone v uporabi ali ko so izklopljene, dokler indikator preostale toplote sveti, da se prepreči tveganje resnih opeklin.

Ta naprava ni namenjena za upravljanje z zunanjim časovnikom ali ločenim sistemom daljinskega upravljanja.

Ne zrite v elemente halogenskih luči kuhalne plošče, če so prisotni.

Vtikač napajalnega kabla priklopite v vtičnico, ki izpolnjuje zahteve glede napetosti, toka in moči, ki so navedene na oznaki naprave, vtičnica pa mora biti tudi ustrezno ozemljena. Vtičnica mora zagotavljati ustrezno moč, ki je navedena na oznaki naprave, biti mora ozemljena in v brezhibnem stanju. Kabel za ozemljitev je rumeno-zelene barve. Priklop naprave mora izvesti ustrezno usposobljena oseba. Če vtičnica

in vtikač nista združljiva, naj ustrezno usposobljeni elektro-serviser zamenja vtičnico s takšno, ki se bo prilegala vtikaču. Vtičnica in vtikač morata izpolnjevati veljavne norme v državi, kjer bo naprava priklopljena v omrežje.

Priklop v električno omrežje je možno izvesti tudi tako, da je napajanje urejeno prek ustrezne varovalke, vgrajene med napravo in vir napajanja, ki zagotavlja, da obremenitev omrežja ne presega predpisane zakonodaje.

Rumeno-zelenega kabla ni dovoljeno prekinjati z varovalko. Vtičnica ali varovalka, ki sta vgrajeni med vtičnico in napravo, morata po namestitvi naprave ostati enostavno dostopni.

Prekinitev napajanja mora biti možna bodisi z odklopom vtikača iz vtičnice, oziroma prek dodatno vgrajenega stikala, nameščenega skladno s pravili elektro-stroke.

Če je napajalni kabel poškodovan, ga mora zamenjati predstavnik proizvajalca, pooblaščen servisne službe ali druga strokovno usposobljena oseba, kajti menjava je lahko nevarna. Kabel za ozemljitev (rumeno-zelen) mora na strani priključka biti daljši od 10 mm. Odsek notranjih prevodnikov mora ustrezati moči, ki jo absorbira kuhalna plošča (označena na oznaki). Napajalni kabel mora biti vrste HO5V2V2-F.

Na kuhalno ploščo ne polagajte kovinskih predmetov, kot so noži, vilice, žlice ali pokrovi. Ti se lahko segrejejo.

Aluminijaste folije in plastičnih posod ni dovoljeno polagati na ogrevano območje.

Po vsaki uporabi je potrebno kuhalno ploščo nekoliko očistiti, da se prepreči nabiranje umazanije in maščobe. Če le-to pustite, se bo ta ponovno segrevala pri naslednji uporabi kuhalne plošče ter se smodila ter oddajala dim in neprijetne vonjave, poleg nevarnosti širjenja požara.

Za čiščenje aparata nikoli ne uporabljajte pare ali visokotlačnega pršila.

Med uporabo in še nekaj časa po uporabi se ne dotikajte ogrevanih površin.

Hrane nikoli ne kuhajte neposredno na steklokeramični kuhalni plošči.

Vedno uporabljajte ustrezno kuhinjsko posodo.

Posodo vedno položite na sredino enote, na kateri kuhate. Na upravljalno ploščo ne polagajte ničesar.

Kuhalne plošče ne uporabljajte kot delovno površino.

Površine ne uporabljajte kot rezalno ploščo.

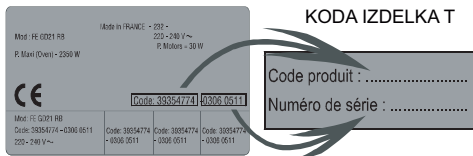
Ne hranite težkih stvari nad kuhalno ploščo. Če le-te padejo na kuhalno ploščo, lahko povzročijo poškodbe.

Kuhalne plošče na uporabljajte za shranjevanje kakršnih koli predmetov.

Kuhinjske posode ne vlecite po kuhalni plošči.

Za delovanje aparata na nazivni frekvenci niso potrebne dodatne operacije oz. nastavitve.

Identifikacijska plošča (nameščena pod spodnjim ohišjem kuhalne plošče)



1. SPLOŠNA OPOZORILA

Oznaka **CE** na tej napravi zagotavlja, da je oprema skladna z Evropskimi predpisi o varnosti, zdravju in okoljskimi določili, ki se nanašajo na uporabo te kategorije izdelkov.

2. VAROVANJE OKOLJA



Ta naprava je označena skladno z določili Evropske Direktive 2012/19/EU o odpadni električni in elektronski opremi (OEEO).

Ta oprema vsebuje tako strupene snovi (ki imajo lahko negativne vplive na okolje) kot tudi osnovne komponente, ki jih je možno ponovno uporabiti.

Tovrstno odpadno opremo je obvezno potrebno specifično obravnavati in ustrezno odstraniti strupene, hkrati pa obnoviti in ponovno uporabiti določene še uporabne materiale.

Posamezniki imajo lahko pomembno vlogo pri zagotavljanju, da OEEO ne postane okoljsko vprašanje; nujno je treba upoštevati nekatera osnovna pravila:

- Odpadne električne in elektronske opreme ne smemo obravnavati kot gospodinjstve odpadke.
- Odpadno električno in elektronsko opremo je treba dostaviti na predpisana mesta za zbiranje tovrstnih odpadkov. V veliko državah je organizirano prevzemanje odpadne električne in elektronske opreme na domu.

V veliko državah lahko ob nakupu nove naprave staro brezplačno dostavite trgovcu, če je le-ta naprava iste vrste, kot tista, ki ste jo kupili.

3- NAMESTITEV

Nameščanje gospodinjskega aparata je zapleten postopek, ki lahko, v kolikor ni izveden pravilno, resno vpliva na varnost živil, predmetov ali oseb. Iz tega razloga ga mora opraviti strokovno usposobljena oseba v skladu s tehničnimi predpisi.

V primeru, da se ta nasvet zanemari in namestitev izvede nekvalificirana oseba, proizvajalec ne odgovarja za tehnične okvare naprave, ne glede na to, ali le-te povzročijo poškodbe blaga ali lastnine ali poškodbe oseb ali živali.

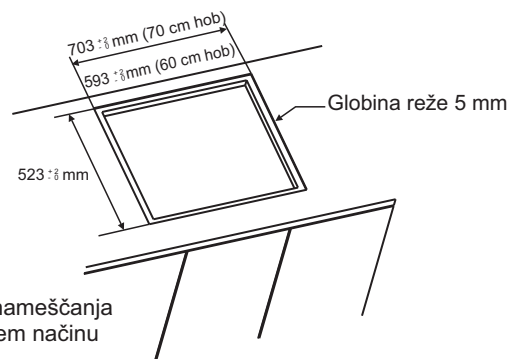
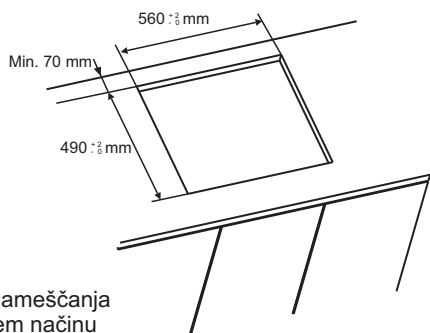
Po odstranitvi embalaže se prepričajte, da naprava ni poškodovana, sicer se obrnite na prodajalca ali na poprodajni servis proizvajalca.

Poskrbite, da bo pohištvo, v katerem bo naprava nameščena, in vse drugo pohištvo v bližini, izdelano iz materialov, ki lahko prenesejo visoke temperature (min. 100 °C).

Poleg tega je treba vse dekorativne laminatne pritrditi z lepilom z visoko odpornostjo.

Napravo lahko namestite v vgrajeno pohištvo v načinu "Standard" ali "Vgradni".

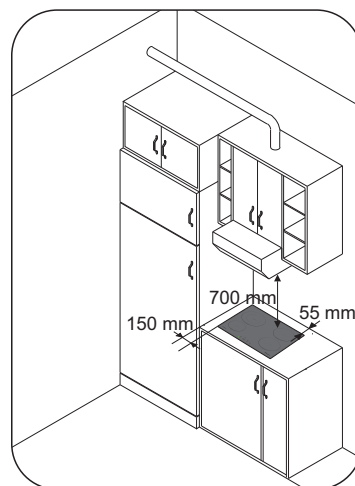
Debelina delovne plošče mora biti med 25 in 45 mm.



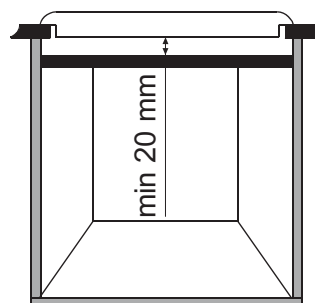
Opomba: Dimenzije notranjega obsega so enake pri standardni namestitvi.

Med kuhhalno ploščo in zadnjo steno mora biti najmanj 55 mm in najmanj 150 mm med kuhhalno ploščo in navpičnim pohištvo ali stenami na bočni strani. Če boste nad kuhhalno ploščo vgradili pohištvo, mora najmanjša razdalja znašati 700 mm.

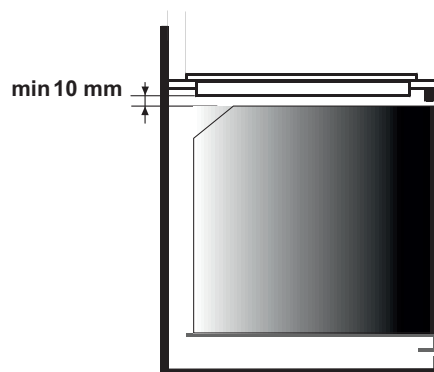
Pri nameščanju nape nad kuhhalno ploščo, si oglejte pogoje namestitve za nape, vendar pa v nobenem primeru ne sme biti razdalja med kuhhalno ploščo in nape manjša od 700 mm.



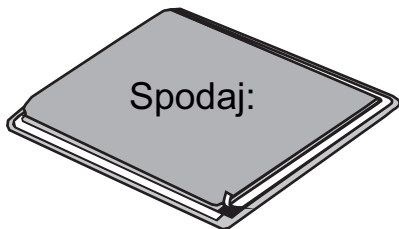
Če spodnji del kuhhalne plošče meji na območje, ki je običajno dostopno za delo ali čiščenje, mora biti 20 mm pod spodnjim delom plošče nameščen ločevalnik.



Pri nameščanju pečice pod kuhhalno ploščo ne smete namestiti ločevalnika, najmanjša razdalja med spodnjim delom plošče in pečico pa ne sme biti manjša od 10 mm. Pod to kuhhalno ploščo ne nameščajte pečice, ki ni ohlajena in jo namestite v skladu z njenimi zahtevami za vgradnjo.

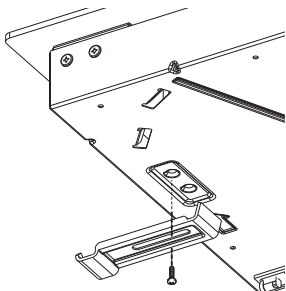


Kuhalni plošči je priloženo vodotesno tesnilo. Namestite tesnilo okoli spodnje plošče, kot je opisano in poskrbite, da je ustrezno nameščeno, da se izognete uhajanju v podporno pohištvo.

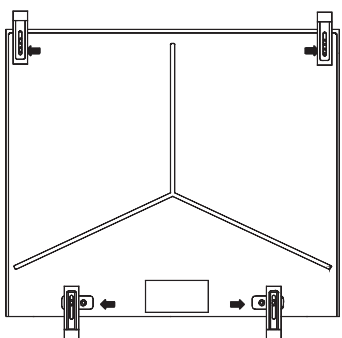


Normalna pritrditev:

- Vzemite pritrdilne spono iz vrečke za pribor in jih privijte v položaj, prikazan v spodnjem okviru. (Vijakov ne zategnite tako, da blokirate spono, te se morajo prosto gibati)

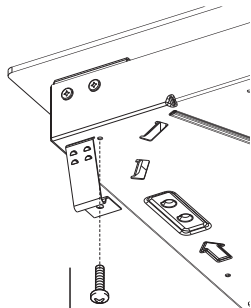


- Vstavite kuhhalno ploščo v sredino izreza.
- Obrnite spono in jih do konca zategnite.

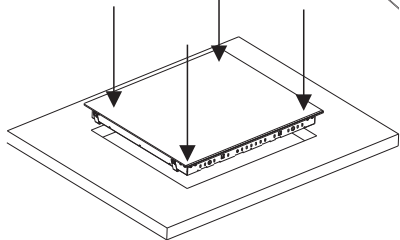


Hitra pritrditev: (Odvisno od modela)

Iz vrečke za pribor vzemite štiri vzmeti in jih privijte na spodnji okvir, kot je prikazano na sliki



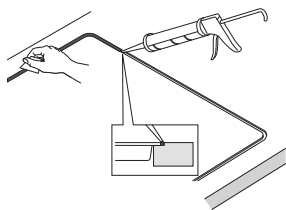
Kuhhalno ploščo centrirajte in vstavite. Stiskajte stranice kuhhalne plošče, dokler ta ni podprta okoli celotnega obsega.



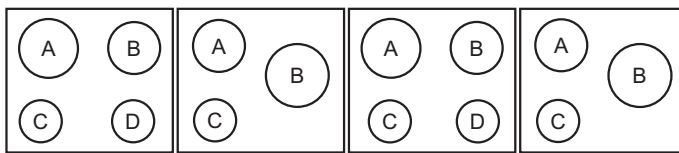
VGRADNA NAMESTITEV

Potem, ko ste preverili pravilnost položaja kuhhalne plošče, zapolnite razmik med delovno ploščo in kuhhalno ploščo s silikonskim lepilom. Silikonsko plast izravnajte s strgalom ali s prstom, ki ga namočite v vodo in milo, preden se strdi.

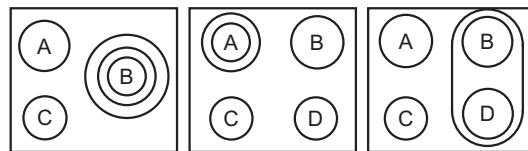
Kuhhalne plošče ne uporabljajte, dokler se plast silikona povsem ne posuši.



4. PRIKLJUČITEV NA ELEKTRIČNO NAPETOST

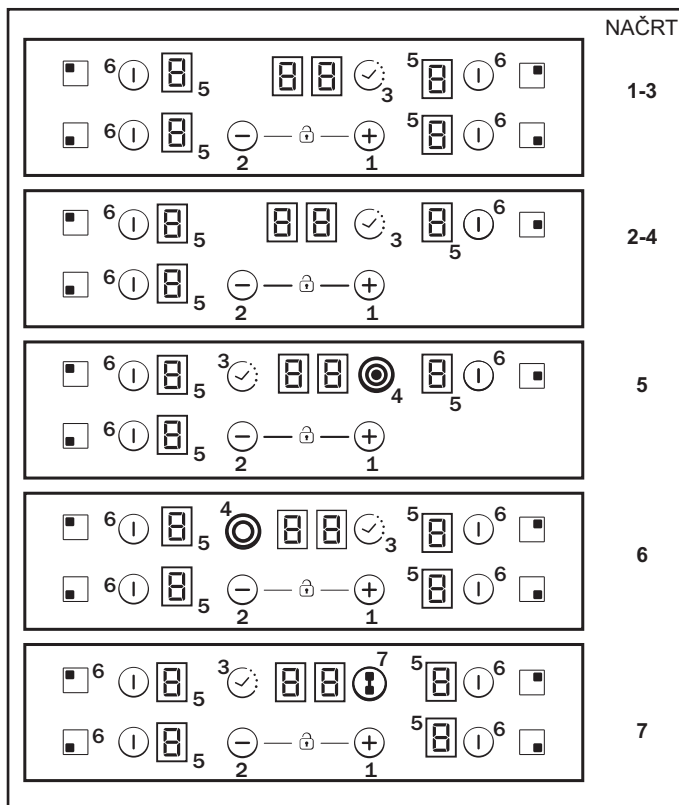


NAČRT 1 NAČRT 2 NAČRT 3 NAČRT 4



NAČRT 5 NAČRT 6 NAČRT 7

	A	B	C	D
NAČRT 1	2300W	1800W	1200W	1200W
NAČRT 2	1800W	2500W	1200W	-
NAČRT 3	2300W	1800W	1200W	1200W
NAČRT 4	1800W	2500W	1200W	-
NAČRT 5	1800W	750+900+1050W	1200W	-
NAČRT 6	1000+1200 w	1800W	1200W	1200W
NAČRT 7	1800W	1800W	1200W	1800W



Odvisno od modela

- »+«
- »-«
- ČASOVNIK
- Dodatna led lučka kuhhalne cone
- Indikator programiranja kuhhalne cone
- Izbira cone
- Most

»Namestitev mora biti skladna s standardi in direktivami.«
Proizvajalec zavrača vso odgovornost za morebitno škodo, ki bi jo lahko povzročila neprimerna ali nerazumna uporaba.

OPOZORILO: Proizvajalec ne more biti odgovoren za kakršnekoli nezgode ali njene posledice, ki se lahko pojavijo med uporabo naprave, ki ni povezana z ozemljitvijo, ali pa je povezana z ozemljitvijo, katere kontinuiteta je pokvarjena.

Pred kakršnimi koli električnimi deli preverite napetost napajanja, prikazanega na električnem števcu, prilagoditev odklopnega stikala, kontinuiteto povezave ozemljitve z napravo in ustreznost varovalke.

Električna povezava z napravo mora biti izvedena v skladu z nazivno močjo naprave; to je potrebno izvesti preko večpolnega izklopnega stikala.

Če ima naprava vtičnico, mora biti nameščena tako, da je vtičnica dostopna.

Rumena/zelena žica napajalnega kabla mora biti priključena na ozemljitev obeh priključkov za napajanje in priključkov naprave.

Za vsa vprašanja v zvezi z napajalnim kablom se obrnite na prodajno servisno službo ali usposobljenega tehnika.

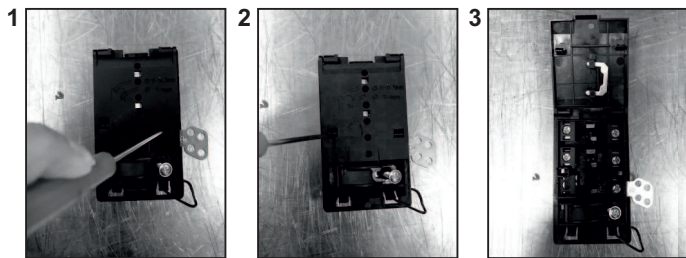
Če je kuhalna plošča opremljena z napajalnim kablom, se tega lahko poveže samo z napetostjo 220-240 V med faznim in nevtralnim tokom. Vendar pa je možno kuhavno ploščo priključiti na:

tri faze 220-240 V3
 tri faze 380-415 V2N

Če želite nadaljevati z novo povezavo, sledite spodnjim navodilom:
 Pred priključitvijo se prepričajte, da je naprava zaščiten z ustrežno varovalko in da je opremljena z dovolj dolgimi žicami za normalno napajanje naprave.

Obrnite kuhavno ploščo, stekleno stran na delovno površino, pri čemer pazite, da zaščitite steklo.

Odprite pokrov v naslednjem vrstnem redu:



- odvijte kabelsko spono »1«;
- poiščite oba jezicka, ki se nahajata na straneh;
- postavite rezilo ravnega izvijača pred vsak zavihek »2« in »3«, potisnite in pritisnite;
- odstranite pokrov.

Za sprostitve napajalnega kabla:

- Odstranite vijake, ki držijo priključni blok, ki vsebuje vzporedne upore in vodnike napajalnega kabla.
- Izvlecite napajalni kabel.

Postopki za izvedbo nove povezave:

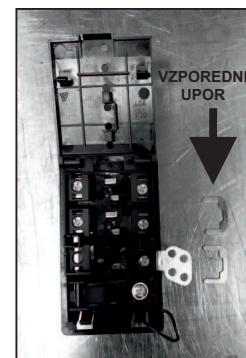
- Izberite napajalni kabel glede na priporočila v tabeli;
- Napeljite napajalni kabel v spono;
- Konec vsakega vodnika napajalnega kabla olupite do dolžine 10 mm tako, da upoštevate zahtevano dolžino kabla za priključitev na priključni blok;
- Glede na namestitev in s pomočjo vzporednih uporov, ki ste jih pripravili v prvem postopku, pritrdite vodnik, kot je prikazano na shemi;
- Pritrdite pokrov;
- Privijte kabelsko spono.

Opomba: poskrbite, da bodo vijaki priključne plošče trdno priviti.

Postopki za izvedbo nove povezave:

- Izberite napajalni kabel glede na priporočila v tabeli;
- Napeljite napajalni kabel v spono;
- Konec vsakega vodnika napajalnega kabla olupite do dolžine 10 mm tako, da upoštevate zahtevano dolžino kabla za priključitev na priključni blok;

- Glede na namestitev in s pomočjo vzporednih uporov, ki ste jih pripravili v prvem postopku, pritrdite vodnik, kot je prikazano na shemi;
- Pritrdite pokrov;
- Privijte kabelsko spono.



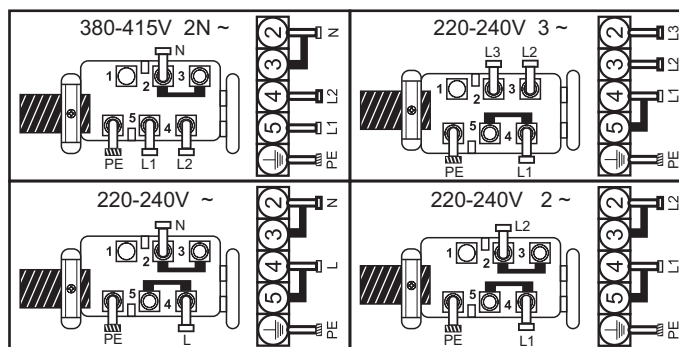
POZOR:

Če je treba zamenjati napajalni kabel, priključite žico v skladu z naslednjimi barvami/kodami:

MODRA	Nevtralna	(N)
RJAVA	Pod napetostjo	(L)
RUMENO ZELENA	Ozemljitev	(⊕)

Povezava do priključkov na priključnem bloku

	Načrt "1-6"	Načrt "7"
ENA FAZA ali DVE FAZI 220-240 V~		
Kabel HO5V2V2F	3x2,5 mm ²	3x4 mm ²
TRI FAZE 220-240 V3~		
Kabel HO5V2V2F	4x1,5 mm ²	4x1,5 mm ²
TRI FAZE 380-415 V2N~		
Kabel HO5V2V2F	4x1,5 mm ²	4x1,5 mm ²



L1 / L2 / L3 = Faza N = Nevtralno PE = Ozemljitev

5. NASVET GLEDE POSODE ZA KUHALNO PLOŠČO

Uporaba kakovostne kuhinjske posode je ključnega pomena za zagotavljanje najboljše učinkovitosti vaše kuhalne plošče



- **Vedno uporabite kakovostno kuhinjsko posodo s popolnoma ravnim in debelim dnom:** uporaba tovrstne posode bo preprečila vroče točke, ki povzročajo lepljenje hrane na posodo. Debeli kovinski lonci in ponve zagotavljajo enakomerno porazdelitev vročine.

- **Poskrbite, da bo dno lonca ali ponve suho:** Pri polnjenju posod s tekočino ali pri uporabi posode, ki je bila shranjena v hladilniku, poskrbite, da je dno posode popolnoma suho, preden jo postavite na kuhalno ploščo. To preprečuje madeže na kuhalni plošči.

- **Uporabljajte posode, ki imajo dovolj širok premer, da popolnoma pokrijejo površino enote:** Velikost posode ne sme biti manjša kot območje segrevanja. Če je malenkost širša, bo energija izkoriščena z maksimalnim učinkom.

IZBIRA KUHINJSKE POSODE - Naslednje informacije vam bodo pomagale izbrati kuhinjsko posodo, ki bo dala dobre rezultate.

Nerjaveče jeklo: zelo priporočljivo. Zlasti dobro z večplastnim dnom. Večplastno dno združuje prednosti nerjavečega jekla (videz, trpežnost in stabilnost) s prednostmi aluminija ali bakra (toplotna prevodnost, enakomerna porazdelitev toplote).

Aluminij: priporočljiva je velika teža. Dobra prevodnost. Ostanki aluminija se včasih pojavijo kot praske na kuhalni plošči, vendar jih je mogoče odstraniti s takojšnjim čiščenjem. Zaradi nizkega tališča se ne sme uporabljati tankega aluminija.

Lito železo: uporabno, vendar ni priporočljivo. Slaba učinkovitost. Lahko povzroči praske na površini.

Bakreno dno/kamnita posoda: priporočljiva je velika teža. Dobra učinkovitost, vendar lahko baker pušča sledi, ki se lahko pojavijo kot praske. Sledi je mogoče odstraniti, če kuhalno ploščo očistite takoj. Vendar ne dovolite, da bi ta posoda kuhala na suho. Pregreta kovina se lahko veže s steklenimi kuhalnimi ploščami. Pregreti bakreni lonec bo pustil sledi, ki bodo trajno umazale kuhalno ploščo.

Porcelan/emajl: Dobra učinkovitost samo pri tankem, gladkem in ravnem dnu.

Steklokeramika: ni priporočljiva. Slaba učinkovitost. Lahko povzroči praske na površini.

6. UPORABA

Kako izbrati nivo časovnega programiranja

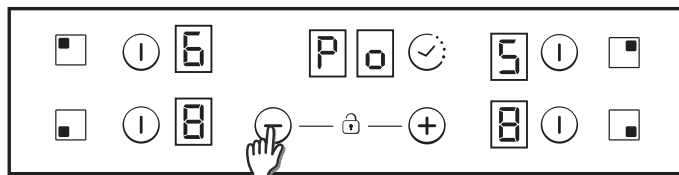
S funkcijo "Izbira moči" lahko uporabnik izbere maksimalno moč kuhalne plošče. Funkcija Izbire moči je na voljo samo v prvih 30 sekundah po vklopu kuhalne plošče. Na voljo je celo možnost ponovne izbire, če izključite in priključite vtič. Ko izberete želeno maksimalno moč, bo kuhalna ploščica samodejno prilagodila distribucijo po različnih kuhalnih conah, tako da moč ne bo prekoračena in z dodatno možnostjo sočasnega upravljanja vseh območij brez težav s preobremenitvijo. Uporabnik lahko izbere maksimalno moč kuhalne plošče med 2.5 kW in maksimalno močjo kuhalne plošče (ta se glede na model lahko tudi spreminja) (na primer, če je maksimalna moč kuhalne plošče 7.2 kW, lahko maksimalno moč izberete med 2.5kW in 7.2kW). Ob nakupu je na kuhalni plošči izbrana nastavev maksimalne moči. Potem, ko aparat priključite na električno napetost, imate 30 sekund časa, da izberete maksimalno moč in sicer kot je prikazano spodaj.

1 - Vključite grelno ploščo.

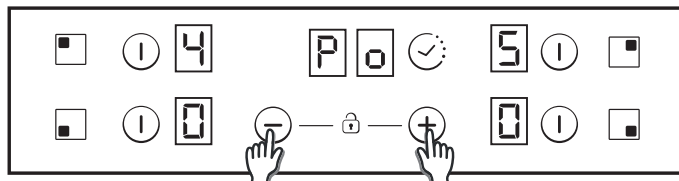
2 - Naj tipka na dotik zaključí postopek inicializacije.

3 - Preden poteče 30 sek, se dotaknite tipke "⊖" za 5 sekund.

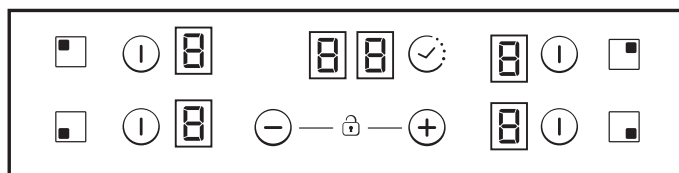
4 - Potem se bo na zaslonu pojavilo naslednje sporočilo.



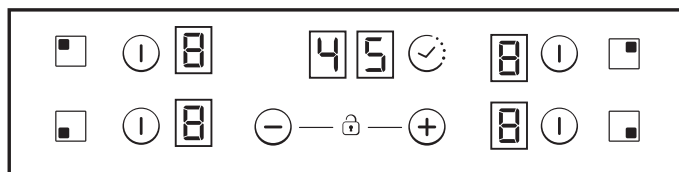
5 - S tipkama 'plus' in 'minus' lahko izberete vrednost moči. V tem primeru med 6500 in 2500 w. Ko izberete želeno vrednost, hkrati pritisnite tipko 'plus' in tipko „minus“ programske ure za 5 sekund.



6 - Ob zaključku postopka zaslišite dolg pisk in ponastavitev je v teku. Postopek zagona se bo ponovil.

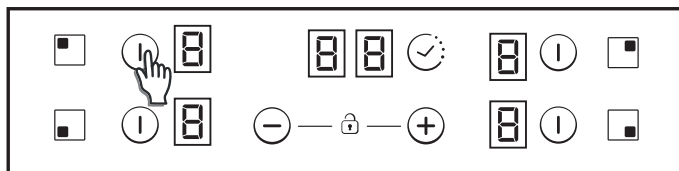


7 - Po postopku zagona se bo na zaslonu programske ure pokazala izbrana moč EKO.



Potem tipka na dotik ne bo dovolila kombinacij, ki bi prekoračile omejitev Eko.

VKLOP/IZKLOP cone grelca



Za VKLOP grelca se dotaknite katere koli cone grelca za 400msek. Slišali boste dolg pisk, na številčnici ciljne cone pa se bo pojavila vrednost »0«, ki označuje stopnjo moči.

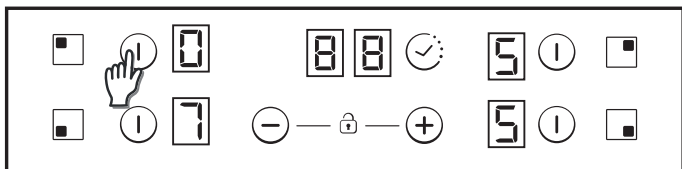
- 1) Če je kateri koli korak kuhanja v položaju 0, se prikaz samodejno IZKLOPI po 10 sekundah in se oglasi zvok za IZKLOP cone.
- 2) Če je na zaslonu indikator preostale toplote VKLOPLJEN, vendar je stopnja moči 0, se bo pojavil preklon na »0«.
- 3) Če je funkcija zaklepanja aktivna, ne morete VKLOPITI cone.

Za IZKLOP grelca se dotaknite cone segrevanja za 1, 2 sek. Slišali boste 3 kratke piske, na številčnici ciljne cone pa se ne bo pojavilo nič ali pa vrednost »H«, če obstaja preostala toplota. Cona bo IZKLOPLJENA.

- 1) Če je kateri koli korak kuhanja v položaju 0, se prikaz samodejno IZKLOPI po 10 sekundah in se oglasi zvok za IZKLOP cone.
- 2) Če je na zaslonu, ki je IZKLOPLJEN, prikazana preostala toplotna indikacija, se prikaže »H«.
- 3) Tudi če je funkcija zaklepanja aktivna, lahko cono IZKLOPITE.
- 4) Če je aktiven samo en grelec in tega izklopite, boste slišali 4 kratke piske, ki pomenijo, da je kuhalna ploščica izklopljena.

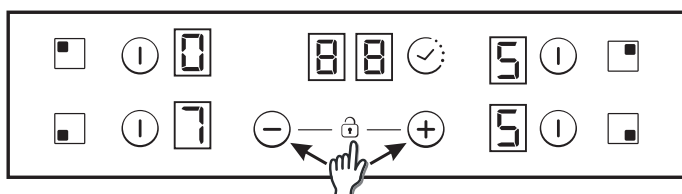
Izbira območja

Če je cona že VKLOPLJENA, se pojavi nižja svetlobna intenzivnost za neizbrane cone, ki so VKLOPLJENE.



Če je VKLOPLJENA samo ena cona, je le-ta že privzeto izbrana, brez da bi morali na kratko pritisniti (150 msek.) izbirno tipko.

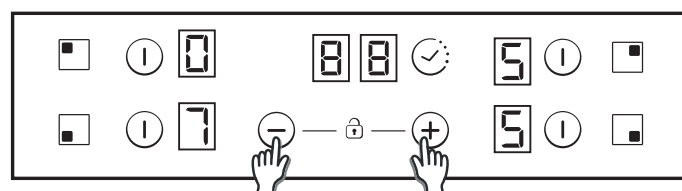
Povečanje/zmanjšanje stopnje moči



S kratkim pritiskom na tipki '+' ali '-', boste povečali ali zmanjšali moč na številčnici izbrane cone: 0-1-2-3...9-P

1. Pri dolgem pritiskanju na tipki + ali -, se stopnja moči stalno povečuje/zmanjšuje. Pri hitrem povečanju, se moč ustavi na stopnji 9, za večjo moč pa je potreben kratak pritisk na tipko +. Pri hitrem povečanju/zmanjšanju ni slišnega piska.
2. Ko dosežete stopnjo P, ponovni pritisk tipke + ne spremeni stopnje moči na 0. Ko dosežete stopnjo 0, ponovni pritisk tipke - ne spremeni stopnje moči na P.
3. Pri VKLOPLJENI coni na stopnji 0, če je cona vroča, bo številka 0 izmenično utripala. Po 10 sekundah, bo številka 0 izginila, pojavila pa se bo črka 'H' na zaslonu.
4. Če izberete grelec in tipki '+' in '-' pritisnete hkrati, bo stopnja moči padla na '0', vendar bo ostal grelec izbran za 10 sekund. Če je grelec bil nastavljen s časovnikom, se bo le-ta izklopil. To dejanje se lahko razvije le v nekaterih primerih, odvisno od konfiguracije upravljanja na dotik. Naslednji primeri so zgolj informativni. Osebnih izkušnje vam bodo omogočile prilagoditi nastavitve po vašem okusu in navadah.

Možnost varnostnega zaklepa za otroke



To dejanje se izvede, ko se hkrati dotaknete tipk '+' in '-'.

Nato se bo pri vsakem dotiku tipke za 2 sek. na zaslonu prikazal »L«, segrevanje pa ostane na enaki stopnji.

Za izklop varnostnega zaklepa za otroke, sledite enakemu postopku, kot je opisan zgoraj. Slišali boste kratak pisk, na zaslonu pa se bo prikazala črka »n«. Kuhalna plošča bo ostala nezaklenjena.

Opomba: 15 minut po popolnem IZKLOPU kuhalne plošče, se bo varnostni zaklep za otroke aktiviral samodejno. Ta funkcija se sproži samodejno, vendar jo je potrebno predhodno programirati. Glejte točko za uporabniške nastavitve.

Dvojne/trojne cone

Da bi VKLOPILI dvojni razširitveni krog, mora povezana glavna cona že biti VKLOPLJENA, prikazana stopnja moči pa mora biti višja od 0.

8.1- Dvojna cona VKLOP

Prvi kratki pritisk na razširitveno tipko vklopi razširitveni krog. LED nad razširitveno tipko se VKLOPI, če je VKLOPLJEN razširitveni krog.

Drugi kratki pritisk na razširitveno tipko izklopi razširitveni krog.

Pri vsakem pritisku na razširitveno tipko se pojavi kratki pisk.

8.2- Trojna cona VKLOP

Prvi kratki pritisk na razširitveno tipko vklopi prvi razširitveni krog. 1 LED nad razširitveno tipko se VKLOPI, če je VKLOPLJEN prvi razširitveni krog (levi LED v primeru trojne cone, sredinski in edini LED v primeru dvojne cone)

Drugi kratki pritisk na razširitveno tipko vklopi drugi razširitveni krog. 2 LED-ja nad razširitveno tipko se VKLOPITA, če sta VKLOPLJENA prvi in drugi razširitveni krog.

Tretji kratki pritisk na razširitveno tipko izklopi prvi in drugi razširitveni krog.

Pri vsakem pritisku na razširitveno tipko se pojavi kratki pisk.

Funkcija mostu

Most se lahko omogoči samo, ko sta izklopljena oba grelca. Izbran je bil en grelec mostu, za aktivacijo funkcije mostu se dotaknete tipke mostu.

Pojavi se pisk in vklopi se LED cona, če je cona vklopljena.

Oba mostna grelca bosta izbrana hkrati.

Ko sta grelca izbrana, če stopnja moči ni na želeni stopnji, jo nastavite s tipkama + -.

Oba zaslona mostnih grelcev bosta kazala enako stopnjo moči.

Funkcija se bo zaključila:

- Če se mostu dotaknete v načinu nastavitve
- Če uporabnik izbere stopnjo moči »0«

Zaščita pred prelivanjem

Nekaj (predmet ali tekočina) pritiska katero koli tipko za več kot 5 s. 2 kratka piska + 1 dolgi pisk vsakih 30 s medtem, ko je tipka pritisnjena. Kuhalna površina se bo izklopila. Ta simbol bo utripal, dokler situacija obstaja.

Časovnik

Funkcijo časovnika lahko aktivirate z njegovo tipko ali tako, da hkrati pritisnete tipki '+' in '-'.

V obeh primerih je treba izbrati grelec, njegova moč pa mora biti večja od 0.

Izberite cono za nastavev časovnika. Stopnja moči cone je večja od 0. Statično je prikazano v območju, ki je nastavljeno s časovnikom. »0 0« na številčnici sta namenjeni za časovnik.

- 1) S tipkama »+« ali »-« lahko izberete časovnik. Pri spremembi časa ni piska.
- 2) Hkratno pritiskanje tipk časovnika prekliče časovnik (se nastavi na 00).
- 3) Če tipki »+« ali »-« pritisnete med časom TBD, to sproži hitro nastavitvev.
- 4) Ko nastavljate čas na časovniku, lahko greste od »00« na »99« s tipko »-« in od »99« na »00« s tipko »+«.
- 5) Največji možni čas je 99 minut.
- 6) Ko je čas potekel in kuhalna plošča piska, pritisnite katero koli tipko, da izklopite alarm in zaporedje števil.
- 7) Časovnik je možno prilagoditi medtem, ko čas že teče.
- 8) Moč cone z nastavljenim časovnikom lahko spremenite brez posledic v programiranju časovnika.
- 9) Zadnja minuta bo prikazana v sekundah (pri različicah je vidna samo, če vnesete programiranje časovnika med zadnjo minuto odštevanja)
- 10) Pritiskanje tipke časovnika brez izbrane cone in če nobena cona nima nastavljenega časovnika, ne povzroči ničesar.
- 11) Pritiskanje tipke časovnika brez izbrane cone in če je časovnik nastavljen za več con, se čas prikazan na številčnici spreminja rotacijsko in prikazuje čas, katerega prikazovalnik moči ima VKLOPLJENO decimalno vejico.
- 12) Drugače se moč (5 s) in (0,5 s) prikazuje v coni, ki ima nastavljen časovnik.

Preostali čas se prikazuje na številčnici namenjeni za časovnik. Če ima več con nastavljen časovnik, se prikazuje najmanjši preostali čas, decimalna vejica pa se prikazuje v ustrezni coni.

Indikator preostale toplote (v sevalnih grelnikih-> izračunan)

Enaki indikatorji se lahko uporabljajo tudi za prikaz »preostale toplote«. Za ta namen je treba določiti časovni razpored: Čas preostale toplote = f (stopnja moči, delovni čas).

Dokler bo temperatura na stekleni kuhinjski površini nad 65°C (teoretična vrednost), bo stanje prikazano na pripadajočem zaslonu s črko »H«.

Da bi ustvarili temperaturo večjo od 65°C, mora grelec delovati nekaj časa, ta čas pa je odvisen od stopnje moči. Ko ta čas poteče, se bo po izklopu grelnega elementa prikazalo opozorilo za preostalo toploto.

Samodejni varnostni izklop

Če se stopnja moči med prednastavljenim časom ne spremeni, se ustrezni grelec samodejno izklopi.

Največji čas v katerem je grelec lahko vklopljen, je odvisen od izbrane stopnje kuhanja.

Stopnja moči	Največji čas vklopa (ure)
1	10
2	5
3	5
4	4
5	3
6	2
7	2
8	2
9	2
P	2

OPOMBA: V kolikor se med delovanjem najvišjih stopenj moči pojavi prekomerno segrevanje, bo krmilna naprava kuhalne plošče samodejno prilagodila moč, da bi zaščitila kuhalno ploščo pred pregrevanjem.

7. ČIŠČENJE IN VZDRŽEVANJE

Pred vzdrževalnimi deli na kuhalni plošči pustite, da se ta ohladi.

Uporabljati je dovoljeno le izdelke (kreme in strgala), ki so posebej zasnovani za steklokeramične površine. Na voljo so v prodajalnah s strojno opremo.

Izogibajte se razlitiem, saj vse, kar pade na površino kuhalne plošče hitro zgori in otežuje čiščenje.

Priporočljivo je, da kuhalni plošči ne približujete snovi, ki se lahko stalijo, kot npr. plastični predmeti, sladkor ali izdelki na osnovi sladkorja.

VZDRŽEVANJE:

- Kanite nekaj kapljic specializiranega čistilnega sredstva na površino kuhalne plošče.
- Zdrgnite trdovratne madeže z mehko krpo ali rahlo vlažno papirnato brisačo.
- Obrišite z mehko krpo ali suho papirnato brisačo, dokler površina ni čista.

Če so še vedno prisotni trdovratni madeži:

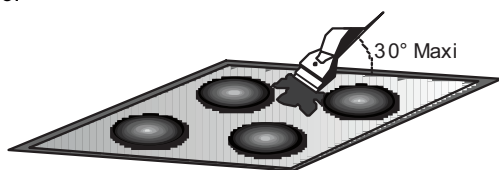
- Kanite še nekaj kapljic specializiranega čistilnega sredstva na površino kuhalne plošče.
- Postrgajte s strgalom tako, da ga drgnete pod kotom 30° po kuhalni plošči, dokler madež ne izgine.
- Obrišite z mehko krpo ali suho papirnato brisačo, dokler površina ni čista.
- Po potrebi ponovite postopek.

NEKAJ NASVETOV:

Pogosto čiščenje pušča zaščitno plast, ki je bistvena za preprečevanje prask in obrabe. Prepričajte se, da je površina pred ponovno uporabo kuhalne plošče čista. Če želite odstraniti sledi, ki jih pusti voda, uporabite nekaj kapljic belega kisa ali limoninega soka. Nato obrišite z vpojnim papirjem in nekaj kapljicami specializirane čistilne tekočine.

Steklokeramična površina bo vzdržala drgnjenje od kuhinjskih posod z ravnim dnom, vendar je boljše če jih dvignete, ko jih premikate iz ene cone na drugo.

Opomba:



Ne uporabljajte gobice, ki je preveč mokra.

Nikoli ne uporabljajte noža ali izvijača.

Strgalo z rezilom ne bo poškodovalo površine, dokler ga boste držali pod kotom 30°.

Nikoli ne puščajte strgala z rezilom na dosegu otrok.

Nikoli ne uporabljajte abrazivnih izdelkov ali čistilnih praškov.

Kovinsko ogrodje: Da bi varno očistili kovinsko ogrodje, ga umijte z milom in vodo, sperite in nato posušite z mehko krpo.

Kakršna koli sprememba barve steklokeramične površine ne vpliva na njeno delovanje ali na stabilnost površine. Tovrstne razbarvanosti so večinoma posledica ožganih ostankov hrane ali uporabe posode iz materialov, kot so aluminij ali baker; te madeže je težko odstraniti.

8. REŠEVANJE TEŽAV

Kuhalne cone ne kuhajo ali samo rahlo pražijo.

Uporabljajte samo posodo z ravnim dnom. Če je med posodo in kuhalno ploščo vidna svetloba, cona ne prevaja toplote pravilno. Dno posode mora v celoti pokrivati premer izbrane cone.

Kuhanje je prepočasno

Uporablja se neprimerna posoda. Uporabljajte samo posode z ravnim dnom, ki so težke in imajo vsaj enak premer kot kuhalna plošča.

Majhne praske ali odrgnine na stekleni površini kuhalne plošče

Nepravilno čiščenje ali uporaba posode z grobim dnom; delci kot so zrna peska ali soli med kuhalno ploščo in dnom posode. Glejte poglavje »ČIŠČENJE«; prepričajte se, da je dno posode pred uporabo čisto in uporabljajte samo posodo z gladkim dnom. Praske se lahko zmanjšajo samo s pravilnim čiščenjem.

Kovinski madeži

Aluminijastih posod ne vlecite po kuhalni plošči. Glejte priporočila za čiščenje.

Uporabljajte ustrezne materiale, vendar madeži ostajajo. Uporabite rezilo in sledite navodilom v poglavju »ČIŠČENJE«.

Temni madeži

Uporabite rezilo in sledite navodilom v poglavju »ČIŠČENJE«.

Svetle površine na kuhalni plošči

Madeži od aluminijastih ali bakrenih posod, ampak tudi mineralne, vodne obloge in ostanki hrane; odstranite jih lahko s pomočjo kremnega čistila.

Karamelizacija ali staljena plastika na kuhalni plošči

Glejte poglavje »ČIŠČENJE«.

Kuhalna plošča ne obratuje ali določena območja ne delujejo

Vzporedni upori niso pravilno nameščeni na priključni plošči. Preverite, ali je povezava ustvarjena in da je nadzorna plošča zaklenjena. Odklenite kuhalno ploščo.

Kuhalna plošča se ne izklopi.

Nadzorna plošča je zaklenjena. Odklenite kuhalno ploščo.

Pogostost vklopov/izklopov kuhalnih con

Cikli vklopa-izklopa se razlikujejo glede na zahtevano stopnjo toplote:

- nizka stopnja: kratek čas delovanja,
- visoka stopnja: dolg čas delovanja.

Kuhalna plošča ne deluje.

Preverite stanje varovalk/odklopnikov na vaši lokaciji. Preverite, ali imate izpad električne energije.

Kuhalna plošča se je sama izklopila.

Glavno stikalo (tipka VKLOP/IZKLOP) je bilo nenamerno dotaknjeno ali pa se kakšen predmet nahaja na kateri koli tipki. Ponovno vklopite enoto brez morebitnih predmetov na tipkovnici. Ponovno vnesite vaše nastavitve.

Prikaz F in številke

Če se na zaslonu pojavi F in številke, je vaša enota zaznala napako. Naslednja tabela vsebuje seznam ukrepov, da odpravite težave.

9. POPRAVILA

Preden pokličete servisnega inženirja, preverite naslednje:

— da je vtič pravilno vstavljen in spojen;
Če napake ni mogoče identificirati, izklopite napravo — ne posegajte vanjo — pokličite servisni center. Naprava je opremljena z garancijo, ki zagotavlja brezplačno popravilo v servisnem centru.

Zaslon grelca	Napaka	Ukrep
F0	Napaka programske opreme za upravljanje na dotik.	Če se je napaka pojavila, odklopite in ponovno priključite kuhhalno ploščo na napajanje. Če napaka še vedno obstaja, pokličite poprodajni servis. Če se pri normalnem delovanju nenadoma pojavi napaka, pokličite poprodajni servis.
Fc	Območje upravljanja na dotik je prevroče in je izklopilo vse grelce.	Počakajte, da se temperatura zmanjša. Kuhhalna ploščo si bo samodejno opomogla, ko temperatura doseže normalno vrednost.
Ft	Temperaturni senzor upravljanja na dotik je lahko poškodovan.	Počakajte, da se temperatura zmanjša. Če sporočilo ne izgine, ko temperatura doseže vrednost okolja, pokličite poprodajni servis.
FE	Temperaturni senzor upravljanja na dotik je lahko poškodovan.	Počakajte, da se temperatura zmanjša. Če sporočilo ne izgine, ko temperatura doseže vrednost okolja, pokličite poprodajni servis.
Fb	Prekomerna občutljivost katere koli tipke.	Preverite, če je kuhhalna ploščo pravilno nameščena. Prepričajte se, da se tipke pravilno dotikajo steklene površine.
FU / FJ	Napaka varnostne tipkovnice	Ta napaka je samodejno preverjanje tipkovnice. Izgine, ko se samodejno preverjanje vrne na varno vrednost. Če napaka še vedno obstaja, pokličite poprodajni servis.
FA	Napaka varnostne tipkovnice	Ta napaka je samodejno preverjanje programske opreme. Izgine, ko se samodejno preverjanje vrne na varno vrednost. Če napaka še vedno obstaja, pokličite poprodajni servis.
FC / Fd	Napaka varnostne tipkovnice	Ta napaka je samodejno preverjanje programske opreme. Izgine, ko se samodejno preverjanje vrne na varno vrednost. Če napaka še vedno obstaja, pokličite poprodajni servis.
Fr	Napaka varnosti relejev	Katerikoli od gonilnikov releja ima lahko kakršnokoli težavo. Odklopite kuhhalno ploščo iz napajanja, počakajte minuto in jo ponovno vklopite. Če napaka še vedno obstaja, pokličite poprodajni servis.

Preporučujemo vam da sačuvate uputstvo za ugradnju i upotrebu za upotrebu u budućnosti, a pre ugradnje ugradne ploče zapišite njen serijski broj u slučaju da vam zatreba pomoć post-prodajnog servisa.

UPOZORENJE: Uređaj i njegovi delovi kojima se može pristupiti zagrevaju se prilikom upotrebe. Obratite pažnju da ne dirate delove koji se zagrevaju. Deca mlađa od 8 godina ne smeju da diraju uređaj ukoliko nisu pod neprekidnim nadzorom.

UPOZORENJE: koristite isključivo one zaštitne elemente za ugradne ploče koje je dizajnirao proizvođač uređaja za kuvanje ili koje je proizvođač uređaja naveo u uputstvu za upotrebu, kako je predviđeno, ili one zaštitne elemente za ugradne ploče koje ste dobili uz uređaj. Korišćenje neodgovarajućih zaštitnih elemenata može dovesti do nesreća.

UPOZORENJE: kuvanje na uradnoj ploči bez nadzora uz upotrebu masti ili ulja predstavlja opasnost i može dovesti do požara. NIKADA nemojte pokušavati da ugasite vatru vodom, već isključite uređaj i pokrijte plamen, npr. poklopcem ili vatrogasnim čebetom.

UPOZORENJE: opasnost od požara: nemojte odlagati predmete na površinama za kuvanje.

UPOZORENJE: ukoliko je površina napukla, nemojte dirati staklo i isključite uređaj kako biste izbegli mogućnost strujnog udara.

Ovaj uređaj mogu da koriste deca starija od 8 godina i osobe sa smanjenim fizičkim, senzornim ili mentalnim sposobnostima, ili nedostatkom iskustva i znanja, ukoliko su pod nadzorom ili su dobili uputstva u vezi sa bezbednom upotrebom uređaja i ukoliko razumeju moguće opasnosti. Na decu treba paziti kako bi se obezbedilo da se ona ne igraju s uređajem. Deca ne smeju da čiste i održavaju uređaj bez nadzora.

OPREZ: proces kuvanja mora se nadzirati. Kratkotrajno kuvanje mora se neprestano nadzirati.

Strogo se preporučuje držanje dece podalje od površine za kuvanje kada su one u upotrebi, kao i kada su isključene, dokle god je pokazatelj preostale toplote uključen, kako bi se sprečio rizik od ozbiljnih opekotina.

Nije predviđeno da se ovim uređajem upravlja putem eksternih tajmera ili odvojenih sistema za daljinsko upravljanje.

Ukoliko uređaj sadrži elemente ugradne ploče sa halogenim lampama, nemojte gledati u njih duže vreme.

Povežite utikač sa kablom za napajanje koji može da podnese napon, struju i opterećenje naznačeno na etiketi i koji ima uzemljenje. Utičnica mora biti pogodna za opterećenje naznačeno na etiketi i mora imati povezano i funkcionalno uzemljenje. Žica uzemljenja je obojena žuto-zelena. To treba da izvrši kvalifikovana osoba. Ukoliko utičnica u

zidu ne odgovara utikaču uređaja, zatražite od kvalifikovanog električara da je zameni odgovarajućim tipom utičnice. Utikač i utičnica moraju biti u skladu sa aktuelnim normama ugradnje u državi.

Priključivanje na električnu mrežu moguće je i pomoću omnipolarnog prekidača koji se postavlja između uređaja i izvora napajanja, a koji mora biti u stanju da podnese maksimalno napajanje koje se prenosi i koji mora biti u skladu sa važećim propisima.

Prekidač ne sme regulisati žuto-zeleni kabl za uzemljenje. Utičnica ili omnipolarni prekidač koji se koriste za priključivanje na električnu mrežu moraju biti lako dostupni nakon što je rena ugrađena.

Isključivanje se može postići tako što će utikač biti lako dostupan ili tako što će se ugraditi prekidač u fiksno ožičenje u skladu sa pravilima ožičenja.

Ukoliko se kabl za napajanje ošteti, mora biti zamenjen od strane proizvođača, ovlašćenog servisera ili jednako kvalifikovanog lica kako bi se izbegla opasnost. Žica uzemljenja (žuto-zelene boje) mora biti duža od 10 mm na strani kleme. Deo sa unutrašnjim provodnicima treba da odgovara električnoj struji koju apsorbuje ugradna ploča (što je naznačeno na etiketi). Tip kabla za napajanje mora biti HO5V2V2-F.

Nemojte stavljati metalne predmete poput noževa, viljušaka, kašika ili poklopaca na ugradnu ploču. Mogli bi se zagreјati.

Aluminijumska folija i plastične posude ne smeju se stavljati na greјne površine.

Nakon svake upotrebe, neophodno je očistiti ugradnu ploču kako bi se sprečilo gomilanje prljavštine i masnoće. Ukoliko se ne očiste, prljavština i masnoća se ponovo kuvaju kada se ugradna ploča koristi i gore odajući dim i neprijatne mirise, a mogu doprineti i širenju požara.

Nikada nemojte koristiti mlaz sa jakim pritiskom za čišćenje uređaja.

Nemojte dodirivati greјne površine tokom upotrebe ili ubrzo nakon upotrebe.

Nikada nemojte kuvati hranu direktno na staklokeramičkoј ugradnoj ploči.

Uvek koristite odgovarajuće posuđe.

Uvek stavljajte tiganj na sredinu površine na kojoj kuvate. Nemojte stavljati ništa na kontrolnu tablu.

Nemojte koristiti ugradnu ploču kao radnu površinu.

Nemojte koristiti površinu kao dasku za sečenje.

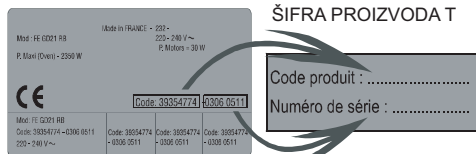
Nemojte odlagati teške predmete iznad ugradne ploče. Ukoliko oni padnu na ugradnu ploču, mogu izazvati oštećenja.

Nemojte koristiti ugradnu ploču za odlaganje bilo kakvih predmeta.

Nemojte vući posuđe po ugradnoj ploči.

Za rad uređaja na nominalnim frekvencijama nije neophodna dodatna opcija ili dodatno podešavanje.

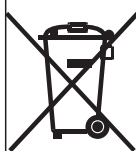
Identifikaciona pločica (nalazi se ispod donjeg kućišta ugradne ploče)



1. OPŠTA UPOZORENJA

Postavljanjem oznake **CE** na ovaj uređaj potvrđujemo da je izrađen u skladu sa svim evropskim propisima koji se tiču bezbednosti, zdravlja i zaštite životne sredine i koji se primenju na ovu kategoriju proizvoda.

2. ZAŠTITA ŽIVOTNE SREDINE



Ovaj uređaj je označen u skladu sa evropskom Direktivom 2012/19/EU o otpadnoj električnoj i elektronskoj opremi (OEEO).

OEEO sadrži zagađujuće supstance (koje mogu negativno uticati na životnu sredinu) i osnovne komponente koje se mogu ponovo koristiti. OEEO mora da bude obrađena na poseban način kako bi se uklonile i uništile sve štetne materije i prikupili i reciklirali svi materijali.

Svaki pojedinac može pomoći da se obezbedi da OEEO ne postane problem u procesu zaštite životne sredine; od ključnog je značaja pridržavati se nekih osnovnih pravila:

- OEEO se ne odlaze isto kao kućni otpad.
- OEEO se predaje odgovarajućim centrima za sakupljanje električnog i elektronskog otpada koja su u vlasništvu opštine ili registrovanih kompanija. U mnogim zemljama, velike količine OEEO se od vlasnika preuzimaju na kućnoj adresi.

U mnogim državama, pri kupovini novog uređaja, stari uređaj može da bude vraćen prodavcu koji je obavezan da ga preuzme besplatno jedan-za-jedan, sve dok je u pitanju ista vrsta uređaja koja ima istu funkciju kao isporučeni uređaj.

3- UGRADNJA

Ugradnja uređaja za domaćinstvo je komplikovana radnja koja može imati ozbiljne posledice po bezbednost stvari, imovine i lica ukoliko se ne izvrši ispravno. Zbog toga to treba da obavi osoba kvalifikovana za to u skladu sa tehničkim propisima.

U slučaju da se ova preporuka ne uzme u obzir i da ugradnju izvrši osoba koja nije kvalifikovana za to, proizvođač ne snosi nikakvu odgovornost za bilo kakve tehničke kvarove uređaja bez obzira na to da li su oni prouzrokovali oštećenje stvari ili imovine ili povredu lica ili životinja.

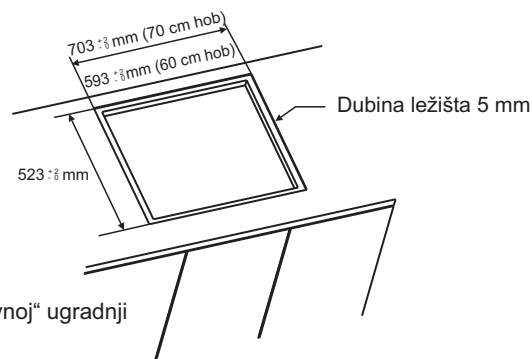
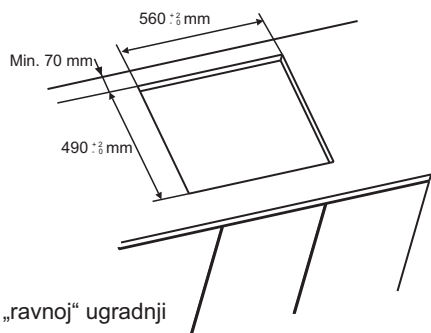
Kada otpakujete uređaj, proverite da li je oštećen i u tom slučaju kontaktirajte post-prodajni servis prodavca ili proizvođača.

Proverite da li su element u koji će uređaj biti ugrađen i sav ostali nameštaj u blizini napravljeni od materijala koji mogu da podnesu visoke temperature (minimalno 100 C).

Osim toga, sve dekorativne laminare treba učvrstiti veoma otpornim lepkom.

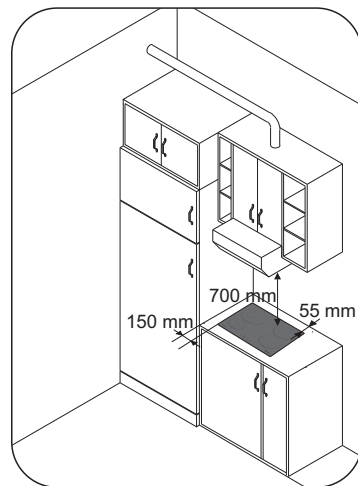
Uređaj se može ugraditi u ugrađeni element po principu „standardne“ ili „ravne“ ugradnje.

Debljina radnog dela treba da bude između 25 i 45 mm.

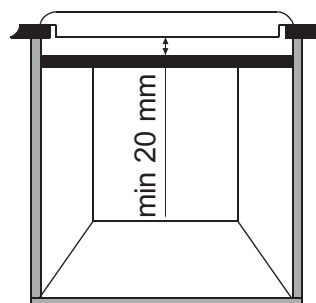


Napomena: Unutrašnji obim je isti kao kod standardne ugradnje.

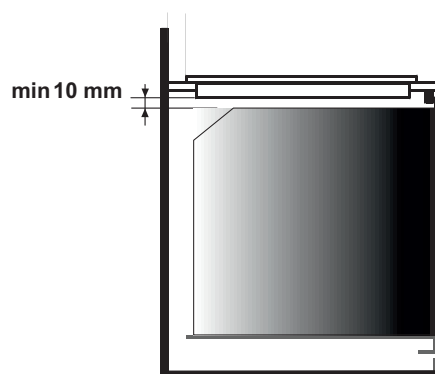
Ostavite razmak od najmanje 55 mm između ugradne ploče i zida sa zadnje strane i razmak od najmanje 150 mm između ugradne ploče i elemenata ili zidova sa bočnih strana. Ukoliko ugrađujete kuhinjski element iznad ugradne ploče, neophodna minimalna razdaljina iznosi 700 mm. Kada ugrađujete aspirator iznad ugradne ploče, pridržavajte se zahteva za ugradnju aspiratora, ali u svakom slučaju razdaljina između ugradne ploče i aspiratora ne sme biti manja od 700 mm.



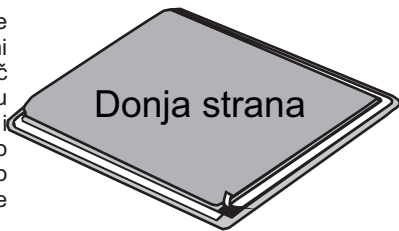
Ukoliko je donji deo ugradne ploče postavljen iznad prostora koji je uglavnom dostupan za rukovanje ili čišćenje, 20 mm ispod donjeg dela ugradne ploče mora se postaviti separator.



Kada ugrađujete rernu ispod ugradne ploče, separator se ne sme postavljati, a razdaljina između donjeg dela ugradne ploče i rerne ne sme biti manja od 10 mm. Nemojte ugrađivati rernu koja se nije ohladila ispod ove ugradne ploče i ugradite je u skladu sa zahtevima za ugradnju rerne.

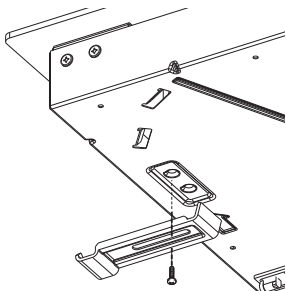


Uz ugradnu ploču se isporučuje i vodonepropusni zaptivač. Pričvrstite zaptivač za dno ugradne ploče u skladu sa uputstvom i proverite da li je pravilno pričvršćen kako ne bi došlo do curenja na potporne elemente.

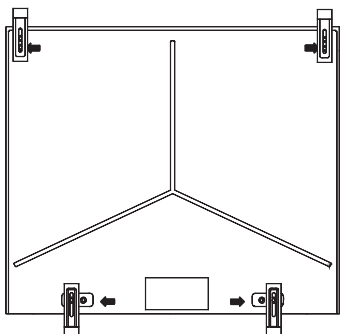


Normalno pričvršćivanje:

Uzmite štipaljke za pričvršćivanje iz kesice sa dodacima i zašrafite ih na položaj prikazan na donjem delu kućišta. (Nemojte zategnuti vijke tako da onemogućite pomeranje štipaljki, trebalo bi da mogu da se slobodno pokreću)

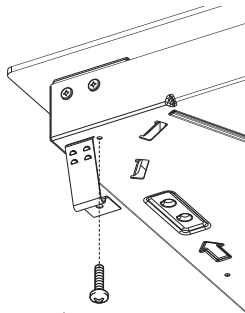


- Postavite ugradnu ploču na sredinu oblasti ograničene štipaljkama.
- Okrenite štipaljke i potpuno ih pričvrstite.

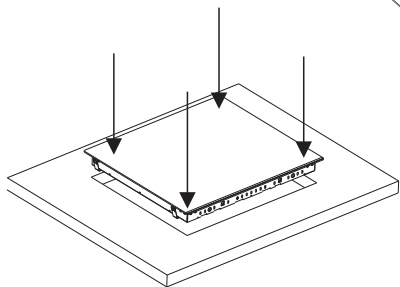


Brzo pričvršćivanje: (U zavisnosti od modela)

Uzmite četiri opruge iz kesice sa dodacima i zašrafite ih na donji deo kućišta kao što je prikazano na slici.

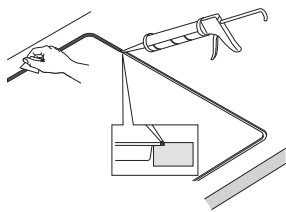


Postavite ugradnu ploču na sredinu. Držite ivice ugradne ploče pritisnute dok ne bude pričvršćena duž celog obima.

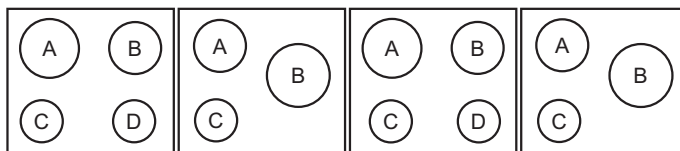


RAVNA UGRADNJA Nakon što se uverite da je ugradna ploča pravilno postavljena, popunite razmak između radnog dela i ugradne ploče silikonskim lepkom. Poravnajte sloj silikona špatulom ili mokrim i nasapunjanim prstima pre nego što se stvrdne.

Nemojte koristiti ugradnu ploču dok se sloj silikona potpuno ne osuši.



4. PRIKLJUČIVANJE NA ELEKTRIČNU MREŽU

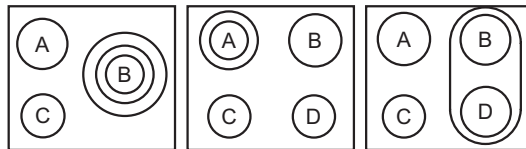


IZGLED 1

IZGLED 2

IZGLED 3

IZGLED 4

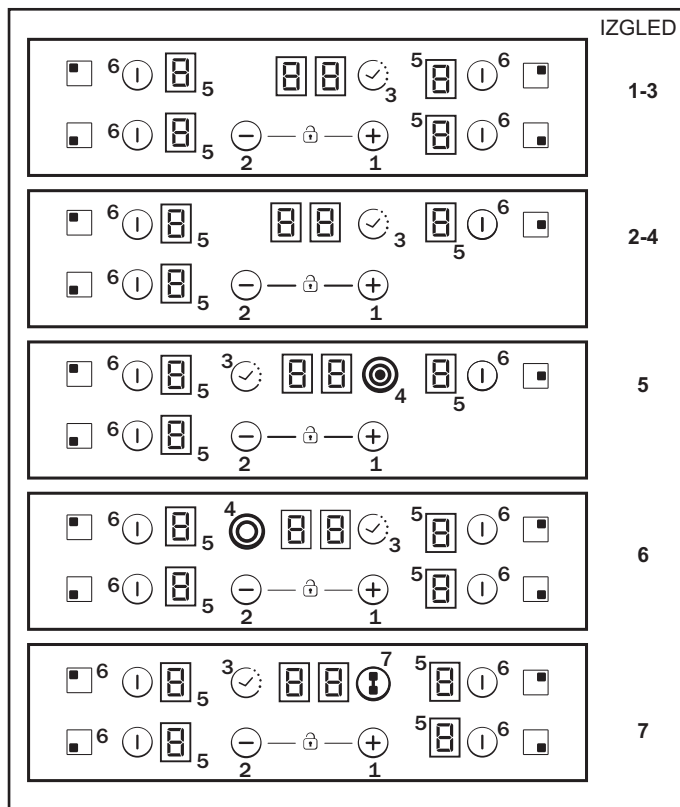


IZGLED 5

IZGLED 6

IZGLED 7

	A	B	C	D
IZGLED 1	2300W	1800W	1200W	1200W
IZGLED 2	1800W	2500W	1200W	-
IZGLED 3	2300W	1800W	1200W	1200W
IZGLED 4	1800W	2500W	1200W	-
IZGLED 5	1800W	750+900+1050W	1200W	-
IZGLED 6	1000+1200 w	1800W	1200W	1200W
IZGLED 7	1800W	1800W	1200W	1800W



IZGLED

1-3

2-4

5

6

7

Prema modelu

1. „+“
2. „-“
3. TAJMER
4. LED lampica dodatne površine za kuvanje
5. Pokazatelj postavki površine za kuvanje
6. Odabir površine
7. Povezivanje površina

Ugradnja mora biti u skladu sa standardima i direktivama.“
Proizvođač ne snosi nikakvu odgovornost za bilo kakva oštećenja prouzrokovana neprikladnom ili nepropisnom upotrebom.

UPOZORENJE: Proizvođač nije odgovoran ni za kakve incidente ili njihove posledice koji mogu nastati tokom upotrebe uređaja koji nije uzemljen, ili koji je uzemljen, ali čiji je kabl za uzemljenje oštećen.

Pre bilo kakve električne radnje proverite napon napajanja prikazan na strujomeru, podešavanja automatskog prekidača, kontinuitet uzemljenja instalacija, kao i podobnost osigurača.

Električna veza sa instalacijama treba da bude u skladu sa određenom snagom uređaja; nju treba uspostaviti putem omnipolarne sklopke.

Ukoliko uređaj ima utičnicu, on se mora ugraditi tako da utičnica bude dostupna.

Žuto-zelena žica napajanja mora biti povezana sa uzemljenjem napajanja, kao i uzemljenjem priključaka uređaja.

Ukoliko imate bilo kakva pitanja u vezi sa kablom napajanja, obratite se post-prodajnom servisu ili kvalifikovanom tehničaru.

Ukoliko se ugradna ploča povezuje sa kablom napajanja, trebalo bi je povezati samo na napajanje od 220 V do 240 V između faze i nule.

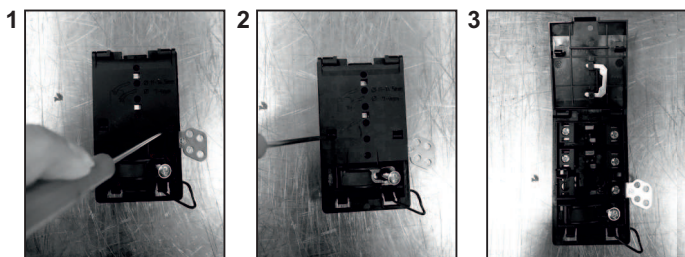
Ipak, moguće je povezati ugradnu ploču sa:
 trofaznim napajanjem 220-240 V3
 trofaznim napajanjem 380-415 V2N

Kako biste uspostavili novu vezu, pratite uputstva:

Pre nego što uspostavite vezu, proverite da li su instalacije zaštićene odgovarajućim osiguračem, kao i da li su opremljene žicama sa dovoljno velikim odeljkom za normalno napajanje uređaja.

Okrenite ugradnu ploču tako da staklena strana bude uz radni deo, vodeći računa da ne oštetite staklo.

Otvorite kućište sledećim redosledom:



- odvijte spojnicu kabla „1“;
- pronađite dva jezička sa strane;
- postavite vrh ravnog šrafciigera ispred jezičaka „2“ i „3“, gurnite ka unutra i pritisnite;
- uklonite kućište.

Za oslobađanje kabla za napajanje:

- uklonite vijke koji drže priključni blok koji sadrži šantove i provodnike kabla za napajanje;
- izvucite kabl za napajanje.

Radnje koje je potrebno izvršiti kako bi se napravila nova veza:

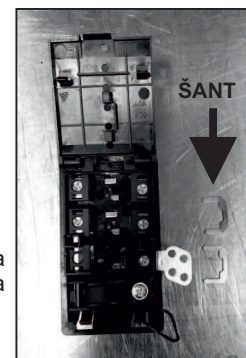
- izaberite kabl za napajanje u skladu sa preporukama u tabeli;
- provucite kabl za napajanje kroz spojnicu;
- uklonite 10 mm izolacije sa svakog provodnika kabla za napajanje, uzimajući u obzir neophodnu dužinu kabla za povezivanje na priključni blok;
- u skladu sa uputstvom za ugradnju i uz pomoć šantova koje ste uzeli u prvom koraku, pričvrstite provodnik kao što je prikazano na šemi;
- pričvrstite kućište;
- zavijte spojnicu kabla.

Napomena: proverite da li su vijci priključnog bloka dobro pričvršćeni.

Radnje koje je potrebno izvršiti kako bi se napravila nova veza:

- izaberite kabl za napajanje u skladu sa preporukama u tabeli;
- provucite kabl za napajanje kroz spojnicu;
- uklonite 10 mm izolacije sa svakog provodnika kabla za napajanje, uzimajući u obzir neophodnu dužinu kabla za povezivanje na priključni blok;

- u skladu sa uputstvom za ugradnju i uz pomoć šantova koje ste uzeli u prvom koraku, pričvrstite provodnik kao što je prikazano na šemi;
- pričvrstite kućište;
- zavijte spojnicu kabla.



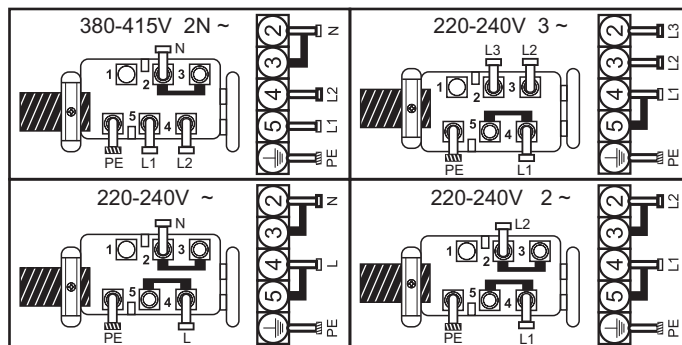
PAŽNJA:

Ukoliko je potrebno zameniti kabl za napajanje, povežite žice u skladu sa sledećim bojama/šiframa:

PLAVO	Nula	(N)
SMEDE	Faza	(L)
ŽUTO ZELENO	Uzemljenje	(⊕)

Veza sa priključcima na priključnom bloku

	IZGLED "1-6"	IZGLED "7"
MONOFAZNO ili DVOFAZNO 220-240 V~		
Kabl HO5V2V2F	3x2,5 mm ²	3x4 mm ²
TROFAZNO 220-240 V3~		
Kabl HO5V2V2F	4x1,5 mm ²	4x1,5 mm ²
TROFAZNO 380-415 V2N~		
Kabl HO5V2V2F	4x1,5 mm ²	4x1,5 mm ²



L1 / L2 / L3 = Faza N = Nula PE = Uzemljenje

5. SAVETI ZA KORIŠĆENJE POSUĐA NA UGRADNOJ PLOČI

Korišćenje kvalitetnog posuđa je ključno kako biste postigli najbolje rezultate sa svojom ugradnom pločom.



- **Uvek koristite kvalitetno posuđe sa ravnim i debelim dnom:** korišćenje ovakvog posuđa sprečiće pojavu vrelih delova koji prouzrokuju lepljenje hrane. Debeli metalni lonci i tiganji omogućavaju ravnomerno prenošenje toplote.
- **Proverite da li je dno lonca ili tiganja suvo:** kada puniti tiganje tečnošću ili kada koristite tiganj koji je bio u fružideru, proverite da li je dno tiganja potpuno suvo pre nego što ga stavite na ugradnu ploču. Ovo će sprečiti nastanak mrlja na ugradnoj ploči.
- **Koristite tiganje čiji je prečnik dovoljno velik da potpuno pokrije grejnu površinu:** veličina tiganja ne bi trebalo da bude manja od grejne površine. Ako je malo širi, energija će biti najefikasnije iskorišćena.

IZBOR POSUĐA - Sledeće informacije pomoći će vam da odaberete posuđe koje će omogućiti dobar učinak ugradne ploče.

Nerđajući čelik: *preporučljivo.* Posebno su pogodne posude s višeslojnim dnom. Višeslojno dno kombinuje pogodnosti nerđajućeg čelika (izgled, izdržljivost i stabilnost) sa prednostima aluminijuma ili bakra (provodljivost toplote, čak i distribucija toplote).

Aluminijum: *preporučuju se posude s debelim dnom.* Dobra provodljivost. Ostaci aluminijuma se ponekad pojavljuju u vidu ogrebotina na ugradnoj ploči, ali se mogu ukloniti ako se odmah očiste.

Tanak aluminijum ne bi trebalo koristiti zbog njegove niske tačke topljenja.

Liveno gvožđe: *može se koristiti, ali nije preporučljivo.* Loš učinak. Može izgrebati površinu.

Bakarno dno / kameno posuđe: *preporučuju se posude s debelim dnom.* Dobar učinak, ali mogu ostati delići bakra u vidu ogrebotina. Ostaci se mogu otkloniti ukoliko se ugradna ploča odmah očisti. Ipak, nemojte ostavljati ovakvo posuđe da tečnost iz njih potpuno ispari. Pregrejani metal se može stopiti sa staklenim ugradnim pločama. Pregrejani bakarni lonac ostaviće deliće koji će prouzrokovati trajne mrlje na ugradnoj ploči.

Porcelan / emajl: Dobar učinak samo ukoliko je dno posude tanko, glatko i ravno.

Staklokeramika: *nije preporučljivo.* Loš učinak. Može izgrebati površinu.

6. UPOTREBA

Kako izabrati nivo upravljanja energijom.

Zahvaljujući opciji „Podešavanje potrošnje energije“ korisnik može podesiti maksimalnu snagu koju grejna ploča može dostići. Opcija za podešavanje potrošnje energije jedino je dostupna tokom prvih 30 sekundi nakon što je uključena grejna ploča. Postoji čak mogućnost da se ovo podešavanje ponovi ako se uređaj isključi iz struje i ponovo uključi.

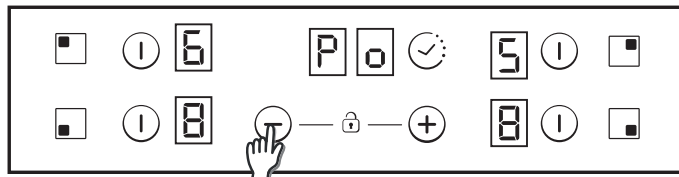
Podešavanjem željene maksimalne potrošnje, grejna ploča automatski prilagođava raspodelu toplote u raznim zonom tako da se granica potrošnje nikada ne prelazi; uz to je i dodatna prednost što se svim zonama istovremeno upravlja bez problema s preopterećenjem.

Potrošač može podesiti maksimalnu potrošnju energije grejne ploče između 2.5 kW i maksimalne snage odgovarajuće grejne ploče (ovo se može razlikovati u zavisnosti od modela) (primera radi, ako je maksimalna snaga grejne ploče 7.2 kW, onda je maksimalni podesivi opseg potrošnje od 2.5 kW do 7,2 kW).

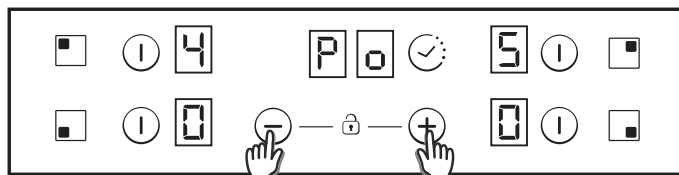
U vreme kupovine, potrošnja energije grejne ploče podešena je na maksimum.

Nakon što se uređaj priključi na električnu struju, u roku od 30 sekundi možete podesiti opseg potrošnje u skladu s pojedinostima koje su dole navedene:

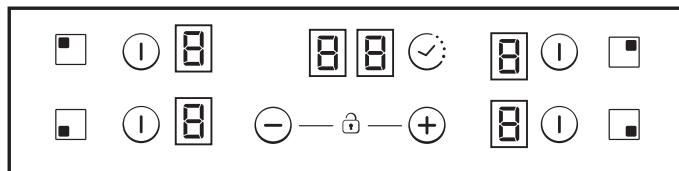
- 1 - Uključite prekidač.
- 2 - Neka se proces inicijalizacije kontrolne table završi.
- 3 - Pre nego što prođe 30 sekundi dodirnite tipku ' - ' i zadržite je 5 sekundi.
- 4 - Nakon toga pojaviće se poruka na displeju.



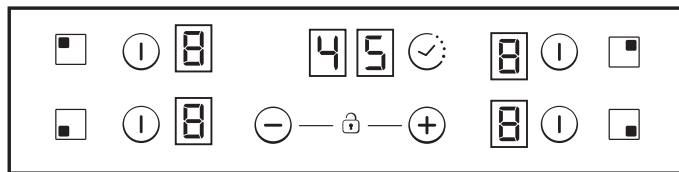
- 5 - Koristeći tipke 'Plus' i 'Minus' moguće je podesiti vrednost upravljanja energijom. U ovom slučaju između 6500 i 2500w. Kada je željena vrednost izabrana, istovremeno pritisnite tipke 'Plus' i 'Minus' u trajanju od 5 sekundi.



- 6 - Kada se ovaj proces završi, čuće se dugačak zvučni signal i proces je resetovan. Proces pokretanja će biti ponovo generisan.

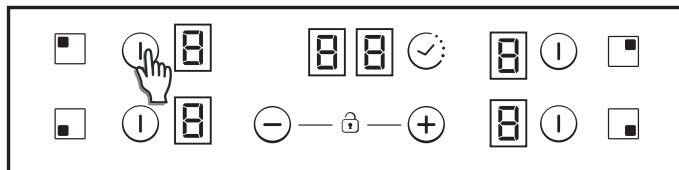


- 7 - Nakon procesa pokretanja, na displeju tajmera pojaviće se ECO upravljanje potrošnjom energije.



Nakon toga, kontrolna tabla neće dozvoliti nikakvu kombinaciju koja bi premašila podešenu Eco granicu.

UKLJUČI/ISKLJUČI (prekidačem ON/OFF) površinu grejača



Za UKLJUČIVANJE grejača pritisnite bilo koju površinu grejača i držite 400 ms. Čuće se dug zvuk i vrednost „0“ će se pojaviti na ciljnoj površini, ukazujući na nivo napona.

1) Ukoliko je bilo koja faza kuvanja u poziciji 0, ovaj ekran će se automatski ISKLJUČITI nakon 10 sekundi, a zvuk ISKLJUČIVANJA površine će se čuti.

2) Ukoliko ekran pokazuje preostalu toplotu na površini koja je UKLJUČENA, ali je vrednost napajanja 0, na ekranu će se pojaviti „0“.

3) Ukoliko je funkcija zaključavanja uključena nećete moći da UKLJUČITE površinu.

Za ISKLJUČIVANJE grejača pritisnite bilo koju površinu grejača i držite 1, 2 sekunde. Čuće se tri kratka zvuka i na ciljnoj površini se neće ništa pojaviti ili će se pojaviti vrednost „H“ ukoliko ima preostale toplote. Površina će se ISKLJUČITI.

1) Ukoliko je bilo koja faza kuvanja u poziciji 0, ovaj ekran će se automatski ISKLJUČITI nakon 10 sekundi, a zvuk ISKLJUČIVANJA površine će se čuti.

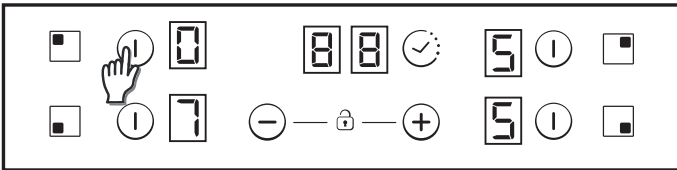
2) Ukoliko ekran pokazuje preostalu toplotu na površini koja je ISKLJUČENA, na ekranu će se pojaviti „H“.

3) Čak i ako je funkcija zaključavanja uključena moći ćete da ISKLJUČITE površinu.

4) Ako je samo jedan grejač aktivan i on se isključi, četiri kratka zvuka će se čuti označavajući da je cela ploča za kuvanje isključena.

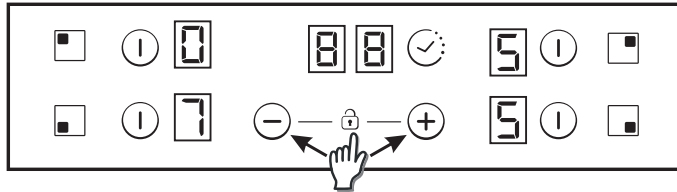
Odabir površine

Kad je površina već UKLJUČENA, svetlo blagog intenziteta se javlja za površine koje nisu odabrane a koje su UKLJUČENE.



Ukoliko je samo jedna površina UKLJUČENA, ta površina je po pravilu već odabrana, i nema potrebe za kratkim pritiskom (150 ms) na dugme za odabir.

Povećanje / smanjenje nivoa napajanja



Kratkim pritiskom na dugmad „+“ i „-“, povećajte ili smanjite napajanje na odabranim površinama na brojeve: 0-1-2-3...9-P

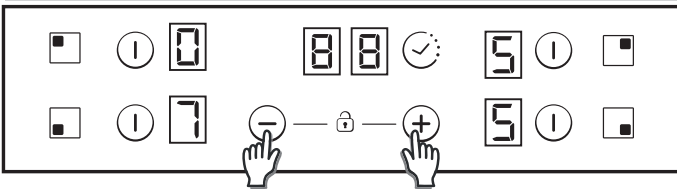
1. Dugim pritiskom na dugmad „+“ i „-“, napajanje se povećava/smanjuje u kontinuitetu. Brzim povećavanjem, napajanje se zaustavlja na 9. nivou, a za veće napajanje potreban je još jedan kratak pritisak na dugme „+“. Ne čuje se nikakav zvuk kada se napajanje brzo povećava/smanjuje.

2. Kada se dostigne nivo napajanja P, pritiskanje dugmeta „+“ ne menja nivo napajanja na 0. Kada se dostigne nivo napajanja 0, pritiskanje dugmeta „-“ ne menja nivo napajanja na P.

3. Kada je površina UKLJUČENA na nivo napajanja 0, ukoliko je površina vrela, znak 0 će treptati. Nakon 10 sekundi, 0 će nestati, a slovo „H“ će se pojaviti na ekranu.

4. Kada je grejač odabran i dugmad „+“ i „-“ se istovremeno pritisnu, nivo napajanja će biti „0“, ali će grejač ostati odabran još 10 sekundi. Ukoliko je za grejač podešen tajmer, on će se isključiti. Ova radnja se može izvršiti samo u nekoliko slučajeva u zavisnosti od konfiguracije upravljanja na dodir. Sledeći primeri su samo informativnog karaktera. Iskustvo će vam pomoći da prilagodite ova podešavanja vašem ukusu i navikama.

Opcija zaključavanja za zaštitu dece



Ova radnja se izvršava kada se dugmad „+“ i „-“ pritisnu istovremeno.

Zatim će pri pritiskanju bilo kog dugmeta ekrani pokazivati „L“ tokom 2 sekunde, a stanje ugradne ploče ostaće nepromenjeno. Da isključite opciju zaključavanja za zaštitu dece, pratite isti proces koji je gore objašnjen. Čuće se kratak zvuk, a ekrani će pokazati slovo „n“. Ugradna ploča će biti otključana.

Napomena: Automatsko zaključavanje za zaštitu dece uključuje se 15 minuta nakon potpunog isključivanja ugradne ploče. Ova radnja će se odvijati automatski ali ju je neophodno prethodno isprogramirati. Pogledajte Korisnička podešavanja.

Dvostruke / trostruke površine

Kako biste UKLJUČILI dvostruki prsten za proširenje, povezana glavna površina mora već biti UKLJUČENA, a ukazani nivo napajanja mora biti veći od 0.

8.1- Dvostruka površina UKLJUČENA

Prvi kratak pritisak na dugme za proširenje UKLJUČUJE prsten za proširenje. LED lampica iznad dugmeta za proširenje se UKLJUČUJE ako je prsten za proširenje UKLJUČEN.

Drugi kratak pritisak na dugme za proširenje ISKLJUČUJE prsten za proširenje. Kratak zvuk prati svaki pritisak na dugme za proširenje.

8.2- Trostruka površina UKLJUČENA

Prvi kratak pritisak na dugme za proširenje UKLJUČUJE prvi prsten za proširenje. Jedna LED lampica iznad dugmeta za proširenje se UKLJUČI ako je prvi prsten za proširenje UKLJUČEN (leva LED lampica u slučaju trostruke površine, srednja i jedina LED lampica u slučaju dvostruke površine).

Drugi kratak pritisak na dugme za proširenje UKLJUČUJE drugi prsten za proširenje. Dve LED lampice iznad dugmeta za proširenje se UKLJUČUJU ako su prvi i drugi prsten za proširenje UKLJUČENI.

Treći kratak pritisak na dugme za proširenje ISKLJUČUJE prvi i drugi prsten za proširenje. Kratak zvuk prati svaki pritisak na dugme za proširenje.

Funkcija povezivanja površina

Povezivanje površina se može aktivirati samo kada su oba grejača isključena. Kada je jedan grejač za povezivanje površina odabran, pritisnite dugme za povezivanje površina da aktivirate funkciju povezivanja površina.

Čuje se zvuk i LED lampica površine se uključuje ako je površina aktivirana.

Oba grejača za povezivanje površina biće odabrana istovremeno.

Kada su grejači odabrani, možete podesiti nivo napajanja pritiskom na dugmad „+“ i „-“.

Oba ekrana grejača za povezivanje površina pokazivaće isti nivo napajanja. Funkcija se obustavlja:

- ako se pritisne dugme za povezivanje površina u podešavanjima
- ako korisnik odabere nivo napajanja „0“

Obezbeđenje od izlivanja

Nešto (predmet ili tečnost) pritiska bilo koje dugme duže od 5 sekundi. 2 kratka zvuka + 1 dug zvuk svakih 30 sekundi dok je dugme pritisnuto. Ploča za kuvanje će se isključiti. Ovaj simbol će nastaviti da trepće dok je dugme pritisnuto nečim.

Tajmer

Funkcija tajmera može se uključiti posebnim dugmetom ili pritiskanjem dugmadi „+“ i „-“ istovremeno.

U oba slučaja, grejač mora biti odabran a njegov nivo napajanja mora biti veći od 0.

Odaberite površinu za koju želite da podesite tajmer. Nivo napajanja površine je veći od 0. Statično je prikazano na površini koju kontrolište tajmer. Brojevi „00“ su rezervisani za tajmer.

- 1) Tajmer se može odabrati pomoću dugmadi „+“ i „-“. Nema zvuka pri promeni vremena.
- 2) Tajmer se otkazuje (prikazuje 00) istovremenim pritiskom na dugmad.
- 3) Ukoliko se dugmad tajmera „+“ i „-“ drže pritisnuta tokom vremena koje treba odrediti, postoji brzo podešavanje.
- 4) Vreme tajmera može se podešavati dugmetom „-“ od „00“ do „99“, a dugmetom „+“ od „99“ do „00“.
- 5) Maksimalno vreme je 99 minuta.
- 6) Kada vreme prođe i ugradna ploča se oglasi zvukom, pritisnite bilo koje dugme i alarm i odbrojavanje će se zaustaviti.
- 7) Vreme tajmera se može podesiti dok tajmer već odbrojava.
- 8) Napajanje površine za koju je podešen tajmer može se izmeniti bez narušavanja programa tajmera.
- 9) Poslednji minut biće prikazan u sekundama (za određene varijante, ovo je vidljivo samo kada uđemo u programiranje tajmera tokom poslednjeg minuta odbrojanja)
- 10) Pritiskanjem dugmeta tajmera bez odabrane površine, kada ni za jednu površinu nije podešen tajmer, ne dešava se ništa.
- 11) Pritiskanjem dugmeta tajmera bez odabrane površine kao i kada je tajmer podešen za više površina, vreme prikazano u

brojevima menja se ukrug i prikazuje vreme površine za koju je nivo napajanja izražen decimalnim brojem.

12) Na površini za koju je podešen tajmer naizmenično se prikazuje napajanje (5 s) i (0,5 s).

Preostalo vreme je prikazano brojevima rezervisanim za tajmer. Ukoliko je tajmer podešen za više površina, najkraće preostalo vreme je prikazano, a decimale se prikazuju na odgovarajućoj površini.

Pokazatelj preostale toplote (u slučaju grejača koji odašilju toplotu -> izračunato)

Isti pokazatelji mogu se koristiti za pokazivanje „preostale toplote“. Za ovu svrhu mora se definisati raspored: Preostalo vreme toplote=f (nivo napajanja, vreme rada).

Dok je temperatura na staklenoj površini ploče za kuvanje iznad 65°C (teoretska vrednost), ovo stanje će biti prikazano na povezanom ekranu simbolom „H“.

Za generisanje temperature iznad 65°C grejač mora biti u upotrebi neko vreme, a to vreme zavisi od nivoa napajanja. Kada ovo vreme prođe, upozorenje o preostaloj toploti prikazaće se kada se grejač isključi.

Automatsko obezbeđenje isključeno

Ukoliko se nivo napajanja ne promeni tokom unapred predviđenog vremena, odgovarajući grejač se automatski isključuje.

Maksimalno vreme tokom kog grejač može biti uključen zavisi od odabranog nivoa kuvanja.

Nivo napajanja	Maksimalno vreme rada (u satima)
1	10
2	5
3	5
4	4
5	3
6	2
7	2
8	2
9	2
P	2

NAPOMENA: iako je očekivano da prilikom rada na najvišem nivou napona dođe do pregrevanja, sistem kontrole ugradne ploče će automatski prilagoditi nivo napajanja kako bi zaštitio ugradnu ploču od pregrevanja.

7. ČIŠĆENJE I ODRŽAVANJE

Pre nego što izvršite bilo kakve procese održavanja na ugradnoj ploči, sačekajte da se ohladi.

. Treba koristiti samo ona sredstva (kremasta sredstva i špatule) koja su posebno dizajnirana za staklokeramičke površine. Ona se mogu nabaviti u prodavnicama opreme za domaćinstvo.

. Izbegavajte prosipanje, jer će sve što se prospe na površinu ugradne ploče brzo izgoreti i otežati čišćenje.

. Preporučuje se da sve što se može istopiti, poput plastičnih predmeta, šećera ili proizvoda na bazi šećera, držite podalje od ugradne ploče.

ODRŽAVANJE:

- Sipajte nekoliko kapi specijalnog sredstva za čišćenje na površinu ugradne ploče.

- Oribajte tvrdokorne mrlje mekom krpom ili vlažnim kuhinjskim ubrusom.

- Obrišite mekom krpom ili suvim kuhinjskim ubrusom dok površina ne bude čista.

Ukoliko još uvek ima tvrdokornih mrlja:

- sipajte još nekoliko kapi specijalnog sredstva za čišćenje na površinu.

- Ostružite špatulom držeći je pod uglom od 30° u odnosu na ugradnu ploču dok mrlja ne nestane.

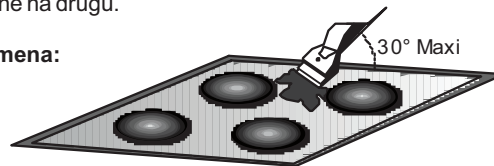
- Obrišite mekom krpom ili suvim kuhinjskim ubrusom dok površina ne bude čista.

- Po potrebi ponovite tu radnju.

NEKOLIKO TRIKOVA:

Redovno čišćenje stvara zaštitni sloj koji sprečava ogrebotine i habanje. Proverite da li je površina čista pre nego što ponovo budete koristili ugradnu ploču. Kako biste otklonili mrlje od vode, iskoristite nekoliko kapi belog sirćeta ili soka od limuna. Zatim prebrišite upijajućim papirom sa nekoliko kapi specijalnog sredstva za čišćenje. Staklokeramička površina izdržaće grebanje posuđa sa ravnim dnom, ali je ipak uvek bolje podignuti ga nego ga vući sa jedne površine na drugu.

Napomena:



Nemojte koristiti sunder koji je previše natopljen.

Nikada nemojte koristiti nož ili šrafciğer.

Špatula sa oštřicom neće oštřeti površinu ukoliko je držite pod uglom od 30°.

Uvek držite špatulu sa oštřicom van domašaja dece.

Nikada nemojte koristiti abrazivna sredstva ili praškove za čišćenje.

Metalni okvir: kako biste bezbedno očistili metalni okvir, operite ga sapunom i vodom, isperite, a zatim osušite mekom krpom.

Bilo kakva promena boje staklokeramičke površine ne utiče na njeno funkcionisanje ili stabilnost površine. Takva promena u boji uglavnom je rezultat ostataka zagorele hrane ili upotrebe posuđa od materijala kao što su aluminijum ili bakar; ovakve mrlje je teško ukloniti.

8. REŠAVANJE PROBLEMA

Površine za kuvanje ne omogućavaju lagano vrenje ili omogućavaju samo blago prženje

Koristite samo tiganje sa ravnim dnom. Ukoliko se vidi svetlo između tiganja i ugradne ploče, površina ne odaje toplotu pravilno.

Dno tiganja trebalo bi da u potpunosti pokriva odabranu površinu.

Kuvanje je previše sporo

Koriste se lonci koji nisu pogodni. Koristite samo posuđe sa ravnim i debelim dnom prečnika bar istog kao površina za kuvanje.

Sitne ogrebotine i habanje se javljaju na staklenoj površini ugradne ploče

Metod čišćenja je nepravilan ili se koriste lonci sa grubim dnom; čestice poput zrna peska ili soli zapadaju između ugradne ploče i dna tiganja. Pogledajte odeljak „ČIŠĆENJE“; proverite da li je dno tiganja čisto pre upotrebe i koristite samo tiganje sa glatkim dnom. Ogrebotine se mogu smanjiti ako se čišćenje vrši na pravilan način.

Mrlje od metala

Nemojte vući aluminijumske tiganje po ugradnoj ploči. Pogledajte preporuke za čišćenje.

Koristite ispravne materijale, ali mrlje ostaju. Koristite oštřicu i pratite uputstva iz odeljka „ČIŠĆENJE“.

Tamne mrlje

Koristite oštřicu i pratite uputstva iz odeljka „ČIŠĆENJE“.

Svetle površine na ugradnoj ploči

Mrlje od aluminijumskih ili bakarnih tiganja, kao i od minerala, vode ili hrane; uklanjaju se kremastim sredstvima za čišćenje.

Karamelizovani šećer ili istopljena plastika na ugradnoj ploči.

Pogledajte odeljak „ČIŠĆENJE“.

Ugradna ploča ne radi ili određene površine ne rade.

Šantovi nisu postavljeni pravilno na priključnu tablu.

Proverite da li je veza uspostavljena i da li je kontrolna tabla zaključana. Otključajte ugradnu ploču.

Ugradna ploča se ne isključuje.

Kontrolna tabla je zaključana. Otključajte ugradnu ploču.

Učestalost radnje uključiti/isključiti za sve površine za kuvanje

Ciklusi uključivanja/isključivanja variraju u zavisnosti od neophodnog nivoa zagrevanja:

- niski nivo: kratko vreme rada,
- visoki nivo: dugo vreme rada.

Ploča za kuvanje ne radi.

Proverite stanje osigurača / automatskih prekidača na vašoj lokaciji. Proverite da li je nestalo struje.

Ploča za kuvanje se isključila.

Glavni prekidač (dugme ON/OFF (UKLJUČI/ISKLUČI)) je slučajno pritisnut ili se neki predmet nalazi na bilo kom dugmetu. Ponovo uključite površinu i sklonite sve predmete sa dugmadi. Ponovo unesite podešavanja.

F i brojevi na ekranu

Ukoliko se na ekranu pojavi slovo F i brojevi, vaš uređaj je otkrio kvar. Sledeća tabela navodi postupke koje možete preduzeti da rešite problem.

9. NAKNADNO ODRŽAVANJE

Pre nego što pozovete servisnog inženjera, proverite sledeće:

— da je utikač pravilno priključen i povezan sa osiguračima;
Ukoliko ne možete da otkrijete kvar, isključite uređaj — nemojte ga dirati — pozovite Ovlašćeni servis za naknadno održavanje. Uređaj se isporučuje sa garantnim listom koji osigurava da će biti besplatno popravljen u servisnom centru.

Ekran grejača	Kvar	Radnja
F0	Greška softvera upravljanja na dodir.	Ukoliko dođe do greške, isključite ploču za kuvanje iz struje i ponovo je uključite. Ukoliko se greška održi, pozovite Ovlašćeni servis za naknadno održavanje. Ukoliko se greška pojavi odjednom u okviru normalne radnje, pozovite Ovlašćeni servis za naknadno održavanje.
Fc	Površina upravljanja na dodir se pregrijala i isključila sve grejače.	Sačekajte dok se temperatura ne spusti. Ploča za kuvanje će se automatski ponovo pokrenuti kada temperatura dostigne normalnu vrednost.
Ft	Senzor za temperaturu sa upravljanjem na dodir može se oštetiti.	Sačekajte dok se temperatura ne spusti. Ukoliko poruka ostane kada temperatura dostigne nivo temperature okruženja, pozovite Ovlašćeni servis za naknadno održavanje.
FE	Senzor za temperaturu sa upravljanjem na dodir može se oštetiti.	Sačekajte dok se temperatura ne spusti. Ukoliko poruka ostane kada temperatura dostigne nivo temperature okruženja, pozovite Ovlašćeni servis za naknadno održavanje.
Fb	Preterana osetljivost nekog dugmeta.	Proverite da li je ploča za kuvanje pravilno ugrađena. Proverite da li dugmad pravilno dodiruje staklenu površinu.
FU / FJ	Greška bezbednosti dugmadi	Ova greška je automatska provera dugmadi. Nestaje kada se automatska provera vrati na bezbednu vrednost. Ukoliko se greška održi, pozovite Ovlašćeni servis za naknadno održavanje.
FA	Greška bezbednosti dugmadi	Ova greška je automatska provera softvera. Nestaje kada se automatska provera vrati na bezbednu vrednost. Ukoliko se greška održi, pozovite Ovlašćeni servis za naknadno održavanje.
FC / Fd	Greška bezbednosti dugmadi	Ova greška je automatska provera softvera. Nestaje kada se automatska provera vrati na bezbednu vrednost. Ukoliko se greška održi, pozovite Ovlašćeni servis za naknadno održavanje.
Fr	Greška bezbednosti releja	Bilo koji relejni drajver može zadesiti bilo koji problem. Isključite ploču za kuvanje iz struje, sačekajte minut i ponovo je uključite. Ukoliko se greška održi, pozovite Ovlašćeni servis za naknadno održavanje.

Ми рекомендуємо вам зберегти інструкції зі встановлення та експлуатації для подальшого використання, а також перед встановленням варильної поверхні, записати її серійний номер на випадок, якщо вам знадобиться допомога у вигляді післяпродажного обслуговування.

УВАГА: прилад та його доступні частини можуть нагріватися під час роботи. Будьте обережні, щоб уникнути дотику до нагрівальних елементів. Діти віком до 8 років можуть знаходитися біля приладу лише за умови постійного нагляду.

УВАГА: використовуйте лише решітки для варильних поверхонь від виробника або ж ті, які рекомендовані виробником в інструкції, а також решітки, що входять до комплекту постачання приладу. Використання невідповідних решіток може призвести до нещасних випадків.

УВАГА: готування без нагляду на варильній поверхні із застосуванням жиру чи олії може бути небезпечним та призвести до виникнення пожежі. **НІКОЛИ** не намагайтеся загасити вогонь водою, просто вимкніть прилад та накрийте полум'я кришкою чи протипожежною ковдрою.

УВАГА: небезпека пожежі: не зберігайте жодних предметів на варильній поверхні.

УВАГА: якщо поверхня тріснула, не торкайтеся скла та вимкніть прилад, щоб уникнути ураження електричним струмом.

Даний пристрій може використовуватися дітьми віком від 8 років та особами з обмеженими фізичними, сенсорними або розумовими здібностями, а також особами без необхідного досвіду та знань, якщо вони перебувають під наглядом або отримали інструкції щодо безпечного використання пристрою і розуміють можливу небезпеку. Не залишайте дітей без нагляду, а також переконайтеся, що вони не граються з приладом. Дітям забороняється виконувати очищення та обслуговування пристрою без нагляду дорослих.

ЗАСТЕРЕЖЕННЯ: не залишайте процес приготування без нагляду. Короткотривалий процес приготування повинен проходити під постійним наглядом.

Настійно рекомендується тримати дітей осторонь від варильних поверхонь, під час їх експлуатації або коли вони вимкнені, до тих пір поки індикатор залишкового тепла включений, щоб уникнути ризику серйозних опіків.

Цей пристрій не призначений для використання із зовнішнім таймером чи з віддільною системою дистанційного керування.

Уникайте прямого погляду на галогенні лампи варильної поверхні.

Підключіть вилку до заземленого кабелю живлення, який витримує напругу, струм та навантаження, вказані на ярлику. Розетка повинна бути належно заземленою, а також придатною для навантаження, зазначеного на ярлику. Провід заземлення позначено жовто-зеленим кольором. Ця процедура повинна проводитися відповідним кваліфікованим працівником. У разі несумісності розетки та вилки приладу, попросіть електрика замінити

розетку на іншу, яка відповідатиме необхідному типу. Вилка та розетка повинні відповідати діючим нормам встановлення в країні.

Підключення до джерела живлення також може здійснюватися шляхом розміщення всеполярного вимикача між приладом та джерелом живлення, який може витримувати максимальне підключене навантаження і який відповідає чинному законодавству.

Жовто-зелений кабель заземлення не повинен перериватися вимикачем. Розетка чи всеполярний вимикач, що використовуються для підключення, повинні залишатися легкодоступними після встановлення приладу.

Відключення може здійснюватися за рахунок доступності вилки або включенням перемикача у фіксовану проводку відповідно до правил монтажу.

З метою уникнення небезпеки, заміна пошкодженого шнура живлення повинна здійснюватися виробником, фахівцем сервісного центру або іншою кваліфікованою особою. Довжина проводу заземлення (жовто-зеленого) має перевищувати 10 мм зі сторони клемної колодки. Переріз внутрішніх провідників повинен відповідати напрузі, що поглинається поверхнею (вказано на ярлику). Тип кабелю живлення повинен бути HO5V2V2-F.

Не кладіть металеві предмети на варильну поверхню, наприклад, ножі, виделки, ложки або кришки. Вони можуть нагріватися.

Не слід розігрівати на варильній поверхні їжу в алюмінієвій фользі чи в пластикових контейнерах.

Щоб запобігти накопиченню бруду і жиру, після кожного використання варильної поверхні її слід очищувати. Якщо цього не робити, то, під час повторного використання варильної поверхні, усі залишки нагріватимуться та виділятимуть дим і неприємні запахи, не кажучи вже про ризик виникнення пожежі.

Ніколи не використовуйте пароочисник або очисник високого тиску для очищення приладу.

Не торкайтеся зон нагрівання під час роботи варильної поверхні та деякий час після її використання.

Ніколи не готуйте безпосередньо на варильній поверхні зі склокераміки.

Завжди використовуйте відповідний посуд.

Завжди ставте каструлю по центрі конфорки, на якій ви готуєте. У жодному разі не кладіть нічого на панель керування.

Не використовуйте варильну поверхню в якості робочої зони.

Не використовуйте поверхню в якості дошки для нарізання.

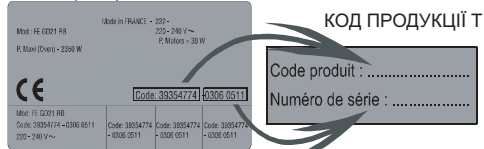
Не зберігайте важких предметів над варильною поверхнею. При падінні на варильну поверхню, вони можуть призвести до пошкодження.

Не використовуйте варильну поверхню для зберігання будь-яких предметів.

Уникайте ковзання посуду по варильній поверхні.

Для експлуатації приладу з номінальними частотами не потрібні додаткові дії/налаштування.

Розпізнавальна табличка (розташована під нижнім покриттям варильної поверхні)



1. ОСНОВНІ ЗАСТЕРЕЖЕННЯ

Розміщуючи позначку **CE** на цьому приладі, ми підтверджуємо відповідність усім європейським нормам безпеки, охорони здоров'я та екологічним вимогам, які передбачені законодавством для цього продукту.

2. ЗАХИСТ НАВКОЛИШНЬОГО СЕРЕДОВИЩА



Даний прилад має маркування відповідно до Директиви ЄС 2012/19/EU щодо відходів електричного та електронного обладнання (ВЕЕО).

ВЕЕО містять як забруднюючі речовини (які можуть викликати негативні наслідки для навколишнього середовища), так і основні компоненти (які можуть бути повторно використані). Важливо піддати ВЕЕО певним процедурам, щоб усунути та утилізувати належним чином усі забруднюючі речовини, а також дістати та переробити всі матеріали. Фізичні особи можуть відігравати важливу роль у забезпеченні того, щоб ВЕЕО не стали проблемою для навколишнього середовища; необхідно дотримуватися певних основних правил:

- ВЕЕО не слід поміщати разом з побутовими відходами.
- ВЕЕО повинні бути передані у відповідні пункти збору під управлінням міської влади або зареєстрованих компаній. У багатьох країнах, для великих ВЕЕО, можливий збір вдома. У багатьох країнах, коли ви купуєте новий прилад, старий може бути повернений у точку роздрібної торгівлі, яка повинна безкоштовно забрати його за принципом один до одного, за умови якщо це аналогічне обладнання, яке має ті ж функції, що й новий прилад.

3- ВСТАНОВЛЕННЯ

Встановлення побутового приладу може бути складною процедурою і, при неправильному виконанні, може суттєво вплинути на безпеку людей чи майна. З цієї причини його слід виконувати за допомогою кваліфікованого фахівця та з дотриманням технічних норм.

У разі недотримання рекомендацій і здійснення встановлення некваліфікованою особою, виробник знімає з себе будь-яку відповідальність за технічну несправність приладу, незалежно від того, чи ця несправність призвела до пошкодження товарів, майна або ж нанесла травми фізичним особам чи тваринам.

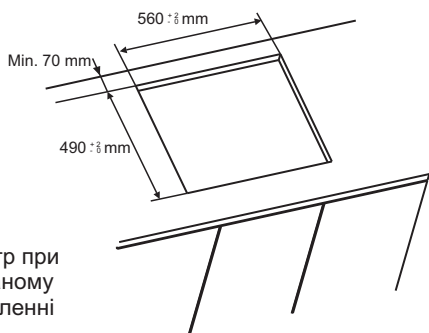
Після видалення упаковки переконайтеся, що прилад не пошкоджено, в іншому разі зверніться до точки роздрібної торгівлі або сервісного центру виробника.

Переконайтеся, що меблі, в яких пристрій буде встановлено, а також усі інші меблі поблизу є виготовлені з матеріалів, стійких до високих температур (мінімум 100°C).

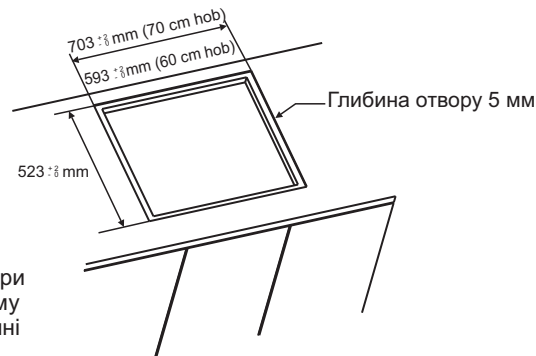
Крім того, всі декоративні покриття повинні бути закріплені термостійким клеєм.

Прилад можна встановити у вбудованих меблях у стандартному чи вбудованому режимі.

Товщина стільниці повинна становити від 25 до 45 мм.



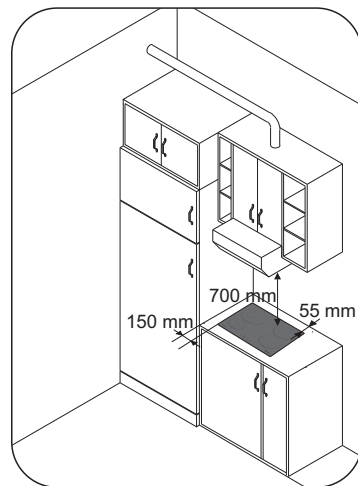
Периметр при вбудованому встановленні



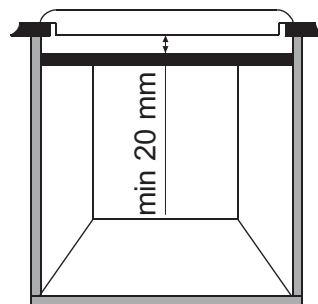
Периметр при вбудованому встановленні

Примітка: Розміри внутрішнього периметра однакові при стандартній установці.

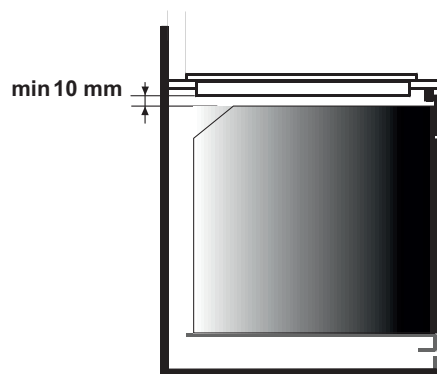
Залиште принаймні 55 мм між варильною поверхнею та задньою стіною, а також щонайменше 150 мм між варильною поверхнею та вертикальним елементом меблів або бічною стіною. Якщо над варильною поверхнею встановлені інші елементи меблів, відстань до них повинна становити щонайменше 700 мм. Під час встановлення витяжки над варильною поверхнею скористайтеся рекомендаціями зі встановлення витяжки, але в будь-якому разі відстань між варильною поверхнею та витяжною повинна становити щонайменше 700 мм.



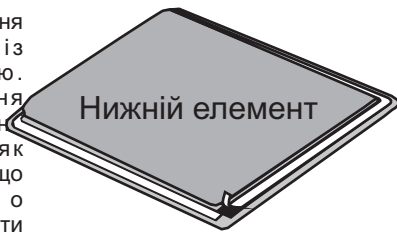
Якщо нижня частина варильної поверхні межує із зоною, яка часто використовується та очищується, тоді потрібно встановити прокладку на 20 мм нижче нижньої частини варильної поверхні.



При встановленні духовки під варильною поверхнею не слід встановлювати прокладку, а мінімальна відстань між нижньою частиною варильної поверхні та духовкою повинна становити щонайменше 10 мм. Не встановлюйте нагріту духовку під варильною поверхнею та виконуйте встановлення духовки відповідно до вимог щодо її встановлення.

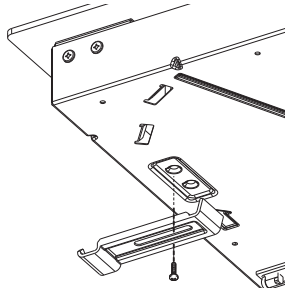


Водонепроникне ущільнення постачається разом із варильною поверхню. Зафіксуйте ущільнення довкола нижньої частини варильної поверхні, як описано, і переконайтеся, що воно правильно встановлене, щоб уникнути витіку в опорні елементи меблів.

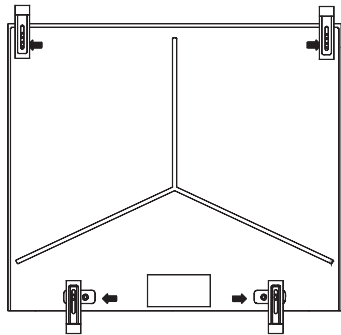


Звичайне закріплення:

- Вийміть фіксуючі затискачі із сумки з аксесуарами та закрутіть їх у такому положенні, як це зображено внизу. (Не затягуйте гвинти, щоб не заблокувати затискачі, вони повинні вільно рухатися.)

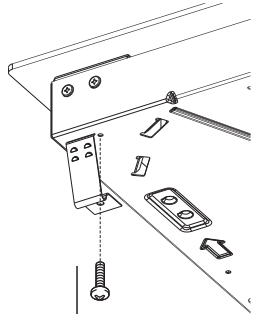


- Встановіть варильну поверхню в центральному положенні вирізаного отвору. Поверніть затискачі та затягніть їх повністю

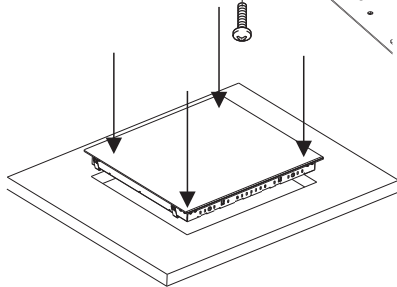


Швидке закріплення: (Залежно від моделі)

Вийміть чотири пружини із сумки з аксесуарами та закріпіть їх знизу, як зображено на рисунку.

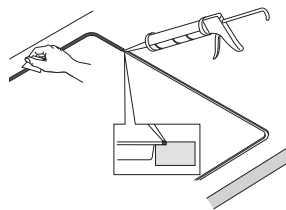


Вирівняйте та вставте варильну поверхню. Натисніть на боки варильної поверхні, поки вона не буде закріплена вздовж всього периметру.

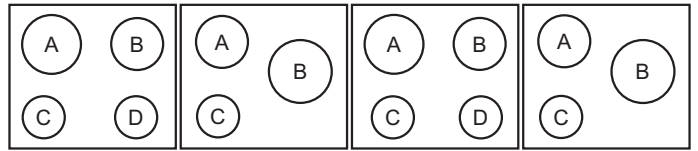


ВБУДОВАНЕ ВСТАНОВЛЕННЯ

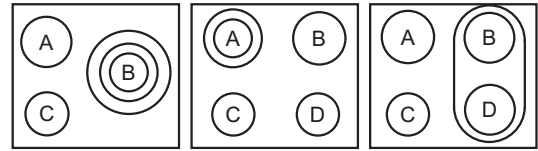
Перевіривши правильність розташування варильної поверхні, заповніть зазор між стільницею та варильною поверхню силіконовим клеєм. Загладьте силіконовий шар шкребком чи пальцем, змоченим мильною водою, перш ніж він застигне. Не використовуйте варильну поверхню до повного висихання силіконового шару.



4. ЕЛЕКТРИЧНЕ ПІДКЛЮЧЕННЯ

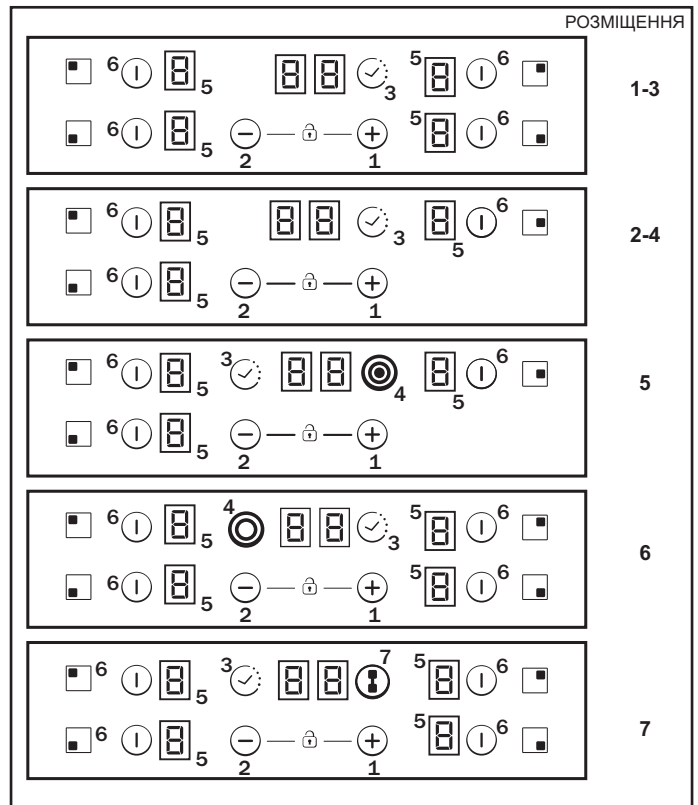


РОЗМІЩЕННЯ 1 РОЗМІЩЕННЯ 2 РОЗМІЩЕННЯ 3 РОЗМІЩЕННЯ 4



РОЗМІЩЕННЯ 5 РОЗМІЩЕННЯ 6 РОЗМІЩЕННЯ 7

	A	B	C	D
РОЗМІЩЕННЯ1	2300W	1800W	1200W	1200W
РОЗМІЩЕННЯ2	1800W	2500W	1200W	-
РОЗМІЩЕННЯ 3	2300W	1800W	1200W	1200W
РОЗМІЩЕННЯ 4	1800W	2500W	1200W	-
РОЗМІЩЕННЯ 5	1800W	750+900+1050W	1200W	-
РОЗМІЩЕННЯ 6	1000+1200 w	1800W	1200W	1200W
РОЗМІЩЕННЯ 7	1800W	1800W	1200W	1800W



Відповідно до моделі

1. "+"
2. "-"
3. ТАЙМЕР
4. Додаткова світлодіодна лампа варильної поверхні
5. Індикатор програми приготування їжі на варильній поверхні
6. Вибір зони
7. Міст

"Встановлення приладу повинно відповідати стандартам і директивам." Виробник не несе жодної відповідальності за будь-які збитки, які можуть бути заподіяні внаслідок невідповідного чи нерозсудливого використання.

УВАГА: Виробник не несе відповідальності за будь-який інцидент або його наслідки, які можуть виникнути під час використання незаземленого чи неправильно заземленого приладу. Перед проведенням будь-яких електричних робіт завжди перевіряйте напругу живлення, вказану на лічильнику електроенергії, регулювання вимикача, безперервність заземлення і відповідність запобіжника.

Електричне підключення під час встановлення повинно здійснюватися відповідно до номінальної потужності приладу; це слід зробити через багатополосний вимикач.

Якщо прилад має розетку, він повинен бути встановлений таким чином, щоб розетка була доступна.

Жовтий/зелений провід кабелю живлення повинен бути заземлений як для джерела живлення, так і для клемних колодок приладу.

У разі виникнення будь-яких запитань, пов'язаних із кабелем живлення, звертайтеся до сервісного центру або до кваліфікованого фахівця.

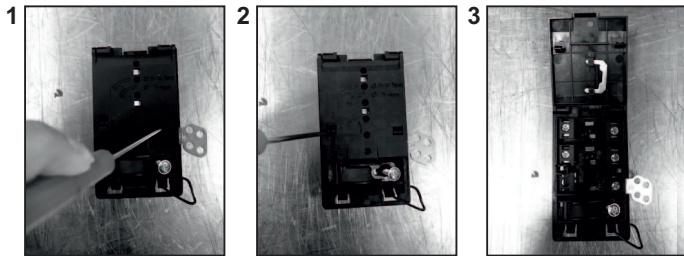
Якщо варильна поверхня оснащена кабелем живлення, тоді вона повинна бути підключена тільки до джерела живлення з напругою 220-240 В між фазою і нулем.

Варильну поверхню можна підключити до:
Три фази 220-240 V3
Три фази 380-415 V2N

Щоб перейти до нового підключення, виконайте наведені нижче інструкції.

Перед підключенням, переконайтеся, що установка захищена відповідним запобіжником і оснащена проводами достатнього перерізу, щоб нормально постачати прилад живленням. Переверніть варильну поверхню, скляною стороною донизу, захистивши перед тим скло.

Відкрийте кришку в наступній послідовності:



- відкрутіть кабельний затиск "1";
- знайдіть два виступи, розташовані на сторонах;
- помістіть лезо плоскої викрутки навпроти кожного виступу "2" і "3", тоді натисніть;
- зніміть кришку.

Для того, щоб зняти кабель живлення:

- Видаліть гвинти, які утримують клемну колодку, що містить шунт бари і провідники кабелю живлення;
- Витягніть кабель живлення.

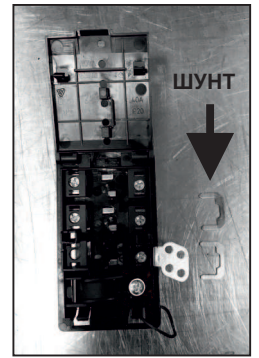
Процедури, необхідні для нового підключення:

- Виберіть кабель живлення відповідно до рекомендацій, наведених у таблиці.
- Помістіть кабель живлення в затиск.
- Зачистіть кінець кожного провідника кабелю живлення на довжину 10 мм, беручи до уваги необхідну довжину кабелю для підключення до клемної колодки.
- Відповідно до інструкції зі встановлення та за допомогою шунт барів, які ви повинні були витягнути під час першої процедури, зафіксуйте провідник, як показано на графіку.
- Закріпіть кришку.
- Закрутіть кабельний затиск.

Примітка: переконайтеся, що затискні гвинти клемної колодки добре затягнуті.

Процедури, необхідні для нового підключення:

- Виберіть кабель живлення відповідно до рекомендацій, наведених у таблиці.
- Помістіть кабель живлення в затиск.
- Зачистіть кінець кожного провідника кабелю живлення на довжину 10 мм, беручи до уваги необхідну довжину кабелю для підключення до клемної колодки.
- Відповідно до інструкції зі встановлення та за допомогою шунт барів, які ви повинні були витягнути під час першої процедури, зафіксуйте провідник, як показано на графіку.
- Закріпіть кришку.
- Закрутіть кабельний затиск.



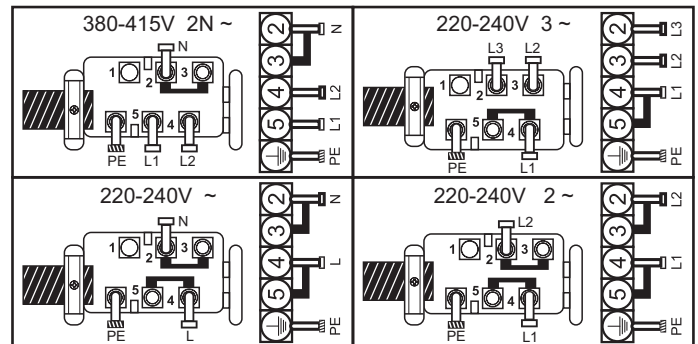
УВАГА:

У разі необхідності заміни кабелю живлення, підключіть провід у відповідності з наступними кольорами/кодами:

СИНИЙ	Нуль	(N)
КОРИЧНЕВИЙ	Фаза	(L)
ЖОВТО-ЗЕЛЕНИЙ	Заземлення	(⊕)

Підключення до клем на клемній колодці

	РОЗМІЩЕННЯ "1-6"	РОЗМІЩЕННЯ "7"
ОДНОФАХНЕ або ДВОФАХНЕ 220-240 V~		
Кабель HO5V2V2F	3x2,5 mm ²	3x4 mm ²
ТРИФАХНЕ 220-240 V3~		
Кабель HO5V2V2F	4x1,5 mm ²	4x1,5 mm ²
ТРИФАХНЕ 380-415 V2N~		
Кабель HO5V2V2F	4x1,5 mm ²	4x1,5 mm ²



L1 / L2 / L3 = Фаза N = Нуль PE = Заземлення

5. ПОРАДИ ЩОДО ВИБОРУ ПОСУДУ ДЛЯ ВИКОРИСТАННЯ НА ВАРИЛЬНІЙ ПОВЕРХНІ

Використання високоякісного кухонного посуду має вирішальне значення для оптимальної роботи вашої варильної поверхні



- **Завжди використовуйте посуд високої якості з ідеально рівним та товстим дном:** використання такого типу посуду попереджує пригорання страв. Товсті металеві каструлі та сковорідки забезпечують рівномірний розподіл тепла.
- **Переконайтеся в тому, що дно каструлі чи сковорідки є сухим:** при заповненні каструлі рідиною або при використанні каструлі з холодильника, перед встановленням на варильну поверхню, переконайтеся, що її основа є повністю сухою. Це допоможе уникнути виникнення плям на варильній поверхні.
- **Використовуйте каструлі, діаметр яких є достатньо великим, щоб повністю закрити один елемент варильної поверхні:** розмір каструлі повинен бути не менший, ніж площа нагрівання. Якщо вона трохи ширша, енергія буде використовуватися з максимальною ефективністю.

ВИБІР ПОСУДУ - Наступна інформація допоможе вам обрати кухонний посуд, який забезпечить оптимальну продуктивність.

Посуд з нержавіючої сталі: особливо рекомендується.

Особливо ефективний з подвійним дном. Подвійне дно поєднує в собі переваги нержавіючої сталі (зовнішній вигляд, довговічність та стійкість) та алюмінію або міді (теплопровідність, рівномірний розподіл тепла).

Посуд з алюмінію: рекомендується важкий посуд. Хороша провідність. Алюмінієві залишки іноді з'являються у вигляді подряпин на варильній поверхні, але їх можна швидко усунути, якщо негайно очистити поверхню.

Через низьку температуру плавлення, не слід використовувати посуд із тонкого алюмінію.

Чавунний посуд: можна використовувати, але не рекомендується. Низька продуктивність. Може призвести до виникнення подряпин на поверхні.

Посуд з мідним дном / керамічний посуд: рекомендується важкий посуд. Хороша продуктивність, але можливі мідні залишки можуть призвести до появи подряпин. Такі залишки можна усунути, якщо негайно очистити поверхню. Крім цього, не слід допускати википання води з такого посуду. Перегрітий метал може приклеїтися до скляної варильної поверхні. Залишки від перегрітої мідної каструлі залишать плями на варильній поверхні.

Посуд з фарфору/емалі: Хороша продуктивність тільки з тонким, гладким та плоским дном.

Посуд зі склокераміки: не рекомендується. Низька продуктивність. Може призвести до виникнення подряпин на поверхні.

6. ЕКСПЛУАТАЦІЯ ПОВЕРХНІ

Як вибрати рівень управління живленням.

За допомогою функції "Управління живленням" користувач може налаштувати максимальний рівень потужності, досяжний для варильної панелі.

Функція управління живленням доступна лише протягом перших 30 секунд після увімкнення варильної панелі.

Це налаштування можна змінити знову, від'єднавши штепсель від мережі електроживлення і ще раз під'єднавши його.

У разі встановленого максимального рівня потужності варильна панель автоматично регулює розподіл потужності між конфорками, щоб цей рівень не було перевищено; завдяки цьому можна одночасно керувати всіма конфорками, не стикаючись із проблемою перевантаження.

Користувач може встановити максимальний рівень потужності для варильної панелі від 2,5 кВт до значення максимальної відносної потужності приладу (цей параметр залежить від моделі приладу) (наприклад, якщо максимальна потужність варильної панелі складає 7,2 кВт, максимальний рівень потужності для налаштування становить від 2,5 кВт до 7,2 кВт).

На придбаній варильній панелі встановлено максимальне значення потужності.

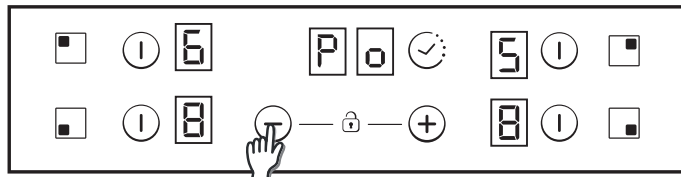
Після підключення приладу до електроживлення протягом 30 секунд можна встановити рівень потужності на базі зазначених нижче параметрів:

1- Увімкніть конфорку.

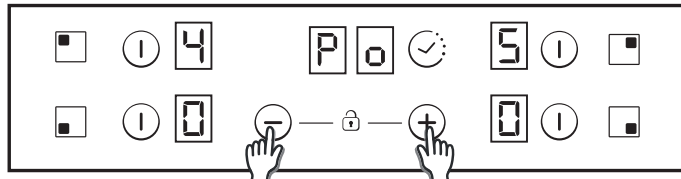
2- Дайте змогу сенсорному управлінню завершити процес ініціалізації.

3- Перш ніж мине 30 секунд, торкніться на 5 секунд клавіші "⊖" (Мінус).

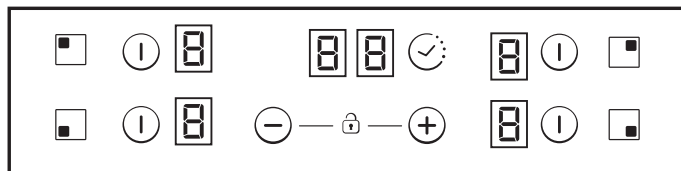
4- На дисплеї з'явиться наступне повідомлення.



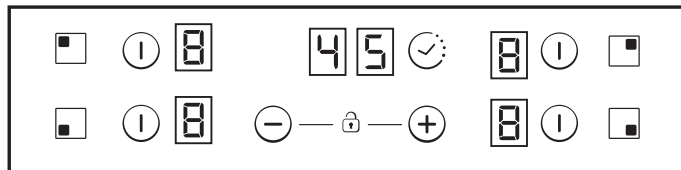
5- Скориставшись клавішами "Plus" (Плюс) і "Minus" (Мінус), можна відрегулювати управління живленням. У даному прикладі потужність регулюється між 6500 і 2500 Вт. Вибравши потрібне значення, торкніться водночас клавіш "Plus" і "Minus", утримуючи їх протягом 5 секунд.



6- Після закінчення цієї процедури пролунає довгий сигнал і відбудеться скидання системи. Повториться процедура запуску.

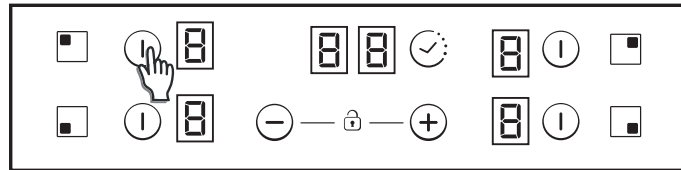


7- Після запуску процесу на дисплеї таймера ECO відобразиться управління живленням.



Після цього сенсорне управління не дозволить перемикатися на будь-яку комбінацію, що може перевищити дане граничне значення Eco.

Увімкнення/Вимкнення конфорки



Щоб увімкнути конфорку, торкніться та утримуйте зону будь-якої конфорки протягом 400 мс. Ви почуєте довгий звуковий сигнал, а на конфорках з'явиться значення "0", що вказуватиме на рівень потужності.

1) Якщо під час будь-якого етапу приготування рівень потужності перебуватиме в положенні 0, цей дисплей автоматично вимкнеться через 10 секунд і прозвучить серія звукових сигналів, що свідчатиме про вимкнення конфорки.

2) Якщо на увімкненому дисплеї відображається індикатор залишкового тепла, але потужність знаходиться на рівні 0, тоді на екрані поперемінно з'являтиметься "0".

3) Якщо функція блокування активована, ви не зможете увімкнути конфорку.

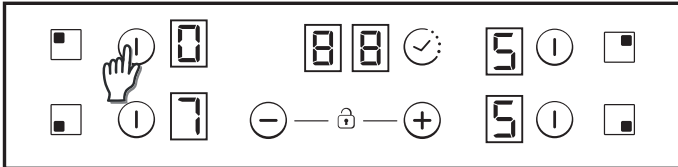
Щоб вимкнути конфорку, торкніться та утримуйте будь-яку зону конфорки протягом 1,2 с. Ви почуєте 3 короткі звукові сигнали, а на екрані конфорки нічого не відобразатиметься або ж

відобразитиметься значення "Н" при наявності залишкового тепла. Конфорка вимкнеться.

- 1) Якщо під час будь-якого етапу приготування рівень потужності перебуватиме в положенні 0, цей дисплей автоматично вимкнеться через 10 секунд і прозвучить серія звукових сигналів, що свідчатиме про вимкнення конфорки.
- 2) У разі наявності залишкового тепла вимкненої конфорки, на дисплеї відобразитиметься значення "Н".
- 3) Навіть якщо функція блокування активована, ви можете вимкнути конфорку.
- 4) Якщо активована лише одна конфорка, а це вимкнено, ви почуєте 4 короткі звукові сигнали, які означатимуть, що вся варильна поверхня вимкнена.

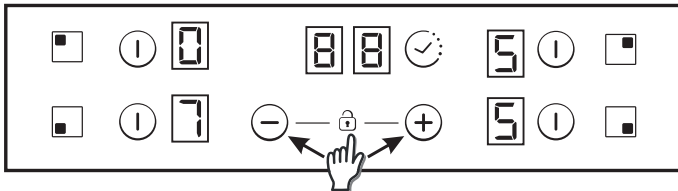
Вибір зони

Коли зона активована, підсвічування інших увімкнутих але не вибраних зон буде менш інтенсивним.



Якщо тільки одна зона увімкнена, ця зона буде вибраною за замовчуванням, вам не потрібно натискати (та утримувати протягом 150 мс) кнопку вибору.

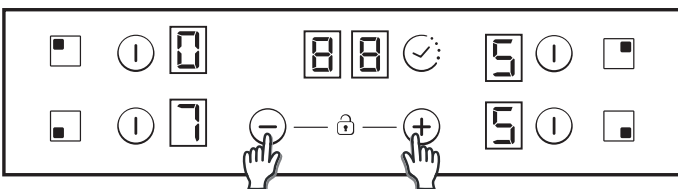
Збільшення / Зменшення рівня потужності



Ви можете збільшувати чи зменшувати рівень потужності на екрані кожної конфорки за допомогою кнопок "+" чи "-". 0-1-2-3...9-Р

1. При натисканні та утриманні кнопок "+" чи "-" рівень потужності збільшуватиметься/зменшуватиметься постійно. При швидкому збільшенні рівень потужності зупиниться на позначці 9, для подальшого збільшення потужності потрібно здійснити короткі натискання кнопки "+". При швидкому збільшенні/зменшенні ви не почуєте звукових сигналів.
2. Досягнувши рівня потужності Р, натискання кнопки "+" не змінить рівень потужності на 0. Досягнувши рівня потужності 0, натискання кнопки "-" не змінить рівень потужності на Р.
3. Коли конфорка увімкнена і рівень потужності перебуває на 0, на екрані блиматиме 0, якщо конфорка гаряча. Через 10 секунд 0 зникне і на екрані з'явиться літера "Н".
4. Коли вибрана певна конфорка, одночасне натискання кнопок "+" і "-" налаштує рівень потужності на 0, а конфорка залишатиметься активною протягом 10 секунд. Коли час мине, таймер вимкнеться. Цю дію можна здійснити в декількох випадках, залежно від налаштувань сенсорних елементів керування. Наступні приклади наведені тільки для довідки. Особистий досвід дозволить вам адаптувати ці налаштування відповідно до свого смаку та звичок.

Функція блокування від дітей



Ця дія відбувається при одночасному натисканні кнопок "+" і "-". Після цього, коли ви торкнетеся кнопки, дисплей відобразить "L" протягом 2 с, а нагрівання залишиться на такому ж рівні.

Щоб вимкнути функцію блокування від дітей, дотримуйтеся аналогічних інструкцій. Після цього, ви почуєте короткий звуковий сигнал, а на дисплеї відобразиться літера "n". Варильна поверхня залишатиметься розблокованою.


Примітка: Функція автоматичного блокування від дітей активується через 15 хвилин після повного вимкнення варильної поверхні. Ця функція вмикатиметься автоматично, але першу її потрібно запрограмувати. Див. пункт "Налаштування користувача".

Подвійні / Потрійні конфорки

Для ввімкнення подвійного кільця конфорки потрібна конфорка повинна бути попередньо ввімкненою, а рівень потужності повинен бути вищим 0.

8.1- Увімкнення подвійної конфорки

Перше коротке натискання кнопки розширення вмикає додаткове кільце конфорки. Якщо додаткове кільце ввімкнено, світлодіодний індикатор світитиметься над кнопкою розширення.

Друге коротке натискання кнопки розширення вимикає додаткове кільце конфорки.  Ви почуєте короткий звуковий сигнал після кожного натискання кнопки розширення.

8.2- Увімкнення потрійної конфорки


Перше коротке натискання кнопки розширення вмикає перше додаткове кільце конфорки. Якщо перше додаткове кільце ввімкнено, над кнопкою розширення світитиметься 1 світлодіодний індикатор (лівий світлодіодний індикатор у випадку з потрійною конфоркою, середній і єдиний світлодіодний індикатор у випадку з подвійною конфоркою).

Друге коротке натискання кнопки розширення вмикає друге додаткове кільце конфорки. Якщо друге додаткове кільце ввімкнено, над кнопкою розширення світитимуться 2 світлодіодні індикатори.

Третє коротке натискання кнопки розширення вимикає перше і друге додаткові кільця конфорки. 

Ви почуєте короткий звуковий сигнал після кожного натискання кнопки розширення.

Функція моста

Міст можна активувати тільки, якщо обидві конфорки вимкнено. Якщо вибрана конфорка моста, щоб активувати функцію моста, потрібно натиснути кнопку моста. 

Ви почуєте короткий звуковий сигнал, а після активації конфорки засвітиться світлодіодний індикатор конфорки.


Обидві конфорки в мості будуть вибрані одночасно.

Після вибору конфорок налаштуйте бажаний рівень потужності за допомогою кнопок "+" і "-".

Обидва дисплеї конфорок у мості відобразять однаковий рівень потужності. Робота функції припиниться:

- Після натискання кнопки моста в режимі налаштувань
- Якщо користувач вибере рівень потужності "0"


Запобігання переливанню

Щось (об'єкт чи рідина) утримує кнопку протягом більш ніж 5 с. Звучатимуть 2 короткі звукові сигнали + 1 довгий звуковий сигнал кожні 30 с, поки кнопка буде натиснута. Варильна поверхня вимкнеться.  Цей символ продовжить блимати, доки існує проблема.

Таймер

Функцію таймера можна активувати за допомогою відповідної кнопки або ж одночасного натискання кнопок "+" і "-".

В обидвох випадках ви повинні вибрати конфорку та встановити її рівень потужності вище "0".

Виберіть конфорку, для якої потрібно встановити таймер. Рівень потужності конфорки вищий за 0.  На екрані конфорки зі встановленим таймером відобразиться статичний символ "00" на екрані таймера.

- 1) Час на таймері можна встановити за допомогою кнопок "+" і "-". При зміні часу звукові сигнали не лунають.
- 2) Ви можете скасувати таймер (відобразиться 00), натиснувши одночасно його кнопки.
- 3) Якщо натиснути та утримувати кнопки "+" чи "-" протягом визначеного часу, можна здійснити швидкі налаштування.
- 4) При налаштуванні часу таймера ви можете перейти від "00" до "99" за допомогою кнопки "-", а від "99" до "00" – за допомогою кнопки "+".
- 5) Максимальний час становить 99 хвилин.
- 6) Коли час вийшов і лунають короткі звукові сигнали, натисніть будь-яку кнопку, щоб зупинити звуковий сигнал та скинути час на екрані.
- 7) Ви можете налаштувати час таймера, коли він працює за попередньо встановленими налаштуваннями.
- 8) Потужність конфорки, для якої встановлено таймер, можна регулювати без впливу на налаштування таймера.
- 9) Відлік останньої хвилини вестиметься в секундах (для деяких варіантів відображається лише при налаштуванні таймера під час останньої хвилини відліку).

10) Натискання кнопки таймера без вибору будь-якої конфорки та без встановлення таймера для будь-якої конфорки не дасть жодного результату.

11) Натискання кнопки таймера без вибору будь-якої конфорки та після встановлення таймера для кількох конфорок почергово змінить час, відображений на екранах, та відобразить час тієї конфорки, де на екрані рівня потужності ввімкнено десятковий розділювач.

12) На конфорці, де встановлено таймер, почергово відобразитиметься потужність (5 с) і (0,5 с).

На екрані таймера відобразитиметься час, що залишився. Якщо таймер встановлено для кількох конфорок, відобразитиметься той час, якого залишилося найменше, а на відповідному екрані відобразитиметься десятковий розділювач.

Індикатор залишкового тепла (для інфрачервоних конфорок-> розраховано)

Ті ж індикатори можуть також використовуватися для позначення залишкового тепла. Для цього потрібно встановити графік: Час залишкового тепла=f(рівень потужності, робочий час).

Якщо температура на скляній варильній поверхні перевищує 65°C (теоретичне значення), це буде позначено на відповідному дисплеї за допомогою літери "H".

Для вироблення температури понад 65°C конфорка повинна працювати протягом певного періоду, який залежить від рівня потужності. Після того, як цей час спливе, після вимкнення конфорки з'явиться сигнал про залишкове тепло.

Автоматичне вимкнення

Якщо протягом заданого періоду рівень потужності не змінювався, відповідна конфорка вимкнеться автоматично.

Максимальний час, протягом якого конфорка може працювати, залежить від вибраного режиму готування.

Рівень потужності	Макс. час роботи (год)
1	10
2	5
3	5
4	4
5	3
6	2
7	2
8	2
9	2
P	2

ПРИМІТКА: робота варильної поверхні на максимальних рівнях потужності може призвести до перегрівання, тому прилад автоматично відрегулює рівень потужності, щоб захистити варильну поверхню від перегрівання.

7. ОЧИЩЕННЯ ТА ОБСЛУГОВУВАННЯ

. Перед початком проведення будь-яких робіт з обслуговування варильної поверхні, дайте їй охолонути.

. Слід використовувати тільки ту продукцію (креми і шкребки), яка спеціально призначена для склокерамічних поверхонь. Її можна знайти в магазинах з технікою.

. Уникайте розливів, оскільки будь-що, що потрапляє на варильну поверхню, швидко пригорає та ускладнює її очищення.

. Рекомендується тримати подалі від варильної поверхні всі речовини, які мають здатність плавитися, наприклад, пластмаси, цукор або цукрові продукти.

ОБСЛУГОВУВАННЯ:

- Нанесіть кілька крапель спеціального миючого засобу на варильну поверхню.

- Витріть будь-які стійкі плями м'якою тканиною або злегка вологою серветкою.

- Протирайте м'якою тканиною або сухою серветкою, доки поверхня не стане чистою.

Якщо все ще залишилися стійкі плями:

- Додайте ще декілька крапель спеціальної миючої рідини на поверхню.

- Очистіть шкребком, тримаючи його під кутом 30° по відношенню до варильної поверхні, поки плями не зникнуть.

- Протирайте м'якою тканиною або сухою серветкою, доки поверхня не стане чистою.

- Повторіть процедуру при необхідності.

ДЕКІЛЬКА ПОРАД:

Часте очищення залишає захисний шар, який має важливе значення для запобігання подряпин і зносу. Переконайтеся, що варильна поверхня чиста перед наступним використанням приладу. Щоб позбавитися слідів від води, використовуйте декілька крапель білого оцту або лимонного соку. Потім протріть поверхню вологопоглинаючою серветкою з декількома краплями спеціальної миючої рідини.

Склокерамічна поверхня є стійкою до подряпин від посуду з плоским дном, проте краще завжди піднімати його при переміщенні з однієї конфорки на іншу.

Запам'ятайте:



Не використовуйте надто вологу губку.

Ніколи не використовуйте ніж чи викрутку.

Шкребок з лезом не пошкодить поверхню, якщо його тримати під кутом 30°.

Ніколи не залишайте шкребок з лезом у доступному для дітей місці.

Ніколи не використовуйте абразивні миючі засоби або порошки для чищення.

Металеve обрамлення: щоб безпечно очистити металеве обрамлення, помийте його водою з милом, промийте та протріть сухою м'якою тканиною.

Будь-яка зміна кольору склокерамічної поверхні не впливає на роботу чи стійкість поверхні. Такі зміни кольору в основному є результатом згорілих залишків їжі або використання посуду з таких матеріалів, як алюміній або мідь; цих плями важко позбутися.

8. МОЖЛИВІ ПРОБЛЕМИ ТА ЇХ ВИРІШЕННЯ

Конфорки не кип'ятять або тільки слабо смажать

Використовуйте лише каструлі з плоским дном. Якщо між каструлею та варильною поверхнею є проміжок, конфорка неправильно розподілятиме тепло. Дно каструлі повинно повністю вкривати весь діаметр конфорки.

Приготування їжі є надто повільним

Використовуються невідповідні каструлі. Використовуйте тільки важкий посуд з плоским дном, діаметр якого відповідає діаметру конфорки.

Незначні подряпини чи потертості на скляній поверхні приладу

Причиною є неправильне очищення або використання кастрель з нерівним дном; частинки, такі як піщинки або сіль, потрапляють між варильну поверхню та нижню частину каструлі.

Див. розділ "ОЧИЩЕННЯ"; перед використанням переконайтеся, що дно каструлі є чистими і використовуйте тільки каструлі з гладким дном. Подряпини можна зменшити, тільки виконуючи правильне очищення.

Металеві сліди

Уникайте ковзання алюмінієвого посуду по варильній поверхні. Зверніться до рекомендацій щодо очищення.

Ви використовуєте відповідні матеріали, але плями все ще залишаються. Скористайтеся шкребком та дотримуйтеся інструкцій з розділу "ОЧИЩЕННЯ".

Темні плями

Скористайтеся шкребком та дотримуйтеся інструкцій з розділу "ОЧИЩЕННЯ".

Світлі зони на варильній поверхні

Це сліди від алюмінієвих чи мідних кастрель, а також від мінеральних, водяних чи харчових відкладень; їх можна позбутися за допомогою кремового миючого засобу.

На варильній поверхні розплавився цукор чи пластмаса.

Див. розділ "ОЧИЩЕННЯ".

Варильна поверхня вийшла з ладу або не працюють деякі конфорки

Шунти на клемній колодці не відрегульовані.

Перевірте підключення та блокування панелі управління. Розблокуйте варильну поверхню.

Варильна поверхня не відключається від живлення.

Панель управління заблокована. Розблокуйте варильну поверхню.

Частота ввімкнення/вимкнення конфорок

Цикли ввімкнення/вимкнення відрізняються відповідно до необхідного рівня нагрівання:

- низький рівень: короткий час роботи.

- високий рівень: довгий час роботи.

Варильна поверхня не працює.

Перевірте стан запобіжників / вимикачів у своєму приміщенні.

Перевірте, чи немає перепадів напруги.

Варильна поверхня вимкнулася самостійно.

Ви випадково натиснули головний вимикач (кнопку ON/OFF)

або ж на кнопці знаходиться сторонній предмет. Приберіть будь-який сторонній предмет із кнопок і ввімкніть прилад знову.

Уведіть повторно свої налаштування.

Відображення літери F та чисел

Якщо на екрані з'являється літера F і числа, значить у приладі відбувся збій. Наступна таблиця містить перелік дій, які можуть вирішити проблему.

9. ПІСЛЯПРОДАЖНЕ ОБСЛУГОВУВАННЯ

Перш ніж викликати фахівця із сервісного обслуговування, перевірте наступне:

— що вилка правильно вставлена, а також наявність запобіжника;

Якщо ви не можете виявити причину несправності, вимкніть прилад — не торкайтеся його — викличте фахівця з післяпродажного обслуговування. Прилад постачається з гарантійним талоном, який забезпечує безкоштовний ремонт в Сервісному центрі.

Дисплей конфорки	Проблема	Рішення
F0	Помилка програмного забезпечення сенсорних елементів.	У разі виникнення помилки, відключіть і повторно підключіть варильну поверхню до електромережі. Якщо проблема не вирішилась, зателефонуйте в сервісний центр. Якщо проблема виникає раптово під час звичайної роботи, зателефонуйте в сервісний центр.
Fc	Зона сенсорних елементів надто гаряча і всі конфорки було вимкнено.	Зачекайте, поки температура не знизиться. Варильна поверхня автоматично відновить свою роботу після того, як температура повернеться до нормального значення.
Ft	Датчик температури сенсорного елементу може бути пошкоджений.	Зачекайте, поки температура не знизиться. Якщо повідомлення не зникає після того, як температура досягнула значення навколишнього середовища, зателефонуйте в сервісний центр.
FE	Датчик температури сенсорного елементу може бути пошкоджений.	Зачекайте, поки температура не знизиться. Якщо повідомлення не зникає після того, як температура досягнула значення навколишнього середовища, зателефонуйте в сервісний центр.
Fb	Надмірна чутливість будь-якої кнопки.	Переконайтеся, що варильна поверхня встановлена належним чином. Переконайтеся, що кнопки правильно торкаються скляної поверхні.
FU / FJ	Помилка безпеки клавіатури	Ця помилка стосується автоматичної перевірки клавіатури. Вона зникає після того, як автоматична перевірка повернеться до безпечного значення. Якщо проблема не вирішилась, зателефонуйте в сервісний центр.
FA	Помилка безпеки клавіатури	Ця помилка стосується автоматичної перевірки програмного забезпечення. Вона зникає після того, як автоматична перевірка повернеться до безпечного значення. Якщо проблема не вирішилась, зателефонуйте в сервісний центр.
FC / Fd	Помилка безпеки клавіатури	Ця помилка стосується автоматичної перевірки програмного забезпечення. Вона зникає після того, як автоматична перевірка повернеться до безпечного значення. Якщо проблема не вирішилась, зателефонуйте в сервісний центр.
Fg	Помилка безпеки реле	З будь-яким драйвером реле може трапитися будь-яка проблема. Відключіть варильну поверхню від електромережі, зачекайте хвилину та ввімкніть прилад знову. Якщо проблема не вирішилась, зателефонуйте в сервісний центр.

ИНСТРУКЦИИ ЗА БЕЗОПАСНОСТ

Препоръчваме ви да запазите инструкциите за монтаж и да ги използвате за справка по-късно. Преди да монтирате готварския плот, отбележете неговия сериен номер в случай, че се наложи да потърсите съвет от следпродажбения отдел.

ПРЕДУПРЕЖДЕНИЕ: уредът и неговите достъпни части стават горещи по време на използване. Внимавайте да не докосвате нагриващите елементи. Да не се допуска достъп до уреда на деца под 8-годишна възраст, освен ако не се наблюдават непрекъснато от възрастен.

ПРЕДУПРЕЖДЕНИЕ: използвайте само предпазители за плотове, определени от производителя на готварския уред или указани от производителя на уреда в инструкциите за употреба като подходящи, или предпазители за плотове, включени в уреда. Използването на неподходящи предпазители може да доведе до злополуки.

ПРЕДУПРЕЖДЕНИЕ: готвенето без надзор върху плот с мазнина или масло може да е опасно и да доведе до пожар. НИКОГА не опитвайте да погасявате пожар с вода, а изключете уреда и покрийте пламъка например с капак или противопожарно одеяло.

ПРЕДУПРЕЖДЕНИЕ: опасност от пожар: не съхранявайте предмети върху повърхностите за готвене.

ПРЕДУПРЕЖДЕНИЕ: ако повърхността е напукана, не докосвайте стъклото и изключете уреда, за да избегнете риска от токов удар.

Този уред може да се използва от деца на 8 и повече години и от лица с намалени физически, сензорни или умствени възможности или липса на опит и знания, ако е осигурен надзор или инструктаж относно използването на уреда по безопасен начин и тези лица разбират потенциалните опасности. Децата трябва да се наблюдават, за да не се допуска да си играят с уреда. Почистването и техническата поддръжка не трябва да се извършват от деца без надзор.

ВНИМАНИЕ: процесът на готвене трябва да се наблюдава. Краткосрочният процес на готвене трябва да бъде наблюдаван непрекъснато.

Настоятелно се препоръчва да държите децата далеч от зоните за готвене, докато те се използват или когато са изключени, докато индикаторът за остатъчна топлина е включен, за да се предотврати рискът от сериозни изгаряния.

Този уред не е предназначен да се използва чрез външен таймер или отделна система за дистанционен контрол.

Не гледайте директно в елементите на халогенната лампа на плота, ако има такава.

Свържете щепсел към захранващия кабел, който е в състояние да понесе напрежението, тока и натоварването, указани на табелката, и има контакт за заземяване. Щепселът трябва да е подходящ за натоварването, посочено на етикета, и трябва да е свързан към заземяващ контакт, който да работи. Заземяващият проводник е жълто-зелен на цвят. Тази операция трябва да се извършва от квалифициран специалист. В случай на несъвместимост между контакта и щепсела на

уреда, се обърнете към квалифициран електротехник, който да замени контакта с друг подходящ тип. Щепселът и контактът трябва да отговарят на действащите норми на държавата на инсталацията.

Свързването към източника на захранване може да се извърши и чрез поставяне на универсален прекъсвач между уреда и източника на захранване, който може да понесе максималното свързано натоварване и който е в съответствие с действащото законодателство.

Жълто-зеленият заземяващ кабел не трябва да се прекъсва от прекъсвача. Гнездото или универсалният прекъсвач, използвани за връзката, трябва да са лесно достъпни, когато уредът е монтиран.

Прекъсването на връзката може да се постигне чрез достъпност на щепсела или чрез включване на превключвател в неподвижното окабеляване в съответствие с правилата за окабеляване.

Ако захранващият кабел е повреден, той трябва да се замени от производителя, от негов сервизен представител или подобно квалифицирани лица, за да се избегне опасност. Заземителният проводник (жълто-зелен) трябва да е по-дълъг от 10 mm от страна на клемната кутия. Секцията с вътрешни проводници трябва да е подходяща за мощността, погълната от готварския плот (указано на етикета). Видът на захранващия кабел трябва да е H05V2V2-F.

Не поставяйте метални предмети като ножове, вилници, лъжици или капаци върху плота. Те може да се нагряят.

Върху нагриващите зони не трябва да се поставя алуминиево фолио и пластмасови съдове.

След всяка употреба е необходимо известно почистване на плота, за да се предотврати натрупване на замърсявания и мазнини. Ако тези замърсявания бъдат оставени, те ще се нагряят повторно при използване на плота и ще изгорят, отделяйки пушек и неприятна миризма, без да се споменават рисковете от възникване на пожар.

Никога не използвайте пара или спрей под високо налягане за почистване на уреда.

Не докосвайте нагривателните зони по време на работа или известно време след употреба.

Никога не пригответе храна директно върху стъклокерамичния плот.

Винаги използвайте подходящите готварски съдове.

Винаги поставяйте съда в центъра на котлона, върху който готвите. Не поставяйте нищо върху панела за управление.

Не използвайте плота като работна повърхност.

Не използвайте повърхността като дъска за рязане.

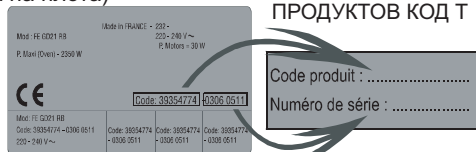
Не съхранявайте тежки предмети над плота. Ако те паднат върху плота, могат да причинят повреда.

Не използвайте плота за съхранение на никакви предмети.

Не плъзгайте готварски съдове по плота.

Не е необходима допълнителна операция/настройка, за да се работи с уреда при номиналните честоти.

Идентификационна табелка (разположена под долната обшивка на плота)



ПРОДУКТОВ КОД Т

Code produit :
Numéro de série :

1. ОБЩИ ПРЕДУПРЕЖДЕНИЯ

С поставяне на знака **CE** на този продукт ние потвърждаваме съответствие с всички европейски изисквания за безопасност и опазване на здравето и околната среда, които са приложими за категорията на този продукт.

2. ЗАЩИТА НА ОКОЛНАТА СРЕДА



Този уред е обозначен съгласно Европейската директива 2012/19/ЕС относно отпадъци от електрическо и електронно оборудване (ОЕЕО). ОЕЕО съдържа както замърсяващи вещества (които могат да имат отрицателни последици за околната среда), така и базови компоненти, които могат да се използват повторно. Важно е да подложите ОЕЕО на специфична обработка, за да премахнете и да изхвърлите правилно всички замърсители и да възстановите и рециклирате всички материали.

Хората могат да играят важна роля при гарантиране, че ОЕЕО няма да се превърне в екологичен проблем; важно е да следвате някои основни правила:

- ОЕЕО не трябва да се третира като битова смет.
- ОЕЕО трябва да се предаде на съответните събирателни пунктове, управлявани от общински или от регистрирани компании. В много държави може да се предлага събиране и извозване на ОЕЕО по домовете.

В много държави, когато купувате нов уред, старият може да се върне на търговеца на дребно, който трябва да го вземе безплатно в замяна на новия уред, доколкото уредът е от еквивалентен тип и има същите функции както предоставения

3- МОНТАЖ

Монтирането на домакински уред е сложна операция, която, ако не се извърши правилно, може да има сериозно въздействие върху безопасността на стоки, имущество или хора. По тази причина монтирането трябва да се извършва от професионално квалифицирани лица в съответствие с техническите регулации.

В случай, че този съвет бъде пренебрегнат и инсталирането бъде извършено от неквалифицирано лице, производителят няма да носи никаква отговорност за технически повреди на уреда, независимо дали ще доведат до повреда на стоки или имущество или до нараняване на хора или животни.

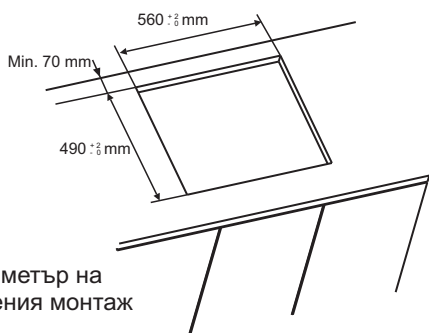
След отстраняване на опаковката се уверете, че уредът не е повреден. В противен случай се свържете с търговеца на дребно или със следпродажбения отдел на производителя.

Уверете се, че мебелите, в които ще се вгражда уредът, както и всички други мебели в близост, са изработени от материали, които могат да издържат на високи температури (мин. 100 °C).

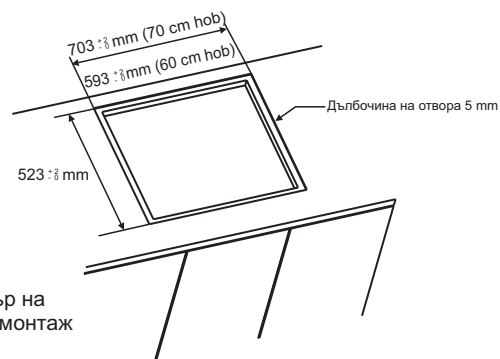
В допълнение, всички декоративни ламинати трябва да бъдат фиксирани с високоустойчиво лепило.

Уредът може да се монтира във вградена мебел в стандартен и изравнен режим.

Дебелината на работния плот трябва да е между 25 и 45 mm.



Периметър на изравнения монтаж

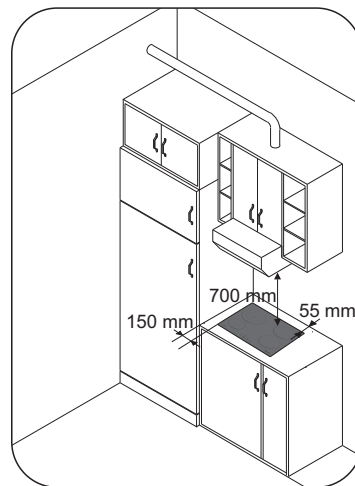


Периметър на изравнения монтаж

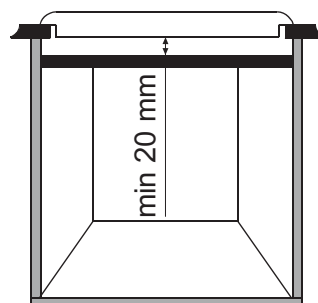
Забележка: Размерите на вътрешния периметър са същите като при стандартния монтаж.

Оставете разстояние от поне 55 mm между плота и задната страна и поне 150 mm между плота и вертикалните мебели или стени от страничната страна. Ако са монтирани мебели над плота, минималното необходимо разстояние е 700 mm.

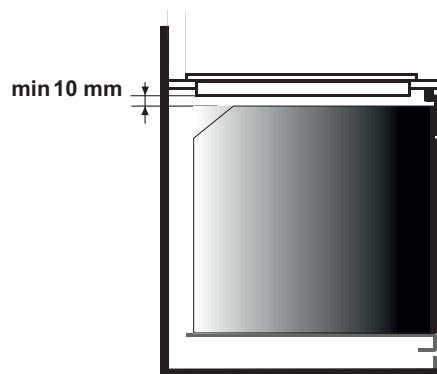
При монтиране на ширм над плота, направете справка с изискванията за монтаж, посочени за ширма, но във всеки случай разстоянието между плота и ширма трябва да е не по-малко от 700 mm.



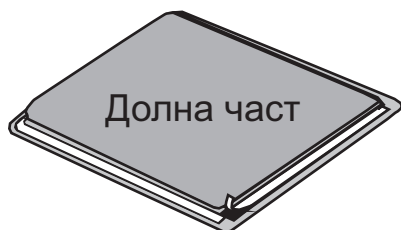
Ако долната част на плота е в съседство с участък, който обикновено е достъпен за работа и почистване, трябва да се постави разделител на 20 mm под долната част на плота.



При монтиране на фурна под готварския плот трябва да се постави разделител и минималното разстояние между долната част на плота и фурната трябва да е не по-малко от 10 mm. Не монтирайте неохладена фурна под този плот и монтирайте фурната според нейните собствени монтажни изисквания.

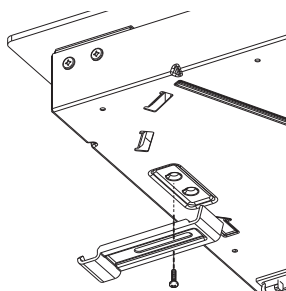


С готварския плот се предоставя водонепоспруклив уплътнител. Монтирайте уплътнителя около долната част на плота, както е описано, и се уверете, че е правилно монтиран, за да избегнете течове в поддържащите мебели.

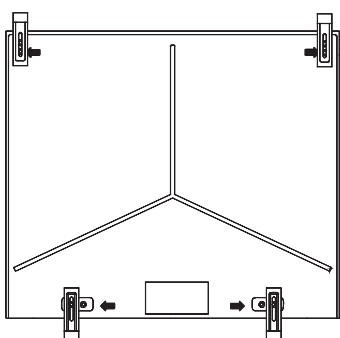


Нормално фиксиране:

- Вземете фиксиращите скоби от плика с принадлежности и ги завинтете в положението, показано на долната кутия. (Не затягайте винтовете за блокиране на скобите, те трябва да се движат свободно)

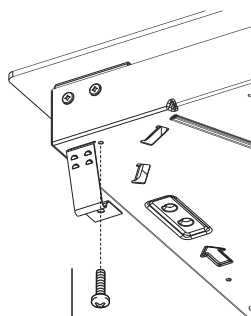


- Поставете плота в централно положение в изрязания участък.
- Завъртете скобите и ги затегнете напълно.

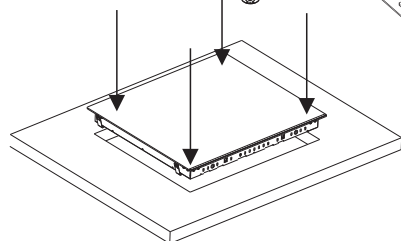


Бързо фиксиране: (в зависимост от модела)

Вземете четири пружини от плика с принадлежности и ги завинтете за долната кутия, както е показано на фигурата.



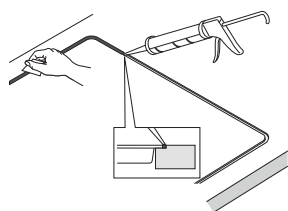
Центрирайте и вкарайте плота.
Натиснете страните на плота, докато той се опрے на целия си периметър.



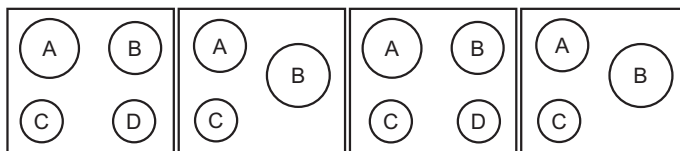
ИЗРАВНЕН МОНТАЖ

След проверка дали позицията на плота е правилна, запълнете пролуката между работния плот и готварския плот със силиконово лепило. Изравнете силиконовия слой със скрепер или с мокър пръст, напоен с вода и сапун, преди да се оформи.

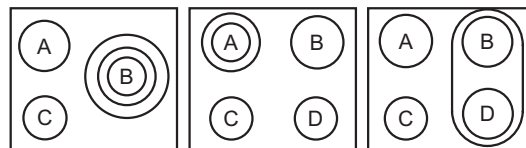
Не използвайте плота, докато силиконовият слой не изсъхне напълно.



4. ЕЛЕКТРИЧЕСКО СВЪРЗВАНЕ

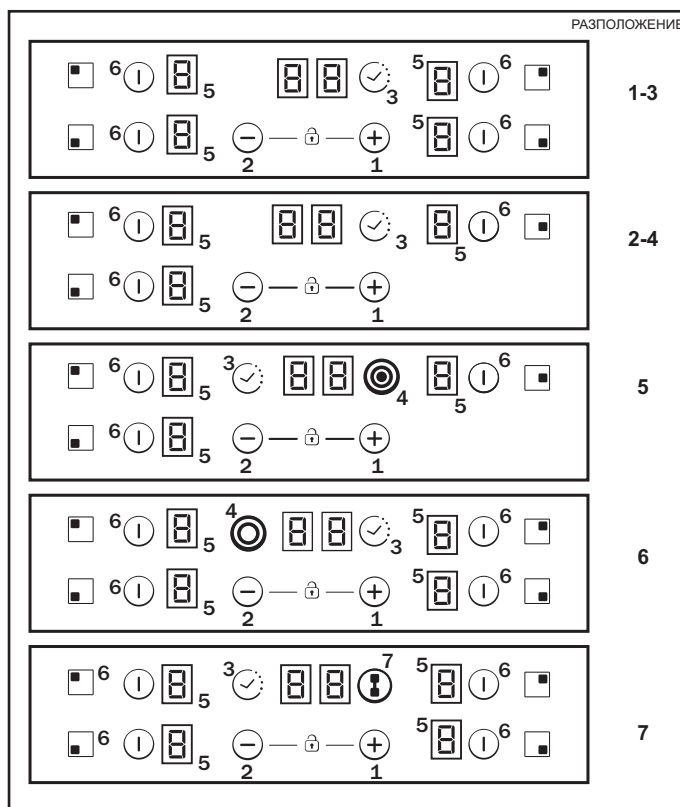


РАЗПОЛОЖЕНИЕ 1 РАЗПОЛОЖЕНИЕ 2 РАЗПОЛОЖЕНИЕ 3 РАЗПОЛОЖЕНИЕ 4



РАЗПОЛОЖЕНИЕ 5 РАЗПОЛОЖЕНИЕ 6 РАЗПОЛОЖЕНИЕ 7

	A	B	C	D
РАЗПОЛОЖЕНИЕ 1	2300W	1800W	1200W	1200W
РАЗПОЛОЖЕНИЕ 2	1800W	2500W	1200W	-
РАЗПОЛОЖЕНИЕ 3	2300W	1800W	1200W	1200W
РАЗПОЛОЖЕНИЕ 4	1800W	2500W	1200W	-
РАЗПОЛОЖЕНИЕ 5	1800W	750+900+1050W	1200W	-
РАЗПОЛОЖЕНИЕ 6	1000+1200 w	1800W	1200W	1200W
РАЗПОЛОЖЕНИЕ 7	1800W	1800W	1200W	1800W



Според модела

1. „+“
2. „-“
3. ТАЙМЕР
4. Допълнителен LED индикатор за готварска зона
5. Програмен индикатор за готварска зона
6. Избор на зоната
7. Мост

Монтажът трябва да е съобразен със стандартите и директивите.“ Производителят не носи отговорност за никакви щети, които могат да бъдат причинени от неподходяща или неразумна употреба.

ПРЕДУПРЕЖДЕНИЕ: Производителят не поема отговорност за никакви инциденти или последици от тях, които могат да възникнат по време на използване на уред, който не е свързан със земята или свързан със земя, чиято непрекъсваемост е нарушена.

Преди работа с електричество проверете напрежението на захранването, показано на електромера, настройката на прекъсвача на веригата, непрекъснатостта на заземителната връзка към инсталацията и дали предпазителят е подходящ.

Електрическото свързване към инсталацията трябва да се извърши в съответствие с номиналната мощност на уреда; това трябва да се извърши чрез пакетен изключвател.

Ако уредът има щепселна кутия, тя трябва да се монтира така, че щепселната кутия да е достъпна.

Жълто-зеленият проводник на захранващия кабел трябва да се свърже както към заземителя на електрозахранването, така и към клемите на уреда.

За всякакви въпроси относно захранващия кабел се обръщайте към следпродажбения отдел или към квалифициран техник. Ако плотът е монтиран със захранващ кабел, той трябва да се свърже само към захранване от 220-240 V между фаза и неутрално положение.

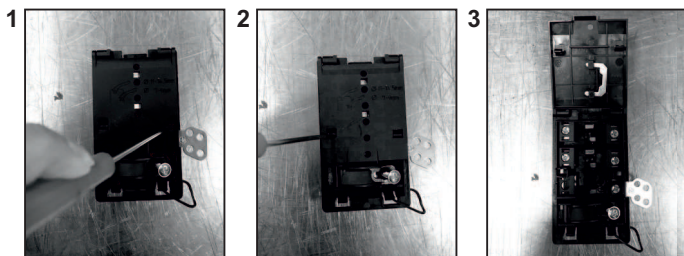
Възможно е обаче плотът да се свърже към:
Трифазен ток 220-240 V3
Трифазен ток 380-415 V2N

За да продължите с новата връзка, следвайте инструкциите долу:

Преди да осъществите връзката, се уверете, че монтажът е защитен от подходящ предпазител и е снабден с проводници на достатъчно голяма секция за нормално захранване на уреда.

Обърнете плата, така че стъклената страна да е срещу работния плот, като внимавате да защитите стъклото.

Отворете капака в следната последователност:



- отвинтете кабелната скоба „1“;
- намерете двете уши, разположени от страни;
- поставете острието на плоска отвертка пред всяко от ушите „2“ и „3“, бутнете навътре и натиснете;
- отстранете капака.

За да освободите захранващия кабел:

- Отстранете винтовете, задържащи клемната кутия, която съдържа шунтовите шини и проводниците на захранващия кабел;
- Издърпайте захранващия кабел навън.

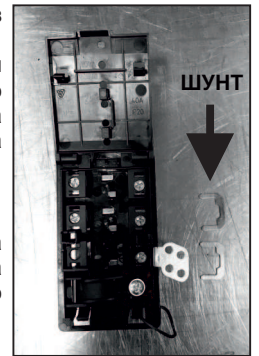
Действия, които трябва да бъдат извършени за осъществяване на нова връзка:

- Изберете захранващия кабел в съответствие с препоръките от таблицата;
- Прокарайте захранващия кабел през скобата;
- Оголете 10 mm от края на всеки проводник на захранващия кабел, като вземете под внимание необходимата дължина на кабела за свързване на клемната кутия;
- Според монтажа и с помощта на шунтовите шини, получени в предишната стъпка, фиксирайте проводниците, както е показано на графиката;
- Фиксирайте капака;
- Завинтете кабелната скоба.

Забележка: уверете се, че винтовете на клемната кутия за здраво затегнати.

Действия, които трябва да бъдат извършени за осъществяване на нова връзка:

- Изберете захранващия кабел в съответствие с препоръките от таблицата;
- Прокарайте захранващия кабел през скобата;
- Оголете 10 mm от края на всеки проводник на захранващия кабел, като вземете под внимание необходимата дължина на кабела за свързване на клемната кутия;



- Според монтажа и с помощта на шунтовите шини, получени в предишната стъпка, фиксирайте проводниците, както е показано на графиката;
- Фиксирайте капака;
- Завинтете кабелната скоба.

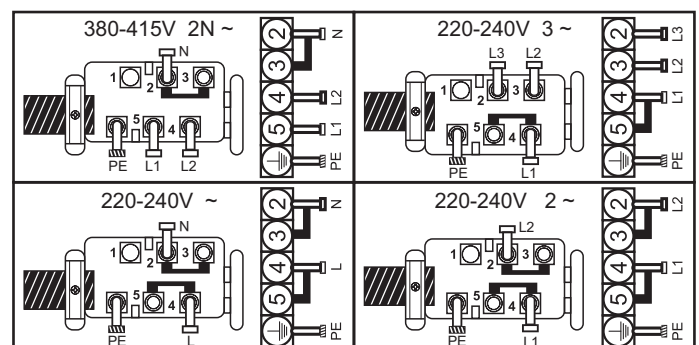
ВНИМАНИЕ:

Ако е необходимо да подмените захранващия кабел, свържете жицата в съответствие със следните цветове/кодове:

СИНЯ	Неутрална	(N)
КАФЯВА	Под напрежение	(L)
ЖЪЛТО-ЗЕЛЕНА	Земя	(⊕)

Свързване към клемите в клемната кутия

	РАЗПОЛОЖЕНИЕ "1-6"	РАЗПОЛОЖЕНИЕ "7"
ЕДНОФАЗЕН или ДВУФАЗЕН ТОК 220-240 V~		
Кабел HO5V2V2F	3x2,5 mm ²	3x4 mm ²
ТРИФАЗЕН ТОК 220-240 V3~		
Кабел HO5V2V2F	4x1,5 mm ²	4x1,5 mm ²
ТРИФАЗЕН ТОК 380-415 V2N~		
Кабел HO5V2V2F	4x1,5 mm ²	4x1,5 mm ²



L1 / L2 / L3 = Фаза N = Неутрална PE = Земя

5. СЪВЕТ ОТНОСНО ГОТВАРСКИТЕ СЪДОВЕ, ПОДХОДЯЩИ ЗА ПЛОТОВЕ

Използването на качествени готварски съдове е критично важно за получаване на най-добрите резултати от вашия готварски плот.



• **Винаги използвайте качествени готварски съдове със съвършено гладки и плътни основи:** използването на този тип готварски съдове ще предотврати формирането на горещи точки, водещи до залепване на храна. Плътните тенджери и тигани ще осигурят равномерно разпределение на топлината.

• **Уверете се, че основата на тенджерата или тигана е суха:** при пълнене на съдове с течност или използване на съдове, които са били съхранени в хладилника, се уверете, че основата на съда е напълно суха, преди да я поставите върху готварския плот. Това ще спомогне за избягване на образуването на петна по плота.

• **Използвайте съдове, чийто диаметър е достатъчно широк напълно да покрие повърхността на котлона:** размерът на съда трябва да е не по-малък от нагриващата зона. Ако е малко по-широк, енергията ще се използва при максимална ефективност.

ИЗБОРЪТ НА ГОТВАРСКИ СЪДОВЕ - Следната информация ще ви помогне да изберете готварски съдове, които са с добри работни характеристики.

Неръждаема стомана: *строго препоръчвана.* Особено добра с основа от сандвичева обшивка. Сандвичевата основа комбинира ползите от неръждаемата стомана (външен вид, издръжливост и стабилност) с предимствата на алуминия или медта (проводимост на топлината, равномерно разпределение на топлината).

Алуминий: *препоръчва се голямо тегло.* Добра проводимост. Алуминиевите остатъци понякога се появяват като надрасквания по плота, но могат да бъдат отстранени, ако бъдат почистени незабавно.

Поради ниската точка на топене трябва да се използва тънък алуминий.

Лято желязо: *може да се използва, но не се препоръчва.* Недобри работни характеристики. Може да надраска повърхността.

Медно дъно/керамика: *препоръчва се голямо тегло.* Добри работни характеристики, но медта може да остави следи, които да изглеждат като надрасквания. Остатъците могат да бъдат отстранени, ако плотът се почисти незабавно. Въпреки това не оставяйте такива съдове да врят без течност. Прегретият метал може да се залепи за стъклените плотове. Прегретият меден съд ще остави следа, която ще образува трайно петно върху плота.

Порцелан/емайл: Добри работни характеристики само с тънка, гладка, плоска основа.

Стъклена керамика: *не се препоръчва.* Недобри работни характеристики. Може да надраска повърхността.

6. ИЗПОЛЗВАНЕ

Как да изберете степен на мощност.

Чрез функцията „Задаване степен на мощност“ потребителят може да настрои максималната мощност, която може да бъде достигната от плота.

Функцията „Задаване степен на мощност“ е налична само през първите 30 секунди след включване на плота. Дори е възможно да се повтори тази настройка, като се изключи и включи захранващия кабел.

Чрез настройване на желаната максимална мощност, плотът автоматично регулира разпределението в различните зони за готвене, така че лимитът никога да не бъде превишен; с допълнителното предимство, че може да направлява всички зони без проблеми при натоварване.

Клиентът може да настрои максималната мощност на плота между 2,5 kW и максималната свързана мощност на плота (това може да се промени в зависимост от модела) (например, ако максималната мощност на плота е 7,2 kW, максималното ниво на мощност за настройване е между 2,5 kW и 7,2 kW). Плотът е настроен на максимална мощност по време на покупката.

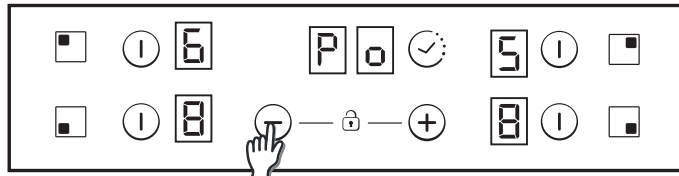
След свързването на уреда към електрическото захранване в рамките на 30 секунди можете да настроите нивото на мощност въз основа на показаните по-долу точки:

1 - Включете плота.

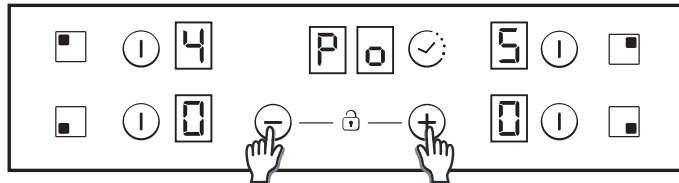
2 - Изчакайте тактилният контрол да приключи с процеса на инициализиране.

3 - Преди да са изминали 30 секунди, докоснете клавиша “ - ” за 5 секунди.

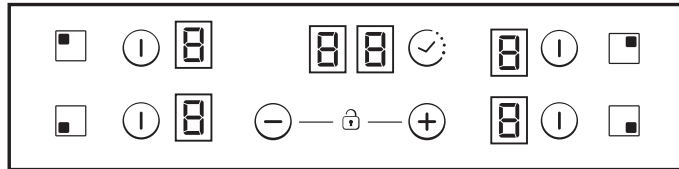
4 - След това на екрана ще се появи следното съобщение.



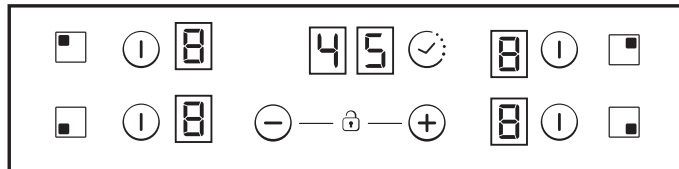
5 - Като използвате клавишите „Плюс“ и „Минус“, може да промените степента на мощност. В този пример може да изберете между 6500 и 2500 W. Когато изберете желаната степен, докоснете едновременно клавиша „Плюс“ и клавиша „Минус“ за 5 секунди.



6 - Когато този процес приключи, се чува продължителен звуков сигнал и стойностите се нулират. Може отново да започнете да задавате стойности.

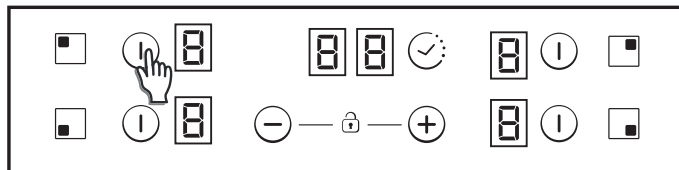


7 - След като процесът стартира, на дисплея на таймера ще се покаже мощността на опцията ECO.



След това тактилният контрол няма да ви позволи да правите комбинации, надвишаващи лимита за опцията Eco

Включване/изключване на нагриващата зона



За да включите нагревател Докоснете която и да е нагревателна зона за 400 милисекунди. Ще се чуе продължителен звуков сигнал и стойността „0“ ще се появи като цифра в целевата зона, указваща нивото на мощността.

1) Ако етапът на готвене е в позиция 0, този дисплей ще се изключи автоматично след 10 секунди и ще прозвучи последователността на изключване на зоната.

2) Ако има индикация за остатъчна топлина на дисплея, който е включен, но с мощност 0, ще се появи превключваща се „0“.

3) Ако е активна функция за заключване, не можете да включите зона.

За да изключите нагревател Докоснете която и да е нагревателна зона за 1,2 секунди. Ще прозвучат 3 кратки звукови сигнала и в целевата зона няма да се появи нищо или ще се появи

стойност „Н“, ако има остатъчна топлина. Зоната ще се изключи.

1) Ако етапът на готвене е в позиция 0, този дисплей ще се изключи автоматично след 10 секунди и ще прозвучи последователността на изключване на зоната.

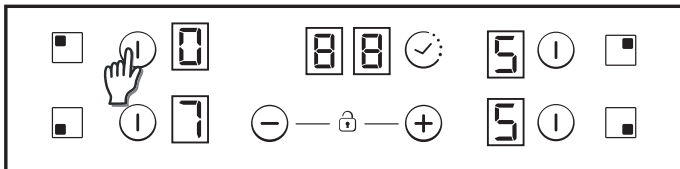
2) Ако има индикация за остатъчна топлина на дисплея, който е изключен, ще се появи „Н“.

3) Дори ако е активна функция за заключване, можете да изключите зона.

4) Ако е активен само един нагревател и той е изключен, ще прозвучат 4 кратки звукови сигнала, указващи, че целият готварски плот е изключен.

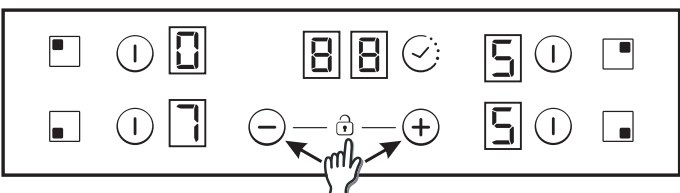
Избор на зона

Когато една зона е вече включена, неизбраните зони, които са включени, ще светнат с по-нисък интензитет.



Ако само една зона е включена, тази зона е вече избрана по подразбиране, без да е необходимо да натиснете за кратко (150 милисекунди) бутона за избор.

Увеличаване/намаляване на нивото на мощност



С кратко натискане на бутони „+“ или „-“ се увеличава или намалява мощността в избраните зони: 0-1-2-3...9-P

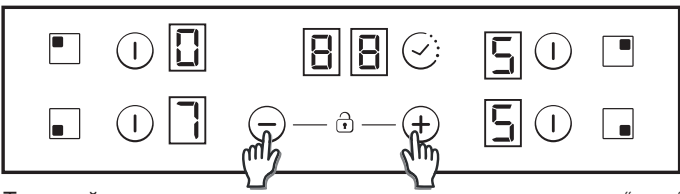
1. С продължително натискане на бутони „+“ или „-“ нивото на мощността се увеличава/намалява непрекъснато. При бързо увеличаване мощността спира на ниво 9, а за по-високо ниво на мощността е необходимо друго кратко натискане на бутона +. При бързо увеличаване/намаляване не се чува звуков сигнал.

2. След достигане на ниво на мощността P натискането на бутона + отново няма да промени нивото на мощността на 0. След достигане на ниво на мощността 0 натискането на бутона - отново няма да промени нивото на мощността на P.

3. При включена зона с ниво на мощността 0, ако зоната е гореща, 0 ще премигва на дисплея. След 10 секунди 0 ще изчезне и ще се появи постоянен дисплей на буквата „Н“.

4. Когато е избран нагревател и бутоните „+“ и „-“ бъдат докоснати едновременно, нивото на мощността ще стане „0“, но нагревателят ще поддържа избора в рамките на 10 секунди. Ако има зададен таймер за нагревател, таймерът ще се изключи. Това действие може да се извърши само в някои случаи в зависимост от конфигурацията за сензорен контрол. Следните примери са само за информация. Личният ви опит ще ви позволи да адаптирате тези настройки към вашия вкус и навици.

Опция за заключване за деца



Това действие може да се извърши, когато клавишите „+“ и „-“ бъдат докоснати едновременно.

След това при всяко натискане на бутон дисплеят ще покаже „L“ за 2 секунди. Нагряването остава в същото състояние.

За да деактивирате заключването за деца, следвайте същия процес, както описан по-горе. След това ще се чуе кратък звуков сигнал и дисплеят ще покаже буквата „n“. Готварският плот ще остане незаключен.

Забележка: Автоматично заключване за деца ще се активира 15 минути след пълно изключване на плота. Тази функция ще се задейства автоматично, но е необходимо преди това да я програмирате. Вижте точката за потребителски настройки.

Двойни/тройни зони

За да включите двоен удължен котлон, свързаната главна зона трябва вече да е включена и индикацията за ниво на мощност трябва да е повече от 0.

8.1- Двойна зона включена

1-вото кратко натискане на удължителен бутон включва удължения котлон. LED индикаторът над удължителния бутон се включва, ако удълженият котлон е включен.

2-рото кратко натискане на удължителен бутон изключва удължения котлон.

Кратък звуков сигнал при всяко натискане на удължителен бутон.

8.2- Тройна зона включена

1-вото кратко натискане на удължителен бутон включва 1-вия удължен котлон. 1 LED индикатор над удължителния бутон се включва, ако 1-вият удължен котлон е включен (левият LED индикатор в случай на тройна зона, средният и единствен LED индикатор в случай на двойна зона)

2-рото кратко натискане на удължителен бутон изключва 2-рия удължен котлон. 2 LED индикатора над удължителния бутон се включват, ако 1-вият и 2-рият удължени котлони са включени

3-тото кратко натискане на удължителен бутон изключва 1-вия и 2-рия удължен котлон.

Кратък звуков сигнал при всяко натискане на удължителен бутон.

Мостова функция

Мостът може да се активира само когато и двата нагревателя са изключени. Избира се един нагревател на моста, за да се активира сензорният мостов бутон за мостова функция.

Прозвучава звуков сигнал и LED индикаторът на зоната се включва, ако зоната е включена.

И двата мостови нагревателя ще бъдат избрани едновременно. След като бъдат избрани нагревателите, ако нивото на мощността не е желаното, регулирайте чрез бутоните + и -.

Дисплеите и на двата мостови нагревателя ще показват еднакво ниво на мощността. Функцията ще бъде прекратена:

- Ако бъде натиснат мостовият бутон в режим на настройка.

- Ако потребителят избере ниво на мощността „0“

Защита срещу преливане

Нещо (предмет или течност) натиска бутон за повече от 5 секунди. 2 кратки звукови сигнала + 1 продължителен звуков сигнал на всеки 30 секунди, докато бутонът е натиснат. Готварският плот ще се изключи.

Този символ ще продължи да премигва, докато състоянието е активно.

Таймер

Функцията за таймер може да се активира със свой собствен бутон или чрез едновременно докосване на бутоните „+“ и „-“.

И в двата случая трябва да бъде избран нагревател и неговото ниво на мощност трябва да е повече от 0.

Изберете зоната за прилагане на таймер. Нивото на мощност на зоната е повече от 0.

Статично се показва в зоната, за която ще бъде приложен таймер. „0 0“ в цифрите, запазени за таймера.

1) Таймерът може да се изберете с клавишите „+“ или „-“. Не се чуват звукови сигнали по време на промяната.

2) Едновременно натискане на бутоните на таймера отменя таймера (промена се на 00).

3) Ако бутоните „+“ или „-“ на таймера се задържат натиснати по време на определянето, получавате достъп до бърза настройка.

4) Когато настройвате времето на таймера, е възможно да отидете от „00“ до „99“ с бутона „-“ и от „99“ до „00“ с бутона „+“.

5) Максималното време е 99 минути.

6) След изтичане на времето и прозвучаване на звуков сигнал от плота натиснете произволен бутон и алармата и цифровата последователност ще бъдат прекратени.

7) Възможно е да регулирате времето на таймера, докато таймерът е бил задействан преди това.

8) Мощността на зоната с приложен таймер може да се промени без последствия чрез програмиране на таймера.

9) Последната минута ще бъде показана в секунди (при различни варианти е видимо само ако навлезете в програмирането на таймера през последната минута на отброяването)

10) С натискането на бутона на таймера без избрана зона и без приложен таймер към никоя зона не се извършва нищо.

11) С натискането на бутона на таймера без избрана зона и с приложен таймер към много зони, показаното чрез цифрите време се променя на ротационен принцип и показва времето, чийто дисплей на мощността е с активиран десетичен знак.

12) В зоната с приложен таймер се редуват мощност (5 секунди) и (0,5 секунди).

Оставащото време се показва в цифрите, запазени за таймера. Ако се прилага таймер към няколко зони, се показва най-малкото оставащо време и десетичният знак се показва в съответната зона.

Индикатор за остатъчна топлина (при излъчващи нагреватели -> изчислено)

Същите индикатори могат да се използват и за указване на „остатъчната топлина“. За тази цел трябва да се направи разписание: оставащо време на нагряване=f (ниво на мощността, време на работа).

Докато температурата на стъклената повърхност на готварския плот е над 65°C (теоретична стойност), това състояние ще се покаже на съответния дисплей чрез „Н“.

За генериране на температура над 65°C нагряващ елемент трябва да работи определено време, което зависи от нивото на мощността. След изтичане на това време предупреждението за остатъчна топлина ще се покаже, когато нагряващият елемент бъде изключен.

Автоматично изключване за безопасност

Ако нивото на мощността не бъде променено в рамките на предварително зададен период, съответният нагревател се изключва автоматично.

Максималното време, през което даден нагревател може да остане включен, зависи от избраното ниво на готвене.

Ниво на мощността	Макс. време във включено състояние (часове)
1	10
2	5
3	5
4	4
5	3
6	2
7	2
8	2
9	2
P	2

ЗАБЕЛЕЖКА: докато може да възникне ситуация на прегряване по време на работа на най-високото ниво на мощността, готварският плот автоматично ще регулира нивото на мощността, за да защити плота от прегряване.

7. ПОЧИСТВАНЕ И ТЕХНИЧЕСКА ПОДДРЪЖКА

. Преди да извършите почистване или поддръжка по готварския плот, оставете го да се охлади.

. Трябва да се използват само продукти (кремообразни почистващи препарати и скрепери), специално предназначени за стъкло-керамични повърхности. Те се предлагат в железарските магазини.

. Избягвайте разливи, тъй като всичко, което попадне върху повърхността на плота, ще изгори бързо и ще направи почистването по-трудно.

. Препоръчва се да държите далеч от плота всички вещества, които могат да се разтопят, като пластмасови предмети, захар и продукти на захарна основа.

ТЕХНИЧЕСКА ПОДДРЪЖКА:

- Капнете няколко капки от специализирания почистващ продукт върху повърхността на плота.

- Изтъркайте упоритите петна с мека кърпа или леко навлажнена кухненска хартия.

- Избършете с мека кърпа или суха кухненска хартия, докато повърхността е чиста.

Ако все още има упорити петна:

- Капнете още няколко капки от специализираната почистваща течност по повърхността.

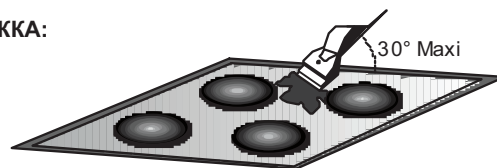
- Изтържете със скрепер, като го държите под ъгъл от 30° спрямо плота, докато петната изчезнат.

- Избършете с мека кърпа или суха кухненска хартия, докато повърхността е чиста.

- Повторете действието, ако е необходимо.

НЯКОЛКО СЪВЕТА: Честото почистване оставя защитен слой, който е важен за предотвратяване на надраскването и износването. Уверете се, че повърхността е чиста, преди да използвате готварския плот отново. За да премахнете следи от вода, използвайте няколко капки бял оцет или лимонов сок. След това избършете с попиваща хартия и няколко капки специализирана почистваща течност. Стъклокерамичната повърхност ще издържи на надраскване от готварски съдове с плоско дъно, но е винаги по-добре да ги повдигате, когато ги местите от една зона към друга.

ЗАБЕЛЕЖКА:



Не използвайте гъба, която е твърде мокра. Никога не използвайте нож или отвертка. Скрепер с бръснарско ножче няма да повреди повърхността, ако се държи под ъгъл от 30°. Никога не оставяйте скрепер с бръснарско ножче там, където може да бъде достигнат от деца. Никога не използвайте абразивни продукти или почистващ прах. **Металната рамка:** за безопасно почистване на металната рамка измийте със сапун и вода, изплакнете и изсушете с мека кърпа.

Промяната в цвета на стъклокерамичната повърхност не влияе на нейното функциониране или стабилност. Това обезцветяване се дължи предимно на остатъци от изгорена храна или използване на готварски съдове, изработени от материали като алуминий или мед; тези петна са трудни за премахване.

8. РАЗРЕШАВАНЕ НА ПРОБЛЕМИ

Готварските зони не излъчват достатъчна топлина за кипване или достатъчно изпържване на храната

Използвайте само съдове с плоско дъно. Ако между съда и плота се вижда светлина, зоната не предава топлината правилно.

Дъното на съда трябва напълно да покрива диаметъра на избраната зона.

Готвенето е прекалено бавно

Използват се неподходящи съдове. Използвайте само съдове с плоско дъно, които са тежки и имат диаметър най-малко равен на готварската зона.

Малки драскотини или изтърквания по стъклената повърхност на плота

Прилага се неправилно почистване или се използват съдове с грубо дъно; частици като пясъчинки или сол попадат между плота и дъното на съда. Вижте точка „ПОЧИСТВАНЕ“; уверете се, че дъната на съдовете са чисти преди употреба и използвайте само съдове с гладко дъно. Драскотините могат да бъдат избегнати само ако почистването се извършва правилно.

Следи от метал

Не плъзгайте алуминиеви готварски съдове по плота. Вижте препоръките за почистване.

Използвайте подходящи материали, но все още има петна. Използвайте бръснарско ножче и следвайте препоръките в точка „ПОЧИСТВАНЕ“.

Тъмни петна

Използвайте бръснарско ножче и следвайте препоръките в точка „ПОЧИСТВАНЕ“.

Светли повърхности по плота

Следи от алуминиев или меден съд, но също и остатъци от минерали, вода и храна; те могат да бъдат премахнати с кремообразен почистващ препарат.

Карамелизиране или разтопена пластмаса по плота.

Вижте точка „ПОЧИСТВАНЕ“.

Плотът не работи или определени зони не работят

Шунтовете не са правилно позиционирани в клемната кутия.

Проверете дали връзките са правилно осъществени и дали панелът за управление е заключен. Отключете плота.

Готварският плот не се изключва.

Панелът за управление е заключен. Отключете плота.

Честота на действията по включване/изключване за зони за готвене

Циклите на включване и изключване се различават в зависимост от желаното ниво на топлина:

- ниско ниво: кратко време на работа,
- високо ниво: продължително време на работа.

Готварският плот не работи.

Проверете състоянието на предпазителите/прекъсвачите за помещението. Проверете дали няма прекъсване на електрозахранването.

Готварският плот се самоизключва.

Главният прекъсвач (бутон за включване/изключване) е бил докоснат неволно или има друг предмет над някой бутон. Включете отново уреда без никакви предмети около бутоните. Въведете настройките отново.

Показване на F и цифри

Ако на дисплея се появят F и цифри, уредът е засякъл повреда. Следната таблица изброява действия, които можете да предприемете, за да коригирате проблема.

9. СЛЕДПРОДАЖБЕНО ОБСЛУЖВАНЕ

Преди да се обадите на сервизен инженер, проверете следното:

— дали щепселът е правилно вкаран и е с правилните предпазителни;

Ако повреда не може да се определи, изключете уреда – не опитвайте да го поправяте – и се обадете на сервизния център за следпродажбено обслужване. Уредът е снабден с гаранционен сертификат, който осигурява неговата безплатна поправка в сервизния център.

Дисплей на нагревателя	Повреда	Действие
F0	Софтуерна грешка в сензорната контрола.	Ако е възникнала грешка, извадете и включете отново щепсела на готварския плот към електрозахранването. Ако грешката продължава, се свържете с центъра за следпродажбено обслужване. Ако грешката изчезне внезапно при нормална работа, се свържете с центъра за следпродажбено обслужване.
Fc	Зоната със сензорен контрол е твърде гореща и е изключила всички нагреватели.	Изчакайте, докато температурата спадне. Готварският плот ще се възстанови автоматично, когато температурата достигне нормална стойност.
Ft	Температурният сензор на сензорната контрола може да е повреден.	Изчакайте, докато температурата спадне. Ако съобщението продължава да се показва, след като температурата е достигнала нормална стойност, се свържете с центъра за следпродажбено обслужване.
FE	Температурният сензор на сензорната контрола може да е повреден.	Изчакайте, докато температурата спадне. Ако съобщението продължава да се показва, след като температурата е достигнала нормална стойност, се свържете с центъра за следпродажбено обслужване.
Fb	Прекалена чувствителност на някой от бутоните.	Вижте дали готварският плот е монтиран правилно. Уверете се, че бутоните докосват правилно стъклената повърхност.
FU / FJ	Грешка в сигурността на клавиатурата	Тази грешка е самопроверка на клавиатурата. Тя изчезва, когато автоматичната проверка върне сигурна стойност. Ако грешката продължава, се свържете с центъра за следпродажбено обслужване.
FA	Грешка в сигурността на клавиатурата	Тази грешка е самопроверка на софтуера. Тя изчезва, когато автоматичната проверка върне сигурна стойност. Ако грешката продължава, се свържете с центъра за следпродажбено обслужване.
FC / Fd	Грешка в сигурността на клавиатурата	Тази грешка е самопроверка на софтуера. Тя изчезва, когато автоматичната проверка върне сигурна стойност. Ако грешката продължава, се свържете с центъра за следпродажбено обслужване.
Fr	Грешка в сигурността на релетата	Може да има проблем в управляващата верига на някое реле. Извадете щепсела на готварския плот от контакта, изчакайте една минута и включете отново. Ако грешката продължава, се свържете с центъра за следпродажбено обслужване.

INSTRUCCIONES DE SEGURIDAD

Recomendamos mantener las instrucciones de instalación y uso para consultas futuras. Antes de instalar la placa de cocción, anote el número de serie por si fuese necesario solicitar asistencia al servicio posventa.

ADVERTENCIA: El electrodoméstico y las partes accesibles de este se calientan durante el funcionamiento. Debe prestarse atención para no tocar los elementos térmicos. Los niños de menos de 8 años deben mantenerse alejados del electrodoméstico, a menos que estén constantemente vigilados.

ADVERTENCIA: Utilice solamente las protecciones que incorpora el electrodoméstico, las protecciones diseñadas por el fabricante del equipo de cocina o las protecciones que indica el fabricante en las instrucciones de uso, según corresponda. El uso de protecciones inadecuadas puede causar accidentes.

ADVERTENCIA: Dejar desatendida la placa de cocción mientras se cocina con grasa o aceite puede ser peligroso y originar un incendio. **NUNCA** intente apagar el fuego con agua; apague la placa de cocción y cubra la llama con una tapa o una manta ignífuga, por ejemplo.

ADVERTENCIA: Peligro de incendio; no coloque objetos en las superficies de cocción.

ADVERTENCIA: Si la superficie se agrieta, no toque el cristal y apague el electrodoméstico para evitar la posibilidad de sufrir una descarga eléctrica. Pueden utilizarlo niños a partir de 8 años de edad y personas con facultades físicas, sensoriales o mentales reducidas, o con falta de experiencia y conocimiento, si lo emplean bajo supervisión o se les instruye acerca de la seguridad del producto y entienden los riesgos que comporta. Es preciso vigilar a los niños para asegurarse de que no jueguen con el electrodoméstico. Los niños no deben limpiar ni mantener el producto sin supervisión.

PRECAUCIÓN: El proceso de cocción debe supervisarse. Los procesos de cocción breves deben vigilarse de manera continua.

Con el fin de evitar el riesgo de quemaduras graves, es muy recomendable mantener a los niños alejados de las zonas de cocción mientras estén funcionando, pero también cuando se apaguen mientras el indicador de calor residual siga encendido.

Este electrodoméstico no está diseñado para funcionar con un temporizador externo ni con ningún sistema de control remoto separado.

No mire fijamente a las lámparas halógenas de la placa de cocción.

Conecte un enchufe en el cable que transporta la tensión, la corriente y la carga indicadas en la etiqueta y que tiene el contacto de masa. La toma de corriente debe adecuarse a la carga indicada en la etiqueta y disponer de un contacto de masa conectado y operativo. El conductor de tierra es de color amarillo verdoso. Esta operación debe realizarla un profesional debidamente cualificado. Si la toma de corriente es incompatible con el enchufe del electrodoméstico, pida a un

electricista profesional que sustituya la toma por otra adecuada. El enchufe y la toma deben cumplir las normas actuales del país donde se instala el electrodoméstico.

En la conexión con la fuente de alimentación también puede utilizarse un contactor omnipolar entre la fuente y el electrodoméstico. Este debe soportar la carga conectada máxima y cumplir la legislación vigente.

El contactor no debe interrumpir el cable de tierra de color amarillo verdoso. La toma de corriente o el contactor omnipolar empleados deben estar fácilmente accesibles cuando se instala el electrodoméstico.

La desconexión puede realizarse mediante el enchufe accesible o mediante la incorporación de un interruptor en el cableado fijo con arreglo a las normativas de cableado.

Para evitar riesgos, el fabricante, su representante de servicio o cualquier otra persona cualificada deben cambiar los cables de alimentación que estén dañados. El conductor de tierra (amarillo verdoso) debe tener una longitud superior a 10 mm por el lado del bloque de conexión. La sección de los conductores internos debe adecuarse al consumo de potencia de la placa de cocción (indicado en la etiqueta). El cable de alimentación debe ser de tipo HO5V2V2-F.

No coloque objetos metálicos, como cuchillos, tenedores, cucharas o tapas, en la placa de cocción. Podrían calentarse.

En las superficies calientes no deben colocarse recipientes de plástico y papel de aluminio.

Después de cada uso, es preciso limpiar un poco la placa de cocción para evitar que se acumule suciedad y grasa. La suciedad y la grasa que no se eliminan se recalentarán y se quemarán cuando se utilice de nuevo la placa de cocción, con lo que se generará humo y se desprenderán olores desagradables, sin olvidar el riesgo de propagación del fuego.

Nunca utilice vapor o aerosoles a alta presión para limpiar el electrodoméstico.

No toque las superficies calientes durante el funcionamiento o inmediatamente después del uso.

Nunca cocine los alimentos directamente sobre la placa vitrocerámica.

Utilice siempre utensilios de cocina adecuados.

Coloque siempre el recipiente en el centro de la zona en la que esté cocinando. No coloque nada en el panel de control.

No utilice la placa de cocción como superficie de trabajo.

No utilice la superficie como tabla para cortar.

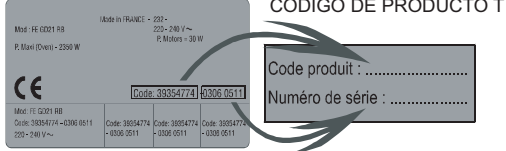
No coloque objetos pesados encima de la placa de cocción. Podrían ocasionar daños si se cayesen en la placa de cocción.

No acumule objetos en la placa de cocción.

No deslice los utensilios de cocina por la placa de cocción.

No se requiere ninguna operación/ajuste adicional para hacer funcionar el aparato a las frecuencias nominales.

Placa de identificación (situada debajo de la carcasa inferior de la placa de cocción)



1. ADVERTENCIAS GENERALES

Al colocar la marca **CE** en este electrodoméstico, garantizamos el cumplimiento de todos los requisitos ambientales, sanitarios y de seguridad aplicables a esta categoría de productos según la legislación europea.

2. PROTECCIÓN DEL MEDIO AMBIENTE



Este electrodoméstico tiene la marca de conformidad con la Directiva europea 2012/19/UE sobre residuos de aparatos eléctricos y electrónicos (RAEE).

Los RAEE contienen sustancias contaminantes (que pueden tener consecuencias negativas para el medio ambiente) y componentes básicos (que pueden reutilizarse). Es importante someter los RAEE a procedimientos específicos para eliminar y desechar de manera correcta todos los contaminantes, además de recuperar y reciclar todos los materiales.

Todos personalmente somos importantes cuando se trata de garantizar que los RAEE no se conviertan en un problema ambiental. Para esto, es fundamental respetar algunas reglas básicas:

- Los RAEE no deben tratarse como residuos domésticos.
- Los RAEE deben entregarse en los puntos de recogida pertinentes que gestionan los municipios o las empresas autorizadas. En algunos países existe un servicio de recogida de RAEE de gran tamaño.

En muchos países se puede entregar el electrodoméstico antiguo al comprar otro nuevo en el establecimiento, que deberá recogerlo de forma gratuita siempre que se trate de un electrodoméstico equivalente y que tenga las mismas funciones que el suministrado.

3- INSTALACIÓN

La instalación del electrodoméstico es una operación complicada que, si no se realiza de manera correcta, puede tener graves consecuencias en la seguridad de los alimentos, los bienes materiales o las personas. Por este motivo, es competencia de profesionales cualificados, que deben llevarla a cabo con arreglo a los reglamentos técnicos.

Si se ignora este consejo y una persona no cualificada instala el electrodoméstico, el fabricante no se hará responsable de los fallos técnicos que pueda presentar, con independencia de si ocasionan o no daños materiales o lesiones a personas o animales.

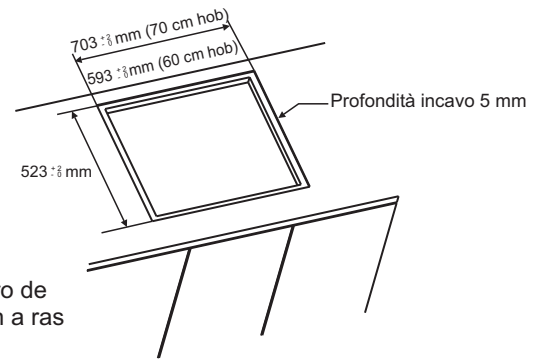
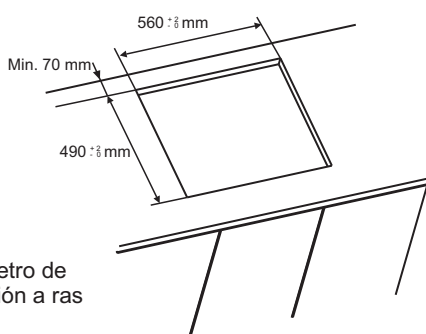
Tras quitar el embalaje, asegúrese de que el electrodoméstico no esté dañado; si no es así, póngase en contacto con el establecimiento o el servicio posventa del fabricante.

Asegúrese de que los muebles en los que se instale el electrodoméstico, y demás mobiliario próximo, sean de materiales que resistan las altas temperaturas (100 °C mín.).

Asimismo, será preciso fijar el laminado para decoración con cola de alta resistencia.

El electrodoméstico puede empotrarse en un mueble en el modo "estándar" o "a ras".

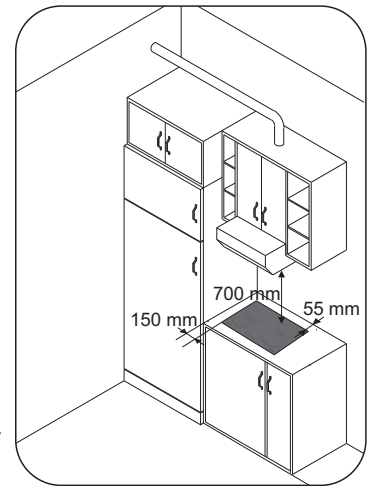
La encimera en la que se instale deberá tener un grosor de 25 a 45mm



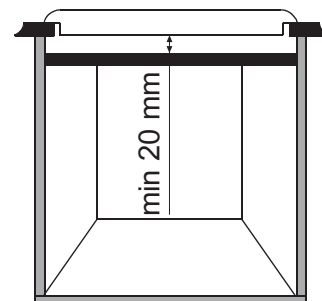
Nota: Las medidas del perímetro interno son las mismas en la instalación estándar.

Entre la placa de cocción y la pared trasera debe dejarse una distancia mínima de 55 mm; entre la placa de cocción y el mueble vertical o las paredes del lateral debe quedar al menos una separación de 150 mm. Si se instala un mueble encima de la placa de cocción, habrá que dejar una distancia mínima de 700 mm.

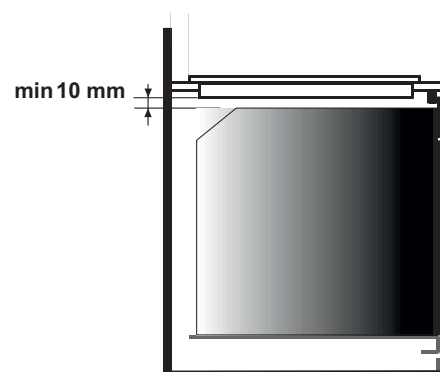
Cuando vaya a instalar una campana encima de la placa de cocción, consulte los requisitos específicos de la campana; en cualquier caso, la distancia entre la placa de cocción y la campana no debería ser inferior a 700 mm.



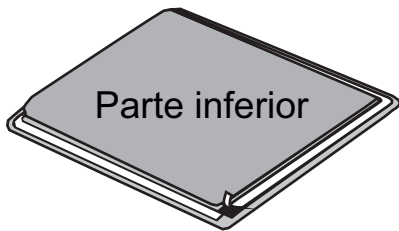
Si la parte inferior de la placa de cocción es adyacente a una zona normalmente accesible durante las operaciones de manipulación o limpieza, debe colocarse un separador 20 mm por debajo de la parte inferior de la placa de cocción.



Cuando instale un horno bajo la placa de cocción, no se necesitará separador y se tendrá que dejar una distancia mínima no inferior a 10 mm entre la parte inferior de la placa de cocción y el horno. No instale hornos sin enfriamiento bajo esta placa de cocción y respete los requisitos de instalación del horno para instalarlo

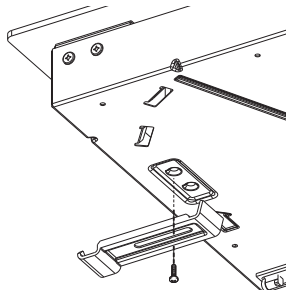


Con la placa de cocción se suministra una junta estanca al agua. Instale la junta alrededor de la parte inferior de la placa de cocción como se describe y asegúrese de que esté correctamente instalada para evitar filtraciones en los muebles sobre los que se apoya.

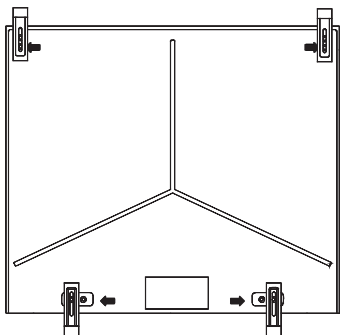


Fijación normal:

- Saque las abrazaderas de fijación de la bolsa de accesorios y acóplelas en la posición mostrada en el cuadro inferior. (No apriete los tornillos para bloquear las abrazaderas, ya que deberían moverse con libertad).

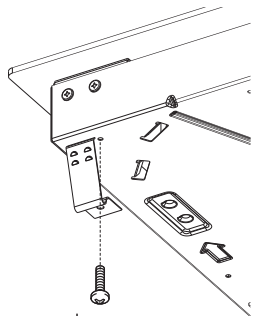


- Introduzca la placa de cocción en el centro del hueco.
- Gire las abrazaderas y apriételas por completo.

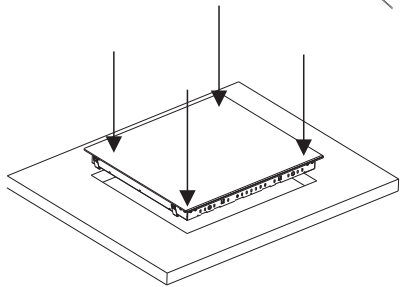


Fijación rápida: (Dependiendo del modelo)

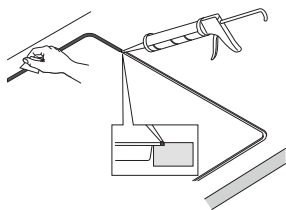
Saque cuatro resortes de la bolsa de accesorios y acóplelos en el cuadro inferior, como se muestra en la figura.



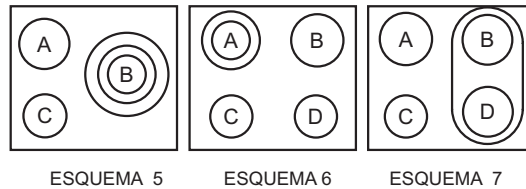
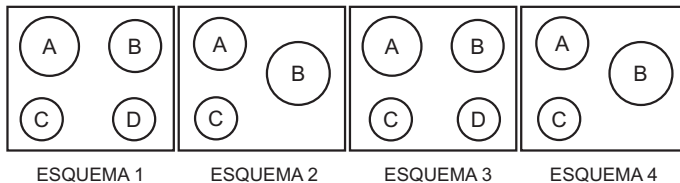
Centre la placa de cocción e introdúzcala en el hueco. Presione los lados de la placa de cocción hasta que queda sujeta en todo el perímetro.



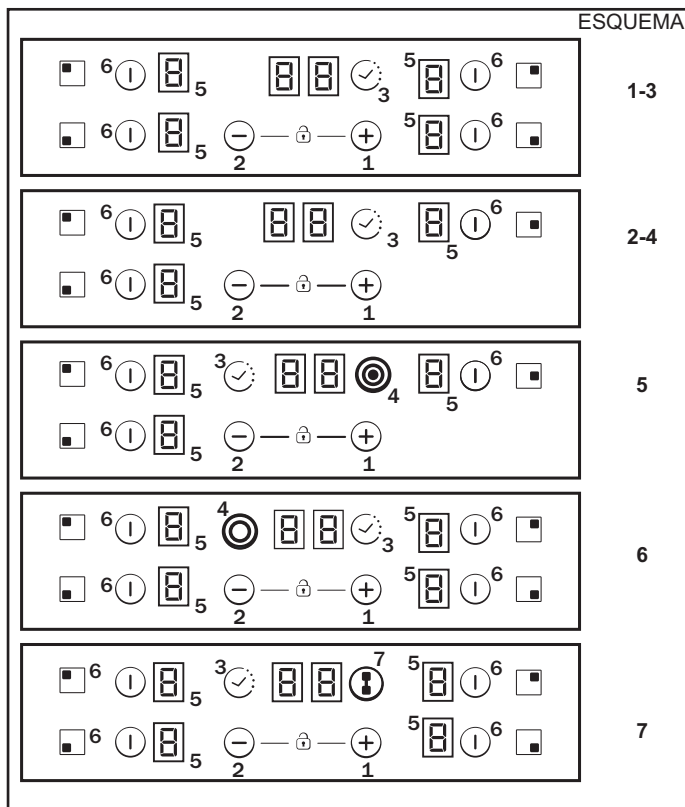
INSTALACIÓN A RAS Una vez que haya comprobado que la placa de cocción está en la posición correcta, utilice silicona para rellenar el espacio situado entre la encimera y la placa de cocción. Aplaste la capa de silicona con una espátula o con un dedo humedecido con agua y jabón antes de que se seque. No utilice la placa de cocción hasta que la capa de silicona se haya secado por completo.



4. CONEXIÓN ELÉCTRICA



	A	B	C	D
ESQUEMA	2300W	1800W	1200W	1200W
ESQUEMA	1800W	2500W	1200W	-
ESQUEMA	2300W	1800W	1200W	1200W
ESQUEMA	1800W	2500W	1200W	-
ESQUEMA	1800W	750+900+1050W	1200W	-
ESQUEMA	1000+1200 w	1800W	1200W	1200W
ESQUEMA	1800W	1800W	1200W	1800W



Según el modelo

1. "+"
2. "-"
3. TEMPORIZADOR
4. LED de zona de cocción adicional
5. Indicador de programación de zona de cocción
6. Selección de la zona
7. Puente

"La instalación debe realizarse como exigen la normativa y las directivas actuales". El fabricante no se responsabiliza de los daños ocasionados por un uso inadecuado o irracional del electrodoméstico.

ADVERTENCIA: El fabricante no se hace responsable de los percances que puedan producirse durante el uso de un electrodoméstico sin conexión a tierra o con conexión a tierra defectuosa, ni de las consecuencias que esto pueda originar.

Antes de llevar a cabo cualquier operación eléctrica, compruebe la tensión de alimentación en el contador de electricidad, el ajuste del disyuntor, la continuidad de la conexión a tierra de la instalación y si el fusible es adecuado.

En la conexión eléctrica a la instalación debe tenerse en cuenta la potencia nominal del electrodoméstico. La conexión debe realizarse por medio de un interruptor de corte omnipolar.

Si el electrodoméstico tiene una toma de corriente, tendrá que instalarse de manera que esté accesible.

El conductor amarillo/verde del cable eléctrico debe conectarse a la masa de los terminales de la red y del electrodoméstico.

Para formular preguntas sobre el cable de alimentación, diríjase al servicio posventa o a un técnico cualificado.

Si la placa de cocción dispone de cable de alimentación, este debe conectarse solamente a una toma de 220-240 V entre fase y neutro.

No obstante, es posible conectar la placa de cocción a:

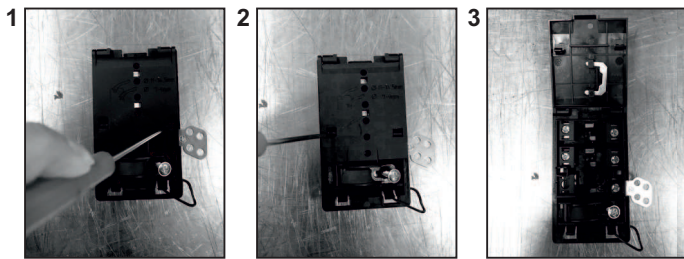
- Trifásico, 220-240 V3
- Trifásico, 380-415 V2N

Para realizar la nueva conexión, siga estas instrucciones:

Antes de realizar la conexión, asegúrese de que la instalación está protegida con un fusible adecuado y que cuenta con cables de sección suficiente para suministrar corriente al electrodoméstico.

Gire la placa de cocción para colocar la parte de cristal contra la encimera; tenga cuidado con el cristal cuando realice esta operación.

Abra la cubierta en la secuencia siguiente:



- Afloje el sujetacables "1".
- Encuentre las dos lengüetas de los laterales.
- Coloque la hoja de un destornillador plano en las lengüetas "2" y "3"; empuje hacia el interior y presione.
- Quite la tapa.

Para soltar el cable de alimentación:

Retire los tornillos que sujetan el bloque de conexión que contiene las barras de derivación y los conductores del cable de alimentación.

Extraiga el cable de alimentación.

Operaciones necesarias para una nueva conexión:

- Elija el cable de alimentación con arreglo a las recomendaciones de la tabla.
- Pase el cable de alimentación por la abrazadera.
- Corte el extremo de cada conductor del cable de alimentación a una longitud de 10 mm y tenga en cuenta la longitud que necesita tener el cable para conectarse al bloque de conexión.
- En función de la instalación y con ayuda de las barras de derivación que debería haber recuperado en la primera operación, fije el conductor como se muestra en el diagrama.
- Fije la cubierta.
- Atornille el sujetacables.

Nota: Asegúrese de apretar los tornillos de la regleta de terminales.

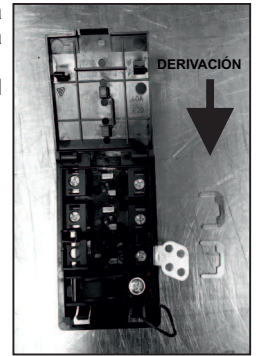
Operaciones necesarias para una nueva conexión:

- Elija el cable de alimentación con arreglo a las recomendaciones de la tabla.
- Pase el cable de alimentación por la abrazadera.

- Corte el extremo de cada conductor del cable de alimentación a una longitud de 10 mm y tenga en cuenta la longitud que necesita tener el cable para conectarse al bloque de conexión.

- En función de la instalación y con ayuda de las barras de derivación que debería haber recuperado en la primera operación, fije el conductor como se muestra en el diagrama.

- Fije la cubierta.
- Atornille el sujetacables.



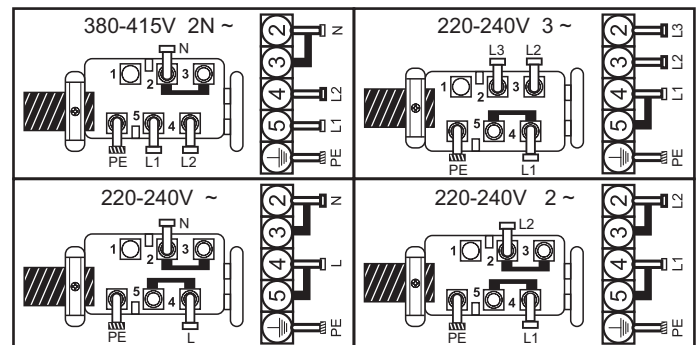
ATENCIÓN:

Si fuese necesario sustituir el cable de alimentación, conecte el conductor en función del color/código siguiente:

AZUL	Neutro	(N)
MARRÓN	Con corriente	(L)
AMARILLO VERDOSO	Tierra	(⊕)

Conexión a los terminales del bloque de conexión

	ESQUEMA "1-6"	ESQUEMA "7"
MONOFÁSICO o BIFÁSICO 220-240 V~		
Cable HO5V2V2F	3x2,5 mm ²	3x4 mm ²
TRIFÁSICO 220-240 V3~		
Cable HO5V2V2F	4x1,5 mm ²	4x1,5 mm ²
TRIFÁSICO 380-415 V2N~		
Cable HO5V2V2F	4x1,5 mm ²	4x1,5 mm ²



L1 / L2 / L3 = Fase N = Neutro PE = Tierra

5. CONSEJO SOBRE LOS UTENSILIOS DE COCINA

El uso de utensilios de buena calidad es fundamental para que la placa de cocción funcione de manera óptima.



- **Utilice siempre utensilios de buena calidad con base completamente plana y gruesa:** El uso de este tipo de utensilios de cocina evitará la concentración de calor en determinados puntos, lo que hace que se pegue la comida. Las ollas y sartenes de metal gruesas ofrecen una mejor distribución del calor.

- **Asegúrese de que la base de la olla o sartén esté seca:** Cuando llene los recipientes de líquido o utilice un recipiente que haya estado en el frigorífico, asegúrese de que la base esté completamente seca antes de colocarlo en la placa de cocción. De esta forma se evitará que la placa de cocción se manche.

- **Utilice recipientes cuyo diámetro cubra por completo la zona de cocción:** El recipiente no debe ser más pequeño que el área de cocción. Si es un poco más ancho, ofrecerá una eficiencia energética máxima.

ELECCIÓN DE LOS UTENSILIOS DE COCINA: La siguiente información ayuda a elegir los utensilios de cocina que ofrecen mejores resultados.

Acero inoxidable: *Muy recomendable.* Especialmente adecuado con base tipo sándwich. La base tipo sándwich combina las ventajas del acero inoxidable (aspecto, duración y estabilidad) con las del aluminio o el cobre (conducción térmica, distribución uniforme del calor).

Aluminio: *Pesado recomendado.* Buena conductividad. Aunque a veces los residuos de aluminio se confunden con arañazos en la placa de cocción, pueden eliminarse si se limpia de inmediato. Dada su baja temperatura de fusión, no debe utilizarse aluminio delgado.

Hierro fundido: *Puede utilizarse, pero no es recomendable.* Malos resultados. Puede arañar la superficie.

Fondo de cobre / gres cerámico: *Pesado recomendado.* Buenos resultados, pero el cobre podría dejar residuos que parezcan arañazos. Los residuos pueden eliminarse siempre limpiando la placa de cocción de inmediato. No hay que dejar que el contenido de estas cazuelas hierva hasta evaporarse. El metal recalentado puede adherirse a la vitrocerámica. El cobre recalentado dejará residuos que mancharán la placa de cocción de forma permanente.

Porcelana/esmalte: Buen resultado solo con base plana, lisa y pequeña.

Vitrocerámica: *No recomendado.* Malos resultados. Puede arañar la superficie.

6. USO

Cómo elegir el nivel de gestión de potencia.

A través de la función "Gestión de energía", el usuario puede establecer la potencia máxima que puede alcanzar la placa. La función de gestión de energía solo está disponible durante los primeros 30 segundos después de encender la placa. Incluso existe la posibilidad de repetir esta configuración apagando y encendiendo el enchufe.

Al establecer la potencia máxima deseada, la placa de cocción ajusta automáticamente la distribución en las diversas zonas de cocción para que nunca se exceda este límite, con la ventaja adicional de poder gestionar simultáneamente todas las zonas sin problemas de sobrecarga. El cliente puede configurar la potencia máxima de la placa entre 2,5 kW y la potencia máxima relacionada de la placa (esto puede cambiar según el modelo) (por ejemplo, si la potencia máxima de la placa es de 7,2 kW, el nivel de potencia máxima para la configuración es de entre 2,5 kW y 7,2 kW).

En el momento de la compra, la placa está configurada con la potencia máxima.

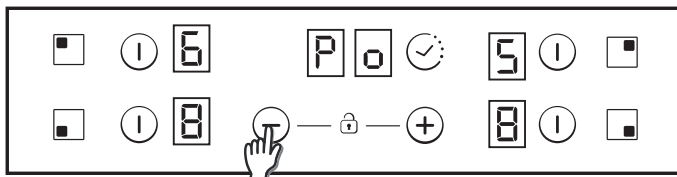
Después de conectar el dispositivo a la corriente eléctrica, en 30 segundos puede establecer el nivel de potencia en función de los puntos que se muestran a continuación:

1 - Encienda la placa.

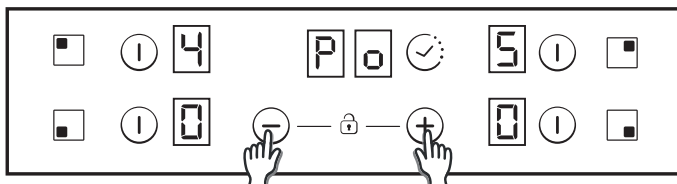
2 - Deje que el control táctil termine su proceso de inicialización.

3 - Antes de que pasen 30 segundos, toque durante 5 segundos la tecla "0".

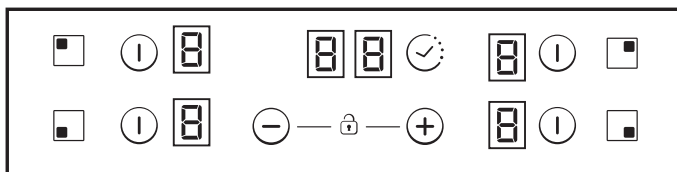
4 - Después de este momento, aparecerá este mensaje en la pantalla.



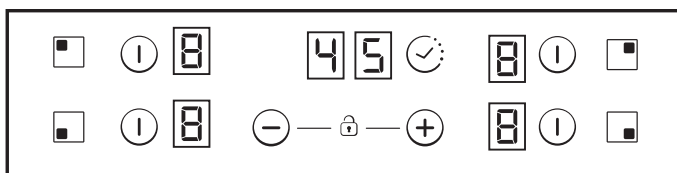
5 - Usando la tecla "Más" del TEMPORIZADOR y la tecla "Menos", puede ajustarse el valor de gestión de la potencia. En este caso, entre 6500 y 2500w. Cuando esté seleccionado el valor requerido, toque a la vez las teclas "Más" y "Menos" durante 5 segundos.



6 - Cuando ha terminado este proceso, se escuchará un largo pitido y se habrá realizado el reset. Comenzará de nuevo el proceso de puesta en marcha.

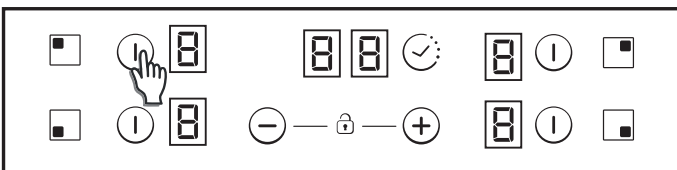


7 - Tras el proceso de puesta en marcha, en la pantalla del temporizador, se mostrará la gestión de potencia ECO.



Tras ello, el control táctil no permitirá ninguna combinación, que pueda superar este límite Eco.

Encendido/apagado de una zona de cocción



escuchará un pitido largo y el valor "0" aparecerá en la zona prevista para indicar el nivel de potencia.

1) Cuando haya alguna fase de cocción en 0, el visualizador se apagará automáticamente después de 10 segundos y se escuchará la secuencia acústica de apagado de zona.

2) Cuando haya una indicación de calor residual activa en el visualizador con potencia 0, aparecerá el valor "0" alternante.

3) La zona no se puede encender si la función de bloqueo está activa.

Para apagar una zona de cocción, tóquela durante 1,2 segundos. Se escucharán 3 pitidos cortos y el indicador de la zona prevista no mostrará nada o presentará el valor "H" cuando haya calor residual. La zona se apagará.

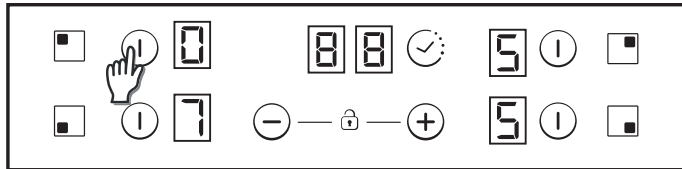
1) Cuando haya alguna fase de cocción en 0, el visualizador se apagará automáticamente después de 10 segundos y se escuchará

la secuencia acústica de apagado de zona.

- 2) En el visualizador se utiliza la indicación "H" para advertir de la existencia de calor residual en una zona apagada.
- 3) La zona se puede apagar, aunque la función de bloqueo esté activa.
- 4) Si solo hay una zona de cocción activa y se apaga, se escucharán 4 pitidos cortos; esto indicará que la placa entera está apagada.

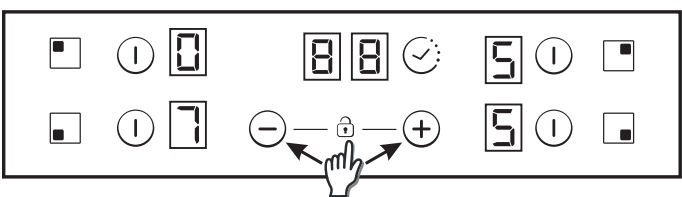
Selección de una zona

La intensidad de iluminación de las zonas seleccionadas que siguen encendidas disminuye.



Si solo hay una zona encendida, se selecciona de forma predeterminada sin necesidad de pulsar brevemente (150 ms) la tecla de selección.

Aumento/reducción del nivel de potencia



Con una breve pulsación de las teclas '+' o '-' se aumenta o se reduce la potencia del indicador de las zonas seleccionadas: 0-1-2-3...9-P

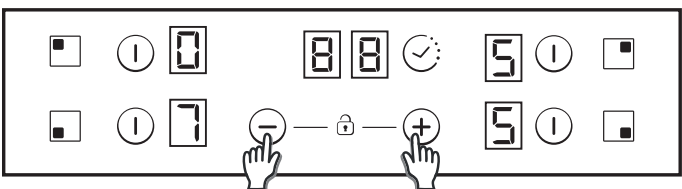
1. Con una pulsación larga de las teclas + o - se aumenta/disminuye el nivel de potencia de forma continua. Con un rápido aumento, la potencia se detiene en el nivel 9. Para que la potencia siga aumentando, se requiere otra breve pulsación de la tecla +. No se escucha ningún pitido con las operaciones de aumento/reducción rápida.

2. Una vez que se llega al nivel de potencia P, este no cambia a 0 al pulsar la tecla + de nuevo. Cuando se alcanza el nivel de potencia 0, este tampoco cambia a P si se pulsa la tecla - otra vez.

3. Con una zona encendida en el nivel de potencia 0, el valor 0 parpadea de forma alterna si todavía está caliente. Después de 10 segundos, la indicación 0 se sustituirá por la letra 'H' fija en el visualizador.

4. Cuando se seleccione una zona de cocción y se pulsen las teclas '+' y '-' de forma simultánea, el nivel de potencia cambiará a '0'. Sin embargo, la zona de cocción se mantendrá seleccionada durante 10 segundos. Si se ha programado el temporizador de la zona de cocción, este se apagará. Esta acción solo puede realizarse en varios casos dependiendo de la configuración de control táctil. Los ejemplos siguientes son meramente informativos. La experiencia personal permitirá adecuar estos ajustes en función de los gustos y los hábitos personales.

Opción de bloqueo infantil



Esta acción se realiza cuando se pulsen las teclas '+' y '-' al mismo tiempo.

El visualizador mostrará "L" durante 2 segundos en cuanto se pulse una tecla. El estado de la zona de cocción no cambiará.

Para desactivar el bloqueo infantil, realice el proceso que se ha descrito antes. Escuchará un pitido corto y el visualizador mostrará la letra "n". La placa de cocción permanecerá desbloqueada.

Nota: El bloqueo infantil automático se producirá en 15 minutos después de que la placa de cocción se apague por completo. Para que esta función se aplique de forma automática, primero habrá que programarla. Consulte la sección de ajustes del usuario.

Zonas dobles/triples

Para encender el anillo de extensión doble, la zona principal asociada debe estar encendida y el nivel de potencia indicado debe ser superior a 0.

8.1- Zona doble encendida

El anillo de extensión se enciende con 1 breve pulsación de la tecla de extensión. El LED de la tecla de extensión se enciende cuando el anillo de extensión está encendido.

El anillo de extensión se apaga con la 2ª pulsación breve de la tecla de extensión.

Se genera un breve pitido con cada pulsación de la tecla de extensión.

8.2- Zona triple encendida

El anillo de extensión se enciende con 1 breve pulsación de la tecla de extensión. El LED de la tecla de extensión 1 se enciende cuando el 1º anillo de extensión está encendido (LED izquierdo en caso de zona triple, central y solo LED en caso de zona doble).

El 2º anillo de extensión se enciende con la 2ª pulsación breve de la tecla de extensión. Los 2 LED de la tecla de extensión se encienden cuando los anillos de extensión 1 y 2 están encendidos.

Los anillos de extensión 1 y 2 se apagan con la 3ª pulsación breve de la tecla de extensión.

Se genera un breve pitido con cada pulsación de la tecla de extensión.

Función de puente

El puente solo puede activarse cuando ambas zonas de cocción están apagadas. Se ha seleccionado una zona de cocción del puente; pulse la tecla correspondiente para activar la función de puente.

Suena un pitido y el LED de la zona se enciende si la zona está activada.

Ambas zonas de cocción del puente se seleccionarán al mismo tiempo.

Una vez que se seleccionen las zonas de cocción, el nivel de potencia podrá seleccionarse con las teclas + - si no es el deseado.

En los visualizadores de ambas zonas de cocción del puente aparecerá el mismo nivel de potencia. La función finalizará:

- Si se pulsa la tecla de puente en el modo de ajuste
- Si el usuario selecciona el nivel de potencia "0"

Seguridad por desbordamiento

Algo (objeto o líquido) ha mantenido pulsada una tecla durante más de 5 segundos. Mientras se mantenga pulsada la tecla, sonarán 2 pitidos cortos y 1 pitido largo cada 30 segundos. La placa se apagará.

Este símbolo seguirá parpadeando mientras no se solucione la incidencia.

Temporizador

La función de temporizador puede activarse con su propia tecla o tocando las teclas '+' y '-' al mismo tiempo.

En ambos casos, la zona de cocción debe estar seleccionada y tener un nivel de potencia superior a 0.

Seleccione la zona a la que quiera aplicar el temporizador. La zona debe tener un nivel de potencia superior a 0. La indicación estática se muestra en la zona temporizada. "0 0" aparece en el indicador reservado para el temporizador.

1) Con la tecla "+" o "-" se puede elegir el temporizador. No se producen pitidos al cambiar el tiempo.

2) El temporizador se cancela (cambia a 00) cuando se pulsan las teclas al mismo tiempo.

3) Si la tecla "+" o "-" del temporizador se mantiene pulsada durante un tiempo por determinar, se produce un ajuste rápido.

4) Cuando se programa el tiempo en el temporizador, es posible pasar de "00" a "99" con la tecla "-" y de "99" a "00" con la tecla "+".

5) El tiempo máximo son 99 minutos.

6) Cuando transcurra el tiempo y la placa de cocción pite, pulse cualquier tecla para detener la alarma y la secuencia del indicador.

7) Es posible ajustar el tiempo del temporizador mientras este está funcionando.

8) La potencia de la zona de cocción temporizada se puede modificar sin que afecte a la programación del temporizador.

9) Se mostrarán los segundos del último minuto (en las variantes solo está visible si el temporizador se programa durante el último minuto de la cuenta atrás).

10) Si se pulsa la tecla del temporizador sin que se haya seleccionado ninguna zona, la placa no reacciona.

11) Cuando se pulsa la tecla del temporizador sin seleccionar ninguna zona y en los casos en que el temporizador se aplica a

muchas zonas, el tiempo mostrado en el indicador rota y aparece la indicación de tiempo cuyo visualizador de potencia tiene activado el punto (coma) decimal.

12) La potencia (5 s) y (0,5 s) se muestra de forma alternativa en la zona que se está temporizando.

En el indicador reservado para el temporizador se muestra el tiempo restante. Cuando se temporizan varias zonas al mismo tiempo, se muestra el menor tiempo restante y en la zona correspondiente aparece el punto (coma) decimal

Indicador de calor residual (zonas con calor radiante -> calculado)

Con la indicación de "calor residual" se pueden utilizar los mismos indicadores. Por este motivo debe definirse una tabla de tiempo: Tiempo de calentamiento restante = f (nivel de potencia, tiempo de funcionamiento).

Mientras la temperatura en la superficie de la vitrocerámica sea superior a 65 °C (valor teórico), se indicará en el visualizador correspondiente mediante la letra "H".

Para generar una temperatura por encima de 65 °C, el elemento térmico tiene que estar funcionando durante un cierto tiempo, que depende del nivel de potencia. Una vez que se acaba este tiempo y que el elemento térmico se apaga, se muestra la advertencia de calor residual.

Desconexión automática de seguridad

Si el nivel de potencia no cambia durante un tiempo predefinido, la zona de cocción se apaga de forma automática.

El tiempo máximo que una zona de cocción puede permanecer encendida depende del nivel de cocción seleccionado.

Nivel de potencia	Tiempo máx. (horas)
1	10
2	5
3	5
4	4
5	3
6	2
7	2
8	2
9	2
P	2

NOTA: Si se produce un recalentamiento durante el funcionamiento en los niveles de potencia más altos, la placa de cocción ajustará automáticamente el nivel de potencia.

7. LIMPIEZA Y MANTENIMIENTO

Antes de realizar cualquier mantenimiento en la placa de cocción, deje que se enfríe.

. Solo deben utilizarse productos (cremas y rascadores) expresamente diseñados para el uso en vitrocerámicas que están disponibles en los comercios.

. Evite derrames, ya que cualquier cosa que caiga en la superficie de la placa de cocción se quemará rápidamente y dificultará más la limpieza.

. Es recomendable mantener alejadas de la placa de cocción todas las sustancias que puedan derretirse, como los plásticos, el azúcar o los productos azucarados.

MANTENIMIENTO:

- Ponga unas cuantas gotas del producto de limpieza específico en la superficie de la placa.
- Utilice un paño suave o papel de cocina ligeramente humedecido para frotar las manchas difíciles.
- Continúe usando el paño o el papel hasta que la superficie esté limpia.

Si todavía queda alguna mancha difícil:

- Añada unas cuantas gotas más del producto de limpieza específico a la superficie.
- Elimine las manchas con un rascador y sujételo en un ángulo de 30° con respecto a la placa.
- Continúe usando el paño o el papel hasta que la superficie esté limpia.
- Repita la operación si es necesario.

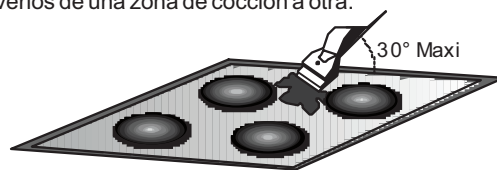
UNOS CUANTOS CONSEJOS:

Las operaciones de limpieza frecuentes crean una capa protectora que es fundamental para evitar rayas y desgaste. Asegúrese de que

la superficie esté limpia antes de utilizar la placa de cocción otra vez. Para eliminar las marcas de agua, utilice unas cuantas gotas de vinagre blanco o zumo de limón. Luego utilice papel absorbente y unas cuantas gotas de líquido limpiador específico.

Aunque la superficie de la vitrocerámica resiste los arañazos que producen los recipientes de base plana, siempre es mejor levantarlos para moverlos de una zona de cocción a otra.

Nota:



No utilice esponjas demasiado mojadas.

Nunca utilice cuchillos o destornilladores.

El uso de un rascador con hoja de afeitar no dañará la superficie mientras se mantenga en ángulo de 30°.

Nunca deje el rascador con hoja de afeitar al alcance de los niños.

No utilice limpiadores en polvo ni productos abrasivos nunca.

Marco de metal: Para limpiar de forma segura el marco de metal, utilice agua y jabón, enjuague y seque con un paño suave.

Los cambios de color de la superficie vitrocerámica no afectarán a su funcionamiento ni a la estabilidad de la superficie. Estas pérdidas de color se deben en su mayoría a los restos de alimentos quemados o al uso de utensilios de cocina hechos de materiales como aluminio o cobre. Estas manchas son difíciles de eliminar.

8. SOLUCIÓN DE PROBLEMAS

Las zonas de cocción no permiten cocinar a fuego lento o sofreír
Utilice cacerolas de base plana. Si se distingue luz entre la cacerola y la placa de cocción, la zona no está transmitiendo el calor correctamente.

La base de la cacerola debería cubrir por completo el diámetro de la zona seleccionada.

La cocción es demasiado lenta

Se están utilizando cacerolas inadecuadas. Utilice utensilios con base plana solamente, que sean pesados y tengan al menos el mismo diámetro que la zona de cocción.

Pequeños arañazos o raspaduras en la superficie de cristal de la placa de cocción

Se ha limpiado de manera incorrecta o se han utilizado cacerolas con base rugosa; se han introducido granos de arena o de sal entre la placa de cocción y la base de la cacerola. Consulte la sección "LIMPIEZA". Asegúrese de que la base de las cacerolas esté limpia antes de usarlas y utilice cacerolas con base lisa solamente. Los arañazos se pueden reducir solamente si la limpieza se realiza de manera correcta.

Marcas de metal

No deslice las cacerolas de aluminio por la placa de cocción. Consulte las recomendaciones de limpieza.

Las manchas no desaparecen, aunque utilice los materiales adecuados. Utilice una hoja de afeitar y siga las instrucciones de la sección "LIMPIEZA".

Marcas oscuras

Utilice una hoja de afeitar y siga las instrucciones de la sección "LIMPIEZA".

Manchas ligeras en la placa de cocción

Las marcas de cacerolas de aluminio o cobre, pero también de minerales, agua o alimentos, se pueden eliminar con limpiadores en crema.

Restos de caramelizado o plástico fundido en la placa de cocción

Consulte la sección "LIMPIEZA".

La placa de cocción o ciertas zonas no funcionan

Las derivaciones no están correctamente colocadas en la regleta de terminales.

Compruebe si se ha realizado la conexión y si el panel de control está bloqueado. Desbloquee la placa de cocción.

La placa de cocción no se desconecta

El panel de control está bloqueado. Desbloquee la placa de cocción.

Frecuencia de operaciones de encendido/apagado de las zonas de cocción

Los ciclos de encendido/apagado varían en función del nivel de calor necesario:

- Bajo nivel: Tiempo de funcionamiento corto
- Alto nivel: Tiempo de funcionamiento largo

La placa no funciona

Compruebe los fusibles y los disyuntores del lugar en el que se encuentra instalada. Asegúrese de que no se ha producido un corte de corriente.

La placa se ha apagado de forma autónoma

Compruebe si se ha tocado accidentalmente el interruptor principal (encendido/apagado) o si se ha situado algún objeto sobre la tecla. Encienda la unidad de nuevo sin que haya ningún objeto en el teclado. Introduzca de nuevo los ajustes.

Aparición de F y números

Si aparecen F y números en el visualizador, la unidad ha detectado una avería. En la tabla siguiente se enumeran las acciones que pueden realizarse para solucionar el problema.

9. CUIDADO POSTERIOR

Antes de avisar al técnico de servicio, compruebe lo siguiente:

— El enchufe está correctamente insertado y dispone de fusible.
— Si no puede identificar el fallo, apague el electrodoméstico. — No lo manipule. — Llame al centro de asistencia posventa. El electrodoméstico se suministra con un certificado de garantía que garantiza su reparación de forma gratuita en el centro de servicio.

Indicación	Fallo	Acción
F0	Error de software de control táctil.	Si se produce este error, desconecte la placa de cocción de la corriente eléctrica y conéctela de nuevo. Si el error persiste, llame al servicio posventa. Si el error se produce de forma repentina durante el funcionamiento normal, llame al servicio posventa.
Fc	La zona de control táctil está demasiado caliente y se han apagado todas las zonas de cocción.	Espere hasta que la temperatura descienda. La placa de cocción se recuperará automáticamente cuando la temperatura alcance un valor normal.
Ft	El sensor de temperatura de control táctil puede estar dañado.	Espere hasta que la temperatura descienda. Si el mensaje no desaparece cuando la temperatura coincide con la temperatura ambiente, llame al servicio posventa.
FE	El sensor de temperatura de control táctil puede estar dañado.	Espere hasta que la temperatura descienda. Si el mensaje no desaparece cuando la temperatura coincide con la temperatura ambiente, llame al servicio posventa.
Fb	Sensibilidad excesiva en cualquier tecla.	Compruebe si la placa de cocción está montada correctamente. Asegúrese de que la superficie de cristal permite una pulsación correcta de las teclas.
FU / FJ	Error de seguridad de teclado.	Este error es una comprobación automática por teclado. Desaparece cuando se obtiene un valor seguro al final de la comprobación. Si el error persiste, llave al servicio posventa.
FA	Error de seguridad de teclado.	Este error es una comprobación automática de software. Desaparece cuando se obtiene un valor seguro al final de la comprobación. Si el error persiste, llave al servicio posventa.
FC / Fd	Error de seguridad de teclado.	Este error es una comprobación automática de software. Desaparece cuando se obtiene un valor seguro al final de la comprobación. Si el error persiste, llave al servicio posventa.
Fr	Error de seguridad de relés.	El relé puede tener algún problema. Desconecte la placa de cocción de la alimentación, espere un minuto y vuelva a encenderla. Si el error persiste, llave al servicio posventa.

VEILIGHEIDSAANWIJZINGEN

Wij raden u aan om de instructies voor installatie en gebruik te bewaren voor later gebruik. Noteer voordat u de kookplaat installeert het serienummer, voor het geval u hulp nodig heeft van de klantenservice.

WAARSCHUWING: het apparaat en de toegankelijke onderdelen worden heet tijdens gebruik. Wees voorzichtig en raak de verwarmingselementen niet aan. Kinderen onder de 8 jaar moeten uit de buurt van het apparaat worden gehouden, tenzij ze onder voortdurend toezicht staan.

WAARSCHUWING: gebruik alleen kinderbeveiligingsrekjes voor de kookplaat die ontworpen zijn door de fabrikant van het kooktoestel, of waarvan de fabrikant van het apparaat in de gebruiksaanwijzing heeft aangegeven dat ze geschikt zijn, of de kinderbeveiligingsrekjes die bijgeleverd zijn bij het apparaat. Het gebruik van ongeschikte kinderbeveiligingsrekjes kan ongelukken veroorzaken.

WAARSCHUWING: bereidingen op een kookplaat met vet of olie zonder toezicht kunnen gevaarlijk zijn en brand veroorzaken. Probeer **NOOIT** een brand te blussen met water, maar schakel het apparaat uit en dek de vlam af bijv. met een deksel of een branddeken.

WAARSCHUWING: bewaar geen voorwerpen op de kookoppervlakken.

WAARSCHUWING: als het oppervlak gebarsten is, raak het glas dan niet aan en schakel het apparaat uit om de kans op een elektrische schok te voorkomen.

Dit apparaat mag gebruikt worden door kinderen ouder dan 8 jaar en personen met een lichamelijke, zintuiglijke of verstandelijke beperking of gebrek aan ervaring en kennis als zij in de gaten gehouden worden of aanwijzingen hebben gekregen over hoe zij het apparaat op veilige wijze kunnen gebruiken en als zij de bijbehorende gevaren begrijpen. Kinderen moeten onder toezicht staan om ervoor te zorgen dat ze niet met het apparaat spelen. Reiniging en onderhoudswerkzaamheden mogen niet door kinderen uitgevoerd worden als zij niet onder toezicht staan.

LET OP: blijf bij de kookplaat als u aan het koken bent. Ook bij een korte bereiding moet u de pannen continu in de gaten houden.

Het wordt sterk om kinderen uit de buurt van de kookzones te houden wanneer deze in gebruik zijn of wanneer ze uitgeschakeld zijn en de restwarmte-indicator nog brandt, om het risico op ernstige brandwonden te voorkomen.

Dit apparaat is niet bedoeld om bediend te worden door middel van een externe timer of een apart afstandsbedieningssysteem.

Kijk niet in de halogeenlampen van de kookplaat, indien aanwezig.

Bevestig een stekker aan de voedingskabel die in staat is de spanning, stroom en belasting te verdragen die vermeld staan op het etiket, en een aardcontact heeft. Het stopcontact moet geschikt zijn voor de belasting die op het etiket staat aangegeven en moet een goed werkende aarding hebben. De aardgeleider is groen-geel gekleurd.

Dit moet worden gedaan door een gekwalificeerd vakman. In het geval van incompatibiliteit tussen het stopcontact en de stekker van het apparaat, moet u een gekwalificeerd elektricien vragen om het stopcontact te vervangen door een ander, geschikt stopcontact. De stekker en het stopcontact moeten conform de huidige normen zijn van het land waar het apparaat geïnstalleerd wordt.

Aansluiting op de stroombron kan ook tot stand worden gebracht door tussen het apparaat en de stroombron een omnipolaire stroomonderbreker aan te brengen, die de maximaal aangesloten belasting kan verdragen en voldoet aan de huidige wetgeving.

De geel-groene aardkabel mag niet worden onderbroken door de stroomonderbreker. Het stopcontact of de omnipolaire stroomonderbreker die gebruikt wordt voor de aansluiting moet gemakkelijk te bereiken zijn wanneer het apparaat geïnstalleerd is.

Afkoppeling is mogelijk doordat de stekker bereikbaar is of door een schakelaar in de vaste bedrading te monteren overeenkomstig de bedradingsregels.

Als het netsnoer beschadigd is, moet het worden vervangen door de fabrikant, zijn servicevertegenwoordiger of ander bevoegd personeel om gevaarlijke situaties te voorkomen. De aardgeleider (geel-groen) moet langer dan 10 mm zijn aan de kant van het aansluitblok. Het gedeelte van de interne geleiders moet geschikt zijn voor het geabsorbeerde vermogen van de kookplaat (aangegeven op het label). De voedingskabel moet van het type HO5V2V2-F zijn.

Leg geen metalen voorwerpen zoals messen, vorken, lepels of deksels op de kookplaat. Deze kunnen heet worden.

Leg geen aluminiumfolie of zet geen kunststof pannen op de verwarmingszones.

Na elk gebruik moet de kookplaat gereinigd worden om het aankoeken van vuil en vet te voorkomen. Als er vuil op de kookplaat blijft zitten, wordt dit opnieuw verwarmd als de kookplaat wordt gebruikt en geeft het verbrande voedsel rook en een onaangename geur af; bovendien ontstaat er brandgevaar.

Gebruik nooit een stoom- of hogedrukreiniger om het apparaat schoon te maken.

Raak de verwarmingszones niet aan tijdens gebruik en nog een tijd na gebruik.

Bereid voedsel nooit rechtstreeks op de kookplaat van glaskeramiek.

Gebruik altijd geschikte pannen.

Plaats de pan altijd in het midden van de zone waarop u kookt. Leg niets op het bedieningspaneel.

Gebruik de kookplaat niet als werkblad.

Gebruik de kookplaat niet als snijplank.

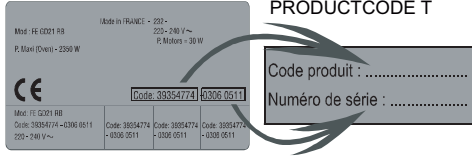
Bewaar geen zware voorwerpen boven de kookplaat. Als ze op de kookplaat vallen, kunnen ze schade veroorzaken.

Gebruik de kookplaat niet voor het bewaren van voorwerpen.

Schuif geen pannen over de kookplaat.

Er zijn geen aanvullende handelingen/instellingen nodig om het apparaat op de nominale frequenties te gebruiken.

Typeplaatje (aan de onderkant van de kookplaat)



1. ALGEMENE WAARSCHUWINGEN

Door het aanbrengen van de **CE** -markering op dit apparaat verklaren wij dat dit product in overeenstemming is met alle Europese voorschriften met betrekking tot veiligheid, gezondheid en milieu die van toepassing zijn op deze productcategorie.

2. BESCHERMING VAN HET MILIEU

Dit apparaat is voorzien van een merkteken in overeenstemming met de Europese richtlijn 2012/19/EU inzake Afgedankte Elektrische en Elektronische Apparatuur (AEEA). AEEA bevat vervuilende stoffen (die negatieve gevolgen voor het milieu kunnen hebben) en basisonderdelen (die hergebruikt kunnen worden). Het is belangrijk om AEEA specifieke behandelingen te laten ondergaan, teneinde alle vervuilende stoffen te verwijderen of op de juiste manier af te voeren en alle materialen terug te winnen en te recyclen.

Personen kunnen een belangrijke rol spelen om ervoor te zorgen dat AEEA niet in het milieu terecht komt; hiervoor moeten enkele elementaire regels worden gevolgd:

- AEEA mag niet worden behandeld als gewoon huisvuil.
- AEEA moet naar een speciaal inzamelpunt van de gemeente of van geregistreerde bedrijven worden gebracht. In veel landen wordt grote AEEA thuis opgehaald.

Wanneer u een nieuw apparaat koopt, kunt u in veel landen uw oude apparaat inleveren bij de leverancier, die het gratis meeneemt, zolang het apparaat van hetzelfde type is en dezelfde functies heeft als het geleverde apparaat.

3- INSTALLATIE

Het installeren van een huishoudelijk apparaat is een gecompliceerde handeling, die als zij niet goed wordt uitgevoerd, ernstige gevolgen kan hebben voor de veiligheid van goederen, eigendommen of personen. Om deze reden moet de installatie worden uitgevoerd door een erkende professional in overeenstemming met de technische voorschriften.

Indien deze waarschuwing wordt genegeerd en de installatie wordt uitgevoerd door een onbevoegd persoon, dan wijst de fabrikant alle verantwoordelijkheid voor technische storing van het product af, ongeacht of dit resulteert in schade aan goederen of letsel bij personen of dieren.

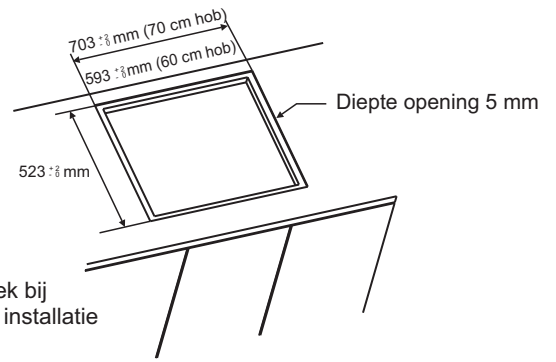
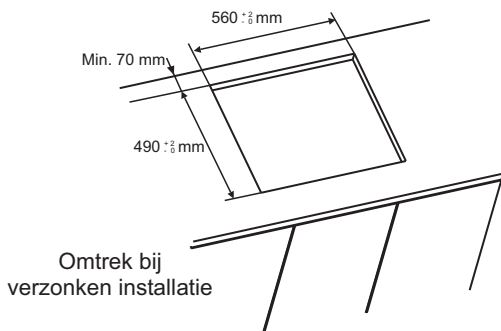
Controleer nadat u de verpakking verwijderd heeft of het apparaat niet beschadigd is. Neem anders contact op met de leverancier of met de klantenservice van de fabrikant.

Zorg dat het meubel waarin het apparaat geïnstalleerd zal worden en alle andere meubels in de buurt gemaakt zijn van materialen die bestand zijn tegen hoge temperaturen (min. 100 °C).

Bovendien moeten alle sierpanelen bevestigd worden met hittebestendig lijm.

Het apparaat kan geïnstalleerd worden in een inbouwmeubel in de "standaard" of "verzonken" modus.

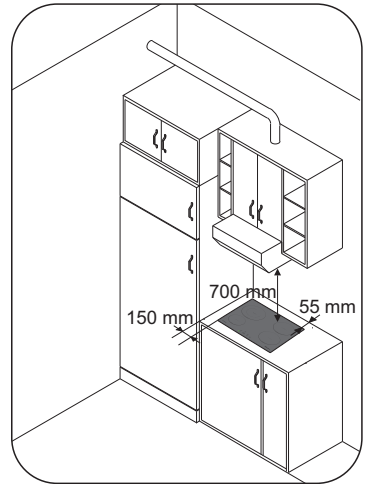
De dikte van het werkblad moet tussen de 25 en 45 mm zijn.



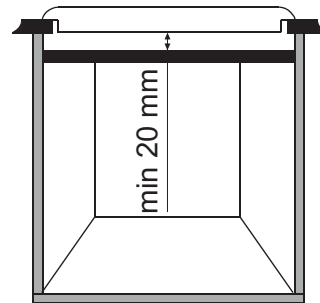
Opmerking: De afmetingen van de binnenste omtrek zijn hetzelfde bij de standaard installatie

Laat een afstand van minimaal 55 mm vrij tussen de kookplaat en de achterwand en een afstand van minimaal 150 mm tussen de kookplaat en de verticale meubels of wanden aan de zijkant. Als er een keukenkastje boven de kookplaat wordt geïnstalleerd, dan is de minimaal vereiste afstand 700 mm.

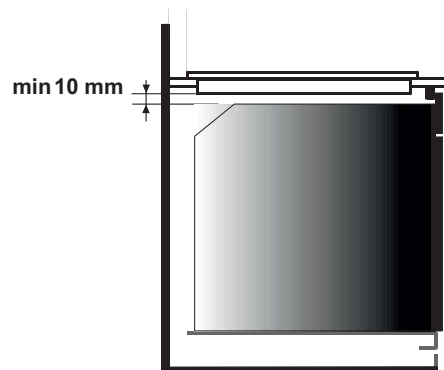
Wanneer u een afzuigkap boven de kookplaat installeert, lees dan de installatievereisten die aangegeven zijn voor de afzuigkap. In elk geval mag de afstand tussen kookplaat en de afzuigkap niet minder dan 700 mm zijn.



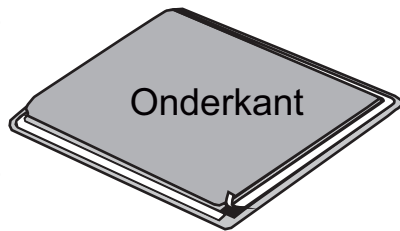
Als het onderste gedeelte van de kookplaat aan een ruimte grenst die normaal toegankelijk is voor opbergen of schoonmaken, dan moet er een scheidingspaneel worden aangebracht op 20 mm onder het onderste gedeelte van de kookplaat



Wanneer u een oven onder de kookplaat installeert, dan moet er geen scheidingspaneel worden aangebracht en mag de minimale afstand tussen het onderste gedeelte van de kookplaat en de oven niet minder zijn dan 10 mm. Installeer geen warme oven onder deze kookplaat en installeer de oven volgens de bijgeleverde installatievereisten van de oven.

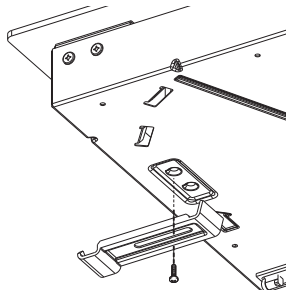


Er is een waterdichte afdichtingspakking bijgeleverd bij de kookplaat. Breng de afdichtingspakking volgens de beschrijving aan rond de onderkant van de kookplaat, en zorg dat deze goed is aangebracht om lekken in het ondersteunende meubel te voorkomen.

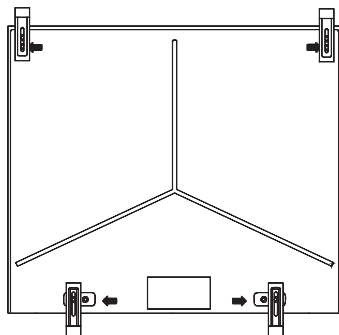


Normale bevestiging:

- Haal de bevestigingsklemmen uit de zak met accessoires en schroef ze op de plaatsen die aangegeven staan op de onderkant. (Draai de schroeven niet vast om de klemmen te blokkeren, ze moeten vrij kunnen bewegen)

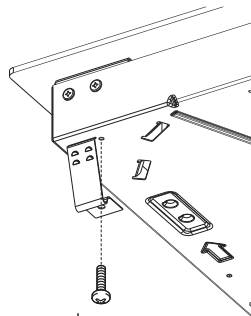


- Plaats de kookplaat in het midden van de uitsnede.
- Draai de klemmen en draai ze helemaal vast.

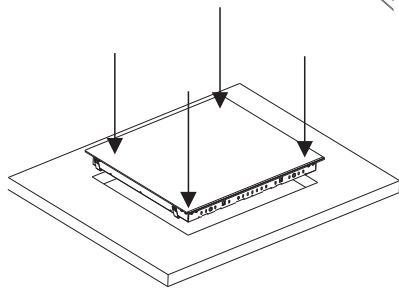


Snelle bevestiging: (Afhankelijk van het model)

Haal de vier veren uit de zak met accessoires en schroef ze op de onderskant, zoals aangegeven in de afbeelding.

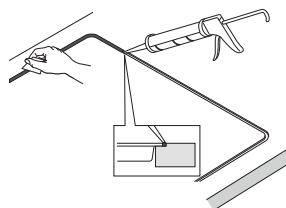


Centreer en plaats de kookplaat.
Druk op de zijkanten van de kookplaat tot hij rond de volledige omtrek ondersteund wordt.



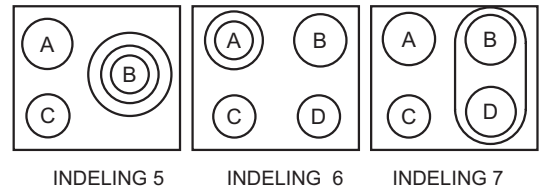
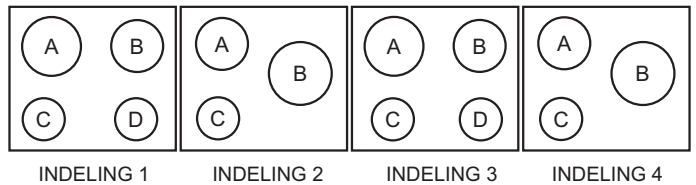
VERZONKEN INSTALLATIE

Nadat u gecontroleerd heeft dat de positie van de kookplaat correct is, vult u de ruimte tussen het werkblad en de kookplaat op met silicone kleefpasta. Maak de silicone laag plat met een schraper of met een vinger die u natgemaakt heeft met water en zeep, voordat hij hard wordt.

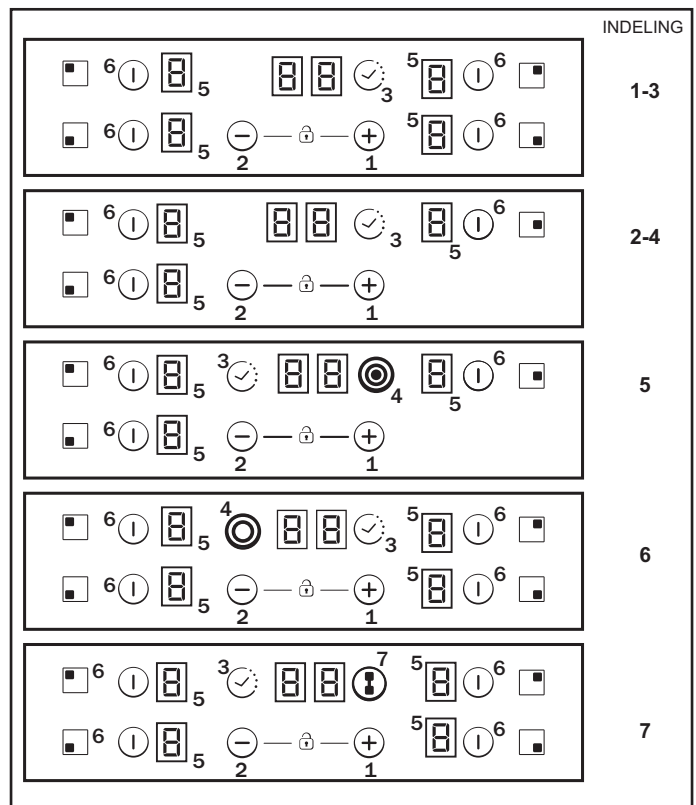


Gebruik de kookplaat niet voordat de silicone laag volledig droog is.

4. ELEKTRISCHE AANSLUITING



	A	B	C	D
INDELING	2300W	1800W	1200W	1200W
INDELING	1800W	2500W	1200W	-
INDELING	2300W	1800W	1200W	1200W
INDELING	1800W	2500W	1200W	-
INDELING	1800W	750+900+1050W	1200W	-
INDELING	1000+1200 w	1800W	1200W	1200W
INDELING	1800W	1800W	1200W	1800W



Afhankelijk van het model

1. "+"
2. "-"
3. TIMER
4. Ledlampje extra kookzone
5. Programma-indicator kookzone
6. Selectie van de zone
7. Brug

"De installatie moet voldoen aan de geldende normen en richtlijnen." De fabrikant wijst alle verantwoordelijkheid af voor schade die veroorzaakt zou kunnen worden door ongeschikt of oneigenlijk gebruik.

WAARSCHUWING: De fabrikant kan niet aansprakelijk worden gesteld voor ongelukken of consequenties daarvan die kunnen voortvloeien uit het gebruik van een apparaat dat niet aangesloten is op een aarde, of aangesloten is op een aarde met een defecte continuïteit.

Controleer voor het uitvoeren van elektrische werkzaamheden de voedingsspanning die aangegeven is op de elektriciteitsmeter, de afstelling van de stroomonderbreker, de continuïteit van de aansluiting op de aarde van de installatie en of de zekering geschikt is. De elektrische aansluiting naar de installatie moet worden uitgevoerd volgens het nominale vermogen van het apparaat; deze moet tot stand worden gebracht via een omnipolaire uitschakelaar.

Als het apparaat voorzien is van een contactdoos, dan moet het zodanig geïnstalleerd worden dat de contactdoos toegankelijk is.

De geel/groene draad van de voedingskabel moet aangesloten worden op aarde van zowel de stroomtoevoer als de klemmen van het apparaat.

Neem bij vragen over het netsnoer contact op met de klantenservice of met een erkende monteur.

Als de kookplaat voorzien is van een netsnoer, dan moet dit worden aangesloten op een netvoeding van 220-240 V tussen fase en neutraal.

Het is echter mogelijk om de kookplaat aan te sluiten op:

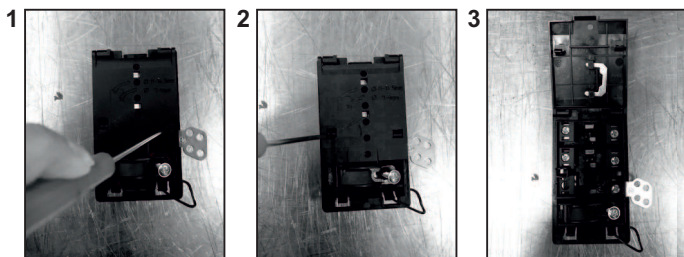
Driefase 220-240 V3
Driefase 380-415 V2N

Volg de onderstaande instructies om de nieuwe aansluiting tot stand te brengen:

Voordat u de aansluiting tot stand brengt, dient u te zorgen dat de installatie beschermd is door een geschikte zekering, en dat hij voorzien wordt van stroomdraden met een diameter die groot genoeg is om het apparaat normaal van stroom te voorzien.

Keer de kookplaat om met de glazen kant op het werkblad; wees voorzichtig om het glas te beschermen.

Open het deksel in deze volgorde:



- schroef kabelklem "1" los;
- zoek de twee lipjes aan de zijkanten op;
- zet het blad van een platte schroevendraaier voor de lipjes "2" en "3", duw ze in en druk;
- verwijder het deksel.

Het netsnoer losmaken:

- Verwijder de schroeven van het klemmenblok met de shunts en de geleiders van het netsnoer;
- Trek het netsnoer eruit.

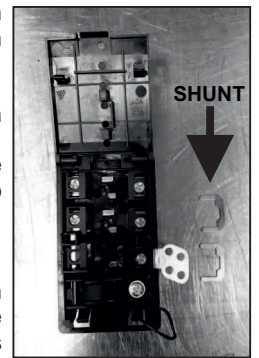
Uit te voeren handelingen om een nieuwe aansluiting te maken:

- Kies de netvoedingskabel in overeenstemming met de aanbevelingen in de tabel;
- Steek de netvoedingskabel in de klem;
- Strip het uiteinde van elke geleider van het netsnoer tot een lengte van 10 mm; houd hierbij rekening met de benodigde lengte van het snoer voor de aansluiting op het klemmenblok;
- Volgens de installatie en met behulp van de shunts die u bewaard heeft bij de eerste handeling, bevestigt u de geleider zoals weergegeven op het diagram;
- Bevestig het deksel;
- Schroef de kabelklem vast.

Opmerking: zorg ervoor dat de schroeven van het klemmenbord goed zijn vastgedraaid.

Uit te voeren handelingen om een nieuwe aansluiting te maken:

- Kies de netvoedingskabel in overeenstemming met de aanbevelingen in de tabel;
- Steek de netvoedingskabel in de klem;
- Strip het uiteinde van elke geleider van het netsnoer tot een lengte van 10 mm; houd hierbij rekening met de benodigde lengte van het snoer voor de aansluiting op het klemmenblok;



- Volgens de installatie en met behulp van de shunts die u bewaard heeft bij de eerste handeling, bevestigt u de geleider zoals weergegeven op het diagram;
- Bevestig het deksel;
- Schroef de kabelklem vast.

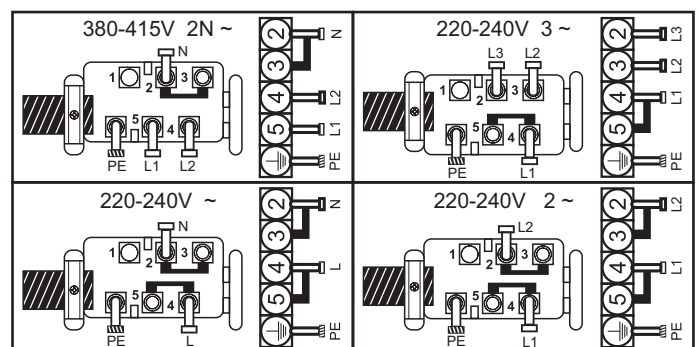
LET OP:

Mocht het nodig zijn om het netsnoer te vervangen, sluit de draad dan aan in overeenstemming met de volgende kleuren/codes:

BLAUW	Neutraal	(N)
BRUIN	Live (stroom)	(L)
GEEL/GROEN	Aarde	(⊕)

Aansluiting op de klemmen op het klemmenblok

	INDELING "1-6"	INDELING "7"
MONOFASE of TWEE FASEN 220-240 V~		
Kabel HO5V2V2F	3x2,5 mm ²	3x4 mm ²
DRIE FASEN 220-240 V3~		
Kabel HO5V2V2F	4x1,5 mm ²	4x1,5 mm ²
DRIE FASEN 380-415 V2N~		
Kabel HO5V2V2F	4x1,5 mm ²	4x1,5 mm ²



L1 / L2 / L3 = Fase N = Neutraal PE = Aarde

5. ADVIES OVER TE GEBRUIKEN PANNEN

Het gebruik van pannen van goede kwaliteit is essentieel om de beste prestaties uit uw kookplaat te halen



- **Gebruik altijd pannen van goede kwaliteit met een perfect vlakke en dikke bodem:** door dit type pannen te gebruiken voorkomt u hete plekken waardoor voedsel kan aanbranden. Dikke metalen potten en pannen zorgen voor een gelijkmatige verdeling van de warmte.

- **Zorg dat de onderkant van de pot of pan droog is:** wanneer u pannen vult met vloeistof of wanneer u een pan gebruikt die in de koelkast heeft gestaan, zorg er dan voor dat de onderkant van de pan helemaal droog is voordat u hem op de kookplaat zet. Hierdoor voorkomt u verkleuring van de kookplaat.

- **Gebruik pannen met een diameter die breed genoeg is om het oppervlak van de kookzone volledig te bedekken:** de grootte van de pan mag niet kleiner zijn dan de kookzone. Als de pan iets groter is, zal de energie op maximale efficiëntie gebruikt worden.

DE KEUZE VAN PANNEN - De volgende informatie helpt u om pannen te kiezen die goede prestaties zullen geven.

Roestvrij staal sterk aanbevolen. Vooral goed met een sandwich-bodem. De sandwich-bodem combineert de voordelen van roestvrij staal (uiterlijk, duurzaamheid en stabiliteit), et de voordelen van aluminium of koper (warmtegeleiding, gelijkmatige warmteverdeling).

Aluminium: zwaar gewicht aanbevolen. Goede geleiding. Aluminiumresten verschijnen soms als krassen op de kookplaat, maar kunnen worden verwijderd als de kookplaat onmiddellijk wordt schoongemaakt.

Vanwege zijn lage smeltpunt mag dun aluminium niet worden gebruikt.

Gietijzer: bruikbaar, maar niet aanbevolen. Slechte prestaties. Kunnen krassen veroorzaken op het oppervlak.

Koperen bodem/stenen potten: zwaar gewicht aanbevolen. Goede prestaties, maar koper kan resten achterlaten die verschijnen als krassen. De resten kunnen worden verwijderd als de kookplaat onmiddellijk wordt schoongemaakt. Laat deze potten echter niet droogkoken. Oververhit metaal kan binden aan glazen kookplaten. Een oververhitte koperen pan laat een permanente verkleuring op de kookplaat achter.

Porselein/email: Alleen goede prestaties bij een dunne, gladde en vlakke bodem.

Glaskeramik: *niet aanbevolen.* Slechte prestaties. Kunnen krassen veroorzaken op het oppervlak.

6. GEBRUIK

Het niveau van het vermogenbeheer selecteren.

Via de functie "Vermogensbeheer" kan de gebruiker het maximumvermogen, dat door de kookplaat kan worden bereikt, instellen.

De functie voor vermogensbeheer is uitsluitend gedurende de eerste 30 seconden na het inschakelen van de kookplaat beschikbaar. U heeft ook de mogelijkheid om deze instelling te herhalen door in/uit te schakelen met de stekker.

Door het gewenste maximumvermogen in te stellen, zal de kookplaat de distributie in de verschillende kookzones automatisch zodanig afstellen dat deze limiet nooit wordt overschreden; een bijkomend voordeel hiervan is dat u alle zones tegelijk kunt beheren zonder problemen door overbelasting.

De klant kan het maximumvermogen van de kookplaat instellen tussen 2,5 kW en het maximale vermogen van de kookplaat (dit kan afhankelijk van het model verschillen) (als het maximumvermogen van de kookplaat bijvoorbeeld 7,2 kW bedraagt, kan het niveau van het maximumvermogen tussen 2,5kW en 7,2kW worden ingesteld). Op het moment van aankoop is de kookplaat ingesteld op het maximumvermogen.

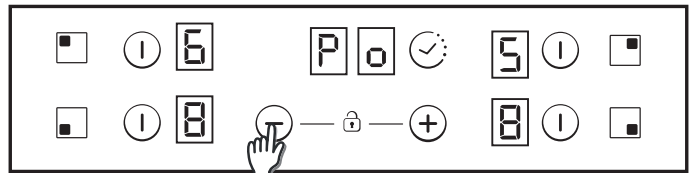
Nadat u het apparaat op de elektrische stroom heeft aangesloten, heeft u 30 seconden om het vermogensniveau in te stellen, op basis van de hieronder getoonde punten:

1 - Schakel de kookplaat in.

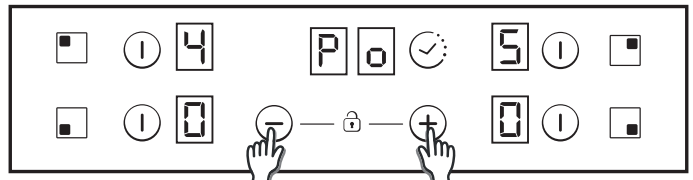
2 - Laat het tiptoets bedieningspaneel het initialisatieproces voltooien.

3 - Binnen de 30 seconden raakt u de '−' -toets 5 seconden aan.

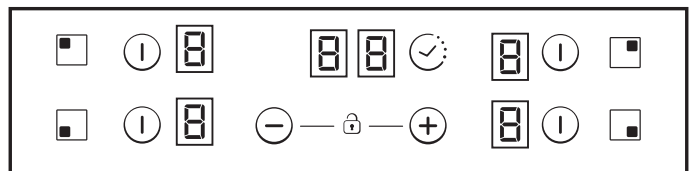
4 - Daarna verschijnt dit bericht op het display.



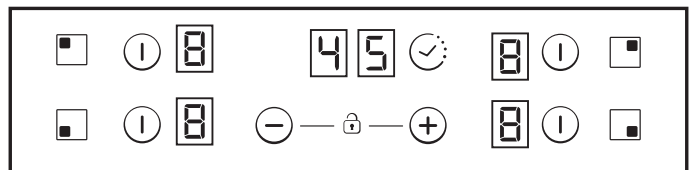
5 - Met behulp van de 'Plus'- en 'Min'-toetsen kan de waarde van het vermogenbeheer worden aangepast. In onderstaand voorbeeld tussen 6500 en 2500 W. Wanneer de vereiste waarde is geselecteerd, raakt u de 'Plus'- en 'Min'-toetsen tegelijk gedurende 5 seconden aan.



6 - Wanneer dit proces is voltooid, weerklinkt een lange bieep en wordt een reset uitgevoerd. Het opstartproces wordt opnieuw gegenereerd.

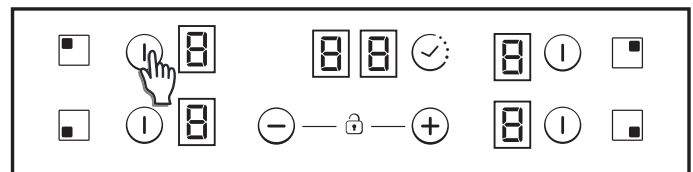


7 - Na het opstartproces wordt het ECO-vermogenbeheer op de timer display weergegeven.



Daarna zal het tiptoets bedieningspaneel geen enkele combinatie toestaan die deze Eco-limiet kan overschrijden.

Een kookzone AAN/UIT zetten



Een kookzone **INSCHAKELEN**: Raak een kookzone aan gedurende 400 msec. Er klinkt een lange piep en de waarde "0" verschijnt in de doelzone, wat het vermogen aangeeft.

1) Als een kookfase op stand 0 staat, wordt dit display automatisch UITGESCHAKELD na 10 seconden en klinkt de UITSCHAKEL-sequentie.

2) Als de restwarmte-indicator brandt op het display dat INGESCHAKELD is maar met stand 0, verschijnt "0" knipperend.

3) Als de vergrendelingsfunctie ingeschakeld is, kunt u geen zones inschakelen.

Een kookzone **UITSCHAKELEN**: Raak een kookzone aan gedurende 1,2 sec. Er klinken 3 korte piepjes en in de doelzone verschijnt niets, of de waarde "H" als er nog restwarmte is. De zone gaat UIT.

1) Als een kookfase op stand 0 staat, wordt dit display automatisch UITGESCHAKELD na 10 seconden en klinkt de UITSCHAKEL-sequentie.

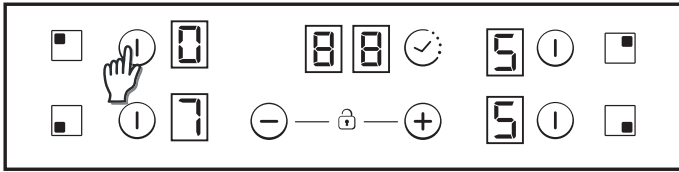
2) Als de restwarmte-indicator brandt op het display dat UITGESCHAKELD is, verschijnt "H".

3) Ook als de vergrendelingsfunctie ingeschakeld is, kunt u een zone uitschakelen.

4) Als slechts één kookzone actief is en deze wordt uitgeschakeld, dan klinken er 4 korte piepjes, wat aangeeft dat de hele kookplaat uitgeschakeld is.

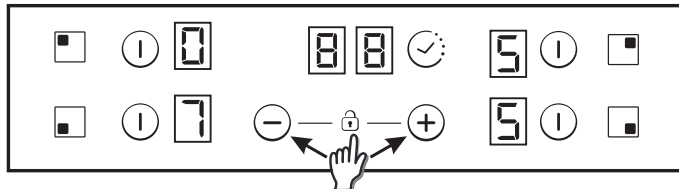
Een zone selecteren

Als de zone al INGESCHAKELD is, krijgen de niet-geselecteerde zones die INGESCHAKELD zijn een lagere verlichtingsintensiteit.



Als er slechts één zone INGESCHAKELD is, is deze al standaard geselecteerd, zonder dat u kort (150 msec) op de selectietoets hoeft te drukken

Vermogen verhogen/verlagen



Met een korte druk op de '+' of '-' toets kunt u het vermogen van de geselecteerde zones verhogen of verlagen: 0-1-2-3...9-P

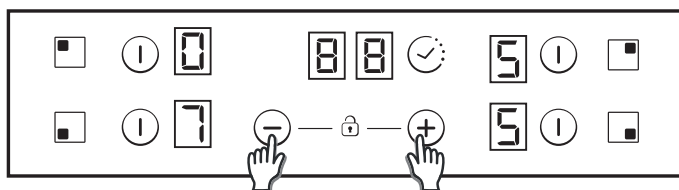
1. Als u de + of - toets langer ingedrukt houdt, wordt het vermogen continu verhoogd/verlaagd. Met een snelle verhoging stopt het vermogen bij niveau 9. Voor een hoger vermogen moet u nogmaals kort op de + toets drukken. Er klinkt geen piep bij snel verhogen/verlagen.

2. Als u bij het vermogensniveau P bent aangekomen, verandert het vermogen niet in 0 als u nogmaals op de + toets drukt. Als u bij het vermogensniveau 0 bent aangekomen, verandert het vermogen niet in P als u nogmaals op de - toets drukt.

3. Als een zone INGESCHAKELD is met vermogen 0 en de zone heet is, dan knippert de 0. Na 10 seconden verdwijnt de 0 en verschijnt de letter 'H' vast op het display.

4. Als een zone geselecteerd wordt en de '+' en '-' toetsen tegelijkertijd worden aangeraakt, dan gaat het vermogen naar '0', maar blijft de zone gedurende 10 seconden geselecteerd. Als de kookzone met de timer was ingesteld, gaat de timer uit. Deze handeling kan alleen in bepaalde gevallen worden uitgevoerd, afhankelijk van de configuratie van de aanraakbediening. De volgende voorbeelden zijn alleen ter informatie. U kunt deze instellingen daarna op basis van persoonlijke ervaring aanpassen aan uw smaak en gewoonten.

Functie Kinderslot



Deze functie wordt ingeschakeld als u tegelijkertijd de toetsen '+' en '-' aanraakt.

Telkens wanneer er daarna een toets wordt aangeraakt, geeft het display gedurende 2 sec. "L" weer, waarbij de verwarming in dezelfde toestand blijft.

Om het Kinderslot uit te schakelen, volgt u dezelfde procedure als hierboven. Er klinkt een korte piep en op het display verschijnt de letter "n". De kookplaat is nu ontgrendeld.

Opmerking: Er wordt automatisch een kinderslot ingeschakeld, 15 minuten nadat de kookplaat volledig UITGESCHAKELD is. Deze functie wordt automatisch uitgevoerd, maar moet eerst geprogrammeerd worden. Zie de paragraaf Gebruikersinstellingen.

Dubbele/drievoudige zones

Om een dubbele uitbreidingsring IN te schakelen moet de gekoppelde hoofdzone al INGESCHAKELD zijn en moet het vermogen hoger dan 0 zijn.

8.1- Dubbele zone AAN

Door 1 keer kort te drukken op uitbreidingstoets wordt de uitbreidingsring INGESCHAKELD. Het ledlampje boven de uitbreidingstoets gaat branden als de uitbreidingsring INGESCHAKELD is.

Door een 2e keer kort te drukken op uitbreidingstoets wordt de uitbreidingsring UITGESCHAKELD. Er klinkt een korte piep bij elke druk op de uitbreidingstoets.

8.2- Drievoudige zone AAN

Door 1 keer kort te drukken op uitbreidingstoets wordt de 1e uitbreidingsring INGESCHAKELD. Eén ledlampje boven de uitbreidingsring gaat AAN als de 1e uitbreidingsring INGESCHAKELD is (het linker ledlampje bij een drievoudige zone, het middelste en enige ledlampje bij een dubbele zone)

Door een 2e keer kort te drukken op uitbreidingstoets wordt de 2e uitbreidingsring INGESCHAKELD. De 2 ledlampjes boven de uitbreidingstoets gaan AAN als de 1e en 2e uitbreidingsring INGESCHAKELD zijn

Door een 3de keer kort te drukken op uitbreidingstoets worden de 1e en 2e uitbreidingsring UITGESCHAKELD.

Er klinkt een korte piep bij elke druk op de uitbreidingstoets.

Brugfunctie

De brug kan alleen worden ingeschakeld als beide zones uitgeschakeld zijn. Nadat één van de zones van de brug geselecteerd is, raakt u de brugtoets aan om de brugfunctie in te schakelen.

Er klinkt een piep en het ledlampje van de zone gaat branden als de zone ingeschakeld is.

Beide brugzones worden nu tegelijkertijd geselecteerd.

Als de zones geselecteerd zijn, kunt u het vermogen aanpassen met de +/- toetsen.

Op de displays van beide brugzones wordt hetzelfde vermogen weergegeven. De functie wordt beëindigd:

- Als de brugtoets wordt aangeraakt in de instelmodus
- Als de gebruiker vermogen "0" selecteert

Overkookbeveiliging

Er drukt iets (een voorwerp of een vloeistof) op een toets, langer dan 5 sec. Er klinken 2 korte piepen + 1 lange piep, elke 30 sec., terwijl er op de toets wordt gedrukt. De kookplaat wordt uitgeschakeld. Dit symbool blijft knipperen zolang het probleem aanhoudt.

Timer

De timerfunctie kan ingeschakeld worden met de timertoets of door tegelijkertijd '+' en '-' aan te raken.

In beide gevallen moet de kookzone geselecteerd worden en moet het vermogen hoger dan 0 zijn.

Selecteer de zone waarvoor u de timer wilt inschakelen. Het vermogen van de zone moet hoger zijn dan 0. De letter 'E' wordt ononderbroken weergegeven in de zone waarvoor de timer is ingesteld. "0 0" bij de cijfers is gereserveerd voor de timer.

- 1) Met de "+" of "-" toetsen kan de tijd van de timer worden ingesteld. Er klinken geen piepen bij het veranderen van de tijd.
- 2) Door tegelijkertijd op de van de timer te drukken, wordt de timer geannuleerd (gaat terug naar 00).
- 3) Als de "+" of "-" toetsen van de timer ingedrukt worden gehouden tijdens de TBD-tijd, vindt er een snelle instelling plaats.
- 4) Bij het instellen van de tijd kunt u van "00" naar "99" gaan met de "-" toets en van "99" tot "00" met de "+" toets.
- 5) De maximale tijd die ingesteld kan worden is 99 minuten.
- 6) Wanneer de tijd verstreken is en de kookplaat piept, drukt u op een willekeurige toets om het alarm en de cijferreeks uit te schakelen.
- 7) De tijd van de timer kan aangepast worden terwijl deze loopt.
- 8) Het vermogen van de zone waarvoor de timer is ingesteld kan gewijzigd worden, zonder dat dit gevolgen heeft voor de programmering van de timer.
- 9) De laatste minuut wordt weergegeven in seconden (bij bepaalde modellen alleen zichtbaar als de timerprogrammering wordt ingevoerd tijdens de laatste minuut van het aftellen)
- 10) Als u op de timertoets drukt zonder dat er een zone geselecteerd is, gebeurt er niets.
- 11) Als u op de timertoets drukt zonder dat er een zone geselecteerd is en als er meerdere zones geselecteerd zijn, dan verandert de weergegeven tijd op een cyclische manier, en wordt de tijd weergegeven van de zone waarbij de decimale punt INGESCHAKELD is.
- 12) Afwisselend wordt het vermogen (5 s) en (0,5 s) weergegeven in de zone waarvoor de timer is ingesteld.

De resterende tijd wordt weergegeven bij de cijfers die gereserveerd zijn voor de timer. Als de timer voor meerdere zones is ingesteld, wordt de kortste resterende tijd weergegeven, en wordt de decimale punt weergegeven in de overeenkomstige zone.

Restwarmte-indicator (bij stralingsverwarmers -> berekend)

Dezelfde indicatoren kunnen worden gebruikt voor de "restwarmte"-indicatie. Voor dit doel moet een tijdtabel worden gedefinieerd: Restwarmtetijd = f(vermogen, werktijd).

Als de temperatuur van het glazen oppervlak van de kookplaat boven de 65°C komt (theoretische waarde), dan wordt deze conditie weergegeven in het bijbehorende display, met de letter "H".

Om een temperatuur van boven de 65°C te genereren moet een verwarmingselement een bepaalde tijd in werking zijn; deze tijd is afhankelijk van het vermogen. Als deze tijd is verstreken, wordt de restwarmte-indicator weergegeven als het verwarmingselement wordt uitgeschakeld.

Automatische veiligheidsuitschakeling

Als het vermogen niet wordt veranderd gedurende een vooraf ingestelde tijd, wordt de overeenkomstige zone automatisch uitgeschakeld.

De maximale tijd dat een zone ingeschakeld kan blijven, hangt af van het geselecteerde vermogen.

Vermogensniveau	Max. tijd ingeschakeld (uren)
1	10
2	5
3	5
4	4
5	3
6	2
7	2
8	2
9	2
P	2

OPMERKING: als er een oververhittingsituatie optreedt tijdens het gebruik van de hoogste vermogensniveaus, wordt het vermogen van de kookplaat automatisch verlaagd om de plaat te beschermen tegen oververhitting.

7. REINIGING EN ONDERHOUD

Laat de kookplaat afkoelen voordat u onderhoudswerkzaamheden uitvoert.

. Er mogen alleen producten (reinigingsmiddelen en schrapers) worden gebruikt die specifiek ontwikkeld zijn voor oppervlakken van glaskeramiek. Deze zijn verkrijgbaar bij uw vakhandel.

. Voorkom morsen, omdat alles wat op het oppervlak van de kookplaat valt snel zal verbranden en moeilijker te reinigen is.

. Geadviseerd wordt om alle stoffen die snel smelten uit de buurt van de kookplaat te houden, zoals plastic voorwerpen, suiker of producten op basis van suiker.

ONDERHOUD:

- Breng enkele druppels van het speciale reinigingsmiddel aan op het oppervlak van de kookplaat.

- Wrijf hardnekkige vlekken weg met een zachte doek of met vochtig keukenpapier.

- Neem de kookplaat af met een zachte doek of droog keukenpapier tot het oppervlak schoon is.

Als er nog steeds hardnekkig vlekken zijn:

- Breng nog enkele druppels van het speciale reinigingsmiddel aan op het oppervlak.

- Schraap met een schraper en houd deze vast onder een hoek van 30° ten opzichte van de kookplaat, tot de vlekken verdwenen zijn.

- Neem de kookplaat af met een zachte doek of droog keukenpapier tot het oppervlak schoon is.

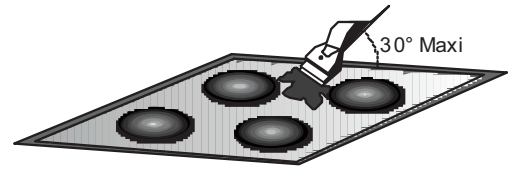
- Herhaal deze handeling zo nodig.

ENKELE TIPS:

Door de kookplaat regelmatig te reinigen, wordt er een beschermende laag gevormd, die essentieel is om krassen en slijtage te voorkomen. Zorg dat het oppervlak schoon is voordat u de kookplaat opnieuw gebruikt. Om watersporen te verwijderen gebruikt u enkele druppels witte azijn of citroensap. Neem de kookplaat daarna af met keukenpapier en een paar druppels speciaal reinigingsmiddel.

Het oppervlak van glaskeramiek is bestand tegen krassen van pannen met een vlakke bodem; het is echter altijd beter om ze op te tillen als u ze van de ene naar de andere zone verplaatst.

NB:



Gebruik geen spons die te nat is.

Gebruik nooit een mes of een schroevendraaier.

Een schraper met een snijblad beschadigt het oppervlak niet, zoals deze onder een hoek van 30° wordt vastgehouden.

Houd een schraper met een snijblad altijd buiten het bereik van kinderen.

Gebruik nooit agressieve reinigingsproducten of schuurpoeders.

De metalen omlijsting: om de metalen omlijsting veilig te reinigen, neemt u deze af met water en zeep, en droogt u hem af met een zachte doek.

Eventuele kleurveranderingen in het oppervlak van glaskeramiek heeft geen invloed op de werking of de stabiliteit van het oppervlak. Dergelijke verkleuringen zijn meestal het gevolg van verbrande voedselresten of het gebruik van pannen van aluminium of koper; deze vlekken zijn moeilijk te verwijderen.

8. PROBLEMEN OPLOSSEN

Op de kookzones kan niet gesudderd worden of alleen op een lage temperatuur gebakken worden

Gebruik alleen pannen met een vlakke bodem. Als er licht zichtbaar is tussen de pan en de kookplaat, geeft de zone de warmte niet correct af.

De bodem van de pan moet de diameter van de geselecteerde zone volledig bedekken.

Het bereiden gaat te langzaam

Er worden ongeschikte pannen gebruikt. Gebruik pannen met een vlakke bodem, die zwaar zijn en een diameter hebben die ten minste gelijk is aan die van de kookzone.

Er zitten kleine krassen of geschuurde plekken op het glazen oppervlak van de kookplaat

De kookplaat is niet goed gereinigd of er zijn pannen met een ruwe bodem gebruikt; er zijn kleine deeltjes zoals zand- of zoutkorrels tussen de kookplaat en de onderkant van de pan terechtgekomen. Raadpleeg het hoofdstuk "REINIGING"; zorg ervoor dat de bodem van de pan schoon is voordat u hem gebruikt en gebruik alleen pannen met een gladde bodem. Krassen kunnen alleen worden verminderd als de kookplaat op de juiste manier wordt gereinigd.

Metaalsporen

Schuif aluminium pannen niet over de kookplaat. Raadpleeg de aanbevelingen m.b.t. reiniging.

U gebruikt de juiste materialen, maar de vlekken gaan niet weg. Gebruik een schraper en volg het hoofdstuk "REINIGING".

Donkere vlekken

Gebruik een schraper en volg het hoofdstuk "REINIGING".

Lichte plekken op de kookplaat

Sporen van een aluminium of koperen pan, maar ook resten van mineralen, water of voedsel; deze kunnen worden verwijderd met een speciaal reinigingsmiddel.

Karamelisering of gesmolten plastic op de kookplaat.

Raadpleeg het hoofdstuk "REINIGING".

De kookplaat werkt niet of bepaalde zones doen het niet.

De shunts zijn niet correct geplaatst op het klemmenbord.

Laat de aansluitingen van de kookplaat controleren en laat controleren of het bedieningspaneel vergrendeld is. Ontgrendel de kookplaat.

De kookplaat kan niet uitgeschakeld worden.

Het bedieningspaneel is vergrendeld. Ontgrendel de kookplaat.

Frequentie van aan/uit-cycli voor de kookzones

De aan/uit-cycli variëren afhankelijk van het gewenste warmteniveau:

- laag niveau: korte werkingstijd,
- hoog niveau: lange werkingstijd,

De kookplaat werkt niet.

Controleer de zekeringen/stroomonderbrekers in uw woning. Controleer of er een stroomstoring is.

De kookplaat heeft zichzelf uitgeschakeld.

De hoofdschakelaar (AAN/UIT-toets) is per ongeluk aangeraakt of er ligt een voorwerp op de toets. Zet de kookplaat weer aan zonder dat er dingen op de toetsen liggen. Voer uw instellingen opnieuw in.

F en cijfers op het display

Als er een F en cijfers op het display verschijnen, dan heeft het apparaat een storing gedetecteerd. In de volgende tabel vindt u maatregelen die u kunt uitvoeren om het probleem te verhelpen.

9. NAZORG

Controleer a.u.b. het volgende voordat u een servicemonteur belt:

— of de stekker goed in het stopcontact zit en de juiste zekering heeft;

Als de storing niet kan worden vastgesteld, schakel het apparaat dan uit — knoei er niet zelf aan — en bel de Klantenservice. Bij het apparaat is een garantiecertificaat geleverd, waardoor het gratis gerepareerd kan worden door het Servicecentrum.

Display kookzones	Storing	Maatregel
F0	Softwarefout aanraakbediening.	Als deze fout is opgetreden, koppel de kookplaat dan los van de netvoeding en sluit hem weer aan. Als de fout aanhoudt, bel dan de klantenservice. Als de fout plotseling verschijnt tijdens normaal gebruik, bel dan de klantenservice.
Fc	De zone van de aanraakbediening is te heet, waardoor alle kookzones zijn uitgeschakeld.	Wacht tot de temperatuur gedaald is. De kookplaat gaat automatisch verder als de temperatuur een normale waarde heeft bereikt.
Ft	De temperatuursensor van de aanraakbediening kan beschadigd zijn.	Wacht tot de temperatuur gedaald is. Als de foutmelding aanhoudt wanneer de temperatuur gedaald is tot omgevingstemperatuur, bel dan de klantenservice.
FE	De temperatuursensor van de aanraakbediening kan beschadigd zijn.	Wacht tot de temperatuur gedaald is. Als de foutmelding aanhoudt wanneer de temperatuur gedaald is tot omgevingstemperatuur, bel dan de klantenservice.
Fb	Overmatige gevoeligheid van een toets.	Controleer of de kookplaat correct gemonteerd is. Zorg ervoor dat de toetsen het glazen oppervlak goed raken
FU / FJ	Fout toetsenblokbeveiliging	Deze fout is een automatische controle van het toetsenblok. De fout verdwijnt als de automatische controle is teruggekeerd naar een veilige waarde. Als de fout aanhoudt, bel dan de klantenservice.
FA	Fout toetsenblokbeveiliging	Deze fout is een automatische controle van de software. De fout verdwijnt als de automatische controle is teruggekeerd naar een veilige waarde. Als de fout aanhoudt, bel dan de klantenservice.
FC / Fd	Fout toetsenblokbeveiliging	Deze fout is een automatische controle van de software. De fout verdwijnt als de automatische controle is teruggekeerd naar een veilige waarde. Als de fout aanhoudt, bel dan de klantenservice.
Fr	Fout beveiligingsrelais	Er kan een probleem zijn in een relaisbesturing. Koppel de kookplaat los van de netvoeding, wacht een minuut en sluit de kookplaat weer aan. Als de fout aanhoudt, bel dan de klantenservice.

SICHERHEITSHINWEISE

Wir empfehlen, diese Anleitung für die Montage sowie zum späteren Nachschlagen aufzubewahren. Notieren Sie sich vor der Montage des Kochfelds die Seriennummer für den Fall, dass Sie die Hilfe des Kundendienstes in Anspruch nehmen müssen.

WARNUNG: Während des Gebrauchs werden das Gerät und dessen zugänglichen Teile heiß. Es muss darauf geachtet werden, die Heizelemente nicht zu berühren. Kinder unter 8 Jahren müssen vom Gerät ferngehalten oder permanent beaufsichtigt werden.

WARNUNG: Verwenden Sie ausschließlich einen Kochfeldschutz, der vom Hersteller des Kochgeräts entwickelt wurde, vom Gerätehersteller in der Bedienungsanleitung als geeignet genannt wird oder Bestandteil des Kochfelds ist. Die Benutzung eines ungeeigneten Kochfeldschutzes kann zu Unfällen führen.

WARNUNG: Unbeaufsichtigtes Kochen auf einem Kochfeld mit Fett oder Öl kann gefährlich sein und zu einem Brand führen. Versuchen Sie NIEMALS, einen Brand mit Wasser zu löschen, sondern schalten Sie das Gerät aus und ersticken Sie die Flamme dann (z. B. mit einem Deckel oder einer Feuerlöschdecke).

WARNUNG: Brandgefahr: Legen Sie niemals Gegenstände auf den Kochflächen ab.

WARNUNG: Falls die Oberfläche zerbrochen ist, dürfen Sie das Glas keinesfalls anfassen. Schalten Sie das Gerät aus, um die Möglichkeit eines Stromschlags zu vermeiden.

Dieses Gerät darf von Kindern ab 8 Jahren und Personen mit eingeschränkten körperlichen, sensorischen oder geistigen Fähigkeiten oder ohne Erfahrung und Wissen benutzt werden, wenn sie beaufsichtigt werden oder Anweisungen für den sicheren Gebrauch des Geräts erhalten und die damit verbundenen Gefahren verstanden haben. Kinder sollten beaufsichtigt werden, um sicherzugehen, dass sie nicht am Gerät herumspielen. Kinder dürfen das Gerät nur unter Beaufsichtigung reinigen und instandhalten.

ACHTUNG: Der Kochvorgang muss beaufsichtigt werden. Ein kurzzeitiger Kochvorgang muss permanent überwacht werden.

Es wird dringend empfohlen, Kinder von den Kochzonen fernzuhalten, wenn diese in Betrieb sind oder nachdem sie ausgeschaltet wurden, solange die Restwärmeanzeige noch aktiv ist, um die Gefahr schwerer Verbrennungen zu vermeiden. Das Gerät ist nicht dafür vorgesehen, mit Hilfe einer externen Zeitschaltuhr oder einer separaten Fernsteuerung betrieben zu werden.

Vermeiden Sie es, in die Halogenlampelemente des Kochfelds (sofern vorhanden) zu blicken.

Schließen Sie einen Stecker an das Stromkabel an, der für die auf dem Typenschild angegebenen Spannungs-, Strom- und Belastungswerte geeignet ist und einen Schutzkontakt hat. Die Steckdose muss für die auf dem Typenschild angegebene Last geeignet sein und über einen funktionsfähigen Schutzkontakt verfügen. Der Schutzleiter hat die Farbe Gelb-Grün. Diese Arbeit darf nur von qualifiziertem Personal

durchgeführt werden. Falls Steckdose und Gerätestecker nicht kompatibel sind, wenden Sie sich an einen qualifizierten Elektriker, um einen entsprechenden Austausch vorzunehmen. Stecker und Steckdose müssen den geltenden Vorschriften des jeweiligen Landes entsprechen.

Der Anschluss an die Spannungsversorgung kann auch erfolgen, indem ein allpoliger Trennschalter zwischen Gerät und Spannungsquelle installiert wird, der für die maximale angeschlossene Last geeignet ist und den geltenden Vorschriften entspricht.

Der gelb-grüne Schutzleiter darf nicht vom Trennschalter unterbrochen werden. Die für den Anschluss verwendete Steckdose bzw. der allpolige Trennschalter muss leicht erreichbar sein, wenn das Gerät installiert ist.

Die Trennung kann durch einen zugänglichen Stecker oder einen vorschriftsmäßig in die Festverdrahtung eingebundenen Schalter erfolgen.

Ein beschädigtes Netzkabel muss durch den Hersteller, seinen Wartungstechniker oder ähnlich qualifizierte Personen ausgetauscht werden, um mögliche Gefahren zu vermeiden. Der Schutzleiter (gelb-grün) muss auf der Klemmleiste länger als 10 mm sein. Der interne Leiterabschnitt muss für die (auf dem Typenschild angegebene) vom Kochfeld absorbierte Leistung ausgelegt sein. Das Stromkabel muss vom Typ HO5V2V2-F sein.

Metallobjekte wie Messer, Gabeln, Löffel und Deckel dürfen nicht auf der Kochfläche abgelegt werden. Sie könnten heiß werden.

Auf den Kochzonen dürfen weder Aluminiumfolie noch Kunststoffschalen abgelegt werden.

Das Kochfeld muss nach jeder Benutzung gereinigt werden, damit sich kein Schmutz und Fett ablagert. Andernfalls werden solche Reste bei der nächsten Benutzung erhitzt und können verbrennen, was zu Rauchentwicklung und unangenehmen Gerüchen, schlimmstenfalls sogar zur Brandentwicklung führen kann.

Reinigen Sie das Gerät keinesfalls mit einem Dampf- oder Hochdruckspray.

Während des Betriebs sowie für eine gewisse Zeit danach dürfen die Kochzonen nicht berührt werden.

Lebensmittel dürfen keinesfalls direkt auf dem Glaskeramik-Kochfeld gegart werden.

Benutzen Sie stets geeignetes Kochgeschirr.

Stellen Sie das Kochgefäß immer in die Mitte des jeweiligen Kochfelds. Stellen Sie nichts auf das Bedienfeld.

Benutzen Sie das Kochfeld nicht als Arbeitsfläche.

Benutzen Sie das Kochfeld nicht als Schneidunterlage.

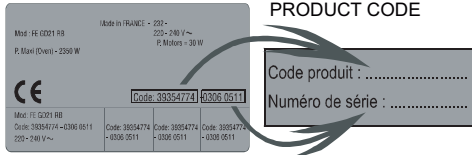
Lagern Sie keine schweren Gegenstände über dem Kochfeld. Beim Herunterfallen könnten Sie das Kochfeld beschädigen.

Benutzen Sie das Kochfeld nicht als Ablagefläche.

Schieben Sie Kochtöpfe nicht über das Kochfeld.

Es ist kein zusätzlicher Vorgang oder eine andere Einrichtung erforderlich, um das Gerät mit der angegebenen Spannung zu betreiben.

Typenschild (am Gehäuseunterteil des Kochfelds angebracht)



1. ALLGEMEINE WARNHINWEISE

Mit der Verwendung des **CE**-Kennzeichens auf diesem Produkt bestätigen wir, dass sämtliche relevanten Sicherheits-, Gesundheits- und Umweltvorschriften eingehalten werden, die für dieses Produkt in Europa gesetzlich festgelegt sind.

2. UMWELTSCHUTZ



Dieses Gerät ist entsprechend der EU-Richtlinie 2012/19/EC für Elektro- und Elektronik-Altgeräte (WEEE) gekennzeichnet.

Elektro- und Elektronik-Altgeräte enthalten sowohl umweltschädliche Stoffe (die negativen Folgen für die Umwelt verursachen) als auch wiederverwendbare Grundstoffe. Es ist wichtig, Elektro- und Elektronik-Altgeräte spezifischen Behandlungen zu unterziehen, um alle Schadstoffe zu entfernen und ordnungsgemäß zu entsorgen sowie alle Materialien zu recyceln. Jeder kann dazu beitragen, dass Altelektrogeräte nicht zu einem Umweltproblem werden. Daher sollten unbedingt einige Grundregeln beachtet werden:

- Elektro- und Elektronik-Altgeräte dürfen nicht als Hausmüll entsorgt werden.
- Elektro- und Elektronik-Altgeräte müssen den entsprechenden Sammelstellen der Gemeinde oder davon registrierten Unternehmen übergeben. In vielen Ländern kann es für große Elektro- und Elektronik-Altgeräte spezielle Sammelstellen geben. In vielen Ländern können beim Kauf eines neuen Geräts Altgeräte an Händler, die einen kostenlosen 1-zu-1-Umtausch vornehmen müssen, zurückgegeben werden, solange das Gerät demselben Typ entspricht und über die gleichen Funktionen wie das bereitgestellte Gerät verfügt.

3- INSTALLATION

Die Montage eines Haushaltsgeräts kann ein komplexer Vorgang sein, der bei unsachgemäßer Ausführung ernsthafte Folgen für die Sicherheit von Gütern, Sachwerten oder Personen haben kann. Aus diesem Grund muss diese Arbeit von einer professionell geschulten Person und in Übereinstimmung mit den geltenden technischen Vorschriften durchgeführt werden.

Sollte dieser Hinweis ignoriert und die Montage durch eine unqualifizierte Person durchgeführt werden, lehnt der Hersteller jegliche Haftung für den technisch bedingten Ausfall des Produkts ab, unabhängig davon, ob dieser Ausfall Schäden an Gütern oder Sachwerten oder Verletzungen von Personen oder Tieren nach sich zieht.

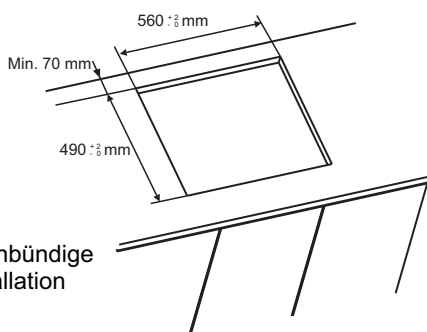
Vergewissern Sie sich nach dem Entfernen der Verpackung, dass das Gerät unbeschädigt ist. Andernfalls wenden Sie sich bitte an den Verkäufer oder den Kundendienst des Herstellers.

Achten Sie darauf, dass der Einrichtungsgegenstand, in das Kochfeld eingebaut wird, sowie sonstiges angrenzendes Mobiliar aus Materialien besteht, das hohen Temperaturen (min. 100 °C) widerstehen kann.

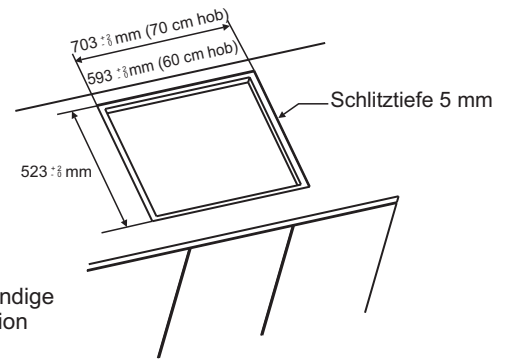
Darüber hinaus müssen alle dekorativen Lamine mit hitzebeständigem Kleber befestigt sein.

Das Gerät kann auf standardmäßige oder bündige Art eingebaut werden.

Die Arbeitsplatte sollte zwischen 25 mm und 45 mm dick sein.



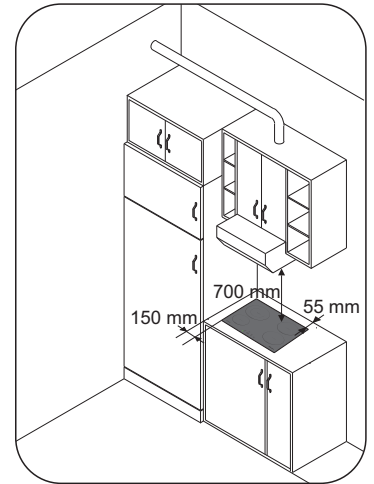
Flächenbündige
Installation



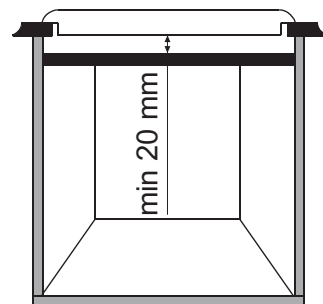
Flächenbündige
Installation

Hinweis: Der Innendurchmesser ist derselbe wie bei der Standardinstallation.

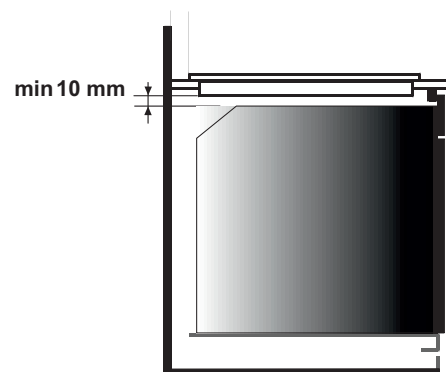
Lassen Sie mindestens 55 mm Abstand zwischen Kochfeld und Rückwand sowie mindestens 150 mm Abstand zwischen Kochfeld und vertikalen Möbeln oder Wänden an der Lateralseite. Über dem Kochfeld angebrachte Einrichtungsgegenstände müssen einen Abstand von mindestens 700 mm haben. Falls über dem Kochfeld eine Haube installiert werden soll, beachten Sie bitte die entsprechenden Installationsanforderungen. In jedem Fall darf der Abstand zwischen Kochfeld und Haube jedoch nicht geringer als 700 mm sein.



Falls die untere Fläche des Kochfelds an einen Bereich grenzt, der beim Hantieren oder Reinigen normalerweise zugänglich ist, ist unter dem Unterteil des Kochfelds eine Abtrennung von 20 mm vorzusehen.

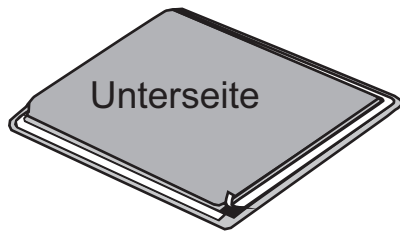


Falls unter dem Kochfeld ein Ofen installiert wird, darf die Abtrennung nicht angebracht werden, und der Mindestabstand zwischen dem unteren Teil des Kochfelds und dem Ofen darf nicht kleiner als 10 mm sein. Unter diesem Kochfeld darf kein ungekühlter Ofen installiert werden. Bei der Montage sind die Installationsanforderungen des Ofens zu berücksichtigen.



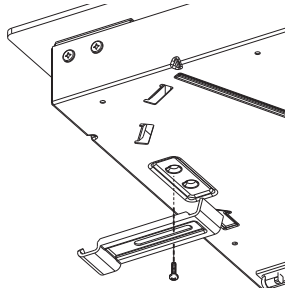
min 10 mm

Zum Lieferumfang des Kochfelds gehört eine wasserundurchlässige Abdichtung. Bringen Sie die Abdichtung wie beschrieben um das Unterteil herum an und achten Sie darauf, dass sie korrekt sitzt, damit keine Flüssigkeiten in die tragenden Möbelstücke eindringen können.

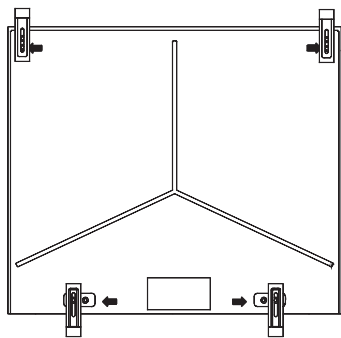


Normal Befestigung:

- Nehmen Sie die Befestigungsclips aus dem Zubehörbeutel und schrauben Sie sie an der am Unterkasten markierten Position fest. (Ziehen Sie die Schrauben nur so fest an, dass sich die Clips noch frei bewegen können.)

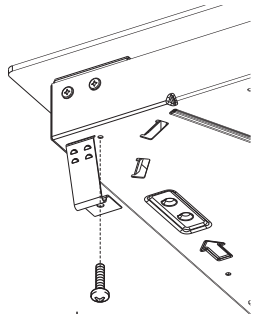


- Setzen Sie das Kochfeld in die Mitte der Aussparung ein.
- Drehen Sie die Clips und ziehen Sie sie vollständig fest.

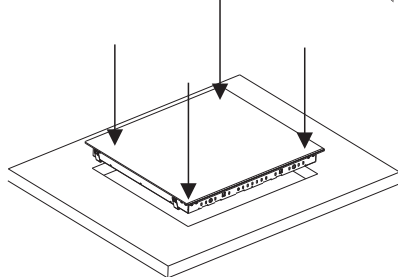


Schnellbefestigung: (Je nach Modell)

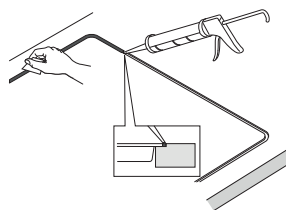
Nehmen Sie vier Federn aus dem Zubehörbeutel und schrauben Sie sie wie in der Abbildung gezeigt am Unterkasten fest.



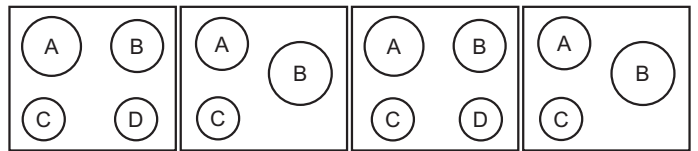
Zentrieren Sie das Kochfeld und setzen Sie es ein. Drücken Sie auf die Seiten des Kochfelds, bis es am gesamten Umfang aufliegt.



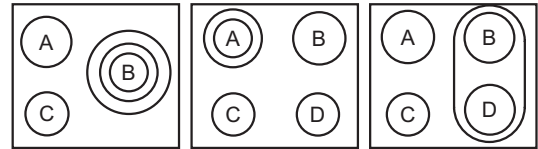
FLÄCHENBÜNDIGE INSTALLATION Nachdem Sie überprüft haben, dass das Kochfeld korrekt positioniert ist, füllen Sie den Spalt zwischen Arbeitsplatte und Kochfeld mit Silikonkleber. Glätten Sie die Silikonschicht mit einem Schaber oder einem Finger und etwas Seifenlauge, bevor es aushärtet. Benutzen Sie das Kochfeld erst, wenn die Silikonschicht ausgehärtet ist.



4. ELEKTRISCHER ANSCHLUSS

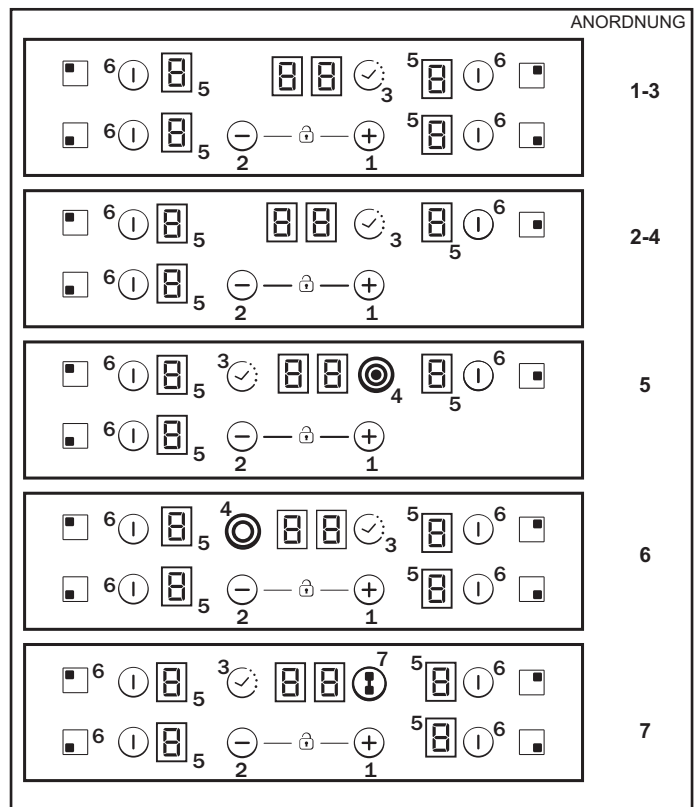


ANORDNUNG 1 ANORDNUNG 2 ANORDNUNG 3 ANORDNUNG 4



ANORDNUNG 5 ANORDNUNG 6 ANORDNUNG 7

	A	B	C	D
ANORDNUNG	2300W	1800W	1200W	1200W
ANORDNUNG	1800W	2500W	1200W	-
ANORDNUNG	2300W	1800W	1200W	1200W
ANORDNUNG	1800W	2500W	1200W	-
ANORDNUNG	1800W	750+900+1050W	1200W	-
ANORDNUNG	1000+1200 w	1800W	1200W	1200W
ANORDNUNG	1800W	1800W	1200W	1800W



Je nach Modell

1. "+"
2. "-"
3. TIMER
4. Zusätzliche Kochzonen-LED
5. Kochzonen-Programmieranzeige
6. Kochzonenauswahl
7. Brücke

Die Montage muss den geltenden Richtlinien entsprechen.“ Der Hersteller lehnt jede Verantwortung für Schäden ab, die sich auf eine ungeeignete oder unsachgemäße Benutzung zurückführen lassen.

WARNUNG: Der Hersteller haftet nicht für Vorkommnisse oder deren Folgen, die möglicherweise bei der Benutzung eines Geräts auftreten, das nicht an Masse angeschlossen ist oder eine fehlerhafte Masseverbindung aufweist.

Überprüfen Sie vor dem elektrischen Betrieb stets die auf dem Stromzähler angegebene Versorgungsspannung, die Einstellung des Trennschalters, die Durchgängigkeit der Masseverbindung zum Gerät und die Eignung der Sicherung.

Der elektrische Anschluss der Installation muss in Übereinstimmung mit der Nennleistung des Geräts erfolgen. Dies sollte über einen allpoligen Trennschalter erfolgen.

Falls das Gerät eine Steckdose hat, muss diese so installiert sein, dass sie jederzeit zugänglich ist.

Der gelb-grüne Leiter des Netzkabels muss mit Masse sowohl an der Netzstromversorgung als auch an den Geräteanschlüssen verbunden werden.

Bei Fragen zum Netzkabel wenden Sie bitte an den Kundendienst oder einen qualifizierten Techniker.

Das Kochfeld hat ein Netzkabel, mit dem es nur an eine Spannungsversorgung mit 220-240 V zwischen den Phasen oder zwischen Phase und Nullleiter angeschlossen werden kann..

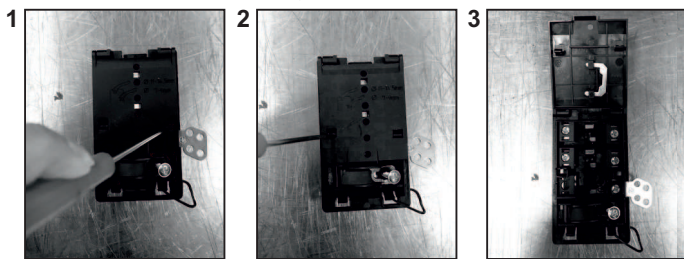
Das Kochfeld kann auch wie folgt angeschlossen werden:
 3 Phasen 220-240 V3
 3 Phasen 380-415 V2N

Für den neuen Anschluss sind folgende Anweisungen zu beachten:

Achten Sie vor dem Herstellen des Anschlusses darauf, dass das Gerät durch eine geeignete Sicherung geschützt ist und die Anschlussleitungen für eine normale Versorgung des Geräts ausgelegt sind.

Legen Sie das Kochfeld mit der Glasseite auf die Arbeitsfläche. Achten Sie darauf, dass das Glas geschützt ist.

Öffnen Sie die Abdeckung in der nachstehenden Reihenfolge:



- Schrauben Sie die Kabelklemme „1“ los.
- Innen befinden sich zwei seitliche Laschen.
- Setzen Sie einen Schlitzschraubendreher vorn an jeder Lasche an („2“ und „3“) und drücken Sie.
- Entfernen Sie die Abdeckung.

Netzkabel entfernen:

- Lösen Sie die Schrauben des Klemmenblocks mit den Abzweigspangen und den Leitern des Netzkabels.
- Ziehen Sie das Netzkabel heraus.

Einen neuen Anschluss herstellen:

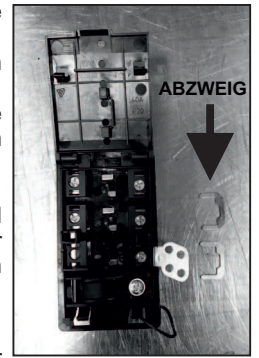
- Nehmen Sie ein Netzkabel, das den Angaben in der Tabelle entspricht.
- Führen Sie das Netzkabel in die Klemme ein.
- Entfernen Sie 10 mm der Isolierung an jedem Leiterende des Netzkabels; berücksichtigen Sie dabei die erforderliche Länge des Kabels für den Anschluss am Klemmenblock.

- Schließen Sie die Leiter entsprechend der jeweiligen Installation und mit Hilfe der zuvor beiseitegelegten Abzweigspangen wie in der Tabelle gezeigt an.
- Bringen Sie die Abdeckung wieder an.
- Schrauben Sie die Kabelklemme wieder fest.

Hinweis: Achten Sie darauf, dass die Schrauben der Klemmleiste fest angezogen sind.

Einen neuen Anschluss herstellen:

- Nehmen Sie ein Netzkabel, das den Angaben in der Tabelle entspricht.
- Führen Sie das Netzkabel in die Klemme ein.
- Entfernen Sie 10 mm der Isolierung an jedem Leiterende des Netzkabels; berücksichtigen Sie dabei die erforderliche Länge des Kabels für den Anschluss am Klemmenblock.



- Schließen Sie die Leiter entsprechend der jeweiligen Installation und mit Hilfe der zuvor beiseitegelegten Abzweigspangen wie in der Tabelle gezeigt an.
- Bringen Sie die Abdeckung wieder an.
- Schrauben Sie die Kabelklemme wieder fest.

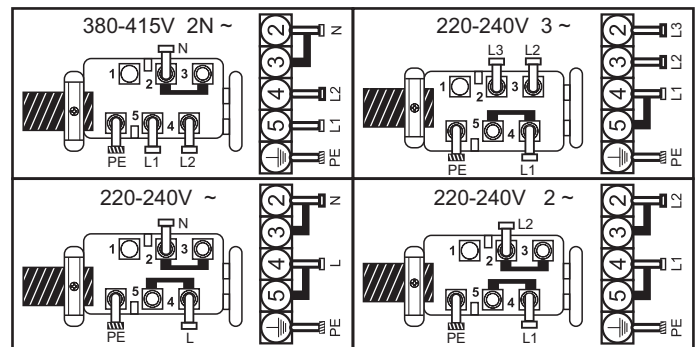
ACHTUNG:

Falls das Netzkabel ausgetauscht werden muss, schließen Sie die Leiter entsprechend folgendem Farbcode an:

BLAU	Nullleiter	(N)
BRAUN	Spannungsführend	(L)
GELB GRÜN	Masse	(⊥)

Anschluss an den Klemmen des Klemmenblocks

	ANORDNUNG "1-6"	ANORDNUNG "7"
EINPHASIG oder ZWEIPHASIG 220-240 V~		
Kabel HO5V2V2F	3x2,5 mm ²	3x4 mm ²
DREIPHASIG 220-240 V3~		
Kabel HO5V2V2F	4x1,5 mm ²	4x1,5 mm ²
DREIPHASIG 380-415 V2N~		
Kabel HO5V2V2F	4x1,5 mm ²	4x1,5 mm ²



L1 / L2 / L3 = Phase N = Nullleiter PE = Masse

5. TIPPS ZUM KOCHGESCHIRR

Voraussetzung für eine optimale Nutzung Ihres Kochfelds ist die Verwendung hochwertiger Kochgeschirrs.



- **Benutzen Sie stets qualitativ gutes Kochgeschirr mit einem absolut planen und dicken Boden:** Diese Art von Kochgeschirr hat keine so genannten „Hot Spots“, die ein Anhaften des Garguts verursachen. Metalltöpfe und -pfannen mit einem dicken Boden sorgen für eine gleichmäßige Hitzeverteilung.

- **Achten Sie darauf, dass der Boden des Topfs oder der Pfanne trocken ist:** wenn Sie Kochgeschirr mit Flüssigkeit füllen oder Kochgeschirr benutzen, das im Kühlschrank stand, müssen Sie darauf achten, dass der Boden des Kochgeschirrs vollständig trocken ist, bevor Sie es auf das Kochfeld stellen. So vermeiden Sie eine Verschmutzung des Kochfelds.

- **Benutzen Sie Kochgeschirr, dessen Durchmesser der jeweiligen Kochzone entspricht:** das Kochgeschirr sollte nicht kleiner als der Heizbereich sein. Bei einem größeren Durchmesser wird mehr Energie aufgewendet, um den maximalen Wirkungsgrad zu erreichen.

WAHL DES KOCHGESCHIRRIS – Die folgenden Hinweise sollen Ihnen bei der Wahl des geeigneten Kochgeschirrs helfen.

Edelstahl: *sehr empfehlenswert.* Insbesondere mit einem Sandwich-Boden. Der Sandwich-Boden vereint die Vorteile von Edelstahl (Erscheinungsbild, Haltbarkeit und Stabilität) mit denen von Aluminium oder Kupfer (Wärmeleitung, gleichmäßige Wärmeverteilung).

Aluminium: *hohes Gewicht empfehlenswert.* Gute Leitfähigkeit. Mitunter sind Aluminiumrückstände als Kratzer auf dem Kochfeld zu sehen, die sich jedoch bei umgehender Reinigung entfernen lassen. Wegen seines niedrigen Schmelzpunkts sollte kein dünnes Aluminium-Kochgeschirr verwendet werden.

Gusseisen: *benutzbar, aber nicht empfohlen.* Schlechtes Leistungsverhalten. Kann die Oberfläche zerkratzen.

Kupferboden / Steinzeug: *hohes Gewicht empfehlenswert.* Gutes Leistungsverhalten, wobei Kupfer Rückstände hinterlassen kann, die als Kratzer erscheinen. Diese Rückstände lassen sich entfernen, wenn das Kochfeld umgehend gereinigt wird. Allerdings darf bei diesen Töpfen die Flüssigkeit niemals vollständig verdampfen. Überhitztes Metall kann am Glaskeramik-Kochfeld haften bleiben. Ein überhitzter Kupfertopf hinterlässt dauerhafte Rückstände auf dem Kochfeld.

Porzellan/Emaille: Gutes Leistungsverhalten nur bei glattem, flachem Boden.

Glaskeramik: *nicht empfehlenswert.* Schlechtes Leistungsverhalten. Kann die Oberfläche zerkratzen.

6. BENUTZUNG

Wahl der Leistungsverwaltungsstufe.

Über die Funktion „Leistungsregulierung“ kann der Benutzer die vom Kochfeld erreichbare Maximalleistung einstellen. Die Funktion der Leistungsregulierung ist nur während der ersten 30 Sekunden nach Anschalten des Kochfelds verfügbar. Durch Ab- und Zuschalten der Stromversorgung kann diese Funktion wiederholt verwendet werden.

Wurde eine Maximalleistung eingestellt, passt das Kochfeld die Energieverteilung für die einzelnen Kochzonen automatisch an, sodass der eingestellte Grenzwert niemals überschritten wird. Dank dieser Funktion werden alle Zonen gleichzeitig gesteuert, ohne dass es zu Überlastproblemen kommen kann.

Der Benutzer kann die Maximalleistung des Kochfelds zwischen 2,5 kW und der je nach Modell verfügbaren Maximalleistung des Kochfelds einstellen (beträgt die Maximalleistung des Kochfelds beispielsweise 7,2kW, liegt der eingestellte Wert zwischen 2,5 und 7,2 kW).

Verkauft wird das Produkt mit einem auf Maximalleistung eingestellten Kochfeld.

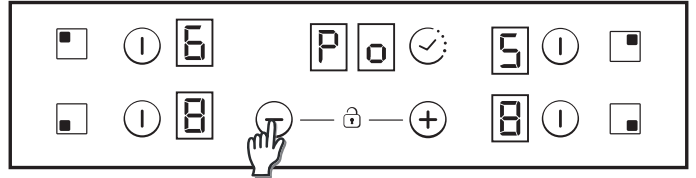
Nach Zuschalten der Stromversorgung kann die Leistungsstufe gemäß den nachfolgend dargestellten Punkten innerhalb von 30 Sekunden eingestellt werden:

1 - Das Kochfeld einschalten.

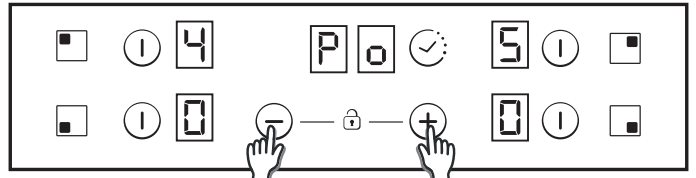
2 - Warten, bis das Touch-Bedienfeld seinen Initialisierungsprozess abgeschlossen hat.

3 - Innerhalb von 30 die Taste '−' 5 Sekunden lang berühren.

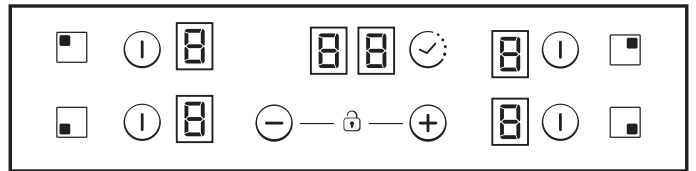
4 - Nun erscheint folgende Anzeige auf dem Display:



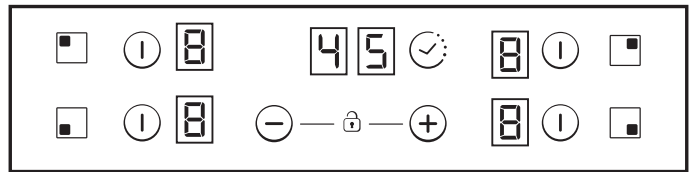
5 - Mit den Tasten 'Plus' und 'Minus' kann die Leistungsverwaltung eingestellt werden. In diesem Beispiel zwischen 6500 und 2500 W. Nach dem Einstellen des gewünschten Werts gleichzeitig die Tasten 'Plus' und 'Minus' 5 Sekunden lang berühren.



6 - Sobald der Vorgang abgeschlossen ist, ertönt ein langer Piepton und eine Zurücksetzung erfolgt. Der Start-Vorgang wird erneut ausgeführt.

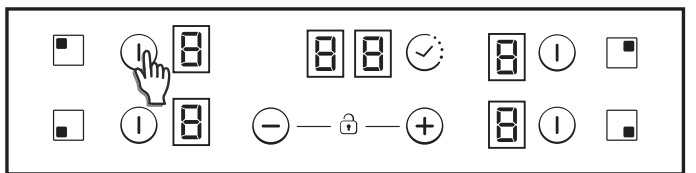


7 - Nach dem Start-Vorgang wird auf dem Timer-Display ECO-Leistungsverwaltung angezeigt.



Danach erlaubt das Touch-Bedienfeld keinerlei Kombination mehr, die diesen ECO-Grenzwert überschreitet.

Kochzonen ein-/ausschalten



Zum Einschalten einer Kochzone berühren Sie das entsprechende Bedienfeld für 400 msec. Es erfolgt ein langer Piepton, und in der Kochzonenanzeige erscheint der Wert „0“ als Hinweis auf die Leistungsstufe.

1) Falls eine Kochzone in der Position „0“ verbleibt, schaltet sich diese Anzeige nach 10 Sekunden automatisch AUS und die Zone-AUS-Tonfolge ertönt.

2) Falls bei ausgeschalteter Kochzone (Leistungsstufe „0“) noch Restwärme vorhanden ist, wird wechselnd „0“ will angezeigt.

3) Bei aktivierter Sperrfunktion kann eine Kochzone nicht eingeschaltet werden.

Zum AUSSCHALTEN einer Kochzone berühren Sie das entsprechende Bedienfeld für 1,2 Sekunden. Daraufhin sind drei kurze Pieptöne zu hören, und auf der zugehörigen Anzeige erscheint entweder kein Wert oder „H“, falls noch Restwärme vorhanden ist. Die Kochzone ist damit ausgeschaltet.

1) Falls eine Kochzone in der Position „0“ verbleibt, schaltet sich diese Anzeige nach 10 Sekunden automatisch AUS und die Zone-

AUS-Tonfolge ertönt.

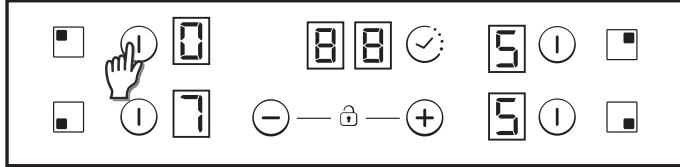
2) Falls bei ausgeschalteter Kochzone noch Restwärme vorhanden ist, wird „H“ will angezeigt.

3) Auch bei aktivierter Sperrfunktion kann eine Kochzone ausgeschaltet werden.

4) Falls nur eine Kochzone aktiv ist und diese ausgeschaltet wird, sind vier kurze Pieptöne als Hinweis darauf zu hören, dass das gesamte Kochfeld ausgeschaltet ist.

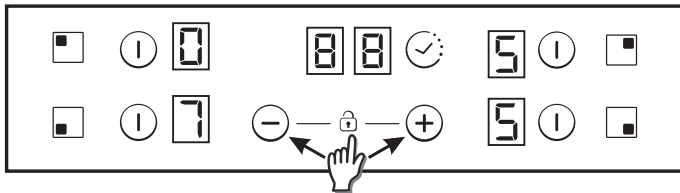
Auswahl einer Kochzone

Wenn eine Kochzone bereits eingeschaltet ist, erhalten die nicht ausgewählten eingeschalteten Kochzonen eine geringere Beleuchtungsintensität.



Wenn nur eine Kochzone eingeschaltet ist, wird diese Kochzone standardmäßig ausgewählt, ohne dass ein kurzer Druck (150 msec) auf die Auswahl Taste erforderlich ist.

Leistungsstufe erhöhen/verringern



Durch einen kurzen Druck auf die Taste „+“ oder „-“ erhöhen bzw. verringern Sie die Leistungsstufe der gewählten Kochzone schrittweise: 0-1-2-3...9-P

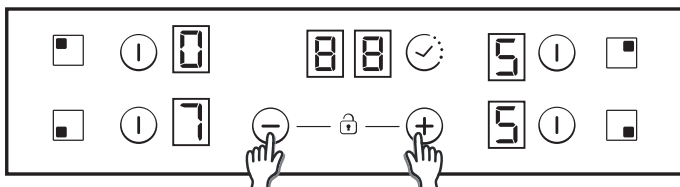
1. Durch langes Drücken auf „+“ oder „-“ wird die Leistungsstufe kontinuierlich erhöht/verringert. Bei rascher Erhöhung stoppt die Leistungsstufe bei „9“; für mehr Leistung ist ein weiterer Druck auf die Taste „+“ erforderlich. Bei einer raschen Erhöhung/Verringerung ist kein Piepton zu hören.

2. Wenn die Leistungsstufe „P“ erreicht ist, erfolgt durch erneutes Betätigen der Taste „+“ kein Wechsel zur Leistungsstufe „0“. Desgleichen erfolgt bei Erreichen der Leistungsstufe „0“ durch erneutes Betätigen der Taste „-“ kein Wechsel zur Leistungsstufe „P“.

3. Wenn eine eingeschaltete Kochzone auf Leistungsstufe „0“ gestellt wird und noch heiß ist, blinkt die Anzeige „0“ abwechselnd. Nach 10 Sekunden verschwindet die Anzeige „0“ und es erscheint der Buchstabe „H“.

4. Wenn eine Kochzone ausgewählt ist und die Tasten „+“ und „-“ gleichzeitig betätigt werden, wechselt die Leistungsstufe auf „0“, wobei die Kochzone jedoch für weitere 10 Sekunden ausgewählt bleibt. Falls die Kochzone zeitgeschaltet war, geht der Timer aus. Je nach Konfiguration der Berührungsteuerung ist dieser Vorgang nur in bestimmten Fällen möglich. Die folgenden Beispiele dienen lediglich zur Information. Nutzen Sie dann Ihre persönliche Erfahrung, um diese Einstellungen an Ihre Kochgewohnheiten und -vorlieben anzupassen.

Kindersicherung



Diese Funktion wird aktiviert, wenn man die Tasten „+“ und „-“ gleichzeitig drückt.

Wird daraufhin eine beliebige Taste gedrückt, zeigt die Anzeige zwei Sekunden lang den Buchstaben „L“, wobei die jeweilige Leistungsstufe bestehen bleibt.

Um die Kindersicherung wieder auszuschalten, führen Sie denselben Vorgang erneut aus. Daraufhin ist ein kurzer Piepton zu hören, und die Anzeige zeigt den Buchstaben „n“. Das Kochfeld bleibt entsperrt.

Hinweis: 15 Minuten, nachdem das Kochfeld komplett ausgeschaltet wurde, wird eine automatische Kindersicherung aktiviert. Diese Funktion wird zwar automatisch aktiviert, muss jedoch zuvor programmiert werden. Siehe „Benutzereinstellungen“.

Doppel-/Dreifachzonen

Um den Erweiterungsring einzuschalten, muss die zugehörige Hauptzone bereits eingeschaltet sein und eine höhere Leistungsstufe als „0“ angezeigt werden.

8.1 - Doppelzone einschalten

1. Ein kurzer Druck auf die Erweiterungstaste schaltet die zusätzliche Kochzone ein. Die LED über der Erweiterungstaste leuchtet, wenn der Erweiterungsring eingeschaltet ist.

2. Ein kurzer Druck auf die Erweiterungsringtaste schaltet die zusätzliche Kochzone wieder aus.

Bei jeder Betätigung auf die Erweiterungstaste ist ein Piepton zu hören.

8.2 - Dreifachzone einschalten

1. Ein kurzer Druck auf die Erweiterungstaste schaltet die erste zusätzliche Kochzone ein. Wenn der erste Erweiterungsring eingeschaltet ist, leuchtet 1 LED über der Erweiterungstaste (bei einer Dreifachzone die linke LED; bei einer Doppelzone nur die mittlere LED).

2. Ein kurzer Druck auf die Erweiterungsringtaste schaltet die zweite zusätzliche Kochzone ein. Wenn der erste und der zweite Erweiterungsring eingeschaltet sind, leuchten 2 LEDs über der Erweiterungstaste.

3. Ein kurzer Druck auf die Erweiterungsringtaste schaltet den ersten und den zweiten Erweiterungsring wieder aus.

Bei jeder Betätigung auf die Erweiterungstaste ist ein Piepton zu hören.

Brückenfunktion

Die Brücke kann nur aktiviert werden, wenn beide Kochzonen ausgeschaltet sind. Nachdem eine Kochzone der Brücke ausgewählt wurde, kann durch Betätigen der Brückentaste die Brückenfunktion aktiviert werden.

Wenn die Kochzone aktiviert ist, ertönt ein Piepton, und die Kochzonen-LED wird eingeschaltet.

Beide Brückenkochzonen werden gleichzeitig ausgewählt.

Nach Auswahl der Kochzonen kann mit der Taste „+“ bzw. „-“ die gewünschte Leistungsstufe eingestellt werden.

Für beide Brückenkochzonen wird dieselbe Leistungsstufe angezeigt. Die Funktion wird beendet:

- wenn die Brückentaste im Einstellmodus betätigt wird
- wenn die Leistungsstufe „0“ gewählt wird

Überhitzungsschutz

Etwas (ein Gegenstand oder Flüssigkeit) „betätigt“ eine Taste länger als fünf Sekunden. Alle 30 Sekunden sind zwei kurze Pieptöne und ein langer Piepton zu hören. Das Kochfeld wird ausgeschaltet.

Solange die Situation anhält, blinkt dieses Symbol.

Timer

Die Timerfunktion kann entweder mit der entsprechenden Taste oder durch gleichzeitiges Berühren der Tasten „+“ und „-“ aktiviert werden. In beiden Fällen muss eine Kochzone ausgewählt und die Leistungsstufe größer als „0“ sein.

Wählen Sie die gewünschte Kochzone. Die Leistungsstufe muss größer als „0“ sein. Für die gewählte Kochzone wird angezeigt. Die Felder „00“ sind für den Timer reserviert.

- 1) Mit der Taste „+“ oder „-“ stellen Sie die gewünschte Zeit ein. Bei Einstellungsänderungen ist kein Piepton zu hören.
- 2) Durch gleichzeitiges Betätigen der Tasten wird der Timer storniert (geht zu „00“).
- 3) Zur Schnelleinstellung des Timers wird die Taste „+“ oder „-“ gedrückt gehalten.
- 4) Beim Einstellen des Timers können Sie mit der Taste „-“ von „00“ zu „99“ und mit der Taste „+“ von „99“ zu „00“ wechseln.
- 5) Die maximale Timereinstellung beträgt 99 Minuten.
- 6) Wenn die Zeit abgelaufen ist und das Kochfeld piept, drücken Sie eine beliebige Taste, um den Alarm und die Timerfunktion zu deaktivieren.
- 7) Es ist möglich, eine bereits vorgenommene Timereinstellung später noch zu ändern.
- 8) Die Leistungsstufe der gewählten Kochzone kann verändert werden, ohne dass sich dies auf die Timerprogrammierung auswirkt.
- 9) Die letzte Minute wird in Sekunden angezeigt (Varianten sind nur zu sehen, wenn die Timerprogrammierung während der letzten Minute des Countdown aufgerufen wird).
- 10) Wird die Timertaste gedrückt, wenn keine Kochzone ausgewählt wurde und keine Kochzone programmiert ist, geschieht nichts.

11) Wird die Timertaste gedrückt, wenn keine Kochzone ausgewählt ist und mehrere Kochzonen programmiert sind, ändert sich die Zeitanzeige der Reihe nach und es wird die Zeit angezeigt, bei deren Leistungsstufe der Dezimalpunkt eingeschaltet ist.

12) Alternativ wird die Leistungsstufe (5 s) und (0,5 s) in der programmierten Kochzone angezeigt.

Die verbleibende Zeit wird in den für den Timer reservierten Feldern angezeigt. Wenn mehrere Kochzonen programmiert sind, wird die kürzeste verbleibende Zeit angezeigt, wobei der Dezimalpunkt in der entsprechenden Kochzone angezeigt wird.

Restwärmeanzeige

Dieselben Anzeigen können auch als Restwärmeanzeige benutzt werden. Diesbezüglich muss eine Zeittabelle definiert werden: Restwärmedauer=f(Leistungsstufe, Betriebsdauer).

Wenn die Temperatur auf der Glasoberfläche höher als 65°C (theoretischer Wert) ist, wird dieser Zustand im zugehörigen Display durch ein „H“ angezeigt.

Damit die Temperatur mehr als 65°C erreicht, muss ein Heizelement eine gewisse Zeit lang in Betrieb gewesen sein. Dies ist von der Leistungsstufe abhängig. Nachdem diese Zeit abgelaufen ist, wird die Restwärmewarnung angezeigt, wenn das Heizelement ausgeschaltet wird.

Automatische Sicherheitsabschaltung

Wenn sich die Leistungsstufe für eine vorgegebene Dauer nicht ändert, wird die entsprechende Kochzone automatisch abgeschaltet. Die maximale Dauer, für die eine Kochzone eingeschaltet sein kann, hängt von der gewählten Leistungsstufe ab.

Livello di potenza	Tempo massimo di attivazione (ore)
1	10
2	5
3	5
4	4
5	3
6	2
7	2
8	2
9	2
P	2

HINWEIS: Sollte es während des Betriebs mit der höchsten Leistungsstufe zu einer Überhitzungssituation kommen, wird die Leistungsstufe von der Kochfeldsteuerung automatisch angepasst, um das Kochfeld vor einer Überhitzung zu schützen.

7. REINIGUNG UND WARTUNG

· Lassen Sie das Kochfeld abkühlen, bevor Sie irgendwelche Maßnahmen treffen.

· Verwenden Sie ausschließlich Produkte (Reinigungsmittel und Schaber), die speziell für Glaskeramikflächen vorgesehen sind. Solche Produkte finden Sie im Fachhandel.

· Vermeiden Sie Verschüttungen, weil alles, was auf die Oberfläche des Kochfelds gerät, rasch einbrennt und das Reinigen erschwert.

· Daher sollten alle Materialien vom Kochfeld ferngehalten werden, die schmelzen könnten, wie beispielsweise Kunststoffe, Zucker oder zuckerbasierte Produkte.

INSTANDHALTUNG:

- Geben Sie einige Tropfen einer speziellen Reinigungsflüssigkeit auf die Kochfeldoberfläche.

- Entfernen Sie Rückstände mit einem weichen Tuch oder angefeuchtetem Küchenpapier.

- Wischen Sie mit einem trockenen Tuch oder Küchenpapier nach, bis die Oberfläche sauber ist.

Falls immer noch Rückstände vorhanden sind:

- Geben Sie etwas von der speziellen Reinigungsflüssigkeit auf die Kochfeldoberfläche.

- Fahren Sie mit einem Kochfeldschaber im Winkel von 30° über das Kochfeld, bis die Rückstände verschwunden sind.

- Wischen Sie mit einem trockenen Tuch oder Küchenpapier nach, bis die Oberfläche sauber ist.

- Wiederholen Sie den Vorgang bei Bedarf.

EINIGE TIPPS:

Häufiges Reinigen hinterlässt eine Schutzschicht, die wesentlich ist, um Kratzer und Verschleißspuren zu verhindern. Achten Sie darauf, dass die Oberfläche sauber ist, bevor Sie das Kochfeld wieder

benutzen. Wasserspuren entfernen Sie mit ein paar Tropfen Haushaltessig oder Zitronensaft. Wischen Sie anschließend mit einem saugfähigen Papiertuch und einigen Tropfen spezieller Reinigungsflüssigkeit nach.

Die Glaskeramikoberfläche hält ebenbötigem Kochgeschirr zwar stand, dennoch sollte Kochgeschirr stets angehoben werden, um es auf eine anderen Kochzone zu stellen.

Hinweis:



Benutzen Sie keinen zu nassen Schwamm.

Benutzen Sie niemals ein Messer oder einen Schraubendreher.

Ein Schaber mit einer Rasierklinge verursacht keine Schäden auf der Oberfläche, solange er in einem Winkel von 30° gehalten wird.

Halten Sie Kochfeldschaber immer außerhalb der Reichweite von Kindern.

Benutzen Sie niemals abrasive Produkte oder Scheuerpulver.

Die Metalleinfassung: Reinigen Sie die Metalleinfassung mit Haushaltsreiniger und Wasser und wischen Sie sie dann mit einem weichen Tuch trocken.

Farbveränderungen der Glaskeramikoberfläche haben keinerlei Auswirkung auf deren Funktion oder Stabilität. Derartige Verfärbungen sind in der Regel auf angebrannte Lebensmittelreste oder die Verwendung von Kochgeschirr zurückzuführen, das aus Materialien wie Aluminium oder Kupfer besteht. Diese Rückstände sind schwer wieder zu entfernen.

8. PROBLEMBEHEBUNG

Die Kochzonen werden nicht oder nur mäßig heiß.

Benutzen Sie ausschließlich ebenbötiges Kochgeschirr. Wenn zwischen Kochgeschirr und Kochzone Licht zu sehen ist, findet keine korrekte Hitzeübertragung statt.

Das Kochgeschirr sollte denselben Durchmesser wie die benutzte Kochzone haben.

Der Garvorgang dauert zu lange

Es wurde ungeeignetes Kochgeschirr benutzt. Verwenden Sie nur ebenbötiges, schweres Kochgeschirr mit mindestens demselben Durchmesser wie die Kochzone.

Kleine Kratzer oder Abnutzung auf der Glasfläche des Kochfelds

Unsachgemäße Reinigung oder Benutzung von Kochgeschirr mit rauem Boden; Partikel (Sand, Salz usw.) zwischen Kochfeld und Boden des Kochgeschirrs. Siehe Abschnitt „REINIGUNG“. Achten Sie vor der Benutzung darauf, dass der Boden des Kochgeschirrs sauber ist, und benutzen Sie nur Kochgeschirr mit einem glatten, planen Boden. Durch ordnungsgemäße Reinigung lassen sich Kratzer vermeiden.

Metallspuren

Schieben Sie Aluminiumkochtöpfe nicht über das Kochfeld. Beachten Sie die Reinigungshinweise.

Verwenden Sie geeignete Materialien. Sollten Rückstände bleiben, benutzen Sie einen speziellen Kochfeldschaber. Befolgen Sie die Hinweise unter „REINIGUNG“.

Dunkle Rückstände

Benutzen Sie einen speziellen Kochfeldschaber und befolgen Sie die Hinweise unter „REINIGUNG“.

Helle Flächen auf dem Kochfeld

Spuren von Aluminium- oder Kupferkochgeschirr sowie Mineral-, Wasser- oder Lebensmittelrückstände können mit einem Kochfeldreiniger entfernt werden.

Karamellisation oder geschmolzener Kunststoff auf dem Kochfeld.

Befolgen Sie die Hinweise unter „REINIGUNG“.

Das Kochfeld bzw. bestimmte Kochzonen funktionieren nicht

Die Anschlüsse an der Klemmleiste wurden nicht korrekt vorgenommen.

Überprüfen Sie, ob die Anschlüsse entsprechend den Hinweisen ausgeführt wurden oder das Bedienfeld gesperrt ist. Heben Sie die Sperre auf.

Das Kochfeld lässt sich nicht abschalten.

Das Bedienfeld ist gesperrt. Heben Sie die Sperre auf.

Kochzonen schalten sich wiederholt ein und aus

Die Ein/Ausschaltzyklen variieren je nach erforderlicher Hitze:

- geringe Hitze: kurze Betriebsdauer
- starke Hitze: lange Betriebsdauer

Das Kochfeld funktioniert nicht.

Überprüfen Sie den Zustand der Sicherungen / Trennschalter. Prüfen Sie, ob ein Stromausfall vorliegt.

Das Kochfeld hat sich selbständig abgeschaltet.

Der Hauptschalter (EIN/AUS-Taste) wurde versehentlich betätigt oder ein Gegenstand auf einer Taste abgestellt. Entfernen Sie eventuelle Gegenstände vom Bedienfeld und schalten Sie das Gerät wieder ein. Nehmen Sie die gewünschten Einstellungen erneut vor.

Auf dem Display wird „F“ und Zahlen angezeigt

Wenn das Display „F“ und Zahlen anzeigt, liegt eine Gerätestörung vor. Die nachstehende Tabelle enthält Maßnahmen, um das Problem zu beheben.

9. KUNDENDIENST

Bevor Sie sich an einen Wartungstechniker wenden, überprüfen Sie bitte:

– ob der Netzstecker korrekt an einer abgesicherten Steckdose angeschlossen ist.

Falls sich der Fehler nicht feststellen lässt, schalten Sie das Gerät aus und wenden sich umgehend an den Kundendienst. Das Gerät wird mit einer Garantie ausgeliefert, die sicherstellt, dass es kostenlos vom Kundendienst repariert wird.

Kochfeldanzeige	Störung	Maßnahme
F0	Berührungssteuerungs-Softwarefehler	Bei einer Störung das Gerät von der Spannungsversorgung abtrennen und erneut wieder anschließen. Sollte die Störung bestehen bleiben, den Kundendienst benachrichtigen. Falls die Störung unvermittelt bei normalem Betrieb auftritt, den Kundendienst benachrichtigen.
Fc	Die Berührungssteuerungszone ist zu heiß und hat alle Kochzonen abgeschaltet.	Warten Sie, bis die Temperatur sinkt. Das Kochfeld wird automatisch wieder betriebsbereit, wenn die Temperatur den normalen Wert erreicht hat.
Ft	Der Berührungssteuerungs-Temperatursensor ist eventuell beschädigt.	Warten Sie, bis die Temperatur sinkt. Sollte die Störung bestehen bleiben, nachdem die Temperatur den normalen Wert erreicht hat, den Kundendienst benachrichtigen.
FE	Der Berührungssteuerungs-Temperatursensor ist eventuell beschädigt.	Warten Sie, bis die Temperatur sinkt. Sollte die Störung bestehen bleiben, nachdem die Temperatur den normalen Wert erreicht hat, den Kundendienst benachrichtigen.
Fb	Außergewöhnliche Tastenreaktion.	Prüfen Sie, ob das Kochfeld korrekt montiert ist. Stellen Sie sicher, die Tasten auf der Glasoberfläche korrekt zu berühren.
FU / FJ	Bedienfeldsicherheitsfehler	Dieser Fehler ist eine automatische Bedienfeldprüfung. Er verschwindet, sobald die automatische Prüfung wieder einen sicheren Wert ergibt. Sollte der Fehler bestehen bleiben, den Kundendienst benachrichtigen.
FA	Bedienfeldsicherheitsfehler	Dieser Fehler ist eine automatische Softwareprüfung. Er verschwindet, sobald die automatische Prüfung wieder einen sicheren Wert ergibt. Sollte der Fehler bestehen bleiben, den Kundendienst benachrichtigen.
FC / Fd	Bedienfeldsicherheitsfehler	Dieser Fehler ist eine automatische Softwareprüfung. Er verschwindet, sobald die automatische Prüfung wieder einen sicheren Wert ergibt. Sollte der Fehler bestehen bleiben, den Kundendienst benachrichtigen.
Fr	Relaissicherheitsfehler	Eventuell liegt ein Relaisproblem vor. Trennen Sie das Kochfeld von der Spannungsversorgung, warten Sie eine Minute, und schalten Sie es dann wieder ein. Sollte der Fehler bestehen bleiben, den Kundendienst benachrichtigen.

ПРАВИЛА БЕЗОПАСНОСТИ

Рекомендуем Вам сохранить это руководство по установке и эксплуатации и обращаться к нему по мере необходимости в будущем. Перед тем, как приступить к установке варочной панели, запишите ее серийный номер в случае, если Вам придется обратиться в центр послепродажного обслуживания.

ВНИМАНИЕ: прибор и его доступные части нагреваются во время использования. Будьте осторожны и не прикасайтесь к нагревательным элементам. Детям младше 8 лет запрещается находиться рядом с прибором, если только за ними не обеспечивается постоянный контроль со стороны взрослых.

ВНИМАНИЕ: допускается использование только тех защитных устройств, которые были разработаны с этой целью Производителем кухонного прибора, или тех, которые были указаны Производителем кухонного прибора в инструкции в качестве допустимых, а также защитных устройств, входящих в комплект варочной панели. Использование неподходящих защитных устройств может стать причиной несчастного случая.

ВНИМАНИЕ: При приготовлении пищи с использованием жиров или масла всегда следите за процессом приготовления пищи, так как жиры или масло могут внезапно загореться. **КАТЕГОРИЧЕСКИ ЗАПРЕЩАЕТСЯ** тушить огонь водой. Выключите прибор, после чего накройте пламя, например, крышкой или противопожарным одеялом.

ВНИМАНИЕ: угроза пожара: не складировать вещи на варочной поверхности.

ВНИМАНИЕ: в случае образования трещин на поверхности, запрещается дотрагиваться до стеклянных поверхностей. Выключите прибор из сети, чтобы предупредить возможность поражения электрическим током.

Данным прибором могут пользоваться дети в возрасте 8 лет и старше, лица с ограниченными физическими, сенсорными и умственными способностями, а также с недостаточным опытом и знаниями, если они находятся под присмотром или получили надлежащий инструктаж по безопасному пользованию прибором и осознают связанные с ним риски. Необходимо обеспечить наблюдение за детьми с тем, чтобы убедиться, что они не играют с прибором. Детям без надлежащего присмотра запрещается выполнять операции по очистке и обслуживанию изделия.

ПРЕДУПРЕЖДЕНИЕ: процесс приготовления пищи не должен протекать без контроля. Краткосрочный процесс приготовления пищи должен находиться под постоянным контролем.

Настоятельно рекомендуется не допускать детей к работающим или выключенным зонам нагрева до тех пор, пока включен индикатор остаточного тепла, во избежание риска получения серьезных ожогов.

В изделие не было предусмотрено управление посредством внешнего таймера или внешней системы дистанционного управления.

В случае его наличия, не рекомендуется смотреть на галогенные элементы.

Подсоедините вилку к шнуру питания, способному выдержать напряжение, ток и нагрузку, указанные на табличке данных, и имеющему проводник заземления. Розетка должна быть подходящей для нагрузки, указанной на табличке, и должна иметь исправный контакт заземления. Проводник

заземления является желто-зеленым. Данную операцию должен проводить специалист, имеющий соответствующую квалификацию. В случае несовместимости между розеткой и вилкой, попросите электрика заменить розетку на другую приемлемого типа. Вилка и розетка должны отвечать нормам, действующим в стране монтажа.

Подключение к источнику питания также можно выполнить путем установки автоматического выключателя между прибором и источником питания, способным выдержать максимальную подключенную нагрузку и отвечающим требованиям действующего законодательства.

Желто-зеленый проводник заземления не должен размыкаться выключателем. Используемые для соединения розетка или автоматический выключатель должны находиться в удобной зоне досягаемости при монтаже прибора.

Для отключения можно либо разместить розетку в зоне досягаемости, либо установить переключатель на фиксированном проводе согласно правилам устройства электроустановок. В случае повреждения шнура электропитания, последний должен быть заменен Производителем, его сервисным агентом или лицом, выступающим в схожем качестве, во избежание рисков. Заземляющий провод (желто-зеленый) должен быть длиннее на 10 мм со стороны клеммной колодки. Внутреннее сечение проводников должно соответствовать мощности, потребляемой варочной панелью (указана на табличке данных). Шнур питания должен быть типа H05V2V2-F.

Запрещается помещать на варочную панель металлические предметы, такие, как ножи, вилки, ложки или крышки, поскольку они могут нагреваться. Не кладите на зоны нагрева алюминиевую фольгу и не ставьте на них пластмассовую посуду.

После каждого использования необходимо проводить очистку варочной панели с тем, чтобы на ней не оставались грязь и жир. В противном случае при следующем включении варочной панели могут выделяться дым и неприятный запах. Кроме того, это может привести к пожару.

Запрещается использовать пар или струи под высоким давлением для очистки изделия.

Запрещается прикасаться к зонам нагрева во время работы и некоторое время после завершения работы.

Никогда не готовьте пищу непосредственно на стеклокерамической варочной панели.

Всегда используйте для этого подходящую посуду. Всегда помещайте посуду по центру нагревательного элемента, на котором Вы готовите пищу. Не помещайте на панель управления какие-либо предметы.

Не используйте варочную панель в качестве рабочей поверхности.

Не используйте поверхность варочной панели в качестве разделочной доски.

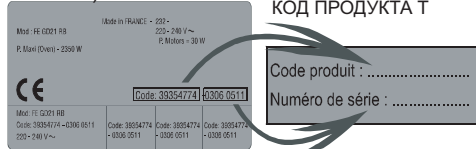
Не храните над варочной панелью тяжелые предметы. В случае падения они могут повредить варочную панель.

Не используйте варочную панель в качестве места складирования предметов.

Не двигайте посуду по варочной панели.

Для эксплуатации прибора с номинальными частотами не требуются дополнительные действия/настройки.

Табличка с данными (расположена в нижней части корпуса варочной панели)



1. ПРЕДУПРЕЖДЕНИЯ ОБЩЕГО ХАРАКТЕРА

Маркировка, **CE** нанесенная на данное изделие, удостоверяет соответствие всем требованиям стандартов ЕС по технике безопасности, охране труда и охране окружающей среды, применимых законодательством к данной категории изделий.

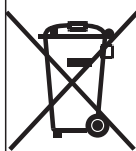
Сертификат соответствия

EAC Это изделие соответствует техническим регламентам Таможенного Союза:
 - ТР ТС 004/2011 «О соответствии низковольтного оборудования»
 - ТР ТС 020/2011 «Электромагнитная совместимость технических средств»

Изделие сертифицировано в органе по сертификации продукции и услуг «РОСТЕСТ-МОСКВА», г. Москва.

Получить копию сертификата соответствия Вы можете в магазине, где приобретался товар или, написав запрос на электронную почту sandymow@candy.ru

2. МЕРЫ ПО ЗАЩИТЕ ОКРУЖАЮЩЕЙ СРЕДЫ



На данный прибор нанесена маркировка в соответствии с Директивой ЕС 2012/19/ЕС об отходах электрического и электронного оборудования (WEEE).

Отходы электрического и электронного оборудования содержат как загрязняющие вещества (которые могут стать причиной негативных последствий для окружающей среды), так и базовые компоненты, которые могут быть повторно использованы. Важно, чтобы отходы электрического и электронного оборудования подвергались специальным способам обработки, нацеленным на извлечение и правильную утилизацию всех загрязняющих веществ, а также извлечение всех материалов, пригодных для повторного использования.

Граждане могут внести большой вклад в то, чтобы отходы электрического и электронного оборудования (WEEE) не стали злободневной проблемой для охраны окружающей среды; для этого необходимо следовать нескольким основным правилам:

- Отходы электрического и электронного оборудования не должны утилизироваться, как бытовые отходы.
- Отходы электрического и электронного оборудования должны передаваться в соответствующие пункты сбора, находящиеся под управлением муниципальных властей или официально зарегистрированных компаний. Во многих странах практикуется сбор габаритных отходов электрического и электронного оборудования на дому.

Во многих странах, при покупке нового прибора, старый можно вернуть розничному продавцу на условиях один к одному, если возвращаемое оборудование эквивалентного типа и обладает таким же функционалом, как и поставляемое оборудование.

3. УСТАНОВКА

Установка бытовой техники является сложной операцией, которая, в случае некорректного выполнения, может причинить серьезный вред изделию, его характеристикам или представлять угрозу для безопасности людей. По этой причине установка должна быть выполнена квалифицированным специалистом в соответствии с техническими требованиями.

В случае, если Вы пренебрегли этой рекомендацией, и установка была выполнена неквалифицированным лицом, Производитель снимает с себя всю ответственность за любую техническую неисправность изделия, независимо от того, будет ли она являться причиной повреждения изделия или его свойств, или же причинения вреда людям или животным.

После снятия упаковки просим Вас убедиться в целостности изделия, в противном случае просим связаться с компанией-продавцом или службой сервисного обслуживания.

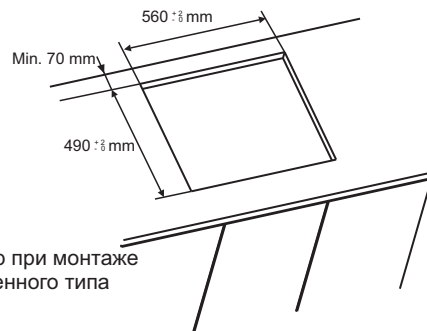
Убедитесь в том, что кухонная мебель, в которую будет встраиваться Ваша варочная поверхность, равно как и вся остальная мебель, находящаяся в непосредственной близости к

варочной панели, изготовлена из материалов, устойчивым к высоким температурам (мин. 100 °C).

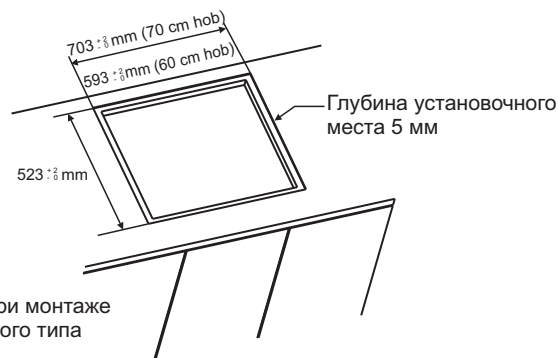
Кроме этого, все декоративные пленки должны быть приклеены теплостойким клеем.

Изделие может быть установлено во встраиваемой мебели стандартным или утопленным способом.

Толщина столешницы должна быть между 25 и 45 мм



Периметр при монтаже утопленного типа

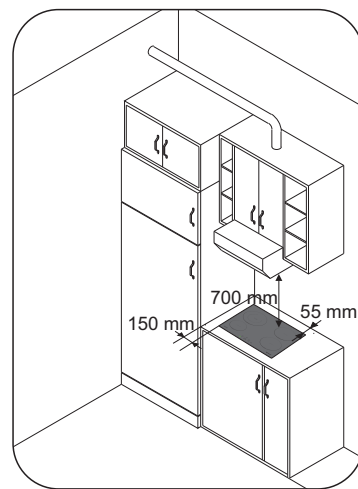


Периметр при монтаже утопленного типа

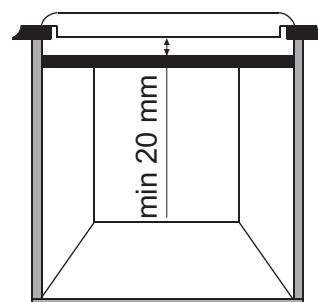
Примечание: Размеры внутреннего периметра идентичны размерам при стандартной установке

Расстояние между варочной панелью и задней стенкой должно быть как минимум 55 мм, а между варочной панелью и вертикальными стенками мебели или боковыми стенами - как минимум 150 мм. В случае установки мебели над варочной панелью, минимальное расстояние должно быть 700 мм.

При установке вытяжки над варочной поверхностью, ознакомьтесь с требованиями к установке вытяжки, но, в любом случае, расстояние между варочной поверхностью и вытяжкой не должно быть менее 700 мм.



Если нижняя сторона установленной варочной панели располагается в области, к которой осуществляется доступ во время уборки или других операций, ниже варочной панели перегородку на расстоянии 20 мм должна быть предусмотрена перегородка.

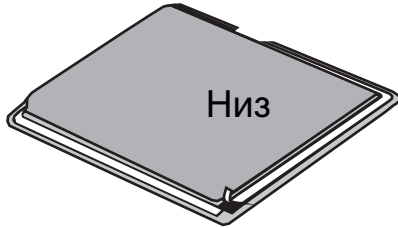


4. ПОДКЛЮЧЕНИЕ К ЭЛЕКТРОСЕТИ

min 10 mm

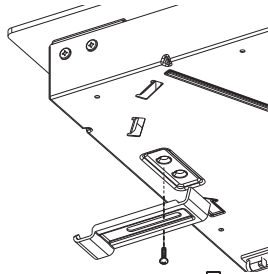
При установке духовки под варочной панелью, в перегородке нет необходимости, а минимальное расстояние между варочной поверхностью и духовкой должно быть не менее 10 мм. Запрещается устанавливать неостывшую духовку под варочную панель. При установке духовки соблюдайте соответствующие специфические требования.

В комплекте с варочной поверхностью поставляется герметизирующая прокладка. Установите герметизирующую прокладку по периметру варочной панели согласно описанию и убедитесь в том, что она установлена правильно, во избежание протечек в шкаф под варочной панелью.

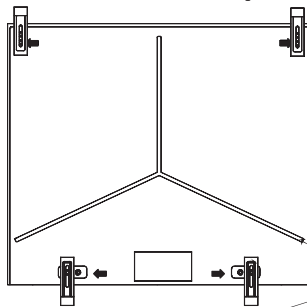


Обычная фиксация:

- Достаньте крепежные скобы из комплекта аксессуаров и закрепите их в положении, показанном в нижней части коробки. (Не заворачивайте шурупы на скобах блока, они должны свободно двигаться)

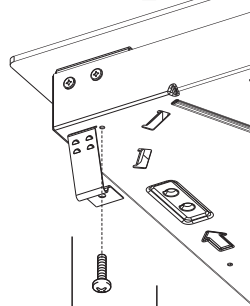


- Вставьте варочную панель по центру проема в мебели.
- Поверните скобы и полностью их закрутите.

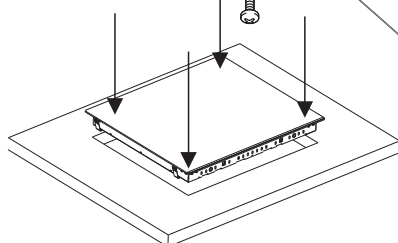


Быстрая фиксация: (Зависит от модели)

Достаньте из комплекта аксессуаров четыре пружины и прикрутите их к низу коробки, как показано на рисунке.

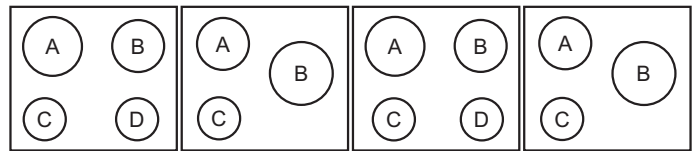
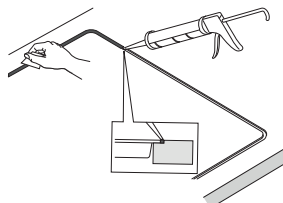


Центрируйте и вставьте варочную панель. Нажмите по сторонам варочной панели, пока она не станет на опору по всему периметру.

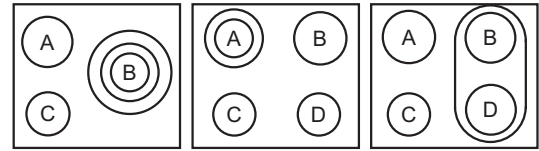


УСТАНОВКА УТОПЛЕННЫМ СПОСОБОМ

Убедитесь в том, что Вы правильно выставили варочную поверхность. Заполните пространство между столешницей и варочной поверхностью силиконовым клеем. Разровняйте слой силиконового клея с помощью скребка или мокрым пальцем, смоченным в мыльной воде, до того, как силикон засохнет. Не рекомендуется использовать варочную панель до тех пор, пока слой силикона полностью не высохнет.

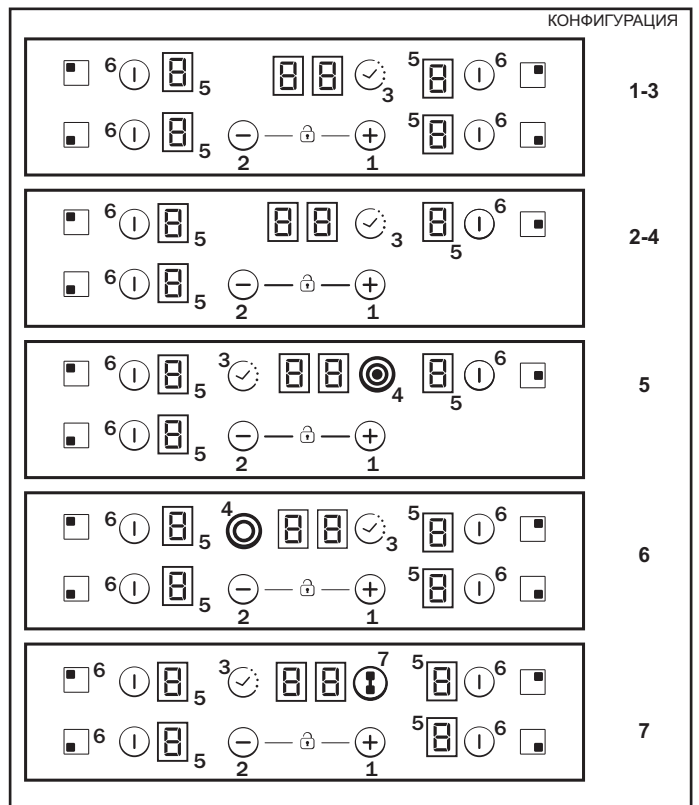


КОНФИГУРАЦИЯ 1 КОНФИГУРАЦИЯ 2 КОНФИГУРАЦИЯ 3 КОНФИГУРАЦИЯ 4



КОНФИГУРАЦИЯ 5 КОНФИГУРАЦИЯ 6 КОНФИГУРАЦИЯ 7

	A	B	C	D
КОНФИГУРАЦИЯ	2300W	1800W	1200W	1200W
КОНФИГУРАЦИЯ	1800W	2500W	1200W	-
КОНФИГУРАЦИЯ	2300W	1800W	1200W	1200W
КОНФИГУРАЦИЯ	1800W	2500W	1200W	-
КОНФИГУРАЦИЯ	1800W	750+900+1050W	1200W	-
КОНФИГУРАЦИЯ	1000+1200 w	1800W	1200W	1200W
КОНФИГУРАЦИЯ	1800W	1800W	1200W	1800W



В зависимости от модели

1. "+"
2. "-"
3. ТАЙМЕР
4. Светодиод дополнительной зоны нагрева
5. Индикатор программирования зоны нагрева
6. Выбор зоны
7. Мост

"Подключение должно быть выполнено в соответствии с правилами и нормами безопасности". Производитель не принимает никаких претензий относительно повреждений, являющихся следствием неправильного применения прибора.

ВНИМАНИЕ! Производитель освобождает себя от любой ответственности за любой несчастный случай или его последствия, которые могут иметь место по причине отсутствующего, оборванного или неправильно смонтированного заземления.

Перед выполнением электрического подключения прибора настоятельно рекомендуем проверить напряжение в сети с помощью электроизмерительного прибора, параметры автоматического выключателя, отсутствие обрыва в линии заземления прибора и номинал предохранителя.

Электрическое подключение к установке должно быть выполнено в соответствии с номинальной расчетной мощностью электроприбора с помощью всеполюсного размыкающего выключателя.

Если электроприбор подключен к розетке, то розетка после монтажа прибора должна быть легко доступна.

Желто-зеленый провод шнура питания должен подсоединяться к контакту заземления электрической розетки и электроприбора.

При возникновении вопросов, связанных с подключением шнура питания обратитесь в центр послепродажного обслуживания или квалифицированному электрику.

Если варочная панель оснащена шнуром питания, он должен быть подключен исключительно к источнику питания 220-240 V между фазой и нейтралью.

Тем не менее, Вы можете подключить варочную панель к:

Трехфазной сети 220-240 V3

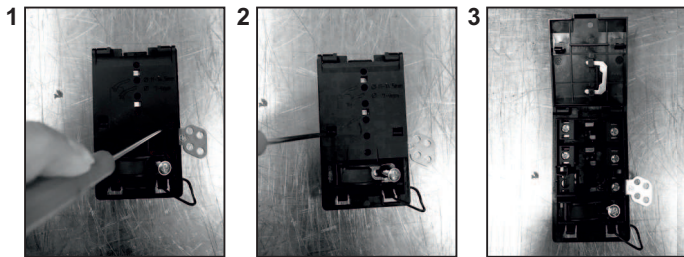
Трехфазной сети 380-415 V2N

Чтобы выполнить новые подключения, следуйте инструкциям ниже:

Перед выполнением электрического подключения к сети убедитесь, что подключение защищено с помощью подходящего предохранителя, и площадь поперечного сечения проводки соответствует потребляемой мощности электроприбора.

Положите варочную панель на стол стеклянной поверхностью вниз, обеспечьте защиту стеклянной поверхности.

Откройте крышку в следующей последовательности:



- ослабьте винты зажима шнура питания "1";
- найдите две лапки, расположенные сбоку;
- поместите лезвие плоской отвертки напротив каждой из лапок "2" и "3" и нажмите;
- снимите крышку.

Чтобы снять шнур питания:

- Отверните винты, которыми крепится клеммная колодка, в которой находятся шунты и проводники шнура питания;
- Вытяните шнур питания.

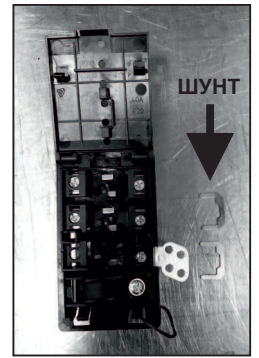
Операции для выполнения нового подключения:

- Выберите кабель электропитания в соответствии с рекомендациями, представленными в таблице;
- Пропустите шнур питания через зажим;
- Зачистите концы всех проводов шнура питания на длине 10 мм, принимая в расчет длину шнура питания, необходимую для выполнения соединений на клеммной колодке;
- Выполните подключение проводников и шунтов, которые были сняты в предыдущей операции, в соответствии с типом линии электропитания, как показано в представленной ниже таблице;
- Установите на место крышку клеммной колодки;
- Затяните винты зажима шнура питания.

Примечание: убедитесь, что все винты надежно затянуты.

Операции для выполнения нового подключения:

- Выберите кабель электропитания в соответствии с рекомендациями, представленными в таблице.
- Пропустите шнур питания через зажим.
- Зачистите концы всех проводов шнура питания на длине 10 мм, принимая в расчет длину шнура питания, необходимую для выполнения соединений на клеммной колодке.



- Выполните подключение проводников и шунтов, которые были сняты в предыдущей операции, в соответствии с типом линии электропитания, как показано в представленной ниже таблице.
- Установите на место крышку клеммной колодки;
- Закрепите крышку с помощью винтов.

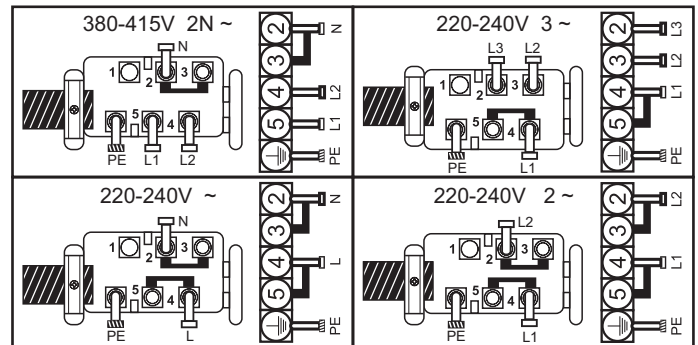
ВНИМАНИЕ:

В случае необходимости замены шнура питания, подключите контур в соответствии со следующими цветами/кодами:

СИНИЙ	Нейтраль	(N)
КОРИЧНЕВЫЙ	Фаза	(L)
ЖЕЛТО-ЗЕЛЕНЫЙ	Земля	(⊕)

Подключение к зажимам на клеммной колодке

	КОНФИГУРАЦИЯ "1-6"	КОНФИГУРАЦИЯ "7"
ОДНОФАЗНОЕ или ДВУХФАЗНОЕ ПОДКЛЮЧЕНИЕ 220-240 V~		
Кабель HO5V2V2F	3x2,5 mm ²	3x4 mm ²
ТРЕХФАЗНОЕ ПОДКЛЮЧЕНИЕ 220-240 V3~		
Кабель HO5V2V2F	4x1,5 mm ²	4x1,5 mm ²
ТРЕХФАЗНОЕ ПОДКЛЮЧЕНИЕ 380-415 V2N~		
Кабель HO5V2V2F	4x1,5 mm ²	4x1,5 mm ²



L1 / L2 / L3 = Фаза

N = Нейтраль

PE = Земля

5. РЕКОМЕНДАЦИИ ОТНОСИТЕЛЬНО ВЫБОРА ПОСУДЫ ДЛЯ ВАРОЧНОЙ ПОВЕРХНОСТИ

Использование качественной посуды имеет первоочередное значение для получения отличного результата в процессе эксплуатации Вашей варочной поверхности.



• **Всегда используйте высококачественную посуду с идеально плоским и толстостенным дном:** использование такой посуды предотвращает образование горячих точек, в которых будет подгорать пища. Использование толстостенных кастрюль и сковородок обеспечит однородное распределение тепла.

• **Убедитесь в том, что дно кастрюли или сковороды сухое:** При наполнении кастрюли водой или использования кастрюли, которая до этого находилась в холодильнике, перед тем, как поставить ее на варочную поверхность, убедитесь в том, что дно этой кастрюли совершенно сухое. Это предотвратит образование пятен на варочной поверхности.

• **Пользуйтесь посудой, диаметр которой позволяет полностью закрыть зону нагрева:** размер посуды должен быть не меньше зоны нагрева. Если диаметр посуды немного больше диаметра зоны нагрева, то энергия будет использоваться с максимальной эффективностью.

ВЫБОР КУХОННОЙ ПОСУДЫ: Приведенная ниже информация поможет Вам выбрать кухонную посуду с хорошими эксплуатационными характеристиками.

Нержавеющая сталь: *настоятельно рекомендуется.*

Особенно хорошо подходит кухонная посуда с многослойным дном типа «сэндвич», которое объединяет в себе преимущества нержавеющей стали (привлекательный внешний вид, долговечность и прочность) и преимущества алюминия или меди (высокая теплопроводность, равномерное распределение температуры).

Алюминий: *рекомендуется использовать тяжелую посуду.* Высокая теплопроводность. Алюминиевая посуда иногда оставляет на варочной панели следы, похожие на царапины. Но эти следы легко удаляются, если чистка варочной панели выполняется немедленно после их образования.

Из-за низкой температуры плавления алюминия не используйте тонкостенную алюминиевую посуду.

Чугун: *можно использовать, но не рекомендуется.* Низкие эксплуатационные характеристики. Может привести к образованию царапин на поверхности.

Посуда с медным дном/керамика: *рекомендуется использовать тяжелую посуду.* Хорошие эксплуатационные характеристики, но медь может оставлять на поверхности варочной панели следы, похожие на царапины. Эти следы могут быть удалены, если чистка варочной панели выполняется немедленно после образования этих следов. В любом случае, не допускайте присутствия пустой посуды на работающей варочной поверхности. Перегретый металл может пригореть к стеклокерамической поверхности. Перегретая посуда с медным дном может оставить на стеклокерамической поверхности следы, которые невозможно будет удалить.

Фарфоровая/эмалированная посуда: Хорошие эксплуатационные характеристики только для посуды с тонким, гладким, плоским дном.

Стеклокерамическая посуда: *не рекомендуется.* Низкие эксплуатационные характеристики. Может привести к образованию царапин на поверхности.

6. ЭКСПЛУАТАЦИЯ ПРИБОРА

Как выбрать уровень управления питанием.

С помощью функции «Управление питанием» пользователь может задать максимальный уровень мощности для варочной панели.

Функция управления питанием доступна только в течение первых 30 секунд после включения варочной панели.


Эту настройку можно изменить снова, отсоединив вилку кабеля питания от электросети и еще раз подключив ее.

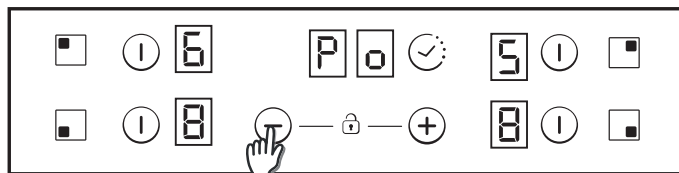
При установленном значении максимальной мощности варочная панель автоматически распределяет мощность между конфорками, чтобы этот предел не был превышен; благодаря этому можно одновременно управлять всеми конфорками, не сталкиваясь с проблемами перегрузки.

Пользователь может задать максимальный уровень мощности для варочной панели от 2,5 кВт до значения максимальной относительной мощности варочной панели (это значение зависит от модели устройства) (например, если максимальная мощность варочной панели составляет 7,2 кВт, максимальный уровень мощности для настройки будет иметь значение от 2,5 кВт до 7,2 кВт).

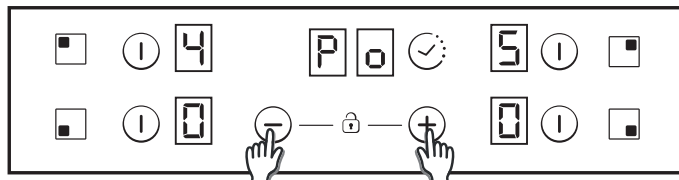
На приобретенной варочной панели установлено максимальное значение мощности.

После подключения устройства к электросети в течение 30 секунд можно задать уровень мощности на основании указанных ниже параметров:

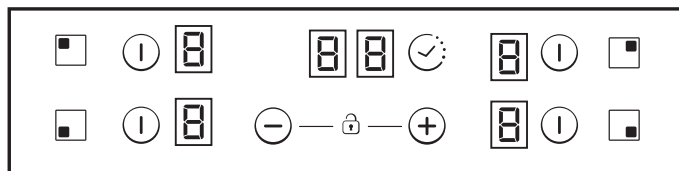
- 1 - Включите конфорку.
- 2 - Дайте время сенсорному управлению, завершить процесс инициализации.
- 3 - До истечения 30 секунд коснитесь, на 5 секунд клавиши «» (Минус).
- 4 - На дисплее появится следующее сообщение.



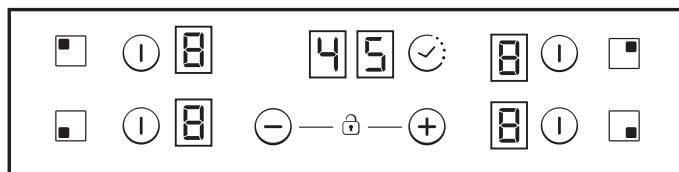
5 - Воспользовавшись клавишами «Plus» и «Minus», можно отрегулировать управление питанием. В данном примере мощность регулируется между значениями 6500 Вт и 2500 Вт. Выбрав нужное значение, коснитесь одновременно клавиш «Plus» и «Minus», удерживая их в течение 5 секунд.



6 - По окончании этой процедуры прозвучит длинный сигнал и произойдет сброс системы. Повторится процедура запуска.

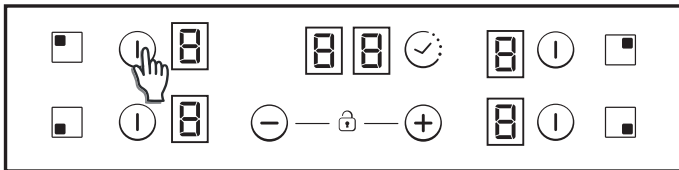


7 - После запуска процесса на дисплее таймера ECO отобразится управление питанием.



После этого сенсорное управление не позволит переключаться на какое-либо сочетание, которое может превысить данное предельное значение Eco.

Включение/выключение зоны нагрева



Для ВКЛЮЧЕНИЯ зоны нагрева удерживайте кнопку включения в течение 400 мсек. Вы услышите длинный звуковой сигнал, а в зонах нагрева высветится значение "0", указывающее на мощность нагрева.

1) Если стадия приготовления находится в положении 0, дисплей отключится автоматически через 10 секунд, и будет подан звуковой сигнал о завершении процесса.

2) В случае присутствия остаточного тепла, на включенном дисплее при нулевой мощности нагрева, высветится мигающий символ "0".

3) При активированной ф

Для ВЫКЛЮЧЕНИЯ зоны нагрева дотроньтесь до любой зоны нагрева в течение 1,2 сек. Вы услышите 3 коротких звуковых сигнала. На дисплее задействованной зоны ничего не высветится или высветится символ "H" в случае присутствия остаточного тепла. После чего зона нагрева выключится.

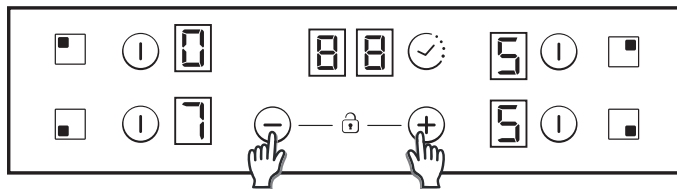
1) Если стадия приготовления находится в положении 0, дисплей отключится автоматически через 10 секунд, и будет подан звуковой сигнал о завершении процесса.

2) В случае присутствия остаточного тепла, на выключенном дисплее появится символ "H".

3) Выключить зону нагрева можно даже при активированной функции блокировки.

4) В случае если активирована будет только одна зона нагрева, и она будет выключена, четыре коротких звуковых сигнала известят о том, что вся варочная панель выключена.

Функция блокировки от детей



Достигается одновременным нажатием кнопок '+' и '-'.

Затем, каждый раз при нажатии кнопки на дисплее будет отображаться индикатор "L" в течение 2 сек. Уровень нагрева будет оставаться в этом же состоянии.

Для дезактивации функции Блокировки от детей, следуйте процессу, описанному выше. После чего Вы услышите короткий звуковой сигнал и на дисплее высветится индикатор "n". Варочная панель будет разблокирована.

Примечание: Примечание: автоматическая блокировка от детей будет иметь место через 15 минут после полного выключения варочной панели. Эта функция будет срабатывать автоматически, но изначально ее нужно запрограммировать. Смотрите раздел Пользовательские настройки.

Двойные / тройные зоны

Для активации дополнительной зоны нагрева, задействованная основная зона нагрева должна быть уже включена, а мощность нагрева, отображаемая на индикаторе, должна быть выше 0.

8.1- ВКЛЮЧЕНИЕ дополнительной зоны нагрева (две зоны)

Первое быстрое нажатие кнопки дополнительной зоны нагрева активирует дополнительную область нагрева. Загорается светодиод над кнопкой дополнительной зоны нагрева.

Второе быстрое нажатие кнопки дополнительной зоны нагрева выключает дополнительную область нагрева. Каждое нажатие кнопки дополнительной зоны нагрева сопровождается коротким звуковым сигналом.

8.2- ВКЛЮЧЕНИЕ дополнительной зоны нагрева (три зоны)

Первое быстрое нажатие кнопки дополнительной зоны нагрева активирует первую дополнительную область нагрева. При включении первой дополнительной области нагрева загорается 1 светодиод над кнопкой дополнительной зоны нагрева (в случае наличия трех зон это будет светодиод слева, в случае двух зон это будет светодиод посередине или единственный светодиод). Второе быстрое нажатие кнопки дополнительной зоны нагрева активирует вторую дополнительную область нагрева. При включении первой и второй дополнительных областей над кнопкой дополнительной зоны нагрева загораются 2 светодиода. Третье быстрое нажатие кнопки дополнительной зоны нагрева выключает первую и вторую дополнительные области нагрева.

Каждое нажатие кнопки дополнительной зоны нагрева сопровождается коротким звуковым сигналом.

Функция Bridge (Мост)

Функция Bridge может быть активирована только в том случае, если обе зоны нагрева выключены. Для активации функции bridge выберите одну зону нагрева и нажмите кнопку bridge. Об активации зоны нагрева Вы будете извещены коротким звуковым сигналом и включением светодиода данной зоны нагрева.

Одновременно могут быть выбраны обе зоны нагрева с функцией bridge.

После того, как зоны нагрева будут выбраны, с помощью кнопок '+' и '-' установите желаемую мощность нагрева.

Обе зоны нагрева с функцией bridge будут иметь одинаковый уровень нагрева. Для дезактивации функции:

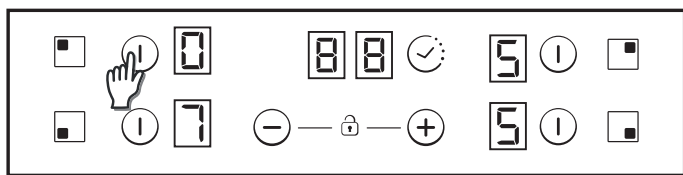
- В режиме установки нажмите кнопку bridge
- При установке уровня нагрева на значении "0"

Функция защиты от пролива

Срабатывает при действии какого-либо предмета или жидкости на любую из кнопок более 5 сек. 2 коротких звуковых сигнала + 1 долгий звуковой сигнал будут иметь место каждые 30 сек, пока задействованная кнопка будет нажата. Варочная панель автоматически отключится. Индикатор будет продолжать мигать, пока данная ситуация будет сохраняться.

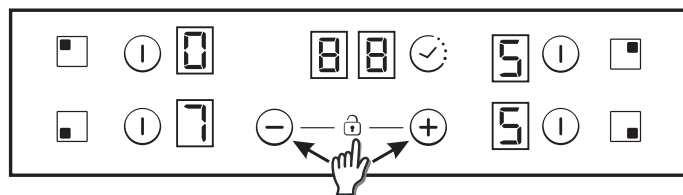
Выбор зоны нагрева

При уже включенной зоне нагрева, зоны нагрева, которые будут включены, но при этом не будут выбраны, будут иметь меньшую степень освещения.



выбрана по умолчанию, без необходимости короткого нажатия (150 мсек) на кнопку выбора.

Увеличение / уменьшение мощности нагрева



Быстрым нажатием кнопок '+' или '-' Вы можете увеличить или уменьшить мощность нагрева выбранных зон нагрева в диапазоне: 0-1-2-3...9-P

1. При длительном нажатии кнопок '+' или '-' уровень нагрева будет постоянно увеличиваться / уменьшаться. При быстром увеличении уровень нагрева остановится на уровне 9, для еще большего уровня нагрева быстро нажмите на кнопку '+'. Быстрое увеличение / снижение уровня нагрева не сопровождается звуковым сигналом.

2. При достижении мощности нагрева уровня P, при повторном нажатии кнопки '+' уровень мощности не вернется к 0. При значении уровня мощности 0, повторное нажатие кнопки '-' не изменит уровень мощности до значения P.

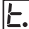
3. При включенной зоне нагрева, имеющей уровень нагрева 0, если зона нагрева остается горячей, символ 0 будет мигать. Через 10 секунд символ 0 исчезнет, и на дисплее отобразится постоянный символ 'H'.

При выбранной зоне нагрева и одновременном нажатии кнопок '+' и '-', уровень нагрева станет 0, при этом зона нагрева будет оставаться выбранной в течение 10 секунд. Если зона нагрева была запрограммирована по времени, таймер выключится. Эта операция может иметь место только в нескольких случаях в зависимости от конфигурации сенсорного управления.

Описанные ниже примеры приведены только для справки. Со временем Вы научитесь правильно подбирать установку нагрева в соответствии со своими вкусами и привычками.

Таймер

Функция таймера активируется посредством собственной кнопки таймера или одновременным нажатием кнопок '+' и '-'.
В обоих случаях должна быть выбрана зона нагрева, а ее мощность должна быть больше "0".

Выберите зону нагрева, время которой Вы желаете запрограммировать. Мощность зоны нагрева больше "0". В зоне нагрева, время которой должно быть установлено, будет постоянно высвечиваться символ.  Время будет отображено на цифровом дисплее "00".

1) Установите время таймера с помощью кнопок "+" или "-". При этом установка не будет сопровождаться звуковым сигналом.

2) При одновременном нажатии кнопок таймера, последний будет отключен (перейдет на значение 00).

3) Быстрая установка достигается путем удержания кнопок таймера "+" или "-" в течение некоторого времени по усмотрению пользователя.

4) При установке времени таймера с помощью кнопки "-" устанавливаются значения от "00" до "99", а с помощью кнопки "+" – значения от "99" до "00".

5) Максимальное время, на которое может быть запрограммирован таймер, составляет 99 минут.

6) По истечении заданного времени варочная панель начнет издавать звуковой сигнал, нажмите любую кнопку для сброса аварии и прекращения процесса отсчета времени.

7) Если таймер предварительно был установлен, Вы можете скорректировать его настройки.

8) Изменение мощности нагрева зоны, для которой был установлен таймер, не приведет к нарушению заданной программы таймера.

9) Последняя минута будет высвечиваться в секундах (в некоторых вариантах будет отображаться только в меню программирования таймера в течение последней минуты отчета)

10) Нажатие кнопки таймера без выбора зоны нагрева а также если таймер не был установлен ни для одной из зон, будет проигнорировано системой.

11) Нажатие кнопки таймера без выбора зоны нагрева в случае если таймер был установлен для нескольких зон нагрева, приведет к тому, что время, отображаемое на дисплее, начнет меняться, чередуясь, и высветится время, на индикаторе которого активирована функция десятичных дробей.

12) Переменная мощность (5 сек) и (0,5 сек) высвечивается в зоне, время которой должно быть установлено.

Оставшееся время высвечивается цифрами на индикаторе таймера. В случае установки таймера для нескольких зон, высвечивается наименьшее оставшееся время, при этом в соответствующем окошке высвечиваются десятичные знаки.

Индикатор остаточного нагрева (в радиантной зоне нагрева -> рассчитывается)

Эти же индикаторы могут использоваться для индикации остаточного нагрева. Установите время для следующей цели: Остаточный нагрев =f (уровень мощности, время работы).

Когда температура зоны нагрева превышает 650С (теоретическая величина), на дисплее появляется индикатор "H". Для достижения температуры выше 650 С, нагревательный элемент должен быть включенным некоторое время, которое зависит от уровня мощности. После того, как этот промежуток времени завершится и нагревательный элемент отключится, высветится предупреждение остаточного нагрева.

Автоматическое предохранительное выключение

В случае если уровень мощности не был изменен в течении предустановленного времени, соответствующая зона нагрева выключится автоматически.

Максимальное время, в течение которого зона нагрева будет оставаться включенной, зависит от выбранного уровня нагрева.

Мощность нагрева	Максимальное время включенного состояния (часов)
1	10
2	5
3	5
4	4
5	3
6	2
7	2
8	2
9	2
P	2

ПРИМЕЧАНИЕ: в случае если перегрев будет иметь место во время функционирования варочной панели на наиболее высокой мощности, управление варочной панели автоматически откорректирует уровень мощности с тем, чтобы защитить варочную панель от перегрева.

7.УХОД И ОЧИСТКА

Перед проведением любых операций по уходу за варочной панелью, убедитесь в том, что она остыла.

. Используйте исключительно товары (пасты и скребки), специально разработанные для стеклокерамических поверхностей. Эти товары Вы можете приобрести в хозяйственных магазинах.

. Постарайтесь не проливать на варочную поверхность жидкости, поскольку они могут быстро пригорать, что значительно усложнит очистку.

. Желательно держать подальше от варочной панели вещества, которые легко расплавляются, например, изделия из пластмассы, сахар или продукты на основе сахара.

УХОД:

- Налейте несколько капель специального чистящего средства на поверхность панели.

- Потрите стойкие загрязнения мягкой тканью или слегка влажным бумажным полотенцем.

- Протрите поверхность мягкой тканью или сухим бумажным полотенцем до чистоты.

Если стойкие загрязнения все еще остаются:

- Налейте еще несколько капель специального чистящего средства на поверхность панели.

- Очистите стойкие загрязнения с помощью скребка, удерживая его под углом 30° к варочной поверхности, до исчезновения загрязнений.

- Протрите поверхность мягкой тканью или сухим бумажным полотенцем до чистоты.

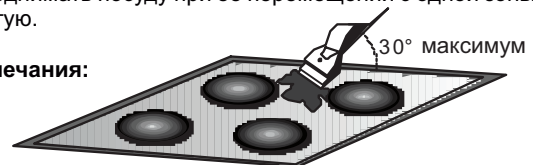
- Повторите операцию в случае необходимости.

НЕКОТОРЫЕ РЕКОМЕНДАЦИИ:

При частой очистке остается защитная пленка, которая очень важна для предупреждения образования царапин и износа. Перед тем, как снова приступить к использованию варочной панели, убедитесь в том, что ее поверхность чистая. Для удаления подтеков воды используйте несколько капель белого уксуса или лимонного сока. Затем протрите абсорбирующей бумагой с несколькими каплями специального чистящего вещества.

Стеклокерамическая поверхность не царапается кухонной посудой с плоским и гладким дном, однако, все же лучше приподнимать посуду при ее перемещении с одной зоны нагрева в другую.

Примечания:



Не рекомендуется использовать слишком мокрую мочалку. Категорически запрещается использовать нож или отвертку. Во избежание повреждения поверхности, скребок с лезвием необходимо держать по углом 30°.

Запрещается оставлять скребок с лезвием в доступных для детей местах.

Запрещается пользоваться абразивными чистящими изделиями или порошками.

Металлическая рамка: для безопасной очистки металлической рамки промойте ее мыльной водой, после чего сполосните чистой водой и вытрите насухо мягкой тканью.

Любое изменение цвета стеклокерамической поверхности не влияет на работу или стабильность поверхности. Такое обесцвечивание, как правило, появляется в результате подгорания остатков пищи или использования кухонной посуды из таких материалов, как алюминий или медь; такие пятна тяжело поддаются удалению.

8. РЕШЕНИЕ ПРОБЛЕМ

Недостаточный нагрев

Пользуйтесь только кухонной посудой с плоским дном. Если между дном посуды и поверхностью варочной панели имеется просвет, тепло будет плохо передаваться.

Дно кухонной посуды должно полностью покрывать выбранную зону нагрева.

Пища готовится слишком медленно

Используется неподходящая кухонная посуда. Пользуйтесь только тяжелой кухонной посудой с плоским дном, диаметр которого не меньше диаметра зоны нагрева.

Небольшие царапины или потертости на поверхности стеклокерамической

варочной панели

Используются неподходящие чистящие средства или неподходящая кухонная посуда с шероховатым дном. Между поверхностью варочной панели и дном посуды попали крупинки или частички соли. Смотрите раздел "ОЧИСТКА"; перед использованием посуды убедитесь в том, что она имеет чистое дно. Используйте посуду только с гладким дном. Царапины можно уменьшить только при правильном выполнении очистки.

Металлические отпечатки

Не передвигайте алюминиевую посуду по варочной поверхности. Смотрите рекомендации по очистке.

В случае если при использовании корректных материалов пятна остаются. Воспользуйтесь лезвием и следуйте рекомендациям, изложенным в разделе "ОЧИСТКА".

Темные пятна

Воспользуйтесь лезвием и следуйте рекомендациям, изложенным в разделе "ОЧИСТКА".

Светлые области на поверхности варочной панели

Следы от алюминиевой и медной посуды, а также минеральные отложения, пятна от воды и пищи. Эти пятна можно удалить с помощью чистящего средства.

Следы жженого сахара или расплавленного пластика на поверхности.

Смотрите раздел "ОЧИСТКА".

Варочная поверхность или некоторые зоны нагрева варочной поверхности не работают

Неправильно установлены шунты на клеммной колодке.

Убедитесь в том, что подключение выполнено, а панель управления заблокирована. Разблокируйте варочную панель.

Варочная панель не выключается.

Контрольная панель заблокирована. Разблокируйте варочную панель.

Частота циклов включения/выключения для зон нагрева

Частота циклов включения /выключения зависит от установки уровня нагрева:

- низкий уровень нагрева – короткое время работы,
- высокий уровень нагрева – длительное время работы.

Зона нагрева не работает.

Проверьте состояние плавких предохранителей / размыкателей в доме. Убедитесь в том, что нет перебоя в подаче электроэнергии.

Зона нагрева самостоятельно выключается.

Нечаянное нажатие главного выключателя (кнопка ВКЛ./ВЫКЛ.) или на кнопке лежит какой-либо предмет. Уберите предмет с кнопки и повторно включите прибор. Введите настройки повторно.

Высвечивается F символ и цифры

В случае когда высвечивается индикатор F и цифры, Ваш прибор обнаружил ошибку. В таблице ниже изложены действия, которые необходимо предпринять для решения проблемы.

9. ПОСЛЕПРОДАЖНОЕ ОБСЛУЖИВАНИЕ

Перед тем как вызвать специалиста по техническому обслуживанию, просим убедиться в том,

что вилка шнура электропитания правильно вставлена в электрическую розетку, и предохранитель включен;

Если Вы не можете самостоятельно определить причину неисправности, выключите электроприбор и не пытайтесь отремонтировать его самостоятельно. Позвоните в центр послепродажного обслуживания. Электроприбор имеет гарантию и будет отремонтирован в сервисном центре бесплатно.

Дисплей зоны нагрева	Ошибка	Действие
F0	Ошибка программного обеспечения сенсорного управления.	В случае этой ошибки отключите варочную панель и повторно подключите ее к электрическому питанию. Если ошибка остается, обратитесь в центр послепродажного обслуживания. Если ошибка возникает внезапно во время нормального функционирования, обратитесь в центр послепродажного обслуживания.
Fc	Зона сенсорного управления слишком горячая, все зоны нагрева были выключены.	Подождите, пока температура не снизится. Варочная панель автоматически возобновит работы, когда температура достигнет нормального значения.
Ft	Поврежден датчик сенсорного управления температурой.	Подождите, пока температура не снизится. Если авария остается после того, как температура достигнет уровня температуры в помещении, обратитесь в центр послепродажного обслуживания.
FE	Поврежден датчик сенсорного управления температурой.	Подождите, пока температура не снизится. Если авария остается после того, как температура достигнет уровня температуры в помещении, обратитесь в центр послепродажного обслуживания.
Fb	Излишняя чувствительность всех кнопок.	Убедитесь в том, что варочная панель смонтирована корректно. Убедитесь в том, что кнопки корректно касаются стеклянной поверхности.
FU / FJ	Ошибка безопасности кнопочной панели управления.	Данная ошибка подлежит автоматической диагностике программным обеспечением. Ошибка исчезает, когда автоматическая диагностика возвращается к безопасному значению. Если ошибка остается, обратитесь в центр послепродажного обслуживания.
FA	Ошибка безопасности кнопочной панели управления.	Данная ошибка подлежит автоматической диагностике программным обеспечением. Ошибка исчезает, когда автоматическая диагностика возвращается к безопасному значению. Если ошибка остается, обратитесь в центр послепродажного обслуживания.
FC / Fd	Ошибка безопасности кнопочной панели управления	Данная ошибка подлежит автоматической диагностике программным обеспечением. Ошибка исчезает, когда автоматическая диагностика возвращается к безопасному значению. Если ошибка остается, обратитесь в центр послепродажного обслуживания.
Fr	Ошибка безопасности реле	Возможная проблема в одной из управляющих цепей реле. Отключите варочную панель от источника питания, выждите минуту, после чего снова включите. Если ошибка остается, обратитесь в центр послепродажного обслуживания.

ΟΔΗΓΙΕΣ ΑΣΦΑΛΕΙΑΣ

Σας συνιστούμε να φυλάξετε τις οδηγίες εγκατάστασης και χρήσης για μελλοντική αναφορά και πριν από την εγκατάσταση της εστίας να σημειώσετε τον αριθμό σειράς της σε περίπτωση που χρειαστείτε υποστήριξη από την υπηρεσία μεταγοραστικής εξυπηρέτησης.

ΠΡΟΕΙΔΟΠΟΙΗΣΗ: η συσκευή και τα προσβάσιμα τμήματά της θερμαίνονται πολύ κατά τη διάρκεια της χρήσης. Θα πρέπει να δίνεται προσοχή ώστε να αποφευχεται το άγγιγμα των θερμαντικών στοιχείων. Παιδιά ηλικίας κάτω των 8 ετών πρέπει να παραμένουν μακριά από τη συσκευή εκτός εάν βρίσκονται υπό συνεχή επίβλεψη.

ΠΡΟΕΙΔΟΠΟΙΗΣΗ: χρησιμοποιείτε μόνο προστατευτικά εστιών που σχεδιάζονται από τον κατασκευαστή της συσκευής μαγειρέματος ή που υποδεικνύονται από τον κατασκευαστή της συσκευής στις οδηγίες χρήσης ως κατάλληλα ή τα προστατευτικά εστιών που είναι ενσωματωμένα στη συσκευή. Η χρήση ακατάλληλων προστατευτικών μπορεί να προκαλέσει ατυχήματα.

ΠΡΟΕΙΔΟΠΟΙΗΣΗ: το μαγείρεμα χωρίς επίβλεψη σε μία εστία με λίπος ή λάδι μπορεί να είναι επικίνδυνο και μπορεί να προκαλέσει πυρκαγιά.

ΠΟΤΕ μην προσπαθήσετε να σβήσετε μια φωτιά με νερό, αλλά απενεργοποιήστε τη συσκευή και στη συνέχεια, καλύψτε τη φλόγα π.χ. με ένα καπάκι ή μια κουβέρτα πυρόσβεσης.

ΠΡΟΕΙΔΟΠΟΙΗΣΗ: κίνδυνος πυρκαγιάς: μην αποθηκεύετε αντικείμενα στις επιφάνειες μαγειρέματος.

ΠΡΟΕΙΔΟΠΟΙΗΣΗ: εάν η επιφάνεια είναι ραγισμένη, μην αγγίζετε το γυαλί και απενεργοποιήστε τη συσκευή προκειμένου να αποφευχθεί η πιθανότητα ηλεκτροπληξίας.

Αυτή η συσκευή μπορεί να χρησιμοποιηθεί από παιδιά ηλικίας 8 ετών ή μεγαλύτερα και από άτομα με μειωμένες σωματικές, αισθητηριακές ή διανοητικές ικανότητες ή έλλειψη εμπειρίας και γνώσης εάν είναι υπό επίβλεψη ή τους έχουν δοθεί οδηγίες αναφορικά με τη χρήση της συσκευής με ασφαλή τρόπο και έχουν κατανοήσει τους κινδύνους που ενέχονται. Τα παιδιά θα πρέπει να επιβλέπονται ώστε να διασφαλίζεται ότι δεν παίζουν με τη συσκευή. Ο καθαρισμός και η συντήρηση από τον χρήστη δεν θα πρέπει να γίνεται από παιδιά χωρίς επίβλεψη.

ΠΡΟΣΟΧΗ: η διαδικασία μαγειρέματος πρέπει να πραγματοποιείται υπό επίβλεψη. Μια σύντομη διαδικασία μαγειρέματος πρέπει να επιβλέπεται συνεχώς.

Συνιστάται ιδιαίτερα να κρατάτε τα παιδιά μακριά από τις ζώνες μαγειρέματος ενώ αυτές είναι σε λειτουργία ή όταν είναι σβηστές, για όσο χρόνο είναι αναμμένη η ένδειξη υπολειπόμενης θερμότητας προκειμένου να αποφεύγεται ο κίνδυνος πρόκλησης σοβαρών εγκαυμάτων.

Αυτή η συσκευή δεν προορίζεται για λειτουργία μέσω εξωτερικού χρονοδιακόπτη ή ξεχωριστού συστήματος τηλεχειρισμού.

Μην κοιτάζετε απευθείας στα στοιχεία της εστίας με λάμπες αλογόνου, εάν υπάρχουν.

Συνδέστε ένα φως στο καλώδιο τροφοδοσίας που είναι κατάλληλο για την τάση, το ρεύμα και το φορτίο που αναγράφονται στην ετικέτα και το οποίο διαθέτει επαφή γείωσης. Η πρίζα πρέπει να είναι κατάλληλη για το φορτίο που αναγράφεται στην ετικέτα και πρέπει να έχει την επαφή γείωσης συνδεδεμένη και σε λειτουργία. Ο αγωγός γείωσης έχει κίτρινο-πράσινο χρώμα. Αυτή η

εργασία θα πρέπει να εκτελείται από πιστοποιημένο επαγγελματία. Σε περίπτωση ασυμβατότητας μεταξύ της πρίζας και του φως της πρίζας της συσκευής, ζητήστε από έναν πιστοποιημένο ηλεκτρολόγο να αντικαταστήσει την πρίζα με μία άλλη κατάλληλου τύπου. Το φως και η πρίζα πρέπει να συμμορφώνονται με τους ισχύοντες κανόνες της χώρας εγκατάστασης.

Η σύνδεση στην τροφοδοσία ισχύος μπορεί επίσης να γίνει τοποθετώντας έναν πολυπολικό ασφαλειοδιακόπτη μεταξύ της συσκευής και της τροφοδοσίας ισχύος, ο οποίος να μπορεί να αντέξει το μέγιστο συνδεδεμένο φορτίο και να είναι σύμφωνος με την ισχύουσα νομοθεσία.

Το κίτρινο-πράσινο καλώδιο γείωσης δεν πρέπει να διακόπτεται από τον ασφαλειοδιακόπτη. Η πρίζα ή ο πολυπολικός ασφαλειοδιακόπτης που χρησιμοποιείται για τη σύνδεση θα πρέπει να είναι εύκολα προσβάσιμος όταν έχει τοποθετηθεί η συσκευή στη θέση της.

Η αποσύνδεση μπορεί να επιτευχθεί έχοντας πρόσβαση στο φως ή ενσωματώνοντας έναν διακόπτη στην σταθερή καλωδίωση σύμφωνα με τους κανόνες καλωδίωσης.

Εάν έχει προκληθεί ζημιά στο καλώδιο τροφοδοσίας, πρέπει να αντικατασταθεί από τον κατασκευαστή, τον εξουσιοδοτημένο τεχνικό του ή άτομα με παρόμοια τεχνική κατάρτιση έτσι ώστε να αποφευχθεί οποιοσδήποτε κίνδυνος. Ο αγωγός γείωσης (κίτρινου-πράσινου χρώματος) πρέπει να είναι μεγαλύτερος από 10 mm στην πλευρά του μπλοκ ακροδεκτών. Η εσωτερική διατομή των αγωγών πρέπει να είναι κατάλληλη για την ισχύ που απορροφάται από την εστία (αναγράφεται στην ετικέτα). Ο τύπος του καλωδίου ισχύος πρέπει να είναι HO5V2V2-F.

Μην τοποθετείτε μεταλλικά αντικείμενα όπως μαχαιρία, πιρούνια, κουτάλια ή καπάκια στην εστία. Ενδέχεται να θερμανθούν.

Δεν πρέπει να τοποθετούνται φύλλα αλουμινίου και πλαστικά σκεύη επάνω στις ζώνες θέρμανσης.

Μετά από κάθε χρήση, απαιτείται καθαρισμός των εστιών έτσι ώστε να αποφεύγεται η συσσώρευση ρύπων και λίπους. Εάν παραμείνει, αυτό επαναθερμαίνεται όταν χρησιμοποιούνται οι εστίες και καίγεται παράγοντας καπνό και δυσάρεστες μυρωδιές, για να μην αναφέρουμε τους κινδύνους διάδοσης πυρκαγιάς.

Ποτέ μην χρησιμοποιείτε ατμό ή ψεκασμό με υψηλή πίεση για να καθαρίσετε τη συσκευή.

Μην αγγίζετε τις ζώνες θέρμανσης κατά την διάρκεια της λειτουργίας ή αμέσως μετά τη χρήση.

Ποτέ μην μαγειρεύετε φαγητό απευθείας επάνω στο τζάμι της κεραμικής εστίας.

Να χρησιμοποιείτε πάντα το κατάλληλο μαγειρικό σκεύος.

Να τοποθετείτε πάντα το σκεύος στο κέντρο της μονάδας επάνω στην οποία μαγειρεύετε. Μην τοποθετείτε τίποτα στον πίνακα ελέγχου.

Μην χρησιμοποιείτε την εστία ως επιφάνεια εργασίας.

Μην χρησιμοποιείτε την επιφάνεια σαν ξύλο κοπής. Μην αποθηκεύετε βαριά αντικείμενα επάνω από την εστία. Εάν πέσουν επάνω στην εστία, ενδέχεται να προκαλέσουν ζημιά.

Μην χρησιμοποιείτε την εστία για αποθήκευση οποιωνδήποτε αντικειμένων.

Μην σέρνετε τα μαγειρικά σκεύη επάνω στην εστία. Δεν απαιτείται περαιτέρω χειρισμός/ρυθμίσεις για τη λειτουργία της συσκευής στις ονομαστικές συχνότητες.

Πινακίδα αναγνώρισης (βρίσκεται κάτω από το κάτω περίβλημα της εστίας)



1. ΓΕΝΙΚΕΣ ΠΡΟΕΙΔΟΠΟΙΗΣΕΙΣ

Με τη σήμανση **CE** που τίθεται σε αυτό το προϊόν, επιβεβαιώνεται η συμβατότητα με όλες τις σχετικές Ευρωπαϊκές απαιτήσεις ασφαλείας, υγείας και περιβάλλοντος που ισχύουν για αυτήν την κατηγορία προϊόντων.

2. ΠΡΟΣΤΑΣΙΑ ΤΟΥ ΠΕΡΙΒΑΛΛΟΝΤΟΣ



Αυτή η συσκευή φέρει σήμανση σύμφωνα με την Ευρωπαϊκή Οδηγία 2012/19/ΕΕ για τα Απόβλητα Ηλεκτρικού και Ηλεκτρονικού Εξοπλισμού (ΑΗΗΕ).

Τα ΑΗΗΕ περιέχουν ρυπογόνες ουσίες (που είναι δυνατό να προκαλέσουν αρνητικές επιπτώσεις στο περιβάλλον), καθώς και βασικά συστατικά, τα οποία είναι δυνατό να επαναχρησιμοποιηθούν. Τα ΑΗΗΕ είναι σημαντικό να υποβάλλονται σε ειδικές επεξεργασίες προκειμένου να απομακρύνονται και να απορρίπτονται σωστά όλα τα ρυπογόνα στοιχεία και να ανακτώνται και να ανακυκλώνονται όλα τα υλικά.

Τα άτομα μπορούν να διαδραματίσουν σημαντικό ρόλο στην εξασφάλιση ότι τα ΑΗΗΕ δεν θα αποτελέσουν περιβαλλοντικό πρόβλημα. Είναι απαραίτητο να ακολουθούνται ορισμένοι βασικοί κανόνες:

- Τα ΑΗΗΕ δεν θα πρέπει να αντιμετωπίζονται σαν οικιακά απορρίμματα.
- Τα ΑΗΗΕ θα πρέπει να παραδίδονται στα σχετικά σημεία συλλογής που διαχειρίζονται οι δημοτικές αρχές ή οι εξουσιοδοτημένες εταιρείες. Σε πολλές χώρες, για μεγάλα ΑΗΗΕ, ενδέχεται να υπάρχει συλλογή κατ' οίκον.

Σε πολλές χώρες, κατά την αγορά καινούργιας συσκευής, η παλιά μπορεί να επιστραφεί στον έμπορο λιανικής πώλησης, ο οποίος πρέπει να την παραλάβει χωρίς χρέωση με αντιστοιχία ένα προς ένα, εφόσον ο εξοπλισμός είναι ισοδύναμου τύπου και επιτελεί τις ίδιες λειτουργίες με τον παρεχόμενο εξοπλισμό.

3- ΤΟΠΟΘΕΤΗΣΗ

Η εγκατάσταση μιας οικιακής συσκευής είναι μια περίπλοκη διαδικασία, η οποία εάν δεν εκτελεστεί σωστά μπορεί να έχει σοβαρές επιπτώσεις στην ασφάλεια των αγαθών, των περιουσιών ή των προσώπων. Για τον λόγο αυτό, θα πρέπει να πραγματοποιείται από εξειδικευμένο επαγγελματία σύμφωνα με τους τεχνικούς κανονισμούς.

Σε περίπτωση που αγνοηθεί αυτή η συμβουλή και η εγκατάσταση πραγματοποιηθεί από μη εξειδικευμένο άτομο, ο κατασκευαστής δεν φέρει καμία ευθύνη για τυχόν τεχνική βλάβη του προϊόντος, ανεξάρτητα από το εάν έχει ως αποτέλεσμα τη ζημία σε αγαθά ή τον τραυματισμό ατόμων ή ζώων.

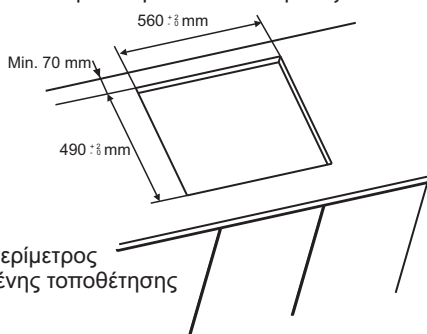
Αφού αφαιρεθεί η συσκευασία, βεβαιωθείτε ότι η συσκευή δεν έχει υποστεί ζημιά, διαφορετικά επικοινωνήστε με την υπηρεσία μεταγοραστικής εξυπηρέτησης του του προμηθευτή ή του κατασκευαστή.

Βεβαιωθείτε ότι το έπιπλο στο οποίο θα τοποθετηθεί η συσκευή και όλα τα άλλα έπιπλα που βρίσκονται σε εγγύτητα είναι κατασκευασμένα με υλικά που μπορούν να αντέξουν σε υψηλές θερμοκρασίες (ελάχ. 100°C).

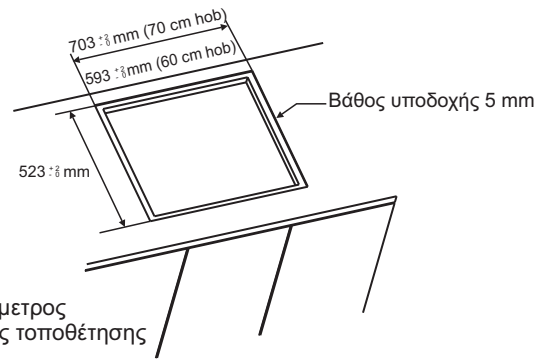
Επιπλέον, όλες οι διακοσμητικές λαμιναρισμένες επικαλύψεις θα πρέπει να τοποθετηθούν με κόλλα υψηλής αντοχής.

Η συσκευή μπορεί να εγκατασταθεί σε ενσωματωμένο έπιπλο "κανονικά" ή "εντοιχισμένη".

Το πάχος του πάγκου πρέπει να είναι μεταξύ 25 και 45 mm.



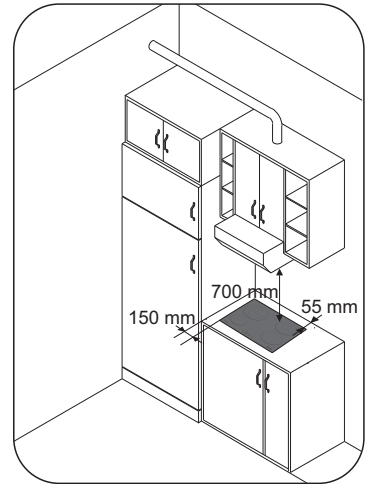
Περίμετρος εντοιχισμένης τοποθέτησης



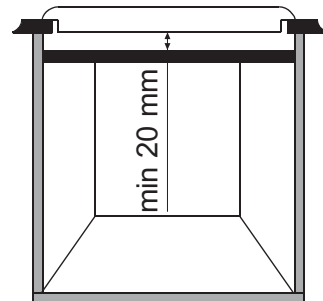
Περίμετρος εντοιχισμένης τοποθέτησης

Σημείωση: Οι εσωτερικές διαστάσεις της περιμέτρου είναι ίδιες με την κανονική τοποθέτηση

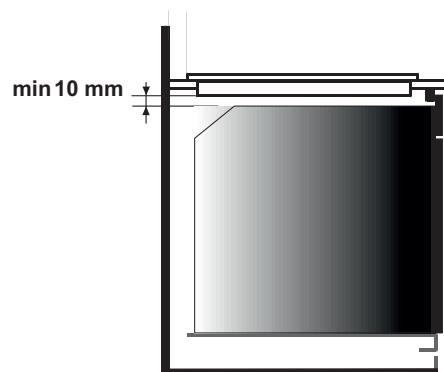
Α φ ή σ τ ε α π ό σ τ α σ η τουλάχιστον 55 mm μεταξύ της εστίας και του πίσω τοιχώματος και τουλάχιστον 150 mm μεταξύ της εστίας και των κατακόρυφων επίπλων ή τοίχων στο πλευρικό τμήμα. Σε περίπτωση που υπάρχει έπιπλο πάνω από την εστία, η απαιτούμενη ελάχιστη απόσταση είναι 700 mm. Κατά την εγκατάσταση απορροφητήρα πάνω από την εστία, συμβουλευτείτε τις απαιτήσεις εγκατάστασης που καθορίζονται για τον απορροφητήρα, αλλά σε κάθε περίπτωση η απόσταση μεταξύ της εστίας και του απορροφητήρα δεν πρέπει να είναι μικρότερη από 700 mm.



Εάν το κάτω μέρος της εστίας είναι δίπλα σε χώρο που είναι συνήθως προσβάσιμος για εργασίες χειρισμού ή καθαρισμού, πρέπει να τοποθετηθεί ένα διαχωριστικό 20 mm κάτω από το κάτω μέρος της εστίας.



Κατά την εγκατάσταση ενός φούρνου κάτω από την εστία, το διαχωριστικό δεν πρέπει να τοποθετηθεί και η ελάχιστη απόσταση μεταξύ του κάτω μέρους της εστίας και του φούρνου δεν πρέπει να είναι μικρότερη από 10 mm. Μην εγκαταστήσετε μη ψυχόμενο φούρνο κάτω από αυτήν την εστία και εγκαταστήστε τον φούρνο σύμφωνα με τις σχετικές απαιτήσεις εγκατάστασής του.

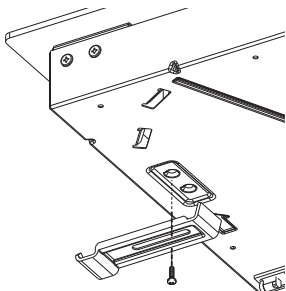


Μαζί με την εστία παρέχεται μία υδατοστεγανή φλάντζα. Τοποθετήστε τη φλάντζα στεγανοποίησης γύρω από το κάτω μέρος της εστίας όπως περιγράφεται και βεβαιωθείτε ότι είναι σωστά τοποθετημένη προς αποφυγή διαρροής στο έπιπλο στήριξης.

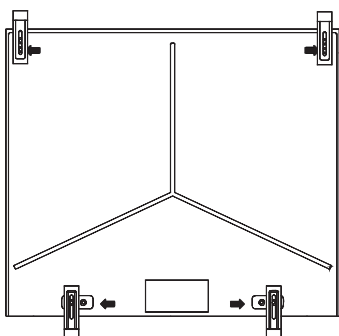


Κανονική στερέωση:

- Πάρτε τα κλιπ στερέωσης από την τσάντα αξεσουάρ και βιδώστε τα στη θέση που φαίνεται στο κάτω κουτί. (Μη σφίγγετε τις βίδες για να ασφαλιστούν τα κλιπ, αυτά πρέπει να κινούνται ελεύθερα)

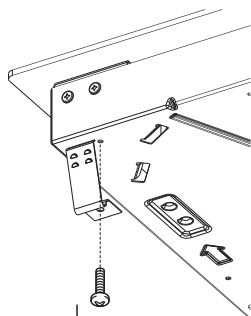


- Τοποθετήστε την εστία στην κεντρική θέση του περιγράμματος.
- Στρέψτε τα κλιπ και σφίξτε τα πλήρως.

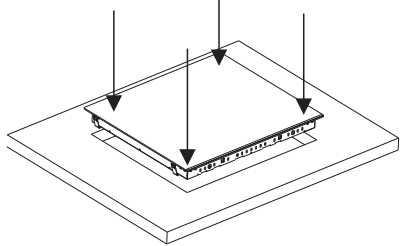


Γρήγορη στερέωση: (Ανάλογα με το μοντέλο)

Πάρτε τέσσερις βίδες από την τσάντα αξεσουάρ και βιδώστε τις στο κάτω κουτί όπως φαίνεται στο σχήμα.

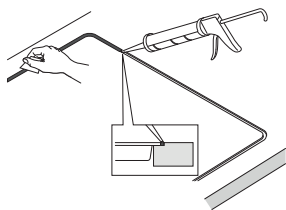


Κεντράρετε και τοποθετήστε την εστία. Πιέστε τις πλευρές της εστίας μέχρι να στηριχτεί σε ολόκληρη την περίμετρό της.

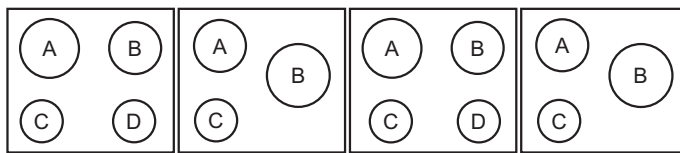


ΕΝΤΟΙΧΙΣΜΕΝΗ ΕΓΚΑΤΑΣΤΑΣΗ

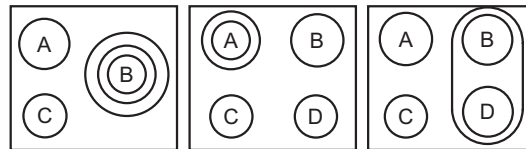
Αφού ελέγξετε ότι η θέση της εστίας είναι σωστή, γεμίστε το κενό μεταξύ του πάγκου και της εστίας με κόλλα σιλικόνης. Ισιώστε το στρώμα σιλικόνης με ένα ξέστρο ή με υγρό δάχτυλο που έχει υγρανθεί με νερό και σαπουνί προτού στερεοποιηθεί. Μην χρησιμοποιείτε την εστία έως ότου το στρώμα σιλικόνης στεγνώσει εντελώς.



4. ΗΛΕΚΤΡΙΚΗ ΣΥΝΔΕΣΗ

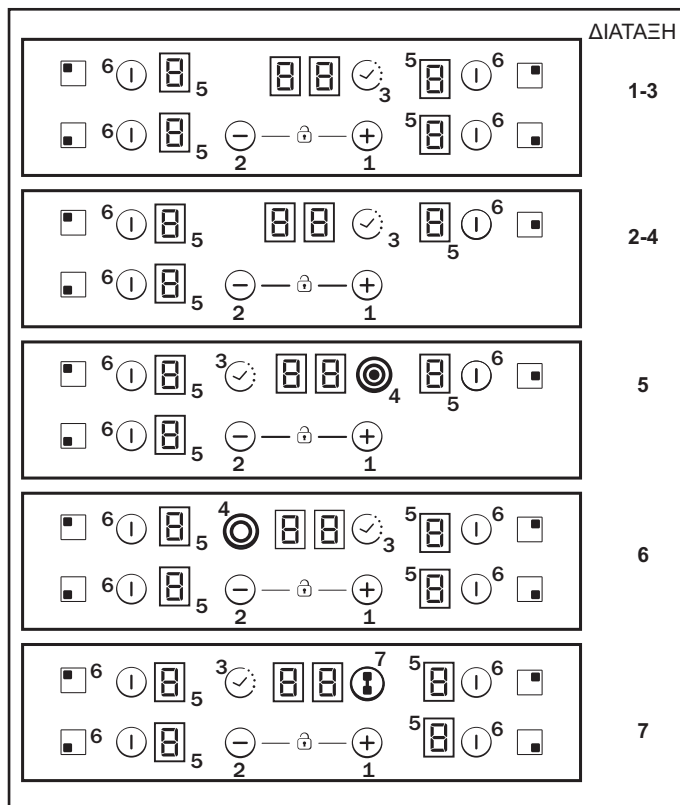


ΔΙΑΤΑΞΗ 1 ΔΙΑΤΑΞΗ 2 ΔΙΑΤΑΞΗ 3 ΔΙΑΤΑΞΗ 4



ΔΙΑΤΑΞΗ 5 ΔΙΑΤΑΞΗ 6 ΔΙΑΤΑΞΗ 7

	A	B	C	D
ΔΙΑΤΑΞΗ	2300W	1800W	1200W	1200W
ΔΙΑΤΑΞΗ	1800W	2500W	1200W	-
ΔΙΑΤΑΞΗ	2300W	1800W	1200W	1200W
ΔΙΑΤΑΞΗ	1800W	2500W	1200W	-
ΔΙΑΤΑΞΗ	1800W	750+900+1050W	1200W	-
ΔΙΑΤΑΞΗ	1000+1200 w	1800W	1200W	1200W
ΔΙΑΤΑΞΗ	1800W	1800W	1200W	1800W



Ανάλογα με το μοντέλο

1. "+"
2. "-"
3. ΧΡΟΝΟΔΙΑΚΟΠΤΗΣ
4. Λυχνία led πρόσθετης ζώνης μαγειρέματος
5. Ένδειξη προγραμματισμού ζώνης μαγειρέματος
6. Επιλογή ζώνης
7. Γέφυρα

"Η εγκατάσταση πρέπει να συμμορφώνεται με τα πρότυπα και τις οδηγίες." Ο κατασκευαστής αποποιείται κάθε ευθύνη για οποιαδήποτε ζημία που μπορεί να προκληθεί από ακατάλληλη ή αλόγιστη χρήση.

ΠΡΟΕΙΔΟΠΟΙΗΣΗ: Ο κατασκευαστής δεν είναι δυνατό να θεωρηθεί υπεύθυνος για οποιοδήποτε συμβάν ή τις συνέπειές του, το οποίο μπορεί να προκύψει κατά τη χρήση μιας συσκευής που δεν είναι συνδεδεμένη με τη γείωση ή είναι συνδεδεμένη με μία γείωση η συνέχεια της οποίας είναι ελαττωματική.

Πριν από οποιαδήποτε ηλεκτρική εργασία να ελέγχετε πάντα την τάση τροφοδοσίας που αναγράφεται επάνω στον μετρητή του ρεύματος, τη ρύθμιση του διακόπτη τροφοδοσίας, τη συνέχεια της σύνδεσης με τη γείωση για την εγκατάσταση και την καταλληλότητα της ασφάλειας.

Η ηλεκτρική σύνδεση με την εγκατάσταση θα πρέπει να γίνεται σύμφωνα με την ονομαστική ισχύ της συσκευής. Αυτή θα πρέπει να πραγματοποιείται μέσω πολυπολικού ασφαλειοδιακόπτη.

Εάν η συσκευή έχει μία έξοδο για πρίζα, πρέπει να τοποθετείται έτσι ώστε να είναι προσβάσιμη η πρίζα.

Το κίτρινο/πράσινο καλώδιο του καλωδίου τροφοδοσίας πρέπει να συνδέεται με τη γείωση και στην παροχή ρεύματος και στους ακροδέκτες της συσκευής.

Για τυχόν ερωτήσεις σχετικά με το καλώδιο τροφοδοσίας απευθυνθείτε στην υπηρεσία μεταγοραστικής εξυπηρέτησης ή σε κάποιον ειδικευμένο τεχνικό.

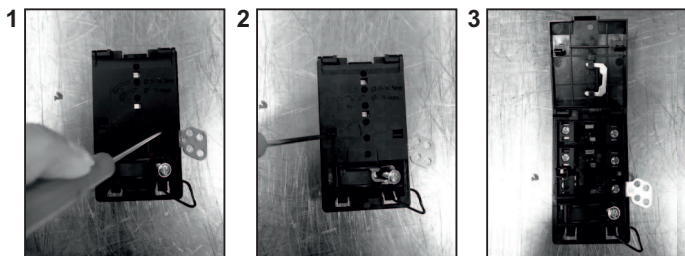
Εάν η εστία είναι εφοδιασμένη με καλώδιο τροφοδοσίας ρεύματος, αυτό πρέπει να συνδέεται μόνο σε παροχή ισχύος 220-240 V μεταξύ φάσης και ουδέτερου.

Ωστόσο η σύνδεση της εστίας είναι δυνατή σε:
Τριφασική παροχή 220-240 V3
Τριφασική παροχή 380-415 V2N

Για να προβείτε στη νέα σύνδεση, ακολουθήστε τις παρακάτω οδηγίες: Προτού πραγματοποιήσετε τη σύνδεση, βεβαιωθείτε ότι η εγκατάσταση προστατεύεται από κατάλληλη ασφάλεια και ότι είναι εφοδιασμένη με καλώδια αρκετά μεγάλης διατομής ώστε να τροφοδοτούν κανονικά τη συσκευή.

Γυρίστε ανάποδα την εστία, με τη γυάλινη πλευρά επάνω στον πάγκο, προσέχοντας ώστε να προστατευθεί το τζάμι.

Ανοίξτε το κάλυμμα με την ακόλουθη διαδοχική σειρά:



- Ξεβιδώστε τον σφιγκτήρα του καλωδίου "1".
- Βρείτε τις δύο γλωσσίδες που βρίσκονται πλευρικά.
- Βάλτε το άκρο ενός ίσιου κατασβιδιού μπροστά από την κάθε γλωσσίδα "2" και "3", ωθήστε προς τα μέσα και πιέστε.
- Αφαιρέστε το κάλυμμα.

Για να ελευθερωθεί το καλώδιο τροφοδοσίας:

- Αφαιρέστε τις βίδες που συγκρατούν το μπλοκ ακροδεκτών, το οποίο περιλαμβάνει τους διακλαδωτήρες και τους αγωγούς του καλωδίου τροφοδοσίας.
- Τραβήξτε έξω το καλώδιο τροφοδοσίας.

Εργασίες που πρέπει να εκτελεστούν για την πραγματοποίηση μιας νέας σύνδεσης:

- Επιλέξτε το καλώδιο τροφοδοσίας σύμφωνα με τις υποδείξεις στον πίνακα.
- Περάστε το καλώδιο τροφοδοσίας μέσα στον σφιγκτήρα.
- Ξεγυμνώστε το άκρο κάθε αγωγού του καλωδίου τροφοδοσίας σε μήκος 10 mm, λαμβάνοντας υπόψη το μήκος του καλωδίου που χρειάζεται για τη σύνδεση στο μπλοκ ακροδεκτών.
- - Ανάλογα με την εγκατάσταση και με τη βοήθεια των διακλαδωτήρων τους οποίους θα πρέπει να έχετε ανακτήσει στην πρώτη εργασία, στηρίξτε τον αγωγό όπως φαίνεται στο διάγραμμα.
- Στερεώστε το κάλυμμα.
- Βιδώστε τον σφιγκτήρα του καλωδίου.

Σημείωση: σιγουρευτείτε ότι οι βίδες του πίνακα ακροδεκτών είναι σφιχτές.

Εργασίες που πρέπει να εκτελεστούν για την πραγματοποίηση μιας νέας σύνδεσης:

- Επιλέξτε το καλώδιο τροφοδοσίας σύμφωνα με τις υποδείξεις στον πίνακα.

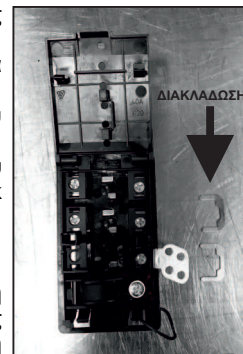
- Περάστε το καλώδιο τροφοδοσίας μέσα στον σφιγκτήρα.

- Ξεγυμνώστε το άκρο κάθε αγωγού του καλωδίου τροφοδοσίας σε μήκος 10 mm, λαμβάνοντας υπόψη το μήκος του καλωδίου που χρειάζεται για τη σύνδεση στο μπλοκ ακροδεκτών.

- Ανάλογα με την εγκατάσταση και με τη βοήθεια των διακλαδωτήρων τους οποίους θα πρέπει να έχετε ανακτήσει στην πρώτη εργασία, στηρίξτε τον αγωγό όπως φαίνεται στο διάγραμμα.

- Στερεώστε το κάλυμμα.

- Βιδώστε τον σφιγκτήρα του καλωδίου.



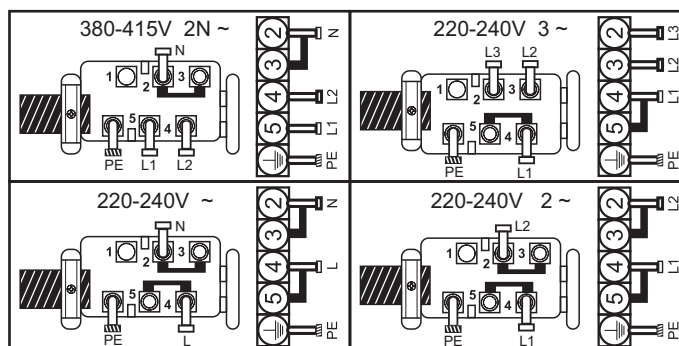
ΠΡΟΣΟΧΗ:

Εάν χρειαστεί να αντικαταστήσετε το καλώδιο τροφοδοσίας, συνδέστε τα καλώδια σύμφωνα με τα ακόλουθα χρώματα/κωδικούς:

ΜΠΛΕ	Ουδέτερο	(N)
ΚΑΦΕ	Φάση	(L)
ΚΙΤΡΙΝΟ ΠΡΑΣΙΝΟ	Γείωση	(⊕)

Σύνδεση στους ακροδέκτες του μπλοκ των ακροδεκτών

	ΔΙΑΤΑΞΗ "1-6"	ΔΙΑΤΑΞΗ "7"
ΜΙΑΣ ΦΑΣΗΣ ή ΔΥΟ ΦΑΣΕΩΝ 220-240 V~		
Καλώδιο HO5V2V2F	3x2,5 mm ²	3x4 mm ²
ΤΡΙΩΝ ΦΑΣΕΩΝ 220-240 V3~		
Καλώδιο HO5V2V2F	4x1,5 mm ²	4x1,5 mm ²
ΤΡΙΩΝ ΦΑΣΕΩΝ 380-415 V2N~		
Καλώδιο HO5V2V2F	4x1,5 mm ²	4x1,5 mm ²



L1 / L2 / L3 = Φάση

N = Ουδέτερο

PE = Γείωση

5. ΣΥΜΒΟΥΛΕΣ ΓΙΑ ΜΑΓΕΙΡΙΚΑ ΣΚΕΥΗ

Η χρήση μαγειρικών σκευών καλής ποιότητας είναι πολύ σημαντική για τη μέγιστη απόδοση της εστίας σας.



• Χρησιμοποιείτε πάντα μαγειρικά σκεύη καλής ποιότητας με τελειώς επίπεδες και μεγάλο πάχους βάσεις: χρησιμοποιώντας αυτόν τον τύπο μαγειρικών σκευών αποτρέπονται τα θερμά σημεία τα οποία προκαλούν το "κόλλημα" του φαγητού. Τα μεταλλικά σκεύη και τα δοχεία μεγάλου πάχους παρέχουν ομοιόμορφη κατανομή της θερμότητας.

• Σιγουρευτείτε ότι η βάση του σκεύους ή του δοχείου είναι στεγνή: όταν γεμίζετε σκεύη με υγρό ή χρησιμοποιείτε εκείνο που είναι ήδη αποθηκευμένο μέσα σε ψυγείο, σιγουρευτείτε ότι η βάση του σκεύους είναι τελειώς στεγνή πριν το τοποθετήσετε επάνω στην εστία. Αυτό θα βοηθήσει στην αποφυγή πρόκλησης λεκέδων επάνω στην εστία.

• Χρησιμοποιήστε σκεύη των οποίων η διάμετρος είναι αρκετή ώστε να καλύπτεται εντελώς η επιφάνεια της μονάδας: το μέγεθος του δοχείου δεν θα πρέπει να είναι μικρότερο από την περιοχή θέρμανσης. Εάν είναι ελαφρώς πιο φαρδύ η ενέργεια θα χρησιμοποιηθεί στη μέγιστη απόδοσή της.

ΕΠΙΛΟΓΗ ΜΑΓΕΙΡΙΚΟΥ ΣΚΕΥΟΥΣ - Οι πληροφορίες που ακολουθούν θα σας βοηθήσουν να επιλέξετε το μαγειρικό σκεύος που παρέχει την καλύτερη δυνατή απόδοση.

Ανοξείδωτο ατσάλι: *συνιστάται έντονα.* Εξαιρετικά καλό με βάση τύπου σάντουιτς από κράμα μετάλλων. Η βάση τύπου σάντουιτς συνδυάζει τα οφέλη του ανοξείδωτου ατσάλιου (εμφάνιση, αντοχή και σταθερότητα) με τα πλεονεκτήματα αλουμινίου ή του χαλκού (θερμική αγωγιμότητα, ομοιόμορφη κατανομή της θερμότητας).

Αλουμίνιο: *συνιστώνται μεγάλου βάρους.* Καλή αγωγιμότητα. Τα υπολείμματα αλουμινίου εμφανίζονται μερικές φορές σαν γρατσουνιές επάνω στην εστία, αλλά μπορούν να αφαιρεθούν εάν καθαριστούν άμεσα.

Αυτό το αλουμίνιο δεν θα πρέπει να χρησιμοποιείται λόγω του χαμηλού σημείου τήξης του.

Χυτοσίδηρος: *μπορεί να χρησιμοποιηθεί, αλλά δεν συνιστάται.* Χαμηλή απόδοση. Μπορεί να γρατσουνίσει την επιφάνεια.

Βάση από χαλκό / κεραμικό: *συνιστώνται μεγάλου βάρους.* Καλή απόδοση αλλά ο χαλκός μπορεί να αφήσει υπολείμματα τα οποία μπορεί να εμφανίζονται σαν γρατσουνιές. Τα υπολείμματα μπορούν να αφαιρεθούν, αρκεί να καθαρίζεται αμέσως η εστία. Ωστόσο, μην αφήνετε αυτά τα σκεύη να στεγνώνουν κατά το βράσιμο. Το υπερθερμασμένο μεταλλικό δοχείο μπορεί να στραβώσει επάνω στο γυαλί της εστίας. Ένα υπερθερμασμένο χάλκινο σκεύος θα αφήσει υπολείμματα τα οποία θα αφήσουν ένα μόνιμο λεκέ επάνω στην εστία.

Πορσελάνη/εμαγιέ: Καλή απόδοση μόνο με λεπτή λεία, επίπεδη βάση.

Γυαλί-κεραμικό: *δεν συνιστάται.* Χαμηλή απόδοση. Μπορεί να γρατσουνίσει την επιφάνεια.

6. ΧΡΗΣΗ

Πώς να επιλέξετε το επίπεδο διαχείρισης ενέργειας.

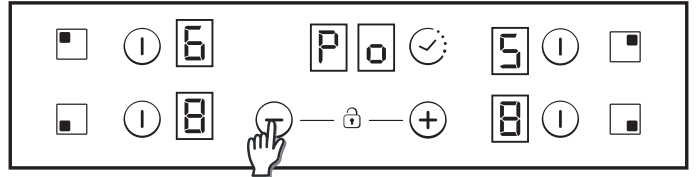
Μέσω της λειτουργίας "Διαχείριση ενέργειας", ο χρήστης μπορεί να θέσει και να ρυθμίσει τη μέγιστη ισχύ που μπορεί να επιτευχθεί από την εστία.

Η εν λόγω λειτουργία Διαχείρισης ενέργειας είναι διαθέσιμη μόνο κατά τη διάρκεια των 30 πρώτων δευτερολέπτων μετά την ενεργοποίηση της εστίας. Υπάρχει ακόμη και δίνεται η δυνατότητα να επαναληφθεί η ρύθμιση αυτή απενεργοποιώντας τη συσκευή και βγάζοντας το καλώδιο από την πρίζα.

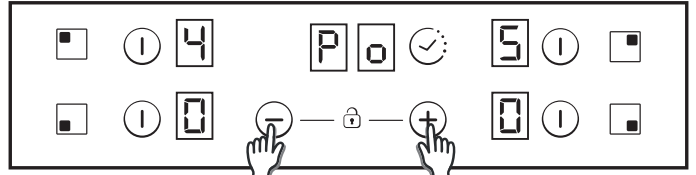
Με τον καθορισμό της επιθυμητής μέγιστης ισχύος, η εστία ρυθμίζει πλέον αυτόματα την κατανομή στις διάφορες ζώνες μαγειρέματος, ούτως ώστε να μην υπερβαίνεται το όριο αυτό. Με πρόσθετο πλεονέκτημα να είναι (η εστία) σε θέση να διαχειριστεί ταυτόχρονα όλες τις ζώνες χωρίς προβλήματα υπερφόρτωσης. Ο πελάτης μπορεί να ρυθμίσει τη μέγιστη ισχύ της εστίας μεταξύ των 2,5 kW και της μέγιστης σχετικής ισχύος της εστίας (η ρύθμιση αυτή μπορεί να αλλάξει ανάλογα με το μοντέλο) (για παράδειγμα, εάν η μέγιστη ισχύς της εστίας είναι 7,2 kW, η μέγιστη στάθμη ισχύος για τη ρύθμιση θα είναι μεταξύ των 2,5 kW και 7,2 kW). Κατά τη στιγμή της αγοράς, η εστία έχει εκ των προτέρων ρυθμιστεί στη μέγιστη ισχύ.

Μετά τη σύνδεση της συσκευής με την παροχή ηλεκτρικής τροφοδοσίας, μπορείτε μέσα σε 30 δευτερόλεπτα να ρυθμίσετε το επίπεδο ισχύος βάσει των σημείων που εμφανίζονται παρακάτω:

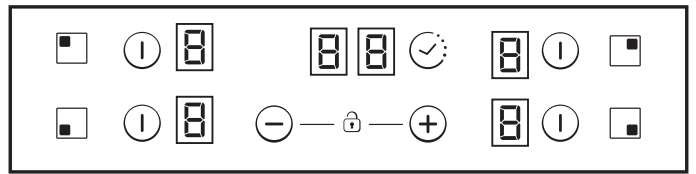
- 1 - Ενεργοποιήστε την εστία.
- 2 - Αφήστε τον έλεγχο αφής να ολοκληρώσει τη διαδικασία εκκίνησης.
- 3 - Πριν περάσουν 30 δευτερόλεπτα αγγίξτε το πλήκτρο "−" για 5 δευτερόλεπτα.
- 4 - Μετά από αυτή τη στιγμή, θα εμφανιστεί στην οθόνη αυτό το μήνυμα.



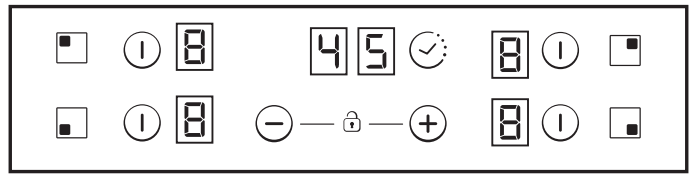
5 - Με τη χρήση των πλήκτρων "Συν" και "Μείον" η τιμή διαχείρισης ενέργειας μπορεί να ρυθμιστεί. Σε αυτή την περίπτωση ως παράδειγμα θα είναι μεταξύ 6500 και 2500w. Όταν επιλεγεί η απαιτούμενη τιμή, αγγίξτε ταυτόχρονα τα πλήκτρα "Συν" και "Μείον" για 5 δευτερόλεπτα.



6 - Όταν ολοκληρωθεί αυτή η διαδικασία, ακούγεται ένας μακρύς ήχος και παράγεται μια επαναφορά. Η διαδικασία εκκίνησης θα δημιουργηθεί ξανά.

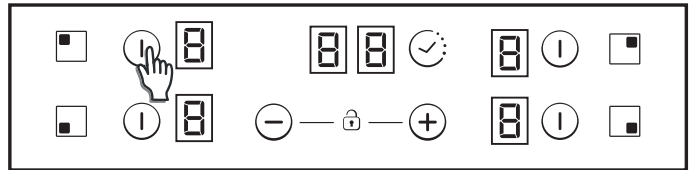


7 - Μετά τη διαδικασία εκκίνησης, στην οθόνη χρονοδιακόπτη θα εμφανιστεί η διαχείριση ισχύος ECO (Οικολογικό).



Μετά από αυτό, ο έλεγχος αφής δεν θα επιτρέπει κανέναν συνδυασμό που να μπορεί να υπερβεί αυτό το Eco (οικολογικό) όριο

ΕΝΕΡΓΟΠΟΙΗΣΗ/ΑΠΕΝΕΡΓΟΠΟΙΗΣΗ ΜΙΑΣ ΘΕΡΜΑΝΤΙΚΗΣ ΖΩΝΗΣ



Για την ενεργοποίηση ενός θερμαντήρα αγγίξτε οποιαδήποτε θερμαντική ζώνη για 400 msec. Θα ακουστεί ένας παρατεταμένος ήχος μπιπ και θα εμφανιστεί η τιμή "0" στο ψηφίο της ζώνης προορισμού, δείχνοντας το επίπεδο ισχύος.

1) Εάν οποιοδήποτε στάδιο μαγειρέματος είναι στη θέση 0, αυτή η οθόνη θα απενεργοποιηθεί αυτόματα μετά από 10 δευτερόλεπτα και θα ηχησει η ακολουθία απενεργοποίησης ζώνης.

2) Εάν υπάρχει ένδειξη υπολειπόμενης θερμότητας στην οθόνη που είναι ενεργοποιημένη αλλά σε 0 ισχύ, το "0" θα εμφανιστεί να αλλάζει.

3) Εάν η λειτουργία κλειδώματος είναι ενεργή, δεν είναι δυνατή η ενεργοποίηση μιας ζώνης.

Για απενεργοποίηση ενός θερμαντήρα αγγίξτε οποιαδήποτε ζώνη θέρμανσης για 1,2 δευτερόλεπτα. Θα ακουστούν 3 σύντομοι ήχοι μπιπ και δεν θα εμφανιστεί τίποτα ή η τιμή "H" θα εμφανιστεί στο ψηφίο της ζώνης προορισμού εάν υπάρχει υπολειπόμενη θερμότητα. Η ζώνη θα απενεργοποιηθεί.

1) Εάν οποιοδήποτε στάδιο μαγειρέματος είναι στη θέση 0, αυτή η οθόνη θα απενεργοποιηθεί αυτόματα μετά από 10 δευτερόλεπτα και θα ηχησει η ακολουθία απενεργοποίησης ζώνης.

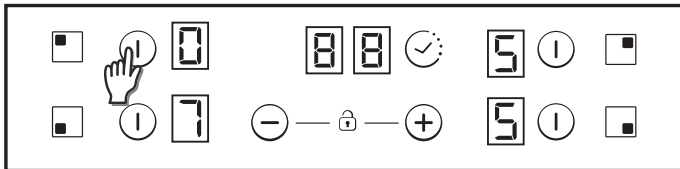
2) Εάν υπάρχει ένδειξη υπολειπόμενης θερμότητας στην οθόνη που είναι απενεργοποιημένη, θα εμφανιστεί η ένδειξη "H".

3) Ακόμη και εάν η λειτουργία κλειδώματος είναι ενεργή, είναι δυνατή η απενεργοποίηση μιας ζώνης.

4) Εάν είναι ενεργοποιημένος μόνο ένας θερμαντήρας και αυτός απενεργοποιηθεί, θα ακουστούν 4 σύντομοι ήχοι μπιπ δείχνοντας ότι όλη η επιφάνεια μαγειρέματος είναι απενεργοποιημένη.

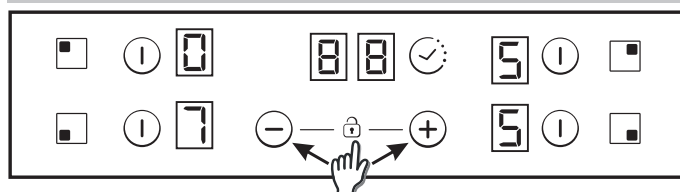
Επιλογή μιας ζώνης

Όταν η ζώνη είναι ήδη ενεργοποιημένη, παράγεται χαμηλότερη ένταση φωτισμού για τις μη επιλεγμένες ζώνες που είναι ενεργοποιημένες.



Εάν έχει ενεργοποιηθεί μόνο μία ζώνη, αυτή η ζώνη έχει ήδη επιλεγεί από προεπιλογή, χωρίς να απαιτείται σύντομο πάτημα (150 msec) του πλήκτρου επιλογής.

Αύξηση / Μείωση επιπέδου ισχύος



Με ένα σύντομο πάτημα των πλήκτρων '+' ή '-', αυξήστε ή μειώστε την ισχύ στο ψηφίο επιλεγμένων ζωνών: 0-1-2-3...9-P

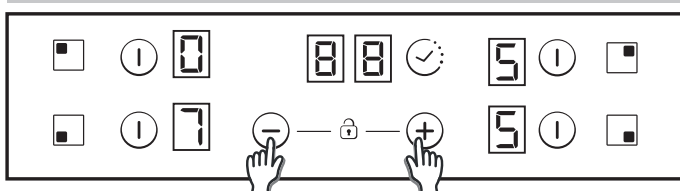
1. Πατώντας παρατεταμένα τα πλήκτρα + ή -, το επίπεδο ισχύος αυξάνεται / μειώνεται συνεχώς. Με μια γρήγορη αύξηση, η τροφοδοσία σταματά στο επίπεδο 9 και για μεγαλύτερη ισχύ χρειάζεται ακόμη ένα σύντομο πάτημα στο πλήκτρο +. Δεν ακούγεται κανένας ήχος μπιπ με γρήγορη αύξηση / μείωση.

2. Μόλις επιτευχθεί το επίπεδο ισχύος P, πατώντας πάλι το πλήκτρο + δεν αλλάζει το επίπεδο ισχύος στο 0. Μόλις επιτευχθεί το επίπεδο ισχύος 0, πατώντας πάλι το πλήκτρο - δεν αλλάζει το επίπεδο ισχύος στο P.

3. Με μια ζώνη ενεργοποιημένη στο επίπεδο 0, εάν η ζώνη είναι θερμή, το 0 θα αναβοσβήνει εναλλάξ. Μετά από 10 δευτερόλεπτα, το 0 παύει να εμφανίζεται και η ένδειξη 'H' εμφανίζεται σταθερά στην οθόνη.

4. Όταν επιλεγεί ένας θερμαντήρας και τα πλήκτρα '+' και '-' αγγίζονται ταυτόχρονα, το επίπεδο ισχύος θα φτάσει στο '0' αλλά ο θερμαντήρας θα διατηρηθεί επιλεγμένος για 10 δευτερόλεπτα. Εάν ο θερμαντήρας ήταν χρονοπρογραμματισμένος, ο χρονοδιακόπτης θα απενεργοποιηθεί. Αυτή η ενέργεια μπορεί να εκτελεστεί σε αρκετές περιπτώσεις μόνο ανάλογα με τη διαμόρφωση του χειριστηρίου αφής. Τα ακόλουθα παραδείγματα είναι μόνο για λόγους ενημέρωσης. Στη συνέχεια, η προσωπική σας εμπειρία θα σας επιτρέψει να προσαρμόσετε αυτές τις ρυθμίσεις ανάλογα με τις προτιμήσεις και τις συνήθειές σας.

Επιλογή λειτουργίας παιδικής ασφάλειας



Αυτή η λειτουργία ενεργοποιείται αγγίζοντας ταυτόχρονα τα πλήκτρα '+' και '-'.

Στη συνέχεια, κάθε φορά που αγγίζεται ένα πλήκτρο, η οθόνη εμφανίζει την ένδειξη "L" για 2 δευτερόλεπτα. Η θέρμανση παραμένει στην ίδια κατάσταση.

Για να απενεργοποιηθεί η λειτουργία παιδικής ασφάλειας, ακολουθήστε την ίδια διαδικασία που εξηγήθηκε προηγουμένως. Στη συνέχεια ακούγεται ένας σύντομος ήχος μπιπ και εμφανίζεται η ένδειξη "n". Η εστία παραμένει ξεκλειδωμένη.

Σημείωση: Η αυτόματη λειτουργία παιδικής ασφάλειας ενεργοποιείται εντός 15 λεπτών μετά τη συνολική απενεργοποίηση της εστίας. Αυτή η λειτουργία ενεργοποιείται αυτόματα, αλλά προηγουμένως είναι απαραίτητος ο προγραμματισμός της. Βλ. ενότητα "Ρυθμίσεις χρήση".

Διπλές / Τριπλές ζώνες

Για να ενεργοποιηθεί ο διπλός δακτύλιος επέκτασης, η σχετική κύρια ζώνη πρέπει να είναι ήδη ενεργοποιημένη και η ένδειξη του επιπέδου ισχύος πρέπει να είναι μεγαλύτερη από 0.

8.1- Ενεργοποίηση διπλής ζώνης

Με το 1ο σύντομο πάτημα στο πλήκτρο επέκτασης ενεργοποιείται ο δακτύλιος επέκτασης. Το LED στο πλήκτρο επέκτασης ενεργοποιείται εάν ο δακτύλιος επέκτασης είναι ενεργοποιημένος.

Με το 2ο σύντομο πάτημα στο πλήκτρο επέκτασης απενεργοποιείται ο δακτύλιος επέκτασης. Ακούγεται ένας σύντομος ήχος μπιπ σε κάθε πάτημα του πλήκτρου επέκτασης.

8.2- Ενεργοποίηση τριπλής ζώνης

Με το 1ο σύντομο πάτημα στο πλήκτρο επέκτασης ενεργοποιείται ο 1ος δακτύλιος επέκτασης. 1 LED στο πλήκτρο επέκτασης ενεργοποιείται εάν ο 1ος δακτύλιος επέκτασης είναι ενεργοποιημένος (αριστερό LED σε περίπτωση τριπλής ζώνης, μεσαίο και ένα LED σε περίπτωση διπλής ζώνης)

Με το 2ο σύντομο πάτημα στο πλήκτρο επέκτασης ενεργοποιείται ο 2ος δακτύλιος επέκτασης. 2 LED στο πλήκτρο επέκτασης ενεργοποιούνται εάν ο 1ος και ο 2ος δακτύλιος επέκτασης είναι ενεργοποιημένοι

Με το 3ο σύντομο πάτημα στο πλήκτρο επέκτασης απενεργοποιείται ο 1ος και ο 2ος δακτύλιος επέκτασης.

Ακούγεται ένας σύντομος ήχος μπιπ σε κάθε πάτημα του πλήκτρου επέκτασης.

Λειτουργία γέφυρας

Η γέφυρα μπορεί να ενεργοποιηθεί μόνο όταν και οι δύο θερμαντήρες είναι απενεργοποιημένοι. Όταν έχει επιλεγεί ένας θερμαντήρας της γέφυρας, για να ενεργοποιηθεί η λειτουργία γέφυρας αγγίξτε το πλήκτρο γέφυρας.

Ακούγεται ένας ήχος μπιπ και το LED της ζώνης ενεργοποιείται εάν η ζώνη είναι ενεργοποιημένη.

Και οι δύο θερμαντήρες της γέφυρας επιλέγονται ταυτόχρονα.

Μόλις επιλεγούν οι θερμαντήρες, εάν το επίπεδο ισχύος δεν είναι το επιθυμητό, χρησιμοποιήστε τα πλήκτρα + -.

Και οι δύο οθόνες θερμαντήρων της γέφυρας εμφανίζουν το ίδιο επίπεδο ισχύος. Η λειτουργία τερματίζεται:

- Εάν το πλήκτρο γέφυρας αγγιχθεί στη λειτουργία ρύθμισης.
- Εάν ο χρήστης επιλέξει επίπεδο ισχύος "0".

Ασφάλεια υπερχειλίσσης

Κάτι (αντικείμενο ή υγρό) πιέζει κάποιο πλήκτρο για περισσότερο από 5 δευτερόλεπτα. Ακούγονται 2 σύντομοι ήχοι μπιπ + 1 παρατεταμένος ήχος μπιπ κάθε 30 δευτερόλεπτα ενώ πατάτε το πλήκτρο. Η επιφάνεια μαγειρέματος θα απενεργοποιηθεί. Αυτό το σύμβολο θα συνεχίσει να αναβοσβήνει ενώ το ζήτημα παραμένει.

Χρονοδιακόπτης

Η λειτουργία χρονοδιακόπτη είναι δυνατό να ενεργοποιηθεί με το αντίστοιχο πλήκτρο του ή αγγίζοντας ταυτόχρονα τα πλήκτρα '+' και '-'. Και στις δύο περιπτώσεις, πρέπει να επιλεγεί ένας θερμαντήρας και το επίπεδο ισχύος του πρέπει να είναι μεγαλύτερο από 0.

Επιλέξτε τη ζώνη που πρόκειται να χρονοπρογραμματιστεί. Επίπεδο ισχύος της ζώνης μεγαλύτερο από 0. Η στατική ένδειξη εμφανίζεται στη χρονοπρογραμματισμένη ζώνη. "0 0" στα ψηφία που τον προορίζονται για τον χρονοδιακόπτη.

1) Ο χρόνος του χρονοδιακόπτη είναι δυνατό να επιλεγεί με τα πλήκτρα "+" ή "-". Δεν ακούγονται ήχοι μπιπ κατά την αλλαγή του χρόνου.

2) Πατώντας ταυτόχρονα τα πλήκτρα του χρονοδιακόπτη ο χρονοδιακόπτης ακυρώνεται (τίθεται στο 00).

3) Εάν τα πλήκτρα "+" ή "-" του χρονοδιακόπτη διατηρούνται πατημένα κατά τη διάρκεια του χρόνου που πρόκειται να προσδιοριστεί, επιτυγχάνεται γρήγορη ρύθμιση.

4) Κατά τη ρύθμιση του χρονοδιακόπτη, η μετάβαση από το "00" έως το "99" είναι δυνατή με το πλήκτρο "-" και από το "99" έως το "00" με το πλήκτρο "+"

5) Μέγιστος χρόνος 99 λεπτά.

6) Όταν έχει παρέλθει ο χρόνος και η εστία σβήνει, πιέζοντας οποιοδήποτε πλήκτρο η ακολουθία συναγερμών και ψηφίων τερματίζεται.

7) Ο χρόνος του χρονοδιακόπτη είναι δυνατό να ρυθμιστεί ενώ ο χρονοδιακόπτης είναι ήδη σε λειτουργία.

8) Η ισχύς της χρονοπρογραμματισμένης ζώνης είναι δυνατό να τροποποιηθεί χωρίς συνέπειες στον προγραμματισμό του χρονοδιακόπτη.

9) Το τελευταίο λεπτό εμφανίζεται σε δευτερόλεπτα (Στις διάφορες

παραλλαγές είναι ορατή μόνο εισάγοντας τον προγραμματισμό του χρονοδιακόπτη κατά το τελευταίο λεπτό της αντίστροφης μέτρησης)

10) Πατώντας το πλήκτρο του χρονοδιακόπτη χωρίς κάποια επιλεγμένη ζώνη και όταν δεν υπάρχει χρονοπρογραμματισμένη ζώνη, δεν συμβαίνει τίποτα.

11) Πατώντας το πλήκτρο του χρονοδιακόπτη χωρίς κάποια επιλεγμένη ζώνη και όταν πολλές ζώνες είναι χρονοπρογραμματισμένες, ο χρόνος που εμφανίζεται στα ψηφία χρόνου αλλάζει με περιστροφικό τρόπο και δείχνει την ώρα του οποίου η ένδειξη ισχύος έχει το δεκαδικό σημείο ενεργοποιημένο.

12) Εναλλακτικά, η ισχύος (5s) και (0,5s) εμφανίζεται στη χρονοπρογραμματισμένη ζώνη.

Ο υπολειπόμενος χρόνος εμφανίζεται στα ψηφία που προορίζονται για τον χρονοδιακόπτη. Εάν είναι χρονοπρογραμματισμένες πολλαπλές ζώνες, εμφανίζεται ο μικρότερος χρόνος που απομένει και το δεκαδικό σημείο εμφανίζεται στην αντίστοιχη ζώνη.

Ένδειξη υπολειπόμενης θερμότητας (σε θερμαντήρες ακτινοβολίας-> υπολογισμένη)

Οι ίδιες ενδείξεις είναι δυνατό να χρησιμοποιηθούν και για την ένδειξη "υπολειπόμενης θερμότητας". Για τον σκοπό αυτό πρέπει να καθοριστεί ένα χρονοδιάγραμμα: Χρόνος υπολειπόμενης θερμότητας = f (επίπεδο ισχύος, χρόνος λειτουργίας)

Όταν η θερμοκρασία πάνω στη γυάλινη επιφάνεια μαγειρέματος είναι πάνω από 65°C (θεωρητική τιμή), στη σχετική οθόνη εμφανίζεται η ένδειξη "H".

Για να δημιουργηθεί θερμοκρασία πάνω από 65°C, ένα θερμαντικό στοιχείο πρέπει να λειτουργεί για ορισμένο χρονικό διάστημα. Αυτός ο χρόνος εξαρτάται από το επίπεδο ισχύος. Μόλις λήξει αυτός ο χρόνος, εμφανίζεται η προειδοποίηση υπολειπόμενης θερμότητας όταν το θερμαντικό στοιχείο είναι απενεργοποιημένο.

Απενεργοποίηση αυτόματης ασφάλειας

Εάν το επίπεδο ισχύος δεν αλλάξει κατά τη διάρκεια ενός προκαθορισμένου χρόνου, ο αντίστοιχος θερμαντήρας σβήνει αυτόματα.

Ο μέγιστος χρόνος που μπορεί να παραμείνει ένας θερμαντήρας ενεργοποιημένος εξαρτάται από το επιλεγμένο επίπεδο μαγειρέματος.

Επίπεδο ισχύος	Μέγ. χρόνος ενεργοποίησης (ώρες)
1	10
2	5
3	5
4	4
5	3
6	2
7	2
8	2
9	2
P	2

ΣΗΜΕΙΩΣΗ: ενώ η κατάσταση υπερθέρμανσης θα πρέπει να συμβαίνει κατά τη λειτουργία στα υψηλότερα επίπεδα ισχύος, ο ρυθμιστής της εστίας ρυθμίζει αυτόματα το επίπεδο ισχύος για προστασία της εστίας από υπερθέρμανση.

7. ΚΑΘΑΡΙΣΜΟΣ ΚΑΙ ΣΥΝΤΗΡΗΣΗ

Πριν από οποιαδήποτε εργασία συντήρησης στην εστία, αφήστε την να κρυώσει.

. Θα πρέπει να χρησιμοποιούνται μόνο προϊόντα (κρέμες και ξέστρα) ειδικά σχεδιασμένα για γυάλινες κεραμικές επιφάνειες. Μπορείτε να τα βρείτε σε εμπορικά καταστήματα.

. Να αποφεύγεται ο διασκορπισμός υγρών, καθώς οτιδήποτε πέφτει επάνω στην επιφάνεια της εστίας καίγεται γρήγορα και καθιστά πιο δύσκολο τον καθαρισμό.

. Καλό είναι να κρατάτε μακριά από την εστία όλες τις ουσίες που μπορεί να λιώσουν, όπως πλαστικά αντικείμενα, ζάχαρη, ή προϊόντα με βάση τη ζάχαρη.

ΣΥΝΤΗΡΗΣΗ:

- Ρίξτε μερικές σταγόνες του ειδικού καθαριστικού προϊόντος επάνω στην επιφάνεια της εστίας.

- Τρίψτε τυχόν επίμονους λεκέδες με ένα μαλακό πανί ή με ένα ελαφρά νοτισμένο χαρτί κουζίνας.

- Σκουπίστε με ένα μαλακό πανί ή με στεγνό χαρτί κουζίνας μέχρι να καθαρίσει η επιφάνεια.

Εάν υπάρχουν ακόμα κάποιοι επίμονοι λεκέδες:

- Ρίξτε μερικές ακόμα σταγόνες του ειδικού καθαριστικού προϊόντος επάνω στην επιφάνεια.

- Ξύστε με ένα ξέστρο, κρατώντας το υπό γωνία 30° ως προς την εστία, μέχρι να εξαφανιστούν οι λεκέδες.

- Σκουπίστε με ένα μαλακό πανί ή με στεγνό χαρτί κουζίνας μέχρι να καθαρίσει η επιφάνεια.

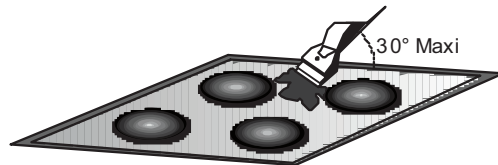
- Επαναλάβετε τη διαδικασία εάν χρειάζεται.

ΜΕΡΙΚΕΣ ΣΥΜΒΟΥΛΕΣ:

Ο συχνός καθαρισμός αφήνει ένα προστατευτικό στρώμα το οποίο είναι βασικό για την πρόληψη των γρατσουνιών και της φθοράς. Σιγουρευτείτε ότι η επιφάνεια είναι καθαρή πριν χρησιμοποιήσετε και πάλι την εστία. Για να αφαιρέσετε σημάδια που έχουν μείνει από νερό, χρησιμοποιήστε μερικές σταγόνες από άσπρο ξύδι ή χυμό λεμονιού. Μετά σκουπίστε με ένα απορροφητικό χαρτί και με μερικές σταγόνες ειδικού καθαριστικού υγρού.

Η γυάλινη κεραμική επιφάνεια θα αντέξει το ξύσιμο από μαγειρικά σκεύη με επίπεδη βάση, ωστόσο, είναι πάντα καλύτερα να τα σηκώνετε όταν τα μετακινείτε από μία ζώνη σε μία άλλη.

ΣΗΜ:



Μην χρησιμοποιείτε ένα σφουγγάρι το οποίο είναι πολύ βρεγμένο.

Ποτέ μην χρησιμοποιείτε μαχαίρι ή κατσαβίδι.

Ένα ξέστρο με ξυράφι δεν θα προκαλέσει ζημιά στην επιφάνεια, εφόσον κρατιέται υπό γωνία 30°.

Ποτέ μην αφήνετε ένα ξέστρο με ξυράφι σε μέρος προσβάσιμο από παιδιά.

Ποτέ μην χρησιμοποιείτε λειαντικά προϊόντα ή πούδρες καθαρισμού με τρίψιμο.

Μεταλλικό περιβλήμα: για να καθαρίσετε με ασφάλεια το μεταλλικό περίβλημα πλύνετε το με σαπούνι και νερό, ξεπλύνετε το και μετά στεγνώστε το με ένα μαλακό πανί.

Οποιαδήποτε αλλαγή στον χρωματισμό της γυάλινης κεραμικής επιφάνειας δεν επηρεάζει τη λειτουργία της ή τη σταθερότητα της επιφάνειας. Τέτοιοι αποχρωματισμοί είναι κυρίως αποτέλεσμα υπολειμμάτων καμμένων τροφών ή χρήσης μαγειρικών σκευών κατασκευασμένων από υλικά όπως αλουμίνιο ή χαλκός. Αυτοί οι λεκέδες είναι δύσκολο να αφαιρεθούν.

8. ΕΠΙΛΥΣΗ ΠΡΟΒΛΗΜΑΤΩΝ

Οι ζώνες μαγειρέματος δεν σιγοβράζουν ή τηγανίζουν μόνο ελαφρά

Χρησιμοποιήστε μόνο σκεύη με επίπεδη βάση. Εάν υπάρχει ορατό φως μεταξύ του σκεύους και της εστίας μαγειρέματος, η ζώνη δεν μεταδίδει σωστά τη θερμότητα.

Η βάση του σκεύους θα πρέπει να καλύπτει πλήρως τη διάμετρο της επιλεγμένης ζώνης.

Το μαγείρεμα είναι πολύ αργό

Έχουν χρησιμοποιηθεί ακατάλληλα σκεύη. Χρησιμοποιήστε μόνο σκεύη με επίπεδη βάση, τα οποία είναι βαριά και έχουν διάμετρο τουλάχιστον ίδια με τη ζώνη μαγειρέματος.

Μικρές γρατσουνιές ή εκδορές επάνω στην επιφάνεια του γυαλιού των εστιών μαγειρέματος

Λανθασμένος καθαρισμός ή χρησιμοποιούνται σκεύη με τραχύ κάτω τμήμα. Σωματίδια όπως κόκκοι ή άμμος ή αλάτι μεταξύ της εστίας και της βάσης του σκεύους. Συμβουλευθείτε την ενότητα "ΚΑΘΑΡΙΣΜΟΣ". Σιγουρευτείτε ότι τα κάτω τμήματα των σκευών είναι καθαρά πριν τα χρησιμοποιήσετε και χρησιμοποιήστε μόνο σκεύη με ομαλό κάτω τμήμα. Οι γρατσουνιές μπορούν να μειωθούν μόνο εάν έχει γίνει σωστά ο καθαρισμός.

Σημάδια από μέταλλο

Μην σέρνετε αλουμινένια σκεύη επάνω στην εστία. Συμβουλευθείτε τις συστάσεις καθαρισμού.

Χρησιμοποιείτε τα σωστά υλικά, αλλά οι λεκέδες παραμένουν. Χρησιμοποιήστε ένα ξέστρο με ξυράφι και ακολουθήστε τις οδηγίες της ενότητας "ΚΑΘΑΡΙΣΜΟΣ".

Σκουρόχρωμοι λεκέδες

Χρησιμοποιήστε ένα ξέστρο με ξυράφι και ακολουθήστε τις οδηγίες της ενότητας "ΚΑΘΑΡΙΣΜΟΣ".

Φωτεινές επιφάνειες επάνω στην εστία

Σημάδια από σκεύη αλουμινίου ή χαλκού, αλλά επίσης υπολείμματα από λάδια, νερό ή τροφές· μπορούν να αφαιρεθούν χρησιμοποιώντας την κρέμα καθαρισμού.

Καρμελοποίηση ή λιωμένο πλαστικό πάνω στην εστία.

Συμβουλευθείτε την ενότητα "ΚΑΘΑΡΙΣΜΟΣ".

Η εστία δεν λειτουργεί ή δεν λειτουργούν ορισμένες ζώνες

Οι διακλαδωτήρες δεν έχουν τοποθετηθεί σωστά επάνω στον πίνακα ακροδεκτών.

Βεβαιωθείτε ότι η σύνδεση έχει γίνει και ότι είναι κλειδωμένος ο πίνακας ελέγχου. Ξεκλειδώστε την εστία.

Η εστία δεν σβήνει.

Ο πίνακας ελέγχου είναι κλειδωμένος. Ξεκλειδώστε την εστία.

Συχνές εναλλαγές on/off των ζωνών μαγειρέματος

Η εναλλαγή on-off μεταβάλλεται ανάλογα με το επιθυμητό επίπεδο θερμότητας:

- χαμηλό επίπεδο: σύντομος χρόνος λειτουργίας,
- υψηλό επίπεδο: παρατεταμένος χρόνος λειτουργίας.

Δεν λειτουργεί η επιφάνεια μαγειρέματος

Ελέγξτε την κατάσταση των ασφαλειών / αυτόματων διακοπών στην τοποθεσία σας. Ελέγξτε εάν υπάρχει διακοπή ρεύματος.

Η επιφάνεια μαγειρέματος έχει απενεργοποιηθεί.

Ο κύριος διακόπτης (πλήκτρο ON/ OFF) αγγίχτηκε τυχαία ή υπάρχει κάποιο αντικείμενο πάνω από κάποιο πλήκτρο. Ενεργοποιήστε ξανά τη συσκευή χωρίς κανένα αντικείμενο κοντά στο πληκτρολόγιο. Εισαγάγετε ξανά τις ρυθμίσεις σας.

Οθόνη F και αριθμοί

Εάν στην οθόνη εμφανίζονται η ένδειξη F και αριθμοί, η συσκευή σας έχει εντοπίσει κάποιο σφάλμα. Ο ακόλουθος πίνακας περιλαμβάνει τις ενέργειες στις οποίες μπορείτε να προβείτε για τη διόρθωση του προβλήματος.

9. ΜΕΤΑΓΟΡΑΣΤΙΚΗ ΦΡΟΝΤΙΔΑ

Πριν καλέσετε έναν εξειδικευμένο τεχνικό, ελέγξτε τα ακόλουθα:

— ότι η πρίζα είναι σωστά τοποθετημένη και προστατευμένη από ασφάλεια.

Εάν η βλάβη δεν είναι δυνατό να εντοπιστεί, κλείστε τη συσκευή — μην προσπαθήσετε να την επισκευάσετε — καλέστε στο κέντρο υπηρεσιών μεταγοραστικής εξυπηρέτησης. Η συσκευή παρέχεται με ένα πιστοποιητικό εγγύησης το οποίο εξασφαλίζει ότι θα επισκευαστεί χωρίς χρέωση στο κέντρο τεχνικής υποστήριξης.

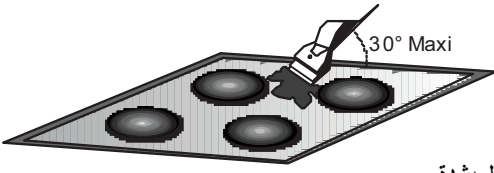
Οθόνη θερμαντήρα	Βλάβη	Ενέργεια
F0	Σφάλμα λογισμικού ελέγχου αφής.	Εάν παρουσιάστηκε σφάλμα, αποσυνδέστε και συνδέστε ξανά την εστία στην παροχή ισχύος. Εάν το σφάλμα παραμένει, καλέστε στην υπηρεσία μεταγοραστικής εξυπηρέτησης.
Fc	Η ζώνη ελέγχου αφής είναι πολύ θερμή και έχει απενεργοποιήσει όλους τους θερμαντήρες.	Περιμένετε έως ότου μειωθεί η θερμοκρασία. Η επιφάνεια μαγειρέματος θα ανακτηθεί αυτόματα όταν η θερμοκρασία φτάσει σε μια κανονική τιμή.
Ft	Ο αισθητήρας θερμοκρασίας αφής ενδέχεται να έχει υποστεί βλάβη.	Περιμένετε έως ότου μειωθεί η θερμοκρασία. Εάν το μήνυμα παραμένει όταν η θερμοκρασία φτάσει σε μια τιμή περιβάλλοντος, καλέστε στην υπηρεσία μεταγοραστικής εξυπηρέτησης.
FE	Ο αισθητήρας θερμοκρασίας αφής ενδέχεται να έχει υποστεί βλάβη.	Περιμένετε έως ότου μειωθεί η θερμοκρασία. Εάν το μήνυμα παραμένει όταν η θερμοκρασία φτάσει σε μια τιμή περιβάλλοντος, καλέστε στην υπηρεσία μεταγοραστικής εξυπηρέτησης.
Fb	Υπερβολική ευαισθησία σε κάποιο πλήκτρο.	Εξακριβώστε εάν η επιφάνεια μαγειρέματος έχει τοποθετηθεί σωστά. Βεβαιωθείτε ότι τα πλήκτρα αγγίζουν σωστά τη γυάλινη επιφάνεια.
FU / FJ	Σφάλμα ηλεκτρολογίου ασφαλείας	Αυτό το σφάλμα είναι ένας αυτόματος έλεγχος του ηλεκτρολογίου. Παύει να εμφανίζεται όταν η λειτουργία αυτόματου ελέγχου επανέλθει σε ασφαλή τιμή. Εάν το σφάλμα παραμένει, καλέστε στην υπηρεσία μεταγοραστικής εξυπηρέτησης.
FA	Σφάλμα ηλεκτρολογίου ασφαλείας	Αυτό το σφάλμα είναι ένας αυτόματος έλεγχος λογισμικού. Παύει να εμφανίζεται όταν η λειτουργία αυτόματου ελέγχου επανέλθει σε ασφαλή τιμή. Εάν το σφάλμα παραμένει, καλέστε στην υπηρεσία μεταγοραστικής εξυπηρέτησης.
FC / Fd	Σφάλμα ηλεκτρολογίου ασφαλείας	Αυτό το σφάλμα είναι ένας αυτόματος έλεγχος λογισμικού. Παύει να εμφανίζεται όταν η λειτουργία αυτόματου ελέγχου επανέλθει σε ασφαλή τιμή. Εάν το σφάλμα παραμένει, καλέστε στην υπηρεσία μεταγοραστικής εξυπηρέτησης.
Fr	Σφάλμα ασφαλείας ρελέ	Κάποιος οδηγός ρελέ ενδέχεται να παρουσιάζει κάποιο πρόβλημα. Αποσυνδέστε την επιφάνεια μαγειρέματος από την τροφοδοσία ισχύος, περιμένετε ένα λεπτό και επανενεργοποιήστε την. Εάν το σφάλμα παραμένει, καλέστε στην υπηρεσία μεταγοραστικής εξυπηρέτησης.

قبل الاتصال بمهندس الخدمة، يُرجى التحقق مما يلي:

— توصيل القابس بصورة صحيحة ووجود المنصهر؛
إذا لم تتمكن من اكتشاف العطل، عليك إيقاف الجهاز عن العمل — ولا تحاول العبث به — ثم اتصل بمركز خدمات العناية اللاحقة. يتم توريد الجهاز ومع شهادة ضمان تضمن لك إصلاح الجهاز مجاناً في مركز الخدمة.

شاشة السخان	العطل	الإجراء
F0	خطأ في برمجيات التحكم باللمس	عند حدوث هذا الخطأ، افصل الموقد عن مصدر الطاقة ثم أعد توصيله مرة أخرى. إذا استمرت المشكلة موجودة، اتصل بمركز خدمات ما بعد البيع. إذا حدث ذلك الخطأ فجأة أثناء التشغيل العادي، اتصل بمركز خدمات ما بعد البيع.
Fc	أصبحت منطقة التحكم باللمس ساخنة للغاية، لذا تم إيقاف جميع سخانات عن العمل.	انتظر حتى تنخفض درجة الحرارة. سيعود الموقد للعمل مرة أخرى تلقائياً فور عودة درجة الحرارة إلى وضعها الطبيعي.
Ft	يحتمل وجود تلف بمستشعر درجة حرارة لوحة التحكم باللمس.	انتظر حتى تنخفض درجة الحرارة. إذا ظلت الرسالة في الظهور بعد عودة درجة الحرارة إلى قيمتها الطبيعية، اتصل بمركز خدمات ما بعد البيع.
FE	يحتمل وجود تلف بمستشعر درجة حرارة لوحة التحكم باللمس.	انتظر حتى تنخفض درجة الحرارة. إذا ظلت الرسالة في الظهور بعد عودة درجة الحرارة إلى قيمتها الطبيعية، اتصل بمركز خدمات ما بعد البيع.
Fb	الحساسية المفرطة لأحد المفاتيح	تأكد من تركيب الموقد بصورة صحيحة. تأكد من ملائمة المفاتيح للسطح الزجاجي بصورة صحيحة.
FU / FJ	خطأ أمان خاص بلوحة المفاتيح	هذا الخطأ خاص بالفحص التلقائي للوحة المفاتيح. سيختفي هذا الخطأ فور عودة الفحص التلقائي إلى القيمة الآمنة. إذا استمرت المشكلة موجودة، اتصل بمركز خدمات ما بعد البيع.
FA	خطأ أمان خاص بلوحة المفاتيح	هذا الخطأ خاص بالفحص التلقائي للبرمجيات. سيختفي هذا الخطأ فور عودة الفحص التلقائي إلى القيمة الآمنة. إذا استمرت المشكلة موجودة، اتصل بمركز خدمات ما بعد البيع.
FC / Fd	خطأ أمان خاص بلوحة المفاتيح	هذا الخطأ خاص بالفحص التلقائي للبرمجيات. سيختفي هذا الخطأ فور عودة الفحص التلقائي إلى القيمة الآمنة. إذا استمرت المشكلة موجودة، اتصل بمركز خدمات ما بعد البيع.
Fr	خطأ أمان خاص بالمرحلات	قد توجد أية مشكلة بأحد مرحلات التشغيل. فصل الموقد عن مصدر الطاقة، والانتظار لمدة دقيقة، ثم تشغيله مرة أخرى. إذا استمرت المشكلة موجودة، اتصل بمركز خدمات ما بعد البيع.

ملاحظات هامة:



يحظر استخدام اسفنج مبلل بشدة.

يحظر نهائيًا استخدام السكين أو المفك.

لن تتسبب المكاشط ذات الشفرات الحادة في إتلاف السطح، طالما حافظت على زاوية 30 درجة عند استخدامها.

تجنب ترك أية مكشطة بشفرة حادة في متناول الأطفال.

يحظر استخدام أي منتجات حاكة أو مساحيق التنظيف.

الهيكل المعدني: لضمان التنظيف الآمن للهيكل المعدني، ننصح باستخدام الماء والصابون، ثم شطفه جيدًا قم تجفيفه بقطعة قماش ناعمة.

لن يؤثر أي تغيير في لون سطح السيراميك الزجاجي على كفاءة عمل أو متانة السطح. يحدث تغير اللون هذا غالبًا نتيجة لاحتراق بقايا الطعام أو استخدام أواني الطهي المصنوعة من بعض المواد كالألومنيوم أو النحاس؛ ويصعب إزالة تلك البقع.

8. حل المشكلات

لا تنجح شعلات الطهي في غلي الطعام أو لا تعمل سوى برفق (هادئة)

لا تستخدم سوى الأواني مسطحة القاعدة. فإذا كان بإمكانك رؤية الضوء بين إناء الطهي والموقد، فهذا يعني أن الشعلة لا تنقل الحرارة بصورة صحيحة.

حيث ينبغي أن تستقر قاعدة إناء الطهي تمامًا وتغطي قطر الشعلة المستخدمة بالكامل. الطهي بطي للغاية

استخدام أواني طهي غير مناسبة. لا تستخدم سوى أواني طهي مسطحة القاعدة، على أن تكون سمكية وبقطر يطابق، على الأقل، قطر شعلة الطهي.

هناك خدوش أو تآكلات صغيرة على السطح الزجاجي للموقد

اتباع أسلوب تنظيف غير صحيح أو استخدام أواني طهي خشنة القاعدة؛ أو يحدث وجود بعض ذرات الرمال أو الملح بين قاعدة إناء الطهي وسطح الموقد. راجع قسم "التنظيف"

وتأكد من نظافة قواعد الأواني قبل استخدامها، ولا تستخدم سوى الأواني ذات القاعدة المسطحة الناعمة. لا يمكن تخفيف حدة الخدوش إلا باتباع طريقة التنظيف الصحيحة.

علامات معدنية

لا تسحب أواني الطهي المصنوعة من الألومنيوم أعلى سطح الموقد. راجع توصيات وإرشادات التنظيف.

استخدمت المواد الصحيحة، لكن لا تزال هناك بعض البقع والبقايا. استخدم مكشطة ذات شفرة حادة، واتباع التعليمات الواردة في قسم "التنظيف".

بقع داكنة

استخدم مكشطة ذات شفرة حادة، واتباع التعليمات الواردة في قسم "التنظيف".

أسطح فاتحة اللون على الموقد

هي علامات من أواني الطهي المصنوعة من الألومنيوم أو النحاس، بالإضافة إلى رواسب الماء والطعام؛ يمكنك إزالة باستخدام كريم التنظيف.

الكرملة أو وجود بقايا بلاستيكية دائمة على سطح الموقد.

راجع قسم "التنظيف".

الموقد لا يعمل أو لا تعمل به بعض الشعلات

قد تكون وحدات التفريغ غير مضبوطة بصورة صحيحة على لوحة التوصيل.

تحقق من صحة التوصيلات وقفل لوحة التحكم. إلغا قفل الموقد.

لا يتوقف الموقد عن العمل

قفل لوحة التحكم. إلغا قفل الموقد.

معدل تكرار عمليات التشغيل/الإيقاف لشعلات الطهي

تتغير دورة التشغيل-الإيقاف تبعًا لمستوى الحرارة المطلوب:

-مستوى منخفض: فترة عمل قصيرة،

-مستوى مرتفع: فترة عمل طويلة.

سطح الموقد لا يعمد.

تحقق من حالة المنصهر / قاطعات الدائرة في موقعك. وتأكد مما إذا كانت تعاني من انقطاع في الطاقة.

توقف سطح الموقد عن العمل من تلقا نفسه.

تم لمس المفتاح الرئيسي (زر التشغيل / الإيقاف) عن طريق الخطأ، أو أن هناك جسمًا ما يضغط على أي زر. أعد تشغيل الجهاز مرة أخرى وتأكد من عدم وجود أي جسم على لوحة المفاتيح. أعد إدخال إعداداتك.

عرض الحرف F وأرقام

إذا عرضت الشاشة الحرف F ومعه أرقام، فهذا يعني اكتشاف الجهاز لوجود عطل. اتبع الإجراءات والخطوات المذكورة في الجدول التالي لمساعدتك في حل المشكلة.

مؤشر الحرارة المتبقية (في السخانات الإشعاعية - مُحْتَسَبَة)

يمكن استخدام ذات المؤشر كمؤشر بيان "الحرارة المتبقية" أيضًا. يتحتم تحديد جدول زمني لهذا الغرض: وقت راحة التسخين = f (مستوى الطاقة، وقت العمل).

عندما تكون درجة حرارة السطح الزجاجي للموقد أعلى من 65 °مئوية (القيمة النظرية)، فيتم عرض الحالة على الشاشة الخاصة بها، بعرض الحرف "H".

لتوليد درجة حرارة أعلى من 65 °مئوية، ينبغي تشغيل السخان لفترة زمنية محددة، وتعتمد تلك الفترة على مستوى الطاقة. فور انتهاء الوقت، يتم عرض تحذير الحرارة المتبقية عند إيقاف تشغيل السخان.

إيقاف التشغيل الآمن التلقائي

إذ لم يتغير مستوى الطاقة أثناء فترة الإعداد المسبق، يتوقف السخان المعني تلقائيًا عن العمل. ويمكن أن يظل الحد الأقصى لوقت السخان كما هو، ذلك بناً على مستوى الطهي المُختار.

مستوى الطاقة	الحد الأقصى لوقت التشغيل (بالساعة)
1	10
2	5
3	5
4	4
5	3
6	2
7	2
8	2
9	2
P	2

ملاحظة: عند تحقق وضع فرط التسخين أثناء التشغيل عند أعلى مستويات للطاقة، تعمل وحدة التحكم بالموقد تلقائيًا على ضبط مستوى الطاقة لحماية الموقد من فرط ارتفاع درجة الحرارة.

7. التنظيف والصيانة

ينبغي ترك الموقد ليبرد تمامًا قبل البد في تنفيذ أي أعمال صيانة له.

يحظر استخدام سوى المنتجات (الكريم والمساحات / أدوات الكشط) المعدة خصيصًا لتناسب أسطح الخزف الزجاجي. يمكن الحصول عليها من متاجر العدد والأدوات.

تجنب انسكاب المواد، حيث يتعرض أي شيء يسقط على سطح الموقد إلى الاحتراق السريع، ما يجعل من تنظيفه أمرًا صعبًا.

ننصح بإبعاد جميع المواد القابلة للذوبان، مثل المواد البلاستيكية والسكر والمنتجات المصنوعة من السكر تمامًا عن الموقد.

الصيانة:

-وضع بضعة نقاط من منتج التنظيف الخاص على سطح الموقد.

-إزالة أي بقع صلبة بقطعة قماش ناعمة، أو باستخدام ورق مطبخ مبلل.

-مسح السطح بقطعة قماش ناعمة أو ورق مطبخ جاف حتى تمام تنظيفه.

إذا ظلت هناك بعض البقع الصلبة الصعبة:

-إضافة المزيد من سائل التنظيف الخاص على سطح.

-استخدام المكشطة بز زاوية 30 درجة على سطح الموقد، لكشط وإزالة جميع البقع والرواسب.

-مسح السطح بقطعة قماش ناعمة أو ورق مطبخ جاف حتى تمام تنظيفه.

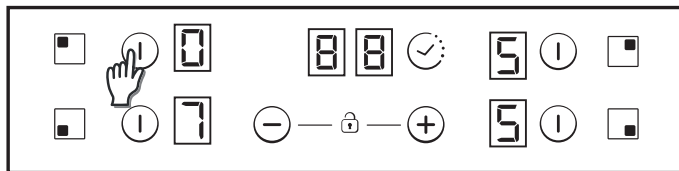
-تكرار هذه العملية حسبما لزم.

بضعة نصائح:

يساعد التنظيف المتكرر في توفير طبقة حماية ضرورية لحماية الموقد من الخدوش والتآكل. ينبغي التأكد من نظافة سطح الموقد قبل معاودة استخدامه. لإزالة العلامات التي تتركها المياه على السطح، استخدم بضعة نقاط من الخل الأبيض أو عصير الليمون. ثم امسح السطح بواسطة المناشف الورقية والقليل من سائل التنظيف المتخصص.

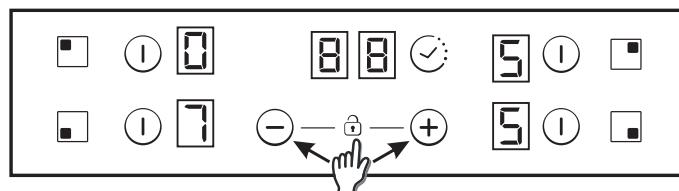
يتميز سطح الخزف الزجاجي بقدرته على مقاومة الخدوش التي قد تتسبب فيها قواعد أواني الطهي، إلا أنه من الأفضل رفعهم بحرص وعناية عند نقلهم من شعلة إلى أخرى:

إذا كانت الشعلة قيد التشغيل بالفعل، فستتخفص كثافة الضوء للشعلات العاملة الأخرى وغير المختارة.



إذا تم تشغيل شعلة واحدة فقط، فيتم اختيار تلك الشعلة بالفعل كشعلة افتراضية، دون الحاجة إلى الضغط لفترة قصيرة (10 ملي ثانية) على مفتاح القسم الخاص بها.

زيادة / تخفيض مستوى الطاقة



يمكنك زيادة أو تخفيض مستوى طاقة المناطق المختارة بالضغط لفترة قصيرة على مفاتيح "+" أو "-": "0-1-2-3-9-P"

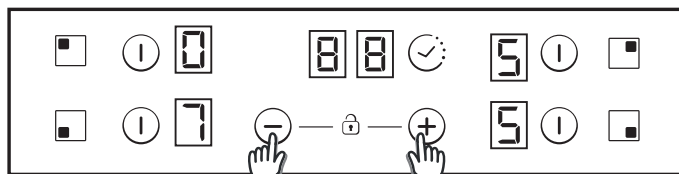
1. تتم زيادة/تخفيض مستوى الطاقة باستمرار عند الضغط لفترة طويلة على المفاتيح "+" أو "-". مع الزيادة السريعة، تتوقف الطاقة عند المستوى 9، وللحصول على طاقة أعلى يلزمك الضغط مرة أخرى لفترة قصيرة على المفتاح +. لن تسمح صوت صافرة عند الزيادة/التخفيض السريع.

2. فور الوصول إلى مستوى الطاقة P، فلن يغير الضغط على زر + مرة أخرى مستوى الطاقة إلى 0. وفور الوصول إلى مستوى الطاقة 0، فلن يغير الضغط مرة أخرى على زر - إلى المستوى P.

3. عند تشغيل الشعلة على المستوى 0، سيومض الرمز 0 بالتبادل، إذا كانت الشعلة ساخنة. وبعد 10 ثوانٍ، يختفي الرمز 0 ويظهر الحرف "H" الثابت على الشاشة.

4. عند اختيار أحد سخانات، ولمس الأزرار "+" و "-" معاً في نفس الوقت، فسينتقل مستوى الطاقة إلى الوضع "0" ويظل السخان مختاراً لمدة 10 ثوانٍ. إذا تم تعطيل السخان، فسينتوقف المؤقت عن العمل. ولا يمكن اتخاذ هذا الإجراء إلا في عدد من الحالات المحددة وفقاً لإعدادات التحكم باللمس. الأمثلة التالية لأغراض التوضيح فحسب. وسيتمكنك ضبط تلك الإعدادات بما يتناسب مع مذاقك وتفضيلاتك، مع تزايد خبرتك الشخصية.

خاصية حظر عبث الأطفال



يتم تفعيل هذه الخاصية عند الضغط على الزرين "+" و "-" في نفس الوقت.

ثم عند ملامسة أحد الأزرار لاحقاً، فتعرض الشاشة الحرف "L" لمدة ثانيتين ويظل التسخين عند نفس حالته.

لتعطيل خاصية حظر عبث الأطفال، اتبع ذات الخطوات سالفه البيان. فستسمع صافرة قصيرة، وتعرض الشاشة الحرف "n". ويظل المؤقت غير محمي.

ملاحظة: يتم تفعيل قفل حظر عبث الأطفال تلقائياً بعد 15 دقيقة من إيقاف التشغيل الكلي للمؤقت. وتنشأ هذه الوظيفة تلقائياً ولكن يلزم ضبطها مسبقاً. راجع قسم إعدادات المستخدم

الشعلات المزدوجة / الثلاثية

لتشغيل حلقة التمديد المزدوجة، يتحتم أن تكون الشعلة الرئيسية تعمل بالفعل، وأن يكون مستوى الطاقة الموضح له أعلى من 0.

1.8 - تشغيل المنطقة المزدوجة

تعمل أول ضغطة قصيرة على زر التمديد على تشغيل حلقة التمديد. تُضي لمبة LED أعلى مفتاح التمديد إذا كانت حلقة التمديد تعمل.

تعمل ثاني ضغطة قصيرة على زر التمديد على إيقاف تشغيل حلقة التمديد. صافرة قصيرة مع كل ضغطة على زر التمديد.

2.8 - تشغيل المنطقة الثلاثية

تعمل أول ضغطة قصيرة على زر التمديد على تشغيل حلقة التمديد الأولى. تُضي لمبة LED الأولى أعلى زر التمديد إذا كانت حلقة التمديد الأولى قيد التشغيل (لمبة LED اليسرى في حالة المنطقة الثلاثية، أو الوسطى ولمبة LED الوحيدة في حالة المنطقة المزدوجة).

تعمل ثاني ضغطة قصيرة على زر التمديد على إيقاف تشغيل حلقة التمديد الثانية. تُضي لمبة LED الثانية أعلى مفتاح التمديد إذا تم تشغيل حلقتي التمديد الأولى والثانية

تعمل ثالث ضغطة قصيرة على زر التمديد على إيقاف تشغيل حلقتي التمديد الأولى والثانية. صافرة قصيرة مع كل ضغطة على زر التمديد.

وظيفة الربط

لا يمكن تفعيل خاصية الربط إلا عند إيقاف تشغيل السخانين. تم اختيار سخان واحد من وظيفة الربط، ولتفعيل خاصية الربط المس مفتاح الربط.

يصدر صوت صافرة وتضي لمبة LED إذا تم تفعيل المنطقة.

يتم اختيار سخان الربط في نفس الوقت.

فور اختيار السخانات، بواسطة مفاتيح +، -، إذا لم يكن مستوى الطاقة عند المستوى المرغوب.

تعرض شاشتنا سخانات الربط نفس مستوى الطاقة. ينتهي تفعيل هذه الخاصية في الحالات التالية:

- عند لمس مفتاح الربط في وضع الإعداد

إذا اختار المستخدم مستوى الطاقة "0"

تأمين فرط التدفق

هناك شي ما (أو جسم أو سائل) يضغط على أي مفتاح لفترة تجاوزت 5 ثوانٍ. يصدر صوت صافرتين قصيرتين + 1 صافرة طويلة كل 30 ثانية طالما ظل الضغط على المفتاح مستمرًا. سينطفئ سطح الطهي. يظل هذا الرمز يومض طالما ظلت المشكلة قائمة.

المؤقت

يمكن تفعيل خاصية المؤقت باستخدام زرها الخاص، أو بلمس زر "+" و "-" في نفس الوقت. وفي الحالتين، يتحتم اختيار السخان ويجب أن يكون مستوى طاقته أكبر من 0.

اختيار المنطقة المطلوب ضبط توقيتها. مستوى الطاقة للمنطقة أكبر من 0. يُعرض الرمز الثابت في المنطقة محل ضبط التوقيت. تُخصص الخانات الرقمية "00" لضبط المؤقت.

(1) يمكن اختيار وقت المؤقت باستخدام الأزرار "+" أو "-". لا تصدر أي صافرات عند تغيير الوقت.

(2) يتم إلغاء المؤقت بالضغط في أن واحد على الأزرار (يعود إلى الوضع 00).

(3) عند الضغط لفترة طويلة على الأزرار "+" أو "-" أثناء وقت TBD، ينتقل الضبط إلى الوضع السريع.

(4) عند ضبط وقت المؤقت، يمكن الانتقال من "00" إلى "99" بالضغط على الزر "-", ومن "99" إلى "00" بالضغط على الزر "+".

(5) أقصى حد زمني هو 99 دقيقة.

(6) بعد انقضاء الزمن ويبدأ المؤقت في إصدار الصافرات، يمكنك الضغط على أي مفتاح لأنها صوت الإنذار والتسلسل الرقمي.

(7) يمكن ضبط زمن المؤقت أثناء عمل المؤقت على ضبط سابق.

(8) كما يمكن تعديل طاقة المنطقة المؤقتة دون أي تغيير في برمجة المؤقت.

(9) تُعرض آخر دقيقة بالثواني (وتعرض فقط عند الدخول إلى برمجة المؤقت أثناء العد التنازلي لأخر دقيقة).

(10) لا يحدث أي شيء عند الضغط على مفتاح المؤقت دون اختيار أية منطقة، وعندما لا يتم ضبط المؤقت لأي منطقة.

(11) يؤدي الضغط على زر المؤقت دون اختيار أية منطقة بينما يتم ضبط المؤقت لأكثر من منطقة، فيتم عرض التغيير في الوقت رقمياً وبصورة دورية، ويتم عرض الوقت الذي تم تفعيل عرض الكسر العشري لطاقته.

(12) حيث يتم عرض القدرة (5 ثانية) و (0، 5 ثانية) في المنطقة المؤقتة.

يُعرض الوقت المتبقي في الخانات الرقمية المخصصة للمؤقت. عند ضبط المؤقت لمناطق متعددة، يتم عرض أقل فترة زمنية متبقية، بينما يُعرض الكسر العشري على المنطقة الخاصة به.

5. نصيحة بخصوص أواني الطهي المستخدمة مع الموقد

إنه لمن الضروري استخدام أواني وأدوات طهي عالية الجودة للحصول على أعلى كفاءة من الموقد الخاص بك



• ننصح دائماً باستخدام أواني وأدوات طهي عالية الجودة ذات قاعدة مسطحة وسميكة: يحول استخدام هذا النوع من أواني الطهي دون التصاق الطعام في البقع الساخنة. كما توفر الأواني والمقالي المعدنية السميكة توزيعاً متناسقاً للحرارة.

• التأكيد من جفاف قاعدة الإناء أو المقلاة: عند مل الأواني بالسائل أو استخدام أحد الأواني التي كانت بالثلج، فينبغي التأكد من تجفيف قاعدة الأواني تماماً قبل وضـمها على الموقد. فسيساعدك ذلك في وقاية الموقد من التلطيخ بالأوساخ.

• استخدم أوان ذات قطر كبير بما يكفي لتغطية سطح وحدة الشعلة بالكامل: ينبغي ألا يقل حجم الأواني عن مساحة الشعلة. أما إن كانت أعرض قليلاً، فتضمن بذلك تحقيق أقصى فعالية استخدام للطاقة.

اختيار أواني الطهي- ستساعدك المعلومات التالية في اختيار أواني الطهي التي تضمن لك الحصول على كفاءة أداء عالية.

الصلب المقاوم للصدأ (ستانلس ستيل): مَحَبَّذ بشدة. وخصوصاً ما يزيد منها بقاعدة مزدوجة يتخللها طبقة بيئية. حيث تمزج القاعدة المزدوجة ذات الطبقة البيئية بين مزايا الصلب المقاوم للصدأ (المظهر والمتانة والاستقرار) ومزايا الألمنيوم أو النحاس (جودة توصيل الحرارة، والتوزيع المنتظم للحرارة).

الألمنيوم يُنصح بتقليل الوزن جودة التوصيل. تظهر بقايا راسب الألمنيوم أحياناً كخدوش على سطح الموقد، ويمكن إزالتها عند تنظيفها فوراً.

وننصح بتجنب استخدام أواني الألمنيوم الرقيقة، نظراً لانخفاض درجة حرارته انصهاره.

حديد الزهر: صالح للاستخدام، لكننا لا نوصي به. إذا ردي قد يتسبب في خدش السطح.

الأواني الخرفية ذات قاعدة نحاسية يُنصح بتقليل الوزن إذا جيد، ولكن قد يترك النحاس بقايا تظهر كخدوش على سطح الموقد. ويمكن إزالة تلك البقايا، طالما حافظت على التنظيف الفوري للموقد. ويحظر ترك تلك الأواني تغلي فارغة. حيث يحتمل أن تلتصق المعادن شديدة السخونة بالسطح الزجاجي للموقد. ستترك الأواني النحاسية شديدة السخونة بقايا ستظل دائماً على الموقد.

البورسلين/ المينا لا تحقق أداءً جيداً إلا إذا كانت بقاعدة مسطحة ورقيقة وناعمة.

خزف زجاجي: لا يُنصح به إذا ردي قد يتسبب في خدش السطح.

6. الاستخدام

كيفية اختيار مستوى إدارة الطاقة.

يستطيع المستخدم من خلال وظيفة "إدارة الطاقة"، ضبط الحد الأقصى من الطاقة التي يمكن الوصول إليها من خلال موقد السطح.

تتوفر وظيفة إدارة الطاقة فقط خلال أول ٣٠ ثانية فقط بعد إشعال موقد السطح. بل هناك إمكانية لتكرار هذا الإعداد بفصل وتوصيل قابس التيار.

ويضبط الحد الأقصى المطلوب من الطاقة، يقوم الموقد تلقائياً بتعديل التوزيع في مناطق الطهي المختلفة بحيث لا يتم تجاوز هذا الحد أبداً؛ مع ميزة إضافية تتمثل في القدرة على إدارة جميع المناطق في وقت واحد دون مشكلات الحمل الزائدة.

يمكن للعميل ضبط الطاقة القصوى للموقد بين ٢,٥ كيلوواط وأقصى قدرة لموقد السطح ذي الصلة (وهذا يمكن أن يتغير وفقاً للطراز) (على سبيل المثال إذا كانت الطاقة القصوى للموقد هي ٧,٢ كيلوواط، فإن الحد الأقصى لمستوى الطاقة المطلوب هو بين ٢,٥ كيلوواط و ٧,٢ كيلوواط).

يتم في وقت الشراء ضبط الموقد على أقصى طاقة.

٠ ثانية، يمكنك ضبط مستوى الطاقة 30 وبعد توصيل الجهاز بالطاقة الكهربائية، في غضون بنا على النقاط المبينة أدناه

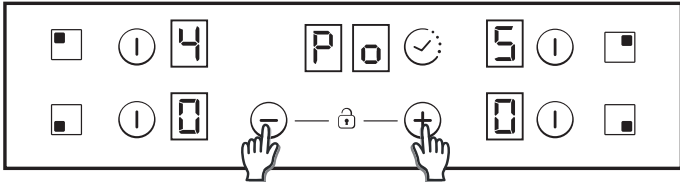
1- شغل موقد السطح.

2- دع التحكم باللمس ينتهي من عملية التهيئة.

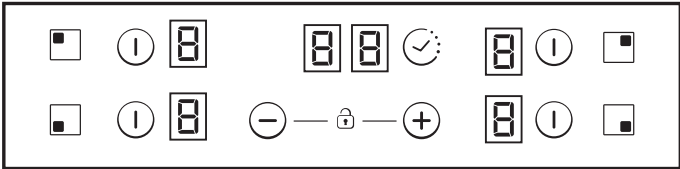
3- (ناقص) لمدة ٥ ثوانٍ. "⊖" قبل مرور ٣٠ ثانية، اضغط على المفتاح "

4- بعد ذلك، ستظهر هذه الرسالة على الشاشة.

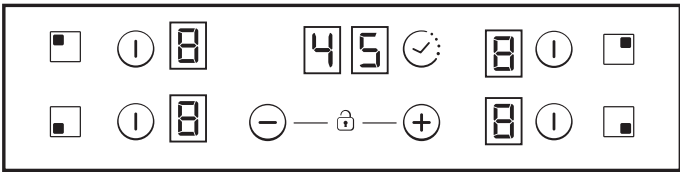
5- باستخدام مفاتيح "Plus" (زائد) و "Minus" (ناقص) يمكنك ضبط قيمة إدارة الطاقة. في هذا المثال بين 6500 و 2500 وات. وات. عند تحديد قيمة مطلوبة، المس في نفس الوقت مفتاحي "Plus" و "Minus" لمدة 5 ثوانٍ.



6- عند الانتهاء من هذه العملية، ستسمع صوت تنبيه طويل، ويتم إعادة الضبط. سيتم تنفيذ عملية بدء التشغيل مرة أخرى.

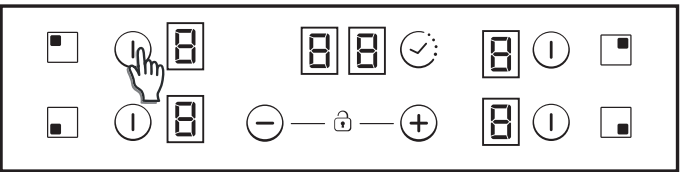


7- بعد عملية بدء التشغيل بالمؤقت، سيتم عرض إدارة طاقة ECO.



بعد ذلك، لن يسمح التحكم باللمس بأي توليفة يمكن أن تتجاوز حد Eco هذا

تشغيل/إيقاف الشعلة



للتشغيل أية شعلة، قم بلمس أية منطقة شعلة لمدة ٤٠٠ مللي ثانية. ستسمع صافرة طويلة، ثم يظهر الرقم "٠" على المنطقة المُستهدفة، معبراً عن مستوى الطاقة.

(1) إذا كانت مرحلة الطهي عند الوضع "٠"، فستتطفئ تلك الشاشة تلقائياً بعد مرور ١٠ ثوانٍ، ثم يصدر صوت متسلسل لإيقاف الشعلة عن العمل.

(2) إذا كانت هناك أي بقايا من الحرارة في الشاشة قيد التشغيل، ولكن كانت طاقتها ٠، فسيظهر الرقم "٠" بالتبادل.

(3) لا يمكنك تشغيل أية شعلة إذا تم تفعيل خاصية القفل.

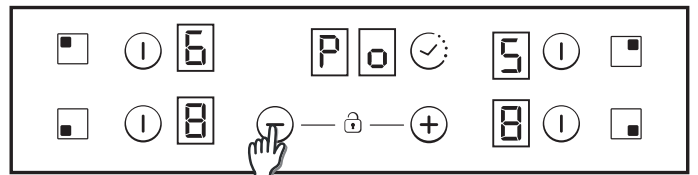
لإيقاف تشغيل أحد السخانات، المس منطقة السخان لمدة ١، ٢ ثانية فستسمع ٣ صافرات قصيرة، ولن يظهر أي شيء أو يظهر الحرف "H" على اللوحة الرقمية للمنطقة المستهدفة إذا ظلت بها أية حرارة. ثم تنطفئ المنطقة (الشعلة).

(1) إذا كانت مرحلة الطهي عند الوضع "٠"، فستتطفئ تلك الشاشة تلقائياً بعد مرور ١٠ ثوانٍ، ثم يصدر صوت متسلسل لإيقاف الشعلة عن العمل.

(2) إذا كانت هناك أي بقايا من الحرارة في شاشة المنطقة المطفأة، فسيظهر الحرف "H".

(3) يمكنك إيقاف تشغيل أية شعلة حتى مع تفعيل خاصية القفل.

إذا لم يتم تفعيل سوى سخان واحد، وكان ذلك السخان في وضع الإيقاف، فستسمع ٤ صافرات قصيرة لإخطارك بإيقاف تشغيل سطح الطهي.



- ربط مسامير مشبك تثبيت الكابل.

ملاحظة: ينبغي التأكد من إحكام ربط مسامير لوحة التوصيل الطرفية



الإجراءات المُتَّبَعَة لتركيب وصلة جديدة:

- اختيار كابل التغذية بالطاقة طبقاً للتوصيات الواردة في الجدول؛

- تمرير كابل التغذية بالطاقة عبر مشبك التثبيت؛

- تقشير قطعة بطول ١٠ ملم من كل طرف توصيل

بالكابل، مع مراعاة الطول اللازم لتوصيل الكابل

بالمجموعة الطرفية؛

- في تثبيت الموصل وفقاً لما هو موضح بالخريطة،

و طبقاً لإرشادات التركيب وبمساعدة قضبان التفريع

التي استخرجتها في الخطوة الأولى؛

- تثبيت الغطاء؛

- ربط مسامير مشبك تثبيت الكابل.

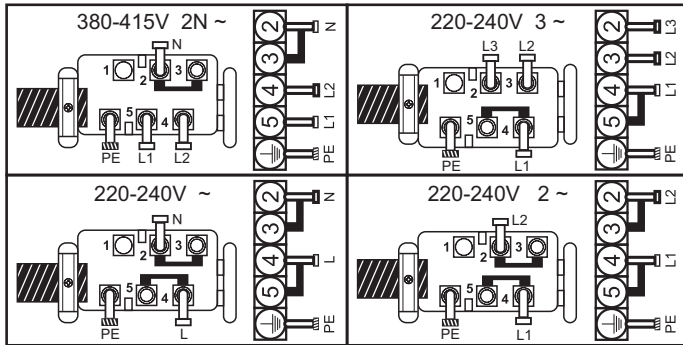
تنبيه:

إذا لزم استبدال كابل التغذية بالطاقة، فينبغي توصيل السلك طبقاً للألوان/الرموز التالية:

(N)	مُحايد	أزرق
(L)	مُكهرب (حي)	بني
(⊕)	الأرضي	أصفر أخضر

التوصيل إلى المنافذ الطرفية بالمجموعة الطرفية

المخطط "7"	المخطط "6-1"	
أحادي الطور أو ثنائي الطور 220-240 فولت~		
كابل HO5V2V2F	3 × 2,5 ملم	3 × 4 ملم
ثلاثي الطور ٢٤٠-٢٢٠ فولت 3~		
كابل HO5V2V2F	4 × 1,5 ملم	4 × 1,5 ملم
ثلاثي الطور ٤١٥-٣٨٠ فولت N٢~		
	4 × 1,5 ملم	4 × 1,5 ملم



PE = الأرضي N = مُحايد L1 / L2 / L3 = الطور

"يتحتم أن يتطابق التركيب مع المعايير والتوجيهات". يتصل المُصنَّع من جميع المسؤوليات المترتبة على أي أضرار قد تحدث نتيجة الاستخدام الخاطئ أو غير المناسب.

تحذير: لن يتحمل المُصنَّع ثمة مسؤولية عن أي حادث أو تبعاته مما قد يقع أثناء استخدام أحد الأجهزة غير المؤرصة، أو المؤرصة بوصلة تأريض معيبة.

يُرجى التحقق من توتر مصدر التغذية باستخدام مقياس الكهرباء، قبل التشغيل الكهربائي للجهاز، والتأكد من ضبط قاطع الدائرة، واستمرارية وصلة التأريض وملازمة المنصهر.

ينبغي تركيب الوصلات الكهربائية وفقاً لقيم الطاقة المعيارية للجهاز؛ وينبغي إتمام ذلك باستخدام مفتاح قطع متعدد الأقطاب.

إذا كان الجهاز مزوداً بمقياس خرج، فيتحتم تركيبه بطريقة تسهل الوصول إلى مقبس الخرج.

يتحتم توصيل كابل التغذية بالطاقة ذي اللونين الأصفر/الأخضر إلى الطرف الأرضي لكل من مصدر الطاقة والمنافذ الطرفية للجهاز.

يُرجى التواصل مع خدمات ما بعد البيع أو الفني المتخصص، بخصوص أي تساؤلات متعلقة بكابل توصيل الطاقة.

إذا كان الموقد مزوداً بكابل توصيل الطاقة، فينبغي عدم توصيله إلا بمصدر طاقة ذي جهد بقيمة ٢٤٠-٢٢٠ فولت بين طرفي الطور والمُحايد.

ومن الممكن أيضاً توصيل الموقد بما يلي:

ثلاثي الطور ٢٢٠-٢٤٠ فولت ٣

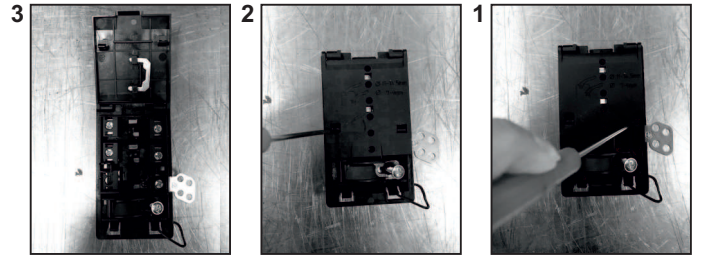
ثلاثي الطور ٣٨٠-٤١٥ فولت ٢ (V2N)

لتنفيذ توصيلات جديدة، يُرجى اتباع الإرشادات أدناه:

ينبغي التأكد من حماية التركيب باستخدام المنصهر المناسب قبل إتمام التوصيل، والتأكد من تزويده بأسلاك ذات قطاع كبير يكفي لتوفير التغذية اللازمة للجهاز بصورة طبيعية.

أقلب الموقد بحيث يكون السطح الزجاجي مواجهاً لسطح التجهيز، مع الحذر لحماية الزجاج.

افتح الغطاء وفقاً للترتيب التالي:



- فك مسامير مشبك تثبيت الكابل "١"؛

- العثور على الشريط الجانبيين؛

- وضع رأس المفك المسطح في مقدمة كل شريط "٢" و "٣"، مع الضغط للداخل؛

- إزالة الغطاء.

إزالة كابل التغذية بالطاقة:

- إزالة المسامير المثبتة للمجموعة الطرفية التي تحوي قضبان التفريع موصلات كابل التغذية؛

- اسحب كابل التغذية للخارج.

الإجراءات المُتَّبَعَة لتركيب وصلة جديدة:

- اختيار كابل التغذية بالطاقة طبقاً للتوصيات الواردة في الجدول؛

- تمرير كابل التغذية بالطاقة عبر مشبك التثبيت؛

- تقشير قطعة بطول ١٠ ملم من كل طرف توصيل بالكابل، مع مراعاة الطول اللازم

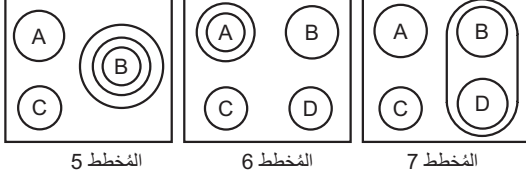
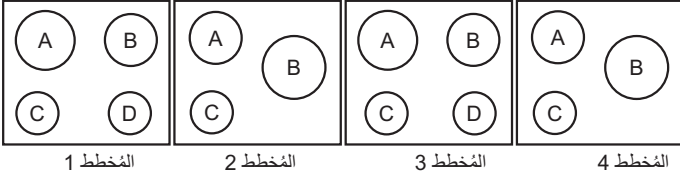
لتوصيل الكابل بالمجموعة الطرفية؛

-- البد في تثبيت الموصل وفقاً لما هو موضح بالخريطة، وطبقاً لإرشادات التركيب

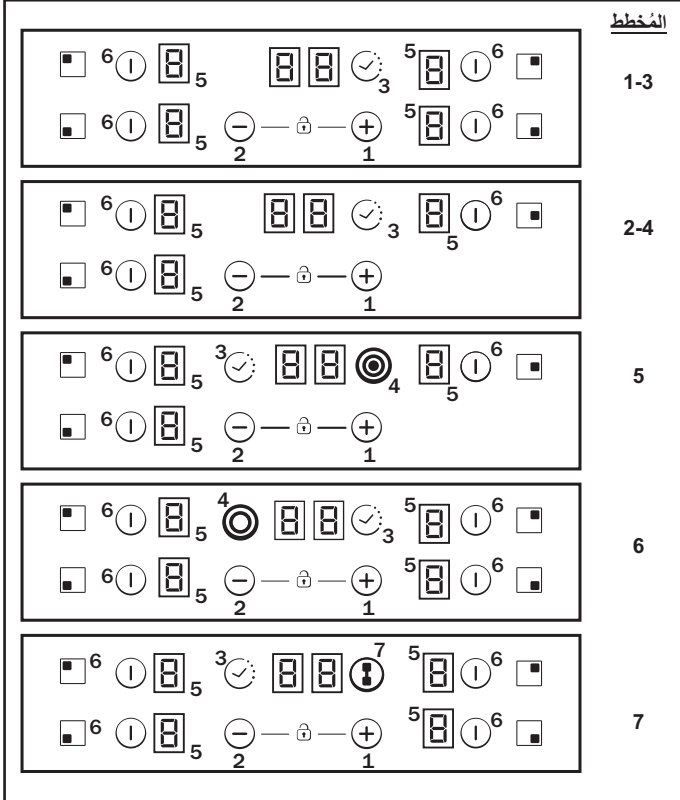
وبمساعدة قضبان التفريع التي استخرجتها في الخطوة الأولى؛

- تثبيت الغطاء؛

4. الوصلات الكهربائية



D	C	B	A	
وات1200	وات1200	وات1800	وات2300	المخطط 1
-	وات1200	وات2500	وات1800	المخطط 2
وات1200	وات1200	وات1800	وات2300	المخطط 3
-	وات1200	وات2500	وات1800	المخطط 4
-	وات1200	وات750 + 900 + 1050	وات1800	المخطط 5
وات1200	وات1200	وات1800	وات1000 + 1200	المخطط 6
وات1800	وات1200	وات1800	وات1800	المخطط 7



حسب الطراز

1. "+"

2. "-"

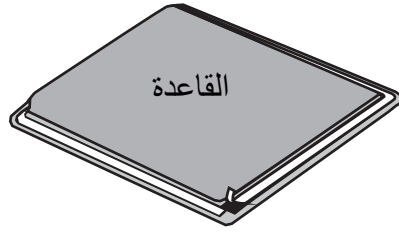
3. الموقت

4. لمبة شعلة الطهي الإضافية

5. مؤشر برمجة شعلة الطهي

6. اختبار الشعلة

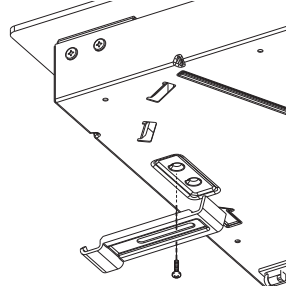
7. الربط (الجسر)



يُورد هذا الموقد ومعه جوان مانع للتسرب. ويلزم تركيب جوان العزل هذا حول قاعدة الموقد وفقاً للتعليمات، والتأكد من تركيبه بإحكام لتجنب تسرب أي مواد إلى قطع الأثاث المثبتة للموقد.

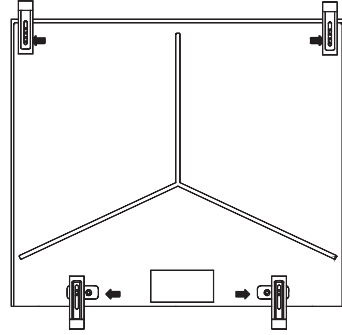
التركيب العادي:

- استخدم مشابك التثبيت الموجودة بحقيبة الكماليات وثبتها بالمسامير في مواضعها المبينة في القاعدة السفلية. (لا تُحکم ربط المسامير بمشابك التثبيت، حيث يلزم تأمين تحريكها بسهولة)



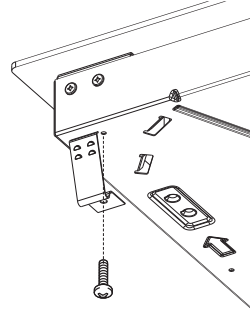
- أدخل الموقد في الوضع الأوسط من الفتحة.

- أدر المشابك وأحکم تثبيتها بالكامل.

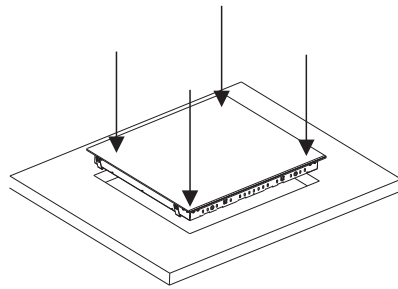


التركيب السريع: (حسب الطراز)

استخدم النواض الأربعة الموجودة بحقيبة الكماليات، وثبتهم بالمسامير في القاعدة السفلية كما هو مبين بالصورة.

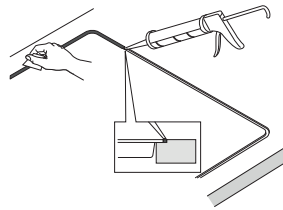


اضبط تمرکز الموقد ثم أدخله. اضغط على جانبي الموقد حتى تمام تثبيته على طول محيطه بالكامل.

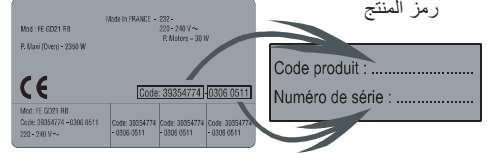


التركيب المُسطح بعد

التأكد من ضبط وضع الموقد بصورة صحيحة، ينبغي تعبئة الفراغات بين سطح التجهيز والموقد بمادة السيليكون اللاصقة. ثم اعمل على تنعيم سطح السيليكون بمقشطة أو بأصابعك المبللة بالما والصابون، قبل جفافه. لا تستخدم الموقد حتى يجف السيليكون تماماً.

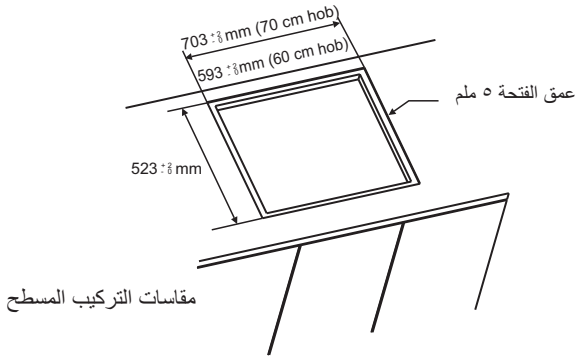


اللوحة التعريفية (موجودة على السطح السفلي لقاعدة الموقد)



رمز المنتج

Code produit :
Numéro de série :



مقاسات التركيب المسطح

1. تحذيرات عامة

نضمن بوضعنا علامة CE على هذا الجهاز أنه مطابق لجميع المتطلبات الأوروبية للسلامة والصحة والبيئة السارية على هذه الفئة من المنتجات.

2. حماية البيئة

وَسُم هذا الجهاز بمطابقته للتوجيه الأوروبي رقم 2012/19/EU بخصوص نفايات المعدات الكهربائية والإلكترونية (WEEE).
يندرج كل من الملوثات (التي قد يكون لها تأثير سلبي على البيئة) بالإضافة إلى المكونات الرئيسية الصالحة لإعادة الاستخدام تحت تعريف نفايات المعدات الكهربائية والإلكترونية (WEEE). وإنه لمن الضروري أن تخضع نفايات المعدات الكهربائية والإلكترونية لمعالجة خاصة، لضمان إزالة جميع الملوثات واستخلاص جميع المواد الصالحة لإعادة الاستخدام بصورة صحيحة.
يسلط طميح الأفراد ممارسة دور مهم للغاية لضمان عدم تحول نفايات المعدات الكهربائية والإلكترونية لمشكلة تهدد البيئة؛ لذا فإنه من الضروري اتباع بعض القواعد الرئيسية:
• يحظر التخلص من نفايات المعدات الكهربائية والإلكترونية ضمن المخلفات المنزلية الأخرى.
• ينبغي تسليم نفايات المعدات الكهربائية والإلكترونية إلى مراكز التجميع المتخصصة الخاضعة لإدارة البلدية أو إحدى الشركات المسجلة. توفر بعض الدول خدمات لجمع نفايات المعدات الكهربائية والإلكترونية كبيرة الحجم من المنازل.
وفي بعض الدول الأخرى، يمكنك إعادة جهازك القديم إلى تاجر التجزئة عند شرائك لآخر جديد، حيث يلتزم التاجر باستلامه منك مجاناً أو على حسب الجهاز، طالما كان ذلك الجهاز من فئة تصنيف مطابقة، أو يؤدي ذات وظائف الجهاز الجديد.

3. التركيب

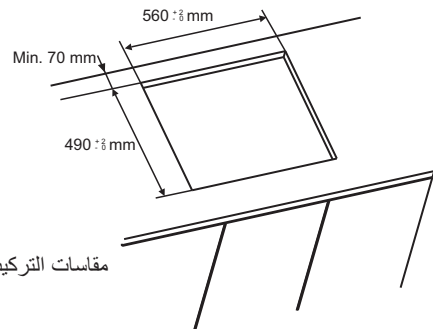
تعتبر عملية تركيب الجهاز داخل المنزل من العمليات المعقدة، والتي قد يترتب عليها أضرار بالغة تمس سلامة المنتجات أو الممتلكات أو الأفراد، إن لم تُنفذ بصورة صحيحة. ولهذا، ينبغي تنفيذ أعمال التركيب بأيدي فنيين متخصصين ومؤهلين لذلك وفقاً لما تنص عليه اللوائح الفنية.
يتصل المصنع من كافة المسؤوليات المترتبة على أي فشل فني يلحق بالجهاز، نتيجة لتجاهل هذه النصائح، وقام بتركيب الجهاز شخص غير مؤهل، سواء تسبب ذلك في إتلاف أي منتجات أو ممتلكات أو إلحاق أي أذى بالأشخاص أو الحيوانات أو لم يتسبب في ذلك.
يُرجى التأكد من عدم وجود أي تلف بالجهاز بعد فك تغليفه، وإلّا فبادر بالاتصال بالتاجر أو خدمات ما بعد البيع التابعة للمصنع.

ينبغي التأكد من صنع جميع قطع الأثاث المثبت بها الجهاز أو الموجودة بالقرب منه، من مواد تتحمل درجات الحرارة المرتفعة (100 درجة مئوية على الأقل).

بالإضافة إلى استخدام مادة لصق فائقة المقاومة لتثبيت أي ديكورات.

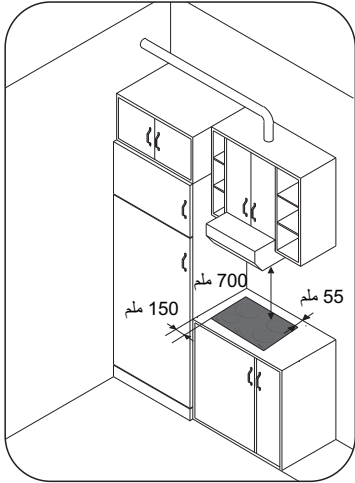
يمكن تثبيت هذا الجهاز قطعة أثاث مدمجة إما في الوضع "القياسي" أو "المسطح".

ينبغي أن يتراوح سمك سطح التجهيز بين 25 إلى 45 ملم.



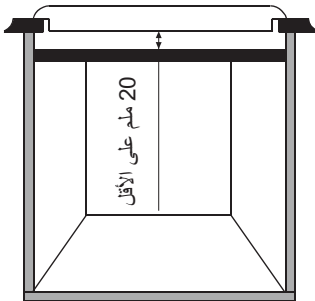
مقاسات التركيب المسطح

ملاحظة: تتطابق قياسات الأبعاد الداخلية مع وضع التركيب القياسي

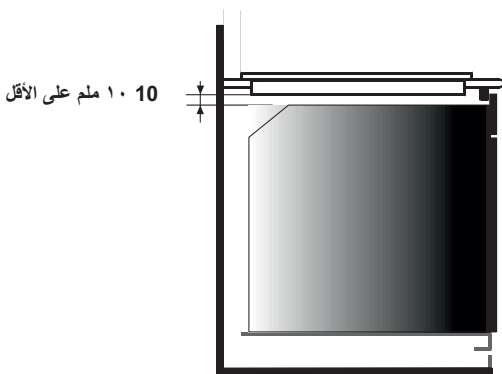


ننصح بترك مسافة لا تقل عن 55 ملم بين الموقد والجدار الخلفي، و 150 ملم على الأقل بين الموقد وما على جانبيه من جدران أو قطع أثاث رأسية. وفي حالة وجود أي قطع أثاث أعلى الموقد، فينبغي ألا تقل المسافة الفاصلة بينهما عن 700 ملم.
عند تركيب مدخنة أعلى الموقد، يُرجى الرجوع إلى متطلبات التركيب الخاصة بالمدخنة، وينبغي ألا تقل المسافة الفاصلة بين الموقد والمدخنة عن 700 ملم.

إذا كانت القاعدة السفلية للموقد بالقرب من مساحة تستخدم بصفة طبيعية لأعمال التنظيف أو غيرها، يتحتم تركيب سطح فاصل على بعد 20 ملم أسفل السطح السفلي للموقد.



عند تركيب فرن أسفل الموقد، يتحتم تركيب سطح فاصل، على ألا تقل المسافة الفاصلة بين السطح السفلي للموقد والفرن عن 10 ملم. ويحظر تركيب فرن غير مُبرّد أسفل هذا الموقد، مع ضرورة الامتثال لمتطلبات تركيب الفرن الخاصة به.



10 ملم على الأقل

ننصح بالاحتفاظ بدليل الإرشادات هذا للرجوع إليه في أعمال التركيب والاستخدام لاحقاً، وقبل تركيب الموقد، عليك تسجيل رقمه التسلسلي حال حاجتك للحصول على المساعدة من خدمات ما بعد البيع.

تحذير: يصبح هذا الجهاز ومكوناته الملموسة ساخنة للغاية أثناء استخدامه. لذا ينبغي الحرص لتجنب ملامسة الأجزاء الساخنة. يتحتم إبعاد الأطفال أقل من ٨ سنوات من العمر عن الجهاز، ما لم يكن استخدامهم له تحت رقابة يقظة ولصيقة.

تحذير: يحظر استخدام أي واقيات لجهاز الطهي سوى التي صممها أو أوصى بها مصنع الجهاز في هذا الدليل أو استخدام الواقيات المرفقة بالجهاز عند شرائه لضمان الاستخدام المناسب. إذا أن استخدام الواقيات غير المناسبة قد يتسبب في الحوادث.

تحذير: قد يكون طهي الأطعمة بالزيت أو الشحوم خطراً للغاية وقد يتسبب في نشوب حريق، إذا تم دون رقابة. لا تحاول مطلقاً إطفاء الحرائق بالما، ولكن بادر بإيقاف تشغيل الجهاز ثم غط اللهب، على سبيل المثال: باستخدام غطا أو بطانية الحريق.

تحذير: خطر نشوب حريق: لا تخزن أي أجسام أعلى سطح الطهي. تحذير: إذا تشقق السطح، فتجنب لمس الزجاج، وبادر بإيقاف تشغيل الجهاز لتفادي خطر التعرض للصعق بالكهرباء.

يمكن للأطفال ممن هم في عمر ٨ سنوات فأكثر، وكذلك ذوي الإعاقات البدنية أو الحسية أو الذهنية أو من لا يتمتعون بسابق خبرة أو معرفة، استخدام هذا الجهاز بشرط خضوعهم لإشراف وتوجيه خاص باستخدام هذا الجهاز بطريقة آمنة، واستيعابهم للمخاطر المصاحبة لاستخدامه. ينبغي أن يخضع الأطفال للإشراف لضمان عدم استخدامهم لهذا الجهاز في اللعب. يحظر على الأطفال تنظيف أو صيانة هذا الجهاز إلا تحت إشراف.

تنبيه: يتحتم إتمام عملية الطهي تحت إشراف مباشر. ويتحتم متابعة الإشراف بصفة مستمرة على عمليات الطهي قصيرة الأمد. ننصح بشدة بإبعاد الأطفال عن شعلات الطهي أثناء تشغيلها، أو عند إطفائها، طالما ظل مؤشر وجود الحرارة المتبقية يعمل، وذلك بغية وقايتهم من التعرض لمخاطر الحروق الشديدة. لم يُصمم هذا الجهاز ليعمل باستخدام مؤقت خارجي أو أنظمة التحكم عن بعد.

تجنب التحديق في شعلات مصابيح الهالوجين بالجهاز أثناء تواجدك بالقرب من الجهاز.

ينبغي توصيل القابس بكابل تغذية قادر على تحمل جهد وتيار وحمل الجهاز الموضح على الملصق التعريفي، مع ضرورة توفر وصلة تأريض. ينبغي أن يكون المقبس مناسباً للحمل الموضح على الملصق التعريفي، ويتحتم توفر وصلة تأريض متصلة وتعمل. وصلة التأريض هي الوصلة ذات اللونين الأصفر والأخضر. ينبغي أن يقوم بهذه العملية فني مؤهل ومتخصص. في حالة عدم التوافق بين المقبس وقابس الجهاز، عليك مطالبة الكهربائي المتخصص بتغيير المقبس وتبديله بأخر من نوع مناسب. يتحتم أن يتوافق كل من المقبس والقابس مع المعايير الحالية السارية في دولة الاستخدام.

كما يمكن التوصيل بمصدر الطاقة عن طريق استخدام قاطع متعدد الأقطاب بين الجهاز ومصدر الطاقة القادر على تحمل أقصى حمل متصل، على أن يكون متوافقاً مع القوانين الحالية.

ينبغي عدم فصل كابل التأريض ذي اللونين الأصفر والأخضر بواسطة القاطع. ينبغي أن يسهل الوصول إلى القابس أو القاطع متعدد الأقطاب

بعد تمام تركيب الجهاز.

يمكن إتمام الفصل عن طريق توفير مقبس يسهل الوصول إليه أو عن

طريق تركيب مفتاح بتوصيلات دائمة مطابقة لقواعد التوصيل.

إذا تعرض كابل التغذية للتلف، يتحتم استبداله بمعرفة المُصنِّع، أو وكيل

خدماته أو بمعرفة فنيين مؤهلين لذلك تفادياً لأي مخاطر. ينبغي أن يكون

موصل التأريض (أصفر-أخضر) أطول بمقدار ١٠ ملم من جهة

المجموعة الطرفية. ينبغي أن يكون قطاع الموصلات الداخلية مناسباً

لتحمل الطاقة التي يمتصها الموقد (المذكورة على الملصق التعريفي).

يتحتم أن يكون كابل الطاقة من النوع HO5V2V2-F.

يحظر وضع أي أجسام معدنية كالكساكين أو الشوك أو الملاعق أو

الأغطية على سطح الموقد. حيث إنها قد تصبح ساخنة.

يحظر وضع رقائق الألومنيوم والأواني البلاستيكية على شعلات

التسخين.

ننصح بتنظيف سطح الموقد بعد كل مرة استخدام حتى لا تتراكم عليه

الأوساخ والشحوم. لأنه عند تركها، تتعرض للاحتراق عند إعادة

استخدام الموقد، مسببة انبعاث الدخان والروائح الكريهة، فضلاً عن

مخاطر تسببها في إشعال الحريق.

يحظر نهائيًا استخدام البخار أو بخاخات الضغط المرتفع في تنظيف

الجهاز.

تجنب لمس الشعلات أثناء التشغيل ولفترة بعد ذلك.

يحظر نهائيًا طهي الطعام مباشرة على السطح الزجاجي للموقد.

ننصح باستخدام أواني الطهي المناسبة دائماً.

ينبغي وضع الأواني دائماً على منتصف الوحدة التي تستخدمها في

الطهي. تجنب وضع أي شي أعلى لوحة التحكم.

تجنب استخدام الموقد كسطح للتجهيز.

تجنب استخدام الموقد كسطح للتقطيع.

يحظر وضع أي أجسام ثقيلة أعلى الموقد، حيث قد يؤدي سقوطها

على الموقد إلى إتلافه.

يحظر استخدام الموقد لتخزين أي أجسام.

لا تسحب أواني الطهي أعلى سطح الموقد.

لا يلزم إجراء تشغيل/ضبط إضافي لتشغيل الجهاز بالترددات المقننة

3.....	إرشادات السلامة ٣
4.....	١1. تحذيرات عامة ٥
4.....	٢2. حماية البيئة ٥
4.....	٣3. التركيب ٥
5.....	٤4. الوصلات الكهربائية ٦
7.....	٥5. نصيحة بخصوص أواني الطهي المستخدمة مع الموقد ٨
7.....	٦6. الاستخدام ٨
9.....	٧7. التنظيف والصيانة ١٠
9.....	٨8. حل المشكلات ١١
10.....	٩9. العناية اللاحقة ١١

CANDY

42827539 • 55 gr - A4 • 11.2018 • Rev_C



الموافق
إرشادات المُستخدم

AR



GB

IT

Il Produttore non si assume responsabilità per eventuali errori di stampa o errori di trascrizione all'interno di questa brochure. Ci riserviamo il diritto di apportare modifiche ai prodotti a seconda delle necessità, compresi gli interessi di consumo, senza influenza alcuna sulle caratteristiche relative a sicurezza o funzionamento.

FR

Le fabricant ne pourra être tenu pour responsable de toute inexactitude résultant d'erreurs d'impression ou de transcription contenues dans cette brochure. Nous nous réservons le droit d'apporter, le cas échéant, des modifications aux produits, y compris dans l'intérêt de la consommation et sans préjudice des caractéristiques relatives à la sécurité et aux fonctions.

CZ

Výrobce nezodpovídá za nepřesnosti vyplývající z případných chyb při tisku nebo překlepů v této brožuře. Vyhrazueme si právo provádět úpravy produktů podle potřeby, včetně oblasti spotřeby, aniž by byly dotčeny vlastnosti týkající se bezpečnosti nebo funkce.

HR

Proizvođač ne snosi odgovornost za bilo kakve netočno tiskane podatke ili pogreške u prijepisu u ovoj brošuri. Zadržavamo pravo da po potrebi izmijenimo proizvod, uključujući interes potrošnje, ne dovodeći u pitanje karakteristike u vezi sa sigurnošću ili funkcioniranjem.

HU

A gyártó nem tehető felelőssé a használati utasítás nyomdahibáiból eredő pontatlanságokért. Fenntartjuk a termékek szűkség szerinti módosításának jogát, beleértve a fogyasztói érdekek által megkövetelt, a biztonsági és működési jellemzőket nem befolyásoló módosításokat.

PL

Producent nie ponosi odpowiedzialności za jakiegokolwiek nieprawidłowości wynikające z błędów druku lub transkrypcji w niniejszej publikacji. Zastrzegamy sobie prawo do wprowadzenia zmian w produktach, o ile takowe będą wymagane, mając również na względzie interesy konsumenta, bez wpływu na ich parametry związane z bezpieczeństwem czy funkcjonowaniem.

RO

Producătorul nu va fi răspunzător pentru nicio inexactitate ce decurge din imprimarea sau erorile de transcriere cuprinse în prezenta broșură. Ne rezervăm dreptul de a modifica produsele dacă este necesar, inclusiv privind consumul, fără a influența caracteristicile referitoare la siguranța sau funcționare.

SI

Proizvajalec ne odgovarja za morebitne netočnosti, ki nastanejo zaradi tiska ali napak v prepisu te brošure. Pridržujemo si pravico do sprememb izdelkov po potrebi, vključno z interesi porabe, brez poseganja v lastnosti v zvezi z varnostjo ali funkcijo.

SR

Proizvođač nije odgovoran ni za kakve nedoslednosti koje proizilaze iz grešaka u štampanju ili transkripciji u ovoj brošuri. Zadržavamo pravo da po potrebi izvršimo izmene proizvoda, uključujući interese potrošnje, ne dovodeći u pitanje karakteristike u vezi sa bezbednošću ili funkcionisanjem.

UK

Виробник не несе відповідальність за будь-які друкарські помилки та неточності, що містяться в цій брошурі. Ми залишаємо за собою право вносити зміни в конструкцію виготовлених нами приладів відповідно до вимог та інтересів споживачів, без шкоди для характеристик, які стосуються безпеки чи функціонування.

BG

Производителят не носи отговорност за никакви неточности в резултат на печатни или транскрипторни грешки, съдържащи се в тази брошура. Ние си запазваме правото да извършваме модификации по продуктите както е необходимо, включително в интерес на потреблението, без да изключваме характеристиките, свързани с безопасността или функционирането.

ES

El fabricante no será responsable de las inexactitudes debidas a los errores de impresión o transcripción que pueda contener este folleto. Nos reservamos el derecho a realizar modificaciones en los productos conforme sea necesario, incluidas las que beneficien al consumidor, sin perjuicio de las características relacionadas con la seguridad o la función.

NL

De fabrikant is niet verantwoordelijk voor onnauwkeurigheden die het gevolg zijn van druk- of transcriptiefouten in deze brochure. Wij behouden ons het recht voor om wijzigingen in producten aan te brengen zonder dat de kenmerken met betrekking tot veiligheid of functies worden aangetast.

DE

Der Hersteller haftet nicht für Ungenauigkeiten aufgrund von Fehlern bei Druck oder Niederschrift, die in dieser Broschüre enthalten sein können. Wir behalten uns das Recht vor, je nach Bedarf Veränderungen am Produkt vorzunehmen, einschließlich Belange des Verbrauchs, unbeschadet der Sicherheits- oder Funktionsmerkmale.

RU

Компания - производитель не несет какой-либо ответственности за ошибки печати или копирования, содержащиеся в настоящем руководстве. Мы оставляем за собой право вносить изменения в товары в случае необходимости, учитывая интересы потребителей, без ущерба для характеристик безопасности или эксплуатационных характеристик.

GR

Ο κατασκευαστής δεν ευθύνεται για οποιαδήποτε ανακρίβεια λόγω σφαλμάτων εκτύπωσης ή αντιγραφής που περιλαμβάνονται σε αυτό το φυλλάδιο. Διατηρούμε το δικαίωμα να τροποποιούμε τροποποιήσεις στα προϊόντα όπως απαιτείται, συμπεριλαμβανομένων των συμφερόντων κατανάλωσης, με την επιφύλαξη των χαρακτηριστικών που σχετίζονται με την ασφάλεια ή τη λειτουργία.

AR

لن يتحمل المُصنِّعُ مُسؤولية عن أي خلل في الدقة يحدث نتيجة أي خطأ في طباعة أو نسخ محتوى هذا الدليل. نحتفظ بحقنا في إدخال أي تعديلات على المنتج حسبما نراه ضرورياً، بما في ذلك مزايا الاستهلاك، ذلك دون المساس بأي من السمات المتعلقة بالأمان أو الوظائف.

Ovaj dokument je originalno proizveden i objavljen od strane proizvođača, brenda Candy, i preuzet je sa njihove zvanične stranice. S obzirom na ovu činjenicu, Tehnoteka ističe da ne preuzima odgovornost za tačnost, celovitost ili pouzdanost informacija, podataka, mišljenja, saveta ili izjava sadržanih u ovom dokumentu.

Napominjemo da Tehnoteka nema ovlašćenje da izvrši bilo kakve izmene ili dopune na ovom dokumentu, stoga nismo odgovorni za eventualne greške, propuste ili netačnosti koje se mogu naći unutar njega. Tehnoteka ne odgovara za štetu nanесenu korisnicima pri upotrebi netačnih podataka. Ukoliko imate dodatna pitanja o proizvodu, ljubazno vas molimo da kontaktirate direktno proizvođača kako biste dobili sve detaljne informacije.

Za najnovije informacije o ceni, dostupnim akcijama i tehničkim karakteristikama proizvoda koji se pominje u ovom dokumentu, molimo posetite našu stranicu klikom na sledeći link:

<https://tehnoteka.rs/p/candy-ugradna-ploca-ch64bvt-akcija-cena/>