

## Uputstvo za upotrebu

BEKO električni šporet FSE66000GS

The Beko logo is displayed in a bold, blue, sans-serif font. The word "beko" is written in lowercase letters. Below the text, there is a thick, blue diagonal bar that starts under the 'b' and extends towards the right, ending under the 'o'.

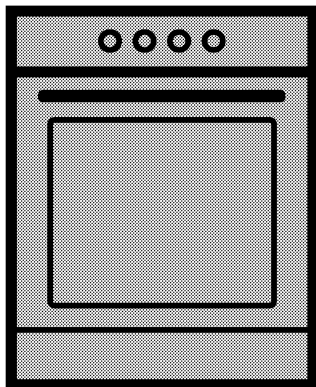
Tehnoteka je online destinacija za upoređivanje cena i karakteristika bele tehnike, potrošačke elektronike i IT uređaja kod trgovinskih lanaca i internet prodavnica u Srbiji. Naša stranica vam omogućava da istražite najnovije informacije, detaljne karakteristike i konkurentne cene proizvoda.

Posetite nas i uživajte u ekskluzivnom iskustvu pametne kupovine klikom na link:

<https://tehnoteka.rs/p/beko-elektricni-sporet-fse66000gs-akcija-cena/>

# Oven

## User manual



FSE66000GW

FSE66000GS

**EN | SB | MK**

285.3033.53/R.AE/10.07.2018/3-1

## Please read this user manual first!

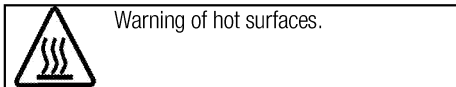
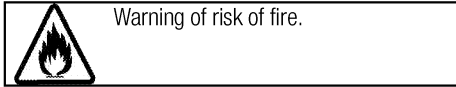
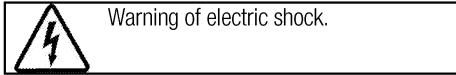
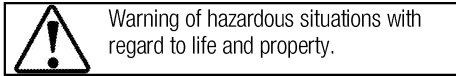
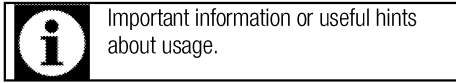
Dear Customer,

Thank you for purchasing this Beko product. We hope that you get the best results from your product which has been manufactured with high quality and state-of-the-art technology. Therefore, please read this entire user manual and all other accompanying documents carefully before using the product and keep it as a reference for future use. If you handover the product to someone else, give the user manual as well. Follow all warnings and information in the user manual.

Remember that this user manual is also applicable for several other models. Differences between models will be identified in the manual.

### Explanation of symbols

Throughout this user manual the following symbols are used:



**Arçelik A.Ş.**

Karaağaç caddesi No:2-6  
34445 Söğütözü/İstanbul/TURKEY

Made in TURKEY

CE

---

This product was manufactured using the latest technology in environmentally friendly conditions.

## TABLE OF CONTENTS

### **1 Important instructions and warnings for safety and environment 4**

General safety .....	4
Electrical safety .....	4
Product safety .....	5
Intended use .....	8
Safety for children.....	8
Disposing of the old product.....	9
Package information .....	9

### **2 General information 10**

Overview .....	10
Package contents .....	11
Technical specifications .....	12

### **3 Installation 13**

Before installation .....	13
Installation and connection .....	14
Future Transportation.....	15

### **4 Preparation 16**

Tips for saving energy .....	16
Initial use.....	16
First cleaning of the appliance .....	16
Initial heating.....	16

### **5 How to use the hob 18**

General information about cooking .....	18
Using the hobs.....	18

### **6 How to operate the oven 19**

General information on baking, roasting and grilling	19
How to operate the electric oven .....	19
Operating modes.....	20
Cooking times table.....	21
How to operate the grill.....	22
Cooking times table for grilling.....	22

### **7 Maintenance and care 23**

General information.....	23
Cleaning the hob.....	23
Cleaning the control panel .....	23
Cleaning the oven .....	23
Removing the oven door .....	24
Removing the door inner glass .....	24
Replacing the oven lamp.....	25

### **8 Troubleshooting 26**

## **1 Important instructions and warnings for safety and environment**

This section contains safety instructions that will help protect from risk of personal injury or property damage. Failure to follow these instructions shall void any warranty.

### **General safety**

- This appliance can be used by children aged from 8 years and above and persons with reduced physical, sensory or mental capabilities or lack of experience and knowledge if they have been given supervision or instruction concerning use of the appliance in a safe way and understand the hazards involved.

Children shall not play with the appliance. Cleaning and user maintenance shall not be made by children without supervision.

- The appliance is not to be used by persons (including children) with reduced physical, sensory or mental capabilities, or lack of experience and knowledge, unless they have been given supervision or instruction. Children should be supervised and ensure they do not play with the appliance
- If the product is handed over to someone else for personal use or second-hand use purposes, the

user manual, product labels and other relevant documents and parts should be also given.

- Never place the product on a carpet-covered floor. Otherwise, lack of airflow beneath the product will cause electrical parts to overheat. This will cause problems with your product.
- Installation and repair procedures must always be performed by Authorised Service Agents. The manufacturer shall not be held responsible for damages arising from procedures carried out by unauthorised persons which may also void the warranty. Before installation, read the instructions carefully.
- Do not operate the product if it is defective or has any visible damage.
- Ensure that the product function knobs are switched off after every use.

### **Electrical safety**

- If the product has a failure, it should not be operated unless it is repaired by an Authorised Service Agent. There is the risk of electric shock!
- Only connect the product to a grounded outlet/line with the

voltage and protection as specified in the “Technical specifications”. Have the grounding installation made by a qualified electrician while using the product with or without a transformer. Our company shall not be liable for any problems arising due to the product not being earthed in accordance with the local regulations.

- Never wash the product by spreading or pouring water onto it! There is the risk of electric shock!
- The product must be disconnected during installation, maintenance, cleaning and repairing procedures.
- If the power connection cable for the product is damaged, it must be replaced by the manufacturer, its service agent or similarly qualified persons in order to avoid a hazard.
- Only use the connection cable specified in the “Technical specifications”.
- The appliance must be installed so that it can be completely disconnected from the mains supply. The separation must be provided by a switch built into the fixed electrical installation, according to construction regulations.

- Rear surface of the oven gets hot when it is in use. Make sure that the electrical connection does not contact the rear surface; otherwise, connections can get damaged.
- Do not trap the mains cable between the oven door and frame and do not route it over hot surfaces. Otherwise, cable insulation may melt and cause fire as a result of short circuit.
- Any work on electrical equipment and systems should only be carried out by authorised and qualified persons.
- In case of any damage, switch off the product and disconnect it from the mains. To do this, turn off the fuse at home.
- Make sure that fuse rating is compatible with the product.

### **Product safety**

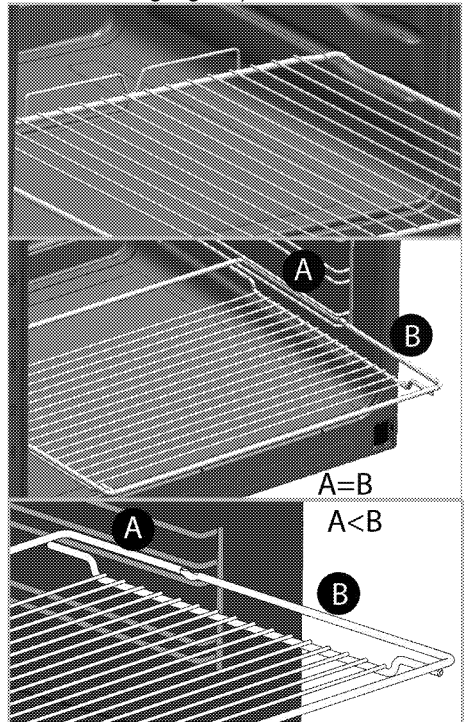
- **WARNING:** The appliance and its accessible parts become hot during use. Care should be taken to avoid touching heating elements. Children less than 8 years of age shall be kept away unless continuously supervised.
- Never use the product when your judgment or coordination is impaired by the use of alcohol and/or drugs.
- Be careful when using alcoholic drinks in your dishes. Alcohol

evaporates at high temperatures and may cause fire since it can ignite when it comes into contact with hot surfaces.

- Food Poisoning Hazard: Do not let food sit in oven for more than 1 hour before or after cooking. Doing so can result in food poisoning or sickness.
- Do not place any flammable materials close to the product as the sides may become hot during use.
- During use the appliances becomes hot. Care should be taken to avoid touching heating elements inside the oven.
- Keep all ventilation slots clear of obstructions.
- Do not heat closed tins and glass jars in the oven. The pressure that would build-up in the tin/jar may cause it to burst.
- Do not place baking trays, dishes or aluminium foil directly onto the bottom of the oven. The heat accumulation might damage the bottom of the oven.
- Do not use harsh abrasive cleaners or sharp metal scrapers to clean the oven door glass since they can scratch the surface, which may result in shattering of the glass.

- Do not use steam cleaners to clean the appliance as this may cause an electric shock.
- (Varies depending on the product model.)

Placing the wire shelf and tray onto the wire racks properly  
It is important to place the wire shelf and/or tray onto the rack properly. Slide the wire shelf or tray between 2 rails and make sure that it is balanced before placing food on it (Please see the following figure).



- Do not use the product if the front door glass removed or cracked.
- Do not use the oven handle to hang towels for drying. Do not

- hang up towel, gloves, or similar textile products when the grill function is at open door.
- Always use heat resistant oven gloves when putting in or removing dishes into/from the hot oven.
  - Place the baking paper into the cooking pot or on to the oven accessory (tray, wire grill etc) together with the food and then insert all into the preheated oven. Remove the excess parts of the baking paper overflowing from the accessory or the pot in order to prevent the risk of touching the oven's heating elements. Never use the baking paper in an operating temperature higher than the indicated value for the baking paper. Do not place the baking paper directly on the base of the oven.
  - **WARNING:** Ensure that the appliance is switched off before replacing the lamp to avoid the possibility of electric shock.
  - Do not close the top cover before the hotplates or burners cool down.  
Wipe the top cover dry before opening it in order to avoid water leakage to the rear and inner sections of the oven.
  - The appliance must not be installed behind a decorative door in order to avoid overheating.
  - Product must be placed directly on the floor. It must not be placed onto a base or a pedestal.
  - **WARNING:** Unattended cooking on a hob with fat or oil can be dangerous and may result in fire. NEVER try to extinguish a fire with water, but switch off the appliance and then cover flame e.g. with a lid or a fire blanket.
  - **CAUTION:** The cooking process has to be supervised. A short term cooking process has to be supervised continuously.
  - **WARNING:** Danger of fire: Do not store items on the cooking surfaces.
  - The appliance is not intended to be operated by means of an external timer or separate remote-control system.
  - **WARNING:** Use only hob guards designed by the manufacturer of the cooking appliance or indicated by the manufacturer of the appliance in the instructions for use as suitable or hob guards incorporated in the appliance. The use of inappropriate guards can cause accidents.



Prevention against possible fire risk!

- Ensure all electrical connections are secure and tight to prevent risk of arcing.
- Do not use damaged cables or extension cables.
- Ensure liquid or moisture is not accessible to the electrical connection point.

### **Intended use**

- This product is designed for domestic use. Commercial use will void the guarantee.
- This appliance is for cooking purposes only. It must not be used for other purposes, for example room heating.
- This product should not be used for warming the plates under the grill, drying towels, dish cloths etc. by hanging them on the oven door handles. This product should also not be used for room heating purposes.
- The manufacturer shall not be liable for any damage caused by improper use or handling errors.
- The oven can be used for defrosting, baking, roasting and grilling food.

### **Safety for children**

- **WARNING:** Accessible parts may become hot during use. Young children should be kept away.
- The packaging materials will be dangerous for children. Keep the

packaging materials away from children. Please dispose of all parts of the packaging according to environmental standards.

- Electrical products are dangerous to children. Keep children away from the product when it is operating and do not allow them to play with the product.
- Do not place any items above the appliance that children may reach for.
- When the door is open, do not load any heavy object on it and do not allow children to sit on it. It may overturn or door hinges may get damaged.

## Disposing of the old product

### Compliance with the WEEE Directive and Disposing of the Waste Product:



This product complies with EU WEEE Directive (2012/19/EU). This product bears a classification symbol for waste electrical and electronic equipment (WEEE).

This product has been manufactured with high quality parts and materials which can be reused and are suitable for recycling. Do not dispose of the waste product with normal domestic and other wastes at the end of its service life. Take it to the collection center for the recycling of electrical and electronic equipment.

Please consult your local authorities to learn about these collection centers.

### Compliance with RoHS Directive:

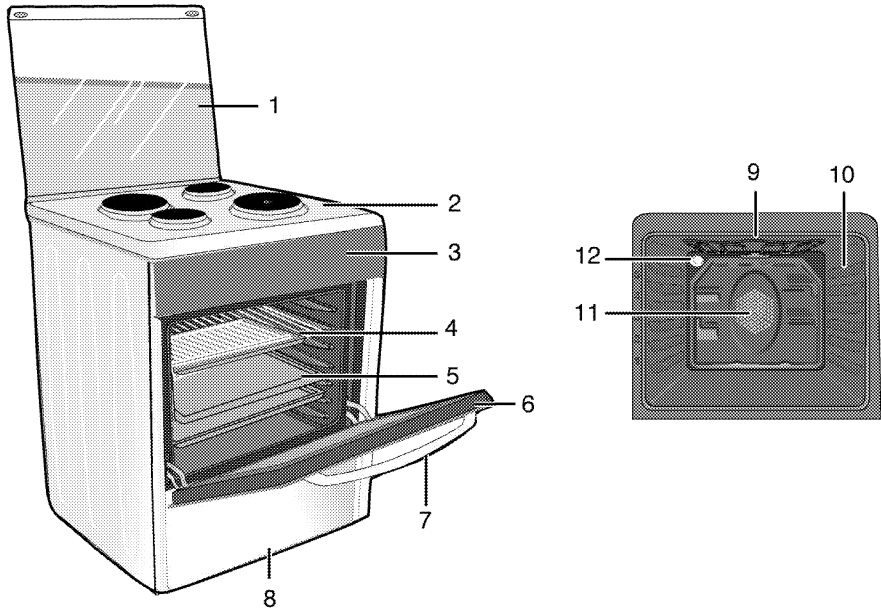
The product you have purchased complies with EU RoHS Directive (2011/65/EU). It does not contain harmful and prohibited materials specified in the Directive.

### Package information

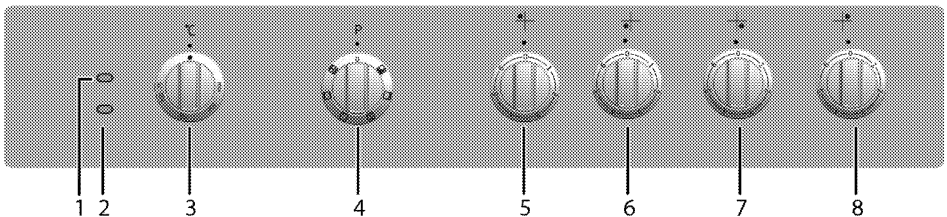
- Packaging materials of the product are manufactured from recyclable materials in accordance with our National Environment Regulations. Do not dispose of the packaging materials together with the domestic or other wastes. Take them to the packaging material collection points designated by the local authorities.

## 2 General information

### Overview



- |   |               |    |                                |
|---|---------------|----|--------------------------------|
| 1 | Top lid       | 7  | Handle                         |
| 2 | Burner plate  | 8  | Lower part                     |
| 3 | Control panel | 9  | Grill heating element          |
| 4 | Wire shelf    | 10 | Shelf positions                |
| 5 | Tray          | 11 | Fan motor (behind steel plate) |
| 6 | Front door    | 12 | Lamp                           |



- |   |                      |
|---|----------------------|
| 1 | Warning lamp         |
| 2 | Thermostat lamp      |
| 3 | Thermostat knob      |
| 4 | Function knob        |
| 5 | Hotplate Rear left   |
| 6 | Hotplate Front left  |
| 7 | Hotplate Front right |
| 8 | Hotplate Rear right  |

## Package contents

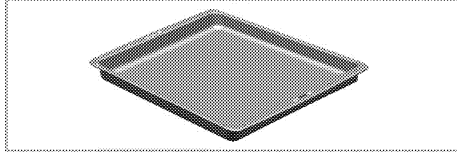


Accessories supplied can vary depending on the product model. Not every accessory described in the user manual may exist on your product.

1. **User manual**

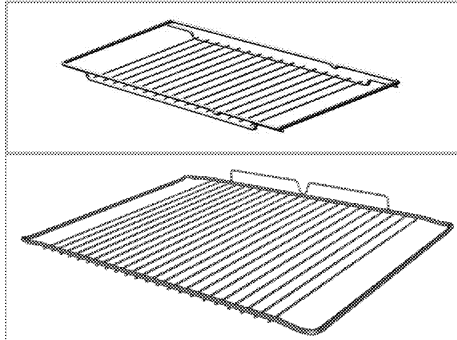
2. **Oven tray**

Used for pastries, frozen foods and big roasts.



3. **Wire Shelf**

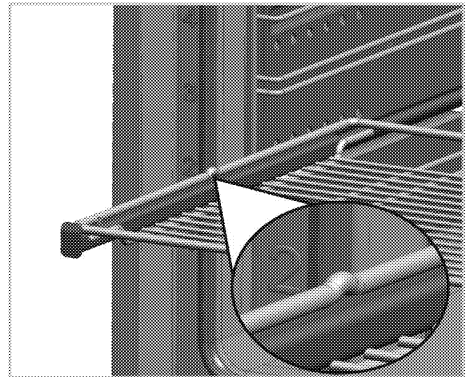
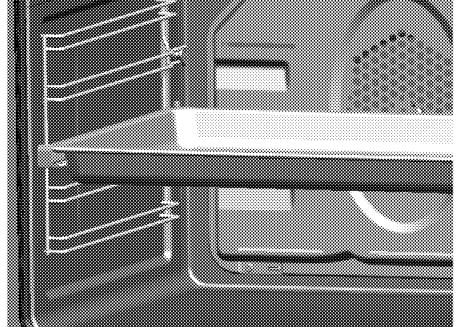
Used for roasting and for placing the food to be baked, roasted or cooked in casserole dishes to the desired rack.



4. **Placing the wire shelf and tray onto the telescopic racks properly**  
**(This feature is optional. It may not exist on your product.)**

Telescopic racks allow you to install and remove the trays and wire shelf easily.

When using the tray and wire shelf with telescopic racks, make sure that the pins at the rear section of the telescopic rack stands against the edges of the wire shelf and tray.



## Technical specifications

<b>GENERAL</b>	
External dimensions (height / width / depth)	850 mm/600 mm/600 mm
Voltage / frequency	220-240 V/380-415 V 3N ~ 50 Hz
Total power consumption	8.4 kW
Fuse	25 A / 16 A x 3
Cable type / section	min.H05VV-FG 3 x 2,5 mm <sup>2</sup> / 5 x 1,5 mm <sup>2</sup>
<b>HOB</b>	
<b>Burners</b>	
Rear left	<b>Hotplate</b>
Dimension	145 mm
Power	1000 W
Front left	<b>Hotplate</b>
Dimension	180 mm
Power	2000 W
Front right	<b>Hotplate</b>
Dimension	145 mm
Power	1000 W
Rear right	<b>Hotplate</b>
Dimension	180 mm
Power	2000 W
<b>OVEN/GRILL</b>	
Main oven	<b>Fan assisted</b>
Inner lamp	15-25 W
Grill power consumption	2.2 kW

# Basics: Information on the energy label of electrical ovens is given in accordance with the EN 60350-1 / IEC 60350-1 standard. Those values are determined under standard load with bottom-top heater or fan assisted heating (if any) functions.

Energy efficiency class is determined in accordance with the following prioritization depending on whether the relevant functions exist on the product or not. 1-Cooking with eco-fan, 2- Turbo slow cooking, 3- Turbo cooking, 4- Fan assisted bottom/top heating, 5-Top and bottom heating.



Technical specifications may be changed without prior notice to improve the quality of the product.



Figures in this manual are schematic and may not exactly match your product.



Values stated on the product labels or in the documentation accompanying it are obtained in laboratory conditions in accordance with relevant standards. Depending on operational and environmental conditions of the product, these values may vary.

### 3 Installation

Product must be installed by a qualified person in accordance with the regulations in force. The manufacturer shall not be held responsible for damages arising from procedures carried out by unauthorized persons which may also void the warranty.



Preparation of location and electrical installation for the product is under customer's responsibility.



#### DANGER:

The product must be installed in accordance with all local electrical regulations.



#### DANGER:

Prior to installation, visually check if the product has any defects on it. If so, do not have it installed.

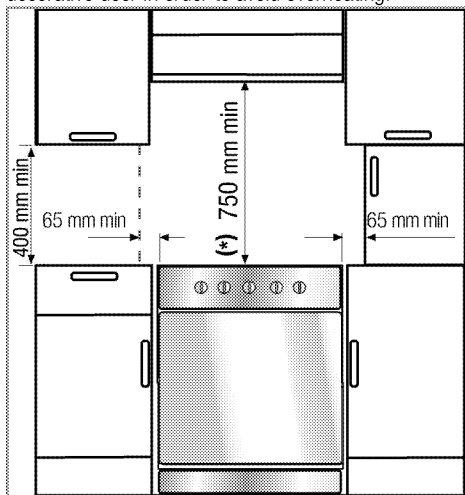
Damaged products cause risks for your safety.

#### Before installation

To ensure that critical air gaps are maintained under the appliance, we recommend that this appliance is mounted on a solid base and that the feet do not sink into any carpet or soft flooring.

The kitchen floor must be able to carry the weight of the appliance plus the additional weight of cookware and bakeware and food.

If the range is placed on a base, measures have to be taken to prevent the appliance slipping from the base. The appliances must not be installed behind a decorative door in order to avoid overheating.

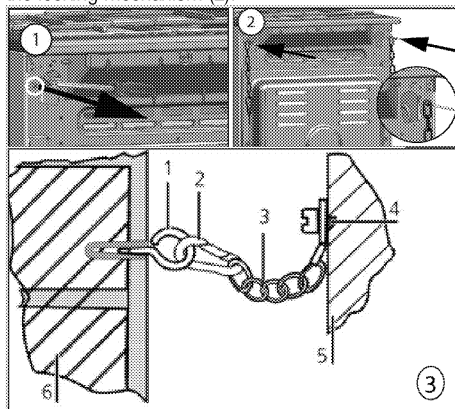


- It can be used with cabinets on either side but in order to have a minimum distance of 400mm above hotplate level allow a side clearance of 65mm between the appliance and any wall, partition or tall cupboard.
- It can also be used in a free standing position. Allow a minimum distance of 750 mm above the hob surface.
- (\*) If a cooker hood is to be installed above the cooker, refer to cooker hood manufacturer' instructions regarding installation height (min 650 mm).
- The appliance corresponds to device class 1, i.e. it may be placed with the rear and **one** side to kitchen walls, kitchen furniture or equipment of any size. The kitchen furniture or equipment on the **other** side may only be of the same size or smaller.
- Any kitchen furniture next to the appliance must be heat-resistant (100 °C min.).

#### Safety chain

##### If your product has 2 safety chains;

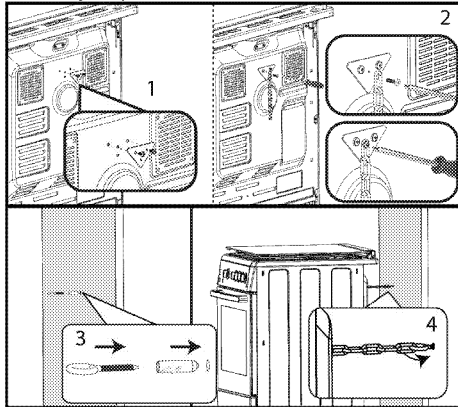
The appliance must be secured against overbalancing by using the supplied two safety chains on your oven. Fasten hook (1) by using a proper peg to the kitchen wall (6) and connect safety chain (3) to the hook via the locking mechanism (2).



- 1 Stability hook
- 2 Locking mechanism
- 3 Safety chain (supplied and mounted to oven)
- 4 Firmly fix chain to cooker rear
- 5 Rear of cooker
- 6 Kitchen wall

### If your product has 1 safety chain;

The appliance must be secured against overbalancing by using the supplied one safety chain on your oven. Follow below steps in the picture to secure the safety chain to your product.



**i** Stability chain to be as short as practicable to avoid oven tilting forward and diagonal to avoid oven side tilting.

Cooker stability chain for cookers is not designed with bracket engagement slot.

### Installation and connection

Product can only be installed and connected in accordance with the statutory installation rules.

**i** Do not install the product next to refrigerators or freezers. The heat emitted by the product will increase the energy consumption of cooling appliances.

- Carry the product with at least two persons.
- Product must be placed directly on the floor. It must not be placed onto a base or a pedestal.

**i** Do not use the door and/or handle to carry or move the product. The door, handle or hinges get damaged.

### Electrical connection

Connect the product to a grounded outlet/line protected by a miniature circuit breaker of suitable capacity as stated in the "Technical specifications" table. Have the grounding installation made by a qualified electrician while using the product with or without a transformer. Our company shall not be liable for any damages that will arise due to using the product without a grounding installation in accordance with the local regulations.



#### DANGER:

The product must be connected to the mains supply only by an authorised and qualified person. The product's warranty period starts only after correct installation. Manufacturer shall not be held responsible for damages arising from procedures carried out by unauthorised persons.



#### DANGER:

The power cable must not be clamped, bent or trapped or come into contact with hot parts of the product. A damaged power cable must be replaced by a qualified electrician. Otherwise, there is risk of electric shock, short circuit or fire!

The mains supply data must correspond to the data specified on the type label of the product. The rating plate is either seen when the door or the lower cover is opened or it is located at the rear wall of the unit depending on the unit type.

Power cable of your product must comply with the values in "Technical specifications" table.



#### DANGER:

Before starting any work on the electrical installation, disconnect the product from the mains supply. There is the risk of electric shock!

### Connecting the power cable



While performing the wiring, you must apply with the national/local electrical regulations and must use the appropriate socket outlet/line and plug for oven. In case of the product's power limits are out of current carrying capability of plug and socket outlet/line, the product must be connected through fixed electrical installation directly without using plug and socket outlet/line.

1. **If a power cable is not supplied together with your product**, a power cable that you would select from the table (*Technical specifications, page 12*) in accordance with the electrical installation at your home must be connected to your product by following the instructions in cable diagram.

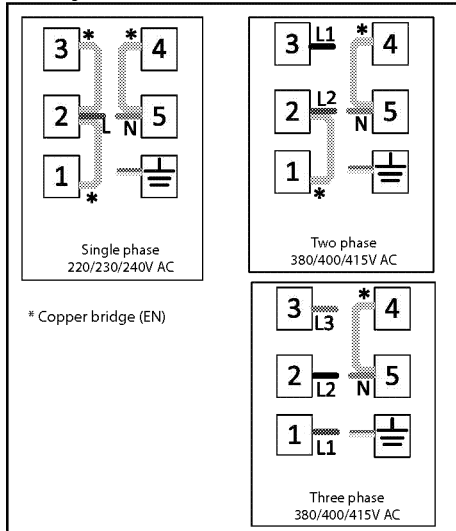
If it is not possible to disconnect all poles in the supply power, a disconnection unit with at least 3 mm contact clearance (fuses, line safety switches, contactors) must be connected and all the poles of this disconnection unit must be adjacent to (not above) the product in accordance with IEE directives. Failure to

obey this instruction may cause operational problems and invalidate the product warranty.



Additional protection by a residual current circuit breaker is recommended.

2. Open the terminal block cover with a screwdriver.
3. Insert the power cable through the cable clamp below the terminal and secure it to the main body with the integrated screw on cable clamping component.
4. Connect the cables according to the supplied diagram.



5. After completing the wire connections, close the terminal block cover.
6. Route the power cable so that it will not contact the product and get squeezed between the product and the wall.



Power cable must not be longer than 2m because of safety reasons.

- Push the product towards the kitchen wall.
- **Adjusting the feet of oven**  
Vibrations during use may cause cooking vessels to move. This dangerous situation can be avoided if the product is level and balanced. For your own safety please ensure the product is level by adjusting the four feet at the bottom by turning left or right and align level with the work top.

### Final check

1. Reconnect the product to the mains.
2. Check electrical functions.

### Future Transportation

- Keep the product's original carton and transport the product in it. Follow the instructions on the carton. If you do not have the original carton, pack the product in bubble wrap or thick cardboard and tape it securely.
- To prevent the wire grill and tray inside the oven from damaging the oven door, place a strip of cardboard onto the inside of the oven door that lines up with the position of the trays. Tape the oven door to the side walls.
- Do not use the door or handle to lift or move the product.



Do not place any objects onto the product and move it in upright position.



Check the general appearance of your product for any damages that might have occurred during transportation.



## 4 Preparation

### Tips for saving energy

The following information will help you to use your appliance in an ecological way, and to save energy:

- Use dark coloured or enamel coated cookware in the oven since the heat transmission will be better.
- While cooking your dishes, perform a preheating operation if it is advised in the user manual or cooking instructions.
- Do not open the door of the oven frequently during cooking.
- Try to cook more than one dish in the oven at the same time whenever possible. You can cook by placing two cooking vessels onto the wire shelf.
- Cook more than one dish one after another. The oven will already be hot.
- You can save energy by switching off your oven a few minutes before the end of the cooking time. Do not open the oven door.
- Defrost frozen dishes before cooking them.
- Use pots/pans with cover for cooking. If there is no cover, energy consumption may increase 4 times.
- Select the burner which is suitable for the bottom size of the pot to be used. Always select the correct pot size for your dishes. Larger pots require more energy.
- Pay attention to use flat bottom pots when cooking with electric hobs. Pots with thick bottom will provide a better heat conduction. You can obtain energy savings up to 1/3.
- Vessels and pots must be compatible with the hotplates. Bottom of the vessels or pots must not be smaller than the hotplate.
- Keep the hotplates and bottom of the pots clean. Dirt will decrease the heat conduction between the hotplate and bottom of the pot.
- For long cookings, turn off the hotplate 5 or 10 minutes before the end of cooking time. You can obtain energy savings up to 20% by using the residual heat.

### Initial use

#### First cleaning of the appliance



The surface might get damaged by some detergents or cleaning materials.

Do not use aggressive detergents, cleaning powders/creams or any sharp objects during cleaning.

Do not use harsh abrasive cleaners or sharp metal scrapers to clean the oven door glass since they can scratch the surface, which may result in shattering of the glass.

1. Remove all packaging materials.
2. Wipe the surfaces of the appliance with a damp cloth or sponge and dry with a cloth.

#### Initial heating

Heat up the product for about 30 minutes and then switch it off. Thus, any production residues or layers will be burnt off and removed.



#### WARNING

Hot surfaces cause burns!

Product may be hot when it is in use. Never touch the hot burners, inner sections of the oven, heaters and etc. Keep children away. Always use heat resistant oven gloves when putting in or removing dishes into/from the hot oven.

#### Electric oven

1. Take all baking trays and the wire grill out of the oven.
2. Close the oven door.
3. Select Static position.
4. Select the highest oven power; See *How to operate the electric oven, page 19*.
5. Operate the oven for about 30 minutes.
6. Turn off your oven; See *How to operate the electric oven, page 19*

#### Grill oven

1. Take all baking trays and the wire grill out of the oven.
2. Close the oven door.
3. Select the highest grill power; see *How to operate the grill, page 22*.
4. Operate the grill about 30 minutes.
5. Turn off your grill; see *How to operate the grill, page 22*

#### Hot plate

1. Any production residues or conservation layers must be burnt before the first use. Operate the

hotplate at middle temperature level for 8 minutes without any vessel on it. No pots or containers should be placed onto the hotplate during this procedure.



Smoke and smell may emit for a couple of hours during the initial operation. This is quite normal. Ensure that the room is well ventilated to remove the smoke and smell. Avoid directly inhaling the smoke and the smell that emits.

## 5 How to use the hob

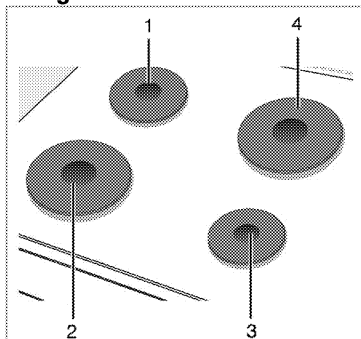
### General information about cooking



Never fill the pan with oil more than one third of it. Do not leave the hob unattended when heating oil. Overheated oils bring risk of fire. **Never attempt to extinguish a possible fire with water!** When oil catches fire, cover it with a fire blanket or damp cloth. Turn off the hob if it is safe to do so and call the fire department.

- Before frying foods, always dry them well and gently place into the hot oil. Ensure complete thawing of frozen foods before frying.
- Do not cover the vessel you use when heating oil.
- Place the pans and saucepans in a manner so that their handles are not over the hob to prevent heating of the handles. Do not place unbalanced and easily tilting vessels on the hob.
- Do not place empty vessels and saucepans on cooking zones that are switched on. They might get damaged.
- Operating a cooking zone without a vessel or saucepan on it will cause damage to the product. Turn off the cooking zones after the cooking is complete.
- As the surface of the product can be hot, do not put plastic and aluminum vessels on it. Such vessels should not be used to keep foods either.
- Use flat bottomed saucepans or vessels only.
- Put appropriate amount of food in saucepans and pans. Thus, you will not have to make any unnecessary cleaning by preventing the dishes from overflowing.  
Do not put covers of saucepans or pans on cooking zones.  
Place the saucepans in a manner so that they are centered on the cooking zone. When you want to move the saucepan onto another cooking zone, lift and place it onto the cooking zone you want instead of sliding it.

### Using the hobs



- 1 Hotplate 14-16 cm
- 2 Hotplate 18-20 cm
- 3 Hotplate 14-16 cm
- 4 Hotplate 18-20 cm is list of advised diameter of pots to be used on related burners.

#### Using hotplates

Hotplate knobs can be turned in both directions in a way that will provide temperature control in steps.



If the hob is equipped with hotplates featuring Booster function, relevant hotplate will be marked with a red dot.

#### Overheating protection

Hotplates that have a power above 1000 W are equipped with an overheating protection. Overheating protection decreases the power of the hotplate in following cases:

- There is no vessel or saucepan on the hotplate.
- There is an empty vessel or saucepan on the hotplate.
- The bottom of the vessel or saucepan is not flat.

#### Turning on the hotplates

Use hotplate knobs to operate the hotplates. Move the hotplate knobs to the relevant level in order to obtain the desired cooking level.

Cooking level	1	2 — 3	4 — 6
	warming	stewing, simmering	cooking, roasting, boiling

#### Turning off the hotplates

Turn the hotplate knob to OFF (upper) position.

## 6 How to operate the oven

### General information on baking, roasting and grilling



#### WARNING

Hot surfaces cause burns!  
Product may be hot when it is in use. Never touch the hot burners, inner sections of the oven, heaters and etc. Keep children away. Always use heat resistant oven gloves when putting in or removing dishes into/from the hot oven.



#### DANGER:

Be careful when opening the oven door as steam may escape.  
Exiting steam can scald your hands, face and/or eyes.

#### Tips for baking

- Use non-sticky coated appropriate metal plates or aluminum vessels or heat-resistant silicone moulds.
- Make best use of the space on the rack.
- Place the baking mould in the middle of the shelf.
- Select the correct rack position before turning the oven or grill on. Do not change the rack position when the oven is hot.
- Keep the oven door closed.

#### Tips for roasting

- Treating whole chicken, turkey and large piece of meat with dressings such as lemon juice and black pepper before cooking will increase the cooking performance.
- It takes about 15 to 30 minutes longer to roast meat with bones when compared to roasting the same size of meat without bones.
- Each centimeter of meat thickness requires approximately 4 to 5 minutes of cooking time.
- Let meat rest in the oven for about 10 minutes after the cooking time is over. The juice is better distributed all over the roast and does not run out when the meat is cut.
- Fish should be placed on the middle or lower rack in a heat-resistant plate.

#### Tips for grilling

When meat, fish and poultry are grilled, they quickly get brown, have a nice crust and do not get dry. Flat pieces, meat skewers and sausages are particularly suited for grilling as are vegetables with high water content such as tomatoes and onions.

- Distribute the pieces to be grilled on the wire shelf or in the baking tray with wire shelf in such a way that the space covered does not exceed the size of the heater.
- Slide the wire shelf or baking tray with grill into the desired level in the oven. If you are grilling on the wire shelf, slide the baking tray to the lower rack to collect fats. Add some water in the tray for easy cleaning.

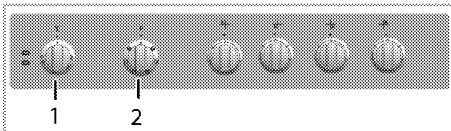


Foods that are not suitable for grilling carry the risk of fire. Only grill food which is suitable for intensive grilling heat.

Do not place the food too far in the back of the grill. This is the hottest area and fatty food may catch fire.

### How to operate the electric oven

#### Select temperature and operating mode



- 1 Thermostat knob
- 2 Function knob

1. Set the Function knob to the desired operating mode.
2. Set the Temperature knob to the desired temperature.

» Oven heats up to the adjusted temperature and maintains it. During heating, temperature lamp stays on.

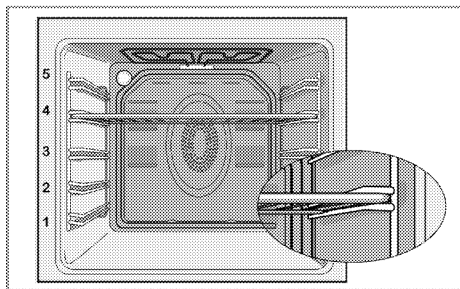
#### Switching off the electric oven

Turn the function knob and temperature knob to off (upper) position.

#### Rack positions (For models with wire shelf)

It is important to place the wire shelf onto the side rack correctly. Wire shelf must be inserted between the side racks as illustrated in the figure.

Do not let the wire shelf stand against the rear wall of the oven. Slide your wire shelf to the front section of the rack and settle it with the help of the door in order to obtain a good grill performance.  
(Varies depending on the product model.)



### Full grill



Large grill at the ceiling of the oven is in operation. It is suitable for grilling large amount of meat.

- Put big or medium-sized portions in correct rack position under the grill heater for grilling.
- Set the temperature to maximum level.
- Turn the food after half of the grilling time.

## Operating modes

The order of operating modes shown here may be different from the arrangement on your product.

### Top and bottom heating



Top and bottom heating are in operation. Food is heated simultaneously from the top and bottom. For example, it is suitable for cakes, pastries, or cakes and casseroles in baking moulds. Cook with one tray only.

### Bottom heating



Only bottom heating is in operation. It is suitable for pizza and for subsequent browning of food from the bottom.



This function must be used for easy steam cleaning as well.

### Fan supported bottom/top heating



Top heating, bottom heating plus fan (in the rear wall) are in operation. Hot air is evenly distributed throughout the oven rapidly by means of the fan. Cook with one tray only.

### Grill+Fan



Grilling effect is not as strong as in Full Grill

- Put small or medium-sized portions in correct shelf position under the grill heater for grilling.
- Set the desired temperature.
- Turn the food after half of the grilling time.

### Booster



This function is used to heat the oven rapidly; it is not suitable for cooking food.

- Select the desired temperature after selecting this function. Temperature light turns on and oven is heated.
- Light turns off after the heating process is completed. Now select the desired function to cook your food.

## Cooking times table



The timings in this chart are meant as a guide. Timings may vary due to temperature of food, thickness, type and your own preference of cooking.

## Baking and roasting



1st rack of the oven is the **bottom** rack.

Dish	Cooking level number		Rack position	Temperature (°C)	Cooking time (approx. in min.)
**Cakes in tray	One level		4	175	30 ... 35
**Cakes in mould	One level		2	175	40 ... 50
**Cakes in cooking paper	One level		3	175	20 ... 30
**Sponge cake	One level		3	200	5 ... 10
**Cookie	One level		3	175	20 ... 25
**Dough pastry	One level		2	200	30 ... 40
**Rich pastry	One level		2	200	25 ... 35
**Leaven	One level		2	200	35 ... 45
**Lasagna	One level		2 - 3	200	30 ... 40
**Pizza	One level		2	200 ... 220	15 ... 20
Beef steak (whole) / Roast	One level		3	25 min. 250/max, then 180 ... 190	100 ... 120
Leg of Lamb (casserole)	One level		3	25 min. 220 then 180 ... 190	70 ... 90
Roasted chicken	One level		2	15 min. 250/max, then 190	65 ... 70
Turkey (5.5 kg)	One level		2	25 min. 250/max, then 190	150 ... 210
Fish	One level		3	200	20 ... 30

(\*\*) In a cooking that requires preheating, preheat at the beginning of cooking until the oven reached to adjusted temperature.

### Tips for baking cake

- If the cake is too dry, increase the temperature by 10°C and decrease the cooking time.
- If the cake is wet, use less liquid or lower the temperature by 10°C.
- If the cake is too dark on top, place it on a lower rack, lower the temperature and increase the cooking time.
- If cooked well on the inside but sticky on the outside use less liquid, lower the temperature and increase the cooking time.

### Tips for baking pastry

- If the pastry is too dry, increase the temperature by 10°C and decrease the cooking time. Dampen the layers of dough with a sauce composed of milk, oil, egg and yoghurt.
- If the pastry takes too long to bake, pay care that the thickness of the pastry you have prepared does not exceed the depth of the tray.
- If the upper side of the pastry gets browned, but the lower part is not cooked, make sure that the amount of sauce you have used for the pastry is not too much at the bottom of the pastry. Try to scatter the sauce equally between the dough layers and on the top of pastry for an even browning.



Cook the pastry in accordance with the mode and temperature given in the cooking table. If the bottom part is still not browned enough, place it on one lower rack next time.

### Tips for cooking vegetables

- If the vegetable dish runs out of juice and gets too dry, cook it in a pan with a lid instead of a tray. Closed vessels will preserve the juice of the dish.
- If a vegetable dish does not get cooked, boil the vegetables beforehand or prepare them like canned food and put in the oven.

## How to operate the grill



### WARNING

Close oven door during grilling.  
Hot surfaces may cause burns!

### Switching on the grill

1. Turn the Function knob to the desired grill symbol.
  2. Then, select the desired grilling temperature.
  3. If required, perform a preheating of about 5 minutes.
- » Temperature light turns on.

### Switching off the grill

1. Turn the Function knob to Off (top) position.



Foods that are not suitable for grilling carry the risk of fire. Only grill food which is suitable for intensive grilling heat.

Do not place the food too far in the back of the grill. This is the hottest area and fatty food may catch fire.

## Cooking times table for grilling

### Grilling with electric grill

Food	Rack position	Recommended temperature (°C)**	Grilling time (approx.)
Fish	4..5	250/max	20..25 min. #
Sliced chicken	4..5	250/max	25..35 min.
Lamb chops	4..5	250/max	20..25 min.
Roast beef	4..5	250/max	25..30 min. #
Veal chops	4..5	250/max	25..30 min. #
Toast bread*	4	250/max	1..3 min.

# depending on thickness



\*Preheat for 5 minutes

\*\*If the grill temperature of your product cannot be adjusted, the grill will work at the maximum temperature.

## 7 Maintenance and care


### General information


Service life of the product will extend and the possibility of problems will decrease if the product is cleaned at regular intervals.

	<b>DANGER:</b> Disconnect the product from mains supply before starting maintenance and cleaning works. There is the risk of electric shock!
	<b>DANGER:</b> Allow the product to cool down before you clean it. Hot surfaces may cause burns!

- Clean the product thoroughly after each use. In this way it will be possible to remove cooking residues more easily, thus avoiding these from burning the next time the appliance is used.
- No special cleaning agents are required for cleaning the product. Use warm water with washing liquid, a soft cloth or sponge to clean the product and wipe it with a dry cloth.
- Always ensure any excess liquid is thoroughly wiped off after cleaning and any spillage is immediately wiped dry.
- Do not use cleaning agents that contain acid or chloride to clean the stainless or inox surfaces and the handle. Use a soft cloth with a liquid detergent (not abrasive) to wipe those parts clean, paying attention to sweep in one direction.
- **(This feature is optional. It may not exist on your product.)**

Do not use solid metal scrapers or abrasive cleaning materials to clean the glass cover. Glass surface can get damaged.

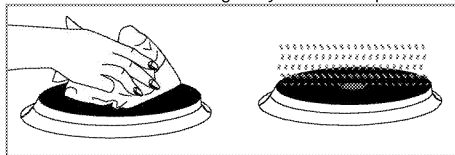
	The surface might get damaged by some detergents or cleaning materials. Do not use aggressive detergents, cleaning powders/creams or any sharp objects during cleaning. Do not use harsh abrasive cleaners or sharp metal scrapers to clean the oven door glass since they can scratch the surface, which may result in shattering of the glass.
--	--

	Do not use steam cleaners to clean the appliance as this may cause an electric shock.
--	---

### Cleaning the hob


#### Electric hobs

1. Turn off the hotplates and wait until they cool down.
2. If necessary, clean the plates with a cleaning agent (you can obtain cleaners/softeners from specialty stores).
3. Warm only for a few minutes after cleaning in order to have their top section dried.
4. Apply a thin layer of machine oil onto the top surface of the hob regularly in order to protect it.



#### Cleaning the control panel

Clean the control panel and knobs with a damp cloth and wipe them dry.

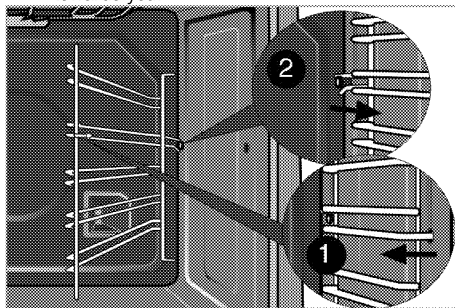
	If your product is equipped with buttons/knobs do not remove the control buttons/knobs to clean the control panel. Control panel may get damaged!
---	--

#### Cleaning the oven

##### To clean the side wall

**(This feature is optional. It may not exist on your product.)**

1. Remove the front section of the side rack by pulling it in the opposite direction of the side wall.
2. Remove the side rack completely by pulling it towards you.



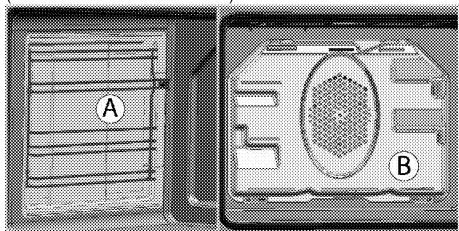
#### Catalytic walls

**(This feature is optional. It may not exist on your product.)**

The inner side walls (A) and/or the rear wall (B) of your product may be coated with catalytic enamel. Catalytic walls have a light matte colour and a porous surface.



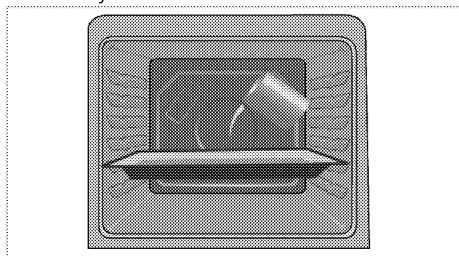
Catalytic walls of the oven should not be cleaned. Porous surfaces of the catalytic walls are automatically cleaned by absorbing and converting the spilled oil (steam and carbon dioxide).



### Easy Steam Cleaning

It ensures easy cleaning because the dirt (having waited not for too long) is softened with the steam that forms inside the oven and the water drops condensing on the inner surfaces of the oven.

1. Remove all accessories inside the oven.
2. Pour 500 ml of water into the oven tray and place the tray at the 2nd rack of the oven.



3. Set the oven to easy steam cleaning mode and run at 100°C for 25 minutes.
4. Open the door and wipe the inner surfaces of the oven with a damp sponge or cloth.
5. Use warm water with washing liquid, a soft cloth or sponge to clean the persistent dirt and wipe it with a dry cloth.

### Clean oven door

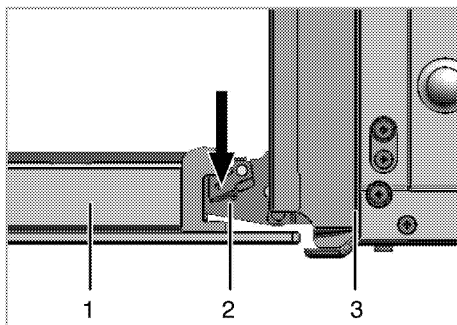
To clean the oven door, use warm water with washing liquid, a soft cloth or sponge to clean the product and wipe it with a dry cloth.



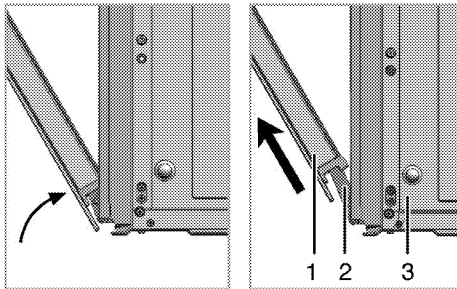
Don't use any harsh abrasive cleaners or sharp metal scrapers for cleaning the oven door. They could scratch the surface and destroy the glass.

### Removing the oven door

1. Open the front door (1).
2. Open the clips at the hinge housing (2) on the right and left hand sides of the front door by pressing them down as illustrated in the figure.



- 1 Front door
- 2 Hinge
- 3 Oven



3. Move the front door to half-way.
4. Remove the front door by pulling it upwards to release it from the right and left hinges.



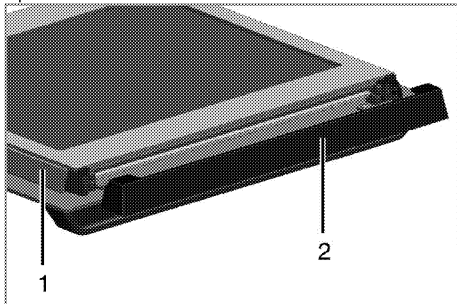
Steps carried out during removing process should be performed in reverse order to install the door. Do not forget to close the clips at the hinge housing when reinstalling the door.

### Removing the door inner glass

(This feature is optional. It may not exist on your product.)

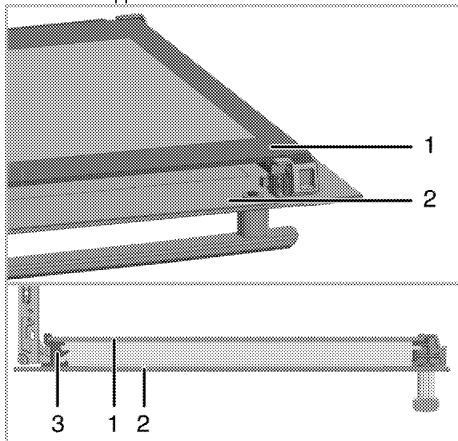
The inner glass panel of the oven door can be removed for cleaning.

Open the oven door.



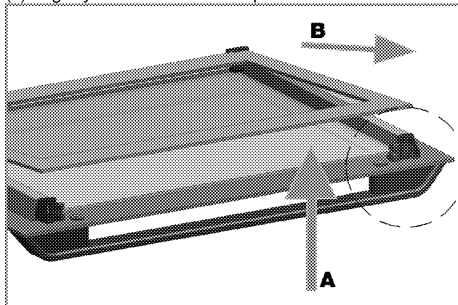
- 1 Frame
- 2 Plastic part

Pull towards yourself and remove the plastic part installed to upper section of the front door.



- 1 Inner glass panel
- 2 Outer glass panel
- 3 Plastic glass panel slot-Lower

As illustrated in figure, raise the innermost glass panel (1) slightly in direction **A** and pull it out in direction **B**.



When installing the inner glass panel (1), make sure that the printed side of the panel faces towards the inner.

It is important to seat lower corner of inner glass panel into the lower plastic slot.

Push the plastic part towards the frame until you hear a "click".

## Replacing the oven lamp



### DANGER:

Before replacing the oven lamp, make sure that the product is disconnected from mains and cooled down in order to avoid the risk of an electrical shock.

Hot surfaces may cause burns!



The oven lamp is a special electric light bulb that can resist up to 300 °C. See *Technical specifications, page 12* for details. Oven lamps can be obtained from Authorised Service Agents or technician with licence.



Position of lamp might vary from the figure.



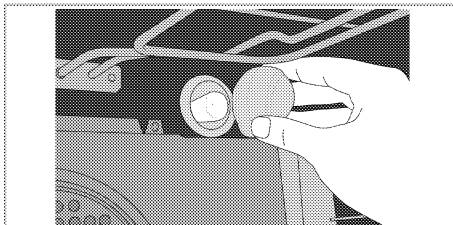
The lamp used in this appliance is not suitable for household room illumination. The intended purpose of this lamp is to assist the user to see foodstuffs.



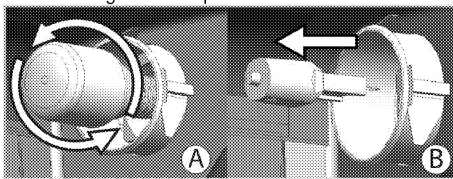
The lamps used in this appliance have to withstand extreme physical conditions such as temperatures above 50 °C.

### If your oven is equipped with a round lamp:

1. Disconnect the product from mains.
2. Turn the glass cover counter clockwise to remove it.



3. If your oven lamp is of type (A) shown in the figure below, remove it by rotating as shown and replace it. If it is of type (B), pull and remove it as shown in the figure and replace it.



4. Install the glass cover.

## 8 Troubleshooting

### **Oven emits steam when it is in use.**

- It is normal that steam escapes during operation. >>> *This is not a fault.*

### **Product emits metal noises while heating and cooling.**

- When the metal parts are heated, they may expand and cause noise. >>> *This is not a fault.*

### **Product does not operate.**

- The mains fuse is defective or has tripped. >>> *Check fuses in the fuse box. If necessary, replace or reset them.*
- Product is not plugged into the (grounded) socket. >>> *Check the plug connection.*

### **Oven light does not work.**

- Oven lamp is defective. >>> *Replace oven lamp.*
- Power is cut. >>> *Check if there is power. Check the fuses in the fuse box. If necessary, replace or reset the fuses.*

### **Oven does not heat.**

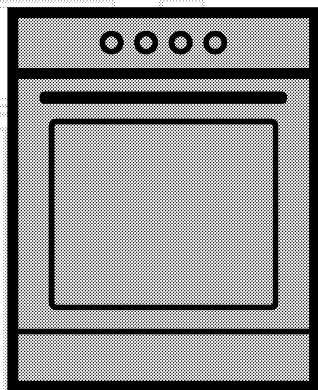
- Might not be set to a certain cooking function and/or temperature. >>> *Set the oven to a certain cooking function and/or temperature.*
- Power is cut. >>> *Check if there is power. Check the fuses in the fuse box. If necessary, replace or reset the fuses.*



Consult the Authorised Service Agent or technician with licence or the dealer where you have purchased the product if you can not remedy the trouble although you have implemented the instructions in this section. Never attempt to repair a defective product yourself.

# Pećnica

Korisnički priručnik



SB

**beko**

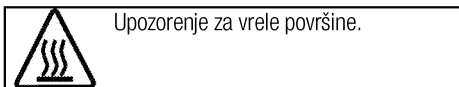
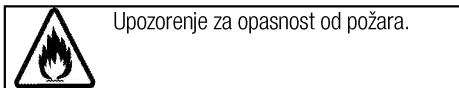
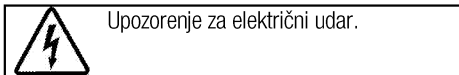
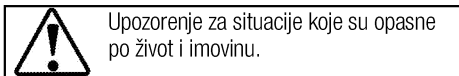
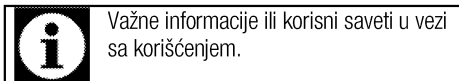
## Molimo da prvo pročitate ovo uputstvo!

Poštovani korisniče, zahvaljujemo na izboru Beko proizvoda. Nadamo se da ćete na najbolji mogući način iskoristiti Vaš proizvod, koji je napravljen sa visokim kvalitetom i vrhunskom tehnologijom. Stoga, molimo da pročitate ovo celo korisničko uputstvo i sva prateća dokumenta pažljivo pre korišćenja proizvoda i čuvajte ih kao podsetnik za buduću upotrebu. Ako ovaj proizvod predate trećem licu, priložite i ovo korisničko uputstvo. Pratite sva upozorenja i informacije iz korisničkog uputstva.

Imajte na umu da ovo korisničko uputstvo može da se primeni i na nekoliko drugih modela. Razlike između modela će biti naznačene u priručniku.

### Objašnjenje simbola

U ovom korisničkom uputstvu su korišćeni sledeći simboli:



**Arçelik A.Ş.**  
Karaağaç caddesi No:2-6  
34445 Sütlüce/Istanbul/TURKEY  
Made in TURKEY

**1 Važna uputstva i upozorenja za bezbednost i okruženje 4**

Opšta bezbednost ..... 4  
 Bezbednost električnih proizvoda ..... 4  
 Bezbednost proizvoda ..... 5  
 Namena ..... 7  
 Bezbednost dece ..... 8  
 Odlaganje dotrajalog proizvoda u otpad ..... 8  
 Odlaganje ambalažnog materijala ..... 8

**2 Opšte informacije 9**

Pregled ..... 9  
 Sadržaji pakovanja ..... 10  
 Tehničke specifikacije ..... 11

**3 Instalacija 12**

Pre instalacije ..... 12  
 Instalacija i povezivanje ..... 13  
 Odlaganje dotrajalog proizvoda u otpad ..... 14

**4 Pripreme 15**

Saveti za uštedu energije ..... 15  
 Prva upotreba ..... 15  
 Prvo čišćenje proizvoda ..... 15  
 Prvo zagrevanje ..... 15

**5 Kako koristiti ploču za kuvanje 16**

Opšte informacije o kuvanju ..... 16  
 Korišćenje ploča za kuvanje ..... 16

**6 Kako rukovati rernom 17**

Opšte informacije o pečenju, pečenju mesa i pečenju na roštilju ..... 17  
 Kako koristiti električnu rernu ..... 17  
 Režimi rada ..... 18  
 Tabela vremena kuvanja ..... 19  
 Kako rukovati roštiljem ..... 20  
 Tabela vremena kuvanja za pečenje roštilja ..... 20

**7 Održavanje i nega 21**

Opšte informacije ..... 21  
 Očistite ploču za kuvanje ..... 21  
 Čišćenje komandne table ..... 21  
 Čišćenje rerne ..... 21  
 Skidanje vrata rerne ..... 22  
 Skidanje unutrašnjeg stakla na vratima ..... 22  
 Zamena sijalice u rerni ..... 23

**8 Otklanjanje kvarova 24**

## **1 Važna uputstva i upozorenja za bezbednost i okruženje**

Ovaj odeljak sadrži sigurnosna uputstva koja će vam pomoći da se zaštitite od opasnosti povreda i oštećenja imovine. Neuspešno praćenje ovih uputstava će poništiti garanciju.

### **Opšta bezbednost**

- Ovaj uređaj mogu koristiti deca starija od 8 godina i osobe sa smanjenim fizičkim, senzornim ili mentalnim sposobnostima ili kojima nedostaju iskustvo i znanje, ako su pod nadzorom ili su dobili uputstva u vezi sa bezbednom upotrebom uređaja i razumeju uključene opasnosti. Deca se ne smeju igrati sa uređajem. Deca ne smeju čistiti ili održavati uređaj bez nadzora.
- Ovaj uređaj nije namenjen za upotrebu od strane osoba (uključujući decu) sa smanjenim fizičkim, senzornim ili mentalnim sposobnostima ili nedostatkom iskustva i znanja, osim ako su pod nadzorom ili su im data uputstva. Deca koja su pod nadzorom ne smeju se igrati uređajem.
- Ako se proizvod ustupi drugoj osobi za ličnu upotrebu ili kao polovan proizvod, potrebno je takođe proslediti korisnički priručnik, etikete proizvoda i

druge relevantne dokumente i delove.

- Nikada ne stavljajte uređaj na pod pokriven tepihom. Inače, umanjen protoka vazduha ispod proizvoda će uzrokovati pregrevanje električnih delova. Ovo će izazvati probleme sa Vašim proizvodom.
- Instalaciju i popravke smeju da vrše samo ovlašćeni serviseri. Proizvođač neće snositi odgovornost za štete koje nastanu zbog postupaka koje su obavile neovlašćene osobe, što takođe može poništiti garanciju. Pre instalacije, pažljivo pročitajte uputstva.
- Ne uključujte proizvod ako je u kvaru ili ima vidljivo oštećenje.
- Prekontrolišite da li su funkcijski tasteri na proizvodu isključeni nakon svake upotrebe.

### **Bezbednost električnih proizvoda**

- Ako je proizvod neispravan, ne treba da se koristi dok ga ne popravi ovlašćeni serviser. Postoji opasnost od električnog udara!
- Proizvod povežite samo na uzemljenu utičnicu/vod sa naponom i zaštitom navedenim u „Tehničkim specifikacijama“. Uzemljenje instalacije mora da obavi kvalifikovani električar u slučaju da se proizvod koristi sa ili

bez transformatora. Naša kompanija neće biti odgovorna ni za kakve probleme koji nastanu zbog korišćenja proizvoda sa neuzemljenom instalacijom u skladu sa lokalnim propisima.

- Nikada ne perite proizvod prskanjem ili sipanjem vode na njega! Postoji opasnost od električnog udara!
- Proizvod mora da bude isključen za vreme instalacije, održavanja, čišćenja i popravke.
- Ako je priključni kabl za napajanje proizvoda oštećen, mora da ga zameni proizvođač, njegov serviser ili odgovarajuće kvalifikovano lice kako bi se izbegle opasnosti.
- Koristite samo priključni kabl naveden u „Tehničkim specifikacijama“.
- Aparat mora da se instalira tako da može potpuno da se isključi sa mreže. Razdvajanje mora da bude obezbeđeno ili putem mrežnog utikača ili putem prekidača ugrađenog u fiksnu električnu instalaciju u skladu sa građevinskim propisima.
- Zadnja strana rerne se jako zagreva za vreme upotrebe. Pobrinite se da električni priključak ne dodiruje zadnju površinu, jer se može oštetiti.

- Ne prignječujte kabl za napajanje između vrata rerne i okvira i ne vodite ga preko vrućih površina. U suprotnom može doći do topljenja izolacije kabla i do požara zbog kratkog spoja.
- Sve radove na električnoj opremi i sistemima treba da vrše samo ovlašćena kvalifikovana lica.
- U slučaju oštećenja, isključite proizvod i odvojite od električne mreže. Da biste to uradili, isključite osigurač u domaćinstvu.
- Uverite se da je jačina osigurača kompatibilna sa ovim proizvodom.

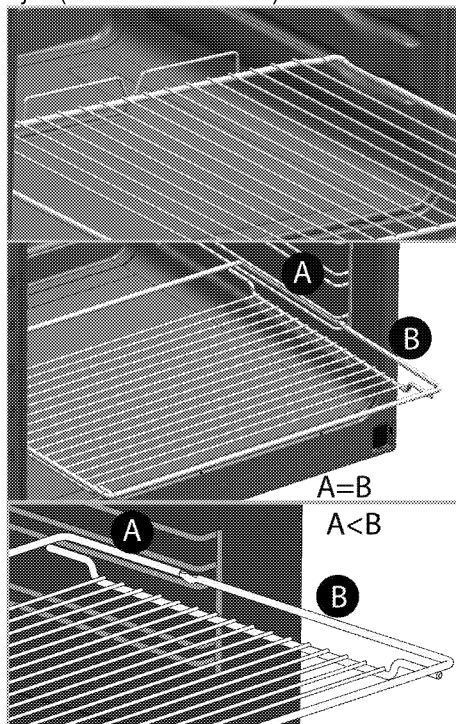
### **Bezbednost proizvoda**

- **UPOZORENJE:** Uređaj i njegovi pristupačni delovi se zagrevaju tokom upotrebe. Budite pažljivi da biste izbegli dodirivanje vrućih elemenata. Decu mlađu od 8 godina treba udaljiti osim u slučaju da ih neprekidno nadgledate.
- Nikad ne koristite proizvod u slučaju oslabljenog rasuđivanja ili koordinacije pod uticajem konzumiranja alkohola i/ili lekova.
- Budite pažljivi kada koristite alkoholna pića u vašem posuđu. Alkohol na visokim temperaturama isparava i može da prouzrokuje požar jer se može upaliti ako dođe u kontakt sa vrućim površinama.



- Ne stavljajte nikakav zapaljivi materijal blizu proizvoda, jer njegove stranice mogu da se zagrevaju u toku upotrebe.
- Uređaj se zagreva tokom upotrebe. Budite pažljivi da biste izbegli dodirivanje vrućih elemenata u unutrašnjosti rerne.
- Održavajte čistoću svih ventilacionih otvora.
- Ne zagrevajte zatvorene konzerve i staklene tegle u rerni. Pritisak koji se može stvoriti u plehu/tegli može da izazove njihovo pucanje.
- Plehove za pečenje, posude ili aluminijumsku foliju ne stavljajte direktno na dno rerne. Akumulirana toplota bi mogla da ošteti dno rerne.
- Ne koristite abrazivna sredstva za čišćenje ili tvrde metalne strugače za čišćenje stakla na vratima rerne jer mogu izgubiti površinu, što može dovesti do razbijanja stakla
- Ne koristite paročištače za čišćenje uređaja da ne biste izazvali električni udar.
- (Razlikuje se u zavisnosti od modela uređaja.)  
Pravilno postavljanje žičane police i pleha na žičane police  
Važno je da se žičana polica i/ili pleh pravilno postave na policu. Žičanu policu ili pleh gurnite između 2 šine i proverite

stabilnost pre postavljanja jela na njih (vidi sledeću sliku).



- Ne koristite proizvod ako je staklo na prednjim vratima skinuto ili napuklo.
- Ručica rerne ne služi za sušenje peškira. Ne kačite peškir, rukavice ili slične proizvode od tekstila dok roštilj radi sa otvorenim vratima rerne.
- Uvek koristite termootporne rukavice za rernu kada posude stavljate ili vadite iz vruće rerne.
- Postavite papir za pečenje u šerpu ili na dodatak za rernu (pleh, gril itd.) zajedno sa hranom, a zatim ubacite sve u prethodno zagrejanu rernu. Uklonite višak

delova papira za pečenje koji prelazi dodatak ili šerpu da biste sprečili rizik od dodirivanja grejnih elemenata u rerni. Nikada nemojte da koristite papir za pečenje na temperaturi koja je veća od naznačene temperature za papir za pečenje. Nemojte da stavljate papir za pečenje direktno na dno rerne.

- UPOZORENJE: Pobrinite se da aparat bude isključen pre zamene sijalice da biste izbegli mogućnost električnog udara.
- Ne zatvarajte gornji poklopac ako ringle ili gorionici hladni. Obrišite gornji poklopac pre otvaranja da bi se sprečilo curenje vode u zadnje i unutrašnje delove rerne.
- Uređaj ne sme da se instalira iza dekorativnih vrata da bi se izbeglo pregrevanje.
- Uređaj mora da se postavi direktno na pod. Ne sme da se postavlja na postolje ili podnožje.
- UPOZORENJE: Kuvanje na ringli sa zagrejanom masti ili uljem može biti opasno i dovesti do požara. NIKADA ne pokušavajte da gasite vatru vodom, već isključite uređaj, a zatim pokrijte plamen tj., pokrijte ga poklopcem ili protivpožarnim ćebetom.
- PAŽNJA: Proces kuvanja mora da bude pod nadzorom. Kratkotrajni

proces kuvanja mora neprekidno da bude pod nadzorom.

- UPOZORENJE: Opasnost od požara: Nemojte držati predmete na površinama za kuvanje.
- Ovaj aparat nije predviđen da se upravlja putem eksternog tajmera ili posebnog sistema daljinskog upravljača.
- UPOZORENJE: Koristite samo štitnike ploče za kuvanje koje je dizajnirao proizvođač aparata za kuvanje ili koje je proizvođač aparata odredio kao pogodne u uputstvu za upotrebu, ili štitnike ploče za kuvanje koje sadrži aparat. Upotreba neodgovarajućih štitnika može izazvati nezgode.

Za pouzdanost proizvoda od požara:

- Uverite se da je utikač dobro umetnut u utičnicu kako ne bi izazvao varnice.
- Ne koristite oštećen, isečen ili produžni kabl, osim originalnog kabla.
- Pobrinite se da na utičnici na koju je priključen proizvod nema ni vlage ni tečnosti.

### Namena

- Ovaj proizvod je namenjen za kućnu upotrebu. Komercijalna upotreba nije dozvoljena.
- Ovaj aparat služi samo za kuvanje. On ne sme da se koristi za druge svrhe, na primer za grejanje prostorije."

- Ovaj proizvod ne sme se koristiti za zagrevanje tanjira ispod rešetke roštilja, vešanje peškira, kuhinjskih krpa itd. na ručici, niti u druge svrhe zagrevanja.
- Proizvođač neće biti odgovoran ni za kakve štete koje su nastale kao posledica nenamenske upotrebe ili pogrešnog rukovanja.
- Rerna može da se koristi za odmrzavanje, pečenje i pečenje hrane na roštilju.

### Bezbednost dece

- **UPOZORENJE:** Pristupačni delovi mogu da se zagreju za vreme upotrebe. Decu treba udaljiti.
- Materijali za pakovanje su opasni za decu. Ambalažne materijale držite van domašaja dece. Molimo da sve delove ambalaže odložite u otpad u skladu sa ekološkim standardima.
- Električni proizvodi su opasni za decu. Udaljite decu od proizvoda kada je uključen i nemojte im dozvoliti da se igraju sa proizvodom.
- Iznad uređaja ne stavljajte predmete koje bi deca mogla da dohvate.

- Kada su vrata otvorena, ne stavljajte teške predmete na njih i ne dozvolite da deca sede na njima. To može da dovede do prevrtanja i mogu da se oštete šarke vrata.

### Odlaganje dotrajalog proizvoda u otpad

#### Usaglašenost sa WEEE direktivom i odlaganje otpada:



Ovaj proizvod je usaglašen sa WEEE direktivom Evropske Unije (2012/19/EU). Ovaj proizvod nosi znak klasifikacije za električni i elektronski otpad (WEEE). Ovaj proizvod je proizveden od visoko kvalitetnih delova i materijala koji se mogu ponovo koristiti i pogodni su za reciklažu. Nemojte odlagati proizvod u otpad sa običnim kućnim otpadom i drugim otpadima na kraju veka trajanja. Odložite ga u centar za sakupljanje i reciklažu električnog i elektronskog otpada. Konsultujte se sa svojim lokalnim vlastima da biste saznali o ovim centrima za sakupljanje otpada.

#### Usaglašenost sa RoHS direktivom:

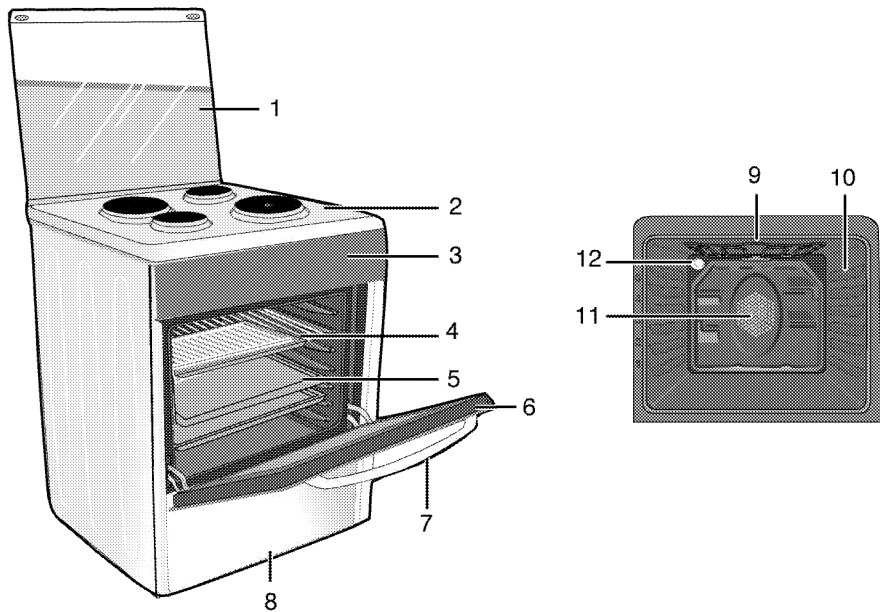
Proizvod koji ste kupili u saglasnosti je sa RoHS direktivom Evropske Unije (2011/65/EU). On ne sadrži štetne i zabranjene materijale navedene u direktivi.

#### Odlaganje ambalažnog materijala

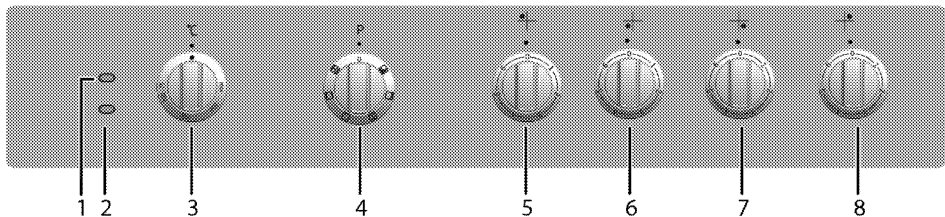
- Ambalažni materijali su opasni po decu. Ambalažni materijal čuvajte na bezbednom mestu, van domašaja dece. Ambalažni materijali za ovaj proizvod su proizvedeni od materijala koji se mogu reciklirati. Odložite ih pravilno i sortirajte u skladu sa uputstvima za recikliranje otpada. Ne odlažite ih sa običnim kućnim otpadom.

## 2 Opšte informacije

### Pregled



- |   |                     |    |                                       |
|---|---------------------|----|---------------------------------------|
| 1 | Gornji poklopac     | 7  | Ručka                                 |
| 2 | Ploča sa gorionikom | 8  | Donji deo                             |
| 3 | Kontrolna tabla     | 9  | Grejač roštilja                       |
| 4 | Žičana polica       | 10 | Položaji police                       |
| 5 | Pleh                | 11 | Motor ventilatora (iza čelične ploče) |
| 6 | Prednja vrata       | 12 | Lampa                                 |



- |   |                                |
|---|--------------------------------|
| 1 | Lampica za upozorenje          |
| 2 | Lampica termostata             |
| 3 | Obrtno dugme termostata        |
| 4 | Obrtno dugme za izbor funkcije |
| 5 | Ringla Pozadi levo             |
| 6 | Ringla Napred levo             |
| 7 | Ringla Napred desno            |
| 8 | Ringla Pozadi desno            |

## Sadržaji pakovanja

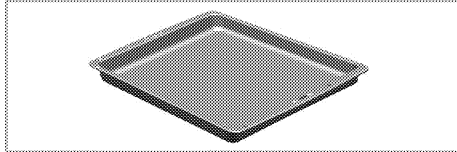


Isporučeni pribor može da se razlikuje u zavisnosti od modela uređaja. Sav pribor, koji je opisan u ovom korisničkom priručniku, možda neće postojati kod vašeg proizvođača.

1. **Korisnički priručnik**

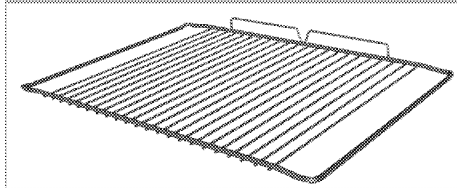
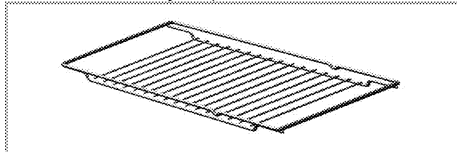
2. **Pleh za reonu**

Koristi se za peciva, smrznutu hranu ili pečenje velikih komada mesa.



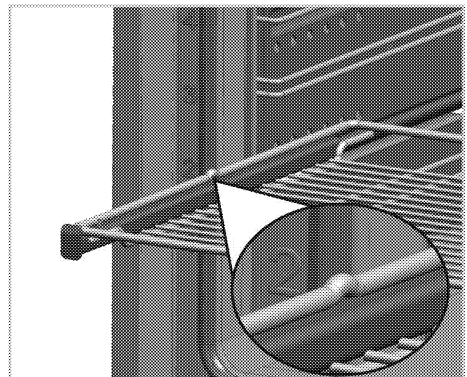
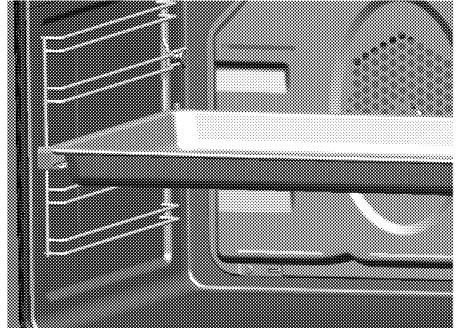
3. **Žičana policica**

Koristi se za pečenje i za stavljanje šerpe sa hranom koja treba da bude pečena, pržena ili kuvana na željenu policu.



4. **Pravilno postavljanje žičane police i pleha na teleskopske police**  
**(Ova funkcija je opcionalna. Možda neće postojati kod vašeg proizvođača.)**

Teleskopske police vam omogućavaju da lako postavljate i uklanjate plehove i žičanu policu. Kada koristite pleh i žičanu policu sa teleskopskim policama uverite se da trnovi na zadnjem delu teleskopske police stoje naspram uglova žičane police i pleha.



## Tehničke specifikacije

<b>OPŠTE</b>	
Spoljne dimenzije (visina/širina/dubina)	850 mm/600 mm/600 mm
Napon/frekvencija	220-240 V/380-415 V 3N ~ 50 Hz
Ukupna potrošnja energije	8.4 kW
Osigurač	25 A / 16 A x 3
Tip kabla / poprečni presek	min.H05VV-FG 3 x 2,5 mm <sup>2</sup> / 5 x 1,5 mm <sup>2</sup>
<b>Ploča za kuvanje</b>	
<b>Gorionici</b>	
Pozadi levo	<b>Ringla</b>
Dimenzije	145 mm
Snaga	1000 W
Napred levo	<b>Ringla</b>
Dimenzije	180 mm
Snaga	2000 W
Napred desno	<b>Ringla</b>
Dimenzije	145 mm
Snaga	1000 W
Pozadi desno	<b>Ringla</b>
Dimenzije	180 mm
Snaga	2000 W
<b>RERNA/ROŠTILJ</b>	
Glavna rerna	<b>Sa ventilatorom</b>
Unutrašnja lampa	15-25 W
Potrošnja roštilja	2.2 kW

# Osnovi: Informacije na nalepnici energetskega rejtinga električnih rerni navedene su u skladu sa EN 60350-1 / IEC 60350-1 standardom. Ove vrednosti su određene pod standardnim opterećenjem sa gornjim i donjim grejačem ili sa funkcijama koje uključuju ventilator (ako postoje).

Klasa energetske efikasnosti je određena u skladu sa sledećim prioritetom u zavisnosti od toga da li relevantne funkcije postoje kod proizvoda ili ne. 1-Kuvanje sa eko ventilatorom, 2- Turbo sporo kuvanje, 3- Turbo kuvanje, 4- Zagrevanje odozdo/odozgo uz pomoć ventilatora, 5-Zagrevanje odozgo i odozdo.



Tehničke specifikacije se mogu izmeniti bez prethodnog obaveštenja da bi se poboljšao kvalitet proizvoda.



Slike koje su date u ovom uputstvu za upotrebu su samo ilustrativne i možda se neće u potpunosti poklapati sa vašim proizvodom.



Vrednosti, koje su navedene na oznakama proizvoda ili u drugoj dokumentaciji koju ste dobili uz proizvod, dobijene su pod laboratorijskim uslovima u skladu sa odgovarajućim standardima. U zavisnosti od radnih uslova i uslova okruženja proizvoda, ove vrednosti se mogu razlikovati.

### 3 Instalacija

Proizvod mora da instalira kvalifikovano lice u skladu sa važećim propisima. U suprotnom, garancija neće važiti. Proizvođač neće biti odgovoran za štete koje nastanu zbog postupaka koje su obavile neovlašćene osobe i može da poništi garanciju.



Priprema lokacije i električne instalacije za proizvod su odgovornost kupca.



#### OPASNOST:

Ovaj proizvod mora da se instalira u skladu sa svim lokalnim propisima za gasne i/ili električne instalacije.

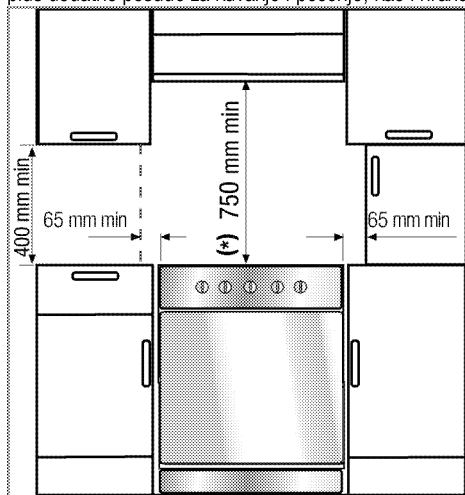


#### OPASNOST:

Pre instalacije vizuelno proverite da li na proizvodu postoje bilo kakva oštećenja. Ako ustanovite oštećenja, nemojte ga instalirati. Oštećeni proizvodi predstavljaju opasnost po vašu bezbednost.

#### Pre instalacije

Da biste osigurali da ispod aparata postoji kritičan slobodan vazdušni prostor, preporučujemo da se ovaj aparat montira na čvrstoj osnovi i da nožice ne upadaju u tepih ili neku drugu mekanu podnu oblogu. Kuhinjski pod mora da bude u stanju da izdrži aparat plus dodatno posuđe za kuvanje i pečenje, kao i hranu.



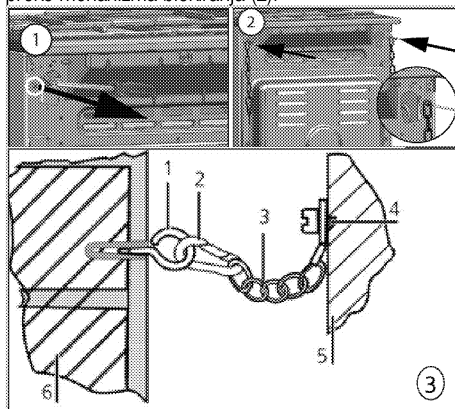
- Može se koristiti sa ormaricama sa obe strane, ali se mora obezbediti minimalan slobodan prostor od 400mm iznad nivoa ploče za kuvanje i slobodan prostor od 65mm između šporeta i bilo kog bočnog zida, pregrade ili visokog ormarića.

- Može se koristiti i u slobodno stojećem položaju. Obezbedite minimalni razmak od 750mm iznad površine ploče za kuvanje.
- (\*) Ako se kuhinjski aspirator montira iznad šporeta, pogledajte uputstvo proizvođača aspiratora u vezi sa visinom instalacije (min. 650 mm).
- Uređaj odgovara aparatu klase 1, tj. njegova zadnja strana je **jedna** bočna strana može da se postavi uz zidove kuhinje, kuhinjski nameštaj ili drugi uređaj bilo koje veličine. Kuhinjski nameštaj ili uređaj sa **druge** strane šporeta mora da bude iste veličine ili niži.
- Svaki element kuhinskog nameštaja koji se nalazi uz aparat mora da bude otporan na toplotu (min. do 100 °C).

#### Sigurnosni lanac

**Ako vaš proizvod ima 2 sigurnosna lanca;**

Uređaj mora da se osigura od pada korišćenjem dva sigurnosna lanca sa kojim je rerna isporučena. Zakačite kuku (1) pomoću odgovarajućeg eksera na kuhinjski zid (6) i učvrstite sigurnosni lanac (3) na kuku preko mehanizma blokiranja (2).

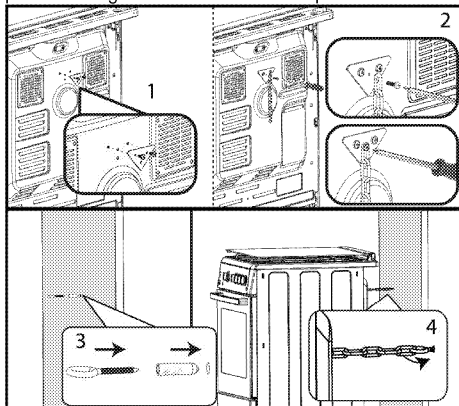


- Kuka za stabilizaciju
- Mehanizam blokiranja
- Sigurnosni lanac
- Učvrstite lanac na zadnjoj strani šporeta
- Zadnja strana šporeta
- Kuhinjski zid

**Ako vaš proizvod ima 1 sigurnosni lanac;**

Uređaj mora da se osigura od pada korišćenjem jednog sigurnosnog lanca koji je ispušten sa remnom.

Pratite korake navedene na slici u nastavku da pričvrstite sigurnosni lanac na svom proizvodu.



**i** Stabilizacioni lanac treba da bude što je moguće kraći da bi se sprečilo da se rena naginje prema napred i treba da stoji dijagonalno da bi se sprečilo bočno naginjanje rene.

Stabilizacioni lanac za šporete nije dizajniran sa mestom za pričvršćivanje konzole.

## Instalacija i povezivanje

Uređaj se može instalirati i povezati samo u skladu sa propisanim pravilima za instalaciju.

**i** Ne instalirajte proizvod pored frižidera ili zamrzivača. Toplota koju emituje proizvod može da prouzrokuje povećanu potrošnju energije rashladnih aparata.

- Uređaj moraju da nose najmanje dve osobe.
- Uređaj mora pravilno da se osigura na pod. Ne sme da se postavlja na postolje ili podnožje.

**i** Ne koristite vrata i/ili ručicu za nošenje ili pomeranje ovog proizvoda. Vrata, ručica za ili šarke se mogu oštetiti.

## Električno povezivanje

Povežite proizvod sa uzemljenom utičnicom koja je zaštićena minijaturnim prekidačem odgovarajućeg kapaciteta kao što je navedeno u tabeli „Tehničke specifikacije“. Angažujte kvalifikovanog električara da obavi povezivanje sa uzemljenom instalacijom dok koristite proizvod sa ili bez transformatora. Naša kompanija nije odgovorna ni za kakvu štetu koja će prosteći zbog korišćenja proizvoda bez uzemljene instalacije u skladu sa lokalnim propisima.



### OPASNOST:

Na gasnu mrežu proizvod sme da priključi samo ovlašćeno kvalifikovano lice. Garandni rok za proizvod počinje samo nakon pravilne instalacije. Proizvođač neće biti odgovoran za štete koje nastanu zbog postupaka koje su obavile neovlašćene osobe.



### OPASNOST:

Električni kabl za napajanje ne sme da se priklešti, savije ili prignječi ili da dođe u dodir sa vrućim delovima proizvoda. Oštećeni kabl za napajanje mora da zameni kvalifikovani električar. U suprotnom, postoji opasnost od električnog udara, kratkog spoja ili požara!

Podaci o mrežnom napajanju moraju da odgovaraju podacima koji su navedeni na tipskoj pločici proizvoda. Tipska pločica se vidi kada se otvore vrata ili donji poklopac ili se nalazi na zadnjoj strani uređaja, što zavisi od tipa uređaja.

Kabl za napajanje vašeg proizvoda mora da bude u skladu sa vrednostima u tabeli „Tehničke specifikacije“.



### OPASNOST:

Pre radova na električnoj instalaciji isključite proizvod iz struje. Postoji opasnost od električnog udara!

## Povezivanje kabla za napajanje



Tokom povezivanja žica morate da poštujete nacionalne/lokalne propise o struji i morate da koristite odgovarajuću utičnicu i utikač za renu. U slučaju da ograničenja napajanja uređaja premašuju nominalne vrednosti struje za utikač i utičnicu, proizvod mora da se poveže preko fiksne električne instalacije direktno bez korišćenja utikača i utičnice.

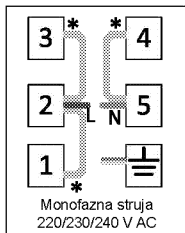
1. **Ako kabl za napajanje nije isporučen sa proizvodom**, kabl za napajanje koji ćete vi izabrati iz tabele (Tehničke specifikacije, strana 17) u skladu sa električnim instalacijama u vašem domu, mora biti povezan na proizvod na osnovu šeme. Ukoliko nije moguće isključiti napajanje preko svih izvoda (polova), rastavni uređaj sa najmanje 3 mm zazora kontakta (osigurači, fazni sigurnosni prekidači, kontaktori) moraju da se povežu, a svi polovi ovog rastavnog uređaja moraju da budu u blizini proizvoda (ne iznad) u skladu sa IEE smernicama. Nepridržavanje ovog uputstva može da dovede do problema u radu i poništavanja garancije za proizvod.



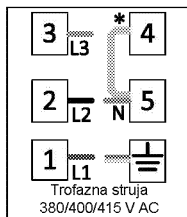
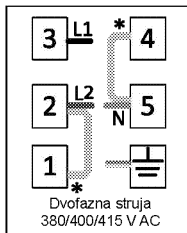


Preporučuje se dodatna zaštita putem FID sklopke za zaštitu od struje greške.

- Otvorite poklopac priključne kutije pomoću odvijača.
- Provucite napojni kabl kroz kablovsku stezaljku ispod terminala i učvrstite ga na glavno telo zavrtnjem pomoću zatezača kabla.
- Povežite kablove u skladu sa datom šemom veze.



\* Bakarni most



- Nakon povezivanja žica, zatvorite poklopac priključne kutije.
- Postavite kabl za napajanje tako da nema kontakt sa proizvodom i ne bude priklješten između proizvoda i zida.



Kabl za napajanje ne sme biti duži od 2 m iz sigurnosnih razloga.

- Gurnite uređaj prema kuhinjskom zidu.
- Podešavanje nožica rene**  
Vibracije tokom upotrebe mogu izazvati pomeranje posuda. Ova opasna situacija se može izbeći ako je uređaj nivelisan i stabilan. Radi vaše bezbednosti, proverite da li je uređaj nivelisan podešavanjem četiri nožica na dnu okretanjem na levo ili desno da biste ujednačili nivo sa radnom površinom.

### Finalna provera

- Ponovo priključite uređaj na napajanje.
- Proverite sve električne funkcije.

### Odlaganje dotrajalog proizvoda u otpad

- Sačuvajte originalnu ambalažnu kutiju ovog proizvoda i transportujte proizvod u njoj. Pratite uputstva na kutiji. Ako nemate originalnu ambalažnu kutiju, proizvod upakujte u foliju za pakovanje sa vazдушnim mehurićima ili deblji karton i dobro zalepite.
- Da biste sprečili da rešetka za roštilj i pleh u reni oštete vrata rene, postavite komad kartona na unutrašnju stranu vrata rene prema položaju plehova. Vrata rene zalepite trakom za bočne stranice.
- Ne koristite vrata ili ručicu za podizanje ili pomeranje ovog proizvoda.



Ne stavljajte nikakve predmete na proizvod i premeštajte ga u uspravnom položaju.



Proverite opšti izgled svog proizvoda da biste pronašli eventualna oštećenja koja su mogla nastati za vreme transporta.

## 4 Pripreme

### Saveti za uštedu energije

Sledeće informacije će vam pomoći da vaš uređaj koristite na ekološki način i štedite energiju:

- U rerni koristite emaljirane poklopce ili poklopce tamne boje jer će prenos toplote biti bolji.
- Dok kuvate jela, obavite predzagrevanje ako se to savetuje u korisničkom uputstvu ili receptu.
- U toku pečenja ne otvarajte često vrata rerne.
- Kad god je moguće, kuvajte više jela u rerni istovremeno. Možete da kuvate dva jela u dve šerpe koje se mogu staviti na žičanu rešetku za roštilj.
- Kuvajte više jela jedno za drugim. Jer će rerna već biti zagrejana.
- Možete da uštedite energiju tako što ćete električnu rernu isključiti nekoliko minuta pre kraja vremena kuvanja. Ne otvarajte vrata rerne.
- Odmrzните smrznuta jela pre pečenja.
- Za kuvanje koristite šerpe i tiganje sa poklopcem. Ako se ne stavi poklopac, potrošnja energije može biti 4 puta veća.
- Izaberite gorionik koji odgovara veličini dna šerpe koja će biti korišćena. Uvek birajte pravilnu veličinu šerpe za svoje jelo. Veće šerpe zahtevaju više energije.
- Koristite šerpe sa ravnim dnom kada kuvate na električnim ringlama. Šerpe sa debelim dnom obezbeđuju bolju toplotnu provodnost. Možete da uštedite do 1/3 energije.
- Posude i šerpe moraju da odgovaraju ringlama. Dno posuda ili šerpe ne sme biti manje od ringle.
- Održavajte čistoću ringli i dna šerpi. Nečistoće će smanjiti provođenje toplote između ringle i dna šerpe.
- U slučaju dužeg kuvanja, isključite ringlu 5 ili 10 minuta pre završetka vremena kuvanja. Možete da uštedite do 20% energije korišćenjem preostale toplote.

### Prva upotreba

#### Prvo čišćenje proizvoda



Priilikom upotrebe nekih deterdženata ili sredstava za čišćenje mogla bi da se ošteti površina.

Ne koristite agresivne deterdžente, praškove/tečnosti za čišćenje ili oštre predmete tokom čišćenja.

1. Uklonite sve ambalažne materijale.

2. Obrišite površine proizvoda vlažnom krpom ili sunderom i osušite ga krpom.

#### Prvo zagrevanje

Uključite proizvod da bi se zagrejao i ostavite ga tako oko 30 minuta, a zatim ga isključite. Tako će da sagore bilo kakvi ostaci ili slojevi iz proizvodnje.



#### UPOZORENJE

Vruće površine mogu da prouzrokuju opekotine!

Uređaj može da bude vruć za vreme upotrebe. Nikada ne dodirujte vruće gorionike, unutrašnje delove rerne, grejače itd. Udaljite decu.

Uvek koristite termootporne rukavice za rernu kada posude stavljate ili vadite iz vruće rerne.

#### Električna rerna

1. Izvadite sve plehove za pečenje i žičanu rešetku roštilja iz rerne.
2. Zatvorite vrata rerne.
3. Izaberite statičan položaj.
4. Izaberite najveću jačinu za roštilj; pogledajte *Kako koristiti električnu rernu, strana 17*.
5. Uključite na oko 30 minuta.
6. Isključite rernu; pogledajte *Kako koristiti električnu rernu, strana 17*

#### Rerna za roštilj

1. Izvadite sve plehove za pečenje i žičanu rešetku roštilja iz rerne.
2. Zatvorite vrata rerne.
3. Izaberite najveću jačinu za roštilj; pogledajte *Kako rukovati roštiljem, strana 20*.
4. Uključite na oko 30 minuta.
5. Isključite roštilj; pogledajte *Kako rukovati roštiljem, strana 20*

#### Ringla

1. Pre prve upotrebe moraju da se sagore svi ostaci iz proizvodnje ili zaštitni slojevi. Uključite ringlu na srednju temperaturu oko 8 minuta bez stavljanja posude na nju. Nijedna šerpa ili posuda ne treba da se stavlja na ringlu tokom ove procedure.



Tokom prvog uključivanja se par sati može javiti dim i osetiti neobičan miris. To je potpuno normalno. Pobrinite se da soba ima dobru ventilaciju radi uklanjanja dima i neobičnog mirisa. Izbegavajte direktno udisanje dima i mirisa koji se osećaju.

## 5 Kako koristiti ploču za kuvanje

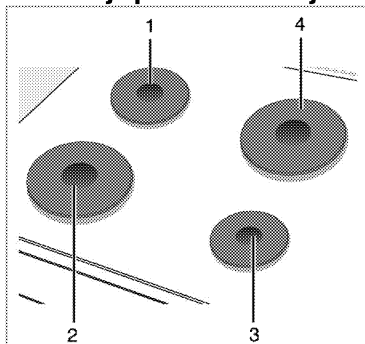
### Opšte informacije o kuvanju



Nikad punite posudu uljem više od jedne trećine. Ne ostavljajte ploču za kuvanje bez nadzora kada zagrevate ulje. Pregrejano ulje predstavlja opasnost od požara. **Nikada ne pokušavajte da eventualnu vatru gasite vodom!** Ako se ulje zapali, pokrijte ga protivpožarnim čebetom ili vlažnom krpom. Isključite ploču za kuvanje, ako se to može bezbedno uraditi i pozovite vatrogasce.

- Pre prženja hrane, uvek je dobro osušite i pažljivo spustite u vrelo ulje. Postarajte se da namirnice budu potpuno odmrznute pre prženja.
- Ne poklapajte posudu koju koristite kada zagrevate ulje.
- Postavite lonce i šerpe na način da njihove ručice ne budu iznad ploče za kuvanje kako biste sprečili njihovo zagrevanje. Ne stavljajte na ploču za kuvanje nestabilne posude ili one koje se mogu lako prevrnuti.
- Ne stavljajte prazne posude i šerpe na zone za kuvanje koje su uključene. Mogu da se oštete.
- Rad zone za kuvanje bez posude ili šerpe na njoj izazvaće oštećenje uređaja. Isključite zone za kuvanje nakon što je kuvanje završeno.
- Kako površina uređaja može biti vruća, ne stavljajte na nju plastične ili aluminijumske posude. Takve posude ne bi trebalo koristiti ni za držanje hrane.
- Koristite samo šerpe ili posude sa ravnim dnom.
- U šerpe i lonce stavljajte odgovarajuću količinu hrane. Tako ćete sprečiti nepotrebno čišćenje zbog prelivanja. Ne stavljajte poklopce za šerpe i lonce na zone za kuvanje. Postavite šerpe na način da budu u centru zone za kuvanje. Kada želite da premestite šerpu na drugu zonu za kuvanje, podignite je i stavite na zonu za kuvanje koju želite umesto da je povlačite po površini.

### Korišćenje ploča za kuvanje



- 1 Ringla 14-16 cm
- 2 Ringla 18-20 cm
- 3 Ringla 14-16 cm
- 4 Ringla 18-20 cm je lista preporučenih prečnika šerpi koje mogu da se koriste na odgovarajućim ringlama.

#### Upotreba ringli

Dugmad za ploču za kuvanje mogu se okretati u oba smjera na način koji omogućava kontrolu temperature u koracima.



Ako je ploča za kuvanje opremljena funkcijom pojačavača, odgovarajuća ringla biće označena crvenom tačkom.

#### Zaštita od pregrejavanja

Ringle koje imaju snagu veću od 1000 W opremljene su zaštitom od pregrejavanja. Zaštita od pregrejavanja smanjuje snagu ringle u sledećim slučajevima:

- Na ringli nema posude ili šerpe.
- Na ringli je prazna posuda ili šerpa.
- Dno posude ili šerpe nije ravno.

#### Uključivanje ringli

Koristite dugmad za ringle za rad ringli. Pomerajte dugmad za ringle do odgovarajuće jačine da biste postigli željenu jačinu kuvanja.

Jačina kuvanja	1	2 — 3	4 — 6
	zagrevanje	dinstanje, ključanje	kuvanje, prženje, kuvanje

#### Isključivanje ringli

Okrenite dugme za ringlu u položaj "ISKLJUČENO" (gore).

## 6 Kako rukovati rernom

### Opšte informacije o pečenju, pečenju mesa i pečenju na roštilju



#### UPOZORENJE

Vruće površine mogu da prouzrokuju opekotine!

Uređaj može da bude vruć za vreme upotrebe. Nikada ne dodirujte vruće gorionike, unutrašnje delove rerne, grejače itd. Udaljite decu.

Uvek koristite termootporne rukavice za rernu kada posude stavljate ili vadite iz vruće rerne.



#### OPASNOST:

Vodite računa kada otvarate vrata rerne, jer može da izađe para.

Para koja izlazi može da opeče vaše ruke, lice i/ili oči.

### Saveti za pečenje

- Koristite odgovarajuće metalne tepsije ili aluminijumske posude ili termootporne silikonske kalupe.
- Prostor na polici iskoristite što je moguće bolje.
- Stavite kalup za pečenje na sredinu police.
- Izaberite pravilan položaj police pre nego što uključite rernu ili roštilj. Ne menjajte položaj police dok je rerna vruća.
- Vrata rerne držite zatvorena.

### Saveti za pečenje mesa

- Prelivanje celog pileta, ćurke i velikih komada mesa sa prelivima kao što su sok od limuna i crni biber pre kuvanja će povećati efikasnost kuvanja.
- Pečenje mesa sa kostima traje 15 do 30 minuta duže u poređenju sa pečenjem iste količine mesa bez kostiju.
- Svaki centimetar debljine mesa zahteva približno 4 do 5 minuta kuvanja.
- Pustite da meso ostane u rerni oko 10 minuta po završetku vremena kuvanja (cooking time). Sokovi se bolje raspodeljuju po celom pečenju i ne ističu kada se meso seče.
- Riba se može staviti na srednju ili donju policu u termootpornu posudu.

### Saveti za pečenje na roštilju

Ako se meso, riba i piletina peku na roštilju, oni brzo dobijaju braonkastu boju, imaju lepu koricu i ne suše se. Ravni komadi, ražnjici i kobasice su naročito pogodni za pečenje na roštilju, kao i povrće sa visokim sadržajem vode kao što su paradajz i crni luk.

- Rasporedite komade koje treba peći na žičanoj rešetki roštilja ili u plehu za pečenje sa rešetkom za roštilj tako da oni ne prelaze veličinu grejača.
- Namestite rešetku za roštilj ili pleh za pečenje sa rešetkom za roštilj na odgovarajući nivo u rerni. Ako pečete na rešetki za roštilj, namestite pleh za pečenje na donju policu radi sakupljanja masnoće. U pleh za pečenje dodajte malo vode radi lakšeg čišćenja.

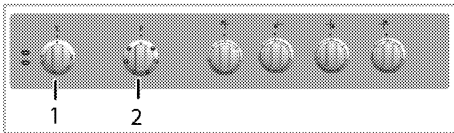


Hrana koja nije podesna za pečenje na roštilju može da prouzrokuje požar. Za pečenje na roštilju koristite samo hranu koja je prikladna za intenzivnu toplotu roštilja.

Ne stavljajte hranu u zadnji deo rešetke za roštilj. To je najtoplija oblast, pa bi masna hrana mogla da se upali.

## Kako koristiti električnu rernu

### Izbor temperature i način rada



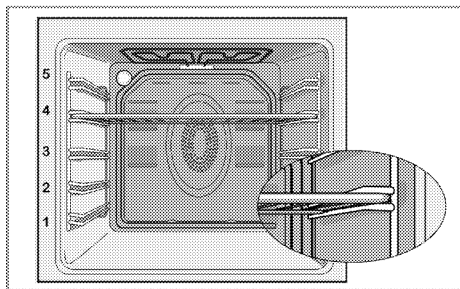
- 1 Obrtno dugme termostata
  - 2 Obrtno dugme za izbor funkcije
1. Podesite dugme za temperaturu na željenu temperaturu.
  2. Podesite dugme za izbor funkcije na željeni režim rada.

» Rerna se zagreva na podešenu temperaturu i održava je. Za vreme zagrevanja, kontrolna lamica za temperaturu je uključena.

### Isključivanje električne rerne

Okrenite dugme za izbor funkcije i dugme termostata u položaj „isključeno“ (gore).

Važno je da se rešetka za roštilj pravilno postavi na žičanu policu. Rešetka za roštilj mora biti ubačena između žičanih policica kao što je prikazano na slici. Ne dozvolite da se rešetka za roštilj oslanja na zadnji zid rerne. Namestite rešetku za roštilj na prednji deo police i uglavite je uz pomoć vrata kako bi se postigla veća efikasnost pečenja na roštilju. (Razlikuje se u zavisnosti od modela uređaja.)



## Režimi rada

Redosled radnih režima je prikazan tamo gde bi mogao da odstupa od konfiguracije vašeg proizvoda.

### Gornji i donji grejač



Gornji i donji grejač su uključeni. Jelo se istovremeno zagreva i od vrha i od dna. Na primer, pogodno je za torte, peciva, ili kolače i musaku u kalupima za pečenje. Kuvajte samo sa jednim plehom.

### Donji grejač



Uključen je samo donji grejač. Pogodan je za picu i da naknadno zapečete jelo odozdo.

Ova funkcija se mora koristiti i za lako čišćenje parom.



### Donji/gornji grejač sa ventilatorom



Gornji grejač, donji grejač i ventilator (u zadnjem zidu) su uključeni. Pomoću ventilatora se vruć vazduh ravnomerno i brzo distribuira po celoj rerni. Kuvajte samo sa jednim plehom.

### Full grill (Veliki roštilj)



Uključen je veliki roštilj ispod gornjeg dela rerne. To je pogodno za pečenje velikog komada mesa na roštilju.

- Da biste ispekli roštilj, stavite velike ili srednje porcije na odgovarajuću policu ispod grejača za roštilj.
- Podesite temperaturu na maksimalni nivo.
- Okrenite hranu nakon polovine vremena pečenja roštilja.

### Grill+Fan (Roštilj+Ventilator)



Efekat roštilja nije tako jak kao za Full Grill (Veliki roštilj)

- Da biste ispekli roštilj, stavite male ili srednje porcije na odgovarajuću policu ispod grejača za roštilj.
- Podesite željenu temperaturu.
- Okrenite hranu nakon polovine vremena pečenja roštilja.

### Pojačavač



Ova funkcija se koristi za brzo zagrevanje rerne; nije pogodna za kuvanje jela.

- Izaberite željenu temperaturu nakon izbora ove funkcije. Lampica temperature se pali i rema se zagreva.
- Lampica se gasi nakon završetka procesa zagrevanja. Sada izaberite željenu funkciju za kuvanje jela.

## Tabela vremena kuvanja



Vremena navedena u tabeli su orijentaciona. Ona mogu da budu različita u zavisnosti od vrste hrane, debljine, tipa i vašeg načina kuvanja.

## Pečenje jela i pečenje mesa



Prva policica rerne je donja policica.

Jelo	Broj jašine kuvanja		Položaj policice	Temperatura (°C)	Vreme kuvanja (približ. u min.)
**Kolači u plehu	Jedan nivo		4	175	30 ... 35
**Kolač u kalupu	Jedan nivo		2	175	40 ... 50
**Kolač u papiru	Jedan nivo		3	175	20 ... 30
**Koh	Jedan nivo		3	200	5 ... 10
**Kolač	Jedan nivo		3	175	20 ... 25
**Pecivo od kvasnog testa	Jedan nivo		2	200	30 ... 40
**Obogaćena peciva	Jedan nivo		2	200	25 ... 35
**Kvasac	Jedan nivo		2	200	35 ... 45
**Lazanje	Jedan nivo		2 - 3	200	30 ... 40
**Pica	Jedan nivo		2	200 ... 220	15 ... 20
Govede šnicte (cele) / Pečene	Jedan nivo		3	25 min. 250/maks., zatim 180 ... 190	100 ... 120
Jagnjeći but (musaka)	Jedan nivo		3	25 min. 220 zatim 180 ... 190	70 ... 90
Pečeno pile	Jedan nivo		2	15 min. 250/maks., zatim 190 ...	65 ... 70
Čurka (5,5 kg)	Jedan nivo		2	25 min. 250/maks., zatim 190 ...	150 ... 210
Riba	Jedan nivo		3	200	20 ... 30

(\*\*) Za svrhe kuvanja koje zahteva prethodno zagrevanje, prethodno zagrejte rernu na početku procesa dok ne dostigne zadatu temperaturu.

### Saveti za pečenje kolača

- Ako je kolač previše suv, povećajte temperaturu za nekih 10 i skratite vreme pečenja.
- Ako je kolač vlažan, koristite manje tečnosti ili smanjite temperaturu za 10°C.
- Ako je kolač previše taman na površini, stavite ga na donju policu, smanjite temperaturu i produžite vreme pečenja.
- Ako je dobro ispečen iznutra ali je lepljiv spolja koristite manje tečnosti, smanjite temperaturu i produžite vreme pečenja.

### Saveti za pečenje testenine

- Ako je testenina previše suva, povećajte temperaturu za nekih 10 i skratite vreme pečenja. Naprskajte slojeve testa sosom od mleka, ulja, jaja i jogurta.
- Ako je testenini potrebno puno vremena da se ispeče, povedite računa da debljina testenine koju ste pripremili ne premašuje dubinu pleha.
- Ako gornji sloj testenine dobije braon boju, ali donji deo nije ispečen, postarajte se da se prevelika količina sosa koji ste upotreбили za testeninu ne nalazi na dnu testenine. Pokušajte da sos ravnomerno raspodelite na sve slojeve

testa i na površinski sloj radi podjednagog pečenja.



Testeninu pecite u skladu sa režimom i temperaturom, koji su navedeni u tablici kuvanja. Ako donji deo još uvek nije dovoljno ispečen, sledeći put pleh postavite za jedan nivo niže.

### Saveti za kuvanje povrća

- Ako jelo sa povrćem izgubi tečnost i postane previše suvo, kuvajte ga u šerpi sa poklopcem radije nego u plehu. Zatvorene posude će zadržati sokove jela.
- Ako se jelo od povrća ne skuva, obarite povrće pre samog kuvanja ili ga pripremite kao konzerviranu hranu i stavite u rernu.

## Kako rukovati roštiljem



### UPOZORENJE

Zatvorite vrata rerne za vreme pečenja na roštilju.

Vruće površine mogu da prouzrokuju opekotine!

### Switching on the grill (Paljenje roštilja)

1. Okrenite dugme za izbor funkcija na željeni simbol roštilja.
  2. Zatim izaberite željenu temperaturu roštilja.
  3. Ako je potrebno, izvršite predzagrevanje oko 5 minuta.
- » Lampica temperature se pali.

## Gašenje roštilja

1. Okrenite dugme za izbor funkcije u položaj "isključeno" (gore).



Hrana koja nije podesna za pečenje na roštilju može da prouzrokuje požar. Za pečenje na roštilju koristite samo hranu koja je prikladna za intenzivnu toplotu roštilja.

Ne stavljajte hranu u zadnji deo rešetke za roštilj. To je najtoplija oblast, pa bi masna hrana mogla da se upali.

## Tabela vremena kuvanja za pečenje roštilja

### Pečenje na električnom roštilju

Hrana	Položaj police	Preporučena temperatura (°C)**	Vreme pečenja na roštilju (približno)
Riba	4..5	250/max	20...25 min. #
Pileći fileti	4..5	250/max	25...35 min.
Jagnjeći kotlet	4..5	250/max	20...25 min.
Goveđe kremenadle	4...5	250/max	25...30 min. #
Teleće kremenadle	4..5	250/max	25...30 min. #
Tost-hleb *	4	250/max	1...3 min.

# zavisno od debljine  
\*Prethodno zagrevajte 5 minuta  
\*\*Ako temperatura roštilja na vašem proizvodu ne može da se podesi, roštilj će raditi na maksimalnoj temperaturi.

## 7 Održavanje i nega

### Opšte informacije

Servisni vek trajanja ovog proizvoda će se produžiti i učestali problemi će se smanjiti ako se uređaj redovno čisti.



#### OPASNOST:

Isključite proizvod iz struje pre nego što započnete radove održavanja i čišćenje. Postoji opasnost od električnog udara!



#### OPASNOST:

Pre čišćenja sačekajte da se proizvod ohladi. Vruće površine mogu da prouzrokuju opekotine!

- Temeljno očistite uređaj posle svake upotrebe. Na taj način će biti moguće lakše ukloniti ostatke od kuvanja i izbeći njihovo obgorevanje pri sledećoj upotrebi uređaja.
- Za čišćenje nisu potrebna specijalna sredstva za čišćenje. Koristite toplu vodu i tečnost za pranje, meku tkaninu ili sunder za čišćenje uređaja i obrišite ga suvom tkaninom.
- Uvek se pobrinite da višak tečnosti nakon čišćenja bude temeljno obrisani i prosipana tečnost odmah uklonjena brisanjem.
- Nemojte koristiti sredstva za čišćenje koja sadrže kiselinu ili hlorid za čišćenje nerđajućih ili inox površina i ručice. Koristite mekanu tkaninu sa tečnim deterdžentom (ne abrazivnim) za brisanje tih delova, vodeći računa da brišete u jednom smeru.
- **(Ova funkcija je opcionalna. Možda neće postojati kod vašeg proizvoda.)**

Ne koristite tvrde metalne strugače ili abrazivna sredstva za čišćenje staklenog poklopca. Staklena površina se može oštetiti.



Prilikom upotrebe nekih deterdženata ili sredstava za čišćenje mogla bi da se ošteti površina.

Ne koristite agresivne deterdžente, praškove/tečnosti za čišćenje ili oštre predmete tokom čišćenja.



Ne koristite paročištače za čišćenje uređaja da ne biste izazvali električni udar.

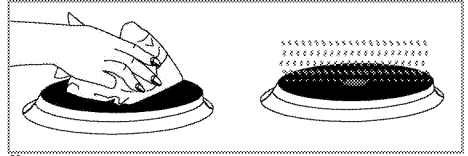
### Očistite ploču za kuvanje.

#### Električne ploče za kuvanje

1. Isključite ringle i sačekajte da se ohlade.
2. Ako je potrebno, očistite ringle sredstvom za čišćenje (možete nabaviti sredstva za

čišćenje/omekšavanje u specijalizovanim prodavnicama).

3. Zagrejte ih nekoliko minuta nakon čišćenja kako bi se njihova površina osušila.
4. Redovno nanosite tanak sloj mašinskog ulja na gornju površinu ploče za kuvanje kako biste je zaštitili.



### Čišćenje komandne table

Komandnu tablu i obrtnu dugmad očistite vlažnom krpom i osušite brisanjem.



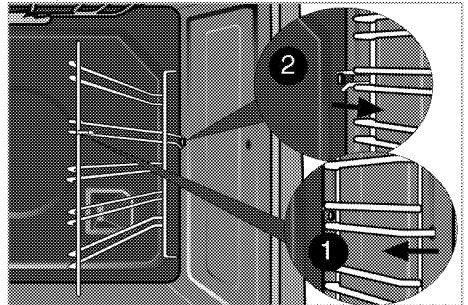
Ako je vaš proizvod opremljen tasterima/dugmad, ne uklanjajte kontrolnu dugmad radi čišćenja komandne table. Komandna tabla može da se ošteti!

### Čišćenje rerne

#### Za čišćenje bočnog zida

**(Ova funkcija je opcionalna. Možda neće postojati kod vašeg proizvoda.)**

1. Uklonite prednji deo bočne police tako što ćete ga povući od bočnog zida.
2. Uklonite potpuno bočnu policu povlačeći je prema sebi.

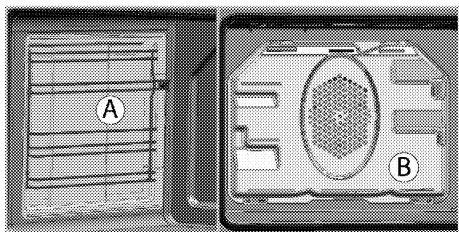


#### Katalitički zidovi

**(Ova funkcija je opcionalna. Možda neće postojati kod vašeg proizvoda.)**

Unutrašnji bočni zidovi (A) i/ili zadnji zid (B) vašeg proizvoda mogu biti obloženi katalitičkim emajlom. Katalitički zidovi imaju svetlu mat boju i poroznu površinu. Katalitičke zidove rerne ne treba čistiti. Porozne površine katalitičkih zidova se automatski čiste upijanjem i konverzijom prolinenog ulja (para i ugljen-dioksid).

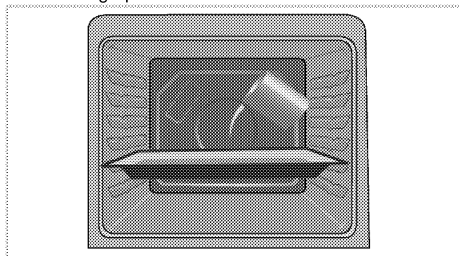




### Lako čišćenje parom

Omogućava lako čišćenje zato što je prljavština (koja nije mnogo stara) omekšana parom koja se stvara u unutrašnjosti rerne i kapima vode kondenzovanim na unutrašnjim površinama rerne.

1. Uklonite sav pribor i dodatne delove iz unutrašnjosti rerne.
2. Sipajte 500 ml vode u pleh rerne i postavite pleh na drugu policu rerne.



3. Podesite rernu da radi 25 minuta u režimu lako čišćenje parom na 100°C.
4. Otvorite vrata i obrišite unutrašnje površine rerne pomoću vlažnog sundera ili krpe.
5. Koristite toplu vodu i tečnost za pranje, meku tkaninu ili sunder za čišćenje uporne prljavštine i obrišite suvom tkaninom.

### Čišćenje vrata rerne

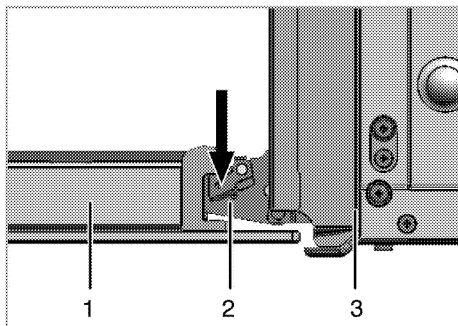
Za čišćenje vrata rerne, koristite toplu vodu i tečnost za pranje, meku tkaninu ili sunder za čišćenje uređaja i obrišite ga suvom tkaninom.



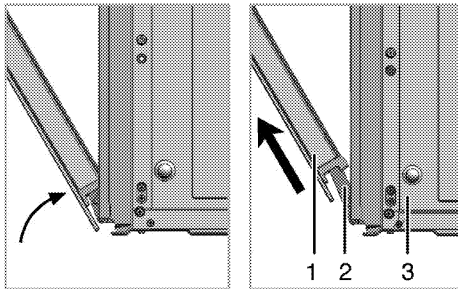
Ne koristite oštra sredstva za čišćenje ili tvrde metalne strugače za čišćenje vrata rerne. Oni mogu da izgriju površinu i unište staklo.

### Skidanje vrata rerne

1. Otvorite prednja vrata (1).
2. Otvorite stezaljke na kućištu šarke (2) sa desne i leve strane prednjih vrata tako što ćete ih pritisnuti nadole, kao što je ilustrovano na slici.



- 1 Prednja vrata
- 2 Šarka
- 3 Rerna



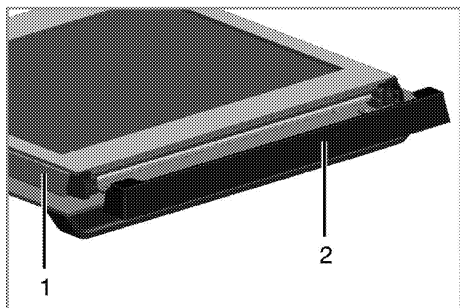
3. Prednja vrata pomerite do pola.
4. Skinite prednja vrata tako što ćete ih povući prema napred kako bi se oslobodila iz leve i desne šarke.



Korake načinjene prilikom procesa skidanja treba ponoviti obrnutim redosledom da bi se instalirala vrata. Ne zaboravite da zatvorite stezaljke na kućištu šarke kada ponovo nameštate vrata.

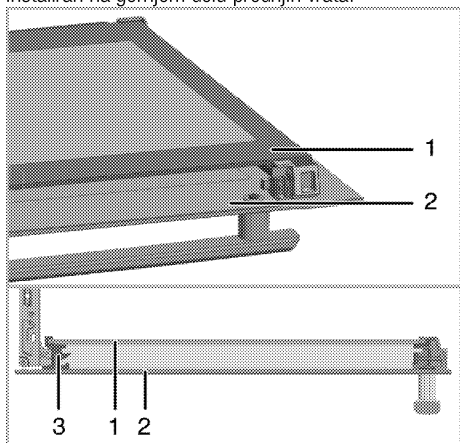
### Skidanje unutrašnjeg stakla na vratima (Ova funkcija je opciona. Možda neće postojati kod vašeg proizvoda.)

Unutrašnja staklena ploča u vratima rerne može da se izvadi radi čišćenja. Otvorite vrata rerne.



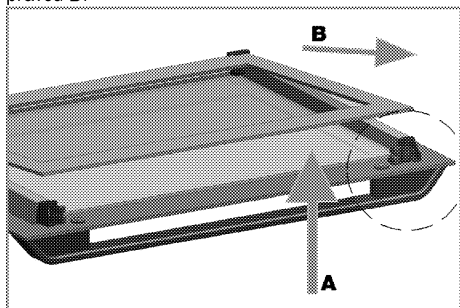
- 1 Okvir  
2 Plastičan deo

Povucite prema sebi i skinite plastični deo koji je instaliran na gornjem delu prednjih vrata.



- 1 Unutrašnja staklena ploča  
2 Spoljna staklena ploča  
3 Plastični žleb za staklenu ploču-donji

Kao što je prikazano na slici, lagano podignite najdublju staklenu ploču (1) u pravcu **A** i izvucite je u pravcu **B**.



Prilikom instaliranja unutrašnje staklene ploče (1), uverite se da je štampana strana ploče okrenuta prema unutrašnjosti.

Važno je da uglavite donji ugao unutrašnje staklene ploče u donji plastični žleb.  
Gurajte plastični deo prema okviru dok ne čujete "klik".

## Zamena sijalice u rerni



### OPASNOST:

Pre zamene sijalice u rerni uverite se da je proizvod isključen iz struje i ohlađen radi izbegavanja opasnosti od električnog udara. Vruće površine mogu da prouzrokuju opekotine!



Sijalica u rerni je specijalna električna sijalica koja je otporna na temperature do 300 °C. Pogledajte *Tehničke specifikacije, strana 11* za više detalja. Sijalice za rernu možete nabaviti kod ovlašćenih serviseru.



Položaj sijalice može da se razlikuje od položaja na slici.



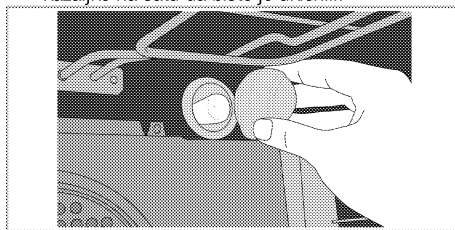
Lampa koja se koristi u ovom uređaju nije prikladna za osvetljavanje prostorije u domaćinstvu. Namena ove lampe je da pomogne korisniku da vidi hranu.



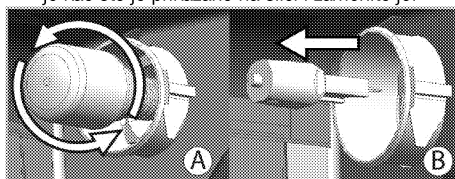
Lampe u ovom uređaju moraju da izdržavaju ekstremne fizičke uslove, kao što su temperature preko 50 °C.

### Ako vaša rerna ima okruglu sijalicu:

1. Isključite proizvod iz struje.
2. Stakleni poklopac okrećite suprotno smeru kazaljke na satu da biste je uklonili.



3. Ako je tip lampe u vašoj rerni tip (A) kao što je prikazano na slici u nastavku, uklonite je tako što ćete je rotirati kao što je prikazano i zamenite je. Ako je u pitanju tip lampe (B), povucite je i uklonite je kao što je prikazano na slici i zamenite je.



4. Namestite stakleni poklopac.

## 8 Otklanjanje kvarova

### **Rerna može da ispušta paru za vreme upotrebe.**

- Normalno je da se u toku rada javlja para. >>> *To nije kvar.*

### **Proizvod emituje metalni zvuk (buka) tokom grejanja i hlađenja.**

- Kada se zagrevaju metalni delovi, može doći do njihovog širenja i izvešnog šuma. >>> *To nije kvar.*

### **Proizvod ne radi.**

- Osigurač napajanja je pregoreo ili je reagovao. >>> *Proverite osigurače u kutiji sa osiguračima. Ako je potrebno, zamenite ih ili ih resetujte.*
- Proizvod nije priključen na (uzemljenu) utičnicu. >>> *Proverite utikač.*

### **Sijalica u rerni ne radi.**

- Sijalica u rerni je u kvaru. >>> *Zamenite sijalicu u rerni.*
- Nema struje. >>> *Proverite da li ima struje. Proverite osigurače u kutiji sa osiguračima. Ako je potrebno, zamenite ih ili ih resetujte.*

### **Rerna ne greje.**

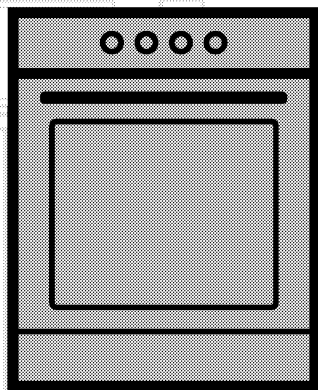
- Funkcija i/ili temperatura nisu podešeni. >>> *Podesite funkciju i temperaturu pomoću obrtnog dugmeta/tastera za izbor funkcije i/ili temperature.*
- Nema struje. >>> *Proverite da li ima struje. Proverite osigurače u kutiji sa osiguračima. Ako je potrebno, zamenite ih ili ih resetujte.*



Posavetujte se sa ovlašćenim serviserom ili distributerom na mestu kupovine proizvoda ukoliko ne možete da rešite problem i pored primene navedenih uputstava. Nikad ne pokušavajte sami da popravite neispravan proizvod.

# Рерна

Упатство за корисникот



МК

**beko**

## Прочитајте го ова упатство прво!

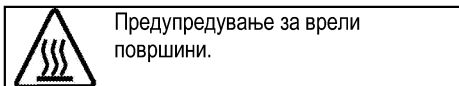
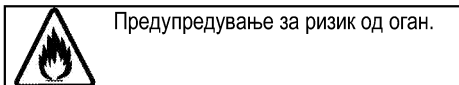
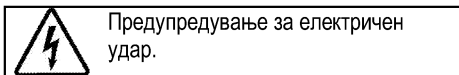
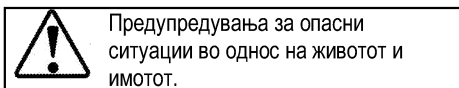
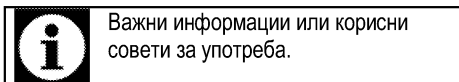
Почитуван потрошувачу,

Ви благодариме што избравте производ на Веко. Се надеваме дека производот ќе ви служи најдобро за намената за која е произведен со висок квалитет и со врвна технологија. Затоа, внимателно прочитајте ги целото упатство за корисникот и сите други придружни документи пред да го користите производот и зачувајте го за идни осврти. Ако го давате производот на некој друг, дајте му го и упатството за употреба. Следете ги сите предупредувања и информации во ова упатство за корисникот.

Запомнете дека ова упатство може да е исто и за неколку други модели. Разликите меѓу моделите ќе бидат посочени во упатството.

### Објаснување на симболите

Следните симболи се употребени во ова упатство за употреба:



**Arçelik A.Ş.**  
Karaağaç caddesi No:2-6  
34445 Sütlüce/Istanbul/TURKEY  
Made in TURKEY

## **1 Важни упатства и предупредувања за безбедноста и за животната средина** **4**

Општа безбедност .....	4
Електрична безбедност.....	5
Безбедност на производот.....	6
Наменета употреба.....	8
Безбедност за децата .....	9
Фрлање на стариот производ .....	9
Фрлање на материјалот за пакување .....	9

## **2 Општи информации** **10**

Преглед .....	10
Содржина на пакувањето.....	11
Технички спецификации.....	12

## **3 Инсталација** **13**

Пред поставување .....	13
Поставување и поврзување .....	14
Фрлање на стариот производ .....	16

## **4 Подготовка** **17**

Совети за штедење енергија .....	17
Првична употреба .....	17
Прво чистење на производот.....	17
Воведно загревање.....	17

## **5 Како Се Користи Плочата** **19**

Општи информации за готвењето.....	19
Употреба на плочата .....	19

## **6 Како се ракува со рерната** **21**

Општи информации за печење, динстање и печење на грилот. ....	21
Како се работи со електричната рерна .....	21
Работни режими .....	22
Табела со времиња за готвење.....	23
Како се работи со грилот.....	24
Табела со времиња на готвење за грил.....	24

## **7 Одржување и грижа** **25**

Општи информации.....	25
Чистење на плочата .....	25
Чистење на контролниот панел.....	25
Чистење на рерната .....	25
Вадење на вратата на рерната .....	26
Вадење на внатрешното стакло на вратата.....	27
Замена на светилката во рерната.....	28

## **8 Решавање проблеми** **29**

## **1 Важни упатства и предупредувања за безбедноста и за животната средина**

Ова поглавје содржи безбедносни упатства што ќе ви помогнат да се заштитите од ризик за лична повреда или оштетување на имотот. Непочитувањето на овие упатства ја поништува гаранцијата.

### Општа безбедност

- Овој уред може да го користат деца што имаат барем 8 години и лица со намалена физичка, чувствителна или ментална способност или со недостаток на искуство или познавања само ако не се под надзор или ако им се дадат упатства за употреба на апаратот за да може да го користат на безбеден начин и само ако ги разбрале сите опасности.  
Децата не смее да си играат со апаратот. Чистењето и одржувањето не смеат да го прават деца без надзор.
- Уредот не е наменет да го користат лица (вклучително и деца) со намалена физичка, сензорна или ментална способност или со недостаток на искуство или познавања, освен ако не се под надзор или ако им се дадат упатства.

Децата под надзор не смее да си играат со уредот.

- Доколку производот се дава на некој друг за лична употреба или за повторна употреба (на старо), тој се дава заедно со прирачникот за користење, ознаките на производот и другите релевантни документи и делови.
- Никогаш не ставајте го производот на под покриен со килим. Недостатокот на проток на воздух под производот може да предизвика прегревање на електричните делови. Така може да се предизвикаат проблеми кај производот.
- Постапувањето и поправката мора да ги изведе овластен сервисер. Производителот нема да се смета за одговорен за оштетувања што се појавиле заради постапки што ги извеле неовластени лица и истото може да ја поништи гаранцијата. Внимателно прочитајте го упатството пред поставување.
- Не вклучувајте го производот ако е расипан или има видливо оштетување.

- Проверете дали регулаторите за функциите на производот се исклучени по секоја употреба.
- Електрична безбедност
- Ако производот има дефект, не треба да се вклучува освен ако не бил поправен во Овластен сервис. Постои ризик од струен удар!
  - Поврзете го производот само за штекер/линија со заземјување со напон и заштита како што е наведено во „Технички спецификации“. Инсталацијата за заземјувањето треба да ја направи квалификуван електричар ако го користите производот со или без трансформатор. Нашата компанија нема да биде одговорна за какви било проблеми што ќе се случат заради тоа што производот не бил заземјен во согласност со локалните регулативи.
  - Никогаш не мијте го производот со истурање или прскање вода по него! Постои ризик од струен удар!
  - Производот мора да се исклучи од струја за време на поставување, одржување, чистење или поправка.
- Ако кабелот за напојување на производот е оштетен, мора да биде заменет од страна на производителот, овластениот сервисер или слично квалификувано лице за да се избегне опасност од секаков вид.
  - Користете само кабел за поврзување посочен во „Технички спецификации“.
  - Производот мора да се постави на начин којшто ќе овозможува комплетно исклучување со струја. Разделникот мора да постави кај главниот приклучок или како прекинувач вграден во фиксната електрична инсталација во согласност со регулативите за градба.
  - Задната површина на рерната е врела кога се употребува. Проверете дали поврзувањето со струја не допира со задната површина. Во спротивно, поврзувањето може да се оштети.
  - Не заглавувајте го кабелот за струја меѓу вратата на рерната и рамката и не превиткувајте го преку врелите површини. Во спротивно, изолацијата на кабелот ќе се стопи и ќе предизвика пожар како резултат на краток спој.

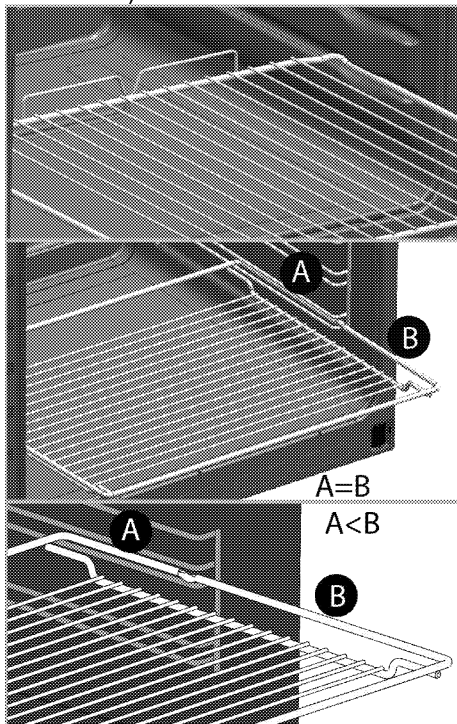


- Секоја работа на електричната опрема и на системите смее да ја изведува само овластено и квалификувано лице.
- Во случај на оштетување, исклучете ја рерната и исклучете ја од довод на ел. напојување. За да го направите ова, исклучете ги осигурувачите дома.
- Проверете дали номиналната вредност на осигурувачот е компатибилна со производот.

#### Безбедност на производот

- **ПРЕДУПРЕДУВАЊЕ:** Уредот и достапните делови стануваат врели во текот на употребата. Треба да внимавате децата да не ги допираат врелите елементи. Децата помали од 8 години треба да се држат настрана освен ако не сте под надзор.
- Не користете го производот кога резонирањето или координацијата се попречени од употреба на алкохол и/или лекаства.
- Внимавајте кога користите алкохолни пијалаци во јадењата. Алкохолот испарува на високи температури и може да предизвика оган бидејќи ќе се запали кога ќе дојде во контакт со врели површини.
- Проверете дали има запаливи материјали близу до производот бидејќи страните стануваат врели при употреба.
- Апаратот се сврелува кога се користи. Треба да внимавате децата да не ги допираат врелите елементи во рерната.
- Оставете ги сите отвори за вентилација слободни и без препреки.
- Не загревајте затворени конзерви и стаклени тегли во рерната. Може да се набие притисок во конзервата/теглата што предизвикува пукање.
- Не ставајте ги тавите за печење, садовите или алуминиумската фолија директно на дното на рерната. Акумулацијата на топлина може да го оштети дното на рерната.
- Не користете остри абразивни средства за чистење или остри метални сунѓери за чистење на стаклото од вратата на рерната бидејќи може да ја изгребат површината или да предизвикаат пукање на стаклото.
- Не користете чистачи на пареа за да го исчистите апаратот бидејќи тие може да предизвикаат електричен удар.

- (Варира зависно од моделот на производот.)  
Правилно ставање на решетката и тавата на решеткастите полици  
Важно е правилно да се стави решетката и / или тавата на решетката. Лизнете ги решетката или тавата меѓу 2 шини и проверете дали се рамни пред да ставите храна на нив (видете ја следната слика).



- Не користете го производот ако предната стаклена врата е извадена или напукната.

- Рачката на рерната не е сушара за крпи. Не закачувајте крпи, ракавици или слични производи од текстил кога функцијата за грил е вклучена со отворена врата.
- Секогаш користете ракавици за рерна што се отпорни за топлина кога ставате или вадите садови во / од врелата рерна.
- Ставете хартија за печење во садот за готвење или во додатокот за рерната (тава, решетка и сл.) заедно со храната и потоа ставете сè заедно во веќе загреаната рерна. Отсечете го прекумерниот дел од хартијата за печење што излегува од додатокот или од садот за да го спречите ризикот таа да се допира со грејачите во рерната. Никогаш не користете хартија за печење при работни температури повисоки од посочената вредност на хартијата за печење. Не ставајте ја хартијата за печење директно на долната страна во рерната.
- **ПРЕДУПРЕДУВАЊЕ:**  
Проверете дали рерната е исклучена пред да ја менувате светилката за да ја избегнете можноста за електричен удар.

- Не затворајте го горниот капак пред да се изладат рерните или горилниците.  
Избришете го горниот капак пред да го отворите за да се избегне протекување вода во задните и внатрешните секции на рерната.
  - Уредот не смее да се поставува позади декоративна врата за да се одбегне прегревање.
  - Производот мора да се постави директно на подот. Не смее да се поставува на основа или подножје.
  - ПРЕДУПРЕДУВАЊЕ: Готвење на плотна со маст или масло и без надзор може да биде опасно и да предизвика пожар. НИКОГАШ не обидувајте се да го изгаснете огнот со вода, туку исклучете го апаратот и потоа покријте го пламенот, на пр. со капак или противпожарно ќебе.
  - ВНИМАНИЕ: Процесот на готвење треба да се надгледува. Краткорочниот процес на готвење треба да се надгледува постојано.
  - ПРЕДУПРЕДУВАЊЕ: Опасност од пожар: Не ставајте предмети на површините за готвење.
  - Уредот не е наменет да се контролира со надворешен тајмер или со засебен систем за далечинска контрола.
  - ПРЕДУПРЕДУВАЊЕ: Користете само заштити за плочата што ги дизајнирал или ги препорачува производителот на шпоретот во упатството за употреба како соодветна заштита. Употребата на несоодветна заштита може да доведе до несреќи.
- За да обезбедите апаратот да не предизвика пожар:
- Проверете дали приклучокот соодветствува со штекерот и не предизвикува искрење,
  - Не користете оштетен, пресечен или продолжен кабел. Користете го само оригиналниот кабел,
  - Проверете дали има течност или влага во штекерот каде што е приклучен производот,
- Наменета употреба
- Овој производ е наменет за домашна употреба. Не е дозволена комерцијална употреба.
  - Овој апарат е наменет само за готвење. Не смее да се користи за други намени, на

Пример за загревање на просторија.

- Овој производ не треба да се користи за затоплување на чинии под грилот, за сушење крпи и пешкири и сл. со бесење на рачките и за греење.
- Производителот нема да биде одговорен за каква било штета што ќе биде предизвикана од неправилна употреба или ракување.
- Рерната може да се користи за одмрзнување, печење тесто, печење месо или печење на грилот.

Безбедност за децата

- **ПРЕДУПРЕДУВАЊЕ:**  
Достапните делови стануваат врели во текот на употребата. Децата треба да се држат настрана.
- Материјалите за пакување се опасни за децата. Држете ги материјалите за пакување настрана од децата. Фрлете ги сите делови на пакувањето во согласност со стандардите за животна средина.
- Електричните производите се опасни за децата. Држете ги децата подалеку од производот кога тој работи и не дозволувајте им да си играат со него.

- Не ставајте никакви предмети врз апаратот што може да ги дофатат децата.
- Кога вратата е отворена, не ставајте тешки предмети на неа и не дозволувајте децата да седат на неа. Може да се преврти или шарките на вратата може да се оштетат.

### Фрлање на стариот производ

Усогласување со Директивата за фрлање на електронска и електрична опрема и за одлагање на отпадот:



Овој отпад е усогласен со Директивата на ЕУ за фрлање на електронска и електрична опрема (2012/19/EU). Овој производ го носи симболот за класификација на отпадот од електрична и електронска опрема (WEEE).

Овој производ е произведен со многу квалитетни делови и материјали коишто може да се користат одново и се соодветни за рециклирање. Не фрлајте го производот со нормалниот домашен отпад и со друг отпад кога веќе нема да го користите. Однесете го во собирен центар за рециклирање на електрична и електронска опрема. Консултирајте се со овластените тела во општината за да дознаете каде има собирни центри.

### Усогласување со Директивата за ограничување на опасните материи:

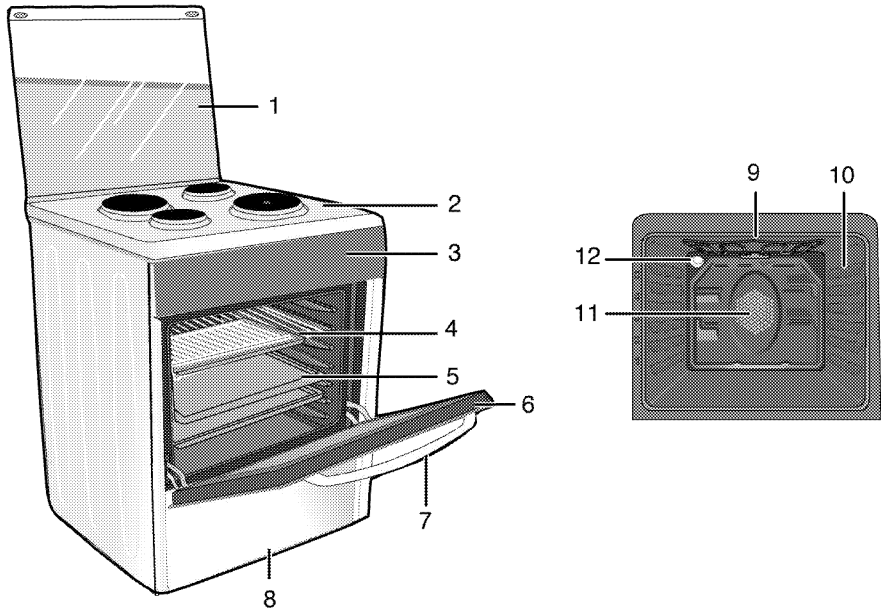
Производот што го купивте е усогласен со отпад е усогласен со Директивата за ограничување на опасните материи (2011/65/EU). Не содржи штетни и забранети материјали коишто се наведени во Директивата.

### Фрлање на материјалот за пакување

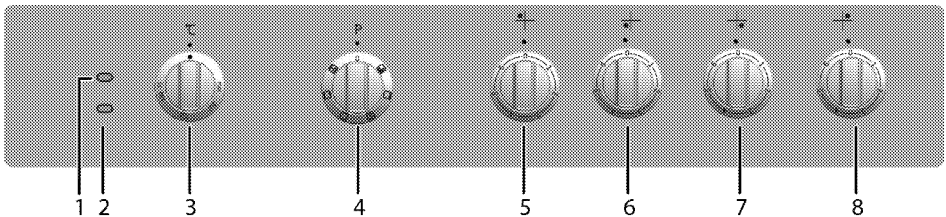
- Материјалот од пакувањето е опасен за децата. Чувајте го на безбедно место и подалеку од дофат на деца. Пакувањето на производот е произведен од рециклирачки материјал. Фрлете го правилно и сортирајте го во согласност со упатствата за рециклирање отпад. Не фрлајте го со домашниот отпад.

## 2 Општи информации

### Преглед



- |   |                    |    |   |
|---|--------------------|----|---|
| 1 | Горен капак        | 8  | Долен дел                                   |
| 2 | Плотна со горилник | 9  | Елемент со грејач за грилот                 |
| 3 | Контролен панел    | 10 | Позиции на полиците                         |
| 4 | Полица со решетки  | 11 | Мотор за вентилаторот (зад челичната плоча) |
| 5 | Тава               | 12 | Светилка                                    |
| 6 | Предна врата       |    |   |
| 7 | Рачка              |    |   |



- |   |                          |   |                     |
|---|--------------------------|---|---------------------|
| 1 | Предупредувачка светилка | 5 | Плотна Позади лево  |
| 2 | Светилка за термостатот  | 6 | Плотна Напред лево  |
| 3 | Регулатор за термостатот | 7 | Плотна Напред десно |
| 4 | Регулатор со функции     | 8 | Плотна Позади десно |

## Содржина на пакувањето

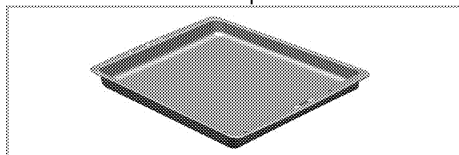


Доставената дополнителна опрема може да зависи од моделот на производот. Целата дополнителна опрема што е опишана во упатството за употреба може да се доставува со производот.

### 1. Упатство за корисникот

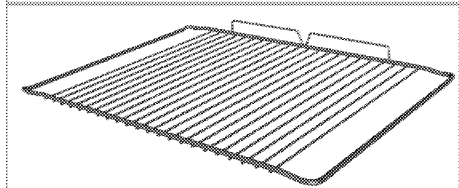
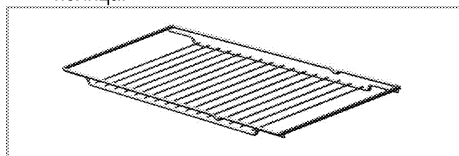
### 2. Тава за рерна

Користете ја за тесто, замрзната храна и печење на големи парчиња месо.



### 3. Полица со решетки

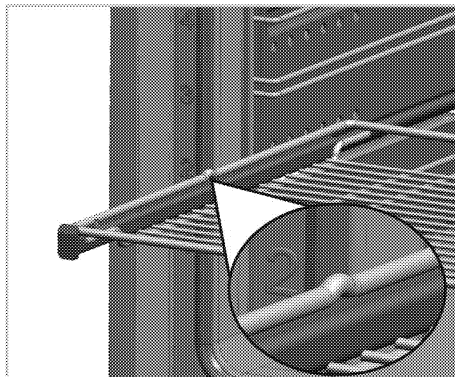
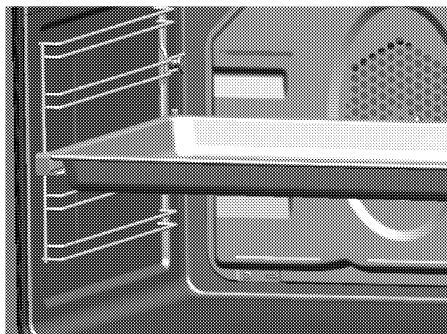
Користете ја за печење и за ставање храна да се пече или готви во тепсии на саканата полица.



### 4. Правилно ставање на решетката и тавата на телескопските полици (Оваа функција е опционална. Може да не е вклучена со вашиот производ.)

Телескопските решетки ви дозволуваат да ги поставувате и вадите тавите и решетката лесно.

Кога користите тава и решетка со телескопски решетки, проверете дали спојките на задниот дел на телескопската решетка стојат на рабовите на решетката за грилот и тавата.



## Технички спецификации

<b>ОПШТО</b>	
Надворешни димензии (височина / широчина / длабочина)	850 мм./600 мм./600 мм.
Напон / фреквенција	220-240 V/380-415 V 3N ~ 50 Hz
Вкупна потрошувачка на ел. енергија	8.4 kW
Осигурувач	25 A / 16 A x 3
Вид кабел / секција	мин.H05VV-FG 3 x 2,5 мм. <sup>2</sup> / 5 x 1,5 мм. <sup>2</sup>
<b>ПЛОЧА</b>	
<b>Горилници</b>	
<b>Позади лево</b>	
Димензија	<b>Плотна</b> 145 мм.
Напојување	1000 W
<b>Напред лево</b>	
Димензија	<b>Плотна</b> 180 мм.
Напојување	2000 W
<b>Напред десно</b>	
Димензија	<b>Плотна</b> 145 мм.
Напојување	1000 W
<b>Позади десно</b>	
Димензија	<b>Плотна</b> 180 мм.
Напојување	2000 W
<b>РЕРНА / ГРИЛ</b>	
Главна рерна	<b>Со вентилатор</b>
Внатрешна светилка	15-25 W
Потрошувачка на ел. енергија на грилот	2.2 kW

# Основа: Информациите на табличката со енергетски вредности на електричните рерни се дадени во согласност со стандардот EN 60350-1 / IEC 60350-1. Тие вредности се одредени според примената на стандардот со горни и долни грејачи или функции за загревање потпомогнато со вентилатор (ако има).

Енергетската класа за ефикасност е одредена во согласност со следниот приоритет во зависност од тоа дали релевантните функции постојат кај производот или не. 1-Готвење со еко-вентилатор, 2- Турбо бавно готвење, 3- Турбо готвење, 4- Горно /долно загревање потпомогнато со вентилатор, 5-Горно и долно загревање.



Техничките спецификации може да се менуваат без претходно известување со цел да се подобри квалитетот на производот.



Сликите во ова упатство се шематски и можеби нема да соодветствуваат со вашиот производ.



Вредностите што се дадени на табличките на производите или во придружната документација се добиени во лабораториски услови во согласност со соодветните стандарди. Овие вредности може да варираат во зависност од работните и средишните услови за производот.

### 3 Инсталација

Производот мора да го инсталира квалификувано лице во согласност во регулативите за ел.

Производителот нема да се смета за одговорен за оштетувања што се појавиле заради постапки што ги извеле неовластени лица.



Производот мора да го постави квалификувано лице во согласност со важечките регулативи. Во спротивно, гаранцијата ќе се поништи. Подготовката на локацијата и електричната инсталација за производот е одговорност на потрошувачот.



#### ОПАСНОСТ:

Производот мора да се постави во согласност со локалните закони за плин и напојување со ел. енергија.



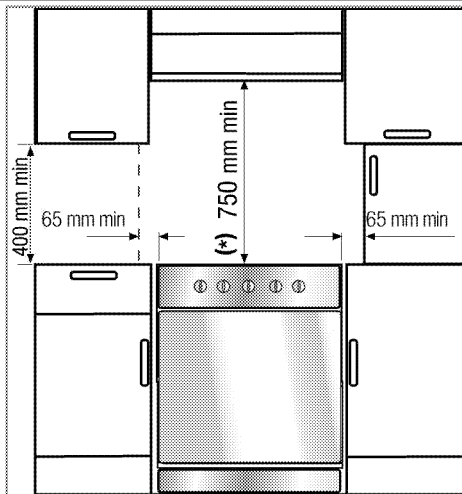
#### ОПАСНОСТ:

Пред поставување, проверете го производот визуелно за да видите дали има оштетувања. Ако има, не поставувајте го.  
Оштетените производи предизвикуваат безбедносен ризик.

### Пред поставување

За да обезбедите дека отворите за критичен воздух се одржуваат под производот, препорачуваме овој производ да се постави на цврста основа и ногарките да не потонуваат во тепих или мек под.

Подот во кујната мора да биде во можност да ја издржува тежината на апаратот плус дополнителната тежина на садовите за готвење и печење.



- Може да се користи со елементи на која било страна, но за минималното растојание од 400 мм над плочата со рингли, треба да оставите странично растојание од 65 мм меѓу апаратот и кој било сид, разделник или горен креденец.
- Може да се користи и самостојно поставен. Оставете минимално растојание од 750 мм над површината на плочата.
- (\*) Ако се поставува аспиратор над шпоретот, погледнете ги упатствата на производителот за аспираторот во однос на висината за поставување (минимум 650 мм).
- Апаратот соодветствува со уредите од класа 1, т.е. може да се постави со задната страна и со **едната** страна до сидовите во кујната, до кујнски елементи или до опрема од која било големина. Елементите на кујната или опремата од **другата** страна може да бидат само со иста големина или помали.
- Секој елемент во кујната веднаш до апаратот мора да биде отпорен на топлина (до 100 °C минимум).

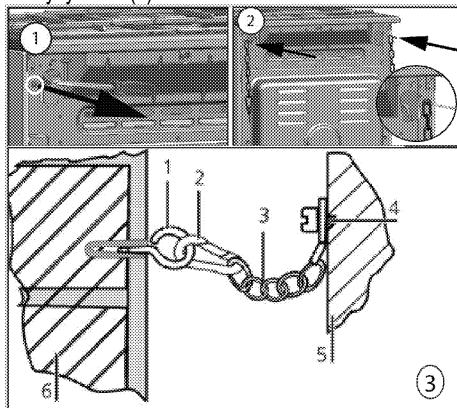
#### Безбедносен синџир

**Ако вашиот производ има 2 безбедносни синџира;**

Производот мора да се обезбеди од нишање со помош на двата доставени синџири на рерната. Наместете ја куката (1) со соодветен клин на кујнскиот сид (6) и поврзете го безбедносниот



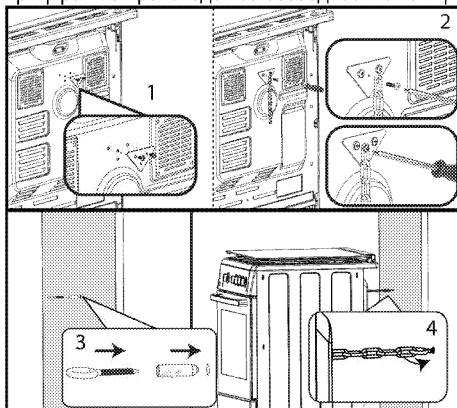
синцир (3) со куќата преку механизмот за заклучување (2).



- 1 Куќа за стабилност
- 2 Механизам за заклучување
- 3 Безбедносен синцир
- 4 Цврсто закачете го синцирот за задната страна на шпоретот
- 5 Задна страна на шпоретот
- 6 Кујнски сид

#### Ако вашиот производ има 1 безбедносен синцир;

Производот мора да се обезбеди од нишање со помош на доставениот синцир на рерната. Следете ги чекорите долу во сликата за да го прицврстите производот со безбедносниот синцир.



**i** Синцирот за стабилност треба да биде што е можно пократок за да се избегне закосување на рерната напред и настрана.

Синцирот за стабилност на шпоретот не е наменет за отвори со куќа за закачување.

#### Поставување и поврзување

Производот смее да се постави и поврзе само во согласност со статутарните правила за поставување.

**i** Не поставувајте го производот веднаш до ладилници или замрзнувачи. Топлината што се испушта од производот ќе ја зголеми потрошувачката на струја кај апаратите за ладење.

- Носете го производот со уште барем две лица.
- Производот мора да се постави директно на подот. Не смее да се поставува на основа или подножје.

**i** Не користете ја вратата или рачката за носење или поместување на производот. Вратата, рачката или шаките може да се оштетат.

#### Електрично поврзување

Поврзете го производот за заземјен штекер / довод на струја којшто е обезбеден со минијатурен автоматски осигурувач со соодветен капацитет како што е посочено во табелата „Технички спецификации“. Инсталацијата за заземјувањето треба да ја направи квалификуван електричар ако го користите производот со или без трансформатор. Нашата компанија нема да биде одговорна за какви било оштетувања што ќе се случат заради употреба на производот без инсталација со заземјување во согласност со локалните регулативи.

**⚠ ОПАСНОСТ:**  
 Производот мора да се поврзе со систем за дистрибуција на струја само од страна на овластено квалификувано лице. Гарантниот производ на производот започнува по правилно вклучување. Производителот нема да се смета за одговорен за оштетување што се појавило заради постапки што ги извеле неовластени лица.



### ОПАСНОСТ:

Кабелот за напојување не смее да се приклучува, превиткува или притиснува или да се допира со врелите делови на апаратот.

Оштетениот кабел за напојување мора да се замени од страна на квалификуван електричар. Инаку, постои ризик од електричен удар, краток спој или пожар со непрофесионални поправки!

Податоците за довод на ел. енергија мора да соодветствуваат со податоците што се дадени на плочката со номинални вредности на апаратот. Плочката со номинални вредности се гледа кога ќе се отвори вратата или долниот капак или е сместена на задниот ѕид на апаратот во зависност од видот.

Кабелот за напојување за производот мора да е усогласен со вредностите во табелата „Технички спецификации“.



### ОПАСНОСТ:

Пред започнување на каква било работа со електричната инсталација, исклучете го апаратот од довод на ел. енергија. Постои ризик од струен удар!

### Поврзување на кабелот за напојување



Додека се поврзуваат жиците, мора сè да биде во согласност со националните/локалните регулативи за електрика и мора да се употребуваат соодветните штекери/линии и приклучоци за рерна. Во случај кога моќноста на производот е ограничена на помала вредност од капацитетот на приклучокот и штекерот/линијата да пренесуваат струја, мора производот да се поврзе преку фиксна електрична инсталација директно без да се употребува приклучок и штекер/линија.

1. **Ако кабелот за напојување не се доставува заедно со производот**, кабелот што ќе го изберете од табелата во согласност со електричната инсталација во вашиот дома, мора да се поврзе со производот следејќи ги упатствата во дијаграмот за каблите. *Технички спецификации, страница 12*

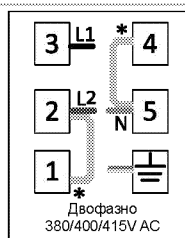
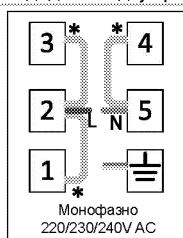
Ако не е можно да се исклучат сите полови во кабелот, мора да се поврзе уред за исклучување со најмалку од 3 мм. зазор меѓу контактите (осигурувачи, безбедносни прекинувачи, контакти) и сите полови во овој уред за исклучување мора

да во опсегот на (не повеќе) овој уред во согласност со регулативите на Европската унија. Непочитувањето на ова упатство може да предизвика проблеми во работата и да ја поништи гаранцијата за производот.



Се препорачува дополнителна заштита од преостаната струја во прекинувачот на колото.

2. Отворете го капакот на блокот со терминали со шрафцигер.
3. Вметнете го кабелот во штипката за кабелот под терминалот и обезбедете ја за телото со шрафот што веќе се наоѓа на компонентата за прифаќање на кабелот.
4. Поврзете ги каблите во согласност со дадениот дијаграм.



\* Бакарно премостување



5. Ставете го капакот на терминалниот блок по завршување на комплетирањето на жиците.
6. Насочете го кабелот за напојување така што тој нема да има контакт со производот и нема да биде стиснат меѓу производот и ѕидот.



Кабелот за напојување не смее да биде подолг од 2 м. од безбедносни причини.

- Бутнете го производот кон ѕидот на кујната.
  - **Прилагодување на ногарките на рерната** Вибрациите за време на работата може да предизвикаат движење на садовите. Оваа опасна состојба може да се избегне ако производот е рамномерно поставен и избалансиран.
- За вашата лична безбедност, проверете дали производот е рамномерно поставен со

прилагодување на четирите ногарки долу со вртење налево или надесно и порамнете со работната површина.

### Конечна проверка



1. Приклучете го производот за струја.
2. Проверете ги функциите на струјата.

### Фрлање на стариот производ

- Чувајте го оригиналното пакување и транспортирајте го производот во него. Следете ги упатствата на пакувањето. Ако немате оригинално пакување, спакувајте го производот во меуреста пластична опаковка или тврд картон и залепете го со селотејп цврсто.
- За да спречите грилот и решетките во рерната да ја оштетат вратата, ставете

парче картон од внатрешната страна на вратата од рерната во иста висина како и решетките. Залепете ја вратата на рерната за страничните сидови.

- Не користете ја вратата или рачката за подигнување или поместување на производот.

	Не ставајте предмети на производот и поставете го во исправена позиција.
	Проверете го општиот изглед на производот за да видите дали има оштетувања што настанале при транспортот.

## 4 Подготовка

### Совети за штедење енергија

Следните совети ќе ви помогнат да го користите производот на еколошки начин и да штедите енергија:

- Користете темни и глазирани садови за готвење бидејќи преносот на топлината е подобар.
- При готвење на јадењата, извршете ја операцијата за претходно загревање ако е препорачано во упатството за користење или во рецептот за готвење.
- Не отворајте ја вратата на рерната често за време на готвењето.
- Гответе повеќе од едно јадење во рерната секогаш кога е тоа можно. Може да готвите со ставање два сада за готвење на жичениот грил.
- Гответе повеќе од едно јадење последователно. Рерната е веќе врела.
- Може да штедите енергија со исклучување на рерната неколку минути пред да истече времето за готвење. Не отворајте ја вратата на рерната.
- Одмрзнете ги замрзнатите јадења пред да ги готвите.
- Користете тенџериња / тави со капацита за готвење. Ако нема капак, потрошувачката на енергија се зголемува за 4 пати.
- Изберете го горилникот што е соодветен за долната страна на тенџерето што го користите. Секогаш избирајте ја точната големина на тенџерињата за јадењата. Поголемите тенџериња бараат повеќе енергија.
- Избирајте тенџериња со рамни дна кога готвите на електрична плотна. Тенџериња со дебело дно обезбедуваат подобра искористеност на топлината. Може да постигнете енергетска заштеда до 1/3.
- Садовите и тенџерињата мора да се компатибилни со плотните. Дното на садовите или тенџерињата не смее да биде помало од плотната.
- Одржувајте ги плотните и дното на тенџерињата чисти. Нечистотијата ја зголемува потрошувачката на топлина меѓу плотната и дното на тенџерето.
- За долго готвење, исклучете ја плотната 5 или 10 минути пред истекување на времето

за готвење. Може да постигнете енергетска заштеда до 20% со користење на преостанатата топлина.

### Првична употреба

#### Прво чистење на производот



Површината може да се оштети со детергенти и средства за чистење. Не користете агресивни средства за чистење, прашок за чистење / течности или остри предмети при чистењето.

1. Извадете го целиот материјал за пакување.
2. Избришете ги површините на производот со влажна крпа или сунѓер и исушете ги со крпа.

#### Воведно загревање

Загревајте ја рерната околу 30 минути и потоа исклучете ја. Така, сите остатоци или наслагы од производството ќе согорат и ќе се тргнат.



#### ПРЕДУПРЕДУВАЊЕ

Врелите површини предизвикуваат изгореници!

Производот е врел кога се употребува. Никогаш не допирајте ги врелите горилници, внатрешните делови на рерната, грејачите, итн. Држете ги децата настрана.

Секогаш користете ракавици за рерна што се отпорни за топлина кога ставате или вадите садови во / од врелата рерна.

#### Електрична рерна

1. Извадете ги сите тави за печење и жичениот грил од рерната.
2. Затворете ја врата на рерната.
3. Изберете ја позицијата Статично.
4. Изберете ја најголемата моќност на грилот, видете *Како се работи со електричната рерна*, страница 21.
5. Вклучете ја рерната да работи околу 30 минути.
6. Исклучете ја рерната, видете *Како се работи со електричната рерна*, страница 21

#### Рерна со грил

1. Извадете ги сите тави за печење и жичениот грил од рерната.
2. Затворете ја врата на рерната.
3. Изберете ја најголемата моќност на грилот, видете *Како се работи со грилот*, страница 24.

4. Вклучете ја рерната да работи околу 30 минути.
5. Исклучете го грилот, видете *Како се работи со грилот, страница 24*

#### **Плотна**

1. Сите остатоци од производството или слоевите од конзервирање мора да се прегорат пред прва употреба. Вклучете ја плотната на средна температура 8 минути без садови на неа. Не смее да се ставаат тави

или тенџериња на врела плотна за време на оваа постапка.



Може да се појават чад и миризба во текот на неколку часа при првата работа. Ова е сосема нормално. Обезбедете добра вентилација на просторијата за да излезат чадот и миризбата. Избегнете директно вдишување на чадот и миризбата што се испушта.

## 5 Како Се Користи Плочата

### Општи информации за готвењето

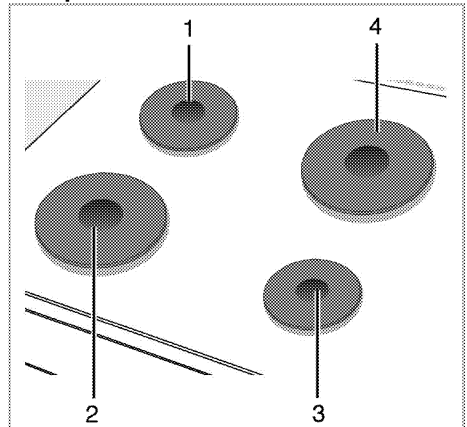


Никогаш не полнете го садот за готвење со масло повеќе од една третина. Не оставајте ја плочата без надзор кога загревате масло. Прегреаното масло претставува ризик од оган. **Никогаш не обидувајте се да изгаснете можниот оган со вода!** Ако маслото се запали, покријте го со противпожарно ќебе или влажна крпа. Исклучете ја плочата ако е безбедно и повикајте противпожарна служба.

- Пред да пржите храна, секогаш исушете ја добро и внимателно ставете ја во врелото масло. Обезбедете комплетно растопување на замрзнатата храна пред пржењето.
- Не покривајте го садот што го користите за загревање масло.
- Поставете ги тавите и тенџерињата така што рачките нема да ја прекриваат плочата за да се спречи нивно загревање. Не ставајте нерамни и садови што се клатат врз плочата.
- Не ставајте празни тави и тенџериња на вклучени зони за готвење. Може да се оштетат.
- Вклучување зона за готвење без сад или тава врз неа ќе предизвика оштетување на производот. Исклучете ги зоните за готвење откако ќе завршите со готвење.
- Не ставајте пластични и алуминиумски садови врз површината бидејќи истата може да стане врела. Таквите садови не смее да се користат ниту за чување храна.
- Користете само садови и тави со рамна површина.
- Ставете соодветна количина храна во тавите и тенџерињата. Така, нема да има потреба од непотребно чистење ако спречите излевање на садовите. Не ставајте капаци на тавите или тенџерињата на зоните за готвење. Ставете ги тавите во центарот на зоната за готвење. Ако сакате да поместите тава на друга зона за готвење, подигнете ја и

ставете ја врз саканата зона за готвење наместо да ја влечете.

### Употреба на плочата



- 1 Плотна 14-16 цм.
- 2 Плотна 18-20 цм.
- 3 Плотна 14-16 цм.
- 4 Плотна 18-20 цм. е список со препорачани дијаметри на садови за готвење што треба да се користат со соодветни горилници.

### Употреба на ринглите

Регулаторите може да ги вртите во двата правци за да ја контролирате температурата постепено.



Ако плочата е опремена со рингли коишто имаат и функција за поттикнување, соодветната рингла ќе биде означена со црвена точка.

### Заштита од прегревање

Ринглите што имаат моќност над 1000 W се опремени со заштита од прегревање. Заштитата од прегревање ја намалува моќноста на ринглата во следните случаи:

- Нема сад или тава на ринглата.
- Садот или тавата на ринглата се празни.
- Дното на садот или тавата не се рамни.

### Вклучување на ринглите

Користете ги регулаторите за ринглите за да работите со нив. Свртете го регулаторот за соодветната рингла на дадено ниво за да добиете сакано ниво за готвење.

Ниво на готвење	1	2 — 3	4 — 6
	греење	динстање, готвење	варење, печење, вриење

### Исклучување на ринглите

Свртете го регулаторот за ринглата во позиција за ИСКЛУЧЕНО (нагоре).

## 6 Како се ракува со рерната

### Општи информации за печење, динстање и печење на грилот.



#### ПРЕДУПРЕДУВАЊЕ

Врелите површини предизвикуваат изгореници!

Производот е врел кога се употребува. Никогаш не допирајте ги врелите горилници, внатрешните делови на рерната, грејачите, итн. Држете ги децата настрана.

Секогаш користете ракавици за рерна што се отпорни за топлина кога ставате или водите садови во / од врелата рерна.



#### ОПАСНОСТ:

Внимавајте кога ја отворате вратата на рерната бидејќи излегува пара.

Парата може да ви ги попари рацете, лицето и/или очите.

### Совети за печење

- Користете соодветни метални чинии што не се лепат или алуминиумски садови или силиконски калапи отпорни на топлина.
- Искористете ја најдобро внатрешноста на рамката.
- Ставете го калапот за печење на средината на решетката.
- Изберете ја правилната позиција на решетката пред да ги вклучите рерната или грилот. Не менувајте ја положбата на решетката кога рерната е врела.
- Држете ја вратата на рерната затворена.

### Совети за печење месо

- Обработката на целото пиле, мисирката или големите парчиња месо со преливи како што се лимон или црн бибер го подобруваат резултатот од готвењето.
- Треба 15 до 30 минути повеќе да се испече место со коски споредено со печење на иста големина месо без коски.
- На секој сантиметар од месото во слоевите му треба околу 4-5 минути време за готвење.
- Оставете го месото во рерната околу 10 минути откако ќе заврши времето за готвење. Сокот подобро се дистрибуира низ целото месо и не истекува кога се сече месото.
- Рибата треба да се стави на средина или долната решетка во сад отпорен на топлина.

### Совети за печење на грил

Кога месото, рибата и пилето се печат на грил, тие брзо потемнуваат, имаат вкусна крцкава кора и не се сушат. Рамни парчиња, раженчиња со месо и колбаси се особено погодни за грил, како и зеленчукот што содржи многу вода, како домати и пиперки.

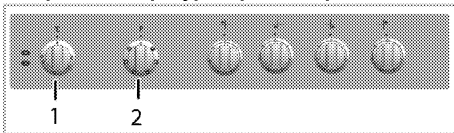
- Распоредете ги парчињата што ќе се печат на грил на решетката за грил или во тава за печење со решеткаст грил така што опфатениот простор не ја надминува големината на грејачот.
- Лизнете го решеткастиот грил или тавата за печење со грил на саканото ниво во рерната. Ако печете со решеткаст грил, ставете ја тавата за печење на подолната решетка да ги собира маснотиите. Додајте вода во садот за печење за полесно чистење.



Храната што не е соодветна за печење на грил носи ризик од пожар. Користете само храна со грилот што е соодветна за интензивната топлина од грилот. Не ставајте ја храната предалеку назад во грилот. Тоа е најврелиот дел и масната храна може да се запали.

## Како се работи со електричната рерна

### Избор на температура и работен режим



- 1 Регулатор за термостатот
- 2 Регулатор со функции

1. Поставете го регулаторот за функции на саканата температура.
2. Поставете го регулаторот за функции на саканата работна температура.

» Рерната се загрева до прилагодената температура и ја одржува. За време на загревањето, сијаличката за температура свети.

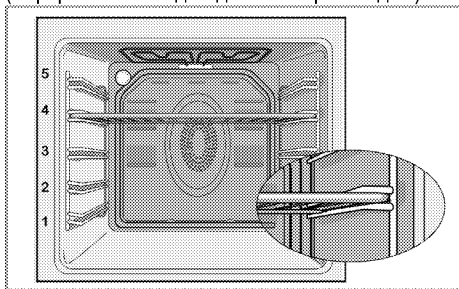


## Исклучување на електричната рерна

Свртете ги регулаторот за функции и регулаторот за температура во позиција за исклученост (горе). Важно е да го ставите решеткастиот грил правилно на лежиштата. Решеткастиот грил мора да се вметне меѓу лежиштата како што е прикажано на сликата.

Не оставајте решеткастиот грил да се потпира на задниот ѕид во рерната. Лизнете го решеткастиот грил низ предниот дел на лежиштата и наместете го со помош на врата за да се постигне добра работа на грилот.

(Варира зависно од моделот на производот.)



## Работни режими

Редоследот на работните режими што е прикажан тука може да се разликува од организацијата на вашиот производ.

### Горен и долен грејач



Работат горниот и долниот грејач. Храната се загрева истовремено и од горе и од долу. На пример, соодветно е за торти, тесто или колачи и готвени јадења во калапи за готвење. Гответе само со една тава.

### Долен грејач



Работи само долниот грејач. Соодветно е за пица и за последователно потемнување на храната од долната страна.



Оваа функција мора да се користи и за лесно чистење со пареа.

## Горен/долен грејач потпомогнато со вентилатор



Вклучени се горниот и долниот грејач плус вентилаторот (во задниот ѕид). Врелиот воздух рамномерно и бргу се распределува низ рерната со помош на вентилаторот. Гответе само со една тава.

## Целосен грил



Работи големиот грил на горната страна во рерната. Соодветно е за печење на грил на големи количини месо.

- Ставете големи или средни порции во точната позиција за полицата под грејачот за грилот за печење.
- Поставете ја температурата на максимално ниво.
- Свртете ја храната по половина од времето за печење на грил.

## Грил+вентилатор



Ефектот на грилот не е толку моќен како со Целосен грил

- Ставете мали или средни порции во точната позиција за полицата под грејачот за грилот за печење.
- Поставете ја саканата температура.
- Свртете ја храната по половина од времето за печење на грил.

## Поттикнувач



Оваа функција се користи за брзо загревање на раженот. Не е соодветна за готвење храна.

- Изберете ја саканата температура по избор на функцијата. Се вклучува сијаличката за температура и рерната се загрева.
- Сијаличката се гаси кога ќе се заврши процесот на готвење. Сега, изберете ја саканата функција за готвење на храната.

## Табела со времиња за готвење



Времињата на табелата се наменети само како водилки. Времињата може да варираат во однос на температурата на храната, густината, типот, како и вашите навики за готвење.

## Печење тесто и месо



1-вата полица во рерната е **долната** полица.

Јадење	Број за ниво на готвење		Позиција на решетката	Температура во (°C)	Време на готвење (приближно во мин.)
**Колачи во тава	Едно ниво		4	175	30 ... 35
**Колач во калап	Едно ниво		2	175	40 ... 50
**Колач на хартија за готвење	Едно ниво		3	175	20 ... 30
**Пандишпан	Едно ниво		3	200	5 ... 10
**Колачи	Едно ниво		3	175	20 ... 25
**Тесто за крофни	Едно ниво		2	200	30 ... 40
**Богато тесто	Едно ниво		2	200	25 ... 35
**Маја	Едно ниво		2	200	35 ... 45
**Пазани	Едно ниво		2-3	200	30 ... 40
**Пица	Едно ниво		2	200 ... 220	15 ... 20
Говедски стек (цел) / печенка	Едно ниво		3	25 мин. 250/макс., потоа 180 ... 190	100 ... 120
Јагнешки бут (динстан)	Едно ниво		3	25 мин. 220 потоа 180 ... 190	70 ... 90
Печено пилешко	Едно ниво		2	15 мин. 250/макс., потоа 190	65 ... 70
Мисирка (5.5 кг)	Едно ниво		2	25 мин. 250/макс., потоа 190	150 ... 210
Риба	Едно ниво		3	200	20 ... 30

(\*\*) Во случаи на готвење кога е потребно претходно загревање, загрејте ја рерната на почетокот од готвењето за да ја постигне одредената температура.

## Совети за печење колачи

- Ако колачот е многу сув, зголемете ја температурата за околу 10 и намалете го времето за готвење.
- Ако колачот е влажен, употребете помалку течност или намалете ја температурата за 10 .
- Ако колачот е многу темен на површината, ставете го на долната полица, намалете ја температурата и зголемете го времето за готвење.
- Ако е добро зготвено внатре, но лепливо однадвор, употребете помалку течност, намалете ја температурата и зголемете го времето за готвење.

## Совети за печење тесто

- Ако тестото е многу суво, зголемете ја температурата за околу 10 и намалете го времето за готвење. Навлажнете ги слоевите тесто со смеса од млеко, масло, јајце и јогурт.
- Ако на тестото му треба многу време да се испече, обрнете внимание дебелината на тестото што сте го подготвиле да не ја надминува длабочината на тавата.
- Ако горната површина на тестото се зацрпи, но долниот дел не е зготвен, проверете дали количината сос што сте ја употребиле во тестото е премногу близу до долната страна на тестото. Обидете се да го разнесете

сосот еднакво во средината и врз слоевите тесто за изедначено печење.



Печете го тестото во согласност со режимот и температурите што се дадени во табелата за готвење. Ако долниот дел не е доволно испечен, ставете го за една полица подолу следниот пат.

### Совети за готвење зеленчук

- Ако јадењето со зеленчук снеса сок и се исуши, гответе го во тенџере со капак наместо во тава. Затворените садови ќе го задржат сокот во јадењето.
- Ако јадењето со зеленчук не се зготви, сварете го зеленчукот претходно или подгответе го како конзервирана храна и ставете го во рерната.

### Како се работи со грилот



#### ПРЕДУПРЕДУВАЊЕ

Затворете ја вратата на рерната при употреба на грилот.

Врелите површини предизвикуваат изгореници!

### Вклучување на грилот

1. Свртете го регулаторот за функции на саканиот симбол за грил.
  2. Потоа, изберете ја саканата температура за грилот.
  3. Ако е потребно, претходно загревајте 5 минути.
- » Се вклучува сијаличката за температура.

### Исклучување на грилот

1. Свртете го регулаторот со функции на позиција за исклученост (горе).



Храната што не е соодветна за печење на грил носи ризик од пожар. Користете само храна со грилот што е соодветна за интензивната топлина од грилот. Не ставајте ја храната предалеку назад во грилот. Тоа е најврелиот дел и масната храна може да се запали.

### Табела со времиња на готвење за грил

#### Печење на грил со електричен грил

Храна	Позиција на решетката	Препорачана температура (°C)**	Време на печење на грил (приближно)
Риба	4...5	250/max	20...25 мин. #
Пилешко на парчиња	4...5	250/max	25...35 мин.
Котлети од јагнешко	4...5	250/max	20...25 мин.
Печење говедско	4...5	250/max	25...30 мин. #
Телешки котлети	4...5	250/max	25...30 мин. #
Леб за тостови *	4	250/max	1...3 мин.

\* во зависност од густината

\*\*Претходно загрејте околу 5 минути.

\*\*Ако може да се приспособи температурата за грил на вашиот производ, тој ќе работи при максимална температура.

## 7 Одржување и грижа

### Општи информации

Векот на траење ќе се продолжи, а честите проблеми ќе се намалат ако производот се чисти редовно.



#### ОПАСНОСТ:

Исклучете го производот од довод на ел. енергија пред одржување и чистење. Постои ризик од струен удар!



#### ОПАСНОСТ:

Оставете апаратот да се излади пред чистење. Врелите површини предизвикуваат изгореници!

- Чистете го производот темелно по секоја употреба. На тој начин остатоците од готвење ќе се отстранат полесно и ќе се избегне нивно горење при следниот пат на вклучување на апаратот.
- Не се потребни специјални средства за чистење за производот. Користете топла вода со средство за миење, мека крпа или сунѓер за чистење на производот и избришете со сува крпа.
- Секогаш избришете ја прекумерната течност темелно по чистењето, а секое претекување мора веднаш да се избрише.
- Не користете средства за чистење што содржат киселина или хлорид за чистење на површините од не`рѓосувачки челик или од инокс, како и рачките. Користете мека крпа со течен детергент (но не абразив) за да ги исчистите овие површини обрнувајќи внимание да бришете во еден правец.
- **(Оваа функција е опционална. Може да не е вклучена со вашиот производ.)** Не користете метални жици или абразивни материјали за чистење за да исчистите стаклена површина. Стаклената површина може да се оштети.



Површината може да се оштети со детергенти и средства за чистење. Не користете агресивни средства за чистење, прашок за чистење / течности или остри предмети при чистењето.

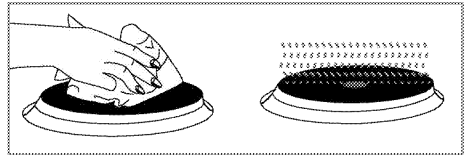


Не користете чистачи на пара за да го исчистите апаратот бидејќи тие може да предизвикаат електричен удар.

### Чистење на плочата

#### Електрични плочи

1. Исклучете ги ринглите и почекајте да се изладат.
2. Ако е неопходно, исчистете ги ринглите со средство за чистење (може да најдете средства за чистење во специјализирани продавници).
3. Загрејте ги само неколку минути по чистењето за да се исуши површината.
4. Редовно ставајте тенок слој машинско масло врз површината на плочата за да ја заштитите.



### Чистење на контролниот панел

Исчистете ги контролниот панел и регулаторите со влажна крпа и избришете ги со сува.



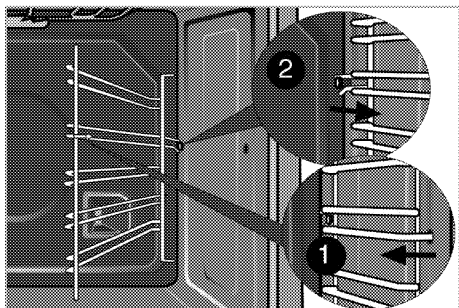
Не отстранувајте ги контролните копчиња/регулатори за да го исчистите контролниот панел. Контролниот панел може да се оштети!

### Чистење на рерната

#### Чистење на страничните сидови

**(Оваа функција е опционална. Може да не е вклучена со вашиот производ.)**

1. Тргнете го предниот дел на страничната рамка со влечење во обратен правец од страничниот сид.
2. Извадете ја страничната рамка со влечење докрај кон вас.

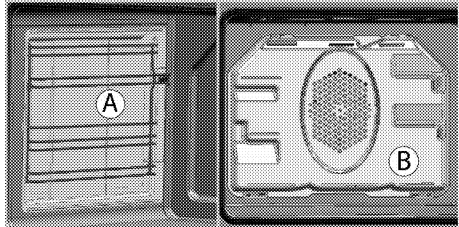


### Каталитички сидови

**(Оваа функција е опционална. Може да не е вклучена со вашиот производ.)**

Внатрешните странични сидови (А) и/или задниот сид (Б) на вашиот производ може да се премачкани со каталитички енасел.

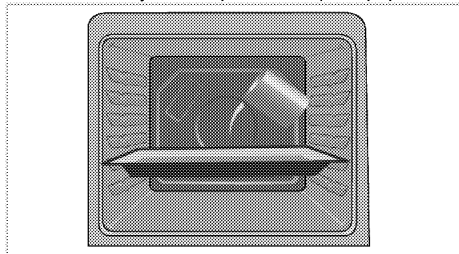
Каталитичките сидови имаат светла мат боја и порозна површина. Не треба да се чистат каталитичките сидови на рерната. Порозните површини на каталитичките сидовите се чистат сами со апсорбирање и преобразување на истурената маснотија (пареа и јаглерод диоксид).



### Лесно чистење со пареа

Овозможува лесно чистење бидејќи нечистотијата (под услов ако не сте чекале предолго) се омекнува со пареата што се создава во рерната, а водените капки се кондензираат на внатрешните површини.

1. Извадете ја целата опрема од рерната.
2. Истурете 500 ml вода во тавата за рерна и поставете ја на втората полица во рерната.



3. Поставете ја рерната во режим за лесно чистење со пареа и вклучете ја на 100° C 25 минути.
4. Отворете ја вратата и избришете ги внатрешните површини на рерната со влажен сунѓер или крпа.
5. Користете топла вода со средство за миене, мека крпа или сунѓер за да ја исчистите закоравената нечистотија и избришете со сува крпа.

### Чистење на вратата на рерната

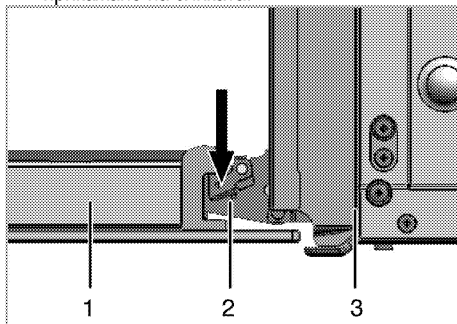
За да ја исчистите вратата на рерната, користете топла вода со средство за миене, мека крпа или сунѓер за да ја исчистите производот и избришете го со сува крпа.



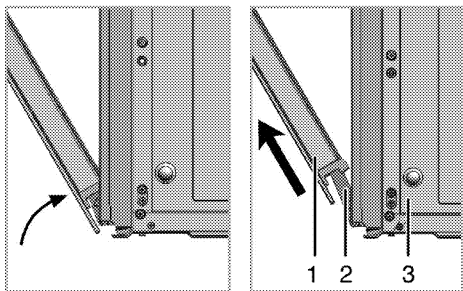
Не користете груби абразивни средства или остри метални жици за чистење на вратата на рерната. Може да ја изгребаат површината и да го уништат стаклото.

### Вадење на вратата на рерната

1. Отворете ја предната врата (1).
2. Отворете ги спојниците на куќиштето за шарките (2) десно и лево напред странично со притиснување надолу како што е прикажано на сликата.



- 1 Предна врата
- 2 Шарка
- 3 Рерна



3. Поместе ја предната врата половично.
4. Извадете ја предната врата со влечење нагоре за да ја ослободите од шарките лево и десно.

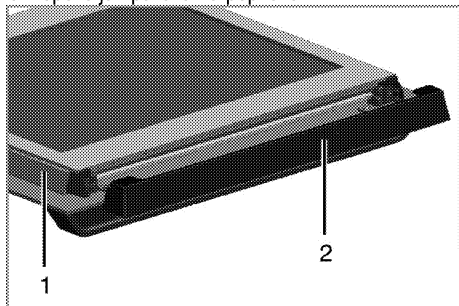


Чекорите што ќе ги направите за време на постапката на вадење, треба да се повторат по обратен редослед за да поставите вратата на место. Не заборавајте да ги затворите спојниците на кукиштето на шарките при повторно поставување на вратата.

### Вадење на внатрешното стакло на вратата

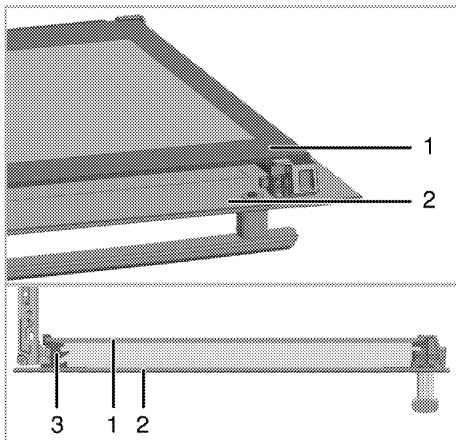
(Оваа функција е опционална. Може да не е вклучена со вашиот производ.)

Внатрешното стаклено окно на вратата на рерната може да се извади за чистење. Отворете ја вратата на рерната.



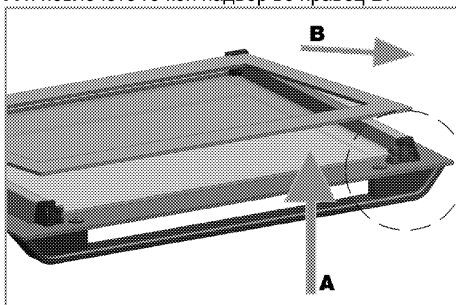
- 1 Рамка
- 2 Пластичен дел

Повлечете кон себе и извадете го пластичниот дел што е поставен на горниот дел на вратата (1).



- 1 Внатрешно стаклено окно
- 2 Надворешно стаклено окно
- 3 Пластичен отвор за стакленото окно - долу

Како што е прикажано на сликата, подигнете го највнатрешното стакло (1) делумно во правец на **A** и повлечете го кон надвор во правец **B**.



Кога го поставувате внатрешното стаклено окно (1), проверете дали печатената страна панелот е насочена навнатре.

Важно е да ги поставите долните агли на внатрешното стаклено окно во долниот пластичен отвор (5).

Притискајте го пластичниот дел кон рамката додека не слушнете звук на кликнување.

## Замена на светилката во рерната



### ОПАСНОСТ:

Пред да ја замените светилката во рерната, проверете дали производот е исклучен од струја и изладен за да избегнете ризик од електричен удар. Врелите површини предизвикуваат изгореници!



Светилката во рерната е специјална електрична сијаличка што може да издржи и на 300 °C. Видете *Технички спецификации*, страница 12 за повеќе детали. Светилките за рерната може да се купат кај овластените сервисери.



Позицијата на светилката може да варира од онаа на сликата.



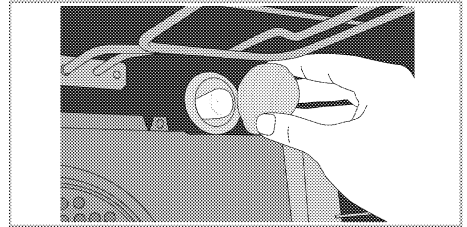
Сијалицата што се користи во овој уред не е соодветна за осветлување простории во домаќинството. Наменетата употреба на оваа сијалица е да му помага на корисникот да ја гледа храната.



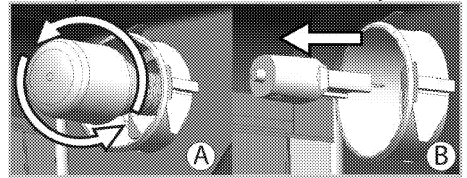
Сијалиците што се користат во овој производ треба да ги издржуваат екстремните физички услови, како што се температурите над 50 °C.

### Ако рерната има тркалезна светилка:

1. Исклучете го производот од струја.
2. Свртете го стаклениот капак обратно од движењето на скалките на часовникот за да го извадите.



3. Ако сијаличката во рерната е од тип (A) како на долната слика, отстранете ја со вртење како што е прикажано и заменете ја. Ако е од тип (B), повлечете ја и отстранете ја како што е прикажано на сликата и заменете ја.



4. Ставете го стаклениот капак одново.

## 8 Решавање проблеми

### Рерната испушта пареа додека работи.

- Нормално е пареа да излегува за време на работата. >>> *Ова не е грешка.*

### Производот емитува звук на метал при загревање и ладење.

- Кога ќе се загрејат металните делови, тие може да се прошират и да предизвикаат бука. >>> *Ова не е грешка.*

### Производот не работи.

- Осигурувачот за ел. напојување е расипан или паднал. >>> *Проверете ги осигурувачите во кутијата. Ако е неопходно, заменете ги или активирајте ги одново.*
- Производот не е приклучен во (заземјен) штекер. >>> *Проверете го поврзувањето на приклучокот.*

### Сијаличката во рерната не работи.

- Сијаличката во рерната е прегорена. >>> *Сменете ја сијаличката.*
- Нема струја. >>> *Проверете дали има струја. Проверете ги осигурувачите во кутијата. Ако е неопходно, заменете ги или активирајте ги осигурувачите.*

### Рерната не се загрева.

- Не се поставени функцијата и/или температурата. >>> *Поставете ги функцијата и температурата со регулаторот/копчето за функција/температура.*
- Нема струја. >>> *Проверете дали има струја. Проверете ги осигурувачите во кутијата. Ако е неопходно, заменете ги или активирајте ги осигурувачите.*



Консултирајте се со овластен агент за сервисирање или со застапникот од каде што сте го купиле производот ако не можете сами да го решите проблемот иако сте ги примениле упатствата во ова поглавје. Никогаш не обидувајте се сами да го поправате расипаниот уред.





Ovaj dokument je originalno proizveden i objavljen od strane proizvođača, brenda Beko, i preuzet je sa njihove zvanične stranice. S obzirom na ovu činjenicu, Tehnoteka ističe da ne preuzima odgovornost za tačnost, celovitost ili pouzdanost informacija, podataka, mišljenja, saveta ili izjava sadržanih u ovom dokumentu.

Napominjemo da Tehnoteka nema ovlašćenje da izvrši bilo kakve izmene ili dopune na ovom dokumentu, stoga nismo odgovorni za eventualne greške, propuste ili netačnosti koje se mogu naći unutar njega. Tehnoteka ne odgovara za štetu nanесenu korisnicima pri upotrebi netačnih podataka. Ukoliko imate dodatna pitanja o proizvodu, ljubazno vas molimo da kontaktirate direktno proizvođača kako biste dobili sve detaljne informacije.

Za najnovije informacije o ceni, dostupnim akcijama i tehničkim karakteristikama proizvoda koji se pominje u ovom dokumentu, molimo posetite našu stranicu klikom na sledeći link:

<https://tehnoteka.rs/p/beko-elektricni-sporet-fse66000gs-akcija-cena/>