

Uputstvo za upotrebu

VOX mikrotalasna rerna MWH-M22



Tehnoteka je online destinacija za upoređivanje cena i karakteristika bele tehnike, potrošačke elektronike i IT uređaja kod trgovinskih lanaca i internet prodavnica u Srbiji. Naša stranica vam omogućava da istražite najnovije informacije, detaljne karakteristike i konkurentne cene proizvoda.

Posetite nas i uživajte u ekskluzivnom iskustvu pametne kupovine klikom na link:

<https://tehnoteka.rs/p/vox-mikrotalasna-rerna-mwh-m22-akcija-cena/>



VOX
ELECTRONICS

EN

Microwave oven

INSTRUCTION MANUAL

MODEL: MWH-M22
MWH-M22B
MWH-M22S

**Read these instructions carefully before using your oven,
and keep it carefully.**

If you follow the instructions, your oven will provide you with many
years of good service.

SAVE THESE INSTRUCTIONS CAREFULLY

PRECAUTIONS TO AVOID POSSIBLE EXPOSURE TO EXCESSIVE MICROWAVE ENERGY

- (a) Do not attempt to operate this oven with the door open since this can result in harmful exposure to microwave energy. It is important not to break or tamper with the safety interlocks.
- (b) Do not place any object between the oven front face and the door or allow soil or cleaner residue to accumulate on sealing surfaces.
- (c) **WARNING:** If the door or door seals are damaged, the oven must not be operated until it has been repaired by a competent person.

ADDENDUM

If the appliance is not maintained in a good state of cleanliness, its surface could be degraded and affect the lifespan of the appliance and lead to a dangerous situation.

Specifications

Model:	MWH-M22 / MWH-M22B / MWH-M22S
Rated Voltage:	230V~ 50Hz
Rated Input Power(Microwave):	1050 W
Rated Output Power(Microwave):	700 W
Oven Capacity:	20 L
Turntable Diameter:	∅ 255 mm
External Dimensions:	440mmX330mmX259mm
Net Weight:	Approx. 9.74 kg

IMPORTANT SAFETY INSTRUCTIONS

WARNING

To reduce the risk of fire, electric shock, injury to persons or exposure to excessive microwave oven energy when using your appliance, follow the basic precautions, including the following:

1. **Warning:** Liquids and other foods must not be heated in sealed containers as they are liable to explode.
2. **Warning:** It is hazardous for anyone other than a competent person to remove a cover which gives protection against exposure to microwave energy.
3. This appliance can be used by children aged from 8 years and above and persons with reduced physical, sensory or mental capabilities or lack of experience and knowledge if they have been given supervision or instruction concerning use of the appliance in a safe way and understand the hazards involved. Children shall not play with the appliance. Cleaning and maintenance shall not be made by children unless they are older than 8 and supervised.
4. Keep the appliance and its cord out of reach of children younger than 8 years.
5. Only use utensils suitable for use in microwave ovens.
6. The oven should be cleaned regularly and any food deposits should be removed.
7. Read and follow the specific: "**PRECAUTIONS TO AVOID POSSIBLE EXPOSURE TO EXCESSIVE MICROWAVE ENERGY**".
8. When heating food in plastic or paper containers, keep an eye on the oven due to the possibility of ignition.

9. If smoke is noticed, switch off or unplug the appliance and keep the door closed in order to stifle any flames.
10. Do not overcook food.
11. Do not use the oven cavity for storage purposes. Do not store items, such as bread, cookies, etc. inside the oven.
12. Remove wire twist-ties and metal handles from paper or plastic containers/bags before placing them in the oven.
13. Install or locate this oven only in accordance with the installation instructions provided.
14. Eggs in their shell and whole hard-boiled eggs should not be heated in microwave ovens since they may explode, even after microwave heating has ended.
15. This appliance is intended to be used in household and similar applications such as:
 - staff kitchen areas in shops, offices and other working environments;
 - by clients in hotels, motels and other residential type environments;
 - farm houses;
 - bed and breakfast type environment.
16. If the supply cord is damaged, it must be replaced by the manufacturer, its service agent or similarly qualified persons in order to avoid a hazard.
17. Do not store or use this appliance outdoors.
18. Do not use this oven near water, in a wet basement or near a swimming pool.
19. The temperature of accessible surfaces may be high when the appliance is operating. Keep the cord away from any heated surface, and do not cover any vents on the oven.
20. Do not let the cord hang over the edge of a table or counter.
21. Failure to maintain the oven in a clean condition could lead to deterioration of the surface that could adversely affect the life of the appliance and possibly result in a hazardous situation.

22. The contents of feeding bottles and baby food jars shall be stirred or shaken and the temperature checked before consumption, in order to avoid burns.
23. Microwave heating of beverages can result in delayed eruptive boiling; therefore care must be taken when handling the container.
24. The appliance is not intended for use by persons (including children) with reduced physical, sensory or mental capabilities, or lack of experience and knowledge, unless they have been given supervision or instruction concerning use of the appliance by a person responsible for their safety.
25. Children should be supervised to ensure that they do not play with the appliance.
26. The microwave oven must not be placed in a cabinet unless it is tested for installation in it.
27. The appliances are not intended to be operated by means of an external timer or separate remote-control system.
28. The rear surface of appliance shall be placed against a wall.
29. Accessible parts may become hot during use. Young children should be kept away.
30. Steam cleaner shall not be used.
31. During use the appliance becomes hot. Care should be taken to avoid touching heating elements inside the oven.
32. Use only the temperature probe recommended for this oven (for ovens provided with a facility to use a temperature-sensing probe).
33. **WARNING:** The appliance and its accessible parts become hot during use. Care should be taken to avoid touching heating elements. Children younger than 8 years old shall be kept away unless continuously supervised.
34. The microwave oven must be operated with the decorative door open (for the ovens with a decorative door).

**READ CAREFULLY AND KEEP FOR FUTURE
REFERENCE**

To Reduce the Risk of Injury

Grounding Installation

DANGER

Electric Shock Hazard.

Touching some of the internal components can cause serious personal injury or death.

Do not disassemble this appliance.

WARNING

Electric Shock Hazard.

Improper use of the grounding can result in electric shock.

Do not plug into an outlet until appliance is properly installed and grounded.

This appliance must be grounded. In the event of an electrical short circuit, grounding reduces the risk of electric shock by providing an escape wire for the electric current.

This appliance is equipped with a cord having a grounding wire with a grounding plug. The plug must be plugged into an outlet that is properly installed and grounded. Consult a qualified electrician or serviceman if the grounding instructions are not completely understood or if doubt exists as to whether the appliance is properly grounded.

If it is necessary to use an extension cord, use only a 3-wire extension cord.

1. A short power-supply cord is provided to reduce the risks resulting from becoming entangled in or tripping over a longer cord.
2. If a long cord set or extension cord is used:
 - 1) The marked electrical rating of the cord set or extension cord should be at least as great as the electrical rating of the appliance.
 - 2) The extension cord must be a grounding-type 3-wire cord.
 - 3) The long cord should be arranged so that it will not drape over the counter top or tabletop where it can be pulled on by children or tripped over unintentionally.

CLEANING

Be sure to unplug the appliance from the power supply.

1. Clean the cavity of the oven after using with a slightly damp cloth.
2. Clean the accessories in the usual way in soapy water.
3. The door frame and seal and neighboring parts must be cleaned carefully with a damp cloth when they are dirty.
4. Do not use harsh abrasive cleaners or sharp metal scrapers to clean the oven door glass as they can scratch the surface, which may result in shattering of the glass.
5. **CLEANING TIP** – For easier cleaning of the cavity walls from grease, place half a lemon in a bowl, add 300ml of water. Wipe the oven clean using a soft, dry cloth.

CAUTION

Personal Injury Hazard

It is hazardous for anyone other than a competent person to carry out any service or repair operation that involves the removal of a cover which gives protection against exposure to microwave energy.

UTENSILS

See the instructions on "Materials you can use in microwave oven or to be avoided in microwave oven". There may be certain non-metallic utensils that are not safe to use for microwaving. If in doubt, you can test the utensil in question following the procedure below.

Utensil Test:

1. Fill a microwave-safe container with 1 cup of cold water (250ml) along with the utensil in question.
2. Cook on maximum power for 1 minute.
3. Carefully feel the utensil. If the empty utensil is warm, do not use it for microwave cooking.
4. Do not exceed 1 minute cooking time.

Materials you can safely use in microwave oven

Utensils	Remarks
Aluminum foil	Shielding only. Small smooth pieces can be used to cover thin parts of meat or poultry to prevent overcooking. Arcing can occur if foil is too close to oven walls. The foil should be at least 2.5cm away from oven walls.
Browning dish	Follow manufacturer's instructions. The bottom of browning dish must be at least 5mm above the turntable. Incorrect usage may cause the turntable to break.
Dinnerware	Microwave-safe only. Follow manufacturer's instructions. Do not use cracked or chipped dishes.
Glass jars	Always remove lid. Use only to heat food until just warm. Most glass jars are not heat resistant and may break.
Glassware	Use heat-resistant oven glassware only. Make sure there is no metallic trim. Do not use cracked or chipped dishes.
Oven cooking bags	Follow manufacturer's instructions. Do not close with metal tie. Make slits to allow steam to escape.
Paper plates and cups	Use for short-term cooking/warming only. Do not leave oven unattended while cooking.
Paper towels	Use to cover food for reheating and absorbing fat. Use with supervision for a short-term cooking only.
Parchment paper	Use as a cover to prevent splattering or a wrap for steaming.
Plastic	Microwave-safe only. Follow the manufacturer's instructions. Should be labeled "Microwave Safe". Some plastic containers soften, as the food inside gets hot.
Boiling bags	Boiling bags and tightly closed plastic bags should be slit, pierced or vented as directed by package.
Plastic wrap	Microwave-safe only. Use to cover food during cooking to retain moisture . Do not allow plastic wrap to touch food.
Thermometers	Microwave-safe only (meat and candy thermometers)
Wax paper	Use as a cover to prevent splattering and retain moisture.

Materials to be avoided in microwave oven

Utensils Remarks

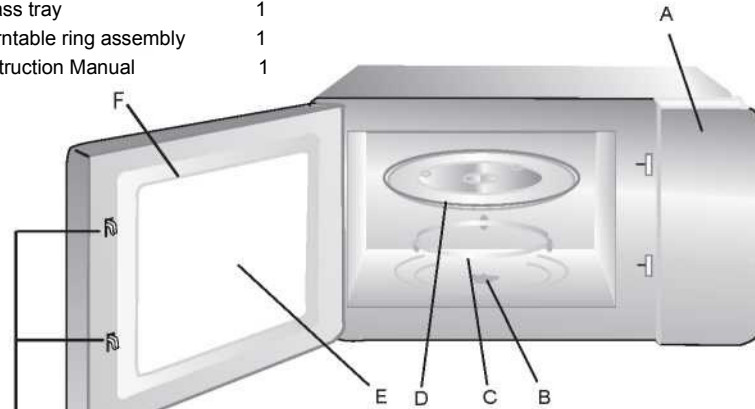
Utensils	Remarks
Aluminum tray	May cause arcing. Transfer food into microwave-safe dish.
Food carton with metal handle	May cause arcing. Transfer food into microwave-safe dish.
Metal or metal-trimmed utensils	Metal shields the food from microwave energy. Metal trim may cause arcing.
Metal twist ties	May cause arcing and could cause a fire in the oven.
Paper bags	May cause a fire in the oven.
Plastic foam	Plastic foam may melt or contaminate the liquid inside when exposed to high temperature.
Wood	Wood will dry out when used in the microwave oven and may split or crack.

SETTING UP YOUR OVEN

Names of Oven Parts and Accessories

Remove the oven and all materials from the carton and oven cavity. Your oven comes with the following accessories:

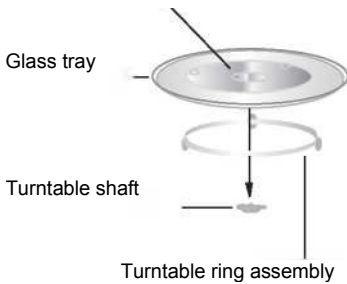
Glass tray	1
Turntable ring assembly	1
Instruction Manual	1



- A) Control panel
- B) Turntable shaft
- C) Turntable ring assembly
- D) Glass tray
- E) Observation window
- F) Door assembly
- G) Safety interlock system

Turntable Installation

Hub (underside)



- a. Never place the glass tray upside down. The glass tray should never be restricted.
- b. Both glass tray and turntable ring assembly must always be used during cooking.
- c. All food and containers of food are always placed on the glass tray for cooking.
- d. If glass tray or turntable ring assembly cracks or breaks, contact your nearest authorized service center

Countertop Installation

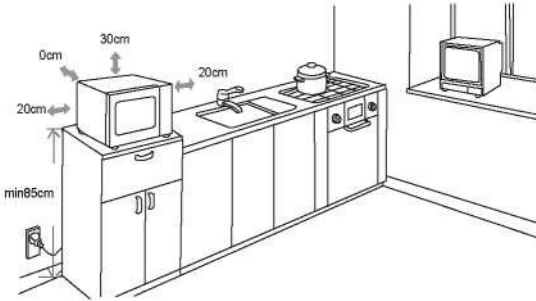
Remove all packing material and accessories. Examine the oven for any damage, such as dents or damaged door. Do not install if oven is damaged.

Cabinet: Remove any protective film found on the microwave oven cabinet surface.

Do not remove the light brown Mica cover that is attached to the oven cavity to protect the magnetron.

Installation

1. Select a level surface that provides enough open space for the intake and/or outlet vents.

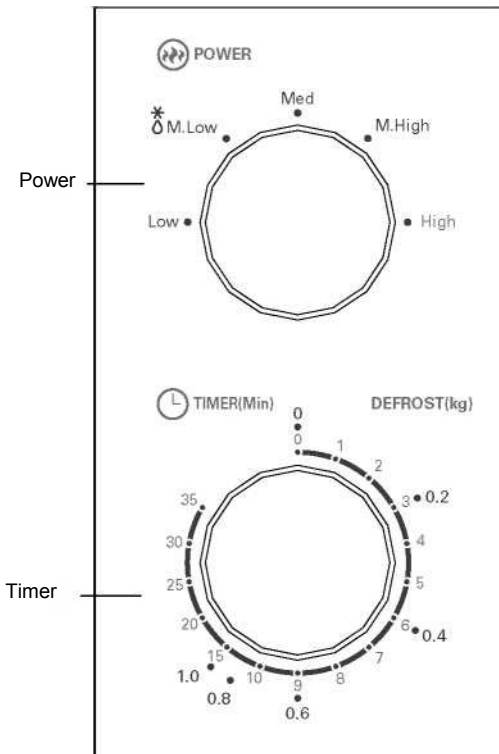


- (1) The minimum installation height is 85cm. A minimum clearance of 20cm is required between the oven and any adjacent walls.
 - (2) Leave a minimum clearance of 30cm above the oven.
 - (3) Do not remove the legs from the bottom of the oven.
 - (4) Blocking the intake and/or outlet openings can damage the oven.
 - (5) Place the oven as far away from radios and TV as possible. Operation of microwave oven may cause interference to your radio or TV reception.
2. Plug your oven into a standard household outlet. Be sure the voltage and the frequency is the same as the voltage and the frequency on the rating label.

WARNING: Do not install oven over a range cooktop or other heat-producing appliance. If installed near or over a heat source, the oven could be damaged and the warranty would be void.

OPERATION

Control Panel and Features Operation Instructions



1. Set cooking power by turning the power knob to desired level.
2. Set the time of cooking by turning the timer knob to desired time per your food see cooking guide.
3. The microwave oven will automatically start cooking after power level and time are set.
4. After the cooking time is up, the unit will "Dong" to stop.
5. If the unit is not in use, always set time to "0".

Function/Power	Output	Application
Low	17% micro.	Soften ice cream
Med. Low (Defrost)	33% micro.	Soup stew, soften butter or defrost
Med.	55% micro.	Stew, fish
Med. high	77% micro.	Rice, fish, chicken, ground meat
High	100% micro.	Reheat, milk, boil water, vegetables, beverage

Notice: When removing food from the oven, please ensure that the oven power is switched off by turning the timer switch to 0 (zero). Failure to do so and operating the microwave oven without food in it, can result in overheating and damage to the magnetron.

Troubleshooting

Normal	
Microwave oven interfering TV reception	Radio and TV reception may be interfered when microwave oven operating. It is similar to the interference of small electrical appliances, like mixer, vacuum cleaner and electric fan. It is normal.
Dim oven light	In low power microwave cooking, oven light may become dim. It is normal.
Steam accumulating on the door, hot air out of vents	In cooking, steam may come out of food. Most will get out of vents, but some may accumulate on cool place like oven door. It is normal.
Oven started accidentally with no food in it	It is forbidden to run the unit without any food inside. It is very dangerous. Turn it off immediately.

Problem	Possible Cause	Remedy
Oven can not be started	(1) Power cord not plugged in tightly	Unplug, then plug again after 10 seconds
	(2) Fuse blowing	Replace fuse
	(3) Trouble with outlet	Test outlet with other electrical appliances
Oven does not heat	(4) Door not closed well	Close door well
Glass turntable makes noise when microwave oven operates	(5) Dirty roller rest and oven bottom	Refer to "Maintenance of Microwave" to clean dirty parts



According to Waste of Electrical and Electronic Equipment (WEEE) directive, WEEE should be separately collected and treated. If at any time in future you need to dispose of this product please do NOT dispose of this product with household waste. Please send this product to WEEE collecting points where available.



SR

Mikrotalasna rerne

UPUTSTVO ZA UPOTREBU

MODEL: MWH-M22 MWH-M22B MWH-M22S

Pažljivo pročitajte ovo uputstvo pre korišćenja vaše rerne, i pažljivo ga čuvajte.

Ako budete sledili ovo uputstvo, vaša mikrotalasna će vas dobro služiti mnogo godina.

PAŽLJIVO ČUVAJTE OVO UPUTSTVO

PREDOSTROŽNOSTI ZA IZBEGAVANJE MOGUĆEG PREKOMERNOG IZLAGANJA MIKROTALASNOJ ENERGIJI

- (a) Ne pokušavajte koristiti ovu pećnicu sa otvorenim vratima jer to može rezultirati štetnim izlaganjem mikrotalasnoj energiji. Važno je ne lomiti ili ne rotirati bezbednosne spojeve.
- (b) Ne postavljajte nikakve predmete između prednje strane rerne i vrata, ne dopuštajte nakupljanje prljavštine ili sredstava za čišćenje na površinama za dihtovanje.
- (c) UPOZORENJE: Ukoliko su vrata ili vratni dihtunzi oštećeni, pećnica ne sme da se koristi dok ih ne zameni stručna osoba.

DODATAK

Ukoliko se uređaj ne održava čistim, to može da utiče na njegovu površinu i radni vek, te da dovede do opasnih situacija.

Specifikacije

Model:	MWH-M22 / MWH-M22B / MWH-M22S
Radni napon:	230V~ 50Hz
Nazivna ulazna snaga (mikrotalasi):	1050 W
Nazivna izlazna snaga (mikrotalasi):	700 W
Kapacitet rerne:	20 L
Prečnik okretnog tanjira:	255 mm
Spoljne dimenzije:	440mmX330mmX259mm
Neto težina:	Approx 9.74 kg

VAŽNA SIGURNOSNA UPUTSTVA

UPOZORENJE

Za smanjenje rizika od požara, strujnog udara, fizičkih povreda ili prekomernog izlaganja mikrotalasnoj energiji prilikom upotrebe Vašeg uređaja, molimo da se pridržavate osnovnih mera predostrožnosti, uključujući i sledeće:

1. **Upozorenje:** Tečnosti i drugu hranu ne zagrevati u zatvorenim posudama jer su podložne eksplozijama
2. **Upozorenje:** Uklanjanje poklopca koji štiti od izlaganja mikrotalasnoj energiji je opasno po bilo koga osim stručne osobe.
3. Ovaj uređaj mogu koristiti deca uzrasta iznad 8 godina starosti, kao i osobe sa smanjenim fizičkim, čulnim ili mentalnim sposobnostima ili nedostatkom iskustva i znanja, ako su pod nadzorom ili poseduju instrukcije za upotrebu aparata na bezbedan način uz razumevanje opasnosti rukovanja. Deca ne treba da se igraju sa aparatom. Čišćenje i održavanje ne bi trebalo da obavljaju deca koja nisu starija od 8 godina i pod nadzorom.
4. Držite aparat i njegov kabl van domašaja dece mlađe od 8 godina.
5. Koristite samo posuđe prikladno za upotrebu u mikrotalasnim pećnicama.
6. Rerna bi trebalo redovno da se čisti i da se uklanjaju talozi hrane.
7. Pročitajte i pridržavajte se "**PREDOSTROŽNOSTI ZA IZBEGAVANJE MOGUĆEG PREKOMERNOG IZLAGANJA MIKROTALASNOJ ENERGIJI**".
8. Prilikom grejanja hrane u plastičnim ili papirnim posudama pazite na rernu zbog opasnosti od vatre.
9. U slučaju pojave plamena, ugasite rernu ili je isključite iz struje, te držite zatvorena vrata pećnice kako bi se vatra ugušila.
10. Nemojte prekuvavati hranu.
11. Nemojte koristiti unutrašnjost pećnice za skladištenje. Ne držite predmete poput hleba, kolača, itd. unutar rerne.
12. Uklonite žičane spajalice i metalne drške sa papirnih ili plastičnih posuda/kesica pre njihovog stavljanja u rernu.
13. Instalirajte ili postavite ovu rernu isključivu u skladu sa priloženim uputstvima za instalaciju.
14. Jaja u ljusci i tvrdo kuvana jaja ne bi trebalo grejati u mikrotalasnoj rerni

jer mogu da eksplodiraju, čak i nakon završetka grejanja u rerni.

15. Ovaj aparat je namenjen upotrebi u domaćinstvu i sličnim objektima kao što su:

-kuhinja za osoblje, kancelarije i slična radna okruženja -u hotelima, motelima i sličnim rezidencijalnim okruženjima -seoskim kućama;

-prenoćištima.

16. Ukoliko se strujni kabl ošteti, treba ga zameniti proizvođač, ovlašćeni servis ili slične kvalifikovane osobe kako bi se izbegle moguće opasnosti.

17. Ne držite i ne koristite ovaj uređaj na otvorenom.

18. Ne koristite ovu rernu u blizini vode, mokrom podrumu ili u blizini bazena.

19. Tokom rada temperatura dostupnih područja može biti visoka. Držite kabl napajanja podalje toplih površina, te ne pokrivajte otvore na rerni.

20. Ne dopuštajte da strujni kabl visi preko ivice stola ili radne površine.

21. Neodržavanje rerne čistom može da dovede do propadanja njenih površina, što može da skрати vek trajanja uređaja i rezultira opasnim situacijama.

22. Kako bi se izbegle opekotine, sadržaje dečjih flašica i tegli sa dečjom hranom treba pre hranjenja promešati ili protresti, te im proveriti temperaturu.

23. Grejanje napitaka u mikrotalasnoj rerni može da rezultira zakasnelim eruptivnim ključanjem, te zato mora da se pazi prilikom rukovanja sa posudom u kojoj se nalazi napitak.

24. Uređaj nije namenjen za upotrebu od strane osoba (uključujući i decu) sa smanjenim fizičkim, čulnim ili mentalnim sposobnostima ili nedostatkom iskustva i znanja osim ukoliko nisu pod nadzorom ili su upućene u rad uređaja od strane osobe odgovorne za njihovu bezbednost.

25. Decu bi trebalo nadzirati kako bi se osiguralo da se ne igraju sa uređajem.

26. Mikrotalasna rerna ne sme da se ugrađuje u kuhinjske elemente osim ukoliko nije bila testirana za ugradnju u elemente.

27. Uređaj nije namenjen za upravljanje putem eksternih tajmera ili drugih sistema za daljinsko upravljanje.

28. Zadnja površina uređaja treba da se postavi ispred zida.

29. Delovi aparata mogu da se zagreju za vreme korišćenja, zato decu treba držati dalje od aparata kako se ne bi opržili.

30. Ne sme se čistiti paročistačima.
31. Tokom upotrebe aparat se zagreva. Treba voditi računa da se izbegne dodirivanje grejnih elemenata rerne.
32. Koristite samo sondu temperature koja se preporučuje za ovu reru (za rerne snabdevene instalacijom za korišćenje sonde za proveru temperature).
33. **UPOZORENJE:** Aparat i njegovi dostupni delovi zagrevaju se prilikom upotrebe. Trebalo bi pažljivo izbeći dodirivanje grejnih elemenata. Decu mlađu od 8 godina starosti treba držati dalje od aparata ako su bez nadzora.
34. Prilikom rada, dekorativna vrata moraju ostati otvorena (za rerne sa dekorativnim vratima).

PROČITAJTE PAŽLJIVO I ČUVAJTE ZA BUDUĆU UPOTREBU

Za smanjenje rizika od fizičkih povreda Uzemljenje OPASNOST

Opasnost od strujnog udara.

Dodirivanje nekih internih komponenti može da izazove ozbiljne lične povrede ili smrt.

Ne rastavljajte ovaj uređaj.

UPOZORENJE

Opasnost od strujnog udara.

Neispravno uzemljenje može da rezultira strujnim udarom. Ne uključujte uređaj u utičnicu za struju dok ga ispravno ne instalirate i uzemljite.

Ovaj uređaj mora da bude uzemljen. U slučaju strujnog kratkog spoja uzemljenje smanjuje opasnost od strujnog udara putem odvodne žice za električnu struju.

Ovaj uređaj je opremljen uzemljenim strujnim kablom i utikačem sa kontaktom za uzemljenje. Utikač treba da se uključi u ispravno instaliranu i uzemljenu strujnu utičnicu. Konsultujte se sa kvalifikovanim električarom ili serviserom ukoliko u potpunosti ne razumete uputstva za uzemljenje ili ukoliko niste sigurni je li uređaj ispravno uzemljen.

Ukoliko morate da koristite produžni kabl, koristite isključivo produžni kabl sa tri žice.

1. Strujni kabl je kratak kako bi se smanjili rizici od zapetljanja ili spoticanja o duži strujni kabl.
2. Ukoliko se koristi dugi strujni kabl ili produžni kabl:
3. Nominalna snaga strujnog kabla ili produžnog kabla mora biti jednaka ili veća od nominalne snage uređaja.
4. Produžni kabl mora da bude uzemljenog tipa.
5. Dugi strujni kabl treba da se provede tako da ne visi preko ruba radne površine ili stola gde mogu da ga povuku deca ili gde preko njega može slučajno da se spotakne.

ČIŠĆENJE

Obavezno isključite rernu iz strujne utičnice.

1. Nakon upotrebe unutrašnjost pećnice očistite lagano vlažnom krpom.
2. Dodatke očistite na uobičajeni način u vodi sa sapunom..
3. Kada su prljavi, okvir vrata, zaptivku i susedne delove treba da se pažljivo očiste vlažnom krpom..
4. Ne koristite jaka abrazivna sredstva za čišćenje ili oštre metalne strugače za čišćenje stakla vrata rerne, jer mogu da ogrebu površinu, što može rezultirati razbijanjem stakla.
5. **SAVET ZA ČIŠĆENJE** - za lakše pranje unutrašnjosti rerne od masnoće hrane, stavite pola limuna u činiju, dodajte 300ml vode. Obrišite pećnicu mekom, suvom krpom.

OPREZ

Opasnost od povreda

Servisiranje ili popravljanje koje uključuje uklanjanje poklopca koji štiti od izlaganja mikrotalasnoj energiji, opasno je za svakog osim za stručno lice.

POSUĐE

Pogledajte uputstva o “Materijalima koji mogu da se koriste u mikrotalasnoj rerni ili koje bi trebalo da se izbegava”. Postoji određeno nemetalno posuđe koje nije bezbedno za upotrebu u mikrotalasnoj rerni. Ukoliko postoji sumnja, danu posudu možete da testirate na dole opisan način.

Test posuđa:

1. Napunite posudu za sigurnu upotrebu u mikrotalasnoj rerni 1 šoljicom hladne vode (250ml)
2. Kuvajte na maksimalnoj snazi 1 minut.
3. Pažljivo opipajte posudu. Ukoliko je prazna posuda topla, ne koristite je za kuvanje u mikrotalasnoj rerni.
4. Nemojte da prekoračite 1 minut prilikom kuvanja.

Materijali sigurni za upotrebu u mikrotalasnoj rerni

Materijal Napomene

Alu folija	Samo prekrivanje. Mogu se koristiti mali glatki komadi za prekrivanje tankih komada mesa ili piletine kako bi se sprečilo prekuvanje. Ako je folija previše blizu zidovima rerne može da dođe do varničenja. Folija bi trebala da bude najmanje 2.5cm udaljena od zidova rerne.
Posuda za zapeći jelo	Pridržavajte se uputstava proizvođača. Dno posude mora da bude minimalno 5mm iznad tanjira koji se okreće. Neispravna upotreba može da izazove pucanje tanjira.
Servis za jelo	Isključivo oni koji su pogodni za upotrebu u mikrotalasnim pećnicama. Pridržavajte se uputstava proizvođača. Ne koristite napuklo ili oštećeno posuđe
Tegle	Uvek uklonite poklopac. Koristite za grejanje dok hrana ne bude pretopla. Većina tegli nije otporna na toplinu i može da pukne.
Stakleno posuđe	Koristite isključivo vatrootporno stakleno posuđe. Na sudovima ne sme da bude metalnih rubova. Ne koristite napuklo ili oštećeno posuđe.
Kese za kuvanje	Pridržavajte se uputstava proizvođača. Ne zatvarajte metalnom vezicom. Napravite otvore za izlaz pare.
Papirnatih tanjira i šoljice	Koristite isključivo za kratkotrajno kuvanje / grejanje. Ne ostavljajte bez nadzora tokom kuvanja.
Papirnatih salвете	Koristite za prekrivanje hrane za podgrevanje i upijanje masnoće. Koristite pod nadzorom isključivo za kratkotrajno kuvanje.
Papir za kolače	Koristite kao poklopac kako biste sprečili prskanje ili kao omotač za parenje.
Plastika	Isključivo pogodna za upotrebu u mikrotalasnim rernama. Pridržavajte se uputstava proizvođača. Trebalo bi da bude označena sa "Microwave Safe". Neke plastične posude omekšavaju kako se hrana unutar njih zagreva.
Kese za kuvanjež	Trebalo bi da se zarežu, izbuše ili otvore, kako je naznačeno na ambalaži.
Plastična folija	Isključivo pogodna za upotrebu u mikrotalasnim pećnicama. Koristite za prekrivanje hrane tokom kuvanja radi zadržavanja vlage. Plastična folija ne bi smela da dodiruje hranu
Termometri	Isključivo pogodni za upotrebu u mikrotalasnim rernama (za meso i kolače)
Masni papir	Koristite kao poklopac za sprečavanje prskanja i zadržavanje vlage.
Posude za hranu sa metalnim drškama	Može da izazove varničenje. Preseliti hranu u posudu pogodnu za mikrotalasne pećnice.
Metalne ili metalom obrubljene posude	Metal štiti hranu od mikrotalasne energije. Metalni rubovi mogu da izazovu varničenje.
Metalne vezice	Mogu da izazovu varničenje i vatru unutar rerne.
Papirnatih kese	Mogu da izazovu vatru u pećnici.
Plastična pena	Plastična pena može da se otopi ili kontaminira unutrašnjost rerne kada je izložena visokoj temperaturi.
Drvo	Drvo će prilikom upotrebe u u mikrotalasnoj pećnici da se isuši, a može i da se rascepi ili pukne.

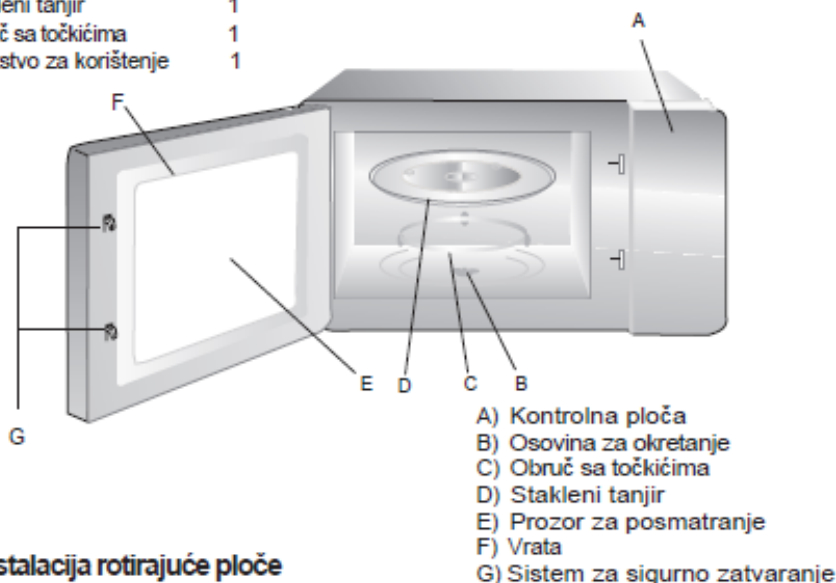
Materijali nepogodni za upotrebu u mikrotalasnoj rearni

POSTAVLJANJE VAŠE RERNE

Nazivi delova rerne i dodataka

Uklonite pećnicu i sve dodatke iz ambalaže i unutrašnjosti rerne. Uz vašu remu su priloženi sledeći dodaci:

Stakleni tanjir	1
Obruč sa točkicama	1
Uputstvo za korišćenje	1



Instalacija rotirajuće ploče

Srednja (donja) strana

Stakleni tanjir

Osovina

Obruč sa točkicama

- a. Nikada ne postavljajte stakleni tanjir naopako. Ništa ne sme da blokira stakleni tanjir.
- b. Za vreme kuvanja i stakleni tanjir i obruč sa točkicama uvek moraju da se koriste.
- c. Prilikom kuvanja, sva hrana i posude uvek treba staviti na stakleni tanjir.
- d. Ukoliko stakleni tanjir ili obruč sa točkicama naprsnu ili se slome, kontaktirajte najbliži ovlašćeni servisni centar.

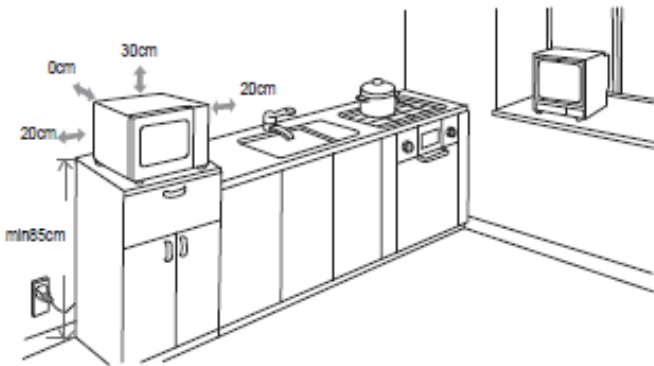
Instalacija na radnu površinu

Uklonite sav ambalažni materijal i dodatke. Proverite ima li oštećenja na rerni, poput ogrebotina ili oštećenih vrata. Ne instalirajte pećnicu ukoliko je oštećena.

Kućište: Uklonite zaštitnu foliju sa površine kućišta mikrotalasne rerne. Ne uklanjajte svetlo smeđu Mica navlaku koja je pričvršćena za unutrašnjost rerne, a služi za zaštitu magnetrona.

Instalacija

1. Izaberite ravnu površinu sa dovoljno slobodnog prostora za provetranje rerne.



1. Minimalna visina ugradnje je 85cm. Između rerne i okolnih zidova treba da se ostavi minimalan razmak od 20 cm.

2. Iznad rerne ostavite minimalno 30cm slobodnog prostora.

3. Ne uklanjajte nožice sa dna rerne.

4. Blokiranje ulaza i/ili izlaza za vazduh može da ošteti rernu.

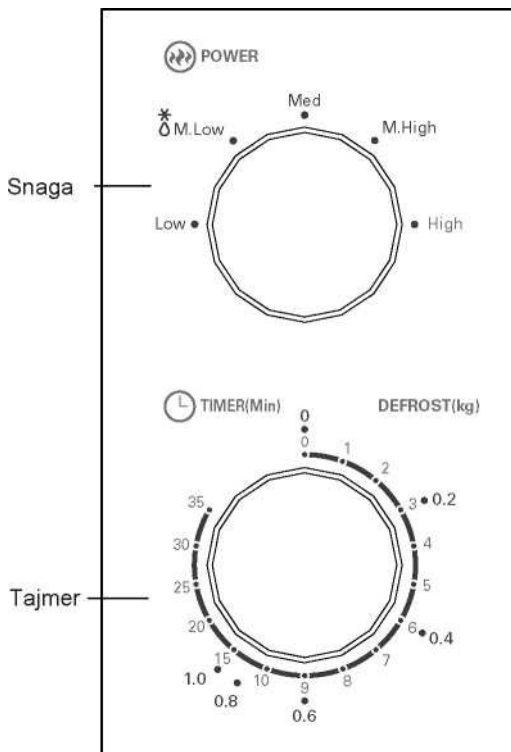
5. Postavite rernu što je dalje moguće od radija i tv prijemnika. Rad mikrotalasne rerne može da izazove smetnje u vašem radijskom ili televizijskom prijemu

2. Uključite rernu u standardnu kućnu strujnu utičnicu. Napon i frekvencija treba da odgovaraju radnom naponu rerne, navedenom na pločici s tehničkim podacima.

UPOZORENJE: Ne postavljajte rernu iznad šporeta ili drugih toplinskih uređaja. Ukoliko se se instalira u blizini ili iznad izvora toplote, rerna bi se mogla oštetiti, i na taj način bi se mogla poništiti garancija za ovaj proizvod.

UPOTREBA

Kontrolna tabla i funkcije Uputstva za upotrebu



1. Za postavljanje snage kuvanja postavite dugme snage na željeni nivo.
2. Za postavljanje trajanja kuvanja postavite dugme tajmera na željeni nivo prema vrsti hrane. Vidi uputstvo na dnu stranice.
3. Mikrotalasna rerna automatski će da započne s kuvanjem nakon što odredite nivo snage i trajanje kuvanja.
4. Nakon isteka trajanja kuvanja, uređaj će da vas upozori zvučnim signalom.
5. Ukoliko se uređaj ne koristi, uvek postavite trajanje kuvanja na "0".

Funkcija/Snaga	Izlaz	Primena
Niska (low)	17% mikro.	Omekšavanje sladoleda
Sr.niska (odmrzavanje)	33% mikro.	Čorbe, omekšavanje putera ili odmrzavanje
Srednja (med)	55% mikro.	Gulaši, riba
Srednje visoka	77% mikro.	Pirinač, riba, piletina, mleveno meso
Visoka	100% mikro.	Podgrevanje, mleko, kuvanje vode, povrće, napici

Pažnja: Pre nego što izvadite hranu iz rerne, molimo da isključite pećnicu postavljanjem tajmera na položaj 0 (nula).

Rad rerne bez hrane u njoj može da uzrokuje pregrevanje i oštećenje magnetrona.

Otklanjanje problema

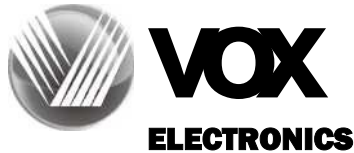
Normalno	
Mikrotalasna ometa TV prijem	Tokom rada mikrotalasna rerne može ometati radio i TV prijem. To je slično interferenciji malih kućnih aparata, kao što su mikser, usisivač i fen za kosu. To je normalno.
Tamno svetlo u rerni	Prilikom kuvanja niskom snagom mikrotalasa, svetlo rerne može postati tamno. To je normalno.
Na vratima se kondenzuje vlaga, iz otvora izlazi vruć vazduh	Tokom kuvanja iz hrane može izlaziti para. Većina će izaći kroz ventilacione otvore, ali deo se može kondenzovati na hladnijim mestima poput vrata rerne. To je normalno.
Rerna je slučajno pokrenuta bez hrane u njoj	Zabranjeno je koristiti praznu rernu. To je veoma opasno. Odmah je isključite.

Problem	Mogući uzrok	Rešenje
Rerna se ne može pokrenuti	(1) Strujni kabl nije ispravno uključen	Isključite kabl, te ga nakon 10 sekundi ponovno uključite
	(2) Neispravan osigurač	Zamenite osigurač
	(3) Problem sa utičnicom	Testirajte utičnicu drugim električnim uređajima
Rerna ne greje	(4) Vrata nisu dobro zatvorena	Dobro zatvorite vrata
Stakleni tanjir pravi buku tokom rada mikrotalase rerne	(5) Prijavi obruč sa točkicama i dno rerne	O čišćenju pogledajte u odeljku "Održavanje mikrotalase rerne"



Prema odredbi o odlaganju električne i elektronske opreme, takva oprema treba da se posebno sakuplja i obrađuje. Ukoliko u bilo kojem trenutku treba da bacite ovaj uređaj, molimo da ga NE bacate u đubre zajedno sa ostalim kućnim đubretom, već tamo gde je za to unapred određeno mesto.

SI



Mikrovalovna pečica NAVODILA ZA UPORABO

MODEL: MWH-M22
MWH-M22B
MWH-M22S

Pred uporabo Vaše pečice pozorno preberite navodila ter jih shranite.

Ob upoštevanju teh navodil Vam bo pečica dobro služila dlje časa.

POZORNO PREBERITE NAVODILA

VARNOSTNI UKREPI ZA IZOGIBANJE PREKOMERNEMU IZPOSTAVLJANJU MIKROVALOVNI ENERGIJI

- (a) Ne poskušajte uporabljati pečico z odprtimi vrati, saj to lahko povzroči škodljivo izpostavljenost mikrovalovni energiji. Pomembno je, da se varnostni spoji ne lomijo in ne rotirajo.
- (b) Ne postavljajte nikakršnih predmetov med sprednjo stran pečice in vrata in ne dovolite nabiranja umazanije ali ostankov čistilnega sredstva na tesnilnih površinah.
- (c) **POZOR:** V kolikor so vrata ali tesnila poškodovana, pečice ne uporabljajte, dokler je ne popravi ustrezno usposobljen serviser.

DODATEK

V kolikor se aparat ne čisti redno, to lahko vpliva na njegovo življenjsko dobo in površine, ter privede do nevarnih situacij.

Specifikacije

Model:	MWH-M22 / MWH-M22B / MWH-M22S
Delovna napetost:	230V~ 50Hz
Nazivna vhodna moč (mikrovalovi):	1050 W
Nazivna izhodna moč (mikrovalovi):	700 W
Prostornina pečice:	20 L
Prečnik rotirajočega pladnja:	255 mm
Zunanje dimenzije:	440mmX330mmX259mm
Neto teža:	Pribl. 9,74 kg

POMEMBNA VARNOSTNA NAVODILA OPOZORILO

Za zmanjšanje tveganja požara, električnega udara, telesnih poškodb ali prekomernega izpostavljanja mikrovalovni energiji, pri uporabi Vašega aparata upoštevajte osnovne varnostne ukrepe, in sicer:

1. **Pozor:** Tekočine in drugo hrane ne segrevajte v zaprtih posodah zaradi nevarnosti eksplozije.
2. **Pozor:** Pokrov za zaščito od mikrovalovne energije sme odstraniti samo ustrezno usposobljena oseba, saj lahko v nasprotnem pride do telesnih poškodb in materialne škode.
3. Aparat smejo uporabljati otroci nad 8 leti starosti, osebe z zmanjšanimi telesnimi, zaznavnimi in umskimi sposobnostmi ali s pomanjkljivim znanjem in izkušnjami, vendar izključno pod nadzorom osebe, ki ima navodila za varno uporabo in ob razumevanje nevarnosti, ki so prisotne ob uporabi. Otrokom ne dovolite, da se igrajo z aparatom. Otroci nad 8 leti starosti smejo vzdrževati ali čistiti aparat samo pod nadzorom odrasle osebe.
4. Držite aparat in njegov kabel dlje od otrok mlajših od 8 let.
5. Uporabljajte samo posode primerne za mikrovalovne pečice.
6. Pečico redno čistite od ostankov hrane.
7. Pozorno preberite in sledite navodilom v delu »**VARNOSTNI UKREPI ZA IZOGIBANJE PREKOMERNEMU IZPOSTAVLJANJU MIKROVALOVNI ENERGIJI**«.
8. Pri segrevanju hrane v plastičnih ali papirnatih posodah pozorno spremljajte delovanje pečice zaradi nevarnosti požara.
9. V primeru pojave plamena nemudoma ugasnite pečico ali jo izključite iz električne vtičnice ter držite vrata zaprta, da se ogenj ugasne.
10. Ne prekuhavajte hrane.
11. Ne uporabljajte notranjost pečice kot shrambo. Ne hranite predmete kot so kruh, kolači itd. v pečici.
12. Preden vstavite papirnate ali plastične posode/vrečke v pečico, odstranite kovinske ročaje in žice.
13. Pečico namestite izključno v skladu s priloženimi navodili.
14. Jajca z lupino in trdo kuhana jajca ni priporočljivo greti v mikrovalovni

pečici, ker se lahko razpočijo, tudi po koncu segrevanja.

15. Ta aparat je namenjen uporabi v gospodinjstvu in podobnih okoljih, kot so:

- Kuhinja za osebje, pisarne in podobna delovna okolja, v hotelih, motelih in podobnih stanovanjskih okoljih, vaških hišah, prenočiščih.

16. V kolikor se električni kabel poškoduje, ga mora zamenjati proizvajalec, pooblaščen servisier ali ustrezno usposobljeno osebje, da bi se izognili tveganju.

17. Ne držite in ne uporabljajte tega aparata na odprtem.

18. Med delovanjem se lahko nekatere zunanje površine zelo segrejejo. Kabel držite dlje od toplih površin in ne pokrivajte odprtih na pečici.

19. Ne dovolite, da električni kabel visi čez rob mize ali delovne površine.

20. Neredno čiščenje pečice lahko povzroči propadanje njenih površin in posledično skrajšanje življenjske dobe aparata ter nevarne situacije.

21. Da ne bi prišlo do opeklin, vsebino posod s hrano ali pijačo namenjeno otrokom pred hranjenjem premešajte ali potresite in preverite temperaturo.

22. Segrevanje napitkov v mikrovalovni pečici lahko povzroči zakasnelo eruptivno vrenje, zato je treba biti pozoren pri rokovanju s posodami v katerih se nahaja tekočina.

23. Aparata ne smejo uporabljati osebe (vključujoč otroke) z zmanjšanimi fizičnimi, motornimi ali umskimi sposobnostmi, ali osebe, ki nimajo izkušenj in potrebnega znanja za uporabo, razen če so pod nadzorom osebe, ki odgovarja za njihovo varnost in sledijo navodilom za uporabo.

24. Otroke je treba nadzirati, da se ne bi igrali z aparatom.

25. Mikrovalovna pečica se ne sme vgraditi v kuhinjske elemente, v kolikor predhodno ni preizkušena za ta namen.

26. Aparat ni primeren za upravljanje prek zunanjih časovnih stikal ali drugih sistemov za daljinsko upravljanje.

27. Hrbtno površino aparata je treba postaviti pred zid.

28. Deli aparata se lahko precej segrejejo med delovanjem, zato je potrebno otroke držati dlje od aparata, da se ne bi opekli.

29. Aparata ne čistite s parnim čistilnikom.

30. Med delovanjem se aparat segreva. Bodite pozorni, da se ne dotikate grelnih elementov.

31. Uporabljajte temperaturno sondo priporočeno za to pečico (za pečice opremljene z instalacijo za temperaturno sondo).
32. **POZOR:** Aparat in njegove zunanje površine se pri delovanju zelo segrejejo. Bodite pozorni, da se ne dotikate grelnih elementov. Otroke mlajše od 8 let ne puščajte v bližini aparata brez nadzora.
33. Pri delovanju lahko okrasna vrata ostanejo odprta (pri pečicah z okrasnimi vrati).

POZORNO PREBERITE NAVODILA IN JIH SHRANITE ZA BODOČO UPORABO

Ukrepi za zmanjšanje tveganja telesnih poškodb

Ozemljitev

NEVARNOST

Nevarnost električnega udara.

Dotikanje nekaterih notranjih delov pečice lahko povzroči resne poškodbe ali smrt.

Ne razstavljajte tega aparata.

OPOZORILO

Nevarnost električnega udara.

Neustrezna ozemljitev lahko povzroči električni udar. Ne vključujte aparata v električno vtičnico, dokler ga pravilno ne namestite in ozemljite.

Aparat mora biti ozemljen. V primeru kratkega stika ozemljitev zmanjšuje nevarnost električnega udara prek odvodne žice za električno energijo.

Ta aparat je opremljen z ozemljenim električnim kablom in vtikačem s kontaktom za ozemljitev. Vtikač je treba vključiti v pravilno nameščeno in ozemljeno električno vtičnico. V kolikor navodil za ozemljitev ne razumete v celoti, se posvetujte z ustrezno usposobljenim električarjem ali serviserjem. V kolikor morate uporabljati električni podaljšek, uporabljajte izključno podaljšek s tremi žicami.

1. Električni kabel je kratek, zato da bi se zmanjšalo tveganje zapletanja in spotikanja ob kabel.
2. V kolikor uporabljate drugi električni kabel ali podaljšek:
 - 1) Nazivna zmogljivost električnega kabla ali podaljška mora biti enaka

ali večja od nazivne moči aparata.

- 2) Električni podaljšek mora biti ozemljen.
- 3) Dolg električni kabel je treba postaviti tako, da ne visi prek roba delovne površine ali mize, kjer ga lahko dosežejo otroci, ali se lahko kdo spotakne ob njega.

ČIŠČENJE

Preden začnete s čiščenjem, obvezno izključite kabel iz električne vtičnice.

1. Po uporabi notranjost pečice očistite z rahlo navlaženo krpo.
2. Dodatke lahko pomijete z milom, v vodi.
3. Kadar so umazani, je potrebno okvir vrat, tesnilo in sosednje dele pozorno očistiti.
4. Ne uporabljajte agresivnih abrazivnih čistilnih sredstev ali grobih kovinskih žic za čiščenje, saj lahko poškodujejo površino in tako privedejo do razbijanja stekla.
5. **NASVET ZA ČIŠČENJE** – za lažje čiščenje notranjosti pečice od maščobe, postavite pol limone v posodo in dodajte 300 ml vode. Obrišite pečico z mehko in suho krpo.

POZOR

Nevarnost telesnih poškodb

Servisiranje ali popravilo, ki zahteva odstranitev zaščitnega pokrova, ki ščiti od izpostavljanja mikrovalovni energiji, sme opravljati samo ustrezno usposobljena oseba.

POSODE

Poglejte navodila o »Materialih, ki so primerni za uporabo v mikrovalovni pečici«. Obstajajo določene nekovinske posode, ki niso varne za uporabo v mikrovalovni pečici. Če niste prepričani, dano posodo lahko preizkusite na spodaj opisani način.

Preizkus posod:

- 1 Napolnite posodo, za uporabo v mikrovalovni pečici s kozarcem hladne vode (250 ml)
- 2 Segrevajte na maksimalni nastavitvi 1 minuto.
- 3 Previdno potipajte posodo. V kolikor je prazna posoda topla, je ne uporabljajte za kuhanje v mikrovalovni pečici.
4. Pri preizkusu posode ne segrevajte dlje od 1 minute.

Materiali primerni za uporabo v mikrovalovni pečici

Material Opombe

Alu folija	Samo prekrivanje. Lahko uporabljate majhne, gladke kose za prekrivanje tenkih odrezkov mesa, da bi preprečili prekuhanje. Če je folija preblizu zidov pečice, lahko pride do iskenja. Folija mora od zidov pečice biti oddaljena najmanj 2,5 cm.
Posoda za pečenje	Upoštevajte navodila proizvajalca. Dno posode mora biti najmanj 5mm nad rotirajočim pladnjem. Nepravilna uporaba lahko povzroči, da pladenj počí.
Servis za hrano	Izključno tisti, ki so primerni za uporabo v mikrovalovnih pečicah. Upoštevajte navodila proizvajalca. Ne uporabljajte počene ali drugače poškodovane posode.
Kozarci	Vedno odstranite pokrov. Segrejte vendar ne pregrevajte hrane. Večina kozarcev ni odporna na toploto in lahko počí.
Steklene posode	Koristite izključno na toploto odporno steklo za peko. Posode ne smejo imeti kovinskih posod. Ne uporabljajte počene ali drugače poškodovane posode.
Vrečke za peko	Upoštevajte navodila proizvajalca. Ne zapirajte s kovinsko sponko. Napravite odprtine za uhajanje pare.
Papirnati krožniki in kozarci	Uporabljajte jih izključno za kratkotrajno kuhanje / segrevanje. Ne puščajte pečice brez nadzora med segrevanjem.
Papirne serviete	Uporabljajte jih za prekrivanje hrane, za vpijanje maščobe. Ne puščajte pečice brez nadzora med segrevanjem in uporabljajte samo za kratko segrevanje.
Papir za kolače	Uporabljajte kot pokrov, da bi preprečili škropljenje, ali kot ovoj za parno kopel.
Plastika	Uporabljajte izključno plastiko primerno za mikrovalovne pečice. Upoštevajte navodila proizvajalca. Morala bi imeti oznako "Microwave Safe". Nekatere plastične posode se zmečajo med segrevanjem.

Vrečke za kuhanje	Trba jih odpreti ali izrezati odprtine na njih, tako kot je označeno na embalaži.
Plastična folija	Uporabljajte izključno folijo primerno za mikrovalovne pečice. Uporabljajte za prekrivanje hrane med segrevanjem, zaradi zadrževanja vlage. Plastična folija ne bi smela priti v stik s hrano.
Termometri	Izključno termometri primerni za uporabo v mikrovalovni pečici (za meso in kolače).
Papir za peko	Uporabljajte ga kot pokrov za preprečevanje škropljenja in za zadrževanje vlage.

Materiali, ki niso primerni za uporabo v mikrovalovni pečici

Materiali	Opombe
Aluminijski krožniki	Lahko povzročijo iskenje. Hrano prestavite v posodo primerno za mikrovalovne pečice.
Posode s kovinskimi ročajmi	Lahko povzročijo iskenje. Hrano prestavite v posodo primerno za mikrovalovne pečice.
Kovinske posode ali posode s kovinskim robom	Kovina ščiti hrano od mikrovalovne energije. Kovinski robovi lahko povzročijo iskenje.
Kovinske žice	Lahko povzročijo iskenje ali požar v pečici.
Papirnate vrečke	Lahko povzročijo požar v pečici.
Plastična pena	Plastična pena može se lahko pri visoki temperaturi stopi ali kontaminira notranjost pečice.
Les	Les se pri uporabi v mikrovalovni pečici izsuši, lahko pa se tudi razcepi ali počí.

NAMESTITEV PEČICE

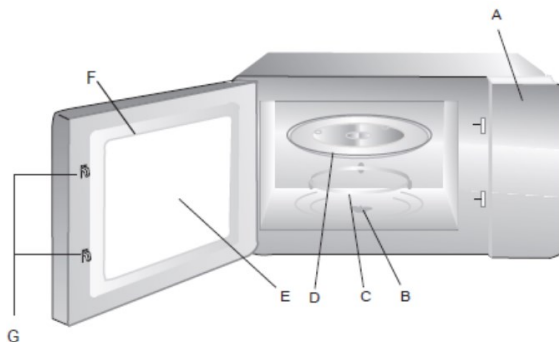
Deli pečice

Odstranite vso embalažo iz pečice. Pečici pripadajo naslednji dodatki:

Steklen pladenj 1

Obroč s kolesci 1

Navodila za uporabo 1



A) Kontrolna plošča

B) Obroč pladnja

C) Obroč s kolesci

D) Steklen pladenj

E) Okno

F) Vrata

G) Sistem za vratno zapiranje

Namestitev rotirajuče plošče



- Nikoli ne postavljajte steklenega pladnja z glavo navzdol. Steklenega pladnja nič ne sme ovirati.
- Pri segrevanju morate vedno uporabljati stekleni pladenj in obroč s kolesci.
- Pri segrevanju morajo biti posode s hrano vedno postavljene na stekleni pladenj.
- V kolikor se stekleni pladenj ali kolesca poškodujejo ali počijo, stopite v stik z najbližjim pooblaščenim servisom.

Namestitev na delovno površino

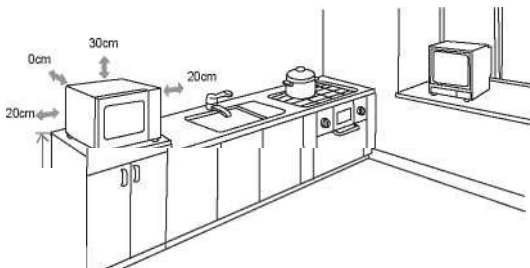
Odstranite vso embalažo in dodatke. Preverite, ali so na pečici prisotne poškodbe kot so praske ali poškodbe vrat. Pečice ne nameščajte v kolikor je poškodovana.

Ohišje: Odstranite zaščitno folijo s površine ohišja pečice.

Ne odstranjajte svetlo-rjavo Mica prevleko pritrjeno v notranjosti pečice, ki služi za zaščito magnetrona.

Namestitev

1. Izberite ravno površino z dovolj prostora za zračenje.



1. Minimalna višina za vgradnjo je 85 cm. Med pečico in zidovi okoli nje mora biti najmanj 20 cm prostora.
2. Nad pečico pustite najmanj 30 cm prostora.
3. Ne odstranjujte nožic z dna pečice.
4. Blokiranje vzhoda in/ali izhoda za zrak lahko poškoduje pečico.
5. Pečico postavite čim dlje od radija ali tv sprejemnika. Delovanje mikrovalovne pečice lahko povzroči motnje pri sprejemu radijskega ali tv signala.

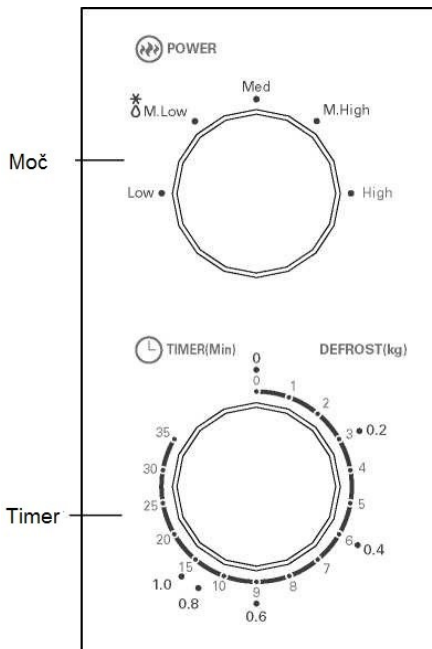
2. Vključite pečico v standardno hišno električno vtičnico. Napon in frekvenca morajo ustrezati podatkom navedenim na ploščici s tehničnimi podatki na pečici.

POZOR: Ne nameščajte pečice nad štedilnikom ali drugimi grelnimi aparati. V kolikor se pečica namesti nad ali v bližini izvora toplote, se lahko poškoduje. V tem primeru je garancije pečice nična.

UPORABA

Nadzorna plošča in funkcije

Navodila



1. Za nastavitev moči segrevanja obrnite gumb za izbiro na zelene stopnje.
2. Za nastavitev trajanja kuhanja, obrnite gumb timerja na zeleni nivo, glede na vrsto hrane. Poglejte navodilo na dnu strani.
3. Mikrovalovna pečica bo samodejno začela s segrevanjem, potem ko določite moč in čas segrevanja.
4. Po končanem segrevanju, Vas bo pečica opozorila z zvočnim signalom.
5. Kadar aparata ne uporabljate, vedno nastavite trajanje segrevanja na "0".

Funkcija/Moč	Izhod	Uporaba
Nizka (low)	17% mikro.	Mehčanje sladoleda
Sr.nizka (odmrzovanje)	33% mikro.	Juhe, mehčanje masla ali odmrzovanje
Srednja (med)	55% mikro.	Golaž, riba
Srednje visoka	77% mikro.	Riž, riba, piščanec, mleto meso
Visoka	100% mikro.	Segrevanje, mleko, kuhanje vode, zelenjava, napitki

Pozor: Preden vzamete hrano iz pečice, jo ugasnite, tako da nastavite timer na položaj 0 (ničla). Delovanje pečice brez hrane v njej lahko povzroči pregrevanje in poškoduje magnetron.

Odstranitev napaka

Normalni pojavi	
Mikrovalovna ovira sprejem TV signala	Mikrovalovna pečica lahko pri delovanju ovira sprejem radijskega in TV signala. To podobno interferenci, ki jo povzročajo majhni gospodinjski aparati, kot so mešalnik, sesalnik in sušilnik za lase. To je normalno.
Zatemnjena luč v notranjosti pečice	Pri kuhanju na nizki nastavitvi moči, se lahko luč v pečici nekoliko zatemni. To je normalno.
Na vratima se kondenzuje vlaga, iz otvora izlazi vroč vazduh	Tokom kuvanja iz hrane može izlaziti para. Večina će izaći kroz ventilacione otvore, ali deo se može kondenzovati na hladnijim mestima poput vrata rerne. To je normalno.
Rerna je slučajno pokrenuta bez hrane u njoj	Zabranjeno je koristiti praznu rernu. To je veoma opasno. Odmah je isključite.

Problem	Možen vzrok	Rešitev
Pečica se noće prižgati	(1) Električni kabel ni pravilno priključen	Izključite kabel, ter ga po desetih sekundah ponovno priključite
	(2) Uničena varovalka	Zamenjajte varovalko
	(3) Problem z vtičnico	Preizkusite vtičnico z drugimi električnimi aparati
Pečica ne segreva	(4) Vrata niso dobro zaprta	Dobro zaprite vrata
Stekleni pladenj proizvaja hrup med delovanjem pečice	(5) Obroč s kolesci na dnu pečice je umazan	O čišćenju preberite v delo "Vzdrževanje mikrovalovne pečice"



Po predpisih o odlaganju električne in elektronske opreme, je za takšno opremo potrebno ločeno zbiranje in predelava. V kolikor želite odložiti aparat, vas prosimo, da ga ne odlagate skupaj z navadnim gospodinjskim odpadom, temveč ga odložite na ustrezno mesto za zbiranje.

BIH/CG



Mikrotalasna rerna

UPUTSTVO ZA UPOTREBU

**MODEL: MWH-M22
MWH-M22B
MWH-M22S**

Pažljivo pročitajte ovo uputstvo prije korišćenja vaše rerne, i pažljivo ih čuvajte.

Ako budete sljedili ovo uputstvo, vaša pećnica će Vas dobro služiti mnogo godina.

PAŽLJIVO ČUVAJTE OVO UPUTSTVO

PREDOSTROŽNOSTI ZA IZBJEGAVANJE MOGUĆEG PREKOMJERNOG IZLAGANJA MIKROTALASNOJ ENERGIJI

- (a) Ne pokušavajte koristiti ovu pećnicu sa otvorenim vratima jer to može rezultirati štetnim izlaganjem mikrotalasnoj energiji. Važno je ne lomiti ili ne rotirati bezbjednosne spojeve.
- (b) Ne postavljajte nikakve predmete između prednje strane rerne i vrata, ne dopuštajte nakupljanje prljavštine ili sredstava za čišćenje na površinama za dihtovanje.
- (c) **UPOZORENJE:** Ukoliko su vrata ili vratni dihtunzi oštećeni, pećnica ne smije da se koristi dok ih ne zamijeni stručna osoba.

DODATAK

Ukoliko se uređaj ne održava čistim, to može da utiče na njegovu površinu i radni vijek, te da dovede do opasnih situacija.

Specifikacije

Model:	MWH-M22 / MWH-M22B / MWH-M22S
Radni napon:	230V~ 50Hz
Nazivna ulazna snaga (mikrotalasi):	1050 W
Nazivna izlazna snaga (mikrotalasi):	700 W
Kapacitet rerne:	20 L
Prečnik okretnog tanjira:	255 mm
Spoljne dimenzije:	440mmX330mmX259mm
Neto težina:	Approx 9.74 kg

VAŽNA SIGURNOSNA UPUTSTVA

UPOZORENJE

Za smanjenje rizika od požara, strujnog udara, fizičkih povreda ili prekomernog izlaganja mikrotalasnoj energiji prilikom upotrebe Vašeg uređaja, molimo da se pridržavate osnovnih mjera predostrožnosti, uključujući i sljedeće:

1. **Upozorenje:** Tečnosti i drugu hranu ne zagrijevati u zatvorenim posudama jer su podložne eksplozijama
2. **Upozorenje:** Uklanjanje poklopca koji štiti od izlaganja mikrotalasnoj energiji je opasno po bilo koga osim stručne osobe.
3. Ovaj uređaj mogu koristiti djeca uzrasta iznad 8 godina starosti, kao i osobe sa smanjenim fizičkim, čulnim ili mentalnim sposobnostima ili nedostatkom iskustva i znanja, ako su pod nadzorom ili poseduju instrukcije za upotrebu aparata na bezbjedan način uz razumijevanje opasnosti rukovanja. Djeca ne treba da se igraju sa aparatom. Čišćenje i održavanje ne bi trebalo da obavljaju djeca koja nisu starija od 8 godina i nisu pod nadzorom.
4. Držite aparat i njegov kabl van domašaja djece mlađe od 8 godina.
5. Koristite samo posuđe prikladno za upotrebu u mikrotalasnim pećnicama.
6. Rerna bi trebalo redovno da se čisti i da se uklanjaju talozi hrane.
7. Pročitajte i pridržavajte se "**PREDOSTROŽNOSTI ZA IZBJEGAVANJE MOGUĆEG PREKOMJERNOG IZLAGANJA MIKROTALASNOJ ENERGIJI**".
8. Prilikom grijanja hrane u plastičnim ili papirnim posudama pazite na rernu zbog opasnosti od vatre.
9. U slučaju pojave plamena, ugasite rernu ili je isključite iz struje, te držite zatvorena vrata pećnice kako bi se vatra ugušila.
10. Nemojte prekuvavati hranu.
11. Nemojte koristiti unutrašnjost pećnice za skladištenje. Ne držite predmete poput hljeba, kolača, itd. unutar rerne.
12. Uklonite žičane spajalice i metalne drške sa papirnih ili plastičnih posuda/kesica prije njihovog stavljanja u rernu.
13. Instalirajte ili postavite ovu rernu isključivu u skladu sa priloženim uputstvima za instalaciju.
14. Jaja u ljusci i tvrdo kuvana jaja ne bi trebalo grijati u mikrotalasnoj rerni jer

mogu da eksplodiraju, čak i nakon završetka grijanja u rerni.

15. Ovaj aparat je namijenjen upotrebi u domaćinstvu i sličnim objektima kao što su:

- kuhinje za osoblje, kancelarije i slična radna okruženja -u hotelima, motelima i sličnim rezidencijalnim okruženjima -seoskim kućama;
- prenoćištima.

Ukoliko se strujni kabl ošteti, treba ga zamijeniti proizvođač, ovlašćeni servis ili slične kvalifikovane osobe kako bi se izbjegle moguće opasnosti.

16. Ne držite i ne koristite ovaj uređaj na otvorenom.

17. Ne koristite ovu rernu u blizini vode, mokrom podrumu ili u blizini bazena.

18. Tokom rada temperatura dostupnih područja može biti visoka. Držite kabl napajanja podalje od toplih površina, te ne pokrivajte otvore na rerni.

19. Ne dopuštajte da strujni kabl visi preko ivice stola ili radne površine.

20. Neodržavanje rerne čistom može da dovede do propadanja njenih površina, što može da skрати vijek trajanja uređaja i rezultira opasnim situacijama.

21. Kako bi se izbjegle opekotine, sadržaje dečijih flašica i tegli sa dečjom hranom treba prije hranjenja promješati ili protresti, te im provjeriti temperaturu.

22. Grijanje napitaka u mikrotalasnoj rerni može da rezultira zakasnelim eruptivnim ključanjem, te zato mora da se pazi prilikom rukovanja sa posudom u kojoj se nalazi napitak.

23. Uređaj nije namijenjen za upotrebu od strane osoba (uključujući i djecu) sa smanjenim fizičkim, čulnim ili mentalnim sposobnostima ili nedostatkom iskustva i znanja osim ukoliko nisu pod nadzorom ili su upućene u rad uređaja od strane osobe odgovorne za njihovu bezbjednost.

24. Djecu bi trebalo nadzirati kako bi se osiguralo da se ne igraju sa uređajem.

25. Mikrotalasna rerna ne smije da se ugrađuje u kuhinjske elemente osim ukoliko nije bila testirana za ugradnju u elemente.

26. Uređaj nije namijenjen za upravljanje putem eksternih tajmera ili drugih sistema za daljinsko upravljanje.

27. Zadnja površina uređaja treba da se postavi ispred zida.

28. Dijelovi aparata mogu da se zagriju za vrijeme korišćenja, zato djecu treba držati dalje od aparata kako se ne bi opržili.

29. Ne smije se čistiti paročišćima.
30. Tokom upotrebe aparat se zagreva. Treba voditi računa da se izbjegne dodirivanje grijnih elemenata rerne.
31. Koristite samo sondu temperature koja se preporučuje za ovu rernu (za rerne snabdevene instalacijom za korišćenje sonde za provjeru temperature).
32. **UPOZORENJE:** Aparat i njeni dostupni dijelovi zagrijevaju se prilikom upotrebe. Trebalo bi pažljivo izbjeći dodirivanje grijnih elemenata. Djecu mlađu od 8 godina starosti treba držati dalje od aparata ako su bez nadzora.
33. Prilikom rada, dekorativna vrata moraju ostati otvorena (za rerne sa dekorativnim vratima).

PROČITAJTE PAŽLJIVO I ČUVAJTE ZA BUDUĆU UPOTREBU

Za smanjenje rizika od fizičkih povreda

Uzemljenje

OPASNOST

Opasnost od strujnog udara.

Dodirivanje nekih internih komponenti može da izazove ozbiljne lične povrede ili smrt.

Ne rastavljajte ovaj uređaj.

UPOZORENJE

Opasnost od strujnog udara.

Neispravno uzemljenje može da rezutira strujnim udarom. Ne uključujte uređaj u utičnicu za struju dok ga ispravno ne instalirate i uzemljite.

Ovaj uređaj mora da bude uzemljen. U slučaju strujnog kratkog spoja uzemljenje smanjuje opasnost od strujnog udara putem odvodne žice za električnu struju.

Ovaj uređaj je opremljen uzemljenim strujnim kablom i utikačem sa kontaktom za uzemljenje. Utikač treba da se uključi u ispravno instaliranu i uzemljenu strujnu utičnicu. Konsultujte se sa kvalifikovanim električarom ili serviserom ukoliko u potpunosti ne razumijete uputstva za uzemljenje ili ukoliko niste sigurni je li uređaj ispravno uzemljen.

Ukoliko morate da koristite produžni kabl, koristite isključivo produžni kabl sa tri žice.

1. Strujni kabl je kratak kako bi se smanjili rizici od zapetljanja ili spoticanja o duži strujni kabl.
2. Ukoliko se koristi dugi strujni kabl ili produžni kabl:
 - 1) Nominalna snaga strujnog kabla ili produžnog kabla mora biti jednaka ili veća od nominalne snage uređaja.
 - 2) Produžni kabl mora da bude uzemljenog tipa.
 - 3) Dugi strujni kabl treba da se provede tako da ne visi preko ivice radne površine ili stola gde mogu da ga povuku djeca ili gdje preko njega može slučajno da se spotakne.

ČIŠĆENJE

Obavezno isključite rernu iz strujne utičnice.

1. Nakon upotrebe unutrašnjost pećnice očistite lagano vlažnom krpom.
2. Dodatke očistite na uobičajeni način u vodi sa sapunom.
3. Kada su prljavi, okvir vrata, zaptivku i susedne dijelove treba pažljivo očistiti vlažnom krpom..
4. Ne koristite jaka abrazivna sredstva za čišćenje ili oštre metalne strugače za čišćenje stakla vrata rerne, jer mogu da ogrebu površinu, što može rezultirati razbijanjem stakla.
5. **SAVET ZA ČIŠĆENJE** - za lakše pranje unutrašnjosti rerne od masnoće hrane, stavite pola limuna u činiju, dodajte 300ml vode. Obrišite pećnicu mekom, suvom krpom.

OPREZ

Opasnost od povreda

Servisiranje ili popravljanje koje uključuje uklanjanje poklopca koji štiti od izlaganja mikrotalasnoj energiji, opasno je za svakog osim za stručno lice.

POSUĐE

Pogledajte uputstva o "Materijalima koji mogu da se koriste u mikrotalasnoj rerni ili koje bi trebalo da se izbjegava". Postoji određeno nemetalno posuđe koje nije bezbjedno za upotrebu u mikrotalasnoj rerni. Ukoliko postoji sumnja, datu posudu možete da testirate na dole opisan način.

Test posuđa:

1. Napunite posudu sigurnu za upotrebu u mikrotalasnoj rerni 1 šoljicom hladne vode (250ml).
2. Kuvajte na maksimalnoj snazi 1 minut.
3. Pažljivo opipajte posudu. Ukoliko je prazna posuda topla, ne koristite je za kuvanje u mikrotalasnoj rerni.
4. **Nemojte da prekoračite 1 minut prilikom kuvanja.**

Materijali sigurni za upotrebu u mikrotalasnoj rerni

Materijal	Napomene
Alu folija	Samo prekrivanje. Mogu se koristiti mali glatki komadi za prekrivanje tankih komada mesa ili piletine kako bi se spriječilo prekuvanje. Ako je folija previše blizu zidovima rerne može da dođe do varničenja. Folija bi trebala da bude najmanje 2.5cm udaljena od zidova rerne.
Posuda za zapeći jelo	Pridržavajte se uputstava proizvođača. Dno posude mora da bude minimalno 5mm iznad tanjira koji se okreće. Neispravna upotreba može da izazove pucanje tanjira.
Servis za jelo	Isključivo oni koji su pogodni za upotrebu u mikrotalasnim pećnicama. Pridržavajte se uputstava proizvođača. Ne koristite napuklo ili oštećeno posuđe.
Tegle	Uvek uklonite poklopac. Koristite za grijanje dok hrana ne bude pretopla. Većina tegli nije otporna na toplinu i može da pukne.
Stakleno posuđe	Koristite isključivo vatrostalno stakleno posuđe. Na sudovima ne smije da bude metalnih ivica. Ne koristite napuklo ili oštećeno posuđe.
Kese za kuvanje	Pridržavajte se uputstava proizvođača. Ne zatvarajte metalnom vezicom. Napravite otvore za izlaz pare.
Papirnati tanjiri i šoljice	Koristite isključivo za kratkotrajno kuvanje / grijanje. Ne ostavljajte bez nadzora tokom kuvanja.
Papirne salвете	Koristite za prekrivanje hrane za podgrijavanje i upijanje masnoće. Koristite pod nadzorom isključivo za kratkotrajno kuvanje.
Papir za kolače	Koristite kao poklopac kako biste spriječili prskanje ili kao omotač za parenje.
Plastika	Isključivo pogodna za upotrebu u mikrotalasnim rernama. Pridržavajte se uputstava proizvođača. Trebalo bi da bude označena sa "Microwave Safe". Neke plastične posude omekšavaju kako se hrana unutar njih zagrijeva.
Kese za kuvanje	Trebalo bi da se zarežu, izbuše ili otvore, kako je naznačeno na ambalaži.
Plastična folija	Isključivo pogodna za upotrebu u mikrotalasnim pećnicama. Koristite za prekrivanje hrane tokom kuvanja radi zadržavanja vlage. Plastična folija ne bi smjela da dodiruje hranu
Termometri	Isključivo pogodni za upotrebu u mikrotalasnim rernama (za meso i kolače)
Masni papir	Koristite kao poklopac za spriječavanje prskanja i zadržavanje vlage.

Materijali nepogodni za upotrebu u mikrotalasnoj rerni

Materijali	Napomene
Aluminijumski tanjir	Može da izazove varničenje. Preseliti hranu u posudu pogodnu za mikrotalasne pećnice
Posude za hranu sa metalnim drškama	Može da izazove varničenje. Preseliti hranu u posudu pogodnu za mikrotalasne pećnice.
Metalne ili metalom obrubljene posude	Metal štiti hranu od mikrotalasne energije. Metalne ivice mogu da izazovu varničenje.
Metalne vezice	Mogu da izazovu varničenje i vatru unutar rerne.
Papirnate kese	Mogu da izazovu vatru u pećnici.
Plastična pena	Plastična pena može da se otopi ili kontaminira unutrašnjost rerne kada je izložena visokoj temperaturi.
Drvo	Drvo će prilikom upotrebe u u mikrotalasnoj pećnici da se isuši, a može i da se rascepi ili pukne.

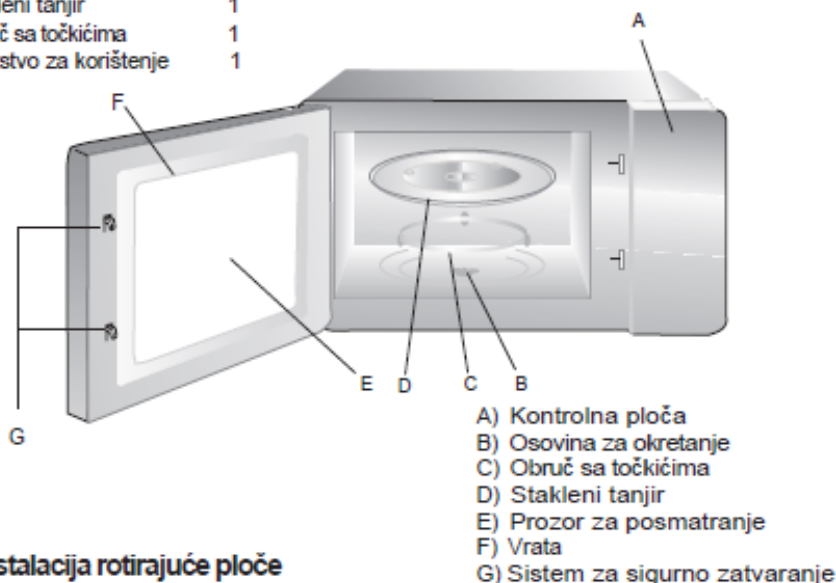
Materijali nepogodni za upotrebu u mikrotalasnoj rearni

POSTAVLJANJE VAŠE RERNE

Nazivi delova rerne i dodataka

Uklonite pećnicu i sve dodatke iz ambalaže i unutrašnjosti rerne. Uz vašu remu su priloženi sledeći dodaci:

Stakleni tanjir	1
Obruč sa točkicama	1
Uputstvo za korištenje	1



Instalacija rotirajuće ploče

Srednja (donja) strana

Stakleni tanjir

Osovina

Obruč sa točkicama

- a. Nikada ne postavljajte stakleni tanjir naopako. Ništa ne sme da blokira stakleni tanjir.
- b. Za vreme kuvanja i stakleni tanjir i obruč sa točkicama uvek moraju da se koriste.
- c. Prilikom kuvanja, sva hrana i posude uvek treba staviti na stakleni tanjir.
- d. Ukoliko stakleni tanjir ili obruč sa točkicama naprsnu ili se slome, kontaktirajte najbliži ovlašćeni servisni centar.

Instalacija na radnu površinu

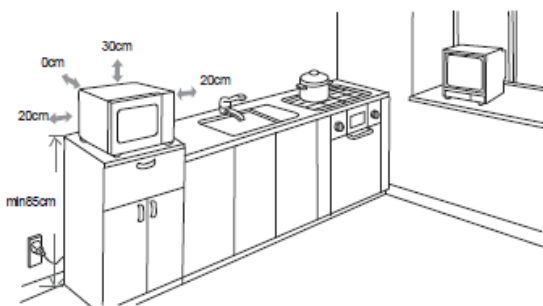
Uklonite sav ambalažni materijal i dodatke. Provjerite ima li oštećenja na rerni, poput ogrebotina ili oštećenih vrata. Ne instalirajte pećnicu ukoliko je oštećena.

Kućište: Uklonite zaštitnu foliju sa površine kućišta mikrotalasne rerne. Ne uklanjajte svijetlo smeđu Mica navlaku koja je pričvršćena za unutrašnjost rerne, a služi za zaštitu magnetrona.

Instalacija

1. Izaberite ravnu površinu sa dovoljno slobodnog prostora za provjetranje rerne.

- (1) Minimalna visina ugradnje je 85cm. Između rerne i okolnih zidova treba da se ostavi minimalan razmak od 20 cm.
- (2) Iznad rerne ostavite minimalno 30cm slobodnog prostora.
- (3) Ne uklanjajte nožice sa dna rerne.
- (4) Blokiranje ulaza i/ili izlaza za vazduh može da ošteti rernu.
- (5) Postavite rernu što je dalje moguće od radija i tv prijemnika. Rad mikrotalasne rerne može da izazove smetnje u vašem radijskom ili televizijskom prijemu



2. Uključite rernu u standardnu kućnu strujnu utičnicu. Napon i frekvencija treba da odgovaraju radnom naponu rerne, navedenom na pločici s tehničkim podacima. **UPOZORENJE:** Ne postavljajte rernu iznad šporeta ili drugih toplinskih uređaja. Ukoliko se instalira u blizini ili iznad izvora toplote, rerna bi se mogla oštjetiti, i na taj način bi se mogla poništiti garancija za ovaj proizvod.

Otklanjanje problema

Normalno	
Mikrotalasna ometa TV prijem	Tokom rada mikrotalasna rearna može ometati radio i TV prijem. To je slično interferenciji malih kućnih aparata, kao što su mikser, usisivač i fen za kosu. To je normalno.
Tamno svetlo u rearni	Prilikom kuvanja niskom snagom mikrotalasa, svetlo rearne može postati tamno. To je normalno.
Na vratima se kondenzuje vlaga, iz otvora izlazi vruć vazduh	Tokom kuvanja iz hrane može izlaziti para. Većina će izaći kroz ventilacione otvore, ali deo se može kondenzovati na hladnijim mestima poput vrata rearne. To je normalno.
Rearna je slučajno pokrenuta bez hrane u njoj	Zabranjeno je koristiti praznu rearnu. To je veoma opasno. Odmah je isključite.

Problem	Mogući uzrok	Rješenje
Rearna se ne može pokrenuti	(1) Strujni kabl nije ispravno uključen	Isključite kabl, te ga nakon 10 sekundi ponovno uključite
	(2) Neispravan osigurač	Zamijenite osigurač
	(3) Problem sa utičnicom	Testirajte utičnicu drugim električnim uređajima
Rearna ne grije	(4) Vrata nisu dobro zatvorena	Dobro zatvorite vrata
Stakleni tanjir pravi buku tokom rada mikrotalasne rearne	(5) Prljavi obruč sa točkicama i dno rearne	O čišćenju pogledajte u odeljku "Održavanje mikrotalasne rearne"



Prema odredbi o odlaganju električne i elektronske opreme, takva oprema treba da se posebno sakuplja i obrađuje. Ukoliko u bilo kojem trenutku treba da bacite ovaj uređaj, molimo da ga NE bacate u smeće zajedno sa ostalim kućnim smećem, već tamo gdje je za to unapred određeno mjesto.

HR



Mikrovalna pećnica

UPUTE ZA UPORABU

MODEL: MWH-M22
MWH-M22B
MWH-M22S

**Pažljivo pročitajte ove upute
prije korištenja vaše pećnice, i pažljivo ih čuvajte.
Ako budete slijedili ove upute, vaša pećnica
će vas dobro služiti mnogo godina.**

POZORNO ČUVAJTE OVE UPUTE

PREDOSTROŽNOSTI ZA IZBJEGAVANJE MOGUĆEG PREKOMJERNOG IZLAGANJA MIKROVALNOJ ENERGIJI

(a) Ne pokušavajte koristiti ovu pećnicu sa otvorenim vratima jer to može rezultirati štetnim izlaganjem mikrovalnoj energiji. Važno je ne lomiti ili ne rotirati bezbjednosne spojeve.

(b) Ne postavljajte nikakve predmete između prednje strane rerne i vrata, ne dopuštajte nakupljanje prljavštine ili sredstava za čišćenje na površima za dihtovanje.

(c) **UPOZORENJE:** Ukoliko su vrata ili vratni dihtunzi oštećeni, pećnica ne smije da se koristi dok ih ne zamijeni stručna osoba.

DODATAK

Ukoliko se uređaj ne održava čistim, to može uticati na njegovu površinu i radni vijek, te da dovede do opasnih situacija.

Specifikacije

Model:	MWH-M22 / MWH-M22B / MWH-M22S
Radni napon:	230V~ 50Hz
Nazivna ulazna snaga (mikrotalasi):	1050 W
Nazivna izlazna snaga (mikrotalasi):	700 W
Kapacitet rerne:	20 L
Prečnik okretnog tanjira:	255 mm
Spoljne dimenzije:	440mmX330mmX259mm
Neto težina:	Approx 9.74 kg

VAŽNE SIGURNOSNE UPUTE

UPOZORENJE

Za smanjenje rizika od požara, strujnog udara, fizičkih povreda ili prekomjernog izlaganja mikrovalnoj energiji prilikom upotrebe Vašeg uređaja, molimo da se pridržavate osnovnih mjera predostrožnosti, uključujući i sljedeće:

1. **Upozorenje:** Tekućine i drugu hranu ne zagrijavati u zatvorenim zdjelama jer su podložne eksplozijama
2. **Upozorenje:** Uklanjanje poklopca koji štiti od izlaganja mikrovalnoj energiji je opasno po bilo koga osim stručne osobe.
3. Ovaj uređaj mogu koristiti djeca uzrasta iznad 8 godina starosti, kao i osobe sa smanjenim fizičkim, čulnim ili mentalnim sposobnostima ili nedostatkom iskustva i znanja, ako su pod nadzorom ili posjeduju instrukcije za uporabu aparata na bezbjedan način uz razumijevanje opasnosti rukovanja. Djeca ne treba da se igraju sa aparatom. Čišćenje i održavanje ne bi trebalo da obavljaju djeca koja nisu starija od 8 godina i nisu pod nadzorom.
4. Držite aparat i njegov kabel van domašaja djece mlađe od 8 godina.
5. Koristite samo posuđe prikladno za uporabu u mikrovalnim pećnicama.
6. Pećnica bi trebalo redovito da se čisti i da se uklanjaju talozi hrane.
7. Pročitajte i pridržavajte se "PREDOSTROŽNOSTI ZA IZBJEGAVANJE MOGUĆEG PREKOMJERNOG IZLAGANJA MIKROVALNOJ ENERGIJI".
8. Prilikom grijanja hrane u plastičnim ili papirnim zdjelama pazite na pećnicu zbog opasnosti od vatre.
9. U slučaju pojave plamena, ugasite pećnicu ili je isključite iz struje, te držite zatvorena vrata pećnice kako bi se vatra ugušila.
10. Nemojte prekuvavati hranu.
11. Nemojte koristiti unutrašnjost pećnice za skladištenje. Ne držite predmete poput kruha, kolača, itd. unutar pećnice.
12. Uklonite žičane spajalice i metalne drške sa papirnih ili plastičnih zdjela/kesica prije njihovog stavljanja u pećnicu.
13. Instalirajte ili postavite ovu pećnicu isključivo u skladu sa priloženim uputama za instalaciju.
14. Jaja u ljusci i tvrdo kuhana jaja ne bi trebalo grijati u mikrovalnoj pećnici jer mogu da eksplodiraju, čak i nakon završetka grijanja u pećnici.

15. Ovaj aparat je namijenjen uporabi u kućanstvu i sličnim objektima kao što su:
- kuhinja za osoblje, kancelarije i slična radna okruženja - u hotelima, motelima i sličnim rezidencijalnim okruženjima -seoskim kućama;
 - prenoćištima.
16. Ukoliko se strujni kabel ošteti, treba ga zamijeniti proizvođač, ovlašteni servis ili slične kvalificirane osobe kako bi se izbjegle moguće opasnosti.
17. Ne držite i ne koristite ovaj uređaj na otvorenom.
18. Ne koristite ovu pećnicu u blizini vode, mokrom podrumu ili u blizini bazena.
19. Tijekom rada temperatura dostupnih područja može biti visoka. Držite kabel napajanja podalje toplih površina, te ne pokrivajte otvore na pećnici.
20. Ne dopuštajte da strujni kabel visi preko ruba stola ili radne površi.
21. Neodržavanje pećnice čistom može dovesti do propadanja njenih površi, što može da skрати vijek trajanja uređaja i rezultirati opasnim situacijama.
22. Kako bi se izbjegle opekotine, sadržaje dječijih flašica i tegli sa dječjom hranom treba prije hranjenja promiješati ili protresti, te im proveriti temperaturu.
23. Grijanje napitaka u mikrovalnoj rerni može da rezultira zakasnelim eruptivnim ključanjem, te zato mora da se pazi tijekom rukovanja sa djelom u kojoj se nalazi napitak.
24. Uređaj nije namijenjen za uporabu od strane osoba (uključujući i djecu) sa smanjenim fizičkim, čulnim ili mentalnim sposobnostima ili nedostatkom iskustva i znanja osim ukoliko nisu pod nadzorom ili su upućene u rad uređaja od strane osobe odgovorne za njihovu bezbjednost.
25. Djecu bi trebalo nadzirati kako bi se osiguralo da se ne igraju sa uređajem.
26. Mikrovalna pećnica ne smije da se ugrađuje u kuhinjske elemente osim ukoliko nije bila testirana za ugradnju u elemente.
27. Uređaj nije namijenjen za upravljanje putem eksternih tajmera ili drugih sistema za daljinsko upravljanje.
28. Zadnja površina uređaja treba da se postavi ispred zida.
29. Dijelovi aparata mogu da se zagriju za vrijeme korištenja, zato djecu treba držati dalje od aparata kako se ne bi opržili.

30. Ne smije se čistiti paročistačima.
31. Tijekom uporabe aparat se zagrijeva. Treba voditi računa da se izbjegne dodirivanje grijnih elemenata pećnice.
32. Koristite samo sondu temperature koja se preporučuje za ovu pećnicu (za pećnice snabdevene instalacijom za korištenje sonde za provjeru temperature).
33. **POZOR:** Aparat i njegovi dostupni dijelovi zagrijavaju se prilikom uporabe. Trebalo bi pažljivo izbjeci dodirivanje grijnih elemenata. Djecu mlađu od 8 godina starosti treba držati dalje od aparata ako su bez nadzora.
34. Prilikom rada, dekorativna vrata moraju ostati otvorena (za pećnice sa dekorativnim vratima).

PROČITAJTE PAŽLJIVO I ČUVAJTE ZA BUDUĆU UPORABU

Za smanjenje rizika od fizičkih povrijeđa

Uzemljenje

OPASNOST

Opasnost od strujnog udara.

Dotirivanje nekih internih komponenti može izazvati ozbiljne lične ozljede ili smrt.

Ne rastavljajte ovaj uređaj.

UPOZORENJE

Opasnost od strujnog udara.

Neispravno uzemljenje može da rezultira strujnim udarom. Ne uključujte uređaj u utičnicu za struju dok ga ispravno ne instalirate i uzemljite.

Ovaj uređaj mora biti uzemljen. U slučaju strujnog kratkog spoja uzemljenje smanjuje opasnost od strujnog udara putem odvodne žice za električnu struju.

Ovaj uređaj je opremljen uzemljenim strujnim kablom i utikačem sa kontaktom za uzemljenje. Utikač treba da se uključi u ispravno instaliranu i uzemljenu strujnu utičnicu. Konsultujte se sa kvalificiranim električarom ili serviserom ukoliko u potpunosti ne razumijete upute za uzemljenje ili ukoliko niste sigurni je li uređaj ispravno uzemljen.

Ukoliko morate da koristite produžni kabl, koristite isključivo produžni kabl sa tri žice.

1. Strujni kabl je kratak kako bi se smanjili rizici od zapetljanja ili spoticanja o duži strujni kabl.

1. Ukoliko se koristi dugi strujni kabl ili produžni kabl:

1) Nominalna snaga strujnog kabela ili produžnog kabela mora biti jednaka ili veća od nominalne snage uređaja.

2) Produžni kabl mora da bude uzemljenog tipa.

3) Dugi strujni kabl treba da se provede tako da ne visi preko ruba radne površine ili stola gde mogu da ga povuku djeca ili gdje preko njega može slučajno da se spotakne.

ČIŠĆENJE

Obavezno isključite pećnicu iz strujne utičnice.

1. Nakon uporabe unutarnjost pećnice očistite lagano vlažnom krpom.
2. Dodatke očistite na uobičajeni način u vodi sa sapunom..
3. Kada su prljavi, okvir vrata, zaptivku i susjedne dijelove treba pažljivo očistiti vlažnom krpom.
4. Ne koristite jaka abrazivna sredstva za čišćenje ili oštre metalne strugače za čišćenje stakla vrata pećnice, jer mogu da ogrebu površinu, što može rezultirati razbijanjem stakla.
5. **SAVJET ZA ČIŠĆENJE** - za lakše pranje unutarnjosti pećnice od masnoće hrane, stavite pola limuna u činiju, dodajte 300ml vode. Obrišite pećnicu mekom, suhom krpom.
6. Obrišite pećnicu mekom, suhom krpom.

OPREZ

Opasnost od povreda

Servisiranje ili popravljanje koje uključuje uklanjanje poklopca koji štiti od izlaganja mikrovalnoj energiji, opasno je za svakog osim za stručno lice.

POSUĐE

Pogledajte upute o “Materijalima koji mogu da se koriste u mikrovalnoj pećnici ili koje bi trebalo da se izbjegavaju”. Postoji određeno nemetalno posuđe koje nije bezbjedno za uporabu u mikrovalnoj pećnici. Ukoliko postoji sumnja, danu zdjelu možete da testirate na dole opisan način.

Test zdjele:

1. Napunite zdjelu sigurnu za uporabu u mikrovalnoj pećnici 1 šoljicom hladne vode (250ml).
2. Kuhajte na maksimalnoj snazi 1 minut.
2. Pažljivo opipajte zdjelu. Ukoliko je prazna zdjela topla, ne koristite ju za kuhanje u mikrovalnoj pećnici.
3. **Nemojte da prekoračite 1 minut prilikom kuhanja**

Materijali sigurni za uporabu u mikrovalnoj pećnici

Materijal Napomene

Alu folija	Samo prekrivanje. Mogu se koristiti mali glatki komadi za prekrivanje tankih komada mesa ili piletine kako bi se spriječilo prekuhavanje. Ako je folija previše blizu zidovima pećnice može da dođe do varničenja. Folija bi trebala da bude najmanje 2.5cm udaljena od zidova pećnice.
Posuda za zapeći jelo	Pridržavajte se uputstava proizvođača. Dno zdjele mora da bude minimalno 5mm iznad tanjura koji se okreće. Neispravna uporaba može da izazove pucanje tanjura.
Servis za jelo	Isključivo oni koji su pogodni za uporabu u mikrovalnim pećnicama. Pridržavajte se uputa proizvođača. Ne koristite napuklo ili oštećeno posuđe.
Tegle	Uvijek uklonite poklopac. Koristite za grijanje dok hrana ne bude pretopla. Većina tegli nije otporna na toplinu i može da pukne.
Stakleno posuđe	Koristite isključivo vatrostalno stakleno posuđe. Na sudovima ne sijme da bude metalnih rubova. Ne koristite napuklo ili oštećeno posuđe.
Kese za kuhanje	Pridržavajte se upute proizvođača. Ne zatvarajte metalnom vezicom. Napravite otvore za izlaz pare.
Papirnati tanjiri i šoljice	Koristite isključivo za kratkotrajno kuhanje / grijanje. Ne ostavljajte bez nadzora tokom kuhanja.
Papirne salвете	Koristite za prekrivanje hrane za podgrevanje i upijanje masnoće. Koristite pod nadzorom isključivo za kratkotrajno kuhanje.
Papir za kolače	Koristite kao poklopac kako biste spriječili prskanje ili kao omotač za parenje.
Plastika	Isključivo pogodna za upotrebu u mikrovalnim pećnicama. Pridržavajte se upute proizvođača. Trebalo bi da bude označena sa "Microwave Safe". Neke plastične zdjele omekšavaju kako se hrana unutar njih zagrijeva.
Kese za kuhanje	Trebalo bi da se zarežu, izbuše ili otvore, kako je naznačeno na ambalaži.
Plastična folija	Isključivo pogodna za uporabu u mikrovalnim pećnicama. Koristite za prekrivanje hrane tokom kuhanja radi zadržavanja vlage. Plastična folija ne bi smjela da dodiruje hranu
Termometri	Isključivo pogodni za uporabu u mikrovalnim pećnicama (za meso i kolače)
Masni papir	Koristite kao poklopac za sprečavanje prskanja i zadržavanje vlage.

Materijali nepogodni za uporabu u mikrovalnoj pećnici

Materijali	Napomene
Aluminijumski tanjur	Može da izazove varničenje. Preseliti hranu u zdjelu pogodnu za mikrovalne pećnice.
Posude za hranu sa metalnim drškama	Može da izazove varničenje. Preseliti hranu u posudu pogodnu za mikrovalne pećnice.
Metalne ili metalom obrubljene zdjele	Metal štiti hranu od mikrovalne energije. Metalni rubovi mogu da izazovu varničenje.
Metalne vezice	Mogu da izazovu varničenje i vatru unutar pećnice.
Papirnate kese	Mogu da izazovu vatru u pećnici.
Plastična pjena	Plastična pjena može da se otopi ili kontaminira unutarnjost pećnice kada je izložena visokoj temperaturi.
Drvo	Drvo će prilikom uporabe u u mikrovalnoj pećnici da se isuši, a može i da se rascepi ili pukne.

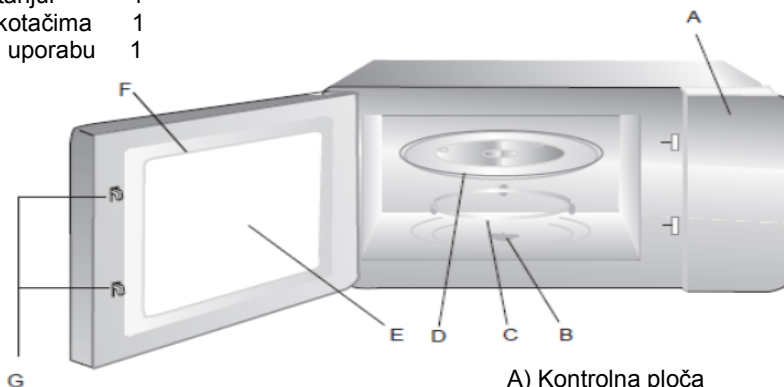
POSTAVLJANJE VAŠE PEĆNICE

Nazivi dijelova pećnice i dodataka

Uklonite pećnicu i sve dodatke iz ambalaže i unutarnjosti pećnice.

Uz Vašu pećnicu priloženi su sljedeći dodaci:

- Stakleni tanjur 1
- Obruč s kotačima 1
- Upute za uporabu 1



- A) Kontrolna ploča
- B) Osovina za okretanje
- C) Obruč s kotačima
- D) Stakleni tanjur
- E) Prozor za posmatranje
- F) Vrata
- G) Sistem za sigurno zatvaranje

Instalacija rotirajuće ploče



a. Nikada ne postavljajte Nikada ne postavljajte stakleni tanjur naopako. Ništa ne smije da blokira stakleni tanjur.

b. Za vreme kuhanja i stakleni tanjur i obruč sa točkicama uvijek moraju da se koriste.

c. Prilikom kuhanja, sva hrana i posude uvijek treba staviti na stakleni tanjur.

d. Ukoliko stakleni tanjur ili obruč sa točkicama napsnu ili se slome, kontaktirajte najbliži ovlašćeni servisni centar.

Instalacija na radnu površinu

Ukonite sav ambalažni materijal i dodatke.

Proverite ima li oštećenja na pećnici, poput ogrebotina ili oštećenih vrata.

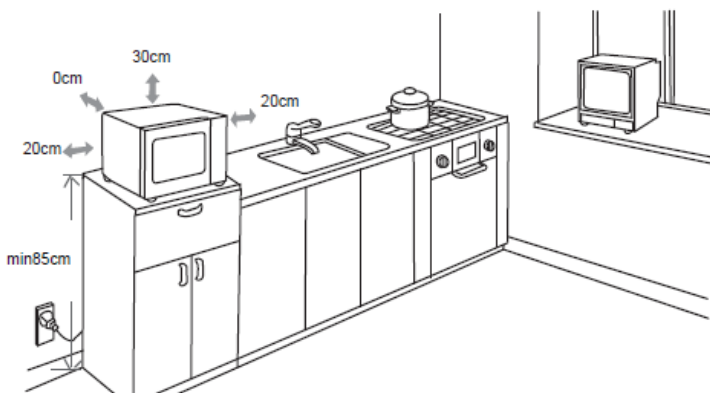
Ne instalirajte pećnicu ukoliko je oštećena.

Kućište: Uklonite zaštitnu foliju sa površine kućišta mikrovalne pećnice.

Ne uklanjajte svijetlo smeđu Mica navlaku koja je pričvršćena za unutarnjost pećnice, a služi za zaštitu magnetrona.

Instalacija

1. Izaberite ravnu površinu sa dovoljno slobodnog prostora za provjetravanje pećnice.



(1) Mir

i treba da

se ostavi minimalan razmak od 20 cm.

(2) Iznad pećnice ostavite minimalno 30cm slobodnog prostora.

(3) Ne uklanjajte nožice sa dna pećnice.

(4) Blokiranje ulaza i/ili izlaza za vazduh može da ošteti pećnicu.

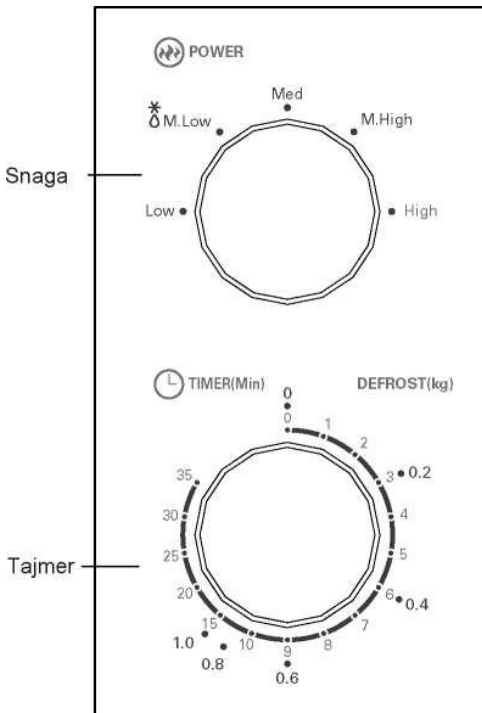
(5) Postavite pećnicu što je dalje moguće od radija i tv prijemnika. Rad mikrovalne pećnice može da izazove smetnje u vašem radijskom ili televizijskom prijemu

2. Uključite pećnicu u standardnu kućnu strujnu utičnicu. Napon i frekvencija treba da odgovaraju radnom naponu pećnice, navedenom na pločici s tehničkim podacima. **UPOZORENJE:** Ne postavljajte pećnicu iznad štednjak ili drugih toplinskih uređaja. Ukoliko se instalira u blizini ili iznad izvora toplote, pećnica bi se mogla oštetiti, i na taj način bi se mogla poništiti garancija za ovaj proizvod.

UPOTREBA

Kontrolna tabla i funkcije

Upute za uporabu



- 1) Za postavljanje snage kuhanja postavite dugme snage na željenu razinu.
- 2) Za postavljanje trajanja kuhanja postavite gumb tajmera na željenu razinu prema vrsti hrane. Vidi upute na dnu stranice.
- 3) Mikrovalna pećnica automatski će da započne s kuhanjem nakon što odredite razinu snage i trajanje kuhanja.
- 4) Nakon isteka trajanja kuhanja, uređaj će da vas upozori zvučnim signalom.
- 5) Ukoliko se uređaj ne koristi, uvijek postavite trajanje kuhanja na "0".

Funkcija/Snaga	Izlaz	Primjena
Niska (low)	17% mikro.	Omekšavanje sladoleda
Sr.niska (odmrzavanje)	33% mikro.	Čorbe, omekšavanje butera ili odmrzavanje
Srednja (med)	55% mikro.	Gulaši, riba
Srednje visoka	77% mikro.	Riža, riba, piletina, mljeveno meso
Visoka	100% mikro.	Podgrijavanje, mlijeko, kuhanje vode, povrće, napici

Pažnja: Prije no što izvadite hranu iz pećnice, molimo da isključite pećnicu postavljanjem tajmera na položaj 0 (nula). Rad pećnice bez hrane u njoj može da uzrokuje pregrijavanje i oštećenje magnetrona.

OTKLANJANJE PROBLEMA

Normalno	
Mikrotalasna ometa TV prijem	Tokom rada mikrotalasna rena može ometati radio i TV prijem. To je slično interferenciji malih kućnih aparata, kao što su mikser, usisivač i fen za kosu. To je normalno.
Tamno svetlo u reni	Prilikom kuvanja niskom snagom mikrotalasa, svetlo rene može postati tamno. To je normalno.
Na vratima se kondenzuje vlaga, iz otvora izlazi vruć vazduh	Tokom kuvanja iz hrane može izlaziti para. Većina će izaći kroz ventilacione otvore, ali deo se može kondenzovati na hladnijim mestima poput vrata rene. To je normalno.
Rena je slučajno pokrenuta bez hrane u njoj	Zabranjeno je koristiti praznu pećnicu. To je veoma opasno. Odmah ju isključite.

Problem	Mogući uzrok	Rješenje
Pećnica se ne može pokrenuti	(1) Strujni kabel nije ispravno uključen	Isključite kabel, te ga nakon 10 sekundi ponovno uključite
	(2) Neispravan osigurač	Zamijenite osigurač
	(3) Problem sa utičnicom	Testirajte utičnicu drugim električnim uređajima
Pećnica ne greje	(4) Vrata nisu dobro zatvorena	Dobro zatvorite vrata
Stakleni tanjur pravi buku tijekom rada mikrovalne pećnice	(5) Prijavi obruč sa točkicama i dno pećnice	O čišćenju pogledajte u odeljku "Održavanje mikrovalne pećnice"



Prema odredbi o odlaganju električne i elektronske opreme, takva oprema treba da se posebno sakuplja i obrađuje. Ukoliko u bilo kojem trenutku treba da bacite ovaj uređaj, molimo da ga NE bacate u smeće zajedno sa ostalim kućanskim smećem, već tamo gdje je za to unapred određeno mjesto.

ES



Microondas

GUIA DEL USUARIO

MODELO: MWH-M22
MWH-M22B
MWH-M22S

Lea atentamente este manual antes de uso del horno.
Si sigue estas instrucciones, su horno le servirá bien durante muchos años.

GUARDE CUIDADOSAMENTE ESTAS INSTRUCCIONES

PRECAUCIONES PARA EVITAR LA POSIBLE EXPOSICIÓN A LA ENERGÍA DE MICROONDAS

A) Esto puede provocar una exposición peligrosa a la energía de microondas. Es importante que no se rompen o que no se roten los compuestos de seguridad.

B) No coloque ningún objeto entre la parte delantera del horno y entre la su puerta y no permita la acumulación de suciedad o de productos de limpieza en las superficies para el estancamiento.

C) **ADVERTENCIA:** Si los sellos de las puertas o la puerta están dañadas, el horno no debe ser utilizado hasta que hayan sido sustituidos por un técnico cualificado.

ANEXO

Si el producto no se mantiene limpio, se podría afectar a su superficie y al tiempo de su duración, como también dar lugar a situaciones peligrosas.

SPECIFICACIONES

Modelo:	MWH-M22 / MWH-M22B / MWH-M22S
Tensión de funcionamiento:	230V~ 50Hz
Entrada de potencia nominal (microondas):	1050 W
Salida de potencia nominal (microondas):	700 W
Capacidad del horno:	20 L
Diámetro del plato	255 mm
Dimensiones externas:	440mmX330mmX259mm
Peso neto:	Approx 9.74 kg

IMPORTANTES ADVERTENCIAS Y INFORMACIONES SOBRE LA SEGURIDAD

Para reducir el riesgo de incendio, choque eléctrico, lesiones físicas o la exposición excesiva a la energía de microondas durante su uso, por favor lea atentamente las precauciones de seguridad básicas, incluyendo las siguientes:

1. **Advertencia:** Los líquidos u otros alimentos no calentar en recipientes cerrados porque podrían ser en riesgo de explosiones. Asegúrese de retirar las tapas cuando cocine comida sellada en botellas.
2. **Advertencia:** Retirar la cubierta que protege de la exposición a la energía de microondas es peligroso si no lo hace una persona profesional.
3. Este dispositivo puede ser utilizado por niños sobre 8 años de edad y por las personas con discapacidad física, sensorial o mental o con la falta de experiencia y conocimiento, si han recibido supervisión o instrucciones sobre el uso del aparato de manera segura y si entienden los peligros involucrados. Los niños no deberían jugar con el aparato y no deberían limpiarlo ni mantenerlo los niños que no son mayores de 8 años y bajo de control.
4. Mantenga el aparato y el cable fuera del alcance de los niños menores de 8 años.
5. Utilice solamente utensilios adecuados para su uso en hornos de microondas.
6. El horno se debe limpiar frecuentemente y también quitar cualquier resto de comida. Mantenga limpia la cubierta de la guía de ondas. Limpie el interior del horno con un paño suave humedecido después de cada uso. Si no elimina la grasa del interior del horno, ésta se puede recalentar y provocar humo o incluso prender fuego cuando vuelva a utilizar el microondas.
7. Lea y siga las "**PRECAUCIONES PARA EVITAR LA POSIBLE EXPOSICIÓN A ENERGÍA DE MICROONDAS**".
8. Durante el calentamiento de los alimentos en recipientes de plástico o de papel, asegúrese de posibles riesgos de incendio.
9. En caso de fuego, apagué el horno o lo desconecte de la red eléctrica, y mantenga la puerta del horno cerrada con el fin de sofocar el fuego.
10. No cocinar demasiado largo tiempo los alimentos. No sobrecaliente los líquidos. Agite el líquido tanto antes y a la agite el líquido tanto antes y a la mitad de la cocción.
11. No utilice el interior del horno para su almacenamiento. No ponga artículos tales como pan, pasteles, etc. dentro del horno.
12. Retire los ganchos i las manijas de alambre y de metal de los recipientes/bolsas plásticos o de papel antes de ponerlos en el horno.

13. Instale o coloque este aparato sólo de acuerdo con las instrucciones de instalación.
14. Los huevos en su cascarón y los huevos hervidos no deberán calentarse en los hornos microondas ya que pueden explotar, incluso después de que termine la cocción. Si desea cocinar o recalentar los huevos para mezclarlos, siempre deberá perforar las yemas o también explotarán.
15. Este aparato está diseñado para uso doméstico y para establecimientos similares, tales como: cocina para el personal, oficinas y entornos de trabajo similares, hoteles, moteles y entornos similares, viviendas residenciales, viviendas rurales, etc.
16. Si el cable de alimentación está dañado, debe ser reemplazado por el fabricante, por el servicio técnico autorizado o por personal cualificado con el fin de evitar posibles peligros.
17. No utilice este aparato en el exterior.
18. No use este horno cerca del agua, sótano húmedo o cerca de una piscina.
19. Durante su funcionamiento, la temperatura de las áreas disponibles puede ser alta. Mantenga el cable alejado de superficies calientes y no cubra las rejillas de ventilación del horno.
20. No permita que el cable de alimentación cuelgue sobre el borde de una mesa o de un escritorio.
21. Si el aparato no se mantiene en un buen estado de limpieza, su superficie podría degradarse y afectar a la vida útil del aparato y dar lugar a una situación peligrosa.
22. Los contenidos de biberones o de comida para bebés deberán ser movidos o sacudidos y deberá revisarse la temperatura antes de su consumo, para evitar quemaduras.
23. El calentamiento de bebidas por microondas puede resultar en una ebullición tardía, por lo tanto se recomienda tener cuidado al manipular el contenedor. No caliente aceite o grasa para freír porque no es posible controlar su temperatura; podría recalentarse y prender fuego.
24. El horno no debe ser utilizado por personas con reducidas capacidades físicas, sensoriales o mentales o por personas sin experiencia o conocimiento, a menos que estén supervisadas o formadas sobre el uso del aparato por una persona responsable de la seguridad.
25. Es necesario supervisar a los niños para asegurarse de que no jueguen con el aparato ni lo usen.

26. Horno de microondas no se puede colocar encima de o contra paredes, protecciones, paredes divisorias, muebles de cocina o revestimientos de material inflamable.
27. El dispositivo no está diseñado para que funcione por medio de un temporizador externo o un sistema de control remoto independiente.
28. La última superficie del dispositivo debe ser colocado en frente de la pared.
29. Las partes del aparato pueden calentarse durante el uso, por lo que los niños deben mantenerse alejados del aparato.
30. No se debe limpiar con limpiadores de vapor.
31. La unidad se calienta durante el funcionamiento. Evite tocar los elementos calefactores del interior del horno.
32. Use sólo la sonda de temperatura recomendada para este horno (horno suministra la instalación para utilizar la sonda para comprobar la temperatura).
33. **ADVERTENCIA:** El aparato y sus partes accesibles se calientan durante el uso. Debe evitarse cuidadosamente tocar los elementos calefactores. Los niños menores de 8 años de edad deben mantenerse alejados del aparato si no recibe atención.
34. Cuando se trabaja, puertas decorativas deben permanecer abiertos (para hornos con puerta decorativa).

LEA ATENTAMENTE Y CONSERVE ESTE USUARIO PARA USO FUTURO

Para reducir el riesgo de daño físico

PELIGRO

Riesgo de descarga eléctrica.

Tocar algunos de los componentes internos puede causar lesiones personales graves o la muerte.

No desmonte el dispositivo.

ADVERTENCIA

Riesgo de descarga eléctrica.

Conexión a tierra incorrecta puede causar la descarga eléctrica. No encienda el dispositivo en el enchufe hasta que no se instale correctamente.

Este dispositivo debe estar conectado a tierra. En el caso de un cortocircuito eléctrico, la conexión eléctrica puesta a tierra reduce el riesgo de descarga eléctrica a través de los cables de descarga de la electricidad.

Este dispositivo está equipado con un cable de alimentación conectado a tierra y con un enchufe con toma de tierra. El enchufe debe convertirse en una toma de corriente con conexión puesta a tierra. Consulte a un electricista o representante servicio calificado si no entiende completamente las instrucciones de conexión a tierra o si no está seguro de si el dispositivo está conectado a tierra correctamente.

Si debe usar un cable de extensión, utilice un cable de extensión de tres alambres.

1. Cable de alimentación es corto para minimizar los riesgos de enredos o tropezar con un cable eléctrico más largo.
2. Si se utiliza un cable de alimentación o el cable de extensión larga:
 - 1) El cable de alimentación nominal de salida o cable de extensión debe ser igual o mayor que la potencia nominal del dispositivo.
 - 2) El cable de extensión debe estar conectado a tierra.
 - 3) El cable de energía necesita estar conexo de manera en que no cuelgue sobre el borde del escritorio o del mueble, para evitar de que alguien tropiece accidentalmente.

LIMPIEZA

Asegúrese de apagar el horno de la toma eléctrica.

1. Limpie el interior del horno con un paño suave humedecido después de cada uso. Si no elimina la grasa del interior del horno, ésta se puede recalentar y provocar humo o incluso prender fuego cuando vuelva a utilizar el microondas.
2. Limpie los accesorios de manera habitual en agua jabonosa.
3. Cuando están sucios, el marco de la puerta, el sello y partes vecinas deben limpiarse cuidadosamente con un paño húmedo.
4. No utilice limpiadores abrasivos o raspadores de metal afilados para limpiar el cristal de la puerta del horno, ya que pueden rayar la superficie, lo cual puede resultar en la ruptura del vidrio.
5. **CONSEJO** para la limpieza más fácil de lavar el interior del horno de alimentos ricos en grasas: coloque la mitad de un limón en un bol, añada 300 ml de agua. Limpiar el horno con un paño suave y seco.

PRECAUCIÓN

Peligro de lesiones

Servicio o reparación, que consiste en la eliminación de la cubierta que protege contra la exposición a la energía de microondas, es peligroso para todos, excepto para la persona profesional.

PLATOS

Ver las instrucciones en "Los materiales que se pueden utilizar en un horno microondas o que deben ser evitados». Hay un cierto utensilios no metálicos que no son seguros para su uso en hornos de microondas. En caso de duda, el plato día se puede probar como se describe a continuación.

Ensayo de los recipientes y platos:

1. Llenar el recipiente apto para su uso en microondas con 1 taza de agua fría (250 ml).
2. Cocine a potencia máxima durante 1 minuto.
3. Toque cuidadosamente el fondo del recipiente. Si el recipiente vacío está todavía caliente, no lo use para cocinar en un horno de microondas.
4. No exceda de 1 minuto de la cocción.

Materiales seguros para su uso en hornos de microondas

Papel de aluminio	Se utiliza sólo para cubrir las piezas delgadas de carne o de aves de corral para evitar que sean sobre cocinadas. Si el papel está demasiado cerca de las paredes del horno podrían ser causadas
Platos para hornear	Siga las instrucciones del fabricante. El fondo del recipiente debe ser de un mínimo de 5 mm por encima de las placas que están girando. El uso incorrecto puede causar grietas en las placas.
Cubtería	Siga las instrucciones del fabricante. Utilice solamente la cubtería apta para uso en los hornos microondas. No utilice la cobertura estropeada o rota.
Tarros	Quite siempre la tapa. Utilice los tarros si la comida no está sobrecaliente porque la mayoría de tarros no están resistentes al calor alto y podrían romperse.
Platos y recipientes de vidrio	Siga las instrucciones del fabricante. Utilice solamente platos y recipientes ignífugos. Sobre los platos no puede ser ninguna parte de metal. No utilice los platos rotos o estropeados.
Bolsas para cocinar	Siga las instrucciones del fabricante. No cierre las bolsas con cordones metálicos. No haga agujeros para salida del vapor. Debería estar abiertos como descrito en el embalaje.
Platos y tazas papapel	Utilícelos sólo para cocción a tiempo corto. No deje el horno sin supervisión durante la cocción.
Servilletas de papel	Utilícelas para cubrir la comida y para absorción de grasas antes de cocinarla. Utilícelas sólo para cocción a corto tiempo.
Papel para pasteles	Utilícelos para cubrir la comida con el fin de evitar pulverización
Plástica	Utilice solamente la plástica apta para hornos microondas. Siga las instrucciones del fabricante. Sobre el producto debería ser marcado: "Microwave Safe".
Papel de plástica	Utilice solamente la plástica apta para hornos microondas. Se utilice para cubrir la comida durante la cocción, con el fin de conservar la humedad. El papel de plástica no debería tocar la comida.
Termómetros	Utilice solamente los termómetros aptos para hornos microondas.

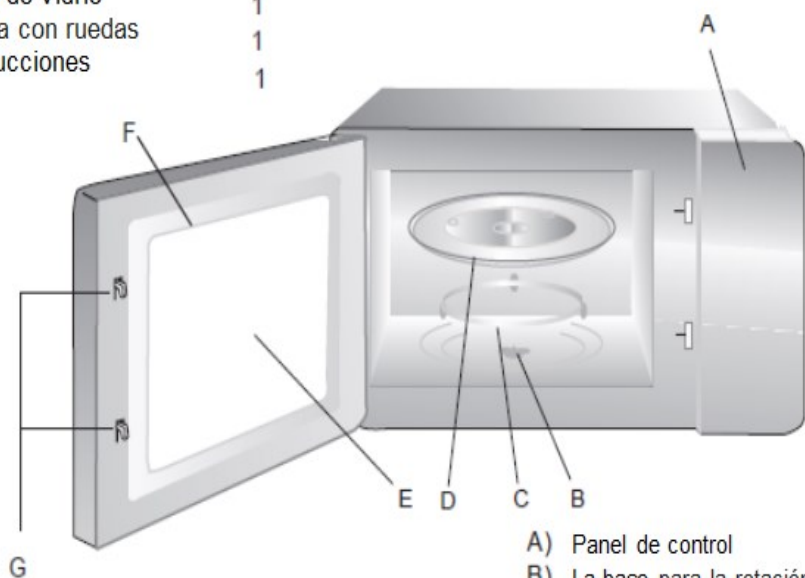
Papel de hornear	Se utilice solamente para cubrir la comida con el fin de evitar pulverización y retención de humedad.
------------------	---

Materiales inadecuados para su uso en hornos de microondas

Materiales	Notas
Plato de aluminio	Podría causar las chispas. Es mejor poner la comida en los platos aptos para hornos microondas.
Platos y recipientes con los bordes metálicos	Podrían causar las chispas. Es mejor poner la comida en los platos aptos para hornos microonda
Platos i recipientes metálicos	Metal protege la comida de energia de microondas, pero bordes metálicos podrían causar las chispas
Cordones metálicos	Podrían causar las chispas y el fuego.
Bolsas de papel	Podrían causar el fuego.
Espuma de plástica	Espuma de plástica se puede disolver o contaminar el interior del horno
Madera	La madera se puede secar en el horno microondas, y, como la consecuencia puede haber fracturas o grietas.

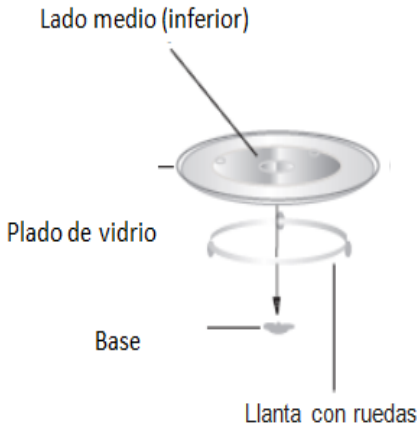
INSTALACIÓN DE SU HORNO

Plato de vidrio 1
Llanta con ruedas 1
Instrucciones 1



- A) Panel de control
- B) La base para la rotación
- C) Llanta con ruedas
- D) Plato de vidrio
- E) Ventana para observar
- F) Puerta
- G) El sistema de cierre seguro

Instalación del plato giratorio



- Nunca coloque la bandeja de vidrio al revés. Nada debe bloquear la placa de vidrio.
- Para el tiempo de cocción y la placa de vidrio y la llanta de la rueda deben ser utilizados.
- Al cocinar, todos los alimentos y envases siempre deben ser colocados en una placa de vidrio.
- Si la placa de vidrio o de la llanta con las ruedas rotas si rompen, póngase en contacto con su centro de servicio autorizado más cercano.

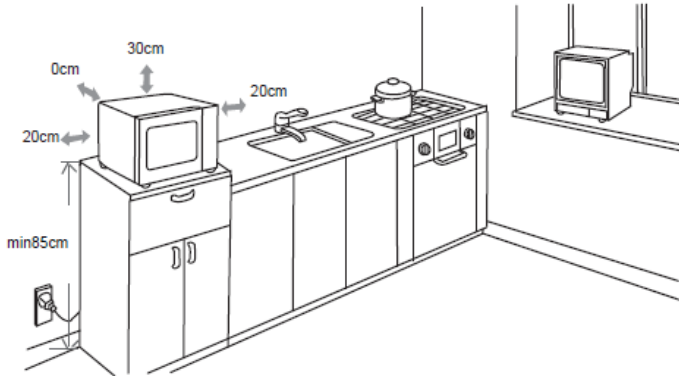
Instalación en la superficie de cocina

Retire todos los materiales y accesorios de embalaje. Compruebe si hay daños en horno, tales como arañazos o puerta dañada. No instale el horno si está dañado.

Quite la película protectora lentamente, para evitar que queden los restos de cola. No quite la película que esta fijada dentro el horno y que sirve para proteger el magnetrón.

Instalación

1. El horno debe instalarse solo en un soporte estable, duro y horizontal. El aparato debe colocarse en un lugar adecuadamente ventilado.

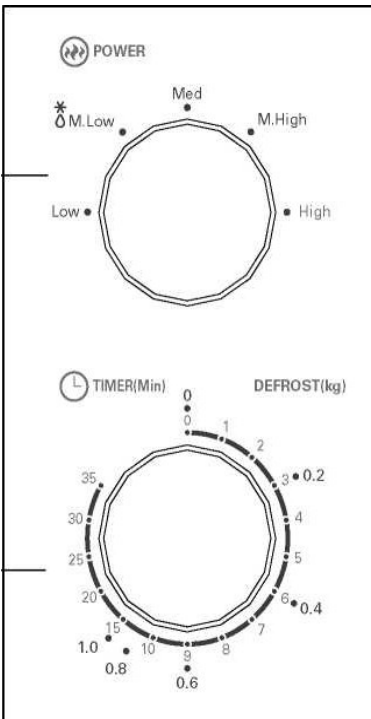


- (1) La altura mínima es de 85 cm. Debe mantenerse una distancia mínima de 20 cm en todos los lados entre el horno y las paredes o las otras herramientas.
 - (2) Por encima del horno, dejar un mínimo de 30 cm de espacio libre.
 - (3) No retire las patas de la parte inferior del horno.
 - (4) El bloqueo de la entrada y / o salida del aire puede dañar el horno.
 - (5) Coloque el horno lo más lejos posible de radios y televisores porque los hornos de microondas pueden causar interferencia. Encienda el horno a una toma de corriente normal. Voltaje y la frecuencia tienen que coincidir con la tensión de funcionamiento del horno, indicada en la placa de características.
2. **ADVERTENCIA:** No coloque el horno por encima de la estufa u otro dispositivo de calentamiento. Si se instala cerca o sobre una fuente de calor, el horno podría dañarse, y así podría anular la garantía de este producto.

USO

Panel de control y funciones

Indicaciones:



1. Para establecer la potencia de cocción es necesario elegir el nivel deseado.
2. Para establecer la duración de la cocción establecer el botón del temporizador en el nivel deseado, según el tipo de alimento. Ver las instrucciones en la parte inferior de la página.
3. Microondas empezare automáticamente la cocción después de establecer el nivel de potencia y la duración de la cocción.
4. Una vez terminada la cocción, el dispositivo le advertirá de alerta acústica.
5. Si el dispositivo no está en uso, siempre se establece la duración de la cocción a "0".

Función/Potencia	Salida	Uso
Baja	17% micro.	Reblandecimiento de helado
Medio baja (derretimiento)	33% micro.	Sopas, reblandecimiento de mantequillas, derretimiento
Media	55% micro.	Gulash, pescado
Medio alta	77% micro.	Raíz, pescado, pollo, carne picada
Alta	100% micro.	Calentamiento, leche, agua, bebidas, verduras

Atención: Antes de retirar la comida del horno, por favor, apague el horno estableciendo el temporizador del horno al 0 (cero). El funcionamiento del horno sin alimentos en su interior puede causar un sobrecalentamiento y dañar el magnetrón.

Solución de problemas

Normal	
Microondas interfieren la recepción de TV	La recepción de radio y TV puede interferir cuando el horno microondas funcione. Es similar a la interferencia de pequeños electrodomésticos, como el mezclador, la aspiradora y el ventilador eléctrico. Es normal.
Luz tenue del horno	En cocciones de microondas de baja potencia, la luz del horno puede volverse tenue. Es normal.
Vapor que se acumula en la puerta, aire caliente fuera de los respiraderos	En la cocina, el vapor puede salir de los alimentos. La mayoría saldrá de respiraderos, pero algunos pueden acumularse en lugar fresco como la puerta del horno. Es normal.
El horno empezó accidentalmente sin comida	Se prohíbe hacer funcionar la unidad sin ningún alimento dentro. Es muy peligroso. Apáguelo inmediatamente.

Problema	Posible causa	Solución
El horno no se activa	(1) El cable de corriente no está conexo bien	Desconecte el cable y lo conecte de nuevo después de 10 segundos
	(2) El automático defectuoso	Cambie el automático
	(3) Problema con el enchufe	Pruebe la toma con otros dispositivos eléctricos
El horno no calenta	(4) La puerta no cerrada bien	Cierre bien la puerta
El plato de vidrio hace mucho ruido durante el funcionamiento del horno	(5) La llanta con rodillos sucia	Sobre la limpieza consulte el artículo "Mantenimiento de los hornos de microondas"



De acuerdo con las disposiciones relativas a la eliminación de los aparatos eléctricos y electrónicos, las partes del dispositivo deberán ser recogidas y tratados selectivamente. Si en cualquier momento quiere arrojar este dispositivo, no lo arroje, por favor, junto con otros residuos domésticos, pero en ese lugar ya predeterminado por esta actividad.

GR



Φούρνος μικροκυμάτων

ΟΔΗΓΙΕΣ ΧΡΗΣΗΣ

ΜΟΤΕΛΟ: MWH-M22
MWH-M22B
MWH-M22S

Διαβάστε προσεκτικά τις οδηγίες πριν από τη χρήση του φούρνου σας και αποθηκεύστε τις με προσοχή.
Εάν ακολουθήσετε αυτές τις οδηγίες, ο φούρνος σας θα σας εξυπηρετεί καλά για πολλά χρόνια.

ΔΙΑΒΑΣΤΕ ΠΡΟΣΕΚΤΙΚΑ ΑΥΤΕΣ ΤΙΣ ΟΔΗΓΙΕΣ

ΠΡΟΦΥΛΑΞΕΙΣ ΓΙΑ ΝΑ ΑΠΟΦΥΓΕΤΕ ΠΙΘΑΝΗ ΥΠΕΡΒΟΛΙΚΗ ΕΚΘΕΣΗ ΣΕ ΕΝΕΡΓΕΙΑ ΜΙΚΡΟΚΥΜΑΤΩΝ

- (a) Μη δοκιμάζετε να χρησιμοποιείτε το φούρνο με ανοιχτή πόρτα διότι αυτό μπορεί να οδηγήσει σε βλαβερή έκθεση σε ενέργεια μικροκυμάτων. Είναι σημαντικό να μη σπάσετε ή γυρίσετε τις ενώσεις ασφαλείας.
- (b) Μην τοποθετείτε κανένα αντικείμενο ανάμεσα στην μπροστινή πλευρά του φούρνου και την πόρτα, μην αφήσετε να συσσωρευτεί ακαθαρσία ή να μείνουν απορρυπαντικά στις επιφάνειες στεγανοποίησης.
- (c) **ΠΡΟΕΙΔΟΠΟΙΗΣΗ:** Εάν η πόρτα και η στεγανοποίηση της πόρτας είναι βλαμμένες, ο φούρνος δεν πρέπει να χρησιμοποιείται ώσπου να το επισκευάσει ένα εξειδικευμένο άτομο.

ΠΑΡΑΡΤΗΜΑ

Εάν η συσκευή δεν καθαρίζεται τακτικά, αυτό μπορεί να επηρεάσει την επιφάνειά της και τη διάρκεια λειτουργίας και να προκαλέσει σοβαρούς τραυματισμούς.

Προδιαγραφές

Μοντέλο:	MWH-M22 / MWH-M22B / MWH-M22S
Τάση λειτουργίας:	230V~ 50Hz
Όνομαστική ισχύς εισόδου (μικροκύματα):	1050 W
Όνομαστική ισχύς εξόδου(μικροκύματα):	700 W
Χωρητικότητα φούρνου:	20 L
Διάμετρος περιστρεφόμενου δίσκου:	255 mm
Εξωτερικές διαστάσεις:	440mmX330mmX259mm
Καθαρό βάρος:	περίπου 9.74 kg

ΣΗΜΑΝΤΙΚΕΣ ΟΔΗΓΙΕΣ ΑΣΦΑΛΕΙΑΣ ΠΡΟΕΙΔΟΠΟΙΗΣΗ

Για να μειώσετε το ρίσκο από πυρκαγιά, ηλεκτροπληξία, σωματικό τραυματισμό ή υπερβολική έκθεση σε ενέργεια μικροκυμάτων κατά τη διάρκεια της χρήσης της συσκευής, παρακαλούμε να τηρείτε τα βασικά μέτρα προφύλαξης, συμπεριλαμβανομένου και τα εξής:

1. **Προειδοποίηση:** Μη ζεσταίνετε υγρά και άλλα τρόφιμα μέσα σε κλειστό δοχείο, διότι υπάρχει πιθανότητα να εκραγούν.
2. **Προειδοποίηση:** Αφαίρεση καλύμματος που προστατεύει από την έκθεση σε ενέργεια μικροκυμάτων είναι επικίνδυνη σε οποιονδήποτε εκτός από ένα εξειδικευμένο άτομο.
3. Τη συσκευή μπορούν να τη χρησιμοποιούν παιδιά 8 ετών και πάνω και άτομα με μειωμένη σωματική, αισθητηριακές ή διανοητικές ικανότητες ή έλλειψη εμπειρίας και γνώσεων, εκτός εάν βρίσκονται υπό επίβλεψη ή υπεύθυνα άτομα τους έδωσαν οδηγίες που αφορούν χρήση της συσκευής με ασφάλεια και καταλαβαίνουν τους κινδύνους που υπάρχουν. Παιδιά δεν πρέπει να παίζουν με τη συσκευή. Καθαρισμός και συντήρηση δεν πρέπει να γίνεται από παιδιά κάτω των 8 ετών και χωρίς επίβλεψη.
4. Κρατήστε τη συσκευή και το καλώδιο της μακριά από τα παιδιά κάτω των 8 ετών.
5. Χρησιμοποιήστε μόνο πιάτα κατάλληλα για χρήση μέσα σε φούρνο μικροκυμάτων.
6. Ο φούρνος πρέπει να καθαρίζεται τακτικά και να αφαιρέσετε υπολείμματα τροφίμων.
7. Διαβάστε και διατηρήστε τις "ΠΡΟΦΥΛΑΞΕΙΣ ΓΙΑ ΝΑ ΑΠΟΦΥΓΕΤΕ ΠΙΘΑΝΗ ΥΠΕΡΒΟΛΙΚΗ ΕΚΘΕΣΗ ΣΕ ΕΝΕΡΓΕΙΑ ΜΙΚΡΟΚΥΜΑΤΩΝ".
8. Κατά τη διάρκεια της θέρμανσης τροφίμων στα πλαστικά ή χάρτινα δοχεία, προσέχετε το φούρνο λόγω κινδύνου πυρκαγιάς.
9. Σε περίπτωση φλόγας, σβήστε το φούρνο ή αποσυνδέστε το από την πρίζα και κρατήστε την πόρτα του φούρνου κλειστή, ώσπου να σβήσει η φωτιά.
10. Μην ψήσετε υπερβολικά τα τρόφιμα.
11. Μη χρησιμοποιείτε το εσωτερικό του φούρνου για αποθήκευση. Μην αποθηκεύετε τρόφιμα όπως το ψωμί, κέικ, κτλ. μέσα στο φούρνο.
12. Βγάλτε συνδετήρες και μεταλλικές λαβές από χάρτινα και πλαστικά δοχεία/σακούλες πριν τους βάλετε στο φούρνο.
13. Κάντε την εγκατάσταση και τοποθετήστε το φούρνο αποκλειστικά σχετικά με τις παρεχόμενες οδηγίες εγκατάστασης.
14. Αυγά με το σόφλι του ή ολόκληρα σφιχτά βρασμένα αυγά δεν πρέπει να ζεσταίνονται στο φούρνο μικροκυμάτων καθώς υπάρχει η πιθανότητα να εκραγούν, ακόμη και μετά το ζέσταμα στο φούρνο.
15. Η συσκευή αυτή προορίζεται για εσωτερική οικιακή χρήση και χρήση σε

παρόμοια κτίρια όπως: -κουζίνες για εργαζομένους, γραφεία και παρόμοιους χώρους εργασίας -στα ξενοδοχεία, μοτέλ και παρόμοια κτίρια -σπίτια στο χωριό - καταλύματα.

16. Σε περίπτωση που το καλώδιο ρεύματος έχει βλάβη, πρέπει να το αλλάξει ο παρασκευαστής, το εξουσιοδοτημένο κέντρο επισκευών ή παρόμοιος εξειδικευμένος τεχνικός για να αποφευχθούν πιθανοί κίνδυνοι.

17. Μην κρατάτε και μη χρησιμοποιείτε τη συσκευή σε εξωτερικούς χώρους.

18. Μη χρησιμοποιείτε αυτό το φούρνο δίπλα στο νερό, στο υγρό υπόγειο ή κοντά σε πισίνα.

19. Κατά τη διάρκεια της λειτουργίας, η θερμοκρασία της διαθέσιμης επιφάνειας μπορεί να αυξηθεί. Κρατήστε το καλώδιο τροφοδοσίας μακριά από ζεστές επιφάνειες και μην καλύπτετε τις τρύπες στο φούρνο.

20. Μην αφήνετε καλώδιο ρεύματος να κρέμεται πάνω από την άκρη τραπεζιού ή επιφάνεια εργασίας.

21. Αν δεν καθαρίζετε το φούρνο τακτικά, η επιφάνειάς του μπορούν να ζημιωθούν, που μπορεί να μειώσει τη διάρκεια λειτουργίας της συσκευής και να προκαλέσει σοβαρούς ταρυματισμούς.

22. Για να αποφύγετε εγκαύματα, πριν από τη σίτιση μωρού πρέπει να ανακατεύσετε ή να τινάξετε λίγο τα περιεχόμενα από μπουκάλι για μωρά και βαζάκια με τρόφιμα για μωρά και να ελέγξετε τη θερμοκρασία τους.

23. Ζέσταμα ποτών στο φούρνο μικροκυμάτων μπορεί να προκαλέσει καθυστερημένο εκρηκτικό βράσιμο και γι'αυτό πρέπει να προσέχετε όταν κρατάτε το δοχείο στο οποίο βρίσκεται το ποτό.

24. Τη συσκευή δεν πρέπει να τη χρησιμοποιούν άτομα (και παιδιά) με μειωμένη σωματική, αισθητηριακές ή διανοητικές ικανότητες ή έλλειψη εμπειρίας και γνώσεων, εκτός εάν βρίσκονται υπό επίβλεψη ή τους έδωσαν οδηγίες που αφορούν χρήση της συσκευής τα άτομα υπεύθυνα για την ασφάλειά τους.

25. Παιδιά πρέπει να επιβλέπονται για να σιγουρευτεί ότι δεν παίζουν με τη συσκευή.

26. Μην κάνετε εγκατάσταση του φούρνου μικροκυμάτων μέσα σε άλλα στοιχεία κουζίνας εκτός εάν έχει ελεγχθεί για εγκατάσταση σε στοιχεία.

27. Η συσκευή δεν προορίζεται να λειτουργεί με εξωτερικό χρονόμετρο ή ξεχωριστό σύστημα τηλεχειρισμού.

28. Η πίσω επιφάνεια της συσκευής πρέπει να τοποθετηθεί μπροστά σ'έναν τοίχο.

29. Τα εξαρτήματα της συσκευής μπορούν να ζεσταθούν κατά τη λειτουργία και γι'αυτό πρέπει να κρατήσετε τα παιδιά μακριά από τις ζεστές επιφάνειες.

30. Δεν πρέπει να καθαρίζεται με ατμοκαθαριστές.

31. Ενώ λειτουργεί, η συσκευή ζεσταίνεται. Προσέξτε να μην αγγίζετε τα θερμαντικά στοιχεία του φούρνου.

32. Χρησιμοποιείτε μόνο θερμομέτρα που προορίζονται για αυτόν τον φούρνο (για φούρνους εξοπλισμένους με εγκατεστημένο θερμομέτρο για έλεγχο

θερμοκρασίας).

33. **ΠΡΟΣΟΧΗ:** Η συσκευή και τα εξαρτήματά της ζεσταίνονται κατά τη λειτουργία. Πρέπει με προσοχή να αποφεύγετε άγγιγμα στοιχείων θέρμανσης. Παιδιά κάτω των 8 ετών και χωρίς επίβλεψη πρέπει να κρατούνται μακριά από τη συσκευή.

34. Κατά τη λειτουργία, διακοσμητική πόρτα πρέπει να μείνει ανοιχτή (για φούρνους με διακοσμητική πόρτα).

ΔΙΑΒΑΣΤΕ ΠΡΟΣΕΚΤΙΚΑ ΚΑΙ ΑΠΟΘΗΚΕΥΣΤΕ ΓΙΑ ΜΕΛΛΟΝΤΙΚΗ ΧΡΗΣΗ

Για να μειώσετε το ρίσκο σωματικών τραυματισμών

Γείωσης

ΚΙΝΔΥΝΟΣ

Κίνδυνος ηλεκτροπληξίας.

Αγγίγμα κάποιων εσωτερικών στοιχείων μπορεί να προκαλέσει σοβαρούς σωματικούς τραυματισμούς ή να οδηγήσει σε θάνατο.

Μην αποσυναρμολογείτε τη συσκευή.

ΠΡΟΕΙΔΟΠΟΙΗΣΗ

Κίνδυνος ηλεκτροπληξίας.

Η ακατάλληλη γείωση μπορεί να προκαλέσει ηλεκτροπληξία. Μη συνδέετε τη συσκευή με την πρίζα ρεύματος ώσπου να γίνει σωστή εγκατάσταση και γείωση.

Αυτή η συσκευή πρέπει να είναι γειωμένη. Σε περίπτωση ηλεκτρικού βραχυκυκλώματος, η γείωση μειώνει τον κίνδυνο ηλεκτροπληξίας μέσω αγωγισμού σύρματος του ηλεκτρικού ρεύματος.

Η συσκευή εμπεριέχει ένα γειωμένο καλώδιο ρεύματος και ένα βύσμα με επαφές γείωσης. Το βύσμα πρέπει να συνδεθεί με σωστά εγκατεστημένα και γειωμένα πρίζα ρεύματος. Συμβουλευθείτε έναν εξειδικευμένο ηλεκτρικό ή τεχνικό εάν δεν καταλαβαίνετε εντελώς τις οδηγίες για τη γείωση ή εάν δεν είστε βέβαιοι ότι η συσκευή είναι σωστά γειωμένη.

Σε περίπτωση που χρειάζεστε καλώδιο επέκτασης, χρησιμοποιήστε αποκλειστικά το καλώδιο με τρεις πρίζες.

1. Το καλώδιο ρεύματος είναι κοντό για να μην μπλεχτεί και να μην σκοντάψει κανείς στο μακρύτερο καλώδιο.
2. Εάν χρησιμοποιείτε ένα μακρύτερο καλώδιο ρεύματος ή καλώδιο επέκτασης:
 - 1) Ονομαστική ισχύς καλωδίου ρεύματος ή καλωδίου επέκτασης πρέπει να είναι ίδια ή μεγαλύτερη από την ονομαστική ισχύ συσκευής.
 - 2) Το καλώδιο επέκτασης πρέπει να είναι γειωμένο.
 - 3) Το μακρύτερο καλώδιο ρεύματος πρέπει να συνδεθεί έτσι ώστε να μην κρέμεται πάνω από την άκρη πάγκου ή τραπεζιού όπου μπορούν να το τραβήξουν παιδιά ή όπου μπορεί κανείς να σκοντάψει σε αυτό.

ΚΑΘΑΡΙΣΜΟΣ

Οποσδήποτε αποσυνδέστε το φούρνο από την πρίζα.

1. Μετά τη χρήση καθαρίστε το εσωτερικό του φούρνου ελαφρώς με νωπό πανί.
2. Καθαρίστε τα εξαρτήματα κανονικά με σαπουνόνερο.
3. Όταν έχουν λερωθεί, το πλαίσιο της πόρτας, η επιφάνεια σφραγίσματος και άλλα εξαρτήματα πρέπει να καθαριστούν με νωπό πανί.
4. Μη χρησιμοποιείτε ποτέ διαβρωτικά ή σκληρά απορρυπαντικά ή διαλυτικά υγρά που μπορεί να αλλοιώσουν την επιφάνεια και το γυαλί.
5. **ΣΥΜΒΟΥΛΗ ΓΙΑ ΚΑΘΑΡΙΣΜΟ** - για πιο εύκολο καθαρισμό του φούρνου από λιπαρά τρόφιμα, βάλτε μισό λεμόνι σε ένα μπολ και προσθέστε 300ml νερό. Σκουπίστε το εσωτερικό με μαλακό, στεγνό πανί.

ΠΡΟΣΟΧΗ

Κίνδυνος από τραυματισμούς

Συντήρηση και επισκευή που συμπεριλαμβάνει και αφαίρεση καλύμματος που προστατεύει από την έκθεση σε ενέργεια μικροκυμάτων είναι επικίνδυνη για οποιονδήποτε εκτός από το εξειδικευμένο πρόσωπο.

ΠΙΑΤΑ

Κοιτάξτε τις οδηγίες σχετικά με "Ασφαλή υλικά για χρήση στο φούρνο μικροκυμάτων ή υλικά που πρέπει να αποφεύγονται". Υπάρχουν συγκεκριμένα μη μεταλλικά πιάτα που δεν είναι ασφαλή για χρήση στο φούρνο μικροκυμάτων. Εάν υπάρχει αμφιβολία, μπορείτε να ελέγξετε το πιάτο όπως αναφέρεται παρακάτω.

Έλεγχος πιάτων:

1. Γεμίστε δοχείο κατάλληλο για χρήση στο φούρνο μικροκυμάτων με ένα κουπάκι κρύο νερό (250ml).
2. Βράστε στη μέγιστη θερμοκρασία για 1 λεπτό.
3. Προσεκτικά αγγίξτε το δοχείο. Εάν το άδειο δοχείο είναι ζεστό, μην το χρησιμοποιείτε για βράσιμο στο φούρνο μικροκυμάτων.
4. Μην βράσετε το νερό πάνω από 1 λεπτό.

Ασφαλή υλικά για χρήση στο φούρνο μικροκυμάτων

Υλικά Παρατηρήσεις

Αλουμινόχαρτο	Μόνο κάλυψη. Μπορείτε να χρησιμοποιήσετε μικρά, λεία κομμάτια για κάλυψη λεπτών τεμαχίων χοιρινού ή κοτόπουλου για να αποτρέψετε υπερβολικό ψήσιμο. Εάν το αλουμινόχαρτο είναι πολύ κοντά στις πλευρές φούρνου, μπορεί να βγάξει σπινθήρες. Το αλουμινόχαρτο πρέπει να είναι τουλάχιστον 2.5cm από τις πλευρές
Δοχείο για ψημένα φαγητά	Ακολουθήστε τις οδηγίες του παρασκευαστή. Το εσωτερικό κάτω μέρος του δοχείου πρέπει να είναι τουλάχιστον 5mm πάνω από τον περιστρεφόμενο δίσκο. Ακατάλληλη χρήση μπορεί να προκαλέσει σπάσιμο δίσκου.
Μαχαιροπίρουνα	Αποκλειστικά εκείνα που είναι κατάλληλα για χρήση στο φούρνο μικροκυμάτων. Ακολουθήστε τις οδηγίες του παρασκευαστή. Μη χρησιμοποιείτε ραγισμένα ή σπασμένα πιάτα.
Βαζάκια	Πάντα αφαιρέστε το καπάκι. Χρησιμοποιήστε για ζέσταμα ώσπου να ζεσταθεί το φαγητό. Περισσότερα βαζάκια δεν είναι ανθεκτικά στη θερμότητα και μπορούν να
Γυάλινα δοχεία	Χρησιμοποιήστε αποκλειστικά γυάλινα πιάτα πυρέξ. Τα δοχεία δεν πρέπει να έχουν μεταλλικά άκρα. Μη χρησιμοποιείτε ραγισμένα ή σπασμένα πιάτα.
Σακούλες ψησίματος	Ακολουθήστε τις οδηγίες του παρασκευαστή. Μην τις κλείνετε με μέταλλο. Κάντε τρύπες για τον ατμό.
Χάρτινα πιάτα και κουπάκια	Χρησιμοποιήστε αποκλειστικά για σύντομο ψήσιμο/ζέσταμα. Μην τα αφήνετε χωρίς επίβλεψη κατά τη διάρκεια του ψησίματος.
Χαρτοπετσέτες	Χρησιμοποιήστε τες για κάλυψη τροφίμων που ζεσταίνετε και απορρόφηση του λίπους. Χρησιμοποιήστε τες υπό επίβλεψη και αποκλειστικά για σύντομο ψήσιμο.
Χαρτί για γλυκά	Χρησιμοποιήστε για κάλυψη για να αποτρέψετε το πιτσίλισμα ή ως περιβλήμα για μαγείρεμα με ατμό.
Πλαστική	Αποκλειστικά κατάλληλη για χρήση στο φούρνο μικροκυμάτων. Ακολουθήστε τις οδηγίες του παρασκευαστή. Πρέπει να έχει σήμα "Microwave Safe". Κάποια πλαστικά δοχεία μαλακώνουν όταν το φαγητό μέσα ζεσταίνεται.

Σακούλες ψησίματος	Πρέπει να τις κόψετε, τρυπήσετε ή ανοίξετε, όπως αναφέρεται στη συσκευασία.
Πλαστική ταινία	Αποκλειστικά κατάλληλη για χρήση στο φούρνο μικροκυμάτων. Χρησιμοποιήστε για κάλυψη τροφίμων κατά το ψήσιμο λόγω συγκράτησης υγρασίας. Η πλαστική ταινία δεν πρέπει να αγγίζει το φαγητό.
Θερμόμετρα	Αποκλειστικά κατάλληλα για χρήση στο φούρνο μικροκυμάτων (για κρέας και γλυκά)
Λαδόκολλα	Χρησιμοποιήστε ως κάλυμμα για να αποτρέψετε πιτσίλισμα και συγκράτηση υγρασίας.

Υλικά που πρέπει να αποφεύγετε στο φούρνο μικροκυμάτων

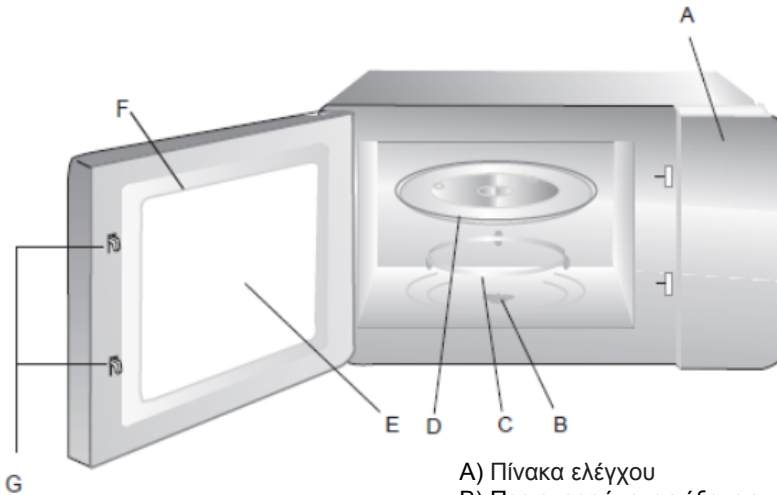
Υλικά	Παρατηρήσεις
Πιάτο αλουμινίου	Μπορεί να προκαλέσει σπινθήρες. Βάλτε τα τρόφιμα στο δοχείο κατάλληλο για φούρνο μικροκυμάτων .
Δοχεία με μεταλλικές λαβές	Μπορεί να προκαλέσει σπινθήρες. Βάλτε τα τρόφιμα στο δοχείο κατάλληλο για φούρνο μικροκυμάτων.
Μεταλλικά δοχεία ή δοχεία με μεταλλικά άκρα	Το μέταλλο προστατεύει τα τρόφιμα από την ενέργεια μικροκυμάτων. Μεταλλικές άκρες μπορεί να προκαλέσουν σπινθήρες.
Μεταλλικά κορδόνια	Μπορεί να προκαλέσουν σπινθήρες και πυρκαγιά μέσα στο φούρνο.
Χάρτινες σακούλες	Μπορεί να προκαλέσουν πυρκαγιά μέσα στο φούρνο.
Αφρώδες πλαστικό	Αφρώδες πλαστικό μπορεί να λιώσει ή μολύνει το εσωτερικό του φούρνου όταν βρίσκεται σε υψηλή θερμοκρασία.
Ξύλο	Το ξύλο θα ξεράνει στο φούρνο μικροκυμάτων και μπορεί να χωρίσει στα δυο ή να σπάσει.

ΤΟΠΟΘΕΤΗΣΗ ΤΟΥ ΦΟΥΡΝΟΥ ΣΑΣ

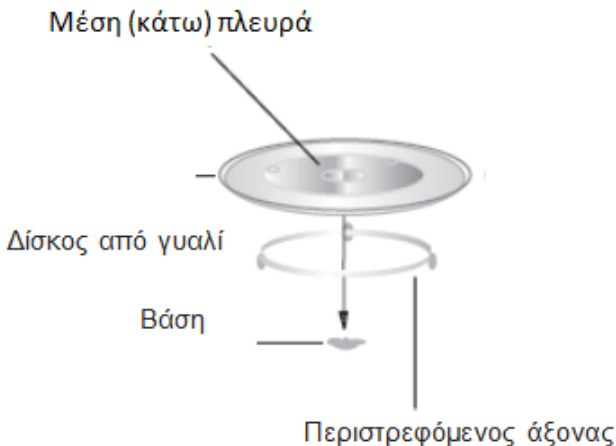
Τα μέρη του φούρνου και τα εξαρτήματα

Βγάλτε το φούρνο και όλα τα εξαρτήματα από τη συσκευασία και το εσωτερικό του φούρνου. Ο φούρνος σας συμπεριλαμβάνει και τα εξής εξαρτήματα:

Γυάλινος δίσκος	1
Στεφάνι με ρόδες	1
Οδηγίες	1



- A) Πίνακα ελέγχου
- B) Περιστρεφόμενος άξονας
- C) Στεφάνι με ρόδες
- D) Γυάλινος δίσκος
- E) Παράθυρο ελέγχου
- F) Πόρτα
- G) Σύστημα για ασφαλή κλείσιμο



1. Ποτέ μην τοποθετείτε το γυάλινο δίσκο ανάποδα. Τιπότε δεν πρέπει να εμποδίζει το γυάλινο δίσκο.
2. Κατά το ψήσιμο και ο γυάλινος δίσκος και ο περιστρεφόμενος άξονας πρέπει να λειτουργούν.
3. Κατά το ψήσιμο, όλα τα τρόφιμα και δοχεία πρέπει να τοποθετηθούν επάνω στο γυάλινο δίσκο.
4. Εάν ο γυάλινος δίσκος ή ο περιστρεφόμενος άξονας ραγίσουν ή σπάσουν, επικοινωνήστε με το πιο κοντινό εξουσιοδοτημένο κέντρο επισκευών.

Τοποθέτηση στην επιφάνεια εργασίας

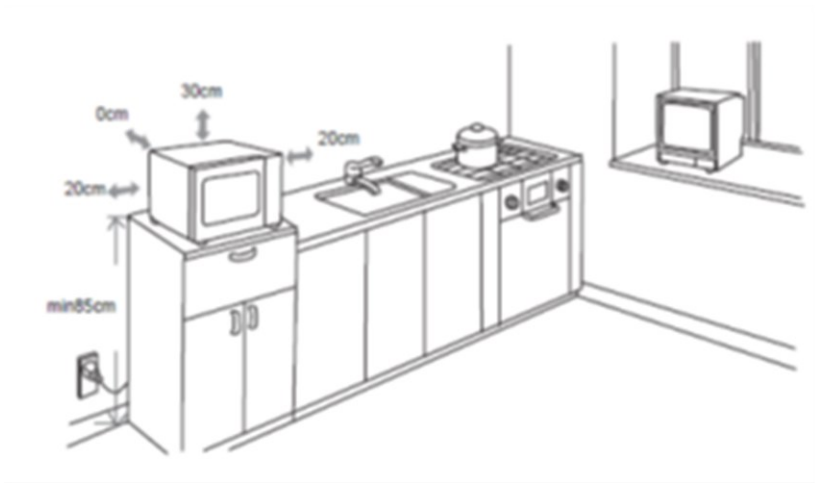
Αφαιρέστε όλη τη συσκευασία και τα εξαρτήματα. Ελέγξτε αν ο φούρνος έχει βλάβες, όπως γρατσουνιές και ζημιωμένη πόρτα. Μη συνδέετε το φούρνο εάν έχει βλάβη.

Κεντρική μονάδα: Αφαιρέστε την προστατευτική ταινία από την κεντρική μονάδα του φούρνου μικροκυμάτων.

Μην αφαιρείτε το κάλυμμα Mica χρώματος ανοιχτό καφέ που είναι τοποθετημένο στο θάλαμο του φούρνου καθώς αυτό προσφέρει προστασία από το μαγνητικό πεδίο.

Εγκατάσταση

1. Βρείτε μια ισόπεδη επιφάνεια με αρκετό χώρο για τον εξαερισμό του φούρνου.



(1) Ελάχιστο ύψος εγκατάστασης είναι 85cm. Αφήστε κενό τουλάχιστον 20cm από οποιοδήποτε γειτονικό τοίχο.

(2) Αφήστε τουλάχιστον 30cm κενό από την κορυφή του φούρνου.

(3) Μην αφαιρείτε τις βάσεις στήριξης από το κάτω μέρος του φούρνου.

(4) Φραγμός του εξαερισμού της συσκευής μπορεί να δημιουργήσει βλάβη στο φούρνο.

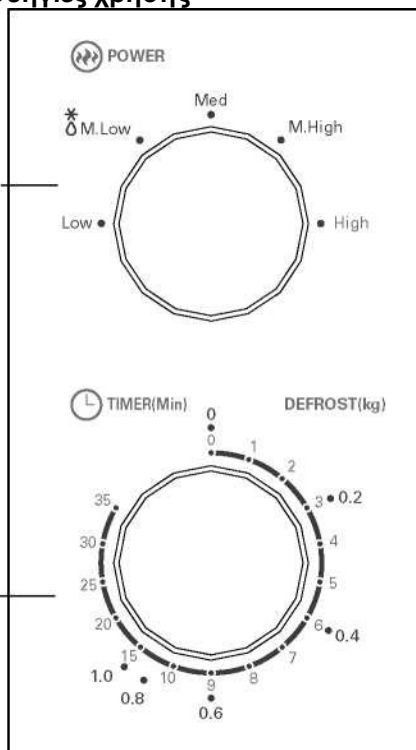
(5) Η τοποθέτηση του φούρνου μικροκυμάτων κοντά σε ραδιόφωνο, τηλεόραση ή παρόμοιες

συσκευές μπορεί να επηρεάσει το σήμα και να έχει ως αποτέλεσμα την κακή λήψη και τις παρεμβολές.

2. Συνδέστε το φούρνο με κανονική πρίζα ρεύματος. Η τάση και η συχνότητα πρέπει να ταιριάζουν στην τάση του φούρνου που αναφέρεται στον πίνακα με τις τεχνικές πληροφορίες. **ΠΡΟΕΙΔΟΠΟΙΗΣΗ:** Μην τοποθετείτε τη συσκευή πάνω σε ζεστές επιφάνειες, όπως ηλεκτρική κουζίνα. Εάν τοποθετηθεί δίπλα ή κοντά σε πηγές θερμότητας, ο φούρνος μπορεί να υποστεί βλάβη και με τέτοιο τρόπο μπορεί να ακυρωθεί η εγγύηση της συσκευής.

ΧΡΗΣΗ

Πίνακας ελέγχου και οι λειτουργίες Οδηγίες χρήσης



1. Για να ρυθμίσετε τη θερμοκρασία, γυρίστε τον κύκλο της θερμότητας στο αντίστοιχο επίπεδο.
2. Για να ρυθμίσετε τη διάρκεια μαγειρέματος, γυρίστε τον κύκλο του χρονόμετρου στον αντίστοιχο χρόνο σύμφωνα με το είδος φαγητού. Βλέπετε τις κάτω οδηγίες.
3. Ο φούρνος μικροκυμάτων θα αρχίσει αυτόματα με το μαγείρεμα, αφού ρυθμίσετε τη θερμότητα και τη διάρκεια μαγειρέματος.
4. Αφού λήξει ο χρόνος μαγειρέματος, η συσκευή θα κάνει μια ηχητική προειδοποίηση.
5. Όταν δε χρησιμοποιείτε τη συσκευή, βάλτε το χρονόμετρο στο "0".

Λειτουργία/Ισχύς	Έξοδος	Εφαρμογή
Χαμηλή (low)	17% μικρο.	Ξεπάγωμα παγωτού
Μέση-χαμηλή(ξεπάγωμα)	33% μικρο.	Σούπες, μαλάκωση ή ξεπάγωμα βουτύρου
Μέση (med)	55% μικρο.	Γκούλας, ψάρι
Μέση-υψηλή	77% μικρο.	Ρύζι, ψάρι, κοτόπουλο, κιμάς
Υψηλή	100% μικρο.	Ζέσταμα, γάλα, βράσιμο νερού, λαχανικά, ποτά

Προσοχή: Πριν βγάλετε το φαγητό από το φούρνο, παρακαλούμε να το σβήσετε γυρίζοντας το χρονόμετρο στο 0 (μηδέν).

Λειτουργία του φούρνου χωρίς φαγητό μέσα του μπορεί να προκαλέσει υπερθέρμανση και ζημιά στο μάγνητρο.

Αντιμετώπιση προβλημάτων

Τα κανονικά	
Ο φούρνος επηρεάζει το σήμα της τηλεόρασης	Κατά τη λειτουργία του, ο φούρνος μπορεί να επηρεάσει το ραδιόφωνο και την τηλεόραση. Αυτό είναι παρόμοιο με τις παρεμβολές μικρών οικιακών συσκευών, όπως είναι το μίξερ, ηλεκτρική σκούπα και πιστολάκι. Αυτό είναι κανονικό.
Σκούρο φως στο φούρνο	Κατά τη διάρκεια του μαγειρέματος με χαμηλή ισχύ μικροκυμάτων, το φως στο φούρνο μπορεί να γίνει σκούρο.
Στην πόρτα συμπυκνώνεται η υγρασία, από το άνοιγμα βγαίνει ζεστός αέρας.	Κατά το μαγείρεμα, από το φαγητό μπορεί να βγαίνει ο ατμός. Ο περισσότερος ατμός θα βγει από τους αεραγωγούς, αλλά το υπόλοιπο μπορεί να συμπυκνωθεί στα πιο κρύα μέρη όπως είναι η πόρτα. Αυτό είναι κανονικό.
Ανάψατε το φούρνο χωρίς φαγητό κατά λάθος	Απαγορεύεται να ανάβετε το άδειο φούρνο. Αυτό είναι πολύ επικίνδυνο. Σβήστε τον αμέσως.

Πρόβλημα	Πιθανή αιτία	Λύση
Ο φούρνος δεν ανάβει	(1) Το καλώδιο ρεύματος δεν είναι σωστά συνδεδεμένο	Αποσυνδέστε το καλώδιο και ξανασυνδέστε το μετά από 10 δευτερόλεπτα
	(2) Ανώμαλη ηλεκτρική ασφάλεια	Αλλάξτε την ηλεκτρική ασφάλεια
	(3) Πρόβλημα με την πρίζα	Ελέγξτε την πρίζα με άλλη ηλεκτρική συσκευή
Ο φούρνος δε ζεσταίνει	(4) Η πόρτα δεν είναι καλά κλεισμένη	Κλείστε την πόρτα καλά
Ο γυάλινος δίσκος κάνει φασαρία κατά τη λειτουργία του φούρνου μικροκυμάτων	(5) Λερωμένος περιστρεφόμενος άξονας και πάτωμα του φούρνου	Σχετικά με τον καθαρισμό βλέπετε τον παράγραφο "Καθαρισμός φούρνου μικροκυμάτων"



Σύμφωνα με τη διάταξη για τη διάθεση ηλεκτρικών και ηλεκτρονικών συσκευών, τέτοιου είδους εξοπλισμός πρέπει να μαζεύεται και να ανακυκλώνεται ξεχωριστά. Σε περίπτωση που πρέπει να πετάξετε τη συσκευή, παρακαλούμε ΜΗΝ την πετάξετε με άλλα οικιακά απόβλητα, αλλά στην προκαθορισμένη θέση για αυτό.



Forno de micro-ondas

INSTRUÇÕES DE UTILIZAÇÃO

MODELO: MWH-M22

MWH-M22B

MWH-M22S

Antes de utilizar este equipamento, leia atentamente este manual de instruções e mantenha o mesmo para futuras consultas.

Se seguir estas instruções, o seu forno de micro-ondas funcionará por muito tempo.

LEIA O MANUAL DE INSTRUÇÕES ATENTAMENTE

PARA EVITAR A SOBRE-EXPOSIÇÃO DE MICRO-ONDAS:

- (a) Não utilize este aparelho com a porta aberta para impedir a sobre-exposição de micro-ondas. É importante não quebrar nem girar cintos de segurança
- (b) Não mantenha nada em frente da porta do forno, não deixe a sujeira ou detergentes se acumular nos bloqueador de porta
- (c) **ATENÇÃO:** Caso a porta ou bloqueadores de porta estiveram estragados, não utilize o forno até técnicos autorizado oa substituirem.

NOTA:

Caso o equipamento não manter limpo, pode causar problemas com funcionalidade e superfícies do forno.

Specificações:

Modelo:	MWH-M22 / MWH-M22B / MWH-M22S
Frequência:	230V~ 50Hz
Potência requerda (microondas):	1050 W
Potência de saída (microondas):	700 W
Capacidade do forno:	20 L
Diâmetro do prato giratório:	255 mm
Dimensões da cavidade (LxAxP):	440mmX330mmX259mm
Peso:	Approx 9.74 kg

INSTRUÇÕES DE SEGURANÇA IMPORTANTES

ATENÇÃO

Para evitar possível risco de choque elétrico, incêndio, lesões ou sobre-exposição de micro-ondas, siga as precauções básicas de segurança:

1. **Atenção:** Líquidos e outros alimentos não aqueça em recipientes fechados, pois podem explodir
2. **Atenção:** Remoção da cobertura que proteja da exposição de microondas pode ser perigosa para qualquer pessoa não qualificada
3. O equipamento pode ser utilizado por crinças menores de 8 anos e por pessoas com capacidades físicas, sensoriais ou mentais reduzidas, ou por pessoas com falta de experiência e conhecimento, e menos que tenham

recebidos instruções referentes à utilização do aparelho ou estejam sob a supervisão de uma pessoa responsável. As crianças não devem brincar com o equipamento. Limpeza e manutenção não deve ser feita pelas crianças menores de 8 anos e sem a vigilância

4. Mantenha o aparelho fora do alcance das crianças menores de 8 anos
5. Somente utilize loiça adequada para micro-ondas
6. Regularmente limpe o forno e remova sujidade
7. Leia e siga "PRECAUÇÕES PARA EVITAR SOBRE-EXPOSIÇÃO DE MICRO-ONDAS".
8. Quando aquecer alimentos em loiça de plástico ou de papel, preste atenção no forno por causa de incêndio
9. Se observar fumo ou fogo, mantenha a porta fechada, de modo a abafar as chamas. Desligue o aparelho ou desconecte-o da tomada elétrica.
10. Não cozinhe alimento demasiado.
11. Não utilize o interior do aparelho como armazenamento. Não armazene ingredientes como pão, bolos dentro do forno.
12. Antes de colocarem no forno, remova grampos e alças de metal de recipientes/sacos de metal ou papel
13. Instale ou coloque este forno somente de acordo com as instruções anexados
14. Os ovos com casca e os ovos cozidos inteiros não devem ser aquecidos em fornos micro-ondas porque podem explodir, ainda depois de desligar o aparelho
15. Este aparelho é para utilização doméstico e em edifícios similares, tais como:
 - cozinhas para pessoal, oficinas e ambientes de trabalho similares
 - hotéis, motéis e ambientes similares
 - quintas;
 - alojamentos
16. Caso o cabo de alimentação estragar, deve ser substituído pelo fabricante, agente de assistência ou por uma pessoa qualificada para evitar qualquer perigo
17. Não mantenha e não utilize este aparelho no exterior
18. Não utilize este forno perto da água, sítios úmidos ou piscinas
19. Durante a utilização a temperatura dos pode ser alta. Mantenha o cabo de alimentação longe desses superfícios e não cobre as aberturas no forno.
20. Não permita que o cabo de alimentação pendure sobre bordas ou superfície de trabalho
21. Caso o equipamento não manter limpo, pode causar problemas com funcionalidade e superfícios do forno
22. Para evitar queimaduras, o alimento para bebé em frascos ou garrafas mexe ou agite bem para que o calor se distribua de modo uniforme.
23. Aquecimento dos líquidos no forno de micro-ondas pode resultar ebulição dentro do aparelho. Por isso deve prestar atenção quando usar recipientes com líquido.

24. O equipamento não deve ser utilizado por pessoas (inclusive crianças) com capacidades físicas, sensoriais ou mentais reduzidas, ou por pessoas com falta de experiência e conhecimento, e menos que tenham recebidos instruções referentes à utilização do aparelho ou estejam sob supervisão de uma pessoa responsável.

25. As crianças devem ser vigiadas para não brincarem com o equipamento

26. O forno de micro-ondas não deve ser incorporado em armários de cozinha a menos que está testada para incorporação de armários

27. O aparelho não se destina ao controle por temporizador externo ou uso de controle remoto.

28. A parte traseira do aparelho deve estar em frente de parede.

29. Durante a utilização as partes do aparelho podem aquecer. Mantenha as crianças fora do aparelho para não se queimarem

30. Não limpe com limpadores de vapor

31. Durante a utilização o aparelho aquece. Preste atenção não tocar superfícies quentes.

32. Utilize somente a sonda de temperatura recomendada para este forno (apenas para os fornos com sonda de temperatura).

33. ATENÇÃO: O aparelho e superfícies aquecem quando os utiliza. Deve evitar a tocar superfícies quentes. Mantenha o aparelho fora de alcance das crianças menores de 8 anos

34. Durante a utilização, a porta decorativa deve estar aberta (para fornos com porta decorativa)

LEIA ATENTAMENTE E MANTENHA PARA FUTURAS CONSULTAS

Para reduzir o risco de danos físicos

A ligação à terra

PERIGO

Risco de choque elétrico.

Tocar algumas partes pode causar prejuízos graves ou morte.

Não desmonte este aparelho.

ATENÇÃO

Risco de choque elétrico.

Ligação de terra incorreta pode causar choque elétrico. Não conecte o aparelho na tomada antes de o instalar e ligar à terra.

Este aparelho deve estar ligado à terra. No caso de sobretensão elétrica, a ligação à terra reduz risco de choque elétrico.

Este aparelho vem com um cabo de ligação à terra e um plugue. O plugue deve estar ligado numa tomada adequada e bem instalada. Por favor, consulte eletricitista qualificado ou uma pessoa responsável se não atende as instruções de ligação à terra ou se não está seguro de que o aparelho estiver ligado corretamente.

Se utiliza cabo de extensão, utilize somente o cabo de extensão com três fios.

1. O cabo do aparelho é curto para reduzir os riscos de emaranhamento ou tropeções
2. Se utiliza o cabo de alimentação longe ou cabo de extensão:
 - 1) A capacidade elétrica nominal do cabo de alimentação ou cabo de extensão deve ser igual ou superior à capacidade elétrica nominal do seu aparelho.
 - 2) O cabo de extensão deve ser ligado à terra
 - 3) O cabo de extensão deve ser posicionado de modo que não fique pendurado na borda da superfície de trabalho ou mesa onde as crianças possam puxar ou tropeçar acidentalmente.

LIMPEZA

É obrigatório desligar o forno da tomada elétrica.

1. Depois de utilização limpe o interior com pano molhado atentamente.
2. Limpe os acessórios com espuma em intervalos regulares.
3. Moldura de porta, bloqueadores e os acessórios sujos limpe com o pano molhado atentamente.

4. Não utilize produtos de limpeza abrasivos fortes ou raspadores metálicos para limpar a janela do forno. Isso pode arranhar a superfície ou quebrar a janela.

5. **AVISO PARA LIMPEZA** - para limpar facilmente o interior de micro-ondas, ponha meio limão numa tigela, coloque 300ml de água. Limpe o forno com um pano seco e macio.

ATENÇÃO

Riscos de lesões

O serviço ou reparação da cobertura que protege contra a exposição à energia das microondas é perigoso para qualquer pessoa não qualificada.

“Materiais que pode usar no forno de microondas ou que devem ser evitados”

LOIÇA

Leia instruções sobre “Materiais que pode utilizar ou que deve ser evitados”. Podem existir certos utensílios não-metálicos que são perigosos para uso em forno de microondas. Na dúvida, teste o utensílio em questão seguindo as instruções abaixo.

Testo de utensílio:

1. Encha o utensílio com um copo de água fria (250ml).
2. Cozinhe na potência máxima 1 minuto.
3. Atentamente toque o utensílio. Se o utensílio aquecido está vazio, não o utilize para cozinhar no micro-ondas
4. **Não exceda 1 minuto.**

Materiais que podem ser utilizados em forno de micro-ondas

Materiais Observações

Papel Alumínio	Apenas como proteção. Pequenos pedaços podem ser usados para cobrir pedaços de carne ou frango, para evitar que cozinhem demais. Esses pedaços podem arquear ou soltar faíscas se estiverem muito próximos das paredes do forno. O papel alumínio deve ficar, pelo menos, 2,5 cm longe das paredes do forno
Prato de cerâmica	Siga as instruções do fabricante. O fundo do prato de cerâmica deve ficar, pelo menos, 5 mm do prato giratório. O uso incorreto pode resultar na quebra do prato.
Pratos de louça	Apenas os que forem seguros para microondas. Siga as instruções do fabricante. Não use louça partida ou lascada.
Jarras de vidro	Remova sempre a tampa. Utilize sempre até que o alimento fique morno. A maioria das jarras de vidro não resistem a temperaturas altas e podem quebrar.
Loiça de vidro	Apenas aquilo que for resistente a altas temperaturas. Certifique-se de que não há borda de vidro. Não utilize nada trincado ou lascado.
Sacos para cozimento	Siga as instruções do fabricante. Não feche com fios de metal. Faça furos para permitir a saída do vapor.
Copos e pratos de papel	Utilize apenas para cozimento rápido/pouco aquecimento. Não deixe sem a vigilância
Toalhas de papel	Utilizadas para cobrir os alimentos no reaquecimento ou para absorção de gordura. Utilize apenas com a vigilância e por um período curto de tempo
Papel pergaminho	Utilize para cobrir e evitar que o alimento espirre ou para embrulhar o alimento para cozimento no vapor.
Plástico	Apenas os recomendados para uso em micro-ondas. Siga as instruções do fabricante. Deve ter etiqueta que indique "Seguro para uso em Microondas". Alguns plásticos se amolecem, quando os alimentos dentro dela se aquecem.

Sacos plásticos para cozinhar	Devem furar ou abrir o saco plástico seguindo as instruções.
Filme plástico	Apenas os recomendados para uso em micro-ondas. Utilizados para cobrir alimentos durante o cozimento, para reter a umidade. Não deixe que o filme plástico toque o alimento.
Termômetro	Apenas os recomendados para uso em micro-ondas (para carne e doces)
Papel encerado	Utilizado como a cobertura para prevenir espirros e reter a umidade.

Materiais que devem ser evitados em forno de micro-ondas

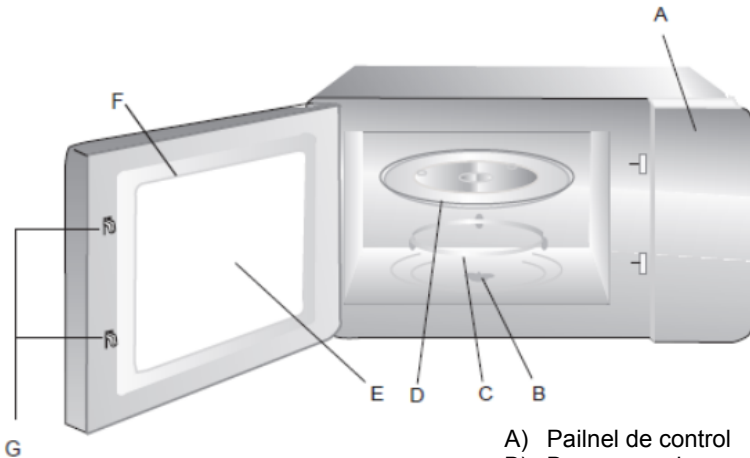
Materiais	Observações
Bandeja de alumínio	Pode soltar fâsiskas. Coloque alimento na loiça do forno de micro-ondas.
Loiça com alças de metal	Pode soltar fâsiskas. Coloque alimento na loiça do forno de micro-ondas.
Loiça de metal ou com bordas de metal	O metal protege o alimento das micro-ondas. As bordas de metal podem soltar fâsiskas.
Fios de metal para fechar embalagens	Podem soltar fâsiskas e provocar um incêndio dentro do forno.
Sacos de papel	Podem soltar fâsiskas e provocar um incêndio dentro do forno.
Espuma de plástico	A espuma de plástico pode derreter e contaminar o líquido dentro, se exposto à alta temperatura.
Madeira	Madeira - pode secar dentro do forno e rachar ou se quebrar.

INSTALAÇÃO DO FORNO DE MICRO-ONDAS

Nomes das partes e acessórios

Remova toda a embalagem e os acessórios do interior do forno.
Os acessórios anexados ao forno de micro-ondas:

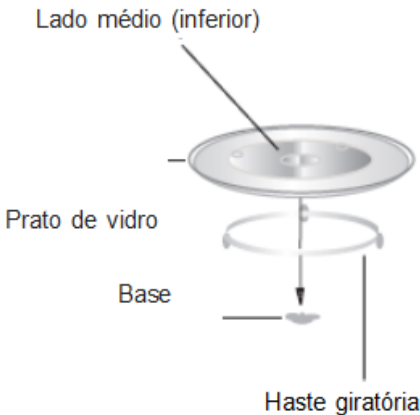
Prato de vidro	1
Haste giratória	1
Instruções	1



- A) Painel de control
- B) Base para girar
- C) Haste giratória
- D) Prato de vidro
- E) Janela para observação
- F) Porta
- G) Sistema interno de travas de segurança

Instalação do prato giratório

- Nunca coloque o prato de vidro de cabeça para baixo. O prato de vidro não deve ficar bloqueado.
- Tanto o prato de vidro como o suporte giratório deve ser sempre usado
- No cozimento, todos os alimentos e loiça deve ser posicionados em cima do prato de vidro.
- Se o prato de vidro ou o suporte giratório racharem ou se quebrarem, entrar em contato com o centro de serviço autorizado mais próximo.



Instalação no superfície de trabalho

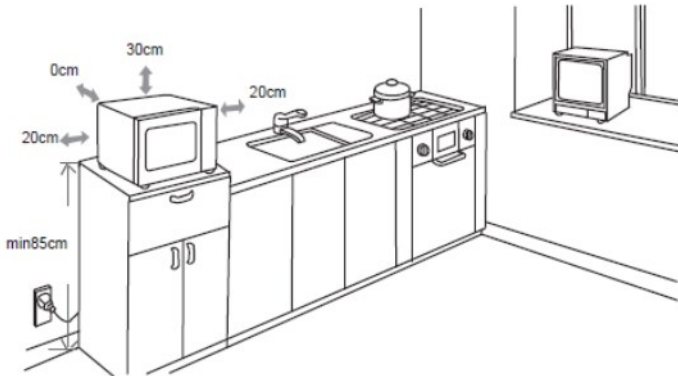
Remova toda a embalagem e os acessórios. Verifique se não há arranhões e se a porta não esta quebrada.

A base do aparelho: Remova a película protetora da superfície do aparelho.

Não remova a tampa de mica marrom clara que está fixada dentro do forno, protegendo o magnetron.

Instalação

1. Selecione uma superfície nivelada com espaço livre suficiente para o livre fluxo de ar pelas berturas do forno.



(1) Altura mínima para instalação do aparelho é 85cm. É necessária uma distância mínima de 20 cm entre o forno e as paredes adjacentes.

(2) Deixe um mínimo de 30 cm de espaço acima do forno.

(3) Não remova os pés da parte de baixo do forno.

(4) Bloqueio das entradas/saídas de ar pode danificar o forno.

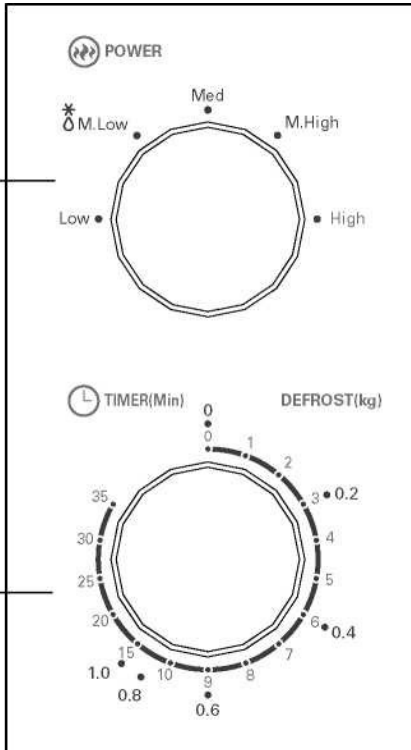
(5) Colocar o forno longe de rádios e TVs. Os fornos de micro-ondas podem interferir com o bom funcionamento destes aparelhos.

2. Ligar o forno numa tomada de parede adequada. A tensão e a frequência deve ser as mesmas mostradas na etiqueta do aparelho. **AVISO:** Não instale o aparelho sobre uma chapa quente ou qualquer outra fonte de calor. Se o forno for instalado perto de outra fonte de calor, pode ser danificado e a garantia será anulada.

UTILIZAÇÃO

Painel de controle e características

Instruções de utilização



1. Para estabelecer a potência, coloque o botão na potência pretendida
2. Para definir um tempo de cozimento, coloque o botão do relógio no nível pretendido dependendo do alimento.
Veja as instruções no fundo da página.
3. O micro-ondas automaticamente começará com cozimento depois de definir a potência e nível preferidos
4. Quando termine cozimento, o forno emitirá um aviso sonoro.
5. Se não utiliza o aparelho, sempre defina o relógio em "0"

Função/Potência	% de potência	Utilização
Potência Baixa	17% mikro.	Amolecimento de gelado
Potência Média Baixa (degelo)	33% mikro.	Sopas, amolecimento de manteiga putera, derretimento
Potência Média	55% mikro.	Goulaches, peixe
Potência Média Alta	77% mikro.	arroz, peixe, frango, carne picada
Potência alta	100% mikro.	Aquecimento, leite, fervura da água, legumes, bebidas

Atenção: Antes de sacar o alimento do forno, desligue o aparelho, colocando o relógio em “0” (zero).

Utilização do micro-ondas sem os alimentos dentro pode causar sobreaquecimento e prejuízo do magnetron.

Solução de problemas

Normal	
Micro-ondas interfere com sinal de televisão	Durante da utilização micro-ondas pode interferir com reseqções rádio e TV. É semelhante à interferência de eletrodoméstico, tais como bateadeira, aspiradores, secador. Isso é normal.
Luz fraca no forno	Durante do cozimento com potência baixa, a luz do forno pode ficar fraco. Isso é normal.
Na porta do forno a umidade condensa, vapor saia da abertura	Durante de cozimento vapor pode sair do alimento. A maioria sairá através da abertura, mas a parte pode condensar em lugares mais frios, tal como a porta de micro-ondas. Isso é normal.
O forno está ligado por acidente sem alimento	É rigorosamente proibido utilizar o forno vazio. Pode ser perigoso. Desligue-o imediatamente.

Problema	Motivo possível	Solução
O forno não liga	(1) O cabo de alimentação não está conectado adequadamente	Desconecte o cabo e conecte-o novamente após 10 segundos
	(2) Fusível avariado	Substitua o fusível
	(3) Problema com tomada elétrica	Teste a tomada com outros eletrodomésticos
Forno não aquece	(4) A porta não está bem fechada	Feche bem a porta
Prato de vidro faz barulho durante da utilização do forno	(5) Anel giratório e fundo do forno estão sujos	Sobre limpeza, leia “Manutenção do forno de micro-ondas”



De acordo com a Directiva sobre resíduos de equipamentos eléctricos e electrónicos este produto não deve ser descartado junto com outros resíduos domésticos. Para evitar possíveis danos ao meio ambiente ou à saúde humana causados pela eliminação incontrolada de resíduos, recicle-o responsabilmente para promover a reutilização sustentável dos recursos materiais. Para retornar o aparelho utilizado, por favor, use a sistemas de recolha ou contacte o revendedor onde o produto foi comprado. Eles podem levar este produto para a reciclagem segura do ambiente.

AL



Furra mikrovalore

UDHËZIMI PËR PËRDORIM

MODEL: MWH-M22
MWH-M22B
MWH-M22S

Para përdorimit të parë të furrës, lexojeni me kujdes këtë udhëzim dhe rujeni me kujdes.

Në qoftë se ju ndiqni këtë udhëzim, furra juaj do t'ju shërbejë për shumë vite.

LEXOJENI ME KUJDES KËTË UDHËZIM

MASAT PARAPRAKE PËR TË SHMANGUR EKSPOZIMIN E MUNDUR NDAJ ENERGJISË SË TEPRUAR MIKROVALORE

- (a) Mos përdoreni këtë furrë me dyer të hapura për shkak se ajo mund të rezultojë në ekspozimin e dëmshëm i energjisë mikrovalore. Është e rëndësishme që të mos thjeni ose rrotuloni komponimet e sigurisë.
- (b) Mos të hidhni gjesende në mes të derës dhe furrës dhe të ruani se mos të jetë e fëlliqur ose mbetje i kemikaleve për pastrim.
- (c) **PARALAJMËRIM!**: Në qoftë se dera ose vula dere janë të dëmtuar, nuk lejohet përdorimi i furrës dërsat atë nuk e nderq personi i autorizuar.

SHTESA:

Në qoftë se aparati nuk pastrohet, kjo mund të ndikojë në sipërfaqjen dhe jetën e aparatit, dhe mund të çojë në situatat e rrezikshme.

Specifikimet

Modeli:	MWH-M22 / MWH-M22B / MWH-M22S
Harxhimi i energjisë:	230V~ 50Hz
Nxehësi për skarë:	1050 W
Fuqia dalëse:	700 W
Kapaciteti i furrës:	20 L
Diametri i pjatës me rrotullim:	255 mm
Dimenzionet e brendshme të furrës:	440mmX330mmX259mm
Neto pesha:	perafersisht 9.74 kg

PARALAJMËRIME TË RËNDËSISHME PËR SIGURINË

Për të zvogëluar rrezikun e djegies, elektroshokut, zjarrit, plagosjes apo ekspozimit ndaj energjisë së tepërt me mikrovalë duke përdorur aparatin tuaj, ju lutëmi që të ndiqni këto masat paraprake:

1. **Paralajmërim:** Lëndët fluide dhe ushqimin mos i ngrohni në enët e mbyllura, sepse ato mund të shpërthejnë.
2. **Paralajmërim:** Largimi i kapakut që mbron nga ekspozimi ndaj energjisë mikrovalore është rrezikshme për të gjithë përveç personit të autorizuar.
3. Ky aparat mund të përdorin vetëm fëmijët me moshë mbi 8 vjeçare, si dhe personat me aftësitë e zvogëluara trupore, ndjesore ose shpirtërore, ose ata persona që kanë përvojë të mangshme, njohuri, mbikqyrje ose udhëzime sa i takon përdorimit të aparatit në mënyrë të sigurtë dhe se janë të vetëdijshëm për rrezikun e përdorimit. Keni kujdes që fëmijët mos lozin me aparatin. Fëmijët nuk kanë të drejtë të pastrojnë dhe mirëmbajnë mbaresën, përveç në qoftë se janë në moshë mbi 8 vjeçare dhe se janë mbikqyrur.
4. Kujdeseni që aparati dhe kabloja të mos jenë qasëse fëmijve më të rinj se 8 vjet.
5. Përdorni vetëm enët e përshtatshme për përdorim në furrën mikrovalore.
6. Rregullisht pastrojeni furrën dhe hiqni mbeturinat të ushqimit.
7. Lexojeni dhe mbaheni **"MASAT PARAPRAKE PËR TË SHMANGUR EKSPOZIMINË E MUNDUR NDAJ ENERGJISË SË TEPRUAR MIKROVALORE"**.
8. Kur e ngrohni ushqimin në enë plastike ose prej letrës, mbikqyrni precesin e ngrohjes për shkak të rrezikut që lloji i tillë i ambalazhit, respektivisht enës të mos ndizet.
9. Në qoftë se vëreni tym, shkyçeni aparatin nga rrjeta elektrike, kurse lini derën e mbyllur, që të zbulloni flakën eventuale.
10. Mos përgatitni ushqimin për një kohë të gjatë.
11. Mos ruani asgjë në brendësi të furrës. Mos mbajini sendet siç janë bukë, ëmbëlsira, et.. brenda furrës.
12. Hiqni lidhjet me tela apo ndonjë send tjetër nga enët/qeset plastike dhe letrë para vendosjes së tyre në furrë.
13. Installoni ose vendosni këtë furrë vetëm në përputhje me udhëzimet për instalim.
14. Në furrën mikrovalore mos ngrohni vezët me lëvozhgë ose ata shumë të ziera, ata mund të shpërthejnë, edhe pasi që ka përfunduar ngrohja në furrë.
15. Ky aparat përdoret vetëm në familjen dhe në objektet e ngjashme siç janë:

- kuzhina për personel, zyrët dhe mjediset i punës së ngjashme –në hotele, motele, dhe në mjediset banimi i ngjashme –shtëpi rurale, bujtinë.
16. Në qoftë se kabloja është dëmtuar, për tu shmangur nga rreziqet atë, le të këmbëjë vetëm serviseri i autorizuar ose profesionist tjetër i aftësuar.
 17. Mos mbani dhe mos përdorni këtë aparat në vend e hapur.
 18. Mos përdorni këtë furrë afër ujës, bodrumit me lagësht, ose afër pishinës.
 19. Gjatë punës, temperatura e pjesëve të afrueshme mund të jetë e lartë. Mbajeni kabllon e energjisë larg nga sipërfaqet e nxehta, dhe mos mbuloni hapjet në furrë.
 20. Keni kujdes që të mos varet kabloja mbi skajin e tavolinës ose sipërfaqes për punë.
 21. Në qoftë se nuk mirëmbani dhe pastroni rregullisht furrën, mund të vijë deri te harxhuarja e sipërfaqeve, e kjo ndikon negativisht në jetëzgjatën e aparatit dhe rrit rrezikun te përdorimi i saj.
 22. Për të shmangur djegiet, përmbajtjet e shisheve të fëmijëve dhe enëve qelqi me ushqimin për fëmijët duhet t'i tundosni dhe përziени para ushqimit, dhe duhet ta kontrolloni temperaturën.
 23. Keni kujdes gjatë ngrihjes së pijeve në furrë, sepse ato mund të shpërthejnë, dhe për shkak të kësaj keni kujdes gjatë përdorimit me enët në të cilën ndodhet pije.
 24. Aparatin nuk mund të përdorin personat (duke përfshirë edhe fëmijët) me aftësitë e zvogëluara trupore, ndjesore ose shpirtërore me mungesën e përvojës dhe njohurit, përveç ata mbikqyren nga persona përgjegjës për sigurinë e tyre.
 25. Keni kujdes që fëmijët mos loznin me aparatin.
 26. Furra mikrovalore nuk duhet të jetë instaluar në elemente e kuzhinës, nëse ajo nuk ishte e testuar për instalimin në elementet.
 27. Pajisja nuk është e destinuar për drejtimin nëpërmjet timer të jashtëm ose sisteme të tjera për kontrollin e largët.
 28. Ana e fundit të pajisjes duhet të strohet pranë murit.
 29. Pjesët e aparatit mund të ngrohet gjatë përdorimit, për këtë shkak mbani fëmijët larg aparatit për të mos djegur.

30. Mos përdorni pastrues me avull.
31. Gjatë përdorimit aparati ngrohet. Keni kujdes për ta shmangur prekjen e elementeve të ngrohjes.
32. Përdoreni sondën e temperaturës që rekomandohet për këtë furrë(për furrat e furnizuar me instalim për përdorimin e sondës për kontrollimin e temperaturës).
33. **PARALAJMËRIM:** Aparati dhe pjesët e tij të afrueshme ngrohen gjatë përdorimit. Keni kujdes për ta shmangur prekjen e elementeve të nxehta. Fëmijët nën 8 vjet largoni nga aparati në qoftë se janë pa mbikqyrje.
34. Gjatë punës, dyert dekorative duhet të jenë të hapura. (për furrat me dyert dekorative).

LEXONI ME KUJDES DHE RUANI PËR PËRDORIMIN E ARDHMËN

Për zvogëlimin e rrezikut nga lëndimet -Tokëzim

RREZIKU

Rreziku nga goditja elektrike.

Prekje disa nga komponentët e brendshme mund të shkaktojë plagosje serioze ose vdekje.

Mos ndajeni këtë pajisje.

PARALAJMËRIM

Rreziku nga goditja e rrymës.

Tokëzimi i pasaktë mund të rezultojë një goditje të rrymës. Mos e hapni pajisjen në prizë, derisa nuk është instaluar dhe nuk është tokëzuar.

Kjo pajisje duhet të jetë tokëzuar. Në rast të një qarku të shkurtër, tokëzimi zvogëlon rrezikun e goditjes së rrymës duke siguruar një tel për rrymë elektrike.

Kjo aparati është i pajisur me një kablo të rrymës tokëzuar dhe plug me kontakt të tokëzimit. Plug duhet të vihet në prizë rrymë e instaluar siç duhet dhe tokëzuar. Konsultoheni me personin e autorizuar, në qoftë se nuk i kuptoni tërësisht udhëzimet për tokëzim, ose nëse nuk jeni të sigurt se pajisja është tokëzuar mirë.

Në qoftë se përdorni kabllon zgjatuese, përdoreni vetëm kabllon zgjatuese me tri tela.

1.Kabloja e rrymës është e shkurtër për të parandaluar rreziqet e ngatëresës dhe pengues me kabllon e gjatë.

2.Në qoftë se përdoret kabloja e gjatë të rrymës ose kabloja zgjatuese:

1)Fuqia nominale i kabllës së rrymës apo kabllës zgjatuese duhet të jetë barabartë ose më e madhë se fuqia nominale e pajisjes.

2)Kabloja zgjatuese duhet të jetë i një lloji të tokëzuar.

3) Kabloja e gjatë të rrymë duhet të zbatohet në atë mënyrë se kabloja nuk varet mbi skajin e sipërfaqes së punës ose tavolinës, sepse fëmijët mund të tërheq atë.

PASTRIMI

Fik furrë nga priza e rrymës.

1. Pas përdorimit, fshij brendësinë e furrës me një leckë të lagur.
2. Pastroni pajisje në mënyrë të zakonshme në ujë me sapun.
3. Fshini shpesh dritaren dhe dyer, vula qafë dhe pjesë të afërta me një leckë lagur për të hequr njollat.
4. Shmangni përdorimin e llak dhe pastrues të tjera të ashpra si ata mund të dëmtojnë sipërfaqen e derës.
5. **KËSHILLA PËR PASTRIMIN** - Për larjen më e lehtë për brendësinë e furrës nga yndyrës ushqimi, vendosni një gjysmë limoni në enë, dhe shtoni 300ml ujë. Fshini furrën me një leckë të butë e të thatë.

KUJDES

Rrezik lëndimi

Servisimi ose riparimi që përfshin heqjen e kapakut që mbron kundër ekspozimit ndaj energjisë mikrovalore, është e rrezikshme për të gjithë, përveç të personit të autorizuar.

ENËT

Shikoni udhëzimet për “Materialet që mund të përdoren në furrë mikrovalore ose për të shmangur”. Ka disa enë jo metalike që nuk janë të sigurta për përdorim në furrë mikrovalore. Në qoftë se ka një dyshim, enën mund ta provoni në mënyrë siç përshkruhet më poshtë

Prova e enës:

1. Plotësoni një enë të përshtatshme për përdorim në furrë mikrovalore me 1 gotë me ujë të ftohtë (250ml).
2. Përgatitni në fuqinë maksimale 1 minutë.
3. Prekni me kujdes enën. Nëse enë bosh është e nxehtë, mos përdoreni për gatimin në furrë mikrovalore.
4. **Mos kaloni 1 minutë gjatë gatimit.**

Materialet të sigurta për përdorim në furrë mikrovalore

Materiali

Vërejtje

Fletë metalike prej alumini	Vetëm për mbulesë. Mund të përdoren copa të vogla e të buta për mbulesë e copave të holla të mishit ose pulës për të parandaluar gatimi i gjatë. Nëse fletë është shumë afër mureve të furrës, mund të shkaktojë shkëndijë. Fletë duhet të jetë më paku 2.5cm larg nga mureve të furrës.
Enë për gjellë	Ndiqni udhëzimet e prodhuesit. Enë fund duhet të jetë më paku 5mm sipër pjatës rrotullues.Përdorimi i pasaktë mund ta shkaktojë thyerjen e pjatës.
Grup i takëm	Vetëm ata që janë të përshtatshëm për përdorim në furrë mikrovalore. Ndiqni udhëzimet e prodhuesit. Mos përdorni enët e plasarit apo e dëmtuar.
Kavanoz	Gjithmonë largoni kapakun.Përdoreni për ngrohjen derisa ushqimi nuk është shumë e nxehtë. Shumë kavanoza nuk janë rezistent ndaj nxehtësisë dhe mund të thyen.
Enët qelqi	Përdorni vetëm enët qelqi flaka retardant. Enët nuk duhet të kenë anë metalike. Mos përdorni enët e plasarit ose dëmtuar.
Qese për gatim	Ndiqni udhëzimet e prodhuesit. Mos e mbyllni me kapëse metalike. Bëni hapjet për të dalë akulli.
Pjata letre dhe gota	Përdorni vetë për gatimi/ngrohje të shkurtër. Mos lini pambikëqyrrur gjatë gatimit.
Pecetë letre	Përdorni vetëm për mbulesën e ushqimit për ngrohje dhe thithjen e yndyrës.Përdorni vetëm mbikëqyrrur për gatimi të shkurtër.
Letra për ëmbëlsirë	Përdorni vetëm si kapaku për të parandaluar spërkatje apo si pëstjellë për akullimi.
Plastik	Është e përshtatshme vetëm për përdorimin në furrë mikrovalore. Ndiqni udhëzimet e prodhuesit. Duhet të jetë e shënuar me "Microwave Safe". Disa enët plastike zbutin si ushqim brenda tyre nxeht.

Qese për gatim	Duhet t'i bëjë vrimat, ashtu se si është shënuar në ambalazhin.
Fletë plastike	E përshtatshme vetëm për përdorim në furrat mikrovalore. Përdoreni për mbulesën e ushqimit gjatë gatimit për të mbajtur lagështi. Fletë plastike nuk duhet të prekë ushqimin.
Termometri	E përshtatshëm vetëm për përdorim në furrat mikrovalore (për mish dhe ëmbëlsirë)
Letër të sulfurizuar	Përdorni vetëm si kapaku për të parandaluar spërkatje apo si pëstjellë për akullimi.

Materialet përshtatshme për përdorim në furrë mikrovalore

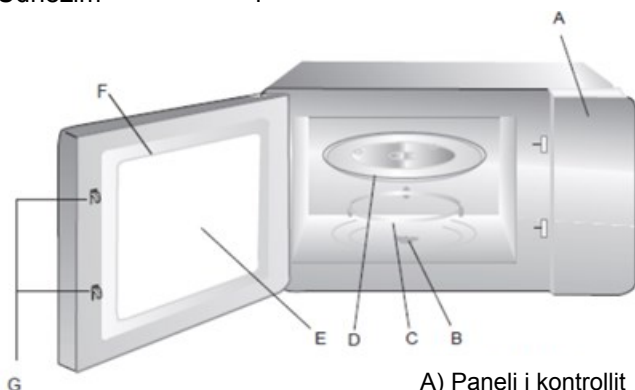
Materiale	Vërejtje
Pjata alumini	Mund të shkaktojë shkëndijë. Vini ushqim në enën e përshtatshme për furrë mikrovalore.
Enët ushqimi me anët metalike	Mund të shkaktojë shkëndijë. Vini ushqim në enën e përshtatshme për furrë mikrovalore.
Enët metalike ose me anët metalike	Metali mbron ushqimin nga energjia mikrovalore. Anët metalike mund të shkaktojnë shkëndijë.
Kapëse metalike	Mund ta shkaktojë shkëndijën dhe zjarrin brenda furrës.
Qese letre	Mund ta shkaktojë zjarrin brenda furrës.
Shkumë plastike	Shkumë plastike mund të shkrihet ose mund ta infektojë brendësinë e furrës kur është ekspozuar ndaj temperaturës së lartë.
Druri	Gjatë përdorimit në furrë mikrovalore druri mund të thahet, dhe mund të ndahet apo shpërthehet.

VENDOSJE E FURRËS SUAJ

Emrat i pjesëve të furrës dhe shtesëve

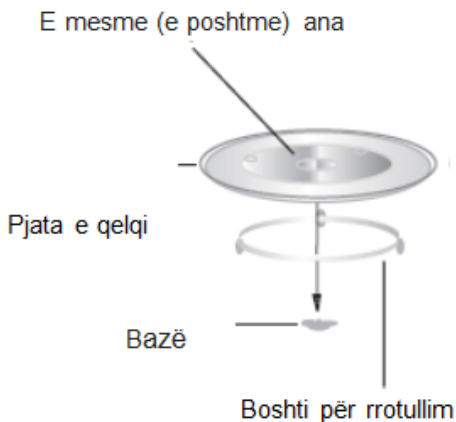
Hiqni furrë dhe të gjithë shtesa nga ambalazhi dhe brendësia e furrës. Furra juaj është furnizuar me pajisje e mëposhtme:

- Pjata e qelqi 1
- Boshti për rrotullim 1
- Udhëzim 1



- A) Paneli i kontrollit
- B) Boshti për rrotullim
- C) Rrethi i tabakës
- D) Pjata e qelqi
- E) Dritare
- F) Dyert
- G) Mbyllësia e derës

Instalimi i pllakës rradhës



- Mos vendosni kurrë pjatë qelqi shtrembër. Asgjë nuk duhet ta bllokojë pjatën qelqi.
- Gjatë gatimit pjata qelqi dhe rrethi i tabakës duhet të përdoren gjithmonë.
- Gjatë gatimit, të gjithë ushqimi dhe enët duhet t'i vini në pjatë qelqi.
- Në qoftë se pjata qelqi ose rrethi i tabakës, kontakti qendrën e shërbimit më e afërt të autorizuar.

Instalimi në sipërfaqen e punës

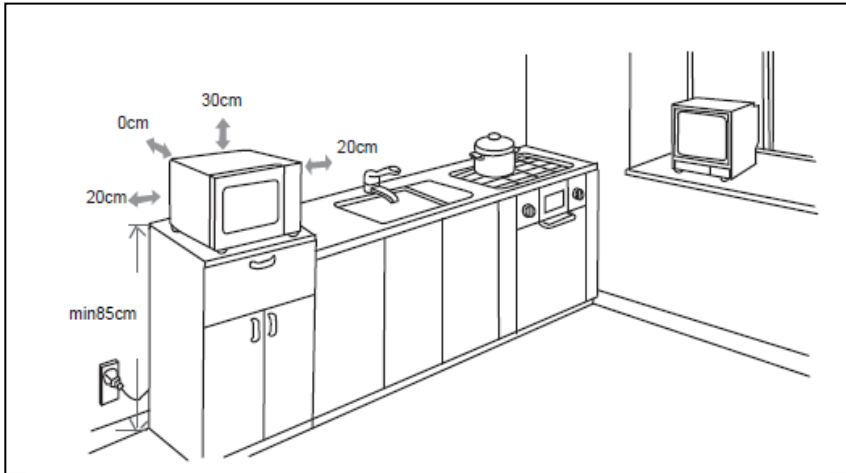
Hiqni të gjithë materiale ambalazhi dhe shtesa. Kontrolloni për dëmtim në furrë, si gërvishje apo dyer të dëmtuar. Mos instaloni furrë nëse është e dëmtuar

Strehim: Hiqni filmin mbrojtëse nga sipërfaqja e strehimit të furrës mikrovalore.

Mos e hiqni mbulesën me ngjyrë kafe e hapur Mica e cila është lidhur me brendësinë e furrës, dhe përdoret për mbrojtjen e magnetronit.

Instalimi

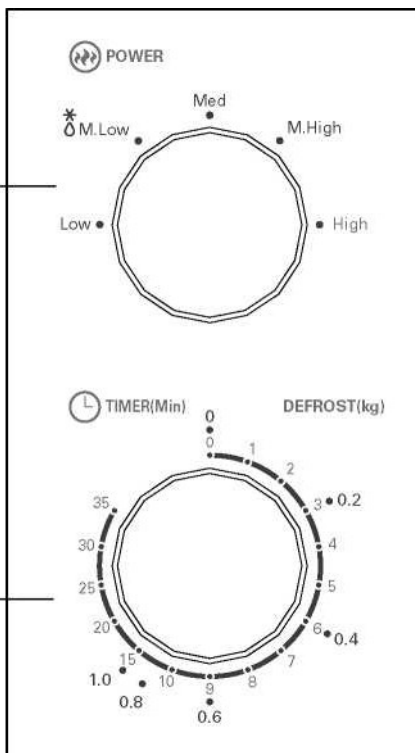
1. Zgjidhni një sipërfaqe të sheshtë me mjaft hapësirë e lirë për ajrimin e furrës.



- 1) Lartësia minimale e instalimit është 85cm. Midis furrës dhe mureve duhet të jetë distancë minimale prej 20 cm.
 - 2) Mbi furrë lini një minimum prej 30cm hapësirë të lirë.
 - 3) Mos hiqni këmbët nga fundi i furrës.
 - 4) Bllokimi i hyrjes/ose daljes së ajrit mund të dëmtoj furrë.
 - 5) Vendoseni furrën larg radios dhe televizorit. Puna e furrës mikrovalore mund të shkaktojë pengesë në pritjen e radios ose televizionit.
2. Shuani furrë në prizë të rrymës standarde shtëpiake. Tensioni dhe frekuenca duhet të korrespondojnë me tensionin operativ të furrës që është deklaruar në pllakën e specifikimeve.

PARALAJMËRIM: Mos vendoseni furrën mbi sobë ose pajisje të tjera termike. Në qoftë se instalohet afër ose mbi burimi i nxehtësisë, furrë mund të jetë dëmtuar, dhe garancia për këtë produkt mund të jete e pavlefshme.

PËRDORIMI Paneli i kontrollit dhe funksionet



Udhëzime për përdorim

- 1.Për vendosje e fuqisë së gatimit vendosni pullën e fuqisë në nivelin e dëshiruar.
- 2.Për vendosje e zgjatjes së gatimit vendoseni pullën e tajmerit në nivelin e dëshiruar sipas llojeve e ushqimit. Shikoni udhëzimet në pjesën e poshtme të faqes.
- 3.Furra mikrovalore automatikisht do të fillojë me gatimi pas vendosjes e nivelit të fuqisë dhe zgjatjes gatimi.
- 4.Pas kalimit të gatimit , pajisja do t`ju njoftojë me një sinjal zanor.
- 5.Nëse pajisja nuk përdoret , vendoseni zgjatjen e gatimit në "0".

Funksion/Fuqia	Dalja	Përdorim
Ë Ulët (lo)	17% mikro.	Zbutje e akullores
Mes.ulët (shkrire)	33% mikro.	Lëng mishi, zbutje e gjalpës apo shkrire
Ë Mesme (med)	55% mikro.	Gulashi, peshk
Mesme të lartë	77% mikro.	Oriz, peshk, mish pule,mish i grirë
Ë lartë	100% mikro.	Nxehja, qumësht, gatimi i ujës, perime, lëngë

Kujdes: Para se të nxjerrni ushqim nga furra, Ju lutemi shuani furrë me vendosjen e tajmerit në pozitë 0 (zero).

Puna e furrës pa ushqim mund të shkaktojnë tejnxehet dhe dëmtimi i magnetronit.

Mënjanimi i problemeve

Normalisht	
E mikrovalëve ndërhyr me pritjen TV	Gjatë operacionit mikrovalë mund të ndërhyjë me radio dhe pritjen TV. Kjo është e ngjashme me ndërhyrjen e pajisje shtëpiake të vogla, të tilla si miksera, pastruesit vakum dhe tharëse flokësh. Kjo është normale.
Drita e zezë në furrë	Kur të ulët të energjisë gatim mikrovalë, furrë të lehta mund të bëhen të errët. Kjo është normale.
Në derë, lagështi kondensuar nga goja vjen ajri të nxehtë	Gjatë gatimit të ushqimit mund të dalë avull. Shumica do të shkojnë nëpërmjet hapjeve të ventilimit, ose pjesë e tij mund të kondensohet në vende të ftohta të tilla si derën e furrës. Kjo është normale.
Furra filluar aksidentalisht pa ushqim në të	Është e ndaluar për të përdorur bosh furrë. Kjo është shumë e rrezikshme. Menjëherë të fikur.

Problemi	Shkaku i mundshëm	Zgjidhja
Furra nuk mund të fillojë	(1) Kabloja e rrymës nuk është lidhur si duhet	Largoni kabllojën, dhe pas 10 sekonda shuani përsëri
	(2)Fitili i gabuar	Zëvendoseni fitilin
	(3)Problemi me prizë elektrike	Provoni prizë me pajisje të tjera elektrike
Furra nuk ngroh	(4) Dyer nuk janë të mbyllur mirë	Mbylleni dyer mirë
Pjata qelqi bën zhurmë gjatë punës së furrës mikrovalore	(5) Rrethi i tabakës së ndyrë dhe fund i furrës	Për pastrimin shikoni pjesën "Mirëmbajtje e furrës mikrovalore"

Sipas dispozitave për dispozicionin e pajisjeve elektrike dhe elektronike, pajisje të tilla duhet të mblidhen në mënyrë veçantë dhe të përpunohen. Në qoftë se në ndonjë moment ju duhet të hidhni këtë pajisje, ju lutemi MOS e hidhni në plehra së bashku me mbeturinat e tjera shtëpiake, por në vendin që është përcaktuar për këtë.





МАК

Микробранова печка

УПАТСТВО ЗА УПОТРЕБА

МОДЕЛ: MWH-M22
MWH-M22B
MWH-M22S

Внимателно прочитајте го упатството пред користење на Вашата микробранова печка, и внимателно чувајте го.

Ако го следите ова упатството, вашата микробранова печка ќе ве служи добро многу години.

Внимателно чувајте го ова упатство

МЕРКИ ЗА ПРЕТПАЗЛИВОСТ ЗА ИЗБЕГНУВАЊЕ НА МОЖНО ПРЕКУМЕРАНО ИСПУШТАЊЕ НА МИКРОБРАНОВИ ЗРАЦИ

(а) Не се обидувајте да ја користите оваа микробранова печка со отворена вратничка бидејќи тоа може да резултира со испуштање на штетни микробранови зраци. Важно е да не ги кршите или ротирате безбедносните спојки.

(б) Не поставувајте никакви предмети помеѓу предната страна на рерната и вратничката, не дозволувајте насобирање на нечистотија или средства за чистење на површината за затворање.

(в) Предупредување: Доколку вратничката или дихтонзите на вратничката се оштетени, микробрановата печка не смее да се користи додека не бидат сменети од стручно лице.

ДОДАТОК

Доколку уредот не се одржува чист, тоа може да влијае на неговата површина работниот век, па да доведе до опасни ситуации.

Спецификации

Модел	MWH-M22 / MWH-M22B / MWH-M22S
Напон за работа:	230V~ 50Hz
Номинална влезна моќност(микробранови)	1050 W
Номинална излезна моќност(микробранови)	700 W
Капацитет на рерната:	20 L
Дијаметар на ротационата чинија	255 mm
Надворешни димензии	440mmX330mmX259mm
Нето тежина	Approx 9.74 kg

Важни информации за безбедност

ПРЕДУПРЕДУВАЊЕ

За намалување на ризикот од пожар, удар од струја, физички повреди или прекумерно испуштање на микробранова енергија при употреба на Вашиот уред Ве молиме да се придржувате кон основните мерки за претпазливост, вклучувајќи го и следново.

1. **Предупредување:** Не загревајте течности и друг вид храна во затворени садови бидејќи се подложни на експлозија.
2. **Предупредување:** Отстранување на капакот што штити од микробрановите зраци е опасно за секого освен за стручно лице.
3. Овај уред можат да го користат деца над 8 години старост, како и лица со намалени физички, аудитивни и ментални способности или со недостаток на искуство и знаење, ако се под надзор или поседуваат инструкции за употреба на апаратот на безбеден начин или ако се запознати со опасностите од ракувањето. Чистење и одржување не би требало да обавуваат деца кои не се постари од 8 години и под надзор.
4. Не го држете апаратот и неговиот кабел на дофат од деца помлади од 8 години.
5. Користете само садови прикладни за употреба во микробранова печка.
6. Рерната мора редовно да се чисти и да се одстрануваат талозите од храна
7. Прочитајте и придржувајте се кон **“МЕРКИ ЗА ПРЕТПАЗЛИВОСТ ЗА ИЗБЕГНУВАЊЕ НА МОЖНО ПРЕКУМЕТНО ИСПУШТАЊЕ НА МИКРОБРАНОВИ ЗРАЦИ.”**
8. Во ситуација на греење на храна во пластични или книжни чинии внимавајте на рернатата поради опасност од пожар.
9. Во случај на појава на пламен, исклучете ја рерната или исклучете ја од струја, и држете ја вратничката затворена за да се задуши пожарот.
10. Не прегревајте ја храната.
11. Не користете ја внатрешноста на печката за складирање. Не држете предмети како што се леб, колачи, итн во внатрешноста на печката.
12. Отстранете ги конците и метални рачки од хартиените

- или пластични чинии / кеси пред да ги ставите во рерната.
13. Инсталирајте ја или поставете ја оваа рерна исклучиво во склад со приложените упатства за инсталација.
 14. Јајца во лушпа и тврдо варени јајца не треба да се загреваат во микробранова печка, бидејќи може да експлодираат, дури и по завршување на загревањето во печката.
 15. Овој апарат е наменет за употреба во домаќинства и слични објекти како што се:
 - Кујна, канцеларија и слични работни простории- во хотели, мотели и слични резиденции
 - селски куќи,
 - преноќишта.
 16. Доколку се оштети струјниот кабел, треба да го замени производителот, овластен сервис или слични квалификувани лица за да ги избегнете можните опасности.
 17. Не ги чувајте и не ги користете овие уреди на отворено.
 18. Не ја користите оваа печка во близина на вода, влажен подрум или во близина на базен.
 19. За време на работењето, температурата на пристапните делови може да биде висока.
 20. Не дозволувајте струјниот кабел да виси преку работ на маса или работни површини.
 21. Неодржувањето на печката чиста, може да доведе до пропаѓање на нејзините површини, што пак може да го скрати векот на траење на уредот и да резултира со опасни ситуации.
 22. За да се избегнат изгореници, содржината на детските шишиња и теглите со детска храна треба да се промешаат или протресат пред хранење, притоа и да им се провери температурата.
 23. Греењето на напитоците во микробрановата печка може да резултира со закаснето еруптивно вриење, затоа треба да се внимава со ракувањето со садовите во кои се наоѓа течност.
 24. Уредот не е наменет за употреба од лица (вклучувајќи и деца) со намалени физички, аудитивни и ментални способности или со недостиг на искуство и знаење, освен ако не се под надзор или се упатени во работењето на уредот од страна на лица одговорни за

нивната безбедност.

25. Децата би требало да се надгледуваат за да се осигурате дека не си играат со уредот.

26. Микробрановата печка не смее да се вградува во кујнските елементи освен ако била тестирана за вградени елементи.

27. Уредот не е наменет за управување по пат на ектерни тајмери или други системи за далечинско управување.

28. Задната површина на уредот треба да се постави пред ѕид.

29. Делови на апаратот можат да се загреат за време на користењето, затоа децата треба да се држат подалеку од апаратот за да не се изгорат.

30. Не смее да се чисти со машини под пареа.

31. За време на употребата апаратот се загрева. Треба да се води сметка да се избегнат допирањата на грејните елементи на печката.

32. Користете ја само сондата за температура која се препорачува за оваа печка(за печки снабдени со инсталација за користење на сонди за проверка на температура).

33. **ПРЕДУПРЕДУВАЊЕ:** Апаратот и неговите достапни делови се загреваат во текот на употребата. Би требало внимателно да се избегне допир со грејните елементи. Деца помали од 8 години, ако се под надзор, треба да се држат подалеку од апаратот.

34. При работењето, декоративната врата мора да остане отворена(за печки со декоративни врати).

**ПРОЧИТАЈТЕ ВНИМАТЕЛНО И СОЧУВАЈТЕ ЗА
ПОНАТАМОШНА УПОТРЕБА**

За намалување на ризикот од физички повреди при уземјување.

ОПАСНОСТ

Опасност од струен удар.

Допирањето на некои интерни компоненти може да предизвика сериозни лични повреди или смрт.

Не расклопувајте го овој апарат.

ПРЕДУПРЕДУВАЊЕ

Опасност од струен удар.

Неисправното уземјување може да доведе до струен удар. Не вклучувајте го уредот во штекер за струја додека исправно не го инсталирате и уземјите.

Овој уред мора да биде уземјен. Во случај на краток струен спој уземјувањето ја намалува опасноста од струен удар со излезни жици за електрична струја.

Овој уред е опремен со уземјен струен кабел и приклучок со контакт за уземјување. Приклучокот треба да се вклучи во исправно инсталиран и уземјен штекер. Консултирајте се со квалификуван електричар или сервисер доколку целосно не ги разбирате упатствата за уземјување или доколку не сте сигурни дали уредот е исправно уземјен.

Доколку морате да користите продолжен кабел, користете само продолжен кабел со три приклучока.

1. Струјниот кабел е краток за да се намалат ризиците од сплеткување по должината на струјниот кабел.

2. Доколку се користи подолг струен кабел или продолжен кабел:

1) Номиналната моќ на струјниот кабел или продолжниот кабел мора да биде еднаков или поголем од номиналната моќ на уредот.

2) Продолжниот кабел мора да биде од уземјен тип.

3) Подолгиот струен кабел треба да се намести така што нема да виси преку работ на работните површини или маси каде би можело децата да го повлечат или случајно да се сопнат.

ЧИСТЕЊЕ

Задолжително исклучете ја печката од струјниот штекер.

1. После употребата, внатрешноста на печката исчистете ја лесно со влажна крпа.
2. Додатоците исчистете ги на вообичаен начин во вода со сапун.
3. Кога се валкани, рамката на вратата, отворот и соседните делови треба внимателно да се исчистат со влажна крпа.
4. Не користете јаки абразивни сретства за чистење или остри метални струготини за чистење на стаклото од вратата на печката, бидејќи може да се изгребе површината, што може да резултира со кршење на стаклото.

СОВЕТ ЗА ЧИСТЕЊЕ - За лесно чистење на внатрешноста на печката од мрсна храна, ставите пола лимон во чинија, додадете 300мл вода. Избришете ја печката со мека, сува крпа.

ПРЕДПАЗЛИВОСТ

Опасност од повреда

Сервисирањето или поправањето на печката вклучувајќи го и тргањето на капакот кој штити од микробранова енергија, е опасно за секого освен за стручно лице.

САДОВИ

Погледнете го упатството за “Материјали кои можат да се користат во микробрановата печка или кои би требало да се избегнуваат”. Постојат одредени неметални садови кои не се безбедни за употреба во микробрановата печка. Доколку постои сомнеж, тие садови можете да ги тестирате на подолу опишаниот начин.

Тест за садови:

1. Наполнете го садот кој го тестирате за употреба во микробранова печка со 1 шолја ладна вода(250мл).
2. Зоврете ја на максимална моќ една минута
3. Внимателно допрете го садот. Доколку празниот сад е топол, не го користите за топлење во микробрановата печка.
4. **Не ја прескокнувајте минутата за зовирање на водата.**

Материјали сигурни за употреба во микробранова печка

Алу фолија	Само за покривање. Можат да се користат мали парчиња за покривање тенки парчиња месо за да се спречи препржување. Ако фолијата е преблиску до сидовите на печката, може да дојде до запалување. Фолијата би требало да биде намалку 2,5 цм оддалечена од сидовите на печката.
Садови за печење јадење	Придржувајте се на упатствата на производителот. Дното на садот мора да биде минимум 5мм над чинијата која се врти. Неисправна употреба може да предизвика пукање на чинијата.
Сервис за јадење	Само оние кои се погодни за употреба во микробранови печки. Придржувајте се на упатствата на производителот. Не користите напукнати или оштетени садови.
Тегли	Секогаш тргајте го капакот. Не користете ги за греење се додека храната не биде претопла. Повеќето од теглите не се отпорни на топлина и можат да пукнат.
Стаклени садови	Користите само садови со огноотпорно стакло. На садовите не смее да има метални рабови. Не користите напукнати или оштетени садови.
Кеси за готвење	Придржувајте се на упатствата на производителот. Не затворајте со метална врка. Направете отвор за да излегува пареата.
Хартиени чинии и чаши	Користете ги само за краткотрајно готвење/греење. Не оставајте без надзор во текот на процесот.
Хартиени салфетки	Користете ги за покривање на храна за подгревање и упивање на мрснотијата. Држете ги под надзор само за краткотрајно греење.
Хартија за колачи	Користете ја како капак за да спречите прскање или пак користете ја како обвивка за парење на колачите.
Пластика	Посебно погодна за употреба во микробранова печка. Придржувајте се на упатствата на производителот. Би требало да биде обележана со "Microwave Safe". Некои пластични садови омекнуваат кога во нив се загрева храната.

Кеси за готвење	Би требало да се избушат или подотворот, како што е назначено на амбалажата.
Пластична фолија	Посебно погодна за употреба во микробранови печки. Користите ја за покривање на храна за време на греењето за да се зачува влагата. Пластичната фолија не би требало да ја допира храната.
Термометри	Исклучително погодни за употреба во микробранови печки(за месо и колачи)
Мрсна хартија	Користете ја за да ја покриете храната, за да спречите прскање и за да ја зачувате влажноста.

Материјали непогодни за употреба во микробранова печка

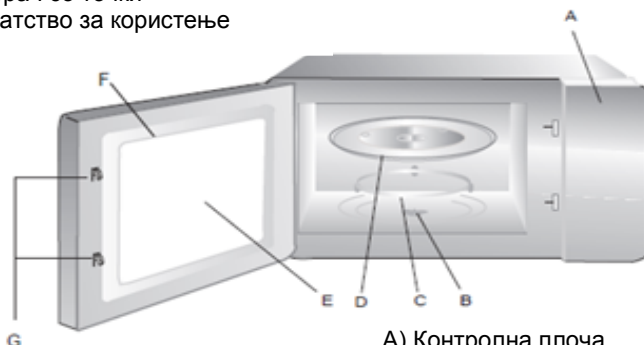
Материјали	Напомена
Алуминиумска Чинија	Може да предизвика пламен. Префрлете ја храната во сад погоден за микробранови печки.
Садови со метални рачки	Може да предизвика пламен. Префрлете ја храната во сад погоден за микробранови печки.
Метални или метално изработени садови	Металот ја заштитува храната од микробранова енергија. Металните рабови можат да предизвикаат искри.
Метални врвки	Можат да предизвикаат искра и оган во внатрешноста на печката
Хартиени кеси	Можат да предизвикаат оган во печката
Пластична пена	Пластичната пена може да се стопи или да ја контаминира внатрешноста на печката кога е изложена на висока температура.
Дрво	Дрвото при употребата во микробрановата печка ќе се исуши, а може и да се расцели или да напукне.

ПОСТАВУВАЊЕ НА ВАШАТА ПЕЧКА

Тргнете ги сите додатоци од амбалажата и внатрешноста на рерната.

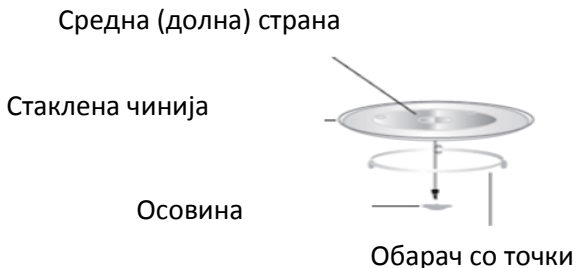
Со вашата печка се приложени следните додатоци:

1. Стаклена чинија
2. Обрач со точки
3. Упатство за користење



- A) Контролна плоча
- Б) Осовина за вртење
- В) Обрач со точки
- Г) Стаклена чинија
- Д) Прозор за надгледување
- Ѓ) Врата
- Е) Систем за сигурносно затварање

Поставување на осовина за вртење



- а) Никогаш не ја поставувајте чинијата наопаку. Ништо не смее да ја блокира стаклената чинија.
- б) За време на греењето стаклената чинија и обрачот со точка мора секогаш да се користат.
- в) За време на греењето, храната и садовите треба да се стават на стаклената чинија.
- г) Доколку стаклената чинија и обрачот со точка напукнат или се скршат, веднаш контактирајте го најблискиот овластен сервисен центар.

Инсталација на работната површина

Ослободете се од целиот амбалажен материјал и додатоци.

Проверете дали има оштетувања на рерната, како гребаници или оштетена врата.

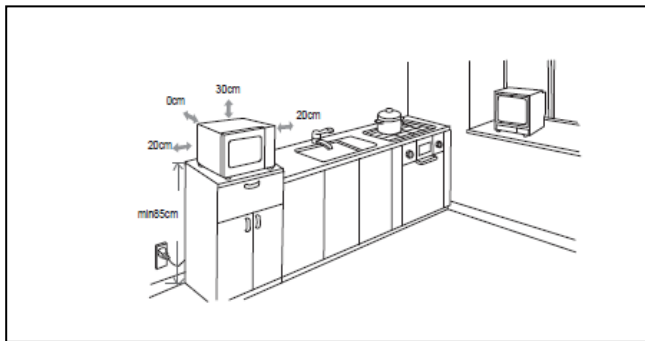
Не инсталирајте ја печката доколку е оштетена.

Куќиште: Тргнете ја заштитната фолија од површината на куќиштето на микробрановата печка

Не го тргајте светлото на навлакмата која е прицврстена на внатрешноста на рерната, служи за заштита на магнетронот.

Инсталација

Изберете рамна поврпина со доволно слободен простор за проветрување на рерната.

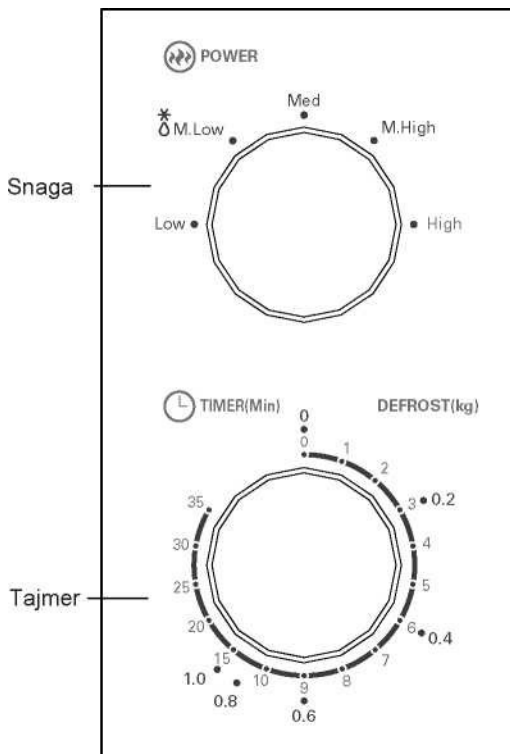


- 1) Минимална висина е 85 см. Измеѓу рерната и околните сидови треба да се остави минимално растојание од 20 см.
- 2) Над рерната оставте минимум 30 см слободен простор.
- 3) Не ги иставајте ногалките од дното на на рерната
- 4) Блокирањето на влезот и/или излезот за воздух може да ја оштети рерната.
- 5) Поставете ја рерната што подалеку од радио и ТВ приемниците. Работата на микробрановата рерна може да предизвика пречки на вашиот радио и ТВ прием
- 6) Уклучете ја рерната во стандарден штекер за струја. Напонот и фреквенцијата мора да одговара на работниот напон на печката, наведен на плочката со спецификации.

ПРЕДУПРЕДУВАЊЕ: Не ја поставувајте рерната над електричен шпорет или други грејни апарати. Доколку се инсталира во близина или над некој извор на топлина, рерната може да се оштети,и на тој начин може да се поништи гаранцијата на овој производ.

УПОТРЕБА Контролна табла и функции

Упатства за употреба



- 1 За да вклучите за готвење ставете го копчето за јачина на посакуваното ниво.
- 2 За поставување на тајмер за кување ставете го копчето за тајмер на посакуваното ниво зависно од видот на храната. Види упатство на крај од страната.
- 3 Микробрановата рерна автоматски ќе започне со готвење штом го одредите нивото на јачина и траење на кувањето.
- 4 По за заврпување на готвењето, уредот ќе ве предупреди со звучен сигнал
- 5 Доколку не го користите уредот, секогаш ставете го времето на готвење на "0"

Функција/ моќ	Излез	Употреба
Низа	17% микро.	Омекнување сладолед
Ср.низа(одмрзнување)	33% микро.	Чорба, омекнување путер или одмрзнување
Средна (мед.)	55% микро	Гулаш, риба
Средно висока	77% микро	Ориз, риба,пилешко, мелено месо
Висока	100%микро	Подгревање, млеко, топлење вода, зеленчук, пијалок



Внимание: Пред да ја отстраните храната од печката, ве молиме да го исклучите тајмерот на рерната на 0 (нула).
Работата на рерната без храна може да предизвика прегревање и оштетување на магнетронно.

www.voxelectronics.com

Ovaj dokument je originalno proizveden i objavljen od strane proizvođača, brenda Vox, i preuzet je sa njihove zvanične stranice. S obzirom na ovu činjenicu, Tehnoteka ističe da ne preuzima odgovornost za tačnost, celovitost ili pouzdanost informacija, podataka, mišljenja, saveta ili izjava sadržanih u ovom dokumentu.

Napominjemo da Tehnoteka nema ovlašćenje da izvrši bilo kakve izmene ili dopune na ovom dokumentu, stoga nismo odgovorni za eventualne greške, propuste ili netačnosti koje se mogu naći unutar njega. Tehnoteka ne odgovara za štetu nanесenu korisnicima pri upotrebi netačnih podataka. Ukoliko imate dodatna pitanja o proizvodu, ljubazno vas molimo da kontaktirate direktno proizvođača kako biste dobili sve detaljne informacije.

Za najnovije informacije o ceni, dostupnim akcijama i tehničkim karakteristikama proizvoda koji se pominje u ovom dokumentu, molimo posetite našu stranicu klikom na sledeći link:

<https://tehnoteka.rs/p/vox-mikrotalasna-rerna-mwh-m22-akcija-cena/>