

Uputstvo za upotrebu

TESLA mikrotalasna rerna MW2391MB

TESLA



Tehnoteka je online destinacija za upoređivanje cena i karakteristika bele tehnike, potrošačke elektronike i IT uređaja kod trgovinskih lanaca i internet prodavnica u Srbiji. Naša stranica vam omogućava da istražite najnovije informacije, detaljne karakteristike i konkurentne cene proizvoda.

Posetite nas i uživajte u ekskluzivnom iskustvu pametne kupovine klikom na link:

<https://tehnoteka.rs/p/tesla-mikrotalasna-rerna-mw2391mb-akcija-cena/>

TESLA

MICROWAVE OVEN

MW2391MB

User Manual

ENG

BiH/
CG

RO

SLO

SRB



Product images are for illustrative purposes only and may differ from the actual product.

PRECAUTIONS TO AVOID POSSIBLE EXPOSURE TO EXCESSIVE MICROWAVE ENERGY

- Do not attempt to operate this oven with the door open because this can result in harmful exposure to microwave energy. It is important not to break or tamper with the safety interlocks.
- Do not place any object between the oven front face and the door or allow soil or cleaner residue to accumulate on sealing surfaces.

⚠ WARNING!

- If the door or door seals are damaged, the oven must not be operated until it has been repaired by a qualified person.

ADDENDUM

If the appliance is not maintained in a good state of cleanliness, its surface could be degraded and affect the lifespan of the appliance and lead to a dangerous situation.

Specifications

Rated Voltage	230V~50Hz
Rated Input Power (Microwave)	1450W
Rated Output Power (Microwave)	900W
Rated Input Power (Grill)	1000W
Oven Capacity	23L
Turntable Diameter	270mm
External Dimensions	485x382x293mm
Net Weight	Approx. 14.1 kg

IMPORTANT SAFETY INSTRUCTIONS

WARNING!

To reduce the risk of fire, electric shock, injury to persons or exposure to excessive microwave oven energy when using your appliance, follow basic precautions, including the following:

1. Read and follow the specific: "PRECAUTIONS TO AVOID POSSIBLE EXPOSURE TO EXCESSIVE MICROWAVE ENERGY".
2. This appliance can be used by children aged from 8 years and above and persons with reduced physical, sensory or mental capabilities or lack of experience and knowledge if they have been given supervision or instruction concerning use of the appliance in a safe way and understand the hazards involved. Children should not play with the appliance. Cleaning and user maintenance should not be done by children unless they are older than 8 and supervised. Children less than 8 years of age should be kept away unless continuously supervised.
3. Keep the appliance and its cord out of reach of children less than 8 years.
4. If the supply cord is damaged, it must be replaced by the manufacturer, its service agent or similarly qualified persons in order to avoid a hazard. (For appliance with type Y attachment)
5. **WARNING:** Ensure that the appliance is switched off before replacing the lamp to avoid the possibility of electric shock.
6. **WARNING:** It is hazardous for anyone other than a qualified person to carry out any service or repair operation that involves the removal of a cover which gives protection against exposure to microwave energy.
7. **WARNING:** Liquids and other foods must not be

- heated in sealed containers since they are liable to explode.
8. When heating food in plastic or paper containers, keep an eye on the oven due to the possibility of ignition.
 9. Only use utensils that are suitable for use in microwave ovens.
 10. If smoke is emitted, switch off or unplug the appliance and keep the door closed in order to stifle any flames.
 11. Microwave heating of beverages can result in delayed eruptive boiling, therefore care must be taken when handling the container.
 12. The contents of feeding bottles and baby food jars shall be stirred or shaken and the temperature checked before consumption, in order to avoid burns.
 13. Eggs in their shell and whole hard-boiled eggs should not be heated in microwave ovens since they may explode, even after microwave heating has ended.
 14. The oven should be cleaned regularly and any food deposits removed.
 15. Failure to maintain the oven in a clean condition could lead to deterioration of the surface that could adversely affect the lifespan of the appliance and possibly result in a hazardous situation.
 16. The appliance must not be installed behind a decorative door in order to avoid overheating. (This is not applicable for appliances with decorative doors.)
 17. Only use the temperature probe recommended for this oven. (for ovens provided with a facility to use a temperature-sensing probe.)
 18. The microwave oven shall not be placed in a cabinet unless it has been tested in a cabinet.

19. The microwave oven must be operated with the decorative door open. (for ovens with a decorative door.)
20. This appliance is intended to be used in household and similar applications such as:
 - staff kitchen areas in shops, offices and other working environments;
 - by clients in hotels, motels and other residential type environments;
 - farm houses;
 - bed and breakfast type environments.
21. The microwave oven is intended for heating food and beverages. Drying of food or clothing and heating of warming pads, slippers, sponges, damp cloth and similar may lead to risk of injury, ignition or fire.
22. Metallic containers for food and beverages are not allowed during microwave cooking.
23. The appliance should not be cleaned with a steam cleaner.
24. The appliance is intended to be used freestanding.
25. The rear surface of appliances shall be placed against a wall.
26. The appliances are not intended to be operated by means of an external timer or separate remote-control system.
27. The temperature of accessible surfaces may be high when the appliance is operating.
28. **WARNING:** When the appliance is operated in the combination mode, children should only use the oven under adult supervision due to the temperatures generated.

READ CAREFULLY AND KEEP FOR FUTURE REFERENCE

To Reduce the Risk of Injury to Persons Grounding Installation

DANGER!

Electric Shock Hazard Touching some of the internal components can cause serious personal injury or death. Do not disassemble this appliance.

WARNING!

Electric Shock Hazard

Improper use of the grounding can result in electric shock.

Do not plug into an outlet until appliance is properly installed and grounded.

- This appliance must be grounded. In the event of an electrical short circuit, grounding reduces the risk of electric shock by providing an escape wire for the electric current. This appliance is equipped with a cord having a grounding wire with a grounding plug. The plug must be plugged into an outlet that is properly installed and grounded.
- Consult a qualified electrician or serviceman if the grounding instructions are not completely understood or if doubt exists as to whether the appliance is properly grounded.
- If it is necessary to use an extension cord, use only a 3-wire extension cord.
 1. A short power-supply cord is provided to reduce the risks resulting from becoming entangled in or tripping over a longer cord.
 2. If a long cord set or extension cord is used:
 - 1) The marked electrical rating of the cord set or extension cord should be at least as great as the electrical rating of the appliance.
 - 2) The extension cord must be a grounding-type 3-wire cord.

3) The long cord should be arranged so that it will not drape over the counter top or tabletop where it can be pulled on by children or tripped over unintentionally.

CLEANING

Be sure to unplug the appliance from the power supply.

1. Clean the cavity of the oven after using with a slightly damp cloth.
2. Clean the accessories in the usual way in soapy water.
3. The door frame and seal and neighboring parts must be cleaned carefully with a damp cloth when they are dirty.
4. Do not use harsh abrasive cleaners or sharp metal scrapers to clean the oven door glass since they can scratch the surface, which may result in shattering of the glass.
5. Cleaning Tip - For easier cleaning of the cavity walls that the food cooked can touch: Place half a lemon in a bowl, add 300ml water and heat on 100% microwave power for 10 minutes. Wipe the oven clean using a soft, dry cloth.

UTENSILS

CAUTION! Personal Injury Hazard

It is hazardous for anyone other than a competent person to carry out any service or repair operation that involves the removal of a cover which gives protection against exposure to microwave energy.

See the instructions on "Materials you can use in microwave oven or to be avoided in microwave oven."

There may be certain non-metallic utensils that are not safe to use for microwaving. If in doubt, you can test the utensil in question following the procedure below.

Utensil Test:

1. Fill a microwave-safe container with 1 cup of cold water (250ml) along with the utensil in question.
2. Cook on maximum power for 1 minute.
3. Carefully feel the utensil. If the empty utensil is warm, do not use it for microwave cooking.
4. Do not exceed 1-minute cooking time.

Materials you can use in microwave oven

Utensils	Remarks
Browning dish	Follow manufacturer's instructions. The bottom of browning dish must be at least 3/16 inch (5mm) above the turntable. Incorrect usage may cause the turntable to break.
Dinnerware	Microwave-safe only. Follow manufacturer's instructions. Do not use cracked or chipped dishes.
Glass jars	Always remove lid. Use only to heat food until just warm. Most glass jars are not heat resistant and may break.
Glassware	Heat-resistant oven glassware only. Make sure there is no metallic trim. Do not use cracked or chipped dishes.
Oven cooking bags	Follow manufacturer's instructions. Do not close with metal tie. Make slits to allow steam to escape.
Paper plates and cups	Use for short-term cooking/warming only. Do not leave oven unattended while cooking.
Paper towels	Use to cover food for reheating and absorbing fat. Use with supervision for a short-term cooking only.
Parchment paper	Use as a cover to prevent splattering or a wrap for steaming.
Plastic	Microwave-safe only. Follow the manufacturer's instructions. Should be labeled "Microwave Safe". Some plastic containers soften, as the food inside gets hot. "Boiling bags" and tightly closed plastic bags should be slit, pierced or vented as directed by package.
Plastic wrap	Microwave-safe only. Use to cover food during cooking to retain moisture. Do not allow plastic wrap to touch food.
Thermometers	Microwave-safe only (meat and candy thermometers).
Wax paper	Use as a cover to prevent splattering and retain moisture.

Materials to be avoided in microwave oven

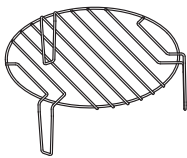
Utensils	Remarks
Aluminum tray	May cause arcing. Transfer food into microwave-safe dish.
Food carton with metal handle	May cause arcing. Transfer food into microwave-safe dish.
Metal or metal-trimmed utensils	Metal shields the food from microwave energy. Metal trim may cause arcing.
Metal twist ties	May cause arcing and could cause a fire in the oven.
Paper bags	May cause a fire in the oven.
Plastic foam	Plastic foam may melt or contaminate the liquid inside when exposed to high temperature.
Wood	Wood will dry out when used in the microwave oven and may split or crack.

SETTING UP YOUR OVEN

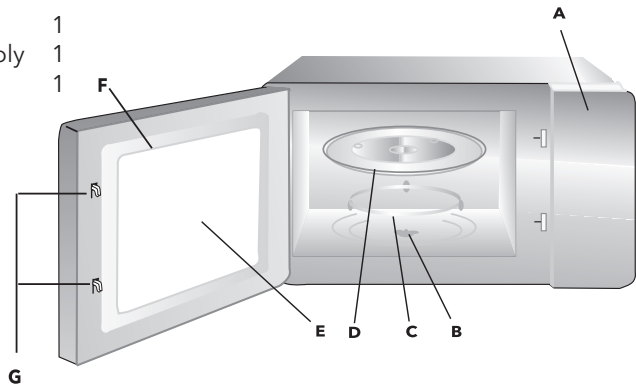
Names of Oven Parts and Accessories

Remove the oven and all materials from the carton and oven cavity. Your oven comes with the following accessories:

- Glass tray 1
- Turntable ring assembly 1
- Instruction Manual 1

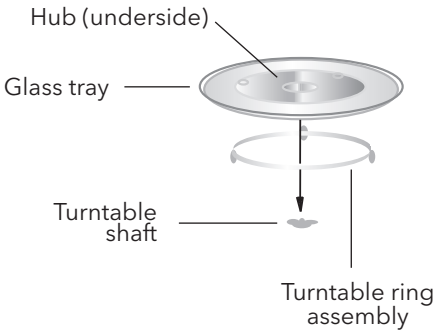


Grill Rack (Cannot be used in microwave function and must be placed on the glass tray)



- A) Control panel
- B) Turntable shaft
- C) Turntable ring assembly
- D) Glass tray
- E) Observation window
- F) Door assembly
- G) Safety interlock system

Turntable Installation



- a. Never place the glass tray upside down. The glass tray should never be restricted.
- b. Both glass tray and turntable ring assembly must always be used during cooking.
- c. All food and containers of food are always placed on the glass tray for cooking.
- d. If glass tray or turntable ring assembly cracks or breaks, contact your nearest authorized service center.

Countertop Installation

Remove all packing material and accessories. Examine the oven for any damage such as dents or broken door. Do not install if oven is damaged.

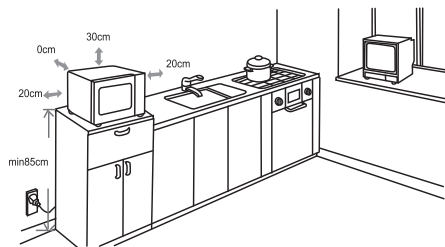
Cabinet: Remove any protective film found on the microwave oven cabinet surface. Do not remove the light brown Mica cover that is attached to the oven cavity to protect the magnetron.

Installation

1. Select a level surface that provides enough open space for the intake and/or outlet vents.

(1) The minimum installation height is 85cm.

(2) The rear surface of appliance shall be placed against a wall. Leave a minimum clearance of 30cm above the oven, a minimum clearance of 20cm is required between the oven and any adjacent walls.



- (3) Do not remove the legs from the bottom of the oven.
 - (4) Blocking the intake and/ or outlet openings can damage the oven.
 - (5) Place the oven as far away from radios and TV as possible. Operation of microwave oven may cause interference to your radio or TV reception.
2. Plug your oven into a standard household outlet. Be sure the voltage and the frequency is the same as the voltage and the frequency on the rating label.

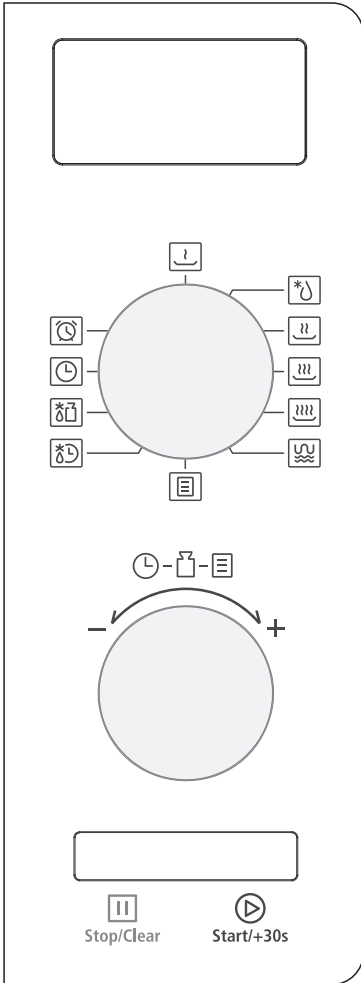
 **WARNING!**

Do not install oven over a range cooktop or other heat-producing appliance. If installed near or over a heat source, the oven could be damaged and the warranty would be void.



The accessible surface may be hot during operation.

CONTROL PANEL



INSTRUCTION

- 10%
 - 30%
 - 50%
 - 80%
 - 100%
- MICROWAVE
- GRILL/COMBI.
 - AUTO MENU
 - TIME DEFROST
 - WEIGHT DEFROST
 - CLOCK
 - KITCHEN TIMER

5. Press " Start/+30s " to finish clock setting. ":" will flash.

Note: 1. If the clock is not set, it would not function when powered.
 2. During the process of clock setting, if you do not press " Start/+30s " to confirm in 1 minutes, the oven will go back to the previous status automatically.

2. Kitchen Timer

1. Turn function knob to " Kitchen Timer " ,the screen will display "00:00".
2. Turn parameter knob to enter the correct time. (The maximum time is 95 minutes)
3. Press " Start/+30s " to confirm setting.
4. When the kitchen time is reached, clock indicator will go out. The buzzer will ring 5 times. If the clock has been set (24-hour system), screen will display the current time.

Note: The kitchen Time is different from 24-hour system. Kitchen Timer is a timer. If, following the end of the operation, you need to use the kitchen timer once again you will have to repeat the above steps.

3. Microwave Cooking

1. Turn the function knob to " 10% "," 30% "....." 100% ". It refers to microwave power. And "P10","P30" "P100" dispalys.
2. Turn the parameter knob to adjust the cooking time. (The maximum cooking time is 95 minutes)
3. Press " Start/+30s " to start cooking. Buzzer sounds once.

NOTE: the step quantities for the adjustment time are as follow:

- 0---1 min: 5 seconds
- 1---5 min: 10 seconds
- 5---10 min: 30 seconds

10---30 min: 1 minute
 30---95 min: 5 minutes

Microwave Power Chart

Microwave Power	High	M.High	Med.	M.Low	Low
Display	P100	P80	P50	P30	P10

4. Grill or Combi. Cooking

1. Turn the function knob to "Grill/Combi.", the screen will display "G"
2. Turn the parameter knob to choose the cooking mode you want, and "G", "C-1" or "C-2" will display in turn.

There are 2 levels of combination cooking (primarily MW, followed by Grill).

The differences between the two are presented in the following table:

Function	Display	MW power	Grill power
Level 1	C-1	55% (16/29)	45% (13/29)
Level 2	C-2	36% (10/29)	64% (19/29)

3. Press "Start/+30s" to confirm .
4. Turn parameter knob to set the cooking time .
 Press "Start/+30s" to start cooking.

Note: If half the grill time passes, the oven sounds twice, and this is normal. In order to have a better effect of grilling food, you should turn the food over, close the door, and then press "Start/+30s" to continue cooking. If no operation, the oven will continue working.

5. Speedy Cooking

1. In waiting state, Press "Start/+30s" to start cooking with P100 power, each added press will increase 30 seconds cooking time up to 95 minutes.

2. In microwave, grill, combination cooking or time defrost state, each press of "Start/+30s" can increase 30 seconds of cooking time.
3. In waiting state, turn parameter knob left to set cooking time with P100 microwave power, then press "Start/+30s" to start cooking.

6. Defrost By Weight

1. When function knob pointing at "Weight Defrost", "dEF1" displays;
2. Turn parameter knob to select the food weight. The range of weight is 100-2000g.
3. Press "Start/+30s" to start defrosting.

7. Defrost By Time

1. When function knob pointing at "Time Defrost", "dEF2" displays;
2. Turn parameter knob to select defrost time. The range of time is 0:05-95:00.
3. Press "Start/+30s" to start defrosting. The defrost power is P30. It cannot be changed.

8. Auto Menu

1. Turn function knob to "Auto Menu" to choose auto cooking. "A-1" flash;
2. Turn parameter knob to choose the menu you need. "A-1", "A-2" ... "A-8" will display.
3. Press "Start/+30s" to confirm the menu you choose;
4. Turn parameter knob to choose the food weight;
5. Press "Start/+30s" to start cooking;

9. Lock-out Function for Children

Lock: In waiting state, press "Stop/Clear" for 3 seconds, there will be a long beep denoting entering the children-lock state and current time will display if the time has been set, otherwise, the screen will display " [:::] ".

Lock quitting: In locked state, press "Stop/Clear" for 3 seconds, there will be a long "beep" denoting that the lock is released.

10. ECO Function

Enter ECO mode: In waiting state, press "Stop/Clear" twice within 1 second, the screen will display "ECO" for 3 seconds. After 3 seconds, the oven will enter to waiting state. If there is no operation, the screen will off after 1 minute. And any operation can light the screen again; If the door is opened ,the oven lamp will be turned off automatically after 1 minute.

Exit ECO mode: In waiting state, press "Stop/Clear" twice within 1 second, the screen will display "OFF" for 3 seconds .After 3 seconds, the oven will enter to waiting state. If there is no operation , the screen is always light; If the door is opened, the oven lamp is always light.

Note: Unplug the power , the setting of ECO will be invalid.

11. Specification

1. The buzzer will sound once when turning the function knob at the beginning;
2. "Start/+30s" must be pressed to continue cooking if the door is opened during cooking;
3. Once the cooking programme has been set , "Start/+30s" is not pressed in 1 minute. The current time will be displayed. The setting will be cancelled.
4. Buzzer sounds five times to remind you the cooking is finished.

Menu Chart

Menu	Weight	Display
A-1 Pizza	200 g	200
	400 g	400
A-2 Meat	250 g	250
	350 g	350
	450 g	450
A-3 Vegetable	200 g	200
	300 g	300
	400 g	400
A-4 Pasta	50g (with 450 ml cold water)	50
	100g (with 800 ml cold water)	100
A-5 Potato	200 g	200
	400 g	400
	600 g	600
A-6 Fish	250 g	250
	350 g	350
	450 g	450
A-7 Beverage	1 cup (120 ml)	1
	2 cups (240 ml)	2
	3 cups (360ml)	3
A-8 Popcorn	50 g	50
	85 g	85
	100 g	100

Troubleshooting

NORMAL	
Microwave oven interfering TV reception	Radio and TV reception may be interfered when microwave oven operating. It is similar to the interference of small electrical appliances, like mixer, vacuum cleaner, and electric fan. It is normal.
Dim oven light	In low power microwave cooking, oven light may become dim. It is normal.
Steam accumulating on door, hot air out of vents	In cooking, steam may come out of food. Most will get out from vents. But some may accumulate on cool place like oven door. It is normal.
Oven started accidentally with no food in.	It is forbidden to run the unit without any food inside. It is very dangerous.

TROUBLE	POSSIBLE CAUSE	REMEDY
Oven can not be started.	Power cord not plugged in tightly.	Unplug. Then plug again after 10 seconds.
	Fuse blowing or circuit breaker works.	Replace fuse or reset circuit breaker (repaired by professional personnel of our company)
	Trouble with outlet.	Test outlet with other electrical appliances.
Oven does not heat.	Door not closed well.	Close door well.



According to Waste of Electrical and Electronic Equipment (WEEE) directive, WEEE should be separately collected and treated. If at any time in future, you need to dispose of this product please do NOT dispose of this product with household waste. Please send this product to WEEE collecting points where available.

PREDOSTROŽNOSTI ZA IZBEGAVANJE MOGUĆEG PREKOMERNOG IZLAGANJA MIKROTALASNOJ ENERGIJI

- Ne pokušavajte da koristite ovu rernu sa otvorenim vratima jer to može rezultirati štetnim izlaganjem mikrotalasnoj energiji. Važno je ne lomiti ili ne rotirati bezbjednosne spojeve.
- Ne postavljajte nikakve predmete između prednje strane rerne i vrata, ne dozvoljavajte nakupljanje prljavštine ili sredstava za čišćenje na površinama za dihtovanje.

⚠ UPOZORENJE!

- Ukoliko su vrata ili vratni dihtunzi oštećeni, rerna se ne smije koristiti dok ih ne zamijeni stručna osoba.

DODATAK

Ukoliko se uređaj ne održava čistim, to može uticati na njegovu površinu i radni vijek i dovesti do opasnih situacija.

Specifikacije

Radni napon	230V~50Hz
Nominalna ulazna snaga (mikrotalasi)	1450W
Nominalna izlazna snaga (mikrotalasi)	900W
Nominalna ulazna snaga (gril)	1000W
Kapacitet rerne	23L
Prečnik okretnog tanjira	270mm
Spoljne dimenzije	485x382x293mm
Neto težina	Oko 14.1 kg

VAŽNA SIGURNOSNA UPUTSTVA

UPOZORENJE!

Da biste smanjili rizik od požara, strujnog udara, povrede ili izlaganja prekomjernoj energiji mikrotalasne rerne prilikom njenog korišćenja, slijedite osnovne mjere predostrožnosti koje uključuju sljedeće:

1. Pročitajte i pratite: "MJERE PREDOSTROŽNOSTI KAKO BISTE IZBJEGLI MOGUĆU IZLOŽENOST PREKOMJERENOJ MIKROTALASNOJ ENERGIJI".
2. Upozorenje: Uređaj mogu koristiti djeca starija od 8 godina i osobe sa smanjenim fizičkim, senzornim i mentalnim sposobnostima ili nedostatkom iskustva i znanja samo ako su pod nadzorom ili su im data odgovarajuća uputstva, tako da mogu koristiti rernu na siguran način i da razumijeveju opasnost uslijed neispravne upotrebe. Djeca ne treba da se igraju sa ovim aparatom. Čišćenje i održavanje ne bi trebalo da obavljaju djeca, osim ako su pod nadzorom i imaju više od 8 godina. Djecu mlađu od 8 godina treba držati dalje od aparata, ukoliko nisu pod neprekidnim nadzorom.
3. Čuvajte aparat i njegove kablove van domašaja djece mlađe od 8 godina.
4. Ako je kabl za napajanje oštećen, mora ga zamijeniti proizvođač, njegov serviser ili slična kvalifikovana lica, kako bi se izbjegla opasnost. (Za uređaj sa priborom tipa Y).
5. **UPOZORENJE:** Uvijerite se da je uređaj isključen prije nego što zamijenite lampu kako biste izbjegli mogućnost električnog udara.
6. **UPOZORENJE:** Opasno je za bilo koga osim kvalifikovane osobe da sprovede servisiranje ili popravku koja uključuje uklanjanje poklopca koji pruža zaštitu od izlaganja mikrotalasnoj energiji.

7. **UPOZORENJE:** Tečnosti i druga hrana se ne smiju zagrijavati u zatvorenim posudama jer mogu da eksplodiraju.
8. Prilikom zagrijavanja hrane u plastičnim ili papirnim posudama, pazite na rernu zbog mogućnosti paljenja.
9. Koristite samo posude koji su pogodne za upotrebu u mikrotalasnim rernama.
10. Ukoliko primijetite dim, ugasite ili isključite uređaj iz struje, i držite zatvorena vrata rerne kako bi se vatra ugasila.
11. Mikrotalasno zagrijavanje napitaka može dovesti do odloženog eruptivnog ključanja, stoga treba voditi računa prilikom rukovanja posudom.
12. Kako bi se izbjegle opekotine, sadržaj dječjih flašica i teglica sa dječjom hranom treba promiješati ili protresti prije konzumiranja i provjeriti njegovu temperaturu.
13. Jaja u ljusci i tvrdo kuvana jaja ne bi trebalo zagrijavati u mikrotalasnoj rerni jer mogu da eksplodiraju čak i nakon završetka grijanja u rerni.
14. Rernu bi trebalo redovno čistiti i uklanjati naslage hrane.
15. Neredovno čišćenje rerne može dovesti do propadanja njenih površina, što može skratiti njen vek trajanja i dovesti do opasnih situacija.
16. Uređaj se ne smije postaviti iza dekorativnih vrata kako bi se izbjeglo prijaževanje (Ovo nije primjenljivo za uređaje sa ukrasnim vratima).
17. Koristite samo sondu temperature koja se preporučuje za ovu rernu (za rerne opremljene instalacijom za korišćenje sonde za provjeru temperature).
18. Mikrotalasna rerna ne bi trebalo da bude postavljena u kuhinjske elemente osim ako nije testirana za to.

19. Prilikom rada, ukrasna vrata moraju ostati otvorena (za rerne sa dekorativnim vratima).
20. Aparat je namijenjen upotrebi u domaćinstvu i sličnim objektima kao što su:
 - kuhinje za osoblje u prodavnicama, kancelarijama i drugim radnim okruženjima;
 - hoteli, moteli i druge smeštajne jedinice;
 - seoske kuće;
 - prenoćišta.
21. Mikrotalasna rerna je namijenjena za zagrijavanje hrane i pića. Sušenje hrane ili odjeće ili zagrijavanje mokrih tkanina, papuča, sunđera, krpa i sličnih predmeta može dovesti do povrede, paljenja ili požara.
22. Tokom kuhanja u mikrotalasnoj rerni nije dozvoljeno koristiti metalne posude za hranu i piće.
23. Uređaj ne treba čistiti paročistačem.
24. Uređaj treba da stoji samostalno, nepriljubljen uz druge uređaje.
25. Zadnja strana uređaja trebalo bi da bude okrenuta prema zidu.
26. Uređaji nisu namenjeni za upravljanje pomoću spoljnog tajmera ili posebnog sistema daljinskog upravljanja.
27. Temperatura dostupnih površina može biti visoka prilikom rada uređaja.
28. **UPOZORENJE:** Kada se koristi u kombinovanom režimu, djeca treba da koriste rernu samo pod nadzorom odraslih zbog visokih temperatura koje razvija.

PROČITAJTE PAŽLJIVO I ČUVAJTE ZA BUDUĆU UPOTREBU

Za smanjenje rizika od fizičkih povreda

Uzemljenje

⚠ OPASNOST!

Opasnost od strujnog udara.

Dodirivanje nekih komponenti može da izazove ozbiljne povrede ili smrt. Ne rastavljajte ovaj uređaj.

⚠ UPOZORENJE!

Opasnost od strujnog udara.

Neispravno uzemljenje može da rezutira strujnim udarom. Ne uključujte uređaj u utičnicu za struju dok ga ispravno ne instalirate i uzemljite.

- Ovaj uređaj mora da bude uzemljen. U slučaju kratkog strujnog spoja uzemljenje smanjuje opasnost od strujnog udara putem odvodne žice za električnu struju. Ovaj uređaj je opremljen uzemljenim strujnim kablom i utikačem sa kontaktom za uzemljenje. Utikač se mora ispravno uključiti u instaliranu i uzemljenu strujnu utičnicu.
 - Konsultujte se sa kvalifikovanim električarem ili serviserom ukoliko u potpunosti ne razumijete uputstva za uzemljenje ili ukoliko niste sigurni da li je uređaj pravilno uzemljen.
 - Ukoliko je potrebno da koristite produžni kabl, koristite isključivo produžni kabl sa tri žice.
1. Obezbijedjen je kratak kabl za napajanje kako bi se smanjili rizici od zapetljanja ili spoticanja o duži strujni kabl.
 2. Ukoliko se koristi dugi strujni kabl ili produžni kabl
 - 1) Nominalna snaga strujnog kabla ili produžnog kabla mora biti jednaka ili veća od nominalne snage uređaja.
 - 2) Produžni kabl mora da bude kabl uzemljenog tipa sa tri žice.

- 3) Dugi strujni kabl treba da se sprovede tako da ne visi preko ivice radne površine ili stola gdje mogu da ga povuku djeca ili neko može slučajno da se saplete o njega.

ČIŠĆENJE

Obavezno isključite rernu iz strujne utičnice.

1. Nakon upotrebe očistite unutrašnjost rerne vlažnom krpom.
2. Dodatke očistite na uobičajeni način u vodi sa sapunicom.
3. Kada su prljavi, okvir vrata, zaptivku i okolne dijelove treba pažljivo očistiti vlažnom krpom.
4. Ne koristite jaka abrazivna sredstva za čišćenje ili oštre metalne strugalice za čišćenje vrata rerne, pošto oni mogu da ogrebu površinu, što može rezultirati razbijanjem stakla.
5. Savjet za čišćenje - Za lakše čišćenje šupljine zidova koje skuhanu hranu može da dodirne: Stavite pola limuna u činiju, dodajte 300 ml vode i zagrijte na 100% snage mikrotalasa na 10 minuta. Obrišite rernu mekom, suhom krpom.

POSUĐE



OPREZ! Opasnost od povreda

Servisiranje ili popravljavanje koje uključuje uklanjanje poklopca koji štiti od izlaganja mikrotalasnoj energiji, opasno je za svakog osim za obučeno lice.

Pogledajte uputstva o "Materijalima koji mogu da se koriste u mikrotalasnoj rerni ili koje treba izbjegavati".

Postoji određeno nemetalno posuđe koje nije bezbjedno za upotrebu u mikrotalasnoj rerni. Ukoliko postoji sumnja, posudu možete testirati na dole opisan način.

Test posuđa:

1. Napunite posudu bezbjednu za upotrebu u mikrotalasnoj rerni 1 šoljicom hladne vode (250ml), zajedno sa posudom koju testirate.
2. Kuhajte na maksimalnoj snazi 1 minut.
3. Pažljivo opipajte posudu. Ukoliko je prazna posuda topla, ne koristite je za kuhanje u mikrotalasnoj rerni.
4. Nemojte prekoračiti 1 minut kuhanja.

Materijali bezbedni za upotrebu u mikrotalasnoj rerni

Posuda	Napomene
Posuda koja služi da se u njoj zapeče jelo	Pridržavajte se uputstava proizvođača. Dno posude mora da bude minimalno 5mm iznad tanjira koji se okreće. Neispravna upotreba može da izazove pucanje tanjira.
Servis za jelo	Isključivo onaj koji je pogodan za upotrebu u mikrotalasnim rernama. Pridržavajte se uputstava proizvođača. Ne koristite napuklo ili oštećeno posuđe.
Staklene tegle	Uvijek uklonite poklopac. Koristite za zagrijavanje hrane dok ne bude topla. Većina tegli nije otporna na toplotu i može da pukne.
Stakleno posuđe	Koristite isključivo vatrostalno stakleno posuđe. Na sudovima nikako ne smije biti metalnih rubova. Ne koristite napuklo ili oštećeno posuđe.
Kese za kuhanje u rernama	Pridržavajte se uputstava proizvođača. Ne zatvarajte metalnom vezicom. Napravite otvore tako da para može da izlazi.
Papirnati tanjiri i šoljice	Koristite isključivo za kratkotrajno kuhanje / zagrijavanje. Ne ostavljajte bez nadzora tokom kuhanja.
Papirne salvete	Koristite za prekrivanje hrane za podgrijavanje i upijanje masnoće. Koristite pod nadzorom isključivo za kratkotrajno kuhanje.
Papir za kolače	Koristite kao poklopac kako biste spriječili prskanje ili kao omotač za kuhanje u pari.

Posuda	Napomene
Plastika	Isključivo ona koja je pogodna za upotrebu u mikrotalasnim renama. Pridržavajte se uputstava proizvođača. Trebalo bi da bude označena sa "Microwave Safe". Neke plastične posude omekšavaju dok se hrana unutar njih zagrijava. "Kese za kuhanje" i čvrsto zatvorene plastične kese prorezati, probušiti ili ostaviti otvorene prema uputstvu na pakovanju.
Plastična folija	Isključivo ona koja je pogodna za upotrebu u mikrotalasnim renama. Koristite za prekrivanje hrane tokom kuhanja radi zadržavanja vlage. Plastična folija ne bi smjela da dodiruje hranu.
Termometri	Isključivo oni koji su pogodni za upotrebu u mikrotalasnim renama (Termometri za meso i kolače).
Masni papir	Koristite kao poklopac za sprečavanje prskanja i zadržavanje vlage.

Materijali nepogodni za upotrebu u mikrotalasnoj rerni

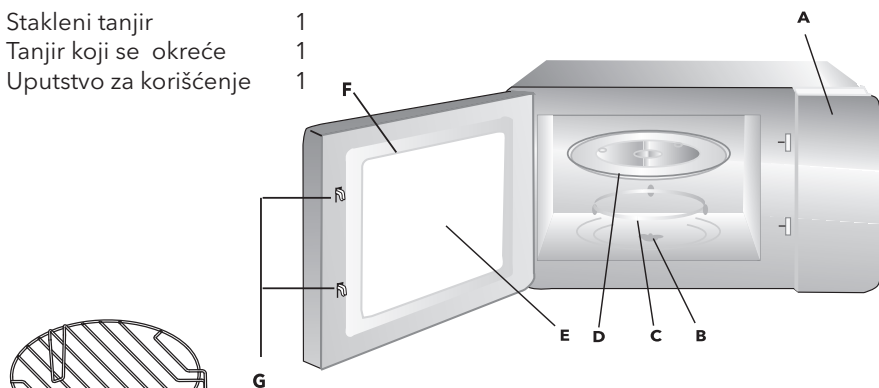
Posuda	Napomene
Aluminijumski tanjir	Može da izazove varničenje. Premjestite hranu u posudu pogodnu za mikrotalasne rene.
Posude za hranu sa metalnom drškom	Može da izazove varničenje. Premjestite hranu u posudu pogodnu za mikrotalasne rene.
Metalne posude ili posude sa metalnom ivicom	Metal štiti hranu od mikrotalasne energije. Metalne ivice mogu da izazovu varničenje.
Metalne vezice	Mogu da izazovu varničenje i vatru unutar rene.
Papirnate kese	Mogu da izazovu vatru u pećnici.
Stiropor	Stiropor može da se otopi ili kontaminira tečnost unutar rene kada je izložen visokoj temperaturi.
Drvo	Prilikom upotrebe u mikrotalasnoj rerni drvo će se isušiti, i može i da naprsne.

POSTAVLJANJE RERNE

Nazivi dijelova rerne i dodataka

Uklonite rernu i sav materijal iz ambalaže i unutrašnjosti rerne. Uz vašu rernu priloženi su sljedeći dodaci:

Stakleni tanjir	1
Tanjir koji se okreće	1
Uputstvo za korišćenje	1



- A) Kontrolna ploča
- B) Osovina za okretanje
- C) Komplet obrtnog prstena
- D) Stakleni tanjir
- E) Prozor za posmatranje
- F) Vrata
- G) Sistem sigurnosnog blokiranja

Rešetka za grill (ne može se koristiti za druge upotrebe u mikrotalsnoj rerni i mora biti postavljena na stakleni tanjir)

Instalacija tanjira koji se okreće



- a. Nikada ne postavljajte stakleni tanjir naopako. Ništa ne smije da blokira stakleni tanjir.
- b. Stakleni tanjir i obruč sa točkicama uvijek moraju da se koriste tokom kuhanja.
- c. Prilikom kuhanja, sva hrana i posude uvijek treba staviti na stakleni tanjir.
- d. Ukoliko stakleni tanjir ili obruč sa točkicama naprsnu ili se slome, kontaktirajte najbliži ovlašćeni servisni centar.

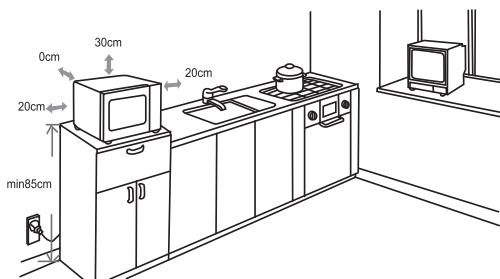
Instalacija na radnu površinu

Uklonite sav ambalažni materijal i dodatke. Provjerite ima li oštećenja na rerni, poput ogrebotina ili oštećenih vrata. Ne instalirajte pećnicu ukoliko je oštećena.

Kućište: Uklonite zaštitnu foliju sa površine kućišta mikrotalasne rerne. Ne uklanjajte svjetlosmeđi liskun poklopac koji je pričvršćen za unutrašnjost rerne, a služi za zaštitu magnetrona.

Instalacija

1. Izaberite ravnu površinu sa dovoljno slobodnog prostora za dovod/odvod ventilacionog sistema rerne.



(1) Minimalna visina ugradnje je 85cm.

(2) Uređaj se postavlja zadnjom stranom uz zid. Iznad rerne ostavite minimalno 30cm slobodnog prostora, a potrebno je najmanje 20 cm između rerne i susjednih zidova.

(3) Ne uklanjajte nožice sa dna rerne.

(4) Blokiranje ulaza i/ili izlaza za vazduh može da ošteti rernu.

(5) Postavite rernu što je dalje moguće od radija i tv prijemnika. Rad mikrotalasne rerne može da izazove smetnje u vašem radijskom ili televizijskom prijemu.

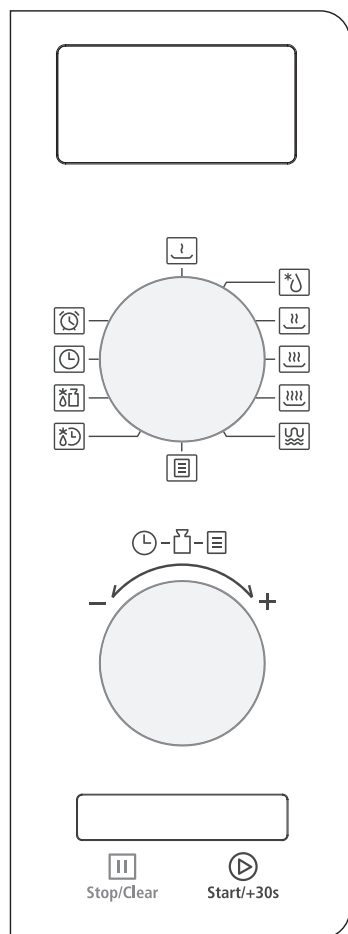
2. Uključite rernu u standardnu kućnu strujnu utičnicu. Napon i frekvencija treba da odgovaraju naponu i frekvenciji rerne, koji su navedeni na etiketi sa tehničkim podacima.

⚠ UPOZORENJE!

Ne postavljajte rernu iznad šporeta ili drugih toplotnih uređaja. Ukoliko se se instalira u blizini ili iznad izvora toplote, rerna bi se mogla oštetiti, i na taj način bi se mogla poništiti garancija za ovaj proizvod.



Dostupna površina može biti vruća tokom rada.

KOMANDNA TABLA**UPUTSTVO**

- | | | |
|--|------------------------------|----------------------------------|
| | MIKROVALNA
RERNA | 10%
30%
50%
80%
100% |
| | | |
| | | |
| | | |
| | | |
| | GRIL/KOMB. | |
| | AUTOMATSKI MENI | |
| | ODMRZAVANJE PO VREMENU | |
| | SAT ZA ODMRZAVANJE PO TEŽINI | |
| | SAT | |
| | KUHINJSKI TAJMER | |

4. Okrenite dugme za parametre kako bi ste podesili brojeve za minute. Brojevi koje je moguće unijeti se kreću u opsegu 0-59.
5. Da završite sa podešavanjem sata, pritisnite taster „Start/+30s“. Na ekranu će početi da treperi oznaka „:“.

Napomena: 1) Ukoliko sat nije podešen, on neće funkcionisati kada se priključi na struju.
2) Ukoliko tokom postupka podešavanja sata u roku od 1 minuta ne pritisnete taster „Start/+30s“ radi potvrde, rena će se automatski vratiti na prethodni status.

2. Kuhinjski tajmer

1. Okrenite dugme za funkcije na „Kuhinjski tajmer“ i na ekranu će biti prikazano „00:00“.
2. Da unesete odgovarajuće vrijeme, okrenite dugme za parametre. (Maksimalni vremenski period iznosi 95 minuta)
3. Da potvrdite podešavanje, pritisnite taster „Start/+30s“.
4. Po isteku kuhinjskog vremena, indikator sata će se isključiti. Zvučni signal će se oglasiti 5 puta. Ukoliko je sat podešen (24-časovni sistem), na ekranu će biti prikazano trenutno vrijeme.

Napomena: Kuhinjsko vrijeme se razlikuje od 24-časovnog sistema. Kuhinjski tajmer je tajmer. Ukoliko nakon završetka operacije, ponovo želite da koristite kuhinjski tajmer, neophodno je ponovite prvobitni postupak.

3. Mikrovalno pripremanje hrane

1. Okrenite dugme za funkcije na „10%“, „30%“..... „100%“. Ove oznake se odnose na snagu mikrovalne rerne. Na ekranu će biti prikazane oznake „P10“, „P30“... „P100“.

- Okrenite dugme za parametre kako bi ste podesili period pripremanja hrane. (Maksimalni period pripremanja hrane iznosi 95 minuta)
 - Da započnete pripremu hrane, pritisnite taster „Start/+30s“. Zvučni signal će se jednom oglasiti.
- NAPOMENA:** koraci za kvantitativno podešavanje vremena su sljedeći:

0---1 min	: 5 sekundi
1---5 min	: 10 sekundi
5---10min	: 30 sekundi
10---30min	: 1 minut
30---95 min	: 5 minuta

Tabela snage mikrovalne rerne

Snaga mikrovalne rerne	Visoka	Srednje visoka	Srednja	Srednje niska	Niska
Ekran	P100	P80	P50	P30	P10

4. Gril ili komb. priprema hrane

- Okrenite dugme za funkcije na „Gril/Komb.“ i na ekranu će biti prikazana oznaka „G“
 - Okrenite dugme za parametre kako bi ste izabrali željeni režim pripreme hrane, a na ekranu će biti prikazane oznake „G“, „C-1“ ili „C-2“.
- Postoje 2 nivoa kombinovane pripreme hrane (najpre MW a zatim Gril).
Razlike su prikazane u tabeli:

Funkcija	Display	MW power	Grill power
Level 1	C-1	55% (16/29)	45% (13/29)
Level 2	C-2	36% (10/29)	64% (19/29)

- Za potvrdu, pritisnite taster „Start/+30s“.
- Da podesite vrijeme pripreme hrane, okrenite dugme za parametre.
- Pritisnite taster „Start/+30s“ da započnete pripremu hrane.

Napomena: Kada istekne polovina vremena podešenog za grilovanje, rerna će se oglasiti dva puta i to je normalno. Za što bolji efekat grilovane hrane, okrenite hranu, zatvorite vrata, a zatim pritisnite taster „Start/+30s“ da nastavite sa pripremom hrane. Ukoliko ne uradite ništa, rerna će nastaviti da radi.

5. Brza priprema hrane

1. U aktiviranom režimu čekanja, pritisnite taster „Start/+30s“ kako bi ste počeli da pripremate hranu uz snagu od P100. Svakim dodatnim pritiskom na taster, period pripremanja hrane se povećava za 30 sekundi sve do 95 minuta.
2. U okviru režima mikrovalna rerna, gril, kombinovana priprema hrane ili odmrzavanje po vremenu, svakim pritiskom na taster „Start/+30s“ period pripremanja hrane možete povećati za 30 sekundi.
3. U aktiviranom režimu čekanja, okrenite dugme za parametre ulijevo kako bi ste period pripremanja hrane podesili na P100 snage mikrovalne rerne, a zatim pritisnite taster „Start/+30s“ kako bi ste počeli da pripremate hranu.

6. Odmrzavanje po težini

1. Kada dugme za funkcije pokazuje na „Odmrzavanje po težini“, na ekranu će biti prikazana oznaka „dEF1“;
2. Da izaberete težinu hrane, okrenite dugme za parametre. Opseg težine iznosi 100-2000g.
3. Pritisnite taster „Start/+30s“ da započnete odmrzavanje.

7. Odmrzavanje po vremenu


1. Kada dugme za funkcije pokazuje na „Odmrzavanje po vremenu“, na ekranu će biti prikazana oznaka „dEF2“;

2. Da izaberete period odmrzavanja, okrenite dugme za parametre. Vremenski opseg iznosi 0:05-95:00.
3. Da započnete odmrzavanje, pritisnite taster „Start/+30s“. Snaga odmrzavanja je P30. Nije je moguće promjeniti.

8. Automatski meni

1. Da izaberete automatsku pripremu hrane, okrenite dugme za funkcije na „Automatski meni“. Na ekranu će početi da treperi oznaka „A-1“;
2. Da izaberete željeni meni, okrenite dugme za parametre. Na ekranu će biti prikazane oznake „A-1“, „A-2“...„A-8“.
3. Za potvrdu izabranog menija, pritisnite taster „Start/+30s“;
4. Da izaberete težinu hrane, okrenite dugme za parametre;
5. Da započnete pripremu hrane, pritisnite taster „Start/+30s“;

9. Funkcija zaključavanja radi zaštite djece

Zaključavanje: U aktiviranom režimu čekanja, pritisnite taster „Stop/Clear“ u trajanju od 3 sekunde. Začuti će se duži zvučni signal kojim se označava aktiviranje režima zaključavanja radi zaštite djece, a na ekranu će biti prikazano trenutno vrijeme, ukoliko je ova opcija podešena. U suprotnom, na ekranu će biti prikazana oznaka „“.

Otključavanje: U aktiviranom režimu zaključano, pritisnite taster „Stop/Clear“ u trajanju od 3 sekunde. Začuti će se duži zvučni signal kojim se označava deaktiviranje režima zaključavanja.

10. EKO funkcija

Aktiviranje EKO režima: U aktiviranom režimu čekanja, pritisnite taster „Stop/Clear“ dva puta u toku 1 sekunde,

i na ekranu će, u trajanju od 3 sekunde, stajati „ECO“. Nakon 3 sekunde, rerna će preći u režim čekanja. Ukoliko nakon toga izostanu bilo kakve aktivnosti, ekran će se isključiti nakon 1 minuta. Ekran će se ponovo uključiti nakon bilo koje aktivnosti. Ukoliko vrata ostanu otvorena, lampica u rerni će se automatski isključiti nakon 1 minuta.

Deaktiviranje EKO režima: U aktiviranom režimu čekanja, pritisnite taster „Stop/Clear“ dva puta u toku 1 sekunde, i na ekranu će, u trajanju od 3 sekunde, stajati „OFF“ (ISKLUČENO). Nakon 3 sekunde, rerna će preći u režim čekanja. Ukoliko izostanu bilo kakve aktivnosti, ekran će uvijek biti osvjetljen; Ukoliko vrata ostanu otvorena, lampica u rerni će uvijek svijetliti.

Napomena: Isključivanjem uređaja iz struje, poništiti ćete EKO podešavanje.

11. Specifikacija

1. Kada okretanjem vratite dugme za funkcije na početak, zvučni signal će se jednom oglasiti;
2. Da biste nastavili sa pripremom hrane u slučaju otvaranja vrata u toku pripreme, morate pritisnuti taster „Start/+30s“;
3. Ukoliko nakon izvršenog podešavanja programa za pripremu hrane u roku od 1 minuta ne pritisnete taster „Start/+30s“, na ekranu će biti prikazano trenutno vrijeme, a podešavanje će biti poništeno.
4. Zvučni signal će se pet puta oglasiti kako bi vas podsjetio da je priprema hrane završena.

Tabela sa menijima

Meni	Težina	Ekran
A-1 Pica	200 g	200
	400 g	400
A-2 Meso	250 g	250
	350 g	350
	450 g	450
A-3 Povrće	200 g	200
	300 g	300
	400 g	400
A-4 Pasta	50g (sa 450 ml hladne vode)	50
	100g (sa 800 ml hladne vode)	100
A-5 Krompir	200 g	200
	400 g	400
	600 g	600
A-6 Riba	250 g	250
	350 g	350
	450 g	450
A-7 Pića	1 šolja (120 ml)	1
	2 šolje (240 ml)	2
	3 šolje (360ml)	3
A-8 Kokice	50 g	50
	85 g	85
	100 g	100

Otklanjanje problema

NORMALNO	
Mikrotalasna ometa TV prijem	Tokom rada mikrotalasna rerna može ometati radio i TV prijem. To je slično interferenciji malih kućnih aparata, kao što su mikser, usisivač i fen za kosu. To je normalno.
Prigušeno svjetlo u rerni	Prilikom kuhanja niskom snagom mikrotalasa, svjetlo rerne može postati prigušeno. To je normalno.
Na vratima se kondenzuje vlaga, vruć vazduh izlazi iz otvora	Tokom kuhanja iz hrane može izlaziti para. Veći dio će izaći kroz ventilacione otvore, ali deo se može kondenzovati na hladnijim mestima poput vrata rerne. To je normalno.
Rerna je slučajno uključena bez hrane u njoj	Zabranjeno je koristiti praznu rernu, bez hrane u njoj. To je veoma opasno.

PROBLEM	MOGUĆI UZROK	REŠENJE
Rerna se ne može pokrenuti	Strujni kabl nije ispravno uključen	Isključite kabl, pa ga nakon 10 sekundi ponovno uključite
	Neispravan osigurač ili prekidač	Zamijenite osigurač ili prekidač (uslugu vrši stručno osoblje naše kompanije)
	Problem sa utičnicom	Testirajte utičnicu na drugim električnim uređajima.
Rerna se ne zagrijava	Vrata nisu dobro zatvorena	Dobro zatvorite vrata



Prema odredbi o odlaganju električne i elektronske opreme, takva oprema treba da se posebno sakuplja i obrađuje. Ukoliko u nekom trenutku treba da bacite ovaj uređaj, molimo da ga NE bacate u đubre zajedno sa ostalim kućnim otpadom, već tamo gdje je za to unapred određeno mjesto. Ukoliko je moguće, molimo vas pošaljite ovaj uređaj u centar za prikupljanje električne i elektronske opreme.

PRECAUȚII PENTRU A EVITA EXPUNEREA EXCESIVĂ LA ENERGIA CUPTORULUI CU MICROUND

- Nu încercați să porniți/opriți cuptorul cu microunde când acesta are ușa deschisă pentru că vă puteți expune la energia nocivă a cuptorului cu microunde. Este important să nu se rupă sau să fie modificat sistemul de blocare de siguranță
- Nu așezați niciun obiect între fața cuptorului și ușa și nu permiteți acumularea murdăriei sau a reziduurilor produselor de curățare pe suprafețele de etanșare.

ATENȚIE!

- Dacă ușa sau sigiliile ușii au fost deteriorate, cuptorul nu poate fi utilizat până ce nu este reparat de o persoană autorizată

ANEXĂ

Dacă aparatul nu este menținut într-o stare bună de curățenie, suprafața acestuia ar putea fi degradată și să afecteze durata de viață a aparatului și poate duce la situații ce vă pot pune în pericol.

Specificații

Consum de energie	230V~50Hz
Putere Intrare (Microunde)	1450W
Putere ieșire (Microunde)	900W
Putere Intrare (Grill)	1000W
Capacitatea cuptorului	23L
Diametru platan	270mm
Dimensiuni exterioare	485x382x293mm
Greutate Netă Approx.	Approx. 14.1 kg

IMPORTANT INSTRUCȚIUNI DE SIGURANȚĂ

ATENȚIE!

Pentru a reduce riscul de incendiu, șoc electric, vătămare a persoanelor sau expunere la energie excesivă a cuptorului cu microunde atunci când utilizați aparatul, urmați precauțiile de bază, inclusiv următoarele:

1. Citiți și urmați următoarele: „PRECAUȚII PENTRU EVITAREA EXPUNERII POSIBILE LA ENERGIA EXCESIVĂ A CUPTORULUI CU MICROUNDĂ”.
2. Acest aparat poate fi utilizat de copii cu vârste PESTE 8 ani și persoane cu capacități fizice, senzoriale sau mentale reduse sau lipsă de experiență și cunoștințe, dacă li s-a oferit supraveghere sau instrucțiuni privind utilizarea aparatului într-un mod sigur și să înțeleagă pericolele implicate. Copiii nu trebuie să se joace cu aparatul. Curățarea și întreținerea nu trebuie să fie făcute de copii decât dacă au vârsta mai mare de 8 ani și supravegheați. Copiii cu vârsta sub 8 ani nu trebuie să îl utilizeze, dacă nu sunt supravegheați în mod continuu.
3. Nu lăsați aparatul și cablul acestuia la îndemâna copiilor mai mici de 8 ani.
4. În cazul în care cablul de alimentare este deteriorat, acesta trebuie înlocuit de producător, agentul său de service sau de recipiente sigilate, deoarece acestea pot exploda. persoane calificate pentru a evita un pericol. (Pentru aparate cu atașament de tip Y)
5. **AVERTIZARE:** Asigurați-vă că aparatul este oprit înainte de a înlocui lampa, pentru a evita posibilitatea de electrocutare.
6. **AVERTIZARE:** Este periculos pentru oricine altcineva decât pentru o persoană calificată să efectueze orice operațiune de service sau de reparație care presupune îndepărtarea unui capac care să ofere protecție împotriva expunerii la energia cu microunde.

7. **AVERTIZARE:** Lichidele și alte alimente nu trebuie încălzite în recipiente sigilate, deoarece acestea pot exploda.
8. Când încălziți alimentele în recipiente de plastic sau de hârtie, aveți grijă la cuptor din cauza posibilității de aprindere.
9. Folosiți numai ustensile care sunt adecvate pentru utilizare în cuptoare cu microunde.
10. Dacă apare fum, opriți sau deconectați aparatul și mențineți ușa închisă pentru a înăbuși flăcările.
11. Încălzirea la microunde a băuturilor poate duce la o fierbere eruptivă întârziată, de aceea trebuie să aveți grijă la manipularea recipientului.
12. Conținutul sticlelor și a borcanelor de alimente pentru bebeluși trebuie agitate sau amestecate și temperatura verificată înainte de consum, pentru a evita arsurile.
13. Ouăle în coajă și ouăle întregi fierte nu trebuie încălzite în cuptoare cu microunde, deoarece acestea pot exploda, chiar și după ce încălzirea la microunde s-a încheiat.
14. Cuptorul trebuie curățat regulat și toate depozitele de alimente eliminate.
15. Nerespectarea cuptorului într-o stare curată poate duce la deteriorarea suprafeței care ar putea afecta durata de viață a aparatului și poate duce la o situație periculoasă.
16. Aparatul nu trebuie instalat în spatele unei uși decorative pentru a evita supraîncălzirea.
17. Folosiți numai sonda de temperatură recomandată pentru acest cuptor. (Pentru cuptoarele dotate cu o instalație de utilizare a unei sonde sensibile la temperatură.)
18. Cuptorul cu microunde nu trebuie amplasat într-un dulap decât dacă a fost testat într-un dulap.
19. Cuptorul cu microunde trebuie să funcționeze cu

ușa decorativă deschisă. (Pentru cuptoare cu ușa decorativă.)

20. Acest aparat este destinat să fie utilizat în gospodăria și în spații similare, cum ar fi:
 - bucătăriile personalului din magazine, birouri și alte medii de lucru;
 - de către clienții din hoteluri, moteluri și alte medii de tip pensiune;
 - ferme;
21. Cuptorul cu microunde este destinat încălzirii alimentelor și băuturilor. Uscarea alimentelor sau a obiectelor vestimentare și încălzirea tampoanelor de încălzire, papucilor, bureților, pânzei umede și alte materiale similare poate duce la risc de rănire, aprindere sau incendiu.
22. Recipientele metalice pentru alimente și băuturi nu sunt permise în timpul gătitului la cuptorul cu microunde.
23. Aparatul nu trebuie curățat cu un aparat de curățat cu abur.
24. Aparatul este destinat să fie utilizat independent.
25. Suprafața din spate a aparatelor trebuie amplasată pe un perete.
26. Aparatele nu sunt destinate să fie operate cu ajutorul unui cronometru extern sau a unui sistem separat de telecomandă.
27. Temperatura suprafețelor din apropiere poate fi ridicată atunci când aparatul funcționează.
28. **AVERTIZARE:** Când aparatul funcționează în modul combi, copiii trebuie să utilizeze cuptorul doar sub supravegherea adulților, datorită temperaturilor generate.

CITIȚI CU ATENȚIE ȘI PĂSTRAȚI PENTRU REFERINȚE VIITOARE

Pentru a reduce riscul de vătămare a persoanelor care efectuează împământarea

PERICOL!

PERICOL DE ELECTROCUTARE! Atingerea unora dintre componentele interne poate provoca vătămări corporale grave sau mortale. Nu dezasamblați acest aparat.

ATENȚIE!

Pericol de electrocutare

Utilizarea necorespunzătoare a împământării poate duce la șoc electric.

Nu conectați la o priză până când aparatul nu este instalat și împământat corect.

- Acest aparat trebuie să fie împământat. În cazul unui scurtcircuit electric, împământarea reduce riscul de electrocutare prin furnizarea unui fir de evacuare pentru curentul electric. Acest aparat este echipat cu un cablu care are un fir de împământare cu un conector de împământare. Ștecherul trebuie conectat la o priză care este instalată și conectată la o împământare corespunzătoare.
- Consultați un electrician calificat sau un serviciu dacă instrucțiunile de împământare nu sunt complet înțelese sau dacă există îndoieli cu privire la faptul că aparatul este conectat la o împământare corespunzătoare.
- Dacă este necesar să folosiți un prelungitor, utilizați numai un prelungitor cu 3 fire.
Un fir scurt de alimentare este prevăzut pentru a reduce riscurile rezultate din încurcarea cu un cablu mai lung.
- Dacă se utilizează un prelungitor:
 1. Sarcina electrică marcată a prelungitorului trebuie să fie cel puțin la fel de mare ca puterea electrică a aparatului.
 2. Cablul de extensie trebuie să fie un cablu cu 3 fire de împământare.

3. Firul prelungitorului trebuie să fie aranjat astfel încât să nu se strecoare pe blatul sau masă unde poate fi tras de copii sau trântit în mod neintenționat.

CURĂȚARE

Asigurați-vă că deconectați aparatul de la sursa de alimentare.

1. Curățați interiorul cuptorului după folosirea cu o cârpă ușor umedă.
2. Curățați accesoriile în mod obișnuit cu apă și detergent.
3. Cadrul și garnitura ușii și piesele învecinate trebuie curățate cu grijă cu o cârpă umedă atunci când sunt murdare.
4. Nu folosiți substanțe de curățare abrazive sau răzuitoare de metal ascuțite pentru a curăța geamul ușii cuptorului, deoarece acestea pot zgâria suprafața, ceea ce poate duce la spargerea geamului.
5. Sfat de curățare - Pentru o curățare mai ușoară a pereților interiorului pe care mâncarea gătită o poate atinge: Așezați o jumătate de lămâie într-un bol, adăugați 300 ml apă și încălziți la puterea cu microunde 100% timp de 10 minute. Ștergeți cuptorul curat folosind o cârpă moale și uscată.

USTENSILE



ATENȚIE!

Pericol de vătămare corporală

Este periculos pentru oricine altcineva decât pentru o persoană competentă să efectueze orice operațiune de service sau reparație care presupune îndepărtarea unui capac care să ofere protecție împotriva expunerii la energia cu microunde.

Vedeți instrucțiunile referitoare la „Materiale pe care le puteți utiliza în cuptorul cu microunde sau pe care să le evitați în cuptorul cu microunde.”

Pot exista anumite ustensile nemetalice care nu sunt sigure de utilizat pentru microunde. Dacă aveți îndoieli, puteți testa ustensila în cauză urmând procedura de mai jos.

Test de ustensile:

1. Umpleți un recipient sigur pentru microunde cu 1 cană de apă rece (250 ml) împreună cu obiectul respectiv.
2. Gătiți la putere maximă timp de 1 minut.
3. Atingeți cu atenție obiectul. Dacă obiectul este cald, nu îl folosiți pentru gătit cu microunde.
4. Nu depășiți timpul de gătit timp de 1 minut.

Materiale pe care le puteți folosi în cuptorul cu microun

Materiale	Comentariu
Vas pentru cuptor	Urmați instrucțiunile producătorului. Partea inferioară a vasului de rumenire trebuie să fie de cel puțin 3/16 inci (5mm) deasupra discului turnant. Utilizarea incorectă poate determina ruperea discului turnant.
Farfurii	Doar pentru funcția de microunde. Urmați instrucțiunile producătorului. Nu folosiți farfurii crăpate sau sparte.
Borcane de sticlă	Scoateți întotdeauna capacul. Folosiți numai pentru a încălzi mâncarea până devine caldă. Majoritatea borcanelor de sticlă nu sunt rezistente la căldură și se pot sparge.
Articole de sticlă	Doar sticlă rezistentă la căldură. Asigurați-vă că nu există nici o garnitură metalică. Nu folosiți articole crăpate sau sparte.
Pungi de gătit la cuptor	Urmați instrucțiunile producătorului. Nu închideți cu legătură metalică. Faceți fante pentru a permite aburului să iasă.
Farfurii și câni de hârtie	Utilizați numai pentru gătit / încălzire pe termen scurt. Nu lăsați cuptorul nesupravegheat în timp ce gătiți.
Servețele de hârtie	Se folosesc pentru acoperirea alimentelor pentru reîncălzirea și absorbția grăsimilor. Utilizați cu supraveghere doar pentru a găti pe termen scurt.
Hârtie pergament	Utilizați ca un capac și pentru a preveni stropirea sau ca înveliș pentru aburire.
Plastic	Doar pentru funcția de microunde. Urmați instrucțiunile producătorului. Ar trebui să fie etichetat „Microwave Safe”. Unele recipiente de plastic se înmoaie, deoarece mâncarea din interior se încălzește. „Pungile pentru fierbere” și pungile de plastic închise bine trebuie să fie tăiate sau ventilate conform indicațiilor de pe pachet.

Materiale	Comentariu
Folie de plastic	Doar pentru funcția de microunde. Utilizați pentru a acoperi mâncarea în timpul gătitului pentru a păstra umezeala. Nu permiteți ambalajului din plastic să atingă.
Termometre	Doar pentru funcția de microunde. (termometre pentru carne și bomboane).
Hartie cerată	Folosiți ca un capac pentru a preveni stropirea și reținerea umidității.

Materiale de evitat în cuptorul cu microunde

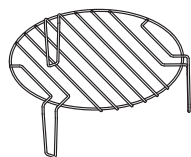
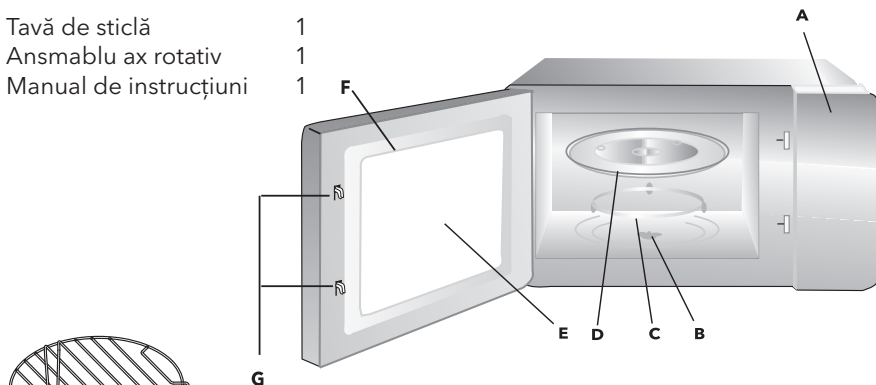
Materiale	Comentariu
Tavă de aluminiu	Poate provoca apariția unui arc electric. Transferați mâncarea într-un vas sigur pentru microunde.
Carton alimentar cu mâner metalic	Poate provoca apariția unui arc electric. Transferați mâncarea într-un vas sigur pentru microunde
Ustensile din metal sau care conțin metal	Metalul protejează alimentele de energia cu microunde. Metalele pot provoca apariția unui arc electric.
Legături metalice	Poate provoca apariția unui arc electric și a focului în cuptor.
Pungi de hârtie	Pot provoca un foc în cuptor.
Spumă din plastic	Spuma de plastic poate topi sau contamina lichidul din interior atunci când este expusă la temperaturi ridicate.
Lemn	Lemnul se va usca atunci când este folosit în cuptorul cu microunde și se poate despică sau crăpa.

PUNEREA ÎN FUNCȚIUNE A CUPTORULUI

Părți ale cuptorului și accesorii

Scoateți cuptorul și toate materialele din cutie și din interiorul cuptorului. Cuptorul dvs. are următoarele accesorii:

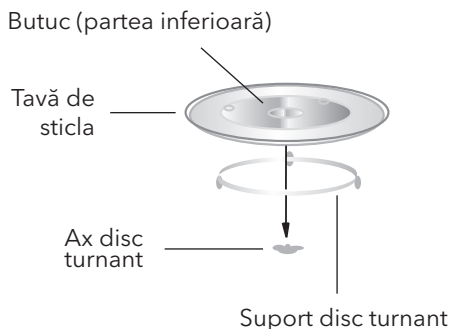
Tavă de sticlă	1
Ansamblu ax rotativ	1
Manual de instrucțiuni	1



Grătarul (nu poate fi utilizat în funcția de microunde și trebuie așezat pe tava de sticlă)

- A) Panou de control
- B) Ax disc turnant
- C) Suport disc turnant
- D) Tavă de sticlă
- E) Geam cuptor
- F) Grup ușă
- G) Sistem de blocare de siguranță a ușii

Montarea axului rotativ



- a. Nu puneți niciodată tăvița de sticlă cu fața în jos. Tăvița de sticlă trebuie să fie folosită întotdeauna.
- b. Atât tăvița din sticlă, cât și discul turnant trebuie să fie utilizate întotdeauna la gătit.
- c. Pentru pregătire, toate alimentele și recipientele alimentelor trebuie să fie așezate întotdeauna pe tăvița de sticlă
- d. Dacă tăvița de sticlă sau suportul discului turnant se crapă sau se sparg, contactați cel mai apropiat centru service autorizat.

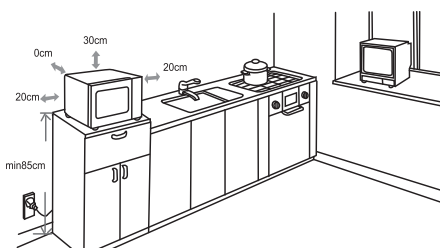
Instalarea pe bancul de lucru

Scoateți toate materialele de ambalare și accesoriile. Examinați cuptorul pentru a vedea dacă prezintă orice fel de avarii, cum ar fi urme de lovitură sau ușă defectă. Dacă cuptorul este avariât, nu-l montați.

Dulap: îndepărtați orice folie de protecție găsită pe suprafața dulapului cuptorului cu microunde. Nu îndepărtați capacul Mica maro deschis care este atașat la cavitatea cuptorului pentru a proteja magnetronul.

Instalarea

1. Alegeți o suprafață plană care furnizează spațiu suficient pentru conductele de alimentare și evacuare.



- (1). Înălțimea minimă de montare este de 85 de cm
- (2) Partea din spate a aparatului trebuie să fie lipită de perete. Lăsați un spațiu minim de 30 de cm deasupra cuptorului, un spațiu minim de 20 de cm este necesar între cuptor și alți pereți adiacenți.
- (3) Nu înlăturați picioarele de la partea inferioară a cuptorului.
- (4) Blocarea orificiilor de admisie și / sau evacuare poate avaria cuptorul
- (5) Plasați cuptorul la distanță față de aparate de radio și de televiziune. Utilizarea cuptorului cu microunde poate cauza interferențe în recepționarea semnalului radio sau tv.

2. Conectați cuptorul la o priză. Asigurați-vă că tensiunea și frecvența sunt identice cu tensiunea și frecvența de pe eticheta de rating.

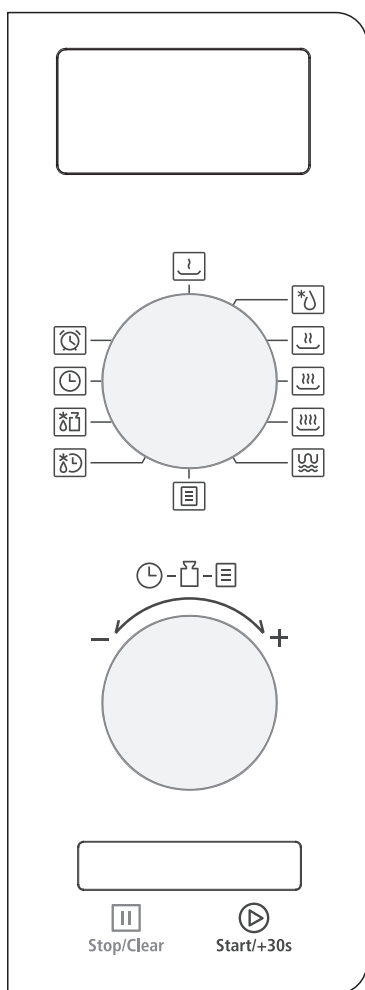
ATENȚIE!

Nu montați cuptorul peste o hotă sau alte produse ce produc căldură. Dacă este montat lângă sau pe o sursă de căldură, cuptorul poate fi avariat, iar garanția va fi nulă.



În timpul utilizării, suprafața accesibilă poate fi fierbinte.

PANOU DE CONTROL



INSTRUCȚIUNI

- | | | |
|--|----------------|------|
| | MICROWAVE | 10% |
| | | 30% |
| | | 50% |
| | | 80% |
| | | 100% |
| | GRILL/COMBI. | |
| | AUTO MENU | |
| | TIME DEFROST | |
| | WEIGHT DEFROST | |
| | CLOCK | |
| | KITCHEN TIMER | |


INSTRUCȚIUNI DE OPERARE

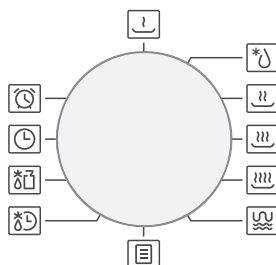
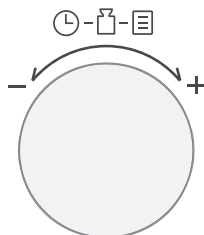
Acest cuptor cu microunde utilizează un control electronic modern pentru a ajusta parametrii de gătit pentru a satisface nevoile dvs.

Instrucțiunile butonului

Există două butoane pe panou. Pentru operațiuni mai bune, alegeți butonul selector din partea stângă. Pentru funcții folosiți butonul selector din partea dreaptă.

După ce operațiunea dată se termină, aceasta devine inactivă, iar butonul funcțional trebuie utilizat pentru a reselecta modul dorit.

Dacă operațiunea de mai sus este omisă, dispozitivul va activa modul implicit / de bază (cuptor cu microunde ).



1. Setare ceas

Când cuptorul cu microunde este pornit, cuptorul va afișa „0:00”, iar soneria va suna o singură dată.

1. Rotiți butonul funcției la „Ceas”, cifrele pentru oră clipească.
2. Rotiți butonul parametrului pentru a regla cifrele de oră, timpul de intrare trebuie să fie între 0 și 23.
3. Apăsați „Start / + 30s” pentru a confirma, cifrele pentru minute vor clipi.
4. Rotiți butonul parametrului pentru a regla cifrele pentru minute, timpul de intrare trebuie să fie între 0 și 59.

5. Apăsați „Start / + 30s” pentru a finaliza setarea ceasului. „:” Va clipi.

Notă: 1. Dacă ceasul nu este setat, acesta nu ar funcționa la pornire.

2. În timpul procesului de setare a ceasului, dacă nu apăsați „Start / + 30s” pentru a confirma într-un 1 minut, cuptorul va reveni automat la starea anterioară.

2. Cronometru bucătărie

1. Rotiți butonul funcției la „Kitchen Timer”, ecranul va afișa „00:00”.

2. Rotiți butonul parametrului pentru a introduce timpul corect. (Timpul maxim este de 95 de minute)

3. Apăsați „Start / + 30s” pentru a confirma setarea.

4. Când timpul de gătire este atins, indicatorul de ceas se va stinge. Se va auzi un sentr de 5 ori. Dacă ceasul a fost setat (sistem de 24 de ore), ecranul va afișa ora curentă.

Notă: Timpul de gătire este diferit de sistemul de 24 de ore. Kitchen Timer este un cronometru. Dacă, după încheierea operațiunii, trebuie să utilizați din nou cronometrul de bucătărie, va trebui să repetați pașii de mai sus.

3. Gătire la cuptorul cu microunde

1. Rotiți butonul funcției pe „10%”, „30%”, „100%”. Acestea se referă la puterea cu microunde. Și sunt afișate „P10”, „P30” „P100”.

2. Rotiți butonul parametrului pentru a regla timpul de gătire. (Timpul maxim de gătire este de 95 minute)

3. Apăsați „Start / + 30s” pentru a începe gătitul. Buzzer-ul sună o dată.

NOTĂ: cantitățile pentru timpul de ajustare sunt următoarele:

0---1 min: 5 secunde

1---5 min: 10 secunde

5---10 min: 30 secunde

10---30 min: 1 minut

30---95 min: 5 minute

Grafic de alimentare cu microunde

Microwave Power	High	M.High	Med.	M.Low	Low
Display	P100	P80	P50	P30	P10

4. Grill sau gătire Combo

1. Rotiți butonul de funcții la „Grill / Combi. „, Ecranul va afișa „ G ”

2. Rotiți butonul parametrului pentru a alege modul de gătit pe care îl doriți, iar „G”, „C-1” sau „C-2” vor apărea succesiv.

Există 2 niveluri de gătit combinat (în principal microunde, urmat de grătar).

Diferențele dintre cele două sunt prezentate în tabelul următor:

Funcție	Afișaj	Putere microunde	Putere grătar
Nivel 1	C-1	55% (16/29)	45% (13/29)
Nivel 2	C-2	36% (10/29)	64% (19/29)

3. Apăsați „Start / + 30s” pentru a confirma.

4. Rotiți butonul parametrului pentru a seta timpul de gătire. Apăsați „Start / + 30s” pentru a începe gătitul.

Notă: Dacă trece jumătate din timpul de gătit la grătar, cuptorul sună de două ori, acest lucru este normal. Pentru a avea un efect mai bun la grătar, ar trebui să întoarceți mâncarea, să închideți ușa și să apăsați „Start / + 30Sec. / pentru a continua gătitul. Dacă nu se alege nicio operație, cuptorul va continua să gătească.

5. Gătire rapidă

1. În stare de așteptare, apăsați „Start / + 30s” pentru a începe să gătiți cu puterea P100, fiecare apăsare adăugată va crește 30 secunde timpul de gătit până la 95 de minute.

2. La microunde, grătar, gătit combinat sau starea de decongelare a timpului, fiecare apăsare a butonului

„Start / +30s” poate crește 30 de secunde de timp de gătire.

- În starea de așteptare, rotiți butonul parametrului la stânga pentru a seta timpul de gătit cu puterea la microunde P100, apoi apăsați „Start / + 30s” pentru a începe să gătiți.

6. Dezghețare în funcție de greutate

- Când butonul funcției este îndreptat către „Dezghețare în funcție de greutate” apare pe display „” dEF1 ”;
- Rotiți butonul parametrului pentru a selecta greutatea alimentelor. Gama de greutate este de 100-2000g.
- Apăsați „Start/+30s ” pentru a începe dezghețarea.

7. Dezghețare în funcție de timp

- When function knob pointing at “Time Defrost”, “dEF2” displays;
- Turn parameter knob to select defrost time. The range of time is 0:05-95:00.
- Press “Start/+30s” to start defrosting. The defrost power is P30. It cannot be changed.

8. Meniul Auto

- Rotiți butonul funcției în „Meniu Auto” pentru a alege gătitul automat. Va clipi „A-1”;
- Rotiți butonul parametrului pentru a alege meniul de care aveți nevoie. Va apărea „A-1”, „A-2” ... „A-8”.
- Apăsați „Start / + 30s” pentru a confirma meniul ales;
- Rotiți butonul parametrului pentru a alege greutatea alimentelor;
Apăsați „Start / + 30s” pentru a începe să gătiți;

9. Blocarea accesului copiilor

Blocare: În modul de așteptare, apăsați “STOP/ CLEAR” pentru 3 sec, și se va auzi o sonerie care

indică faptul că blocarea accesului copiilor este activată și ora curentă va fi afișată dacă timpul a fost setat, în caz contrar, ecranul va afișa "⌚:⌚".

Deblocarea: entru a dezactiva blocarea accesului copiilor, apăsați "STOP/CLEAR" timp de 3 secunde și se va auzi un semnal sonor, „bip”, lung care indică faptul că s-a dezactivat blocarea accesului "

10. Funcția ECO

Intrare ECO mode: În starea de așteptare, apăsați „Stop / Clear” de două ori în 1 secundă, ecranul va afișa „ECO” timp de 3 secunde. După 3 secunde, cuptorul va intra în starea de așteptare. Dacă nu există nicio operație, ecranul se va opri după 1 minut. Și orice operație poate lumina din nou ecranul; Dacă ușa este deschisă, lampa cuptorului va fi stinsă automat după 1 minut.

Ieșire ECO mode: În starea de așteptare, apăsați „Stop / Clear” de două ori în 1 secundă, ecranul va afișa „OFF” timp de 3 secunde. După 3 secunde, cuptorul va intra în starea de așteptare. Dacă nu există nicio operație, ecranul este întotdeauna luminos; Dacă ușa este deschisă, lampa cuptorului este întotdeauna aprinsă.

Notă: Deconectați alimentarea, setarea ECO va fi inactivă.

11. Specificații

1. Zgomotul va suna o dată când rotiți butonul de funcții la început;
2. „Start / + 30s” trebuie să fie apăsat pentru a continua gătitul dacă ușa este deschisă în timpul gătitului;
3. După ce programul de gătit a fost stabilit dacă „Start / + 30s” nu este apăsat în 1 minut ora curentă va fi afișată. Setarea va fi anulată.
4. Buzzer-ul sună de cinci ori pentru a vă aminti că gătitul a fost terminat.

Graficul Meniului

Menu	Greutate	Display
A-1 Pizza	200 g	200
	400 g	400
A-2 Meat	250 g	250
	350 g	350
	450 g	450
A-3 Vegetable	200 g	200
	300 g	300
	400 g	400
A-4 Pasta	50g (with 450 ml cold water)	50
	100g (with 800 ml cold water)	100
A-5 Potato	200 g	200
	400 g	400
	600 g	600
A-6 Fish	250 g	250
	350 g	350
	450 g	450
A-7 Beverage	1 cup (120 ml)	1
	2 cups (240 ml)	2
	3 cups (360ml)	3
A-8 Popcorn	50 g	50
	85 g	85
	100 g	100

DEPANAREA

NORMAL	
Cuptorul cu microunde interferează cu recepția semnalului TV	În momentul când cuptorul cu microunde este funcțional, recepția semnalului radio și tv poate suferi interferențe. Acest lucru este similar interferențelor cauzate de produsele electrice mici, cum ar fi mixerul, aspiratorul și ventilatorul electric. Acest lucru este normal.
Lumina cuptorului este diminuată	ăCând se gătește la putere redusă, lumina cuptorului poate fi diminuată. Acest lucru este normal.
Acumulare de abur pe ușa, aer cald care ieșe din orificii	În timpul preparării, se poate produce abur din alimente. Mare parte din această cantitate de abur se elimină prin orificiile de ventilare. Dar o cantitate se poate acumula pe un loc mai rece cum ar fi ușa cuptorului. Acest lucru este normal.
Cuptorul a pornit accidental fără alimente în el.	Nu este permisă utilizarea aparatului fără alimente înăuntru. Este foarte periculos.

PROBLEMĂ	MOTIV POSIBIL	SOLUȚIE
Cuptorul nu pornește	Cablul de alimentare nu este conectat corespunzător	Scoateți din priză. Apoi conectați din nou după 10 secunde
	Siguranța a sărit sau este activat disjunctorul.	Înlocuiți siguranța sau disjunctorul (reparate de personalul profesionist al companiei noastre).
	Probleme cu priza.	Testați priza cu alte produse electrice.
Cuptorul nu se încălzește	Ușa nu este închisă corespunzător.	Închideți ușa corespunzător.



Acest produs este conform cu Directiva DEEE a UE (2012/19/UE). Acest produs a fost marcat cu simbolul de clasificare pentru deșeuri de echipamente electrice și electronice (DEEE). Acest produs a fost fabricat cu piese și materiale de înaltă calitate, care pot fi refolosite și reciclate. Nu eliminați acest produs împreună cu deșeurile menajere sau cu alte deșeuri la sfârșitul perioadei sale de utilizare. Transportați-l la un punct de colectare pentru reciclarea echipamentelor electrice și electronice. Vă rugăm să contactați autoritățile locale, pentru a afla unde se află aceste puncte de colectare.

PREVIDNOSTNI UKREPI ZA PREPREČEVANJE MOREBITNE IZPOSTAVLJENOSTI PREKOMERNI ENERGIJI MIKROVALOV

- Ta pečica naj ne deluje pri odprtih vratih, saj bi lahko prišlo do škodljive izpostavljenosti energiji mikrovalov. Pomembno je, da varnostnih zapahov ne zlomite in jih ne spreminjate.
- Med čelno stranjo pečice in vrata ne postavljajte nobenih predmetov, na površinah tesnil pa preprečite nabiranje umazanije in ostankov čistil.

⚠ OPOZORILO!

- Če so vrata ali tesnila vrat poškodovana, pečice ne smete uporabljati, dokler je ne popravi usposobljena oseba.

DODATEK

Če aparat ni dobro vzdrževan glede čistoče, njegova površina lahko začne propadati, to pa vpliva na njegovo življenjsko dobo in vodi v stanje, ki je nevarno.

Specifikacije

Nazivna napetost	230V~50Hz
Nazivna vhodna moč (mikrovalovi)	1450W
Nazivna izhodna moč (mikrovalovi)	900W
Nazivna vhodna moč (žar)	1000W
Prostornina pečice	23L
Premer vrtljivega krožnika	270mm
Zunanje mere	485x382x293mm
Neto teža	Pribl. 14.1 kg

POMEMBNA NAVODILA GLEDE VARNOSTI

OPOZORILO!

Da pri uporabi aparata zmanjšate tveganje požara, električnega udara, telesnih poškodb ali prekomerne energije mikrovalov pečice, upoštevajte osnovne previdnostne ukrepe, vključno z naslednjimi:

1. Preberite in upoštevajte posebne **PREVIDNOSTNE UKREPE ZA PREPREČEVANJE MOREBITNE IZPOSTAVLJENOSTI PREKOMERNI ENERGIJI MIKROVALOV**
2. Ta aparat lahko uporabljajo otroci, stari 8 in več let, ter osebe s telesnimi, senzoričnimi ali duševnimi okvarami ali pa osebe brez izkušenj in znanja, če so pod nadzorom ali pa so jim bila podana navodila za varno uporabo aparata in če razumejo nevarnosti, povezane z njegovo uporabo. Otroci se z aparatom ne smejo igrati. Otroci ne smejo čistiti in vzdrževati aparata, razen če so starejši od 8 let ter so pod nadzorom. Otroci, mlajši od 8 let, ne smejo v bližino, razen če so pod nenehnim nadzorom.
3. Otroci, mlajši od 8 let, naj ne bodo v bližini aparata in njegovega napajalnega kabla.
4. Če je napajalni kabel poškodovan, ga mora zaradi preprečevanja nevarnosti zamenjati proizvajalec, proizvajalčev pooblaščen servis ali podobno usposobljena oseba. (Pri aparatu s priklopom vrste Y.)
5. **OPOZORILO:** Pred menjavo žarnice poskrbite, da bo aparat izklopljen, da preprečite možnost električnega udara.
6. **OPOZORILO:** Izvajanje kakršnih koli servisnih del ali popravil, pri katerih je treba odstraniti pokrov za zaščito

pred izpostavljenostjo energiji mikrovalov, je nevarno za vse, ki za to niso usposobljeni.

7. **OPOZORILO:** Tekočin in drugih živil ne smete segrevati v zaprtih vsebnikih, ker lahko eksplodirajo.
8. Pri segrevanju živil v plastičnih ali papirnatih vsebnikih bodite pozorni na pečico, ker lahko pride do vžiga.
9. Uporabljajte le kuhinjske pripomočke, ki so primerni za uporabo v mikrovalovnih pečicah.
10. Če iz aparata uhaja dim, ga izklopite ali odklopite z napajanja, vrata pa pustite zaprta, da bodo morebitni plameni zadušeni.
11. Pijače lahko zaradi segrevanja z mikrovalovi zakasnjeno zavrejo z izbruhom, zato morate z vsebnikom ravnati pazljivo.
12. Da preprečite opekline, morate vsebino stekleničk za hranjenje dojenčkov in kozarčkov s hrano za dojenčke pred uživanjem premešati ali jih pretresti ter preveriti temperaturo.
13. Celih svežih jajc in celih trdo kuhanih jajc ne smete segrevati v mikrovalovni pečici, ker lahko eksplodirajo, tudi po koncu segrevanja z mikrovalovi.
14. Pečico morate redno čistiti in odstranjevati morebitne ostanke hrane.
15. Če pečice ne vzdržujete v čistem stanju, njena površina lahko začne propadati, to pa lahko negativno vpliva na njeno življenjsko dobo in vodi v stanje, ki je nevarno.
16. Da preprečite prekomerno segrevanje, aparata ne smete namestiti za okrasnimi vrati. (To ne velja za naprave z okrasnimi vrati.)
17. Uporabljajte le sondo za temperaturo, ki je priporočena za to pečico. (Pri pečicah, pri katerih obstaja možnost uporabe sonde za zaznavanje temperature.)

18. Mikrovalovne pečice ne smete postaviti v omarico, razen če je preizkušena v omarici.
19. Mikrovalovna pečica mora delovati pri odprtih okrasnih vratih. (Velja za pečice z okrasnimi vrati.)
20. Ta aparat je predviden za uporabo v gospodinjstvu in temu podobnih okoljih, kot so
 - kuhinje za osebje v trgovinah, pisarnah in drugih delovnih okoljih,
 - hoteli, moteli in nastanitve drugih vrst, kjer je ta aparat na voljo gostom, ter
 - kmetije,
 - nastanitve z nočitvijo in zajtrkom.
21. Mikrovalovna pečica je namenjena segrevanju živil in pijač. Sušenje živil ali oblek in segrevanje ogrevalnih blazinic, copat, gobic, vlažnih krp in podobnega lahko privede do tveganja poškodb, vžiga ali požara.
22. Med kuhanjem z mikrovalovi ni dovoljeno uporabljati kovinskih vsebnikov za živila in pijače.
23. Aparata ne smete čistiti s parnim čistilnikom.
24. Aparat je namenjen uporabi kot samostojni aparat.
25. Hrbtno površino aparata morate postaviti ob steno.
26. Aparati niso namenjeni upravljanju z zunanjim časovnikom ali ločenim sistemom za daljinsko upravljanje.
27. Med delovanjem aparata je temperatura površin, ki so dostopne, lahko visoka.
28. **OPOZORILO:** Ko aparat deluje v kombiniranem načinu, lahko otroci zaradi ustvarjenih temperatur uporabljajo pečico le pod nadzorom odraslih.

POZORNO PREBERITE IN SHRANITE ZA POMOČ V PRIHODNJE.

Zmanjšanje tveganja telesnih poškodb – ozemljitev

⚠ NEVARNOST!

Nevarnost električnega udara. Če se dotaknete določenih notranjih sestavnih delov, lahko pride do resnih telesnih poškodb ali smrti. Tega aparata ne razstavljajte.

⚠ OPOZORILO!

Nevarnost električnega udara

Zaradi nepravilne ozemljitve lahko pride do električnega udara. Aparata ne priklaplajte v vtičnico, dokler ni pravilno nameščen in ozemljen.

- Aparat mora biti ozemljen. Če pride do kratkega stika, ozemljitev zmanjšuje tveganje električnega udara, tako da električni tok steče po odvodni žici. Ta aparat je opremljen s kablom, ki ima ozemljitveno žico in ozemljeni vtič. Vtič je treba priklopiti v vtičnico, ki je pravilno nameščena in ozemljena.
- Če navodil za ozemljitev ne razumete popolnoma ali če kakor koli dvomite v pravilno ozemljitev aparata, se posvetujte z usposobljenim električarjem ali serviserjem.
- Če morate uporabiti električni podaljšek, uporabite takšnega s 3 žicami.
 1. Da je tveganje zapletanja ali spotikanja ob daljši kabel čim manjše, je priložen kratek napajalni kabel.
 2. Če uporabljate daljši napajalni kabel ali električni podaljšek:
 - 1) mora biti označena nazivna moč napajalnega kabla ali podaljška vsaj tolikšna kot nazivna moč aparata;

- 2) mora biti električni podaljšek ozemljeni kabel s 3 žicami;
- 3) morate namestiti dolgi napajalni kabel tako, da ne bo visel prek vrha omarice ali pulta, kjer bi ga lahko otroci povlekli ali pa bi se lahko spotaknili čezenj.

ČIŠČENJE

Poskrbite, da boste aparat odklopiti z napajanja.

1. Po uporabi očistite notranjost pečice z nekoliko vlažno krpo.
2. Dodatno opremo očistite na običajen način v milnici.
3. Ko so okvir in tesnilo vrat ter sosednji deli umazani, jih morate pazljivo očistiti z vlažno krpo.
4. Za čiščenje steklenih vrat pečice ne uporabljajte grobih abrazivnih čistil ali kovinskih strgal, saj lahko spraskajo površino, zato steklo lahko počí.
5. Namig za čiščenje – za lažje čiščenje sten notranjosti, ki se jih kuhana hrana lahko dotakne: v posodo postavite polovico limone, dodajte 300 ml vode in 10 minut segrevajte pri 100-odstotni moči mikrovalovne pečice. Pečico obrišite z mehko, suho krpo.

KUHINJSKI PRIPOMOČKI

POZOR! Nevarnost telesnih poškodb

Izvajanje kakršnih koli servisnih del ali popravil, pri katerih je treba odstraniti pokrov za zaščito pred izpostavljenostjo energiji mikrovalov, je nevarno za vse, ki za to niso usposobljeni.

Glejte navodila v poglavjih „Materiali, ki jih v mikrovalovni pečici lahko uporabljate“ in „Materiali, ki jih v mikrovalovni pečici ne smete uporabljati“. Uporaba določenih

nekovinskih kuhinjskih pripomočkov v mikrovalovni pečici morda ni varna. Če niste prepričani, lahko kuhinjski pripomoček preizkusite po naslednjem postopku.

Preizkus kuhinjskega pripomočka:

1. Posodo, ki je varna za uporabo v mikrovalovni pečici, napolnite z eno skodelico hladne vode (250 ml) in kuhinjskim pripomočkom, ki ga nameravate preizkusiti.
2. Kuhajte na največji moči eno minuto.
3. Previdno potipajte kuhinjski pripomoček. Če je topel, ga pri kuhanju v mikrovalovni pečici ne uporabljajte.
4. Čas kuhanja naj ne bo daljši od ene minute.

Materiali, ki jih lahko uporabljate v mikrovalovni pečici

Kuhinjski pripomočki	Pripombe
Posoda za peko	Upoštevajte navodila proizvajalca. Dno posode za peko mora biti vsaj 3/16 palca (5 mm) nad vrtljivim krožnikom. Pri nepravilni uporabi lahko vrtljivi krožnik počí.
Jedilni servis	Samo takšne vrste, ki so varne za uporabo v mikrovalovni pečici. Upoštevajte navodila proizvajalca. Ne uporabljajte delov servisa, ki so počeni ali odlomljeni.
Stekleni kozarci s pokrovom	Vedno odstranite pokrov. Uporabljajte le za segrevanje živil do mere, ko so le topla. Večina steklenih kozarcev s pokrovom ni odpornih na toploto in lahko počijo.
Steklene posode	Samo steklene posode, ki so odporne na toploto. Prepričajte se, da nimajo kovinskega okrasja. Ne uporabljajte posod, ki so počene ali odlomljene.
Vrečke za kuhanje v pečici	Upoštevajte navodila proizvajalca. Ne zapirajte s kovinskim trakom. Pustite reže, da para lahko izpuhti.
Papirnati krožniki in kozarci	Uporabljajte le za kratkotrajno kuhanje/segrevanje. Med kuhanjem ne puščajte pečice brez nadzora.
Papirnate brisače	Uporabljajte za pokrivanje živil pri ponovnem segrevanju in vpijanju maščobe. Uporabljajte pod nadzorom, izključno pri kratkotrajnem kuhanju.
Papir za peko	Uporabljajte za prekrivanje pri preprečevanju škropljenja ali kot ovoj pri kuhanju s paro.

Kuhinjski pripomočki	Pripombe
Plastika	Samo takšne vrste, ki so varne za uporabo v mikrovalovni pečici. Upoštevajte navodila proizvajalca. Označeno mora biti z oznako „Microwave Safe“ (Varno za uporabo v mikrovalovni pečici). Nekateri plastični vsebniki se zmeščajo, ko živila v njih postanejo vroča. „Vrečke za kuhanje“ in tesno zaprte plastične vrečke je treba prerezati, prebosti ali pustiti odprte, odvisno od tega, kakšna so navodila na embalaži.
Plastična folija	Samo takšne vrste, ki so varne za uporabo v mikrovalovni pečici. Uporabljajte za pokrivanje živil med kuhanjem, da zadržijo vlago. Preprečite, da bi se plastična folija dotikala živil.
Termometri	Samo takšne vrste, ki so varne za uporabo v mikrovalovni pečici. (Termometri za meso in slaščice.)
Povoskan papir	Uporabljajte za prekrievanje pri preprečevanju škropljenja ali zadrževanju vlage.

Materiali, ki jih v mikrovalovni pečici ne smete uporabljati

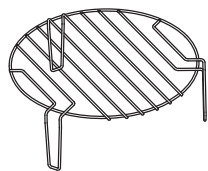
Kuhinjski pripomočki	Pripombe
Aluminijasti pladenj	Lahko pride do električnega obloka. Živila preložite v posodo, ki je varna za uporabo v mikrovalovni pečici.
Škatla za živila s kovinskim ročajem	Lahko pride do električnega obloka. Živila preložite v posodo, ki je varna za uporabo v mikrovalovni pečici.
Kovinski ali s kovino okrašeni kuhinjski pripomočki	Kovina preprečuje energiji mikrovalov dostop do živil. Zaradi kovinskega okrasja lahko pride do električnega obloka.
Kovinski trakovi za zavezovanje	Lahko povzročijo električni oblok ali požar v pečici.
Papirnate vrečke	Lahko povzročijo požar v pečici.
Plastična pena	Če je plastična pena izpostavljena visokim temperaturam, se lahko stopi ali onesnaži tekočino v notranjosti.
Les	Če je les uporabljen v mikrovalovni pečici, se posuši ter se začne cepiti in pokati.

NASTAVITEV PEČICE

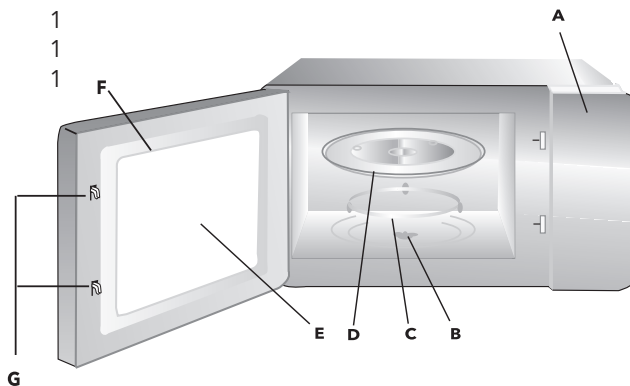
Ime delov in dodatne opreme pečice

Odstranite pečico iz embalaže, iz notranjosti pečice pa vse materiale. Pečici je priložena naslednja dodatna oprema:

- Stekleni krožnik 1
- Sklop vrtljivega obroča 1
- Navodila za uporabo 1



Rešetka za žar (v mikrovalovni pečici je ne smete uporabiti za druge namene in postaviti jo morate na stekleni krožnik).



- A) Nadzorna plošča
- B) Gred vrtljivega krožnika
- C) Sklop vrtljivega obroča
- D) Stekljeni krožnik
- E) Okence za opazovanje
- F) Sklop vrat
- G) Sistem varnostnega zaklepa

Namestitev vrtljivega krožnika



- a. Steklenega krožnika nikoli ne nameščajte tako, da bo obrnjen s spodnjo stranjo navzgor. Vrtenja steklenega krožnika nič ne sme ovirati.
- b. Med kuhanjem morate vedno uporabljati stekleni krožnik in sklop vrtljivega obroča.
- c. Vsa živila in vsebnike za živila morate pri kuhanju vedno postaviti na stekleni krožnik.
- d. Če stekleni krožnik ali sklop vrtljivega obroča razpoka ali se zlomi, se obrnite na najbližji pooblaščen servisni center.

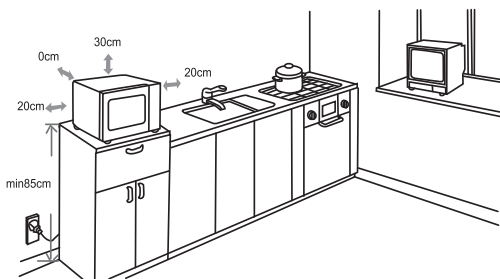
Namestitev na pult

Odstranite vso embalažo in dodatno opremo. Preverite, ali je pečica kakor koli poškodovana, npr. ali ima vdrtine oziroma ali so vrata zlomljena. Če je poškodovana, je ne nameščajte.

Omarica: odstranite zaščitno folijo na površini omarice mikrovalovne pečice. Ne odstranjujte svetlorjavega pokrova iz sljude, ki je za zaščito magnetrona pritrjen na notranjost pečice.

NAMESTITEV

1. Izberite ravno površino, na kateri je dovolj odprtega prostora za dovodne in/ali odvodne prezračevalne odprtine.



(1) Najmanjša višina namestitve znaša 85 cm.

(2) Hrbtno površino aparata morate postaviti ob steno. Nad pečico pustite najmanj 30 cm prostora; razdalja med pečico in morebitnimi sosednjimi stenami mora znašati najmanj 20 cm.

(3) Ne odstranjujte nožic s spodnjega dela pečice.

(4) Če so dovodne in/ali odvodne prezračevalne odprtine ovirane, se pečica lahko poškoduje.

(5) Pečico namestite čim dlje od radijskih in televizijskih aparatov. Delovanje mikrovalovne pečice lahko povzroča motnje pri sprejemu radijskega ali televizijskega signala.

2. Pečico vklopite v standardno vtičnico za napajanje v gospodinjstvu. Prepričajte se, da sta njena napetost in frekvenca enaki napetosti in frekvenci na tablici z nazivnimi podatki.

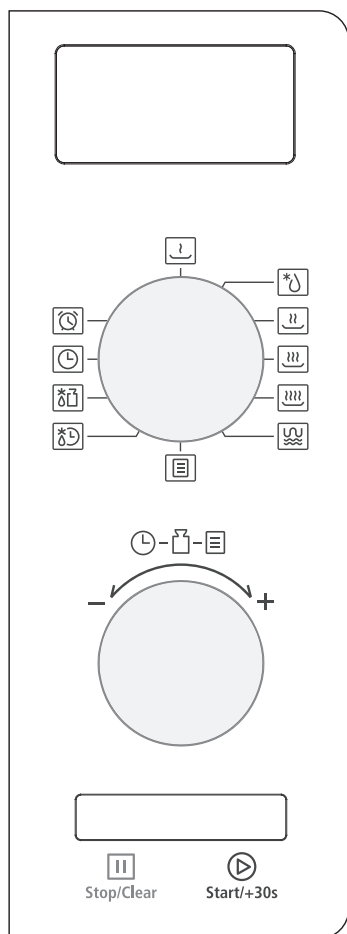
⚠ OPOZORILO!

Pečice ne nameščajte nad štedilnik ali druge aparate, ki oddajajo toploto. Če jo namestite v bližini vira toplote ali nad njim, se lahko poškoduje, jamstvo pa je izničeno.



Med delovanjem so površine, ki so dostopne, lahko vroče.

NADZORNA PLOŠČA



NAVODILA

- | | | | |
|--|----------------------------|---|------|
| | MIKROVALOVNA PEČICA | } | 10% |
| | | | 30% |
| | | | 50% |
| | | | 80% |
| | | | 100% |
| | ŽAR/KOMBINACIJA | | |
| | SAMODEJNI MENI | | |
| | ODTALJEVANJE GLEDE NA ČAS | | |
| | ODTALJEVANJE GLEDE NA TEŽO | | |
| | URA | | |
| | KUHINJSKI ČASOVNIK | | |

- Opomba:** 1. Če ura ni nastavljena, ob priklopu napajanja ne bo delovala.
2. Če med nastavitvijo ure v času ene minute ne pritisnete možnosti „Start/+30s“ (Zagon/+ 30 sekund) za potrditev, se bo pečica samodejno vrnila v prejšnje stanje.

2. Kuhinjski časovnik

1. Gumb za funkcije obrnite na možnost „Kitchen Timer“ (Kuhinjski časovnik); na zaslonu bo prikazano „00:00“.
2. Za vnos pravilnega časa obrnite gumb za parametre. (Najdaljši čas znaša 95 minut.)
3. Pritisnite „Start/+30s“ (Zagon/+ 30 sekund), da potrdite nastavitve.
4. Ko je čas kuhinjskega časovnika dosežen, se bo kazalnik ure izklopil. Brenčalo bo petkrat zazvonilo. Če je ura nastavljena (po 24-urnem sistemu), bo na zaslonu prikazan trenutni čas.

Opomba: Čas kuhinjskega časovnika se razlikuje od 24-urnega sistema. Kuhinjski časovnik je časovnik. Če želite po zaključeni operaciji ponovno uporabiti kuhinjski časovnik morate ponoviti prvotni postopek.

3. Kuhanje v mikrovalovni pečici

1. Obrnite gumb za funkcije na „10%“, „30%“ „100%“. Te nastavitve se nanašajo na moč mikrovalovne pečice. Prikažejo se možnosti „P10“, „P30“ in „P100“.
2. Za nastavitve časa kuhanja obrnite gumb za parametre. (Najdaljši čas kuhanja znaša 95 minut.)
3. Pritisnite „Start/+30s“ (Zagon/+ 30 sekund), da začnete kuhati. Brenčalo enkrat zazvoni.

OPOMBA: velikost korakov pri nastavitvi časa je naslednja:

0---1 min.:	5 sekund
1---5 min.:	10 sekund
5---10min.:	30 sekund

10---30min.: 1 minuta

30---95 min.: 5 minut

Preglednica moči mikrovalovne pečice

Moč mikrovalovne pečice	Visoka	Srednje visoka	Srednja	Srednje nizka	Nizka
Ekran	P100	P80	P50	P30	P10

4. Žar ali kombinacija Kuhanje

1. Gumb za funkcije obrnite na „Grill/Combi.“; na zaslonu se bo prikazala oznaka „G“.
2. Obrnite gumb za parametre, da izberete željeni način kuhanja, in prikazana bo oznaka „G“, „C-1“ ali „C-2“. Obstajata 2 stopnji kombinirane priprave hrane (najprej MW, nato funkcija žara).

Razlike so prikazane v tabeli:

Funkcija	Prikaz	MW moč	Moč žara
Stopnja 1	C-1	55% (16/29)	45% (13/29)
Stopnja 2	C-2	36% (10/29)	64% (19/29)

3. Pritisnite „Start/+30s“ (Zagon/+ 30 sekund), da potrdite.
4. Za nastavev časa kuhanja obrnite gumb za parametre. Pritisnite „Start/+30s“ (Zagon/+ 30 sekund), da začnete kuhati.

Opomba: če preteče polovico časa, namenjenega pečenju na žaru, se pečica dvakrat oglasi; to je normalno. Za učinkovitejše pečenje živil na žaru obrnite živilo, zaprite vrata in pritisnite „Start/+30s“ (Zagon/+ 30 sekund), da se bo kuhanje nadaljevalo. Če ne naredite ničesar, se bo delovanje pečice nadaljevalo.

5. Hitro kuhanje

1. V stanju čakanja pritisnite „Start/+30s“ (Zagon/+ 30 sekund), da začnete kuhati pri moči P100; z vsakim nadaljnjim pritiskom boste čas kuhanja podaljšali za 30 sekund, vse do 95 minut.

2. V načinu mikrovalovne pečice, kombinirano kuhanje ali odtaljevanje glede na čas lahko z vsakim pritiskom gumba „Start/+30s“ (Zagon/+ 30 sekund) podaljšate čas kuhanja za 30 sekund.
3. V stanju čakanja obrnite gumb za parametre v levo, da nastavite čas kuhanja pri moči mikrovalovne pečice P100, nato pa pritisnite „Start/+30s“ (Zagon/+ 30 sekund), da začnete kuhati.

6. Odtaljevanje glede na težo

1. Ko gumb za funkcije kaže „Weight Defrost“ (Odtaljevanje glede na težo), je na zaslonu prikazana oznaka „dEF1“.
2. Obrnite gumb za parametre, da izberete težo živila. Razpon teže znaša 100–2000 g.
3. Pritisnite „Start/+30s“ (Zagon/+ 30 sekund), da začnete odtaljevati.

7. Odtaljevanje glede na čas

1. Ko gumb za funkcije kaže „Time Defrost“ (Odtaljevanje glede na čas), je na zaslonu prikazana oznaka „dEF2“.
2. Obrnite gumb za parametre, da izberete čas odtaljevanja. Razpon čas znaša 0:05–95:00.
3. Pritisnite „Start/+30s“ (Zagon/+ 30 sekund), da začnete odtaljevati. Moč odtaljevanja znaša P30. Te nastavitve mogoče spremeniti.

8. Samodejni meni

1. Obrnite gumb za funkcije na Auto Menu (Samodejni meni), da izberete samodejno kuhanje. Oznaka „A-1“ začne utripati.
2. Obrnite gumb za parametre, da izberete zeleni meni. Na zaslonu bodo prikazane oznake „A-1“, „A-2“ ... „A-8“.
3. Za potrditev zelenega menija pritisnite „Start/+30s“ (Zagon/+ 30 sekund).
4. Obrnite gumb za parametre, da izberete težo živila.

5. Pritisnite „Start/+30s“ (Zagon/+ 30 sekund), da začnete kuhati.

9. Funkcija zaklepa za zaščito otrok

Zaklep: V stanju čakanja pritisnite možnost „Stop/Clear“ (Zaustavi/počisti) in jo držite pritisnjeno 3 sekunde; oglasil se bo dolg pisk, ki bo označeval vstop v stanje zaklepa za zaščito otrok, pri trenutnem času pa bo prikazano, ali je bil nastavljen čas; v nasprotnem primeru bo na zaslonu prikazana oznaka „**⏸**“.

Izhod iz zaklepa: V zaklenjenem stanju pritisnite možnost „Stop/Clear“ (Zaustavi/počisti) in jo držite pritisnjeno 3 sekunde; oglasil se bo dolg pisk, ki bo označeval sprostitvev stanja zaklepa.

10. Funkcija EKO

Vstop v način EKO: V stanju čakanja dvakrat pritisnite možnost „Stop/Clear“ (Zaustavi/počisti) v času ene sekunde; na zaslonu bo 3 sekunde prikazana oznaka „ECO“ (EKO). Po treh sekundah bo pečica preklopila v stanje čakanja. Če ne boste izvršili nobenega dejanja, se bo zaslon po eni minuti izklopil. Če boste izvršili katero koli dejanje, bo zaslon spet osvetljen. Če so vrata odprta, se bo žarnica pečice po eni minuti samodejno izklopila.

Izhod iz načina EKO: V stanju čakanja dvakrat pritisnite možnost „Stop/Clear“ (Zaustavi/počisti) v času ene sekunde; na zaslonu bo 3 sekunde prikazana oznaka „OFF“ (Izklop). Po 3 sekundah bo pečica preklopila v stanje čakanja. Če ne izvedete nobenega dejanja, bo zaslon nenehno osvetljen. Če so vrata odprta, bo žarnica pečice vedno svetila.

Opomba: Če boste izklopili napajanje, bo nastavitvev funkcije EKO neveljavna.

11. Specifikacija

1. Ko boste na začetku obrnili gumb za funkcije, se bo brenčalo enkrat oglasilo.
2. Če med kuhanjem odprete vrata, morate za nadaljevanje kuhanja pritisniti „Start/+30s“ (Zagon/+ 30 sekund).
3. Če po nastavitvi programa kuhanja eno minuto ne pritisnete možnosti „Start/+30s“ (Zagon/+ 30 sekund), bo prikazan trenutni čas. Nastavitev bo preklicana.
4. Kot opomnik, da je kuhanje končano, bo brenčalo petkrat zazvonilo.

Preglednica menijev

Meni	Teža	Zaslón
A-1 Pica	200 g	200
	400 g	400
A-2 Meso	250 g	250
	350 g	350
	450 g	450
A-3 Povrće	200 g	200
	300 g	300
	400 g	400
A-4 Pasta	50g (s 450 ml hladne vode)	50
	100g (z 800 ml hladne vode)	100
A-5 Krompir	200 g	200
	400 g	400
	600 g	600
A-6 Riba	250 g	250
	350 g	350
	450 g	450
A-7 Pića	1 skodelica (120 ml)	1
	2 skodelici (240 ml)	2
	3 skodelice (360ml)	3
A-8 Kokice	50 g	50
	85 g	85
	100 g	100

ODPRAVLJANJE TEŽAV

NORMALNO

Mikrovalovna pečica moti sprejem televizijskega signala.	Med delovanjem pečice lahko prihaja do motenj radijskega in televizijskega signala. Gre za podobne motnje kot pri malih gospodinjskih aparatih, kot so mešalnik, sesalec in sušilnik las. To je normalno.
Medla svetloba v pečici.	Pri kuhanju v mikrovalovni pečici z nizko močjo je svetloba v pečici lahko medla. To je normalno.
Nabiranje pare na vratih; iz odvodnih odprtih za prezračevanje izhaja vroč zrak.	Pri kuhanju lahko iz živil izhaja para. Večina pare bo odvedene prek odprtih za prezračevanje. Nekaj pa se je lahko nabere na hladnih površinah, kot so vrata pečice. To je normalno.
Pečica se je nenamerno zagnala, v njej pa ni živil.	Enote, v kateri ni živil, ni dovoljeno zaganjati. To je zelo nevarno.

TEŽAVA	MOŽNI VZROK	UKREP
Pečice ni mogoče zagnati.	Napajalni kabel ni trdno vklopljen.	Odklopite napajalni kabel. Čez 10 sekund ga znova priključite.
	Varovalka je pregorela ali pa se je odklopnik tokokroga izklopil.	Zamenjajte varovalko ali ponastavite odklopnik tokokroga (storitev popravila nudi strokovno osebje naše družbe).
	Težave z vtičnico.	Preverite delovanje vtičnice z drugimi električnimi aparati.
Pečica ne segreva.	Vrata niso dobro zaprta.	Vrata dobro zaprite.



V skladu z direktivo o odpadni električni in elektronski opremi (OEEO) je treba odpadno električno in elektronsko opremo zbirati in predelovati ločeno. Če boste ta izdelek kadar koli v prihodnosti morali odložiti med odpadke, ga NE odložite skupaj z gospodinjskimi odpadki. Če je mogoče, ta izdelek pošljite na zbirno točko za odpadno električno in elektronsko opremo.

PREDOSTROŽNOSTI ZA IZBEGAVANJE MOGUĆEG PREKOMERNOG IZLAGANJA MIKROTALASNOJ ENERGIJI

- Ne pokušavajte da koristite ovu rernu sa otvorenim vratima jer to može rezultirati štetnim izlaganjem mikrotalasnoj energiji. Važno je ne lomiti ili ne rotirati bezbednosne spojeve.
- Ne postavljajte nikakve predmete između prednje strane rerne i vrata, ne dozvoljavajte nakupljanje prljavštine ili sredstava za čišćenje na površinama za dihtovanje.

⚠ UPOZORENJE!

- Ukoliko su vrata ili vratni dihtunzi oštećeni, rerna se ne sme koristiti dok ih ne zameni stručna osoba.

DODATAK

Ukoliko se uređaj ne održava čistim, to može uticati na njegovu površinu i radni vek i dovesti do opasnih situacija.

Specifikacije

Radni napon	230V~50Hz
Nominalna ulazna snaga (mikrotalasi)	1450W
Nominalna izlazna snaga (mikrotalasi)	900W
Nominalna ulazna snaga (gril)	1000W
Kapacitet rerne	23L
Prečnik okretnog tanjira	270mm
Spoljne dimenzije	485x382x293mm
Neto težina	Oko 14.1 kg

VAŽNA SIGURNOSNA UPUTSTVA

UPOZORENJE!

Da biste smanjili rizik od požara, strujnog udara, povrede ili izlaganja prekomernoj energiji mikrotalasne rerne prilikom njenog korišćenja, sledite osnovne mere predostrožnosti koje uključuju sledeće:

1. Pročitajte i pratite: "MERE PREDOSTROŽNOSTI KAKO BISTE IZBEGLI MOGUĆU IZLOŽENOST PREKOMERENOJ MIKROTALASNOJ ENERGIJI".
2. Upozorenje: Uređaj mogu koristiti deca starija od 8 godina i osobe sa smanjenim fizičkim, senzornim i mentalnim sposobnostima ili nedostatkom iskustva i znanja samo ako su pod nadzorom ili su im data odgovarajuća uputstva, tako da mogu koristiti rernu na siguran način i da razumeveju opasnost usled neispravne upotrebe. Deca ne treba da se igraju sa ovim aparatom. Čišćenje i održavanje ne bi trebalo da obavljaju deca, osim ako su pod nadzorom i imaju više od 8 godina. Decu mlađu od 8 godina treba držati dalje od aparata, ukoliko nisu pod neprekidnim nadzorom.
3. Čuvajte aparat i njegove kablove van domašaja dece mlađe od 8 godina.
4. Ako je kabl za napajanje oštećen, mora ga zameniti proizvođač, njegov serviser ili slična kvalifikovana lica, kako bi se izbegla opasnost. (Za uređaj sa priborom tipa Y).
5. **UPOZORENJE:** Uverite se da je uređaj isključen pre nego što zamenite lampu kako biste izbegli mogućnost električnog udara.
6. **UPOZORENJE:** Opasno je za bilo koga osim kvalifikovane osobe da sprovede servisiranje ili popravku koja uključuje uklanjanje poklopca koji pruža zaštitu od izlaganja mikrotalasnoj energiji.

7. **UPOZORENJE:** Tečnosti i druga hrana se ne smeju zagrevati u zatvorenim posudama jer mogu da eksplodiraju.
8. Prilikom zagrevanja hrane u plastičnim ili papirnim posudama, pazite na rernu zbog mogućnosti paljenja.
9. Koristite samo posude koji su pogodne za upotrebu u mikrotalasnim rernama.
10. Ukoliko primetite dim, ugastite ili isključite uređaj iz struje, i držite zatvorena vrata rerne kako bi se vatra ugasila.
11. Mikrotalasno zagrevanje napitaka može dovesti do odloženog eruptivnog ključanja, stoga treba voditi računa prilikom rukovanja posudom.
12. Kako bi se izbegle opekotine, sadržaj dečjih flašica i teglica sa dečjom hranom treba promešati ili protresti pre konzumiranja i proveriti njegovu temperaturu.
13. Jaja u ljusci i tvrdo kuvana jaja ne bi trebalo zagrevati u mikrotalasnoj rerni jer mogu da eksplodiraju čak i nakon završetka grejanja u rerni.
14. Rernu bi trebalo redovno čistiti i uklanjati naslage hrane.
15. Neredovno čišćenje rerne može dovesti do propadanja njenih površina, što može skratiti njen vek trajanja i dovesti do opasnih situacija.
16. Uređaj se ne sme postaviti iza dekorativnih vrata kako bi se izbeglo pregrevanje (Ovo nije primenljivo za uređaje sa ukrasnim vratima).
17. Koristite samo sondu temperature koja se preporučuje za ovu rernu (za rerne opremljene instalacijom za korišćenje sonde za proveru temperature).
18. Mikrotalasna rerna ne bi trebalo da bude postavljena u kuhinjske elemente osim ako nije testirana za to.

19. Prilikom rada, ukrasna vrata moraju ostati otvorena (za rerne sa dekorativnim vratima).
20. Aparat je namenjen upotrebi u domaćinstvu i sličnim objektima kao što su:
 - kuhinje za osoblje u prodavnicama, kancelarijama i drugim radnim okruženjima;
 - hoteli, moteli i druge smeštajne jedinice;
 - seoske kuće;
 - prenoćišta.
21. Mikrotalasna rerna je namenjena za zagrevanje hrane i pića. Sušenje hrane ili odeće ili zagrevanje mokrih tkanina, papuča, sunđera, krpa i sličnih predmeta može dovesti do povrede, paljenja ili požara.
22. Tokom kuvanja u mikrotalasnoj rerni nije dozvoljeno koristiti metalne posude za hranu i piće.
23. Uređaj ne treba čistiti paročistačem.
24. Uređaj treba da stoji samostalno, nepriljubljen uz druge uređaje.
25. Zadnja strana uređaja trebalo bi da bude okrenuta prema zidu.
26. Uređaji nisu namenjeni za upravljanje pomoću spoljnog tajmera ili posebnog sistema daljinskog upravljanja.
27. Temperatura dostupnih površina može biti visoka prilikom rada uređaja.
28. **UPOZORENJE:** Kada se koristi u kombinovanom režimu, deca treba da koriste rernu samo pod nadzorom odraslih zbog visokih temperatura koje razvija.

PROČITAJTE PAŽLJIVO I ČUVAJTE ZA BUDUĆU UPOTREBU

Za smanjenje rizika od fizičkih povreda

Uzemljenje

⚠ OPASNOST!

Opasnost od strujnog udara.

Dodirivanje nekih komponenti može da izazove ozbiljne povrede ili smrt. Ne rastavljajte ovaj uređaj.

⚠ UPOZORENJE!

Opasnost od strujnog udara.

Neispravno uzemljenje može da rezutira strujnim udarom. Ne uključujte uređaj u utičnicu za struju dok ga ispravno ne instalirate i uzemljite.

- Ovaj uređaj mora da bude uzemljen. U slučaju kratkog strujnog spoja uzemljenje smanjuje opasnost od strujnog udara putem odvodne žice za električnu struju. Ovaj uređaj je opremljen uzemljenim strujnim kablom i utikačem sa kontaktom za uzemljenje. Utikač se mora ispravno uključiti u instaliranu i uzemljenu strujnu utičnicu.
 - Konsultujte se sa kvalifikovanim električarem ili serviserom ukoliko u potpunosti ne razumete uputstva za uzemljenje ili ukoliko niste sigurni da li je uređaj pravilno uzemljen.
 - Ukoliko je potrebno da koristite produžni kabl, koristite isključivo produžni kabl sa tri žice.
1. Obezbeđen je kratak kabl za napajanje kako bi se smanjili rizici od zapetljanja ili spoticanja o duži strujni kabl.
 2. Ukoliko se koristi dugi strujni kabl ili produžni kabl
 - 1) Nominalna snaga strujnog kabla ili produžnog kabla mora biti jednaka ili veća od nominalne snage uređaja.
 - 2) Produžni kabl mora da bude kabl uzemljenog tipa sa tri žice.

- 3) Dugi strujni kabl treba da se sprovede tako da ne visi preko ivice radne površine ili stola gde mogu da ga povuku deca ili neko može slučajno da se saplete o njega.

ČIŠĆENJE

Obavezno isključite rernu iz strujne utičnice.

1. Nakon upotrebe očistite unutrašnjost rerne vlažnom krpom.
2. Dodatke očistite na uobičajeni način u vodi sa sapunicom.
3. Kada su prljavi, okvir vrata, zaptivku i okolne delove treba pažljivo očistiti vlažnom krpom.
4. Ne koristite jaka abrazivna sredstva za čišćenje ili oštre metalne strugalice za čišćenje vrata rerne, pošto oni mogu da ogrebu površinu, što može rezultirati razbijanjem stakla.
5. Savet za čišćenje - Za lakše čišćenje šupljine zidova koje skuvana hrana može da dodirne: Stavite pola limuna u činiju, dodajte 300 ml vode i zagrejte na 100% snage mikrotalasa na 10 minuta. Obrišite rernu mekom, suvom krpom.

POSUĐE

⚠ OPREZ! **Opasnost od povreda**

Servisiranje ili popravljnje koje uključuje uklanjanje poklopca koji štiti od izlaganja mikrotalasnoj energiji, opasno je za svakog osim za obučeno lice.

Pogledajte uputstva o "Materijalima koji mogu da se koriste u mikrotalasnoj rerni ili koje treba izbegavati".

Postoji određeno nemetalno posuđe koje nije bezbedno za upotrebu u mikrotalasnoj rerni. Ukoliko postoji sumnja, posudu možete testirati na dole opisan način.

Test posuđa:

1. Napunite posudu bezbednu za upotrebu u mikrotalasnoj rerni 1 šoljicom hladne vode (250ml), zajedno sa posudom koju testirate.
2. Kuvajte na maksimalnoj snazi 1 minut.
3. Pažljivo opipajte posudu. Ukoliko je prazna posuda topla, ne koristite je za kuvanje u mikrotalasnoj rerni.
4. Nemojte prekoračiti 1 minut kuvanja.

Materijali bezbedni za upotrebu u mikrotalasnoj rerni

Posuda	Napomene
Posuda koja služi da se u njoj zapeče jelo	Pridržavajte se uputstava proizvođača. Dno posude mora da bude minimalno 5mm iznad tanjira koji se okreće. Neispravna upotreba može da izazove pucanje tanjira.
Servis za jelo	Isključivo onaj koji je pogodan za upotrebu u mikrotalasnim rernama. Pridržavajte se uputstava proizvođača. Ne koristite napuklo ili oštećeno posuđe.
Staklene tegle	Uvek uklonite poklopac. Koristite za zagrevanje hrane dok ne bude topla. Većina tegli nije otporna na toplotu i može da pukne.
Stakleno posuđe	Koristite isključivo vatrostalno stakleno posuđe. Na sudovima nikako ne sme biti metalnih rubova. Ne koristite napuklo ili oštećeno posuđe.
Kese za kuvanje u rernama	Pridržavajte se uputstava proizvođača. Ne zatvarajte metalnom vezicom. Napravite otvore tako da para može da izlazi.
Papirnati tanjiri i šoljice	Koristite isključivo za kratkotrajno kuvanje / zagrevanje. Ne ostavljajte bez nadzora tokom kuvanja.
Papirne salvete	Koristite za prekrivanje hrane za podgrevanje i upijanje masnoće. Koristite pod nadzorom isključivo za kratkotrajno kuvanje.
Papir za kolače	Koristite kao poklopac kako biste sprečili prskanje ili kao omotač za kuvanje u pari.

Posuda	Napomene
Plastika	Isključivo ona koja je pogodna za upotrebu u mikrotalasnim renama. Pridržavajte se uputstava proizvođača. Trebalo bi da bude označena sa "Microwave Safe". Neke plastične posude omekšavaju dok se hrana unutar njih zagreva. "Kese za kuvanje" i čvrsto zatvorene plastične kese prorezati, probušiti ili ostaviti otvorene prema uputstvu na pakovanju.
Plastična folija	Isključivo ona koja je pogodna za upotrebu u mikrotalasnim renama. Koristite za prekrivanje hrane tokom kuvanja radi zadržavanja vlage. Plastična folija ne bi smela da dodiruje hranu.
Termometri	Isključivo oni koji su pogodni za upotrebu u mikrotalasnim renama (Termometri za meso i kolače).
Masni papir	Koristite kao poklopac za sprečavanje prskanja i zadržavanje vlage.

Materijali nepogodni za upotrebu u mikrotalasnoj rerni

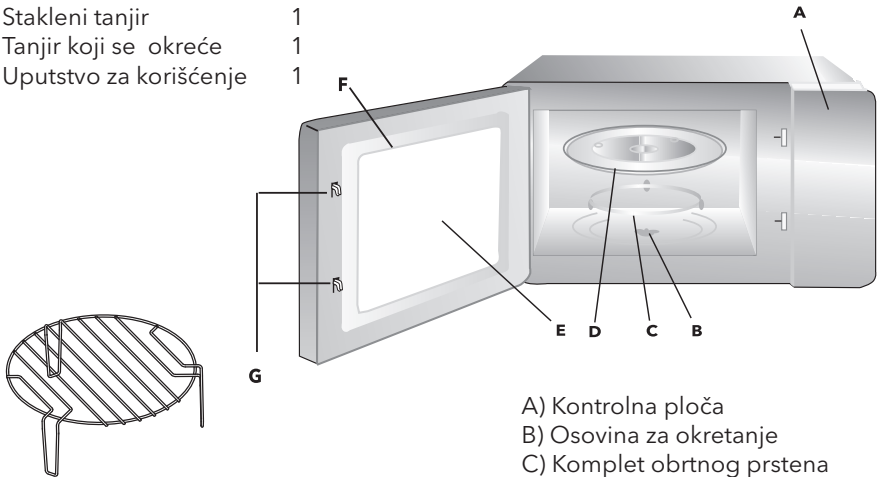
Posuda	Napomene
Aluminijumski tanjir	Može da izazove varničenje. Premestite hranu u posudu pogodnu za mikrotalasne rerne.
Posude za hranu sa metalnom drškom	Može da izazove varničenje. Premestite hranu u posudu pogodnu za mikrotalasne rerne.
Metalne posude ili posude sa metalnom ivicom	Metal štiti hranu od mikrotalasne energije. Metalne ivice mogu da izazovu varničenje.
Metalne vezice	Mogu da izazovu varničenje i vatru unutar rerne.
Papirnate kese	Mogu da izazovu vatru u pećnici.
Stiropor	Stiropor može da se otopi ili kontaminira tečnost unutar rerne kada je izložen visokoj temperaturi.
Drvo	Prilikom upotrebe u mikrotalasnoj rerni drvo će se isušiti, i može i da naprsne.

POSTAVLJANJE RERNE

Nazivi delova rerne i dodataka

Uklonite rernu i sav materijal iz ambalaže i unutrašnjosti rerne. Uz vašu rernu priloženi su sledeći dodaci:

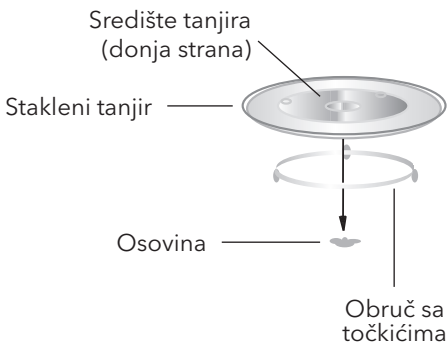
Stakleni tanjir	1
Tanjir koji se okreće	1
Uputstvo za korišćenje	1



- A) Kontrolna ploča
- B) Osovina za okretanje
- C) Komplet obrtnog prstena
- D) Stakleni tanjir
- E) Prozor za posmatranje
- F) Vrata
- G) Sistem sigurnosnog blokiranja

Rešetka za grill (ne može se koristiti za druge upotrebe u mikrotalnoj rerni i mora biti postavljena na stakleni tanjir)

Instalacija tanjira koji se okreće



- a. Nikada ne postavljajte stakleni tanjir naopako. Ništa ne sme da blokira stakleni tanjir.
- b. Stakleni tanjir i obruč sa točkicama uvek moraju da se koriste tokom kuvanja.
- c. Prilikom kuvanja, sva hrana i posude uvek treba staviti na stakleni tanjir.
- d. Ukoliko stakleni tanjir ili obruč sa točkicama naprsnu ili se slome, kontaktirajte najbliži ovlašćeni servisni centar.

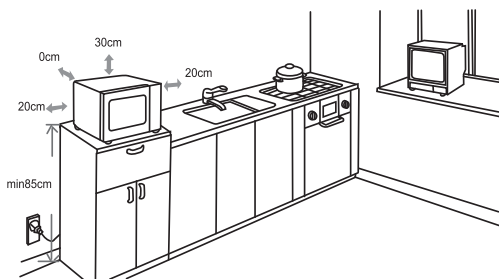
Instalacija na radnu površinu

Uklonite sav ambalažni materijal i dodatke. Proverite ima li oštećenja na rerni, poput ogrebotina ili oštećenih vrata. Ne instalirajte pećnicu ukoliko je oštećena.

Kućište: Uklonite zaštitnu foliju sa površine kućišta mikrotalasne rerne. Ne uklanjajte svetlosmeđi liskun poklopac koji je pričvršćen za unutrašnjost rerne, a služi za zaštitu magnetrona.

Instalacija

1. Izaberite ravnu površinu sa dovoljno slobodnog prostora za dovod/odvod ventilacionog sistema rerne.



(1) Minimalna visina ugradnje je 85cm.

(2) Uređaj se postavlja zadnjom stranom uz zid. Iznad rerne ostavite minimalno 30cm slobodnog prostora, a potrebno je najmanje 20 cm između rerne i susednih zidova.

(3) Ne uklanjajte nožice sa dna rerne.

(4) Blokiranje ulaza i/ili izlaza za vazduh može da ošteti rernu.

(5) Postavite rernu što je dalje moguće od radija i tv prijemnika. Rad mikrotalasne rerne može da izazove smetnje u vašem radijskom ili televizijskom prijemu.

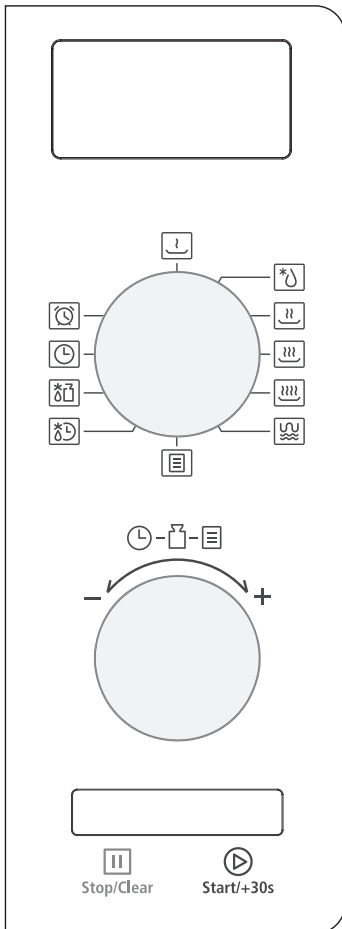
2. Uključite rernu u standardnu kućnu strujnu utičnicu. Napon i frekvencija treba da odgovaraju naponu i frekvenciji rerne, koji su navedeni na etiketi sa tehničkim podacima.

⚠ UPOZORENJE!

Ne postavljajte rernu iznad šporeta ili drugih toplotnih uređaja. Ukoliko se se instalira u blizini ili iznad izvora toplote, rerna bi se mogla oštetiti, i na taj način bi se mogla poništiti garancija za ovaj proizvod.



Dostupna površina može biti vruća tokom rada.

KOMANDNA TABLA**UPUTSTVO**

- | | | |
|--|------------------------------|----------------------------------|
| | MIKROTALASNA
RERNA | 10%
30%
50%
80%
100% |
| | | |
| | | |
| | | |
| | | |
| | GRIL/KOMB. | |
| | AUTOMATSKI MENI | |
| | ODMRZAVANJE PO VREMENU | |
| | SAT ZA ODMRZAVANJE PO TEŽINI | |
| | SAT | |
| | KUHINJSKI TAJMER | |


UPUTSTVO ZA UPOTREBU

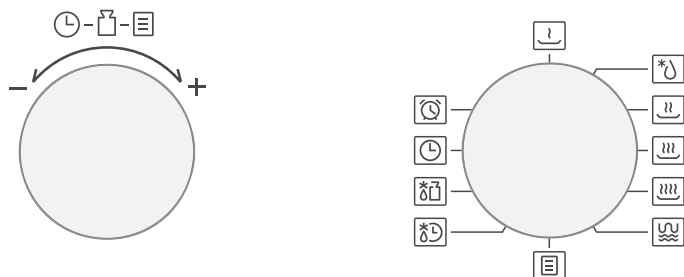
Ova mikrotalasna rerna koristi savremenu elektronsku kontrolu kako bi prilagodila parametre kuvanja i bolje zadovoljila vaše potrebe.

Uputstvo za upotrebu dugmadi

Na panelu se nalaze dva dugmeta. Radi lakšeg funkcionisanja, u okviru uputstva se levo dugme naziva dugme za parametre. Desno dugme se naziva dugme za funkcije.

Nakon završetka zadate operacije, ista postaje neaktivna, a dugme za funkcije je neophodno ponovo postaviti u željeni režim rada.

Ukoliko se ova operacija izostavi, uređaj pokreće podrazumevani/osnovni režim rada (mikrotalasna rerna )



1. Podešavanje sata

Kada je mikrotalasna rerna priključena na struju, na ekranu će biti prikazano „0:00“, a zvučni signal će se jednom oglasiti. Uređaj zatim ulazi u režim čekanja.

1. Okrenite dugme za funkcije na „Sat“, a na ekranu će početi da trepere brojevi za sate.
2. Okrenite dugme za parametre kako biste podesili brojeve za sate. Brojevi koje je moguće uneti se kreću u opsegu 0-23.
3. Da potvrdite, pritisnite taster „Start/+30s“, nakon čega će početi da trepere brojevi za minute.
4. Okrenite dugme za parametre kako biste podesili

brojeve za minute. Brojevi koje je moguće uneti se kreću u opsegu 0-59.

5. Da završite sa podešavanjem sata, pritisnite taster „Start/+30s“. Na ekranu će početi da treperi oznaka „:“.

Napomena: 1) Ukoliko sat nije podešen, on neće funkcionisati kada se priključi na struju.
2) Ukoliko tokom postupka podešavanja sata u roku od 1 minuta ne pritisnete taster „Start/+30s“ radi potvrde, rena će se automatski vratiti na prethodni status.

2. Kuhinjski tajmer

1. Okrenite dugme za funkcije na „Kuhinjski tajmer“ i na ekranu će biti prikazano „00:00“.
2. Da unesete odgovarajuće vreme, okrenite dugme za parametre. (Maksimalni vremenski period iznosi 95 minuta)
3. Da potvrdite podešavanje, pritisnite taster „Start/+30s“.
4. Po isteku kuhinjskog vremena, indikator sata će se isključiti. Zvučni signal će se oglasiti 5 puta. Ukoliko je sat podešen (24-časovni sistem), na ekranu će biti prikazano trenutno vreme.

Napomena: Kuhinjsko vreme se razlikuje od 24-časovnog sistema. Kuhinjski tajmer je tajmer. Ukoliko nakon završetka operacije, ponovo želite da koristite kuhinjski tajmer, neophodno je ponovite prvobitni postupak.

3. Mikrotalasno pripremanje hrane

1. Okrenite dugme za funkcije na „10%“, „30%“..... „100%“. Ove oznake se odnose na snagu mikrotalasne rerne. Na ekranu će biti prikazane oznake „P10“, „P30“... „P100“.
2. Okrenite dugme za parametre kako biste podesili period pripremanja hrane. (Maksimalni period pripremanja hrane iznosi 95 minuta)

3. Da započnete pripremu hrane, pritisnite taster „Start/+30s“. Zvučni signal će se jednom oglasiti.
NAPOMENA: koraci za kvantitativno podešavanje vremena su sledeći:
 0---1 min 5 sekundi
 1---5 min: 10 sekundi
 5---10min: 30 sekundi
 10---30min: 1 minut
 30---95 min: 5 minuta

Tabela snage mikrotalasne rerne

Snaga mikrotalasne rerne	Visoka	Srednje visoka	Srednja	Srednje niska	Niska
Ekran	P100	P80	P50	P30	P10

4. Gril ili komb. priprema hrane

1. Okrenite dugme za funkcije na „Gril/Komb.“ i na ekranu će biti prikazana oznaka „G“
2. Okrenite dugme za parametre kako biste izabrali željeni režim pripreme hrane, a na ekranu će biti prikazane oznake „G“, „C-1“ ili „C-2“.
 Postoje 2 nova kombinovane pripreme hrane (najpre MW a zatim Gril).
 Razlike su prikazane u tabeli:

Funkcija	Display	MW power	Grill power
Level 1	C-1	55% (16/29)	45% (13/29)
Level 2	C-2	36% (10/29)	64% (19/29)

3. Za potvrdu, pritisnite taster „Start/+30s“.
4. Da podesite vreme pripreme hrane, okrenite dugme za parametre.
5. Pritisnite taster „Start/+30s“ da započnete pripremu hrane.

Napomena: Kada istekne polovina vremena podešenog za grilovanje, rerne će se oglasiti dva puta i to je normalno. Za što bolji efekat grilovane hrane,

okrenite hranu, zatvorite vrata, a zatim pritisnite taster „Start/+30s“ da nastavite sa pripremom hrane. Ukoliko ne uradite ništa, rena će nastaviti da radi.

5. Brza priprema hrane

1. U aktiviranom režimu čekanja, pritisnite taster „Start/+30s“ kako biste počeli da pripremate hranu uz snagu od P100. Svakim dodatnim pritiskom na taster, period pripremanja hrane se povećava za 30 sekundi sve do 95 minuta.
2. U okviru režima mikrotalasna rena, gril, kombinovana priprema hrane ili odmrzavanje po vremenu, svakim pritiskom na taster „Start/+30s“ period pripremanja hrane možete povećati za 30 sekundi.
3. U aktiviranom režimu čekanja, okrenite dugme za parametre ulevo kako biste period pripremanja hrane podesili na P100 snage mikrotalasne rene, a zatim pritisnite taster „Start/+30s“ kako biste počeli da pripremate hranu.

6. Odmrzavanje po težini

1. Kada dugme za funkcije pokazuje na „Odmrzavanje po težini“, na ekranu će biti prikazana oznaka „dEF1“;
2. Da izaberete težinu hrane, okrenite dugme za parametre. Opseg težine iznosi 100-2000g.
3. Pritisnite taster „Start/+30s“ da započnete odmrzavanje.


7. Odmrzavanje po vremenu

1. Kada dugme za funkcije pokazuje na „Odmrzavanje po vremenu“, na ekranu će biti prikazana oznaka „dEF2“;
2. Da izaberete period odmrzavanja, okrenite dugme za parametre. Vremenski opseg iznosi 0:05-95:00.
3. Da započnete odmrzavanje, pritisnite taster „Start/+30s“. Snaga odmrzavanja je P30. Nije je moguće promeniti.

8. Automatski meni

1. Da izaberete automatsku pripremu hrane, okrenite dugme za funkcije na „Automatski meni“. Na ekranu će početi da treperi oznaka „A-1“;
2. Da izaberete željeni meni, okrenite dugme za parametre. Na ekranu će biti prikazane oznake „A-1“, „A-2“...„A-8“.
3. Za potvrdu izabranog menija, pritisnite taster „Start/+30s“;
4. Da izaberete težinu hrane, okrenite dugme za parametre;
5. Da započnete pripremu hrane, pritisnite taster „Start/+30s“;

9. Funkcija zaključavanja radi zaštite dece

Zaključavanje: U aktiviranom režimu čekanja, pritisnite taster „Stop/Clear“ u trajanju od 3 sekunde. Začuće se duži zvučni signal kojim se označava aktiviranje režima zaključavanja radi zaštite dece, a na ekranu će biti prikazano trenutno vreme, ukoliko je ova opcija podešena. U suprotnom, na ekranu će biti prikazana oznaka „“.

Otključavanje: U aktiviranom režimu zaključano, pritisnite taster „Stop/Clear“ u trajanju od 3 sekunde. Začuće se duži zvučni signal kojim se označava deaktiviranje režima zaključavanja.

10. EKO funkcija

Aktiviranje EKO režima: U aktiviranom režimu čekanja, pritisnite taster „Stop/Clear“ dva puta u toku 1 sekunde, i na ekranu će, u trajanju od 3 sekunde, stajati „ECO“. Nakon 3 sekunde, rena će preći u režim čekanja. Ukoliko nakon toga izostanu bilo kakve aktivnosti, ekran će se isključiti nakon 1 minuta. Ekran će se ponovo uključiti nakon bilo koje aktivnosti. Ukoliko vrata ostanu otvorena, lampica u rerni će se automatski isključiti nakon 1 minuta.

Deaktiviranje EKO režima: U aktiviranom režimu čekanja, pritisnite taster „Stop/Clear“ dva puta u toku 1 sekunde, i na ekranu će, u trajanju od 3 sekunde, stajati „OFF“ (ISKLJUČENO). Nakon 3 sekunde, rena će preći u režim čekanja. Ukoliko izostanu bilo kakve aktivnosti, ekran će uvek biti osvetljen; Ukoliko vrata ostanu otvorena, lampica u rerni će uvek svetleti.

Napomena: Isključivanjem uređaja iz struje, poništićete EKO podešavanje.

11. Specifikacija

1. Kada okretanjem vratite dugme za funkcije na početak, zvučni signal će se jednom oglasiti;
2. Da biste nastavili sa pripremom hrane u slučaju otvaranja vrata u toku pripreme, morate pritisnuti taster „Start/+30s“;
3. Ukoliko nakon izvršenog podešavanja programa za pripremu hrane u roku od 1 minuta ne pritisnete taster „Start/+30s“, na ekranu će biti prikazano trenutno vreme, a podešavanje će biti poništeno.
4. Zvučni signal će se pet puta oglasiti kako bi vas podsetio da je priprema hrane završena.

Tabela sa menijima

Meni	Težina	Ekran
A-1 Pica	200 g	200
	400 g	400
A-2 Meso	250 g	250
	350 g	350
	450 g	450
A-3 Povrće	200 g	200
	300 g	300
	400 g	400
A-4 Pasta	50g (sa 450 ml hladne vode)	50
	100g (sa 800 ml hladne vode)	100
A-5 Krompir	200 g	200
	400 g	400
	600 g	600
A-6 Riba	250 g	250
	350 g	350
	450 g	450
A-7 Pića	1 šolja (120 ml)	1
	2 šolje (240 ml)	2
	3 šolje (360ml)	3
A-8 Kokice	50 g	50
	85 g	85
	100 g	100

Otklanjanje problema

NORMALNO	
Mikrotalasna ometa TV prijem	Tokom rada mikrotalasna rerna može ometati radio i TV prijem. To je slično interferenciji malih kućnih aparata, kao što su mikser, usisivač i fen za kosu. To je normalno.
Prigušeno svetlo u rerni	Prilikom kuvanja niskom snagom mikrotalasa, svetlo rerne može postati prigušeno. To je normalno.
Na vratima se kondenzuje vlaga, vruć vazduh izlazi iz otvora	Tokom kuvanja iz hrane može izlaziti para. Veći deo će izaći kroz ventilacione otvore, ali deo se može kondenzovati na hladnijim mestima poput vrata rerne. To je normalno.
Rerna je slučajno uključena bez hrane u njoj	Zabranjeno je koristiti praznu rernu, bez hrane u njoj. To je veoma opasno.

PROBLEM	MOGUĆI UZROK	REŠENJE
Rerna se ne može pokrenuti	Strujni kabl nije ispravno uključen	Isključite kabl, pa ga nakon 10 sekundi ponovno uključite
	Neispravan osigurač ili prekidač	Zamenite osigurač ili prekidač (uslugu vrši stručno osoblje naše kompanije)
	Problem sa utičnicom	Testirajte utičnicu na drugim električnim uređajima.
Rerna se ne zagreva	Vrata nisu dobro zatvorena	Dobro zatvorite vrata



Prema odredbi o odlaganju električne i elektronske opreme, takva oprema treba da se posebno sakuplja i obrađuje. Ukoliko u nekom trenutku treba da bacite ovaj uređaj, molimo da ga NE bacate u đubre zajedno sa ostalim kućnim otpadom, već tamo gde je za to unapred određeno mesto. Ukoliko je moguće, molimo vas pošaljite ovaj uređaj u centar za prikupljanje električne i elektronske opreme.

TESLA

tesla.info

Ovaj dokument je originalno proizveden i objavljen od strane proizvođača, brenda Tesla, i preuzet je sa njihove zvanične stranice. S obzirom na ovu činjenicu, Tehnoteka ističe da ne preuzima odgovornost za tačnost, celovitost ili pouzdanost informacija, podataka, mišljenja, saveta ili izjava sadržanih u ovom dokumentu.

Napominjemo da Tehnoteka nema ovlašćenje da izvrši bilo kakve izmene ili dopune na ovom dokumentu, stoga nismo odgovorni za eventualne greške, propuste ili netačnosti koje se mogu naći unutar njega. Tehnoteka ne odgovara za štetu nanесenu korisnicima pri upotrebi netačnih podataka. Ukoliko imate dodatna pitanja o proizvodu, ljubazno vas molimo da kontaktirate direktno proizvođača kako biste dobili sve detaljne informacije.

Za najnovije informacije o ceni, dostupnim akcijama i tehničkim karakteristikama proizvoda koji se pominje u ovom dokumentu, molimo posetite našu stranicu klikom na sledeći link:

<https://tehnoteka.rs/p/tesla-mikrotalasna-rerna-mw2391mb-akcija-cena/>