

## Uputstvo za upotrebu

BEKO aspirator CTB 6250 X



Tehnoteka je online destinacija za upoređivanje cena i karakteristika bele tehnike, potrošačke elektronike i IT uređaja kod trgovinskih lanaca i internet prodavnica u Srbiji. Naša stranica vam omogućava da istražite najnovije informacije, detaljne karakteristike i konkurentne cene proizvoda.

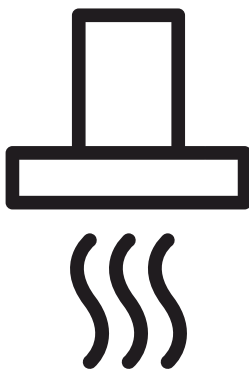
Posetite nas i uživajte u ekskluzivnom iskustvu pametne kupovine klikom na link:

<https://tehnoteka.rs/p/beko-aspirator-ctb-6250-x-akcija-cena/>

# beko

## Hood

User manual



CTB 6250 W	CTB 9250 X
CTB 6250 B	CTB 6250 XH
CTB 6250 X	CTB 9250 XH

EN-DE-FR-NL-ES-PT-IT-DA-RU-LT-RO-PL-GR-BG-VN-BS-CS-SR-SK-SL-SV



01M-8842123200-1721-18	01M-8842043200-1721-18
01M-8842113200-1721-18	01M-8844773200-1721-18
01M-8842103200-1721-18	01M-8844763200-1721-18

## CONTENTS

---

<b>ENGLISH</b>	<b>04-13</b>
<b>DEUTSCH</b>	<b>14-26</b>
<b>FRANÇAIS</b>	<b>27-38</b>
<b>NEDERLANDS</b>	<b>39-49</b>
<b>ESPAÑOL</b>	<b>50-62</b>
<b>PORTUGUÊS</b>	<b>63-75</b>
<b>ITALIANO</b>	<b>76-87</b>
<b>DANSK</b>	<b>88-98</b>
<i>РУССКИЙ</i>	<b>99-113</b>
<b>LIETUVIŪK</b>	<b>114-124</b>
<b>ROMÂNĂ</b>	<b>125-137</b>
<b>POLSKI</b>	<b>138-152</b>
<i>ΕΛΛΗΝΙΚΑ</i>	<b>153-164</b>
<i>БЪЛГАРСКИ</i>	<b>165-176</b>
<b>VIETNAMESE</b>	<b>177-187</b>
<b>BOSANSKI</b>	<b>188-198</b>
<b>ČESKY</b>	<b>199-209</b>
<i>СРПСКИ</i>	<b>210-221</b>
<b>SLOVENSKÝ</b>	<b>222-232</b>
<b>SLOVENŠČINA</b>	<b>233-243</b>
<b>SVENSKA</b>	<b>244-254</b>

# Please read this user manual first!






Dear Valued Customer,

Thank you for preferring this Beko appliance. We hope that you get the best results from your appliance which has been manufactured with high quality and state-of-the-art technology. For this reason, please read this entire user manual and all other accompanying documents carefully before using the appliance and keep it as a reference for future use. If you handover the appliance to someone else, give the user manual as well. Follow the instructions by paying attention to all the information and warnings in the user manual.

Remember that this user manual may also apply to other models. Differences between models are explicitly described in the manual.

## Meanings of the Symbols

Following symbols are used in various sections of this user manual:

	Important information and useful hints about usage.
	<b>WARNING:</b> Warnings against dangerous situations concerning the security of life and property.
	Warning for danger of fire.
	Warning for electric shock.
	Protection class for electric shock.



This appliance has been manufactured in environmentally friendly modern plants without giving any harm to the nature.

Complies with the WEEE regulation.



It does not contain PCB.



# 1 Important Safety and Environmental Instructions

## 1.1 General Safety

**Important Safety Instructions Read Carefully And Keep For Future Reference** This section contains safety instructions that will help protect from risk of fire, electric shock, exposure to leak microwave energy, personal injury or property damage. Failure to follow these instructions shall void any warranty.

- Beko products comply with the applicable safety standards; therefore, in case of any damage on the appliance or power cable, it should be repaired or replaced by the dealer, service center or a specialist and authorized service alike to avoid any danger. Faulty or unqualified repair work may be dangerous and cause risk to the user.
- This appliance is intended to be used in household and similar applications such as:
  - Staff kitchen areas in shops, offices and other working environments;
  - Farm houses
  - By clients in hotels, and other residential type environments;
  - Bed and Breakfast type environments.
- Operate the appliance for its intended purpose only as described in this manual.
- The manufacturer cannot be held liable for damages resulting from improper installation or misuse of the product.
- This appliance can be used by children aged from 8 years and above and persons with reduced physical, sensory or mental capabilities or lack of experience and knowledge if they have been given supervision or instruction concerning use of the appliance in a safe way and understand the hazards involved.
- Children shall not be allowed play with the appliance. Cleaning and user maintenance shall not be made by children without supervision.
- The minimum distance between the supporting surface for the cooking vessels on the hob and the lowest part of your product must be at least 65 cm.
- If the instructions for installation for the gas hob specify a greater distance, this has to be taken into account.
- Make sure that your mains power

# 1 Important Safety and Environmental Instructions

supply complies with the information supplied on the rating plate of the appliance.

- Never use the appliance if the power cable or the appliance itself is damaged.
- Prevent damage to the power cable by not squeezing, bending, or rubbing it on sharp edges. Keep the power cable away from hot surfaces and naked flame.
- Use the appliance with a grounded outlet only.

**WARNING:** Do not connect the appliance to the mains until the installation is fully complete.

- Place the appliance in a way so that the plug is always accessible.
- Do not touch the lamps if they have operated for a long time. They can burn your hands since they will be hot.
- Follow the regulations set out by competent authorities on discharge of the exhaust air (this warning is not applicable for use without flue).
- Operate your appliance after putting a pot, pan etc. on the hob. Otherwise, high heat may cause deformation in some parts of your product.

- Turn off the hob before taking the pot, pan etc. from it.
- Do not leave hot oil on the hob. Pans with hot oil may cause self combustion.
- Pay attention to your curtains and covers since oil may catch fire while cooking food such as fries.
- Grease filter must be cleaned at least monthly. Carbon filter must be replaced at least every 3 months.
- Product shall be cleaned accordance with user manual. If cleaning was not carried out in accordance with user manual, there may be fire risk.
- Do not use non-fire-resistant filtering materials instead of the current filter.
- Only use the original parts or parts recommended by the manufacturer.
- Do not operate the product without the filter and do not remove the filters while the product is running.
- In the event of be started any flame, de-energize your product and cooking appliances.
- In the event of be started any flame, cover the flame and never

# 1 Important Safety and Environmental Instructions

use water to extinguish.

- Unplug the appliance before each cleaning and when the appliance is not in use.
- The negative pressure in the environment should not exceed 4 Pa (4 x 10 bar) while the hood for electric hob and appliances running on another type of energy but electricity operate simultaneously.
- In the environment where the appliance is being used, the exhaust of devices running on fuel oil or gas, such as room heater must be absolutely isolated or device must be hermetical type.
- When connecting the flue, use pipes with a diameter of 120 or 150 mm. Pipe connection must be as short as possible and have as few elbows as possible.

**Danger of choking!** Keep all the packaging materials away from children.

**CAUTION:** Accessible parts may become hot when used with cooking appliances.

- The product outlet must not be connected to air channels that include other smoke.
- The ventilation in the room may

be insufficient when the hood for electric hob is used simultaneously with the devices operating on gas or other fuels (this may not apply to appliances that only discharge the air back into the room).

- Objects placed on the product may fall. Do not place any objects on the product.
- Do not flambe under the your product.

**WARNING:** Before installing the Hood, remove the protective films.

- Never leave high naked flames under the hood when it is in operation
- Deep fat fryers must be continuously monitored during use: overheated oil can burst into flames.

## 1.2 Compliance with the WEEE Directive and Disposing of the Waste Product:

This product complies with EU WEEE Directive (2012/19/EU). This product bears a classification

symbol for waste electrical and electronic equipment (WEEE).



This symbol indicates that this product shall not be disposed with other household wastes at the end of

# 1 Important Safety and Environmental Instructions

its service life. Used device must be returned to official collection point for recycling of electrical and electronic devices. To find these collection systems please contact to your local authorities or retailer where the product was purchased. Each household performs important role in recovering and recycling of old appliance. Appropriate disposal of used appliance helps prevent potential negative consequences for the environment and human health.

## 1.3 Compliance with RoHS Directive

The product you have purchased complies with EU RoHS Directive (2011/65/EU). It does not contain harmful and prohibited materials specified in the Directive.

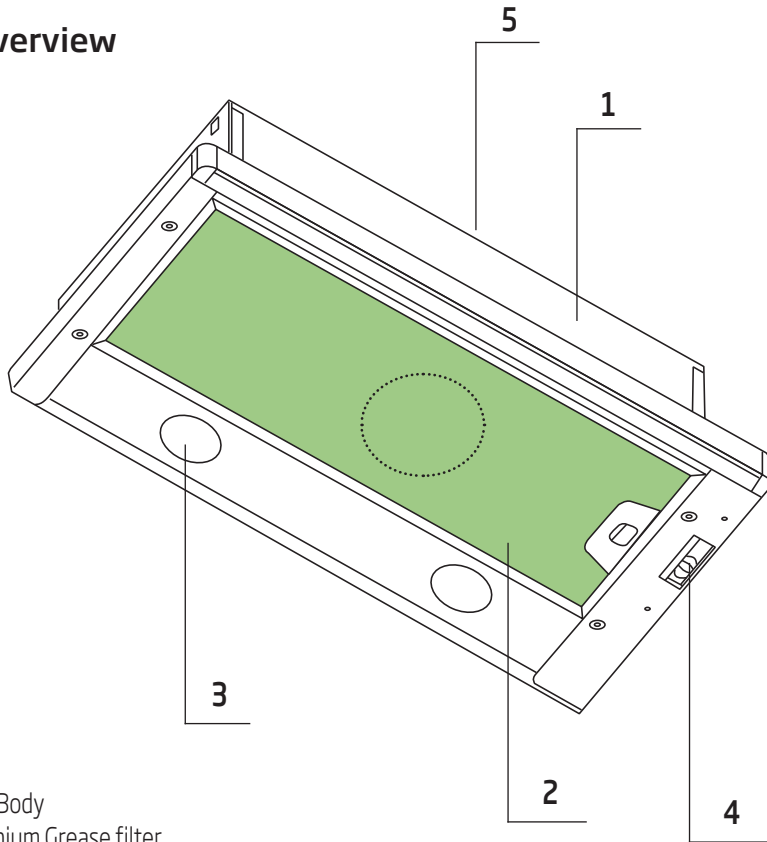
## 1.4 Package Information



Packaging materials of the product are manufactured from recyclable materials in accordance with our National Environment Regulations. Do not dispose of the packaging materials together with the domestic or other wastes. Take them to the packaging material collection points designated by the local authorities.

## 2 General Appearance

### 2.1 Overview



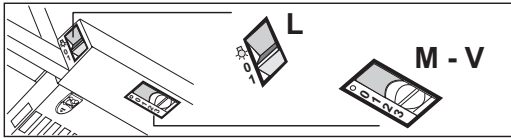
1. Main Body
2. Aluminium Grease filter
3. Lighting
4. Control Panel
5. Chimney

### 2.2 Technical Data

<b>Model</b>	CTB 6250 W / CTB 6250 X / CTB 6250 XH / CTB 6250 B / CTB 9250 X / CTB 9250 XH
<b>Supply Voltage</b>	220-240V ~ 50 Hz
<b>Lamp Power (W)</b>	2x4
<b>Motor Power (W)</b>	1x140
<b>Air Flow (m<sup>3</sup>/h) - 3. Level</b>	420
<b>Insulation Class</b>	CLASS II

## 3 Using the Appliance

### 3.1 Controls Panel



L	Light	Switches the lighting system on and off
M	Motor	Switches the extractor motor on and off
V	Speed	Sets the operating speed of the extractor:  <ol style="list-style-type: none"><li>1. Low speed, used for a continuous and silent air change in the presence of light cooking vapour.</li><li>2. Medium speed, suitable for most operating conditions given the optimum treated air flow/noise level ratio.</li><li>3. Maximum speed, used for eliminating the highest cooking vapour emission, including long periods.</li></ol>

- The extractor hood has been designed exclusively for domestic use to eliminate kitchen smells.
- Never use the hood for purposes other than for which it has been designed.
- Never leave high naked flames under the hood when it is in operation.
- Adjust the flame intensity to direct it onto the bottom of the pan only, making sure that it does not engulf the sides.
- Deep fat fryers must be continuously monitored during use: overheated oil can burst into flames.

## 3 Using the Appliance

### 3.2 Lamp Replacement



Before replacing the light bulbs, disconnect the power supply of the hood.



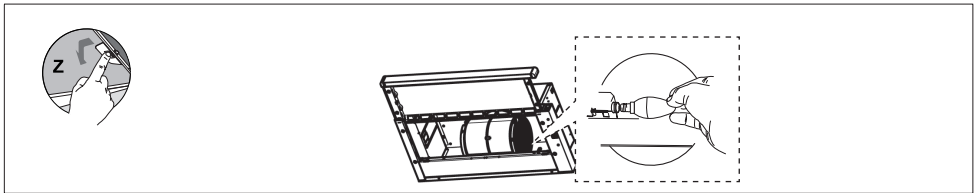
Do not touch the light bulbs when they are hot.




Be careful not to touch the replaced light bulb directly with hands.



You may procure lamps from Authorised Service Agents.



Lamp	Power (W)	Socket	Voltage (V)	Dimension (mm)	ILCOS Code
	4	E14	220 – 240	107 x 37	DRBB/F-4-220-240-E14-35/100

- Candle type LED lamp is used in this product
- Max 4 W lamp must be used when the change of lamp

## 4 Cleaning and maintenance

Prior to cleaning and maintenance, unplug the appliance or turn the main switch off or loosen the fuse that supplies the hood.

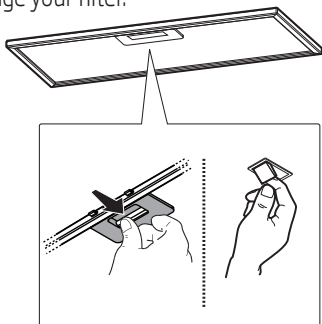


Failure to comply with the provisions relating to cleaning of the device and replacement of filters may cause fire risks. It is therefore recommended to comply with the guidelines given herein. The manufacturer is not liable for any damage to the engine or fires caused by improper use.

Clean using only a cloth dampened with neutral liquid detergent. Do not clean with tools or instruments. Do not use abrasive products. Do not use alcohol

### 4.1 Cleaning of Aluminium Grease Filter

This filter captures oil particles in the air. You are recommended to clean your filter every month under normal usage conditions. First remove the grease filters for this process. Wash the filters with liquid detergent and rinse them with water and install them back after they get dry. Aluminium grease filters may get discolored as they are washed; this is normal and you don't need to change your filter.

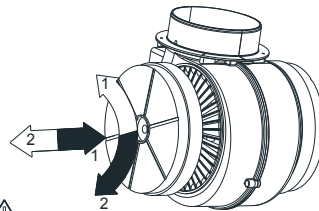


You can wash the Aluminium filter in the dishwasher

### 4.2 Changing of Carbon Filter (Air Circulation Mode)

The hood can be fitted with an active carbon filter. The carbon filter is applied only in case the hood is not connected to the vent duct. In any case it is necessary to replace the carbon filter at least every three months.

When replacing the carbon filter pay attention to the type of used turbine.



Symbol  Filter installation  
Symbol  Filter dismantling



**WARNING:** The carbon filter is never washed.



**WARNING:** Carbon filter is available from Authorized Services.



## 5 Setting Up the Device



### WARNING

Please read safety instructions before setting up.



### NOTE

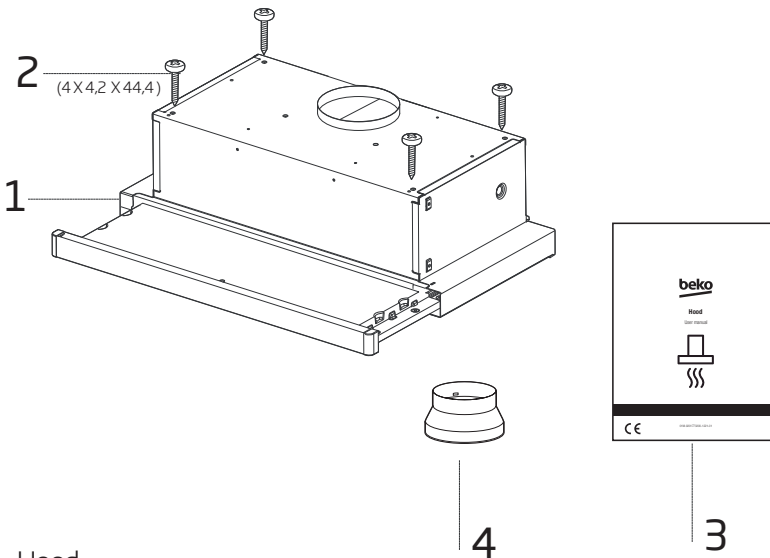
Please refer to **page 255** for the installation guide



### WARNING

Failure to install the screws or fixing device in accordance with these instructions may result in electrical hazards.

### 5.1 Installation Accessories



- 1- Hood
- 2- 4 X 4,2 X 44,4 Screws
- 3- User Manual
- 4- 1 x Ø120/150 mm plastic flue adapter

## 6 Troubleshooting

Troubleshooting	Reason	Help
The product does not work.	Check your fuse.	Your fuse might be closed, make it work.
The product does not work.	Check the electrical connection.	The mains voltage should be between 220-240 V.
The product does not work.	Check the electrical connection.	Check if the other products in your kitchen are working or not.
The lighting lamp does not work.	Check the electrical connection.	The mains voltage should be between 220-240 V.
The lighting lamp does not work.	Check the lamp switch.	The lamp switch should be in the "on" position.
The lighting lamp does not work.	Check the lamps.	The lamps of the product should not be faulty.
The air intake of the product is poor.	Check the aluminum filter.	The aluminum oil filter should be cleaned at least once a month under normal conditions.
The air intake of the product is poor.	Check the air vent flue.	The air vent flue should be in the "on" position.
The air intake of the product is poor.	Check the carbon filter.	For products with carbon filters, the filter should normally be changed every 3 months.

# Bitte lesen Sie zunächst diese Anleitung!

Sehr geehrte Kundin, sehr geehrter Kunde,

Vielen Dank, dass Sie sich für dieses Gerät der Marke Beko entschieden haben. Wir sind überzeugt, dass Sie mit diesem Gerät, das mit den höchsten Qualitätsanforderungen und modernster Technologie hergestellt wurde, beste Ergebnisse erzielen werden. Bitte lesen Sie die gesamte Bedienungsanleitung und alle anderen Begleitdokumente aufmerksam, bevor Sie das Gerät verwenden; bewahren Sie sie zum künftigen Nachschlagen sicher auf. Wenn Sie das Gerät an jemanden weitergeben, händigen Sie ihm bitte auch diese Anleitung aus. Befolgen Sie die Anweisungen, indem Sie alle Informationen und Warnhinweise in der Bedienungsanleitung beachten.

Bitte denken Sie daran, dass diese Bedienungsanleitung eventuell für mehrere Modelle geschrieben wurde. Unterschiede zwischen den Modellen werden in der Anleitung klar und deutlich beschrieben.

## Bedeutung der Symbole

Folgende Symbole werden in den verschiedenen Abschnitten dieser Anleitung verwendet:



Wichtige Informationen und nützliche Hinweise zur Verwendung.



**WARNUNG:** Warnhinweise zu gefährlichen Situationen im Hinblick auf die Sicherheit von Leib, Leben und Eigentum.



Warnung vor Brandgefahr.



Warnung vor Stromschlägen.



Schutzklasse gegen Stromschläge.



Dieses Gerät wurde in umweltfreundlichen, modernen Einrichtungen ohne schädliche Auswirkungen auf die Natur hergestellt.

Das Gerät erfüllt die Vorgaben der WEEE-Richtlinie.



Es enthält kein PCB.

# 1 Wichtige Sicherheits- und Umwelanweisungen

## 1.1 Allgemeine Sicherheit

Wichtige Sicherheitsanweisungen sorgfältig lesen und zum künftigen Nachschlagen aufbewahren

Dieser Abschnitt enthält Sicherheitsanweisungen, die beim Schutz vor Personen- und Sachschäden, Bränden, Stromschlägen und dem Austreten von Mikrowellenenergie helfen. Bei Nichtbeachtung dieser Anweisungen erlischt die Gewährleistung.

- Beko-Produkte stimmen mit geltenden Sicherheitsstandards überein; daher sollten Gerät oder Netzkabel zur Vermeidung von Gefahren im Falle von Schäden durch den Händler, ein Kundencenter oder einen spezialisierten, autorisierten Serviceanbieter repariert oder ersetzt werden. Fehlerhafte oder unqualifizierte Reparaturen können Gefahren und Risiken für den Benutzer verursachen.
- Dieses Gerät ist für den Einsatz in Haushalten und ähnlichen Bereichen vorgesehen, wie:
  - In Betriebsküchen, Läden, Büros und anderen Arbeitsumgebungen;
  - Bauernhöfen;

- Von Gästen in Hotels und anderen Wohnumgebungen;

- Pensionen und Jugendherbergen.

- Das Gerät darf nur für seinen in dieser Anleitung beschriebenen vorgesehenen Zweck verwendet werden.
- Der Hersteller haftet nicht für Schäden, die auf unsachgemäße Installation oder fehlerhaften Gebrauch zurückzuführen sind.
- Das Gerät darf nur dann von Kindern ab 8 Jahren und Personen mit körperlichen oder geistigen Einschränkungen genutzt werden, wenn diese beaufsichtigt werden oder gründlich über den richtigen und sicheren Umgang mit dem Gerät aufgeklärt wurden und sich sämtlicher möglicher Gefahren bewusst sind.
- Kinder dürfen nicht mit dem Gerät spielen. Reinigungs- und Wartungsarbeiten dürfen nicht unbeaufsichtigt von Kindern ausgeführt werden.
- Der Abstand zwischen der Stützfläche für Kochgeschirr auf dem Kochfeld und dem niedrigsten Teil der Abzugshaube muss mindestens 65 cm betragen.

# 1 Wichtige Sicherheits- und Umwelanweisungen

- Falls die Anweisungen zur Installation eines Gasherdes einen größeren Abstand angeben, ist dieser einzuhalten.
- Stellen Sie sicher, dass Ihre Stromversorgung mit den Angaben am Typenschild des Gerätes übereinstimmt.
- Benutzen Sie das Gerät niemals, wenn das Netzkabel oder das Gerät selbst beschädigt ist.
- Vermeiden Sie Schäden am Netzkabel, indem Sie es nicht quetschen, knicken oder über scharfe Kanten ziehen. Halten Sie das Netzkabel von heißen Oberflächen und offener Flamme fern.
- Verwenden Sie das Gerät nur mit einer geerdeten Steckdose.  
**WARNUNG:** Schließen Sie das Gerät erst nach vollständig abgeschlossener Installation an das Stromnetz an.
- Stellen Sie das Gerät so auf, dass der Netzstecker immer zugänglich ist.
- Berühren Sie die Lampen nicht, falls sie lange Zeit in Betrieb waren. Sie könnten sich die Finger verbrennen, da die Lampen heiß werden.
- Befolgen Sie die von zuständigen Behörden festgelegten Richtlinien zum Abführen von Abluft (diese Warnung ist bei Einsatz ohne Abzug nicht zutreffend).
- Nehmen Sie Ihr Gerät erst in Betrieb, nachdem Sie ein Kochgeschirr auf das Kochfeld gestellt haben. Andernfalls könnte hohe Hitze zur Verformung von Teilen Ihres Geräts führen.
- Schalten Sie die Kochfelder ab, bevor Sie das Kochgeschirr herunternehmen.
- Lassen Sie kein heißes Öl auf das Kochfeld gelangen. Kochgeschirr mit heißem Öl kann sich selbst entzünden.
- Achten Sie auf Vorhänge und Abdeckungen, da Öl beim Zubereiten von Lebensmitteln, wie Pommes frites, Feuer fangen kann.
- Der Fettfilter muss mindestens einmal im Monat gewaschen. Der Kohlefilter muss mindestens alle 3 Monate ersetzt werden.
- Das Produkt muss entsprechend der Bedienungsanleitung gereinigt werden. Falls die Reinigung nicht entsprechend der Bedienungsanleitung durchgeführt wird, besteht Brandgefahr.
- Verwenden Sie kein nicht feuer-

# 1 Wichtige Sicherheits- und Umwelanweisungen

beständiges Filtermaterial anstelle des aktuellen Filters.

- Verwenden Sie nur Originalteile und vom Hersteller empfohlene Teile.
- Verwenden Sie das Gerät nicht ohne Filter. Entfernen Sie die Filter nicht, während das Gerät läuft.
- Sollte sich etwas entzünden, unterbrechen Sie als erstes sofort die Energieversorgung.
- Ersticken Sie ein Feuer mit einer geeigneten Decke oder ähnlich, verwenden Sie zum Löschen niemals Wasser.
- Trennen Sie das Gerät vor jeder Reinigung und bei Nichtbenutzung von der Stromversorgung.
- Der Unterdruck in der Umgebung darf 4 Pa (4 x 10 bar) nicht überschreiten, während die Dunstabzugshaube für das elektrische Kochfeld und Geräte mit einer anderen Energiequelle als Strom gleichzeitig laufen.
- Falls sich ein mit Heizöl oder Brenngasen betriebenes Gerät, z. B. Heizungen, in der Nähe der Dunstabzugshaube befindet, muss die Abluft dieses Gerätes vollständig getrennt abgeführt werden oder es muss hermetisch

sein.

- Verwenden Sie zum Anschluss des Abzugs Rohre mit einem Durchmesser von 120 oder 150 mm. Der Rohranschluss muss möglichst kurz sein und sollte möglichst wenige Biegungen aufweisen.

**Verschluckungsgefahr!** Halten Sie alle Verpackungsmaterialien von Kindern fern.

**ACHTUNG:** Zugängliche Teile können bei Verwendung mit Kochgeräten heiß werden.

- Der Auslass des Produktes darf nicht an Luftkanäle angeschlossen werden, die auch andere Abluft abführen.
- Die Belüftung im Raum reicht möglicherweise nicht aus, wenn die Abzugshaube für das elektrische Kochfeld gemeinsam mit Geräten, die mit Gas oder anderen Kraftstoffen laufen, betrieben wird (dies trifft möglicherweise nicht auf Geräte zu, die Luft zurück in den Raum abgeben).
- Auf dem Produkt platzierte Gegenstände könnten herunterfallen. Stellen Sie keine Gegenstände auf das Produkt.
- Flambieren Sie nicht unter dem

# 1 Wichtige Sicherheits- und Umwelanweisungen

Gerät.

**WARNUNG:** Entfernen Sie vor Installation der Dunstabzugshaube die Schutzfolien.

- Achten Sie darauf, dass niemals hohe offene Flammen unter der Dunstabzugshaube entstehen, wenn diese in Betrieb ist.
- Fritteusen müssen während der Benutzung kontinuierlich überwacht werden; überhitztes Öl kann Feuer fangen.

## 1.2 Konformität mit der WEEE-Richtlinie und Entsorgung von Altgeräten

Dieses Gerät erfüllt die europäische WEEE-Richtlinie (2012/19/EU). Dieses Produkt trägt ein Klassifizierungssymbol für elektrische und elektronische Altgeräte (WEEE).



Dieses Symbol weist darauf hin, dass dieses Gerät am Ende seiner Lebensdauer nicht zusammen mit anderen Haushaltsabfällen entsorgt werden darf. Altgeräte müssen an eine offizielle Sammelstelle zum Recycling von elektrischen und elektronischen Geräten übergeben werden. Nähere Angaben zu diesen Sammelstellen erhalten Sie von Ihrer Stadtverwaltung oder dem Händler, bei dem Sie das Gerät erworben haben. Jeder Haushalt spielt eine wichtige Rolle bei der Wiederverwertung und dem Recycling von Altgeräten.

Die sachgemäße Entsorgung von Altgeräten trägt dazu bei, mögliche negative Auswirkungen auf die Umwelt und die menschliche Gesundheit zu vermeiden.

# 1 Wichtige Sicherheits- und Umwelanweisungen

## 1.3 Konformität mit der RoHS-Richtlinie

Das von Ihnen erworbene Gerät erfüllt die europäische RoHS-Richtlinie (2011/65/EU). Es enthält keine in der Richtlinie angegebenen gefährlichen und verbotenen Materialien.

## 1.4 Hinweise zur Verpackung

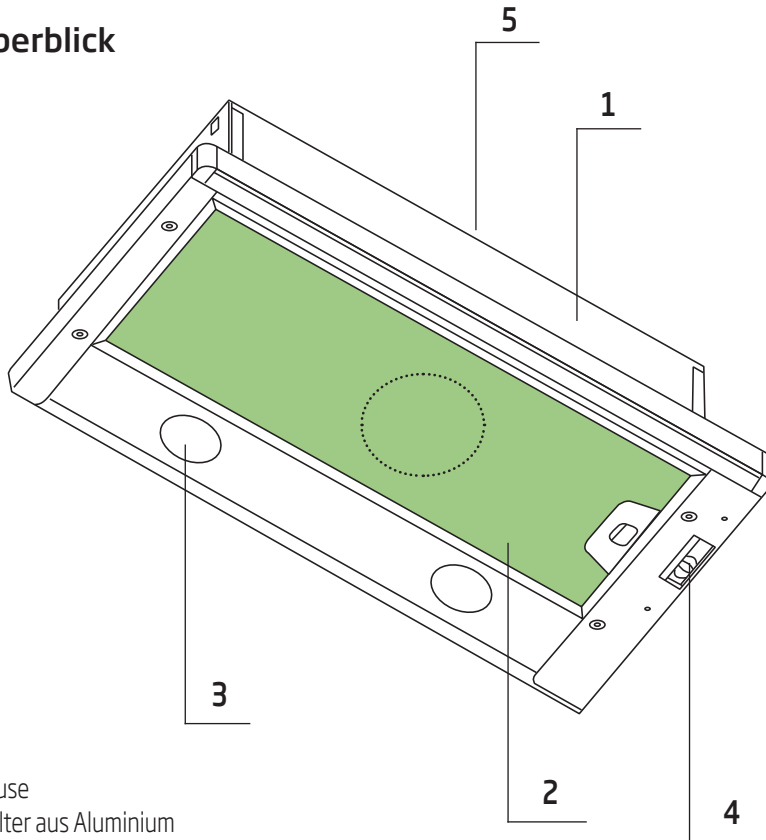


Die Verpackungsmaterialien des Produktes sind aus recyclingfähigen Materialien entsprechend unseren nationalen Umweltschutzbestimmungen hergestellt. Entsorgen Sie die Verpackungsmaterialien nicht mit dem Hausmüll oder anderem Müll. Bringen Sie sie zu einer von der Stadtverwaltung bereitgestellten Sammelstelle für Verpackungsmaterial.



## 2 Allgemeines Aussehen

### 2.1 Überblick



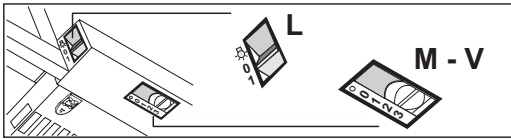
1. Gehäuse
2. Fettfilter aus Aluminium
3. Beleuchtung
4. Bedienfeld
5. Rauchabzug

### 2.2 Technische Daten

<b>Modell</b>	CTB 6250 W / CTB 6250 X / CTB 6250 XH / CTB 6250 B / CTB 9250 X / CTB 9250 XH
<b>Netzspannung</b>	240-220V ~ 50 Hz
<b>Lampenleistung (W)</b>	2x4
<b>Motorleistung (W)</b>	1 x 140
<b>Luftdurchsatz (m<sup>3</sup>/h) - 3. Stufe</b>	420
<b>Isolationsklasse</b>	KLASSE II

# 3 Verwendung des Geräts

## 3.1 Bedienfeld



L	Beleucht	Schaltet die Beleuchtung ein und aus.
M	Motor	Schaltet den Gebläsemotor ein und aus .
V	Geschw.	Steuert folgende Geschwindigkeitsstufen:  1. Geringste Gebläsestufe, diese Stufe ist für einen ständigen und besonders leisen Luftaustausch bei geringer Kochdunstentwicklung geeignet; 2. Mittlere Gebläsestufe, eignet sich aufgrund des guten Verhältnisses zwischen Fördervolumen und Geräuschentwicklung für die meisten Anwendungssituationen; 3. Höchste Gebläsestufe, eignet sich für starke Kochdunstentwicklung, auch über längere Zeit hin.

- Die Dunstabzugshaube ist ausschließlich für die Nutzung in Privathaushalten zur Vermeidung von Küchengeruch vorgesehen.
- Die Haube darf keinesfalls aus anderen Gründen als denjenigen verwenden, für die sie entwickelt wurde.
- Entzünden Sie niemals eine offene Flamme unter Haube, wenn das Gerät in Betrieb ist.
- Stellen Sie die Stärke einer Flamme so ein, dass diese stets unter dem Boden von Pfannen und Töpfen verbleibt, und achten Sie darauf, dass die Flamme niemals an den Seiten hochschlägt.
- Fritteusen müssen während einer Verwendung ständig beaufsichtigt werden, da sich überhitztes Öl entzünden kann.

# 3 Verwendung des Geräts

## 3.2 Austausch der Leuchte



Vor dem Austausch der Leuchten müssen Sie die Stromzufuhr unterbrechen.



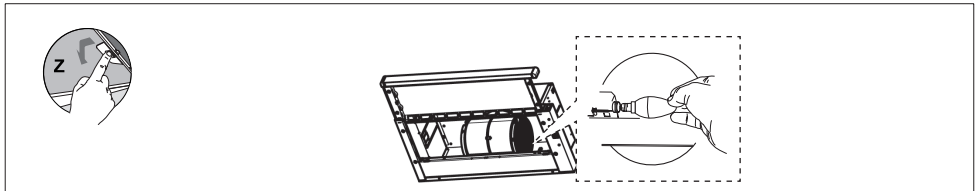
Berühren Sie die Leuchten niemals im erhitzten Zustand.



Achten Sie darauf, dass Sie die ausgetauschte Leuchte nicht mit den Händen berühren.



Sie können Leuchten über unsere vertraglichen Kundendienstanbieter beziehen.



Lampe	Leistung (W)	Fassung	Spannung (V)	Größe (mm)	ILCOS-Code
	4	E14	220 – 240	107 x 37	DRBB/F-4-220-240-E14-35/100

- In diesem Produkt wird eine LED-Leuchte des Typs Kerze verwendet
- Für den Austausch der Leuchte dürfen nur Modelle mit max. 4 W verwendet werden.

## 4 Reinigung und Wartung

Vor einer Reinigung und Warten trennen Sie bitte das Gerät von der Stromzufuhr oder stellen Sie den Hauptschalter auf Aus oder aktivieren Sie die Sicherung, die mit der Haube verbunden ist.

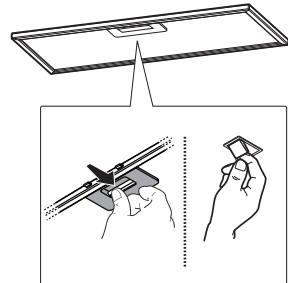


Die Nichtbeachtung der Vorschriften zur Reinigung des Geräts und zum Austausch der Filter kann ein Brandrisiko verursachen. Es wird daher ausdrücklich empfohlen, die hier genannten Handlungsanweisungen einzuhalten. Der Hersteller haftet nicht für Schäden am Gerät oder für Brände, die durch einen nicht bestimmungsgemäßen Gebrauch verursacht werden.

Reinigen Sie das Gerät nur mit einem feuchten Tuch und einem neutralen Flüssigreiniger. Verwenden Sie keinesfalls Instrumente oder Werkzeuge für eine Reinigung. Verwenden Sie keine ätzenden oder scheuernden Reinigungsmittel. Verwenden Sie keine alkoholhaltigen Reinigungsmittel.

### 4.1 Reinigung des Fettfilters aus Aluminium

Der Filter fängt die Fettpartikel in der Luft auf. Wir empfehlen Ihnen, bei normalen Gebrauch Ihren Filter einmal monatlich zu reinigen. Für diesen Vorgang entfernen Sie zuerst die Fettfilter. Waschen Sie die Filter mit Flüssigreiniger und spülen Sie diese gründlich mit Wasser aus und setzen Sie diese, nachdem sie vollständig getrocknet sind, wieder ein. Fettfilter aus Aluminium können sich während des Waschens verfärben, das ist ein normaler Prozess und erfordert keinen Austausch der Filter.

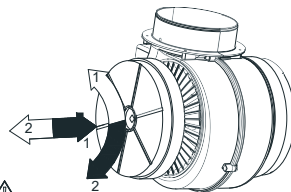


Sie können die Aluminiumfilter im Geschirrspüler säubern.

### 4.2 Austausch des Kohlefilters (Umluftmodus)

In die Haube kann ein Aktivkohlefilter eingesetzt werden. Der Kohlefilter wird nur eingesetzt, wenn die Haube nicht an einen Abluftschacht angeschlossen ist. Es ist in jedem Fall erforderlich den Kohlefilter mindestens alle drei Monate auszutauschen.

Achten Sie beim Austausch des Kohlefilters auf den Typ der verwendeten Turbine.



Symbol Filtereinbau  
Symbol Filterausbau



**WARNUNG:** Der Kohlefilter darf niemals ausgewaschen werden.



**WARNUNG:** Sie können die Kohlefilter über unseren Vertragskundendienst beziehen.

## 5 Aufbau des Geräts



### WARNUNG:

Lesen Sie vor dem Aufbau bitte die Sicherheitsanweisungen.



### HINWEIS

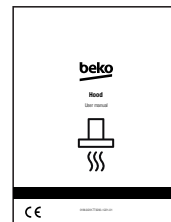
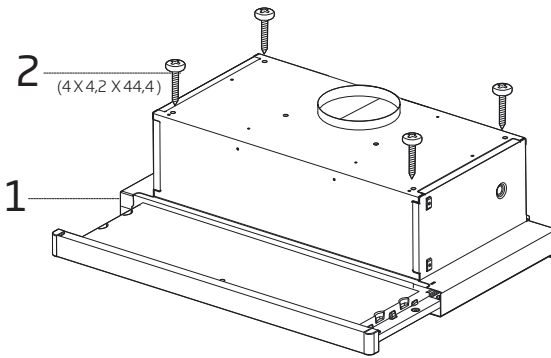
Lesen Sie dazu auch **Seite 255** mit der Aufbauanleitung



### WARNUNG:

Bei nicht vorschriftsgemäßer Installation der Schrauben oder des Befestigungsteils gemäß der vorliegenden Anleitung besteht eine erhöhte Stromschlaggefahr.

### 5.1 Installationszubehör



- 1- Haube
- 2- 4 X 4,2 X 44,4 Schrauben
- 3- Benutzerhandbuch
- 4- 1 x Kunststoffabzugadapter  
Ø120/150 mm

4

3

## 6 Fehlerbehebung

Fehlerbehebung	Grund	Hilfe
Das Produkt funktioniert nicht.	Überprüfen Sie Ihre Sicherung	Ihre Sicherung könnte geschlossen sein, sorgen Sie dafür, dass sie funktioniert.
Das Produkt funktioniert nicht.	Überprüfen Sie die elektrische Verbindung.	Die Netzspannung sollte zwischen 220-240V liegen.
Das Produkt funktioniert nicht.	Überprüfen Sie die elektrische Verbindung.	Überprüfen Sie, ob die anderen Produkte in Ihrer Küche funktionieren oder nicht.
Die Beleuchtung Lampe funktioniert nicht.	Überprüfen Sie die elektrische Verbindung.	Die Netzspannung sollte zwischen 220-240V liegen.
Die Beleuchtung Lampe funktioniert nicht.	Überprüfen Sie den Lampen schalter.	Der Lampenschalter sollte sich in der Position "Ein/on" befinden.
Die Beleuchtung Lampe funktioniert nicht.	Überprüfen Sie die Lampen.	Die Lampen des Produkts sollten nicht defekt sein.
Die Luftzufuhr des Produkts ist schlecht.	Prüfen Sie den Aluminiumfilter.	Der Aluminium-Ölfilter sollte unter normalen Bedingungen mindestens einmal im Monat gereinigt werden.
Die Luftzufuhr des Produkts ist schlecht.	Überprüfen Sie den Abluftkamin.	Der Entlüftungskanal sollte sich in der "Ein" Stellung befinden.
Die Luftzufuhr des Produkts ist schlecht.	Überprüfen Sie den Kohlefilter.	Bei Produkten mit Kohlefilter sollte der Filter normalerweise alle 3 Monate gewechselt werden.

## Garantiebedingungen

### Anschrift:

Beko Grundig Deutschland GmbH  
Thomas-Edison-Platz 3  
D-63263 Neu-Isenburg

Kundendienst-Tel.: 06102-86 86 891

Fax: 01805-414 400 \*

E-Mail: Kundendienst@beko.com

Ersatzteile-Tel.: 01805-242 515 \*

Fax: 01805-345 001\*

E-Mail: ersatzteile@beko.com

Sehr geehrte Kundin, sehr geehrter Kunde,

wir gratulieren Ihnen zum neuen Gerät der Marke Beko und wünschen Ihnen viel Freude daran. Sollten Sie dennoch einmal einen Grund zu einer Reklamation erkennen, dann wenden Sie sich bitte an unseren Kundendienst. Geben Sie im Falle einer Störung Ihre genaue Anschrift, Telefonnummer und den GERÄTETYP (vom Typenschild des Gerätes) an.

### Hinweis für Kühl- und Gefriergeräte, Achtung!

Um voll funktionsfähig zu sein, benötigt Ihr Gerät nach dem Transport ca. 24 Stunden, in denen sich das Kühlmittel stabilisiert. Sofern es nicht vermeidbar ist und Sie das Gerät sofort nach Aufstellung mit Gefriergut bestücken wollen, müssen Sie damit rechnen, dass die rote Lampe bis zur Stabilisierung des Kühlkreislaufs aufleuchtet. Die Kühlleistung beginnt jedoch vom Augenblick des Anschlusses an sich auf zu bauen.

### Die Garantiezeit beträgt 24 Monate ab Kaufdatum.

#### Bedingungen:

Dieses Gerät wurde nach den modernsten Methoden hergestellt und geprüft. Der Hersteller leistet unabhängig von der gesetzlichen Gewährleistungsverpflichtung des Verkäufers / Händlers für die Dauer von 24 Monaten, gerechnet vom Tag des Kaufes, Garantie für einwandfreies Material und fehlerfreie Fertigung.

Der Garantiesanspruch erlischt bei Eingriffen durch den Käufer oder durch Dritte, die vom Hersteller nicht für den Service autorisiert sind oder wenn das Gerät zu gewerblichen Zwecken eingesetzt wird. Schäden die durch unsachgemäße Behandlung oder Bedienung, durch falsches Aufstellen oder Aufbewahren, durch unsachgemäßen Anschluss, oder fehlerhafte Installationen sowie durch höhere Gewalt oder sonstige äußere Einflüsse entstehen, fallen nicht unter die Gewährleistung.

#### Abhilfemöglichkeiten:

Wir behalten uns vor, bei Reklamationen die defekten Teile auszubessern oder zu ersetzen oder das Gerät auszutauschen. Ausgetauschte Teile oder ausgetauschte Geräte gehen in unser Eigentum über. Nur wenn durch Nachbesserung(en) oder Umtausch des Gerätes die herstellereitig vorgesehene Nutzung endgültig nicht zu erreichen sein sollte, kann der Käufer aus Gewährleistung innerhalb von 24 Monaten, gerechnet vom Tag des Kaufes, Herabsetzung des Kaufpreises oder Aufhebung des Kaufvertrages verlangen. Nachbesserungen verlängern nicht die Gewährleistungszeit. Schadenersatzansprüche, auch hinsichtlich Folgeschäden, sind, soweit sie nicht auf Vorsatz oder grober Fahrlässigkeit beruhen, ausgeschlossen.

Bei unnötiger oder unberechtigter Beanspruchung des Kundendienstes berechnet dieser Zeit- und Wegeentgelt. Reklamationen sind unmittelbar nach Feststellung zu melden. Der Garantiesanspruch ist vom Käufer, durch Vorlage der Kaufquittung, nachzuweisen. Bei Nicht-vorlage ist die Reparatur kostenpflichtig. Eine Rückerstattung – nach späterer Einsendung der Kaufquittung – kann nur innerhalb von einem Monat nach Rechnungsdatum gewährt werden.

**Diese Garantiezusage ist gültig innerhalb der Bundesrepublik Deutschland  
(\*) 0,14 EUR/Min. aus dem Festnetz der T-Com; Mobilfunk max. 0,42 EUR/Min. (nur für Deutschland)**

# Avant toute chose, veuillez lire ce manuel d'utilisation !

Chère cliente, cher client,

Merci d'avoir choisi cet appareil Beko. Nous espérons que cet appareil, fabriqué dans des installations modernes et soumis à un processus de contrôle qualité rigoureux, vous offre les meilleures performances possible. C'est pourquoi nous vous recommandons, avant d'utiliser l'appareil, de lire attentivement et complètement ce manuel d'utilisation ainsi que tous les autres documents fournis et de les conserver soigneusement pour une utilisation future. Si vous cédez l'appareil à quelqu'un d'autre, remettez-lui également le manuel d'utilisation. Suivez les instructions en accordant une attention particulière à toutes les informations et les avertissements contenus dans le manuel d'utilisation.

Notez que ce manuel d'utilisation peut également s'appliquer à d'autres modèles. Les différences entre les modèles sont clairement décrites dans le manuel.

## Signification des symboles

Les pictogrammes suivants sont repris tout au long de ce manuel :



Informations importantes et conseils utiles concernant l'utilisation de l'appareil.



**AVERTISSEMENT :** Avertissement sur les situations dangereuses concernant la sécurité des biens et des personnes.



Avertissement contre le risque d'incendie.



Avertissement contre le risque d'électrocution.



Classe de protection contre les chocs électriques.



Cet appareil a été fabriqué dans des usines modernes respectueuses de l'environnement et sans causer des dommages à la nature.



# 1 Instructions importantes en matière de sécurité et d'environnement

## 1.1 Consignes générales de sécurité

Consignes de sécurité importantes  
- Lire attentivement et conserver pour référence ultérieure

Cette section contient les consignes de sécurité qui aident à se prémunir contre les risques d'incendie, d'électrocution, d'exposition aux fuites d'énergie à micro-ondes, de dommages corporels ou de dégâts matériels. Le non-respect de ces instructions entraînera l'annulation de toute garantie.

- Les produits Beko sont conformes aux normes de sécurité applicables. Par conséquent, en cas de dommage sur l'appareil ou son câble d'alimentation, le faire réparer ou remplacer par le revendeur, le centre SAV, un spécialiste ou des services habilités afin de prévenir tout danger. Des réparations défectueuses et non professionnelles peuvent être sources de danger et de risque pour l'utilisateur.
- Cet appareil est conçu pour un usage domestique et des utilisations similaires comme :
  - dans les coins cuisine du personnel dans les magasins, bureaux, et

autres environnements de travail ;

- les fermes

- Par les clients des hôtels et autres types d'environnements résidentiels ;

- et dans les chambres d'hôte.

- Utiliser l'appareil uniquement aux fins pour lesquelles il a été conçu, comme décrit dans les présentes instructions.
- Le fabricant n'est pas responsable des dommages résultant d'une mauvaise installation ou d'une mauvaise utilisation du produit.
- Cet appareil peut être utilisé par des enfants de 8 ans minimum, des personnes à capacités physiques, sensorielles ou mentales réduites et des personnes manquant d'expérience ou de connaissances suffisantes en la matière, à condition qu'elles aient été préparées à un maniement sécurisé de l'appareil et qu'elles aient pleine conscience des risques encourus.
- Les enfants n'ont pas le droit de jouer avec l'appareil. Le nettoyage et l'entretien de l'appareil ne doivent pas être effectués par des enfants laissés sans surveillance.

- La distance minimale entre la surface d'appui des récipients de cuisson sur la plaque de cuisson et la partie la plus basse de votre produit doit être d'au moins 65 cm.
  - Si des instructions relatives à l'installation de la plaque à gaz exigent plus de distance, prenez-les en compte.
  - S'assurer que la source d'alimentation électrique est conforme aux informations spécifiées sur la plaque signalétique de l'appareil.
  - Ne jamais utiliser l'appareil si le câble d'alimentation ou l'appareil lui-même est endommagé.
  - Pour éviter d'endommager le câble d'alimentation, éviter de l'aplatir, de le plier ou même de le frotter contre des bords coupants. Éloigner le câble d'alimentation de toute surface brûlante et des flammes.
  - Utilisez l'appareil uniquement avec une prise de terre.
- AVERTISSEMENT :** Ne branchez pas l'appareil sur le secteur avant la fin de l'installation.
- Placer l'appareil de sorte que la prise soit toujours accessible.
  - Ne touchez pas les lampes si elles ont été utilisées pendant une longue période. Elles sont chaudes et risqueraient donc de provoquer des brûlures aux mains.
  - Respectez la réglementation des autorités compétentes en matière d'évacuation de l'air évacué (cette mise en garde ne s'applique pas à l'utilisation sans conduit).
  - Faites fonctionner votre appareil après avoir posé une casserole, une poêle, etc. sur la plaque de cuisson. Autrement, la température élevée peut provoquer la déformation de certaines pièces de votre produit.
  - Éteignez la plaque de cuisson avant d'en retirer la casserole, la poêle, etc.
  - Ne laissez pas d'huile chaude sur la plaque de cuisson. Les casseroles contenant de l'huile chaude peuvent s'enflammer.
  - Faites attention à vos rideaux et à vos couvertures, car l'huile peut prendre feu pendant la cuisson de certains aliments, comme les frites.
  - Le filtre à huile doit être lavé au moins une fois par mois. Le filtre à charbon doit être remplacé au moins tous les 3 mois.

# 1 Instructions importantes en matière de sécurité et d'environnement

- Le produit doit être nettoyé conformément au manuel d'utilisation. Si le nettoyage n'a pas été effectué conformément au manuel d'utilisation, il peut y avoir un risque d'incendie.
  - N'utilisez pas de matériaux filtrants ignifuges à la place des filtres actuels.
  - Utilisez uniquement des pièces d'origine ou pièces recommandées par le fabricant.
  - N'utilisez jamais l'appareil sans le filtre et ne retirez pas les filtres lorsque l'appareil est en marche.
  - En cas d'apparition d'une flamme, éteignez votre produit et vos appareils de cuisson.
  - En cas d'apparition d'une flamme, couvrez la flamme et n'utilisez jamais d'eau pour l'éteindre.
  - Débranchez l'appareil avant chaque nettoyage et lorsque l'appareil n'est pas en cours d'utilisation.
  - La pression négative dans l'environnement ne doit pas dépasser 4 Pa (4 x 10 bars) lorsque la hotte de la table de cuisson électrique et les appareils fonctionnant avec un autre type d'énergie que l'électricité fonctionnent simultanément.
  - Dans l'environnement dans lequel l'appareil est utilisé, les gaz résiduels des appareils fonctionnant au fioul ou au gaz, tels que le chauffage de la pièce, doivent être totalement isolés ou l'appareil doit être de type étanche.
  - Pour le raccordement du conduit, utilisez des tuyaux d'un diamètre de 120 ou 150 mm. Le raccordement du tuyau doit être aussi court que possible et avoir le minimum de coudes que possible.
- Risque d'étranglement !**  
Conservez tous les emballages hors de portée des enfants.
- ATTENTION :** Les pièces accessibles peuvent devenir chaudes lorsqu'elles sont utilisées avec des appareils de cuisson.
- Ne connectez pas la prise du produit aux canaux d'air qui contiennent d'autres fumées.
  - La ventilation de la pièce peut être insuffisante lorsque la hotte de la table de cuisson électrique est utilisée en même temps que les appareils fonctionnant au gaz ou avec d'autres combustibles (ceci peut ne pas s'appliquer aux appa-

# 1 Instructions importantes en matière de sécurité et d'environnement

reils qui rejettent uniquement l'air dans la pièce).

- Les objets placés sur le produit peuvent tomber. Ne posez aucun objet sur le produit.

- Ne brûlez rien sous votre produit.

**AVERTISSEMENT :** Retirez les films protecteurs avant d'installer la hotte.

- Ne laissez jamais des grandes flammes nues sous la hotte lorsqu'elle est en fonctionnement.

- Gardez les friteuses en permanence sous surveillance pendant l'utilisation : de l'huile surchauffée peut prendre feu.

## 1.2 Conformité avec la Directive DEEE et Mise au rebut des appareils usagés :

Cet appareil est conforme à la directive DEEE. (2012/19/UE). Cet appareil porte le symbole de classification pour les déchets des équipements électriques et électroniques (DEEE).



Ce symbole indique que ce produit ne doit pas être jeté avec les déchets ménagers à la fin de sa vie utile. Les appareils usagés doivent être retournés au point de collecte officiel pour le recyclage des appareils électriques et électroniques. Pour trouver ces systèmes de collecte, veuillez contacter les autorités locales ou le détaillant auprès duquel vous avez acheté le produit. Chaque ménage joue un rôle important dans la récupération et le recyclage des appareils ménagers usagés.

L'élimination appropriée des appareils usagés aide à prévenir les conséquences négatives potentielles pour l'environnement et la santé humaine.

# 1 Instructions importantes en matière de sécurité et d'environnement

## 1.3 Conformité avec la directive RoHS

L'appareil que vous avez acheté est conforme à la Directive RoHS de l'UE (2011/65/UE). Il ne contient pas de matières dangereuses et interdites spécifiées dans la directive.

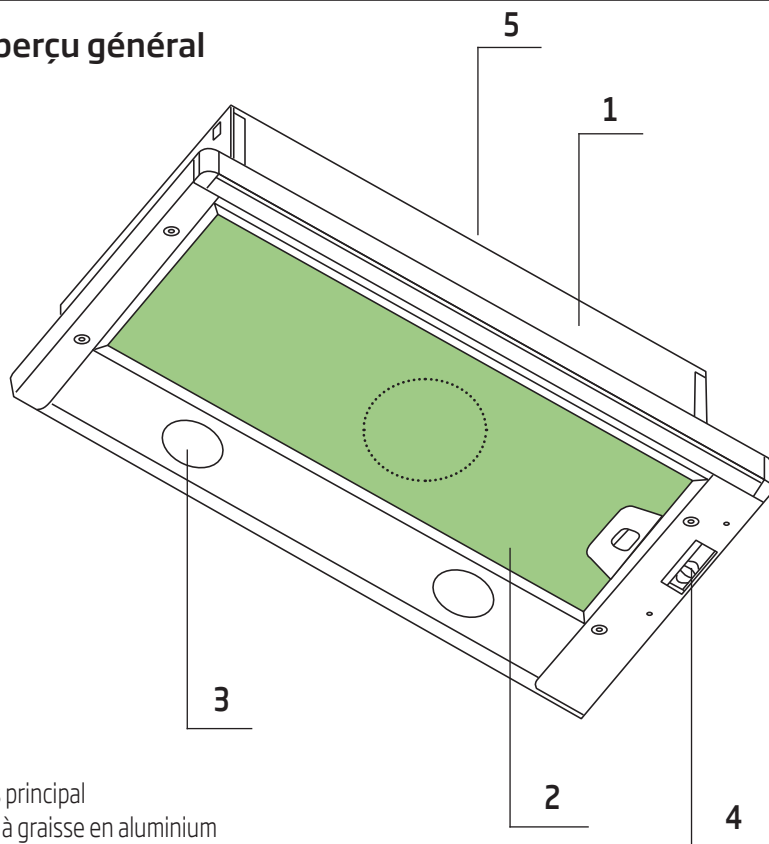
## 1.4 Informations concernant l'emballage



Les matériaux d'emballage du produit sont fabriqués à partir de matériaux recyclables conformément à notre réglementation nationale sur la protection de l'environnement. Ne jetez pas les matériaux d'emballage avec les déchets domestiques et autres déchets. Déposez-les dans l'un des points de collecte de matériaux d'emballage prévus par l'autorité locale.

## 2 Aspect général

### 2.1 Aperçu général



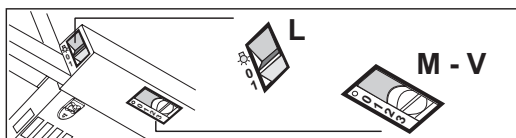
1. Corps principal
2. Filtre à graisse en aluminium
3. Panneau de
4. Contrôle de l'éclairage
5. Cheminée

### 2.2 Données techniques

<b>Modèle</b>	CTB 6250 W / CTB 6250 X / CTB 6250 XH / CTB 6250 B / CTB 9250 X / CTB 9250 XH
<b>Tension d'alimentation</b>	240-220V ~ 50 Hz
<b>Puissance des lampes (W)</b>	2x4
<b>Puissance du moteur (W)</b>	1 x 140
<b>Débit d'air (m<sup>3</sup>/h) - 3 Niveau</b>	420
<b>Classe d'isolation</b>	CLASSE II

## 3 Utilisation de l'appareil

### 3.1 Panneau de commande



L	Lumières	Allume et éteint l'éclairage.
M	Moteur	Allume et éteint le moteur aspiration
V	Vitesses	Détermine les vitesses d'exploitation ainsi subdivisées:  <ol style="list-style-type: none"><li>1. Vitesse minimale, pour un rechange d'air permanent particulièrement silencieux en cas de faibles vapeurs de cuisson.</li><li>2. Vitesse moyenne pour la plupart des conditions d'utilisation, étant donné le rapport optimal entre débit d'air traité et niveau sonore.</li><li>3. Vitesse maximum, pour faire face aux émissions maximum de vapeur de cuisson, même pendant des temps prolongés .</li></ol>

- La hotte aspirante a été conçue exclusivement pour un usage domestique afin d'éliminer les odeurs de cuisine.
- N'utilisez jamais la cagoule à d'autres fins que celles pour lesquelles elle a été conçue.
- Ne laissez jamais de grandes flammes nues sous le capot lorsqu'il est en fonctionnement.
- Réglez l'intensité de la flamme pour la diriger uniquement sur le fond de la casserole, en veillant à ce qu'elle n'engloutisse pas les parois.
- Les friteuses doivent être surveillées en permanence pendant leur utilisation : une huile surchauffée peut s'enflammer.

## 3 Utilisation de l'appareil

### 3.2 Remplacement des lampes



Avant de remplacer les ampoules, débranchez l'alimentation électrique de la hotte.



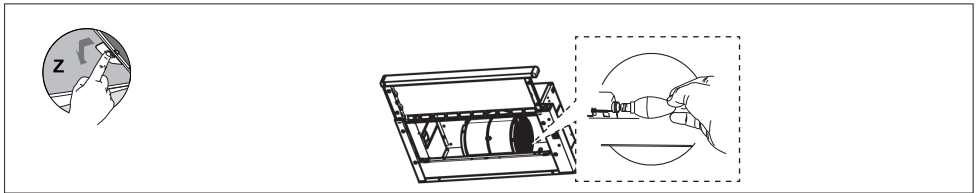
Ne touchez pas les ampoules lorsqu'elles sont chaudes.



Faites attention à ne pas toucher l'ampoule remplacée directement avec les mains.



Vous pouvez vous procurer des lampes auprès d'agents de service agréés.



Bóng đèn	Sức mạnh (W)	Cổ họng	Điện áp (V)	Kích thước (mm)	Thẻ ILCOS
	4	E14	220 – 240	107 x 37	DRBB/F-4-220-240-E14-35/100

- Une lampe LED de type bougie est utilisée dans ce produit
- Une lampe de 4 W maximum doit être utilisée lors du changement de lampe



## 4 Nettoyage et entretien

Avant de procéder au nettoyage et à l'entretien, débranchez l'appareil ou éteignez le commutateur principal, ou encore desserrez le fusible qui alimente la hotte.

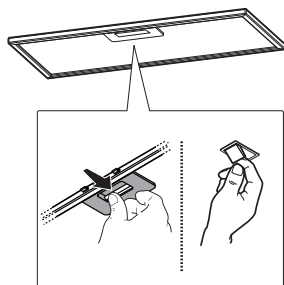


En cas de non-respect des dispositions relatives au nettoyage de l'appareil et au remplacement des filtres, des risques d'incendie peuvent survenir. Il est donc recommandé de se conformer aux directives données dans le présent document. Le fabricant n'est pas responsable des dommages au moteur ou des incendies causés par une mauvaise utilisation.

Nettoyer en utilisant uniquement un chiffon humidifié avec un détergent liquide neutre. Ne nettoyez pas avec des outils ou des instruments. N'utilisez pas de produits abrasifs. N'utilisez pas d'alcool

### 4.1 Nettoyage du filtre à graisse en aluminium

Ce filtre capte les particules d'huile présentes dans l'air. Il vous est recommandé de nettoyer votre filtre tous les mois dans des conditions normales d'utilisation. Pour ce faire, il faut d'abord retirer les filtres à graisse. Lavez les filtres avec un détergent liquide et rincez-les à l'eau, puis remettez-les en place une fois qu'ils sont secs. Les filtres à graisse en aluminium peuvent se décolorer au lavage ; c'est normal et vous n'avez pas besoin de changer votre filtre.

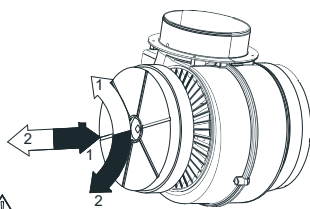


Vous pouvez laver le filtre en aluminium dans le lave-vaisselle

### 4.2 Remplacement du filtre à carbone (mode de circulation de l'air)

La hotte peut être équipée d'un filtre à carbone actif. Le filtre à carbone est appliqué uniquement dans le cas où la hotte n'est pas reliée au conduit de ventilation. Dans tous les cas, il est nécessaire de remplacer le filtre à carbone au moins tous les trois mois.

En cas de remplacement du filtre à carbone, faites attention au type de turbine utilisé.



Symbole → d'installation du filtre  
Symbole ⇐ Démontage du filtre



**AVERTISSEMENT :** Le filtre à carbone n'est jamais lavé.



**AVERTISSEMENT :** Le filtre à carbone est disponible auprès des services autorisés.

## 5 Mise en place de l'appareil



### AVERTISSEMENT

Veillez lire les instructions de sécurité avant de vous installer.



### REMARQUE

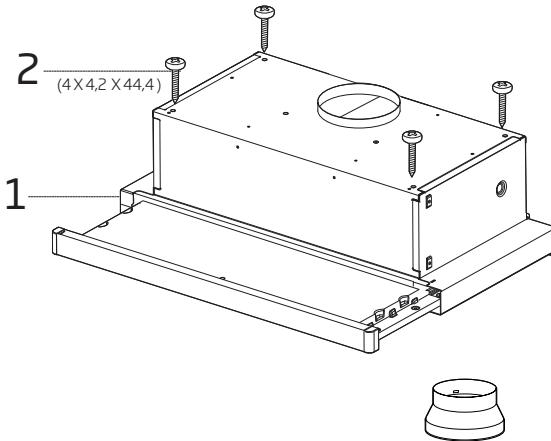
Veillez vous référer à la **page 255** pour le guide d'installation



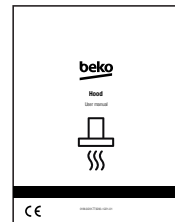
### AVERTISSEMENT

Le fait de ne pas installer les vis ou le dispositif de fixation conformément aux présentes instructions peut entraîner des risques électriques.

### 5.1 Installations des accessoires



- 1- Hotte
- 2- 4 X 4,2 X 44,4 Vis
- 3- Manuel de l'utilisateur
- 4- 1 adaptateur de conduit en plastique de 120/150 mm de diamètre



## 6 Dépannage

Dépannage	Problème	Solution
L'appareil ne fonctionne pas.	Vérifiez le fusible.	Il se peut que votre fusible soit coupé ; remettez-le en marche.
L'appareil ne fonctionne pas.	Vérifiez le branchement.	La tension du secteur doit être comprise entre 220 et 240 V.
L'appareil ne fonctionne pas.	Vérifiez le branchement.	Vérifiez si les autres appareils de votre cuisine fonctionnent ou pas.
L'ampoule ne fonctionne pas.	Vérifiez le branchement.	La tension du secteur doit être comprise entre 220 et 240 V.
L'ampoule ne fonctionne pas.	Vérifiez l'interrupteur de l'ampoule.	L'interrupteur de l'ampoule doit être en position « Allumé ».
L'ampoule ne fonctionne pas.	Vérifiez les ampoules.	Les ampoules de l'appareil ne doivent pas être défectueuses.
L'appareil n'aspire pas l'air correctement.	Vérifiez le filtre en aluminium.	L'aluminium du filtre doit être nettoyé au moins une fois par mois en conditions d'utilisation normales.
L'appareil n'aspire pas l'air correctement.	Vérifiez l'évent d'aération.	L'évent d'aération doit être en position « Marche ».
L'appareil n'aspire pas l'air correctement.	Vérifiez le filtre à charbon.	Pour les appareils dotés d'un filtre à charbon, celui-ci doit normalement être remplacé tous les 3 mois.

# Lees eerst deze gebruikershandleiding!

Zeer gewaardeerde klant,

Bedankt voor uw voorkeur voor dit Beko-toestel. Wij hopen dat u de beste resultaten haalt uit uw toestel dat met hoge kwaliteit en de modernste technologie is geproduceerd. Lees daarom deze gehele gebruikershandleiding en alle andere bijgeleverde documenten zorgvuldig door voordat u het apparaat gaat gebruiken en bewaar deze ter referentie in de toekomst. Als u het product aan iemand anders geeft, overhandig dan ook de gebruikershandleiding. Volg de instructies op door op alle informatie en waarschuwingen te letten in de gebruikershandleiding.

Vergeet niet dat deze gebruikershandleiding ook van toepassing kan zijn op andere modellen. Verschillen tussen de modellen worden expliciet beschreven in de handleiding.

## Betekenis van de symbolen

De volgende symbolen worden gebruikt in de verschillende delen van deze handleiding:



Belangrijke informatie en nuttige tips over het gebruik.



**WAARSCHUWING:** Waarschuwingen voor levensgevaarlijke situaties en schade aan eigendommen.



Waarschuwing voor brandgevaar.



Gevaar voor elektrische schok.



Beschermingsklasse voor elektrische schokken.



Dit apparaat is in een milieuvriendelijke, moderne faciliteit geproduceerd zonder het milieu op welke wijze dan ook te schaden.

Voldoet aan de WEEE-verordening.



Het bevat geen pcb.

# 1 Belangrijke veiligheids- en milieu-instructies

## 1.1 Algemene veiligheid

Belangrijke veiligheidsinstructies. Lees zorgvuldig en bewaar ter referentie in de toekomst Dit deel bevat veiligheidsinstructies die u beschermen tegen het risico op brand, elektrische schok, blootstelling aan lekkende magnetronstralen, persoonlijk letsel of materiële schade. Het niet opvolgen van deze instructies maakt elke garantie ongeldig.

- Beko-producten voldoen aan de van toepassing zijnde veiligheidsnormen; daarom moet in het geval van beschadiging aan het apparaat of het stroomsnoer dit worden gerepareerd of vervangen door de dealer, het servicecentrum of een specialist en erkende service om elk gevaar te vermijden. Verkeerd of niet-gekwalificeerd reparatiewerk kan gevaarlijk zijn en een risico vormen voor de gebruiker.
- Dit apparaat is bedoeld voor huishoudelijk gebruik en vergelijkbare toepassingen zoals:
  - personeelskeukens in winkels, kantoren en andere werkomgevingen;
  - boerderijen;

- bij klanten in hotels en andere types van overnachtingsomgevingen;
- omgevingen van het type bed-and-breakfast.
- Gebruik dit apparaat uitsluitend voor het beoogde doel zoals beschreven in deze handleiding.
- De producent kan niet aansprakelijk worden gehouden voor schade die is ontstaan door ongeschikte installaties of onjuist gebruik van het product.
- Dit apparaat kan worden gebruikt door kinderen vanaf 8 jaar en personen met verminderde fysieke, zintuiglijke of mentale vermogens, of met een gebrek aan ervaring en kennis, als deze onder toezicht staan of instructies hebben gekregen betreffende het veilige gebruik van het apparaat en op de hoogte zijn van de betrokken gevaren.
- Laat kinderen niet met het apparaat spelen. Reiniging en gebruikersonderhoud dienen niet zonder toezicht door kinderen uitgevoerd te worden.
- De minimale afstand tussen het ondersteunende oppervlak voor het kookgerei op de kookplaat en

# 1 Belangrijke veiligheids- en milieu-instructies

het laagste gedeelte van uw product moet minstens 65 cm zijn.

- Als de installatie-instructies voor het gasfornuis een grotere afstand aangeeft, dient hier rekening mee te worden gehouden.
- Zorg ervoor dat uw netstroom overeenkomt met de informatie die staat op het typeplaatje van het apparaat.
- Gebruik het apparaat nooit als de stroomkabel of het apparaat zelf beschadigd is.
- Vermijd schade aan de stroomkabel door knijpen, buigen of wrijven langs scherpe randen. Houd de stroomkabel uit de buurt van hete oppervlakken en open vuur.
- Gebruik het apparaat uitsluitend met een geaard stopcontact.

**WAARSCHUWING:** Sluit het apparaat niet op het stroomnetwerk aan totdat de installatie volledig is afgerond.

- Plaats het apparaat zodanig dat de stekker altijd toegankelijk is.
- De verlichting na langdurige werking niet aanraken. De lampen zijn heet en kunnen uw handen verbranden.
- Volg de voorschriften op die door de deskundige autoriteiten

zijn bepaald wat betreft de luchtafvoer (deze waarschuwing is niet van toepassing bij gebruik zonder rookkanaal).

- Zet het apparaat aan nadat er een pan op de kookplaat is gezet. Anders kan de hoge warmte in sommige delen van uw product vervorming veroorzaken.
- Zet de kookplaat uit voordat u de pan van de kookplaat haalt.
- Laat geen hete olie achter op de kookplaat. Pannen met hete olie kunnen in brand vliegen.
- Let op uw gordijnen en andere afdekkingen, want olie kan bij de bereiding van bijvoorbeeld patat in brand vliegen.
- Vetfilters moeten minstens eens per maand gewassen. Koolstoffilters moeten minstens eens per 3 maanden worden vervangen.
- Het product moet worden gereinigd in overeenstemming met de gebruikershandleiding. Als bij reiniging de gebruikershandleiding niet wordt opgevolgd, kan er brandgevaar ontstaan.
- Gebruik in plaats van het huidige filter geen filtermaterialen die niet vuurbestendig zijn.
- Gebruik alleen de originele onder-

# 1 Belangrijke veiligheids- en milieu-instructies

delen of onderdelen aanbevolen door de fabrikant.

- Gebruik het product niet zonder filter en verwijder de filters niet als het product in werking is.
- In het geval er vlammen ontstaan, schakelt u uw apparaat en kooktoestellen uit.
- Bedek de vlammen als deze ontstaan en blus ze nooit met water.
- Trek de stekker van het apparaat uit het stopcontact vóór elke reiniging en wanneer het apparaat niet in gebruik is.
- De negatieve druk in de ruimte mag niet hoger zijn dan 4 Pa (4 x 10 bar) als de afzuigkap voor de elektrische kookplaat en apparaten op een andere energiebron werken, maar de stroom tegelijkertijd in werking is.
- In de ruimte waar het apparaat wordt gebruikt, moeten de uitlaten van apparaten die op olie of gas werken, zoals een kamerverwarming, volledig worden geïsoleerd of het apparaat moet van een hermetisch afgesloten type zijn.
- Gebruik om het rookkanaal aan te sluiten pijpen met een diameter van 120 of 150 mm. De pijp-

ansluiting moet zo kort mogelijk zijn en zo min mogelijk ellebogen hebben.

**Verstikkingsgevaar!** Houd alle verpakkingsmaterialen uit de buurt van kinderen.

**LET OP:** Toegankelijke delen kunnen indien gebruikt met kookapparaten heet worden.

- De afvoer van het product mag niet worden aangesloten op luchtkanalen die een ander soort rook bevatten.
  - Er kan onvoldoende ventilatie in de ruimte zijn als de afzuigkap voor de elektrische kookplaat tegelijk wordt gebruikt met de toestellen die op gas of andere brandstoffen werken (dit is mogelijk niet van toepassing op apparaten die de lucht uitsluitend terug in de ruimte brengen).
  - Op het product geplaatste voorwerpen kunnen vallen. Plaats geen voorwerpen op het product.
  - Flambeer niet onder uw product.
- WAARSCHUWING:** Verwijder de beschermende folie voordat u de afzuigkap installeert.
- Zorg tijdens de werking dat er zich onder de afzuigkap nooit hoge vlammen bevinden.

# 1 Belangrijke veiligheids- en milieu-instructies

- Frituurpannen moeten tijdens gebruik voortdurend onder toezicht staan: oververhitte olie kan in brand vliegen.

## 1.2 Naleving van de WEEE-norm en verwerking van afvalproducten:

Dit product voldoet aan de WEEE-norm van de EU (2012/19/EU). Dit product heeft een classificatiesymbool voor verwerking van elektrische en elektronische apparatuur (WEEE).



Dit symbool geeft aan dat dit product niet met ander huishoudelijk afval mag worden weggegooid aan het einde van zijn levensduur. Het gebruikte apparaat moet worden geretourneerd naar het officiële inzamelpunt voor recycling van

elektrische en elektronische apparaten. Om deze inzamelpunten te vinden kunt u contact opnemen met uw lokale autoriteiten of detailhandelaar waar het product werd verkocht. Ieder huishouden voert een belangrijke rol uit in terugwinnen en recycling van oude apparatuur.

Een juiste afvalbehandeling levert een bijdrage ter voorkoming van de negatieve gevolgen voor het milieu

en de volksgezondheid.

## 1.3 Naleving van de RoHS-richtlijn

Het door u aangekochte product voldoet aan de EU RoHS-norm (2011/65/EU). Het bevat geen schadelijke en verboden materialen die in de norm zijn vermeld.

## 1.4 Verpakkingsinformatie

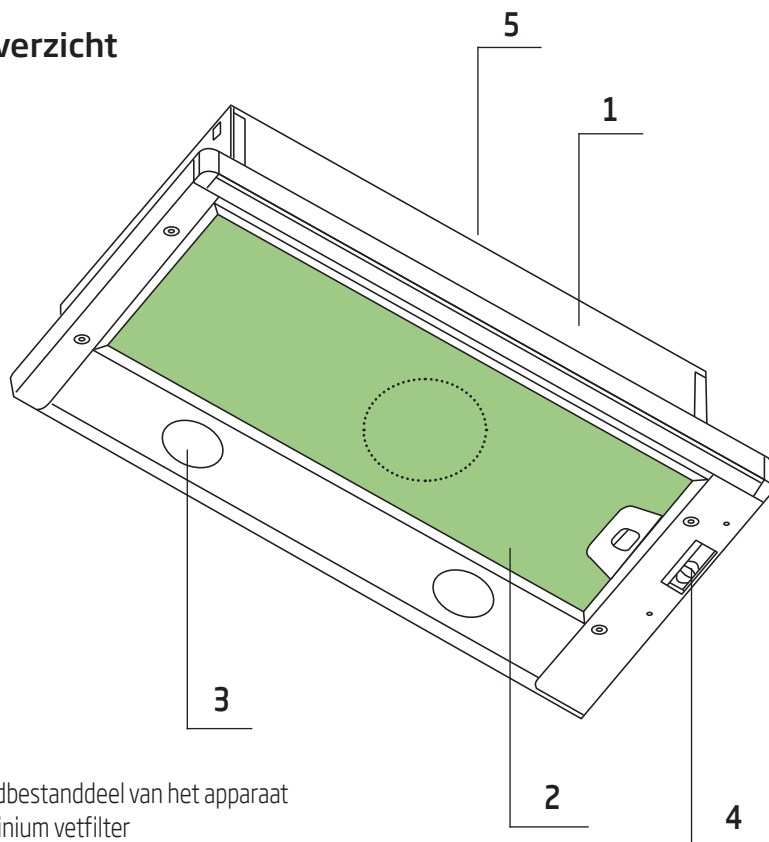


Verpakkingsmaterialen van het product zijn gemaakt uit recycleerbare materialen in overeenstemming met onze nationale milieuverordeningen. Gooi de verpakkingsmaterialen niet samen met het huishoudelijk afval of ander afval weg. Breng ze naar de inzamelpunten voor verpakkingsmaterialen aangewezen door de lokale instanties.



## 2 Algemeen uiterlijk

### 2.1 Overzicht



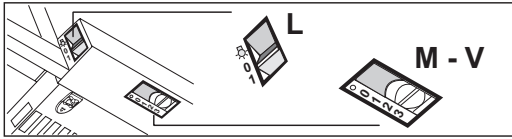
1. Hoofdbestanddeel van het apparaat
2. Aluminium vetfilter
3. Verlichting
4. Bedieningspaneel
5. Schoorsteen

### 2.2 Technische gegevens

<b>Model</b>	CTB 6250 W / CTB 6250 X / CTB 6250 XH / CTB 6250 B / CTB 9250 X / CTB 9250 XH
<b>Toevoerspanning</b>	240-220V ~ 50 Hz
<b>Lampvermogen (W)</b>	2x4
<b>Motorvermogen (W)</b>	1 x 140
<b>Luchtstroom (m<sup>3</sup>/u) - 3. Niveau</b>	420
<b>Isolatieklasse</b>	KLASSE II

## 3 Het gebruik van het apparaat

### Bedieningspaneel



L	Lichten	Hiermee schakelt u de verlichting aan en uit
M	Motor	Hiermee schakelt u de afzuigmotor aan en uit
V	Snelheid	Instelling van de werkingssnelheid: <ol style="list-style-type: none"><li>1. Minimumsnelheid, geschikt voor een continue en zeer stille luchtverversing, als er weinig kookdampen zijn.</li><li>2. Gemiddelde snelheid, geschikt voor de meeste gebruiksomstandigheden, gezien de uitstekende verhouding tussen de hoeveelheid behandelde lucht en het geluidsniveau.</li><li>3. Maximumsnelheid, geschikt om de grootste kookdampen tegen te gaan, ook voor langere tijd.</li></ol>

- De afzuigkap is exclusief ontworpen voor huishoudelijk gebruik om onaangename geurtjes in de keuken te vermijden.
- Gebruik de afzuigkap nooit voor andere dan de beoogde doeleinden.
- Laat de vlammen nooit hoog oplaaien onder de afzuigkap wanneer deze is ingeschakeld.
- Pas de intensiteit van de vlammen aan zodat deze enkel de onderzijde van de pannen verarmen en de pan niet omwikkelen aan de zijkanten.
- Frituurpannen moeten voortdurend onder toezicht staan tijdens gebruik: oververhitte olie kan in brand schieten.

## 3 Het gebruik van het apparaat

### 3.2 De lamp vervangen



U moet de stroomtoevoer van de afzuigkap uitschakelen voor u de lampen vervangt.



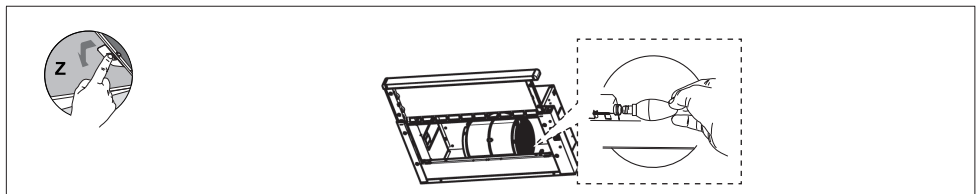
Raak de lampen niet aan als ze warm zijn.




Zorg ervoor de vervangen lamp niet rechtstreeks aan te raken met de handen.



U kunt lampen kopen bij geautoriseerde service vertegenwoordigers.



Lamp	Stroomopname (W)	Aansluiting	Voltage (V)	Afmeting (mm)	ILCOS-code
	4	E14	220 – 240	107 x 37	DRBB/F-4-220-240-E14-35/100

- Er wordt een kaarstype led lamp gebruikt in dit product.
- Er mogen enkel lampen van max. 4 W worden gebruikt in de lamp

## 4 Reiniging en onderhoud

Voor u het apparaat reinigt en onderhoudt, moet u de stroom uitschakelen of de schakelaar omschakelen of de zekering van de afzuigkap verwijderen.

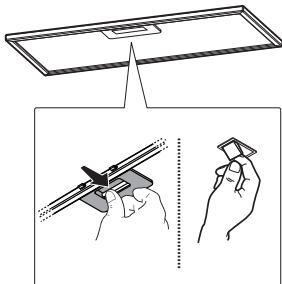


Het niet naleven van de voorzieningen met betrekking tot de reiniging van het apparaat en de vervanging van de filters kan een brandrisico inhouden. Het is daarom aanbevolen de richtlijnen in deze handleiding na te leven. De fabrikant is niet verantwoordelijk voor schade aan de motor of brand die wordt veroorzaakt door een incorrect gebruik.

Reinig uitsluitend met een doek die is vochtig gemaakt in een neutraal reinigingsmiddel. Niet reinigen met gereedschap of instrumenten. Gebruik geen schurende producten. Gebruik geen alcohol.

### 4.1 Reiniging van aluminium Vetfilter

Dit filter legt oliedeeltjes in de lucht vast. Het is aanbevolen uw filter elke maand te reinigen bij gebruik in normale omstandigheden. Verwijder eerst de vetfilters voorafgaand aan dit proces. Was de filters met vloeibaar wasmiddel en spoel ze af met water. Breng ze daarna opnieuw aan wanneer ze droog zijn. Aluminium vetfilters kunnen verkleuren wanneer ze worden gewassen. Dit is normaal en u hoeft het filter niet te vervangen.



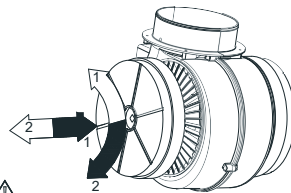
U kunt het aluminium filter wassen in de vaatwasmachine.

### 4.2 Het koolstoffilter vervangen (Luchtcirculatiemodus)

De afzuigkap kan worden voorzien van een koolstoffilter. Het koolstoffilter wordt enkel aangebracht als de afzuigkap niet is verbonden met een ventilatiekoker.

Het is noodzakelijk het koolstoffilter ten minste elke drie maanden te vervangen.

Wanneer u het koolstoffilter vervangt, moet u opletten op het type turbine dat wordt gebruikt.



Symbol Installatie van het filter  
Symbol Verwijdering van het filter



**WAARSCHUWING:** Het koolstoffilter wordt nooit gewassen.



**WAARSCHUWING:** Koolstoffilter is beschikbaar bij geautoriseerde services.

## 5 De installatie van het apparaat



### WAARSCHUWING:

Lees de veiligheidsinstructies voor de installatie.



### OPMERKING

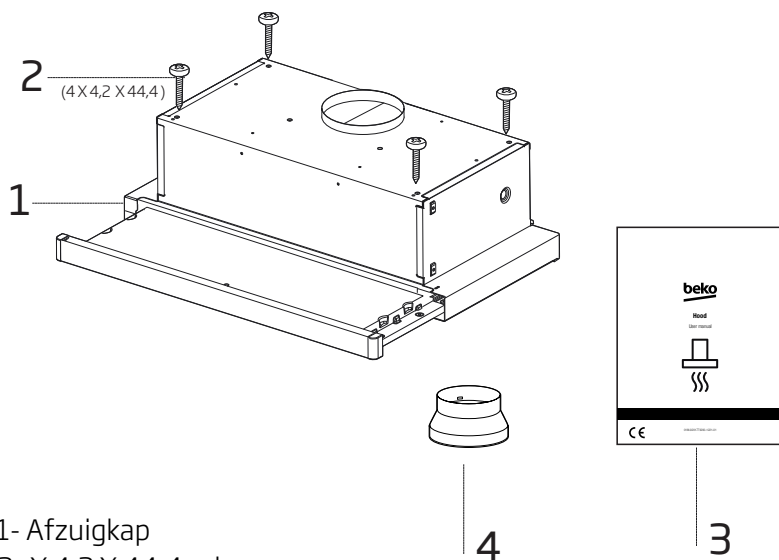
Raadpleeg **pagina 255** voor de installatiegids



### WAARSCHUWING:

Als de schroeven of bevestigingsmiddelen niet worden geïnstalleerd in overeenstemming met deze instructies kan dit resulteren in elektrische gevaren.

### 5.1 Installatie accessoires



- 1- Afzuigkap
- 2- X 4,2 X 44,4 schroeven
- 3- Handleiding
- 4- 1 x Ø120/150 mm kunststof aansluitstuk voor rookkanaal

## 6 Probleemoplossing

<b>Probleemoplossing</b>	<b>Reden</b>	<b>Help</b>
Het product werkt niet.	Controleer uw zekering.	Uw zekering is mogelijk afgesloten, schakel ze in.
Het product werkt niet.	Controleer de elektrische aansluiting.	De netspanning moet tussen 220-240 V bedragen.
Het product werkt niet.	Controleer de elektrische aansluiting.	Controleer of de andere producten in uw keuken werken.
De lamp werkt niet.	Controleer de elektrische aansluiting.	De netspanning moet tussen 220-240 V bedragen.
De lamp werkt niet.	Controleer de schakelaar van de lamp.	De lampschakelaar moet in de "Aan" positie staan.
De lamp werkt niet.	Controleer de lampen.	De lampen van het product mogen niet defect zijn.
De luchtinlaat van het product is slecht.	Controleer het aluminium filter.	Het aluminium oliefilter moet één maal per maand worden gewassen bij normaal gebruik.
De luchtinlaat van het product is slecht.	Controleer het luchtuitlaat rookkanaal.	Het luchtuitlaat rookkanaal moet in de "Aan" positie staan.
De luchtinlaat van het product is slecht.	Controleer het koolstoffilter.	Voor producten met koolstoffilters moet het filter normaal gezien elke drie maanden worden vervangen.

# ¡Lea el manual de usuario antes de utilizar el aparato!

Estimado cliente:

Gracias por elegir un aparato Beko. Esperamos que obtenga los mejores resultados de su aparato, ya que ha sido fabricado con gran calidad y con tecnología de última generación. Por esta razón, le aconsejamos que lea este manual de usuario y todos los demás documentos adjuntos con atención antes de utilizar el aparato y que los guarde para futuras consultas. Si entrega este aparato a otra persona, proporcionele también el manual de usuario. Siga las instrucciones prestando especial atención a toda la información y advertencias incluidas en el manual de usuario.

Recuerde que este manual de usuario también puede servir para otros modelos. En el manual se describen las diferencias entre los modelos explícitamente.

## Significado de los símbolos

Los siguientes símbolos se usan en las diversas secciones del presente manual de usuario:



Información importante y consejos útiles sobre su uso.



**ADVERTENCIA:** Advertencias de situaciones peligrosas sobre la seguridad de las personas y la propiedad.



Advertencia de peligro de incendio.



Advertencia sobre posibles descargas eléctricas.



Clase de protección para descargas eléctricas.



Este aparato se ha fabricado en plantas de fabricación modernas y que hacen uso de procesos respetuosos con el medio ambiente.

Cumple con la Directiva RAEE.



No contiene PCB.

# 1 Instrucciones importantes para la seguridad y el medio ambiente

## 1.1 Seguridad general

Lea las instrucciones importantes de seguridad y guárdelas para su futura consulta

Esta sección contiene instrucciones de seguridad que ayudarán a la protección contra los riesgos de incendio, descargas eléctricas, exposición a la energía de microondas, lesiones personales o daño a la propiedad. El incumplimiento de estas instrucciones anulará cualquier tipo de garantía.

- Los productos Beko cumplen con todas las normas de seguridad aplicables; por ello, si el cable o el aparato presentan daños, deberán ser reparados o sustituidos por el distribuidor, un servicio técnico o una persona cualificada y autorizada para evitar cualquier peligro. Los trabajos de reparación deficientes o realizados por personal no cualificado puede ser peligrosos y entrañar riesgos para el usuario.
- Este aparato está destinado al uso doméstico y aplicaciones parecidas, como por ejemplo:
  - Cocinas para uso del personal de tiendas, oficinas y otros entornos laborales;

- Casa rurales;

- Por clientes en hoteles o cualquier otro tipo de entorno residencial;

- Entornos de tipo «Habitación y desayuno» (Bed and Breakfast).

- Utilice este aparato únicamente para su uso previsto, tal como se describe en este manual.
- El fabricante no se hace responsable de los daños provocados por una instalación incorrecta o un uso inapropiado del producto.
- Este aparato puede ser utilizado por niños mayores de 8 años y por personas con capacidades físicas, sensoriales o mentales reducidas o con falta de experiencia y conocimientos, siempre que estén bajo supervisión o hayan recibido instrucciones pertinentes sobre el uso del aparato de manera segura y comprendan los peligros que conlleva.
- No deje que los niños jueguen con el aparato. La limpieza y mantenimiento del usuario no deben ser realizados por niños sin supervisión.
- La distancia mínima entre la superficie de soporte de los recipientes



# 1 Instrucciones importantes para la seguridad y el medio ambiente

tes para cocinar en los fogones y la parte más baja de su aparato debe ser de al menos 65 cm.

- Si en las instrucciones de instalación de la placa de gas se indica una distancia superior, deberá tenerse en cuenta este hecho.
  - Asegúrese de que la fuente de alimentación cumpla con la información que se indica en la placa de datos del aparato.
  - Nunca utilice el aparato si está dañado el cable de alimentación o el mismo aparato.
  - Evite daños al cable procurando que no sufra tirones, no se doble y no roce con bordes afilados para evitar dañarlo. Mantenga el cable de corriente alejado de superficies calientes y llamas descubiertas.
  - Use el aparato únicamente con un enchufe con toma a tierra.
- ADVERTENCIA:** No conecte el aparato a la red eléctrica antes de que la instalación se haya realizado por completo.
- Coloque siempre el aparato de forma que el enchufe quede a mano.
  - No toque las lámparas si han estado en funcionamiento durante mucho tiempo. Pueden ocasionar quemaduras en las manos ya que estarán calientes.
  - Siga las normas establecidas por las autoridades competentes para la descarga del aire de salida (esta advertencia no es aplicable sin la conexión de la chimenea).
  - Encienda el aparato después de colocar una olla, una sartén, etc., en los fogones. De lo contrario, las altas temperaturas pueden provocar deformaciones en algunas partes del aparato.
  - Apague los fogones antes de retirar las ollas, los sartenes, etc.
  - No deje aceite caliente en los fogones. Las sartenes con aceite caliente pueden ocasionar auto-combustión.
  - Preste atención a las cortinas y los estores, ya que, al cocinar platos como patatas fritas, el aceite puede originar un incendio.
  - El filtro antigrasa se debe reemplazar por lo menos una vez al mes. El filtro de carbón se debe reemplazar por lo menos cada 3 meses.
  - El producto se debe limpiar si-

# 1 Instrucciones importantes para la seguridad y el medio ambiente

guiendo las instrucciones del manual de usuario. Si la limpieza no se ha llevado a cabo siguiendo el manual de usuario, puede haber riesgo de incendio.

- No use materiales filtrantes que no resistan el fuego en vez del filtro actual.
- Utilice únicamente accesorios originales o bien los que recomiende el fabricante.
- No use el aparato sin el filtro y no retire los filtros mientras el aparato esté en funcionamiento.
- En caso de fuego, desactive su producto y los aparatos de cocina.
- En caso de fuego, cubra la llama y nunca utilice agua para apagarlo.
- Desenchufe el aparato antes de cada limpieza y cuando no esté en uso.
- La presión negativa de la estancia no debe superar los 4 Pa (4 x 10 bar) cuando la campana para una placa eléctrica funcione simultáneamente con dispositivos de otro tipo de energía excepto la electricidad.
- En la estancia en donde se encuentra el aparato, el escape de equipos de combustible o gas,

como calefactores, deben ser herméticos o estar absolutamente aislados.

- Para la conexión de la chimenea, use tuberías de 120 o 150 mm de diámetro. La conexión de las tuberías debe ser lo más corta posible y tener la menor cantidad de codos de tubería.

**¡Peligro de descarga eléctrica!** Mantenga todos los materiales de embalaje alejados de los niños.

**PRECAUCIÓN:** Las partes accesibles pueden alcanzar temperaturas elevadas al usarse con cocinas.

- El canal de salida del aparato no debe estar conectado a canales de aire por los que pasan humo.
- La ventilación de la estancia puede ser insuficiente cuando la campana extractora para placas eléctricas se utiliza al mismo tiempo que los aparatos que funcionan con gas u otros combustibles (esto puede no ser aplicable a los aparatos que solamente descargan el aire de nuevo en la estancia).
- Los objetos colocados encima del producto pueden caerse. No coloque ningún objeto encima del

# 1 Instrucciones importantes para la seguridad y el medio ambiente

aparato.

- No flambear debajo del aparato.

**ADVERTENCIA:** Antes de instalar la campana, retire las películas protectoras.

- No dejar llamas altas descubiertas debajo de la campana extractora cuando está en funcionamiento
- Las freidoras se deberán vigilar continuamente durante su utilización: el aceite sobrecalentado es inflamable.

## 1.2 De conformidad con la Directiva RAEE y eliminación del producto al final de su vida útil:

Este producto cumple con la Directiva RAEE de la UE (2012/19/UE). Este producto lleva un símbolo de clasificación de residuos de aparatos eléctricos y electrónicos (RAEE).



Este símbolo indica que este producto no debe eliminarse con otros residuos domésticos al final de su vida útil. El aparato usado debe ser devuelto al punto de recogida oficial para el reciclaje de aparatos eléctricos y electrónicos. Para encontrar estos sistemas de recogida, por favor, póngase en contacto con las autoridades locales o con el distribuidor donde se compró el producto. Cada hogar desempeña un papel importante en la recuperación y el reciclaje de los aparatos viejos.

La eliminación adecuada de los aparatos usados ayuda a prevenir las posibles consecuencias negativas para el medio ambiente y la salud humana.

# 1 Instrucciones importantes para la seguridad y el medio ambiente

## 1.3 Conformidad con la Directiva RoHS

El producto que ha adquirido cumple con la Directiva RoHS de la UE (2011/65/UE). No contiene materiales peligrosos ni prohibidos especificados en la Directiva.

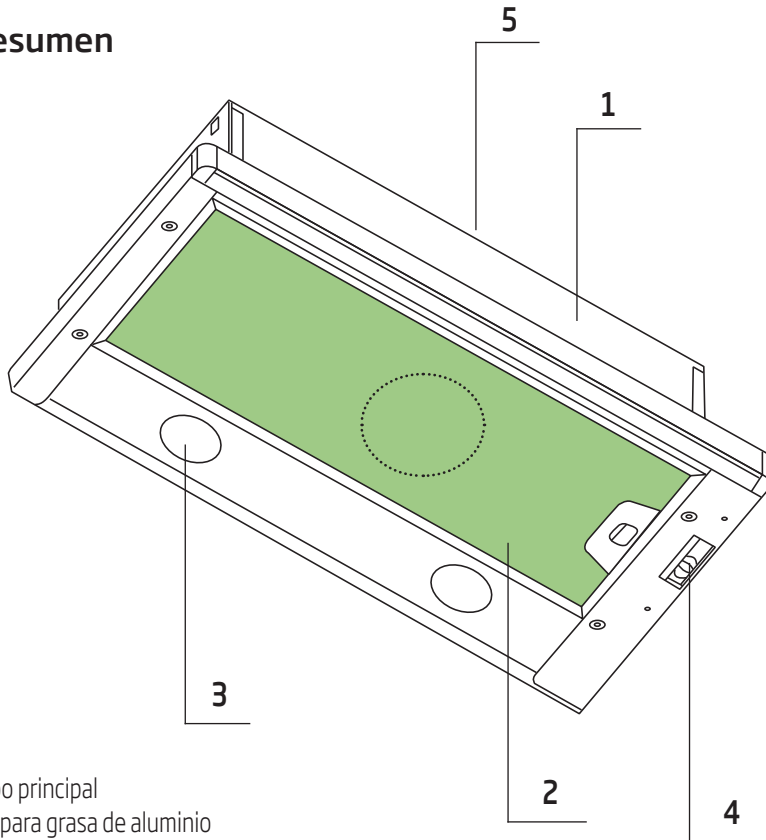
## 1.4 Información sobre el embalaje



Los materiales de embalaje del producto están fabricados con materiales reciclables de acuerdo con nuestra Normativa Medioambiental Nacional. No deseche los materiales de embalaje junto con los residuos domésticos o de otro tipo. Lívelos a los puntos de recogida de material de embalaje designados por las autoridades locales.

## 2 General Apariencia

### 2.1 Resumen



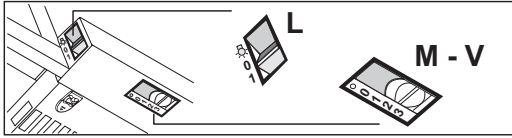
1. Cuerpo principal
2. Filtro para grasa de aluminio
3. Iluminación
4. Panel de control
5. Chimenea

### 2.2 Datos técnicos

<b>Modelo</b>	CTB 6250 W / CTB 6250 X / CTB 6250 XH / CTB 6250 B / CTB 9250 X / CTB 9250 XH
<b>Voltaje de suministro</b>	220-240V ~ 50 Hz
<b>Potencia de la lámpara (W)</b>	2x4
<b>Potencia del motor (W)</b>	1 x 140
<b>Flujo de aire (m<sup>3</sup>/h) - 3. Nivel</b>	420
<b>Tipo de aislamiento</b>	CLASS II

## 3 Uso del aparato

### 3.1 Panel de control



L	Luces	Enciende y apaga la instalación de iluminación.
M	Motor	Enciende y apaga el motor de aspiración.
V	Velocidad	Determina las velocidades de ejercicio:  <ol style="list-style-type: none"><li>1. Velocidad mínima, indicada para un recambio de aire continuo muy silencioso, en presencia de pocos vapores de cocción.</li><li>2. Velocidad media, indicada para la mayor parte de las condiciones de uso, gracias a la óptima relación entre caudal de aire tratado y nivel de ruido.</li><li>3. Velocidad máxima, indicada para hacer frente a grandes cantidades de vapor de cocción, incluso para tiempos prolongados.</li></ol>

- La campana extractora ha sido diseñada exclusivamente para uso doméstico para eliminar los olores de la cocina.
- Nunca use la campana para otros propósitos que no sean para los que ha sido diseñada.
- Nunca deje fuentes de calor desatendidas bajo la campana cuando esta esté en funcionamiento.
- Ajuste la intensidad de la llama para dirigirla sólo al fondo de la sartén, asegurándose de que no alcance los lados.
- Las freidoras deben ser vigiladas en todo momento durante su uso: ya que el aceite caliente puede provocar llamas.

## 3 Uso del aparato

### 3.2 Reemplazo de la lámpara



Antes de cambiar las bombillas, desconecte la fuente de alimentación de la campana.



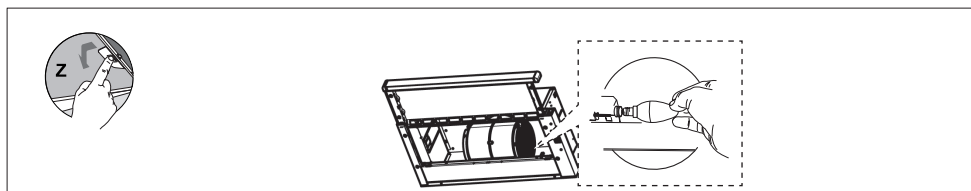
No toque las bombillas cuando estén calientes.




No toque la bombilla sustituida directamente con las manos.



Puede adquirir las lámparas a través del servicio técnico autorizado.



Lámpara	Consumo de energía (W)	Casquillo	Voltaje (V)	Dimensión (mm)	Código ILCOS
	4	E14	220 – 240	107 x 37	DRBB/F-4-220-240-E14-35/100

- En este producto se utiliza una lámpara LED tipo vela
- Se debe usar una lámpara de máximo 4 W cuando se cambie la lámpara

## 4 Limpieza y mantenimiento

Antes de comenzar con la limpieza y el mantenimiento, desenchufe el aparato o apague el interruptor principal desconecte el fusible que alimenta la campana.

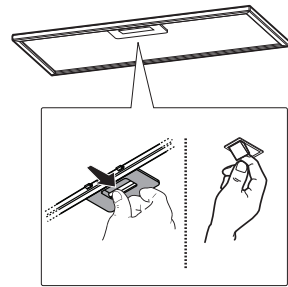


El incumplimiento de las disposiciones relativas a la limpieza del dispositivo y la sustitución de los filtros puede provocar riesgo de incendio. Por lo tanto, se recomienda cumplir con las directrices que se dan en el presente documento. El fabricante no es responsable de ningún daño que el motor sufra ni de los incendios causados por un uso inadecuado.

Limpie el aparato usando sólo un paño humedecido con detergente líquido neutro. No lo limpie con herramientas o instrumentos. No utilice productos abrasivos. No use alcohol

### 4.1 Limpieza del filtro para grasa de aluminio

Este filtro captura las partículas de aceite en el aire. Se recomienda que limpie el filtro todos los meses si usa el aparato regularmente. Primero hay que retirar los filtros para grasa. Lave los filtros con detergente líquido, enjuáguelos con agua y vuelva a instalarlos después de que se sequen. Los filtros para grasa de aluminio pueden decolorarse al ser lavados; esto es normal y no es necesario cambiar el filtro.



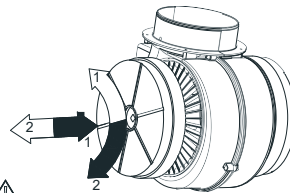
Puedes lavar el filtro de aluminio en el lavavajillas

### 4.2 Cambio del filtro de carbón (Modo de circulación del aire)

La campana puede ser instalada con un filtro de carbón activo. El filtro de carbón sólo se instala en caso de que la campana no esté conectada al conducto de ventilación.

En cualquier caso, es necesario reemplazar el filtro de carbón al menos cada tres meses.

Cuando reemplace el filtro de carbón, observe el tipo de turbina instalada.



Simbolo  
Simbolo

Instalación del filtro  
Desmontaje del filtro



**ADVERTENCIA:** El filtro de carbón nunca se lava.



**ADVERTENCIA:** El filtro de carbón está disponible en los Servicios Técnicos Autorizados.



## 5 Configuración del dispositivo



### ADVERTENCIA

Por favor, lea las instrucciones de seguridad antes de realizar la instalación.



### ADVERTENCIA

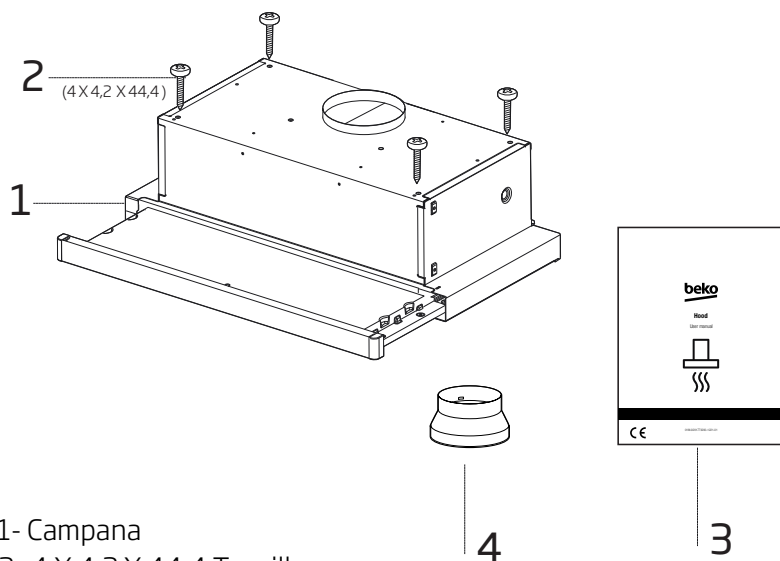
Si no se instalan los tornillos o el dispositivo de fijación de acuerdo con estas instrucciones, pueden producirse amenazas de tipo eléctrico.



### NOTA:

Por favor, **consulte la página 255** para ver la guía de instalación

### 5.1 Accesorios de instalación



- 1- Campana
- 2- 4 X 4,2 X 44,4 Tornillos
- 3- Manual del usuario
- 4- 1 x adaptador plástico de chimenea de Ø120/150 mm

## 6

## Resolución de problemas

Resolución de problemas	Razón	Ayuda
El producto no funciona.	Revise los fusibles.	Los fusibles podrían estar desconectados, conéctelos.
El producto no funciona.	Revise la conexión eléctrica.	El voltaje de la red eléctrica debe ser entre 220-240 V.
El producto no funciona.	Revise la conexión eléctrica.	Compruebe si otros aparatos de su cocina funcionan.
La lámpara de iluminación no funciona.	Revise la conexión eléctrica.	El voltaje de la red eléctrica debe ser entre 220-240 V.
La lámpara de iluminación no funciona.	Revise el interruptor de la lámpara.	El interruptor de la lámpara debería estar en la posición "on".
La lámpara de iluminación no funciona.	Revise las lámparas.	Las lámparas del producto no deben estar defectuosas.
La entrada de aire del producto es baja.	Revise el filtro de aluminio.	El filtro de aceite de aluminio debe ser limpiado al menos una vez al mes en condiciones normales de uso.
La entrada de aire del producto es baja.	Revise el conducto de ventilación.	El conducto de ventilación debería estar en la posición de encendido "on" .
La entrada de aire del producto es baja.	Revise el filtro de carbón.	En los productos que usen filtros de carbón, el filtro debe cambiarse normalmente cada 3 meses.



**Contacto para asistencia técnica:  
902 877 665/ 932 992 581**

#### **CONDICIONES DE GARANTIA - ESPAÑA**

El presente certificado cubre la garantía de reparación de su electrodoméstico durante dos años, a partir de la fecha de venta, contra todo defecto de funcionamiento proveniente de fabricación o materiales; o de sustitución del aparato, salvo que una de estas opciones resulte imposible o desproporcionada respecto de la otra. Cuando usted detecte un defecto o anomalía en el aparato contacte de forma inmediata con nosotros, un plazo de dos meses es el límite para informarnos de la falta de conformidad. El cargo de desplazamiento está incluido en la reparación, excepto para pequeños electrodomésticos que pueden ser transportados al taller del servicio oficial de la marca. En caso de sustitución, el plazo de garantía se suspende y el nuevo aparato mantendrá el periodo de vigencia del aparato sustituido, y como mínimo 6 meses de garantía.

La presente garantía sólo será válida si se presenta factura, ticket de compra o el albarán de entrega del producto correspondiente si éste fuera posterior a la fecha de factura. La presente garantía es válida en el territorio español y portugués para los aparatos distribuidos por Beko Electronics España S.L.. La garantía sólo tendrá validez sobre el primer comprador o adquirente del producto. La garantía será válida para aparatos adecuados a las condiciones climáticas y medioambientales en que estén ubicados.

#### **EXCLUSIONES DE LA GARANTIA**

El coste de la reparación será a cargo del usuario en los siguientes casos:

- Los aparatos utilizados para uso profesional o no exclusivamente doméstico, en establecimientos públicos, industriales o comerciales.
- Los aparatos desmontados o manipulados por personas ajenas a los servicios técnicos expresamente autorizados.
- Las instalaciones, transporte, sustitución de aparatos, puestas en marcha, cambio de sentido de puertas.
- Intervenciones de mantenimiento o de información sobre el uso de los aparatos.
- Cambio de inyectores en aparatos de gas.
- Las averías provocadas por falta de mantenimiento o limpieza o aquellas provocadas por un uso indebido, sobrecarga, abandono o de manera no conforme a las instrucciones de uso o de instalación de los aparatos.
- Las averías producidas por causas fortuitas, siniestros de fuerza mayor o derivados de instalación incorrecta y en general, averías por causas ajenas al propio aparato.
- Las averías provocadas por conexiones que puedan presentar fluctuaciones, irregularidades o falta de uniformidad en el suministro, por ejemplo: suministro de agua impulsado por grupos de presión, energía solar, energía eólica, generadores eléctricos, u otro tipo de suministro no normalizado.
- Los materiales rotos o deteriorados por desgaste o uso normal del aparato tales como juntas, plásticos, gomas, correas, cristales, escobillas, bombillas, asas, tiradores, tapas de quemadores, filtros, rejillas, etc.
- Los aparatos que presenten oxidación, o daños por corrosión en esmaltes o pinturas, que puedan ser provocados por efectos químicos o electroquímicos del agua o cualquier otra sustancia, o aceleradas por circunstancias ambientales o climáticas no propicias.
- Defectos estéticos en serigrafía o pintura.
- Los daños de transporte o manipulación, golpes, etc.
- Los aparatos deben instalarse de forma accesible para su reparación, debiendo asumir el usuario los costes necesarios para el acceso al aparato para su reparación y sustitución.

La presente garantía no afecta a los derechos de que dispone el consumidor conforme a lo previsto en el Real Decreto 1/2007, de 16 de noviembre, por el que se aprueba el texto refundido de la Ley General para la Defensa de los Consumidores y Usuarios y otras leyes complementarias, y la Ley 3/2014 que la modifica.

El Servicio Oficial de Asistencia Técnica resolverá cualquier incidencia que pudiera precisar su electrodoméstico siempre que el aparato esté instalado de forma accesible.

Para asegurarse que su electrodoméstico va a ser intervenido por un técnico oficial autorizado, rogamos solicite el carnet avalado por ANFEL (Asociación Nacional de Fabricantes de Electrodomésticos) a nuestros técnicos.

Las marcas BEKO, ALTUS, ARDEM, BLOMBERG, NORLINE y GRUNDIG se distribuyen por Beko Electronics España S.L.

**DATOS APARATO** (a rellenar por el Distribuidor):

Titular:		Sello Establecimiento:
Modelo:	Núm. serie:	
Establecimiento:	Fecha de compra:	

**El garante e importador de su electrodoméstico es: BEKO ELECTRONICS ESPAÑA S.L. Calle Provenza nº 388 3º Barcelona 08025, España. El producto ha sido fabricado por ARÇELIK A.S (Arçelik A.S.Sütlüce Karaağaç Cad. No:2-6 34445 Beyoğlu, Istanbul, Turkey).**

**Conózanos mejor en nuestra página: [www.beko.es](http://www.beko.es). Conserve este documento, es importante para usted.**

# Leia este manual do utilizador em primeiro lugar!

Prezado Cliente,

Obrigado por preferir este aparelho da Beko. Esperamos que obtenha os melhores resultados com o nosso aparelho, que foi fabricado com tecnologia avançada e de alta qualidade. Como tal, leia com atenção todo este manual do utilizador e os outros documentos que o acompanham antes de utilizar o aparelho e guarde-o como referência para uso futuro. Se passar o aparelho para outra pessoa, dê-lhe também este manual do utilizador. Siga as instruções estando atento às informações e avisos no manual do utilizador.

Lembre-se que este manual do utilizador também pode aplicar-se a outros modelos. As diferenças entre modelos são explicitamente descritas no manual.

## Significados dos símbolos

Os seguintes símbolos são usados em várias secções deste manual:



Informações importantes ou dicas úteis sobre a utilização.



**AVISO:** Avisos para situações perigosas relativas à segurança de pessoas e bens.



Aviso sobre perigo de incêndio.



Aviso de choque elétrico.



Classe de proteção para choque elétrico.



Este aparelho foi fabricado em instalações modernas e amigas do ambiente sem causar quaisquer danos à natureza.

## 1.1 Segurança geral

Instruções importantes sobre a segurança, leia com cuidado e mantenha para a referência futura. Esta secção contém instruções de segurança que ajudarão a protegê-lo(a) contra o risco de incêndio, exposição a energia de micro-ondas liberada acidentalmente, ferimentos pessoais ou danos à propriedade. O não cumprimento destas instruções invalida a garantia concedida.

- Os produtos Beko estão em conformidade com as normas de segurança aplicáveis; portanto, em caso de qualquer dano no aparelho ou cabo de alimentação, deve ser reparado ou substituído pelo revendedor, centro de assistência ou por uma assistência especializada e autorizada para evitar qualquer perigo. Reparações defeituosas ou não qualificadas podem ser perigosas e constituir riscos para o utilizador.
- Este aparelho destina-se à utilização doméstica e aplicações semelhantes, como por exemplo:
  - Áreas da cozinha dos funcionários em lojas, escritórios e outros ambientes de trabalho;
  - Casas de turismo rural;

- Por clientes em hotéis, pensões e outros tipos de ambientes residenciais;

- Alojamentos do tipo cama e pequeno-almoço.

- Use este aparelho apenas para os fins a que se destina e tal como descrito neste manual.
- O fabricante não se responsabiliza por quaisquer danos resultantes de uma instalação incorreta ou imprópria.
- Este equipamento pode ser usado por crianças com idade de 8 anos ou mais e por pessoas com capacidades físicas, sensoriais ou mentais reduzidas ou com falta de experiência e conhecimento se forem supervisionadas ou que lhes tenha sido dada instrução a respeito da utilização do equipamento de um modo seguro e que compreendam os perigos envolvidos.
- As crianças não devem brincar com o aparelho. A limpeza e a manutenção do utilizador não devem ser realizadas por crianças sem serem supervisionadas.
- A distância mínima entre a superfície de apoio para os recipientes na placa de cozinha e a parte infe-

# 1 Instruções importantes sobre segurança e meio ambiente

rior do produto deve ser de 65 cm, no mínimo.

- Se as instruções de instalação para a placa de cozinha a gás especificarem uma distância maior, esta deve ser tida em consideração.
- Certifique-se de que a alimentação elétrica está em conformidade com as informações fornecidas na placa de dados do aparelho.
- Nunca utilize o aparelho se o cabo de alimentação ou o próprio aparelho estiverem danificados.
- Evite danos ao cabo de alimentação, evitando apertá-lo, dobrá-lo ou arrastá-lo sobre extremidades pontiagudas. Mantenha o cabo de alimentação afastado de superfícies quentes e chamas vivas.
- Apenas utilize o aparelho numa tomada com ligação à terra.

**AVISO:** Não ligue o aparelho à corrente até que a instalação esteja concluída.

- Coloque o aparelho de modo a que a ficha esteja sempre acessível.
- Não toque nas lâmpadas caso tenham estado acesas durante muito tempo. Estas podem queimar as suas mãos, dado que ficam

quentes.

- Siga os regulamentos estabelecidos pelas autoridades competentes relativos ao ar de exaustão (este aviso não se aplica se o aparelho for utilizado sem chaminé).
- Utilize o aparelho apenas depois de colocar um tacho, uma frigideira, etc. na placa de cozinha. Caso contrário, o calor excessivo pode deformar algumas partes do aparelho.
- Desligue a placa de cozinha antes de retirar o tacho, a frigideira, etc.
- Não deixe óleo quente na placa de cozinha. As frigideiras com óleo quente podem entrar em combustão espontânea.
- Preste atenção às cortinas e tampas, pois o óleo pode incendiar-se enquanto se cozinha, por exemplo, batatas fritas.
- O filtro de gordura deve ser substituído, no mínimo, mensalmente. O filtro de carbono deve ser substituído, no mínimo, a cada 3 meses.
- O aparelho deve ser limpo de acordo com as instruções do manual do utilizador. Pode existir perigo de incêndio caso a limpeza não seja realizada de acordo com

as instruções do manual do utilizador.

- Não utilize materiais de filtração que não sejam resistentes ao fogo além do filtro atual.
- Utilize apenas as peças originais ou peças recomendadas pelo fabricante.
- Não utilize o aparelho sem o filtro e não retire os filtros durante o funcionamento do aparelho.
- No caso de deflagrar uma chama, corte a alimentação elétrica do aparelho e dos eletrodomésticos.
- No caso de deflagrar uma chama, cubra-a e nunca use água para extingui-la.
- Desligue o aparelho antes de cada limpeza e quando este não estiver a ser utilizado.
- A pressão negativa no ambiente não deverá exceder 4 Pa (4 x 10 bar) enquanto o exaustor para a placa de cozinha elétrica e os aparelhos alimentados por outro tipo de energia além da eletricidade estiverem a funcionar em simultâneo.
- No ambiente em que o aparelho está a ser utilizado, a exaustão dos dispositivos que funcionam a

óleo combustível ou gás, como é o caso dos aquecedores, deverá ficar totalmente isolada. Caso contrário, o aparelho terá de ser de tipo hermético.

- Ao fazer a ligação à chaminé, utilize tubos com 120 ou 150 mm de diâmetro. A ligação do tubo deve ser o mais curta possível e ter o menor número de curvas possível.

**Perigo de asfixia!** Mantenha todos os materiais da embalagem afastados das crianças.

# 1 Instruções importantes sobre segurança e meio ambiente

**ATENÇÃO:** Partes acessíveis podem ficar quentes quando utilizadas com aparelhos de cozinha.

- A saída do exaustor não pode estar ligada aos canais de ar que incluem outros fumos.
- A ventilação na divisão poderá ser insuficiente quando se utilizar o exaustor para a placa de cozinha elétrica simultaneamente com os dispositivos que funcionam a gás ou outros combustíveis (isto poderá não se aplicar aos aparelhos que apenas fazem o retorno do ar para a divisão).
- Os objetos colocados em cima do aparelho podem cair. Não coloque quaisquer objetos em cima do aparelho.
- Não flambeie debaixo do aparelho.

**AVISO:** Remova as películas protetoras antes de instalar a Placa de cozinha.

- Nunca deixe chamas vivas altas sob o exaustor quando este estiver em funcionamento
- Mantenha as fritadeiras sob controlo durante a utilização; o óleo sobreaquecido pode inflamar-se.

## 1.2 Conformidade com a Diretiva REEE e eliminação do produto residual:

Este produto está em conformidade com a Diretiva REEE da UE (2012/19/UE). Este produto traz um símbolo de classificação para reciclagem de equipamentos elétricos e eletrónicos (REEE).



Este símbolo indica que o produto não deve ser eliminado juntamente com o lixo doméstico no fim da sua vida útil. Os aparelhos usados devem ser levados para um ponto de recolha oficial para a reciclagem de aparelhos elétricos e eletrónicos. Para encontrar estes sistemas de recolha, entre em contacto com as autoridades locais ou com o revendedor através do qual adquiriu o produto. Cada domicílio desempenha um papel fundamental na recolha e reciclagem de aparelhos antigos. A eliminação correta de aparelhos usados ajuda a prevenir potenciais efeitos negativos ao meio ambiente e à saúde humana.



# 1 Instruções importantes sobre segurança e meio ambiente

## 1.3 Conformidade com a Diretiva RoHS

O produto adquirido está em conformidade com a Diretiva RoHS da UE (2011/65/UE). Não contém materiais prejudiciais ou proibidos especificados na Diretiva.

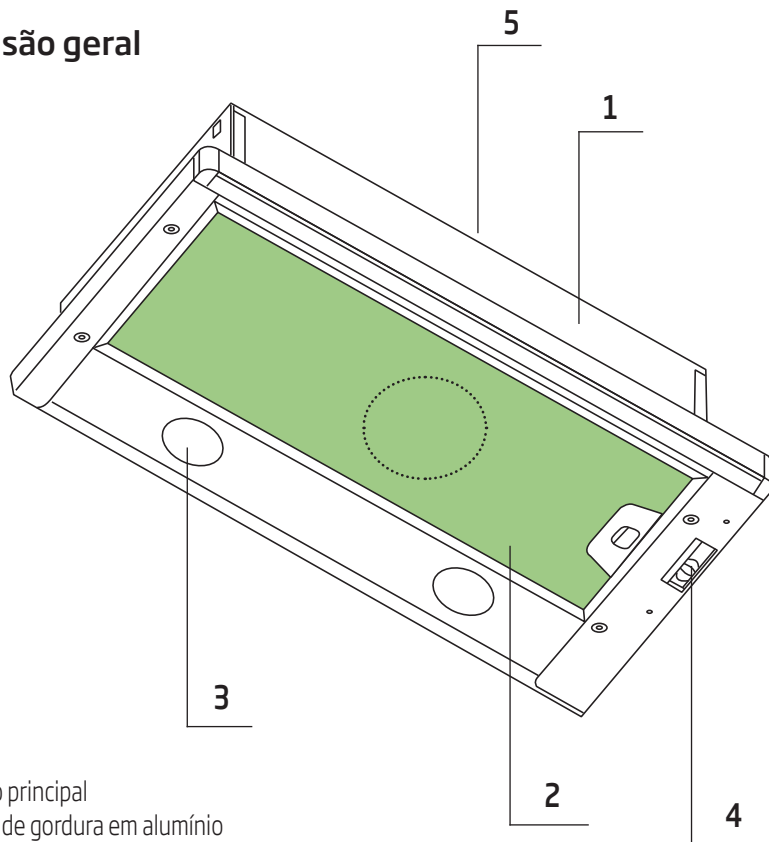
## 1.4 Informação de embalagem



Os materiais para embalagem do produto são fabricados a partir de materiais recicláveis, em conformidade com a nossa Regulamentação Nacional do Ambiente. Não elimine os materiais da embalagem juntamente com os resíduos domésticos ou outros tipos de resíduos. Leve-os para os pontos de recolha de materiais de embalagem designados pelas autoridades locais.

## 2 Aspecto geral

### 2.1 Visão geral



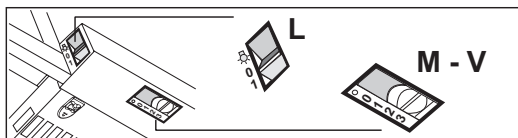
1. Corpo principal
2. Filtro de gordura em alumínio
3. Iluminação
4. Painel de controlo
5. Chaminé

### 2.2 Dados técnico

<b>Modelo</b>	CTB 6250 W / CTB 6250 X / CTB 6250 XH / CTB 6250 B / CTB 9250 X / CTB 9250 XH
<b>Tensão de alimentação</b>	240-220V ~ 50 Hz
<b>Potência da lâmpada (W)</b>	2x4
<b>Potência do Motor (W)</b>	1 x 140
<b>Fluxo de ar (m<sup>3</sup>/h) - 3. Nível</b>	420
<b>Classe de isolamento</b>	CLASSE II

## 3 Utilização do electrodoméstico

### 3.1 Painel de controlo



L	Luzes	Liga e desliga a Iluminação
M	Motor	Liga e desliga o motor de exaustão
V	Velocidade	Determina a velocidade de funcionamento:  1. Velocidade mínima, indicada para uma troca contínua do ar muito silenciosa, se os vapores de cozedura forem poucos. 2. Velocidade média, indicada para a maior parte das condições de uso vista a excelente relação entre o débito do ar tratado e o nível de ruído. 3. Velocidade máxima, indicada para enfrentar as máximas emissões de vapores de cozedura, mesmo durante períodos prolongados.

- O exaustor foi concebido exclusivamente para o uso doméstico, a fim de eliminar os odores da cozinha.
- Nunca utilizar o exaustor para outros fins para os quais não foi concebido.
- Nunca deixe alta chamas expostas sob o exaustor quando o mesmo estiver a funcionar.
- Ajustar a intensidade da chama para direccioná-la apenas para o fundo da panela, certificando-se de que a mesma não envolva os lados.
- Fritadeiras de gordura profunda devem ser monitorizadas continuamente durante a utilização: óleosobreaquecido pode irromper em chamas.

## 3 Utilização do electrodoméstico

### 3.2 Substituição da lâmpada



Antes de substituir as lâmpadas, desligue a alimentação eléctrica do exaustor.



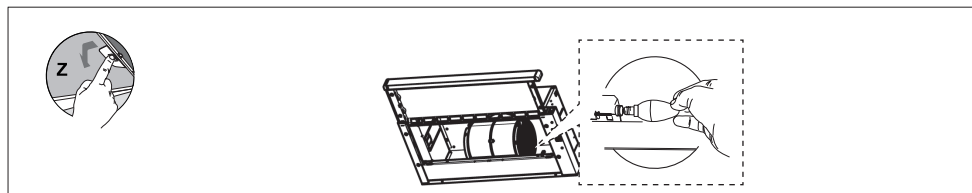
Não tocar nas lâmpadas quando as mesmas estiverem quentes.




Cuidado para não tocar com as mãos directamente na lâmpada substituída.



Pode comprar lâmpadas de agentes de serviço autorizados.



Lâmpada	Absorção (W)	Ligação	Tensão (V)	Dimensão (mm)	Código ILCOS
	4	E14	220 – 240	107 x 37	DRBB/F-4-220-240-E14-35/100

- Este produto utiliza lâmpada LED de tipo vela
- Deve ser utilizada uma lâmpada de no máximo 4 W quando a lâmpada é substituída

## 4 Limpeza e manutenção

Antes da limpeza e manutenção, desligue o electrodoméstico da tomada ou desligue o interruptor principal ou solteio fusível que abastece o exaustor.

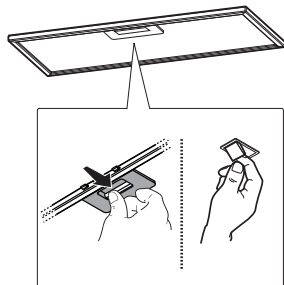


A falha em cumprir com as disposições relativas à limpeza do dispositivo e substituição de filtros pode causar risco de incêndio. Por conseguinte, recomenda-se o cumprimento das orientações aqui fornecidas. O fabricante não é responsável por qualquer dano ao motor ou incêndios causados por uso inadequado.

Limpar utilizando apenas um pano humedecido com detergente líquido neutro. Não limpar com ferramentas ou instrumentos. Não utilizar produtos abrasivos. Não usar álcool

### 4.1 Limpeza do filtro de gordura em alumínio

Este filtro captura partículas de óleo no ar. Recomenda-se limpar o filtro todos os meses em condições normais de uso. Primeiro, remova os filtros de gordura para este processo. Lavar os filtros com detergente líquido e enxaguar com água e instalá-los de volta depois de seco. Os filtros de gordura em alumínio podem tornar descolorados à medida que são lavados. Isso é normal e não é motivo para substituir o seu filtro.



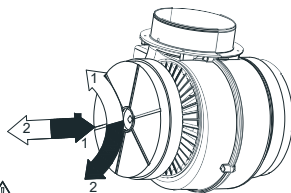
Pode lavar o filtro de alumínio na lavadora de louça

### 4.2 Substituição do filtro de carbono (Modo de circulação de ar)

O exaustor pode ser equipado com um filtro de carbono activo. O filtro de carbono é aplicado apenas no caso em que o exaustor não estiver conectado ao tubo de ventilação.

Em qualquer caso, é necessário substituir o filtro de carbono pelo menos a cada três meses.

Quando substituir o filtro de carbono, tenha cuidado ao tipo de turbina utilizada.



Simbolo → Instalação de filtro  
Simbolo ← Desmantelamento de filtro



**ADVERTÊNCIA:** O filtro de carbono nunca é lavado.



**ADVERTÊNCIA:** O filtro de carbono está disponível a partir de serviços autorizados.

## 5 Montagem do dispositivo



### ADVERTÊNCIA

Leia as instruções de segurança antes da montagem.



### ADVERTÊNCIA

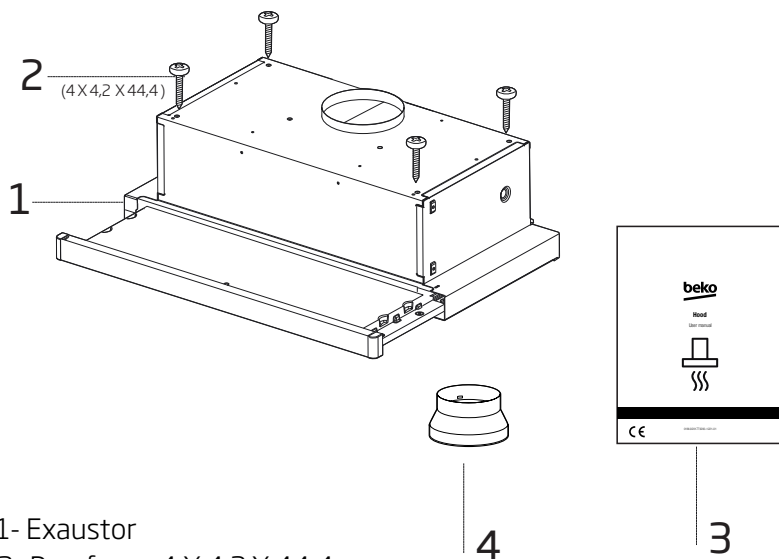
A falha ao instalar os parafusos de fixação do dispositivo de acordo com estas instruções pode resultar em riscos eléctricos.



### NOTA

Consulte a **página 255** para o guia de instalação

### 5.1 Acessórios de instalação



- 1- Exaustor
- 2- Parafusos 4 X 4.2 X 44.4
- 3- Manual do utilizador
- 4- 1 x adaptador de chaminé de plástico de Ø120/150 mm

## 6

## Resolución de problemas

Resolución de problemas	Razón	Ayuda
El producto no funciona.	Revise los fusibles.	Los fusibles podrían estar desconectados, conéctelos.
El producto no funciona.	Revise la conexión eléctrica.	El voltaje de la red eléctrica debe ser entre 220-240 V.
El producto no funciona.	Revise la conexión eléctrica.	Compruebe si otros aparatos de su cocina funcionan.
La lámpara de iluminación no funciona.	Revise la conexión eléctrica.	El voltaje de la red eléctrica debe ser entre 220-240 V.
La lámpara de iluminación no funciona.	Revise el interruptor de la lámpara.	El interruptor de la lámpara debería estar en la posición "on".
La lámpara de iluminación no funciona.	Revise las lámparas.	Las lámparas del producto no deben estar defectuosas.
La entrada de aire del producto es baja.	Revise el filtro de aluminio.	El filtro de aceite de aluminio debe ser limpiado al menos una vez al mes en condiciones normales de uso.
La entrada de aire del producto es baja.	Revise el conducto de ventilación.	El conducto de ventilación debería estar en la posición de encendido "on" .
La entrada de aire del producto es baja.	Revise el filtro de carbón.	En los productos que usen filtros de carbón, el filtro debe cambiarse normalmente cada 3 meses.



**Contacte a assistência técnica:  
707 014 192 / 215 557 319**

#### **CONDIÇÕES DE GARANTIA - PORTUGAL**

Este certificado cobre a garantia de reparação do seu eletrodoméstico por dois anos a contar da data de compra, contra defeitos de funcionamento provenientes do fabrico ou dos materiais; ou de substituição do dispositivo, a menos que uma dessas opções seja impossível ou desproporcionada em relação à outra. Quando detetar um defeito ou anomalia no aparelho entre imediatamente em contacto connosco, existe um prazo limite de dois meses para nos informar sobre a falta de conformidade. O valor da deslocação está incluído na reparação, com exceção de pequenos aparelhos que podem ser transportados para a oficina do serviço oficial da marca. Em caso de substituição, o período de garantia fica suspenso e o aparelho irá manter o prazo de validade do aparelho substituído e no mínimo 6 meses de garantia.

Esta garantia só será válida se a fatura, recibo de venda ou a entrega do produto em questão for posterior à data da fatura. Esta garantia é válida em território espanhol e português para aparelhos distribuído pela Beko Electronics Espanha SL. A garantia só é válida para o primeiro comprador ou adquirente do produto. A garantia é válida para dispositivos adaptados às condições climáticas e ambientais em que se situam.

#### **EXCLUSÕES DA GARANTIA**

O custo da reparação será pago pelo utilizador nos seguintes casos:

- Aparelhos utilizados para uso profissional ou não exclusivamente doméstico, em estabelecimentos comerciais, industriais ou públicos.
- O equipamento desmontado ou adulterado por alguém que não seja expressamente autorizado pelos serviços técnicos.
- A instalação, transporte, substituição de equipamento, colocação em funcionamento, alteração do sentido das portas.
- Intervenções de manutenção ou informações sobre a utilização dos aparelhos.
- Alteração de injetores em aparelhos a gás.
- As avarias causadas pela falta de manutenção ou limpeza, ou aquelas causadas por um uso inadequado, sobrecarga, abandono ou de forma a não respeitar as instruções de uso ou instalação dos aparelhos.
- As avarias provocadas por causas acidentais, sinistros de força maior ou resultantes de instalação inadequada e em geral, avarias por razões não relacionadas com o produto.
- As avarias causadas por ligações que podem apresentar flutuações, irregularidades ou falta de uniformidade no fornecimento, por exemplo: abastecimento de água, impulsionado por pressão, energia solar, energia eólica, geradores de energia elétrica ou outro tipo de fornecimento não-padrão.
- Os materiais quebrados ou danificados por desgaste ou uso não normal do aparelho, ou consumíveis tais como: juntas, plásticos, borracha, correias, vidros, pincéis, lâmpadas, asas, puxadores, tampas de queimadores, filtros, grades, etc.
- Os aparelhos que apresentem oxidação, ou danos por corrosão em esmaltes ou tintas, que possam ter sido causados por efeitos químicos ou eletroquímicos da água ou de qualquer outra substância, ou aceleradas por circunstâncias ambientais ou climáticas não propícias.
- Defeitos estéticos em serigrafia ou pintura.
- Os danos causados por transporte ou manuseio, colisões, etc.
- Os aparelhos devem ser instalados de forma acessível em caso de reparação e o utilizador deve assumir os custos necessários para aceder ao aparelho para reparação e substituição.

As marcas BEKO, ALTUS, BLOMBERG, y GRUNDIG são distribuídas por Beko Electronics Espanha S.L.

#### **DADOS DO APARELHO** (a ser preenchido pelo Distribuidor):

Detentor:		Carimbo do estabelecimento:
Modelo:	N.º série:	
Estabelecimento:	Data de compra:	

**O fiador e o importador do seu eletrodoméstico é: BEKO ELECTRONICS ESPAÑA S.L. Calle Provenza nº 388 3º Barcelona 08025, Espana. O produto foi fabricado por ARÇELIK A.S (Arçelik A.S.Sütlüce Karaağaç Cad. No:2-6 34445 Beyoğlu, Istanbul, Turquia) ou o Arctic S.A. (210, 13 Decembrie St., 135200, Gaesti, Dambovitá, Romania.**

Conheça-nos melhor na nossa página: [www.beko.com](http://www.beko.com) Conserve este documento, é importante para si.



# Si prega di leggere questo manuale prima dell'uso!

Gentile e stimato Cliente,

grazie per aver scelto questo apparecchio Beko. Ci auguriamo che riesca ad ottenere i risultati migliori da questo prodotto, realizzato con tecnologia all'avanguardia e di alta qualità. Pertanto, prima di utilizzare il prodotto, La preghiamo di leggere con attenzione e per intero il presente manuale e ogni altro documento allegato, conservandoli come riferimento per impieghi futuri. Nel caso cedesse il prodotto ad altre persone, consegnì loro anche queste istruzioni. Segua tutte le avvertenze e le informazioni riportate nel manuale utente.

Consideri che questo manuale utente può risultare valido anche per altri modelli. Il contenuto ne descrive chiaramente le eventuali differenze.

## Significato dei simboli

I seguenti simboli sono utilizzati in diverse sezioni del presente manuale utente:



Informazioni importanti e suggerimenti utili sull'utilizzo.



**AVVERTENZA:** Avvisi in merito a situazioni pericolose per la sicurezza di persone e cose.



Avvertenza per pericolo di incendio



Avvertenza per shock elettrico.



Classe di isolamento elettrico.



Questo prodotto è stato prodotto in moderni impianti rispettosi dell'ambiente, senza causare danni alla natura.

Conforme alla normativa RAEE.



Non contiene PCB.

# 1 Istruzioni importanti per la sicurezza e l'ambiente

## 1.1 Sicurezza generale

Istruzioni importanti per la sicurezza. Leggere con attenzione e conservare per riferimenti futuri.

Questa sezione contiene istruzioni di sicurezza che consentono di prevenire il pericolo di incendio, scossa elettrica, esposizione all'energia delle microonde, di lesioni personali o di danni materiali. L'inosservanza di queste istruzioni invalida la garanzia accordata.

- I prodotti Beko sono conformi agli standard di sicurezza applicabili; pertanto, in caso di danni all'apparecchio o al cavo di alimentazione, esso deve essere riparato o sostituito dal rivenditore, da un centro assistenza o da un centro specializzato e autorizzato per evitare danni. Lavori di riparazione errati o non autorizzati possono provocare danni e rischi per l'utente.
- Questo apparecchio è concepito per l'uso domestico e impieghi affini, come:
  - Aree ristoro per il personale in negozi, uffici ed altri ambienti di lavoro;
  - Agriturismi
  - Clienti di hotel e altri contesti di tipo residenziale;

- Strutture tipo bed & breakfast.
- Utilizzare l'apparecchio per l'uso previsto, solo secondo quanto descritto in questo manuale.
- Il produttore non è da ritenersi responsabile di danni risultanti da un'installazione o un utilizzo non adeguati.
- Questo apparecchio può essere usato da bambini di età superiore agli 8 anni e da persone con ridotte capacità fisiche, sensoriali o mentali o prive dell'esperienza e delle conoscenze necessarie solo sotto supervisione o con l'ausilio delle istruzioni riguardanti l'uso dell'apparecchio in modo sicuro e con la comprensione dei rischi che ne derivano.
- I bambini non devono giocare con il dispositivo. Le operazioni di pulizia e manutenzione non devono essere eseguite da bambini in assenza di supervisione.
- La distanza minima tra la superficie di supporto per i contenitori per la cottura sul piano cottura e la parte inferiore dell'apparecchio deve essere di almeno 65 cm.
- Se le istruzioni per l'installazione del fornello a gas specificano una distanza maggiore, si deve consi-

# 1 Istruzioni importanti per la sicurezza e l'ambiente

derare questa misura.

- Assicurarsi che l'alimentazione elettrica sia conforme alle informazioni fornite sulla targhetta di classificazione dell'apparecchio.
- L'apparecchio non deve essere usato se questo o il cavo di alimentazione sono danneggiati.
- Per evitare danni al cavo di alimentazione, evitare di schiacciarlo, piegarlo o strofinarlo su bordi taglienti. • Tenere il cavo di alimentazione lontano da superfici calde e fiamme libere.
- Usare l'apparecchio solo con una presa con messa a terra.

**AVVERTENZA:** Non collegare l'apparecchio alla rete fino al completamento dell'installazione.

- Posizionare l'apparecchio in modo tale che la spina sia sempre accessibile.
- Non toccare le lampadine se sono rimaste in funzione a lungo. Sono molto calde e possono causare ustioni alle mani.
- Seguire le regole stabilite dalle autorità competenti per lo scarico dell'aria di sfiato (questa avvertenza non è applicabile per l'utilizzo senza tubo).

- Mettere in funzione l'apparecchio prima di posizionare una pentola, una padella, ecc. sul piano di cottura. In caso contrario, il calore elevato potrebbe causare deformazioni ad alcune parti dell'apparecchio.
- Spegnerne il piano cottura prima di rimuovere la pentola, la padella, ecc.
- Non lasciare olio caldo sul piano cottura. Le padelle con olio caldo possono causare autocombustione.
- Fare attenzione a tende e coperte: l'olio può prendere fuoco quando si cucinano alimenti come le patate fritte.
- Il filtro antigrasso deve essere sostituito almeno una volta al mese. Il filtro a carbonio deve essere sostituito almeno una volta ogni 3 mesi.
- L'apparecchio deve essere pulito secondo quanto indicato nel manuale utente. Nel caso in cui la pulizia non venga effettuata rispettando tali indicazioni si rischiano incendi.
- Non utilizzare materiali di filtraggio non antincendio al posto dell'attuale filtro.

# 1 Istruzioni importanti per la sicurezza e l'ambiente

- Usare solo parti originali o quelle consigliate dal produttore.
  - Non mettere in funzione l'apparecchio senza filtro e non rimuovere i filtri durante il funzionamento dell'apparecchio.
  - Nel caso in cui si sprigionino fiamme, interrompere l'alimentazione all'apparecchio e alle apparecchiature per la cottura.
  - Nel caso in cui si sprigionino fiamme, coprire la fiamma e non utilizzare mai acqua per spegnerla.
  - Scollegare l'apparecchio prima di ogni pulizia e quando non è in uso.
  - La pressione negativa nell'ambiente non dovrebbe essere superiore a Pa ( $4 \times 10$  bar) quando la cappa per il piano di cottura elettrico e le apparecchiature che funzionano con un tipo di energia diverso dall'elettricità sono in funzione simultaneamente.
  - Nell'ambiente in cui viene utilizzato l'apparecchio, lo scarico dei dispositivi che funzionano a gasolio o gas, come una stufetta, deve essere assolutamente isolato oppure il dispositivo deve essere di tipo ermetico.
  - Per il collegamento del tubo utilizzare elementi con un diametro di 120 o 150 mm. Il collegamento del tubo deve essere quanto più corto possibile e avere meno gomiti possibile.
- Pericolo di soffocamento!** Tenere tutti i materiali di imballaggio lontani dalla portata dei bambini.
- ATTENZIONE:** Le parti accessibili potrebbero diventare molto calde se utilizzate con apparecchiature di cottura.
- Lo sfiato dell'apparecchio non deve essere collegato a canali per l'aria in cui siano presenti altri fumi.
  - La ventilazione nella stanza potrebbe risultare insufficiente quando la cappa del piano di cottura è utilizzata in contemporanea con i dispositivi funzionanti a gas o altri combustibili (ciò potrebbe non essere applicabile per apparecchi che si limitano a scaricare nuovamente l'aria nella stanza).
  - Gli oggetti posizionati sull'apparecchio potrebbero cadere. Non posizionare oggetti sull'apparecchio.
  - Non cucinare al flambé sotto l'apparecchio.

# 1 Istruzioni importanti per la sicurezza e l'ambiente

**AVVERTENZA:** Prima di installare la cappa rimuovere le pellicole protettive.

- Non lasciare mai la fiamma nuda alta sotto la cappa quando questa è in funzione.
- Le friggitrici devono essere monitorate costantemente durante l'uso: l'olio surriscaldato può innescare fiamme.

## 1.2 Conformità alla direttiva RAEE e smaltimento rifiuti:

Questo prodotto è conforme alla direttiva UE RAEE (2012/19/EU). Questo prodotto porta un simbolo di classificazione per la strumentazione elettrica ed elettronica di scarto (WEEE).



Questo simbolo indica che il prodotto non deve essere smaltito con altri rifiuti domestici al termine della sua vita utile. Il dispositivo usato deve essere riportato al punto di raccolta ufficiale per il riciclaggio dei dispositivi elettrici ed elettronici. Per individuare questi punti di raccolta, contattare le proprie autorità locali oppure il rivenditore presso cui è stato acquistato il prodotto. Ciascuna famiglia riveste un ruolo importante nel recupero e riciclaggio di vecchi apparecchi.

Lo smaltimento appropriato degli apparecchi usati aiuta a prevenire potenziali conseguenze negative per l'ambiente e la salute umana.

# 1 Istruzioni importanti per la sicurezza e l'ambiente

## 1.3 Conformità alla direttiva RoHS

Il prodotto acquistato è conforme alla direttiva UE RoHS (2011/65/UE). Non contiene materiali dannosi e vietati specificati nella Direttiva.

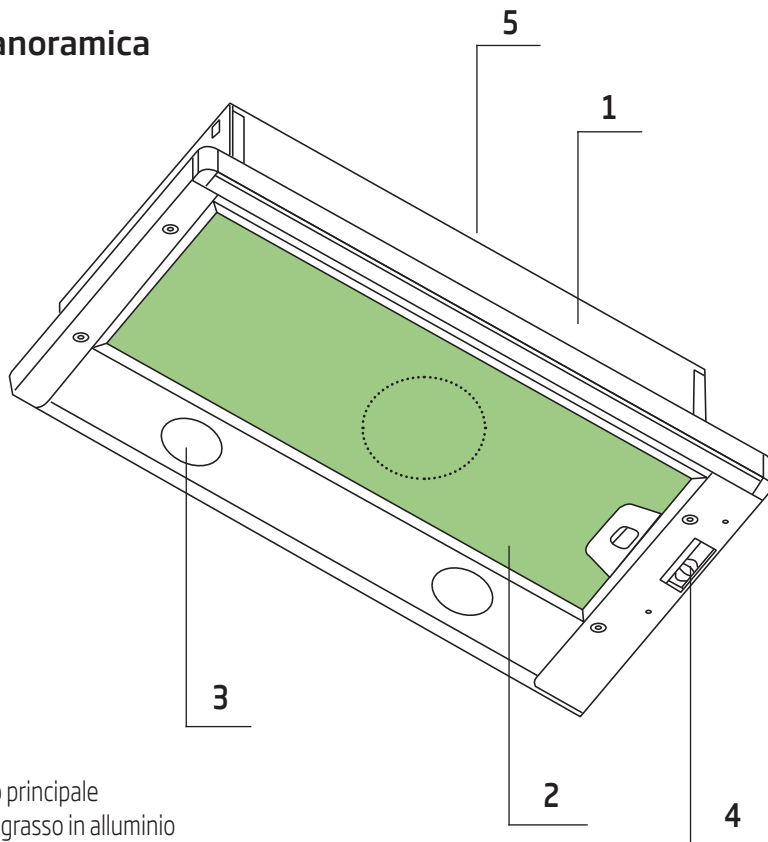
## 1.4 Informazioni sull'imballaggio



I materiali di imballaggio del prodotto sono realizzati impiegando materiali riciclabili in conformità con le nostre Norme nazionali in materia di ambiente. Non smaltire i materiali dell'imballaggio con i rifiuti domestici o altri rifiuti. Portarli presso i punti di raccolta per materiali di imballaggio indicati dalle autorità locali.

## 2 Aspetto Generale

### 2.1 Panoramica



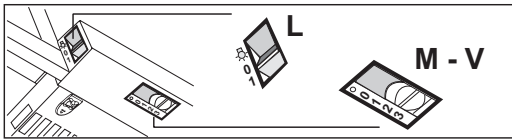
1. Corpo principale
2. Filtro grosso in alluminio
3. Luce
4. Pannello di controllo
5. Canna

### 2.2 Dati tecnici

<b>Modello</b>	CTB 6250 W / CTB 6250 X / CTB 6250 XH / CTB 6250 B / CTB 9250 X / CTB 9250 XH
<b>Tensione di alimentazione</b>	220-240V ~ 50 Hz
<b>Potenza lampadina (W)</b>	2x4
<b>Potenza motore (W)</b>	1 x 140
<b>Flusso d'aria (m<sup>3</sup>/h) - 3. Livello</b>	420
<b>Classe d'isolamento</b>	CLASSE II

## 3 Utilizzo dell'apparecchio

### 3.1 Pannello di controllo



L	Luci	Accende e spegne l'impianto di Illuminazione.
M	Motore	Accende e spegne il motore Aspirazione.
V	Velocità	Determina la velocità di esercizio:  <ol style="list-style-type: none"><li>1. Velocità minima, adatta ad un ricambio d'aria continuo particolarmente silenzioso, in presenza di pochi vapori di cottura.</li><li>2. Velocità media, adatta alla maggior parte delle condizioni d'uso, dato l'ottimo rapporto tra portata d'aria trattata e livello sonoro.</li><li>3. Velocità massima, adatta a fronteggiare le massime emissioni di vapore di cottura, anche per tempi prolungati.</li></ol>

- La cappa è stata progettata esclusivamente per uso domestico, per eliminare gli odori della cucina.
- Non utilizzare mai la cappa per scopi diversi da quelli per cui è stata progettata.
- Non lasciare mai fiamme alte libere sotto la cappa quando è in funzione.
- Regolare l'intensità della fiamma per indirizzarla solo sul fondo della padella, facendo attenzione a farla andare oltre ai suoi bordi.
- Le friggitrice devono essere continuamente monitorate durante l'uso: l'olio surriscaldato può generare un incendio.



## 3 Utilizzo dell'apparecchio

### 3.2 Sostituzione lampadina



Prima di sostituire le lampadine, scollegare l'alimentazione della cappa.



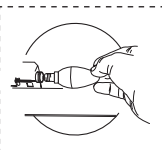
Non toccare le lampadine quando sono calde.




Fare attenzione a non toccare direttamente con le mani la lampadina sostituita.



È possibile acquistare le lampade da centri di assistenza autorizzati.



Lampada	Assorbimento (W)	Attacco	Voltaggio (V)	Dimensione (mm)	Codice ILCOS
	4	E14	220 – 240	107 x 37	DRBB/F-4-220-240-E14-35/100

- In questo prodotto viene utilizzata una lampadina a LED
- Per la sostituzione, utilizzare una lampadina di massimo 4 W

## 4 Pulizia e manutenzione

Prima della pulizia e della manutenzione, scollegare l'apparecchio o scollegare l'alimentazione, oppure allentare il fusibile che alimenta la cappa.

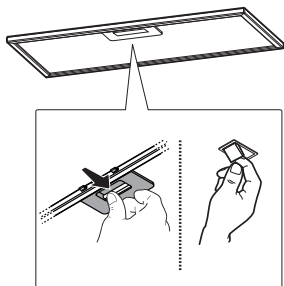


Il mancato rispetto delle disposizioni relative alla pulizia dell'apparecchio e alla sostituzione dei filtri può causare rischi di incendio. Si raccomanda pertanto di rispettare le linee guida qui riportate. Il costruttore non è responsabile di eventuali danni al motore o incendi causati da uso improprio.

Pulire utilizzando solo un panno inumidito con un detergente liquido neutro. Non pulire con attrezzi o strumenti. Non utilizzare prodotti abrasivi. Non utilizzare alcool

### 4.1 Pulizia del filtro per il grasso in alluminio

Questo filtro cattura le particelle di olio nell'aria. Si consiglia di pulire il filtro ogni mese in condizioni d'uso normali. Per prima cosa rimuovere i filtri del grasso. Lavare i filtri con detersivo liquido e sciacquarli con acqua e rimontarli dopo che sono asciutti. I filtri per il grasso in alluminio possono scolorirsi durante il lavaggio; questo è normale e non è necessario cambiare il filtro.



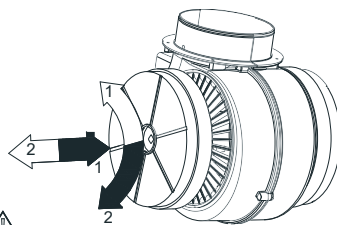
È possibile lavare il filtro in alluminio in lavastoviglie

### 4.2 Sostituzione del filtro ai carboni (modalità di circolazione dell'aria)

La cappa può essere dotata di un filtro ai carboni attivi. Il filtro ai carboni attivi viene applicato solo nel caso in cui la cappa non sia collegata al condotto di ventilazione.

In ogni caso è necessario sostituire il filtro ai carboni attivi almeno ogni tre mesi.

Quando si sostituisce il filtro ai carboni prestare attenzione al tipo di turbina usata.



Simbolo:  Installazione filtro  
Simbolo:  Smontaggio filtro



**AVVERTENZA:** Il filtro ai carboni non va mai lavato.



**AVVERTENZA:** Il filtro ai carboni è disponibile presso il servizio autorizzato.

## 5 Installazione dell'apparecchio



### AVVERTENZA

Leggere le istruzioni di sicurezza prima dell'installazione.



### NOTA

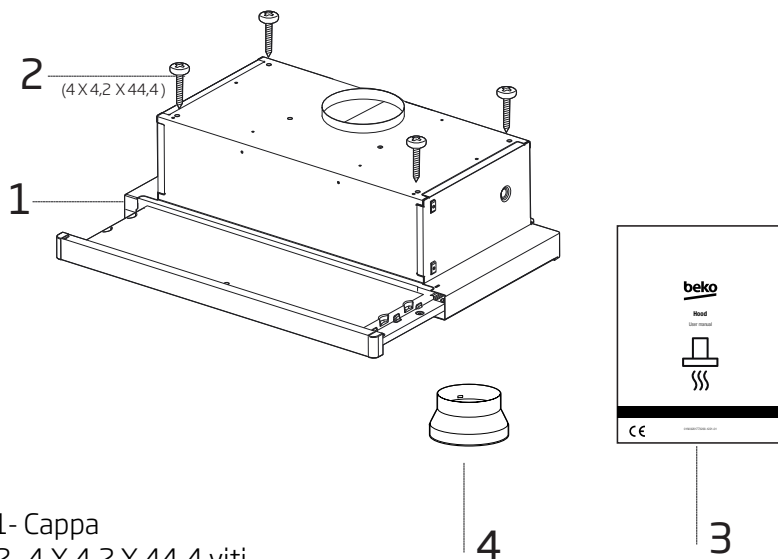
Cfr. **pagina 255** per la guida all'installazione



### AVVERTENZA

La mancata installazione delle viti o dei dispositivi di fissaggio secondo le presenti istruzioni può comportare rischi elettrici.

### 5.1 Accessori per l'installazione



- 1- Cappa
- 2- 4 X 4,2 X 44,4 viti
- 3- Manuale Utente
- 4- 1 x adattatore tubo di plastica Ø120/150 mm

## 6 Risoluzione dei problemi

<b>Risoluzione dei problemi</b>	<b>Motivo</b>	<b>Soluzione</b>
Il prodotto non funziona.	Controllare il fusibile.	Il fusibile potrebbe essere chiuso, farlo funzionare.
Il prodotto non funziona.	Controllare il collegamento elettrico.	La tensione di rete deve essere compresa tra 220-240 V.
Il prodotto non funziona.	Controllare il collegamento elettrico.	Controllare se gli altri elettrodomestici in cucina funzionano o meno.
La lampadina non funziona.	Controllare il collegamento elettrico.	La tensione di rete deve essere compresa tra 220-240 V.
La lampadina non funziona.	Controllate l'interruttore della luce.	L'interruttore della lampadina dovrebbe essere in posizione "on".
La lampadina non funziona.	Controllare le lampadine.	Le lampadine del prodotto non dovrebbero essere difettose.
L'aspirazione dell'aria del prodotto è scarsa.	Controllare il filtro di alluminio.	Il filtro dell'olio in alluminio deve essere pulito almeno una volta al mese in condizioni normali.
L'aspirazione dell'aria del prodotto è scarsa.	Controllare la canna fumaria.	L'interruttore della canna fumaria dovrebbe essere in posizione "on".
L'aspirazione dell'aria del prodotto è scarsa.	Controllare il filtro al carbone.	Per i prodotti con filtro a carbone, il filtro dovrebbe essere sostituito di norma ogni 3 mesi.

# Læs denne brugervejledning først!

Kære værdsatte kunde

Tak, fordi du har købt dette Beko-apparat. Vi håber, du får det bedste ud af dit apparat, som er fremstillet ved hjælp af moderne teknologi af højeste kvalitet. Af denne årsag skal du læse hele brugervejledningen og alle andre medfølgende dokumenter grundigt igennem, inden du tager apparatet i brug. Gem brugervejledningen til fremtidig brug. Hvis du giver apparatet videre til en anden, skal du huske også at give brugervejledningen videre. Følg vejledningen ved at læse alle brugervejledningens oplysninger og advarsler omhyggeligt.

Husk, at denne brugervejledning også gælder for andre modeller. Forskelle mellem modellerne er udtrykkeligt beskrevet i vejledningen.

## Symbolernes betydning

Følgende symboler bruges i brugervejledningens forskellige afsnit:



Vigtige oplysninger og nyttige brugsråd.



**ADVARSEL:** Advarsler om farlige situationer vedrørende sikkerhed for personer og ejendele.



Advarsel om brandfare.



Advarsel mod elektrisk stød.



Beskyttelsesklasse for elektrisk stød.



Dette apparat er fremstillet på miljøvenlige, moderne produktionsanlæg uden nogen form for skade på naturen.

# 1 Vigtige anvisninger vedrørende sikkerhed og miljø

## 1.1 Generelle sikkerhedsregler

Vigtige sikkerhedsanvisninger. Læs dem omhyggeligt, og opbevar dem til fremtidig brug

Dette afsnit indeholder sikkerhedsanvisninger om beskyttelse mod brandfare, elektrisk stød, læk af stråling fra mikrobølgeovnen, personskade og materielskade. Hvis disse anvisninger ikke følges, er en eventuel garanti ugyldig.

- Beko-produkter overholder gældende sikkerhedsstandarder. I tilfælde af eventuelle skader på apparatet eller strømkablet skal det derfor repareres eller udskiftes af forhandleren, et servicecenter eller lignende specialiseret og autoriseret serviceudbyder for at undgå enhver fare. Forkert eller ukvalificeret reparation kan forårsage skader og risici for brugeren.
- Apparatet er kun beregnet til husholdningsbrug og lignende anvendelser, som for eksempel:
  - I personalekøkkener i butikker, på kontorer og andre arbejdspladser,
  - På gårde,
  - Af gæster på hoteller, moteller og lignende boliglignende virk-

somheder,

- I bed and breakfast-lignende miljøer.

- Brug kun dette apparat til den tilsigtede brug beskrevet i denne vejledning.
- Producenten påtager sig ikke ansvar for skader som følge af ukorrekt eller fejlagtig installation af produktet.
- Dette apparat kan bruges af børn over 8 år og af personer med reducerede fysiske, psykiske eller mentale evner eller mangel på erfaring og viden, hvis de har været under opsyn eller har fået instruktioner i brugen af apparatet på en sikker måde og forstår de farer, der måtte være involveret.
- Børn må ikke lege med apparatet. Rengøring og vedligeholdelse må ikke foretages af børn uden opsyn.
- Minimumsafstanden mellem den understøttende overflade til madlavningsudstyret på kogepladen og den laveste del af produktet 65 cm.
- Hvis installationsvejledningen for gaskomfuret angiver en større afstand, skal denne overholdes.
- Sørg for, at strømforsyningen overholder værdierne, der er an-

# 1 Vigtige anvisninger vedrørende sikkerhed og miljø

- givet på apparatets typeplade.
  - Brug aldrig apparatet, hvis det eller strømkablet er beskadiget.
  - For at undgå skade på strømkablet skal du undlade at klemme, bøje eller gnide det mod skarpe kanter. Hold strømkablet væk fra varme overflader og åben ild.
  - Brug kun apparatet med en stikkontakt med jordforbindelse.
- ADVARSEL:** Slut ikke apparatet til netstrøm, før det er helt færdigmonteret.
- Placer apparatet således, at stikket altid er tilgængeligt.
  - Berør ikke emhættens lamper, efter de har været tændt i en længere periode. Du kan brænde hænderne på dem, da de er varme.
  - Følg de regler, der er fastsat af de kompetente myndigheder, vedrørende udledningen af udstødningsluften (denne advarsel gælder ikke i forbindelse med brug uden aftræk).
  - Betjen apparatet, når der er sat en gryde, pande eller lignende på komfuret. Ellers kan varmen forårsage deformation i visse dele af produktet.
  - Sluk for komfuret, inden gryden, panden eller lignende tages af.
  - Efterlad ikke varm olie på komfuret. Pander med varm olie kan selvantænde.
  - Hold øje med gardiner og andre tekstiler, da der kan gå ild i olien under tilberedning af madvarer som f.eks. pommes frites.
  - Fedtfilteret skal udskiftes mindst en gang om måneden. Kulfilteret skal udskiftes mindst hver tredje måned.
  - Produktet skal rengøres i henhold til brugervejledningen. Hvis rengøringen ikke udføres i henhold til brugervejledningen, kan der være brandfare.
  - Brug ikke-brandhæmmende filtermaterialer i stedet for det nuværende filter.
  - Brug kun originale dele eller dele anbefalet af producenten.
  - Brug ikke produktet uden filteret, og fjern ikke filtrene, mens produktet er i brug.
  - Hvis der skulle opstå brand, skal du slukke for produktet og eventuelt madlavningsudstyr.
  - Hvis der skulle opstå brand, skal flammen tildækkes. Brug aldrig vand til at slukke branden med.
  - Træk apparatets stik ud af stikkontakten før hver rengøring, og

# 1 Vigtige anvisninger vedrørende sikkerhed og miljø

når apparatet ikke er i brug.

- Det negative tryk i omgivelserne bør maksimalt være 4 Pa (4 x 10 bar), når emhætten og apparater, der kører på en anden type energi, er tilsluttet strøm samtidigt.
- I det rum, hvor apparatet bruges, skal udledningen fra apparater, der kører på fyringsolie eller gas, som f.eks. et varmeapparat, være helt isoleret, eller apparatet skal være hermetisk.
- Når aftrækket tilsluttes, skal der bruges rør med en diameter på 120 eller 150 mm. Rørtilslutningen skal være så kort som muligt og have så få bøjninger som muligt.

**Fare for kvælning!** Hold al emballage væk fra børn.

**FORSIGTIG:** Emhættens tilgængelige dele kan blive varme, når de bruges med kogeudstyr.

- Produktets aftræk må ikke være forbundet med luftkanaler, der indeholder anden røg.
- Ventilationen i rummet skal være tilstrækkelig, når emhætten bruges samtidig med apparater, der kører på gas eller andre brændstoffer (dette gælder muligvis ikke for apparater, der kun udleder luften tilbage i rummet).
- Genstande, der anbringes på produktet, kan vælte. Anbring ikke genstande på produktet.
- Undlad at flambere noget under produktet.

**ADVARSEL:** Fjern den beskyttende film, inden emhætten installeres.

- Efterlad aldrig store åbne flammer under emhætten, når den er i brug.
- Frituregryder skal altid være under opsyn - overophedet olie kan bryde i flammer.



# 1 Vigtige anvisninger vedrørende sikkerhed og miljø

## 1.2 Overholdelse af WEEE-direktivet og affaldshåndtering:

Dette produkt overholder EU's WEEE-direktiv (2012/19/EU). Dette produkt er mærket med piktogrammet for elektrisk og elektronisk skrot (WEEE).



Dette symbol indikerer, at dette produkt ikke må bortskaffes sammen med almindeligt husholdningsaffald, når slutningen på dets levetid er nået. Det brugte apparat skal afleveres på en offentlig genbrugsplads for elektriske og elektroniske apparater. Kontakt din kommune eller forhandleren af produktet for at finde ud af, hvor disse genbrugspladser ligger. Alle husholdninger spiller en vigtig rolle i forhold til genanvendelse og genbrug af gamle apparater.

Korrekt bortskaffelse af brugte apparater hjælper med at beskytte mod potentielt negative konsekvenser for miljøet og mennesker.

## 1.3 Overholdelse af RoHS-direktivet

Det produkt, du har købt, overholder EU's RoHS-direktiv (2011/65/EU). Det indeholder ikke skadelige og forbudte materialer som angivet i direktivet.

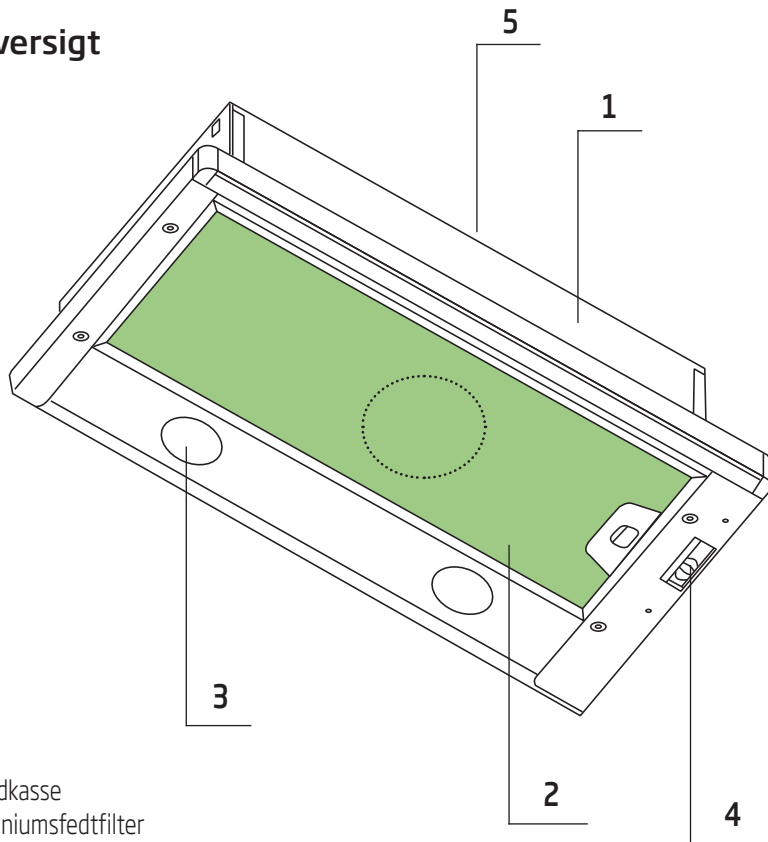
## 1.4 Information om emballagen



Produktets emballage er fremstillet af genbrugsmaterialer i overensstemmelse med nationale miljølove. Emballagen må ikke smides ud sammen med husholdningsaffald eller andet affald. Emballagen skal afleveres på en genbrugsplads, der tager imod emballage, som anvist af dine lokale myndigheder.

## 2 Generelt Udseende

### 2.1 Oversigt



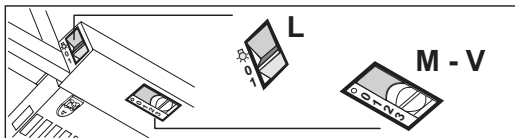
1. Hovedkasse
2. Aluminiumsfedtfilter
3. Lampe
4. Betjeningspanel
5. Skorsten

### 2.2 Tekniske data

<b>Model</b>	CTB 6250 W / CTB 6250 X / CTB 6250 XH / CTB 6250 B / CTB 9250 X / CTB 9250 XH
<b>Forsyningsspænding</b>	220-240V ~ 50 Hz
<b>Strømforbrug (W)</b>	2x4
<b>Motoreffekt (W)</b>	1 x 140
<b>Luftstrøm (m<sup>3</sup>/t) - 3. Niveau</b>	420
<b>Isoleringsklasse</b>	KLASSE II

## 3 Brug af Apparatet

### 3.1 Styrepanel



L	Lys	Tænder og slukker for belysningen.
M	Motor	Tænder og slukker udsugningsmotoren.
V	Hastighed	Bestemmer driftshastigheden:  1 Laveste hastighed, velegnet for en kontinuerlig og særlig lydøs udsiftning af luften, når der kun forefindes lidt stegeos. 2 Mellemsste hastighed, som er velegnet under de fleste arbejdsforhold, da forholdet mellem luftudsiftning og støjniveau er optimalt. 3 Højeste hastighed, som kan klare meget kraftig os og damp, også over længere tid.

- Emhætten er udelukkende designet til husholdningsbrug for at fjerne køkkenlugt.
- Brug aldrig hætten til andre formål end det er designet til.
- Efterlad aldrig høj åben ild under hætten, når den er i drift.
- Juster flammeintensiteten for kun at rette den mod bunden af gryden, og sørg for, at den ikke omfatter i siderne.
- Friturekogere til dybstegning skal overvåges kontinuerligt under brug: overophedet oliekan antændes.

## 3 Brug af Apparatet

### 3.2 Udskiftning af lampe



Før du udskifter pærer, skal du afbryde strømforsyningen til emhætten.



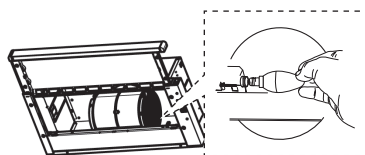
Rør ikke ved pærer, når de er varme.




Pas på ikke at røre den udskiftede pære direkte med hænderne.



Du kan anskaffe lamper fra autoriserede serviceagenter.



Pære	Forbrug (W)	Fatning	Spænding (V)	Mål (mm)	ILCOS art. nr.
	4	E14	220 – 240	107 x 37	DRBB/F-4-220-240-E14-35/100

- Stearinlys LED-lampe bruges i dette produkt
- Maks 4 W lampe skal bruges, når lampen skiftes

## 4 Rengøring og vedligeholdelse

Før rengøring og vedligeholdelse skal du tage stikket ud af stikkontakten eller slukke for hovedkontakten eller løsne den sikring, der forsyner emhætten.

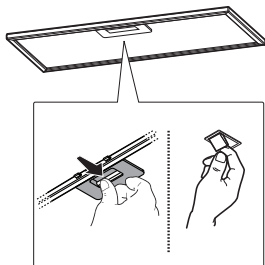


Manglende overholdelse af bestemmelserne vedrørende rengøring af enheden og udskiftning af filtre kan medføre brandfare. Det anbefales derfor at overholde retningslinjerne givet her. Producenten er ikke ansvarlig for nogen skade på motoren eller brande forårsaget af forkert brug.

Rengør kun med en klud, der er fugtet med neutralt flydende vaskemiddel. Rengør ikke med værktøjer eller instrumenter. Brug ikke slibende produkter. Brug ikke alkohol

### 4.1 Rengøring af aluminiumsfedtfiler

Dette filter fanger oliepartikler i luften. Det anbefales, at du rengør dit filter hver måned under normale brugsbetingelser. Fjern først fedtfilterene til denne proces. Vask filterene med flydende vaskemiddel, og skyl dem med vand og installer dem tilbage, efter at de er tørre. Aluminiumsfedtfiltre kan blive misfarvet under vask. Dette er normalt, og du behøver ikke at skifte dit filter.



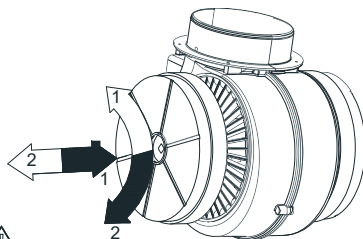
Du kan vaske aluminiumsfiltret i opvaskemaskinen

### 4.2 Udskiftning af kulfilter (luftcirkulationstilstand)

Emhætten kan udstyres med et aktivt kulfilter. Kulfilteret påføres kun, hvis hættens tilsluttede udluftningskanalen.

Under alle omstændigheder er det nødvendigt at udskifte kulfilteret mindst hver tredje måned.

Når du udskifter kulfilteret, skal du være opmærksom på den anvendte turbinetype.



Symbol  filterinstallation  
Symbol  afmontering af symbolfilter



**ADVARSEL:** Kulfilteret må aldrig vaskes.



**ADVARSEL:** Kulfilter er tilgængeligt fra autoriserede tjenester.

## 5 Opsætning af enheden



### ADVARSEL

Læs sikkerhedsinstruktioner inden opsætning.



### ADVARSEL

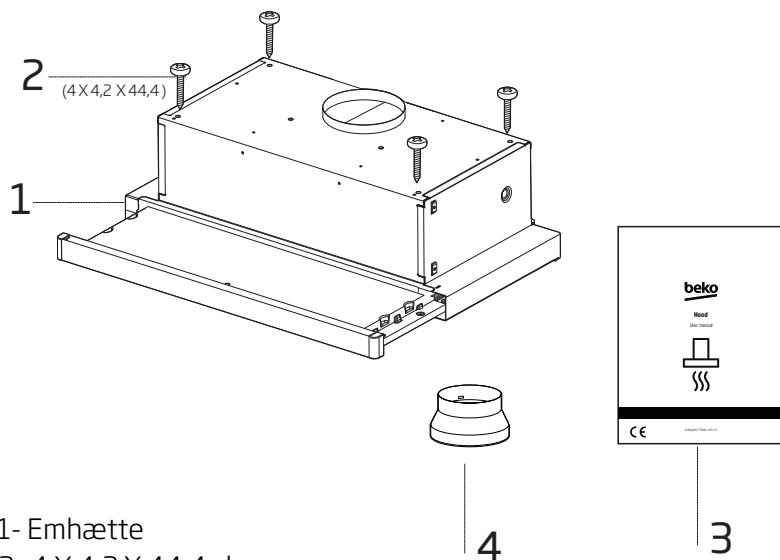
Manglende installation af skruberne eller fastgørelse af enheden i henhold til disse instruktioner kan medføre elektrisk fare.



### BEMÆRK:

Vi henviser til **side 255** i installationsvejledningen

### 5.1 Tilbehør til installation



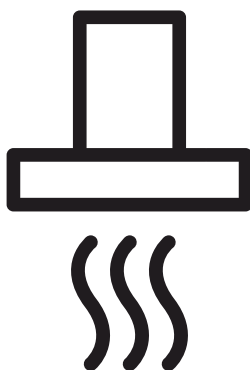
- 1- Emhætte
- 2- 4 X 4,2 X 44,4 skruer
- 3- Brugervejledning
- 4- 1XØ120/150 mm plastik-røg-gasstudsadapter

Fejlfinding	Årsag	Hjælp
Produktet virker ikke:	Kontroller sikringen.	Din sikring er muligvis lukket, så få den til at fungere.
Produktet virker ikke:	Kontroller tilstanden af de elektriske forbindelser	Netspændingen skal være mellem 220-240 V.
Produktet virker ikke:	Kontroller tilstanden af de elektriske forbindelser	Kontroller, om de andre produkter i dit køkken fungerer eller ej.
Belysningslampen fungerer ikke.	Kontroller tilstanden af de elektriske forbindelser	Netspændingen skal være mellem 220-240 V.
Belysningslampen fungerer ikke.	Kontroller lampekontakten.	[Lampekontakten skal være i tændt position.
Belysningslampen fungerer ikke.	Kontroller lamper.	Produktets lamper bør ikke være defekte.
Produktets luftindtag er dårligt.	Kontroller aluminiumsfilteret	Aluminiumsoliefilteret skal vaskes en gang om måneden under normale forhold.
Produktets luftindtag er dårligt.	Check røggasstudsens.	[Lampekontakten skal være i "tændt" position.
Produktets luftindtag er dårligt.	Kontroller kulfilteret.	På produkter med kulfiltre skal filteret normalt skiftes hver 3. måned.



# Бытовая кухонная вытяжка

## Инструкция по эксплуатации



CTB 6250 W	CTB 9250 X
CTB 6250 B	CTB 6250 XH
CTB 6250 X	CTB 9250 XH

**RU**



01M-8842123200-1421-16	01M-8842043200-1421-16
01M-8842113200-1421-16	01M-8844773200-1421-16
01M-8842103200-1421-16	01M-8844763200-1421-16



# Перед первым использованием внимательно прочитайте данное руководство!

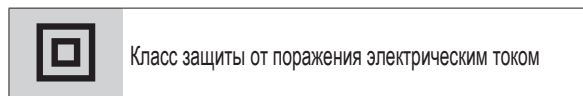
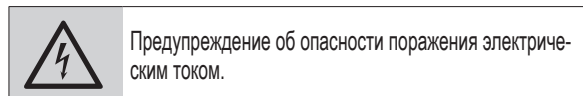
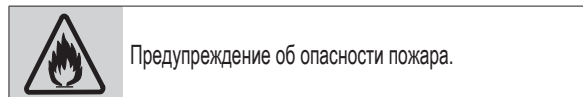
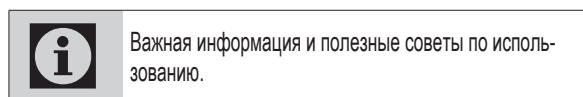
Уважаемый покупатель!

Благодарим Вас за приобретение оборудования Веко. Мы надеемся, что вы получите наилучшие результаты от его использования: прибор был изготовлен с обеспечением высокого качества на базе новейших технологий. Поэтому внимательно прочитайте данное руководство пользователя и все другие сопроводительные документы перед использованием устройства. Рекомендуется сохранить данный документ в качестве справочного пособия для дальнейшего использования. При передаче устройства какому-либо другому лицу приложите к нему руководство пользователя. Следуйте инструкциям, обращая особое внимание на все предупреждения и информацию, приведенные в руководстве пользователя.

Помните, что данная инструкция может относиться и к другим моделям. Различия между моделями подробно описаны в руководстве.

## Условные обозначения

В различных разделах данного руководства пользователя используются следующие обозначения:



Данный прибор был изготовлен на экологически чистых современных заводах без нанесения вреда природе.

Соответствует нормам ЕС об утилизации электрического и электронного оборудования.



Устройство не содержит ПХБ.

## 1.1. Общие правила техники безопасности

Важные инструкции по технике безопасности: внимательно ознакомьтесь и сохраните для дальнейшего использования. В этом разделе содержатся правила техники безопасности, соблюдение которых позволит исключить риск возникновения пожара, поражения электрическим током, воздействия утечек микроволнового излучения, получения иных травм или причинения материального ущерба. При несоблюдении этих правил все гарантийные обязательства аннулируются.

- Изделия торговой марки Веко соответствуют действующим стандартам безопасности. В случае повреждения электроприбора или шнура питания, во избежание опасных ситуаций, ремонт или замена должны производиться дилером, сервисным центром, специалистом или авторизованной службой. Неправильно или непрофессионально выполненные ремонтные работы могут привести к опасным для пользователя ситуациям.
- Этот прибор предназначен только для бытового и сходного с ним применения, а именно:
  - - в кухонных зонах для персонала в магазинах, офисах и других рабочих помещениях;
  - - на фермах;
  - - в номерах гостиниц, мотелей и т. п.;
  - - в помещениях, предоставляемых для проживания на условиях полупансиона.
- Используйте данный электроприбор только по его прямому назначению, как описано в данном руководстве.
- Производитель не несет ответственности за любые повреждения, возникшие в результате неправильного использования или неправильной установки изделия.
- Дети старше 8 лет, а также лица с ограниченными физическими, сенсорными и умственными способностями или без соответствующих навыков и опыта могут использовать данный прибор только под присмотром или после получения инструкций по

поводу безопасного использования прибора и осознания связанных с этим опасностей.

- Не позволяйте детям играть с прибором. Не позволяйте детям самостоятельно выполнять очистку и обслуживание прибора.
- Минимальное расстояние между опорной поверхностью емкостей для приготовления пищи на варочной панели и самой нижней частью изделия должно быть не менее 65 см.
- Если в инструкции по установке газовой плиты указано большее расстояние, это следует принять во внимание.
- Напряжение сети питания должно соответствовать номинальным характеристикам, указанным на паспортной табличке электроприбора.
- Ни в коем случае не пользуйтесь электроприбором, если шнур питания или электроприбор повреждены.
- Во избежание повреждения шнура питания не допускайте его сдавливания, перегиба или контакта с острыми кромками.

Не допускайте соприкосновения шнура питания с горячими поверхностями или открытым пламенем.

- Включайте прибор только в розетку с заземляющим контактом.

**ВНИМАНИЕ:** Не подключайте прибор к электросети до полного завершения работ по установке.

- Электроприбор следует располагать таким образом, чтобы штепсельная вилка была легко доступна.
- Не прикасайтесь к лампам, если они работали в течение длительного времени. Это может вызвать ожог рук, поскольку лампы очень горячие.
- Следуйте инструкциям, установленным компетентными органами относительно выпуска отработанного воздуха (данное предупреждение касается вентиляционных труб).
- Включите прибор после того, как поставите кастрюлю, сковороду и т. д. на варочную панель. В противном случае высокая температура может привести к

- деформации некоторых частей изделия.
- Отключайте варочную панель перед тем, как убрать с нее кастрюлю, сковороду и т.д.
- Не оставляйте горячее масло на варочной панели. Сковорода с горячим маслом может стать причиной самовозгорания.
- Следите за шторами и занавесками, поскольку при приготовлении таких блюд, как картофель фри масло может загореться.
- Замену жироулавливателя следует осуществлять, как минимум, раз в месяц. Замену угольного фильтра осуществлять, как минимум, раз в 3 месяца.
- Чистку изделия необходимо выполнять в соответствии с инструкциями руководства пользователя. Если чистка изделия не осуществляется в соответствии с указаниями руководства пользователя, существует риск возникновения пожара.
- Не используйте неогнеупорные фильтрующие материалы вместо текущего фильтра.
- Используйте только оригинальные детали или же рекомендованные производителем детали.
- Не эксплуатируйте изделие без фильтра и не снимайте фильтры во время работы изделия.
- В случае возникновения пожара, отключите питание изделия и кухонной плиты.
- В случае возникновения пожара, накройте источник огня. Применение воды для тушения не допускается.
- Отключайте прибор от электросети перед чисткой, а также когда он не используется.
- Отрицательное давление окружающей среды не должно превышать 4 Па (4 x 10 бар) во время одновременной работы вытяжки для электрической варочной панели и приборов, работающих от другого источника энергии.
- В среде, где используется прибор, выхлопные газы устройств, работающих на жидком топливе или газе, таких как комнатный обогреватель, должны быть полностью изолированы, или

должны быть герметичными.

- При подсоединении к вытяжной трубе, используйте трубы диаметром 120 или 150 мм. Соединения труб должны быть как можно более короткими и иметь минимальное количество колен.

**Существует опасность удушья!** Храните упаковочные материалы в недоступном для детей месте.

**ОСТОРОЖНО:** Доступные детали прибора могут нагреваться во время использования кухонных плит.

- Выход вытяжки нельзя подключать в воздуховодам, которые заняты отводом других отработанных воздушных масс.
- Вентиляция в помещении может быть недостаточной в случае, если вытяжка для электрической варочной панели используется одновременно с устройствами, работающими на газе или других видах топлива (это не относится к приборам, которые только выпускают воздух обратно в помещение).
- Находящиеся на изделии предметы могут упасть. Не следует

класть посторонние предметы на вытяжку.

- Флампирование блюд под изделием не допускается.

**ВНИМАНИЕ:** Перед началом работ по установке вытяжки удалите защитную пленку.

- Никогда не оставляйте открытым высокое пламя под работающей вытяжкой.
- Во время использования фритюрниц их необходимо держать под постоянным присмотром: сильно нагретое масло может загореться.

## 1.2 Соответствие Директиве по утилизации отходов электрического и электронного оборудования и утилизация продукта:

Данное изделие соответствует требованиям Директивы по утилизации отходов электрического и электронного оборудования (2012/19/ЕС). На изделие нанесено условное обозначение для отходов электрического электронного оборудования (WEEE).



Этот символ означает, что по истечении срока службы данного прибора, он не должен утилизиро-

ваться вместе с другими бытовыми отходами. Бывшее в употреблении устройство необходимо сдать в официальный пункт сбора для утилизации электрического и электронного оборудования. Для получения информации о таких пунктах сбора, пожалуйста, свяжитесь с местными органами власти или розничной торговли, по месту покупки настоящего прибора. В вопросах восстановления и утилизации бывших в употреблении приборов каждый конкретный владелец играет важную роль. Надлежащая утилизация использованного бывшего в употреблении прибора помогает предотвратить потенциальные негативные последствия для окружающей среды и здоровья человека.

### **1.3 Соответствие Директиве ЕС по ограничению использования вредных веществ**

Приобретенное вами изделие соответствует требованиям Директивы ЕС по ограничению использования вредных веществ (2011/65/ЕС). Устройство не содержит указанных в Директиве вредных веществ и запрещенных

материалов.

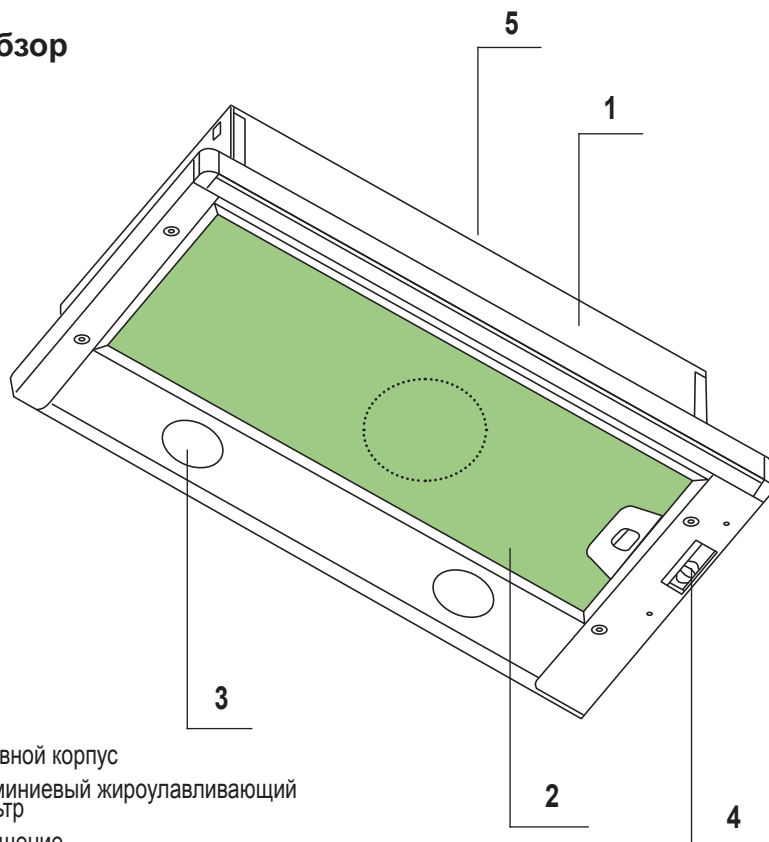
### **1.4. Информация об упаковке**



Упаковочные материалы изделия изготовлены из вторичного сырья, в соответствии с государственными законами об охране окружающей среды. Не выбрасывайте упаковочные материалы вместе с бытовыми или другими отходами. Отнесите их в пункты приема упаковочных материалов, организованные местными органами власти.

## 2 Общие сведения Внешний вид

### 2.1 Обзор



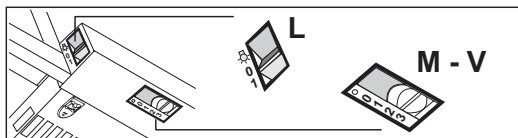
1. Основной корпус
2. Алюминиевый жирославливающий фильтр
3. Освещение
4. Панель управления
5. Дымоход

### 2.2 Технические данные

Модель	СТВ 6250 W / СТВ 6250 X / СТВ 6250 ХН / СТВ 6250 В / СТВ 9250 X / СТВ 9250 ХН
Напряжение электропитания	220-240В 50 Гц
Мощность лампы (Вт)	2x4
Мощность двигателя (Вт)	1 x 140
Расход воздуха (м³/ч) – 3. Уровень	420
Класс изоляции	КЛАСС II

## 3 Эксплуатация прибора

### 3.1 Панель управления



L	Освещение	Включает и выключает осветительное оборудование
M	Мотор	Включает и выключает мотор всасывания.
V	Скорость	Регулирует рабочую скорость: 1 Минимальная скорость - пригодна для непрерывной смены воздуха при наличии малого количества пара от готовки; отличается бесшумностью работы. 2 Средняя скорость - пригодна для наибольшей части условий эксплуатации благодаря отличному соотношению двух показателей: пропускная способность обработанного воздуха и уровень шума. 3 Максимальная скорость - пригодна для обработки наибольших испарений от готовки даже в течение длительного времени.

- Вытяжка была разработана исключительно для домашнего использования, чтобы устранить запах из кухни.
- Никогда не используйте вытяжку в целях, для которых она не предназначена.
- Когда вытяжка работает, не используйте под ней высокий открытый огонь.
- Отрегулируйте интенсивность пламени, чтобы направить его только на дно сковороды, следя за тем, чтобы он не охватывал стороны.
- Во время использования фритюрницы следует постоянно проверять: перегретое масло может загореться.



## 3 Эксплуатация прибора

### 3.2 Замена лампы



Перед заменой лампочек отсоедините вытяжку от электросети.



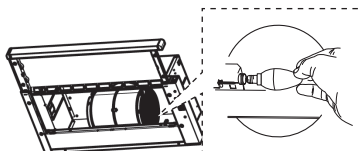
Не прикасайтесь к лампам, когда они горячие.



Будьте осторожны, чтобы не дотронуться до лампочки руками.



Вы можете приобрести лампы у авторизованных сервисных дилеров.



Лампа	Потребление (Вт)	Патрон	Напряжение (В)	Размер (мм)	Код ILCOS
	4	E14	220 – 240	107 x 37	DRBB/F-4-220-240-E14-35/100

- В этом изделии используется светодиодная лампа свечного типа
- Лампа мощностью не более 4 Вт должна использоваться при замене лампы

## 4 Чистка и уход

Прежде чем приступить к чистке и техническому обслуживанию отключите прибор от сети, выключите главный выключатель или ослабьте предохранитель, который подает питание вытяжке.

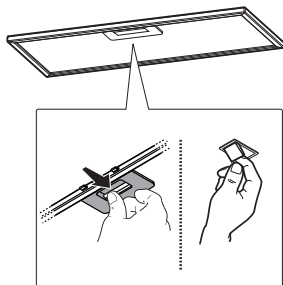


Несоблюдение инструкций, касающихся очистки прибора и замены фильтров, может привести к возникновению пожара. Поэтому рекомендуется соблюдать приведенные здесь рекомендации. Производитель не несет ответственности за любые повреждения двигателя или пожары, вызванные неправильным использованием.

Протрите только ткань, смоченной нейтральным жидким моющим средством. Не чистите с помощью инструментов. Не используйте абразивные чистящие средства. Не используйте спирт

### 4.1 Чистка алюминиевого жирулавливающего фильтра

Этот фильтр улавливает частицы масла в воздухе. Рекомендуется чистить фильтр каждый месяц при нормальных условиях использования. Для этого, сначала удалите жирулавливающие фильтры. Вымойте фильтры с жидким моющим средством и промойте их водой и установите их после того, как они высохнут. Алюминиевые жирулавливающие фильтры могут обесцвечиваться при чистке; это нормальное явление, и вам не нужно менять фильтр.

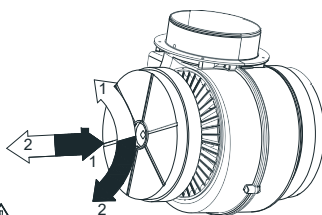


Можно мыть алюминиевый фильтр в посудомоечной машине

### 4.2 Замена угольного фильтра (Режим циркуляции воздуха)

Вытяжка может быть оснащена фильтром с активированным углем. Угольный фильтр применяется только в том случае, если вытяжка не подключена к вентиляционному каналу. В любом случае необходимо заменять угольный фильтр не реже одного раза в три месяца.

При замене угольного фильтра обратите внимание на тип используемой турбины.



Символ → Установка фильтра  
Символ ← Демонтаж фильтра



**ПРЕДУПРЕЖДЕНИЕ:**  
Нельзя мыть угольный фильтр.



**ПРЕДУПРЕЖДЕНИЕ:**  
Угольный фильтр можно приобрести в официальных сервисных центрах.

## 5 Установка прибора



### ПРЕДУПРЕЖДЕНИЕ

Прочитайте инструкции по безопасности перед установкой.



### ПРИМЕЧАНИЕ

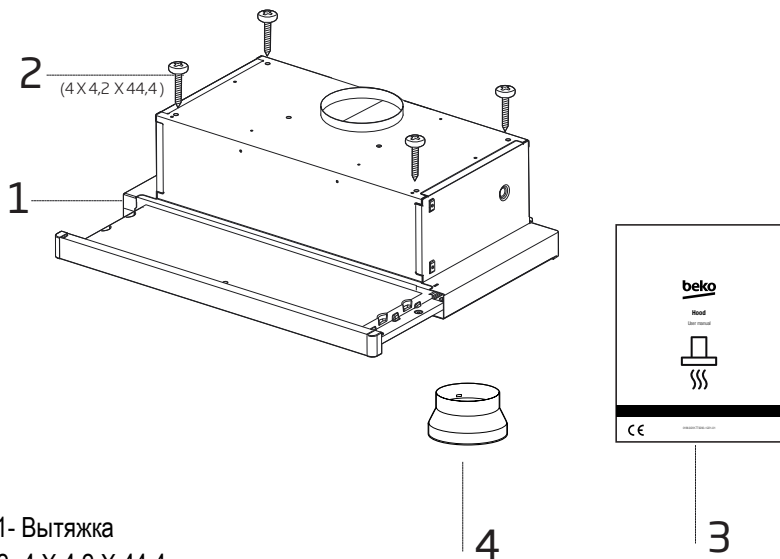
Обратитесь к **странице 255** для руководства по установке



### ПРЕДУПРЕЖДЕНИЕ

Неправильная установка винтов или крепежного устройства, не соответствующая настоящим инструкциям может привести к поражению электрическим током.

### 5.1 монтажные принадлежности



- 1- Вытяжка
- 2- 4 X 4,2 X 44,4 винты
- 3- Руководство по эксплуатации
- 4- Пластиковый переходник дымохода Ø120 / 150 мм - 1 шт.

Устранение	Причина	Решение
Изделие не работает.	Проверить предохранитель.	Предохранитель может быть отключен, включите его.
Изделие не работает.	Проверьте электрическое соединение.	Напряжение в сети должно составлять 220-240 В.
Изделие не работает.	Проверьте электрическое соединение.	Проверьте, работает ли другое оборудование на кухне.
Не горит лампа освещения.	Проверьте электрическое соединение.	Напряжение в сети должно составлять 220-240 В.
Не горит лампа освещения.	Проверьте выключатель лампы.	Выключатель лампы должен находиться в положении «вкл.».
Не горит лампа освещения.	Проверьте лампы.	Лампы изделия должны быть исправны.
Изделие не	Проверьте алюминиевый фильтр.	При обычных условиях эксплуатации алюминиевый фильтр необходимо чистить не реже раза в месяц.
Изделие не	Проверьте воздушную заслонку вентиляционной трубы.	Заслонка вентиляционной трубы должна находиться в положении «вкл.».
Изделие не	Проверьте угольный фильтр.	При обычных условиях эксплуатации в изделиях, оборудованных угольным фильтром, его замену следует производить каждые 3 месяца.

Производитель: "Arçelik A.S."

Karaağaç Caddesi No: 2-6 Sötlüce, 34445, Turkey

(Franke Mutfak ve Banyo Sistemleri Sanayi Ticaret A.Ş. ТУРЦИЯ,  
Manisa - Muradiye Karayolu 7.km Muradiye / MANİSA / TURKEY)

Импортер на территории РФ: ООО «БЕКО»

Юридический адрес: 601021 Россия, Владимирская обл.,  
Киржачский р-н, дер. Федоровское, ул. Сельская, д. 49

Дата производства включена в серийный номер продукта,  
указанный на этикетке, расположенной на продукте, а именно:  
первые две цифры серийного номера обозначают год  
производства, а последние две – месяц.

Например, «10-100001-05» обозначает, что продукт произведен  
в мае 2010 года.

Действует только на территории РФ / Valid for Russian Federation only

# beiko

## ГАРАНТИЯ 2 ГОДА

Адрес: 109004, Россия, Москва, ул. Станиславского, д21, стр 1. <http://www.beiko.ru>  
Телефон горячей линии 8-800-200-23-56 (Звонок бесплатный на всей территории России)

Гарантийный талон серия **RUS** №

Модель .....

Серийный номер .....

Дата продажи .....
Компания .....
Подпись продавца .....
ПЕЧАТЬ

Дата установки .....
Компания .....
Подпись мастера .....
ПЕЧАТЬ

Покупатель ..... Телефон .....

*Фамилия, Имя, Отчество*

Изделие получено в полной комплектации,  
проверялось в присутствии покупателя.

Покупатель с условиями гарантии ознакомлен. ....

*Подпись Покупателя*



**Отрывные купоны гарантийного талона являются средством отчетности о выполнении сервисным центром гарантийных работ. Купон изымается из гарантийного талона после удовлетворения Ваших претензий.**

# beiko

серия **RUS** №

Дата продажи .....

ПЕЧАТЬ  
МАГАЗИНА

# 3

ГАРАНТИЯ 2 ГОДА

# beiko

серия **RUS** №

Дата продажи .....

ПЕЧАТЬ  
МАГАЗИНА

# 2

ГАРАНТИЯ 2 ГОДА

# beiko

серия **RUS** №

Дата продажи .....

ПЕЧАТЬ  
МАГАЗИНА

# 1

ГАРАНТИЯ 2 ГОДА

Место для наклейки кода изделия

# Pirmiausia perskaitykite šią naudojimo instrukciją!

Brangus kliente,

Dėkojame, kad pasirinkote šį „Beko“ prietaisą. Tikimės, kad šiuo prietaisu, kuris buvo pagamintas naudojant aukščiausios kokybės moderniausią technologiją, liksite patenkinti. Dėl to, prieš pradėdami naudoti šį prietaisą, perskaitykite visą šią naudojimo instrukciją bei prie jos pridėjusius dokumentus ir juos pasilikite, jei prireiktų ateityje. Jeigu atiduotumėte šį prietaisą kam nors kitam, kartu atiduokite ir šią naudojimo instrukciją. Laikykitės naudojimo instrukcijoje pateiktų nurodymų, atkreipkite dėmesį į visą informaciją ir įspėjimus.

Atkreipkite dėmesį, kad ši naudojimo instrukcija gali būti taikoma ir kitiems modeliams. Modelių skirtumai yra aiškiai aprašyti šioje instrukcijoje.

## Ženklų reikšmės

Įvairiuose šios naudojimo instrukcijos skyriuose naudojami šie simboliai:



Svarbi informacija ir naudingi patarimai, kaip naudoti prietaisą.



**ĮSPĖJIMAS:** Įspėjimai apie pavojingas situacijas, keliančias pavojų gyvybei ir turtui.



Įspėjimas dėl gaisro pavojaus.



Įspėjimas dėl elektros smūgio.



Elektros smūgio saugos klasė.



Šis prietaisas pagamintas moderniose ekologiškose gamyklose, nedarant žalos gamtai.

# 1 Svarbios saugos ir aplinkos apsaugos taisyklės

## 1.1 Bendrieji saugos reikalavimai

Svarbios saugos instrukcijos Atidžiai perskaitykite ir pasilikite atidžiai Šiame skyriuje pateikiama saugos informacija, kuri padės išvengti gaisro, elektros smūgio, mikrobangų krosnelės spinduliuojamos energijos poveikio pavojaus, susižeidimų ar materialinės žalos. Jei nesilaikysite šių instrukcijų, nebus taikoma garantija.

- „Beko“ gaminiai atitinka galiojančius saugos standartus, todėl, jeigu prietaisas arba jo maitinimo laidas būtų pažeistas, jį privalo paleisti platintojas, aptarnavimo centras ar specialistas arba bet kuris kitas įgaliotasis atstovas, kad būtų išvengta bet kokių pavojų. Klaidingi arba netinkami remonto darbai gali kelti pavojų ir riziką vartotojui.
- Šis įrenginys yra skirtas naudoti buitiniams ir panašioms tikslams, pvz.:
  - darbuotojų valgomuosiuose, pavyzdžiui, parduotuvėse, biuruose ir kitoje darbo aplinkoje;
  - ūkininkų gyvenamuosiuose namuose;
  - klientams viešbučiuose ir kitoje

gyvenamojo aplinkoje;

- viešbučiuose, kuriose siūloma nakvynė su pusryčiais.

- Prietaisą naudokite tik pagal paskirtą, aprašytą šiose naudojimo instrukcijose.
- Gamintojas neatsako už žalą, patirtą dėl netinkamo gaminio įrengimo ar naudojimo.
- Šį prietaisą leidžiama naudoti vaikams nuo 8 metų amžiaus ir asmenims, turintiems fizinių, jutimo ar psichinių negalių, arba neturintiems patirties ir žinių, kaip naudoti šį prietaisą, su sąlyga, kad jie bus prižiūrimi arba išmokyti, kaip saugiai naudoti šį prietaisą, ir supras atitinkamus pavojus.
- Neleiskite vaikams žaisti su šiuo prietaisu. Neprižiūrimi vaikai negali atlikti valymo ir naudotojo atliekamų techninės priežiūros darbų.
- Mažiausias atstumas tarp kaitlentės virimo indų atraminio paviršiaus ir žemiausios gaminio dalies turi būti bent 65 cm.
- Jei dujinės kaitlentės montavimo instrukcijose nurodytas didesnis atstumas, reikia jį atsižvelgti.
- Pasirūpinkite, kad jūsų elektros tinklo duomenys atitiktų prietaiso



kategorijos plokštelėje nurodytus duomenis.

- Niekada nenaudokite prietaiso, jeigu šis yra sugadintas arba pažeistas jo maitinimo laidas.
- Saugokite maitinimo laidą, kad jis nebūtų suspaustas, užlenktas arba trinamas į aštrius kraštus. Saugokite maitinimo kabelį nuo įkaitusių paviršių ir atviros ugnies.
- Prietaisąjunkite tik prie įžeminto elektros lizdo.

**ĮSPĖJIMAS:** Nejunkite prietaiso prie elektros tinklo, kol jis nėra visiškai sumontuotas.

- Prietaisą pastatykite taip, kad elektros kištukas visada būtų pasiekiamas.
- Nelieskite lempučių, jeigu jos ilgai švietė. Jos bus karštos, dėl to galite nusideginti rankas.
- Laikykitės kompetentingų valdžios institucijų nustatytų taisyklių dėl ištraukiamojo oro išleidimo (šis įspėjimas netaikomas, jeigu prietaisas naudojamas be dūmtraukio).

- Įjunkite prietaisą po to, kai pastatysite ant kaitvietės puodą, keptuvę ir t.t. Priešingu atveju dėl didelio karščio kai kurios jūsų gaminio dalys gali deformuotis.
- Išjunkite kaitvietę prieš nuimdami nuo jos puodą, keptuvę ir t.t.
- Nepalikite ant kaitvietės karšto aliejaus. Keptuvės su karštu aliejumi gali tapti užsidegimo priežastimi.
- Atkreipkite dėmesį į užuolaidas ir uždangalus, nes kepat, pvz., bulvių šiaudelius, aliejus gali užsiliepsnoti.
- Riebalų filtrą reikia keisti bent kartą per mėnesį. Anglies filtrą reikia keisti bent kartą per 3 mėnesius.
- Gaminys turi būti valomas pagal naudojimo instrukciją. Jei valymas atliktas ne pagal naudojimo instrukciją, gali kilti gaisro pavojus.
- Vietoje dabartinio filtro nenaudokite ugniai neatsparių filtravimo medžiagų.
- Naudokite tik originalias arba gamintojo rekomenduojamas dalis.
- Nenaudokite prietaiso be filtro ir neišimkite filtrų iš veikiančio prietaiso.
- Atsiradus liepsnai, išjunkite ga-

# 1 Svarbios saugos ir aplinkos apsaugos taisyklės

minį ir maisto gaminimo prietaisus.

- Atsiradus liepsnai, ją uždenkite ir jokiū būdu negesinkite vandeniu.
- Jeigu prietaiso nenaudojate arba prieš jį valydami, atjunkite jį nuo elektros tinklo.
- Patalpoje, kurioje vienu metu veikia virš elektrinės kaitlentės montuojamas garų rinktuvas ir kiti, ne elektra maitinami prietaisai, negiamas slėgis neturi viršyti 4 Pa (4 x 10 bar).
- Patalpoje, kurioje naudojamas prietaisas, mazutu arba dujomis kūrenamų prietaisų, pvz., šildytuvo, išmetamos dujos privalo būti visiškai izoliuotos arba tokie prietaisai privalo būti hermetiški.
- Dūmtraukiui prijungti naudokite 120 mm arba 150 mm skersmens vamzdžius. Vamzdžio jungtis turi būti kuo trumpesnė, o alkūnių skaičius - minimalus.

**Pavojus uždusti!** Visas pakuočės dalis laikykite vaikams nepasiekiamoje vietoje.

**ATSARGIAI:** Naudojant su maisto gaminimo prietaisais, liečiamos prietaiso dalys gali įkaisti.

- Gaminio išleidimo vamzdžio negalima jungti prie ortakių, kuriuose yra kitų dūmų.
- Vienu metu patalpoje naudojant virš elektrinės kaitlentės montuojamą garų rinktuvą ir dujomis arba kitu kuru kūrenamus prietaisus ventiliacija gali būti nepakankama (ši nuostata gali būti netaikoma prietaisams, kurie orą išleidžia tik atgal į patalpą).
- Ant gaminio sudėti daiktai gali nukristi. Nedėkite jokių daiktų ant gaminio.
- Neuždeginėkite po gaminiu.

**ĮSPĖJIMAS:** Prieš montuodami garų rinktuvą, nuimkite apsaugines plėveles.

- Niekada nepalikite atviros liepsnos po veikiančiu garų rinktuvu.
- Naudojant gruzdintuves, jas reikia nuolat prižiūrėti: per daug įkaitęs aliejus gali užsiliepsnoti.

# 1 Svarbios saugos ir aplinkos apsaugos taisyklės

## 1.2 Atitiktis EEJA direktyvai ir atitarnavusio gaminio sutvarkymas:

Šis gaminys atitinka ES EEJA direktyvą (2012/19/ES). Šis gaminys žymimas elektros ir elektroninės įrangos atliekų (EEJA) simboliu.



Šis simbolis reiškia, kad, kai produktas tampa nebeužduodamas, jo negalima šalinti kartu su kitomis buitinėmis

atliekomis. Panaudotą prietaisą būtina pristatyti į elektros ir elektroninių prietaisų surinkimo ir perdirbimo punktą. Norėdami sužinoti, apie surinkimo ir perdirbimo punktus - susisieki su vietos institucijomis arba pardavėju. Kiekvienas atliekame svarbų vaidmenį saugodami gamtą ir perdirbdami senus buitinius prietaisus.

Atitinkamas panaudotų buitinių prietaisų šalinimas padeda išvengti neigiamos žalos gamtai ir žmogaus sveikatai.

## 1.3 Atitiktis RoHS direktyvai

Jūsų įsigytas gaminys atitinka ES RoHS direktyvą (2011/65/ES). Jame nėra direktyvoje nurodytų kenksmingų ar draudžiamų medžiagų.

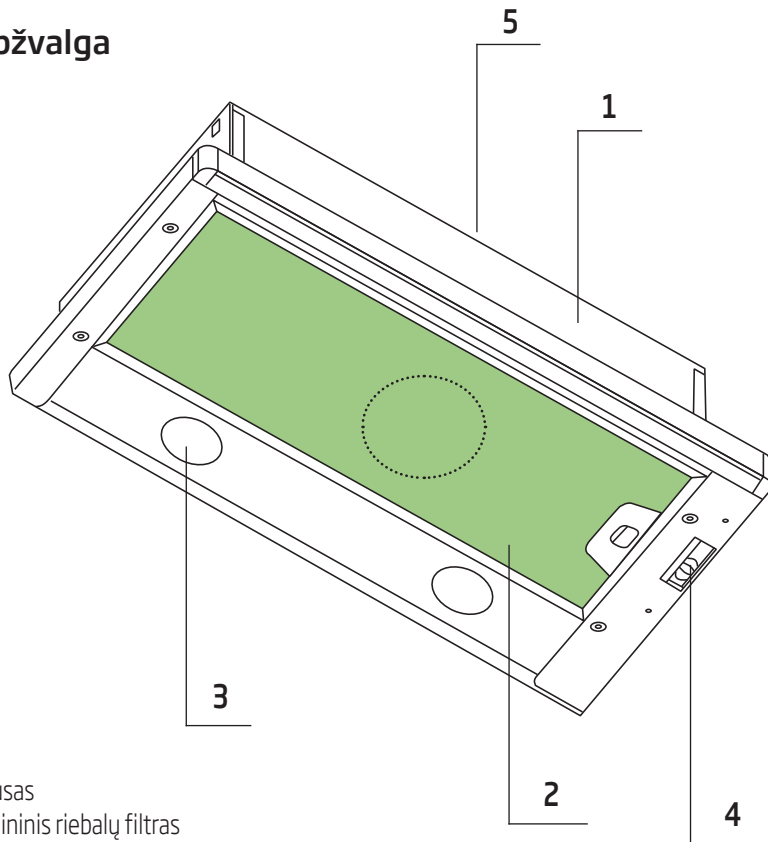
## 1.4 Informacija apie pakuotę



Šio gaminio pakavimo medžiagos pagamintos iš pakartotinai panaudojamų medžiagų, atsižvelgiant į mūsų nacionalinius aplinkosaugos reglamentus. Neišmeskite pakavimo medžiagų kartu su buitinėmis atliekomis arba kitomis šiukšlėmis. Jas atiduokite į vietinių valdžios institucijų nurodytus pakavimo medžiagų surinkimo punktus.

## 2 Bendroji išvaizda

### 2.1 Apžvalga



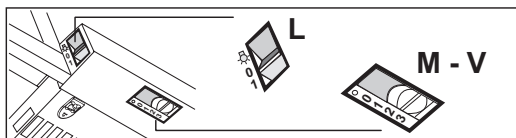
1. Korpusas
2. Aliumininis riebalų filtras
3. Apšvietimas
4. Valdymo skydelis
5. Kaminas

### 2.2 Techniniai duomenys

<b>Modelis</b>	CTB 6250 W / CTB 6250 X / CTB 6250 XH / CTB 6250 B / CTB 9250 X / CTB 9250 XH
<b>Tiekimo įtampa</b>	220-240V ~ 50 Hz
<b>Lemputės galingumas (W)</b>	2x4
<b>Variklio galingumas (W)</b>	1 x 140
<b>Oro srautas (m<sup>3</sup>/val.) - 3. lygis</b>	420
<b>Izoliacijos klasė</b>	II klasė

## 3 Prietaiso naudojimas

### 3.1 Valdymo skydelis



L	Apšvietimas	Ijungia ir išjungia apšvietimą
M	Variklis	Ijungia ir išjungia gartraukio variklį
V	Greitis	Nustato gartraukio darbinį greitį: <ol style="list-style-type: none"><li>1. Mažas greitis, naudojamas nuolatiniam ir tyliam oro pakeitimui esant nedideliam garų kiekiui.</li><li>2. Vidutinis greitis, tinkamas daugumai darbo sąlygų, užtikrina tinkamą ventiliuojamo oro srauto / triukšmo santykį.</li><li>3. Maksimalus greitis, naudojamas garams, susikaupusiems per ilgesnį laiko tarpą, šalinti.</li></ol>

- Ištraukiantis gartraukis skirtas naudoti tik-tai namuose pašalinti kvapus iš virtuvės.
- Niekada nenaudokite jo jokiems kitiems tikslams negu jis yra skirtas.
- Nepalikite aukštos atviros liepsnos po veikiančiu gartraukiu.
- Reguluokite liepsnos aukštį taip, kad būtų kaitinama tik puodo apačia ir liepsna nekiltų puodo šonais.
- Gruzdintuvę ant liepsnos reikia visą laiką stebėti, nes perkaitęs aliejus gali užsiliepsnoti.

## 3 Prietaiso naudojimas

### 3.2 Lemputės pakeitimas



Prieš pakeisdami lemputę atjunkite gartraukį nuo maitinimo šaltinio.



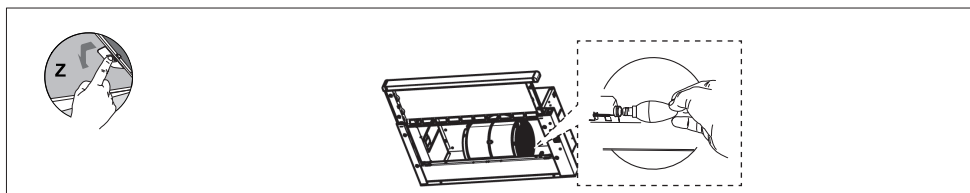
Nelieskite įkaitusių lempučių.




Nelieskite tiesiai rankomis pakeistos lemputė.



Lempučių galite įsigyti iš įgaliotųjų aptarnavimo atstovų.



Lemputė	Galingumas (W)	Lizdas	Įtampa (V)	Matmenys (mm)	ILCOS kodas
	4	E14	220 – 240	107 x 37	DRBB/F-4-220-240-E14-35/100

- Šiame produkte naudojama žvakės formos LED lemputė
- Keičiame lemputę naudoti maks. 4 W lemputę

## 4 Valymas ir priežiūra

Prieš atlikdami valymo ir priežiūros darbus atjunkite prietaisą arba išjunkite pagrindinį maitinimo jungiklį, arba atsukite saugiklį, esantį gartraukyje.

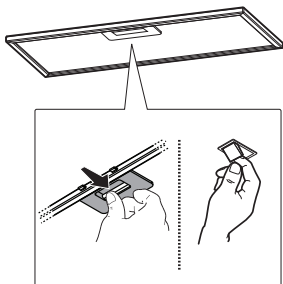


Nesilaikant nurodymų dėl prietaiso valymo ir filtrų pakeitimo gali kilti pavojus. Todėl rekomenduojama laikytis čia pateiktų instrukcijų. Gamintojas neatsako už jokią žalą varikliui ar gaisrą, kilusį dėl netinkamo naudojimo.

Valykite tik neutraliu valymo skysčiu sudrėkinta šluoste. Nevalykite su kitais įrankiais ar instrumentais. Nenaudokite braižančių produktų. Nenaudokite alkoholio

### 4.1 Aliuminio riebalų filtro valymas

Šis filtras surenka riebalų daleles iš oro. Rekomenduojama filtrą valyti kiekvieną mėnesį, kai jis naudojamas įprastu dažnumu. Iš pradžių išimkite riebalų filtrus. Nuplaukite filtrus su indų plovikliu ir išskalaukite vandeniu, kai išdžiūsta, įstatykite atgal. Aliumininiai riebalų filurai gali pakeisti spalvą plaunant, tai normalu, filtro dėl to keisti nereikia.

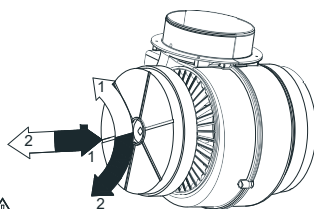


Aliumininį filtrą galite plauti indaplovėje

### 4.2 Anglies filtro keitimas (oro cirkuliacijos režimu)

Ant gartraukio galima įrengti aktyvintos anglies filtrą. Anglies filtras įrengiamas tik tuo atveju, jei gartraukis nėra prijungtas prie ištraukimo angos. Anglies filtrą reikia keisti kas tris mėnesius.

Keisdami anglies filtrą atkreipkite dėmesį į naudojamos turbinos tipą.



Filtro įstatymo simbolis  
Filtro išmontavimo simbolis



**ĮSPĖJIMAS:** Anglies filtro plauti negalima.



**ĮSPĖJIMAS:** Anglies filtrą galima įsigyti iš įgaliotosios tarnybos.

## 5 Prietaiso nustatymas



### ĮSPĖJIMAS

Prieš pradėdami perskaitykite saugos instrukcijas.



### PASTABA.

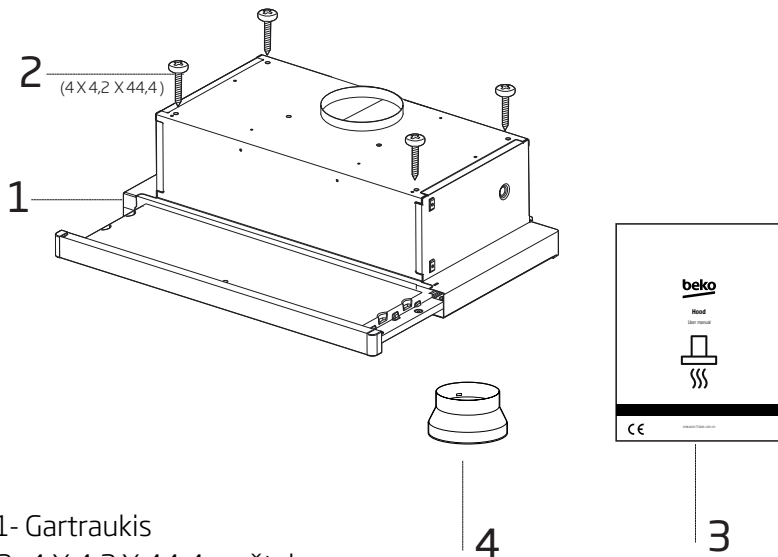
Žr. montavimo vadovo 255 psl.



### ĮSPĖJIMAS

Neįstačius varžtų ar nepritvirtinus prietaiso pagal šias instrukcijas gali kilti elektros pavojus.

### 5.1 Montavimo priedai



- 1- Gartraukis
- 2- 4 X 4,2 X 44,4 varžtai
- 3- Naudotojo Vadovas
- 4- 1 x 120 / 150 mm skersmens plastikinis ortakio adapteris



## 6 Trikčių šalinimas

<b>Trikčių šalinimas</b>	<b>Priežastis</b>	<b>Pagalba</b>
Gaminys neveikia.	Patikrinkite saugiklį.	Saugiklis gali būti uždarytas, atidarykite jį.
Gaminys neveikia.	Patikrinkite elektros jungtį.	Tinklo įtampa turėtų būti 220 - 240 V.
Gaminys neveikia.	Patikrinkite elektros jungtį.	Patikrinkite, ar kiti jūsų virtuvės gaminiai veikia.
Apšvietimo lemputė neveikia.	Patikrinkite elektros jungtį.	Tinklo įtampa turėtų būti 220 - 240 V.
Apšvietimo lemputė neveikia.	Patikrinkite lemputės jungiklį.	Lemputės jungiklis turėtų būti įjungtas.
Apšvietimo lemputė neveikia.	Patikrinkite lemputes.	Gaminio lemputės neturėtų būti sugedusios.
Gaminio oro įsiurbimas prasčia.	Patikrinkite aliuminio filtrą.	Aliuminio alyvos filtrą normaliomis sąlygomis reikia valyti bent kartą per mėnesį.
Gaminio oro įsiurbimas prasčia.	Patikrinkite oro išleidimo angą.	Oro išleidimo dūmtakis turėtų būti „įjungtas“ padėtyje.
Gaminio oro įsiurbimas prasčia.	Patikrinkite anglies filtrą.	Gaminiams su anglies filtrais paprastai filtrus reikia keisti kas 3 mėnesius.

# Vă rugăm să citiți mai întâi acest manual de utilizare!

Stimate client,

Vă mulțumim pentru că ați ales acest produs Beko. Sperăm să obțineți cele mai bune rezultate de la aparatul dumneavoastră, care a fost fabricat la o calitate înaltă și cu tehnologie performantă. Din acest motiv, vă rugăm să citiți cu atenție și în întregime acest manual de utilizare și toate celelalte documente însoțitoare înainte de a utiliza aparatul și să le păstrați pentru consultări ulterioare. Dacă transmiteți produsul altei persoane, oferiți-i și manualul de utilizare. Urmați instrucțiunile și acordați atenție tuturor informațiilor și avertismentelor din manualul de utilizare.

Nu uitați că acest manual de utilizare poate fi aplicat și altor modele. Diferențele dintre modele sunt descrise în manual în mod explicit.

## Semnificația simbolurilor

Următoarele simboluri sunt utilizate în diverse părți ale acestui manual de utilizare:



Informații importante și sugestii utile cu privire la utilizare.



**AVERTISMENT:** Avertismente pentru situații periculoase referitoare la siguranța vieții și bunurilor.



Avertisment pentru pericol de incendiu.



Avertisment privind electrocutarea.



Clasă de protecție împotriva electrocutării.



Acest produs a fost fabricat în fabrici ecologice moderne,  
fără a dăuna naturii.

În conformitate cu Directiva DEEE.



Nu conține policlorură de difenil (PCB).

## 1.1 Siguranță generală

Instrucțiuni importante cu privire la siguranță Citiți cu atenție și păstrați-le pentru consultare ulterioară Această secțiune conține instrucțiuni privind siguranța, care vă vor proteja împotriva riscului de incendiu, electrocutare, expunere la scurgeri de microunde, vătămare corporală și pagube materiale. Nerespectarea acestor instrucțiuni atrage anularea garanțiilor acordate.

- Produsele de la Beko sunt conforme standardelor de siguranță aplicabile; din acest motiv, în caz de defecțiune a produsului sau a cablului de alimentare, acestea trebuie reparate sau înlocuite de distribuitor, un centru de service sau un service similar specializat și autorizat, pentru evitarea oricărui pericol. Lucrările de reparații greșite sau efectuate de persoane necalificate pot cauza pericole sau riscuri utilizatorului.
- Acest aparat este destinat pentru a fi utilizat în scop casnic și aplicații similare cum ar fi:
  - Bucătării pentru personalul din magazine, birouri sau alte medii de lucru;

- Ferme
- De către clienți în hoteluri, moteluri sau alte medii de tip rezidențial;
- Medii de tip pensiune.
- Utilizați acest produs doar pentru uzul desemnat, așa cum este descris în acest manual.
- Producătorul nu își asumă răspunderea pentru daunele provocate de instalarea incorectă sau utilizarea greșită a produsului.
- Acest aparat poate fi utilizat de către copii cu vârsta minimă de 8 ani și de către persoanele cu capacități fizice, senzoriale sau mentale reduse sau lipsite de experiență și de cunoștințe, dacă aceștia au fost supravegheați sau instruiți cu privire la utilizarea produsului într-un mod sigur și dacă înțeleg pericolele implicate.
- Copiii nu trebuie să se joace cu aparatul. Operațiunile de curățare și întreținere nu trebuie să fie efectuate de către copii fără supraveghere.
- Distanța minimă dintre suprafețele de susținere pentru vasele de gătit de pe plită și partea cea mai joasă a hotei trebuie să fie de

65 cm.

- Dacă instrucțiunile de instalare a plitei cu gaz specifică distanțe mai mari decât cele de mai sus, se vor respecta instrucțiunile respective.
- Asigurați-vă că tensiunea de alimentare corespunde cu informațiile furnizate pe plăcuța cu date tehnice a produsului.
- Nu utilizați aparatul atunci când cablul de alimentare sau aparatul în sine este avariata.
- Nu strângeți, nu îndoiți și nu frecăți cablul de alimentare de margini tăioase, pentru a preveni avariarea acestuia. Feriți cablul de alimentare de suprafețele fierbinți și focul deschis.
- Utilizați produsul doar cu o priză cu împământare.  
**AVERTISMENT:** Nu conectați produsul la priza de alimentare înainte de finalizarea instalării.
- Amplasați aparatul astfel încât ștecherul să fie întotdeauna accesibil.
- Nu atingeți lămpile dacă au funcționat mult timp. Vă pot arde mâinile, deoarece vor fi fierbinți.
- Respectați reglementările stabilite de autoritățile competente privind evacuarea aerului rezidual (acest avertisment nu este valabil la utilizarea fără coșul de fum).
- Folosiți produsul după ce ați pus o oală, o tigaie etc. pe plită. În caz contrar, căldura ridicată poate cauza deformări în unele părți ale produsului.
- Opriti plita înainte de a lua oala, tigaia etc. de pe aceasta.
- Nu lăsați ulei fierbinte pe plită. Tigăile cu ulei fierbinte pot provoca auto-combustia.
- Fiți atenți la perdele și huse, deoarece uleiul poate lua foc în timp ce gătiți alimente cum ar fi cartofi prăjiți.
- Filtrul de grăsime trebuie înlocuit cel puțin lunar. Filtrul de carbon trebuie înlocuit cel puțin o dată la 3 luni.
- Produsul trebuie curățat conform manualului de utilizare. În cazul în care curățarea nu a fost efectuată conform manualului de utilizare, există risc de incendiu.
- Nu folosiți materiale de filtrare care nu sunt rezistente la foc, în locul filtrului actual.
- Utilizați doar componentele originale.

# 1 Instrucțiuni importante cu privire la siguranță și mediu

nale sau componentele recomandate de către producător.

- Nu folosiți produsul fără filtru și nu scoateți filtrele în timp ce produsul funcționează.
- În cazul în care se produce o flacără, opriți alimentarea produsului și aparatele de gătit.
- În cazul în care se produce o flacără, acoperiți flacăra și nu utilizați apă pentru stingere.
- Înainte de fiecare curățare și atunci când produsul nu este folosit, scoateți-l din priză.
- Presiunea negativă în mediu nu trebuie să depășească 4 Pa (4 x 10 bari), în timp ce hota pentru plita electrică și aparatele care funcționează cu un alt tip de energie decât electricitatea funcționează simultan.
- În mediul în care este folosit produsul, evacuarea dispozitivelor care funcționează pe combustibil lichid sau motorină, cum ar fi radiatorul, trebuie să fie complet izolată sau dispozitivul trebuie să fie de tip ermetic.
- La conectarea coșului de evacuare, folosiți țevi cu diametrul de 120 sau 150 mm. Racordul țevelor

trebuie să fie cât mai scurt posibil și să aibă cât mai puține coturi.

**Pericol de sufocare!** Păstrați materialele de ambalare la loc inaccessibil copiilor.

**ATENȚIE:** În timpul utilizării cu aparate de gătit, piesele accesibile se pot încinge.

- Evacuarea hotei nu trebuie să fie conectată la canalele de aer care includ alte tipuri de fum.
- Ventilația în cameră poate fi insuficientă atunci când hota pentru plita electrică este folosită simultan cu dispozitive care funcționează cu gaz sau alți combustibili (nu se aplică neapărat în cazul aparatelor care doar evacuează aerul înapoi în cameră).
- Obiectele plasate pe produs pot să cadă. Nu amplasați nici un obiect pe aparat.
- Nu flambați alimente sub produs.
- **AVERTISMENT:** Îndepărtați foliile de protecție înainte de a instala hota.
- Nu lăsați niciodată focul deschis la intensitate mare sub hotă când aceasta funcționează.
- Friteuzele trebuie supravegheate permanent în timpul folosirii: ule-

ul supraîncălzit se poate aprinde.

## 1.2 Conformitate cu Directiva DEEE și eliminarea deșeurilor:

Acest produs este conform cu Directiva DEEE a UE (2012/19/EU). Acest produs poartă un simbol pentru deșeurii de echipamente electrice (DEEE).



Acest simbol indică faptul că acest produs nu trebuie eliminat împreună cu alte deșeurii menajere la sfârșitul duratei sale de utilizare.

Dispozitivul uzat trebuie returnat către un punct oficial de colectare pentru reciclarea dispozitivelor electrice și electronice. Pentru a găsi aceste sisteme de colectare contactați autoritățile locale sau distribuitorul de la care a fost achiziționat produsul. Fiecare gospodărie are un rol important în recuperarea și reciclarea electrocasnicelor vechi. Eliminarea corespunzătoare a electrocasnicelor uzate ajută la prevenirea posibilelor consecințe negative pentru mediu și sănătatea umană.

## 1.3 Conformitatea cu Directiva RoHS

Produsul pe care l-ați achiziționat este conform cu Directiva RoHS UE (2011/65/UE). Produsul nu conține materiale dăunătoare sau interzise specificate în Directivă.

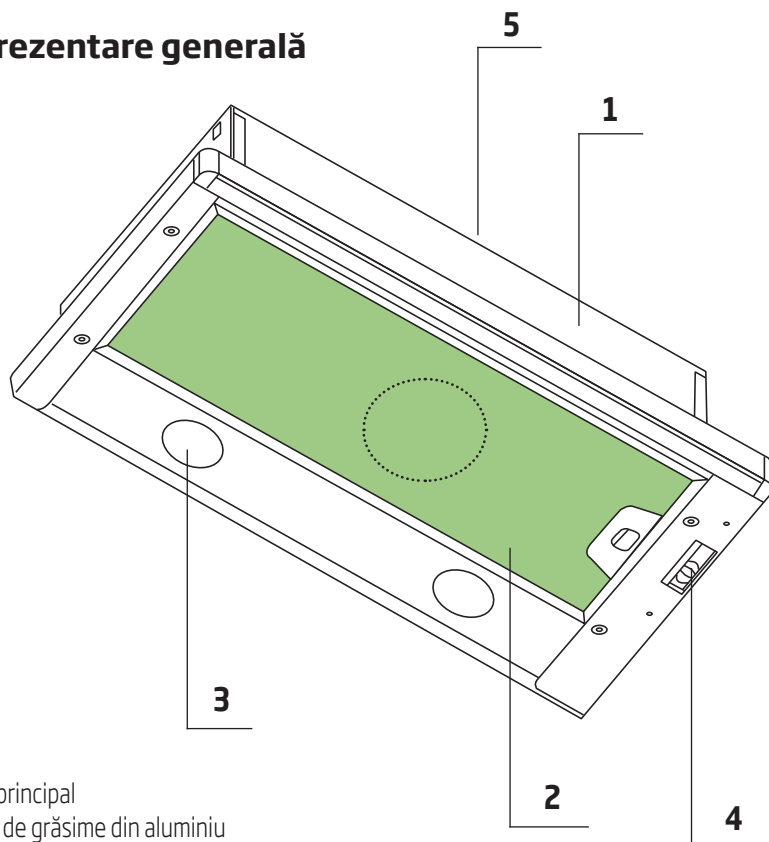
## 1.4 Informații despre ambalaj



Ambalajul produsului este fabricat din materiale reciclabile, în conformitate cu reglementările naționale de mediu. Nu eliminați ambalajul împreună cu deșeurile menajere sau de alt tip. Transportați-le la punctele de colectare a ambalajelor desemnate de către autoritățile locale.

## 2 Aspect general

### 2.1 Prezentare generală



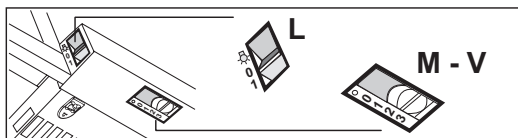
1. Corp principal
2. Filtru de grăsime din aluminiu
3. Sistem de iluminat
4. Panou de comandă
5. Coș de fum

### 2.2 Date tehnice

<b>Model</b>	CTB 6250 W / CTB 6250 X / CTB 6250 XH / CTB 6250 B / CTB 9250 X / CTB 9250 XH
<b>Tensiune de alimentare</b>	220-240V ~ 50 Hz
<b>Putere bec (W)</b>	2x4
<b>Putere motor (W)</b>	1 x 140
<b>Flux aer (m<sup>3</sup>/h) - 3. Nivel</b>	420
<b>Clasa de izolație</b>	CLASA II

## 3 Utilizarea produsului

### 3.1 Panou de comandă



L	Lumini	Aprinde și stinge instalația de iluminare.
M	Motor	Aprinde și stinge motorul de aspirație.
V	Viteza	Determină viteza de funcționare:  <ol style="list-style-type: none"><li>1. Viteza minimă, adecvată pentru schimbarea continuă a aerului deosebit de silențioasă, în cazul în care sunt puțini aburi de la gătit.</li><li>2. Viteza medie, adecvată majorității condițiilor de utilizare, având în vedere raportul optim dintre aerul tratat și nivelul sonor.</li><li>3. Viteza maximă, adecvată a face față emisiunilor maxime de vapori de la gătit, și pe perioade îndelungate.</li></ol>

- Hota extractoare a fost proiectată exclusiv pentru uz domestic, pentru a elimina mirosurile din bucătărie.
- Nu utilizați niciodată hota în alte scopuri decât cele pentru care a fost proiectată.
- Nu lăsați niciodată flăcări deschise înalte sub hotă atunci când aceasta este în funcțiune.
- Ajustați intensitatea flăcării pentru a o direcționa numai spre partea inferioară a tigăii, asigurându-vă că nu învăluie marginile.
- Friteuzele cu grăsimi trebuie monitorizate în mod continuu în timpul utilizării: uleiul supraîncălzit poate izbucni în flăcări.



## 3 Utilizarea produsului

### 3.2 Înlocuirea becului



Înainte de a înlocui becul, deconectați hota de la sursa de alimentare.



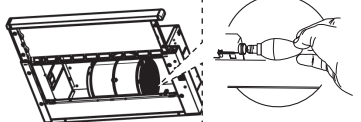
Nu atingeți becurile atunci când sunt fierbinți.




Aveți grijă să nu atingeți becul înlocuit direct cu mâinile.



Becuri de rezervă găsiți la agenții din service autorizate.



Bec	Putere absorbită (W)	Dulie	Tensiune (V)	Dimensiune (mm)	Cod ILCOS
	4	E14	220 – 240	107 x 37	DRBB/F-4-220-240-E14-35/100

- Acest produs este echipat cu un bec cu LED de tip lumânare.
- Atunci când schimbați becul, trebui utilizat un bec de maxim 4 W

## 4 Curățare și întreținere

Înainte de curățare și întreținere, deconectați aparatul, opriți întrerupătorul principal sau slăbiți siguranța care alimentează a hota.

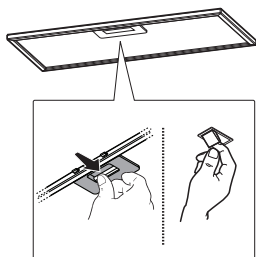


Nerespectarea dispozițiilor referitoare la curățarea dispozitivului și înlocuirea filtrelor poate provoca riscuri de incendiu. Prin urmare, este recomandat să respectați instrucțiunile prezentate în manual. Producătorul nu este răspunzător pentru daune provocate motorului sau pentru incendii cauzate de o utilizare necorespunzătoare.

Curățați folosind o cârpă înmuiată în detergent lichid cu pH neutru. Nu curățați folosind ustensile sau instrumente. Nu folosiți produse abrazive. Nu folosiți alcool.

### 4.1 Curățarea filtrului din aluminiu pentru grăsime

Acest filtru captează particulele de ulei din aer. Se recomandă curățarea filtrului în fiecare lună, în condiții normale de utilizare. În acest scop, mai întâi îndepărtați filtrele de grăsime. Spălați filtrele cu detergent lichid și apoi clătiți-le cu apă, iar după uscare montați-le la loc. Filtrele de aluminiu se pot decolora pe măsură ce sunt spălate; acest lucru este normal și nu necesită înlocuirea filtrului.

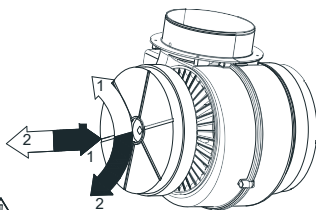


Puteți spăla filtrul din aluminiu în mașina de spălat vase

### 4.2 Schimbarea filtrului de carbon (Mod de recirculare a aerului)

Hota poate fi echipată cu un filtru de carbon activ. Filtrul de carbon se folosește doar în cazul în care hota nu este conectată la conducta de aerisire. În orice caz, schimbarea filtrului de carbon se face o dată la trei luni.

În momentul înlocuirii filtrului de carbon, fiți atent la tipul de turbină utilizată.



Simbol → Montarea filtrului  
Simbol ← Demontarea filtrului



**AVERTISMENT:** Filtrul de carbon nu trebuie spălat niciodată.



**AVERTISMENT:** Filtrul de carbon îl puteți găsi în service-urile autorizate.

## 5 Instalarea hotei



### AVERTISMENT

Vă rugăm să citiți instrucțiunile de siguranță înainte de instalare.



### NOTĂ

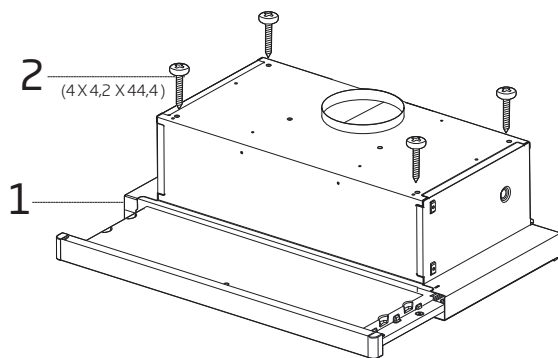
Vă rugăm să consultați **pagina 255** pentru ghidul de instalare



### AVERTISMENT

Neinstalarea șuruburilor sau a dispozitivului de fixare în conformitate cu aceste instrucțiuni poate cauza pericole electrice.

### 5.1 Accesorii pentru montare



- 1- Hotă
- 2- șuruburi 4 X 4,2 X 44,4
- 3- Manual de utilizare
- 4- 1 x adaptor evacuare din plastic Ø120/150 mm

## 6 Depanarea

<b>Problemă</b>	<b>Cauză</b>	<b>Soluție</b>
Produsul nu funcționează.	Verificați siguranța dvs.	Dacă siguranța dvs. este închisă, deschideți-o.
Produsul nu funcționează.	Verificați conexiunea electrică.	Tensiunea rețelei trebuie să fie între 220 și 240 V.
Produsul nu funcționează.	Verificați conexiunea electrică.	Verificați dacă și celelalte aparate din bucătărie funcționează.
Lampa de iluminare nu funcționează.	Verificați conexiunea electrică.	Tensiunea rețelei trebuie să fie între 220 și 240 V.
Lampa de iluminare nu funcționează.	Verificați comutatorul lămpii.	Comutatorul pentru lampă trebuie să fie în poziția „on” (pornit).
Lampa de iluminare nu funcționează.	Verificați becurile.	Becurile produsului nu trebuie să fie defecte.
Admisia de aer a produsului este slabă.	Verificați filtrul de aluminiu.	În condiții normale de funcționare, filtrul de ulei din aluminiu trebuie curățat cel puțin o dată pe lună.
Admisia de aer a produsului este slabă.	Verificați tubul de evacuare a aerului.	Tubul de evacuare a aerului trebuie să fie în poziția „on” (pornit).
Admisia de aer a produsului este slabă.	Verificați filtrul de carbon.	Pentru produsele cu filtre de carbon, filtrul trebuie schimbat în mod normal la fiecare 3 luni.



# CERTIFICAT DE GARANȚIE

Tensiune de alimentare/frecvență: 220-240V~, 50-60Hz  
Importator: ARCTIC S.A., Găești, Dâmbovița, str. 13 Decembrie nr. 210, email: office@arctic.ro

**TIP:**  Aragaz  Cuptor încorporabil  Plită încorporabilă  Hotă

Model / Serie:.....

## VÂNZĂTOR

Nr. factură:.....Data: .....

Vânzător (firma, localitatea): .....

## CUMPĂRĂTOR

Nume .....Localitatea .....

Str. ....Nr. ....Bloc .....Sc. ....Et. ....Ap. ....

Județ ..... Telefon .....E-mail .....

S-a efectuat proba de funcționare a aparatului, s-a prezentat modul de folosire, s-au predat instrucțiunile de utilizare și toate accesoriile. Am primit aparatul în perfectă stare de funcționare.

Stimați clienți,

La cumpărare vă recomandăm să solicitați efectuarea probei de funcționare și să verificați existența instrucțiunilor de utilizare și a accesoriilor.

Pentru a putea beneficia de toate avantajele produselor și serviciilor noastre vă rugăm:

- să citiți cu atenție și să respectați recomandările prezentate în "Instrucțiunile de utilizare".

- să păstrați cu grijă acest certificat pentru a-l putea prezenta (împreună cu documentul fiscal de achiziție), personalului SERVICE, la orice sesizare efectuată în perioada de garanție.

Vă mulțumim că ați optat pentru cumpărarea unui produs Beko!

**Durata medie de utilizare a produsului este de 10 ani!**

**Perioada de garanție legală de conformitate este de 2 ani de la intrarea produsului în posesia consumatorului.**

Art. 22, alin. 3-6, din L449/2003, modificata de OG 9/2016:

- (3) Timpul de nefuncționare din cauza lipsei de conformitate apărute în cadrul termenului de garanție prelungește termenul de garanție legală de conformitate și curge, după caz, din momentul la care a fost adusă la cunoștință vânzătorului lipsa de conformitate a produsului sau din momentul prezentării produsului la vânzător/unitatea service până la aducerea produsului în stare de utilizare normală și, respectiv, al notificării în scris în vederea ridicării produsului sau predării efective a produsului către consumator.

- (4) Produsele de folosință îndelungată care înlocuiesc produsele defecte în cadrul termenului de garanție vor beneficia de un nou termen de garanție care curge de la data preschimbării produsului.

- (5) Produsele de folosință îndelungată defectate în termenul de garanție legală de conformitate, atunci când nu pot fi reparate sau când durata cumulată de nefuncționare din cauza deficiențelor apărute în termenul de garanție legală de conformitate depășește 10% din durata acestui termen, la cererea consumatorului, vor fi înlocuite de vânzător sau acesta va restitui consumatorului contravaloarea produsului respectiv.

- (6) Termenul de garanție curge de la data intrării bunului respectiv în posesia consumatorului, inclusiv pentru bunurile noi de folosință îndelungată, obținute prin tragere la sorți la tombole, câștigate la concursuri și similare sau acordate cu reducere de preț ori gratuit de către operatorii economici.

Garanția oferită de producător nu exclude garanția de viciu ascuns, conform OG 21/1992 (R2) privind protecția consumatorului și Codul Civil.



Service-ul acestui produs este asigurat de ARCTIC S.A. cu sediul în Găești, Dâmbovița, str. 13 Decembrie nr. 210. • \*9010 • www.arctic.ro • www.beko.ro • e-mail: service@arctic.ro  
Program Call Center: Luni - Vineri 08:30 - 20:00; Sâmbătă 08:30 - 17:00

## UNITĂȚILE SERVICE ALE ARCTIC S.A. EXECUTĂ REPARAȚII ÎN TERMENUL DE GARANȚIE ȘI ÎN AFARA ACESTUIA

Nr. crt.	Data Reclamației	Data primirii în reparație	Reparat			Repararea curentă și/sau componenta înlocuită	Prelungirea termenului de garanție	Efectuarea verificării	
			Programat	Data ridicării aparatului	Cauza întârzierii			SERVICE	CLIENT

### **CONDIȚII DE GARANȚIE LEGALĂ DE CONFORMITATE:**

Pentru orice defecțiune aparută în perioada de garanție sau post garanție, apălați la magazinul de unde a fost achiziționat produsul sau direct la Call Center Arctic.

Prelungirea termenului de garanție se va înscrice în certificatul de garanție de către unitatea SERVICE care a efectuat reparația.

Garanția acoperă reparaerea și/sau înlocuirea pieselor constatate ca defecte (necauzate de consumator) de către tehnicienii Service.

Termenul de realizare a operațiilor de reparaere, înlocuire sau întreținere este de 15 zile calendaristice de la data la care cumpărătorul a sesizat defecțiunea la magazinul de unde a achiziționat produsul sau direct la Call Center Arctic.

### **Reclamațiile referitoare la aspectele prevăzute mai jos, se rezolvă numai contra cost:**

- a) nefuncționarea lămpilor de iluminare;
- b) accesoriile care nu au defecte ascunse de material constatate de tehnicienii Service;
- c) piesele și accesoriile care prezintă lovituri, zgârieturi, spărături sau deformări.

### **PRODUSUL NU BENEFICIAZĂ DE GARANȚIE LEGALĂ DE CONFORMITATE ÎN URMĂTOARELE CAZURI:**

1. Nu au fost respectate instrucțiunile de transport, manipulare, instalare, utilizare și întreținere prescrite.
2. Subansamblurile și accesoriile casabile care se deteriorează în timpul transportului vor fi înlocuite de vânzător (în cazul în care asigură transportul).
3. Garanția nu se acordă subansamblurilor și accesoriilor casabile ale produselor care suferă deteriorări din vina consumatorului.
4. Tensiunea de alimentare are valori care nu se încadrează în limitele prevăzute de standarde (SREN 50160).
5. Instalația electrică a utilizatorului prezintă improvizatii sau neconformități.
6. Produsul a fost folosit în alte scopuri decât cel pentru care a fost proiectat.
7. Produsul a suportat intervenții (reparații, modificări) din partea unor persoane neautorizate de producător.

### **Drepturile consumatorului sunt cele prevăzute în Legea 449/2003 (republicată) și OG 21/1992 (republicată).**

În cadrul acestui proces, Arctic vă prelucurează date cu caracter personal, cu respectarea legilor aplicabile privind confidențialitatea și protecția datelor. Pentru informații complete despre modul în care vă prelucram datele, precum și despre drepturile dumneavoastră, vă rugăm să consultați secțiunea "Protecția datelor personale", accesând site-ul nostru la adresa <https://www.beko.ro/>.

# Proszę najpierw przeczytać tę instrukcję obsługi!

Szanowny Kliencie,

dziękujemy za wybranie urządzenia marki Beko. Mamy nadzieję, że zakupione urządzenie, wyprodukowane z zapewnieniem wysokiej jakości przy użyciu najnowszych technologii, okaże się w pełni zadowalające. W tym celu przed użyciem urządzenia należy uważnie przeczytać całą instrukcję obsługi oraz dołączone dokumenty i zachować je do wglądu na przyszłość. Przekazując urządzenie innemu użytkownikowi, należy dołączyć również niniejszą instrukcję. Należy postępować zgodnie z instrukcjami, zwracając uwagę na wszystkie informacje i ostrzeżenia zamieszczone w niniejszym dokumencie.

Należy pamiętać, że niniejsza instrukcja może odnosić się także do innych modeli. Różnice pomiędzy modelami są wyraźnie opisane w instrukcji.

## Znaczenie symboli

W różnych częściach niniejszej instrukcji obsługi stosowane są następujące symbole:



Ważne informacje i przydatne wskazówki dotyczące użytkowania.



**OSTRZEŻENIE:** Ostrzeżenia przed niebezpiecznymi sytuacjami zagrażającymi życiu i mieniu.



Niebezpieczeństwo pożaru.



Ostrzeżenie przed porażeniem prądem.



Klasa ochrony przeciwporażeniowej.



Urządzenie zostało wyprodukowane w przyjaznym środowisku, nowoczesnych zakładach bez negatywnego wpływu na przyrodę.

Wyrób zgodny z Dyrektywą WEEE.



Nie zawiera polichlorowanych bifenyli (PCB).

# 1 Ważne instrukcje dotyczące bezpieczeństwa i ochrony środowiska

## 1.1 Ogólne zasady dotyczące bezpieczeństwa

Ważne zasady dotyczące bezpieczeństwa. Przeczytaj je uważnie i zachowaj na przyszłość. Rozdział ten zawiera instrukcje zachowania bezpieczeństwa, które pomogą chronić się przed ryzykiem pożaru, porażenia prądem elektrycznym, wycieku mikrofal, obrażeniami ciała lub uszkodzami w mieniu. Nieprzestrzeganie tych instrukcji spowoduje unieważnienie gwarancji.

- Produkty firmy Beko spełniają wszystkie wymagania stosownych norm bezpieczeństwa. W przypadku jakiegokolwiek uszkodzenia urządzenia lub przewodu zasilającego, aby uniknąć wszelkich zagrożeń, należy oddać je do naprawy lub wymiany przez sprzedawcę, punkt serwisowy lub specjalistę albo autoryzowany serwis. Błędna lub niefachowa naprawa może być niebezpieczna i powodować zagrożenie dla użytkowników.
- To urządzenie jest przeznaczone do użytku domowego i podobnych zastosowań, na przykład:
  - na zapleczu kuchennym przez personel sklepów, biur i innych

miejsc pracy;

- w gospodarstwach rolnych;
- do użytku przez klientów hoteli i innych obiektów noclegowych;
- w pensjonatach.

- Urządzenie należy stosować tylko zgodnie z jego przeznaczeniem, w sposób opisany w niniejszej instrukcji.
- Producent nie ponosi odpowiedzialności za szkody powstałe w wyniku nieprawidłowej instalacji lub niewłaściwego stosowania produktu.
- Urządzenie może być obsługiwane przez dzieci w wieku 8 lat i starsze, osoby o ograniczonych możliwościach fizycznych, postrzegania lub umysłowych, a także osoby bez doświadczenia lub wiedzy w zakresie obsługi urządzenia, o ile będą one pod nadzorem lub zostaną szczegółowo poinstruowane o bezpiecznym korzystaniu z urządzenia i zrozumieją potencjalne zagrożenia.
- Nie należy pozwalać dzieciom bawić się urządzeniem. Dzieci nie mogą czyścić ani konserwować urządzenia bez nadzoru.



# 1 Ważne instrukcje dotyczące bezpieczeństwa i ochrony środowiska

- Minimalna odległość pomiędzy powierzchniami podpór garnków znajdującymi się na szczycie kuchenki a najniższą częścią produktu musi wynosić co najmniej 65 cm.
  - Jeżeli w instrukcji instalacji gazowej płyty kuchennej podano odległość większą, wówczas należy zastosować wskazaną wartość.
  - Zasilanie z domowej sieci elektrycznej musi być zgodne z informacjami podanymi na tabliczce znamionowej urządzenia.
  - Urządzenia nie wolno nigdy używać, jeśli przewód zasilający lub samo urządzenie są uszkodzone.
  - Aby zapobiec uszkodzeniu przewodu zasilającego, nie wolno dopuścić do jego ściskania, zginania lub ocierania o ostre krawędzie. Trzymaj przewód zasilający z dala od gorących powierzchni i otwartego ognia.
  - Urządzenia można używać tylko wtedy, gdy jest podłączone do gniazda ściennego z uziemieniem.
- OSTRZEŻENIE:** Podłącz urządzenie do zasilania dopiero po całkowitym zakończeniu montażu.
- Urządzenie ustaw tak, aby zawsze był możliwy dostęp do wtyczki.
  - Nie należy dotykać lamp, jeśli były włączone przez długi czas. Grozi to poparzeniem dłoni gorącą żarówką.
  - Należy stosować się do wymagań dotyczących odprowadzania powietrza wywiewanego (to ostrzeżenie nie dotyczy sytuacji korzystania z okapu bez przewodu spalinowego).
  - Okap należy uruchamiać po ustawieniu garnka, patelni itp. na płycie grzewczej. W przeciwnym wypadku wysoka temperatura może doprowadzić do zniekształcenia niektórych części produktu.
  - Okap należy wyłączać przed zdjęciem garnka, patelni itp. z płyty grzewczej.
  - Nie pozostawiać rozgrzanego oleju na płycie grzewczej. Garnki z gorącym olejem mogą się zapalić samoczynnie.
  - Należy uważać na zasłony i inne elementy osłaniające okna, ponieważ olej może zapalić się samoczynnie podczas smażenia np. frytek.
  - Filtr tłuszczu należy wymieniać co najmniej raz w miesiącu. Filtr wę-

# 1 Ważne instrukcje dotyczące bezpieczeństwa i ochrony środowiska

głowy należy wymieniać co najmniej raz na 3 miesiące.

- Produkt należy czyścić zgodnie z instrukcją obsługi. Czyszczenie w sposób niezgodny z instrukcją obsługi może prowadzić do ryzyka pożaru.
- Zabrania się stosowania materiałów filtracyjnych nieodpornych na ogień zamiast właściwych filtrów.
- Należy stosować wyłącznie oryginalne lub zalecane przez producenta części zamienne.
- Nie uruchamiać produktu bez zamontowanego filtra ani nie wyjmować filtrów z pracującego okapu.
- W razie pojawienia się płomieni odłączyć produkt oraz urządzenia kuchenne od zasilania.
- W razie pojawienia się płomieni przykryć płomień i w żadnym wypadku nie gasić go wodą.
- Przed każdym czyszczeniem urządzenia i gdy nie jest ono używane należy wyjąć wtyczkę z gniazdka ściennego.
- Podciśnienie w otoczeniu nie może przekraczać 4 Pa (4 × 10 barów) przy równoczesnym działaniu okapu nad elektryczną

płytą grzewczą i urządzeń AGD zasilanych elektrycznie prądem o innych parametrach.

- Jeśli w pomieszczeniu, w którym działa okap, są wykorzystywane urządzenia zasilane olejem opałowym lub gazem, jak np. ogrzewacze pomieszczeń, to wylot spalin z takich urządzeń musi być całkowicie odizolowany lub takie urządzenia muszą być hermetyczne.
- Jako przewody spalinowe należy stosować rury o średnicy 120 lub 150 mm. Rura łącząca musi być możliwie jak najkrótsza i mieć jak najmniej kolanek.

**Niebezpieczeństwo zadławienia!** Wszystkie materiały opakowaniowe należy trzymać z dala od dzieci.

# 1 Ważne instrukcje dotyczące bezpieczeństwa i ochrony środowiska

**OSTRZEŻENIE:** Jeśli jest to okap nad kuchnią, jego wystające części mogą się nagrzewać.

- Wylotu produktu nie wolno przyłączać do kanałów powietrznych, które odprowadzają inny dym.
- Wentylacja w pomieszczeniu może być niewystarczająca w przypadku równoczesnego korzystania z okapu nad elektryczną płytą grzewczą oraz urządzeń zasilanych gazem lub innymi paliwami (niniejsze ostrzeżenie może nie dotyczyć urządzeń, które odprowadzają powietrze z powrotem do pomieszczenia).
- Przedmioty znajdujące się na produkcie mogą spaść. Nie stawiać żadnych przedmiotów na produkcie.
- Nie flambiować bezpośrednio nad urządzeniem.

**OSTRZEŻENIE:** Przed zamontowaniem okapu usunąć folię ochronną.

- Nie wolno pozostawiać otwartego ognia pod działającym okapem
- Frytkownice trzeba stale obserwować w trakcie użytkowania: przegrzany olej może zająć się płomieniem.

## 1.2 Zgodność z dyrektywą WEEE i pozbywanie się zużytych wyrobów:

Wyrób ten jest zgodny z dyrektywą Unii Europejskiej w sprawie zużytego sprzętu elektrycznego i elektronicznego (WEEE) (2012/19/UE). Wyrób opatrzony jest symbolem klasyfikacyjnym dla zużytego sprzętu elektrycznego i elektronicznego (WEEE).



Symbol ten oznacza, że produktu nie należy utylizować z innymi domowymi śmieciami po zakończeniu okresu użytkowania. Zużyte urządzenie należy oddać do oficjalnego punktu odbioru zajmującego się recyklingiem urządzeń elektrycznych i elektronicznych. Aby odnaleźć tego typu miejsce, należy skontaktować się z lokalnymi władzami lub sprzedawcą, u którego zakupiono produkt. Każde gospodarstwo domowe odgrywa ważną rolę w odzyskiwaniu i recyklingu starych urządzeń.

Odpowiednia utylizacja zużytego urządzenia pomaga zapobiegać potencjalnie negatywnym konsekwencjom dla środowiska i zdrowia ludzi.

# 1 Ważne instrukcje dotyczące bezpieczeństwa i ochrony środowiska

## 1.3 Zgodność z dyrektywą RoHS

Zakupiony wyrób jest zgodny z dyrektywą RoHS Unii Europejskiej (2011/65/UE). Nie zawiera szkodliwych ani zakazanych materiałów wyszczególnionych w tej Dyrektywie.

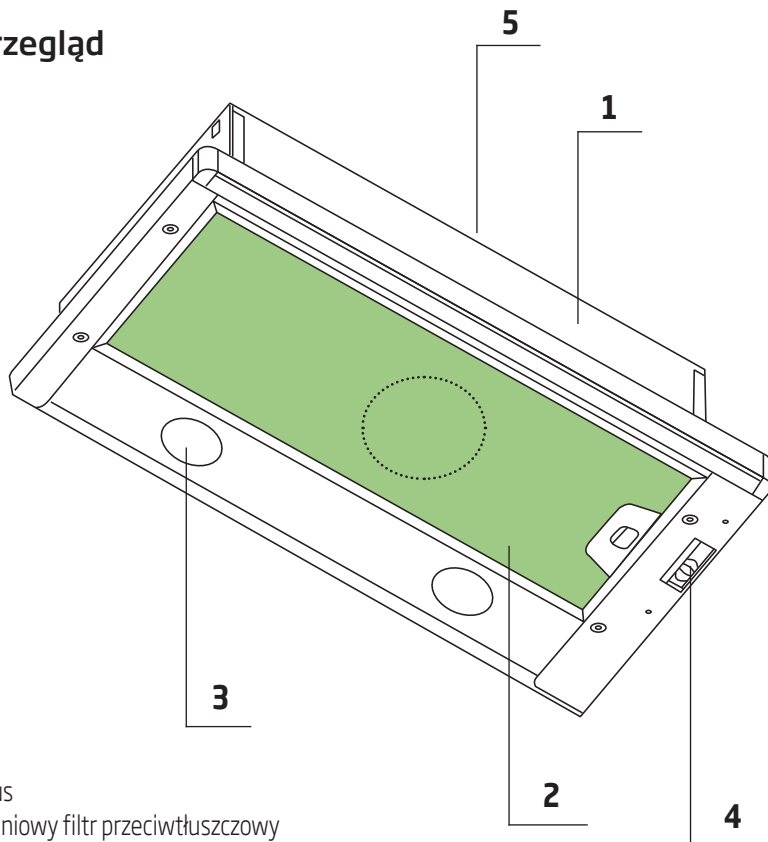
## 1.4 Informacje o opakowaniu



Materiały, w które opakowany jest produkt zostały wyprodukowane z surowców uzyskanych w procesie recyklingu zgodnie z krajowymi przepisami z zakresu ochrony środowiska. Nie należy utylizować materiałów opakowaniowych wraz z innymi odpadami domowymi. Należy oddać je w jednym z punktów zbiórki materiałów opakowaniowych wyznaczonych przez władze lokalne.

## 2 Ogólny wygląd

### 2.1 Przegląd



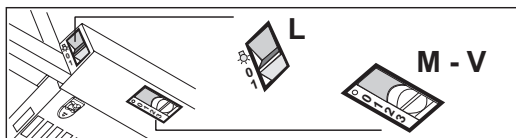
1. Korpus
2. Aluminiowy filtr przeciwtłuszczowy
3. Oświetlenie
4. Panel sterowania
5. Komin

### 2.2 Dane techniczne

<b>Model</b>	CTB 6250 W / CTB 6250 X / CTB 6250 XH / CTB 6250 B / CTB 9250 X / CTB 9250 XH
<b>Napięcie zasilające</b>	220-240V ~ 50 Hz
<b>Moc lampy (W)</b>	2x4
<b>Moc silnika (W)</b>	1 x 140
<b>Przepływ powietrza (m<sup>3</sup>/h) - 3. Poziom</b>	420
<b>Klasa izolacji</b>	Klasa II

## 3 Korzystanie z urządzenia

### 3.1 Panel sterowania



L	Oświetlenie	Włącza i wyłącza oświetlenie.
M	Silnik	Włącza i wyłącza silnik okapu.
V	Prędkość	Pozwala na wybranie prędkości pracy wentylatora: <ol style="list-style-type: none"><li>1. Prędkość niska, przewidziana do stałej i cichej wentylacji kuchni przy niewielkiej ilości oparów.</li><li>2. Prędkość średnia, właściwa dla większości panujących podczas gotowania warunków, zapewniająca optymalny stosunek poziomu wentylacji w stosunku do głośności pracy.</li><li>3. Prędkość maksymalna, zalecana do usuwania znacznych ilości oparów, również przez dłuższe okresy czasu.</li></ol>

- Okap został zaprojektowany wyłącznie do użytku domowego w celu wyeliminowania zapachów kuchennych.
- Nigdy nie używaj okapu do celów innych niż te, do których został stworzony.
- Nigdy nie zostawiaj dużego ognia bez naczynia pod włączonym okapem..
- Dostosuj intensywność płomienia, aby skierować go tylko na dno garnka, upewniając się, że nie opali boków.
- Podczas pracy frytownice z głębokim tłuszczem muszą być cały czas pilnowane: przegrzany olej może się zapalić.

## 3 Korzystanie z urządzenia

### 3.2 Wymiana lampy



Przed wymianą żarówek odłącz okap od zasilania.



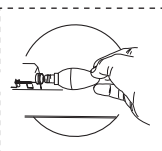
Nie dotykaj gorących żarówek.




Uważaj, aby nie dotknąć wymienionej żarówki bezpośrednio rękami.



Należy zamawiać lampy od autoryzowanych przedstawicieli serwisowych.



Typ żarówki	Moc (W)	Mocowanie	Napięcie (V)	Wymiary (mm)	Kod ILCOS
	4	E14	220 – 240	107 x 37	DRBB/F-4-220-240-E14-35/100

- W tym produkcie umieszczono żarówkę świecącą LED
- Podczas wymiany żarówki należy użyć żarówki o maksymalnej mocy 4 W.

## 4 Czyszczenie i konserwacja

Przed czyszczeniem i konserwacją należy odłączyć urządzenie od zasilania lub wyłączyć główny wyłącznik lub poluzować bezpiecznik zasilający okap.

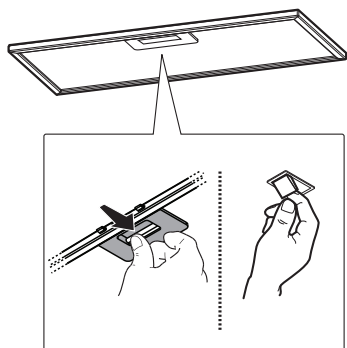


Nieprzestrzeżenie przepisów dotyczących czyszczenia urządzenia i wymiany filtrów może powodować ryzyko pożaru. Dlatego zaleca się przestrzeganie podanych wytycznych. Producent nie ponosi odpowiedzialności za jakiegokolwiek uszkodzenia silnika lub pożary spowodowane niewłaściwym użytkowaniem.

Czyścić tylko szmatką zwilżoną neutralnym detergentem. Nie czyść za pomocą narzędzi lub instrumentów. Nie używaj produktów ściernych. Nie używaj alkoholu

### 4.1 Czyszczenie aluminiowego filtra przeciwłuszczonego

Filtr wychwytuje cząsteczki oleju w powietrzu. Zaleca się czyszczenie filtra co miesiąc przy normalnych warunkach użytkowania. Najpierw wyjmij filtry przeciwłuszczone. Umyj filtry detergentem, opłucz je wodą i zamontuj ponownie po wyschnięciu. Aluminiowe filtry przeciwłuszczone mogą się odbarwić podczas mycia; jest to normalne i nie musisz zmieniać filtra.



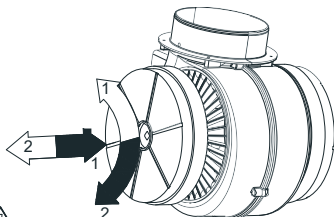
Filtr przeciwłuszczonego można myć w zmywarce

### 4.2 Wymiana filtra węglowego (tryb cyrkulacji powietrza)

Okap może być wyposażony w filtr z węglem aktywnym. Filtr węglowy jest stosowany tylko wtedy, gdy okap nie jest podłączony do kanału wentylacyjnego.

W każdym razie konieczna jest wymiana filtra węglowego co najmniej co 3 miesiące.

În momentul înlocuirii filtrului de carbon, fiți atent la tipul de turbină utilizată.



Simbol → Montarea filtrului  
Simbol ← Demontarea filtrului



**OSTRZEŻENIE:** Filtru węglowego się nie myje.



**OSTRZEŻENIE:** Filtr węglowy jest dostępny w autoryzowanych serwisach.



## 5 Ustawienie urządzenia



### OSTRZEŻENIE

Przed ustawieniem przeczytaj instrukcję bezpieczeństwa.



### OSTRZEŻENIE

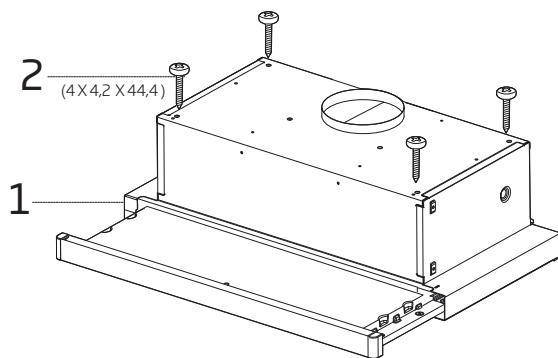
Niezainstalowanie śrub lub elementu mocującego zgodnie z niniejszą instrukcją może spowodować zagrożenie elektryczne.



### UWAGA

Instrukcja instalacji znajduje się na **stronie 255**

### 5.1 Instalacja akcesoriów



- 1- Hotă
- 2- șuruburi 4 X 4,2 X 44,4
- 3- Manual de utilizare
- 4- 1 x adaptor evacuare din plastic Ø120/150 mm



4



3

## 6 Rozwiązywanie problemów

Rozwiązywanie problemów	Problem	Pomoc
Produkt nie działa.	Sprawdź bezpiecznik.	Bezpiecznik może być zablokowany, napraw to.
Produkt nie działa.	Sprawdź połączenie elektryczne.	Napięcie sieciowe powinno wynosić między 220-240 V.
Produkt nie działa.	Sprawdź połączenie elektryczne.	Sprawdź, czy inne przedmioty w Twojej kuchni działają, czy nie.
Oświetlenie nie działa.	Sprawdź połączenie elektryczne.	Napięcie sieciowe powinno wynosić między 220-240 V.
Oświetlenie nie działa.	Sprawdź włącznik oświetlenia.	Powinien się znajdować w pozycji „ON”
Oświetlenie nie działa.	Sprawdź lampy.	Lampy nie powinny być uszkodzone.
Pobór powietrza jest słaby.	Sprawdź filtr przeciwtłuszczowy.	Aluminiowy filtr przeciwtłuszczowy należy czyścić co najmniej raz w miesiącu przy normalnym użytkowaniu.
Pobór powietrza jest słaby.	Sprawdź kanał wentylacyjny.	Powinien się znajdować w pozycji „ON”
Pobór powietrza jest słaby.	Sprawdź filtr węglowy.	W przypadku produktów z filtrami węglowymi filtr należy wymieniać co 3 miesiące.

Drodzy Klienci,

Dziękujemy za zakup naszych produktów. Jesteśmy przekonani, że nasze urządzenia będą służyć przez lata. Każdy produkt firmy Beko jest objęty 2-letnim okresem gwarancji.

## **Warunki gwarancji Beko S.A. (małe urządzenia AGD)**

BEKO spółka akcyjna z siedzibą w Warszawie (02-819), przy ulicy Puławskiej 366, wpisana do rejestru przedsiębiorców prowadzonego przez Sąd Rejonowy dla m.st. Warszawy w Warszawie, XIII Wydział Gospodarczy Krajowego Rejestru Sądowego, pod numerem: 0000078147 (dalej: „BEKO”) udziela gwarancji jakości (dalej: „Gwarancja”) na wprowadzone przez BEKO do obrotu na terenie Polski produkty marki BEKO (dalej: „Urządzenia”) osobom, które nabyły te produkty („Użytkownik”) na następujących warunkach:

### **I. ZAKRES OCHRONY.**

BEKO gwarantuje, że Urządzenie zakupione przez Użytkownika jest wolne od wad produkcyjnych lub materiałowych, powstałych z przyczyn tkwiących w tym Urządzeniu (dalej: „Wada”), które ujawnią się w ciągu terminu określonego w części II. niniejszych Warunków Gwarancji (dalej: „Okres Gwarancyjny”).

W razie ujawnienia się Wady Produktu w trakcie Okresu Gwarancyjnego, zostanie ona usunięta na koszt BEKO w sposób uzależniony od właściwości wady, na zasadach i w zakresie określonym w niniejszych Warunkach Gwarancji.

BEKO zobowiązuje się do usunięcia Wady poprzez dokonanie nieodpłatnej naprawy lub wymiany Urządzenia, bądź też reklamacja zgłoszona na podstawie niniejszych Warunków Gwarancji zostanie rozpatrzona w inny sposób uzgodniony przez BEKO i Użytkownika.

Udzielona gwarancja jest ważna na terytorium Rzeczypospolitej Polskiej.

### **II. CZAS TRWANIA GWARANCJI.**

Okres Gwarancyjny wynosi 24 miesiące licząc od daty zakupu Urządzenia przez pierwszego Użytkownika.

### **III. PROCEDURA ZGŁOSZENIA REKLAMACYJNEGO.**

Wady Urządzenia ujawnione w Okresie Gwarancyjnym będą usuwane pod warunkiem przedstawienia przez Użytkownika dowodu zakupu tego Urządzenia zawierającego oznaczenia niezbędne do jego identyfikacji (model,

datę zakupu).

Uprawnienia wynikające z niniejszych Warunków Gwarancji mogą być zrealizowane przez Użytkownika wyłącznie w Autoryzowanych Punktach Serwisowych BEKO (dalej: „Serwis”) po uprzednim dokonaniu zgłoszenia na Infolinii BEKO pod numerem telefonu: 22 250 14 14. Urządzenie powinno być odpowiednio zapakowane i zabezpieczone przez Użytkownika na czas transportu do punktu serwisowego BEKO. Wady Urządzenia będą usunięte w terminie 14 dni od daty zgłoszenia Wady na Infolinii BEKO.

Jeżeli część zamienna wymieniana w ramach uprawnień wynikających z niniejszych Warunków Gwarancji Urządzenia jest sprowadzana z zagranicy, termin naprawy, o którym mowa w punkcie 5 powyżej, może ulec wydłużeniu jednak, nie więcej niż do 30 dni licząc odpowiednio od daty zgłoszenia Wady na Infolinii BEKO. Informacje o spodziewanych terminach napraw dostępne są na Infolinii BEKO pod numerem 22 250 14 14. Po usunięciu Wady, Urządzenie zostanie dostarczone Użytkownikowi na koszt BEKO.

#### **IV. WYŁĄCZENIA.**

Warunkiem skorzystania z niniejszych Warunków Gwarancji jest:

- użytkowanie Urządzenia zgodnie z Instrukcją Obsługi dołączoną do tego Urządzenia i jego przeznaczeniem, jak również odpowiednie czyszczenie i konserwację Urządzenia;

- użytkowanie w warunkach indywidualnego gospodarstwa domowego.

Urządzenie nie jest używane do celów prowadzenia działalności gospodarczej lub w zastosowaniach eksploatacji masowej, w szczególności w gastronomicznej działalności hoteli, restauracji i innych obiektów turystyczno-rekreacyjnych lub zbiorowego żywienia. Stosowanie osprzętu zalecanego przez producenta; brak ingerencji w Urządzenie przez osoby do tego nieupoważnione; brak ingerencji w tabliczkę znamionową z numerem seryjnym Urządzenia.

Udzielona przez Beko Gwarancja nie obejmuje:

- wad powstałych z przyczyn innych niż tkwiące w Urządzeniu;

- normalnego zużycia elementów eksploatacyjnych tj. akumulatory, baterie, noże, filtry, żarówki, szczotki, itp.;

- czynności przewidzianych w Instrukcji Obsługi, do wykonania których zobowiązany jest Użytkownik Urządzenia we własnym zakresie i na swój koszt, w tym: instruktażu dotyczącego obsługi Urządzenia, instalacji oraz regulacji urządzenia.

- usterek powstałych w wyniku nieprawidłowego lub niewłaściwego użytkowania, niedbalstwa, przypadkowego uszkodzenia Urządzenia, nieodpowiedniego napięcia prądu lub dokonania jakichkolwiek zmian, które mają wpływ na niewłaściwe działanie Urządzenia, i które naprawiane były przez osoby nieupoważnione, używania instalacji niezgodnych

z odpowiednimi Polskimi Normami i innych niż wymienione w Instrukcji Obsługi Urządzenia;

uszkodzeń mechanicznych, termicznych, chemicznych, korozji, innych uszkodzeń spowodowanych działaniem lub zaniedbaniem Użytkownika lub powstałych na skutek działania sił zewnętrznych (do których zalicza się w szczególności wyładowania atmosferyczne, skoki napięcia, wszystkiego rodzaju awarie domowej instalacji wodno-kanalizacyjnej, itp.), a także powstałych na skutek przedostania się zanieczyszczeń lub ciał obcych do Urządzenia, zakamienienia (proces odkamieniania musi być przeprowadzany zgodnie z instrukcją obsługi z użyciem odpowiednich środków czyszczących) elementów ze szkła, plastiku oraz porcelany; odbarwień Urządzenia lub poszczególnych jego części;

- usterek powstałych na skutek przechowywania i użytkowania Urządzenia w warunkach, które są niezgodne z normalnymi warunkami domowymi określonymi wymaganiami powszechnie obowiązujących przepisów prawa i odpowiednich Polskich Norm;

## **V. POZOSTAŁE POSTANOWIENIA.**

Niniejsze warunki gwarancji mają zastosowanie do Urządzeń zakupionych od dnia 01.03.2019 r. Gwarant oświadcza, że niniejsza Gwarancja jest udzielana Użytkownikowi dodatkowo i nie wyłącza, nie ogranicza ani nie zawiesza uprawnień Użytkownika wynikających z przepisów o rękojmi za wady rzeczy sprzedanej na podstawie Kodeksu cywilnego.

# Παρακαλούμε διαβάστε πρώτα αυτές τις οδηγίες χρήσης!

Αξιότιμη πελάτη μας,

Ευχαριστούμε για την προτίμησή σας σε αυτή τη συσκευή Beko. Ελπίζουμε να έχετε τα καλύτερα αποτελέσματα από τη συσκευή της εταιρείας μας, η οποία έχει κατασκευαστεί με υψηλή ποιότητα και τεχνολογία αιχμής. Για το λόγο αυτόν, διαβάστε στην ολότητά τους και προσεκτικά αυτό το εγχειρίδιο χρήσης καθώς και όλα τα άλλα συνοδευτικά έγγραφα πριν χρησιμοποιήσετε αυτή τη συσκευή και φυλάξτε τη σαν αναφορά για μελλοντική χρήση. Αν παραδώσετε τη συσκευή σε κάποιον άλλον, παραδώστε και αυτό το εγχειρίδιο χρήσης. Ακολουθήστε τις οδηγίες προσέχοντας όλες τις πληροφορίες και τις προειδοποιήσεις που θα βρείτε στο εγχειρίδιο χρήσης.

Να έχετε υπόψη σας ότι αυτό το εγχειρίδιο χρήσης μπορεί να έχει εφαρμογή και σε άλλα μοντέλα. Οι διαφορές μεταξύ των μοντέλων περιγράφονται ρητά στο εγχειρίδιο.

## Σημασία των Συμβόλων

Τα σύμβολα που ακολουθούν χρησιμοποιούνται σε διάφορες ενότητες αυτού του εγχειριδίου χρήσης:



Σημαντικές πληροφορίες και χρήσιμες συμβουλές σχετικά με τη χρήση.



**ΠΡΟΕΙΔΟΠΟΙΗΣΗ:** Προειδοποιήσεις σχετικά με επικίνδυνες καταστάσεις σχετικά με την ασφάλεια της ζωής και της περιουσίας.



Προειδοποίηση για κίνδυνο φωτιάς.



Προειδοποίηση για ηλεκτροπληξία.



Κλάση προστασίας από ηλεκτροπληξία.



Η συσκευή αυτή έχει κατασκευαστεί σε εργοστάσια φιλικά προς το περιβάλλον χωρίς την πρόκληση βλάβης στο φυσικό περιβάλλον.

Συμμορφώνεται με τον κανονισμό ΑΗΗΕ (περί αποβλήτων ηλεκτρικού και ηλεκτρονικού εξοπλισμού).



Δεν περιέχει PCB (πολυχλωριωμένα διφαινύλια).

## 1.1 Γενικά για την ασφάλεια

Σημαντικές Οδηγίες Ασφαλείας Διαβάστε τις Προσεκτικά και Φυλάξτε τις για Μελλοντική Αναφορά. Η ενότητα αυτή περιέχει οδηγίες ασφαλείας που θα βοηθήσουν στην προστασία από κίνδυνο φωτιάς, ηλεκτροπληξίας, έκθεσης σε διαρροή ενέργειας μικροκυμάτων, τραυματικό ή υλικές ζημιές. Η μη τήρηση των οδηγιών αυτών θα καταστήσει άκυρη κάθε εγγύηση.

- Τα προϊόντα Beko συμμορφώνονται με τα εφαρμοστέα πρότυπα ασφαλείας. Επομένως, σε περίπτωση οποιασδήποτε ζημιάς στη συσκευή ή στο καλώδιο ρεύματος, η επισκευή τους θα πρέπει να γίνεται από την αντιπροσωπεία, ένα κέντρο σέρβις ή ένα εξειδικευμένο και εξουσιοδοτημένο σέρβις, για την αποφυγή κάθε κινδύνου. Τυχόν λανθασμένη ή ακατάλληλη εργασία επισκευής μπορεί να είναι επικίνδυνη και να προκαλέσει κίνδυνο στον χρήστη.
- Αυτή η συσκευή προορίζεται να χρησιμοποιείται σε οικιακές και παρόμοιες εφαρμογές, όπως:
  - Περιοχές κουζίνας προσωπικού για καταστήματα, γραφεία και άλλα περιβάλλοντα εργασίας.

– Αγροικίες.

– Από πελάτες σε ξενοδοχεία, και άλλα περιβάλλοντα οικιακού τύπου.

– Περιβάλλοντα τύπου ενοικιαζόμενου δωματίου με πρωινό.

- Χρησιμοποιείτε τη συσκευή μόνο για την προβλεπόμενη χρήση της όπως αυτή περιγράφεται στο παρόν εγχειρίδιο.
- Ο κατασκευαστής δεν μπορεί να θεωρηθεί υπεύθυνος για οποιεσδήποτε ζημιές προκληθούν από ακατάλληλη εγκατάσταση ή κακή χρήση του προϊόντος.
- Αυτή η συσκευή μπορεί να χρησιμοποιηθεί από παιδιά από 8 ετών και άνω και από άτομα με μειωμένες σωματικές, αντιληπτικές ή διανοητικές ικανότητες ή με έλλειψη εμπειρίας και γνώσης, αν τους έχει δοθεί επιτήρηση ή εκπαίδευση σχετικά με την ασφαλή χρήση της συσκευής και κατανοούν τους ενεχόμενους κινδύνους.
- Τα παιδιά δεν πρέπει να επιτρέπεται να παίζουν με τη συσκευή. Ο καθαρισμός και η συντήρηση από το χρήστη δεν θα πρέπει να γίνεται από παιδιά χωρίς επίβλεψη.
- Η ελάχιστη απόσταση ανάμεσα στην επιφάνεια υποστήριξης

για τα σκεύη μαγειρέματος στην εστία μαγειρέματος και στην κάτω πλευρά του προϊόντος πρέπει να είναι τουλάχιστον 65 cm.

- Αν οι οδηγίες εγκατάστασης της εστίας αερίου καθορίζουν μεγαλύτερη απόσταση, αυτό πρέπει να ληφθεί υπόψη.
- Βεβαιωθείτε ότι η παροχή σας ρεύματος δικτύου συμμορφώνεται με τις πληροφορίες που παρέχονται στην πινακίδα στοιχείων της συσκευής.
- Σε καμία περίπτωση μη χρησιμοποιήσετε τη συσκευή αν το καλώδιο ρεύματος ή η ίδια η συσκευή έχει υποστεί ζημιά.
- Προστατεύετε το καλώδιο ρεύματος από ζημιά, με το να μην το συμπιέζετε, λυγίζετε ή αφήνετε να τριβεται πάνω σε αιχμηρές ακμές. Κρατάτε το καλώδιο ρεύματος μακριά από καυτές επιφάνειες και γυμνή φλόγα.
- Χρησιμοποιείτε τη συσκευή μόνο με γειωμένη πρίζα.

**ΠΡΟΕΙΔΟΠΟΙΗΣΗ:** Μη συνδέσετε τη συσκευή στο ρεύμα δικτύου μέχρι να ολοκληρωθεί πλήρως η εγκατάστασή της.

- Τοποθετήστε τη συσκευή με τρόπο ώστε το φως της να είναι

πάντα προσβάσιμο.

- Μην αγγίζετε τους λαμπτήρες αν έχουν λειτουργήσει για πολλή ώρα. Μπορεί να κάψουν τα χέρια σας, γιατί θα βρίσκονται σε υψηλή θερμοκρασία.
- Τηρείτε τους κανονισμούς που εκδίδουν οι αρμόδιες αρχές σχετικά με την εξαγωγή του εξαγόμενου αέρα (αυτή η προειδοποίηση δεν ισχύει σε περίπτωση χρήσης χωρίς αγωγό εξαγωγής αέρα).
- Χρησιμοποιείτε τη συσκευή σας μόνο αφού τοποθετήσετε πάνω στην εστία μια κατσαρόλα, ένα τηγάνι κλπ. Διαφορετικά, η υψηλή θερμοκρασία μπορεί να προκαλέσει την παραμόρφωση ορισμένων μερών του προϊόντος.
- Απενεργοποιείτε την εστία πριν αφαιρέσετε την κατσαρόλα, το τηγάνι κλπ. από την εστία.
- Μην αφήνετε καυτό λάδι πάνω στην εστία. Τα τηγάνια με καυτό λάδι μπορούν να προκαλέσουν αυτανάφλεξη.
- Προσέχετε τις κουρτίνες και τα καλύμματά σας επειδή το λάδι μπορεί να αναφλεγεί όταν μαγειρεύετε φαγητά όπως πατάτες.
- Το φίλτρο λίπους πρέπει να αντικαθίσταται τουλάχιστον κάθε



μήνα. Το φίλτρο άνθρακα πρέπει να αντικαθίσταται τουλάχιστον κάθε 3 μήνες.

- Το προϊόν θα πρέπει να καθαρίζεται σύμφωνα με τις οδηγίες στο εγχειρίδιο χρήσης. Αν ο καθαρισμός δεν πραγματοποιήθηκε σύμφωνα με το εγχειρίδιο χρήσης, ενδέχεται να υπάρξει κίνδυνος φωτιάς.
- Μη χρησιμοποιείτε υλικά φίλτραρίσματος που δεν είναι ανθεκτικά στη φωτιά, αντί για το τρέχον φίλτρο.
- Χρησιμοποιείτε μόνο γνήσια ανταλλακτικά ή ανταλλακτικά που συνιστά ο κατασκευαστής.
- Μη χρησιμοποιείτε το προϊόν χωρίς το φίλτρο και μην αφαιρείτε τα φίλτρα ενώ είναι σε λειτουργία το προϊόν.
- Σε περίπτωση ανάφλεξης, απενεργοποιήστε το προϊόν και τις συσκευές μαγειρέματος.
- Σε περίπτωση ανάφλεξης, καλύψτε τη φλόγα και ποτέ μη χρησιμοποιήσετε νερό για να τη σβήσετε.
- Αποσυνδέετε τη συσκευή πριν από κάθε καθαρισμό και όταν δεν χρησιμοποιείται η συσκευή.
- Η αρνητική πίεση στο χώρο της

συσκευής δεν πρέπει να υπερβαίνει τα 4 Pa (4 x 10 bar) ενώ λειτουργούν ταυτόχρονα ο απορροφητήρας για την ηλεκτρική εστία και συσκευές που λειτουργούν με άλλο τύπο ενέργειας.

- Στον χώρο όπου χρησιμοποιείται η συσκευή, η εξαγωγή αερίων από συσκευές που λειτουργούν με αέριο ή πετρέλαιο, όπως σόμπα δωματίου πρέπει να είναι πλήρως απομονωμένη ή η συσκευή πρέπει να είναι ερμητικού τύπου.
- Όταν συνδέετε τον αγωγό εξαγωγής αέρα, χρησιμοποιείτε σωλήνες διαμέτρου 120 ή 150 mm. Η σωλήνωση πρέπει να είναι όσο το δυνατόν μικρότερου μήκους και να έχει όσο το δυνατόν μικρότερες γωνίες.

**Κίνδυνος ασφυξίας!** Κρατάτε όλα τα υλικά συσκευασίας μακριά από παιδιά.

**ΠΡΟΣΟΧΗ:** Προσπελάσιμα μέρη της συσκευής μπορεί να αποκτήσουν υψηλή θερμοκρασία κατά τη χρήση με συσκευές μαγειρέματος.

- Η έξοδος του προϊόντος δεν πρέπει να συνδέεται με αγωγούς αέρα στους οποίους υπάρχουν άλλα απαέρια.

- Όταν ο απορροφητήρας για ηλεκτρική κουζίνα χρησιμοποιείται ταυτόχρονα με άλλες συσκευές που χρησιμοποιούν αέριο ή άλλα καύσιμα, ενδέχεται να μην είναι επαρκής ο αερισμός στο δωμάτιο (ίσως να μην ισχύει για συσκευές που εξαγάγουν τον αέρα πάλι στο δωμάτιο).
  - Αντικείμενα που τοποθετούνται πάνω στο προϊόν μπορεί να πέσουν. Μην τοποθετείτε κανένα αντικείμενο πάνω στο προϊόν.
  - Μην παρασκευάζετε φαγητά με συνταγές φλαμπέ κάτω από το προϊόν.
- ΠΡΟΕΙΔΟΠΟΙΗΣΗ:** Πριν εγκαταστήσετε τον απορροφητήρα, αφαιρέστε τις προστατευτικές μεμβράνες.
- Ποτέ μην αφήνετε ψηλές γυμνές φλόγες κάτω από τον απορροφητήρα, όταν αυτός βρίσκεται σε λειτουργία
  - Τα σκεύη τηγανίσματος με πολύ λάδι ή λίπος πρέπει να επιτηρούνται συνεχώς κατά τη χρήση: αν το λάδι υπερθερμανθεί μπορεί να αναφλεγεί.

## 12. Συμμόρφωση με την Οδηγία περί αποβλήτων ηλεκτρικού και ηλεκτρονικού εξοπλισμού (ΑΗΕΕ) και απόρριψη του προϊόντος στο τέλος της ωφέλιμης ζωής του:

Αυτό το προϊόν συμμορφώνεται με την Οδηγία της ΕΕ περί ΑΗΕΕ (2012/19/ΕΕ). Αυτό το προϊόν φέρει σύμβολο

συμμόρφωσης σχετικά με τα απόβλητα ηλεκτρικού και ηλεκτρονικού εξοπλισμού (ΑΗΕΕ).



Αυτό το σύμβολο υποδεικνύει ότι αυτό το προϊόν δεν πρέπει να απορρίπτεται μαζί με άλλα οικιακά απορρίμματα στο τέλος της ωφέλιμης ζωής του. Η χρησιμοποιημένη συσκευή πρέπει να επιστραφεί σε επίσημα καθορισμένο σημείο συλλογής για ανακύκλωση ηλεκτρικών και ηλεκτρονικών συσκευών. Για να βρείτε αυτά τα σημεία συλλογής απευθυνθείτε στις τοπικές σας αρχές ή στο σημείο αγοράς του προϊόντος. Κάθε νοικοκυριό παίζει σημαντικό ρόλο

στην ανάκτηση και ανακύκλωση χρησιμοποιημένων συσκευών. Η κατάλληλη απόρριψη χρησιμοποιημένων συσκευών συμβάλλει στην αποτροπή ενδεχόμενων αρνητικών

συνεπειών για το περιβάλλον και την ανθρώπινη υγεία.

## 1.3 Συμμόρφωση με την Οδηγία RoHS

Το προϊόν που προμηθευτήκατε συμμορφώνεται με την Οδηγία RoHS της ΕΕ (2011/65/ΕΕ). Δεν περιέχει

επιβλαβή και απαγορευμένα υλικά που καθορίζονται στην Οδηγία.

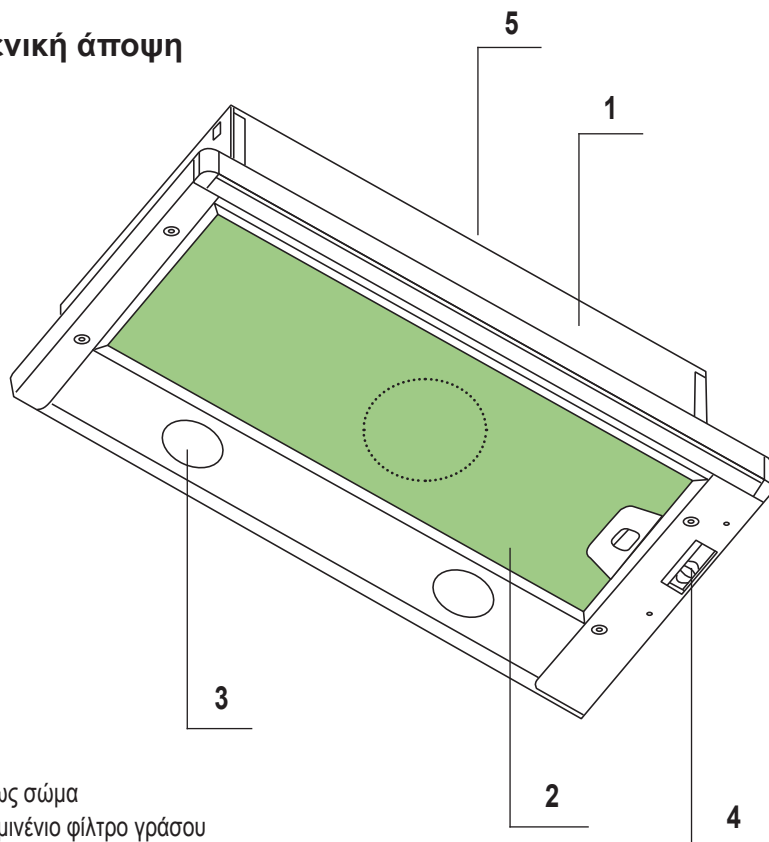
## 1.4 Πληροφορίες για τη συσκευασία



Τα υλικά συσκευασίας του προϊόντος κατασκευάζονται από ανακυκλώσιμα υλικά σύμφωνα με τους Εθνικούς μας Κανονισμούς Προστασίας του Περιβάλλοντος. Μην απορρίψετε τα υλικά συσκευασίας μαζί με οικιακά ή άλλα απορρίμματα.. Παραδώστε τα στα σημεία συλλογής υλικών συσκευασίας που έχουν οριστεί από τις τοπικές αρχές.

## 2 Γενική Εμφάνιση

### 2.1 Γενική άποψη



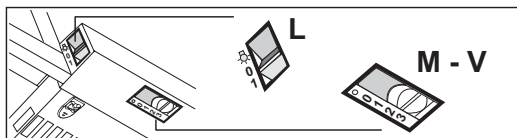
1. Κυρίως σώμα
2. Αλουμινένιο φίλτρο γράσου
3. Φωτισμός
4. Πίνακας ελέγχου
5. Αγωγός εξαγωγής αέρα

### 2.2 Τεχνικά δεδομένα

Μοντέλο	CTB 6250 W / CTB 6250 X / CTB 6250 XH / CTB 6250 B / CTB 9250 X / CTB 9250 XH
Τάση τροφοδοσίας	220-240V ~ 50 Hz
Ισχύς λαμπτήρων (W)	2x4
Ισχύς κινητήρα (W)	1 x 140
Ροή αέρα (m <sup>3</sup> /h) – 3ο Επίπεδο	420
Κλάση μόνωσης	ΚΛΑΣΗ II

## 3 Χρήση της συσκευής

### 3.1 Πίνακας ελέγχου



L	Φωτισμός	Ανάβει και σβήνει το φως.
M	Μοτέρ	Ανάβει και σβήνει το μοτέρ αναρρόφησης.
V	Ταχύτητα	Επιλέγει την ταχύτητα λειτουργίας: <ol style="list-style-type: none"><li>1 Ελάχιστη ταχύτητα, κατάλληλη για ιδιαίτερα αθόρυβη και συνεχή εναλλαγή του αέρα, με λίγους ατμούς από το μαγείρεμα.</li><li>2 Μέση ταχύτητα, κατάλληλη για την πλειοψηφία των συνθηκών χρήσης, με άριστη σχέση παροχής επεξεργασμένου αέρα και στάθμης θορύβου.</li><li>3 Μέγιστη ταχύτητα, κατάλληλη για μεγάλη παραγωγή ατμών από το μαγείρεμα, ακόμη και για μεγάλο χρονικό διάστημα.</li></ol>

- Ο απορροφητήρας έχει σχεδιαστεί αποκλειστικά για οικιακή χρήση, για να απομακρύνει τις οσμές της κουζίνας.
- Ποτέ μη χρησιμοποιείτε τον απορροφητήρα για σκοπούς διαφορετικούς από αυτούς για τους οποίους σχεδιάστηκε.
- Ποτέ μην αφήνετε ψηλές γυμνές φλόγες κάτω από τον απορροφητήρα, όταν αυτός βρίσκεται σε λειτουργία.
- Ρυθμίζετε την ένταση της φλόγας ώστε αυτή να κατευθύνεται μόνο στην κάτω επιφάνεια του δοχείου, εξασφαλίζοντας ότι δεν επεκτείνεται στα πλάγια.
- Τα σκεύη τηγανίσματος με πολύ λάδι ή λίπος πρέπει να επιτηρούνται συνεχώς κατά τη χρήση: αν το λάδι υπερθερμανθεί μπορεί να αναφλεγεί.

## 3 Χρήση της συσκευής

### 3.2 Αντικατάσταση λαμπτήρα



Πριν αντικαταστήσετε τους λαμπτήρες, αποσυνδέστε την τροφοδοσία ρεύματος του απορροφητήρα.



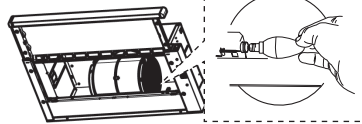
Μην αγγίζετε τους λαμπτήρες όταν βρίσκονται σε υψηλή θερμοκρασία.




Προσέχετε να μην αγγίζετε απευθείας με τα χέρια τους λαμπτήρες που αντικαθιστάτε.



Μπορείτε να προμηθευτείτε λαμπτήρες από εξουσιοδοτημένους εκπροσώπους σέρβις.



Λαμπτήρας	Κατανάλωση (W)	Κάλυκας	Τάση (V)	Διαστάσεις (mm)	Κωδικός ILCOS
	4	E14	220 – 240	107 x 37	DRBB/F-4-220-240-E14-35/100

- Στο προϊόν αυτό χρησιμοποιείται λαμπτήρας LED τύπου κεριού.
- Κατά τη αλλαγή λαμπτήρα ο νέος λαμπτήρας πρέπει να έχει μέγ. ισχύ 4 W

Πριν τον καθαρισμό και τη συντήρηση, αποσυνδέστε τη συσκευή από την πρίζα ή απενεργοποιήστε τον γενικό διακόπτη ή λασκάρετε την ασφάλεια που τροφοδοτεί τον απορροφητήρα.

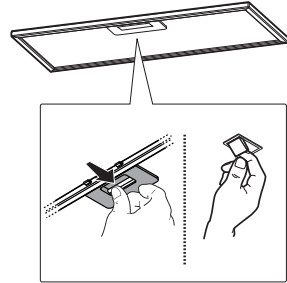


Η μη τήρηση των οδηγιών σχετικά με τον καθαρισμό της συσκευής και την αντικατάσταση των φίλτρων μπορεί να προκαλέσει κινδύνους φωτιάς. Επομένως συνιστάται η συμμόρφωση με τις οδηγίες που περιέχονται στο παρόν. Ο κατασκευαστής δεν φέρει καμία ευθύνη για οποιαδήποτε ζημιά στον κινητήρα ή φωτιά που προκαλείται από ακατάλληλη χρήση.

Καθαρίζετε μόνο με ένα πανί που έχει υγρανθεί ελαφρά με ένα ουδέτερο υγρό απορρυπαντικό. Μην καθαρίζετε με εργαλεία ή όργανα. Μην χρησιμοποιείτε προϊόντα που χαράζουν. Μην χρησιμοποιείτε οινόπνευμα

### 4.1 Καθαρισμός του αλουμινένιου φίλτρου λίπους

Αυτό το φίλτρο κατακρατεί τα σωματίδια λαδιού από τον αέρα. Συνιστάται να καθαρίζετε το φίλτρο κάθε μήνα, υπό κανονικές συνθήκες χρήσης. Για τη διαδικασία αυτή, πρώτα αφαιρέστε τα φίλτρα λίπους. Πλύνετε τα φίλτρα με υγρό απορρυπαντικό, ξεβγάλετέ τα με νερό και εγκαταστήστε τα πάλι αφού στεγνώσουν. Μπορεί το χρώμα των αλουμινένιων φίλτρων λίπους να αλλοιωθεί καθώς πλένονται - αυτό είναι φυσιολογικό και δεν χρειάζεται να αντικαταστήσετε το φίλτρο για το λόγο αυτό.

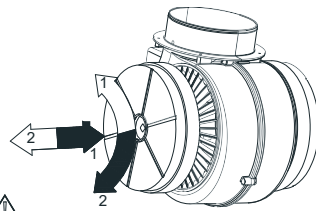


Μπορείτε να πλένετε το αλουμινένιο φίλτρο σε πλυντήριο πιάτων

### 4.2 Αλλαγή φίλτρου άνθρακα (Λειτουργία ανακυκλοφορίας του αέρα)

Ο απορροφητήρας μπορεί να είναι εξοπλισμένος με φίλτρο ενεργού άνθρακα. Το φίλτρο άνθρακα έχει εφαρμογή μόνο αν ο απορροφητήρας δεν έχει συνδεθεί σε αγωγό εξόδου αέρα. Σε κάθε περίπτωση, απαιτείται αντικατάσταση του φίλτρου άνθρακα το αργότερο κάθε τρεις μήνες.

Όταν αντικαθίσετε το φίλτρο άνθρακα προσέξτε τον τύπο ανεμιστήρα που χρησιμοποιείται.



Σύμβολο  
Σύμβολο

Εγκατάσταση φίλτρου  
Αφαίρεση φίλτρου



**ΠΡΟΕΙΔΟΠΟΙΗΣΗ:** Το φίλτρο άνθρακα δεν επιτρέπεται ποτέ να πλυθεί.



**ΠΡΟΕΙΔΟΠΟΙΗΣΗ:** Το φίλτρο άνθρακα είναι διαθέσιμο από τα εξουσιοδοτημένα σέρβις.

## 5 Εγκατάσταση της συσκευής



### ΠΡΟΕΙΔΟΠΟΙΗΣΗ:

Παρακαλούμε να διαβάσετε τις οδηγίες ασφαλείας πριν την εγκατάσταση.



### ΠΡΟΕΙΔΟΠΟΙΗΣΗ:

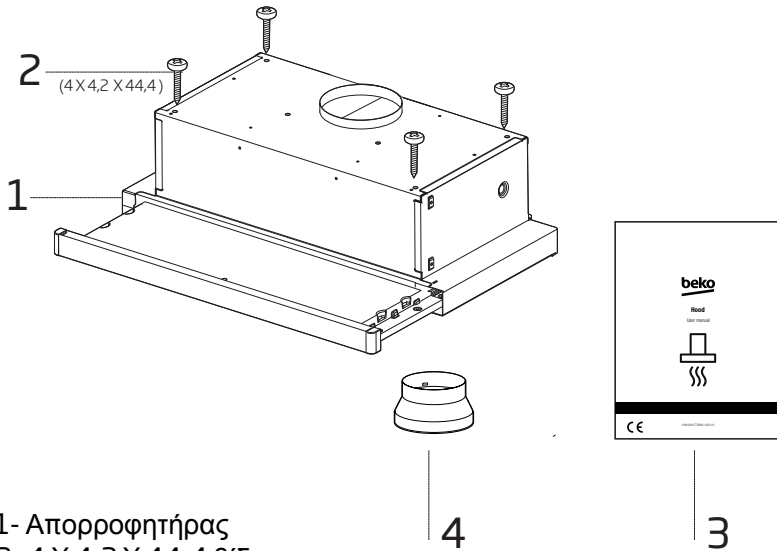
Η μη εγκατάσταση βιδών ή διατάξεων στερέωσης σύμφωνα με τις παρούσες οδηγίες, μπορεί να επιφέρει ηλεκτρικούς κινδύνους.



### ΣΗΜΕΙΩΣΗ

Παρακαλούμε ανατρέξτε στη **σελίδα 255** για τις οδηγίες εγκατάστασης

### 5.1 Αξεσουάρ εγκατάστασης



- 1- Απορροφητήρας
- 2- 4 X 4,2 X 44,4 βίδες
- 3- Εγχειρίδιο χρήσης
- 4- 1 τεμ. πλαστικός προσαρμογέας αγωγού εξαγωγής Ø120/150 mm



<b>Αντιμετώπιση προβλημάτων</b>	<b>Αιτία</b>	<b>Διορθωτική ενέργεια</b>
Το προϊόν δεν λειτουργεί.	Ελέγξτε την ασφάλειά σας.	Η ασφάλειά σας μπορεί να έπεσε, ενεργοποιήστε την.
Το προϊόν δεν λειτουργεί.	Ελέγξτε την ηλεκτρική σύνδεση.	Η τάση ρεύματος δικτύου θα πρέπει να είναι 220-240 V.
Το προϊόν δεν λειτουργεί.	Ελέγξτε την ηλεκτρική σύνδεση.	Ελέγξτε αν οι άλλες συσκευές στην κουζίνα σας λειτουργούν ή όχι.
Η λάμπα φωτισμού δεν λειτουργεί.	Ελέγξτε την ηλεκτρική σύνδεση.	Η τάση ρεύματος δικτύου θα πρέπει να είναι 220-240 V.
Η λάμπα φωτισμού δεν λειτουργεί.	Ελέγξτε τον διακόπτη της λάμπας.	Ο διακόπτης της λάμπας πρέπει να είναι στη θέση "ενεργοποίησης".
Η λάμπα φωτισμού δεν λειτουργεί.	Ελέγξτε τις λάμπες.	Οι λάμπες του προϊόντος δεν πρέπει να έχουν βλάβη.
Η αναρρόφηση αέρα στο προϊόν είναι ανεπαρκής.	Ελέγξτε το αλουμινένιο φίλτρο.	Το αλουμινένιο φίλτρο λαδιού θα πρέπει να καθαρίζεται τουλάχιστον μία φορά το μήνα υπό κανονικές συνθήκες.
Η αναρρόφηση αέρα στο προϊόν είναι ανεπαρκής.	Ελέγξτε τον αγωγό εξαγωγής αέρα.	Ο αγωγός εξαγωγής αέρα θα πρέπει να είναι ρυθμισμένος στην "ενεργοποιημένη" θέση.
Η αναρρόφηση αέρα στο προϊόν είναι ανεπαρκής.	Ελέγξτε το φίλτρο άνθρακα.	Για προϊόντα με φίλτρα άνθρακα, το φίλτρο θα πρέπει κανονικά να αλλάζεται κάθε 3 μήνες.

# Моля, първо прочетете ръководството за употреба!

Уважаеми клиенти,

Благодарим Ви, че избрахте този уред на Веко. Надяваме се да получите отлични резултати от нашия уред, произведен от висококачествени материали по най-модерна технология. Затова, преди да преминете към употребата на уреда, Ви молим първо да прочетете цялото ръководство за употреба, както и другата придружителна документация и да ги запазите за справка в бъдеще. Ако уредът смени собственика си в бъдеще, то предайте и ръководството за употреба заедно с уреда. Следвайте указанията, като обръщате внимание на цялата информация и предупреждения в инструкцията за употреба.

Не забравяйте, че това ръководство за употреба може да се отнася за няколко различни модела. Разликите между моделите са описани подробно в ръководството.

## Значение на символите

В различните раздели на ръководството са използвани следните символи:



Важна информация и полезни съвети при употреба.



**ПРЕДУПРЕЖДЕНИЕ:** Предупреждения срещу опасни ситуации относно здравето и собствеността.



Предупреждение за опасност от пожар.



Предупреждение за опасност от токов удар.



Защитен клас за токов удар.



Уредът е произведен в екологични, съвременни фабрики, които не вредят на природата.

Съответства на Директива WEEE.



Не съдържа полихлорбифенили (PCB).

## 1.1 Обща безопасност

Важни инструкции за безопасност Прочетете внимателно и ги запазете за бъдеща справка

Този раздел съдържа инструкции за безопасност, които ще ви помогнат да се защитите от риск от пожар, електрически удар, излагане на утечка от микровълнова енергия; нараняване или повреди на собствеността. Неспазването на инструкциите прави всяка гаранция невалидна.

- Продуктите Веко съответстват на приложимите стандарти за безопасност; ето защо, в случай на повреда по уреда или хранящия кабел, той трябва да бъде ремонтиран или сменен от дилър, сервизен център или специалист и оторизиран сервиз с цел избягване на всякакви опасности. Погрешен или неквалифициран ремонт може да доведе до опасност и риск за потребителя.
- Уредът е предназначен за битова употреба и подобни приложения като:
  - Кухненски зони за персонала

в магазини, офиси и други работни среди;

- Фермерски къщи
- От клиенти в хотели и други видове жилищни среди,
- Места за нощувка със закуска.
- Използвайте уреда само по предназначение, както е описано в това ръководство.
- Производителят не носи отговорност за повреди в резултат на неправилен монтаж или неправилна употреба на продукта.
- Този уред може да бъде използван от деца над 8 години и лица с ограничени физически, сензорни или умствени способности или такива, без необходимия опит и познания, ако същите са надзиравани или инструктирани относно употребата на уреда по безопасен начин и са наясно със свързаните рискове.
- На децата не трябва да се позволява да играят с уреда. Почистването и поддръжката на уреда не трябва да се извършват от деца без надзора на възрастен.
- Минималното разстояние

между носещата повърхност за готварските съдове на котлоните и долната част на Вашия продукт трябва да бъде най-малко 65 см.

- Ако инструкциите за монтаж на газовия котлон посочват по-голямо разстояние, това трябва да бъде взето под внимание.
- Проверете дали данните за вашето местно електрозахранване отговарят на информацията върху табелката с данни.
- Никога не използвайте уреда, ако захранващият кабел или самия уред е повреден.
- За да избегнете риска от повреда на захранващия кабел, внимавайте да не го притискате, огъвате или търкате в остри ръбове. Дръжте захранващия кабел далеч от нагорещени повърхности и открит пламък.
- Използвайте уреда само със заземени контакти.

**ПРЕДУПРЕЖДЕНИЕ:** Не свързвайте уреда към електрическата мрежа докато монтажът не е напълно приключил.

- Разположете уреда по такъв начин, че щепселът винаги да е

достъпен.

- Не пипайте лампите ако са работили дълго време. Тъй като са горещи, могат да Ви изгорят ръцете.
- Следвайте наредбите, определени от компетентните органи относно освобождаването на отработения въздух (това предупреждение не се прилага при употреба без вентилационна тръба).
- Работете с Вашия уред след като поставите тенджерата, тиган и т.н. на котлона. В противен случай, топлината може да предизвика деформиране на някои части на Вашия продукт.
- Изключете котлона преди да отстраните тенджерата, тигана и т.н. от него.
- Не оставяйте гореща мазнина на котлона. Тигани с гореща мазнина могат да предизвикат самозапалване.
- Внимавайте с Вашите пердета и покривки, тъй като мазнината може да се възпламени докато приготвяте храна като пържени картофи.
- Филтърът за мазнини трябва

да бъде подменян поне веднъж месечно. Филтърът с активен въглен трябва да бъде подменян поне един път на 3 месеца.

- Продуктът трябва да се почиства според инструкциите в ръководството за употреба. Ако почистването не е извършено според инструкциите в ръководството за употреба, може да съществува риск от пожар.
- Не използвайте неогнеупорни филтърни материали вместо настоящия филтър.
- Използвайте само оригинални части или такива, препоръчани от производителя.
- Не работете с продукта без филтъра и не отстранявайте филтрите, докато продуктът работи.
- В случай на поява на някакъв пламък, прекъснете храненето на Вашия продукт и на другите готварски уреди.
- В случай на поява на някакъв пламък, покрийте пламъка и никога не използвайте вода, за да го загасите.
- Изключвайте уреда преди всяко

почистване и когато не го използвате.

- Отрицателното налягане в околната среда не трябва да превишава 4 Па (4 x 10 бара) докато абсорбаторът за електрически котлон и други уреди работят заедно, хранени от друг вид енергия, освен електричество.
- В околната среда, където се използва абсорбатора, отработеният въздух от устройствата, хранени с газ или течено гориво, като например стайна печка, трябва да бъде напълно изолиран или устройството да бъде от херметически изолиран вид.
- Когато свързвате към вентилацията, използвайте тръби с диаметър 120 или 150 мм. Тръбната връзка трябва да бъде възможно най-къса и да има възможно най-малък брой чупки.

**Има опасност от задушаване!** Дръжте опаковъчните материали далеч от достъпа на деца.

**ВНИМАНИЕ:** Достъпните части могат да се нагорещят ако се използват заедно с уред за готвене.

- Изходът на продукта не трябва да е свързан с въздухопроводи, в които се извежда друг дим.
- Вентилацията в стаята трябва да бъде оскъдна, когато абсорбаторът за електрически котлон се използва едновременно с устройства, работещи на газ или други горива (това би могло да не се прилага за уреди, които само освобождават въздуха обратно в стаята).
- Поставените върху продукта предмети може да паднат. Не поставяйте никакви предмети върху уреда.
- не фламбирайте под Вашия уред.

**ПРЕДУПРЕЖДЕНИЕ:** Преди да монтирате абсорбатора отстранете защитното фолио.

- Не оставяйте висок пламък да гори под абсорбатора когато е включен
- Съдовете в които се пържи с много мазнина трябва да бъдат постоянно следени при употреба: прегрялото олио може да се възпламени.

### 1.2 Съответствие с директивата WEEE и Изхвърляне на отпадъчните продукти:

Уредът съответства на европейската директива WEEE. (2012/19/EU). Този продукт притежава класификационен символ за отпадъчно електрическо и електронно оборудване (WEEE).



Този символ указва, че продуктът не бива да се изхвърля с други битови отпадъци в края на експлоатационния си живот. Използваното устройство трябва да бъде върнато в официален пункт за събиране и рециклиране на електрически и електронни устройства. За да откриете тези пунктове за събиране, моля обърнете се към местния орган или търговецът, от който е закупен продуктът. Всяко домакинство играе важна роля във възстановяването и рециклирането на стар уред. Правилното изхвърляне на използвани уреди спомага за предотвратяването на потенциални негативни последици върху околната среда и човешкото здраве.

## 1.3 Съответствие с Директива RoHS

Закупеният от вас продукт съответства на европейската директива RoHS (2011/65/EU). Не съдържа вредни и забранени материали. Директива.

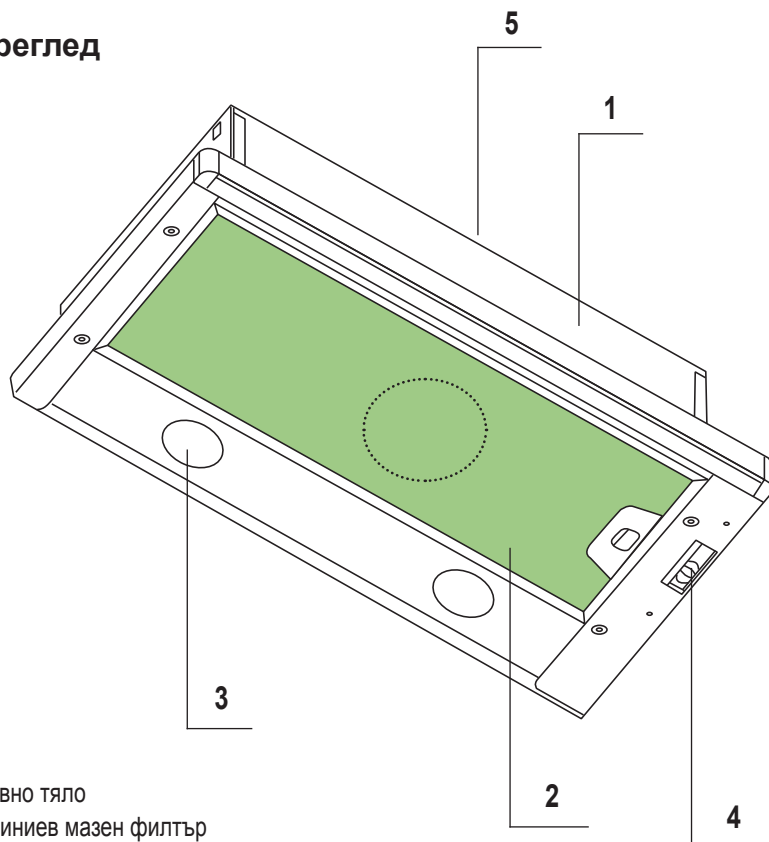
## 1.4 Информация за опаковката



Опаковъчните материали на продукта са произведени от рециклируеми материали в съответствие с нашите Национални наредби за околната среда. Не изхвърляйте опаковъчните материали заедно с битовите и други отпадъци. Отнесете ги в пунктове за събиране на опаковъчни материали, посочени от местните власти .

## 2 Общ Външен вид

### 2.1 Преглед



1. Основно тяло
2. Алюминиев мазен филтър
3. Осветление
4. Контролен панел
5. Комин

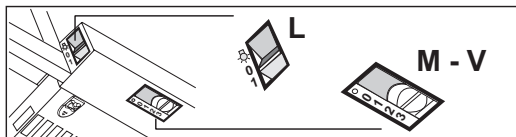
### 2.2 Технически данни

Модел	CTB 6250 W / CTB 6250 X / CTB 6250 XH / CTB 6250 B / CTB 9250 X / CTB 9250 XH
Захранващо напрежение	220-240V ~ 50 Hz
Мощност на лампата (W)	2x4
Мощност на двигателя (W)	1 x 140
Въздушен поток (m <sup>3</sup> / h) - 3. Ниво	420
Клас на изолация	КЛАС II



## 3 Използване на Уреда

### 3.1 Контролен панел



L	Осветление	Включва и изключва осветлението.
M	Мотор	Включва и изключва мотора на екстрактора.
V	Скорост	Задава работната скорост на екстрактора:  1 Ниска скорост, използва се за непрекъснат и безшумен обмен на въздух в присъствието на леки изпарения при готвене.  2 Средна скорост, подходяща за повечето режими на работа, като се има предвид оптималното съотношение отработен въздушен поток /ниво на шума.  3 Максимална скорост, използва се за елиминирание на най-високите емисии изпарения при готвене, включително за дълги периоди.

- Аспираторът е предназначен изключително за домашна употреба за премахане на миризмите в кухнята.
- Никога не използвайте аспираторът за цели, различни от тези за които е проектиран.
- Никога не оставяйте висок открит пламък под аспиратора, когато работи.
- Регулирайте интензитета на пламъка, за да го насочите само към дъното на тигана, като внимавате да не погълне страните.
- Фритюрниците с дълбока мазнина трябва да се наблюдават непрекъснато по време на употреба: прегрятото масло може да избухне в пламъци.

## 3 Използване на Уреда

### 3.2 Подмяна на лампата



Преди да смените електрическите крушки, изключете захранването на аспиратора.



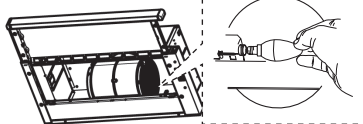
Не докосвайте крушките, когато са горещи.




Внимавайте да не докосвате подменената крушка директно с ръце.



Можете да закупите лампи от Оторизирани Сервизни Агенти.



Крушка	Мощност (W)	Фасунга	Напрежение (V)	Размери (mm)	Код по ILCOS
	4	E14	220 – 240	107 x 37	DRBB/F-4-220-240-E14-35/100

- В този продукт се използва LED лампа тип свещ
- Максималната мощност от 4 W трябва да се използва при смяна на лампата

## 4 Почистване и поддръжка

Преди почистване и поддръжка изключете уреда или изключете главния изключвател или разхлабете предпазителя, който захранва аспиратора.

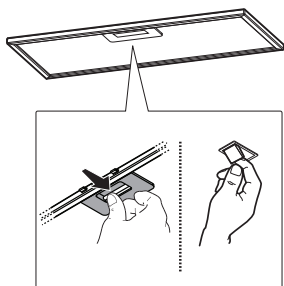


Неспазването на разпоредбите, свързани с почистването на устройството и подмяната на филтрите, може да причини риск от пожар. Ето защо се препоръчва да се спазват указанията, дадени тук. Производителят не носи отговорност за щети на двигателя или пожари, причинени от неправилна употреба.

Почиствайте само с кърпа, навлажнена с неутрален течен препарат. Не почиствайте с инструменти. Не използвайте абразивни продукти. Не употребявайте алкохол

### 4.1 Почистване на алуминий Филтър за мазнини

Този филтър улавя маслени частици във въздуха. Препоръчва се да почиствате филтъра си всеки месец при нормални условия на употреба. Първо премахнете филтрите за мазнини за този процес. Измийте филтрите с течен препарат, изплакнете ги с вода и ги поставете обратно, след като изсъхнат. Алуминиевите филтри за мазнини могат да бъдат обезцветени при измиването им; това е нормално и няма нужда да сменяте филтъра си.

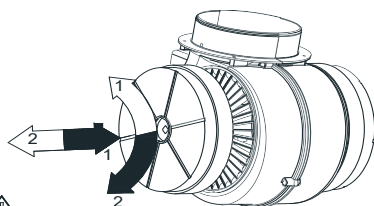


Можете да измиете Алуминиевия филтър в съдомиялната машина

### 4.2 Смяна на въглероден филтър (режим на циркулация на въздуха)

Аспираторът може да бъде снабден с въглероден филтър. Въглеродният филтър се прилага само в случай, че аспираторът не е свързан към вентилационния канал. Във всеки случай въглеродният филтър е необходимо да се сменя поне на всеки три месеца.

При подмяна на въглеродния филтър обърнете внимание на вида на използваната турбина.



Символ → Инсталиране на филтър  
Символ ← Разглобяване на филтъра



**ВНИМАНИЕ:**  
Въглеродният филтър никога не се мие.



**ВНИМАНИЕ:**  
Въглеродният филтър се предлага от Оторизираните Служби.

## 5 Настройка на устройството



### ВНИМАНИЕ

Моля, прочетете инструкциите за безопасност преди инсталация.



### ЗАБЕЛЕЖКА

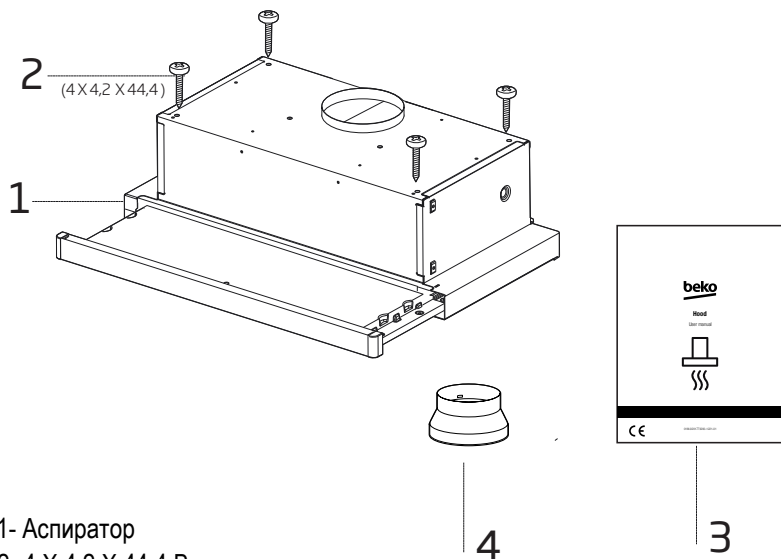
Моля, вижте **страница 255** от ръководството за инсталиране



### ВНИМАНИЕ

Ако не инсталирате винтовете или фиксиращото устройство в съответствие с тези инструкции, това може да доведе до опасност свързана с електричеството.

### 5.1 Аксесоари за инсталиране



- 1- Аспиратор
- 2- 4 X 4,2 X 44,4 Винтове
- 3- Ръководство за употреба
- 4- 1 x Ø120 / 150 мм пластмасов адаптер за дымоотвод

## 6 Отстраняване на неизправности

Отстраняване на неизправности	Причина	Помощ
Продуктът не работи.	Проверете предпазителя.	Възможно е предпазителят ви да е затворен, направете така че да работи.
Продуктът не работи.	Проверете електрическата връзка.	Главното напрежение трябва да бъде между 220-240 V.
Продуктът не работи.	Проверете електрическата връзка.	Проверете дали другите продукти във Вашата кухня работят или не.
Лампата за осветление не работи.	Проверете електрическата връзка.	Главното напрежение трябва да бъде между 220-240 V.
Лампата за осветление не работи.	Проверете превключвателя на лампата.	Превключвателят на лампата трябва да е в положение "включено".
Лампата за осветление не работи.	Проверете лампите.	Лампите на продукта не трябва да бъдат повредени.
Всмукването на въздух на продукта е лошо.	Проверете алуминиевия филтър.	Масленият филтър от алуминий трябва да се почиства поне веднъж месечно при нормални условия.
Всмукването на въздух на продукта е лошо.	Проверете димоотвода.	Димоотводът трябва да бъде във "включено" положение.
Всмукването на въздух на продукта е лошо.	Проверете въглеродния филтър.	При продукти с въглеродни филтри филтърът обикновено трябва да се сменя на всеки 3 месеца.

# Vui lòng đọc hướng dẫn sử dụng này trước!

Kính gửi Quý khách hàng,

Cảm ơn quý khách hàng đã chọn thiết bị này của Beko. Chúng tôi hy vọng quý khách hàng sẽ nhận được kết quả tốt nhất khi sử dụng thiết bị được sản xuất với chất lượng cao và công nghệ tiên tiến. Vì lý do đó, vui lòng đọc cẩn thận toàn bộ hướng dẫn sử dụng này và tất cả các tài liệu đi kèm khác trước khi sử dụng thiết bị và giữ lại để tham khảo về sau. Nếu quý khách hàng đưa thiết bị cho người khác sử dụng, vui lòng đưa cả hướng dẫn sử dụng. Làm theo hướng dẫn bằng cách chú ý tới tất cả thông tin và cảnh báo trong hướng dẫn sử dụng.

Vui lòng nhớ rằng hướng dẫn sử dụng này có thể cũng áp dụng với các mẫu thiết bị khác. Khác biệt giữa các mẫu được mô tả rõ ràng trong hướng dẫn này.

## Ý nghĩa của các Biểu tượng

Các biểu tượng sau được sử dụng ở nhiều phần khác nhau trong hướng dẫn sử dụng này.



Thông tin quan trọng và các gợi ý sử dụng hữu ích.



**CẢNH BÁO:** Cảnh báo về các tình huống nguy hiểm liên quan tới an toàn tính mạng và tài sản.



Cảnh báo nguy cơ cháy.



Cảnh báo điện giật.



Cấp chống điện giật.



Thiết bị này được sản xuất tại các nhà máy hiện đại thân thiện với môi trường, không gây hại tới tự nhiên.

## 1.1 An toàn chung

Hướng dẫn an toàn quan trọng Đọc cẩn thận và giữ lại tham khảo về sau Phần này có các hướng dẫn an toàn sẽ giúp bảo vệ khỏi các rủi ro về cháy, điện giật, tiếp xúc với năng lượng vi sóng bị rò rỉ, chấn thương cá nhân hoặc hư hỏng tài sản. Sản phẩm sẽ không được bảo hành nếu được sử dụng không theo hướng dẫn.

- Sản phẩm của Beko tuân thủ các tiêu chuẩn an toàn hiện hành; do đó, trong trường hợp có hư hỏng đối với thiết bị hoặc dây điện, việc sửa chữa và thay thế nên do đơn vị bán hàng, trung tâm bảo hành hoặc chuyên viên và dịch vụ bảo trì được ủy quyền tương tự thực hiện để tránh nguy hiểm. Sửa chữa không đúng hoặc không đúng tiêu chuẩn có thể nguy hiểm và gây rủi ro cho người sử dụng.
- Thiết bị này được thiết kế cho sử dụng trong hộ gia đình và các ứng dụng tương tự như:
  - Khu vực bếp cho nhân viên tại các cửa hàng, vắng phòng và các môi trường làm việc khác;
  - Nhà trong trang tại
  - Bồi khách ở tại khách sạn và các không gian lưu trú khác;
  - Không gian lưu trú chỉ có chỗ

ngủ và ăn sáng.

- Sử dụng thiết bị chỉ cho mục đích được mô tả trong hướng dẫn này.
- Nhà sản xuất sẽ không chịu trách nhiệm cho những hư hỏng là kết quả của việc lắp đặt không đúng cách hoặc sử dụng sản phẩm không đúng.
- Trẻ em từ 8 tuổi trở lên và người có năng lực thể chất, giác quan hoặc tinh thần suy giảm hoặc thiếu kinh nghiệm và kiến thức có thể sử dụng thiết bị này nếu được hướng dẫn hoặc giám sát sử dụng thiết bị một cách an toàn và hiểu các nguy hiểm liên quan.
- Trẻ em không được chơi với thiết bị. Trẻ em không được thực hiện hoạt động vệ sinh và bảo trì của người dùng nếu không có sự giám sát.
- Khoảng cách tối thiểu giữa bề mặt đỡ nồi nấu trên bếp và phần thấp nhất của sản phẩm phải là tối thiểu 65 cm.
- Nếu hướng dẫn lắp đặt bếp ga chỉ định khoảng cách lớn hơn, chỉ định đó cần được xem xét.
- Hãy bảo đảm nguồn cấp điện chính phù hợp với thông tin có trong bảng thông số của thiết bị.
- Không bao giờ sử dụng thiết bị

nếu dây điện hoặc chính thiết bị bị hư hỏng.

- Tránh dây điện bị hư hỏng bằng cách không đè ép, uốn cong hay chà lên cạnh sắc. Để dây điện xa các bề mặt nóng và ngọn lửa trực tiếp.
- Chỉ sử dụng thiết bị đã nối đất.  
**CẢNH BÁO:** Không kết nối thiết bị với lưới điện cho tới khi đã lắp đặt hoàn chỉnh.
- Đặt thiết bị sao cho phích cắm điện luôn tiếp cận được.
- Không chạm vào các đèn đã hoạt động trong thời gian dài. Các đèn này sẽ nóng và có thể gây bỏng tay.
- Làm theo hướng dẫn được các cơ quan có thẩm quyền đưa ra liên quan tới việc xả khí thải (cảnh báo này không áp dụng khi không sử dụng ống khói).
- Vận hành thiết bị sau khi đã đặt nồi, chảo,... lên bếp. Nếu không, nhiệt độ cao có thể gây biến dạng ở một số phần của sản phẩm.
- Tắt bếp trước khi lấy nồi, chảo,... ra.
- Không để dầu nóng trên bếp. Chảo có dầu nóng có thể tự bốc cháy.
- Chú ý tới các màn cửa và tấm

phủ vì dầu có thể bắt lửa khi nấu các món như chiên rán.

- Bộ lọc dầu mỡ phải được thay thế ít nhất một lần mỗi tháng. Bộ lọc than hoạt tính phải được thay thế ít nhất một lần mỗi 3 tháng.
- Nên vệ sinh sản phẩm theo hướng dẫn sử dụng. Có thể có rủi ro xảy ra cháy nếu không thực hiện vệ sinh theo hướng dẫn sử dụng.
- Không sử dụng vật liệu lọc chống cháy thay vì bộ lọc hiện tại.
- Chỉ sử dụng các bộ phận chính hãng hoặc các bộ phận được nhà sản xuất khuyến dùng.
- Không vận hành sản phẩm khi không có bộ lọc và không tháo các bộ lọc khi sản phẩm đang chạy.
- Trong trường hợp bị bắt cháy, ngắt kết nối nguồn điện cho sản phẩm và các thiết bị nấu.
- Trong trường hợp bị bắt cháy, che ngọn lửa và không bao giờ dùng nước để dập lửa.
- Rút nguồn điện thiết bị trước mỗi lần vệ sinh và khi không sử dụng thiết bị.
- Áp lực âm trong môi trường không được vượt quá 4 Pa (4 x 10 bar) khi máy hút mùi cho bếp điện và các thiết bị chạy bằng một



loại năng lượng khác không phải điện hoạt động đồng thời.

- Trong môi trường thiết bị đang được sử dụng, khí thải của các thiết bị chạy nhiên liệu dầu hoặc ga, như máy sưởi phòng phải được cô lập hoàn toàn hoặc thiết bị phải là loại kín.
- Khi kết nối ống khói, sử dụng ống có đường kính 120 hoặc 150 mm. Đường ống nối phải ngắn nhất có thể và ít khuỷu nối nhất có thể.

**Rủi ro ngạt thở!** Để các bao bì đóng gói cách xa trẻ em.

**THẬN TRỌNG:** Các bộ phận có thể tiếp cận có thể bị nóng khi sử dụng các thiết bị nấu ăn.

- Đầu thoát khí của sản phẩm không được kết nối với các đường dẫn khí có các loại khói khác.
- Hệ thống thông khí trong phòng có thể không đủ khi máy hút mùi cho bếp điện được sử dụng đồng thời với các thiết bị chạy bằng ga hoặc các nhiên liệu khác (điều này có thể không áp dụng cho các thiết bị chỉ xả khí trở lại phòng).
- Các đồ vật được đặt trên sản phẩm có thể rơi. Không đặt bất kỳ vật thể nào lên trên sản phẩm.
- Không tắm đốt đồ ăn bên dưới sản phẩm.

**CẢNH BÁO:** Trước khi lắp đặt Máy hút mùi, tháo màng bảo vệ.

- Không bao giờ được để ngọn lửa cháy trực tiếp bên dưới máy hút mùi khi máy đang hoạt động
- Chảo rán dầu mỡ sâu phải được giám sát liên tục khi sử dụng: dầu quá nóng có thể cháy thành ngọn lửa.

## 1.2 Tuân thủ Chỉ thị WEEE và Quy định thải bỏ Sản phẩm thải:

Sản phẩm này tuân thủ Chỉ thị WEEE của Liên minh châu Âu (2012/19/EU). Sản phẩm này có mang ký hiệu

phân loại sản phẩm điện và điện tử thải (WEEE).



Ký hiệu này cho biết rằng không được thải bỏ sản phẩm cùng với rác thải sinh hoạt khi hết thời hạn sử dụng. Thiết bị đã qua sử dụng phải được đưa tới điểm thu gom chính thức dành cho tái chế các thiết bị điện và điện tử. Để tìm các hệ thống thu gom, vui lòng liên hệ các cơ quan chính quyền hoặc nhà bán lẻ địa phương nơi mua sản phẩm. Mỗi hộ gia đình thực hiện vai trò quan trọng trong việc thu hồi và tái chế thiết bị cũ. Thải bỏ đúng cách thiết bị đã qua sử dụng giúp ngăn ngừa các hậu quả tiêu cực tiềm tàng đối với môi trường và sức khỏe con người.

## 1.3 Tuân thủ Chỉ thị RoHS

Sản phẩm quý khách hàng mua tuân thủ Chỉ thị RoHS của Liên minh châu Âu (2011/65/EU). Sản phẩm không chứa

các vật liệu có hại và bị cấm được nêu trong Chỉ thị.

## 1.4 Thông tin đóng gói

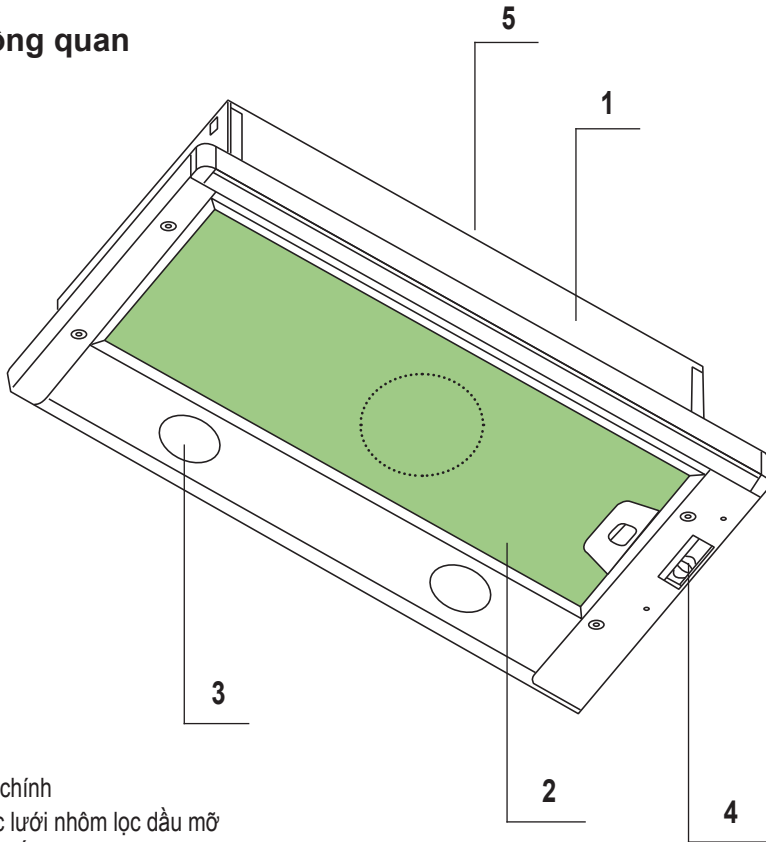


Vật liệu đóng gói sản phẩm được sản xuất từ vật liệu tái chế theo các Quy định

môi trường quốc gia của chúng tôi. Không thải bỏ vật liệu đóng gói cùng với rác thải sinh hoạt hoặc các loại rác thải khác. Hãy đem tới điểm thu gom vật liệu đóng gói được các cơ quan chính quyền địa phương chỉ định.

## 2 Ngoại hình chung

### 2.1 Tổng quan



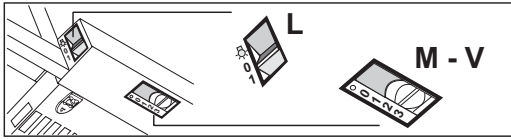
1. Thân chính
2. Bộ lọc lưới nhôm lọc dầu mỡ
3. Đèn chiếu sáng
4. Bảng điều khiển
5. Ống khói

### 2.2 Thông tin kỹ thuật

Kiểu	CTB 6250 W / CTB 6250 X / CTB 6250 XH / CTB 6250 B / CTB 9250 X / CTB 9250 XH
Điện áp nguồn	220-240V ~ 50 Hz
Công suất đèn (W)	2x4
Công suất mô-tơ (W)	1x140
Lưu lượng không khí (m <sup>3</sup> /h) – Mức 3.	420
Cấp cách nhiệt	CẤP II

## 3 Sử dụng thiết bị

### 3.1 Bảng điều khiển



L	Đèn	Bật và tắt hệ thống chiếu sáng
M	Mô tơ	Bật và tắt mô tơ máy hút mùi
V	Tốc độ	Đặt tốc độ hoạt động của máy hút mùi:  <ol style="list-style-type: none"><li>1. Tốc độ thấp, sử dụng khi cần thay đổi không khí liên tục và yên tĩnh với sự bốc hơi nhẹ khi nấu ăn.</li><li>2. Tốc độ trung bình, phù hợp cho hầu hết các điều kiện hoạt động với tỷ lệ lưu lượng khí/tiếng ồn được xử lý tối ưu.</li><li>3. Tốc độ tối đa, được sử dụng trong trường hợp cần xử lý sự bốc hơi mạnh khi nấu ăn, cả trong thời gian dài.</li></ol>

- Máy hút mùi được thiết kế dành riêng cho sử dụng trong nhà để loại bỏ mùi nhà bếp.
- Không bao giờ sử dụng máy hút mùi cho các mục đích không như mục đích thiết kế.
- Không bao giờ được để ngọn lửa cháy trực tiếp bên dưới máy hút mùi khi máy đang hoạt động.
- Điều chỉnh cường độ ngọn lửa để ngọn lửa chỉ hướng vào đáy nồi, bảo đảm rằng lửa không trùm ra các bên.
- Chảo rán dầu mỡ sâu phải được giám sát liên tục khi sử dụng: dầu quá nóng có thể cháy thành ngọn lửa.

## 3 Sử dụng thiết bị

### 3.2 Thay đèn



Trước khi thay thế bóng đèn, ngắt kết nối máy hút mùi với nguồn điện.



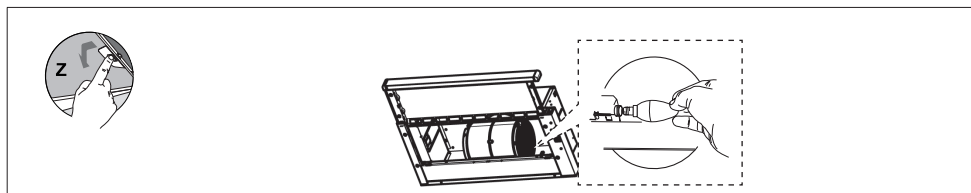
Không chạm vào bóng đèn chiếu sáng khi chúng còn nóng.




Cẩn thận không dùng tay trực tiếp chạm vào bóng đèn được thay thế.



Có thể mua đèn từ Đại lý Dịch vụ Ủy quyền.



Bóng đèn	Sức mạnh (W)	Cổ họng	Điện áp (V)	Kích thước (mm)	Thẻ ILCOS
	4	E14	220 – 240	107 x 37	DRBB/F-4-220-240-E14-35/100

- Đèn LED hình nến được sử dụng trong sản phẩm này
- Sử dụng đèn công suất tối đa 4 W khi thay đèn

## 4 Vệ sinh và bảo trì

Trước khi vệ sinh và bảo trì, rút phích nguồn điện của thiết bị hoặc tắt công tắc chính hoặc tháo cầu chì của nguồn điện cấp cho máy hút mùi.

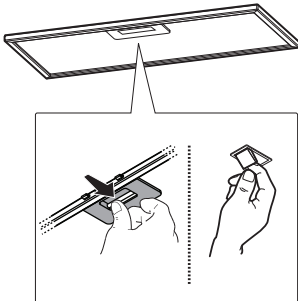


Việc không làm theo các hướng dẫn liên quan tới vệ sinh thiết bị và thay thế các bộ phận lọc có thể gây rủi ro cháy. Do đó, chúng tôi khuyến nghị tuân thủ các hướng dẫn được cung cấp trong đây. Nhà sản xuất không chịu trách nhiệm cho bất kỳ hư hỏng nào đối với động cơ hoặc cháy gây ra do sử dụng không đúng.

Vệ sinh bằng vải ẩm với dung dịch tẩy rửa trung tính. Không vệ sinh bằng công cụ hoặc dụng cụ. Không sử dụng các sản phẩm có tính mài mòn. Không sử dụng cồn

### 4.1 Vệ sinh lưới nhôm lọc dầu mỡ

Lưới lọc giúp thu các hạt dầu mỡ trong không khí. Chúng tôi khuyến khích vệ sinh lưới lọc mỗi tháng nếu ở điều kiện sử dụng bình thường. Trước tiên, tháo lưới lọc dầu mỡ cho quy trình này. Rửa lưới lọc bằng dung dịch tẩy rửa và xả sạch bằng nước và lắp đặt trở lại sau khi đã khô. Lưới nhôm lọc dầu mỡ có thể phai màu khi được rửa; đây là hiện tượng bình thường và không cần thay đổi lưới lọc.



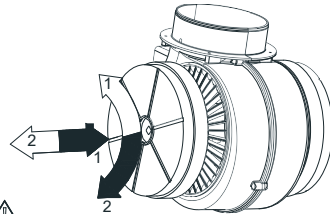
Có thể rửa Lưới lọc nhôm trong máy rửa bát

### 4.2 Thay đổi bộ lọc than hoạt tính (Chế độ tuần hoàn khí)

Máy hút mùi có thể vừa với bộ lọc than hoạt tính. Bộ lọc than hoạt tính chỉ được sử dụng trong trường hợp máy hút mùi được kết nối với ống thông hơi.

Dù ở trường hợp nào cũng cần thay thế bộ lọc than hoạt tính ít nhất ba tháng một lần.

Khi thay thế bộ lọc than hoạt tính, hãy chú ý tới loại tua-bin được sử dụng.



Biểu tượng → Lắp đặt bộ lọc  
Biểu tượng ← Tháo bộ lọc



**CẢNH BÁO:** Không bao giờ rửa bộ lọc than hoạt tính.



**CẢNH BÁO:** Dịch vụ được ủy quyền có cung cấp bộ lọc than hoạt tính.

## 5 Cài đặt thiết bị



### CẢNH BÁO

Vui lòng đọc hướng dẫn an toàn trước khi cài đặt.



### CHÚ Ý

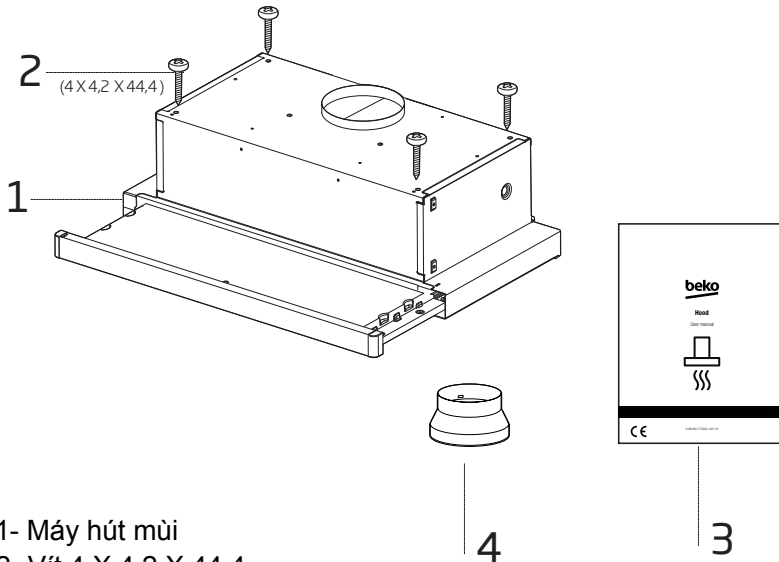
Vui lòng xem **trang 255** để biết hướng dẫn lắp đặt



### CẢNH BÁO

Lắp vít hoặc cố định thiết bị không theo các hướng dẫn này có thể dẫn đến nguy hiểm về điện.

### 5.1 Phụ kiện lắp đặt



- 1- Máy hút mùi
- 2- Vít 4 X 4,2 X 44,4
- 3- Hướng dẫn sử dụng
- 4- Bộ chuyển đổi ống khói bằng nhựa 1 x Ø120 / 150 mm

## 6 Xử lý sự cố

<b>Xử lý sự cố</b>	<b>Lý do</b>	<b>Trợ giúp</b>
Sản phẩm không hoạt động.	Kiểm tra cầu chì.	Cầu chì có thể đã đóng, hãy đưa cầu chì hoạt động trở lại.
Sản phẩm không hoạt động.	Kiểm tra kết nối điện.	Điện áp cần trong khoảng 220-240 V.
Sản phẩm không hoạt động.	Kiểm tra kết nối điện.	Kiểm tra xem các sản phẩm khác trong bếp có hoạt động không.
Đèn chiếu sáng không hoạt động.	Kiểm tra kết nối điện.	Điện áp cần trong khoảng 220-240 V.
Đèn chiếu sáng không hoạt động.	Kiểm tra công tắc đèn.	Công tắc đèn cần ở vị trí "on" (bật).
Đèn chiếu sáng không hoạt động.	Kiểm tra đèn.	Các đèn của sản phẩm phải không bị lỗi.
Đầu khí đi vào của sản phẩm không tốt.	Kiểm tra bộ lọc bằng nhôm.	Bộ lọc đầu bằng nhôm cần được vệ sinh ít nhất một lần mỗi tháng ở điều kiện bình thường.
Đầu khí đi vào của sản phẩm không tốt.	Kiểm tra ống thông hơi.	Ống thông hơi cần ở vị trí "on" (bật).
Đầu khí đi vào của sản phẩm không tốt.	Kiểm tra bộ lọc bằng than.	Với các sản phẩm có bộ lọc bằng than, thông thường nên thay thế bộ lọc mỗi 3 tháng.



# Prvo pročitate ovaj priručnik za korisnika!

Cijenjeni kupče,

Hvala Vam što ste izabrali ovaj Beko uređaj. Nadamo se da ćete dobiti najbolje rezultate od vašeg uređaja koji je proizveden uz visok kvalitet i modernu tehnologiju. Iz tog razloga, molimo vas da pažljivo pročitate ovaj priručnik i sve druge popratne dokumente prije korištenja ovog uređaja i čuvajte ga kao referencu za buduću upotrebu. Ako uređaj predate nekom drugom, uručite korisniku takođe i ovaj priručnik. Slijedite uputstva obraćajući pažnju na sve informacije i upozorenja u priručniku za korisnika.

Zapamtite da se ovaj priručnik za korisnika takođe može koristiti i za druge modele. Razlike među modelima su eksplicitno opisane u priručniku.

## Značenje simbola

Sljedeći simboli se koriste u različitim odjeljcima ovog priručnika:



Važne informacije i korisni savjeti o upotrebi.



**UPOZORENJE:** Upozorenja u vezi opasnih situacija u pogledu sigurnosti za život i imovinu.



Upozorenje na opasnost od požara.



Upozorenje u vezi strujnog udara.



Klasa zaštite od strujnog udara.



Ovaj proizvod je proizveden u modernim pogonima koji su prihvatljivi za okoliš bez bilo kakve štete po prirodu.

# 1 Važne upute u vezi sigurnosti i okoliša

## 1.1 Opšta sigurnost

Važne upute u vezi sa sigurnošću pažljivo pročitajte i i sačuvajte ih za buduću upotrebu. Ovaj odjeljak sadrži upute u vezi sa sigurnošću koje će vam pomoći u zaštiti od opasnosti od požara, strujnog udara, izloženosti curenju mikrotalasne energije, ličnih povreda ili oštećenja imovine. Nepoštovanje ovih uputa poništava odobrenu garanciju.

- Beko proizvodi su u skladu s važećim sigurnosnim standardima; prema tome, u slučaju bilo kakvih oštećenja na uređaju ili kابلu za napajanje, iste treba da popravi ili zamijeni prodavač, servisni centar ili stručno lice i ovlašćeni servis kako bi se izbjegla bilo kakva opasnost. Neispravni ili nekvalifikovani radovi na popravci mogu biti opasni i mogu dovesti do opasnosti po korisnika.
- Ovaj uređaj je namijenjen za upotrebu u domaćinstvima i sličnim objektima kao što su:
  - prostori kuhinje za zaposlenike u trgovinama, uredima i drugim radnim okruženjima;
  - kuće na farmama,
  - seoske kuće i za goste u hotelima, motelima i drugim objektima za smještaj;

- objekti koji nude prenoćište i doručak,

- Upravlajte uređajem prema predviđenoj namjeni samo kako je opisano u ovom priručniku.
- Proizvođač ne može biti odgovoran za štetu nastalu nepropisnom ugradnjom ili zloupotrebom proizvoda.
- Ovaj uređaj mogu koristiti djeca od 8 godina i starija, i osobe sa ograničenim fizičkim, čulnim ili mentalnim sposobnostima, osobe koje nemaju dovoljno znanja ili iskustva ako su pod nadzorom ili su im date upute koje se tiču upotrebe uređaja na siguran način i opasnosti koje uređaj uključuje.
- Djeca se ne smiju igrati s uređajem. Čišćenje i održavanje od strane korisnika ne smiju obavljati djeca ukoliko nisu pod nadzorom.
- Minimalna udaljenost između noseće površine posuda za kuvanje na ploči za kuvanje i najnižeg dijela vašeg proizvoda mora biti najmanje 65 cm.
- Ako je uputama za ugradnju plinske ploče definisana veća udaljenost, to se mora uzeti u obzir.
- Vaše mrežno napajanje strujom

# 1 Važne upute u vezi sigurnosti i okoliša

mora biti u skladu sa informacijama na pločici na uređaju.

- Nikada ne koristite uređaj ako je kabl za napajanje ili sam uređaj oštećen.
- Spriječite oštećenje kabla za napajanje tako što ga nećete stiskati, savijati ili trljati po oštrim ivicama. Držite kabl za napajanje dalje od vrućih površina i izvora plamena.
- Uređaj koristite samo sa uzemljenom utičnicom.

**UPOZORENJE:** Ne priključujte uređaj na napajanje prije potpune ugradnje uređaja.

- Postavite uređaj na način da utikač bude uvijek dostupan.
- Ne dirajte lampe ako su dugo radile. Mogu vam stvoriti opekotine na rukama jer će biti zagrijane.
- Pridržavajte se propisa koji su utvrdili nadležni organi o ispustu izduvnog vazduha (ovo upozorenje nije primjenljivo na uporabu bez dimnih gasova).
- Uključite uređaj nakon što stavite lonac, tavu itd. na ploču za kuvanje. U suprotnom, velika toplota može prouzrokovati deformacije u nekim djelovima vašeg proizvoda.
- Isključite ploču prije nego što sa

nje sklonite lonac, tavu itd.

- Ne ostavljajte vruće ulje na ploči za kuvanje. Posude sa vrućim uljem mogu izazvati samo-sagorijevanje.
- Obratite pažnju na zavjese i prekrivače, jer se ulje može zapaliti dok spremate hranu kao što je pomfrit.
- Filter za masnoće treba zamijeniti najmanje jednom mjesečno. Karbonski filter se mora zamijeniti najmanje jednom u svaka 3 mjeseca.
- Proizvod se čisti u skladu sa korisničkim priručnikom. Ako čišćenje nije izvršeno u skladu s korisničkim priručnikom, može doći do opasnosti od požara.
- Ne koristite materijale za filtriranje koji nisu otporni na vatru umjesto trenutnog filtera.
- Koristite samo originalne djelove ili djelove koje je preporučio proizvođač.
- Ne koristite proizvod bez filtera i ne uklanjajte filtere dok je proizvod u funkciji.
- U slučaju pojave plamena, isključite vaš proizvod i uređaje za kuvanje sa napajanja električnom energijom.
- U slučaju pojave plamena, prekrijte

# 1 Važne upute u vezi sigurnosti i okoliša

plamen i nikada ne koristite vodu za gašenje.

- Isključite uređaj sa napajanja prije svakog čišćenja i kada uređaj ne koristite.
- Negativni pritisak u okolini ne bi trebalo da pređe 4 Pa (4 x 10 bara) dok istovremeno rade aspirator za električnu ploču i uređaji koji rade na drugoj vrsti energije osim struje.
- U okruženju u kojem se koristi uređaj, ispustni otvor uređaja koji rade na lož-gorivo ili plin, kao što su sobni grijači, mora biti apsolutno izolovan ili uređaj treba da bude hermetičnog tipa.
- Pri povezivanju odvodne cijevi koristite cijevi prečnika 120 ili 150 mm. Priključak cijevi mora biti što kraći i imati što je moguće manje prelamanja.

**Opasnost od gušenja!** Sve materijale za pakiranje držite dalje od djece.

**OPREZ:** Pristupačni djelovi se mogu zagrijati kada se koriste sa uređajima za kuvanje.

- Izlazni otvor proizvoda ne smije biti povezan sa vazдушnim kanalima koji sprovode drugu vrstu dima.
- Ventilacija u prostoriji može biti

nedovoljna kada se aspirator za električnu ploču koristi istovremeno sa uređajima koji rade na plin ili druga goriva (ovo možda nije primjenljivo na uređaje koji samo dovode vazduh u prostoriju).

- Predmeti stavljeni na proizvod mogu pasti. Ne stavlajte nikakve predmete na proizvod.
- Ne flambirajte hranu ispod proizvoda.

**UPOZORENJE:** Prije ugradnje aspiratora uklonite zaštitne folije.

- Nikada ne ostavljajte visoko otvoren plamen ispod aspiratora dok je isti u funkciji.
- Friteze sa dubokim uljem moraju se neprestano nadgledati tokom upotrebe: pregrijano ulje može da plane.

# 1 Važne upute u vezi sigurnosti i okoliša

## 1.2 Usklađenost s direktivom WEEE i Odlaganjem otpadnog proizvoda:

Ovaj proizvod je usklađen s Direktivom EU WEEE (2012/19/EU). Ovaj proizvod nosi simbol

klasifikacije za odlaganje električne i elektronske opreme (WEEE).



Ovaj simbol označava da ovaj proizvod ne treba odlagati sa ostalim otpadom iz domaćinstva na kraju vijeka upotrebe. Korišćeni uređaj mora se vratiti u službeno zbirno mjesto za recikliranje električnih i elektronskih uređaja. Da biste pronašli ove sisteme za prikupljanje, obratite se lokalnim nadležnim organima ili prodavcu kod kojeg je proizvod kupljen. Svako domaćinstvo ima važnu ulogu

u obnovi i recikliranju starih uređaja. Odgovarajuće odlaganje korišćenog aparata pomaže u sprječavanju potencijalnih negativnih posljedica po životnu sredinu i zdravlje ljudi.

## 1.3 Usklađenost sa RoHS direktivom:

Proizvod koji ste kupili je usklađen s Direktivom EU RoHS (2011/65/EU). On ne sadrži

štetne i zabranjene materijale navedene u Direktivi.

## 1.4 Informacija o ambalaži

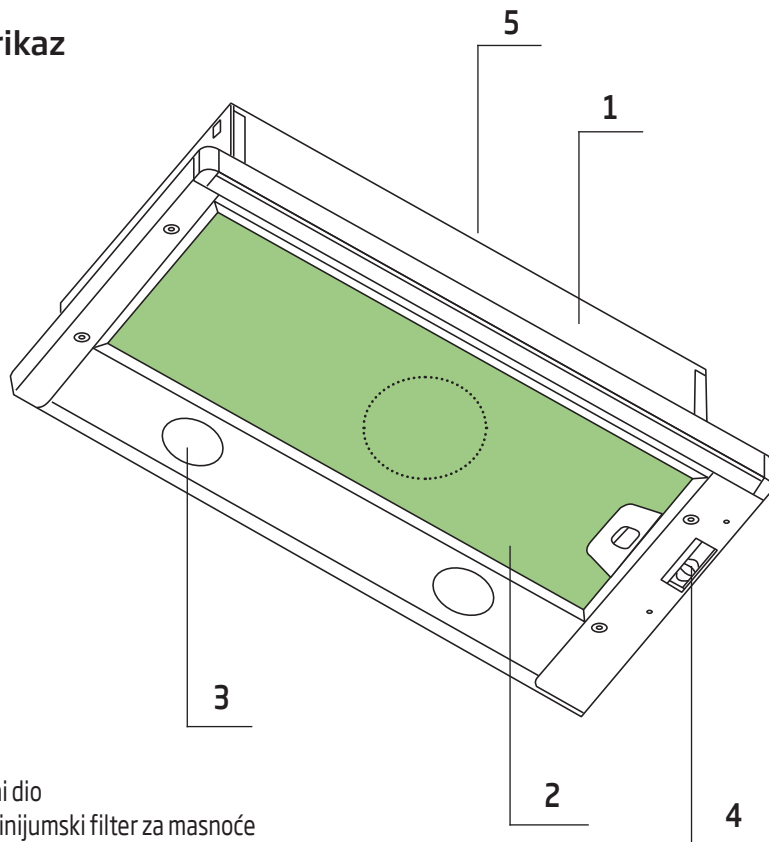


Ambalaža proizvoda je proizvedena od sekundarnih sirovina u skladu s našim nacionalnim

propisima za zaštitu okoliša. Ne bacajte ambalažu zajedno s otpadom iz domaćinstva ili drugim otpadom. Odnosite je do sabirnih centara za ambalažu koje su odredili lokalni nadležni organi.

## 2 Opšti izgled

### 2.1 Prikaz



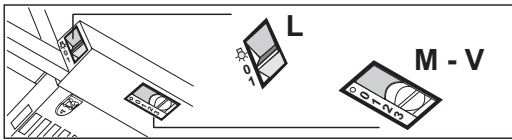
1. Glavni dio
2. Aluminijski filter za masnoće
3. Osvjetljenje
4. Kontrolna tabla
5. Dimnjak

### 2.2 Tehnički podaci

Model	CTB 6250 W / CTB 6250 X / CTB 6250 XH / CTB 6250 B / CTB 9250 X / CTB 9250 XH
Napon	220-240V ~ 50 Hz
Snaga lampice (W)	2x4
Snaga motora (W)	1x140
Protok vazduha (m <sup>3</sup> /h) - 3. Nivo	420
Klasa izolacije	KLASA II

## 3 Korišćenje uređaja

### 3.1 Kontrolna tabla



<b>L</b>	Svjetlo	Paljenje i gašenje sistema rasvjete
<b>M</b>	Motor	Paljenje i gašenje odsisnog motora
<b>V</b>	Brzina	Podešavanje radne brzine odsisača:  <ol style="list-style-type: none"><li>1. Niska brzina, koristi se za kontinuirane i tihe zračne promjene u prisustvu blagog kuhinjskog mirisa.</li><li>2. Srednja brzina, podesna za najčešće radne uvjete pruža optimalno tretiranje nivoa omjera protoka/buke zraka.</li><li>3. Maksimalna brzina, koristi se za eliminiranje najviše emisije kuhinjskog isparenja, uključujući duže periode.</li></ol>

- Napa je dizajnirana isključivo za kućnu upotrebu kako bi se uklonili kuhinjski mirisi.
- Nikada ne koristite aspirator u druge svrhe osim za one za koje je dizajnirana.
- Nikada ne ostavljajte visoko otvoren plamen ispod aspiratora dok je isti u funkciji.
- Podesite intenzitet plamena da ga usmjerite samo na dno posude pazeći da ne zahvati bočne stranice.
- Friteze sa dubokim uljem moraju se neprestano nadgledati tokom upotrebe: pregrijano ulje može da plane.

## 3 Korišćenje uređaja

### 3.2 Zamjena lampice



Prije zamjene sijalica, isključite napajanje aspiratora.



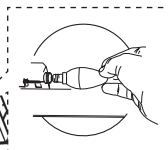
Ne dirajte sijalice kada su vruće.




Pazite da direktno ne dodirnete zamijenjenu sijalicu rukama.



Lampice možete nabaviti od agenata ovlašćenih servisa.



Sijalica	Snaga (W)	Грло	Grlo	Dimenzije (mm)	ILCOS oznaka
	4	E14	220 – 240	107 x 37	DRBB/F-4-220-240-E14-35/100

- U ovom proizvodu se koristi LED lampica tipa svijeće
- Prilikom zamjene lampice mora se koristiti lampica od maksimalno 4 W



## 4 Čišćenje i održavanje

Prije čišćenja i održavanja, isključite uređaj sa napajanja ili isključite glavni prekidač ili otpustite osigurač koji napaja aspirator.

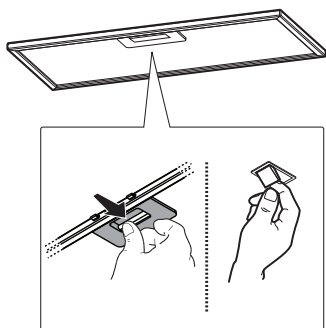


Nepoštovanje odredbi koje se odnose na čišćenje uređaja i zamjenu filtera može prouzrokovati rizik od požara. Zbog toga se preporučuje da se pridržavate ovdje navedenih smjernica. Proizvođač ne snosi odgovornost ni za kakvu štetu na motoru ili požare izazvane nepropisnom upotrebom.

Očistite samo krpom navlaženom neutralnim tečnim deterdžentom. Ne čistite alate niti instrumente. Ne koristite abrazivne proizvode. Ne koristite alkohol.

### 4.1 Čišćenje aluminijuskog filtera za masnoće

Ovaj filter sakuplja čestice ulja u vazduhu. Preporučuje se čišćenje vašeg filtera svakog mjeseca pri normalnim uvjetima upotrebe. Prije ovog postupka uklonite filtere za masnoće. Operite filtre tečnim deterdžentom i isperite ih vodom i vratite natrag nakon što se osuše. Aluminijuski filteri za masnoće mogu promijeniti boju tokom pranja; ovo je normalno i ne morate da mijenjate filter.

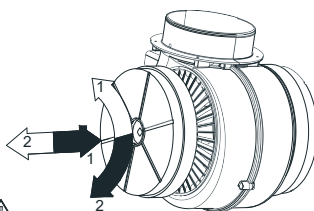


Aluminijuski filter možete oprati u mašini za pranje sudova

### 4.2 Promjena karbonskog filtera (režim cirkulacije vazduha)

Aspirator može biti opremljen karbonskim filterom. Karbonski filter se primjenjuje samo u slučaju da aspirator nije spojen sa kanalom za odvod zraka. U svakom slučaju, potrebno je zamijeniti karbonski filter najmanje na svaka tri mjeseca.

Pri zamjeni karbonskog filtera obratite pažnju na vrstu korištene turbine.



Simbol → Ugradnja filtera  
Simbol ← Demontaža filtera



**UPOZORENJE:** Karbonski filter se nikada ne pere.



**UPOZORENJE:** Karbonski filter je dostupan kod ovlaštenih servisa.

## 5 Podešavanje uređaja



### UPOZORENJE

Prije podešavanja, pročitajte sigurnosne upute.



### UPOZORENJE

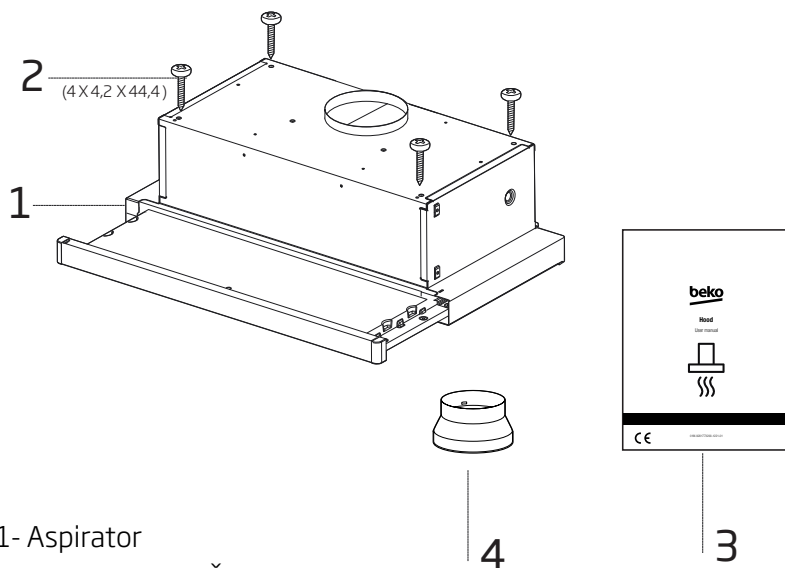
Ako ne postavite šrafove ili uređaj za pričvršćivanje u skladu s ovim uputama, može doći do opasnosti od električne energije.



### NAPOMENA

Pogledajte na **stranici 255** instrukcije za ugradnju

### 5.1 Pribor za ugradnju



1- Aspirator

2-4 X 4,2 X 44,4 Šrafovi

3- Korisnički Priručnik

4- 1 x Ø120 / 150 mm plastični adapter za dimovod

Rješavanje problema	Razlog	Pomoć
Proizvod nije u funkciji.	Provjerite osigurač.	Možda je vaš osigurač isključen, potrebno je da ga osposobite.
Proizvod nije u funkciji.	Provjerite priključak na napajanje električnom energijom.	Mrežni napon treba biti između 220-240 V.
Proizvod nije u funkciji.	Provjerite priključak na napajanje električnom energijom.	Provjerite da li su u funkciji ostali proizvodi u vašoj kuhinji.
Lampica za rasvjetu ne radi.	Provjerite priključak na napajanje električnom energijom.	Mrežni napon treba biti između 220-240 V.
Lampica za rasvjetu ne radi.	Provjerite prekidač za lampicu.	Prekidač za lampicu trebao bi biti u položaju "uključeno".
Lampica za rasvjetu ne radi.	Provjerite lampice.	Lampice proizvoda ne bi trebalo da budu neispravne.
Ulaz zraka u proizvod je slab.	Provjerite aluminijski filter.	Aluminijski filter za masnoću treba očistiti najmanje jednom mjesečno u normalnim uvjetima.
Ulaz zraka u proizvod je slab.	Provjerite odvodnik zraka.	Prekidač za odvodnik zraka trebao bi biti u položaju "uključeno".
Ulaz zraka u proizvod je slab.	Provjerite karbonski filter.	Za proizvode s karbonskim filterima, filter se obično treba mijenjati svaka 3 mjeseca.

# Nejprve si přečtěte tento návod k použití!

Vážený zákazníku,

Děkujeme, že jste si vybrali tento produkt značky Beko. Doufáme, že s tímto spotřebičem, který byl vyroben s využitím vysoce kvalitní a moderní technologie, dosáhnete těch nejlepších výsledků. Z tohoto důvodu si před použitím spotřebiče pečlivě přečtěte celý návod k použití a jakékoli doplňující dokumenty a uchovejte je pro budoucí použití. Pokud spotřebič předáte další osobě, rovněž jí předejte návod k použití. Dodržujte pokyny a věnujte pozornost všem informacím a varováním uvedeným v návodu k použití.

Nezapomeňte, že se tento návod může vztahovat i k několika jiným modelům. Rozdíly mezi modely jsou v návodu výslovně popsány.

## Význam symbolů

V různých částech tohoto návodu k použití jsou použity následující symboly:



Důležité informace a užitečné tipy k použití.



**VAROVÁNÍ:** Upozornění na nebezpečné situace týkající se ohrožení života a majetku.



Varování před nebezpečím požáru.



Varování před úrazem elektrickým proudem.



Třída ochrany před zásahem elektrickým proudem.



Tento spotřebič byl vyroben v ekologicky šetrných a moderních zařízeních bez negativního dopadu na životní prostředí.

# 1 Důležité pokyny z hlediska bezpečnosti a životního prostředí

## 1.1 Obecné bezpečnostní pokyny

Důležité bezpečnostní pokyny, přečtěte si je pozorně a uchovejte pro pozdější použití

Tento oddíl obsahuje bezpečnostní pokyny, které vám pomohou ochránit před vznikem požáru, zásahem elektrickým proudem, následky unikající mikrovlnné energie, zraněním osob nebo poškozením majetku. Nedodržení těchto pokynů zruší platnost záruky.

- Výrobky značky Beko splňují platné bezpečnostní normy; proto v případě jakéhokoli poškození spotřebiče nebo napájecího kabelu musí být provedena oprava nebo výměna prodejcem, servisním centrem nebo odborníkem z autorizovaného servisu, aby se předešlo nebezpečí. Chybná nebo neodborná oprava může být nebezpečná pro uživatele.
- Toto zařízení je určeno pouze pro domácí a podobné použití, například:
  - v prostorách kuchyňského personálu v obchodech, kancelářích a dalších pracovních prostředích;
  - na farmách;

- klienty v hotelech a dalších typech obytného prostředí;

- v prostředí typu Bed and Breakfast.

- Spotřebič používejte pouze k určenému účelu, jak je popsáno v tomto návodu.
- Výrobce nenese odpovědnost za žádné škody plynoucí z nesprávné instalace či nevhodného způsobu použití spotřebiče.
- Tento spotřebič mohou používat děti starší 8 let a osoby s omezenými tělesnými, smyslovými nebo mentálními schopnostmi anebo osoby bez příslušných znalostí a zkušeností, pokud jsou pod dozorem nebo byly poučeny o bezpečném užívání tohoto přístroje a chápou související nebezpečí.
- Děti si se spotřebičem nesmí hrát. Čištění a údržba nesmí být prováděny dětmi bez dohledu dospělé osoby.
- Minimální vzdálenost mezi nosnými plochami varných nádob na varné desce a nejnižší stranou výrobku musí být nejméně 65 cm.
- Pokud v návodu k instalaci plynové desky najdete větší vzdálenost, je nutno postupovat podle toho.

# 1 Důležité pokyny z hlediska bezpečnosti a životního prostředí

- Zkontrolujte, zda vaše napájení odpovídá informacím uvedeným na štítku spotřebiče.
- Nikdy nepoužívejte spotřebič, pokud je poškozen napájecí kabel nebo spotřebič.
- Předejděte poškození napájecího kabelu zabráněním jeho zmáčknutí, ohnutí nebo odírání o ostré hrany. Napájecí kabel udržujte mimo horké povrchy a otevřený oheň.
- Spotřebič zapojte pouze do uzemněné zásuvky.  
**VAROVÁNÍ:** Nezapojte spotřebič do sítě, dokud není instalace zcela dokončena.
- Spotřebič umístěte tak, aby byla zástrčka vždy přístupná.
- Nedotýkejte se žárovek, pokud jsou v provozu delší dobu. Mohou spálit ruce, protože budou horké.
- Dodržujte předpisy stanovené příslušnými úřady o vypouštění odpadního vzduchu (toto upozornění se nevztahuje na použití bez kouřovodu).
- Spusťte spotřebič po umístění hrnce, pánve apod. na varnou desku. V opačném případě může vysoká teplota způsobit deformaci některých částí výrobku.
- Před sejmutím hrnce, pánve apod. vypněte varnou desku.
- Nenechávejte na varné desce horký olej. Nádoby s horkým olejem mohou způsobit samovznícení.
- Dávejte pozor na záclony a závěsy, protože olej se může při smažení některých potravin, jako jsou hranolky, vznítit.
- Tukový filtr musí být vyměněn nejméně jednou měsíčně. Uhlíkový filtr musí být vyměněn nejméně každé 3 měsíce.
- Spotřebič musí být čištěn v souladu s návodem k použití. Pokud čištění nebylo provedeno v souladu s návodem k použití, může hrozit nebezpečí požáru.
- Namísto stávajícího filtru nepoužívejte filtrační materiály neodolné proti ohni.
- Používejte pouze originální části doporučené výrobcem.
- Neprovozujte spotřebič bez filtru a neodstraňujte filtry, když je spotřebič spuštěn.
- V případě, že dojde k zapálení plamene, vypněte napájení spotřebiče a vaříčů.

# 1 Důležité pokyny z hlediska bezpečnosti a životního prostředí

- V případě, že dojde k zapálení plamene, plamen zakryjte a nikdy k jeho hašení nepoužívejte vodu.
- Spotřebič odpojte před každým čištěním a v případě, že jej nepoužíváte.
- Podtlak v místnosti nesmí překročit 4 Pa (4 x 10 bar), zatímco digestoř pro elektrickou varnou desku a spotřebiče pracující na jiném typu energie, než je elektřina, pracují současně.
- V prostředí, kde je spotřebič používán, musí být odvětrávání zařízení běžících na topném oleji nebo plynu, jako je teplovzdušný ventilátor, naprosto izolováno nebo zařízení musí být hermetického typu.
- Při připojování kouřovodu použijte trubky o průměru 120 nebo 150 mm. Připojení trubek musí být co nejkratší a mít co nejméně záhybů.

**Riziko zadušení!** Všechny obaly uchovejte mimo dosah dětí.

**UPOZORNĚNÍ:** Přístupné součástky se mohou zahřát při použití s vařiči.

- Vývod spotřebiče nesmí být připojen ke vzduchovodům, do kterých je vyveden jiný kouř.
- Ventilace v místnosti může být nedostatečná, pokud je digestoř pro elektrickou varnou desku používána současně se zařízeními na plyn nebo jiná paliva (to neplatí pro spotřebiče, které vypouštějí vzduch zpět do místnosti).
- Předměty umístěné na spotřebiči mohou spadnout. Na spotřebič neumísťujte žádné předměty.
- Pod spotřebičem nikdy neřezáte.

**VAROVÁNÍ:** Před instalací digestoře odstraňte ochranné fólie.

- Nikdy nenechávejte obnažený plamen pod digestoří, která je zapnutá.
- Pánve na smažení je nutno během používání stále sledovat: přehřátý olej může vzplanout.

# 1 Důležité pokyny z hlediska bezpečnosti a životního prostředí

## 1.2 Shoda se směrnicí OEEZ a likvidace výrobku:

Tento výrobek splňuje požadavky směrnice EU OEEZ (2012/19/EU). Tento výrobek je označen symbolem pro třídění elektrického a elektronického odpadu (OEEZ).



Tento symbol znamená, že příslušný výrobek na konci jeho životnosti nesmí být likvidován spolu s jiným domácím odpadem. Použité zařízení musíte odnést do oficiální sběrný pro recyklaci elektrických a elektronických zařízení. obraťte se na místní úřady nebo na prodejce, u kterého jste si zařízení zakoupili, a informujte se o umístění sběrných zařízení. Každá domácnost hraje důležitou roli ve sběru a recyklaci starých zařízení.

Správná likvidace starého zařízení pomáhá předejít možným negativním následkům pro životní prostředí a lidské zdraví.

## 1.3 Dodržování směrnice RoHS

Výrobek, který jste zakoupili, splňuje požadavky směrnice EU RoHS (2011/65/EU). Neobsahuje škodlivé ani zakázané materiály specifikované ve směrnici.

## 1.4 Informace o balení

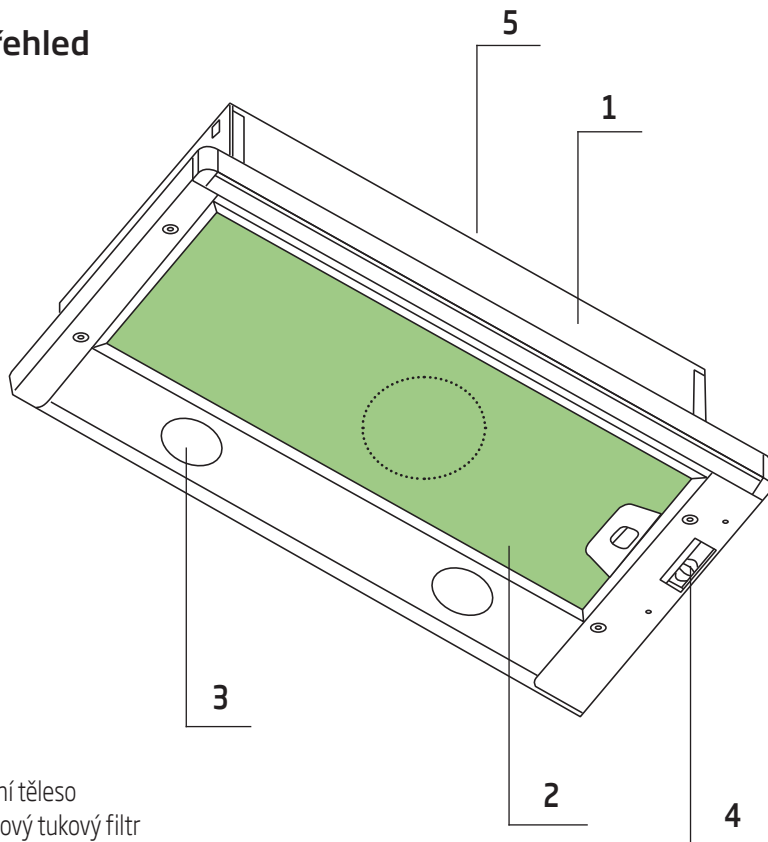


Obalové materiály produktu jsou vyrobeny z recyklovatelných materiálů v souladu s naší národní legislativou na ochranu životního prostředí. Obalové materiály nelikvidujte společně s domácím nebo jiným druhem odpadu. Odveďte je na sběrné místo obalových materiálů určené místními úřady.



## 2 Celkový vzhled

### 2.1 Přehled



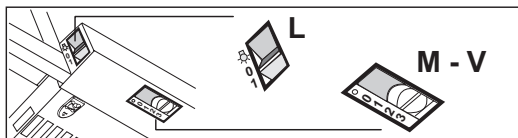
1. Vlastní těleso
2. Hliníkový tukový filtr
3. Osvětlení
4. Ovládací panel
5. Komín

### 2.2 Technické údaje

<b>Model</b>	CTB 6250 W / CTB 6250 X / CTB 6250 XH / CTB 6250 B / CTB 9250 X / CTB 9250 XH
<b>Napájecí napětí</b>	220-240V ~ 50 Hz
<b>Napájení světla (W)</b>	2x4
<b>výkon motoru (W)</b>	1 x 140
<b>Air Flow (m<sup>3</sup>/h) - 3. Úroveň</b>	420
<b>Izolační třída</b>	TŘÍDA II

## 3 Používání spotřebiče

### 3.1 Ovládací panel



L	Osvětlení	Zapíná a vypíná osvětlení.
M	Motor	Zapíná a vypíná motor nasávání.
V	Rychlost	Určuje provozní rychlost:  <ol style="list-style-type: none"><li>1. Minimální rychlost, vhodná k obzvlášť tiché nepřetržité výměně vzduchu, v případě malého množství výparů.</li><li>2. Prostřední rychlost, určená pro většinu použití, ideální poměr mezi průtokem čistěného vzduchu a hlučností.</li><li>3. Maximální rychlost, určená pro zpracování maximálního množství výparů i během dlouhého časového úseku.</li></ol>

- Odsavač par byl navržen výlučně pro použití v domácnosti, pro eliminování zápachu v kuchyni.
- Nikdy nepoužívejte odsavač par pro jiné účely, než na který byl navržen.
- Když je digestoř v provozu, nikdy nenechávejte pod digestoři vysoké plameny.
- Intenzitu plamene nastavte tak, aby směřovala pouze na spodní část pánve a ujistěte se, že nesaáh na boky.
- Fritézy s obsahem tuku se během používání nepřetržitě monitorovat: přehřátý olej může vzplanout.

## 3 Používání spotřebiče

### 3.2 VÝMĚNA LAMPY



Před výměnou žárovek odpojte napájení odsavače par.



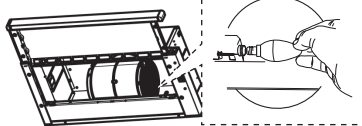
Nedotýkejte se žárovek, když jsou horké.




Dávejte pozor, abyste nahrazené žárovky nedotýkaly přímo rukama.



Lampy si můžete pořídit u autorizovaných servisních zástupců.



Žárovka	Příkon (W)	Patice	Napětí (V)	Rozměry (mm)	Kód ILCOS
	4	E14	220 – 240	107 x 37	DRBB/F-4-220-240-E14-35/100

- V tomto výrobku se používá LED žárovka
- Při výměně světla se musí použít žárovka s maximálním výkonem 4 W

## 4 Čištění a údržba

Před čištěním a údržbou odpojte spotřebič ze sítě nebo vypněte hlavní vypínač nebo uvolněte pojisťku, která napájí odsavač par.

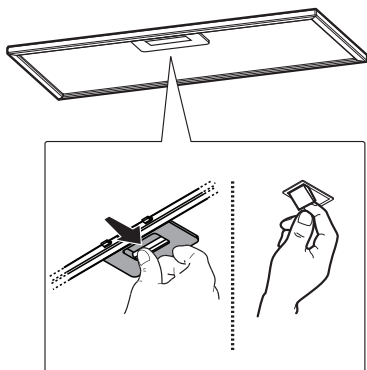


Nedodržení ustanovení týkajících se čištění zařízení a výměny filtrů může způsobit riziko požáru. Proto se doporučuje dodržovat uvedené pokyny. Výrobce neodpovídá za žádné poškození motoru nebo požáry způsobené nesprávným použitím.

Čistěte pouze pomocí hadříků navlhčeného v neutrálním tekutém čisticím prostředku. Nečistěte pomocí přístrojů nebo nástrojů. Nepoužívejte abrazivní produkty. Nepoužívejte alkohol

### 4.1 Čištění hliníkového tukového filtru

Tento filtr zachycuje ze vzduchu částice oleje. Za normálních podmínek použití doporučujeme vyčistit filtr každý měsíc. Nejdříve pro tento proces odstraňte tukový filtr. Filtry omyjte tekutým čisticím prostředkem, opláchněte je vodou a po uschnutí je znovu vložte. Hliníkové tukové filtry mohou při mytí vyblednout; je to normální a nemusíte měnit filtr.



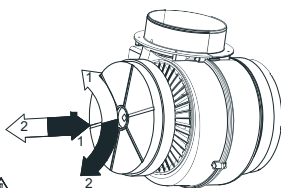
Hliníkový filtr lze mýt v myčce nádobí

### 4.2 Výměna uhlíkového filtru (režim cirkulace vzduchu)

Digestoř může být vybaven filtrem s aktivním uhlím. Uhlíkový filtr se aplikuje pouze v případě, že není odsavač připojen k větracímu kanálu.

V každém případě je nutné uhlíkový filtr vyměnit nejméně každé tři měsíce.

Při výměně uhlíkového filtru dávejte pozor na druh použité turbíny.



Symbol → Instalace filtru  
Symbol ← Demontáž filtru



**UPOZORNĚNÍ:** Uhlíkový filtr se nikdy nemyje.



**UPOZORNĚNÍ:** Uhlíkový filtr je k dispozici v Autorizovaných servisech.

## 5 Nastavení zařízení



### UPOZORNĚNÍ

Před nastavením si přečtěte bezpečnostní pokyny.



### POZNÁMKA

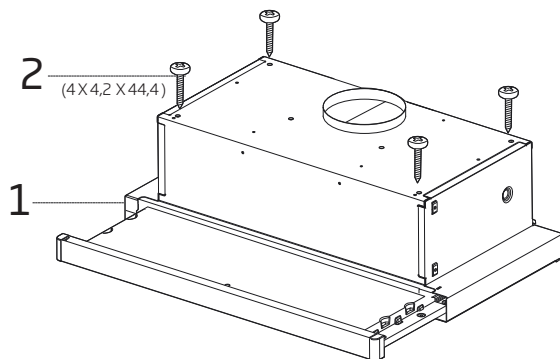
Instalační příručku najdete na **straně 255**



### UPOZORNĚNÍ

Nezastavěných šroubů nebo upevňovacího zařízení v souladu s těmito pokyny může vést k úrazu elektrickým proudem.

### 5.1 Instalační příslušenství



- 1- Digestoř
- 2- 4 x 4,2 x 44,4 šrouby
- 3- Návod na použití
- 4- 1 x Ø120/150 mm adaptér na plastový odvod



4



3

## 6 Řešení problémů

Řešení problémů	Důvod	Pomoc
Produkt nefunguje.	Zkontrolujte pojistky.	Vaše pojistka může být vybitá, zprovozněte ji.
Produkt nefunguje.	Zkontrolujte elektrické připojení.	Síťové napětí má být mezi 220-240 V.
Produkt nefunguje.	Zkontrolujte elektrické připojení.	Zkontrolujte, zda fungují ostatní výrobky v kuchyni.
Lampa osvětlení nefunguje.	Zkontrolujte elektrické připojení.	Síťové napětí má být mezi 220-240 V.
Lampa osvětlení nefunguje.	Zkontrolujte spínač lampy.	Spínač lampy musí být v poloze "zapnuto".
Lampa osvětlení nefunguje.	Zkontrolujte lampu.	Lampy produktu nesmí být vadné.
Přívod vzduchu do výrobku je slabý.	Zkontrolujte hliníkový filtr.	Hliníkový filtr na olej za obvyklého používání je třeba vyčistit alespoň jednou za měsíc.
Přívod vzduchu do výrobku je slabý.	Zkontrolujte kryt vzduchovodu.	Vzduchovod musí být v poloze "zapnuto".
Přívod vzduchu do výrobku je slabý.	Zkontrolujte uhlíkový filtr.	U výrobků s uhlíkovými filtry filtr obvykle vyměňujte každé 3 měsíce.

# Прво прочитајте ово упутство за коришћење!

Поштовани цењени купци,

Захваљујемо вам што сте одабрали овај производ компаније Веко. Надамо се да ћете на најбољи могући начин искористити свој уређај који је направљен са високим квалитетом и врхунском технологијом. Из тог разлога, прочитајте ово комплетно упутство за коришћење и све друге пратеће документе пажљиво пре коришћења производа и сачувајте их за будућу употребу. Ако овај уређај предате трећем лицу, приложите и ово упутство за коришћење. Пратите упутства обраћајући пажњу на све информације и упозорења наведена у упутству за коришћење.

Имајте на уму да је ово упутство за коришћење применљиво и за друге моделе. Разлике између модела изричито су описане у упутству.

## Значење симбола

Следећи симболи се користе у разним одељцима овог упутства за употребу:



Важне информације и корисни савети у вези са употребом.



**УПОЗОРЕЊЕ:** Упозорења на опасне ситуације које се односе на безбедност живота и имовине.



Упозорење на опасност од пожара.



Упозорење на струјни удар.



Класа заштите од струјног удара.



Овај уређај је произведен у еколошким модерним постројењима без штетног утицаја на природу.

У складу је са WEEE регулативом.



Не садржи ПЦБ.

# 1 Важна упутства у вези са безбедношћу и заштитом животне средине

## 1.1 Општа безбедност

Важна упутства у вези са безбедношћу пажљиво прочитајте и и сачувајте их за будућу употребу. Овај одељак садржи упутства у вези са безбедношћу која ће вам помоћи у заштити од опасности од пожара, струјног удара, изложености цурењу микроталасне енергије, личних повреда или оштећења имовине. Непоштовање ових упутстава поништава одобрену гаранцију.

- Веко производи су у складу са важећим безбедносним стандардима; према томе, у случају било каквих оштећења на уређају или каблу за напајање, исте треба да поправи или замени продавац, сервисни центар или стручно лице и овлашћени сервис како би се избегла било каква опасност. Неисправни или неквалификовани радови на поправци могу бити опасни и могу довести до опасности за корисника.
- Овај апарат је намењен за употребу у домаћинствима и сличним објектима као што су:
  - кухиње за запослене у

продавницама, канцеларијама и другим радним окружењима;

- куће на фармама;

- од стране клијената у хотелима и осталим стамбеним окружењима;

- објекти који нуде ноћење и доручак.

- Управљајте уређајем према предвиђеној намени само како је описано у овом упутству.
- Произвођач не може бити одговоран за штету насталу непрописном уградњом или злоупотребом производа.
- Овај уређај могу да користе деца која имају 8 и више година, особе са непотпуно развијеним телесним, чулним или менталним способностима, као и особе које немају довољно потребног искуства и знања све док су под надзором или им се дају упутства у погледу безбедне употребе уређаја и док схватају ризике који су обухваћени употребом производа.
- Деца не смеју да се играју уређајем. Чишћење и корисничко одржавање не смеју



да обављају деца без надзора.

- Минимална удаљеност између носеће површине посуда за кување на плочи за кување и најнижег дијела вашег производа мора бити најмање 65 цм.
- Ако је упутствима за уградњу плинске плоче дефинисана већа удаљеност, то се мора узети у обзир.
- Ваше мрежно напајање струјом мора бити у складу са информацијама на плочици на уређају.
- Никада не користите уређај ако је кабл за напајање или сам уређај оштећен.
- Спречите оштећење кабла за напајање тако што га нећете стискати, савијати или трљати по оштрим ивицама. Држите кабл за напајање даље од врућих површина и извора пламена.
- Уређај користите само са уземљеном утичницом.

**УПОЗОРЕЊЕ:** Не прикључујте уређај на напајање прије потпуне уградње уређаја.

- Поставите уређај на начин да

утикач буде увијек доступан.

- Не дирајте лампице ако су дуго радиле. Могу вам створити опекотине на рукама јер ће бити загријане.
- Придржавајте се прописа који су утврдили надлежни органи о испусту издувног ваздуха (ово упозорење није применљиво за употребу без димних гасова).
- Укључите уређај након што ставите лонац, таву итд. на плочу за кување. У супротном, велика топлота може проузроковати деформације у неким деловима вашег производа.
- Искључите плочу пре него што са ње склоните лонац, таву итд.
- Не остављајте вруће уље на плочи за кување. Посуде са врућим уљем могу изазвати само-сагоревање.
- Обратите пажњу на завесе и прекриваче, јер се уље може запалити док спремате храну као што је помфрит.
- Филтер за масноће треба заменити најмање једном месечно. Карбонски филтер се мора заменити најмање једном у свака 3 месеца.

# 1 Важна упутства у вези са безбедношћу и заштитом животне средине

- Производ се чисти у складу са упутством за коришћење. Ако чишћење није извршено у складу с упутствима за коришћење, може доћи до опасности од пожара.
  - Не користите материјале за филтрирање који нису отпорни на ватру уместо тренутног филтера.
  - Користите само оригиналне делове или делове које је препоручио произвођач.
  - Не користите производ без филтера и не уклањајте филтере док је производ у функцији.
  - У случају појаве пламена, искључите ваш производ и уређаје за кување са напајања електричном енергијом.
  - У случају појаве пламена, прекријте пламен и никада не користите воду за гашење.
  - Искључите уређај са напајања пре сваког чишћења и када уређај не користите.
  - Негативни притисак у околини не би требало да пређе 4 Pa (4 x 10 бара) док истовремено раде аспиратор за електричну плочу и уређаји који раде на другој врсти енергије а не на струју.
  - У окружењу у којем се користи уређај, испусни отвор уређаја који раде на лож-гориво или плин, као што су собна грејна тела, мора бити апсолутно изолован или уређај треба да буде херметичног типа.
  - При повезивању одводне цеви користите цеви пречника 120 или 150 mm. Прикључак цеви мора бити што краћи и имати што је могуће мање преламања.
- Опасност од гушења!**  
Амбалажу држите ван дохвата деце.
- ОПРЕЗ:** Приступачни делови се могу загријати када се користе са уређајима за кување.
- Излазни отвор производа не сме бити повезан са ваздушним каналима који спроводе другу врсту дима.
  - Вентилација у просторији може бити недовољна када се аспиратор за електричну плочу користи истовремено са уређајима који раде на плин или друга горива (ово можда није применљиво на уређаје који само доводе ваздух у

просторију).

- Предмети стављени на производ могу пасти. Не стављајте никакве предмете на производ.
- Не фламбирајте храну испод производа.

**УПОЗОРЕЊЕ:** Пре уградње аспиратора уклоните заштитне фолије.

- Никада не остављајте високо отворен пламен испод аспиратора док је исти у функцији
- Фритезе са дубоким уљем морају се непрестано надгледати током употребе: прегрејано уље може да плане.

## 1.2 Усаглашеност са WEEE директивом и одлагање отпада:

Овај производ је усаглашен са WEEE директивом Европске уније (2012/19/EU). Овај производ носи симбол

класификације за електрични и електронски отпад (WEEE).



Овај симбол означава да се овај производ не сме одлагати заједно с осталим отпадом из домаћинства на крају његовог радног века. Коришћени уређај мора се вратити на службено сабирно место за рециклирање електричних и електронских уређаја. Да бисте пронашли ове сабирне системе, обратите се локалним надлежним телима или продавцу где је производ купљен. Свако домаћинство има важну улогу у обнови и рециклирању старих уређаја. Одговарајуће одлагање искоришћеног уређаја помаже у спречавању потенцијалних негативних последица по животну средину и здравље људи.

## 1.3 Усклађеност са директивом RoHS

Производ који сте купили у сагласности је са RoHS директивом Европске уније (2011/65/EU). Он не садржи штетне и забрањене материјале наведене у Директиви.

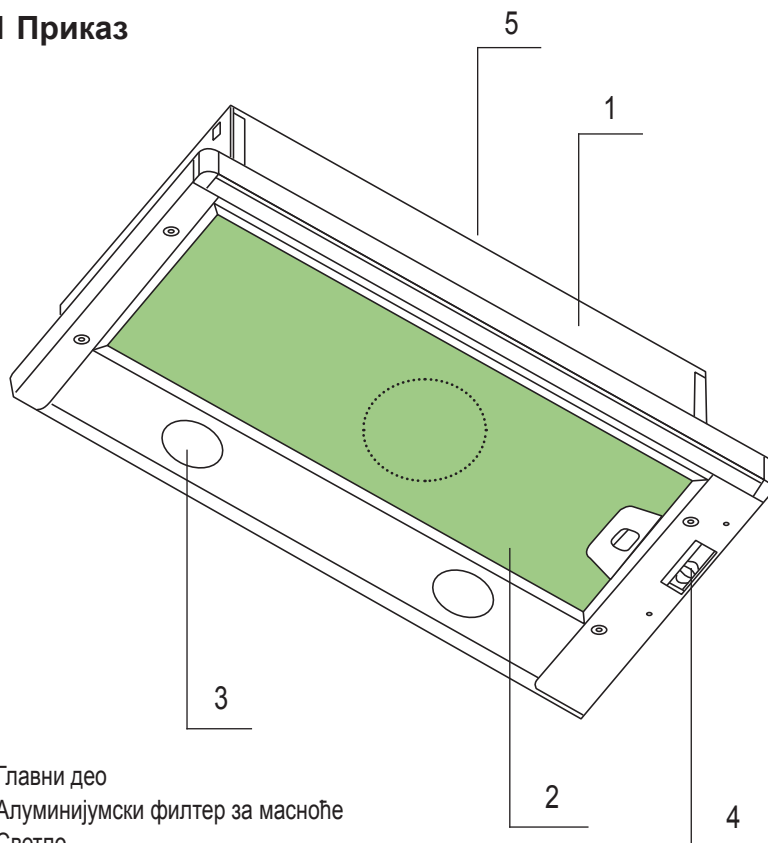
## 1.4 Информације о паковању



Амбалажни материјали овог производа су направљени од материјала који могу да се рециклирају у складу са националним прописима о заштити животне средине. Амбалажне материјале не одлагати заједно са отпадом из домаћинства или другим отпадом. Однесите их на места за прикупљање амбалажног материјала одређена од стране локалних надлежних тела.

## 2 Општи изглед

### 2.1 Приказ



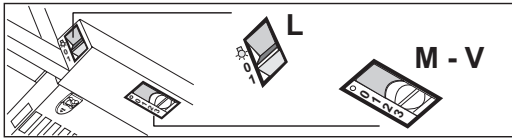
1. Главни део
2. Алуминијумски филтер за масноће
3. Светло
4. Контролна табла
5. Димњак

### 2.2 Технички подаци

Модел	СТВ 6250 W / СТВ 6250 X / СТВ 6250 XH / СТВ 6250 B / СТВ 9250 X / СТВ 9250 XH
Напон	220-240V ~ 50 Hz
Снага лампице (W)	2x4
Снага мотора (W)	1 x 140
Проток ваздуха (m³/h) – 3. Ниво	420
Класа изолације	КЛАСА II

## 3 Коришћење уређаја

### 3.1 Контролна табла



L	Осветљење	Укључује и искључује сијалице.
M	Мотор	Укључује и искључује мотор аспиратора.
V	Брзина	Подешава брзину рада аспиратора:  1 Мала брзина, користи се за непрекидан и нечујан проток ваздуха у случају мале количине кухињских испарења. 2 Средња брзина, погодна за већину радних услова, пружа оптималан однос количине ваздуха и буке. 3 Највећа брзина, користи се за уклањање највећих количина кухињских испарења, чак и у дужем периоду.

- Аспиратор је дизајниран искључиво за кућну употребу како би се уклонили кухињски мириси.
- Никада не користите аспиратор у друге сврхе осим за оне за које је дизајниран.
- Никада не остављајте високо отворен пламен испод аспиратора док је исти у функцији.
- Подесите интензитет пламена да га усмерите само на дно посуде пазећи да не захвати бочне стране.
- Фритезе са дубоким уљем морају се непрестано надгледати током употребе: прегрејано уље може да плане.

## 3 Коришћење уређаја

### 3.2 Замена лампице



Пре замене сијалица, искључите напајање аспиратора.



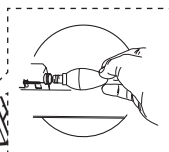
Не дирајте сијалице када су вруће.




Пазите да директно не додирнете замењену сијалицу рукама.



Лампице можете набавити од агената овлашћених сервиса.



Сијалица	Снага (W)	Грло	Напон (V)	Димензије (mm)	ILCOS ознака
	4	E14	220 – 240	107 x 37	DRBB/F-4-220-240-E14-35/100

- У овом производу се користи ЛЕД лампица типа свеће
- Приликом замене лампице мора се користити лампица од максимално 4 W

## 4 Чишћење и одржавање

Пре чишћења и одржавања, искључите уређај са напајања или искључите главни прекидач или отпустите осигурач који напаја аспиратор.

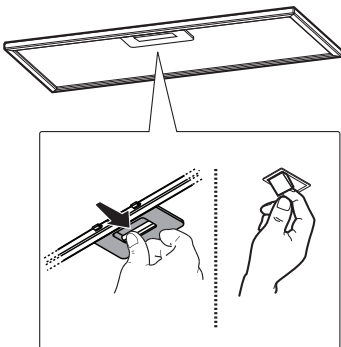


Непоштовање одредби које се односе на чишћење уређаја и замену филтера може проузроковати ризик од пожара. Због тога се препоручује да се придржавате овде наведених смерница. Произвођач не сноси одговорност ни за какву штету на мотору или пожаре изазване непрописном употребом.

Очистите само крпом навлаженом неутралним течним детерџентом. Не чистите алатима нити инструментима. Не користите абразивне производе. Не користите алкохол.

### 4.1 Чишћење алуминијумског филтера за масноће

Овај филтер сакупља честице уља у ваздуху. Препоручује се чишћење вашег филтера сваког месеца при нормалним условима коришћења. Прије овог поступка уклоните филтере за масноће. Оперите филтере течним детерџентом и исперите их водом и вратите натраг након што се осуше. Алуминијумски филтери за масноће могу променити боју током прања; ово је нормално и не морате да мењате филтер.



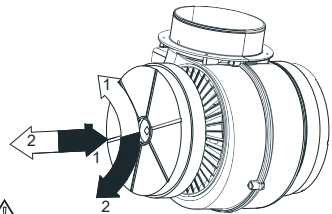
Алуминијумски филтер можете опрати у машини за прање судова

### 4.2 Промена карбонског филтера (режим циркулације ваздуха)

Аспиратор се може опремити карбонским филтером. Карбонски филтер се примењује само у случају када аспиратор није повезан са каналом за одвод ваздуха.

У сваком случају, потребно је заменити карбонски филтер најмање на свака три месеца.

Приликом замене карбонског филтера обратите пажњу на врсту коришћене турбине.



Симбол → Уградња филтера  
Симбол ← Демонтажа филтера



**УПОЗОРЕЊЕ:** Карбонски филтер се никада не пере.



**УПОЗОРЕЊЕ:** Карбонски филтер је доступан код овлашћених сервиса.



## 5 Подешавање уређаја



### УПОЗОРЕЊЕ

Пре подешавања, прочитајте сигурносна упутства.



### НАПОМЕНА

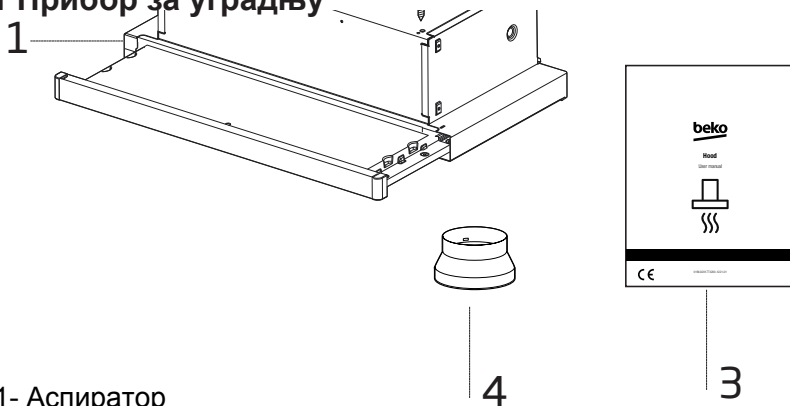
Погледајте на **страници 255** инструкције за уградњу



### УПОЗОРЕЊЕ

Ако не поставите шrafoве или уређај за причвршћивање у складу с овим упутствима, може доћи до опасности од електричне енергије.

### 5.1 Прибор за уградњу



- 1- Аспиратор
- 2-4X4,2 X 44,4 Шrafoви
- 3- Упутство за коришћење
- 4- 1 x Ø120/150 mm пластични адаптер за димовод

## 6 Решавање проблема

Решавање проблема	Разлог	Помоћ
Производ није у функцији.	Проверите осигурач.	Можда је ваш осигурач искључен, потребно је да га оспособите.
Производ није у функцији.	Проверите прикључак на напајање електричном енергијом.	Мрежни напон треба бити између 220-240 V.
Производ није у функцији.	Проверите прикључак на напајање електричном енергијом.	Проверите да ли су у функцији остали производи у вашој кухињи.
Лампица за освету не ради.	Проверите прикључак на напајање електричном енергијом.	Мрежни напон треба бити између 220-240 V.
Лампица за освету не ради.	Проверите прекидач за лампицу.	Прекидач за лампицу требало би да је у положају "укључено".
Лампица за освету не ради.	Проверите лампице.	Лампице производа не би требало да буду неисправне.
Улаз ваздуха у производ је слаб.	Провјерите алуминијски филтер.	Алуминијски филтер за масноћу треба очистити најмање једном месечно у нормалним условима.
Улаз ваздуха у производ је слаб.	Проверите одводник ваздуха.	Одводник ваздуха би требало да је у положају "укључено".
Улаз ваздуха у производ је слаб.	Проверите карбонски филтер.	За производе с карбонским филтерима, филтер обично треба променити свака 3 мјесеца.

# Najskôr si prečítajte túto používateľskú príručku!

Vážený zákazník,

Ďakujeme vám, že ste si vybrali tento spotrebič značky Beko. Dúfame, že s týmto spotrebičom, ktorý bol vyrobený vo vysokej kvalite a s najmodernejšími technológiami, dosiahnete tie najlepšie výsledky. Z tohto dôvodu si pred použitím spotrebiča pozorne prečítajte celú túto používateľskú príručku a všetky ostatné sprievodné dokumenty a uschovajte ich pre prípad potreby do budúcnosti. Ak dáte spotrebič niekomu inému, dajte mu tiež používateľskú príručku. Postupujte podľa pokynov a venujte pozornosť všetkým informáciám a varovaniam v používateľskej príručke.

Pamätajte, že sa táto používateľská príručka môže vzťahovať aj na iné modely. Rozdiely medzi modelmi budú v príručke výslovne popísané.

## Význam symbolov

V rôznych častiach tejto používateľskej príručky sú použité nasledujúce symboly:



Dôležité informácie a užitočné tipy na použitie.



**VAROVANIE:** Upozornenia na nebezpečné situácie týkajúce sa ohrozenia života a majetku.



Upozornenia na nebezpečenstvo požiaru.



Varovanie pred zásahom elektrickým prúdom.



Trieda ochrany pred zásahom elektrickým prúdom.



Tento spotrebič bol vyrobený v modernom závode šetrnom voči životnému prostrediu bez škodlivého dopadu na prírodu.

# 1 Dôležité pokyny týkajúce sa bezpečnosti a životného prostredia

## 1.1 Všeobecná bezpečnosť

Dôležité bezpečnostné pokyny: Dôkladne si ich prečítajte a uschovajte pre nahliadnutie v budúcnosti

Táto časť obsahuje bezpečnostné pokyny, ktoré pomôžu ochrániť pred zranením osôb, poškodením majetku, vznikom požiaru alebo pred zásahom elektrickým prúdom. Nedodržanie týchto pokynov zruší platnosť akejkoľvek záruky.

- Produkty Beko spĺňajú platné bezpečnostné štandardy. V prípade akéhokoľvek poškodenia spotrebiča alebo napájacieho kábla musí byť oprava alebo výmena vykonaná predajcom, servisným centrom alebo odborníkom z autorizovaného servisu, aby sa predišlo akémukoľvek nebezpečenstvu. Chybná alebo neodborná oprava môže pre užívateľa predstavovať nebezpečenstvo a riziko.
- Tento spotrebič je určený len na použitie v domácnostiach a podobných prostrediach, ako sú napríklad:
  - kuchynky pre zamestnancov v obchodoch, kanceláriách a iných pracovných prostrediach,
  - budovy na farmách,
- priestory pre klientov v hoteloch, motelloch a ďalších obytných prostrediach,
- prostredia ubytovania typu Bed and Breakfast.
- Spotrebič používajte iba na určený účel, ako je popísané v tomto návode.
- Výrobca nenesie žiadnu zodpovednosť za žiadne škody spôsobené nesprávnou alebo nevhodnou inštaláciou alebo nevhodným používaním produktu.
- Tento spotrebič môžu používať deti staršie ako 8 rokov a osoby so zníženými fyzickými, vnemovými alebo mentálnymi schopnosťami, prípadne nedostatkom skúseností a vedomostí, pokiaľ sú počas prevádzky spotrebiča pod náležitým dozorom alebo sú im dané inštrukcie o bezpečnom používaní spotrebiča a sú si vedomí sprievodných rizík.
- Deťom nesmie byť dovolené hrať sa so spotrebičom. Deti bez dozoru nesmú vykonávať čistenie ani používateľskú údržbu.
- Minimálna vzdialenosť medzi varnými plochami sporáka a najnižšou časťou odsávača musí byť najmenej 65 cm.

# 1 Dôležité pokyny týkajúce sa bezpečnosti a životného prostredia

- Ak sa v pokynoch pre plynový sporák uvádza väčšia vzdialenosť, musíte ju zohľadniť.
- Skontrolujte, či vaše napájanie zodpovedá informáciám uvedeným na štítku spotrebiča.
- Nikdy nepoužívajte spotrebič, ak je napájací kábel alebo samotný spotrebič poškodený.
- Zabráňte poškodeniu napájacieho kábla tým, že zabránite jeho pritlačeniu, ohýbaniu alebo odieraniu sa o ostré hrany. Napájací kábel udržiavajte mimo horúcich povrchov a otvoreného ohňa.
- Spotrebič zapájajte iba do uzemnenej zásuvky.  
**VAROVANIE:** Spotrebič nepripájajte k elektrickej sieti, kým úplne nedokončíte inštaláciu.
- Spotrebič umiestnite tak, aby bola zástrčka vždy prístupná.
- Nedotýkajte sa lúčov, ak boli v prevádzke po dlhý čas. Keďže sú horúce, mohli by ste si popáliť ruky.
- Dodržiavajte predpisy vydané kompetentnými úradmi týkajúce sa vypúšťania odsávaného vzduchu (toto neplatí pre použitie bez dymovodu).
- Váš spotrebič spustite len vtedy, ak je na varnej doske hrniec, panvica atď. V opačnom prípade môže teplo spôsobiť deformáciu niektorých častí vášho spotrebiča.
- Varnú dosku vypnite pred tým, ako z nej zložíte hrniec, panvicu a pod.
- Na varnej doske nenechávajte horúci olej. Panvice s horúcim olejom môžu zapríčiniť samovznietenie.
- Dávajte pozor na závesy a prikrývky, keďže by olej pri tepelnej úprave mohol vzbĺknúť, napr. pri smažení.
- Filter mastnoty sa musí vymieňať aspoň raz mesačne. Uhlíkový filter sa musí vymieňať aspoň každé 3 mesiace.
- Spotrebič musí byť čistený v súlade s používateľskou príručkou. Ak čistenie nebolo vykonané v súlade s používateľskou príručkou, môže hroziť nebezpečenstvo požiaru.
- Súčasné filtre nenahrádzajte materiálmi, ktoré nie sú ohňovzdorné.
- Používajte len originálne časti odporúčané výrobcom.
- Spotrebič nespúšťajte bez filtra a filtre nevyberajte počas pre-

# 1 Dôležité pokyny týkajúce sa bezpečnosti a životného prostredia

vádzky spotrebiča.

- V prípade, ak sa na spotrebiči objavia plamene, odpojte spotrebič aj zariadenia určené na varenie od elektrickej siete.
- V prípade vzniku ohňa zakryte plamene a nikdy nepoužívajte vodné hasiace prístroje.
- Spotrebič odpojte pred každým čistením a v prípade, že ho nepoužívate.
- Negatívny tlak prostredia by nemal presiahnuť 4 Pa (4 x 10 bar), pokiaľ je digestor pre elektrickú varnú dosku v prevádzke súčasne so spotrebičmi fungujúcimi na inom type energie.
- V prostredí, kde je tento spotrebič používaný, musia byť výfuky zariadení fungujúcich na palivách, ako je olej alebo plyn, napr. izbové vykurovacie telesá, úplne oddelené alebo tieto zariadenia musia byť hermetického typu.
- Pri montáži dymovodu použite potrubie s priemerom 120 mm alebo 150 mm. Pripojenie cez potrubie musí byť čo najkratšie a mať čo najmenej kolien.

## **Nebezpečenstvo udusení!**

Všetky obaly uchovajte mimo do-

sahu detí.

**VÝSTRAHA:** Prístupné časti sa počas súčasného používania so spotrebičmi na varenie môžu zahriať.

- Výfuk spotrebiča nesmie byť napojený na vzduchové potrubia, ktoré obsahujú iný dym.
  - Vetrание miestnosti môže byť nedostatočné, ak sa digestor pre elektrické varné dosky používa súčasne so zariadeniami využívajúcimi plyn alebo iné palivá (toto sa nevzťahuje na zariadenia, ktoré vypúšťajú vzduch späť do tej istej miestnosti).
  - Predmety položené na spotrebič môžu spadnúť. Na spotrebič nekladte žiadne predmety.
  - Pod spotrebičom neflambujte.
- VAROVANIE:** Pred inštaláciou digestora odstráňte ochranné fólie.
- Počas prevádzky pod digestorom nikdy nenechávajte vysoké priame plamene.
  - Fritézy sa musia počas používania nepretržite monitorovať: prehriaty olej môže vzplanúť.

# 1 Dôležité pokyny týkajúce sa bezpečnosti a životného prostredia

## 1.2 Súlad so smernicou o OEEZ a likvidácia vyradeného produktu:

Tento výrobok je v súlade so smernicou o OEEZ. (2012/19/EU). Tento výrobok je označený klasifikačným symbolom pre odpad z elektrických a elektronických zariadení (OEEZ).



Tento symbol znamená to, že tento výrobok sa na konci jeho životnosti nesmie likvidovať spolu s iným

domácim odpadom. Použité spotrebiče sa musia odovzdať na oficiálnych zberných miestach na recykláciu elektrických a elektronických zariadení. Obráťte sa na miestne úrady alebo na predajcu, u ktorého ste si výrobok zakúpili, a informujte sa o umiestnení zberných zariadení. Každá domácnosť zohráva dôležitú úlohu v obnove a recyklácii starých spotrebičov.

Správna likvidácia starého spotrebiča pomáha predísť možným negatívnym následkom pre životné prostredie a ľudské zdravie.

## 1.3 Súlad so smernicou RoHS

Výrobok, ktorý ste si zakúpili, vyhovuje smernici EÚ RoHS (2011/65/EÚ). Neobsahuje škodlivé ani zakázané materiály špecifikované v tejto smernici.

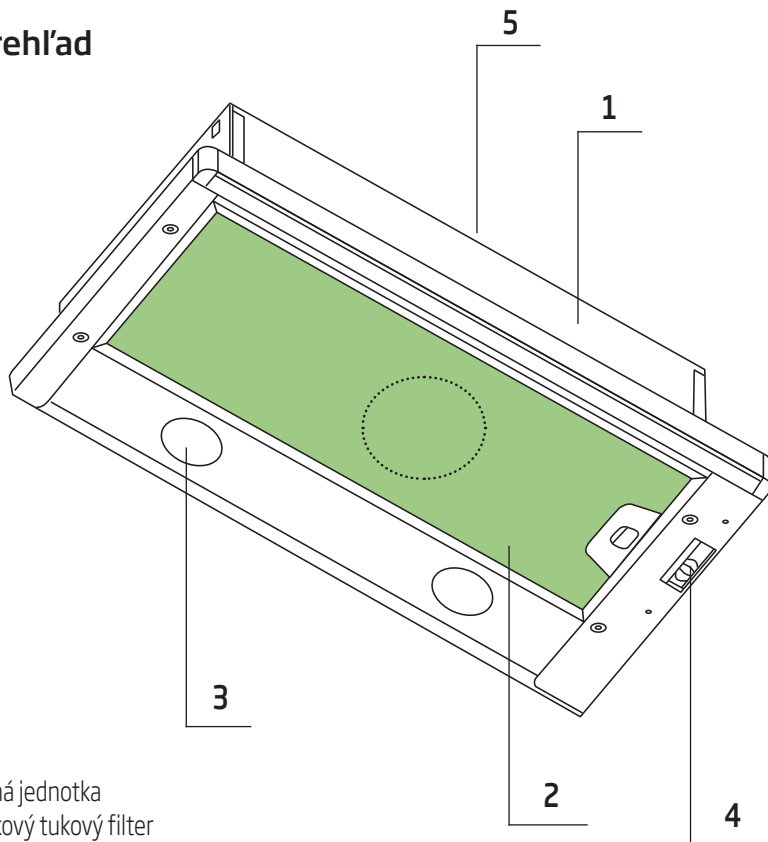
## 1.4 Informácie o balení



Obalové materiály tohto výrobku sú vyrobené z recyklovateľných materiálov v súlade s našimi Národnými environmentálnymi predpismi. Baliaci materiál nelikvidujte spolu s domovým odpadom alebo inými druhmi odpadu. Odneste ich na zberné miesto baliaceho materiálu, určené miestnymi úradmi.

## 2 Všeobecný vzhl'ad

### 2.1 Prehl'ad



1. Hlavná jednotka
2. Hliníkový tukový filter
3. Osvetlenie
4. Ovládací panel
5. Komín

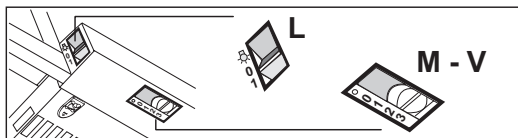
### 2.2 Technické údaje

<b>Model</b>	CTB 6250 W / CTB 6250 X / CTB 6250 XH / CTB 6250 B / CTB 9250 X / CTB 9250 XH
<b>Napájacie napätie</b>	220-240V ~ 50 Hz
<b>Napájanie svetla (W)</b>	2x4
<b>Výkon motora (W)</b>	1 x 140
<b>Prietok vzduchu (m<sup>3</sup>/h) - 3. Úroveň</b>	420
<b>Izolačná trieda</b>	II TRIEDA



## 3 Používanie spotrebiča

### 3.1 Ovládací panel



L	Osvetlenie	Zapína a vypína zariadenie osvetlenia.
M	Motor	Zapína a vypína motor nasávania.
V	Rýchlosť	Určuje pracovnú rýchlosť:  <ol style="list-style-type: none"><li>1. Minimálna rýchlosť, vhodná na nepretržitú výmenu vzduchu, chod je mimoriadne tichý, vhodná, ak sa pri varení tvorí málo pár.</li><li>2. Stredná rýchlosť, vhodná pre väčšinu pracovných podmienok vzhľadom na optimálny pomer prietoku ošetrovaného vzduchu a hladinu hlučnosti.</li><li>3. Maximálna rýchlosť, vhodná pri podmienkach maximálnej tvorby pár pri varení, aj dlhodobo.</li></ol>

- Odsávač pár bol navrhnutý výlučne na použitie v domácnosti, pre eliminovanie zápachu v kuchyni.
- Nikdy nepoužívajte odsávač pár na iné účely, ako na ktorý bol navrhnutý.
- Keď je digestor v prevádzke, nikdy nenechávajte pod digestorom vysoké plamene.
- Intenzitu plameňa nastavte tak, aby smerovala iba na spodnú časť panvice a uistite sa, že nesiahá na boky.
- Fritézy s obsahom tuku sa musia počas používania nepretržite monitorovať: prehriaty olej môže vzplanúť.

## 3 Používanie spotrebiča

### 3.2 Výmena lampy



Pred výmenou žiaroviek odpojte napájanie odsávača pár.



Nedotýkajte sa žiaroviek, keď sú horúce.




Dávajte pozor, aby ste sa vymenenej žiarovky nedotýkali priamo rukami.



Lampy si môžete zaobstarať u autorizovaných servisných zástupcov.



Žiarovka	Príkonnosť (W)	Prípojka	Napätie (V)	Rozmer (mm)	Kód ILCOS
	4	E14	220 – 240	107 x 37	DRBB/F-4-220-240-E14-35/100

- V tomto výrobku sa používa LED žiarovka
- Pri výmene svetla sa musí použiť žiarovka s maximálnym výkonom 4 W

## 4 Čistenie a údržba

Pred čistením a údržbou odpojte spotrebič zo siete alebo vypnite hlavný vypínač alebo uvoľnite poistku, ktorá napája odsávač pár.

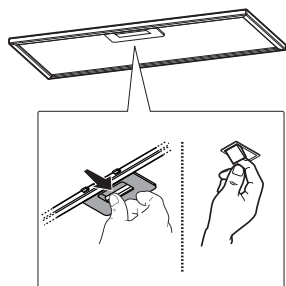


Nedodržanie ustanovení týkajúcich sa čistenia zariadenia a výmeny filtrov môže spôsobiť riziko požiaru. Preto sa odporúča dodržiavať uvedené pokyny. Výrobca nezodpovedá za žiadne poškodenie motora alebo požiare spôsobené nesprávnym použitím.

Čistite iba pomocou handričky navlhčenej v neutrálnom tekutom čistiacom prostriedku. Nečistite pomocou prístrojov alebo nástrojov. Nepoužívajte abrazívne prostriedky. Nepoužívajte alkohol

### 4.1 Čistenie hliníkového tukového filtra

Tento filter zachytáva zo vzduchu častice oleja. Za normálnych podmienok používania vám odporúčame vyčistiť filter každý mesiac. Najskôr pre tento proces odstráňte tukový filter. Filtre umyte tekutým čistiacim prostriedkom, opláchnite ich vodou a po uschnutí ich znovu vložte. Hliníkové tukové filtre môžu pri umývaní vyblednúť; je to normálne a nemusíte meniť filter.

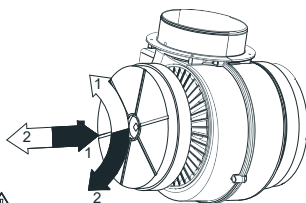


Hliníkový filter môžete umývať v umývačke riadu

### 4.2 Výmena uhlíkového filtra (režim cirkulácie vzduchu)

Digestor môže byť vybavený filtrom s aktívnym uhlím. Uhlíkový filter sa aplikuje iba v prípade, ak nie je odsávač pár pripojený k vetraciemu kanálu. V každom prípade je nutné uhlíkový filter vymeniť najmenej každé tri mesiace.

Pri výmene uhlíkového filtra dávajte pozor na druh použitej turbíny.



Symbol → Inštalácia filtra  
Symbol ← Demontáž filtra



**POZOR:** Uhlíkový filter sa nikdy neumýva.



**POZOR:** Uhlíkový filter je k dispozícii v Autorizovaných servisoch.

## 5 Nastavenie zariadenia



### UPOZORNENIE

Pred nastavením si prečítajte bezpečnostné pokyny.



### UPOZORNENIE

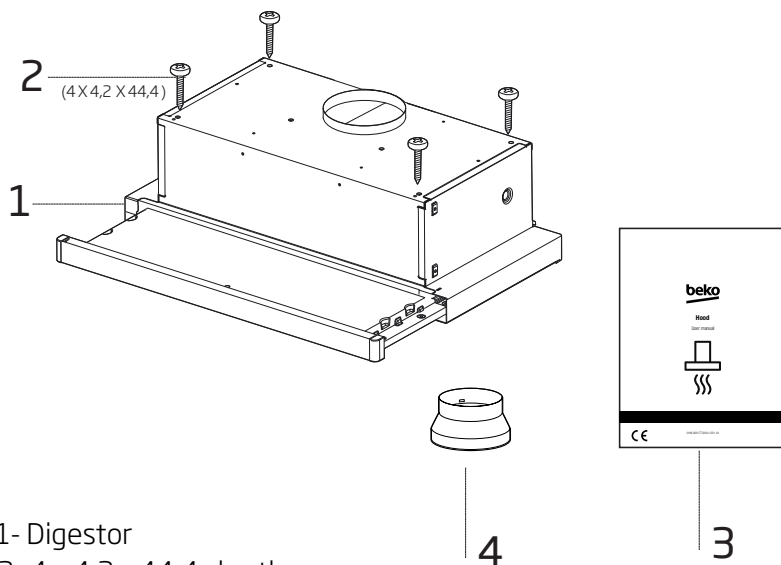
Neinštalovanie skrutiek alebo upevňovacieho zariadenia v súlade s týmito pokynmi môže viesť k úrazu elektrickým prúdom.



### POZNÁMKA

Inštalačnú príručku nájdete na **strane 255**

### 5.1 Inštalačné príslušenstvo



- 1- Digestor
- 2- 4 x 4,2 x 44,4 skrutky
- 3- Návod na použitie
- 4- 1 x Ø120/150 mm plastový adaptér pre vetrací kanál

## 6 Riešenie problémov

Riešenie problému	Dôvod	Pomoc
Produkt nefunguje.	Skontrolujte poistky.	Vaša poistka môže byť vybitá, sfunkčnite ju.
Produkt nefunguje.	Skontrolujte elektrické pripojenie.	Sieťové napätie má byť medzi 220-240 V.
Produkt nefunguje.	Skontrolujte elektrické pripojenie.	Skontrolujte, či fungujú ostatné výrobky v kuchyni.
Lampa osvetlenia nefunguje.	Skontrolujte elektrické pripojenie.	Sieťové napätie má byť medzi 220-240 V.
Lampa osvetlenia nefunguje.	Skontrolujte spínač lampy.	Spínač lampy musí byť v polohe "zapnuté".
Lampa osvetlenia nefunguje.	Skontrolujte lampu.	Lampy produktu nesmú byť chybné.
Prívod vzduchu do výrobku je slabý.	Skontrolujte hliníkový filter.	Hliníkový filter na olej za obvyklého používania je potrebné vyčistiť aspoň raz za mesiac.
Prívod vzduchu do výrobku je slabý.	Skontrolujte kryt vzduchovodu.	Vzduchovod musí byť v polohe "zapnuté".
Prívod vzduchu do výrobku je slabý.	Skontrolujte uhlíkový filter.	Pri výrobkoch s uhlíkovými filtermi filter obvykle vymieňajte každé 3 mesiace.

# Najprej preberite priročnik za uporabo!

Spoštovana stranka,

Zahvaljujemo se vam, da ste se odločili za nakup izdelka Beko. Upamo, da boste dosegli najboljše rezultate vašega aparata, ki je bil izdelan z visoko kakovostjo in najsodobnejšo tehnologijo. Zaradi tega pred uporabo naprave natančno preberite celoten uporabniški priročnik in vse druge priložene dokumente in jih shranite kot referenco za nadaljnjo uporabo. Če napravo predate komu drugemu, mu predajte še uporabniški priročnik. Upoštevajte navodila ter vse informacije in opozorila v uporabniškem priročniku.

Ne pozabite, da lahko ta uporabniški priročnik velja tudi za druge modele. Razlike med posameznimi modeli so natančno navedene v priročniku.

## Pomen Simbolov

Naslednji simboli so uporabljeni v različnih razdelkih tega uporabniškega priročnika:



Pomembne informacije in koristni nasveti za uporabo.



**OPOZORILO:** Opozorila pred nevarnimi situacijami, ki zadevajo varnost življenja in premoženja.



Opozorilo za nevarnost požara



Opozorilo za električni udar.



Varnostni razred za zaščito pred električnim udarom.



Ta naprava je bila izdelana v okolju prijaznih in sodobnih proizvodnih obratih, brez povzročanja kakršne koli škode naravi.

Je v skladu z Direktivo o odpadni električni in elektronski opremi (WEEE).



Ne vsebuje PCB.

# 1 Pomembna navodila za varnost in okolje

## 1.1 Splošna varnost

Pomembna varnostna navodila  
Pozorno preberite in hranite za referenco v prihodnje. Ta razdelek vsebuje varnostna navodila, ki vam bodo pomagala zaščititi pred nevarnostjo požara, električnega udara, izpostavljenosti mikrovalovne energije, osebnih poškodb ali materialne škode. Neupoštevanje teh navodil lahko razveljavi kakršno koli garancijo.

- Beko izdelki ustrezajo veljavnim varnostnim standardom; v primeru kakršnih koli poškodb na napravi ali napajalnem kablu, jih mora popraviti ali zamenjati prodajalec, servisni center ali specialist in pooblaščen servis, da se izognete kakršni koli nevarnosti. Neustrezna ali nekvalificirana popravila so lahko nevarna in povzročijo tveganje za uporabnika.
- Ta aparat je namenjen za uporabo v gospodinjstvih in podobnih aplikacijah, kot so:
  - Kuhinjske površine osebja v trgovinah, pisarnah in drugih delovnih okoljih;
  - Kmečke hiše
  - Stranke v hotelih in drugih stanovanjskih okoljih;
  - Garni hoteli.

- Napravo uporabljajte samo za predvideni namen, kot je opisano v tem priročniku.
- Proizvajalec ne more biti odgovoren za škodo, nastalo zaradi nepravilne namestitve ali zlorabe izdelka.
- Otroci od 8. leta starosti ter osebe z zmanjšanimi telesnimi, zaznavnimi ali duševnimi sposobnostmi ali s pomanjkanjem izkušenj in znanja lahko napravo uporabljajo le, če so pod nadzorom ali pa so prejele ustrezna navodila glede varne uporabe naprave in razumejo nevarnosti, ki so povezane z njeno uporabo.
- Otroci se ne smejo igrati z napravo. Čiščenje in vzdrževanje uporabnikov ne smejo izvajati otroci brez nadzora.
- Najmanjša razdalja med podporno površino kuhalnih plošč na kuhalni plošči in najnižjim delom izdelka mora biti najmanj 65 cm.
- Če navodila za vgradnjo plinske kuhalne plošče določajo večjo razdaljo, je to treba upoštevati.
- Prepričajte se, da vaše napajalno omrežje ustreza podatkom, navedenim na tipski plošči naprave.
- Naprave nikoli ne uporabljajte,

# 1 Pomembna navodila za varnost in okolje

če sta električni kabel ali naprava poškodovana.

- Preprečite poškodbe napajalnega kabla, tako da ga ne stisnete, upognete ali drgnete po ostrih robovih. Električni kabel hranite stran od vročih površin in odprtega ognja.
- Napravo uporabljajte samo z oze-mljeno vtičnico.

**OPOZORILO:** Naprave ne priključujte na električno omrežje, dokler namestitvev ni popolnoma končana.

- Napravo namestite tako, da je vtič vedno dostopen.
- Ne dotikajte se svetilk, če so že dolgo obratovale. Lahko vam opečejo roke, saj bodo vroče.
- Upoštevajte predpise, ki jih določijo pristojni organi o odvajanju izpušnega zraka (to opozorilo ne velja za uporabo brez ventilacijske cevi).
- Upravljajte z napravo, potem ko na kuhalno ploščo postavite lonec, ponev itd., V nasprotnem primeru lahko visoka toplota povzroči deformacijo v nekaterih delih izdelka.
- Preden vzamete lonec, ponev itd., izklopite kuhalno ploščo.
- Na kuhalni plošči ne puščajte vro-

čega olja. Ponev z vročim oljem lahko povzroči samo zgorevanje.

- Bodite pozorni na zavese in prevleke, saj se lahko olje med kuhanjem hrane, kot je krompirček, vname.
- Mastni filter morate zamenjati vsaj mesečno. Ogljikov filter je treba zamenjati vsaj vsake 3 mesece.
- Izdelek je treba očistiti v skladu z navodili za uporabo. Če čiščenje ni bilo izvedeno v skladu z navodili za uporabo, lahko pride do nevarnosti požara.
- Namesto trenutnega filtra ne uporabljajte filtrov, ki niso odporni na ogenj.
- Uporabljajte samo originalne dele ali dele, ki jih priporoča proizvajalec.
- Izdelka ne uporabljajte brez filtra in ne odstranjajte filtrov med delovanjem izdelka.
- V primeru, da se začne plamen, izklopite napajanje izdelka in kuhalne naprave.
- Če se začne plamen, ga pokrijte in nikoli ne uporabljajte vode za gašenje.
- Napravo izklopite pred vsakim čiščenjem in ko je ne uporabljate.



# 1 Pomembna navodila za varnost in okolje

- Negativni tlak v okolju ne sme presegati 4 Pa (4 x 10 barov), medtem ko napa za električno kuhalno ploščo in naprave deluje na drugi vrsti energije, vendar elektrika deluje hkrati.
- V okolju, kjer uporabljate aparat, mora biti izpuh naprav, ki delujejo na kurilno olje ali plin, na primer grelec za prostore, popolnoma izoliran ali naprava mora biti hermetičnega tipa.
- Pri priključitvi ventilacijske cevi uporabljajte cevi s premerom 120 ali 150 mm. Cevni priključek mora biti čim krajši in imeti čim manj kolmocev.
  - **Nevarnost zadušitve!** Embalažni material hranite izven dosega otrok.
- **POZOR:** Pri uporabi s kuharskimi napravami lahko dostopni deli postanejo vroči.
- Izhodna cev izdelka ne sme biti povezana z zračnimi kanali, ki vključujejo drug dim.
- Prezračevanje v prostoru morda ni zadostno, če se napa za električno kuhalno ploščo uporablja hkrati z napravami, ki delujejo na plin ali druga goriva (to ne velja za naprave, ki v prostor odvajajo samo zrak).
- Predmeti, postavljeni na izdelek, lahko padejo. Na izdelek ne postavljajte nobenih predmetov.
- Ne vžigajte pod svojim izdelkom.
  - **OPOZORILO:** Pred namestitvijo Nape odstranite zaščitne folije.
- Nikoli ne puščajte visoko odprtega ognja pod napo, ko deluje
- Friteze z globoko vsebnostjo maščobe je treba med uporabo nenehno nadzorovati: pregreto olje lahko vname plamen.

# 1 Pomembna navodila za varnost in okolje

## 1.2 Skladnost z direktivo o OEEO in odstranjevanje odpadkov:

Izdelek je v skladu z Direktivo EU OEEO (2012/19/EU). Ta izdelek ima klasifikacijski simbol za odpadno električno in elektronsko opremo (OEEO).



Ta simbol pomeni, da tega izdelka ob koncu življenjske dobe ne smete odlagati skupaj z drugimi gospodinj-skimi odpadki. Rabljeno napravo je treba vrniti v uradno zbirno mesto za recikliranje električnih in elektronskih naprav. Če želite najti te sisteme zbiranja, se obrnite na lokalne organe ali prodajalca, kjer je bil izdelek kupljen. Vsako gospodinjstvo ima pomembno vlogo pri predelavi in recikliranju starega aparata. Ustrezno odlaganje uporabljene naprave pomaga pri varstvu pred morebitnimi negativnimi vplivi na okoljevarstvo in zdravje človeka.

## 1.3 Skladnost z direktivo RoHS

Izdelek, ki ste ga kupili, je skladen z direktivo EU RoHS (2011/65/EU). Ne vsebuje škodljivih in prepovedanih materialov, določenih v Direktivi.

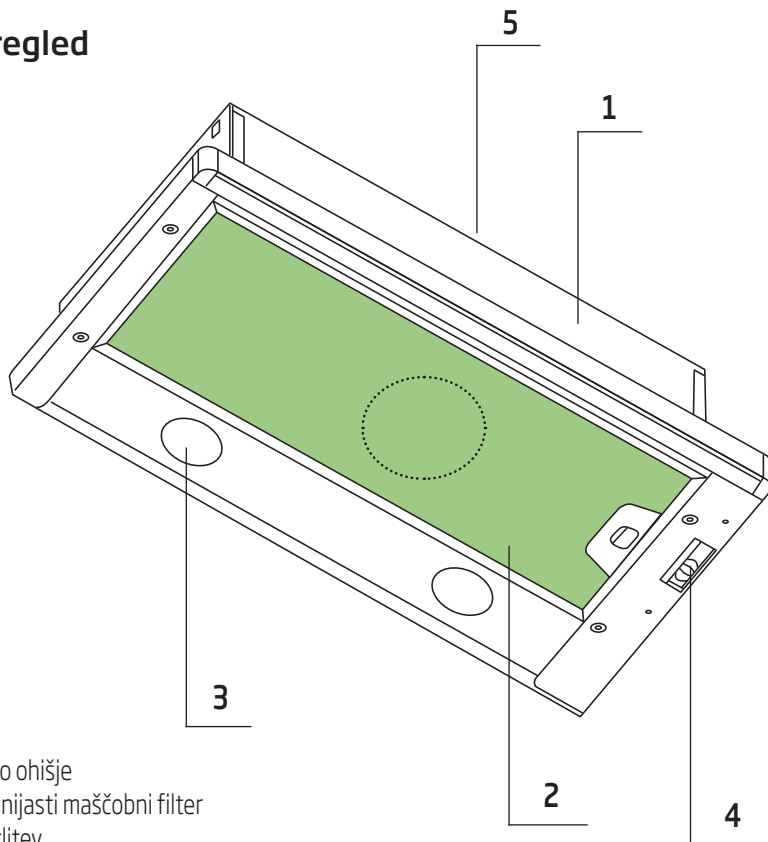
## 1.4 Podatki o embalaži



Embalažni materiali izdelka so izdelani iz materialov, ki jih je mogoče reciklirati, v skladu z našimi Nacionalnimi predpisi o okolju. Embalažnega materiala ne odložite skupaj z gospodinj-skimi ali drugimi odpadki. Odnosite ga na zbirna mesta za embalažni material, ki so jih določile lokalne oblasti.

## 2 Splošen videz

### 2.1 Pregled



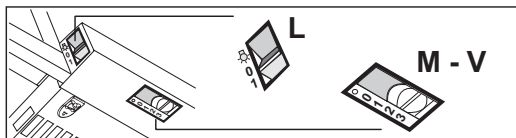
1. Glavno ohišje
2. Aluminijasti maščobni filter
3. Osvetlitev
4. Upravljalna plošča
5. Odvodni kanal

### 2.2 Tehnični podatki

<b>Model</b>	CTB 6250 W / CTB 6250 X / CTB 6250 XH / CTB 6250 B / CTB 9250 X / CTB 9250 XH
<b>Napajalna napetost</b>	240-220V ~ 50 Hz
<b>Moč žarnice (W)</b>	2x4
<b>Moč motorja (W)</b>	1 x 140
<b>Pretok zraka (m<sup>3</sup>/h) - 3. stopnja</b>	420
<b>Izolacijski razred</b>	RAZRED II

## 3 Uporaba aparata

### 3.1 Upravljalna plošča



L	Osvetlitev	Prižge in ugasne napravo za osvetlitev.
M	Motor	Prižge in ugasne motor za izsesavanje.
V	Hitrost	Določi hitrost delovanja: 1. Minimalna hitrost, ki je primerna za neprestano izmenjavanje zraka pri prisotnosti manjših količin kuhinjske pare; tiho delovanje. 2. Maksimalna hitrost, ki je primerna za obvladovanje največjih emisij kuhinjske pare; primerna tudi za daljše delovanje.

- Odsesovalna napa je zasnovana izključno za domačo uporabo za odstranjevanje kuhinjskih vonjav.
- Nape ne uporabljajte v namene, za katere ni zasnovana.
- Ko napa deluje, pod njo ne sme biti visokega odprtega plamena.
- Prilagodite moč plamena tako, da je usmerjen samo na spodnjo stran posode in da ne sega navzgor po bočnih straneh.
- Friteze je treba med delovanjem neprekinjeno nadzorovati: pregreto olje se lahko vname.

## 3 Uporaba aparata

### 3.2 Zamenjava žarnice



Pred zamenjavo žarnic odklopite napajanje nape.



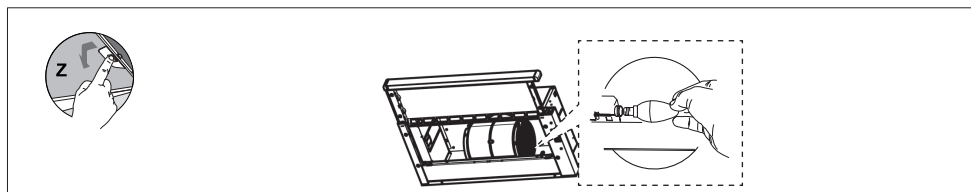
Ne dotikajte se žarnic, ko so vro e.




Zamenjane žarnice se ne dotikajte neposredno z rokami.



Žarnice so na voljo pri pooblaš enih serviserjih.



Svetilka	Absorpcija (W)	Vtičnica	Napetost (V)	Mere (mm)	Koda ILCOS
	4	E14	220 – 240	107 x 37	DRBB/F-4-220-240-E14-35/100

- V tem aparatu se uporablja LED-žarnica v obliki sveče.
- Moč nadomestne žarnice lahko znaša največ 4 W.

## 4 Čiščenje in vzdrževanje

Pred čiščenjem in vzdrževanjem odklopite aparat, izklopite glavno stikalo ali izklopite varovalko, ki napaja napo.

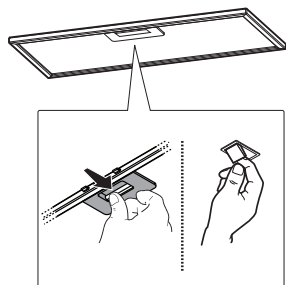


Če ne upoštevate navodil v zvezi s čiščenjem aparata in zamenjavo filtrov, lahko pride do nevarnosti požara. Priporočamo, da zato upoštevate smernice, navedene v tem priložniku. Proizvajalec ne odgovarja za nikakršne poškodbe motorja ali požare, ki nastanejo zaradi nepravilne uporabe.

Za čiščenje uporabljajte samo krpo, navlaženo z nevtralnimi tekočimi detergenti. Za čiščenje ne uporabljajte orodja ali pripomočkov. Ne uporabljajte abrazivnih sredstev. Ne uporabljajte alkohola.

### 4.1 Čiščenje aluminijastega maščobnega filtra

Ta filter prestreza maščobne delce v zraku. Priporočamo, da pri običajni uporabi očistite filter enkrat na mesec. Pri tem postopku najprej odstranite maščobne filtre. Operite filtre s tekočimi detergenti in jih izperite z vodo. Ko se posušijo, jih namestite nazaj. Aluminijasti maščobni filtri se lahko pri pranju razbarvajo. To je običajen pojav in takšnega filtra ni treba zamenjati.



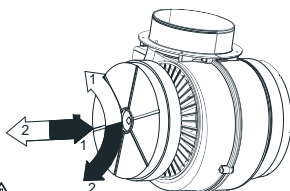
Aluminijasti filter lahko perete v pomivalnem stroju.

### 4.2 Zamenjava ogljenega filtra (način kroženja zraka)

Napo je mogoče opremiti s filtrom z aktivnim ogljem. Ogljeni filter se namesti samo, če napa ni priključena na odvodni kanal.

V vsakem primeru je treba ogljeni filter zamenjati vsaj vsake tri mesece.

Pri zamenjavi ogljenega filtra bodite pozorni na vrsto uporabljene turbine.



Simbol → Namestitev filtra  
Simbol ← Odstranitev filtra



**OPOZORILO:** Ogljenega filtra nikoli ne perite.



**OPOZORILO:** Ogljeni filter je na voljo pri pooblaščenih servisierjih.

## 5 Namestitev aparata



### OPOZORILO

Pred namestitvijo preberite varnostna navodila.



### OPOZORILO

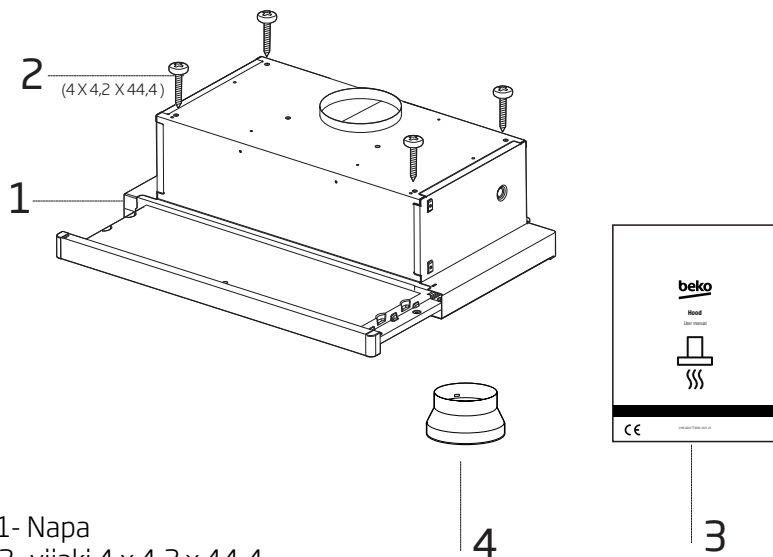
Če ne namestite vijakov ali pritrdite aparata v skladu s temi navodili, lahko pride do električnih nevarnosti.



### OPOMBA

Navodila za namestitev so navedena na **strani 255**

### 5.1 Dodatki za namestitev



1- Napa

2- vijaki 4 x 4,2 x 44,4

3- Uporabniški Priročnik

4- Plastični vmesnik za cev za dimni plin  
1 x Ø120/150 mm

## 6 Odpravljanje težav

Odpravljanje težav	Vzrok	Pomoč
Izdelek ne deluje.	Preverite varovalko.	Varovalka je morda pregorela, zamenjajte jo.
Izdelek ne deluje.	Preverite električno povezavo.	Omrežna napetost mora znašati od 220 do 240 V.
Izdelek ne deluje.	Preverite električno povezavo.	Preverite, ali delujejo drugi aparati v kuhinji.
Osvetlitev ne deluje.	Preverite električno povezavo.	Omrežna napetost mora znašati od 220 do 240 V.
Osvetlitev ne deluje.	Preverite stikalo lučke.	Stikalo lučke mora biti v položaju "vklop".
Osvetlitev ne deluje.	Preverite lučke.	Lučke aparata ne smejo biti okvarjene.
Aparat ne vsesava dovolj zraka.	Preverite aluminijasti filter.	V običajnih razmerah je treba aluminijasti maščobni filter očistiti vsaj enkrat na mesec.
Aparat ne vsesava dovolj zraka.	Preverite prezračevalni kanal.	Prezračevalni kanal mora biti v položaju "vklop".
Aparat ne vsesava dovolj zraka.	Preverite ogljeni filter.	Običajno je treba ogljeni filter v aparatih, ki so opremljeni z njim, zamenjati vsake 3 mesece.



# Läs den här bruksanvisningen först!

Kära kund,

Tack för att du valt denna Beko-produkt. Vi hoppas att du får det bästa resultatet från din apparat som har tillverkats med hög kvalitet och den senaste tekniken i världsklass. Läs därför hela bruksanvisningen och alla andra medföljande dokument noga innan du använder apparaten och förvara dem som referens för framtida bruk. Om du överlämnar apparaten till någon annan, ge även instruktionsboken. Följ instruktionerna genom att uppmärksamma all information och varningar i bruksanvisningen.

Kom ihåg att denna bruksanvisning även kan gälla för flera andra modeller. Skillnader mellan modellerna är tydligt angivna i bruksanvisningen.

## Symbolernas betydelse

Följande symboler används i de olika delarna av bruksanvisningen:



Viktig information och användbara tips om användning.



**WARNING:** Varningar för farliga situationer som rör säkerheten för liv och egendom.



Varning för brandfara.



Varning för elektrisk stöt.



Skyddsklass för elektriska stötar.



Denna apparat har tillverkats i miljövänliga moderna anläggningar utan att medföra någon skada på naturen.

# 1 Viktig säkerhets- och miljöinformation

## 1.1 Allmän säkerhet

Viktiga säkerhetsinstruktioner Läs noggrant och spara för framtida bruk. Det här avsnittet innehåller säkerhetsinstruktioner som hjälper dig att undvika brand, elektriska stötar, exponering för läckande mikrovägsenergi, skador på person eller egendom. Om du inte följer dessa instruktioner gäller inte garantin.

- Beko-produkter efterlever tillämpliga säkerhetsstandarder och därför ska apparaten eller strömkabeln om den skadas, bytas eller lagas av en återförsäljare, ett servicecenter, en expert eller auktoriserad service, för att undvika skada. Felaktigt eller obehörigt reparationsarbete kan orsaka fara och risker för användaren.
- Denna apparat är avsedd att användas i hushåll och liknande miljöer som:
  - Personalutrymmen i butiker, kontor och andra arbetsmiljöer;
  - Bondgårdar;
  - Av kunder på hotell och andra bostadslika miljöer;
  - Miljöer som bed&breakfast.
- Använd denna apparat endast för dess avsedda syfte, enligt be-

skrivningen i den här bruksanvisningen.

- Tillverkaren kan inte hållas ansvarig för eventuella skador till följd av olämplig installation eller felaktig användning av produkten.
- Denna apparat får användas av barn från 8 år och uppåt, och av personer med nedsatt fysisk eller psykisk förmåga eller brist på erfarenhet och kunskap, om de under översyn har fått lära sig att använda apparaten på ett säkert sätt och är införstådda med riskerna.
- Barn får inte tillåtas leka med enheten. Rengöring och skötsel får inte utföras av barn utan övervakning.
- Minsta avståndet mellan bärtytan för kokkärlen på spisen och den lägsta delen av din produkt måste vara minst 65 cm.
- Om installationsanvisningarna för gashäll anger ett större avstånd måste detta beaktas.
- Kontrollera att nätspänningen överensstämmer med uppgifterna på apparatens märkplåt.
- Använd aldrig apparaten om strömkabeln eller apparaten är skadad.

# 1 Viktig säkerhets- och miljöinformation

- Förhindra skada på strömsladden, genom att inte klämma, böja eller skava den mot vassa kanter. Håll strömsladden borta från heta ytor och öppen eld.
- Använd bara apparaten i ett jordat uttag.  
**WARNING:** Anslut inte apparaten till elnätet innan installationen är fullbordad.
- Placera apparaten på så sätt att kontakten alltid är tillgänglig.
- Vidrör inte vid lamporna om de har använts under lång tid. De kan bränna dina händer eftersom de kommer att vara heta.
- Följ de föreskrifter som de behöriga myndigheterna har angett om utsläppsluft (denna varning är inte tillämplig för användning utan rökkanal).
- Hantera apparaten när du har satt på en gryta, panna etc. på hällen. Annars kan hög värme orsaka deformation i vissa delar av din produkt.
- Stäng av hällen innan du tar grytan, pannan etc. från den.
- Lämna inte varm olja på hällen. Korkärl med varm olja kan orsaka självantändning.
- Var uppmärksam på dina gardiner och överdrag eftersom olja kan fatta eld när du lagar mat som pommes frites.
- Fettfilter måste bytas ut minst varje månad. Kolfilter måste bytas ut minst var tredje månad.
- Produkten ska rengöras enligt bruksanvisningen. Om rengöring inte utförts i enlighet med bruksanvisningen kan det föreligga brandrisk.
- Använd inte icke-brandbeständiga filtermaterial istället för det aktuella filtret.
- Använd endast originaltillbehör eller de som rekommenderas av tillverkaren.
- Använd inte produkten utan filtret och ta inte bort filtren medan produkten körs.
- I händelse av att lågor uppstår, slå av energiförsörjningen till din produkt och köksredskap.
- I händelse av att lågor uppstår, täck lågan och använd aldrig vatten för att släcka.
- Koppla ur apparaten innan varje rengöring och när apparaten inte används.
- Undertrycket i miljön bör inte överstiga 4 Pa (4 x 10 bar) medan fläkten för elektrisk håll och appa-

# 1 Viktig säkerhets- och miljöinformation

rater som körs på en annan typ av energi än el fungerar samtidigt.

- I den miljö där apparaten används måste utsläppen från enheter som körs på eldningsolja eller gas, t. ex. rumsvärmare, vara helt isolerade eller så måste enheten vara hermetiskt tillsluten.
- Vid anslutning av rökkanalen, använd rör med en diameter på 120 eller 150 mm. Röranslutningen ska vara så kort som möjligt och ha så få krökar som möjligt.

**Risk för kvävning!** Förvara allt förpackningsmaterial utom räckhåll för barn.

**FÖRSIKTIGHET:** Tillgängliga delar kan bli heta när de används med köksredskap.

- Produktuttaget får inte anslutas till luftkanaler som inkluderar annan rök.
- Ventilationen i rummet kan vara otillräcklig när fläkten för den elektriska hällen används samtidigt med de enheter som arbetar med gas eller annat bränsle (detta är inte tillämpligt för apparater som endast släpper ut luften tillbaka i rummet).
- Objekt placerade på produkten kan falla. Placera inga objekt på

produkten.

- Flambara ej under produkten.

**VARNING:** Innan fläkten installeras, ta bort all skyddsfilm.

- Lämna aldrig öppna lågor under fläkten när den används.
- Fritöspannor måste övervakas under användning: överhettad olja kan antända.

# 1 Viktig säkerhets- och miljöinformation

## 1.2 Efterlevnad av WEEE-direktivet och kassering av den förbrukade produkten:

Den här produkten uppfyller kraven enligt EU:s WEEE-direktiv (2012/19/EU). Den här produkten har en klassificeringssymbol för elektriskt och elektroniskt avfall (WEEE).



Denna symbol indikerar att den här produkten inte ska kasseras med annat hushållsavfall vid slutet av dess livslängd. Använd enhet måste lämnas till en officiell insamlingsplats för återvinning av elektriska och elektroniska enheter. För att lokalisera dessa insamlingssystem, kontakta lokala myndigheter eller den återförsäljare där produkten införskaffades. Varje hushåll spelar en viktig roll vid återställning och återvinning av gamla apparater.

Lämpligt bortskaffande av använda apparater hjälper till att förhindra eventuella negativa konsekvenser för miljön och människors hälsa.

## 1.3 Efterlevnad av RoHS-direktivet

Produkten du har köpt uppfyller kraven för EU:s RoHS-direktiv (2011/65/EU). Den innehåller inte

skadliga och förbjudna material som specificerats i direktivet.

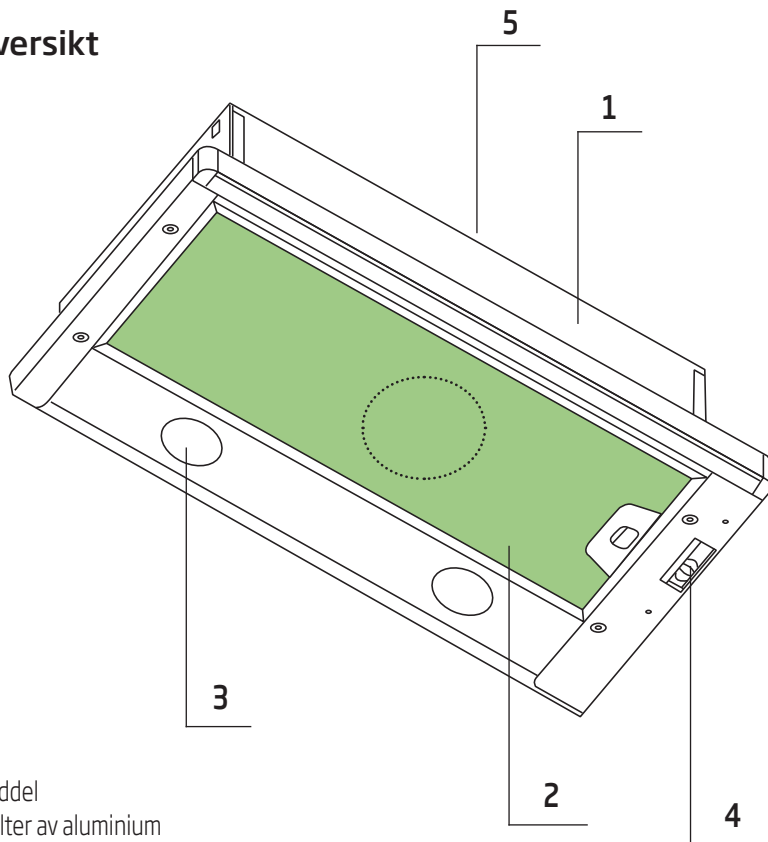
## 1.4 Förpackningsinformation



Produktens förpackningsmaterial är tillverkade av återvinningsbara material i enlighet med vår nationella miljölagstiftning. Kasta inte förpackningsmaterial i hushållsavfall eller annat liknande avfall. Ta dem till ett insamlingsställe för förpackningsmaterial som anvisas av lokala myndigheter.

## 2 Allmänt Utseende

### 2.1 Översikt



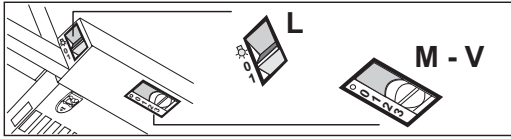
1. Huvuddel
2. Fettfilter av aluminium
3. Belysning
4. Kontrollpanel
5. Skorsten

### 2.2 Tekniska data

<b>Modell</b>	CTB 6250 W / CTB 6250 X / CTB 6250 XH / CTB 6250 B / CTB 9250 X / CTB 9250 XH
<b>Matningsspänning</b>	220-240V ~ 50 Hz
<b>Lamp Effekt (W)</b>	2x4
<b>Motor Effekt (W)</b>	1 x 140
<b>Luftflöde (m<sup>3</sup> / h) - 3. Nivå</b>	420
<b>Isoleringsklass</b>	KLASS II

## 3 Använda Apparaten

### 3.1 Kontrollpanel



L	Belysning	Tänder och släcker belysningen.
M	Motor	Kopplar på och stänger av fläktmotorn.
V	Hastighet	Bestämmer driftshastigheten: 1. Minimum hastighet, speciellt tystgående, lämplig för ett kontinuerligt luftbyte, vid mindre mängder matos. 2. Medelhastighet, lämplig för de flesta användningsvillkoren, beroende på det utmärkta förhållandet emellan den behandlade luftkapaciteten och ljudnivån. 3. Maximal hastighet, lämplig för stora mängder matos, även för längre tidsperioder.

- Avluftshuven är designad uteslutande för hushållsbruk för att eliminera köklukt.
- Använd aldrig huven för andra ändamål än för vilka den har utformats.
- Lämna aldrig höga nakna lågor under huven när den är i drift.
- Justera flam intensiteten så att den bara riktas mot botten av pannan, och se till att den inte täcker sidorna.
- Frityrkokare med djupfett måste övervakas kontinuerligt under användning; överhettad olja kan fatta eld.

## 3 Använda Apparaten

### 3.2 Byte av lampa



Innan du byter glödlamporna ska du koppla bort strömtillförseln till huven.



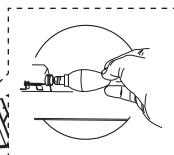
Rör inte vid glödlamporna när de är heta.




Var försiktig så att du inte rör den ersatta lampan direkt med händerna.



Du kan skaffa lampor från auktoriserade serviceagenter.



Lampa	Förbrukning (W)	Socket	Spänning (V)	Mått (mm)	ILCOS art.nr
	4	E14	220 – 240	107 x 37	DRBB/F-4-220-240-E14-35/100

- En lampa av typ LED-lampa används i denna produkt
- Max 4 W lampa måste användas vid byte av lampa



## 4 Rengöring och underhåll

Innan du rengör och utför underhåll, koppla ur apparaten eller stäng av huvudströmbrytaren eller lossa densäkring som strömförsörjer huven.

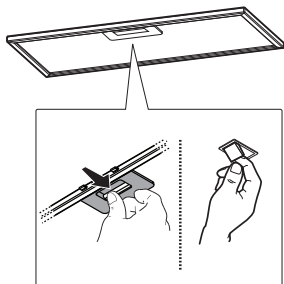


Underlåtenhet att följa bestämmelserna om rengöring av enheten och byte av filter kan orsaka brandrisker. Det rekommenderas därför att följa riktlinjerna som anges här. Tillverkaren ansvarar inte för skador på motorn eller bränder som är orsakade av felaktig användning.

Rengör endast med en trasa fuktad med neutralt flytande tvättmedel. Rengör inte med verktyg eller instrument. Använd inte slipande produkter. Använd inte alkohol

### 4.1 Rengöring av fettfilter gjort av aluminium

Detta filter fångar upp oljepartiklarna i luften. Du rekommenderas att rengöra ditt filter varje månad under normala användningsförhållanden. Ta först bort fettfiltren för denna process. Tvätta filtren med flytande tvättmedel och skölj dem med vatten och sätt tillbaka dem efter att de har torkat. Fettfilter av aluminium kan missfärgas när de tvättas; detta är normalt och du behöver inte byta filter.

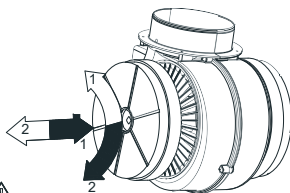


Du kan tvätta aluminiumfiltret i diskmaskinen

### 4.2 Byte av kolfilter (luftcirkulationsläge)

Huven kan utrustas med ett aktivt kolfilter. Kolfiltret appliceras endast om huven inte är ansluten till ventilationsledningen. I vilket fall som helst är det nödvändigt att byta ut kolfiltret minst var tredje månad.

När du byter ut kolfiltret, var uppmärksam på typen av använd turbin.



Symbol → Filter installation  
Symbol ← Filter demontering



**VARNING** Kolfiltret har aldrig blivit tvättat



**VARNING** Kolfilter är tillgängligt från auktoriserade tjänster.

## 5 Ställa in enheten



### VARNING

Läs säkerhetsinstruktionerna innan du installerar den.



### VARNING

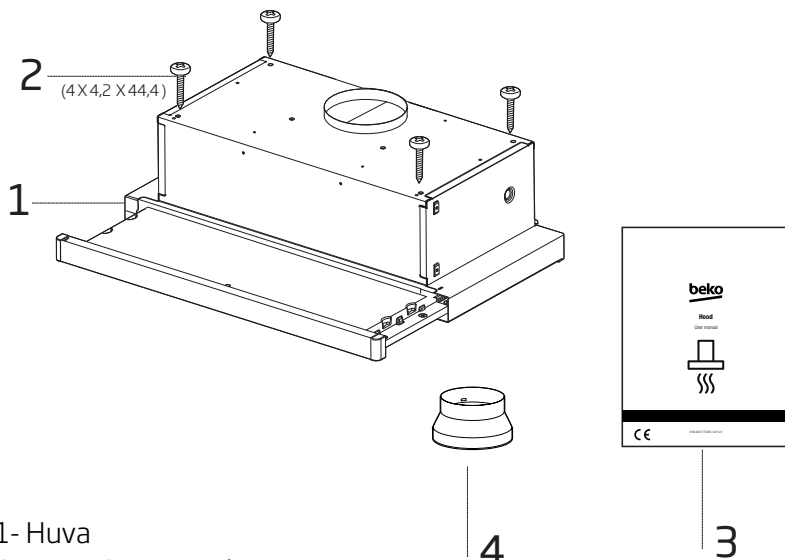
Underlåtenhet att installera skruvarna eller fixeringsenheten i enlighet med dessa instruktioner kan leda till elektriska faror.



### NOTERA

Se sida 255 för installationsguiden

### 5.1 Installationstillbehör



1- Huva

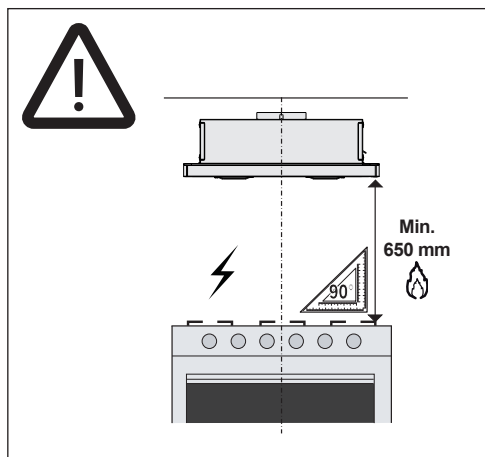
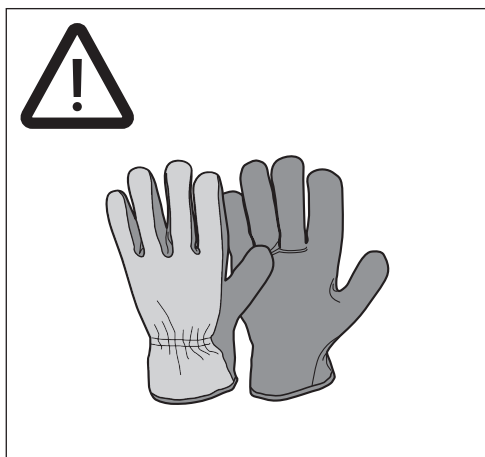
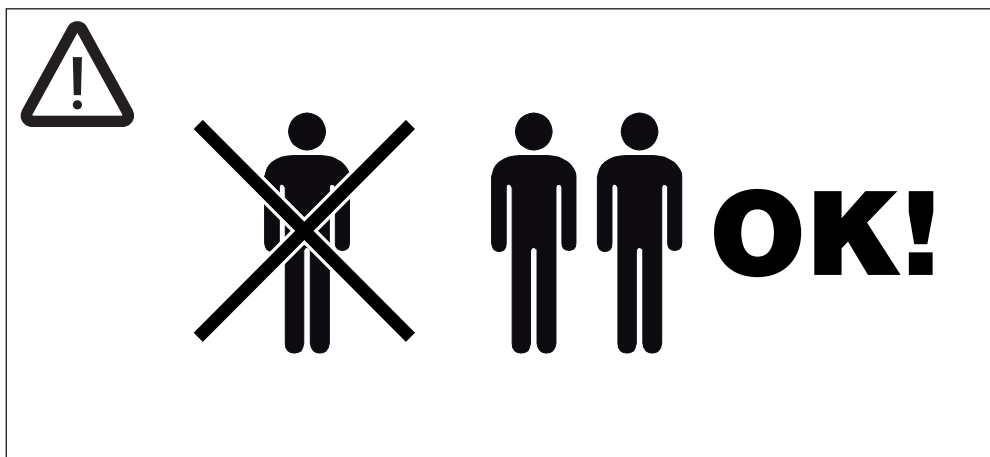
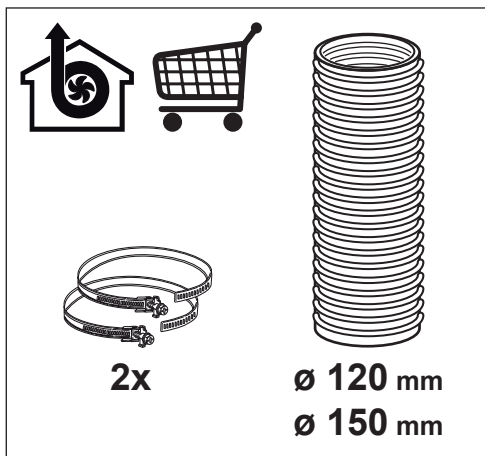
2- 4 X 4,2 X 44,4 skruvar

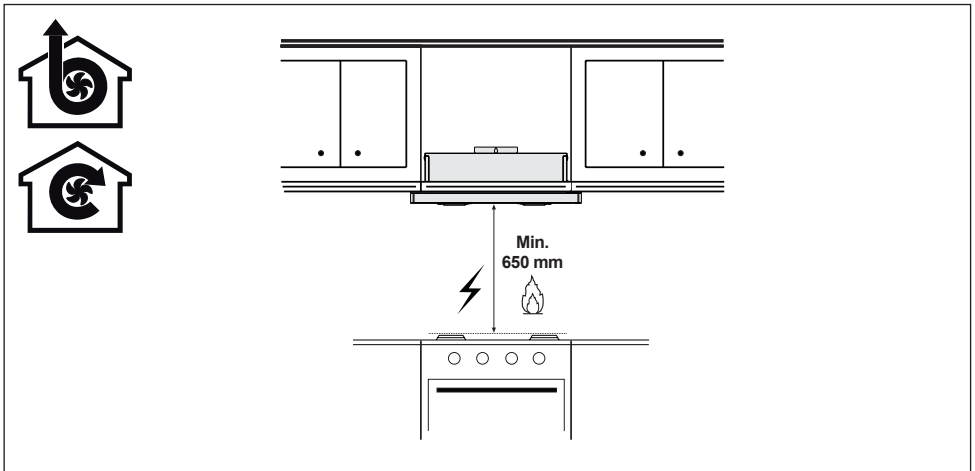
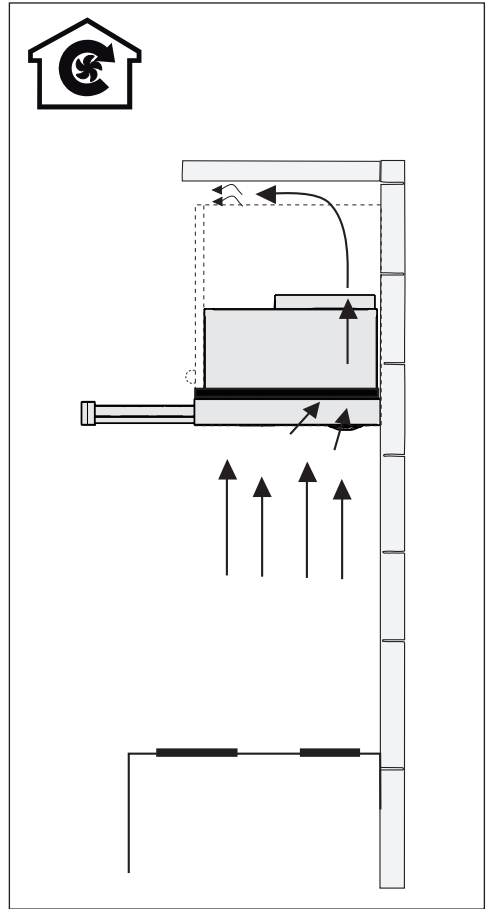
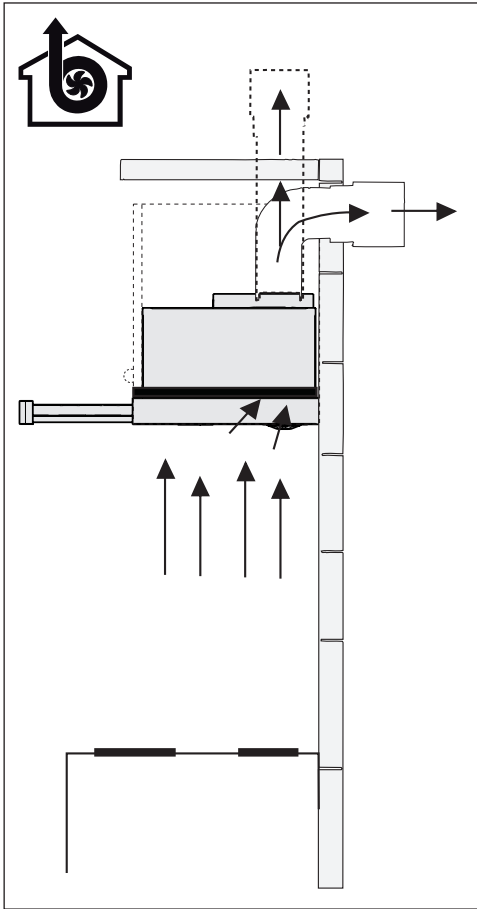
3- Användarmanual

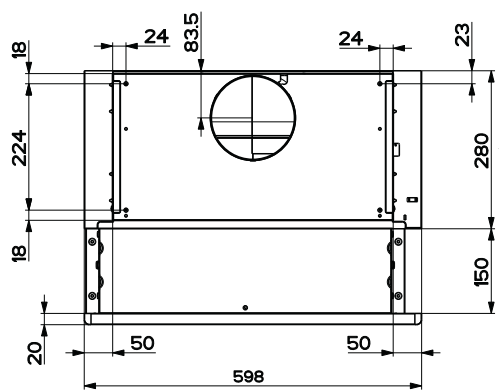
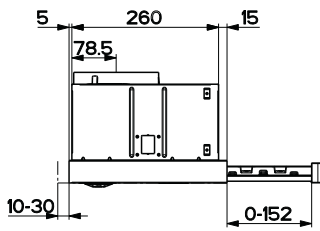
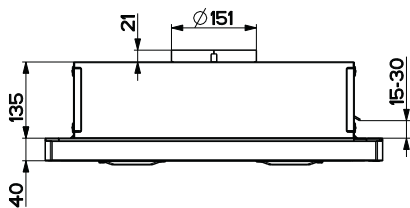
4- 1 x Ø120/150 mm rökkanalens  
plastadapter

## 6 Felsökning

Felsökning	Orsak	Hjälp
Produkten fungerar inte.	Kontrollera säkringen.	Säkringen kan vara utlöst, returnera den.
Produkten fungerar inte.	Kontrollera elanslutningen.	Nätspänningen ska vara mellan 220-240 V.
Produkten fungerar inte.	Kontrollera elanslutningen.	Kontrollera om andra produkter i köket fungerar.
Lampan fungerar inte.	Kontrollera elanslutningen.	Nätspänningen ska vara mellan 220-240 V.
Lampan fungerar inte.	Kontrollera lampans brytare.	Lampans brytare ska vara i "on" position.
Lampan fungerar inte.	Kontrollera lamporna.	Produktens lampor ska inte vara felaktiga.
Produktens luftintag är lågt.	Kontrollera aluminiumfiltret.	Aluminiumoljefiltret ska rengöras minst en gång i månaden under normala förhållanden.
Produktens luftintag är lågt.	Kontrollera ventilationskanalen.	Ventilationskanalen ska vara i "on" position.
Produktens luftintag är lågt.	Kontrollera kolfiltret.	Produkter med kolfilter, ska filtren bytas ut normalt vart 3. månad.

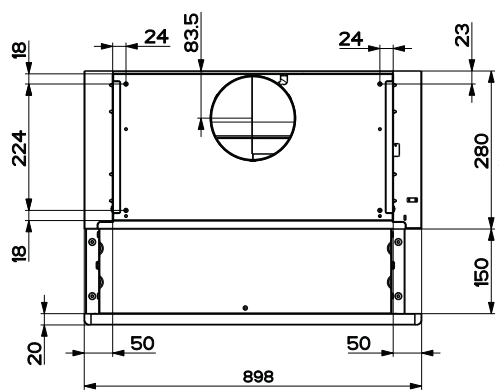






598 mm

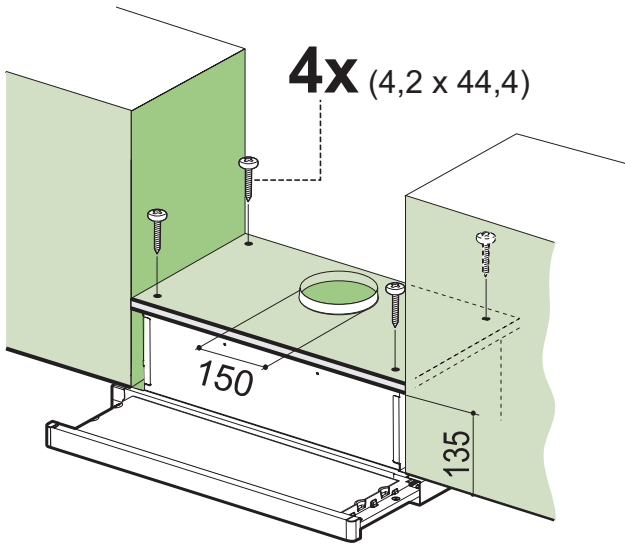
CTB 6250 W  
CTB 6250 B  
CTB 6250 X  
CTB 6250 XH



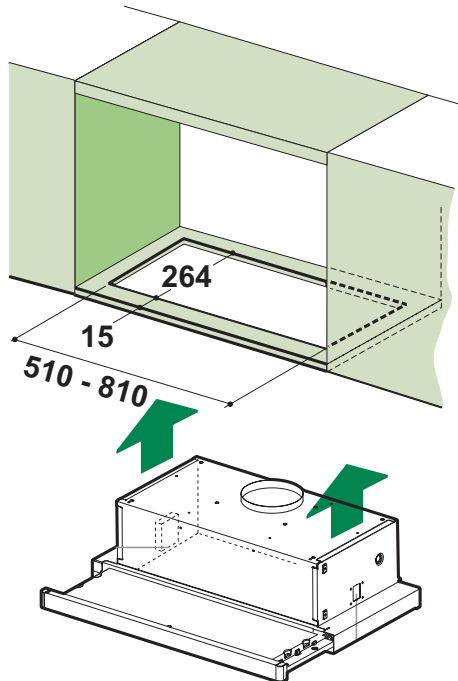
898 mm

CTB 9250 X  
CTB 9250 XH

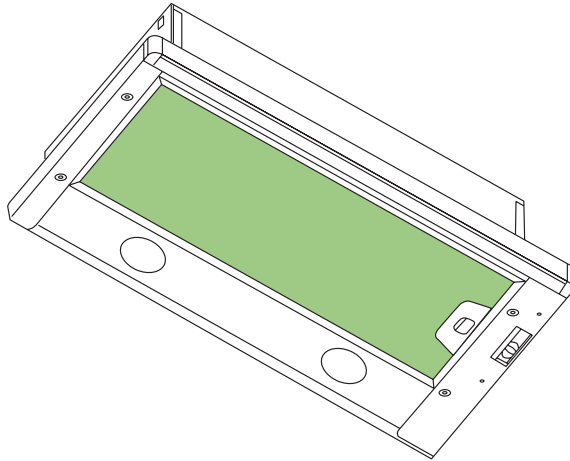
1A



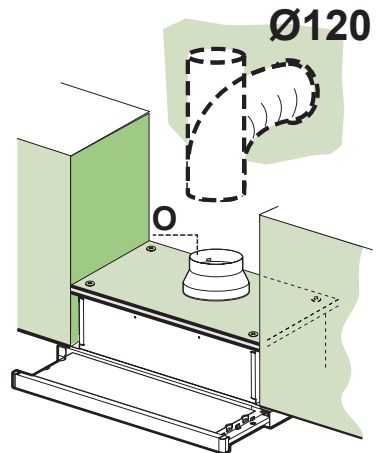
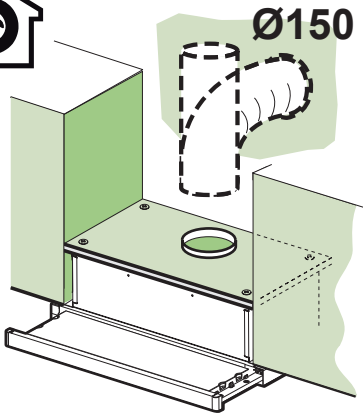
1B



2

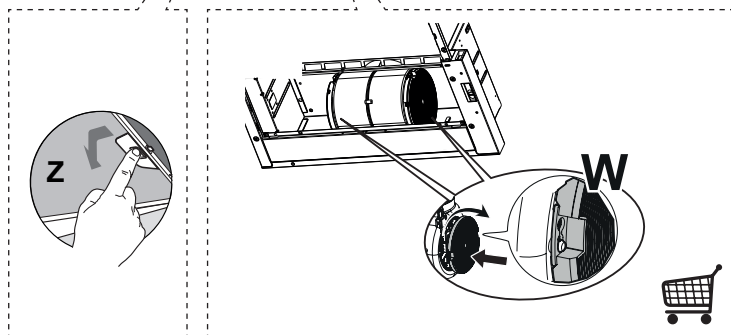
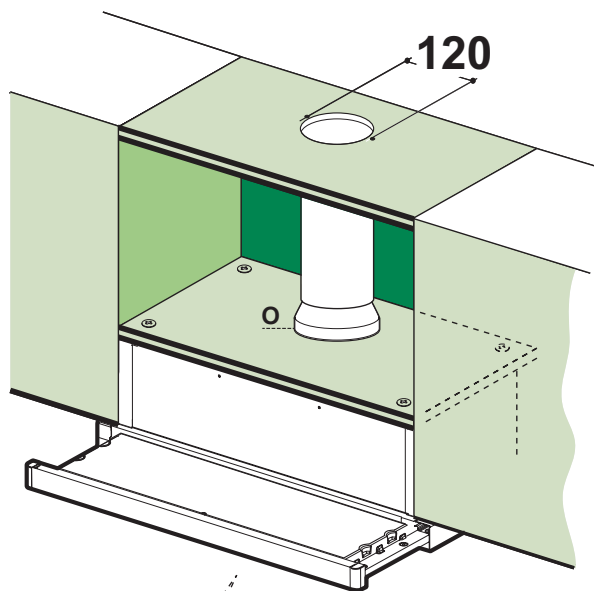


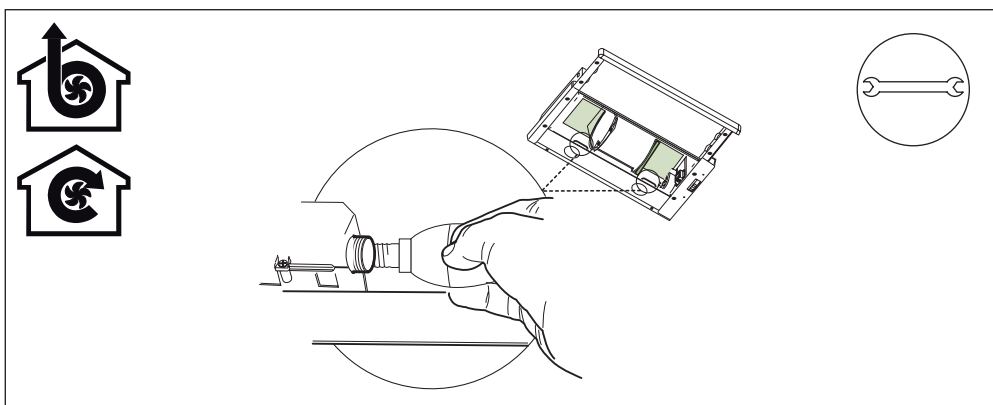
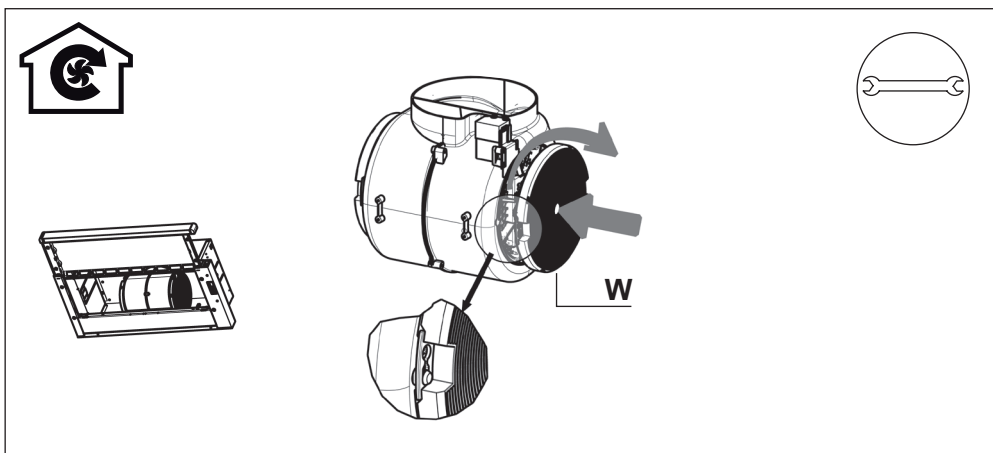
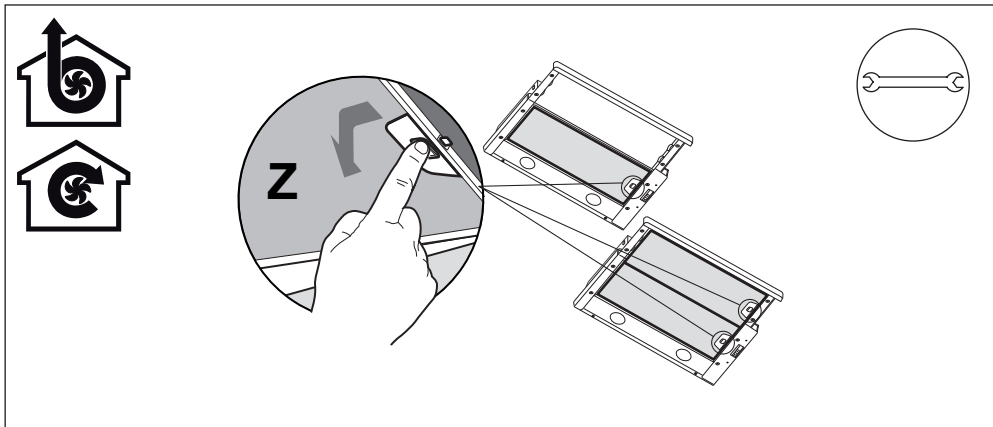
3





4





Arçelik A.Ş. Karaağaç Caddesi No:2-6  
34445, Sütlüce / İSTANBUL  
[www.beko.com](http://www.beko.com)

Ovaj dokument je originalno proizveden i objavljen od strane proizvođača, brenda Beko, i preuzet je sa njihove zvanične stranice. S obzirom na ovu činjenicu, Tehnoteka ističe da ne preuzima odgovornost za tačnost, celovitost ili pouzdanost informacija, podataka, mišljenja, saveta ili izjava sadržanih u ovom dokumentu.

Napominjemo da Tehnoteka nema ovlašćenje da izvrši bilo kakve izmene ili dopune na ovom dokumentu, stoga nismo odgovorni za eventualne greške, propuste ili netačnosti koje se mogu naći unutar njega. Tehnoteka ne odgovara za štetu nanесenu korisnicima pri upotrebi netačnih podataka. Ukoliko imate dodatna pitanja o proizvodu, ljubazno vas molimo da kontaktirate direktno proizvođača kako biste dobili sve detaljne informacije.

Za najnovije informacije o ceni, dostupnim akcijama i tehničkim karakteristikama proizvoda koji se pominje u ovom dokumentu, molimo posetite našu stranicu klikom na sledeći link:

<https://tehnoteka.rs/p/beko-aspirator-ctb-6250-x-akcija-cena/>